

Parts Manual



See "General Information"
for New Parts Manual
Features.

3056E Industrial Engine

3561-Up (Engine)



Product and Dealer Information

Note: For product identification plate locations, see the section "Product Identification Information" in the Operation and Maintenance Manual.

Delivery Date: _____

Product Information

Model: _____

Product Identification Number: _____

Engine Serial Number: _____

Transmission Serial Number: _____

Generator Serial Number: _____

Attachment Serial Numbers: _____

Attachment Information: _____

Customer Equipment Number: _____

Dealer Equipment Number: _____

Dealer Information

Name: _____ Branch: _____

Address: _____

Dealer Contact

Phone Number

Hours

Sales: _____

Parts: _____

Service: _____

MEMORANDA

TABLE OF CONTENTS

Name	Page	Name	Page
GENERAL INFORMATION	A2	ELBOW GP-EXHAUST	93
REPAIR ALTERNATIVES	A4	TURBOCHARGER GP	94
SUPPLEMENTAL COOLANT ADDITIVES	A5	FUEL SYSTEM	107
MAINTENANCE PARTS	A6	FILTER GP-FUEL	107
INDEX	A8	PUMP GP-FUEL INJECTION	108
ENGINE ARRANGEMENT	1	PUMP GP-FUEL TRANSFER	116
ENGINE AR-CORE	1	SEPARATOR GP-WATER	127
ENGINE AR-PRIMARY	2	ELECTRICAL AND STARTING SYSTEM	130
BASIC ENGINE	4	ALTERNATOR GP-CHARGING	130
AIR COMPRESSOR GP	4	HEATER GP-STARTING AID	132
CAMSHAFT GP	12	STARTING AID GP	134
COVER GP-ENGINE	13	LINES GP-STARTING AID	135
COVER GP-VALVE MECHANISM	14	STARTING MOTOR GP-ELECTRIC	138
CRANKSHAFT GP	26	WIRING GP-ELECTRONIC CONTROL	140
CYLINDER BLOCK GP	27	WIRING GP-ENGINE	144
CYLINDER HEAD GP	30	PRIME PACKAGE	146
DRIVE GP-ACCESSORY	32	FASTENER GP	146
DRIVE GP-FAN	34	PART NUMBER INDEX	B1
FLYWHEEL GP	35		
GEAR GP-FRONT	37		
HOUSING GP-FLYWHEEL	38		
HOUSING GP-FRONT	40		
LIFTING GP-ENGINE	44		
MOUNTING GP-ENGINE	46		
PAN GP-OIL	48		
PISTON & ROD GP	60		
PLUG GP-CYLINDER BLOCK	61		
PLUG GP-FLYWHEEL HOUSING	63		
PULLEY GP-CRANKSHAFT	66		
PULLEY GP-FAN DRIVE	67		
ROCKER ARM GP	68		
VALVE MECHANISM GP	69		
LUBRICATION SYSTEM	70		
FILTER GP-ENGINE OIL	70		
PUMP GP-ENGINE OIL	73		
COOLING SYSTEM	74		
CONNECTION GP-HEATER	74		
CONNECTION GP-WATER	75		
COOLER GP-FLTR BASE & ENG OIL	78		
PUMP GP-WATER	86		
AIR INLET AND EXHAUST SYSTEM	92		
ELBOW GP-AIR INLET	92		

GENERAL INFORMATION

1. ENGINE IDENTIFICATION

Caterpillar engines are identified with Serial Numbers and Arrangement Numbers. In some cases, Modification Numbers are also used. The serial number plate which shows these numbers is mounted on the engine.

Caterpillar dealers need this information to determine which components were included on the engine when it was assembled at the factory. This permits accurate identification of replacement part numbers.

2. ORDERING PARTS

WARNING

When replacement parts are required for this product Caterpillar recommends using Caterpillar replacement parts or parts with equivalent specifications including, but not limited to, physical dimensions, type, strength and material.

Failure to heed this warning can lead to premature failures, product damage, personal injury or death.

Quality Caterpillar replacement parts are available from Caterpillar dealers throughout the world. Their parts inventories are up to date and include all parts normally required to protect your investment in Caterpillar Engines. Dealers may offer repair kits or remanufactured parts to allow selection of the most effective repair alternative for a particular situation. When ordering parts, your order should specify the quantity, part number, part name, and the serial number/product identification number of the engine for which the parts are needed.

3. PARTS MANUAL ORGANIZATION

Product information in this manual is presented as "information elements" that represent all of the components for the specific model. An Engine Arrangement is an example of an information element. The information elements are organized alphabetically by part name and secondarily by part number within each major section of the manual.

4. TABLE OF CONTENTS

New Feature

A table of contents (TOC) is found at the beginning of the manual. The TOC lists each section of the manual with a complete list of all information elements organized as they appear in the manual. Page numbers are provided for quick reference to detailed parts identification illustrations and serviceable consist lists.

5. MAINTENANCE PARTS INDEX

The Maintenance Parts Index, located near the beginning of the manual, references most frequently used maintenance part numbers, providing description, quantity, usage and page number. This information is organized alphabetically by part description.

6. INDEX

The index located near the front of the manual is an alphabetical listing of all information elements included in the manual. Page numbers are provided for quick reference to detailed parts identification illustrations and serviceable consist lists.

7. PART NUMBER INDEX

A numerical index listing all part numbers and the corresponding page number(s) appears at the back of the manual.

8. CAPTIONS

Captions located at the top of each page of an information element identify the part number and part name along with additional descriptive information. S/N information found in each caption should be used to select correct information for a specific engine. Field replacement options, identification of optional attachment components, and where used ("part of") information is also provided.

New Feature

The first line of a caption is shown in larger type font to indicate the beginning of an information element. Captions for additional pages that may be required to illustrate an information element will be shown in standard type font and will include the term (*contd.*)

GENERAL INFORMATION

9. NON-SERVICED PARTS

New Feature

In some instances it is necessary to display non-serviced parts that are a link to lower level serviceable consist lists. These non-serviced part numbers are shown in *italic* type indicating that they are not available. All consist lists have not been converted to reflect this enhancement.

10. PARTS LIST REFERENCE NUMBERS

New Feature

Numbers shown in the Ref No column correspond to numbers used in the associated graphic(s). An alphabetic suffix may be added to a reference number to identify lower level consist items. Numbers shown in the Graphic Ref column refer to the graphic number identifier displayed in the lower left corner of each illustration. The Graphic Ref number may be used in combination with the item Ref No to determine the correct part number. There may be intentional omission of a Ref No in a consist list as information is updated to reflect the latest serviceable part numbers.

11. INDENTED PART NAMES

When a part name is indented in a parts list, it is part of (included in) the group or assembly under which it is indented.

12. ILLUSTRATION REFERENCE LETTERS

When necessary, illustrations contain reference letters (A, B, C etc.) that are intended to track lines and harnesses from one point to another. They are also used to show where to reconnect illustrations that have been separated.

13. ABBREVIATIONS AND SYMBOLS

O.D. – Outside Diameter
I.D. – Inside Diameter
A – Not Part Of This Group
B – Use As Required
C – Change From Previous Type
D – Order By The Meter
E – Order By The Centimeter
F – Not Shown
G – Order By The Inch
I – See Hose Fabrication Guide
M – Metric Part
R – Remfg Part May Be Available
Y – Separate Illustration
Z – Not Serviced Separately

NOTE:

Continuing improvement and advancement of product design may cause changes to your engine which may not be included in this publication. Whenever a question arises regarding your Caterpillar product or this publication, please consult your Caterpillar dealer for the latest available information.

REPAIR ALTERNATIVES

REMANUFACTURED COMPONENTS

As an option when making repairs consider Caterpillar Remanufactured Components. Components that are available through the Caterpillar Remanufactured Program are identified three ways in the parts book:

- with the letter R in the note field of the parts list
- with an R* at the beginning of the first line of the caption
- with an *R at the end of the first line of the caption

Typical components included in the Remanufacturing Program include:

ALTERNATORS
CONNECTING RODS
CRANKSHAFTS - UNDERSIZE
CRANKSHAFTS - UPGRADE TO NEW
CYLINDER HEADS
ELECTRONIC CONTROL MODULES (ECM)
ELECTRONIC SENSORS
FUEL INJECTORS
FUEL NOZZLES
FUEL PUMPS
GOVERNORS
OIL PUMPS
PISTONS
SHORT BLOCKS
STARTERS
TURBOCHARGERS - COMPLETE
TURBOCHARGER CARTRIDGES
WATER PUMPS

Caterpillar Remanufactured engines for many engine arrangements are also available.

SUPPLEMENTAL COOLANT ADDITIVES

CUSTOMER BENEFITS:

Protects against cavitation, foam, erosion, corrosion, and scale buildup in cooling systems.

- Provides measured coolant conditioner.

DESCRIPTION:

Additives deplete from the coolant with normal operation. For this reason, Supplemental Coolant Additives (SCA) must be added to all heavy duty coolants at regular intervals. In addition, when not using a fully formulated, pre-charged antifreeze, like Caterpillar's DEAC, an initial charge of SCA must be added to the cooling system. The amount of SCA added to the system is dependent on the capacity of the system.

The SCA for initial fill is provided as a liquid. SCA's for maintenance intervals are available in liquid form and as a spin-on element. (No Spin-on available for 3600 Family of Engines)

NOTE:

The amount of SCA added at initial fill is not the same as the amount added at maintenance intervals.

The coolant additive elements can be used with any ethylene or propylene glycol type antifreeze which meets ASTM D4985 or ASTM D5345 Specifications.

NOTE:

For use with standard heavy duty coolant only, not for use with Extended Life Coolant.

PARTS NEEDED:

Cooling System Capacity		Liquid SCA at Initial Fill	Liquid SCA at Maintenance*	Spin-on SCA Maintenance Element*
Liters	Gallons			
22-30	(6-8)	3P-2044 (1)	6V-3542 (1)	111-2370 (1)
30-38	(8-10)	3P-2044 (1) 6V-3542 (1)	111-2372 (1)	111-2369 (1)
38-49	(10-13)	3P-2044 (1) 8T-1589 (1)	111-2372 (1)	111-2369 (1)
49-64	(13-17)	3P-2044 (2)	8T-1589 (1)	9N-3368 (1)
64-83	(17-22)	3P-2044 (2) 8T-1589 (1)	111-2372 (1) 6V-3542 (1)	111-2371 (1)
83-114	(22-30)	3P-2044 (3) 8T-1589 (1)	3P-2044 (1)	9N-3718 (1)
114-163	(30-43)	3P-2044 (5)	3P-2044 (1) 6V-3542 (1)	111-2371 (2)
163-242	(43-64)	3P-2044 (8)	3P-2044 (2)	9N-3718 (2)

* Normal maintenance period is 250 hrs. See your Operation and Maintenance Manual for complete coolant maintenance instructions.

() Indicates quantity required.

MAINTENANCE PARTS

DESCRIPTION	PART NUMBER	QTY	WHERE USED	PAGE
BASIC ENGINE				
CAP AS (OIL FILLER)	130-9888	1	COVER GP-VALVE MECHANISM	16
		1	COVER GP-VALVE MECHANISM	18
		1	COVER GP-VALVE MECHANISM	20
		1	COVER GP-VALVE MECHANISM	22
FILTER-BREATHER (CRANKCASE)	136-3608	1	COVER GP-VALVE MECHANISM	24
		1	COVER GP-VALVE MECHANISM	14
	229-3555	1	COVER GP-VALVE MECHANISM	20
		1	COVER GP-VALVE MECHANISM	22
GASKET (VALVE COVER)	216-9604	1	COVER GP-VALVE MECHANISM	14
		1	COVER GP-VALVE MECHANISM	16
		1	COVER GP-VALVE MECHANISM	18
		1	COVER GP-VALVE MECHANISM	20
		1	COVER GP-VALVE MECHANISM	22
		1	COVER GP-VALVE MECHANISM	24
		1	COVER GP-VALVE MECHANISM	14
		1	COVER GP-VALVE MECHANISM	24
HOSE (BREATHER)	198-8645	1	COVER GP-VALVE MECHANISM	24
HOSE-DISPOSAL (FUMES)	191-5049	1	COVER GP-VALVE MECHANISM	16
		1	COVER GP-VALVE MECHANISM	18
HOSE (LOWER FUMES DISPOSAL)	216-9617	1	COVER GP-VALVE MECHANISM	14
		1	COVER GP-VALVE MECHANISM	20
		1	COVER GP-VALVE MECHANISM	22
HOSE (UPPER FUMES DISPOSAL)	216-9614	1	COVER GP-VALVE MECHANISM	14
		1	COVER GP-VALVE MECHANISM	20
		1	COVER GP-VALVE MECHANISM	22
PLUG-SUMP DRAIN	7C-0351	2	PAN GP-OIL	48
		2	PAN GP-OIL	50
		2	PAN GP-OIL	52
		2	PAN GP-OIL	54
		2	PAN GP-OIL	56
		2	PAN GP-OIL	58
SEAL-O-RING (CRANKCASE BREATHER)	229-3556	1	COVER GP-VALVE MECHANISM	14
		1	COVER GP-VALVE MECHANISM	20
SEAL-O-RING (OIL DRAIN PLUG)	5P-6718	1	COVER GP-VALVE MECHANISM	22
		2	PAN GP-OIL	50
		2	PAN GP-OIL	52
		2	PAN GP-OIL	54
		2	PAN GP-OIL	56
		2	PAN GP-OIL	58
		2	PAN GP-OIL	48
SPRING (BREATHER HOSE)	162-1565	1	COVER GP-VALVE MECHANISM	16
		1	COVER GP-VALVE MECHANISM	24
V-BELT SET (INCLUDES 2 BELTS)	4W-6025	1	COVER GP-VALVE MECHANISM	18
		1	DRIVE GP-FAN	34

MAINTENANCE PARTS

DESCRIPTION	PART NUMBER	QTY	WHERE USED	PAGE
COOLING SYSTEM				
CAP-VALVE (OIL CHECK VALVE)	216-9634	1	COOLER GP-FLTR BASE & ENG OIL	78
REGULATOR-WATER TEMPERATURE	216-9737	1	CONNECTION GP-WATER	75
		1	CONNECTION GP-WATER	76
		1	CONNECTION GP-WATER	77
SEAL-O-RING (REGULATOR)	140-7515	1	CONNECTION GP-WATER	75
		1	CONNECTION GP-WATER	76
		1	CONNECTION GP-WATER	77
SEAL (REGULATOR HOUSING)	141-6188	1	CONNECTION GP-WATER	75
		1	CONNECTION GP-WATER	76
		1	CONNECTION GP-WATER	77
FUEL SYSTEM				
ELEMENT-WATER SEPARATOR	138-3100	1	SEPARATOR GP-WATER	127
FILTER ELEMENT-FUEL	145-4501	1	FILTER GP-FUEL	107
SEAL (WATER SEPARATOR BASE)	101-3953	1	SEPARATOR GP-WATER	127
SEAL (WATER SEPARATOR CONNECTION)	101-3955	1	SEPARATOR GP-WATER	127
LUBRICATION SYSTEM				
FILTER AS-ENGINE OIL	1R-0739	1	FILTER GP-ENGINE OIL	71
	7W-2327	2	FILTER GP-ENGINE OIL	70
		1	FILTER GP-ENGINE OIL	72

INDEX

Name	Page	Name	Page
A		F	
AIR COMPRESSOR GP	4	FASTENER GP	146
	6	FILTER AS-ENGINE OIL	70
	8		71
	10		72
ALTERNATOR GP-CHARGING	130	FILTER BASE & ENG OIL COOLER	78
			80
C			82
CAMSHAFT GP	12		84
CAP AS (OIL FILLER)	14	FILTER-BREATHER (CRANKCASE)	14
	16		20
	18		22
	20	FILTER ELEMENT-FUEL	107
	22	FILTER GP-ENGINE OIL	70
	24		71
CAP-VALVE (OIL CHECK VALVE)	78		72
CONNECTION GP-HEATER	74	FILTER GP-FUEL	107
CONNECTION GP-WATER	75	FLYWHEEL GP	35
	76		36
	77	G	
CONTROL GP-VOLTAGE (LOAD PROTECTION)	112	GASKET (VALVE COVER)	16
CONTROL GP-VOLTAGE (24 VOLT) (LOAD PROTECTION)	108		18
COOLER GP-FLTR BASE & ENG OIL	78	GASKET (VALVE COVER)	14
	80		20
	82		22
	84	GEAR GP-FRONT	37
COVER GP-ENGINE	13	H	
COVER GP-VALVE MECHANISM	14	HEATER GP-STARTING AID	132
	16		133
	18	HOSE (BREATHER)	24
	20	HOSE-DISPOSAL (FUMES)	16
	22		18
	24	HOSE (LOWER FUMES DISPOSAL)	14
CRANKSHAFT GP	26		20
CYLINDER BLOCK GP	27		22
	28	HOSE (UPPER FUMES DISPOSAL)	14
CYLINDER HEAD GP	30		20
	31		22
			22
D		HOUSING GP-FLYWHEEL	38
DRIVE GP-ACCESSORY	32	HOUSING GP-FRONT	40
DRIVE GP-FAN	34		42
E		K	
ELBOW GP-AIR INLET	92	KIT-BOWL (WATER SEPARATOR)	127
ELBOW GP-EXHAUST	93	KIT-CLAMP (REGULATOR HOUSING)	90
ELEMENT-WATER SEPARATOR	127	KIT-HOSE (WATER (REGULATOR HOUSING))	86
ENGINE AR-CORE	1		88
ENGINE AR-PRIMARY	2		

INDEX

Name	Page	Name	Page
KIT-RECEPTACLE (4 PIN)	108		90
	112		
KIT-REPAIR (AIR COMPRESSOR RING)	10		
KIT-REPAIR (AIR COMPRESSOR VALVE)	10		
KIT-REPAIR (OIL COOLER)	80		
	82		
	84		
KIT-SEAL (COMPRESSOR) (AIR)	10		
KIT-WATER PUMP	86		
	88		
	90		
		L	
LIFTING GP-ENGINE	44		
	45		
LINES GP-STARTING AID	135		
	136		
		M	
MOUNTING GP-ENGINE	46		
		P	
PAN GP-OIL	48		
	50		
	52		
	54		
	56		
	58		
PISTON & ROD GP	60		
PLUG GP-CYLINDER BLOCK	61		
	62		
PLUG GP-FLYWHEEL HOUSING	63		
	64		
	65		
PLUG-SUMP DRAIN	48		
	50		
	52		
	54		
	56		
	58		
PULLEY GP-CRANKSHAFT	66		
PULLEY GP-FAN DRIVE	67		
PUMP GP-ENGINE OIL	73		
PUMP GP-FUEL INJECTION	108		
	112		
PUMP GP-FUEL TRANSFER	116		
	120		
	124		
PUMP GP-WATER	86		
	88		
		R	
		REGULATOR-WATER TEMPERATURE	75
			76
			77
		ROCKER ARM GP	68
		S	
		SEAL-O-RING (CRANKCASE BREATHER)	14
			20
			22
		SEAL-O-RING (OIL DRAIN PLUG)	48
			50
			52
			54
			56
			58
		SEAL-O-RING (REGULATOR)	75
			76
			77
		SEAL (REGULATOR HOUSING)	75
			76
			77
		SEAL (WATER SEPARATOR BASE)	127
		SEAL (WATER SEPARATOR CONNECTION)	127
		SENSOR GP-PRESSURE (BOOST)	108
			112
		SENSOR GP-PRESSURE (ENGINE OIL)	108
			112
		SENSOR GP-SPEED (TIMING)	108
			112
		SENSOR GP-TEMPERATURE (AIR INLET)	108
			112
		SENSOR GP-TEMPERATURE (ENGINE COOLANT)	108
		SEPARATOR GP-WATER	127
			128
		SPRING (BREATHER HOSE)	16
			18
			24
		STARTING AID GP	134
		STARTING MOTOR GP-ELECTRIC	138
			139
		T	
		TURBOCHARGER GP	94
			96
			98
			100
			104

INDEX

Name	Page	Name	Page
V			
V-BELT SET (INCLUDES 2 BELTS)	34		
VALVE MECHANISM GP	69		
W			
WIRING GP-ELECTRONIC CONTROL	140		
	142		
WIRING GP-ENGINE	144		

ENGINE ARRANGEMENT

228-6941 ENGINE AR-CORE

SMCS-1000

i01827619

NOTE	PART NUMBER	QTY	PART NAME						SEE PAGE
			1	2	3	4	5	6 (PRODUCT LEVEL)	
Y	216-8620	1	CAMSHAFT GP						12
Y	216-8316	1	CRANKSHAFT GP						26
Y	216-8231	1	CYLINDER BLOCK GP						27
Y	216-8343	1	CYLINDER HEAD GP						31
Y	217-1499	1	GEAR GP-FRONT						37
Y	216-8324	1	PISTON & ROD GP						60
Y	216-8619	1	VALVE MECHANISM GP						69
Y-SEPARATE ILLUSTRATION									

ENGINE ARRANGEMENT

221-3284 ENGINE AR-PRIMARY

112 BRAKE KW (150 BHP) AT 2500 RPM

SMCS-1000

i01836427

NOTE	PART NUMBER	QTY	PART NAME						SEE PAGE
			1	2	3	4	5	6 (PRODUCT LEVEL)	
Y	228-7403	1	AIR COMPRESSOR GP						10
Y	228-7392	1	ALTERNATOR GP-CHARGING						130
Y	228-7387	1	CONNECTION GP-WATER						77
Y	228-7917	1	CONNECTION GP-HEATER						74
Y	219-2210	1	COOLER GP-FLTR BASE & ENG OIL						80
Y	228-7371	1	COVER GP-VALVE MECHANISM						24
Y	228-7361	1	DRIVE GP-FAN						34
Y	217-0594	1	ELBOW GP-AIR INLET						92
	229-2962	1	ELECTRONICS GP-ENGINE RATINGS						
Y	228-6941	1	ENGINE AR-CORE						1
Y	228-7418	1	FASTENER GP						146
Y	228-8523	1	FILTER GP-ENGINE OIL						72
Y	217-0640	1	FILTER GP-FUEL						107
Y	228-7331	1	FLYWHEEL GP						36
Y	228-7461	1	HEATER GP-STARTING AID						133
Y	228-7326	1	HOUSING GP-FLYWHEEL						38
Y	228-7395	1	HOUSING GP-FRONT						42
Y	228-7462	1	LIFTING GP-ENGINE						45
Y	219-1855	1	LINES GP-STARTING AID						135
Y	228-7363	1	PAN GP-OIL						58
Y	228-7465	1	PLUG GP-FLYWHEEL HOUSING						65
Y	228-7470	1	PLUG GP-CYLINDER BLOCK						62
Y	147-5524	1	PLUG GP-CYLINDER BLOCK						61
Y	226-3523	1	PULLEY GP-CRANKSHAFT						66
Y	183-4733	1	PULLEY GP-FAN DRIVE						67
Y	219-1852	1	PUMP GP-ENGINE OIL						73
Y	228-8965	1	PUMP GP-FUEL INJECTION						112
Y	219-2455	1	PUMP GP-FUEL TRANSFER						120
Y	221-5369	1	PUMP GP-WATER						88
Y	228-9407	1	SEPARATOR GP-WATER						128
Y	228-7333	1	STARTING MOTOR GP-ELECTRIC						139
Y	226-3578	1	TURBOCHARGER GP						100
Y	228-7487	1	WIRING GP-ENGINE						144
			AVAILABLE GASKET KIT(S) :						
	216-9612	1	KIT-GASKET (TOP)						
	216-9616	1	KIT-GASKET (BOTTOM)						
Y-SEPARATE ILLUSTRATION									

MEMORANDA

BASIC ENGINE

214-4029 AIR COMPRESSOR GP AN ATTACHMENT

SMCS - 1803

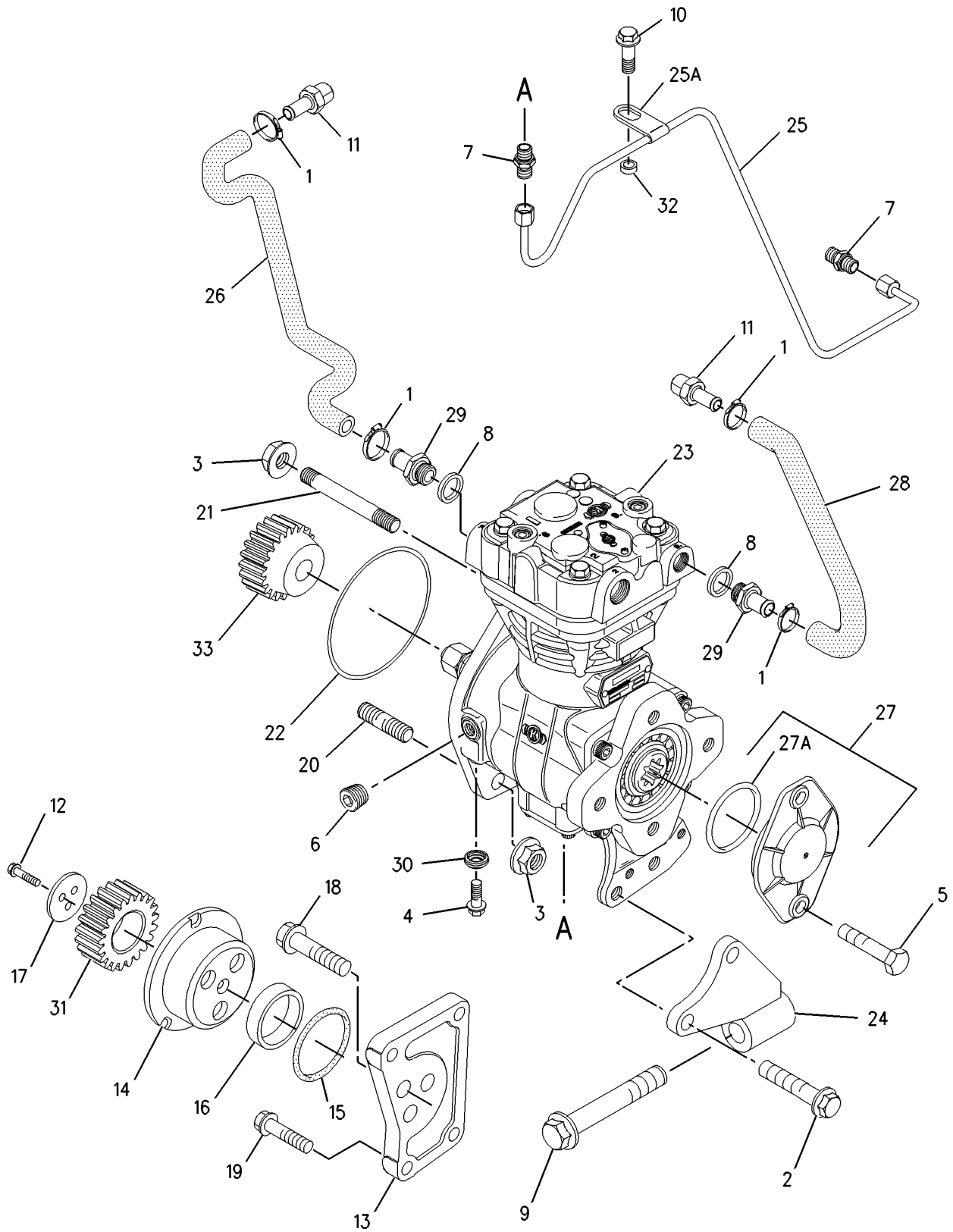
i01756048

NOTE	REF NO	GRAPHIC REF	PART NUMBER	QTY	PART NAME						SEE PAGE
					1	2	3	4	5	6 (PRODUCT LEVEL)	
1		1	5D-1026	4	CLAMP - HOSE						
2		1	6I-0217	1	BOLT (M8X1.25X20MM)						
3		1	6I-0233	3	NUT (M12)						
4		1	6I-0646	1	BOLT (M10X1.5X14MM)						
5		1	6I-4200	1	BOLT (M10X1.5X16MM)						
6		1	7M-7410	1	PLUG (3/8-18 NPTF)						
7		1	035-8017	2	UNION						
8		1	067-6045	2	WASHER (5/8 IN)						
9		1	100-4461	1	BOLT (M10X50MM)						
10		1	100-4830	1	BOLT (M10X1.5X20MM)						
11		1	113-4616	2	CONNECTOR						
12		1	124-3815	3	BOLT (M8X16X1.25MM)						
13		1	126-3205	1	BRACKET						
14		1	126-3206	1	HUB						
15		1	126-3207	1	SEAL - O - RING						
16		1	126-3208	1	BEARING						
17		1	126-3210	1	PLATE						
18		1	126-3211	3	BOLT						
19		1	126-3212	4	BOLT						
20		1	126-3216	1	STUD						
21		1	126-3217	1	STUD						
22		1	126-3219	1	SEAL - O - RING						
23		1	166-5255	1	AIR COMPRESSOR GP						
24		1	166-5262	1	BRACKET						
25		1	166-5263	1	PIPE AS						
25A		1	105-3154	1	CLIP						
26		1	166-5264	1	HOSE						
27		1	198-8262	1	COVER AS						
27A		1	198-8263	1	SEAL - O - RING						
28		1	209-6824	1	HOSE						
29		1	209-6825	2	ADAPTER						
30		1	214-3203	1	WASHER						
31		1	214-3204	1	GEAR - IDLER						
32		1	214-3205	1	SPACER						
33		1	214-3206	1	GEAR						

BASIC ENGINE

214-4029 AIR COMPRESSOR GP (contd.)

i01756048



GRAPHIC #1

g00899359

BASIC ENGINE

216-4093 AIR COMPRESSOR GP AN ATTACHMENT

SMCS - 1803

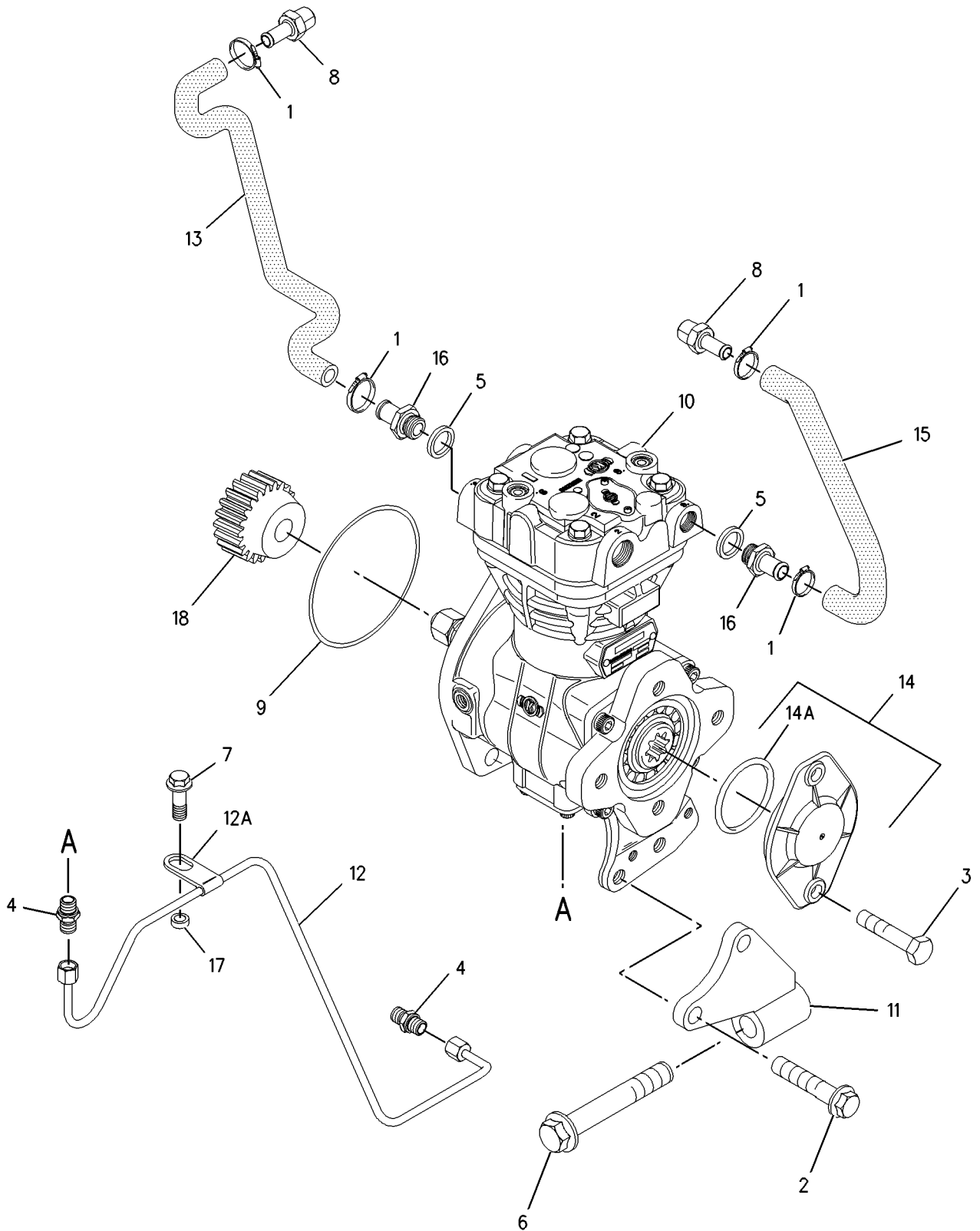
i01756055

NOTE	REF NO	GRAPHIC REF	PART NUMBER	QTY	PART NAME						SEE PAGE
					1	2	3	4	5	6 (PRODUCT LEVEL)	
	1	1	5D-1026	4	CLAMP-HOSE						
	2	1	6I-0217	2	BOLT (M8X1.25X20MM)						
	3	1	6I-4200	1	BOLT (M10X1.5X16MM)						
	4	1	035-8017	2	UNION						
	5	1	067-6045	2	WASHER (5/8 IN)						
	6	1	100-4461	1	BOLT (M10X50MM)						
	7	1	100-4830	1	BOLT (M10X1.5X20MM)						
	8	1	113-4616	2	CONNECTOR						
	9	1	126-3219	1	SEAL-O-RING						
	10	1	166-5255	1	AIR COMPRESSOR GP						
	11	1	166-5262	1	BRACKET						
	12	1	166-5263	1	PIPE AS						
	12A	1	105-3154	1	CLIP						
	13	1	166-5264	1	HOSE						
	14	1	198-8262	1	COVER AS						
	14A	1	198-8263	1	SEAL-O-RING						
	15	1	209-6824	1	HOSE						
	16	1	209-6825	2	ADAPTER						
	17	1	214-3205	1	SPACER						
	18	1	214-3206	1	GEAR						

BASIC ENGINE

216-4093 AIR COMPRESSOR GP (contd.)

i01756055



GRAPHIC #1

g00899428

BASIC ENGINE

226-3558 AIR COMPRESSOR GP AN ATTACHMENT

SMCS-1803

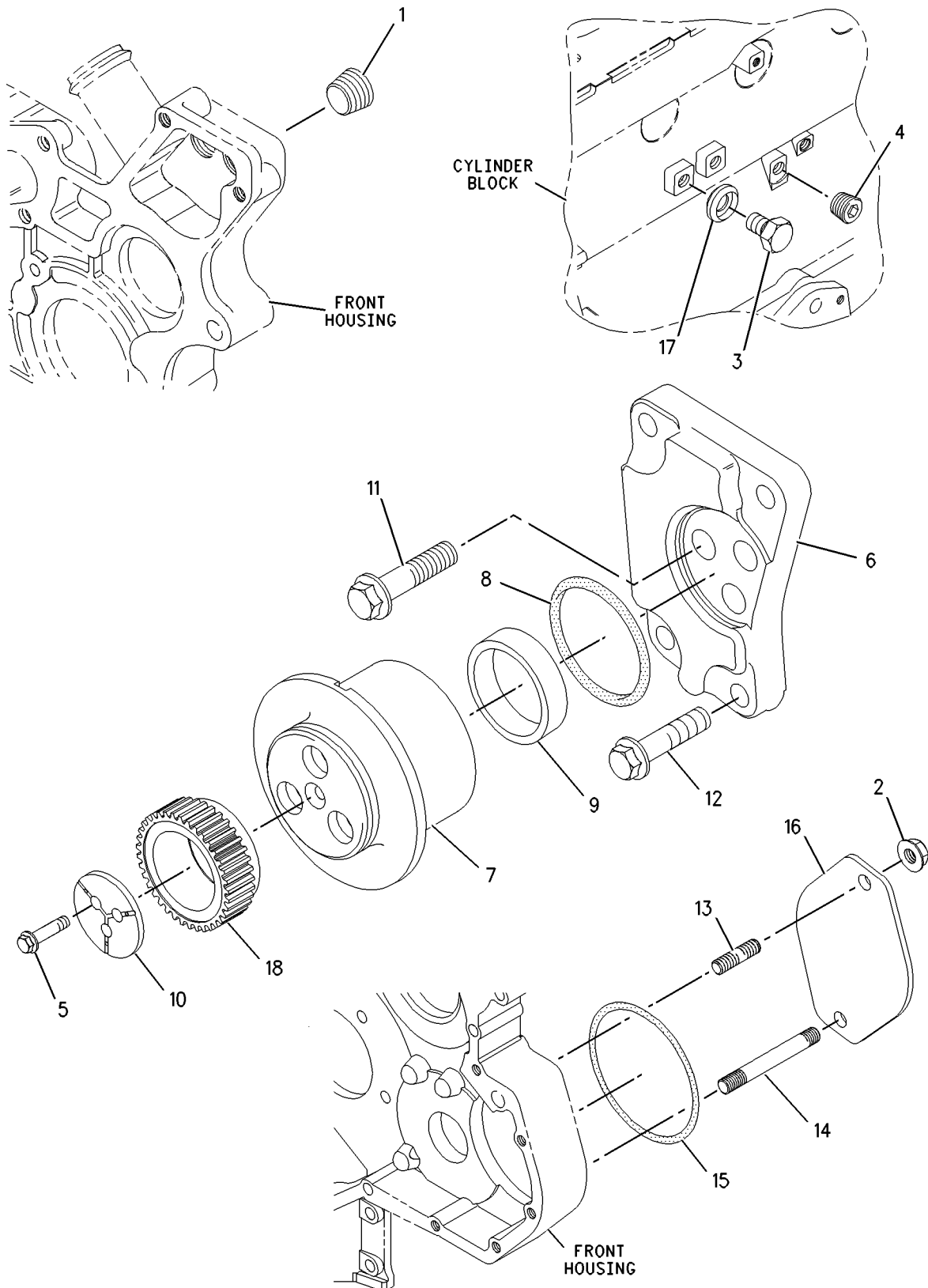
i01773225

NOTE	REF NO	GRAPHIC REF	PART NUMBER	QTY	PART NAME						SEE PAGE
					1	2	3	4	5	6 (PRODUCT LEVEL)	
	1	1	2B-0858	1	PLUG-PIPE						
	2	1	6I-0233	3	NUT (M12)						
	3	1	6I-0646	1	BOLT (M10X1.5X14MM)						
	4	1	035-8063	1	PLUG (1/8)						
	5	1	124-3815	3	BOLT (M8X16X1.25MM)						
	6	1	126-3205	1	BRACKET						
	7	1	126-3206	1	HUB						
	8	1	126-3207	1	SEAL-O-RING						
	9	1	126-3208	1	BEARING						
	10	1	126-3210	1	PLATE						
	11	1	126-3211	3	BOLT						
	12	1	126-3212	4	BOLT						
	13	1	126-3216	1	STUD						
	14	1	126-3217	1	STUD						
	15	1	126-3219	1	SEAL-O-RING						
	16	1	186-0667	1	COVER						
	17	1	214-3203	1	WASHER						
	18	1	214-3204	1	GEAR-IDLER						

BASIC ENGINE

226 - 3558 AIR COMPRESSOR GP (contd.)

i01773225



GRAPHIC #1

g00909741

BASIC ENGINE

228-7403 AIR COMPRESSOR GP

ALSO AN ATTACHMENT

SMCS-1803

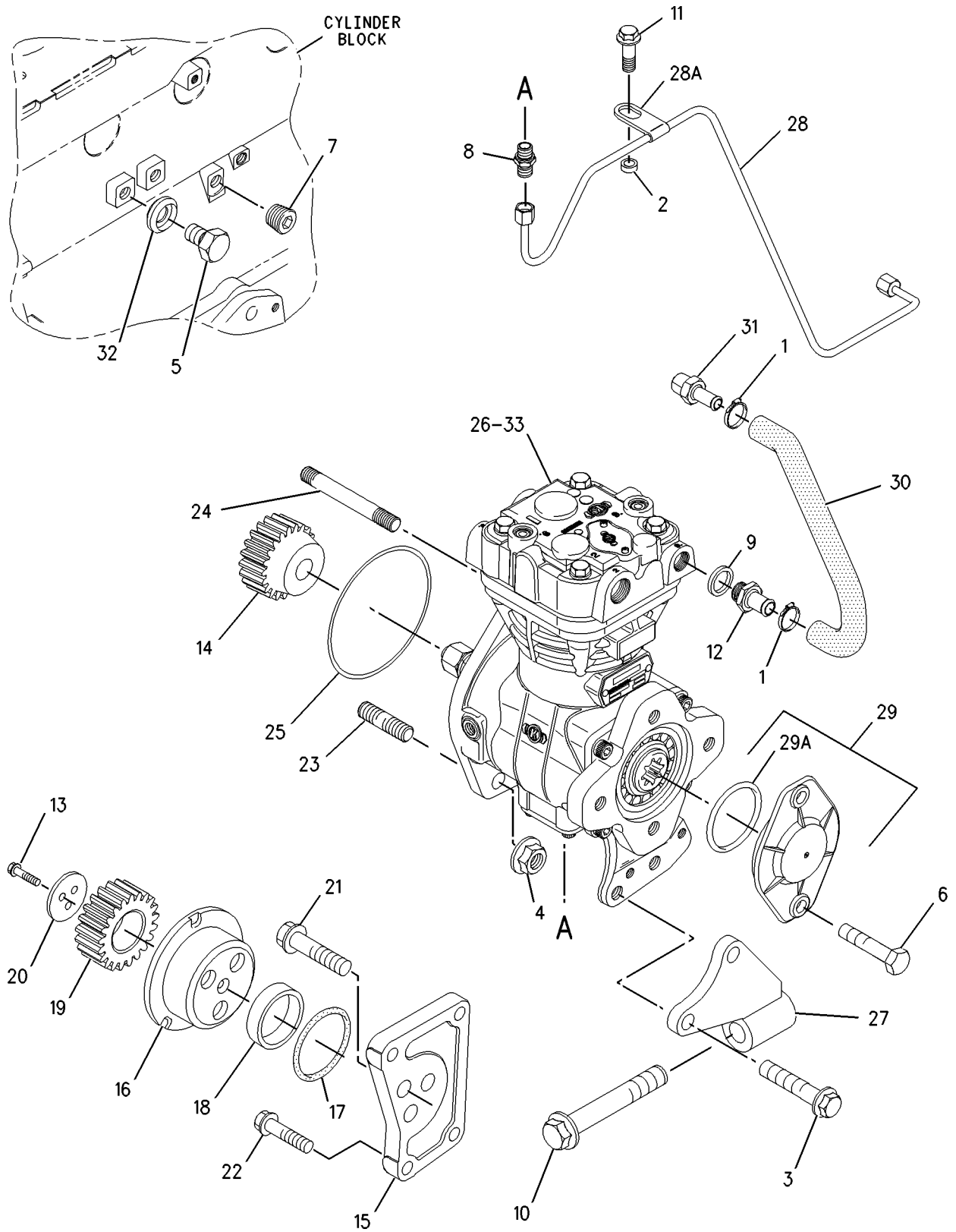
i01843792

NOTE	REF NO	GRAPHIC REF	PART NUMBER	QTY	PART NAME						SEE PAGE
					1	2	3	4	5	6 (PRODUCT LEVEL)	
	1	1	5D-1026	2	CLAMP-HOSE						
	2	1	6B-0933	1	SPACER (10.31X19.05X6.35MM THK)						
	3	1	6I-0217	1	BOLT (M8X1.25X20MM)						
	4	1	6I-0233	1	NUT (M12)						
	5	1	6I-0646	1	BOLT (M10X1.5X14MM)						
	6	1	6I-4200	1	BOLT (M10X1.5X16MM)						
	7	1	7M-7410	1	PLUG						
	8	1	035-8017	1	UNION						
	9	1	067-6045	1	WASHER (5/8 IN)						
	10	1	100-4461	1	BOLT (M10X50MM)						
	11	1	100-4830	1	BOLT (M10X1.5X20MM)						
	12	1	113-4616	1	CONNECTOR						
	13	1	124-3815	3	BOLT (M8X16X1.25MM)						
	14	1	126-3204	1	GEAR (28 TEETH)						
	15	1	126-3205	1	BRACKET						
	16	1	126-3206	1	HUB						
	17	1	126-3207	1	SEAL-O-RING						
	18	1	126-3208	1	BEARING						
	19	1	126-3209	1	GEAR (32 TEETH)						
	20	1	126-3210	1	PLATE						
	21	1	126-3211	3	BOLT						
	22	1	126-3212	4	BOLT						
	23	1	126-3216	1	STUD						
	24	1	126-3217	1	STUD						
	25	1	126-3219	1	SEAL-O-RING						
	26	1	166-5261	1	CRANKSHAFT						
	27	1	166-5262	1	BRACKET						
	28	1	166-5263	1	PIPE AS						
	28A	1	105-3154	1	CLIP						
	29	1	198-8262	1	COVER AS						
	29A	1	198-8263	1	SEAL-O-RING						
	30	1	209-6824	1	HOSE						
	31	1	209-6825	1	ADAPTER						
	32	1	214-3203	1	WASHER						
	33	1	228-7398	1	AIR COMPRESSOR GP						
					AVAILABLE REPAIR KIT(S) :						
			209-6881	1	KIT-SEAL (COMPRESSOR) (AIR)						
			209-6883	1	KIT-REPAIR (AIR COMPRESSOR VALVE)						
			209-6884	1	KIT-REPAIR (AIR COMPRESSOR RING)						

BASIC ENGINE

228-7403 AIR COMPRESSOR GP (contd.)

i01843792



GRAPHIC #1

g00933582

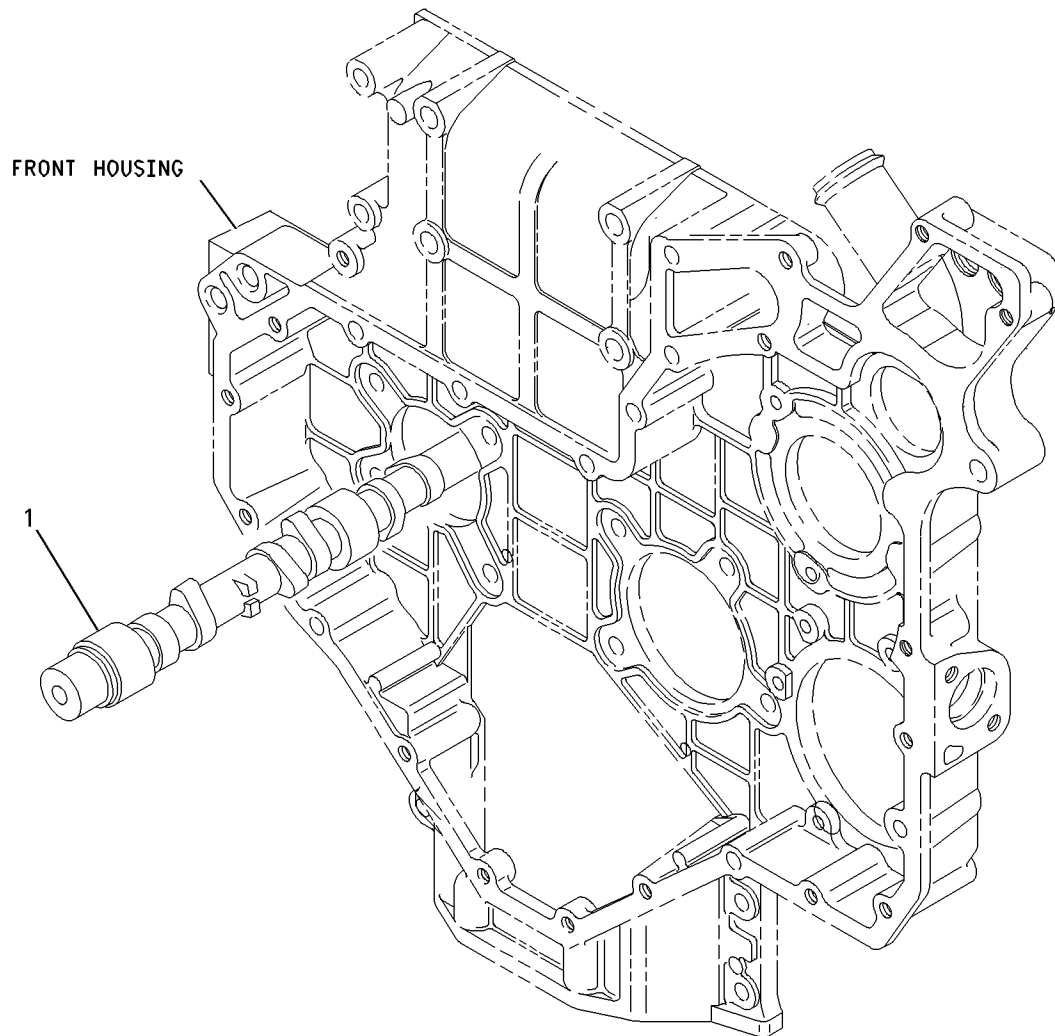
BASIC ENGINE

216-8620 CAMSHAFT GP

SMCS-1210

i01801877

NOTE	REF NO	GRAPHIC REF	PART NUMBER	QTY	PART NAME						SEE PAGE
					1	2	3	4	5	6 (PRODUCT LEVEL)	
	1	1	154-8056	1	CAMSHAFT						



GRAPHIC #1

g00922202

BASIC ENGINE

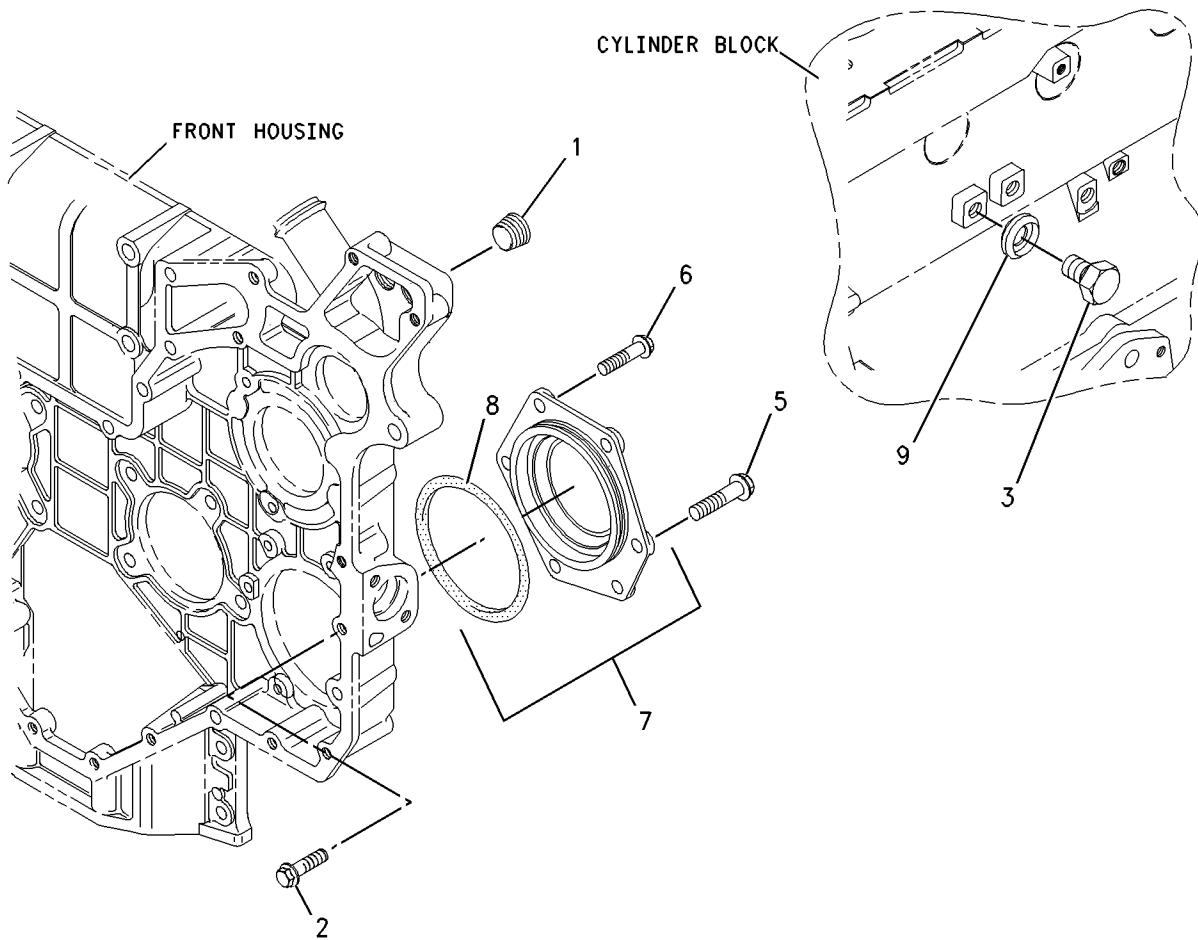
221-6858 COVER GP-ENGINE

PTO
AN ATTACHMENT

SMCS-1000

i01770747

NOTE	REF NO	GRAPHIC REF	PART NUMBER	QTY	PART NAME						SEE PAGE
					1	2	3	4	5	6 (PRODUCT LEVEL)	
	1	1	2B-0858	1	PLUG-PIPE						
	2	1	6I-0593	1	BOLT (M10X1.5X30MM)						
	3	1	6I-0646	1	BOLT (M10X1.5X14MM)						
	5	1	100-4830	1	BOLT (M10X1.5X20MM)						
	6	1	111-8222	5	BOLT						
	7	1	209-5502	1	COVER AS (TIMING GEAR)						
	8	1	209-5503	1	SEAL-COVER						
	9	1	214-3203	1	WASHER						



GRAPHIC #1

g00905241

BASIC ENGINE

216-9625 COVER GP - VALVE MECHANISM

AN ATTACHMENT

SMCS-1107

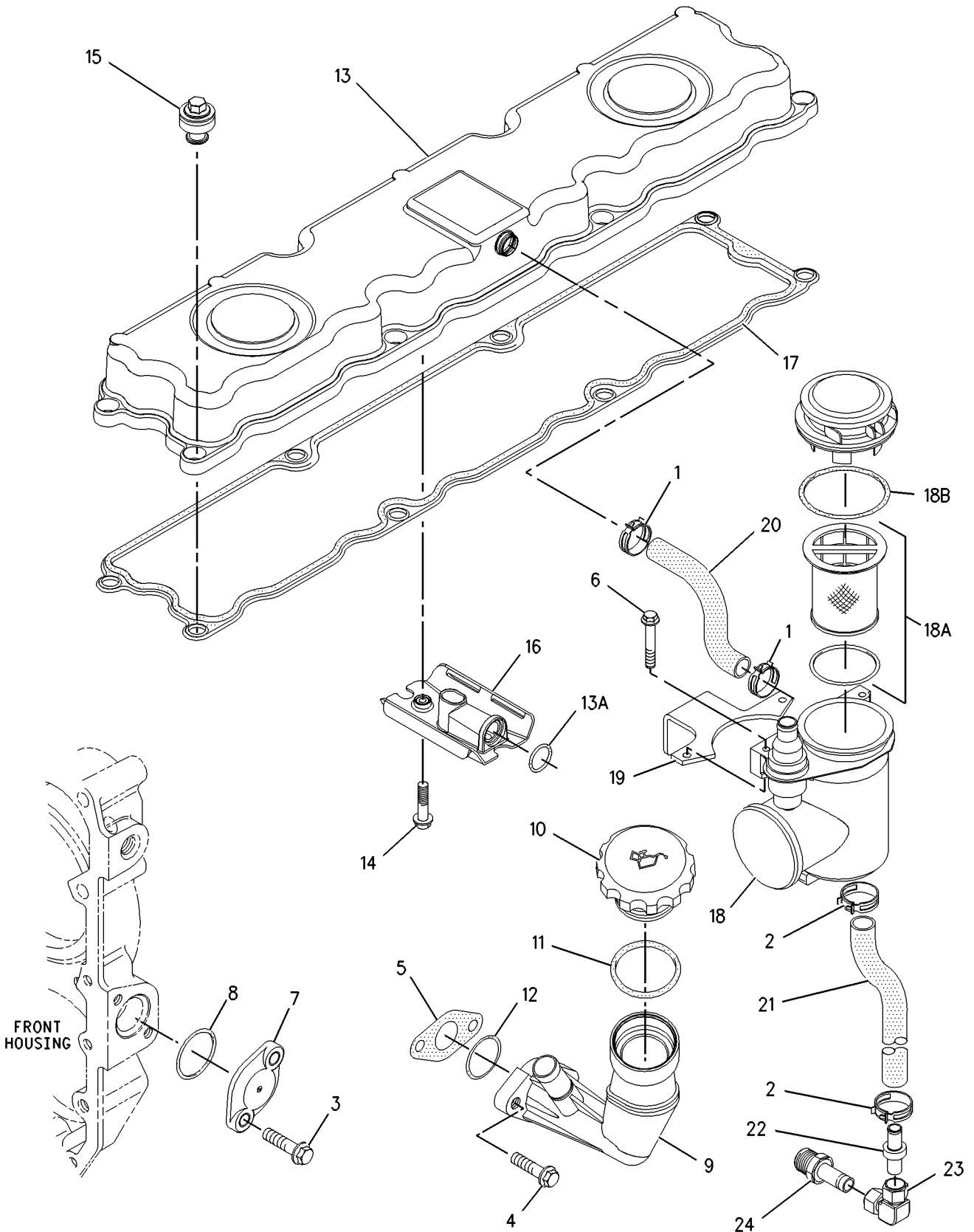
i01848425

NOTE	REF NO	GRAPHIC REF	PART NUMBER	QTY	PART NAME						SEE PAGE
					1	2	3	4	5	6 (PRODUCT LEVEL)	
	1	1	2S-3440	2	CLAMP - HOSE						
	2	1	5D-1026	2	CLAMP - HOSE						
	3	1	6I-0217	2	BOLT (M8X1.25X20MM)						
	4	1	6I-0260	2	BOLT (M8X1.25X25MM)						
	5	1	100-4104	1	GASKET						
	6	1	112-7704	2	BOLT						
	7	1	197-5015	1	PLATE AS						
	8	1	113-1505	1	SEAL - O - RING						
	9	1	216-9554	1	FILLER AS - OIL						
	10	1	130-9888	1	CAP AS (OIL FILLER)						
	11	1	113-1504	1	SEAL - O - RING						
	12	1	216-9553	1	SEAL - O - RING						
	13	1	216-9606	1	COVER AS (VALVE)						
	13A	1	229-3557	1	SEAL - O - RING						
	14	1	229-3558	1	BOLT						
	15	1	216-9600	8	BOLT						
	16	1	216-9602	1	BREATHER AS (CRANKCASE)						
	17	1	216-9604	1	GASKET (VALVE COVER)						
	18	1	216-9608	1	BREATHER (CRANKCASE) (CRANKCASE)						
	18A	1	229-3555	1	FILTER - BREATHER (CRANKCASE)						
	18B	1	229-3556	1	SEAL - O - RING (CRANKCASE BREATHER)						
	19	1	216-9611	1	BRACKET						
	20	1	216-9614	1	HOSE (UPPER FUMES DISPOSAL)						
	21	1	216-9617	1	HOSE (LOWER FUMES DISPOSAL)						
	22	1	216-9618	1	VALVE						
	23	1	216-9620	1	ELBOW						
	24	1	216-9623	1	ADAPTER						

BASIC ENGINE

216-9625 COVER GP-VALVE MECHANISM (contd.)

i01848425



GRAPHIC #1

g00936733

BASIC ENGINE

220-6106 COVER GP - VALVE MECHANISM

AN ATTACHMENT

SMCS-1107

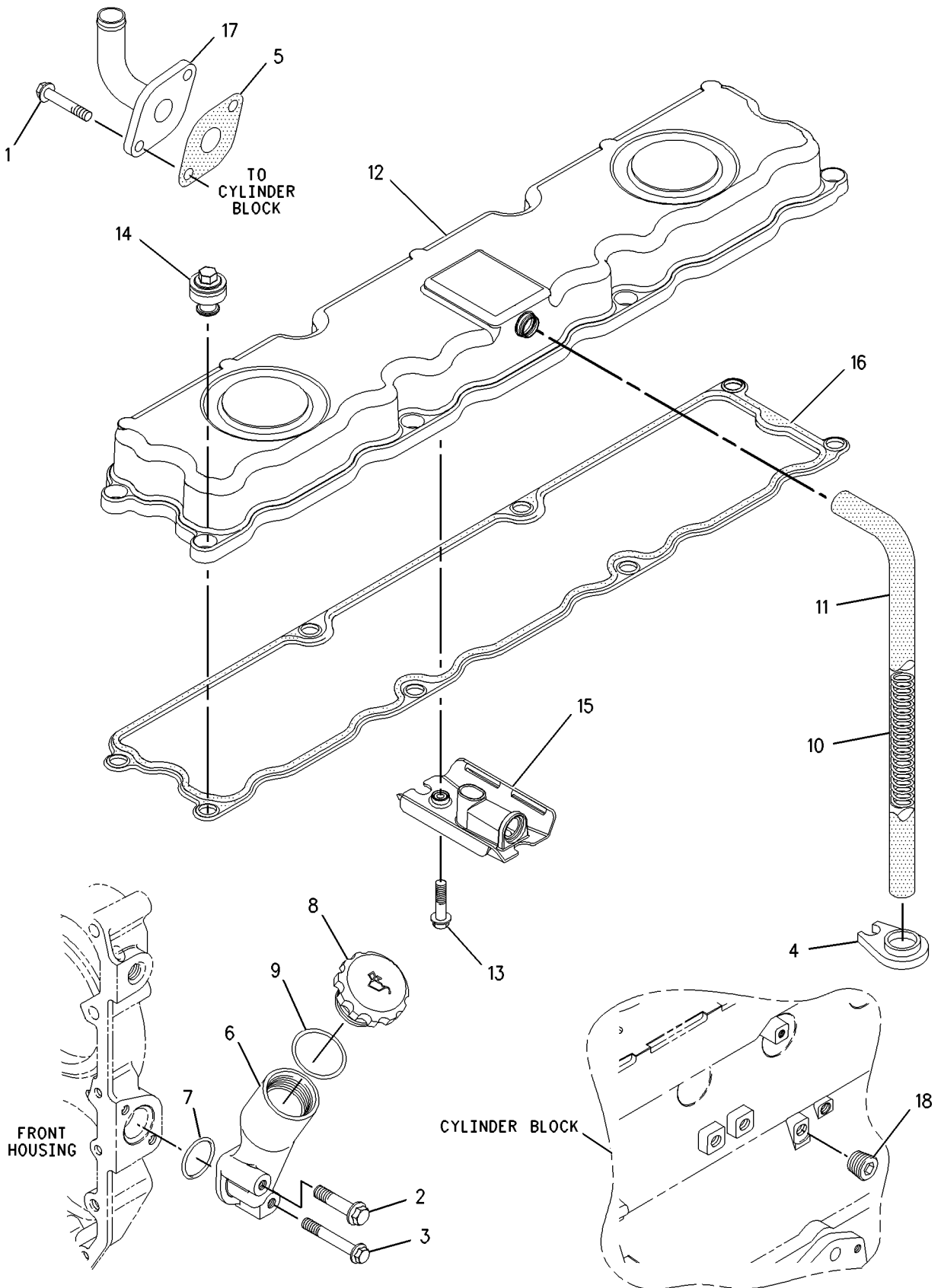
i01843789

NOTE	REF NO	GRAPHIC REF	PART NUMBER	QTY	PART NAME						SEE PAGE
					1	2	3	4	5	6 (PRODUCT LEVEL)	
	1	1	6I-0217	2	BOLT (M8X1.25X20MM)						
	2	1	6I-0456	1	BOLT (M8X1.25X45MM)						
	3	1	6I-4374	1	BOLT						
	4	1	7C-1281	1	BRACKET						
	5	1	100-4104	1	GASKET						
	6	1	160-6988	1	FILLER AS-OIL						
	7	1	113-1505	1	SEAL-O-RING						
	8	1	130-9888	1	CAP AS (OIL FILLER)						
	9	1	113-1504	1	SEAL-O-RING						
	10	1	162-1565	1	SPRING (BREATHER HOSE)						
	11	1	191-5049	1	HOSE-DISPOSAL (FUMES)						
	12	1	216-9606	1	COVER AS (VALVE)						
	13	1	203-9203	1	SCREW						
	14	1	216-9600	8	BOLT						
	15	1	216-9602	1	BREATHER AS (CRANKCASE)						
	16	1	216-9604	1	GASKET (VALVE COVER)						
	17	1	219-1803	1	TUBE						
	18	1	7M-7410	1	PLUG						

BASIC ENGINE

220-6106 COVER GP-VALVE MECHANISM (contd.)

i01843789



GRAPHIC #1

g00900183

BASIC ENGINE

221-1241 COVER GP-VALVE MECHANISM

AN ATTACHMENT

SMCS-1107

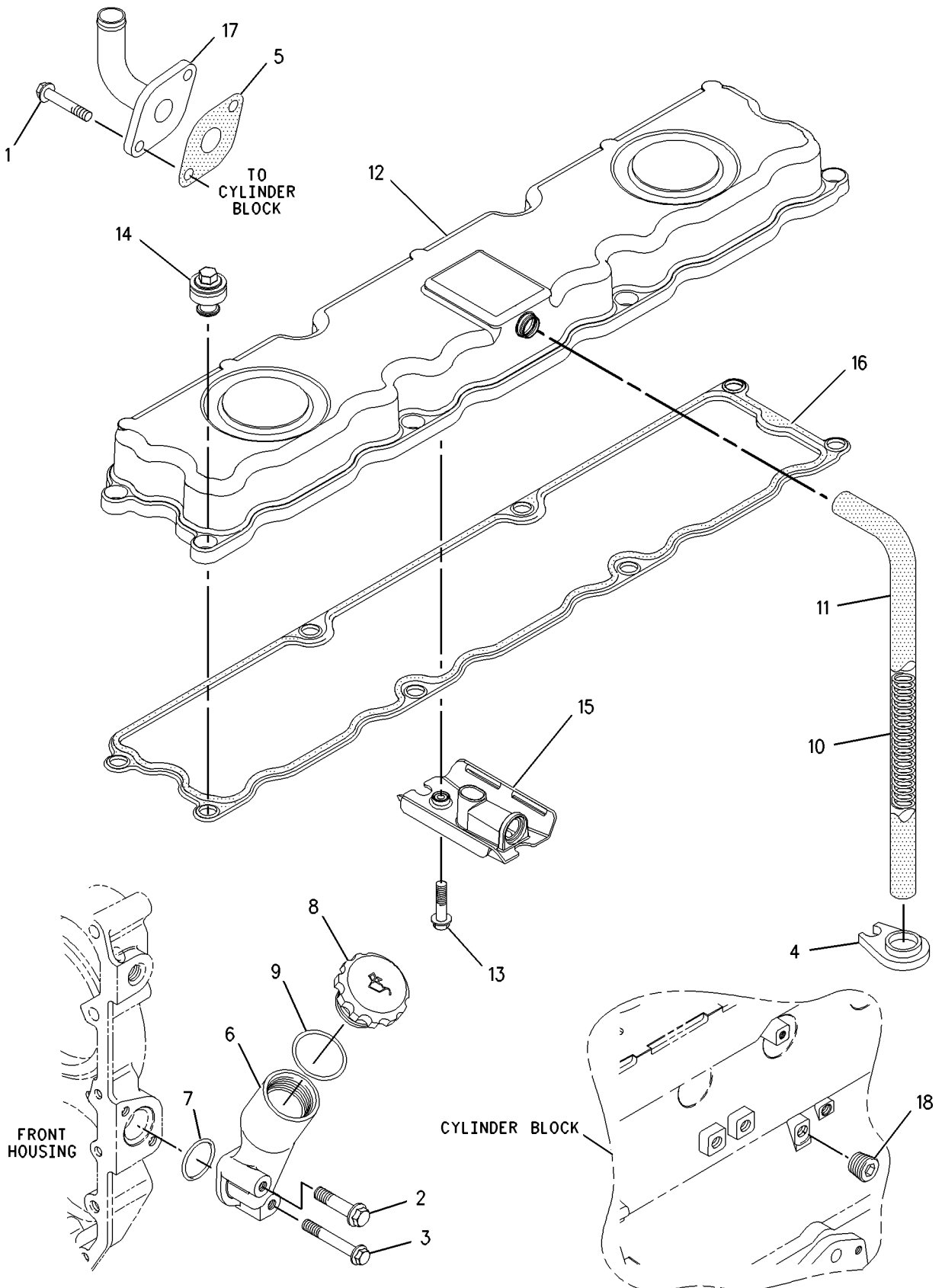
i01834981

NOTE	REF NO	GRAPHIC REF	PART NUMBER	QTY	PART NAME						SEE PAGE
					1	2	3	4	5	6 (PRODUCT LEVEL)	
	1	1	6I-0217	2	BOLT (M8X1.25X20MM)						
	2	1	6I-0456	1	BOLT (M8X1.25X45MM)						
	3	1	6I-4374	1	BOLT						
	4	1	7C-1281	1	BRACKET						
	5	1	100-4104	1	GASKET						
	6	1	160-6988	1	FILLER AS-OIL						
	7	1	113-1505	1	SEAL-O-RING						
	8	1	130-9888	1	CAP AS (OIL FILLER)						
	9	1	113-1504	1	SEAL-O-RING						
	10	1	162-1565	1	SPRING (BREATHER HOSE)						
	11	1	191-5049	1	HOSE-DISPOSAL (FUMES)						
	12	1	216-9606	1	COVER AS (VALVE)						
	13	1	203-9203	1	SCREW						
	14	1	216-9600	8	BOLT						
	15	1	216-9602	1	BREATHER AS (CRANKCASE)						
	16	1	216-9604	1	GASKET (VALVE COVER)						
	17	1	219-1803	1	TUBE						
	18	1	7M-7410	1	PLUG						

BASIC ENGINE

221-1241 COVER GP-VALVE MECHANISM (contd.)

i01834981



GRAPHIC #1

g00900183

BASIC ENGINE

221-7115 COVER GP - VALVE MECHANISM

AN ATTACHMENT

SMCS-1107

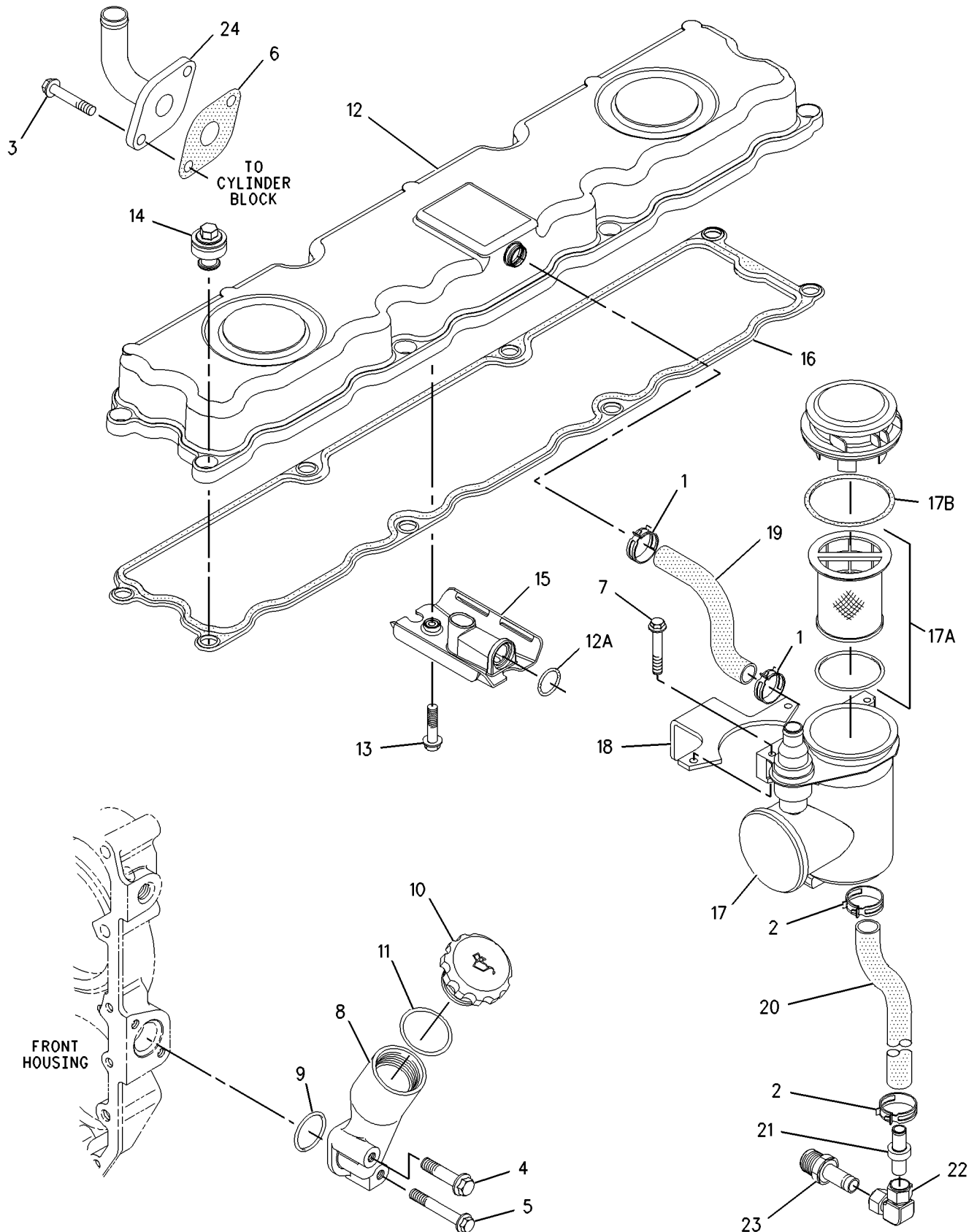
i01843791

NOTE	REF NO	GRAPHIC REF	PART NUMBER	QTY	PART NAME						SEE PAGE
					1	2	3	4	5	6 (PRODUCT LEVEL)	
	1	1	2S-3440	2	CLAMP - HOSE						
	2	1	5D-1026	2	CLAMP - HOSE						
	3	1	6I-0217	2	BOLT (M8X1.25X20MM)						
	4	1	6I-0456	1	BOLT (M8X1.25X45MM)						
	5	1	6I-4374	1	BOLT						
	6	1	100-4104	1	GASKET						
	7	1	112-7704	2	BOLT						
	8	1	160-6988	1	FILLER AS - OIL						
	9	1	113-1505	1	SEAL - O - RING						
	10	1	130-9888	1	CAP AS (OIL FILLER)						
	11	1	113-1504	1	SEAL - O - RING						
	12	1	216-9606	1	COVER AS (VALVE)						
	12A	1	229-3557	1	SEAL - O - RING						
	13	1	229-3558	1	BOLT						
	14	1	216-9600	8	BOLT						
	15	1	216-9602	1	BREATHER AS (CRANKCASE)						
	16	1	216-9604	1	GASKET (VALVE COVER)						
	17	1	216-9608	1	BREATHER (CRANKCASE)						
	17A	1	229-3555	1	FILTER - BREATHER (CRANKCASE)						
	17B	1	229-3556	1	SEAL - O - RING (CRANKCASE BREATHER)						
	18	1	216-9611	1	BRACKET						
	19	1	216-9614	1	HOSE (UPPER FUMES DISPOSAL)						
	20	1	216-9617	1	HOSE (LOWER FUMES DISPOSAL)						
	21	1	216-9618	1	VALVE						
	22	1	216-9620	1	ELBOW						
	23	1	216-9623	1	ADAPTER						
	24	1	219-1803	1	TUBE						

BASIC ENGINE

221-7115 COVER GP-VALVE MECHANISM (contd.)

i01843791



GRAPHIC #1

g00936683

BASIC ENGINE

226-3771 COVER GP - VALVE MECHANISM

AN ATTACHMENT

SMCS-1107

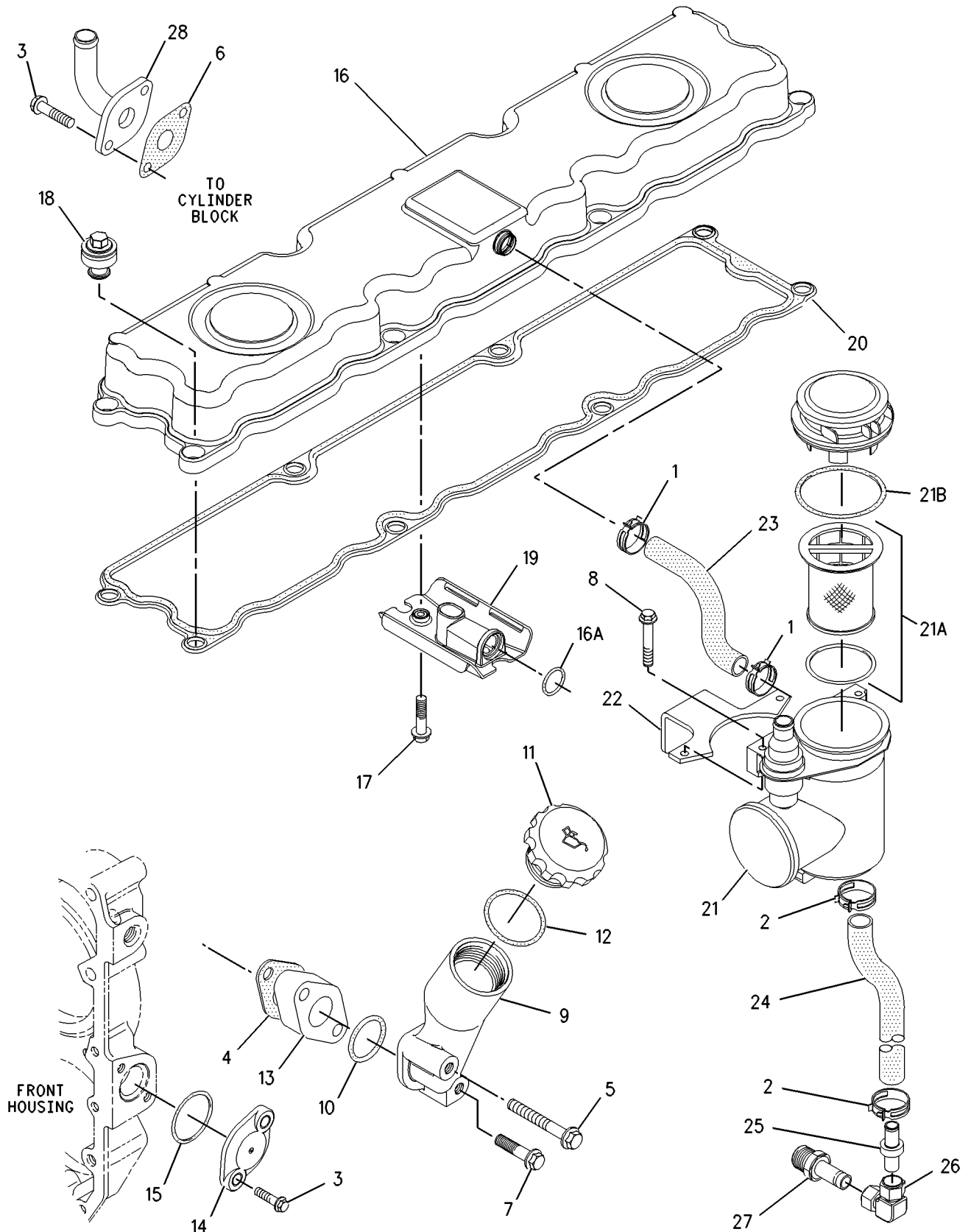
i01848427

NOTE	REF NO	GRAPHIC REF	PART NUMBER	QTY	PART NAME						SEE PAGE
					1	2	3	4	5	6 (PRODUCT LEVEL)	
	1	1	2S-3440	2	CLAMP - HOSE						
	2	1	5D-1026	2	CLAMP - HOSE						
	3	1	6I-0217	4	BOLT (M8X1.25X20MM)						
	4	1	6I-0512	1	GASKET						
	5	1	6I-0839	1	BOLT (M8X1.25X70MM)						
	6	1	100-4104	1	GASKET						
	7	1	101-3771	1	BOLT						
	8	1	112-7704	2	BOLT						
	9	1	160-6988	1	FILLER AS-OIL						
	10	1	113-1505	1	SEAL - O-RING						
	11	1	130-9888	1	CAP AS (OIL FILLER)						
	12	1	113-1504	1	SEAL - O-RING						
	13	1	193-3311	1	SPACER						
	14	1	197-5015	1	PLATE AS						
	15	1	113-1505	1	SEAL - O-RING						
	16	1	216-9606	1	COVER AS (VALVE)						
	16A	1	229-3557	1	SEAL - O-RING						
	17	1	229-3558	1	BOLT						
	18	1	216-9600	8	BOLT						
	19	1	216-9602	1	BREATHER AS (CRANKCASE)						
	20	1	216-9604	1	GASKET (VALVE COVER)						
	21	1	216-9608	1	BREATHER (CRANKCASE)						
	21A	1	229-3555	1	FILTER-BREATHER (CRANKCASE)						
	21B	1	229-3556	1	SEAL - O-RING (CRANKCASE BREATHER)						
	22	1	216-9611	1	BRACKET						
	23	1	216-9614	1	HOSE (UPPER FUMES DISPOSAL)						
	24	1	216-9617	1	HOSE (LOWER FUMES DISPOSAL)						
	25	1	216-9618	1	VALVE						
	26	1	216-9620	1	ELBOW						
	27	1	216-9623	1	ADAPTER						
	28	1	219-1803	1	TUBE						

BASIC ENGINE

226-3771 COVER GP-VALVE MECHANISM (contd.)

i01848427



GRAPHIC #1

g00936568

BASIC ENGINE

228-7371 COVER GP - VALVE MECHANISM

ALSO AN ATTACHMENT

SMCS-1107

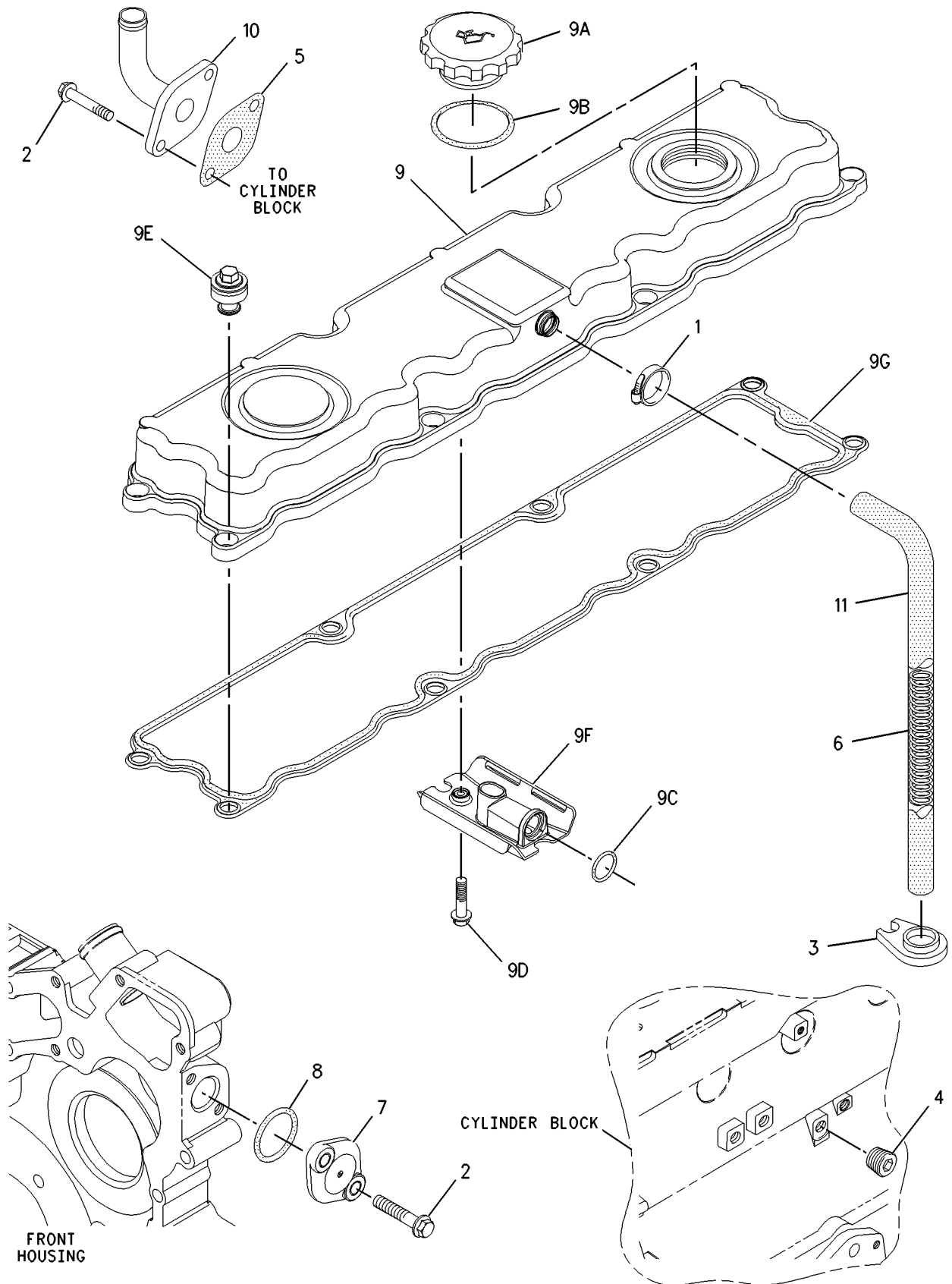
i01843785

NOTE	REF NO	GRAPHIC REF	PART NUMBER	QTY	PART NAME						SEE PAGE
					1	2	3	4	5	6 (PRODUCT LEVEL)	
	1	1	5D-1026	1	CLAMP-HOSE						
	2	1	6I-0217	4	BOLT (M8X1.25X20MM)						
	3	1	7C-1281	1	BRACKET						
	4	1	7M-7410	1	PLUG						
	5	1	100-4104	1	GASKET						
	6	1	162-1565	1	SPRING (BREATHER HOSE)						
	7	1	197-5015	1	PLATE AS						
	8	1	113-1505	1	SEAL-O-RING						
	9	1	219-1787	1	COVER AS-VALVE						
	9A	1	136-3608	1	CAP AS (OIL FILLER)						
	9B	1	124-0506	1	SEAL						
	9C	1	199-9252	1	SEAL-O-RING						
	9D	1	203-9203	1	SCREW						
	9E	1	216-9600	8	BOLT						
	9F	1	216-9602	1	BREATHER AS (CRANKCASE)						
	9G	1	216-9604	1	GASKET (VALVE COVER)						
	10	1	219-1803	1	TUBE						
	11	1	198-8645	1	HOSE (BREATHER)						

BASIC ENGINE

228 - 7371 COVER GP - VALVE MECHANISM (contd.)

i01843785



GRAPHIC #1

g00933469

BASIC ENGINE

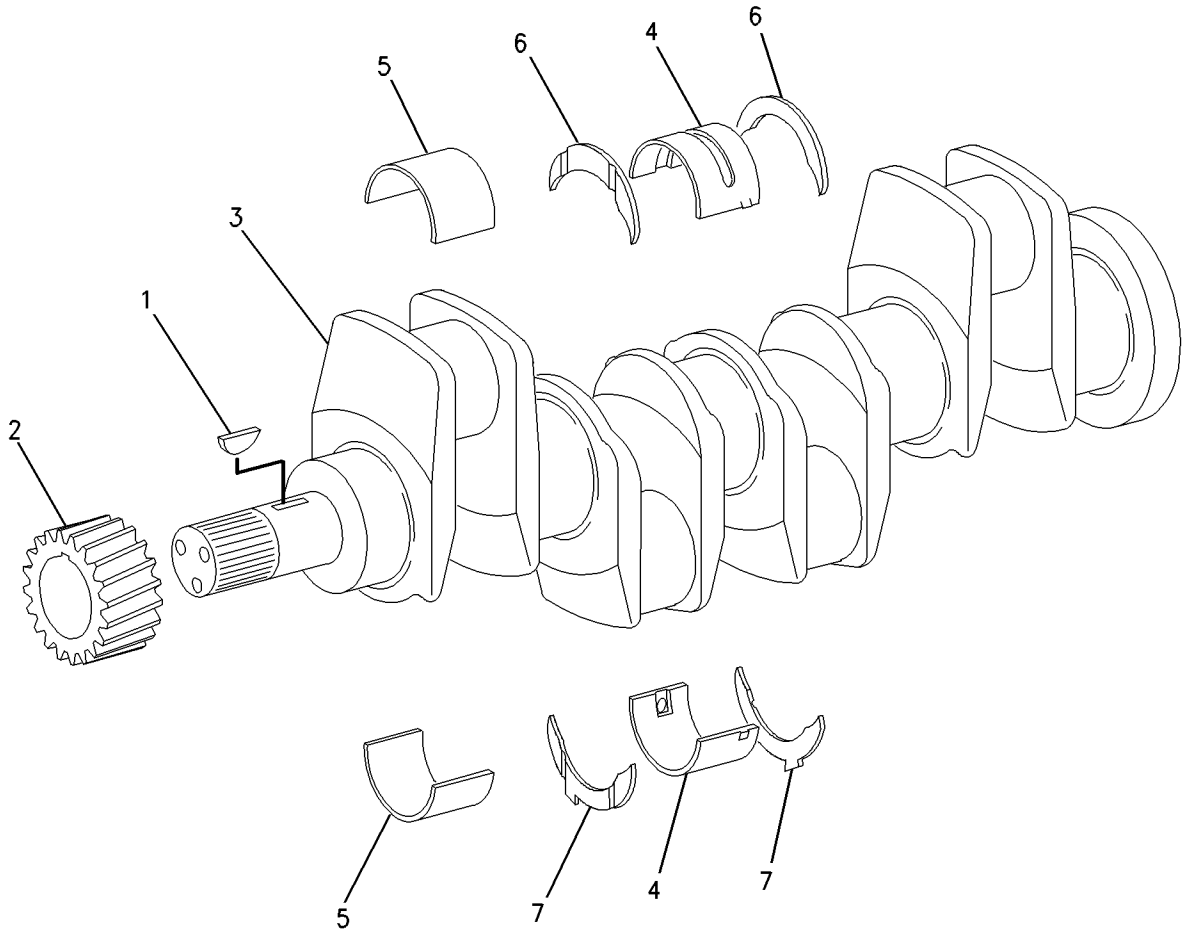
216-8316 CRANKSHAFT GP

SMCS-1202

i01777306

NOTE	REF NO	GRAPHIC REF	PART NUMBER	QTY	PART NAME						SEE PAGE
					1	2	3	4	5	6 (PRODUCT LEVEL)	
	1	1	1B-8736	1	KEY-WOODRUFF						
	2	1	216-8314	1	GEAR-CRANKSHAFT (34 TEETH)						
	3	1	216-8315	1	CRANKSHAFT GP						
B	4	1	7W-4589	1	BEARING SET-MAIN (.18MM O.S.)						
B		1	7W-4590	1	SET-BEARING (0.25 US ID)						
B		1	7W-4591	1	SET-BEARING (0.51 US ID)						
B	5	1	7W-4592	1	SET-BEARING (0.76 US ID) (STANDARD)						
B		1	7W-4816	1	BEARING SET-ROD						
B		1	7W-4817	1	SET-BEARING (0.25 US ID)						
B		1	7W-4818	1	SET-BEARING (0.51 US ID)						
B		1	7W-4819	1	SET-BEARING (0.76 US ID)						
B	6	1	032-9090	2	WASHER-THRUST (STANDARD-UPPER)						
B		1	067-6873	2	WASHER-THRUST (.18MM OS)						
B	7	1	032-9091	2	WASHER-THRUST (STANDARD-LOWER)						
B		1	067-6874	2	WASHER-THRUST (.18MM OS)						

B-USE AS REQUIRED



GRAPHIC #1

g00887896

BASIC ENGINE

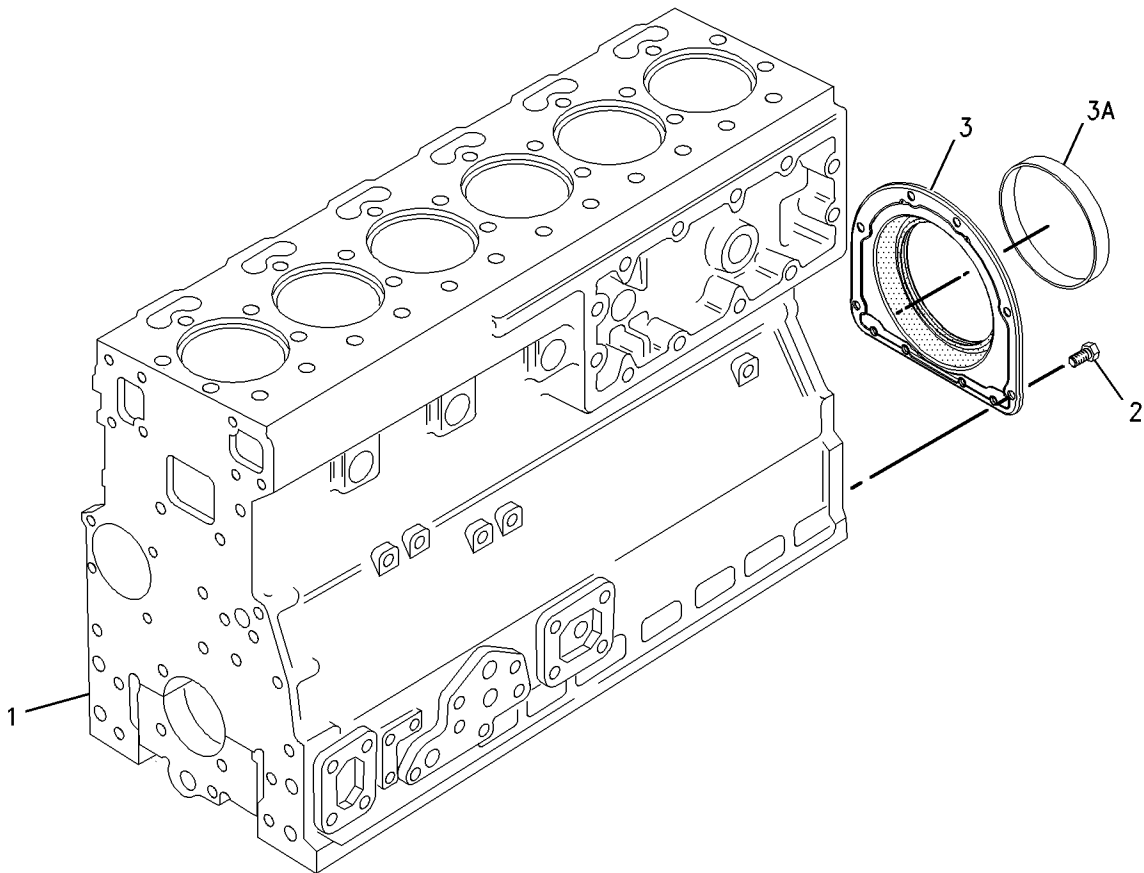
216-8231 CYLINDER BLOCK GP

SMCS-1201

i01777340

NOTE	REF NO	GRAPHIC REF	PART NUMBER	QTY	PART NAME						SEE PAGE
					1	2	3	4	5	6 (PRODUCT LEVEL)	
Y	1	1	216-8235	1	CYLINDER BLOCK GP						28
	2	1	209-9219	10	BOLT (M8X1.25X16MM)						
	3	1	209-9218	1	HOUSING AS						
	3A	1	219-2512	1	SLEEVE						

Y-SEPARATE ILLUSTRATION



GRAPHIC #1

g00830579

BASIC ENGINE

216-8235 CYLINDER BLOCK GP

PART OF 216-8231 CYLINDER BLOCK GP

SMCS-1201

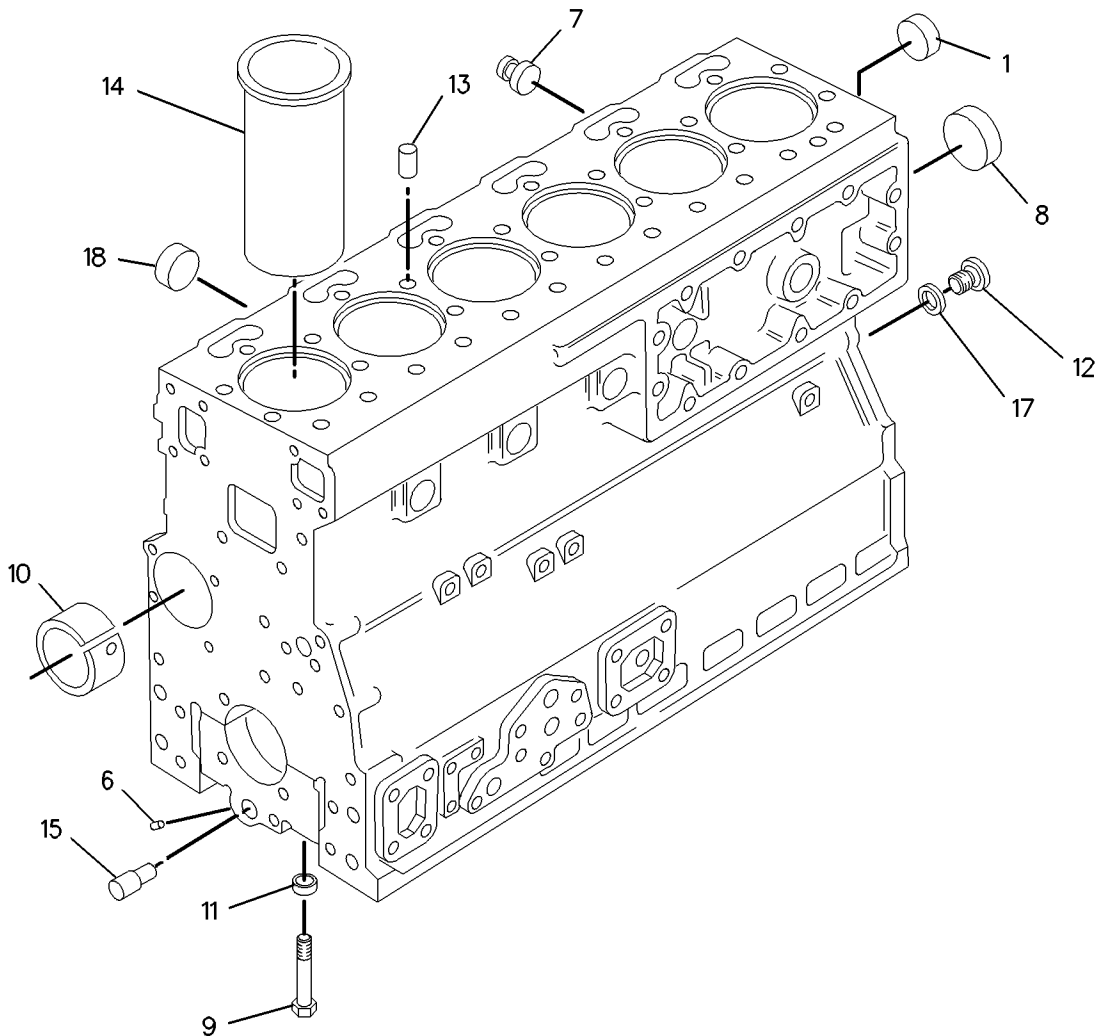
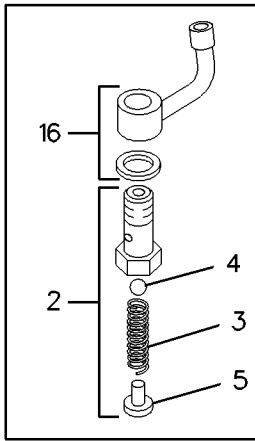
i01775681

NOTE	REF NO	GRAPHIC REF	PART NUMBER	QTY	PART NAME						SEE PAGE
					1	2	3	4	5	6 (PRODUCT LEVEL)	
	1	1	1N-3762	12	PLUG-CUP						
	2	1	6I-1074	6	VALVE AS (OIL JET) (EACH INCLUDES)						
	3	1	6I-0686	1	SPRING						
	4	1	6I-1075	1	BALL						
	5	1	6I-1076	1	RETAINER						
	6	1	6I-4354	1	DOWEL						
	7	1	7W-2501	1	PLUG						
	8	1	9Y-5015	1	PLUG-FREEZE						
	9	1	035-8068	14	BOLT						
	10	1	036-5802	1	BEARING						
	11	1	067-6002	14	DOWEL						
	12	1	067-6805	1	PLUG						
	13	1	067-6808	1	PLUG						
	14	1	111-1815	6	LINER						
	15	1	127-3294	1	SHAFT						
	16	1	148-3026	6	JET AS-PISTON COOLING						
	17	1	214-1668	1	WASHER-SPECIAL						
	18	1	215-2103	6	PLUG						

BASIC ENGINE

216-8235 CYLINDER BLOCK GP (contd.)

i01775681



GRAPHIC #1

g00863044

BASIC ENGINE

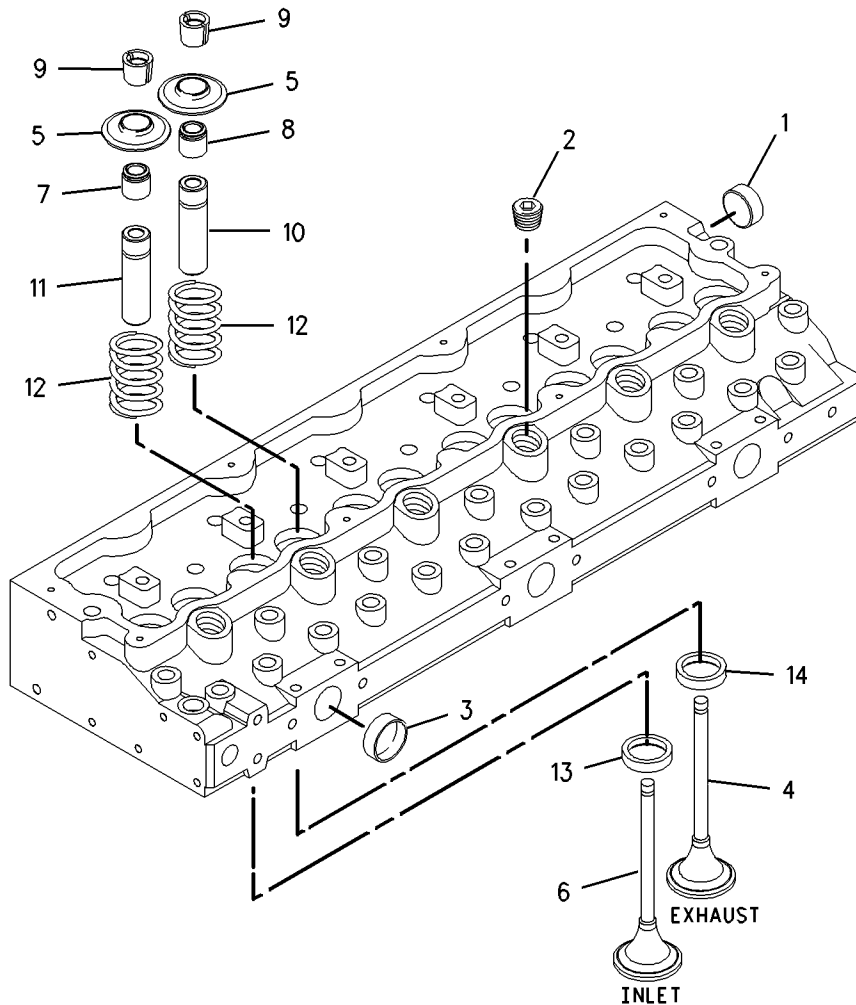
216-8335 CYLINDER HEAD GP

PART OF 216-8343 CYLINDER HEAD GP

SMCS-1100

i01834988

NOTE	REF NO	GRAPHIC REF	PART NUMBER	QTY	PART NAME						SEE PAGE
					1	2	3	4	5	6 (PRODUCT LEVEL)	
	1	1	1N-3762	1	PLUG-CUP						
	2	1	7M-7410	6	PLUG						
	3	1	067-6043	3	PLUG-SIDE						
	4	1	138-2050	6	VALVE-EXHAUST						
	5	1	138-2060	12	CAP						
	6	1	145-6855	6	VALVE-INLET						
	7	1	145-6856	6	SEAL (INLET)						
	8	1	145-6858	6	SEAL (EXHAUST)						
	9	1	147-1979	24	RETAINER						
	10	1	163-9256	6	GUIDE-VALVE (EXHAUST)						
	11	1	185-0882	6	GUIDE-VALVE (INTAKE)						
	12	1	206-4127	12	SPRING-VALVE						
	13	1	216-8332	6	INSERT-VALVE (INLET)						
	14	1	216-8333	6	INSERT-VALVE (EXHAUST)						



GRAPHIC #1

g00860247

BASIC ENGINE

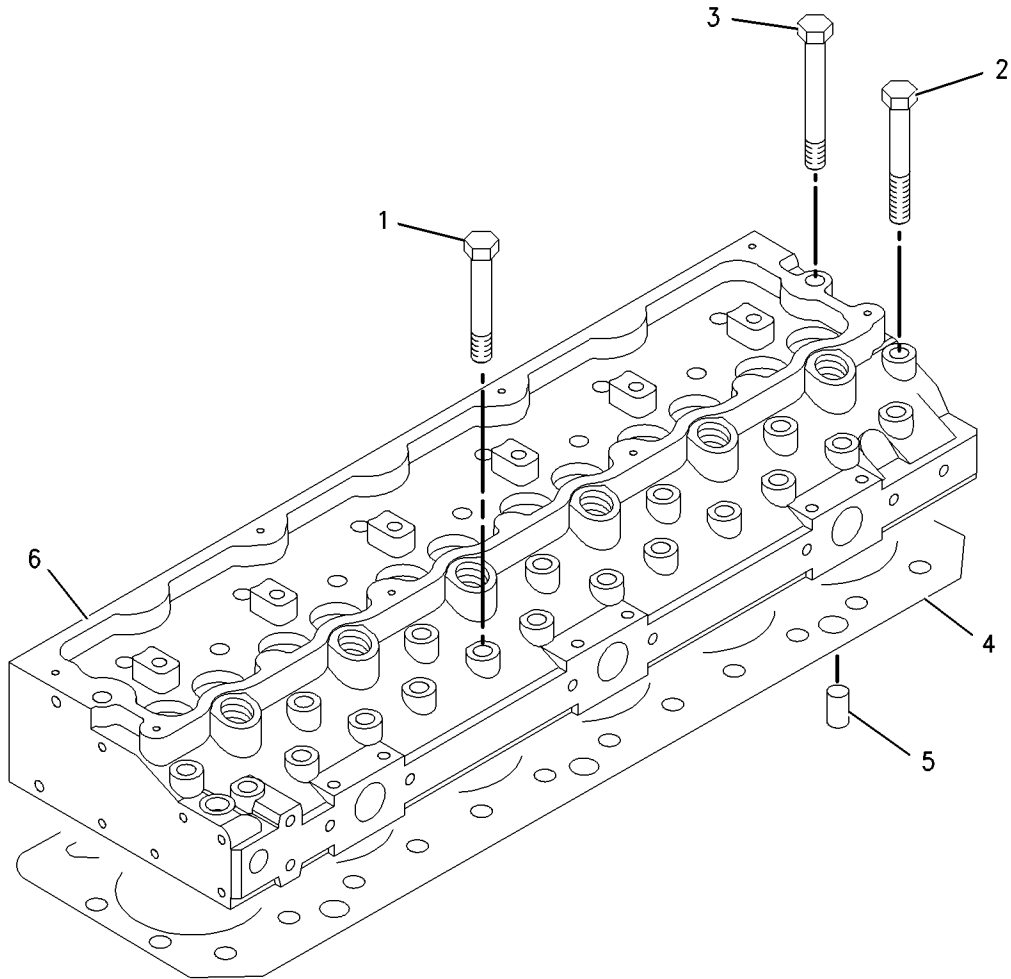
216-8343 CYLINDER HEAD GP

SMCS-1100

i01777355

NOTE	REF NO	GRAPHIC REF	PART NUMBER	QTY	PART NAME						SEE PAGE
					1	2	3	4	5	6 (PRODUCT LEVEL)	
	1	1	7W-2518	12	BOLT (1/2-20X3.63IN)						
	2	1	7W-2519	18	BOLT (1/2-20X4.25IN)						
	3	1	7W-2520	2	BOLT (1/2-20X5.09IN)						
	4	1	156-4173	1	GASKET-CYLINDER HEAD						
	5	1	161-9820	2	PIN						
Y	6	1	216-8335	1	CYLINDER HEAD GP						30

Y-SEPARATE ILLUSTRATION



GRAPHIC #1

g00889681

BASIC ENGINE

217-7875 DRIVE GP-ACCESSORY AN ATTACHMENT

SMCS-1207

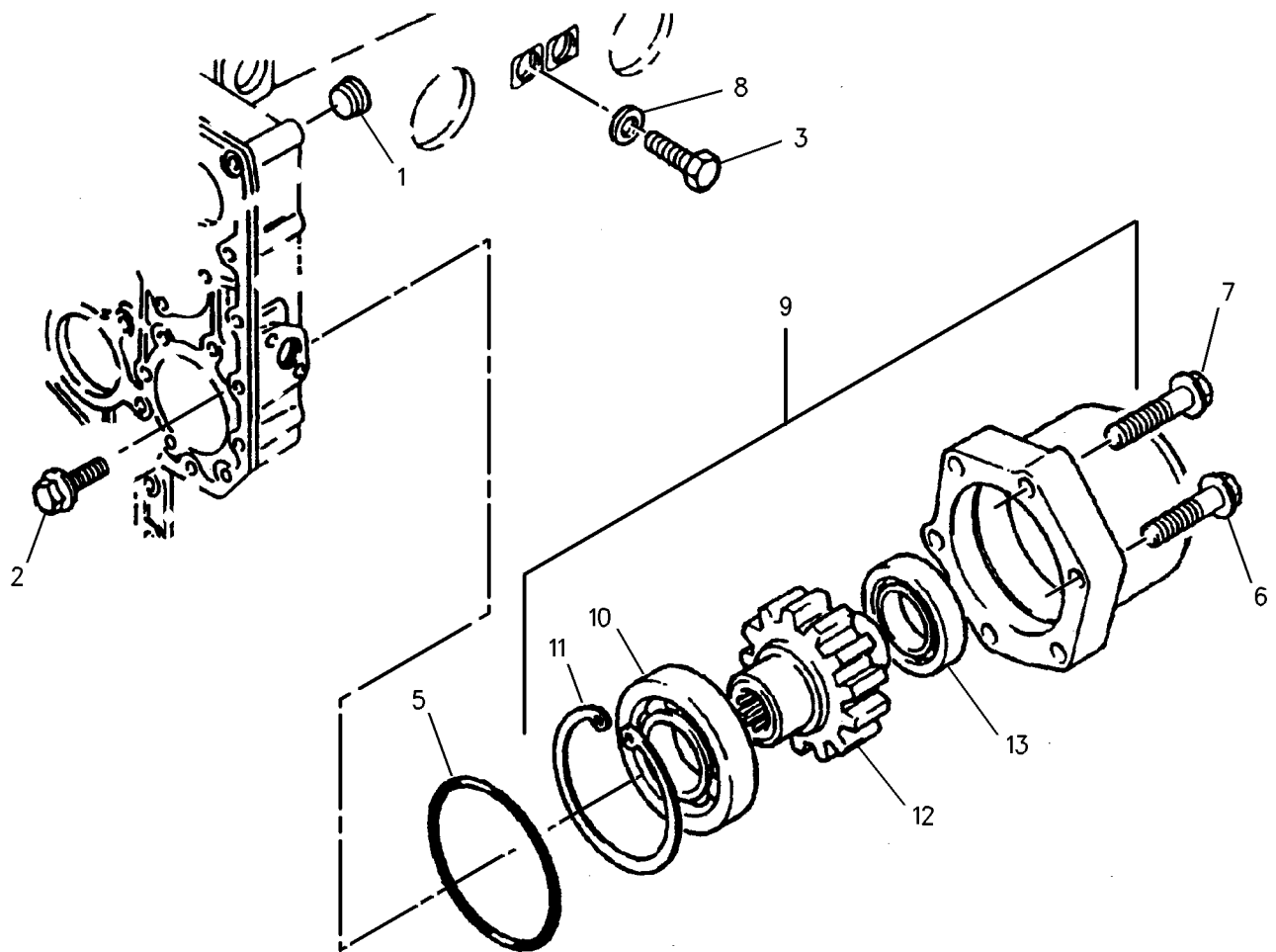
i01836320

NOTE	REF NO	GRAPHIC REF	PART NUMBER	QTY	PART NAME						SEE PAGE
					1	2	3	4	5	6 (PRODUCT LEVEL)	
	1	1	2B-0858	2	PLUG-PIPE						
	2	1	6I-0593	1	BOLT (M10X1.5X30MM)						
	3	1	6I-0646	1	BOLT (M10X1.5X14MM)						
	5	1	102-2073	1	SEAL-O-RING						
	6	1	102-2078	1	BOLT (M10X1.5X25MM)						
	7	1	102-2079	5	BOLT (M8X1.25X20MM)						
	8	1	214-3203	1	WASHER						
	9	1	222-8625	1	ADAPTER AS						
	10	1	6H-3957	1	BALL BEARING						
	11	1	102-2076	1	CLIP						
	12	1	217-7877	1	GEAR						
	13	1	217-7878	1	BEARING						

BASIC ENGINE

217-7875 DRIVE GP-ACCESSORY (contd.)

i01836320



GRAPHIC #1

g00916625

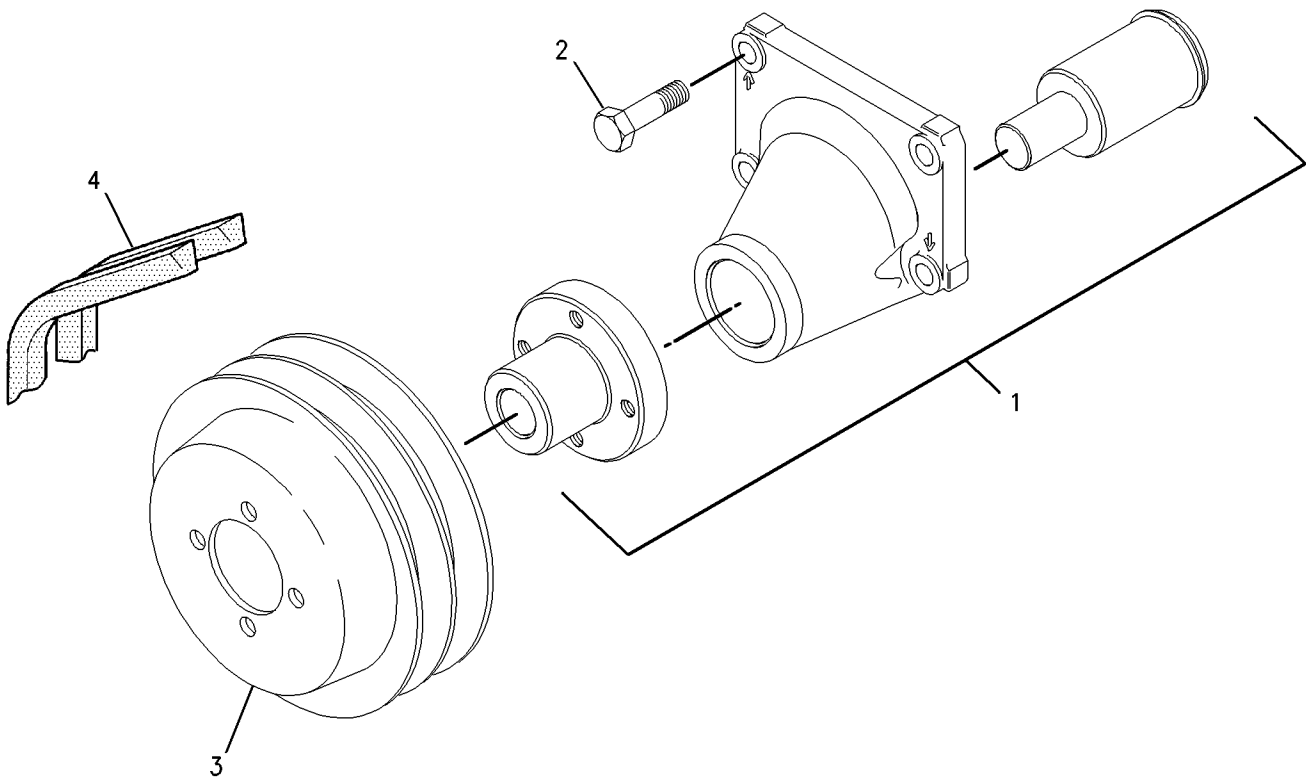
BASIC ENGINE

228-7361 DRIVE GP-FAN ALSO AN ATTACHMENT

SMCS-1359

i01827913

NOTE	REF NO	GRAPHIC REF	PART NUMBER	QTY	PART NAME						SEE PAGE
					1	2	3	4	5	6 (PRODUCT LEVEL)	
	1	1	132-8239	1	HOUSING AS						
	2	1	100-4463	1	BOLT (M10X1.5X80MM)						
	3	1	130-3879	1	PULLEY-FAN DRIVE						
	4	1	4W-6025	1	V-BELT SET (INCLUDES 2 BELTS)						



GRAPHIC #1

g00890564

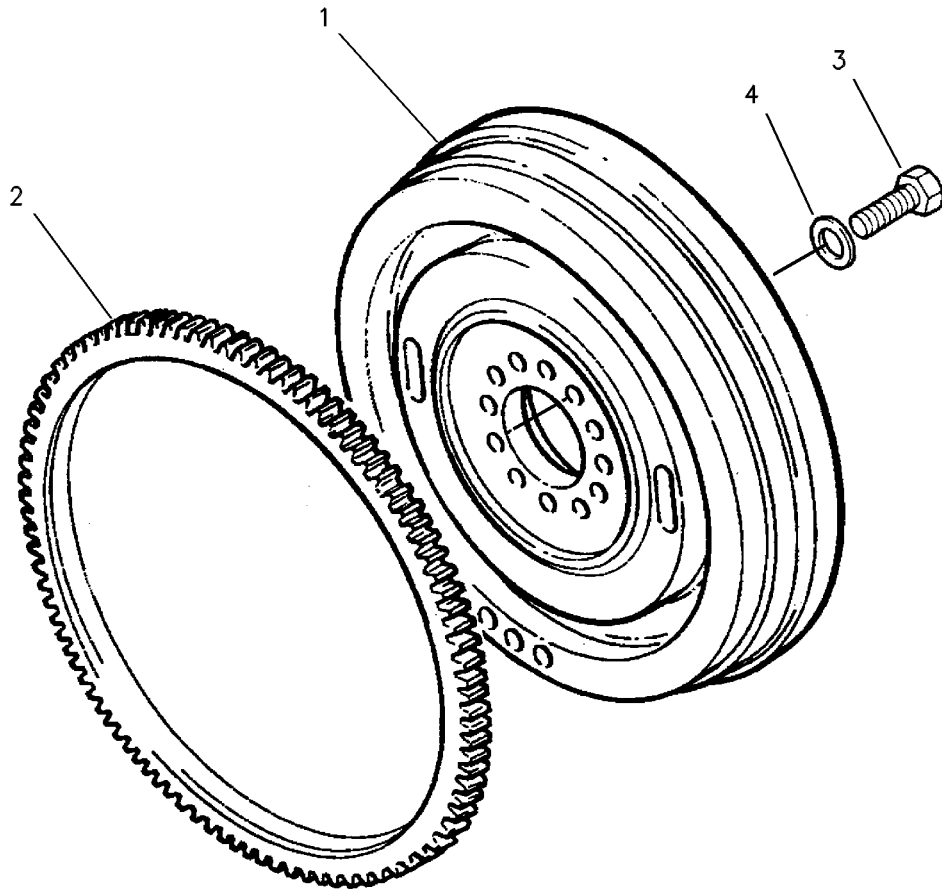
BASIC ENGINE

221-6990 FLYWHEEL GP AN ATTACHMENT

SMCS-1156

i01724912

NOTE	REF NO	GRAPHIC REF	PART NUMBER	QTY	PART NAME						SEE PAGE
					1	2	3	4	5	6 (PRODUCT LEVEL)	
	1	1	113-7543	1	FLYWHEEL AS						
	2	1	033-7687	1	RING-STARTING MOTOR (126 TEETH)						
	3	1	4K-7502	12	BOLT (1/2-20X1.375IN)						
	4	1	5P-8245	12	WASHER-HARD (13.5X25.5X3MM THK)						



GRAPHIC #1

g00241149

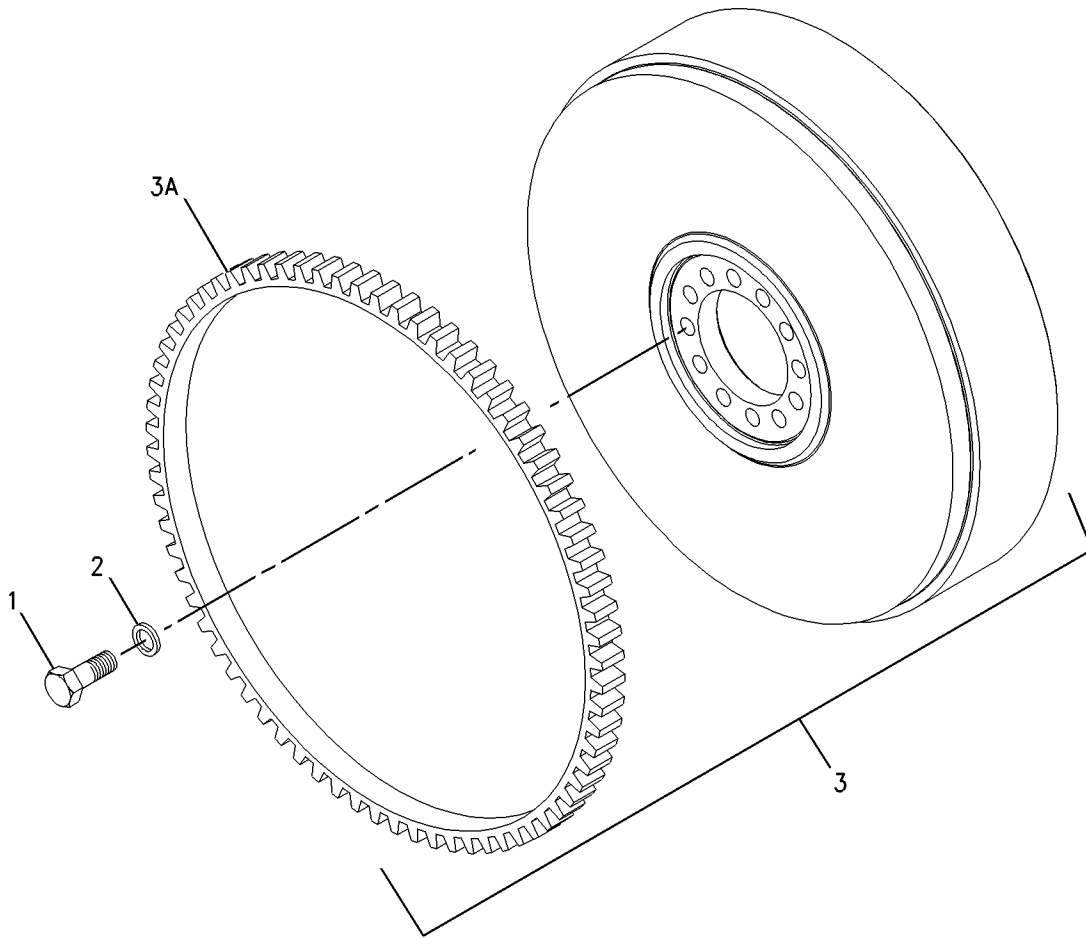
BASIC ENGINE

228-7331 FLYWHEEL GP ALSO AN ATTACHMENT

SMCS-1156

i01827915

NOTE	REF NO	GRAPHIC REF	PART NUMBER	QTY	PART NAME						SEE PAGE
					1	2	3	4	5	6 (PRODUCT LEVEL)	
	1	1	0S-1603	12	BOLT (1/2-20X1.5IN)						
	2	1	5P-8245	12	WASHER-HARD (13.5X25.5X3MM THK)						
	3	1	226-6578	1	FLYWHEEL AS						
	3A	1	033-7687	1	RING (126 TEETH)						



GRAPHIC #1

g00933389

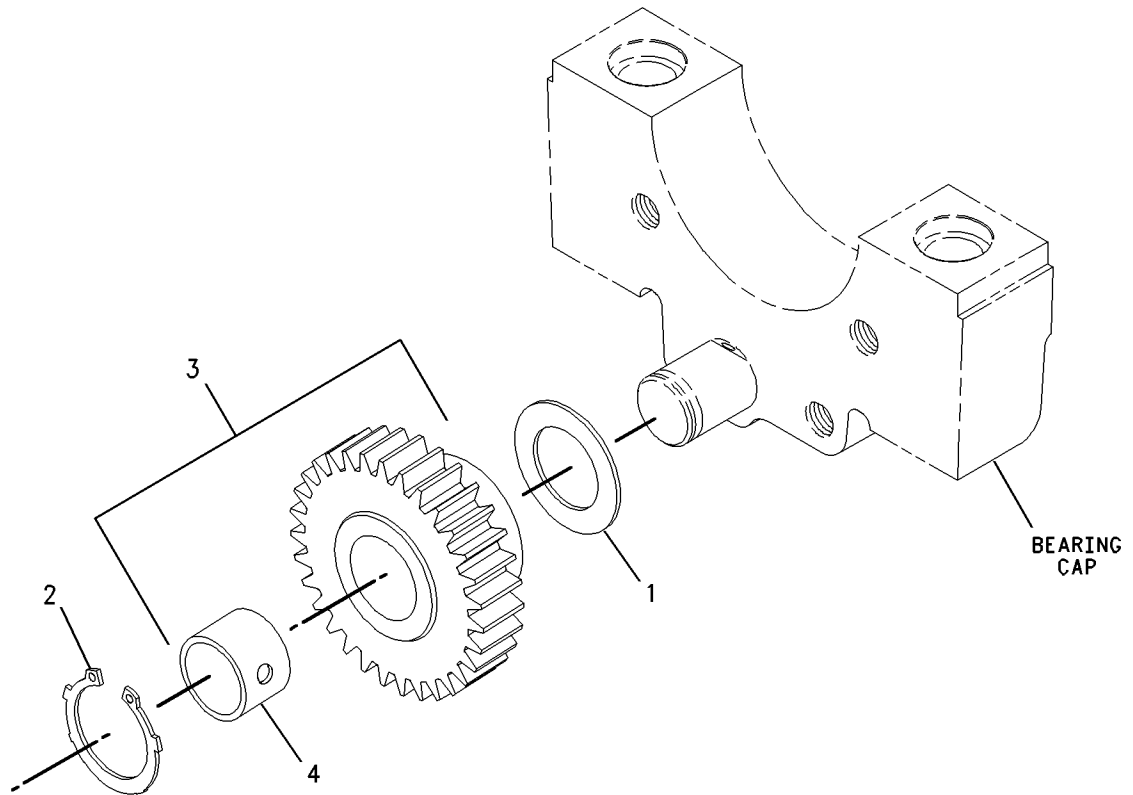
BASIC ENGINE

217-1499 GEAR GP - FRONT ALSO AN ATTACHMENT

SMCS-1206

i01819089

NOTE	REF NO	GRAPHIC REF	PART NUMBER	QTY	PART NAME						SEE PAGE
					1	2	3	4	5	6 (PRODUCT LEVEL)	
	1	1	6I-0256	1	WASHER						
	2	1	067-6928	1	CLIP						
	3	1	216-8348	1	GEAR AS-IDLER (31 TEETH)						
	4	1	067-6927	1	BUSHING-TERMINAL						



GRAPHIC #1

g00860185

BASIC ENGINE

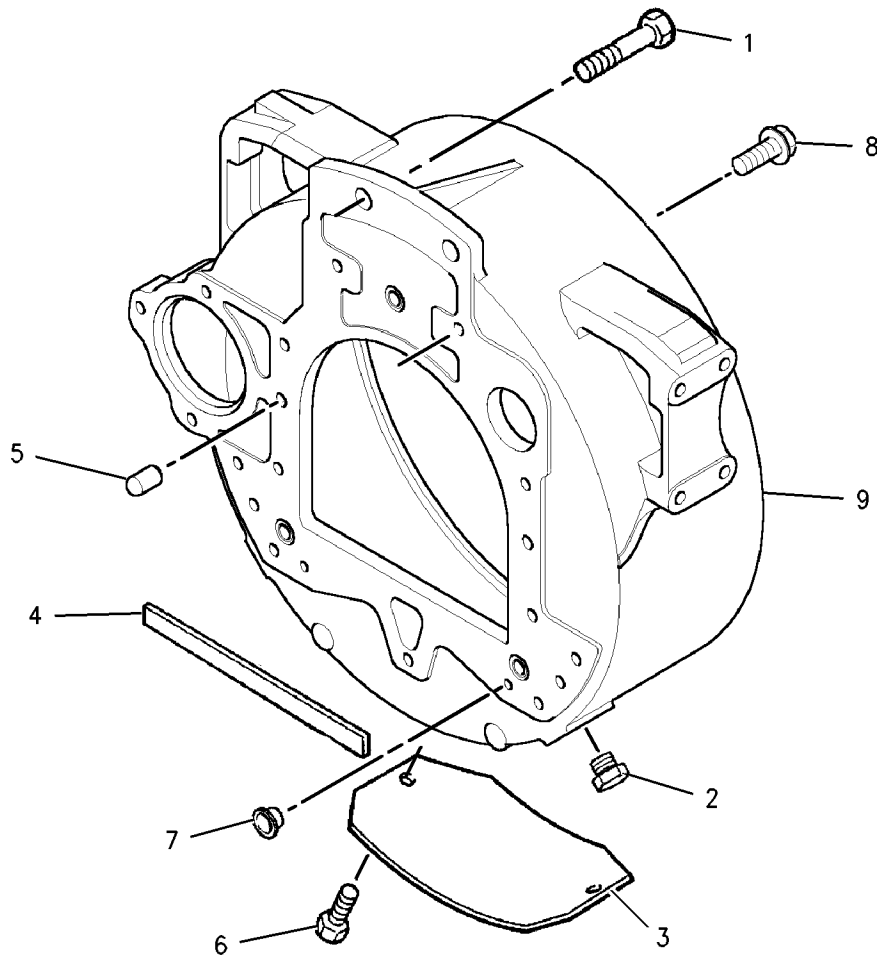
228 - 7326 HOUSING GP - FLYWHEEL

ALSO AN ATTACHMENT

SMCS - 1157

i01827933

NOTE	REF NO	GRAPHIC REF	PART NUMBER	QTY	PART NAME						SEE PAGE
					1	2	3	4	5	6 (PRODUCT LEVEL)	
	1	1	6I-0423	2	BOLT (M12X1.75X30MM)						
	2	1	6I-0847	1	PLUG						
	3	1	7W-1176	1	PLATE - COVER						
	4	1	7W-4642	1	SHIELD - DUST						
	5	1	067-6123	2	DOWEL						
	6	1	114-4363	2	BOLT (M8X1.25X12MM)						
	7	1	101-3617	3	PLUG						
	8	1	121-0883	6	BOLT (M10X1.5X30MM)						
	9	1	220-8631	1	HOUSING - FLYWHEEL						



GRAPHIC #1

g00902549

MEMORANDA

BASIC ENGINE

226-3556 HOUSING GP-FRONT

AN ATTACHMENT

SMCS-1151, 1162

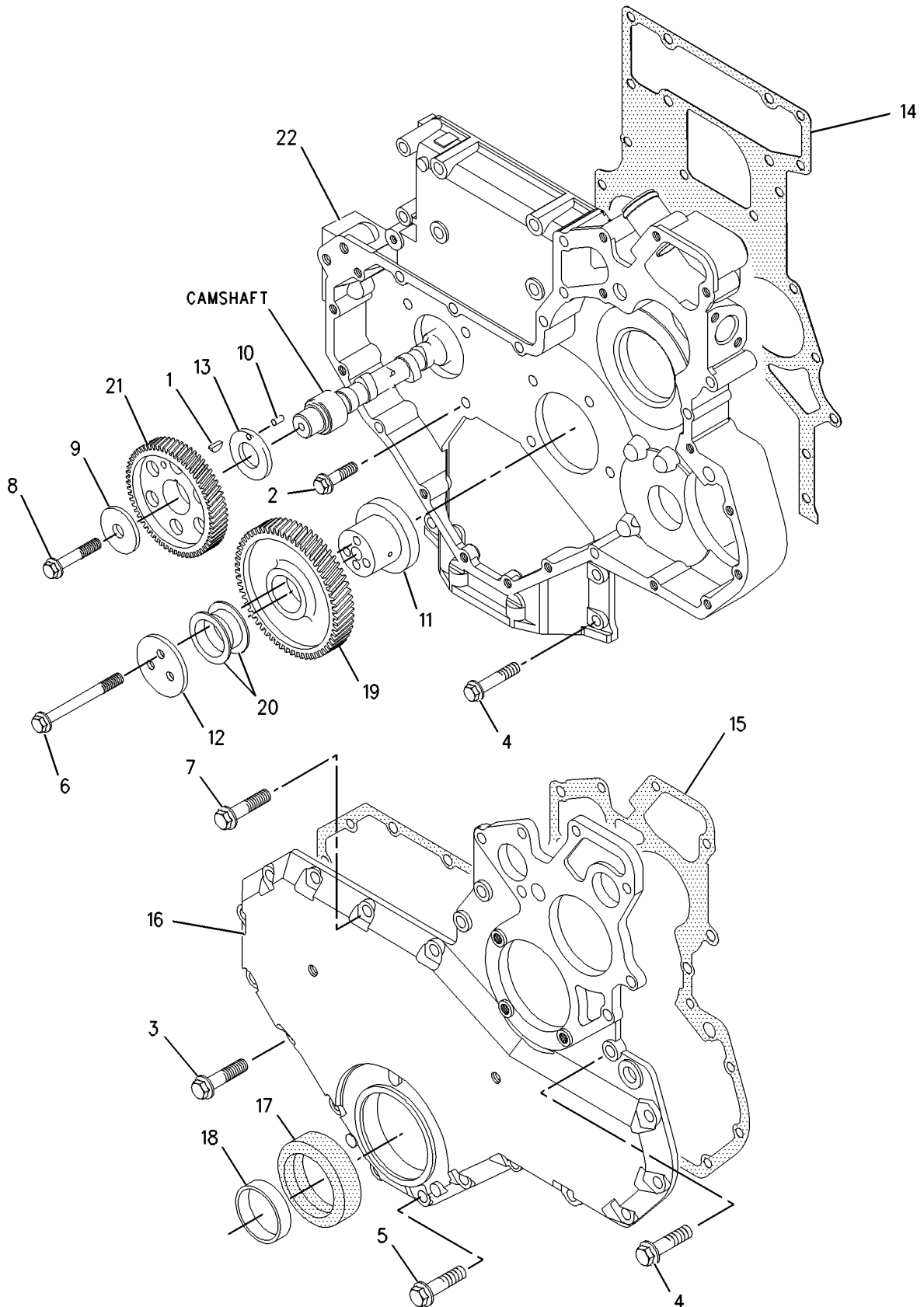
i01801880

NOTE	REF NO	GRAPHIC REF	PART NUMBER	QTY	PART NAME						SEE PAGE
					1	2	3	4	5	6 (PRODUCT LEVEL)	
	1	1	1B-8736	1	KEY-WOODRUFF						
	2	1	6I-0217	8	BOLT (M8X1.25X20MM)						
	3	1	6I-0254	5	BOLT (M8X1.25X30MM)						
	4	1	6I-0260	8	BOLT (M8X1.25X25MM)						
	5	1	6I-0645	1	BOLT (M8X1.25X25MM)						
	6	1	6I-0789	3	BOLT (M10X1.5X60MM)						
	7	1	6I-0839	6	BOLT (M8X1.25X70MM)						
	8	1	7C-4616	1	BOLT (M12X1.75X45MM)						
	9	1	067-6178	1	WASHER						
	10	1	067-6179	1	DOWEL						
	11	1	067-6897	1	HUB-IDLER GEAR						
	12	1	067-6900	1	PLATE-RETAINING						
	13	1	133-1011	1	WASHER						
	14	1	160-3510	1	GASKET						
	15	1	162-8597	1	GASKET-COVER						
	16	1	162-9081	1	COVER AS-HOUSING						
	17	1	4W-5359	1	SEAL-CRANKSHAFT						
	18	1	167-2153	1	SLEEVE-CRANKSHAFT						
	19	1	216-8633	1	GEAR AS-IDLER (73 TEETH)						
	20	1	067-6899	2	BUSHING-IDLER GEAR						
	21	1	216-8634	1	GEAR-CAMSHAFT (68 TEETH)						
	22	1	226-3552	1	HOUSING-FRONT						

BASIC ENGINE

226 - 3556 HOUSING GP - FRONT (contd.)

i01801880



GRAPHIC #1

g00922305

BASIC ENGINE

228-7395 HOUSING GP-FRONT

ALSO AN ATTACHMENT

SMCS-1151, 1162

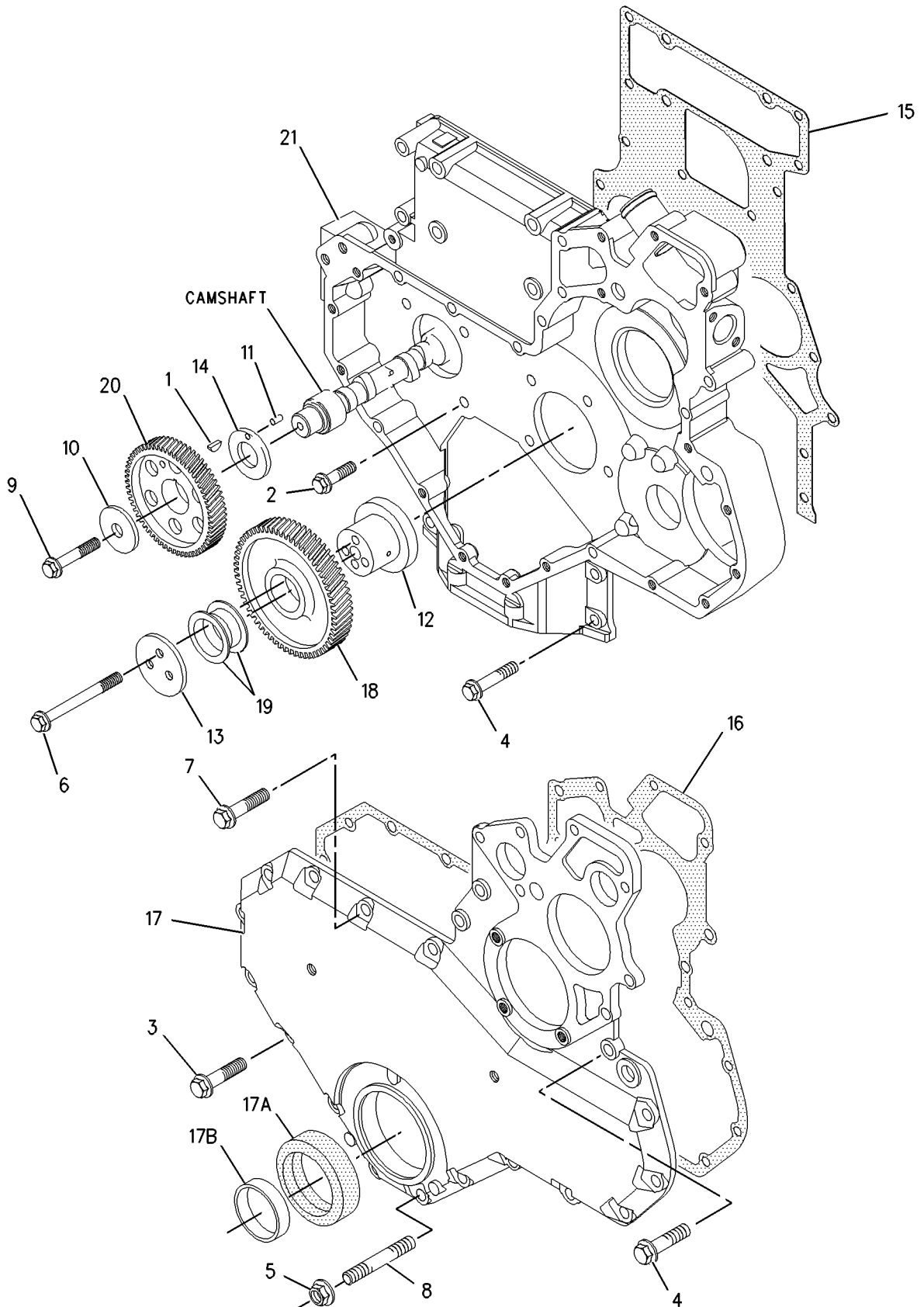
i01827934

NOTE	REF NO	GRAPHIC REF	PART NUMBER	QTY	PART NAME						SEE PAGE
					1	2	3	4	5	6 (PRODUCT LEVEL)	
	1	1	1B-8736	1	KEY-WOODRUFF						
	2	1	6I-0217	8	BOLT (M8X1.25X20MM)						
	3	1	6I-0254	7	BOLT (M8X1.25X30MM)						
	4	1	6I-0260	5	BOLT (M8X1.25X25MM)						
	5	1	6I-0291	2	NUT (M8X1.25)						
	6	1	6I-0789	3	BOLT (M10X1.5X60MM)						
	7	1	6I-0839	6	BOLT (M8X1.25X70MM)						
	8	1	6I-0840	2	STUD (M8X20MM)						
	9	1	7C-4616	1	BOLT (M12X1.75X45MM)						
	10	1	067-6178	1	WASHER						
	11	1	067-6179	1	DOWEL						
	12	1	067-6897	1	HUB-IDLER GEAR						
	13	1	067-6900	1	PLATE-RETAINING						
	14	1	133-1011	1	WASHER						
	15	1	160-3510	1	GASKET						
	16	1	162-8597	1	GASKET-COVER						
	17	1	162-9081	1	COVER AS-HOUSING						
	17A	1	4W-5359	1	SEAL-CRANKSHAFT						
	17B	1	167-2153	1	SLEEVE-CRANKSHAFT						
	18	1	216-8633	1	GEAR AS-IDLER (73 TEETH)						
	19	1	067-6899	2	BUSHING-IDLER GEAR						
	20	1	216-8634	1	GEAR-CAMSHAFT (68 TEETH)						
	21	1	226-3552	1	HOUSING-FRONT						

BASIC ENGINE

228 - 7395 HOUSING GP - FRONT (contd.)

i01827934



GRAPHIC #1

g00932999

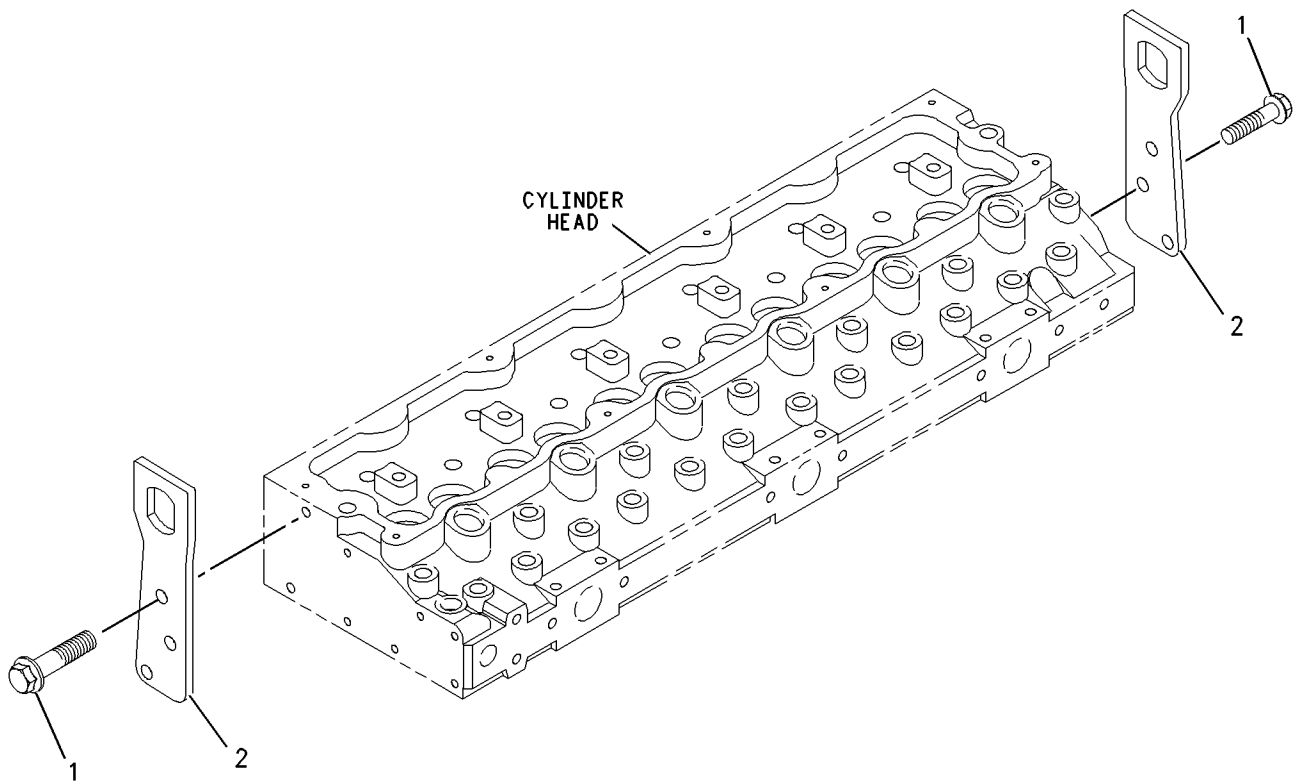
BASIC ENGINE

221-6875 LIFTING GP-ENGINE AN ATTACHMENT

SMCS-1122

i01725113

NOTE	REF NO	GRAPHIC REF	PART NUMBER	QTY	PART NAME						SEE PAGE
					1	2	3	4	5	6 (PRODUCT LEVEL)	
	1	1	6I-0654	4	BOLT (M10X1.5X25MM)						
	2	1	221-6872	2	PLATE						



GRAPHIC #1

g00889453

BASIC ENGINE

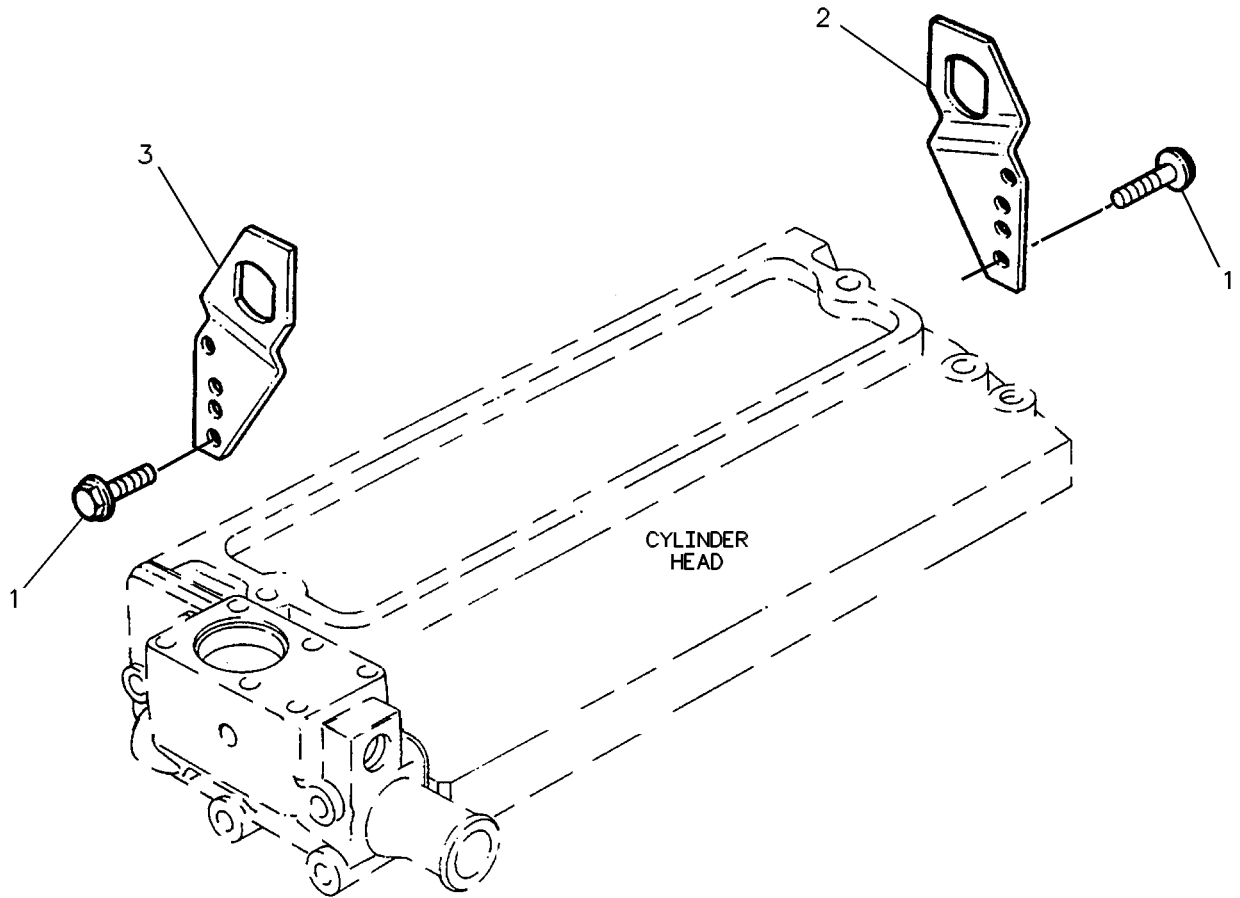
228-7462 LIFTING GP-ENGINE

ALSO AN ATTACHMENT

SMCS-1122

i01827919

NOTE	REF NO	GRAPHIC REF	PART NUMBER	QTY	PART NAME						SEE PAGE
					1	2	3	4	5	6 (PRODUCT LEVEL)	
	1	1	6I-0654	4	BOLT (M10X1.5X25MM)						
	2	1	140-8953	1	PLATE						
	3	1	142-0349	1	PLATE-LIFTING						



GRAPHIC #1

g00272676

BASIC ENGINE

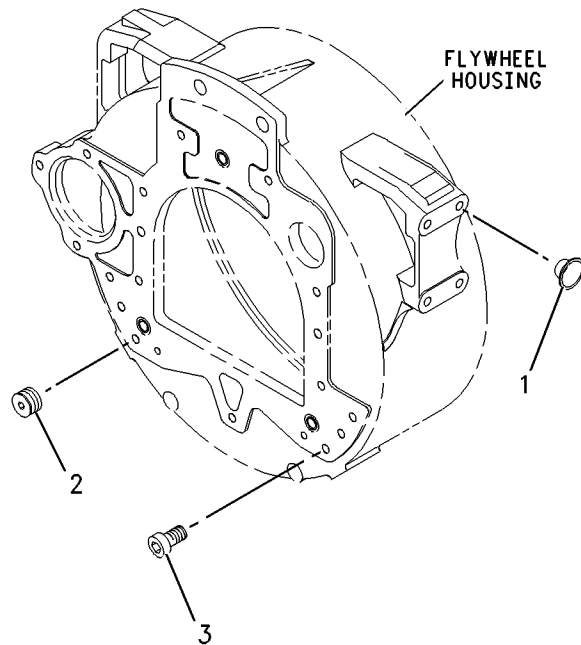
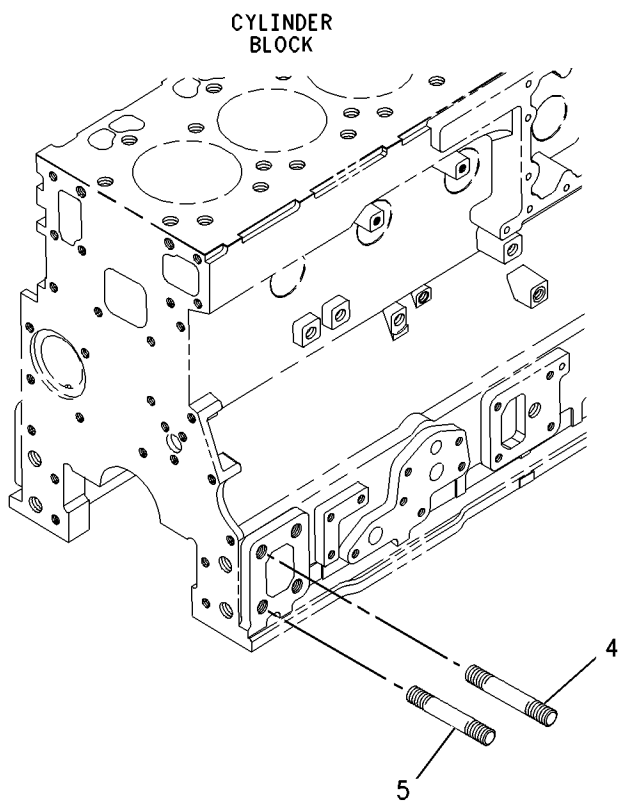
226 - 3586 MOUNTING GP - ENGINE

AN ATTACHMENT

SMCS - 1152

i01773221

NOTE	REF NO	GRAPHIC REF	PART NUMBER	QTY	PART NAME						SEE PAGE
					1	2	3	4	5	6 (PRODUCT LEVEL)	
	1	1	6H-3616	4	PLUG-PROTECTION						
	2	1	101-2987	6	PLUG						
	3	1	102-9460	3	PLUG						
	4	1	113-7913	3	STUD						
	5	1	171-1411	4	STUD						



GRAPHIC #1

g00908235

MEMORANDA

BASIC ENGINE

216-9551 PAN GP-OIL AN ATTACHMENT

SMCS-1302

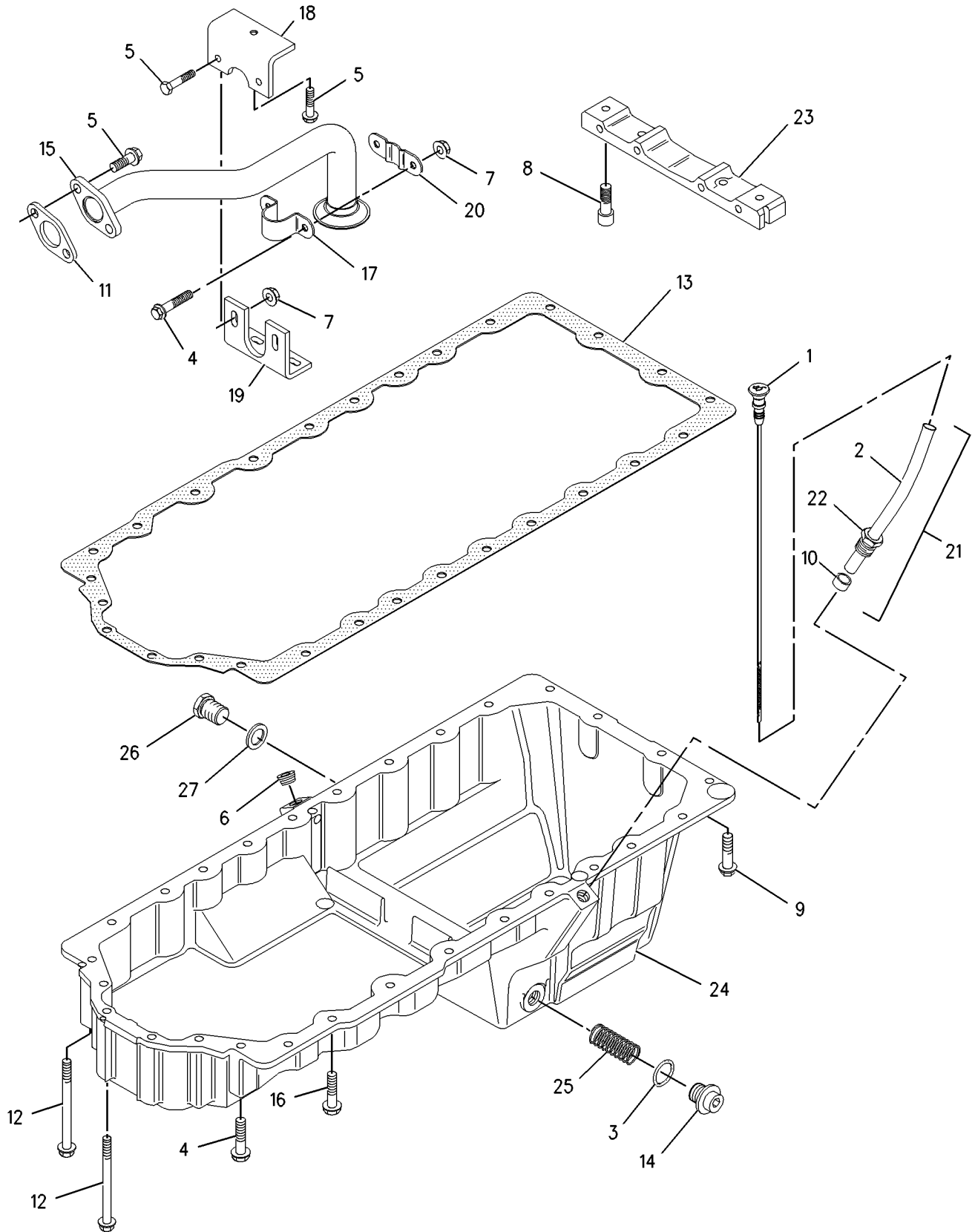
i01843783

NOTE	REF NO	GRAPHIC REF	PART NUMBER	QTY	PART NAME						SEE PAGE
					1	2	3	4	5	6 (PRODUCT LEVEL)	
	1	1	4P-3838	1	GAUGE AS (OIL LEVEL) (DIPSTICK)						
	2	1	177-7845	1	TUBE AS						
	3	1	5P-6718	2	SEAL-O-RING (OIL DRAIN PLUG)						
	4	1	6I-0217	23	BOLT (M8X1.25X20MM)						
	5	1	6I-0260	4	BOLT (M8X1.25X25MM)						
	6	1	6I-0289	1	PLUG						
	7	1	6I-0291	4	NUT (M8X1.25)						
	8	1	6I-0363	2	BOLT (M6X1.0X20MM)						
	9	1	6I-0572	2	BOLT (M8X1.25.20MM)						
	10	1	6I-1497	1	SEAL						
	11	1	6I-4681	1	GASKET						
	12	1	6I-4709	5	BOLT (M8X1.25X100MM)						
	13	1	6I-4710	1	GASKET						
	14	1	7C-0351	2	PLUG-SUMP DRAIN						
	15	1	113-8127	1	TUBE AS						
	16	1	113-8129	1	BOLT (M8X75MM)						
	17	1	113-8130	1	CLIP						
	18	1	113-8131	1	BRACKET						
	19	1	113-8133	1	BRACKET						
	20	1	113-8134	1	PLATE						
	21	1	124-7702	1	TUBE AS						
	22	1	6I-4079	1	NUT						
	23	1	211-0067	1	BRIDGE						
	24	1	216-9546	1	PAN AS-OIL						
	25	1	7C-1224	1	INSERT						
	26	1	216-9626	1	PLUG-SEALING						
	27	1	217-0212	1	WASHER						

BASIC ENGINE

216-9551 PAN GP-OIL (contd.)

i01843783



GRAPHIC #1

g00861341

BASIC ENGINE

220-6103 PAN GP-OIL AN ATTACHMENT

SMCS-1302

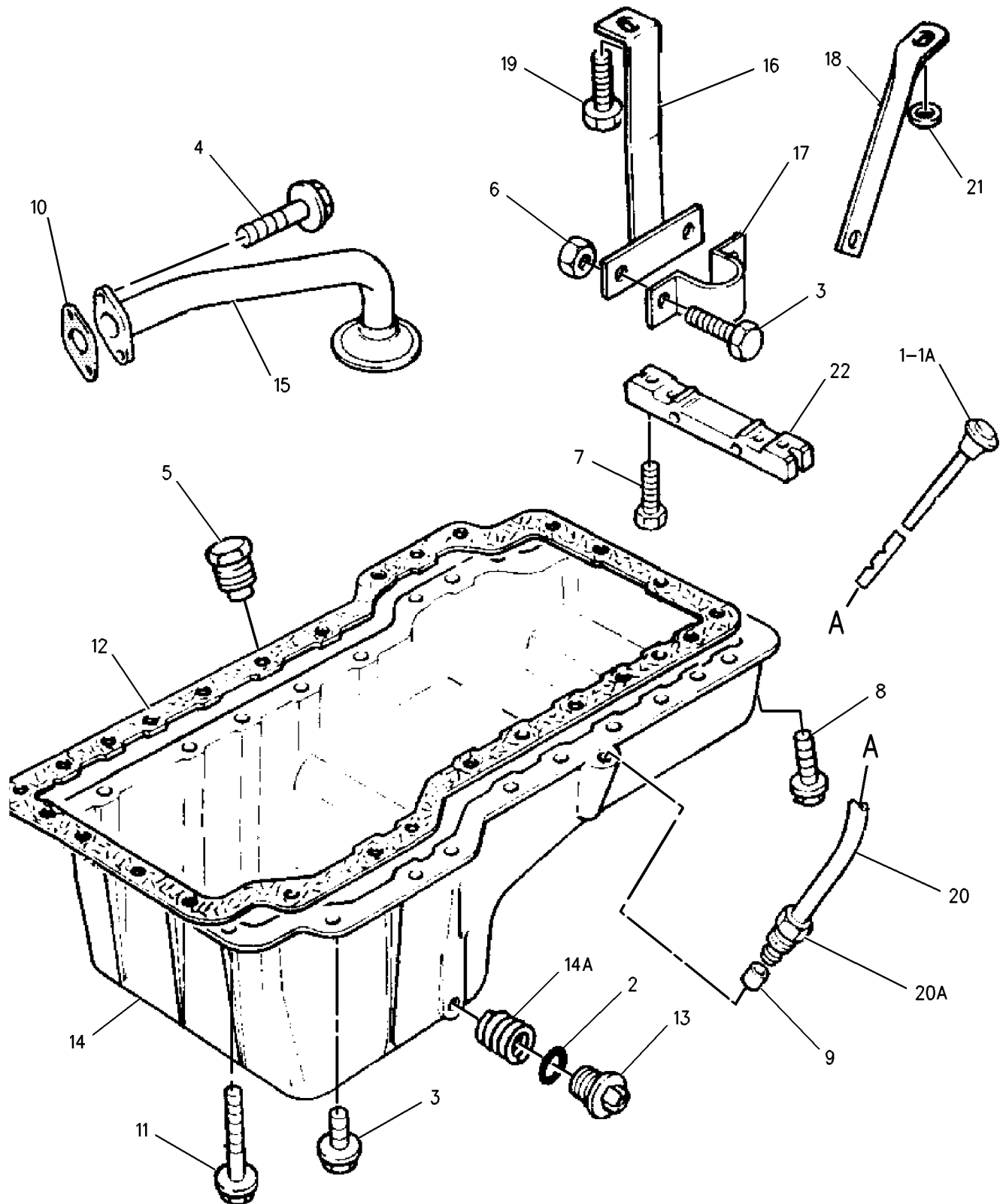
i01843788

NOTE	REF NO	GRAPHIC REF	PART NUMBER	QTY	PART NAME						SEE PAGE
					1	2	3	4	5	6 (PRODUCT LEVEL)	
	1	1	4P-3838	1	GAUGE AS (OIL LEVEL)						
	1A	1	177-7845	1	TUBE AS						
	2	1	5P-6718	2	SEAL-O-RING (OIL DRAIN PLUG)						
	3	1	6I-0217	22	BOLT (M8X1.25X20MM)						
	4	1	6I-0260	2	BOLT (M8X1.25X25MM)						
	5	1	6I-0289	1	PLUG						
	6	1	6I-0291	2	NUT (M8X1.25)						
	7	1	6I-0363	2	BOLT (M6X1.0X20MM)						
	8	1	6I-0572	2	BOLT (M8X1.25.20MM)						
	9	1	6I-1497	1	SEAL						
	10	1	6I-4681	1	GASKET						
	11	1	6I-4709	6	BOLT (M8X1.25X100MM)						
	12	1	6I-4710	1	GASKET						
	13	1	7C-0351	2	PLUG-SUMP DRAIN						
	14	1	113-5280	1	PAN AS-OIL						
	14A	1	7C-1224	1	INSERT						
	15	1	113-5281	1	TUBE AS						
	16	1	113-5282	1	BRACKET						
	17	1	113-8130	1	CLIP						
	18	1	113-8231	1	SUPPORT						
	19	1	124-3815	1	BOLT (M8X16X1.25MM)						
	20	1	124-7702	1	TUBE AS						
	20A	1	6I-4079	1	NUT						
	21	1	195-3761	1	SPACER						
	22	1	211-0067	1	BRIDGE						

BASIC ENGINE

220-6103 PAN GP-OIL (contd.)

i01843788



GRAPHIC #1

g00892189

BASIC ENGINE

221-2959 PAN GP-OIL AN ATTACHMENT

SMCS-1302

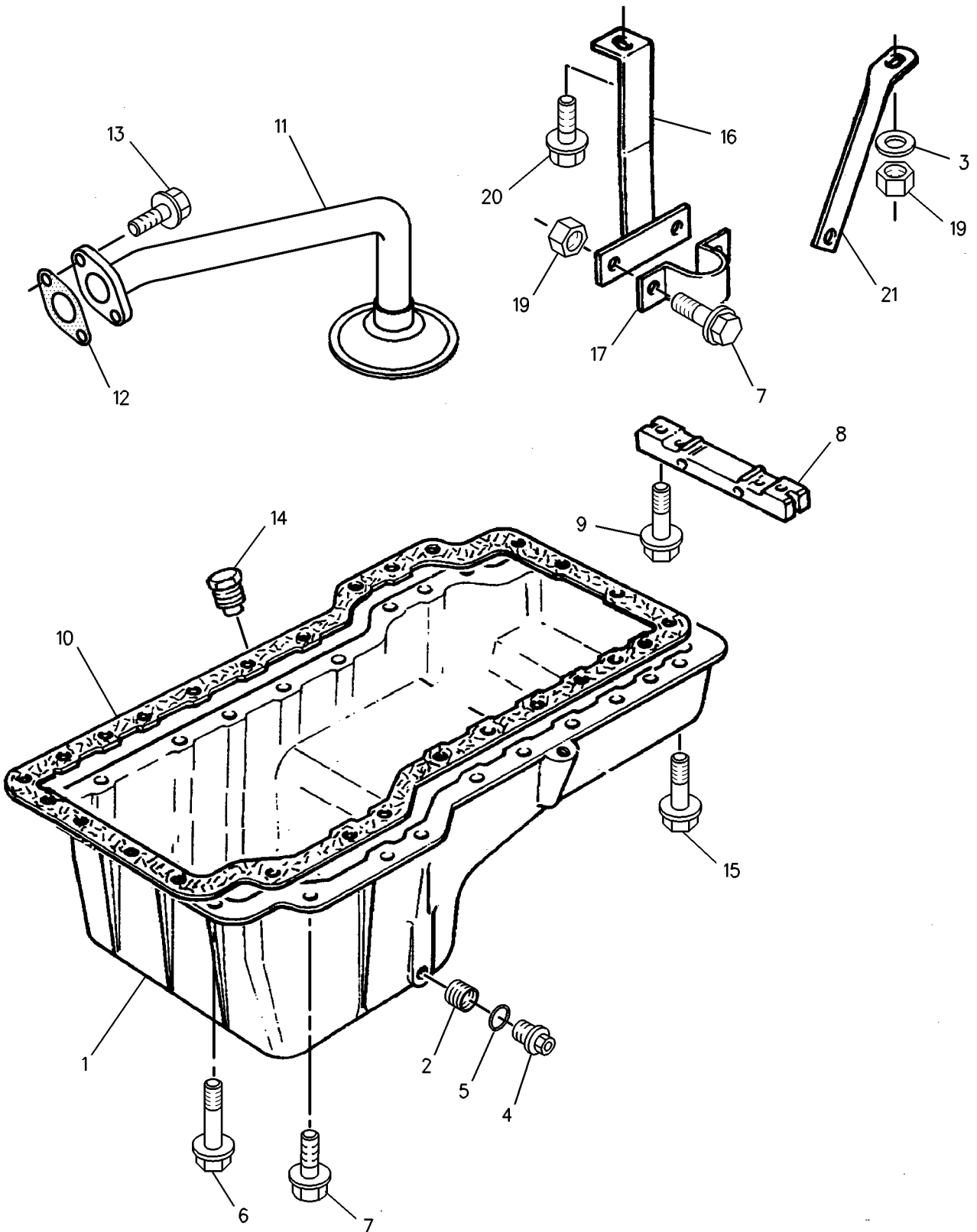
i01843782

NOTE	REF NO	GRAPHIC REF	PART NUMBER	QTY	PART NAME						SEE PAGE
					1	2	3	4	5	6 (PRODUCT LEVEL)	
	1	1	113-5280	1	PAN AS-OIL						
	2	1	7C-1224	1	INSERT						
	3	1	195-3761	1	SPACER						
	4	1	7C-0351	2	PLUG-SUMP DRAIN						
	5	1	5P-6718	2	SEAL-O-RING (OIL DRAIN PLUG)						
	6	1	6I-4709	6	BOLT (M8X1.25X100MM)						
	7	1	6I-0217	22	BOLT (M8X1.25X20MM)						
	8	1	211-0067	1	BRIDGE						
	9	1	6I-0363	2	BOLT (M6X1.0X20MM)						
	10	1	6I-4710	1	GASKET						
	11	1	113-5281	1	TUBE AS						
	12	1	6I-4681	1	GASKET						
	13	1	6I-0260	2	BOLT (M8X1.25X25MM)						
	14	1	6I-0289	1	PLUG						
	15	1	6I-0572	2	BOLT (M8X1.25.20MM)						
	16	1	113-5282	1	BRACKET						
	17	1	113-8130	1	CLIP						
	19	1	6I-0291	2	NUT (M8X1.25)						
	20	1	124-3815	1	BOLT (M8X16X1.25MM)						
	21	1	113-8231	1	SUPPORT						

BASIC ENGINE

221 - 2959 PAN GP-OIL (contd.)

i01843782



GRAPHIC #1

g00886975

BASIC ENGINE

221-6989 PAN GP-OIL AN ATTACHMENT

SMCS-1302

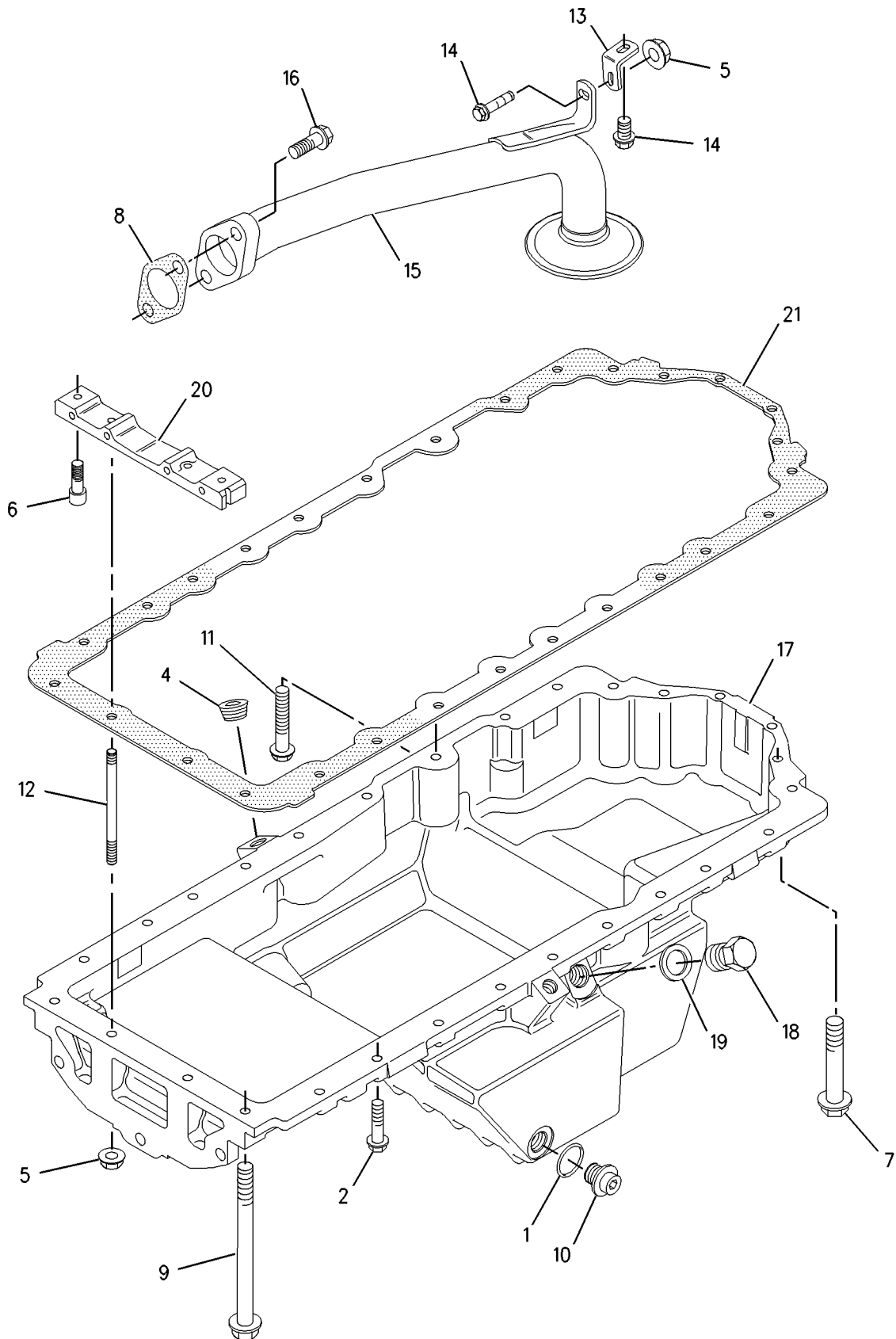
i01843781

NOTE	REF NO	GRAPHIC REF	PART NUMBER	QTY	PART NAME						SEE PAGE
					1	2	3	4	5	6 (PRODUCT LEVEL)	
	1	1	5P-6718	2	SEAL-O-RING (OIL DRAIN PLUG)						
	2	1	6I-0254	19	BOLT (M8X1.25X30MM)						
	4	1	6I-0289	2	PLUG						
	5	1	6I-0291	3	NUT (M8X1.25)						
	6	1	6I-0363	2	BOLT (M6X1.0X20MM)						
	7	1	6I-0456	2	BOLT (M8X1.25X45MM)						
	8	1	6I-4681	1	GASKET						
	9	1	6I-4709	4	BOLT (M8X1.25X100MM)						
	10	1	7C-0351	2	PLUG-SUMP DRAIN						
	11	1	100-3751	1	BOLT (M8X1.25X65MM)						
	12	1	113-8955	2	STUD						
	13	1	113-8957	1	BRACKET						
	14	1	124-3815	2	BOLT (M8X16X1.25MM)						
	15	1	127-5660	1	STRAINER						
	16	1	6I-0260	2	BOLT (M8X1.25X25MM)						
	17	1	127-5661	1	PAN-OIL						
	18	1	127-5662	1	PLUG						
	19	1	128-3792	1	WASHER						
	20	1	211-0067	1	BRIDGE						
	21	1	213-9710	1	GASKET						

BASIC ENGINE

221 - 6989 PAN GP - OIL (contd.)

i01843781



GRAPHIC #1

g00900146

BASIC ENGINE

226-3517 PAN GP-OIL AN ATTACHMENT

SMCS-1302

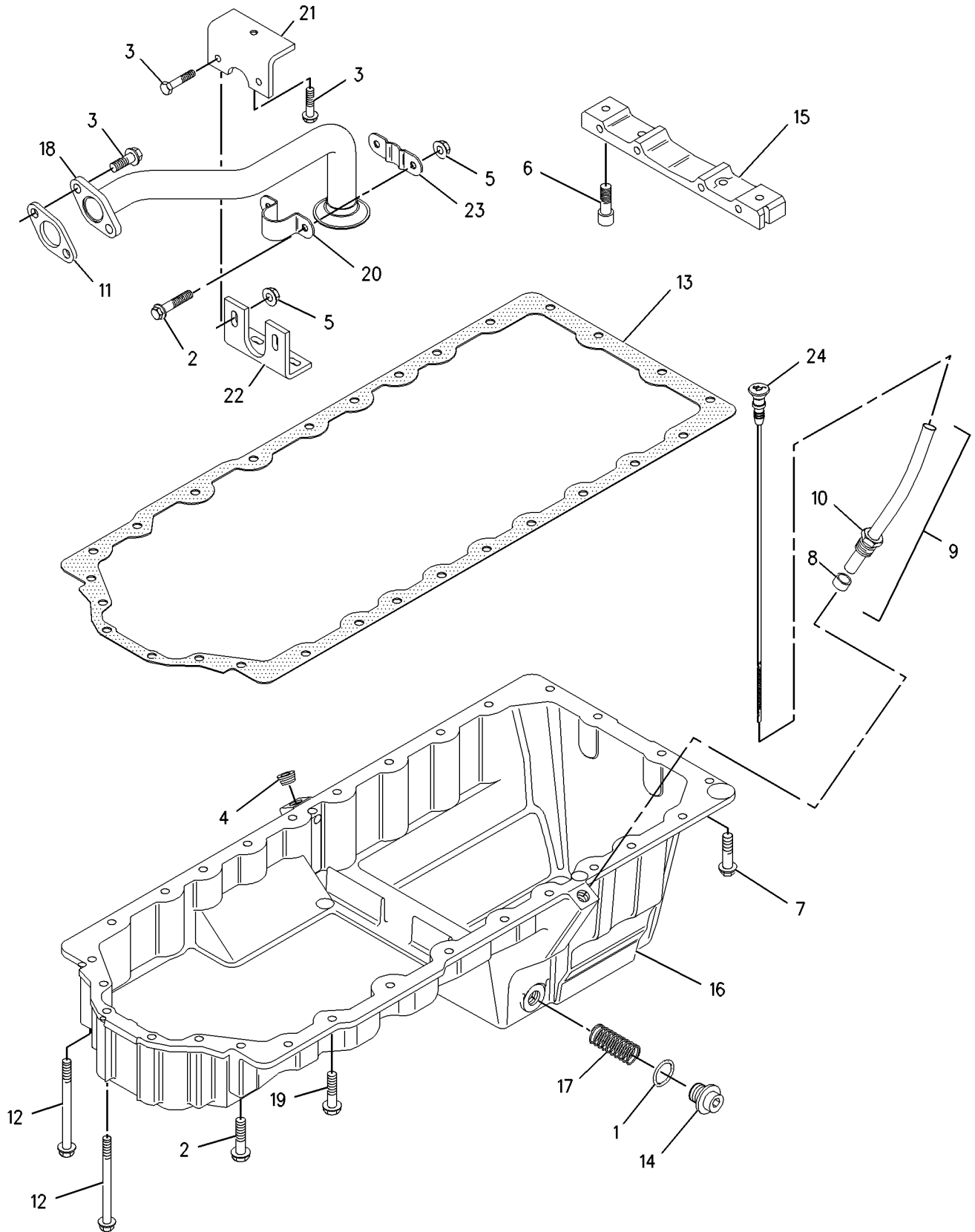
i01843780

NOTE	REF NO	GRAPHIC REF	PART NUMBER	QTY	PART NAME						SEE PAGE
					1	2	3	4	5	6 (PRODUCT LEVEL)	
	1	1	5P-6718	2	SEAL-O-RING (OIL DRAIN PLUG)						
	2	1	6I-0217	23	BOLT (M8X1.25X20MM)						
	3	1	6I-0260	4	BOLT (M8X1.25X25MM)						
	4	1	6I-0289	1	PLUG						
	5	1	6I-0291	4	NUT (M8X1.25)						
	6	1	6I-0363	2	BOLT (M6X1.0X20MM)						
	7	1	6I-0572	2	BOLT (M8X1.25.20MM)						
	8	1	6I-1497	1	SEAL						
	9	1	124-7702	1	TUBE AS						
	10	1	6I-4079	1	NUT						
	11	1	6I-4681	1	GASKET						
	12	1	6I-4709	5	BOLT (M8X1.25X100MM)						
	13	1	6I-4710	1	GASKET						
	14	1	7C-0351	2	PLUG-SUMP DRAIN						
	15	1	211-0067	1	BRIDGE						
	16	1	113-8126	1	PAN AS-OIL						
	17	1	7C-1224	2	INSERT						
	18	1	113-8127	1	TUBE AS						
	19	1	113-8129	1	BOLT (M8X75MM)						
	20	1	113-8130	1	CLIP						
	21	1	113-8131	1	BRACKET						
	22	1	113-8133	1	BRACKET						
	23	1	113-8134	1	PLATE						
	24	1	4P-3838	1	GAUGE AS (OIL LEVEL)						

BASIC ENGINE

226-3517 PAN GP-OIL (contd.)

i01843780



GRAPHIC #1

g00908298

BASIC ENGINE

228-7363 PAN GP-OIL

ALSO AN ATTACHMENT

SMCS-1302

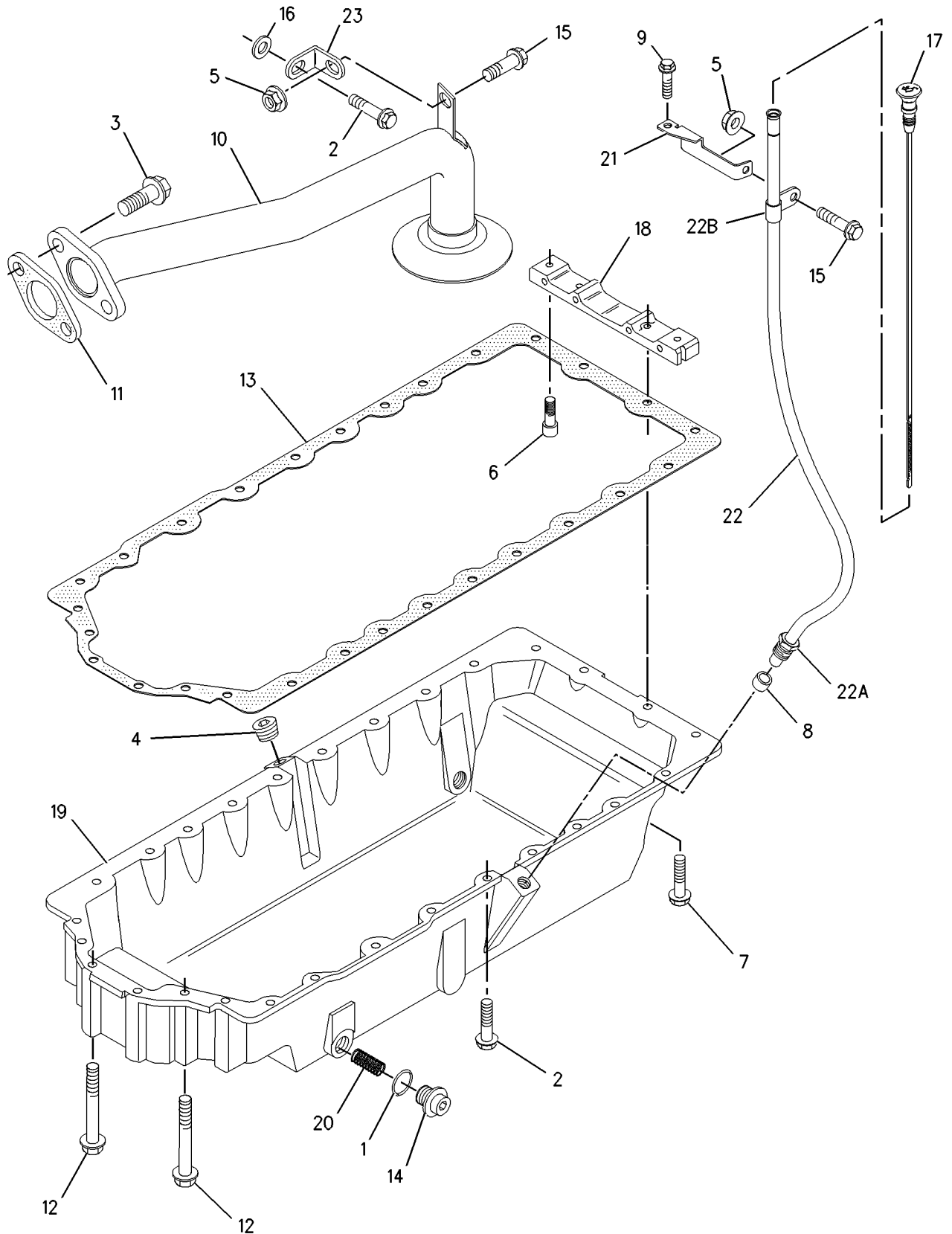
i01843779

NOTE	REF NO	GRAPHIC REF	PART NUMBER	QTY	PART NAME						SEE PAGE
					1	2	3	4	5	6 (PRODUCT LEVEL)	
	1	1	5P-6718	2	SEAL-O-RING (OIL DRAIN PLUG)						
	2	1	6I-0217	23	BOLT (M8X1.25X20MM)						
	3	1	6I-0260	2	BOLT (M8X1.25X25MM)						
	4	1	6I-0289	1	PLUG						
	5	1	6I-0291	2	NUT (M8X1.25)						
	6	1	6I-0363	2	BOLT (M6X1.0X20MM)						
	7	1	6I-0572	2	BOLT (M8X1.25.20MM)						
	8	1	6I-1497	1	SEAL						
	9	1	6I-4200	1	BOLT (M10X1.5X16MM)						
	10	1	6I-4376	1	TUBE AS						
	11	1	6I-4681	1	GASKET						
	12	1	6I-4709	4	BOLT (M8X1.25X100MM)						
	13	1	6I-4710	1	GASKET						
	14	1	7C-0351	2	PLUG-SUMP DRAIN						
	15	1	124-3815	2	BOLT (M8X16X1.25MM)						
	16	1	132-8848	1	WASHER						
	17	1	187-0548	1	GAUGE AS-OIL LEVEL (DIPSTICK)						
	18	1	211-0067	1	BRIDGE						
	19	1	213-4814	1	PAN AS-OIL						
	20	1	7C-1224	2	INSERT						
	21	1	219-1064	1	BRACKET						
	22	1	228-7362	1	TUBE AS						
	22A	1	6I-4079	1	NUT						
	22B	1	187-0555	1	CLIP						
	23	1	214-5974	1	BRACKET						

BASIC ENGINE

228 - 7363 PAN GP - OIL (contd.)

i01843779



GRAPHIC #1

g00933527

BASIC ENGINE

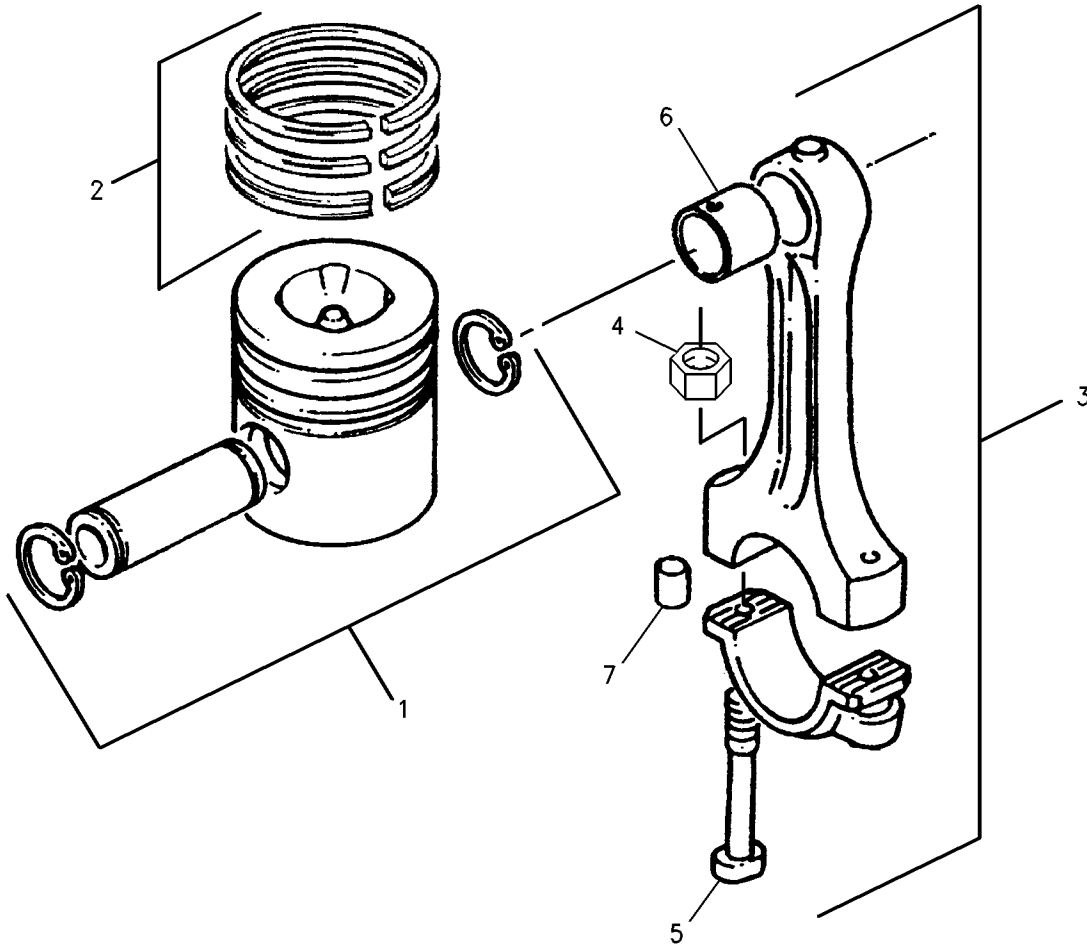
216-8324 PISTON & ROD GP

SMCS-1225

i01812010

NOTE	REF NO	GRAPHIC REF	PART NUMBER	QTY	PART NAME						SEE PAGE
					1	2	3	4	5	6 (PRODUCT LEVEL)	
	1	1	216-8323	6	PISTON AS						
					(EACH INCLUDES)						
		1	124-3536	1	RING-RETAINING						
	2	1	217-1573	1	KIT-PISTON RING						
J	3	1	160-6493	6	ROD AS (H)						
					-OR-						
J		1	160-6494	6	ROD AS (J)						
					-OR-						
J		1	160-6495	6	ROD AS (K)						
					-OR-						
J		1	160-6496	6	ROD AS (L)						
					(EACH ROD AS INCLUDES)						
	4	1	7W-2505	2	NUT-CONNECTING ROD						
	5	1	067-6883	2	BOLT-ROD CAP						
	6	1	138-2048	1	BUSHING						
	7	1	194-2466	2	DOWEL						

J-ENSURE THAT THE CORRECT ROD LENGTH IS FITTED.



GRAPHIC #1

g00716867

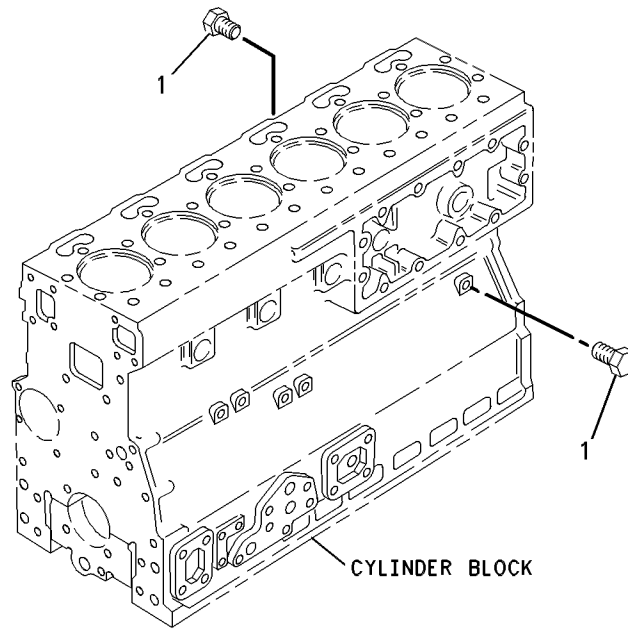
BASIC ENGINE

147-5524 PLUG GP - CYLINDER BLOCK

SMCS-1201

i01834989

NOTE	REF NO	GRAPHIC REF	PART NUMBER	QTY	PART NAME						SEE PAGE
					1	2	3	4	5	6 (PRODUCT LEVEL)	
	1	1	069-1124	2	PLUG						



GRAPHIC #1

g00282502

BASIC ENGINE

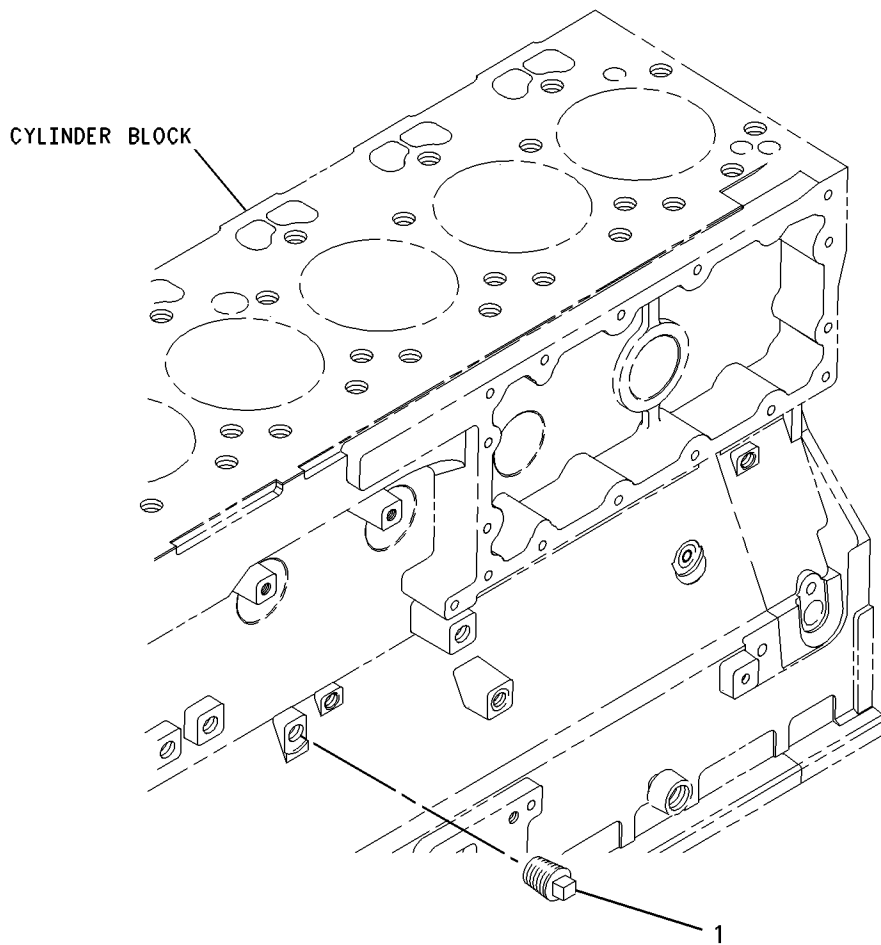
228-7470 PLUG GP-CYLINDER BLOCK

ALSO AN ATTACHMENT

SMCS-1201

i01827904

NOTE	REF NO	GRAPHIC REF	PART NUMBER	QTY	PART NAME						SEE PAGE
					1	2	3	4	5	6 (PRODUCT LEVEL)	
	1	1	035-8063	1	PLUG (1/8)						



GRAPHIC #1

g00934899

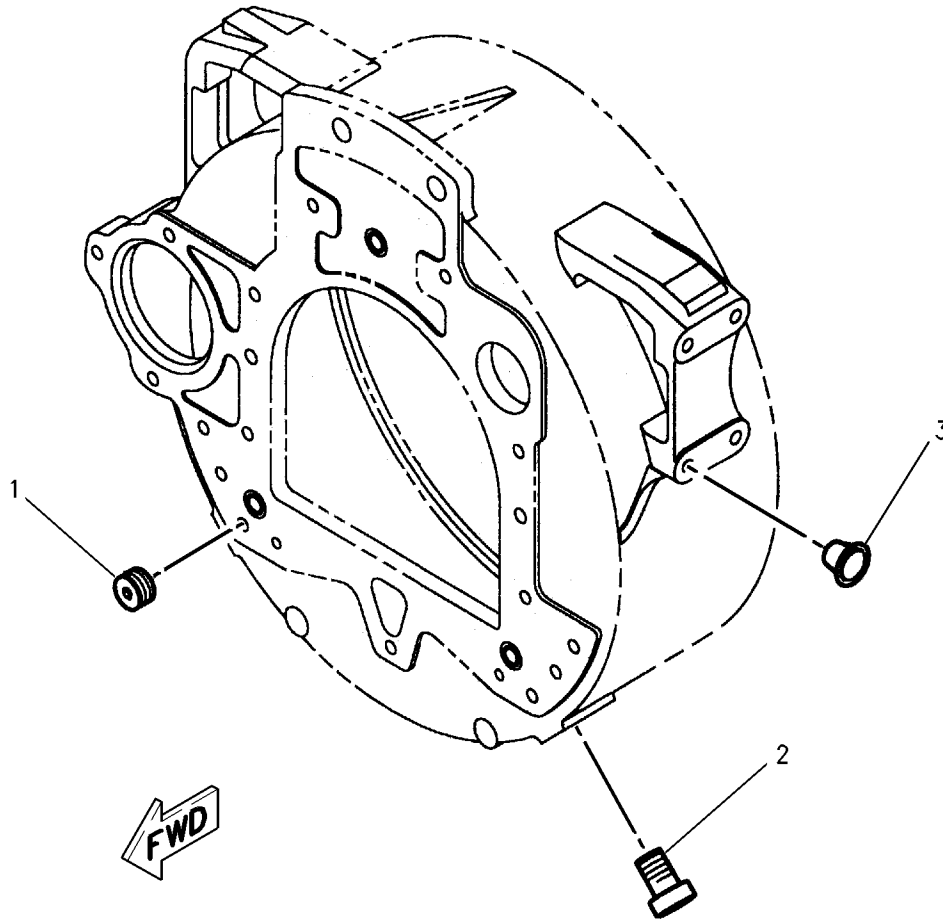
BASIC ENGINE

217-7888 PLUG GP-FLYWHEEL HOUSING AN ATTACHMENT

SMCS-1157

i01756044

NOTE	REF NO	GRAPHIC REF	PART NUMBER	QTY	PART NAME						SEE PAGE
					1	2	3	4	5	6 (PRODUCT LEVEL)	
	1	1	101-2987	6	PLUG						
	2	1	102-9460	3	PLUG						
	3	1	133-8470	4	PLUG						



GRAPHIC #1

g00878680

BASIC ENGINE

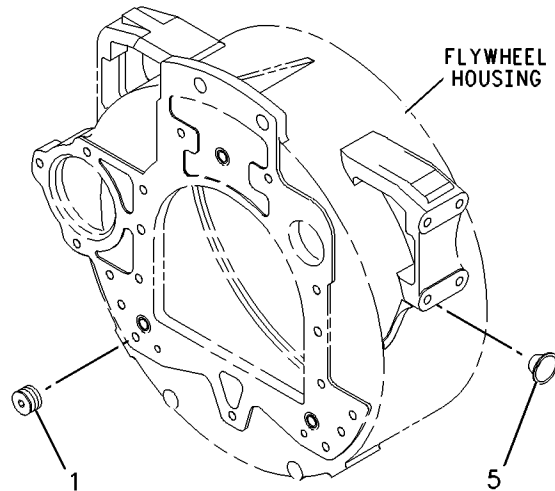
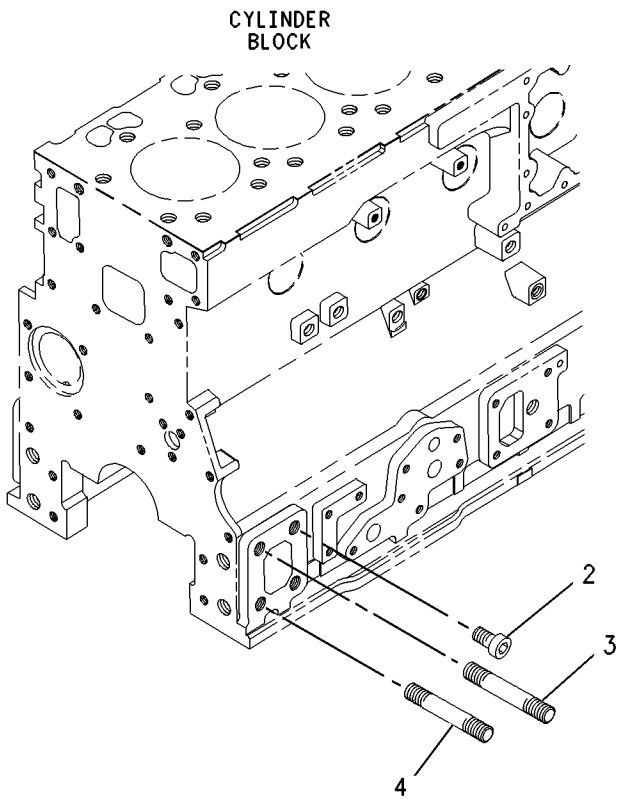
220-6152 PLUG GP-FLYWHEEL HOUSING

AN ATTACHMENT

SMCS-1157

i01725124

NOTE	REF NO	GRAPHIC REF	PART NUMBER	QTY	PART NAME						SEE PAGE
					1	2	3	4	5	6 (PRODUCT LEVEL)	
	1	1	101-2987	6	PLUG						
	2	1	102-9460	1	PLUG						
	3	1	113-7913	3	STUD						
	4	1	171-1411	4	STUD						
	5	1	6H-3616	4	PLUG-PROTECTION						



GRAPHIC #1

g00889353

BASIC ENGINE

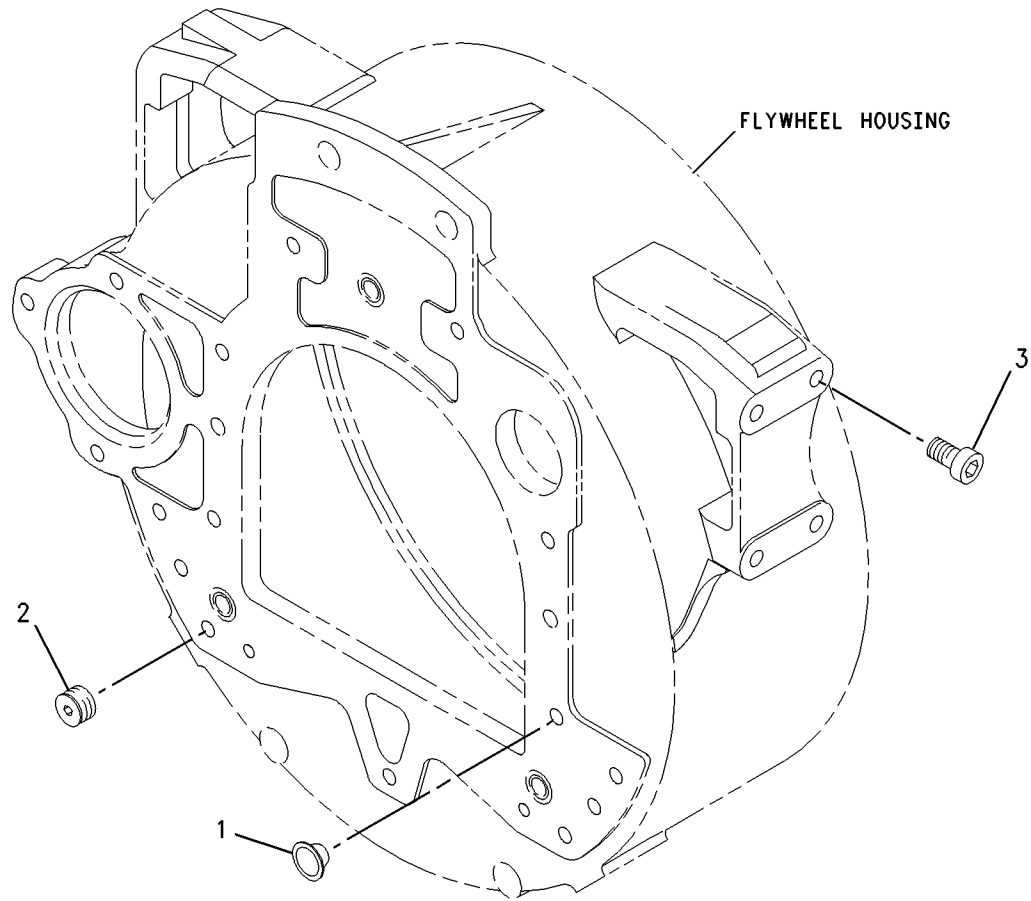
228-7465 PLUG GP-FLYWHEEL HOUSING

ALSO AN ATTACHMENT

SMCS-1157

i01827907

NOTE	REF NO	GRAPHIC REF	PART NUMBER	QTY	PART NAME						SEE PAGE
					1	2	3	4	5	6 (PRODUCT LEVEL)	
	1	1	6H-3616	4	PLUG-PROTECTION						
	2	1	101-2987	6	PLUG						
	3	1	102-9460	4	PLUG						



GRAPHIC #1

g00934911

BASIC ENGINE

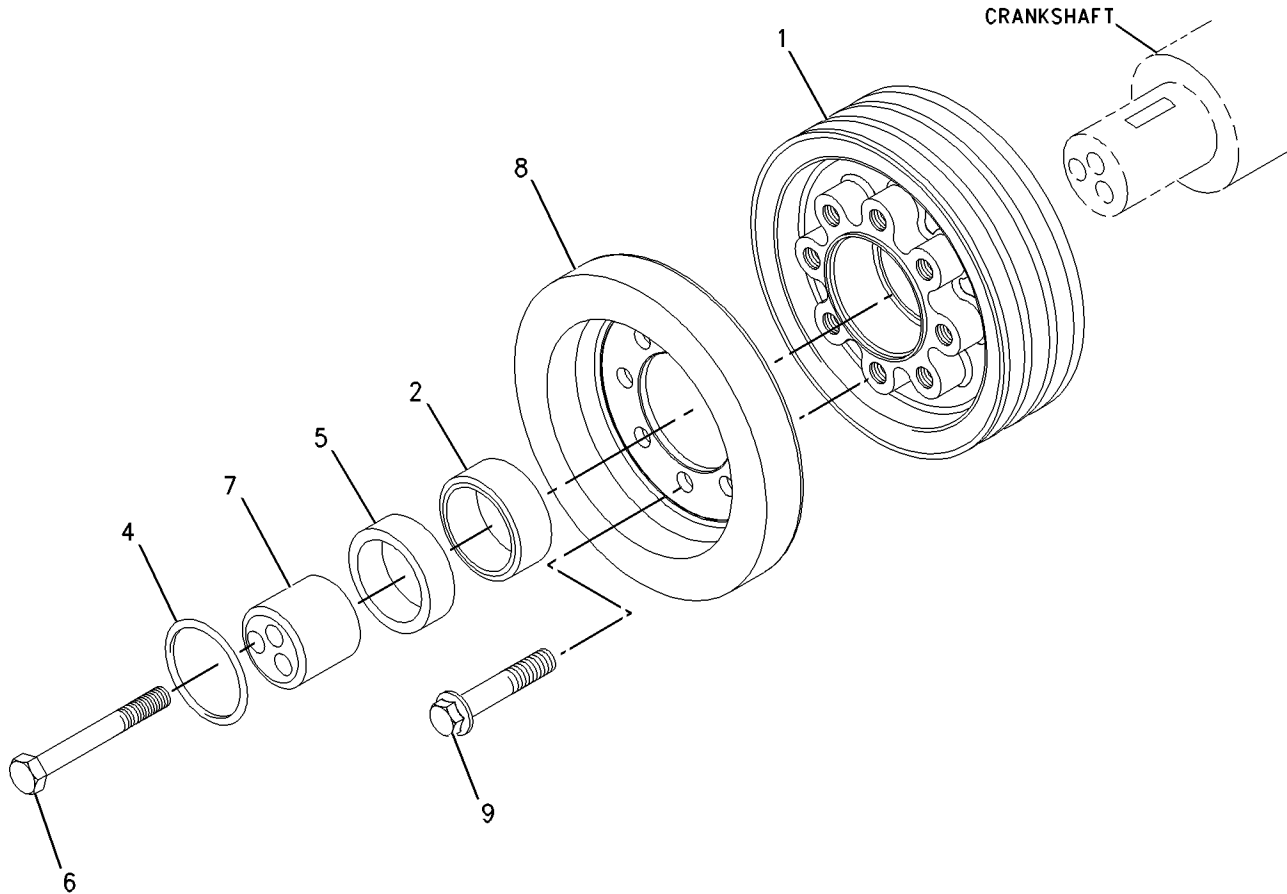
226 -3523 PULLEY GP -CRANKSHAFT

ALSO AN ATTACHMENT

SMCS - 1205

i01776346

NOTE	REF NO	GRAPHIC REF	PART NUMBER	QTY	PART NAME						SEE PAGE
					1	2	3	4	5	6 (PRODUCT LEVEL)	
	1	1	115-7465	1	PULLEY						
	2	1	6I-4714	1	SPACER						
	4	1	7D-8048	1	SEAL-O-RING						
	5	1	7W-4632	1	LOCK-SPLIT						
	6	1	7W-4634	3	BOLT (7/16-20X1.5IN)						
	7	1	7W-4635	1	BLOCK-THRUST						
	8	1	148-0199	1	DAMPER						
	9	1	102-9941	8	BOLT (M12X1.75X25MM)						



GRAPHIC #1

g00908745

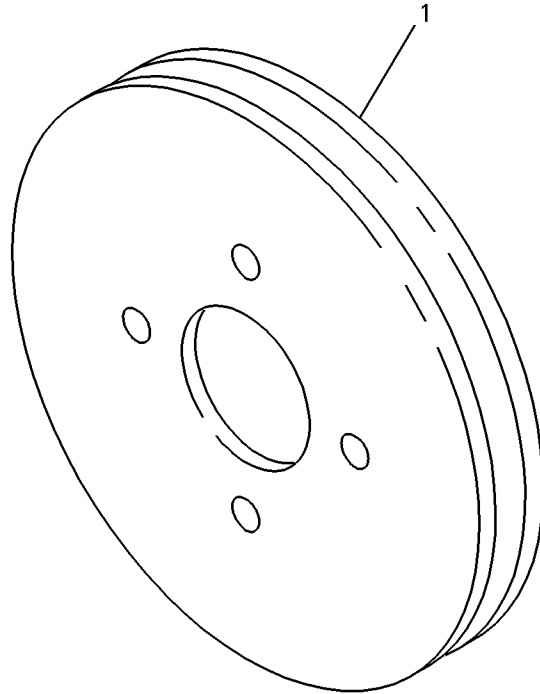
BASIC ENGINE

183-4733 PULLEY GP-FAN DRIVE

SMCS-1359

i01392306

NOTE	REF NO	GRAPHIC REF	PART NUMBER	QTY	PART NAME						SEE PAGE
					1	2	3	4	5	6 (PRODUCT LEVEL)	
	1	1	130-3881	1	PULLEY-FAN						



GRAPHIC #1

g00734082

BASIC ENGINE

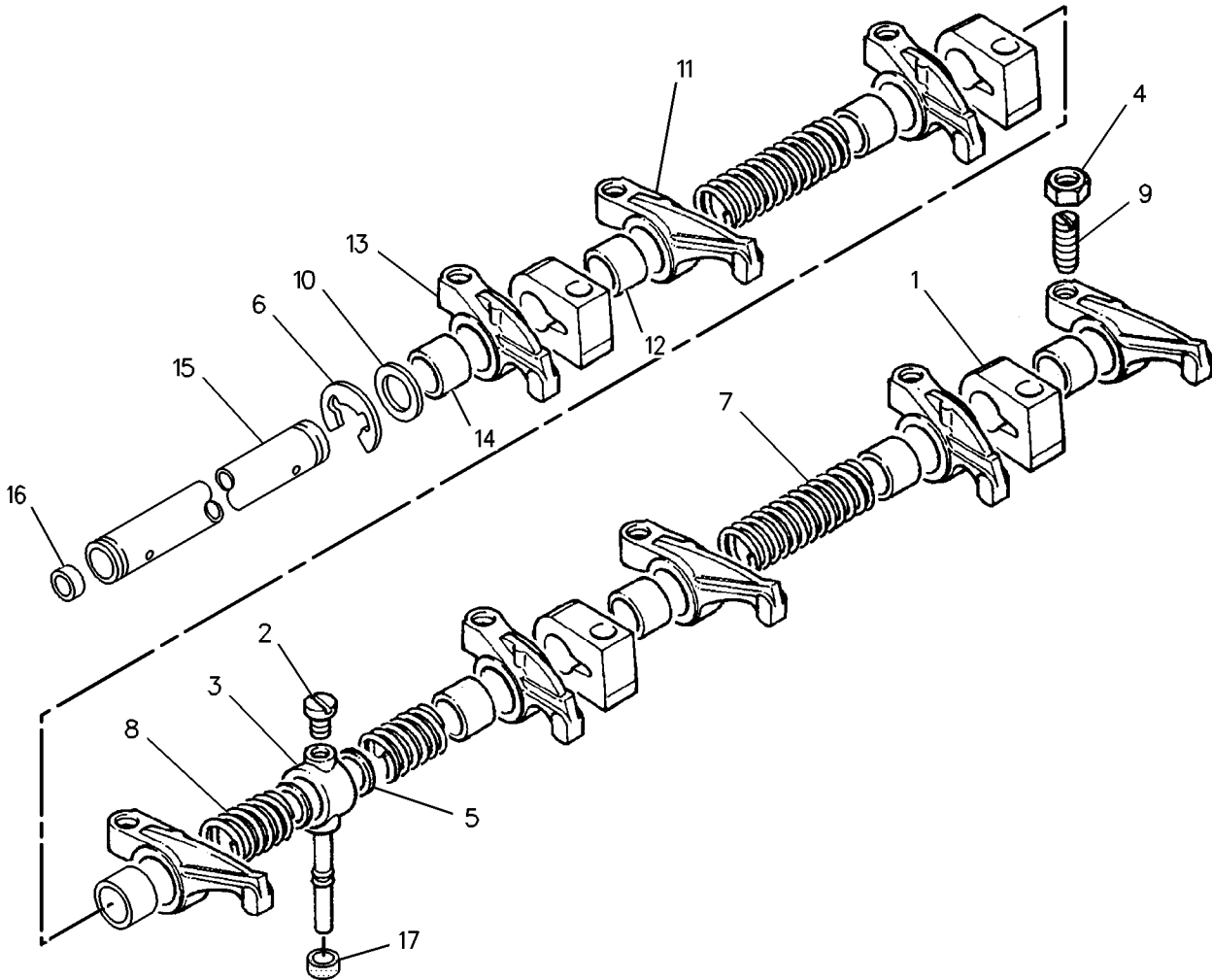
146-8956 ROCKER ARM GP PART OF 216-8619 VALVE MECHANISM GP

SMCS-1123

i01548267

NOTE	REF NO	GRAPHIC REF	PART NUMBER	QTY	PART NAME						SEE PAGE
					1	2	3	4	5	6 (PRODUCT LEVEL)	
	1	1	6I-1206	6	BRACKET-SHAFT						
	2	1	6I-3717	1	BOLT (NO.10X12.7MM)						
	3	1	6I-3718	1	CONNECTION-FEED						
	4	1	6V-8183	12	NUT-FULL (3/8-24 THD)						
B	5	1	195-7004	2	SHIM						
	6	1	006-8606	2	RING-RETAINING						
	7	1	067-6087	4	SPRING-SHAFT						
	8	1	067-6088	2	SPRING-SHAFT						
	9	1	185-1546	8	SCREW						
	10	1	138-2054	2	WASHER						
	11	1	209-0091	6	LEVER AS (LH)						
					(EACH INCLUDES)						
	12	1	139-5514	1	BUSHING-LEVER						
	13	1	209-0092	6	LEVER AS (RH)						
					(EACH INCLUDES)						
	14	1	139-5514	1	BUSHING-LEVER						
	15	1	146-8957	1	SHAFT AS						
	16	1	067-6083	2	PLUG-SHAFT END						
	17	1	129-3493	1	FERRULE						

B- USE AS REQUIRED



GRAPHIC #1

g00735390

BASIC ENGINE

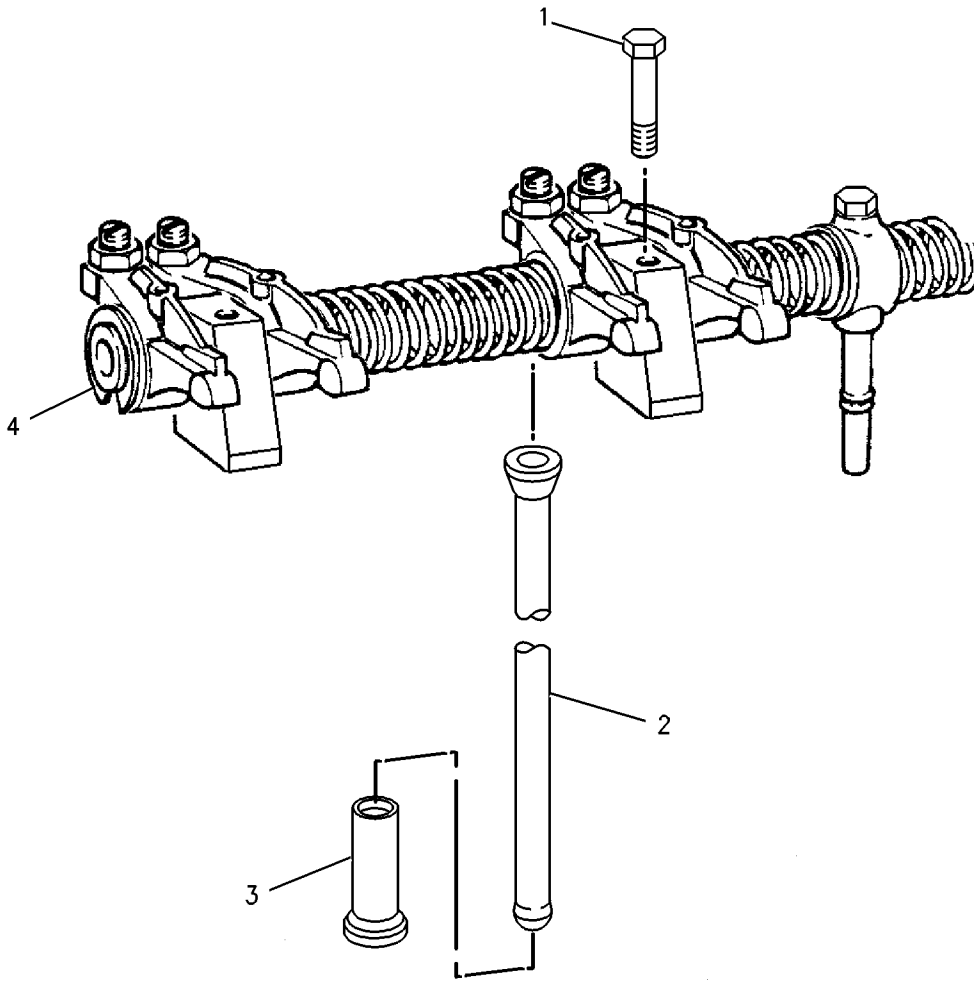
216-8619 VALVE MECHANISM GP

SMCS-1102, 1121, 1123

i01725018

NOTE	REF NO	GRAPHIC REF	PART NUMBER	QTY	PART NAME						SEE PAGE
					1	2	3	4	5	6 (PRODUCT LEVEL)	
	1	1	6I-0235	6	BOLT (M12X1.75X50MM)						
	2	1	067-6095	12	ROD						
	3	1	138-2053	12	TAPPET						
Y	4	1	146-8956	1	ROCKER ARM GP						68

Y-SEPARATE ILLUSTRATION



GRAPHIC #1

g00887556

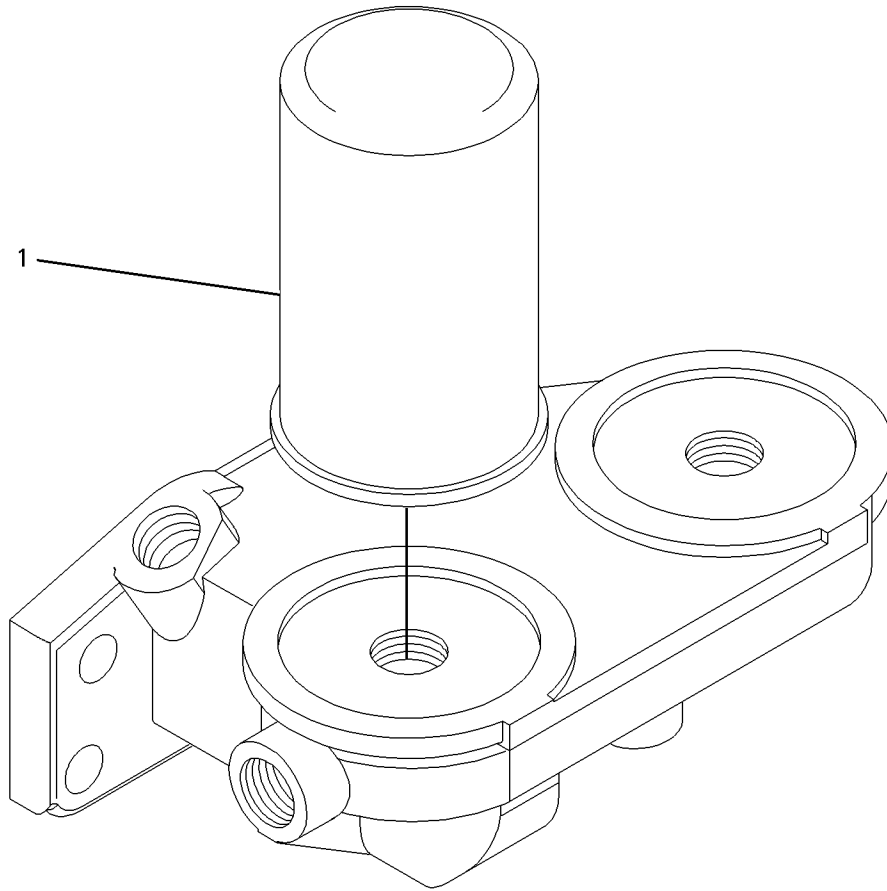
LUBRICATION SYSTEM

216-9683 FILTER GP-ENGINE OIL AN ATTACHMENT

SMCS-1306, 1308

i01755992

NOTE	REF NO	GRAPHIC REF	PART NUMBER	QTY	PART NAME						SEE PAGE
					1	2	3	4	5	6 (PRODUCT LEVEL)	
	1	1	7W-2327	2	FILTER AS-ENGINE OIL						



GRAPHIC #1

g00861958

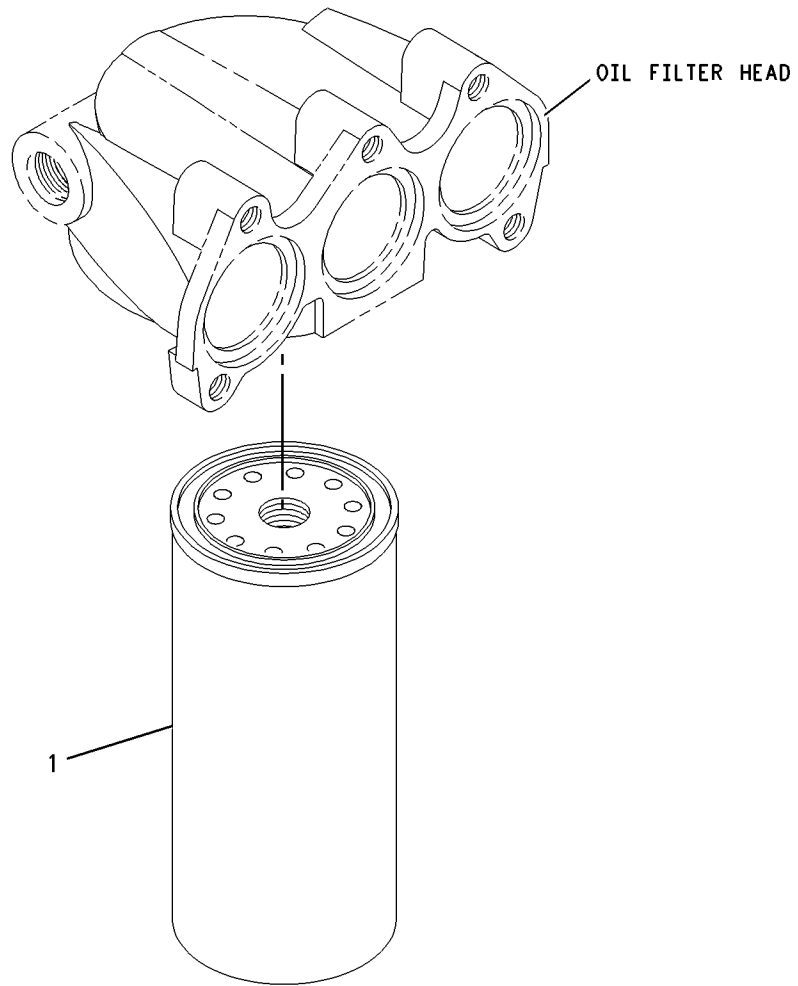
LUBRICATION SYSTEM

221-5290 FILTER GP-ENGINE OIL AN ATTACHMENT

SMCS-1306, 1308

i01725106

NOTE	REF NO	GRAPHIC REF	PART NUMBER	QTY	PART NAME						SEE PAGE
					1	2	3	4	5	6 (PRODUCT LEVEL)	
	1	1	1R-0739	1	FILTER AS-ENGINE OIL						



GRAPHIC #1

g00887435

LUBRICATION SYSTEM

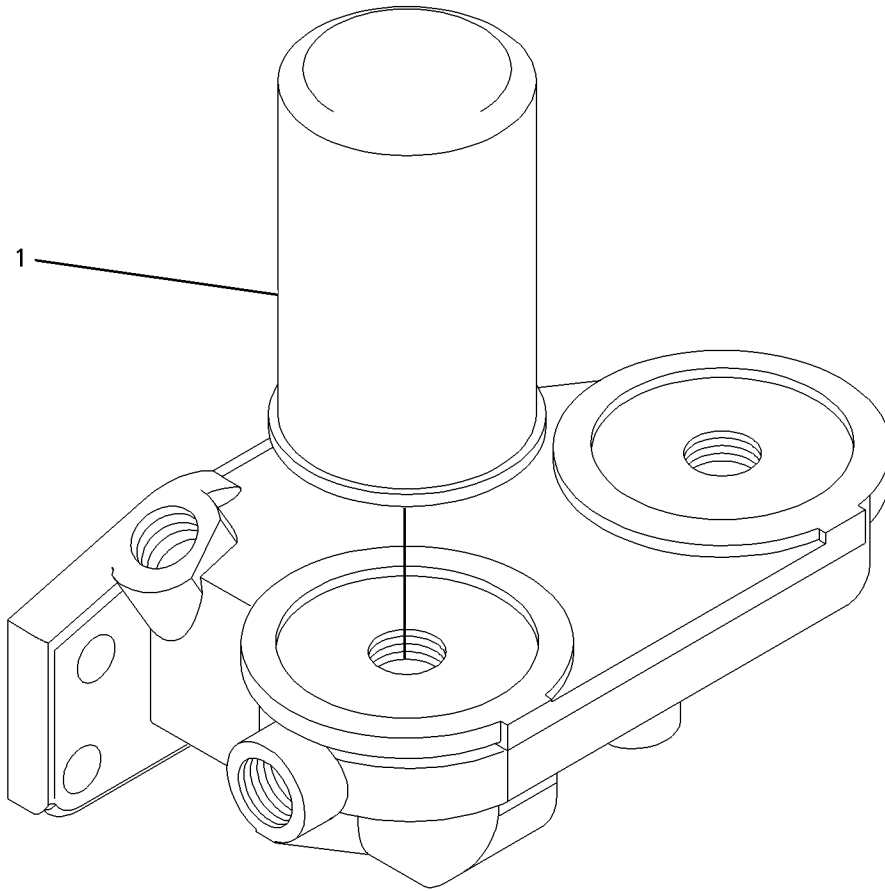
228-8523 FILTER GP-ENGINE OIL

ALSO AN ATTACHMENT

SMCS-1306, 1308

i01827920

NOTE	REF NO	GRAPHIC REF	PART NUMBER	QTY	PART NAME						SEE PAGE
					1	2	3	4	5	6 (PRODUCT LEVEL)	
	1	1	7W-2327	1	FILTER AS-ENGINE OIL						



GRAPHIC #1

g00861958

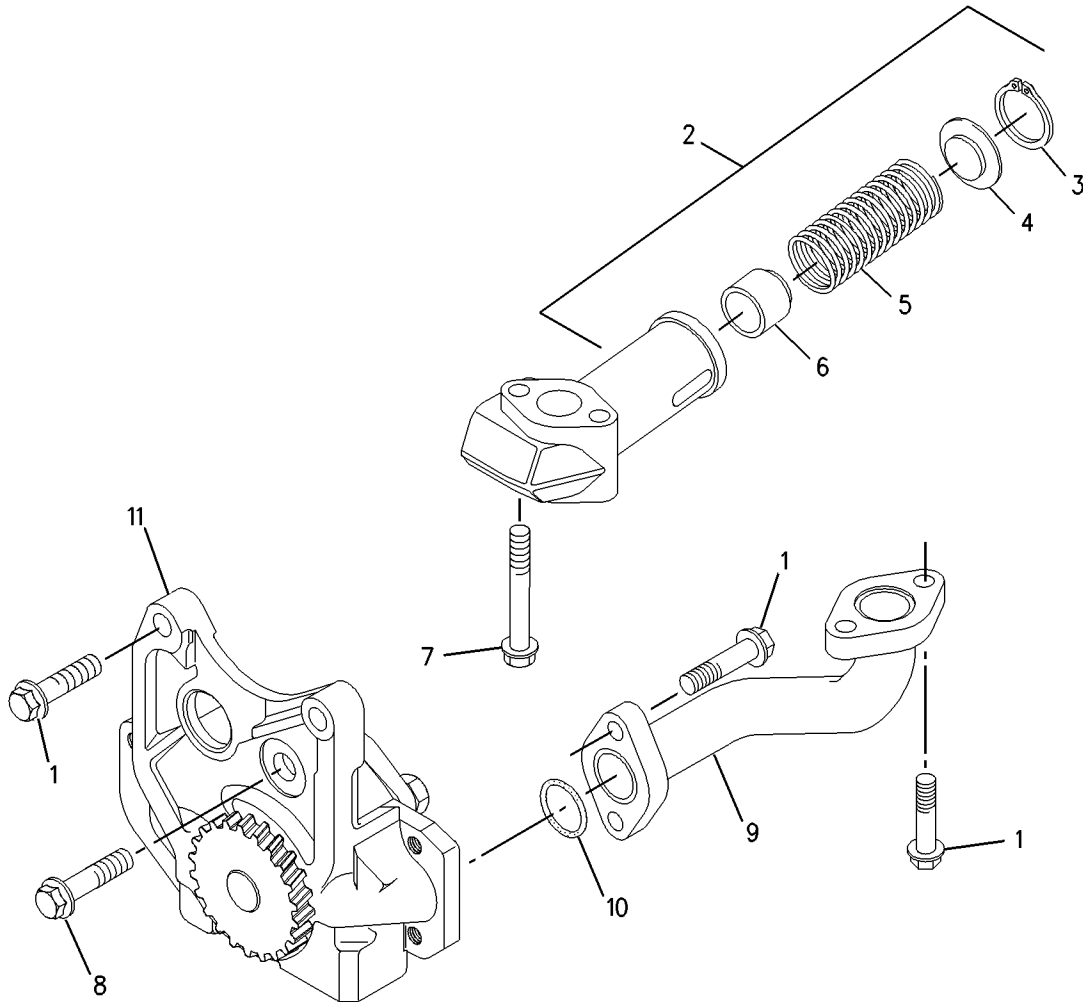
LUBRICATION SYSTEM

219-1852 PUMP GP-ENGINE OIL

SMCS-1304, 1315

i01827742

NOTE	REF NO	GRAPHIC REF	PART NUMBER	QTY	PART NAME						SEE PAGE
					1	2	3	4	5	6 (PRODUCT LEVEL)	
	1	1	6I-0260	3	BOLT (M8X1.25X25MM)						
	2	1	6I-4373	1	HOUSING AS						
	3	1	6I-0787	1	RING-RETAINING						
	4	1	7W-4648	1	SEAT-SPRING						
	5	1	7W-4650	1	SPRING						
	6	1	7W-4782	1	PLUNGER						
	7	1	6I-4374	1	BOLT						
	8	1	124-3815	1	BOLT (M8X16X1.25MM)						
	9	1	183-6318	1	TUBE AS						
	10	1	189-5601	1	SEAL-O-RING						
	11	1	216-8625	1	PUMP GP-GEROTOR						



GRAPHIC #1

g00907637

COOLING SYSTEM

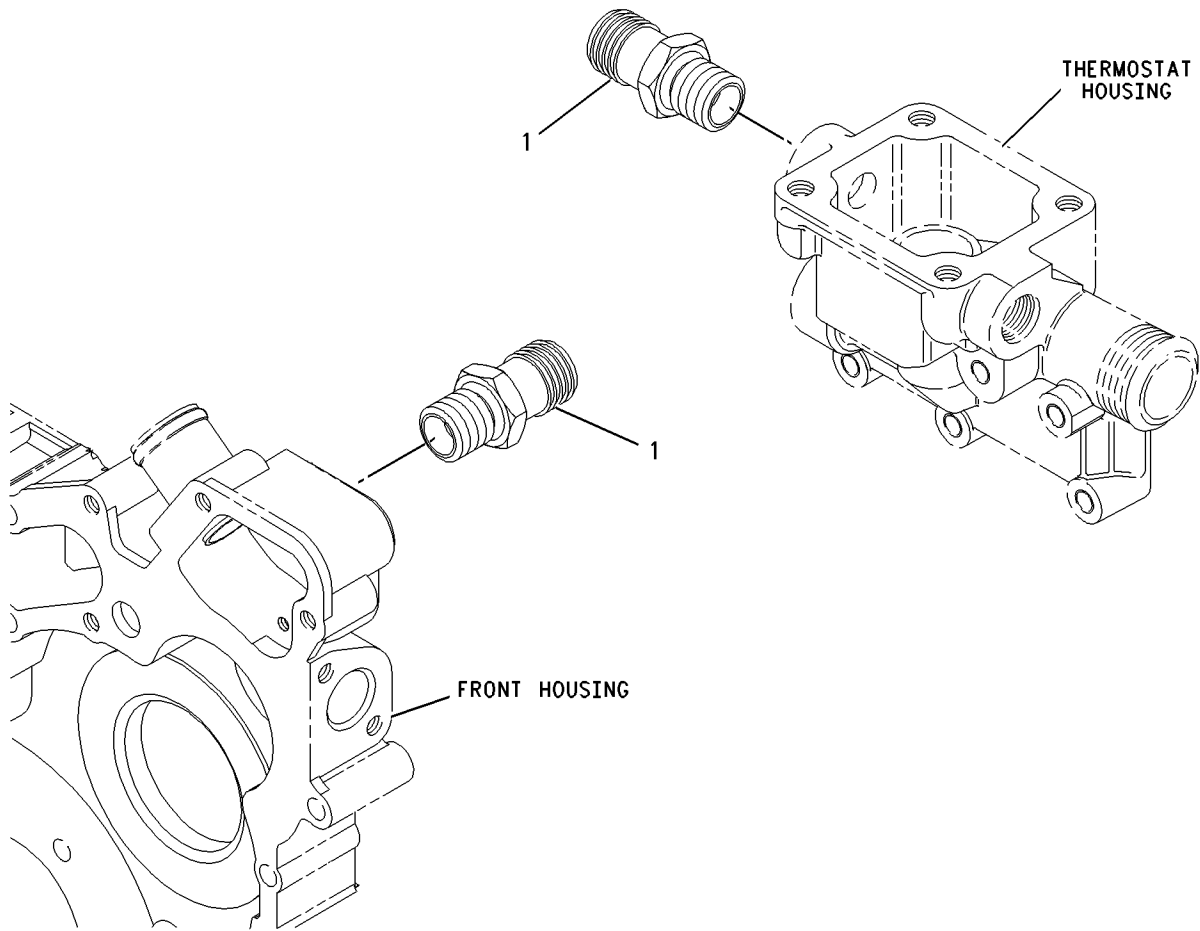
228-7917 CONNECTION GP-HEATER

ALSO AN ATTACHMENT

SMCS-1333, 1380, 1383

i01827925

NOTE	REF NO	GRAPHIC REF	PART NUMBER	QTY	PART NAME						SEE PAGE
					1	2	3	4	5	6 (PRODUCT LEVEL)	
	1	1	7W-4669	2	ADAPTER						



GRAPHIC #1

g00934887

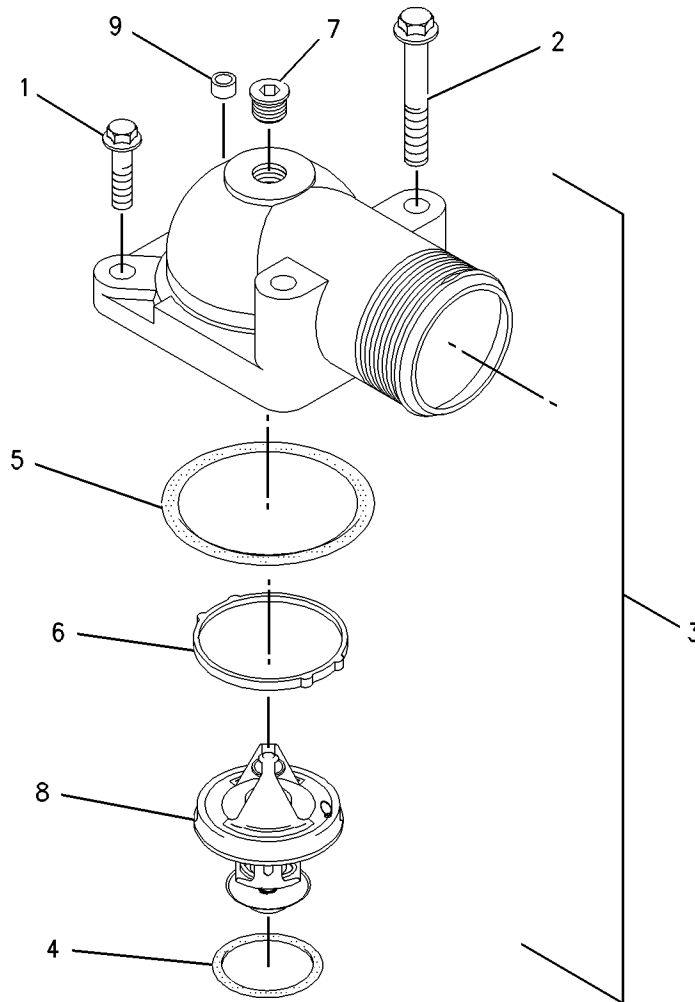
COOLING SYSTEM

216-9740 CONNECTION GP-WATER AN ATTACHMENT

SMCS-1380

i01843776

NOTE	REF NO	GRAPHIC REF	PART NUMBER	QTY	PART NAME						SEE PAGE
					1	2	3	4	5	6 (PRODUCT LEVEL)	
	1	1	6I-0260	1	BOLT (M8X1.25X25MM)						
	2	1	6I-4374	1	BOLT						
	3	1	216-9743	1	CONNECTION AS						
	4	1	140-7515	1	SEAL-O-RING (REGULATOR)						
	5	1	141-6188	1	SEAL (REGULATOR HOUSING)						
	6	1	162-0236	1	RING						
	7	1	162-0237	1	PLUG (M8X25MM)						
	8	1	216-9737	1	REGULATOR-WATER TEMPERATURE						
	9	1	171-1078	1	SPACER						



GRAPHIC #1

g00861524

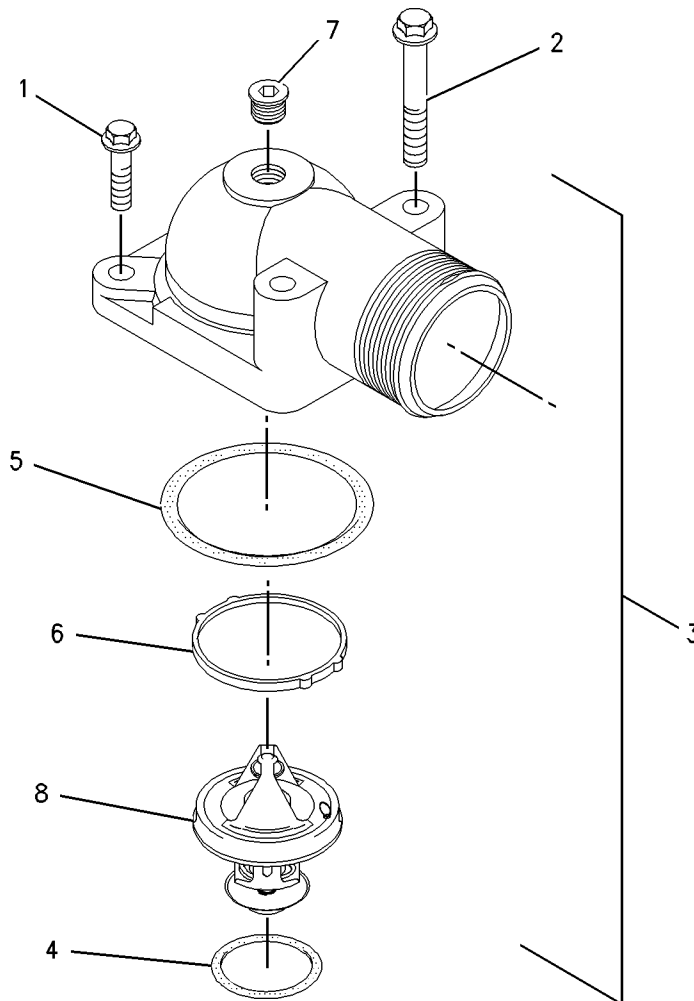
COOLING SYSTEM

220-6144 CONNECTION GP-WATER AN ATTACHMENT

SMCS-1380

i01843778

NOTE	REF NO	GRAPHIC REF	PART NUMBER	QTY	PART NAME						SEE PAGE
					1	2	3	4	5	6 (PRODUCT LEVEL)	
	1	1	6I-0260	1	BOLT (M8X1.25X25MM)						
	2	1	6I-4374	1	BOLT						
	3	1	216-9743	1	CONNECTION AS						
	4	1	140-7515	1	SEAL-O-RING (REGULATOR)						
	5	1	141-6188	1	SEAL (REGULATOR HOUSING)						
	6	1	162-0236	1	RING						
	7	1	162-0237	1	PLUG (M8X25MM)						
	8	1	216-9737	1	REGULATOR-WATER TEMPERATURE						



GRAPHIC #1

g00899163

COOLING SYSTEM

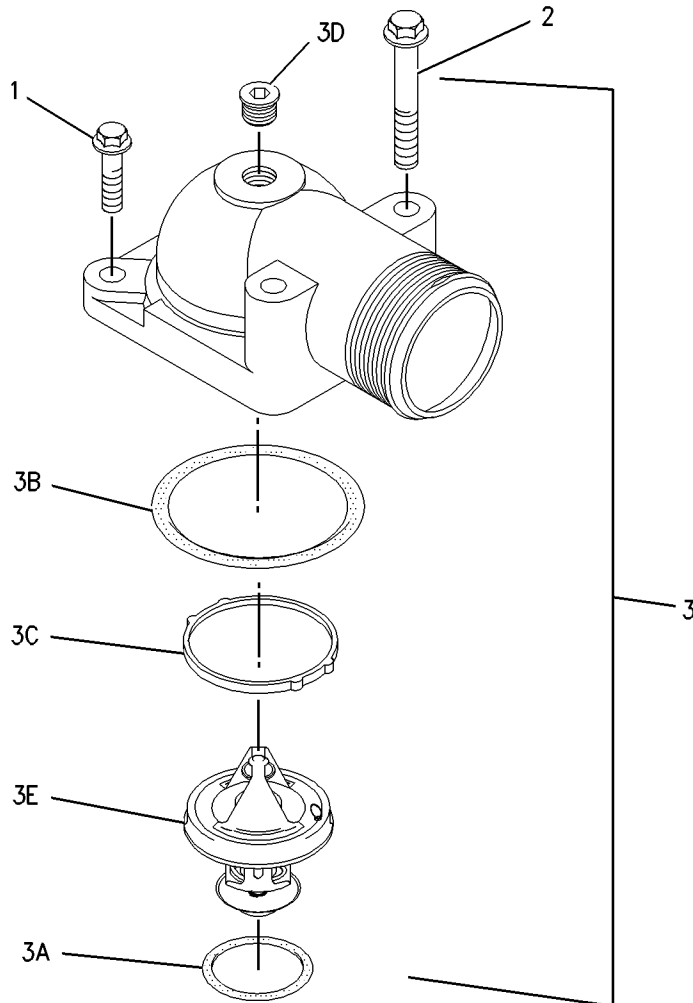
228 - 7387 CONNECTION GP-WATER

ALSO AN ATTACHMENT

SMCS - 1380

i01843777

NOTE	REF NO	GRAPHIC REF	PART NUMBER	QTY	PART NAME						SEE PAGE
					1	2	3	4	5	6 (PRODUCT LEVEL)	
	1	1	6I-0260	2	BOLT (M8X1.25X25MM)						
	2	1	6I-4374	2	BOLT						
	3	1	216-9743	1	CONNECTION AS						
	3A	1	140-7515	1	SEAL-O-RING (REGULATOR)						
	3B	1	141-6188	1	SEAL (REGULATOR HOUSING)						
	3C	1	162-0236	1	RING						
	3D	1	162-0237	1	PLUG (M8X25MM)						
	3E	1	216-9737	1	REGULATOR-WATER TEMPERATURE						



GRAPHIC #1

g00932676

COOLING SYSTEM

216-9648 COOLER GP-FLTR BASE & ENG OIL

AN ATTACHMENT

SMCS-1306, 1378

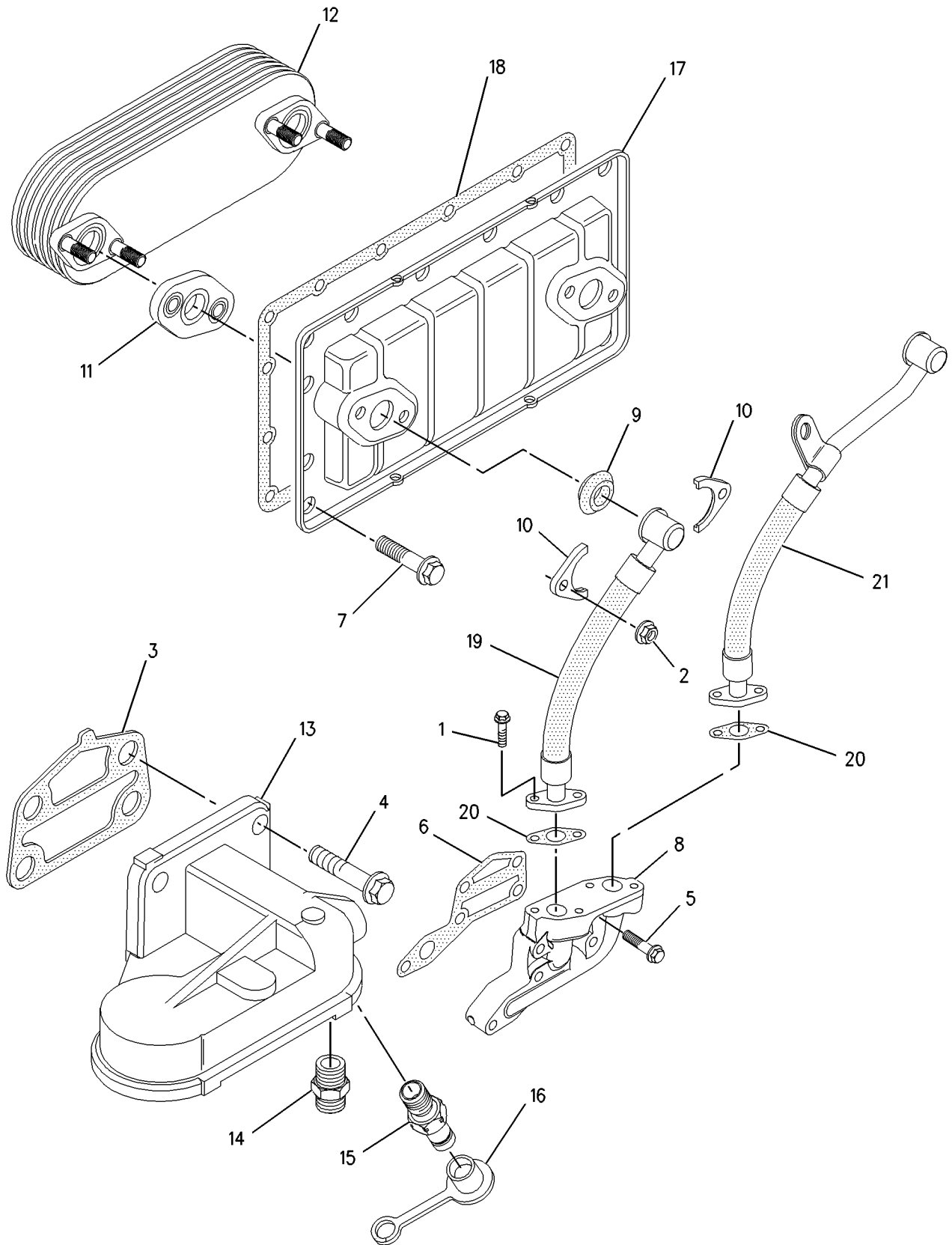
i01815788

NOTE	REF NO	GRAPHIC REF	PART NUMBER	QTY	PART NAME						SEE PAGE
					1	2	3	4	5	6 (PRODUCT LEVEL)	
	1	1	6I-0260	1	BOLT (M8X1.25X25MM)						
	2	1	6I-0291	1	NUT (M8X1.25)						
	3	1	6I-0298	1	GASKET						
	4	1	6I-0593	4	BOLT (M10X1.5X30MM)						
	5	1	6I-0654	5	BOLT (M10X1.5X25MM)						
	6	1	6I-4786	1	GASKET						
	7	1	111-8222	1	BOLT						
	8	1	146-1704	1	ADAPTER						
	9	1	162-0757	1	SEAL						
	10	1	162-0761	2	FLANGE						
	11	1	162-9754	1	SEAL						
	12	1	175-3915	1	COOLER-OIL						
	13	1	216-9627	1	HEAD AS						
	14	1	118-9145	2	CONNECTOR						
	15	1	216-9633	1	VALVE-CHECK (OIL)						
	16	1	216-9634	1	CAP-VALVE (OIL CHECK VALVE)						
	17	1	216-9637	1	HOUSING						
	18	1	216-9638	1	GASKET						
	19	1	216-9641	1	TUBE						
	20	1	216-9643	2	GASKET						
	21	1	216-9645	1	TUBE						

COOLING SYSTEM

216-9648 COOLER GP-FLTR BASE & ENG OIL (contd.)

i01815788



GRAPHIC #1

g00888626

COOLING SYSTEM

219-2210 COOLER GP-FLTR BASE & ENG OIL

SMCS-1306, 1378

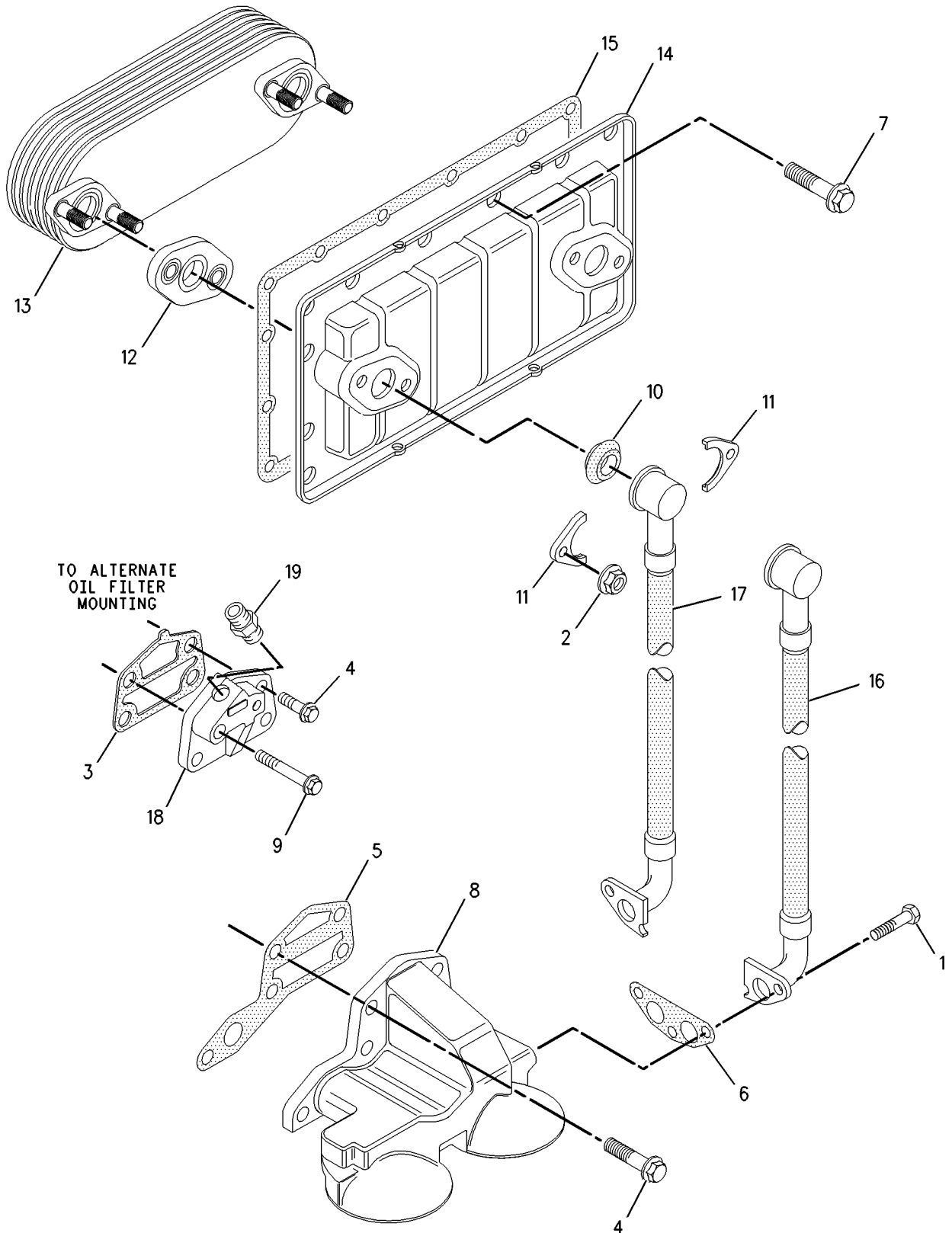
i01848428

NOTE	REF NO	GRAPHIC REF	PART NUMBER	QTY	PART NAME						SEE PAGE
					1	2	3	4	5	6 (PRODUCT LEVEL)	
	1	1	6I-0260	3	BOLT (M8X1.25X25MM)						
	2	1	6I-0291	4	NUT (M8X1.25)						
	3	1	6I-0298	1	GASKET						
	4	1	6I-0654	8	BOLT (M10X1.5X25MM)						
	5	1	6I-4786	1	GASKET						
J	6	1	6I-4800	1	GASKET						
	7	1	111-8222	14	BOLT						
	8	1	121-3415	1	HEAD AS-OIL FILTER						
	9	1	140-8783	1	BOLT (M10X45MM)						
J	10	1	162-0757	2	SEAL						
	11	1	162-0761	4	FLANGE						
J	12	1	162-9754	2	SEAL						
	13	1	175-3915	1	COOLER-OIL						
	14	1	216-9637	1	HOUSING						
J	15	1	216-9638	1	GASKET						
	16	1	219-1816	1	TUBE						
	17	1	219-1817	1	LINE						
	18	1	219-2198	1	ADAPTER						
	19	1	219-1818	1	CONNECTION						
					AVAILABLE REPAIR KIT(S) :						
J			219-2172	1	KIT-REPAIR (OIL COOLER)						
J-KIT MARKED J INCLUDES PARTS MARKED J											

COOLING SYSTEM

219-2210 COOLER GP-FLTR BASE & ENG OIL (contd.)

i01848428



GRAPHIC #1

g00907657

COOLING SYSTEM

220-7172 COOLER GP-FLTR BASE & ENG OIL

AN ATTACHMENT

SMCS-1306, 1378

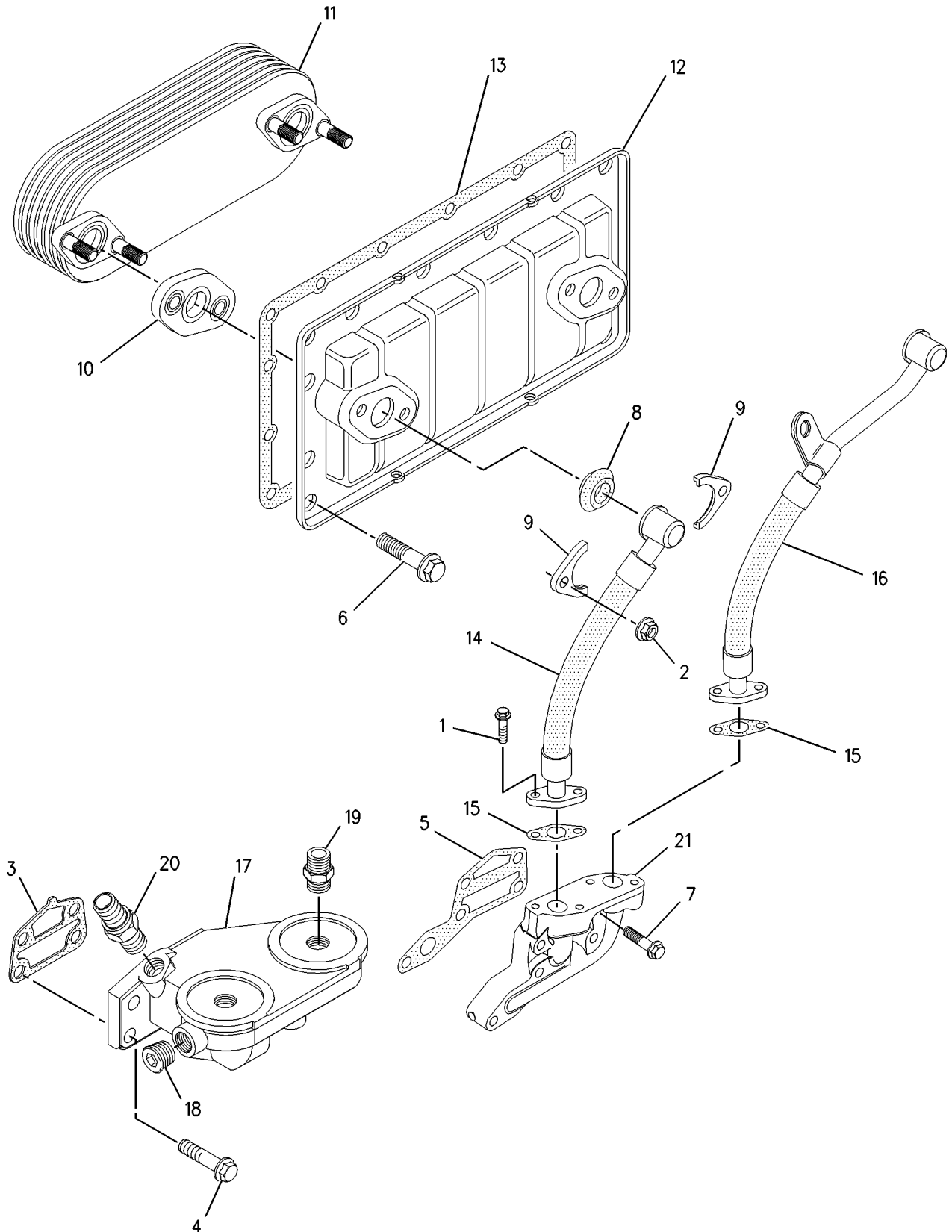
i01848429

NOTE	REF NO	GRAPHIC REF	PART NUMBER	QTY	PART NAME						SEE PAGE
					1	2	3	4	5	6 (PRODUCT LEVEL)	
	1	1	6I-0260	4	BOLT (M8X1.25X25MM)						
	2	1	6I-0291	4	NUT (M8X1.25)						
	3	1	6I-0298	1	GASKET						
	4	1	6I-0593	1	BOLT (M10X1.5X30MM)						
	5	1	6I-4786	1	GASKET						
	6	1	124-3815	14	BOLT (M8X16X1.25MM)						
	7	1	140-8783	4	BOLT (M10X45MM)						
J	8	1	162-0757	2	SEAL						
	9	1	162-0761	4	FLANGE						
J	10	1	162-9754	2	SEAL						
	11	1	175-3915	1	COOLER-OIL						
	12	1	216-9637	1	HOUSING						
J	13	1	216-9638	1	GASKET						
	14	1	216-9641	1	TUBE						
J	15	1	216-9643	2	GASKET						
	16	1	216-9645	1	TUBE						
	17	1	220-6127	1	HEAD AS						
	18	1	7M-7410	1	PLUG						
	19	1	118-9145	2	CONNECTOR						
	20	1	219-1818	1	CONNECTION						
	21	1	220-7171	1	ADAPTER-HOUSING						
					AVAILABLE REPAIR KIT(S) :						
J			219-2172	1	KIT-REPAIR (OIL COOLER)						
J - KIT MARKED J INCLUDES PARTS MARKED J											

COOLING SYSTEM

220-7172 COOLER GP-FLTR BASE & ENG OIL (contd.)

i01848429



GRAPHIC #1

g00900434

COOLING SYSTEM

221-5285 COOLER GP-FLTR BASE & ENG OIL

AN ATTACHMENT

SMCS-1306, 1378

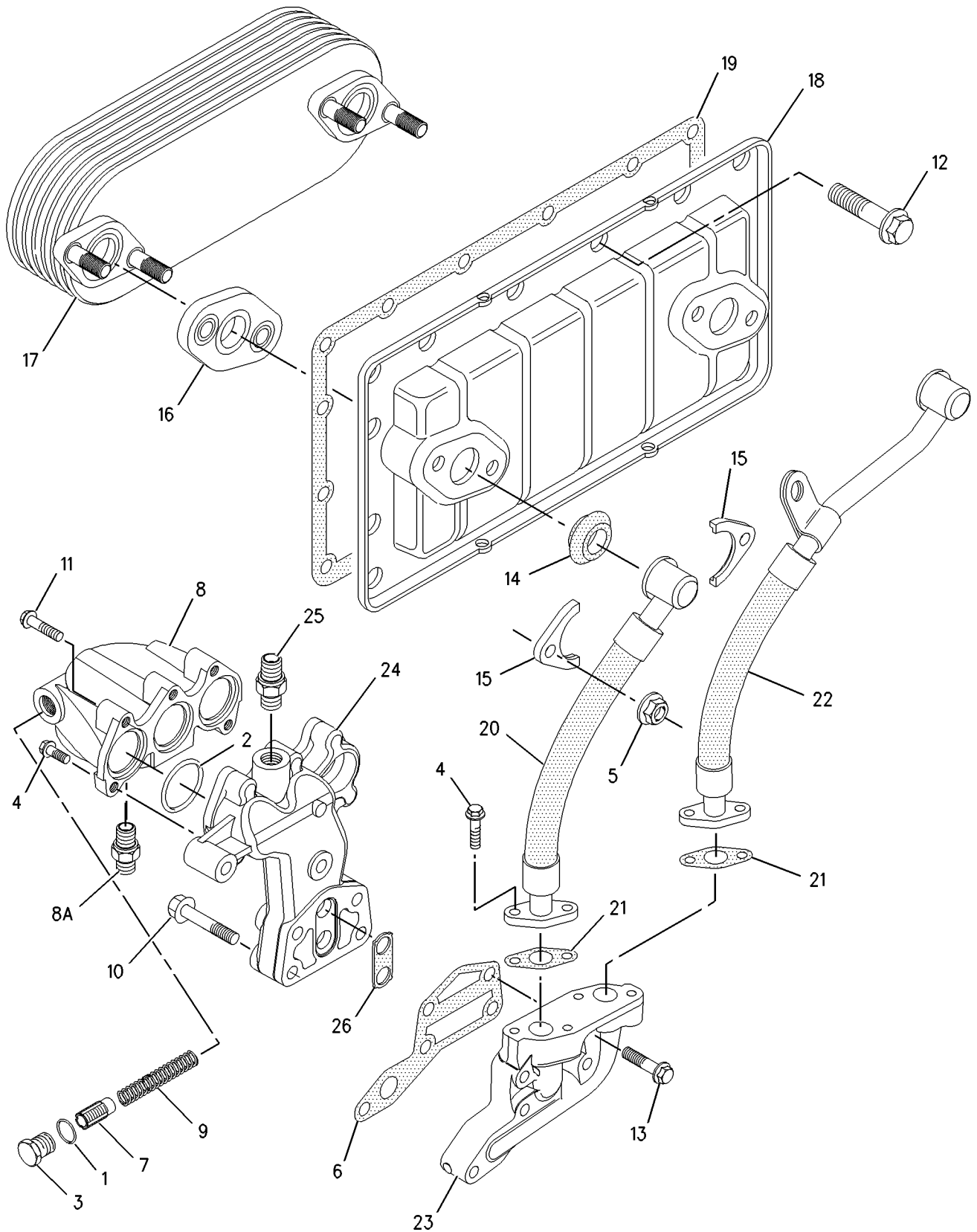
i01848430

NOTE	REF NO	GRAPHIC REF	PART NUMBER	QTY	PART NAME						SEE PAGE
					1	2	3	4	5	6 (PRODUCT LEVEL)	
	1	1	2M-9780	1	SEAL-O-RING						
	2	1	5F-9657	3	SEAL-O-RING						
M	3	1	5P-8196	1	PLUG						
	4	1	6I-0260	6	BOLT (M8X1.25X25MM)						
	5	1	6I-0291	4	NUT (M8X1.25)						
	6	1	6I-4786	1	GASKET						
	7	1	7C-1493	1	VALVE AS-BYPASS (OIL FILTER)						
	8	1	7W-9028	1	BASE AS-OIL FILTER						
	8A	1	2P-2537	1	STUD-HOLLOW						
	9	1	9L-9188	1	SPRING-VALVE						
	10	1	100-4461	6	BOLT (M10X50MM)						
M	11	1	101-3895	3	BOLT (M8X1.25X35MM)						
	12	1	124-3815	14	BOLT (M8X16X1.25MM)						
	13	1	140-8783	4	BOLT (M10X45MM)						
J	14	1	162-0757	2	SEAL						
	15	1	162-0761	4	FLANGE						
J	16	1	162-9754	2	SEAL						
	17	1	175-3915	1	COOLER-OIL						
	18	1	216-9637	1	HOUSING						
J	19	1	216-9638	1	GASKET						
	20	1	216-9641	1	TUBE						
J	21	1	216-9643	2	GASKET						
	22	1	216-9645	1	TUBE						
	23	1	220-7171	1	ADAPTER-HOUSING						
	24	1	221-5278	1	HEAD AS						
	25	1	219-1818	1	CONNECTION						
	26	1	221-4520	1	GASKET						
					AVAILABLE REPAIR KIT(S) :						
J			219-2172	1	KIT-REPAIR (OIL COOLER)						
J - KIT MARKED J INCLUDES PARTS MARKED J M - METRIC PART											

COOLING SYSTEM

221-5285 COOLER GP-FLTR BASE & ENG OIL (contd.)

i01848430



GRAPHIC #1

g00887831

COOLING SYSTEM

216-9735 PUMP GP-WATER

AN ATTACHMENT

SMCS-1361

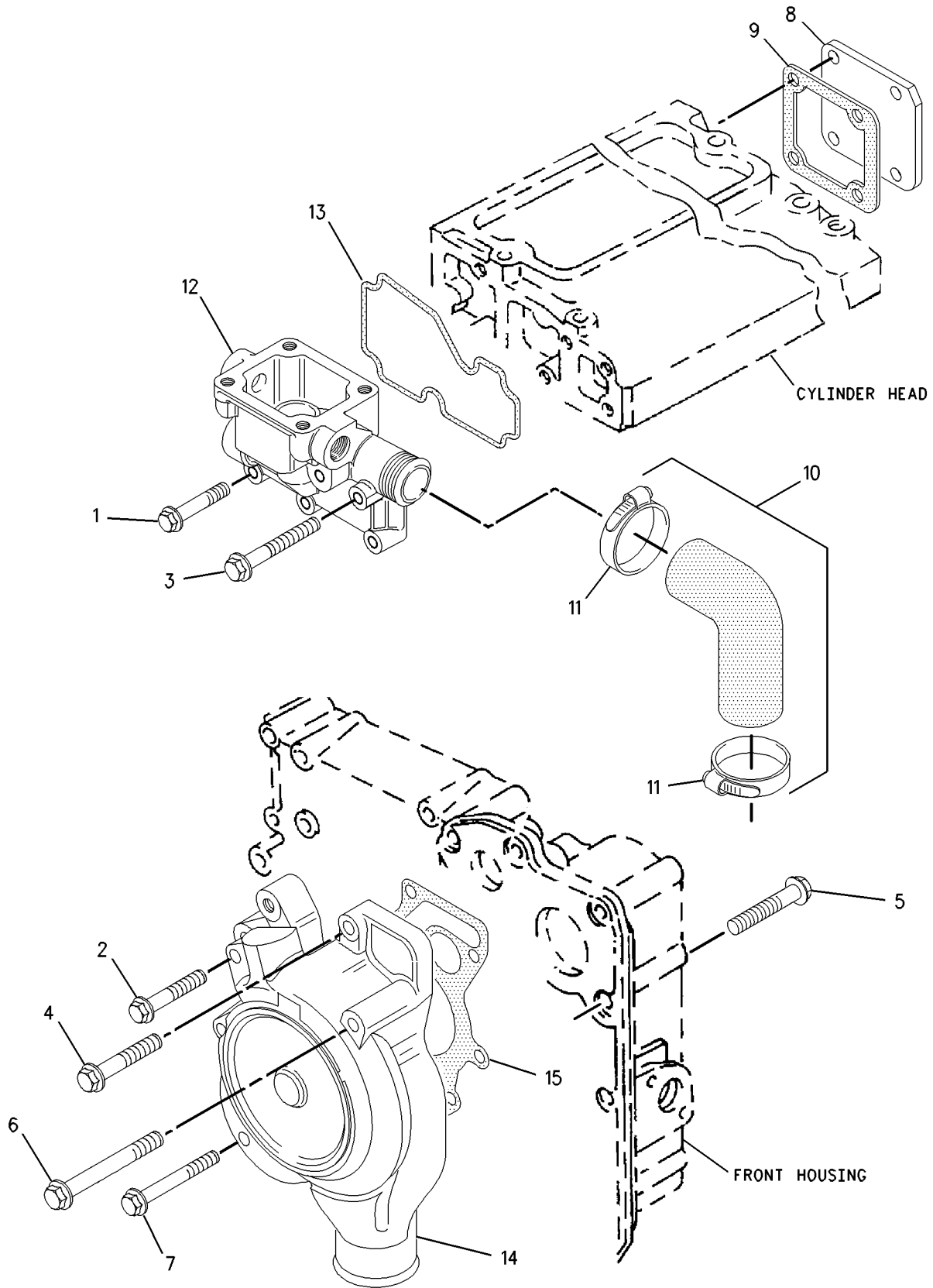
i01848431

NOTE	REF NO	GRAPHIC REF	PART NUMBER	QTY	PART NAME						SEE PAGE
					1	2	3	4	5	6 (PRODUCT LEVEL)	
	1	1	6I-0456	3	BOLT (M8X1.25X45MM)						
	2	1	6I-0645	3	BOLT (M8X1.25X25MM)						
	3	1	6I-4374	3	BOLT						
	4	1	6I-4793	1	BOLT						
	5	1	100-3751	2	BOLT (M8X1.25X65MM)						
	6	1	101-3771	1	BOLT						
	7	1	101-3805	3	BOLT (M8X1.25X90MM)						
	8	1	140-7505	1	COVER						
	9	1	140-7506	1	GASKET-COVER						
	10	1	140-7512	1	KIT-HOSE (WATER) (REGULATOR HOUSING)						
	11	1	2S-3440	2	CLAMP-HOSE						
	12	1	171-1076	1	HOUSING AS (REGULATOR)						
	13	1	172-4844	1	SEAL-O-RING						
	14	1	216-9734	1	PUMP GP-WATER						
	15	1	201-8745	1	GASKET (WATER PUMP)						
					AVAILABLE REPAIR KIT(S) :						
			177-8782	1	KIT-WATER PUMP						

COOLING SYSTEM

216-9735 PUMP GP-WATER (contd.)

i01848431



GRAPHIC #1

g00861478

COOLING SYSTEM

221-5369 PUMP GP-WATER

ALSO AN ATTACHMENT

SMCS-1361

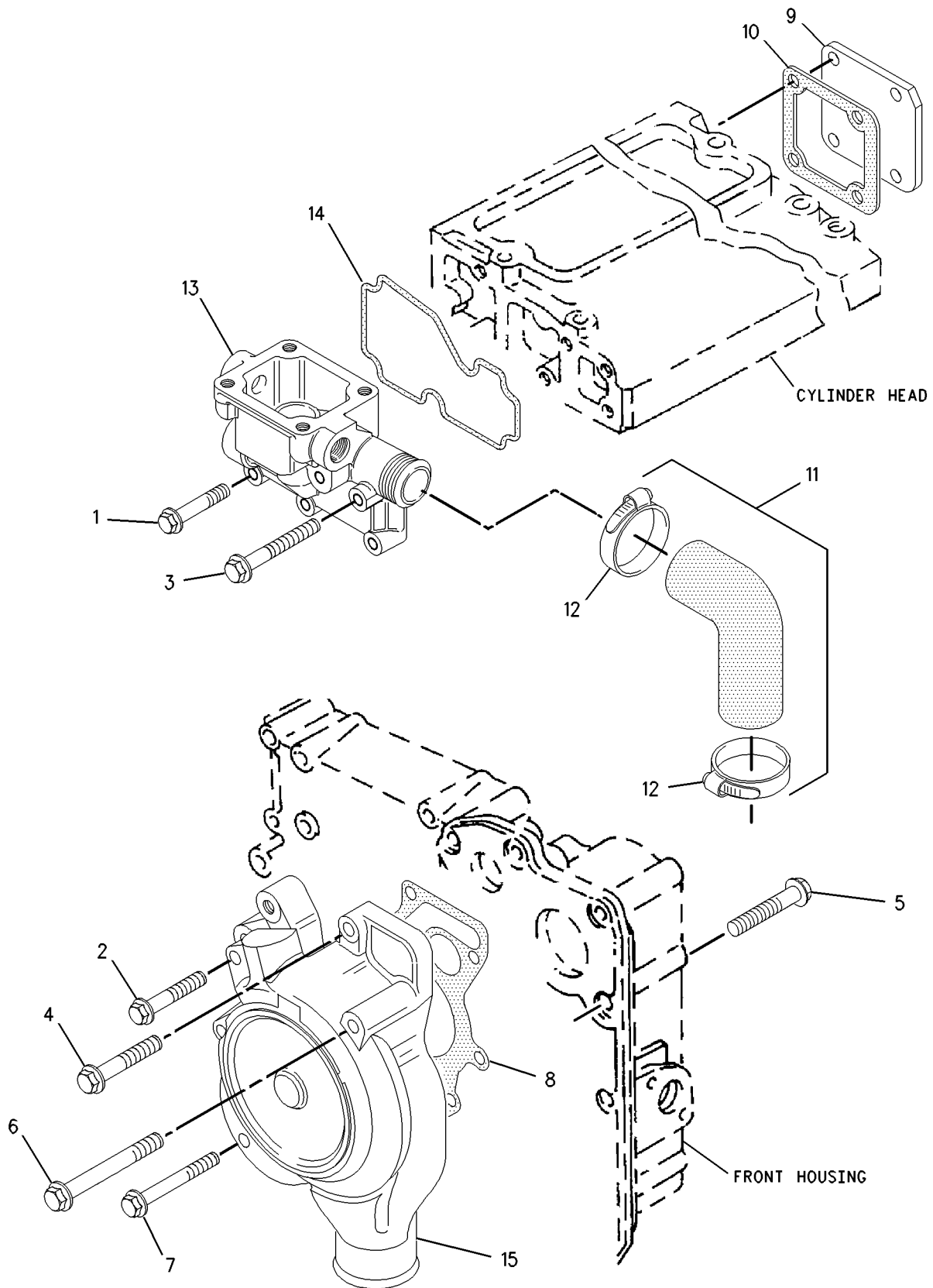
i01843790

NOTE	REF NO	GRAPHIC REF	PART NUMBER	QTY	PART NAME						SEE PAGE
					1	2	3	4	5	6 (PRODUCT LEVEL)	
	1	1	6I-0456	3	BOLT (M8X1.25X45MM)						
	2	1	6I-0645	3	BOLT (M8X1.25X25MM)						
	3	1	6I-4374	3	BOLT						
	4	1	6I-4793	1	BOLT						
	5	1	100-3751	2	BOLT (M8X1.25X65MM)						
	6	1	101-3771	1	BOLT						
	7	1	101-3805	3	BOLT (M8X1.25X90MM)						
	8	1	201-8745	1	GASKET (WATER PUMP)						
	9	1	140-7505	1	COVER						
	10	1	140-7506	1	GASKET-COVER						
	11	1	140-7512	1	KIT-HOSE (WATER) (REGULATOR HOUSING)						
	12	1	127-8286	2	CLAMP-HOSE						
	13	1	171-1076	1	HOUSING AS (REGULATOR)						
	14	1	172-4844	1	SEAL-O-RING						
	15	1	216-9734	1	PUMP GP-WATER						
					AVAILABLE REPAIR KIT(S) :						
			177-8782	1	KIT-WATER PUMP						

COOLING SYSTEM

221-5369 PUMP GP-WATER (contd.)

i01843790



GRAPHIC #1

g00887152

COOLING SYSTEM

226-3557 PUMP GP-WATER AN ATTACHMENT

SMCS-1361

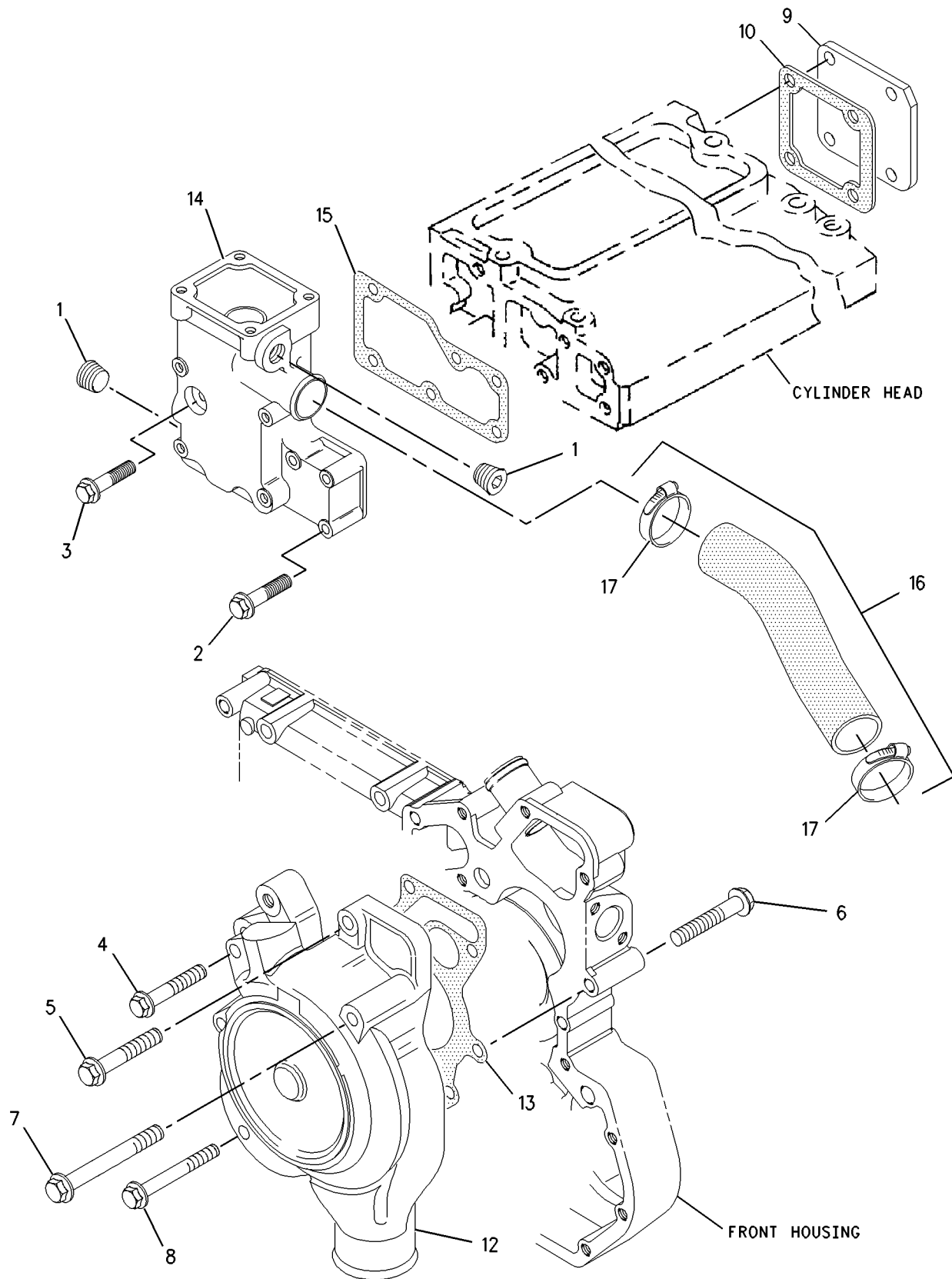
i01839459

NOTE	REF NO	GRAPHIC REF	PART NUMBER	QTY	PART NAME						SEE PAGE
					1	2	3	4	5	6 (PRODUCT LEVEL)	
	1	1	2B-0858	2	PLUG-PIPE						
	2	1	6I-0455	1	BOLT (M8X1.25X55MM)						
	3	1	6I-0456	5	BOLT (M8X1.25X45MM)						
	4	1	6I-0645	3	BOLT (M8X1.25X25MM)						
	5	1	6I-4793	1	BOLT						
	6	1	100-3751	2	BOLT (M8X1.25X65MM)						
	7	1	101-3771	1	BOLT						
	8	1	101-3805	3	BOLT (M8X1.25X90MM)						
	9	1	140-7505	1	COVER						
	10	1	140-7506	1	GASKET-COVER						
	12	1	216-9734	1	PUMP GP-WATER						
	13	1	201-8745	1	GASKET (WATER PUMP)						
	14	1	226-3542	1	HOUSING						
	15	1	226-3544	1	GASKET (HOUSING)						
	16	1	226-3545	1	KIT-CLAMP (REGULATOR HOUSING)						
	17	1	8T-4983	2	CLAMP-HOSE						
					AVAILABLE REPAIR KIT(S) :						
			177-8782	1	KIT-WATER PUMP						

COOLING SYSTEM

226 - 3557 PUMP GP-WATER (contd.)

i01839459



GRAPHIC #1

g00908884

AIR INLET AND EXHAUST SYSTEM

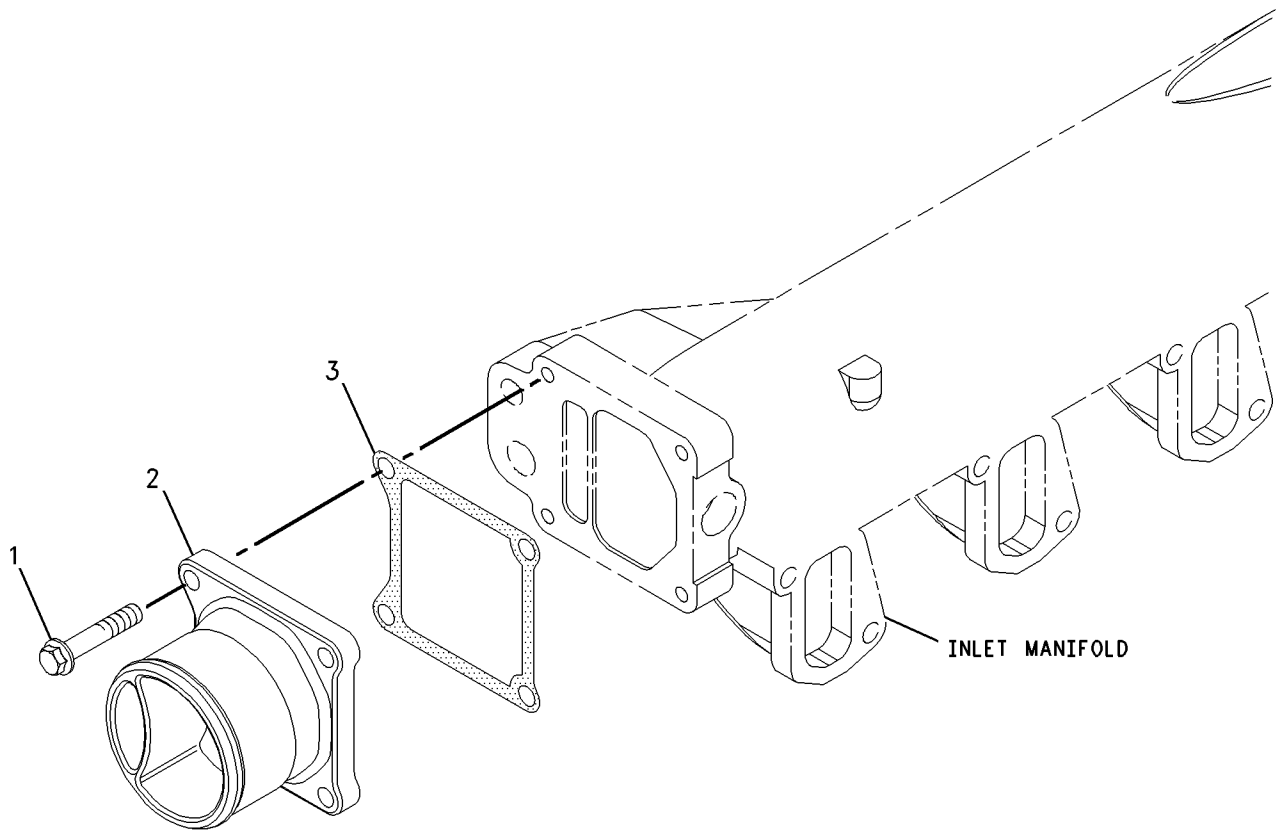
217-0594 ELBOW GP-AIR INLET

ALSO AN ATTACHMENT

SMCS-1087

i01725034

NOTE	REF NO	GRAPHIC REF	PART NUMBER	QTY	PART NAME						SEE PAGE
					1	2	3	4	5	6 (PRODUCT LEVEL)	
	1	1	6I-0260	4	BOLT (M8X1.25X25MM)						
	2	1	217-0595	1	CONNECTOR						
	3	1	217-0596	1	GASKET						



GRAPHIC #1

g00859961

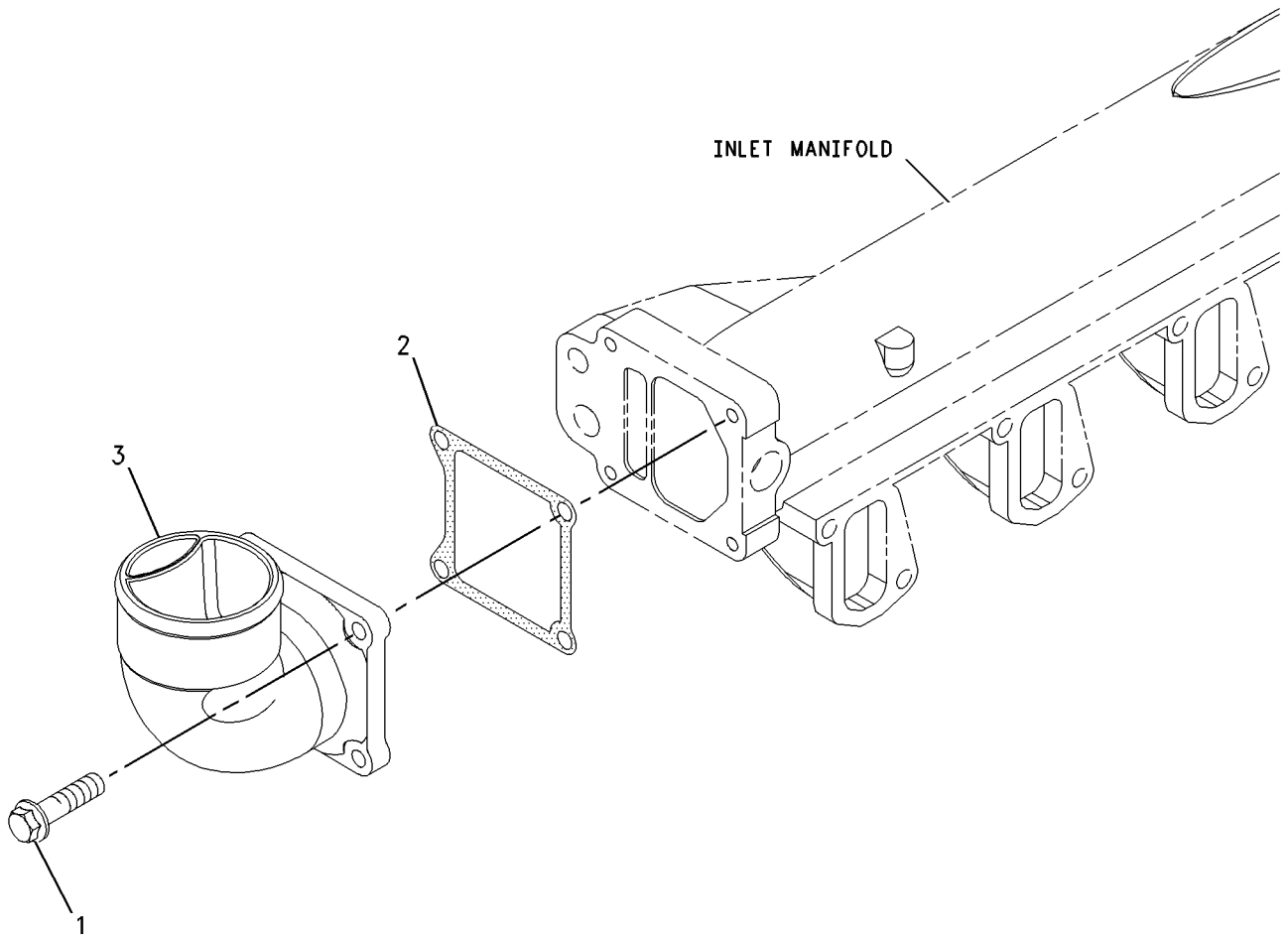
AIR INLET AND EXHAUST SYSTEM

226-3585 ELBOW GP - EXHAUST AN ATTACHMENT

SMCS-1061

i01802442

NOTE	REF NO	GRAPHIC REF	PART NUMBER	QTY	PART NAME						SEE PAGE
					1	2	3	4	5	6 (PRODUCT LEVEL)	
	1	1	6I-0260	4	BOLT (M8X1.25X25MM)						
	2	1	217-0596	1	GASKET						
	3	1	226-3583	1	ELBOW						



GRAPHIC #1

g00922584

AIR INLET AND EXHAUST SYSTEM

216-8713 TURBOCHARGER GP

AN ATTACHMENT

SMCS - 1052

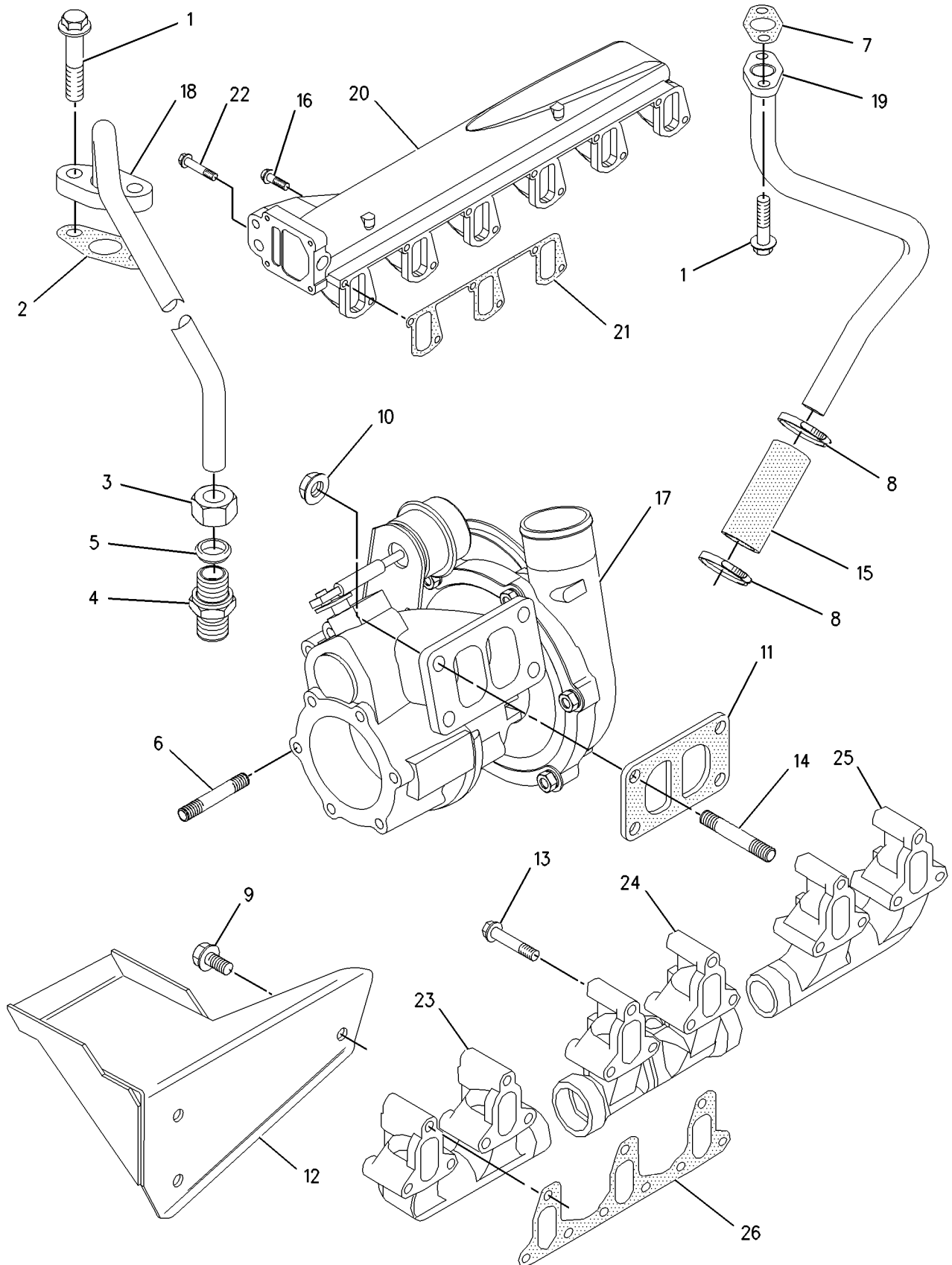
i01756038

NOTE	REF NO	GRAPHIC REF	PART NUMBER	QTY	PART NAME						SEE PAGE
					1	2	3	4	5	6 (PRODUCT LEVEL)	
	1	1	6I-0217	4	BOLT (M8X1.25X20MM)						
	2	1	6I-1132	1	GASKET						
	3	1	7W-2628	1	NUT						
	4	1	7W-2634	1	UNION						
	5	1	032-8048	1	FITTING-BRASS						
	6	1	100-4453	6	STUD						
	7	1	100-4466	1	GASKET						
	8	1	5D-1026	2	CLAMP-HOSE						
	9	1	124-3815	3	BOLT (M8X16X1.25MM)						
	10	1	138-2042	4	NUT						
	11	1	141-8589	1	GASKET-TURBOCHARGER						
	12	1	141-9777	1	HEAT SHIELD						
	13	1	146-1841	18	BOLT						
	14	1	147-5553	4	STUD						
	15	1	160-0149	1	HOSE						
	16	1	162-1504	6	BOLT						
	17	1	216-8685	1	TURBOCHARGER GP						
	18	1	216-8686	1	TUBE AS						
	19	1	216-8690	1	TUBE AS						
	20	1	216-8699	1	MANIFOLD-INLET						
	21	1	216-8703	2	GASKET-MANIFOLD						
	22	1	216-8705	6	BOLT						
	23	1	216-8708	1	MANIFOLD-EXHAUST						
	24	1	216-8709	1	MANIFOLD-EXHAUST						
	25	1	216-8710	1	MANIFOLD-EXHAUST						
	26	1	216-8712	2	GASKET-MANIFOLD						

AIR INLET AND EXHAUST SYSTEM

216-8713 TURBOCHARGER GP (contd.)

i01756038



GRAPHIC #1

g00863629

AIR INLET AND EXHAUST SYSTEM

220-7116 TURBOCHARGER GP

AN ATTACHMENT

SMCS - 1052

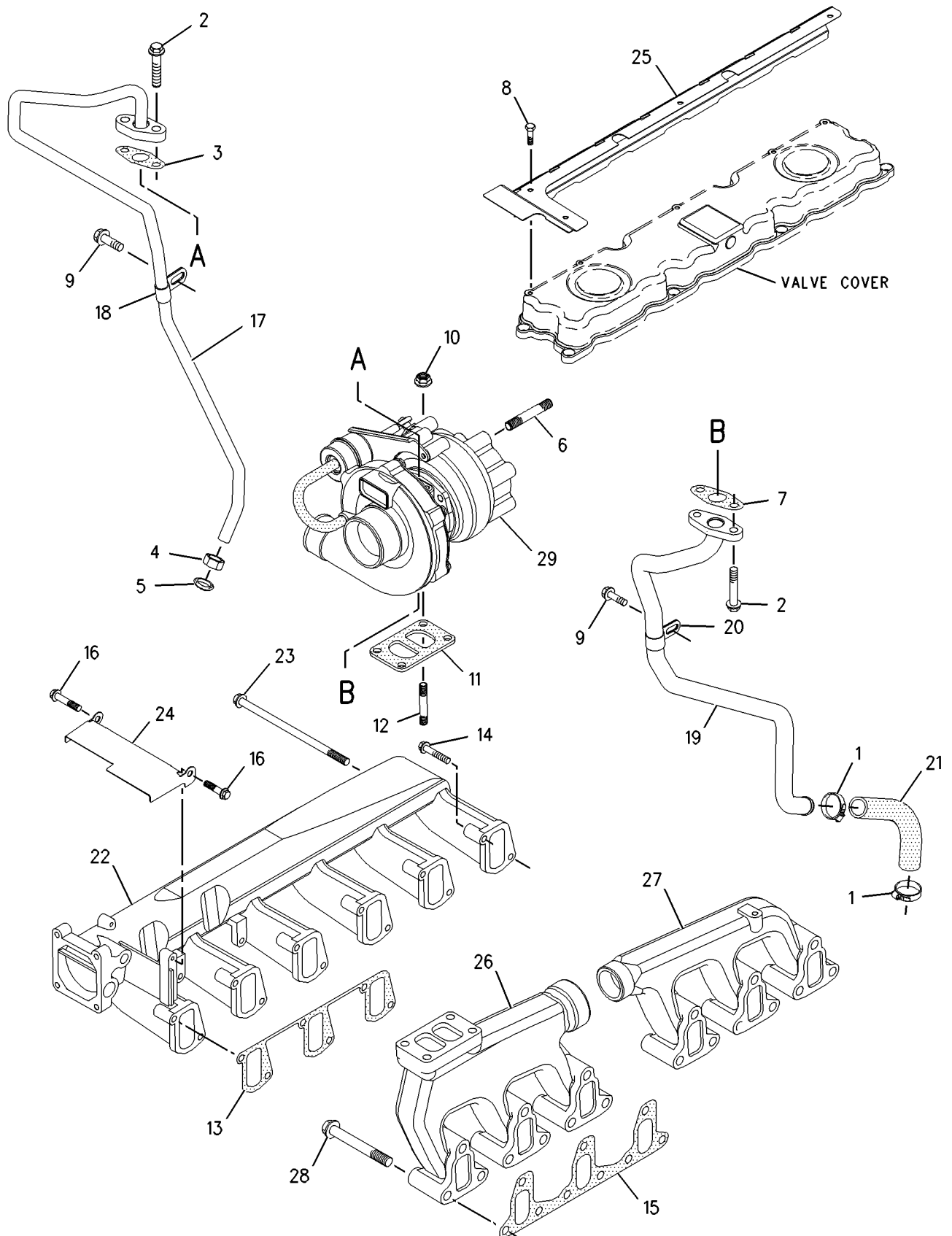
i01838511

NOTE	REF NO	GRAPHIC REF	PART NUMBER	QTY	PART NAME						SEE PAGE
					1	2	3	4	5	6 (PRODUCT LEVEL)	
1	1		5D-1026	2	CLAMP - HOSE						
2	1		6I-0217	4	BOLT (M8X1.25X20MM)						
3	1		6I-1132	1	GASKET						
4	1		7W-2628	1	NUT						
5	1		032-8048	1	FITTING - BRASS						
6	1		100-4453	6	STUD						
7	1		100-4466	1	GASKET						
8	1		106-8916	3	BOLT (M6X16MM)						
9	1		114-4363	2	BOLT (M8X1.25X12MM)						
10	1		138-2042	4	NUT						
11	1		141-8589	1	GASKET - TURBOCHARGER						
12	1		147-5553	4	STUD						
13	1		216-8703	2	GASKET - MANIFOLD						
14	1		216-8705	6	BOLT						
15	1		216-8712	2	GASKET - MANIFOLD						
16	1		6I-0631	2	BOLT (M6X1.0X12MM)						
17	1		222-9127	1	TUBE AS						
18	1		222-9129	1	CLIP						
19	1		222-9126	1	TUBE AS						
20	1		222-9128	1	CLIP						
21	1		220-7104	1	HOSE - DRAIN						
22	1		220-7106	1	MANIFOLD - INLET						
23	1		220-7107	6	BOLT						
24	1		220-7110	1	SHIELD - HEAT						
25	1		220-7111	1	SHIELD - HEAT						
26	1		220-7112	1	MANIFOLD - EXHAUST						
27	1		220-7113	1	MANIFOLD - EXHAUST						
28	1		220-7114	18	BOLT						
29	1		220-8182	1	TURBOCHARGER GP						

AIR INLET AND EXHAUST SYSTEM

220-7116 TURBOCHARGER GP (contd.)

i01838511



GRAPHIC #1

g00900955

AIR INLET AND EXHAUST SYSTEM

221-6866 TURBOCHARGER GP

AN ATTACHMENT

SMCS - 1052

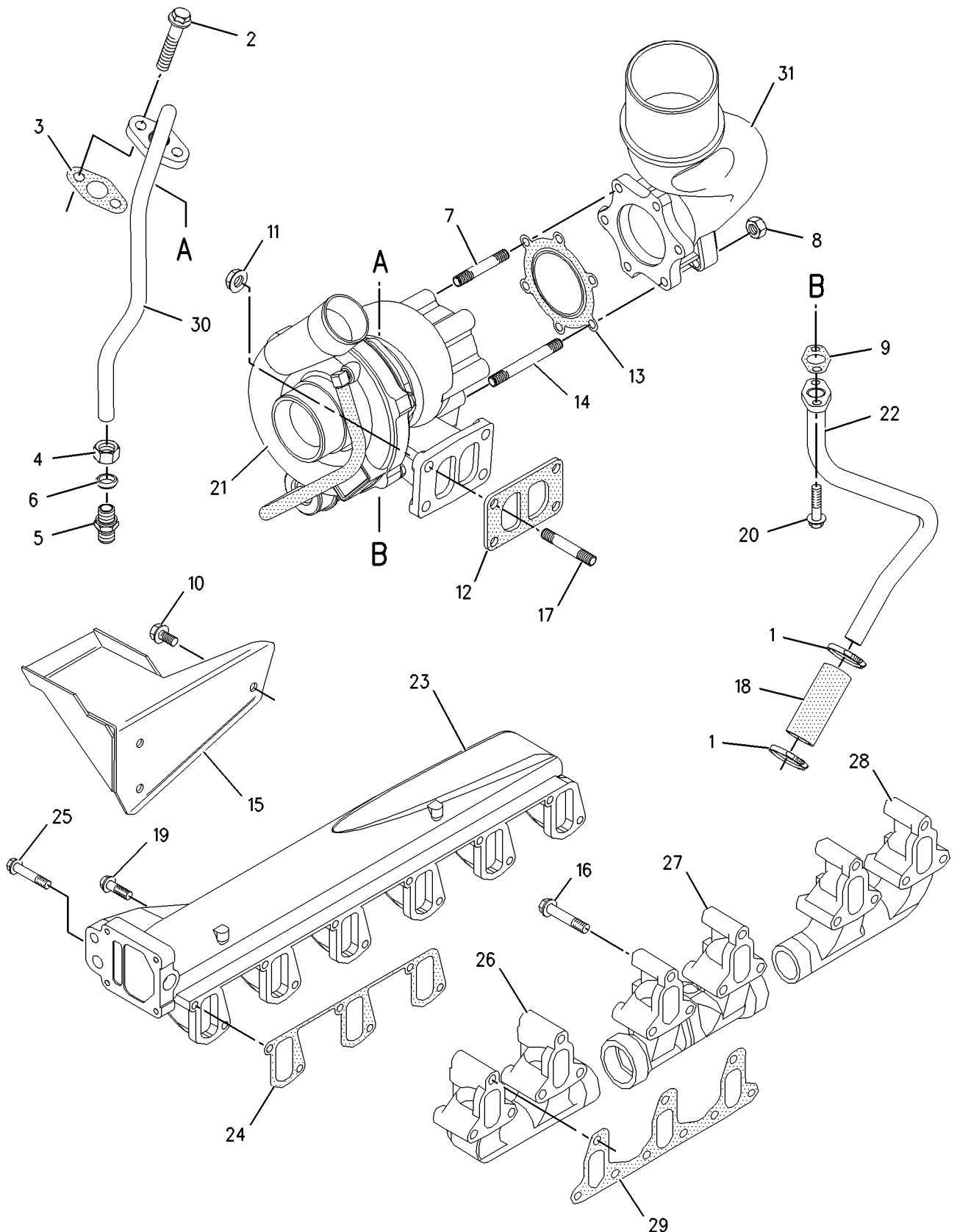
i01725172

NOTE	REF NO	GRAPHIC REF	PART NUMBER	QTY	PART NAME						SEE PAGE
					1	2	3	4	5	6 (PRODUCT LEVEL)	
1	1	1	5D-1026	2	CLAMP-HOSE						
2	1	1	6I-0217	2	BOLT (M8X1.25X20MM)						
3	1	1	6I-1132	1	GASKET						
4	1	1	7W-2628	1	NUT						
5	1	1	7W-2634	1	UNION						
6	1	1	032-8048	1	FITTING-BRASS						
7	1	1	100-4453	2	STUD						
8	1	1	100-4454	6	NUT						
9	1	1	100-4466	1	GASKET						
10	1	1	124-3815	3	BOLT (M8X16X1.25MM)						
11	1	1	138-2042	4	NUT						
12	1	1	141-8589	1	GASKET-TURBOCHARGER						
13	1	1	141-8597	1	GASKET						
14	1	1	141-8599	4	STUD						
15	1	1	141-9777	1	HEAT SHIELD						
16	1	1	146-1841	18	BOLT						
17	1	1	147-5553	4	STUD						
18	1	1	160-0149	1	HOSE						
19	1	1	162-1504	6	BOLT						
20	1	1	216-2892	1	BOLT-SOCKET HEAD						
21	1	1	216-8685	1	TURBOCHARGER GP						
22	1	1	216-8690	1	TUBE AS						
23	1	1	216-8699	1	MANIFOLD-INLET						
24	1	1	216-8703	2	GASKET-MANIFOLD						
25	1	1	216-8705	6	BOLT						
26	1	1	216-8708	1	MANIFOLD-EXHAUST						
27	1	1	216-8709	1	MANIFOLD-EXHAUST						
28	1	1	216-8710	1	MANIFOLD-EXHAUST						
29	1	1	216-8712	2	GASKET-MANIFOLD						
30	1	1	221-6863	1	TUBE AS						
31	1	1	221-6864	1	ELBOW						

AIR INLET AND EXHAUST SYSTEM

221-6866 TURBOCHARGER GP (contd.)

i01725172



GRAPHIC #1

g00888802

AIR INLET AND EXHAUST SYSTEM

226-3578 TURBOCHARGER GP

ALSO AN ATTACHMENT

SMCS - 1052

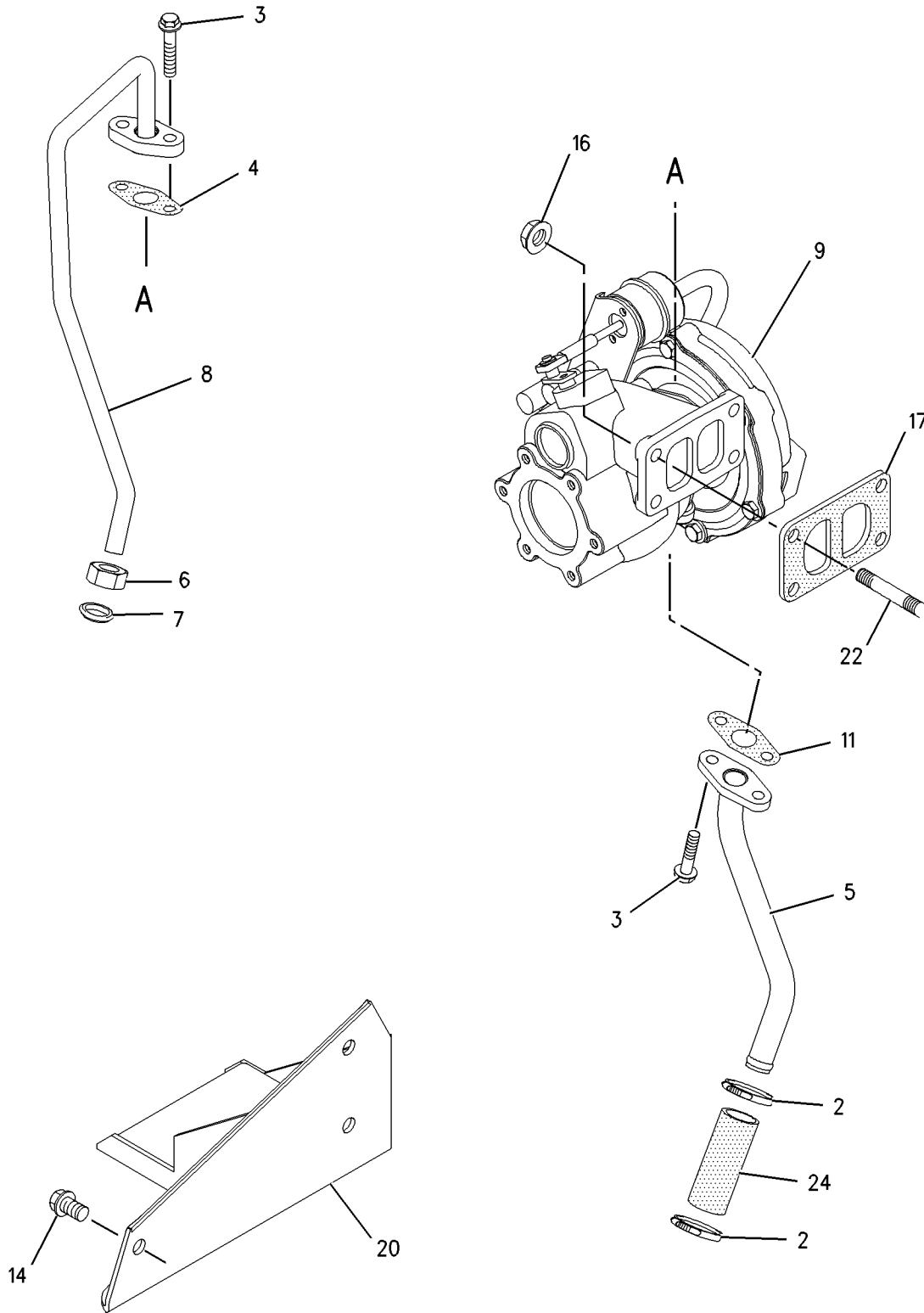
i01801889

NOTE	REF NO	GRAPHIC REF	PART NUMBER	QTY	PART NAME						SEE PAGE
					1	2	3	4	5	6 (PRODUCT LEVEL)	
	1	2	226-3577	1	MANIFOLD-EXHAUST						
	2	1	5D-1026	2	CLAMP-HOSE						
	3	1	6I-0217	4	BOLT (M8X1.25X20MM)						
	4	1	6I-1132	1	GASKET						
	5	1	226-3575	1	TUBE AS						
	6	1	7W-2628	1	NUT						
	7	1	032-8048	1	FITTING-BRASS						
	8	1	226-3574	1	TUBE AS						
	9	1	226-3572	1	TURBOCHARGER GP						
	10	2	216-8712	2	GASKET-MANIFOLD						
	11	1	100-4466	1	GASKET						
	12	2	216-8710	1	MANIFOLD-EXHAUST						
	13	2	216-8708	1	MANIFOLD-EXHAUST						
	14	1	124-3815	3	BOLT (M8X16X1.25MM)						
	15	2	216-8705	6	BOLT						
	16	1	138-2042	4	NUT						
	17	1	141-8589	1	GASKET-TURBOCHARGER						
	18	2	216-8703	2	GASKET-MANIFOLD						
	19	2	216-8699	1	MANIFOLD-INLET						
	20	1	141-9777	1	HEAT SHIELD						
	21	2	146-1841	18	BOLT						
	22	1	147-5553	4	STUD						
	23	2	162-1504	6	BOLT						
	24	1	160-0149	1	HOSE						

AIR INLET AND EXHAUST SYSTEM

226 - 3578 TURBOCHARGER GP (contd.)

i01801889



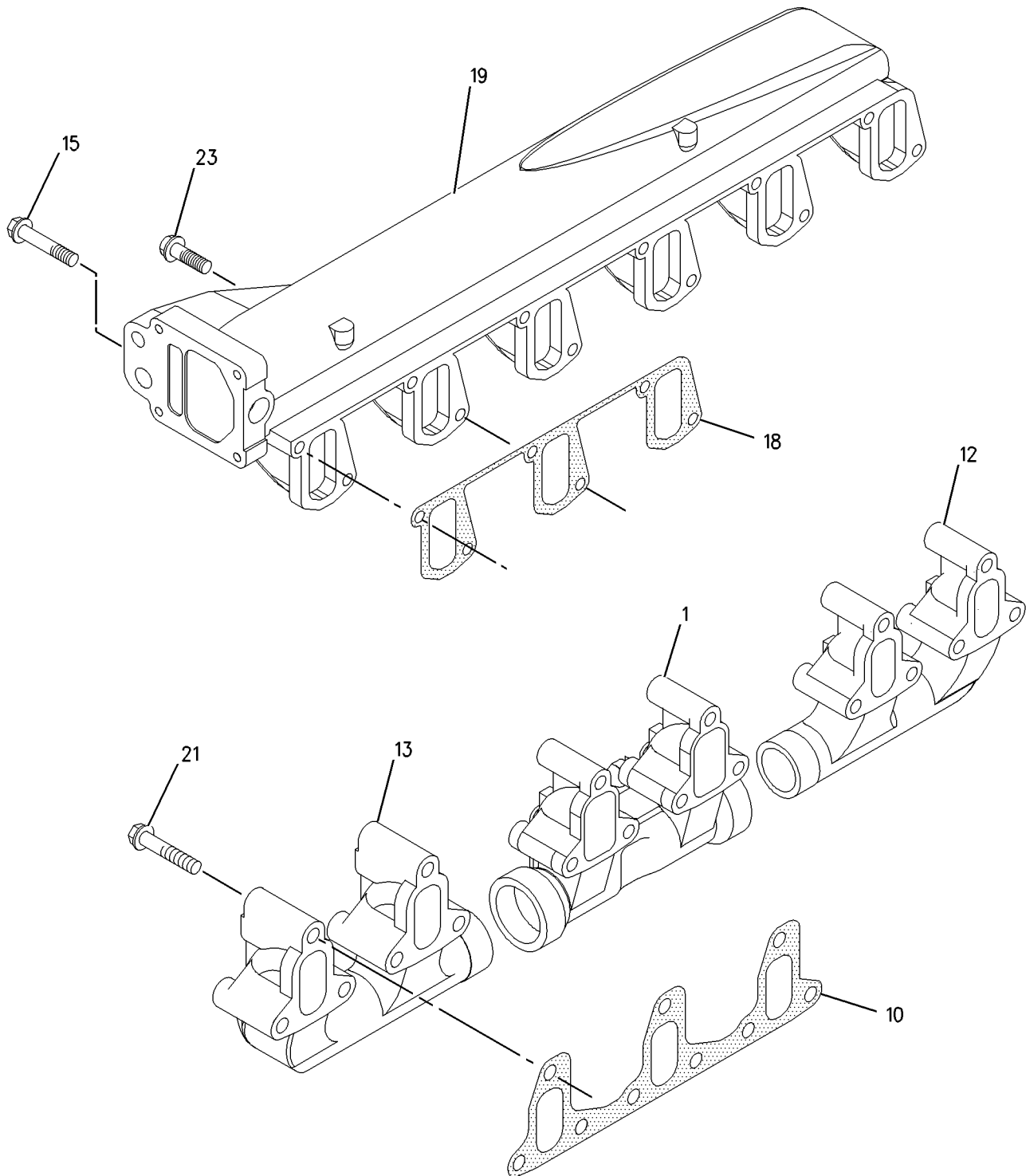
GRAPHIC #1

g00922212

AIR INLET AND EXHAUST SYSTEM

226 - 3578 TURBOCHARGER GP (contd.)

i01801889



GRAPHIC #2

g00922210

MEMORANDA

AIR INLET AND EXHAUST SYSTEM

230-2385 TURBOCHARGER GP

AN ATTACHMENT

SMCS - 1052

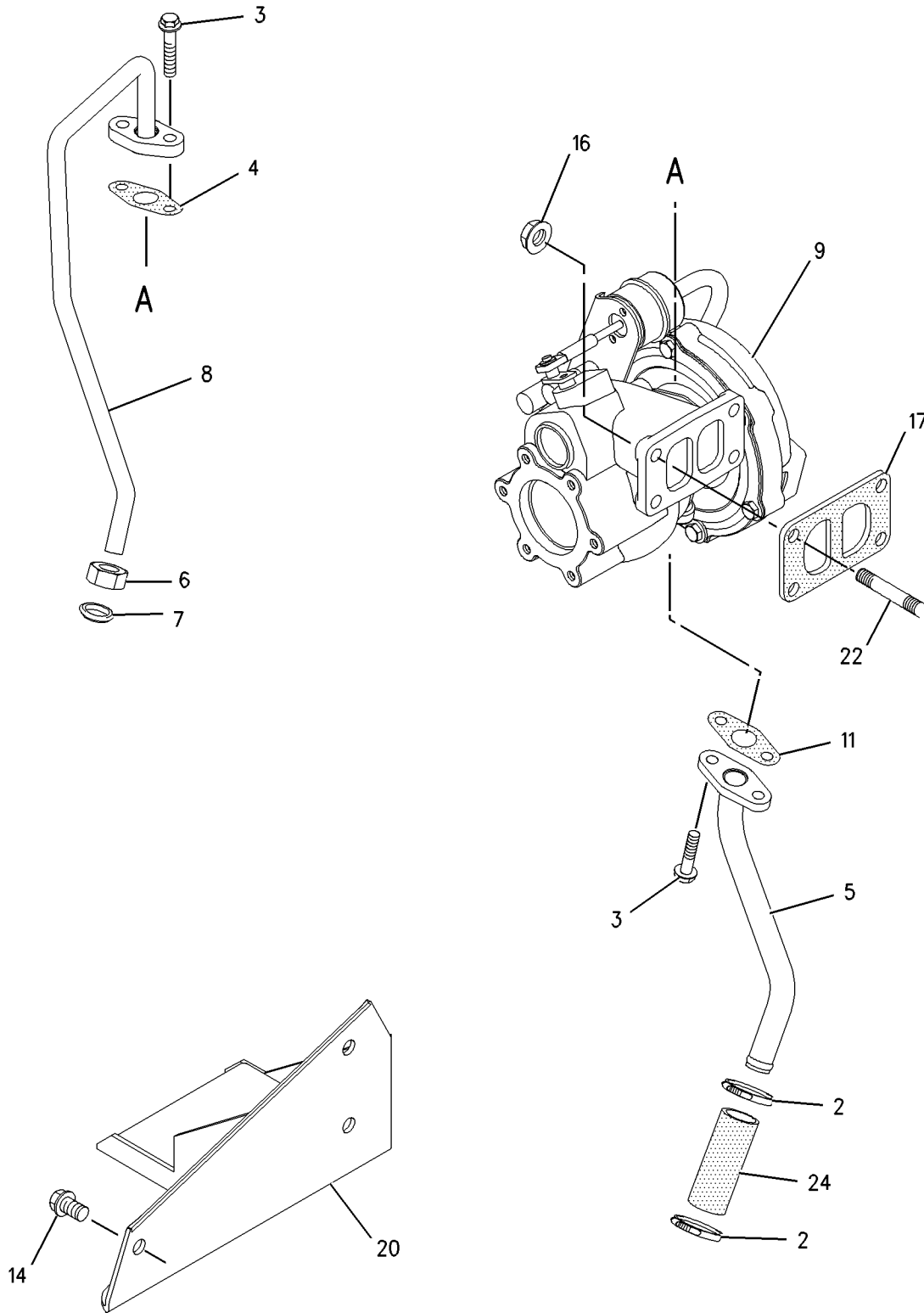
i01836323

NOTE	REF NO	GRAPHIC REF	PART NUMBER	QTY	PART NAME						SEE PAGE
					1	2	3	4	5	6 (PRODUCT LEVEL)	
	1	2	226-3577	1	MANIFOLD-EXHAUST						
	2	1	5D-1026	2	CLAMP-HOSE						
	3	1	6I-0217	4	BOLT (M8X1.25X20MM)						
	4	1	6I-1132	1	GASKET						
	5	1	226-3575	1	TUBE AS						
	6	1	7W-2628	1	NUT						
	7	1	032-8048	1	FITTING-BRASS						
	8	1	226-3574	1	TUBE AS						
	9	1	226-3572	1	TURBOCHARGER GP						
	10	2	216-8712	2	GASKET-MANIFOLD						
	11	1	100-4466	1	GASKET						
	12	2	216-8710	1	MANIFOLD-EXHAUST						
	13	2	216-8708	1	MANIFOLD-EXHAUST						
	14	1	124-3815	3	BOLT (M8X16X1.25MM)						
	15	2	216-8705	6	BOLT						
	16	1	138-2042	4	NUT						
	17	1	141-8589	1	GASKET-TURBOCHARGER						
	18	2	216-8703	2	GASKET-MANIFOLD						
	19	2	216-8699	1	MANIFOLD-INLET						
	20	1	141-9777	1	HEAT SHIELD						
	21	2	146-1841	18	BOLT						
	22	1	147-5553	4	STUD						
	23	2	162-1504	6	BOLT						
	24	1	160-0149	1	HOSE						

AIR INLET AND EXHAUST SYSTEM

230 - 2385 TURBOCHARGER GP (contd.)

i01836323



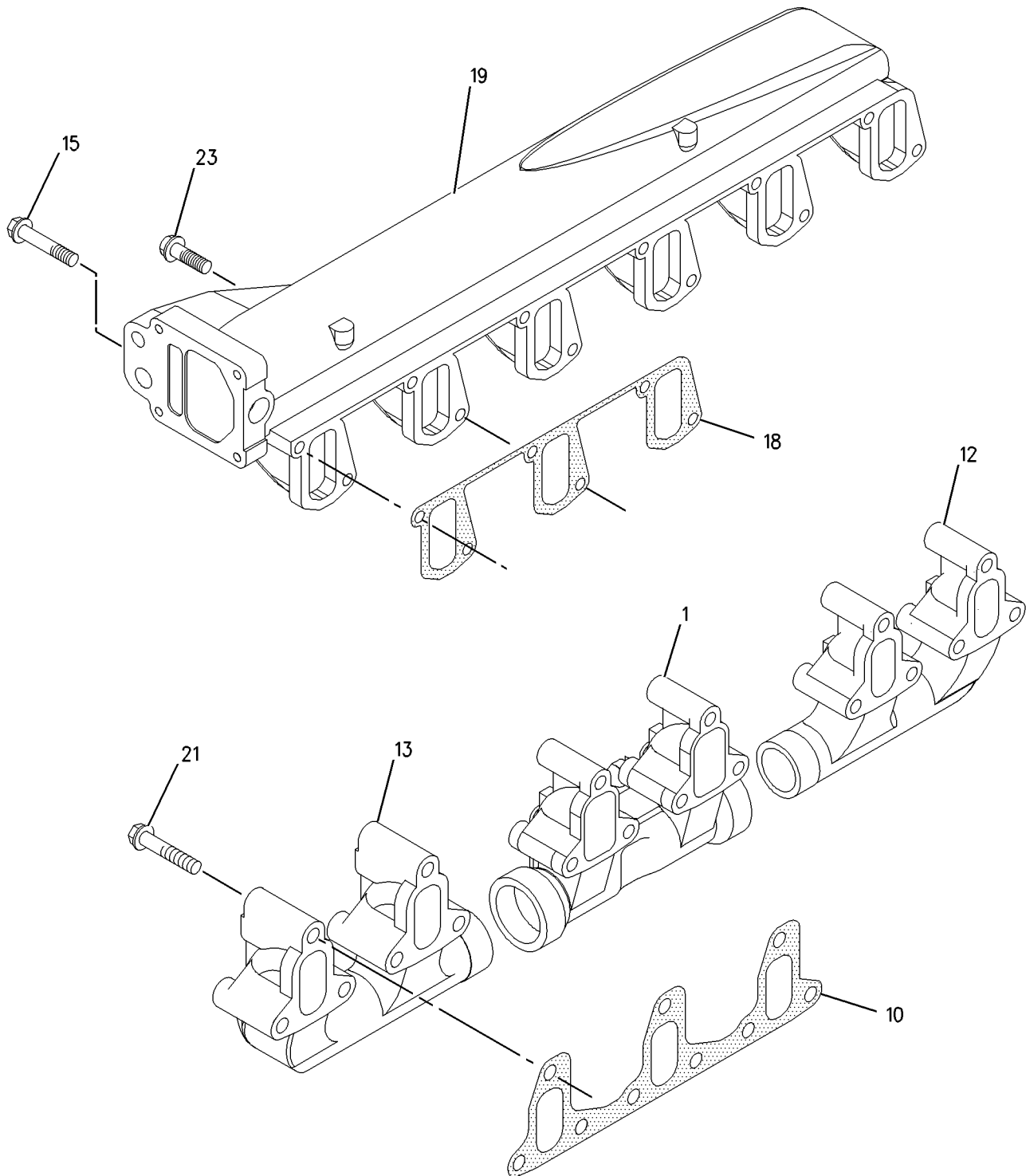
GRAPHIC #1

g00922212

AIR INLET AND EXHAUST SYSTEM

230 - 2385 TURBOCHARGER GP (contd.)

i01836323



GRAPHIC #2

g00922210

FUEL SYSTEM

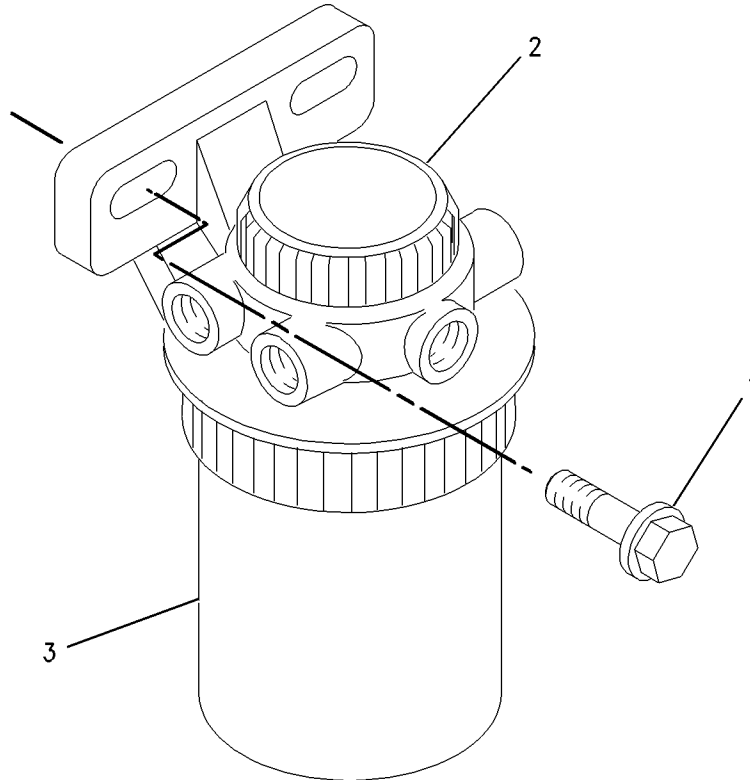
217-0640 FILTER GP-FUEL

ALSO AN ATTACHMENT

SMCS-1261

i01725043

NOTE	REF NO	GRAPHIC REF	PART NUMBER	QTY	PART NAME						SEE PAGE
					1	2	3	4	5	6 (PRODUCT LEVEL)	
	1	1	6I-0593	2	BOLT (M10X1.5X30MM)						
	2	1	141-7844	1	FILTER ELEMENT AS-FUEL						
	3	1	145-4501	1	FILTER ELEMENT-FUEL						



GRAPHIC #1

g00889605

FUEL SYSTEM

217-0109 PUMP GP-FUEL INJECTION

AN ATTACHMENT

SMCS-1251

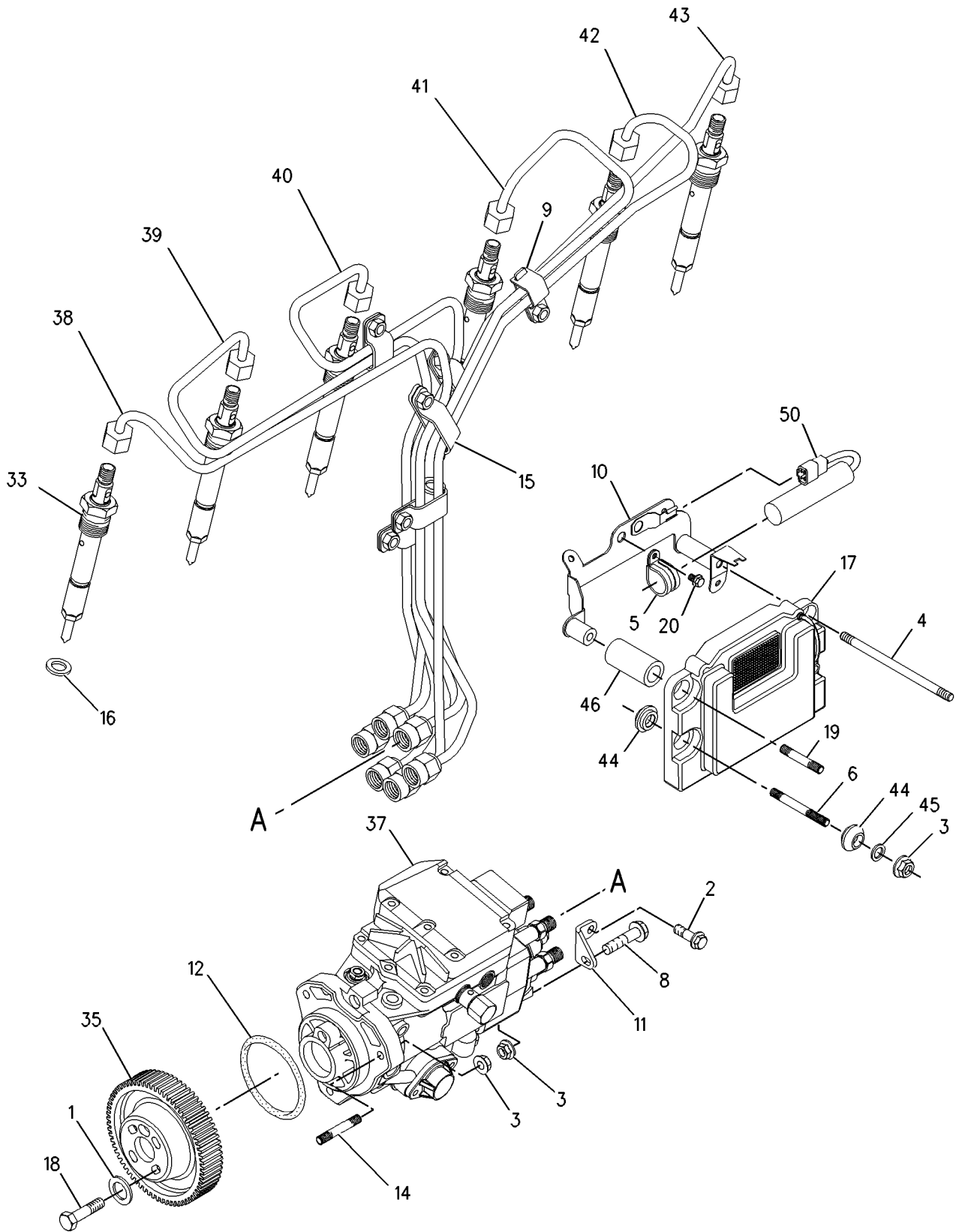
i01839438

NOTE	REF NO	GRAPHIC REF	PART NUMBER	QTY	PART NAME						SEE PAGE
					1	2	3	4	5	6 (PRODUCT LEVEL)	
	1	1	4B-4277	1	WASHER (8.8X17.5X1.6MM THK)						
	2	1	6I-0217	1	BOLT (M8X1.25X20MM)						
	3	1	6I-0291	8	NUT (M8X1.25)						
	4	1	133-7668	1	STUD						
	5	1	228-8960	1	CLIP						
	6	1	228-8963	2	STUD						
	7	2	7M-7410	1	PLUG						
	8	1	100-4830	1	BOLT (M10X1.5X20MM)						
	9	1	124-3708	3	CLIP						
	10	1	228-8943	1	BRACKET						
	11	1	228-8956	1	BRACKET						
	12	1	145-8327	1	SEAL-O-RING						
	13	2	149-2091	1	SEAL-O-RING						
	14	1	101-3877	3	STUD						
	15	1	162-9992	3	CLIP						
	16	1	164-3207	6	WASHER						
	17	1	221-1018	1	CONTROL GP-ENGINE ELECTRONIC						
M	18	1	6V-5217	4	BOLT (M8X1.25X20MM)						
	19	1	141-8599	1	STUD						
	20	1,2	114-4363	3	BOLT (M8X1.25X12MM)						
	22	2	216-3448	1	SENSOR GP-PRESSURE (ENGINE OIL)						
	23	2	216-3436	1	SENSOR GP-TEMPERATURE (ENGINE COOLANT)						
	24	2	216-3436	1	SENSOR GP-TEMPERATURE (AIR INLET)						
	25	2	216-3446	1	SENSOR GP-SPEED (TIMING)						
	27	2	199-9252	1	SEAL-O-RING						
	28	2	199-9267	1	SEAL-O-RING						
	29	2	199-9751	2	SEAL-O-RING						
	30	2	216-3450	1	SENSOR GP-PRESSURE (BOOST)						
	33	1	216-9786	6	INJECTOR AS-FUEL						
	35	1	216-9790	1	GEAR (FUEL PUMP)						
	37	1	216-9824	1	PUMP GP-FUEL INJECTION						
	38	1	216-9826	1	TUBE AS (CYL NO.1)						
	39	1	216-9828	1	TUBE AS (CYL NO.2)						
	40	1	216-9830	1	TUBE AS (CYL NO.3)						
	41	1	216-9831	1	TUBE AS (CYL NO.4)						
	42	1	216-9834	1	TUBE AS (CYL NO.5)						
	43	1	216-9835	1	TUBE AS (CYL NO.6)						
	44	1	155-0576	8	MOUNT-ISOLATION						
	45	1	217-0099	7	SPACER						
	46	1	217-0100	4	SPACER						
	50	1	215-9430	4	CONTROL GP-VOLTAGE (24 VOLT) (LOAD PROTECTION)						
		1	1S-9593	2	STRAP-CABLE						
		1	7T-0093	4	PIN-CONNECTOR						
		1	177-9653	1	KIT-RECEPTACLE (4 PIN)						
M-METRIC PART											

FUEL SYSTEM

217-0109 PUMP GP - FUEL INJECTION (contd.)

i01839438



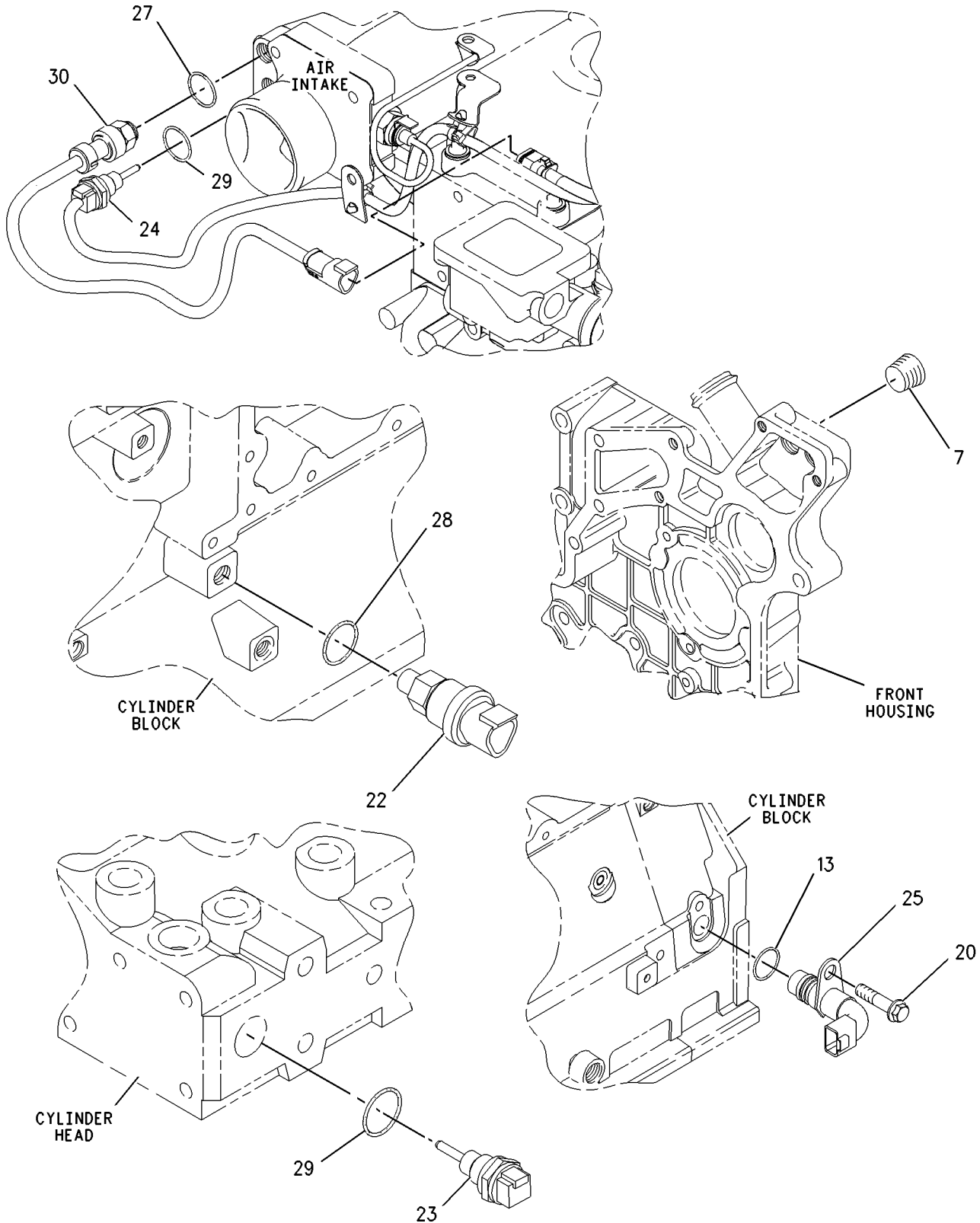
GRAPHIC #1

g00936420

FUEL SYSTEM

217-0109 PUMP GP - FUEL INJECTION (contd.)

i01839438



GRAPHIC #2

g00936421

MEMORANDA

FUEL SYSTEM

228-8965 PUMP GP-FUEL INJECTION

ALSO AN ATTACHMENT

SMCS-1251

i01848434

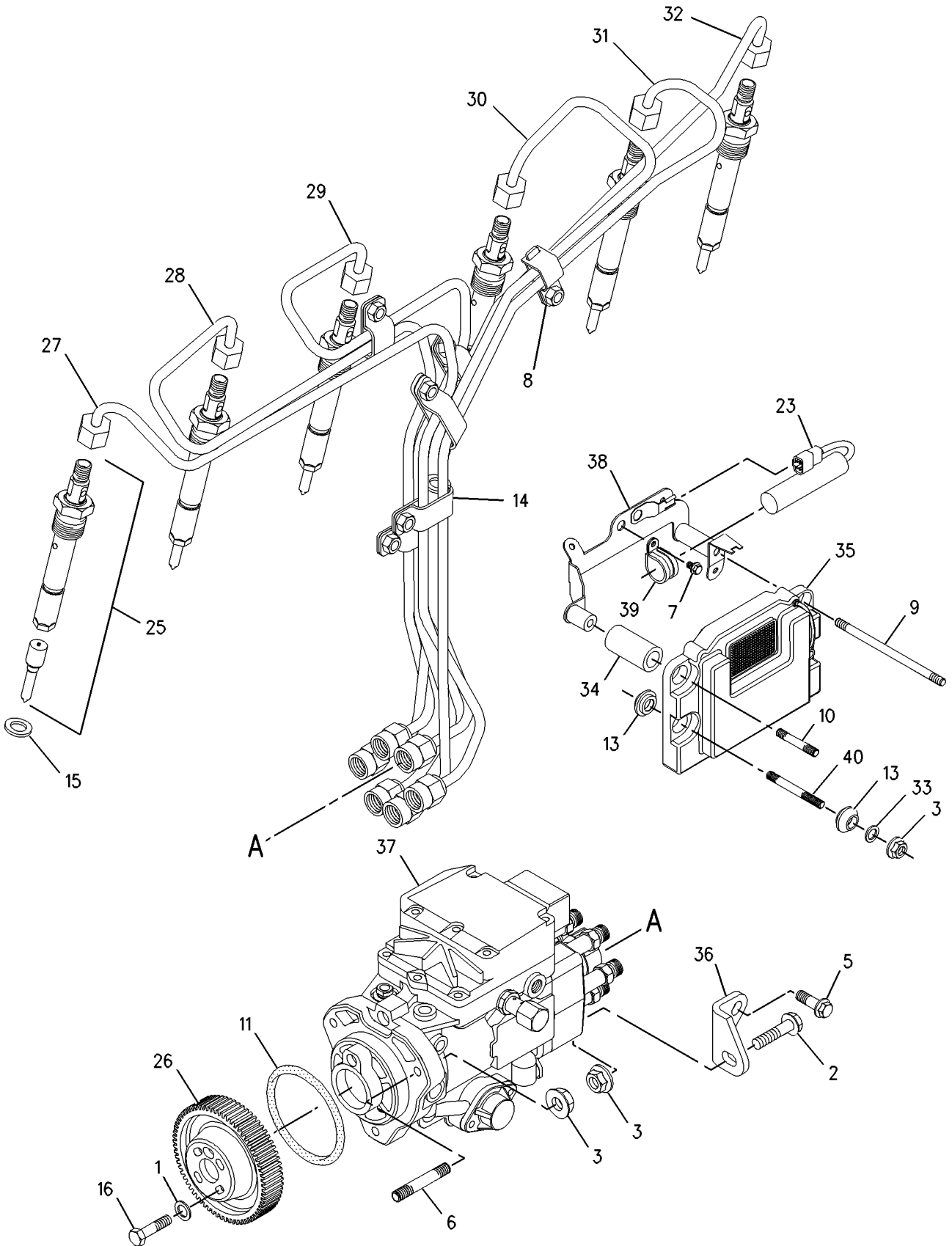
NOTE	REF NO	GRAPHIC REF	PART NUMBER	QTY	PART NAME						SEE PAGE
					1	2	3	4	5	6 (PRODUCT LEVEL)	
	1	1	4B-4277	4	WASHER (8.8X17.5X1.6MM THK)						
	2	1	6I-0217	1	BOLT (M8X1.25X20MM)						
	3	1	6I-0291	8	NUT (M8X1.25)						
	4	2	7M-7410	1	PLUG						
	5	1	100-4830	1	BOLT (M10X1.5X20MM)						
	6	1	101-3877	3	STUD						
	7	1,2	114-4363	2	BOLT (M8X1.25X12MM)						
	8	1	124-3708	3	CLIP						
	9	1	133-7668	1	STUD						
	10	1	141-8599	1	STUD						
	11	1	145-8327	1	SEAL-O-RING						
	12	2	149-2091	1	SEAL-O-RING						
	13	1	155-0576	5	MOUNT-ISOLATION						
	14	1	162-9992	3	CLIP						
	15	1	164-3207	6	WASHER						
M	16	1	6V-5217	4	BOLT (M8X1.25X20MM)						
	17	2	216-3448	1	SENSOR GP-PRESSURE (ENGINE OIL)						
	18	2	216-3446	1	SENSOR GP-SPEED (TIMING)						
	19	2	199-9252	1	SEAL-O-RING						
	20	2	199-9267	1	SEAL-O-RING						
	21	2	199-9751	2	SEAL-O-RING						
	22	2	216-3450	1	SENSOR GP-PRESSURE (BOOST)						
	23	1	216-2621	1	CONTROL GP-VOLTAGE (LOAD PROTECTION)						
		1	1S-9593	2	STRAP-CABLE						
		1	177-9653		KIT-RECEPTACLE (4 PIN)						
	24	2	216-3436	2	SENSOR GP-TEMPERATURE (AIR INLET)						
	25	1	216-9786	6	INJECTOR AS-FUEL						
	26	1	216-9790	1	GEAR (FUEL PUMP)						
	27	1	216-9826	1	TUBE AS (CYL NO.1)						
	28	1	216-9828	1	TUBE AS (CYL NO.2)						
	29	1	216-9830	1	TUBE AS (CYL NO.3)						
	30	1	216-9831	1	TUBE AS (CYL NO.4)						
	31	1	216-9834	1	TUBE AS (CYL NO.5)						
	32	1	216-9835	1	TUBE AS (CYL NO.6)						
	33	1	217-0099	7	SPACER						
	34	1	217-0100	4	SPACER						
	35	1	221-1018	1	CONTROL GP-ENGINE ELECTRONIC						
		1	7X-6315	1	STRAP AS-GROUND						
		1	134-4126	1	WASHER (4.52X8.28X.76MM THK)						
		1	200-7941	1	HOUSING						
		1	201-9076	1	SCREW						
	36	1	228-8943	1	BRACKET						
	37	1	228-8953	1	PUMP GP-FUEL INJECTION						
	38	1	228-8956	1	BRACKET						
	39	1	228-8960	1	CLIP						
	40	1	228-8963	2	STUD						

M-METRIC PART

FUEL SYSTEM

228-8965 PUMP GP-FUEL INJECTION (contd.)

i01848434



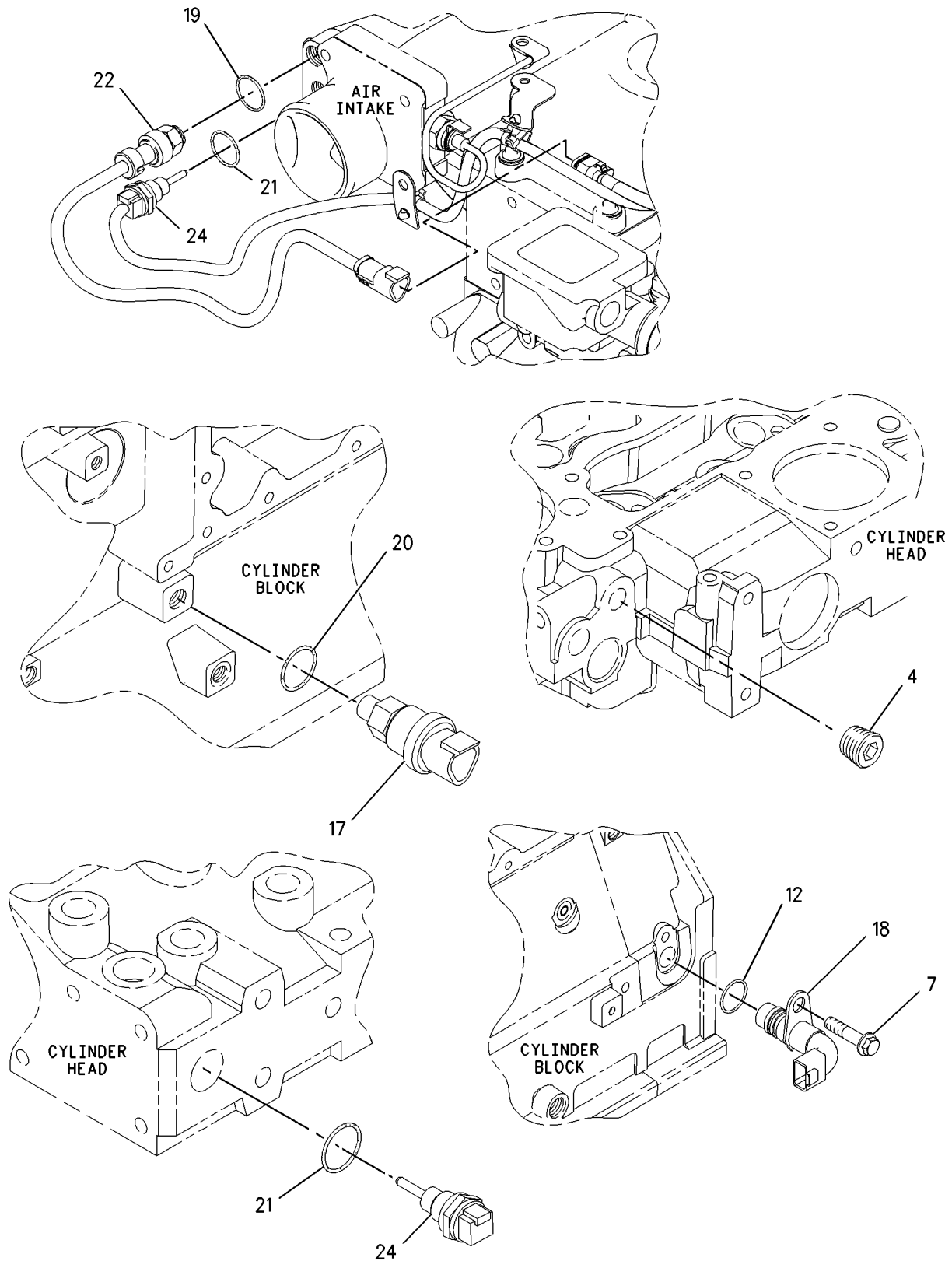
GRAPHIC #1

g00935269

FUEL SYSTEM

228-8965 PUMP GP - FUEL INJECTION (contd.)

i01848434



GRAPHIC #2

g00935270

MEMORANDA

FUEL SYSTEM

216-9131 PUMP GP-FUEL TRANSFER

AN ATTACHMENT

SMCS - 1256

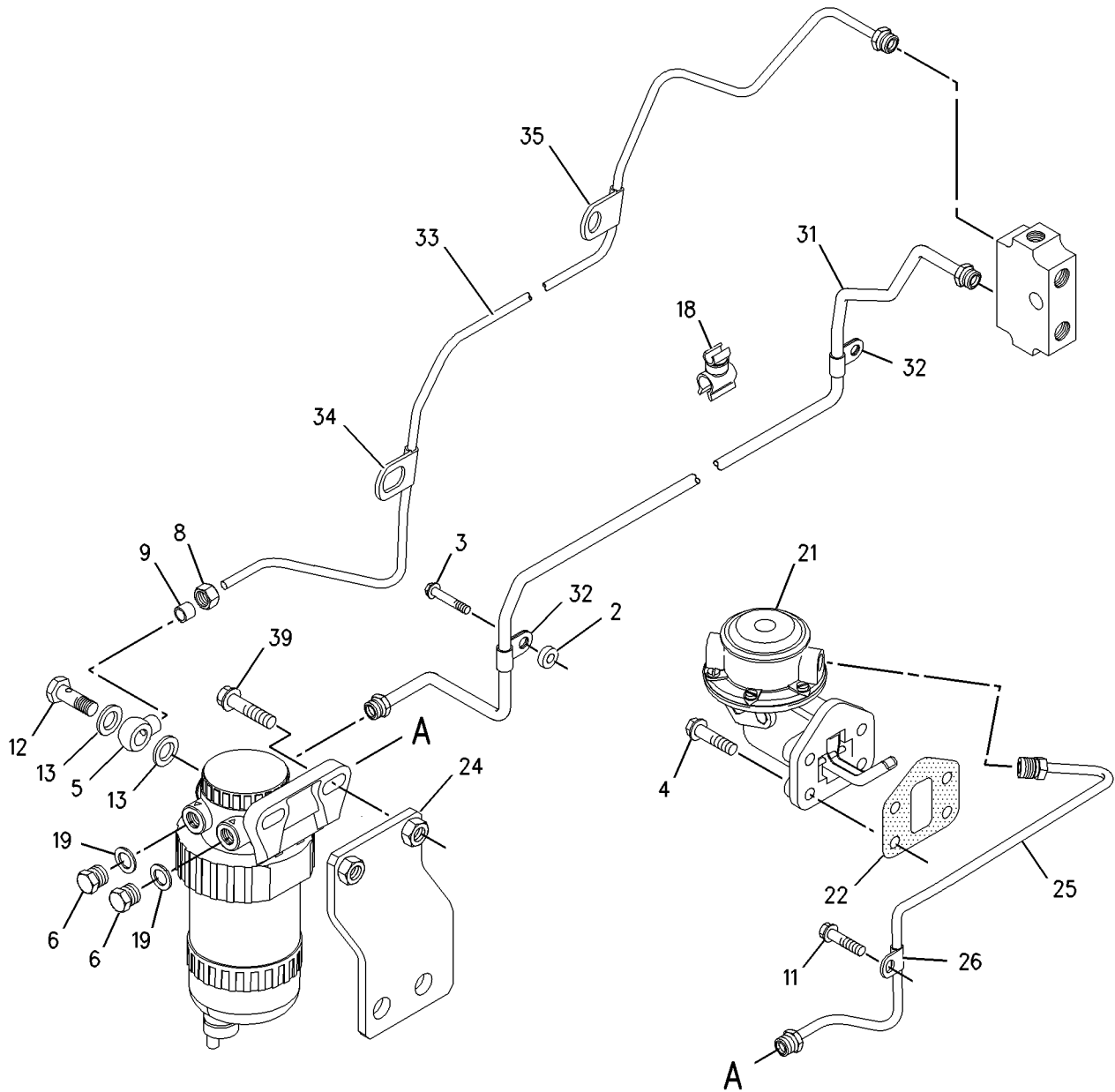
i01836317

NOTE	REF NO	GRAPHIC REF	PART NUMBER	QTY	PART NAME						SEE PAGE
					1	2	3	4	5	6 (PRODUCT LEVEL)	
1	2		5C-1777	3	NUT						
2	1		5C-1809	1	SPACER (8X19X6.5MM)						
3	1		6I-0217	1	BOLT (M8X1.25X20MM)						
4	1		6I-0254	4	BOLT (M8X1.25X30MM)						
5	1		8N-7983	1	FITTING						
6	1,2		033-7849	3	PLUG						
7	2		067-6269	3	FITTING (5/16IN)						
8	1		067-6998	1	NUT						
9	1		067-6999	1	FERRULE						
10	2		100-4461	1	BOLT (M10X50MM)						
11	1		100-4830	1	BOLT (M10X1.5X20MM)						
12	1		101-3906	1	BOLT						
13	1,2		101-3907	4	WASHER						
14	2		101-7178	1	BOLT (M10X55MM)						
15	2		127-8162	2	CLIP						
16	2		133-9467	1	BOLT						
17	2		133-9472	1	CONNECTION						
18	1		160-7197	1	CLIP						
19	1,2		162-2000	4	WASHER						
20	2		186-0790	1	SPACER						
21	1		216-9043	1	PUMP AS-FUEL PRIMING						
22	1		7W-4553	1	GASKET-FUEL PUMP						
23	2		216-9053	1	CONNECTOR						
24	1		216-9055	1	BRACKET						
25	1		216-9056	1	TUBE AS						
26	1		102-9987	1	CLIP						
27	2		216-9066	1	TUBE AS						
28	2		149-6117	1	CLIP						
29	2		216-9086	1	SPACER						
30	2		216-9092	2	CONNECTOR						
31	1		216-9093	1	TUBE AS						
32	1		102-9986	2	CLIP						
33	1		216-9109	1	LINE AS-FUEL						
34	1		7W-4539	1	CLIP						
35	1		103-0173	1	CLIP						
36	2		216-9110	1	TUBE AS						
37	2		102-9986	1	CLIP						
38	2		216-9752	4	WASHER						
39	1		216-9767	2	BOLT-FLANGED						
40	2		217-0721	1	BOLT						

FUEL SYSTEM

216-9131 PUMP GP - FUEL TRANSFER (contd.)

i01836317



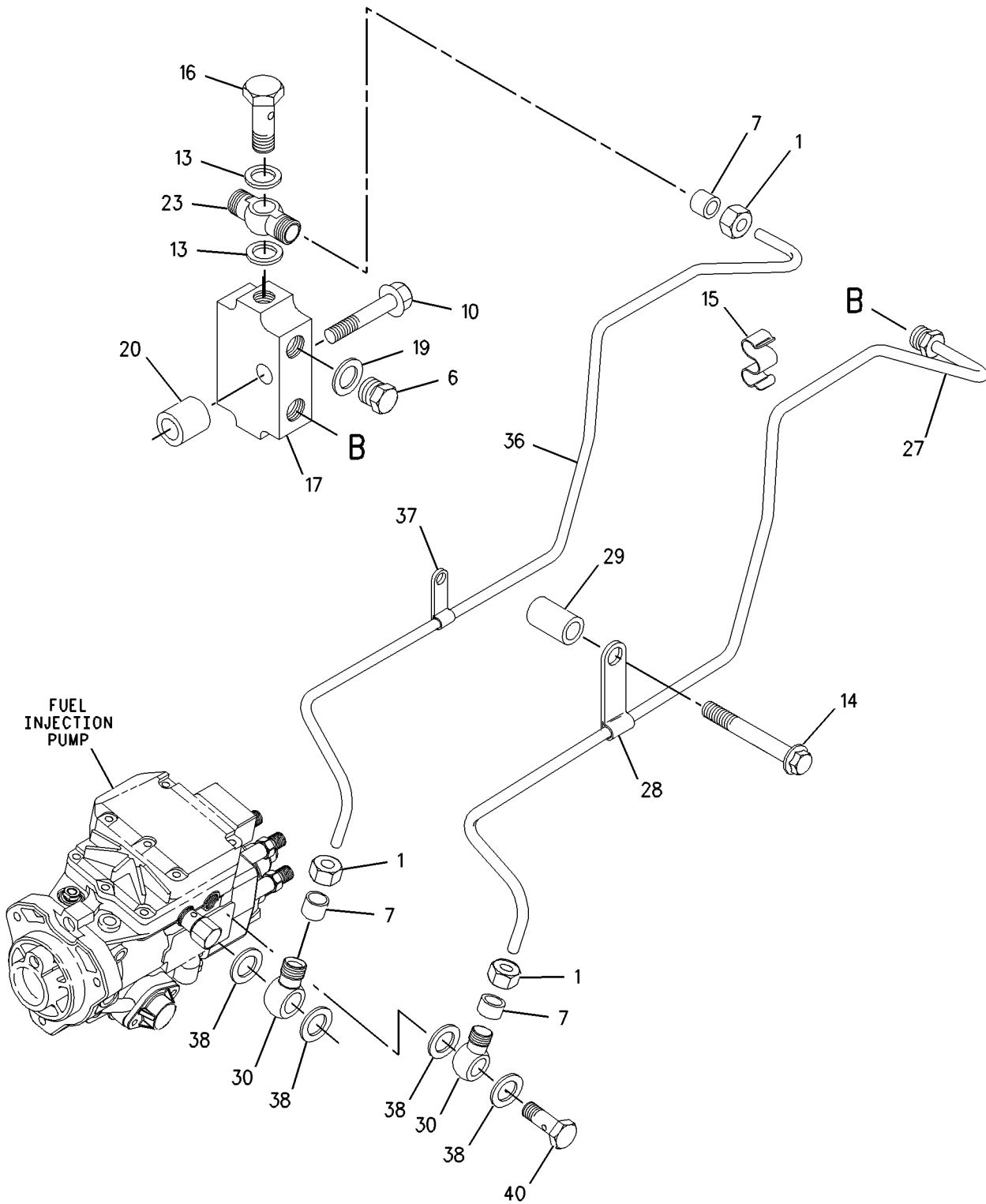
GRAPHIC #1

g00860885

FUEL SYSTEM

216-9131 PUMP GP - FUEL TRANSFER (contd.)

i01836317



GRAPHIC #2

g00860888

MEMORANDA

FUEL SYSTEM

219-2455 PUMP GP-FUEL TRANSFER

SMCS - 1256

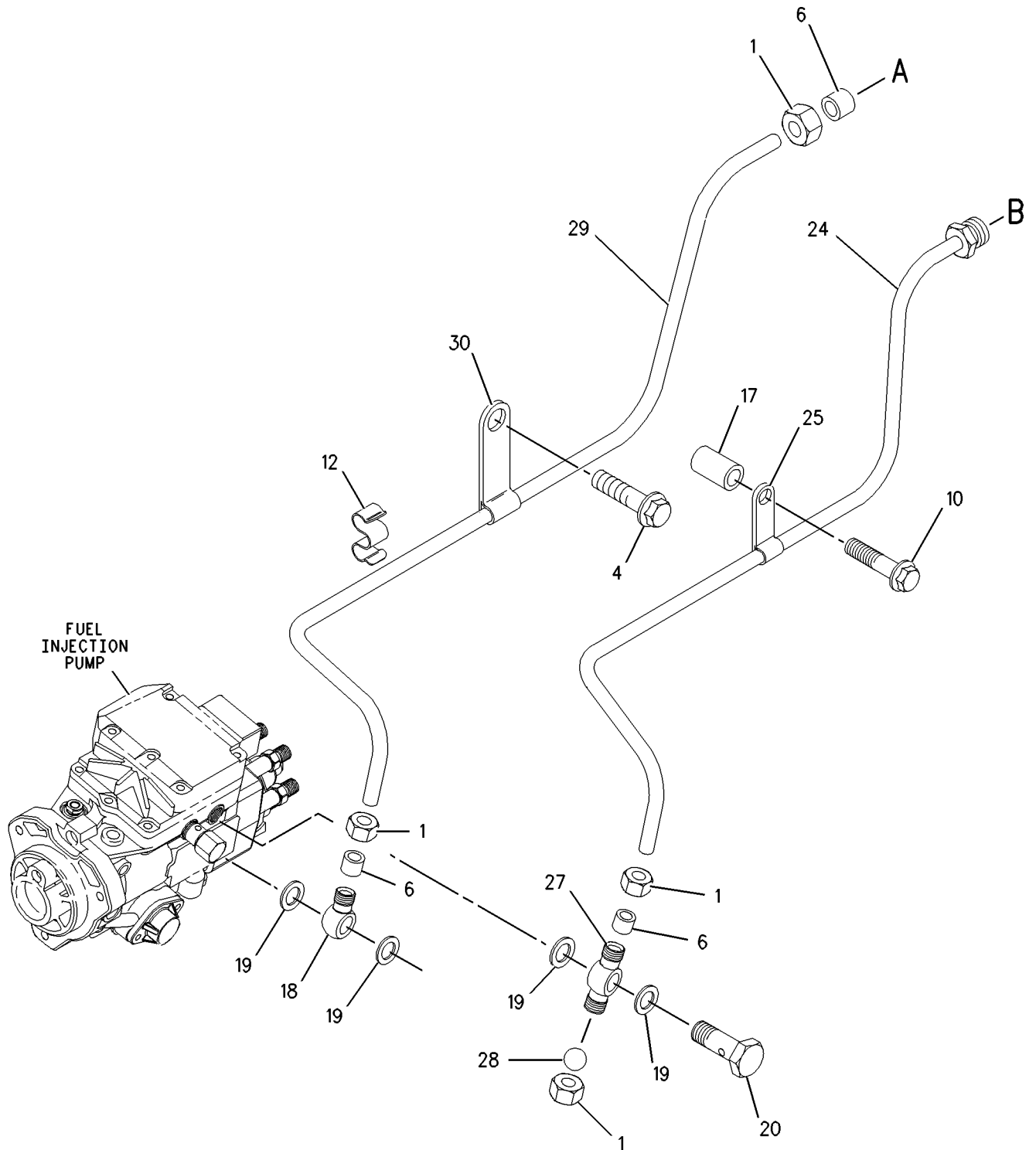
i01773938

NOTE	REF NO	GRAPHIC REF	PART NUMBER	QTY	PART NAME						SEE PAGE
					1	2	3	4	5	6 (PRODUCT LEVEL)	
	1	1	5C-1777	5	NUT						
	2	2	6I-0217	1	BOLT (M8X1.25X20MM)						
	3	2	6I-0254	4	BOLT (M8X1.25X30MM)						
	4	1	6I-1090	1	BOLT (M8X1.25X40MM)						
	5	2	033-7849	1	PLUG						
	6	1	067-6269	4	FITTING (5/16IN)						
	7	2	100-4830	3	BOLT (M10X1.5X20MM)						
	8	2	101-3906	1	BOLT						
	9	2	101-3907	2	WASHER						
	10	1	101-7178	1	BOLT (M10X55MM)						
	11	2	102-9988	1	SPACER						
	12	1	127-8162	1	CLIP						
	13	2	162-2000	1	WASHER						
	14	2	216-9043	1	PUMP AS-FUEL PRIMING						
	15	2	7W-4553	1	GASKET-FUEL PUMP						
	16	2	216-9053	1	CONNECTOR						
	17	1	216-9086	1	SPACER						
	18	1	216-9092	1	CONNECTOR						
	19	1	216-9752	4	WASHER						
	20	1	217-0721	1	BOLT						
	21	2	219-2442	1	TUBE AS						
	22	2	102-9986	1	CLIP						
	23	2	102-9987	1	CLIP						
	24	1	219-2443	1	TUBE AS						
	25	1	102-9986	1	CLIP						
	26	2	219-2450	1	BRACKET						
	27	1	219-2451	1	CONNECTION						
	28	1	219-2452	1	BALL						
	29	1	219-2453	1	TUBE AS						
	30	1	149-6117	1	CLIP						

FUEL SYSTEM

219-2455 PUMP GP - FUEL TRANSFER (contd.)

i01773938



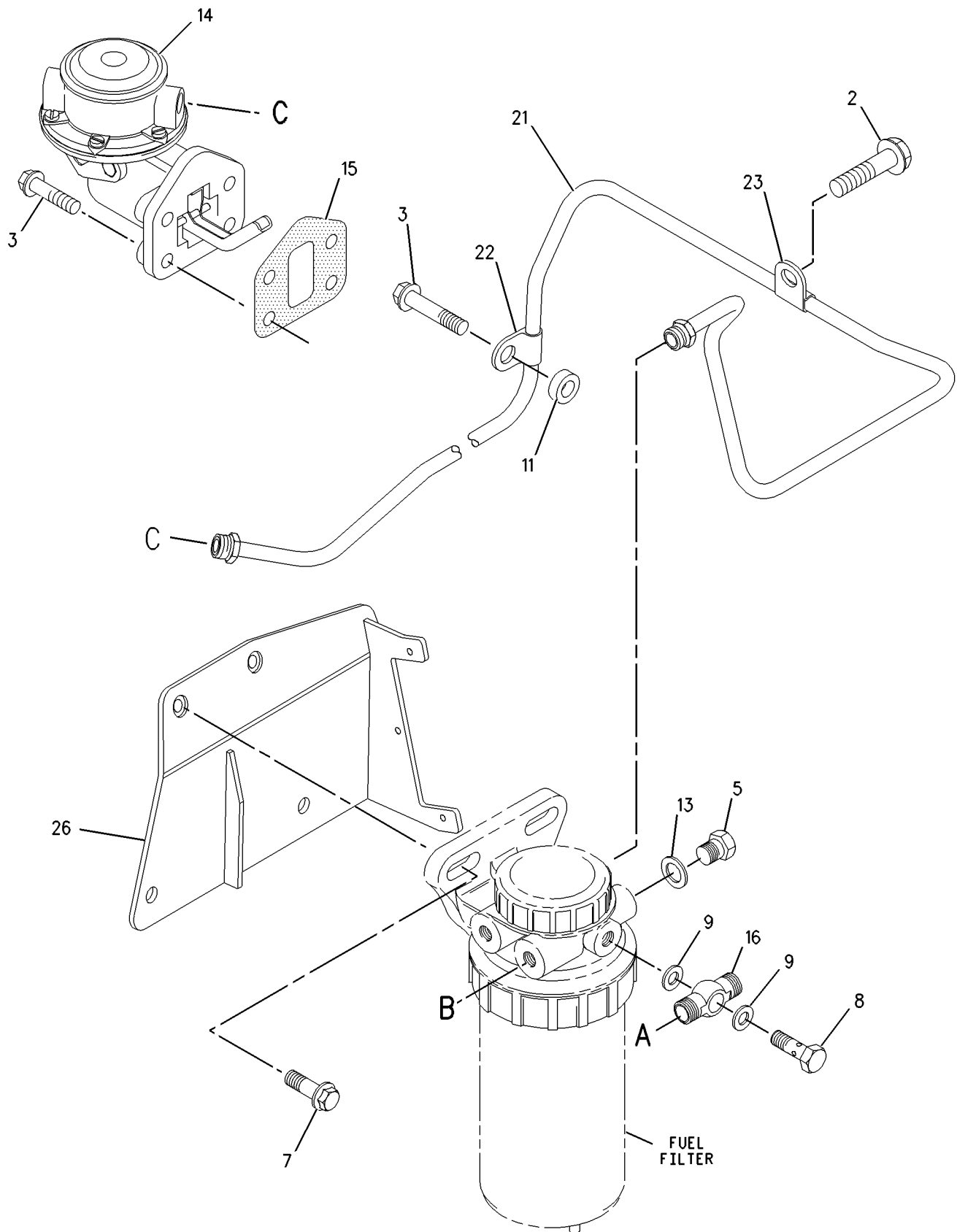
GRAPHIC #1

g00891374

FUEL SYSTEM

219-2455 PUMP GP - FUEL TRANSFER (contd.)

i01773938



GRAPHIC #2

g00891375

MEMORANDA

FUEL SYSTEM

220-7165 PUMP GP-FUEL TRANSFER

AN ATTACHMENT

SMCS-1256

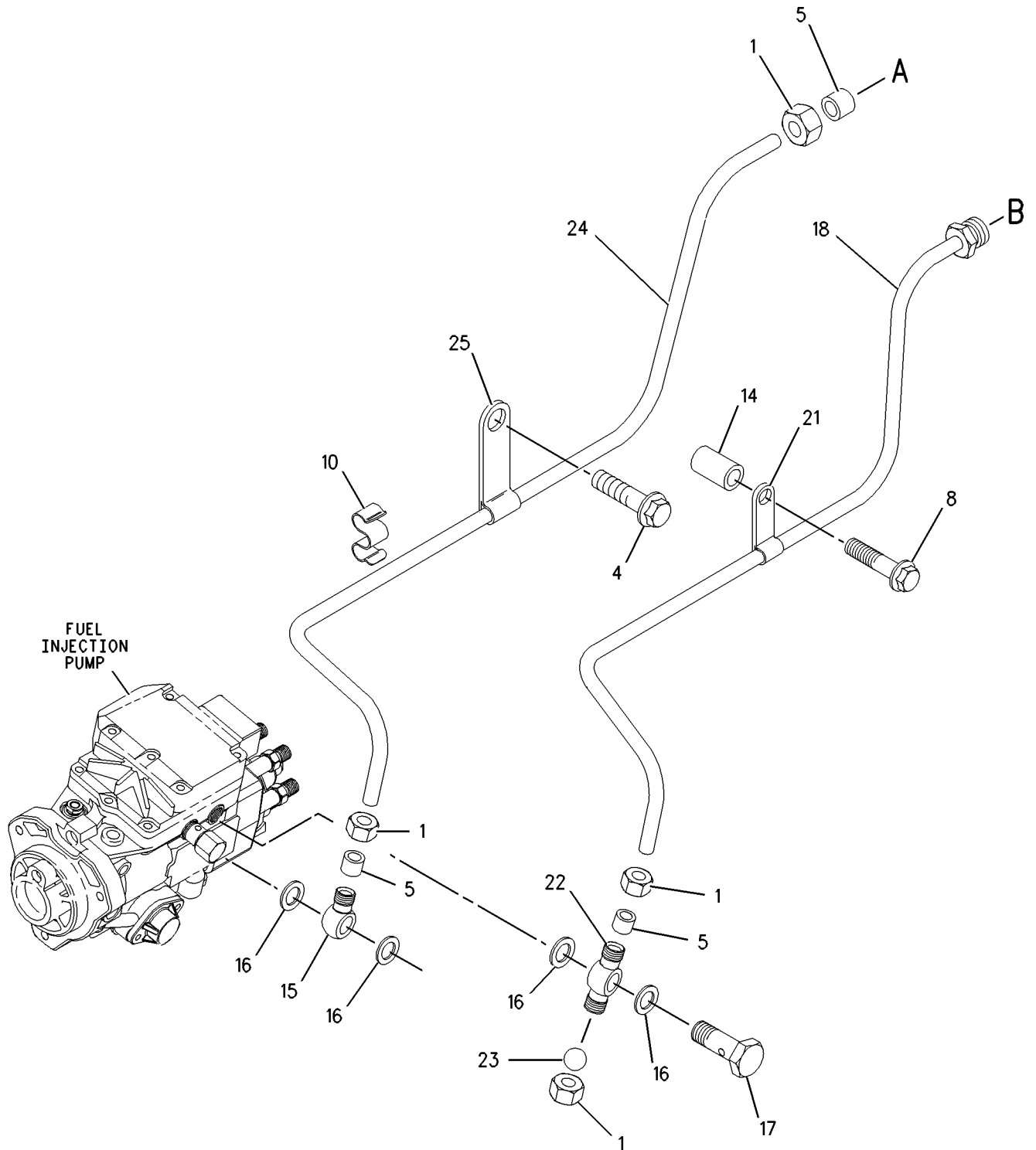
i01755850

NOTE	REF NO	GRAPHIC REF	PART NUMBER	QTY	PART NAME						SEE PAGE
					1	2	3	4	5	6 (PRODUCT LEVEL)	
	1	1	5C-1777	6	NUT						
	2	2	6I-0217	1	BOLT (M8X1.25X20MM)						
	3	2	6I-0254	7	BOLT (M8X1.25X30MM)						
	4	1	6I-1090	1	BOLT (M8X1.25X40MM)						
	5	1	067-6269	4	FITTING (5/16IN)						
	6	2	101-3906	1	BOLT						
	7	2	101-3907	2	WASHER						
	8	1	101-7178	1	BOLT (M10X55MM)						
	9	2	102-9988	1	SPACER						
	10	1	127-8162	1	CLIP						
	11	2	216-9043	1	PUMP AS-FUEL PRIMING						
	12	2	7W-4553	1	GASKET-FUEL PUMP						
	13	2	216-9053	1	CONNECTOR						
	14	1	216-9086	1	SPACER						
	15	1	216-9092	1	CONNECTOR						
	16	1	216-9752	4	WASHER						
	17	1	217-0721	1	BOLT-BANJO						
	18	1	219-2443	1	TUBE AS						
	21	1	102-9986	1	CLIP						
	22	1	219-2451	1	CONNECTION						
	23	1	219-2452	1	BALL						
	24	1	219-2453	1	TUBE AS						
	25	1	149-6117	1	CLIP						
	26	2	220-7162	1	TUBE AS						
	29	2	102-9987	1	CLIP						
	30	2	220-7163	1	CLIP						

FUEL SYSTEM

220-7165 PUMP GP - FUEL TRANSFER (contd.)

i01755850



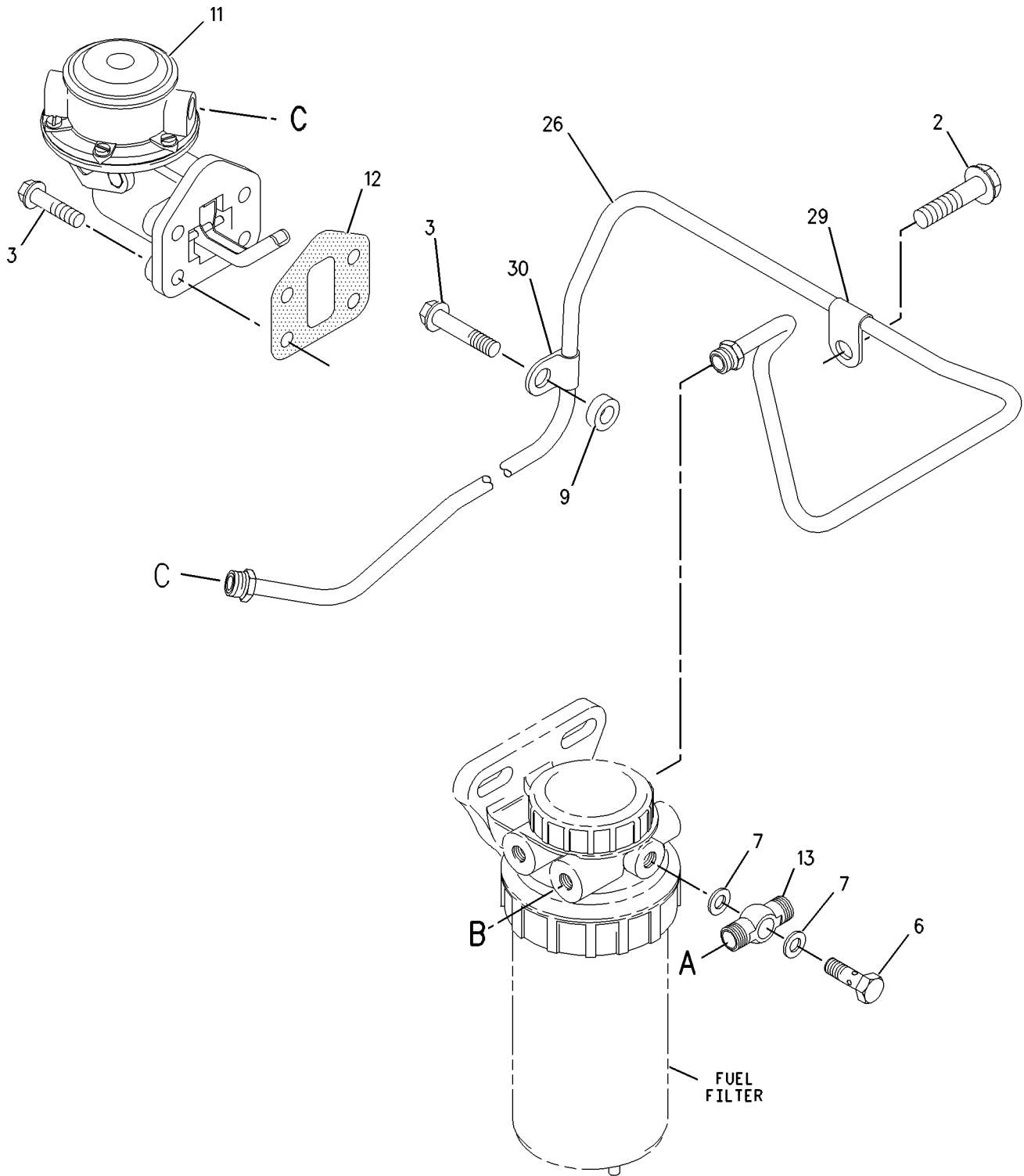
GRAPHIC #1

g00899663

FUEL SYSTEM

220-7165 PUMP GP - FUEL TRANSFER (contd.)

i01755850



GRAPHIC #2

g00899664

FUEL SYSTEM

138-3097 SEPARATOR GP-WATER

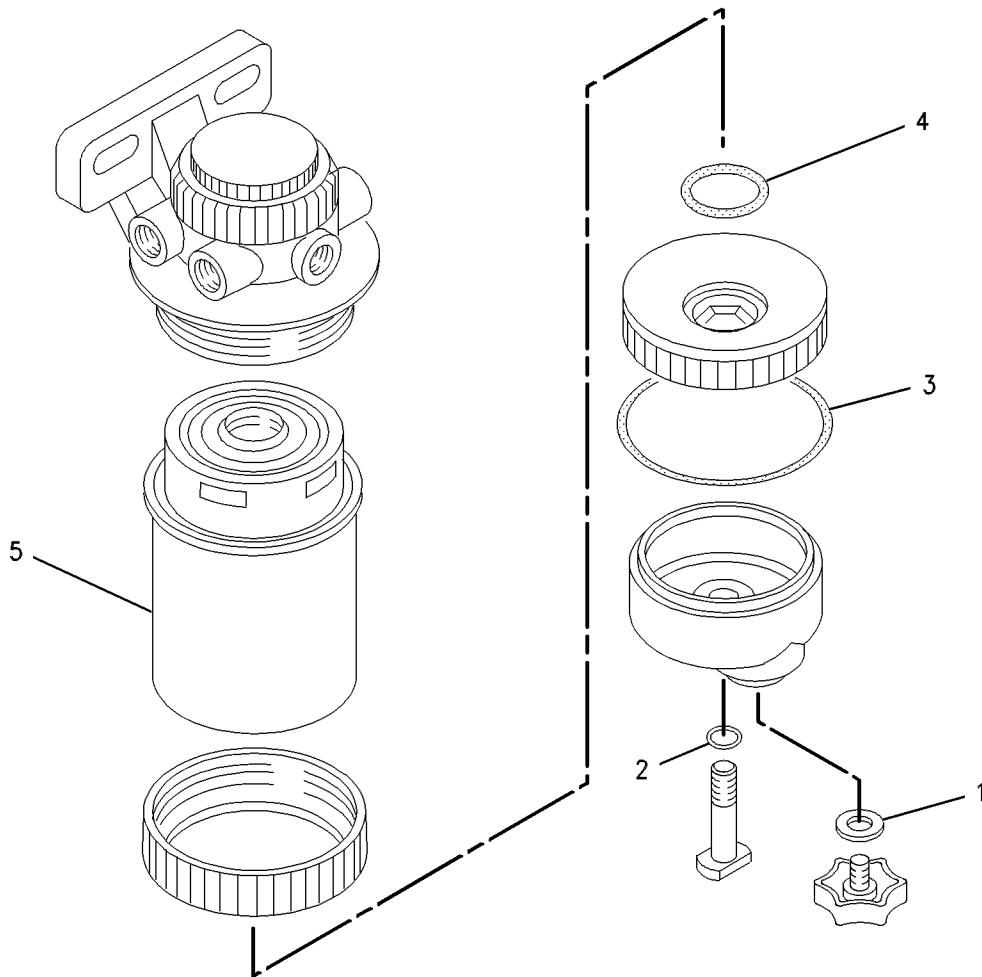
PART OF 228-9407 SEPARATOR GP-WATER

ALSO AN ATTACHMENT

SMCS-1263

i01839387

NOTE	REF NO	GRAPHIC REF	PART NUMBER	QTY	PART NAME						SEE PAGE
					1	2	3	4	5	6 (PRODUCT LEVEL)	
	1	1	101-3912	1	WASHER						
	2	1	101-3949	1	SEAL						
	3	1	101-3953	1	SEAL (WATER SEPARATOR BASE)						
	4	1	101-3955	1	SEAL (WATER SEPARATOR CONNECTION)						
	5	1	138-3100	1	ELEMENT-WATER SEPARATOR						
					AVAILABLE REPLACEMENT PART(S):						
			118-5637	1	KIT-BOWL (WATER SEPARATOR)						



GRAPHIC #1

g00482159

FUEL SYSTEM

228-9407 SEPARATOR GP-WATER

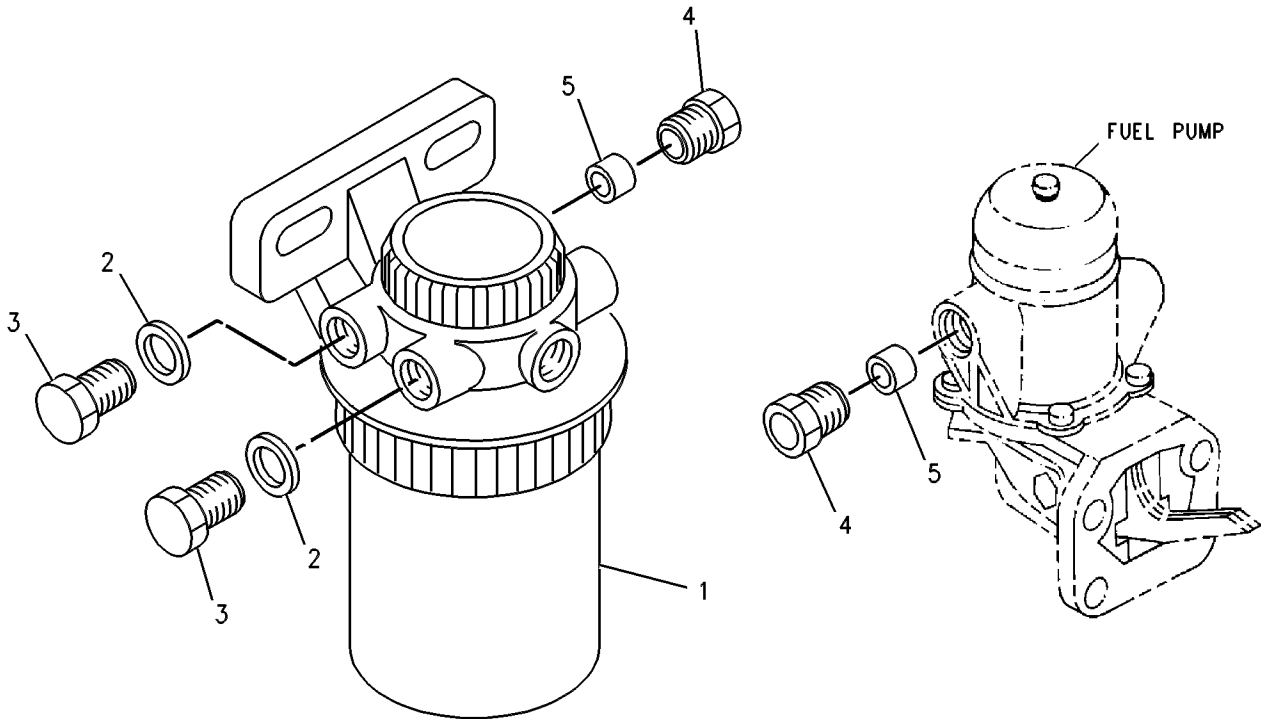
ALSO AN ATTACHMENT

SMCS-1263

i01827935

NOTE	REF NO	GRAPHIC REF	PART NUMBER	QTY	PART NAME						SEE PAGE
					1	2	3	4	5	6 (PRODUCT LEVEL)	
Y	1	1	138-3097	1	SEPARATOR GP-WATER						127
	2	1	032-8100	2	WASHER (.064MM THK)						
	3	1	033-7849	2	PLUG						
	4	1	067-6268	2	NUT-FUEL LINE						
	5	1	224-8978	2	FITTING-COMPRESSION						

Y-SEPARATE ILLUSTRATION



GRAPHIC #1

g00653110

MEMORANDA

ELECTRICAL AND STARTING SYSTEM

228-7392 ALTERNATOR GP-CHARGING

ALSO AN ATTACHMENT

SMCS-1405

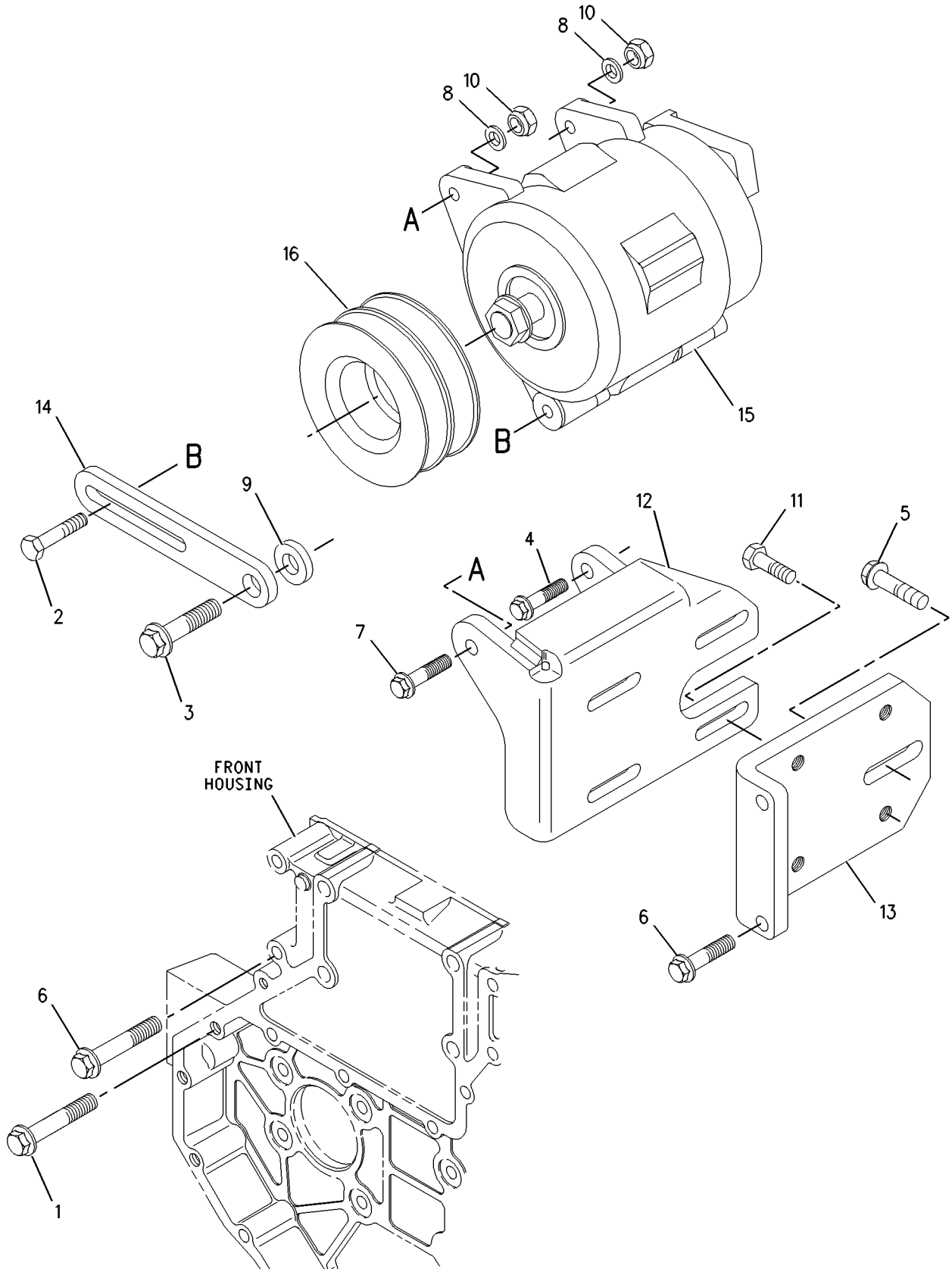
i01827932

NOTE	REF NO	GRAPHIC REF	PART NUMBER	QTY	PART NAME						SEE PAGE
					1	2	3	4	5	6 (PRODUCT LEVEL)	
	1	1	6I-0254	2	BOLT (M8X1.25X30MM)						
	2	1	6I-0260	1	BOLT (M8X1.25X25MM)						
	3	1	6I-0423	1	BOLT (M12X1.75X30MM)						
	4	1	6I-0456	1	BOLT (M8X1.25X45MM)						
	5	1	6I-0654	1	BOLT (M10X1.5X25MM)						
	6	1	6I-0839	3	BOLT (M8X1.25X70MM)						
	7	1	6I-1090	1	BOLT (M8X1.25X40MM)						
	8	1	7W-2632	2	WASHER (8.5X16.8X1.6MM THK)						
	9	1	8T-4223	1	WASHER-HARD (13.5X25.5X3MM THK)						
	10	1	113-6349	2	NUT						
	11	1	124-3815	4	BOLT (M8X16X1.25MM)						
	12	1	140-9793	1	BRACKET						
	13	1	140-9794	1	BRACKET						
	14	1	140-9795	1	STRAP						
	15	1	225-3145	1	ALTERNATOR GP-CHARGING						
	16	1	228-7391	1	PULLEY-ALTERNATOR						

ELECTRICAL AND STARTING SYSTEM

228 - 7392 ALTERNATOR GP - CHARGING (contd.)

i01827932



GRAPHIC #1

g00933155

ELECTRICAL AND STARTING SYSTEM

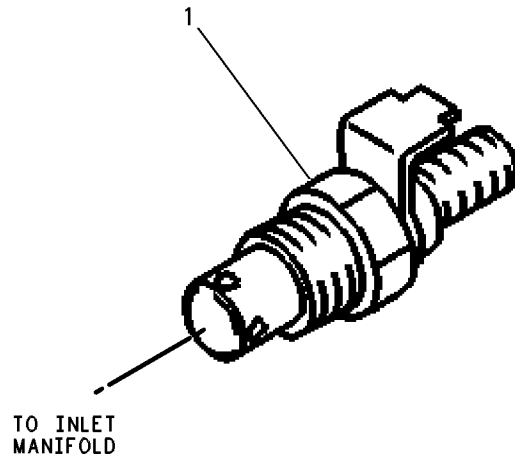
216-9780 HEATER GP-STARTING AID

12 VOLT
AN ATTACHMENT

SMCS-1090, 1296

i01755848

NOTE	REF NO	GRAPHIC REF	PART NUMBER	QTY	PART NAME						SEE PAGE
					1	2	3	4	5	6 (PRODUCT LEVEL)	
	1	1	186-4272	1	HEATER (AIR INLET)						



GRAPHIC #1

g00131680

ELECTRICAL AND STARTING SYSTEM

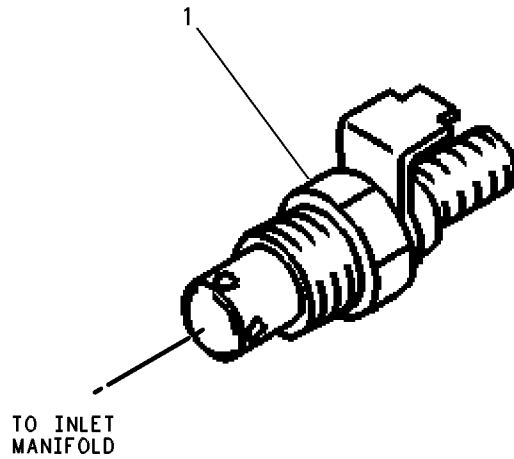
228-7461 HEATER GP-STARTING AID

12 VOLT
ALSO AN ATTACHMENT

SMCS-1090, 1296

i01827921

NOTE	REF NO	GRAPHIC REF	PART NUMBER	QTY	PART NAME						SEE PAGE
					1	2	3	4	5	6 (PRODUCT LEVEL)	
	1	1	186-4272	1	HEATER (AIR INLET)						



GRAPHIC #1

g00131680

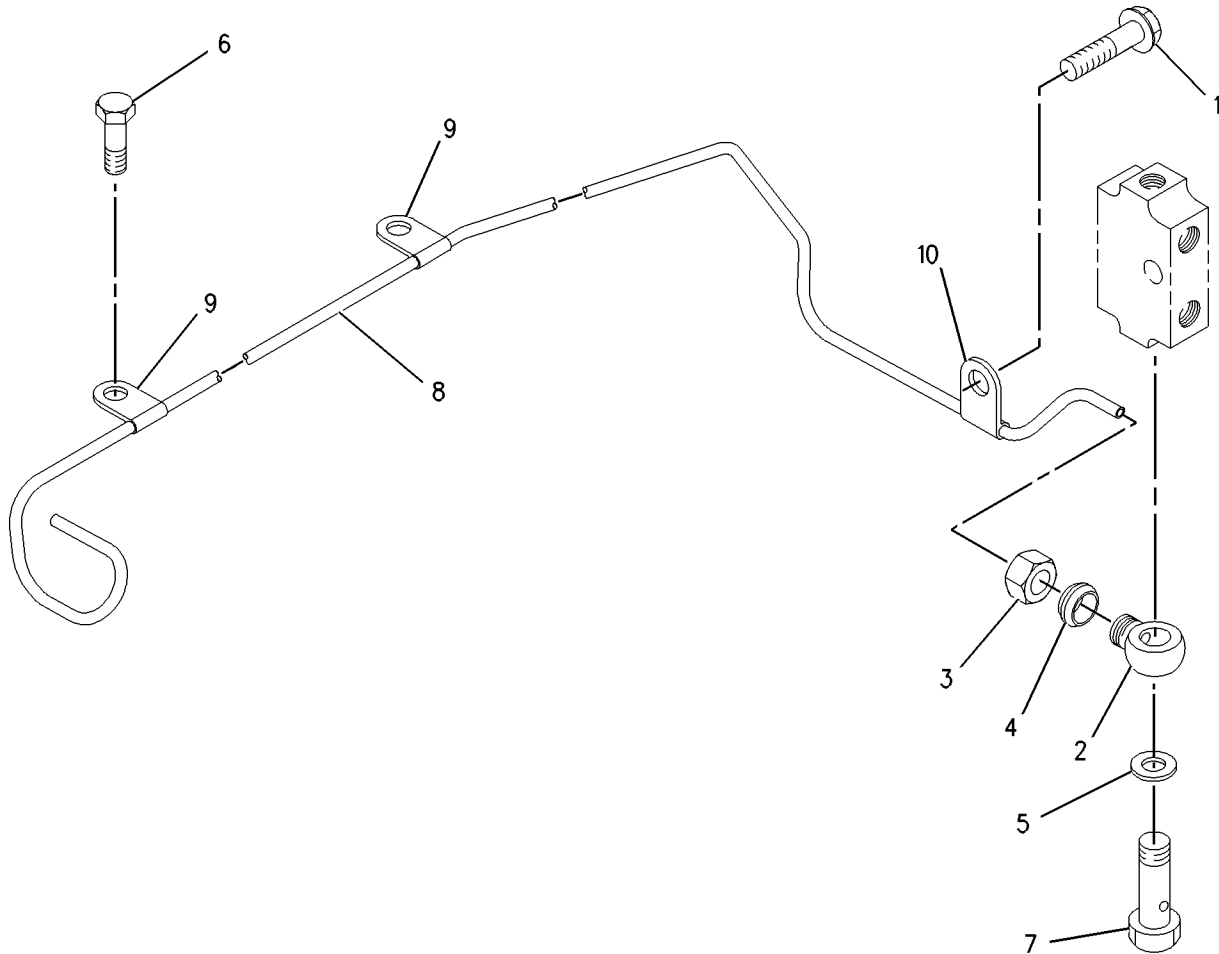
ELECTRICAL AND STARTING SYSTEM

217-5883 STARTING AID GP AN ATTACHMENT

SMCS-1090, 1296

i01755853

NOTE	REF NO	GRAPHIC REF	PART NUMBER	QTY	PART NAME						SEE PAGE
					1	2	3	4	5	6 (PRODUCT LEVEL)	
	1	1	6I-0217	1	BOLT (M8X1.25X20MM)						
	2	1	8N-7983	1	FITTING						
	3	1	067-6998	2	NUT						
	4	1	067-6999	2	FERRULE						
	5	1	101-3907	2	WASHER						
	6	1	124-3815	2	BOLT (M8X16X1.25MM)						
	7	1	133-9467	1	BOLT						
	8	1	217-7897	1	LINE AS-FUEL						
	9	1	101-3927	2	CLIP						
	10	1	101-3985	1	CLIP						



GRAPHIC #1

g00873231

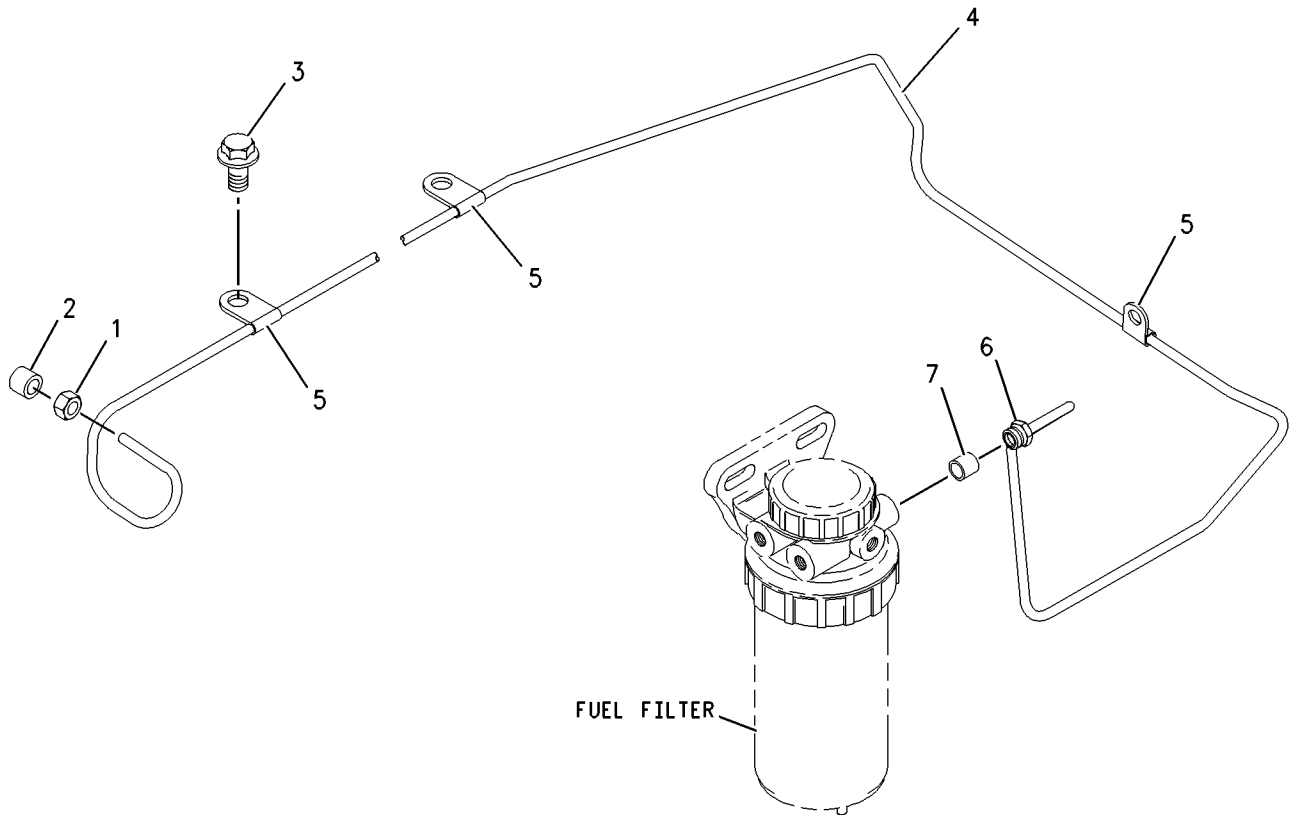
ELECTRICAL AND STARTING SYSTEM

219-1855 LINES GP-STARTING AID

SMCS-1090, 1296

i01725062

NOTE	REF NO	GRAPHIC REF	PART NUMBER	QTY	PART NAME						SEE PAGE
					1	2	3	4	5	6 (PRODUCT LEVEL)	
	1	1	067-6998	1	NUT						
	2	1	067-6999	1	FERRULE						
	3	1	114-4363	2	BOLT (M8X1.25X12MM)						
	4	1	219-1856	1	LINE AS-FUEL						
	5	1	101-3927	3	CLIP						
	6	1	101-3983	1	NUT (3/16)						
	7	1	101-3984	1	FERRULE						



GRAPHIC #1

g00888975

ELECTRICAL AND STARTING SYSTEM

220-6340 LINES GP-STARTING AID

AN ATTACHMENT

SMCS-1090, 1296

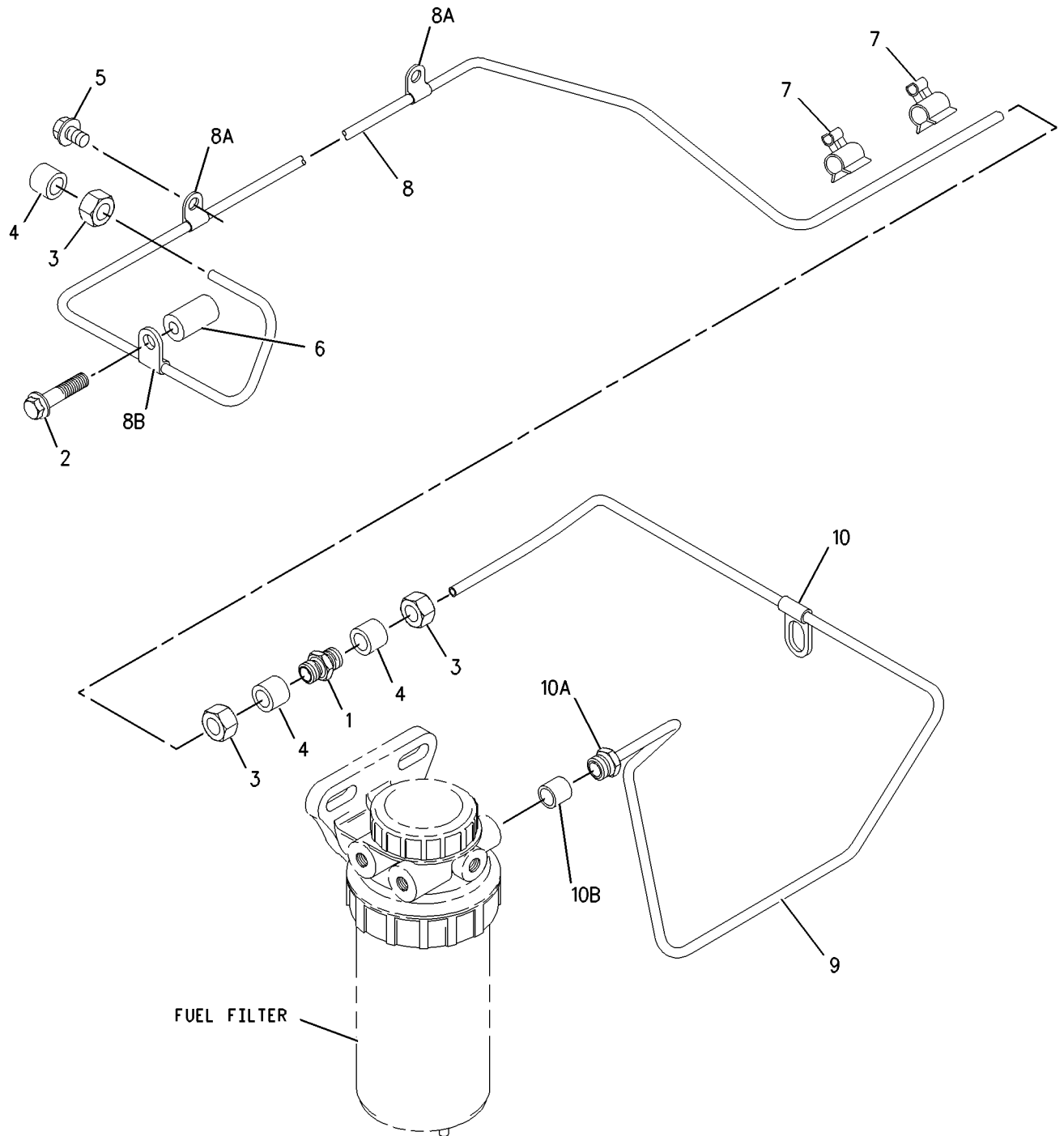
i01755849

NOTE	REF NO	GRAPHIC REF	PART NUMBER	QTY	PART NAME						SEE PAGE
					1	2	3	4	5	6 (PRODUCT LEVEL)	
	1	1	2W-8076	1	CONNECTOR						
	2	1	6I-0455	1	BOLT (M8X1.25X55MM)						
	3	1	067-6998	3	NUT						
	4	1	067-6999	3	FERRULE						
	5	1	114-4363	2	BOLT (M8X1.25X12MM)						
	6	1	160-6200	1	SPACER						
	7	1	160-7197	2	CLIP						
	8	1	220-6339	1	LINE AS-FUEL						
	8A	1	101-3927	2	CLIP						
	8B	1	101-3985	1	CLIP						
	9	1	220-6341	1	LINE AS-FUEL						
	10	1	7W-4539	1	CLIP						
	10A	1	101-3983	1	NUT (3/16)						
	10B	1	101-3984	1	FERRULE						

ELECTRICAL AND STARTING SYSTEM

220-6340 LINES GP-STARTING AID (contd.)

i01755849



GRAPHIC #1

g00899815

ELECTRICAL AND STARTING SYSTEM

226-3490 STARTING MOTOR GP-ELECTRIC

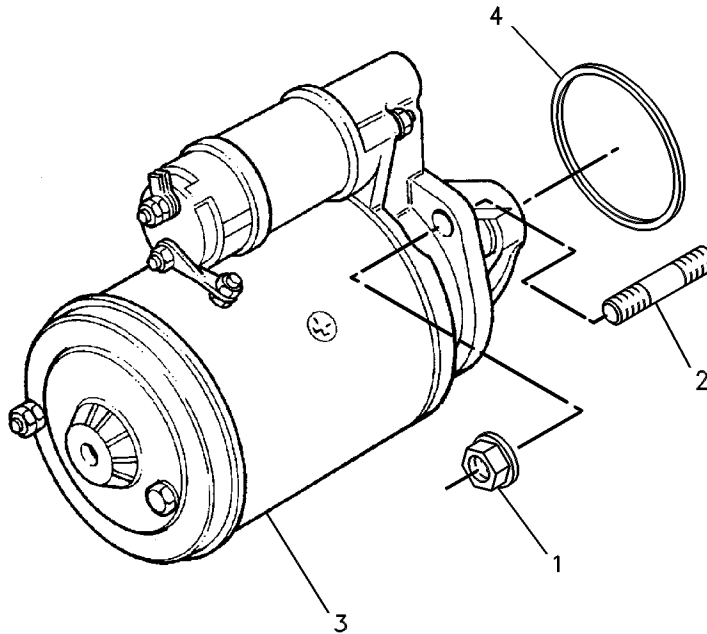
24 VOLT
AN ATTACHMENT

SMCS-1453

i01773228

NOTE	REF NO	GRAPHIC REF	PART NUMBER	QTY	PART NAME						SEE PAGE
					1	2	3	4	5	6 (PRODUCT LEVEL)	
	1	1	6I-0594	3	NUT (M10X1.5)						
	2	1	6I-4012	3	STUD						
R	3	1	109-2361	1	STARTING MOTOR GP-ELECTRIC						
	4	1	113-8085	1	RING						

R-REMFG PART MAY BE AVAILABLE



GRAPHIC #1

g00238555

ELECTRICAL AND STARTING SYSTEM

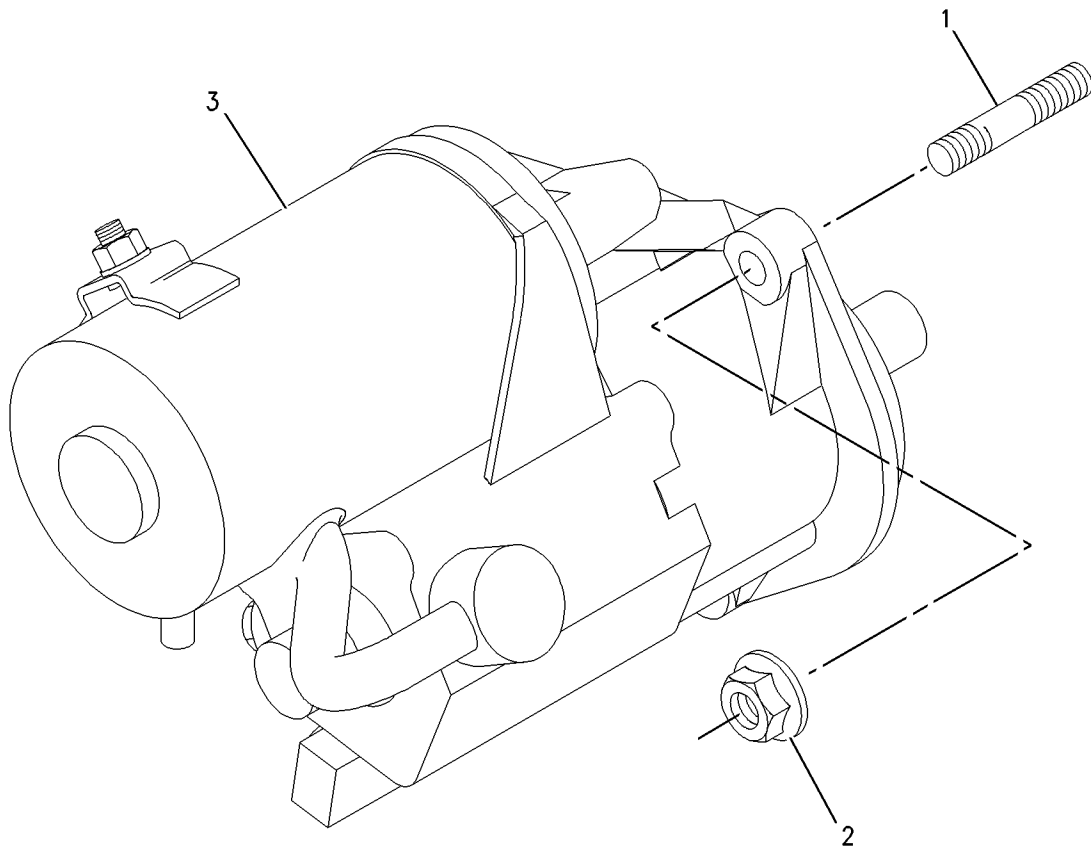
228-7333 STARTING MOTOR GP-ELECTRIC

24 VOLT
ALSO AN ATTACHMENT

SMCS-1453

i01827937

NOTE	REF NO	GRAPHIC REF	PART NUMBER	QTY	PART NAME						SEE PAGE
					1	2	3	4	5	6 (PRODUCT LEVEL)	
	1	1	6I-0364	3	STUD (M10X1.5X30MM)						
	2	1	6I-0594	3	NUT (M10X1.5)						
	3	1	225-3150	1	STARTING MOTOR GP-ELECTRIC						



GRAPHIC #1

g00933413

ELECTRICAL AND STARTING SYSTEM

217-9151 WIRING GP-ELECTRONIC CONTROL

AN ATTACHMENT

SMCS-1408, 1900

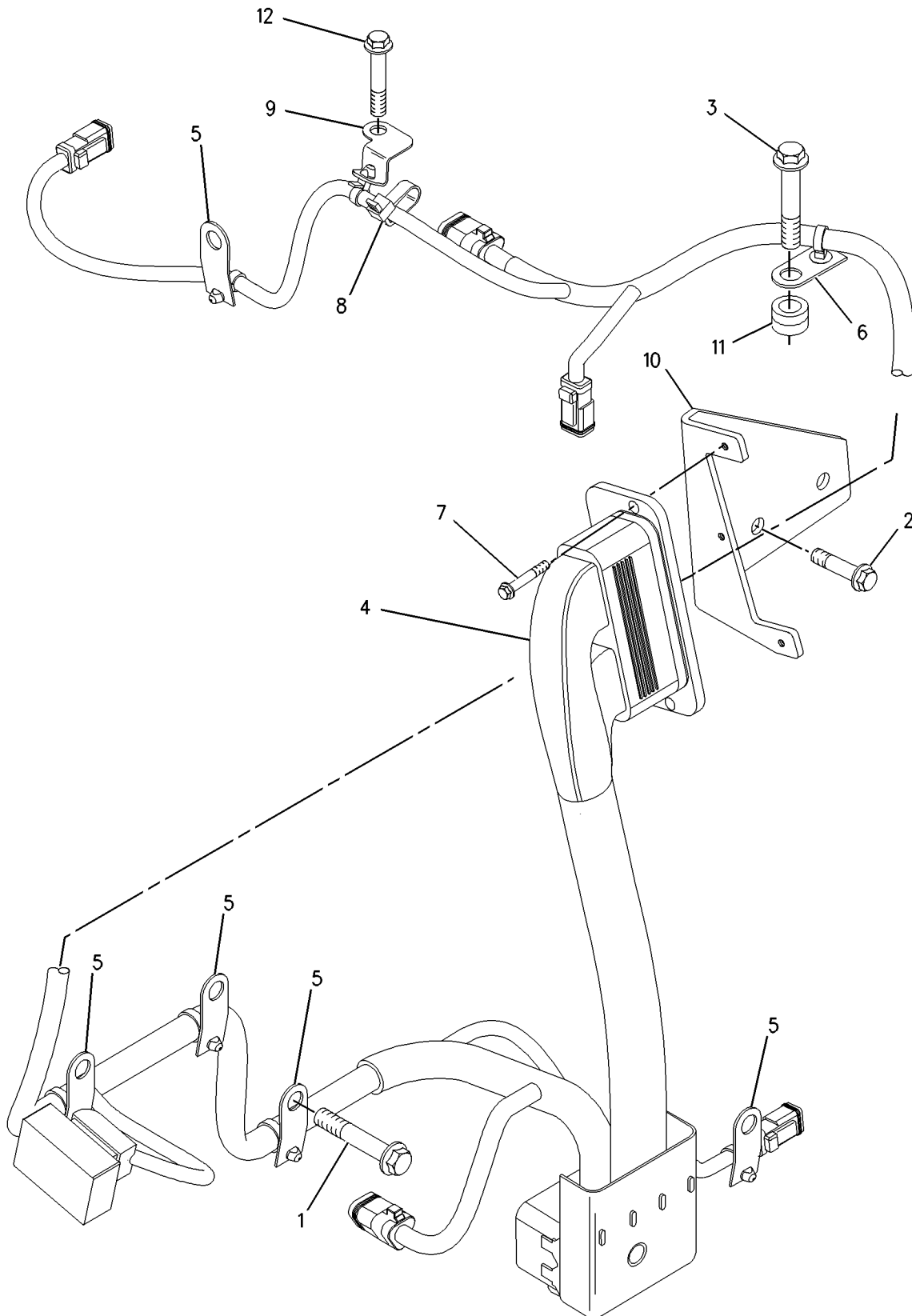
i01755854

NOTE	REF NO	GRAPHIC REF	PART NUMBER	QTY	PART NAME						SEE PAGE
					1	2	3	4	5	6 (PRODUCT LEVEL)	
	1	1	100-4458	3	BOLT (M8X1.25X14MM)						
	2	1	100-4830	2	BOLT (M10X1.5X20MM)						
	3	1	140-8783	1	BOLT (M10X45MM)						
	4	1	217-8413	1	HARNESS AS-ENGINE						
	5	1	217-8477	5	CLIP						
	6	1	217-8478	1	CLIP						
	7	1	217-9038	3	BOLT						
	8	1	217-9039	2	STRAP-CABLE						
	9	1	217-9040	1	CLIP						
	10	1	217-9041	1	BRACKET-MOUNTING						
	11	1	217-9059	2	SPACER						
	12	1	217-9150	1	BOLT-FLANGED						

ELECTRICAL AND STARTING SYSTEM

217-9151 WIRING GP-ELECTRONIC CONTROL (contd.)

i01755854



GRAPHIC #1

g00876439

ELECTRICAL AND STARTING SYSTEM

220-6344 WIRING GP-ELECTRONIC CONTROL

AN ATTACHMENT

SMCS-1408, 1900

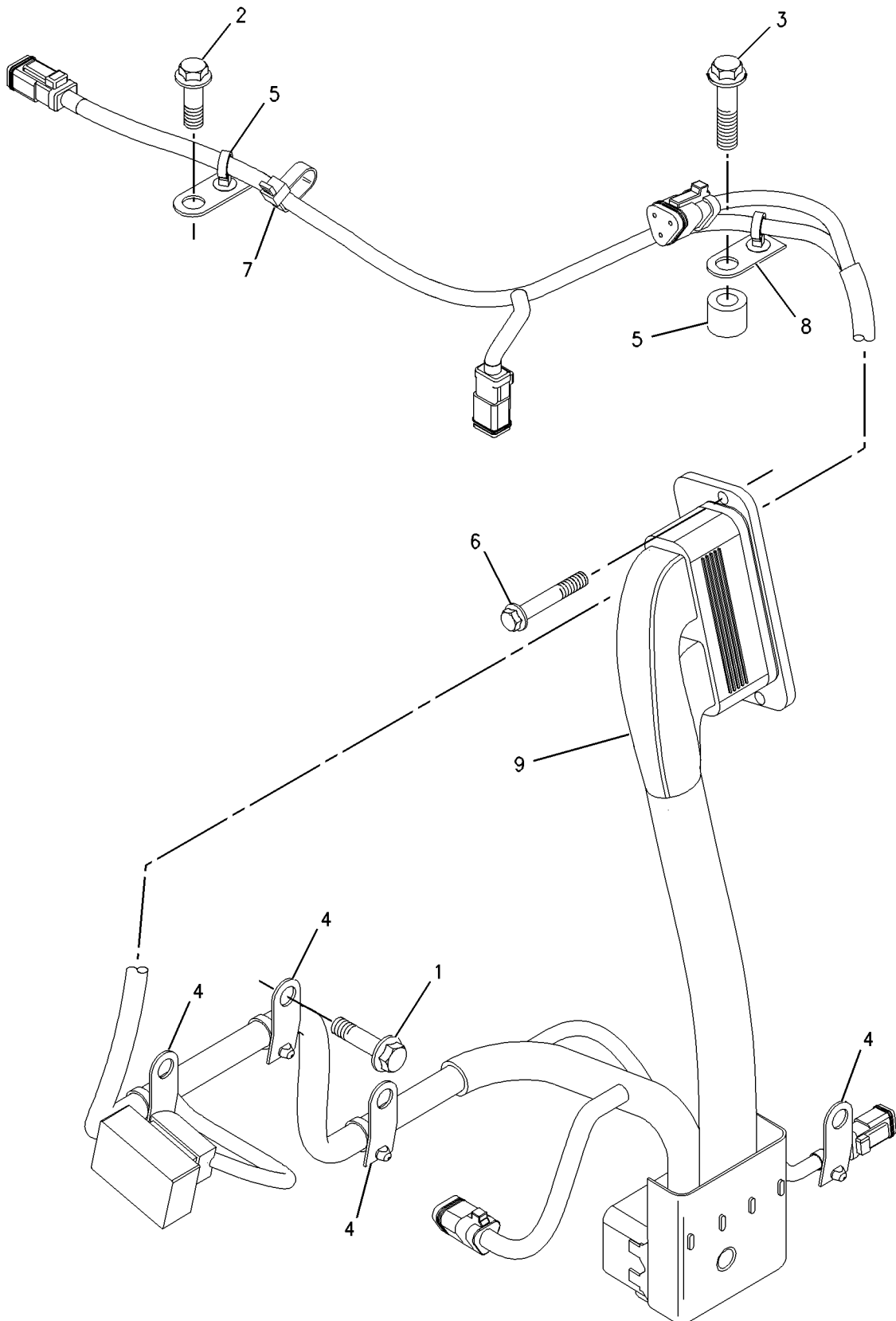
i01755852

NOTE	REF NO	GRAPHIC REF	PART NUMBER	QTY	PART NAME						SEE PAGE
					1	2	3	4	5	6 (PRODUCT LEVEL)	
	1	1	100-4458	1	BOLT (M8X1.25X14MM)						
	2	1	100-4830	1	BOLT (M10X1.5X20MM)						
	3	1	140-8783	1	BOLT (M10X45MM)						
	4	1	217-8477	4	CLIP						
	5	1	217-8478	2	CLIP						
	6	1	217-9038	1	BOLT						
	7	1	217-9039	1	STRAP-CABLE						
	8	1	217-9059	1	SPACER						
	9	1	220-6343	1	HARNESS AS						

ELECTRICAL AND STARTING SYSTEM

220-6344 WIRING GP-ELECTRONIC CONTROL (contd.)

i01755852



GRAPHIC #1

g00899724

ELECTRICAL AND STARTING SYSTEM

228-7487 WIRING GP-ENGINE

ALSO AN ATTACHMENT

SMCS-1000, 1408

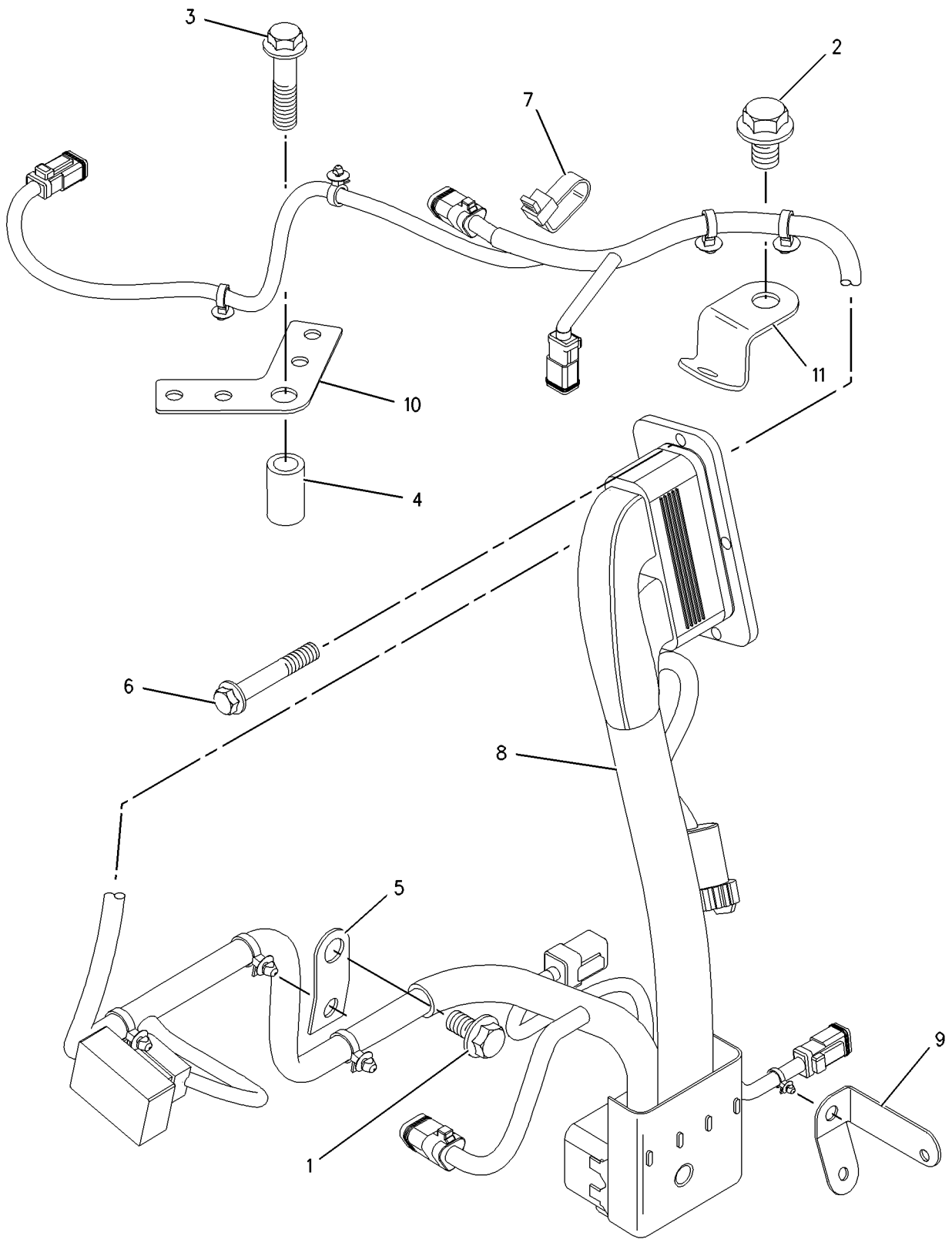
i01827929

NOTE	REF NO	GRAPHIC REF	PART NUMBER	QTY	PART NAME						SEE PAGE
					1	2	3	4	5	6 (PRODUCT LEVEL)	
	1	1	100-4458	3	BOLT (M8X1.25X14MM)						
	2	1	114-4363	1	BOLT (M8X1.25X12MM)						
	3	1	140-8783	1	BOLT (M10X45MM)						
	4	1	216-9086	1	SPACER						
	5	1	217-8477	3	CLIP						
	6	1	217-9038	1	BOLT						
	7	1	217-9039	1	STRAP-CABLE						
	8	1	224-8636	1	HARNESS AS						
	9	1	226-8778	1	BRACKET						
	10	1	226-8780	1	BRACKET						
	11	1	228-7477	1	CLIP						

ELECTRICAL AND STARTING SYSTEM

228 - 7487 WIRING GP - ENGINE (contd.)

i01827929



GRAPHIC #1

g00936509

PRIME PACKAGE

228-7418 FASTENER GP

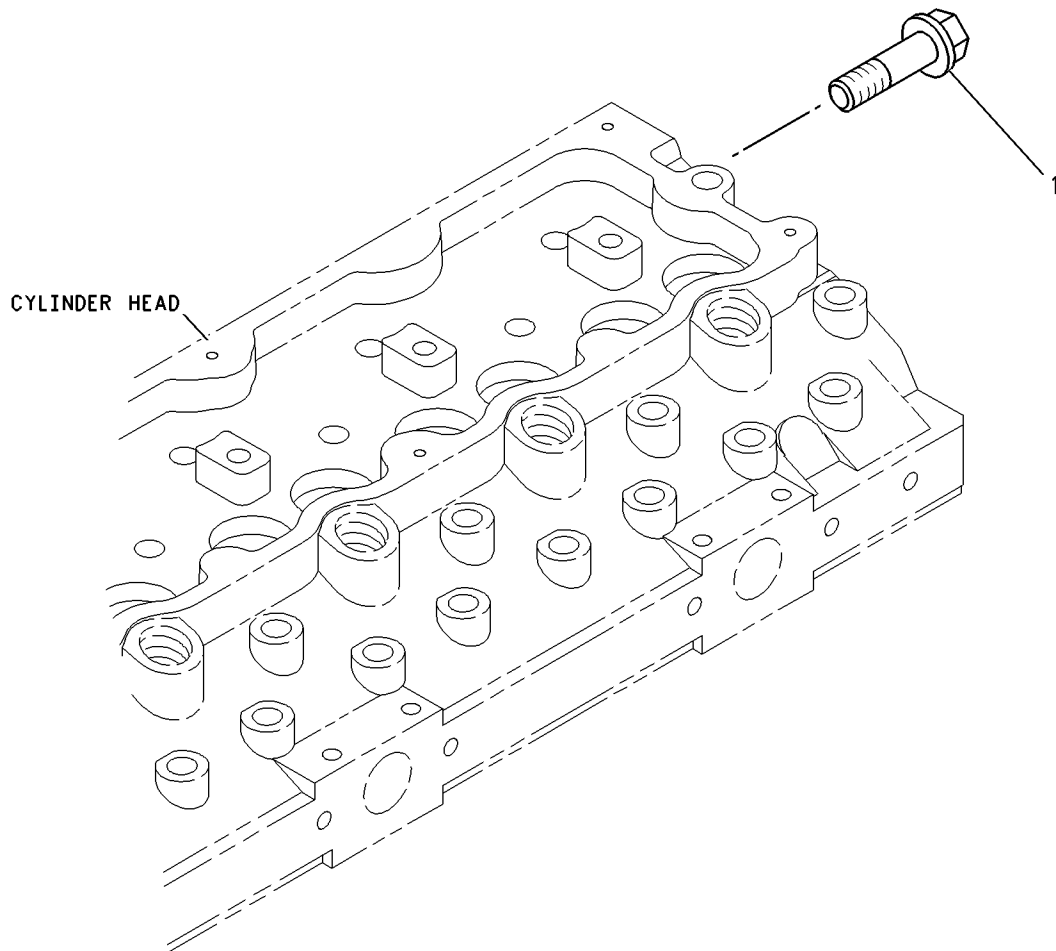
REAR CYLINDER HEAD COVER PLATE

ALSO AN ATTACHMENT

SMCS-7000

i01827911

NOTE	REF NO	GRAPHIC REF	PART NUMBER	QTY	PART NAME						SEE PAGE
					1	2	3	4	5	6 (PRODUCT LEVEL)	
	1	1	124-3815	3	BOLT (M8X16X1.25MM)						



GRAPHIC #1

g00932820

PART NUMBER INDEX

Part	Page	Part	Page	Part	Page	Part	Page
0			52		75	6I-0645	40
0S-1603	36		54		76		86
			56		77		88
			58		78		90
1		5P-8196	84		80	6I-0646	4
		5P-8245	35		82		8
1B-8736	26		36		84		10
	40				92		13
	42				93		32
1N-3762	28				130	6I-0654	44
	30			6I-0289	48		45
1R-0739	71	6B-0933	10		50		78
1S-9593	108	6H-3616	46		52		80
	112		64		54		130
			65		56	6I-0686	28
			32		58	6I-0787	73
2		6H-3957	4	6I-0291	42	6I-0789	40
		6I-0217	6		48		42
2B-0858	8		10		50	6I-0839	22
	13		14		52		40
	32		16		54		42
	90		18		56		130
2M-9780	84		20		58	6I-0840	42
2P-2537	84		22		78	6I-0847	38
2S-3440	14		24		80	6I-1074	28
	20		40		82	6I-1075	28
	22		42		84	6I-1076	28
	86		48		108	6I-1090	120
2W-8076	136		50		112		124
			52	6I-0298	78		130
			56		80	6I-1132	94
			58		82		96
4			94	6I-0363	48		98
4B-4277	108		96		50		100
	112		98		52		104
4K-7502	35		100		54	6I-1206	68
4P-3838	48		104		56	6I-1497	48
	50		108		58		50
	56		112	6I-0364	139		56
4W-5359	40		116	6I-0423	38		58
	42		120		130	6I-3717	68
4W-6025	34		124	6I-0455	90	6I-3718	68
			134		136	6I-4012	138
		6I-0233	4	6I-0456	16	6I-4079	48
			8		18		50
			10		20		56
5C-1777	116	6I-0235	69		54		58
	120	6I-0254	40		86	6I-4200	4
	124		42		88		6
5C-1809	116		54		90		10
5D-1026	4		116		130		58
	6		120	6I-0512	22	6I-4354	28
	10		124	6I-0572	48	6I-4373	73
	14		130		50	6I-4374	16
	20	6I-0256	37		52		18
	22	6I-0260	14		56		20
	24		40		58		73
	94		42	6I-0593	13		75
	96		48		32		76
	98		50		78		77
	100		52		82		86
	104		54		107		88
5F-9657	84		56	6I-0594	138	6I-4376	58
5P-6718	48		58		139	6I-4681	48
	50		73	6I-0631	96		50

PART NUMBER INDEX

Part	Page	Part	Page	Part	Page	Part	Page
	52	7W-2519	31		6		142
	54	7W-2520	31		10		144
	56	7W-2628	94	035-8063	8	100-4461	4
	58		96		62		6
6I-4709	48		98	035-8068	28		10
	50		100	036-5802	28		84
	52		104	067-6002	28		116
	54	7W-2632	130	067-6043	30	100-4463	34
	56	7W-2634	94	067-6045	4	100-4466	94
	58		98		6		96
6I-4710	48	7W-4539	116		10		98
	50		136	067-6083	68		100
	52	7W-4553	116	067-6087	68		104
	56		120	067-6088	68	100-4830	4
	58		124	067-6095	69		6
6I-4714	66	7W-4589	26	067-6123	38		10
6I-4786	78	7W-4590	26	067-6178	40		13
	80	7W-4591	26		42		108
	82	7W-4592	26	067-6179	40		112
	84	7W-4632	66		42		116
6I-4793	86	7W-4634	66	067-6268	128		120
	88	7W-4635	66	067-6269	116		140
	90	7W-4642	38		120		142
6I-4800	80	7W-4648	73		124	101-2987	46
6V-5217	108	7W-4650	73	067-6805	28		63
	112	7W-4669	74	067-6808	28		64
6V-8183	68	7W-4782	73	067-6873	26		65
		7W-4816	26	067-6874	26	101-3617	38
		7W-4817	26	067-6883	60	101-3771	22
		7W-4818	26	067-6897	40		86
		7W-4819	26		42		88
7C-0351	48	7W-9028	84	067-6899	40		90
	50	7X-6315	112		42	101-3805	86
	52			067-6900	40		88
	54				42		90
	56	8		067-6927	37	101-3877	108
	58			067-6928	37		112
7C-1224	48	8N-7983	116	067-6998	116	101-3895	84
	50		134		134	101-3906	116
	52	8T-4223	130		135		120
	56	8T-4983	90		136		124
	58			067-6999	116	101-3907	116
7C-1281	16				134		120
	18	9			135		124
	24				136		134
7C-1493	84	9L-9188	84	069-1124	61	101-3912	127
7C-4616	40	9Y-5015	28			101-3927	134
	42						135
7D-8048	66	0		1		101-3949	127
7M-7410	4					101-3953	127
	10	006-8606	68	100-3751	54	101-3955	127
	16	032-8048	94		86	101-3983	135
	18		96		88		136
	24		98		90		136
	30		100	100-4104	14	101-3984	135
	82		104		16		136
	108	032-8100	128		18	101-3985	134
	112	032-9090	26		20		136
7T-0093	108	032-9091	26		22	101-7178	116
7W-1176	38	033-7687	35		24		120
7W-2327	70		36	100-4453	94		124
	72	033-7849	116		96	102-2073	32
7W-2501	28		120		98	102-2076	32
7W-2505	60		128	100-4454	98	102-2078	32
7W-2518	31	035-8017	4	100-4458	140	102-2079	32

PART NUMBER INDEX

Part	Page	Part	Page	Part	Page	Part	Page
102-9460	46		56	126-3216	4		82
	63	113-8231	50		8		84
	64		52		10		140
	65	113-8955	54	126-3217	4		142
102-9941	66	113-8957	54		8		144
102-9986	116	114-4363	38		10	140-8953	45
	120		96	126-3219	4	140-9793	130
	124		108		6	140-9794	130
102-9987	116		112		8	140-9795	130
	120		135		10	141-6188	75
	124		136	127-3294	28		76
102-9988	120		144	127-5660	54		77
	124	115-7465	66	127-5661	54	141-7844	107
103-0173	116	118-5637	127	127-5662	54	141-8589	94
105-3154	4	118-9145	78	127-8162	116		96
	6		82		120		98
	10	121-0883	38		124		100
106-8916	96	121-3415	80	127-8286	88		104
109-2361	138	124-0506	24	128-3792	54	141-8597	98
111-1815	28	124-3536	60	129-3493	68	141-8599	98
111-8222	13	124-3708	108	130-3879	34		108
	78		112	130-3881	67		112
	80	124-3815	4	130-9888	14	141-9777	94
112-7704	14		8		16		98
	20		10		18		100
	22		50		20		104
113-1504	14		52		22	142-0349	45
	16		54	132-8239	34	145-4501	107
	18		58	132-8848	58	145-6855	30
	20		73	133-1011	40	145-6856	30
	22		82		42	145-6858	30
113-1505	14		84	133-7668	108	145-8327	108
	16		94		112		112
	18		98	133-8470	63	146-1704	78
	20		100	133-9467	116	146-1841	94
	22		104		134		98
	24		130	133-9472	116		100
113-4616	4		134	134-4126	112		104
	6		146	136-3608	24	146-8956	▶68
	10	124-7702	48	138-2042	94		69
113-5280	50		50		96	146-8957	68
	52		56		98	147-1979	30
113-5281	50	126-3204	10		100	147-5524	2
	52	126-3205	4		104		▶61
113-5282	50		8	138-2048	60	147-5553	94
	52		10	138-2050	30		96
113-6349	130	126-3206	4	138-2053	69		98
113-7543	35		8	138-2054	68		100
113-7913	46		10	138-2060	30		104
	64	126-3207	4	138-3097	▶127	148-0199	66
113-8085	138		8		128	148-3026	28
113-8126	56		10	138-3100	127	149-2091	108
113-8127	48	126-3208	4	139-5514	68		112
	56		8	140-7505	86	149-6117	116
113-8129	48		10		88		120
	56	126-3209	10		90		124
113-8130	48	126-3210	4	140-7506	86	154-8056	12
	50		8		88	155-0576	108
	52		10		90		112
	56	126-3211	4	140-7512	86	156-4173	31
113-8131	48		8		88	160-0149	94
	56		10	140-7515	75		98
113-8133	48	126-3212	4		76		100
	56		8		77		104
113-8134	48		10	140-8783	80	160-3510	40

PART NUMBER INDEX

Part	Page	Part	Page	Part	Page	Part	Page
	42	171-1411	46	209-0092	68		▶31
160-6200	136		64	209-5502	13	216-8348	37
160-6493	60	172-4844	86	209-5503	13	216-8619	1
160-6494	60		88	209-6824	4		▶69
160-6495	60	175-3915	78		6	216-8620	1
160-6496	60		80		10		▶12
160-6988	16		82	209-6825	4	216-8625	73
	18		84		6	216-8633	40
	20	177-7845	48		10		42
	22		50	209-6881	10	216-8634	40
160-7197	116	177-8782	86	209-6883	10	216-8685	42
	136		88	209-6884	10		94
161-9820	31		90	209-9218	27		98
162-0236	75	177-9653	108	209-9219	27	216-8686	94
	76		112	211-0067	48	216-8690	94
	77	183-4733	2		50		98
162-0237	75		▶67		52	216-8699	94
	76	183-6318	73		54		98
	77	185-0882	30		56		100
162-0757	78	185-1546	68		58		104
	80	186-0667	8	213-4814	58	216-8703	94
	82	186-0790	116	213-9710	54		96
	84	186-4272	132	214-1668	28		98
162-0761	78		133	214-3203	4		100
	80	187-0548	58		8		104
	82	187-0555	58		10	216-8705	94
	84	189-5601	73		13		96
162-1504	94	191-5049	16		32		98
	98		18	214-3204	4		100
	100	193-3311	22		8		104
	104	194-2466	60	214-3205	4	216-8708	94
162-1565	16	195-3761	50		6		98
	18		52	214-3206	4		100
	24	195-7004	68		6		104
162-2000	116	197-5015	14	214-4029	▶4	216-8709	94
	120		22	214-5974	58		98
162-8597	40		24	215-2103	28	216-8710	94
	42	198-8262	4	215-9430	108		98
162-9081	40		6	216-2621	112		100
	42		10	216-2892	98		104
162-9754	78	198-8263	4	216-3436	108	216-8712	94
	80		6		112		96
	82		10	216-3446	108		98
	84	198-8645	24		112		100
162-9992	108	199-9252	24	216-3448	108		104
	112		108		112	216-8713	▶94
163-9256	30		112	216-3450	108	216-9043	116
164-3207	108	199-9267	108		112		120
	112		112	216-4093	▶6		124
166-5255	4	199-9751	108	216-8231	1	216-9053	116
	6		112		▶27		120
166-5261	10			216-8235	27		124
166-5262	4				▶28	216-9055	116
	6			216-8314	26	216-9056	116
	10			216-8315	26	216-9066	116
166-5263	4	200-7941	112	216-8316	1	216-9086	116
	6	201-8745	86		▶26		120
	10		88	216-8323	60		124
166-5264	4		90	216-8324	1		144
	6	201-9076	112		▶60	216-9092	116
167-2153	40	203-9203	16	216-8332	30		120
	42		18	216-8333	30		124
171-1076	86		24	216-8335	▶30	216-9093	116
	88	206-4127	30		31	216-9109	116
171-1078	75	209-0091	68	216-8343	1	216-9110	116

2

PART NUMBER INDEX

Part	Page	Part	Page	Part	Page	Part	Page
216-9131	▶116		82	217-7878	32	220-6343	142
216-9546	48		84	217-7888	▶63	220-6344	▶142
216-9551	▶48	216-9643	78	217-7897	134	220-7104	96
216-9553	14		82	217-8413	140	220-7106	96
216-9554	14		84	217-8477	140	220-7107	96
216-9600	14	216-9645	78		142	220-7110	96
	16		82		144	220-7111	96
	18		84	217-8478	140	220-7112	96
	20	216-9648	▶78		142	220-7113	96
	22	216-9683	▶70	217-9038	140	220-7114	96
	24	216-9734	86		142	220-7116	▶96
216-9602	14		88		144	220-7162	124
	16		90	217-9039	140	220-7163	124
	18	216-9735	▶86		142	220-7165	▶124
	20	216-9737	75		144	220-7171	82
	22		76	217-9040	140		84
	24		77	217-9041	140	220-7172	▶82
216-9604	14	216-9740	▶75	217-9041	140	220-8182	96
	16	216-9743	75	217-9059	142	220-8631	38
	18		76		140	221-1018	108
	20		77	217-9150	140		112
	22	216-9752	116	217-9151	▶140		112
	24		120	219-1064	58	221-1241	▶18
216-9606	14		124	219-1787	24	221-2959	▶52
	16	216-9767	116	219-1803	16	221-3284	▶2
	18	216-9780	▶132		18	221-4520	84
	20	216-9786	108		20	221-5278	84
	22		112		22	221-5285	▶84
216-9608	14	216-9790	108	219-1816	80	221-5290	▶71
	20		112	219-1817	80	221-5369	2
	22	216-9824	108	219-1818	80		▶88
216-9611	14	216-9826	108		82	221-6858	▶13
	20		112		84	221-6863	98
	22	216-9828	108	219-1852	2	221-6864	98
216-9612	2		112		▶73	221-6866	▶98
216-9614	14	216-9830	108	219-1855	2	221-6872	44
	20		112		▶135	221-6875	▶44
	22	216-9831	108	219-1856	135	221-6989	▶54
216-9616	2		112	219-2172	80	221-6990	▶35
216-9617	14	216-9834	108		82	221-7115	▶20
	20		112		84	222-8625	32
	22	216-9835	108	219-2198	80	222-9126	96
216-9618	14		112	219-2210	2	222-9127	96
	20	217-0099	108		▶80	222-9128	96
	22		112	219-2442	120	222-9129	96
216-9620	14	217-0100	108	219-2443	120	224-8636	144
	20		112		124	224-8978	128
	22	217-0109	▶108	219-2450	120	225-3145	130
216-9623	14	217-0212	48	219-2451	120	225-3150	139
	20	217-0594	2		124	226-3490	▶138
	22		▶92	219-2452	120	226-3517	▶56
216-9625	▶14	217-0595	92		124	226-3523	2
216-9626	48	217-0596	92	219-2453	120		▶66
216-9627	78		93		124	226-3542	90
216-9633	78	217-0640	2	219-2455	2	226-3544	90
216-9634	78		▶107		▶120	226-3545	90
216-9637	78	217-0721	116	219-2512	27	226-3552	40
	80		120		▶50	226-3556	▶40
	82		124	220-6103	▶16	226-3557	▶90
	84	217-1499	1	220-6106	82	226-3558	▶8
216-9638	78		▶37	220-6127	▶76	226-3572	100
	80	217-1573	60	220-6144	▶64		104
	82	217-5883	▶134	220-6152	▶64	226-3574	100
	84	217-7875	▶32	220-6339	136		100
216-9641	78	217-7877	32	220-6340	▶136		104
				220-6341	136	226-3575	100

PART NUMBER INDEX

Part	Page	Part	Page	Part	Page	Part	Page
	104	228-9407	2				
226-3577	100		▶128				
	104	229-2962	2				
226-3578	2	229-3555	14				
	▶100		20				
226-3583	93		22				
226-3585	▶93	229-3556	14				
226-3586	▶46		20				
226-3771	▶22		22				
226-6578	36	229-3557	14				
226-8778	144		20				
226-8780	144		22				
228-6941	▶1	229-3558	14				
	2		20				
228-7326	2		22				
	▶38	230-2385	▶104				
228-7331	2						
	▶36						
228-7333	2						
	▶139						
228-7361	2						
	▶34						
228-7362	58						
228-7363	2						
	▶58						
228-7371	2						
	▶24						
228-7387	2						
	▶77						
228-7391	130						
228-7392	2						
	▶130						
228-7395	2						
	▶42						
228-7398	10						
228-7403	2						
	▶10						
228-7418	2						
	▶146						
228-7461	2						
	▶133						
228-7462	2						
	▶45						
228-7465	2						
	▶65						
228-7470	2						
	▶62						
228-7477	144						
228-7487	2						
	▶144						
228-7917	2						
	▶74						
228-8523	2						
	▶72						
228-8943	108						
	112						
228-8953	112						
228-8956	108						
	112						
228-8960	108						
	112						
228-8963	108						
	112						
228-8965	2						
	▶112						

CATERPILLAR®