

Parts Manual



See "General Information"
for New Parts Manual
Features.

3406C Industrial Engine

6TB9857-Up (Engine)

Product and Dealer Information

Note: For product identification plate locations, see the section "Product Identification Information" in the Operation and Maintenance Manual.

Delivery Date: _____

Product Information

Model: _____

Product Identification Number: _____

Engine Serial Number: _____

Transmission Serial Number: _____

Generator Serial Number: _____

Attachment Serial Numbers: _____

Attachment Information: _____

Customer Equipment Number: _____

Dealer Equipment Number: _____

Dealer Information

Name: _____ Branch: _____

Address: _____

Dealer Contact

Phone Number

Hours

Sales: _____

Parts: _____

Service: _____

MEMORANDA

TABLE OF CONTENTS

Name	Page	Name	Page
GENERAL INFORMATION	A4	PULLEY GP-AUXILIARY DRIVE	328
REPAIR ALTERNATIVES	A6	PULLEY GP-CRANKSHAFT	330
SUPPLEMENTAL COOLANT ADDITIVES	A7	PULLEY GP-FAN DRIVE	331
MAINTENANCE PARTS	A8	ROCKER ARM GP	332
INDEX	A12	SEAL GP-CRANKSHAFT	334
ENGINE ARRANGEMENT	1	SHAFT GP-STUB	336
ENGINE AR	1	SUPPORT GP-ENGINE	337
BASIC ENGINE	51	SUPPORT GP-POWER TAKE-OFF	343
ADAPTER GP-FLYWHEEL	51	V-BELT SET	345
ADAPTER GP-OIL PAN DRAIN	53	VALVE MECHANISM GP	353
AIR COMPRESSOR GP	54	LUBRICATION SYSTEM	358
BARRING GP	81	BASE GP-OIL FILTER	358
BELT TIGHTENER GP	83	BREATHER GP	366
CAMSHAFT GP	85	FASTENER GP-OIL PUMP MOUNTING	369
CLUTCH GP	87	FILLER GP-ENGINE OIL	370
COVER GP-CYLINDER BLOCK	96	FILTER & LINES GP-ENGINE OIL	374
COVER GP-FLYWHEEL HOUSING	102	FILTER GP-ENGINE OIL	378
COVER GP-FRONT HOUSING	107	FUMES DISPOSAL GP	401
COVER GP-VALVE MECHANISM	112	GAUGE GP-OIL LEVEL (DIPSTICK)	409
CRANKSHAFT GP	118	LINES GP-ENGINE OIL	419
CYLINDER BLOCK AS	119	LINES GP-TURBOCHARGER OIL	425
CYLINDER BLOCK GP	120	PUMP GP-ENGINE OIL	438
CYLINDER HEAD AS	153	COOLING SYSTEM	441
CYLINDER HEAD GP	155	CONNECTION GP-EXPANSION TANK	441
DAMPER & PULLEY GP	173	CONVERSION GP	442
DAMPER GP	177	COOLANT CONDITIONER GP	443
DRIVE GP-ACCESSORY	178	COOLER AR-TRANSMISSION OIL	451
DRIVE GP-AUXILIARY	182	COOLER GP-ENGINE OIL	452
DRIVE GP-FAN	185	COOLER GP-TRANSMISSION OIL	453
DRIVE GP-PUMP	227	CORE GP-OIL COOLER	459
FASTENER GP-FRONT HOUSING	231	COVER GP-WATER LINES	460
FLYWHEEL GP	233	FAN GP-BLOWER	461
GEAR GP-FRONT	243	FAN GP-SUCTION	463
GEAR GP-REAR	244	FASTENER GP-RADIATOR	467
GOVERNOR GP-AIR COMPRESSOR	246	FILLER & CAP GP	468
GUARD GP-BELT	252	FILTER GP-COOLANT	469
GUARD GP-DAMPER	262	FLANGE GP-OIL COOLER	470
GUARD GP-STUB SHAFT	269	FLANGE GP-TMSN OIL COOLER	471
HOUSING GP-FLYWHEEL	270	HEAT EXCHANGER GP-SEA WATER	472
HOUSING GP-FRONT	284	HOUSING & REGULATOR GP	479
KIT-CRANKSHAFT BEARING	285	LINES GP-AFTERCOOLER WATER	481
LIFTING GP-ENGINE	286	LINES GP-WATER	484
LINES GP-AIR COMPRESSOR	287	MOUNTING GP-HEAT EXCHANGER	503
MOUNTING GP-ALTERNATOR	300	PUMP GP-AUXILIARY SEA WATER	504
MOUNTING GP-ENGINE	313	PUMP GP-AUXILIARY WATER	505
PAN GP-OIL	314	PUMP GP-WATER	506
PISTON & ROD GP	316	RADIATOR GP	517
PLUG GP-AIR COMPRESSOR	323	SWITCH GP-COOLANT LEVEL	533
POWER TAKE-OFF GP	324	TANK GP-EXPANSION	535
		AIR INLET AND EXHAUST SYSTEM	545
		ADAPTER GP-AIR CLEANER	545
		ADAPTER GP-EXHAUST	546

TABLE OF CONTENTS

Name	Page	Name	Page
AFTERCOOLER GP-AUXILIARY	547	LINES GP-FLEXIBLE FUEL	795
AFTERCOOLER GP-WATER	548	LINES GP-FUEL FILTER	796
AIR CLEANER GP	553	LINES GP-FUEL INJECTION	805
BODY AS-PRECLEANER	571	LINES GP-FUEL RATIO CONTROL	825
CAP AS-AIR CLEANER	572	NOZZLE AS-FUEL VALVE	826
CAP AS-RAIN	573	PUMP & MTG GP-FUEL TRANSFER	827
CARTRIDGE GP-TURBOCHARGER	575	PUMP GP-FUEL INJECTION	828
CONNECTION GP-EXHAUST	590	PUMP GP-FUEL PRIMING	848
COVER GP-TURBOCHARGER	591	PUMP GP-FUEL TRANSFER	851
COVER GP-TURBOCHARGER DRAIN	592	PUMP GP-GOV & FUEL INJ	852
ELBOW AS-AIR INLET	593	PUMP GP-GOV DRIVE & FUEL INJ	866
ELBOW GP-EXHAUST	594	SEPARATOR GP-WATER	867
ELBOW-EXHAUST	604	SHUTOFF GP-MANUAL	868
FITTING GP-EXHAUST	606	SHUTOFF GP-MECHANICAL	869
FLANGE GP-EXHAUST	609	SPRING	871
LINES GP-AIR	615	TORQUE CONTROL GP	872
MANIFOLD GP-EXHAUST	630	VALVE GP-FUEL RELIEF	875
MANIFOLD GP-INLET	635		
MOUNTING GP-AIR CLEANER	636	ELECTRICAL AND STARTING SYSTEM	876
MUFFLER	638	ALTERNATOR GP-CHARGING	876
MUFFLER GP	642	BATTERY GP	930
MUFFLER GP-SPARK ARRESTOR	649	BOX GP-JUNCTION	938
PIPE GP-EXHAUST	652	CABLE GP-BATTERY	955
PRECLEANER AS	655	CONTACTOR AS-WATER TEMP	956
PRECLEANER GP	656	CONTACTOR GP	957
SHIELD GP-MANIFOLD	664	CONTACTOR GP-ALARM	962
SHUTOFF GP-AIR	667	CONTACTOR GP-TEMPERATURE	964
TURBOCHARGER GP	681	CONTROL GP-MANUAL VOLTAGE	965
TURBOCHARGER GP-WATER		CONTROL GP-VOLTAGE	966
COOLED	718	CONVERSION GP-WIRING	968
VALVE GP-AIR CONTROL	719	DIODE GP	969
		FASTENER GP-WIRING HARNESS	970
FUEL SYSTEM	720	GUARD GP-ALTERNATOR	975
ACTUATOR AS-GOVERNOR	720	HARNESS AS	976
ACTUATOR GP-AIR	721	HARNESS AS-ENGINE	976
BOX AS-GOVERNOR		HARNESS AS-THERMOCOUPLE	977
PREREGULATOR	722	HARNESS AS-WIRING	978
CONTROL AS-GOVERNOR	723	HEATER GP-JACKET WATER	981
CONTROL GP-FUEL RATIO	726	LUBRICATOR GP-AIR MOTOR	984
CONTROL GP-GOVERNOR	732	MOUNTING GP-CONTACTOR	985
CONVERSION GP-GOVERNOR	755	MOUNTING GP-JACKET WTR	
COVER GP-FUEL TRANSFER	756	HEATER	991
COVER GP-GOVERNOR	757	PLATE AS-BRUSH	995
DRAIN GP-FUEL	758	SENSOR GP-SPEED	996
DRIVE GP-GOVERNOR	760	SHUTOFF GP-ELECTRICAL	1001
DRIVE GP-GOVERNOR & FUEL PUMP	763	SILENCER GP-AIR STARTING	1008
DRIVE GP-TACHOMETER	770	SILENCER-AIR STARTING	1009
FASTENER GP-FUEL INJ PUMP	774	SOLENOID AS-STARTING MOTOR	1010
FASTENER GP-GOVERNOR	777	SOLENOID GP-SHUTOFF	1014
FILTER & LINES GP-FUEL	779	STARTING AID GP-ETHER	1017
FILTER GP-FUEL	782	STARTING MOTOR GP-AIR	1019
FILTER GP-WATER SEP & FUEL	786	STARTING MOTOR GP-ELECTRIC	1039
GOVERNOR GP	787	SUPPORT GP-BATTERY	1132
HOUSING AS-GOVERNOR DRIVE	793	SWITCH AS-SOLENOID	1137
INJECTOR GP-FUEL	794	SWITCH AS-TEMPERATURE	1138

TABLE OF CONTENTS

Name	Page	Name	Page
SWITCH GP-ENGINE	1139		
SWITCH GP-GOVERNOR	1141		
SWITCH GP-HEAT START	1143		
SWITCH GP-MAGNETIC	1144		
SWITCH GP-REMOTE	1145		
SWITCH GP-REMOTE STARTING	1147		
SWITCH GP-SHUTOFF	1149		
SWITCH GP-START	1150		
SWITCH GP-STARTING AID	1156		
SWITCH GP-TEMPERATURE	1158		
THERMOCOUPLE	1162		
VALVE GP-AIR STARTING	1163		
VALVE GP-PRESSURE REDUCING	1165		
WIRING GP-ALTERNATOR	1166		
WIRING GP-PANEL	1167		
WIRING GP-SHUTOFF	1168		
ENCLOSURES, GUARDS AND BASES	1169		
BASE GP-ENGINE	1169		
OPERATOR STATION	1170		
AMMETER GP	1170		
BOX GP-INSTRUMENT PANEL	1172		
GAUGE GP	1173		
GAUGE GP-AIR INLET TEMPERATURE	1175		
GAUGE GP-ENGINE OIL PRESSURE	1176		
GAUGE GP-FUEL PRESSURE	1177		
METER GP-SERVICE	1179		
MOUNTING GP-INSTRUMENT PANEL	1183		
MOUNTING GP-TACHOMETER	1189		
PANEL AR-CONTROL	1190		
PANEL GP-INSTRUMENT	1191		
PYROMETER GP	1203		
TACHOMETER GP-ELECTRIC	1204		
SERVICE EQUIPMENT AND SUPPLIES	1206		
CHART-PLATE & FILM	1206		
INSERT-LINER SEAT	1206		
KIT-AIR CLEANER	1206		
PART NUMBER INDEX	B1		

GENERAL INFORMATION

1. ENGINE IDENTIFICATION

Caterpillar engines are identified with Serial Numbers and Arrangement Numbers. In some cases, Modification Numbers are also used. The serial number plate which shows these numbers is mounted on the engine.

Caterpillar dealers need this information to determine which components were included on the engine when it was assembled at the factory. This permits accurate identification of replacement part numbers.

2. ORDERING PARTS



When replacement parts are required for this product Caterpillar recommends using Caterpillar replacement parts or parts with equivalent specifications including, but not limited to, physical dimensions, type, strength and material.

Failure to heed this warning can lead to premature failures, product damage, personal injury or death.

Quality Caterpillar replacement parts are available from Caterpillar dealers throughout the world. Their parts inventories are up to date and include all parts normally required to protect your investment in Caterpillar Engines. Dealers may offer repair kits or remanufactured parts to allow selection of the most effective repair alternative for a particular situation. When ordering parts, your order should specify the quantity, part number, part name, and the serial number/product identification number of the engine for which the parts are needed.

3. PARTS MANUAL ORGANIZATION

Product information in this manual is presented as "information elements" that represent all of the components for the specific model. An Engine Arrangement is an example of an information element. The information elements are organized alphabetically by part name and secondarily by part number within each major section of the manual.

4. TABLE OF CONTENTS

A table of contents (TOC) is found at the beginning of the manual. The TOC lists each section of the manual with a complete list of all information elements organized as they appear in the manual. Page numbers are provided for quick reference to detailed parts identification illustrations and serviceable consist lists.

5. MAINTENANCE PARTS INDEX

The Maintenance Parts Index, located near the beginning of the manual, references most frequently used maintenance part numbers, providing description, quantity, usage and page number. This information is organized alphabetically by part description.

6. INDEX

The index located near the front of the manual is an alphabetical listing of all information elements included in the manual. Page numbers are provided for quick reference to detailed parts identification illustrations and serviceable consist lists.

7. PART NUMBER INDEX

A numerical index listing all part numbers and the corresponding page number(s) appears at the back of the manual.

8. CAPTIONS

Captions located at the beginning each information element identify the part number and part name along with additional descriptive information. S/N information found in each caption should be used to select correct information for a specific engine. Field replacement options, identification of optional attachment components, and where used ("part of") information is also provided.

The first line of a caption is shown in larger type font to indicate the beginning of an information element. Captions for additional pages that may be required to illustrate an information element will be shown in standard type font and will include the term (*contd.*) .

9. NON-SERVICED PARTS

In some instances it is necessary to display non-serviced parts that are a link to lower level serviceable consist lists. These non-serviced part numbers are shown in *italic* type indicating that they are not available. All consist lists have not been converted to reflect this enhancement.

GENERAL INFORMATION

10. PARTS LIST REFERENCE NUMBERS

Numbers shown in the Ref No column correspond to numbers used in the associated graphic(s). An alphabetic suffix may be added to a reference number to identify lower level consist items. Numbers shown in the Graphic Ref column refer to the graphic number identifier displayed in the lower left corner of each illustration. The Graphic Ref number may be used in combination with the item Ref No to determine the correct part number. There may be intentional omission of a Ref No in a consist list as information is updated to reflect the latest serviceable part numbers.

11. INDENTED PART NAMES

When a part name is indented in a parts list, it is part of (included in) the group or assembly under which it is indented.

12. ILLUSTRATION REFERENCE LETTERS

When necessary, illustrations contain reference letters (A, B, C etc.) that are intended to track lines and harnesses from one point to another. They are also used to show where to reconnect illustrations that have been separated.

13. ABBREVIATIONS AND SYMBOLS

O.D. – Outside Diameter
I.D. – Inside Diameter
A – Not Part Of This Group
B – Use As Required
C – Change From Previous Type
D – Order By The Meter
E – Order By The Centimeter
F – Not Shown
G – Order By The Inch
I – Refer To Hydraulic Information System
M – Metric Part
R – Remfg Part May Be Available
Y – Separate Illustration
Z – Not Serviced Separately



14. DESCRIPTION OF TYPE CHANGES

Type - A type is defined as any configuration change that requires an additional Information Element for an Arrangement, Group, or Assembly. If serial number breaks for types are not available, a type # (Type 1, Type 2, etc.) will be displayed in the caption. These "type" changes are identified with a "C" note (change from previous type) in the Parts List. Only the "types" that apply to this Parts Manual will be included. Additional types may exist causing "C" notes to appear on an Information Element when no other types are shown.

15. <END>

This symbol indicates the end of an information element.

NOTE:

Continuing improvement and advancement of product design may cause changes to your engine which may not be included in this publication. Whenever a question arises regarding your Caterpillar product or this publication, please consult your Caterpillar dealer for the latest available information.

REPAIR ALTERNATIVES

REMANUFACTURED COMPONENTS

As an option when making repairs consider Caterpillar Remanufactured Components. Components that are available through the Caterpillar Remanufactured Program are identified three ways in the parts book:

- with the letter R in the note field of the parts list
- with an R* at the beginning of the first line of the caption
- with an *R at the end of the first line of the caption

Typical components included in the Remanufacturing Program include:

ALTERNATORS
CONNECTING RODS
CRANKSHAFTS - UNDERSIZE
CRANKSHAFTS - UPGRADE TO NEW
CYLINDER HEADS
ELECTRONIC CONTROL MODULES (ECM)
ELECTRONIC SENSORS
FUEL INJECTORS
FUEL NOZZLES
FUEL PUMPS
GOVERNORS
OIL PUMPS
PISTONS
SHORT BLOCKS
STARTERS
TURBOCHARGERS - COMPLETE
TURBOCHARGER CARTRIDGES
WATER PUMPS

Caterpillar Remanufactured engines for many engine arrangements are also available.

SUPPLEMENTAL COOLANT ADDITIVES

CUSTOMER BENEFITS:

Protects against cavitation, foam, erosion, corrosion, and scale buildup in cooling systems.

- Provides measured coolant conditioner.

DESCRIPTION:

Additives deplete from the coolant with normal operation. For this reason, Supplemental Coolant Additives (SCA) must be added to all heavy duty coolants at regular intervals. In addition, when not using a fully formulated, pre-charged antifreeze, like Caterpillar's DEAC, an initial charge of SCA must be added to the cooling system. The amount of SCA added to the system is dependent on the capacity of the system.

The SCA for initial fill is provided as a liquid. SCA's for maintenance intervals are available in liquid form and as a spin-on element. (No Spin-on available for 3600 Family of Engines)

NOTE:

The amount of SCA added at initial fill is not the same as the amount added at maintenance intervals.

The coolant additive elements can be used with any ethylene or propylene glycol type antifreeze which meets ASTM D4985 or ASTM D5345 Specifications.

NOTE:

For use with standard heavy duty coolant only, not for use with Extended Life Coolant.

PARTS NEEDED:

Cooling System Capacity		Liquid SCA at Initial Fill	Liquid SCA at Maintenance*	Spin-on SCA Maintenance Element*
Liters	Gallons			
22-30	(6-8)	3P-2044 (1)	6V-3542 (1)	111-2370 (1)
30-38	(8-10)	3P-2044 (1) 6V-3542 (1)	111-2372 (1)	111-2369 (1)
38-49	(10-13)	3P-2044 (1) 8T-1589 (1)	111-2372 (1)	111-2369 (1)
49-64	(13-17)	3P-2044 (2)	8T-1589 (1)	9N-3368 (1)
64-83	(17-22)	3P-2044 (2) 8T-1589 (1)	111-2372 (1) 6V-3542 (1)	111-2371 (1)
83-114	(22-30)	3P-2044 (3) 8T-1589 (1)	3P-2044 (1)	9N-3718 (1)
114-163	(30-43)	3P-2044 (5)	3P-2044 (1) 6V-3542 (1)	111-2371 (2)
163-242	(43-64)	3P-2044 (8)	3P-2044 (2)	9N-3718 (2)

* Normal maintenance period is 250 hrs. See your Operation and Maintenance Manual for complete coolant maintenance instructions.

() Indicates quantity required.

MAINTENANCE PARTS

DESCRIPTION	PART NUMBER	QTY	WHERE USED	PAGE		
AIR INLET AND EXHAUST SYSTEM						
FILTER ELEMENT AS-AIR (PRIMARY)	4N-0015	1	AIR CLEANER GP	556		
		1	AIR CLEANER GP	563		
	6I-2507	1	AIR CLEANER GP	558		
	6N-6071	1	AIR CLEANER GP	559		
	7W-5313	1	AIR CLEANER GP	567		
FILTER ELEMENT AS-AIR (PRIMARY) (AIR CLEANER)	7C-1572	1	AIR CLEANER GP	561		
	6I-2508	1	AIR CLEANER GP	558		
FILTER ELEMENT AS-AIR (SECONDARY)	6N-6072	1	AIR CLEANER GP	559		
	6N-6444	1	AIR CLEANER GP	567		
FILTER-SOOT (AIR CLEANER)	4N-7808	1	AIR CLEANER GP	557		
BASIC ENGINE						
CAP AS-FILLER (ENGINE OIL)	6N-2985	1	COVER GP-VALVE MECHANISM	112		
		1	COVER GP-VALVE MECHANISM	114		
		1	COVER GP-VALVE MECHANISM	116		
		1	COVER GP-VALVE MECHANISM	117		
PLUG-DRAIN (ENGINE OIL PAN)	9X-6451	1	PAN GP-OIL	314		
		1	PAN GP-OIL	315		
PLUG-DRAIN (MAGNETIC) (ENGINE OIL PAN)	206-7331	1	PAN GP-OIL	314		
V-BELT (ALTERNATOR)	4N-8216	1	MOUNTING GP-ALTERNATOR	300		
		1	MOUNTING GP-ALTERNATOR	302		
		1	MOUNTING GP-ALTERNATOR	306		
		1	MOUNTING GP-ALTERNATOR	308		
		1	MOUNTING GP-ALTERNATOR	311		
		1	MOUNTING GP-ALTERNATOR	312		
		5B-8473	1	MOUNTING GP-ALTERNATOR	304	
		6N-7135	1	MOUNTING GP-ALTERNATOR	305	
		V-BELT (FAN DRIVE)	6N-6650	3	V-BELT SET	348
				1	DRIVE GP-FAN	189
V-BELT SET (INCLUDES 2-BELTS) (FAN DRIVE)	4N-2532	1	DRIVE GP-FAN	191		
		1	DRIVE GP-FAN	205		
		4N-6373	1	DRIVE GP-FAN	193	
		1	DRIVE GP-FAN	195		
		1	DRIVE GP-FAN	209		
		4N-8217	1	DRIVE GP-FAN	199	
		1	DRIVE GP-FAN	201		
		1	DRIVE GP-FAN	213		
		1	DRIVE GP-FAN	215		
		V-BELT SET (INCLUDES 3-BELTS) (FAN DRIVE)	6N-6652	1	DRIVE GP-FAN	197
1	DRIVE GP-FAN			211		
6N-6655	1			DRIVE GP-FAN	187	
1	DRIVE GP-FAN			207		
6N-6656	1			DRIVE GP-FAN	203	
		1	DRIVE GP-FAN	217		

MAINTENANCE PARTS

DESCRIPTION	PART NUMBER	QTY	WHERE USED	PAGE
COOLING SYSTEM				
CAP-PRESSURE (7-PSI)	6L - 8617	1	TANK GP-EXPANSION	535
CAP-PRESSURE (7-PSI) (RADIATOR)	4N - 3311	1	RADIATOR GP	521
		1	RADIATOR GP	531
		1	FILLER & CAP GP	468
		1	RADIATOR GP	517
		1	RADIATOR GP	519
FILTER-COOLANT CONDITIONER	9N - 3718	1	COOLANT CONDITIONER GP	447
FILTER-COOLANT CONDITIONER (MAINTENANCE)	9N - 3368	1	COOLANT CONDITIONER GP	443
		1	COOLANT CONDITIONER GP	445
		1	FILTER GP-COOLANT	469
FILTER-COOLANT CONDITIONER (PRECHARGE)	9N - 3367	1	COOLANT CONDITIONER GP	443
		1	COOLANT CONDITIONER GP	445
		1	COOLANT CONDITIONER GP	447
		1	COOLANT CONDITIONER GP	449
		1	FILTER GP-COOLANT	469
HOSE (RADIATOR)	9N - 3368	1	COOLANT CONDITIONER GP	449
	6N - 7031	1	LINES GP-WATER	494
KIT-RADIATOR CAP	294 - 9052	1	LINES GP-WATER	495
		1	RADIATOR GP	521
PLUG-DRAIN (HEAT EXCHANGER)	5B - 9169	1	RADIATOR GP	531
		1	HEAT EXCHANGER GP-SEA WATER	472
		3	HEAT EXCHANGER GP-SEA WATER	474
REGULATOR-TEMPERATURE (92-DEG C)	248 - 5513	3	HEAT EXCHANGER GP-SEA WATER	475
		2	TANK GP-EXPANSION	535
REGULATOR-TEMPERATURE (92-DEG C) (COOLANT)	248 - 5513	1	HOUSING & REGULATOR GP	479
		1	LINES GP-WATER	489
REGULATOR-TEMPERATURE (92-DEG C) (EXPANSION TANK COOLANT)	248 - 5513	1	LINES GP-WATER	500
		2	TANK GP-EXPANSION	538
REGULATOR-WATER TEMPERATURE (98-DEG C)	247 - 7133	2	TANK GP-EXPANSION	541
		1	LINES GP-WATER	497
ROD AS-ZINC (HEAT EXCHANGER)	8L - 4521	2	HEAT EXCHANGER GP-SEA WATER	475
ROD-ZINC (AUXILIARY WATER PUMP)	6L - 2280	1	PUMP GP-AUXILIARY WATER	505
ROD-ZINC (HEAT EXCHANGER)	6L - 2280	1	HEAT EXCHANGER GP-SEA WATER	472
		2	HEAT EXCHANGER GP-SEA WATER	474

MAINTENANCE PARTS

DESCRIPTION	PART NUMBER	QTY	WHERE USED	PAGE
ELECTRICAL AND STARTING SYSTEM				
BATTERY (12-VOLT) (DRY)	9G-4232	2	BATTERY GP	933
	9G-4233	2	BATTERY GP	932
	9X-9720	2	BATTERY GP	934
BATTERY (12-VOLT) (WET)	3T-5857	2	BATTERY GP	930
BATTERY (12-VOLT, MAINTENANCE FREE, WET)	3T-5760	2	BATTERY GP	931
BATTERY GP (12-VOLT, MAINTENANCE FREE, DRY)	115-2421	2	BATTERY GP	937
CAP AS-FILLER (BATTERY)	123-1373	6	BATTERY GP	931
		6	BATTERY GP	937
CIRCUIT BREAKER AS (10-AMPERE)	6T-3642	1	BOX GP-JUNCTION	949
		1	BOX GP-JUNCTION	952
CIRCUIT BREAKER AS (10-AMPERE) (LOGIC CIRCUIT)	6T-3642	1	BOX GP-JUNCTION	941
		1	BOX GP-JUNCTION	944
CIRCUIT BREAKER AS (12.5-AMPERE)	1N-9770	1	BOX GP-JUNCTION	938
		1	BOX GP-JUNCTION	947
CIRCUIT BREAKER AS (20-AMPERE)	6T-3644	1	SWITCH GP-ENGINE	1139
CIRCUIT BREAKER AS (20-AMPERE) (FUEL SHUT-OFF SOLENOID CIRCUIT)	6T-3644	2	BOX GP-JUNCTION	952
CIRCUIT BREAKER AS (20-AMPERE) (FUEL SHUT-OFF SOLENOID)	6T-3644	1	BOX GP-JUNCTION	941
		1	BOX GP-JUNCTION	949
CIRCUIT BREAKER AS (20-AMPERE) (FUEL SHUTOFF SOLENOID)	6T-3644	1	BOX GP-JUNCTION	944
CIRCUIT BREAKER AS (40-AMPERE) (ALTERNATOR)	9Y-0951	1	BOX GP-JUNCTION	952
CIRCUIT BREAKER GP (20-AMPERE)	9H-1958	1	BOX GP-JUNCTION	952
CIRCUIT BREAKER GP (60-AMPERE)	6T-3645	1	BOX GP-JUNCTION	938
		1	BOX GP-JUNCTION	947
SCREEN-STRAINER (PRESSURE REDUCING VALVE)	252-9298	1	VALVE GP-PRESSURE REDUCING	1165
V-BELT (ALTERNATOR)	9L-6643	1	ALTERNATOR GP-CHARGING	899
FUEL SYSTEM				
ELEMENT-WATER SEPARATOR	133-5673	1	FILTER GP-WATER SEP & FUEL	786
FILTER ELEMENT-FUEL	3R-2251	1	FILTER & LINES GP-FUEL	779
FILTER ELEMENT-FUEL (PRIMARY)	9M-2342	1	FILTER GP-FUEL	785
FILTER-FUEL (ADVANCED EFFICIENCY)	1R-0749	1	FILTER GP-FUEL	782
		2	FILTER GP-FUEL	783
FILTER-FUEL (WATER SEPARATOR)	8N-9803	1	SEPARATOR GP-WATER	867
FUSE (0.75-AMPERE)	7T-0037	3	BOX AS-GOVERNOR PREREGULATOR	722
GASKET (FUEL PRIMING PUMP)	1P-0436	1	FILTER & LINES GP-FUEL	779
		1	PUMP GP-FUEL PRIMING	848
		2	PUMP GP-FUEL PRIMING	849
		1	PUMP GP-FUEL PRIMING	850
SCREEN AS (FUEL CONTROL)	8N-6680	1	CONTROL GP-FUEL RATIO	726
		1	CONTROL GP-FUEL RATIO	731
SCREEN AS (FUEL)	8N-6680	1	PUMP GP-GOV & FUEL INJ	860

MAINTENANCE PARTS

DESCRIPTION	PART NUMBER	QTY	WHERE USED	PAGE
LUBRICATION SYSTEM				
BREATHER AS (CRANKCASE)	101-8516	1	BREATHER GP	368
	4N-4668	1	BREATHER GP	367
	9Y-2988	1	BREATHER GP	366
CAP AS-FILLER (ENGINE OIL)	6N-2985	1	FILLER GP-ENGINE OIL	371
		1	FILLER GP-ENGINE OIL	372
		1	FILLER GP-ENGINE OIL	373
CAP-FILLER (ENGINE OIL)	6G-9333	1	FILLER GP-ENGINE OIL	370
FILTER AS-ENGINE OIL	2P-4005	4	FILTER GP-ENGINE OIL	391
FILTER AS-ENGINE OIL (STANDARD EFFICIENCY)	1R-0716	1	FILTER GP-ENGINE OIL	378
		1	FILTER GP-ENGINE OIL	379
		1	FILTER GP-ENGINE OIL	380
		1	FILTER GP-ENGINE OIL	382
		1	FILTER GP-ENGINE OIL	384
		1	FILTER GP-ENGINE OIL	386
		1	FILTER GP-ENGINE OIL	397
		1	FILTER GP-ENGINE OIL	398
		1	FILTER GP-ENGINE OIL	399
		1	FILTER GP-ENGINE OIL	400
FILTER-ENGINE OIL (ADVANCED EFFICIENCY)	1R-1808	2	FILTER & LINES GP-ENGINE OIL	374
		1	FILTER GP-ENGINE OIL	388
OPERATOR STATION				
FUSE (0.75-AMPERE)	7T-0037	2	PANEL AR-CONTROL	1190
LAMP (24-VOLT)	3N-5719	4	PANEL AR-CONTROL	1190

INDEX

Name	Page	Name	Page
A			893
ACTUATOR AS-GOVERNOR	720		894
ACTUATOR GP-AIR-GOVERNOR CONTROL ...	721		895
ADAPTER GP-AIR CLEANER	545		897
ADAPTER GP-EXHAUST	546		899
ADAPTER GP-FLYWHEEL	51		901
	52		904
ADAPTER GP-OIL PAN DRAIN	53		906
AFTERCOOLER GP-AUXILIARY	547		909
AFTERCOOLER GP-WATER	548		911
	550		913
	551		915
AIR CLEANER GP	553		917
	554		918
	555		920
	556		922
	557		923
	557		925
	558		926
	559		928
	560	AMMETER GP	1170
	561		1171
	562	AMMETER GP (60-AMPERE)	1199
	563		
	564		
	565	B	
	566	BARRING GP-LH	81
	567	BARRING GP-RH	82
	568	BASE GP-ENGINE	1169
	569	BASE GP-OIL FILTER-ENGINE	358
AIR COMPRESSOR GP	54		359
	55		360
	57		361
	59		362
	60		363
	61		364
	62		365
	63	BATTERY (12-VOLT) (DRY)	932
	64		933
	67		934
	69	BATTERY (12-VOLT) (WET)	930
	71	BATTERY	
	73	(12-VOLT, MAINTENANCE FREE, WET)	931
	75	BATTERY GP	930
	76		931
	77		932
	78		933
	79		934
	80		935
ALTERNATOR GP-CHARGING	876		937
	879	BATTERY GP (12-VOLT) (DRY)	935
	881	BATTERY GP	
	884	(12-VOLT, MAINTENANCE FREE, DRY)	937
	887	BATTERY GP-DRY	936
	890	BELT TIGHTENER GP	83

INDEX

Name	Page	Name	Page
BODY AS-PRECLEANER-AIR	571	CIRCUIT BREAKER AS (10-AMPERE).....	949
BOWL-WATER COLLECTION			952
(12-VOLT HEATER).....	786	CIRCUIT BREAKER AS (10-AMPERE)	
BOX AS-GOVERNOR PREREGULATOR	722	(LOGIC CIRCUIT).....	941
BOX GP-INSTRUMENT PANEL	1172		944
BOX GP-JUNCTION	938	CIRCUIT BREAKER AS (12.5-AMPERE)	938
	940		947
	941	CIRCUIT BREAKER AS (20-AMPERE).....	1139
	944	CIRCUIT BREAKER AS (20-AMPERE)	
	947	(FUEL SHUT-OFF SOLENOID CIRCUIT).....	952
	948	CIRCUIT BREAKER AS (20-AMPERE)	
	949	(FUEL SHUT-OFF SOLENOID).....	941
	952		949
BREATHER AS (CRANKCASE)	366	CIRCUIT BREAKER AS (20-AMPERE)	
	367	(FUEL SHUTOFF SOLENOID).....	944
	368	CIRCUIT BREAKER AS (40-AMPERE)	
BREATHER GP-CRANKCASE	366	(ALTERNATOR).....	952
	367	CIRCUIT BREAKER GP (20-AMPERE)	952
	368	CIRCUIT BREAKER GP (60-AMPERE)	938
			947
		CLUTCH GP	87
			90
			92
			94
		CONNECTION GP-EXHAUST	590
		CONNECTION GP-EXPANSION TANK	441
		CONTACTOR AS-WATER TEMP	956
		CONTACTOR GP-OIL PRESSURE	960
		CONTACTOR GP-	
		OIL PRESSURE & WATER TEMPERATURE ...	957
			958
			961
		CONTACTOR GP-	
		WATER TEMPERATURE SHUT-OFF	959
		CONTACTOR GP-ALARM	962
			963
		CONTACTOR GP-TEMPERATURE-	
		OIL, ENGINE	964
		CONTROL AS-GOVERNOR-LOAD SHARE	723
		CONTROL AS-GOVERNOR-	
		LOAD SHARE MODULE	724
		CONTROL AS-GOVERNOR-	
		SPEED CONTROL	725
		CONTROL GP-FUEL RATIO	726
			727
			729
			731
		CONTROL GP-GOVERNOR	732
			733
			736
			737
			739
			741
			742
			743
CHART-PLATE & FILM	1206		

C

INDEX

Name	Page	Name	Page
	744	COVER GP-FUEL TRANSFER	756
	745	COVER GP-GOVERNOR	757
	746	COVER GP-TURBOCHARGER	591
	748	COVER GP-TURBOCHARGER DRAIN	592
	749	COVER GP-VALVE MECHANISM	112
	750		113
	751		114
	752		115
	753		116
	754		117
CONTROL GP-GOVERNOR-LH	734	COVER GP-WATER LINES	460
	735	CRANKCASE GP-AIR COMPRESSOR	55
CONTROL GP-MANUAL VOLTAGE	965		64
CONTROL GP-VOLTAGE	966		67
	967		69
CONVERSION GP-AFTERCOOLER	442	CRANKSHAFT GP	118
CONVERSION GP-GOVERNOR	755	CYLINDER BLOCK AS	119
CONVERSION GP-WIRING	968	CYLINDER BLOCK GP	120
COOLANT CONDITIONER GP	443		122
	445		124
	447		126
	449		128
COOLER AR-TRANSMISSION OIL	451		130
COOLER GP-ENGINE OIL	452		132
COOLER GP-TRANSMISSION OIL	453		134
	455		136
	457		138
	458		139
CORE AS (ENGINE OIL COOLER)	452		141
CORE AS (HEAT EXCHANGER)	472		143
	474		145
	475		147
CORE AS-AFTERCOOLER	547		148
	548		149
	550		151
	551	CYLINDER HEAD AS	153
CORE AS-RADIATOR	523		154
	525	CYLINDER HEAD GP	155
	527		156
	529		157
CORE GP-OIL COOLER-TRANSMISSION	459		158
COVER GP-CYLINDER BLOCK	96		159
	97		160
	98		161
	99		162
	100		163
	101		164
COVER GP-FLYWHEEL HOUSING	102		165
	103		166
	104		167
	105		168
	106		169
COVER GP-FRONT HOUSING	107		170
	109		171
	111		172

INDEX

Name	Page	Name	Page
D			596
DAMPER & PULLEY GP	173		597
	174		598
	175		599
	176		600
DAMPER GP	177		601
DIODE GP	969		602
DRAIN GP-FUEL	758	ELBOW-EXHAUST	603
DRIVE GP-ACCESSORY	178		604
	180	ELEMENT-WATER SEPARATOR	605
	181	ENGINE AR	786
DRIVE GP-AUXILIARY	182		1
	184		3
DRIVE GP-AUXILIARY-FRONT, RH	183		5
DRIVE GP-FAN	185		7
	187		9
	189		11
	191		13
	193		15
	195		17
	197		19
	199		21
	201		23
	203		25
	205		27
	207		29
	209		31
	211		33
	213		35
	215		37
	217		39
	219		41
	221		43
	223		45
	225		46
DRIVE GP-GOVERNOR	760		47
DRIVE GP-GOVERNOR & FUEL PUMP	763		48
	764		49
	766		50
	768		
DRIVE GP-PUMP	227	F	
	228	FAN GP-BLOWER	461
	229		462
	230	FAN GP-SUCTION	463
DRIVE GP-TACHOMETER	770		464
	771		465
	772		466
	773	FASTENER GP-FRONT HOUSING	231
E			232
ELBOW AS-AIR INLET	593	FASTENER GP-FUEL INJ PUMP-ENGINE	774
ELBOW GP-EXHAUST	594	FASTENER GP-FUEL INJ PUMP-	
	595	GOVERNOR	775
			776
		FASTENER GP-GOVERNOR	777

INDEX

Name	Page	Name	Page
FASTENER GP-OIL PUMP MOUNTING- ENGINE	369	FILTER ELEMENT AS-AIR (PRIMARY) (AIR CLEANER)	561
FASTENER GP-RADIATOR	467	FILTER ELEMENT AS-AIR (SECONDARY)	558
FASTENER GP-VALVE MECHANISM	354		559
FASTENER GP-WIRING HARNESS	970		567
	973		567
	974	FILTER ELEMENT-FUEL	779
FILLER & CAP GP-RADIATOR	468	FILTER ELEMENT-FUEL (PRIMARY)	785
FILLER GP-ENGINE OIL	370	FILTER GP-COOLANT	469
	371	FILTER GP-ENGINE OIL	378
	372		379
	373		380
FILM (OIL FILTER DUPLEX VALVE) (INSTRUCTION)	391		382
FILM-CONTROL PANEL (ARABIC)	1190		384
FILM-CONTROL PANEL (ENGLISH)	1190		386
FILM-CONTROL PANEL (FRENCH)	1190		388
FILM-CONTROL PANEL (GERMAN)	1190		395
FILM-CONTROL PANEL (PORTUGUESE)	1190		396
FILM-CONTROL PANEL (SPANISH)	1190		397
FILM-GAUGE (MANIFOLD AIR TEMPERATURE)	1175		398
FILM-GAUGE IDENTIFICATION (AMMETER)	1170		399
FILM-IDENTIFICATION (ENGINE OIL PRESSURE)	1197	FILTER GP-ENGINE OIL-RH	390
FILM-IDENTIFICATION (ENGINE OIL TEMPERATURE)	1197	FILTER GP-FUEL	783
FILM-IDENTIFICATION (FUEL PRESSURE)	1197		785
FILM-IDENTIFICATION (JACKET WATER TEMPERATURE)	1197	FILTER GP-FUEL-ENGINE	782
FILM-IDENTIFICATION (TERMINAL MARKER)	938	FILTER GP-WATER SEP & FUEL	786
FILM-INFORMATION (AIR CLEANER)	1206	FILTER-COOLANT CONDITIONER	447
FILM-INSTRUCTION (DIRECT ELECTRIC STARTING)	1017	FILTER-COOLANT CONDITIONER (MAINTENANCE)	443
	1018		445
FILM-SERVICE METER	1182		469
FILM-WIRING DIAGRAM	952	FILTER-COOLANT CONDITIONER (PRECHARGE)	443
FILTER & LINES GP-ENGINE OIL	374		445
FILTER & LINES GP-FUEL	779		447
FILTER AS-ENGINE OIL	391		449
FILTER AS-ENGINE OIL (STANDARD EFFICIENCY)	378	FILTER-ENGINE OIL (ADVANCED EFFICIENCY)	374
	379		388
	380		400
	382	FILTER-FUEL (ADVANCED EFFICIENCY)	782
	384		783
	386	FILTER-FUEL (WATER SEPARATOR)	867
	397	FILTER-SOOT (AIR CLEANER)	557
	398	FITTING GP-EXHAUST	608
FILTER AS-FUEL	779	FITTING GP-EXHAUST-FLEXIBLE	606
FILTER ELEMENT AS-AIR (PRIMARY)	556		607
	558	FLANGE GP-EXHAUST	609
	559		610
	563		611
			612
			613
			614

INDEX

Name	Page	Name	Page
HOSE (RADIATOR)	494		
	495		
HOUSING & REGULATOR GP	479		
HOUSING AS-GOVERNOR DRIVE	793		
HOUSING GP-FLYWHEEL	270		
	271		
	272		
	273		
	275		
	277		
	278		
	279		
	280		
	281		
	282		
	283		
HOUSING GP-FRONT	284		
HOUSING GP-FUEL PUMP	828		
	830		
	832		
	834		
	836		
	838		
	840		
	843		
I			
INDICATOR (AIR SHUTOFF)	676		
	678		
INDICATOR (ENGINE OIL PRESSURE)	1173		
INDICATOR (WATER TEMPERATURE)	1173		
	1199		
INDICATOR AS (ENGINE OIL PRESSURE)	374		
	1191		
	1193		
	1195		
	1199		
INDICATOR AS (FUEL PRESSURE)	783		
	1178		
	1191		
	1193		
	1195		
INDICATOR-AIR FILTER CHANGE	553		
	554		
	560		
	565		
	566		
	568		
	569		
INDICATOR-FUEL PRESSURE	1199		
INJECTOR GP-FUEL	794		
INSERT-LINER SEAT	1206		
K			
		KIT-AIR CLEANER	1206
		KIT-AIR CLEANER CLAMP	545
		KIT-BEARING	
		(TURBOCHARGER CARTRIDGE)	581
			583
			589
		KIT-BEARING (TURBOCHARGER)	584
		KIT-CARTRIDGE	
		(TURBOCHARGER CARTRIDGE)	581
		KIT-CARTRIDGE (TURBOCHARGER)	584
		KIT-CONNECTING PLUG (6-PIN)	
		(ENGINE HARNESS)	976
		KIT-CRANKSHAFT BEARING	285
		KIT-RADIATOR CAP	521
			531
L			
		LAMP (24-VOLT)	1190
		LIFTING GP-ENGINE	286
		LINES GP-AFTERCOOLER WATER	481
			482
		LINES GP-AIR	615
			616
			617
			618
			619
			620
			621
			622
			623
			624
			625
			626
			627
			628
			629
		LINES GP-AIR COMPRESSOR	287
			288
			290
			292
			294
			296
			298
			299
		LINES GP-ENGINE OIL	419
			420
			421
			422
			423
			424
		LINES GP-FLEXIBLE FUEL	795
		LINES GP-FUEL FILTER	796

INDEX

Name	Page	Name	Page
	798		
	799		
	800		
	802		
	803		
	804		
LINES GP-FUEL INJECTION	805		
	807		
	808		
	809		
	810		
	811		
	813		
	815		
	817		
	819		
	820		
	821		
	822		
	823		
	824		
LINES GP-FUEL RATIO CONTROL	825		
LINES GP-TURBOCHARGER OIL	425		
	426		
	427		
	428		
	429		
	430		
	431		
	432		
	434		
	435		
	436		
	437		
LINES GP-WATER	484		
	486		
	489		
	491		
	492		
	494		
	496		
	497		
	498		
	499		
	500		
	501		
	502		
LINES GP-WATER-AFTERCOOLER	488		
LINES GP-WATER-RADIATOR	493		
	495		
LUBRICATOR GP-AIR MOTOR	984		
	1023		
	1025		
		M	
		MANIFOLD GP-EXHAUST	630
			631
			632
			633
			634
		MANIFOLD GP-INLET	635
		METER GP-SERVICE	952
			1179
			1180
			1181
			1182
		MOTOR AS (GEAR)	737
		MOTOR AS (GEAR) (GOVERNOR CONTROL) ...	739
		MOUNTING GP-AIR CLEANER	636
			637
		MOUNTING GP-ALTERNATOR	300
			302
			304
			305
			306
			308
			311
		MOUNTING GP-ALTERNATOR-RH	312
		MOUNTING GP-CONTACTOR	985
			986
			988
			989
			990
		MOUNTING GP-ENGINE	313
		MOUNTING GP-HEAT EXCHANGER	503
		MOUNTING GP-INSTRUMENT PANEL	1183
		MOUNTING GP-INSTRUMENT PANEL-LH	1185
			1187
		MOUNTING GP-JACKET WTR HEATER	991
			993
			994
		MOUNTING GP-TACHOMETER	1189
		MUFFLER	638
			639
			640
			641
		MUFFLER GP	642
			643
			644
			645
			646
			647
			648
		MUFFLER GP-SPARK ARRESTOR	649
			650
			651

INDEX

Name	Page	Name	Page
N			
NOZZLE AS-FUEL VALVE	826	PULLEY GP-CRANKSHAFT	330
P			
PAN GP-OIL-ENGINE	314	PULLEY GP-FAN DRIVE	331
	315	PUMP & MTG GP-FUEL TRANSFER	827
PANEL AR-CONTROL	1190	PUMP GP-AUXILIARY SEA WATER	504
PANEL GP-INSTRUMENT	1191	PUMP GP-AUXILIARY WATER	505
	1193	PUMP GP-ENGINE OIL	438
	1195		439
	1197		440
	1199	PUMP GP-FUEL INJECTION	828
	1200		830
	1201		832
PIPE GP-EXHAUST	652		834
	653		836
	654		838
PISTON & ROD GP	316		840
	317		843
	319		846
	321		847
PLATE AS-BRUSH	995	PUMP GP-FUEL PRIMING	779
PLATE GP-IDENTIFICATION			848
(JUNCTION BOX)	941		849
	944		850
	949	PUMP GP-FUEL TRANSFER	851
PLATE-IDENTIFICATION (JUNCTION BOX)	952	PUMP GP-GOV & FUEL INJ	852
PLATE-WARNING (POWER TAKE-OFF)	92		853
PLUG GP-AIR COMPRESSOR	323		855
PLUG-DRAIN (ENGINE OIL PAN)	314		857
	315		858
PLUG-DRAIN (HEAT EXCHANGER)	472		859
	474		860
	475		861
PLUG-DRAIN (MAGNETIC)			862
(ENGINE OIL PAN)	314		863
PLUG-PIPE	314		864
	455	PUMP GP-GOV DRIVE & FUEL INJ	866
POWER TAKE-OFF GP	324	PUMP GP-WATER	506
	325		507
	326		508
	327		509
PRECLEANER AS-AIR CLEANER	655		510
PRECLEANER GP	657		511
	660		512
	663		513
PRECLEANER GP-AIR	656		514
PRECLEANER GP-AIR CLEANER	658		515
	659		516
	661	PYROMETER GP	1203
	662		
PULLEY GP-AUXILIARY DRIVE	328	R	
	329	RADIATOR GP	517
			519
			521
			523
			525

INDEX

Name	Page	Name	Page
	527		
	529		
	531		
REGULATOR AS (24 VOLT)(ALTERNATOR)	887		
REGULATOR AS-VOLTAGE (12-VOLT) (ALTERNATOR)	901		
REGULATOR AS-VOLTAGE (24-VOLT)	876		
	923		
REGULATOR AS-VOLTAGE (24-VOLT) (ALTERNATOR)	879		
	881		
	884		
	890		
	895		
	904		
	909		
	911		
	913		
	915		
	918		
	920		
	926		
REGULATOR GP-VOLTAGE (24 VOLT)(ALTERNATOR)	897		
REGULATOR-TEMPERATURE (92-DEG C)	535		
REGULATOR-TEMPERATURE (92-DEG C) (COOLANT)	479		
	489		
	500		
REGULATOR-TEMPERATURE (92-DEG C) (EXPANSION TANK COOLANT)	538		
	541		
REGULATOR-WATER TEMPERATURE (98-DEG C)	497		
RELAY (32-VOLT DC)	1190		
RELAY AS (12-VOLT)	965		
	966		
RELAY AS (24-VOLT)	1190		
RELAY AS (24-VOLT) (FUEL SHUT-OFF)	941		
	944		
	949		
	952		
RELAY AS (24-VOLT) (SWITCH GP)	1139		
RELAY AS (24-VOLT) (WATER SOLENOID)	949		
	952		
RELAY-TIME DELAY	941		
	949		
	952		
ROCKER ARM GP	332		
	333		
ROD AS-ZINC (HEAT EXCHANGER)	475		
ROD-ZINC (AUXILIARY WATER PUMP)	505		
ROD-ZINC (HEAT EXCHANGER)	472		
	474		
		S	
		SCREEN AS (FUEL CONTROL)	726
			731
		SCREEN AS (FUEL)	860
		SCREEN-STRAINER (PRESSURE REDUCING VALVE)	1165
		SEAL GP-CRANKSHAFT-FRONT	335
		SEAL GP-CRANKSHAFT-REAR	334
		SEAL-CRANKSHAFT (REAR)	334
		SENDER (WATER TEMPERATURE)	1173
		SENDER AS-PRESSURE (ENGINE OIL)	1173
			1174
		SENDER-PRESSURE (FUEL)	1177
		SENDING UNIT (24-VOLT)	1174
		SENSOR GP-SPEED	996
			997
			998
			999
			1000
		SENSOR GP-SPEED (ENGINE)	1000
			1182
		SEPARATOR GP-WATER	867
		SHAFT GP-STUB	336
		SHIELD GP-MANIFOLD	664
			665
			666
		SHUTOFF GP-AIR	667
			669
			671
			673
			675
			677
		SHUTOFF GP-AIR-INTAKE MANIFOLD	676
			678
			680
		SHUTOFF GP-ELECTRICAL	1001
			1002
			1003
			1004
			1005
			1006
			1007
		SHUTOFF GP-MANUAL	868
		SHUTOFF GP-MECHANICAL	869
		SILENCER GP-AIR STARTING	1008
		SILENCER-AIR STARTING	1009
		SOLENOID (12-VOLT) (AIR SHUTOFF)	676
		SOLENOID (SHUTOFF)	1001
			1002
		SOLENOID AS (24-VOLT) (AIR SHUTOFF)	669
			671
			673
		SOLENOID AS (24-VOLT) (SHUTOFF)	1014

INDEX

Name	Page	Name	Page
SOLENOID AS (24-VOLT)			1055
(STARTING MOTOR).....	1093		1056
	1099		1057
	1102		1058
	1106		1059
SOLENOID AS-STARTING MOTOR.....	1010		1060
	1011		1061
	1012		1062
	1047		1063
SOLENOID AS-STARTING MOTOR (24-VOLT) ...	1010		1066
	1011		1070
	1012		1073
	1042		1076
	1052		1079
	1063		1082
	1066		1085
	1071		1088
	1073		1091
	1076		1092
	1080		1093
	1083		1095
	1086		1097
	1089		1099
	1115		1102
	1123		1105
	1125		1106
	1129		1108
SOLENOID GP-SHUTOFF.....	1004		1110
	1005		1111
	1014		1112
	1015		1113
	1016		1115
SOLENOID GP-SHUTOFF (12-VOLT).....	1007		1118
SOLENOID-SHUTOFF (12-VOLT).....	667		1120
	1015		1122
SOLENOID-SHUTOFF (24-VOLT) (AIR).....	678		1125
SPRING.....	871		1128
STARTING AID GP-ETHER.....	1017		1131
	1018	SUPPORT GP-BATTERY.....	1132
STARTING MOTOR GP-AIR.....	1019		1133
	1021		1135
	1023	SUPPORT GP-ENGINE.....	338
	1027		340
	1029		341
	1031		342
	1033	SUPPORT GP-ENGINE-FRONT, WIDE.....	339
	1035	SUPPORT GP-ENGINE-REAR.....	337
	1037	SUPPORT GP-POWER TAKE-OFF.....	343
			344
STARTING MOTOR GP-AIR-LH.....	1025	SWITCH (ENGINE CONTROL).....	1190
STARTING MOTOR GP-ELECTRIC.....	1039	SWITCH AS (ETHER AID ON/OFF).....	1017
	1040		1018
	1041	SWITCH AS (FUEL PRESSURE).....	754
	1042	SWITCH AS (PRESSURE) (ENGINE OIL).....	1173
	1047		1174
	1052		

INDEX

Name	Page	Name	Page
SWITCH AS-LIQUID LEVEL (FUEL)	758		1151
SWITCH AS-PRESSURE (ENGINE OIL)	942		1152
	945		1153
	949		1154
	953		1155
	957	SWITCH GP-STARTING AID-	
	958	SECONDARY STOP	1156
	960	SWITCH GP-TEMPERATURE	1160
	961		1161
	962	SWITCH GP-TEMPERATURE	
	963	(ENGINE COOLANT)	957
SWITCH AS-PRESSURE (FUEL PRESSURE) . . .	749		958
SWITCH AS-PRESSURE (FUEL)	748		959
	750		960
	751		961
SWITCH AS-PUSH BUTTON		SWITCH GP-TEMPERATURE-WATER	1158
(EMERGENCY STOP)	944		1159
SWITCH AS-PUSH BUTTON		SWITCH-LIQUID LEVEL (COOLANT)	533
(SECONDARY STOP)	941		534
	949	SWITCH-ROTARY (ENGINE CONTROL)	
	1149	(3 POSITION/MAN/AUTO/STOP)	1199
SWITCH AS-SOLENOID (STARTING MOTOR) . . .	1151	SWITCH-STOP (EMERGENCY)	1190
SWITCH AS-SOLENOID-STARTING MOTOR . . .	1137	SWITCH-TOGGLE (ETHER AID ON-OFF)	1156
SWITCH AS-TEMPERATURE	1138		
SWITCH AS-TEMPERATURE		T	
(ENGINE COOLANT)	963	TACHOMETER GP	1205
SWITCH AS-TEMPERATURE (ENGINE OIL)	964	TACHOMETER GP (ELECTRONIC)	1204
SWITCH AS-TEMPERATURE		TACHOMETER GP-ELECTRIC	1204
(ETHER AID ARMING)	1017		1205
	1018	TANK GP-EXPANSION	535
	1156		538
SWITCH AS-TEMPERATURE			541
(LOW WATER TEMPERATURE ALARM)	1159	THERMOCOUPLE	1162
SWITCH AS-TOGGLE (ENGINE SHUTOFF)	1140	TORQUE CONTROL GP	872
SWITCH AS-TOGGLE			873
(GOVERNOR CONTROL)	737		874
SWITCH AS-TOGGLE		TURBOCHARGER GP	681
(GOVERNOR RAISE/LOWER)	1141		682
	1142		683
SWITCH GP-COOLANT LEVEL	533		685
	534		686
SWITCH GP-ENGINE	1139		687
SWITCH GP-ENGINE (SHUTOFF)	940		688
SWITCH GP-ENGINE-SHUTOFF	1140		689
SWITCH GP-GOVERNOR	1141		690
	1142		691
SWITCH GP-HEAT START	1143		692
SWITCH GP-MAGNETIC	1144		693
SWITCH GP-MAGNETIC (24-VOLT)			694
(STARTING MOTOR)	938		695
	947		696
SWITCH GP-REMOTE STARTING	1147		697
SWITCH GP-REMOTE-STARTING	1145		698
SWITCH GP-SHUTOFF	1149		700
SWITCH GP-START	1150		

INDEX

Name	Page	Name	Page
	701		349
	702		350
	703		351
	704		352
	706	V-BELT SET-INCLUDES 4-BELTS	352
	707	V-BELT SET-	
	708	INCLUDES 4-BELTS, FAN DRIVE	345
	709		346
	710		347
	711		348
	712		349
	713		350
TURBOCHARGER GP-AIR INLET	714		351
TURBOCHARGER GP-ENGINE	715		352
TURBOCHARGER GP-WATER COOLED	716	VALVE (ENGINE OIL PRESSURE SENSING) ...	869
	717	VALVE	
TURBOCHARGER GP-WATER COOLED	718	(ENGINE OIL TEMPERATURE SENSING)	869
		VALVE AS (24 VOLT)(ETHER START)	1018
		VALVE AS (AIR SHUTOFF)	671
		VALVE AS (ETHER START)(24 VOLT)	1017
		VALVE AS-CHECK (FUEL INJECTION PUMP) ...	846
		VALVE AS-RELIEF (AIR COMPRESSOR)	64
			69
			73
		VALVE GP-AIR CONTROL	249
			719
		VALVE GP-AIR STARTING	1163
		VALVE GP-FLUID CONTROL	
		(ENGINE OIL FILTER)	390
	899	VALVE GP-FUEL RELIEF	875
V-BELT (FAN DRIVE)	348	VALVE GP-PRESSURE REDUCING-RH	1165
V-BELT SET	345	VALVE MECHANISM GP	353
	348		354
V-BELT SET (INCLUDES 2-BELTS)			356
(FAN DRIVE)	189		357
	191	VALVE MECHANISM GP-ENGINE	355
	193	VALVE-INTERNAL (OIL CONTROL)	727
	195	VALVE-PRESSURE RELIEF (FUEL)	875
	199		
	201		
	205		
	209		
	213		
	215		
V-BELT SET (INCLUDES 3-BELTS)			
(FAN DRIVE)	187		
	197		
	203		
	207		
	211		
	217		
V-BELT SET-			
INCLUDES 3-BELTS, FAN DRIVE	345		
	346		
	347		
	348		

V

W

ENGINE ARRANGEMENT

4W-3791 ENGINE AR

242 BRAKE KW (325 BHP) AT 2100 RPM

SMCS-1000

i03806171

NOTE	PART NUMBER	QTY	PART NAME						SEE PAGE
			1	2	3	4	5	6 (PRODUCT LEVEL)	
Y	2N-8220	1	BREATHER GP						366
Y	7W-3798	1	CAMSHAFT GP						85
Y	7W-2206	1	COOLER GP-ENGINE OIL						452
Y	9N-0015	1	COVER GP-CYLINDER BLOCK						98
Y	4N-4792	1	COVER GP-FLYWHEEL HOUSING						103
Y	1W-1395	1	COVER GP-FRONT HOUSING						107
Y	4N-2272	1	COVER GP-VALVE MECHANISM						112
Y	9N-0685	1	COVER GP-WATER LINES						460
Y	4N-0741	1	CRANKSHAFT GP						118
YR	8N-9267	1	CYLINDER BLOCK GP						128
YR	4W-2436	1	CYLINDER HEAD GP						158
			S/N: 6TB9857-25232						
YR	350-4424	1	CYLINDER HEAD GP						172
			S/N: 6TB25233-UP						
Y	4P-5894	1	DAMPER & PULLEY GP						174
Y	8N-9653	1	DRIVE GP-ACCESSORY						181
Y	4W-4619	1	DRIVE GP-GOVERNOR & FUEL PUMP						764
Y	4N-6006	1	FASTENER GP-FRONT HOUSING						231
Y	1W-7376	1	FASTENER GP-FUEL INJ PUMP						774
Y	4N-2481	1	FASTENER GP-OIL PUMP MOUNTING						369
Y	4N-0731	1	FILTER GP-ENGINE OIL						378
			S/N: 6TB9857-17908						
Y	154-4326	1	FILTER GP-ENGINE OIL						397
			S/N: 6TB17909-UP						
Y	4N-1981	1	FILTER GP-FUEL						782
Y	7N-3060	1	FLYWHEEL GP						239
Y	4N-1288	1	FUMES DISPOSAL GP						402
Y	6N-2282	1	GAUGE GP-OIL LEVEL (DIPSTICK)						413
Y	8N-9246	1	GEAR GP-FRONT						243
Y	8N-5941	1	HOUSING GP-FLYWHEEL						278
Y	1W-1468	1	HOUSING GP-FRONT						284
Y	4N-1331	1	LIFTING GP-ENGINE						286
Y	4N-0875	1	LINES GP-AIR						616
Y	4N-1128	1	LINES GP-ENGINE OIL						420
Y	2W-3452	1	LINES GP-FUEL FILTER						796
Y	4W-1566	1	LINES GP-FUEL INJECTION						811
Y	4N-5394	1	LINES GP-TURBOCHARGER OIL						427
			S/N: 6TB9857-20806						
Y	212-1487	1	LINES GP-TURBOCHARGER OIL						437
			S/N: 6TB20807-UP						
Y	4N-1641	1	LINES GP-WATER						489
Y	4N-0754	1	MANIFOLD GP-EXHAUST						631
Y	1N-4471	1	MANIFOLD GP-INLET						635
Y	2W-8133	1	METER GP-SERVICE						1180
Y	4N-0756	1	PAN GP-OIL						314
Y	7N-3516	6	PISTON & ROD GP						317
YR	4N-0733	1	PUMP GP-ENGINE OIL						438
			S/N: 6TB9857-18425						
YR	161-4111	1	PUMP GP-ENGINE OIL						439
			S/N: 6TB18426-UP						
Y	4N-3287	1	PUMP GP-FUEL PRIMING						848
			S/N: 6TB9857-17679						
Y	145-8855	1	PUMP GP-FUEL PRIMING						850
			S/N: 6TB17680-UP						
Y	2W-4381	1	PUMP & MTG GP-FUEL TRANSFER						827
Y	2W-8539	1	PUMP GP-GOV & FUEL INJ						852
Y	9N-3288	1	PUMP GP-WATER						508

ENGINE ARRANGEMENT

4W-3791 ENGINE AR (contd.)

i03806171

NOTE	PART NUMBER	QTY	PART NAME						SEE PAGE
			1	2	3	4	5	6 (PRODUCT LEVEL)	
Y	9L-6671	1	SHIELD GP-MANIFOLD						664
Y	8N-2020	1	SUPPORT GP-ENGINE (FRONT)						339
Y	4N-6701	1	TURBOCHARGER GP						685
Y	4W-2461	1	VALVE MECHANISM GP						355
			S/N: 6TB9857-25232						
Y	214-1666	1	VALVE MECHANISM GP						356
			S/N: 6TB25233-UP						

PLEASE USE THE GASKET KIT LINK IN SIS OR
CONTACT YOUR LOCAL DEALER FOR THE LATEST
GASKET KIT INFORMATION

R-REMFG PART MAY BE AVAILABLE
Y-SEPARATE ILLUSTRATION

ENGINE ARRANGEMENT

4W-3792 ENGINE AR

242 BRAKE KW (325 BHP) AT 2100 RPM

SMCS - 1000

i02797583

NOTE	PART NUMBER	QTY	PART NAME						SEE PAGE
			1	2	3	4	5	6 (PRODUCT LEVEL)	
Y	2N-8220	1	BREATHER GP						366
Y	7W-3798	1	CAMSHAFT GP						85
Y	7W-2206	1	COOLER GP-ENGINE OIL						452
Y	9N-0015	1	COVER GP-CYLINDER BLOCK						98
Y	4N-4792	1	COVER GP-FLYWHEEL HOUSING						103
Y	1W-1395	1	COVER GP-FRONT HOUSING						107
Y	4N-2272	1	COVER GP-VALVE MECHANISM						112
Y	9N-0685	1	COVER GP-WATER LINES						460
Y	4N-0741	1	CRANKSHAFT GP						118
YR	8N-9267	1	CYLINDER BLOCK GP						128
YR	4W-2436	1	CYLINDER HEAD GP						158
Y	4P-5894	1	DAMPER & PULLEY GP						174
Y	8N-9653	1	DRIVE GP-ACCESSORY						181
Y	4W-4619	1	DRIVE GP-GOVERNOR & FUEL PUMP						764
Y	4N-6006	1	FASTENER GP-FRONT HOUSING						231
Y	1W-7376	1	FASTENER GP-FUEL INJ PUMP						774
Y	4N-2481	1	FASTENER GP-OIL PUMP MOUNTING						369
Y	4N-0731	1	FILTER GP-ENGINE OIL						378
			S/N: 6TB9857-17906						
Y	154-4326	1	FILTER GP-ENGINE OIL						397
			S/N: 6TB17907-UP						
Y	4N-1981	1	FILTER GP-FUEL						782
Y	7N-3060	1	FLYWHEEL GP						239
Y	4N-2743	1	FUMES DISPOSAL GP						403
Y	4N-0748	1	GAUGE GP-OIL LEVEL (DIPSTICK)						409
Y	8N-9246	1	GEAR GP-FRONT						243
Y	8N-5941	1	HOUSING GP-FLYWHEEL						278
Y	1W-1468	1	HOUSING GP-FRONT						284
Y	4N-1331	1	LIFTING GP-ENGINE						286
Y	4N-0875	1	LINES GP-AIR						616
Y	9N-2282	1	LINES GP-ENGINE OIL						423
Y	2W-3452	1	LINES GP-FUEL FILTER						796
Y	4W-1566	1	LINES GP-FUEL INJECTION						811
Y	4N-5394	1	LINES GP-TURBOCHARGER OIL						427
Y	4N-1641	1	LINES GP-WATER						489
Y	4N-0754	1	MANIFOLD GP-EXHAUST						631
Y	1N-4471	1	MANIFOLD GP-INLET						635
Y	2W-8133	1	METER GP-SERVICE						1180
Y	4N-0756	1	PAN GP-OIL						314
Y	7N-3516	6	PISTON & ROD GP						317
YR	4N-0733	1	PUMP GP-ENGINE OIL						438
			S/N: 6TB9857-18425						
YR	161-4111	1	PUMP GP-ENGINE OIL						439
			S/N: 6TB18426-UP						
Y	4N-3287	1	PUMP GP-FUEL PRIMING						848
			S/N: 6TB9857-17679						
Y	145-8855	1	PUMP GP-FUEL PRIMING						850
			S/N: 6TB17680-UP						
Y	2W-4381	1	PUMP & MTG GP-FUEL TRANSFER						827
Y	2W-8539	1	PUMP GP-GOV & FUEL INJ						852
Y	9N-3288	1	PUMP GP-WATER						508
Y	9L-6671	1	SHIELD GP-MANIFOLD						664
Y	8N-2020	1	SUPPORT GP-ENGINE (FRONT)						339
Y	4N-6701	1	TURBOCHARGER GP						685
Y	4W-2461	1	VALVE MECHANISM GP						355

ENGINE ARRANGEMENT

4W-3792 ENGINE AR (contd.)

i02797583

NOTE	PART NUMBER	QTY	PART NAME 1 2 3 4 5 6 (PRODUCT LEVEL)	SEE PAGE
PLEASE USE THE GASKET KIT LINK IN SIS OR CONTACT YOUR LOCAL DEALER FOR THE LATEST GASKET KIT INFORMATION				
R-REMG PART MAY BE AVAILABLE Y-SEPARATE ILLUSTRATION				

ENGINE ARRANGEMENT

4W-3793 ENGINE AR

209 BRAKE KW (280 BHP) AT 2100 RPM INTERMITTENT.
 PROVIDES A DIRECT INJECTION TURBOCHARGED ENGINE WITH FRONT SUMP

SMCS-1000

i02797584

NOTE	PART NUMBER	QTY	PART NAME						SEE PAGE
			1	2	3	4	5	6 (PRODUCT LEVEL)	
Y	2N-8220	1	BREATHER GP						366
Y	7W-3798	1	CAMSHAFT GP						85
Y	7W-2206	1	COOLER GP-ENGINE OIL						452
Y	1W-5106	1	COVER GP-CYLINDER BLOCK						96
Y	4N-4792	1	COVER GP-FLYWHEEL HOUSING						103
Y	1W-1395	1	COVER GP-FRONT HOUSING						107
Y	4N-4953	1	COVER GP-VALVE MECHANISM						113
Y	9N-0685	1	COVER GP-WATER LINES						460
Y	4N-0741	1	CRANKSHAFT GP						118
YR	8N-9267	1	CYLINDER BLOCK GP						128
YR	4W-2436	1	CYLINDER HEAD GP						158
Y	4P-5894	1	DAMPER & PULLEY GP						174
Y	8N-9653	1	DRIVE GP-ACCESSORY						181
Y	4W-4619	1	DRIVE GP-GOVERNOR & FUEL PUMP						764
Y	1W-9010	1	DRIVE GP-TACHOMETER						771
Y	4N-6006	1	FASTENER GP-FRONT HOUSING						231
Y	1W-7376	1	FASTENER GP-FUEL INJ PUMP						774
Y	4N-2481	1	FASTENER GP-OIL PUMP MOUNTING						369
Y	6N-1016	1	FILLER GP-ENGINE OIL						371
Y	4N-0731	1	FILTER GP-ENGINE OIL						378
			S/N: 6TB9857-17906						
Y	154-4326	1	FILTER GP-ENGINE OIL						397
			S/N: 6TB17907-UP						
Y	4N-1981	1	FILTER GP-FUEL						782
Y	7N-3060	1	FLYWHEEL GP						239
Y	9N-3425	1	FUMES DISPOSAL GP						406
Y	4W-3924	1	GAUGE GP-OIL LEVEL (DIPSTICK)						412
Y	8N-9246	1	GEAR GP-FRONT						243
Y	8N-5941	1	HOUSING GP-FLYWHEEL						278
Y	1W-1468	1	HOUSING GP-FRONT						284
Y	4N-1331	1	LIFTING GP-ENGINE						286
Y	1W-8460	1	LINES GP-AIR						615
Y	4N-1128	1	LINES GP-ENGINE OIL						420
Y	4W-6059	1	LINES GP-FUEL FILTER						800
Y	4W-1566	1	LINES GP-FUEL INJECTION						811
Y	4N-5394	1	LINES GP-TURBOCHARGER OIL						427
Y	4N-1641	1	LINES GP-WATER						489
Y	4N-0754	1	MANIFOLD GP-EXHAUST						631
Y	1N-4471	1	MANIFOLD GP-INLET						635
Y	4N-0756	1	PAN GP-OIL						314
Y	7N-3516	6	PISTON & ROD GP						317
YR	4N-0733	1	PUMP GP-ENGINE OIL						438
			S/N: 6TB9857-18425						
YR	161-4111	1	PUMP GP-ENGINE OIL						439
			S/N: 6TB18426-UP						
Y	4N-3287	1	PUMP GP-FUEL PRIMING						848
			S/N: 6TB9857-17679						
Y	145-8855	1	PUMP GP-FUEL PRIMING						850
			S/N: 6TB17680-UP						
Y	2W-4381	1	PUMP & MTG GP-FUEL TRANSFER						827
Y	2W-8539	1	PUMP GP-GOV & FUEL INJ						852
Y	9N-3288	1	PUMP GP-WATER						508
Y	9L-6671	1	SHIELD GP-MANIFOLD						664
Y	9Y-2060	1	SHUTOFF GP-ELECTRICAL						1006
			S/N: 6TB9857-16467						

ENGINE ARRANGEMENT

4W-3793 ENGINE AR (contd.)

i02797584

NOTE	PART NUMBER	QTY	PART NAME						SEE PAGE
			1	2	3	4	5	6 (PRODUCT LEVEL)	
Y	117-7470	1	SHUTOFF GP-ELECTRICAL						1007
			S/N: 6TB16468-UP						
Y	8N-2020	1	SUPPORT GP-ENGINE (FRONT)						339
Y	6N-9782	1	TURBOCHARGER GP						689
Y	4W-2461	1	VALVE MECHANISM GP						355

PLEASE USE THE GASKET KIT LINK IN SIS OR
CONTACT YOUR LOCAL DEALER FOR THE LATEST
GASKET KIT INFORMATION

R-REMG PART MAY BE AVAILABLE
Y-SEPARATE ILLUSTRATION

ENGINE ARRANGEMENT

4W-3794 ENGINE AR

298 BRAKE KW (400 BHP) AT 2100 RPM INTERMITTENT.
 PROVIDES A DIRECT INJECTION TURBOCHARGED AFTERCOOLED ENGINE

SMCS-1000

i03806251

NOTE	PART NUMBER	QTY	PART NAME						SEE PAGE
			1	2	3	4	5	6 (PRODUCT LEVEL)	
Y	1W-8347	1	AFTERCOOLER GP-WATER						548
Y	2N-8220	1	BREATHER GP						366
Y	8N-9244	1	CAMSHAFT GP						86
Y	7W-2206	1	COOLER GP-ENGINE OIL						452
Y	9N-3866	1	COVER GP-CYLINDER BLOCK						101
Y	1W-8341	1	COVER GP-FLYWHEEL HOUSING						102
Y	1W-1395	1	COVER GP-FRONT HOUSING						107
Y	9N-3618	1	COVER GP-VALVE MECHANISM						116
Y	4N-0741	1	CRANKSHAFT GP						118
YR	8N-9267	1	CYLINDER BLOCK GP						128
			S/N: 6TB9857-20804						
Y	209-5775	1	CYLINDER BLOCK GP						149
			S/N: 6TB20805-UP						
YR	1W-1439	1	CYLINDER HEAD GP						155
			S/N: 6TB9857-25232						
YR	350-4422	1	CYLINDER HEAD GP						171
			S/N: 6TB25233-UP						
Y	4P-5894	1	DAMPER & PULLEY GP						174
Y	8N-9653	1	DRIVE GP-ACCESSORY						181
Y	4W-4619	1	DRIVE GP-GOVERNOR & FUEL PUMP						764
Y	4N-6006	1	FASTENER GP-FRONT HOUSING						231
Y	1W-7376	1	FASTENER GP-FUEL INJ PUMP						774
Y	4N-2481	1	FASTENER GP-OIL PUMP MOUNTING						369
Y	4N-0731	1	FILTER GP-ENGINE OIL						378
			S/N: 6TB9857-17906						
Y	154-4326	1	FILTER GP-ENGINE OIL						397
			S/N: 6TB17907-20804						
Y	209-5777	1	FILTER GP-ENGINE OIL						400
			S/N: 6TB20805-UP						
Y	4N-1981	1	FILTER GP-FUEL						782
Y	1W-8340	1	FLYWHEEL GP						233
Y	9N-2517	1	FUMES DISPOSAL GP						405
Y	7N-0166	1	GAUGE GP-OIL LEVEL (DIPSTICK)						414
Y	8N-9246	1	GEAR GP-FRONT						243
Y	5N-9240	1	GEAR GP-REAR						244
Y	6N-2212	1	HOUSING GP-FLYWHEEL						273
Y	1W-1468	1	HOUSING GP-FRONT						284
Y	4N-1331	1	LIFTING GP-ENGINE						286
Y	4N-2474	1	LINES GP-AFTERCOOLER WATER						481
Y	9N-3673	1	LINES GP-AIR						627
Y	1W-8342	1	LINES GP-ENGINE OIL						419
Y	9N-2282	1	LINES GP-ENGINE OIL						423
Y	2W-3452	1	LINES GP-FUEL FILTER						796
Y	1W-0557	1	LINES GP-FUEL INJECTION						805
Y	9N-0013	1	LINES GP-TURBOCHARGER OIL						428
			S/N: 6TB9857-19600						
Y	138-4773	1	LINES GP-TURBOCHARGER OIL						432
			S/N: 6TB19601-UP						
Y	4N-1641	1	LINES GP-WATER						489
Y	9N-0022	1	MANIFOLD GP-EXHAUST						633
Y	2W-8133	1	METER GP-SERVICE						1180
Y	4N-0756	1	PAN GP-OIL						314
Y	7N-3516	6	PISTON & ROD GP						317
YR	4N-0733	1	PUMP GP-ENGINE OIL						438
			S/N: 6TB9857-18425						

ENGINE ARRANGEMENT

4W-3794 ENGINE AR (contd.)

i03806251

NOTE	PART NUMBER	QTY	PART NAME						SEE PAGE	
			1	2	3	4	5	6 (PRODUCT LEVEL)		
YR	161-4111	1	PUMP	GP-ENGINE	OIL					439
					S/N: 6TB18426-UP					
Y	4N-3287	1	PUMP	GP-FUEL	PRIMING					848
					S/N: 6TB9857-17679					
Y	145-8855	1	PUMP	GP-FUEL	PRIMING					850
					S/N: 6TB17680-UP					
Y	2W-4381	1	PUMP & MTG	GP-FUEL	TRANSFER					827
Y	2W-8541	1	PUMP	GP-GOV &	FUEL INJ					853
Y	9N-3288	1	PUMP	GP-WATER						508
Y	9L-6671	1	SHIELD	GP-MANIFOLD						664
					S/N: 6TB9857-14352					
Y	124-5289	1	SHIELD	GP-MANIFOLD						666
					S/N: 6TB14353-UP					
Y	6N-0719	1	SUPPORT	GP-ENGINE						338
Y	9N-5265	1	TURBOCHARGER	GP						712
Y	4N-2271	1	VALVE MECHANISM	GP						353
					S/N: 6TB9857-25232					
Y	214-1666	1	VALVE MECHANISM	GP						356
					S/N: 6TB25233-UP					

PLEASE USE THE GASKET KIT LINK IN SIS OR
CONTACT YOUR LOCAL DEALER FOR THE LATEST
GASKET KIT INFORMATION

R-REMFG PART MAY BE AVAILABLE
Y-SEPARATE ILLUSTRATION

ENGINE ARRANGEMENT

4W-3798 ENGINE AR

250 BRAKE KW (325 BHP) AT 1750 RPM INTERMITTENT. PROVIDES A DIRECT INJECTION
TURBOCHARGED ENGINE WITH WATERCOOLED MANIFOLD AND TURBOCHARGER

SMCS-1000

i03880032

NOTE	PART NUMBER	QTY	PART NAME						SEE PAGE
			1	2	3	4	5	6 (PRODUCT LEVEL)	
Y	2N-8220	1	BREATHER GP						366
Y	8N-9244	1	CAMSHAFT GP						86
Y	7W-2206	1	COOLER GP-ENGINE OIL						452
Y	9N-0015	1	COVER GP-CYLINDER BLOCK						98
Y	4N-4792	1	COVER GP-FLYWHEEL HOUSING						103
Y	1W-1395	1	COVER GP-FRONT HOUSING						107
Y	4N-5489	1	COVER GP-TURBOCHARGER DRAIN						592
Y	4N-2272	1	COVER GP-VALVE MECHANISM						112
Y	9N-0685	1	COVER GP-WATER LINES						460
Y	4N-0741	1	CRANKSHAFT GP						118
YR	8N-9267	1	CYLINDER BLOCK GP S/N: 6TB9857-22893						128
YR	7E-4697	1	CYLINDER BLOCK GP S/N: 6TB22894-UP						120
YR	1W-1439	1	CYLINDER HEAD GP S/N: 6TB9857-25232						155
YR	350-4422	1	CYLINDER HEAD GP S/N: 6TB25233-UP						171
Y	4P-5894	1	DAMPER & PULLEY GP						174
Y	8N-9653	1	DRIVE GP-ACCESSORY						181
Y	1W-6378	1	DRIVE GP-GOVERNOR & FUEL PUMP						763
Y	4N-6006	1	FASTENER GP-FRONT HOUSING						231
Y	1W-7376	1	FASTENER GP-FUEL INJ PUMP						774
Y	4N-2481	1	FASTENER GP-OIL PUMP MOUNTING						369
Y	4N-0731	1	FILTER GP-ENGINE OIL S/N: 6TB9857-17906						378
Y	154-4326	1	FILTER GP-ENGINE OIL S/N: 6TB17907-UP						397
Y	4N-1981	1	FILTER GP-FUEL						782
Y	7N-3060	1	FLYWHEEL GP						239
Y	4N-1288	1	FUMES DISPOSAL GP						402
Y	6N-2282	1	GAUGE GP-OIL LEVEL (DIPSTICK) (ENGINE)						413
Y	8N-9246	1	GEAR GP-FRONT						243
Y	4N-0732	1	HOUSING GP-FLYWHEEL						270
Y	1W-1468	1	HOUSING GP-FRONT						284
Y	4N-1331	1	LIFTING GP-ENGINE						286
Y	4N-0876	1	LINES GP-AIR						617
Y	4N-1128	1	LINES GP-ENGINE OIL						420
Y	2W-3452	1	LINES GP-FUEL FILTER						796
Y	4W-8293	1	LINES GP-FUEL INJECTION						813
Y	4N-4073	1	LINES GP-TURBOCHARGER OIL						426
Y	4N-4075	1	LINES GP-WATER						491
Y	4N-5466	1	HOUSING & REGULATOR GP						479
Y	4N-0691	1	MANIFOLD GP-EXHAUST						630
Y	1N-4471	1	MANIFOLD GP-INLET						635
Y	2W-8133	1	METER GP-SERVICE						1180
Y	4N-0756	1	PAN GP-OIL (ENGINE)						314
Y	7N-3516	6	PISTON & ROD GP S/N: 6TB9857-22893						317
YR	7E-0491	6	PISTON & ROD GP S/N: 6TB22894-UP						316
YR	4N-0733	1	PUMP GP-ENGINE OIL S/N: 6TB9857-17906						438
YR	161-4111	1	PUMP GP-ENGINE OIL S/N: 6TB17907-22893						439

ENGINE ARRANGEMENT

4W-3798 ENGINE AR (contd.)

i03880032

NOTE	PART NUMBER	QTY	PART NAME						SEE PAGE	
			1	2	3	4	5	6 (PRODUCT LEVEL)		
YR	161-4113	1	PUMP	GP-ENGINE	OIL					440
					S/N: 6TB22894-UP					
Y	4N-3287	1	PUMP	GP-FUEL	PRIMING					848
					S/N: 6TB9857-17679					
Y	145-8855	1	PUMP	GP-FUEL	PRIMING					850
					S/N: 6TB17680-UP					
Y	2W-4381	1	PUMP & MTG	GP-FUEL	TRANSFER					827
Y	2W-9115	1	PUMP	GP-GOV &	FUEL INJ					857
Y	9N-3288	1	PUMP	GP-WATER						508
Y	8N-2020	1	SUPPORT	GP-ENGINE	(FRONT)					339
					S/N: 6TB9857-26263					
Y	355-7415	1	SUPPORT	GP-ENGINE						341
					S/N: 6TB26264-UP					
Y	6N-9150	1	TURBOCHARGER	GP-WATER	COOLED					718
Y	4N-2271	1	VALVE	MECHANISM	GP					353
					S/N: 6TB9857-25232					
Y	214-1666	1	VALVE	MECHANISM	GP					356
					S/N: 6TB25233-UP					
PLEASE USE THE GASKET KIT LINK IN SIS OR CONTACT YOUR LOCAL DEALER FOR THE LATEST GASKET KIT INFORMATION										
R-REMG PART MAY BE AVAILABLE Y-SEPARATE ILLUSTRATION										

ENGINE ARRANGEMENT

4W-3799 ENGINE AR

**287 BRAKE KW (385 BHP) AT 1750 RPM INTERMITTENT. PROVIDES A DIRECT INJECTION
TURBOCHARGED AFTERCOOLED ENGINE WITH WATERCOOLED MANIFOLD AND TURBOCHARGER**

SMCS-1000

i03911827

NOTE	PART NUMBER	QTY	PART NAME						SEE PAGE
			1	2	3	4	5	6 (PRODUCT LEVEL)	
Y	4N-4077	1	AFTERCOOLER GP-WATER						550
Y	2N-8220	1	BREATHER GP						366
Y	8N-9244	1	CAMSHAFT GP						86
Y	7W-2206	1	COOLER GP-ENGINE OIL						452
Y	9N-0684	1	COVER GP-CYLINDER BLOCK						99
Y	4N-4792	1	COVER GP-FLYWHEEL HOUSING						103
Y	1W-1395	1	COVER GP-FRONT HOUSING						107
Y	4N-8048	1	COVER GP-GOVERNOR						757
Y	4N-5489	1	COVER GP-TURBOCHARGER DRAIN						592
Y	4N-2272	1	COVER GP-VALVE MECHANISM						112
Y	4N-0741	1	CRANKSHAFT GP						118
YR	8N-9267	1	CYLINDER BLOCK GP						128
			S/N: 6TB9857-21668						
YR	7E-4697	1	CYLINDER BLOCK GP						120
			S/N: 6TB21669-UP						
YR	1W-1439	1	CYLINDER HEAD GP						155
			S/N: 6TB9857-25232						
YR	350-4422	1	CYLINDER HEAD GP						171
			S/N: 6TB25233-UP						
Y	4P-5894	1	DAMPER & PULLEY GP						174
			S/N: 6TB9857-21980						
Y	4P-5532	1	DAMPER & PULLEY GP						173
			S/N: 6TB21981-UP						
Y	8N-9653	1	DRIVE GP-ACCESSORY						181
Y	1W-6378	1	DRIVE GP-GOVERNOR & FUEL PUMP						763
Y	4N-6006	1	FASTENER GP-FRONT HOUSING						231
Y	1W-7376	1	FASTENER GP-FUEL INJ PUMP						774
Y	4N-2481	1	FASTENER GP-OIL PUMP MOUNTING						369
Y	4N-0731	1	FILTER GP-ENGINE OIL						378
			S/N: 6TB9857-17906						
Y	154-4326	1	FILTER GP-ENGINE OIL						397
			S/N: 6TB17907-UP						
Y	4N-1981	1	FILTER GP-FUEL						782
Y	7N-3060	1	FLYWHEEL GP						239
Y	4N-1288	1	FUMES DISPOSAL GP						402
Y	6N-2282	1	GAUGE GP-OIL LEVEL (DIPSTICK)						413
Y	8N-9246	1	GEAR GP-FRONT						243
Y	4N-0732	1	HOUSING GP-FLYWHEEL						270
Y	1W-1468	1	HOUSING GP-FRONT						284
Y	4N-1331	1	LIFTING GP-ENGINE						286
Y	4N-2474	1	LINES GP-AFTERCOOLER WATER						481
Y	4N-4078	1	LINES GP-AIR						618
Y	4N-1128	1	LINES GP-ENGINE OIL						420
Y	2W-3452	1	LINES GP-FUEL FILTER						796
Y	4W-8293	1	LINES GP-FUEL INJECTION						813
Y	4N-4073	1	LINES GP-TURBOCHARGER OIL						426
Y	4N-4075	1	LINES GP-WATER						491
Y	4N-5466	1	HOUSING & REGULATOR GP						479
Y	4N-0691	1	MANIFOLD GP-EXHAUST						630
Y	2W-8133	1	METER GP-SERVICE						1180
Y	4N-0756	1	PAN GP-OIL						314
Y	7N-3516	6	PISTON & ROD GP						317
			S/N: 6TB9857-21668						
YR	7E-0491	6	PISTON & ROD GP						316
			S/N: 6TB21669-UP						

ENGINE ARRANGEMENT

4W-3799 ENGINE AR (contd.)

i03911827

NOTE	PART NUMBER	QTY	PART NAME						SEE PAGE	
			1	2	3	4	5	6 (PRODUCT LEVEL)		
YR	4N-0733	1	PUMP	GP-ENGINE	OIL					438
					S/N: 6TB9857-18425					
YR	161-4111	1	PUMP	GP-ENGINE	OIL					439
					S/N: 6TB18426-21668					
YR	161-4113	1	PUMP	GP-ENGINE	OIL					440
					S/N: 6TB21669-UP					
Y	4N-3287	1	PUMP	GP-FUEL	PRIMING					848
					S/N: 6TB9857-17679					
Y	145-8855	1	PUMP	GP-FUEL	PRIMING					850
					S/N: 6TB17680-UP					
Y	2W-4381	1	PUMP & MTG	GP-FUEL	TRANSFER					827
Y	2W-9104	1	PUMP	GP-GOV &	FUEL INJ					855
Y	9N-3288	1	PUMP	GP-WATER						508
Y	8N-2020	1	SUPPORT	GP-ENGINE	(FRONT)					339
					S/N: 6TB9857-26263					
Y	355-7415	1	SUPPORT	GP-ENGINE						341
					S/N: 6TB26264-UP					
Y	4N-4074	1	TURBOCHARGER	GP						682
Y	4N-2271	1	VALVE MECHANISM	GP						353
					S/N: 6TB9857-25232					
Y	214-1666	1	VALVE MECHANISM	GP						356
					S/N: 6TB25233-UP					

PLEASE USE THE GASKET KIT LINK IN SIS OR
CONTACT YOUR LOCAL DEALER FOR THE LATEST
GASKET KIT INFORMATION

R-REMG PART MAY BE AVAILABLE
Y-SEPARATE ILLUSTRATION

ENGINE ARRANGEMENT

6I-1511 ENGINE AR

298 BRAKE KW (400 BHP) AT 1800 RPM

SMCS-1000

i02788422

NOTE	PART NUMBER	QTY	PART NAME						SEE PAGE
			1	2	3	4	5	6 (PRODUCT LEVEL)	
Y	1W-8347	1	AFTERCOOLER GP-WATER						548
YR	8N-0999	1	ALTERNATOR GP-CHARGING						906
YR	3E-7577	1	S/N: 6TB9857-10320 ALTERNATOR GP-CHARGING (24-VOLT, 75-AMPERE)						876
Y	2N-8220	1	S/N: 6TB10321-UP BREATHER GP						366
Y	7W-3798	1	CAMSHAFT GP						85
Y	5N-8519	1	CONTACTOR GP						958
Y	5N-5725	1	S/N: 6TB9857-12254 CONTACTOR GP						957
Y	1N-5331	1	S/N: 6TB12255-UP CONTROL GP-GOVERNOR						732
Y	4W-4251	1	COOLANT CONDITIONER GP						447
Y	7W-2206	1	COOLER GP-ENGINE OIL						452
Y	9N-0684	1	COVER GP-CYLINDER BLOCK						99
Y	4N-4792	1	COVER GP-FLYWHEEL HOUSING						103
Y	1W-1395	1	COVER GP-FRONT HOUSING						107
Y	7C-0730	1	COVER GP-VALVE MECHANISM						114
Y	4N-0741	1	CRANKSHAFT GP						118
YR	8N-9267	1	CYLINDER BLOCK GP						128
YR	4W-2436	1	CYLINDER HEAD GP						158
Y	6I-2967	1	DAMPER & PULLEY GP						175
Y	4P-5532	1	S/N: 6TB9857-11668 DAMPER & PULLEY GP						173
Y	8N-9653	1	S/N: 6TB11669-UP DRIVE GP-ACCESSORY						181
Y	7W-5910	1	DRIVE GP-GOVERNOR & FUEL PUMP						766
Y	6L-2927	1	ELBOW GP-EXHAUST						597
Y	4N-6006	1	FASTENER GP-FRONT HOUSING						231
Y	1W-7376	1	FASTENER GP-FUEL INJ PUMP						774
Y	4N-2481	1	FASTENER GP-OIL PUMP MOUNTING						369
Y	2W-7201	1	FILLER GP-ENGINE OIL						370
Y	4N-0731	1	FILTER GP-ENGINE OIL						378
Y	154-4326	1	S/N: 6TB9857-17906 FILTER GP-ENGINE OIL						397
Y	4N-1981	1	S/N: 6TB17907-UP FILTER GP-FUEL						782
Y	8H-7204	1	FILTER GP-FUEL						785
Y	7N-3060	1	FLYWHEEL GP						239
Y	4N-1288	1	FUMES DISPOSAL GP						402
Y	4N-9951	1	GAUGE GP-OIL LEVEL (DIPSTICK)						410
Y	8N-9246	1	GEAR GP-FRONT						243
Y	8N-5941	1	HOUSING GP-FLYWHEEL						278
Y	1W-1468	1	HOUSING GP-FRONT						284
Y	4N-1331	1	LIFTING GP-ENGINE						286
Y	4N-2474	1	LINES GP-AFTERCOOLER WATER						481
Y	8N-4398	1	LINES GP-AIR						626
Y	4N-1128	1	LINES GP-ENGINE OIL						420
Y	2W-3452	1	LINES GP-FUEL FILTER						796
Y	2W-3457	1	LINES GP-FUEL FILTER						798
Y	4W-1566	1	LINES GP-FUEL INJECTION						811
Y	7W-3935	1	LINES GP-FUEL RATIO CONTROL						825
Y	4N-5394	1	LINES GP-TURBOCHARGER OIL						427
Y	4N-1641	1	LINES GP-WATER						489
Y	4N-0754	1	MANIFOLD GP-EXHAUST						631
Y	2W-8133	1	METER GP-SERVICE						1180
Y	7W-1340	1	MOUNTING GP-ALTERNATOR						308

ENGINE ARRANGEMENT

6I-1511 ENGINE AR (contd.)

i02788422

NOTE	PART NUMBER	QTY	PART NAME						SEE PAGE
			1	2	3	4	5	6 (PRODUCT LEVEL)	
Y	4N-0756	1	PAN GP-OIL						314
Y	7N-3516	6	PISTON & ROD GP						317
YR	4N-0733	1	PUMP GP-ENGINE OIL						438
			S/N: 6TB9857-18425						
YR	161-4111	1	PUMP GP-ENGINE OIL						439
			S/N: 6TB18426-UP						
Y	4N-3287	1	PUMP GP-FUEL PRIMING						848
			S/N: 6TB9857-17679						
Y	145-8855	1	PUMP GP-FUEL PRIMING						850
			S/N: 6TB17680-UP						
Y	2W-4381	1	PUMP & MTG GP-FUEL TRANSFER						827
Y	7C-6533	1	PUMP GP-GOV & FUEL INJ						860
Y	9N-3288	1	PUMP GP-WATER						508
Y	9L-6671	1	SHIELD GP-MANIFOLD						664
Y	2W-8198	1	SHUTOFF GP-ELECTRICAL						1003
Y	5N-2685	1	STARTING MOTOR GP-ELECTRIC						1058
Y	6N-0719	1	SUPPORT GP-ENGINE						338
Y	7C-6624	1	TURBOCHARGER GP						695
Y	4W-2461	1	VALVE MECHANISM GP						355

PLEASE USE THE GASKET KIT LINK IN SIS OR
CONTACT YOUR LOCAL DEALER FOR THE LATEST
GASKET KIT INFORMATION

R-REMFG PART MAY BE AVAILABLE
Y-SEPARATE ILLUSTRATION

ENGINE ARRANGEMENT

7C-6614 ENGINE AR 298 BRAKE KW (400 BHP) AT 1800 RPM

SMCS-1000

i02797795

NOTE	PART NUMBER	QTY	PART NAME						SEE PAGE
			1	2	3	4	5	6 (PRODUCT LEVEL)	
Y	1W-8347	1	AFTERCOOLER GP-WATER						548
Y	2N-8220	1	BREATHER GP						366
Y	7W-3798	1	CAMSHAFT GP						85
Y	7W-2206	1	COOLER GP-ENGINE OIL						452
Y	9N-0684	1	COVER GP-CYLINDER BLOCK						99
Y	4N-4792	1	COVER GP-FLYWHEEL HOUSING						103
Y	1W-1395	1	COVER GP-FRONT HOUSING						107
Y	7C-0730	1	COVER GP-VALVE MECHANISM						114
Y	4N-0741	1	CRANKSHAFT GP						118
YR	8N-9267	1	CYLINDER BLOCK GP						128
YR	4W-2436	1	CYLINDER HEAD GP						158
Y	4P-5894	1	DAMPER & PULLEY GP						174
Y	8N-9653	1	DRIVE GP-ACCESSORY						181
Y	7W-5910	1	DRIVE GP-GOVERNOR & FUEL PUMP						766
Y	4N-6006	1	FASTENER GP-FRONT HOUSING						231
Y	1W-7376	1	FASTENER GP-FUEL INJ PUMP						774
Y	4N-2481	1	FASTENER GP-OIL PUMP MOUNTING						369
Y	4N-0731	1	FILTER GP-ENGINE OIL						378
			S/N: 6TB9857-17906						
Y	154-4326	1	FILTER GP-ENGINE OIL						397
			S/N: 6TB17907-UP						
Y	4N-1981	1	FILTER GP-FUEL						782
Y	7N-3060	1	FLYWHEEL GP						239
Y	4N-1288	1	FUMES DISPOSAL GP						402
Y	6N-2282	1	GAUGE GP-OIL LEVEL (DIPSTICK)						413
Y	8N-9246	1	GEAR GP-FRONT						243
Y	8N-5941	1	HOUSING GP-FLYWHEEL						278
Y	1W-1468	1	HOUSING GP-FRONT						284
Y	4N-1331	1	LIFTING GP-ENGINE						286
Y	4N-2474	1	LINES GP-AFTERCOOLER WATER						481
Y	8N-4398	1	LINES GP-AIR						626
Y	4N-1128	1	LINES GP-ENGINE OIL						420
Y	2W-3452	1	LINES GP-FUEL FILTER						796
Y	4W-1566	1	LINES GP-FUEL INJECTION						811
Y	7W-3935	1	LINES GP-FUEL RATIO CONTROL						825
Y	4N-5394	1	LINES GP-TURBOCHARGER OIL						427
Y	4N-1641	1	LINES GP-WATER						489
Y	4N-0754	1	MANIFOLD GP-EXHAUST						631
Y	2W-8133	1	METER GP-SERVICE						1180
Y	4N-0756	1	PAN GP-OIL						314
Y	7N-3516	6	PISTON & ROD GP						317
YR	4N-0733	1	PUMP GP-ENGINE OIL						438
			S/N: 6TB9857-18425						
YR	161-4111	1	PUMP GP-ENGINE OIL						439
			S/N: 6TB18426-UP						
Y	4N-3287	1	PUMP GP-FUEL PRIMING						848
			S/N: 6TB9857-17679						
Y	145-8855	1	PUMP GP-FUEL PRIMING						850
			S/N: 6TB17680-UP						
Y	2W-4381	1	PUMP & MTG GP-FUEL TRANSFER						827
Y	7C-6533	1	PUMP GP-GOV & FUEL INJ						860
Y	9N-3288	1	PUMP GP-WATER						508
Y	9L-6671	1	SHIELD GP-MANIFOLD						664
Y	8N-2020	1	SUPPORT GP-ENGINE (FRONT)						339
Y	7C-6624	1	TURBOCHARGER GP						695
Y	4W-2461	1	VALVE MECHANISM GP						355

ENGINE ARRANGEMENT

7C-6614 ENGINE AR (contd.)

i02797795

NOTE	PART NUMBER	QTY	PART NAME 1 2 3 4 5 6 (PRODUCT LEVEL)	SEE PAGE
PLEASE USE THE GASKET KIT LINK IN SIS OR CONTACT YOUR LOCAL DEALER FOR THE LATEST GASKET KIT INFORMATION				
R-REMG PART MAY BE AVAILABLE Y-SEPARATE ILLUSTRATION				

ENGINE ARRANGEMENT

7C-6764 ENGINE AR

280 BRAKE KW (375 BHP) AT 2100 RPM. FIRE PUMP

SMCS-1000

i03911828

NOTE	PART NUMBER	QTY	PART NAME						SEE PAGE
			1	2	3	4	5	6 (PRODUCT LEVEL)	
Y	2N-8220	1	BREATHER GP						366
Y	7W-3798	1	CAMSHAFT GP						85
Y	7W-2206	1	COOLER GP-ENGINE OIL						452
Y	9N-0015	1	COVER GP-CYLINDER BLOCK						98
Y	4N-4792	1	COVER GP-FLYWHEEL HOUSING						103
Y	1W-1395	1	COVER GP-FRONT HOUSING						107
			S/N: 6TB9857-24572						
Y	287-3561	1	COVER GP-FRONT HOUSING						111
			S/N: 6TB24573-UP						
Y	9Y-0579	1	COVER GP-TURBOCHARGER						591
Y	7W-7353	1	COVER GP-VALVE MECHANISM						115
Y	9N-0685	1	COVER GP-WATER LINES						460
Y	4N-0741	1	CRANKSHAFT GP						118
YR	8N-9267	1	CYLINDER BLOCK GP						128
			S/N: 6TB9857-22890						
YR	7E-4697	1	CYLINDER BLOCK GP						120
			S/N: 6TB22891-UP						
YR	4W-2436	1	CYLINDER HEAD GP						158
			S/N: 6TB13574-25232						
YR	350-4424	1	CYLINDER HEAD GP						172
			S/N: 6TB25233-UP						
Y	4P-5894	1	DAMPER & PULLEY GP						174
Y	8N-9653	1	DRIVE GP-ACCESSORY						181
Y	4W-4619	1	DRIVE GP-GOVERNOR & FUEL PUMP						764
Y	4N-6006	1	FASTENER GP-FRONT HOUSING						231
Y	1W-7376	1	FASTENER GP-FUEL INJ PUMP						774
Y	4N-2481	1	FASTENER GP-OIL PUMP MOUNTING						369
Y	6N-1016	1	FILLER GP-ENGINE OIL						371
Y	4N-0731	1	FILTER GP-ENGINE OIL						378
			S/N: 6TB9857-17906						
Y	154-4326	1	FILTER GP-ENGINE OIL						397
			S/N: 6TB17907-UP						
Y	4N-1981	1	FILTER GP-FUEL						782
Y	7N-3060	1	FLYWHEEL GP						239
Y	6N-2282	1	GAUGE GP-OIL LEVEL (DIPSTICK) (ENGINE)						413
Y	8N-9246	1	GEAR GP-FRONT						243
Y	8N-5941	1	HOUSING GP-FLYWHEEL						278
Y	1W-1468	1	HOUSING GP-FRONT						284
Y	4N-1331	1	LIFTING GP-ENGINE						286
Y	9Y-0578	1	LINES GP-AIR						628
Y	4N-1128	1	LINES GP-ENGINE OIL						420
Y	2W-3452	1	LINES GP-FUEL FILTER						796
Y	4W-1566	1	LINES GP-FUEL INJECTION						811
Y	9Y-0581	1	LINES GP-TURBOCHARGER OIL						430
Y	7C-0067	1	MANIFOLD GP-EXHAUST						632
Y	1N-4471	1	MANIFOLD GP-INLET						635
Y	2W-8133	1	METER GP-SERVICE						1180
Y	4N-0756	1	PAN GP-OIL (ENGINE)						314
Y	7N-3516	6	PISTON & ROD GP						317
			S/N: 6TB9857-22890						
YR	7E-0491	6	PISTON & ROD GP						316
			S/N: 6TB22891-UP						
YR	4N-0733	1	PUMP GP-ENGINE OIL						438
			S/N: 6TB9857-18425						
YR	161-4111	1	PUMP GP-ENGINE OIL						439
			S/N: 6TB18426-22890						

ENGINE ARRANGEMENT

7C-6764 ENGINE AR (contd.)

i03911828

NOTE	PART NUMBER	QTY	PART NAME						SEE PAGE
			1	2	3	4	5	6 (PRODUCT LEVEL)	
YR	161-4113	1	PUMP	GP-ENGINE	OIL				440
			S/N: 6TB22891-UP						
Y	4N-3287	1	PUMP	GP-FUEL	PRIMING				848
			S/N: 6TB9857-17679						
Y	145-8855	1	PUMP	GP-FUEL	PRIMING				850
			S/N: 6TB17680-UP						
Y	2W-4381	1	PUMP & MTG	GP-FUEL	TRANSFER				827
Y	2W-8541	1	PUMP	GP-GOV &	FUEL INJ				853
Y	9N-3288	1	PUMP	GP-WATER					508
Y	8N-2020	1	SUPPORT	GP-ENGINE	(FRONT)				339
			S/N: 6TB9857-26263						
Y	355-7415	1	SUPPORT	GP-ENGINE					341
			S/N: 6TB26264-UP						
Y	9Y-0993	1	TANK	GP-EXPANSION					538
Y	7C-0068	1	TURBOCHARGER	GP					690
Y	4W-2461	1	VALVE	MECHANISM	GP				355
			S/N: 6TB13574-25232						
Y	214-1666	1	VALVE	MECHANISM	GP				356
			S/N: 6TB25233-UP						

PLEASE USE THE GASKET KIT LINK IN SIS OR
CONTACT YOUR LOCAL DEALER FOR THE LATEST
GASKET KIT INFORMATION

R-REMFG PART MAY BE AVAILABLE
Y-SEPARATE ILLUSTRATION

ENGINE ARRANGEMENT

7C-6765 ENGINE AR

354 BRAKE KW (475 BHP) AT 2100 RPM. FIRE PUMP

SMCS-1000

i04004712

NOTE	PART NUMBER	QTY	PART NAME						SEE PAGE
			1	2	3	4	5	6 (PRODUCT LEVEL)	
Y	1W-8347	1	AFTERCOOLER GP-WATER						548
Y	2N-8220	1	BREATHER GP						366
Y	7W-3798	1	CAMSHAFT GP						85
Y	7W-2206	1	COOLER GP-ENGINE OIL						452
Y	9N-0684	1	COVER GP-CYLINDER BLOCK						99
Y	4N-4792	1	COVER GP-FLYWHEEL HOUSING						103
Y	1W-1395	1	COVER GP-FRONT HOUSING						107
			S/N: 6TB9857-24572						
Y	287-3561	1	COVER GP-FRONT HOUSING						111
			S/N: 6TB24573-UP						
Y	9Y-0579	1	COVER GP-TURBOCHARGER						591
			S/N: 6TB9857-18921						
Y	7W-7353	1	COVER GP-VALVE MECHANISM						115
Y	4N-0741	1	CRANKSHAFT GP						118
YR	8N-9267	1	CYLINDER BLOCK GP						128
			S/N: 6TB9857-21621						
YR	7E-4697	1	CYLINDER BLOCK GP						120
			S/N: 6TB21622-UP						
YR	4W-2436	1	CYLINDER HEAD GP						158
			S/N: 6TB9857-25232						
YR	350-4424	1	CYLINDER HEAD GP						172
			S/N: 6TB25233-UP						
Y	4P-5894	1	DAMPER & PULLEY GP						174
Y	8N-9653	1	DRIVE GP-ACCESSORY						181
Y	4W-4619	1	DRIVE GP-GOVERNOR & FUEL PUMP						764
Y	4N-6006	1	FASTENER GP-FRONT HOUSING						231
Y	1W-7376	1	FASTENER GP-FUEL INJ PUMP						774
Y	4N-2481	1	FASTENER GP-OIL PUMP MOUNTING						369
Y	6N-1016	1	FILLER GP-ENGINE OIL						371
Y	4N-0731	1	FILTER GP-ENGINE OIL						378
			S/N: 6TB9857-17906						
Y	154-4326	1	FILTER GP-ENGINE OIL						397
			S/N: 6TB17907-UP						
Y	4N-1981	1	FILTER GP-FUEL						782
Y	7N-3060	1	FLYWHEEL GP						239
Y	6N-2282	1	GAUGE GP-OIL LEVEL (DIPSTICK) (ENGINE)						413
Y	8N-9246	1	GEAR GP-FRONT						243
Y	8N-5941	1	HOUSING GP-FLYWHEEL						278
Y	1W-1468	1	HOUSING GP-FRONT						284
Y	4N-1331	1	LIFTING GP-ENGINE						286
Y	9Y-0582	1	LINES GP-AIR						629
Y	4N-1128	1	LINES GP-ENGINE OIL						420
Y	2W-3452	1	LINES GP-FUEL FILTER						796
Y	4W-1566	1	LINES GP-FUEL INJECTION						811
Y	9Y-0581	1	LINES GP-TURBOCHARGER OIL						430
			S/N: 6TB9857-18921						
Y	178-6441	1	LINES GP-TURBOCHARGER OIL						435
			S/N: 6TB18922-UP						
Y	1W-1394	1	LINES GP-WATER (AFTERCOOLER)						484
Y	161-9754	1	LINES GP-WATER (TURBO COOLING)						502
			S/N: 6TB18461-UP						
Y	7C-0067	1	MANIFOLD GP-EXHAUST						632
Y	2W-8133	1	METER GP-SERVICE						1180
Y	4N-0756	1	PAN GP-OIL						314
Y	7N-3516	6	PISTON & ROD GP						317
			S/N: 6TB9857-21621						

ENGINE ARRANGEMENT

7C-6765 ENGINE AR (contd.)

i04004712

NOTE	PART NUMBER	QTY	PART NAME						SEE PAGE
			1	2	3	4	5	6 (PRODUCT LEVEL)	
YR	7E-0491	6	PISTON & ROD GP						316
			S/N: 6TB21622-UP						
YR	4N-0733	1	PUMP GP-ENGINE OIL						438
			S/N: 6TB9857-18425						
YR	161-4111	1	PUMP GP-ENGINE OIL						439
			S/N: 6TB18426-21621						
YR	161-4113	1	PUMP GP-ENGINE OIL						440
			S/N: 6TB21622-UP						
Y	4N-3287	1	PUMP GP-FUEL PRIMING						848
			S/N: 6TB9857-17679						
Y	145-8855	1	PUMP GP-FUEL PRIMING						850
			S/N: 6TB17680-UP						
Y	2W-4381	1	PUMP & MTG GP-FUEL TRANSFER						827
Y	7C-9081	1	PUMP GP-GOV & FUEL INJ						861
Y	9N-3288	1	PUMP GP-WATER						508
Y	8N-2020	1	SUPPORT GP-ENGINE (FRONT)						339
			S/N: 6TB9857-26221						
Y	355-7415	1	SUPPORT GP-ENGINE						341
			S/N: 6TB26222-UP						
Y	9Y-0994	1	TANK GP-EXPANSION						541
Y	7C-9894	1	TURBOCHARGER GP						702
			S/N: 6TB9857-18460, 18482-18921						
Y	161-2527	1	TURBOCHARGER GP						717
			S/N: 6TB18461-18481, 18922-UP						
Y	4W-2461	1	VALVE MECHANISM GP						355
			S/N: 6TB9857-25232						
Y	214-1666	1	VALVE MECHANISM GP						356
			S/N: 6TB25233-UP						

PLEASE USE THE GASKET KIT LINK IN SIS OR
CONTACT YOUR LOCAL DEALER FOR THE LATEST
GASKET KIT INFORMATION

R-REMFG PART MAY BE AVAILABLE
Y-SEPARATE ILLUSTRATION

ENGINE ARRANGEMENT

7C-6842 ENGINE AR

269 BRAKE KW (360 BHP) AT 2100 RPM

SMCS - 1000

i03807292

NOTE	PART NUMBER	QTY	PART NAME						SEE PAGE
			1	2	3	4	5	6 (PRODUCT LEVEL)	
Y	1W-8347	1	AFTERCOOLER GP-WATER						548
			S/N: 6TB9857-18460						
Y	165-0577	1	AFTERCOOLER GP-WATER						551
			S/N: 6TB18461-UP						
Y	2N-8220	1	BREATHER GP						366
Y	7W-3798	1	CAMSHAFT GP						85
Y	7W-2206	1	COOLER GP-ENGINE OIL						452
Y	9N-0684	1	COVER GP-CYLINDER BLOCK						99
Y	4N-4792	1	COVER GP-FLYWHEEL HOUSING						103
Y	1W-1395	1	COVER GP-FRONT HOUSING						107
Y	7C-0730	1	COVER GP-VALVE MECHANISM						114
Y	4N-0741	1	CRANKSHAFT GP						118
YR	8N-9267	1	CYLINDER BLOCK GP						128
YR	4W-2436	1	CYLINDER HEAD GP						158
			S/N: 6TB9857-25232						
YR	350-4424	1	CYLINDER HEAD GP						172
			S/N: 6TB25233-UP						
Y	4P-5894	1	DAMPER & PULLEY GP						174
Y	8N-9653	1	DRIVE GP-ACCESSORY						181
Y	4W-4619	1	DRIVE GP-GOVERNOR & FUEL PUMP						764
Y	4N-6006	1	FASTENER GP-FRONT HOUSING						231
Y	1W-7376	1	FASTENER GP-FUEL INJ PUMP						774
Y	4N-2481	1	FASTENER GP-OIL PUMP MOUNTING						369
Y	4N-0731	1	FILTER GP-ENGINE OIL						378
			S/N: 6TB9857-17906						
Y	154-4326	1	FILTER GP-ENGINE OIL						397
			S/N: 6TB17907-UP						
Y	4N-1981	1	FILTER GP-FUEL						782
Y	7N-3060	1	FLYWHEEL GP						239
Y	4N-1288	1	FUMES DISPOSAL GP						402
Y	6N-2282	1	GAUGE GP-OIL LEVEL (DIPSTICK)						413
Y	8N-9246	1	GEAR GP-FRONT						243
Y	8N-5941	1	HOUSING GP-FLYWHEEL						278
Y	1W-1468	1	HOUSING GP-FRONT						284
Y	4N-1331	1	LIFTING GP-ENGINE						286
Y	4N-2474	1	LINES GP-AFTERCOOLER WATER						481
Y	7C-9411	1	LINES GP-AIR						624
Y	4N-1128	1	LINES GP-ENGINE OIL						420
Y	2W-3452	1	LINES GP-FUEL FILTER						796
Y	4W-1566	1	LINES GP-FUEL INJECTION						811
Y	4N-5394	1	LINES GP-TURBOCHARGER OIL						427
			S/N: 6TB9857-20806						
Y	212-1487	1	LINES GP-TURBOCHARGER OIL						437
			S/N: 6TB20807-UP						
Y	4N-1641	1	LINES GP-WATER						489
Y	4N-0754	1	MANIFOLD GP-EXHAUST						631
Y	2W-8133	1	METER GP-SERVICE						1180
Y	4N-0756	1	PAN GP-OIL						314
Y	7N-3516	6	PISTON & ROD GP						317
YR	4N-0733	1	PUMP GP-ENGINE OIL						438
			S/N: 6TB9857-18425						
YR	161-4111	1	PUMP GP-ENGINE OIL						439
			S/N: 6TB18426-UP						
Y	4N-3287	1	PUMP GP-FUEL PRIMING						848
			S/N: 6TB9857-17679						
Y	145-8855	1	PUMP GP-FUEL PRIMING						850
			S/N: 6TB17680-UP						

ENGINE ARRANGEMENT

7C-6842 ENGINE AR (contd.)

i03807292

NOTE	PART NUMBER	QTY	PART NAME						SEE PAGE
			1	2	3	4	5	6 (PRODUCT LEVEL)	
Y	2W-4381	1	PUMP & MTG GP-FUEL TRANSFER						827
Y	2W-8541	1	PUMP GP-GOV & FUEL INJ						853
Y	9N-3288	1	PUMP GP-WATER						508
Y	9L-6671	1	SHIELD GP-MANIFOLD						664
Y	8N-2020	1	SUPPORT GP-ENGINE (FRONT)						339
Y	7C-6838	1	TURBOCHARGER GP						700
Y	4W-2461	1	VALVE MECHANISM GP						355
			S/N: 6TB9857-25232						
Y	214-1666	1	VALVE MECHANISM GP						356
			S/N: 6TB25233-UP						

PLEASE USE THE GASKET KIT LINK IN SIS OR
CONTACT YOUR LOCAL DEALER FOR THE LATEST
GASKET KIT INFORMATION

R-REMFG PART MAY BE AVAILABLE
Y-SEPARATE ILLUSTRATION

ENGINE ARRANGEMENT

7C-6843 ENGINE AR*R 298 BRAKE KW (400 BHP) AT 2100 RPM

SMCS - 1000

i03826609

NOTE	PART NUMBER	QTY	PART NAME						SEE PAGE
			1	2	3	4	5	6 (PRODUCT LEVEL)	
Y	1W-8347	1	AFTERCOOLER GP-WATER						548
			S/N: 6TB9857-18460						
Y	165-0577	1	AFTERCOOLER GP-WATER						551
			S/N: 6TB18461-UP						
Y	2N-8220	1	BREATHER GP						366
Y	7W-3798	1	CAMSHAFT GP						85
Y	7W-2206	1	COOLER GP-ENGINE OIL						452
Y	9N-0684	1	COVER GP-CYLINDER BLOCK						99
Y	4N-4792	1	COVER GP-FLYWHEEL HOUSING						103
Y	1W-1395	1	COVER GP-FRONT HOUSING						107
Y	7C-0730	1	COVER GP-VALVE MECHANISM						114
Y	4N-0741	1	CRANKSHAFT GP						118
YR	8N-9267	1	CYLINDER BLOCK GP						128
YR	4W-2436	1	CYLINDER HEAD GP						158
			S/N: 6TB9857-25232						
YR	350-4424	1	CYLINDER HEAD GP						172
			S/N: 6TB25233-UP						
Y	4P-5894	1	DAMPER & PULLEY GP						174
Y	8N-9653	1	DRIVE GP-ACCESSORY						181
Y	4W-4619	1	DRIVE GP-GOVERNOR & FUEL PUMP						764
Y	4N-6006	1	FASTENER GP-FRONT HOUSING						231
Y	1W-7376	1	FASTENER GP-FUEL INJ PUMP						774
Y	4N-2481	1	FASTENER GP-OIL PUMP MOUNTING						369
Y	4N-0731	1	FILTER GP-ENGINE OIL						378
			S/N: 6TB9857-17906						
Y	154-4326	1	FILTER GP-ENGINE OIL						397
			S/N: 6TB17907-UP						
Y	4N-1981	1	FILTER GP-FUEL						782
Y	7N-3060	1	FLYWHEEL GP						239
Y	4N-1288	1	FUMES DISPOSAL GP						402
Y	6N-2282	1	GAUGE GP-OIL LEVEL (DIPSTICK)						413
Y	8N-9246	1	GEAR GP-FRONT						243
Y	8N-5941	1	HOUSING GP-FLYWHEEL						278
Y	1W-1468	1	HOUSING GP-FRONT						284
Y	4N-1331	1	LIFTING GP-ENGINE						286
Y	4N-2474	1	LINES GP-AFTERCOOLER WATER						481
Y	8N-4398	1	LINES GP-AIR						626
Y	4N-1128	1	LINES GP-ENGINE OIL						420
Y	2W-3452	1	LINES GP-FUEL FILTER						796
Y	4W-1566	1	LINES GP-FUEL INJECTION						811
Y	4N-5394	1	LINES GP-TURBOCHARGER OIL						427
			S/N: 6TB9857-20806						
Y	212-1487	1	LINES GP-TURBOCHARGER OIL						437
			S/N: 6TB20807-UP						
Y	4N-1641	1	LINES GP-WATER						489
Y	4N-0754	1	MANIFOLD GP-EXHAUST						631
Y	2W-8133	1	METER GP-SERVICE						1180
Y	4N-0756	1	PAN GP-OIL						314
Y	7N-3516	6	PISTON & ROD GP						317
YR	4N-0733	1	PUMP GP-ENGINE OIL						438
			S/N: 6TB9857-18425						
YR	161-4111	1	PUMP GP-ENGINE OIL						439
			S/N: 6TB18426-UP						
Y	4N-3287	1	PUMP GP-FUEL PRIMING						848
			S/N: 6TB9857-17679						
Y	145-8855	1	PUMP GP-FUEL PRIMING						850
			S/N: 6TB17680-UP						

ENGINE ARRANGEMENT

7C-6843 ENGINE AR (contd.)

i03826609

NOTE	PART NUMBER	QTY	PART NAME						SEE PAGE
			1	2	3	4	5	6 (PRODUCT LEVEL)	
Y	2W-4381	1	PUMP & MTG GP-FUEL TRANSFER						827
Y	2W-8541	1	PUMP GP-GOV & FUEL INJ						853
Y	9N-3288	1	PUMP GP-WATER						508
Y	9L-6671	1	SHIELD GP-MANIFOLD						664
Y	8N-2020	1	SUPPORT GP-ENGINE (FRONT)						339
Y	7C-6624	1	TURBOCHARGER GP						695
Y	4W-2461	1	VALVE MECHANISM GP						355
			S/N: 6TB9857-25232						
Y	214-1666	1	VALVE MECHANISM GP						356
			S/N: 6TB25233-UP						

PLEASE USE THE GASKET KIT LINK IN SIS OR
CONTACT YOUR LOCAL DEALER FOR THE LATEST
GASKET KIT INFORMATION

R-REMG PART MAY BE AVAILABLE
Y-SEPARATE ILLUSTRATION

ENGINE ARRANGEMENT

7C-7400 ENGINE AR

280 BRAKE KW (375 BHP) AT 2100 RPM. STEIGER TRACTOR

SMCS-1000

i02797808

NOTE	PART NUMBER	QTY	PART NAME						SEE PAGE
			1	2	3	4	5	6 (PRODUCT LEVEL)	
Y	1W-8347	1	AFTERCOOLER GP-WATER						548
Y	2N-8220	1	BREATHER GP						366
Y	7W-3798	1	CAMSHAFT GP						85
Y	7W-2206	1	COOLER GP-ENGINE OIL						452
Y	1W-5107	1	COVER GP-CYLINDER BLOCK						97
Y	9N-3889	1	COVER GP-FLYWHEEL HOUSING						105
Y	4W-6116	1	COVER GP-FRONT HOUSING						109
Y	4N-4953	1	COVER GP-VALVE MECHANISM						113
Y	4N-0741	1	CRANKSHAFT GP						118
YR	8N-9267	1	CYLINDER BLOCK GP						128
YR	4W-2436	1	CYLINDER HEAD GP						158
Y	4P-5894	1	DAMPER & PULLEY GP						174
Y	8N-9653	1	DRIVE GP-ACCESSORY						181
Y	1W-1176	1	DRIVE GP-FAN						185
Y	4W-4619	1	DRIVE GP-GOVERNOR & FUEL PUMP						764
Y	4N-6006	1	FASTENER GP-FRONT HOUSING						231
Y	1W-7376	1	FASTENER GP-FUEL INJ PUMP						774
Y	4N-2481	1	FASTENER GP-OIL PUMP MOUNTING						369
Y	6N-1016	1	FILLER GP-ENGINE OIL						371
Y	4N-0731	1	FILTER GP-ENGINE OIL						378
			S/N: 6TB9857-17906						
Y	154-4326	1	FILTER GP-ENGINE OIL						397
			S/N: 6TB17907-UP						
Y	4N-1981	1	FILTER GP-FUEL						782
Y	4W-7370	1	FLYWHEEL GP						236
Y	9N-3425	1	FUMES DISPOSAL GP						406
Y	4W-3924	1	GAUGE GP-OIL LEVEL (DIPSTICK)						412
Y	8N-9246	1	GEAR GP-FRONT						243
Y	9N-3887	1	HOUSING GP-FLYWHEEL						280
Y	1W-1468	1	HOUSING GP-FRONT						284
Y	4N-1331	1	LIFTING GP-ENGINE						286
Y	4N-2474	1	LINES GP-AFTERCOOLER WATER						481
Y	4W-1573	1	LINES GP-AIR						620
Y	4N-1128	1	LINES GP-ENGINE OIL						420
Y	4W-6059	1	LINES GP-FUEL FILTER						800
Y	4W-1566	1	LINES GP-FUEL INJECTION						811
Y	4N-5394	1	LINES GP-TURBOCHARGER OIL						427
Y	7W-1754	1	LINES GP-WATER						497
Y	4N-0754	1	MANIFOLD GP-EXHAUST						631
Y	4N-0756	1	PAN GP-OIL						314
Y	7N-3516	6	PISTON & ROD GP						317
YR	4N-0733	1	PUMP GP-ENGINE OIL						438
			S/N: 6TB9857-18425						
YR	161-4111	1	PUMP GP-ENGINE OIL						439
			S/N: 6TB18426-UP						
Y	4N-3287	1	PUMP GP-FUEL PRIMING						848
			S/N: 6TB9857-17679						
Y	145-8855	1	PUMP GP-FUEL PRIMING						850
			S/N: 6TB17680-UP						
Y	2W-4381	1	PUMP & MTG GP-FUEL TRANSFER						827
Y	7W-1092	1	PUMP GP-GOV & FUEL INJ						862
Y	9N-3288	1	PUMP GP-WATER						508
Y	9L-6671	1	SHIELD GP-MANIFOLD						664
Y	4W-0608	1	SHUTOFF GP-ELECTRICAL						1004
Y	4W-5322	1	TURBOCHARGER GP						687
Y	4W-2461	1	VALVE MECHANISM GP						355

ENGINE ARRANGEMENT

7C-7400 ENGINE AR (contd.)

i02797808

NOTE	PART NUMBER	QTY	PART NAME	SEE PAGE
			1 2 3 4 5 6 (PRODUCT LEVEL)	
			PLEASE USE THE GASKET KIT LINK IN SIS OR CONTACT YOUR LOCAL DEALER FOR THE LATEST GASKET KIT INFORMATION	
R-REMG PART MAY BE AVAILABLE Y-SEPARATE ILLUSTRATION				

ENGINE ARRANGEMENT

7C-7401 ENGINE AR

250 BRAKE KW (335 BHP) AT 2100 RPM. STEIGER TRACTOR

SMCS-1000

i02797805

NOTE	PART NUMBER	QTY	PART NAME						SEE PAGE
			1	2	3	4	5	6 (PRODUCT LEVEL)	
Y	1W-8347	1	AFTERCOOLER GP-WATER						548
Y	2N-8220	1	BREATHER GP						366
Y	7W-3798	1	CAMSHAFT GP						85
Y	7W-2206	1	COOLER GP-ENGINE OIL						452
Y	1W-5107	1	COVER GP-CYLINDER BLOCK						97
Y	9N-3889	1	COVER GP-FLYWHEEL HOUSING						105
Y	4W-6116	1	COVER GP-FRONT HOUSING						109
Y	4N-4953	1	COVER GP-VALVE MECHANISM						113
Y	4N-0741	1	CRANKSHAFT GP						118
YR	8N-9267	1	CYLINDER BLOCK GP						128
YR	4W-2436	1	CYLINDER HEAD GP						158
Y	4P-5894	1	DAMPER & PULLEY GP						174
Y	8N-9653	1	DRIVE GP-ACCESSORY						181
Y	1W-1176	1	DRIVE GP-FAN						185
Y	4W-4619	1	DRIVE GP-GOVERNOR & FUEL PUMP						764
Y	4N-6006	1	FASTENER GP-FRONT HOUSING						231
Y	1W-7376	1	FASTENER GP-FUEL INJ PUMP						774
Y	4N-2481	1	FASTENER GP-OIL PUMP MOUNTING						369
Y	6N-1016	1	FILLER GP-ENGINE OIL						371
Y	4N-0731	1	FILTER GP-ENGINE OIL						378
			S/N: 6TB9857-17906						
Y	154-4326	1	FILTER GP-ENGINE OIL						397
			S/N: 6TB17907-UP						
Y	4N-1981	1	FILTER GP-FUEL						782
Y	4W-7370	1	FLYWHEEL GP						236
Y	9N-3425	1	FUMES DISPOSAL GP						406
Y	4W-3924	1	GAUGE GP-OIL LEVEL (DIPSTICK)						412
Y	8N-9246	1	GEAR GP-FRONT						243
Y	9N-3887	1	HOUSING GP-FLYWHEEL						280
Y	1W-1468	1	HOUSING GP-FRONT						284
Y	4N-1331	1	LIFTING GP-ENGINE						286
Y	4N-2474	1	LINES GP-AFTERCOOLER WATER						481
Y	5N-0635	1	LINES GP-AIR						622
Y	4N-1128	1	LINES GP-ENGINE OIL						420
Y	4W-6059	1	LINES GP-FUEL FILTER						800
Y	4W-1566	1	LINES GP-FUEL INJECTION						811
Y	4N-5394	1	LINES GP-TURBOCHARGER OIL						427
Y	7W-1754	1	LINES GP-WATER						497
Y	4N-0754	1	MANIFOLD GP-EXHAUST						631
Y	4N-0756	1	PAN GP-OIL						314
Y	7N-3516	6	PISTON & ROD GP						317
YR	4N-0733	1	PUMP GP-ENGINE OIL						438
			S/N: 6TB9857-18425						
YR	161-4111	1	PUMP GP-ENGINE OIL						439
			S/N: 6TB18426-UP						
Y	4N-3287	1	PUMP GP-FUEL PRIMING						848
			S/N: 6TB9857-18115						
Y	145-8855	1	PUMP GP-FUEL PRIMING						850
			S/N: 6TB18116-UP						
Y	2W-4381	1	PUMP & MTG GP-FUEL TRANSFER						827
Y	7C-0689	1	PUMP GP-GOV & FUEL INJ						859
Y	9N-3288	1	PUMP GP-WATER						508
Y	9L-6671	1	SHIELD GP-MANIFOLD						664
Y	4W-0608	1	SHUTOFF GP-ELECTRICAL						1004
Y	4W-3822	1	TURBOCHARGER GP						686
Y	4W-2461	1	VALVE MECHANISM GP						355

ENGINE ARRANGEMENT

7C-7401 ENGINE AR (contd.)

i02797805

NOTE	PART NUMBER	QTY	PART NAME 1 2 3 4 5 6 (PRODUCT LEVEL)	SEE PAGE
			PLEASE USE THE GASKET KIT LINK IN SIS OR CONTACT YOUR LOCAL DEALER FOR THE LATEST GASKET KIT INFORMATION	
R-REMG PART MAY BE AVAILABLE Y-SEPARATE ILLUSTRATION				

ENGINE ARRANGEMENT

7W-4640 ENGINE AR 200 BRAKE KW (267 BHP) AT 1300 RPM

SMCS - 1000

i03807236

NOTE	PART NUMBER	QTY	PART NAME						SEE PAGE
			1	2	3	4	5	6 (PRODUCT LEVEL)	
Y	1W-8347	1	AFTERCOOLER GP-WATER						548
			S/N: 6TB9857-18460						
Y	165-0577	1	AFTERCOOLER GP-WATER						551
			S/N: 6TB18461-UP						
Y	2N-8220	1	BREATHER GP						366
Y	7W-3798	1	CAMSHAFT GP						85
Y	7W-2206	1	COOLER GP-ENGINE OIL						452
Y	9N-0684	1	COVER GP-CYLINDER BLOCK						99
Y	4N-4792	1	COVER GP-FLYWHEEL HOUSING						103
Y	1W-1395	1	COVER GP-FRONT HOUSING						107
Y	4N-2272	1	COVER GP-VALVE MECHANISM						112
Y	4N-0741	1	CRANKSHAFT GP						118
YR	8N-9267	1	CYLINDER BLOCK GP						128
YR	4W-2436	1	CYLINDER HEAD GP						158
			S/N: 6TB9857-25232						
YR	350-4424	1	CYLINDER HEAD GP						172
			S/N: 6TB25233-UP						
Y	4P-5894	1	DAMPER & PULLEY GP						174
Y	8N-9653	1	DRIVE GP-ACCESSORY						181
Y	1W-6378	1	DRIVE GP-GOVERNOR & FUEL PUMP						763
Y	4N-6006	1	FASTENER GP-FRONT HOUSING						231
Y	1W-7376	1	FASTENER GP-FUEL INJ PUMP						774
Y	4N-2481	1	FASTENER GP-OIL PUMP MOUNTING						369
Y	4N-0731	1	FILTER GP-ENGINE OIL						378
			S/N: 6TB9857-17906						
Y	154-4326	1	FILTER GP-ENGINE OIL						397
			S/N: 6TB17907-UP						
Y	4N-1981	1	FILTER GP-FUEL						782
Y	7N-3060	1	FLYWHEEL GP						239
Y	4N-1288	1	FUMES DISPOSAL GP						402
Y	6N-2282	1	GAUGE GP-OIL LEVEL (DIPSTICK)						413
Y	8N-9246	1	GEAR GP-FRONT						243
Y	8N-5941	1	HOUSING GP-FLYWHEEL						278
Y	1W-1468	1	HOUSING GP-FRONT						284
Y	4N-1331	1	LIFTING GP-ENGINE						286
Y	4N-2474	1	LINES GP-AFTERCOOLER WATER						481
Y	7C-9588	1	LINES GP-AIR						625
Y	4N-1128	1	LINES GP-ENGINE OIL						420
Y	2W-3452	1	LINES GP-FUEL FILTER						796
Y	4W-1566	1	LINES GP-FUEL INJECTION						811
Y	4N-5394	1	LINES GP-TURBOCHARGER OIL						427
			S/N: 6TB9857-20806						
Y	212-1487	1	LINES GP-TURBOCHARGER OIL						437
			S/N: 6TB20807-UP						
Y	4N-1641	1	LINES GP-WATER						489
Y	4N-0754	1	MANIFOLD GP-EXHAUST						631
Y	1N-4753	1	METER GP-SERVICE						1179
Y	4N-0756	1	PAN GP-OIL						314
Y	7N-3516	6	PISTON & ROD GP						317
YR	4N-0733	1	PUMP GP-ENGINE OIL						438
			S/N: 6TB9857-18425						
YR	161-4111	1	PUMP GP-ENGINE OIL						439
			S/N: 6TB18426-UP						
Y	4N-3287	1	PUMP GP-FUEL PRIMING						848
			S/N: 6TB9857-17679						
Y	145-8855	1	PUMP GP-FUEL PRIMING						850
			S/N: 6TB17680-UP						

ENGINE ARRANGEMENT

7W-4640 ENGINE AR (contd.)

i03807236

NOTE	PART NUMBER	QTY	PART NAME						SEE PAGE
			1	2	3	4	5	6 (PRODUCT LEVEL)	
Y	2W-4381	1	PUMP & MTG GP-FUEL TRANSFER						827
Y	7W-7127	1	PUMP GP-GOV & FUEL INJ						863
Y	9N-3288	1	PUMP GP-WATER						508
Y	9L-6671	1	SHIELD GP-MANIFOLD						664
Y	8N-2020	1	SUPPORT GP-ENGINE (FRONT)						339
Y	7W-7195	1	TURBOCHARGER GP						708
Y	4P-5712	1	VALVE MECHANISM GP						354
			S/N: 6TB9857-25232						
Y	351-2223	1	VALVE MECHANISM GP						357
			S/N: 6TB25233-UP						

PLEASE USE THE GASKET KIT LINK IN SIS OR
CONTACT YOUR LOCAL DEALER FOR THE LATEST
GASKET KIT INFORMATION

R-REMG PART MAY BE AVAILABLE
Y-SEPARATE ILLUSTRATION

ENGINE ARRANGEMENT

101-8233 ENGINE AR

S/N: 6TB11381-18566

366 BRAKE KW (490 BHP) AT 2100 RPM

SMCS-1000

i02797602

NOTE	PART NUMBER	QTY	PART NAME						SEE PAGE
			1	2	3	4	5	6 (PRODUCT LEVEL)	
Y	6N-9829	1	ADAPTER GP-FLYWHEEL						51
Y	4N-4077	1	AFTERCOOLER GP-WATER						550
Y	101-8517	1	BREATHER GP						368
Y	8N-9244	1	CAMSHAFT GP						86
Y	1W-8684	1	CONTROL GP-GOVERNOR						736
Y	7W-2206	1	COOLER GP-ENGINE OIL						452
Y	101-8308	1	COOLER GP-TRANSMISSION OIL						457
Y	9N-0684	1	COVER GP-CYLINDER BLOCK						99
Y	4N-4792	1	COVER GP-FLYWHEEL HOUSING						103
Y	1W-1395	1	COVER GP-FRONT HOUSING						107
Y	4N-8048	1	COVER GP-GOVERNOR						757
Y	4N-5489	1	COVER GP-TURBOCHARGER DRAIN						592
Y	4N-2272	1	COVER GP-VALVE MECHANISM						112
Y	4N-0741	1	CRANKSHAFT GP						118
YR	8N-9267	1	CYLINDER BLOCK GP						128
YR	1W-1439	1	CYLINDER HEAD GP						155
Y	4P-5894	1	DAMPER & PULLEY GP						174
Y	8N-9653	1	DRIVE GP-ACCESSORY						181
Y	9N-6610	1	DRIVE GP-GOVERNOR & FUEL PUMP						768
Y	1W-8235	1	DRIVE GP-TACHOMETER						770
Y	4N-6006	1	FASTENER GP-FRONT HOUSING						231
Y	1W-7376	1	FASTENER GP-FUEL INJ PUMP						774
Y	4N-2481	1	FASTENER GP-OIL PUMP MOUNTING						369
Y	4N-0731	1	FILTER GP-ENGINE OIL						378
			S/N: 6TB11381-17906						
Y	154-4326	1	FILTER GP-ENGINE OIL						397
			S/N: 6TB17907-18566						
Y	4N-1981	1	FILTER GP-FUEL						782
Y	101-7363	1	GAUGE GP-OIL LEVEL (DIPSTICK)						417
Y	101-7364	1	GAUGE GP-OIL LEVEL (DIPSTICK)						418
Y	8N-9246	1	GEAR GP-FRONT						243
Y	4N-0732	1	HOUSING GP-FLYWHEEL						270
Y	1W-1468	1	HOUSING GP-FRONT						284
Y	4N-1331	1	LIFTING GP-ENGINE						286
Y	4N-2474	1	LINES GP-AFTERCOOLER WATER						481
Y	4N-4078	1	LINES GP-AIR						618
Y	4N-1128	1	LINES GP-ENGINE OIL						420
Y	2W-3452	1	LINES GP-FUEL FILTER						796
Y	4W-8293	1	LINES GP-FUEL INJECTION						813
Y	101-8312	1	LINES GP-TURBOCHARGER OIL						431
Y	101-8304	1	LINES GP-WATER						500
Y	101-8303	1	LINES GP-WATER						499
Y	101-7757	1	LINES GP-WATER						498
Y	101-8310	1	MANIFOLD GP-EXHAUST (WATER COOLED)						634
Y	2W-8133	1	METER GP-SERVICE						1180
Y	4N-0756	1	PAN GP-OIL						314
Y	7N-3516	6	PISTON & ROD GP						317
YR	4N-0733	1	PUMP GP-ENGINE OIL						438
			S/N: 6TB11381-18425						
YR	161-4111	1	PUMP GP-ENGINE OIL						439
			S/N: 6TB18426-18566						
Y	4N-3287	1	PUMP GP-FUEL PRIMING						848
			S/N: 6TB11381-17679						
Y	145-8855	1	PUMP GP-FUEL PRIMING						850
			S/N: 6TB17680-18566						
Y	2W-4381	1	PUMP & MTG GP-FUEL TRANSFER						827

ENGINE ARRANGEMENT

101-8233 ENGINE AR (contd.)

i02797602

NOTE	PART NUMBER	QTY	PART NAME						SEE PAGE
			1	2	3	4	5	6 (PRODUCT LEVEL)	
Y	2W-9104	1	PUMP	GP-GOV &	FUEL	INJ			855
Y	9N-3288	1	PUMP	GP-WATER					508
Y	2W-9161	1	SHUTOFF	GP-MANUAL					868
Y	6N-0719	1	SUPPORT	GP-ENGINE					338
Y	101-8302	1	TURBOCHARGER	GP					713
Y	4N-2271	1	VALVE MECHANISM	GP					353

PLEASE USE THE GASKET KIT LINK IN SIS OR
CONTACT YOUR LOCAL DEALER FOR THE LATEST
GASKET KIT INFORMATION

R-REMG PART MAY BE AVAILABLE
Y-SEPARATE ILLUSTRATION

ENGINE ARRANGEMENT

105-7147 ENGINE AR

S/N: 6TB11237-UP

SMCS - 1000

i02797605

NOTE	PART NUMBER	QTY	PART NAME						SEE PAGE
			1	2	3	4	5	6 (PRODUCT LEVEL)	
Y	1W-8347	1	AFTERCOOLER GP-WATER						548
Y	2N-8220	1	BREATHER GP						366
Y	7W-3798	1	CAMSHAFT GP						85
Y	7W-2206	1	COOLER GP-ENGINE OIL						452
Y	9N-0684	1	COVER GP-CYLINDER BLOCK						99
Y	4N-4792	1	COVER GP-FLYWHEEL HOUSING						103
Y	1W-1395	1	COVER GP-FRONT HOUSING						107
Y	7C-0730	1	COVER GP-VALVE MECHANISM						114
Y	4N-0741	1	CRANKSHAFT GP						118
YR	7E-4697	1	CYLINDER BLOCK GP						120
YR	4W-2436	1	CYLINDER HEAD GP						158
Y	4P-5894	1	DAMPER & PULLEY GP						174
Y	8N-9653	1	DRIVE GP-ACCESSORY						181
Y	7W-5910	1	DRIVE GP-GOVERNOR & FUEL PUMP						766
Y	4N-6006	1	FASTENER GP-FRONT HOUSING						231
Y	1W-7376	1	FASTENER GP-FUEL INJ PUMP						774
Y	4N-2481	1	FASTENER GP-OIL PUMP MOUNTING						369
Y	4N-0731	1	FILTER GP-ENGINE OIL						378
			S/N: 6TB11237-17906						
Y	154-4326	1	FILTER GP-ENGINE OIL						397
			S/N: 6TB17907-UP						
Y	4N-1981	1	FILTER GP-FUEL						782
Y	7N-3060	1	FLYWHEEL GP						239
Y	4N-1288	1	FUMES DISPOSAL GP						402
Y	6N-2282	1	GAUGE GP-OIL LEVEL (DIPSTICK)						413
Y	8N-9246	1	GEAR GP-FRONT						243
Y	8N-5941	1	HOUSING GP-FLYWHEEL						278
Y	1W-1468	1	HOUSING GP-FRONT						284
Y	4N-1331	1	LIFTING GP-ENGINE						286
Y	4N-2474	1	LINES GP-AFTERCOOLER WATER						481
Y	8N-4398	1	LINES GP-AIR						626
Y	4N-1128	1	LINES GP-ENGINE OIL						420
Y	2W-3452	1	LINES GP-FUEL FILTER						796
Y	4W-1566	1	LINES GP-FUEL INJECTION						811
Y	7W-3935	1	LINES GP-FUEL RATIO CONTROL						825
Y	4N-5394	1	LINES GP-TURBOCHARGER OIL						427
Y	4N-1641	1	LINES GP-WATER						489
Y	4N-0754	1	MANIFOLD GP-EXHAUST						631
Y	2W-8133	1	METER GP-SERVICE						1180
Y	4N-0756	1	PAN GP-OIL						314
YR	7E-0491	6	PISTON & ROD GP						316
YR	4N-0733	1	PUMP GP-ENGINE OIL						438
			S/N: 6TB11237-18425						
YR	161-4111	1	PUMP GP-ENGINE OIL						439
			S/N: 6TB18426-UP						
Y	4N-3287	1	PUMP GP-FUEL PRIMING						848
			S/N: 6TB11237-17679						
Y	145-8855	1	PUMP GP-FUEL PRIMING						850
			S/N: 6TB17680-UP						
Y	2W-4381	1	PUMP & MTG GP-FUEL TRANSFER						827
Y	7C-6533	1	PUMP GP-GOV & FUEL INJ						860
Y	9N-3288	1	PUMP GP-WATER						508
Y	9L-6671	1	SHIELD GP-MANIFOLD						664
Y	8N-2020	1	SUPPORT GP-ENGINE (FRONT)						339
Y	7C-6624	1	TURBOCHARGER GP						695
Y	4W-2461	1	VALVE MECHANISM GP						355

ENGINE ARRANGEMENT

105-7147 ENGINE AR (contd.)

i02797605

NOTE	PART NUMBER	QTY	PART NAME 1 2 3 4 5 6 (PRODUCT LEVEL)	SEE PAGE
PLEASE USE THE GASKET KIT LINK IN SIS OR CONTACT YOUR LOCAL DEALER FOR THE LATEST GASKET KIT INFORMATION				
R-REMG PART MAY BE AVAILABLE Y-SEPARATE ILLUSTRATION				

ENGINE ARRANGEMENT

109-1349 ENGINE AR

S/N: 6TB11561-UP

343 BRAKE KW (460 BHP) AT 2100 RPM

SMCS-1000

i03807710

NOTE	PART NUMBER	QTY	PART NAME						SEE PAGE
			1	2	3	4	5	6 (PRODUCT LEVEL)	
Y	1W-8347	1	AFTERCOOLER GP-WATER						548
			S/N: 6TB11561-18460						
Y	165-0577	1	AFTERCOOLER GP-WATER						551
			S/N: 6TB18461-UP						
Y	2N-8220	1	BREATHER GP						366
Y	7W-3798	1	CAMSHAFT GP						85
Y	7W-2206	1	COOLER GP-ENGINE OIL						452
Y	9N-0684	1	COVER GP-CYLINDER BLOCK						99
Y	4N-4792	1	COVER GP-FLYWHEEL HOUSING						103
Y	1W-1395	1	COVER GP-FRONT HOUSING						107
Y	7C-0730	1	COVER GP-VALVE MECHANISM						114
Y	4N-0741	1	CRANKSHAFT GP						118
YR	7E-4697	1	CYLINDER BLOCK GP						120
YR	4W-2436	1	CYLINDER HEAD GP						158
			S/N: 6TB11561-25232						
YR	350-4424	1	CYLINDER HEAD GP						172
			S/N: 6TB25233-UP						
Y	4P-5894	1	DAMPER & PULLEY GP						174
Y	8N-9653	1	DRIVE GP-ACCESSORY						181
Y	4W-4619	1	DRIVE GP-GOVERNOR & FUEL PUMP						764
Y	4N-6006	1	FASTENER GP-FRONT HOUSING						231
Y	1W-7376	1	FASTENER GP-FUEL INJ PUMP						774
Y	4N-2481	1	FASTENER GP-OIL PUMP MOUNTING						369
Y	4N-0731	1	FILTER GP-ENGINE OIL						378
			S/N: 6TB11561-17906						
Y	154-4326	1	FILTER GP-ENGINE OIL						397
			S/N: 6TB17907-UP						
Y	4N-1981	1	FILTER GP-FUEL						782
Y	7N-3060	1	FLYWHEEL GP						239
Y	4N-1288	1	FUMES DISPOSAL GP						402
Y	6N-2282	1	GAUGE GP-OIL LEVEL (DIPSTICK) (ENGINE)						413
Y	8N-9246	1	GEAR GP-FRONT						243
Y	8N-5941	1	HOUSING GP-FLYWHEEL						278
Y	1W-1468	1	HOUSING GP-FRONT						284
Y	4N-1331	1	LIFTING GP-ENGINE						286
Y	4N-2474	1	LINES GP-AFTERCOOLER WATER						481
Y	8N-4398	1	LINES GP-AIR						626
Y	4N-1128	1	LINES GP-ENGINE OIL						420
Y	2W-3452	1	LINES GP-FUEL FILTER						796
Y	4W-1566	1	LINES GP-FUEL INJECTION						811
Y	4N-5394	1	LINES GP-TURBOCHARGER OIL						427
			S/N: 6TB11561-20806						
Y	212-1487	1	LINES GP-TURBOCHARGER OIL						437
			S/N: 6TB20807-UP						
Y	4N-1641	1	LINES GP-WATER						489
Y	4N-0754	1	MANIFOLD GP-EXHAUST						631
Y	2W-8133	1	METER GP-SERVICE						1180
Y	4N-0756	1	PAN GP-OIL						314
YR	7E-0491	6	PISTON & ROD GP						316
YR	4N-0733	1	PUMP GP-ENGINE OIL						438
			S/N: 6TB11561-18425						
YR	161-4111	1	PUMP GP-ENGINE OIL						439
			S/N: 6TB18426-23943						
YR	161-4113	1	PUMP GP-ENGINE OIL						440
			S/N: 6TB23944-UP						

ENGINE ARRANGEMENT

109-1349 ENGINE AR (contd.)

i03807710

NOTE	PART NUMBER	QTY	PART NAME						SEE PAGE	
			1	2	3	4	5	6 (PRODUCT LEVEL)		
Y	4N-3287	1	PUMP	GP-FUEL	PRIMING					848
			S/N: 6TB11561-17679							
Y	145-8855	1	PUMP	GP-FUEL	PRIMING					850
			S/N: 6TB17680-UP							
Y	2W-4381	1	PUMP & MTG	GP-FUEL	TRANSFER					827
Y	2W-8541	1	PUMP	GP-GOV &	FUEL INJ					853
Y	9N-3288	1	PUMP	GP-WATER						508
Y	9L-6671	1	SHIELD	GP-MANIFOLD						664
Y	8N-2020	1	SUPPORT	GP-ENGINE	(FRONT)					339
Y	7C-6624	1	TURBOCHARGER	GP						695
			S/N: 6TB11561-18055							
Y	130-5622	1	TURBOCHARGER	GP						715
			S/N: 6TB18056-UP							
Y	4W-2461	1	VALVE MECHANISM	GP						355
			S/N: 6TB11561-25232							
Y	214-1666	1	VALVE MECHANISM	GP						356
			S/N: 6TB25233-UP							
PLEASE USE THE GASKET KIT LINK IN SIS OR CONTACT YOUR LOCAL DEALER FOR THE LATEST GASKET KIT INFORMATION										
R-REMG PART MAY BE AVAILABLE Y-SEPARATE ILLUSTRATION										

ENGINE ARRANGEMENT

110-8025 ENGINE AR

S/N: 6TB12255-UP

298 BRAKE KW (400 BHP) AT 1800 RPM

SMCS-1000

i02797596

NOTE	PART NUMBER	QTY	PART NAME						SEE PAGE
			1	2	3	4	5	6 (PRODUCT LEVEL)	
Y	1W-8347	1	AFTERCOOLER GP-WATER						548
YR	5N-5692	1	ALTERNATOR GP-CHARGING						890
Y	2N-8220	1	BREATHER GP						366
Y	7W-3798	1	CAMSHAFT GP						85
Y	8N-2177	1	CONTROL GP-GOVERNOR						752
Y	4W-4251	1	COOLANT CONDITIONER GP						447
Y	7W-2206	1	COOLER GP-ENGINE OIL						452
Y	1W-5107	1	COVER GP-CYLINDER BLOCK						97
Y	4N-4792	1	COVER GP-FLYWHEEL HOUSING						103
Y	1W-1395	1	COVER GP-FRONT HOUSING						107
Y	4N-4953	1	COVER GP-VALVE MECHANISM						113
Y	4N-0741	1	CRANKSHAFT GP						118
YR	8N-9267	1	CYLINDER BLOCK GP						128
			S/N: 6TB12255-20804						
Y	209-5775	1	CYLINDER BLOCK GP						149
			S/N: 6TB20805-UP						
YR	4W-2436	1	CYLINDER HEAD GP						158
Y	4P-5894	1	DAMPER & PULLEY GP						174
Y	8N-9653	1	DRIVE GP-ACCESSORY						181
Y	8N-6588	1	DRIVE GP-FAN						221
Y	7W-5910	1	DRIVE GP-GOVERNOR & FUEL PUMP						766
Y	4N-6006	1	FASTENER GP-FRONT HOUSING						231
Y	1W-7376	1	FASTENER GP-FUEL INJ PUMP						774
Y	4N-2481	1	FASTENER GP-OIL PUMP MOUNTING						369
Y	6N-1016	1	FILLER GP-ENGINE OIL						371
Y	4N-0731	1	FILTER GP-ENGINE OIL						378
			S/N: 6TB12255-17908						
Y	154-4326	1	FILTER GP-ENGINE OIL						397
			S/N: 6TB17909-20804						
Y	209-5777	1	FILTER GP-ENGINE OIL						400
			S/N: 6TB20805-UP						
Y	8H-7204	1	FILTER GP-FUEL						785
Y	4N-1981	1	FILTER GP-FUEL						782
Y	3N-8804	1	FLYWHEEL GP						234
Y	4N-1288	1	FUMES DISPOSAL GP						402
Y	6N-8878	1	GAUGE GP-FUEL PRESSURE						1178
Y	6N-2282	1	GAUGE GP-OIL LEVEL (DIPSTICK)						413
Y	8N-9246	1	GEAR GP-FRONT						243
Y	8N-5941	1	HOUSING GP-FLYWHEEL						278
Y	1W-1468	1	HOUSING GP-FRONT						284
Y	4N-1331	1	LIFTING GP-ENGINE						286
Y	4N-2474	1	LINES GP-AFTERCOOLER WATER						481
Y	4W-5233	1	LINES GP-AIR						621
Y	4N-1128	1	LINES GP-ENGINE OIL						420
Y	2W-3452	1	LINES GP-FUEL FILTER						796
Y	2W-3457	1	LINES GP-FUEL FILTER						798
Y	4W-1566	1	LINES GP-FUEL INJECTION						811
Y	7W-3935	1	LINES GP-FUEL RATIO CONTROL						825
Y	9N-0013	1	LINES GP-TURBOCHARGER OIL						428
			S/N: 6TB12255-19600						
Y	138-4773	1	LINES GP-TURBOCHARGER OIL						432
			S/N: 6TB19601-UP						
Y	4N-1641	1	LINES GP-WATER						489
Y	9N-0022	1	MANIFOLD GP-EXHAUST						633
Y	2W-8133	1	METER GP-SERVICE						1180
Y	8N-6679	1	MOUNTING GP-ALTERNATOR						311

ENGINE ARRANGEMENT

110-8025 ENGINE AR (contd.)

i02797596

NOTE	PART NUMBER	QTY	PART NAME						SEE PAGE
			1	2	3	4	5	6 (PRODUCT LEVEL)	
Y	4N-0756	1	PAN GP-OIL						314
Y	7N-3516	6	PISTON & ROD GP						317
Y	6N-7381	1	PULLEY GP-AUXILIARY DRIVE						328
YR	4N-0733	1	PUMP GP-ENGINE OIL						438
			S/N: 6TB12255-18425						
YR	161-4111	1	PUMP GP-ENGINE OIL						439
			S/N: 6TB18426-UP						
Y	9N-3937	1	PUMP GP-FUEL PRIMING						849
Y	2W-4381	1	PUMP & MTG GP-FUEL TRANSFER						827
Y	7C-6533	1	PUMP GP-GOV & FUEL INJ						860
Y	9N-3288	1	PUMP GP-WATER						508
Y	9L-6671	1	SHIELD GP-MANIFOLD						664
Y	2W-8198	1	SHUTOFF GP-ELECTRICAL						1003
Y	2S-7227	1	STARTING MOTOR GP-ELECTRIC						1039
Y	6N-0719	1	SUPPORT GP-ENGINE						338
Y	4W-3822	1	TURBOCHARGER GP						686
Y	3R-9090	1	V-BELT SET (INCLUDES 4-BELTS)						345
Y	4W-2461	1	VALVE MECHANISM GP						355

PLEASE USE THE GASKET KIT LINK IN SIS OR
CONTACT YOUR LOCAL DEALER FOR THE LATEST
GASKET KIT INFORMATION

R-REMG PART MAY BE AVAILABLE
Y-SEPARATE ILLUSTRATION

ENGINE ARRANGEMENT

118-1295 ENGINE AR

S/N: 6TB13149-UP

269 BRAKE KW (361 BHP) AT 1800 RPM

SMCS-1000

i03807351

NOTE	PART NUMBER	QTY	PART NAME						SEE PAGE
			1	2	3	4	5	6 (PRODUCT LEVEL)	
Y	1W-8347	1	AFTERCOOLER GP-WATER						548
Y	2N-8220	1	BREATHER GP						366
Y	7W-3798	1	CAMSHAFT GP						85
Y	7W-2206	1	COOLER GP-ENGINE OIL						452
Y	9N-0684	1	COVER GP-CYLINDER BLOCK						99
Y	4N-4792	1	COVER GP-FLYWHEEL HOUSING						103
Y	1W-1395	1	COVER GP-FRONT HOUSING						107
Y	7C-0730	1	COVER GP-VALVE MECHANISM						114
Y	4N-0741	1	CRANKSHAFT GP						118
YR	8N-9267	1	CYLINDER BLOCK GP						128
YR	4W-2436	1	CYLINDER HEAD GP						158
			S/N: 6TB13149-25232						
YR	350-4424	1	CYLINDER HEAD GP						172
			S/N: 6TB25233-UP						
Y	4P-5894	1	DAMPER & PULLEY GP						174
Y	8N-9653	1	DRIVE GP-ACCESSORY						181
Y	4W-4619	1	DRIVE GP-GOVERNOR & FUEL PUMP						764
Y	4N-6006	1	FASTENER GP-FRONT HOUSING						231
Y	1W-7376	1	FASTENER GP-FUEL INJ PUMP						774
Y	4N-2481	1	FASTENER GP-OIL PUMP MOUNTING						369
Y	4N-0731	1	FILTER GP-ENGINE OIL						378
			S/N: 6TB13149-17906						
Y	154-4326	1	FILTER GP-ENGINE OIL						397
			S/N: 6TB17907-UP						
Y	4N-1981	1	FILTER GP-FUEL						782
Y	7N-3060	1	FLYWHEEL GP						239
Y	4N-1288	1	FUMES DISPOSAL GP						402
Y	6N-2282	1	GAUGE GP-OIL LEVEL (DIPSTICK)						413
Y	8N-9246	1	GEAR GP-FRONT						243
Y	8N-5941	1	HOUSING GP-FLYWHEEL						278
Y	1W-1468	1	HOUSING GP-FRONT						284
Y	4N-1331	1	LIFTING GP-ENGINE						286
Y	4N-2474	1	LINES GP-AFTERCOOLER WATER						481
Y	8N-4398	1	LINES GP-AIR						626
Y	4N-1128	1	LINES GP-ENGINE OIL						420
Y	2W-3452	1	LINES GP-FUEL FILTER						796
Y	4W-1566	1	LINES GP-FUEL INJECTION						811
Y	4N-5394	1	LINES GP-TURBOCHARGER OIL						427
Y	4N-1641	1	LINES GP-WATER						489
Y	4N-0754	1	MANIFOLD GP-EXHAUST						631
Y	2W-8133	1	METER GP-SERVICE						1180
Y	4N-0756	1	PAN GP-OIL						314
Y	7N-3516	6	PISTON & ROD GP						317
YR	4N-0733	1	PUMP GP-ENGINE OIL						438
			S/N: 6TB13149-18425						
YR	161-4111	1	PUMP GP-ENGINE OIL						439
			S/N: 6TB18426-UP						
Y	4N-3287	1	PUMP GP-FUEL PRIMING						848
			S/N: 6TB13149-17679						
Y	145-8855	1	PUMP GP-FUEL PRIMING						850
			S/N: 6TB17680-UP						
Y	2W-4381	1	PUMP & MTG GP-FUEL TRANSFER						827
Y	2W-8541	1	PUMP GP-GOV & FUEL INJ						853
Y	9N-3288	1	PUMP GP-WATER						508
Y	9L-6671	1	SHIELD GP-MANIFOLD						664
Y	8N-2020	1	SUPPORT GP-ENGINE (FRONT)						339

ENGINE ARRANGEMENT

118-1295 ENGINE AR (contd.)

i03807351

NOTE	PART NUMBER	QTY	PART NAME						SEE PAGE
			1	2	3	4	5	6 (PRODUCT LEVEL)	
Y	7C-6624	1	TURBOCHARGER GP						695
Y	4W-2461	1	VALVE MECHANISM GP						355
			S/N: 6TB13149-25232						
Y	214-1666	1	VALVE MECHANISM GP						356
			S/N: 6TB25233-UP						
PLEASE USE THE GASKET KIT LINK IN SIS OR CONTACT YOUR LOCAL DEALER FOR THE LATEST GASKET KIT INFORMATION									
R-REMG PART MAY BE AVAILABLE									
Y-SEPARATE ILLUSTRATION									

ENGINE ARRANGEMENT

118-2855 ENGINE AR

S/N: 6TB14011-UP

317 BRAKE KW (425 BHP) AT 1800 RPM

SMCS-1000

i03807354

NOTE	PART NUMBER	QTY	PART NAME						SEE PAGE
			1	2	3	4	5	6 (PRODUCT LEVEL)	
Y	1W-8347	1	AFTERCOOLER GP-WATER						548
Y	2N-8220	1	BREATHER GP						366
Y	7W-3798	1	CAMSHAFT GP						85
Y	7W-2206	1	COOLER GP-ENGINE OIL						452
Y	9N-0684	1	COVER GP-CYLINDER BLOCK						99
Y	4N-4792	1	COVER GP-FLYWHEEL HOUSING						103
Y	1W-1395	1	COVER GP-FRONT HOUSING						107
Y	7C-0730	1	COVER GP-VALVE MECHANISM						114
Y	4N-0741	1	CRANKSHAFT GP						118
YR	7E-4697	1	CYLINDER BLOCK GP						120
YR	4W-2436	1	CYLINDER HEAD GP						158
			S/N: 6TB14011-25232						
YR	350-4424	1	CYLINDER HEAD GP						172
			S/N: 6TB25233-UP						
Y	4P-5894	1	DAMPER & PULLEY GP						174
Y	8N-9653	1	DRIVE GP-ACCESSORY						181
Y	4W-4619	1	DRIVE GP-GOVERNOR & FUEL PUMP						764
Y	4N-6006	1	FASTENER GP-FRONT HOUSING						231
Y	1W-7376	1	FASTENER GP-FUEL INJ PUMP						774
Y	4N-2481	1	FASTENER GP-OIL PUMP MOUNTING						369
Y	4N-0731	1	FILTER GP-ENGINE OIL						378
			S/N: 6TB14011-17906						
Y	154-4326	1	FILTER GP-ENGINE OIL						397
			S/N: 6TB17907-UP						
Y	4N-1981	1	FILTER GP-FUEL						782
Y	7N-3060	1	FLYWHEEL GP						239
Y	4N-1288	1	FUMES DISPOSAL GP						402
Y	6N-2282	1	GAUGE GP-OIL LEVEL (DIPSTICK)						413
Y	8N-9246	1	GEAR GP-FRONT						243
Y	8N-5941	1	HOUSING GP-FLYWHEEL						278
Y	1W-1468	1	HOUSING GP-FRONT						284
Y	4N-1331	1	LIFTING GP-ENGINE						286
Y	4N-2474	1	LINES GP-AFTERCOOLER WATER						481
Y	8N-4398	1	LINES GP-AIR						626
Y	4N-1128	1	LINES GP-ENGINE OIL						420
Y	2W-3452	1	LINES GP-FUEL FILTER						796
Y	4W-1566	1	LINES GP-FUEL INJECTION						811
Y	4N-5394	1	LINES GP-TURBOCHARGER OIL						427
Y	4N-1641	1	LINES GP-WATER						489
Y	4N-0754	1	MANIFOLD GP-EXHAUST						631
Y	2W-8133	1	METER GP-SERVICE						1180
Y	4N-0756	1	PAN GP-OIL						314
YR	7E-0491	6	PISTON & ROD GP						316
YR	4N-0733	1	PUMP GP-ENGINE OIL						438
			S/N: 6TB14011-18425						
YR	161-4111	1	PUMP GP-ENGINE OIL						439
			S/N: 6TB18426-UP						
Y	4N-3287	1	PUMP GP-FUEL PRIMING						848
			S/N: 6TB14011-17679						
Y	145-8855	1	PUMP GP-FUEL PRIMING						850
			S/N: 6TB17680-UP						
Y	2W-4381	1	PUMP & MTG GP-FUEL TRANSFER						827
Y	2W-8541	1	PUMP GP-GOV & FUEL INJ						853
Y	9N-3288	1	PUMP GP-WATER						508
Y	9L-6671	1	SHIELD GP-MANIFOLD						664
Y	8N-2020	1	SUPPORT GP-ENGINE (FRONT)						339

ENGINE ARRANGEMENT

118-2855 ENGINE AR (contd.)

i03807354

NOTE	PART NUMBER	QTY	PART NAME						SEE PAGE
			1	2	3	4	5	6 (PRODUCT LEVEL)	
Y	7C-6624	1	TURBOCHARGER GP						695
Y	4W-2461	1	VALVE MECHANISM GP						355
			S/N: 6TB14011-25232						
Y	214-1666	1	VALVE MECHANISM GP						356
			S/N: 6TB25233-UP						
PLEASE USE THE GASKET KIT LINK IN SIS OR CONTACT YOUR LOCAL DEALER FOR THE LATEST GASKET KIT INFORMATION									
R-REMG PART MAY BE AVAILABLE									
Y-SEPARATE ILLUSTRATION									

ENGINE ARRANGEMENT

119-1787 ENGINE AR

S/N: 6TB13880-UP

373 BRAKE KW (500 BHP) AT 1800 RPM

SMCS-1000

i02797600

NOTE	PART NUMBER	QTY	PART NAME						SEE PAGE
			1	2	3	4	5	6 (PRODUCT LEVEL)	
Y	1W-8347	1	AFTERCOOLER GP-WATER						548
Y	2N-8220	1	BREATHER GP						366
Y	7W-3798	1	CAMSHAFT GP						85
Y	7W-2206	1	COOLER GP-ENGINE OIL						452
Y	9N-0684	1	COVER GP-CYLINDER BLOCK						99
Y	4N-4792	1	COVER GP-FLYWHEEL HOUSING						103
Y	1W-1395	1	COVER GP-FRONT HOUSING						107
Y	7C-0730	1	COVER GP-VALVE MECHANISM						114
Y	4N-0741	1	CRANKSHAFT GP						118
Y	119-1322	1	CYLINDER BLOCK GP						141
YR	4W-2436	1	CYLINDER HEAD GP						158
Y	4P-5894	1	DAMPER & PULLEY GP						174
Y	8N-9653	1	DRIVE GP-ACCESSORY						181
Y	4W-4619	1	DRIVE GP-GOVERNOR & FUEL PUMP						764
Y	4N-6006	1	FASTENER GP-FRONT HOUSING						231
Y	1W-7376	1	FASTENER GP-FUEL INJ PUMP						774
Y	4N-2481	1	FASTENER GP-OIL PUMP MOUNTING						369
Y	4N-0731	1	FILTER GP-ENGINE OIL						378
			S/N: 6TB13880-17906						
Y	154-4326	1	FILTER GP-ENGINE OIL						397
			S/N: 6TB17907-UP						
Y	4N-1981	1	FILTER GP-FUEL						782
Y	7N-3060	1	FLYWHEEL GP						239
Y	4N-1288	1	FUMES DISPOSAL GP						402
Y	6N-2282	1	GAUGE GP-OIL LEVEL (DIPSTICK)						413
Y	8N-9246	1	GEAR GP-FRONT						243
Y	8N-5941	1	HOUSING GP-FLYWHEEL						278
Y	1W-1468	1	HOUSING GP-FRONT						284
Y	4N-1331	1	LIFTING GP-ENGINE						286
Y	4N-2474	1	LINES GP-AFTERCOOLER WATER						481
Y	8N-4398	1	LINES GP-AIR						626
Y	4N-1128	1	LINES GP-ENGINE OIL						420
Y	2W-3452	1	LINES GP-FUEL FILTER						796
Y	4W-1566	1	LINES GP-FUEL INJECTION						811
Y	4N-5394	1	LINES GP-TURBOCHARGER OIL						427
Y	4N-1641	1	LINES GP-WATER						489
Y	4N-0754	1	MANIFOLD GP-EXHAUST						631
Y	2W-8133	1	METER GP-SERVICE						1180
Y	4N-0756	1	PAN GP-OIL						314
Y	119-1321	6	PISTON & ROD GP						321
YR	4N-0733	1	PUMP GP-ENGINE OIL						438
			S/N: 6TB13880-18425						
YR	161-4111	1	PUMP GP-ENGINE OIL						439
			S/N: 6TB18426-UP						
Y	4N-3287	1	PUMP GP-FUEL PRIMING						848
			S/N: 6TB13880-17679						
Y	145-8855	1	PUMP GP-FUEL PRIMING						850
			S/N: 6TB17680-UP						
Y	2W-4381	1	PUMP & MTG GP-FUEL TRANSFER						827
Y	2W-8541	1	PUMP GP-GOV & FUEL INJ						853
Y	9N-3288	1	PUMP GP-WATER						508
Y	9L-6671	1	SHIELD GP-MANIFOLD						664
Y	8N-2020	1	SUPPORT GP-ENGINE (FRONT)						339
Y	7C-6624	1	TURBOCHARGER GP						695
Y	4W-2461	1	VALVE MECHANISM GP						355

ENGINE ARRANGEMENT

119-1787 ENGINE AR (contd.)

i02797600

NOTE	PART NUMBER	QTY	PART NAME 1 2 3 4 5 6 (PRODUCT LEVEL)	SEE PAGE
PLEASE USE THE GASKET KIT LINK IN SIS OR CONTACT YOUR LOCAL DEALER FOR THE LATEST GASKET KIT INFORMATION				
R-REMG PART MAY BE AVAILABLE Y-SEPARATE ILLUSTRATION				

ENGINE ARRANGEMENT

217-4620 ENGINE AR

S/N: 6TB20813-UP

242 BRAKE KW (324 BHP) AT 2100 RPM

SMCS-1000

i01722003

NOTE	PART NUMBER	QTY	PART NAME						SEE PAGE
			1	2	3	4	5	6 (PRODUCT LEVEL)	
Y	2N-8220	1	BREATHER GP						366
Y	7W-3798	1	CAMSHAFT GP						85
Y	7W-2206	1	COOLER GP-ENGINE OIL						452
Y	9N-0015	1	COVER GP-CYLINDER BLOCK						98
Y	4N-4792	1	COVER GP-FLYWHEEL HOUSING						103
Y	1W-1395	1	COVER GP-FRONT HOUSING						107
Y	4N-2272	1	COVER GP-VALVE MECHANISM						112
Y	9N-0685	1	COVER GP-WATER LINES						460
Y	4N-0741	1	CRANKSHAFT GP						118
YR	8N-9267	1	CYLINDER BLOCK GP						128
YR	4W-2436	1	CYLINDER HEAD GP						158
Y	4P-5894	1	DAMPER & PULLEY GP						174
Y	8N-9653	1	DRIVE GP-ACCESSORY						181
Y	4W-4619	1	DRIVE GP-GOVERNOR & FUEL PUMP						764
Y	4N-6006	1	FASTENER GP-FRONT HOUSING						231
Y	1W-7376	1	FASTENER GP-FUEL INJ PUMP						774
Y	4N-2481	1	FASTENER GP-OIL PUMP MOUNTING						369
Y	154-4326	1	FILTER GP-ENGINE OIL						397
Y	4N-1981	1	FILTER GP-FUEL						782
Y	7N-3060	1	FLYWHEEL GP						239
Y	4N-1288	1	FUMES DISPOSAL GP						402
Y	6N-2282	1	GAUGE GP-OIL LEVEL (DIPSTICK)						413
Y	8N-9246	1	GEAR GP-FRONT						243
Y	8N-5941	1	HOUSING GP-FLYWHEEL						278
Y	1W-1468	1	HOUSING GP-FRONT						284
Y	4N-1331	1	LIFTING GP-ENGINE						286
Y	4N-0875	1	LINES GP-AIR						616
Y	4N-1128	1	LINES GP-ENGINE OIL						420
Y	2W-3452	1	LINES GP-FUEL FILTER						796
Y	4W-1566	1	LINES GP-FUEL INJECTION						811
Y	212-1487	1	LINES GP-TURBOCHARGER OIL						437
Y	4N-1641	1	LINES GP-WATER						489
Y	4N-0754	1	MANIFOLD GP-EXHAUST						631
Y	1N-4471	1	MANIFOLD GP-INLET						635
Y	2W-8133	1	METER GP-SERVICE						1180
Y	4N-0756	1	PAN GP-OIL						314
Y	7N-3516	6	PISTON & ROD GP						317
Y	2W-4381	1	PUMP & MTG GP-FUEL TRANSFER						827
YR	161-4111	1	PUMP GP-ENGINE OIL						439
Y	145-8855	1	PUMP GP-FUEL PRIMING						850
Y	2W-8539	1	PUMP GP-GOV & FUEL INJ						852
Y	9N-3288	1	PUMP GP-WATER						508
Y	9L-6671	1	SHIELD GP-MANIFOLD						664
Y	8N-2020	1	SUPPORT GP-ENGINE (FRONT)						339
Y	4N-6701	1	TURBOCHARGER GP						685
Y	4W-2461	1	VALVE MECHANISM GP						355

GASKET KITS WILL BE PROVIDED WHEN AVAILABLE

R-REMFG PART MAY BE AVAILABLE
Y-SEPARATE ILLUSTRATION

ENGINE ARRANGEMENT

221-3368 ENGINE AR

S/N: 6TB20975-UP

298 BRAKE KW (400 BHP) AT 1800 RPM. INDUSTRIAL REPLACEMENT ENGINE

SMCS-1000

i01744620

NOTE	PART NUMBER	QTY	PART NAME						SEE PAGE
			1	2	3	4	5	6 (PRODUCT LEVEL)	
Y	1W-8347	1	AFTERCOOLER GP-WATER						548
Y	2N-8220	1	BREATHER GP						366
Y	7W-3798	1	CAMSHAFT GP						85
Y	7W-2206	1	COOLER GP-ENGINE OIL						452
Y	9N-0684	1	COVER GP-CYLINDER BLOCK						99
Y	4N-4792	1	COVER GP-FLYWHEEL HOUSING						103
Y	1W-1395	1	COVER GP-FRONT HOUSING						107
Y	7C-0730	1	COVER GP-VALVE MECHANISM						114
Y	4N-0741	1	CRANKSHAFT GP						118
YR	8N-9267	1	CYLINDER BLOCK GP						128
YR	4W-2436	1	CYLINDER HEAD GP						158
Y	4P-5894	1	DAMPER & PULLEY GP						174
Y	8N-9653	1	DRIVE GP-ACCESSORY						181
Y	7W-5910	1	DRIVE GP-GOVERNOR & FUEL PUMP						766
Y	4N-6006	1	FASTENER GP-FRONT HOUSING						231
Y	1W-7376	1	FASTENER GP-FUEL INJ PUMP						774
Y	4N-2481	1	FASTENER GP-OIL PUMP MOUNTING						369
Y	154-4326	1	FILTER GP-ENGINE OIL						397
Y	4N-1981	1	FILTER GP-FUEL						782
Y	7N-3060	1	FLYWHEEL GP						239
Y	4N-1288	1	FUMES DISPOSAL GP						402
Y	6N-2282	1	GAUGE GP-OIL LEVEL (DIPSTICK)						413
Y	8N-9246	1	GEAR GP-FRONT						243
Y	8N-5941	1	HOUSING GP-FLYWHEEL						278
Y	1W-1468	1	HOUSING GP-FRONT						284
Y	4N-1331	1	LIFTING GP-ENGINE						286
Y	4N-2474	1	LINES GP-AFTERCOOLER WATER						481
Y	8N-4398	1	LINES GP-AIR						626
Y	4N-1128	1	LINES GP-ENGINE OIL						420
Y	2W-3452	1	LINES GP-FUEL FILTER						796
Y	4W-1566	1	LINES GP-FUEL INJECTION						811
Y	7W-3935	1	LINES GP-FUEL RATIO CONTROL						825
Y	4N-5394	1	LINES GP-TURBOCHARGER OIL						427
Y	4N-1641	1	LINES GP-WATER						489
Y	4N-0754	1	MANIFOLD GP-EXHAUST						631
Y	2W-8133	1	METER GP-SERVICE						1180
Y	4N-0756	1	PAN GP-OIL						314
Y	7N-3516	6	PISTON & ROD GP						317
Y	2W-4381	1	PUMP & MTG GP-FUEL TRANSFER						827
YR	161-4111	1	PUMP GP-ENGINE OIL						439
Y	145-8855	1	PUMP GP-FUEL PRIMING						850
Y	7C-6533	1	PUMP GP-GOV & FUEL INJ						860
Y	9N-3288	1	PUMP GP-WATER						508
Y	9L-6671	1	SHIELD GP-MANIFOLD						664
Y	8N-2020	1	SUPPORT GP-ENGINE (FRONT)						339
Y	7C-6624	1	TURBOCHARGER GP						695
Y	4W-2461	1	VALVE MECHANISM GP						355

GASKET KITS WILL BE PROVIDED WHEN AVAILABLE

R-REMFG PART MAY BE AVAILABLE
Y-SEPARATE ILLUSTRATION

ENGINE ARRANGEMENT

225-0340 ENGINE AR

S/N: 6TB25283-UP

343 BRAKE KW (460 BHP) AT 2100 RPM

SMCS-1000

i03041324

NOTE	PART NUMBER	QTY	PART NAME						SEE PAGE
			1	2	3	4	5	6 (PRODUCT LEVEL)	
Y	165-0577	1	AFTERCOOLER GP-WATER						551
Y	2N-8220	1	BREATHER GP						366
Y	7W-3798	1	CAMSHAFT GP						85
Y	7W-2206	1	COOLER GP-ENGINE OIL						452
Y	9N-0684	1	COVER GP-CYLINDER BLOCK						99
Y	4N-4792	1	COVER GP-FLYWHEEL HOUSING						103
Y	1W-1395	1	COVER GP-FRONT HOUSING						107
Y	7C-0730	1	COVER GP-VALVE MECHANISM						114
Y	4N-0741	1	CRANKSHAFT GP						118
YR	7E-4697	1	CYLINDER BLOCK GP						120
YR	4W-2436	1	CYLINDER HEAD GP						158
Y	4P-5894	1	DAMPER & PULLEY GP						174
Y	8N-9653	1	DRIVE GP-ACCESSORY						181
Y	4W-4619	1	DRIVE GP-GOVERNOR & FUEL PUMP						764
Y	4N-6006	1	FASTENER GP-FRONT HOUSING						231
Y	1W-7376	1	FASTENER GP-FUEL INJ PUMP						774
Y	4N-2481	1	FASTENER GP-OIL PUMP MOUNTING						369
Y	154-4326	1	FILTER GP-ENGINE OIL						397
Y	4N-1981	1	FILTER GP-FUEL						782
Y	7N-3060	1	FLYWHEEL GP						239
Y	4N-1288	1	FUMES DISPOSAL GP						402
Y	6N-2282	1	GAUGE GP-OIL LEVEL (DIPSTICK)						413
Y	8N-9246	1	GEAR GP-FRONT						243
Y	8N-5941	1	HOUSING GP-FLYWHEEL						278
Y	1W-1468	1	HOUSING GP-FRONT						284
Y	4N-1331	1	LIFTING GP-ENGINE						286
Y	4N-2474	1	LINES GP-AFTERCOOLER WATER						481
Y	8N-4398	1	LINES GP-AIR						626
Y	4N-1128	1	LINES GP-ENGINE OIL						420
Y	2W-3452	1	LINES GP-FUEL FILTER						796
Y	4W-1566	1	LINES GP-FUEL INJECTION						811
Y	212-1487	1	LINES GP-TURBOCHARGER OIL						437
Y	4N-1641	1	LINES GP-WATER						489
Y	4N-0754	1	MANIFOLD GP-EXHAUST						631
Y	2W-8133	1	METER GP-SERVICE						1180
Y	4N-0756	1	PAN GP-OIL						314
YR	7E-0491	6	PISTON & ROD GP						316
Y	2W-4381	1	PUMP & MTG GP-FUEL TRANSFER						827
YR	161-4111	1	PUMP GP-ENGINE OIL						439
Y	145-8855	1	PUMP GP-FUEL PRIMING						850
Y	2W-8541	1	PUMP GP-GOV & FUEL INJ						853
Y	9N-3288	1	PUMP GP-WATER						508
Y	9L-6671	1	SHIELD GP-MANIFOLD						664
Y	8N-2020	1	SUPPORT GP-ENGINE (FRONT)						339
Y	130-5622	1	TURBOCHARGER GP						715
Y	4W-2461	1	VALVE MECHANISM GP						355

PLEASE USE THE GASKET KIT LINK IN SIS OR
CONTACT YOUR LOCAL DEALER FOR THE LATEST
GASKET KIT INFORMATION

R-REMFG PART MAY BE AVAILABLE
Y-SEPARATE ILLUSTRATION

ENGINE ARRANGEMENT

237-3788 ENGINE AR

S/N: 6TB22446-UP

298 BRAKE KW (400 BHP) AT 2100 RPM

SMCS-1000

i02194681

NOTE	PART NUMBER	QTY	PART NAME						SEE PAGE
			1	2	3	4	5	6 (PRODUCT LEVEL)	
Y	165-0577	1	AFTERCOOLER GP-WATER						551
Y	2N-8220	1	BREATHER GP						366
Y	7W-3798	1	CAMSHAFT GP						85
Y	7W-2206	1	COOLER GP-ENGINE OIL						452
Y	9N-0684	1	COVER GP-CYLINDER BLOCK						99
Y	4N-4792	1	COVER GP-FLYWHEEL HOUSING						103
Y	1W-1395	1	COVER GP-FRONT HOUSING						107
Y	7C-0730	1	COVER GP-VALVE MECHANISM						114
Y	4N-0741	1	CRANKSHAFT GP						118
YR	8N-9267	1	CYLINDER BLOCK GP						128
YR	4W-2436	1	CYLINDER HEAD GP						158
Y	4P-5894	1	DAMPER & PULLEY GP						174
Y	8N-9653	1	DRIVE GP-ACCESSORY						181
Y	4W-4619	1	DRIVE GP-GOVERNOR & FUEL PUMP						764
Y	4N-6006	1	FASTENER GP-FRONT HOUSING						231
Y	1W-7376	1	FASTENER GP-FUEL INJ PUMP						774
Y	4N-2481	1	FASTENER GP-OIL PUMP MOUNTING						369
Y	154-4326	1	FILTER GP-ENGINE OIL						397
Y	4N-1981	1	FILTER GP-FUEL						782
Y	7N-3060	1	FLYWHEEL GP						239
Y	4N-1288	1	FUMES DISPOSAL GP						402
Y	6N-2282	1	GAUGE GP-OIL LEVEL (DIPSTICK)						413
Y	8N-9246	1	GEAR GP-FRONT						243
Y	8N-5941	1	HOUSING GP-FLYWHEEL						278
Y	1W-1468	1	HOUSING GP-FRONT						284
Y	4N-1331	1	LIFTING GP-ENGINE						286
Y	4N-2474	1	LINES GP-AFTERCOOLER WATER						481
Y	8N-4398	1	LINES GP-AIR						626
Y	4N-1128	1	LINES GP-ENGINE OIL						420
Y	2W-3452	1	LINES GP-FUEL FILTER						796
Y	4W-1566	1	LINES GP-FUEL INJECTION						811
Y	212-1487	1	LINES GP-TURBOCHARGER OIL						437
Y	4N-1641	1	LINES GP-WATER						489
Y	4N-0754	1	MANIFOLD GP-EXHAUST						631
Y	2W-8133	1	METER GP-SERVICE						1180
Y	4N-0756	1	PAN GP-OIL						314
Y	7N-3516	6	PISTON & ROD GP						317
Y	2W-4381	1	PUMP & MTG GP-FUEL TRANSFER						827
YR	161-4111	1	PUMP GP-ENGINE OIL						439
Y	145-8855	1	PUMP GP-FUEL PRIMING						850
Y	2W-8541	1	PUMP GP-GOV & FUEL INJ						853
Y	9N-3288	1	PUMP GP-WATER						508
Y	9L-6671	1	SHIELD GP-MANIFOLD						664
Y	8N-2020	1	SUPPORT GP-ENGINE (FRONT)						339
Y	7C-6624	1	TURBOCHARGER GP						695
Y	4W-2461	1	VALVE MECHANISM GP						355

GASKET KITS WILL BE PROVIDED WHEN AVAILABLE

R-REMFG PART MAY BE AVAILABLE
Y-SEPARATE ILLUSTRATION

ENGINE ARRANGEMENT

317-6990 ENGINE AR

S/N: 6TB25283-UP

225 BRAKE KW (292 BHP) AT 1750 RPM. PROVIDES A DIRECT INJECTION TURBOCHARGED
ENGINE WITH WATERCOOLED MANIFOLD AND TURBOCHARGER, FIRE PUMP

SMCS-1000

i03125900

NOTE	PART NUMBER	QTY	PART NAME						SEE PAGE
			1	2	3	4	5	6 (PRODUCT LEVEL)	
Y	2N-8220	1	BREATHER GP						366
Y	8N-9244	1	CAMSHAFT GP						86
Y	7W-2206	1	COOLER GP-ENGINE OIL						452
Y	9N-0015	1	COVER GP-CYLINDER BLOCK						98
Y	4N-4792	1	COVER GP-FLYWHEEL HOUSING						103
Y	1W-1395	1	COVER GP-FRONT HOUSING						107
Y	4N-5489	1	COVER GP-TURBOCHARGER DRAIN						592
Y	4N-2272	1	COVER GP-VALVE MECHANISM						112
Y	9N-0685	1	COVER GP-WATER LINES						460
Y	4N-0741	1	CRANKSHAFT GP						118
YR	7E-4697	1	CYLINDER BLOCK GP						120
YR	1W-1439	1	CYLINDER HEAD GP						155
Y	4P-5894	1	DAMPER & PULLEY GP						174
Y	8N-9653	1	DRIVE GP-ACCESSORY						181
Y	1W-6378	1	DRIVE GP-GOVERNOR & FUEL PUMP						763
Y	4N-6006	1	FASTENER GP-FRONT HOUSING						231
Y	1W-7376	1	FASTENER GP-FUEL INJ PUMP						774
Y	4N-2481	1	FASTENER GP-OIL PUMP MOUNTING						369
Y	154-4326	1	FILTER GP-ENGINE OIL						397
Y	4N-1981	1	FILTER GP-FUEL						782
Y	7N-3060	1	FLYWHEEL GP						239
Y	4N-1288	1	FUMES DISPOSAL GP						402
Y	6N-2282	1	GAUGE GP-OIL LEVEL (DIPSTICK) (ENGINE)						413
Y	8N-9246	1	GEAR GP-FRONT						243
Y	4N-5466	1	HOUSING & REGULATOR GP						479
Y	4N-0732	1	HOUSING GP-FLYWHEEL						270
Y	1W-1468	1	HOUSING GP-FRONT						284
Y	4N-1331	1	LIFTING GP-ENGINE						286
Y	4N-0876	1	LINES GP-AIR						617
Y	4N-1128	1	LINES GP-ENGINE OIL						420
Y	2W-3452	1	LINES GP-FUEL FILTER						796
Y	4W-8293	1	LINES GP-FUEL INJECTION						813
Y	4N-4073	1	LINES GP-TURBOCHARGER OIL						426
Y	4N-4075	1	LINES GP-WATER (TURBO COOLING)						491
Y	4N-0691	1	MANIFOLD GP-EXHAUST						630
Y	1N-4471	1	MANIFOLD GP-INLET						635
Y	2W-8133	1	METER GP-SERVICE						1180
Y	4N-0756	1	PAN GP-OIL						314
YR	7E-0491	6	PISTON & ROD GP						316
Y	2W-4381	1	PUMP & MTG GP-FUEL TRANSFER						827
YR	161-4113	1	PUMP GP-ENGINE OIL						440
Y	145-8855	1	PUMP GP-FUEL PRIMING						850
Y	2W-9115	1	PUMP GP-GOV & FUEL INJ						857
Y	9N-3288	1	PUMP GP-WATER						508
Y	8N-2020	1	SUPPORT GP-ENGINE (FRONT)						339
Y	6N-9150	1	TURBOCHARGER GP-WATER COOLED						718
Y	4N-2271	1	VALVE MECHANISM GP						353

PLEASE USE THE GASKET KIT LINK IN SIS OR
CONTACT YOUR LOCAL DEALER FOR THE LATEST
GASKET KIT INFORMATION

R-REMFG PART MAY BE AVAILABLE
Y-SEPARATE ILLUSTRATION

ENGINE ARRANGEMENT

317-6991 ENGINE AR

S/N: 6TB25283-UP

323 BRAKE KW (420 BHP) AT 1750 RPM INTERMITTENT. PROVIDES A DIRECT INJECTION
TURBOCHARGED ENGINE WITH WATERCOOLED MANIFOLD AND TURBOCHARGER, FIRE PUMP

SMCS-1000

i03125941

NOTE	PART NUMBER	QTY	PART NAME						SEE PAGE
			1	2	3	4	5	6 (PRODUCT LEVEL)	
Y	4N-4077	1	AFTERCOOLER GP-WATER						550
Y	2N-8220	1	BREATHER GP						366
Y	8N-9244	1	CAMSHAFT GP						86
Y	7W-2206	1	COOLER GP-ENGINE OIL						452
Y	9N-0684	1	COVER GP-CYLINDER BLOCK						99
Y	4N-4792	1	COVER GP-FLYWHEEL HOUSING						103
Y	1W-1395	1	COVER GP-FRONT HOUSING						107
Y	4N-8048	1	COVER GP-GOVERNOR						757
Y	4N-5489	1	COVER GP-TURBOCHARGER DRAIN						592
Y	4N-2272	1	COVER GP-VALVE MECHANISM						112
Y	4N-0741	1	CRANKSHAFT GP						118
YR	7E-4697	1	CYLINDER BLOCK GP						120
YR	1W-1439	1	CYLINDER HEAD GP						155
Y	4P-5532	1	DAMPER & PULLEY GP						173
Y	8N-9653	1	DRIVE GP-ACCESSORY						181
Y	1W-6378	1	DRIVE GP-GOVERNOR & FUEL PUMP						763
Y	4N-6006	1	FASTENER GP-FRONT HOUSING						231
Y	1W-7376	1	FASTENER GP-FUEL INJ PUMP						774
Y	4N-2481	1	FASTENER GP-OIL PUMP MOUNTING						369
Y	154-4326	1	FILTER GP-ENGINE OIL						397
Y	4N-1981	1	FILTER GP-FUEL						782
Y	7N-3060	1	FLYWHEEL GP						239
Y	4N-1288	1	FUMES DISPOSAL GP						402
Y	6N-2282	1	GAUGE GP-OIL LEVEL (DIPSTICK) (ENGINE)						413
Y	8N-9246	1	GEAR GP-FRONT						243
Y	4N-5466	1	HOUSING & REGULATOR GP						479
Y	4N-0732	1	HOUSING GP-FLYWHEEL						270
Y	1W-1468	1	HOUSING GP-FRONT						284
Y	4N-1331	1	LIFTING GP-ENGINE						286
Y	4N-2474	1	LINES GP-AFTERCOOLER WATER						481
Y	4N-4078	1	LINES GP-AIR						618
Y	4N-1128	1	LINES GP-ENGINE OIL						420
Y	2W-3452	1	LINES GP-FUEL FILTER						796
Y	4W-8293	1	LINES GP-FUEL INJECTION						813
Y	4N-4073	1	LINES GP-TURBOCHARGER OIL						426
Y	4N-4075	1	LINES GP-WATER (TURBO COOLING)						491
Y	4N-0691	1	MANIFOLD GP-EXHAUST						630
Y	2W-8133	1	METER GP-SERVICE						1180
Y	4N-0756	1	PAN GP-OIL						314
YR	7E-0491	6	PISTON & ROD GP						316
Y	2W-4381	1	PUMP & MTG GP-FUEL TRANSFER						827
YR	161-4113	1	PUMP GP-ENGINE OIL						440
Y	145-8855	1	PUMP GP-FUEL PRIMING						850
Y	2W-9104	1	PUMP GP-GOV & FUEL INJ						855
Y	9N-3288	1	PUMP GP-WATER						508
Y	8N-2020	1	SUPPORT GP-ENGINE (FRONT)						339
Y	4N-4074	1	TURBOCHARGER GP						682
Y	4N-2271	1	VALVE MECHANISM GP						353

PLEASE USE THE GASKET KIT LINK IN SIS OR
CONTACT YOUR LOCAL DEALER FOR THE LATEST
GASKET KIT INFORMATION

R-REMFG PART MAY BE AVAILABLE
Y-SEPARATE ILLUSTRATION

BASIC ENGINE

6N-9829 ADAPTER GP-FLYWHEEL

S/N: 6TB11381-18566

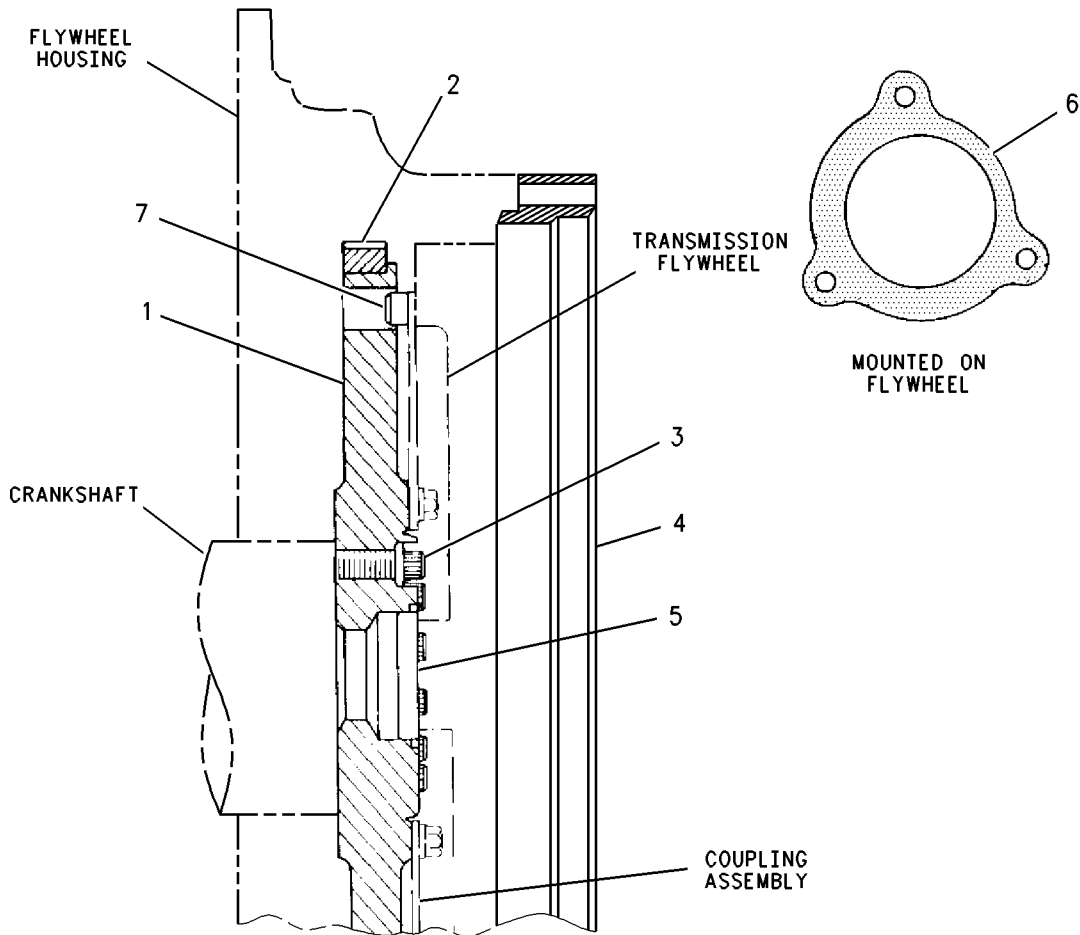
CANNOT BE USED WITH BRAKESAVER ENGINE
ALSO AN ATTACHMENT

SMCS-1156

i02726318

NOTE	REF NO	GRAPHIC REF	PART NUMBER	QTY	PART NAME						SEE PAGE
					1	2	3	4	5	6 (PRODUCT LEVEL)	
	1	1	6N-9667	1	FLYWHEEL AS						
	2	1	4N-2514	1	GEAR (113-TEETH)						
	3	1	5P-7033	12	BOLT-12 POINT HEAD (5/8-18X2.25-IN)						
C	4	1	4W-0229	1	ADAPTER-FLYWHEEL HOUSING						
C	5	1	7N-6114	1	BUSHING-PILOT						
	6	1	9Y-6089	1	GASKET						
C	7	1	013-8307	12	BOLT-SOCKET HEAD (1/2-20X1-IN)						

C-CHANGE FROM PREVIOUS TYPE



GRAPHIC #1

<END>

g00767612

BASIC ENGINE

7N-6291 ADAPTER GP-FLYWHEEL

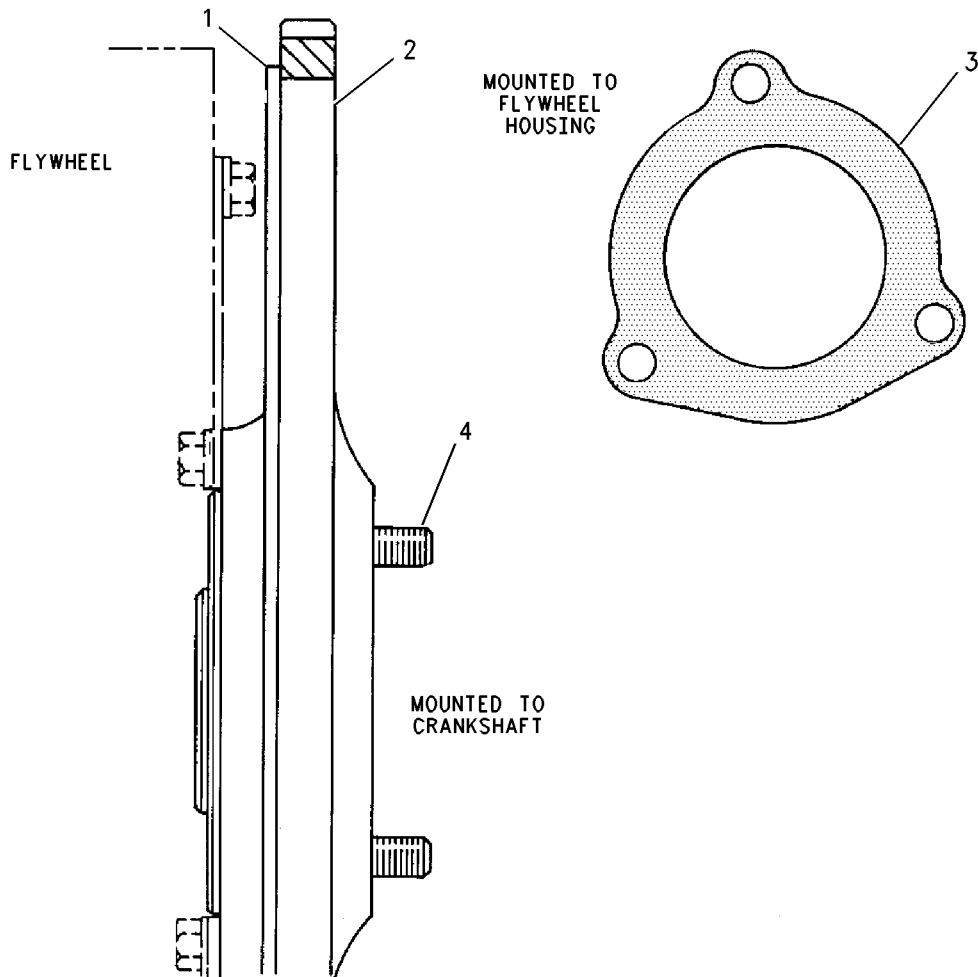
FOR USE WITH A TRANSMISSION THAT ADAPTS TO AN SAE NO.0 FLYWHEEL HOUSING
AN ATTACHMENT

SMCS-1156

i02726322

NOTE	REF NO	GRAPHIC REF	PART NUMBER	QTY	PART NAME						SEE PAGE
					1	2	3	4	5	6 (PRODUCT LEVEL)	
	1	1	7N-6249	1	FLYWHEEL AS						
	2	1	8M-6755	1	GEAR-FLYWHEEL (136-TEETH)						
	3	1	4H-7869	1	GASKET						
	4	1	2P-1956	12	BOLT-12 POINT HEAD (5/8-18X3-IN)						
C		1	5P-8247	12	WASHER-HARD (17X32X3.5-MM THK)						

C-CHANGE FROM PREVIOUS TYPE



GRAPHIC #1

<END>

g00769074

BASIC ENGINE

9Y-5438 ADAPTER GP-OIL PAN DRAIN

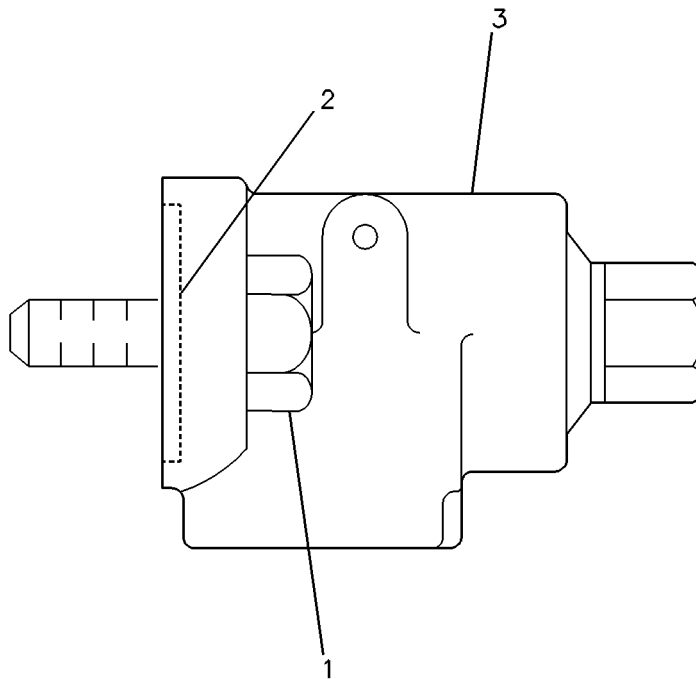
FOR USE WITH OIL PANS WITH TWO BOLT FLANGE
AN ATTACHMENT

SMCS-1302

i02726326

NOTE	REF NO	GRAPHIC REF	PART NUMBER	QTY	PART NAME						SEE PAGE
					1	2	3	4	5	6 (PRODUCT LEVEL)	
	1	1	0S-1587	2	BOLT (1/2-13X1.75-IN)						
C	2	1	6V-3830	1	SEAL-O-RING						
C	3	1	4P-0519	1	ADAPTER AS-DRAIN						

C-CHANGE FROM PREVIOUS TYPE



GRAPHIC #1

<END>

g00220400

BASIC ENGINE

1N-2991 AIR COMPRESSOR GP

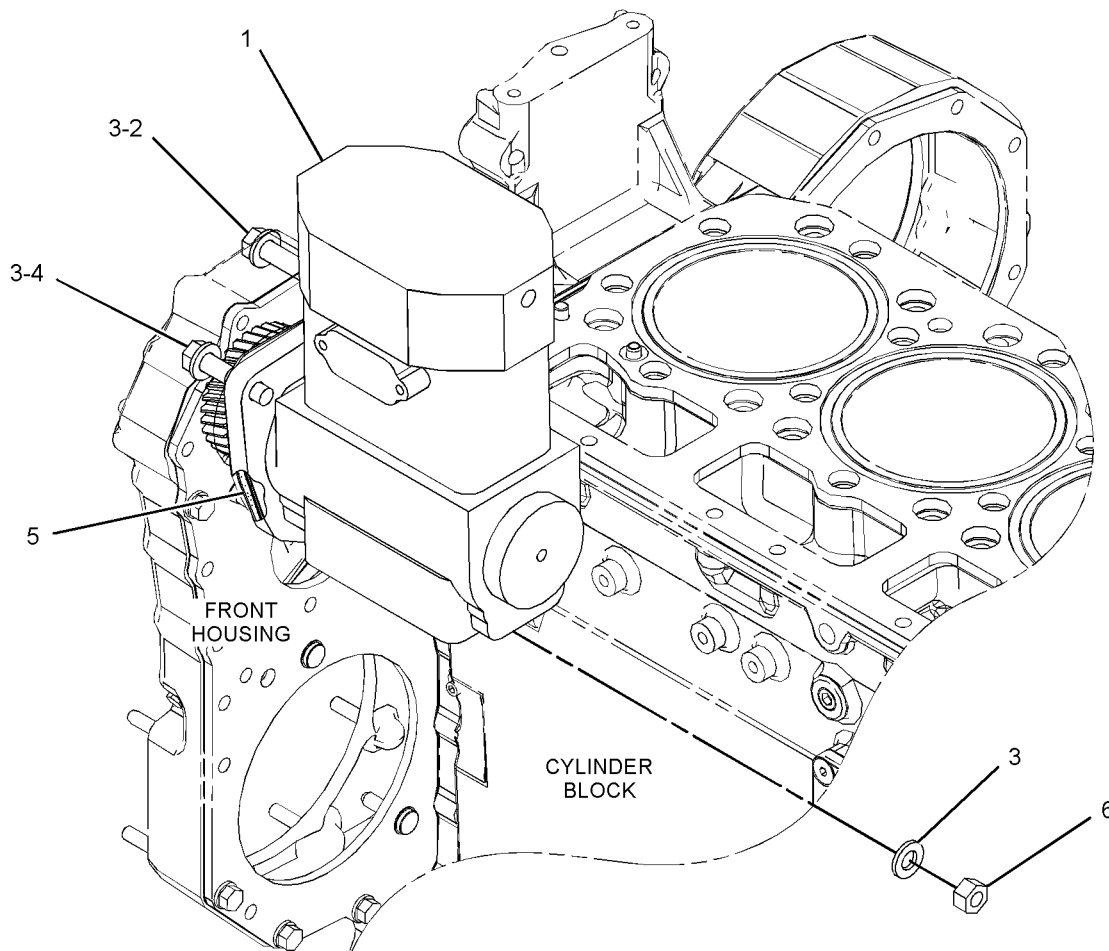
15.5 CFM, GEAR DRIVEN
AN ATTACHMENT

SMCS - 1803

i03995994

NOTE	REF NO	GRAPHIC REF	PART NUMBER	QTY	PART NAME						SEE PAGE
					1	2	3	4	5	6 (PRODUCT LEVEL)	
Y	1	1	354-7530	1	AIR COMPRESSOR GP						77
	2	1	1D-4569	1	BOLT (1/2-13X4.25-IN)						
	3	1	5P-8245	3	WASHER-HARD (13.5X25.5X3.0-MM THK)						
	4	1	9X-8873	1	BOLT (1/2-13X2.25-IN)						
	5	1	129-3948	1	SEAL-INTEGRAL						
	6	1	1F-7958	1	NUT-FULL (1/2-13-THD)						

Y-SEPARATE ILLUSTRATION



GRAPHIC #1

<END>

g02303936

BASIC ENGINE

1N-2992 AIR COMPRESSOR GP*R ENGINE OIL LUBRICATED-ENGINE WATER COOLED PART OF 354-7530 AIR COMPRESSOR GP AN ATTACHMENT

SMCS-1803

i02855550

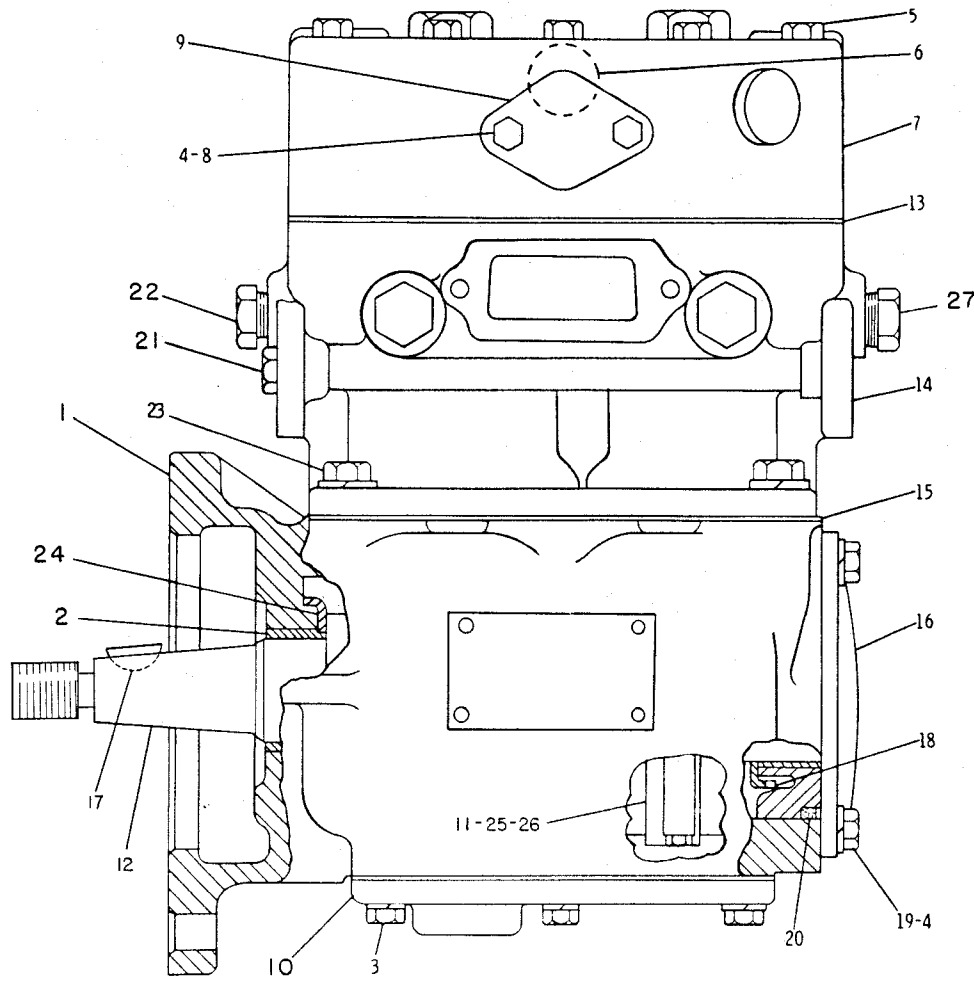
NOTE	REF NO	GRAPHIC REF	PART NUMBER	QTY	PART NAME						SEE PAGE
					1	2	3	4	5	6 (PRODUCT LEVEL)	
	1	1	1N-2994	1	CRANKCASE GP-AIR COMPRESSOR						
	2	1	1S-9867	1	BEARING-SLEEVE						
	3	1	0S-1615	6	BOLT (1/4-20X0.75-IN)						
		1	3B-4504	6	LOCKWASHER						
	4	1	3B-4505	6	LOCKWASHER						
	5	1	9M-0379	10	BOLT						
	6	1	2B-0858	1	PLUG-PIPE						
	7	1	2W-5133	1	CYLINDER HEAD AS						
	8	1	2H-3755	2	BOLT (5/16-18X0.43-IN)						
	9	1	2A-0954	1	COVER-OUTLET						
		1	1S-7107	1	GASKET						
	10	1	2S-3079	1	COVER-AIR COMPENSATOR						
		1	3H-5175	1	GASKET						
	11	1	8S-4645	4	LOCK						
	12	1	1N-2993	1	CRANKSHAFT-AIR COMPRESSOR						
	13	1	9N-2855	1	GASKET-CYLINDER HEAD						
Y	14	1	9N-5449	1	CYLINDER BLOCK AS						119
	15	1	3H-7311	1	GASKET-CYLINDER BLOCK						
	16	1	2S-4013	1	COVER AS-END						
		1	2S-4245	1	BEARING-SLEEVE						
	17	1	1B-8714	1	KEY-WOODRUFF						
	18	1	9L-1517	1	WASHER-THRUST						
	19	1	0S-1617	4	BOLT (5/16-18X0.75-IN)						
	20	1	2H-3931	1	SEAL-O-RING						
	21	1	5M-6213	1	PLUG-PIPE						
C	22	1	3J-5390	4	PLUG						
	23	1	0S-1594	6	BOLT (3/8-16X1-IN)						
		1	3B-4506	6	LOCKWASHER						
	24	1	9L-1518	1	WASHER-THRUST						
C	25	1	7C-4944	2	PISTON AS-COMPRESSOR						
					(EACH INCLUDES)						
		1	1W-2803	2	PLUG						
	26	1	8N-5916	2	ROD AS-CONNECTING						
					(EACH INCLUDES)						
		1	4N-3994	1	BEARING						
		1	9M-5181	2	BOLT						
C	27	1	3J-5389	1	PLUG						
					AVAILABLE REPAIR KIT(S):						
C			7C-4943	1	KIT-PISTON RING (AIR COMPRESSOR)						
					(INCLUDES PISTON RINGS)						
			2W-6044	1	KIT-AIR COMPRESSOR						
					(INCLUDES VALVES, GUIDES, BEARINGS, GASKETS, SPRINGS, SEATS, BOLTS, WASHERS, LOCK WASHERS, O-RINGS, KIT-MAINTENANCE, KIT-CONNECTING ROD, ETC.)						
			6I-1220	1	KIT-UNLOADER (AIR COMPRESSOR)						

C-CHANGE FROM PREVIOUS TYPE
Y-SEPARATE ILLUSTRATION

BASIC ENGINE

1N-2992 AIR COMPRESSOR GP (contd.)

i02855550



GRAPHIC #1

<END>

g00116282

BASIC ENGINE

1N-2995 AIR COMPRESSOR GP*R

PART OF 354-7531 AIR COMPRESSOR GP
AN ATTACHMENT

SMCS - 1803

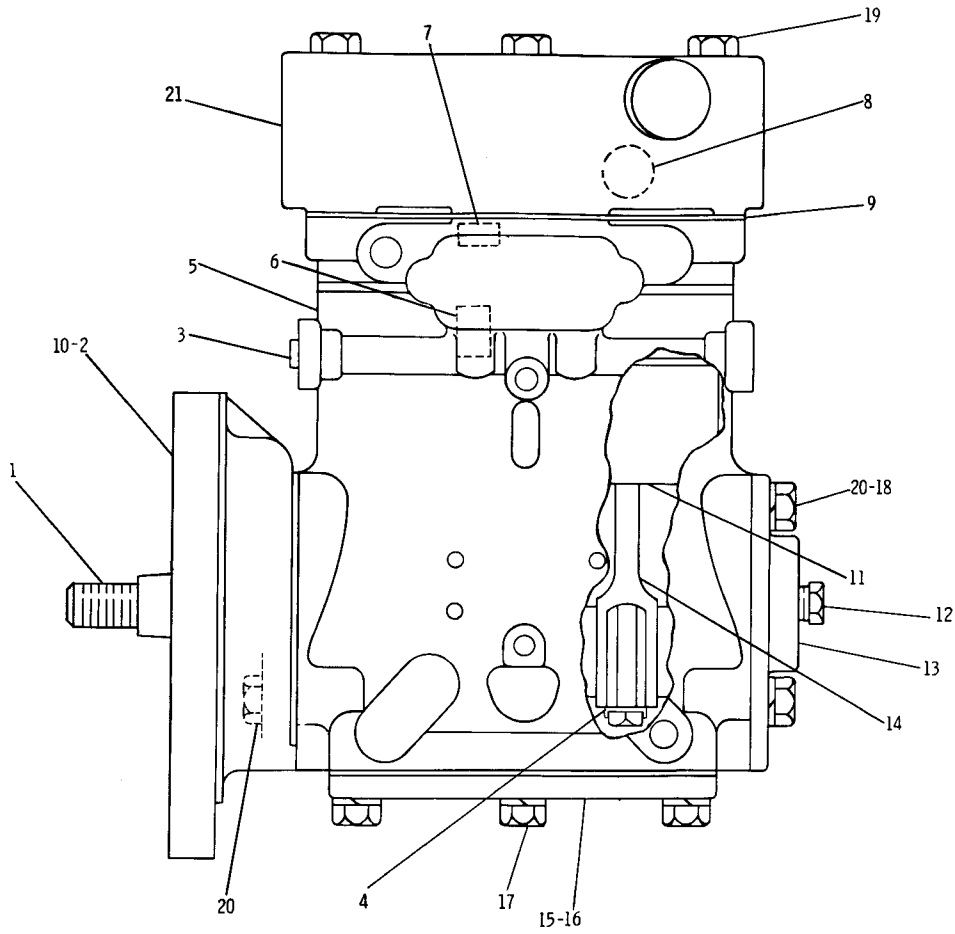
i01962480

NOTE	REF NO	GRAPHIC REF	PART NUMBER	QTY	PART NAME						SEE PAGE
					1	2	3	4	5	6 (PRODUCT LEVEL)	
	1	1	1N-3522	1	CRANKSHAFT-AIR COMPRESSOR						
C		1	1B-8714	1	KEY-WOODRUFF						
	2	1	1N-2998	1	ADAPTER AS						
C	3	1	5M-6214	2	PLUG-PIPE						
	4	1	7N-0243	2	LOCK-ROD BOLT						
	5	1	6N-2099	1	CRANKCASE AS-AIR COMPRESSOR						
	6	1	7N-6172	2	BUSHING-COMPRESSOR						
	7	1	9M-0381	2	INSERT-INLET VALVE						
	8	1	2B-0858	2	PLUG-PIPE						
	9	1	6N-2098	1	GASKET-CYLINDER HEAD						
	10	1	5M-6509	2	SEAL-O-RING						
	11	1	7N-4837	2	PISTON AS-COMPRESSOR						
					(EACH INCLUDES)						
		1	1W-2803	2	PLUG						
	12	1	5M-6214	2	PLUG-PIPE						
	13	1	6N-2100	1	COVER AS-REAR						
	14	1	6N-2106	2	ROD AS-CONNECTING						
	15	1	6N-0634	1	GASKET-COVER						
	16	1	6N-6949	1	COVER-CRANKCASE						
C	17	1	0T-0102	6	BOLT (3/8-16X0.625-IN)						
		1	3B-4506	6	LOCKWASHER						
	18	1	3B-4507	4	LOCKWASHER						
	19	1	0S-1619	6	BOLT (3/8-16X3-IN)						
	20	1	5P-0060	8	BOLT (7/16-14X0.75-IN)						
C	21	1	6N-2097	1	HEAD AS-COMPRESSOR						
C		1	3J-5390	1	PLUG						
					AVAILABLE REPAIR KIT(S):						
			8N-3665	1	KIT-SEAL (AIR COMPRESSOR)						
					(INCLUDES SEALS AND RETAINING RINGS)						
			8N-3666	1	KIT-AIR COMPRESSOR						
					(INCLUDES PISTONS, GUIDES, PLUNGER, SEAT, SPRING, SADDLE, RINGS, BOLTS, LOCKWASHERS, LOCK, BEARING, VALVE, GASKET & BUTTONS)						
			6N-2109	1	KIT-PISTON RING (AIR COMPRESSOR)						
C-CHANGE FROM PREVIOUS TYPE											

BASIC ENGINE

1N-2995 AIR COMPRESSOR GP (contd.)

i01962480



GRAPHIC #1

<END>

g00177553

BASIC ENGINE

1N-2997 AIR COMPRESSOR GP

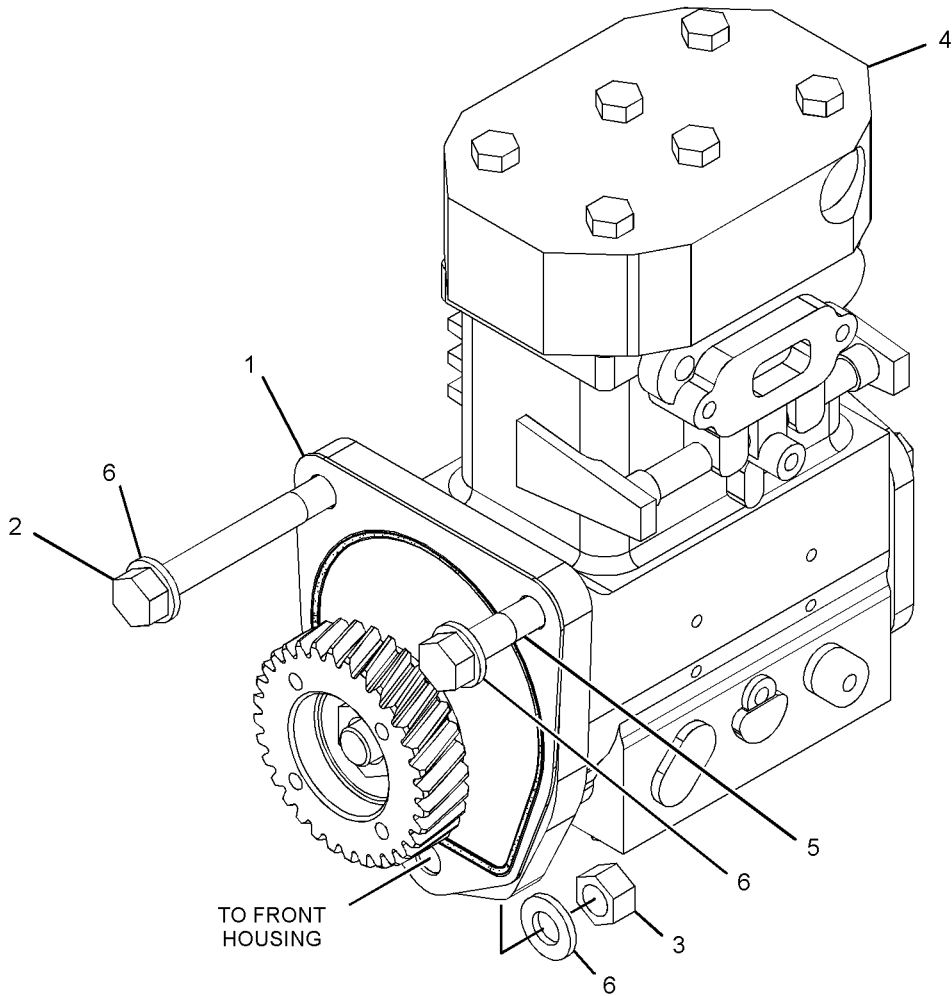
12 CFM, GEAR DRIVEN DRIVE RATIO 1:1
AN ATTACHMENT

SMCS-1803

i03995995

NOTE	REF NO	GRAPHIC REF	PART NUMBER	QTY	PART NAME						SEE PAGE
					1	2	3	4	5	6 (PRODUCT LEVEL)	
	1	1	129-3948	1	SEAL - INTEGRAL						
	2	1	1D-4569	1	BOLT (1/2-13X4.25-IN)						
	3	1	1F-7958	1	NUT-FULL (1/2-13-THD)						
Y	4	1	354-7531	1	AIR COMPRESSOR GP						78
	5	1	9X-8873	1	BOLT (1/2-13X2.25-IN)						
	6	1	5P-8245	3	WASHER-HARD (13.5X25.5X3.0-MM THK)						

Y-SEPARATE ILLUSTRATION



GRAPHIC #1

<END>

g02303934

BASIC ENGINE

7E-1428 AIR COMPRESSOR GP

16 CFM. GEAR DRIVEN

FOR USE WITH 4W-3123-PAGE 180, 2W-9998-PAGE 288

AN ATTACHMENT AND FIELD INSTALLATION

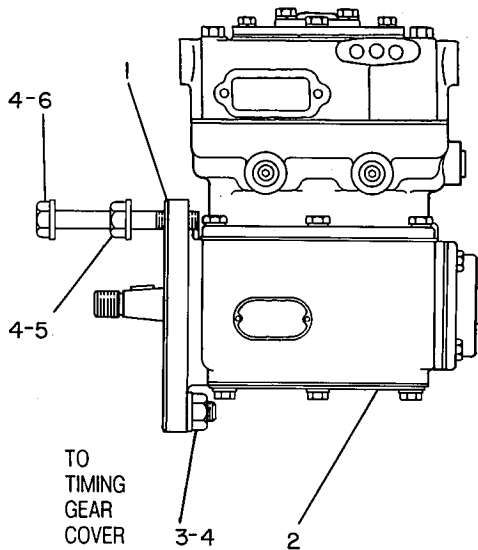
TYPE 1

SMCS-1803

i02726192

NOTE	REF NO	GRAPHIC REF	PART NUMBER	QTY	PART NAME						SEE PAGE
					1	2	3	4	5	6 (PRODUCT LEVEL)	
	1	1	129-3948	1	SEAL - INTEGRAL						
YR	2	1	9Y-2240	1	AIR COMPRESSOR GP						67
	3	1	1F-7958	1	NUT-FULL (1/2-13-THD)						
	4	1	5P-8245	3	WASHER-HARD (13.5X25.5X3-MM THK)						
	5	1	2B-0947	1	BOLT (1/2-13X2.25-IN)						
	6	1	1D-4569	1	BOLT (1/2-13X4.25-IN)						

R-REMFG PART MAY BE AVAILABLE
Y-SEPARATE ILLUSTRATION



GRAPHIC #1

<END>

g00201854

BASIC ENGINE

7E-1428 AIR COMPRESSOR GP

16 CFM. GEAR DRIVEN

FOR USE WITH 4W-3123-PAGE 180, 2W-9998-PAGE 288

AN ATTACHMENT AND FIELD INSTALLATION

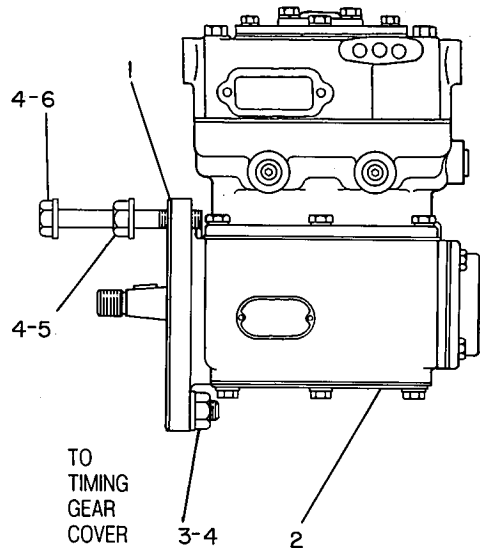
TYPE 2

SMCS-1803

i02726190

NOTE	REF NO	GRAPHIC REF	PART NUMBER	QTY	PART NAME						SEE PAGE
					1	2	3	4	5	6 (PRODUCT LEVEL)	
	1	1	129-3948	1	SEAL - INTEGRAL						
CYR	2	1	144-0750	1	AIR COMPRESSOR GP						69
	3	1	1F-7958	1	NUT-FULL (1/2-13-THD)						
	4	1	5P-8245	3	WASHER-HARD (13.5X25.5X3-MM THK)						
	5	1	2B-0947	1	BOLT (1/2-13X2.25-IN)						
	6	1	1D-4569	1	BOLT (1/2-13X4.25-IN)						

C-CHANGE FROM PREVIOUS TYPE
R-REMG PART MAY BE AVAILABLE
Y-SEPARATE ILLUSTRATION



GRAPHIC #1

<END>

g00201854

BASIC ENGINE

7E-1428 AIR COMPRESSOR GP

16 CFM. GEAR DRIVEN

FOR USE WITH 4W-3123-PAGE 180, 2W-9998-PAGE 288

AN ATTACHMENT AND FIELD INSTALLATION

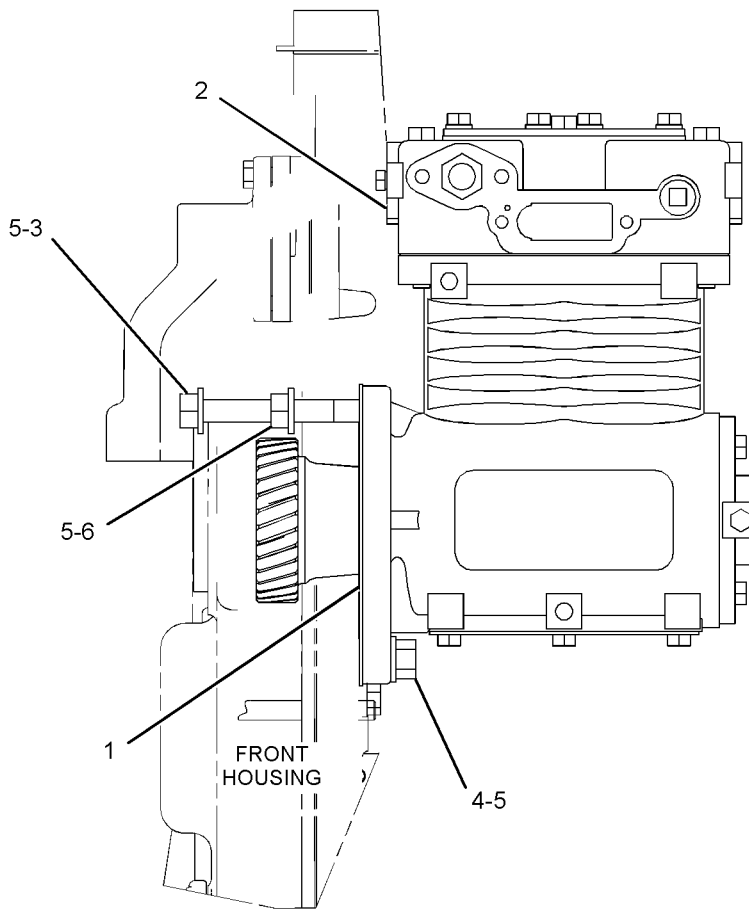
TYPE 3

SMCS-1803

i03899971

NOTE	REF NO	GRAPHIC REF	PART NUMBER	QTY	PART NAME						SEE PAGE
					1	2	3	4	5	6 (PRODUCT LEVEL)	
	1	1	129-3948	1	SEAL - INTEGRAL						
CY	2	1	354-7535	1	AIR COMPRESSOR GP						80
	3	1	1D-4569	1	BOLT (1/2-13X4.25-IN)						
	4	1	1F-7958	1	NUT - FULL (1/2-13-THD)						
	5	1	5P-8245	3	WASHER - HARD (13.5X25.5X3-MM THK)						
	6	1	9X-8873	1	BOLT (1/2-13X2.25-IN)						

C-CHANGE FROM PREVIOUS TYPE
Y-SEPARATE ILLUSTRATION



LEFT SIDE VIEW OF ENGINE

<END>

GRAPHIC #1

g02152919

BASIC ENGINE

7W-0023 AIR COMPRESSOR GP

31 CFM

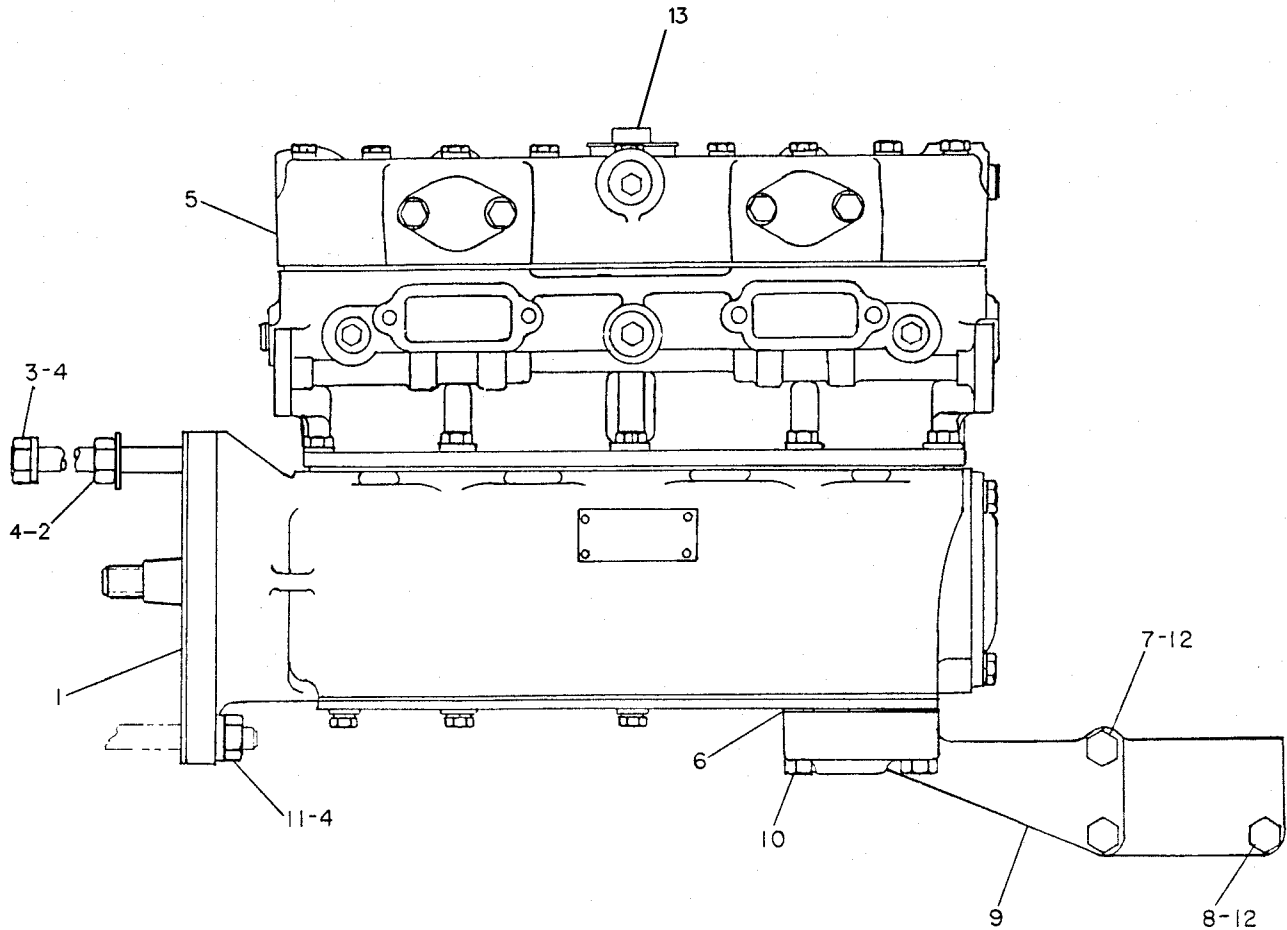
FOR USE WITH 7C-0316-PAGE 294, 7C-1783-PAGE 296, 7C-5721-PAGE 802. CANNOT BE USED WITH PREMIUM INSTRUMENT PANEL OR FACTORY INSTALLED WATER CONDITIONER AN ATTACHMENT

SMCS-1803

i02726193

NOTE	REF NO	GRAPHIC REF	PART NUMBER	QTY	PART NAME						SEE PAGE
					1	2	3	4	5	6 (PRODUCT LEVEL)	
	1	1	129-3948	1	SEAL-INTEGRAL						
	2	1	2B-0947	1	BOLT (1/2-13X2.25-IN)						
	3	1	1D-4569	1	BOLT (1/2-13X4.25-IN)						
	4	1	5P-8245	3	WASHER-HARD (13.5X25.5X3-MM THK)						
YR	5	1	7W-4020	1	AIR COMPRESSOR GP						64
	6	1	7W-7394	1	GASKET						
	7	1	8S-9191	2	BOLT (3/8-16X4-IN)						
	8	1	0S-1590	1	BOLT (3/8-16X2-IN)						
	9	1	4W-1273	1	BRACKET						
	10	1	0S-1591	4	BOLT (3/8-16X1.5-IN)						
	11	1	1F-7958	1	NUT-FULL (1/2-13-THD)						
	12	1	5M-2894	3	WASHER-HARD (10.2X18.5X2.5-MM THK)						
	13	1	7M-8485	1	SEAL-O-RING						

R-REMFG PART MAY BE AVAILABLE
Y-SEPARATE ILLUSTRATION



GRAPHIC #1

<END>

g00208735

BASIC ENGINE

7W-4020 AIR COMPRESSOR GP*R

PART OF 7W-0023 AIR COMPRESSOR GP
AN ATTACHMENT

SMCS - 1803

i02735699

NOTE	REF NO	GRAPHIC REF	PART NUMBER	QTY	PART NAME	SEE PAGE
	1	1	7C-6166	1	CRANKCASE GP-AIR COMPRESSOR	
	2	1	7C-6180	1	BEARING-CENTER	
	3	1	7C-6181	1	BEARING-FRONT	
	4	1	7C-6165	1	CYLINDER HEAD AS	
N	5	1	3F-4987	4	SPRING-VALVE	
N	6	1	3H-5181	4	VALVE-DISCHARGE	
N	7	1	9M-0394	4	SEAT-VALVE	
	8	1	7C-6167	1	BLOCK AS	
N	9	1	9L-2269	4	PISTON AS	
					(EACH INCLUDES)	
N	10	1	3L-6768	1	SEAL-O-RING	
N	11	1	4M-6410	2	SEAT	
N	12	1	9L-2271	4	GUIDE-PLUNGER	
N	13	1	9L-2270	4	PLUNGER	
N	14	1	9L-2272	2	SADDLE-SPRING	
N	15	1	9L-2273	2	SPRING-UNLOADER	
	16	1	124-5572	1	VALVE AS-RELIEF (AIR COMPRESSOR)	
	17	1	9M-0379	18	BOLT	
	18	1	0L-1351	10	BOLT (3/8-16X0.875-IN)	
	19	1	3B-4506	20	LOCKWASHER	
	20	1	0S-1594	10	BOLT (3/8-16X1-IN)	
	21	1	2B-2695	4	BOLT (5/16-18X0.875-IN)	
		1	3B-4505	4	LOCKWASHER	
	22	1	7F-2742	1	BALL BEARING	
	23	1	7C-6177	1	WASHER-THRUST	
	24	1	3J-5389	3	PLUG (1/2-14 NPTF THD)	
	25	1	7C-6172	1	GASKET-CYLINDER HEAD	
	26	1	7C-6173	1	GASKET-CYLINDER BLOCK	
	27	1	7C-6168	1	COVER-BOTTOM	
	28	1	7C-6174	1	GASKET	
	29	1	7C-6175	1	COVER-REAR	
	30	1	9M-4791	1	GASKET-END COVER	
	31	1	3J-5390	4	PLUG	
	32	1	8B-8817	1	PLUG (1/2-14 NPTF THD)	
	33	1	4B-4845	2	PLUG (3/8-18 NPTF THD)	
	34	1	7C-4944	4	PISTON AS-COMPRESSOR	
					(EACH INCLUDES)	
	35	1	1W-2803	2	PLUG	
	36	1	8N-5916	4	ROD AS-CONNECTING	
					(EACH INCLUDES)	
	37	1	4N-3994	1	BEARING	
	38	1	9M-5181	2	BOLT	
	39	1	1B-8714	1	KEY-WOODRUFF	
JZ	40	1		4	RING-OIL	
JZ	41	1		4	RING-EXPANDER	
JZ	42	1		6	RING-COMPRESSION	
NZ	43	1		4	SPRING	
NZ	44	1		4	VALVE	
NZ	45	1		2	GASKET	
FNZ		1		1	GASKET	
					AVAILABLE REPAIR KIT(S):	
N			7C-6164	1	KIT-AIR COMPRESSOR (MAJOR REPAIR)	
J			7C-4943	2	KIT-PISTON RING (AIR COMPRESSOR)	
			6I-1220	1	KIT-UNLOADER (AIR COMPRESSOR)	

BASIC ENGINE

7W-4020 AIR COMPRESSOR GP (contd.)

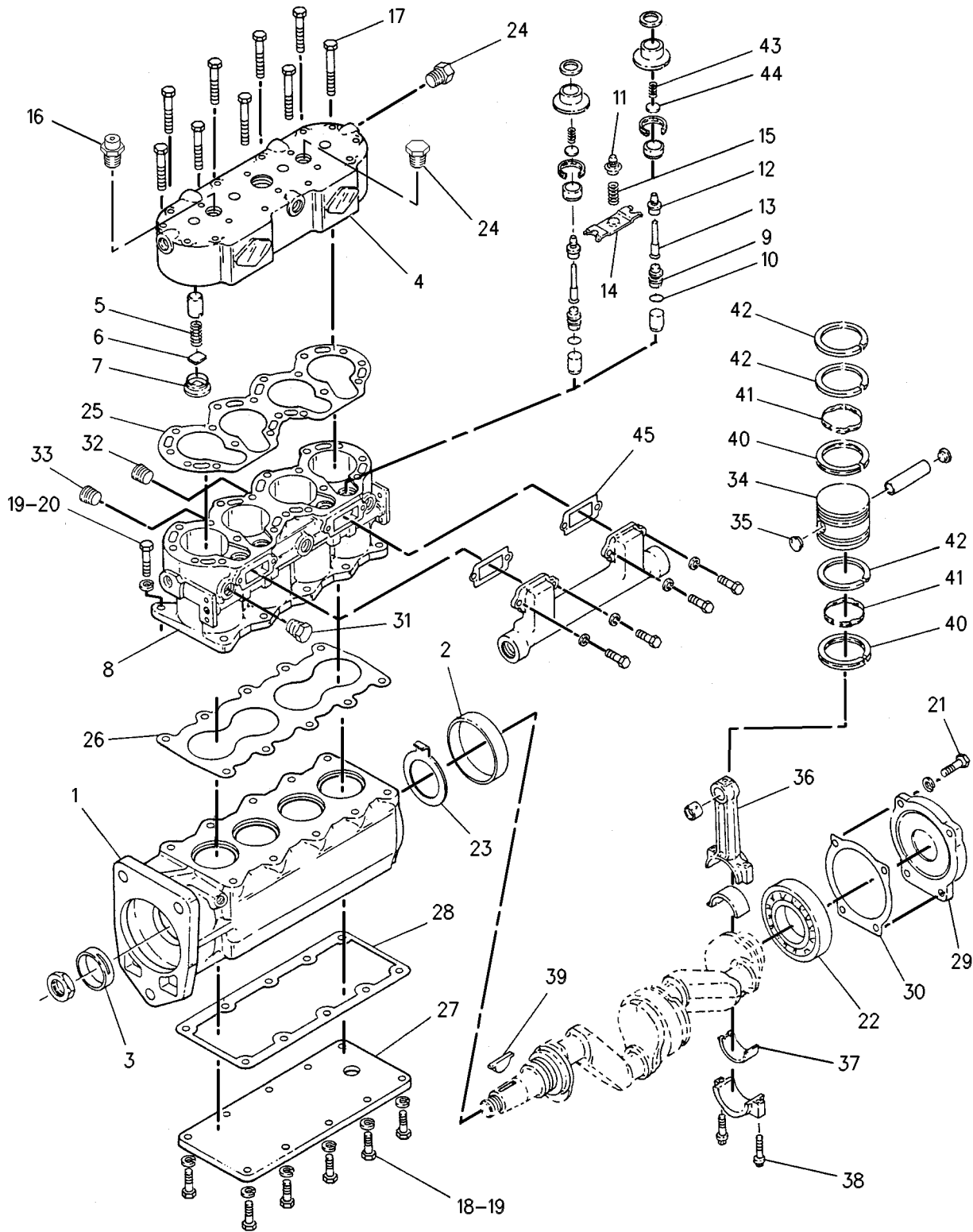
i02735699

F-NOT SHOWN
J-KIT(S) MARKED J INCLUDES PARTS MARKED J
N-KIT(S) MARKED N INCLUDES PARTS MARKED N
Z-NOT SERVICED SEPARATELY

BASIC ENGINE

7W-4020 AIR COMPRESSOR GP (contd.)

i02735699



GRAPHIC #1

<END>

g00523190

BASIC ENGINE

9Y-2240 AIR COMPRESSOR GP*R

16 CFM, GEAR DRIVEN

PART OF 7E-1428 AIR COMPRESSOR GP
AN ATTACHMENT

SMCS-1803

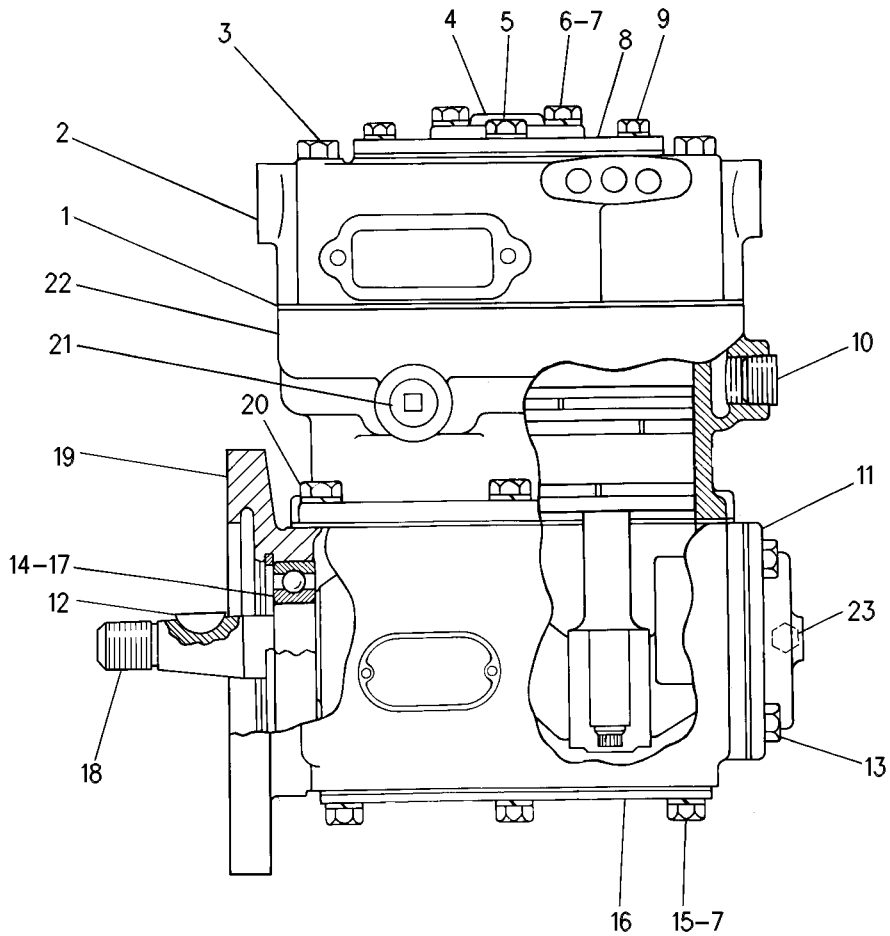
i02861161

NOTE	REF NO	GRAPHIC REF	PART NUMBER	QTY	PART NAME						SEE PAGE
					1	2	3	4	5	6 (PRODUCT LEVEL)	
	1	1	7N-7448	1	GASKET						
	2	1	7N-7447	1	HEAD AS-COMPRESSOR						
	3	1	0S-1619	5	BOLT (3/8-16X3-IN)						
	4	1	4W-9479	1	MANIFOLD-EXHAUST						
		1	1S-7107	1	GASKET						
	5	1	0L-1352	1	BOLT (3/8-16X3.25-IN)						
		1	5M-2894	1	WASHER-HARD (10.2X18.5X2.5-MM THK)						
	6	1	2B-2695	2	BOLT (5/16-18X0.875-IN)						
	7	1	3B-4505	8	LOCKWASHER						
	8	1	7N-7450	1	COVER-UNLOADER						
		1	7N-7451	1	GASKET-UNLOADER						
	9	1	0S-1615	2	BOLT (1/4-20X0.75-IN)						
		1	3B-4504	2	LOCKWASHER						
	10	1	2B-0858	1	PLUG-PIPE						
	11	1	7N-7441	1	COVER-AIR COMPRESSOR						
		1	7N-7442	1	GASKET						
	12	1	1B-8714	1	KEY-WOODRUFF						
	13	1	034-4160	4	BOLT-LOCKING (5/16-18X1-IN)						
	14	1	4W-9489	1	RING-LOCK						
	15	1	0S-1617	6	BOLT (5/16-18X0.75-IN)						
	16	1	7N-7439	1	PLATE-COVER						
		1	7N-7440	1	GASKET						
	17	1	8H-9789	2	BEARING AS-BALL						
	18	1	9Y-2278	1	CRANKSHAFT-AIR COMPRESSOR						
	19	1	4W-6681	1	CRANKCASE GP-AIR COMPRESSOR						
	20	1	1A-2029	6	BOLT (3/8-16X1.125-IN)						
		1	3B-4506	6	LOCKWASHER						
	21	1	4B-4845	2	PLUG (PIPE)						
	22	1	1W-9162	1	CYLINDER BLOCK						
		1	7N-7446	1	GASKET						
	23	1	5M-6214	1	PLUG-PIPE						
					AVAILABLE REPAIR KIT(S):						
			7N-7435	1	KIT-AIR COMPRESSOR (MAJOR REPAIR) (INCLUDES STOPS, SPRINGS, SEATS, GUIDES, & GASKETS)						
			144-0502	1	KIT-PISTON RING (STANDARD) (AIR COMPRESSOR) (INCLUDES PISTON RINGS & ENVELOPE RINGS)						
			144-0503	1	KIT-PISTON & RING (STANDARD) (AIR COMPRESSOR) (INCLUDES PISTON PIN, BOTTOM PISTON PIN, PISTON, & RING KIT)						
			138-2887	1	KIT-ROD & BEARING (0.01-IN OS) (AIR COMPRESSOR) (INCLUDES ROD AS. & BEARING KIT)						

BASIC ENGINE

9Y-2240 AIR COMPRESSOR GP (contd.)

i02861161



GRAPHIC #1

<END>

g00408344

BASIC ENGINE

144-0750 AIR COMPRESSOR GP*R

PART OF 7E-1428 AIR COMPRESSOR GP
AN ATTACHMENT

SMCS - 1803

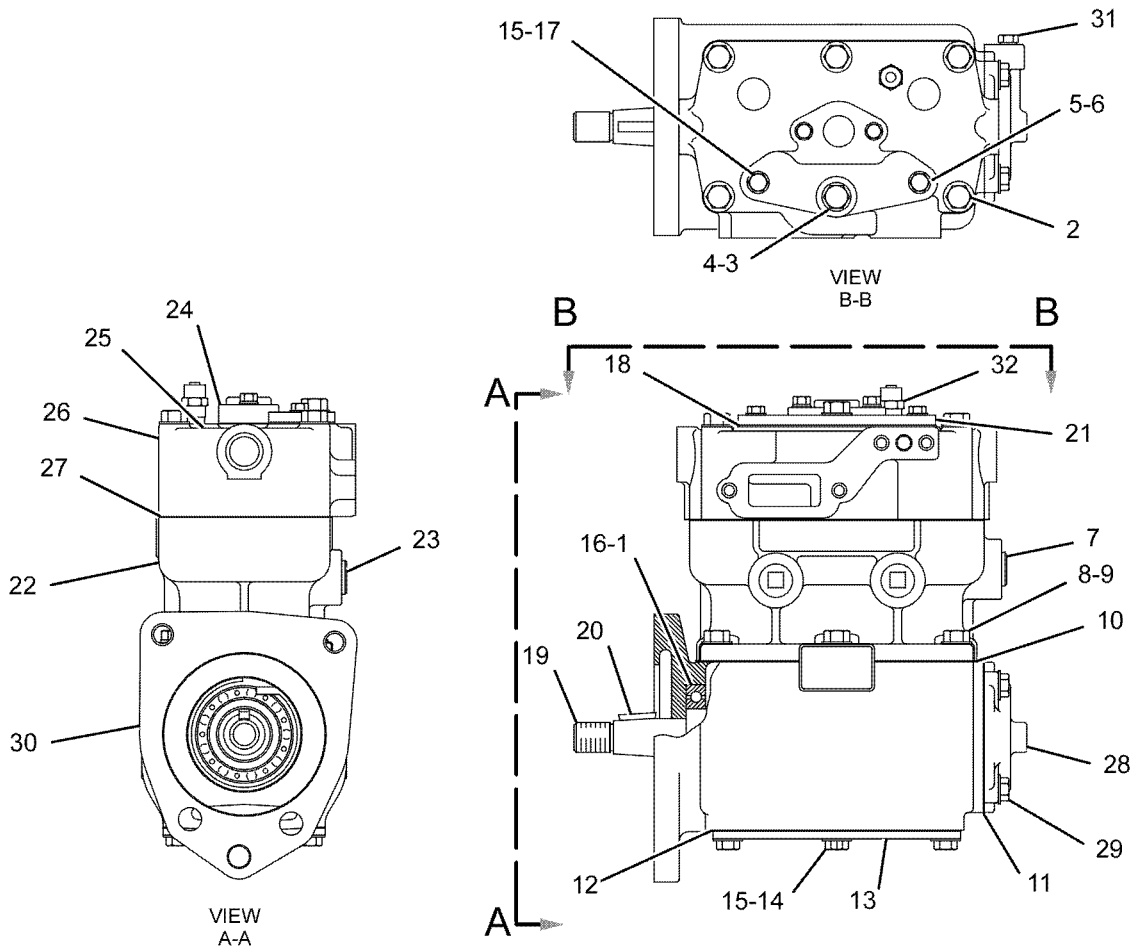
i02861167

NOTE	REF NO	GRAPHIC REF	PART NUMBER	QTY	PART NAME						SEE PAGE
					1	2	3	4	5	6 (PRODUCT LEVEL)	
	1	1	4W-9489	1	RING-LOCK						
	2	1	0S-1619	5	BOLT (3/8-16X3-IN)						
	3	1	0L-1352	1	BOLT (3/8-16X3.25-IN)						
	4	1	5M-2894	1	WASHER-HARD (10.2X18.5X2.5-MM THK)						
	5	1	0S-1615	2	BOLT (1/4-20X0.75-IN)						
	6	1	3B-4504	2	LOCKWASHER						
	7	1	8T-6762	1	PLUG-PIPE						
	8	1	1A-2029	6	BOLT (3/8-16X1.125-IN)						
	9	1	3B-4506	6	LOCKWASHER						
	10	1	7N-7446	1	GASKET						
	11	1	7N-7442	1	GASKET						
	12	1	7N-7440	1	GASKET						
	13	1	7N-7439	1	PLATE-COVER						
	14	1	0S-1617	6	BOLT (5/16-18X0.75-IN)						
	15	1	3B-4505	8	LOCKWASHER						
	16	1	8H-9789	2	BEARING AS-BALL						
	17	1	2B-2695	2	BOLT (5/16-18X0.875-IN)						
	18	1	7N-7451	1	GASKET-UNLOADER						
	19	1	9Y-2278	1	CRANKSHAFT-AIR COMPRESSOR						
	20	1	1B-8714	1	KEY-WOODRUFF						
	21	1	7N-7450	1	COVER-UNLOADER						
	22	1	1W-9162	1	CYLINDER BLOCK						
	23	1	7X-7732	2	PLUG-PIPE						
	24	1	4W-9479	1	MANIFOLD-EXHAUST						
	25	1	1S-7107	1	GASKET						
	26	1	7N-7447	1	HEAD AS-COMPRESSOR						
		1	5L-5502	1	FITTING						
		1	124-5572	1	VALVE AS-RELIEF (AIR COMPRESSOR)						
	27	1	7N-7448	1	GASKET						
	28	1	7N-7441	1	COVER-AIR COMPRESSOR						
	29	1	034-4160	4	BOLT-LOCKING (5/16-18X1-IN)						
	30	1	4W-6681	1	CRANKCASE GP-AIR COMPRESSOR						
	31	1	8T-6764	1	PLUG-PIPE (1/8-27-THD)						
	32	1	138-9057	1	VALVE (PRESSURE RELIEF)						
					AVAILABLE REPAIR KIT(S):						
			144-0503	1	KIT-PISTON & RING (STANDARD) (AIR COMPRESSOR) (INCLUDES: STOPS, GUIDES, SEATS, SPRINGS, GASKETS, VALVES, WASHERS, SEAL, BRGS, AND COVER)						
			138-2887	1	KIT-ROD & BEARING (AIR COMPRESSOR) (INCLUDES: ROD ASSEMBLY, AND BRG KIT)						
			7N-7435	1	KIT-AIR COMPRESSOR (MAJOR REPAIR) (INCLUDES: PIN, BUTTON, PISTON, AND RING KIT)						
			144-0502	1	KIT-PISTON RING (STANDARD) (AIR COMPRESSOR) (INCLUDES: RINGS)						

BASIC ENGINE

144-0750 AIR COMPRESSOR GP (contd.)

i02861167



GRAPHIC #1

<END>

g01061810

BASIC ENGINE

163-6365 AIR COMPRESSOR GP

24.1 CFM AT 2100 RPM

PART OF 193-5769, 354-7533 AIR COMPRESSOR GP

FOR USE WITH NATURALLY ASPIRATED ONLY. CANNOT BE USED WITH BOOSTED AIR
AN ATTACHMENT

SMCS-1803

i02066842

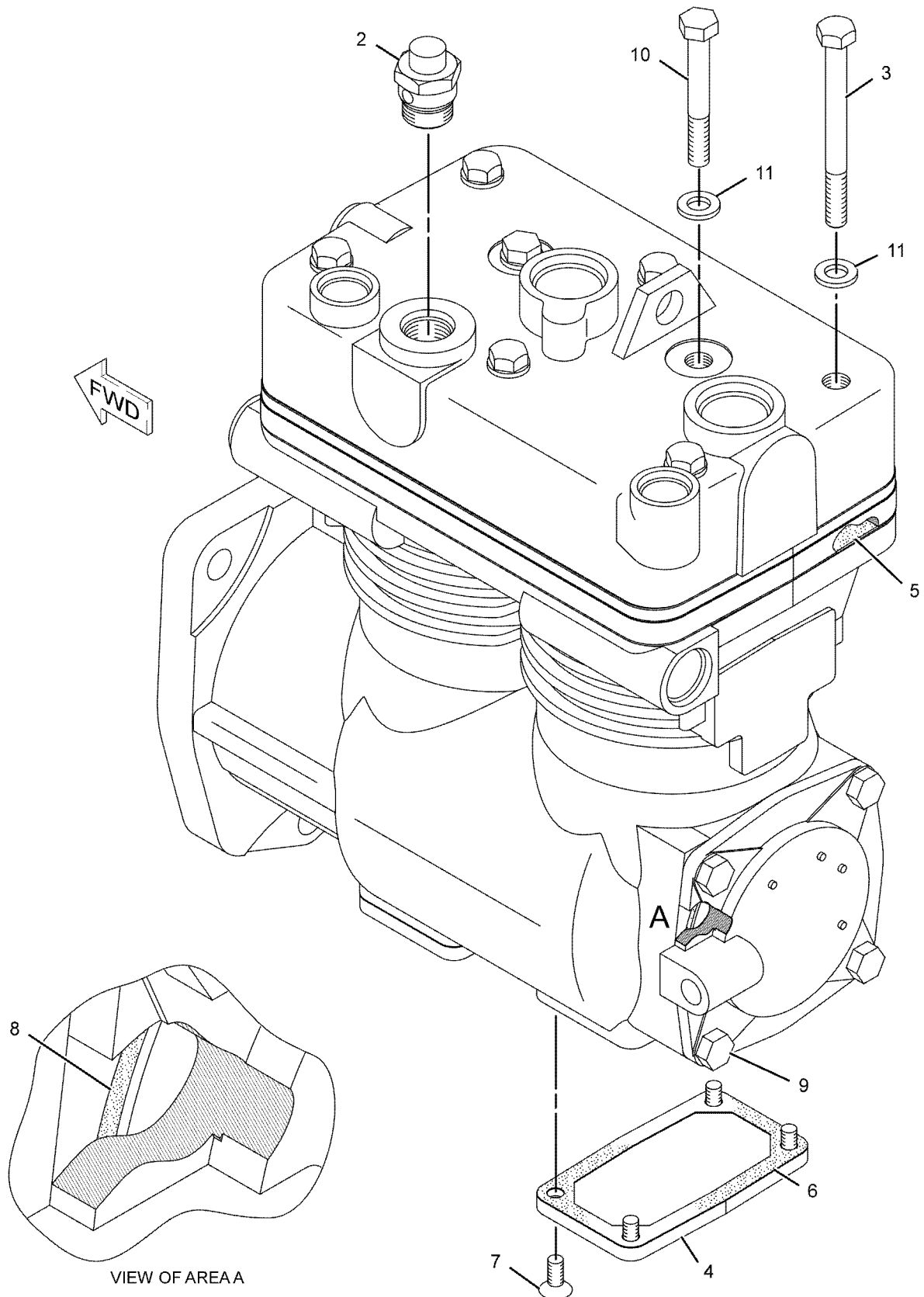
NOTE	REF NO	GRAPHIC REF	PART NUMBER	QTY	PART NAME						SEE PAGE
					1	2	3	4	5	6 (PRODUCT LEVEL)	
	2	1	175-3166	1	VALVE AS-PRESSURE RELIEF (AIR COMPRESSOR)						
		1	3K-0360	1	SEAL-O-RING						
M	3	1	175-3168	6	BOLT (M8X1.25X85-MM)						
	4	1	175-3169	2	PLATE						
	5	1	175-3171	1	GASKET						
	6	1	175-3172	2	GASKET						
M	7	1	095-0757	8	SCREW-MACHINE (M6X1X8.6-MM)						
	8	1	095-1712	1	SEAL-O-RING						
M	9	1	6V-5217	4	BOLT (M8X1.25X20-MM)						
M	10	1	8T-0100	2	BOLT (M8X1.25X60-MM)						
	11	1	9M-1974	8	WASHER-HARD (8.8X16X2-MM THK)						
					AVAILABLE REPAIR KIT(S):						
					187-1481 KIT-UNLOADER (AIR COMPRESSOR)						
					(INCLUDES PLUGS, RINGS, UNLOADER PISTON, PINS, SPRING, GASKET, PIVOT STUD, PIVOT ARM, VALVES AND GREASE)						
					187-1483 KIT-CYLINDER HEAD (AIR COMPRESSOR)						
					(INCLUDES VALVES, INTAKE BOLT, GASKET, AND INTAKE SPACER SLEEVE)						

M-METRIC PART

BASIC ENGINE

163-6365 AIR COMPRESSOR GP (contd.)

i02066842



GRAPHIC #1

<END>

g01059537

BASIC ENGINE

164-7565 AIR COMPRESSOR GP*R

PART OF 354-7535 AIR COMPRESSOR GP
AN ATTACHMENT

SMCS-1803

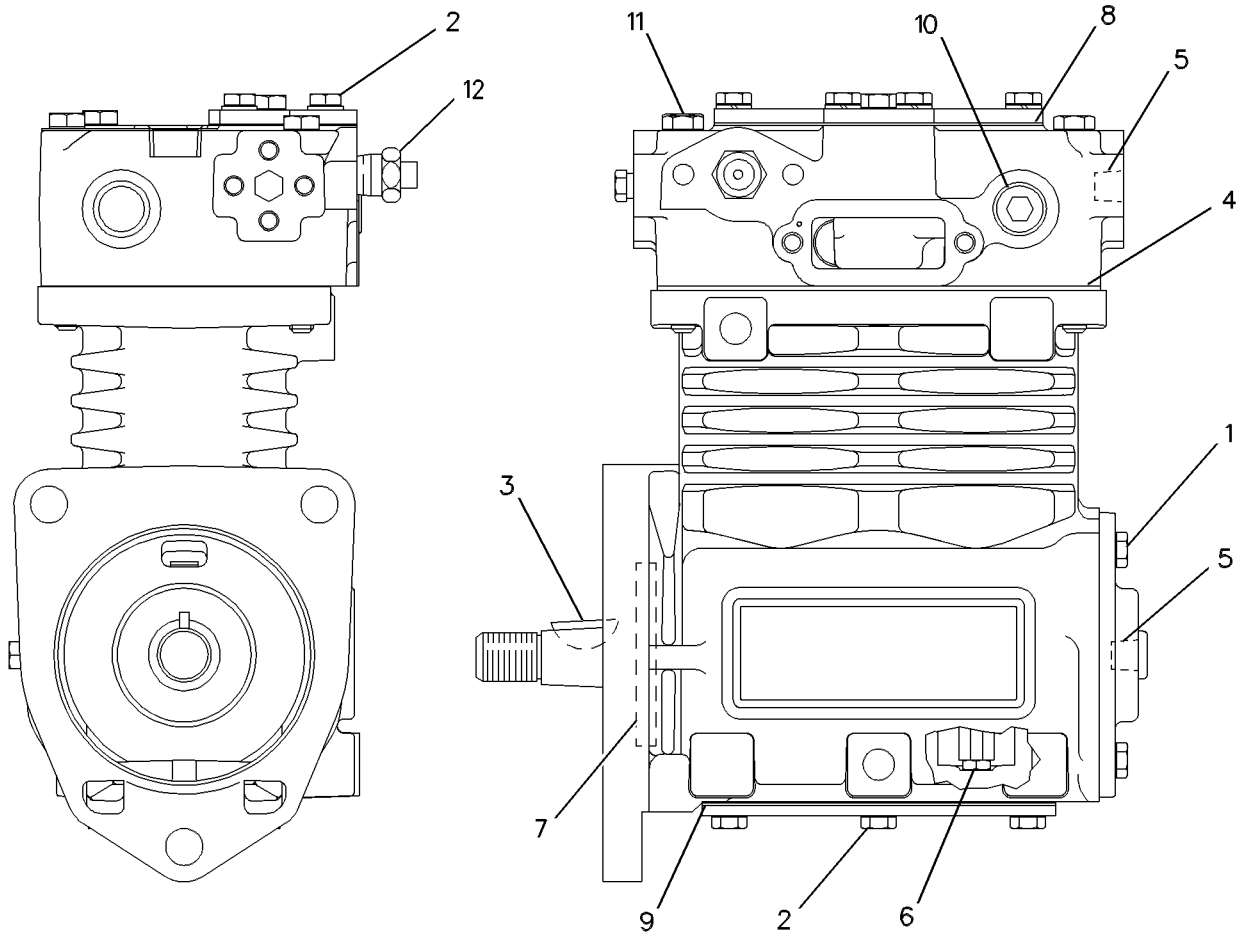
i03336491

NOTE	REF NO	GRAPHIC REF	PART NUMBER	QTY	PART NAME						SEE PAGE
					1	2	3	4	5	6 (PRODUCT LEVEL)	
	1	1	0S-1615	4	BOLT (1/4-20X0.75-IN)						
	2	1	0S-1617	10	BOLT (5/16-18X0.75-IN)						
	3	1	1B-8714	1	KEY-WOODRUFF						
	4	1	4P-3977	1	GASKET-CYLINDER HEAD						
	5	1	5M-6214	2	PLUG-PIPE						
	6	1	7E-8924	1	PISTON & ROD AS						
	7	1	7C-6178	2	BEARING-REAR						
	8	1	7E-8927	1	GASKET-UNLOADER						
	9	1	7E-8928	1	GASKET						
	10	1	6V-0387	1	PLUG-PIPE						
	11	1	8T-8915	6	BOLT (3/8-16X3.25-IN)						
	12	1	124-5572	1	VALVE AS-RELIEF (AIR COMPRESSOR)						
					AVAILABLE REPAIR KIT(S):						
			150-5146	1	KIT-UNLOADER (AIR COMPRESSOR)						
			164-7572	1	KIT-RING (AIR COMPRESSOR)						
					INCLUDES PISTION RINGS, AND SPACERS						
			7E-8923	1	KIT-CRANKSHAFT BEARING (AIR COMPRESSOR)						
					INCLUDES BEARINGS, SEALS, WASHERS, GASKETS, AND INSERTS						
			7E-8926	1	KIT-CYLINDER HEAD (AIR COMPRESSOR)						
					INCLUDES GASKETS, VALVES, SPRINGS, O-RINGS, AND VALVE SEATS						

BASIC ENGINE

164-7565 AIR COMPRESSOR GP (contd.)

i03336491



GRAPHIC #1

<END>

g00511608

BASIC ENGINE

193-5769 AIR COMPRESSOR GP

S/N: 6TB9857-21612

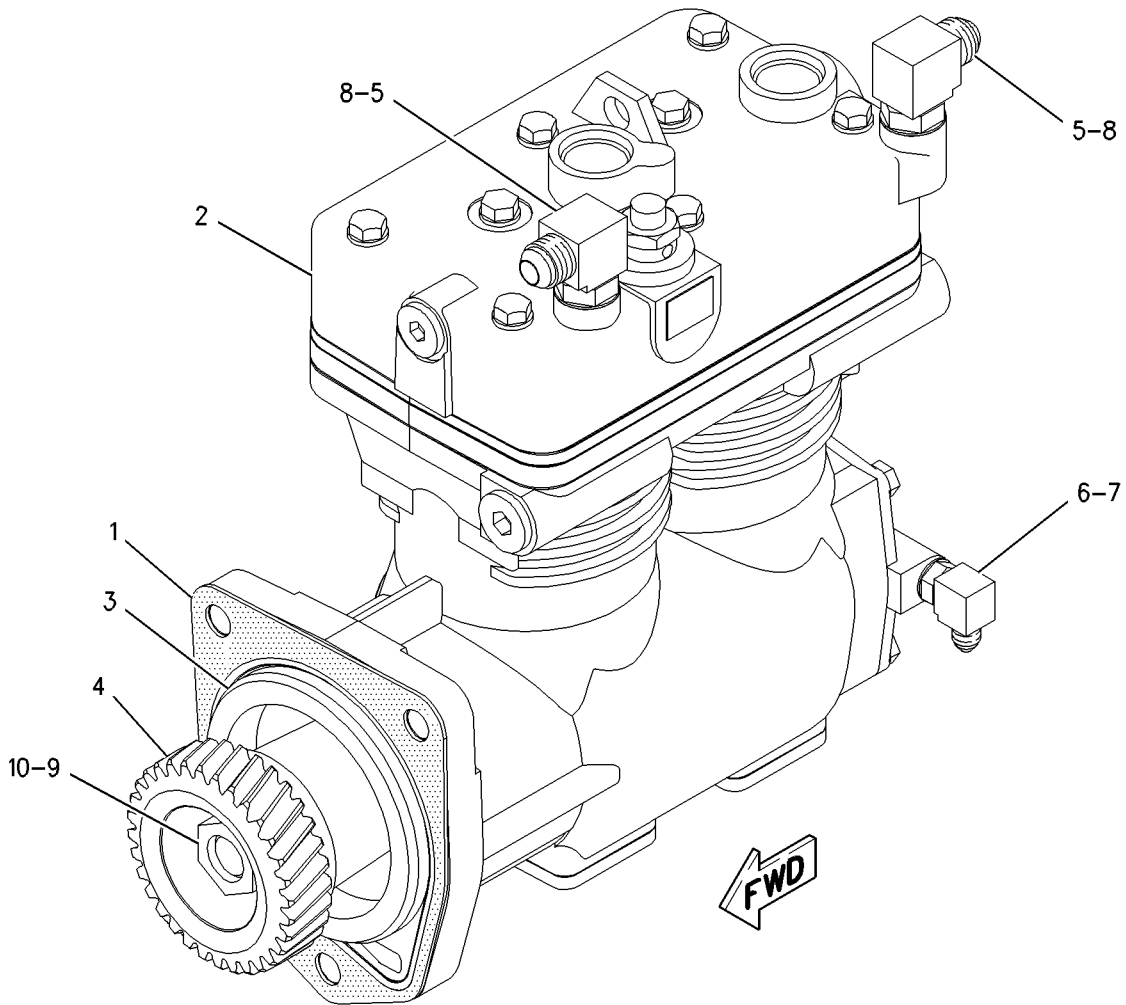
PART OF 193-5770 LINES GP-AIR COMPRESSOR
AN ATTACHMENT

SMCS-1803

i01747373

NOTE	REF NO	GRAPHIC REF	PART NUMBER	QTY	PART NAME						SEE PAGE
					1	2	3	4	5	6 (PRODUCT LEVEL)	
	1	1	144-6142	1	SEAL-INTEGRAL						
Y	2	1	163-6365	1	AIR COMPRESSOR GP						71
	3	1	178-8095	1	RING-PILOT						
	4	1	193-1235	1	GEAR (32-TEETH)						
	5	1	118-4728	2	ELBOW						
	6	1	3N-1294	1	ELBOW						
	7	1	5P-7814	1	SEAL-O-RING						
	8	1	6V-6609	2	SEAL-O-RING						
M	9	1	6V-7742	1	NUT-FULL (M20X2.5-THD)						
	10	1	8T-3282	1	WASHER-HARD (22X35X3.5-MM THK)						

M-METRIC PART
Y-SEPARATE ILLUSTRATION



GRAPHIC #1

<END>

g00908165

BASIC ENGINE

193-5769 AIR COMPRESSOR GP

S/N: 6TB21613-UP

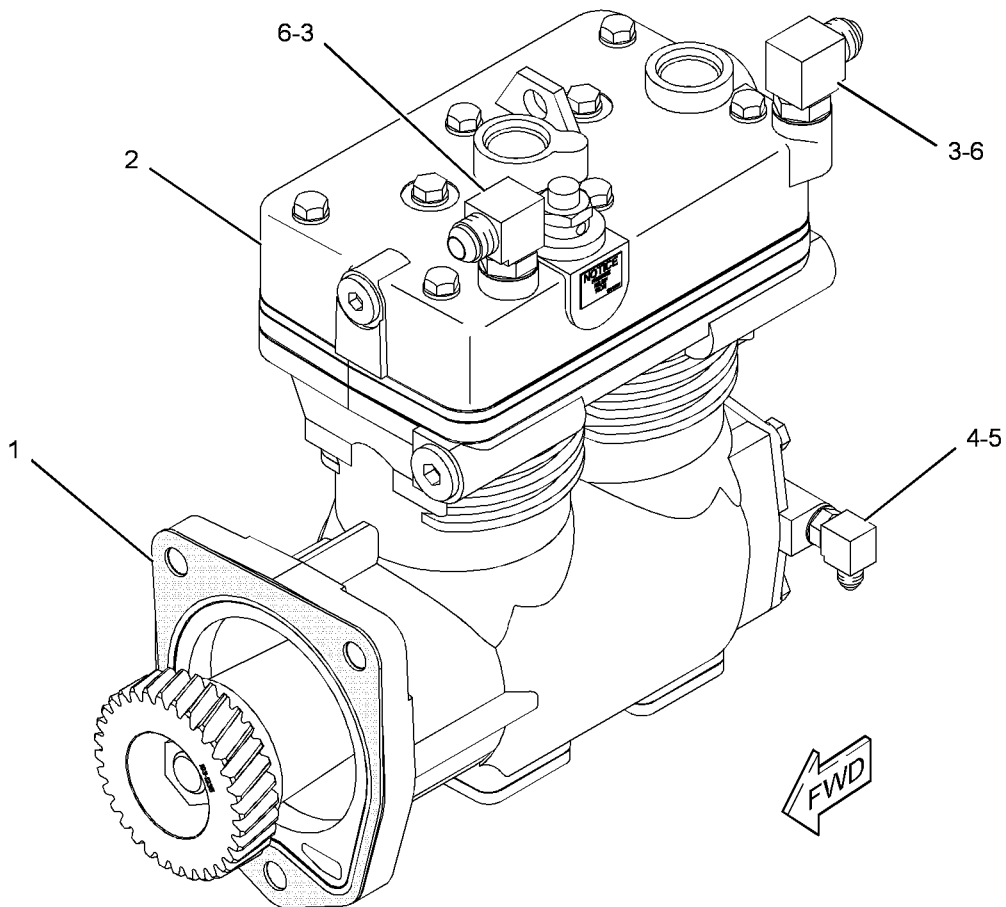
PART OF 193-5770 LINES GP-AIR COMPRESSOR
AN ATTACHMENT

SMCS-1803

i04000828

NOTE	REF NO	GRAPHIC REF	PART NUMBER	QTY	PART NAME						SEE PAGE
					1	2	3	4	5	6 (PRODUCT LEVEL)	
	1	1	144-6142	1	SEAL-INTEGRAL						
Y	2	1	354-7533	1	AIR COMPRESSOR GP						79
	3	1	118-4728	2	ELBOW						
	4	1	214-7567	1	SEAL-O-RING						
	5	1	3N-1294	1	ELBOW						
	6	1	6V-6609	2	SEAL-O-RING						

Y-SEPARATE ILLUSTRATION



GRAPHIC #1

<END>

g02281453

BASIC ENGINE

354-7530 AIR COMPRESSOR GP

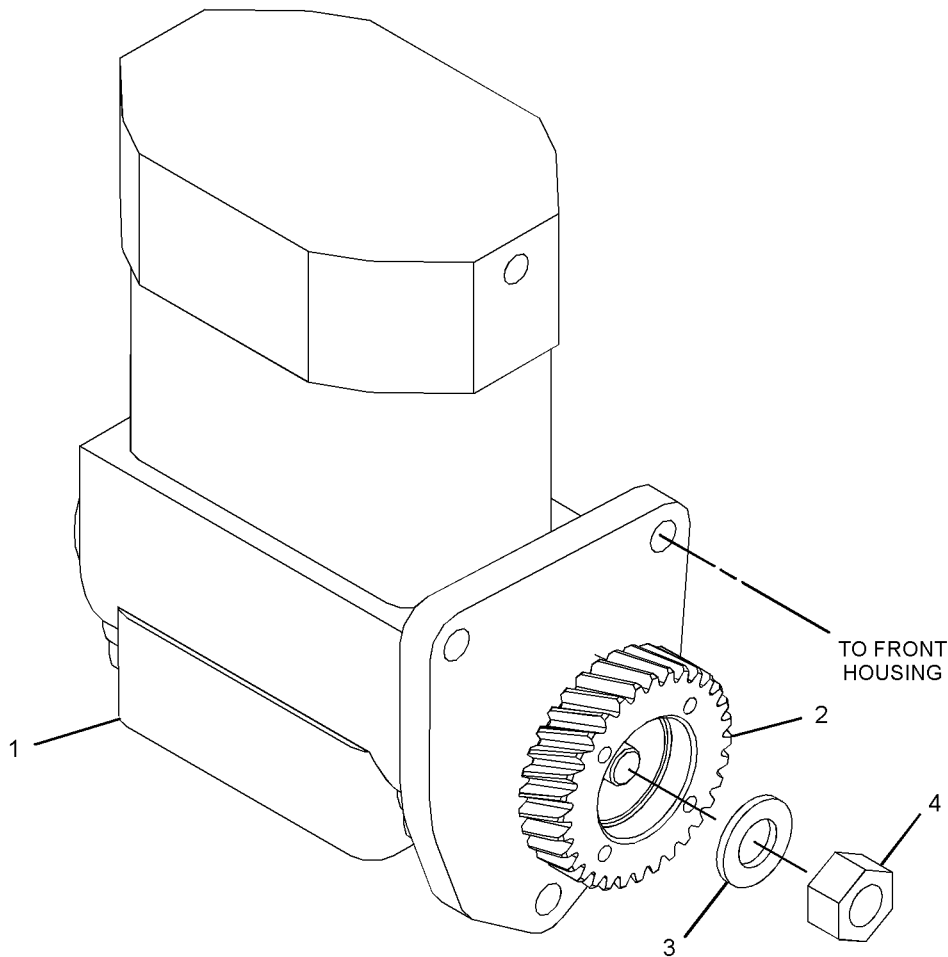
PART OF 1N-2991 AIR COMPRESSOR GP
AN ATTACHMENT

SMCS-1803

i04004112

NOTE	REF NO	GRAPHIC REF	PART NUMBER	QTY	PART NAME						SEE PAGE
					1	2	3	4	5	6 (PRODUCT LEVEL)	
YR	1	1	1N-2992	1	AIR COMPRESSOR GP						55
	2	1	7W-0140	1	GEAR-DRIVE (32-TEETH)						
	3	1	5P-8248	1	WASHER-HARD (20X36.5X3.5-MM THK)						
	4	1	6B-6682	1	NUT-FULL (3/4-16-THD)						

R-REMFG PART MAY BE AVAILABLE
Y-SEPARATE ILLUSTRATION



GRAPHIC #1

<END>

g02196095

BASIC ENGINE

354-7531 AIR COMPRESSOR GP

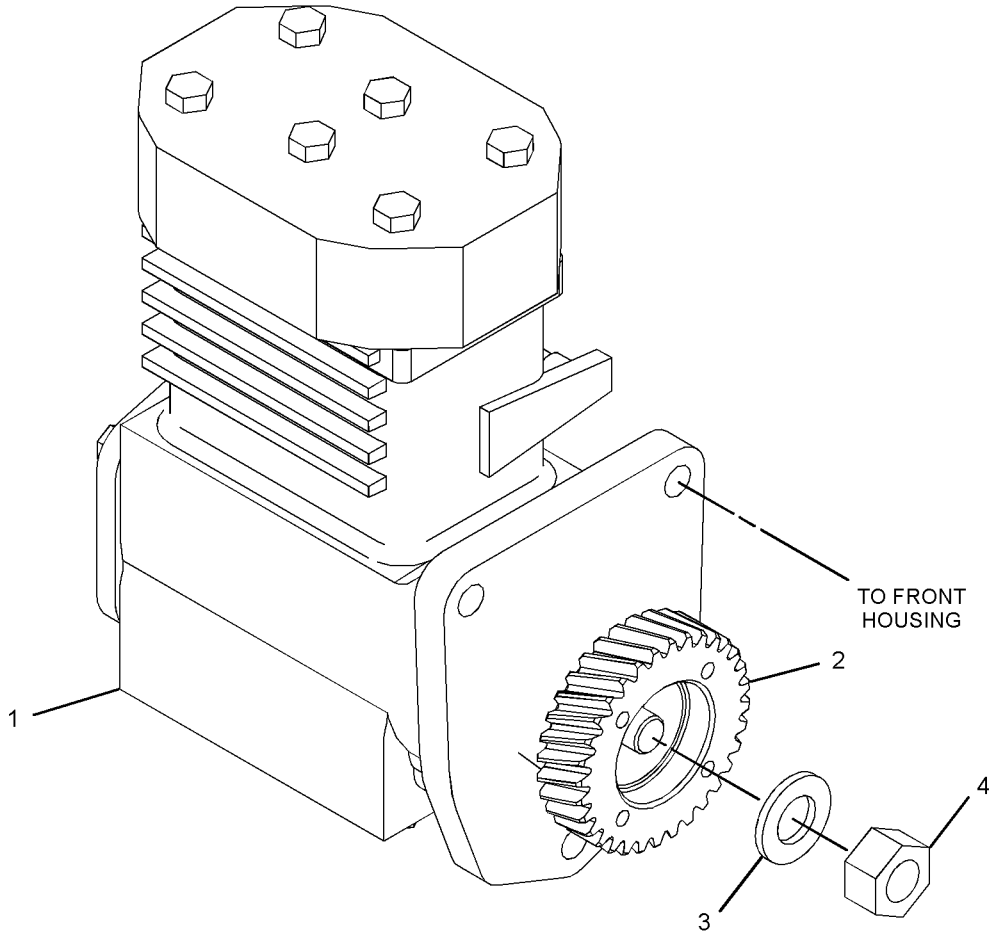
PART OF 1N-2997 AIR COMPRESSOR GP
AN ATTACHMENT

SMCS-1803

i04004140

NOTE	REF NO	GRAPHIC REF	PART NUMBER	QTY	PART NAME						SEE PAGE
					1	2	3	4	5	6 (PRODUCT LEVEL)	
YR	1	1	1N-2995	1	AIR COMPRESSOR GP						57
	2	1	7W-0140	1	GEAR-DRIVE (32-TEETH)						
	3	1	5P-8248	1	WASHER-HARD (20X36.5X3.5-MM THK)						
	4	1	6B-6682	1	NUT-FULL (3/4-16-THD)						

R-REMFG PART MAY BE AVAILABLE
Y-SEPARATE ILLUSTRATION



GRAPHIC #1

<END>

g02196115

BASIC ENGINE

354-7533 AIR COMPRESSOR GP

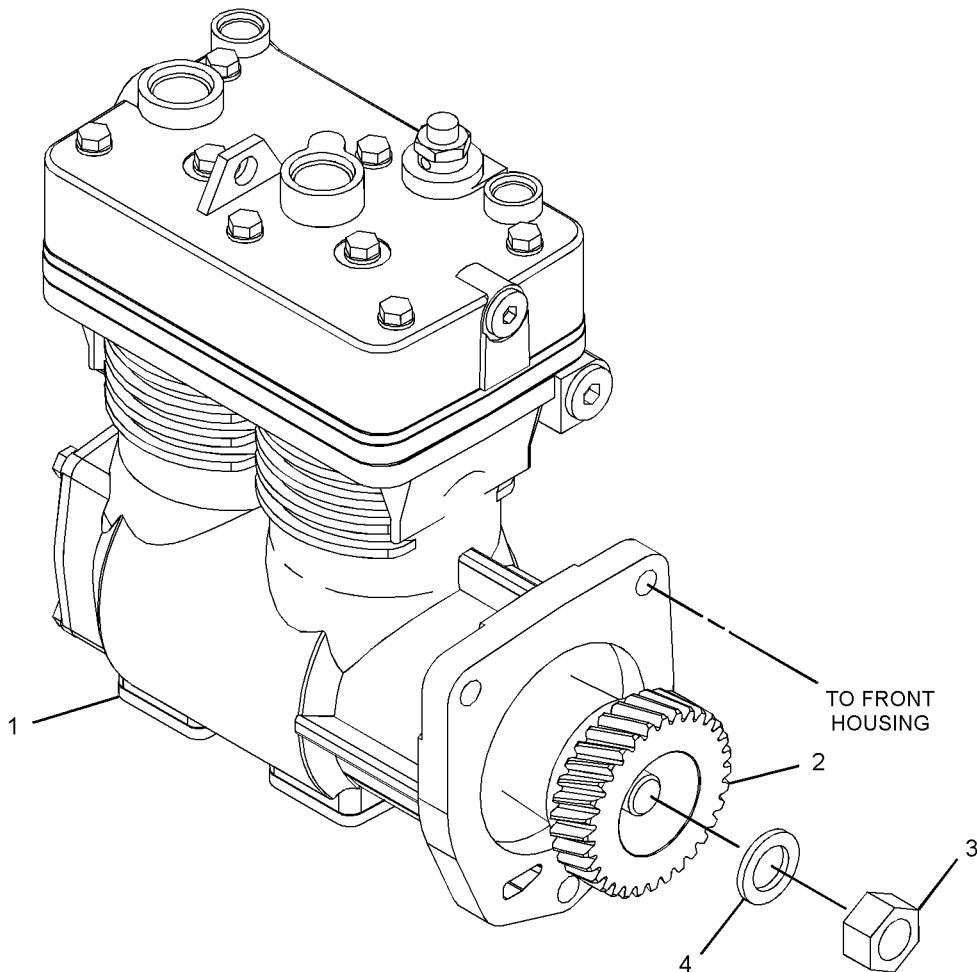
PART OF 193-5769 AIR COMPRESSOR GP
AN ATTACHMENT

SMCS-1803

i04000648

NOTE	REF NO	GRAPHIC REF	PART NUMBER	QTY	PART NAME						SEE PAGE
					1	2	3	4	5	6 (PRODUCT LEVEL)	
Y	1	1	163-6365	1	AIR COMPRESSOR GP						71
	2	1	193-1235	1	GEAR (32-TEETH)						
M	3	1	6V-7742	1	NUT-FULL (M20X2.5-THD)						
	4	1	8T-3282	1	WASHER-HARD (22X35X3.5-MM THK)						

M-METRIC PART
Y-SEPARATE ILLUSTRATION



GRAPHIC #1

<END>

g02196175

BASIC ENGINE

354-7535 AIR COMPRESSOR GP

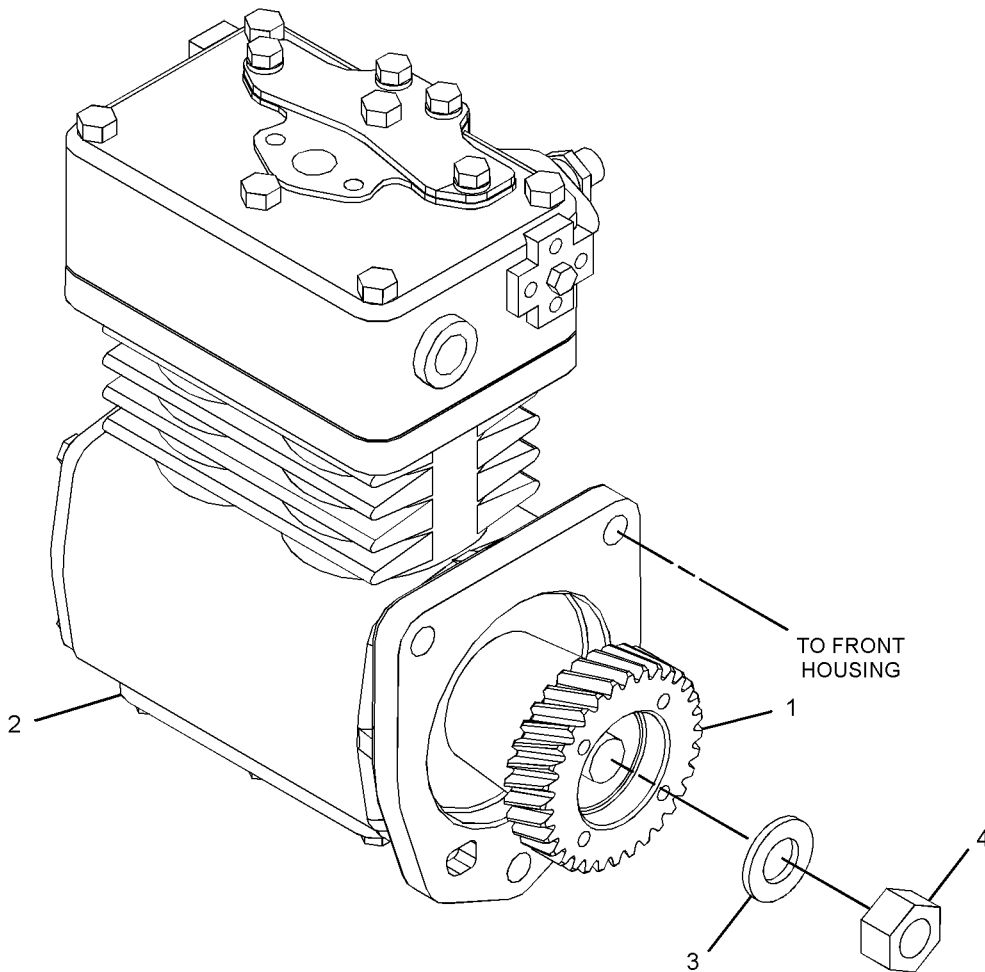
PART OF 7E-1428 AIR COMPRESSOR GP
AN ATTACHMENT

SMCS-1803

i03921695

NOTE	REF NO	GRAPHIC REF	PART NUMBER	QTY	PART NAME						SEE PAGE
					1	2	3	4	5	6 (PRODUCT LEVEL)	
	1	1	7W-0140	1	GEAR-DRIVE (32-TEETH)						
YR	2	1	164-7565	1	AIR COMPRESSOR GP						73
	3	1	5P-8248	1	WASHER-HARD (20X36.5X3.5-MM THK)						
	4	1	6B-6682	1	NUT-FULL (3/4-16-THD)						

R-REMG PART MAY BE AVAILABLE
Y-SEPARATE ILLUSTRATION



GRAPHIC #1

<END>

g02196153

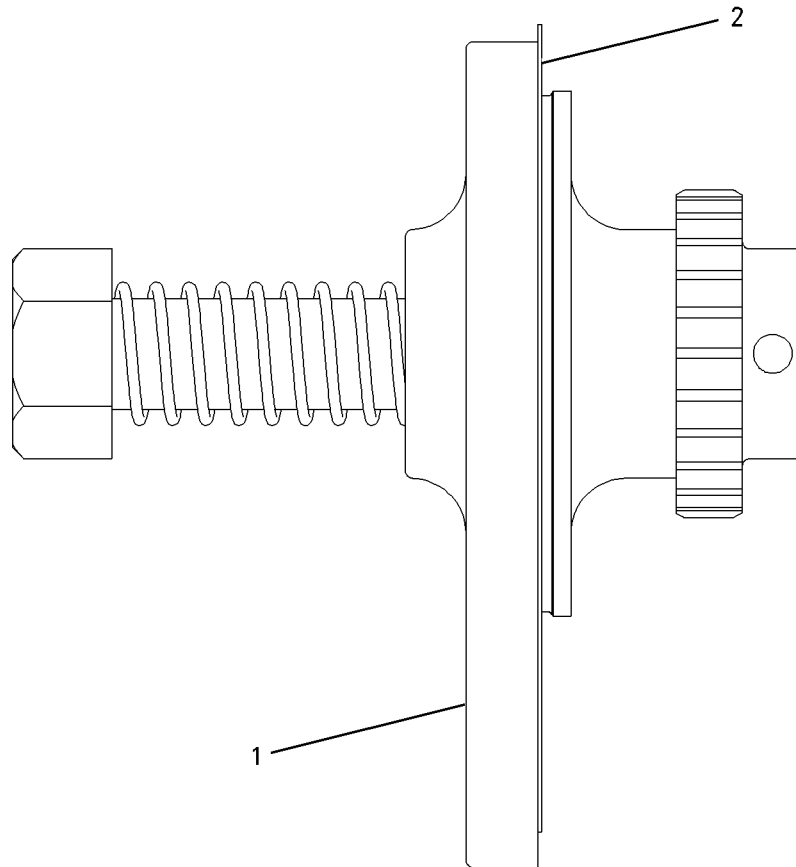
BASIC ENGINE

5R-7425 BARRING GP-LH AN ATTACHMENT

SMCS - 1235

i01581694

NOTE	REF NO	GRAPHIC REF	PART NUMBER	QTY	PART NAME						SEE PAGE
					1	2	3	4	5	6 (PRODUCT LEVEL)	
	1	1	3R-1937	1	TOOL - BARRING						
	2	1	4H-7869	1	GASKET						



GRAPHIC #1

<END>

g00824462

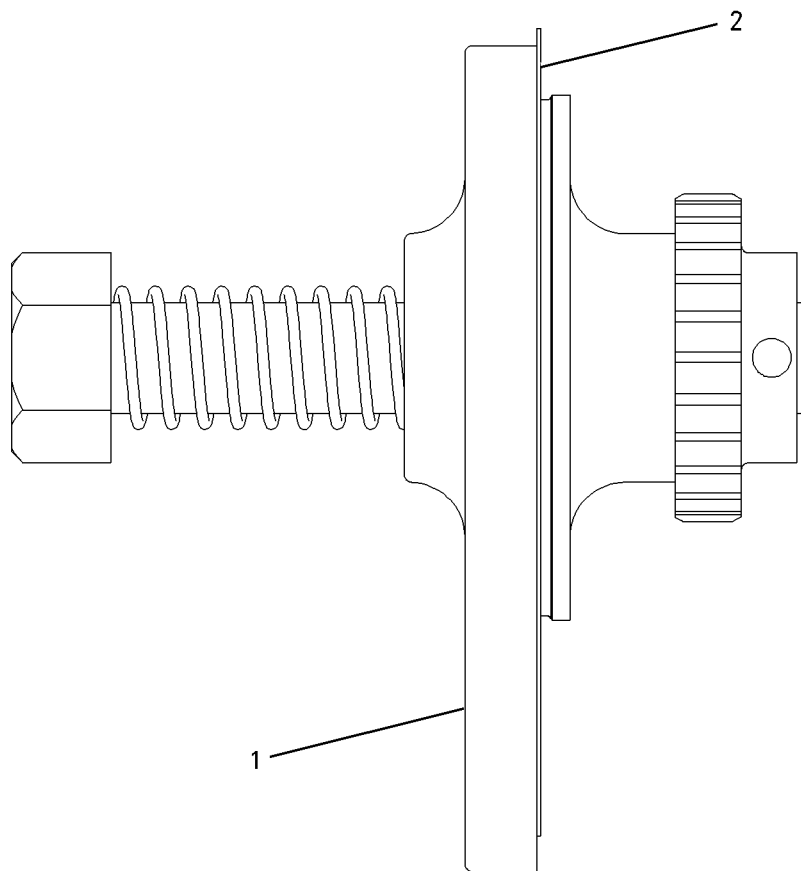
BASIC ENGINE

253-2468 BARRING GP-RH AN ATTACHMENT

SMCS - 1235

i02113355

NOTE	REF NO	GRAPHIC REF	PART NUMBER	QTY	PART NAME						SEE PAGE
					1	2	3	4	5	6 (PRODUCT LEVEL)	
	1	1	3R-1937	1	TOOL - BARRING						
	2	1	4H-7869	1	GASKET						



GRAPHIC #1

<END>

g00824462

BASIC ENGINE

3N-9582 BELT TIGHTENER GP

FOR USE WITH FIXED CENTER FAN
AN ATTACHMENT

SMCS-1358

i01974357

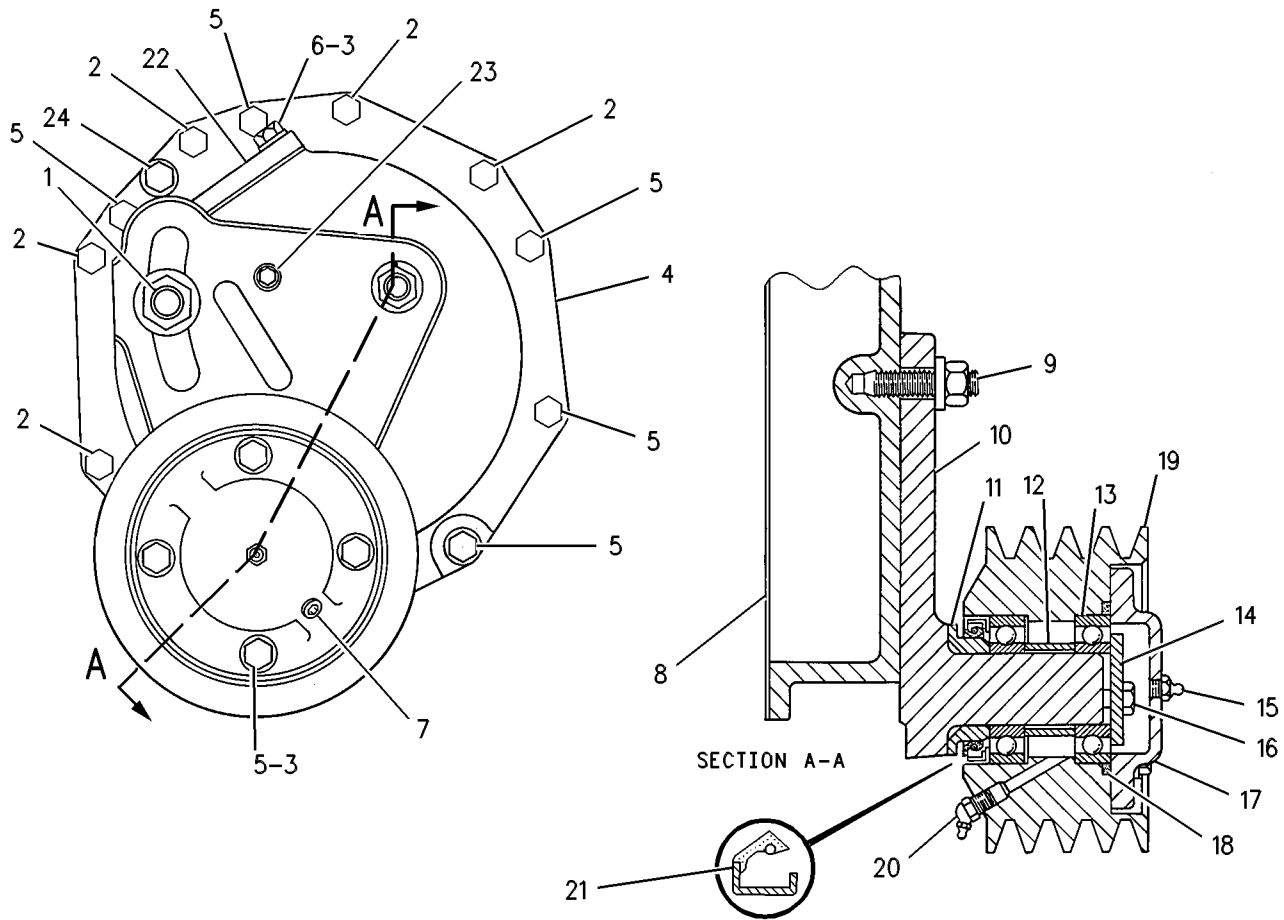
NOTE	REF NO	GRAPHIC REF	PART NUMBER	QTY	PART NAME						SEE PAGE
					1	2	3	4	5	6 (PRODUCT LEVEL)	
	1	1	2D-8822	1	STUD-TAPERLOCK (5/8-11X2.36-IN)						
		1	4K-0367	1	NUT-FULL (5/8-11-THD)						
		1	2S-7593	1	WASHER-HARD (17X35X5-MM THK)						
	2	1	1A-5964	7	BOLT (3/8-16X4.5-IN)						
C	3	1	5M-2894	6	WASHER-HARD (10.2X18.5X2.5-MM THK)						
C	4	1	7N-6821	1	COVER						
	5	1	0S-1594	9	BOLT (3/8-16X1-IN)						
C	6	1	0L-1351	2	BOLT (3/8-16X0.875-IN)						
	7	1	9F-2247	1	PLUG-PIPE						
	8	1	7W-5733	1	GASKET						
C	9	1	5M-1932	1	STUD-TAPERLOCK (1/2-13X2.17-IN)						
		1	1F-7958	1	NUT-FULL (1/2-13-THD)						
		1	2M-0849	1	WASHER-HARD (13.5X25.5X5-MM THK)						
	10	1	9N-0316	1	BRACKET-PULLEY						
	11	1	9N-0311	1	SPACER-BEARING						
	12	1	9N-1012	1	SPACER-BEARING (1.438X1.75X1-IN THK)						
	13	1	8H-9789	2	BEARING AS-BALL						
	14	1	2F-6262	1	WASHER						
	15	1	4B-4550	2	FITTING-PRESSURE RELIEF (1/8-27 PTF) (BELT TIGHTNER)						
	16	1	7H-7954	1	BOLT (3/8-16X2.125-IN)						
C	17	1	1W-6134	1	COVER						
C	18	1	5F-3092	1	SEAL-O-RING						
	19	1	3N-9583	1	PULLEY-TIGHTENER						
	20	1	3B-8485	1	FITTING-GREASE (BELT TIGHTNER)						
	21	1	5S-2106	1	SEAL-LIP TYPE						
C	22	1	4N-4526	1	COVER						
C		1	2P-2720	1	GASKET						
C	23	1	034-9362	1	TUBE						
C		1	2D-4534	1	BOLT-SOCKET HEAD (3/8-16X1-IN)						
C	24	1	0S-1613	1	BOLT (1/4-20X0.375-IN)						
C		1	5P-0537	1	WASHER-HARD (7.2X14.5X2-MM THK)						

C-CHANGE FROM PREVIOUS TYPE

BASIC ENGINE

3N-9582 BELT TIGHTENER GP (contd.)

i01974357



GRAPHIC #1

<END>

g00263850

BASIC ENGINE

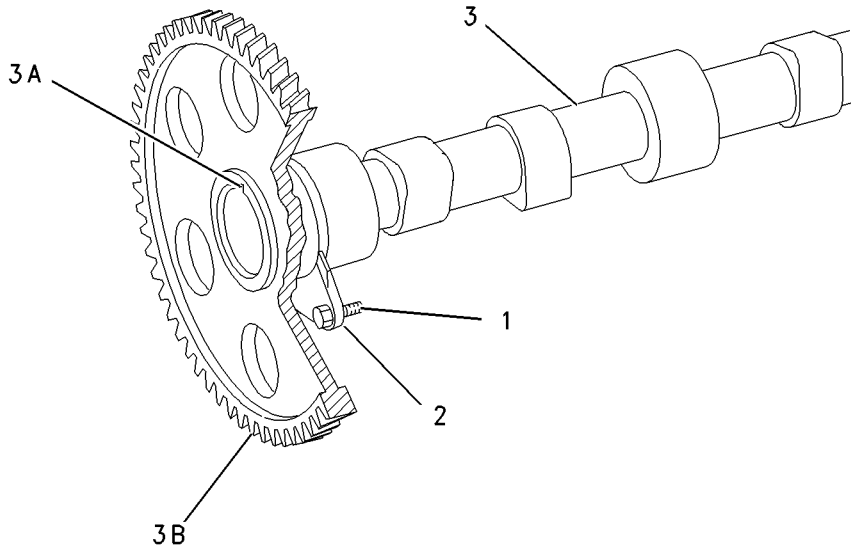
7W-3798 CAMSHAFT GP-SINGLE

SMCS-1210

i02899205

NOTE	REF NO	GRAPHIC REF	PART NUMBER	QTY	PART NAME						SEE PAGE
					1	2	3	4	5	6 (PRODUCT LEVEL)	
	1	1	0S-0509	2	BOLT (3/8-16X0.75-IN)						
	2	1	4N-0342	1	PLATE						
R	3	1	100-7408	1	CAMSHAFT AS						
	3A	1	1B-8705	1	KEY-WOODRUFF						
	3B	1	8N-8254	1	GEAR-CAMSHAFT (64-TEETH)						

R-REMFG PART MAY BE AVAILABLE



GRAPHIC #1

<END>

g00726175

BASIC ENGINE

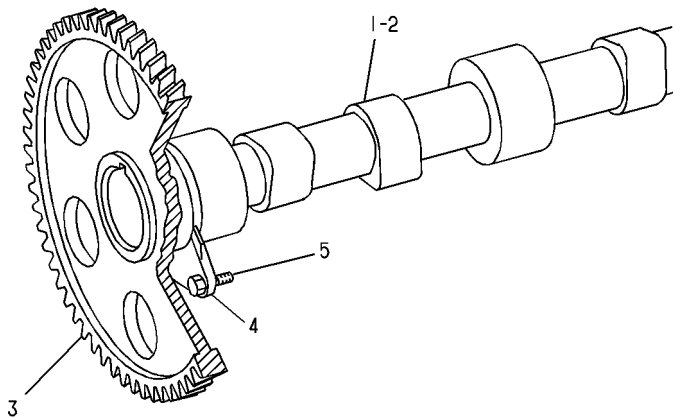
8N-9244 CAMSHAFT GP

SMCS-1210

i00159567

NOTE	REF NO	GRAPHIC REF	PART NUMBER	QTY	PART NAME						SEE PAGE
					1	2	3	4	5	6 (PRODUCT LEVEL)	
R	1	1	8N-9245	1	CAMSHAFT AS						
	2	1	1B-8705	1	KEY-WOODRUFF						
	3	1	8N-8254	1	GEAR-CAMSHAFT (64-TEETH)						
	4	1	4N-0342	1	PLATE						
	5	1	0S-0509	2	BOLT (3/8-16X0.75-IN)						

R-REMFG PART MAY BE AVAILABLE



GRAPHIC #1

<END>

g00112383

BASIC ENGINE

2W-4908 CLUTCH GP PART OF 2W-4909 POWER TAKE-OFF GP AN ATTACHMENT

SMCS-1007

i02543976

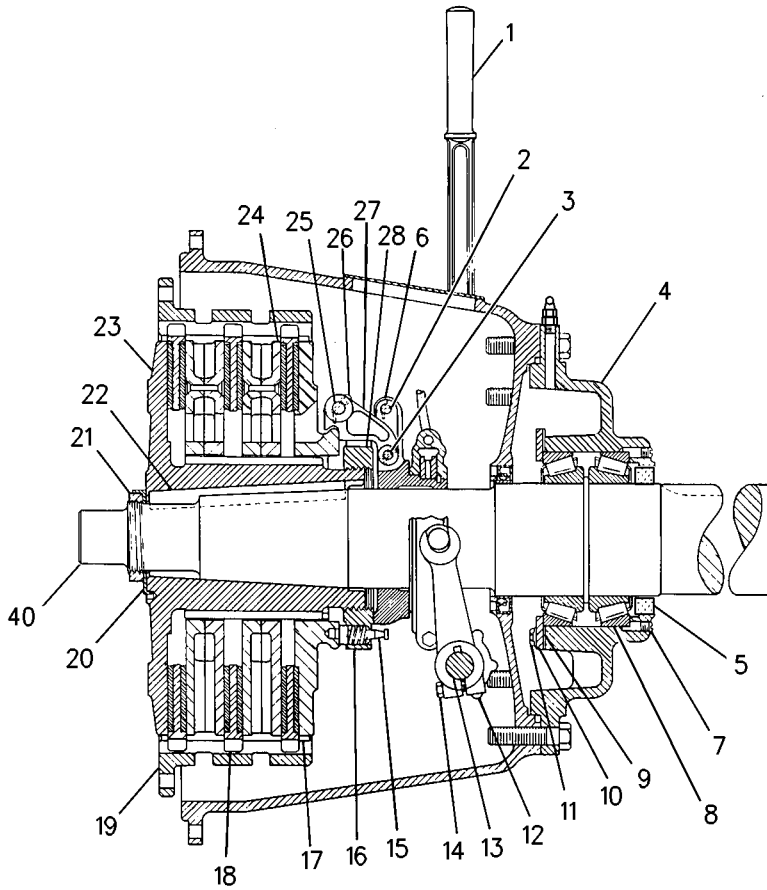
NOTE	REF NO	GRAPHIC REF	PART NUMBER	QTY	PART NAME						SEE PAGE
					1	2	3	4	5	6 (PRODUCT LEVEL)	
	1	1	4B-4810	1	LEVER AS-HAND						
		1	0S-1587	1	BOLT (1/2-13X1.75-IN)						
	2	1	6L-3969	4	PIN						
		1	6L-3964	8	PIN-COTTER						
	3	1	6L-3970	4	PIN						
	4	1	3N-8427	1	CARRIER AS-BEARING						
		1	9F-2247	1	PLUG-PIPE						
	5	1	2W-4904	2	RING-SEAL						
	6	1	5L-3495	8	LINK-LEVER						
	7	1	2L-6010	2	PLUG-PIPE						
	8	1	5L-1545	2	CUP-BEARING						
		1	7L-6551	2	CONE-BEARING						
B	9	1	5L-3556	1	SHIM (0.0200-IN THK)						
B		1	5L-3557	1	SHIM (0.010-IN THK)						
B		1	5L-3558	1	SHIM (0.007-IN THK)						
B		1	5L-3559	1	SHIM (0.005-IN THK)						
	10	1	5L-3613	1	RETAINER-BEARING						
	11	1	0S-1594	6	BOLT (3/8-16X1-IN)						
		1	5L-3560	3	PLATE-LOCK						
	12	1	5L-3553	1	YOKE-OPERATING						
	13	1	5L-3485	1	SHAFT-CLUTCH LEVER						
		1	6L-5151	2	KEY-WOODRUFF						
	14	1	0S-1591	2	BOLT (3/8-16X1.5-IN)						
	15	1	3N-1462	1	PIN AS						
	16	1	3N-1461	1	SPRING						
	17	1	5L-3602	1	PLATE-PRESSURE						
	18	1	4P-3020	3	PLATE-DRIVE						
	19	1	3N-9175	1	RING-DRIVE						
	20	1	4B-4773	1	LOCK						
	21	1	4B-4764	1	NUT						
	22	1	3N-9176	1	KEY						
	23	1	3N-9178	1	PLATE-HUB & BACK						
	24	1	5L-3603	2	PLATE AS-CENTER						
	25	1	6L-4016	4	PIN						
	26	1	6L-3961	4	PIN-COTTER						
	27	1	5L-3493	4	LEVER						
	28	1	5L-3492	1	YOKE-ADJUSTMENT						
	29	2	5L-3496	1	SLEEVE-SLIDING						
	30	2	0S-1625	8	BOLT (5/8-11X2.5-IN)						
	31	2	5L-3487	1	COLLAR AS						
B	31A	2	5L-3561	2	SHIM (0.06-IN THK)						
	31B	2	2L-6267	2	LOCKNUT (3/8-24-THD)						
	31C	2	0L-1648	2	BOLT (3/8-24X2.5-IN)						
	32	2	5B-2410	1	HOSE AS						
	33	2	3B-8489	2	FITTING-GREASE (CLUTCH)						
		2	9S-1354	1	NUT (5/8-18-THD)						
		2	6F-0253	1	LOCKWASHER						
	34	2	1L-6931	2	SCREW AS-MACHINE (1/4-20X0.5-IN)						
	35	2	108-3561	1	PLATE-INSTRUCTION (POWER TAKE-OFF)						
	36	2	5L-3617	1	SEAL-RUBBER						
	37	2	3N-9179	1	HOUSING-CLUTCH						
		2	8B-7121	2	FITTING-HYDRAULIC (CLUTCH)						
	38	2	4B-9782	1	BALL						
	39	2	3N-9180	1	SHAFT-CLUTCH						
	40	1	5P-3499	1	BALL BEARING						

B-USE AS REQUIRED

BASIC ENGINE

2W-4908 CLUTCH GP (contd.)

i02543976



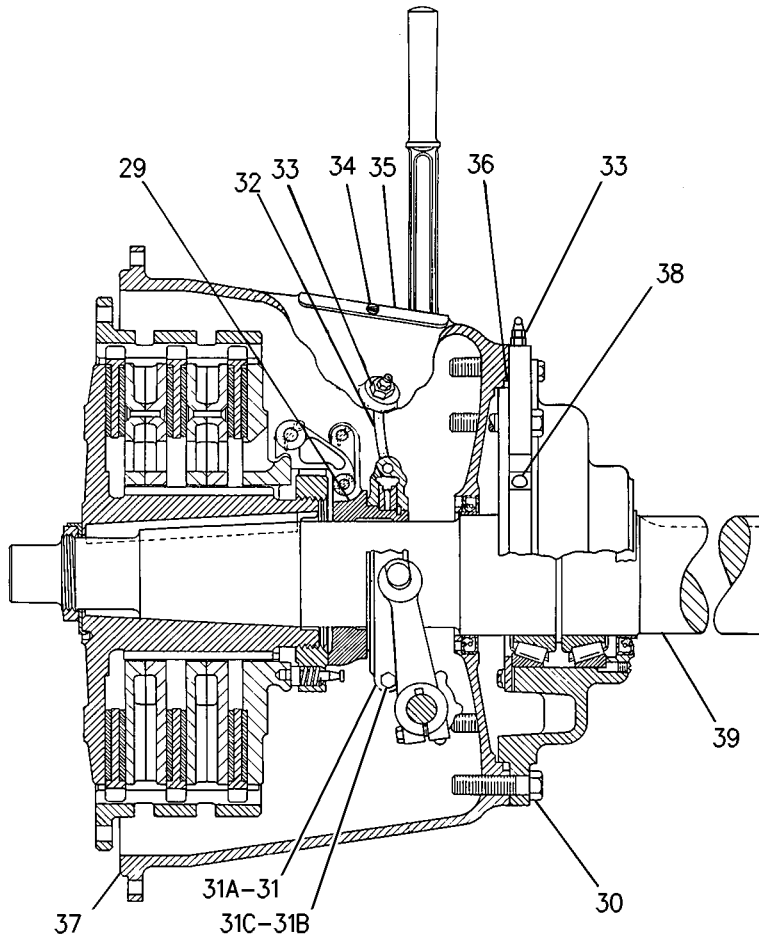
GRAPHIC #1

g00895113

BASIC ENGINE

2W-4908 CLUTCH GP (contd.)

i02543976



GRAPHIC #2

<END>

g00895112

BASIC ENGINE

2W-4912 CLUTCH GP PART OF 2W-4913 POWER TAKE-OFF GP AN ATTACHMENT

SMCS - 1007

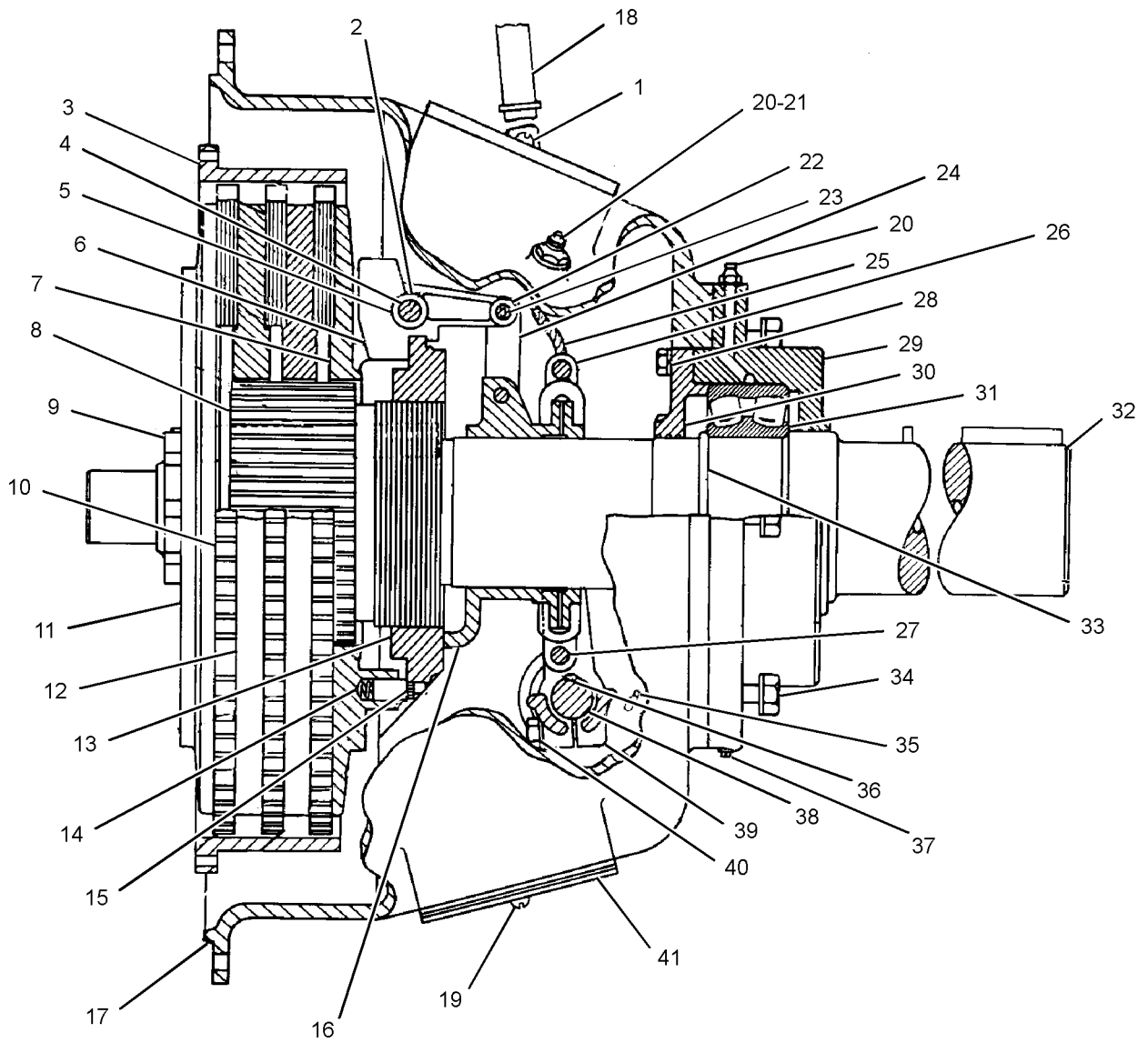
i02757038

NOTE	REF NO	GRAPHIC REF	PART NUMBER	QTY	PART NAME 1 2 3 4 5 6 (PRODUCT LEVEL)	SEE PAGE
	1	1	1L-6931	2	SCREW AS-MACHINE (1/4-20X0.5-IN)	
	2	1	6L-3963	4	PIN-COTTER	
	3	1	5N-8132	1	RING-DRIVE	
	4	1	6L-3973	4	PIN	
	5	1	2L-4441	8	WASHER	
	6	1	2L-4437	4	LEVER	
	7	1	2L-7156	1	PLATE	
	8	1	2L-7153	1	KEY	
	9	1	2L-7151	1	NUT	
			2L-7152	1	LOCK	
	10	1	4L-6105	3	PLATE-DRIVE	
	11	1	2L-7154	1	PLATE	
	12	1	2L-7162	2	PLATE	
	13	1	2L-7161	1	RING	
	14	1	5F-0229	1	SPRING	
	15	1	3H-9575	1	LOCK PIN	
	16	1	2L-7160	1	SLEEVE	
	17	1	2L-7155	1	HOUSING-CLUTCH	
	18	1	4W-2655	1	LEVER-HAND CONTROL	
			9X-8873	1	BOLT (1/2-13X2.25-IN)	
			1F-7958	1	NUT-FULL (1/2-13-THD)	
	19	1	1L-6931	2	SCREW AS-MACHINE (1/4-20X0.5-IN)	
	20	1	3B-8489	2	FITTING-GREASE (CLUTCH)	
	21	1	9S-1354	1	NUT (5/8-18-THD)	
			6F-0253	1	LOCKWASHER	
	22	1	6L-3962	8	PIN-COTTER	
	23	1	6L-3971	8	PIN	
	24	1	4B-4760	8	LINK	
	25	1	4B-4775	1	HOSE AS	
	26	1	6F-6580	1	COLLAR AS-CONE	
	27	1	0L-1558	2	BOLT (1/2-20X3.25-IN)	
		1	2K-0564	2	LOCKNUT (1/2-20-THD)	
B		1	4B-4723	2	SHIM	
	28	1	0S-1588	6	BOLT (3/8-16X1.25-IN)	
			3B-4506	6	LOCKWASHER	
	29	1	2L-7158	1	RETAINER	
	30	1	2L-7157	1	RETAINER	
	31	1	2L-7246	1	BEARING-ROLLER	
	32	1	5N-1934	1	SHAFT-CLUTCH	
	33	1	2L-7159	1	RING	
	34	1	9X-8882	6	BOLT (5/8-11X2.5-IN)	
			3B-4510	6	LOCKWASHER	
	35	1	8B-7121	2	FITTING-HYDRAULIC (CLUTCH)	
	36	1	1B-8737	2	KEY-WOODRUFF	
	37	1	2B-7408	1	PLUG-PIPE	
	38	1	6F-6582	1	SHAFT-OPERATING	
	39	1	6F-6581	1	YOKE-CLUTCH	
	40	1	1A-1460	2	BOLT (1/2-13X2-IN)	
			9B-0453	2	LOCKWASHER	
	41	1	5L-9423	1	PLATE-COVER	
B-USE AS REQUIRED						

BASIC ENGINE

2W-4912 CLUTCH GP (contd.)

i02757038



GRAPHIC #1

<END>

g01380682

BASIC ENGINE

4P-3073 CLUTCH GP

PART OF 4P-3074 POWER TAKE-OFF GP
FOR USE WITH SAE NO. 1 FLYWHEEL AND FLYWHEEL HOUSING
AN ATTACHMENT

SMCS-1007

i02560330

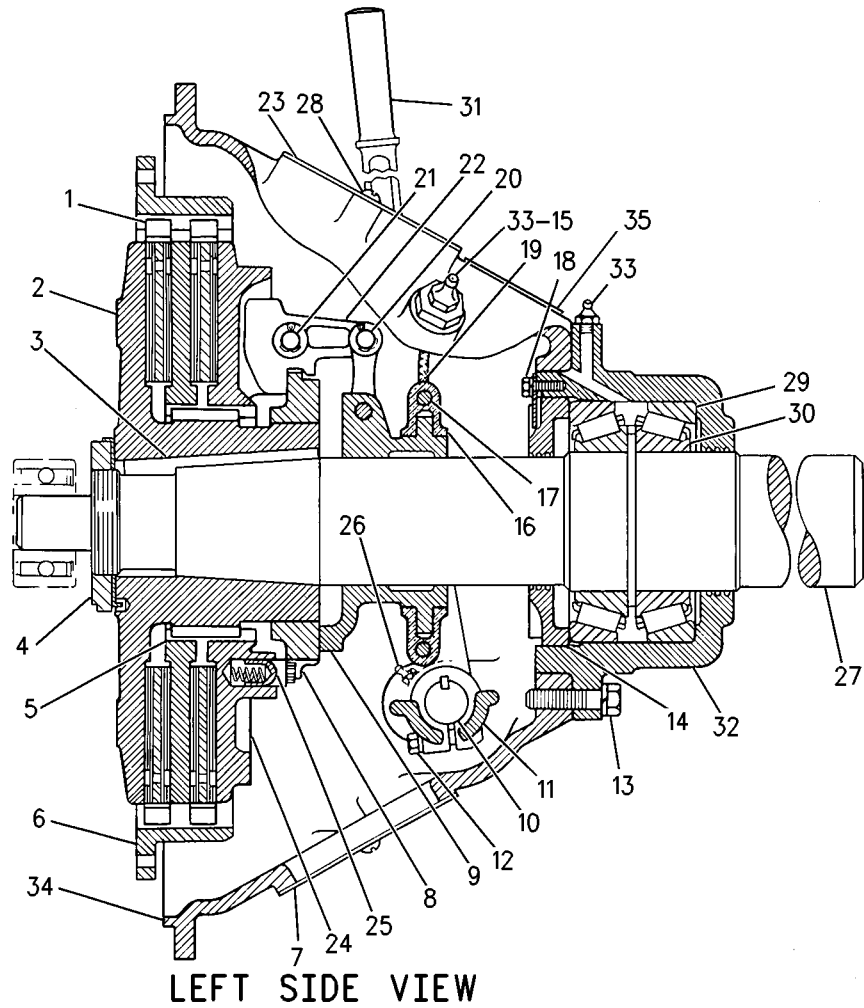
NOTE	REF NO	GRAPHIC REF	PART NUMBER	QTY	PART NAME						SEE PAGE
					1	2	3	4	5	6 (PRODUCT LEVEL)	
	1	1	4L-3527	2	PLATE-CLUTCH DRIVING						
	2	1	5L-9652	1	HUB						
	3	1	8B-7987	1	KEY-WOODRUFF						
	4	1	5L-9653	1	NUT						
		1	5L-9654	1	LOCK						
	5	1	3H-9571	1	PLATE-CENTER						
	6	1	5N-9317	1	RING-DRIVE						
	7	1	7F-8897	1	PLATE						
	8	1	3H-9572	1	RING-ADJUSTMENT						
	9	1	3H-9574	1	SLEEVE						
	10	1	4B-4754	1	SHAFT						
		1	6L-5151	2	KEY-WOODRUFF						
	11	1	4B-4792	1	YOKE AS						
	12	1	0S-1591	2	BOLT (3/8-16X1.5-IN)						
		1	3B-4506	2	LOCKWASHER						
	13	1	1A-1460	6	BOLT (1/2-13X2-IN)						
		1	5P-8245	6	WASHER-HARD (13.5X25.5X3-MM THK)						
	14	1	5L-9655	1	RETAINER-BEARING						
	15	1	9S-1354	1	NUT (5/8-18-THD)						
		1	6F-0253	1	LOCKWASHER						
	16	1	4B-4716	1	COLLAR AS-SLEEVE						
	17	1	0L-0639	2	BOLT (3/8-24X2.25-IN)						
		1	2L-6267	2	LOCKNUT (3/8-24-THD)						
B		1	4B-4758	2	SHIM (0.06-IN THK)						
	18	1	0S-1617	1	BOLT (5/16-18X0.75-IN)						
		1	3F-9556	1	LOCKWASHER						
		1	5B-2407	1	LOCK						
E	19	1	5B-2410	1	HOSE AS (38.1-CM)						
	20	1	4B-4721	8	LINK						
		1	6L-3967	8	PIN						
		1	3B-5301	8	PIN-COTTER						
	21	1	6L-3972	4	PIN						
		1	3B-4627	4	PIN-COTTER						
		1	1L-4863	8	WASHER-SPRING						
	22	1	4H-0002	4	LEVER						
	23	1	108-3561	1	PLATE-INSTRUCTION (POWER TAKE-OFF) (SERVICING)						
	24	1	3N-8125	1	PLATE AS-PRESSURE						
	25	1	3N-8124	1	SPRING						
		1	3N-8123	1	LOCK PIN						
	26	1	8B-7121	2	FITTING-HYDRAULIC (CLUTCH)						
	27	1	3N-4896	1	SHAFT-CLUTCH						
	28	1	1S-7443	4	SCREW-MACHINE						
		1	1H-3338	4	LOCKWASHER (EXTERNAL TOOTH)						
	29	1	6B-3223	2	CUP-BEARING						
	30	1	4B-7270	2	CONE-BEARING						
	31	1	4B-4810	1	LEVER AS-HAND						
	32	1	7F-8916	1	CARRIER-BEARING						
	33	1	3B-8489	2	FITTING-GREASE (CLUTCH)						
	34	1	7W-7155	1	HOUSING-CLUTCH						
	35	1	108-3560	1	PLATE-WARNING (POWER TAKE-OFF)						

B-USE AS REQUIRED
E-ORDER BY THE CENTIMETER

BASIC ENGINE

4P-3073 CLUTCH GP (contd.)

i02560330



LEFT SIDE VIEW

GRAPHIC #1

<END>

g00783572

BASIC ENGINE

5N-3334 CLUTCH GP PART OF 5N-3335 POWER TAKE-OFF GP AN ATTACHMENT

SMCS-1007

i02547545

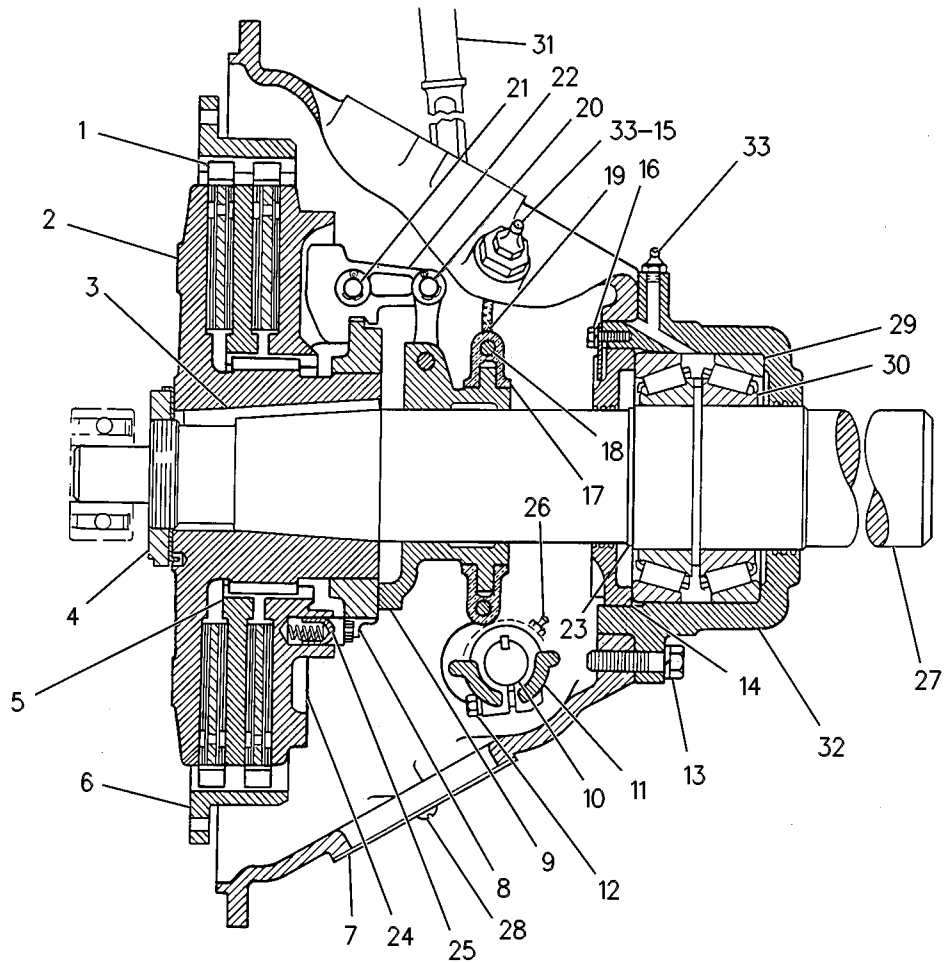
NOTE	REF NO	GRAPHIC REF	PART NUMBER	QTY	PART NAME						SEE PAGE
					1	2	3	4	5	6 (PRODUCT LEVEL)	
	1	1	4L-3527	1	PLATE-CLUTCH DRIVING						
	2	1	5L-9652	1	HUB						
	3	1	8B-7987	1	KEY-WOODRUFF						
	4	1	5L-9653	1	NUT						
		1	5L-9654	1	LOCK						
	5	1	3H-9571	1	PLATE-CENTER						
	6	1	5N-9317	1	RING-DRIVE						
	7	1	7F-8897	1	PLATE						
	8	1	3H-9572	1	RING-ADJUSTMENT						
	9	1	3H-9574	9	SLEEVE						
	10	1	4B-4754	1	SHAFT						
		1	6L-5151	2	KEY-WOODRUFF						
	11	1	4B-4792	1	YOKE AS						
	12	1	0S-1591	2	BOLT (3/8-16X1.5-IN)						
		1	3B-4506	2	LOCKWASHER						
	13	1	1A-1460	6	BOLT (1/2-13X2-IN)						
		1	3B-4508	6	LOCKWASHER						
	14	1	5B-2404	1	RETAINER-BEARING						
	15	1	9S-1354	1	NUT (5/8-18-THD)						
		1	6F-0253	1	LOCKWASHER						
	16	1	0S-1617	1	BOLT (5/16-18X0.75-IN)						
		1	3F-9556	1	LOCKWASHER						
		1	5B-2407	1	LOCK						
	17	1	4B-4716	1	COLLAR AS-SLEEVE						
	18	1	0L-0639	2	BOLT (3/8-24X2.25-IN)						
		1	2L-6267	2	LOCKNUT (3/8-24-THD)						
B		1	4B-4758	2	SHIM (0.06-IN THK)						
	19	1	5B-2410	1	HOSE AS						
	20	1	4B-4721	8	LINK						
		1	6L-3967	8	PIN						
		1	6L-3964	8	PIN-COTTER						
	21	1	6L-3972	4	PIN						
		1	6L-3961	4	PIN-COTTER						
		1	1L-4863	8	WASHER-SPRING						
	22	1	4H-0002	4	LEVER						
	23	1	3F-3728	1	RING-SNAP						
	24	1	3N-8125	1	PLATE AS-PRESSURE						
	25	1	3N-8124	1	SPRING						
		1	3N-8123	1	LOCK PIN						
	26	1	8B-7121	2	FITTING-HYDRAULIC (CLUTCH)						
	27	1	3N-4899	1	SHAFT-CLUTCH						
	28	1	1L-6931	2	SCREW AS-MACHINE (1/4-20X0.5-IN)						
	29	1	6B-3223	2	CUP-BEARING						
	30	1	4B-7270	2	CONE-BEARING						
	31	1	4B-4810	1	LEVER AS-HAND						
	32	1	5B-2406	1	CARRIER						
	33	1	3B-8489	2	FITTING-GREASE (CLUTCH) (1/8-27 THD)						

B-USE AS REQUIRED

BASIC ENGINE

5N-3334 CLUTCH GP (contd.)

i02547545



GRAPHIC #1

<END>

g00254067

BASIC ENGINE

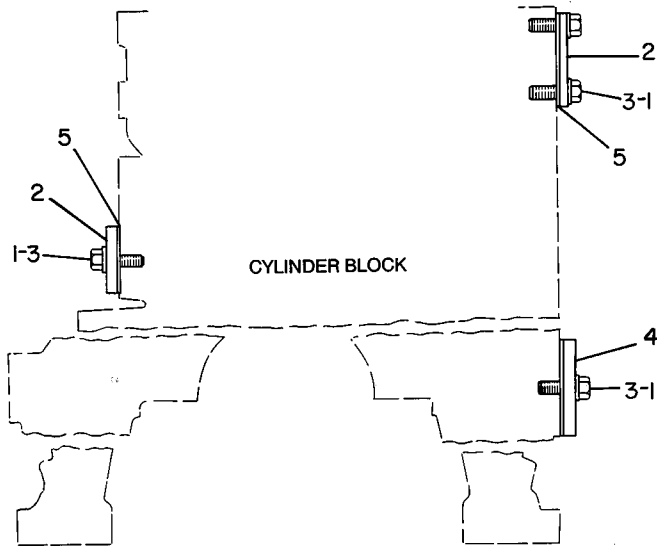
1W-5106 COVER GP-CYLINDER BLOCK

FOR USE WITH NON-AFTERCOOLED ENGINES

SMCS-1201

i02459376

NOTE	REF NO	GRAPHIC REF	PART NUMBER	QTY	PART NAME						SEE PAGE
					1	2	3	4	5	6 (PRODUCT LEVEL)	
	1	1	5M-2894	6	WASHER-HARD (10.2X18.5X2.5-MM THK)						
	2	1	4W-9890	2	COVER						
	3	1	0S-1594	6	BOLT (3/8-16X1-IN)						
	4	1	4N-0794	1	COVER						
		1	7C-0307	1	GASKET						
	5	1	4N-0699	2	GASKET						



GRAPHIC #1

<END>

g00138984

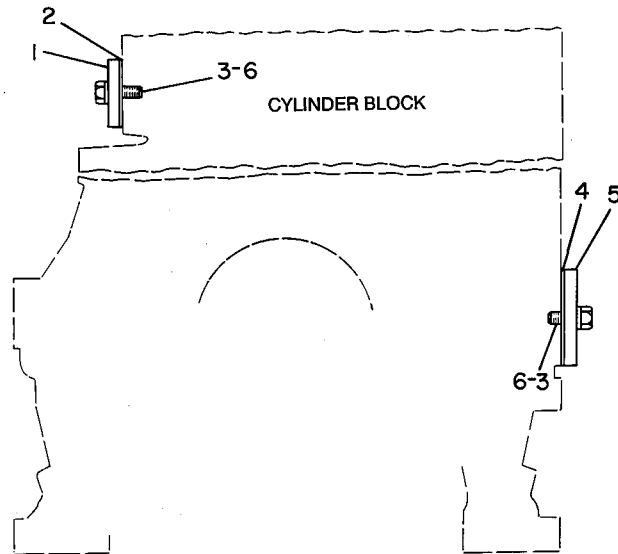
BASIC ENGINE

1W-5107 COVER GP-CYLINDER BLOCK

SMCS-1201

i02459379

NOTE	REF NO	GRAPHIC REF	PART NUMBER	QTY	PART NAME						SEE PAGE
					1	2	3	4	5	6 (PRODUCT LEVEL)	
	1	1	4W-9890	1	COVER						
	2	1	4N-0699	1	GASKET						
	3	1	0S-1594	4	BOLT (3/8-16X1-IN)						
	4	1	7C-0307	1	GASKET						
	5	1	4N-0794	1	COVER						
	6	1	5M-2894	4	WASHER-HARD (10.2X18.5X2.5-MM THK)						



GRAPHIC #1

<END>

g00108182

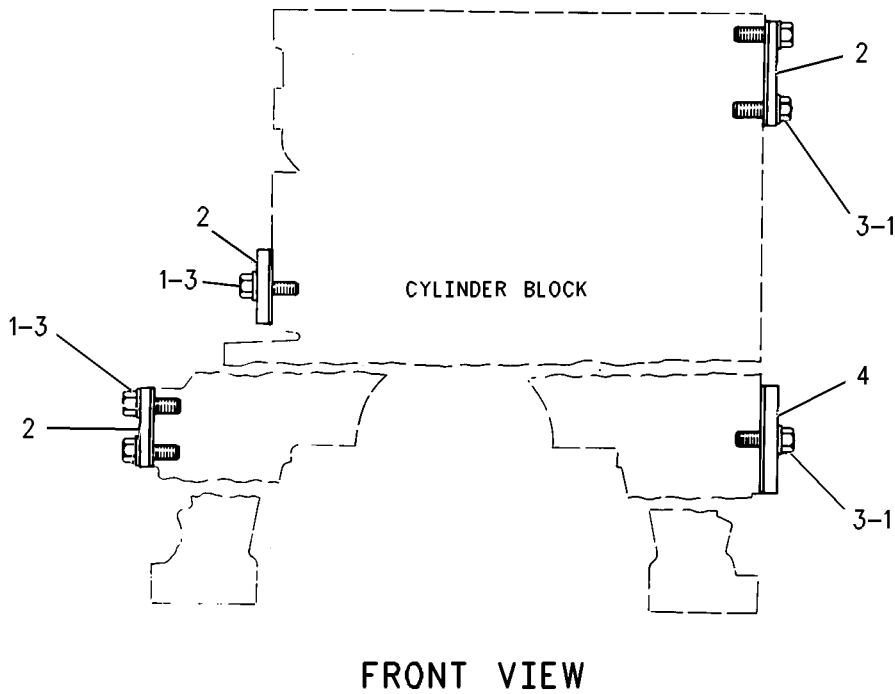
BASIC ENGINE

9N-0015 COVER GP-CYLINDER BLOCK

SMCS-1201

i01775555

NOTE	REF NO	GRAPHIC REF	PART NUMBER	QTY	PART NAME						SEE PAGE
					1	2	3	4	5	6 (PRODUCT LEVEL)	
	1	1	5M-2894	8	WASHER-HARD (10.2X18.5X2.5MM THK)						
	2	1	4W-9890	3	COVER						
		1	4N-0699	3	GASKET						
	3	1	0S-1594	8	BOLT (3/8-16X1 IN)						
	4	1	4N-0794	1	COVER						
		1	7C-0307	1	GASKET						



GRAPHIC #1

<END>

g00645857

BASIC ENGINE

9N-0684 COVER GP-CYLINDER BLOCK

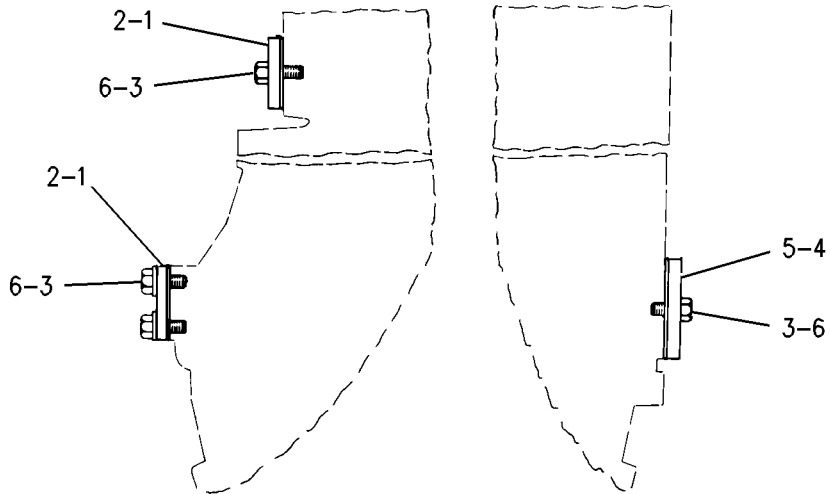
S/N: 6TB9857-11344

SMCS-1201

i01207354

NOTE	REF NO	GRAPHIC REF	PART NUMBER	QTY	PART NAME						SEE PAGE
					1	2	3	4	5	6 (PRODUCT LEVEL)	
	1	1	4W-9890	2	COVER						
	2	1	4N-0699	2	GASKET						
C	3	1	0S-1594	6	BOLT (3/8-16X1 IN)						
	4	1	7C-0307	1	GASKET						
	5	1	4N-0794	1	COVER						
C	6	1	5M-2894	6	WASHER (2.5MM THK)						

C-CHANGE FROM PREVIOUS TYPE



FRONT VIEW

GRAPHIC #1

<END>

g00645901

BASIC ENGINE

9N-0684 COVER GP-CYLINDER BLOCK

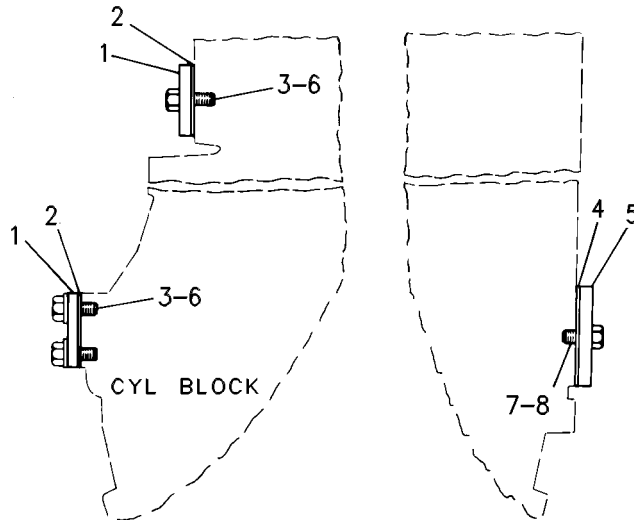
S/N: 6TB11345-UP
ALSO AN ATTACHMENT

SMCS-1201

i03824749

NOTE	REF NO	GRAPHIC REF	PART NUMBER	QTY	PART NAME						SEE PAGE
					1	2	3	4	5	6 (PRODUCT LEVEL)	
	1	1	4W-9890	2	COVER						
	2	1	4N-0699	2	GASKET						
C	3	1	0S-1594	4	BOLT (3/8-16X1-IN)						
BC	4	1	7C-0307	1	GASKET						
BC	5	1	4N-0794	1	COVER						
C	6	1	5M-2894	4	WASHER-HARD (10.2X18.5X2.5-MM THK)						
BC	7	1	0S-1594	4	BOLT (3/8-16X1-IN)						
BC	8	1	5M-2894	4	WASHER-HARD (10.2X18.5X2.5-MM THK)						

B-USE AS REQUIRED
C-CHANGE FROM PREVIOUS TYPE



FRONT VIEW

GRAPHIC #1

<END>

g00108486

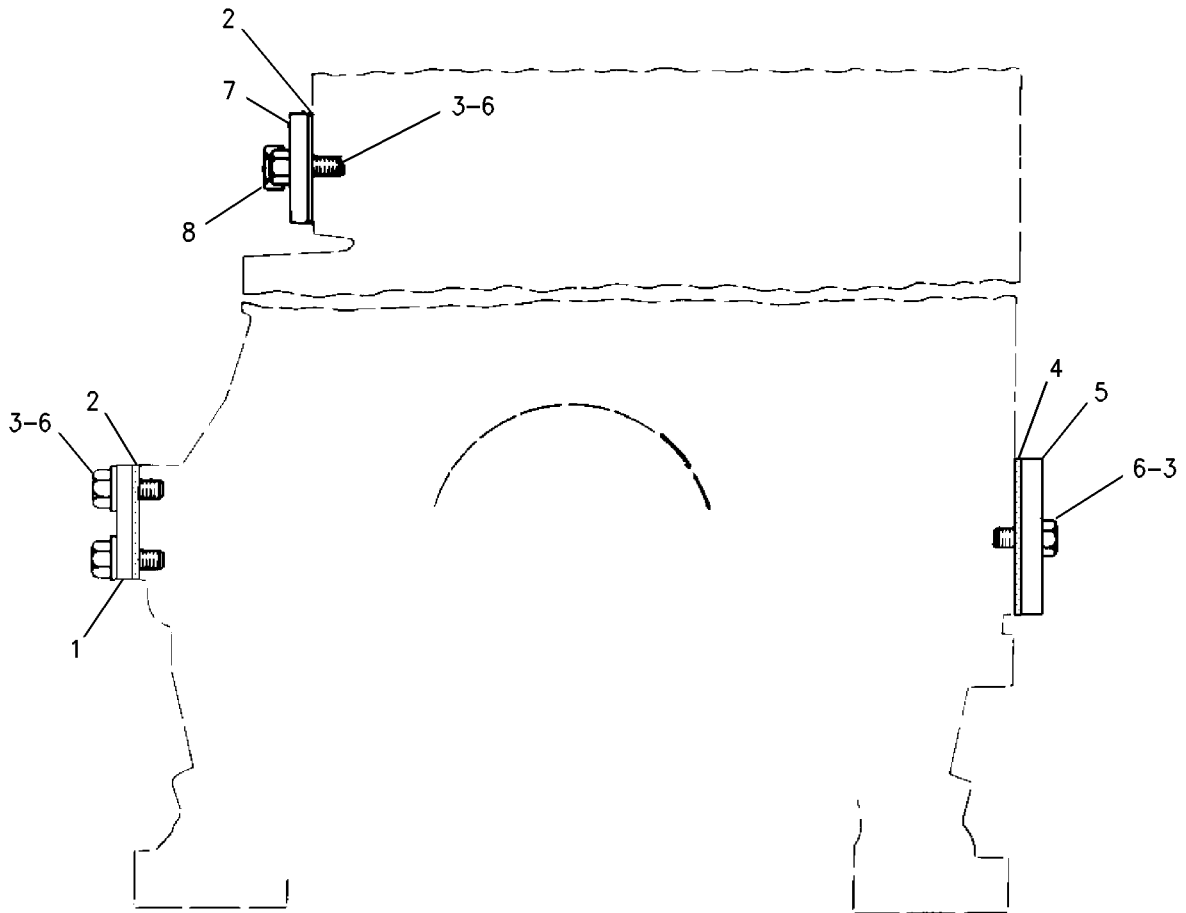
BASIC ENGINE

9N-3866 COVER GP-CYLINDER BLOCK

SMCS-1201

i01660477

NOTE	REF NO	GRAPHIC REF	PART NUMBER	QTY	PART NAME						SEE PAGE
					1	2	3	4	5	6 (PRODUCT LEVEL)	
	1	1	4W-9890	1	COVER						
	2	1	4N-0699	2	GASKET						
	3	1	0S-1594	6	BOLT (3/8-16X1-IN)						
	4	1	7C-0307	1	GASKET						
	5	1	4N-0794	1	COVER						
	6	1	5M-2894	6	WASHER-HARD (10.2X18.5X2.5-MM THK)						
	7	1	9L-1937	1	FLANGE						
	8	1	3J-5390	1	PLUG						



GRAPHIC #1

<END>

g00866157

BASIC ENGINE

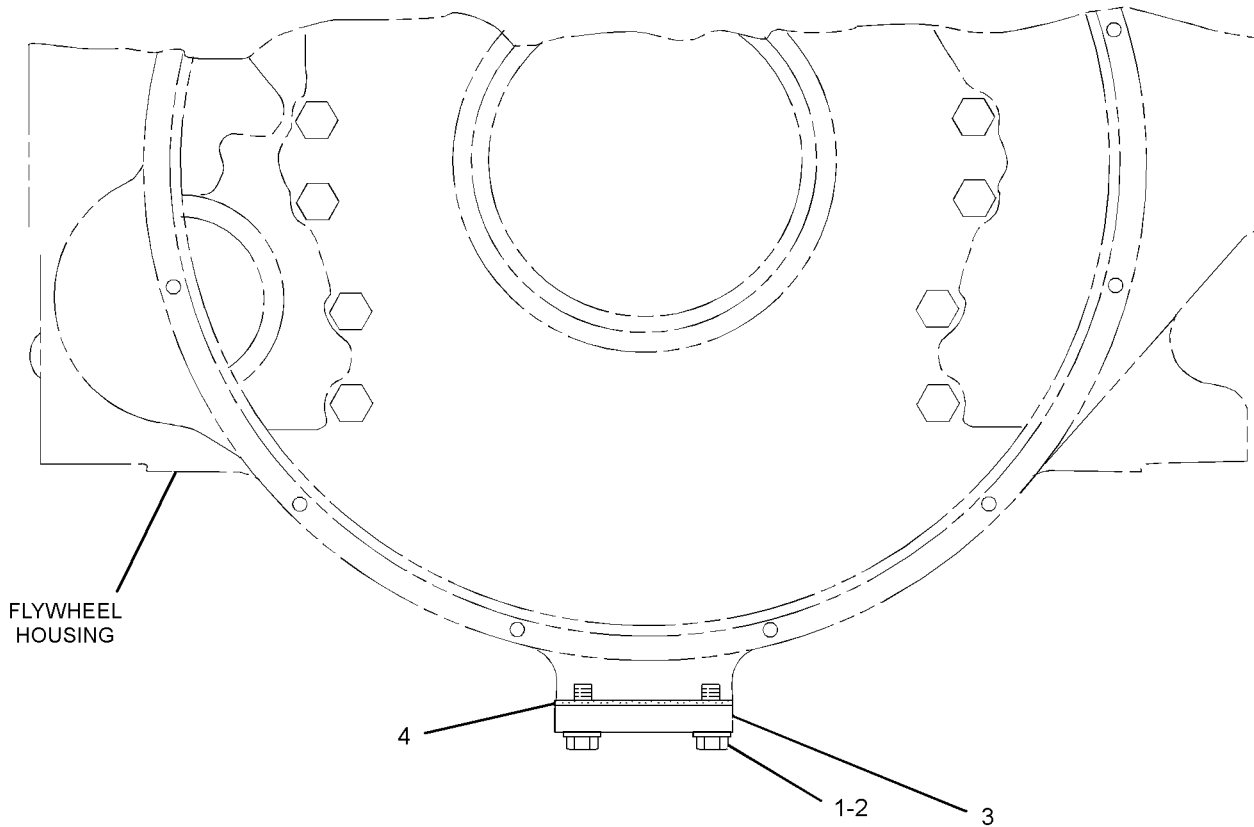
1W-8341 COVER GP-FLYWHEEL HOUSING

FOR USE WITH SAE NO. 1 FLYWHEEL HOUSING
ALSO AN ATTACHMENT

SMCS-1157

i02533261

NOTE	REF NO	GRAPHIC REF	PART NUMBER	QTY	PART NAME						SEE PAGE
					1	2	3	4	5	6 (PRODUCT LEVEL)	
	1	1	0S-1594	2	BOLT (3/8-16X1-IN)						
	2	1	5M-2894	2	WASHER-HARD (10.2X18.5X2.5-MM THK)						
	3	1	1M-0130	1	COVER						
	4	1	4M-6480	1	GASKET						



REAR VIEW

<END>

GRAPHIC #1

g01267902

BASIC ENGINE

4N-4792 COVER GP-FLYWHEEL HOUSING

FOR USE WITH 4N-0732-PAGE 270

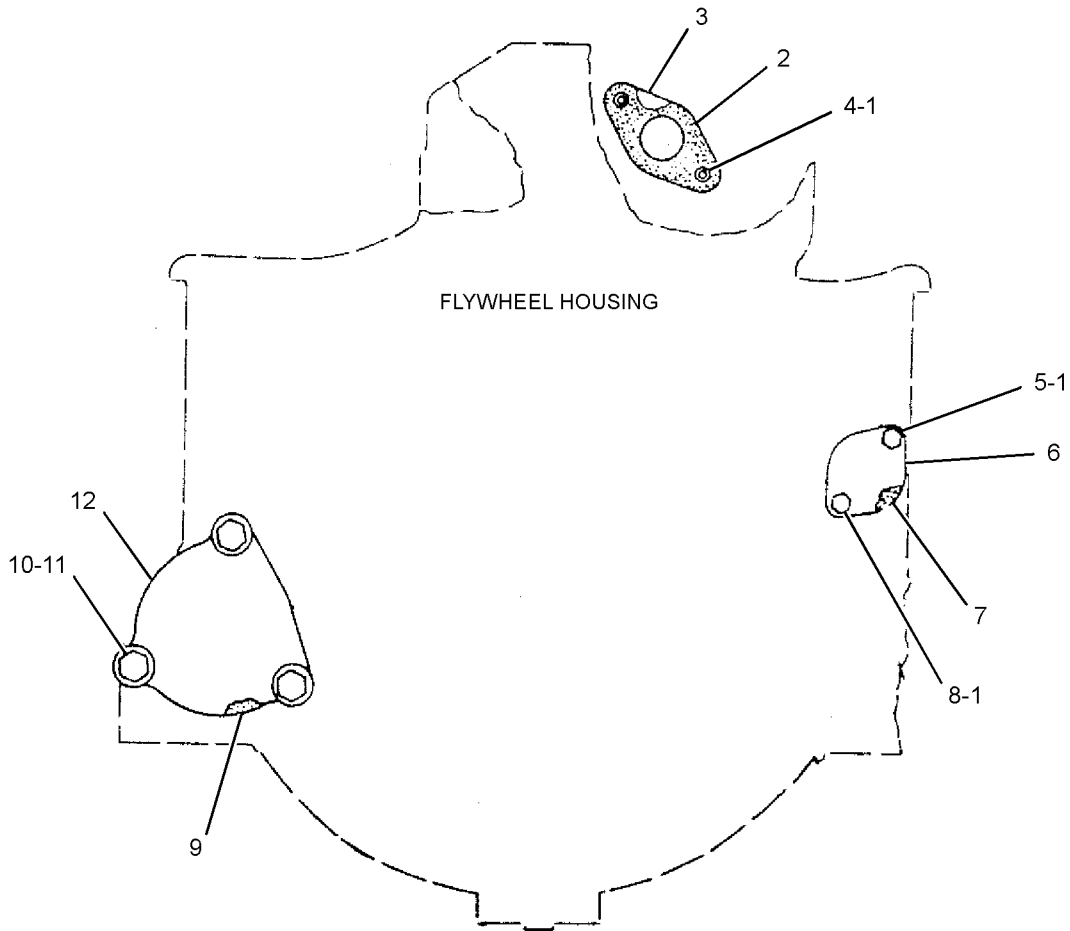
ALSO AN ATTACHMENT

SMCS-1157

i03506449

NOTE	REF NO	GRAPHIC REF	PART NUMBER	QTY	PART NAME						SEE PAGE
					1	2	3	4	5	6 (PRODUCT LEVEL)	
	1	1	5M-2894	4	WASHER-HARD (10.2X18.5X2.5-MM THK)						
	2	1	5H-0244	1	GASKET						
	3	1	8F-3030	1	FLANGE						
	4	1	0S-1588	2	BOLT (3/8-16X1.25-IN)						
	5	1	0S-1619	1	BOLT (3/8-16X3-IN)						
	6	1	2P-2772	1	COVER						
	7	1	234-8937	1	SEAL-INTEGRAL						
	8	1	0S-1594	1	BOLT (3/8-16X1-IN)						
C	9	1	9Y-6089	1	GASKET						
C	10	1	4B-4043	3	BOLT (5/8-11X1.375-IN)						
C	11	1	5P-8247	3	WASHER-HARD (17X32X3.5-MM THK)						
C	12	1	3H-0761	1	COVER-OPENING						

C-CHANGE FROM PREVIOUS TYPE



GRAPHIC #1

<END>

g01309198

BASIC ENGINE

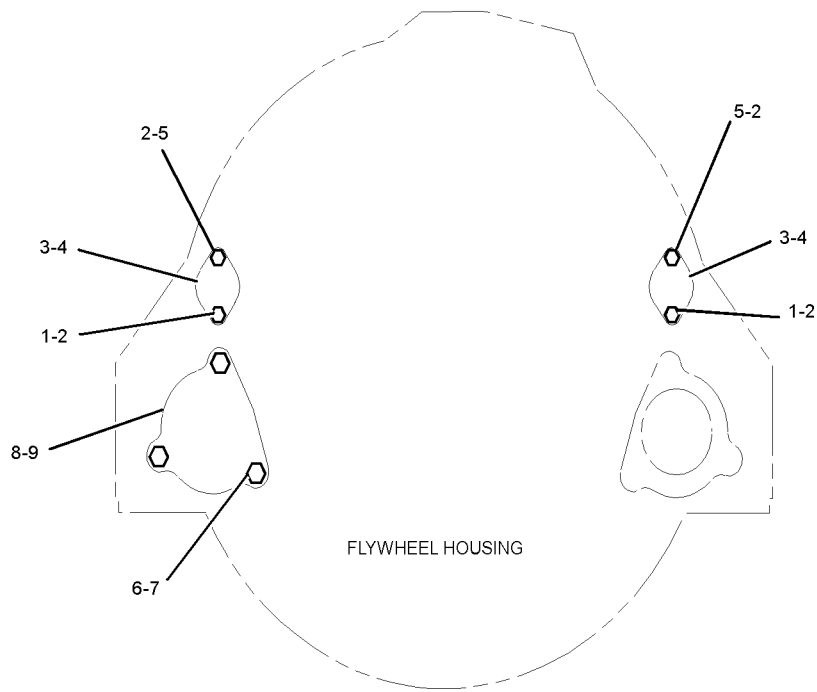
7W-8531 COVER GP-FLYWHEEL HOUSING

AN ATTACHMENT

SMCS-1157

i02614398

NOTE	REF NO	GRAPHIC REF	PART NUMBER	QTY	PART NAME						SEE PAGE
					1	2	3	4	5	6 (PRODUCT LEVEL)	
	1	1	0S-1594	2	BOLT (3/8-16X1-IN)						
	2	1	5M-2894	4	WASHER-HARD (10.2X18.5X2.5-MM THK)						
	3	1	2P-2772	2	COVER						
	4	1	4N-0933	2	GASKET						
	5	1	0S-1619	2	BOLT (3/8-16X3-IN)						
	6	1	4B-4043	3	BOLT (5/8-11X1.375-IN)						
	7	1	5P-8247	3	WASHER-HARD (17X32X3.5-MM THK)						
	8	1	3H-0761	1	COVER-OPENING						
	9	1	9Y-6089	1	GASKET						



GRAPHIC #1

<END>

g01309212

BASIC ENGINE

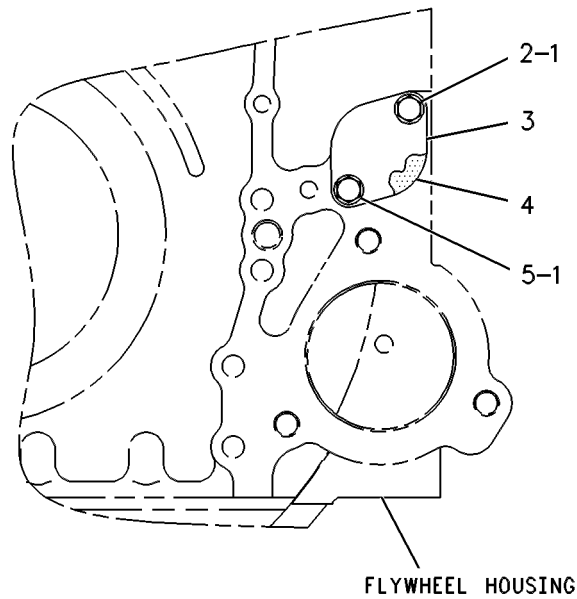
9N-3889 COVER GP-FLYWHEEL HOUSING

FOR USE WITH SAE NO. 1 FLYWHEEL HOUSING

SMCS-1157

i03460022

NOTE	REF NO	GRAPHIC REF	PART NUMBER	QTY	PART NAME						SEE PAGE
					1	2	3	4	5	6 (PRODUCT LEVEL)	
	1	1	5M-2894	2	WASHER-HARD (10.2X18.5X2.5-MM THK)						
	2	1	0S-1619	1	BOLT (3/8-16X3-IN)						
	3	1	2P-2772	1	COVER						
	4	1	234-8937	1	SEAL-INTEGRAL						
	5	1	0S-1594	1	BOLT (3/8-16X1-IN)						



GRAPHIC #1

<END>

g00109207

BASIC ENGINE

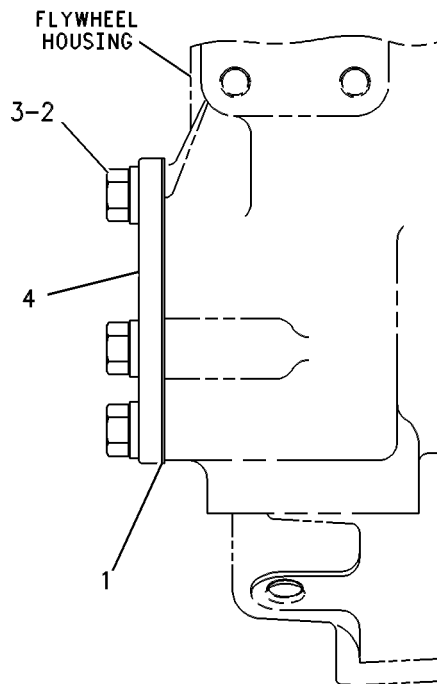
133-3089 COVER GP-FLYWHEEL HOUSING

FOR USE WITH RH MOUNTED STARTER
AN ATTACHMENT

SMCS-1157

i02202316

NOTE	REF NO	GRAPHIC REF	PART NUMBER	QTY	PART NAME						SEE PAGE
					1	2	3	4	5	6 (PRODUCT LEVEL)	
	1	1	9Y-6089	1	GASKET						
	2	1	0S-1589	3	BOLT (5/8-11X1.75-IN)						
	3	1	4D-3704	3	WASHER-HARD (17X30X5-MM THK)						
	4	1	4N-1114	1	COVER						



LEFT SIDE VIEW

GRAPHIC #1

<END>

g00263620

BASIC ENGINE

1W-1395 COVER GP-FRONT HOUSING

SMCS-1151, 1166

i03465542

NOTE	REF NO	GRAPHIC REF	PART NUMBER	QTY	PART NAME						SEE PAGE
					1	2	3	4	5	6 (PRODUCT LEVEL)	
	1	1	7W-5733	1	GASKET						
	2	1	4N-0273	1	COVER						
	3	1	5M-2894	22	WASHER-HARD (10.2X18.5X2.5-MM THK)						
	4	1	0S-1588	5	BOLT (3/8-16X1.25-IN) (MARKED X)						
	5	1	1A-5964	7	BOLT (3/8-16X4.5-IN)						
B	6	1	315-5008	2	STUD-TAPERLOCK						
B	7	1	2M-0849	2	WASHER-HARD (13.5X25.5X5-MM THK)						
	8	1	1F-7958	5	NUT-FULL (1/2-13-THD)						
C	9	1	1H-7339	1	SEAL-O-RING						
C	10	1	4P-1650	1	COVER						
C	11	1	9S-8752	10	NUT-FULL (3/8-16-THD)						
	12	1	6V-4259	2	BOLT-SHALLOW HEAD (3/8-16X0.5-IN)						
	13	1	7W-9467	1	COVER						
	14	1	1W-2488	1	COVER						
	15	1	2W-0459	1	GASKET						
	16	1	2B-2006	1	BOLT (1/2-13X4.75-IN)						
	17	1	9S-1366	1	BOLT (1/2-13X2.5-IN)						
	18	1	100-7432	1	GASKET						
	19	1	5P-8245	5	WASHER-HARD (13.5X25.5X3-MM THK)						
	20	1	5M-6214	1	PLUG-PIPE						

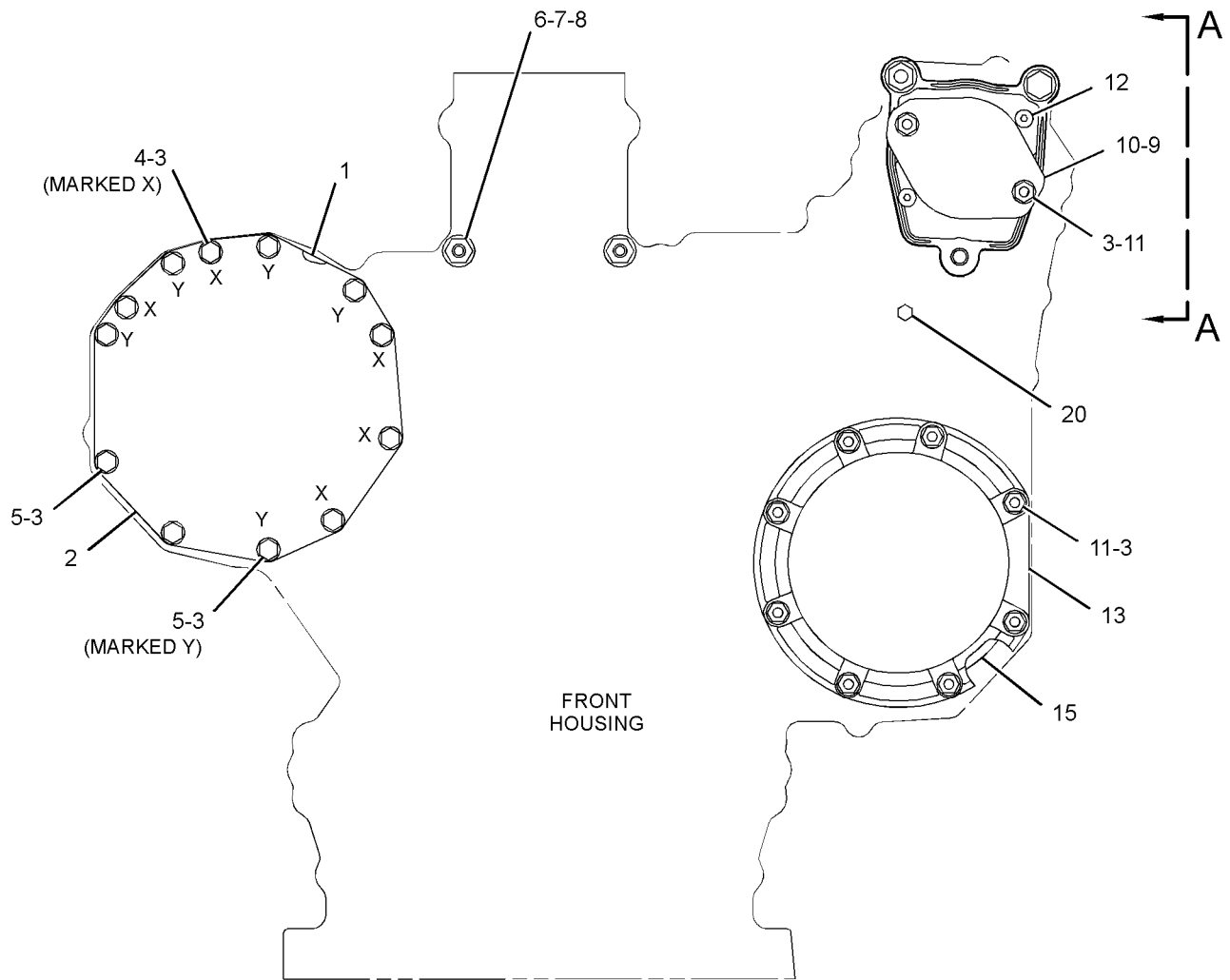
B-USE AS REQUIRED

C-CHANGE FROM PREVIOUS TYPE

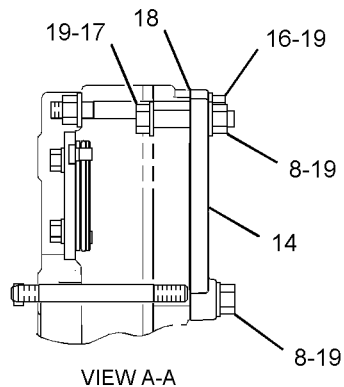
BASIC ENGINE

1W-1395 COVER GP-FRONT HOUSING (contd.)

i03465542



FRONT VIEW OF ENGINE



VIEW A-A

<END>

GRAPHIC #1

g01817153

BASIC ENGINE

4W-6116 COVER GP-FRONT HOUSING FRONT STRUCTURE

SMCS-1151, 1166

i02208416

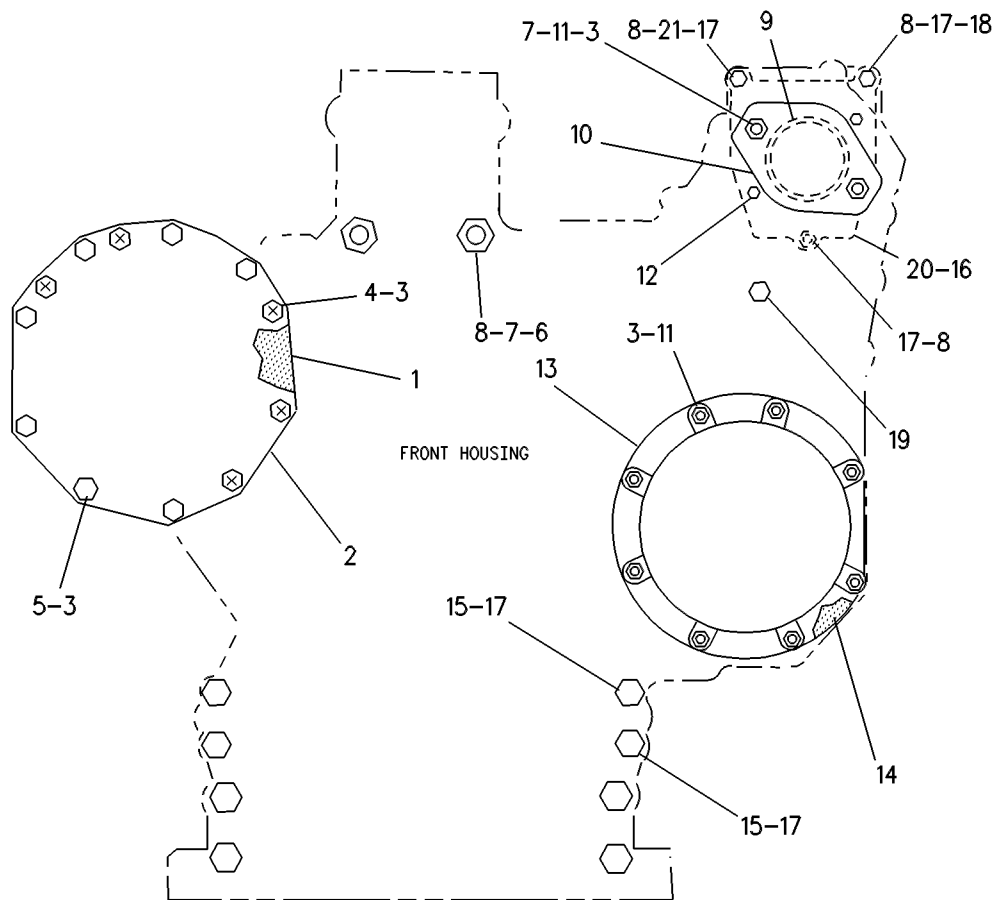
NOTE	REF NO	GRAPHIC REF	PART NUMBER	QTY	PART NAME						SEE PAGE
					1	2	3	4	5	6 (PRODUCT LEVEL)	
C	1	1	7W-5733	1	GASKET						
C	2	1	4N-0273	1	COVER						
	3	1	5M-2894	22	WASHER-HARD (10.2X18.5X2.5-MM THK)						
	4	1	0S-1594	5	BOLT (3/8-16X1-IN)						
	5	1	1A-5964	7	BOLT (3/8-16X4.5-IN)						
	6	1	149-5268	2	STUD-TAPERLOCK						
C	7	1	6B-0933	2	SPACER (10.31X19.05X6.35-MM THK)						
C	8	1	1F-7958	5	NUT-FULL (1/2-13-THD)						
C	9	1	1H-7339	1	SEAL-O-RING						
C	10	1	4P-1650	1	COVER						
C	11	1	9S-8752	10	NUT-FULL (3/8-16-THD)						
	12	1	6V-4259	2	BOLT-SHALLOW HEAD (3/8-16X0.5-IN)						
C	13	1	7W-9467	2	COVER						
	14	1	2W-0459	1	GASKET						
	15	1	5P-8038	8	BOLT-12 POINT HEAD (1/2-13X4.75-IN)						
C	16	1	100-7432	1	GASKET						
	17	1	5P-8245	15	WASHER-HARD (13.5X25.5X3-MM THK)						
	18	1	9S-1366	1	BOLT (1/2-13X2.5-IN)						
	19	1	5M-6214	1	PLUG-PIPE						
	20	1	1W-2488	1	COVER						
	21	1	2B-2006	1	BOLT (1/2-13X4.75-IN)						

C-CHANGE FROM PREVIOUS TYPE

BASIC ENGINE

4W-6116 COVER GP-FRONT HOUSING (contd.)

i02208416



GRAPHIC #1

<END>

g00270701

BASIC ENGINE

287-3561 COVER GP-FRONT HOUSING

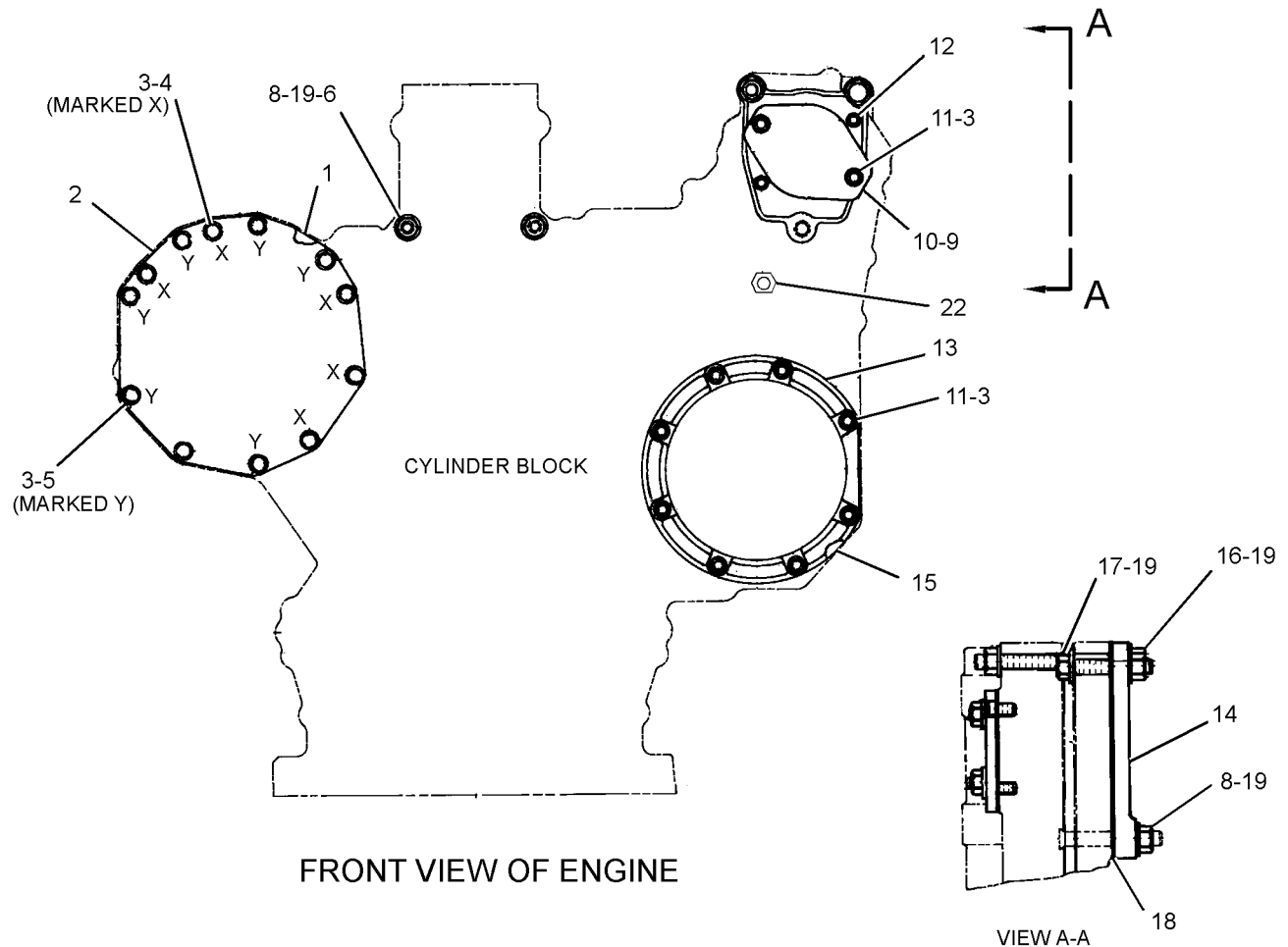
S/N: 6TB24573-UP

SMCS-1151, 1166

i02707905

NOTE	REF NO	GRAPHIC REF	PART NUMBER	QTY	PART NAME	1 2 3 4 5 6 (PRODUCT LEVEL)						SEE PAGE
	1	1	7W-5733	1	GASKET							
	2	1	4N-0273	1	COVER							
	3	1	5M-2894	22	WASHER-HARD (10.2X18.5X2.5-MM THK)							
	4	1	0S-1594	5	BOLT (3/8-16X1-IN) (MARKED X)							
B	5	1	1A-5964	7	BOLT (3/8-16X4.5-IN) (MARKED Y)							
B	6	1	9X-8903	2	STUD-TAPERLOCK (1/2-13X1.10-IN, 1/2-13X1.18-IN)							
B	8	1	1F-7958	5	NUT-FULL (1/2-13-THD)							
	9	1	1H-7339	1	SEAL-O-RING							
	10	1	4P-1650	1	COVER							
	11	1	9S-8752	10	NUT-FULL (3/8-16-THD)							
	12	1	6V-4259	2	BOLT-SHALLOW HEAD (3/8-16X0.5-IN)							
	13	1	7W-9467	1	COVER							
	14	1	1W-2488	1	COVER							
	15	1	2W-0459	1	GASKET							
	16	1	2B-2006	1	BOLT (1/2-13X4.75-IN)							
	17	1	9S-1366	1	BOLT (1/2-13X2.5-IN)							
	18	1	100-7432	1	GASKET							
B	19	1	5P-8245	7	WASHER-HARD (13.5X25.5X3-MM THK)							
	22	1	5M-6214	1	PLUG-PIPE							

B-USE AS REQUIRED



GRAPHIC #1

<END>

g01334424

BASIC ENGINE

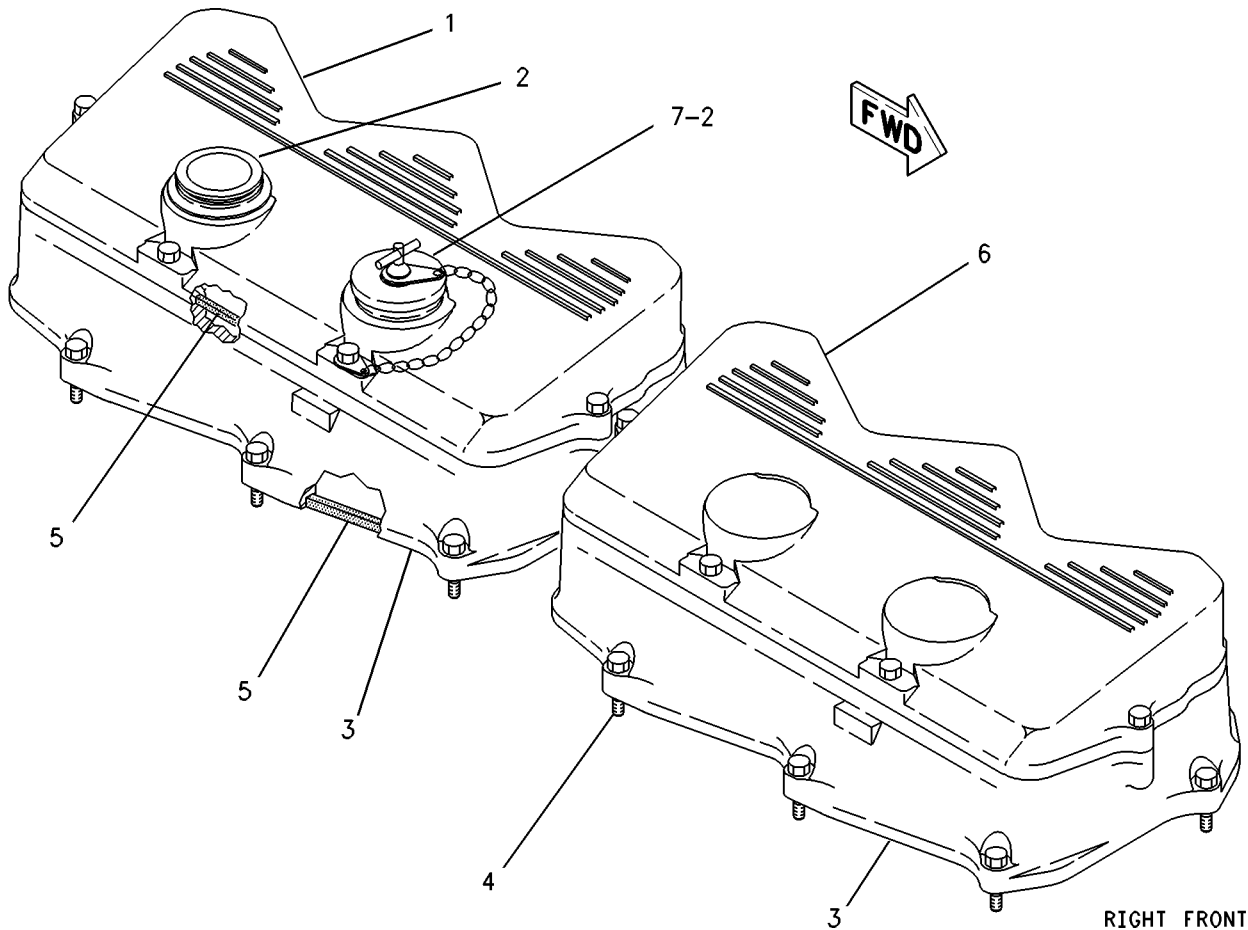
4N-2272 COVER GP-VALVE MECHANISM

SMCS-1107

i02399318

NOTE	REF NO	GRAPHIC REF	PART NUMBER	QTY	PART NAME						SEE PAGE
					1	2	3	4	5	6	
C	1	1	7E-0330	1	COVER (ROCKER ARM)						
	2	1	7C-6514	2	ADAPTER						
		1	8C-5196	2	SEAL-O-RING						
C	3	1	7E-0329	2	BASE						
	4	1	9L-8925	26	BOLT (5/16-18X1.25-IN)						
BD	5	1	5P-5678		SEAL						
C	6	1	7E-0333	1	COVER						
	7	1	6N-2985	1	CAP AS-FILLER (ENGINE OIL)						

B-USE AS REQUIRED
 C-CHANGE FROM PREVIOUS TYPE
 D-ORDER BY THE METER



GRAPHIC #1

<END>

g00953101

BASIC ENGINE

4N-4953 COVER GP-VALVE MECHANISM

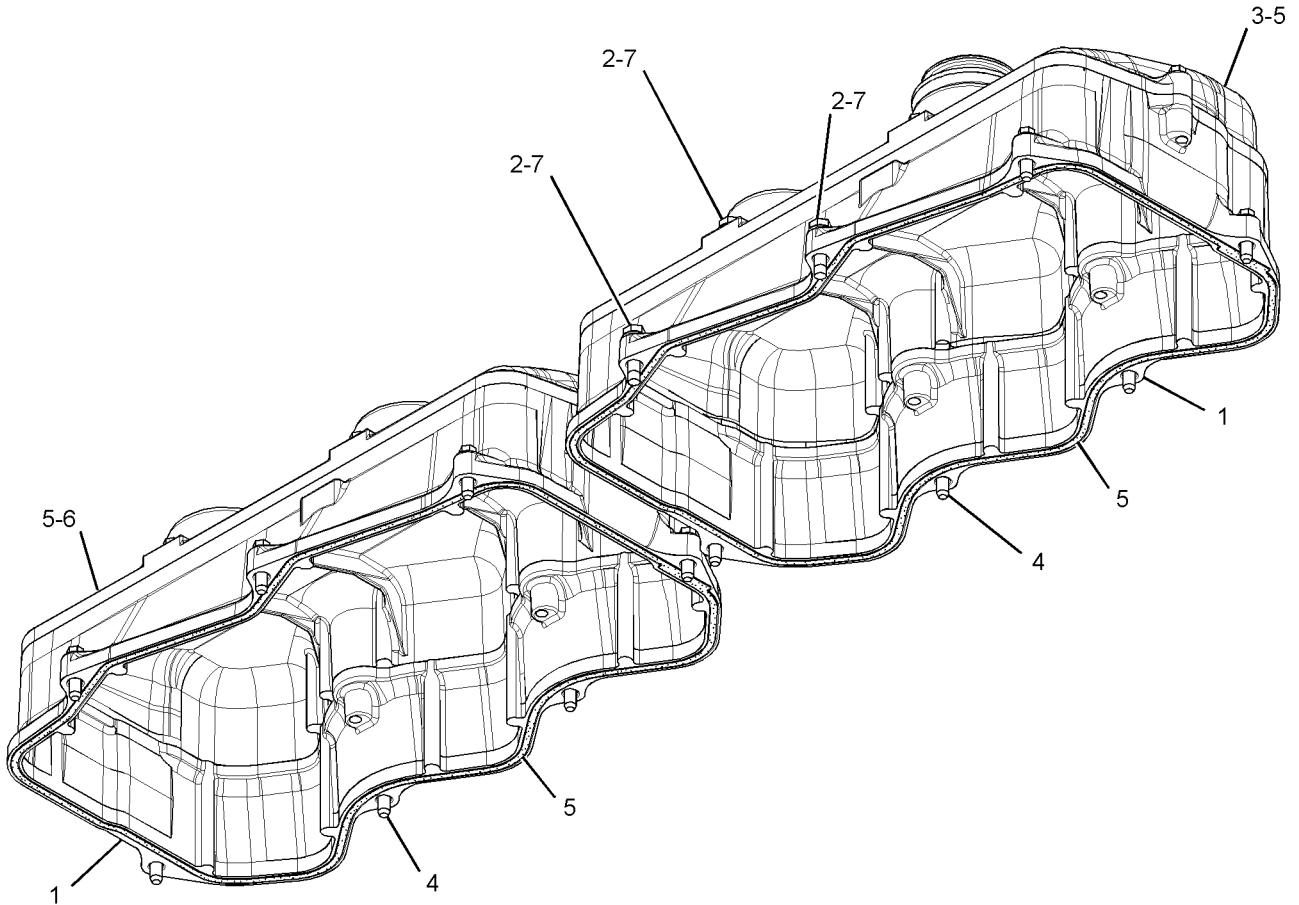
FOR USE WITH AIR LINES FOR REAR EXHAUST TURBO
ALSO AN ATTACHMENT

SMCS-1107

i03421864

NOTE	REF NO	GRAPHIC REF	PART NUMBER	QTY	PART NAME						SEE PAGE
					1	2	3	4	5	6 (PRODUCT LEVEL)	
	1	1	7E-0329	2	BASE						
B	2	1	9M-1974	3	WASHER-HARD (8.8X16X2-MM THK)						
	3	1	7E-1518	1	COVER AS						
		1	7C-6514	1	ADAPTER						
		1	8C-5196	1	SEAL-O-RING						
	4	1	9L-8925	23	BOLT (5/16-18X1.25-IN)						
BD	5	1	5P-5678		SEAL (5.9-M)						
	6	1	7E-0333	1	COVER						
B	7	1	9L-8925	3	BOLT (5/16-18X1.25-IN)						
					-OR-						
B		1	1B-2790	3	BOLT (5/16-18X1.375-IN)						

B-USE AS REQUIRED
D-ORDER BY THE METER



GRAPHIC #1

<END>

g01785696

BASIC ENGINE

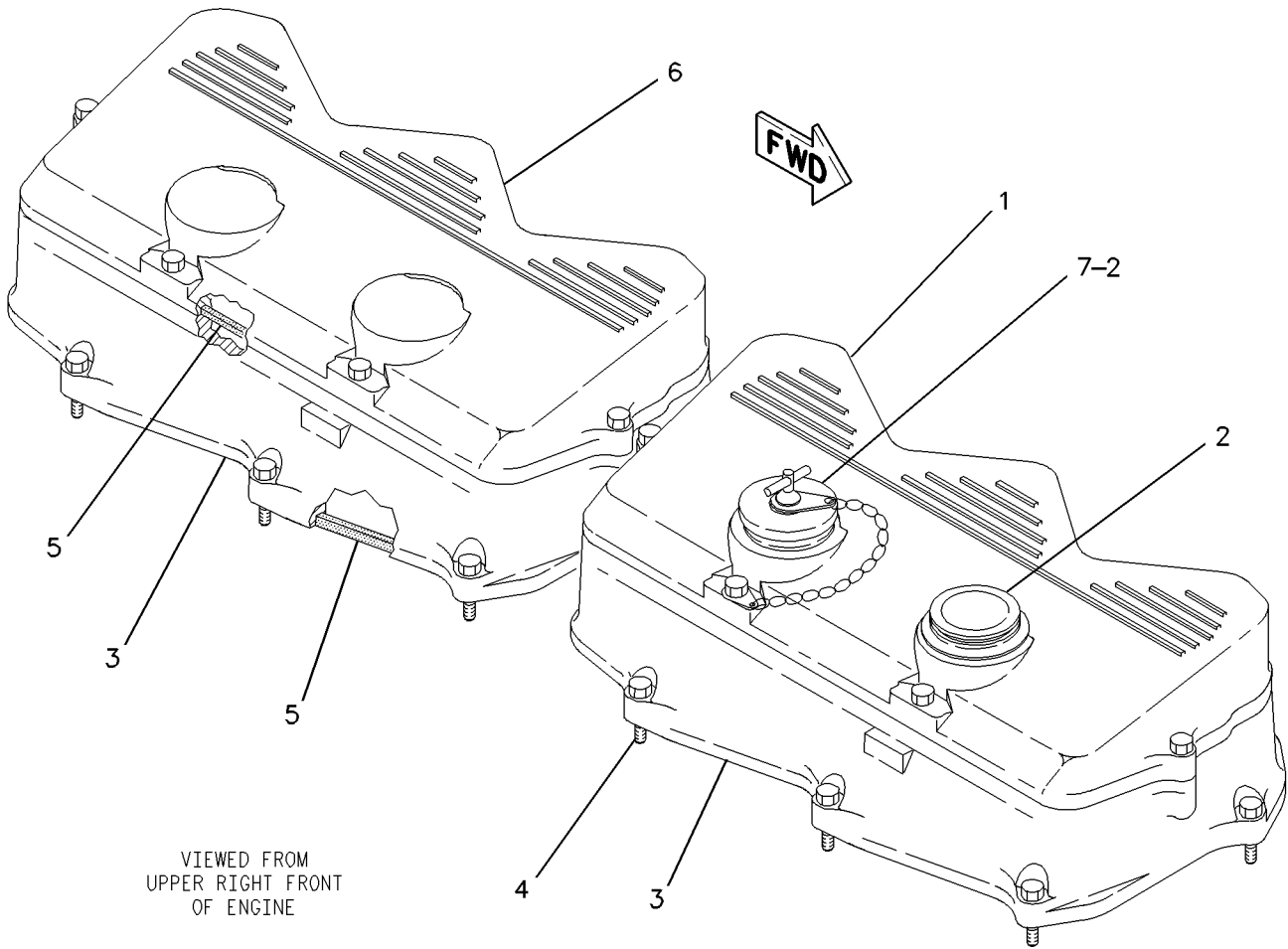
7C-0730 COVER GP-VALVE MECHANISM

SMCS-1107

i02399341

NOTE	REF NO	GRAPHIC REF	PART NUMBER	QTY	PART NAME						SEE PAGE
					1	2	3	4	5	6 (PRODUCT LEVEL)	
C	1	1	7E-0330	1	COVER (ROCKER ARM)						
	2	1	7C-6514	2	ADAPTER						
		1	8C-5196	2	SEAL-O-RING						
C	3	1	7E-0329	2	BASE						
	4	1	9L-8925	26	BOLT (5/16-18X1.25-IN)						
BD	5	1	5P-5678		SEAL						
C	6	1	7E-0333	1	COVER						
	7	1	6N-2985	1	CAP AS-FILLER (ENGINE OIL)						

B-USE AS REQUIRED
 C-CHANGE FROM PREVIOUS TYPE
 D-ORDER BY THE METER



VIEWED FROM
 UPPER RIGHT FRONT
 OF ENGINE

GRAPHIC #1

<END>

g00989721

BASIC ENGINE

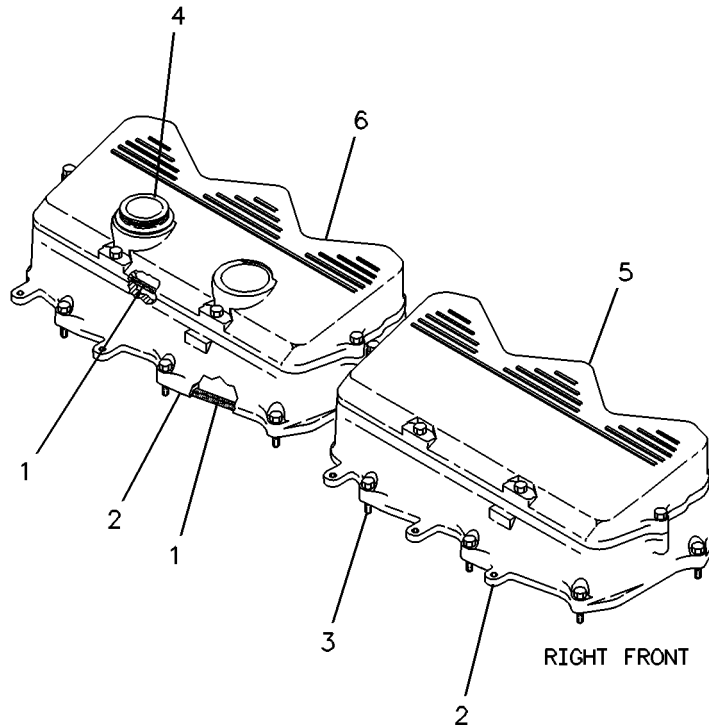
7W-7353 COVER GP-VALVE MECHANISM

SMCS-1107

i00163666

NOTE	REF NO	GRAPHIC REF	PART NUMBER	QTY	PART NAME						SEE PAGE	
					1	2	3	4	5	6 (PRODUCT LEVEL)		
BD	1	1	5P-5678		SEAL							
	2	1	7W-7352	2	BASE-VALVE MECHANISM COVER							
	3	1	9L-8925	26	BOLT (5/16-18X1.25-IN)							
	4	1	7C-6514	1	ADAPTER							
			1	8C-5196	1	SEAL-O-RING						
	C	5	1	7E-0333	1	COVER						
C	6	1	7E-0332	1	COVER							

B-USE AS REQUIRED
 C-CHANGE FROM PREVIOUS TYPE
 D-ORDER BY THE METER



GRAPHIC #1

<END>

g00111027

BASIC ENGINE

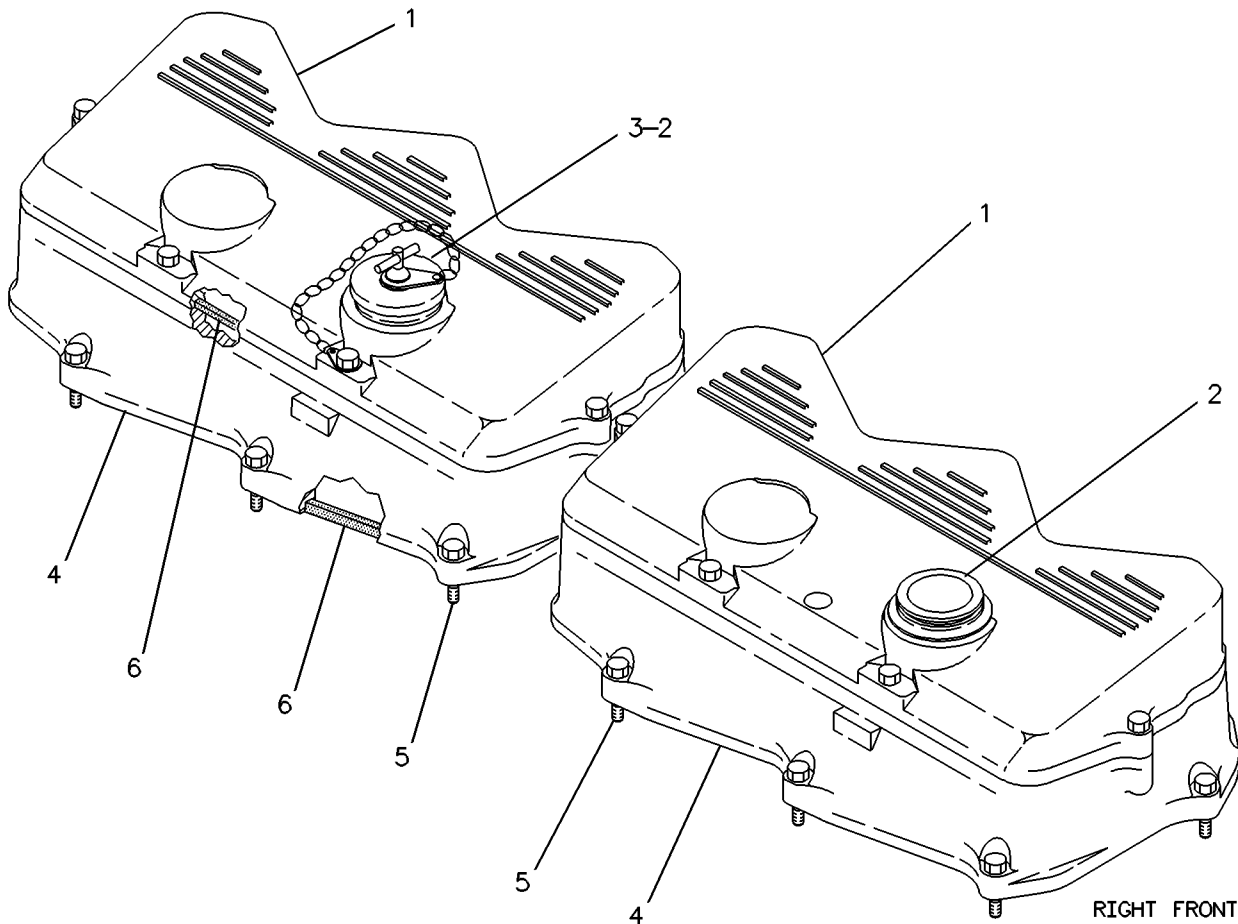
9N-3618 COVER GP-VALVE MECHANISM FOR USE WITH REAR EXHAUST TURBO

SMCS-1107

i02399342

NOTE	REF NO	GRAPHIC REF	PART NUMBER	QTY	PART NAME						SEE PAGE
					1	2	3	4	5	6 (PRODUCT LEVEL)	
C	1	1	7E-0331	2	COVER						
	2	1	7C-6514	2	ADAPTER						
		1	8C-5196	2	SEAL-O-RING						
	3	1	6N-2985	1	CAP AS-FILLER (ENGINE OIL)						
C	4	1	7E-0329	2	BASE						
	5	1	9L-8925	26	BOLT (5/16-18X1.25-IN)						
BD	6	1	5P-5678		SEAL						

B-USE AS REQUIRED
C-CHANGE FROM PREVIOUS TYPE
D-ORDER BY THE METER



GRAPHIC #1

<END>

g00118716

BASIC ENGINE

117-3278 COVER GP-VALVE MECHANISM

BREATHER FOURTH POSITION & OIL FILL THIRD POSITION

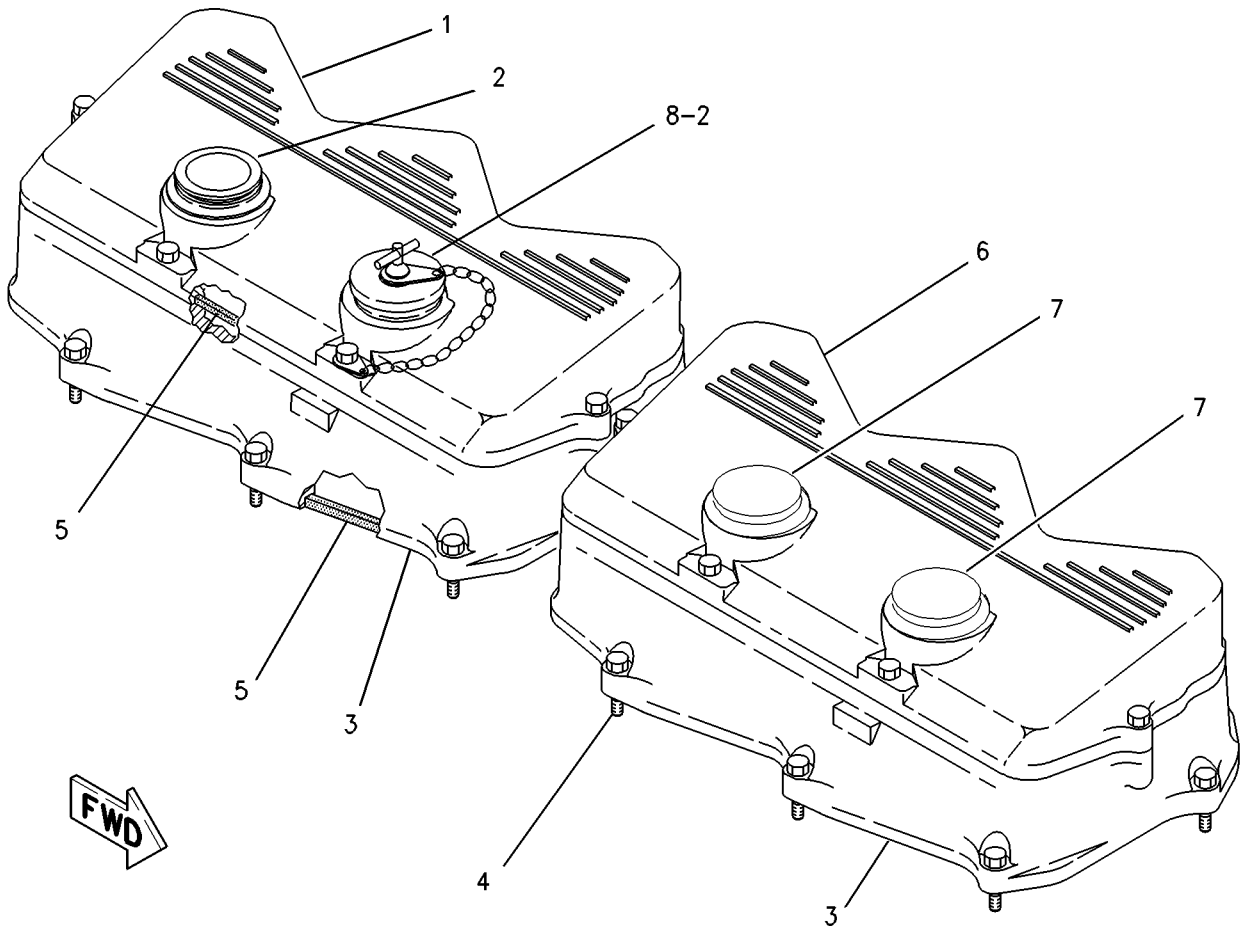
CANNOT BE USED WITH JAKE BRAKE OR PACBRAKE
AN ATTACHMENT

SMCS-1107

i03194807

NOTE	REF NO	GRAPHIC REF	PART NUMBER	QTY	PART NAME						SEE PAGE
					1	2	3	4	5	6 (PRODUCT LEVEL)	
	1	1	7E-1520	1	COVER AS						
		1	7E-0330	1	COVER (ROCKER ARM)						
	2	1	7C-6514	2	ADAPTER						
		1	8C-5196	2	SEAL-O-RING						
	3	1	7E-0329	2	BASE						
	4	1	9L-8925	26	BOLT (5/16-18X1.25-IN)						
BD	5	1	5P-5678		SEAL (6-M)						
	6	1	7E-0330	1	COVER (ROCKER ARM)						
	7	1	7C-9621	2	PLUG						
		1	8C-5196	2	SEAL-O-RING						
	8	1	6N-2985	1	CAP AS-FILLER (ENGINE OIL)						

B-USE AS REQUIRED
D-ORDER BY THE METER



GRAPHIC #1

<END>

g00838452

BASIC ENGINE

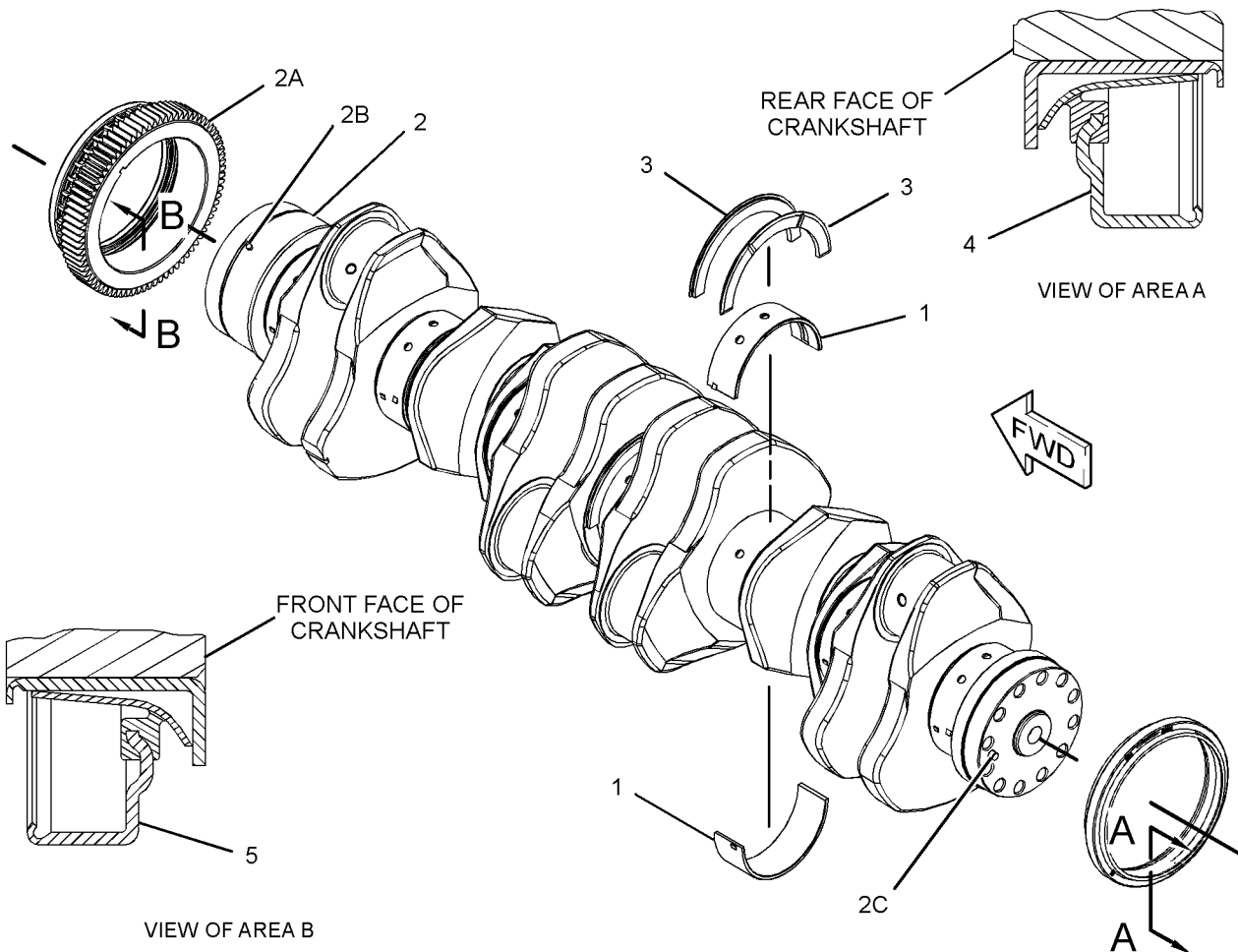
4N-0741 CRANKSHAFT GP

SMCS-1202

i03786288

NOTE	REF NO	GRAPHIC REF	PART NUMBER	QTY	PART NAME	SEE PAGE
J	1	1	317-8766	7	BEARING-MAIN (STANDARD)	
AB		1	4W-5698		BEARING-MAIN (0.63-MM US)	
AB		1	4W-5699		BEARING-MAIN (1.27-MM US)	
AB		1	4W-5700		BEARING-MAIN (0.63-MM OS)	
AB		1	4W-5701		BEARING-MAIN (0.63-MM OS, 0.63-MM US)	
R	2	1	6I-1453	1	CRANKSHAFT AS	
	2A	1	1W-9302	1	GEAR-CRANKSHAFT (80-TEETH)	
	2B	1	7S-5005	1	DOWEL	
	2C	1	4N-0684	1	DOWEL	
J	3	1	253-1752	2	PLATE-THRUST	
Y	4	1	319-0785	1	SEAL GP-CRANKSHAFT (REAR)	334
Y	5	1	319-7401	1	SEAL GP-CRANKSHAFT (FRONT)	335
AVAILABLE REPAIR KIT(S):						
AJ			243-6718		KIT-CRANKSHAFT BEARING (STANDARD)	
(INCLUDES A COMPLETE SET OF MAIN BEARINGS AND THRUST PLATES)						

A-NOT PART OF THIS GROUP
 B-USE AS REQUIRED
 J-KIT MARKED J INCLUDES PARTS MARKED J
 R-REMG PART MAY BE AVAILABLE
 Y-SEPARATE ILLUSTRATION



GRAPHIC #1

<END>

g02044894

BASIC ENGINE

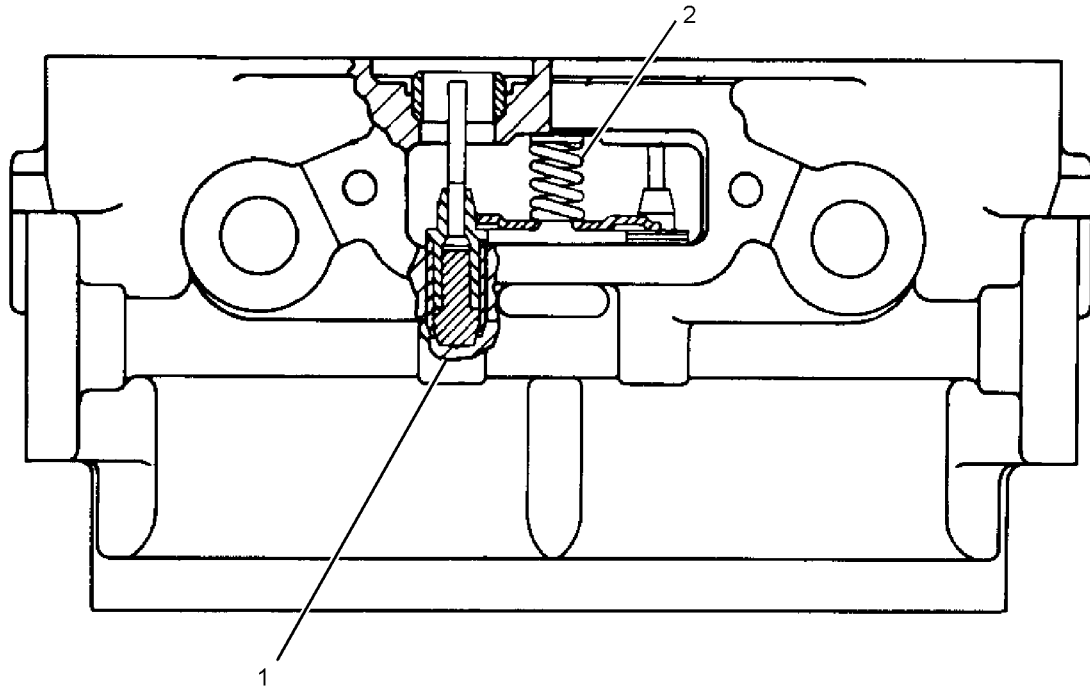
9N-5449 CYLINDER BLOCK AS

PART OF 1N-2992 AIR COMPRESSOR GP
AN ATTACHMENT

SMCS-1201

i03114131

NOTE	REF NO	GRAPHIC REF	PART NUMBER	QTY	PART NAME						SEE PAGE
					1	2	3	4	5	6 (PRODUCT LEVEL)	
	1	1	9L-2269	2	PISTON AS (UNLOADER)						
					(EACH INCLUDES)						
		1	3L-6768	1	SEAL-O-RING						
	2	1	9L-2273	1	SPRING-UNLOADER						



GRAPHIC #1

<END>

g01594210

BASIC ENGINE

7E-4697 CYLINDER BLOCK GP*R

S/N: 6TB11237-12313

FIELD REPLACEMENT ORDER 108-3916-PAGE 139, 6-7E-3632 JET AS-PISTON COOLING,
6-111-8606 BOLT

SMCS-1201

i01962132

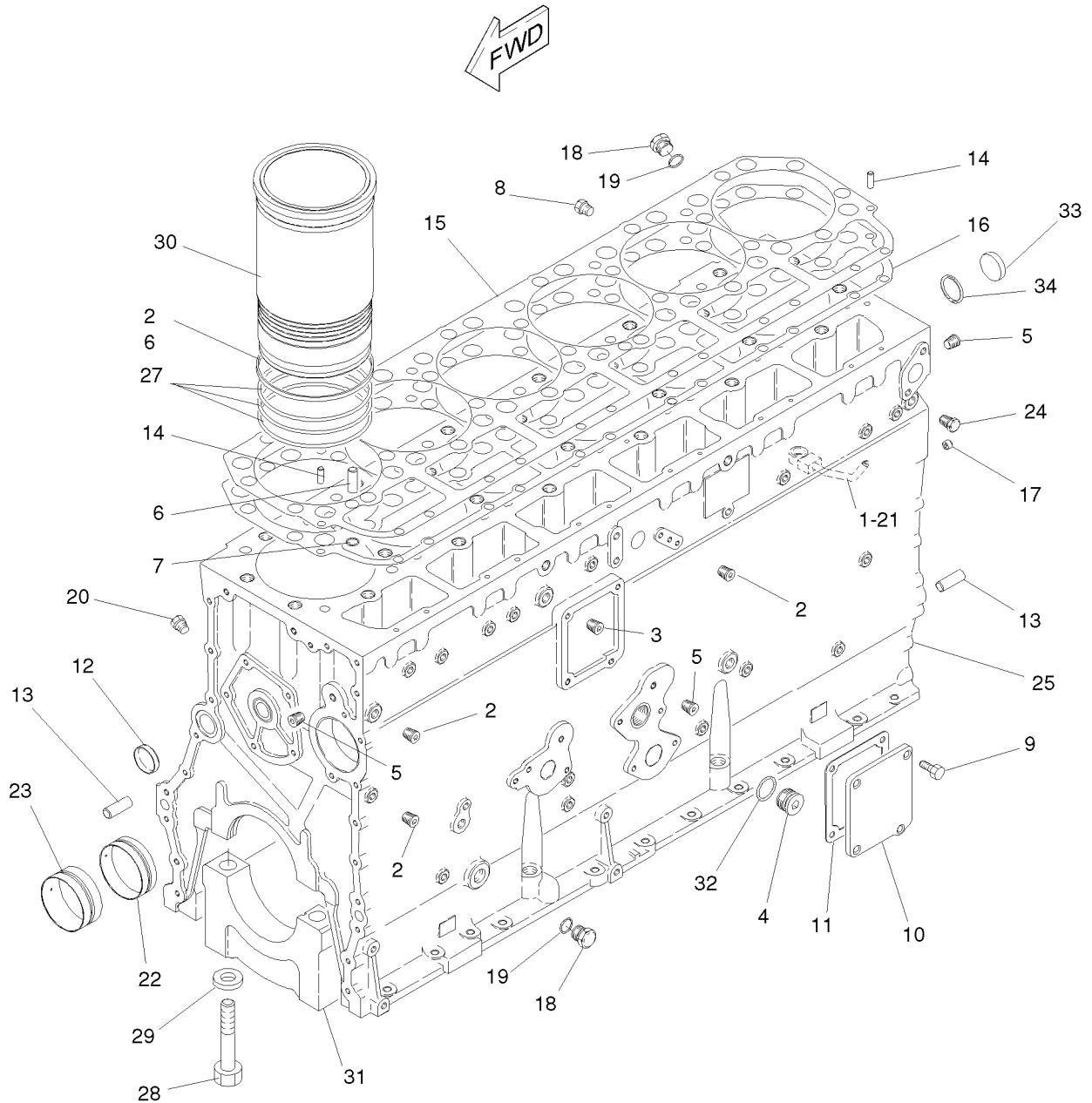
NOTE	REF NO	GRAPHIC REF	PART NUMBER	QTY	PART NAME						SEE PAGE
					1	2	3	4	5	6 (PRODUCT LEVEL)	
	1	1	7E-3632	6	JET AS-PISTON COOLING						
C	2	1	8T-6757	3	PLUG-PIPE						
	3	1	7M-7410	1	PLUG-PIPE						
	4	1	9S-8009	1	PLUG-O-RING						
C	5	1	8T-6763	3	PLUG-PIPE						
	6	1	1S-9540	2	DOWEL						
	7	1	3S-5496	2	SEAL-O-RING						
C	8	1	7W-6492	1	PLUG-PIPE						
	9	1	030-7571	4	BOLT (3/8-16X1-IN)						
	10	1	4W-8585	1	COVER						
	11	1	7W-6081	1	GASKET						
	12	1	2M-6471	1	PLUG-CUP						
	13	1	4N-0683	4	DOWEL						
	14	1	4N-1650	2	DOWEL						
C	15	1	6I-2981	1	PLATE-BLOCK						
C	16	1	6I-4024	1	GASKET-PLATE						
	17	1	8S-9094	1	PLUG-ORIFICE						
B	18	1	9S-4190	2	PLUG-O-RING						
B	19	1	2M-9780	2	SEAL-O-RING						
C	20	1	8T-6767	6	PLUG-PIPE						
	21	1	7E-6479	6	BOLT-SPECIAL (OIL JET)						
	22	1	4N-0685	6	BEARING-SLEEVE (1-IN WIDE)						
	23	1	4N-6658	1	BEARING-SLEEVE (1.3-IN WIDE)						
C	24	1	8T-6764	1	PLUG-PIPE						
	25	1	4P-2092	1	CYLINDER BLOCK AS						
	26	1	9L-5854	6	BAND-FILLER (130.2-MM ID)						
	27	1	6V-5121	18	SEAL-O-RING						
	28	1	3P-1323	14	BOLT-BEARING CAP (7/8-14X7.75-IN)						
	29	1	9H-1031	14	WASHER-HARD (24X41.5X6-MM THK)						
	30	1	7W-3550	6	LINER-CYLINDER BLOCK						
	31	1	4N-5857	7	CAP-CRANKSHAFT BEARING						
	32	1	4K-1388	1	SEAL-O-RING						
	33	1	100-7399	1	PLUG						
	34	1	3E-6747	1	SEAL-O-RING						
FA		1	101-0523	6	INSERT-LINER SEAT (5.21-MM THK) (0.05MM US)						

A-NOT PART OF THIS GROUP
 B-USE AS REQUIRED
 C-CHANGE FROM PREVIOUS TYPE
 F-NOT SHOWN

BASIC ENGINE

7E-4697 CYLINDER BLOCK GP (contd.)

i01962132



GRAPHIC #1

<END>

g01019496

BASIC ENGINE

7E-4697 CYLINDER BLOCK GP*R

S/N: 6TB12314-17607

FIELD REPLACEMENT ORDER 108-3916-PAGE 139, 6-7E-3632 JET AS-PISTON COOLING,
6-111-8606 BOLT

SMCS-1201

i03116254

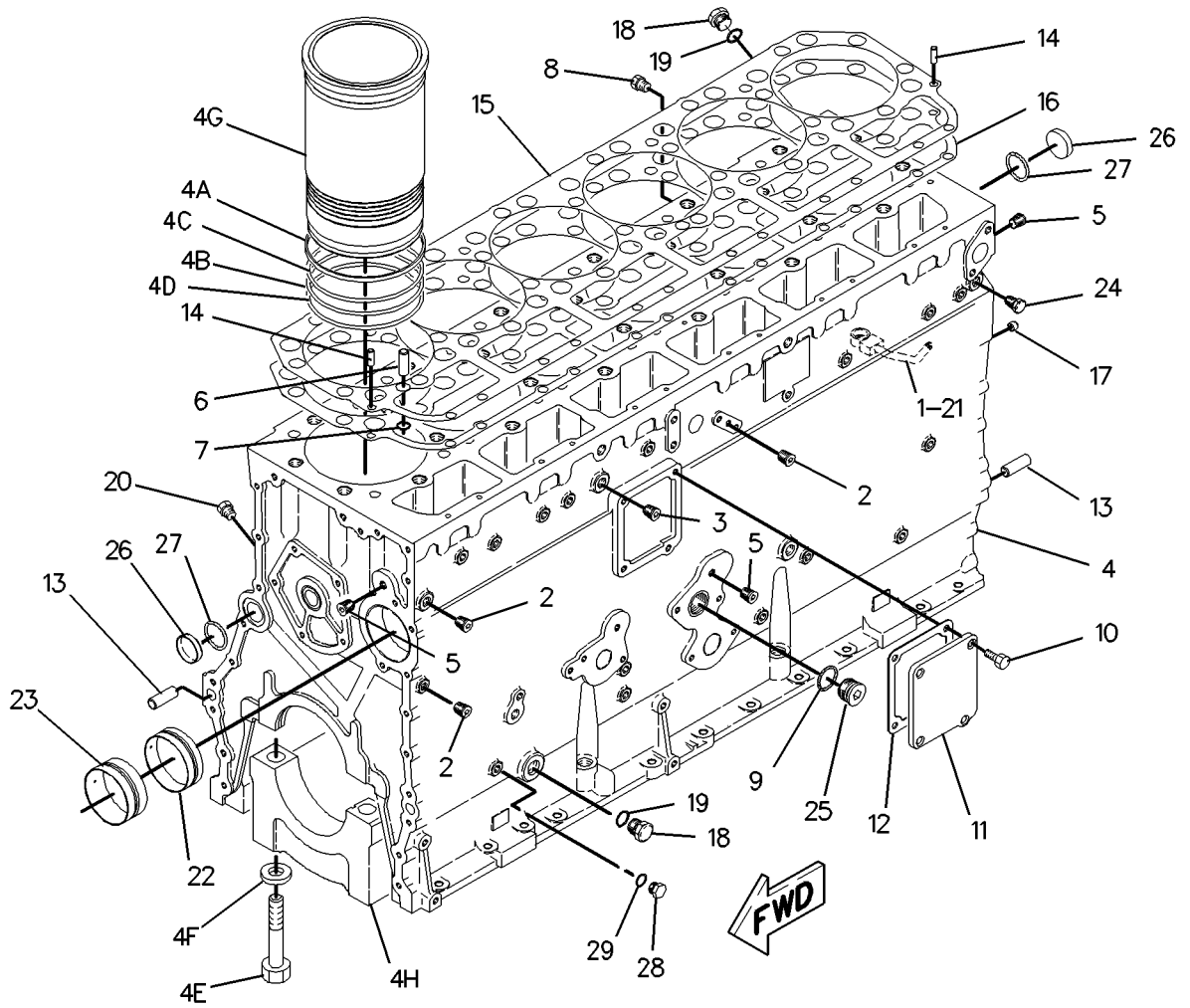
NOTE	REF NO	GRAPHIC REF	PART NUMBER	QTY	PART NAME						SEE PAGE
					1	2	3	4	5	6 (PRODUCT LEVEL)	
	1	1	7E-3632	6	JET AS-PISTON COOLING						
C	2	1	8T-6757	3	PLUG-PIPE						
	3	1	7W-6534	1	PLUG-PIPE						
	4	1	108-3913	1	CYLINDER BLOCK AS						
	4A	1	9L-5854	6	BAND-FILLER (130.2-MM ID)						
	4B	1	110-2220	6	SEAL-LINER						
	4C	1	142-7072	6	SEAL-LINER						
	4D	1	142-6217	6	SEAL-O-RING						
	4E	1	3P-1323	14	BOLT-BEARING CAP (7/8-14X7.75-IN)						
	4F	1	9H-1031	14	WASHER-HARD (24X41.5X6-MM THK)						
	4G	1	197-9322	6	LINER-CYLINDER BLOCK						
	4H	1	4N-5857	7	CAP-CRANKSHAFT BEARING						
C	5	1	8T-6763	3	PLUG-PIPE						
	6	1	1S-9540	2	DOWEL						
	7	1	3S-5496	2	SEAL-O-RING						
C	8	1	7W-6492	1	PLUG-PIPE						
	9	1	119-5155	1	SEAL-O-RING						
	10	1	030-7571	4	BOLT (3/8-16X1-IN)						
	11	1	4W-8585	1	COVER						
	12	1	7W-6081	1	GASKET						
	13	1	4N-0683	4	DOWEL						
	14	1	4N-1650	2	DOWEL						
C	15	1	6I-2981	1	PLATE-BLOCK						
C	16	1	6I-4024	1	GASKET-PLATE						
	17	1	8S-9094	1	PLUG-ORIFICE						
B	18	1	9S-4190	2	PLUG-O-RING						
B	19	1	114-4427	2	SEAL-O-RING						
C	20	1	7X-7732	6	PLUG-PIPE						
	21	1	7E-6479	6	BOLT-SPECIAL (OIL JET)						
	22	1	4N-0685	6	BEARING-SLEEVE (1-IN WIDE)						
	23	1	4N-6658	1	BEARING-SLEEVE (1.3-IN WIDE)						
C	24	1	8T-6764	1	PLUG-PIPE						
	25	1	9S-8009	1	PLUG-O-RING						
	26	1	100-7399	2	PLUG						
	27	1	3E-6747	2	SEAL-O-RING						
	28	1	9S-4182	1	PLUG-O-RING						
	29	1	9X-7378	1	SEAL-O-RING						
FA		1	101-0523	6	INSERT-LINER SEAT (5.21-MM THK) (0.05MM US)						

A-NOT PART OF THIS GROUP
 B-USE AS REQUIRED
 C-CHANGE FROM PREVIOUS TYPE
 F-NOT SHOWN

BASIC ENGINE

7E-4697 CYLINDER BLOCK GP (contd.)

i03116254



GRAPHIC #1

<END>

g00952384

BASIC ENGINE

7E-4697 CYLINDER BLOCK GP*R

S/N: 6TB17608-20164

FIELD REPLACEMENT ORDER 108-3916-PAGE 139, 6-7E-3632 JET AS-PISTON COOLING,
6-111-8606 BOLT

SMCS-1201

i03859704

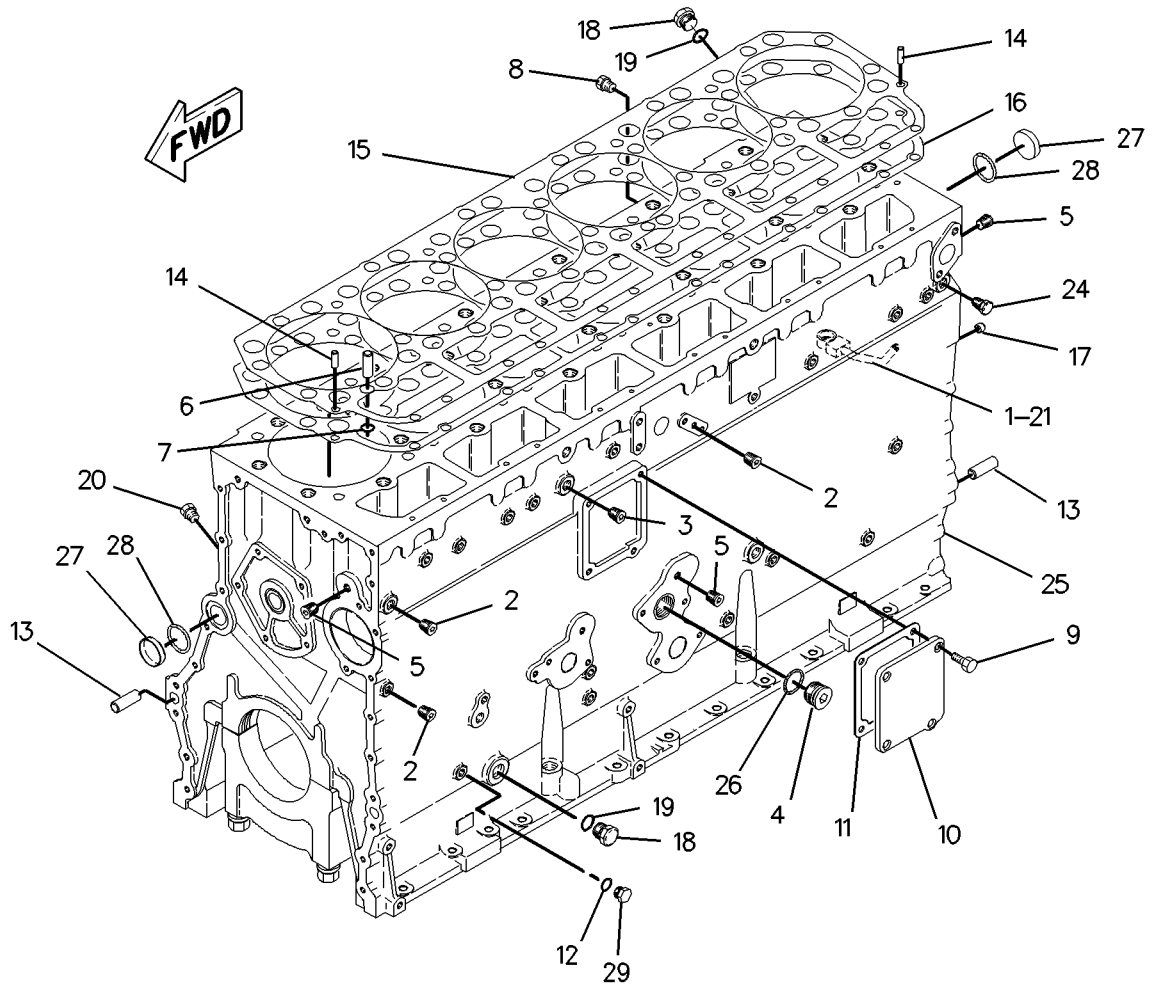
NOTE	REF NO	GRAPHIC REF	PART NUMBER	QTY	PART NAME						SEE PAGE
					1	2	3	4	5	6 (PRODUCT LEVEL)	
C	1	1	151-5928	6	JET AS-PISTON COOLING						
	2	1	8T-6757	3	PLUG-PIPE						
	3	1	7W-6534	1	PLUG-PIPE						
	4	1	9S-8009	1	PLUG-O-RING						
	5	1	8T-6763	3	PLUG-PIPE						
	6	1	1S-9540	2	DOWEL						
	7	1	3S-5496	2	SEAL-O-RING						
	8	1	7W-6492	1	PLUG-PIPE						
	9	1	030-7571	4	BOLT (3/8-16X1-IN)						
	10	1	4W-8585	1	COVER						
	11	1	7W-6081	1	GASKET						
	12	1	9X-7378	1	SEAL-O-RING						
	13	1	4N-0683	4	DOWEL						
	14	1	4N-1650	2	DOWEL						
	15	1	6I-2981	1	PLATE-BLOCK						
	16	1	6I-4024	1	GASKET-PLATE						
	17	1	8S-9094	1	PLUG-ORIFICE						
B	18	1	9S-4190	2	PLUG-O-RING						
B	19	1	114-4427	2	SEAL-O-RING						
	20	1	7X-7732	6	PLUG-PIPE						
C	21	1	151-5925	6	BOLT (7/16-14-THD)						
	24	1	8T-6764	1	PLUG-PIPE (1/8-27-THD)						
CY	25	1	152-7646	1	CYLINDER BLOCK GP						147
	26	1	119-5155	1	SEAL-O-RING						
	27	1	100-7399	2	PLUG						
	28	1	3E-6747	2	SEAL-O-RING						
	29	1	9S-4182	1	PLUG-O-RING						
ABF		1	101-0523	6	INSERT-LINER SEAT (5.21-MM THK) (0.05-MM US)						
ABF		1	101-0524		INSERT-LINER SEAT (5.16-MM THK) (0.5-MM US)						
ABF		1	101-0525		INSERT-LINER SEAT (5.26-MM THK) (0.5-MM OS)						

A-NOT PART OF THIS GROUP
 B-USE AS REQUIRED
 C-CHANGE FROM PREVIOUS TYPE
 F-NOT SHOWN
 Y-SEPARATE ILLUSTRATION

BASIC ENGINE

7E-4697 CYLINDER BLOCK GP (contd.)

i03859704



GRAPHIC #1

<END>

g00953174

BASIC ENGINE

7E-4697 CYLINDER BLOCK GP*R

S/N: 6TB20165-UP

FIELD REPLACEMENT ORDER 108-3916-PAGE 139, 6-7E-3632 JET AS-PISTON COOLING,
6-111-8606 BOLT

SMCS-1201

i03919551

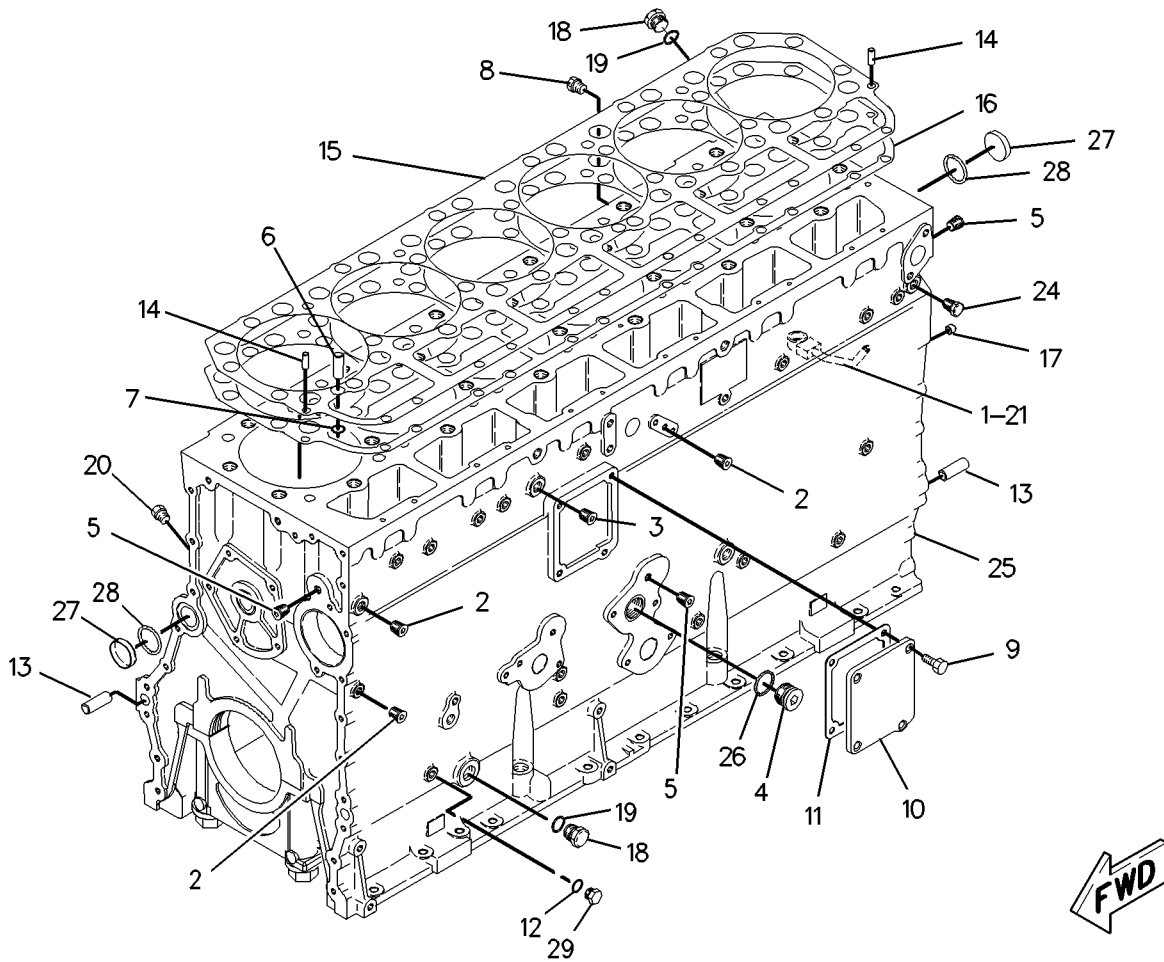
NOTE	REF NO	GRAPHIC REF	PART NUMBER	QTY	PART NAME						SEE PAGE
					1	2	3	4	5	6 (PRODUCT LEVEL)	
	1	1	151-5928	6	JET AS-PISTON COOLING						
	2	1	8T-6757	3	PLUG-PIPE						
	3	1	7W-6534	1	PLUG-PIPE						
	4	1	9S-8009	1	PLUG-O-RING						
	5	1	8T-6763	3	PLUG-PIPE						
	6	1	1S-9540	2	DOWEL						
	7	1	3S-5496	2	SEAL-O-RING						
	8	1	7W-6492	1	PLUG-PIPE						
	9	1	030-7571	4	BOLT (3/8-16X1-IN)						
	10	1	4W-8585	1	COVER						
	11	1	7W-6081	1	GASKET						
	12	1	9X-7378	1	SEAL-O-RING						
	13	1	4N-0683	4	DOWEL						
	14	1	4N-1650	2	DOWEL						
	15	1	6I-2981	1	PLATE-BLOCK						
	16	1	6I-4024	1	GASKET-PLATE						
	17	1	8S-9094	1	PLUG-ORIFICE						
B	18	1	9S-4190	2	PLUG-O-RING						
B	19	1	114-4427	2	SEAL-O-RING						
	20	1	7X-7732	6	PLUG-PIPE						
	21	1	151-5925	6	BOLT (7/16-14-THD)						
	24	1	8T-6764	1	PLUG-PIPE (1/8-27-THD)						
CY	25	1	202-1258	1	CYLINDER BLOCK GP						148
	26	1	119-5155	1	SEAL-O-RING						
	27	1	100-7399	2	PLUG						
	28	1	250-0466	2	SEAL-O-RING						
	29	1	9S-4182	1	PLUG-O-RING						
ABF		1	101-0523		INSERT-LINER SEAT (5.21-MM THK) (0.05-MM US)						
ABF		1	101-0524		INSERT-LINER SEAT (5.16-MM THK) (0.5-MM US)						
ABF		1	101-0525		INSERT-LINER SEAT (5.26-MM THK) (0.5-MM OS)						

A-NOT PART OF THIS GROUP
 B-USE AS REQUIRED
 C-CHANGE FROM PREVIOUS TYPE
 F-NOT SHOWN
 Y-SEPARATE ILLUSTRATION

BASIC ENGINE

7E-4697 CYLINDER BLOCK GP (contd.)

i03919551



GRAPHIC #1

<END>

g00799422

BASIC ENGINE

8N-9267 CYLINDER BLOCK GP*R

S/N: 6TB9857-12313

FIELD REPLACEMENT ORDER 108-3916-PAGE 139, 6-111-8606 BOLT-SPECIAL,
6-290-6567 TUBE AS-OIL JET

SMCS-1201

i03635452

NOTE	REF NO	GRAPHIC REF	PART NUMBER	QTY	PART NAME						SEE PAGE
					1	2	3	4	5	6 (PRODUCT LEVEL)	
	1	1	7W-4990	6	JET AS-PISTON COOLING						
	2	1	8T-6757	3	PLUG-PIPE						
B	3	1	7M-7410	1	PLUG-PIPE						
	4	1	2W-6000	6	LINER-CYLINDER BLOCK						
	5	1	8T-6763	3	PLUG-PIPE						
	6	1	1S-9540	2	DOWEL						
	7	1	3S-5496	2	SEAL-O-RING						
	8	1	7W-6492	1	PLUG-PIPE						
	9	1	030-7571	4	BOLT (3/8-16X1-IN)						
	10	1	4W-8585	1	COVER						
	11	1	7W-6081	1	GASKET						
	12	1	2M-6471	1	PLUG-CUP						
	13	1	4N-0683	4	DOWEL						
	14	1	4N-1650	2	DOWEL						
	15	1	6I-2981	1	PLATE-BLOCK						
	16	1	6I-4024	1	GASKET-PLATE						
	17	1	8S-9094	1	PLUG-ORIFICE						
	18	1	9S-4190	1	PLUG-O-RING						
	19	1	2M-9780	1	SEAL-O-RING						
	20	1	8T-6767	6	PLUG-PIPE						
	21	1	7E-6479	6	BOLT-SPECIAL (OIL JET)						
	22	1	4N-0685	6	BEARING-SLEEVE (1-IN WIDE)						
	23	1	4N-6658	1	BEARING-SLEEVE (1.3-IN WIDE)						
	24	1	8T-6764	1	PLUG-PIPE						
	25	1	9S-8009	1	PLUG-O-RING						
	26	1	4K-1388	1	SEAL-O-RING						
	27	1	3E-6777	18	SEAL-O-RING						
	28	1	3P-1323	14	BOLT-BEARING CAP (7/8-14X7.75-IN)						
	29	1	9H-1031	14	WASHER-HARD (24X41.5X6-MM THK)						
	30	1	4N-5857	7	CAP-CRANKSHAFT BEARING						
	31	1	9L-5854	6	BAND-FILLER (130.2-MM ID)						
AH	32	1	4W-4588		SLEEVE-LIFTER BORE						
AJ		1	4W-6061		SLEEVE-CYLINDER LINER						
B	33	1	9S-4190	1	PLUG-O-RING						
B	34	1	2M-9780	1	SEAL-O-RING						
	35	1	100-7399	1	PLUG						
	36	1	3E-6747	1	SEAL-O-RING						
AFH		1	5N-0093		INSERT-LINER SEAT (2.71-MM THK)						
ABFH		1	6I-4365		INSERT-LINER SEAT (2.66-MM THK)						
ABFH		1	6I-4366		INSERT-LINER SEAT (2.76-MM THK)						
AFH		1	2W-3815		INSERT-LINER SEAT (1.605-MM THK)						
ABFH		1	6I-4363		INSERT-LINER SEAT (1.555-MM THK)						
ABFH		1	6I-4364		INSERT-LINER SEAT (1.655-MM THK)						
AFH		1	9Y-3368		INSERT-LINER SEAT (0.822-MM THK)						
ABFH		1	6I-4361		INSERT-LINER SEAT (0.772-MM THK)						
ABFH		1	6I-4362		INSERT-LINER SEAT (0.872-MM THK)						

A-NOT PART OF THIS GROUP

B-USE AS REQUIRED

F-NOT SHOWN

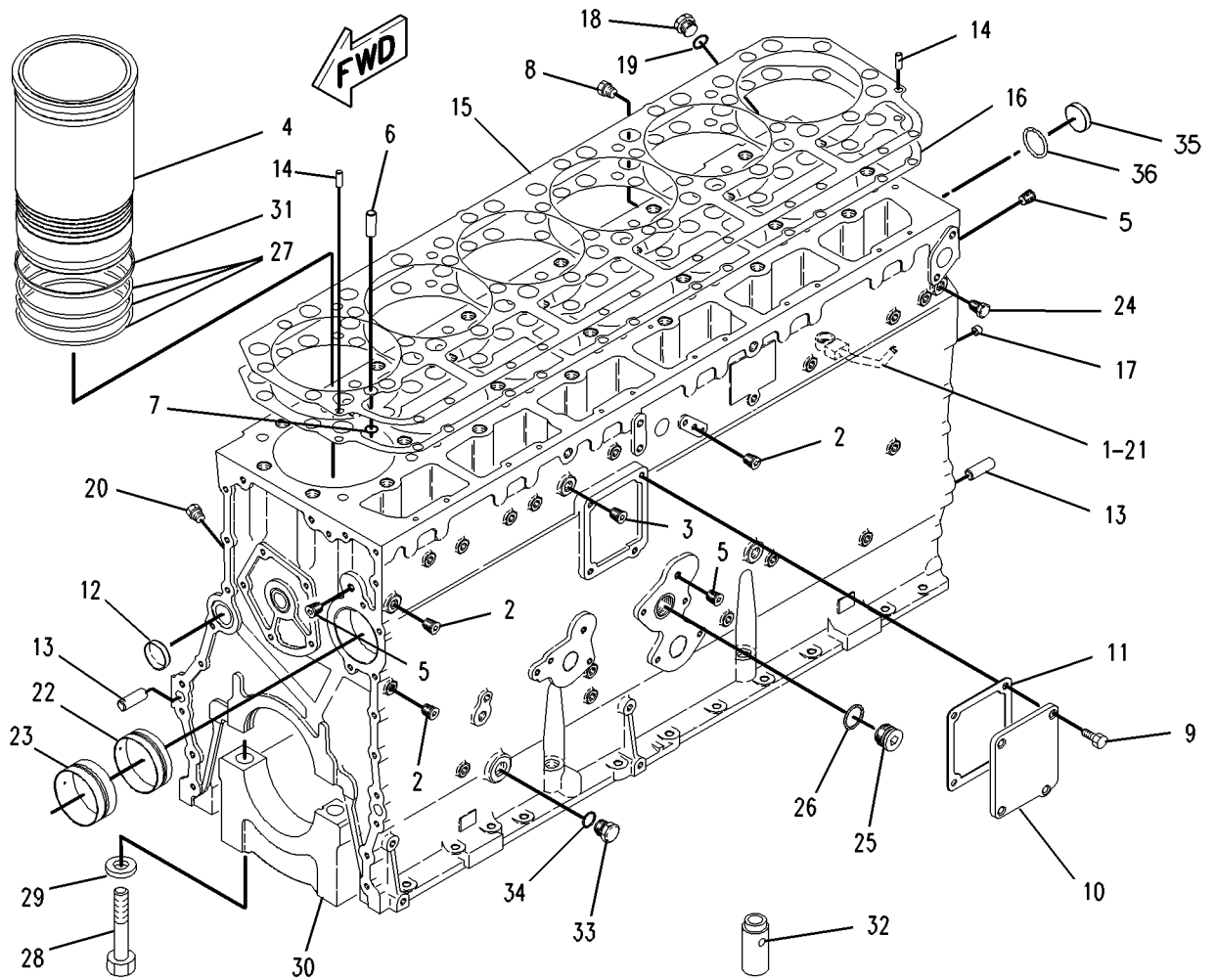
H-FOR SALVAGE OF DAMAGED LIFTER BORES IN CYL BLOCK. QUANTITY TO BE DETERMINED BY USER.

J-FOR SALVAGE OF THE BOTTOM LINER O-RING BORE. QUANTITY TO BE DETERMINED BY USER.

BASIC ENGINE

8N-9267 CYLINDER BLOCK GP (contd.)

i03635452



GRAPHIC #1

<END>

g00953195

BASIC ENGINE

8N-9267 CYLINDER BLOCK GP*R

S/N: 6TB12314-17607

FIELD REPLACEMENT ORDER 108-3916-PAGE 139, 6-111-8606 BOLT-SPECIAL,
6-290-6567 TUBE AS-OIL JET

SMCS-1201

i03635457

NOTE	REF NO	GRAPHIC REF	PART NUMBER	QTY	PART NAME						SEE PAGE
					1	2	3	4	5	6 (PRODUCT LEVEL)	
	1	1	7W-4990	6	JET AS-PISTON COOLING						
	2	1	8T-6757	3	PLUG-PIPE						
	3	1	108-3913	1	CYLINDER BLOCK AS						
	3A	1	197-9322	6	LINER-CYLINDER BLOCK						
	3B	1	110-2220	6	SEAL-LINER						
	3C	1	142-7072	6	SEAL-LINER						
	3D	1	142-6217	6	SEAL-O-RING (140.20MM ID)						
	3E	1	3P-1323	14	BOLT-BEARING CAP (7/8-14X7.75-IN)						
	3F	1	9H-1031	14	WASHER-HARD (24X41.5X6-MM THK)						
	3G	1	4N-5857	7	CAP-CRANKSHAFT BEARING						
	3H	1	9L-5854	6	BAND-FILLER (130.2-MM ID)						
	4	1	8T-6763	3	PLUG-PIPE						
	5	1	1S-9540	2	DOWEL						
	6	1	3S-5496	2	SEAL-O-RING						
	7	1	7W-6492	1	PLUG-PIPE						
	8	1	119-5155	1	SEAL-O-RING						
	9	1	030-7571	4	BOLT (3/8-16X1-IN)						
	10	1	4W-8585	1	COVER						
	11	1	7W-6081	1	GASKET						
	12	1	4N-0683	4	DOWEL						
	13	1	4N-1650	2	DOWEL						
	14	1	6I-2981	1	PLATE-BLOCK						
	15	1	6I-4024	1	GASKET-PLATE						
	16	1	8S-9094	1	PLUG-ORIFICE						
	17	1	9S-4190	1	PLUG-O-RING						
	18	1	114-4427	1	SEAL-O-RING						
	19	1	7X-7732	6	PLUG-PIPE						
	20	1	111-8606	6	BOLT-SPECIAL (OIL JET)						
	21	1	4N-0685	6	BEARING-SLEEVE (1-IN WIDE)						
	22	1	4N-6658	1	BEARING-SLEEVE (1.3-IN WIDE)						
	23	1	8T-6764	1	PLUG-PIPE						
	24	1	9S-8009	1	PLUG-O-RING						
	25	1	100-7399	2	PLUG						
	26	1	3E-6747	2	SEAL-O-RING						
	27	1	9S-4182	1	PLUG-O-RING						
	28	1	9X-7378	1	SEAL-O-RING						
B	29	1	7W-6534	1	PLUG-PIPE						
AHB	30	1	4W-4588		SLEEVE-LIFTER BORE						
ABFJ		1	4W-6061		SLEEVE-CYLINDER LINER						
AFHB		1	5N-0093		INSERT-LINER SEAT (2.71-MM THK)						
ABFH		1	6I-4365		INSERT-LINER SEAT (2.66-MM THK)						
ABFH		1	6I-4366		INSERT-LINER SEAT (2.76-MM THK)						
AFHB		1	2W-3815		INSERT-LINER SEAT (1.605-MM THK)						
ABFH		1	6I-4363		INSERT-LINER SEAT (1.555-MM THK)						
ABFH		1	6I-4364		INSERT-LINER SEAT (1.655-MM THK)						
AFHB		1	9Y-3368		INSERT-LINER SEAT (0.822-MM THK)						
ABFH		1	6I-4361		INSERT-LINER SEAT (0.772-MM THK)						
ABFH		1	6I-4362		INSERT-LINER SEAT (0.872-MM THK)						

A-NOT PART OF THIS GROUP

B-USE AS REQUIRED

F-NOT SHOWN

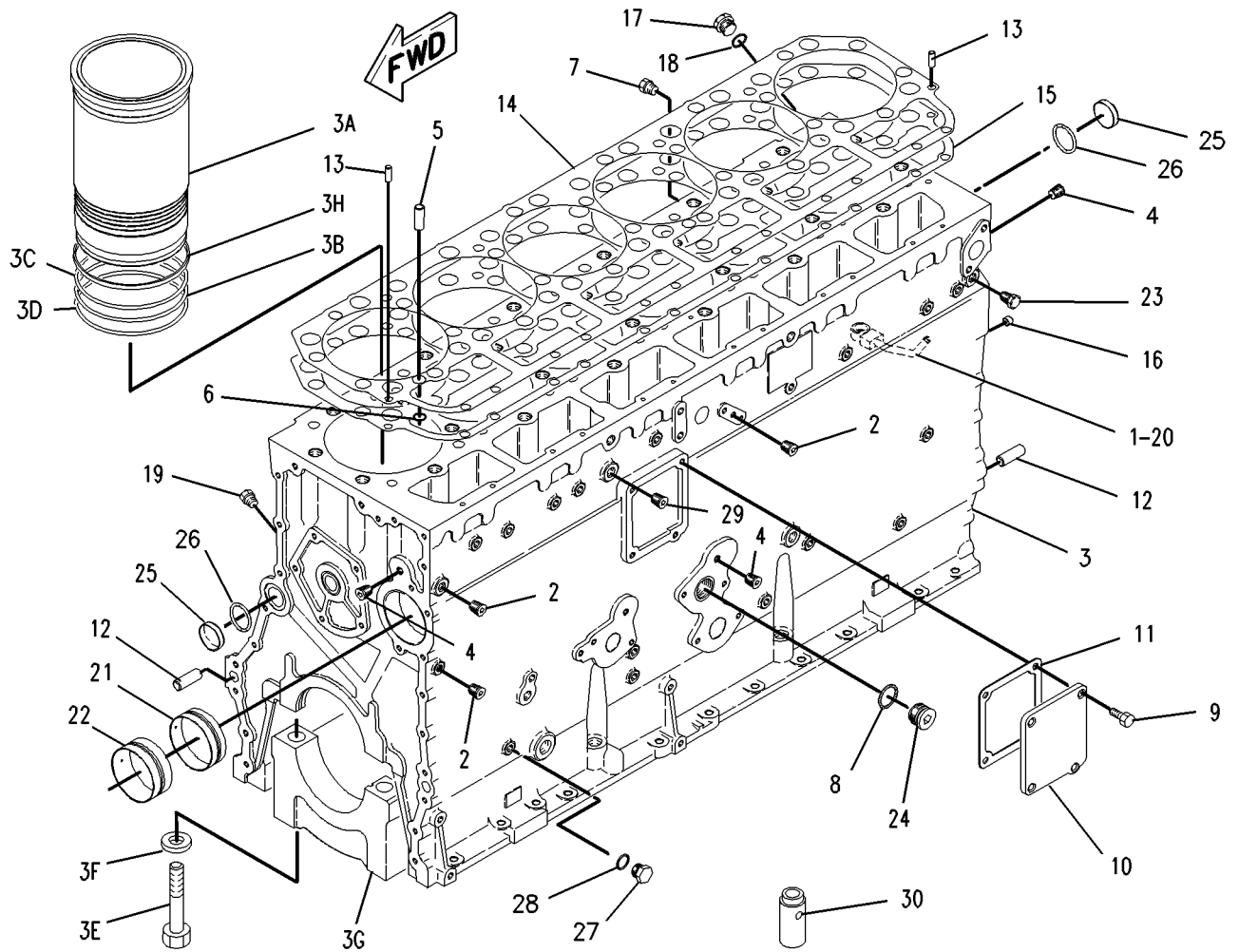
H-FOR SALVAGE OF DAMAGED LIFTER BORES IN CYL BLOCK.

J-FOR SALVAGE OF THE BOTTOM LINER O-RING BORE.

BASIC ENGINE

8N-9267 CYLINDER BLOCK GP (contd.)

i03635457



GRAPHIC #1

<END>

g00952448

BASIC ENGINE

8N-9267 CYLINDER BLOCK GP*R

S/N: 6TB17608-20164

FIELD REPLACEMENT ORDER 108-3916-PAGE 139, 6-111-8606 BOLT-SPECIAL,
6-290-6567 TUBE AS-OIL JET

SMCS-1201

i03635459

NOTE	REF NO	GRAPHIC REF	PART NUMBER	QTY	PART NAME						SEE PAGE
					1	2	3	4	5	6 (PRODUCT LEVEL)	
C	1	1	151-5929	6	JET AS-PISTON COOLING						
	2	1	8T-6757	3	PLUG-PIPE						
B	3	1	7W-6534	1	PLUG-PIPE						
	4	1	2W-6000	6	LINER-CYLINDER BLOCK						
	5	1	8T-6763	3	PLUG-PIPE						
	6	1	1S-9540	2	DOWEL						
	7	1	3S-5496	2	SEAL-O-RING						
	8	1	7W-6492	1	PLUG-PIPE						
	9	1	030-7571	4	BOLT (3/8-16X1-IN)						
	10	1	4W-8585	1	COVER						
	11	1	7W-6081	1	GASKET						
	12	1	9X-7378	1	SEAL-O-RING						
	13	1	4N-0683	4	DOWEL						
	14	1	4N-1650	2	DOWEL						
	15	1	6I-2981	1	PLATE-BLOCK						
	16	1	6I-4024	1	GASKET-PLATE						
	17	1	8S-9094	1	PLUG-ORIFICE						
	18	1	9S-4190	1	PLUG-O-RING						
	19	1	114-4427	1	SEAL-O-RING						
	20	1	7X-7732	6	PLUG-PIPE						
C	21	1	151-5925	6	BOLT (7/16-14-THD)						
	24	1	8T-6764	1	PLUG-PIPE						
	25	1	9S-8009	1	PLUG-O-RING						
	26	1	119-5155	1	SEAL-O-RING						
	27	1	110-2220	18	SEAL-LINER						
	28	1	3P-1323	14	BOLT-BEARING CAP (7/8-14X7.75-IN)						
	29	1	9H-1031	14	WASHER-HARD (24X41.5X6-MM THK)						
	30	1	4N-5857	7	CAP-CRANKSHAFT BEARING						
	31	1	9L-5854	6	BAND-FILLER (130.2-MM ID)						
ABH	32	1	4W-4588		SLEEVE-LIFTER BORE						
B	33	1	9S-4190	1	PLUG-O-RING						
B	34	1	114-4427	1	SEAL-O-RING						
	35	1	100-7399	2	PLUG						
	36	1	3E-6747	2	SEAL-O-RING						
	37	1	9S-4182	1	PLUG-O-RING						
ABFJ		1	4W-6061		SLEEVE-CYLINDER LINER						
ABFH		1	5N-0093		INSERT-LINER SEAT (2.71-MM THK)						
ABFH		1	6I-4365		INSERT-LINER SEAT (2.66-MM THK)						
ABFH		1	6I-4366		INSERT-LINER SEAT (2.76-MM THK)						
ABFH		1	2W-3815		INSERT-LINER SEAT (1.605-MM THK)						
ABFH		1	6I-4363		INSERT-LINER SEAT (1.555-MM THK)						
ABFH		1	6I-4364		INSERT-LINER SEAT (1.655-MM THK)						
ABFH		1	9Y-3368		INSERT-LINER SEAT (0.822-MM THK)						
ABFH		1	6I-4361		INSERT-LINER SEAT (0.772-MM THK)						
ABFH		1	6I-4362		INSERT-LINER SEAT (0.872-MM THK)						

A-NOT PART OF THIS GROUP

B-USE AS REQUIRED

C-CHANGE FROM PREVIOUS TYPE

F-NOT SHOWN

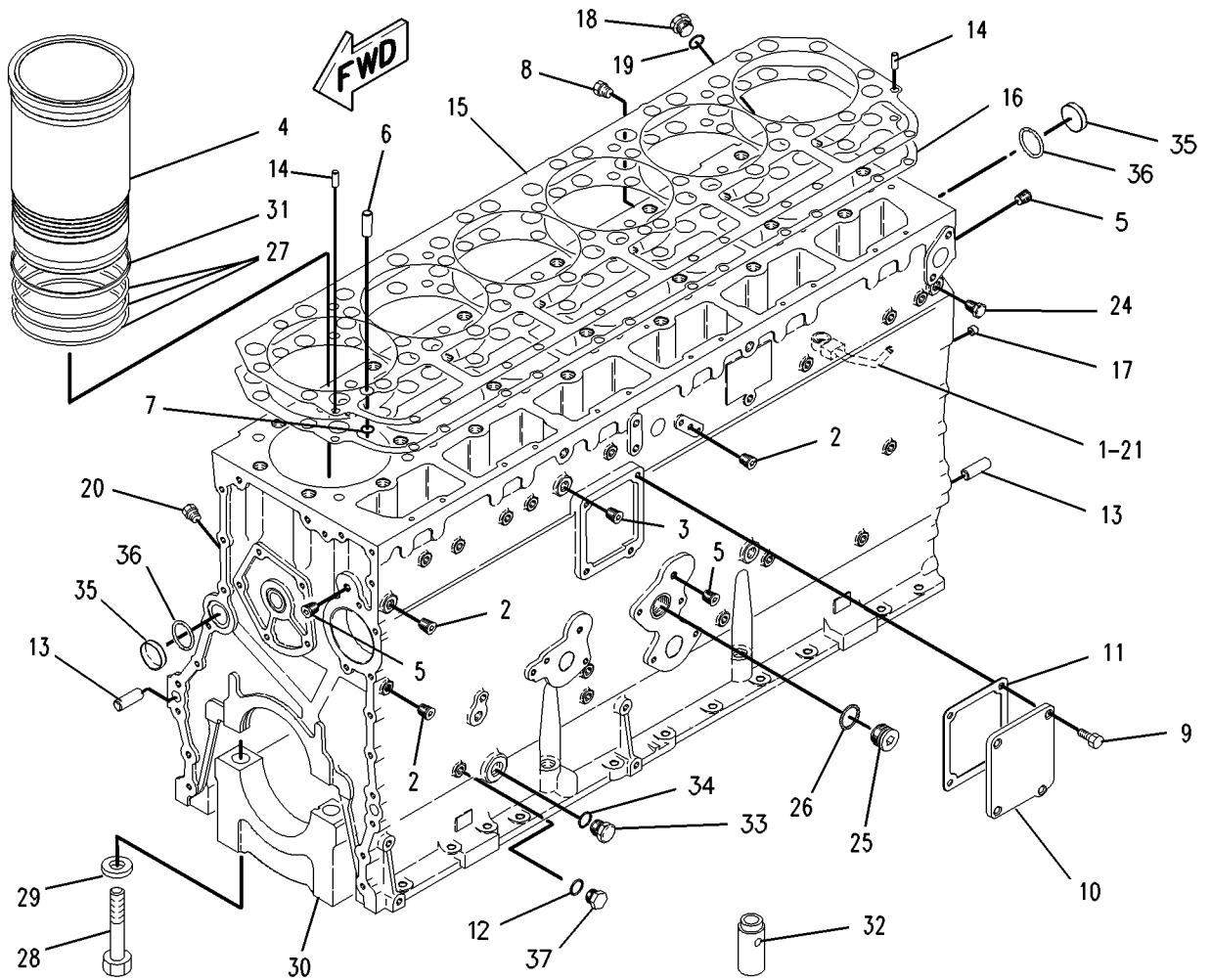
H-FOR SALVAGE OF DAMAGED LIFTER BORES IN CYL BLOCK.

J-FOR SALVAGE OF THE BOTTOM LINER O-RING BORE.

BASIC ENGINE

8N-9267 CYLINDER BLOCK GP (contd.)

i03635459



GRAPHIC #1

<END>

g00953319

BASIC ENGINE

8N-9267 CYLINDER BLOCK GP*R

S/N: 6TB20165-24053

FIELD REPLACEMENT ORDER 108-3916-PAGE 139, 6-111-8606 BOLT-SPECIAL,
6-290-6567 TUBE AS-OIL JET

SMCS-1201

i02112686

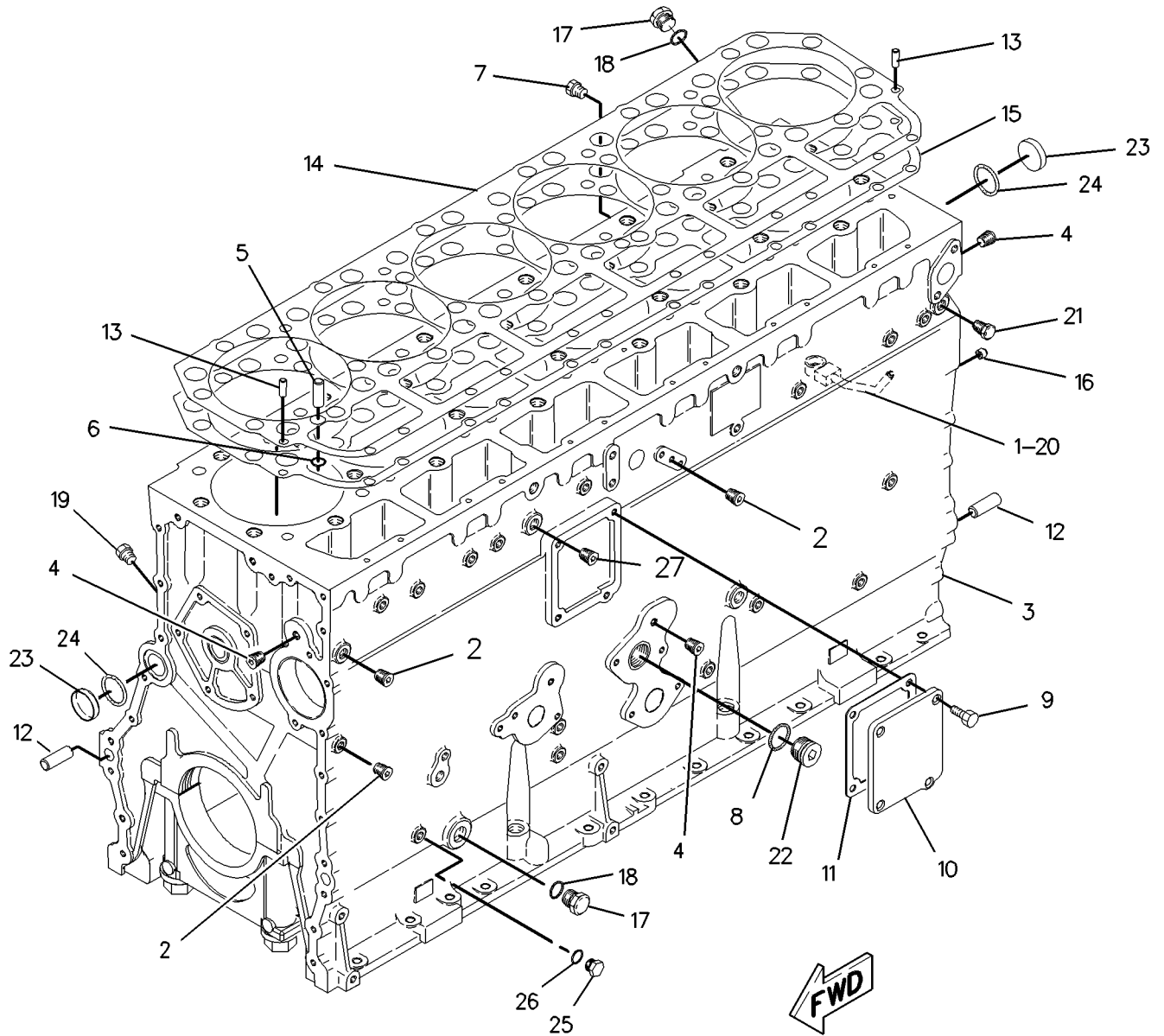
NOTE	REF NO	GRAPHIC REF	PART NUMBER	QTY	PART NAME						SEE PAGE
					1	2	3	4	5	6 (PRODUCT LEVEL)	
	1	1	151-5929	6	JET AS-PISTON COOLING						
	2	1	8T-6757	3	PLUG-PIPE						
CY	3	1	202-1258	1	CYLINDER BLOCK GP						148
	4	1	8T-6763	3	PLUG-PIPE						
	5	1	1S-9540	2	DOWEL						
	6	1	3S-5496	2	SEAL-O-RING						
	7	1	7W-6492	1	PLUG-PIPE						
	8	1	119-5155	1	SEAL-O-RING						
	9	1	030-7571	4	BOLT (3/8-16X1-IN)						
	10	1	4W-8585	1	COVER						
	11	1	7W-6081	1	GASKET						
	12	1	4N-0683	4	DOWEL						
	13	1	4N-1650	2	DOWEL						
	14	1	6I-2981	1	PLATE-BLOCK						
	15	1	6I-4024	1	GASKET-PLATE						
	16	1	8S-9094	1	PLUG-ORIFICE						
	17	1	9S-4190	1	PLUG-O-RING (STRAIGHT THREAD O-RING)						
	18	1	114-4427	1	SEAL-O-RING						
	19	1	7X-7732	6	PLUG-PIPE						
	20	1	151-5925	6	BOLT (7/16-14-THD)						
	21	1	8T-6764	1	PLUG-PIPE						
	22	1	9S-8009	1	PLUG-O-RING (STRAIGHT THREAD O-RING)						
	23	1	100-7399	2	PLUG						
	24	1	250-0466	2	SEAL-O-RING						
	25	1	9S-4182	1	PLUG-O-RING (STRAIGHT THREAD O-RING)						
	26	1	9X-7378	1	SEAL-O-RING						
	27	1	7W-6534	1	PLUG-PIPE						

C-CHANGE FROM PREVIOUS TYPE
Y-SEPARATE ILLUSTRATION

BASIC ENGINE

8N-9267 CYLINDER BLOCK GP (contd.)

i02112686



GRAPHIC #1

<END>

g00840074

BASIC ENGINE

8N-9267 CYLINDER BLOCK GP*R

S/N: 6TB24054-UP

FIELD REPLACEMENT ORDER 108-3916-PAGE 139, 6-111-8606 BOLT-SPECIAL,
6-290-6567 TUBE AS-OIL JET

SMCS-1201

i02520161

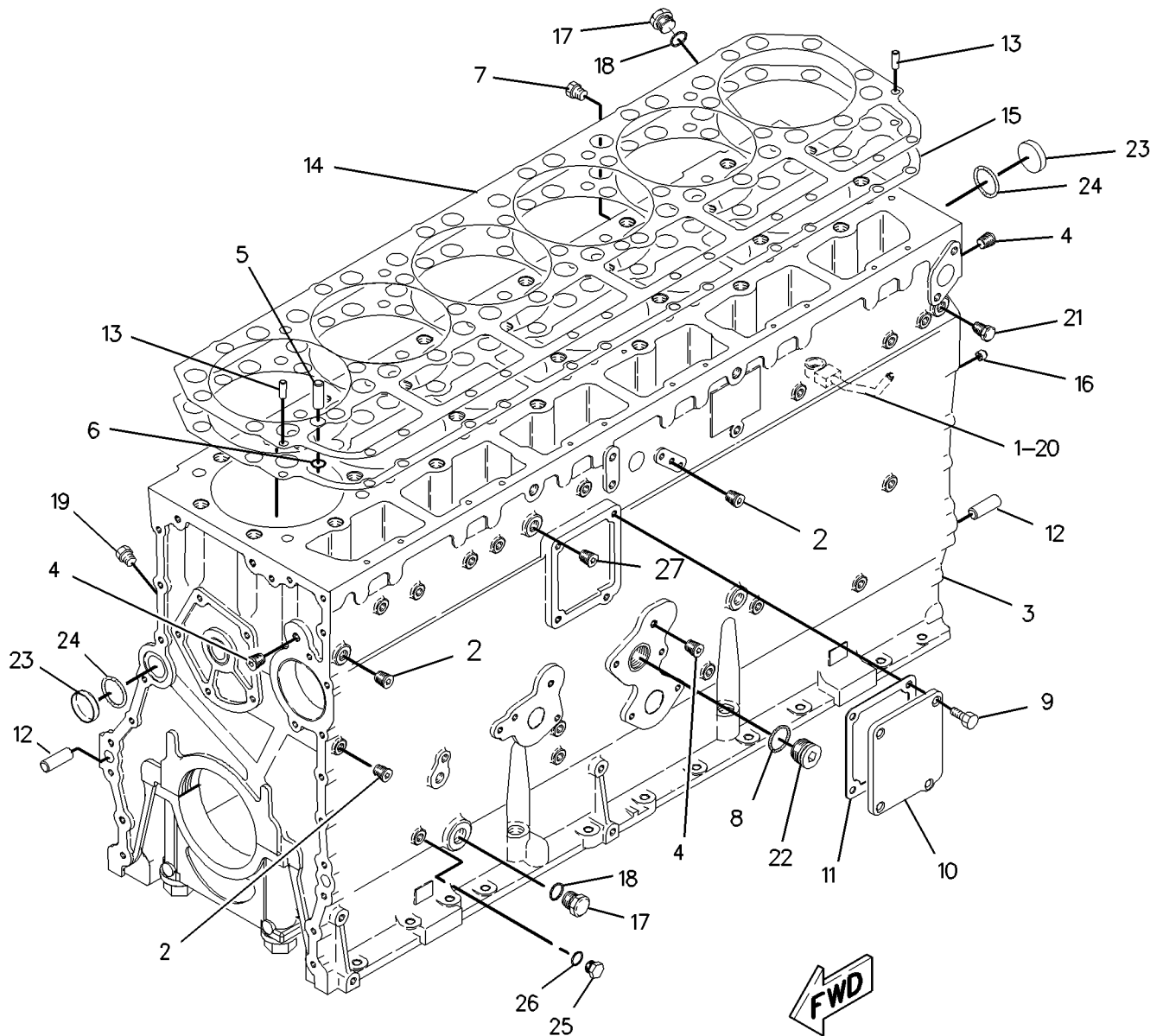
NOTE	REF NO	GRAPHIC REF	PART NUMBER	QTY	PART NAME						SEE PAGE
					1	2	3	4	5	6 (PRODUCT LEVEL)	
C	1	1	290-6567	6	TUBE AS-OIL JET						
	2	1	8T-6757	3	PLUG-PIPE						
Y	3	1	202-1258	1	CYLINDER BLOCK GP						148
	4	1	8T-6763	3	PLUG-PIPE						
	5	1	1S-9540	2	DOWEL						
	6	1	3S-5496	2	SEAL-O-RING						
	7	1	7W-6492	1	PLUG-PIPE						
	8	1	119-5155	1	SEAL-O-RING						
	9	1	030-7571	4	BOLT (3/8-16X1-IN)						
	10	1	4W-8585	1	COVER						
	11	1	7W-6081	1	GASKET						
	12	1	4N-0683	4	DOWEL						
	13	1	4N-1650	2	DOWEL						
	14	1	6I-2981	1	PLATE-BLOCK						
	15	1	6I-4024	1	GASKET-PLATE						
	16	1	8S-9094	1	PLUG-ORIFICE						
	17	1	9S-4190	1	PLUG-O-RING (STRAIGHT THREAD O-RING)						
	18	1	114-4427	1	SEAL-O-RING						
	19	1	7X-7732	6	PLUG-PIPE						
20	1	151-5925	6	BOLT (7/16-14-THD)							
21	1	8T-6764	1	PLUG-PIPE							
22	1	9S-8009	1	PLUG-O-RING (STRAIGHT THREAD O-RING)							
23	1	100-7399	2	PLUG							
24	1	250-0466	2	SEAL-O-RING							
25	1	9S-4182	1	PLUG-O-RING (STRAIGHT THREAD O-RING)							
26	1	9X-7378	1	SEAL-O-RING							
27	1	7W-6534	1	PLUG-PIPE							

C-CHANGE FROM PREVIOUS TYPE
Y-SEPARATE ILLUSTRATION

BASIC ENGINE

8N-9267 CYLINDER BLOCK GP (contd.)

i02520161



GRAPHIC #1

<END>

g00840074

BASIC ENGINE

108-3914 CYLINDER BLOCK GP

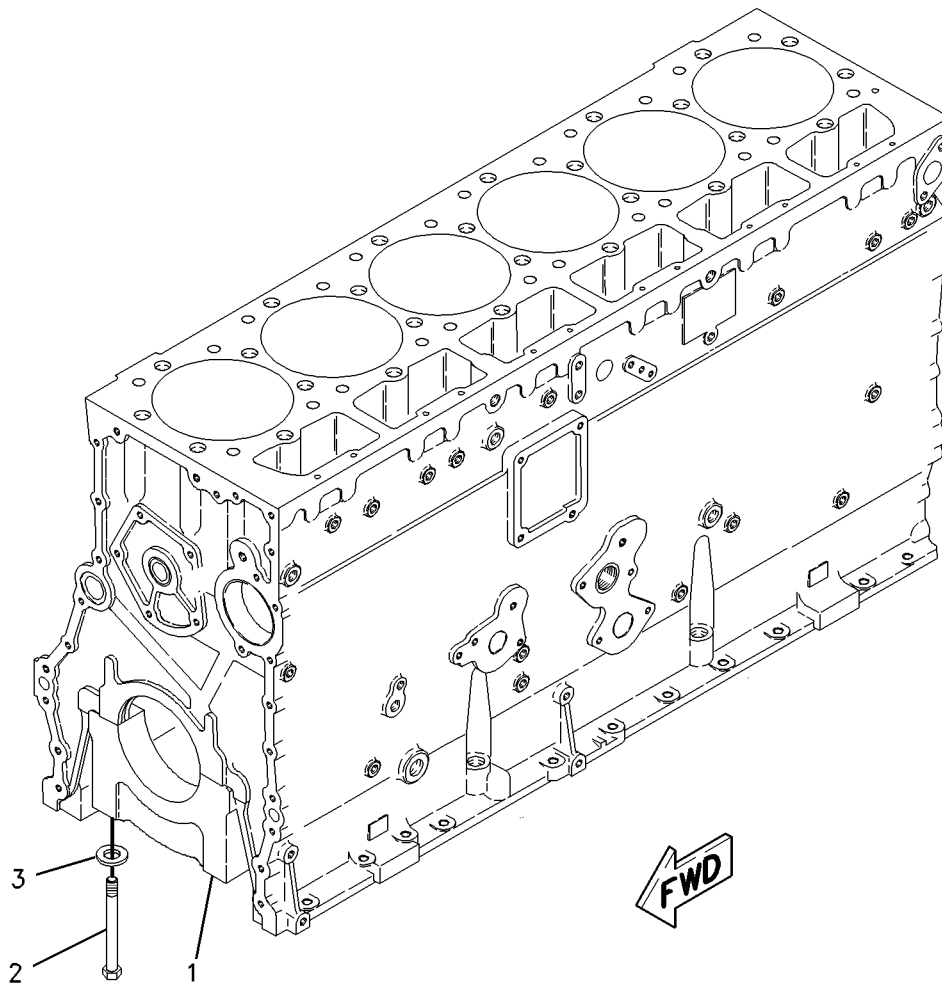
S/N: 6TB12314-17607

PART OF 108-3916 CYLINDER BLOCK GP

SMCS-1201

i02459391

NOTE	REF NO	GRAPHIC REF	PART NUMBER	QTY	PART NAME						SEE PAGE
					1	2	3	4	5	6 (PRODUCT LEVEL)	
	1	1	4N-5857	7	CAP-CRANKSHAFT BEARING						
	2	1	3P-1323	14	BOLT-BEARING CAP (7/8-14X7.75-IN)						
	3	1	9H-1031	14	WASHER-HARD (24X41.5X6-MM THK)						



GRAPHIC #1

<END>

g00836759

BASIC ENGINE

108-3916 CYLINDER BLOCK GP

S/N: 6TB12314-17607

FIELD REPLACEMENT FOR 7E-4697-PAGE 120: FOR 8N-9267-PAGE 128

SMCS-1201

i01616253

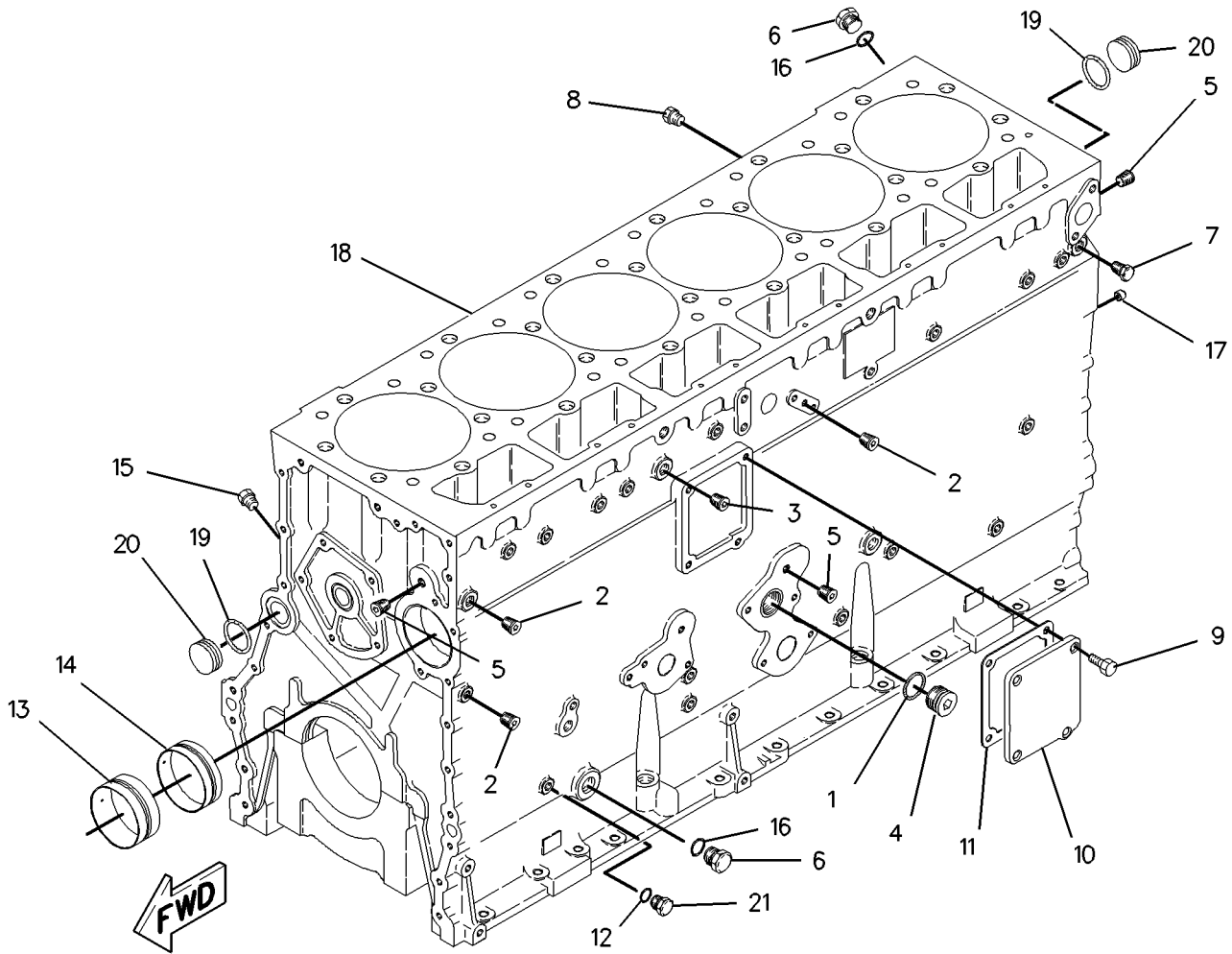
NOTE	REF NO	GRAPHIC REF	PART NUMBER	QTY	PART NAME						SEE PAGE
					1	2	3	4	5	6 (PRODUCT LEVEL)	
	1	1	119-5155	1	SEAL-O-RING						
	2	1	8T-6757	3	PLUG-PIPE						
	3	1	7W-6534	1	PLUG-PIPE						
	4	1	9S-8009	3	PLUG-O-RING						
	5	1	8T-6763	3	PLUG-PIPE						
	6	1	9S-4190	2	PLUG-O-RING						
	7	1	8T-6764	1	PLUG-PIPE						
	8	1	7W-6492	1	PLUG-PIPE						
	9	1	030-7571	4	BOLT (3/8-16X1-IN)						
	10	1	4W-8585	1	COVER						
	11	1	7W-6081	1	GASKET						
	12	1	9X-7378	1	SEAL-O-RING						
	13	1	4N-6658	1	BEARING-SLEEVE (1.3-IN WIDE)						
	14	1	4N-0685	6	BEARING-SLEEVE (1-IN WIDE)						
	15	1	7X-7732	6	PLUG-PIPE						
	16	1	114-4427	2	SEAL-O-RING						
	17	1	8S-9094	1	PLUG-ORIFICE						
Y	18	1	108-3914	1	CYLINDER BLOCK GP						138
	19	1	3E-6747	2	SEAL-O-RING						
	20	1	100-7399	2	PLUG						
	21	1	9S-4182	1	PLUG-O-RING						

Y-SEPARATE ILLUSTRATION

BASIC ENGINE

108-3916 CYLINDER BLOCK GP (contd.)

i01616253



GRAPHIC #1

<END>

g00836761

BASIC ENGINE

119-1322 CYLINDER BLOCK GP

S/N: 6TB13880-17607

SMCS-1201

i01962497

NOTE	REF NO	GRAPHIC REF	PART NUMBER	QTY	PART NAME						SEE PAGE
					1	2	3	4	5	6 (PRODUCT LEVEL)	
	1	1	7E-8456	6	JET AS-PISTON COOLING						
	2	1	8T-6757	3	PLUG-PIPE						
	3	1	7W-6534	1	PLUG-PIPE						
	4	1	9S-8009	1	PLUG-O-RING						
	5	1	8T-6763	3	PLUG-PIPE						
	6	1	1S-9540	2	DOWEL						
	7	1	3S-5496	2	SEAL-O-RING						
	8	1	7W-6492	1	PLUG-PIPE						
	9	1	030-7571	4	BOLT (3/8-16X1-IN)						
	10	1	4W-8585	1	COVER						
	11	1	7W-6081	1	GASKET						
	12	1	9X-7378	1	SEAL-O-RING						
	13	1	4N-0683	4	DOWEL						
	14	1	4N-1650	2	DOWEL						
	15	1	6I-2981	1	PLATE-BLOCK						
	16	1	6I-4024	1	GASKET-PLATE						
	17	1	8S-9094	1	PLUG-ORIFICE						
B	18	1	9S-4190	2	PLUG-O-RING						
B	19	1	114-4427	2	SEAL-O-RING						
	20	1	7X-7732	6	PLUG-PIPE						
	21	1	7E-6479	6	BOLT-SPECIAL (OIL JET)						
	22	1	4N-0685	6	BEARING-SLEEVE (1-IN WIDE)						
	23	1	4N-6658	1	BEARING-SLEEVE (1.3-IN WIDE)						
	24	1	8T-6764	1	PLUG-PIPE						
	25	1	108-3913	1	CYLINDER BLOCK AS						
	26	1	9L-5854	6	BAND-FILLER (130.2-MM ID)						
	27	1	3E-6777	6	SEAL-O-RING						
	27A	1	142-7072	6	SEAL-LINER						
	27B	1	142-6217	6	SEAL-O-RING						
	28	1	3P-1323	14	BOLT-BEARING CAP (7/8-14X7.75-IN)						
	29	1	9H-1031	14	WASHER-HARD (24X41.5X6-MM THK)						
	30	1	2W-6000	6	LINER-CYLINDER BLOCK						
	31	1	4N-5857	7	CAP-CRANKSHAFT BEARING						
	32	1	119-5155	1	SEAL-O-RING						
	33	1	100-7399	2	PLUG						
	34	1	3E-6747	2	SEAL-O-RING						
	35	1	9S-4182	1	PLUG-O-RING						
AFJ		1	101-0523	6	INSERT-LINER SEAT (5.21-MM THK) (0.05MM US)						

A-NOT PART OF THIS GROUP

B-USE AS REQUIRED

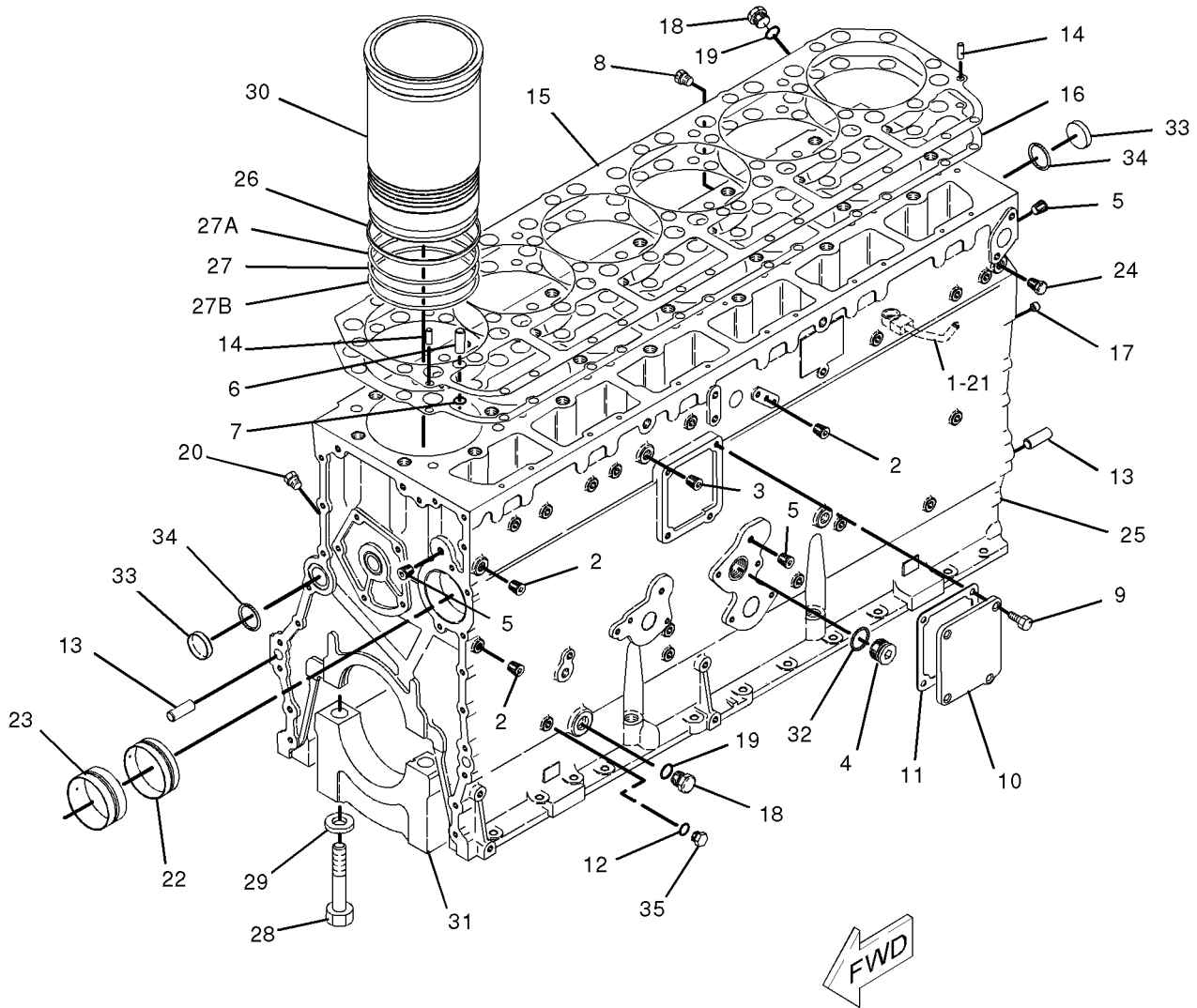
F-NOT SHOWN

J-FOR SALVAGE OF DAMAGED LIFTER BORES IN CYL BLOCK, QUANTITY TO BE DETERMINED BY USER

BASIC ENGINE

119-1322 CYLINDER BLOCK GP (contd.)

i01962497



GRAPHIC #1

<END>

g01019645

BASIC ENGINE

119-1322 CYLINDER BLOCK GP

S/N: 6TB17608-20164

SMCS-1201

i01962503

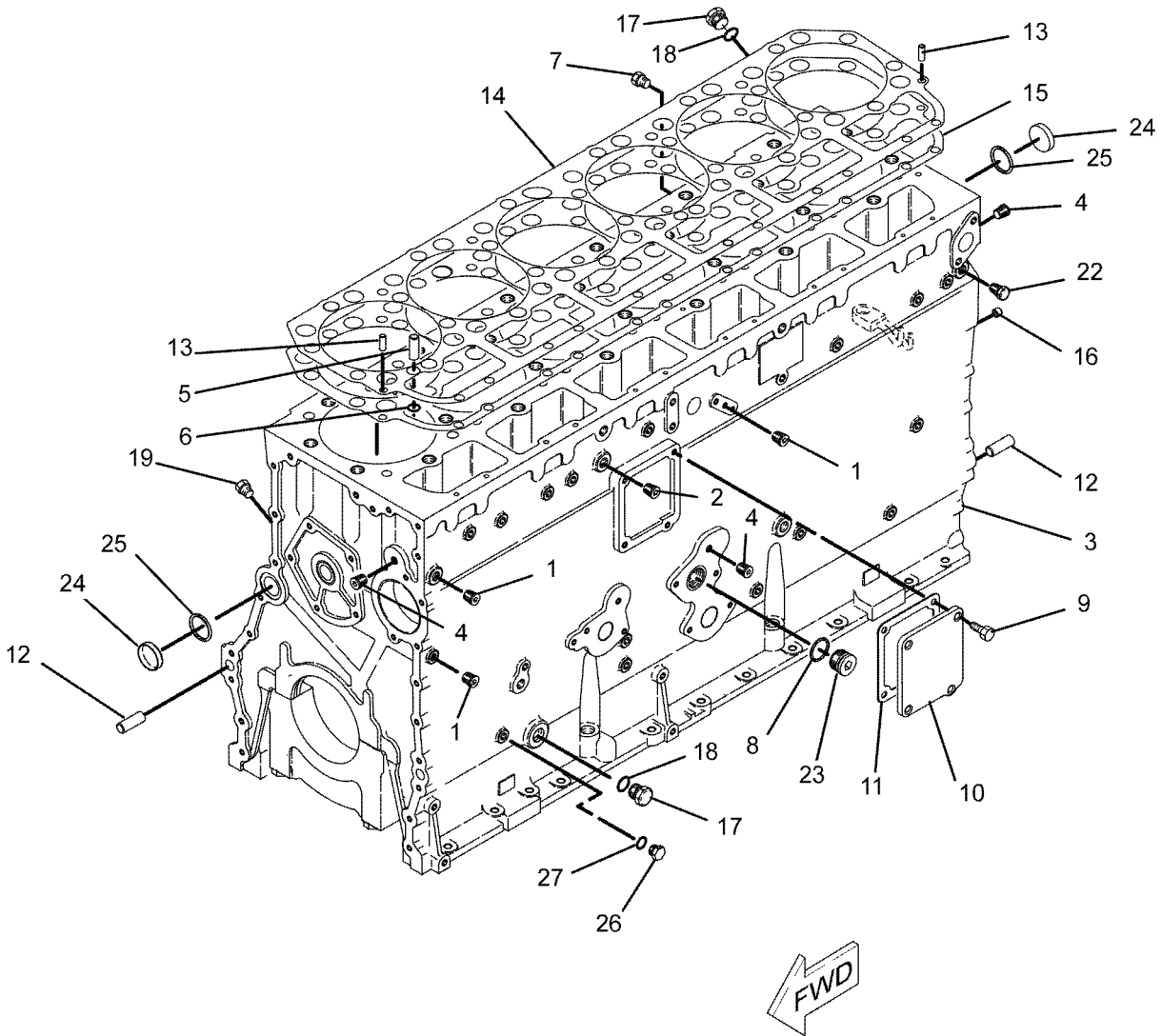
NOTE	REF NO	GRAPHIC REF	PART NUMBER	QTY	PART NAME						SEE PAGE
					1	2	3	4	5	6 (PRODUCT LEVEL)	
	1	1	8T-6757	3	PLUG-PIPE						
	2	1	7W-6534	1	PLUG-PIPE						
YC	3	1	<i>152-7646</i>	1	CYLINDER BLOCK GP						147
	4	1	8T-6763	3	PLUG-PIPE						
	5	1	1S-9540	2	DOWEL						
	6	1	3S-5496	2	SEAL-O-RING						
	7	1	7W-6492	1	PLUG-PIPE						
	8	1	119-5155	1	SEAL-O-RING						
	9	1	030-7571	4	BOLT (3/8-16X1-IN)						
	10	1	4W-8585	1	COVER						
	11	1	7W-6081	1	GASKET						
	12	1	4N-0683	4	DOWEL						
	13	1	4N-1650	2	DOWEL						
	14	1	6I-2981	1	PLATE-BLOCK						
	15	1	6I-4024	1	GASKET-PLATE						
	16	1	8S-9094	1	PLUG-ORIFICE						
B	17	1	9S-4190	2	PLUG-O-RING						
B	18	1	114-4427	2	SEAL-O-RING						
	19	1	7X-7732	6	PLUG-PIPE						
	22	1	8T-6764	1	PLUG-PIPE						
	23	1	9S-8009	1	PLUG-O-RING						
	24	1	100-7399	2	PLUG						
	25	1	3E-6747	2	SEAL-O-RING						
	26	1	9S-4182	1	PLUG-O-RING						
	27	1	9X-7378	1	SEAL-O-RING						
FA		1	101-0523	6	INSERT-LINER SEAT (5.21-MM THK) (0.05MM US)						

A-NOT PART OF THIS GROUP
 B-USE AS REQUIRED
 C-CHANGE FROM PREVIOUS TYPE
 F-NOT SHOWN
 Y-SEPARATE ILLUSTRATION

BASIC ENGINE

119-1322 CYLINDER BLOCK GP (contd.)

i01962503



BASIC ENGINE

119-1322 CYLINDER BLOCK GP

S/N: 6TB20165-UP

SMCS-1201

i01611667

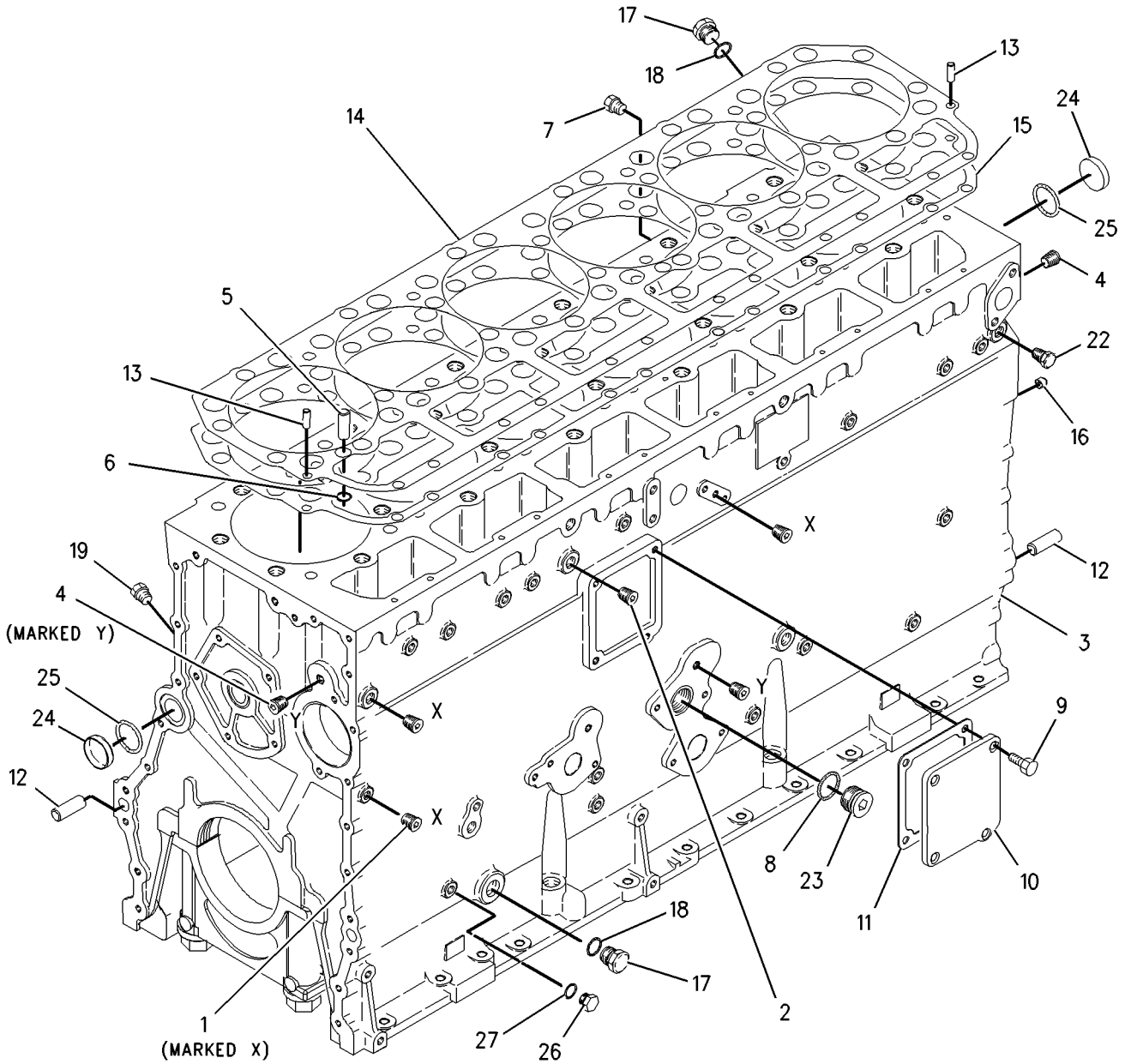
NOTE	REF NO	GRAPHIC REF	PART NUMBER	QTY	PART NAME						SEE PAGE
					1	2	3	4	5	6 (PRODUCT LEVEL)	
	1	1	8T-6757	3	PLUG-PIPE						
	2	1	7W-6534	1	PLUG-PIPE						
YC	3	1	202-1258	1	CYLINDER BLOCK GP						148
	4	1	8T-6763	3	PLUG-PIPE						
	5	1	1S-9540	2	DOWEL						
	6	1	3S-5496	2	SEAL-O-RING						
	7	1	7W-6492	1	PLUG-PIPE						
	8	1	119-5155	1	SEAL-O-RING						
	9	1	030-7571	4	BOLT (3/8-16X1-IN)						
	10	1	4W-8585	1	COVER						
	11	1	7W-6081	1	GASKET						
	12	1	4N-0683	4	DOWEL						
	13	1	4N-1650	2	DOWEL						
	14	1	6I-2981	1	PLATE-BLOCK						
	15	1	6I-4024	1	GASKET-PLATE						
	16	1	8S-9094	1	PLUG-ORIFICE						
B	17	1	9S-4190	2	PLUG-O-RING						
B	18	1	114-4427	2	SEAL-O-RING						
	19	1	7X-7732	6	PLUG-PIPE						
	22	1	8T-6764	1	PLUG-PIPE						
	23	1	9S-8009	1	PLUG-O-RING						
	24	1	100-7399	2	PLUG						
	25	1	3E-6747	2	SEAL-O-RING						
	26	1	9S-4182	1	PLUG-O-RING						
	27	1	9X-7378	1	SEAL-O-RING						
FA		1	101-0523	6	INSERT-LINER SEAT (5.21-MM THK) (0.05MM US)						

A-NOT PART OF THIS GROUP
 B-USE AS REQUIRED
 C-CHANGE FROM PREVIOUS TYPE
 F-NOT SHOWN
 Y-SEPARATE ILLUSTRATION

BASIC ENGINE

119-1322 CYLINDER BLOCK GP (contd.)

i01611667



BASIC ENGINE

152-7646 CYLINDER BLOCK GP

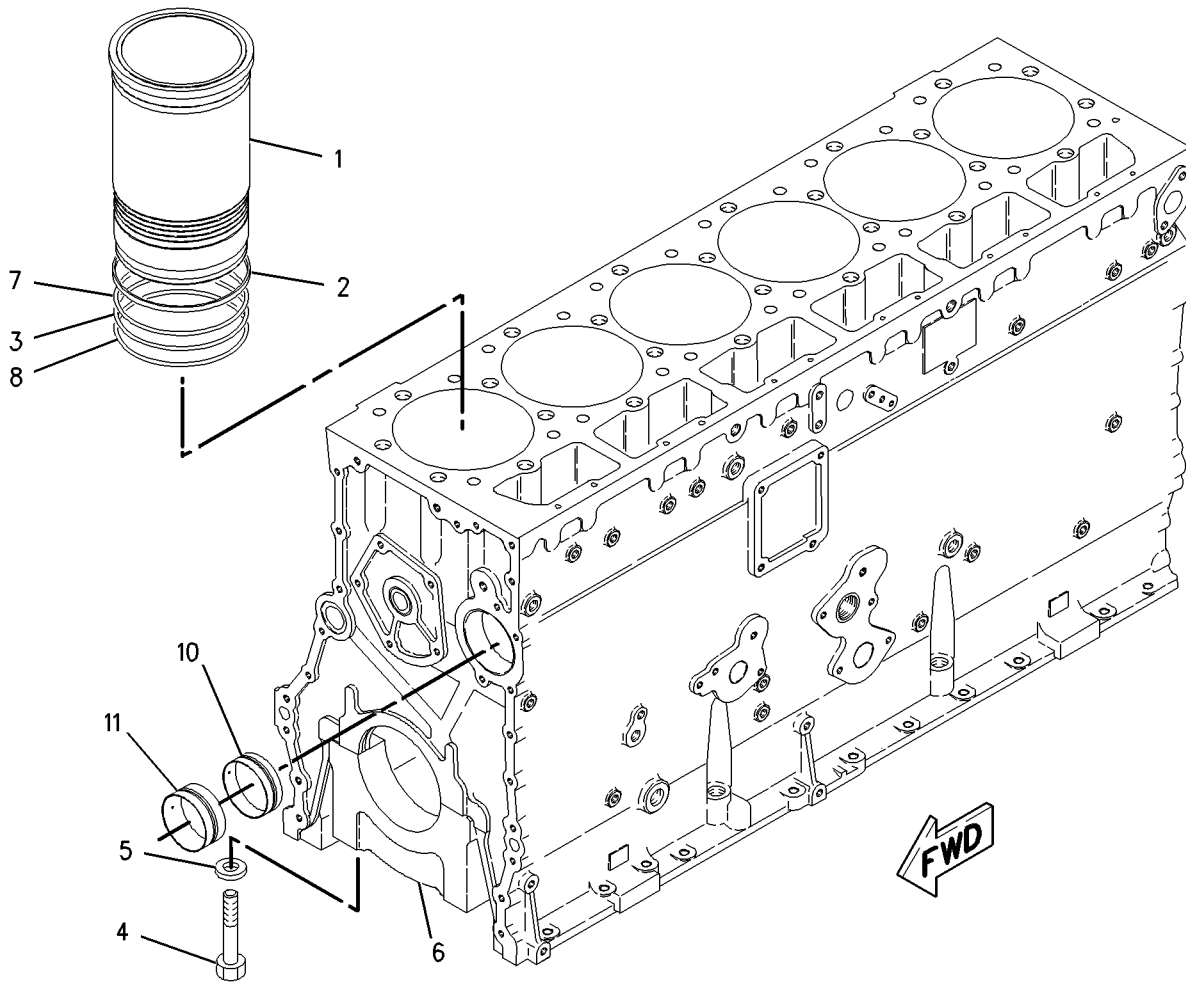
S/N: 6TB17608-20164

PART OF 119-1322, 7E-4697 CYLINDER BLOCK GP

SMCS-1201

i02459398

NOTE	REF NO	GRAPHIC REF	PART NUMBER	QTY	PART NAME						SEE PAGE
					1	2	3	4	5	6 (PRODUCT LEVEL)	
	1	1	197-9322	6	LINER-CYLINDER						
	2	1	9L-5854	6	BAND-FILLER (130.2-MM ID)						
	3	1	110-2220	6	SEAL-LINER						
	4	1	3P-1323	14	BOLT-BEARING CAP (7/8-14X7.75-IN)						
	5	1	9H-1031	14	WASHER-HARD (24X41.5X6-MM THK)						
	6	1	4N-5857	7	CAP-CRANKSHAFT BEARING (MAIN BEARING)						
	7	1	142-7072	6	SEAL-LINER						
	8	1	142-6217	6	SEAL-O-RING						
	10	1	4N-0685	6	BEARING-SLEEVE (1-IN WIDE)						
	11	1	4N-6658	1	BEARING-SLEEVE (1.3-IN WIDE)						



GRAPHIC #1

<END>

g00911410

BASIC ENGINE

202-1258 CYLINDER BLOCK GP

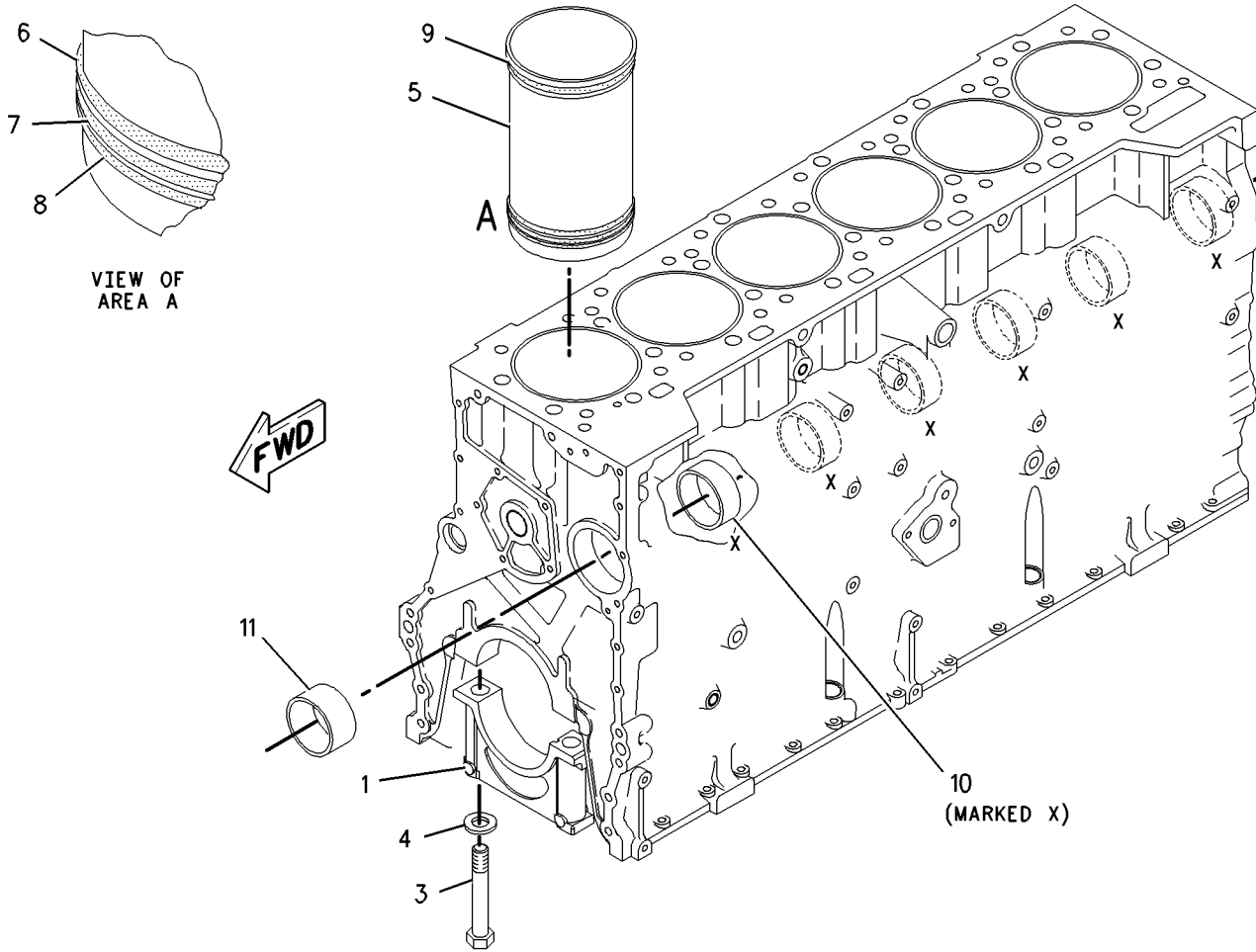
S/N: 6TB20165-UP

PART OF 119-1322, 209-5775, 7E-4697, 8N-9267 CYLINDER BLOCK GP

SMCS-1201

i01871881

NOTE	REF NO	GRAPHIC REF	PART NUMBER	QTY	PART NAME	1 2 3 4 5 6 (PRODUCT LEVEL)						SEE PAGE
	1	1	167-8081	7	CAP-CRANKSHAFT BEARING							
	3	1	167-8083	14	BOLT (7/8-14X7.5-IN)							
	4	1	9H-1031	14	WASHER-HARD (24X41.5X6-MM THK)							
	5	1	197-9322	6	LINER-CYLINDER							
	6	1	142-7072	6	SEAL-LINER							
	7	1	110-2220	6	SEAL-LINER							
	8	1	142-6217	6	SEAL-O-RING							
	9	1	9L-5854	6	BAND-FILLER (130.2-MM ID)							
	10	1	4N-0685	6	BEARING-SLEEVE (1-IN WIDE) (MARKED X)							
	11	1	4N-6658	1	BEARING-SLEEVE (1.3-IN WIDE)							



GRAPHIC #1

<END>

g00953337

BASIC ENGINE

209-5775 CYLINDER BLOCK GP

S/N: 6TB20805-24053

PROVIDES CONNECTION ASSEMBLY FOR TURBO SUPPLY LINE IN THE MAIN OIL RAIL

SMCS-1201

i02090000

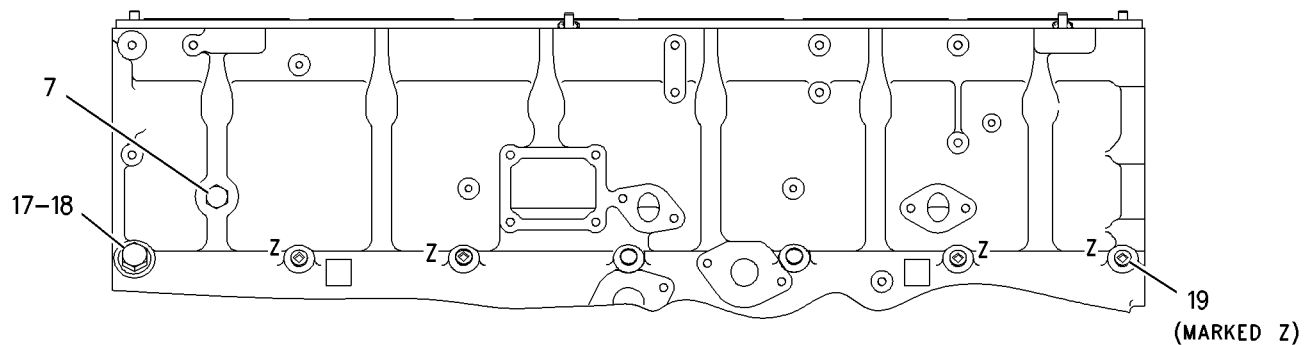
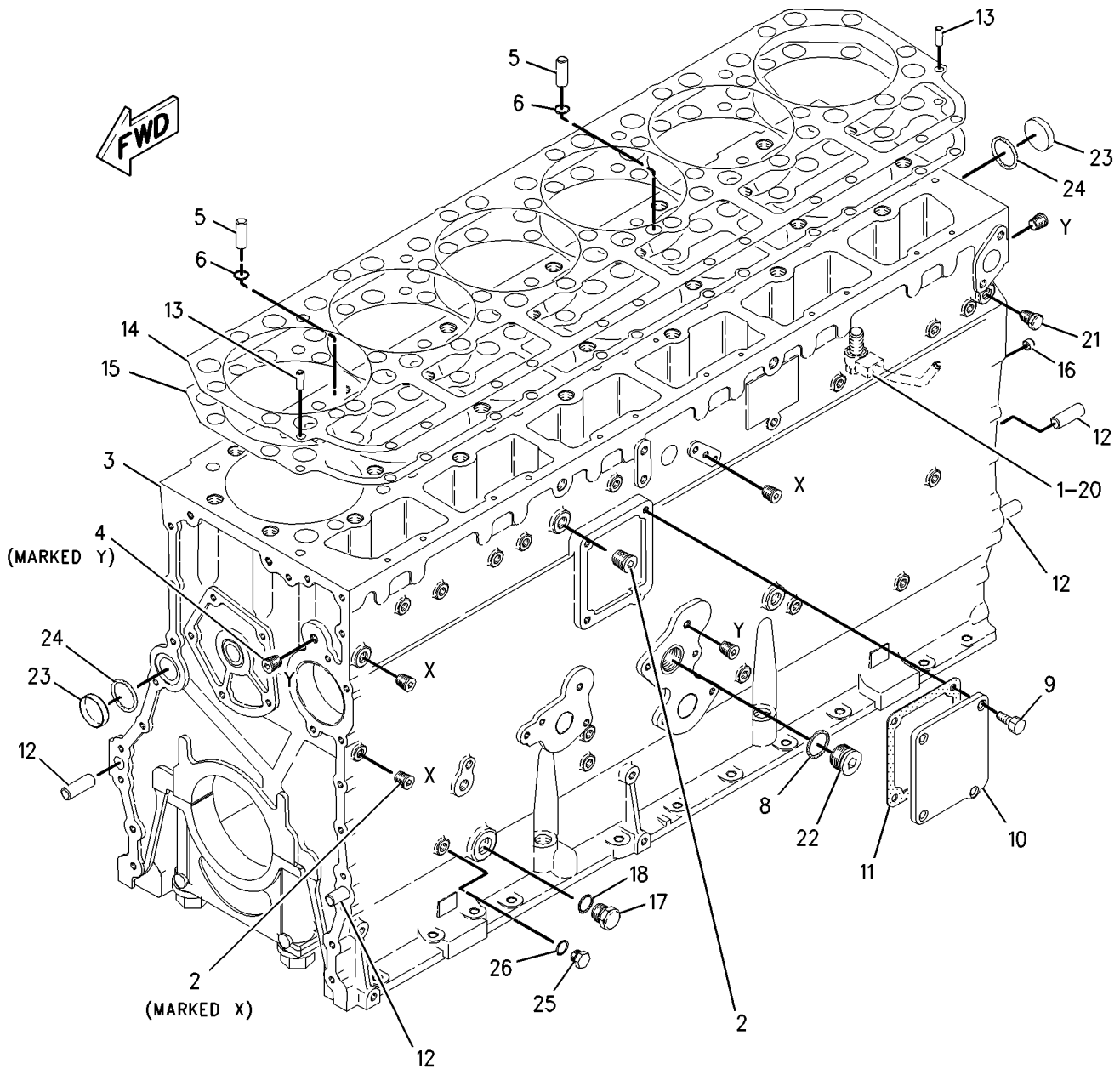
NOTE	REF NO	GRAPHIC REF	PART NUMBER	QTY	PART NAME						SEE PAGE
					1	2	3	4	5	6 (PRODUCT LEVEL)	
	1	1	151-5929	6	JET AS-PISTON COOLING						
	2	1	8T-6757	3	PLUG-PIPE (MARKED X)						
Y	3	1	202-1258	1	CYLINDER BLOCK GP						148
	4	1	8T-6763	3	PLUG-PIPE (MARKED Y)						
	5	1	1S-9540	2	DOWEL						
	6	1	3S-5496	2	SEAL-O-RING						
	7	1	7W-6492	1	PLUG-PIPE						
	8	1	119-5155	1	SEAL-O-RING						
	9	1	030-7571	4	BOLT (3/8-16X1-IN)						
	10	1	4W-8585	1	COVER						
	11	1	7W-6081	1	GASKET						
	12	1	4N-0683	4	DOWEL						
	13	1	4N-1650	2	DOWEL						
	14	1	6I-2981	1	PLATE-BLOCK						
	15	1	6I-4024	1	GASKET-PLATE						
	16	1	8S-9094	1	PLUG-ORIFICE						
	17	1	9S-4190	1	PLUG-O-RING						
	18	1	114-4427	1	SEAL-O-RING						
	19	1	7X-7732	4	PLUG-PIPE (MARKED Z)						
	20	1	151-5925	6	BOLT (7/16-14-THD)						
	21	1	8T-6764	1	PLUG-PIPE						
	22	1	9S-8009	1	PLUG-O-RING						
	23	1	100-7399	2	PLUG						
	24	1	250-0466	2	SEAL-O-RING						
	25	1	9S-4182	1	PLUG-O-RING						
	26	1	9X-7378	1	SEAL-O-RING						
	27	1	7W-6534	1	PLUG-PIPE						

Y-SEPARATE ILLUSTRATION

BASIC ENGINE

209-5775 CYLINDER BLOCK GP (contd.)

i02090000



RIGHT SIDE VIEW

GRAPHIC #1

<END>

g00906949

BASIC ENGINE

209-5775 CYLINDER BLOCK GP

S/N: 6TB24054-UP

PROVIDES CONNECTION ASSEMBLY FOR TURBO SUPPLY LINE IN THE MAIN OIL RAIL

SMCS-1201

i02520086

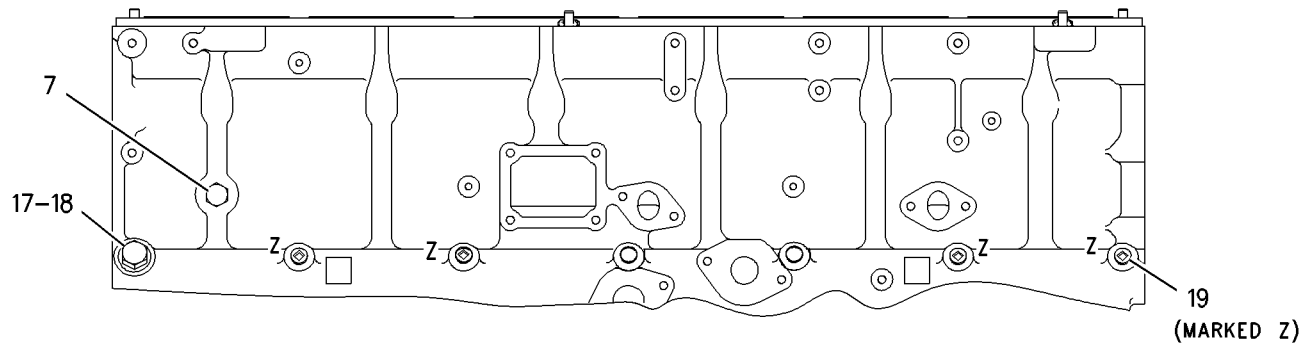
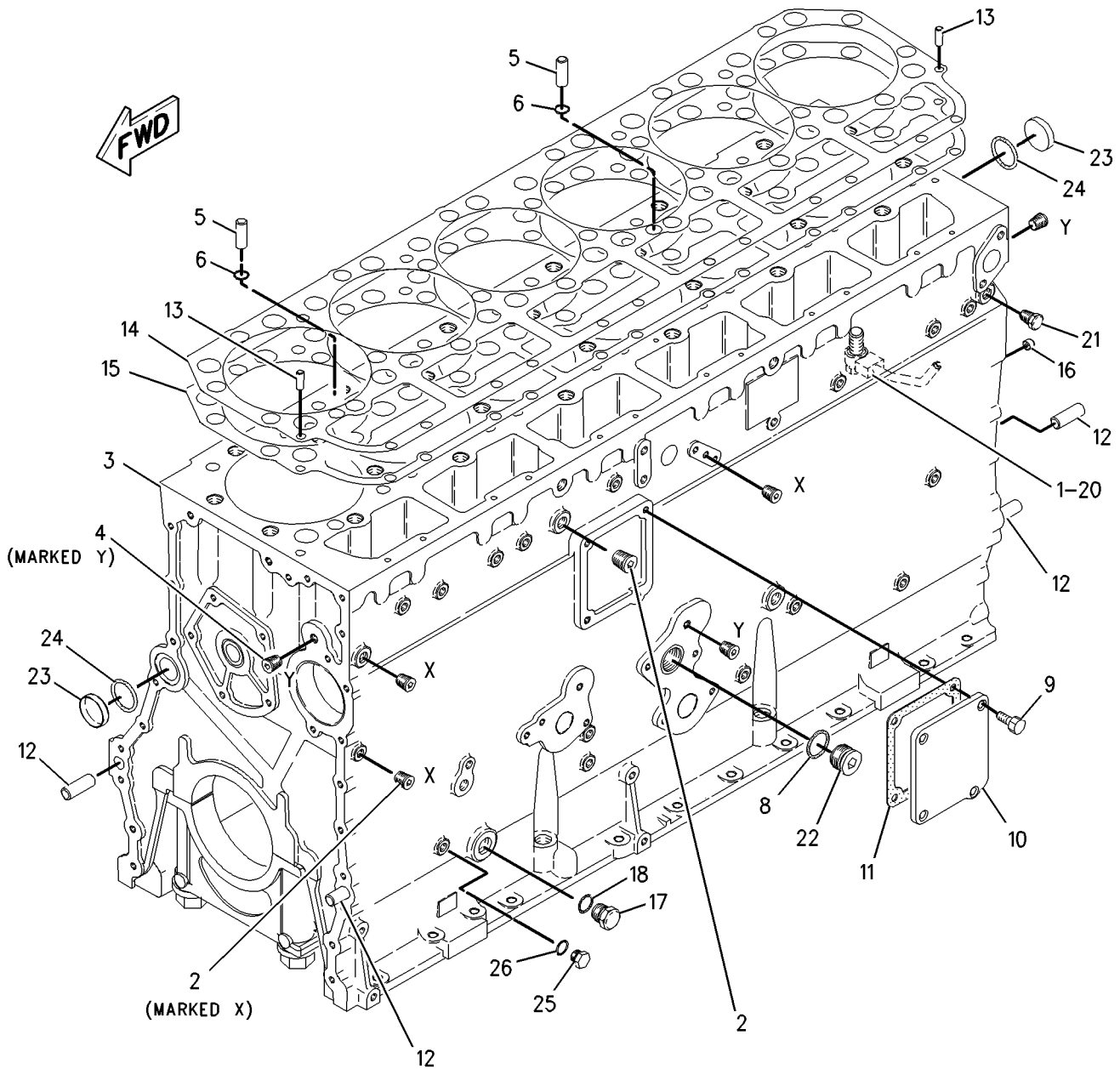
NOTE	REF NO	GRAPHIC REF	PART NUMBER	QTY	PART NAME						SEE PAGE
					1	2	3	4	5	6 (PRODUCT LEVEL)	
C	1	1	290-6567	6	TUBE AS-OIL JET						
	2	1	8T-6757	3	PLUG-PIPE (MARKED X)						
Y	3	1	202-1258	1	CYLINDER BLOCK GP						148
	4	1	8T-6763	3	PLUG-PIPE (MARKED Y)						
	5	1	1S-9540	2	DOWEL						
	6	1	3S-5496	2	SEAL-O-RING						
	7	1	7W-6492	1	PLUG-PIPE						
	8	1	119-5155	1	SEAL-O-RING						
	9	1	030-7571	4	BOLT (3/8-16X1-IN)						
	10	1	4W-8585	1	COVER						
	11	1	7W-6081	1	GASKET						
	12	1	4N-0683	4	DOWEL						
	13	1	4N-1650	2	DOWEL						
	14	1	6I-2981	1	PLATE-BLOCK						
	15	1	6I-4024	1	GASKET-PLATE						
	16	1	8S-9094	1	PLUG-ORIFICE						
	17	1	9S-4190	1	PLUG-O-RING						
	18	1	114-4427	1	SEAL-O-RING						
	19	1	7X-7732	4	PLUG-PIPE (MARKED Z)						
20	1	151-5925	6	BOLT (7/16-14-THD)							
21	1	8T-6764	1	PLUG-PIPE							
22	1	9S-8009	1	PLUG-O-RING							
23	1	100-7399	2	PLUG							
24	1	250-0466	2	SEAL-O-RING							
25	1	9S-4182	1	PLUG-O-RING							
26	1	9X-7378	1	SEAL-O-RING							
27	1	7W-6534	1	PLUG-PIPE							

C-CHANGE FROM PREVIOUS TYPE
Y-SEPARATE ILLUSTRATION

BASIC ENGINE

209-5775 CYLINDER BLOCK GP (contd.)

i02520086



RIGHT SIDE VIEW

GRAPHIC #1

<END>

g00906949

BASIC ENGINE

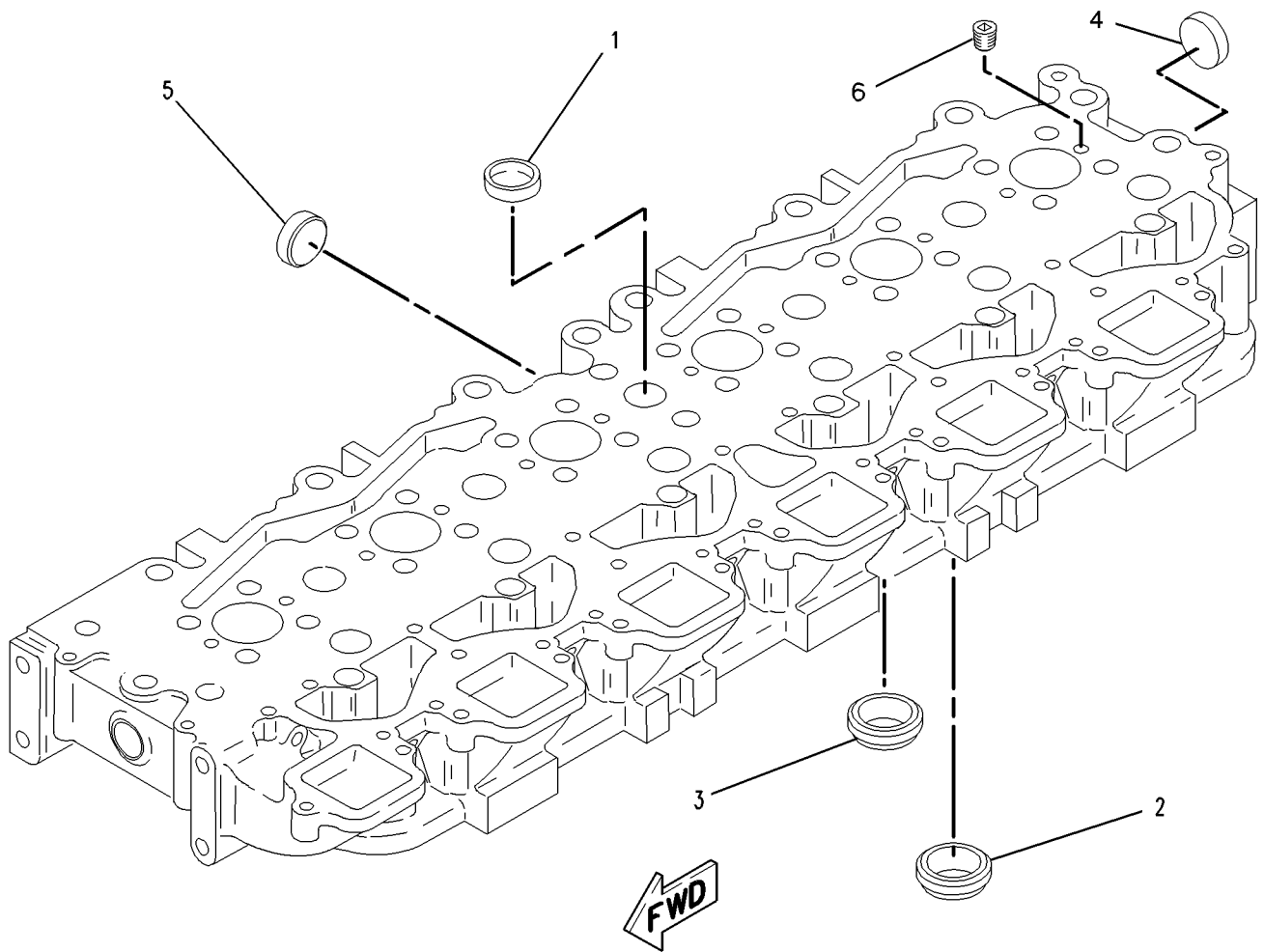
7W-0007 CYLINDER HEAD AS PART OF 7W-2202, 7W-2203 CYLINDER HEAD GP

SMCS-1100, 1101

i02861748

NOTE	REF NO	GRAPHIC REF	PART NUMBER	QTY	PART NAME						SEE PAGE
					1	2	3	4	5	6 (PRODUCT LEVEL)	
	1	1	3B-0645	12	PLUG-CUP						
	2	1	4N-5893	12	INSERT-VALVE SEAT (INLET) (STANDARD)						
AB		1	7C-7602		INSERT-VALVE SEAT (0.13-MM OS, INLET)						
AB		1	7C-7603		INSERT-VALVE SEAT (0.25-MM OS, INLET)						
AB		1	7C-7604		INSERT-VALVE SEAT (0.51-MM OS, INLET)						
AB		1	7C-7605		INSERT-VALVE SEAT (0.76-MM OS, INLET)						
	3	1	1W-5283	12	INSERT-VALVE SEAT (EXHAUST) (STANDARD)						
AB		1	7C-5353		INSERT-VALVE SEAT (0.51-MM OS, EXHAUST)						
AB		1	7C-5354		INSERT-VALVE SEAT (0.76-MM OS, EXHAUST)						
	4	1	2M-6471	1	PLUG-CUP						
	5	1	3B-0623	10	PLUG-CUP						
	6	1	8T-6762	1	PLUG-PIPE						

A-NOT PART OF THIS GROUP
B-USE AS REQUIRED



GRAPHIC #1

<END>

g00838766

BASIC ENGINE

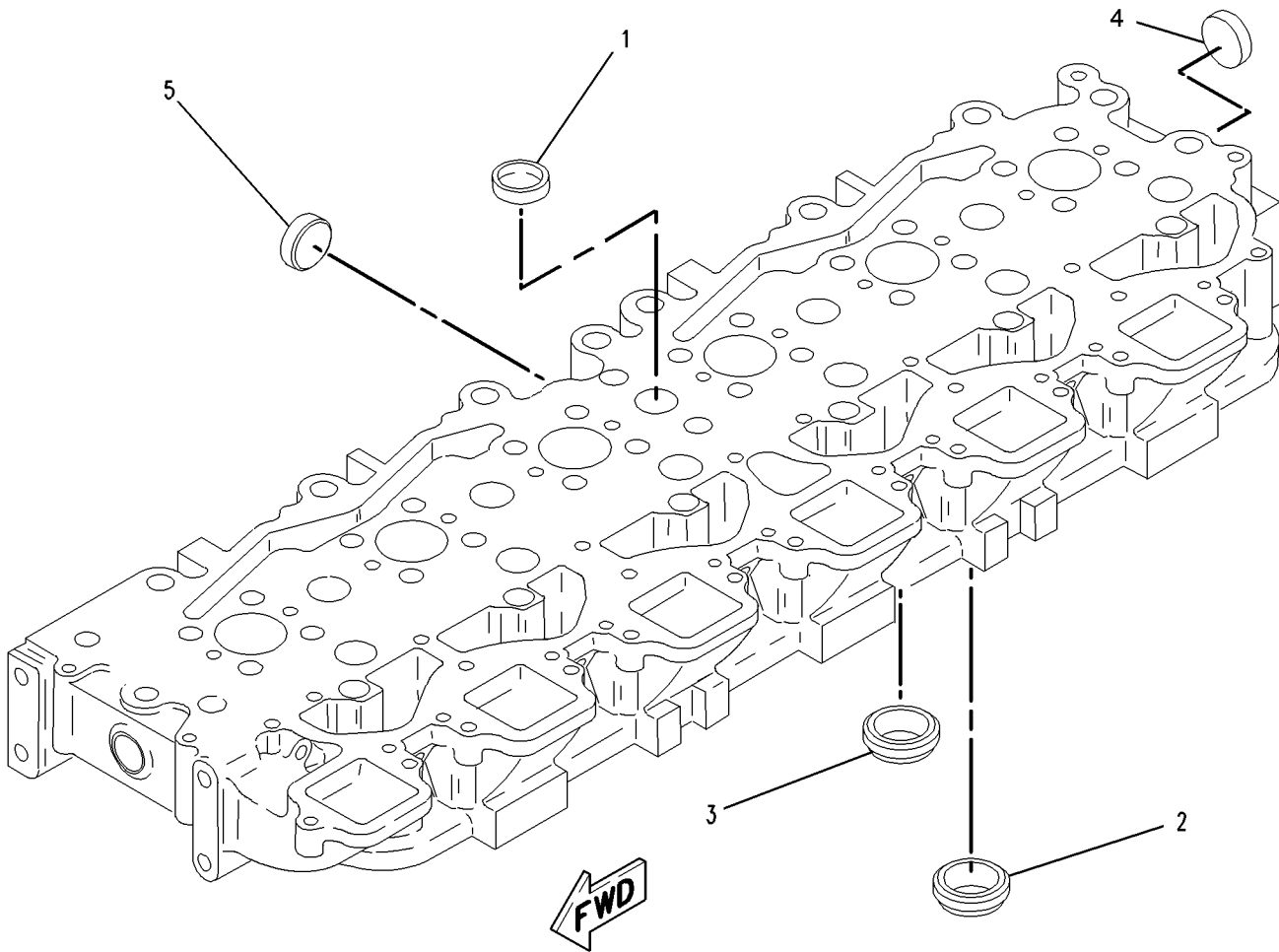
9Y-3775 CYLINDER HEAD AS PART OF 7W-2202, 7W-2203 CYLINDER HEAD GP

SMCS-1100, 1101

i02861778

NOTE	REF NO	GRAPHIC REF	PART NUMBER	QTY	PART NAME						SEE PAGE
					1	2	3	4	5	6 (PRODUCT LEVEL)	
	1	1	3B-0645	12	PLUG-CUP						
	2	1	4N-5893	12	INSERT-VALVE SEAT (INLET) (STANDARD)						
AB		1	7C-7602		INSERT-VALVE SEAT (0.13-MM OS, INLET)						
AB		1	7C-7603		INSERT-VALVE SEAT (0.25-MM OS, INLET)						
AB		1	7C-7604		INSERT-VALVE SEAT (0.51-MM OS, INLET)						
AB		1	7C-7605		INSERT-VALVE SEAT (0.76-MM OS, INLET)						
	3	1	1W-5283	12	INSERT-VALVE SEAT (EXHAUST) (STANDARD)						
AB		1	7C-5353		INSERT-VALVE SEAT (0.51-MM OS, EXHAUST)						
AB		1	7C-5354		INSERT-VALVE SEAT (0.76-MM OS, EXHAUST)						
	4	1	2M-6471	1	PLUG-CUP						
	5	1	3B-0623	10	PLUG-CUP						

A-NOT PART OF THIS GROUP
B-USE AS REQUIRED



GRAPHIC #1

<END>

g00839823

BASIC ENGINE

1W-1439 CYLINDER HEAD GP*R

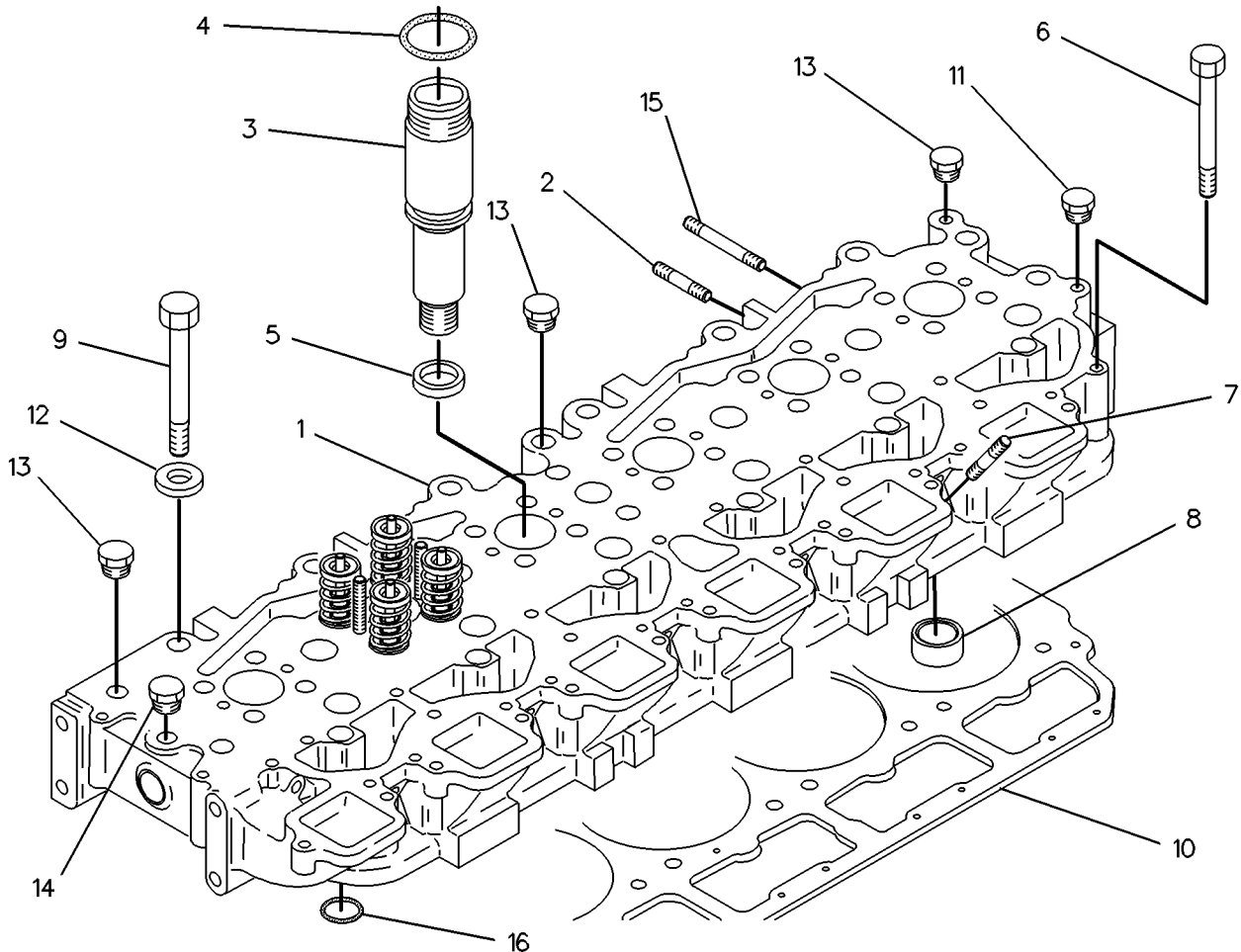
S/N: 6TB9857-10190

SMCS-1100

i00921696

NOTE	REF NO	GRAPHIC REF	PART NUMBER	QTY	PART NAME						SEE PAGE
					1	2	3	4	5	6 (PRODUCT LEVEL)	
YR	1	1	7W-2202	1	CYLINDER HEAD GP						161
	2	1	6L-8562	1	STUD-TAPERLOCK (3/8-16X1.77-IN)						
C	3	1	7W-5435	6	ADAPTER-NOZZLE						
	4	1	5H-7153	6	SEAL-O-RING						
	5	1	4N-7253	6	GASKET-CHAMBER						
	6	1	5F-4899	12	BOLT (3/8-16X5.5-IN)						
	7	1	6L-7442	6	STUD-TAPERLOCK (5/16-18X1.08-IN)						
	8	1	4W-1055	24	SEAL						
	9	1	2H-3750	20	BOLT (3/4-16X7.5-IN)						
	10	1	7E-6000	1	GASKET-CYLINDER HEAD						
C	11	1	3J-5390	1	PLUG						
	12	1	5H-1504	20	WASHER-HARD (20X33.5X5-MM THK)						
	13	1	3J-5389	3	PLUG						
B	14	1	3J-5389	1	PLUG						
	15	1	4S-6137	11	STUD-TAPERLOCK (3/8-16X3.1-IN)						
	16	1	3S-5496	2	SEAL-O-RING						

B-USE AS REQUIRED
 C-CHANGE FROM PREVIOUS TYPE
 R-REMG PART MAY BE AVAILABLE
 Y-SEPARATE ILLUSTRATION



GRAPHIC #1

<END>

g00114327

BASIC ENGINE

1W-1439 CYLINDER HEAD GP*R

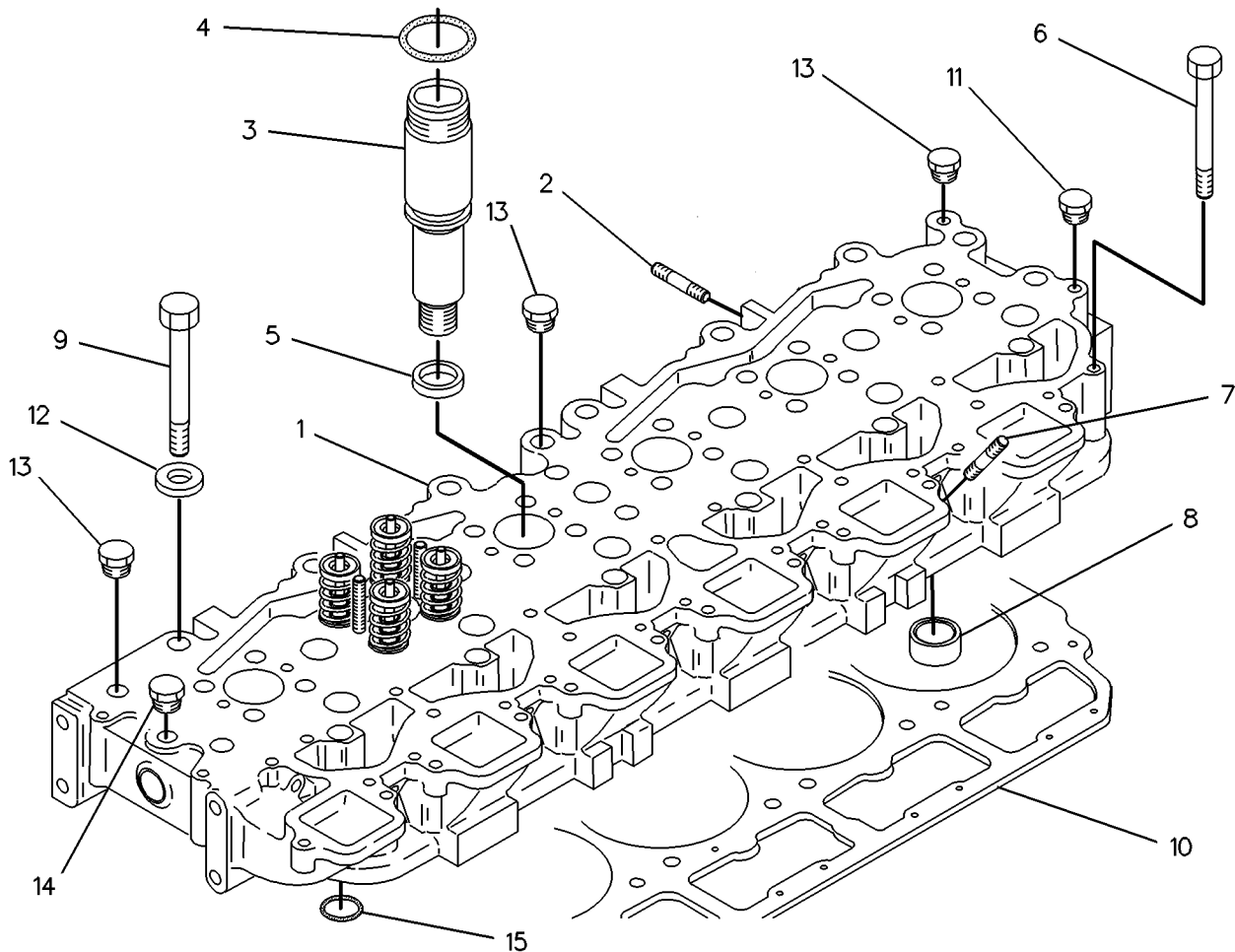
S/N: 6TB10191-10542

SMCS-1100

i01962515

NOTE	REF NO	GRAPHIC REF	PART NUMBER	QTY	PART NAME						SEE PAGE
					1	2	3	4	5	6 (PRODUCT LEVEL)	
Y	1	1	7W-2202	1	CYLINDER HEAD GP						161
	2	1	4S-6137	12	STUD-TAPERLOCK (3/8-16X3.1-IN)						
C	3	1	7W-5435	6	ADAPTER-NOZZLE						
	4	1	5H-7153	6	SEAL-O-RING						
	5	1	4N-7253	6	GASKET-CHAMBER						
	6	1	5F-4899	12	BOLT (3/8-16X5.5-IN)						
	7	1	6L-7442	6	STUD-TAPERLOCK (5/16-18X1.08-IN)						
	8	1	4W-1055	24	SEAL						
	9	1	9X-8904	20	BOLT						
	10	1	6I-3066	1	GASKET-CYLINDER HEAD						
C	11	1	8T-6767	1	PLUG-PIPE						
	12	1	5H-1504	20	WASHER-HARD (20X33.5X5-MM THK)						
	13	1	7W-6492	3	PLUG-PIPE						
B	14	1	7W-6492	1	PLUG-PIPE						
	15	1	3S-5496	2	SEAL-O-RING						

B-USE AS REQUIRED
 C-CHANGE FROM PREVIOUS TYPE
 Y-SEPARATE ILLUSTRATION



GRAPHIC #1

<END>

g00127918

BASIC ENGINE

1W-1439 CYLINDER HEAD GP*R

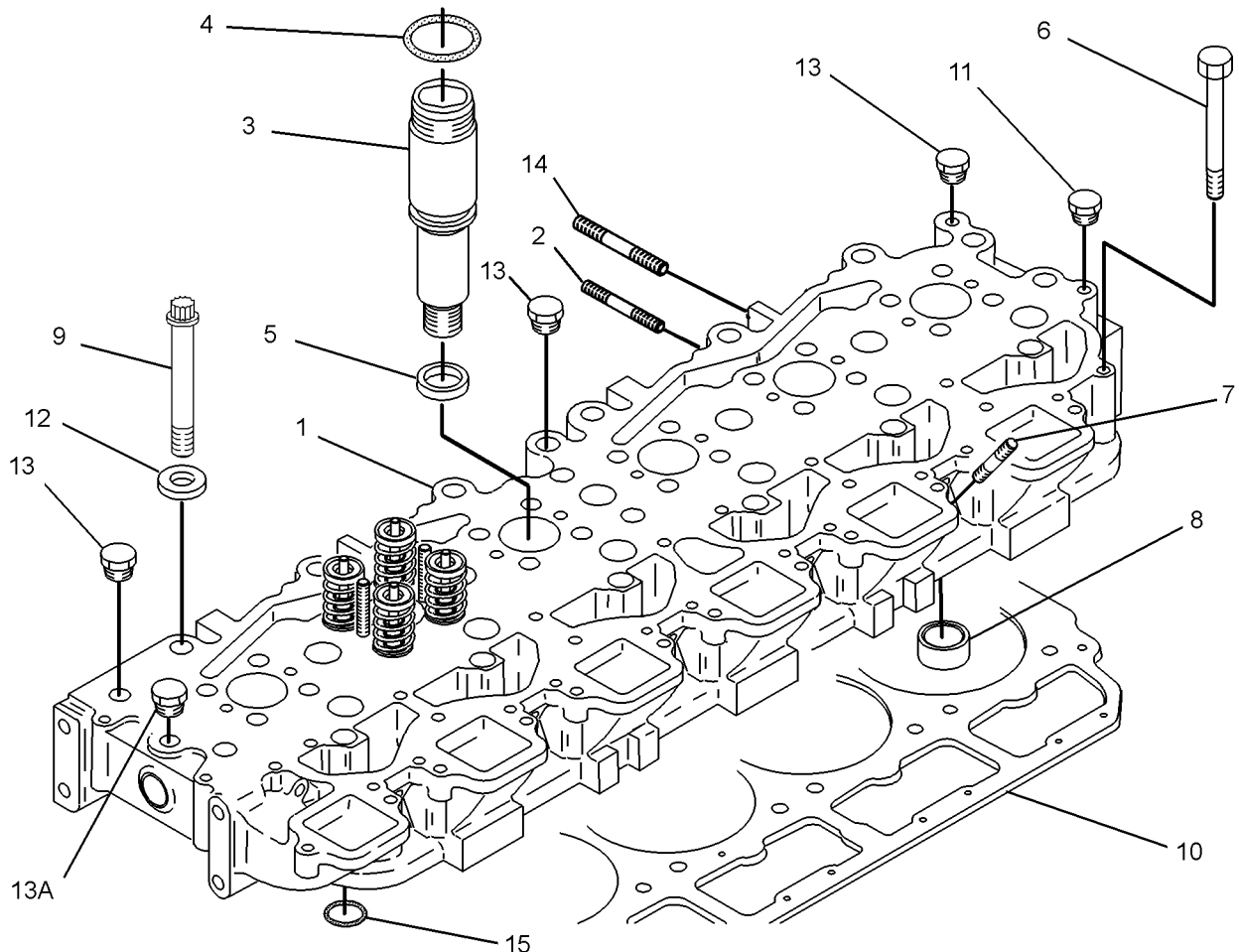
S/N: 6TB10543-25232, 25283-UP

SMCS-1100

i03809736

NOTE	REF NO	GRAPHIC REF	PART NUMBER	QTY	PART NAME						SEE PAGE
					1	2	3	4	5	6 (PRODUCT LEVEL)	
YR	1	1	7W-2202	1	CYLINDER HEAD GP						161
	2	1	4S-6137	1	STUD-TAPERLOCK (3/8-16X3.1-IN)						
	3	1	100-6920	6	ADAPTER-NOZZLE						
	4	1	7L-4774	6	SEAL-O-RING						
	5	1	4N-7253	6	GASKET-CHAMBER						
	6	1	5F-4899	12	BOLT (3/8-16X5.5-IN)						
	7	1	6L-7442	6	STUD-TAPERLOCK (5/16-18X1.08-IN)						
C	8	1	3E-6772	24	SEAL						
	9	1	124-1855	20	BOLT-12 POINT HEAD (3/4-16X7.638-IN)						
	10	1	6I-3066	1	GASKET-CYLINDER HEAD						
B	11	1	8T-6767	1	PLUG-PIPE						
	12	1	5H-1504	20	WASHER-HARD (20X33.5X5-MM THK)						
	13	1	7W-6492	3	PLUG-PIPE						
B	13A	1	7W-6492	1	PLUG-PIPE						
	14	1	106-1792	11	STUD-TAPERLOCK (3/8-16X4-IN)						
	15	1	3S-5496	2	SEAL-O-RING						

B-USE AS REQUIRED
 C-CHANGE FROM PREVIOUS TYPE
 R-REMG PART MAY BE AVAILABLE
 Y-SEPARATE ILLUSTRATION



GRAPHIC #1

<END>

g02064517

BASIC ENGINE

4W-2436 CYLINDER HEAD GP*R

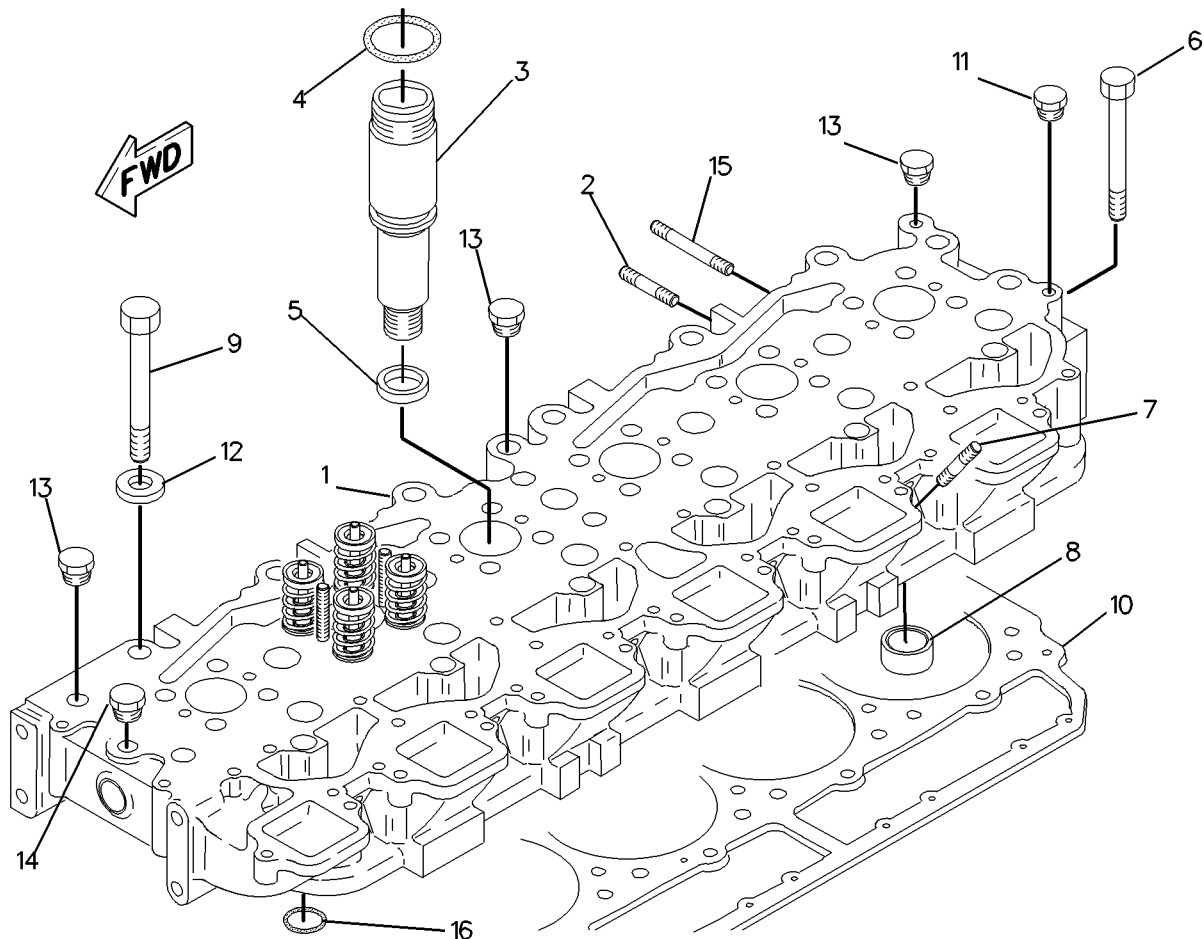
S/N: 6TB9857-10190

SMCS-1100

i01871930

NOTE	REF NO	GRAPHIC REF	PART NUMBER	QTY	PART NAME						SEE PAGE
					1	2	3	4	5	6 (PRODUCT LEVEL)	
YR	1	1	7W-2203	1	CYLINDER HEAD GP						164
C	2	1	6L-8562	1	STUD-TAPERLOCK (3/8-16X1.77-IN)						
C	3	1	7W-5435	6	ADAPTER-NOZZLE						
	4	1	5H-7153	6	SEAL-O-RING						
	5	1	4N-7253	6	GASKET-CHAMBER						
	6	1	5F-4899	12	BOLT (3/8-16X5.5-IN)						
	7	1	6L-7442	6	STUD-TAPERLOCK (5/16-18X1.08-IN)						
	8	1	4W-1055	24	SEAL						
	9	1	2H-3750	20	BOLT (3/4-16X7.5-IN)						
	10	1	7E-6000	1	GASKET-CYLINDER HEAD						
C	11	1	3J-5390	1	PLUG						
	12	1	5H-1504	20	WASHER-HARD (20X33.5X5-MM THK)						
	13	1	3J-5389	3	PLUG						
B	14	1	3J-5389	1	PLUG (USE WITHOUT AIR COMPRESSOR)						
	15	1	4S-6137	11	STUD-TAPERLOCK (3/8-16X3.1-IN)						
	16	1	3S-5496	2	SEAL-O-RING						

B-USE AS REQUIRED
 C-CHANGE FROM PREVIOUS TYPE
 R-REMG PART MAY BE AVAILABLE
 Y-SEPARATE ILLUSTRATION



GRAPHIC #1

<END>

g00953372

BASIC ENGINE

4W-2436 CYLINDER HEAD GP*R

S/N: 6TB10191-10542

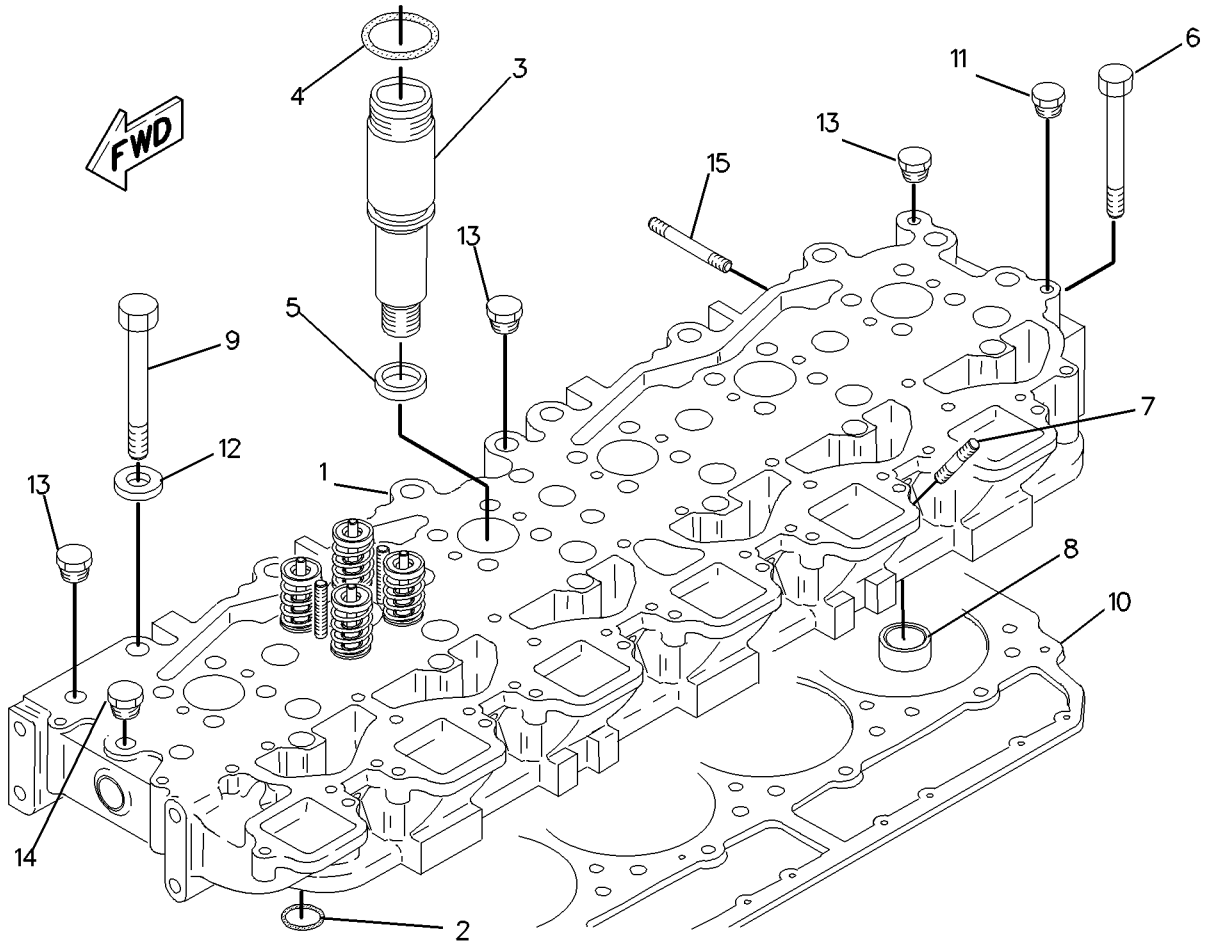
SMCS-1100

i02305741

NOTE	REF NO	GRAPHIC REF	PART NUMBER	QTY	PART NAME						SEE PAGE
					1	2	3	4	5	6 (PRODUCT LEVEL)	
Y	1	1	7W-2203	1	CYLINDER HEAD GP						164
	2	1	3S-5496	2	SEAL-O-RING						
	3	1	7W-5435	6	ADAPTER-NOZZLE						
	4	1	5H-7153	6	SEAL-O-RING						
	5	1	4N-7253	6	GASKET-CHAMBER						
	6	1	5F-4899	12	BOLT (3/8-16X5.5-IN)						
	7	1	6L-7442	6	STUD-TAPERLOCK (5/16-18X1.08-IN)						
	8	1	4W-1055	24	SEAL						
	9	1	9X-8904	20	BOLT						
	10	1	6I-3066	1	GASKET-CYLINDER HEAD						
	11	1	8T-6767	1	PLUG-PIPE						
	12	1	5H-1504	20	WASHER-HARD (20X33.5X5-MM THK)						
	13	1	7W-6492	3	PLUG-PIPE						
B	14	1	7W-6492	1	PLUG-PIPE (USE WITHOUT AIR COMPRESSOR)						
	15	1	4S-6137	12	STUD-TAPERLOCK (3/8-16X3.1-IN)						

B-USE AS REQUIRED

Y-SEPARATE ILLUSTRATION



GRAPHIC #1

<END>

g00953392

BASIC ENGINE

4W-2436 CYLINDER HEAD GP*R

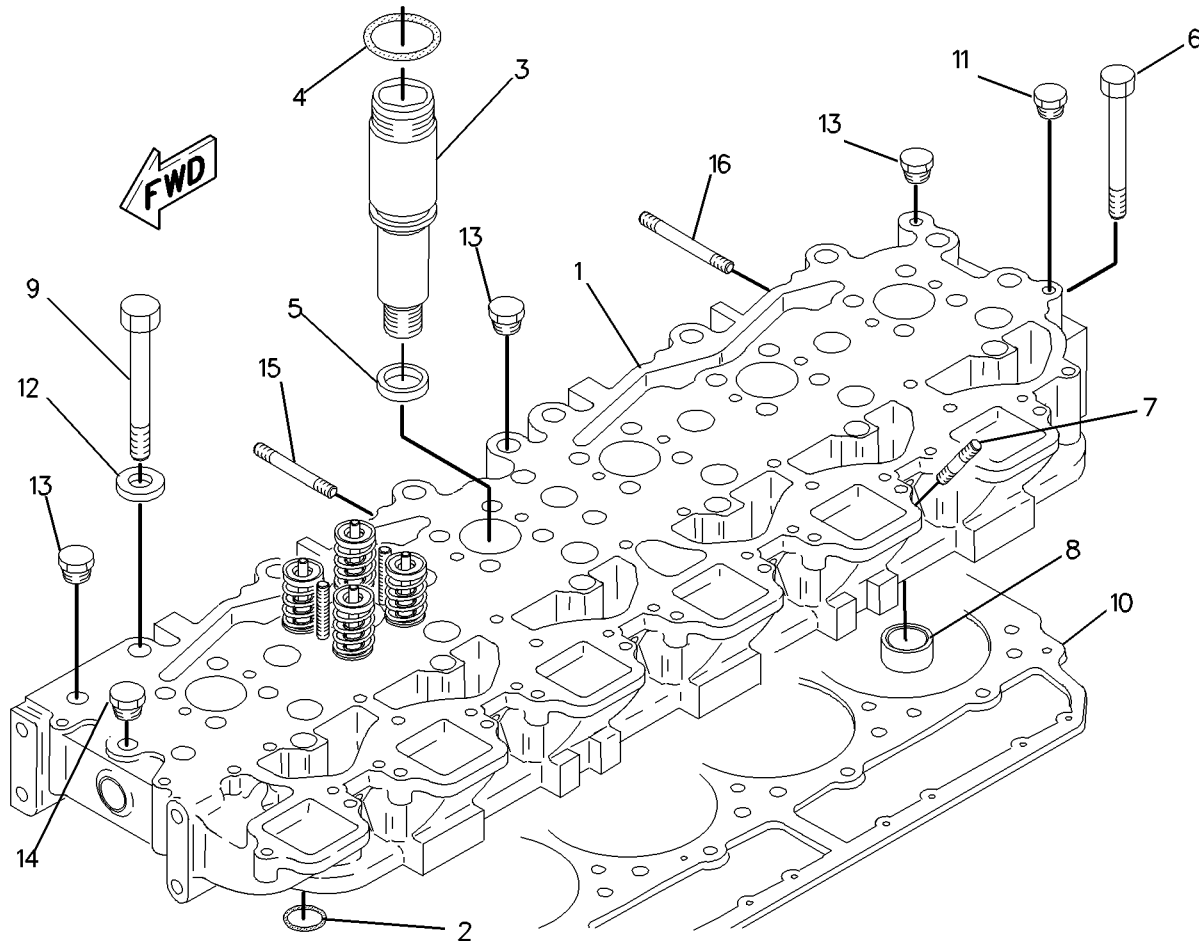
S/N: 6TB10543-UP

SMCS-1100

i03747333

NOTE	REF NO	GRAPHIC REF	PART NUMBER	QTY	PART NAME	1 2 3 4 5 6 (PRODUCT LEVEL)						SEE PAGE
YR	1	1	7W-2203	1	CYLINDER HEAD GP							164
	2	1	3S-5496	2	SEAL-O-RING							
C	3	1	100-6920	6	ADAPTER-NOZZLE							
C	4	1	7L-4774	6	SEAL-O-RING							
	5	1	4N-7253	6	GASKET-CHAMBER							
	6	1	5F-4899	12	BOLT (3/8-16X5.5-IN)							
	7	1	6L-7442	6	STUD-TAPERLOCK (5/16-18X1.08-IN)							
	8	1	3E-6772	24	SEAL							
C	9	1	124-1855	20	BOLT-12 POINT HEAD (3/4-16X7.638-IN)							
	10	1	6I-3066	1	GASKET-CYLINDER HEAD							
	11	1	8T-6767	1	PLUG-PIPE							
C	12	1	5H-1504	20	WASHER-HARD (20X33.5X5-MM THK)							
	13	1	7W-6492	3	PLUG-PIPE							
B	14	1	7W-6492	1	PLUG-PIPE							
(USE WITHOUT AIR COMPRESSOR)												
	15	1	4S-6137	1	STUD-TAPERLOCK (3/8-16X3.1-IN)							
	16	1	106-1792	11	STUD-TAPERLOCK (3/8-16X4-IN)							

B-USE AS REQUIRED
 C-CHANGE FROM PREVIOUS TYPE
 R-REMG PART MAY BE AVAILABLE
 Y-SEPARATE ILLUSTRATION



GRAPHIC #1

<END>

g00953403

BASIC ENGINE

7W-2202 CYLINDER HEAD GP

S/N: 6TB9857-13779

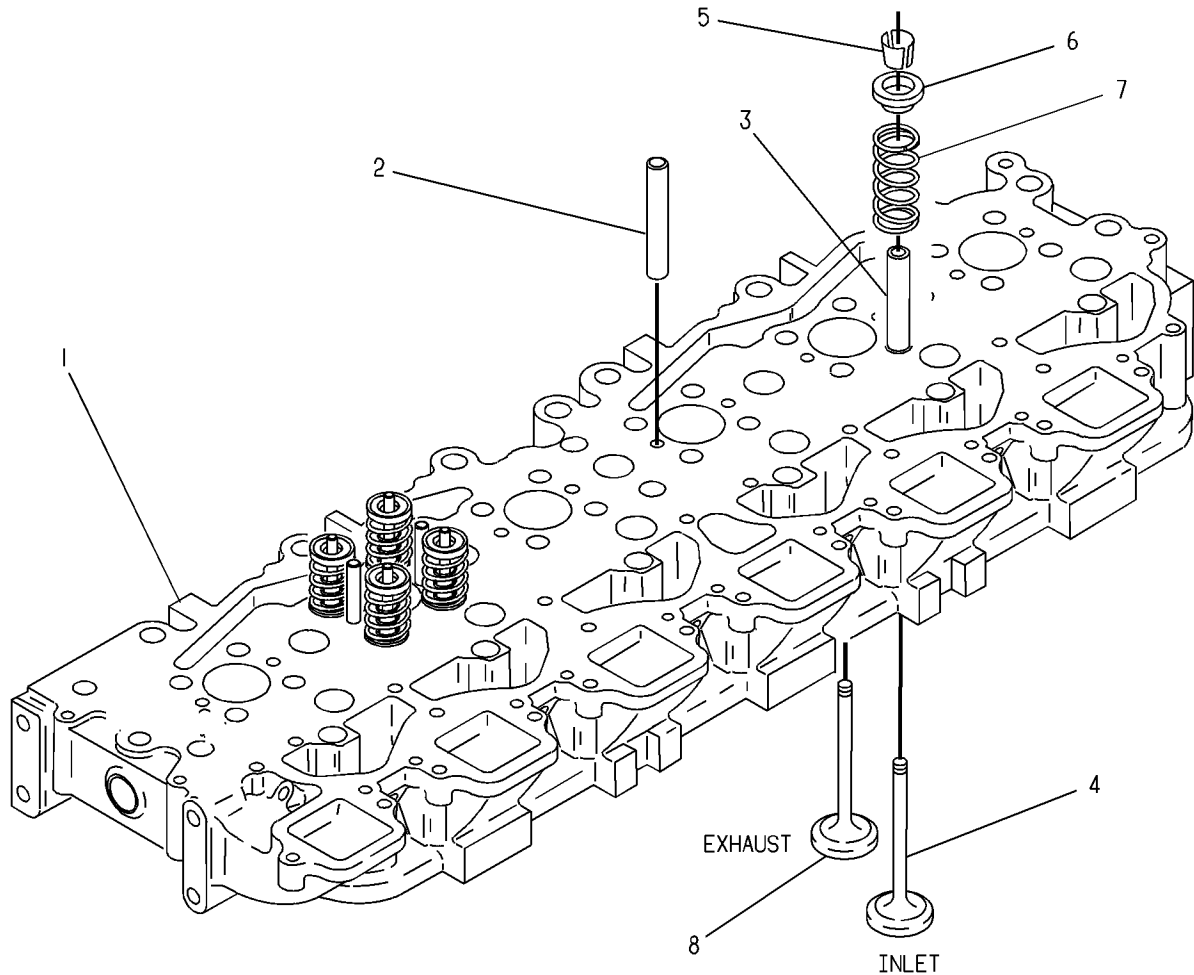
PART OF 1W-1439 CYLINDER HEAD GP
TYPE 1

SMCS-1100

i01962519

NOTE	REF NO	GRAPHIC REF	PART NUMBER	QTY	PART NAME						SEE PAGE
					1	2	3	4	5	6 (PRODUCT LEVEL)	
CY	1	1	7W-0007	1	CYLINDER HEAD AS						153
	2	1	2N-5775	12	DOWEL						
	3	1	4N-2803	24	GUIDE-VALVE						
	4	1	2W-2622	12	VALVE-INLET						
	5	1	2A-4429	48	LOCK-RETAINER						
	6	1	6N-7154	24	ROTOCOIL AS						
	7	1	4N-5906	24	SPRING-VALVE						
	8	1	1W-3860	12	VALVE-EXHAUST						

C-CHANGE FROM PREVIOUS TYPE
Y-SEPARATE ILLUSTRATION



GRAPHIC #1

<END>

g00113177

BASIC ENGINE

7W-2202 CYLINDER HEAD GP

S/N: 6TB9857-13779

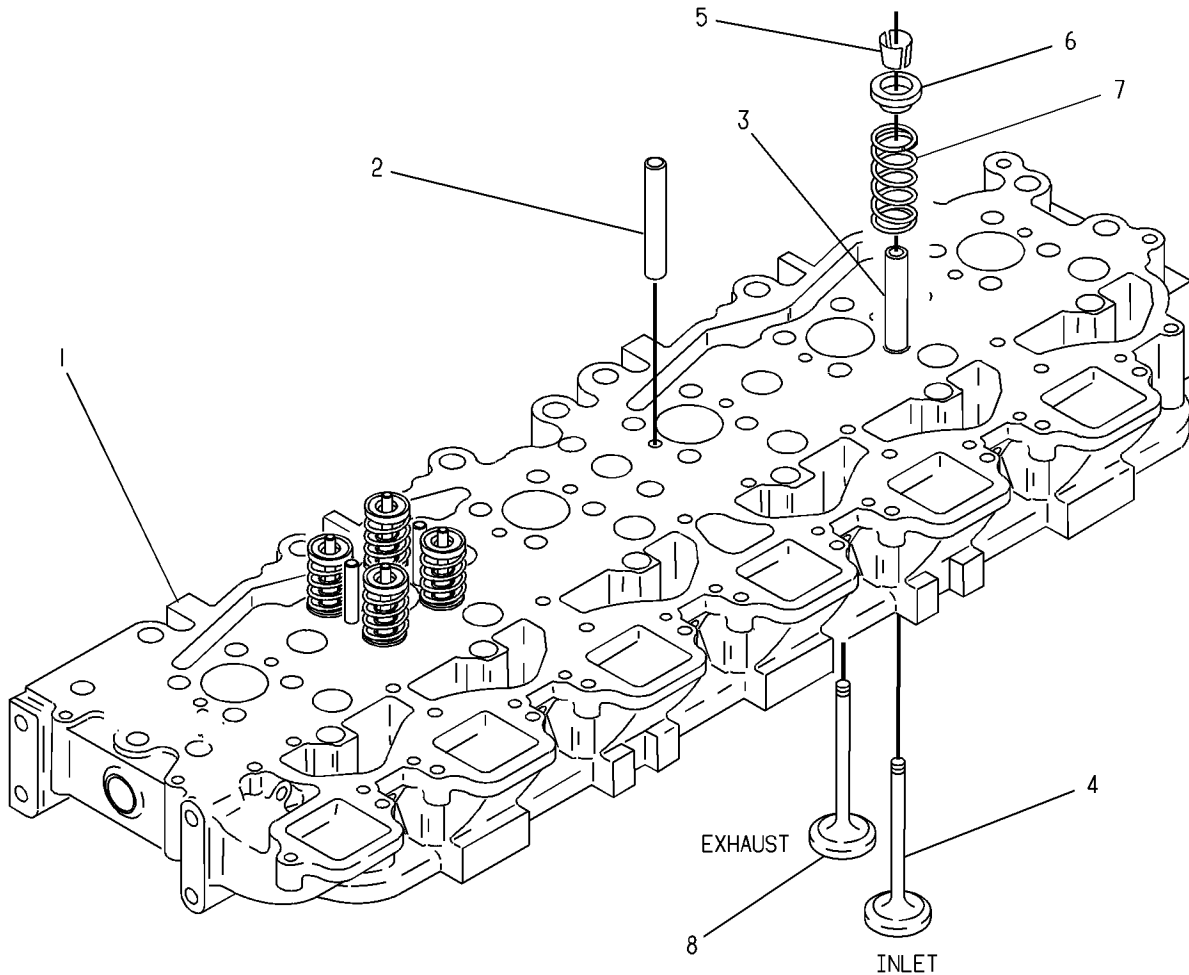
PART OF 1W-1439 CYLINDER HEAD GP
TYPE 2

SMCS-1100

i01962517

NOTE	REF NO	GRAPHIC REF	PART NUMBER	QTY	PART NAME	1 2 3 4 5 6 (PRODUCT LEVEL)						SEE PAGE
CY	1	1	9Y-3775	1	CYLINDER HEAD AS							154
	2	1	2N-5775	12	DOWEL							
	3	1	4N-2803	24	GUIDE-VALVE							
	4	1	108-5902	12	VALVE-INLET							
	5	1	2A-4429	48	LOCK-RETAINER							
	6	1	6N-7154	24	ROTOCOIL AS							
	7	1	4N-5906	24	SPRING-VALVE							
	8	1	106-1111	12	VALVE-EXHAUST							

C-CHANGE FROM PREVIOUS TYPE
Y-SEPARATE ILLUSTRATION



GRAPHIC #1

<END>

g00113177

BASIC ENGINE

7W-2202 CYLINDER HEAD GP

S/N: 6TB13780-UP

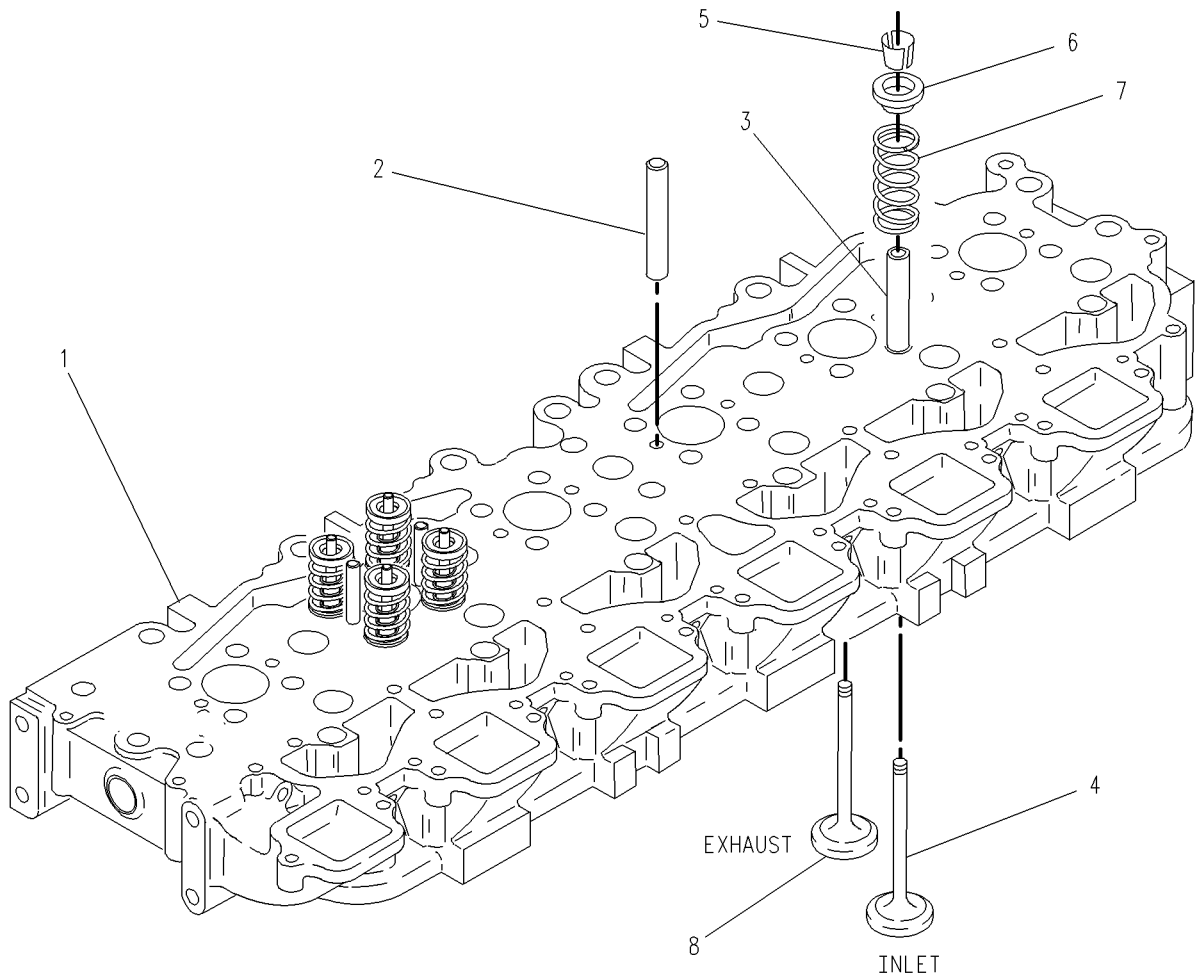
PART OF 1W-1439 CYLINDER HEAD GP

SMCS-1100

i01962518

NOTE	REF NO	GRAPHIC REF	PART NUMBER	QTY	PART NAME						SEE PAGE
					1	2	3	4	5	6 (PRODUCT LEVEL)	
CY	1	1	110-5099	1	CYLINDER HEAD GP						168
	2	1	2N-5775	12	DOWEL						
C	3	1	122-7374	24	GUIDE-VALVE						
C	4	1	115-2368	12	VALVE-INLET						
	5	1	2A-4429	48	LOCK-RETAINER						
	6	1	6N-7154	24	ROTOCOIL AS						
	7	1	4N-5906	24	SPRING-VALVE						
C	8	1	115-2367	12	VALVE-EXHAUST						

C-CHANGE FROM PREVIOUS TYPE
Y-SEPARATE ILLUSTRATION



GRAPHIC #1

<END>

g00914658

BASIC ENGINE

7W-2203 CYLINDER HEAD GP*R

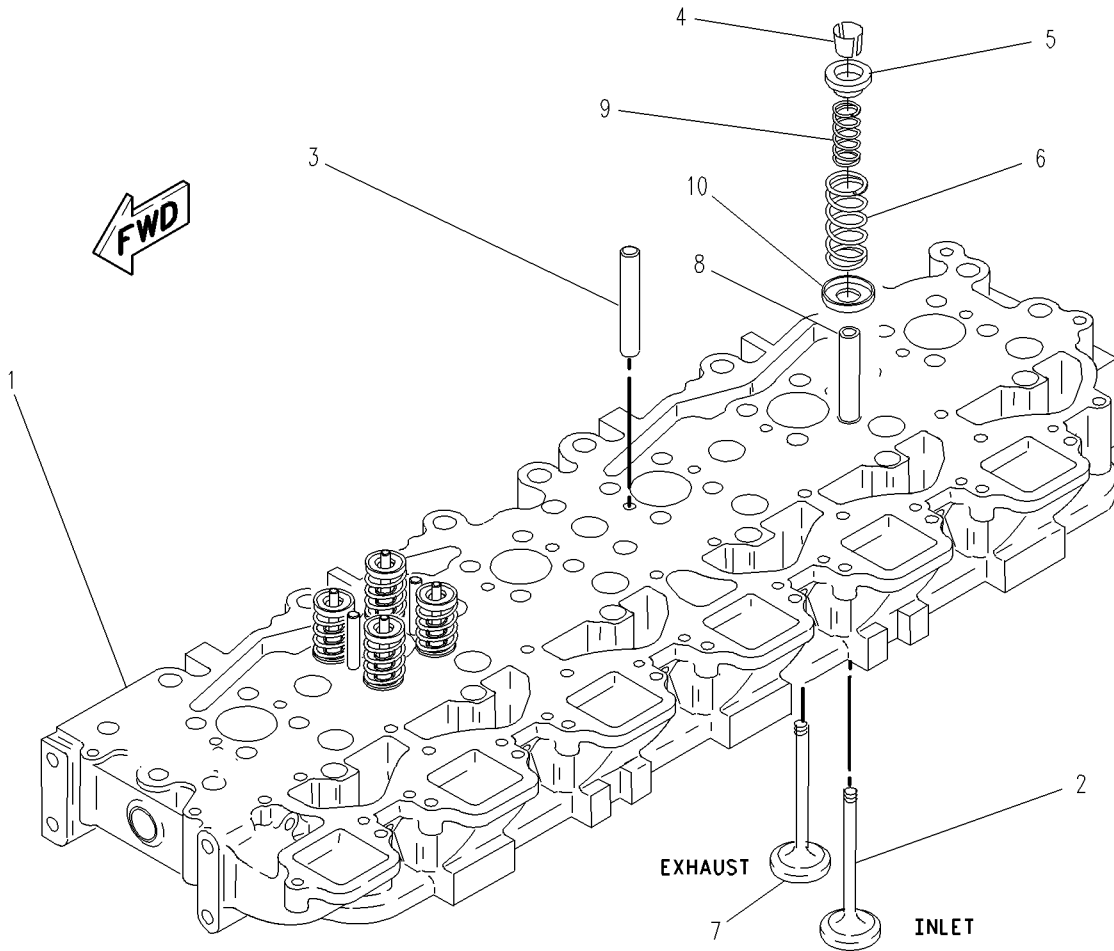
PART OF 4W-2436 CYLINDER HEAD GP
TYPE 1

SMCS-1100

i02752719

NOTE	REF NO	GRAPHIC REF	PART NUMBER	QTY	PART NAME						SEE PAGE
					1	2	3	4	5	6 (PRODUCT LEVEL)	
CY	1	1	7W-0007	1	CYLINDER HEAD AS						153
	2	1	2W-2622	12	VALVE-INLET						
	3	1	2N-5775	12	DOWEL						
	4	1	2A-4429	48	LOCK-RETAINER						
	5	1	4W-2474	24	ROTOCOIL AS						
	6	1	4W-2471	24	SPRING-VALVE						
	7	1	1W-3860	12	VALVE-EXHAUST						
	8	1	173-7188	24	GUIDE-VALVE						
	9	1	4W-2472	24	SPRING-VALVE						
	10	1	4W-2473	24	WASHER-VALVE SPRING GUIDE						

C-CHANGE FROM PREVIOUS TYPE
Y-SEPARATE ILLUSTRATION



GRAPHIC #1

<END>

g00838481

BASIC ENGINE

7W-2203 CYLINDER HEAD GP*R

PART OF 4W-2436 CYLINDER HEAD GP

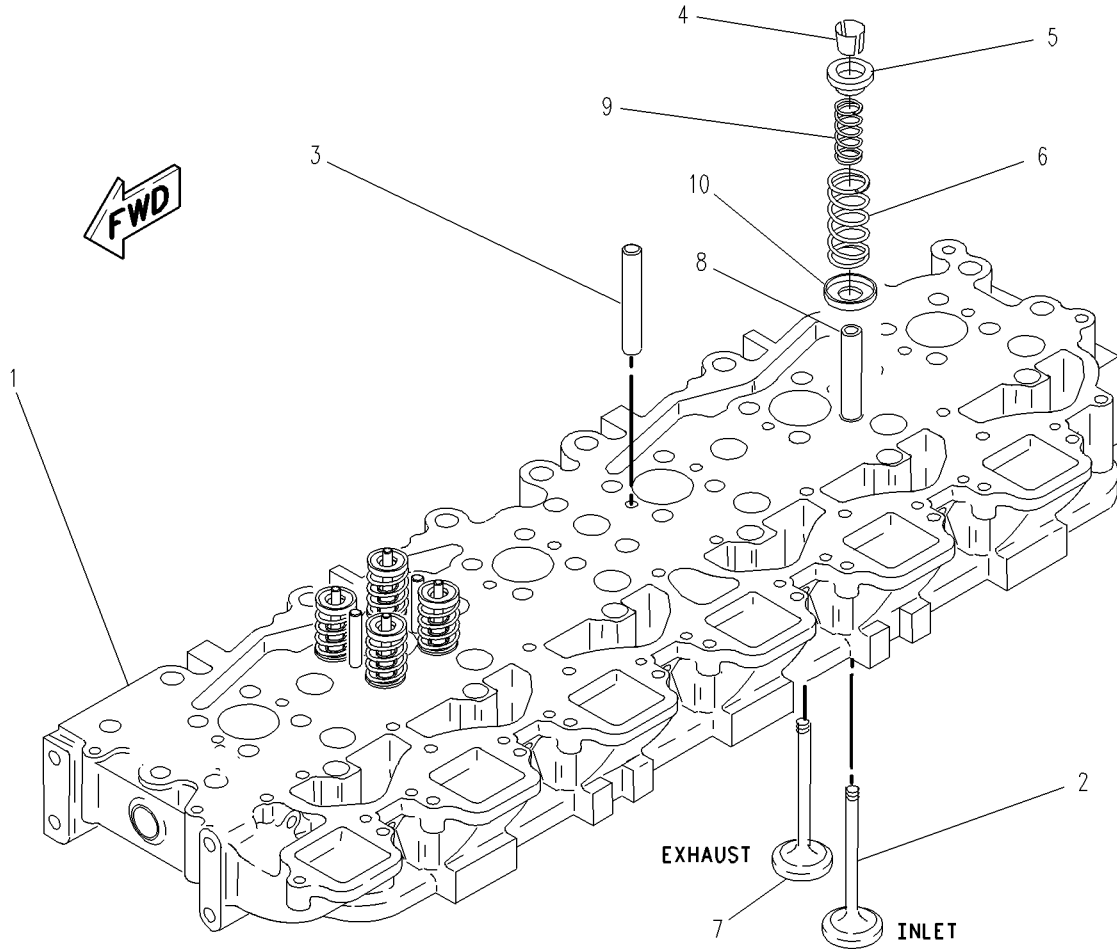
TYPE 2

SMCS-1100

i02752720

NOTE	REF NO	GRAPHIC REF	PART NUMBER	QTY	PART NAME						SEE PAGE
					1	2	3	4	5	6 (PRODUCT LEVEL)	
CY	1	1	9Y-3775	1	CYLINDER HEAD AS						154
	2	1	108-5902	12	VALVE-INLET						
	3	1	2N-5775	12	DOWEL						
	4	1	2A-4429	48	LOCK-RETAINER						
	5	1	4W-2474	24	ROTOCOIL AS						
	6	1	4W-2471	24	SPRING-VALVE						
	7	1	106-1111	12	VALVE-EXHAUST						
	8	1	173-7188	24	GUIDE-VALVE						
	9	1	4W-2472	24	SPRING-VALVE						
	10	1	4W-2473	24	WASHER-VALVE SPRING GUIDE						

C-CHANGE FROM PREVIOUS TYPE
Y-SEPARATE ILLUSTRATION



GRAPHIC #1

<END>

g00838489

BASIC ENGINE

7W-2203 CYLINDER HEAD GP*R

PART OF 4W-2436 CYLINDER HEAD GP

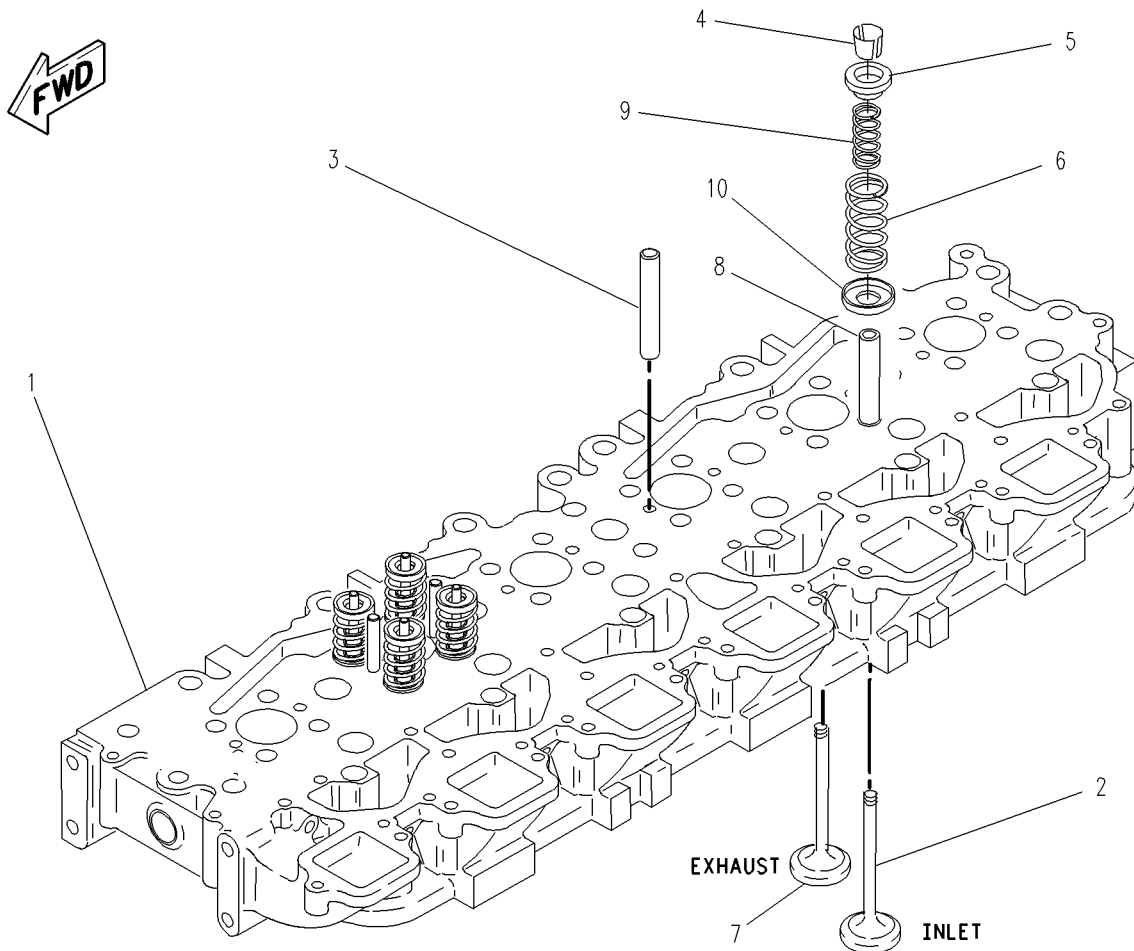
TYPE 3

SMCS-1100

i03342290

NOTE	REF NO	GRAPHIC REF	PART NUMBER	QTY	PART NAME						SEE PAGE
					1	2	3	4	5	6 (PRODUCT LEVEL)	
CY	1	1	110-5099	1	CYLINDER HEAD GP						168
	2	1	115-2368	12	VALVE-INLET						
	3	1	2N-5775	12	DOWEL						
	4	1	2A-4429	48	LOCK-RETAINER						
	5	1	4W-2474	24	ROTOCOIL AS						
	6	1	4W-2471	24	SPRING-VALVE (OUTER)						
	7	1	115-2367	12	VALVE-EXHAUST						
	8	1	122-7374	24	GUIDE-VALVE (STANDARD)						
AB			121-9859		GUIDE-VALVE (0.13-MM OS OD)						
AB			121-9860		GUIDE-VALVE (0.51-MM OS OD)						
	9	1	4W-2472	24	SPRING-VALVE (INNER)						
	10	1	4W-2473	24	WASHER-VALVE SPRING GUIDE						

A-NOT PART OF THIS GROUP
 B-USE AS REQUIRED
 C-CHANGE FROM PREVIOUS TYPE
 Y-SEPARATE ILLUSTRATION



GRAPHIC #1

<END>

g00884917

BASIC ENGINE

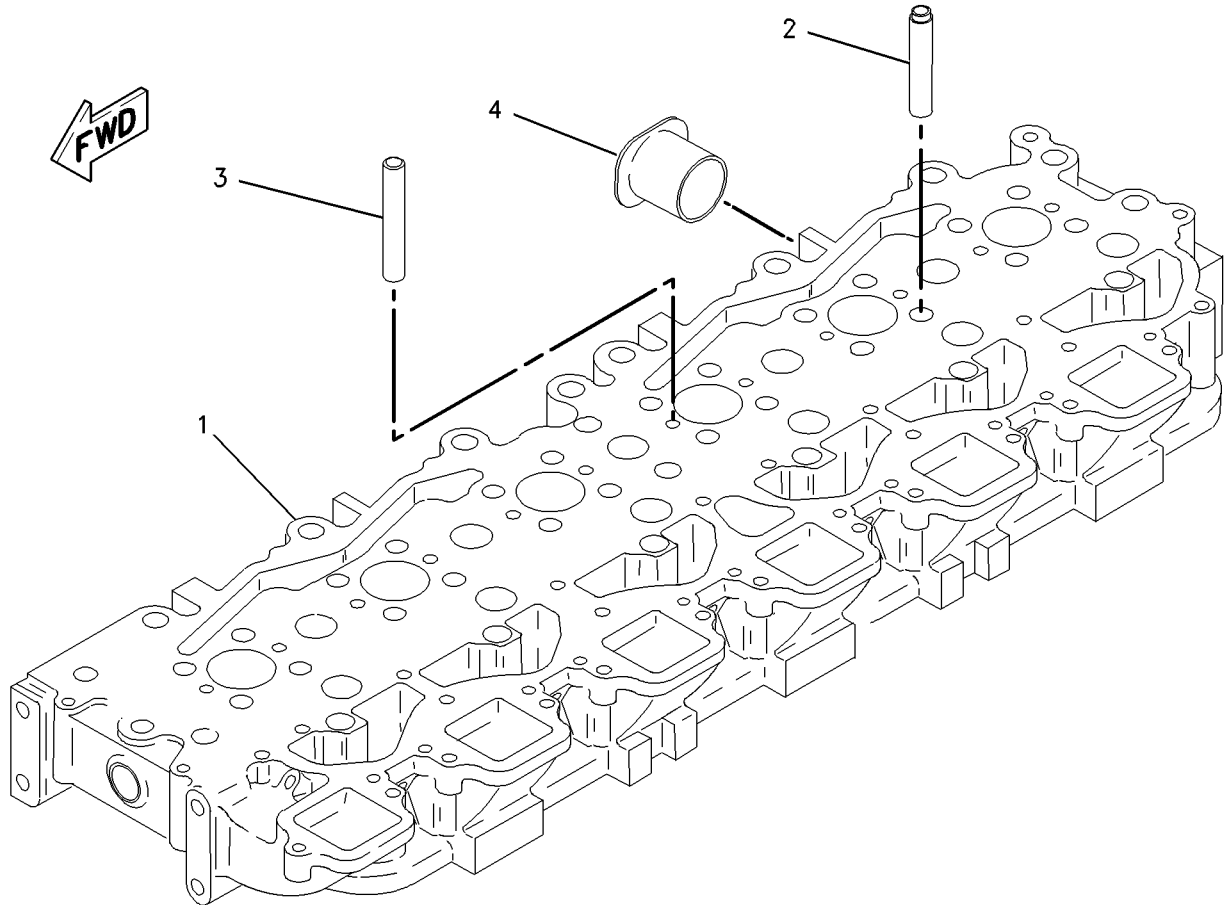
110-5096 CYLINDER HEAD GP*R FIELD REPLACEMENT FOR 110-5099—PAGE 168

SMCS-1100

i02861466

NOTE	REF NO	GRAPHIC REF	PART NUMBER	QTY	PART NAME						SEE PAGE
					1	2	3	4	5	6 (PRODUCT LEVEL)	
Y	1	1	110-5099	1	CYLINDER HEAD GP						168
	2	1	122-7374	24	GUIDE-VALVE (STANDARD)						
AB			121-9859		GUIDE-VALVE (0.13-MM OS OD)						
AB			121-9860		GUIDE-VALVE (0.51-MM OS OD)						
	3	1	2N-5775	12	DOWEL						
B	4	1	194-8124	6	SLEEVE AS (EXHAUST PORT)						

A-NOT PART OF THIS GROUP
B-USE AS REQUIRED
Y-SEPARATE ILLUSTRATION



GRAPHIC #1

<END>

g00838560

BASIC ENGINE

110-5099 CYLINDER HEAD GP

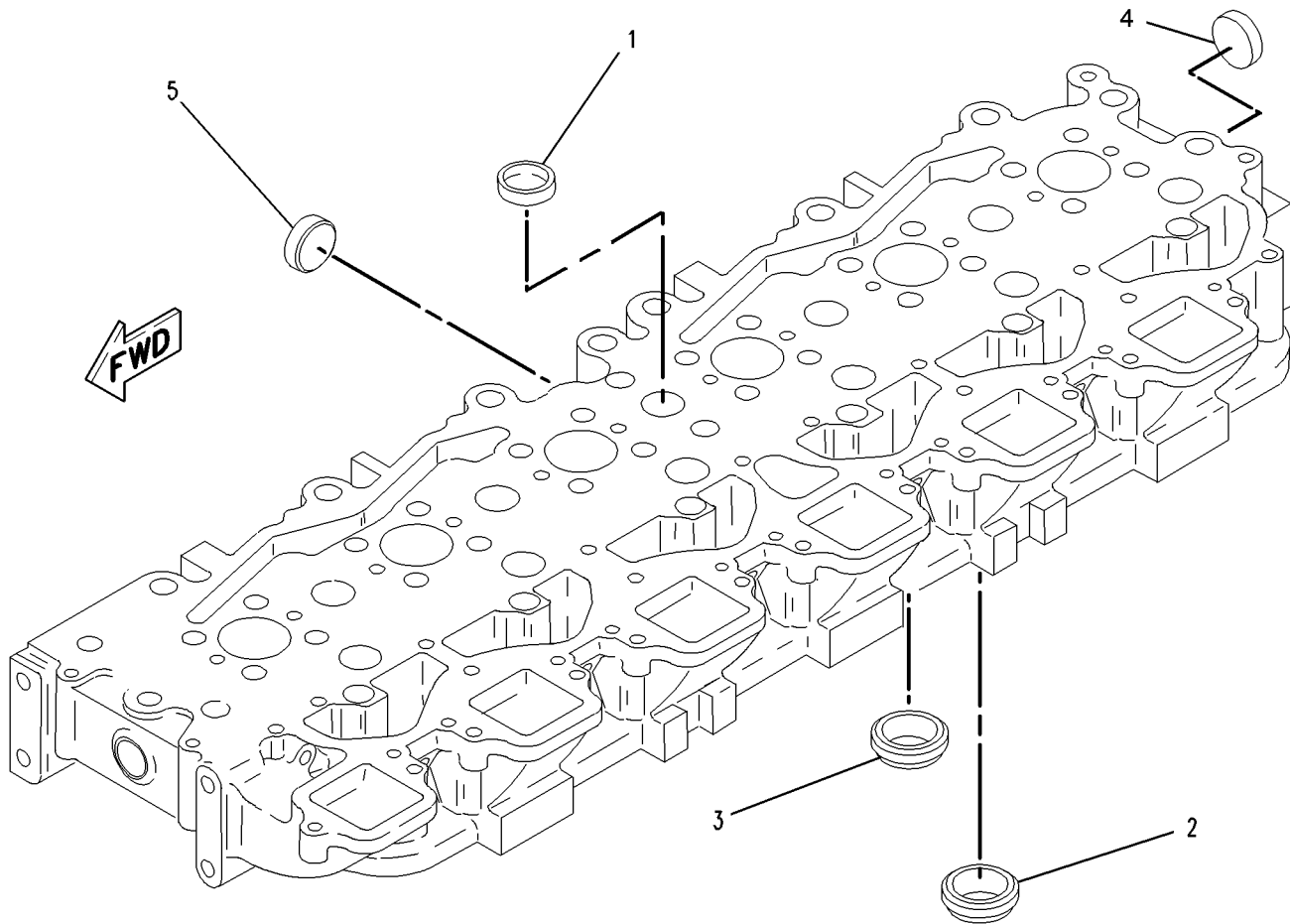
PART OF 110-5096, 214-1667, 350-4421, 7W-2202, 7W-2203 CYLINDER HEAD GP
FIELD REPLACEMENT ORDER 110-5096—PAGE 167

SMCS-1100

i02870151

NOTE	REF NO	GRAPHIC REF	PART NUMBER	QTY	PART NAME						SEE PAGE
					1	2	3	4	5	6 (PRODUCT LEVEL)	
	1	1	3B-0645	12	PLUG-CUP						
	2	1	4N-5893	12	INSERT-VALVE SEAT (INLET) (STANDARD)						
AB		1	7C-7602		INSERT-VALVE SEAT (0.13-MM OS, INLET)						
AB		1	7C-7603		INSERT-VALVE SEAT (0.25-MM OS, INLET)						
AB		1	7C-7604		INSERT-VALVE SEAT (0.51-MM OS, INLET)						
AB		1	7C-7605		INSERT-VALVE SEAT (0.76-MM OS, INLET)						
	3	1	1W-5283	12	INSERT-VALVE SEAT (EXHAUST) (STANDARD)						
AB		1	7C-5353		INSERT-VALVE SEAT (0.51-MM OS, EXHAUST)						
AB		1	7C-5354		INSERT-VALVE SEAT (0.76-MM OS, EXHAUST)						
	4	1	2M-6471	1	PLUG-CUP						
	5	1	3B-0623	10	PLUG-CUP						

A-NOT PART OF THIS GROUP
B-USE AS REQUIRED



GRAPHIC #1

<END>

g00838561

BASIC ENGINE

214-1667 CYLINDER HEAD GP

S/N: 6TB25233-UP

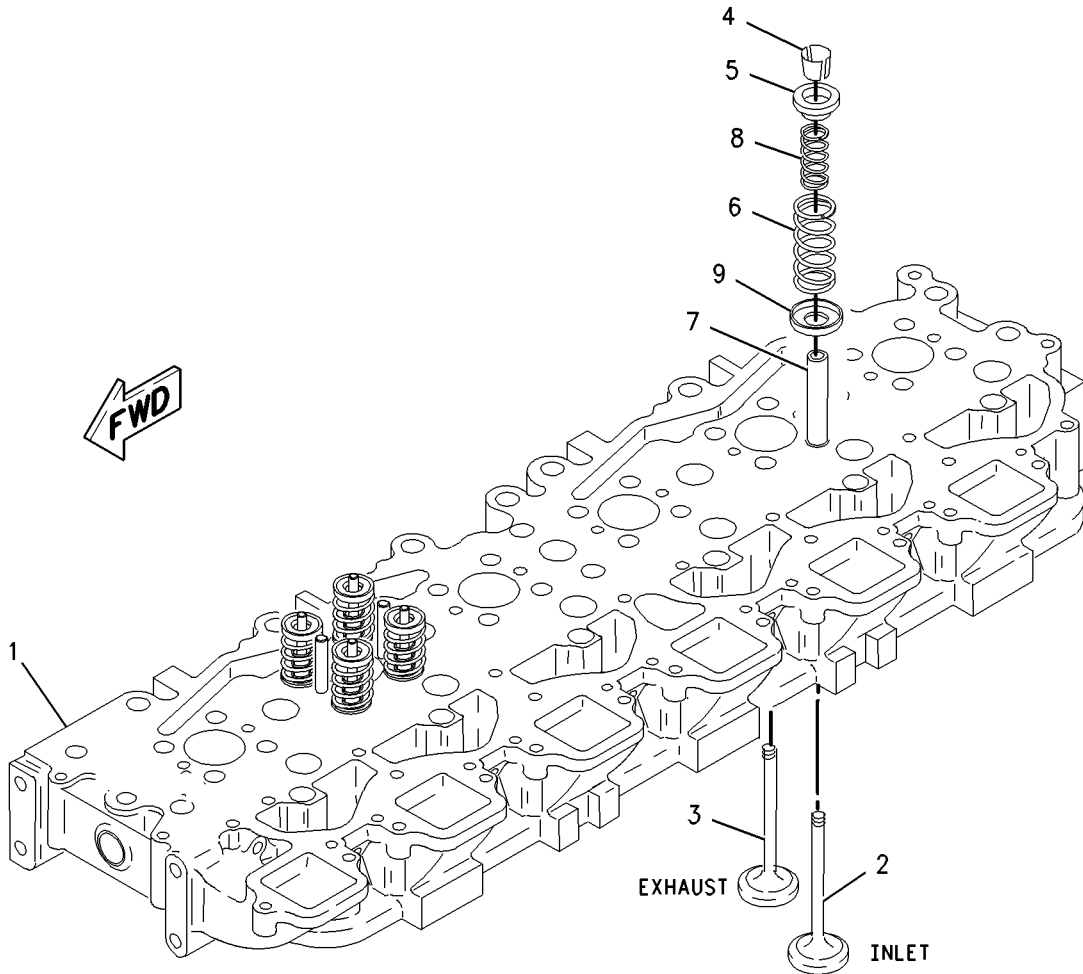
PART OF 350-4424 CYLINDER HEAD GP
FOR USE WITH 214-1666-PAGE 356

SMCS-1100

i03342485

NOTE	REF NO	GRAPHIC REF	PART NUMBER	QTY	PART NAME						SEE PAGE
					1	2	3	4	5	6 (PRODUCT LEVEL)	
Y	1	1	110-5099	1	CYLINDER HEAD GP						168
	2	1	122-0322	12	VALVE-INLET						
	3	1	122-0321	12	VALVE-EXHAUST						
	4	1	2A-4429	48	LOCK-RETAINER						
	5	1	4W-2474	24	ROTOCOIL AS						
	6	1	4W-2471	24	SPRING-VALVE (OUTER)						
	7	1	122-7374	24	GUIDE-VALVE (STANDARD)						
AB		1	121-9859		GUIDE-VALVE (0.13-MM OS OD)						
AB		1	121-9860		GUIDE-VALVE (0.51-MM OS OD)						
	8	1	4W-2472	24	SPRING-VALVE (INNER)						
	9	1	4W-2473	24	WASHER-VALVE SPRING GUIDE						

A-NOT PART OF THIS GROUP
B-USE AS REQUIRED
Y-SEPARATE ILLUSTRATION



GRAPHIC #1

<END>

g00848816

BASIC ENGINE

350-4421 CYLINDER HEAD GP

S/N: 6TB25233-UP

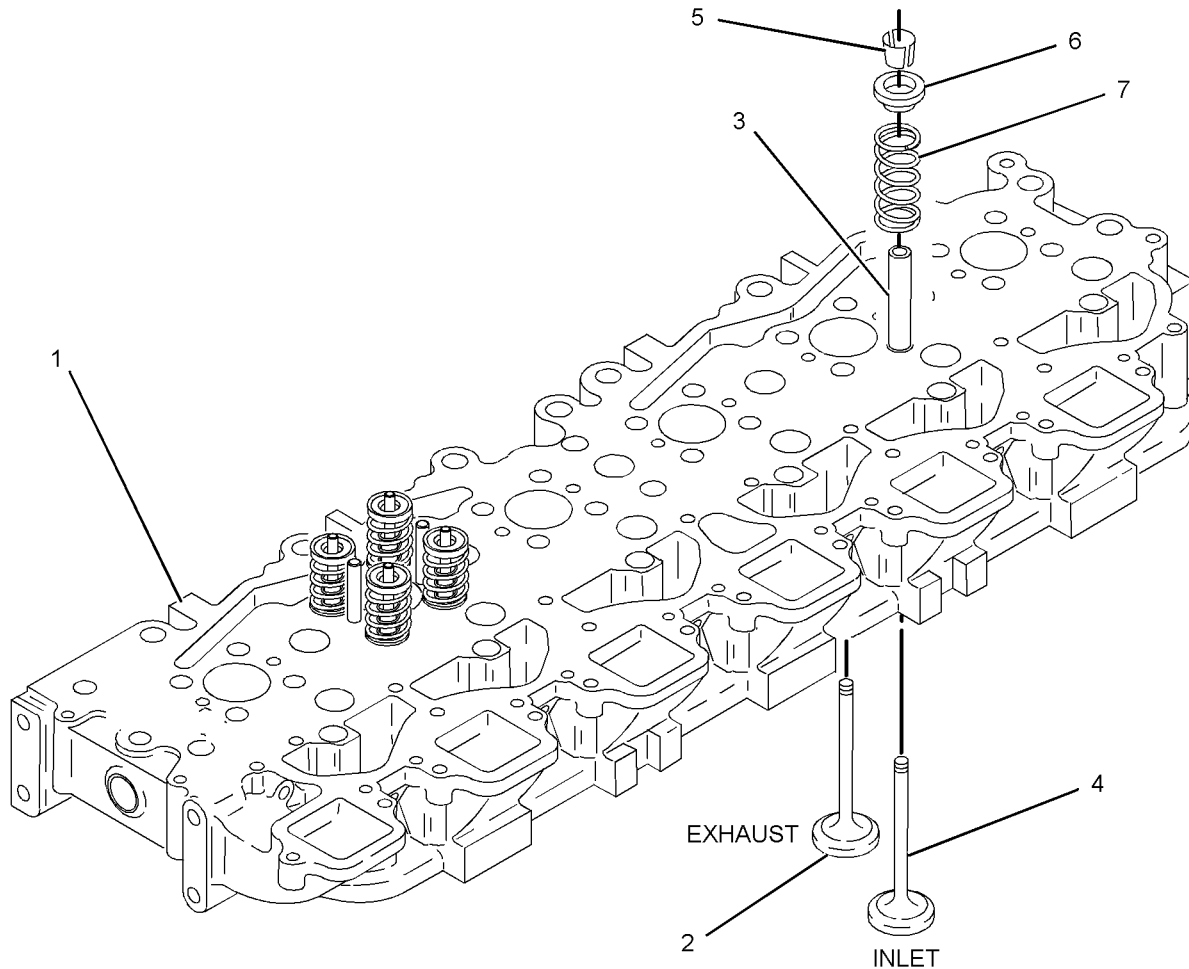
PART OF 350-4422 CYLINDER HEAD GP

SMCS-1100

i03806290

NOTE	REF NO	GRAPHIC REF	PART NUMBER	QTY	PART NAME						SEE PAGE
					1	2	3	4	5	6 (PRODUCT LEVEL)	
Y	1	1	110-5099	1	CYLINDER HEAD GP						168
	2	1	122-0321	12	VALVE-EXHAUST						
	3	1	122-7374	24	GUIDE-VALVE						
AB		1	121-9859		GUIDE-VALVE (0.13-MM OS)						
AB		1	121-9860		GUIDE-VALVE (0.51-MM OS)						
	4	1	122-0322	12	VALVE-INLET						
	5	1	2A-4429	48	LOCK-RETAINER						
	6	1	6N-7154	24	ROTOCOIL AS						
	7	1	4N-5906	24	SPRING-VALVE						

A-NOT PART OF THIS GROUP
 B-USE AS REQUIRED
 Y-SEPARATE ILLUSTRATION



GRAPHIC #1

<END>

g02064317

BASIC ENGINE

350-4422 CYLINDER HEAD GP

S/N: 6TB25233-UP

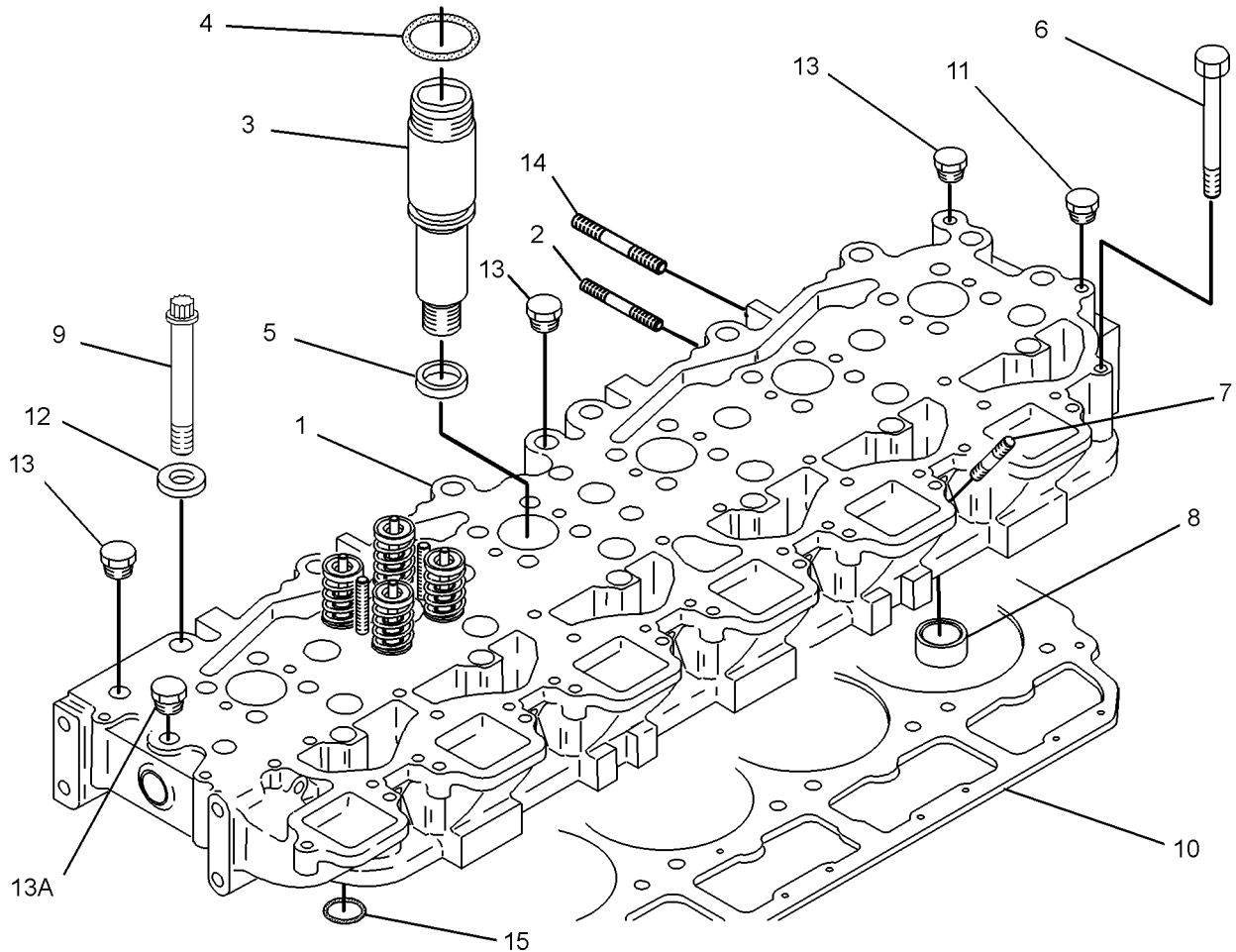
SMCS-1100

i03806269

NOTE	REF NO	GRAPHIC REF	PART NUMBER	QTY	PART NAME						SEE PAGE
					1	2	3	4	5	6 (PRODUCT LEVEL)	
Y	1	1	350-4421	1	CYLINDER HEAD GP						170
	2	1	4S-6137	1	STUD-TAPERLOCK (3/8-16X3.1-IN)						
	3	1	100-6920	6	ADAPTER-NOZZLE						
	4	1	7L-4774	6	SEAL-O-RING						
	5	1	4N-7253	6	GASKET-CHAMBER						
	6	1	5F-4899	12	BOLT (3/8-16X5.5-IN)						
	7	1	6L-7442	6	STUD-TAPERLOCK (5/16-18X1.08-IN)						
	8	1	3E-6772	24	SEAL						
	9	1	124-1855	20	BOLT-12 POINT HEAD (3/4-16X7.638-IN)						
	10	1	6I-3066	1	GASKET-CYLINDER HEAD						
B	11	1	8T-6767	1	PLUG-PIPE						
	12	1	5H-1504	20	WASHER-HARD (20X33.5X5-MM THK)						
	13	1	7W-6492	3	PLUG-PIPE						
B	13A	1	7W-6492	1	PLUG-PIPE						
	14	1	106-1792	11	STUD-TAPERLOCK (3/8-16X4-IN)						
	15	1	3S-5496	2	SEAL-O-RING						

B-USE AS REQUIRED

Y-SEPARATE ILLUSTRATION



GRAPHIC #1

<END>

g02064517

BASIC ENGINE

350-4424 CYLINDER HEAD GP*R

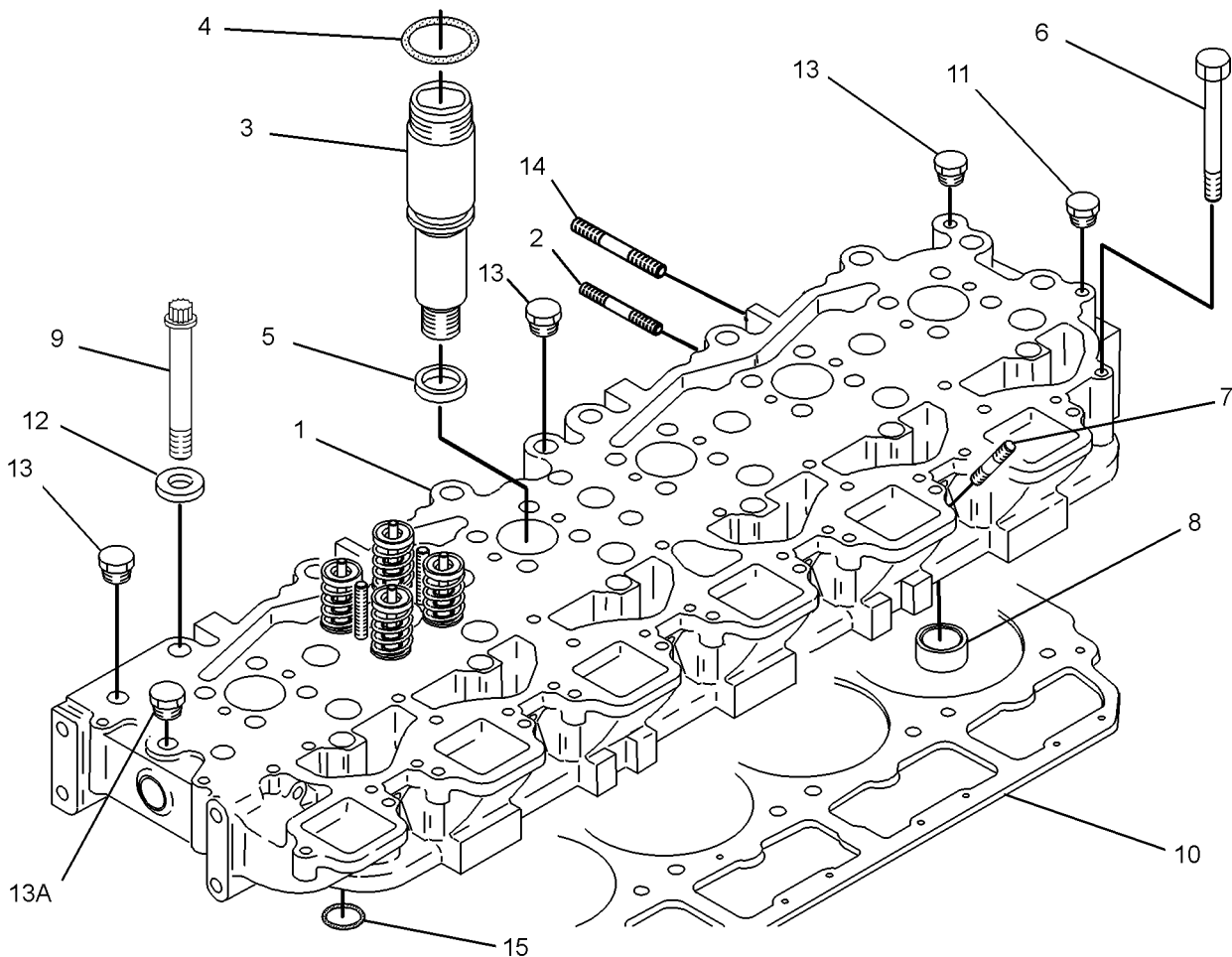
S/N: 6TB25233-UP

SMCS-1100

i03806170

NOTE	REF NO	GRAPHIC REF	PART NUMBER	QTY	PART NAME						SEE PAGE
					1	2	3	4	5	6 (PRODUCT LEVEL)	
YR	1	1	214-1667	1	CYLINDER HEAD GP						169
	2	1	4S-6137	1	STUD-TAPERLOCK (3/8-16X3.1-IN)						
	3	1	100-6920	6	ADAPTER-NOZZLE						
	4	1	7L-4774	6	SEAL-O-RING						
	5	1	4N-7253	6	GASKET-CHAMBER						
	6	1	5F-4899	12	BOLT (3/8-16X5.5-IN)						
	7	1	6L-7442	6	STUD-TAPERLOCK (5/16-18X1.08-IN)						
	8	1	3E-6772	24	SEAL						
	9	1	124-1855	20	BOLT-12 POINT HEAD (3/4-16X7.638-IN)						
	10	1	6I-3066	1	GASKET-CYLINDER HEAD						
B	11	1	8T-6767	1	PLUG-PIPE						
	12	1	5H-1504	20	WASHER-HARD (20X33.5X5-MM THK)						
	13	1	7W-6492	3	PLUG-PIPE						
B	13A	1	7W-6492	1	PLUG-PIPE						
	14	1	106-1792	11	STUD-TAPERLOCK (3/8-16X4-IN)						
	15	1	3S-5496	2	SEAL-O-RING						

B-USE AS REQUIRED
R-REMFG PART MAY BE AVAILABLE
Y-SEPARATE ILLUSTRATION



GRAPHIC #1

<END>

g02064517

BASIC ENGINE

4P-5532 DAMPER & PULLEY GP

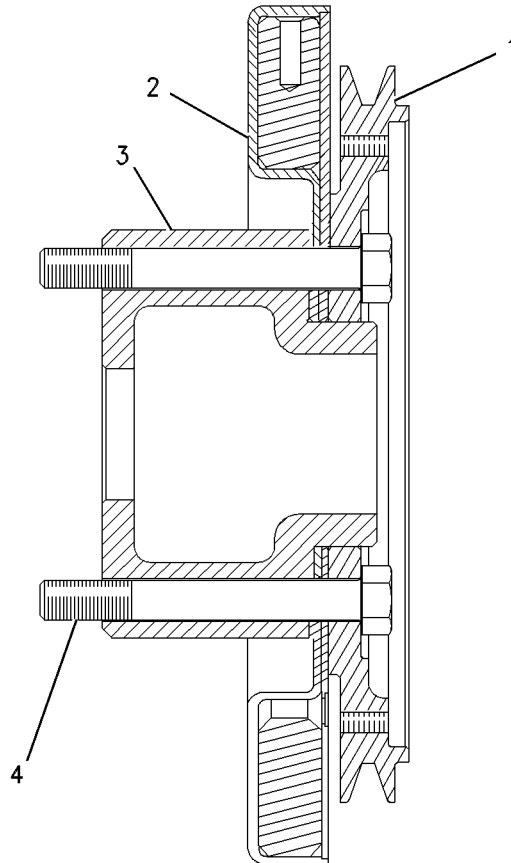
S/N: 6TB11669-UP
 VISCOUS, 1 GROOVE PULLEY

SMCS-1205

i01204338

NOTE	REF NO	GRAPHIC REF	PART NUMBER	QTY	PART NAME						SEE PAGE
					1	2	3	4	5	6 (PRODUCT LEVEL)	
	1	1	4N-1047	1	PULLEY						
R	2	1	167-8126	1	DAMPER AS						
	3	1	177-9024	1	ADAPTER-DAMPER						
	4	1	6F-7024	6	BOLT (5/8-18X5-IN)						

R-REMFG PART MAY BE AVAILABLE



GRAPHIC #1

<END>

g00644073

BASIC ENGINE

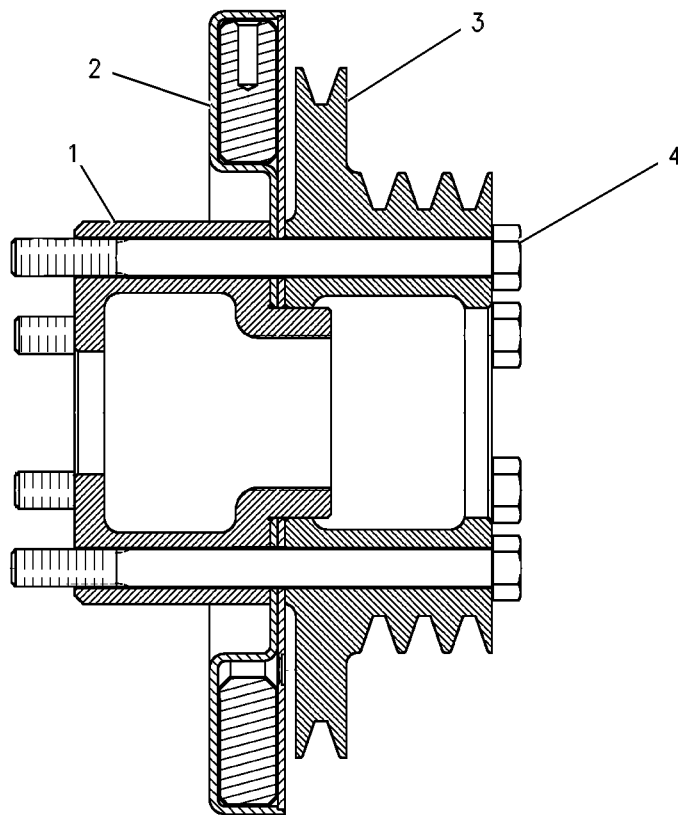
4P-5894 DAMPER & PULLEY GP 4-GROOVE PULLEY

SMCS-1205

i02459416

NOTE	REF NO	GRAPHIC REF	PART NUMBER	QTY	PART NAME						SEE PAGE
					1	2	3	4	5	6 (PRODUCT LEVEL)	
	1	1	177-9024	1	ADAPTER - DAMPER						
R	2	1	167-8126	1	DAMPER AS						
	3	1	6N-7378	1	PULLEY-CRANKSHAFT (4-GROOVE)						
	4	1	8S-4753	6	BOLT (5/8-18X8-IN)						

R-REMFG PART MAY BE AVAILABLE



GRAPHIC #1

<END>

g00648600

BASIC ENGINE

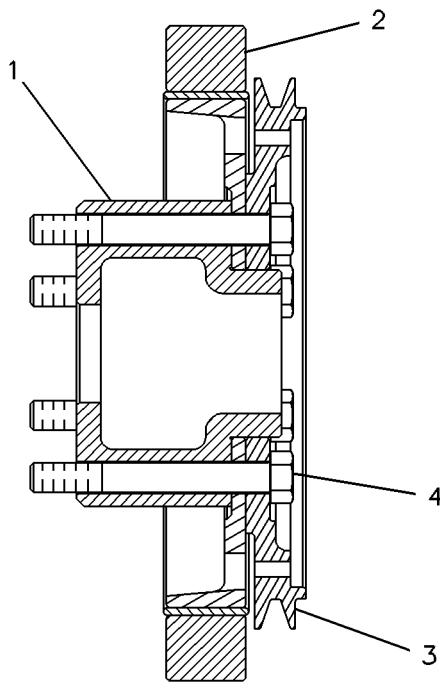
6I-2967 DAMPER & PULLEY GP

S/N: 6TB9857-11668

SMCS-1205

i00640975

NOTE	REF NO	GRAPHIC REF	PART NUMBER	QTY	PART NAME						SEE PAGE
					1	2	3	4	5	6 (PRODUCT LEVEL)	
	1	1	6N-6998	1	ADAPTER-DAMPER						
	2	1	4P-4297	1	DAMPER AS						
	3	1	4N-1047	1	PULLEY						
	4	1	6F-7024	6	BOLT (5/8-18X5-IN)						



GRAPHIC #1

<END>

g00227021

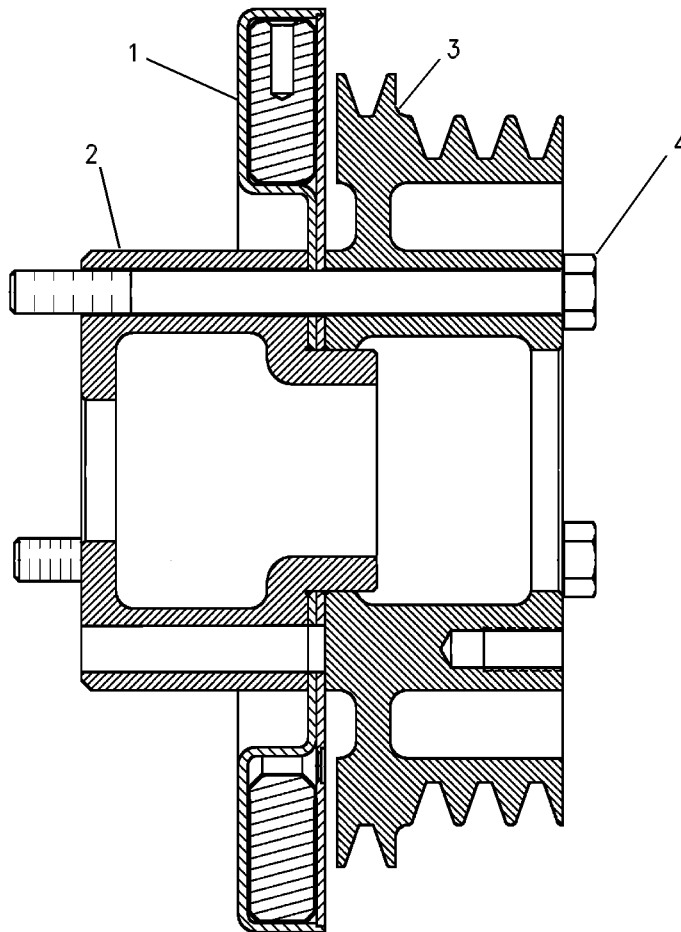
BASIC ENGINE

116-7952 DAMPER & PULLEY GP FOR USE WITH 1, 2 OR 3 GROOVE FAN DRIVE PULLEY AN ATTACHMENT

SMCS-1205

i01203071

NOTE	REF NO	GRAPHIC REF	PART NUMBER	QTY	PART NAME						SEE PAGE
					1	2	3	4	5	6 (PRODUCT LEVEL)	
	1	1	167-8126	1	DAMPER AS						
	2	1	177-9024	1	ADAPTER-DAMPER						
	3	1	7C-4521	1	PULLEY-CRANKSHAFT						
	4	1	8S-4753	3	BOLT						



GRAPHIC #1

<END>

g00643976

BASIC ENGINE

7W-0113 DAMPER GP

PROVIDES WASHERS WHEN CAST IRON PULLEY IS NOT INSTALLED
AN ATTACHMENT

SMCS-1205

i00969728

NOTE	PART NUMBER	QTY	PART NAME						SEE PAGE
			1	2	3	4	5	6 (PRODUCT LEVEL)	
	0T-0857	6	BOLT (5/8-18X4.5-IN)						
	5P-8247	6	WASHER-HARD (17X32X3.5-MM THK)						
<END>									

BASIC ENGINE

1N-3970 DRIVE GP-ACCESSORY

LEFT HAND
AN ATTACHMENT

SMCS - 1207

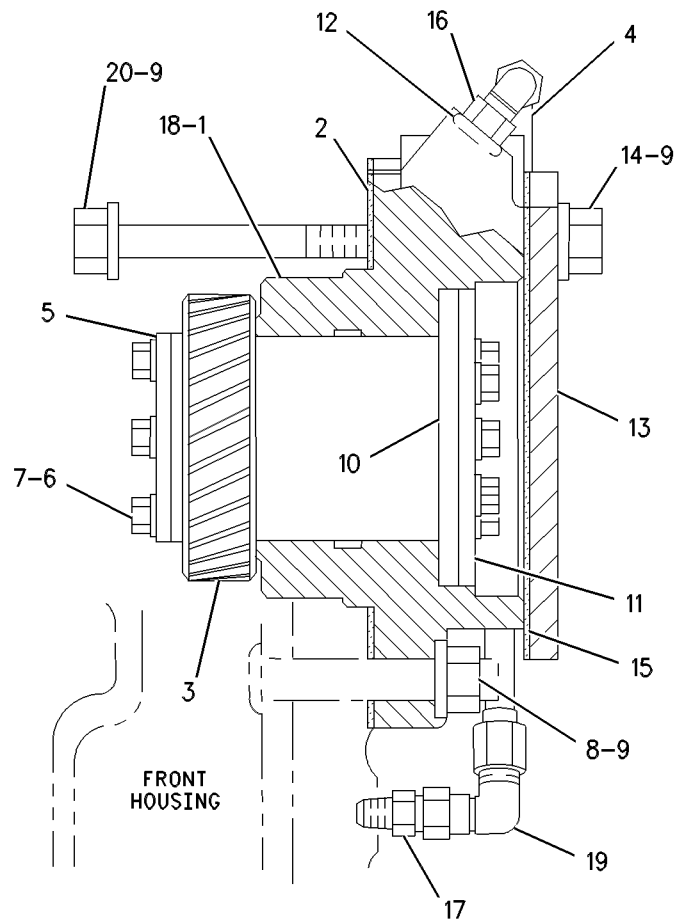
i02797599

NOTE	REF NO	GRAPHIC REF	PART NUMBER	QTY	PART NAME	SEE PAGE
					1 2 3 4 5 6 (PRODUCT LEVEL)	
	1	1	7W-8432	1	BEARING (ACCESSORY DRIVE)	
	2	1	129-3948	1	SEAL - INTEGRAL	
	3	1	1N-3973	1	GEAR (32-TEETH)	
	4	1	2W-1838	1	TUBE AS	
	5	1	4N-3852	1	COVER-RETAINER	
	6	1	2B-2695	12	BOLT (5/16-18X0.875-IN)	
	7	1	9M-1974	12	WASHER-HARD (8.8X16X2-MM THK)	
	8	1	6V-8188	2	NUT (1/2-13-THD)	
	9	1	8T-4223	5	WASHER-HARD (13.5X25.5X3-MM THK)	
	10	1	1N-3974	1	COUPLING	
	11	1	1N-3975	1	COVER-RETAINER	
	12	1	3J-7354	1	SEAL-O-RING	
	13	1	8P-1438	1	COVER	
	14	1	5P-2566	2	BOLT (1/2-13X1.5-IN)	
	15	1	9H-8872	1	GASKET	
	16	1	030-7946	1	ELBOW	
	17	1	8L-6557	1	CONNECTOR	
	18	1	5P-2424	1	BOLT (1/2-13X2.25-IN)	
	19	1	7K-9197	1	ELBOW	
	20	1	1D-4569	1	BOLT (1/2-13X4.25-IN)	
					-OR-	
		1	9X-8903	1	STUD-TAPERLOCK (1/2-13X1.10-IN, 1/2-13X1.18-IN)	
		1	1D-4719	1	NUT-FULL (1/2-13-THD)	
		1	8T-4223	1	WASHER-HARD (13.5X25.5X3-MM THK)	

BASIC ENGINE

1N-3970 DRIVE GP-ACCESSORY (contd.)

i02797599



GRAPHIC #1

<END>

g00604356

BASIC ENGINE

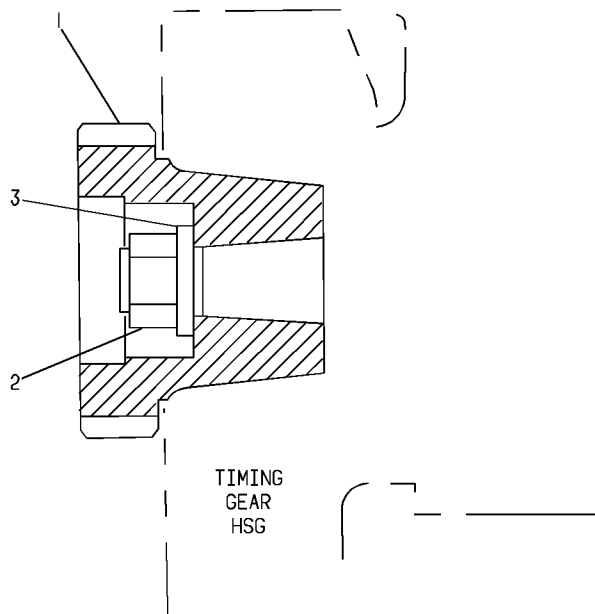
4W-3123 DRIVE GP-ACCESSORY

AIR COMPRESSOR
AN ATTACHMENT

SMCS - 1207

i02459556

NOTE	REF NO	GRAPHIC REF	PART NUMBER	QTY	PART NAME						SEE PAGE
					1	2	3	4	5	6 (PRODUCT LEVEL)	
	1	1	7W-0140	1	GEAR-DRIVE (32-TEETH)						
	2	1	6B-6682	1	NUT-FULL (3/4-16-THD)						
	3	1	5P-8248	1	WASHER-HARD (20X36.5X3.5-MM THK)						



GRAPHIC #1

<END>

g00108212

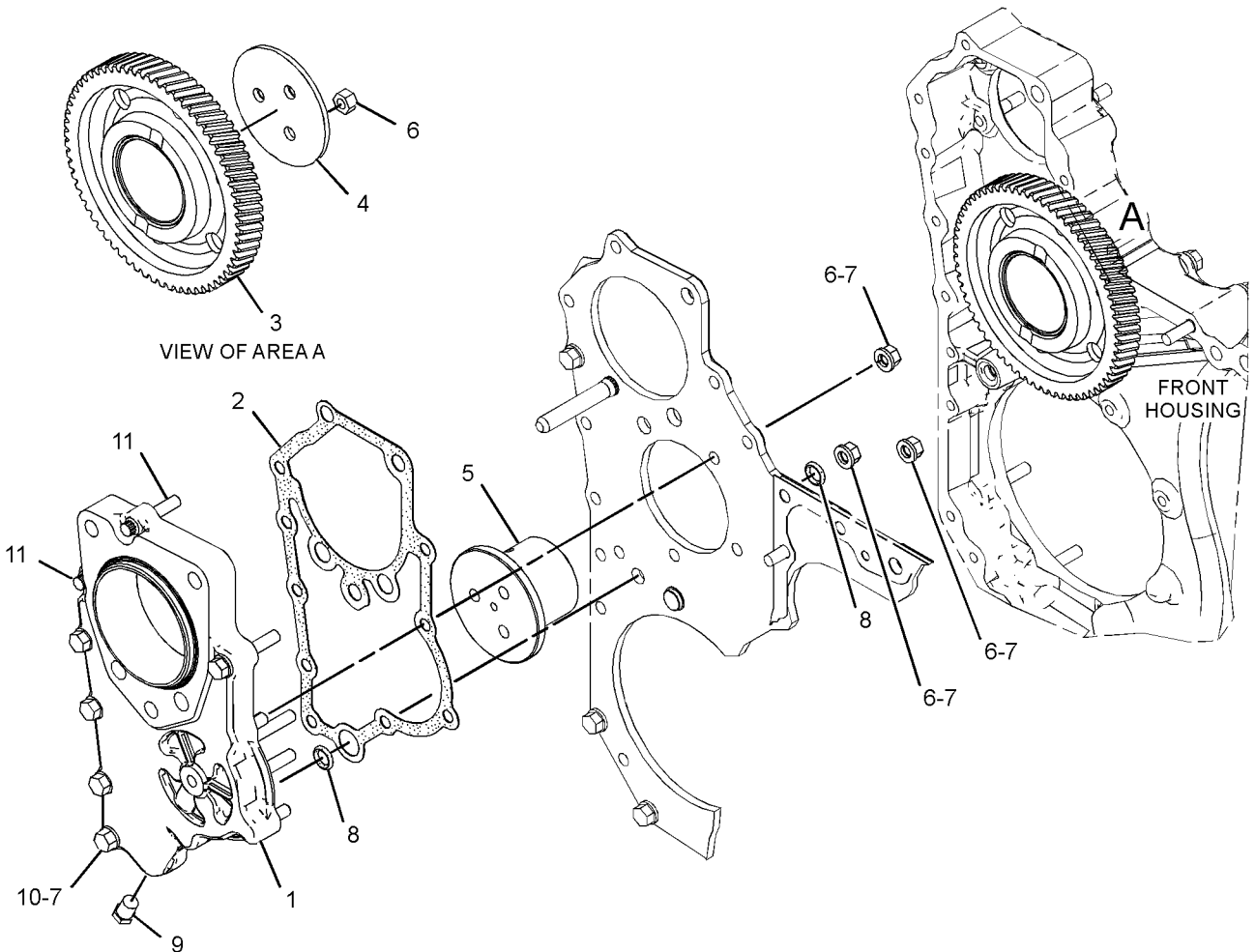
BASIC ENGINE

8N-9653 DRIVE GP-ACCESSORY

SMCS-1207

i04071791

NOTE	REF NO	GRAPHIC REF	PART NUMBER	QTY	PART NAME						SEE PAGE
					1	2	3	4	5	6 (PRODUCT LEVEL)	
	1	1	7C-0942	1	ADAPTER AS						
		1	8N-9476	1	SLEEVE						
		1	2M-2488	3	STUD-TAPERLOCK (3/8-16X3.59-IN)						
		1	2M-1538	3	STUD-TAPERLOCK (3/8-16X1.6-IN)						
		1	1M-3735	1	DOWEL						
	2	1	1W-1898	1	GASKET						
	3	1	8N-8259	1	GEAR AS-IDLER						
		1	8N-8258	1	BUSHING						
	4	1	8N-8256	1	PLATE-THRUST						
	5	1	7W-4381	1	SHAFT-IDLER						
	6	1	9S-8752	6	NUT-FULL (3/8-16-THD)						
	7	1	5M-2894	8	WASHER-HARD (10.2X18.5X2.5-MM THK)						
	8	1	147-0182	2	SEAL-O-RING						
	9	1	8T-6765	1	PLUG-PIPE						
	10	1	0L-2070	5	BOLT (3/8-16X2.25-IN)						
	11	1	053-2294	2	BOLT-12 POINT HEAD (3/8-16X1.75-IN)						



GRAPHIC #1

<END>

g02276454

BASIC ENGINE

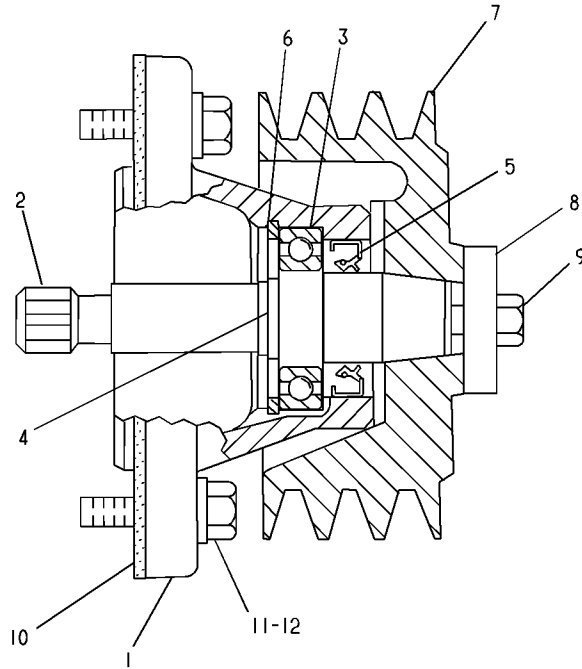
1W-0296 DRIVE GP-AUXILIARY

LH FRONT-REARWARD
AN ATTACHMENT

SMCS-1207, 3108

i02459558

NOTE	REF NO	GRAPHIC REF	PART NUMBER	QTY	PART NAME						SEE PAGE
					1	2	3	4	5	6 (PRODUCT LEVEL)	
	1	1	1W-0292	1	HOUSING-AUXILIARY DRIVE						
	2	1	1W-0293	1	SHAFT-AUXILIARY DRIVE						
	3	1	5P-9514	1	BALL BEARING						
	4	1	6K-8162	1	RING-RETAINING						
	5	1	1B-5997	1	SEAL-LIP TYPE						
	6	1	2D-1523	1	RING-RETAINING						
	7	1	1W-0294	1	PULLEY (3-GROOVE)						
	8	1	1W-0295	1	WASHER (12.2X50X10-MM THK)						
	9	1	4F-8965	1	BOLT (7/16-14X1.125-IN)						
	10	1	9H-8872	1	GASKET						
	11	1	5P-8245	2	WASHER-HARD (13.5X25.5X3-MM THK)						
	12	1	0S-1587	2	BOLT (1/2-13X1.75-IN)						



GRAPHIC #1

<END>

g00156635

BASIC ENGINE

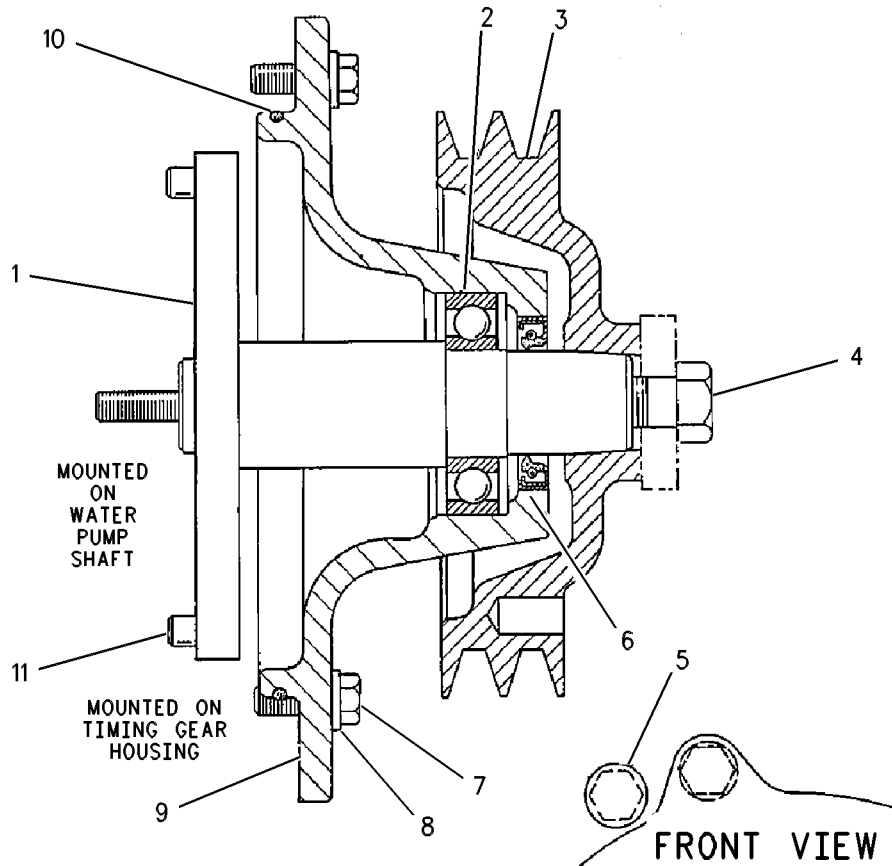
1W-6411 DRIVE GP-AUXILIARY-FRONT, RH CANNOT BE USED WITH GUARD GP-BELT (RADIATOR FAN) AN ATTACHMENT

SMCS-1207, 3108

i02459579

NOTE	REF NO	GRAPHIC REF	PART NUMBER	QTY	PART NAME						SEE PAGE
					1	2	3	4	5	6 (PRODUCT LEVEL)	
	1	1	176-5818	1	SHAFT						
	2	1	8H-9789	1	BEARING AS-BALL						
	3	1	2W-3638	1	PULLEY (2-GROOVE)						
	4	1	1B-7709	1	BOLT (5/8-11X8-IN)						
B	5	1	6F-6405	1	SPACER (0.438X0.75X0.375-IN THK)						
	6	1	4K-4845	1	SEAL-LIP TYPE						
	7	1	0S-1594	4	BOLT (3/8-16X1-IN)						
	8	1	5M-2894	4	WASHER-HARD (10.2X18.5X2.5-MM THK)						
	9	1	1W-6412	1	HOUSING-AUXILIARY DRIVE						
	10	1	1H-8278	1	SEAL-O-RING						
	11	1	4N-0684	2	DOWEL						

B-USE AS REQUIRED



GRAPHIC #1

<END>

g00620568

BASIC ENGINE

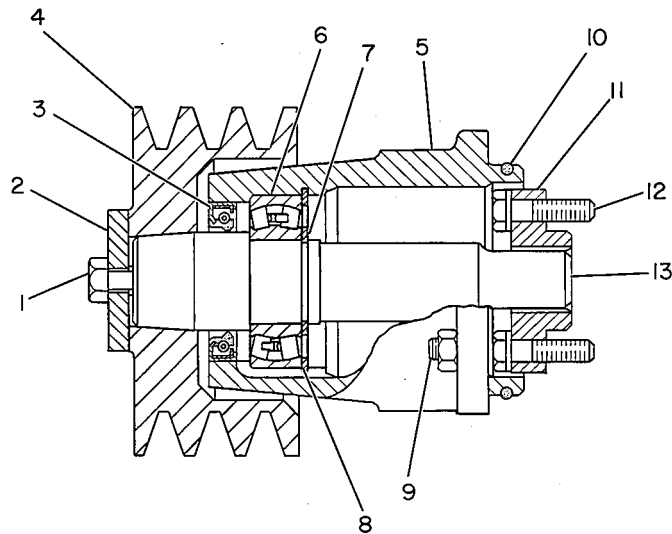
1W-8582 DRIVE GP-AUXILIARY

LH FRONT-FORWARD, CAN BE USED ON ENGINES WITH EXPANSION TANK
AN ATTACHMENT

SMCS-1207, 3108

i02459584

NOTE	REF NO	GRAPHIC REF	PART NUMBER	QTY	PART NAME						SEE PAGE
					1	2	3	4	5	6 (PRODUCT LEVEL)	
	1	1	0S-1591	1	BOLT (3/8-16X1.5-IN)						
	2	1	4N-5254	1	WASHER (0.390X2X0.312-IN THK)						
	3	1	4K-4845	1	SEAL-LIP TYPE						
	4	1	1W-8702	1	PULLEY (3-GROOVE)						
	5	1	7N-8985	1	HOUSING-AUXILIARY DRIVE						
	6	1	5P-9538	1	BEARING-ROLLER						
	7	1	4M-5285	1	RING-RETAINING (EXTERNAL)						
	8	1	1L-4775	1	RING-RETAINING						
	9	1	6F-7012	2	STUD-TAPERLOCK (3/8-16X1.57-IN)						
		1	9S-8752	4	NUT-FULL (3/8-16-THD)						
	10	1	1H-7339	1	SEAL-O-RING						
	11	1	3N-4848	1	ADAPTER-PUMP DRIVE						
	12	1	1B-7182	4	BOLT (5/16-18X1.25-IN)						
		1	9M-1974	4	WASHER-HARD (8.8X16X2-MM THK)						
	13	1	7N-8986	1	SHAFT-AUXILIARY DRIVE						



GRAPHIC #1

<END>

g00156642

BASIC ENGINE

1W-1176 DRIVE GP-FAN

**3 GROOVE-8.5 INCH DIAMETER PULLEY-.941 DRIVE RATIO AND BLOWER DRIVE
ALSO AN ATTACHMENT**

SMCS-1359

i01962525

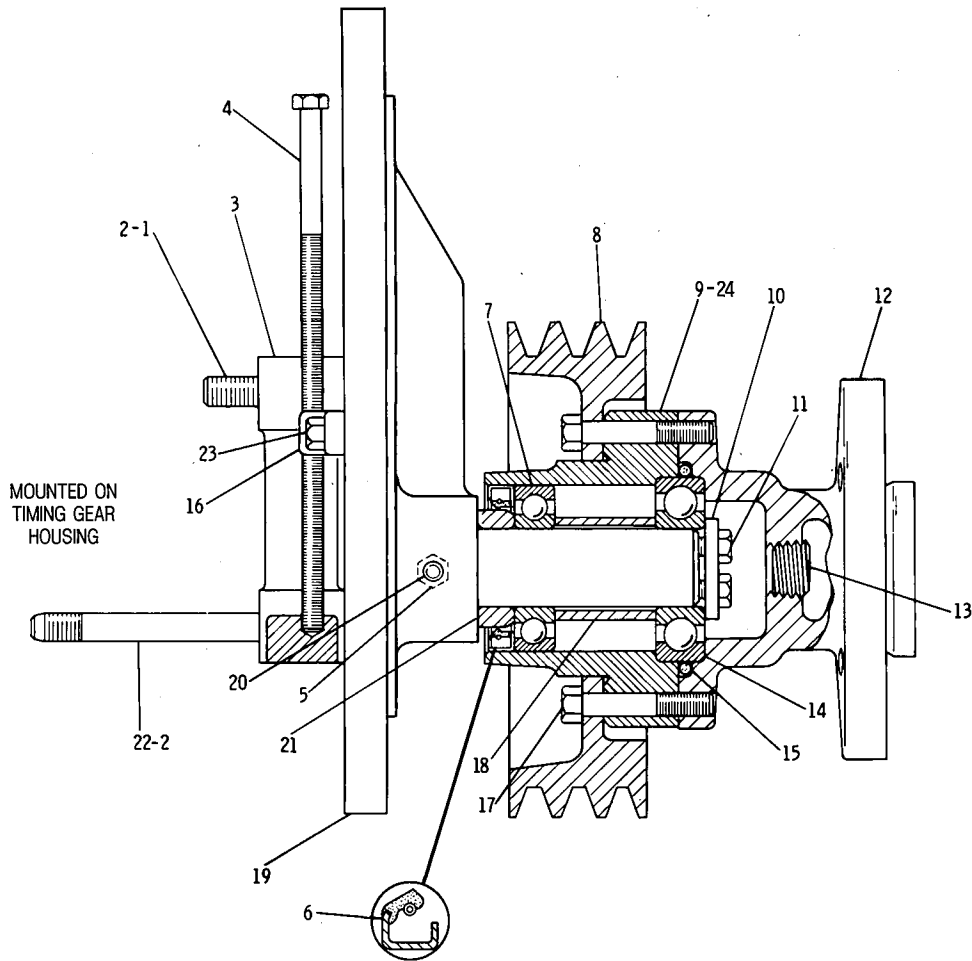
NOTE	REF NO	GRAPHIC REF	PART NUMBER	QTY	PART NAME						SEE PAGE
					1	2	3	4	5	6 (PRODUCT LEVEL)	
	1	1	1D-4566	2	BOLT (1/2-13X3.5-IN)						
	2	1	1F-7960	4	WASHER (13.5X32X6-MM THK)						
	3	1	4N-2372	1	ADAPTER-BRACKET						
	4	1	9L-4238	1	BOLT (3/8-16X8.5-IN)						
	5	1	4B-4550	1	FITTING-PRESSURE RELIEF (1/8-27 PTF) (FAN DRIVE)						
	6	1	5S-2106	1	SEAL-LIP TYPE						
	7	1	8H-9789	1	BEARING AS-BALL						
	8	1	4N-6289	1	PULLEY-FAN DRIVE						
	9	1	7N-8827	1	HUB						
	10	1	5S-7264	1	WASHER-RETAINING (0.219-IN THK) (42.93MM) -OR-						
C		1	7N-2900	1	RETAINER (47.63MM)						
	11	1	1H-5403	2	BOLT (5/16-24X2-IN) -OR-						
C		1	5P-7979	2	BOLT-LOCKING (5/16-24X2.25-IN) (57.15MM)						
	12	1	6N-6598	1	ADAPTER-FAN						
	13	1	1B-5174	1	PLUG-PIPE						
	14	1	3L-1425	1	BALL BEARING						
	15	1	9F-4446	1	SEAL-O-RING						
	16	1	9N-5120	1	BRACKET						
	17	1	0L-2070	6	BOLT (3/8-16X2.25-IN)						
	18	1	8N-5305	1	SPACER (35.6X47.62X43.74-MM THK)						
	19	1	6N-6490	1	BRACKET AS-FAN						
	20	1	4N-0684	1	DOWEL						
	21	1	5S-9062	1	SPACER (35.032X50.8X15.88-MM THK)						
	22	1	2P-9084	2	STUD-TAPERLOCK (1/2-13X0.83-IN, 1/2-13X0.98-IN)						
		1	1F-7958	2	NUT-FULL (1/2-13-THD)						
	23	1	0S-1594	2	BOLT (3/8-16X1-IN)						
	24	1	2D-4867	1	FITTING-GREASE (FAN DRIVE)						

C-CHANGE FROM PREVIOUS TYPE

BASIC ENGINE

1W-1176 DRIVE GP-FAN (contd.)

i01962525



GRAPHIC #1

<END>

g00208408

BASIC ENGINE

7N-8830 DRIVE GP-FAN

4 GROOVE-12.75 INCH PULLEY-.571 DRIVE RATIO AND BLOWER DRIVE
AN ATTACHMENT

SMCS-1359

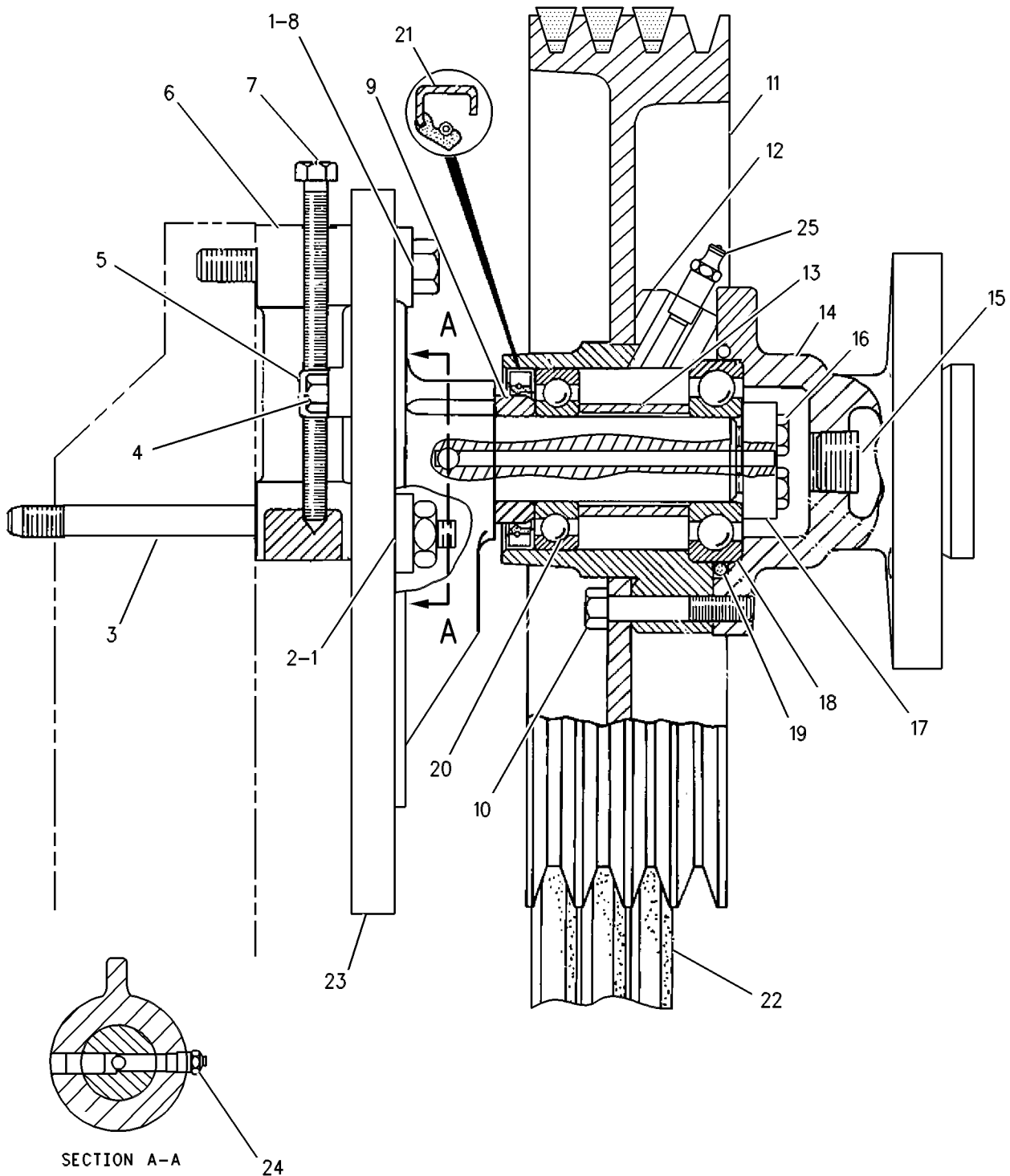
i01962528

NOTE	REF NO	GRAPHIC REF	PART NUMBER	QTY	PART NAME						SEE PAGE
					1	2	3	4	5	6 (PRODUCT LEVEL)	
	1	1	1F-7960	4	WASHER (13.5X32X6-MM THK)						
	2	1	1D-4719	2	NUT-FULL (1/2-13-THD)						
	3	1	2P-9084	2	STUD-TAPERLOCK (1/2-13X0.83-IN, 1/2-13X0.98-IN)						
	4	1	1A-2029	2	BOLT (3/8-16X1.125-IN)						
	5	1	9N-5120	1	BRACKET						
	6	1	4N-2372	1	ADAPTER-BRACKET						
	7	1	5R-1771	1	BOLT (3/8-16X5.5-IN)						
	8	1	1D-4566	2	BOLT (1/2-13X3.5-IN)						
	9	1	5S-9062	1	SPACER (35.032X50.8X15.88-MM THK)						
	10	1	0L-2070	6	BOLT (3/8-16X2.25-IN)						
	11	1	6N-0598	1	PULLEY-FAN DRIVE						
	12	1	7N-8827	1	HUB						
	13	1	8N-5305	1	SPACER (35.6X47.62X43.74-MM THK)						
	14	1	6N-6598	1	ADAPTER-FAN						
	15	1	1B-5174	1	PLUG-PIPE						
	16	1	1H-5403	2	BOLT (5/16-24X2-IN)						
					-OR-						
C		1	5P-7979	2	BOLT-LOCKING (5/16-24X2.25-IN)						
	17	1	5S-7264	1	WASHER-RETAINING (0.219-IN THK) (42.93MM OD)						
					-OR-						
C		1	7N-2900	1	RETAINER (47.63MM OD)						
	18	1	3L-1425	1	BALL BEARING						
	19	1	9F-4446	1	SEAL-O-RING						
	20	1	8H-9789	1	BEARING AS-BALL						
	21	1	5S-2106	1	SEAL-LIP TYPE						
	22	1	6N-6655	1	V-BELT SET (INCLUDES 3-BELTS) (FAN DRIVE)						
	23	1	6N-7688	1	BRACKET AS-FAN						
	24	1	4B-4550	1	FITTING-PRESSURE RELIEF (1/8-27 PTF) (FAN DRIVE)						
	25	1	2D-4867	1	FITTING-GREASE (FAN DRIVE)						
C-CHANGE FROM PREVIOUS TYPE											

BASIC ENGINE

7N-8830 DRIVE GP-FAN (contd.)

i01962528



SECTION A-A

GRAPHIC #1

<END>

g00656222

BASIC ENGINE

7N-8833 DRIVE GP-FAN

4 GROOVE-10.5 INCH DIAMETER PULLEY-.681 DRIVE RATIO AND BLOWER DRIVE
AN ATTACHMENT
TYPE 1

SMCS-1359

i01959252

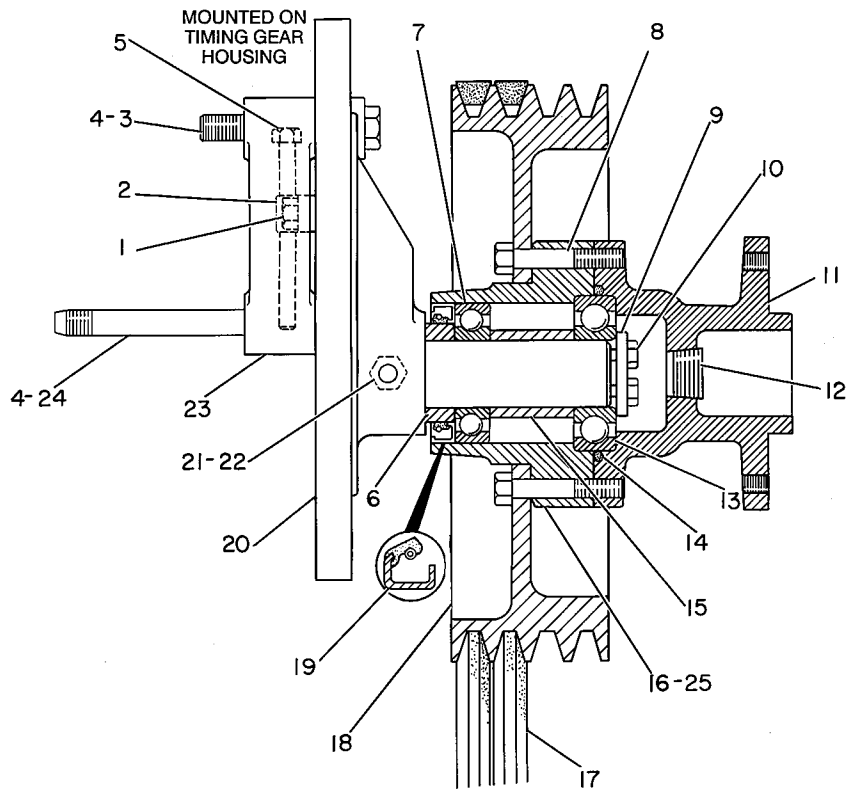
NOTE	REF NO	GRAPHIC REF	PART NUMBER	QTY	PART NAME						SEE PAGE
					1	2	3	4	5	6 (PRODUCT LEVEL)	
C	1	1	1A-2029	2	BOLT (3/8-16X1.125-IN)						
	2	1	9N-5120	1	BRACKET						
	3	1	1D-4566	2	BOLT (1/2-13X3.5-IN)						
	4	1	1F-7960	4	WASHER (13.5X32X6-MM THK)						
	5	1	8L-5213	1	BOLT (3/8-16X4-IN)						
	6	1	5S-9062	1	SPACER (35.032X50.8X15.88-MM THK)						
	7	1	8H-9789	1	BEARING AS-BALL						
	8	1	0L-2070	6	BOLT (3/8-16X2.25-IN)						
	9	1	5S-7264	1	WASHER-RETAINING (0.219-IN THK) (42.93MM 1.69IN OD)						
					-OR-						
C		1	7N-2900	1	RETAINER (47.63MM 1.88IN OD)						
	10	1	1H-5403	2	BOLT (5/16-24X2-IN)						
					-OR-						
C		1	5P-7979	2	BOLT-LOCKING (5/16-24X2.25-IN) (57.15MM 2.25IN LONG)						
	11	1	4N-2370	1	ADAPTER-FAN						
	12	1	1B-5174	1	PLUG-PIPE						
	13	1	3L-1425	1	BALL BEARING						
	14	1	9F-4446	1	SEAL-O-RING						
	15	1	2P-2243	1	SPACER (1.438X1.75X1.722-IN THK)						
	16	1	7N-8827	1	HUB						
	17	1	4N-2532	1	V-BELT SET (INCLUDES 2-BELTS) (FAN DRIVE)						
	18	1	6N-0597	1	PULLEY-FAN DRIVE						
	19	1	5S-2106	1	SEAL-LIP TYPE						
	20	1	6N-7688	1	BRACKET AS-FAN						
	21	1	4N-0684	1	DOWEL						
	22	1	4B-4550	1	FITTING-PRESSURE RELIEF (1/8-27 PTF) (FAN DRIVE)						
	23	1	4N-2372	1	ADAPTER-BRACKET						
	24	1	2P-9084	2	STUD-TAPERLOCK (1/2-13X0.83-IN, 1/2-13X0.98-IN)						
			1	1D-4719	2	NUT-FULL (1/2-13-THD)					
25	1	2D-4867	1	FITTING-GREASE (FAN DRIVE)							

C-CHANGE FROM PREVIOUS TYPE

BASIC ENGINE

7N-8833 DRIVE GP-FAN (contd.)

i01959252



GRAPHIC #1

<END>

g00157589

BASIC ENGINE

7N-8833 DRIVE GP-FAN

4 GROOVE-10.5 INCH DIAMETER PULLEY-.681 DRIVE RATIO AND BLOWER DRIVE
AN ATTACHMENT
TYPE 2

SMCS-1359

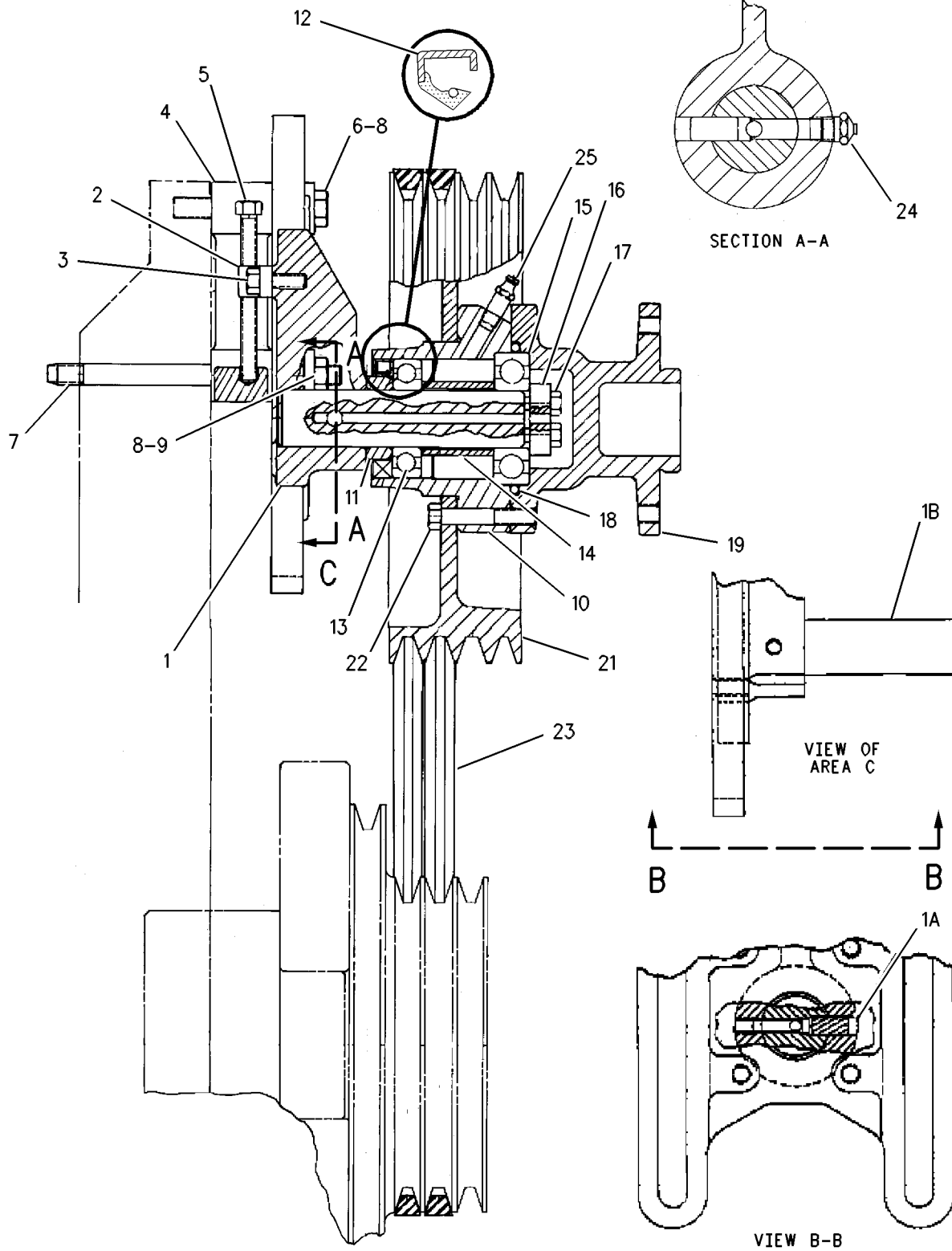
i03507961

NOTE	REF NO	GRAPHIC REF	PART NUMBER	QTY	PART NAME						SEE PAGE
					1	2	3	4	5	6 (PRODUCT LEVEL)	
	1	1	6N-7688	1	BRACKET AS-FAN						
	1A	1	4N-0684	1	DOWEL						
	1B	1	1P-9946	1	SHAFT-FAN						
	2	1	9N-5120	1	BRACKET						
	3	1	1A-2029	2	BOLT (3/8-16X1.125-IN)						
	4	1	4N-2372	1	ADAPTER-BRACKET						
	5	1	8L-5213	1	BOLT (3/8-16X4-IN)						
	6	1	1D-4566	2	BOLT (1/2-13X3.5-IN)						
	7	1	2P-9084	2	STUD-TAPERLOCK (1/2-13X0.83-IN, 1/2-13X0.98-IN)						
	8	1	7D-1649	4	WASHER-HARD (13.5X32X5-MM THK)						
	9	1	1F-7958	2	NUT-FULL (1/2-13-THD)						
	10	1	7N-8827	1	HUB						
	11	1	5S-9062	1	SPACER (35.032X50.8X15.88-MM THK)						
	12	1	5S-2106	1	SEAL-LIP TYPE						
	13	1	8H-9789	1	BEARING AS-BALL						
	14	1	8N-5305	1	SPACER (35.6X47.62X43.74-MM THK)						
	15	1	3L-1425	1	BALL BEARING						
	16	1	7N-2900	1	RETAINER						
	17	1	5P-7979	2	BOLT-LOCKING (5/16-24X2.25-IN)						
	18	1	9F-4446	1	SEAL-O-RING						
	19	1	4N-2370	1	ADAPTER-FAN						
	21	1	6N-0597	1	PULLEY-FAN DRIVE						
	22	1	0L-2070	6	BOLT (3/8-16X2.25-IN)						
	23	1	4N-2532	1	V-BELT SET (INCLUDES 2-BELTS) (FAN DRIVE)						
	24	1	4B-4550	1	FITTING-PRESSURE RELIEF (1/8-27 PTF) (FAN DRIVE)						
	25	1	2D-4867	1	FITTING-GREASE (FAN DRIVE)						

BASIC ENGINE

7N-8833 DRIVE GP-FAN (contd.)

i03507961



GRAPHIC #1

<END>

g00639788

BASIC ENGINE

7N-8836 DRIVE GP-FAN

4 GROOVE-254MM DIAMETER PULLEY-.800 DRIVE RATIO AND BLOWER DRIVE
AN ATTACHMENT
TYPE 1

SMCS-1359

i01959269

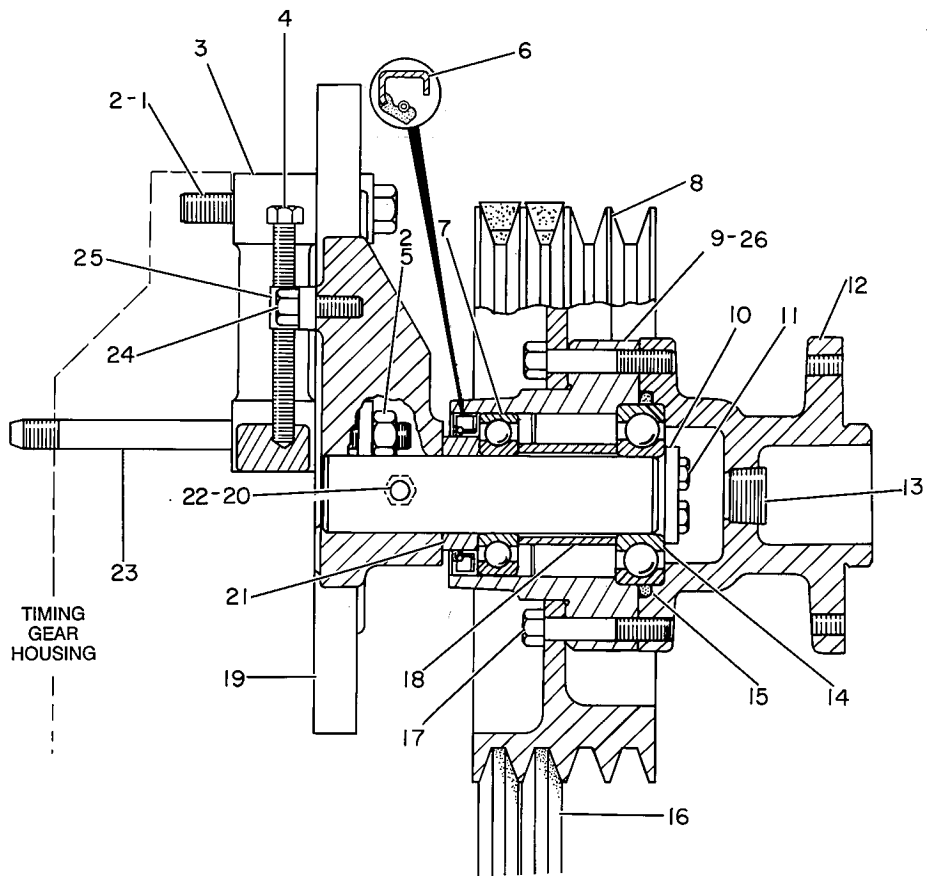
NOTE	REF NO	GRAPHIC REF	PART NUMBER	QTY	PART NAME						SEE PAGE
					1	2	3	4	5	6 (PRODUCT LEVEL)	
	1	1	1D-4566	2	BOLT (1/2-13X3.5-IN)						
	2	1	1F-7960	4	WASHER (13.5X32X6-MM THK)						
	3	1	4N-2372	1	ADAPTER-BRACKET						
	4	1	8L-5213	1	BOLT (3/8-16X4-IN)						
	5	1	1D-4719	2	NUT-FULL (1/2-13-THD)						
	6	1	5S-2106	1	SEAL-LIP TYPE						
	7	1	8H-9789	1	BEARING AS-BALL						
	8	1	7N-8828	1	PULLEY-FAN DRIVE						
	9	1	7N-8827	1	HUB						
	10	1	5S-7264	1	WASHER-RETAINING (0.219-IN THK) (42.93MM 1.69IN OD)						
					-OR-						
C		1	7N-2900	1	RETAINER (47.63MM 1.88IN OD)						
	11	1	1H-5403	2	BOLT (5/16-24X2-IN)						
					-OR-						
C		1	5P-7979	2	BOLT-LOCKING (5/16-24X2.25-IN) (57.15MM 2.25IN LONG)						
	12	1	4N-2370	1	ADAPTER-FAN						
	13	1	1B-5174	1	PLUG-PIPE						
	14	1	3L-1425	1	BALL BEARING						
	15	1	9F-4446	1	SEAL-O-RING						
	16	1	4N-6373	1	V-BELT SET (INCLUDES 2-BELTS) (FAN DRIVE)						
	17	1	0L-2070	6	BOLT (3/8-16X2.25-IN)						
	18	1	2P-2243	1	SPACER (1.438X1.75X1.722-IN THK)						
	19	1	6N-7688	1	BRACKET AS-FAN						
	20	1	4N-0684	1	DOWEL						
	21	1	5S-9062	1	SPACER (35.032X50.8X15.88-MM THK)						
	22	1	4B-4550	1	FITTING-PRESSURE RELIEF (1/8-27 PTF) (FAN DRIVE)						
	23	1	2P-9084	2	STUD-TAPERLOCK (1/2-13X0.83-IN, 1/2-13X0.98-IN)						
	24	1	1A-2029	2	BOLT (3/8-16X1.125-IN)						
	25	1	9N-5120	1	BRACKET						
	26	1	2D-4867	1	FITTING-GREASE (FAN DRIVE)						

C-CHANGE FROM PREVIOUS TYPE

BASIC ENGINE

7N-8836 DRIVE GP-FAN (contd.)

i01959269



GRAPHIC #1

<END>

g00157590

BASIC ENGINE

7N-8836 DRIVE GP-FAN

4 GROOVE-254MM DIAMETER PULLEY-.800 DRIVE RATIO AND BLOWER DRIVE
AN ATTACHMENT
TYPE 2

SMCS-1359

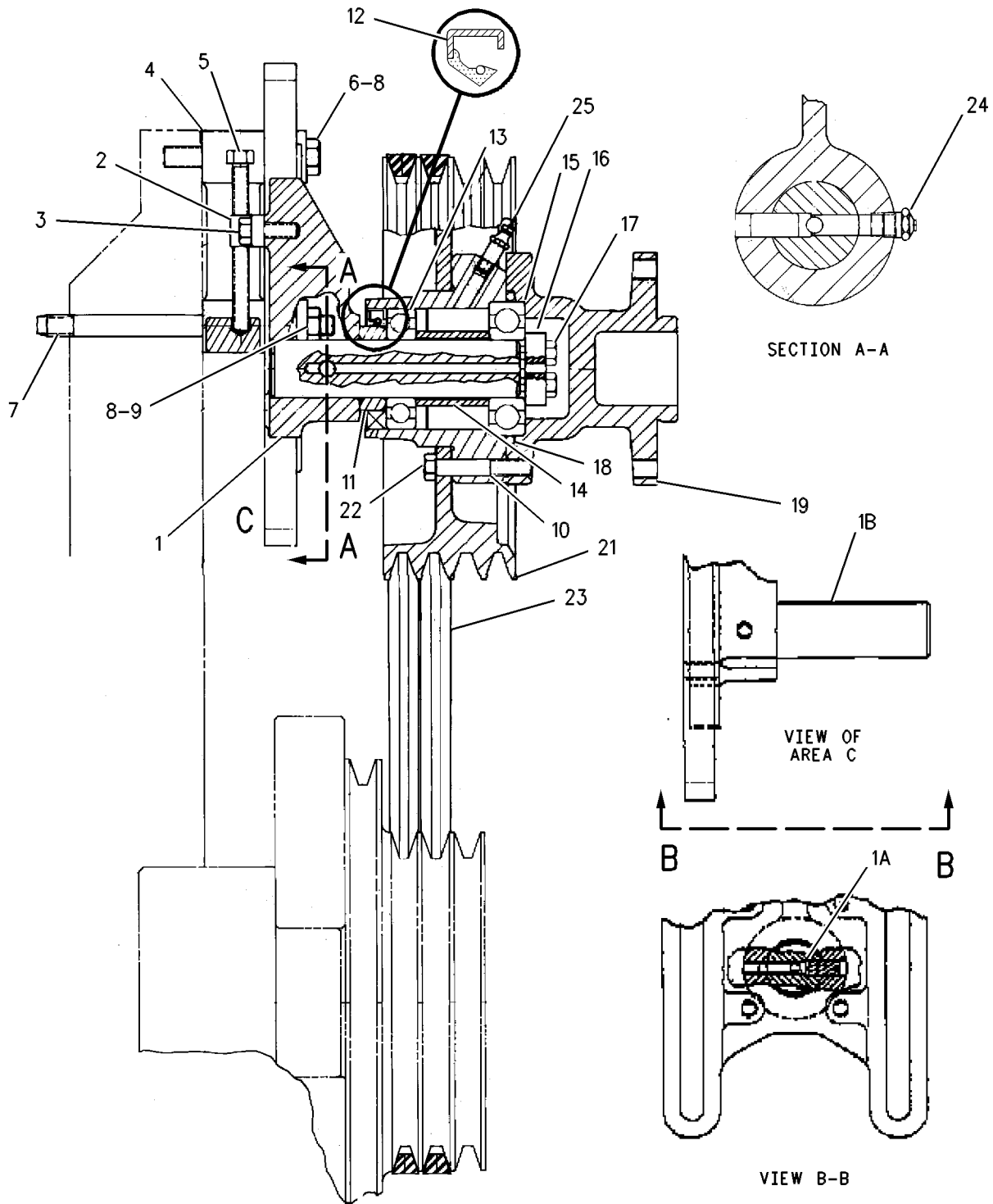
i03507962

NOTE	REF NO	GRAPHIC REF	PART NUMBER	QTY	PART NAME						SEE PAGE
					1	2	3	4	5	6 (PRODUCT LEVEL)	
	1	1	6N-7688	1	BRACKET AS-FAN						
	1A	1	1P-9946	1	SHAFT-FAN						
	1B	1	4N-0684	1	DOWEL						
	2	1	9N-5120	1	BRACKET						
	3	1	1A-2029	2	BOLT (3/8-16X1.125-IN)						
	4	1	4N-2372	1	ADAPTER-BRACKET						
	5	1	8L-5213	1	BOLT (3/8-16X4-IN)						
	6	1	1D-4566	2	BOLT (1/2-13X3.5-IN)						
	7	1	2P-9084	2	STUD-TAPERLOCK (1/2-13X0.83-IN, 1/2-13X0.98-IN)						
	8	1	7D-1649	4	WASHER-HARD (13.5X32X5-MM THK)						
	9	1	6V-8188	2	NUT (1/2-13-THD)						
	10	1	7N-8827	1	HUB						
	11	1	5S-9062	1	SPACER (35.032X50.8X15.88-MM THK)						
	12	1	5S-2106	1	SEAL-LIP TYPE						
	13	1	8H-9789	1	BEARING AS-BALL						
	14	1	8N-5305	1	SPACER (35.6X47.62X43.74-MM THK)						
	15	1	3L-1425	1	BALL BEARING						
	16	1	7N-2900	1	RETAINER						
	17	1	5P-7979	2	BOLT-LOCKING (5/16-24X2.25-IN)						
	18	1	9F-4446	1	SEAL-O-RING						
	19	1	4N-2370	1	ADAPTER-FAN						
	21	1	7N-8828	1	PULLEY-FAN DRIVE						
	22	1	0L-2070	6	BOLT (3/8-16X2.25-IN)						
	23	1	4N-6373	1	V-BELT SET (INCLUDES 2-BELTS) (FAN DRIVE)						
	24	1	4B-4550	1	FITTING-PRESSURE RELIEF (1/8-27 PTF) (FAN DRIVE)						
	25	1	2D-4867	1	FITTING-GREASE (FAN DRIVE)						

BASIC ENGINE

7N-8836 DRIVE GP-FAN (contd.)

i03507962



GRAPHIC #1

<END>

g00632654

BASIC ENGINE

7N-8837 DRIVE GP-FAN

4 GROOVE-10.5 INCH DIAMETER PULLEY-.681 DRIVE RATIO AND BLOWER DRIVE
AN ATTACHMENT

SMCS-1359

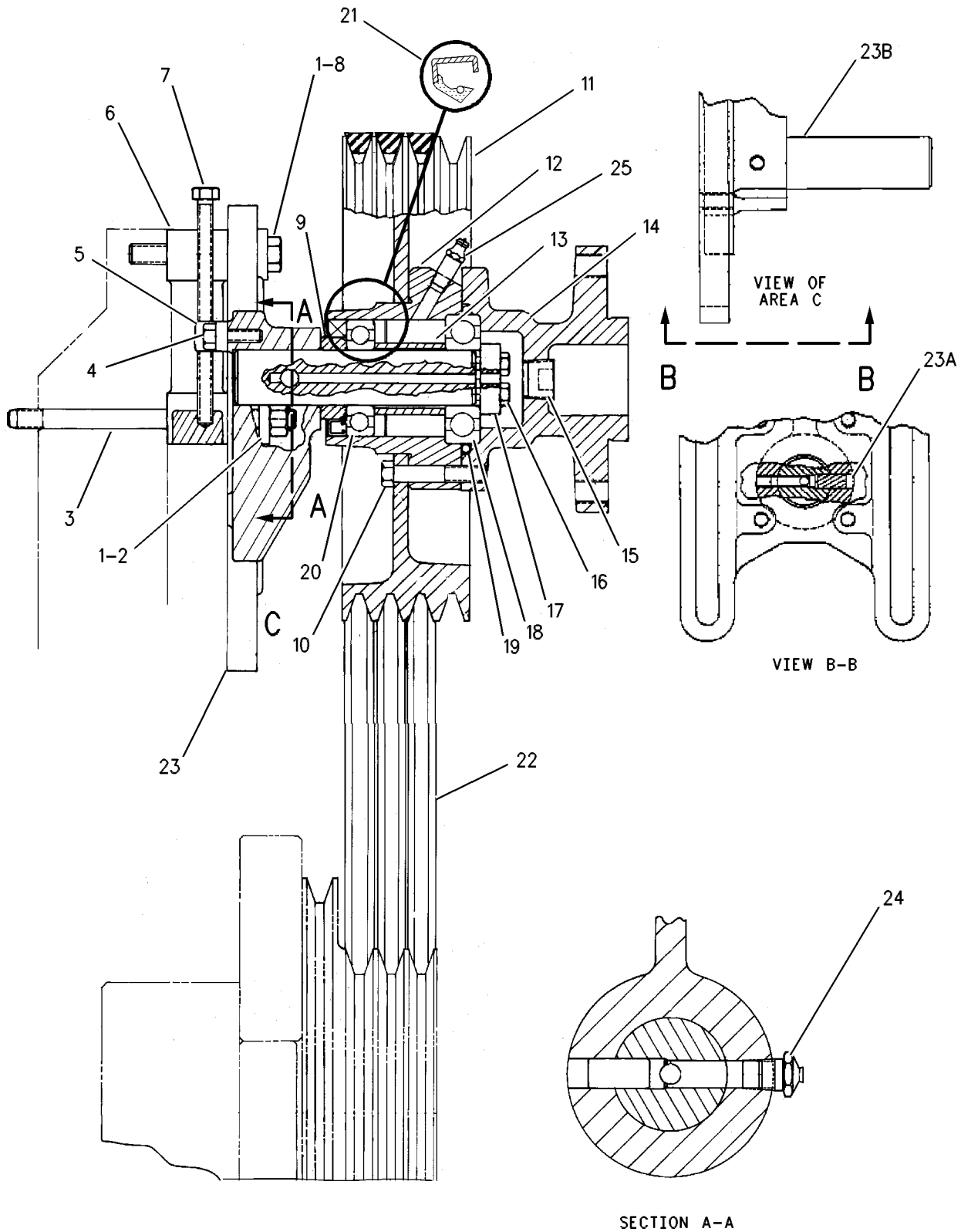
i03301624

NOTE	REF NO	GRAPHIC REF	PART NUMBER	QTY	PART NAME						SEE PAGE
					1	2	3	4	5	6 (PRODUCT LEVEL)	
	1	1	7D-1649	4	WASHER-HARD (13.5X32X5-MM THK)						
	2	1	6V-8188	2	NUT (1/2-13-THD)						
	3	1	2P-9084	2	STUD-TAPERLOCK (1/2-13X0.83-IN, 1/2-13X0.98-IN)						
	4	1	8T-2502	2	BOLT (3/8-16X1.125-IN)						
	5	1	9N-5120	1	BRACKET						
	6	1	4N-2372	1	ADAPTER-BRACKET						
	7	1	5R-1771	1	BOLT (3/8-16X5.5-IN)						
	8	1	7X-0328	2	BOLT (1/2-13X3.5-IN)						
	9	1	5S-9062	1	SPACER (35.032X50.8X15.88-MM THK)						
	10	1	8T-9377	6	BOLT (3/8-16X2.25-IN)						
	11	1	6N-0597	1	PULLEY-FAN DRIVE						
	12	1	7N-8827	1	HUB						
	13	1	8N-5305	1	SPACER (35.6X47.62X43.74-MM THK)						
	14	1	6N-6598	1	ADAPTER-FAN						
	15	1	7X-7731	1	PLUG-PIPE						
	16	1	5P-7979	2	BOLT-LOCKING (5/16-24X2.25-IN)						
	17	1	7N-2900	1	RETAINER						
	18	1	3L-1425	1	BALL BEARING						
	19	1	9F-4446	1	SEAL-O-RING						
	20	1	8H-9789	1	BEARING AS-BALL						
	21	1	5S-2106	1	SEAL-LIP TYPE						
	22	1	6N-6652	1	V-BELT SET (INCLUDES 3-BELTS) (FAN DRIVE)						
	23	1	6N-7688	1	BRACKET AS-FAN						
	23A	1	4N-0684	1	DOWEL						
	23B	1	1P-9946	1	SHAFT-FAN						
	24	1	4B-4550	1	FITTING-PRESSURE RELIEF (1/8-27 PTF) (FAN DRIVE)						
	25	1	2D-4867	1	FITTING-GREASE (FAN DRIVE)						

BASIC ENGINE

7N-8837 DRIVE GP-FAN (contd.)

i03301624



GRAPHIC #1

<END>

g00638935

BASIC ENGINE

7N-8838 DRIVE GP-FAN

**3 GROOVE-8.5 INCH DIAMETER-2.5 INCH PILOT-.941 DRIVE RATIO AND BLOWER DRIVE
AN ATTACHMENT
TYPE 1**

SMCS-1359

i01959270

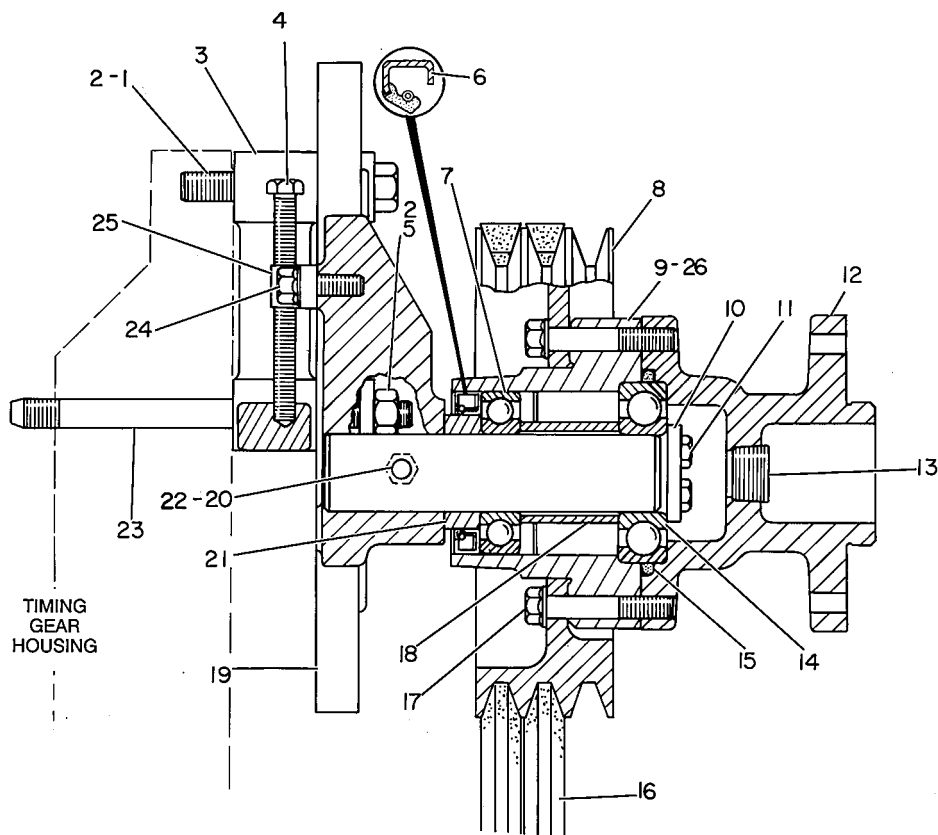
NOTE	REF NO	GRAPHIC REF	PART NUMBER	QTY	PART NAME						SEE PAGE
					1	2	3	4	5	6 (PRODUCT LEVEL)	
	1	1	1D-4566	2	BOLT (1/2-13X3.5-IN)						
	2	1	1F-7960	4	WASHER (13.5X32X6-MM THK)						
	3	1	4N-2372	1	ADAPTER-BRACKET						
	4	1	8L-5213	1	BOLT (3/8-16X4-IN)						
	5	1	1D-4719	2	NUT-FULL (1/2-13-THD)						
	6	1	5S-2106	1	SEAL-LIP TYPE						
	7	1	8H-9789	1	BEARING AS-BALL						
	8	1	4N-6289	1	PULLEY-FAN DRIVE						
	9	1	7N-8827	1	HUB						
	10	1	5S-7264	1	WASHER-RETAINING (0.219-IN THK) (42.93MM)						
					-OR-						
C		1	7N-2900	1	RETAINER (47.63MM)						
	11	1	1H-5403	2	BOLT (5/16-24X2-IN) (50.8MM)						
					-OR-						
C		1	5P-7979	2	BOLT-LOCKING (5/16-24X2.25-IN) (57.15MM)						
	12	1	4N-2370	1	ADAPTER-FAN						
	13	1	1B-5174	1	PLUG-PIPE						
	14	1	3L-1425	1	BALL BEARING						
	15	1	9F-4446	1	SEAL-O-RING						
	16	1	4N-8217	1	V-BELT SET (INCLUDES 2-BELTS) (FAN DRIVE)						
	17	1	0L-2070	6	BOLT (3/8-16X2.25-IN)						
	18	1	2P-2243	1	SPACER (1.438X1.75X1.722-IN THK)						
	19	1	6N-7688	1	BRACKET AS-FAN						
	20	1	4N-0684	1	DOWEL						
	21	1	5S-9062	1	SPACER (35.032X50.8X15.88-MM THK)						
	22	1	4B-4550	1	FITTING-PRESSURE RELIEF (1/8-27 PTF) (FAN DRIVE)						
	23	1	2P-9084	2	STUD-TAPERLOCK (1/2-13X0.83-IN, 1/2-13X0.98-IN)						
	24	1	1A-2029	2	BOLT (3/8-16X1.125-IN)						
	25	1	9N-5120	1	BRACKET						
	26	1	2D-4867	1	FITTING-GREASE (FAN DRIVE)						

C-CHANGE FROM PREVIOUS TYPE

BASIC ENGINE

7N-8838 DRIVE GP-FAN (contd.)

i01959270



GRAPHIC #1

<END>

g00157592

BASIC ENGINE

7N-8838 DRIVE GP-FAN

**3 GROOVE-8.5 INCH DIAMETER-2.5 INCH PILOT-.941 DRIVE RATIO AND BLOWER DRIVE
AN ATTACHMENT
TYPE 2**

SMCS-1359

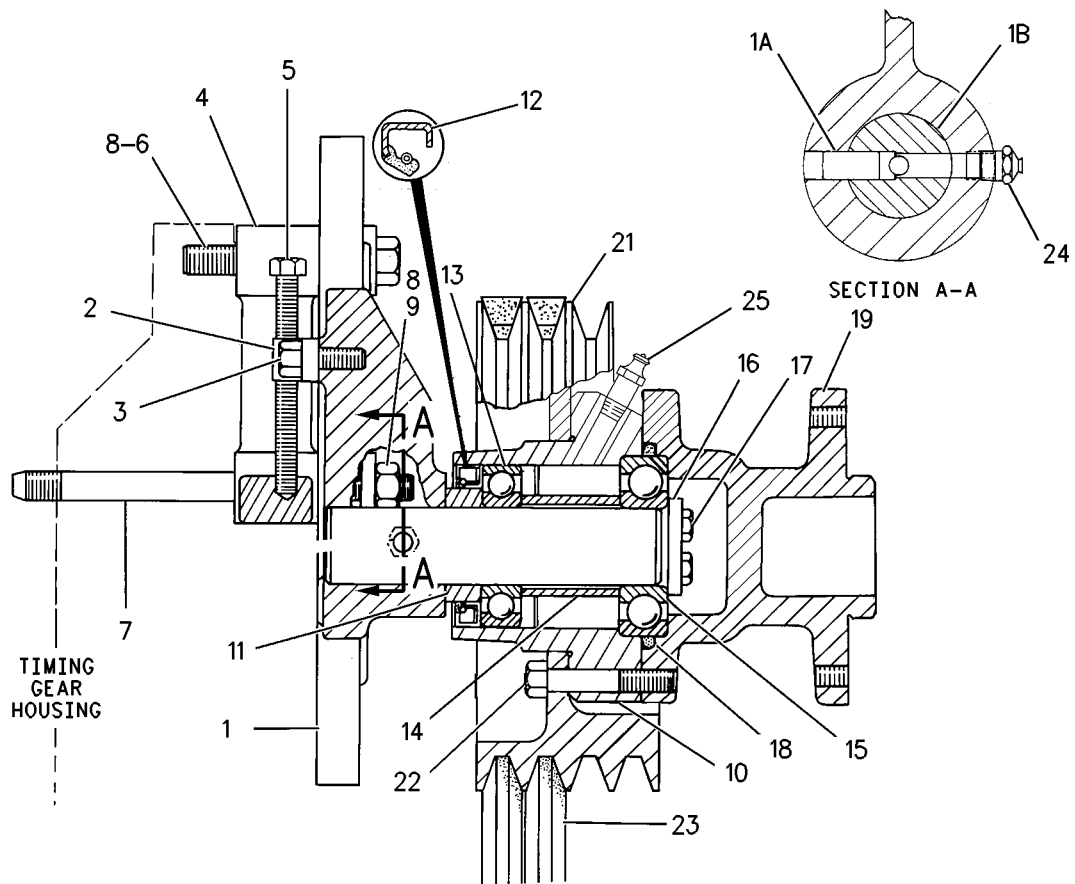
i02459701

NOTE	REF NO	GRAPHIC REF	PART NUMBER	QTY	PART NAME						SEE PAGE
					1	2	3	4	5	6 (PRODUCT LEVEL)	
	1	1	6N-7688	1	BRACKET AS-FAN						
	1A	1	4N-0684	1	DOWEL						
	1B	1	1P-9946	1	SHAFT-FAN						
	2	1	9N-5120	1	BRACKET						
	3	1	8T-2502	2	BOLT (3/8-16X1.125-IN)						
	4	1	4N-2372	1	ADAPTER-BRACKET						
	5	1	8L-5213	1	BOLT (3/8-16X4-IN)						
	6	1	7X-0328	2	BOLT (1/2-13X3.5-IN)						
	7	1	2P-9084	2	STUD-TAPERLOCK (1/2-13X0.83-IN, 1/2-13X0.98-IN)						
	8	1	7X-3391	4	WASHER-HARD (13.5X32X6-MM THK)						
	9	1	6V-8188	2	NUT (1/2-13-THD)						
	10	1	7N-8827	1	HUB						
	11	1	5S-9062	1	SPACER (35.032X50.8X15.88-MM THK)						
	12	1	5S-2106	1	SEAL-LIP TYPE						
	13	1	8H-9789	1	BEARING AS-BALL						
	14	1	8N-5305	1	SPACER (35.6X47.62X43.74-MM THK)						
	15	1	3L-1425	1	BALL BEARING						
	16	1	7N-2900	1	RETAINER						
	17	1	5P-7979	2	BOLT-LOCKING (5/16-24X2.25-IN)						
	18	1	9F-4446	1	SEAL-O-RING						
	19	1	4N-2370	1	ADAPTER-FAN						
	21	1	4N-6289	1	PULLEY-FAN DRIVE						
	22	1	8T-9377	6	BOLT (3/8-16X2.25-IN)						
	23	1	4N-8217	1	V-BELT SET (INCLUDES 2-BELTS) (FAN DRIVE)						
	24	1	4B-4550	1	FITTING-PRESSURE RELIEF (1/8-27 PTF) (FAN DRIVE)						
	25	1	2D-4867	1	FITTING-GREASE (FAN DRIVE)						

BASIC ENGINE

7N-8838 DRIVE GP-FAN (contd.)

i02459701



GRAPHIC #1

<END>

g00727824

BASIC ENGINE

7N-8840 DRIVE GP-FAN

4 GROOVE-254MM DIAMETER PULLEY-.800 DRIVE RATIO AND BLOWER DRIVE
AN ATTACHMENT

SMCS-1359

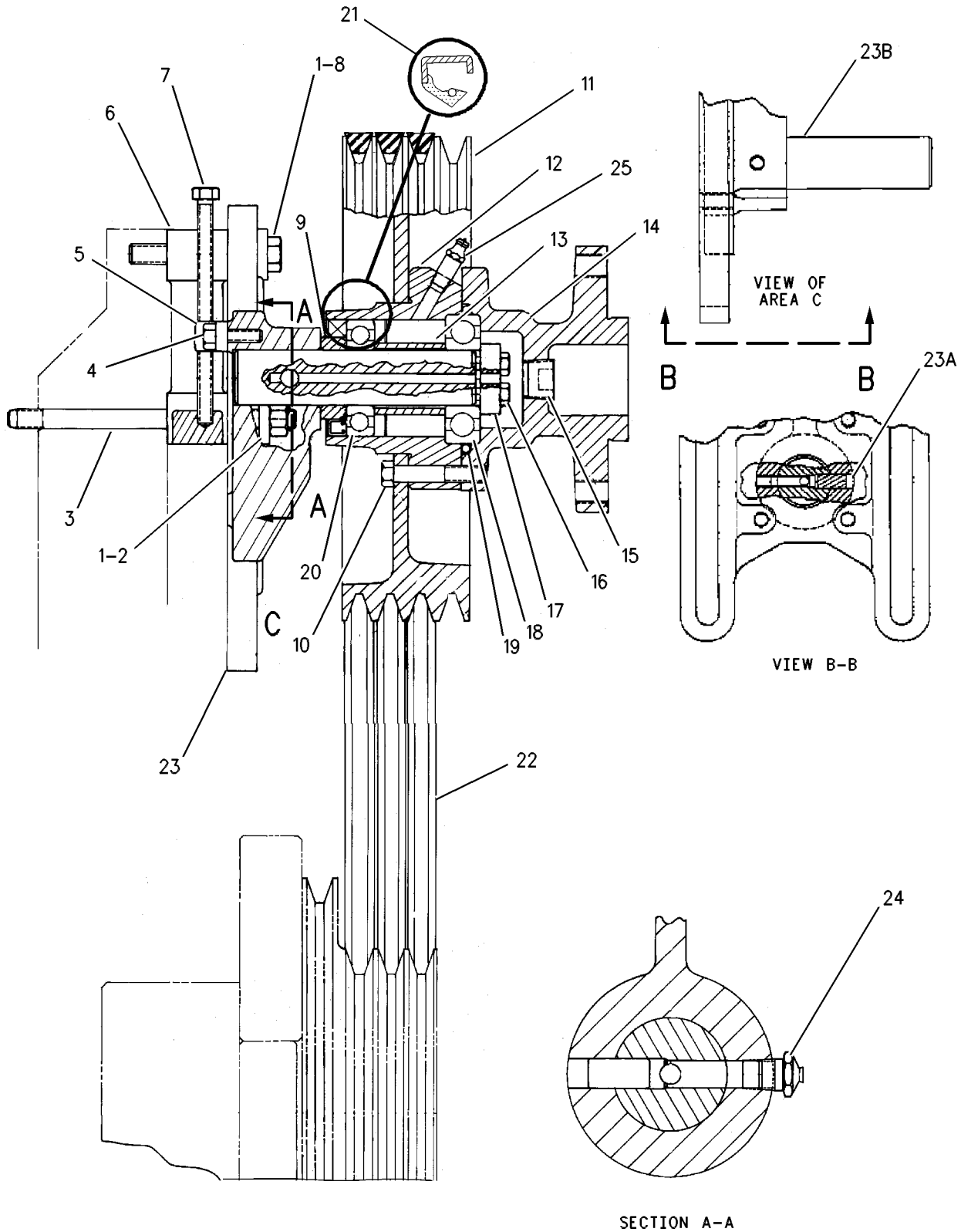
i03428025

NOTE	REF NO	GRAPHIC REF	PART NUMBER	QTY	PART NAME						SEE PAGE
					1	2	3	4	5	6 (PRODUCT LEVEL)	
	1	1	7X-3391	4	WASHER-HARD (13.5X32X6-MM THK)						
	2	1	6V-8188	2	NUT (1/2-13-THD)						
	3	1	2P-9084	2	STUD-TAPERLOCK (1/2-13X0.83-IN, 1/2-13X0.98-IN)						
	4	1	8T-2502	2	BOLT (3/8-16X1.125-IN)						
	5	1	9N-5120	1	BRACKET						
	6	1	4N-2372	1	ADAPTER-BRACKET						
	7	1	5R-1771	1	BOLT (3/8-16X5.5-IN)						
	8	1	7X-0328	2	BOLT (1/2-13X3.5-IN)						
	9	1	5S-9062	1	SPACER (35.032X50.8X15.88-MM THK)						
	10	1	8T-9377	6	BOLT (3/8-16X2.25-IN)						
	11	1	7N-8828	1	PULLEY-FAN DRIVE						
	12	1	7N-8827	1	HUB						
	13	1	8N-5305	1	SPACER (35.6X47.62X43.74-MM THK)						
	14	1	6N-6598	1	ADAPTER-FAN						
	15	1	7X-7731	1	PLUG-PIPE						
	16	1	5P-7979	2	BOLT-LOCKING (5/16-24X2.25-IN)						
	17	1	7N-2900	1	RETAINER						
	18	1	3L-1425	1	BALL BEARING						
	19	1	9F-4446	1	SEAL-O-RING						
	20	1	8H-9789	1	BEARING AS-BALL						
	21	1	5S-2106	1	SEAL-LIP TYPE						
	22	1	6N-6656	1	V-BELT SET (INCLUDES 3-BELTS) (FAN DRIVE)						
	23	1	6N-7688	1	BRACKET AS-FAN						
	23A	1	4N-0684	1	DOWEL						
	23B	1	1P-9946	1	SHAFT-FAN						
	24	1	4B-4550	1	FITTING-PRESSURE RELIEF (1/8-27 PTF) (FAN DRIVE)						
	25	1	2D-4867	1	FITTING-GREASE (FAN DRIVE)						

BASIC ENGINE

7N-8840 DRIVE GP-FAN (contd.)

i03428025



GRAPHIC #1

<END>

g00639053

BASIC ENGINE

7N-8968 DRIVE GP-FAN

4 GROOVE-10.5 INCH PULLEY-.681 DRIVE RATIO AND BLOWER DRIVE
AN ATTACHMENT

SMCS-1359

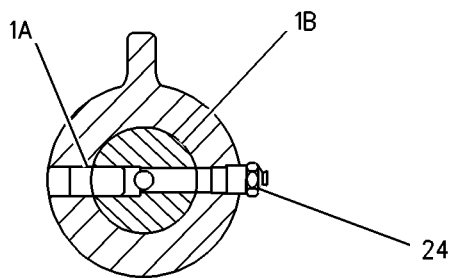
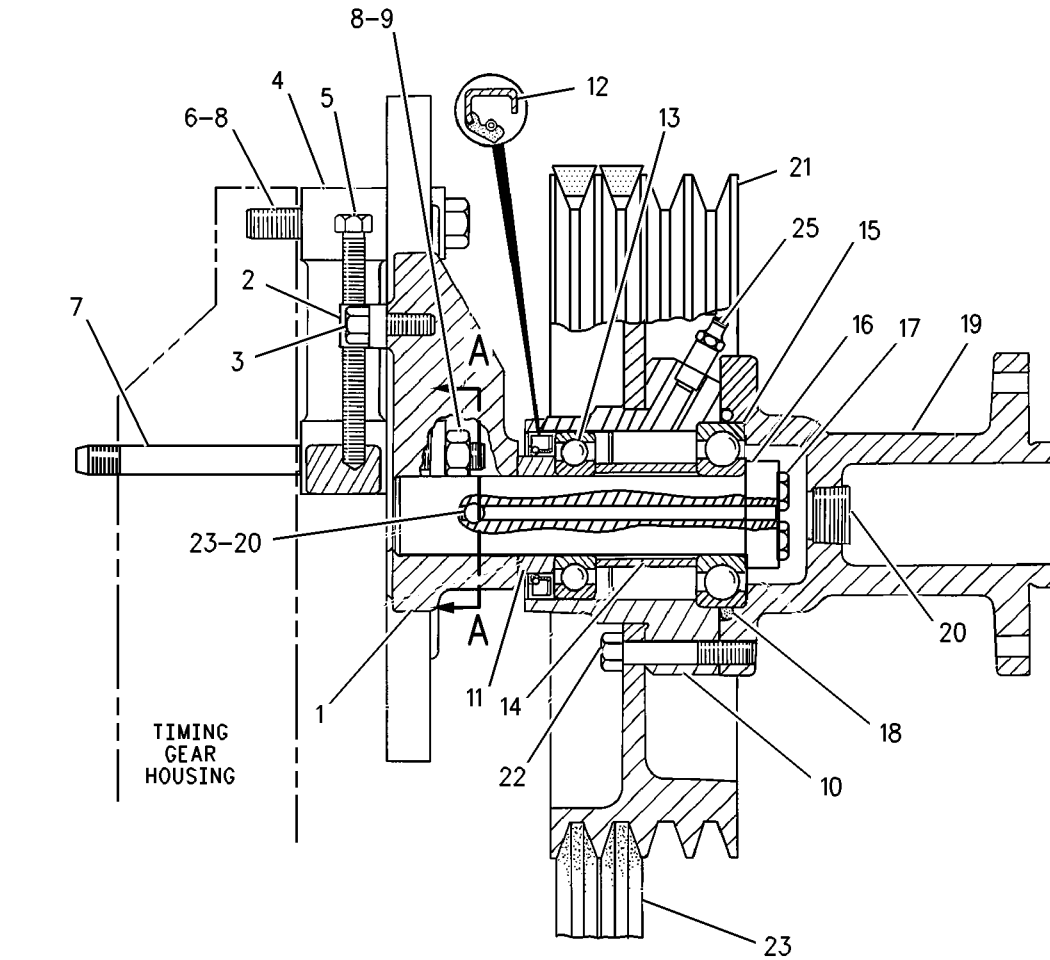
i01962535

NOTE	REF NO	GRAPHIC REF	PART NUMBER	QTY	PART NAME						SEE PAGE
					1	2	3	4	5	6 (PRODUCT LEVEL)	
	1	1	6N-7688	1	BRACKET AS-FAN						
	1A	1	4N-0684	1	DOWEL						
	1B	1	1P-9946	1	SHAFT-FAN						
	2	1	9N-5120	1	BRACKET						
	3	1	1A-2029	2	BOLT (3/8-16X1.125-IN)						
	4	1	4N-2372	1	ADAPTER-BRACKET						
	5	1	8L-5213	1	BOLT (3/8-16X4-IN)						
	6	1	1D-4566	2	BOLT (1/2-13X3.5-IN)						
	7	1	2P-9084	2	STUD-TAPERLOCK (1/2-13X0.83-IN, 1/2-13X0.98-IN)						
	8	1	1F-7960	4	WASHER (13.5X32X6-MM THK)						
	9	1	1F-7958	2	NUT-FULL (1/2-13-THD)						
	10	1	7N-8827	1	HUB						
	11	1	5S-9062	1	SPACER (35.032X50.8X15.88-MM THK)						
	12	1	5S-2106	1	SEAL-LIP TYPE						
	13	1	8H-9789	1	BEARING AS-BALL						
	14	1	8N-5305	1	SPACER (35.6X47.62X43.74-MM THK)						
	15	1	3L-1425	1	BALL BEARING						
	16	1	7N-2900	1	RETAINER (47.63MM)						
	17	1	5P-7979	2	BOLT-LOCKING (5/16-24X2.25-IN) (57.15MM LONG)						
	18	1	9F-4446	1	SEAL-O-RING						
	19	1	4N-2371	1	ADAPTER-FAN						
	20	1	7X-7731	1	PLUG-PIPE						
	21	1	6N-0597	1	PULLEY-FAN DRIVE						
	22	1	0L-2070	6	BOLT (3/8-16X2.25-IN)						
	23	1	4N-2532	1	V-BELT SET (INCLUDES 2-BELTS) (FAN DRIVE)						
	24	1	4B-4550	1	FITTING-PRESSURE RELIEF (1/8-27 PTF) (FAN DRIVE)						
	25	1	2D-4867	1	FITTING-GREASE (FAN DRIVE)						

BASIC ENGINE

7N-8968 DRIVE GP-FAN (contd.)

i01962535



GRAPHIC #1

<END>

g00657397

BASIC ENGINE

7N-8970 DRIVE GP-FAN

**4 GROOVE-12.75 INCH DIAMETER PULLEY-.571 DRIVE RATIO AND BLOWER DRIVE
AN ATTACHMENT**

SMCS-1359

i03977469

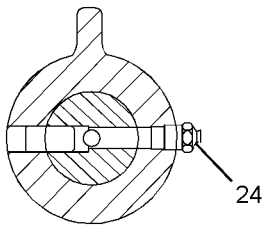
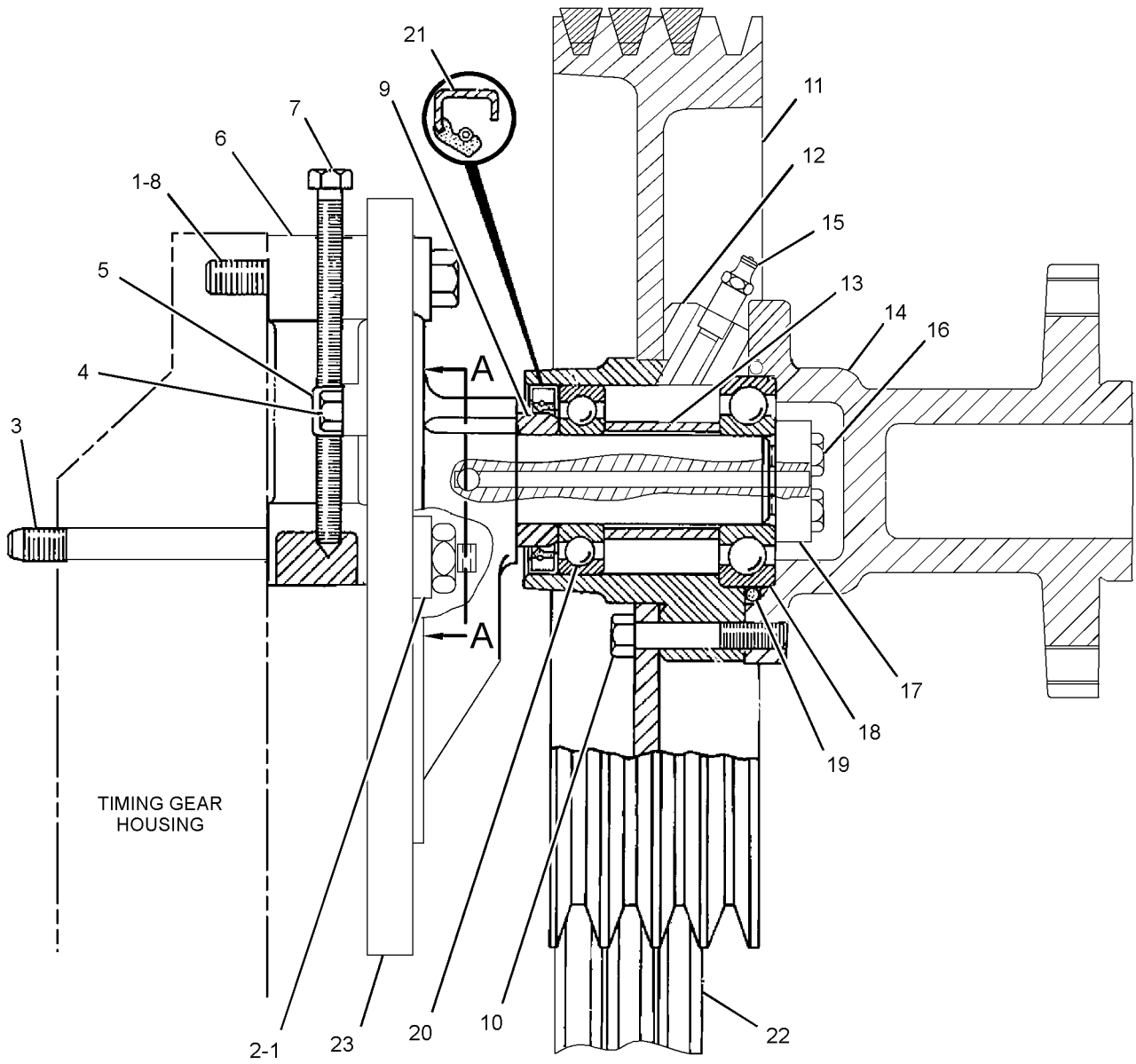
NOTE	REF NO	GRAPHIC REF	PART NUMBER	QTY	PART NAME						SEE PAGE
					1	2	3	4	5	6 (PRODUCT LEVEL)	
	1	1	7D-1649	4	WASHER-HARD (13.5X32X5-MM THK)						
	2	1	1F-7958	2	NUT-FULL (1/2-13-THD)						
	3	1	2P-9084	2	STUD-TAPERLOCK (1/2-13X0.83-IN, 1/2-13X0.98-IN)						
	4	1	1A-2029	2	BOLT (3/8-16X1.125-IN)						
	5	1	9N-5120	1	BRACKET						
	6	1	4N-2372	1	ADAPTER-BRACKET						
	7	1	5R-1771	1	BOLT (3/8-16X5.5-IN)						
	8	1	1D-4566	2	BOLT (1/2-13X3.5-IN)						
	9	1	5S-9062	1	SPACER (35.032X50.8X15.88-MM THK)						
	10	1	0L-2070	6	BOLT (3/8-16X2.25-IN)						
	11	1	6N-0598	1	PULLEY-FAN DRIVE (4-GROOVE)						
	12	1	7N-8827	1	HUB						
	13	1	8N-5305	1	SPACER (35.6X47.62X43.74-MM THK)						
	14	1	7C-4911	1	ADAPTER-FAN						
	15	1	2D-4867	1	FITTING-GREASE (FAN DRIVE)						
	16	1	1H-5403	2	BOLT (5/16-24X2-IN)						
					-OR-						
C		1	5P-7979	2	BOLT-LOCKING (5/16-24X2.25-IN)						
	17	1	5S-7264	1	WASHER-RETAINING (0.219-IN THK) (42.93MM OD)						
					-OR-						
C		1	7N-2900	1	RETAINER (47.63MM OD)						
	18	1	3L-1425	1	BALL BEARING						
	19	1	9F-4446	1	SEAL-O-RING						
	20	1	8H-9789	1	BEARING AS-BALL						
	21	1	5S-2106	1	SEAL-LIP TYPE						
	22	1	6N-6655	1	V-BELT SET (INCLUDES 3-BELTS) (FAN DRIVE)						
	23	1	6N-7688	1	BRACKET AS-FAN						
		1	1P-9946	1	SHAFT-FAN						
		1	4N-0684	1	DOWEL						
	24	1	6U-1989	1	VALVE-RELIEF (FAN DRIVE)						

C-CHANGE FROM PREVIOUS TYPE

BASIC ENGINE

7N-8970 DRIVE GP-FAN (contd.)

i03977469



SECTION A-A

GRAPHIC #1

<END>

g01723293

BASIC ENGINE

7N-8974 DRIVE GP-FAN

4 GROOVE-254MM DIAMETER PULLEY-.800 DRIVE RATIO AND BLOWER DRIVE
AN ATTACHMENT

SMCS-1359

i01962538

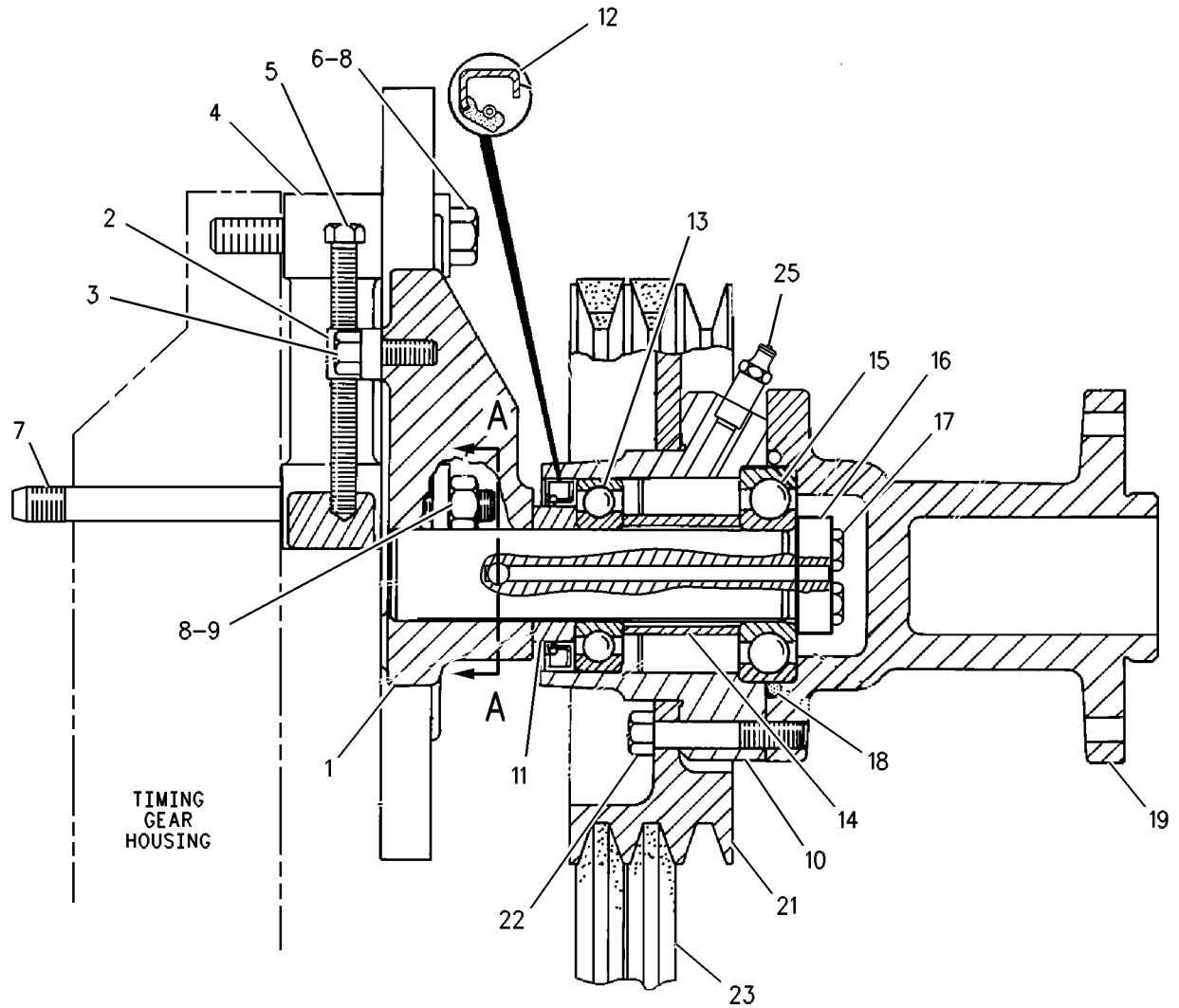
NOTE	REF NO	GRAPHIC REF	PART NUMBER	QTY	PART NAME						SEE PAGE
					1	2	3	4	5	6 (PRODUCT LEVEL)	
	1	1	6N-7688	1	BRACKET AS-FAN						
		1	4N-0684	1	DOWEL						
	2	1	9N-5120	1	BRACKET						
	3	1	1A-2029	2	BOLT (3/8-16X1.125-IN)						
	4	1	4N-2372	1	ADAPTER-BRACKET						
	5	1	8L-5213	1	BOLT (3/8-16X4-IN)						
	6	1	1D-4566	2	BOLT (1/2-13X3.5-IN)						
	7	1	2P-9084	2	STUD-TAPERLOCK (1/2-13X0.83-IN, 1/2-13X0.98-IN)						
	8	1	1F-7960	4	WASHER (13.5X32X6-MM THK)						
	9	1	1D-4719	2	NUT-FULL (1/2-13-THD)						
	10	1	7N-8827	1	HUB						
	11	1	5S-9062	1	SPACER (35.032X50.8X15.88-MM THK)						
	12	1	5S-2106	1	SEAL-LIP TYPE						
	13	1	8H-9789	1	BEARING AS-BALL						
	14	1	8N-5305	1	SPACER (35.6X47.62X43.74-MM THK)						
	15	1	3L-1425	1	BALL BEARING						
	16	1	5S-7264	1	WASHER-RETAINING (0.219-IN THK) (42.93MM OD)						
					-OR-						
C		1	7N-2900	1	RETAINER (47.63MM OD)						
	17	1	1H-5403	2	BOLT (5/16-24X2-IN) (50.8MM LONG)						
					-OR-						
C		1	5P-7979	2	BOLT-LOCKING (5/16-24X2.25-IN) (57.15MM LONG)						
	18	1	9F-4446	1	SEAL-O-RING						
	19	1	4N-2371	1	ADAPTER-FAN						
	21	1	7N-8828	1	PULLEY-FAN DRIVE						
	22	1	0L-2070	6	BOLT (3/8-16X2.25-IN)						
	23	1	4N-6373	1	V-BELT SET (INCLUDES 2-BELTS) (FAN DRIVE)						
	24	1	4B-4550	1	FITTING-PRESSURE RELIEF (1/8-27 PTF) (FAN DRIVE)						
	25	1	2D-4867	1	FITTING-GREASE (FAN DRIVE)						

C-CHANGE FROM PREVIOUS TYPE

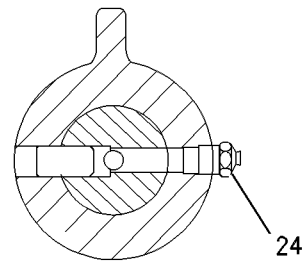
BASIC ENGINE

7N-8974 DRIVE GP-FAN (contd.)

i01962538



TIMING
GEAR
HOUSING



SECTION A-A

BASIC ENGINE

7N-8975 DRIVE GP-FAN

4 GROOVE-10.5 INCH DIAMETER PULLEY-.681 DRIVE RATIO AND BLOWER DRIVE
AN ATTACHMENT

SMCS-1359

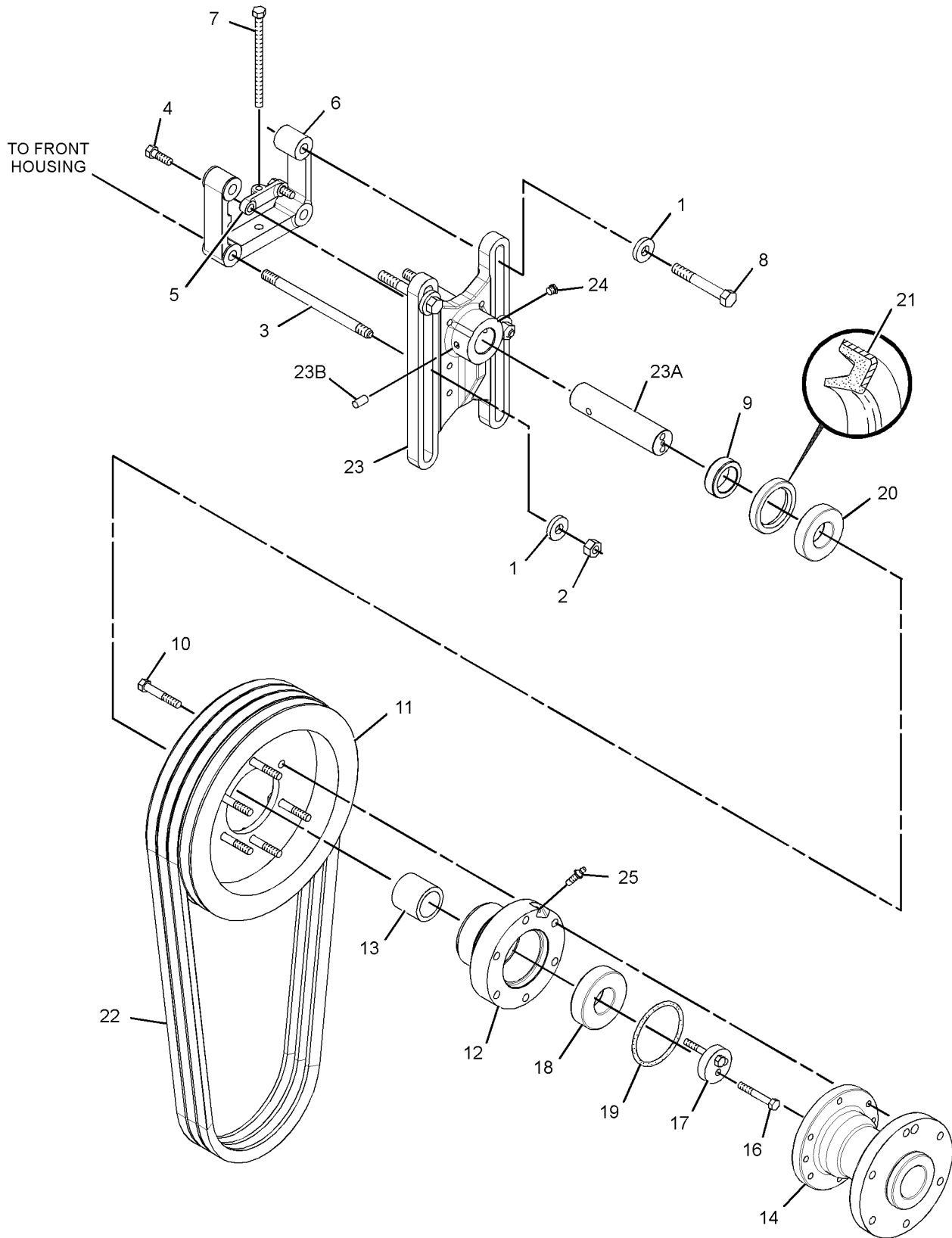
i03124661

NOTE	REF NO	GRAPHIC REF	PART NUMBER	QTY	PART NAME						SEE PAGE
					1	2	3	4	5	6 (PRODUCT LEVEL)	
	1	1	1F-7960	4	WASHER (13.5X32X6-MM THK)						
	2	1	1F-7958	2	NUT-FULL (1/2-13-THD)						
	3	1	2P-9084	2	STUD-TAPERLOCK (1/2-13X0.83-IN, 1/2-13X0.98-IN)						
	4	1	1A-2029	2	BOLT (3/8-16X1.125-IN)						
	5	1	9N-5120	1	BRACKET						
	6	1	4N-2372	1	ADAPTER-BRACKET						
	7	1	5R-1771	1	BOLT (3/8-16X5.5-IN)						
	8	1	1D-4566	2	BOLT (1/2-13X3.5-IN)						
	9	1	5S-9062	1	SPACER (35.032X50.8X15.88-MM THK)						
	10	1	0L-2070	6	BOLT (3/8-16X2.25-IN)						
	11	1	6N-0597	1	PULLEY-FAN DRIVE						
	12	1	7N-8827	1	HUB						
	13	1	8N-5305	1	SPACER (35.6X47.62X43.74-MM THK)						
	14	1	4N-3123	1	ADAPTER-FAN						
	16	1	5P-7979	2	BOLT-LOCKING (5/16-24X2.25-IN) (57.15MM LONG)						
	17	1	7N-2900	1	RETAINER (47.63MM OD)						
	18	1	3L-1425	1	BALL BEARING						
	19	1	9F-4446	1	SEAL-O-RING						
	20	1	8H-9789	1	BEARING AS-BALL						
	21	1	5S-2106	1	SEAL-LIP TYPE						
	22	1	6N-6652	1	V-BELT SET (INCLUDES 3-BELTS) (FAN DRIVE)						
	23	1	6N-7688	1	BRACKET AS-FAN						
	23A	1	1P-9946	1	SHAFT-FAN						
	23B	1	4N-0684	1	DOWEL						
	24	1	4B-4550	1	FITTING-PRESSURE RELIEF (1/8-27 PTF)						
	25	1	2D-4867	1	FITTING-GREASE (FAN DRIVE)						

BASIC ENGINE

7N-8975 DRIVE GP-FAN (contd.)

i03124661



GRAPHIC #1

<END>

g01601553

BASIC ENGINE

7N-8976 DRIVE GP-FAN

**3 GROOVE-8.5 INCH DIAMETER PULLEY-.941 DRIVE RATIO AND BLOWER DRIVE
CANNOT BE USED WITH FOLDED CORE RADIATOR
AN ATTACHMENT
TYPE 1**

SMCS-1359

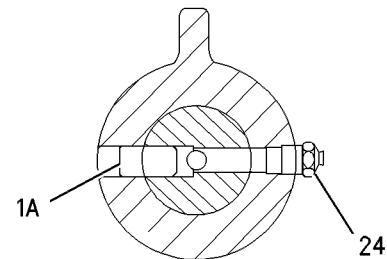
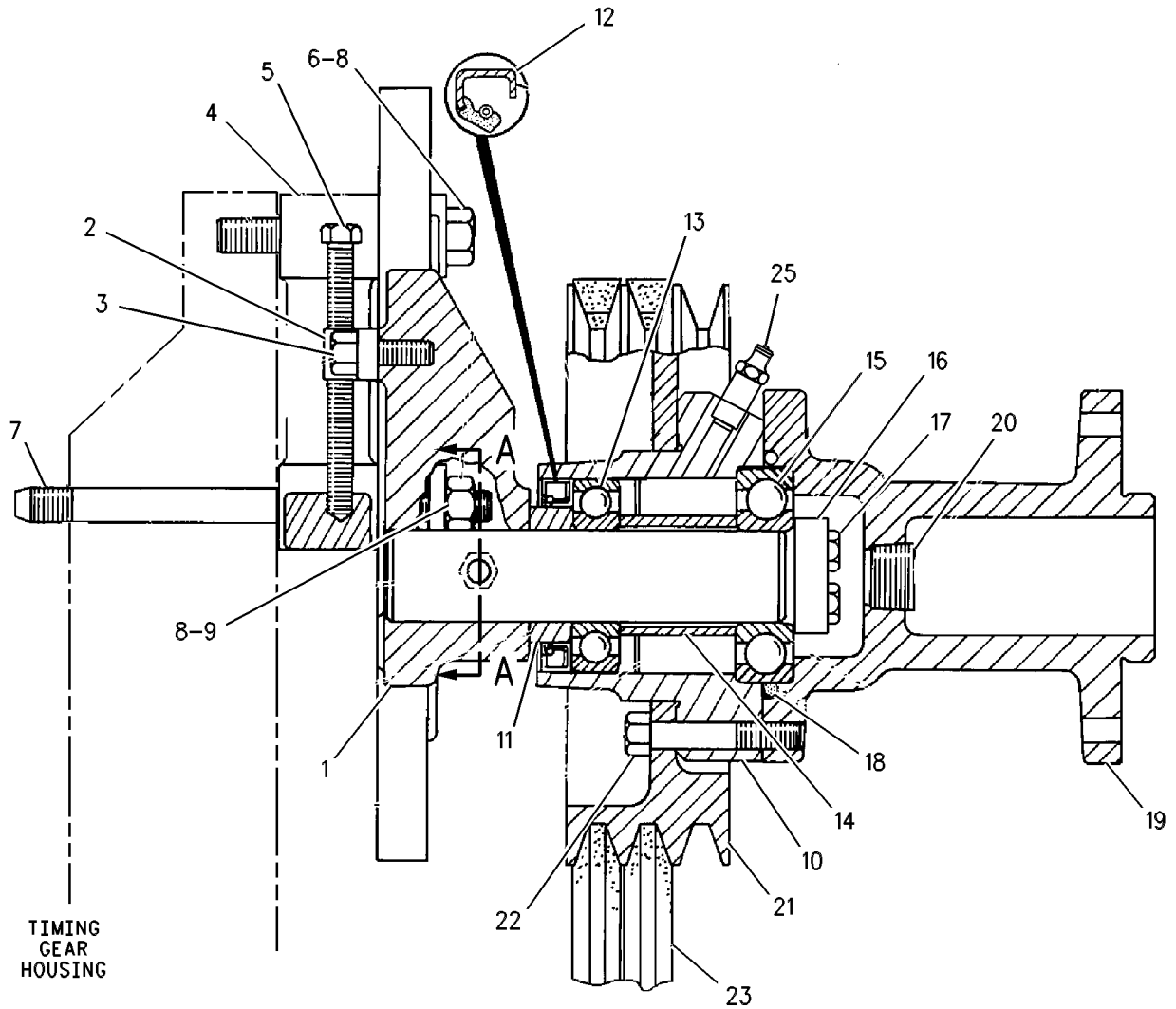
i01962542

NOTE	REF NO	GRAPHIC REF	PART NUMBER	QTY	PART NAME						SEE PAGE
					1	2	3	4	5	6 (PRODUCT LEVEL)	
	1	1	6N-7688	1	BRACKET AS-FAN						
	1A	1	4N-0684	1	DOWEL						
	2	1	9N-5120	1	BRACKET						
	3	1	1A-2029	2	BOLT (3/8-16X1.125-IN)						
	4	1	4N-2372	1	ADAPTER-BRACKET						
	5	1	8L-5213	1	BOLT (3/8-16X4-IN)						
	6	1	1D-4566	2	BOLT (1/2-13X3.5-IN)						
	7	1	2P-9084	2	STUD-TAPERLOCK (1/2-13X0.83-IN, 1/2-13X0.98-IN)						
	8	1	1F-7960	4	WASHER (13.5X32X6-MM THK)						
	9	1	1D-4719	2	NUT-FULL (1/2-13-THD)						
	10	1	7N-8827	1	HUB						
	11	1	5S-9062	1	SPACER (35.032X50.8X15.88-MM THK)						
	12	1	5S-2106	1	SEAL-LIP TYPE						
	13	1	8H-9789	1	BEARING AS-BALL						
	14	1	8N-5305	1	SPACER (35.6X47.62X43.74-MM THK)						
	15	1	3L-1425	1	BALL BEARING						
	16	1	7N-2900	1	RETAINER (47.63MM OD)						
	17	1	5P-7979	2	BOLT-LOCKING (5/16-24X2.25-IN) (57.15MM LONG)						
	18	1	9F-4446	1	SEAL-O-RING						
	19	1	4N-2371	1	ADAPTER-FAN						
	20	1	1B-5174	1	PLUG-PIPE						
	21	1	4N-6289	1	PULLEY-FAN DRIVE						
	22	1	0L-2070	6	BOLT (3/8-16X2.25-IN)						
	23	1	4N-8217	1	V-BELT SET (INCLUDES 2-BELTS) (FAN DRIVE)						
	24	1	4B-4550	1	FITTING-PRESSURE RELIEF (1/8-27 PTF) (FAN DRIVE)						
	25	1	2D-4867	1	FITTING-GREASE (FAN DRIVE)						

BASIC ENGINE

7N-8976 DRIVE GP-FAN (contd.)

i01962542



SECTION A-A

BASIC ENGINE

7N-8976 DRIVE GP-FAN

**3 GROOVE-8.5 INCH DIAMETER PULLEY-.941 DRIVE RATIO AND BLOWER DRIVE
CANNOT BE USED WITH FOLDED CORE RADIATOR
AN ATTACHMENT
TYPE 2**

SMCS-1359

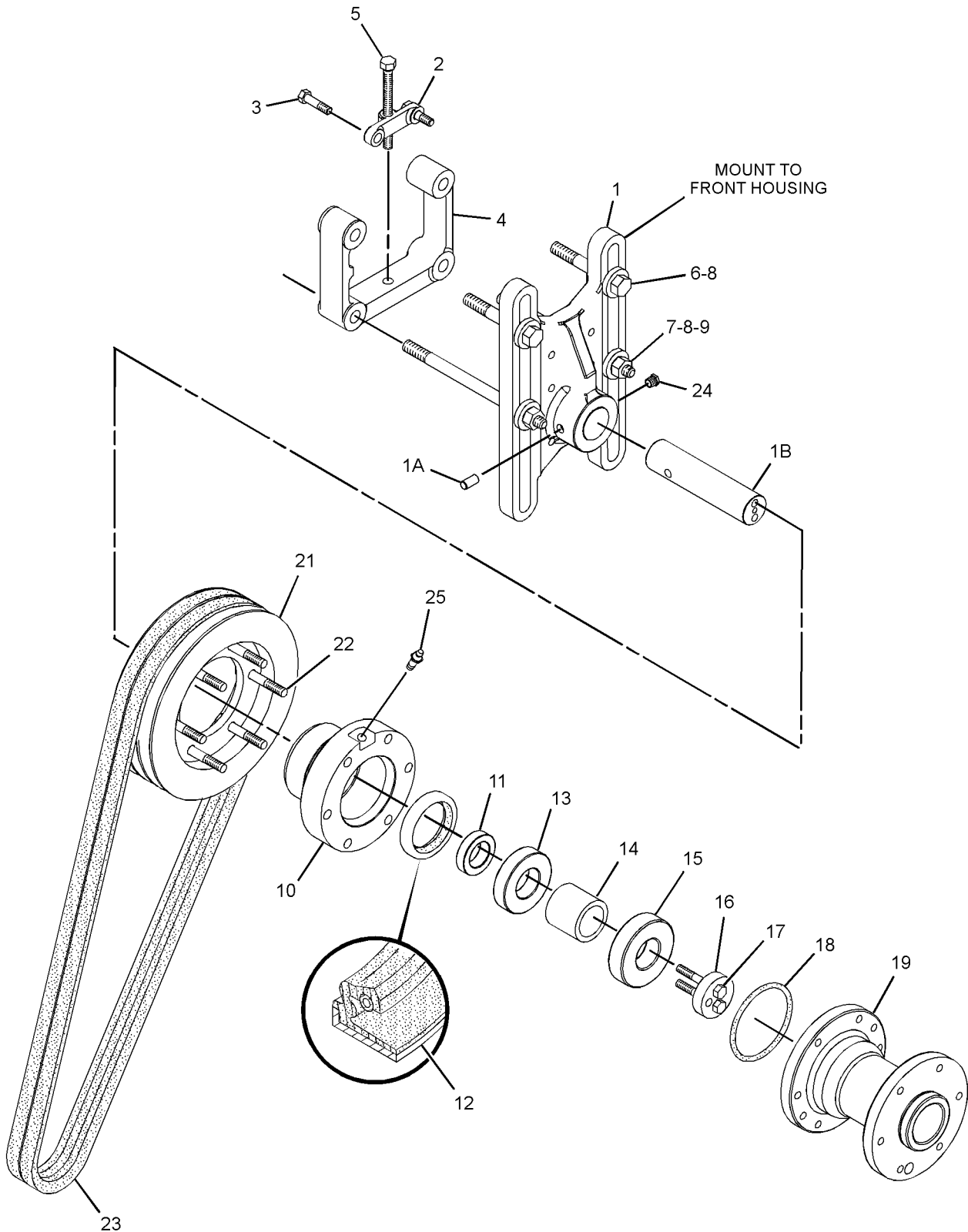
i03113658

NOTE	REF NO	GRAPHIC REF	PART NUMBER	QTY	PART NAME						SEE PAGE
					1	2	3	4	5	6 (PRODUCT LEVEL)	
	1	1	6N-7688	1	BRACKET AS-FAN						
	1A	1	4N-0684	1	DOWEL						
	1B	1	1P-9946	1	SHAFT-FAN						
	2	1	9N-5120	1	BRACKET						
	3	1	1A-2029	2	BOLT (3/8-16X1.125-IN)						
	4	1	4N-2372	1	ADAPTER-BRACKET						
	5	1	8L-5213	1	BOLT (3/8-16X4-IN)						
	6	1	1D-4566	2	BOLT (1/2-13X3.5-IN)						
	7	1	2P-9084	2	STUD-TAPERLOCK (1/2-13X0.83-IN, 1/2-13X0.98-IN)						
	8	1	1F-7960	4	WASHER (13.5X32X6-MM THK)						
	9	1	1D-4719	2	NUT-FULL (1/2-13-THD)						
	10	1	7N-8827	1	HUB						
	11	1	5S-9062	1	SPACER (35.032X50.8X15.88-MM THK)						
	12	1	5S-2106	1	SEAL-LIP TYPE						
	13	1	8H-9789	1	BEARING AS-BALL						
	14	1	8N-5305	1	SPACER (35.6X47.62X43.74-MM THK)						
	15	1	3L-1425	1	BALL BEARING						
	16	1	7N-2900	1	RETAINER (47.63MM OD)						
	17	1	5P-7979	2	BOLT-LOCKING (5/16-24X2.25-IN) (57.15MM LONG)						
	18	1	9F-4446	1	SEAL-O-RING						
	19	1	4N-2371	1	ADAPTER-FAN						
	21	1	4N-6289	1	PULLEY-FAN DRIVE						
	22	1	0L-2070	6	BOLT (3/8-16X2.25-IN)						
	23	1	4N-8217	1	V-BELT SET (INCLUDES 2-BELTS) (FAN DRIVE)						
	24	1	4B-4550	1	FITTING-PRESSURE RELIEF (1/8-27 PTF) (FAN DRIVE)						
	25	1	2D-4867	1	FITTING-GREASE (FAN DRIVE)						

BASIC ENGINE

7N-8976 DRIVE GP-FAN (contd.)

i03113658



GRAPHIC #1

<END>

g01626454

BASIC ENGINE

7N-8978 DRIVE GP-FAN

4 GROOVE-254MM DIAMETER PULLEY-.800 DRIVE RATIO AND BLOWER DRIVE
AN ATTACHMENT

SMCS-1359

i03301823

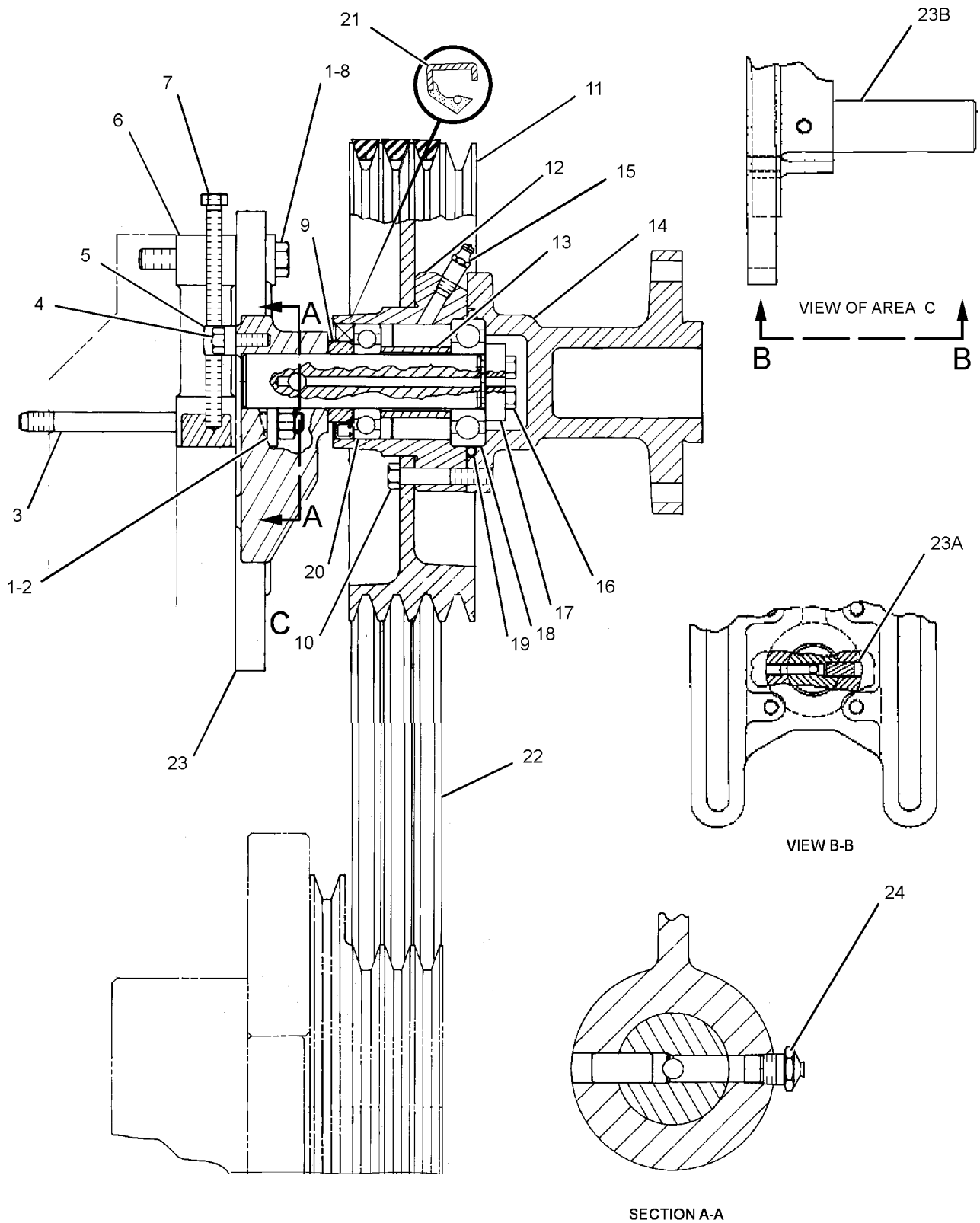
NOTE	REF NO	GRAPHIC REF	PART NUMBER	QTY	PART NAME						SEE PAGE
					1	2	3	4	5	6 (PRODUCT LEVEL)	
	1	1	7D-1649	4	WASHER-HARD (13.5X32X5-MM THK)						
	2	1	1F-7958	2	NUT-FULL (1/2-13-THD)						
	3	1	2P-9084	2	STUD-TAPERLOCK (1/2-13X0.83-IN, 1/2-13X0.98-IN)						
	4	1	1A-2029	2	BOLT (3/8-16X1.125-IN)						
	5	1	9N-5120	1	BRACKET						
	6	1	4N-2372	1	ADAPTER-BRACKET						
	7	1	5R-1771	1	BOLT (3/8-16X5.5-IN)						
	8	1	1D-4566	2	BOLT (1/2-13X3.5-IN)						
	9	1	5S-9062	1	SPACER (35.032X50.8X15.88-MM THK)						
	10	1	0L-2070	6	BOLT (3/8-16X2.25-IN)						
	11	1	7N-8828	1	PULLEY-FAN DRIVE						
	12	1	7N-8827	1	HUB						
	13	1	8N-5305	1	SPACER (35.6X47.62X43.74-MM THK)						
	14	1	4N-3123	1	ADAPTER-FAN						
	15	1	2D-4867	1	FITTING-GREASE (FAN DRIVE)						
C	16	1	5P-7979	2	BOLT-LOCKING (5/16-24X2.25-IN)						
C	17	1	7N-2900	1	RETAINER						
	18	1	3L-1425	1	BALL BEARING						
	19	1	9F-4446	1	SEAL-O-RING						
	20	1	8H-9789	1	BEARING AS-BALL						
	21	1	5S-2106	1	SEAL-LIP TYPE						
	22	1	6N-6656	1	V-BELT SET (INCLUDES 3-BELTS) (FAN DRIVE)						
	23	1	6N-7688	1	BRACKET AS-FAN						
	23A	1	4N-0684	1	DOWEL						
	23B	1	1P-9946	1	SHAFT-FAN						
	24	1	4B-4550	1	FITTING-PRESSURE RELIEF (1/8-27 PTF) (FAN DRIVE)						

C-CHANGE FROM PREVIOUS TYPE

BASIC ENGINE

7N-8978 DRIVE GP-FAN (contd.)

i03301823



GRAPHIC #1

<END>

g01715854

BASIC ENGINE

8N-6587 DRIVE GP-FAN

4 GROOVE-10.5 INCH DIAMETER PULLEY-.681 DRIVE RATIO AND BLOWER DRIVE
AN ATTACHMENT

SMCS-1359

i01962547

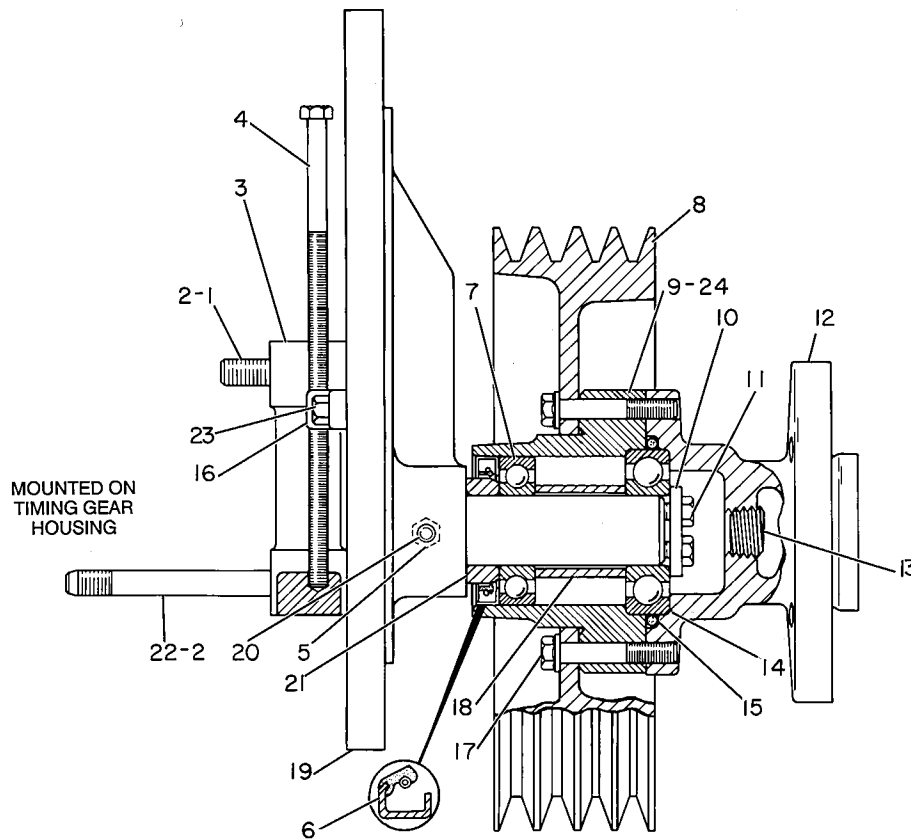
NOTE	REF NO	GRAPHIC REF	PART NUMBER	QTY	PART NAME						SEE PAGE
					1	2	3	4	5	6 (PRODUCT LEVEL)	
	1	1	9X-8875	2	BOLT (1/2-13X3.5-IN)						
	2	1	1F-7960	4	WASHER (13.5X32X6-MM THK)						
	3	1	4N-2372	1	ADAPTER-BRACKET						
	4	1	9L-4238	1	BOLT (3/8-16X8.5-IN)						
	5	1	4B-4550	1	FITTING-PRESSURE RELIEF (1/8-27 PTF) (FAN DRIVE)						
	6	1	5S-2106	1	SEAL-LIP TYPE						
	7	1	8H-9789	1	BEARING AS-BALL						
	8	1	6N-0597	1	PULLEY-FAN DRIVE						
	9	1	7N-8827	1	HUB						
	10	1	5S-7264	1	WASHER-RETAINING (0.219-IN THK) (42.93MM OD)						
					-OR-						
C		1	7N-2900	1	RETAINER (47.63MM OD)						
	11	1	1H-5403	2	BOLT (5/16-24X2-IN) (50.8MM LONG)						
					-OR-						
C		1	5P-7979	2	BOLT-LOCKING (5/16-24X2.25-IN) (57.15MM LONG)						
	12	1	6N-6598	1	ADAPTER-FAN						
	13	1	7X-7731	1	PLUG-PIPE						
	14	1	3L-1425	1	BALL BEARING						
	15	1	9F-4446	1	SEAL-O-RING						
	16	1	9N-5120	1	BRACKET						
	17	1	0L-2070	6	BOLT (3/8-16X2.25-IN)						
	18	1	8N-5305	1	SPACER (35.6X47.62X43.74-MM THK)						
	19	1	6N-6490	1	BRACKET AS-FAN						
	20	1	4N-0684	1	DOWEL						
	21	1	5S-9062	1	SPACER (35.032X50.8X15.88-MM THK)						
	22	1	2P-9084	2	STUD-TAPERLOCK (1/2-13X0.83-IN, 1/2-13X0.98-IN) (FAN DRIVE)						
		1	1F-7958	2	NUT-FULL (1/2-13-THD)						
	23	1	0S-1594	2	BOLT (3/8-16X1-IN)						
	24	1	2D-4867	1	FITTING-GREASE (FAN DRIVE)						

C-CHANGE FROM PREVIOUS TYPE

BASIC ENGINE

8N-6587 DRIVE GP-FAN (contd.)

i01962547



GRAPHIC #1

<END>

g00157608

BASIC ENGINE

8N-6588 DRIVE GP-FAN

S/N: 6TB12255-UP

355.6-MM (14.0-IN) DIAMETER PULLEY. 4-GROOVE
ALSO AN ATTACHMENT

SMCS-1359

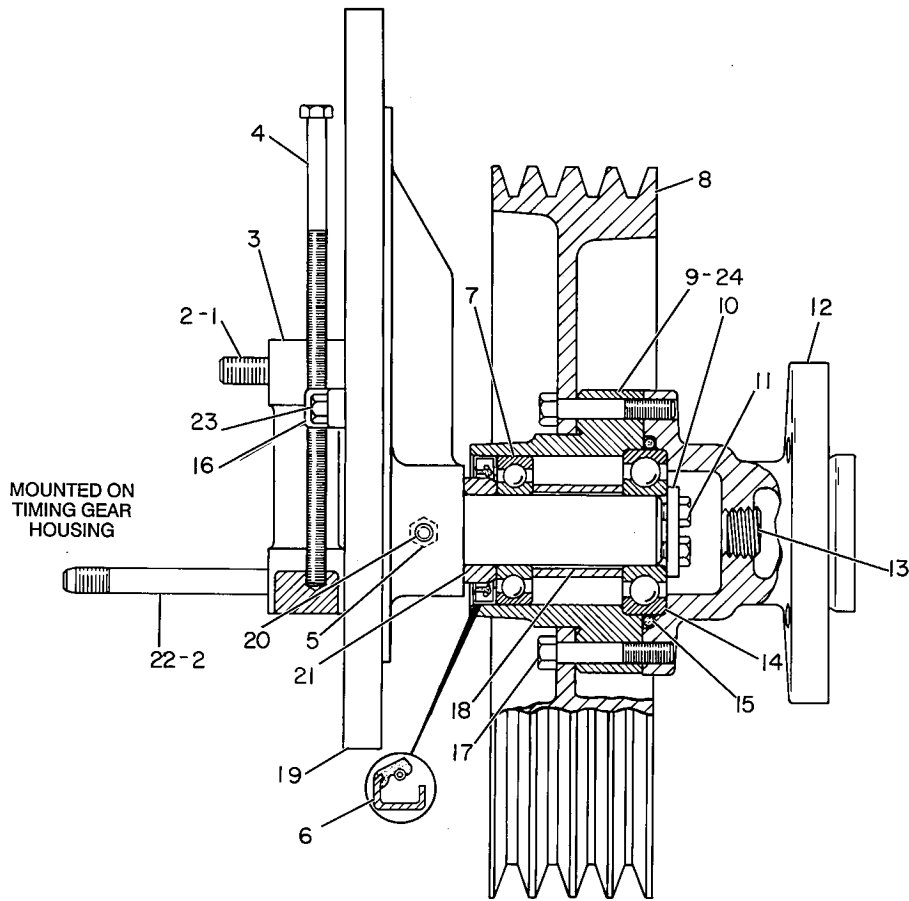
i01962548

NOTE	REF NO	GRAPHIC REF	PART NUMBER	QTY	PART NAME						SEE PAGE
					1	2	3	4	5	6 (PRODUCT LEVEL)	
	1	1	9X-8875	2	BOLT (1/2-13X3.5-IN)						
	2	1	1F-7960	4	WASHER (13.5X32X6-MM THK)						
	3	1	4N-2372	1	ADAPTER-BRACKET						
	4	1	9L-4238	1	BOLT (3/8-16X8.5-IN)						
	5	1	4B-4550	1	FITTING-PRESSURE RELIEF (1/8-27 PTF) (FAN DRIVE)						
	6	1	5S-2106	1	SEAL-LIP TYPE						
	7	1	8H-9789	1	BEARING AS-BALL						
	8	1	6N-0598	1	PULLEY-FAN DRIVE						
	9	1	7N-8827	1	HUB						
	10	1	5S-7264	1	WASHER-RETAINING (0.219-IN THK) (42.93MM OD)						
					-OR-						
C		1	7N-2900	1	RETAINER (47.63MM OD)						
	11	1	1H-5403	2	BOLT (5/16-24X2-IN) (50.8MM LONG)						
					-OR-						
C		1	5P-7979	2	BOLT-LOCKING (5/16-24X2.25-IN) (57.15MM LONG)						
	12	1	6N-6598	1	ADAPTER-FAN						
	13	1	7X-7731	1	PLUG-PIPE						
	14	1	3L-1425	1	BALL BEARING						
	15	1	9F-4446	1	SEAL-O-RING						
	16	1	9N-5120	1	BRACKET						
	17	1	0L-2070	6	BOLT (3/8-16X2.25-IN)						
	18	1	8N-5305	1	SPACER (35.6X47.62X43.74-MM THK)						
	19	1	6N-6490	1	BRACKET AS-FAN						
	20	1	4N-0684	1	DOWEL						
	21	1	5S-9062	1	SPACER (35.032X50.8X15.88-MM THK)						
	22	1	2P-9084	2	STUD-TAPERLOCK (1/2-13X0.83-IN, 1/2-13X0.98-IN)						
		1	1F-7958	2	NUT-FULL (1/2-13-THD)						
	23	1	0S-1594	2	BOLT (3/8-16X1-IN)						
	24	1	2D-4867	1	FITTING-GREASE (FAN DRIVE)						
C-CHANGE FROM PREVIOUS TYPE											

BASIC ENGINE

8N-6588 DRIVE GP-FAN (contd.)

i01962548



GRAPHIC #1

<END>

g00157609

BASIC ENGINE

8N-6589 DRIVE GP-FAN

4 GROOVE-254MM DIAMETER PULLEY-.800 DRIVE RATIO AND BLOWER DRIVE
AN ATTACHMENT

SMCS-1359

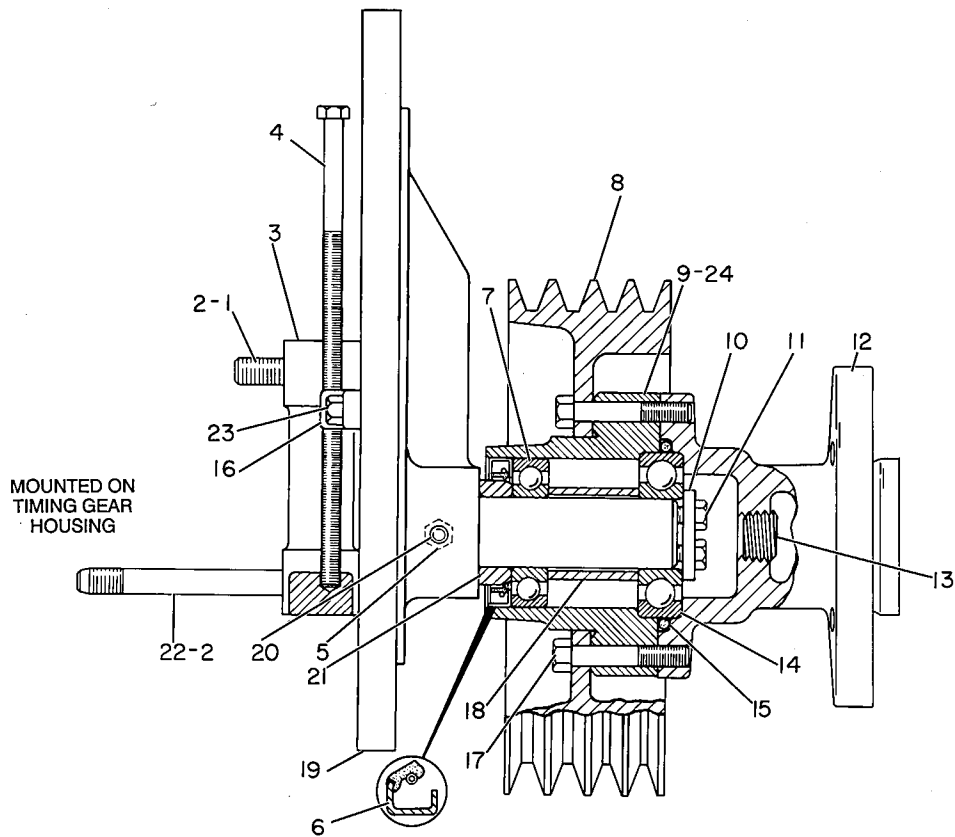
i01962550

NOTE	REF NO	GRAPHIC REF	PART NUMBER	QTY	PART NAME						SEE PAGE
					1	2	3	4	5	6 (PRODUCT LEVEL)	
	1	1	9X-8875	2	BOLT (1/2-13X3.5-IN)						
	2	1	1F-7960	4	WASHER (13.5X32X6-MM THK)						
	3	1	4N-2372	1	ADAPTER-BRACKET						
	4	1	9L-4238	1	BOLT (3/8-16X8.5-IN)						
	5	1	4B-4550	1	FITTING-PRESSURE RELIEF (1/8-27 PTF) (FAN DRIVE)						
	6	1	5S-2106	1	SEAL-LIP TYPE						
	7	1	8H-9789	1	BEARING AS-BALL						
	8	1	7N-8828	1	PULLEY-FAN DRIVE						
	9	1	7N-8827	1	HUB						
C	10	1	7N-2900	1	RETAINER (47.63MM OD)						
C	11	1	5P-7979	2	BOLT-LOCKING (5/16-24X2.25-IN) (57.15MM LONG)						
	12	1	6N-6598	1	ADAPTER-FAN						
	13	1	7X-7731	1	PLUG-PIPE						
	14	1	3L-1425	1	BALL BEARING						
	15	1	9F-4446	1	SEAL-O-RING						
	16	1	9N-5120	1	BRACKET						
	17	1	0L-2070	6	BOLT (3/8-16X2.25-IN)						
	18	1	8N-5305	1	SPACER (35.6X47.62X43.74-MM THK)						
	19	1	6N-6490	1	BRACKET AS-FAN						
	20	1	4N-0684	1	DOWEL						
	21	1	5S-9062	1	SPACER (35.032X50.8X15.88-MM THK)						
	22	1	2P-9084	2	STUD-TAPERLOCK (1/2-13X0.83-IN, 1/2-13X0.98-IN)						
		1	1F-7958	2	NUT-FULL (1/2-13-THD)						
	23	1	0S-1594	2	BOLT (3/8-16X1-IN)						
	24	1	2D-4867	1	FITTING-GREASE (FAN DRIVE)						
C-CHANGE FROM PREVIOUS TYPE											

BASIC ENGINE

8N-6589 DRIVE GP-FAN (contd.)

i01962550



GRAPHIC #1

<END>

g00157610

BASIC ENGINE

116-7954 DRIVE GP-FAN FOR USE WITH 1, 2 OR 3 GROOVE CRANKSHAFT PULLEY AN ATTACHMENT

SMCS-1359

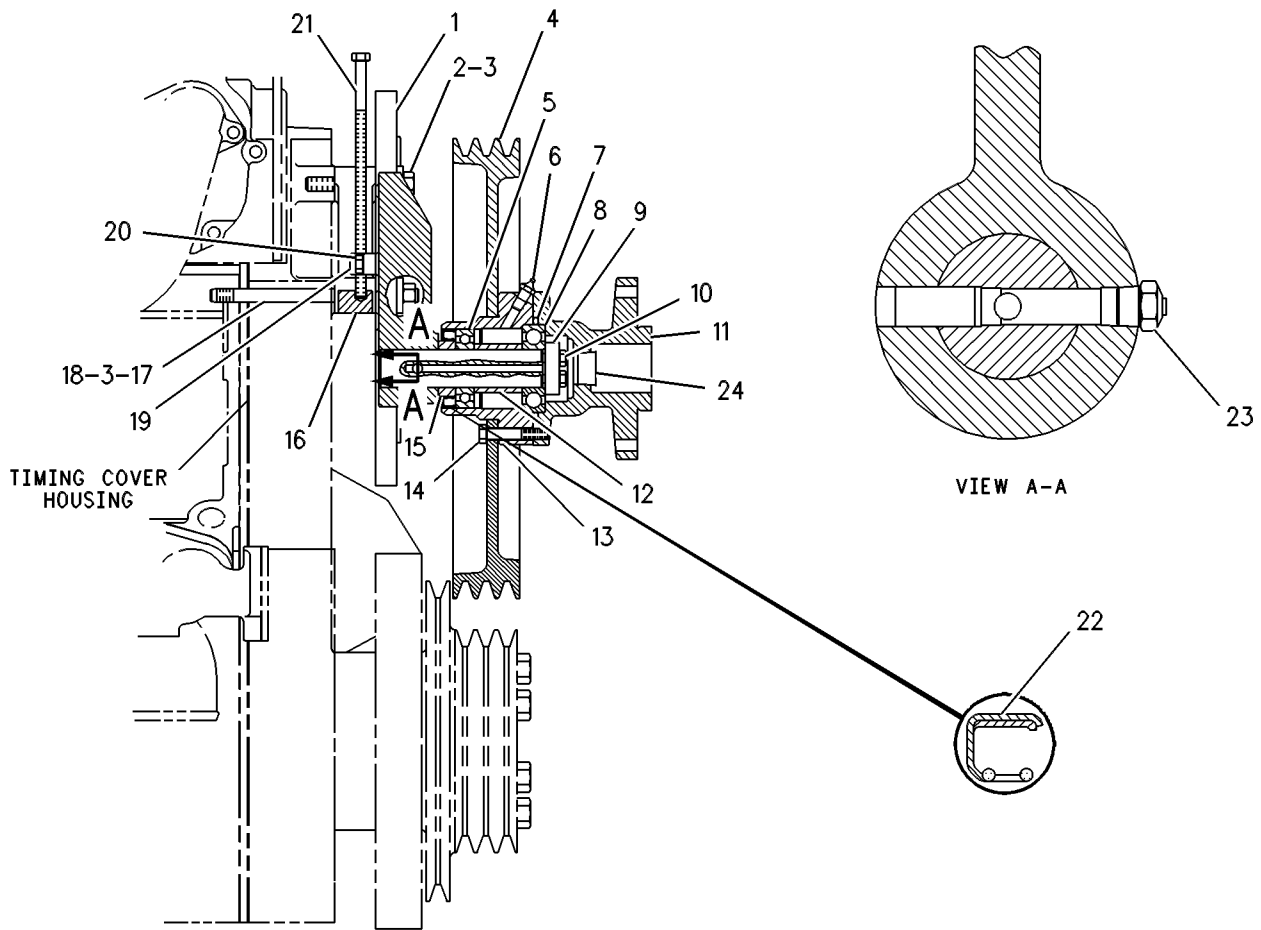
i01962558

NOTE	REF NO	GRAPHIC REF	PART NUMBER	QTY	PART NAME						SEE PAGE
					1	2	3	4	5	6 (PRODUCT LEVEL)	
	1	1	6N-6490	1	BRACKET AS-FAN						
	2	1	9X-8875	2	BOLT (1/2-13X3.5-IN)						
	3	1	1F-7960	4	WASHER (13.5X32X6-MM THK)						
	4	1	4N-6288	1	PULLEY-FAN DRIVE (3-GROOVE)						
	5	1	8H-9789	1	BEARING AS-BALL						
	6	1	2D-4867	1	FITTING-GREASE (FAN DRIVE)						
	7	1	9F-4446	1	SEAL-O-RING						
	8	1	3L-1425	1	BALL BEARING						
	9	1	7N-2900	1	RETAINER						
	10	1	5P-7979	2	BOLT-LOCKING (5/16-24X2.25-IN)						
	11	1	6N-6598	1	ADAPTER-FAN						
	12	1	8N-5305	1	SPACER (35.6X47.62X43.74-MM THK)						
	13	1	7N-8827	1	HUB						
	14	1	0L-2070	6	BOLT (3/8-16X2.25-IN)						
	15	1	5S-9062	1	SPACER (35.032X50.8X15.88-MM THK)						
	16	1	4N-2372	1	ADAPTER-BRACKET						
	17	1	2P-9084	2	STUD-TAPERLOCK (1/2-13X0.83-IN, 1/2-13X0.98-IN)						
	18	1	1F-7958	2	NUT-FULL (1/2-13-THD)						
	19	1	9N-5120	1	BRACKET						
	20	1	0S-1594	2	BOLT (3/8-16X1-IN)						
	21	1	9L-4238	1	BOLT (3/8-16X8.5-IN)						
	22	1	5S-2106	1	SEAL-LIP TYPE						
	23	1	4B-4550	1	FITTING-PRESSURE RELIEF (1/8-27 PTF) (FAN DRIVE)						
	24	1	7X-7731	1	PLUG-PIPE						

BASIC ENGINE

116-7954 DRIVE GP-FAN (contd.)

i01962558



GRAPHIC #1

<END>

g00258866

BASIC ENGINE

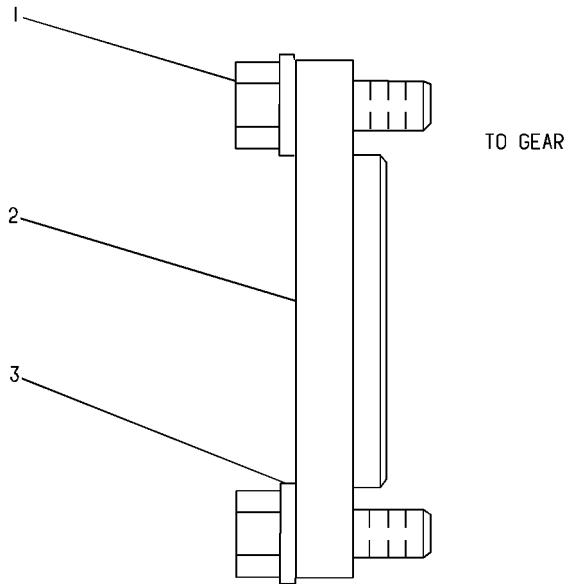
1W-7935 DRIVE GP-PUMP

1:1 DRIVE RATIO WITH COUNTERCLOCKWISE ROTATION,
MOUNTS LEFT SIDE FRONT-HYDRAULIC PUMP. BRAKE OIL CIRCULATION
AN ATTACHMENT

SMCS-1017, 1207, 3108

i00640334

NOTE	REF NO	GRAPHIC REF	PART NUMBER	QTY	PART NAME						SEE PAGE
					1	2	3	4	5	6 (PRODUCT LEVEL)	
	1	1	2B-2695	4	BOLT (5/16-18X0.875-IN)						
	2	1	7C-6045	1	SLEEVE-AUXILIARY DRIVE						
	3	1	9M-1974	4	WASHER-HARD (8.8X16X2-MM THK)						



GRAPHIC #1

<END>

g00157525

BASIC ENGINE

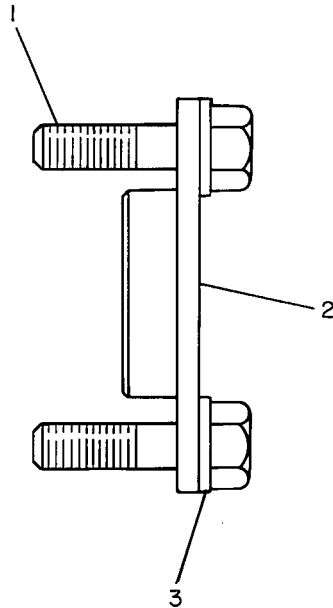
1W-8583 DRIVE GP-PUMP

HYDRAULIC
AN ATTACHMENT

SMCS-1017, 1207, 3108

i00640656

NOTE	REF NO	GRAPHIC REF	PART NUMBER	QTY	PART NAME						SEE PAGE
					1	2	3	4	5	6 (PRODUCT LEVEL)	
	1	1	0S-1618	4	BOLT (5/16-18X1-IN)						
	2	1	9N-0055	1	SLEEVE-STEERING PUMP						
	3	1	9M-1974	4	WASHER-HARD (8.8X16X2-MM THK)						



GRAPHIC #1

<END>

g00156644

BASIC ENGINE

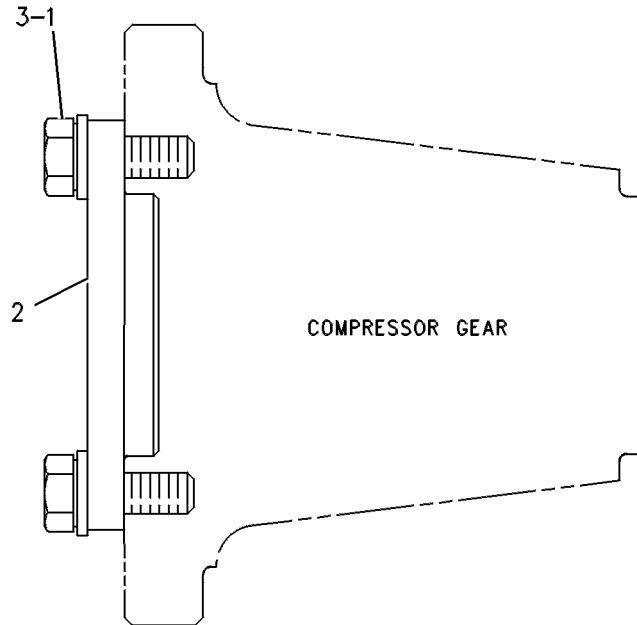
117-8773 DRIVE GP-PUMP

MOUNTS TO AIR COMPRESSOR GEAR, REQUIRED TO DRIVE A POWER STEERING PUMP
AN ATTACHMENT

SMCS-1017, 1207, 3108

i00709868

NOTE	REF NO	GRAPHIC REF	PART NUMBER	QTY	PART NAME						SEE PAGE
					1	2	3	4	5	6 (PRODUCT LEVEL)	
	1	1	2B-2695	4	BOLT (5/16-18X0.875-IN)						
	2	1	7C-6045	1	SLEEVE-AUXILIARY DRIVE						
	3	1	9M-1974	4	WASHER-HARD (8.8X16X2-MM THK)						



GRAPHIC #1

<END>

g00244236

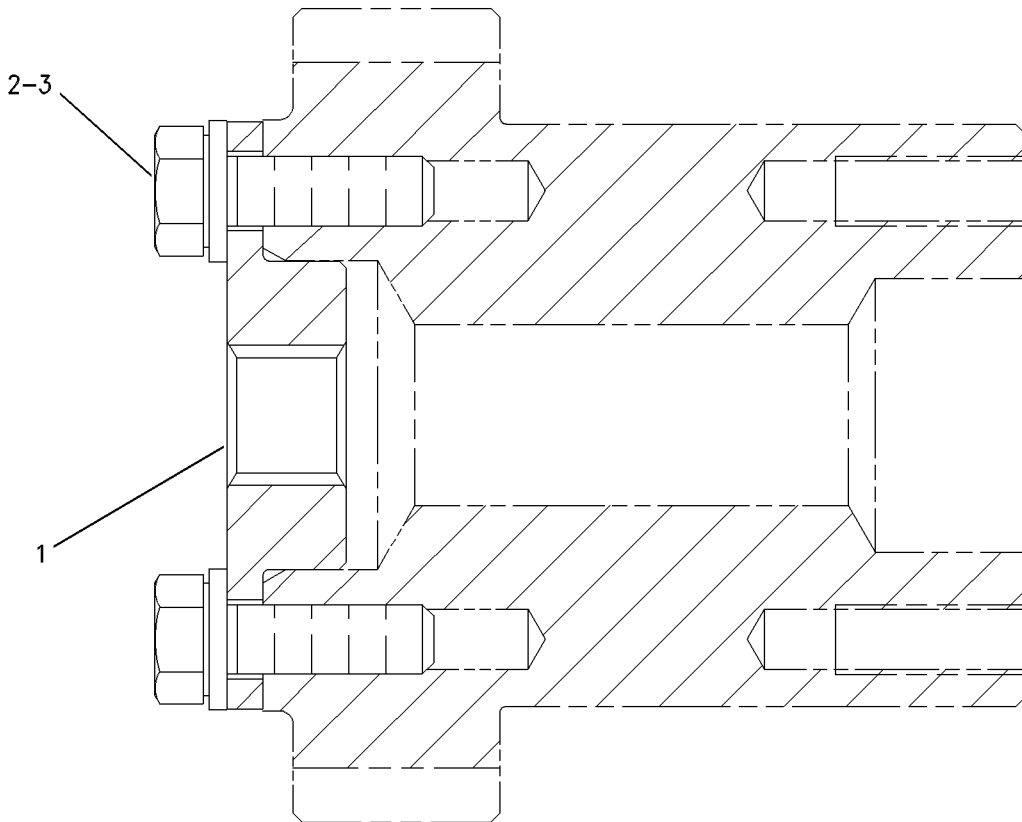
BASIC ENGINE

160-0433 DRIVE GP-PUMP AN ATTACHMENT

SMCS-1017, 1207, 3108

i01015922

NOTE	REF NO	GRAPHIC REF	PART NUMBER	QTY	PART NAME						SEE PAGE
					1	2	3	4	5	6 (PRODUCT LEVEL)	
	1	1	160-0434	1	SLEEVE - POWER						
	2	1	0S-1618	4	BOLT (5/16-18X1-IN)						
	3	1	9M-1974	4	WASHER-HARD (8.8X16X2-MM THK)						



GRAPHIC #1

<END>

g00523539

BASIC ENGINE

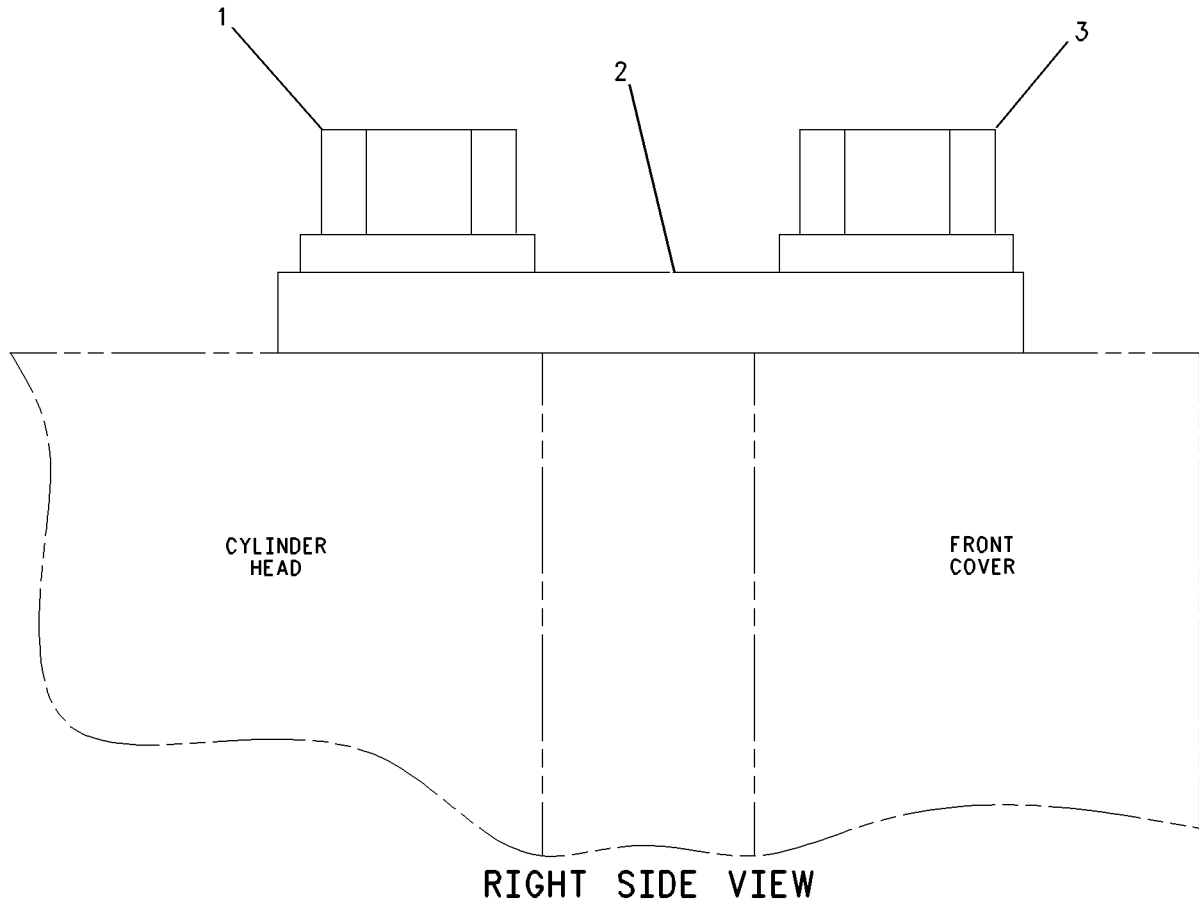
4N-6006 FASTENER GP-FRONT HOUSING

SMCS-1151, 1162

i01848911

NOTE	REF NO	GRAPHIC REF	PART NUMBER	QTY	PART NAME						SEE PAGE
					1	2	3	4	5	6 (PRODUCT LEVEL)	
	1	1	1A-2029	3	BOLT (3/8-16X1.125 IN)						
		1	5M-2894	3	WASHER-HARD (10.2X18.5X2.5MM THK)						
	2	1	4N-4107	1	PLATE						
B	3	1	1A-2029	1	BOLT (3/8-16X1.125 IN)						
B		1	5M-2894	1	WASHER-HARD (10.2X18.5X2.5MM THK)						

B-USE AS REQUIRED



GRAPHIC #1

<END>

g00942302

BASIC ENGINE

5N-3785 FASTENER GP-FRONT HOUSING

WITHOUT FRONT SUPPORT
AN ATTACHMENT

SMCS-1151, 1162

i01194639

NOTE	PART NUMBER	QTY	PART NAME						SEE PAGE
			1	2	3	4	5	6 (PRODUCT LEVEL)	
B	1B-2886	8	BOLT (1/2-13X3.75-IN)						
B	5P-8038	8	BOLT-12 POINT HEAD (1/2-13X4.75-IN)						
	1B-8074	4	WASHER (9.52-MM THK)						
	3H-7654	8	WASHER-HARD (13.5X22.5X3.0-MM THK)						

B-USE AS REQUIRED

<END>

BASIC ENGINE

1W-8340 FLYWHEEL GP

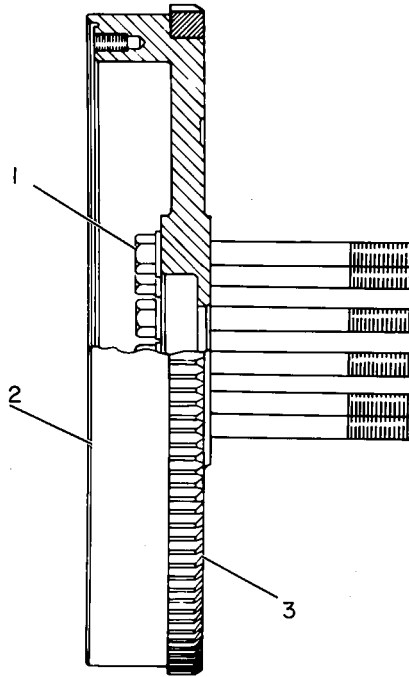
FOR USE WITH 5N-9240-PAGE 244
ALSO AN ATTACHMENT

SMCS-1156

i02544062

NOTE	REF NO	GRAPHIC REF	PART NUMBER	QTY	PART NAME						SEE PAGE
					1	2	3	4	5	6 (PRODUCT LEVEL)	
	1	1	2B-6030	12	BOLT (5/8-18X6-IN)						
		1	4D-3704	12	WASHER-HARD (17X30X5-MM THK)						
C	2	1	7W-1248	1	FLYWHEEL AS						
	3	1	4N-2514	1	GEAR (113-TEETH)						

C-CHANGE FROM PREVIOUS TYPE



GRAPHIC #1

<END>

g00152050

BASIC ENGINE

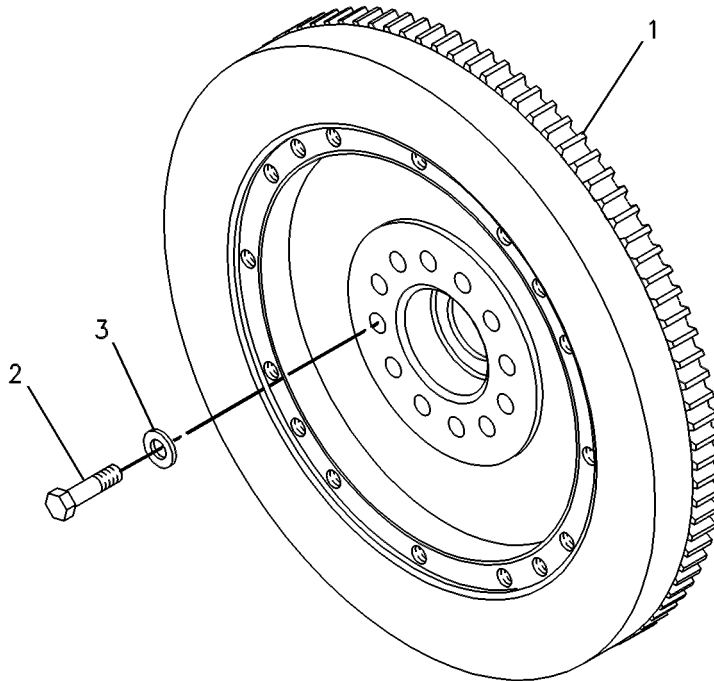
3N-8804 FLYWHEEL GP

S/N: 6TB12255-UP
FOR USE WITH 11-INCH CLUTCH
ALSO AN ATTACHMENT

SMCS-1156

i02727973

NOTE	REF NO	GRAPHIC REF	PART NUMBER	QTY	PART NAME						SEE PAGE
					1	2	3	4	5	6 (PRODUCT LEVEL)	
	1	1	3N-8803	1	FLYWHEEL AS						
		1	4N-2514	1	GEAR (113-TEETH)						
	2	1	OS-1600	12	BOLT (5/8-18X2.5-IN)						
	3	1	4D-3704	12	WASHER-HARD (17X30X5-MM THK)						



GRAPHIC #1

<END>

g00247730

BASIC ENGINE

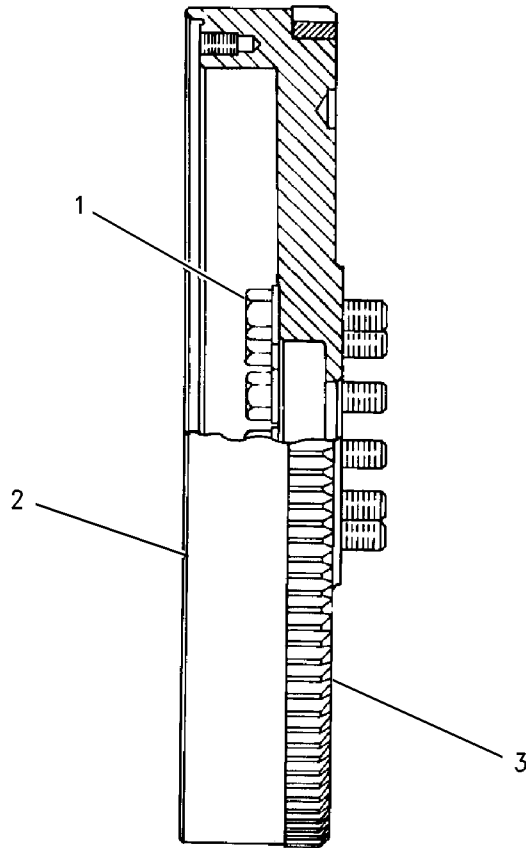
4P-3100 FLYWHEEL GP

FOR USE WITH 4P-3074—PAGE 326
AN ATTACHMENT

SMCS-1156

i02899139

NOTE	REF NO	GRAPHIC REF	PART NUMBER	QTY	PART NAME						SEE PAGE
					1	2	3	4	5	6 (PRODUCT LEVEL)	
	1	1	OS-1601	12	BOLT (5/8-18X2.75-IN)						
		1	4D-3704	12	WASHER-HARD (17X30X5-MM THK)						
	2	1	4P-3099	1	FLYWHEEL AS						
	3	1	4N-2514	1	GEAR (113-TEETH)						



GRAPHIC #1

<END>

g00768341

BASIC ENGINE

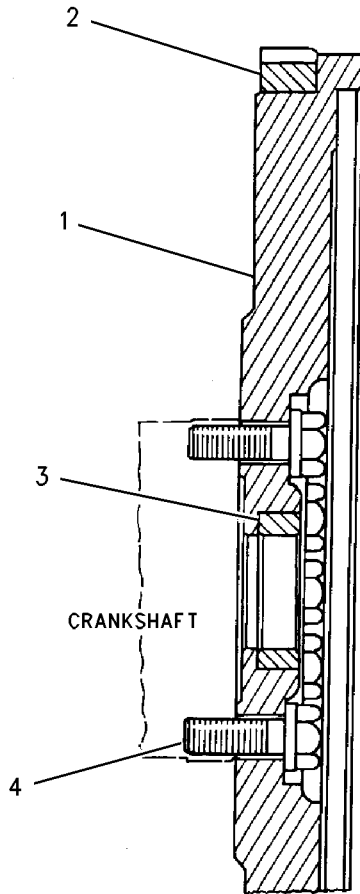
4W-7370 FLYWHEEL GP

FOR USE WITH A SPICER 10 SPRING DAMPENED DISK CLUTCH. CANNOT BE USED WITH
BRAKESAVER ENGINES
ALSO AN ATTACHMENT

SMCS-1156

i01472682

NOTE	REF NO	GRAPHIC REF	PART NUMBER	QTY	PART NAME						SEE PAGE
					1	2	3	4	5	6 (PRODUCT LEVEL)	
	1	1	4W-7186	1	FLYWHEEL AS						
	2	1	4N-2514	1	GEAR (113-TEETH)						
	3	1	9N-2570	1	BUSHING						
	4	1	0S-1576	12	BOLT (5/8-18X2-IN)						
		1	4D-3704	12	WASHER-HARD (17X30X5-MM THK)						



GRAPHIC #1

<END>

g00768306

BASIC ENGINE

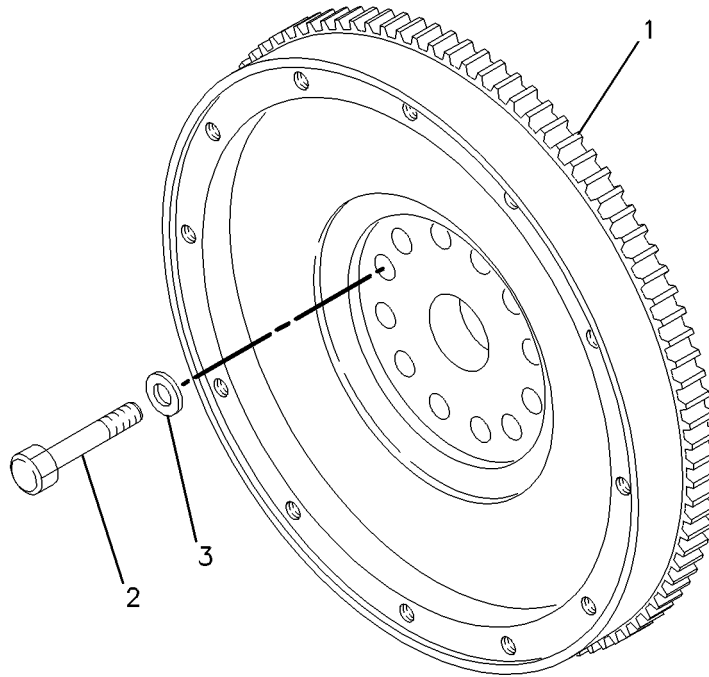
6N-1281 FLYWHEEL GP

FOR USE WITH SAE #1 FLYWHEEL HOUSING AND TWIN DISC TORQUE CONVERTER WITH
CLUTCH
AN ATTACHMENT

SMCS-1156

i02899149

NOTE	REF NO	GRAPHIC REF	PART NUMBER	QTY	PART NAME						SEE PAGE
					1	2	3	4	5	6 (PRODUCT LEVEL)	
	1	1	6N-1283	1	FLYWHEEL AS						
		1	4N-2514	1	GEAR (113-TEETH)						
	2	1	0S-1576	12	BOLT (5/8-18X2-IN)						
	3	1	4D-3704	12	WASHER-HARD (17X30X5-MM THK)						



GRAPHIC #1

<END>

g00203216

BASIC ENGINE

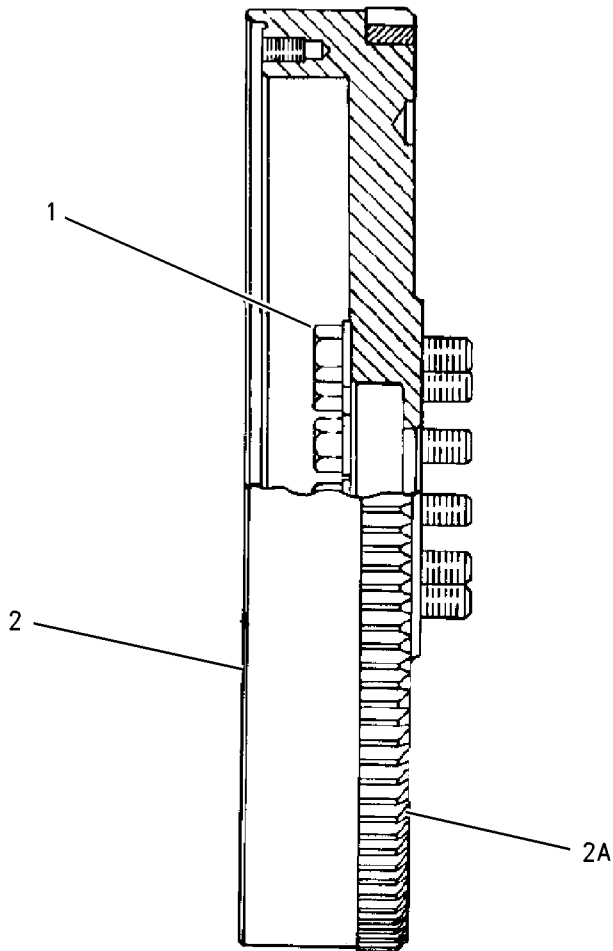
6N-1299 FLYWHEEL GP

FOR USE WITH SAE NO. 1 FLYWHEEL HOUSING AND BRAKESAVER ENGINES
AN ATTACHMENT

SMCS-1156

i02737480

NOTE	REF NO	GRAPHIC REF	PART NUMBER	QTY	PART NAME						SEE PAGE
					1	2	3	4	5	6 (PRODUCT LEVEL)	
	1	1	0S-1577	12	BOLT (5/8-18X2.25-IN)						
		1	4D-3704	12	WASHER-HARD (17X30X5-MM THK)						
	2	1	6N-1301	1	FLYWHEEL AS						
	2A	1	4N-2514	1	GEAR (113-TEETH)						



GRAPHIC #1

<END>

g00819734

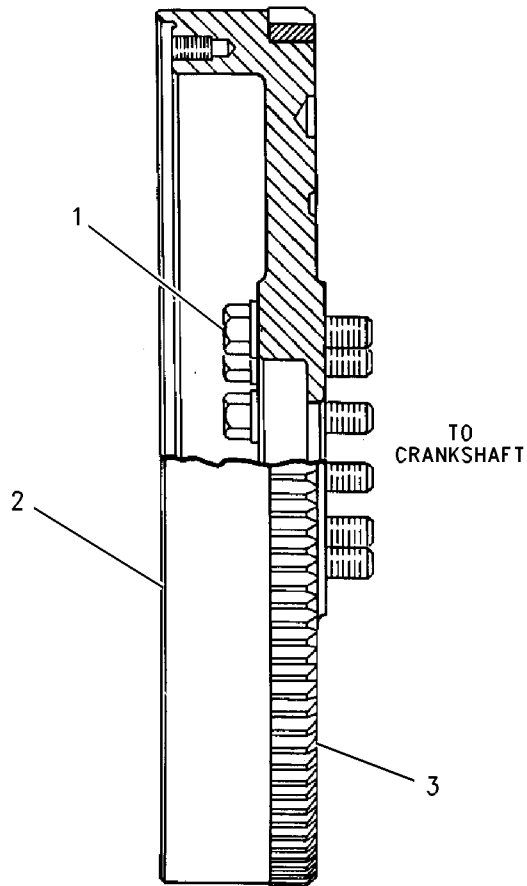
BASIC ENGINE

7N-3060 FLYWHEEL GP FOR USE WITH SAE NO. 1 FLYWHEEL HOUSING ALSO AN ATTACHMENT

SMCS-1156

i02727984

NOTE	REF NO	GRAPHIC REF	PART NUMBER	QTY	PART NAME						SEE PAGE
					1	2	3	4	5	6 (PRODUCT LEVEL)	
	1	1	0S-1601	12	BOLT (5/8-18X2.75-IN)						
		1	4D-3704	12	WASHER-HARD (17X30X5-MM THK)						
	2	1	7W-1248	1	FLYWHEEL AS						
	3	1	4N-2514	1	GEAR (113-TEETH)						



GRAPHIC #1

<END>

g00768376

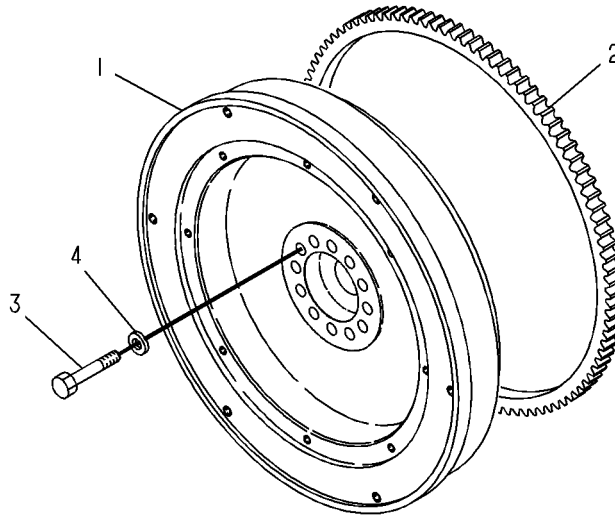
BASIC ENGINE

7N-3079 FLYWHEEL GP FOR USE WITH SAE NO. 0 FLYWHEEL HOUSING AN ATTACHMENT

SMCS-1156

i02737482

NOTE	REF NO	GRAPHIC REF	PART NUMBER	QTY	PART NAME						SEE PAGE
					1	2	3	4	5	6 (PRODUCT LEVEL)	
	1	1	7W-1250	1	FLYWHEEL AS						
	2	1	8M-6755	1	GEAR-FLYWHEEL (136-TEETH)						
	3	1	OS-1602	12	BOLT (5/8-18X3.5-IN)						
	4	1	4D-3704	12	WASHER-HARD (17X30X5-MM THK)						



GRAPHIC #1

<END>

g00167606

BASIC ENGINE

107-3847 FLYWHEEL GP

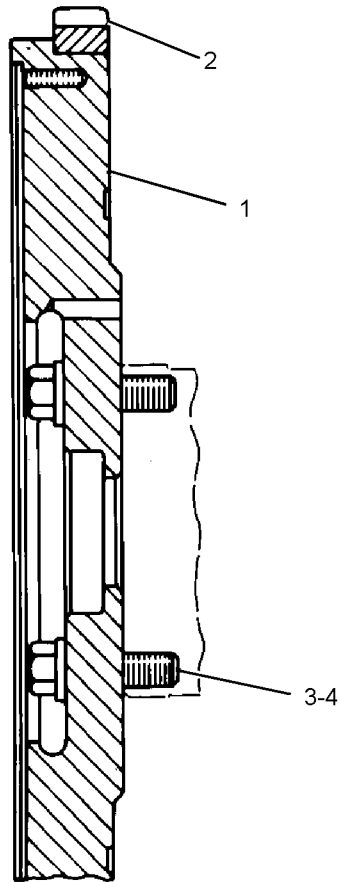
FOR USE WITH SAE NO. 1 FLYWHEEL HOUSING, 15.5-INCH CLUTCH
AN ATTACHMENT

SMCS-1156

i03196481

NOTE	REF NO	GRAPHIC REF	PART NUMBER	QTY	PART NAME						SEE PAGE
					1	2	3	4	5	6 (PRODUCT LEVEL)	
R	1	1	125-0157	1	FLYWHEEL AS						
	2	1	4N-2514	1	GEAR (113-TEETH)						
	3	1	OS-1576	12	BOLT (5/8-18X2-IN)						
	4	1	4D-3704	12	WASHER-HARD (17X30X5-MM THK)						

R-REMFG PART MAY BE AVAILABLE



GRAPHIC #1

<END>

g01628320

BASIC ENGINE

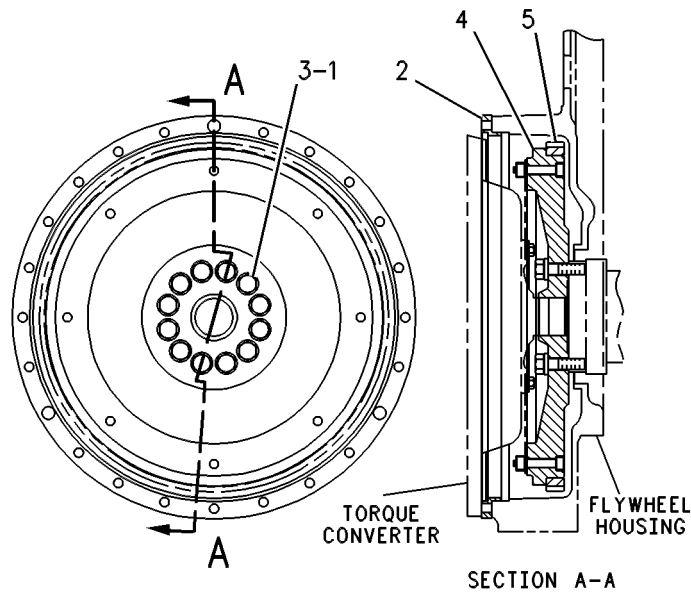
126-8269 FLYWHEEL GP

FOR USE WITH SAE NO. 1 FLYWHEEL HOUSING, TORQUE CONVERTER
AN ATTACHMENT

SMCS-1156

i02737486

NOTE	REF NO	GRAPHIC REF	PART NUMBER	QTY	PART NAME						SEE PAGE
					1	2	3	4	5	6 (PRODUCT LEVEL)	
	1	1	4D-3704	12	WASHER-HARD (17X30X5-MM THK)						
	2	1	133-5554	1	ADAPTER-FLYWHEEL HOUSING						
	3	1	0S-1577	12	BOLT (5/8-18X2.25-IN)						
	4	1	126-8268	1	FLYWHEEL AS						
	5	1	4N-2514	1	GEAR (113-TEETH)						



GRAPHIC #1

<END>

g00256980

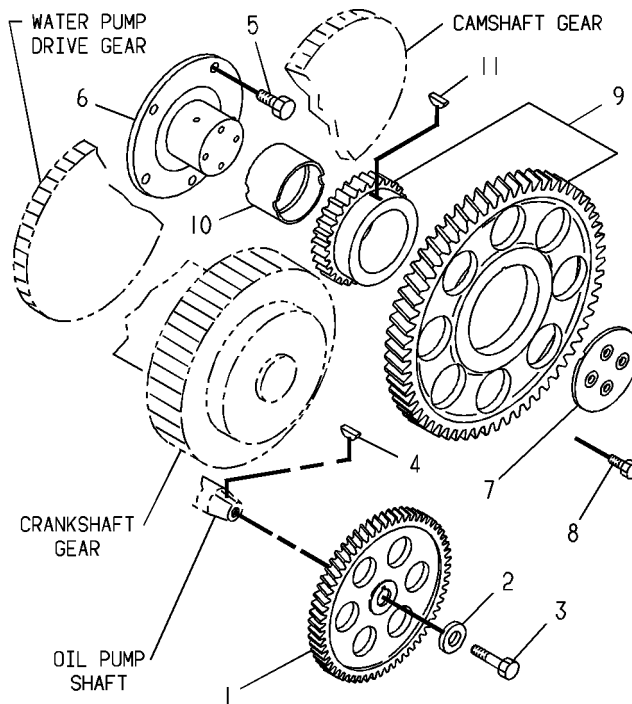
BASIC ENGINE

8N-9246 GEAR GP-FRONT

SMCS-1151, 1162, 1206

i02505582

NOTE	REF NO	GRAPHIC REF	PART NUMBER	QTY	PART NAME						SEE PAGE
					1	2	3	4	5	6 (PRODUCT LEVEL)	
	1	1	7E-5661	1	GEAR-OIL PUMP DRIVE (69-TEETH)						
	2	1	1P-7346	1	WASHER-HARD (10.2X35X6-MM THK)						
	3	1	0S-1571	1	BOLT (3/8-16X1.75-IN)						
	4	1	1B-8705	1	KEY-WOODRUFF						
	5	1	3G-2292	5	BOLT-LOCKING (3/8-16X0.87-IN)						
	6	1	6I-0093	1	SHAFT-IDLER						
	7	1	112-9217	1	PLATE-THRUST						
	8	1	126-1756	4	BOLT-LOCKING (5/16-18X0.875-IN)						
	9	1	2W-7455	1	GEAR AS-IDLER (105, 42-TEETH)						
	10	1	131-7123	1	BEARING-SLEEVE						
	11	1	1B-8705	1	KEY-WOODRUFF						



GRAPHIC #1

<END>

g00182648

BASIC ENGINE

5N-9240 GEAR GP-REAR

FOR USE WITH SAE NO. 1 FLYWHEEL HOUSING, 1W-8340—PAGE 233
ALSO AN ATTACHMENT

SMCS-1204

i01278107

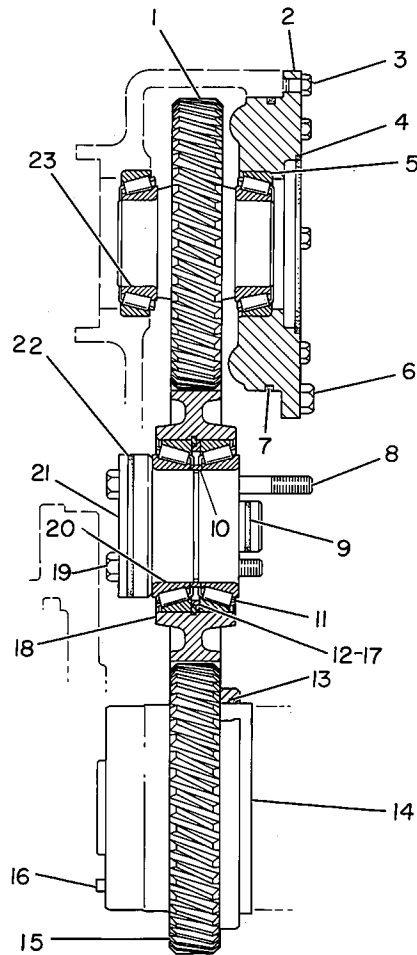
NOTE	REF NO	GRAPHIC REF	PART NUMBER	QTY	PART NAME						SEE PAGE
					1	2	3	4	5	6 (PRODUCT LEVEL)	
C	1	1	155-6627	1	GEAR (64 TEETH)						
	2	1	6I-2172	1	ADAPTER-HYDRAULIC PUMP						
	3	1	1A-2029	6	BOLT (3/8-16X1.125-IN)						
	4	1	5F-3106	2	SEAL-O-RING						
	5	1	2P-8987	2	CONE-BEARING						
	6	1	9S-8752	2	NUT-FULL (3/8-16-THD)						
	7	1	4N-1230	1	SEAL-O-RING						
	8	1	8F-8804	1	BOLT (1/2-13X5.75-IN)						
	9	1	2S-4663	1	SEAL-O-RING						
	10	1	2P-7554	1	SPACER-BEARING						
	11	1	030-0060	2	CUP-BEARING						
	12	1	2P-7555	1	SPACER-BEARING						
	13	1	2K-4472	1	SEAL-O-RING						
	14	1	4N-0848	1	SLEEVE-WEAR						
	15	1	5N-9231	1	GEAR AS-CRANKSHAFT (64 TEETH)						
	16	1	4N-0684	1	DOWEL						
	17	1	5K-9065	1	RING-RETAINING						
	18	1	2W-7615	1	GEAR-IDLER (64-TEETH)						
	19	1	1D-4569	1	BOLT (1/2-13X4.25-IN)						
	20	1	030-0061	2	CONE-BEARING						
	21	1	6N-3310	1	SHAFT-IDLER GEAR						
	22	1	2H-3934	1	SEAL-O-RING						
	23	1	2P-8986	2	CUP-BEARING						

C-CHANGE FROM PREVIOUS TYPE

BASIC ENGINE

5N-9240 GEAR GP-REAR (contd.)

i01278107



GRAPHIC #1

<END>

g00156789

BASIC ENGINE

4N-9680 GOVERNOR GP-AIR COMPRESSOR

PART OF 7E-4832 GOVERNOR GP-AIR COMPRESSOR
AN ATTACHMENT

SMCS-1804

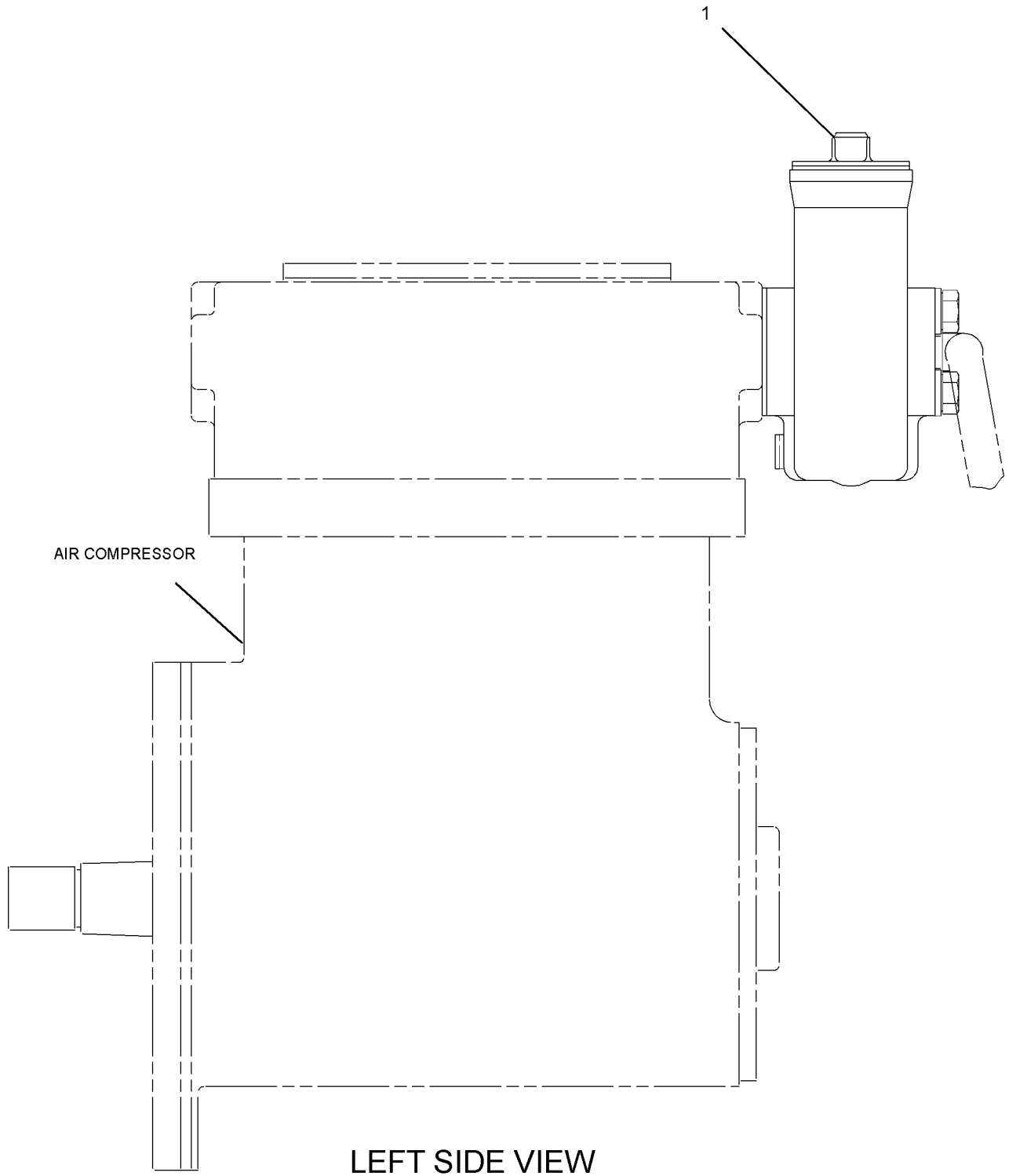
i03700623

NOTE	REF NO	GRAPHIC REF	PART NUMBER	QTY	PART NAME	SEE PAGE
					1 2 3 4 5 6 (PRODUCT LEVEL)	
	1	1	2S-2923	1	COVER AS (GOVERNOR)	
		1	2K-8198	1	SEAL-O-RING	
					AVAILABLE REPAIR KIT(S):	
			9M-0402	1	KIT-GOVERNOR OVERHAUL (AIR COMPRESSOR) (INCLUDES GROMMETS, FILTERS, SPRING, VALVES, COVER, RING & GASKET)	

BASIC ENGINE

4N-9680 GOVERNOR GP-AIR COMPRESSOR (contd.)

i03700623



GRAPHIC #1

<END>

g01310697

BASIC ENGINE

7E-4832 GOVERNOR GP-AIR COMPRESSOR

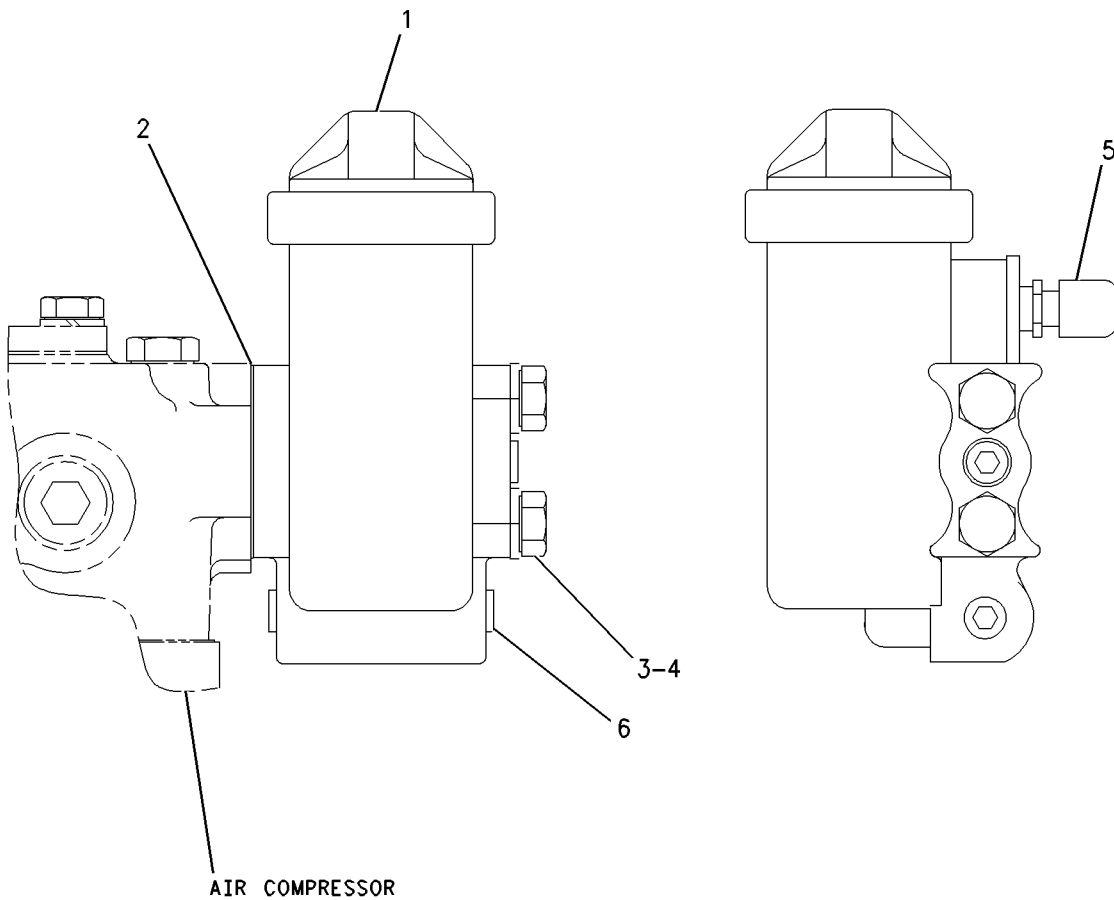
ACTUATION PRESSURE 620 KPA (90 PSI), DEACTUATION PRESSURE 827 KPA (120 PSI)
FOR USE WITH AIR COMPRESSOR
AN ATTACHMENT

SMCS-1804

i02399370

NOTE	REF NO	GRAPHIC REF	PART NUMBER	QTY	PART NAME						SEE PAGE
					1	2	3	4	5	6 (PRODUCT LEVEL)	
Y	1	1	4N-9680	1	GOVERNOR GP-AIR COMPRESSOR						246
	2	1	6L-1883	1	GASKET						
	3	1	1D-4540	2	BOLT (5/16-18X2.75-IN)						
	4	1	9M-1974	2	WASHER-HARD (8.8X16X2-MM THK)						
	5	1	5F-5434	1	VALVE AS-VENT (AIR COMPRESSOR GOVERNOR)						
	6	1	9F-2247	5	PLUG-PIPE						

Y-SEPARATE ILLUSTRATION



GRAPHIC #1

<END>

g00783763

BASIC ENGINE

189-2288 GOVERNOR GP-AIR COMPRESSOR

PART OF 189-5844 GOVERNOR GP-AIR COMPRESSOR

AN ATTACHMENT

SMCS-1804

i02752829

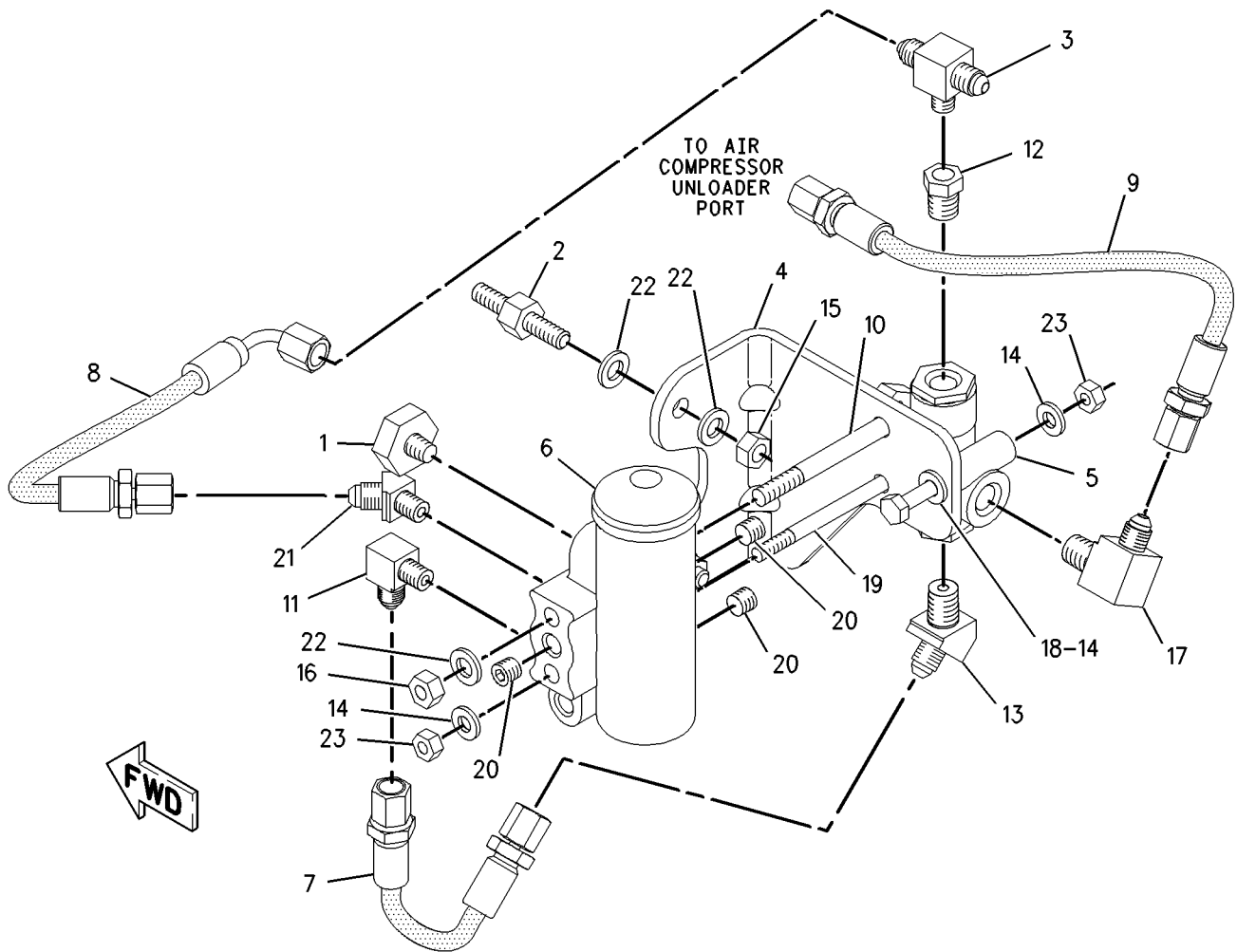
NOTE	REF NO	GRAPHIC REF	PART NUMBER	QTY	PART NAME						SEE PAGE
					1	2	3	4	5	6 (PRODUCT LEVEL)	
	1	1	7D-9949	1	VALVE AS (AIR COMPRESSOR GOVERNOR)						
M	2	1	175-3170	2	STUD						
	3	1	183-6689	1	FITTING-TEE						
	4	1	189-1918	1	BRACKET						
	5	1	189-1919	1	VALVE GP-AIR CONTROL						
		1	7D-9949	1	VALVE AS						
J	6	1	189-1920	1	GOVERNOR AS						
		1	2S-2923	1	COVER AS						
		1	2K-8198	1	SEAL-O-RING						
	7	1	189-1922	1	HOSE AS						
	8	1	189-1923	1	HOSE AS						
	9	1	189-1924	1	HOSE AS						
	10	1	1D-4541	1	BOLT (5/16-18X3-IN)						
	11	1	2N-1287	1	ELBOW-FLARED						
	12	1	3B-6768	1	BUSHING-REDUCER						
	13	1	5J-7303	1	ELBOW						
	14	1	5P-0537	4	WASHER-HARD (7.2X14.5X2-MM THK)						
M	15	1	5P-7970	2	NUT (M8X1.25-THD)						
	16	1	5S-0003	1	NUT (5/16-18-THD)						
	17	1	6K-1972	1	ELBOW-FLARED						
	18	1	8B-2377	1	BOLT (1/4-20X2-IN)						
	19	1	8S-4711	1	BOLT (1/4-20X4.5-IN)						
	20	1	8T-6757	3	PLUG-PIPE						
	21	1	9L-5125	1	ELBOW						
	22	1	9M-1974	5	WASHER-HARD (8.8X16X2-MM THK)						
	23	1	9S-8750	2	NUT-FULL (1/4-20-THD)						
					AVAILABLE REPAIR KIT(S):						
J			9M-0402	1	KIT-GOVERNOR OVERHAUL (AIR COMPRESSOR) (INCLUDES GROMMETS, FILTER, SPRING, VALVE, COVER, RING, AND GASKET)						

J-PART MARKED J SERVICED BY KIT MARKED J
M-METRIC PART

BASIC ENGINE

189-2288 GOVERNOR GP-AIR COMPRESSOR (contd.)

i02752829



GRAPHIC #1

<END>

g00836918

BASIC ENGINE

189-5844 GOVERNOR GP-AIR COMPRESSOR

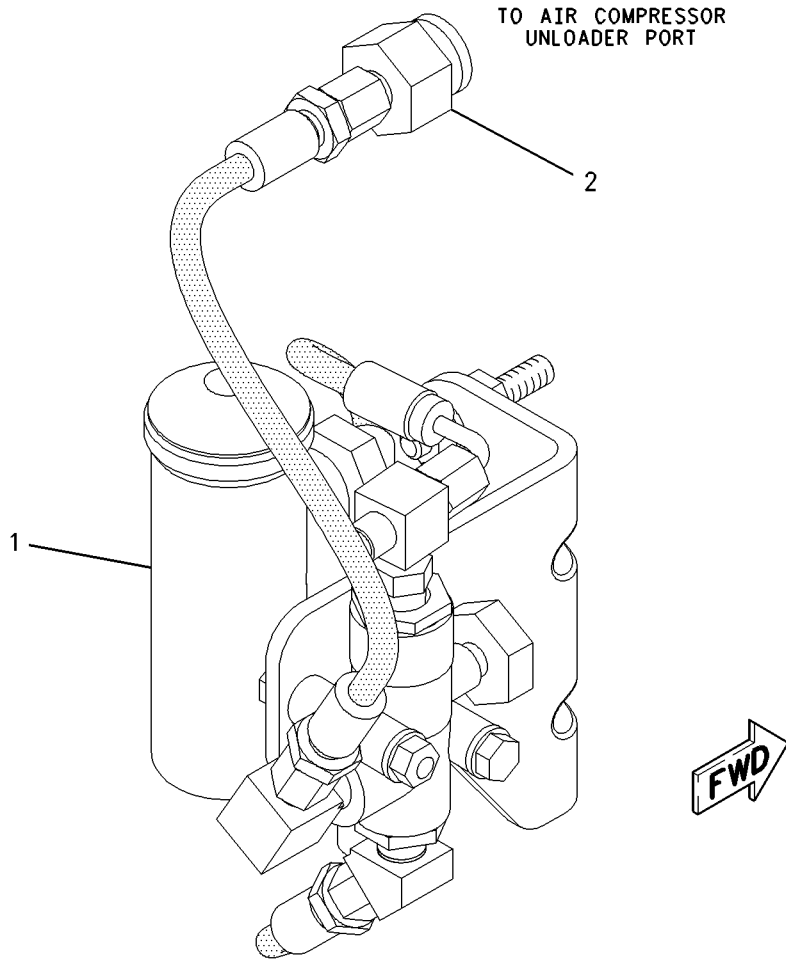
FOR USE WITH 2-CYLINDER AIR COMPRESSOR (27 CFM)
AN ATTACHMENT

SMCS-1804

i01616453

NOTE	REF NO	GRAPHIC REF	PART NUMBER	QTY	PART NAME						SEE PAGE
					1	2	3	4	5	6 (PRODUCT LEVEL)	
Y	1	1	189-2288	1	GOVERNOR GP-AIR COMPRESSOR						249
	2	1	030-8195	1	CONNECTOR-FLARED						

Y-SEPARATE ILLUSTRATION



GRAPHIC #1

<END>

g00836688

BASIC ENGINE

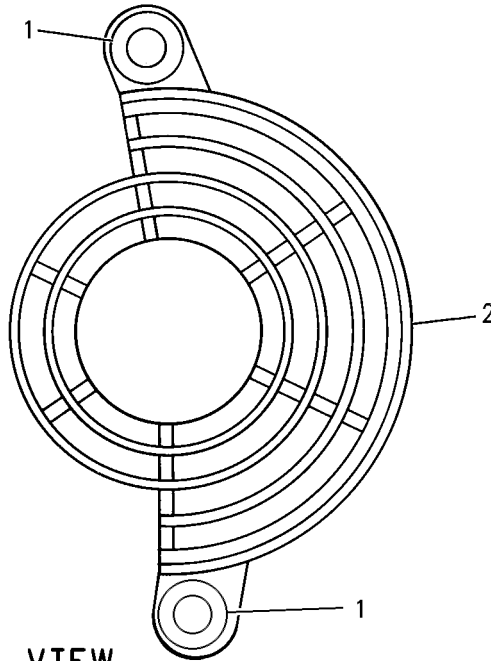
1N-3876 GUARD GP-BELT

FOR USE WITH 7W-1340-PAGE 308, 7C-0755-PAGE 306. CANNOT BE USED WITH
60-AMPERE ALTERNATORS, BELT GUARDS
AN ATTACHMENT

SMCS-7174

i02332205

NOTE	REF NO	GRAPHIC REF	PART NUMBER	QTY	PART NAME						SEE PAGE
					1	2	3	4	5	6 (PRODUCT LEVEL)	
	1	1	3H-7654	2	WASHER-HARD (13.5X22.5X3.0-MM THK)						
	2	1	1N-3877	1	GUARD AS-ALTERNATOR						



FRONT VIEW

GRAPHIC #1

<END>

g00258389

BASIC ENGINE

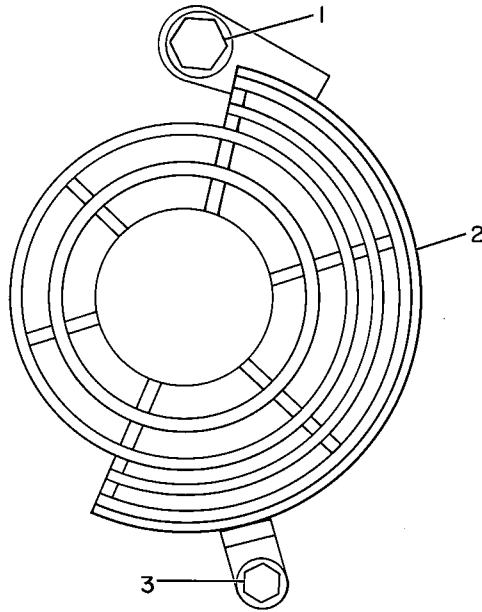
1N-3880 GUARD GP-BELT

PROVIDES A PULLEY AND BELT GUARD GROUP FOR STANDARD SIZE ALTERNATOR,
FOR USE WITH ENGINES EQUIPPED WITH RADIATOR AND FAN
AN ATTACHMENT

SMCS-7174

i00640051

NOTE	REF NO	GRAPHIC REF	PART NUMBER	QTY	PART NAME						SEE PAGE
					1	2	3	4	5	6 (PRODUCT LEVEL)	
	1	1	2B-0947	1	BOLT (1/2-13X2.25-IN)						
		1	5P-8245	1	WASHER-HARD (13.5X25.5X3-MM THK)						
	2	1	1N-3881	1	GUARD AS-ALTERNATOR						
	3	1	1A-2029	1	BOLT (3/8-16X1.125-IN)						
		1	9S-8752	1	NUT-FULL (3/8-16-THD)						
		1	5M-2894	2	WASHER-HARD (10.2X18.5X2.5-MM THK)						



GRAPHIC #1

<END>

g00148195

BASIC ENGINE

2W-9664 GUARD GP-BELT

FOR USE WITH LH ALTERNATOR. CANNOT BE USED WITH FRONT AUXILIARY DRIVES
AN ATTACHMENT
TYPE 1

SMCS-7174

i03211793

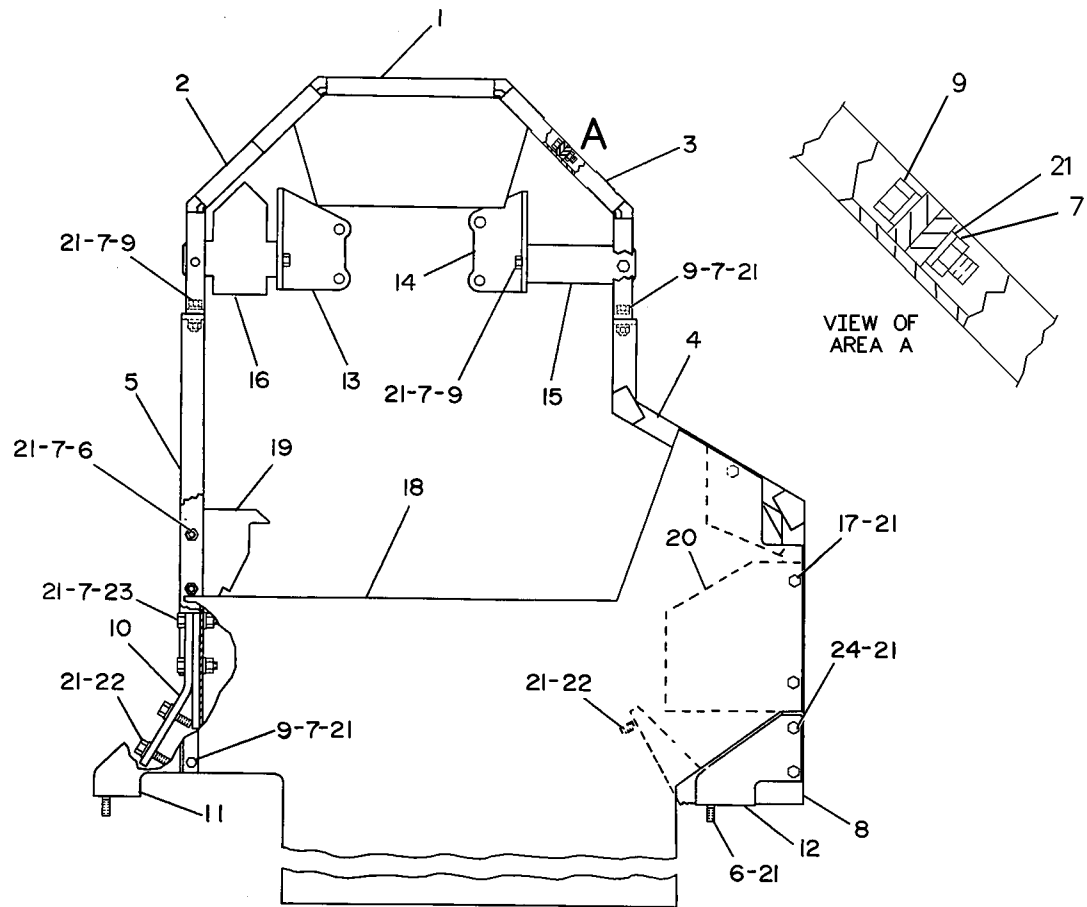
NOTE	REF NO	GRAPHIC REF	PART NUMBER	QTY	PART NAME						SEE PAGE
					1	2	3	4	5	6 (PRODUCT LEVEL)	
	1	1	2W-9679	1	PLATE AS-TOP						
	2	1	2W-9675	1	PLATE AS (RH)						
	3	1	2W-9684	1	PLATE AS (LH)						
	4	1	2W-9663	1	GUARD AS-ALTERNATOR						
		1	9F-2978	9	NUT-WELD (3/8-16-THD)						
	5	1	2W-9667	1	GUARD AS						
C	6	1	0S-1594	9	BOLT (3/8-16X1-IN)						
	7	1	9S-8752	19	NUT-FULL (3/8-16-THD)						
	8	1	2W-9661	1	BRACKET						
C	9	1	1A-2029	14	BOLT (3/8-16X1.125-IN)						
	10	1	2W-9686	1	STRAP						
	11	1	2W-9690	1	BRACKET (RH)						
	12	1	2W-9694	1	BRACKET (LH)						
	13	1	2W-9688	1	BRACKET (RH)						
	14	1	2W-9689	1	BRACKET (LH)						
	15	1	2W-9685	1	BRACKET (LH)						
	16	1	2W-9687	1	BRACKET (RH)						
C	17	1	0S-0509	5	BOLT (3/8-16X0.75-IN)						
	18	1	7C-0676	1	PLATE						
	19	1	7W-1117	1	PLATE						
	20	1	2W-9660	1	GUARD						
C	21	1	5M-2894	55	WASHER-HARD (10.2X18.5X2.5-MM THK)						
C	22	1	0S-1588	4	BOLT (3/8-16X1.25-IN)						
C	23	1	0S-1591	2	BOLT (3/8-16X1.5-IN)						
C	24	1	0L-1351	2	BOLT (3/8-16X0.875-IN)						

C-CHANGE FROM PREVIOUS TYPE

BASIC ENGINE

2W-9664 GUARD GP-BELT (contd.)

i03211793



GRAPHIC #1

<END>

g00221602

BASIC ENGINE

2W-9664 GUARD GP-BELT

FOR USE WITH LH ALTERNATOR. CANNOT BE USED WITH FRONT AUXILIARY DRIVES
AN ATTACHMENT
TYPE 2

SMCS-7174

i02459724

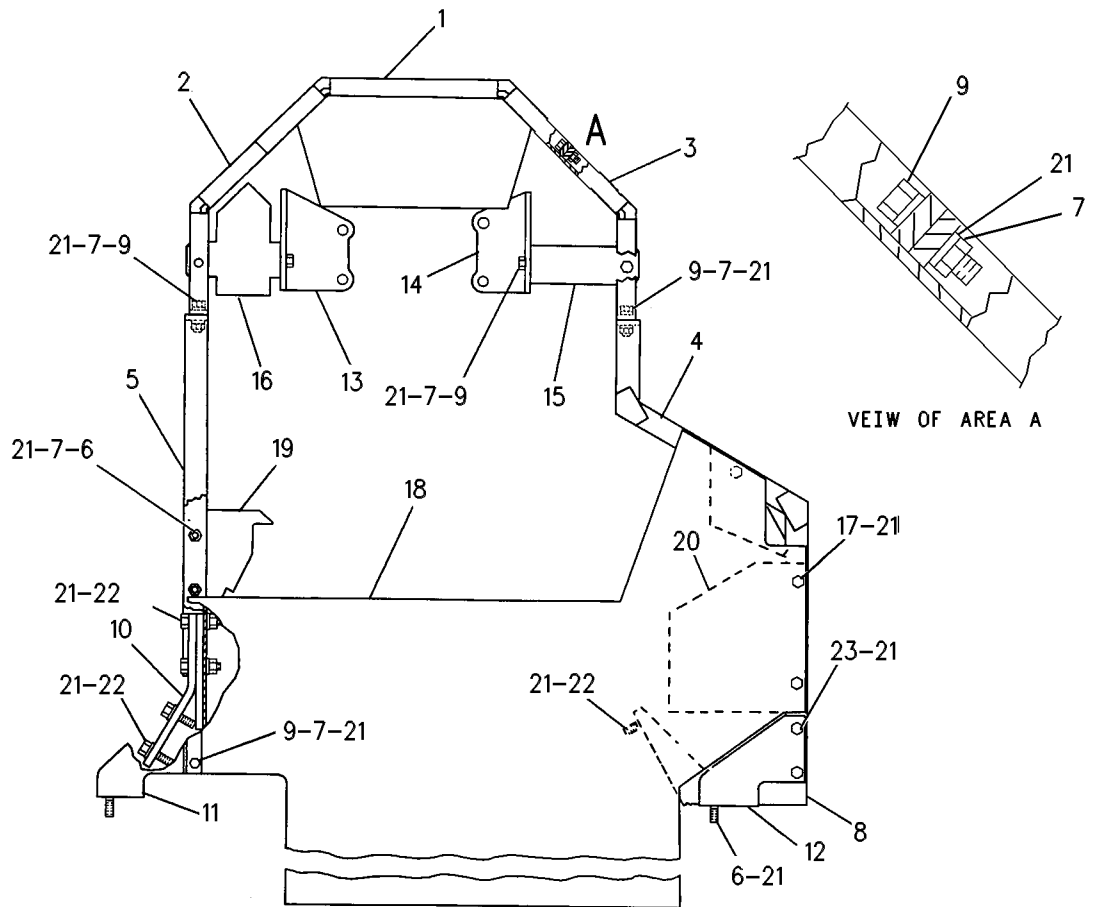
NOTE	REF NO	GRAPHIC REF	PART NUMBER	QTY	PART NAME						SEE PAGE
					1	2	3	4	5	6 (PRODUCT LEVEL)	
	1	1	206-9188	1	PLATE AS (TOP)						
	2	1	206-8876	1	PLATE AS (RH)						
	3	1	206-8874	1	PLATE AS (LH)						
	4	1	2W-9663	1	GUARD AS-ALTERNATOR						
	5	1	2W-9667	1	GUARD AS						
	6	1	4L-6454	9	BOLT (3/8-16X1-IN)						
C	7	1	6V-8801	17	NUT (3/8-16-THD)						
	8	1	2W-9661	1	BRACKET						
	9	1	8T-2502	14	BOLT (3/8-16X1.125-IN)						
	10	1	2W-9686	1	STRAP						
	11	1	2W-9690	1	BRACKET						
	12	1	2W-9694	1	BRACKET						
	13	1	2W-9688	1	BRACKET						
	14	1	2W-9689	1	BRACKET						
	15	1	2W-9685	1	BRACKET						
	16	1	2W-9687	1	BRACKET						
	17	1	5M-3062	5	BOLT (3/8-16X0.75-IN)						
	18	1	7C-0676	1	PLATE						
	19	1	7W-1117	1	PLATE						
	20	1	2W-9660	1	GUARD						
C	21	1	8T-4896	53	WASHER-HARD (10.2X18.5X2.5-MM THK)						
C	22	1	9B-7237	6	BOLT (3/8-16X1.25-IN)						
	23	1	5S-7379	2	BOLT (3/8-16X0.875-IN)						

C-CHANGE FROM PREVIOUS TYPE

BASIC ENGINE

2W-9664 GUARD GP-BELT (contd.)

i02459724



GRAPHIC #1

<END>

g00254031

BASIC ENGINE

2W-9666 GUARD GP-BELT

RADIATOR FAN
CANNOT BE USED WITH FRONT AUXILIARY DRIVES
AN ATTACHMENT
TYPE 1

SMCS-7174

i02870155

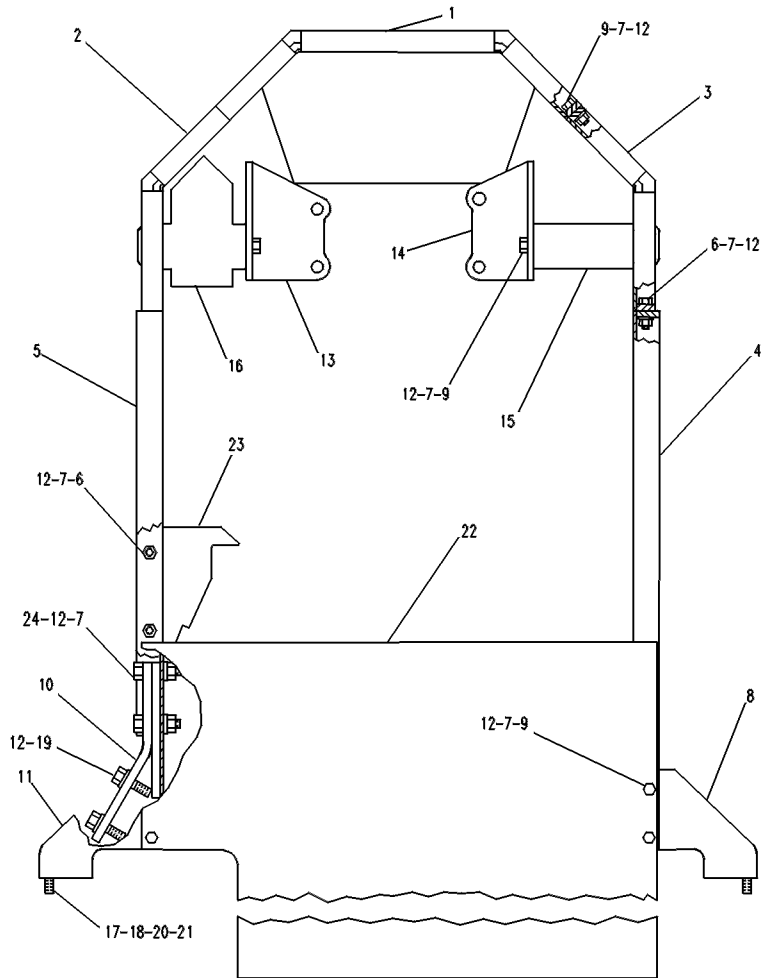
NOTE	REF NO	GRAPHIC REF	PART NUMBER	QTY	PART NAME						SEE PAGE
					1	2	3	4	5	6 (PRODUCT LEVEL)	
	1	1	2W-9679	1	PLATE AS-TOP						
	2	1	2W-9675	1	PLATE AS (RH)						
	3	1	2W-9684	1	PLATE AS (LH)						
	4	1	2W-9672	1	GUARD AS						
	5	1	2W-9667	1	GUARD AS						
C	6	1	0S-1594	2	BOLT (3/8-16X1-IN)						
C	7	1	9S-8752	22	NUT-FULL (3/8-16-THD)						
	8	1	2W-9691	1	BRACKET						
C	9	1	1A-2029	16	BOLT (3/8-16X1.125-IN)						
	10	1	2W-9686	2	STRAP						
	11	1	2W-9690	1	BRACKET (RH)						
C	12	1	5M-2894	48	WASHER-HARD (10.2X18.5X2.5-MM THK)						
	13	1	2W-9688	1	BRACKET (RH)						
	14	1	2W-9689	1	BRACKET (LH)						
	15	1	2W-9685	1	BRACKET (LH)						
	16	1	2W-9687	1	BRACKET (RH)						
B	17	1	8S-9191	4	BOLT (3/8-16X4-IN)						
B	18	1	1F-3856	4	PIPE						
	19	1	0S-1588	4	BOLT (3/8-16X1.25-IN)						
B	20	1	0S-1594	4	BOLT (3/8-16X1-IN)						
B	21	1	5M-2894	8	WASHER-HARD (10.2X18.5X2.5-MM THK)						
C	22	1	7C-0675	1	PLATE						
C	23	1	7W-1117	1	PLATE						
C	24	1	0S-1591	4	BOLT (3/8-16X1.5-IN)						

B-USE AS REQUIRED
C-CHANGE FROM PREVIOUS TYPE

BASIC ENGINE

2W-9666 GUARD GP-BELT (contd.)

i02870155



GRAPHIC #1

<END>

g00235126

BASIC ENGINE

2W-9666 GUARD GP-BELT

RADIATOR FAN
CANNOT BE USED WITH FRONT AUXILIARY DRIVES
AN ATTACHMENT
TYPE 2

SMCS-7174

i02459728

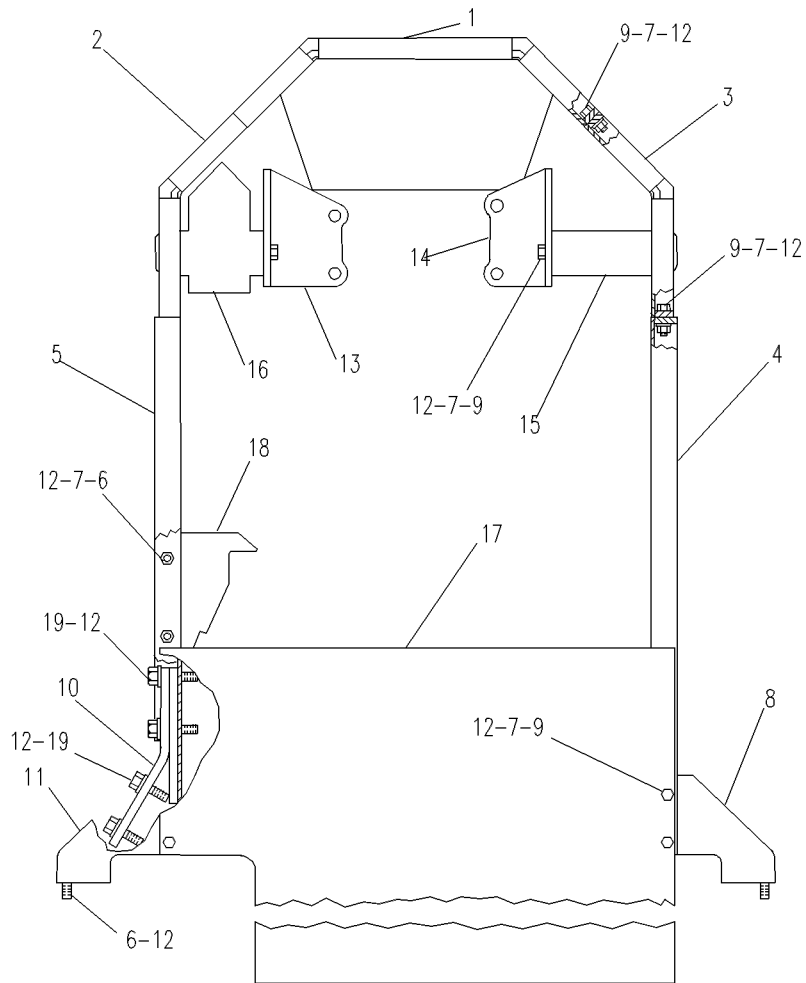
NOTE	REF NO	GRAPHIC REF	PART NUMBER	QTY	PART NAME						SEE PAGE
					1	2	3	4	5	6 (PRODUCT LEVEL)	
	1	1	206-9188	1	PLATE AS (TOP)						
	2	1	206-8876	1	PLATE AS (RH)						
	3	1	206-8874	1	PLATE AS (LH)						
	4	1	2W-9672	1	GUARD AS						
	5	1	2W-9667	1	GUARD AS						
	6	1	4L-6454	6	BOLT (3/8-16X1-IN)						
C	7	1	6V-8801	18	NUT (3/8-16-THD)						
	8	1	2W-9691	1	BRACKET						
	9	1	8T-2502	16	BOLT (3/8-16X1.125-IN)						
	10	1	2W-9686	2	STRAP						
	11	1	2W-9690	1	BRACKET						
C	12	1	8T-4896	48	WASHER-HARD (10.2X18.5X2.5-MM THK)						
	13	1	2W-9688	1	BRACKET						
	14	1	2W-9689	1	BRACKET						
	15	1	2W-9685	1	BRACKET						
	16	1	2W-9687	1	BRACKET						
	17	1	7C-0675	1	PLATE						
C	18	1	7W-1117	1	PLATE						
C	19	1	9B-7237	8	BOLT (3/8-16X1.25-IN)						

C-CHANGE FROM PREVIOUS TYPE

BASIC ENGINE

2W-9666 GUARD GP-BELT (contd.)

i02459728



GRAPHIC #1

<END>

g00379380

BASIC ENGINE

2W-7257 GUARD GP-DAMPER

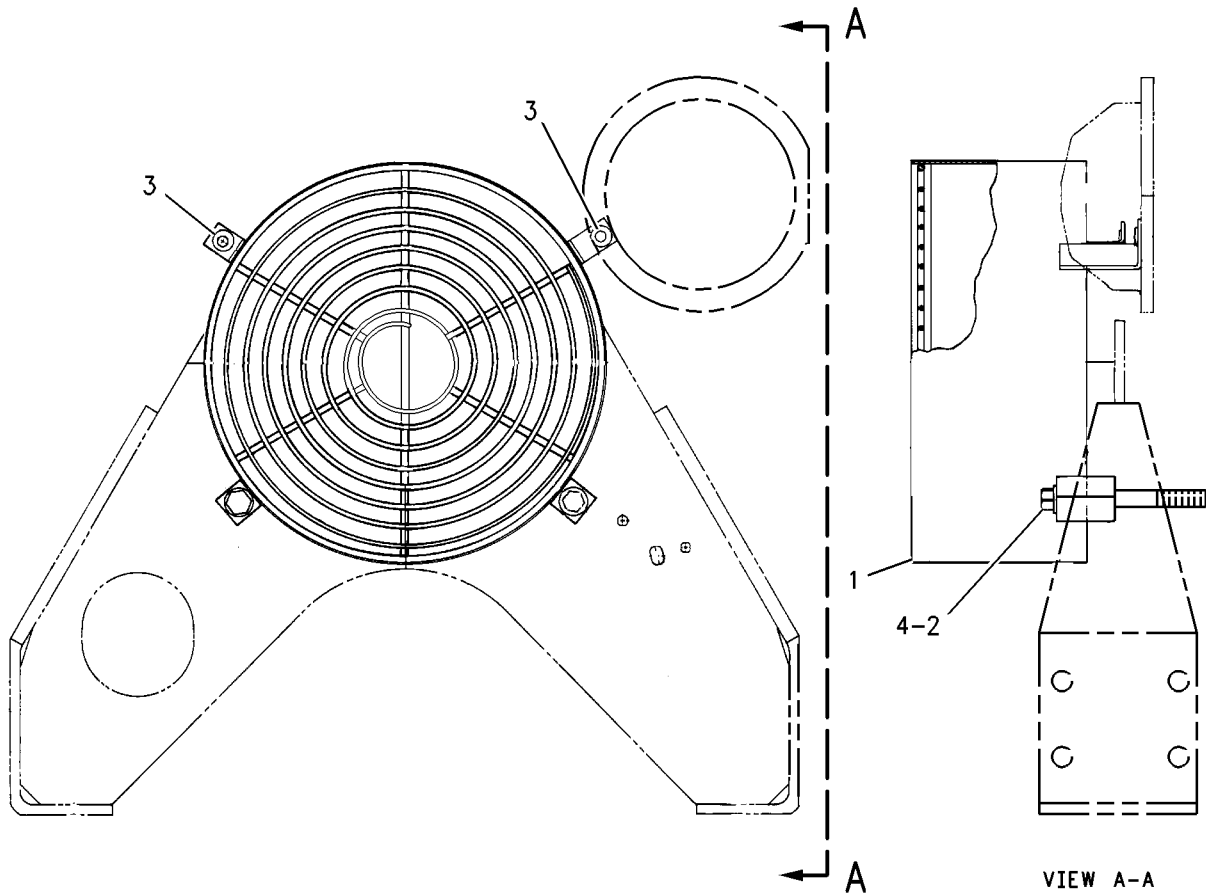
FOR USE WHEN NO ACCESSORY IS DRIVEN FROM FRONT OF CRANKSHAFT
CANNOT BE USED WITH 6N-7381-PAGE 328
AN ATTACHMENT

SMCS-1205

i01982643

NOTE	REF NO	GRAPHIC REF	PART NUMBER	QTY	PART NAME						SEE PAGE
					1	2	3	4	5	6 (PRODUCT LEVEL)	
	1	1	2W-7256	1	DAMPER & GUARD AS						
	2	1	8T-4223	2	WASHER-HARD (13.5X25.5X3-MM THK)						
	3	1	8T-4896	2	WASHER-HARD (10.2X18.5X2.5-MM THK)						
B	4	1	7X-0341	2	BOLT (1/2-13X7-IN)						

B-USE AS REQUIRED



GRAPHIC #1

<END>

g00924828

BASIC ENGINE

2W-7594 GUARD GP-DAMPER

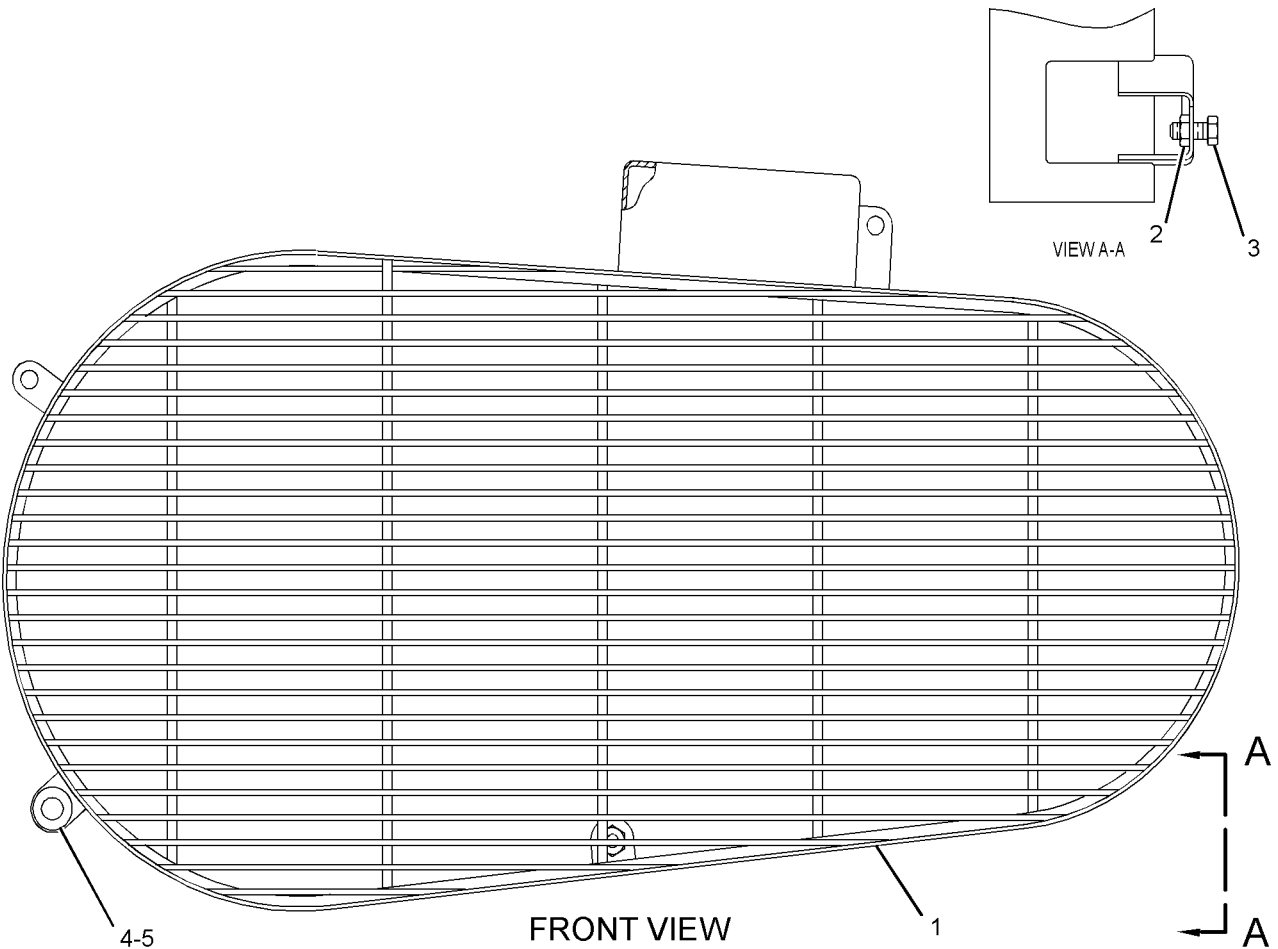
FOR USE WITH CHARGING ALTERNATOR. CANNOT BE USED WITH 8N-6114—PAGE 330
AN ATTACHMENT

SMCS-1205

i02351119

NOTE	REF NO	GRAPHIC REF	PART NUMBER	QTY	PART NAME						SEE PAGE
					1	2	3	4	5	6 (PRODUCT LEVEL)	
	1	1	2W-7593	1	GUARD AS						
	2	1	9F-2978	1	NUT-WELD (3/8-16-THD)						
C	3	1	4L-6454	1	BOLT (3/8-16X1-IN)						
C	4	1	8T-7971	1	WASHER-HARD (13.5X25.5X5-MM THK)						
	5	1	3H-7654	1	WASHER-HARD (13.5X22.5X3.0-MM THK)						

C-CHANGE FROM PREVIOUS TYPE



FRONT VIEW

<END>

GRAPHIC #1

g01190551

BASIC ENGINE

156-7040 GUARD GP-DAMPER

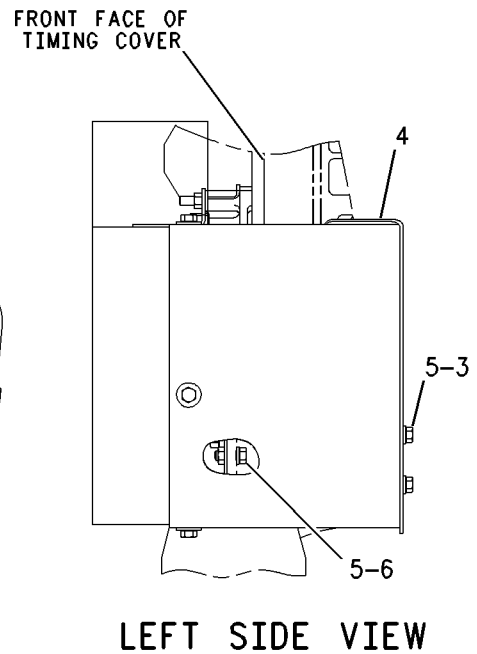
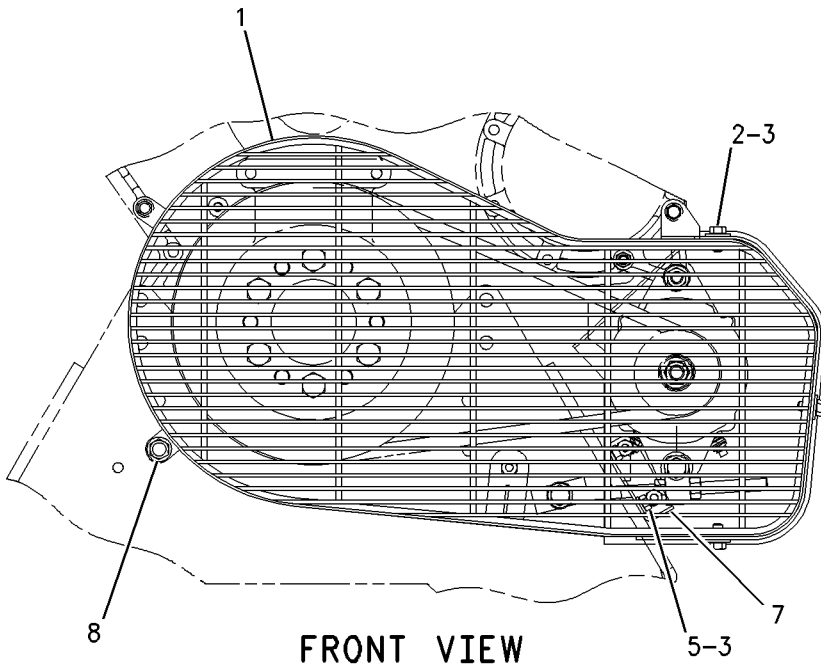
LH

CANNOT BE USED WITH RADIATORS OR PULLEYS
AN ATTACHMENT

SMCS-1205

i01278662

NOTE	REF NO	GRAPHIC REF	PART NUMBER	QTY	PART NAME						SEE PAGE
					1	2	3	4	5	6 (PRODUCT LEVEL)	
	1	1	155-5203	1	GUARD AS						
	2	1	9L-9132	3	WASHER (2.5MM THK)						
	3	1	0S-0509	7	BOLT (3/8-16X.75IN)						
	4	1	155-6185	1	GUARD AS-ALTERNATOR						
	5	1	5M-2894	5	WASHER (2.5MM THK)						
	6	1	0S-1594	1	BOLT (3/8-16X1 IN)						
	7	1	156-5813	1	BRACKET AS						
	8	1	8T-7971	1	WASHER-HARD (5MM THK)						



GRAPHIC #1

<END>

g00679003

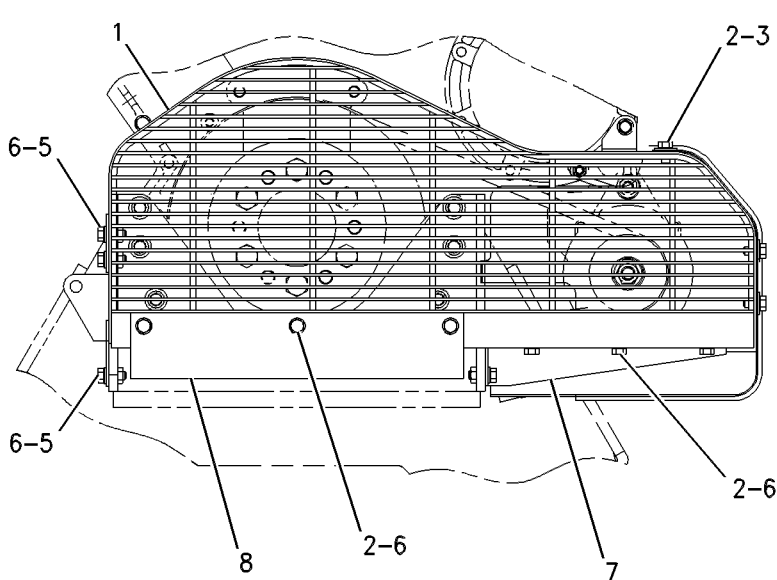
BASIC ENGINE

174-6469 GUARD GP-DAMPER CANNOT BE USED WITH RADIATORS OR PULLEYS AN ATTACHMENT

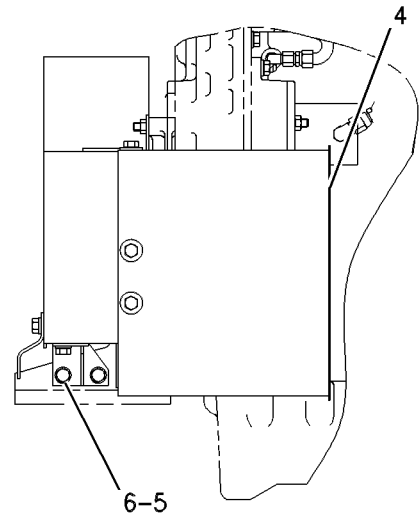
SMCS-1205

i01240102

NOTE	REF NO	GRAPHIC REF	PART NUMBER	QTY	PART NAME						SEE PAGE
					1	2	3	4	5	6 (PRODUCT LEVEL)	
	1	1	174-6475	1	GUARD AS						
	2	1	0S-0509	9	BOLT (3/8-16X.75IN)						
	3	1	9L-9132	3	WASHER (2.5MM THK)						
	4	1	174-6478	1	GUARD AS-ALTERNATOR						
	5	1	0S-1594	6	BOLT (3/8-16X1 IN)						
	6	1	5M-2894	12	WASHER (2.5MM THK)						
	7	1	174-6483	1	BRACKET AS						
	8	1	174-6484	1	BRACKET						



FRONT VIEW



LEFT SIDE VIEW

GRAPHIC #1

<END>

g00663596

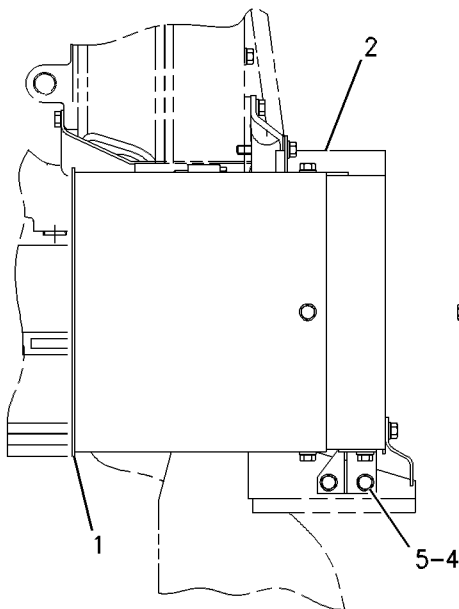
BASIC ENGINE

174-6471 GUARD GP-DAMPER CANNOT BE USED WITH RADIATORS OR PULLEYS AN ATTACHMENT

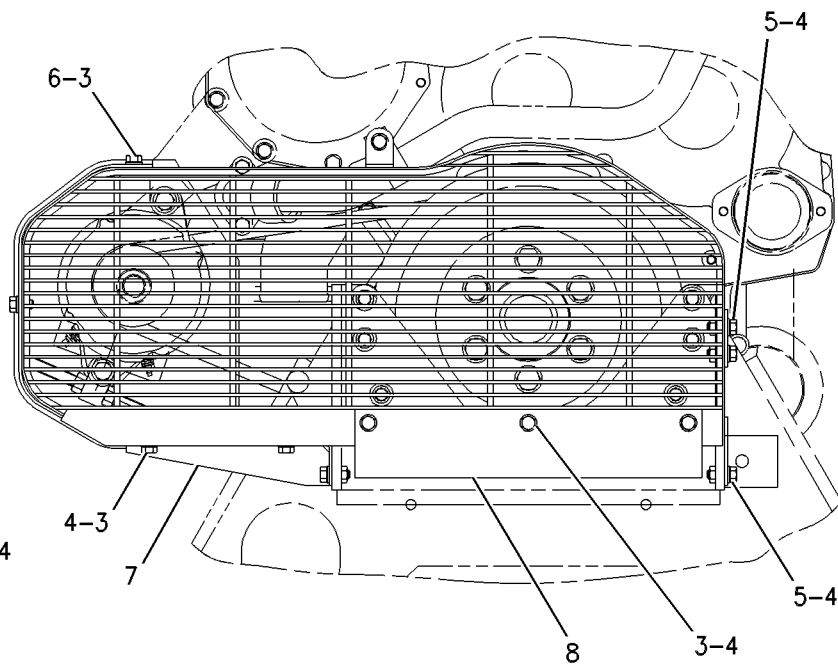
SMCS-1205

i01240123

NOTE	REF NO	GRAPHIC REF	PART NUMBER	QTY	PART NAME						SEE PAGE
					1	2	3	4	5	6 (PRODUCT LEVEL)	
	1	1	174-6476	1	GUARD AS-ALTERNATOR						
	2	1	174-6473	1	GUARD AS						
	3	1	0S-0509	8	BOLT (3/8-16X.75IN)						
	4	1	5M-2894	11	WASHER (2.5MM THK)						
	5	1	0S-1594	6	BOLT (3/8-16X1 IN)						
	6	1	9L-9132	3	WASHER (2.5MM THK)						
	7	1	174-6482	1	BRACKET AS						
	8	1	174-6484	1	BRACKET						



RIGHT SIDE VIEW



FRONT VIEW

GRAPHIC #1

<END>

g00663594

BASIC ENGINE

352-3619 GUARD GP-DAMPER FOR USE WITH LEFT HAND MOUNTED ALTERNATOR AN ATTACHMENT

SMCS-1205

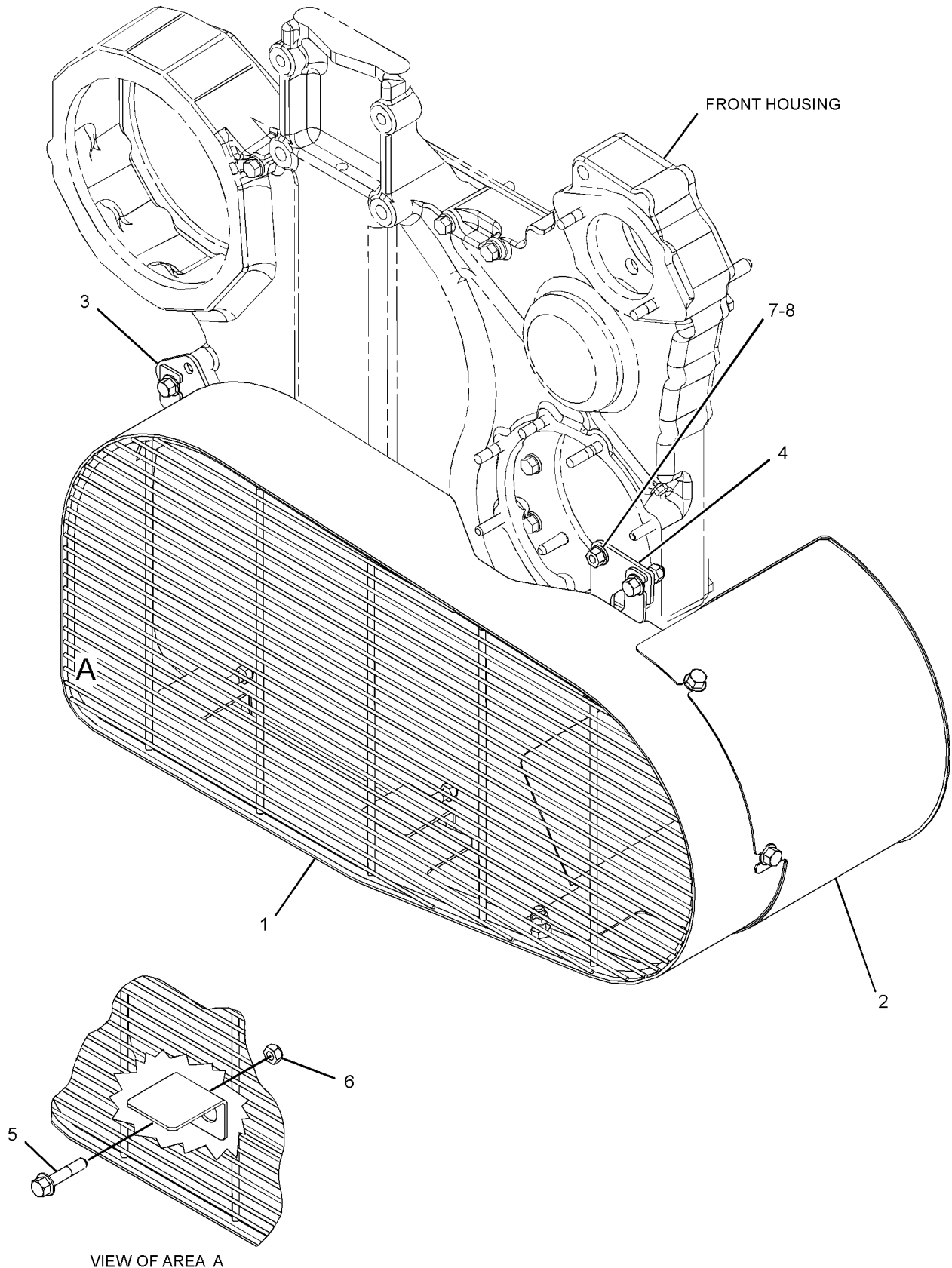
i03872152

NOTE	REF NO	GRAPHIC REF	PART NUMBER	QTY	PART NAME						SEE PAGE
					1	2	3	4	5	6 (PRODUCT LEVEL)	
	1	1	352-1237	1	GUARD AS						
		1	1F-0750	3	NUT-WELD (3/8-16-THD)						
		1	2K-4973	3	LOCKNUT (3/8-16-THD)						
		1	326-6485	3	BOLT-FLANGE HEAD (3/8-16X1.25-IN)						
2		1	352-3326	1	GUARD AS-DAMPER						
3		1	352-3447	1	BRACKET AS						
		1	1F-0750	1	NUT-WELD (3/8-16-THD)						
		1	2K-4973	1	LOCKNUT (3/8-16-THD)						
		1	326-6485	1	BOLT-FLANGE HEAD (3/8-16X1.25-IN)						
4		1	352-3448	1	BRACKET AS						
		1	1F-0750	1	NUT-WELD (3/8-16-THD)						
		1	2K-4973	1	LOCKNUT (3/8-16-THD)						
		1	326-6485	1	BOLT-FLANGE HEAD (3/8-16X1.25-IN)						
5		1	326-6485	2	BOLT-FLANGE HEAD (3/8-16X1.25-IN)						
6		1	2K-4973	2	LOCKNUT (3/8-16-THD)						
7		1	6V-8801	2	NUT (3/8-16-THD)						
8		1	8T-4896	2	WASHER-HARD (10.2X18.5X2.5-MM THK)						

BASIC ENGINE

352-3619 GUARD GP-DAMPER (contd.)

i03872152



GRAPHIC #1

<END>

g02060943

BASIC ENGINE

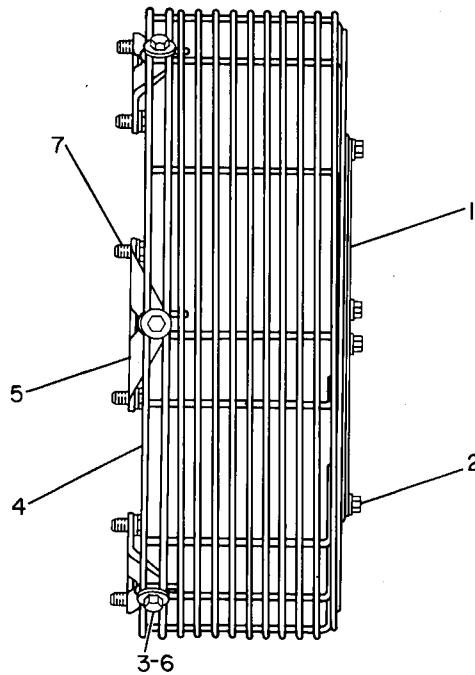
5N-3312 GUARD GP-STUB SHAFT

CANNOT BE USED WITH REAR ENCLOSED CLUTCH, SINGLE BEARING GENERATOR, PTO OR
CATERPILLAR SUPPLIED GENERATOR
AN ATTACHMENT

SMCS-1237

i02544071

NOTE	REF NO	GRAPHIC REF	PART NUMBER	QTY	PART NAME						SEE PAGE
					1	2	3	4	5	6 (PRODUCT LEVEL)	
	1	1	5N-3310	1	PLATE						
	2	1	0T-0102	4	BOLT (3/8-16X0.625-IN)						
		1	5M-2894	4	WASHER-HARD (10.2X18.5X2.5-MM THK)						
	3	1	1A-2029	6	BOLT (3/8-16X1.125-IN)						
		1	9N-1650	6	WASHER-HARD (10.2X25.5X2.5-MM THK)						
	4	1	5N-3311	1	GUARD AS						
	5	1	3N-4387	6	BRACKET AS						
					(EACH INCLUDES)						
	6	1	9F-2978	1	NUT-WELD (3/8-16-THD)						
	7	1	0T-0318	12	BOLT (7/16-14X1-IN)						
		1	3K-6113	12	WASHER-HARD (12X18.5X3-MM THK)						



GRAPHIC #1

<END>

g00142237

BASIC ENGINE

4N-0732 HOUSING GP-FLYWHEEL

S/N: 6TB9857-11186

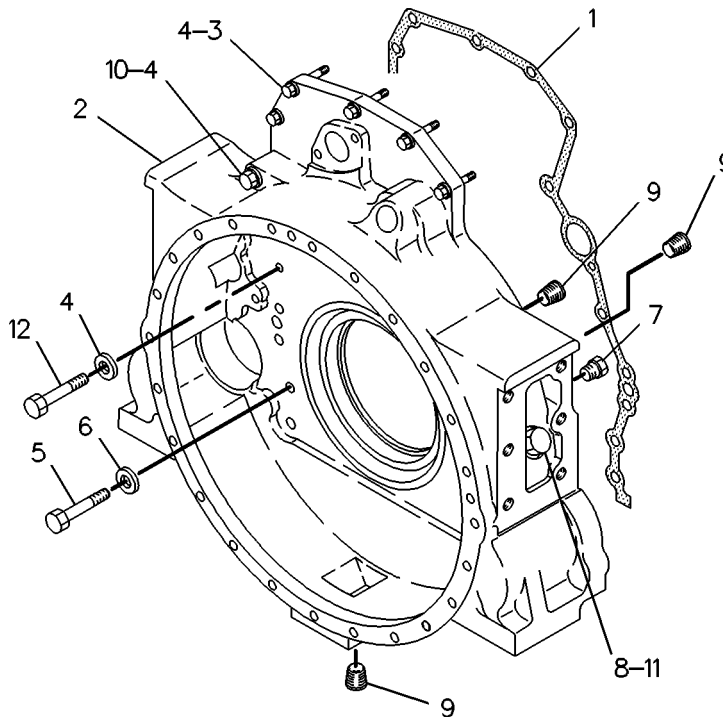
FOR USE WITH SAE #1 HOUSING WITH VERTICAL AND HORIZONTAL MOUNTING PADS WITH
RIGHT OR LEFT HAND START

SMCS-1157

i01872369

NOTE	REF NO	GRAPHIC REF	PART NUMBER	QTY	PART NAME						SEE PAGE
					1	2	3	4	5	6 (PRODUCT LEVEL)	
C	1	1	7N-9335	1	GASKET						
C	2	1	4P-9411	1	HOUSING-FLYWHEEL						
	3	1	0S-1591	5	BOLT (3/8-16X1.5-IN)						
	4	1	5M-2894	10	WASHER-HARD (10.2X18.5X2.5-MM THK)						
	5	1	1A-1460	9	BOLT (1/2-13X2-IN)						
	6	1	2M-0849	9	WASHER-HARD (13.5X25.5X5-MM THK)						
	7	1	5M-6213	2	PLUG-PIPE						
	8	1	5F-0304	1	PLUG (FLYWHEEL HOUSING)						
C	9	1	1B-5174	4	PLUG-PIPE						
	10	1	0T-0573	1	BOLT (3/8-16X2.75-IN)						
	11	1	2A-1162	1	GASKET						
	12	1	0S-1571	4	BOLT (3/8-16X1.75-IN)						

C-CHANGE FROM PREVIOUS TYPE



GRAPHIC #1

<END>

g00223415

BASIC ENGINE

4N-0732 HOUSING GP-FLYWHEEL

S/N: 6TB11187-24001

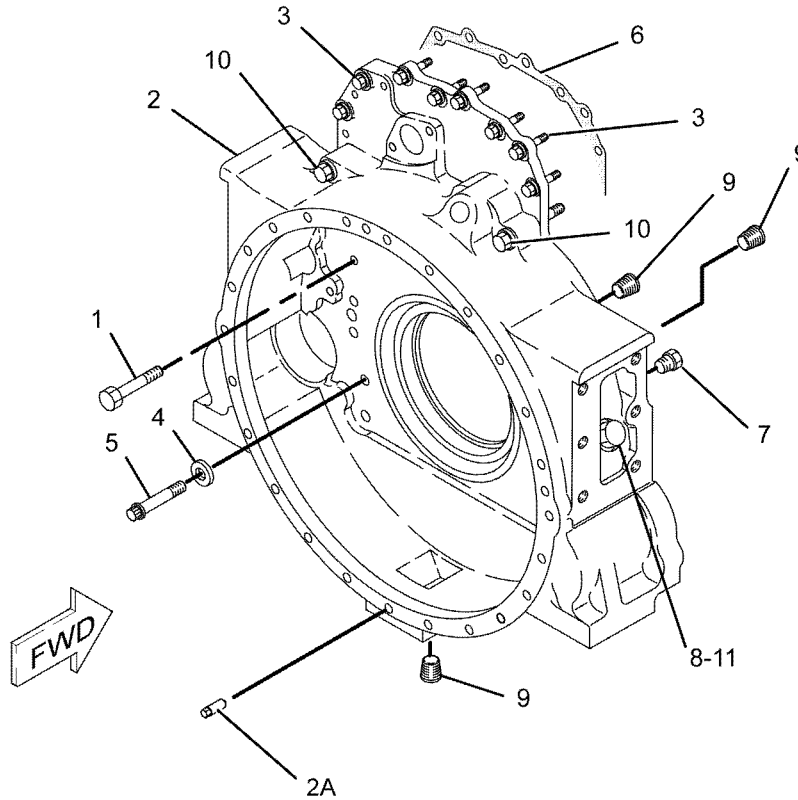
FOR USE WITH SAE #1 HOUSING WITH VERTICAL AND HORIZONTAL MOUNTING PADS WITH
RIGHT OR LEFT HAND START

SMCS-1157

i02344813

NOTE	REF NO	GRAPHIC REF	PART NUMBER	QTY	PART NAME						SEE PAGE
					1	2	3	4	5	6 (PRODUCT LEVEL)	
	1	1	165-3931	5	BOLT (3/8-16X1.75-IN)						
	2	1	108-4747	1	HOUSING-FLYWHEEL						
	2A	1	9K-2175	1	SETSCREW						
	3	1	165-3929	8	BOLT (3/8-16X1.5-IN)						
	4	1	5P-8245	9	WASHER-HARD (13.5X25.5X3-MM THK)						
	5	1	5J-5793	1	BOLT-12 POINT HEAD (1/2-13X1.75-IN)						
	6	1	155-5619	1	GASKET						
C	7	1	8T-6765	2	PLUG-PIPE						
	8	1	5F-0304	1	PLUG (FLYWHEEL HOUSING)						
C	9	1	7X-7731	4	PLUG-PIPE						
	10	1	165-3934	2	BOLT (3/8-16X2.75-IN)						
	11	1	2A-1162	1	GASKET						

C-CHANGE FROM PREVIOUS TYPE



GRAPHIC #1

<END>

g01063393

BASIC ENGINE

4N-0732 HOUSING GP-FLYWHEEL

S/N: 6TB24002-UP

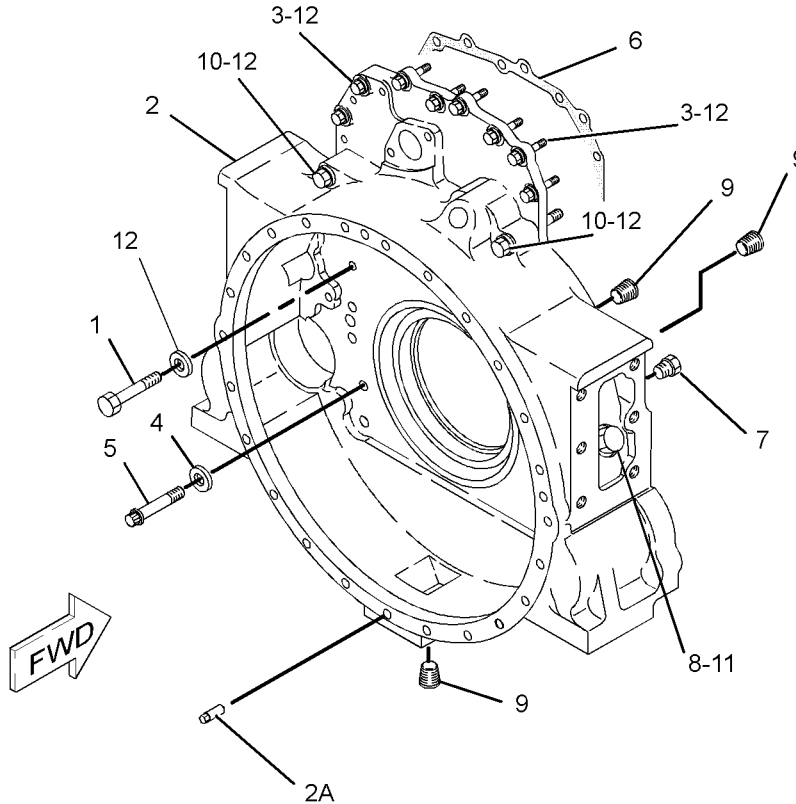
FOR USE WITH SAE #1 HOUSING WITH VERTICAL AND HORIZONTAL MOUNTING PADS WITH
RIGHT OR LEFT HAND START

SMCS-1157

i02561181

NOTE	REF NO	GRAPHIC REF	PART NUMBER	QTY	PART NAME						SEE PAGE
					1	2	3	4	5	6 (PRODUCT LEVEL)	
	1	1	165-3931	5	BOLT (3/8-16X1.75-IN)						
	2	1	108-4747	1	HOUSING-FLYWHEEL						
	2A	1	9K-2175	1	SETSCREW						
	3	1	165-3929	8	BOLT (3/8-16X1.5-IN)						
	4	1	5P-8245	9	WASHER-HARD (13.5X25.5X3-MM THK)						
	5	1	5J-5793	1	BOLT-12 POINT HEAD (1/2-13X1.75-IN)						
	6	1	155-5619	1	GASKET						
	7	1	8T-6765	2	PLUG-PIPE						
	8	1	5F-0304	1	PLUG (FLYWHEEL HOUSING)						
	9	1	7X-7731	4	PLUG-PIPE						
	10	1	165-3934	2	BOLT (3/8-16X2.75-IN)						
	11	1	2A-1162	1	GASKET						
C	12	1	5M-2894	15	WASHER-HARD (10.2X18.5X2.5-MM THK)						

C-CHANGE FROM PREVIOUS TYPE



GRAPHIC #1

<END>

g01282643

BASIC ENGINE

6N-2212 HOUSING GP-FLYWHEEL

S/N: 6TB9857-10621

SMCS-1157

i00640978

NOTE	REF NO	GRAPHIC REF	PART NUMBER	QTY	PART NAME						SEE PAGE	
					1	2	3	4	5	6 (PRODUCT LEVEL)		
C	1	1	9Y-2141	1	HOUSING AS-FLYWHEEL							
	2	1	5M-6213	4	PLUG-PIPE							
	3	1	3S-0036	2	PLUG-CORE							
	4	1	1W-3136	1	BAFFLE							
	5	1	0L-2070	1	BOLT (3/8-16X2.25-IN)							
	6	1	5M-2894	3	WASHER-HARD (10.2X18.5X2.5-MM THK)							
	7	1	5B-2638	4	BOLT (3/8-16X5.25-IN)							
	8	1	1D-4572	8	BOLT (1/2-13X5.5-IN)							
	9	1	7N-9335	1	GASKET							
	10	1	5M-6213	1	PLUG-PIPE							
	11	1	0S-1594	1	BOLT (3/8-16X1-IN)							
	12	1	2P-2772	1	COVER							
			1	4N-0933	1	GASKET						
		13	1	0S-1619	1	BOLT (3/8-16X3-IN)						
	14	1	0S-1590	4	BOLT (3/8-16X2-IN)							
B	15	1	3D-2871	2	STUD-TAPERLOCK (37.5MM OAL)							
	16	1	0S-0550	1	CLIP							
B	17	1	1J-8668	1	STUD-TAPERLOCK (3/8-16X1.97-IN) (50MM OAL)							
B	18	1	2M-1538	1	STUD-TAPERLOCK (3/8-16X1.6-IN)							

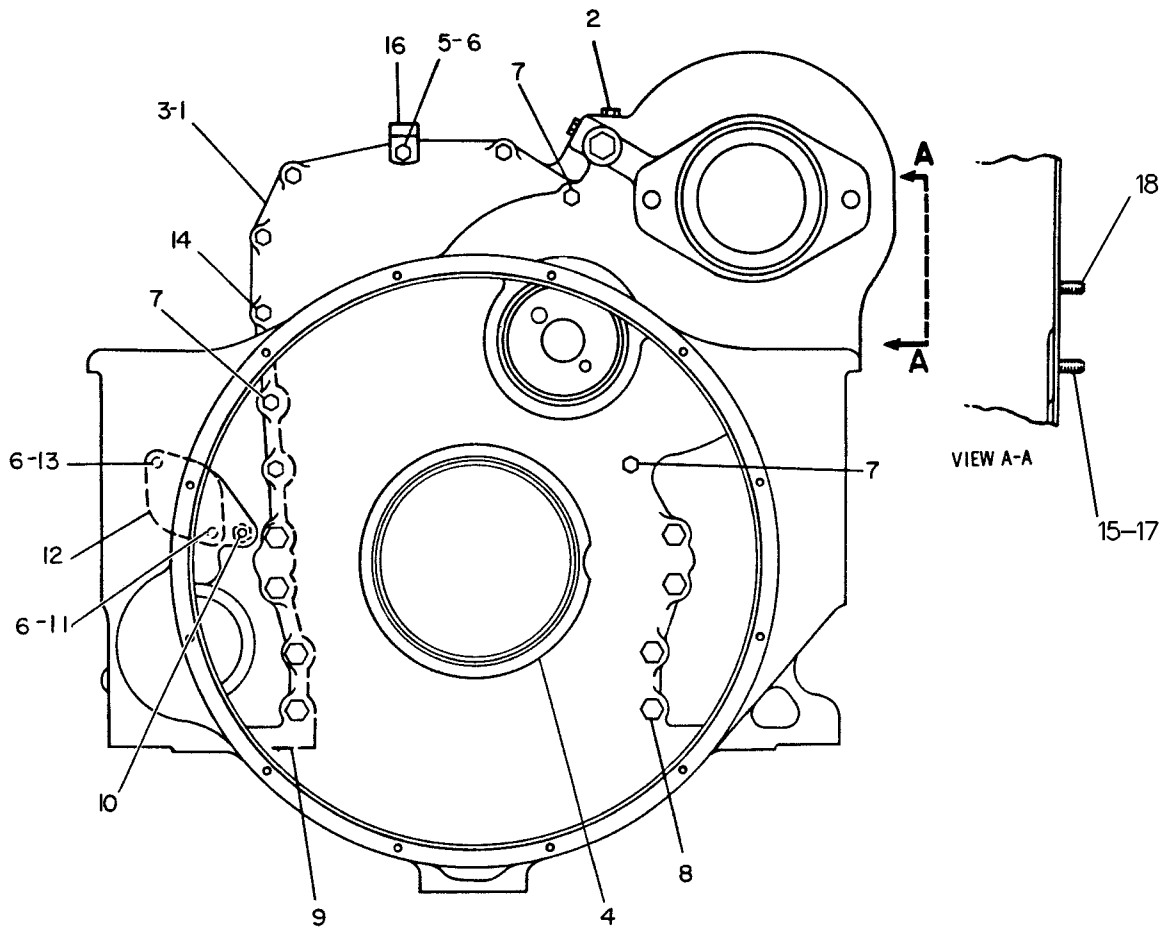
B-USE AS REQUIRED

C-CHANGE FROM PREVIOUS TYPE

BASIC ENGINE

6N-2212 HOUSING GP-FLYWHEEL (contd.)

i00640978



GRAPHIC #1

<END>

g00207870

BASIC ENGINE

6N-2212 HOUSING GP-FLYWHEEL

S/N: 6TB10622-UP
ALSO AN ATTACHMENT

SMCS-1157

i03874070

NOTE	REF NO	GRAPHIC REF	PART NUMBER	QTY	PART NAME						SEE PAGE
					1	2	3	4	5	6 (PRODUCT LEVEL)	
C	1	1	108-4760	1	HOUSING AS						
C	2	1	8T-6765	4	PLUG-PIPE						
C	3	1	3S-0036	2	PLUG-CORE						
C	4	1	1W-3136	1	BAFFLE						
	5	1	165-3933	1	BOLT (3/8-16X2.25-IN) (3/8-16X2.25IN)						
	6	1	5M-2894	3	WASHER-HARD (10.2X18.5X2.5-MM THK)						
	7	1	165-3937	4	BOLT						
	8	1	5P-8289	8	BOLT-12 POINT HEAD						
	9	1	5P-8245	8	WASHER-HARD (13.5X25.5X3-MM THK)						
C	10	1	8T-6765	1	PLUG-PIPE						
	11	1	0S-1594	1	BOLT (3/8-16X1-IN)						
	12	1	2P-2772	1	COVER						
		1	234-8937	1	SEAL-INTEGRAL						
	13	1	0S-1619	1	BOLT (3/8-16X3-IN)						
	14	1	165-3932	7	BOLT (3/8-16X2-IN)						
B	15	1	3D-2871	2	STUD-TAPERLOCK (3/8-16X1.5-IN) (37.5MM OAL)						
	16	1	0S-0550	1	CLIP						
B	17	1	1J-8668	1	STUD-TAPERLOCK (3/8-16X1.97-IN) (50MM OAL)						
B	18	1	2M-1538	1	STUD-TAPERLOCK (3/8-16X1.6-IN)						
	19	1	6F-6405	1	SPACER (0.438X0.75X0.375-IN THK)						
	20	1	155-5619	1	GASKET						

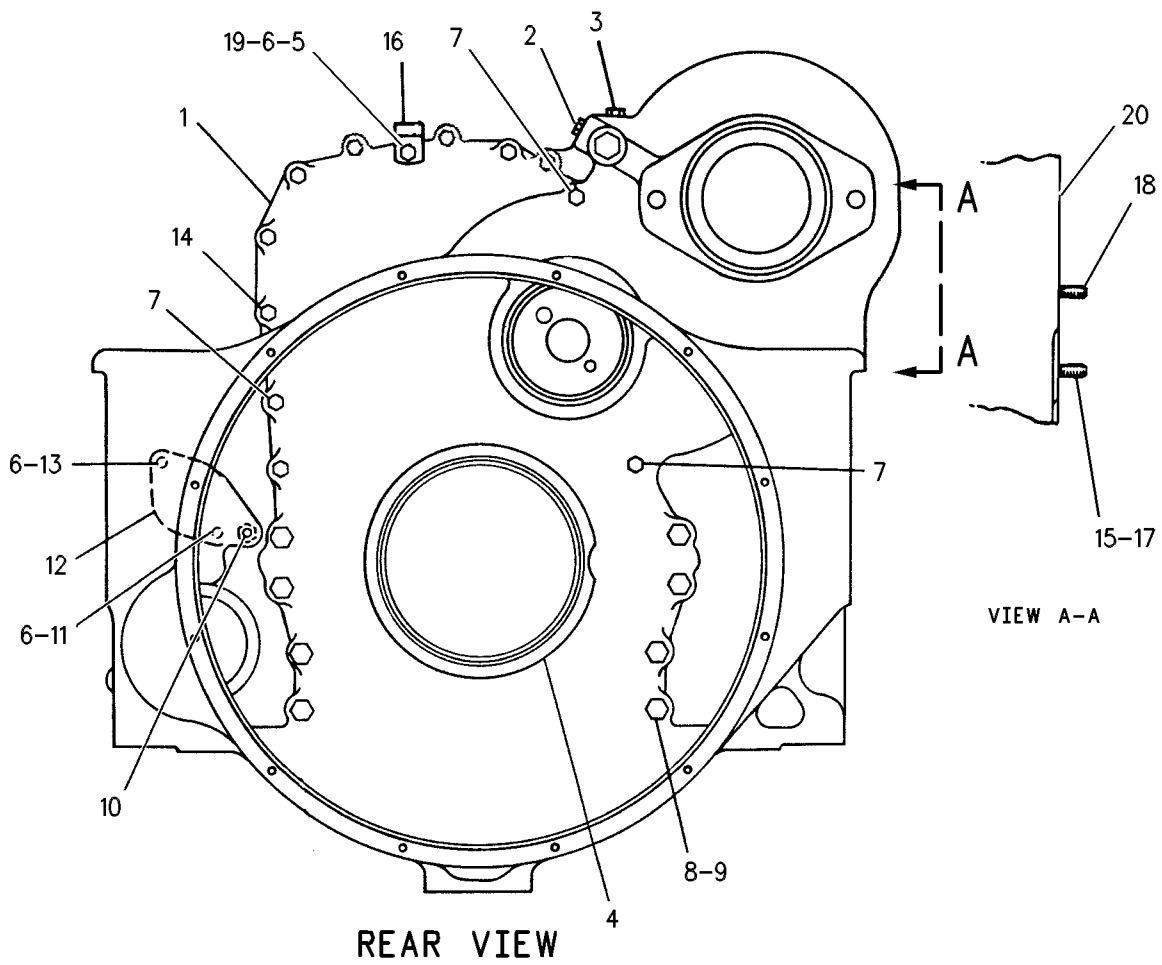
B-USE AS REQUIRED

C-CHANGE FROM PREVIOUS TYPE

BASIC ENGINE

6N-2212 HOUSING GP-FLYWHEEL (contd.)

i03874070



GRAPHIC #1

<END>

g00251182

BASIC ENGINE

7W-7901 HOUSING GP-FLYWHEEL

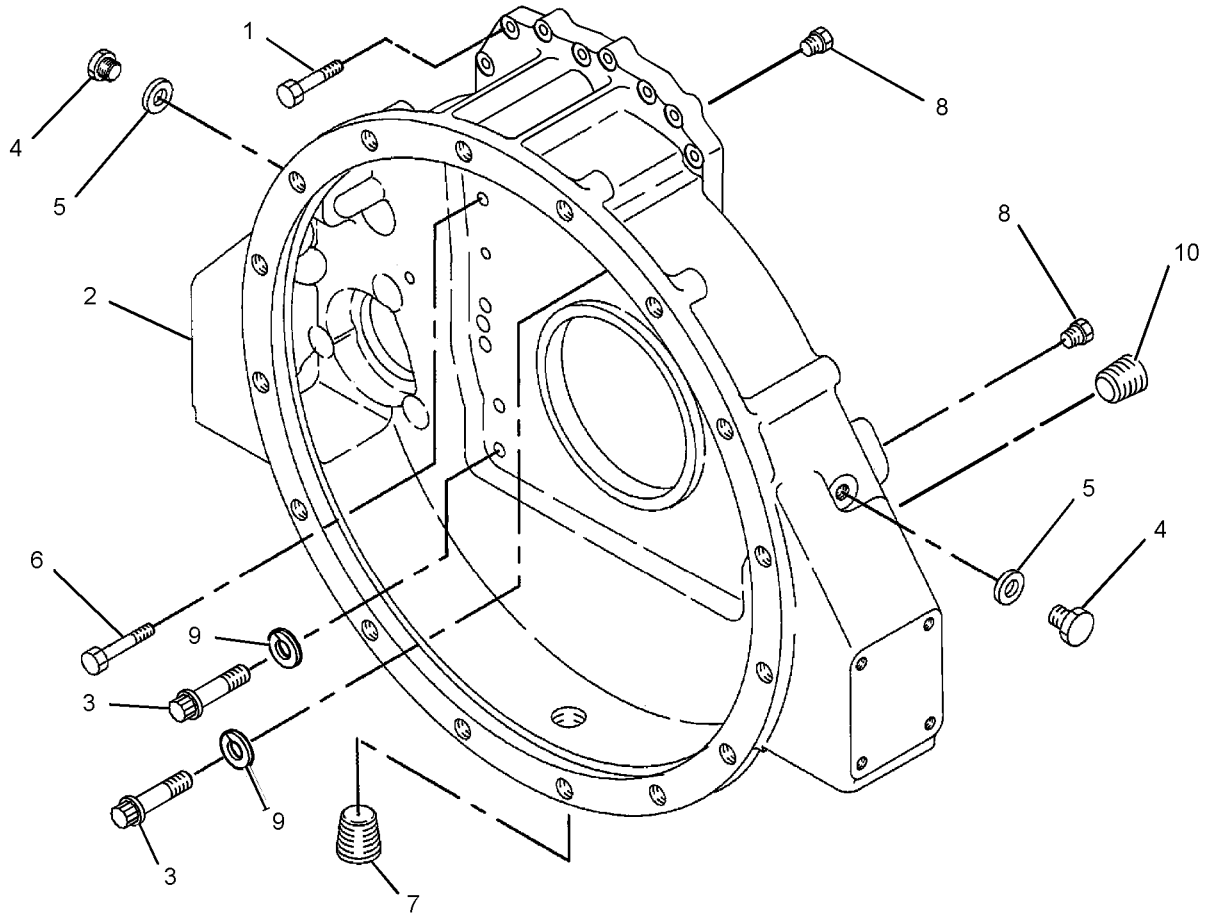
FOR USE WITH SAE #0 FLYWHEEL HOUSING
AN ATTACHMENT

SMCS-1157

i02888092

NOTE	REF NO	GRAPHIC REF	PART NUMBER	QTY	PART NAME						SEE PAGE
					1	2	3	4	5	6 (PRODUCT LEVEL)	
	1	1	165-3929	8	BOLT (3/8-16X1.5-IN)						
	2	1	128-2002	1	HOUSING-FLYWHEEL						
	3	1	5J-5793	9	BOLT-12 POINT HEAD (1/2-13X1.75-IN)						
	4	1	5F-0304	2	PLUG (FLYWHEEL HOUSING)						
	5	1	2A-1162	2	GASKET						
	6	1	165-3931	7	BOLT (3/8-16X1.75-IN)						
	7	1	7X-7731	1	PLUG-PIPE						
	8	1	8T-6765	2	PLUG-PIPE						
	9	1	5P-8245	9	WASHER-HARD (13.5X25.5X3-MM THK)						
	10	1	1B-5170	1	PLUG-PIPE						
B		1	8C-8422		SEALANT						

B-USE AS REQUIRED



GRAPHIC #1

<END>

g01437745

BASIC ENGINE

8N-5941 HOUSING GP-FLYWHEEL

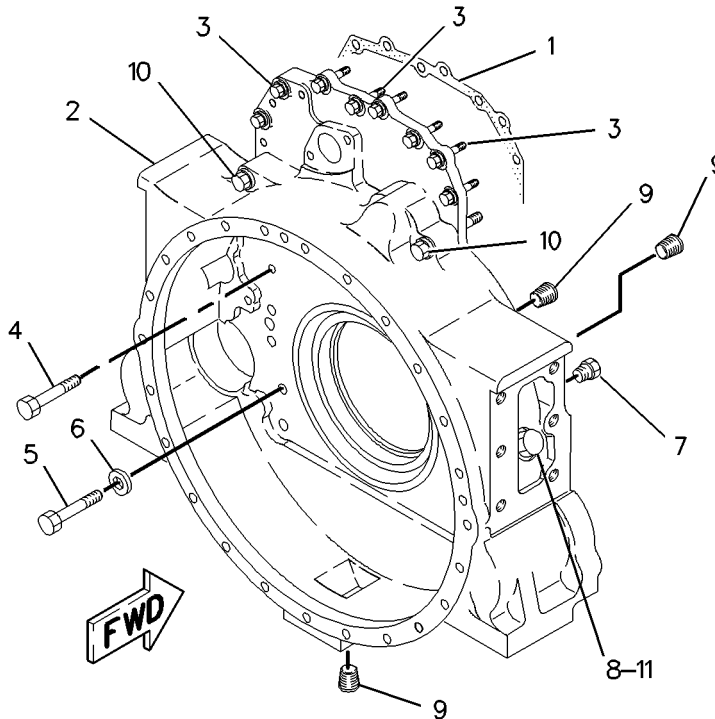
PROVIDES ADDITIONAL MOUNTING HOLES AT THE HOUSING/BLOCK FACE
ALSO AN ATTACHMENT

SMCS-1157

i02344817

NOTE	REF NO	GRAPHIC REF	PART NUMBER	QTY	PART NAME						SEE PAGE
					1	2	3	4	5	6 (PRODUCT LEVEL)	
C	1	1	155-5619	1	GASKET						
C	2	1	108-4744	1	HOUSING-FLYWHEEL						
	3	1	165-3929	8	BOLT (3/8-16X1.5-IN)						
	4	1	165-3931	5	BOLT (3/8-16X1.75-IN)						
	5	1	5J-5793	9	BOLT-12 POINT HEAD (1/2-13X1.75-IN)						
	6	1	5P-8245	9	WASHER-HARD (13.5X25.5X3-MM THK)						
	7	1	8T-6765	2	PLUG-PIPE						
	8	1	5F-0304	1	PLUG (FLYWHEEL HOUSING)						
	9	1	7X-7731	3	PLUG-PIPE						
	10	1	165-3934	2	BOLT (3/8-16X2.75-IN)						
	11	1	2A-1162	1	GASKET						

C-CHANGE FROM PREVIOUS TYPE



GRAPHIC #1

<END>

g00848844

BASIC ENGINE

8N-5941 HOUSING GP-FLYWHEEL

S/N: 6TB11561-UP

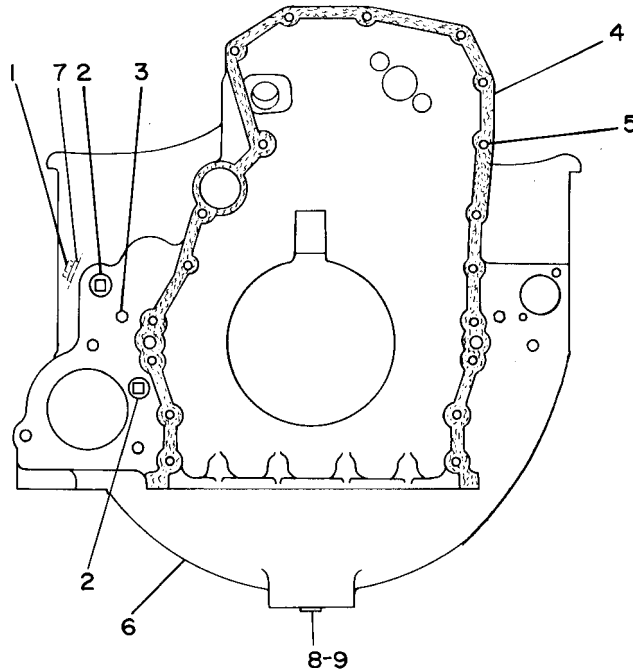
PROVIDES ADDITIONAL MOUNTING HOLES AT THE HOUSING/BLOCK FACE

SMCS-1157

i00550852

NOTE	REF NO	GRAPHIC REF	PART NUMBER	QTY	PART NAME						SEE PAGE
					1	2	3	4	5	6 (PRODUCT LEVEL)	
	1	1	5F-0304	1	PLUG						
C	2	1	1B-5174	2	PLUG-PIPE						
	3	1	5M-6213	2	PLUG-PIPE						
	4	1	7N-9335	1	GASKET						
	5	1	0T-0573	1	BOLT (3/8-16X2.75-IN)						
		1	0S-1571	4	BOLT (3/8-16X1.75-IN)						
		1	0S-1591	5	BOLT (3/8-16X1.5-IN)						
		1	1A-1460	9	BOLT (1/2-13X2-IN)						
		1	5M-2894	10	WASHER-HARD (10.2X18.5X2.5-MM THK)						
		1	2M-0849	9	WASHER-HARD (13.5X25.5X5-MM THK)						
	6	1	8N-5940	1	HOUSING-FLYWHEEL						
	7	1	2A-1162	1	GASKET						
CB	8	1	1B-5174	1	PLUG-PIPE						
CBA	9	1	7B-2176	1	BUSHING-REDUCER						

A-NOT PART OF THIS GROUP
 B-USE AS REQUIRED
 C-CHANGE FROM PREVIOUS TYPE



GRAPHIC #1

<END>

g00112587

BASIC ENGINE

9N-3887 HOUSING GP-FLYWHEEL

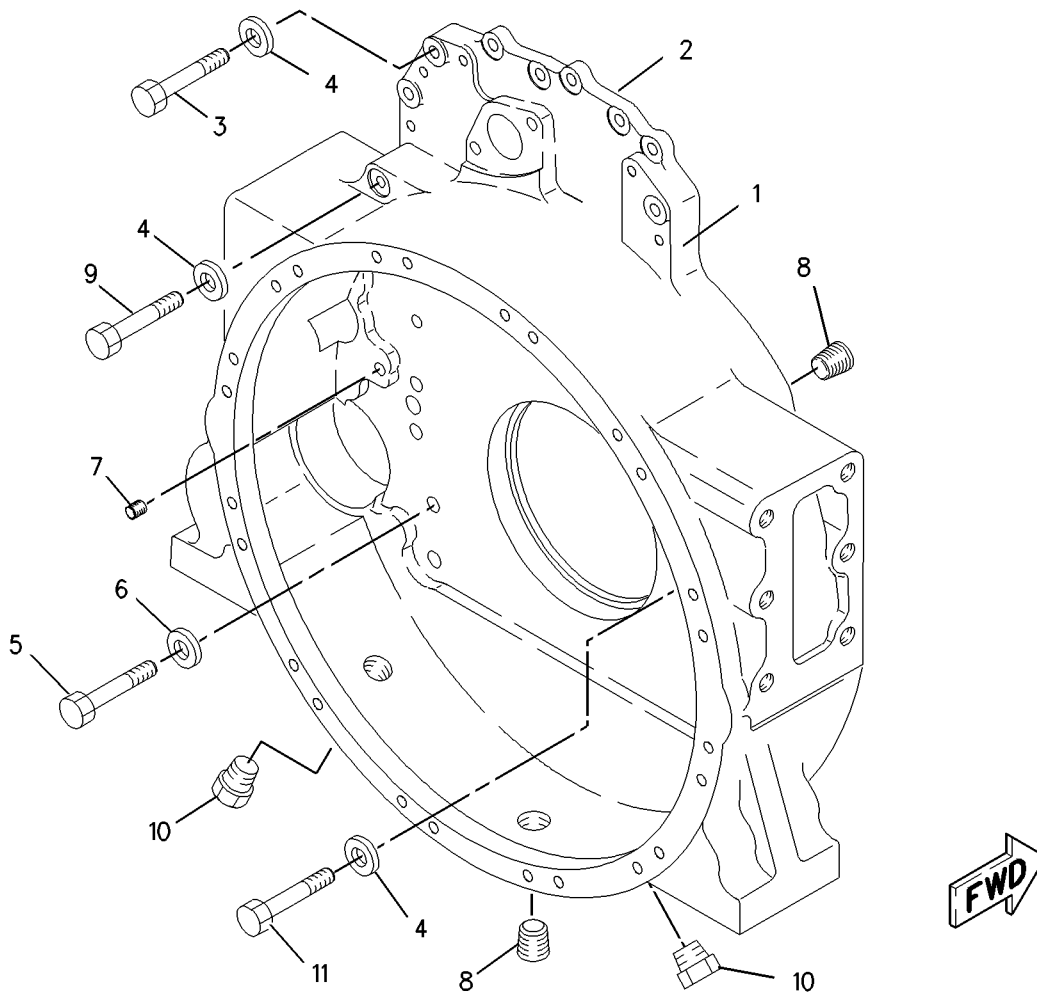
S/N: 6TB9857-11591

SMCS-1157

i01898205

NOTE	REF NO	GRAPHIC REF	PART NUMBER	QTY	PART NAME						SEE PAGE
					1	2	3	4	5	6 (PRODUCT LEVEL)	
C	1	1	130-2800	1	HOUSING-FLYWHEEL						
BC	2	1	1U-8846		SEALANT-GASKET						
	3	1	0S-1591	5	BOLT (3/8-16X1.5-IN)						
	4	1	5M-2894	10	WASHER-HARD (10.2X18.5X2.5-MM THK)						
	5	1	1A-1460	9	BOLT (1/2-13X2-IN)						
	6	1	2M-0849	9	WASHER-HARD (13.5X25.5X5-MM THK)						
	7	1	5M-6213	2	PLUG-PIPE (1/4-18 NPTF THD)						
	8	1	1B-5174	2	PLUG-PIPE (3/4-14 NPTF THD)						
	9	1	0T-0573	1	BOLT (3/8-16X2.75-IN)						
	10	1	1P-1669	2	PLUG-SEAL						
	11	1	0S-1571	4	BOLT (3/8-16X1.75-IN)						

B-USE AS REQUIRED
C-CHANGE FROM PREVIOUS TYPE



GRAPHIC #1

<END>

g00987775

BASIC ENGINE

9N-3887 HOUSING GP-FLYWHEEL

S/N: 6TB11592-12333

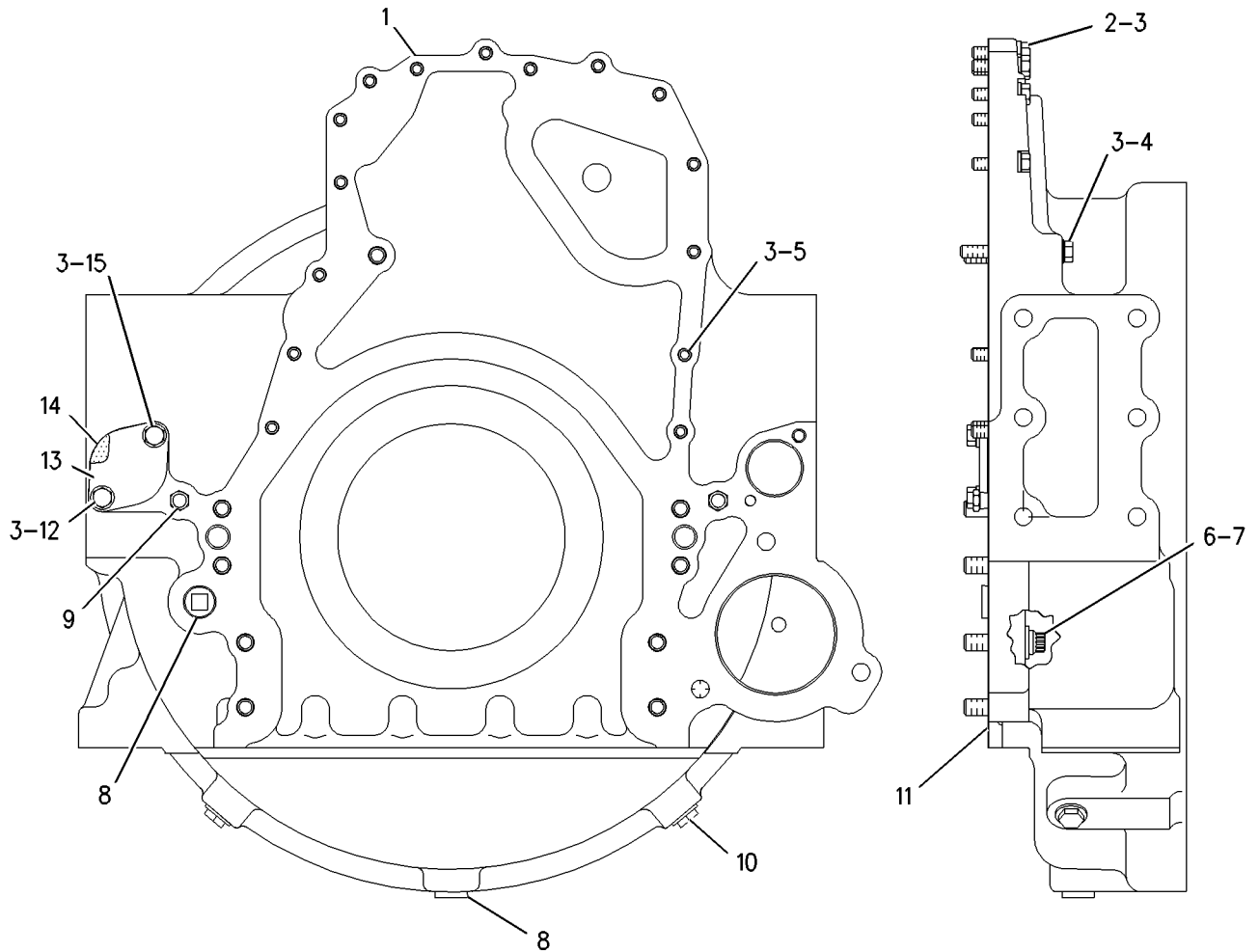
SMCS-1157

i01899207

NOTE	REF NO	GRAPHIC REF	PART NUMBER	QTY	PART NAME						SEE PAGE
					1	2	3	4	5	6 (PRODUCT LEVEL)	
C	1	1	100-7047	1	HOUSING-FLYWHEEL						
	2	1	0S-1591	5	BOLT (3/8-16X1.5-IN)						
C	3	1	5M-2894	12	WASHER-HARD (10.2X18.5X2.5-MM THK)						
	4	1	0T-0573	1	BOLT (3/8-16X2.75-IN)						
	5	1	0S-1571	4	BOLT (3/8-16X1.75-IN)						
	6	1	1A-1460	9	BOLT (1/2-13X2-IN)						
	7	1	2M-0849	9	WASHER-HARD (13.5X25.5X5-MM THK)						
C	8	1	7X-7731	2	PLUG-PIPE (1/4-18 NPTF THD)						
C	9	1	8T-6765	2	PLUG-PIPE (3/4-14 NPTF THD)						
	10	1	1P-1669	2	PLUG-SEAL						
B	11	1	1U-8846		SEALANT-GASKET						
C	12	1	0S-1619	1	BOLT (3/8-16X3-IN)						
C	13	1	2P-2772	1	COVER						
C	14	1	4N-0933	1	GASKET						
C	15	1	1A-2029	1	BOLT (3/8-16X1.125-IN)						

B- USE AS REQUIRED

C- CHANGE FROM PREVIOUS TYPE



GRAPHIC #1

<END>

g00989222

BASIC ENGINE

9N-3887 HOUSING GP-FLYWHEEL

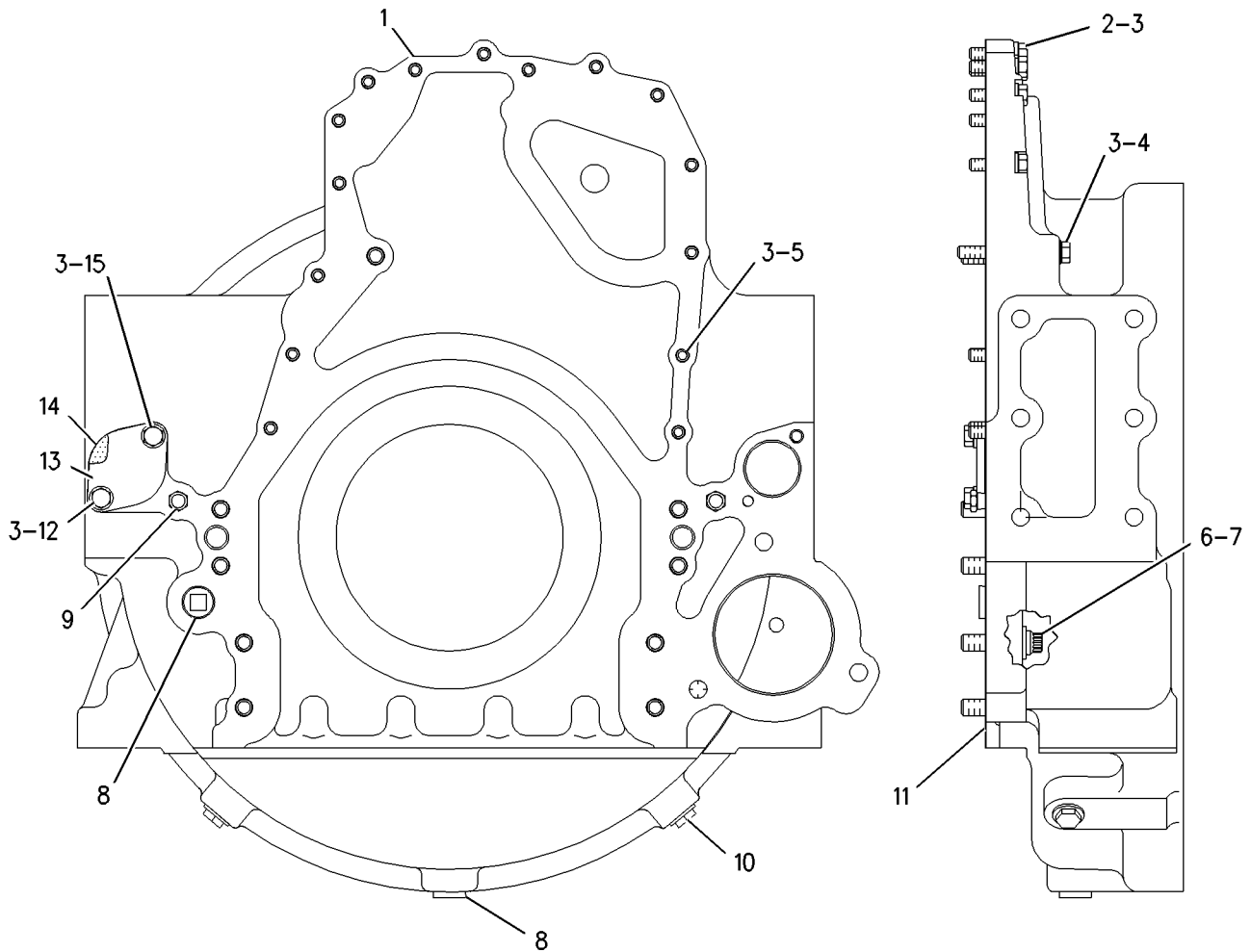
S/N: 6TB12334-15660

SMCS-1157

i01904741

NOTE	REF NO	GRAPHIC REF	PART NUMBER	QTY	PART NAME						SEE PAGE
					1	2	3	4	5	6 (PRODUCT LEVEL)	
C	1	1	108-4750	1	HOUSING-FLYWHEEL						
C	2	1	0S-1591	9	BOLT (3/8-16X1.5-IN)						
C	3	1	5M-2894	17	WASHER-HARD (10.2X18.5X2.5-MM THK)						
	4	1	0T-0573	1	BOLT (3/8-16X2.75-IN)						
C	5	1	0S-1571	5	BOLT (3/8-16X1.75-IN)						
	6	1	5J-5793	9	BOLT-12 POINT HEAD (1/2-13X1.75-IN)						
	7	1	5P-8245	9	WASHER-HARD (13.5X25.5X3-MM THK)						
	8	1	7X-7731	2	PLUG-PIPE (1/4-18 NPTF THD)						
	9	1	8T-6765	2	PLUG-PIPE (3/4-14 NPTF THD)						
	10	1	1P-1669	2	PLUG-SEAL (FLYWHEEL HOUSING DRAIN)						
C	11	1	108-5891	1	GASKET						
	12	1	0S-1619	1	BOLT (3/8-16X3-IN)						
	13	1	2P-2772	1	COVER						
	14	1	4N-0933	1	GASKET						
	15	1	1A-2029	1	BOLT (3/8-16X1.125-IN)						

C-CHANGE FROM PREVIOUS TYPE



GRAPHIC #1

<END>

g00989222

BASIC ENGINE

9N-3887 HOUSING GP-FLYWHEEL

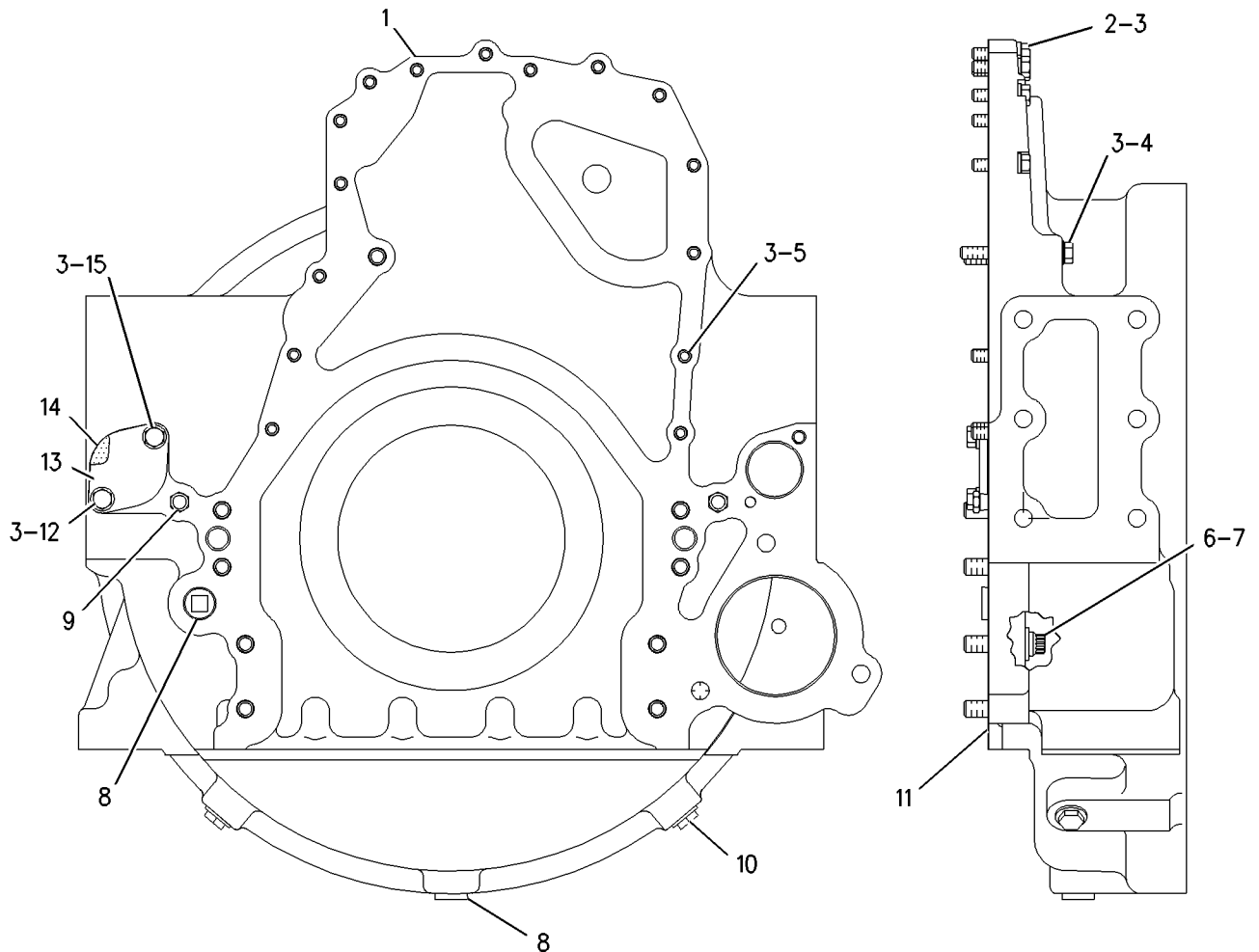
S/N: 6TB15661-UP

SMCS-1157

i02756944

NOTE	REF NO	GRAPHIC REF	PART NUMBER	QTY	PART NAME						SEE PAGE
					1	2	3	4	5	6 (PRODUCT LEVEL)	
C	1	1	304-4222	1	HOUSING-FLYWHEEL						
	2	1	165-3929	9	BOLT (3/8-16X1.5-IN)						
	3	1	5M-2894	17	WASHER-HARD (10.2X18.5X2.5-MM THK)						
	4	1	165-3934	1	BOLT (3/8-16X2.75-IN)						
	5	1	165-3931	5	BOLT (3/8-16X1.75-IN)						
	6	1	5J-5793	9	BOLT-12 POINT HEAD (1/2-13X1.75-IN)						
	7	1	5P-8245	9	WASHER-HARD (13.5X25.5X3-MM THK)						
	8	1	7X-7731	2	PLUG-PIPE (1/4-18 NPTF THD)						
	9	1	8T-6765	2	PLUG-PIPE (3/4-14 NPTF THD)						
	10	1	1P-1669	2	PLUG-SEAL (FLYWHEEL HOUSING DRAIN)						
	11	1	155-5619	1	GASKET						
	12	1	0S-1619	1	BOLT (3/8-16X3-IN)						
	13	1	2P-2772	1	COVER						
	14	1	4N-0933	1	GASKET						
	15	1	1A-2029	1	BOLT (3/8-16X1.125-IN)						

C-CHANGE FROM PREVIOUS TYPE



GRAPHIC #1

<END>

g00989222

BASIC ENGINE

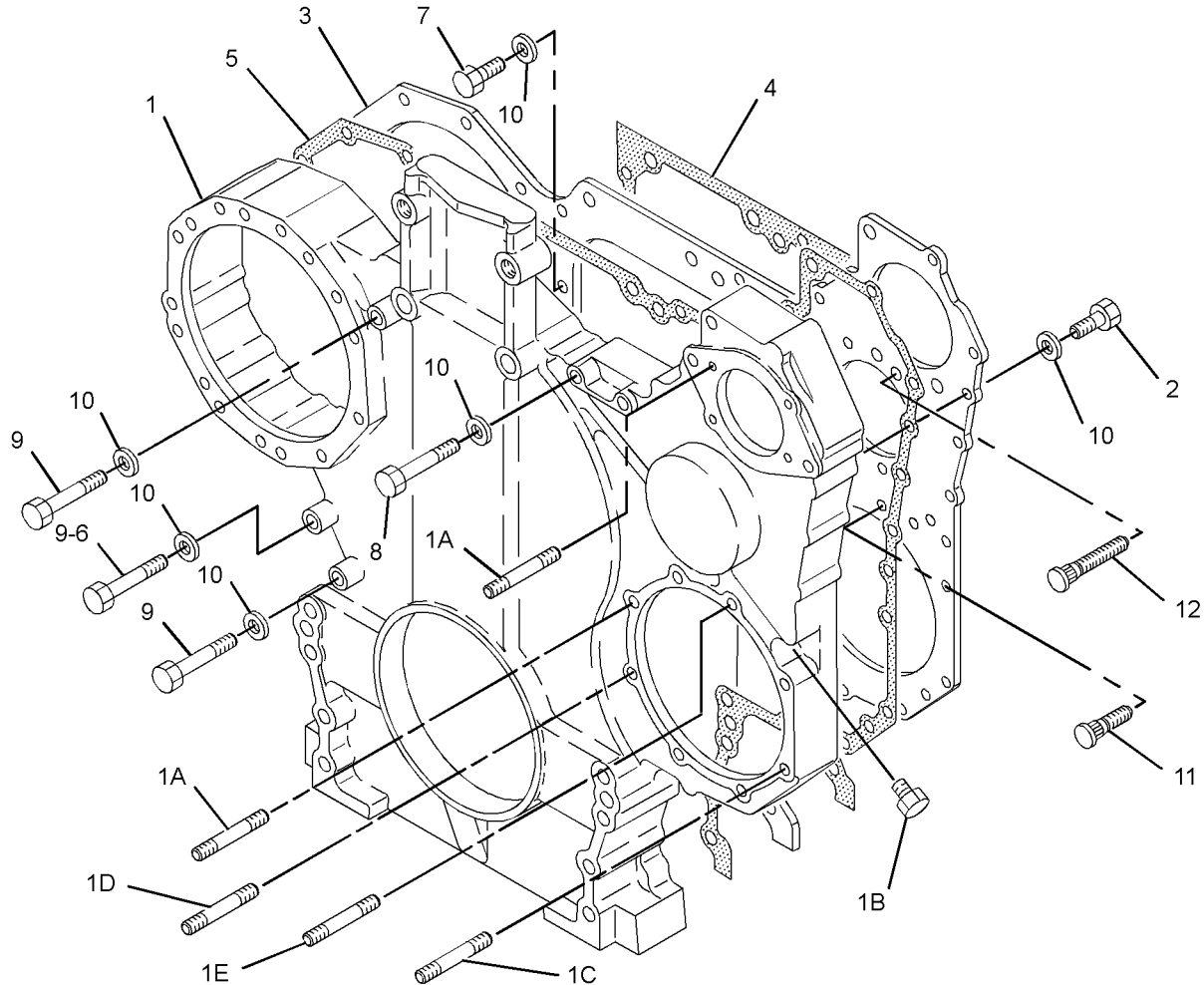
1W-1468 HOUSING GP-FRONT

SMCS-1151, 1162, 1206

i03899585

NOTE	REF NO	GRAPHIC REF	PART NUMBER	QTY	PART NAME	1 2 3 4 5 6 (PRODUCT LEVEL)						SEE PAGE
	1	1	1W-1469	1	HOUSING AS-GEAR							
C	1A	1	3K-3256	4	STUD-TAPERLOCK (3/8-16X1.7-IN)							
	1B	1	8T-6764	1	PLUG-PIPE (1/8-27-THD)							
BC	1C	1	4M-2743	3	STUD-TAPERLOCK (3/8-16-THD)							
B	1D	1	4M-2743	2	STUD-TAPERLOCK (3/8-16-THD)							
B	1E	1	3K-3256	1	STUD-TAPERLOCK (3/8-16X1.7-IN)							
-OR-												
B		1	6H-0406	1	STUD-TAPERLOCK (3/8-16X1.968-IN)							
	2	1	1A-2029	4	BOLT (3/8-16X1.125-IN)							
	3	1	1W-1471	1	PLATE							
	4	1	166-9142	1	GASKET							
	5	1	166-9146	1	GASKET							
	6	1	9S-8752	1	NUT-FULL (3/8-16-THD)							
	7	1	5P-4255	8	BOLT-LOCKING (3/8-16X1-IN)							
	8	1	OL-1352	2	BOLT (3/8-16X3.25-IN)							
	9	1	OT-0055	3	BOLT (3/8-16X4.25-IN)							
	10	1	5M-2894	18	WASHER-HARD (10.2X18.5X2.5-MM THK)							
	11	1	1N-3181	2	STUD-HOLLOW (3/8-16X1.476-IN)							
		1	6B-2250	2	GASKET							
	12	1	6N-0389	1	STUD (1/2-13X2.63-IN)							
		1	4H-6145	1	GASKET (15.24-MM ID)							

B-USE AS REQUIRED
C-CHANGE FROM PREVIOUS TYPE



GRAPHIC #1

<END>

g02142842

BASIC ENGINE

243-6718 KIT-CRANKSHAFT BEARING

OPTIONAL SERVICE REPAIR AND INCLUDES STANDARD MAIN AND THRUST BEARINGS
FIELD INSTALLATION

SMCS-1202, 1203, 1230

i03211962

NOTE	PART NUMBER	QTY	PART NAME						SEE PAGE
			1	2	3	4	5	6 (PRODUCT LEVEL)	
	317-8766	7	BEARING-MAIN (STANDARD)						
	253-1752	2	PLATE-THRUST (CRANKSHAFT)						
<END>									

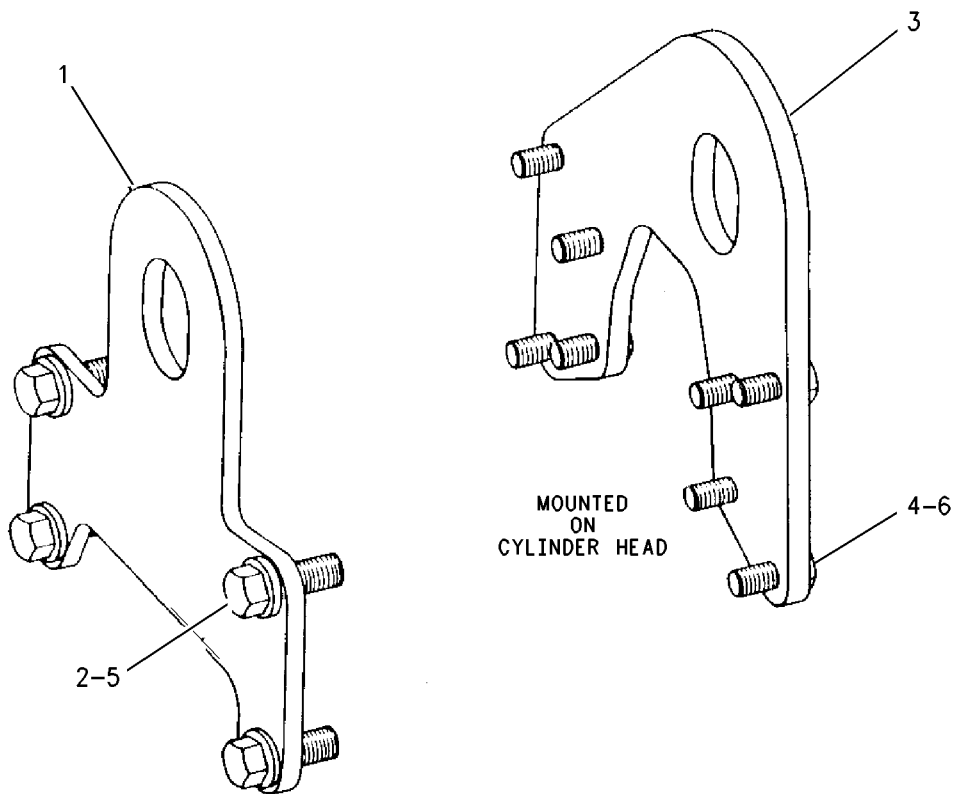
BASIC ENGINE

4N-1331 LIFTING GP-ENGINE

SMCS-1122

i01721547

NOTE	REF NO	GRAPHIC REF	PART NUMBER	QTY	PART NAME						SEE PAGE
					1	2	3	4	5	6 (PRODUCT LEVEL)	
	1	1	4N-4308	1	EYE-LIFTING (FRONT)						
	2	1	OS-1595	4	BOLT (1/2-13X1.25-IN)						
	3	1	4N-5186	1	EYE-LIFTING (REAR)						
	4	1	OS-1594	8	BOLT (3/8-16X1-IN)						
	5	1	5P-8245	4	WASHER-HARD (13.5X25.5X3-MM THK)						
	6	1	5M-2894	8	WASHER-HARD (10.2X18.5X2.5-MM THK)						



GRAPHIC #1

<END>

g00884985

BASIC ENGINE

1N-4470 LINES GP-AIR COMPRESSOR

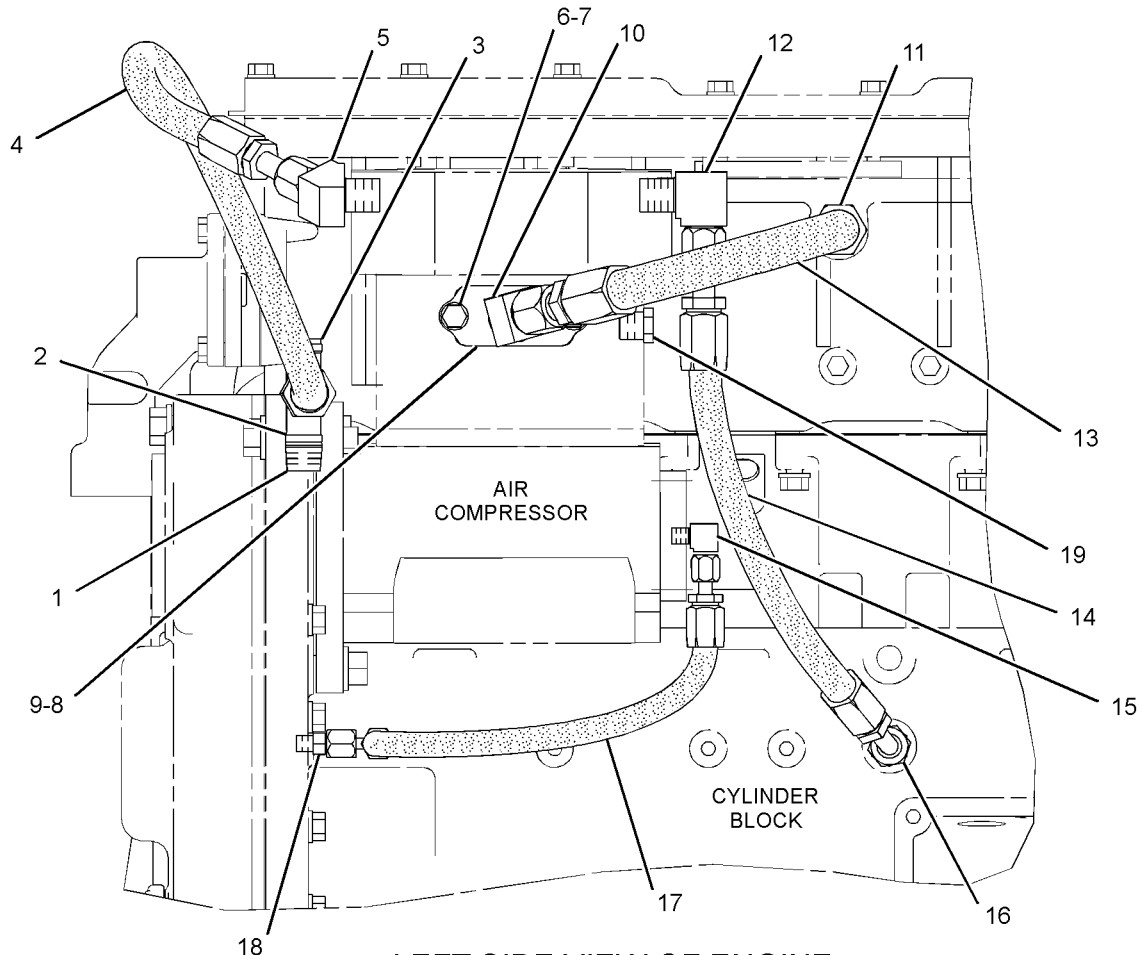
FOR USE WITH LH REARWARD OR FORWARD COMPRESSORS WITH HYDRAULIC PUMP DRIVE
AN ATTACHMENT

SMCS-1803, 5502

i03257812

NOTE	REF NO	GRAPHIC REF	PART NUMBER	QTY	PART NAME						SEE PAGE
					1	2	3	4	5	6 (PRODUCT LEVEL)	
	1	1	3B-7744	1	FITTING (CLOSE)						
C	2	1	5B-8979	1	TEE-PIPE						
	3	1	8T-6762	1	PLUG-PIPE						
I	4	1	4N-4935	1	HOSE AS						
	5	1	001-7043	1	ELBOW						
	6	1	2B-2695	2	BOLT (5/16-18X0.875-IN)						
	7	1	9M-1974	2	WASHER-HARD (8.8X16X2-MM THK)						
	8	1	9M-0397	1	ADAPTER						
	9	1	8M-7065	1	GASKET (AIR INLET)						
	10	1	9L-5254	1	ELBOW						
	11	1	9M-6522	1	CONNECTOR						
	12	1	2N-3378	1	ELBOW-FLARED						
I	13	1	1N-4475	1	HOSE AS						
CI	14	1	1N-3523	1	HOSE AS						
	15	1	2N-1287	1	ELBOW-FLARED						
	16	1	8M-0755	1	ADAPTER						
CI	17	1	4P-2446	1	HOSE AS						
C	18	1	8L-6557	1	CONNECTOR						
C	19	1	3J-5390	1	PLUG						

C-CHANGE FROM PREVIOUS TYPE
I-REFER TO HYDRAULIC INFORMATION SYSTEM



LEFT SIDE VIEW OF ENGINE

GRAPHIC #1

<END>

g01791784

BASIC ENGINE

2W-9998 LINES GP-AIR COMPRESSOR

FOR USE WITH AIR COMPRESSOR

AN ATTACHMENT

TYPE 1

SMCS-1803, 5502

i03647102

NOTE	REF NO	GRAPHIC REF	PART NUMBER	QTY	PART NAME						SEE PAGE
					1	2	3	4	5	6 (PRODUCT LEVEL)	
	1	1	8M-0755	1	ADAPTER						
I	2	1	1N-3523	1	HOSE AS						
I	3	1	1Y-0684	1	HOSE AS						
	4	1	9M-6522	1	CONNECTOR						
	5	1	3B-7744	1	FITTING (CLOSE)						
	6	1	8L-6557	1	CONNECTOR						
	7	1	9M-4584	1	CONNECTOR						
I	8	1	4N-4935	1	HOSE AS						
	9	1	2B-0858	1	PLUG-PIPE						
	10	1	5B-8979	1	TEE-PIPE						
	11	1	001-7043	1	ELBOW						
I	12	1	4P-2446	1	HOSE AS						
	14	1	2M-9780	1	SEAL-O-RING						
	15	1	7W-5499	1	ELBOW						
	16	1	2B-2695	2	BOLT (5/16-18X0.875-IN)						
	17	1	9M-1974	2	WASHER-HARD (8.8X16X2-MM THK)						
	18	1	8M-7065	1	GASKET (AIR INLET)						
B	19	1	001-7043	1	ELBOW						
	20	1	2N-1287	1	ELBOW-FLARED						

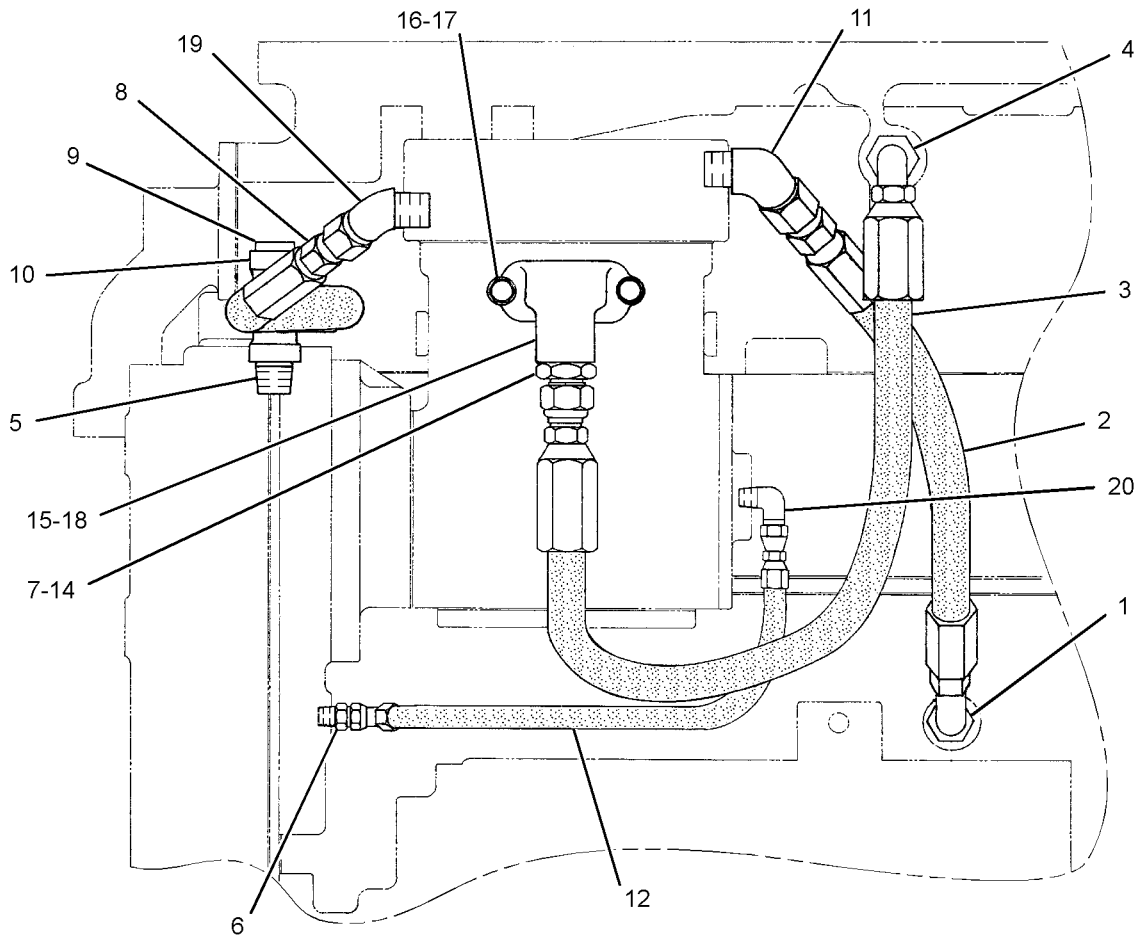
B-USE AS REQUIRED

I-REFER TO HYDRAULIC INFORMATION SYSTEM

BASIC ENGINE

2W-9998 LINES GP-AIR COMPRESSOR (contd.)

i03647102



LEFT SIDE VIEW OF ENGINE

<END>

GRAPHIC #1

g01957885

BASIC ENGINE

2W-9998 LINES GP-AIR COMPRESSOR

FOR USE WITH AIR COMPRESSOR

AN ATTACHMENT

TYPE 2

SMCS-1803, 5502

i03647103

NOTE	REF NO	GRAPHIC REF	PART NUMBER	QTY	PART NAME						SEE PAGE
					1	2	3	4	5	6 (PRODUCT LEVEL)	
	1	1	8M-0755	1	ADAPTER						
I	2	1	1N-3523	1	HOSE AS						
CI	3	1	4W-2420	1	HOSE AS						
	4	1	9M-6522	1	CONNECTOR						
	5	1	3B-7744	1	FITTING (CLOSE)						
	6	1	8L-6557	1	CONNECTOR						
C	7	1	6M-7476	1	ELBOW						
I	8	1	4N-4935	1	HOSE AS						
C	9	1	8T-6762	1	PLUG-PIPE						
	10	1	5B-8979	1	TEE-PIPE						
	11	1	001-7043	1	ELBOW						
I	12	1	4P-2446	1	HOSE AS						
	13	1	2N-1287	1	ELBOW-FLARED						
	14	1	114-4427	1	SEAL-O-RING						
	15	1	7W-5499	1	ELBOW						
	16	1	2B-2695	2	BOLT (5/16-18X0.875-IN)						
	17	1	9M-1974	2	WASHER-HARD (8.8X16X2-MM THK)						
	18	1	8M-7065	1	GASKET (AIR INLET)						
B	19	1	001-7043	1	ELBOW						

B-USE AS REQUIRED

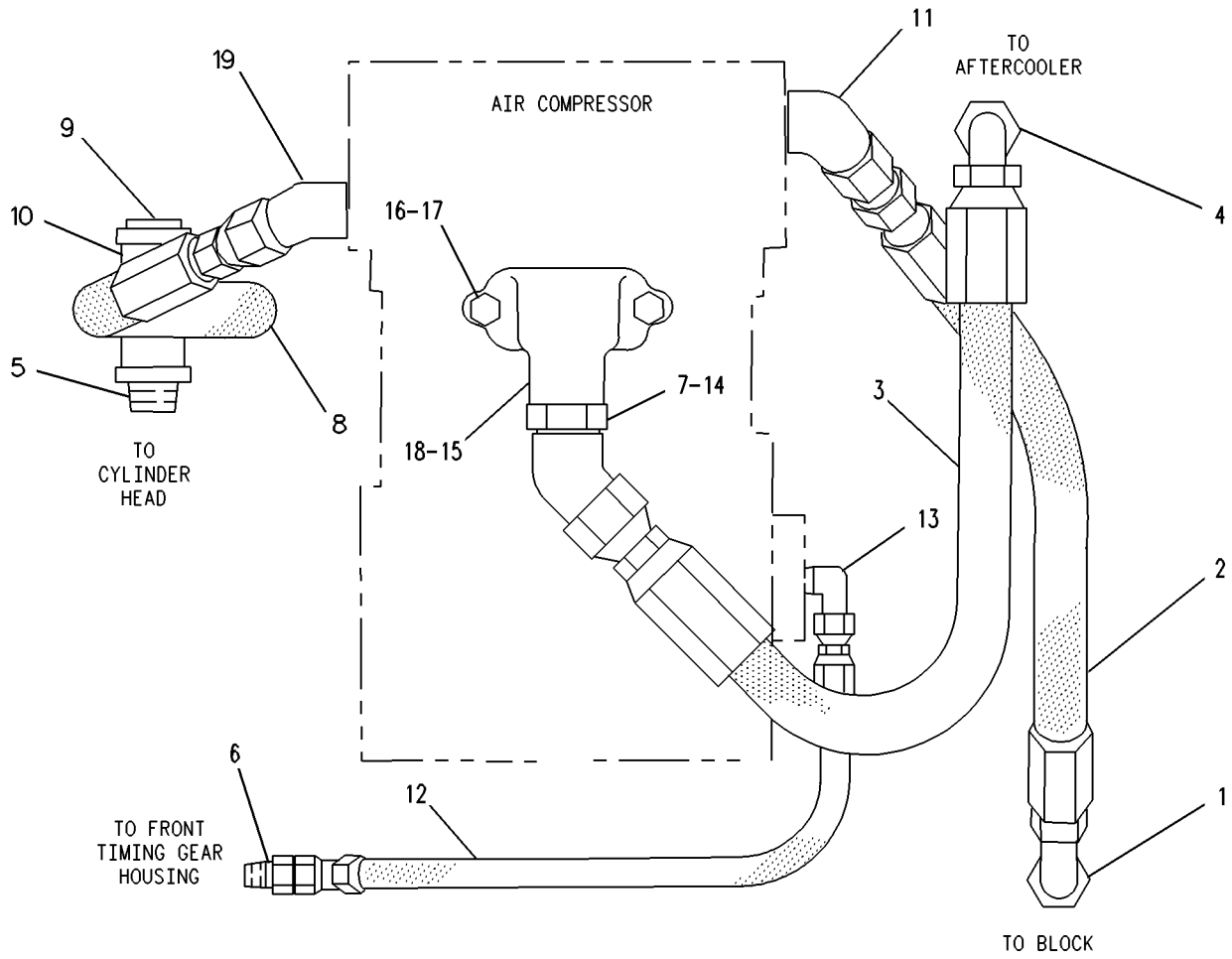
C-CHANGE FROM PREVIOUS TYPE

I-REFER TO HYDRAULIC INFORMATION SYSTEM

BASIC ENGINE

2W-9998 LINES GP-AIR COMPRESSOR (contd.)

i03647103



GRAPHIC #1

<END>

g00119453

BASIC ENGINE

6I-1820 LINES GP-AIR COMPRESSOR

FOR USE WITH 4W-6059-PAGE 800, IF MOBILE EQUIPMENT IS ORDERED. CANNOT BE
USED WITH 8 HOLE INSTRUMENT PANEL, 4W-4250-PAGE 443, 4W-4251-PAGE 447
AN ATTACHMENT

SMCS-1803, 5502

i01390753

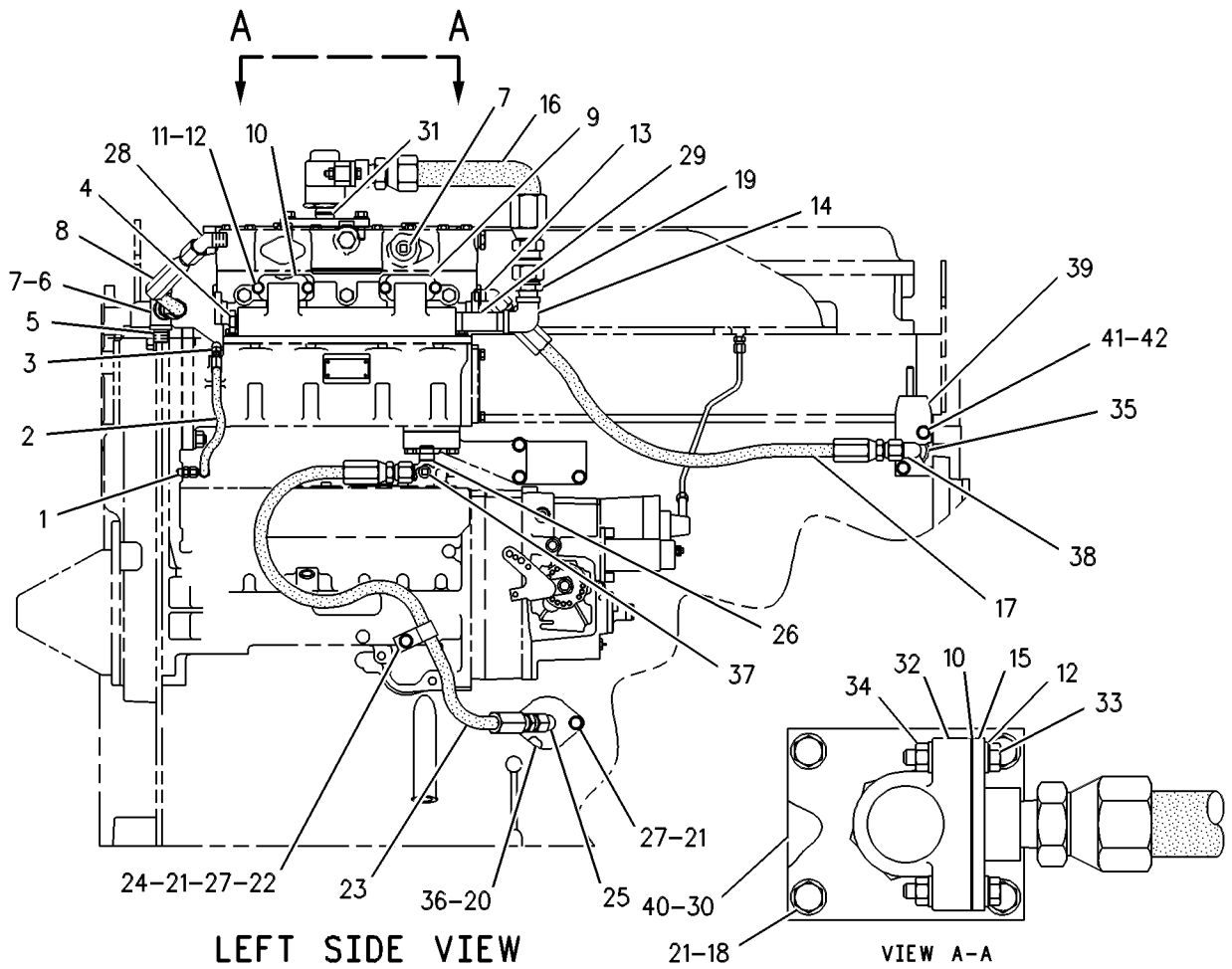
NOTE	REF NO	GRAPHIC REF	PART NUMBER	QTY	PART NAME						SEE PAGE
					1	2	3	4	5	6 (PRODUCT LEVEL)	
	1	1	8L-6557	1	CONNECTOR						
I	2	1	4P-2446	1	HOSE AS						
	3	1	2N-1287	1	ELBOW-FLARED						
	4	1	3E-7430	1	PLUG-PIPE						
	5	1	3B-7744	1	FITTING (CLOSE)						
	6	1	5B-8979	1	TEE-PIPE						
	7	1	8T-6762	2	PLUG-PIPE						
I	8	1	4N-4935	1	HOSE AS						
	9	1	7C-0367	1	MANIFOLD						
	10	1	8M-7065	3	GASKET (AIR INLET)						
	11	1	2B-2695	4	BOLT (5/16-18X0.875-IN)						
	12	1	9M-1974	8	WASHER-HARD (8.8X16X2-MM THK)						
	13	1	2N-1288	1	ELBOW						
	14	1	1K-6937	1	ELBOW-PIPE						
	15	1	7W-9827	1	ADAPTER						
I	16	1	7W-9812	1	HOSE AS						
I	17	1	4N-8470	1	HOSE AS						
	18	1	0S-1588	4	BOLT (3/8-16X1.25-IN)						
	19	1	030-8307	1	CONNECTOR						
	20	1	7C-0307	1	GASKET						
	21	1	5M-2894	7	WASHER-HARD (10.2X18.5X2.5-MM THK)						
	22	1	6D-4636	1	CLIP						
I	23	1	6G-9869	1	HOSE AS						
	24	1	2F-4967	1	SPACER (10.5X19X5.512-MM THK)						
	25	1	9L-5254	1	ELBOW						
	26	1	032-1269	1	ELBOW						
	27	1	0S-1594	3	BOLT (3/8-16X1-IN)						
	28	1	001-7043	1	ELBOW						
	29	1	3B-7747	1	NIPPLE-PIPE						
	30	1	6I-1819	1	COVER						
	31	1	019-2082	1	FITTING (PIPE)						
	32	1	7W-9834	1	VALVE-REGULATOR						
	33	1	1B-9575	2	BOLT (5/16-18X1.56-IN)						
	34	1	5S-0003	2	NUT (5/16-18-THD)						
	35	1	1S-9799	1	SEAL-O-RING						
	36	1	6N-7854	1	COVER						
	37	1	7X-7732	1	PLUG-PIPE						
	38	1	7L-7262	1	ELBOW-FLARED						
	39	1	4P-6791	1	PLATE AS-ENGINE GROUND						
	40	1	2N-8630	1	GASKET						
	41	1	4L-6454	2	BOLT (3/8-16X1-IN)						
	42	1	8T-4896	2	WASHER-HARD (10.2X18.5X2.5-MM THK)						

I-REFER TO HYDRAULIC INFORMATION SYSTEM

BASIC ENGINE

6I-1820 LINES GP-AIR COMPRESSOR (contd.)

i01390753



LEFT SIDE VIEW

VIEW A-A

GRAPHIC #1

<END>

g00281399

BASIC ENGINE

7C-0316 LINES GP-AIR COMPRESSOR

FOR USE WITH 30 CFM AIR COMPRESSOR
AN ATTACHMENT

SMCS-1803, 5502

i02305765

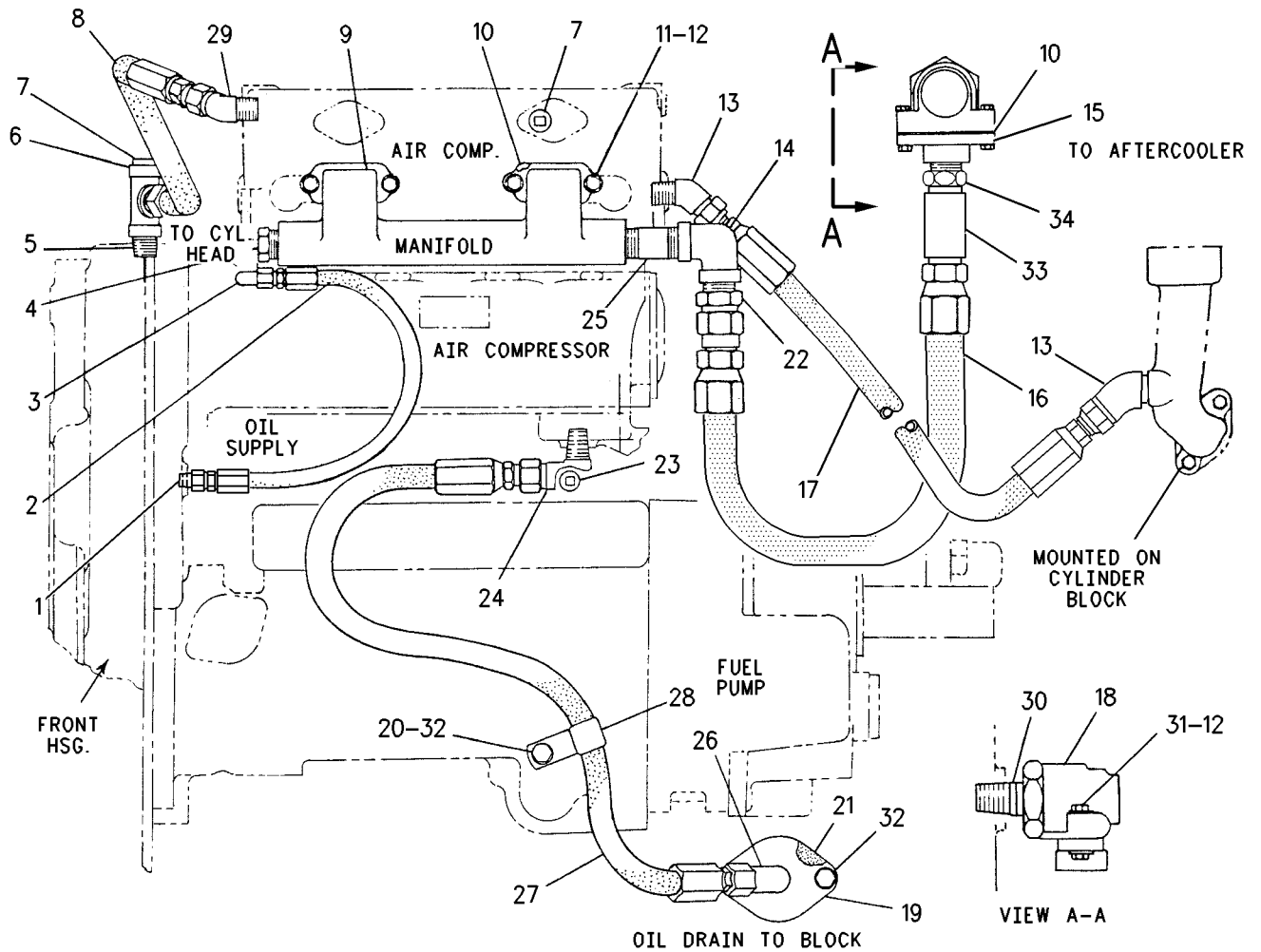
NOTE	REF NO	GRAPHIC REF	PART NUMBER	QTY	PART NAME						SEE PAGE
					1	2	3	4	5	6 (PRODUCT LEVEL)	
	1	1	8L-6557	1	CONNECTOR						
I	2	1	4P-2446	1	HOSE AS						
	3	1	2N-1287	1	ELBOW-FLARED						
	4	1	3M-7045	1	PLUG						
	5	1	3B-7744	1	FITTING (CLOSE)						
	6	1	5B-8979	1	TEE-PIPE						
	7	1	8T-6762	2	PLUG-PIPE						
I	8	1	4N-4935	1	HOSE AS						
	9	1	7C-0367	1	MANIFOLD						
	10	1	8M-7065	3	GASKET (AIR INLET)						
	11	1	2B-2695	4	BOLT (5/16-18X0.875-IN)						
C	12	1	9M-1974	8	WASHER-HARD (8.8X16X2-MM THK)						
	13	1	2N-1288	2	ELBOW						
	14	1	1K-6937	1	ELBOW-PIPE						
	15	1	7W-9827	1	ADAPTER						
I	16	1	7W-9812	1	HOSE AS						
I	17	1	4N-8470	1	HOSE AS						
	18	1	7W-9834	1	VALVE-REGULATOR (AIR COMPRESSOR)						
C	19	1	6N-7854	1	COVER						
C	20	1	2F-4967	1	SPACER (10.5X19X5.512-MM THK)						
C	21	1	7C-0307	1	GASKET						
	22	1	030-8307	1	CONNECTOR						
	23	1	7X-7732	1	PLUG-PIPE						
	24	1	032-1269	1	ELBOW						
	25	1	1F-6660	1	NIPPLE-PIPE						
C	26	1	9L-5254	1	ELBOW						
CI	27	1	6G-9869	1	HOSE AS						
	28	1	6D-4636	1	CLIP						
	29	1	001-7043	1	ELBOW						
	30	1	019-2082	1	FITTING (PIPE)						
	31	1	1B-9575	2	BOLT (5/16-18X1.56-IN)						
			5S-0003	2	NUT (5/16-18-THD)						
C	32	1	0S-1594	3	BOLT (3/8-16X1-IN)						
C		1	5M-2894	3	WASHER-HARD (10.2X18.5X2.5-MM THK)						
	33	1	3B-6490	1	COUPLING-PIPE						
	34	1	004-7270	1	FITTING-PIPE						

C-CHANGE FROM PREVIOUS TYPE
I-REFER TO HYDRAULIC INFORMATION SYSTEM

BASIC ENGINE

7C-0316 LINES GP-AIR COMPRESSOR (contd.)

i02305765



GRAPHIC #1

<END>

g00669143

BASIC ENGINE

7C-1783 LINES GP-AIR COMPRESSOR

FOR USE WITH 7W-0023-PAGE 63
AN ATTACHMENT

SMCS-1803, 5502

i01640639

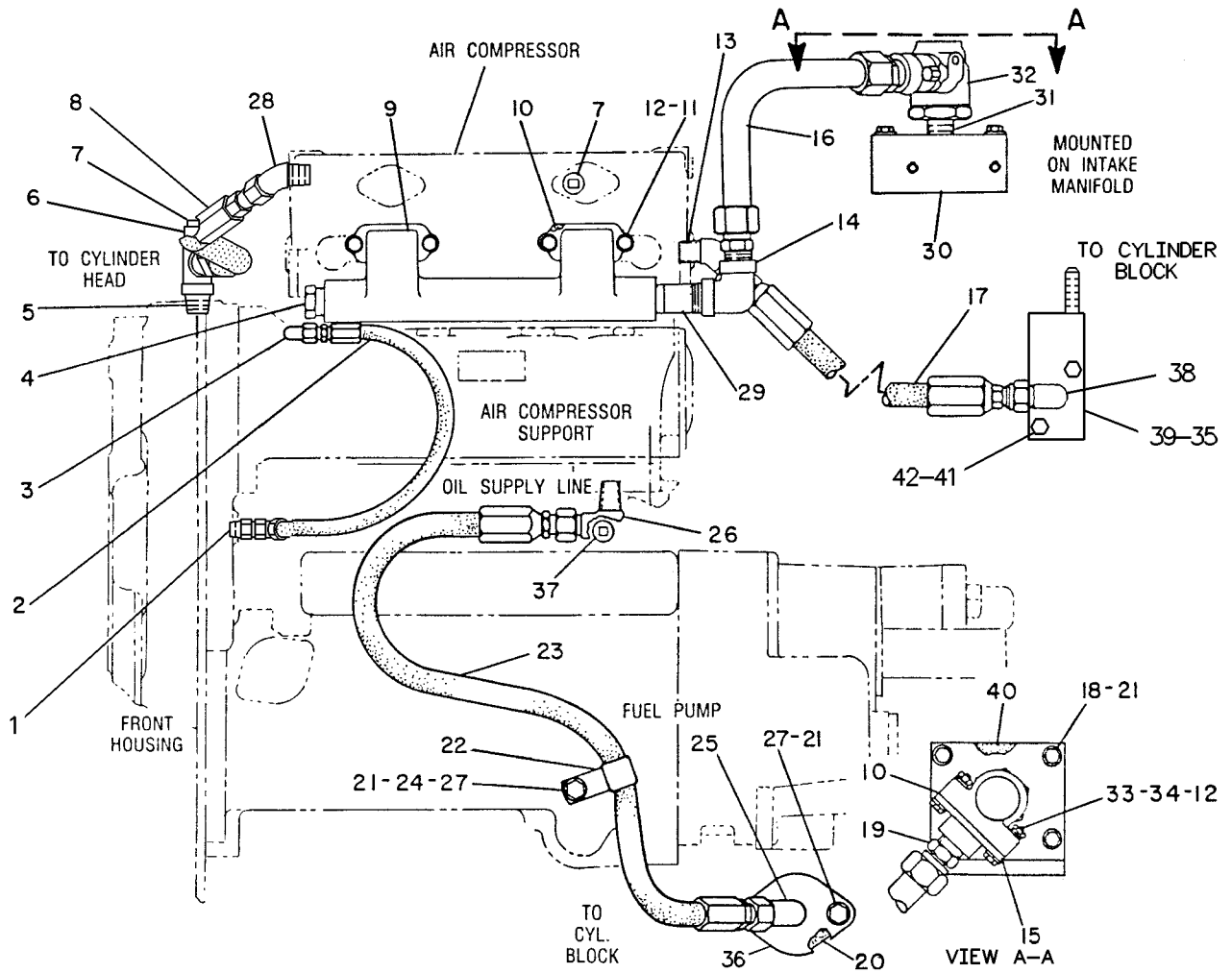
NOTE	REF NO	GRAPHIC REF	PART NUMBER	QTY	PART NAME						SEE PAGE
					1	2	3	4	5	6 (PRODUCT LEVEL)	
	1	1	8L-6557	1	CONNECTOR						
I	2	1	4P-2446	1	HOSE AS						
	3	1	2N-1287	1	ELBOW-FLARED						
	4	1	3E-7430	1	PLUG-PIPE						
	5	1	3B-7744	1	FITTING (CLOSE)						
	6	1	5B-8979	1	TEE-PIPE						
	7	1	8T-6762	2	PLUG-PIPE						
I	8	1	4N-4935	1	HOSE AS						
	9	1	7C-0367	1	MANIFOLD						
	10	1	8M-7065	3	GASKET (AIR INLET)						
	11	1	2B-2695	4	BOLT (5/16-18X0.875-IN)						
	12	1	9M-1974	8	WASHER-HARD (8.8X16X2-MM THK)						
	13	1	2N-1288	1	ELBOW						
	14	1	1K-6937	1	ELBOW-PIPE						
	15	1	7W-9827	1	ADAPTER						
	16	1	7C-1418	1	TUBE AS						
I	17	1	4N-8470	1	HOSE AS						
	18	1	0S-1588	4	BOLT (3/8-16X1.25-IN)						
	19	1	2P-1289	2	CONNECTOR						
C	20	1	7C-0307	1	GASKET						
	21	1	5M-2894	7	WASHER-HARD (10.2X18.5X2.5-MM THK)						
	22	1	6D-4636	1	CLIP						
I	23	1	6G-9869	1	HOSE AS						
	24	1	2F-4967	1	SPACER (10.5X19X5.512-MM THK)						
	25	1	9L-5254	1	ELBOW						
	26	1	032-1269	1	ELBOW						
	27	1	0S-1594	3	BOLT (3/8-16X1-IN)						
	28	1	001-7043	1	ELBOW						
	29	1	1F-6660	1	NIPPLE-PIPE						
	30	1	7C-1717	1	COVER AS						
	31	1	019-2082	1	FITTING (PIPE)						
	32	1	7W-9834	1	VALVE-REGULATOR						
	33	1	1B-9575	2	BOLT (5/16-18X1.56-IN)						
	34	1	5S-0003	2	NUT (5/16-18-THD)						
	35	1	1S-9799	1	SEAL-O-RING						
	36	1	6N-7854	1	COVER						
	37	1	7X-7732	1	PLUG-PIPE						
	38	1	7L-7262	1	ELBOW-FLARED						
	39	1	4P-6791	1	PLATE AS-ENGINE GROUND						
		1	8T-1266	1	STUD-WELD						
	40	1	2N-8630	1	GASKET						
	41	1	4L-6454	2	BOLT (3/8-16X1-IN)						
	42	1	8T-4896	2	WASHER-HARD (10.2X18.5X2.5-MM THK)						

C-CHANGE FROM PREVIOUS TYPE
I-REFER TO HYDRAULIC INFORMATION SYSTEM

BASIC ENGINE

7C-1783 LINES GP-AIR COMPRESSOR (contd.)

i01640639



GRAPHIC #1

<END>

g00221718

BASIC ENGINE

147-7369 LINES GP-AIR COMPRESSOR

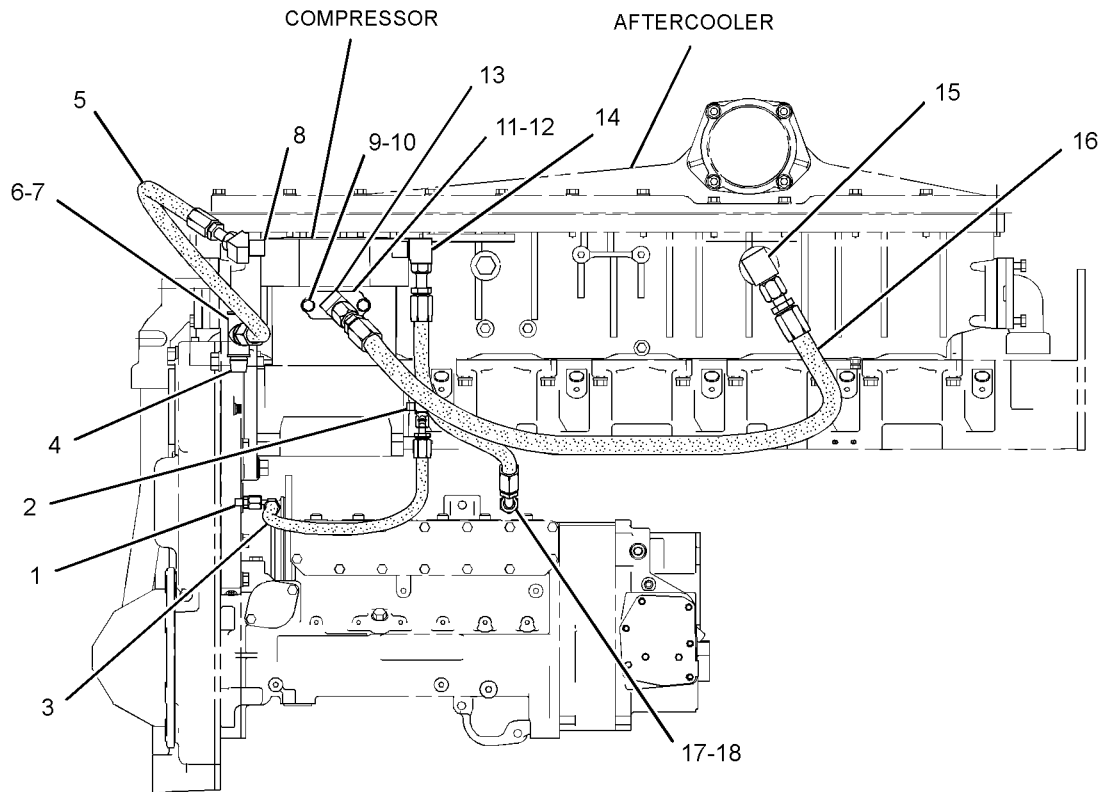
FOR USE WITH AIR COMPRESSOR WITH INSTRUMENT PANEL (LH REARWARD)
AN ATTACHMENT

SMCS-1803, 5502

i03497586

NOTE	REF NO	GRAPHIC REF	PART NUMBER	QTY	PART NAME						SEE PAGE
					1	2	3	4	5	6 (PRODUCT LEVEL)	
	1	1	8L-6557	1	CONNECTOR						
	2	1	2N-1287	1	ELBOW-FLARED						
I	3	1	4P-2446	1	HOSE AS						
	4	1	3B-7744	1	FITTING (CLOSE)						
I	5	1	4N-4935	1	HOSE AS						
	6	1	5B-8979	1	TEE-PIPE						
	7	1	8T-6762	1	PLUG-PIPE						
	8	1	001-7043	1	ELBOW						
	9	1	2B-2695	2	BOLT (5/16-18X0.875-IN)						
	10	1	9M-1974	2	WASHER-HARD (8.8X16X2-MM THK)						
	11	1	9M-0397	1	ADAPTER						
	12	1	8M-7065	1	GASKET (AIR INLET)						
	13	1	9L-5254	1	ELBOW						
	14	1	2N-3378	1	ELBOW-FLARED						
	15	1	061-6717	1	ELBOW-FLARED						
I	16	1	9Y-1117	1	HOSE AS						
I	17	1	1N-3523	1	HOSE AS						
	18	1	8M-0755	1	ADAPTER						

I-REFER TO HYDRAULIC INFORMATION SYSTEM



LEFT SIDE VIEW OF ENGINE

GRAPHIC #1

<END>

g01943042

BASIC ENGINE

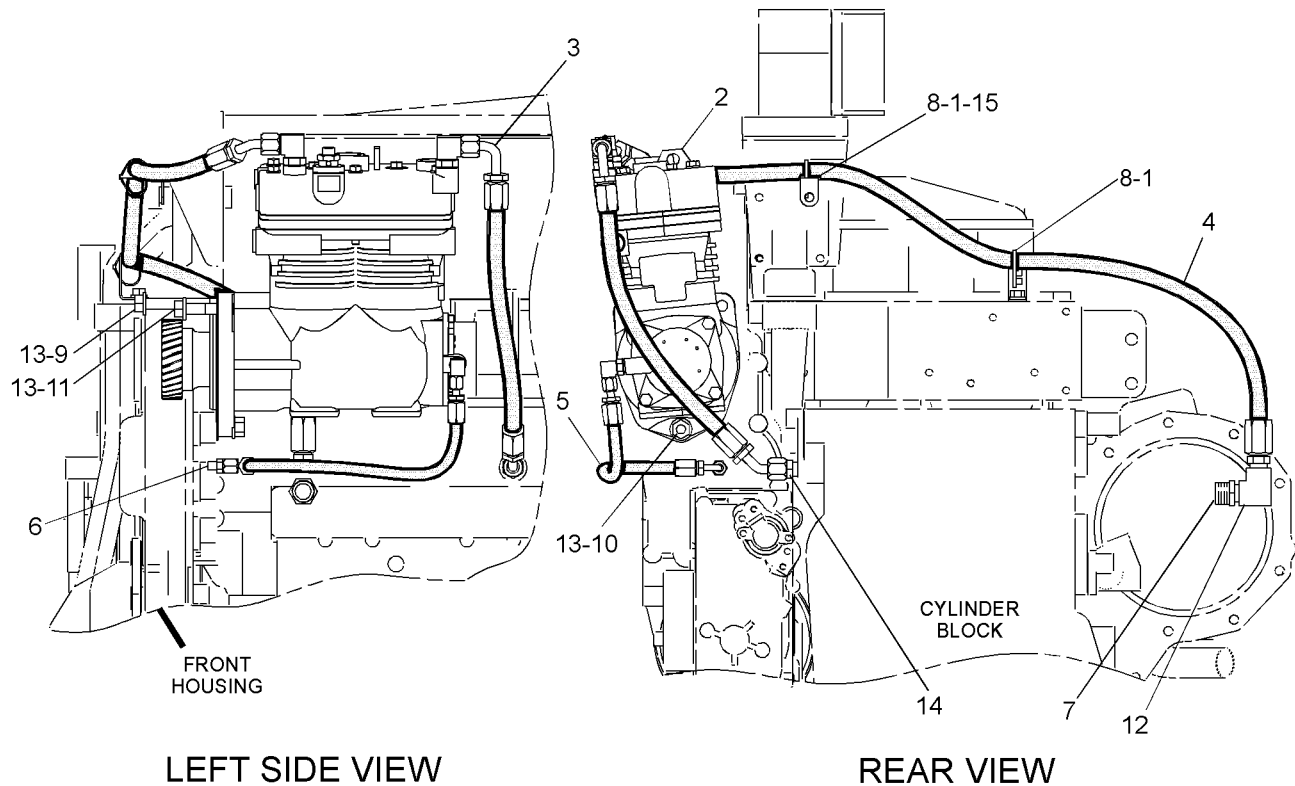
193-5770 LINES GP-AIR COMPRESSOR AN ATTACHMENT

SMCS-1803, 5502

i02515771

NOTE	REF NO	GRAPHIC REF	PART NUMBER	QTY	PART NAME						SEE PAGE
					1	2	3	4	5	6 (PRODUCT LEVEL)	
	1	1	3S-2093	2	STRAP - CABLE						
Y	2	1	193-5769	1	AIR COMPRESSOR GP						75
I	3	1	195-7940	1	HOSE AS						
I	4	1	195-7941	1	HOSE AS						
I	5	1	195-7942	1	HOSE AS						
	6	1	001-7025	1	CONNECTOR						
	7	1	012-8140	1	BUSHING - TERMINAL						
	8	1	132-5789	2	CLIP						
	9	1	1D-4569	1	BOLT (1/2-13X4.25-IN)						
	10	1	1F-7958	1	NUT-FULL (1/2-13-THD)						
	11	1	2B-0947	1	BOLT (1/2-13X2.25-IN)						
	12	1	3B-7259	1	ELBOW						
	13	1	5P-8245	3	WASHER-HARD (13.5X25.5X3-MM THK)						
	14	1	8M-0755	1	ADAPTER						
	15	1	9M-1974	1	WASHER-HARD (8.8X16X2-MM THK)						

I-REFER TO HYDRAULIC INFORMATION SYSTEM
Y-SEPARATE ILLUSTRATION



GRAPHIC #1

<END>

g01270757

BASIC ENGINE

1W-6157 MOUNTING GP-ALTERNATOR

FOR USE WITH 75 AMPERE ALTERNATOR
AN ATTACHMENT

SMCS-1154, 1405

i01947700

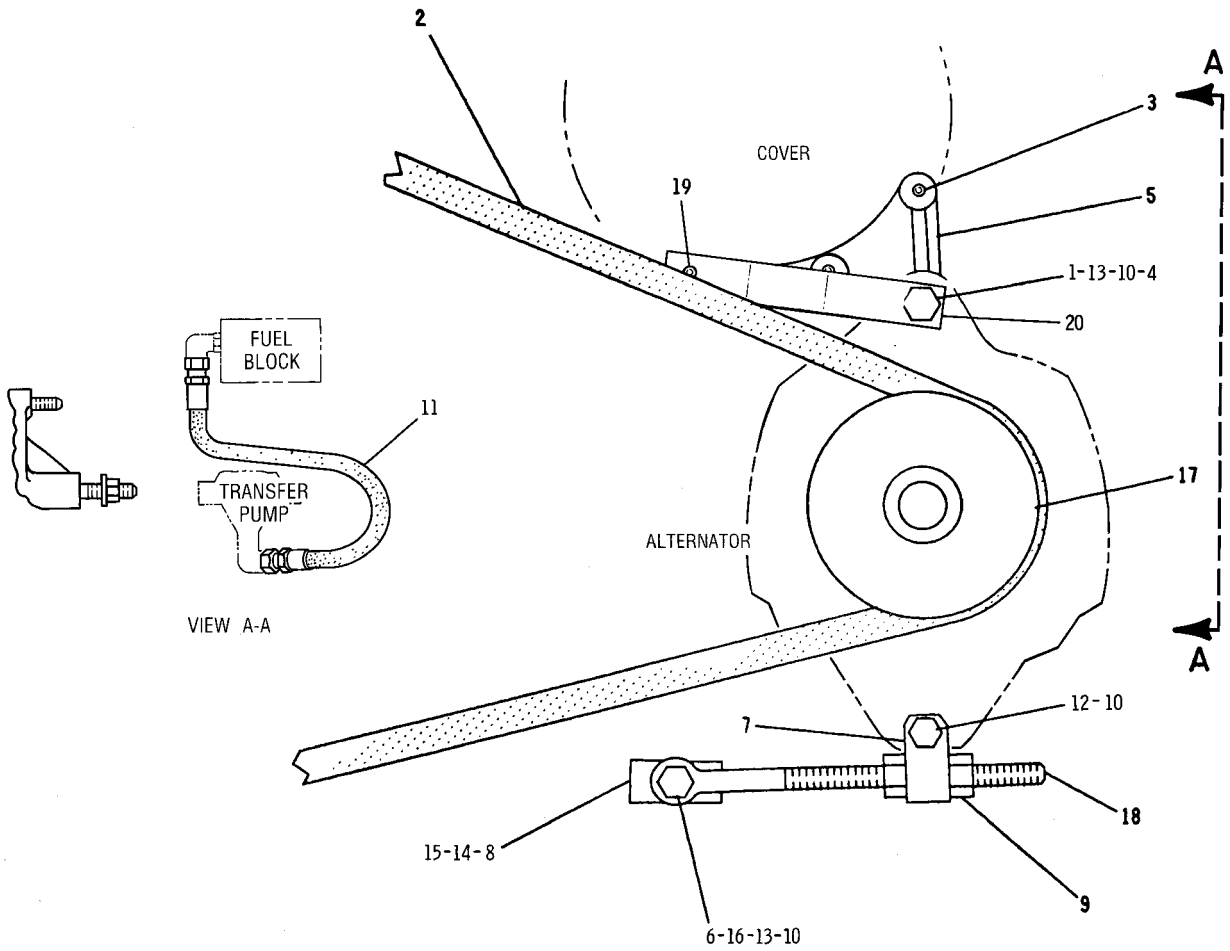
NOTE	REF NO	GRAPHIC REF	PART NUMBER	QTY	PART NAME						SEE PAGE
					1	2	3	4	5	6 (PRODUCT LEVEL)	
	1	1	9H-8260	1	BOLT (1/2-13X6.25-IN)						
	2	1	4N-8216	1	V-BELT (ALTERNATOR)						
C	3	1	7S-6719	2	STUD-TAPERLOCK (3/8-16-THD)						
C	4	1	9F-8885	1	SPACER (13.5X24X22.2-MM THK)						
	5	1	1W-6159	1	BRACKET						
B	6	1	2B-0947	1	BOLT (1/2-13X2.25-IN)						
	7	1	8S-5383	1	BLOCK						
	8	1	7W-5520	1	BLOCK						
	9	1	1B-4330	2	NUT (1/4-20-THD)						
B	10	1	2M-0849	6	WASHER-HARD (13.5X25.5X5-MM THK)						
CI	11	1	2W-4331	1	HOSE AS						
	12	1	1A-1460	1	BOLT (1/2-13X2-IN)						
B	13	1	1D-4719	2	NUT-FULL (1/2-13-THD)						
	14	1	0S-1594	2	BOLT (3/8-16X1-IN)						
	15	1	8M-7145	2	WASHER (10.2X28.5X5-MM THK)						
B	16	1	0S-1585	1	BOLT (1/2-13X1.5-IN)						
	17	1	4N-8225	1	PULLEY-ALTERNATOR (1-GROOVE)						
	18	1	4N-4942	1	ROD-ADJUSTMENT						
C	19	1	6V-2605	1	STUD-TAPERLOCK						
C	20	1	7W-6743	1	BRACE						

B-USE AS REQUIRED
C-CHANGE FROM PREVIOUS TYPE
I-REFER TO HYDRAULIC INFORMATION SYSTEM

BASIC ENGINE

1W-6157 MOUNTING GP-ALTERNATOR (contd.)

i01947700



GRAPHIC #1

<END>

g00169821

BASIC ENGINE

4W-5580 MOUNTING GP-ALTERNATOR

FOR USE WITH 6T-1395-PAGE 897
AN ATTACHMENT

SMCS-1154, 1405

i02459770

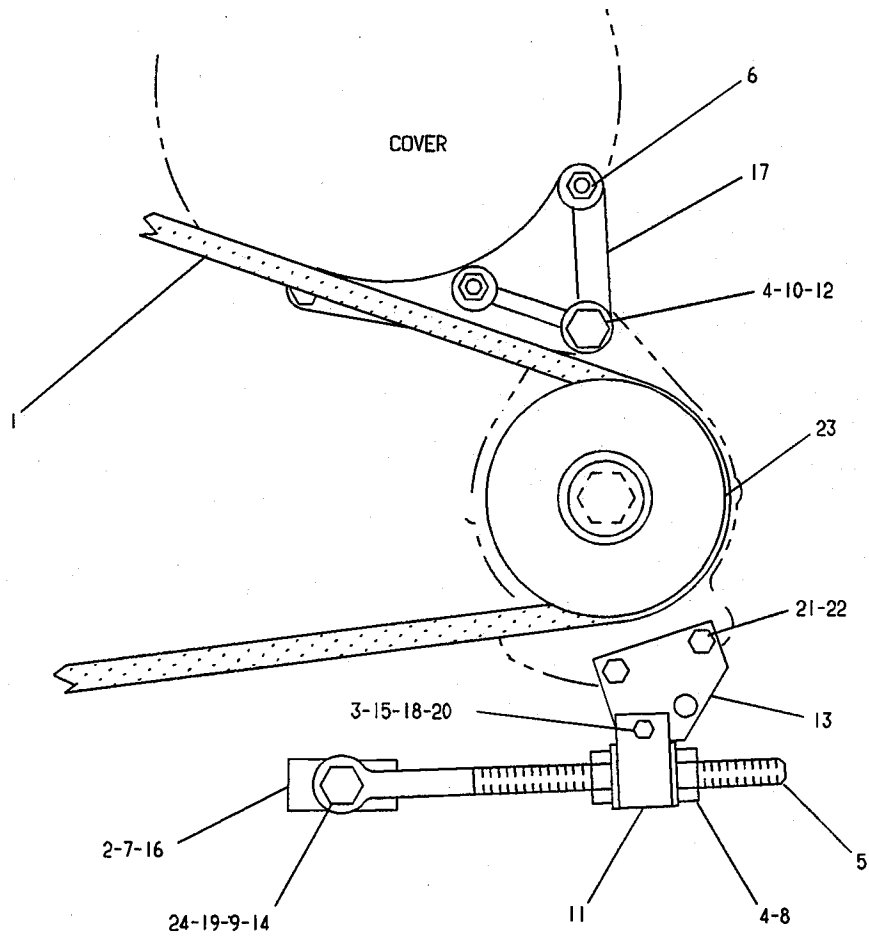
NOTE	REF NO	GRAPHIC REF	PART NUMBER	QTY	PART NAME						SEE PAGE
					1	2	3	4	5	6 (PRODUCT LEVEL)	
	1	1	4N-8216	1	V-BELT (ALTERNATOR)						
	2	1	8M-7145	2	WASHER (10.2X28.5X5-MM THK)						
	3	1	9S-8752	1	NUT-FULL (3/8-16-THD)						
	4	1	2M-0849	1	WASHER-HARD (13.5X25.5X5-MM THK)						
	5	1	4N-4942	1	ROD-ADJUSTMENT						
	6	1	6V-1426	3	STUD-TAPERLOCK (3/8-16X2.75-IN, HIGH TEMP)						
	7	1	7W-5520	1	BLOCK						
	8	1	1B-4430	2	NUT-JAM (1/2-20-THD)						
B	9	1	5P-8245	4	WASHER-HARD (13.5X25.5X3-MM THK)						
	10	1	1F-7958	1	NUT-FULL (1/2-13-THD)						
	11	1	9S-3784	1	BLOCK						
	12	1	2B-2006	1	BOLT (1/2-13X4.75-IN)						
	13	1	1N-3886	1	PLATE-MOUNTING						
B	14	1	0S-1585	1	BOLT (1/2-13X1.5-IN)						
	15	1	5M-2894	2	WASHER-HARD (10.2X18.5X2.5-MM THK)						
	16	1	0S-1594	2	BOLT (3/8-16X1-IN)						
	17	1	1W-6159	1	BRACKET						
	18	1	2B-0941	1	SPACER (10.5X19X19-MM THK)						
B	19	1	2B-0947	1	BOLT (1/2-13X2.25-IN)						
	20	1	0T-0573	1	BOLT (3/8-16X2.75-IN)						
	21	1	9M-1974	2	WASHER-HARD (8.8X16X2-MM THK)						
	22	1	0S-1618	2	BOLT (5/16-18X1-IN)						
	23	1	4N-4946	1	PULLEY						
B	24	1	1F-7958	1	NUT-FULL (1/2-13-THD)						

B-USE AS REQUIRED

BASIC ENGINE

4W-5580 MOUNTING GP-ALTERNATOR (contd.)

i02459770



GRAPHIC #1

<END>

g00163830

BASIC ENGINE

4W-5581 MOUNTING GP-ALTERNATOR

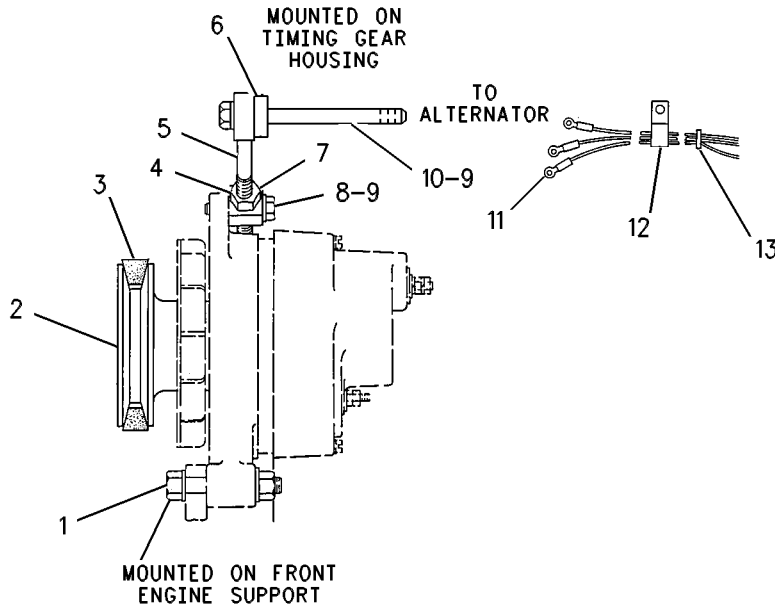
FOR USE WITH 6T-1395—PAGE 897
AN ATTACHMENT

SMCS-1154, 1405

i01748177

NOTE	REF NO	GRAPHIC REF	PART NUMBER	QTY	PART NAME						SEE PAGE
					1	2	3	4	5	6 (PRODUCT LEVEL)	
	1	1	9S-1366	1	BOLT (1/2-13X2.5-IN)						
		1	1D-4719	1	NUT-FULL (1/2-13-THD)						
		1	5P-8245	2	WASHER-HARD (13.5X25.5X3-MM THK)						
	2	1	4N-4946	1	PULLEY (1-GROOVE)						
	3	1	5B-8473	1	V-BELT (ALTERNATOR)						
	4	1	1B-4203	2	NUT-FULL (3/8-24-THD)						
	5	1	9L-7285	1	ROD-ADJUSTMENT						
	6	1	6B-2882	1	SPACER (0.406X0.75X0.312-IN THK)						
	7	1	4N-8026	1	BLOCK						
	8	1	1B-9575	1	BOLT (5/16-18X1.56-IN)						
	9	1	9M-1974	2	WASHER-HARD (8.8X16X2-MM THK)						
	10	1	1A-5183	1	BOLT (3/8-16X4.75-IN)						
	11	1	2L-8076	3	TERMINAL-RING (14-GA TO 16-GA, NO. 10 SCREW)						
B	12	1	1H-5166	4	CLIP						
B	13	1	8L-8413	20	STRAP-CABLE						

B-USE AS REQUIRED



GRAPHIC #1

<END>

g00590217

BASIC ENGINE

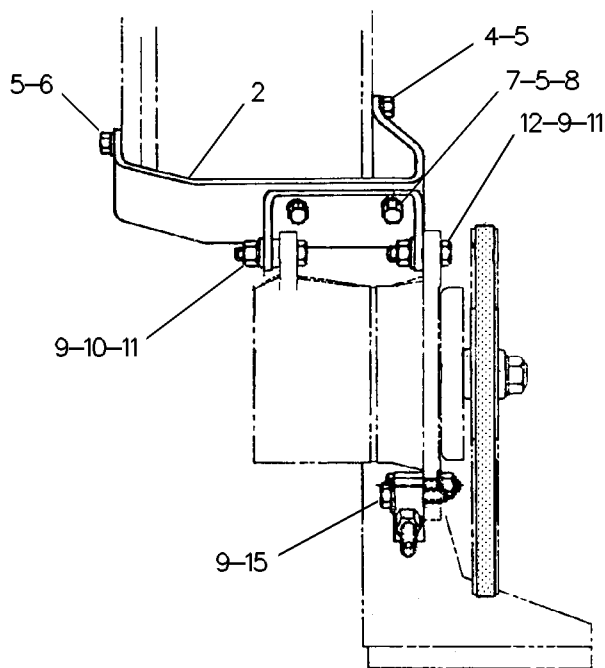
6I-1088 MOUNTING GP-ALTERNATOR

FOR USE WITH 6N-0719—PAGE 338
AN ATTACHMENT

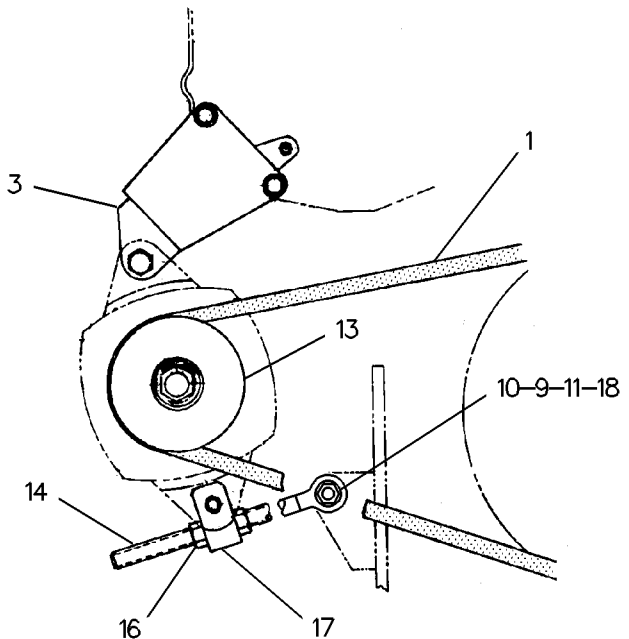
SMCS-1154, 1405

i01962561

NOTE	REF NO	GRAPHIC REF	PART NUMBER	QTY	PART NAME						SEE PAGE
					1	2	3	4	5	6 (PRODUCT LEVEL)	
	1	1	6N-7135	1	V-BELT (ALTERNATOR)						
	2	1	8N-6677	1	BRACKET						
	3	1	4N-4943	1	BRACKET						
	4	1	1A-5183	2	BOLT (3/8-16X4.75-IN)						
	5	1	5M-2894	7	WASHER-HARD (10.2X18.5X2.5-MM THK)						
	6	1	0S-1571	1	BOLT (3/8-16X1.75-IN)						
	7	1	1A-2029	2	BOLT (3/8-16X1.125-IN)						
	8	1	9S-8752	2	NUT-FULL (3/8-16-THD)						
	9	1	5P-8245	5	WASHER-HARD (13.5X25.5X3-MM THK)						
	10	1	1A-1460	2	BOLT (1/2-13X2-IN)						
	11	1	1F-7958	3	NUT-FULL (1/2-13-THD)						
	12	1	0S-1585	1	BOLT (1/2-13X1.5-IN)						
	13	1	4N-8225	1	PULLEY-ALTERNATOR						
	14	1	6L-5874	1	ROD-PULLEY ADJUSTMENT						
	15	1	0S-1587	1	BOLT (1/2-13X1.75-IN)						
	16	1	7X-3374	2	NUT-FULL (1/2-20-THD)						
	17	1	8S-5383	1	BLOCK						
	18	1	0L-1365	1	WASHER (1.6-MM THK)						



LEFT SIDE VIEW



FRONT VIEW

GRAPHIC #1

<END>

g00227564

BASIC ENGINE

7C-0755 MOUNTING GP-ALTERNATOR

FOR USE WITH LOW SPEED ENGINES ONLY
AN ATTACHMENT

SMCS-1154, 1405

i02459813

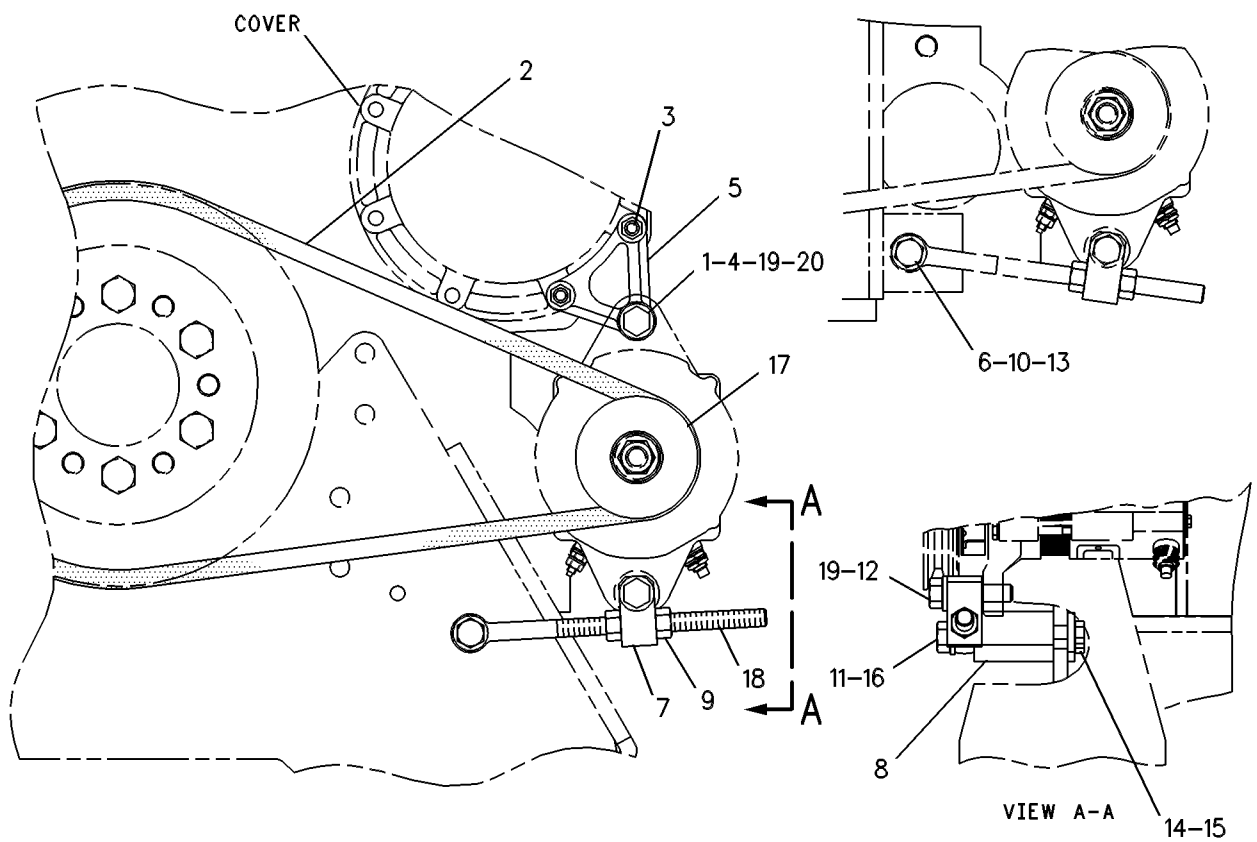
NOTE	REF NO	GRAPHIC REF	PART NUMBER	QTY	PART NAME						SEE PAGE
					1	2	3	4	5	6 (PRODUCT LEVEL)	
	1	1	9H-8260	1	BOLT (1/2-13X6.25-IN)						
	2	1	4N-8216	1	V-BELT (ALTERNATOR)						
	3	1	6L-4428	2	STUD-TAPERLOCK (3/8-16X4.01-IN)						
	4	1	1F-7958	1	NUT-FULL (1/2-13-THD)						
	5	1	4P-9202	1	BRACKET						
B	6	1	9S-1366	1	BOLT (1/2-13X2.5-IN)						
	7	1	8S-5383	1	BLOCK						
	8	1	7W-5520	1	BLOCK						
	9	1	6B-6684	2	NUT-FULL (1/2-20-THD)						
B	10	1	5P-8245	2	WASHER-HARD (13.5X25.5X3-MM THK)						
	11	1	5P-8245	2	WASHER-HARD (13.5X25.5X3-MM THK)						
	12	1	1A-1460	1	BOLT (1/2-13X2-IN)						
B	13	1	1F-7958	1	NUT-FULL (1/2-13-THD)						
	14	1	0S-1594	2	BOLT (3/8-16X1-IN)						
	15	1	8M-7145	2	WASHER (10.2X28.5X5-MM THK)						
B	16	1	0S-1585	1	BOLT (1/2-13X1.5-IN)						
	17	1	1W-1456	1	PULLEY-ALTERNATOR						
	18	1	4N-4942	1	ROD-ADJUSTMENT						
B	19	1	5P-8245	2	WASHER-HARD (13.5X25.5X3-MM THK)						
	20	1	5P-8245	1	WASHER-HARD (13.5X25.5X3-MM THK)						

B-USE AS REQUIRED

BASIC ENGINE

7C-0755 MOUNTING GP-ALTERNATOR (contd.)

i02459813



GRAPHIC #1

<END>

g00270713

BASIC ENGINE

7W-1340 MOUNTING GP-ALTERNATOR

CANNOT BE USED WITH 75 AMPERE ALTERNATOR
ALSO AN ATTACHMENT

SMCS-1154, 1405

i03826292

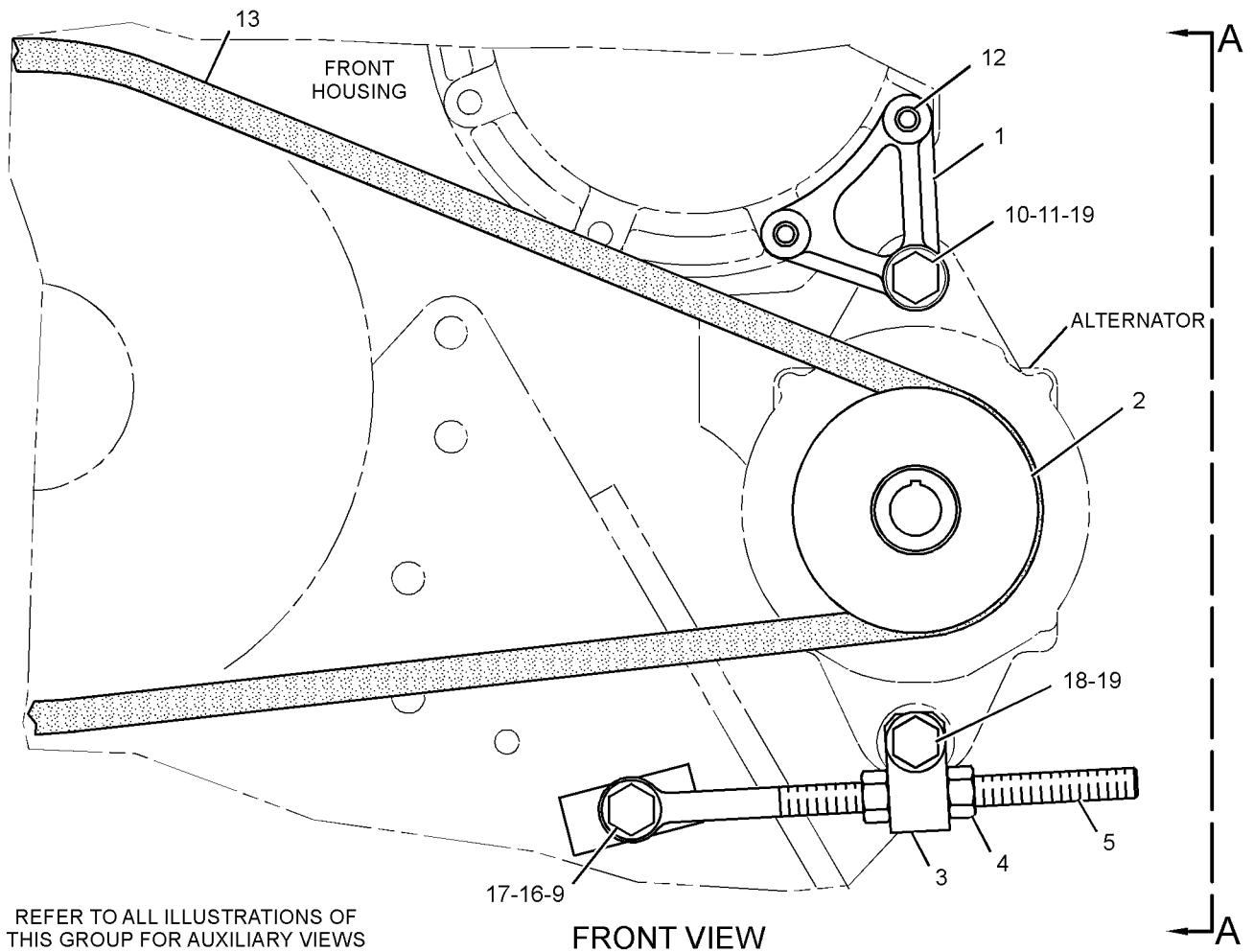
NOTE	REF NO	GRAPHIC REF	PART NUMBER	QTY	PART NAME						SEE PAGE
					1	2	3	4	5	6 (PRODUCT LEVEL)	
	1	1	4P-9202	1	BRACKET						
	2	1	4N-8225	1	PULLEY-ALTERNATOR (1-GROOVE)						
	3	1	8S-5383	1	BLOCK						
	4	1	6B-6684	2	NUT-FULL (1/2-20-THD)						
	5	1	4N-4942	1	ROD-ADJUSTMENT						
C	6	2	7W-5520	1	BLOCK						
B	7	2	0S-1585	1	BOLT (1/2-13X1.5-IN)						
	8	2	5P-8245	1	WASHER-HARD (13.5X25.5X3-MM THK)						
B	9	1	9S-1366	1	BOLT (1/2-13X2.5-IN)						
	10	1	1A-7669	1	BOLT (1/2-13X7-IN)						
	11	1	1F-7958	1	NUT-FULL (1/2-13-THD)						
C	12	1,2	6L-4428	2	STUD-TAPERLOCK (3/8-16X4.01-IN)						
	13	1	4N-8216	1	V-BELT (ALTERNATOR)						
	14	2	0S-1594	2	BOLT (3/8-16X1-IN)						
	15	2	8M-7145	2	WASHER (10.2X28.5X5-MM THK)						
B	16	1	5P-8245	2	WASHER-HARD (13.5X25.5X3-MM THK)						
B	17	1	1F-7958	1	NUT-FULL (1/2-13-THD)						
	18	1,2	0S-1623	1	BOLT (1/2-13X3-IN)						
B	19	1,2	5P-8245	3	WASHER-HARD (13.5X25.5X3-MM THK)						
	20	2	2N-2280	2	LOCKNUT						

B-USE AS REQUIRED
C-CHANGE FROM PREVIOUS TYPE

BASIC ENGINE

7W-1340 MOUNTING GP-ALTERNATOR (contd.)

i03826292



REFER TO ALL ILLUSTRATIONS OF THIS GROUP FOR AUXILIARY VIEWS

FRONT VIEW

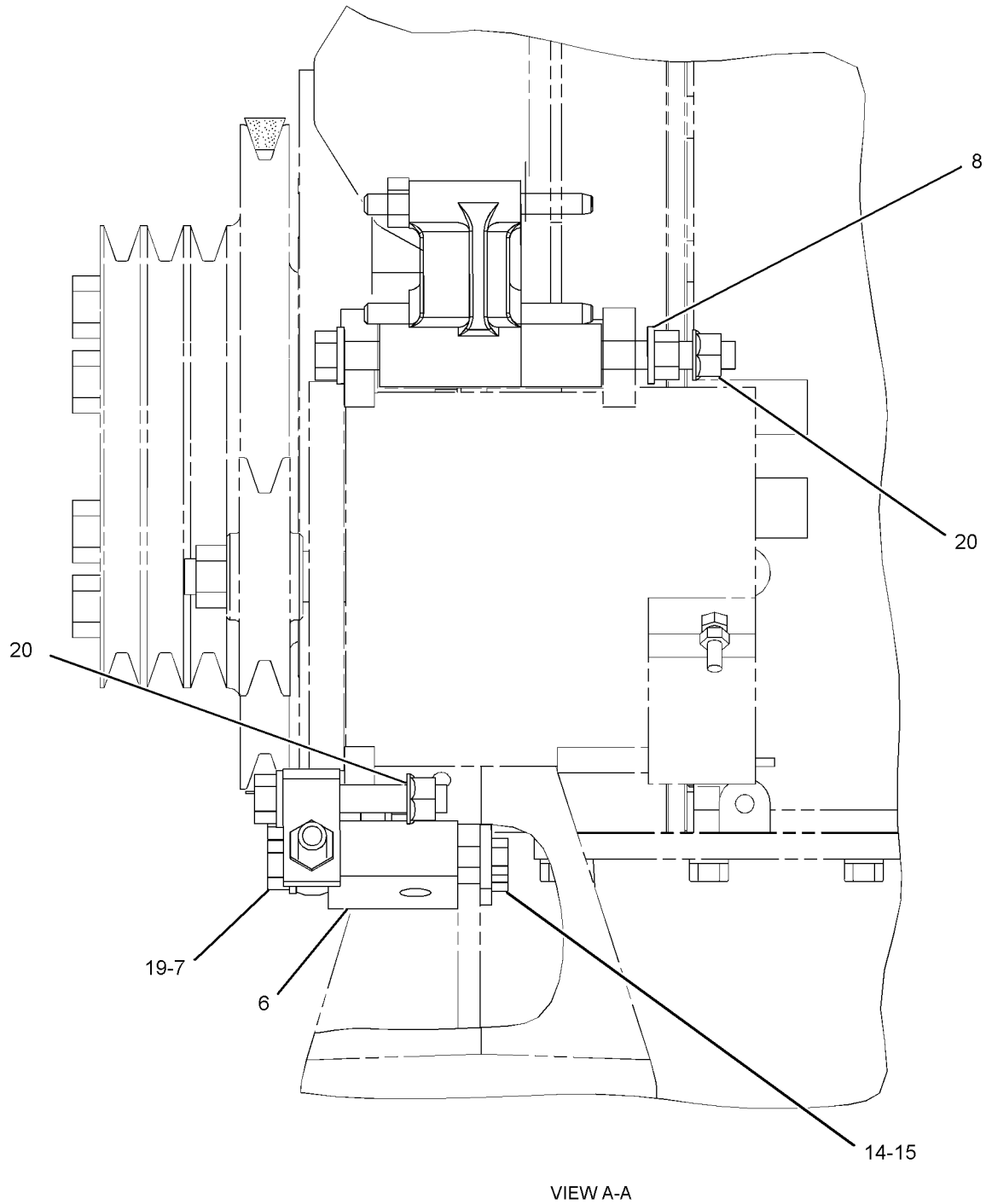
GRAPHIC #1

g01226794

BASIC ENGINE

7W-1340 MOUNTING GP-ALTERNATOR (contd.)

i03826292



VIEW A-A

GRAPHIC #2

<END>

g02101457

BASIC ENGINE

8N-6679 MOUNTING GP-ALTERNATOR

S/N: 6TB12255-UP

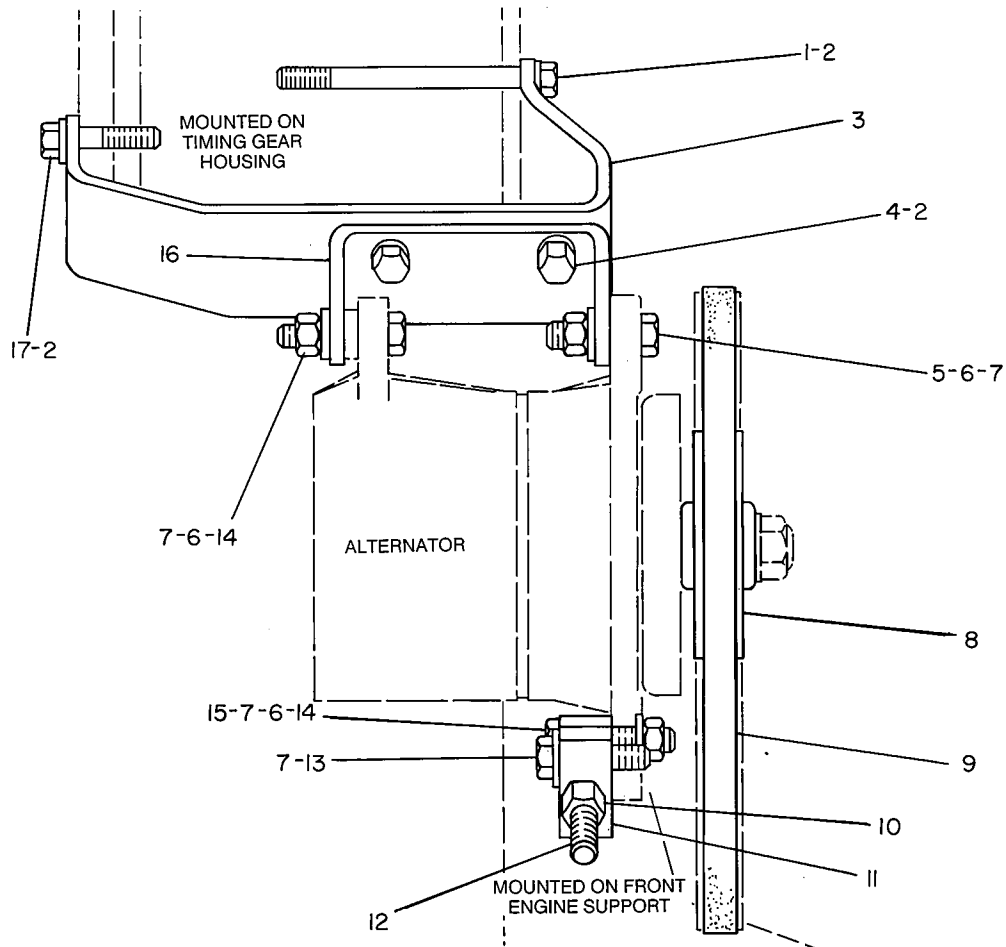
RH

ALSO AN ATTACHMENT

SMCS-1154, 1405

i01642054

NOTE	REF NO	GRAPHIC REF	PART NUMBER	QTY	PART NAME						SEE PAGE
					1	2	3	4	5	6 (PRODUCT LEVEL)	
	1	1	1A-5183	2	BOLT (3/8-16X4.75-IN)						
	2	1	5M-2894	7	WASHER-HARD (10.2X18.5X2.5-MM THK)						
	3	1	8N-6677	1	BRACKET						
	4	1	1A-2029	2	BOLT (3/8-16X1.125-IN)						
		1	9S-8752	2	NUT-FULL (3/8-16-THD)						
	5	1	0S-1585	1	BOLT (1/2-13X1.5-IN)						
	6	1	1F-7958	3	NUT-FULL (1/2-13-THD)						
	7	1	5P-8245	5	WASHER-HARD (13.5X25.5X3-MM THK)						
	8	1	4N-8225	1	PULLEY-ALTERNATOR						
	9	1	4N-8216	1	V-BELT (ALTERNATOR)						
	10	1	1B-4430	2	NUT-JAM (1/2-20-THD)						
	11	1	8S-5383	1	BLOCK						
	12	1	4N-4941	1	ROD-ADJUSTMENT						
	13	1	0S-1587	1	BOLT (1/2-13X1.75-IN)						
	14	1	1A-1460	2	BOLT (1/2-13X2-IN)						
	15	1	0L-1365	1	WASHER (1.6-MM THK)						
	16	1	4N-4943	1	BRACKET						
	17	1	0S-1571	1	BOLT (3/8-16X1.75-IN)						



GRAPHIC #1

<END>

g00138098

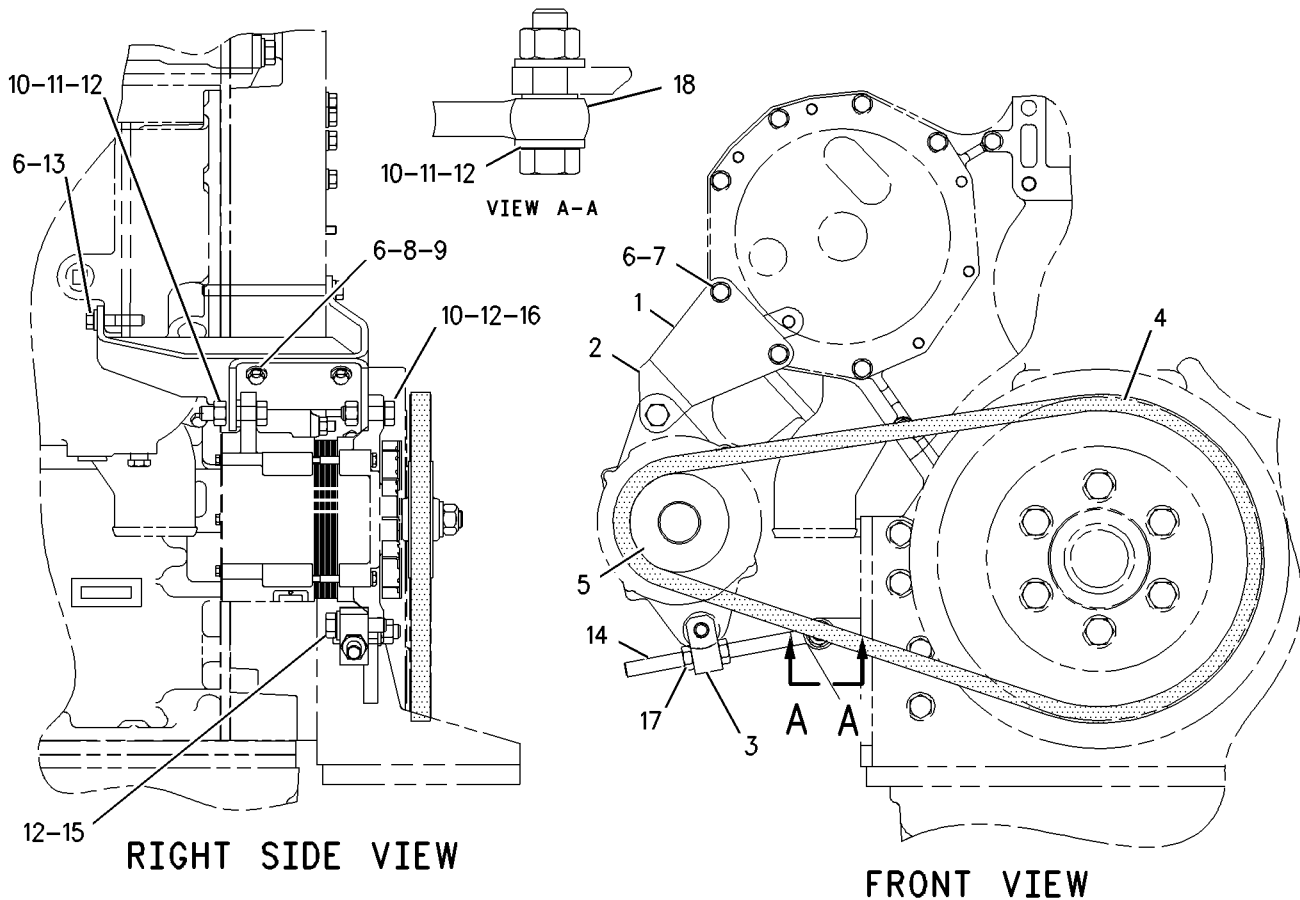
BASIC ENGINE

219-9886 MOUNTING GP-ALTERNATOR-RH FOR USE WITH ALTERNATORS OVER 35 AMPERE, HEAVY DUTY ONLY AN ATTACHMENT

SMCS-1154, 1405

i01787544

NOTE	REF NO	GRAPHIC REF	PART NUMBER	QTY	PART NAME						SEE PAGE
					1	2	3	4	5	6 (PRODUCT LEVEL)	
	1	1	219-7852	1	BRACKET AS						
	2	1	4N-4943	1	BRACKET						
	3	1	8S-5383	1	BLOCK						
	4	1	4N-8216	1	V-BELT (ALTERNATOR)						
	5	1	4N-8225	1	PULLEY-ALTERNATOR (1 GROOVE)						
	6	1	5M-2894	5	WASHER-HARD (10.2X18.5X2.5-MM THK)						
	7	1	1A-5183	2	BOLT (3/8-16X4.75-IN)						
	8	1	1A-2029	2	BOLT (3/8-16X1.125-IN)						
	9	1	9S-8752	2	NUT-FULL (3/8-16-THD)						
	10	1	1F-7958	3	NUT-FULL (1/2-13-THD)						
	11	1	1A-1460	2	BOLT (1/2-13X2-IN)						
	12	1	5P-8245	5	WASHER-HARD (13.5X25.5X3-MM THK)						
	13	1	0S-1571	1	BOLT (3/8-16X1.75-IN)						
	14	1	4N-4941	1	ROD-ADJUSTMENT						
	15	1	0S-1587	1	BOLT (1/2-13X1.75-IN)						
	16	1	0S-1585	1	BOLT (1/2-13X1.5-IN)						
	17	1	1B-4430	2	NUT-JAM (1/2-20-THD)						
	18	1	0L-1365	1	WASHER (1.6-MM THK)						



GRAPHIC #1

<END>

g00993671

BASIC ENGINE

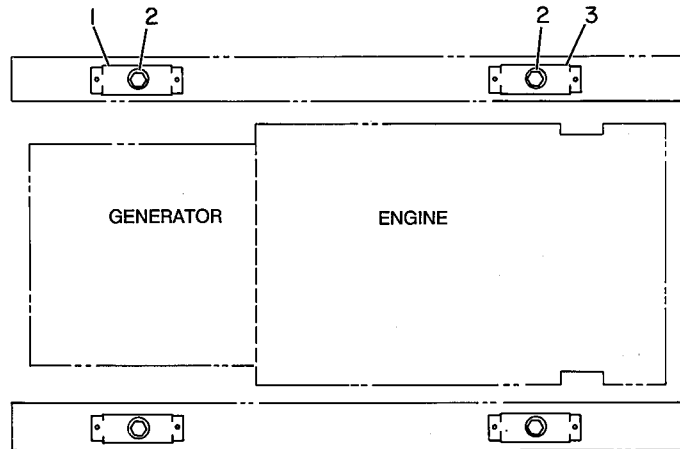
8N-9560 MOUNTING GP-ENGINE

FLEXIBLE
AN ATTACHMENT

SMCS-1152, 1153, 1154

i00640624

NOTE	REF NO	GRAPHIC REF	PART NUMBER	QTY	PART NAME						SEE PAGE
					1	2	3	4	5	6 (PRODUCT LEVEL)	
	1	1	8N-9968	2	MOUNT AS (REAR)						
	2	1	5P-7197	4	WASHER						
	3	1	8N-9969	2	MOUNT AS (FRONT)						



GRAPHIC #1

<END>

g00148206

BASIC ENGINE

4N-0756 PAN GP-OIL-ENGINE

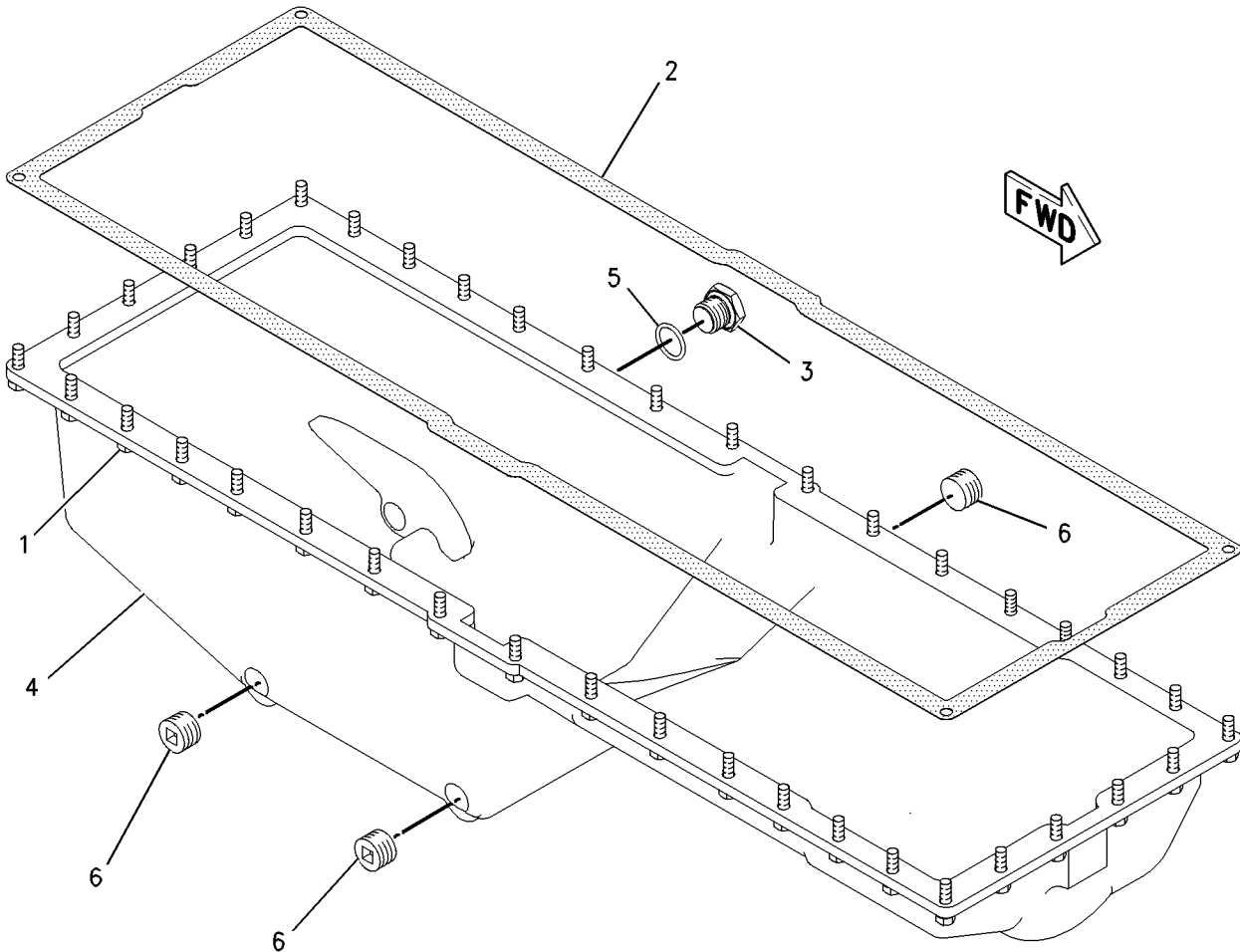
FOR USE WITH 1N-4888-PAGE 1169, 7N-0166-PAGE 414

SMCS-1302

i02707418

NOTE	REF NO	GRAPHIC REF	PART NUMBER	QTY	PART NAME	1 2 3 4 5 6 (PRODUCT LEVEL)						SEE PAGE	
						1	2	3	4	5	6		
	1	1	2P-3203	40	BOLT-WASHER HEAD (3/8-16X1.25-IN)								
	2	1	4N-1151	1	GASKET (OIL PAN)								
J	3	1	9X-6451	1	PLUG-DRAIN (ENGINE OIL PAN) (27.41MM ID GROOVE FOR SEAL)								
			-OR-										
L		1	206-7331	1	PLUG-DRAIN (MAGNETIC) (ENGINE OIL PAN) (28.60MM ID GROOVE FOR SEAL)								
	4	1	150-4637	1	PAN-OIL								
J	5	1	121-0145	1	SEAL-O-RING								
			-OR-										
L		1	5P-8210	1	SEAL-O-RING								
	6	1	8T-6761	3	PLUG-PIPE								

J-PARTS MARKED J TO BE USED TOGETHER
L-PARTS MARKED L TO BE USED TOGETHER



GRAPHIC #1

<END>

g00760209

BASIC ENGINE

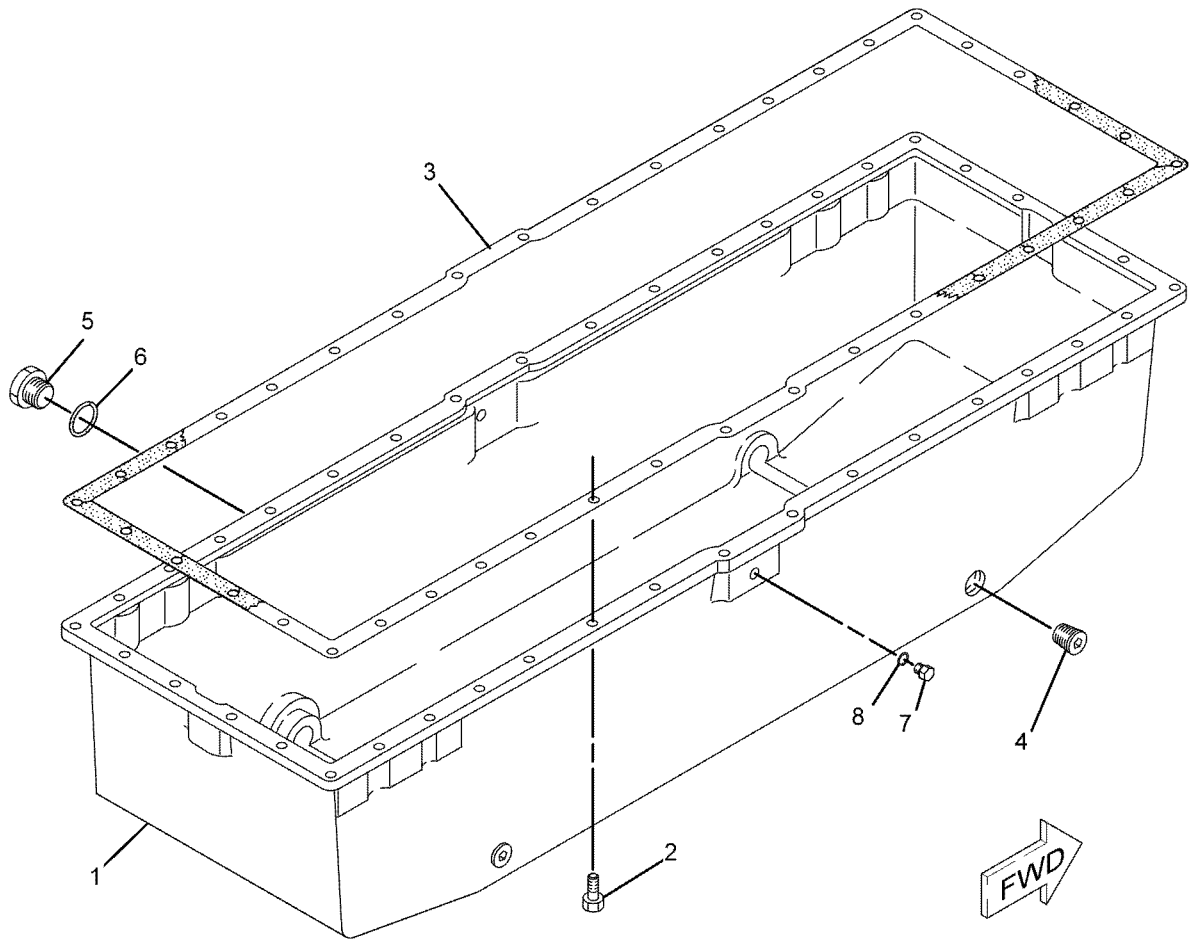
4W-1873 PAN GP-OIL-ENGINE

HIGH CAPACITY
FOR USE WITH 4W-1895-PAGE 411
AN ATTACHMENT

SMCS-1302

i03358242

NOTE	REF NO	GRAPHIC REF	PART NUMBER	QTY	PART NAME						SEE PAGE
					1	2	3	4	5	6 (PRODUCT LEVEL)	
	1	1	1W-9113	1	PAN-OIL (ENGINE)						
	2	1	2P-3203	40	BOLT-WASHER HEAD (3/8-16X1.25-IN)						
	3	1	4N-3661	1	GASKET-OIL PAN						
	4	1	8T-6761	3	PLUG-PIPE						
	5	1	9X-6451	1	PLUG-DRAIN (ENGINE OIL PAN)						
	6	1	061-9458	1	SEAL-O-RING						
	7	1	9S-4182	1	PLUG-O-RING						
	8	1	9X-7378	1	SEAL-O-RING						



GRAPHIC #1

<END>

g01038757

BASIC ENGINE

7E-0491 PISTON & ROD GP*R

S/N: 6TB11237-UP

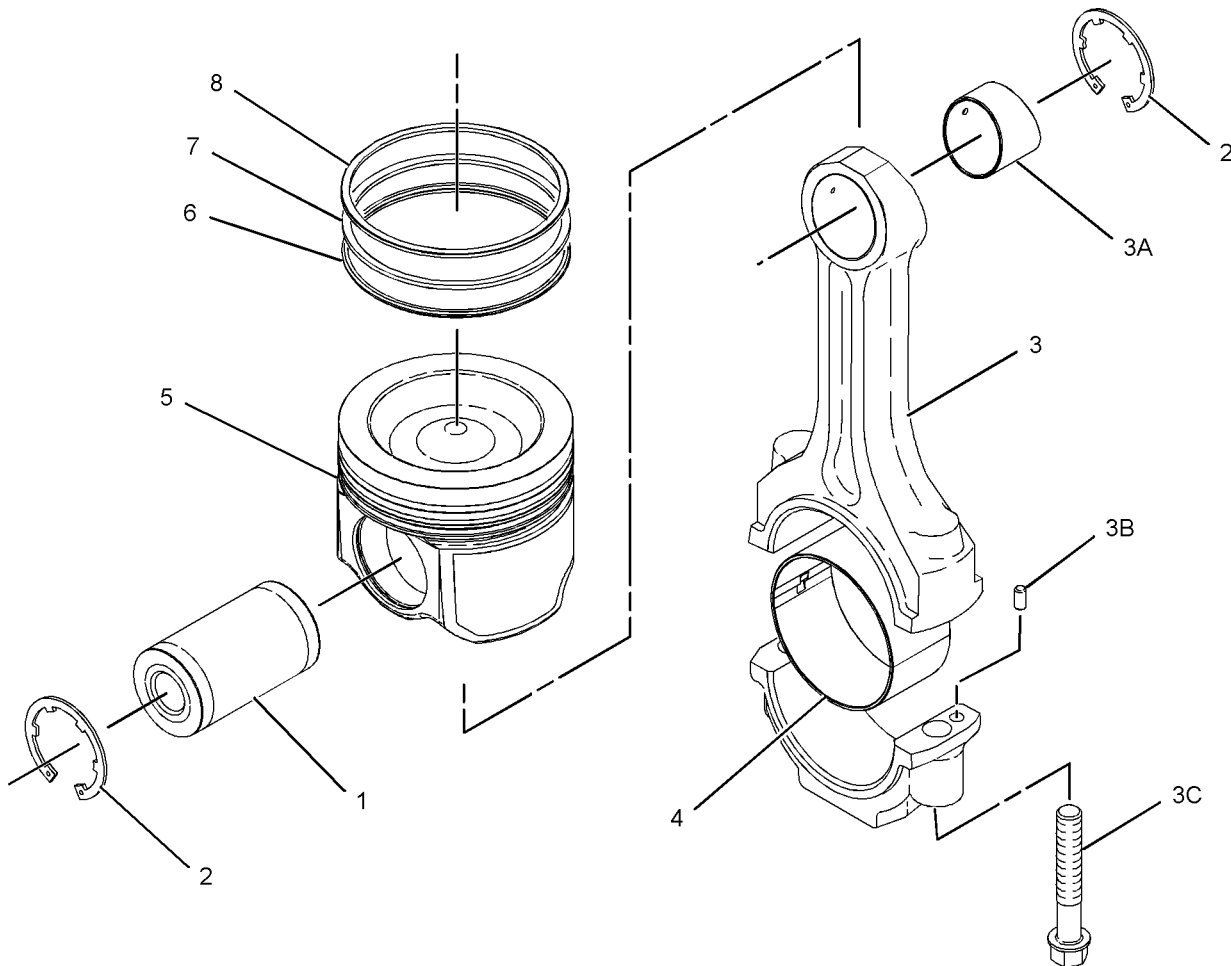
14.5:1 RATIO

SMCS - 1225

i03430224

NOTE	REF NO	GRAPHIC REF	PART NUMBER	QTY	PART NAME						SEE PAGE
					1	2	3	4	5	6 (PRODUCT LEVEL)	
	1	1	8N-1608	1	PIN-PISTON						
	2	1	7E-5665	2	RETAINER-PIN						
R	3	1	7E-5996	1	ROD AS-CONNECTING						
	3A	1	4P-8495	1	BUSHING						
	3B	1	7N-2043	2	DOWEL						
M	3C	1	7E-4195	2	BOLT-CONNECTING ROD (M16X1.5X97-MM)						
	4	1	328-5573	1	BEARING-CONNECTING ROD (STANDARD)						
AB		1	7E-0558		BEARING-CONNECTING ROD (0.635-MM US)						
AB		1	7E-0559		BEARING-CONNECTING ROD (1.27-MM US)						
R	5	1	160-1131	1	BODY AS-PISTON						
	6	1	7N-7078	1	RING-PISTON (OIL CONTROL)						
	7	1	2P-2817	1	RING-PISTON (INTERMEDIATE)						
	8	1	134-3761	1	RING-PISTON (TOP)						

A-NOT PART OF THIS GROUP
 B-USE AS REQUIRED
 M-METRIC PART
 R-REMFG PART MAY BE AVAILABLE



GRAPHIC #1

<END>

g01085033

BASIC ENGINE

7N-3516 PISTON & ROD GP

S/N: 6TB9857-24201

14.5 : 1 RATIO

SMCS-1225

i02459892

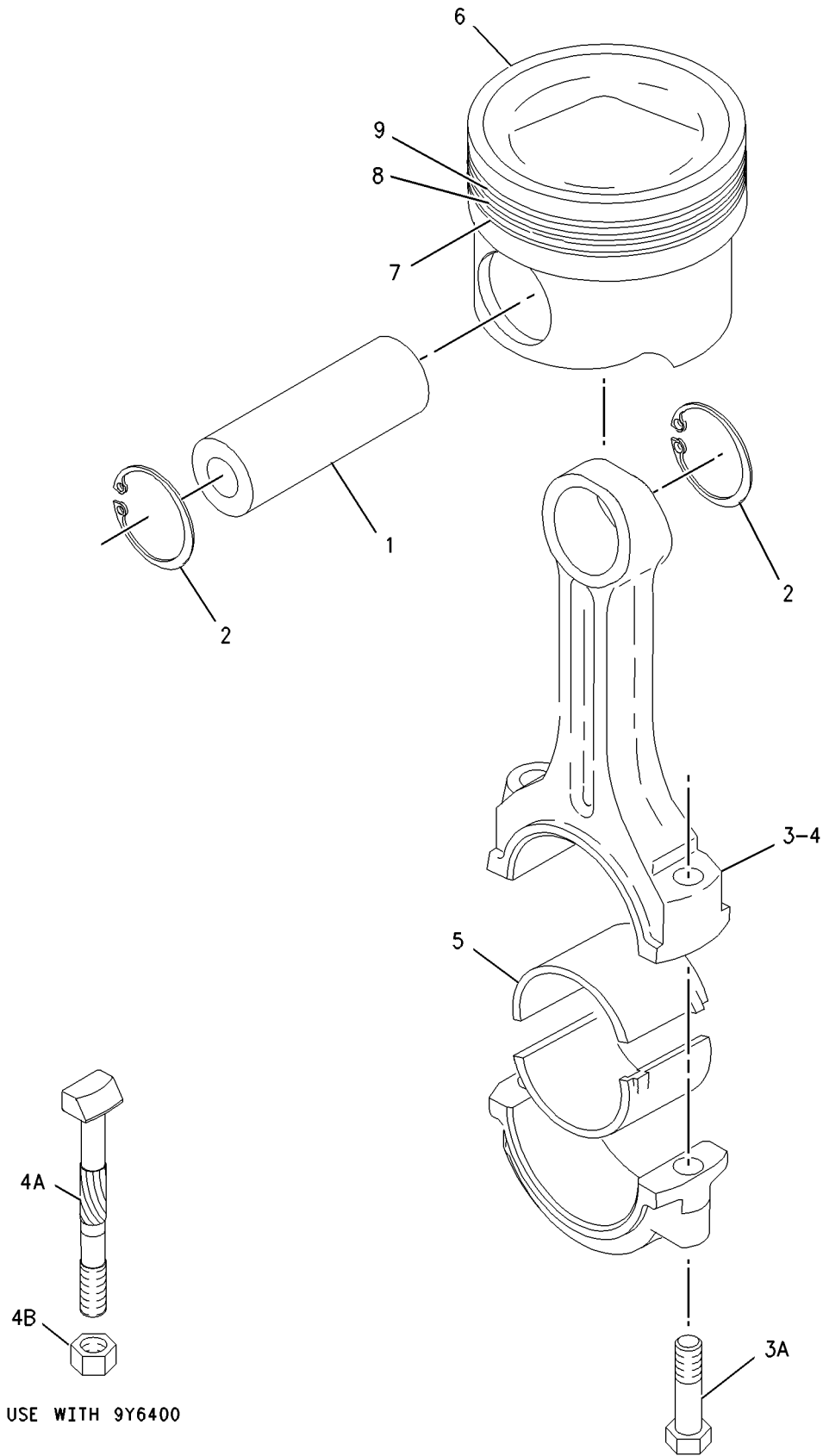
NOTE	REF NO	GRAPHIC REF	PART NUMBER	QTY	PART NAME						SEE PAGE
					1	2	3	4	5	6 (PRODUCT LEVEL)	
	1	1	8N-1608	1	PIN-PISTON						
	2	1	7E-5665	2	RETAINER-PIN						
CR	3	1	7E-5996	1	ROD AS-CONNECTING						
M	3A	1	7E-4195	2	BOLT-CONNECTING ROD (M16X1.5X97-MM)						
		1	4P-8495	1	BUSHING						
		1	7N-2043	2	DOWEL						
					-OR-						
R	4	1	9Y-6400	1	ROD AS-CONNECTING						
	4A	1	9Y-6053	2	BOLT-CONNECTING ROD (M16X1.5X117-MM)						
M	4B	1	9Y-6051	2	NUT (M16X1.5-THD)						
		1	4P-8495	1	BUSHING						
C	5	1	9Y-7735	1	BEARING-CONNECTING ROD (STANDARD)						
AB		1	7E-0558		BEARING-CONNECTING ROD (0.635-MM US)						
AB		1	7E-0559		BEARING-CONNECTING ROD (1.27-MM US)						
CR	6	1	9Y-4004	1	BODY AS-PISTON						
C	7	1	7N-7078	1	RING-PISTON (OIL CONTROL)						
C	8	1	2P-2817	1	RING-PISTON (INTERMEDIATE)						
C	9	1	134-3761	1	RING-PISTON (TOP)						

A-NOT PART OF THIS GROUP
 B-USE AS REQUIRED
 C-CHANGE FROM PREVIOUS TYPE
 M-METRIC PART
 R-REMFG PART MAY BE AVAILABLE

BASIC ENGINE

7N-3516 PISTON & ROD GP (contd.)

i02459892



USE WITH 9Y6400

GRAPHIC #1

<END>

g00947234

BASIC ENGINE

7N-3516 PISTON & ROD GP

S/N: 6TB24202-UP

14.5 : 1 RATIO

SMCS-1225

i03472750

NOTE	REF NO	GRAPHIC REF	PART NUMBER	QTY	PART NAME						SEE PAGE
					1	2	3	4	5	6 (PRODUCT LEVEL)	
	1	1	2P-2817	1	RING-PISTON (INTERMEDIATE)						
	2	1	7E-5665	2	RETAINER-PIN						
R	3	1	7E-5996	1	ROD AS-CONNECTING						
M	3A	1	7E-4195	2	BOLT-CONNECTING ROD (M16X1.5X97-MM)						
	3B	1	4P-8495	1	BUSHING						
	3C	1	219-4458	2	PIN-DOWEL						
	4	1	7N-7078	1	RING-PISTON (OIL CONTROL)						
	5	1	8N-1608	1	PIN-PISTON						
B	6	1	328-5573	1	BEARING-CONNECTING ROD (STANDARD)						
	7	1	134-3761	1	RING-PISTON (TOP)						
C	8	1	290-0017	1	BODY AS-PISTON						

B-USE AS REQUIRED

C-CHANGE FROM PREVIOUS TYPE

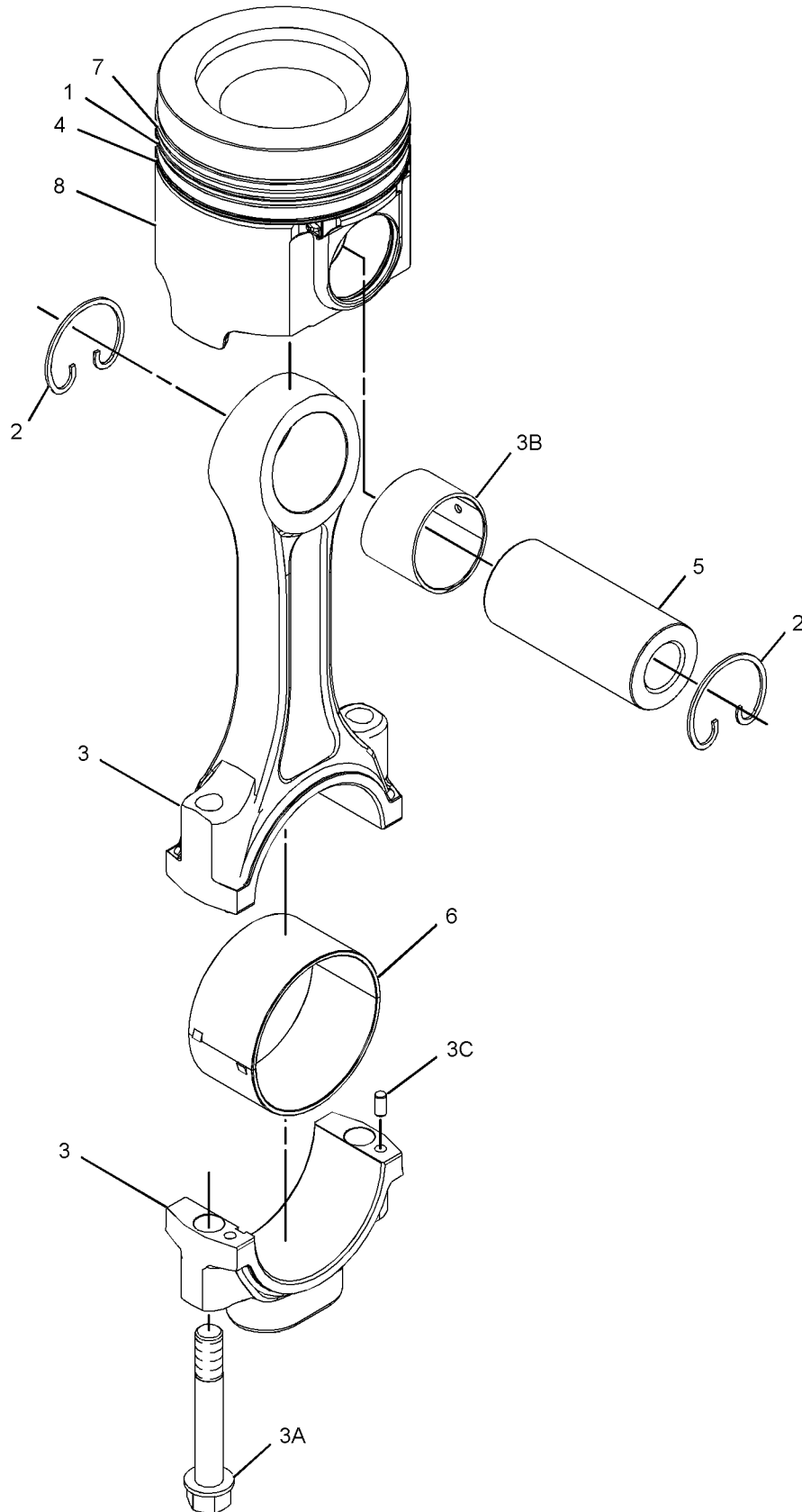
M-METRIC PART

R-REMFG PART MAY BE AVAILABLE

BASIC ENGINE

7N-3516 PISTON & ROD GP (contd.)

i03472750



GRAPHIC #1

<END>

g01274679

BASIC ENGINE

119-1321 PISTON & ROD GP

S/N: 6TB13880-UP

13 : 1 RATIO.

JET AS-PISTON EFFECTIVE 6TB18462-UP. FOR ALL OTHER SERIAL NUMBERS,
REFER TO CYLINDER BLOCK GP FOR CORRECT JET AS-PISTON.

SMCS-1225

i01810737

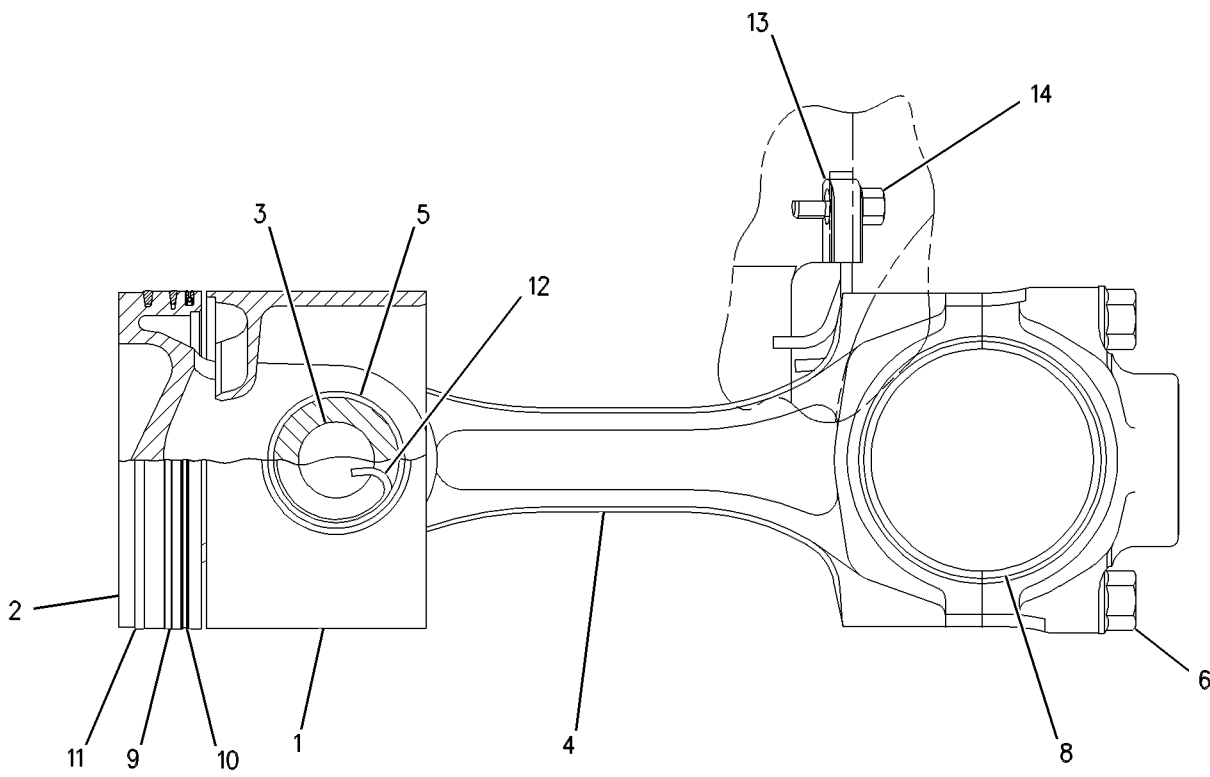
NOTE	REF NO	GRAPHIC REF	PART NUMBER	QTY	PART NAME						SEE PAGE
					1	2	3	4	5	6 (PRODUCT LEVEL)	
	1	1	163-0930	1	SKIRT-PISTON						
R	2	1	123-4612	1	CROWN AS-PISTON						
	3	1	8N-1608	1	PIN-PISTON						
R	4	1	7E-5996	1	ROD AS-CONNECTING						
	5	1	4P-8495	1	BUSHING						
M	6	1	7E-4195	2	BOLT-CONNECTING ROD (M16X1.5X97-MM)						
		1	7N-2043	2	DOWEL						
	8	1	9Y-7735	1	BEARING-CONNECTING ROD (STANDARD)						
A		1	7E-0558	1	BEARING-CONNECTING ROD (0.635-MM US)						
A		1	7E-0559	1	BEARING-CONNECTING ROD (1.27-MM US)						
	9	1	2P-2817	1	RING-PISTON (INTERMEDIATE)						
	10	1	7N-7078	1	RING-PISTON (OIL CONTROL)						
	11	1	1W-9460	1	RING-PISTON (TOP)						
	12	1	7E-5665	2	RETAINER-PIN						
	13	1	197-9336	1	JET AS-PISTON COOLING						
	14	1	151-5925	1	BOLT (7/16-14-THD)						

A-NOT PART OF THIS GROUP
M-METRIC PART
R-REMG PART MAY BE AVAILABLE

BASIC ENGINE

119-1321 PISTON & ROD GP (contd.)

i01810737



GRAPHIC #1

<END>

g00574582

BASIC ENGINE

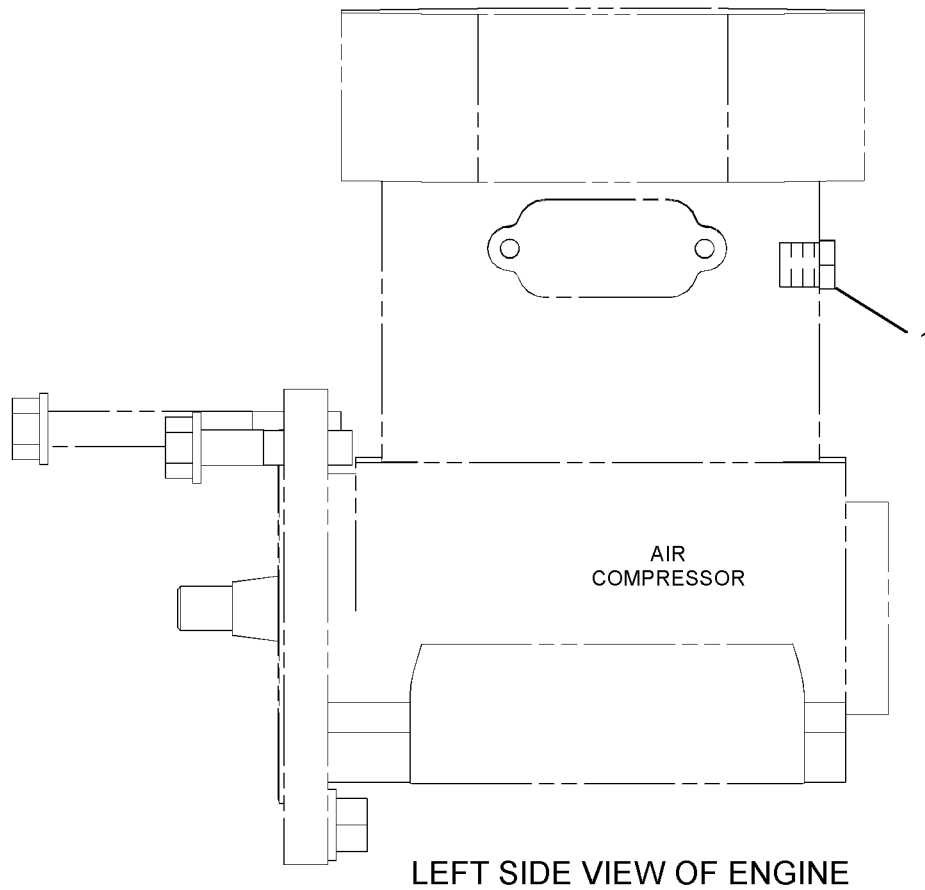
316-6379 PLUG GP-AIR COMPRESSOR

FOR USE WITH 147-7369-PAGE 298, 1N-2991-PAGE 54
AN ATTACHMENT

SMCS-1803

i03568161

NOTE	REF NO	GRAPHIC REF	PART NUMBER	QTY	PART NAME						SEE PAGE
					1	2	3	4	5	6 (PRODUCT LEVEL)	
	1	1	8T-6767	1	PLUG-PIPE						



LEFT SIDE VIEW OF ENGINE

GRAPHIC #1

<END>

g01929934

BASIC ENGINE

2W-4909 POWER TAKE-OFF GP

CLUTCH

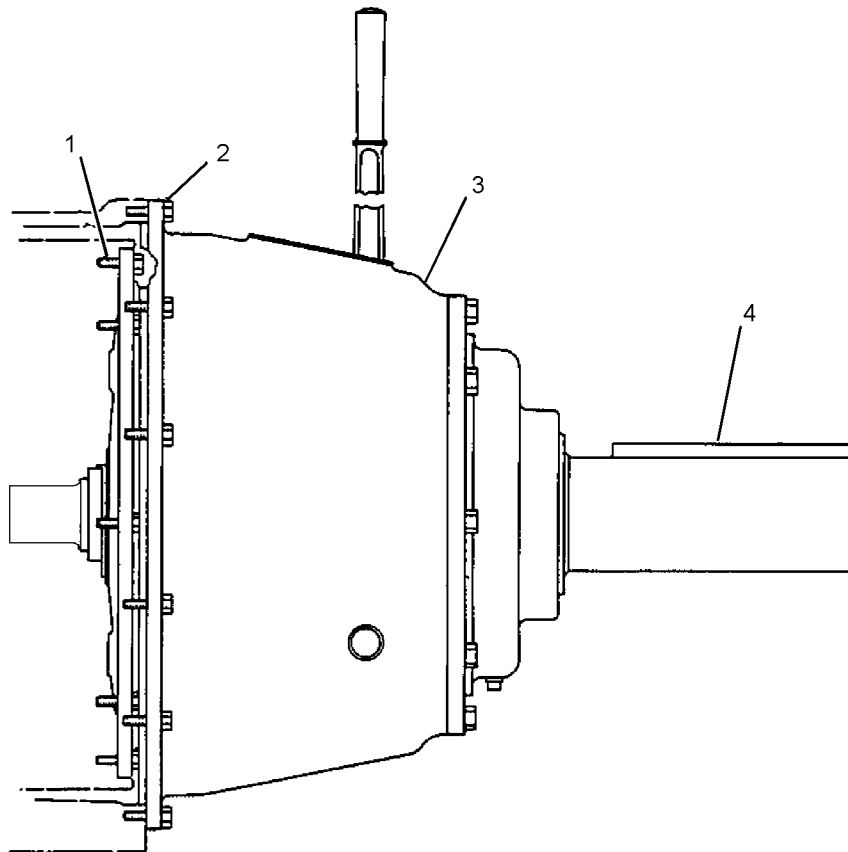
CANNOT BE USED WITH REAR STUB SHAFT
AN ATTACHMENT

SMCS-1165

i04157190

NOTE	REF NO	GRAPHIC REF	PART NUMBER	QTY	PART NAME						SEE PAGE
					1	2	3	4	5	6 (PRODUCT LEVEL)	
	1	1	7B-3235	8	BOLT (1/2-13X1.375-IN)						
	2	1	7X-0308	12	BOLT (7/16-14X1.375-IN)						
Y	3	1	2W-4908	1	CLUTCH GP						87
	4	1	2F-7771	1	KEY-SQUARE						

Y-SEPARATE ILLUSTRATION



GRAPHIC #1

<END>

g02354277

BASIC ENGINE

2W-4913 POWER TAKE-OFF GP

CLUTCH, INTERMEDIATE DUTY INCLUDES REAR SUPPORT FOR INLINE OR SIDE LOADS,
REQUIRES SAE NO. 0 FLYWHEEL HOUSING
AN ATTACHMENT

SMCS-1165

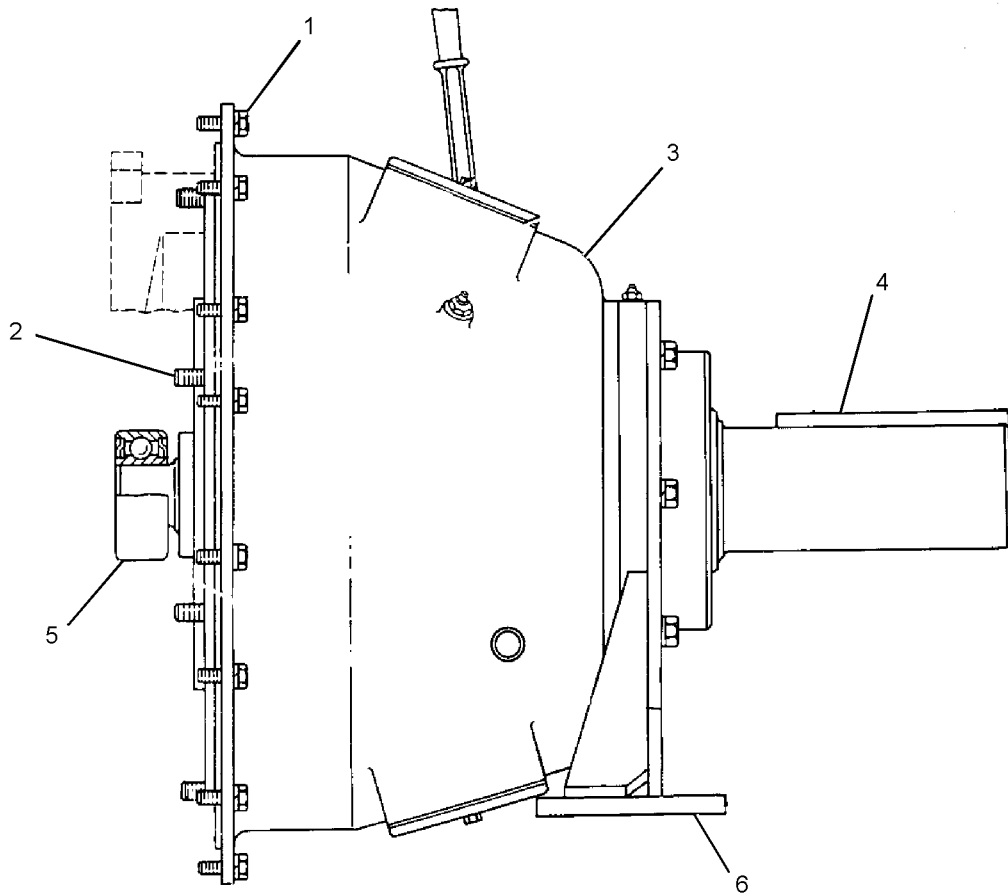
i02756252

NOTE	REF NO	GRAPHIC REF	PART NUMBER	QTY	PART NAME						SEE PAGE
					1	2	3	4	5	6 (PRODUCT LEVEL)	
	1	1	6H-1717	16	BOLT (1/2-13X1.125-IN)						
	2	1	7B-1115	6	BOLT (5/8-11X1.625-IN)						
Y	3	1	2W-4912	1	CLUTCH GP						90
	4	1	2F-7771	1	KEY-SQUARE						
	5	1	5P-3499	1	BALL BEARING						
	6	1	7L-7856	1	SUPPORT AS-CLUTCH						
BF			5N-1693	6	SHIM (0.5-MM THK)						
BF			5N-1694	10	SHIM (0.8-MM THK)						

B-USE AS REQUIRED

F-NOT SHOWN

Y-SEPARATE ILLUSTRATION



GRAPHIC #1

<END>

g01380259

BASIC ENGINE

4P-3074 POWER TAKE-OFF GP

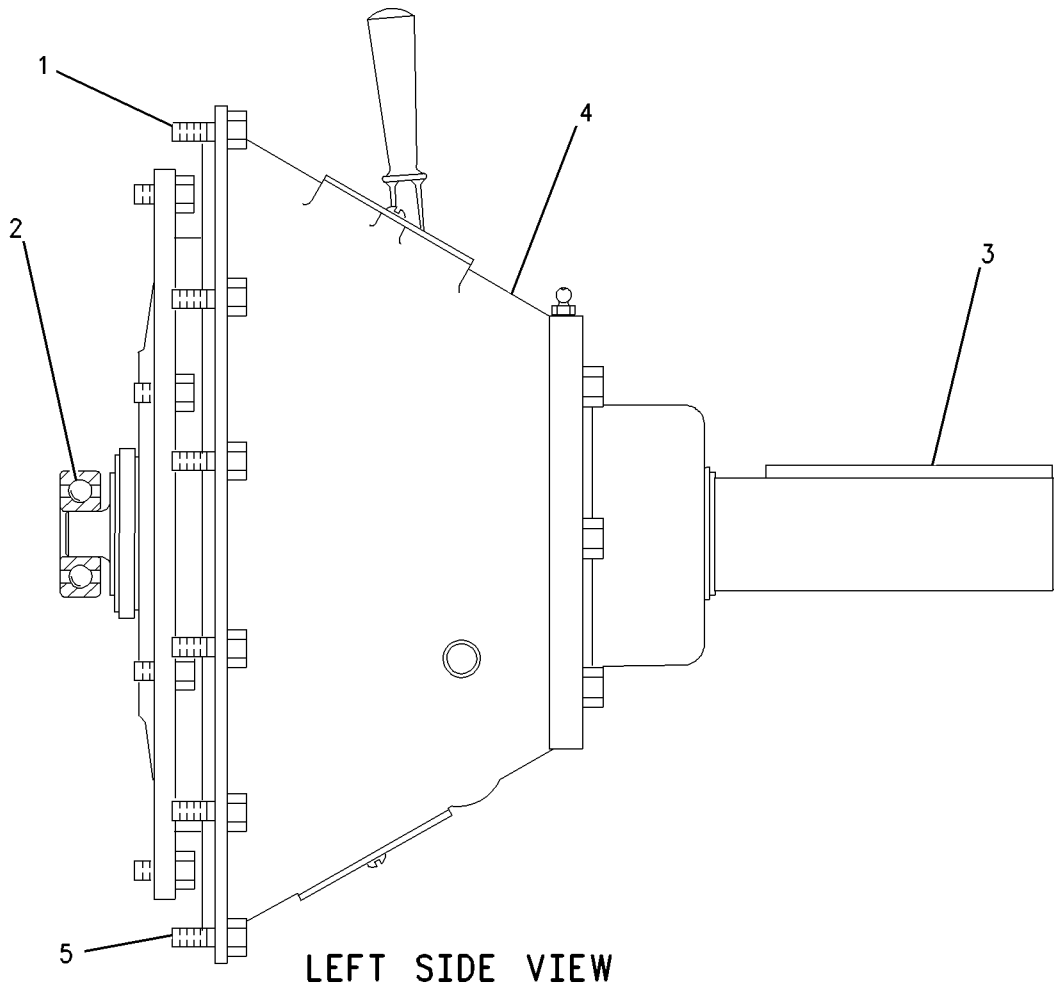
REAR CLUTCH SUPPORT IS REQUIRED FOR SIDE LOAD APPLICATIONS
 FOR USE WITH IN-LINE LOAD ONLY, SAE NO. 1 FLYWHEEL AND FLYWHEEL HOUSING.
 CANNOT BE USED WITH REAR STUB SHAFT
 AN ATTACHMENT

SMCS-1165

i01509984

NOTE	REF NO	GRAPHIC REF	PART NUMBER	QTY	PART NAME						SEE PAGE
					1	2	3	4	5	6 (PRODUCT LEVEL)	
	1	1	7B-3235	8	BOLT (1/2-13X1.375 IN)						
	2	1	6V-0455	1	BALL BEARING						
	3	1	7F-8896	1	KEY						
Y	4	1	4P-3073	1	CLUTCH GP						92
	5	1	3H-5368	12	BOLT (7/16-14X1.375IN)						

Y-SEPARATE ILLUSTRATION



GRAPHIC #1

<END>

g00784075

BASIC ENGINE

5N-3335 POWER TAKE-OFF GP

CLUTCH

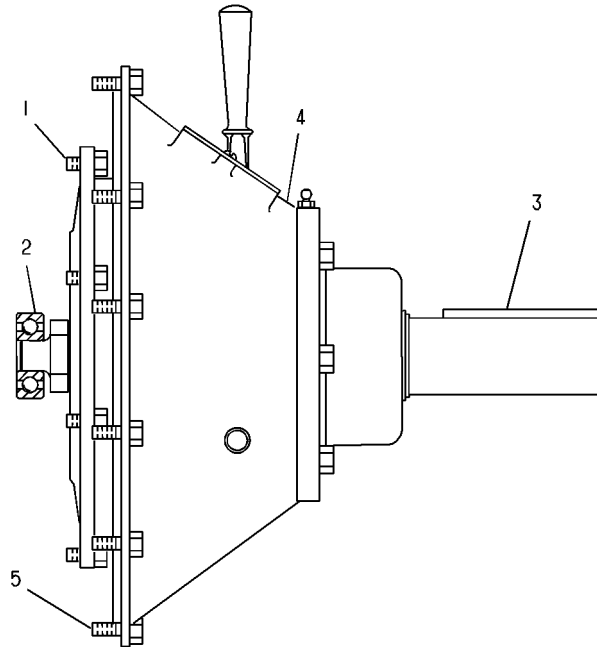
CANNOT BE USED WITH REAR STUB SHAFT
AN ATTACHMENT

SMCS-1165

i04158161

NOTE	REF NO	GRAPHIC REF	PART NUMBER	QTY	PART NAME						SEE PAGE
					1	2	3	4	5	6 (PRODUCT LEVEL)	
	1	1	7B-3235	8	BOLT (1/2-13X1.375-IN)						
	2	1	5P-3499	1	BALL BEARING						
	3	1	2F-7771	1	KEY-SQUARE						
Y	4	1	5N-3334	1	CLUTCH GP						94
	5	1	7X-0308	12	BOLT (7/16-14X1.375-IN)						

Y-SEPARATE ILLUSTRATION



GRAPHIC #1

<END>

g00156937

BASIC ENGINE

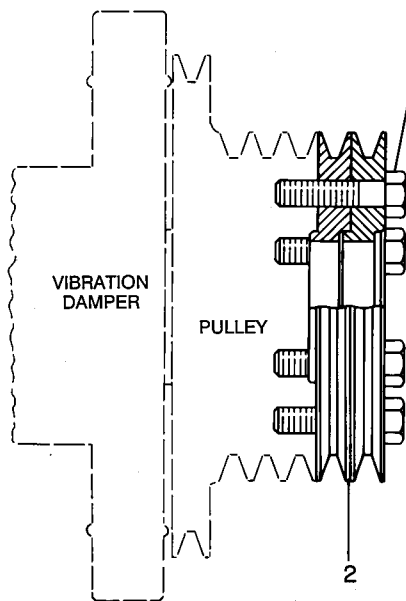
6N-7381 PULLEY GP-AUXILIARY DRIVE

S/N: 6TB12255-UP
 8 INCH DIAMETER
 FOR USE WITH 8N-6114-PAGE 330
 ALSO AN ATTACHMENT

SMCS-1205, 1207

i03212352

NOTE	REF NO	GRAPHIC REF	PART NUMBER	QTY	PART NAME						SEE PAGE
					1	2	3	4	5	6 (PRODUCT LEVEL)	
	1	1	0S-1625	6	BOLT (5/8-11X2.5-IN)						
	2	1	6N-7380	2	PULLEY (1-GROOVE)						



GRAPHIC #1

<END>

g00135733

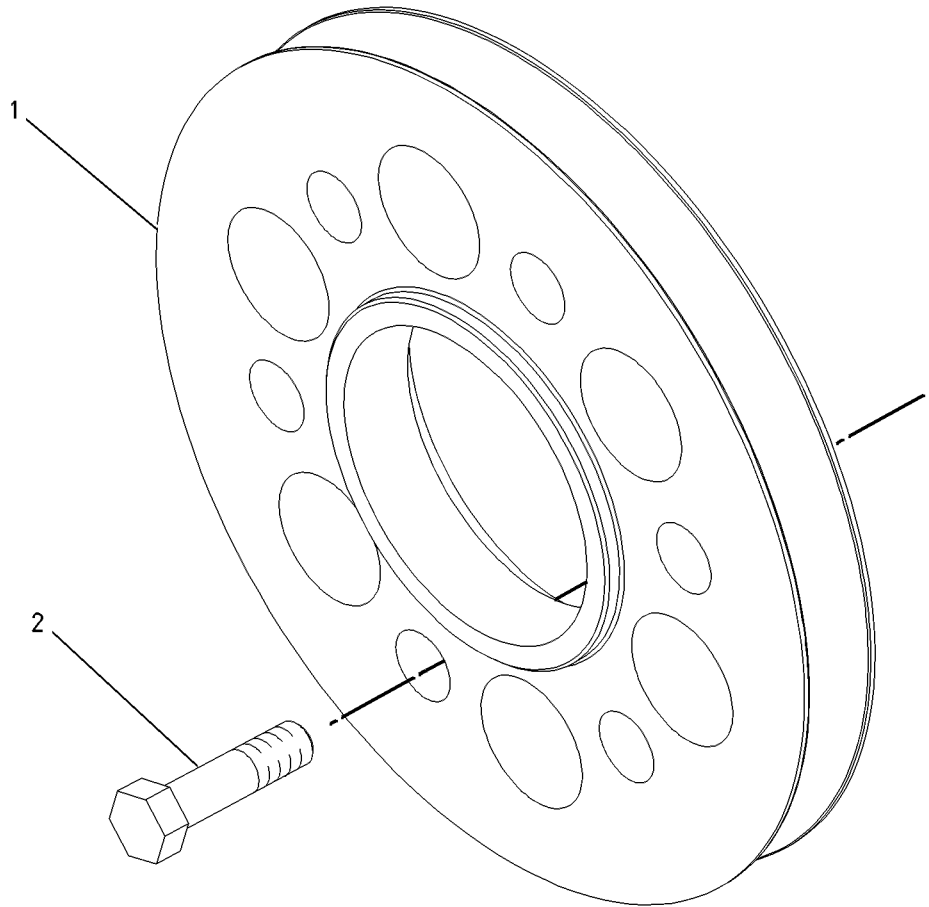
BASIC ENGINE

158-2770 PULLEY GP-AUXILIARY DRIVE FOR USE WHEN A 4-GROOVE PULLEY IS USED ON THE FAN DRIVE AN ATTACHMENT

SMCS-1205, 1207

i03212350

NOTE	REF NO	GRAPHIC REF	PART NUMBER	QTY	PART NAME						SEE PAGE
					1	2	3	4	5	6 (PRODUCT LEVEL)	
	1	1	6N-7380	1	PULLEY (1-GROOVE)						
	2	1	0S-1589	6	BOLT (5/8-11X1.75-IN)						



GRAPHIC #1

<END>

g00437704

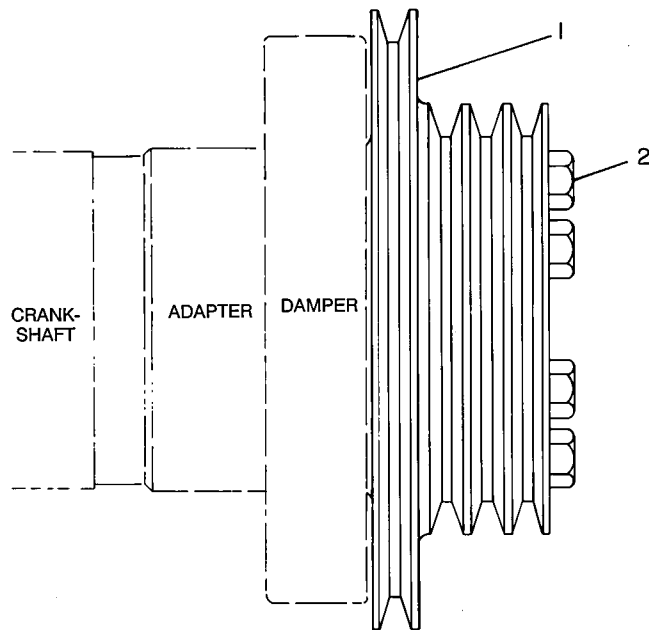
BASIC ENGINE

8N-6114 PULLEY GP-CRANKSHAFT AN ATTACHMENT

SMCS - 1205

i00641314

NOTE	REF NO	GRAPHIC REF	PART NUMBER	QTY	PART NAME						SEE PAGE
					1	2	3	4	5	6 (PRODUCT LEVEL)	
	1	1	6N-7378	1	PULLEY - CRANKSHAFT (4-GROOVE)						
	2	1	6V-1873	6	BOLT (5/8-18X8.5-IN)						



GRAPHIC #1

<END>

g00137569

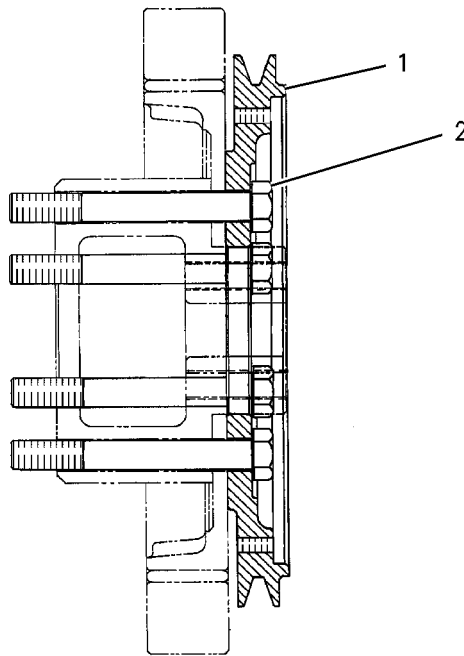
BASIC ENGINE

3N-9597 PULLEY GP-FAN DRIVE AN ATTACHMENT

SMCS-1359

i00640046

NOTE	REF NO	GRAPHIC REF	PART NUMBER	QTY	PART NAME						SEE PAGE
					1	2	3	4	5	6 (PRODUCT LEVEL)	
	1	1	4N-1047	1	PULLEY						
	2	1	6F-7024	6	BOLT (5/8-18X5-IN)						



RIGHT SIDE VIEW

<END>

GRAPHIC #1

g00259012

BASIC ENGINE

4N-1045 ROCKER ARM GP

PART OF 214-1666, 4N-2271, 4W-2461 VALVE MECHANISM GP

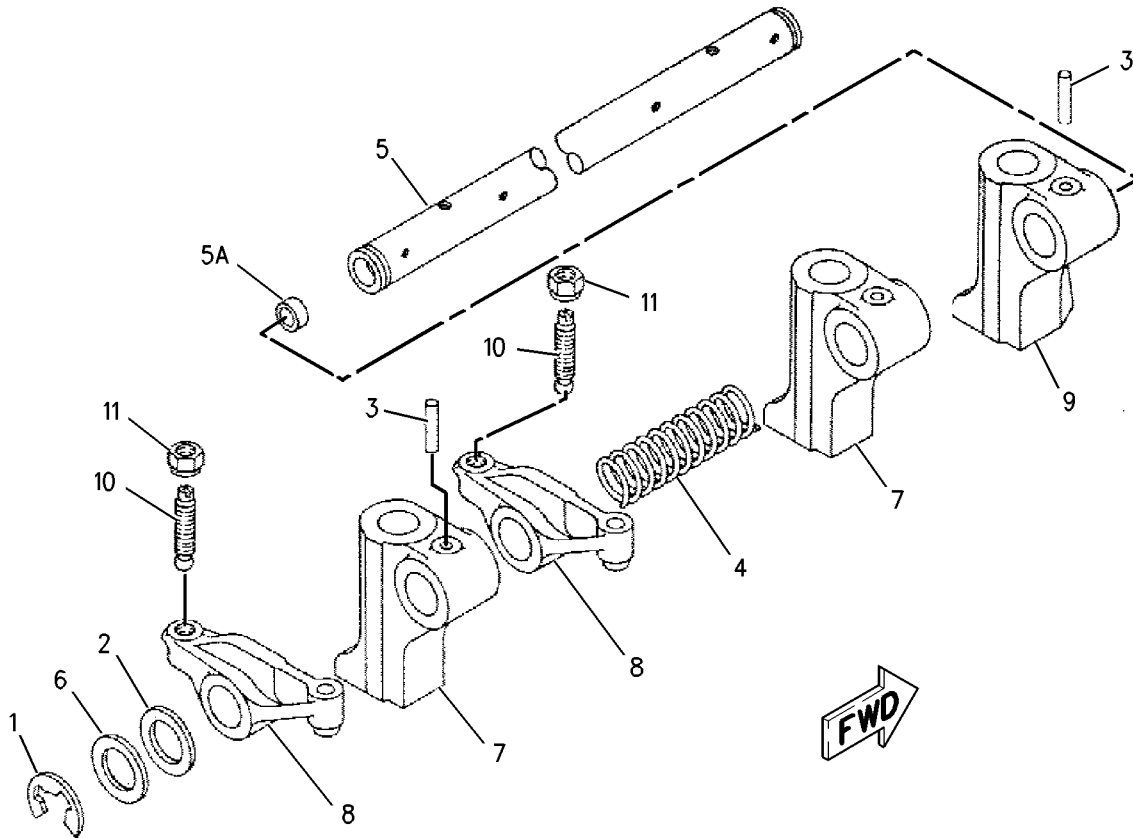
SMCS-1123

i01616836

NOTE	REF NO	GRAPHIC REF	PART NUMBER	QTY	PART NAME						SEE PAGE
					1	2	3	4	5	6 (PRODUCT LEVEL)	
	1	1	006-7403	2	RING-RETAINING						
	2	1	2N-7228	2	WASHER (1X1.5X0.03-IN THK)						
	3	1	4N-0955	2	DOWEL						
	4	1	2N-7229	2	SPRING						
	5	1	4N-0839	1	SHAFT AS-ROCKER ARM						
	5A	1	0L-1022	2	PLUG-CUP						
B	6	1	2N-7228	2	WASHER (1X1.5X0.03-IN THK)						
	7	1	9Y-4384	2	BRACKET-SHAFT						
R	8	1	4N-5614	6	ROCKER ARM AS						
	9	1	9Y-4383	1	BRACKET-SHAFT						
	10	1	108-5603	6	SCREW (3/8-24X1.67-IN)						
	11	1	9L-7712	6	NUT (3/8-24-THD)						

B-USE AS REQUIRED

R-REMFG PART MAY BE AVAILABLE



GRAPHIC #1

<END>

g00839833

BASIC ENGINE

4P-5258 ROCKER ARM GP

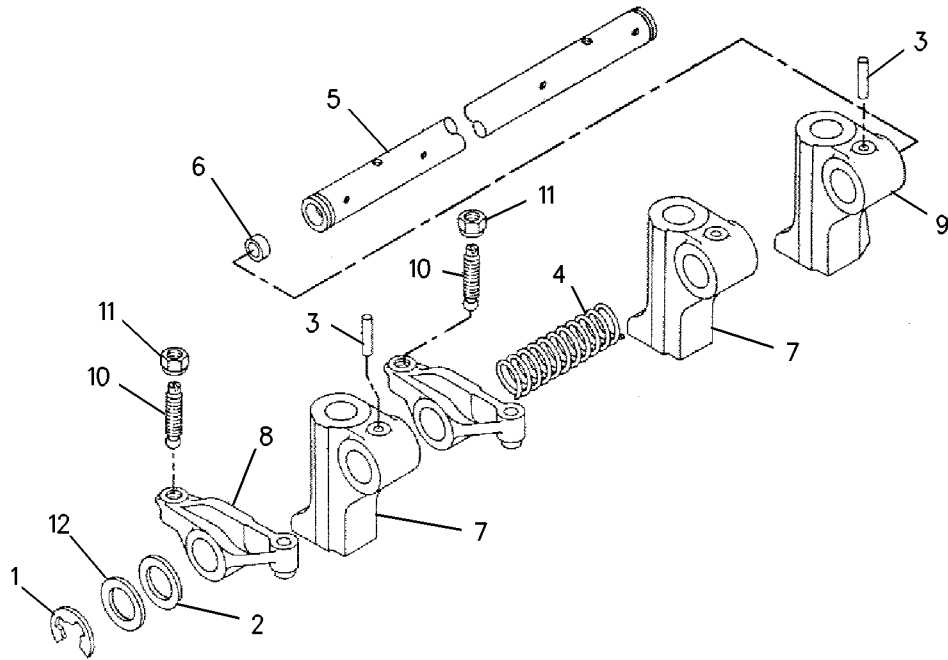
PART OF 351-2223, 4P-5712 VALVE MECHANISM GP

SMCS-1123

i01883740

NOTE	REF NO	GRAPHIC REF	PART NUMBER	QTY	PART NAME						SEE PAGE
					1	2	3	4	5	6 (PRODUCT LEVEL)	
	1	1	006-7403	2	RING-RETAINING						
	2	1	2N-7228	2	WASHER (1X1.5X0.03-IN THK)						
	3	1	4N-0955	2	DOWEL						
	4	1	2N-7229	2	SPRING						
	5	1	4P-5261	1	SHAFT AS-ARM						
	6	1	0L-1022	2	PLUG-CUP						
	7	1	9Y-4384	2	BRACKET-SHAFT						
	8	1	4P-5259	6	ROCKER ARM AS						
	9	1	9Y-4383	1	BRACKET-SHAFT						
	10	1	108-5603	6	SCREW (3/8-24X1.67-IN)						
	11	1	9L-7712	6	NUT (3/8-24-THD)						
B	12	1	2N-7228	2	WASHER (1X1.5X0.03-IN THK)						

B-USE AS REQUIRED



GRAPHIC #1

<END>

g00975691

BASIC ENGINE

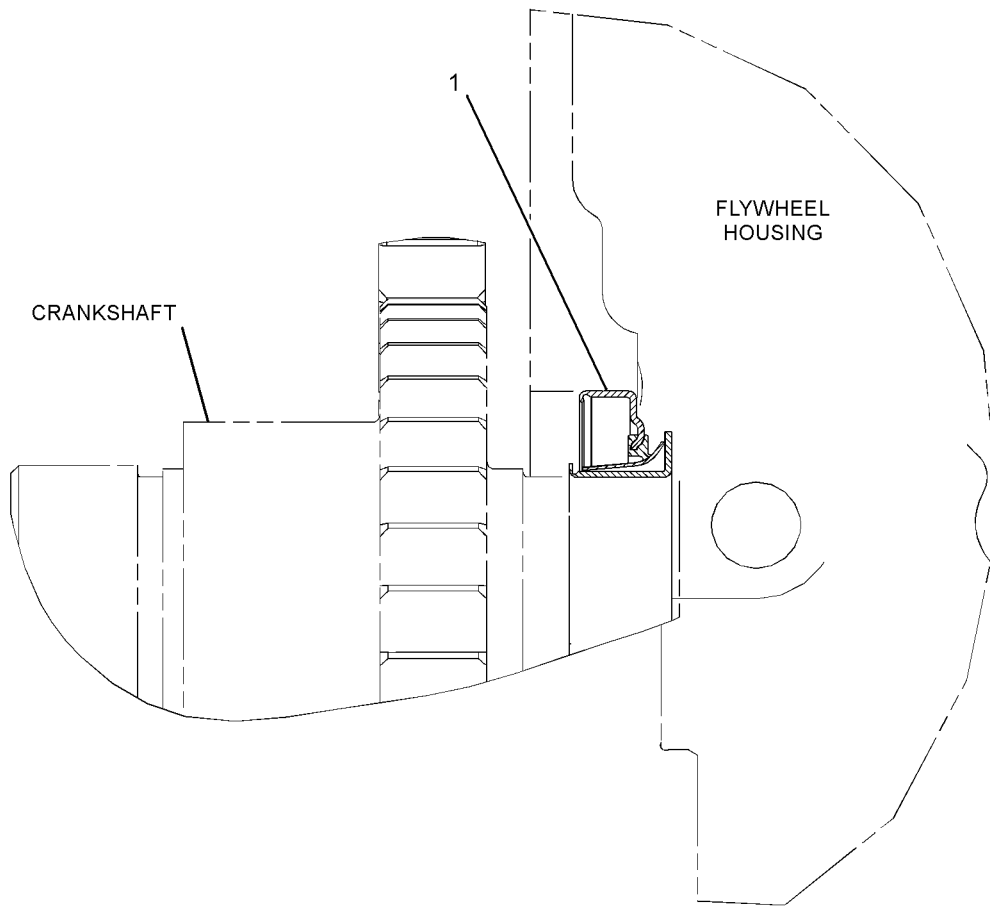
319-0785 SEAL GP-CRANKSHAFT-REAR

PART OF 4N-0741 CRANKSHAFT GP
FOR USE WITH CCW ROTATION, REAR

SMCS-1160, 1161

i02958100

NOTE	REF NO	GRAPHIC REF	PART NUMBER	QTY	PART NAME						SEE PAGE
					1	2	3	4	5	6 (PRODUCT LEVEL)	
	1	1	142-5868	1	SEAL-CRANKSHAFT (REAR)						



RIGHT SIDE VIEW OF ENGINE

GRAPHIC #1

<END>

g01496733

BASIC ENGINE

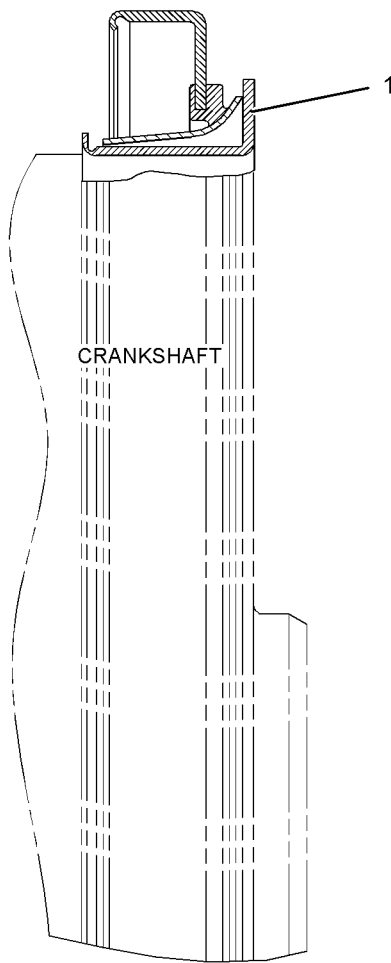
319-7401 SEAL GP-CRANKSHAFT-FRONT

PART OF 4N-0741 CRANKSHAFT GP

SMCS-1160, 1161

i02957871

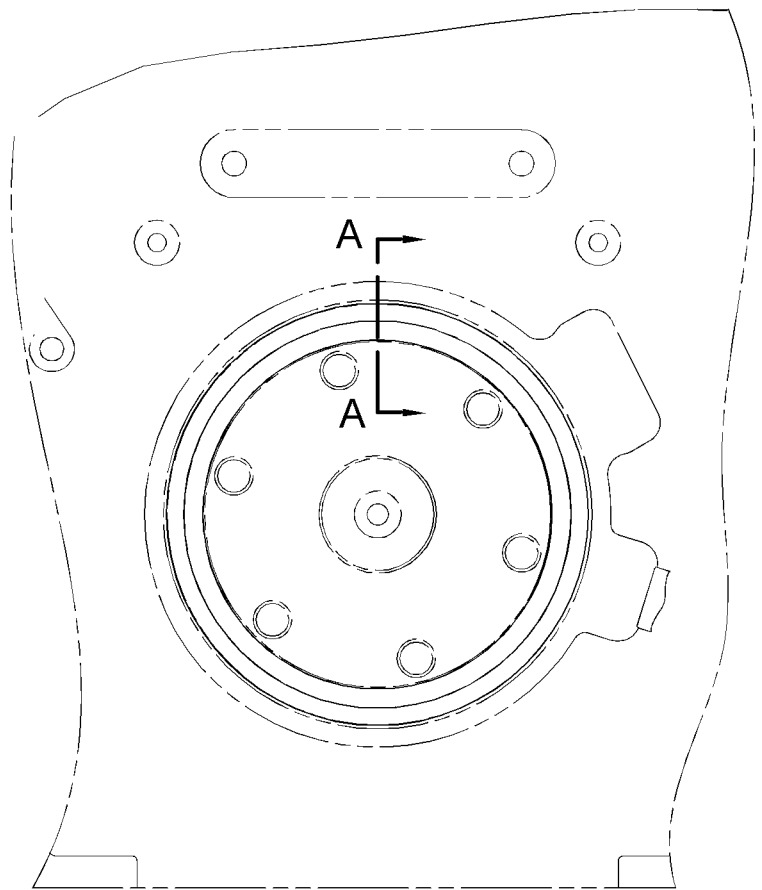
NOTE	REF NO	GRAPHIC REF	PART NUMBER	QTY	PART NAME						SEE PAGE
					1	2	3	4	5	6 (PRODUCT LEVEL)	
	1	1	142-5867	1	SEAL-CRANKSHAFT (FRONT)						



CRANKSHAFT

SECTION A-A

GRAPHIC #1



FRONT VIEW OF ENGINE

<END>

g01516169

BASIC ENGINE

5N-2010 SHAFT GP-STUB

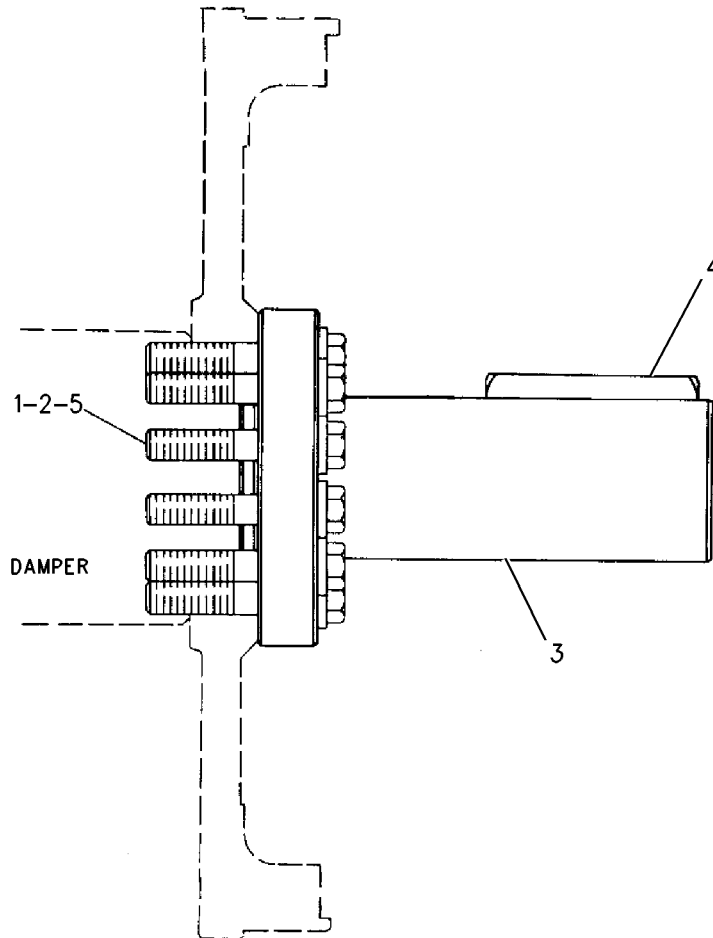
CANNOT BE USED WITH REAR ENCLOSED CLUTCH
AN ATTACHMENT

SMCS-1237

i01402894

NOTE	REF NO	GRAPHIC REF	PART NUMBER	QTY	PART NAME	1 2 3 4 5 6 (PRODUCT LEVEL)						SEE PAGE
B	1	1	0S-1602	12	BOLT (5/8-18X3.5-IN)							
B	2	1	4D-3704	12	WASHER-HARD (17X30X5-MM THK)							
	3	1	3N-6537	1	SHAFT-STUB							
	4	1	9F-2186	1	KEY-WOODRUFF							
B	5	1	0T-0857	12	BOLT (5/8-18X4.5-IN)							

B-USE AS REQUIRED



GRAPHIC #1

<END>

g00738744

BASIC ENGINE

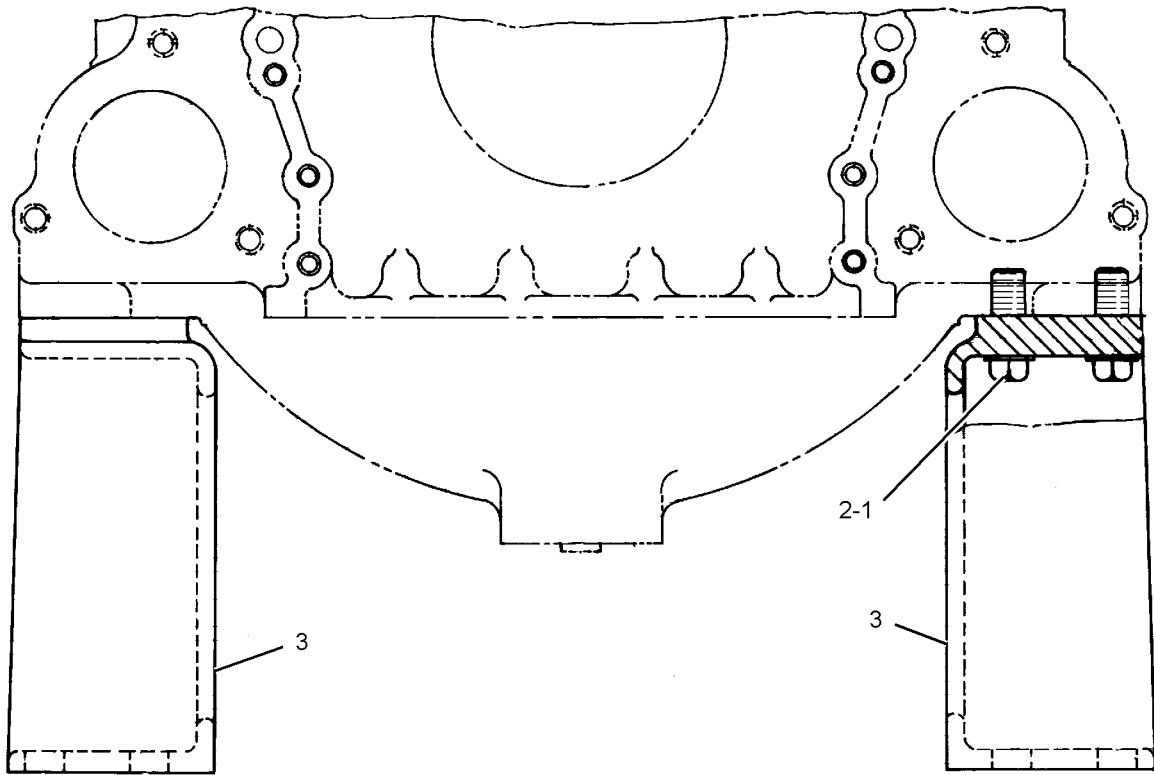
4N-4286 SUPPORT GP-ENGINE-REAR

FOR USE WITH SAE NO. 0 OR NO. 1 FLYWHEEL HOUSING. CANNOT BE USED WITH
7W-7901-PAGE 277
AN ATTACHMENT

SMCS-1152, 1153, 1154

i03309603

NOTE	REF NO	GRAPHIC REF	PART NUMBER	QTY	PART NAME						SEE PAGE
					1	2	3	4	5	6 (PRODUCT LEVEL)	
	1	1	9X-8880	8	BOLT (5/8-11X2-IN)						
	2	1	4D-3704	8	WASHER-HARD (17X30X5-MM THK)						
	3	1	4W-5074	2	SUPPORT-REAR						



REAR VIEW OF ENGINE

<END>

GRAPHIC #1

g01348103

BASIC ENGINE

6N-0719 SUPPORT GP-ENGINE

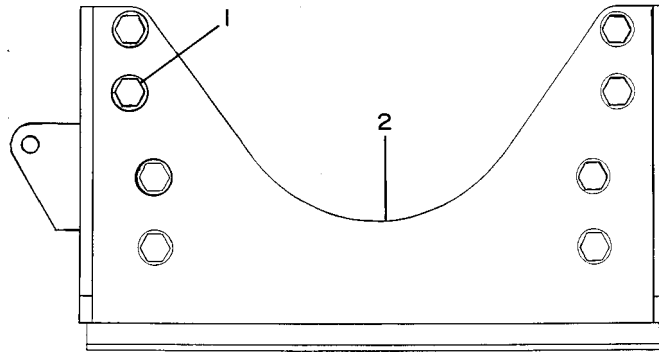
FOR USE WITH RH ALTERNATOR
ALSO AN ATTACHMENT

SMCS-1152, 1153, 1154

i00539414

NOTE	REF NO	GRAPHIC REF	PART NUMBER	QTY	PART NAME	SEE PAGE
					1 2 3 4 5 6 (PRODUCT LEVEL)	
C	1	1	5P-8038	8	BOLT-12 POINT HEAD (1/2-13X4.75-IN)	
		1	5P-8245	8	WASHER-HARD (13.5X25.5X3-MM THK)	
	2	1	4N-8025	1	SUPPORT AS-ENGINE	

C-CHANGE FROM PREVIOUS TYPE



GRAPHIC #1

<END>

g00155302

BASIC ENGINE

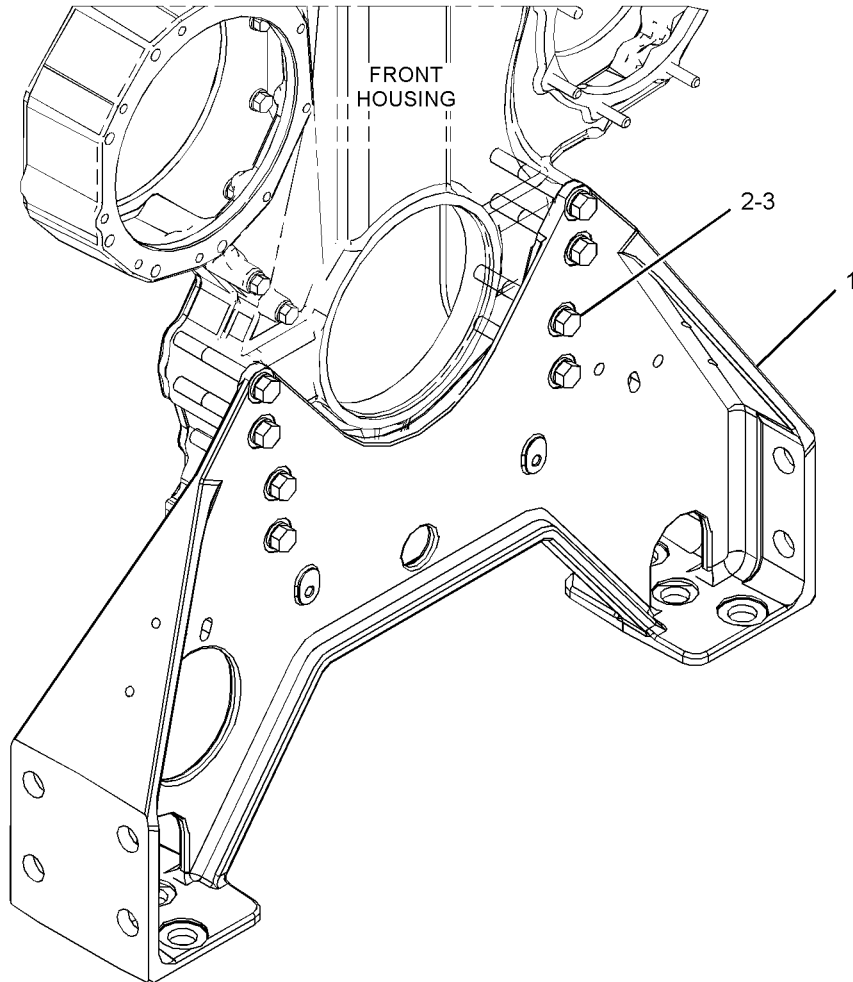
8N-2020 SUPPORT GP-ENGINE-FRONT, WIDE ALSO AN ATTACHMENT

SMCS-1152, 1153, 1154

i03808170

NOTE	REF NO	GRAPHIC REF	PART NUMBER	QTY	PART NAME						SEE PAGE
					1	2	3	4	5	6 (PRODUCT LEVEL)	
	1	1	351-0913	1	SUPPORT						
B	2	1	1B-2886	8	BOLT (1/2-13X3.75-IN)						
					-OR-						
B		1	5P-8038	8	BOLT-12 POINT HEAD (1/2-13X4.75-IN)						
	3	1	3H-7654	8	WASHER-HARD (13.5X22.5X3.0-MM THK)						

B-USE AS REQUIRED



GRAPHIC #1

<END>

g02063974

BASIC ENGINE

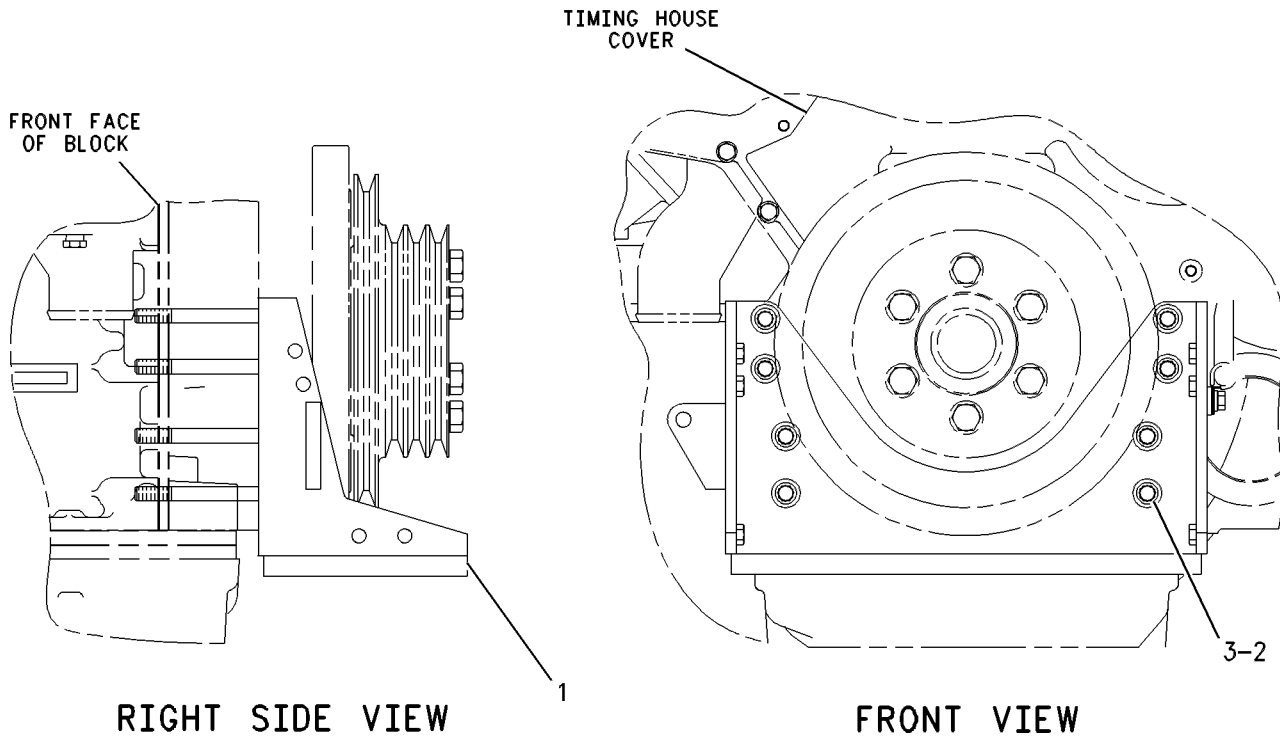
175-4856 SUPPORT GP-ENGINE

FOR USE WITH RH AND LH ALTERNATORS
AN ATTACHMENT

SMCS-1152, 1153, 1154

i01724426

NOTE	REF NO	GRAPHIC REF	PART NUMBER	QTY	PART NAME						SEE PAGE
					1	2	3	4	5	6 (PRODUCT LEVEL)	
	1	1	174-6479	1	SUPPORT AS-ENGINE						
	2	1	5P-8038	8	BOLT-12 POINT HEAD (1/2-13X4.75-IN)						
	3	1	5P-8245	8	WASHER-HARD (13.5X25.5X3-MM THK)						



GRAPHIC #1

<END>

g00663413

BASIC ENGINE

355-7415 SUPPORT GP-ENGINE

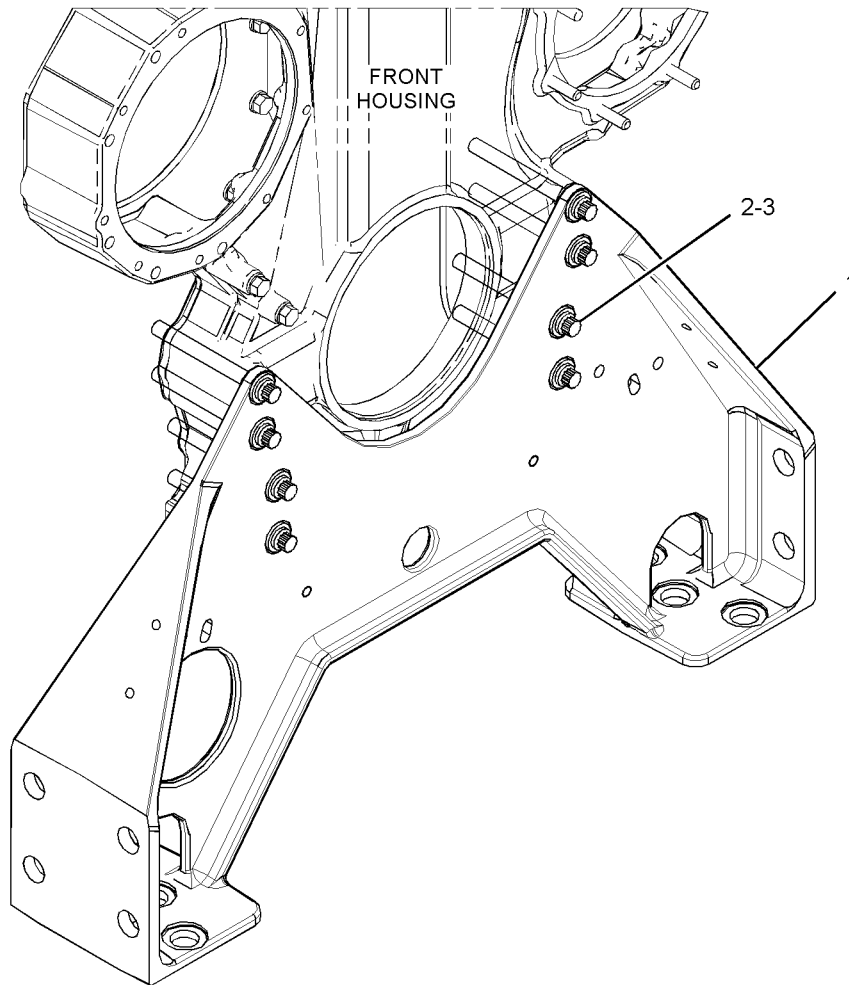
S/N: 6TB26222-26318

ALSO AN ATTACHMENT

SMCS-1152, 1153, 1154

i03793695

NOTE	REF NO	GRAPHIC REF	PART NUMBER	QTY	PART NAME						SEE PAGE
					1	2	3	4	5	6 (PRODUCT LEVEL)	
	1	1	355-7412	1	SUPPORT						
	2	1	5P-8038	8	BOLT-12 POINT HEAD (1/2-13X4.75-IN)						
	3	1	5P-8245	8	WASHER-HARD (13.5X25.5X3-MM THK)						



GRAPHIC #1

<END>

g02063934

BASIC ENGINE

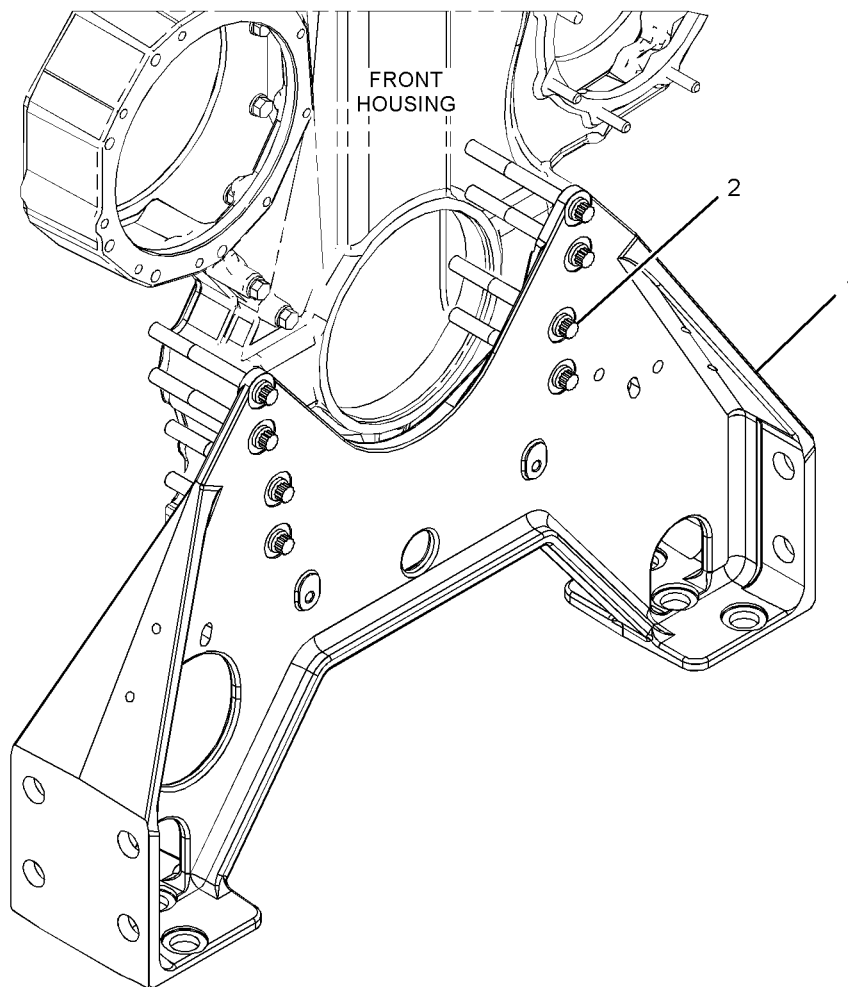
355-7415 SUPPORT GP-ENGINE

S/N: 6TB26319-UP
ALSO AN ATTACHMENT

SMCS-1152, 1153, 1154

i04109114

NOTE	REF NO	GRAPHIC REF	PART NUMBER	QTY	PART NAME						SEE PAGE
					1	2	3	4	5	6 (PRODUCT LEVEL)	
	1	1	351-0913	1	SUPPORT						
	2	1	5P-8038	8	BOLT-12 POINT HEAD (1/2-13X4.75-IN)						



GRAPHIC #1

<END>

g02319337

BASIC ENGINE

5N-1678 SUPPORT GP-POWER TAKE-OFF

CLUTCH

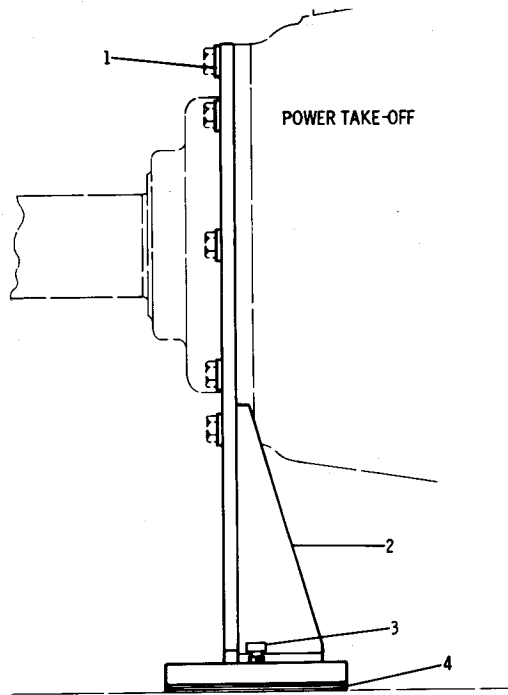
FOR USE WITH REAR POWER TAKE-OFF, 2W-4909—PAGE 324. CANNOT BE USED WITH
FUEL TANK BASES
AN ATTACHMENT

SMCS-1165

i02544081

NOTE	REF NO	GRAPHIC REF	PART NUMBER	QTY	PART NAME						SEE PAGE
					1	2	3	4	5	6 (PRODUCT LEVEL)	
	1	1	4D-3704	8	WASHER-HARD (17X30X5-MM THK)						
	2	1	5N-1677	1	SUPPORT AS						
	3	1	4B-3586	2	SETSCREW (1/2-13X2-IN)						
B	4	1	5N-1693	6	SHIM (0.5-MM THK)						
B		1	5N-1694	12	SHIM (0.8-MM THK)						

B-USE AS REQUIRED



GRAPHIC #1

<END>

g00136031

BASIC ENGINE

5N-1933 SUPPORT GP-POWER TAKE-OFF

CLUTCH

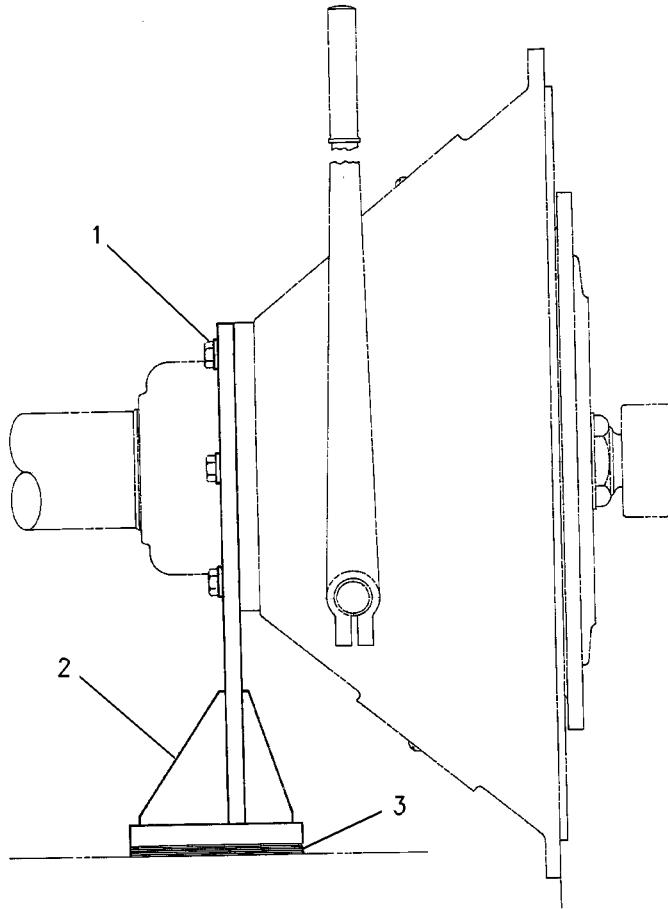
FOR USE WITH 4P-3074-PAGE 326. CANNOT BE USED WITH FUEL TANK BASE
AN ATTACHMENT

SMCS-1165

i02544096

NOTE	REF NO	GRAPHIC REF	PART NUMBER	QTY	PART NAME						SEE PAGE
					1	2	3	4	5	6 (PRODUCT LEVEL)	
	1	1	5P-8245	6	WASHER-HARD (13.5X25.5X3-MM THK)						
	2	1	7L-5810	1	SUPPORT AS						
B	3	1	9F-2187	16	SHIM (0.0140-IN THK)						
B		1	9F-2188	30	SHIM (0.0320-IN THK)						

B-USE AS REQUIRED



GRAPHIC #1

<END>

g00783948

BASIC ENGINE

1W-0422 V-BELT SET-INCLUDES 4-BELTS, FAN DRIVE

1981-MM (78-INCH) LONG. REQUIRES FAN DRIVE OR FAN DRIVE AND BELT TIGHTENER
AN ATTACHMENT

SMCS-1357

i02728515

NOTE	PART NUMBER	QTY	PART NAME	SEE PAGE
			1 2 3 4 5 6 (PRODUCT LEVEL) (INCLUDES 4-BELTS)	
			<END>	

2N-8612 V-BELT SET-INCLUDES 3-BELTS, FAN DRIVE

1359-MM (53.5-INCH) LONG. REQUIRES FAN DRIVE OR FAN DRIVE AND BELT TIGHTENER
AN ATTACHMENT

SMCS-1357

i02728520

NOTE	PART NUMBER	QTY	PART NAME	SEE PAGE
			1 2 3 4 5 6 (PRODUCT LEVEL) (INCLUDES 3-BELTS)	
			<END>	

3N-8848 V-BELT SET-INCLUDES 3-BELTS, FAN DRIVE

1803-MM (71-INCH) LONG. REQUIRES FAN DRIVE OR FAN DRIVE AND BELT TIGHTENER
AN ATTACHMENT

SMCS-1357

i02728522

NOTE	PART NUMBER	QTY	PART NAME	SEE PAGE
			1 2 3 4 5 6 (PRODUCT LEVEL) (INCLUDES 3-BELTS)	
			<END>	

3R-9090 V-BELT SET-INCLUDES 4-BELTS, FAN DRIVE

S/N: 6TB12255-UP
1905 MM (75 INCH) LONG
FOR USE WITH FAN DRIVE & 508 MM (20 INCH) CENTER DISTANCE
ALSO AN ATTACHMENT

SMCS-1357

i02738456

NOTE	PART NUMBER	QTY	PART NAME	SEE PAGE
			1 2 3 4 5 6 (PRODUCT LEVEL) (INCLUDES 4-BELTS)	
			<END>	

4N-6302 V-BELT SET

1918-MM (75.5-INCH) LONG. REQUIRES FAN DRIVE OR FAN DRIVE AND BELT TIGHTENER
AN ATTACHMENT

SMCS-1357

i03884871

NOTE	PART NUMBER	QTY	PART NAME	SEE PAGE
			1 2 3 4 5 6 (PRODUCT LEVEL) (INCLUDES 3-BELTS)	
			<END>	

BASIC ENGINE

4N-6423 V-BELT SET—INCLUDES 3-BELTS, FAN DRIVE
1639-MM(64.5-INCH) LONG. REQUIRES FAN DRIVE OR FAN DRIVE AND BELT TIGHTENER
AN ATTACHMENT

SMCS-1357

i02728652

NOTE	PART NUMBER	QTY	PART NAME	SEE PAGE
			1 2 3 4 5 6 (PRODUCT LEVEL) (INCLUDES 3-BELTS)	
			<END>	

4N-8198 V-BELT SET—INCLUDES 3-BELTS, FAN DRIVE
2134-MM (84-INCH) LONG. REQUIRES FAN DRIVE OR FAN DRIVE AND BELT TIGHTENER
AN ATTACHMENT

SMCS-1357

i02728658

NOTE	PART NUMBER	QTY	PART NAME	SEE PAGE
			1 2 3 4 5 6 (PRODUCT LEVEL) (INCLUDES 3-BELTS)	
			<END>	

4N-8278 V-BELT SET—INCLUDES 3-BELTS, FAN DRIVE
1854-MM (73-INCH) LONG. REQUIRES FAN DRIVE OR FAN DRIVE AND BELT TIGHTENER
AN ATTACHMENT

SMCS-1357

i02728659

NOTE	PART NUMBER	QTY	PART NAME	SEE PAGE
			1 2 3 4 5 6 (PRODUCT LEVEL) (INCLUDES 3-BELTS)	
			<END>	

4P-8087 V-BELT SET—INCLUDES 3-BELTS, FAN DRIVE
1956-MM (77-INCH) LONG. REQUIRES FAN DRIVE OR FAN DRIVE AND BELT TIGHTENER
AN ATTACHMENT

SMCS-1357

i02728663

NOTE	PART NUMBER	QTY	PART NAME	SEE PAGE
			1 2 3 4 5 6 (PRODUCT LEVEL) (INCLUDES 3-BELTS)	
			<END>	

4W-8510 V-BELT SET—INCLUDES 4-BELTS, FAN DRIVE
2032-MM (80-INCH) LONG. REQUIRES FAN DRIVE OR FAN DRIVE AND BELT TIGHTENER
AN ATTACHMENT

SMCS-1357

i02728676

NOTE	PART NUMBER	QTY	PART NAME	SEE PAGE
			1 2 3 4 5 6 (PRODUCT LEVEL) (INCLUDES 4-BELTS)	
			<END>	

BASIC ENGINE

4W-9051 V-BELT SET—INCLUDES 4-BELTS, FAN DRIVE

2007-MM (79-INCH) LONG. REQUIRES FAN DRIVE OR FAN DRIVE AND BELT TIGHTENER
AN ATTACHMENT

SMCS-1357

i02728679

NOTE	PART NUMBER	QTY	PART NAME	SEE PAGE
			1 2 3 4 5 6 (PRODUCT LEVEL) (INCLUDES 4-BELTS)	
			<END>	

5N-0414 V-BELT SET—INCLUDES 3-BELTS, FAN DRIVE

1562-MM (61.5-INCH) LONG. REQUIRES FAN DRIVE OR FAN DRIVE AND BELT TIGHTENER
AN ATTACHMENT

SMCS-1357

i02728684

NOTE	PART NUMBER	QTY	PART NAME	SEE PAGE
			1 2 3 4 5 6 (PRODUCT LEVEL) (INCLUDES 3-BELTS)	
			<END>	

5N-2346 V-BELT SET—INCLUDES 4-BELTS, FAN DRIVE

1816-MM (71.5-INCH) LONG. REQUIRES FAN DRIVE OR FAN DRIVE AND BELT TIGHTENER
AN ATTACHMENT

SMCS-1357

i02728685

NOTE	PART NUMBER	QTY	PART NAME	SEE PAGE
			1 2 3 4 5 6 (PRODUCT LEVEL) (INCLUDES 4-BELTS)	
			<END>	

5N-4751 V-BELT SET—INCLUDES 3-BELTS, FAN DRIVE

1829-MM (72-IN) LONG. REQUIRES FAN DRIVE OR FAN DRIVE AND BELT TIGHTENER
AN ATTACHMENT

SMCS-1357

i02728690

NOTE	PART NUMBER	QTY	PART NAME	SEE PAGE
			1 2 3 4 5 6 (PRODUCT LEVEL) (INCLUDES 3-BELTS)	
			<END>	

6N-0388 V-BELT SET—INCLUDES 4-BELTS, FAN DRIVE

1639 MM (64.5 INCH) LONG. REQUIRES FAN DRIVE OR FAN DRIVE AND BELT TIGHTENER
AN ATTACHMENT

SMCS-1357

i01213435

NOTE	PART NUMBER	QTY	PART NAME	SEE PAGE
			1 2 3 4 5 6 (PRODUCT LEVEL) (INCLUDES 4 BELTS)	
			<END>	

BASIC ENGINE

6N-5337 V-BELT SET—INCLUDES 3-BELTS, FAN DRIVE

2057-MM (81-INCH) LONG. REQUIRES FAN DRIVE OR FAN DRIVE AND BELT TIGHTENER
AN ATTACHMENT

SMCS-1357

i02728698

NOTE	PART NUMBER	QTY	PART NAME	SEE PAGE
			1 2 3 4 5 6 (PRODUCT LEVEL)	
			(INCLUDES 3-BELTS)	
			<END>	

6N-6651 V-BELT SET—INCLUDES 3-BELTS, FAN DRIVE

1892-MM (74.5-INCH) LONG. REQUIRES FAN DRIVE OR FAN DRIVE AND BELT TIGHTENER
AN ATTACHMENT

SMCS-1357

i02905483

NOTE	PART NUMBER	QTY	PART NAME	SEE PAGE
			1 2 3 4 5 6 (PRODUCT LEVEL)	
	6N-6650	3	V-BELT (FAN DRIVE)	
			<END>	

6N-6652 V-BELT SET—INCLUDES 3-BELTS, FAN DRIVE

1689 MM(66.5 INCH) LONG -REQUIRES FAN DRIVE OR FAN DRIVE AND BELT TIGHTENER
AN ATTACHMENT

SMCS-1357

i01213559

NOTE	PART NUMBER	QTY	PART NAME	SEE PAGE
			1 2 3 4 5 6 (PRODUCT LEVEL)	
			(INCLUDES 3 BELTS)	
			<END>	

6N-6653 V-BELT SET—INCLUDES 4-BELTS, FAN DRIVE

1613-MM (63.5 INCH-LONG. REQUIRES FAN DRIVE OR FAN DRIVE AND BELT TIGHTENER
AN ATTACHMENT

SMCS-1357

i02728719

NOTE	PART NUMBER	QTY	PART NAME	SEE PAGE
			1 2 3 4 5 6 (PRODUCT LEVEL)	
			(INCLUDES 4-BELTS)	
			<END>	

6N-6655 V-BELT SET

1778 MM (70.0 INCH) LONG. REQUIRES FAN DRIVE OR FAN DRIVE AND BELT TIGHTENER
AN ATTACHMENT

SMCS-1357

i01213594

NOTE	PART NUMBER	QTY	PART NAME	SEE PAGE
			1 2 3 4 5 6 (PRODUCT LEVEL)	
			(INCLUDES 3 BELTS)	
			<END>	

BASIC ENGINE

6N-6656 V-BELT SET—INCLUDES 3-BELTS, FAN DRIVE

1613-MM (63.0-INCH) LONG. REQUIRES FAN DRIVE OR FAN DRIVE AND BELT TIGHTENER
AN ATTACHMENT

SMCS-1357

i02728728

NOTE	PART NUMBER	QTY	PART NAME	SEE PAGE
			1 2 3 4 5 6 (PRODUCT LEVEL) (INCLUDES 3-BELTS)	
			<END>	

6N-6798 V-BELT SET—INCLUDES 3-BELTS, FAN DRIVE

1549-MM (61-INCH) LONG. REQUIRES FAN DRIVE OR FAN DRIVE AND BELT TIGHTENER
AN ATTACHMENT

SMCS-1357

i02728729

NOTE	PART NUMBER	QTY	PART NAME	SEE PAGE
			1 2 3 4 5 6 (PRODUCT LEVEL) (INCLUDES 3-BELTS)	
			<END>	

6N-7053 V-BELT SET—INCLUDES 3-BELTS, FAN DRIVE

1981-MM (78-INCH) LONG. REQUIRES FAN DRIVE OR FAN DRIVE AND BELT TIGHTENER
AN ATTACHMENT

SMCS-1357

i02728735

NOTE	PART NUMBER	QTY	PART NAME	SEE PAGE
			1 2 3 4 5 6 (PRODUCT LEVEL) (INCLUDES 3-BELTS)	
			<END>	

6N-9158 V-BELT SET—INCLUDES 3-BELTS, FAN DRIVE

1740-MM (68.5-INCH) LONG. REQUIRES FAN DRIVE OR FAN DRIVE AND BELT TIGHTENER
AN ATTACHMENT

SMCS-1357

i02728741

NOTE	PART NUMBER	QTY	PART NAME	SEE PAGE
			1 2 3 4 5 6 (PRODUCT LEVEL) (INCLUDES 3-BELTS)	
			<END>	

6N-9159 V-BELT SET—INCLUDES 4-BELTS, FAN DRIVE

1549-MM (61-INCH) LONG. REQUIRES FAN DRIVE OR FAN DRIVE AND BELT TIGHTENER
AN ATTACHMENT

SMCS-1357

i02728745

NOTE	PART NUMBER	QTY	PART NAME	SEE PAGE
			1 2 3 4 5 6 (PRODUCT LEVEL) (INCLUDES 4-BELTS)	
			<END>	

BASIC ENGINE

7C-2500 V-BELT SET—INCLUDES 3-BELTS, FAN DRIVE
2032-MM (80-INCH) LONG. REQUIRES FAN DRIVE OR FAN DRIVE AND BELT TIGHTENER
AN ATTACHMENT

SMCS-1357

i02728750

NOTE	PART NUMBER	QTY	PART NAME	SEE PAGE
			1 2 3 4 5 6 (PRODUCT LEVEL) (INCLUDES 3-BELTS)	
			<END>	

7E-7646 V-BELT SET—INCLUDES 3-BELTS, FAN DRIVE
1752-MM (69-INCH) LONG. REQUIRES FAN DRIVE OR FAN DRIVE AND BELT TIGHTENER
AN ATTACHMENT

SMCS-1357

i02728751

NOTE	PART NUMBER	QTY	PART NAME	SEE PAGE
			1 2 3 4 5 6 (PRODUCT LEVEL) (INCLUDES 3-BELTS)	
			<END>	

7E-9515 V-BELT SET—INCLUDES 4-BELTS, FAN DRIVE
2057 MM (81 IN) LONG
AN ATTACHMENT

SMCS-1357

i01245897

NOTE	PART NUMBER	QTY	PART NAME	SEE PAGE
			1 2 3 4 5 6 (PRODUCT LEVEL) INCLUDES 4 BELTS	
			<END>	

7L-7020 V-BELT SET—INCLUDES 3-BELTS, FAN DRIVE
1410-MM (55.5-INCH) LONG. REQUIRES FAN DRIVE OR FAN DRIVE AND BELT TIGHTENER
AN ATTACHMENT

SMCS-1357

i02728756

NOTE	PART NUMBER	QTY	PART NAME	SEE PAGE
			1 2 3 4 5 6 (PRODUCT LEVEL) (INCLUDES 3-BELTS)	
			<END>	

7N-4148 V-BELT SET—INCLUDES 4-BELTS, FAN DRIVE
2159-MM (85-INCH) LONG. REQUIRES FAN DRIVE OR FAN DRIVE AND BELT TIGHTENER
AN ATTACHMENT

SMCS-1357

i02728764

NOTE	PART NUMBER	QTY	PART NAME	SEE PAGE
			1 2 3 4 5 6 (PRODUCT LEVEL) (INCLUDES 4-BELTS)	
			<END>	

BASIC ENGINE

7N-7055 V-BELT SET—INCLUDES 4-BELTS, FAN DRIVE
2083-MM (82-INCH) LONG. REQUIRES FAN DRIVE OR FAN DRIVE AND BELT TIGHTENER
AN ATTACHMENT

SMCS-1357

i02728770

NOTE	PART NUMBER	QTY	PART NAME	SEE PAGE
			1 2 3 4 5 6 (PRODUCT LEVEL) (INCLUDES 4-BELTS)	
			<END>	

7W-3222 V-BELT SET—INCLUDES 4-BELTS, FAN DRIVE
1854-MM (73-INCH) LONG. REQUIRES FAN DRIVE OR FAN DRIVE AND BELT TIGHTENER
AN ATTACHMENT

SMCS-1357

i02728776

NOTE	PART NUMBER	QTY	PART NAME	SEE PAGE
			1 2 3 4 5 6 (PRODUCT LEVEL) (INCLUDES 4-BELTS)	
			<END>	

8L-5137 V-BELT SET—INCLUDES 3-BELTS, FAN DRIVE
1372-MM (54-INCH) LONG. REQUIRES FAN DRIVE OR FAN DRIVE AND BELT TIGHTENER
AN ATTACHMENT

SMCS-1357

i02728787

NOTE	PART NUMBER	QTY	PART NAME	SEE PAGE
			1 2 3 4 5 6 (PRODUCT LEVEL) (INCLUDES 3-BELTS)	
			<END>	

8N-6696 V-BELT SET—INCLUDES 3-BELTS, FAN DRIVE
2210-MM (87-INCH) LONG. REQUIRES FAN DRIVE OR FAN DRIVE AND BELT TIGHTENER
AN ATTACHMENT

SMCS-1357

i02728790

NOTE	PART NUMBER	QTY	PART NAME	SEE PAGE
			1 2 3 4 5 6 (PRODUCT LEVEL) (INCLUDES 3-BELTS)	
			<END>	

8N-6708 V-BELT SET—INCLUDES 3-BELTS, FAN DRIVE
2261-MM (89-INCH) LONG. REQUIRES FAN DRIVE OR FAN DRIVE AND BELT TIGHTENER
AN ATTACHMENT

SMCS-1357

i02728807

NOTE	PART NUMBER	QTY	PART NAME	SEE PAGE
			1 2 3 4 5 6 (PRODUCT LEVEL) (INCLUDES 3-BELTS)	
			<END>	

BASIC ENGINE

8N-6710 V-BELT SET—INCLUDES 4-BELTS

2134-MM (84-INCH) LONG. REQUIRES FAN DRIVE OR FAN DRIVE AND BELT TIGHTENER
AN ATTACHMENT

SMCS-1357

i02728810

NOTE	PART NUMBER	QTY	PART NAME	SEE PAGE
			1 2 3 4 5 6 (PRODUCT LEVEL) (INCLUDES 4-BELTS)	
			<END>	

9N-1324 V-BELT SET—INCLUDES 3-BELTS, FAN DRIVE

1448-MM (57-INCH) LONG. REQUIRES FAN DRIVE OR FAN DRIVE AND BELT TIGHTENER
AN ATTACHMENT

SMCS-1357

i02728813

NOTE	PART NUMBER	QTY	PART NAME	SEE PAGE
			1 2 3 4 5 6 (PRODUCT LEVEL) (INCLUDES 3-BELTS)	
			<END>	

9N-1325 V-BELT SET—INCLUDES 3-BELTS, FAN DRIVE

1486-MM (58.5-INCH) LONG. REQUIRES FAN DRIVE OR FAN DRIVE AND BELT TIGHTENER
AN ATTACHMENT

SMCS-1357

i02728815

NOTE	PART NUMBER	QTY	PART NAME	SEE PAGE
			1 2 3 4 5 6 (PRODUCT LEVEL) (INCLUDES 3-BELTS)	
			<END>	

118-2018 V-BELT SET—INCLUDES 3-BELTS, FAN DRIVE

2108-MM (83-INCH) LONG. REQUIRES FAN DRIVE OR FAN DRIVE AND BELT TIGHTENER
AN ATTACHMENT

SMCS-1357

i02728819

NOTE	PART NUMBER	QTY	PART NAME	SEE PAGE
			1 2 3 4 5 6 (PRODUCT LEVEL) (INCLUDES 3-BELTS)	
			<END>	

180-9571 V-BELT SET—INCLUDES 4-BELTS, FAN DRIVE

1803-MM (71-INCH) LONG. REQUIRES FAN DRIVE OR FAN DRIVE AND BELT TIGHTENER
AN ATTACHMENT

SMCS-1357

i02728823

NOTE	PART NUMBER	QTY	PART NAME	SEE PAGE
			1 2 3 4 5 6 (PRODUCT LEVEL) (INCLUDES 4-BELTS)	
			<END>	

BASIC ENGINE

4N-2271 VALVE MECHANISM GP

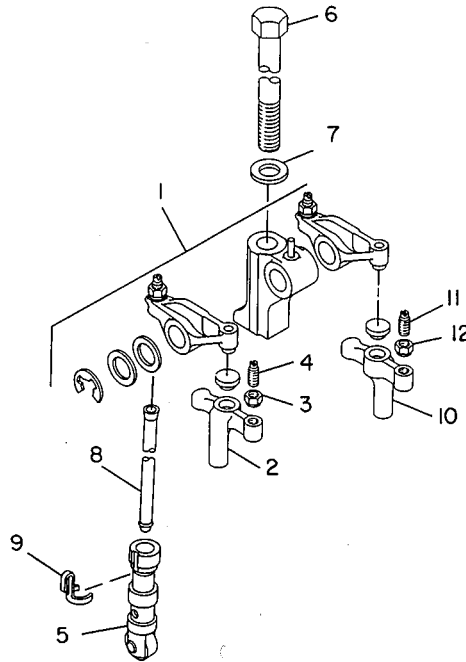
S/N: 6TB9857-25232, 25283-UP

SMCS-1102, 1121, 1123, 1209

i02851599

NOTE	REF NO	GRAPHIC REF	PART NUMBER	QTY	PART NAME						SEE PAGE
					1	2	3	4	5	6 (PRODUCT LEVEL)	
Y	1	1	4N-1045	2	ROCKER ARM GP						332
	2	1	101-1817	6	BRIDGE AS-VALVE (EXHAUST)						
					(EACH INCLUDES)						
		1	101-1819	1	SEAT-WEAR						
	3	1	9L-7712	1	NUT (3/8-24-THD)						
	4	1	2N-5842	1	SCREW (3/8-24X1-IN)						
R	5	1	101-7788	12	LIFTER AS-VALVE						
	6	1	2P-9845	6	BOLT (3/4-16X11.5-IN)						
	7	1	5H-1504	6	WASHER-HARD (20X33.5X5-MM THK)						
	8	1	4W-5998	12	PUSHROD AS						
	9	1	305-6843	12	SPRING-GUIDE						
	10	1	101-1816	6	BRIDGE AS-VALVE (INLET)						
					(EACH INCLUDES)						
		1	101-1819	1	SEAT-WEAR						
	11	1	2N-5842	1	SCREW (3/8-24X1-IN)						
	12	1	9L-7712	1	NUT (3/8-24-THD)						

R-REMFG PART MAY BE AVAILABLE
Y-SEPARATE ILLUSTRATION



GRAPHIC #1

<END>

g00113822

BASIC ENGINE

4P-5712 VALVE MECHANISM GP

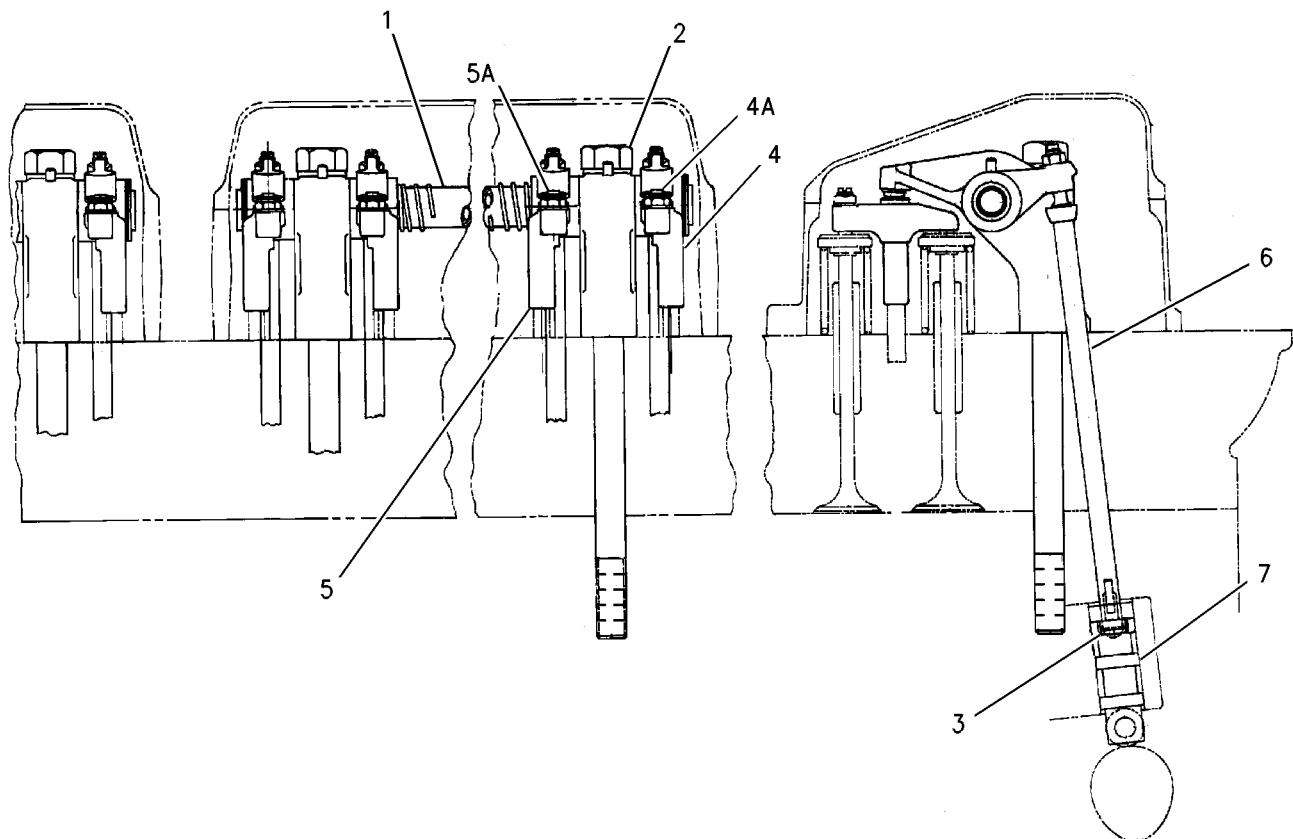
S/N: 6TB9857-25232

SMCS-1102, 1121, 1123, 1209

i02908338

NOTE	REF NO	GRAPHIC REF	PART NUMBER	QTY	PART NAME						SEE PAGE
					1	2	3	4	5	6 (PRODUCT LEVEL)	
Y	1	1	4P-5258	2	ROCKER ARM GP						333
	2	1	7W-8300	6	FASTENER GP-VALVE MECHANISM						
		1	236-0485	1	BOLT-12 POINT HEAD (3/4-16X11.5-IN)						
		1	5H-1504	1	WASHER-HARD (20X33.5X5-MM THK)						
	3	1	305-6843	12	SPRING-GUIDE						
	4	1	101-1816	6	BRIDGE AS-VALVE (INLET)						
		1	9L-7712	1	NUT (3/8-24-THD)						
	4A	1	2N-5842	1	SCREW (3/8-24X1-IN)						
	5	1	101-1818	6	BRIDGE AS-EXHAUST						
		1	9L-7712	1	NUT (3/8-24-THD)						
	5A	1	2N-5842	1	SCREW (3/8-24X1-IN)						
	6	1	4W-5998	12	PUSHROD AS						
R	7	1	101-7788	12	LIFTER AS-VALVE						

R-REMFG PART MAY BE AVAILABLE
Y-SEPARATE ILLUSTRATION



GRAPHIC #1

<END>

g01447782

BASIC ENGINE

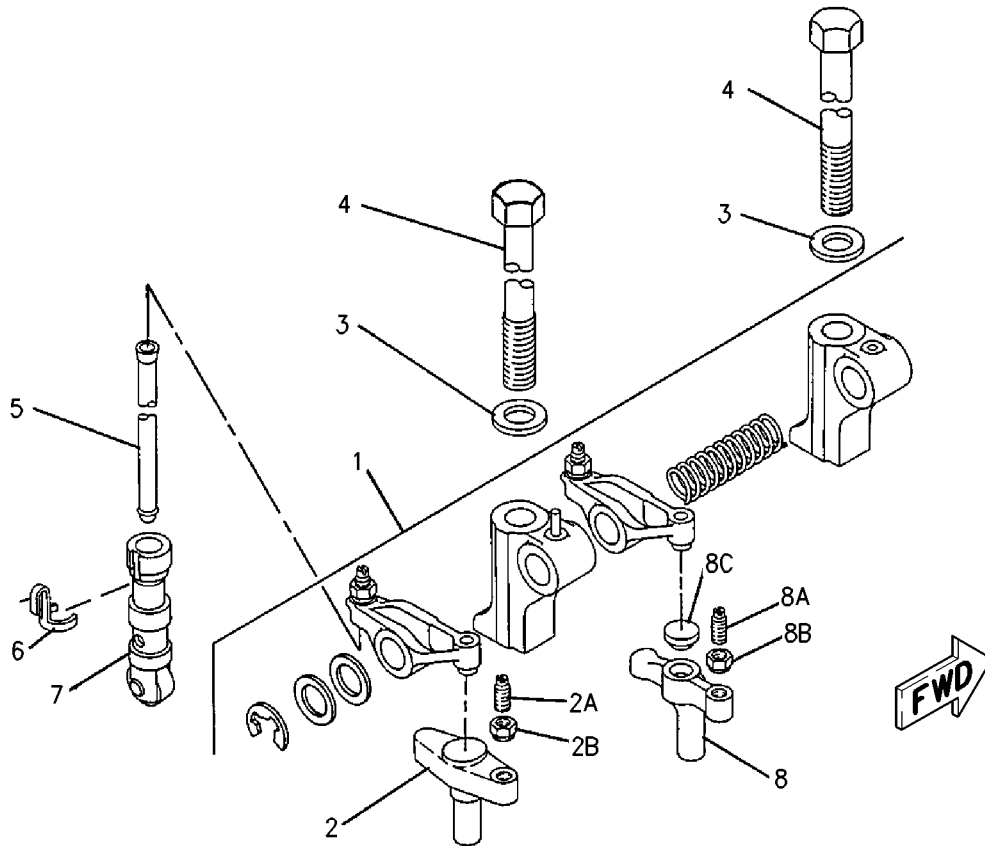
4W-2461 VALVE MECHANISM GP-ENGINE

SMCS-1102, 1121, 1123, 1209

i03116260

NOTE	REF NO	GRAPHIC REF	PART NUMBER	QTY	PART NAME						SEE PAGE	
					1	2	3	4	5	6 (PRODUCT LEVEL)		
Y	1	1	4N-1045	2	ROCKER ARM GP						332	
	2	1	101-1818	6	BRIDGE AS-EXHAUST							
	(EACH INCLUDES)											
	2A	1	2N-5842	1	SCREW (3/8-24X1-IN)							
	2B	1	9L-7712	1	NUT (3/8-24-THD)							
	3	1	5H-1504	6	WASHER-HARD (20X33.5X5-MM THK)							
	4	1	2P-9845	6	BOLT (3/4-16X11.5-IN)							
R	5	1	4W-5998	12	PUSHROD AS							
	6	1	305-6843	12	SPRING-GUIDE							
	7	1	101-7788	12	LIFTER AS-VALVE							
	8	1	101-1816	6	BRIDGE AS-VALVE (INLET)							
	(EACH INCLUDES)											
	8A	1	2N-5842	1	SCREW (3/8-24X1-IN)							
	8B	1	9L-7712	1	NUT (3/8-24-THD)							
	8C	1	4N-5607	1	SEAT-WEAR							

R-REMFG PART MAY BE AVAILABLE
Y-SEPARATE ILLUSTRATION



GRAPHIC #1

<END>

g00839820

BASIC ENGINE

214-1666 VALVE MECHANISM GP

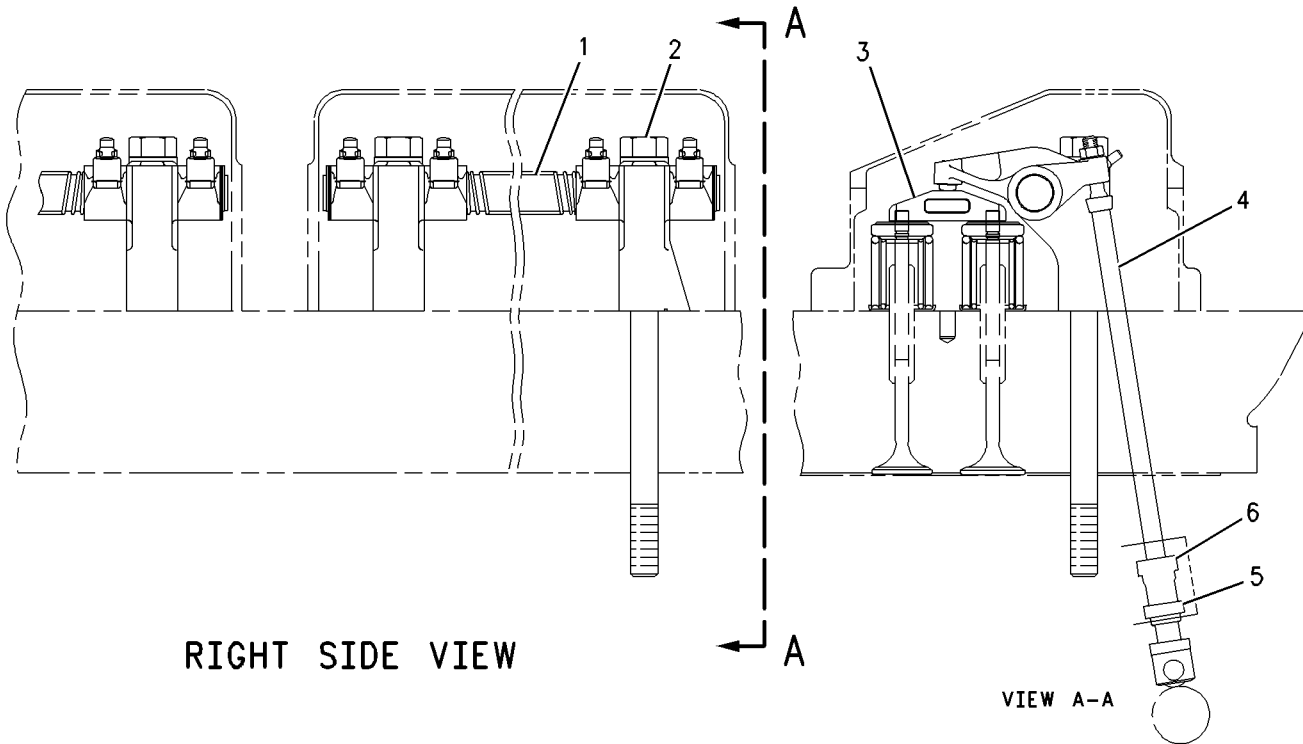
S/N: 6TB25233-UP

SMCS-1102, 1121, 1123, 1209

i03766273

NOTE	REF NO	GRAPHIC REF	PART NUMBER	QTY	PART NAME						SEE PAGE
					1	2	3	4	5	6 (PRODUCT LEVEL)	
Y	1	1	4N-1045	2	ROCKER ARM GP						332
	2	1	2P-9845	6	BOLT (3/4-16X11.5-IN)						
		1	5H-1504	6	WASHER-HARD (20X33.5X5-MM THK)						
	3	1	100-6889	12	BRIDGE-VALVE						
	4	1	4W-5998	12	PUSHROD AS						
R	5	1	101-7788	12	LIFTER AS-VALVE						
	6	1	305-6843	12	SPRING-GUIDE						

R-REMFG PART MAY BE AVAILABLE
Y-SEPARATE ILLUSTRATION



GRAPHIC #1

<END>

g00849379

BASIC ENGINE

351-2223 VALVE MECHANISM GP

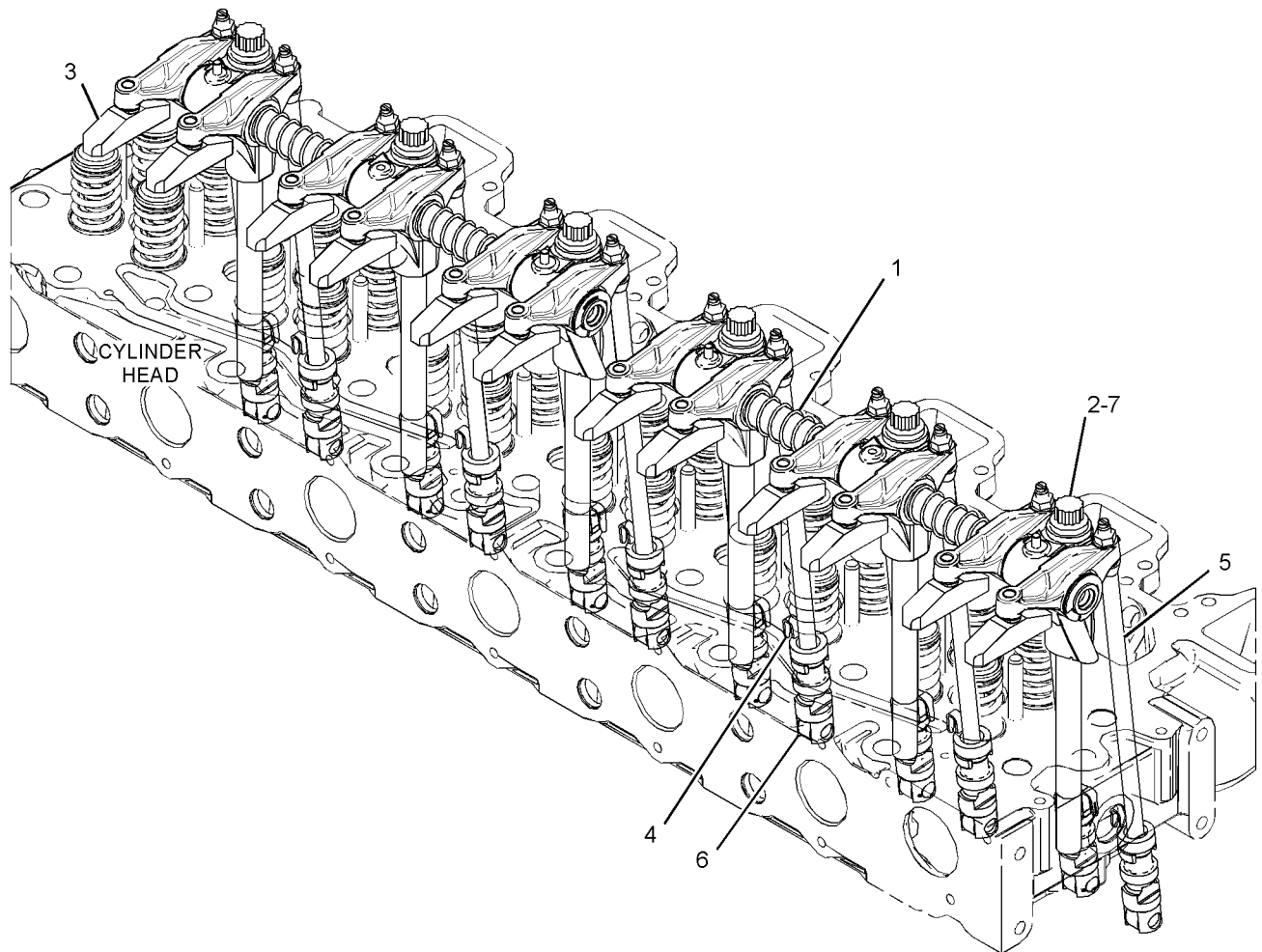
S/N: 6TB25233-UP

SMCS-1102, 1121, 1123, 1209

i03807233

NOTE	REF NO	GRAPHIC REF	PART NUMBER	QTY	PART NAME						SEE PAGE
					1	2	3	4	5	6 (PRODUCT LEVEL)	
Y	1	1	4P-5258	2	ROCKER ARM GP						333
	2	1	5H-1504	6	WASHER-HARD (20X33.5X5-MM THK)						
	3	1	100-6889	12	BRIDGE-VALVE						
	4	1	305-6843	12	SPRING-GUIDE						
	5	1	4W-5998	12	PUSHROD AS						
R	6	1	101-7788	12	LIFTER AS-VALVE						
	7	1	236-0485	6	BOLT-12 POINT HEAD (3/4-16X11.5-IN)						

R-REMFG PART MAY BE AVAILABLE
Y-SEPARATE ILLUSTRATION



GRAPHIC #1

<END>

g02065834

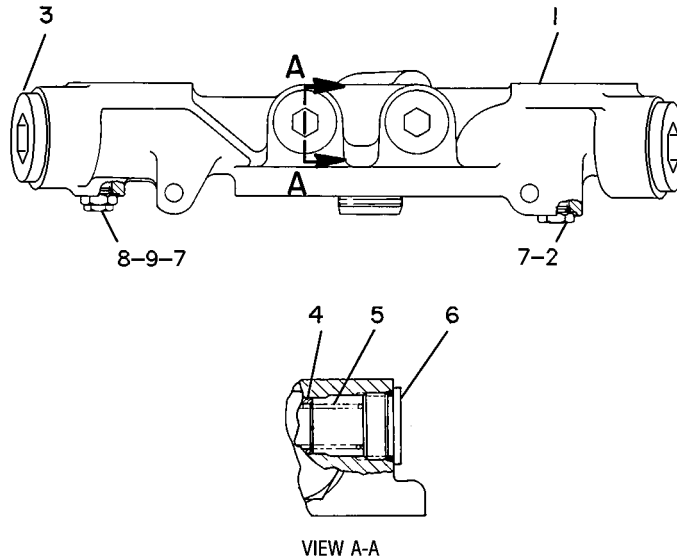
LUBRICATION SYSTEM

9Y-4872 BASE GP-OIL FILTER-ENGINE PART OF 110-9159 FILTER GP-ENGINE OIL AN ATTACHMENT

SMCS-1306

i01378859

NOTE	REF NO	GRAPHIC REF	PART NUMBER	QTY	PART NAME						SEE PAGE
					1	2	3	4	5	6 (PRODUCT LEVEL)	
	1	1	7C-5601	1	BASE AS-OIL FILTER						
	2	1	9S-4191	1	PLUG-O-RING						
	3	1	5P-7684	2	PLUG						
		1	6K-6307	2	SEAL-O-RING						
	4	1	1P-1367	2	PLUNGER						
	5	1	4N-8150	2	SPRING						
	6	1	9S-9334	2	PLUG-O-RING						
		1	7M-8485	2	SEAL-O-RING						
	7	1	3J-1907	2	SEAL-O-RING						
	8	1	5P-3501	1	ADAPTER						
	9	1	5M-6213	1	PLUG-PIPE						



GRAPHIC #1

<END>

g00216436

LUBRICATION SYSTEM

121-2471 BASE GP-OIL FILTER-ENGINE

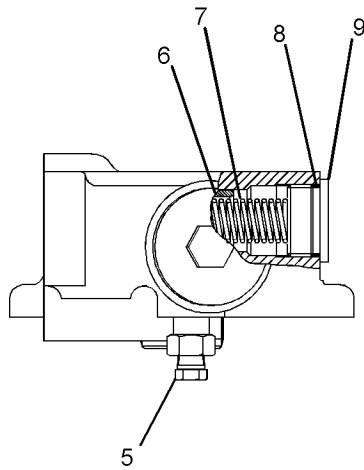
S/N: 6TB13149-15854

PART OF 121-2472, 155-4800 FILTER GP-ENGINE OIL
ALSO AN ATTACHMENT

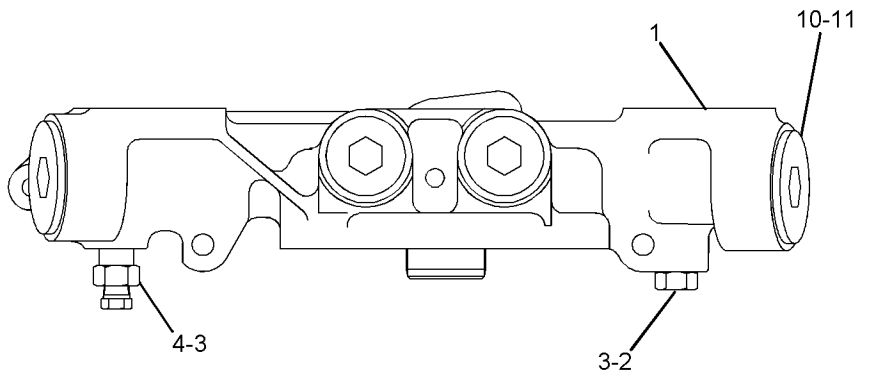
SMCS-1306

i02056543

NOTE	REF NO	GRAPHIC REF	PART NUMBER	QTY	PART NAME						SEE PAGE
					1	2	3	4	5	6 (PRODUCT LEVEL)	
	1	1	121-0924	1	BASE AS-OIL FILTER						
		1	2P-4304	1	STUD-HOLLOW						
	2	1	9S-4191	1	PLUG-O-RING						
	3	1	6V-5049	2	SEAL-O-RING						
	4	1	5P-3501	1	ADAPTER						
	5	1	8T-6765	1	PLUG-PIPE						
	6	1	9M-0853	2	PLUNGER-VALVE						
	7	1	4N-8150	2	SPRING						
	8	1	5P-7701	2	SEAL-O-RING						
	9	1	9S-9334	2	PLUG-O-RING						
	10	1	5P-7684	2	PLUG						
	11	1	5P-7816	2	SEAL-O-RING						



GRAPHIC #1



<END>

g01054807

LUBRICATION SYSTEM

121-2471 BASE GP-OIL FILTER-ENGINE

S/N: 6TB15855-UP

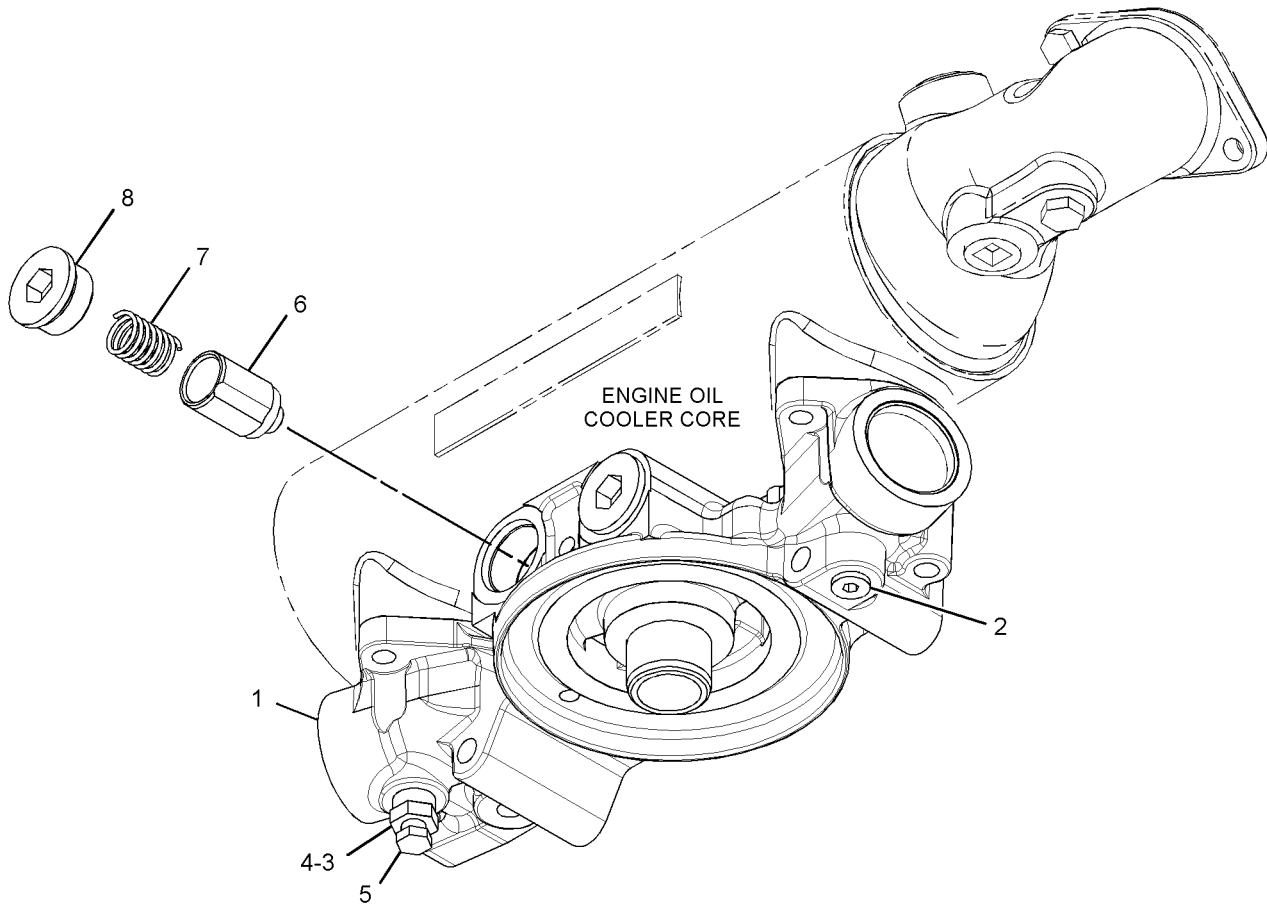
PART OF 121-2472, 155-4800 FILTER GP-ENGINE OIL
ALSO AN ATTACHMENT

SMCS-1306

i03991398

NOTE	REF NO	GRAPHIC REF	PART NUMBER	QTY	PART NAME						SEE PAGE
					1	2	3	4	5	6 (PRODUCT LEVEL)	
CY	1	1	176-1363	1	BASE GP-OIL FILTER (ENGINE)						364
	2	1	183-3407	1	PLUG AS						
		1	9S-8004	1	PLUG-O-RING						
		1	214-7568	1	SEAL-O-RING						
	3	1	214-7568	2	SEAL-O-RING						
	4	1	5P-3501	1	ADAPTER						
	5	1	8T-6765	1	PLUG-PIPE						
	6	1	9M-0853	2	PLUNGER-VALVE						
7	1	4N-8150	2	SPRING							
8	1	319-6234	2	PLUG AS							
					(EACH INCLUDES)						
		1	9S-9334	1	PLUG-O-RING						
		1	238-5084	1	SEAL-O-RING						

C-CHANGE FROM PREVIOUS TYPE
Y-SEPARATE ILLUSTRATION



GRAPHIC #1

<END>

g02221054

LUBRICATION SYSTEM

154-4324 BASE GP-OIL FILTER-ENGINE

S/N: 6TB17907-18229

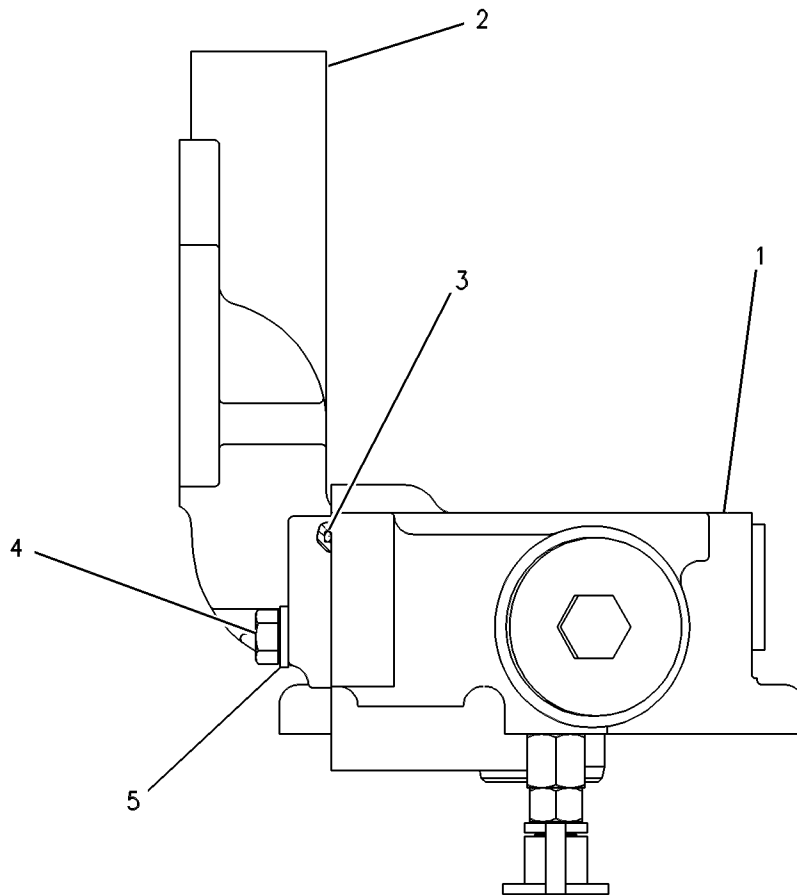
PART OF 154-4326 FILTER GP-ENGINE OIL

SMCS-1306

i03603320

NOTE	REF NO	GRAPHIC REF	PART NUMBER	QTY	PART NAME	SEE PAGE
					1 2 3 4 5 6 (PRODUCT LEVEL)	
Y	1	1	154-4327	1	BASE GP-OIL FILTER (ENGINE)	362
	2	1	7C-5602	1	ELBOW	
	3	1	8C-0624	2	SEAL-O-RING	
	4	1	0S-1588	4	BOLT (3/8-16X1.25-IN)	
	5	1	5M-2894	4	WASHER-HARD (10.2X18.5X2.5-MM THK)	

Y-SEPARATE ILLUSTRATION



GRAPHIC #1

<END>

g00433900

LUBRICATION SYSTEM

154-4327 BASE GP-OIL FILTER-ENGINE

S/N: 6TB17907-UP

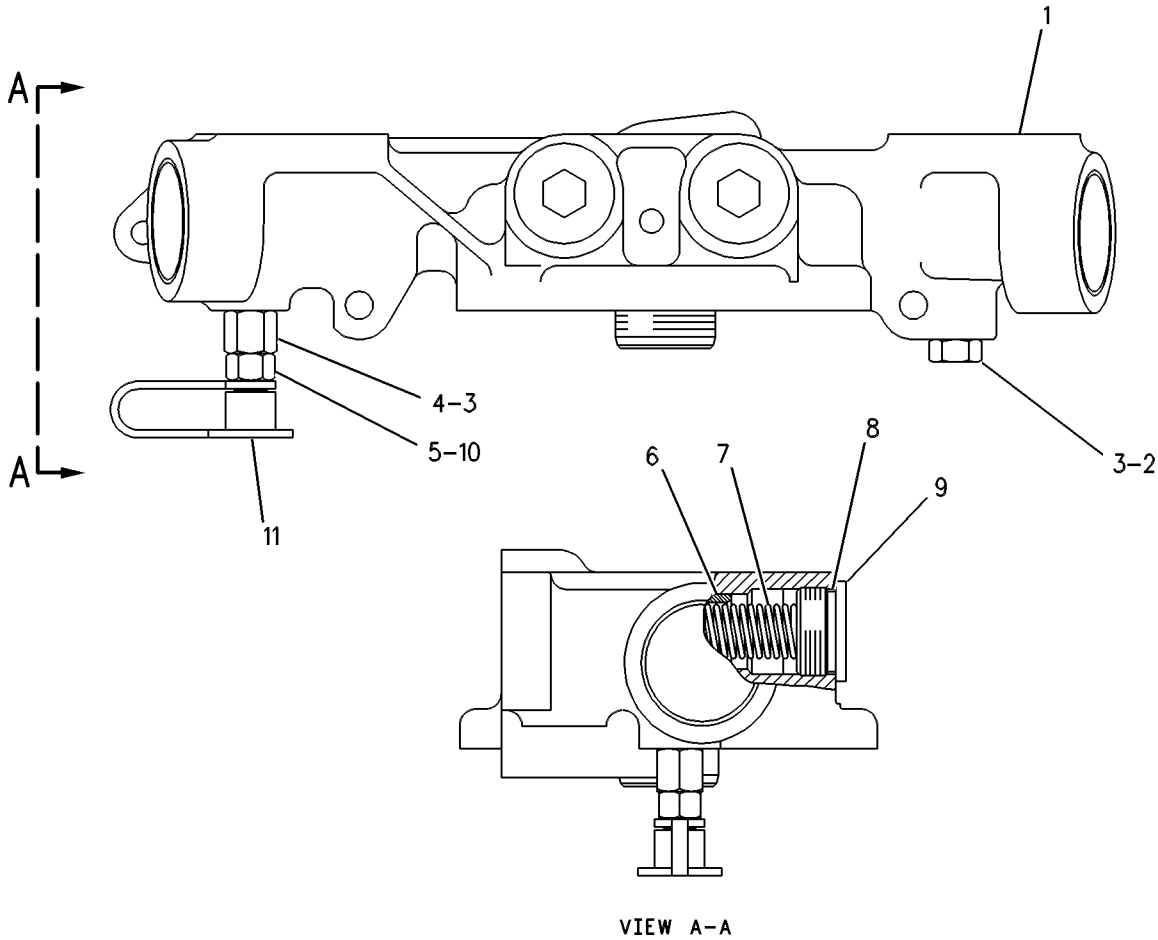
PART OF 154-4324, 155-5005, 209-6302 BASE GP-OIL FILTER
ALSO AN ATTACHMENT

SMCS-1306

i03603322

NOTE	REF NO	GRAPHIC REF	PART NUMBER	QTY	PART NAME						SEE PAGE
					1	2	3	4	5	6 (PRODUCT LEVEL)	
Y	1	1	176-1363	1	BASE GP-OIL FILTER (ENGINE)						364
	2	1	9S-4191	1	PLUG-O-RING						
	3	1	6V-5049	2	SEAL-O-RING						
	4	1	5P-9617	1	ADAPTER						
	5	1	8C-3446	1	VALVE-FLUID SAMPLING (ENGINE OIL)						
	6	1	1P-1367	2	PLUNGER						
	7	1	4N-8150	2	SPRING						
	8	1	5P-7701	2	SEAL-O-RING						
	9	1	9S-9334	2	PLUG-O-RING						
	10	1	3J-7354	1	SEAL-O-RING						
	11	1	8C-3445	1	CAP-DUST (ENGINE OIL FILTER)						

Y-SEPARATE ILLUSTRATION



GRAPHIC #1

<END>

g00445963

LUBRICATION SYSTEM

155-5005 BASE GP-OIL FILTER-ENGINE

S/N: 6TB18230-UP

PART OF 267-5201 FILTER & LINES GP-ENGINE OIL, 154-4326, 6I-1393 FILTER
GP-ENGINE OIL

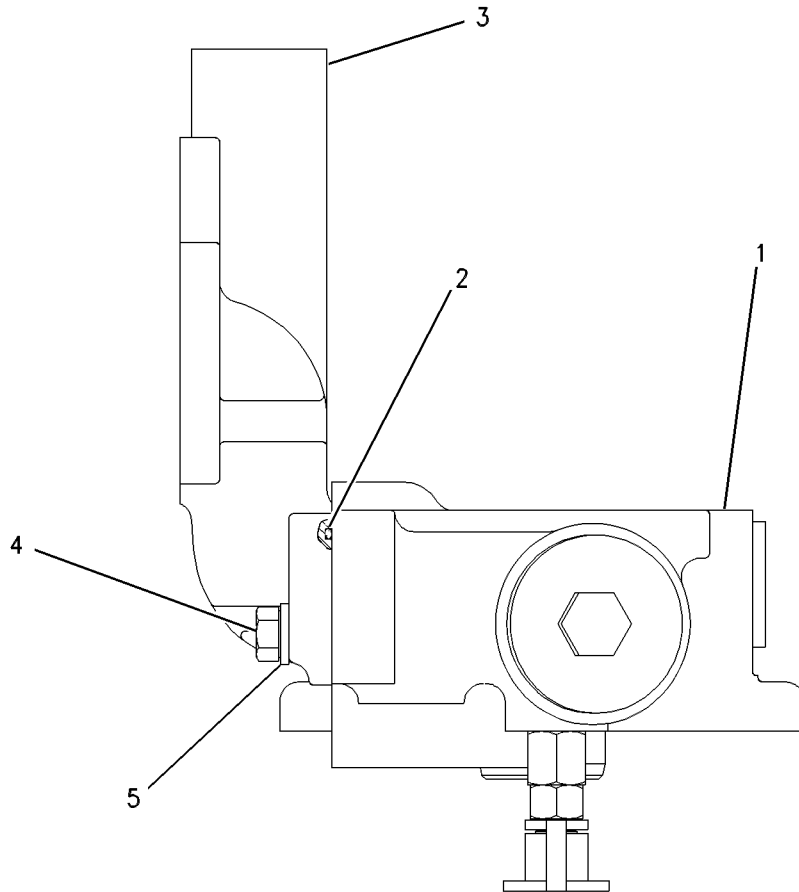
ALSO AN ATTACHMENT

SMCS-1306

i02711276

NOTE	REF NO	GRAPHIC REF	PART NUMBER	QTY	PART NAME						SEE PAGE
					1	2	3	4	5	6 (PRODUCT LEVEL)	
Y	1	1	154-4327	1	BASE GP-OIL FILTER (ENGINE)						362
	2	1	061-7540	2	SEAL-O-RING						
	3	1	153-6680	1	ELBOW						
	4	1	0S-1588	4	BOLT (3/8-16X1.25-IN)						
	5	1	5M-2894	4	WASHER-HARD (10.2X18.5X2.5-MM THK)						

Y-SEPARATE ILLUSTRATION



GRAPHIC #1

<END>

g00507738

LUBRICATION SYSTEM

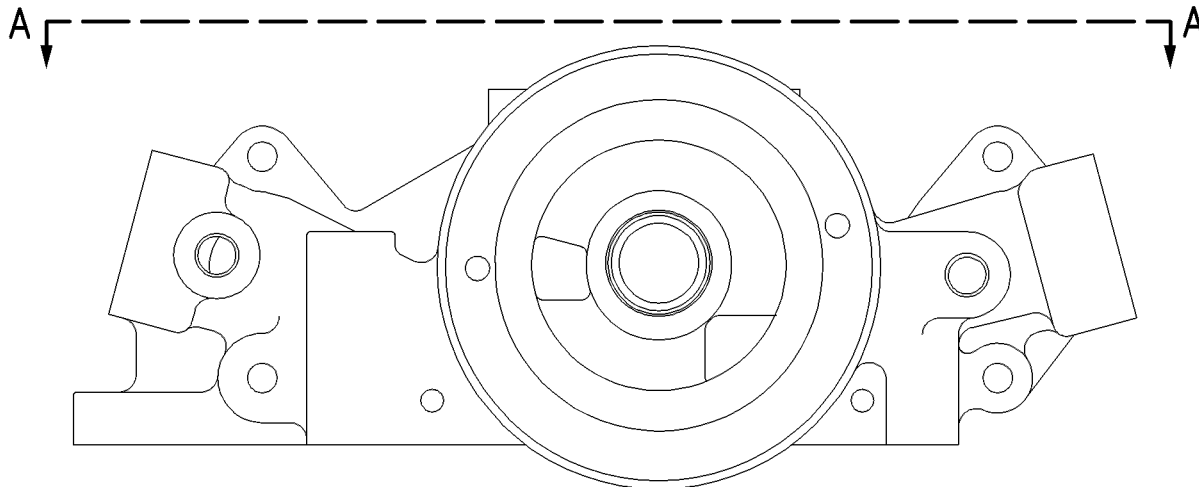
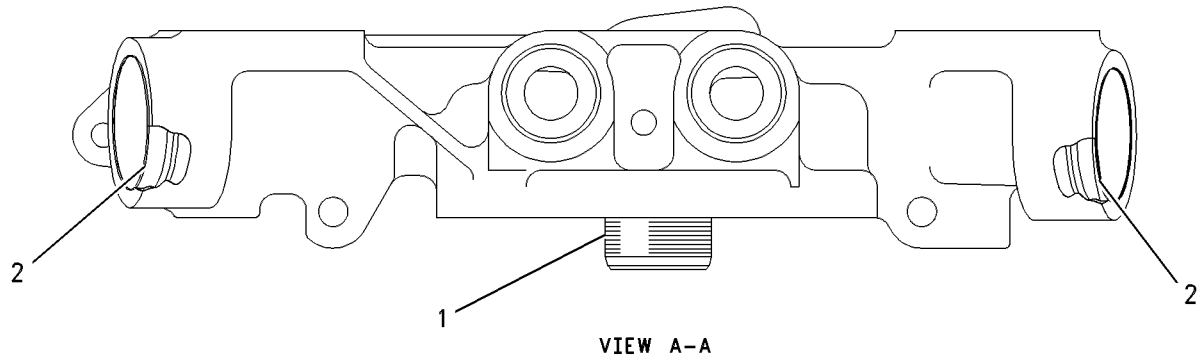
176-1363 BASE GP-OIL FILTER-ENGINE

PART OF 121-2471, 154-4327 BASE GP-OIL FILTER
ALSO AN ATTACHMENT

SMCS-1306

i02459914

NOTE	REF NO	GRAPHIC REF	PART NUMBER	QTY	PART NAME						SEE PAGE
					1	2	3	4	5	6 (PRODUCT LEVEL)	
	1	1	2P-4304	1	STUD-HOLLOW						
	2	1	9L-7657	2	PLUG-CUP						



GRAPHIC #1

<END>

g00638223

LUBRICATION SYSTEM

209-6302 BASE GP-OIL FILTER-ENGINE

S/N: 6TB20805-UP

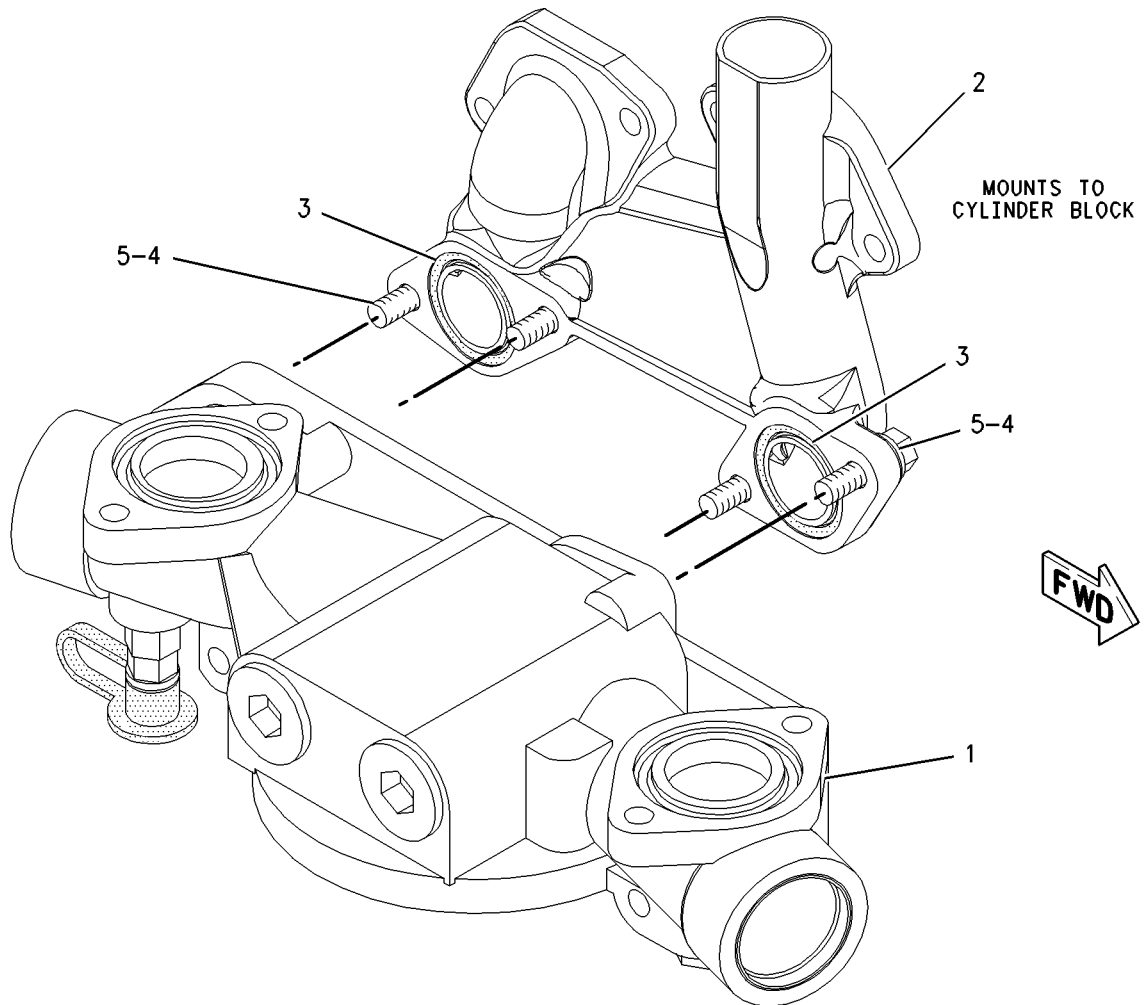
PART OF 209-5777 FILTER GP-ENGINE OIL

SMCS-1306

i01660197

NOTE	REF NO	GRAPHIC REF	PART NUMBER	QTY	PART NAME						SEE PAGE
					1	2	3	4	5	6 (PRODUCT LEVEL)	
Y	1	1	154-4327	1	BASE GP-OIL FILTER						362
	2	1	200-4246	1	ELBOW						
	3	1	061-7540	2	SEAL-O-RING						
	4	1	0S-1588	4	BOLT (3/8-16X1.25-IN)						
	5	1	5M-2894	4	WASHER-HARD (10.2X18.5X2.5-MM THK)						

Y-SEPARATE ILLUSTRATION



GRAPHIC #1

<END>

g00877113

LUBRICATION SYSTEM

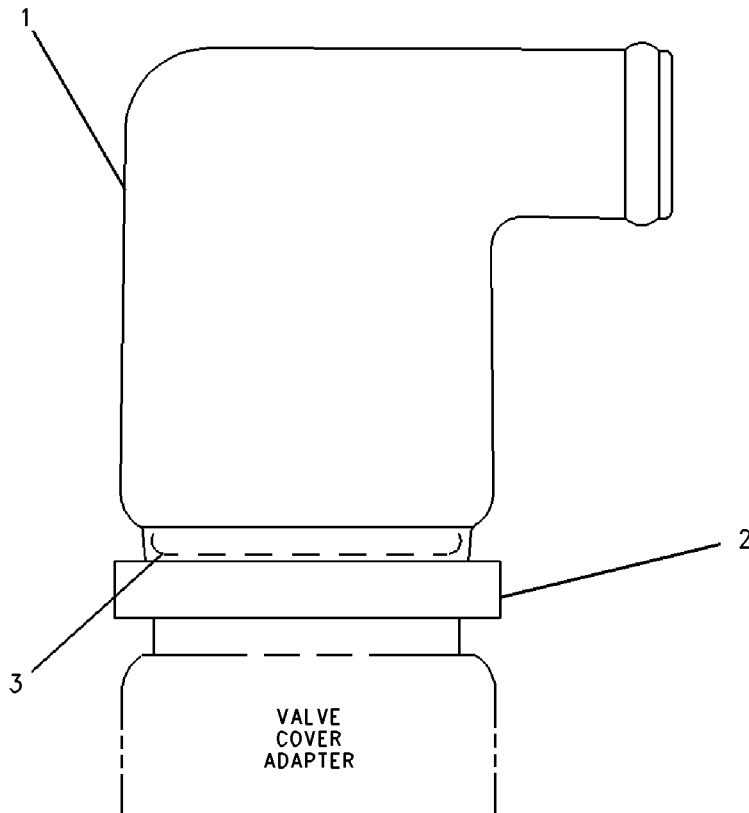
2N-8220 BREATHER GP-CRANKCASE FOR USE WITH FUMES DISPOSAL GROUPS

SMCS-1317

i04139129

NOTE	REF NO	GRAPHIC REF	PART NUMBER	QTY	PART NAME						SEE PAGE
					1	2	3	4	5	6 (PRODUCT LEVEL)	
C	1	1	9Y-2988	1	BREATHER AS (CRANKCASE)						
	2	1	2N-8109	1	CLAMP						
	3	1	6V-3831	1	SEAL-O-RING						

C-CHANGE FROM PREVIOUS TYPE



GRAPHIC #1

<END>

g00741467

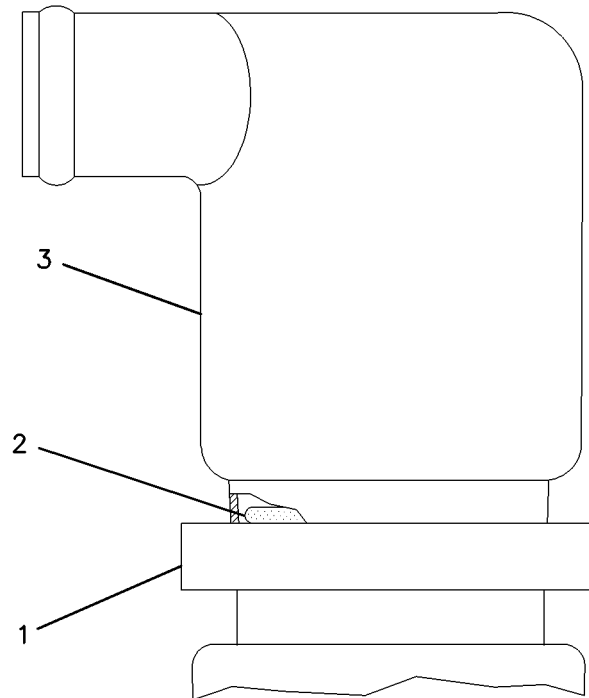
LUBRICATION SYSTEM

9Y-2989 BREATHER GP-CRANKCASE FOR USE WITH OPEN FUMES DISPOSAL AN ATTACHMENT

SMCS-1317

i03879989

NOTE	REF NO	GRAPHIC REF	PART NUMBER	QTY	PART NAME						SEE PAGE
					1	2	3	4	5	6 (PRODUCT LEVEL)	
	1	1	2N-8109	1	CLAMP						
	2	1	6V-3831	1	SEAL-O-RING						
	3	1	4N-4668	1	BREATHER AS (CRANKCASE)						



GRAPHIC #1

<END>

g00099372

LUBRICATION SYSTEM

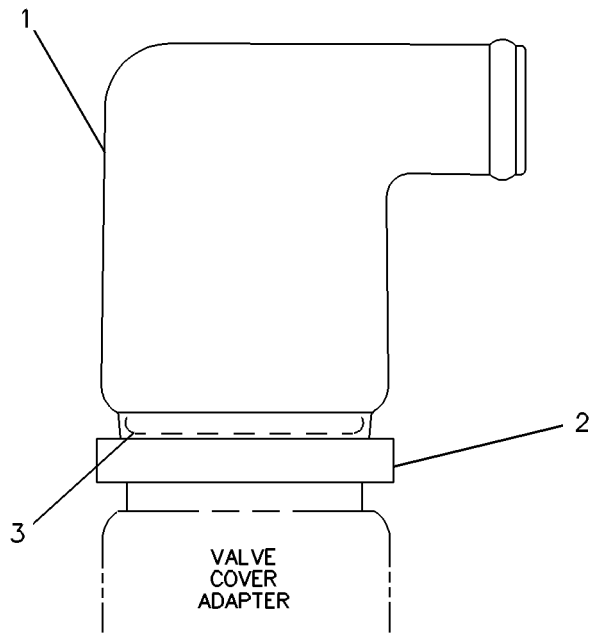
101-8517 BREATHER GP-CRANKCASE

S/N: 6TB11381-18566

SMCS-1317

i01658535

NOTE	REF NO	GRAPHIC REF	PART NUMBER	QTY	PART NAME						SEE PAGE
					1	2	3	4	5	6 (PRODUCT LEVEL)	
	1	1	101-8516	1	BREATHER AS (CRANKCASE)						
	2	1	2N-8109	1	CLAMP						
	3	1	4F-7390	1	SEAL-O-RING						



GRAPHIC #1

<END>

g00099929

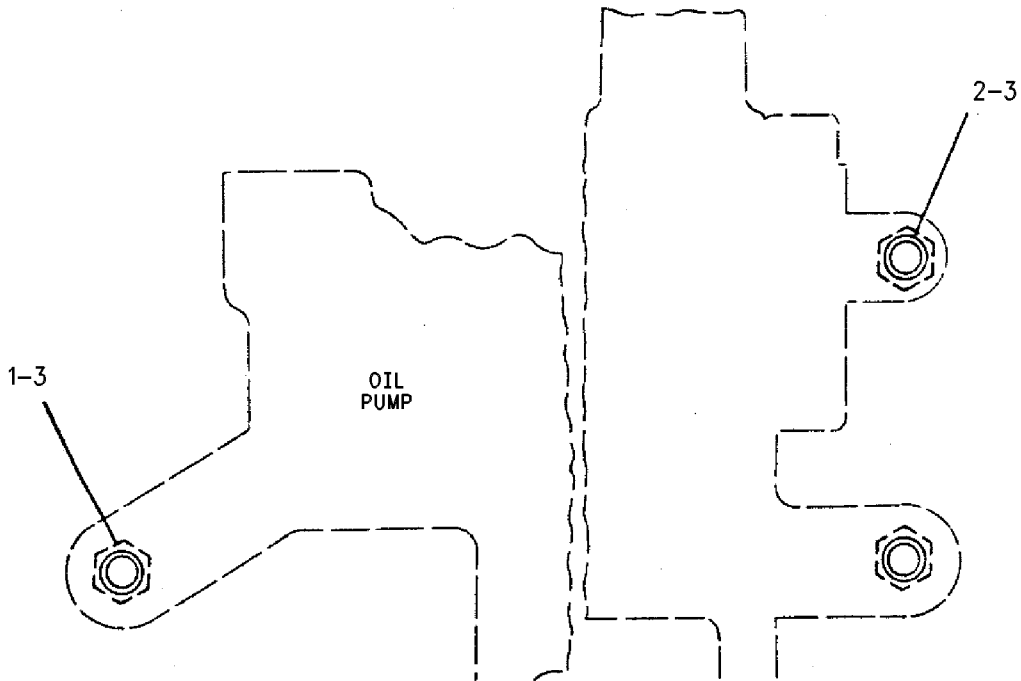
LUBRICATION SYSTEM

4N-2481 FASTENER GP-OIL PUMP MOUNTING-ENGINE

SMCS-1304

i02728826

NOTE	REF NO	GRAPHIC REF	PART NUMBER	QTY	PART NAME						SEE PAGE
					1	2	3	4	5	6 (PRODUCT LEVEL)	
	1	1	OL-1143	2	BOLT (3/8-16X2.5-IN)						
	2	1	OS-1590	1	BOLT (3/8-16X2-IN)						
	3	1	5M-2894	3	WASHER-HARD (10.2X18.5X2.5-MM THK)						



GRAPHIC #1

<END>

g00604525

LUBRICATION SYSTEM

2W-7201 FILLER GP-ENGINE OIL

LEFT HAND

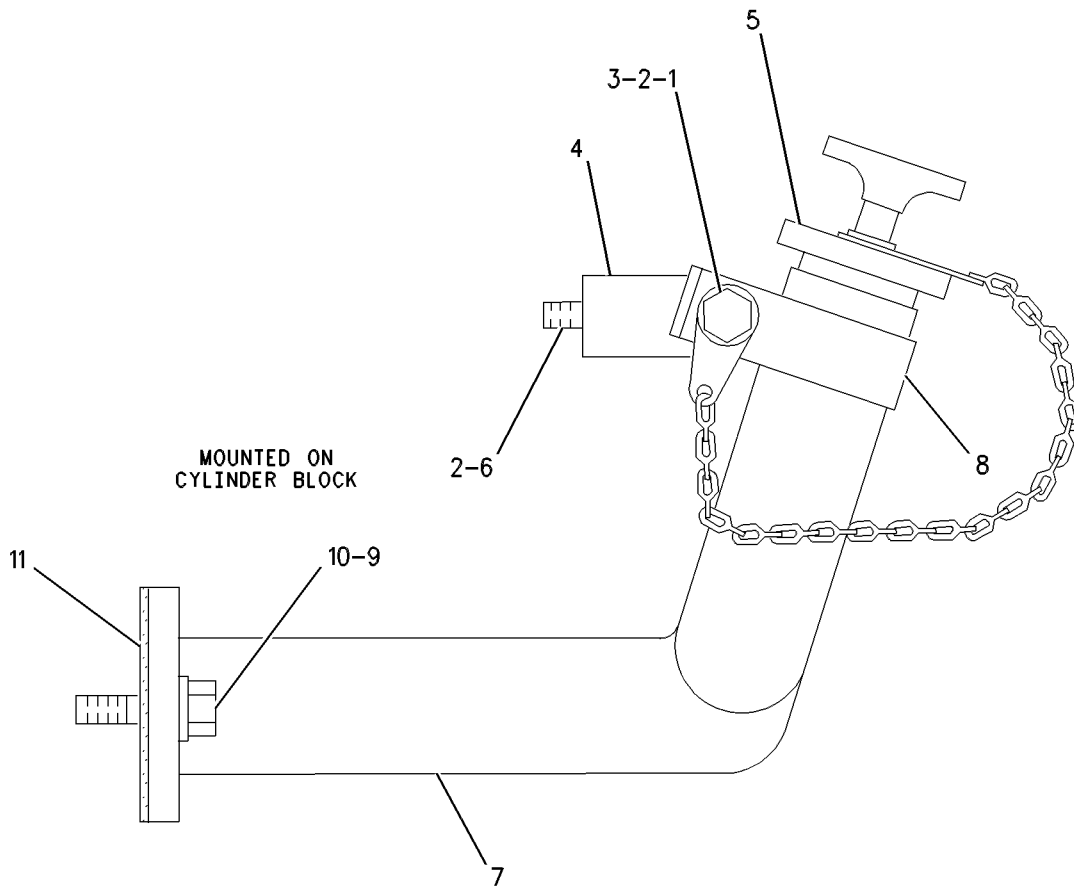
CANNOT BE USED WITH 5N-9337-PAGE 746

ALSO AN ATTACHMENT

SMCS-1316

i02400004

NOTE	REF NO	GRAPHIC REF	PART NUMBER	QTY	PART NAME						SEE PAGE
					1	2	3	4	5	6 (PRODUCT LEVEL)	
	1	1	1B-2790	1	BOLT (5/16-18X1.375-IN)						
	2	1	9M-1974	3	WASHER-HARD (8.8X16X2-MM THK)						
	3	1	5S-0003	1	NUT (5/16-18-THD)						
	4	1	9M-7228	1	BRACKET						
	5	1	6G-9333	1	CAP-FILLER (ENGINE OIL)						
	6	1	0S-1617	1	BOLT (5/16-18X0.75-IN)						
	7	1	2W-7203	1	TUBE AS-FILLER						
	8	1	8M-7581	1	CLAMP						
	9	1	0S-1594	2	BOLT (3/8-16X1-IN)						
	10	1	5M-2894	2	WASHER-HARD (10.2X18.5X2.5-MM THK)						
	11	1	7C-0307	1	GASKET						



GRAPHIC #1

<END>

g00605126

LUBRICATION SYSTEM

6N-1016 FILLER GP-ENGINE OIL

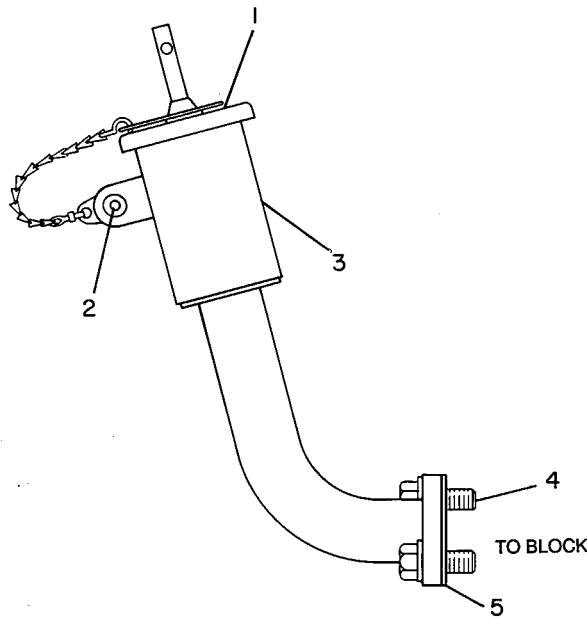
RIGHT HAND
ALSO AN ATTACHMENT

SMCS-1316

i02454083

NOTE	REF NO	GRAPHIC REF	PART NUMBER	QTY	PART NAME						SEE PAGE
					1	2	3	4	5	6 (PRODUCT LEVEL)	
C	1	1	6N-2985	1	CAP AS-FILLER (ENGINE OIL)						
	2	1	9M-5732	1	RIVET-POP						
	3	1	6N-1015	1	FILLER AS (ENGINE OIL)						
	4	1	1A-2029	2	BOLT (3/8-16X1.125-IN)						
			1	5M-2894	2	WASHER-HARD (10.2X18.5X2.5-MM THK)					
C	5	1	4N-0699	1	GASKET						

C-CHANGE FROM PREVIOUS TYPE



GRAPHIC #1

<END>

g00138983

LUBRICATION SYSTEM

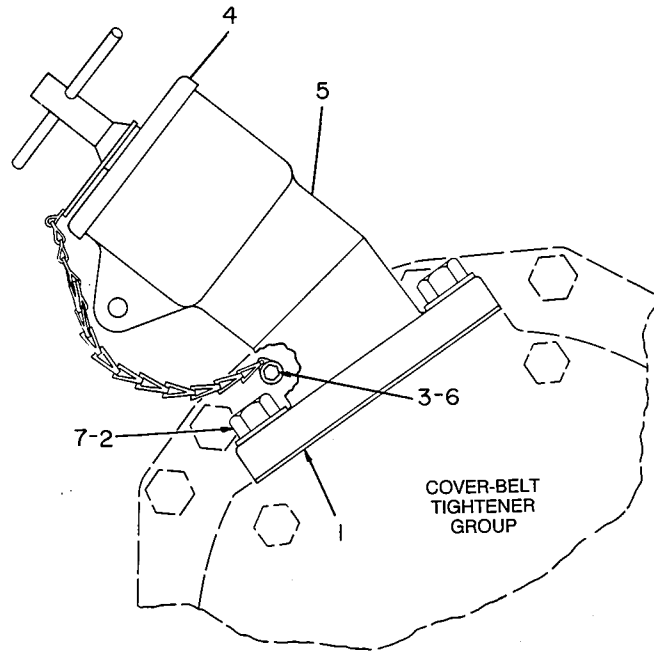
7N-6822 FILLER GP-ENGINE OIL

RH-FRONT
FOR USE WITH BELT TIGHTENER
AN ATTACHMENT

SMCS-1316

i01787407

NOTE	REF NO	GRAPHIC REF	PART NUMBER	QTY	PART NAME						SEE PAGE
					1	2	3	4	5	6 (PRODUCT LEVEL)	
	1	1	2P-2720	1	GASKET						
	2	1	1A-2029	2	BOLT (3/8-16X1.125-IN)						
	3	1	0S-1613	1	BOLT (1/4-20X0.375-IN)						
	4	1	6N-2985	1	CAP AS-FILLER (ENGINE OIL)						
	5	1	2P-2719	1	PIPE-OIL FILLER						
	6	1	5P-0537	1	WASHER-HARD (7.2X14.5X2-MM THK)						
	7	1	5M-2894	2	WASHER-HARD (10.2X18.5X2.5-MM THK)						



GRAPHIC #1

<END>

g00136529

LUBRICATION SYSTEM

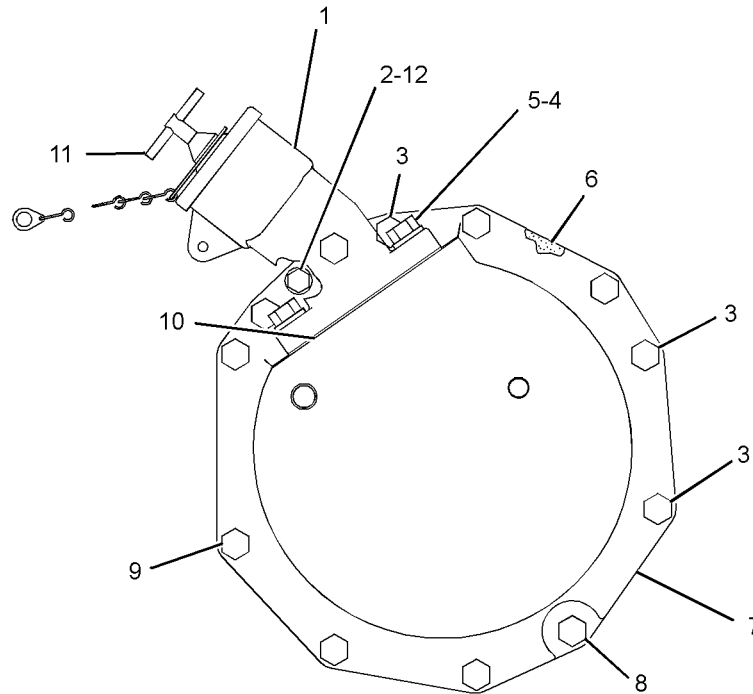
7N-8488 FILLER GP-ENGINE OIL

FRONT-RH
FOR USE WITH BELT TIGHTENER
AN ATTACHMENT

SMCS-1316

i03547312

NOTE	REF NO	GRAPHIC REF	PART NUMBER	QTY	PART NAME						SEE PAGE
					1	2	3	4	5	6 (PRODUCT LEVEL)	
	1	1	2P-2719	1	PIPE-OIL FILLER						
	2	1	0S-1613	1	BOLT (1/4-20X0.375-IN)						
	3	1	0S-1594	4	BOLT (3/8-16X1-IN)						
	4	1	5M-2894	2	WASHER-HARD (10.2X18.5X2.5-MM THK)						
	5	1	1A-2029	2	BOLT (3/8-16X1.125-IN)						
	6	1	7W-5733	1	GASKET						
	7	1	7N-6821	1	COVER						
	8	1	0L-1351	1	BOLT (3/8-16X0.875-IN)						
	9	1	1A-5964	7	BOLT (3/8-16X4.5-IN)						
	10	1	2P-2720	1	GASKET						
	11	1	6N-2985	1	CAP AS-FILLER (ENGINE OIL)						
	12	1	5P-0537	1	WASHER-HARD (7.2X14.5X2-MM THK)						



GRAPHIC #1

<END>

g01942968

LUBRICATION SYSTEM

267-5201 FILTER & LINES GP-ENGINE OIL

FOR USE WITH MARINE GENSET ENGINE
AN ATTACHMENT

SMCS-1306, 1307, 1308

i03666421

NOTE	REF NO	GRAPHIC REF	PART NUMBER	QTY	PART NAME 1 2 3 4 5 6 (PRODUCT LEVEL)	SEE PAGE
	1	1	1B-8704	2	KEY-WOODRUFF	
	2	1	1R-1808	2	FILTER-ENGINE OIL (ADVANCED EFFICIENCY)	
	3	1	2N-0178	1	PANEL	
	4	1	2N-0179	1	COVER-PANEL	
	5	1	2N-5848	1	BASE AS	
	6	2	2P-3760	2	GASKET	
	7	2	2P-3761	2	COVER	
	8	1	2P-4301	2	BASE AS (OIL FILTER) (EACH INCLUDES)	
		1	2P-4304	1	STUD-HOLLOW	
	9	1,2	2P-4305	4	GASKET	
	10	2	2W-3681	2	INDICATOR AS (ENGINE OIL PRESSURE)	
I	11	2	3N-4622	2	HOSE AS	
	12	1	4H-9756	1	LEVER-RELEASE CONTROL	
	13	1	4N-7082	2	SHIELD-OIL FILTER	
	14	2	4N-8150	2	SPRING	
	16	1	6N-0824	2	GASKET	
	17	1	6N-1258	1	HOUSING	
	18	1	6N-1259	1	POINTER	
	19	2	6N-7420	1	COVER AS	
	20	1	7N-0911	1	VALVE AS	
			3F-9190	1	PIN	
	21	1	7N-0914	1	DETENT AS	
		1	6J-8356	2	SPRING	
		1	6N-4204	2	PIN	
		1	6N-4205	1	PLATE	
		1	7N-0913	1	RING	
		1	8F-8833	1	PIN	
	22	2	7W-2731	2	RETAINER	
	23	2	9M-0853	2	PLUNGER-VALVE	
Y	24	2	<i>155-5005</i>	1	BASE GP-OIL FILTER (ENGINE)	363
	25	1	208-5033	1	COVER	
	26	2	208-5034	1	ADAPTER	
I	27	2	241-8167	1	HOSE AS	
	28	1	243-3384	1	BRACKET	
	29	1	243-3386	2	COVER AS (EACH INCLUDES)	
		1	7J-5225	1	FITTING (1-1/16-12-THD)	
	30	2	256-0811	1	ADAPTER	
	31	2	257-9878	1	CONNECTOR	
	32	2	267-5195	1	BRACKET	
	33	2	267-5196	1	BRACKET AS	
	34	1	267-5197	1	TUBE AS	
	35	1	267-5198	1	TUBE AS	
	36	1	267-5199	1	TUBE AS	
	37	2	267-5200	1	TUBE AS	
	38	2	061-8639	1	SEAL-O-RING	
	39	2	061-9593	1	BUSHING-REDUCER	
	40	2	0L-2070	2	BOLT (3/8-16X2.25-IN)	
	41	2	0S-1571	7	BOLT (3/8-16X1.75-IN)	
	42	2	0S-1591	3	BOLT (3/8-16X1.5-IN)	
	43	1,2	0S-1594	6	BOLT (3/8-16X1-IN)	
	44	1,2	0S-1608	4	BOLT (3/8-16X3.75-IN)	
	45	2	0S-1618	1	BOLT (5/16-18X1-IN)	
	46	1	0S-1619	2	BOLT (3/8-16X3-IN)	
	47	1	106-9586	2	SEAL-O-RING	

LUBRICATION SYSTEM

267-5201 FILTER & LINES GP-ENGINE OIL (contd.)

i03666421

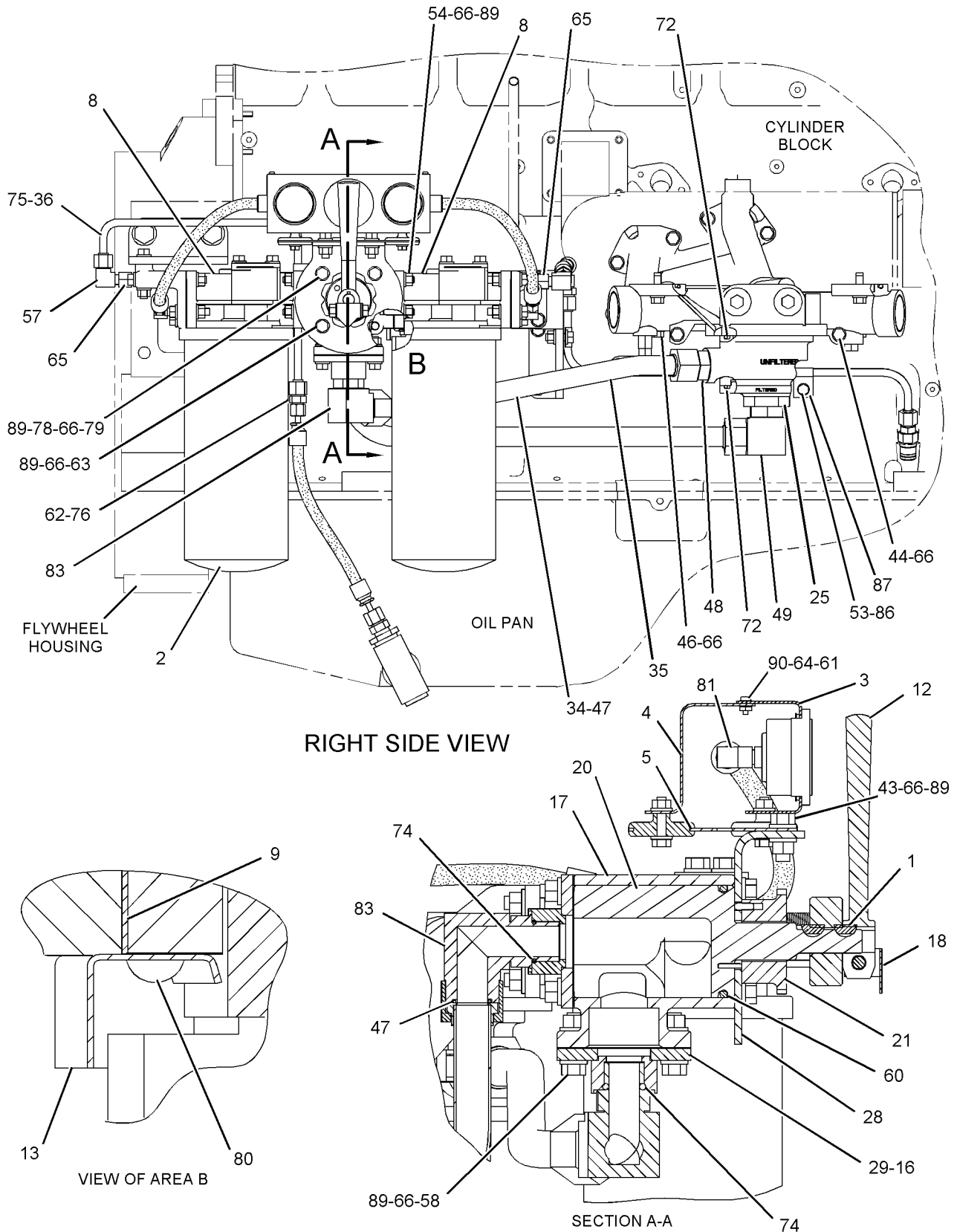
NOTE	REF NO	GRAPHIC REF	PART NUMBER	QTY	PART NAME						SEE PAGE
					1	2	3	4	5	6 (PRODUCT LEVEL)	
	48	1	148-8335	1	CONNECTOR AS						
		1	5K-9090	1	SEAL-O-RING						
		1	6V-8635	1	CONNECTOR						
		1	7M-8485	1	SEAL-O-RING						
	49	1	148-8357	1	ELBOW AS						
		1	5K-9090	1	SEAL-O-RING						
		1	6V-9008	1	ELBOW						
		1	7M-8485	1	SEAL-O-RING						
I	50	2	150-4441	1	HOSE AS						
	51	2	1A-2029	7	BOLT (3/8-16X1.125-IN)						
	52	2	1L-6561	1	PLUG						
	53	1	2H-3755	1	BOLT (5/16-18X0.43-IN)						
	54	1	2M-1538	8	STUD-TAPERLOCK (3/8-16X1.6-IN)						
	55	2	2N-1287	1	ELBOW-FLARED						
	56	2	2P-1306	1	TEE						
	57	1,2	2T-2305	2	ELBOW						
	58	1	3B-1915	4	BOLT (3/8-16X1.375-IN)						
	59	2	3P-0650	2	SEAL-O-RING						
	60	1	3P-0656	1	SEAL-O-RING						
	61	1	4B-2041	2	NUT (6-32-THD)						
	62	1	4J-5477	2	SEAL-O-RING						
	63	1	5F-4899	3	BOLT (3/8-16X5.5-IN)						
	64	1	5H-6555	4	LOCKWASHER						
	65	1	5H-8936	2	ADAPTER						
	66	1,2	5M-2894	71	WASHER-HARD (10.2X18.5X2.5-MM THK)						
	67	2	5P-0537	6	WASHER-HARD (7.2X14.5X2-MM THK)						
	68	2	5P-4479	1	ELBOW (FLARED-LONG)						
	69	2	5P-8247	2	WASHER-HARD (17X32X3.5-MM THK)						
	70	2	6N-7421	1	COVER AS						
	71	2	6V-3507	2	SEAL-RECTANGULAR						
	72	1	6V-3908	2	SEAL-O-RING						
	73	2	6V-5048	1	SEAL-O-RING						
	74	1	6V-5050	2	SEAL-O-RING						
	75	1,2	6V-8397	6	SEAL-O-RING						
	76	1	6V-8736	2	UNION						
	77	2	6V-9872	1	CONNECTOR						
	78	1,2	7B-1597	2	CLIP						
	79	1	7F-3425	1	BOLT (3/8-16X5.75-IN)						
	80	1	7F-9090	4	SCREW-DRIVE (NO 8X03/8-IN)						
	81	1	8B-4884	2	ELBOW						
	82	2	8C-5230	2	SEAL-O-RING						
	83	1	8T-6684	2	ELBOW						
	84	2	8T-6761	1	PLUG-PIPE						
	85	2	9F-6580	3	BOLT (1/4-20X1.125-IN)						
	86	1,2	9M-1974	2	WASHER-HARD (8.8X16X2-MM THK)						
	87	1	9S-4200	1	CLIP						
	88	2	9S-8750	3	NUT-FULL (1/4-20-THD)						
	89	1,2	9S-8752	32	NUT-FULL (3/8-16-THD)						
	90	1	9X-6259	2	SCREW-MACHINE (6-32X0.375-IN)						
	91	2	9X-8881	2	BOLT (5/8-11X2.25-IN)						

I-REFER TO HYDRAULIC INFORMATION SYSTEM
Y-SEPARATE ILLUSTRATION

LUBRICATION SYSTEM

267-5201 FILTER & LINES GP-ENGINE OIL (contd.)

i03666421



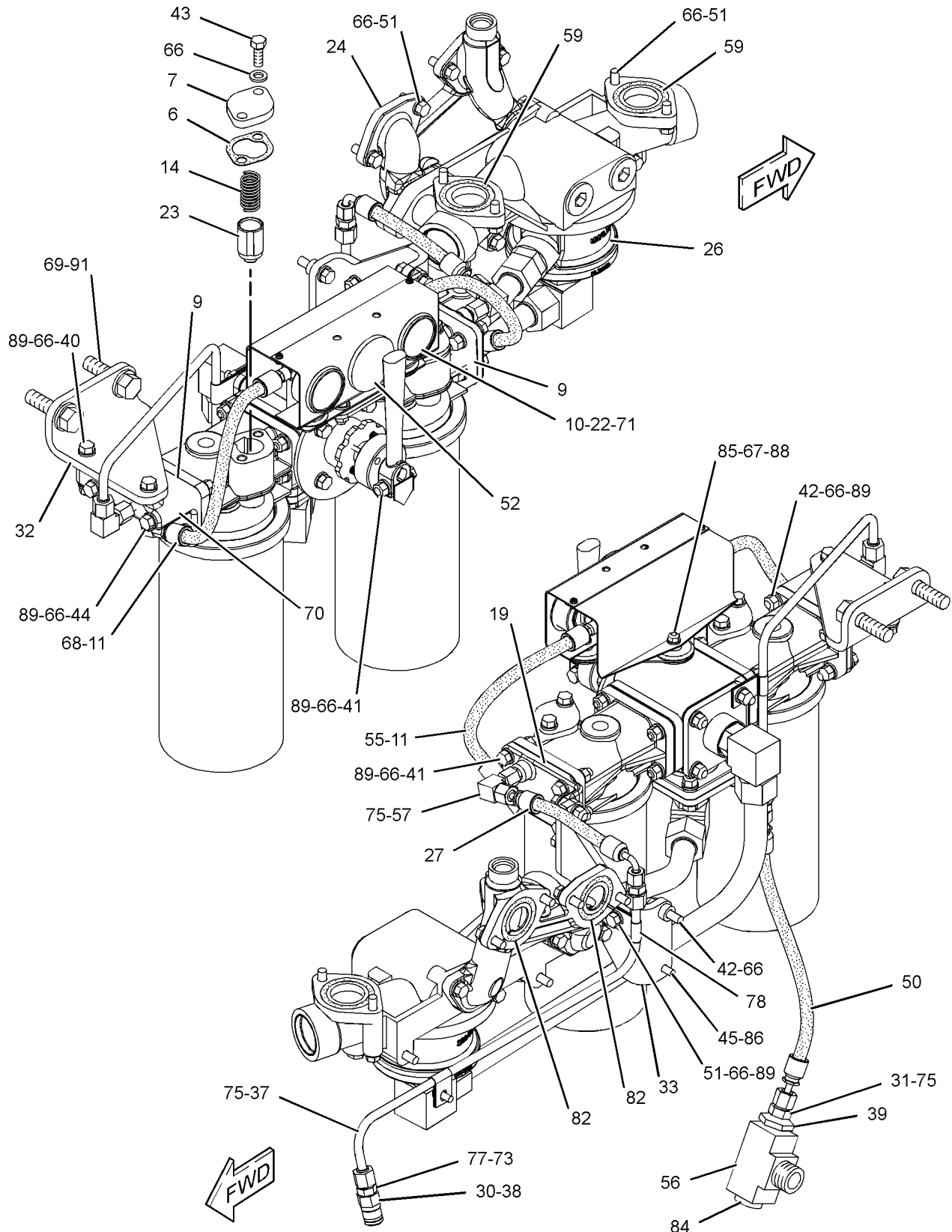
GRAPHIC #1

g01197451

LUBRICATION SYSTEM

267-5201 FILTER & LINES GP-ENGINE OIL (contd.)

i03666421



GRAPHIC #2

<END>

g01197452

LUBRICATION SYSTEM

4N-0731 FILTER GP-ENGINE OIL

S/N: 6TB9857-13197

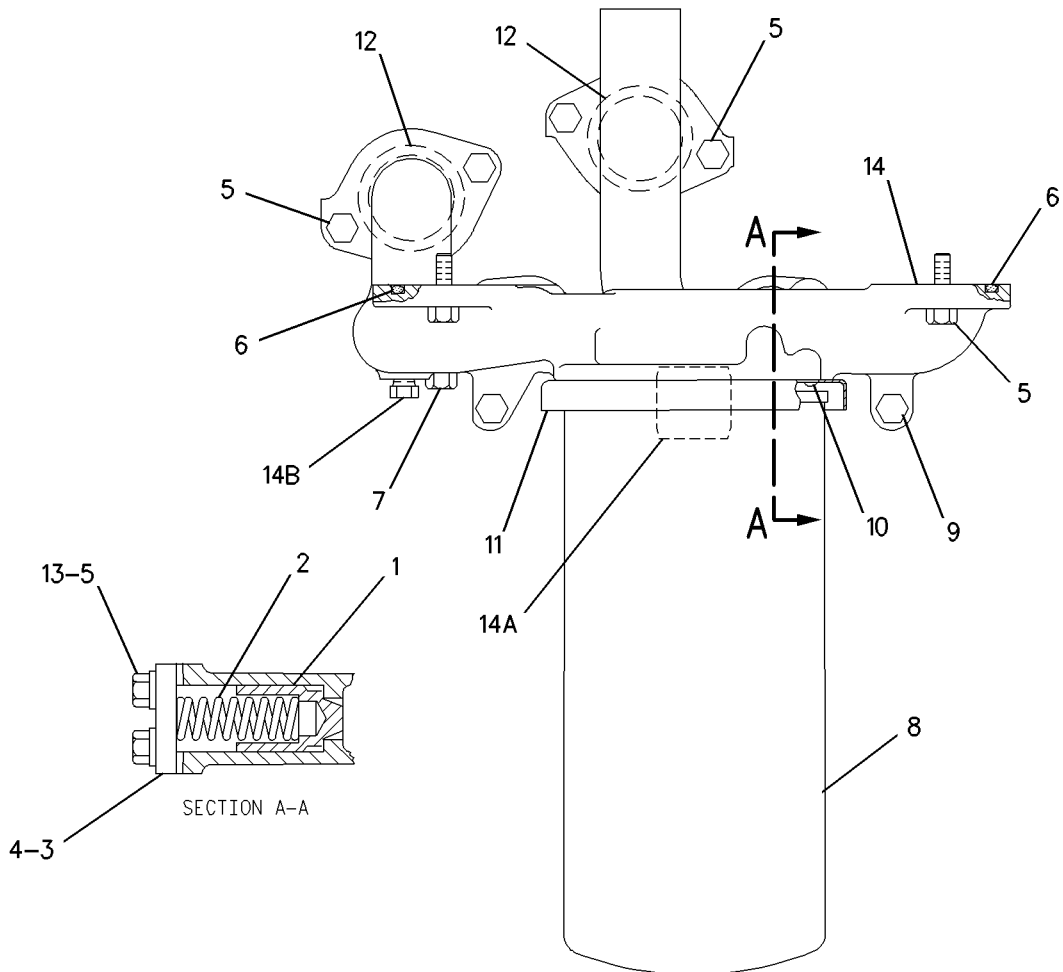
PART OF 6I-1393 FILTER GP-ENGINE OIL
ALSO AN ATTACHMENT

SMCS-1306, 1308

i02305965

NOTE	REF NO	GRAPHIC REF	PART NUMBER	QTY	PART NAME						SEE PAGE
					1	2	3	4	5	6 (PRODUCT LEVEL)	
	1	1	9M-0853	2	PLUNGER-VALVE						
C	2	1	4N-8150	2	SPRING						
	3	1	2P-3761	2	COVER						
C	4	1	2P-3760	2	GASKET						
	5	1	0S-1594	11	BOLT (3/8-16X1-IN)						
C	6	1	3P-0650	2	SEAL-O-RING						
	7	1	0L-2070	1	BOLT (3/8-16X2.25-IN)						
	8	1	1R-0716	1	FILTER AS-ENGINE OIL (STANDARD EFFICIENCY)						
	9	1	0T-0065	2	BOLT (3/8-16X3.5-IN)						
C	10	1	4B-4161	4	SCREW-DRIVE (NO 6X3/8-IN)						
	11	1	4N-6276	1	SHIELD						
	12	1	2S-2251	2	SEAL-O-RING						
	13	1	5M-2894	4	WASHER-HARD (10.2X18.5X2.5-MM THK)						
C	14	1	7N-3451	1	BASE AS-OIL FILTER (ENGINE)						
	14A	1	2P-4304	1	STUD-HOLLOW						
	14B	1	5M-6213	2	PLUG-PIPE						

C-CHANGE FROM PREVIOUS TYPE



GRAPHIC #1

<END>

g00819845

LUBRICATION SYSTEM

4N-0731 FILTER GP-ENGINE OIL

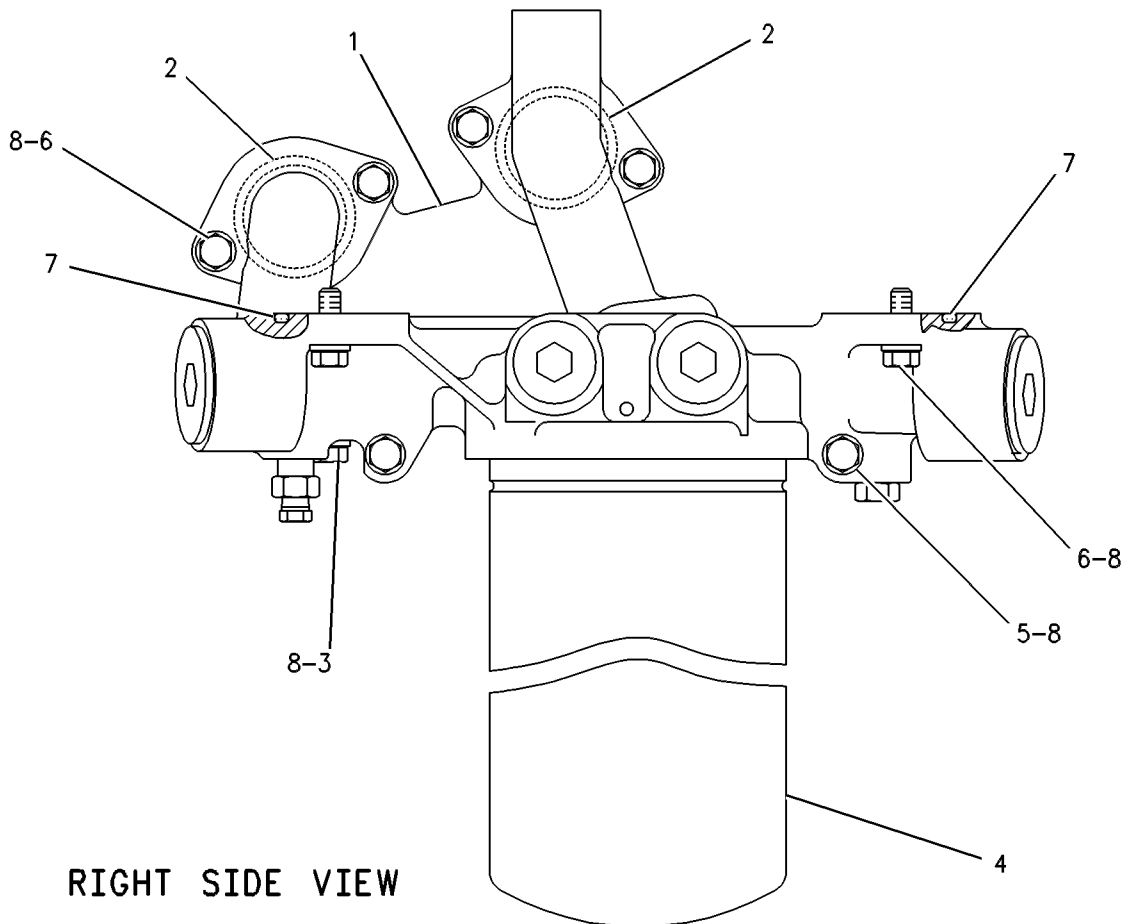
S/N: 6TB13198-17908

SMCS-1306, 1308

i01380705

NOTE	REF NO	GRAPHIC REF	PART NUMBER	QTY	PART NAME						SEE PAGE
					1	2	3	4	5	6 (PRODUCT LEVEL)	
CY	1	1	121-2472	1	FILTER GP-ENGINE OIL						396
C	2	1	8C-5230	2	SEAL-O-RING						
C	3	1	0S-1619	2	BOLT (3/8-16X3-IN)						
	4	1	1R-0716	1	FILTER AS-ENGINE OIL (STANDARD EFFICIENCY)						
C	5	1	0S-1608	2	BOLT (3/8-16X3.75-IN)						
C	6	1	1A-2029	6	BOLT (3/8-16X1.125-IN)						
	7	1	3P-0650	2	SEAL-O-RING						
C	8	1	5M-2894	10	WASHER-HARD (10.2X18.5X2.5-MM THK)						

C-CHANGE FROM PREVIOUS TYPE
Y-SEPARATE ILLUSTRATION



RIGHT SIDE VIEW

GRAPHIC #1

<END>

g00251834

LUBRICATION SYSTEM

6I-1393 FILTER GP-ENGINE OIL

PROVIDES REMOTE MOUNTED FILTER
AN ATTACHMENT
TYPE 1

SMCS-1306, 1308

i02797440

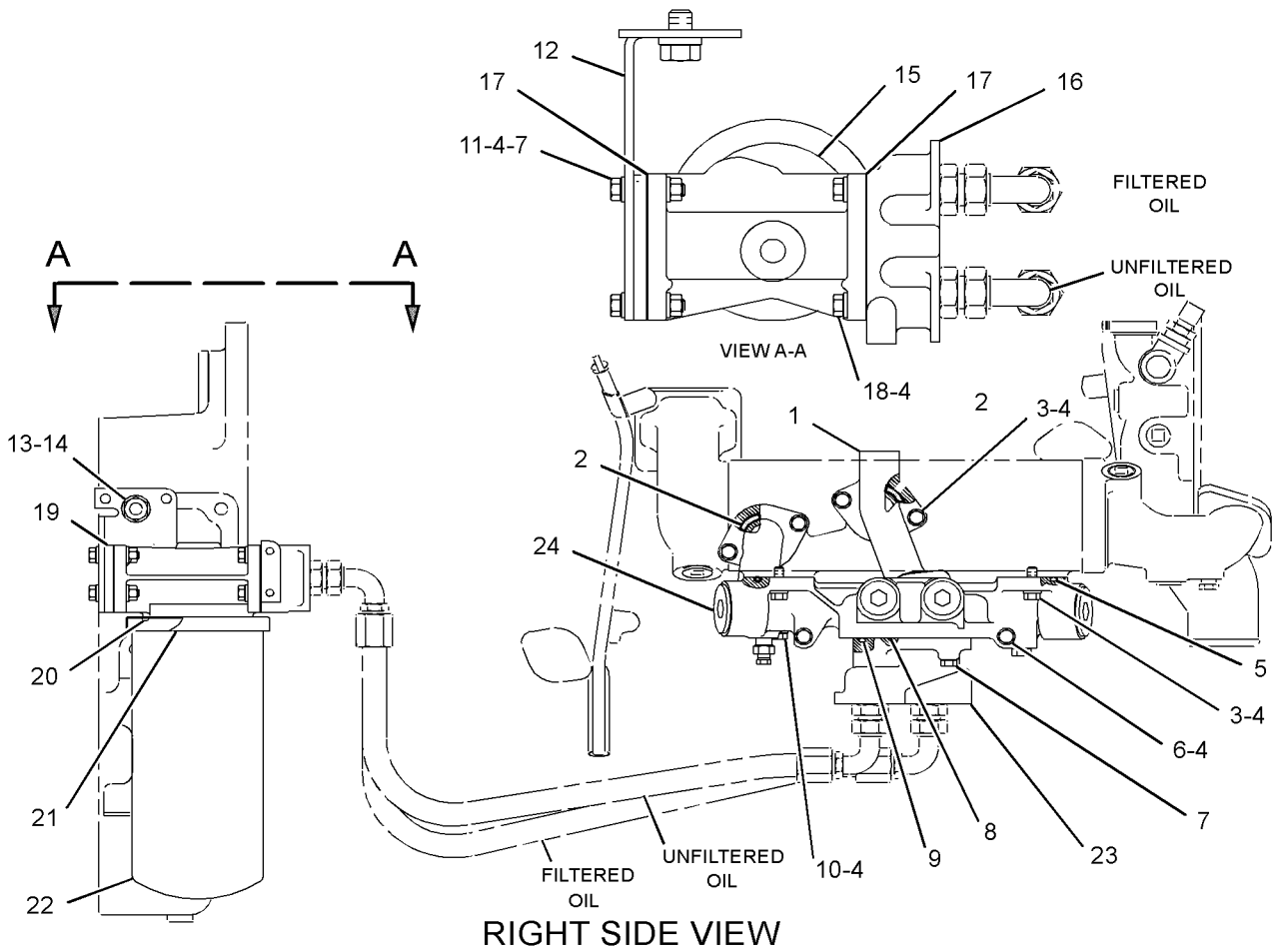
NOTE	REF NO	GRAPHIC REF	PART NUMBER	QTY	PART NAME	SEE PAGE
					1 2 3 4 5 6 (PRODUCT LEVEL)	
Y	1	1	110-9159	1	FILTER GP-ENGINE OIL	395
	2	1	2S-2251	2	SEAL-O-RING	
	3	1	1A-2029	7	BOLT (3/8-16X1.125-IN)	
	4	1	5M-2894	22	WASHER-HARD (10.2X18.5X2.5-MM THK)	
	5	1	3P-0650	2	SEAL-O-RING	
	6	1	0S-1608	2	BOLT (3/8-16X3.75-IN)	
	7	1	0S-1571	6	BOLT (3/8-16X1.75-IN)	
	8	1	3P-1979	1	SEAL-O-RING	
	9	1	4H-3243	1	SEAL-O-RING	
	10	1	0S-1619	1	BOLT (3/8-16X3-IN)	
	11	1	9S-8752	4	NUT-FULL (3/8-16-THD)	
	12	1	7W-2114	1	BRACKET	
	13	1	4D-3704	2	WASHER-HARD (17X30X5-MM THK)	
	14	1	0S-1624	2	BOLT (5/8-11X1-IN)	
	15	1	2P-4303	1	BASE AS-OIL FILTER	
		1	2P-4304	1	STUD-HOLLOW	
	16	1	9N-0477	1	ADAPTER-OIL FILTER	
	17	1	2P-4305	2	GASKET	
	18	1	0S-1588	4	BOLT (3/8-16X1.25-IN)	
	19	1	9L-5717	1	COVER-BASE	
	20	1	7F-9090	2	SCREW-DRIVE (NO 8X03/8-IN)	
	21	1	4N-7082	1	SHIELD-OIL FILTER	
	22	1	1R-0716	1	FILTER AS-ENGINE OIL (STANDARD EFFICIENCY)	
	23	1	4N-2211	1	ADAPTER	
Y	24	1	4N-0731	1	FILTER GP-ENGINE OIL	378

Y-SEPARATE ILLUSTRATION

LUBRICATION SYSTEM

6I-1393 FILTER GP-ENGINE OIL (contd.)

i02797440



GRAPHIC #1

<END>

g01398167

LUBRICATION SYSTEM

6I-1393 FILTER GP-ENGINE OIL

PROVIDES REMOTE MOUNTED FILTER
AN ATTACHMENT
TYPE 2

SMCS-1306, 1308

i02797968

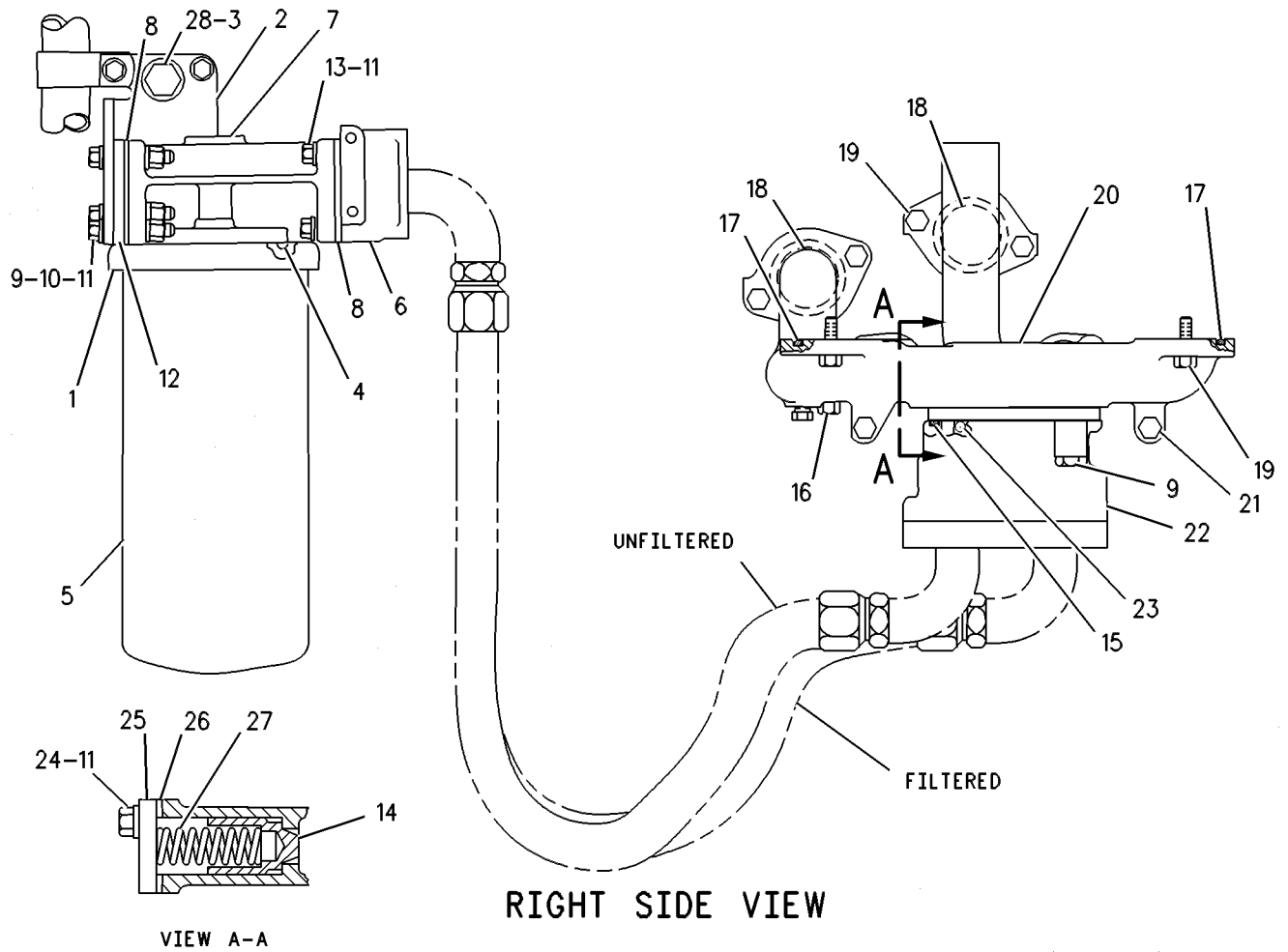
NOTE	REF NO	GRAPHIC REF	PART NUMBER	QTY	PART NAME						SEE PAGE
					1	2	3	4	5	6 (PRODUCT LEVEL)	
	1	1	4N-7082	1	SHIELD-OIL FILTER						
	2	1	7W-2114	1	BRACKET						
	3	1	4D-3704	2	WASHER-HARD (17X30X5-MM THK)						
	4	1	7F-9090	2	SCREW-DRIVE (NO 8X03/8-IN)						
	5	1	1R-0716	1	FILTER AS-ENGINE OIL (STANDARD EFFICIENCY)						
	6	1	9N-0477	1	ADAPTER-OIL FILTER						
	7	1	2P-4303	1	BASE AS-OIL FILTER						
		1	2P-4304	1	STUD-HOLLOW						
	8	1	2P-4305	2	GASKET						
	9	1	0S-1571	6	BOLT (3/8-16X1.75-IN)						
	10	1	9S-8752	4	NUT-FULL (3/8-16-THD)						
	11	1	5M-2894	16	WASHER-HARD (10.2X18.5X2.5-MM THK)						
	12	1	9L-5717	1	COVER-BASE						
	13	1	0S-1588	4	BOLT (3/8-16X1.25-IN)						
C	14	1	9M-0853	2	PLUNGER-VALVE						
	15	1	4H-3243	1	SEAL-O-RING						
C	16	1	0L-2070	1	BOLT (3/8-16X2.25-IN)						
	17	1	3P-0650	2	SEAL-O-RING						
	18	1	2S-2251	2	SEAL-O-RING						
C	19	1	0S-1594	7	BOLT (3/8-16X1-IN)						
C	20	1	7N-3451	1	BASE AS-OIL FILTER						
		1	2P-4304	1	STUD-HOLLOW						
		1	5M-6213	1	PLUG-PIPE (PIPE)						
C	21	1	0T-0065	2	BOLT (3/8-16X3.5-IN)						
	22	1	4N-2211	1	ADAPTER						
	23	1	3P-1979	1	SEAL-O-RING						
	24	1	1A-2029	4	BOLT (3/8-16X1.125-IN)						
C	25	1	2P-3761	2	COVER						
C	26	1	2P-3760	2	GASKET						
C	27	1	4N-8150	2	SPRING						
	28	1	0S-1624	2	BOLT (5/8-11X1-IN)						

C-CHANGE FROM PREVIOUS TYPE

LUBRICATION SYSTEM

6I-1393 FILTER GP-ENGINE OIL (contd.)

i02797968



GRAPHIC #1

<END>

g00258700

LUBRICATION SYSTEM

6I-1393 FILTER GP-ENGINE OIL

PROVIDES REMOTE MOUNTED FILTER
AN ATTACHMENT
TYPE 3

SMCS-1306, 1308

i01439120

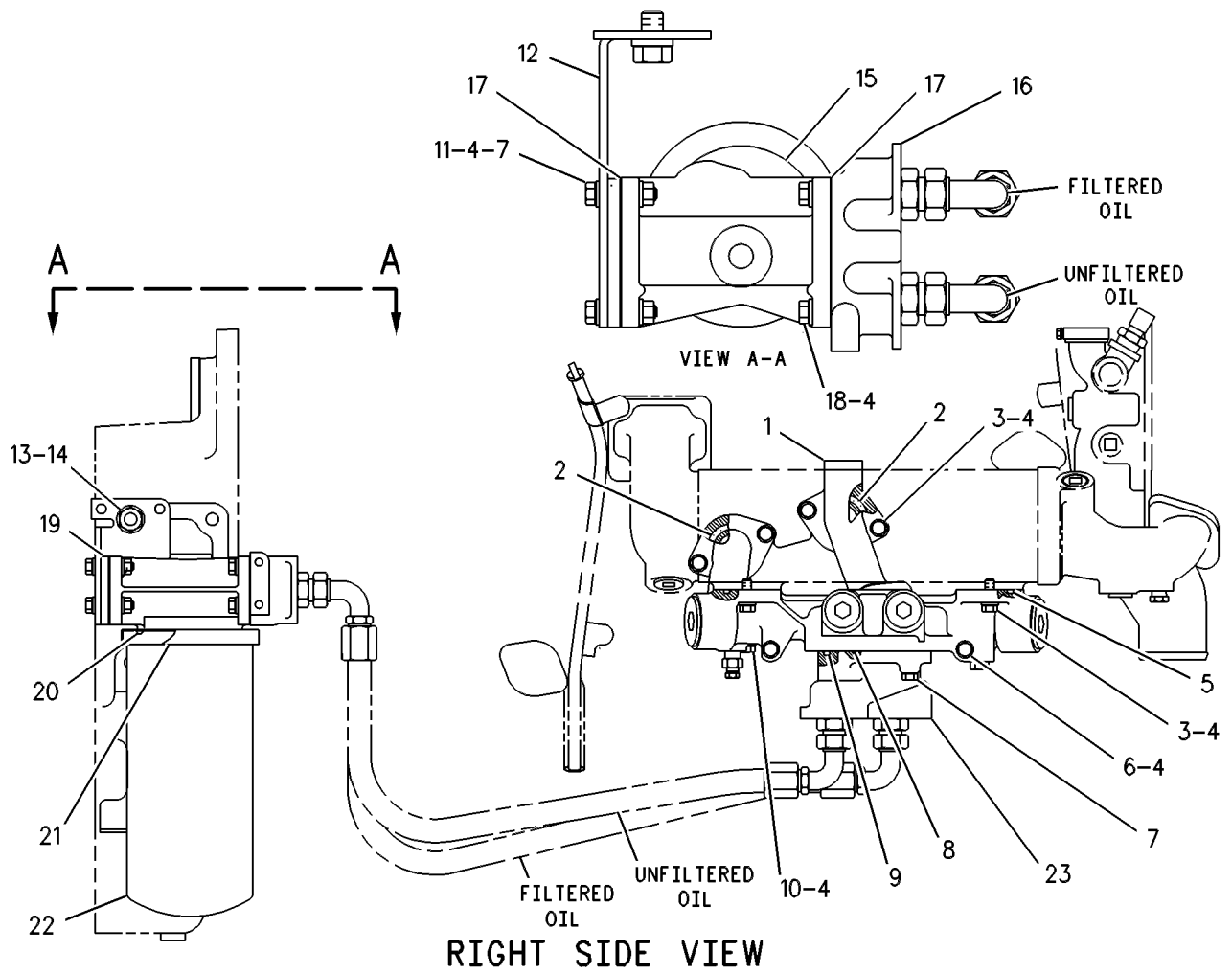
NOTE	REF NO	GRAPHIC REF	PART NUMBER	QTY	PART NAME						SEE PAGE
					1	2	3	4	5	6 (PRODUCT LEVEL)	
Y	1	1	121-2472	1	FILTER GP-ENGINE OIL						396
	2	1	8C-5230	2	SEAL-O-RING						
	3	1	1A-2029	6	BOLT (3/8-16X1.125-IN)						
	4	1	5M-2894	18	WASHER-HARD (10.2X18.5X2.5-MM THK)						
	5	1	3P-0650	2	SEAL-O-RING						
	6	1	0S-1608	2	BOLT (3/8-16X3.75-IN)						
	7	1	0S-1571	6	BOLT (3/8-16X1.75-IN)						
	8	1	5E-8767	1	SEAL-O-RING						
	9	1	109-0077	1	SEAL-O-RING						
	10	1	0S-1619	2	BOLT (3/8-16X3-IN)						
	11	1	9S-8752	4	NUT-FULL (3/8-16-THD)						
	12	1	7W-2114	1	BRACKET						
	13	1	4D-3704	2	WASHER-HARD (17X30X5-MM THK)						
	14	1	0S-1624	2	BOLT (5/8-11X1-IN)						
	15	1	2P-4303	1	BASE AS-OIL FILTER						
			2P-4304	1	STUD-HOLLOW						
	16	1	9N-0477	1	ADAPTER-OIL FILTER						
	17	1	2P-4305	2	GASKET						
	18	1	0S-1588	4	BOLT (3/8-16X1.25-IN)						
	19	1	9L-5717	1	COVER-BASE						
	20	1	7F-9090	2	SCREW-DRIVE (NO 8X03/8-IN)						
	21	1	4N-7082	1	SHIELD-OIL FILTER						
	22	1	1R-0716	1	FILTER AS-ENGINE OIL (STANDARD EFFICIENCY)						
	23	1	4N-2211	1	ADAPTER						

Y-SEPARATE ILLUSTRATION

LUBRICATION SYSTEM

6I-1393 FILTER GP-ENGINE OIL (contd.)

i01439120



RIGHT SIDE VIEW

<END>

GRAPHIC #1

g00258704

LUBRICATION SYSTEM

6I-1393 FILTER GP-ENGINE OIL

PROVIDES REMOTE MOUNTED FILTER
AN ATTACHMENT
TYPE 4

SMCS-1306, 1308

i01012590

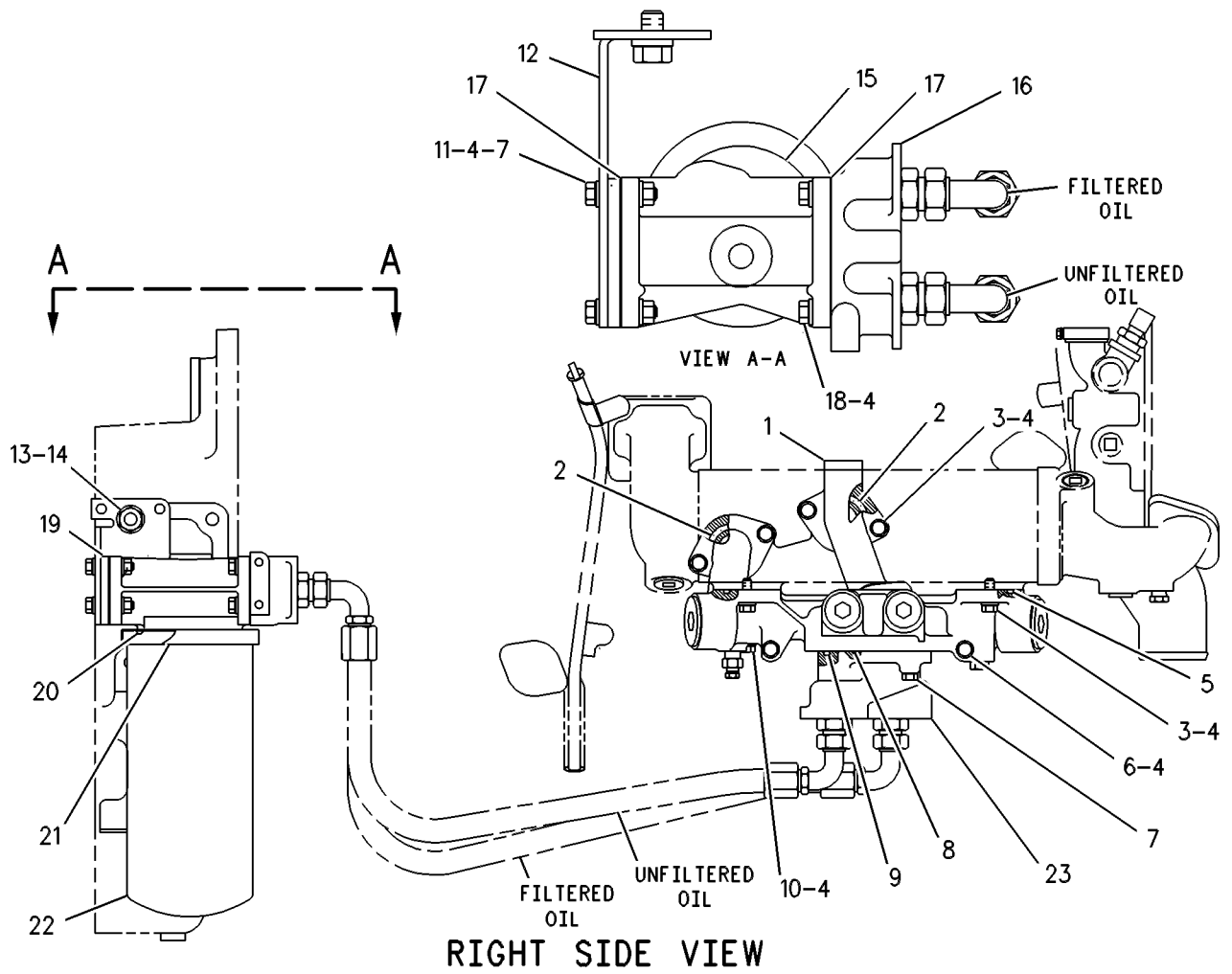
NOTE	REF NO	GRAPHIC REF	PART NUMBER	QTY	PART NAME						SEE PAGE
					1	2	3	4	5	6 (PRODUCT LEVEL)	
CY	1	1	155-4800	1	FILTER GP-ENGINE OIL						399
	2	1	8C-5230	2	SEAL-O-RING						
	3	1	1A-2029	6	BOLT (3/8-16X1.125-IN)						
	4	1	5M-2894	18	WASHER-HARD (10.2X18.5X2.5-MM THK)						
	5	1	3P-0650	2	SEAL-O-RING						
	6	1	0S-1608	2	BOLT (3/8-16X3.75-IN)						
	7	1	0S-1571	6	BOLT (3/8-16X1.75-IN)						
	8	1	5E-8767	1	SEAL-O-RING						
C	9	1	6V-3908	1	SEAL-O-RING						
	10	1	0S-1619	2	BOLT (3/8-16X3-IN)						
	11	1	9S-8752	4	NUT-FULL (3/8-16-THD)						
	12	1	7W-2114	1	BRACKET						
	13	1	4D-3704	2	WASHER-HARD (17X30X5-MM THK)						
	14	1	0S-1624	2	BOLT (5/8-11X1-IN)						
	15	1	2P-4303	1	BASE AS-OIL FILTER						
			2P-4304	1	STUD-HOLLOW						
	16	1	9N-0477	1	ADAPTER-OIL FILTER						
	17	1	2P-4305	2	GASKET						
	18	1	0S-1588	4	BOLT (3/8-16X1.25-IN)						
	19	1	9L-5717	1	COVER-BASE						
	20	1	7F-9090	2	SCREW-DRIVE (NO 8X03/8-IN)						
	21	1	4N-7082	1	SHIELD-OIL FILTER						
	22	1	1R-0716	1	FILTER AS-ENGINE OIL (STANDARD EFFICIENCY)						
23	1	4N-2211	1	ADAPTER							

C-CHANGE FROM PREVIOUS TYPE
Y-SEPARATE ILLUSTRATION

LUBRICATION SYSTEM

6I-1393 FILTER GP-ENGINE OIL (contd.)

i01012590



RIGHT SIDE VIEW

<END>

GRAPHIC #1

g00258704

LUBRICATION SYSTEM

6I-1393 FILTER GP-ENGINE OIL

PROVIDES REMOTE MOUNTED FILTER
AN ATTACHMENT
TYPE 5

SMCS-1306, 1308

i04004516

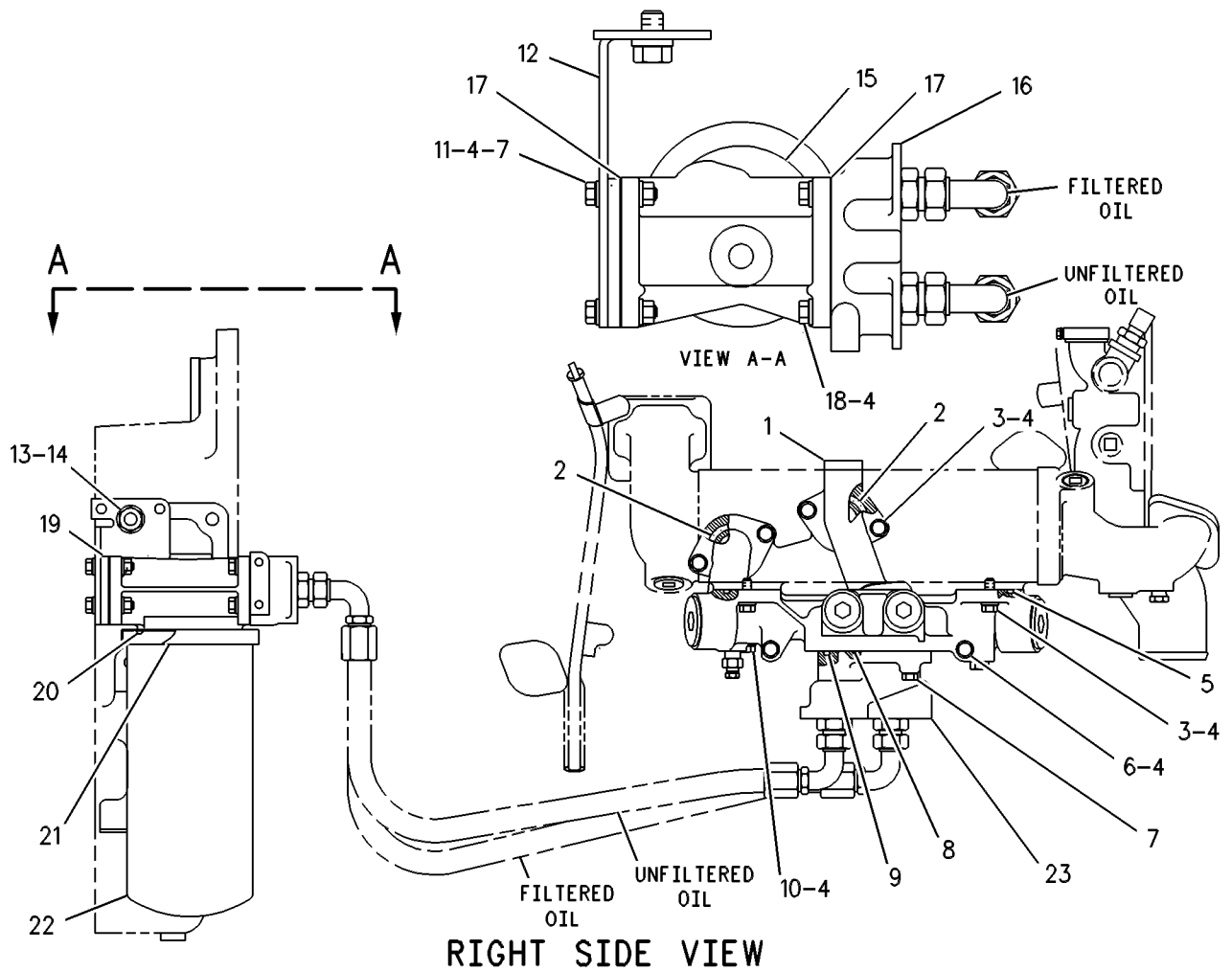
NOTE	REF NO	GRAPHIC REF	PART NUMBER	QTY	PART NAME						SEE PAGE
					1	2	3	4	5	6 (PRODUCT LEVEL)	
CY	1	1	155-5005	1	BASE GP-OIL FILTER (ENGINE)						363
	2	1	8C-5230	2	SEAL-O-RING						
	3	1	1A-2029	6	BOLT (3/8-16X1.125-IN)						
	4	1	5M-2894	18	WASHER-HARD (10.2X18.5X2.5-MM THK)						
	5	1	3P-0650	2	SEAL-O-RING						
	6	1	0S-1608	2	BOLT (3/8-16X3.75-IN)						
	7	1	0S-1571	6	BOLT (3/8-16X1.75-IN)						
	8	1	5E-8767	1	SEAL-O-RING						
C	9	1	6V-3908	1	SEAL-O-RING						
	10	1	0S-1619	2	BOLT (3/8-16X3-IN)						
	11	1	9S-8752	4	NUT-FULL (3/8-16-THD)						
	12	1	7W-2114	1	BRACKET						
	13	1	4D-3704	2	WASHER-HARD (17X30X5-MM THK)						
	14	1	0S-1624	2	BOLT (5/8-11X1-IN)						
	15	1	2P-4303	1	BASE AS-OIL FILTER						
			2P-4304	1	STUD-HOLLOW						
	16	1	9N-0477	1	ADAPTER-OIL FILTER						
	17	1	2P-4305	2	GASKET						
	18	1	0S-1588	4	BOLT (3/8-16X1.25-IN)						
	19	1	9L-5717	1	COVER-BASE						
	20	1	7F-9090	2	SCREW-DRIVE (NO 8X03/8-IN)						
	21	1	4N-7082	1	SHIELD-OIL FILTER						
	22	1	1R-1808	1	FILTER-ENGINE OIL (ADVANCED EFFICIENCY)						
23	1	4N-2211	1	ADAPTER							

C-CHANGE FROM PREVIOUS TYPE
Y-SEPARATE ILLUSTRATION

LUBRICATION SYSTEM

6I-1393 FILTER GP-ENGINE OIL (contd.)

i04004516



RIGHT SIDE VIEW

<END>

GRAPHIC #1

g00258704

LUBRICATION SYSTEM

8N-7269 FILTER GP-ENGINE OIL-RH DUPLEX FOR USE WITH WATERCOOLED EXHAUST MANIFOLD AN ATTACHMENT

SMCS-1306, 1308

i03583043

NOTE	REF NO	GRAPHIC REF	PART NUMBER	QTY	PART NAME						SEE PAGE
					1	2	3	4	5	6 (PRODUCT LEVEL)	
GI	1	1	6N-1936	1	HOSE AS (10-IN)						
		1	3S-1099	1	ELBOW-FLARED						
	2	1	6N-4207	1	BRACKET						
		3	1	5S-7348	2	SCREW-MACHINE (6-32X0.375-IN)					
			1	4B-2041	2	NUT (6-32-THD)					
		1	9B-1117	2	LOCKWASHER						
4	1	1	9S-5578	2	GAUGE-OIL PRESSURE (ENGINE)						
		1	2N-0178	1	PANEL (FRONT)						
5	1	1	2N-0179	1	COVER-PANEL (REAR)						
		1	1L-6561	1	PLUG						
GI	7	1	6N-3170	1	HOSE AS (20-IN)						
		1	8B-4884	1	ELBOW						
	8	1	1	2N-5848	1	BASE AS					
			9	1	9F-6580	3	BOLT (1/4-20X1.125-IN)				
		1		1B-4330	3	NUT (1/4-20-THD)					
		1	5P-0537	6	WASHER-HARD (7.2X14.5X2-MM THK)						
	10	1	0S-1594	4	BOLT (3/8-16X1-IN)						
	11	1	1D-4717	13	NUT (3/8-16-THD)						
	12	1	1A-5183	1	BOLT (3/8-16X4.75-IN)						
	13	1	6N-7423	1	COVER AS						
	14	1	1L-6939	4	ELBOW						
	15	1	5P-6923	2	ADAPTER						
	16	1	9L-5125	1	ELBOW						
	17	1	0S-1571	8	BOLT (3/8-16X1.75-IN)						
	18	1	1	2P-4305	2	GASKET					
			1	7B-9919	1	CLIP					
	20	1	1	8S-8817	1	GROMMET					
			1	1W-2032	1	TUBE AS					
	21	1	1A-5964	2	BOLT (3/8-16X4.5-IN)						
	22	1	1	6N-4208	1	ADAPTER					
			1	8M-5260	1	SEAL-O-RING					
	23	1	1W-2031	1	TUBE AS						
	24	1	0S-1608	2	BOLT (3/8-16X3.75-IN)						
	25	1	8M-9024	4	WASHER-HARD (10.2X22.5X5-MM THK)						
	26	1	6N-3895	1	PLATE						
	27	1	9S-7720	1	ELBOW-FLARED						
	28	1	6N-7422	1	COVER AS						
	29	1	0L-1351	2	BOLT (3/8-16X0.875-IN)						
	30	1	9M-0766	1	BRACKET						
	31	1	6N-5010	1	TUBE AS						
	32	1	5K-9979	1	CONNECTOR						
	33	1	5M-2894	18	WASHER-HARD (10.2X18.5X2.5-MM THK)						
34	1	1	8F-8513	2	CLIP						
		1	9F-2940	2	GROMMET						
35	2	6N-0824	1	GASKET							
36	2	6N-1258	1	HOUSING							
37	2	7N-0912	1	VALVE GP-FLUID CONTROL (ENGINE OIL FILTER)							
38	2	3F-9190	1	PIN							
39	2	1B-8704	2	KEY-WOODRUFF							
40	2	1	7N-0914	1	DETENT AS						
		1	6N-4205	1	PLATE						
41	2	6N-4204	2	PIN							
42	2	8F-8833	1	PIN							
43	2	7N-0913	1	RING							
44	2	6J-8356	2	SPRING							

LUBRICATION SYSTEM

8N-7269 FILTER GP-ENGINE OIL (contd.)

i03583043

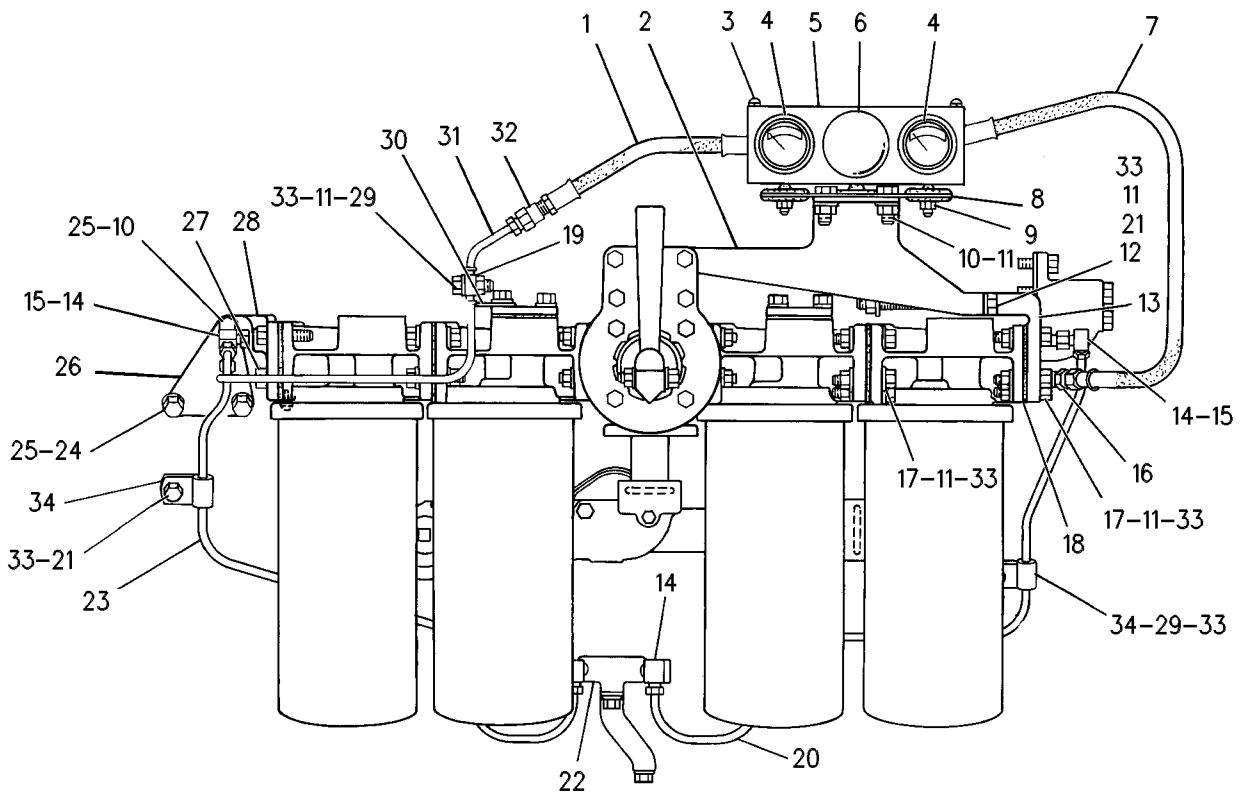
NOTE	REF NO	GRAPHIC REF	PART NUMBER	QTY	PART NAME						SEE PAGE
					1	2	3	4	5	6 (PRODUCT LEVEL)	
	45	2	8H-1607	1	SEAL-O-RING						
	46	2	2P-4305	4	GASKET						
	47	2	0S-1571	9	BOLT (3/8-16X1.75-IN)						
	48	2	1A-2029	1	BOLT (3/8-16X1.125-IN)						
	49	2	1D-4717	19	NUT (3/8-16-THD)						
	50	2	5M-2894	36	WASHER-HARD (10.2X18.5X2.5-MM THK)						
	51	2	2P-4301	2	BASE AS						
	52	2	2P-4303	2	BASE AS-OIL FILTER						
					(EACH BASE AS INCLUDES)						
		2	2P-4304	1	STUD-HOLLOW						
	53	2	2P-3761	2	COVER						
		2	2P-3760	2	GASKET						
	54	2	0S-1594	5	BOLT (3/8-16X1-IN)						
	55	2	4H-9756	1	LEVER-RELEASE CONTROL						
	56	2	6N-1260	1	PLATE						
	57	2	2M-1538	8	STUD-TAPERLOCK (3/8-16X1.6-IN)						
	58	2	8N-7043	1	FILM (OIL FILTER DUPLEX VALVE) (INSTRUCTION)						
	59	2	5B-2638	4	BOLT (3/8-16X5.25-IN)						
	60	2	6N-1259	1	POINTER						
	61	2	4N-8150	2	SPRING						
	62	2	1P-1367	2	PLUNGER						
	63	2	2P-4005	4	FILTER AS-ENGINE OIL						
	64	2	4N-7082	4	SHIELD-OIL FILTER						
	65	2	7F-9090	8	SCREW-DRIVE (NO 8X03/8-IN)						
	66	2	5L-2727	1	SEAL-O-RING						
	67	2	5M-6214	1	PLUG-PIPE						
	68	2	6N-0822	1	ELBOW						
F		2	1L-6561	1	PLUG (1.58MM HOLE)						
F		2	6D-3479	1	CLIP (USE WITH INSTRUMENT PANEL)						
	69	3	0S-1594	10	BOLT (3/8-16X1-IN)						
	70	3	6L-1651	3	SEAL-O-RING						
	71	3	2P-3761	1	COVER						
		3	2P-3760	1	GASKET						
	72	3	2P-2772	1	COVER						
	73	3	4N-0933	2	GASKET						
	74	3	0L-1351	3	BOLT (3/8-16X0.875-IN)						
	75	3	5M-2894	8	WASHER-HARD (10.2X18.5X2.5-MM THK)						
	76	3	6N-0630	1	TUBE AS						
	77	3	5L-2727	5	SEAL-O-RING						
	78	3	0L-2070	3	BOLT (3/8-16X2.25-IN)						
	79	3	6N-0452	1	ELBOW-COOLER OUTLET						
	80	3	6N-0624	1	TUBE AS-OUTLET						
	81	3	5M-6214	1	PLUG-PIPE						
	82	3	6N-3880	1	ELBOW-OUTLET						
	83	3	0L-1143	1	BOLT (3/8-16X2.5-IN)						
	84	3	0S-1591	2	BOLT (3/8-16X1.5-IN)						
	85	3	6N-4202	1	BRACKET						
	86	3	6N-4722	1	BODY						
	87	3	1B-5170	1	PLUG-PIPE						
	88	3	4N-8150	1	SPRING						
		3	9M-0853	1	PLUNGER-VALVE						
	89	3	0L-1352	2	BOLT (3/8-16X3.25-IN)						
	90	3	6N-0507	1	ELBOW						
		3	4N-1684	1	GASKET						
	91	3	6N-0628	1	TUBE						

F-NOT SHOWN
G-ORDER BY THE INCH
I-REFER TO HYDRAULIC INFORMATION SYSTEM

LUBRICATION SYSTEM

8N-7269 FILTER GP-ENGINE OIL (contd.)

i03583043



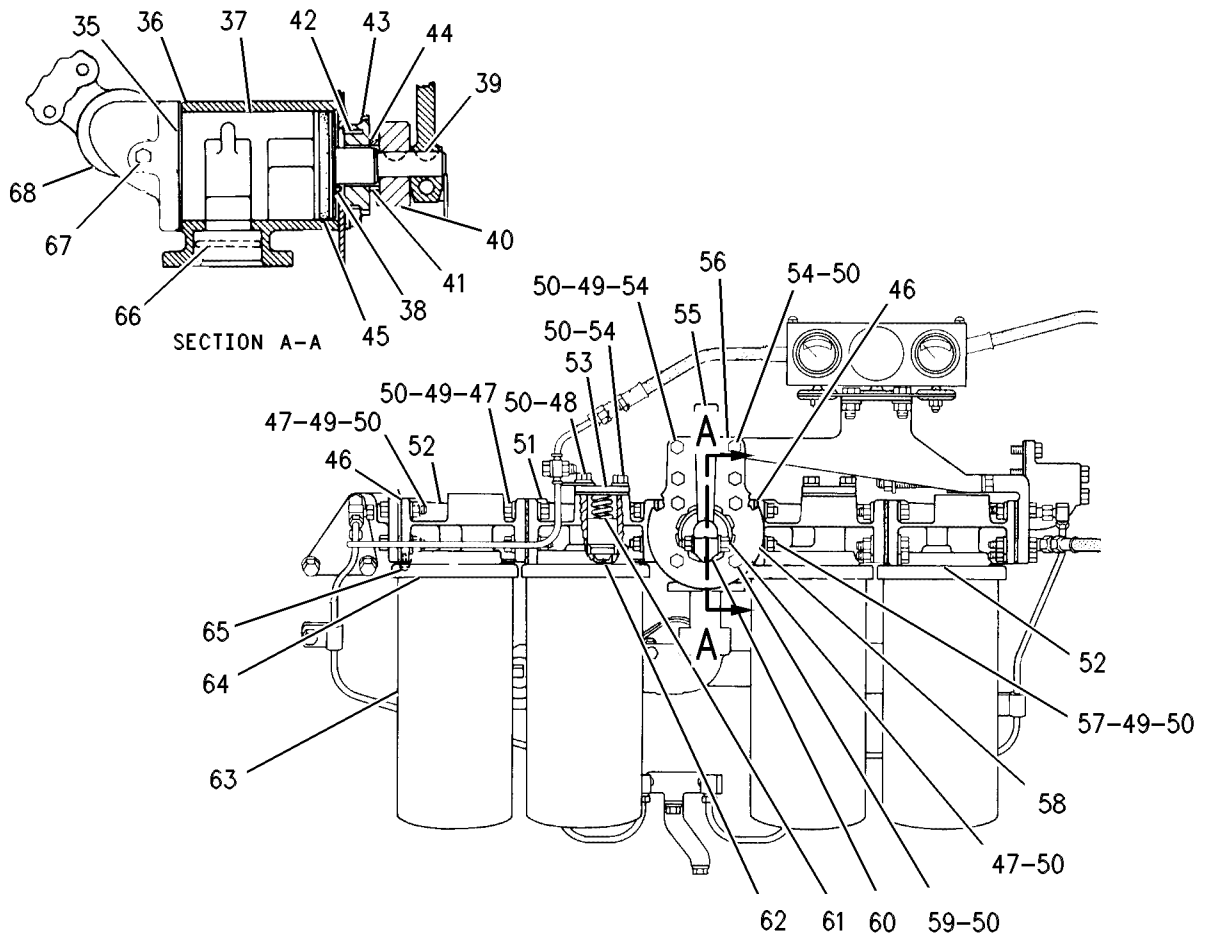
GRAPHIC #1

g00422505

LUBRICATION SYSTEM

8N-7269 FILTER GP-ENGINE OIL (contd.)

i03583043



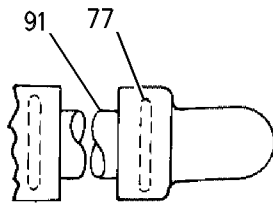
GRAPHIC #2

g00422506

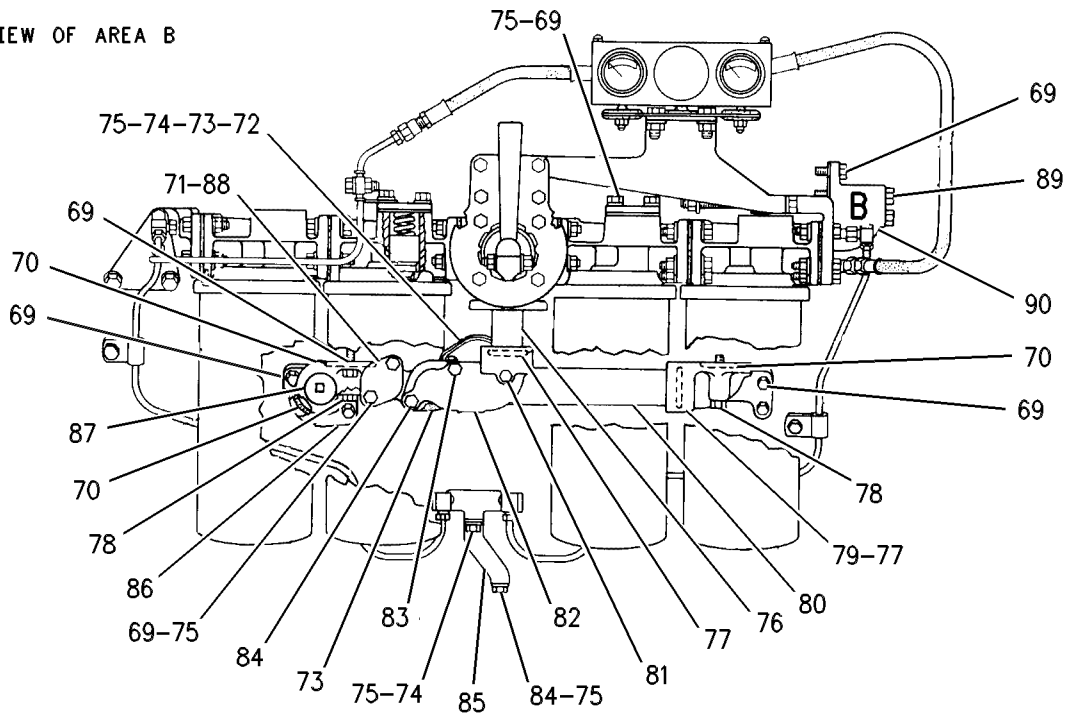
LUBRICATION SYSTEM

8N-7269 FILTER GP-ENGINE OIL (contd.)

i03583043



VIEW OF AREA B



GRAPHIC #3

<END>

g00422507

LUBRICATION SYSTEM

110-9159 FILTER GP-ENGINE OIL

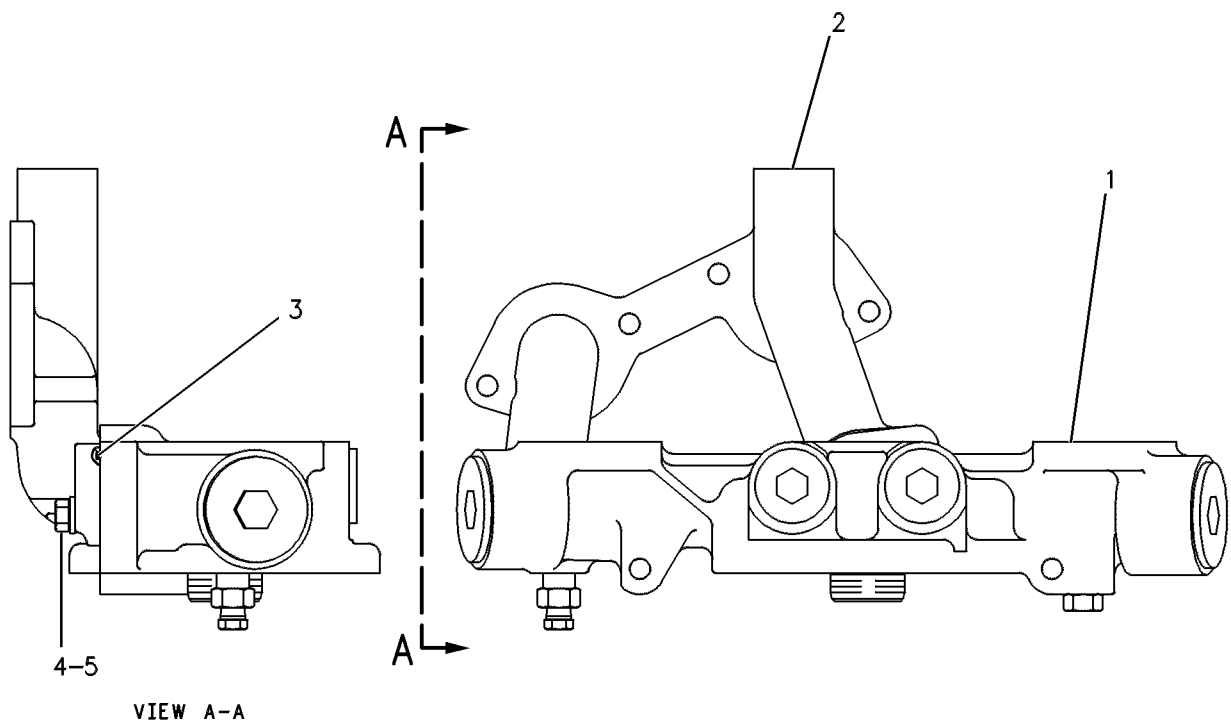
PART OF 6I-1393 FILTER GP-ENGINE OIL
AN ATTACHMENT

SMCS-1306, 1308

i00639967

NOTE	REF NO	GRAPHIC REF	PART NUMBER	QTY	PART NAME						SEE PAGE
					1	2	3	4	5	6 (PRODUCT LEVEL)	
Y	1	1	9Y-4872	1	BASE GP-OIL FILTER						358
	2	1	7C-5602	1	ELBOW						
	3	1	6V-5391	2	SEAL-O-RING						
	4	1	0S-1588	4	BOLT (3/8-16X1.25-IN)						
	5	1	5M-2894	4	WASHER-HARD (10.2X18.5X2.5-MM THK)						

Y-SEPARATE ILLUSTRATION



GRAPHIC #1

<END>

g00244474

LUBRICATION SYSTEM

121-2472 FILTER GP-ENGINE OIL

S/N: 6TB13198-UP

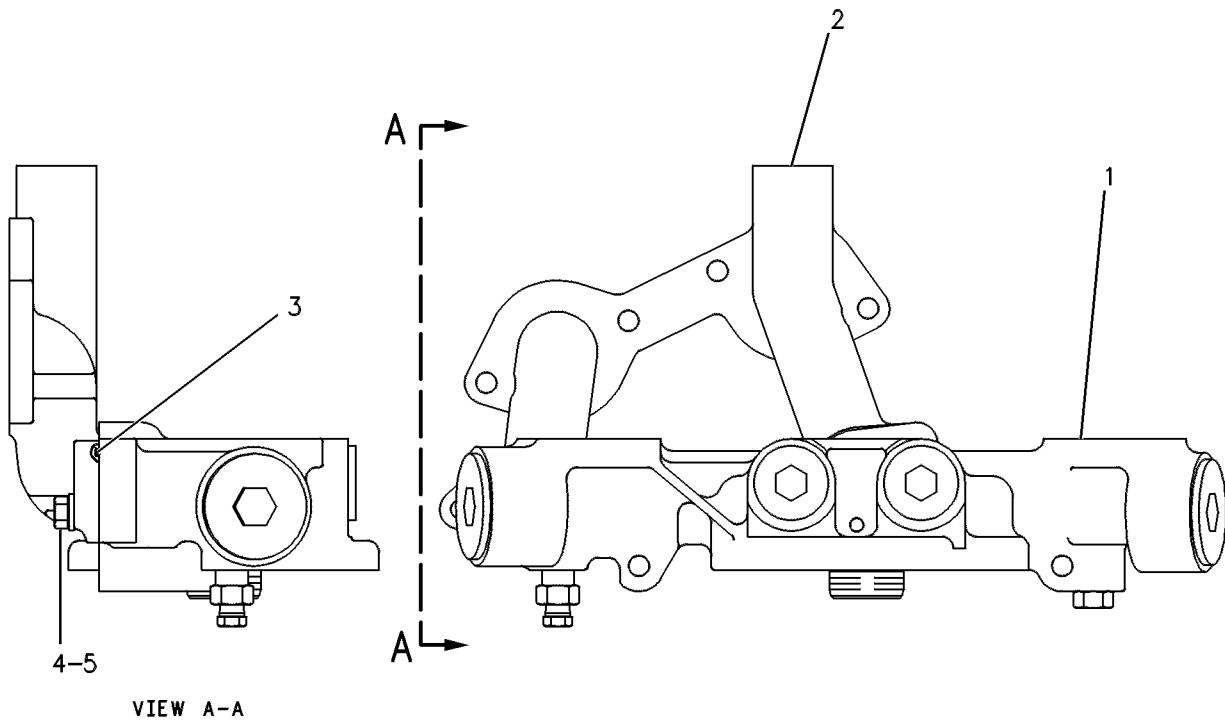
PART OF 4N-0731, 6I-1393 FILTER GP-ENGINE OIL
ALSO AN ATTACHMENT

SMCS-1306, 1308

i02459923

NOTE	REF NO	GRAPHIC REF	PART NUMBER	QTY	PART NAME						SEE PAGE
					1	2	3	4	5	6 (PRODUCT LEVEL)	
Y	1	1	121-2471	1	BASE GP-OIL FILTER (ENGINE)						359
	2	1	7C-5602	1	ELBOW						
	3	1	8C-0624	2	SEAL-O-RING						
	4	1	0S-1588	4	BOLT (3/8-16X1.25-IN)						
	5	1	5M-2894	4	WASHER-HARD (10.2X18.5X2.5-MM THK)						

Y-SEPARATE ILLUSTRATION



GRAPHIC #1

<END>

g00247226

LUBRICATION SYSTEM

154-4326 FILTER GP-ENGINE OIL

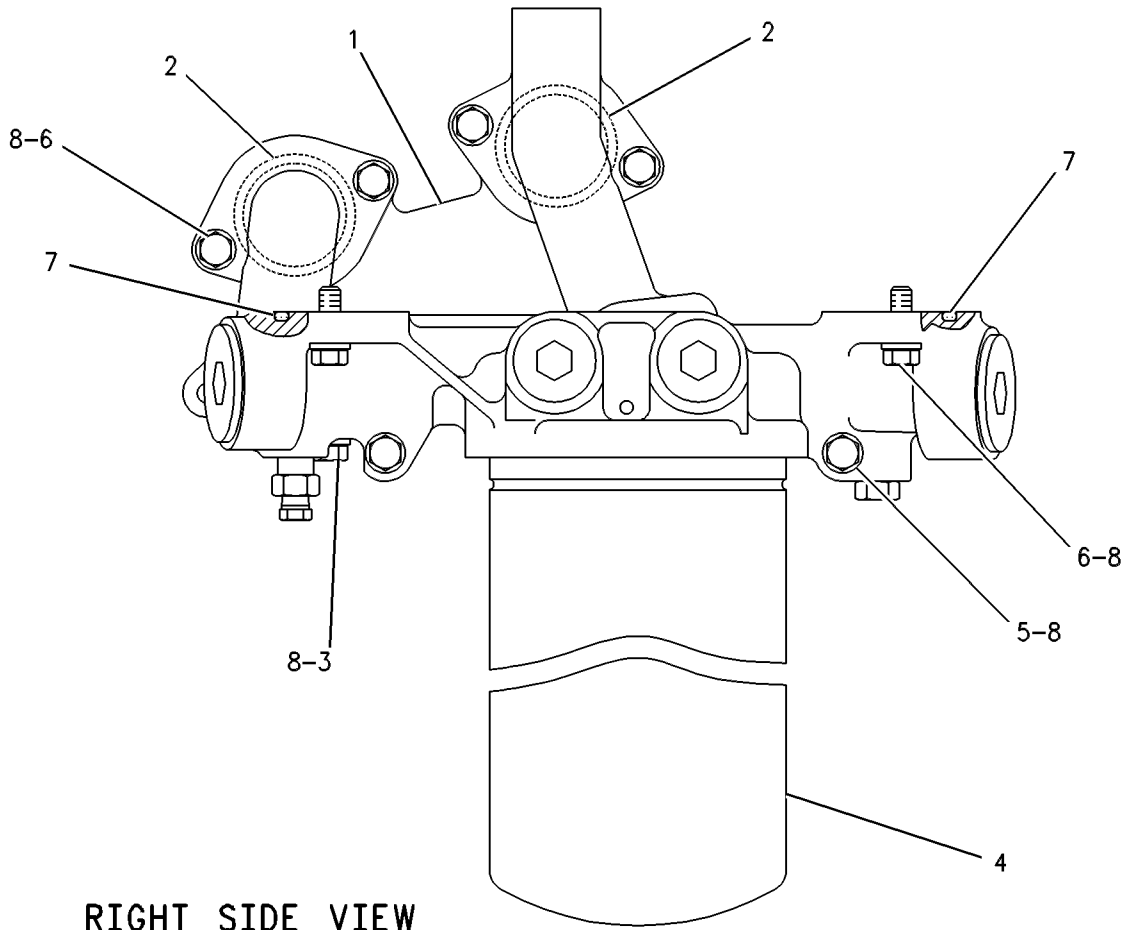
S/N: 6TB17907-18229

SMCS-1306, 1308

i00938089

NOTE	REF NO	GRAPHIC REF	PART NUMBER	QTY	PART NAME						SEE PAGE
					1	2	3	4	5	6 (PRODUCT LEVEL)	
Y	1	1	154-4324	1	BASE GP-OIL FILTER						361
	2	1	8C-5230	2	SEAL-O-RING						
	3	1	0S-1619	2	BOLT (3/8-16X3-IN)						
	4	1	1R-0716	1	FILTER AS-ENGINE OIL (STANDARD EFFICIENCY)						
	5	1	0S-1608	2	BOLT (3/8-16X3.75-IN)						
	6	1	1A-2029	6	BOLT (3/8-16X1.125-IN)						
	7	1	3P-0650	2	SEAL-O-RING						
	8	1	5M-2894	10	WASHER-HARD (10.2X18.5X2.5-MM THK)						

Y-SEPARATE ILLUSTRATION



RIGHT SIDE VIEW

GRAPHIC #1

<END>

g00251838

LUBRICATION SYSTEM

154-4326 FILTER GP-ENGINE OIL

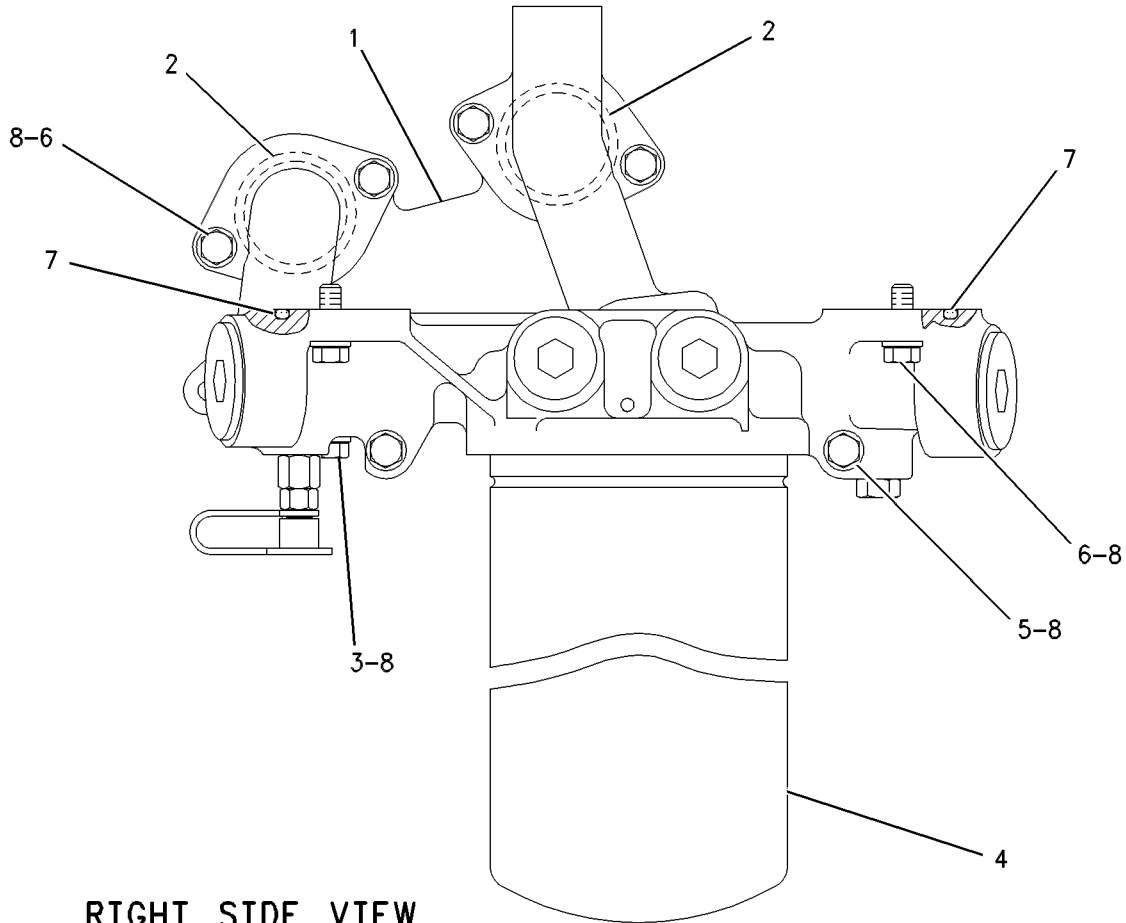
S/N: 6TB18230-UP

SMCS-1306, 1308

i02870186

NOTE	REF NO	GRAPHIC REF	PART NUMBER	QTY	PART NAME						SEE PAGE
					1	2	3	4	5	6 (PRODUCT LEVEL)	
CY	1	1	155-5005	1	BASE GP-OIL FILTER						363
	2	1	8C-5230	2	SEAL-O-RING						
	3	1	0S-1619	2	BOLT (3/8-16X3-IN)						
	4	1	1R-0716	1	FILTER AS-ENGINE OIL (STANDARD EFFICIENCY)						
	5	1	0S-1608	2	BOLT (3/8-16X3.75-IN)						
	6	1	1A-2029	6	BOLT (3/8-16X1.125-IN)						
	7	1	3P-0650	2	SEAL-O-RING						
	8	1	5M-2894	10	WASHER-HARD (10.2X18.5X2.5-MM THK)						

C-CHANGE FROM PREVIOUS TYPE
Y-SEPARATE ILLUSTRATION



GRAPHIC #1

<END>

g00512808

LUBRICATION SYSTEM

155-4800 FILTER GP-ENGINE OIL

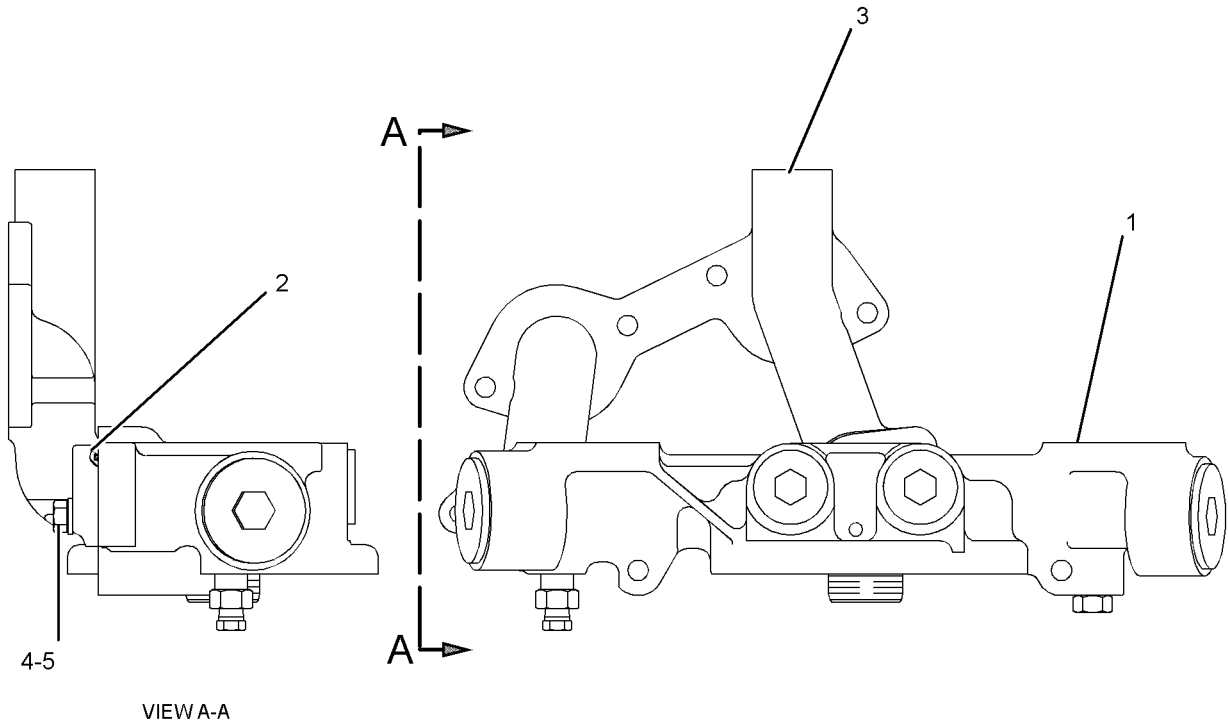
PART OF 6I-1393 FILTER GP-ENGINE OIL
AN ATTACHMENT

SMCS-1306, 1308

i02695873

NOTE	REF NO	GRAPHIC REF	PART NUMBER	QTY	PART NAME						SEE PAGE
					1	2	3	4	5	6 (PRODUCT LEVEL)	
Y	1	1	121-2471	1	BASE GP-OIL FILTER (ENGINE)						359
	2	1	061-7540	2	SEAL-O-RING						
	3	1	153-6680	1	ELBOW						
	4	1	0S-1588	4	BOLT (3/8-16X1.25-IN)						
	5	1	5M-2894	4	WASHER-HARD (10.2X18.5X2.5-MM THK)						

Y-SEPARATE ILLUSTRATION



GRAPHIC #1

<END>

g01351995

LUBRICATION SYSTEM

209-5777 FILTER GP-ENGINE OIL

S/N: 6TB20805-UP

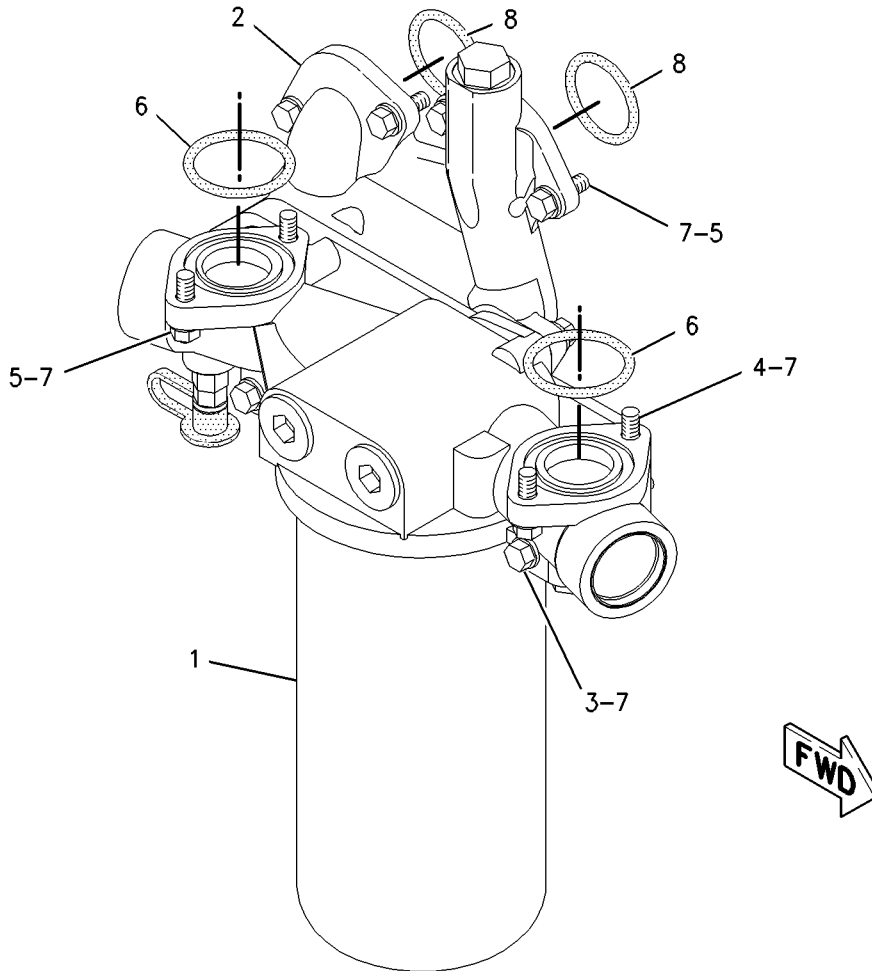
INCLUDES SCHEDULED OIL SAMPLING VALVE
FOR USE WITH TURBO LINES

SMCS-1306, 1308

i04004532

NOTE	REF NO	GRAPHIC REF	PART NUMBER	QTY	PART NAME						SEE PAGE
					1	2	3	4	5	6 (PRODUCT LEVEL)	
	1	1	1R-1808	1	FILTER-ENGINE OIL (ADVANCED EFFICIENCY)						
Y	2	1	209-6302	1	BASE GP-OIL FILTER						365
	3	1	0S-1608	2	BOLT (3/8-16X3.75-IN)						
	4	1	0S-1619	2	BOLT (3/8-16X3-IN)						
	5	1	1A-2029	6	BOLT (3/8-16X1.125-IN)						
	6	1	3P-0650	2	SEAL-O-RING						
	7	1	5M-2894	10	WASHER-HARD (10.2X18.5X2.5-MM THK)						
	8	1	8C-5230	2	SEAL-O-RING						

Y-SEPARATE ILLUSTRATION



GRAPHIC #1

<END>

g00870698

LUBRICATION SYSTEM

1N-4874 FUMES DISPOSAL GP

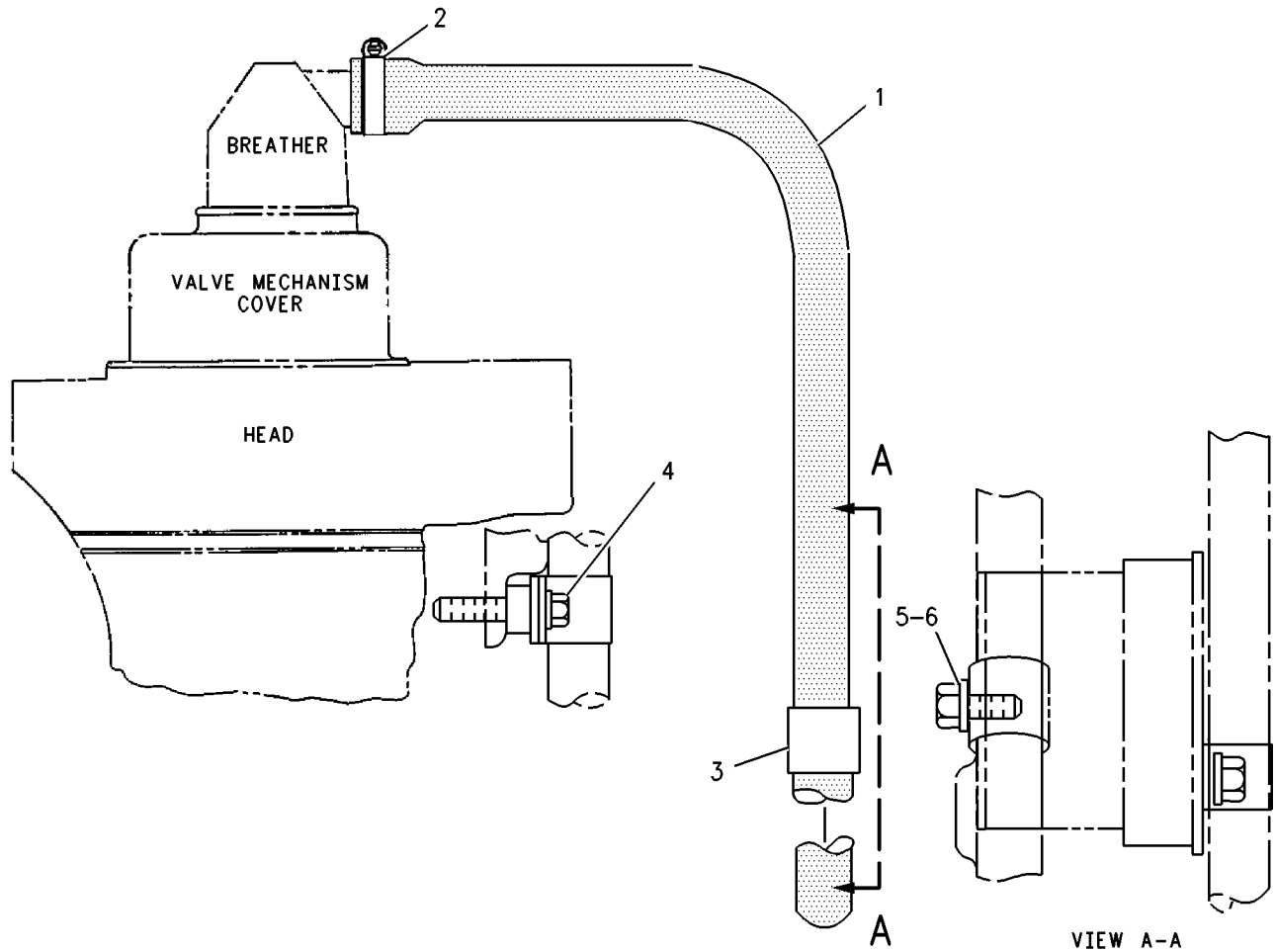
FOR USE WITH EXPANSION TANK
AN ATTACHMENT

SMCS-1317

i02797606

NOTE	REF NO	GRAPHIC REF	PART NUMBER	QTY	PART NAME						SEE PAGE
					1	2	3	4	5	6 (PRODUCT LEVEL)	
	1	1	4W-2181	1	HOSE-DISPOSAL (FUMES)						
	2	1	9M-2904	1	CLAMP-HOSE						
	3	1	4D-7388	1	CLIP						
B	4	1	0S-1590	1	BOLT (3/8-16X2-IN)						
B		1	5M-2894	1	WASHER-HARD (10.2X18.5X2.5-MM THK)						
B		1	6B-2882	1	SPACER (0.406X0.75X0.312-IN THK)						
B	5	1	0S-1594	1	BOLT (3/8-16X1-IN)						
B	6	1	9X-6458	1	WASHER-HARD (10.2X22.5X3-MM THK)						

B-USE AS REQUIRED



GRAPHIC #1

<END>

g00936343

LUBRICATION SYSTEM

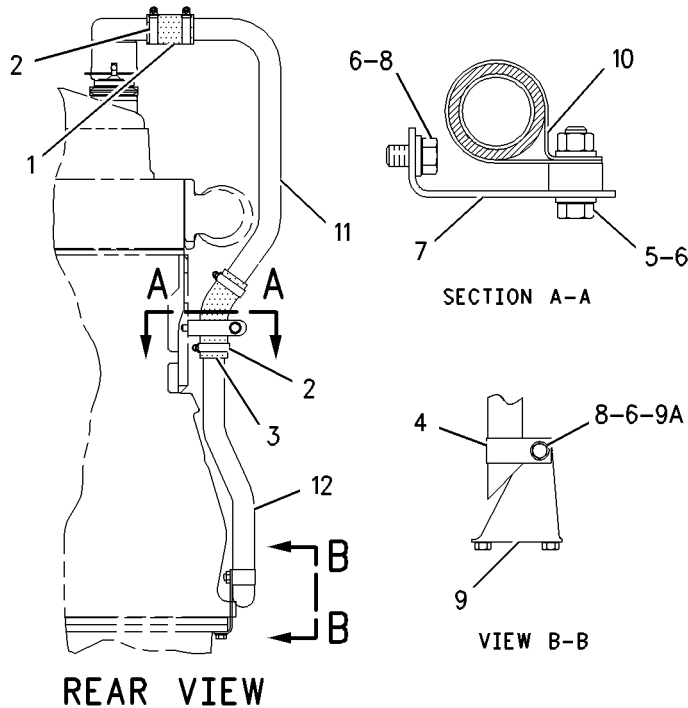
4N-1288 FUMES DISPOSAL GP

SMCS-1317

i02883295

NOTE	REF NO	GRAPHIC REF	PART NUMBER	QTY	PART NAME						SEE PAGE
					1	2	3	4	5	6 (PRODUCT LEVEL)	
E	1	1	5P-1255		HOSE (10-CM)						
	2	1	9M-2904	4	CLAMP-HOSE						
	3	1	123-9711	1	HOSE						
	4	1	2S-2053	1	CLIP						
B	5	1	3B-1915	1	BOLT (3/8-16X1.375-IN)						
		1	4S-5719	1	SPACER (10.31X25X12.7-MM THK)						
		1	9S-8752	1	NUT-FULL (3/8-16-THD)						
	6	1	5M-2894	4	WASHER-HARD (10.2X18.5X2.5-MM THK)						
	7	1	4N-6162	1	BRACKET						
	8	1	0S-0509	2	BOLT (3/8-16X0.75-IN)						
	9	1	4N-5264	1	BRACKET AS						
	9A	1	9F-2978	1	NUT-WELD (3/8-16-THD)						
	10	1	7L-6326	1	CLIP						
	11	1	123-9816	1	TUBE						
	12	1	123-9817	1	TUBE						

B-USE AS REQUIRED
E-ORDER BY THE CENTIMETER



GRAPHIC #1

<END>

g00725622

LUBRICATION SYSTEM

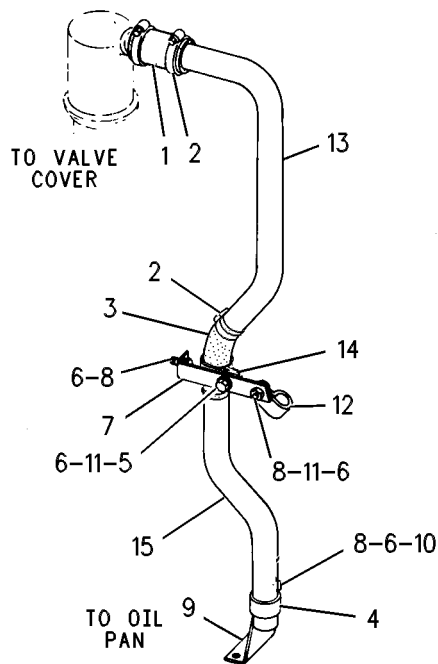
4N-2743 FUMES DISPOSAL GP

SMCS-1317

i01787410

NOTE	REF NO	GRAPHIC REF	PART NUMBER	QTY	PART NAME						SEE PAGE
					1	2	3	4	5	6 (PRODUCT LEVEL)	
E	1	1	5P-1255		HOSE (10CM)						
	2	1	9M-2904	4	CLAMP-HOSE						
	3	1	123-9711	1	HOSE (FUMES DISPOSAL)						
	4	1	2S-2053	1	CLIP						
	5	1	3B-1915	1	BOLT (3/8-16X1.375-IN)						
		1	4S-5719	1	SPACER (10.31X25X12.7-MM THK)						
	6	1	5M-2894	6	WASHER-HARD (10.2X18.5X2.5-MM THK)						
	7	1	4N-5263	1	BRACKET						
	8	1	0S-0509	3	BOLT (3/8-16X0.75-IN)						
	9	1	4N-5264	1	BRACKET AS						
	10	1	9F-2978	1	NUT-WELD (3/8-16-THD)						
	11	1	9S-8752	2	NUT-FULL (3/8-16-THD)						
	12	1	4B-0418	1	CLIP						
	13	1	123-9816	1	TUBE						
	14	1	7L-6326	1	CLIP						
	15	1	123-9817	1	TUBE						

E-ORDER BY THE CENTIMETER



GRAPHIC #1

<END>

g00114829

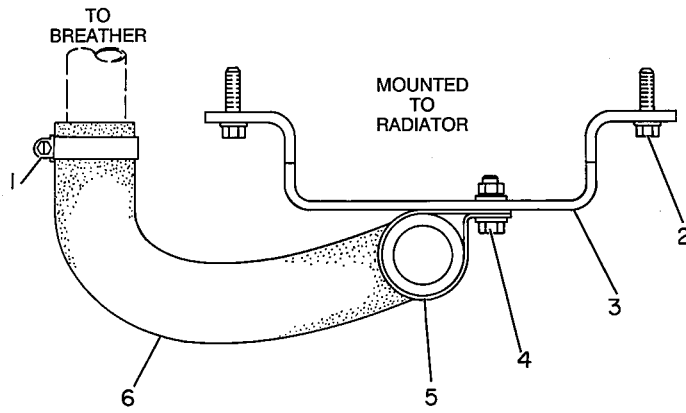
LUBRICATION SYSTEM

5N-7430 FUMES DISPOSAL GP FOR USE WITH 7N-9944-PAGE 517, 7N-9945-PAGE 519 AN ATTACHMENT

SMCS-1317

i02798258

NOTE	REF NO	GRAPHIC REF	PART NUMBER	QTY	PART NAME						SEE PAGE
					1	2	3	4	5	6 (PRODUCT LEVEL)	
	1	1	9M-2904	1	CLAMP-HOSE						
	2	1	1B-2790	2	BOLT (5/16-18X1.375-IN)						
		1	9M-1974	2	WASHER-HARD (8.8X16X2-MM THK)						
	3	1	5N-7381	1	BRACKET						
	4	1	1A-2029	1	BOLT (3/8-16X1.125-IN)						
		1	9S-8752	1	NUT-FULL (3/8-16-THD)						
		1	5M-2894	2	WASHER-HARD (10.2X18.5X2.5-MM THK)						
	5	1	1L-3613	1	CLIP						
	6	1	5N-6133	1	HOSE (FUMES DISPOSAL)						



GRAPHIC #1

<END>

g00148201

LUBRICATION SYSTEM

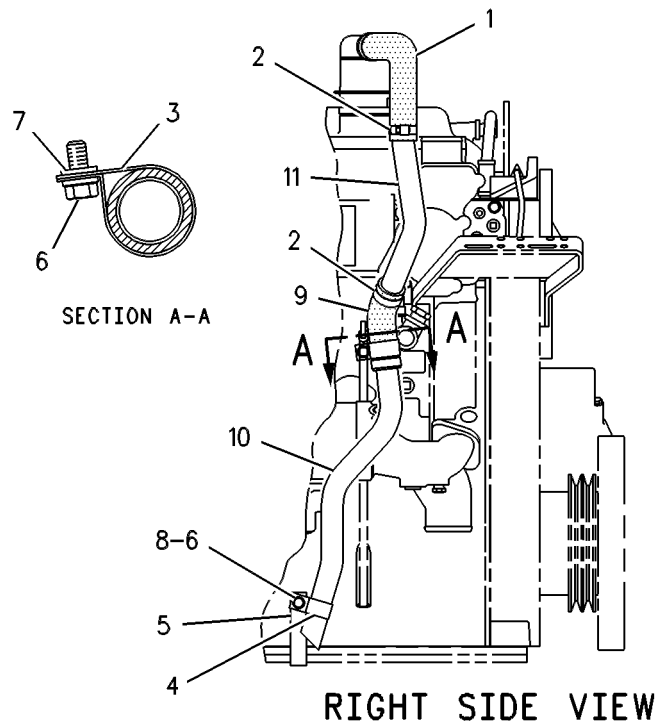
9N-2517 FUMES DISPOSAL GP FOR USE WITH REAR EXHAUST TURBO

SMCS-1317

i02798257

NOTE	REF NO	GRAPHIC REF	PART NUMBER	QTY	PART NAME						SEE PAGE
					1	2	3	4	5	6 (PRODUCT LEVEL)	
	1	1	9Y-5281	1	HOSE (FUMES DISPOSAL)						
	2	1	9M-2904	4	CLAMP-HOSE						
	3	1	7L-6326	1	CLIP						
	4	1	2S-2053	1	CLIP						
	5	1	6P-8028	1	BRACKET						
	6	1	0L-1351	2	BOLT (3/8-16X0.875-IN)						
		1	5M-2894	3	WASHER-HARD (10.2X18.5X2.5-MM THK)						
CB	7	1	5M-2894	1	WASHER-HARD (10.2X18.5X2.5-MM THK)						
	8	1	9S-8752	1	NUT-FULL (3/8-16-THD)						
	9	1	123-9711	1	HOSE (FUMES DISPOSAL)						
	10	1	123-9819	1	TUBE						
	11	1	123-9820	1	TUBE						

B-USE AS REQUIRED
C-CHANGE FROM PREVIOUS TYPE



GRAPHIC #1

<END>

g00251165

LUBRICATION SYSTEM

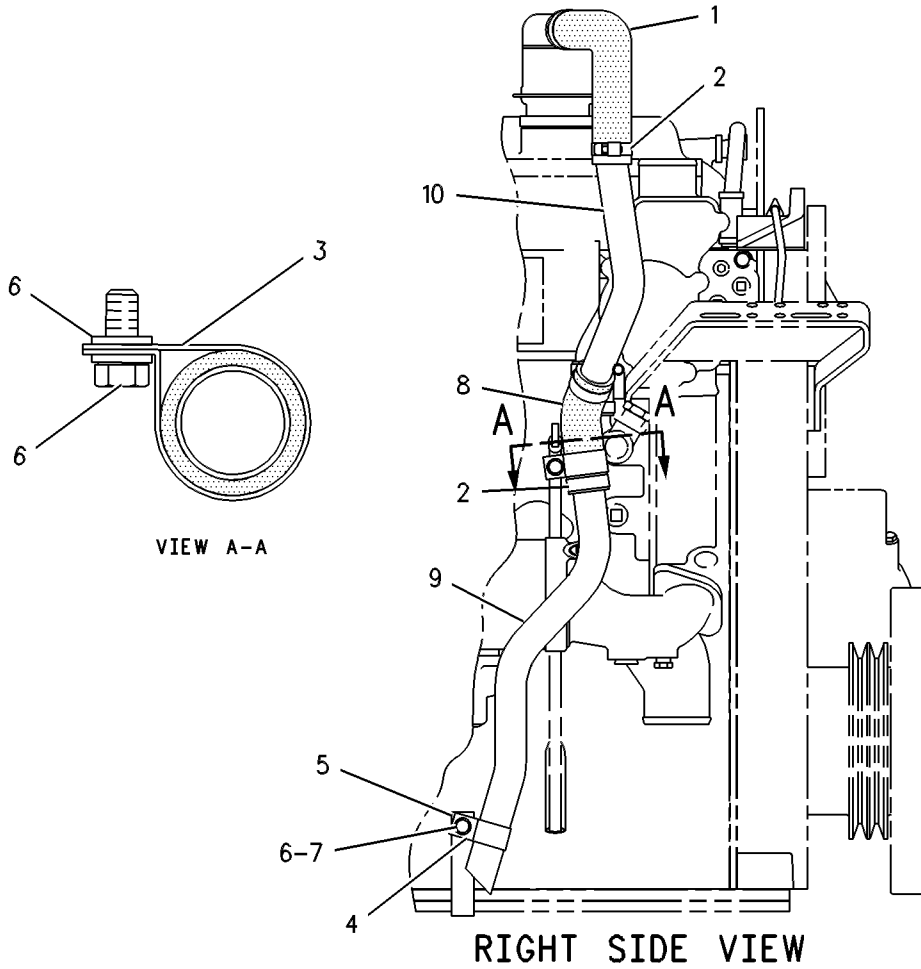
9N-3425 FUMES DISPOSAL GP-RH-FRONT

SMCS-1317

i02797797

NOTE	REF NO	GRAPHIC REF	PART NUMBER	QTY	PART NAME						SEE PAGE
					1	2	3	4	5	6 (PRODUCT LEVEL)	
	1	1	9Y-5281	1	HOSE (FUMES DISPOSAL)						
	2	1	9M-2904	4	CLAMP-HOSE						
	3	1	7L-6326	1	CLIP						
	4	1	2S-2053	2	CLIP						
	5	1	6P-8028	1	BRACKET						
	6	1	0L-1351	2	BOLT (3/8-16X0.875-IN)						
C		1	5M-2894	4	WASHER-HARD (10.2X18.5X2.5-MM THK)						
	7	1	9S-8752	1	NUT-FULL (3/8-16-THD)						
	8	1	123-9711	1	HOSE (FUMES DISPOSAL)						
	9	1	123-9819	1	TUBE						
	10	1	123-9820	1	TUBE						

C-CHANGE FROM PREVIOUS TYPE



GRAPHIC #1

<END>

g00258571

LUBRICATION SYSTEM

109-1532 FUMES DISPOSAL GP

RH FRONT-EXHAUSTS UNDER RADIATOR

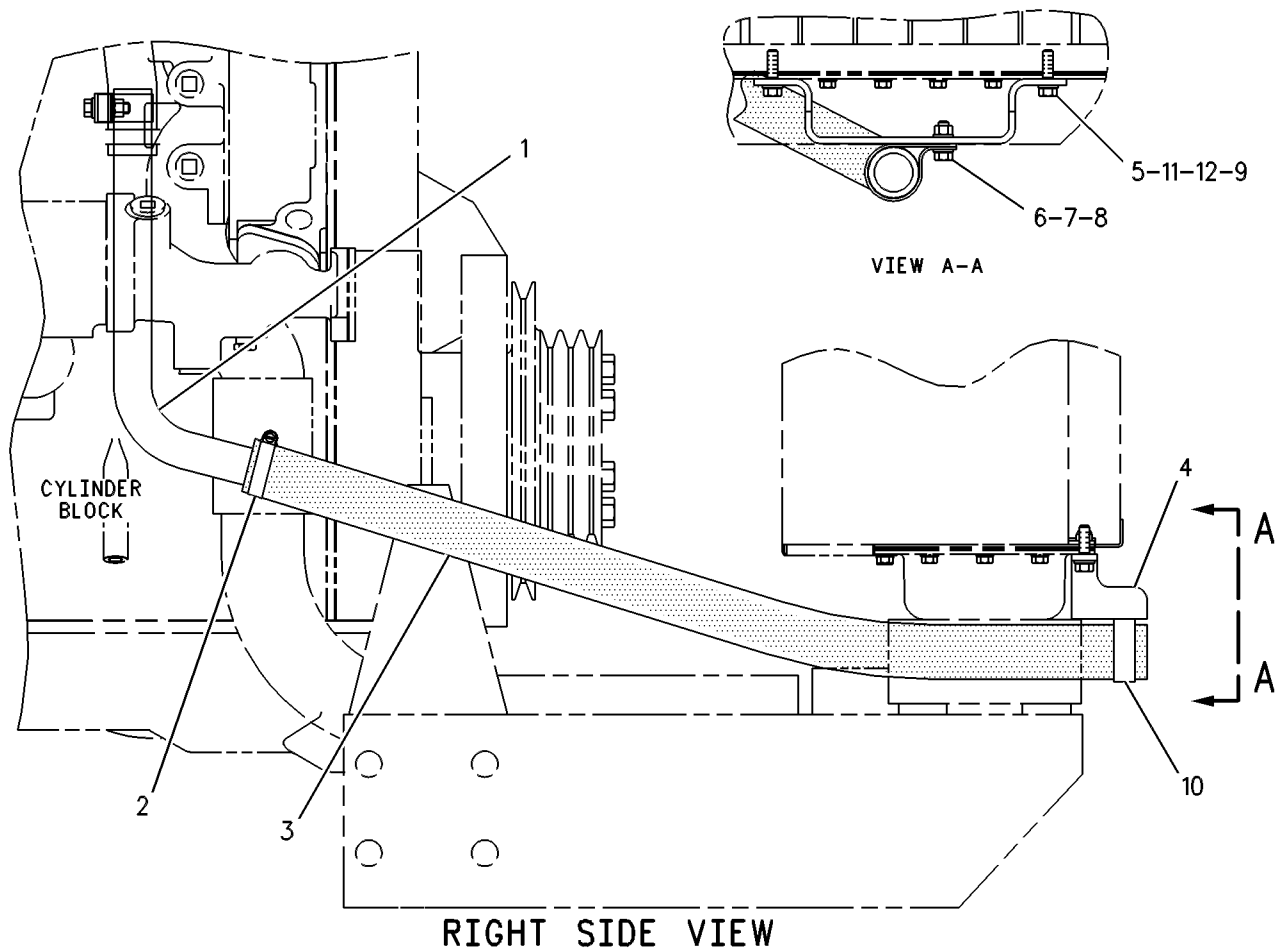
FOR USE WITH 7N-9944-PAGE 517, 7N-9945-PAGE 519, 7N-9946-PAGE 521. CANNOT
BE USED WITH ENCLOSURE
AN ATTACHMENT

SMCS-1317

i02753149

NOTE	REF NO	GRAPHIC REF	PART NUMBER	QTY	PART NAME						SEE PAGE
					1	2	3	4	5	6 (PRODUCT LEVEL)	
	1	1	123-9827	1	TUBE						
	2	1	9M-2904	1	CLAMP-HOSE						
	3	1	5N-6133	1	HOSE (FUMES DISPOSAL)						
	4	1	5N-7381	1	BRACKET						
B	5	1	8C-6561	2	BOLT (5/16-18X1.375-IN)						
	6	1	8T-2502	1	BOLT (3/8-16X1.125-IN)						
	7	1	8T-4896	2	WASHER-HARD (10.2X18.5X2.5-MM THK)						
	8	1	6V-8801	1	NUT (3/8-16-THD)						
B	9	1	5P-1075	2	WASHER-HARD (10.2X22.5X3-MM THK)						
	10	1	1L-3613	1	CLIP						
B	11	1	5P-4116	2	WASHER-HARD (8.8X20.5X2-MM THK)						
B	12	1	5S-7382	2	BOLT (3/8-16X1.375-IN)						

B-USE AS REQUIRED



GRAPHIC #1

<END>

g00251553

LUBRICATION SYSTEM

202-8626 FUMES DISPOSAL GP

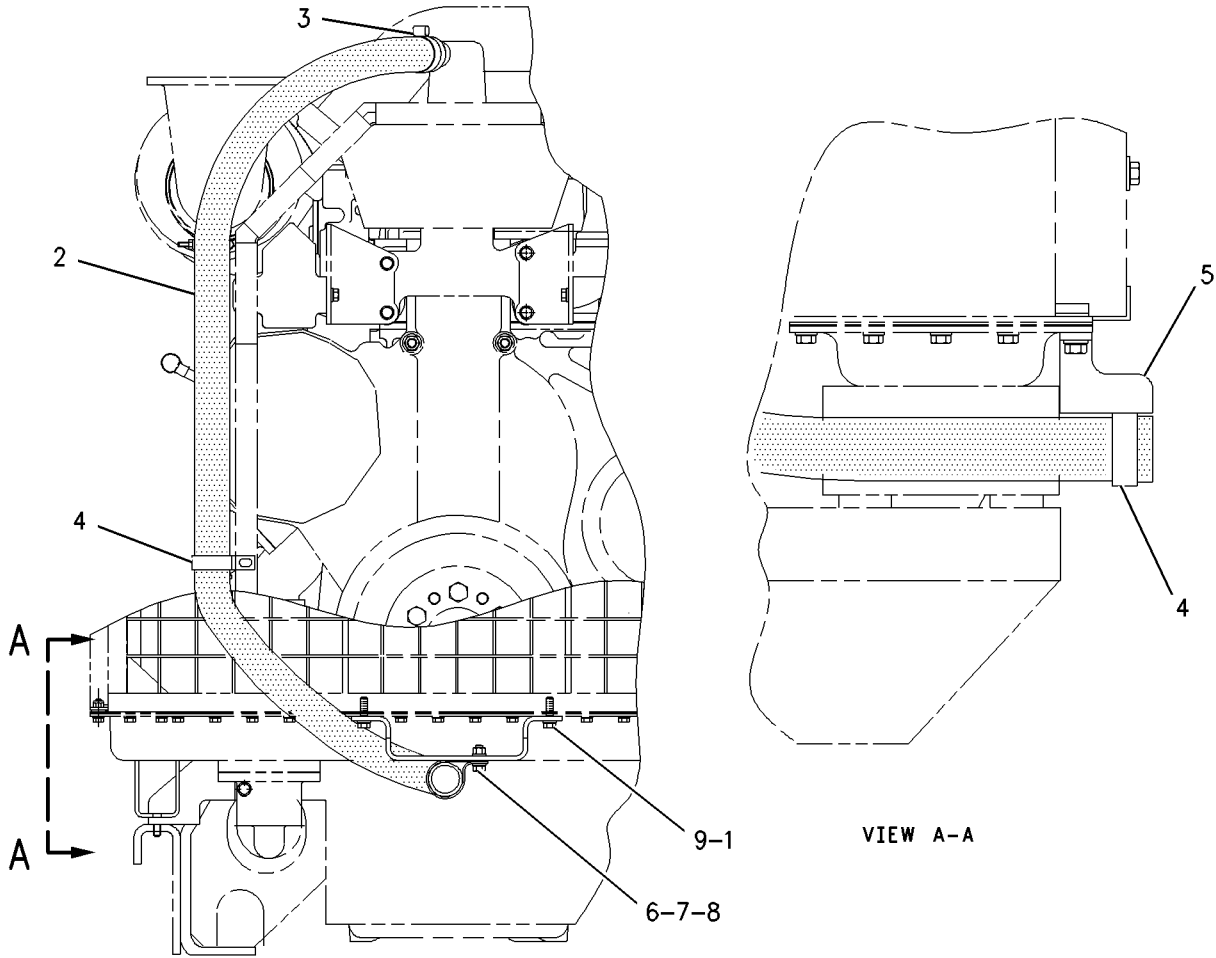
NOT FOR USE WITH ENCLOSURES, FOR USE WITH BLOWER FAN
FOR USE WITH 7N-9946—PAGE 521
AN ATTACHMENT

SMCS-1317

i01900171

NOTE	REF NO	GRAPHIC REF	PART NUMBER	QTY	PART NAME						SEE PAGE
					1	2	3	4	5	6 (PRODUCT LEVEL)	
	1	1	5P-1075	2	WASHER-HARD (10.2X22.5X3-MM THK)						
E	2	1	5P-1255		HOSE (257CM)						
	3	1	9M-2904	1	CLAMP-HOSE						
	4	1	7L-6326	2	CLIP						
	5	1	5N-7381	1	BRACKET						
	6	1	8T-2502	1	BOLT (3/8-16X1.125-IN)						
	7	1	8T-4896	2	WASHER-HARD (10.2X18.5X2.5-MM THK)						
	8	1	6V-8801	1	NUT (3/8-16-THD)						
	9	1	4L-9337	2	BOLT (3/8-16X1.5-IN)						

E-ORDER BY THE CENTIMETER



GRAPHIC #1

<END>

g00771102

LUBRICATION SYSTEM

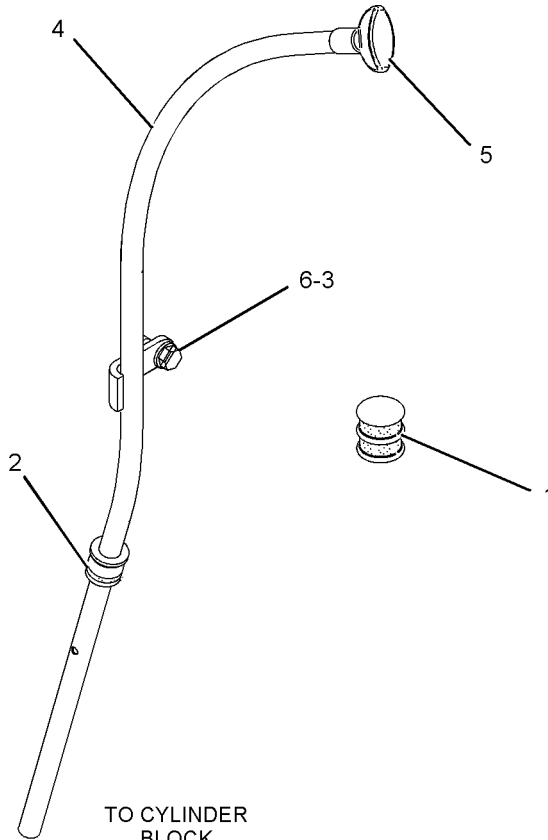
4N-0748 GAUGE GP-OIL LEVEL (DIPSTICK)-ENGINE

SMCS-1326

i02170156

NOTE	REF NO	GRAPHIC REF	PART NUMBER	QTY	PART NAME						SEE PAGE
					1	2	3	4	5	6 (PRODUCT LEVEL)	
J	1	1	165-6170	3	PLUG						
	2	1	118-5068	1	SEAL-O-RING						
	3	1	0S-0509	1	BOLT (3/8-16X0.75-IN)						
C	4	1	6N-7840	1	GUIDE AS-GAUGE						
C	5	1	6N-7653	1	GAUGE AS-OIL LEVEL (DIPSTICK) (ENGINE)						
	6	1	5M-2894	1	WASHER-HARD (10.2X18.5X2.5-MM THK)						

C-CHANGE FROM PREVIOUS TYPE
 J-USE TO PLUG OPTIONAL DIPSTICK LOCATIONS



GRAPHIC #1

<END>

g01100358

LUBRICATION SYSTEM

4N-9951 GAUGE GP-OIL LEVEL (DIPSTICK)-ENGINE

LH

FOR USE WITH FRONT OR REAR SUMP STANDARD OIL PAN
ALSO AN ATTACHMENT

SMCS-1326

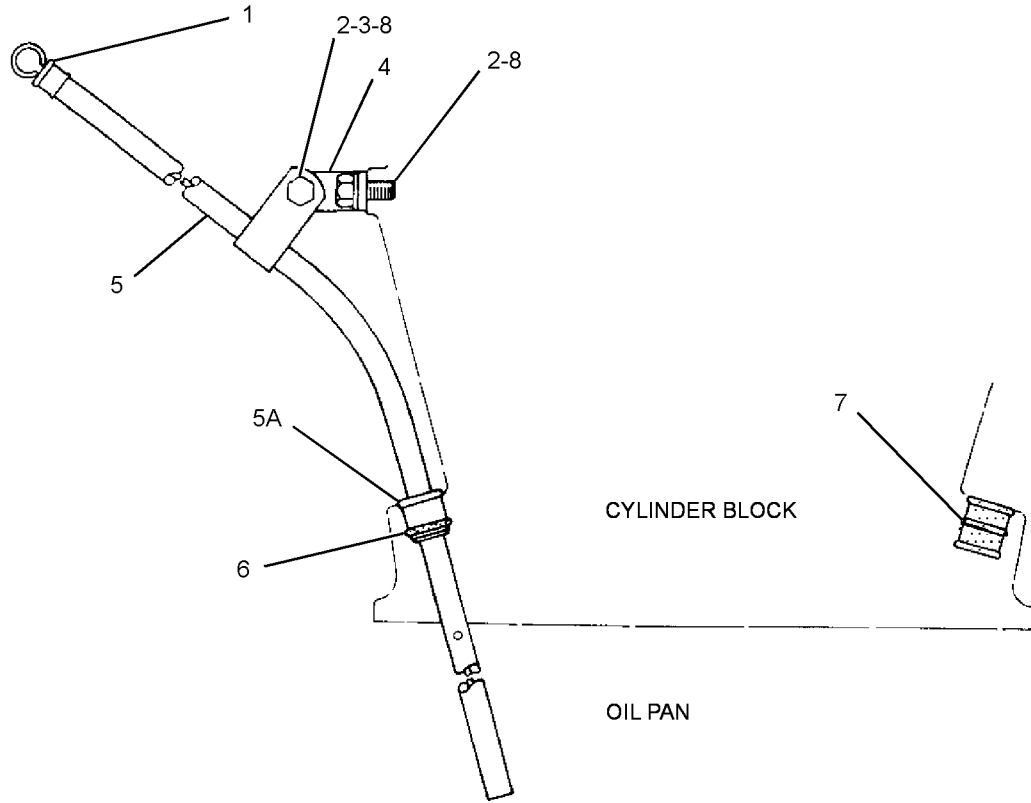
i02863573

NOTE	REF NO	GRAPHIC REF	PART NUMBER	QTY	PART NAME						SEE PAGE
					1	2	3	4	5	6 (PRODUCT LEVEL)	
	1	1	8N-1667	1	GAUGE AS-OIL LEVEL (DIPSTICK) (ENGINE)						
	2	1	0L-1351	2	BOLT (3/8-16X0.875-IN)						
	3	1	9S-8752	1	NUT-FULL (3/8-16-THD)						
	4	1	2L-6243	1	BRACKET						
	5	1	1N-3810	1	GUIDE AS-OIL LEVEL GAUGE (ENGINE)						
	5A	1	4N-1294	1	ADAPTER						
	6	1	118-5068	1	SEAL-O-RING						
J	7	1	165-6170	3	PLUG						
	8	1	5M-2894	3	WASHER-HARD (10.2X18.5X2.5-MM THK)						
BF		1	0S-1594	1	BOLT (3/8-16X1-IN) (MOUNTED ON OIL COOLER BONNET)						

B-USE AS REQUIRED

F-NOT SHOWN

J-USE TO PLUG OPTIONAL DIPSTICK LOCATIONS



GRAPHIC #1

<END>

g01426307

LUBRICATION SYSTEM

4W-1895 GAUGE GP-OIL LEVEL (DIPSTICK)-ENGINE

FOR USE WITH 4W-1873-PAGE 315

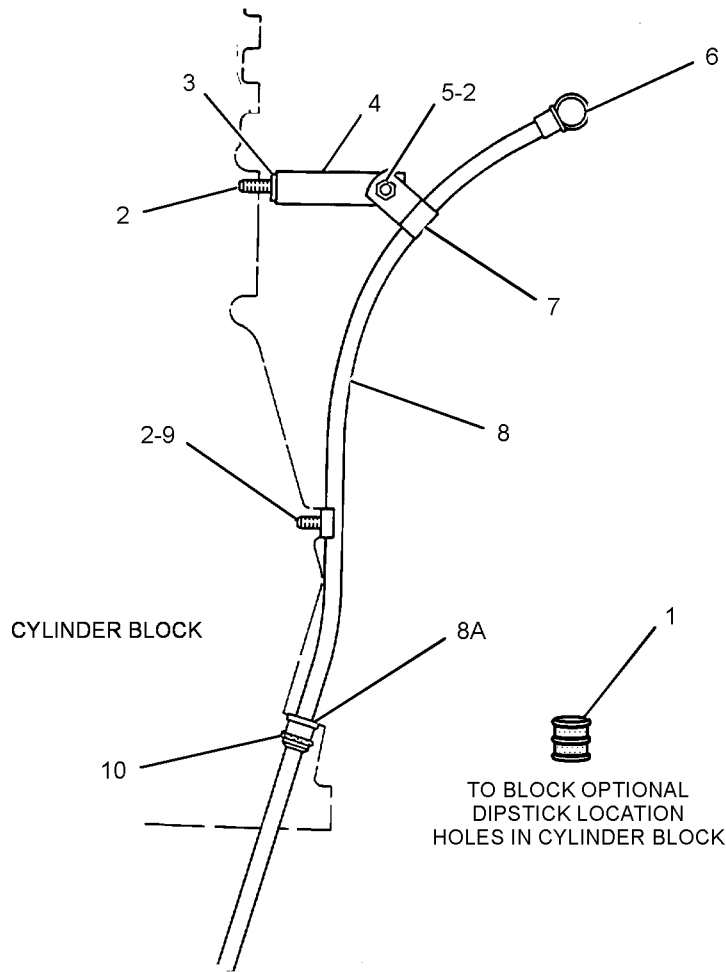
AN ATTACHMENT

SMCS-1326

i02863588

NOTE	REF NO	GRAPHIC REF	PART NUMBER	QTY	PART NAME						SEE PAGE	
					1	2	3	4	5	6 (PRODUCT LEVEL)		
J	1	1	165-6170	3	PLUG							
	2	1	5M-2894	4	WASHER-HARD (10.2X18.5X2.5-MM THK)							
	3	1	1A-4784	1	WASHER							
	4	1	6N-2283	1	BRACKET							
	5	1	1	0S-1591	2	BOLT (3/8-16X1.5-IN)						
				9S-8752	1	NUT-FULL (3/8-16-THD)						
				5H-3124	1	SPACER (0.406X1X0.625-IN THK)						
	6	1	4W-1894	1	GAUGE AS-OIL LEVEL (DIPSTICK) (ENGINE)							
	7	1	7B-1598	1	CLIP							
	8	1	6N-7840	1	GUIDE AS-GAUGE (ENGINE OIL LEVEL)							
8A	1	4N-1294	1	ADAPTER								
9	1	0S-0509	1	BOLT (3/8-16X0.75-IN)								
10	1	118-5068	1	SEAL-O-RING								

J-USE TO PLUG OPTIONAL DIPSTICK LOCATIONS



GRAPHIC #1

<END>

g01426317

LUBRICATION SYSTEM

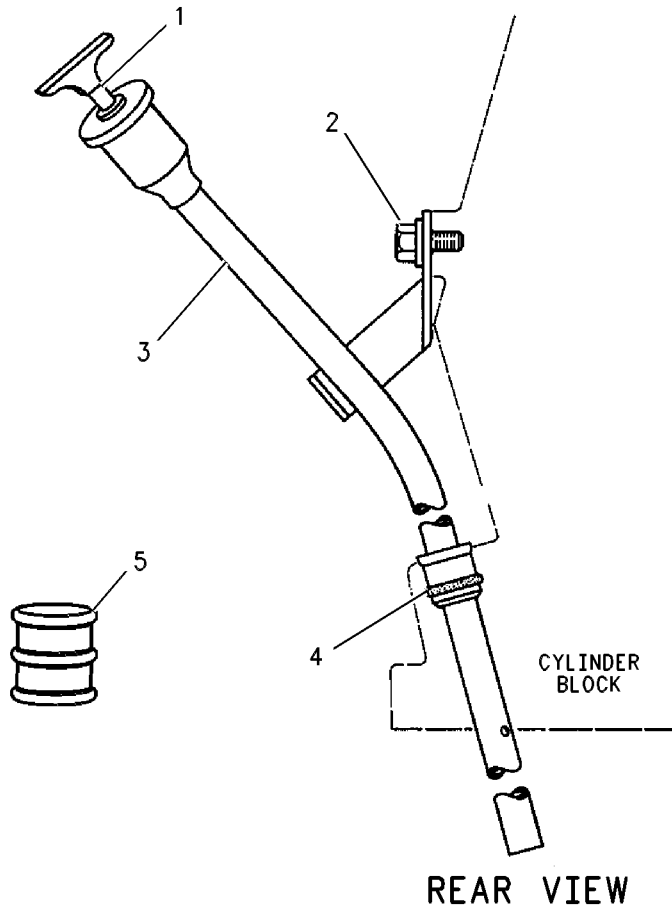
4W-3924 GAUGE GP-OIL LEVEL (DIPSTICK)-ENGINE

SMCS-1326

i02797594

NOTE	REF NO	GRAPHIC REF	PART NUMBER	QTY	PART NAME						SEE PAGE
					1	2	3	4	5	6 (PRODUCT LEVEL)	
	1	1	4W-3922	1	GAUGE AS-OIL LEVEL (DIPSTICK) (ENGINE)						
	2	1	0S-0509	1	BOLT (3/8-16X0.75-IN)						
		1	5M-2894	1	WASHER-HARD (10.2X18.5X2.5-MM THK)						
	3	1	4W-3923	1	GUIDE AS-OIL LEVEL GAUGE						
	4	1	118-5068	1	SEAL-O-RING						
J	5	1	165-6170	3	PLUG						

J-USE TO PLUG OPTIONAL DIPSTICK LOCATIONS



GRAPHIC #1

<END>

g00648049

LUBRICATION SYSTEM

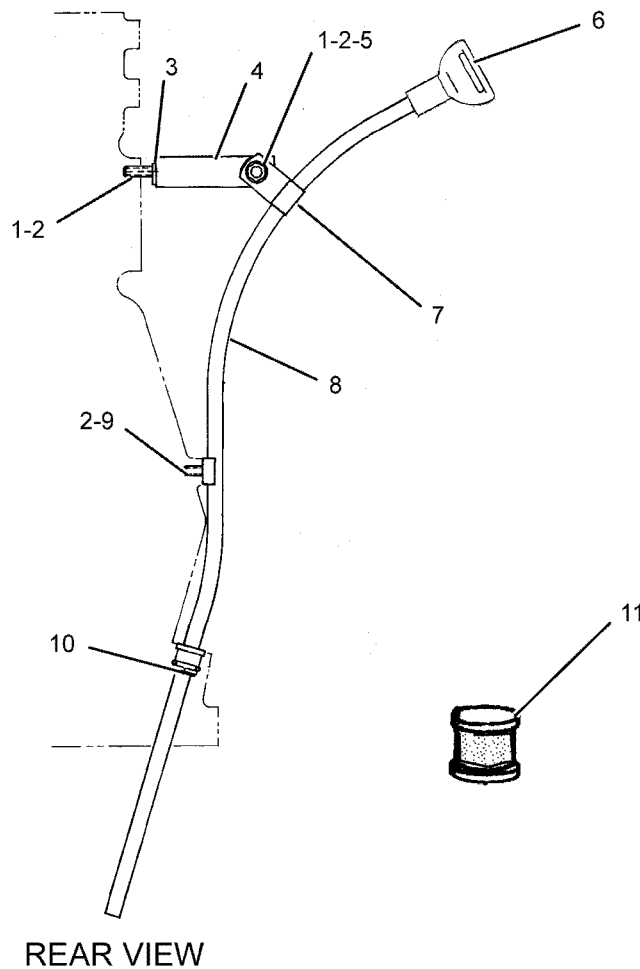
6N-2282 GAUGE GP-OIL LEVEL (DIPSTICK)-ENGINE

SMCS-1326

i02170177

NOTE	REF NO	GRAPHIC REF	PART NUMBER	QTY	PART NAME						SEE PAGE
					1	2	3	4	5	6 (PRODUCT LEVEL)	
	1	1	0S-1591	2	BOLT (3/8-16X1.5-IN)						
	2	1	5M-2894	4	WASHER-HARD (10.2X18.5X2.5-MM THK)						
	3	1	1A-4784	1	WASHER						
	4	1	6N-2283	1	BRACKET						
	5	1	9S-8752	1	NUT-FULL (3/8-16-THD)						
		1	5H-3124	1	SPACER (0.406X1X0.625-IN THK)						
C	6	1	6N-7653	1	GAUGE AS-OIL LEVEL (DIPSTICK) (ENGINE)						
	7	1	7B-1598	1	CLIP						
C	8	1	6N-7840	1	GUIDE AS-GAUGE						
	9	1	0S-0509	1	BOLT (3/8-16X0.75-IN)						
	10	1	118-5068	1	SEAL-O-RING						
J	11	1	165-6170	3	PLUG						

C-CHANGE FROM PREVIOUS TYPE
 J-USED TO PLUG OPTIONAL DIPSTICK LOCATIONS



GRAPHIC #1

<END>

g01100417

LUBRICATION SYSTEM

7N-0166 GAUGE GP-OIL LEVEL (DIPSTICK)-ENGINE

LH

FOR USE WITH 4N-0756-PAGE 314

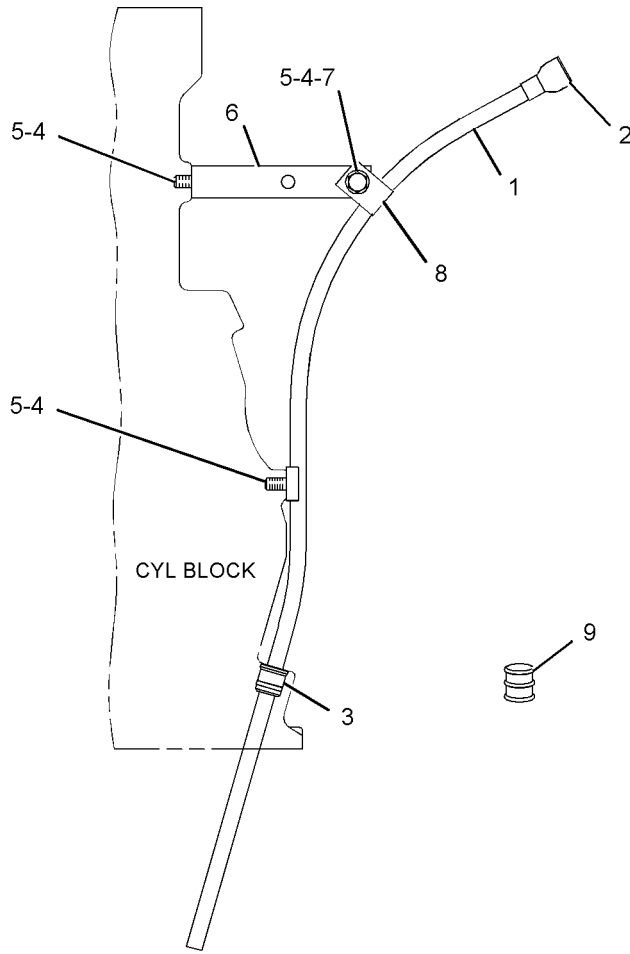
SMCS-1326

i02380561

NOTE	REF NO	GRAPHIC REF	PART NUMBER	QTY	PART NAME						SEE PAGE
					1	2	3	4	5	6 (PRODUCT LEVEL)	
	1	1	6N-7840	1	GUIDE AS-GAUGE						
	2	1	6N-7653	1	GAUGE AS-OIL LEVEL (DIPSTICK) (ENGINE)						
	3	1	118-5068	1	SEAL-O-RING						
B	4	1	0S-0509	3	BOLT (3/8-16X0.75-IN)						
B	5	1	5M-2894	4	WASHER-HARD (10.2X18.5X2.5-MM THK)						
	6	1	4N-5263	1	BRACKET						
	7	1	9S-8752	1	NUT-FULL (3/8-16-THD)						
	8	1	4B-0418	1	CLIP						
J	9	1	165-6170	3	PLUG						

B-USE AS REQUIRED

J-USE TO PLUG OPTIONAL DIPSTICK LOCATIONS



GRAPHIC #1

<END>

g01095616

LUBRICATION SYSTEM

7N-8084 GAUGE GP-OIL LEVEL (DIPSTICK)-ENGINE

PART OF 2W-4125 COOLER AR-TRANSMISSION OIL
FOR USE WITH REAR SUMP OIL PAN , 2W-3469-PAGE 737
AN ATTACHMENT

SMCS-1326

i02863609

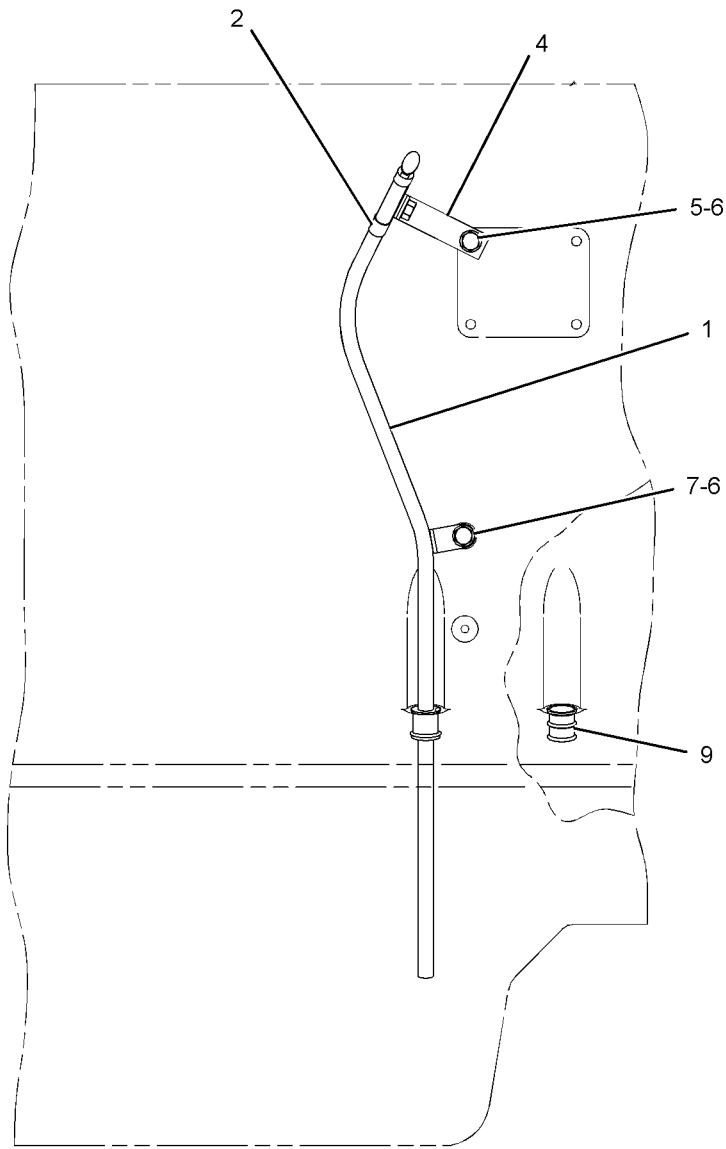
NOTE	REF NO	GRAPHIC REF	PART NUMBER	QTY	PART NAME	SEE PAGE
					1 2 3 4 5 6 (PRODUCT LEVEL)	
	1	1	7N-7913	1	GUIDE AS-GAUGE (ENGINE OIL LEVEL)	
	1A	1	4N-1294	1	ADAPTER	
	2	1	4B-0418	1	CLIP	
	3	1	6N-7653	1	GAUGE AS-OIL LEVEL (DIPSTICK) (ENGINE)	
	4	1	7N-7916	1	BRACKET	
	5	1	3B-1915	1	BOLT (3/8-16X1.375-IN)	
C	6	1	5M-2894	4	WASHER-HARD (10.2X18.5X2.5-MM THK)	
C	7	1	0S-0509	2	BOLT (3/8-16X0.75-IN)	
	8	1	9S-8752	1	NUT-FULL (3/8-16-THD)	
CJ	9	1	165-6170	3	PLUG	
	10	1	118-5068	1	SEAL-O-RING	

C-CHANGE FROM PREVIOUS TYPE
J-USE TO PLUG OPTIONAL DIPSTICK LOCATIONS

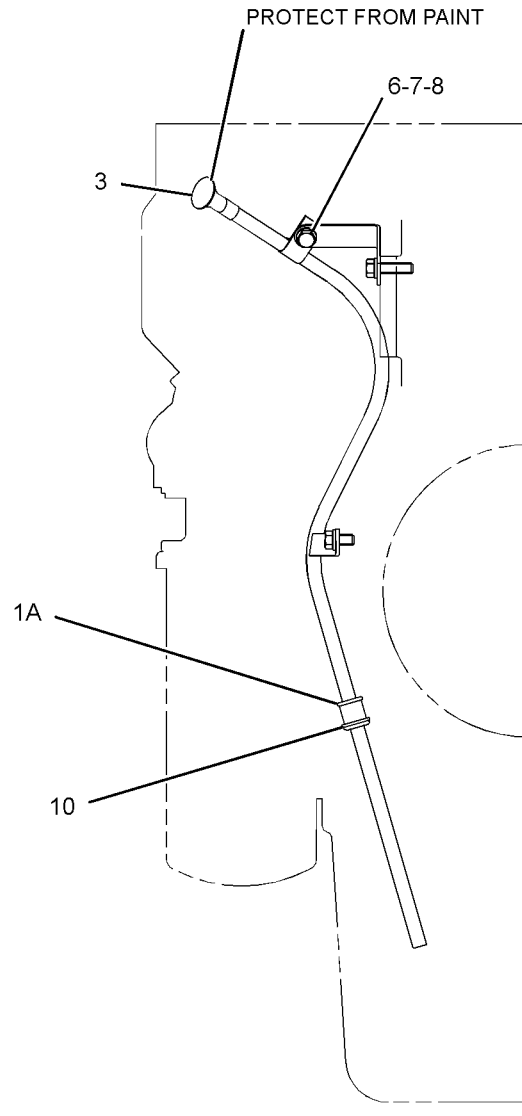
LUBRICATION SYSTEM

7N-8084 GAUGE GP-OIL LEVEL (DIPSTICK) (contd.)

i02863609



RIGHT SIDE VIEW



FRONT VIEW

GRAPHIC #1

<END>

g01426336

LUBRICATION SYSTEM

101-7363 GAUGE GP-OIL LEVEL (DIPSTICK)-ENGINE

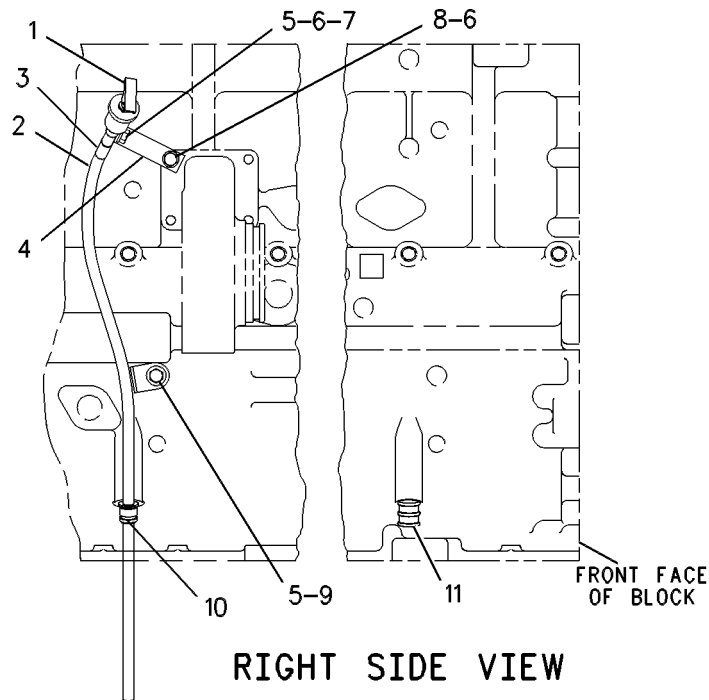
S/N: 6TB11381-18566

SMCS-1326

i02399405

NOTE	REF NO	GRAPHIC REF	PART NUMBER	QTY	PART NAME						SEE PAGE
					1	2	3	4	5	6 (PRODUCT LEVEL)	
	1	1	101-7361	1	GAUGE AS-OIL LEVEL (DIPSTICK) (ENGINE)						
	2	1	101-7359	1	GUIDE AS-GAUGE						
	3	1	4B-0418	1	CLIP						
	4	1	7N-7916	1	BRACKET						
	5	1	0S-0509	2	BOLT (3/8-16X0.75-IN)						
	6	1	5M-2894	3	WASHER-HARD (10.2X18.5X2.5-MM THK)						
	7	1	9S-8752	1	NUT-FULL (3/8-16-THD)						
	8	1	3B-1915	1	BOLT (3/8-16X1.375-IN)						
	9	1	9X-6458	1	WASHER-HARD (10.2X22.5X3-MM THK)						
	10	1	118-5068	1	SEAL-O-RING						
J	11	1	165-6170	1	PLUG						

J-USE TO PLUG OPTIONAL DIPSTICK LOCATION



GRAPHIC #1

<END>

g00647081

LUBRICATION SYSTEM

101-7364 GAUGE GP-OIL LEVEL (DIPSTICK)-ENGINE

S/N: 6TB11381-18566

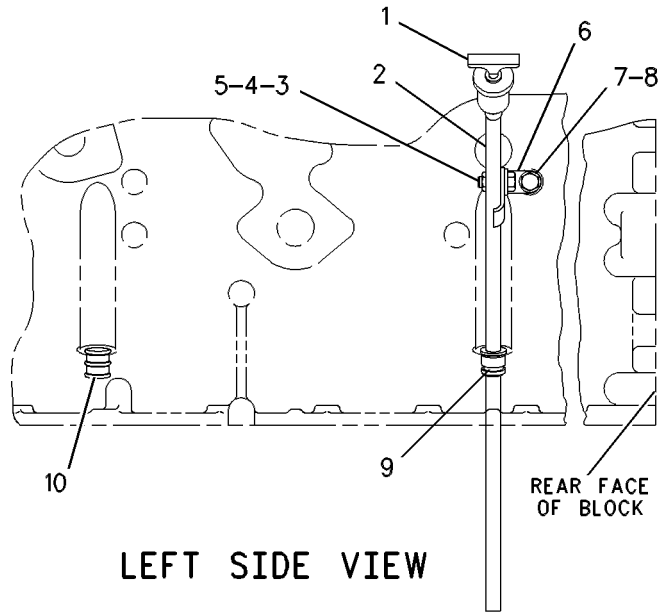
LH

SMCS-1326

i02399406

NOTE	REF NO	GRAPHIC REF	PART NUMBER	QTY	PART NAME						SEE PAGE
					1	2	3	4	5	6 (PRODUCT LEVEL)	
	1	1	101-7362	1	GAUGE AS-OIL LEVEL (DIPSTICK) (ENGINE)						
	2	1	101-7360	1	GUIDE AS-OIL LEVEL						
	3	1	0S-1594	1	BOLT (3/8-16X1-IN)						
	4	1	9X-6458	2	WASHER-HARD (10.2X22.5X3-MM THK)						
	5	1	9S-8752	1	NUT-FULL (3/8-16-THD)						
	6	1	2L-6243	1	BRACKET						
	7	1	0L-1351	1	BOLT (3/8-16X0.875-IN)						
	8	1	5M-2894	1	WASHER-HARD (10.2X18.5X2.5-MM THK)						
	9	1	118-5068	1	SEAL-O-RING						
J	10	1	165-6170	1	PLUG						

J-USE TO PLUG OPTIONAL DIPSTICK LOCATIONS



GRAPHIC #1

<END>

g00647092

LUBRICATION SYSTEM

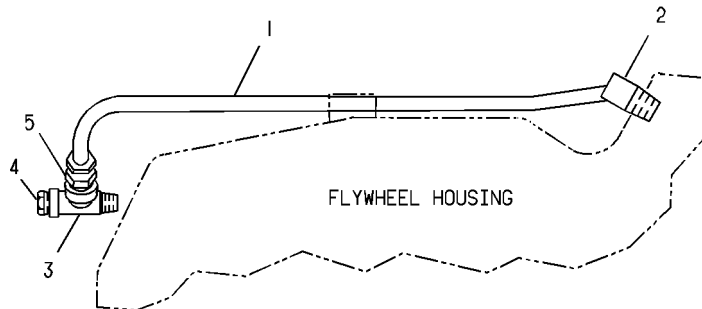
1W-8342 LINES GP-ENGINE OIL

EXTERNAL
ALSO AN ATTACHMENT

SMCS - 1307

i00640633

NOTE	REF NO	GRAPHIC REF	PART NUMBER	QTY	PART NAME						SEE PAGE
					1	2	3	4	5	6 (PRODUCT LEVEL)	
	1	1	6N-7369	1	TUBE AS-OIL						
	2	1	5P-2559	1	ELBOW-FLARED						
	3	1	5P-3422	1	TEE-PIPE						
	4	1	5M-6214	1	PLUG-PIPE						
	5	1	1P-3458	1	CONNECTOR						



GRAPHIC #1

<END>

g00152053

LUBRICATION SYSTEM

4N-1128 LINES GP-ENGINE OIL

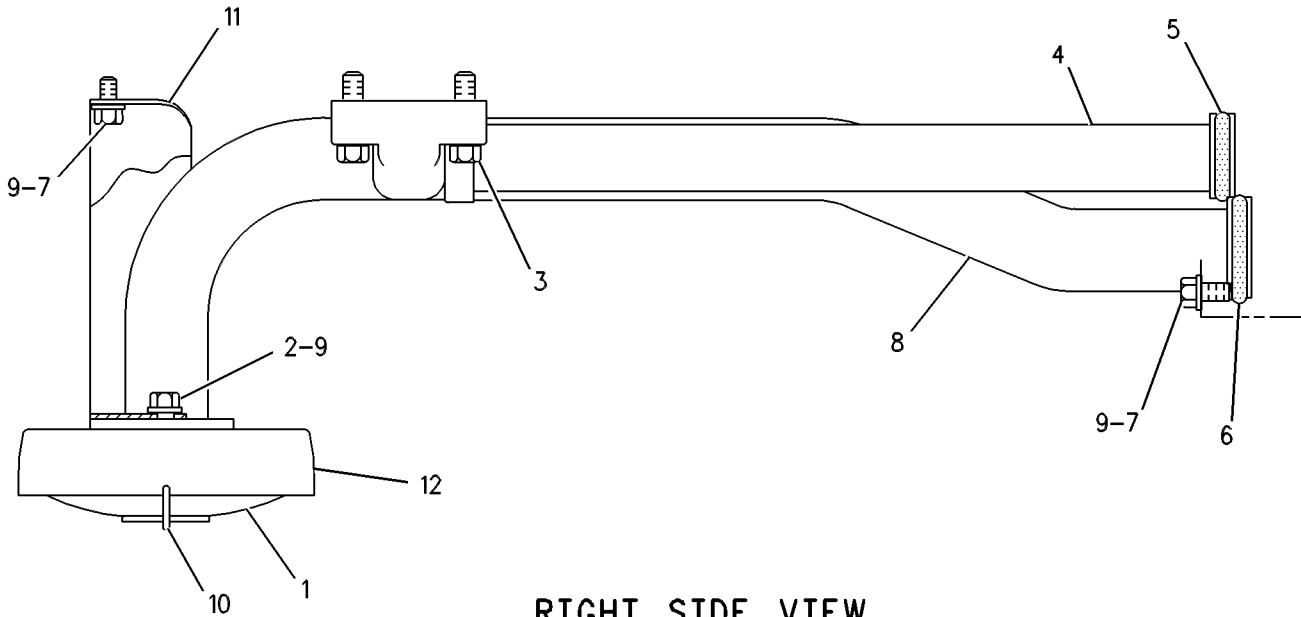
S/N: 6TB9857-23946
FOR USE WITH DEEP SUMP OIL PAN

SMCS-1307

i03641033

NOTE	REF NO	GRAPHIC REF	PART NUMBER	QTY	PART NAME						SEE PAGE
					1	2	3	4	5	6 (PRODUCT LEVEL)	
	1	1	4N-0913	1	SCREEN-STRAINER (ENGINE OIL SUMP)						
	2	1	1A-2029	2	BOLT (3/8-16X1.125-IN)						
C	3	1	0S-1591	2	BOLT (3/8-16X1.5-IN)						
	4	1	4N-0995	1	TUBE AS						
	5	1	109-0078	1	SEAL-O-RING						
C	6	1	109-0072	1	SEAL-O-RING						
C	7	1	0L-1351	3	BOLT (3/8-16X0.875-IN)						
	8	1	9N-5124	1	TUBE AS-PUMP SUCTION						
	9	1	9X-6458	5	WASHER-HARD (10.2X22.5X3-MM THK)						
	10	1	4N-0914	1	CLIP						
	11	1	6N-7249	1	SUPPORT-SUCTION BELL						
	12	1	8N-2104	1	BELL AS-SUCTION						
		1	1F-0750	2	NUT-WELD (3/8-16-THD)						

C-CHANGE FROM PREVIOUS TYPE



GRAPHIC #1

<END>

g00260084

LUBRICATION SYSTEM

4N-1128 LINES GP-ENGINE OIL

S/N: 6TB23946-UP

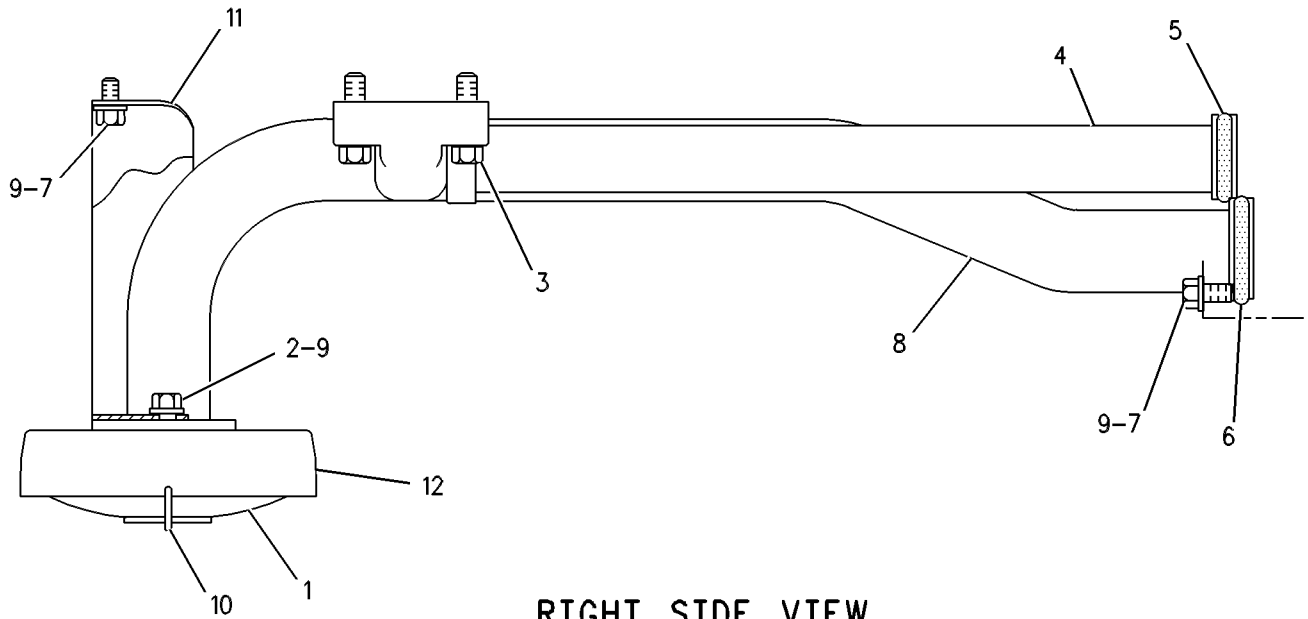
FOR USE WITH DEEP SUMP OIL PAN

SMCS-1307

i04080374

NOTE	REF NO	GRAPHIC REF	PART NUMBER	QTY	PART NAME						SEE PAGE
					1	2	3	4	5	6 (PRODUCT LEVEL)	
	1	1	4N-0913	1	SCREEN-STRAINER (ENGINE OIL SUMP)						
	2	1	1A-2029	2	BOLT (3/8-16X1.125-IN)						
	3	1	0S-1591	2	BOLT (3/8-16X1.5-IN)						
C	4	1	4P-7373	1	TUBE AS						
	5	1	5P-8068	1	SEAL-O-RING						
	6	1	5P-5846	1	SEAL-O-RING						
	7	1	0L-1351	3	BOLT (3/8-16X0.875-IN)						
	8	1	9N-5124	1	TUBE AS-PUMP SUCTION						
	9	1	9X-6458	5	WASHER-HARD (10.2X22.5X3-MM THK)						
	10	1	4N-0914	1	CLIP						
	11	1	6N-7249	1	SUPPORT-SUCTION BELL						
	12	1	8N-2104	1	BELL AS-SUCTION						

C-CHANGE FROM PREVIOUS TYPE



RIGHT SIDE VIEW

GRAPHIC #1

<END>

g00260084

LUBRICATION SYSTEM

7W-9010 LINES GP-ENGINE OIL

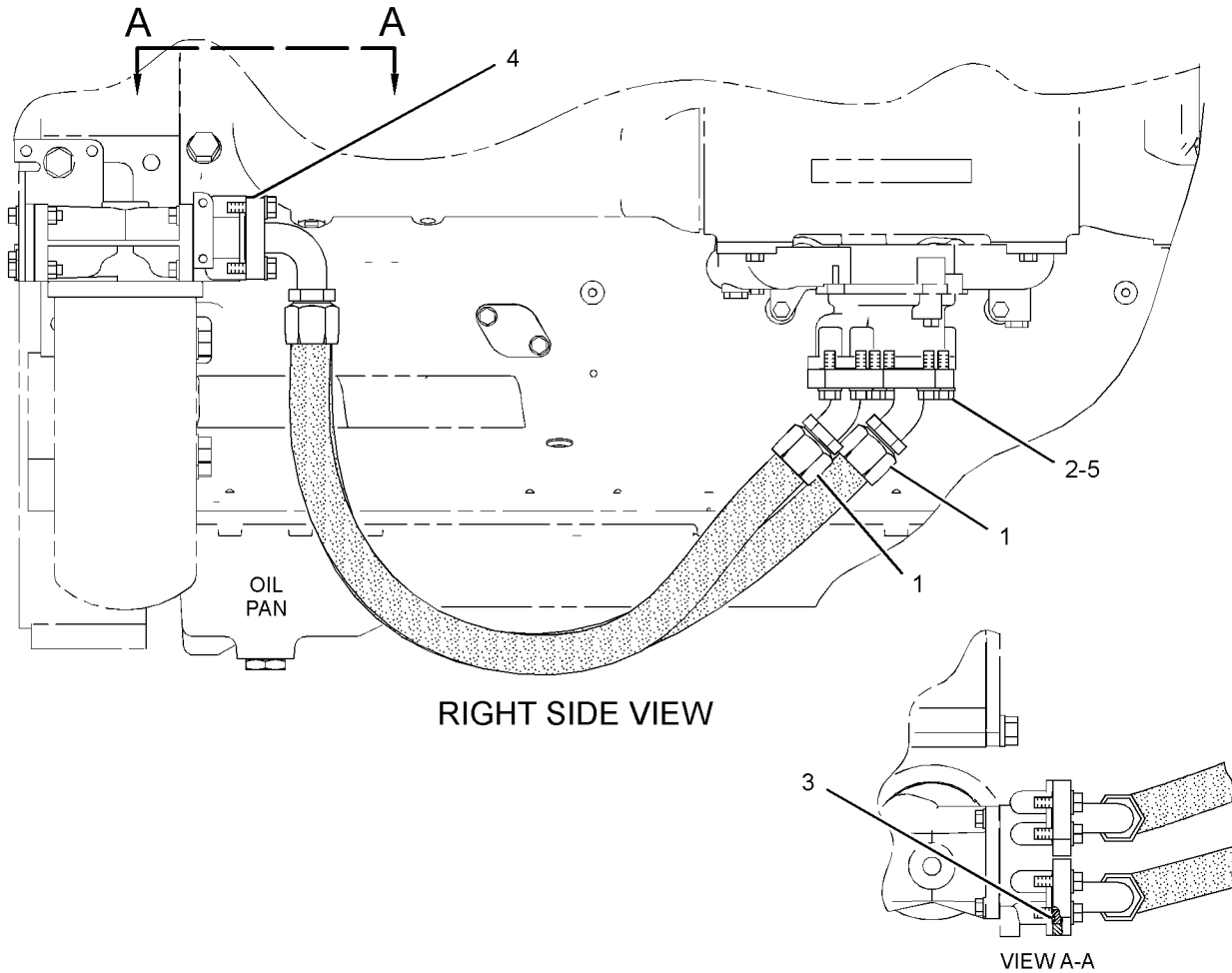
REMOTE FILTER
AN ATTACHMENT

SMCS-1307

i02390266

NOTE	REF NO	GRAPHIC REF	PART NUMBER	QTY	PART NAME						SEE PAGE
					1	2	3	4	5	6 (PRODUCT LEVEL)	
I	1	1	7W-8633	2	HOSE AS						
	2	1	0T-0772	16	BOLT (7/16-14X1.5-IN)						
	3	1	118-7214	4	SEAL-O-RING						
	4	1	1P-4578	8	FLANGE-HALF						
	5	1	5P-8244	16	WASHER-HARD (12X22.5X2.5-MM THK)						

I-REFER TO HYDRAULIC INFORMATION SYSTEM



GRAPHIC #1

<END>

g01239083

LUBRICATION SYSTEM

9N-2282 LINES GP-ENGINE OIL

S/N: 6TB9857-12432

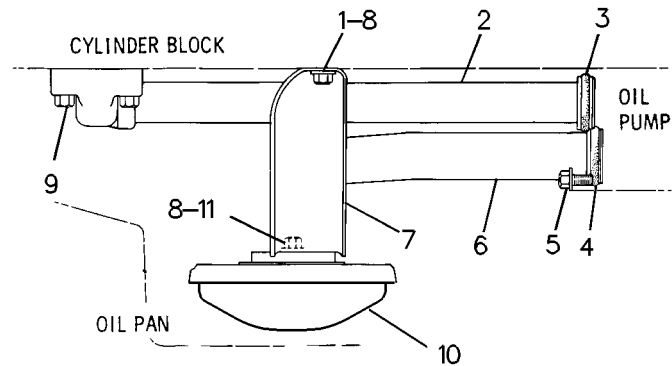
FOR USE WITH 4N-0756-PAGE 314

SMCS-1307

i00641336

NOTE	REF NO	GRAPHIC REF	PART NUMBER	QTY	PART NAME						SEE PAGE
					1	2	3	4	5	6 (PRODUCT LEVEL)	
	1	1	0S-0509	2	BOLT (3/8-16X0.75-IN)						
	2	1	4N-0995	1	TUBE AS						
	3	1	5P-8068	1	SEAL-O-RING						
	4	1	5P-5846	1	SEAL-O-RING						
	5	1	0L-1351	1	BOLT (3/8-16X0.875-IN)						
		1	8M-9024	1	WASHER-HARD (10.2X22.5X5-MM THK)						
C	6	1	9N-5915	1	TUBE AS-PUMP SUCTION						
C	7	1	6N-7249	1	SUPPORT-SUCTION BELL						
C	8	1	5M-2894	4	WASHER-HARD (10.2X18.5X2.5-MM THK)						
	9	1	0S-1591	2	BOLT (3/8-16X1.5-IN)						
C	10	1	8N-2104	1	BELL AS-SUCTION						
	11	1	1A-2029	2	BOLT (3/8-16X1.125-IN)						

C-CHANGE FROM PREVIOUS TYPE



GRAPHIC #1

<END>

g00219063

LUBRICATION SYSTEM

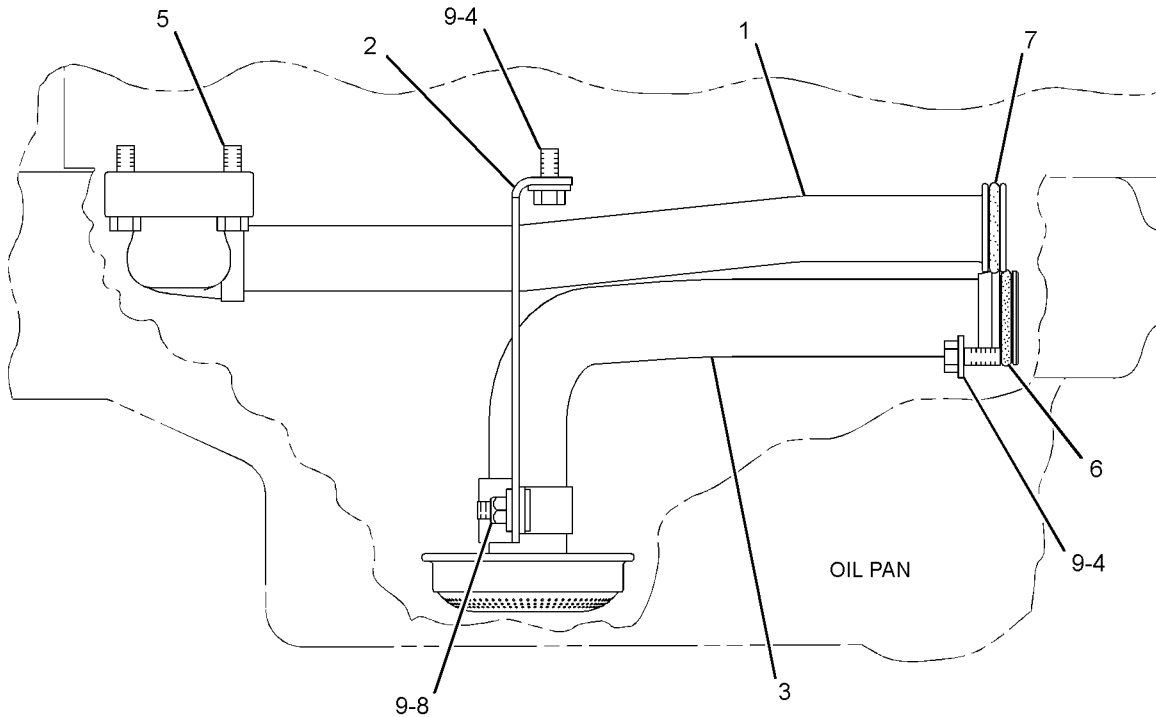
9N-2282 LINES GP-ENGINE OIL

S/N: 6TB12433-UP
FOR USE WITH 4N-0756-PAGE 314

SMCS-1307

i03931793

NOTE	REF NO	GRAPHIC REF	PART NUMBER	QTY	PART NAME						SEE PAGE
					1	2	3	4	5	6 (PRODUCT LEVEL)	
	1	1	4P-7373	1	TUBE AS						
	2	1	115-2353	1	BRACKET-TUBE						
	3	1	115-2370	1	TUBE AS-SUCTION						
	4	1	0L-1351	3	BOLT (3/8-16X0.875-IN)						
	5	1	0S-1591	2	BOLT (3/8-16X1.5-IN)						
	6	1	5P-5846	1	SEAL-O-RING						
	7	1	5P-8066	1	SEAL-O-RING						
	8	1	2K-4973	2	LOCKNUT (3/8-16-THD)						
	9	1	9X-6458	5	WASHER-HARD (10.2X22.5X3-MM THK)						



RIGHT SIDE VIEW OF ENGINE

GRAPHIC #1

<END>

g01348395

LUBRICATION SYSTEM

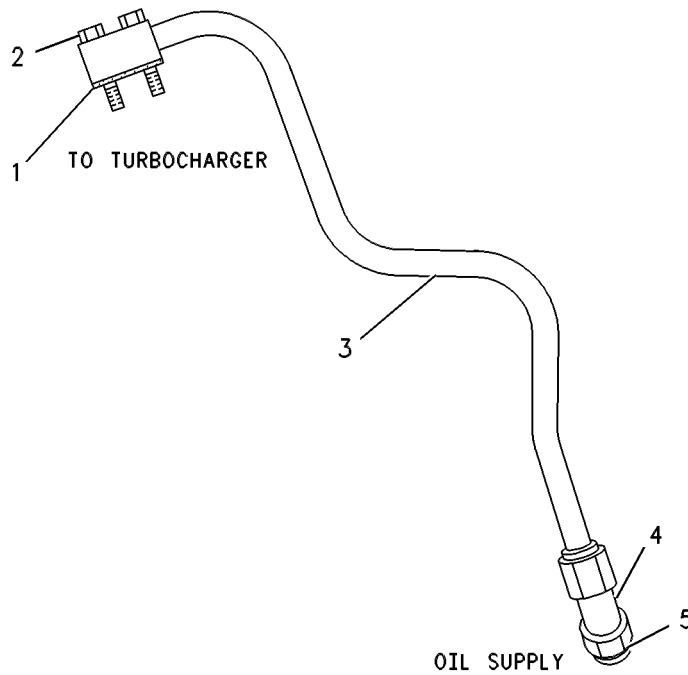
1W-8808 LINES GP-TURBOCHARGER OIL

PART OF 2W-4125 COOLER AR-TRANSMISSION OIL
FOR USE WITH UNDERGROUND MINING APPLICATIONS
AN ATTACHMENT

SMCS-1052, 1307

i00640211

NOTE	REF NO	GRAPHIC REF	PART NUMBER	QTY	PART NAME						SEE PAGE
					1	2	3	4	5	6 (PRODUCT LEVEL)	
	1	1	1S-6595	1	GASKET-OIL SUPPLY						
	2	1	2A-4639	2	BOLT (3/8-16X1.625-IN)						
	3	1	2W-1609	1	TUBE AS-OIL						
	4	1	6M-7476	1	ELBOW						
	5	1	114-4427	1	SEAL-O-RING						



GRAPHIC #1

<END>

g00255583

LUBRICATION SYSTEM

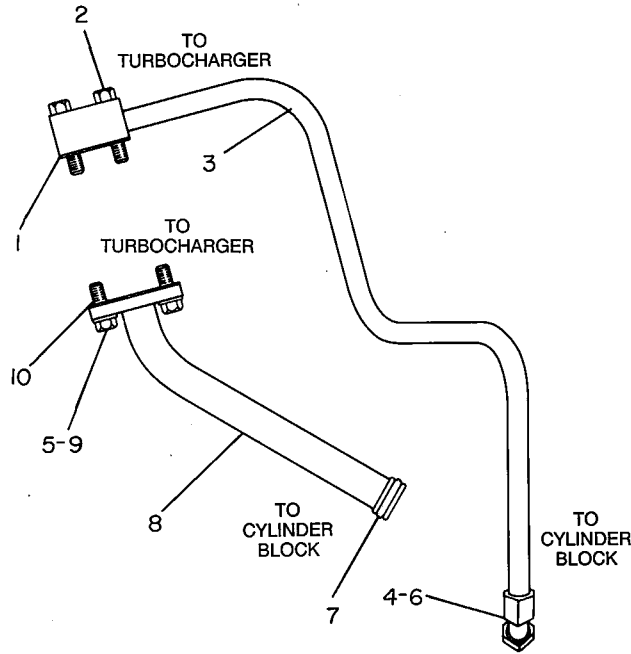
4N-4073 LINES GP-TURBOCHARGER OIL

SMCS-1052, 1307

i00641086

NOTE	REF NO	GRAPHIC REF	PART NUMBER	QTY	PART NAME						SEE PAGE
					1	2	3	4	5	6 (PRODUCT LEVEL)	
	1	1	1S-6595	1	GASKET-OIL SUPPLY						
C	2	1	2A-4639	2	BOLT (3/8-16X1.625-IN)						
C	3	1	6N-3683	1	TUBE AS-OIL						
C	4	1	114-4427	1	SEAL-O-RING						
C	5	1	5M-2894	2	WASHER-HARD (10.2X18.5X2.5-MM THK)						
C	6	1	6M-7476	1	ELBOW						
	7	1	114-2687	1	SEAL-O-RING						
C	8	1	4N-9428	1	TUBE AS-DRAIN						
C	9	1	1A-2029	2	BOLT (3/8-16X1.125-IN)						
	10	1	1S-4810	1	GASKET-OIL DRAIN						

C-CHANGE FROM PREVIOUS TYPE



GRAPHIC #1

<END>

g00136126

LUBRICATION SYSTEM

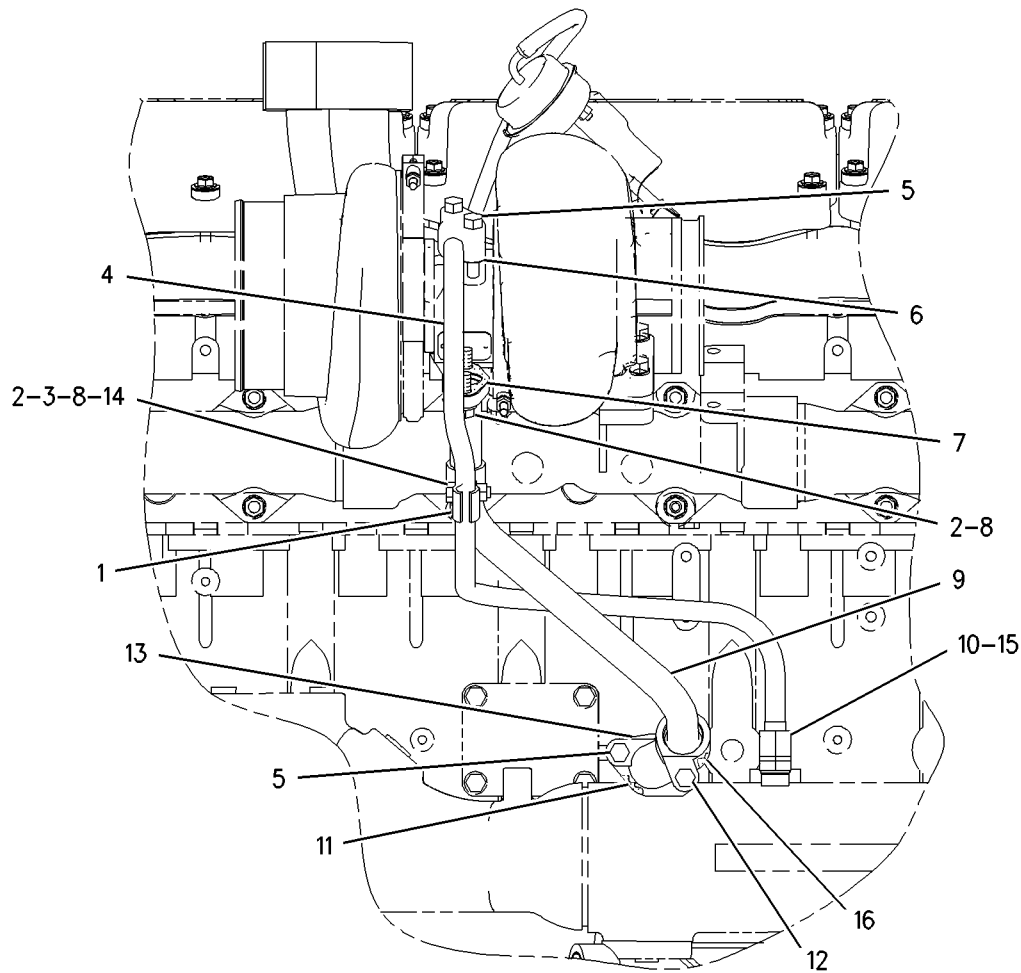
4N-5394 LINES GP-TURBOCHARGER OIL

SMCS-1052, 1307

i01950604

NOTE	REF NO	GRAPHIC REF	PART NUMBER	QTY	PART NAME						SEE PAGE
					1	2	3	4	5	6 (PRODUCT LEVEL)	
	1	1	9M-7540	2	CLAMP-TUBE						
	2	1	1A-2029	3	BOLT (3/8-16X1.125-IN)						
	3	1	9S-8752	1	NUT-FULL (3/8-16-THD)						
C	4	1	7N-3448	1	TUBE AS-OIL						
	5	1	0S-1571	3	BOLT (3/8-16X1.75-IN)						
	6	1	1S-6595	1	GASKET-OIL SUPPLY						
	7	1	1S-4810	1	GASKET-OIL DRAIN						
	8	1	5M-2894	4	WASHER-HARD (10.2X18.5X2.5-MM THK)						
	9	1	6N-1141	1	TUBE AS-OIL DRAIN						
C	10	1	9M-4584	1	CONNECTOR						
	11	1	4N-0699	1	GASKET						
	12	1	0S-1619	1	BOLT (3/8-16X3-IN)						
	13	1	4N-2040	1	ELBOW-DRAIN						
	14	1	3L-9689	1	WASHER (10.5X25.4X5-MM THK)						
C	15	1	114-4427	1	SEAL-O-RING						
	16	1	114-2687	1	SEAL-O-RING						

C-CHANGE FROM PREVIOUS TYPE



RIGHT SIDE VIEW

GRAPHIC #1

<END>

g00881966

LUBRICATION SYSTEM

9N-0013 LINES GP-TURBOCHARGER OIL

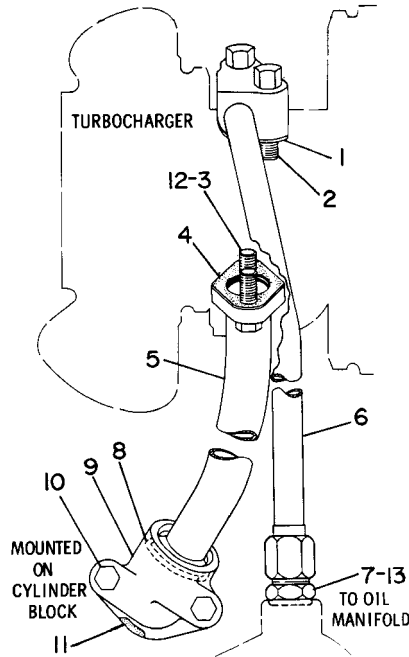
S/N: 6TB9857-11314
FOR USE WITH REAR EXHAUST TURBO
ALSO AN ATTACHMENT

SMCS-1052, 1307

i00641584

NOTE	REF NO	GRAPHIC REF	PART NUMBER	QTY	PART NAME						SEE PAGE
					1	2	3	4	5	6 (PRODUCT LEVEL)	
	1	1	1S-6595	1	GASKET-OIL SUPPLY						
	2	1	0S-1571	2	BOLT (3/8-16X1.75-IN)						
	3	1	0S-1594	2	BOLT (3/8-16X1-IN)						
	4	1	1S-4810	1	GASKET-OIL DRAIN						
	5	1	9N-0696	1	TUBE AS						
C	6	1	9N-3258	1	TUBE AS-OIL						
C	7	1	9M-4584	1	CONNECTOR						
	8	1	9M-4849	1	SEAL-O-RING						
	9	1	9N-0694	1	ELBOW						
	10	1	0L-2070	2	BOLT (3/8-16X2.25-IN)						
	11	1	4N-0699	1	GASKET						
	12	1	5M-2894	2	WASHER-HARD (10.2X18.5X2.5-MM THK)						
C	13	1	2M-9780	1	SEAL-O-RING						

C-CHANGE FROM PREVIOUS TYPE



GRAPHIC #1

<END>

g00146082

LUBRICATION SYSTEM

9N-0013 LINES GP-TURBOCHARGER OIL

S/N: 6TB11315-19600

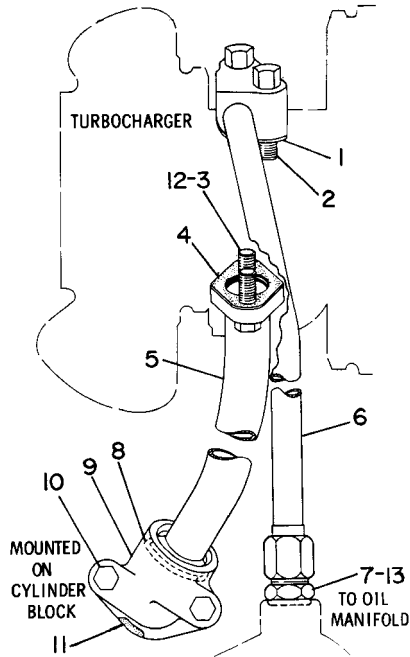
FOR USE WITH REAR EXHAUST TURBO
ALSO AN ATTACHMENT

SMCS-1052, 1307

i00641328

NOTE	REF NO	GRAPHIC REF	PART NUMBER	QTY	PART NAME						SEE PAGE
					1	2	3	4	5	6 (PRODUCT LEVEL)	
	1	1	6J-2245	1	SEAL-O-RING						
	2	1	0S-1571	2	BOLT (3/8-16X1.75-IN)						
	3	1	0S-1588	2	BOLT (3/8-16X1.25-IN)						
	4	1	6V-6228	1	SEAL-O-RING						
	5	1	104-4832	1	TUBE AS						
	6	1	106-4004	1	TUBE AS						
C	7	1	9M-4584	1	CONNECTOR						
	8	1	114-2687	1	SEAL-O-RING						
	9	1	106-3544	1	ELBOW						
	10	1	0L-2070	2	BOLT (3/8-16X2.25-IN)						
	11	1	6V-5266	1	SEAL-O-RING						
	12	1	5M-2894	2	WASHER-HARD (10.2X18.5X2.5-MM THK)						
	13	1	114-4427	1	SEAL-O-RING						

C-CHANGE FROM PREVIOUS TYPE



GRAPHIC #1

<END>

g00146082

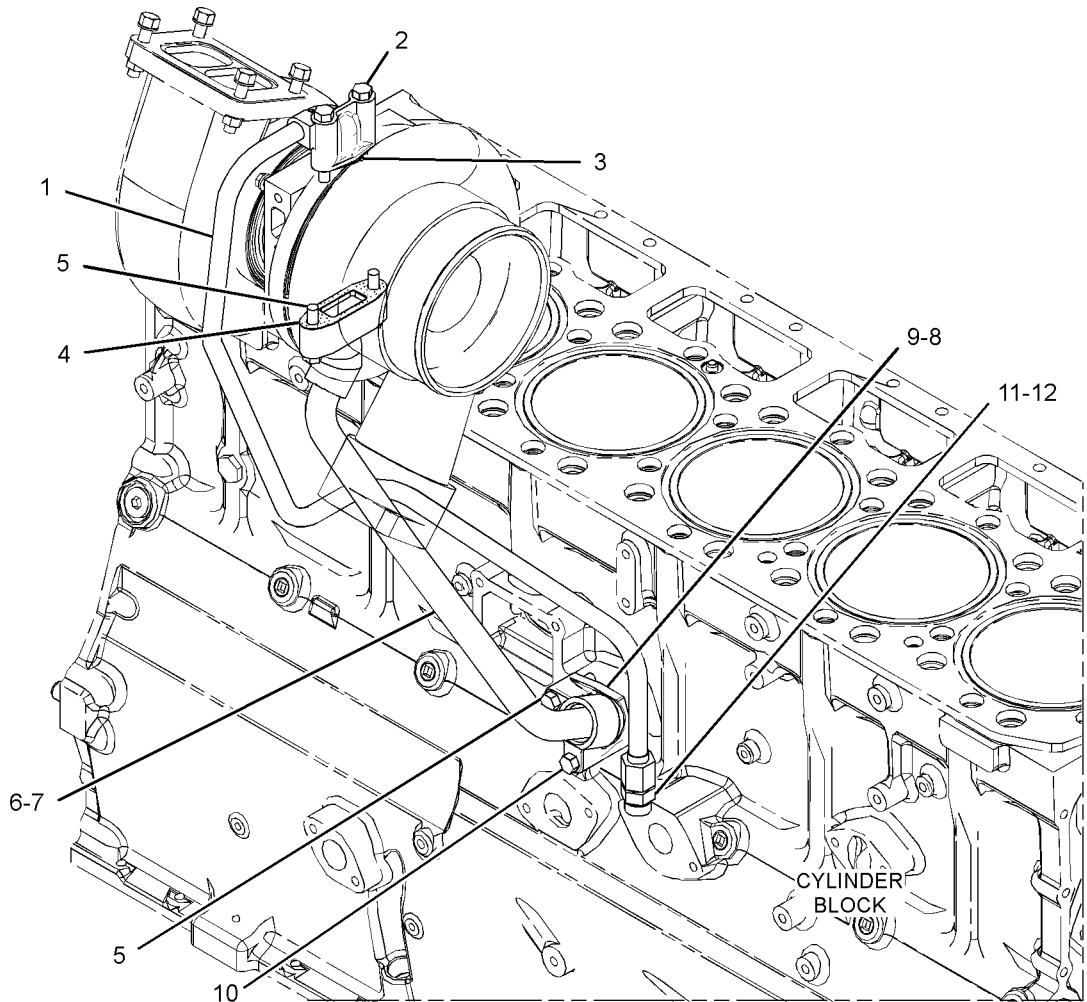
LUBRICATION SYSTEM

9Y-0581 LINES GP-TURBOCHARGER OIL

SMCS-1052, 1307

i04142031

NOTE	REF NO	GRAPHIC REF	PART NUMBER	QTY	PART NAME						SEE PAGE
					1	2	3	4	5	6 (PRODUCT LEVEL)	
	1	1	9Y-1100	1	TUBE AS (SUPPLY)						
	2	1	0L-1143	2	BOLT (3/8-16X2.5-IN)						
	3	1	4H-9541	1	GASKET						
	4	1	7N-7559	1	GASKET						
	5	1	0S-1571	3	BOLT (3/8-16X1.75-IN)						
	6	1	7C-1661	1	TUBE AS-DRAIN						
	7	1	114-2687	1	SEAL-O-RING						
	8	1	4N-0699	1	GASKET						
	9	1	4N-2040	1	ELBOW-DRAIN						
	10	1	0S-1619	1	BOLT (3/8-16X3-IN)						
	11	1	9M-4584	1	CONNECTOR						
	12	1	6V-3251	1	SEAL-O-RING						



GRAPHIC #1

<END>

g02341956

LUBRICATION SYSTEM

101-8312 LINES GP-TURBOCHARGER OIL

S/N: 6TB11381-18566

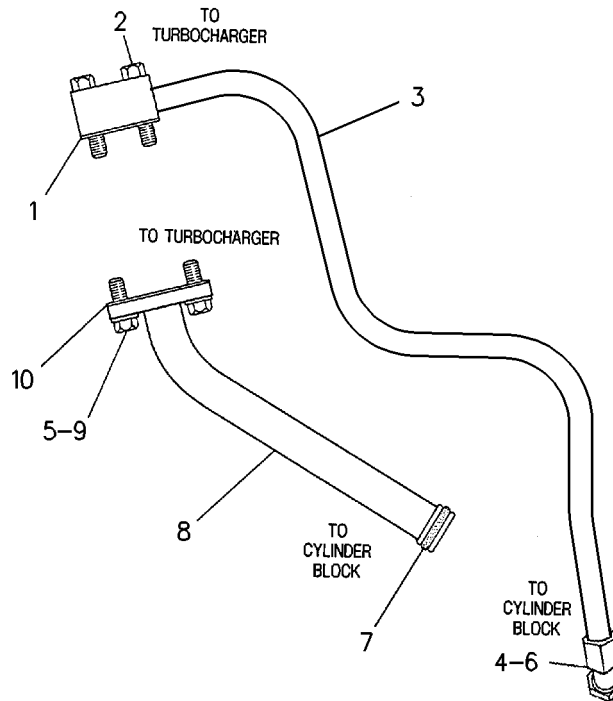
LH OIL FILL

FOR USE WITH SCAC/ATAAC PETROLEUM ENGINE

SMCS-1052, 1307

i00640020

NOTE	REF NO	GRAPHIC REF	PART NUMBER	QTY	PART NAME						SEE PAGE
					1	2	3	4	5	6 (PRODUCT LEVEL)	
	1	1	1S-6595	1	GASKET-OIL SUPPLY						
	2	1	2A-4639	2	BOLT (3/8-16X1.625-IN)						
	3	1	101-7756	1	TUBE AS-SUPPLY						
	4	1	114-4427	1	SEAL-O-RING						
	5	1	5M-2894	2	WASHER-HARD (10.2X18.5X2.5-MM THK)						
	6	1	6M-7476	1	ELBOW						
	7	1	114-2687	1	SEAL-O-RING						
	8	1	2W-2133	1	TUBE AS-DRAIN						
	9	1	1A-2029	2	BOLT (3/8-16X1.125-IN)						
	10	1	1S-4810	1	GASKET-OIL DRAIN						



GRAPHIC #1

<END>

g00233489

LUBRICATION SYSTEM

138-4773 LINES GP-TURBOCHARGER OIL

S/N: 6TB19601-20805

FOR USE WITH FRONT AND REAR SUMP (NON BRAKESAVER) OIL PANS, MID MOUNT TURBO.
CANNOT BE USED WITH FRONT FACING EXHAUST MANIFOLD
ALSO AN ATTACHMENT

SMCS-1052, 1307

i02713252

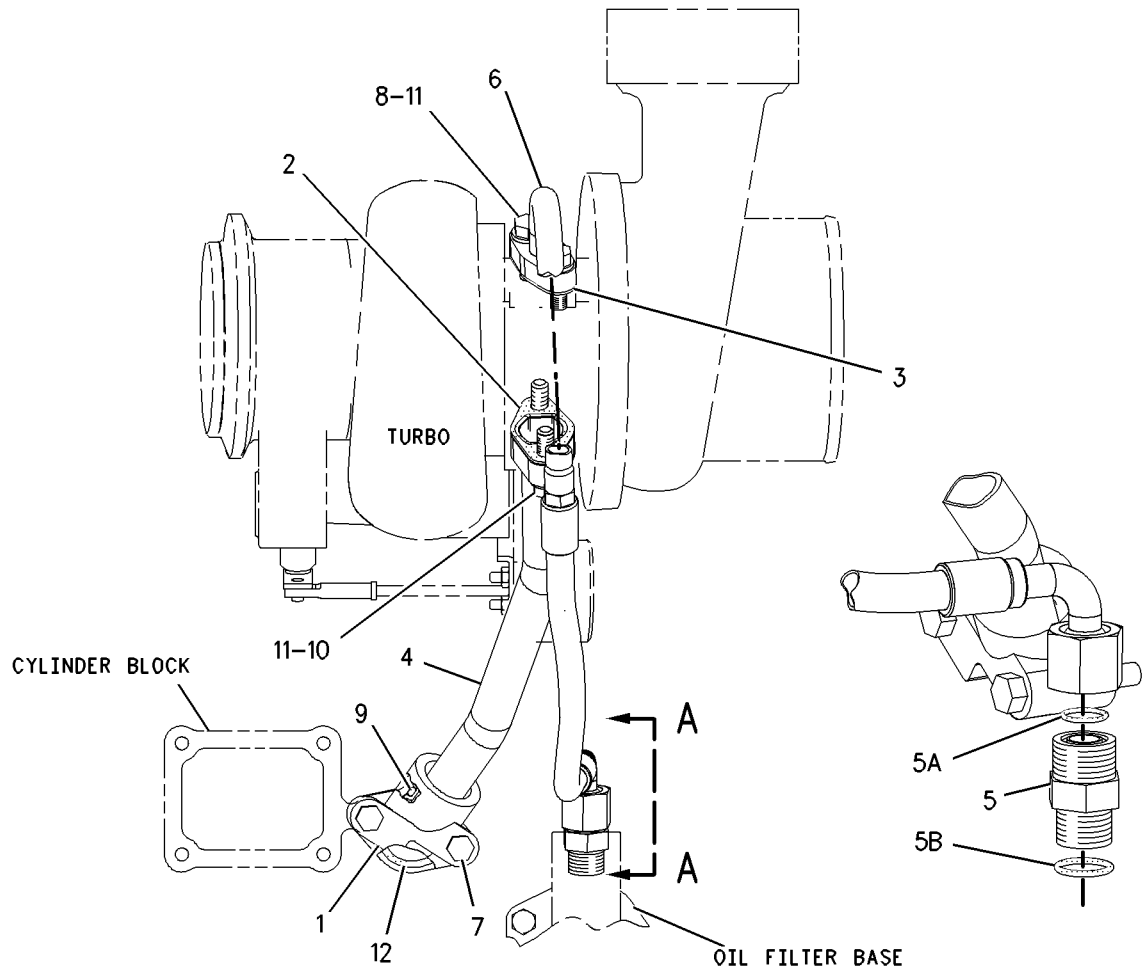
NOTE	REF NO	GRAPHIC REF	PART NUMBER	QTY	PART NAME						SEE PAGE
					1	2	3	4	5	6 (PRODUCT LEVEL)	
	1	1	106-3544	1	ELBOW						
	2	1	126-2702	1	SEAL - INTEGRAL						
	3	1	126-2704	1	SEAL - INTEGRAL						
	4	1	133-8940	1	TUBE AS-DRAIN						
	5	1	6V-8642	1	CONNECTOR						
	5A	1	136-7226	1	SEAL - O-RING						
	5B	1	136-7227	1	SEAL - O-RING						
N	6	1	173-9603	1	TUBE AS (SUPPLY)						
					-OR-						
L		1	199-3212	1	TUBE AS (SUPPLY)						
	7	1	0L-2070	2	BOLT (3/8-16X2.25-IN)						
N	8	1	0S-1588	2	BOLT (3/8-16X1.25-IN)						
	9	1	114-2687	1	SEAL - O-RING						
L	10	1	3B-1915	4	BOLT (3/8-16X1.375-IN)						
	11	1	5M-2894	4	WASHER-HARD (10.2X18.5X2.5-MM THK)						
	12	1	6V-5266	1	SEAL - O-RING						

L-PART MARKED L WILL USE BOLTS MARKED L
N-PART MARKED N WILL USE BOLTS MARKED N

LUBRICATION SYSTEM

138-4773 LINES GP-TURBOCHARGER OIL (contd.)

i02713252



GRAPHIC #1

<END>

g00678317

LUBRICATION SYSTEM

138-4773 LINES GP-TURBOCHARGER OIL

S/N: 6TB20806-UP

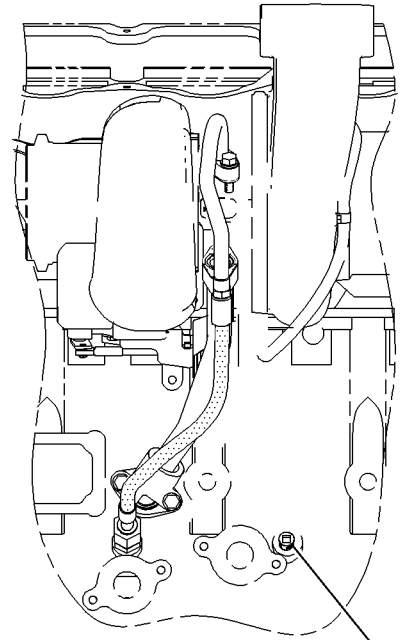
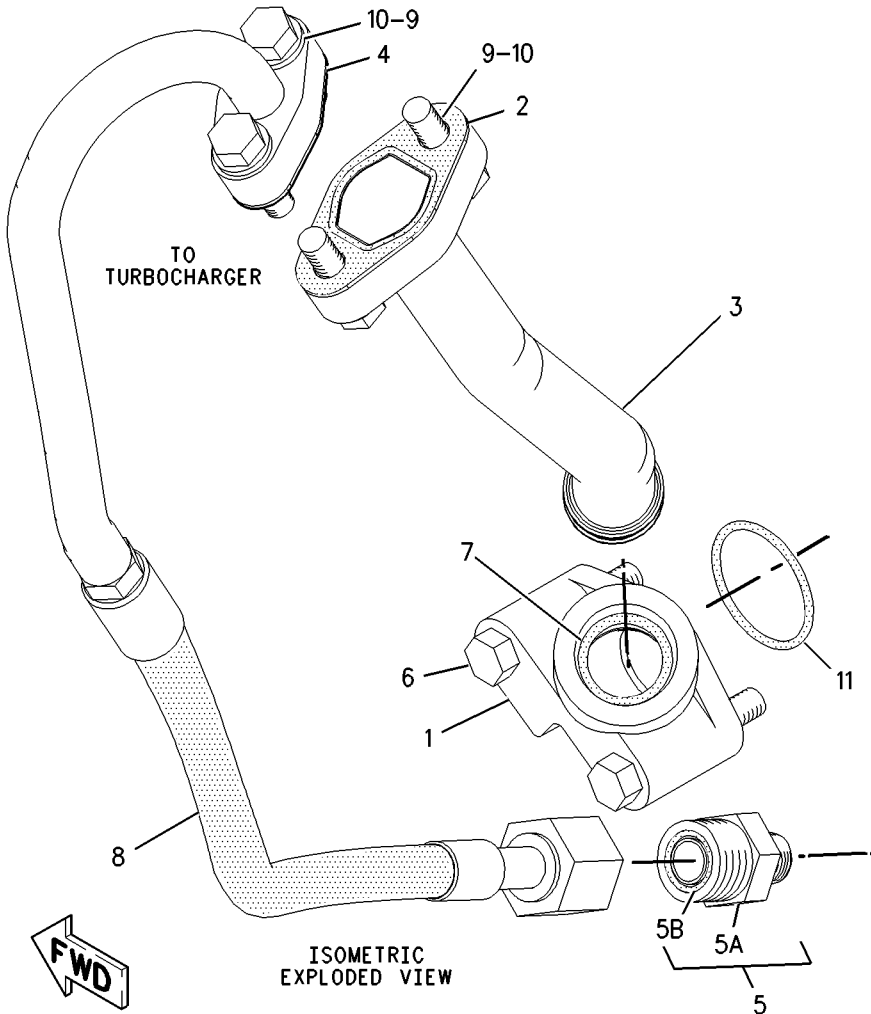
FOR USE WITH FRONT AND REAR SUMP (NON BRAKESAVER) OIL PANS, MID MOUNT TURBO.
CANNOT BE USED WITH FRONT FACING EXHAUST MANIFOLD
ALSO AN ATTACHMENT

SMCS-1052, 1307

i02618353

NOTE	REF NO	GRAPHIC REF	PART NUMBER	QTY	PART NAME						SEE PAGE
					1	2	3	4	5	6 (PRODUCT LEVEL)	
	1	1	106-3544	1	ELBOW						
	2	1	126-2702	1	SEAL - INTEGRAL						
	3	1	133-8940	1	TUBE AS-DRAIN						
	4	1	198-6068	1	SEAL - INTEGRAL						
	5	1	208-0423	1	CONNECTOR AS						
	5A	1	150-7158	1	CONNECTOR						
	5B	1	136-7226	1	SEAL - O-RING						
	6	1	0L-2070	2	BOLT (3/8-16X2.25-IN)						
	7	1	114-2687	1	SEAL - O-RING						
C	8	1	207-2805	1	TUBE AS (SUPPLY)						
	9	1	3B-1915	4	BOLT (3/8-16X1.375-IN)						
	10	1	5M-2894	4	WASHER-HARD (10.2X18.5X2.5-MM THK)						
	11	1	6V-5266	1	SEAL - O-RING						
	12	1	7X-7732	1	PLUG-PIPE						

C-CHANGE FROM PREVIOUS TYPE



RIGHT SIDE VIEW

GRAPHIC #1

<END>

g01006439

LUBRICATION SYSTEM

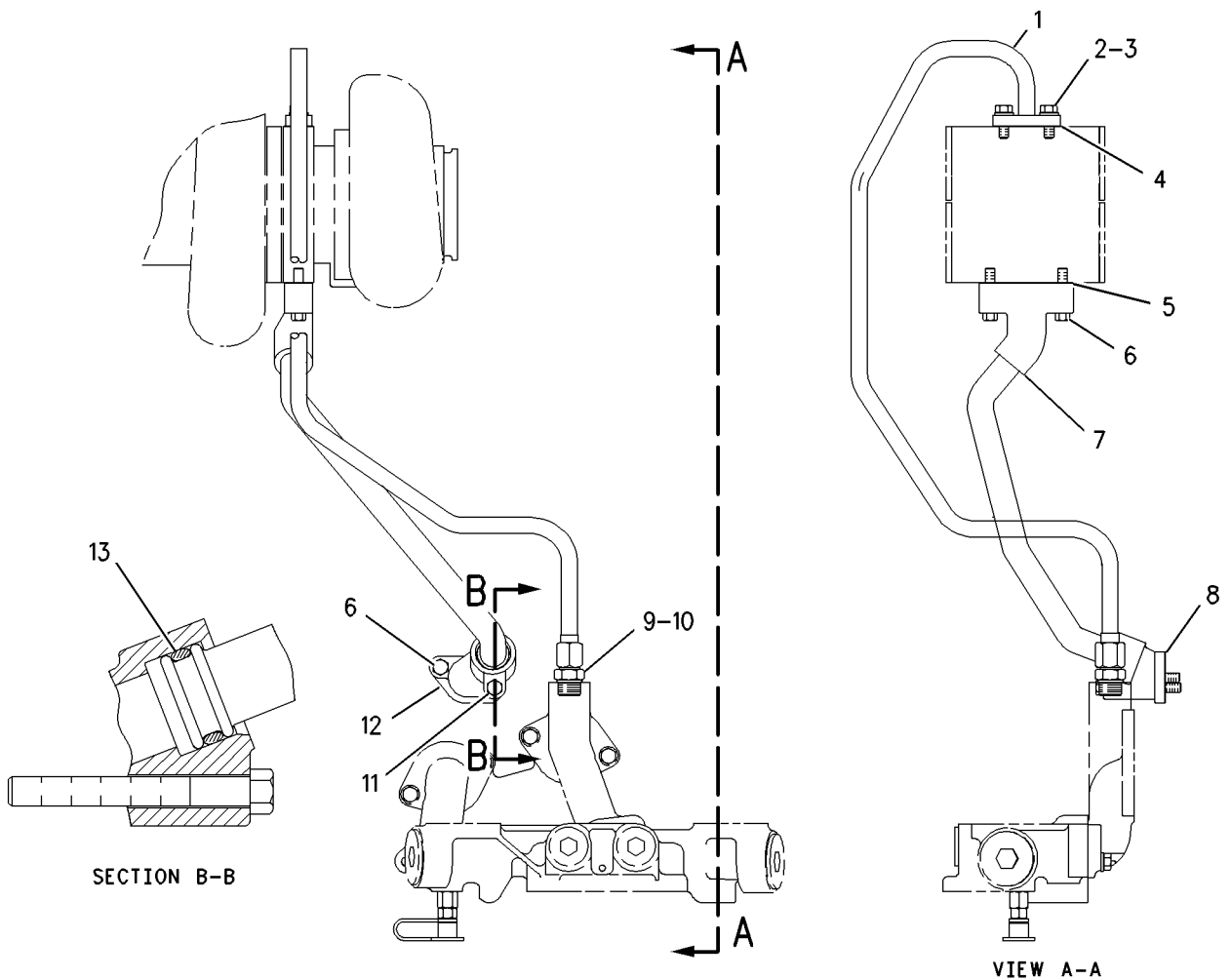
178-6441 LINES GP-TURBOCHARGER OIL

S/N: 6TB18922-UP

SMCS-1052, 1307

i04141952

NOTE	REF NO	GRAPHIC REF	PART NUMBER	QTY	PART NAME						SEE PAGE
					1	2	3	4	5	6 (PRODUCT LEVEL)	
	1	1	178-6440	1	TUBE AS						
	2	1	0S-1594	2	BOLT (3/8-16X1-IN)						
	3	1	5M-2894	2	WASHER-HARD (10.2X18.5X2.5-MM THK)						
	4	1	7N-8875	1	GASKET						
	5	1	7N-7559	1	GASKET						
	6	1	0S-1571	3	BOLT (3/8-16X1.75-IN)						
	7	1	7C-1661	1	TUBE AS-DRAIN						
	8	1	4N-0699	1	GASKET						
	9	1	9M-4584	1	CONNECTOR						
	10	1	6V-3251	1	SEAL-O-RING						
	11	1	0S-1619	1	BOLT (3/8-16X3-IN)						
	12	1	4N-2040	1	ELBOW-DRAIN						
	13	1	114-2687	1	SEAL-O-RING						



GRAPHIC #1

<END>

g00722622

LUBRICATION SYSTEM

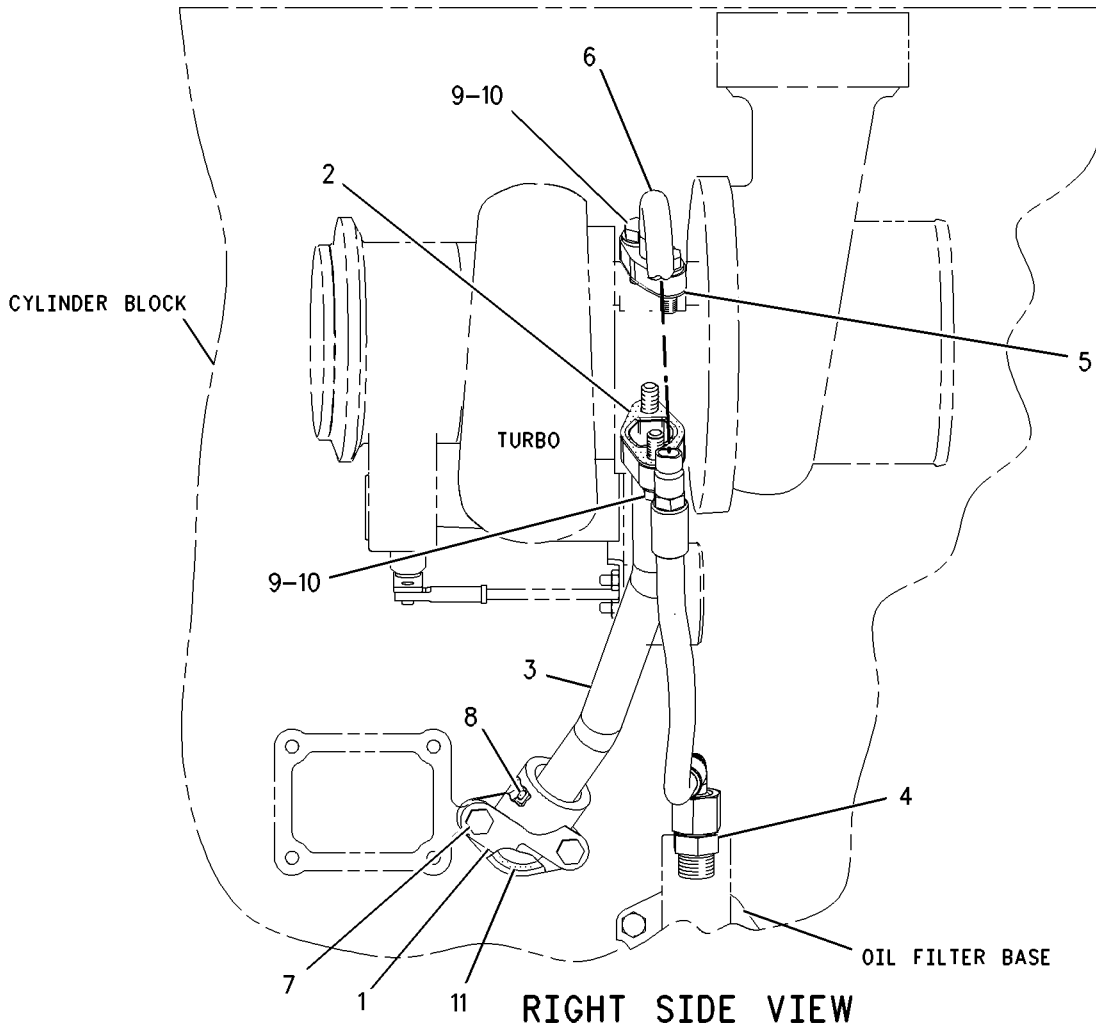
209-7314 LINES GP-TURBOCHARGER OIL

OIL SUPPLY LINE CONNECTED TO THE MAIN OIL RAIL IN BLOCK
 FOR USE WITH MID MOUNT TURBO LOCATION, REAR FACING EXHAUST, FRONT AND REAR
 SUMP (BRAKESAVER) OIL PAN. CANNOT BE USED WITH FORWARD FACING EXHAUST
 AN ATTACHMENT

SMCS-1052, 1307

i02899544

NOTE	REF NO	GRAPHIC REF	PART NUMBER	QTY	PART NAME						SEE PAGE
					1	2	3	4	5	6 (PRODUCT LEVEL)	
	1	1	106-3544	1	ELBOW						
	2	1	126-2702	1	SEAL - INTEGRAL						
	3	1	133-8940	1	TUBE AS-DRAIN						
	4	1	137-7343	1	CONNECTOR AS						
		1	6V-8642	1	CONNECTOR						
		1	136-7226	1	SEAL - O-RING						
		1	136-7227	1	SEAL - O-RING						
	5	1	198-6068	1	SEAL - INTEGRAL						
	6	1	199-3212	1	TUBE AS (SUPPLY)						
	7	1	0L-2070	2	BOLT (3/8-16X2.25-IN)						
	8	1	114-2687	1	SEAL - O-RING						
	9	1	3B-1915	4	BOLT (3/8-16X1.375-IN)						
	10	1	5M-2894	4	WASHER-HARD (10.2X18.5X2.5-MM THK)						
	11	1	6V-5266	1	SEAL - O-RING						



RIGHT SIDE VIEW

GRAPHIC #1

<END>

g00887117

LUBRICATION SYSTEM

212-1487 LINES GP-TURBOCHARGER OIL

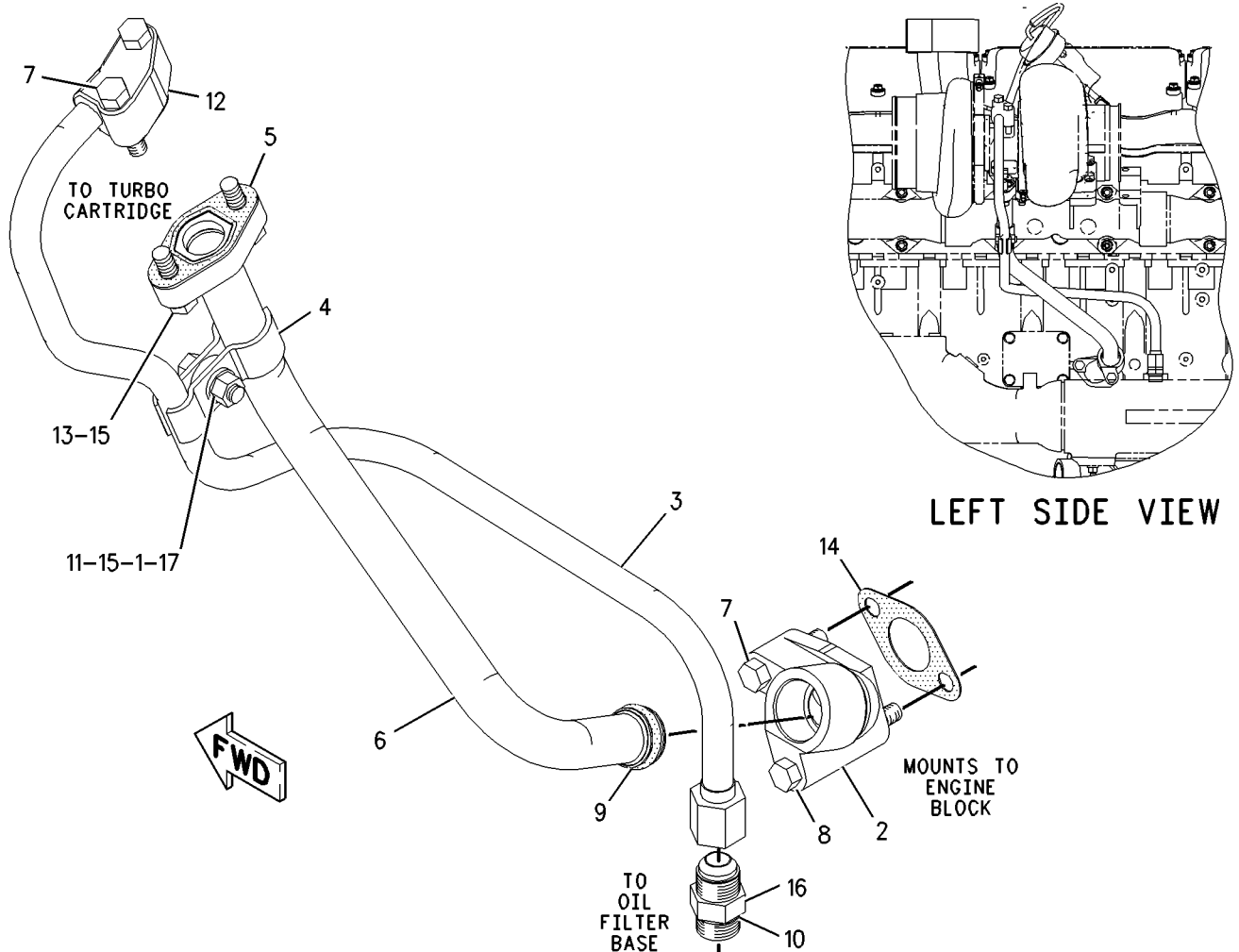
S/N: 6TB20807-UP

REQUIRES FORWARD FACING EXHAUST AND HIGH MOUNT TURBO

SMCS-1052, 1307

i04059509

NOTE	REF NO	GRAPHIC REF	PART NUMBER	QTY	PART NAME						SEE PAGE
					1	2	3	4	5	6 (PRODUCT LEVEL)	
	1	1	3L-9689	1	WASHER (10.5X25.4X5-MM THK)						
	2	1	4N-2040	1	ELBOW-DRAIN						
	3	1	7N-3448	1	TUBE AS-OIL						
	4	1	9M-7540	2	CLAMP-TUBE						
	5	1	126-2702	1	SEAL-INTEGRAL						
	6	1	204-7810	1	TUBE AS (DRAIN)						
	7	1	0S-1571	3	BOLT (3/8-16X1.75-IN)						
	8	1	0S-1619	1	BOLT (3/8-16X3-IN)						
	9	1	114-2687	1	SEAL-O-RING						
	10	1	6V-3251	1	SEAL-O-RING						
	11	1	1A-2029	1	BOLT (3/8-16X1.125-IN)						
	12	1	198-6068	1	SEAL-INTEGRAL						
	13	1	3B-1915	2	BOLT (3/8-16X1.375-IN)						
	14	1	4N-0699	1	GASKET						
	15	1	5M-2894	4	WASHER-HARD (10.2X18.5X2.5-MM THK)						
	16	1	9M-4584	1	CONNECTOR						
	17	1	9S-8752	1	NUT-FULL (3/8-16-THD)						



GRAPHIC #1

<END>

g00864818

LUBRICATION SYSTEM

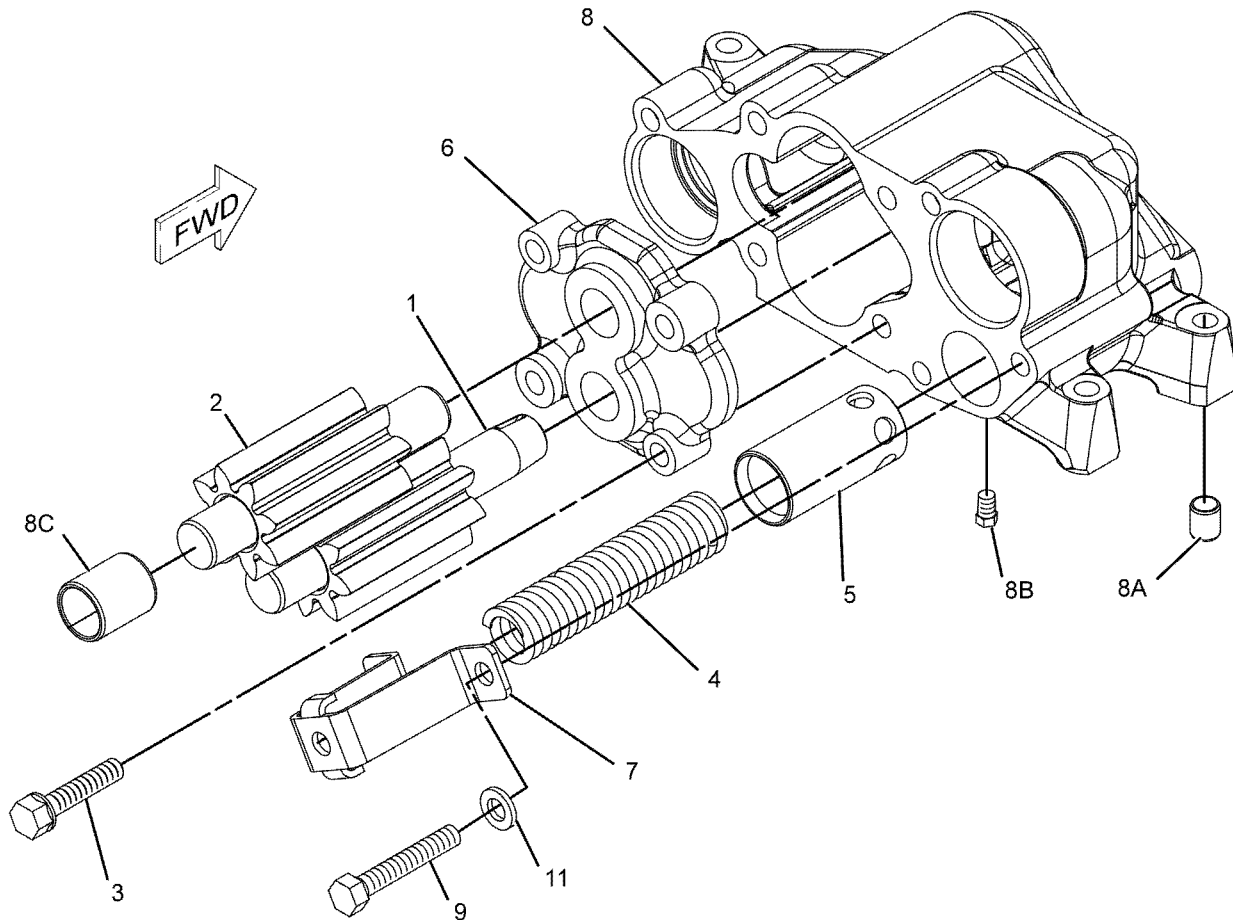
4N-0733 PUMP GP-ENGINE OIL*R

SMCS-1304, 1315

i02344892

NOTE	REF NO	GRAPHIC REF	PART NUMBER	QTY	PART NAME						SEE PAGE
					1	2	3	4	5	6 (PRODUCT LEVEL)	
	1	1	1W-7238	1	SHAFT AS-PUMP DRIVE						
	2	1	1W-7239	1	SHAFT AS-IDLER						
	3	1	2P-3205	4	BOLT-WASHER HEAD (3/8-16X1.75-IN)						
	4	1	2S-2760	1	SPRING						
	5	1	6N-1931	1	PLUNGER						
	6	1	7C-6498	1	COVER-OIL PUMP						
C	7	1	9Y-1800	1	RETAINER						
	8	1	236-9918	1	BODY AS						
C	8A	1	8M-8489	2	DOWEL						
	8B	1	2S-7905	1	PLUG-PIPE						
	8C	1	7N-2156	2	BEARING-SLEEVE						
	9	1	1M-0644	2	BOLT (3/8-16X2.25-IN)						
C	11	1	5M-2894	2	WASHER-HARD (10.2X18.5X2.5-MM THK)						

C-CHANGE FROM PREVIOUS TYPE



GRAPHIC #1

<END>

g01066207

LUBRICATION SYSTEM

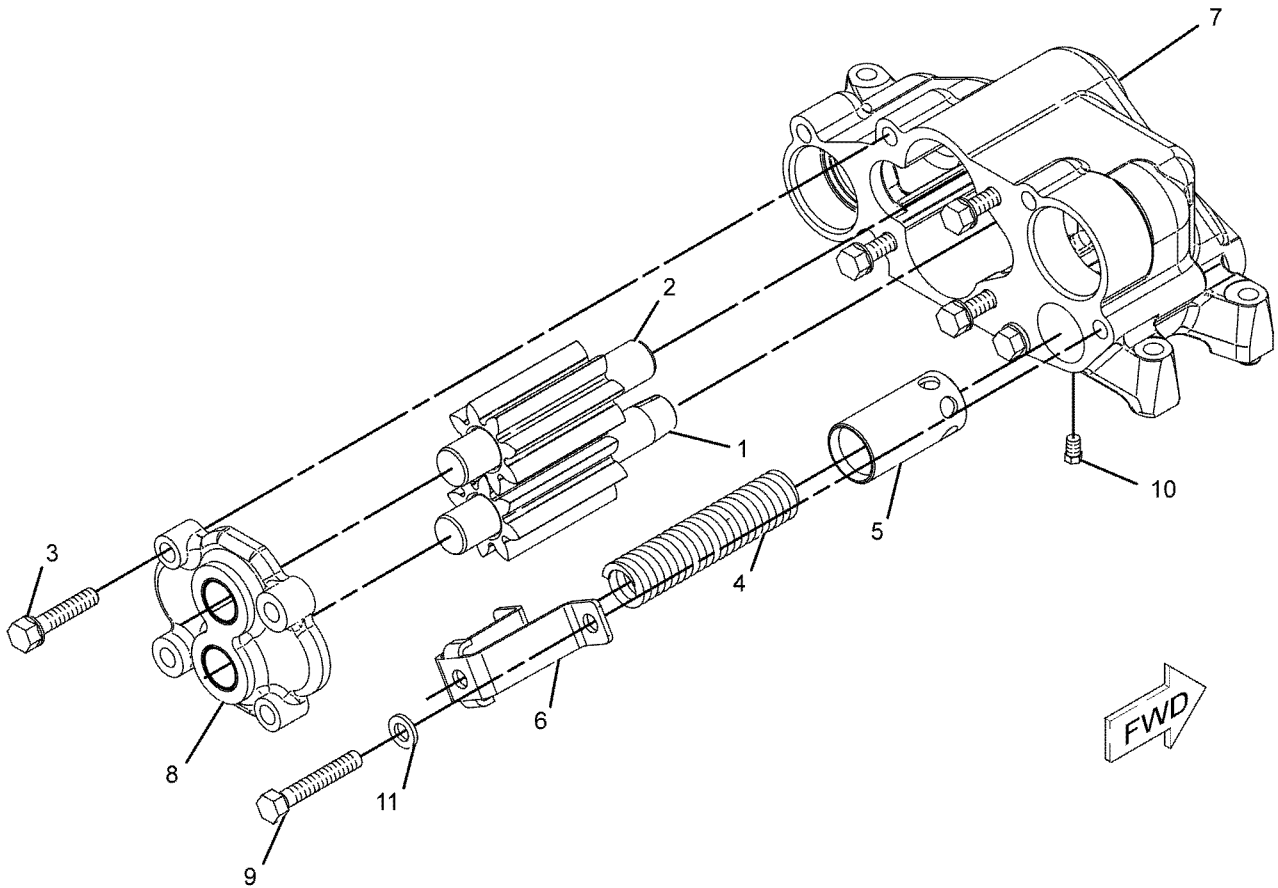
161-4111 PUMP GP-ENGINE OIL*R

S/N: 6TB17907-UP

SMCS-1304, 1315

i02086275

NOTE	REF NO	GRAPHIC REF	PART NUMBER	QTY	PART NAME						SEE PAGE
					1	2	3	4	5	6 (PRODUCT LEVEL)	
	1	1	1W-7238	1	SHAFT AS-PUMP DRIVE						
	2	1	1W-7239	1	SHAFT AS-IDLER						
	3	1	2P-3205	4	BOLT-WASHER HEAD (3/8-16X1.75-IN)						
	4	1	2S-2760	1	SPRING						
	5	1	6N-1931	1	PLUNGER						
	6	1	9Y-1800	1	RETAINER						
	7	1	235-1587	1	BODY AS						
		1	7N-2156	2	BEARING-SLEEVE						
		1	8M-8489	2	DOWEL						
8		1	127-6356	1	COVER AS-PUMP						
		1	8S-6511	2	BEARING-SLEEVE						
9		1	1M-0644	2	BOLT (3/8-16X2.25-IN)						
10		1	2S-7905	1	PLUG-PIPE						
11		1	5M-2894	2	WASHER-HARD (10.2X18.5X2.5-MM THK)						



GRAPHIC #1

<END>

g01066887

LUBRICATION SYSTEM

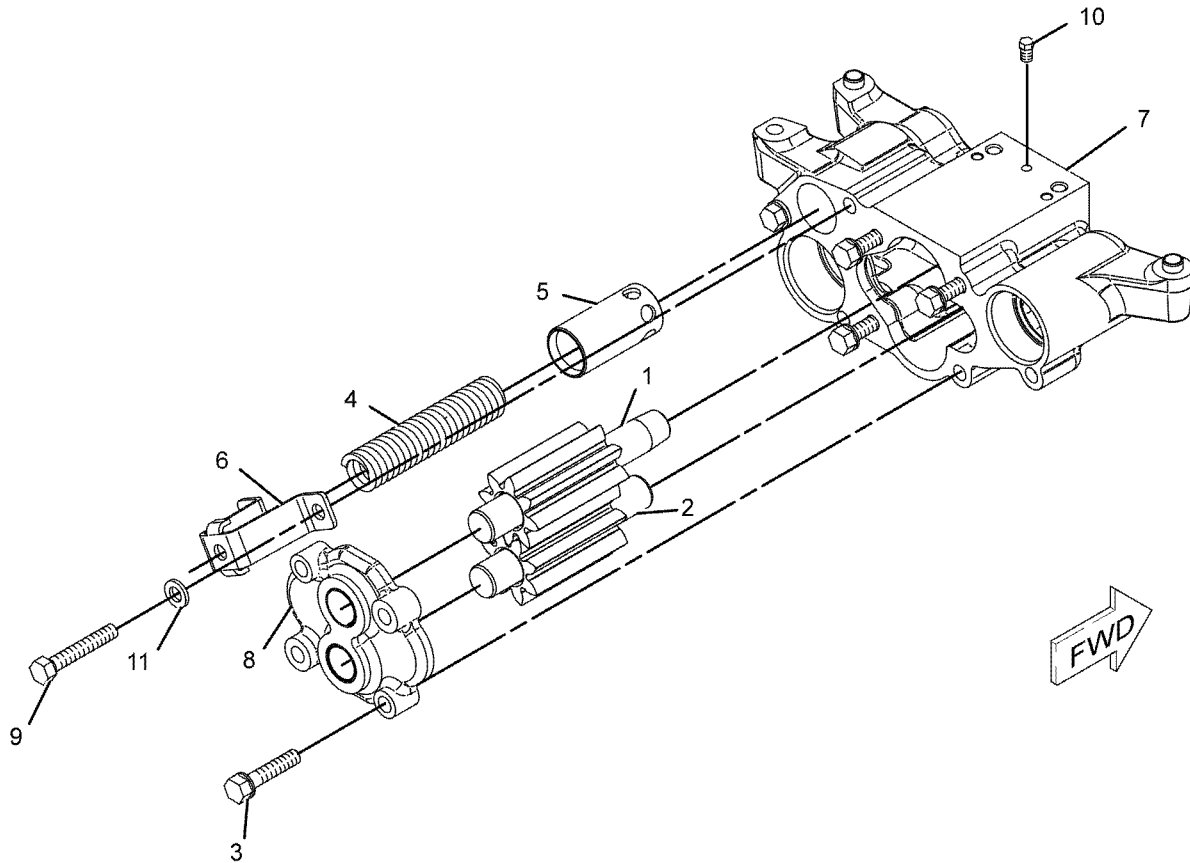
161-4113 PUMP GP-ENGINE OIL*R

S/N: 6TB21622-UP

SMCS-1304, 1315

i03709503

NOTE	REF NO	GRAPHIC REF	PART NUMBER	QTY	PART NAME						SEE PAGE
					1	2	3	4	5	6 (PRODUCT LEVEL)	
	1	1	1W-7238	1	SHAFT AS-PUMP DRIVE (8-TEETH)						
	2	1	1W-7239	1	SHAFT AS-IDLER (8-TEETH)						
	3	1	2P-3205	4	BOLT-WASHER HEAD (3/8-16X1.75-IN)						
	4	1	2S-2760	1	SPRING						
	5	1	6N-1931	1	PLUNGER						
	6	1	9Y-1792	1	RETAINER						
	7	1	235-1587	1	BODY AS						
		1	7N-2156	2	BEARING-SLEEVE						
		1	8M-8489	2	DOWEL						
8		1	127-6356	1	COVER AS-PUMP						
		1	8S-6511	2	BEARING-SLEEVE						
9		1	1M-0644	2	BOLT (3/8-16X2.25-IN)						
10		1	2S-7905	1	PLUG-PIPE						
11		1	5M-2894	2	WASHER-HARD (10.2X18.5X2.5-MM THK)						



GRAPHIC #1

<END>

g01066948

COOLING SYSTEM

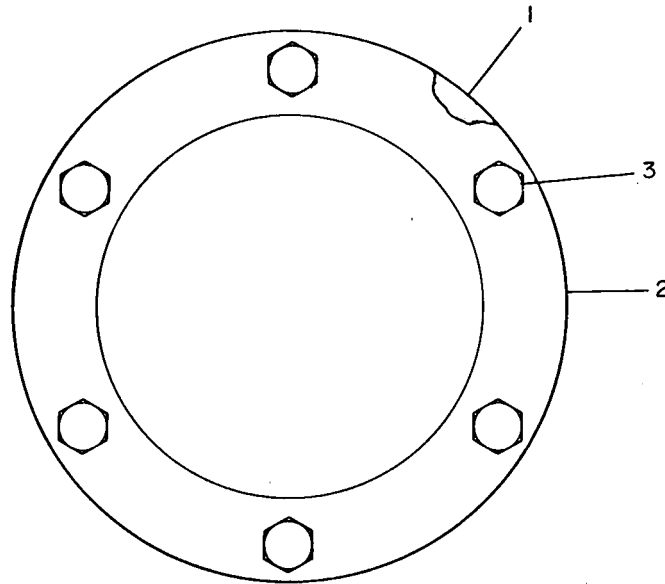
4N-7050 CONNECTION GP-EXPANSION TANK

FOR USE WITH EXPANSION TANK
AN ATTACHMENT

SMCS-1354

i01946211

NOTE	REF NO	GRAPHIC REF	PART NUMBER	QTY	PART NAME						SEE PAGE
					1	2	3	4	5	6 (PRODUCT LEVEL)	
	1	1	4L-7636	1	GASKET						
	2	1	2N-9345	1	FLANGE						
	3	1	1H-3337	6	BOLT (1/4-20X0.875 IN)						



GRAPHIC #1

<END>

g00134824

COOLING SYSTEM

7C-7425 CONVERSION GP-AFTERCooler AN ATTACHMENT

SMCS-1000

i00969682

NOTE	PART NUMBER	QTY	PART NAME						SEE PAGE
			1	2	3	4	5	6 (PRODUCT LEVEL)	
	4N-9008	1	GASKET						
	7W-0688	2	GASKET-ADAPTER						

<END>

COOLING SYSTEM

4W-4250 COOLANT CONDITIONER GP

FOR USE WITH AIR COMPRESSOR. CANNOT BE USED WITH LH AIR STARTER WHEN USED
WITH MECHANICAL SHUT-OFF
AN ATTACHMENT
TYPE 1

SMCS-1352

i01962566

NOTE	REF NO	GRAPHIC REF	PART NUMBER	QTY	PART NAME						SEE PAGE
					1	2	3	4	5	6 (PRODUCT LEVEL)	
	1	1	2N-3378	1	ELBOW-FLARED						
	2	1	3J-5390	2	PLUG						
	3	1	9N-3666	2	VALVE-MANUAL (COOLANT CONDITIONER)						
	4	1	003-2143	1	ELBOW						
J	5	1	9N-3367	1	FILTER-COOLANT CONDITIONER (PRECHARGE)						
					-OR-						
A		1	9N-3368	1	FILTER-COOLANT CONDITIONER (MAINTENANCE)						
	6	1	4W-5045	1	BRACKET						
	7	1	0S-1594	2	BOLT (3/8-16X1-IN)						
	8	1	5M-2894	6	WASHER-HARD (10.2X18.5X2.5-MM THK)						
	9	1	0S-1588	2	BOLT (3/8-16X1.25-IN)						
	10	1	001-6449	2	CONNECTOR						
I	11	1	3P-6049	1	HOSE AS						
	12	1	001-9440	2	CONNECTOR						
	13	1	3B-7259	1	ELBOW						
	14	1	012-8140	1	BUSHING-TERMINAL						
	15	1	4K-8864	2	CLIP						
	16	1	6H-7127	1	SPACER (13/32X5/8X9/16-IN THK)						
	17	1	0S-1571	1	BOLT (3/8-16X1.75-IN)						
	18	1	1L-2279	1	ELBOW						
	19	1	0S-0509	1	BOLT (3/8-16X0.75-IN)						
	20	1	5B-8978	1	TEE						
I	21	1	5N-5646	1	HOSE AS						
	22	1	9N-3668	1	BASE AS						
		1	9N-3645	1	STUD-TAPERLOCK						
	23	1	5B-1309	1	COUPLING-PIPE						
	24	1	3B-7741	1	NIPPLE-PIPE (CLOSE)						

A-NOT PART OF THIS GROUP

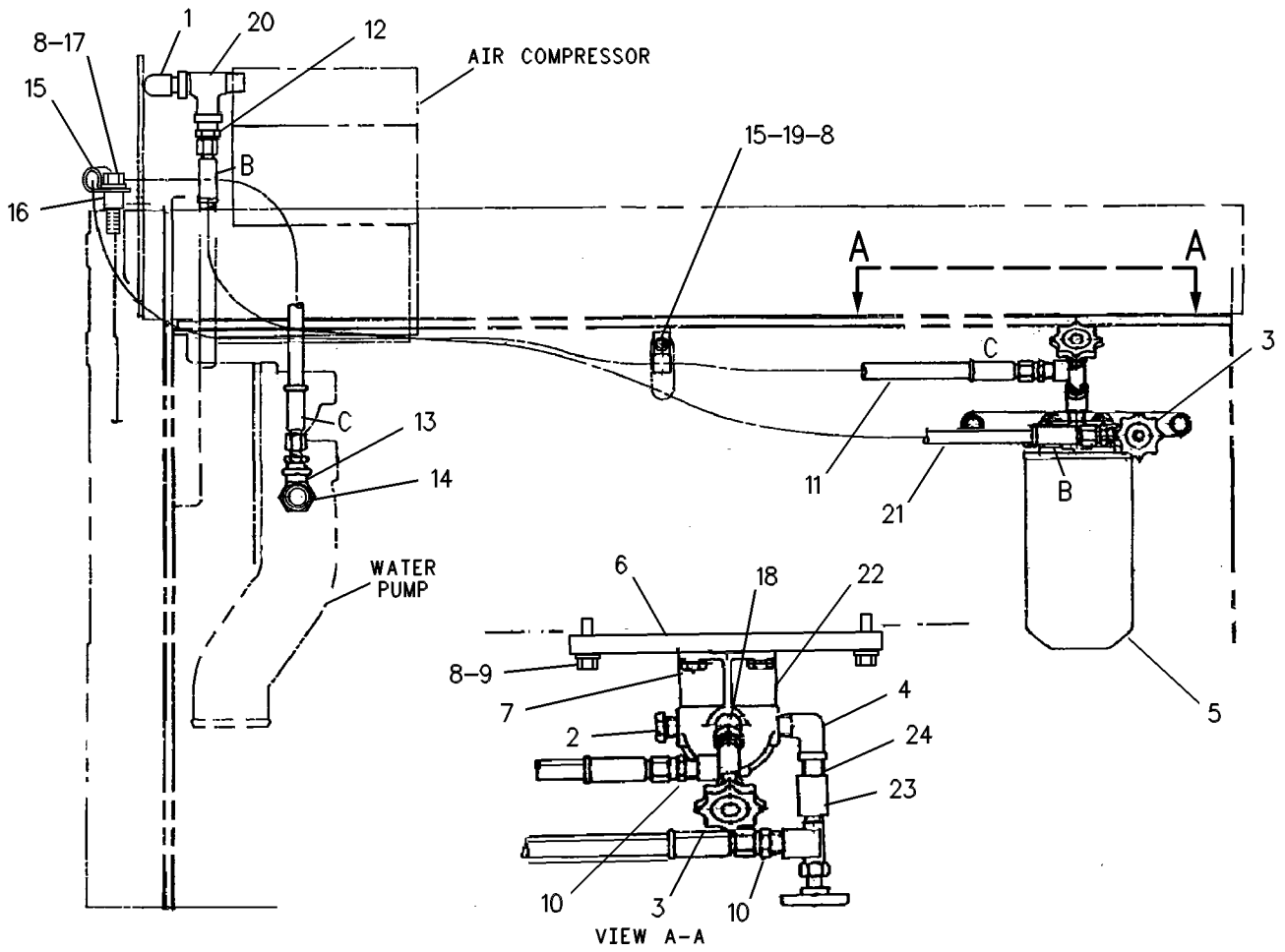
I-REFER TO HYDRAULIC INFORMATION SYSTEM

J-REFER TO CHART FOR COOLANT CONDITIONER INFORMATION

COOLING SYSTEM

4W-4250 COOLANT CONDITIONER GP (contd.)

i01962566



GRAPHIC #1

<END>

g00238548

COOLING SYSTEM

4W-4250 COOLANT CONDITIONER GP

FOR USE WITH AIR COMPRESSOR. CANNOT BE USED WITH LH AIR STARTER WHEN USED
WITH MECHANICAL SHUT-OFF
AN ATTACHMENT
TYPE 2

SMCS-1352

i03354100

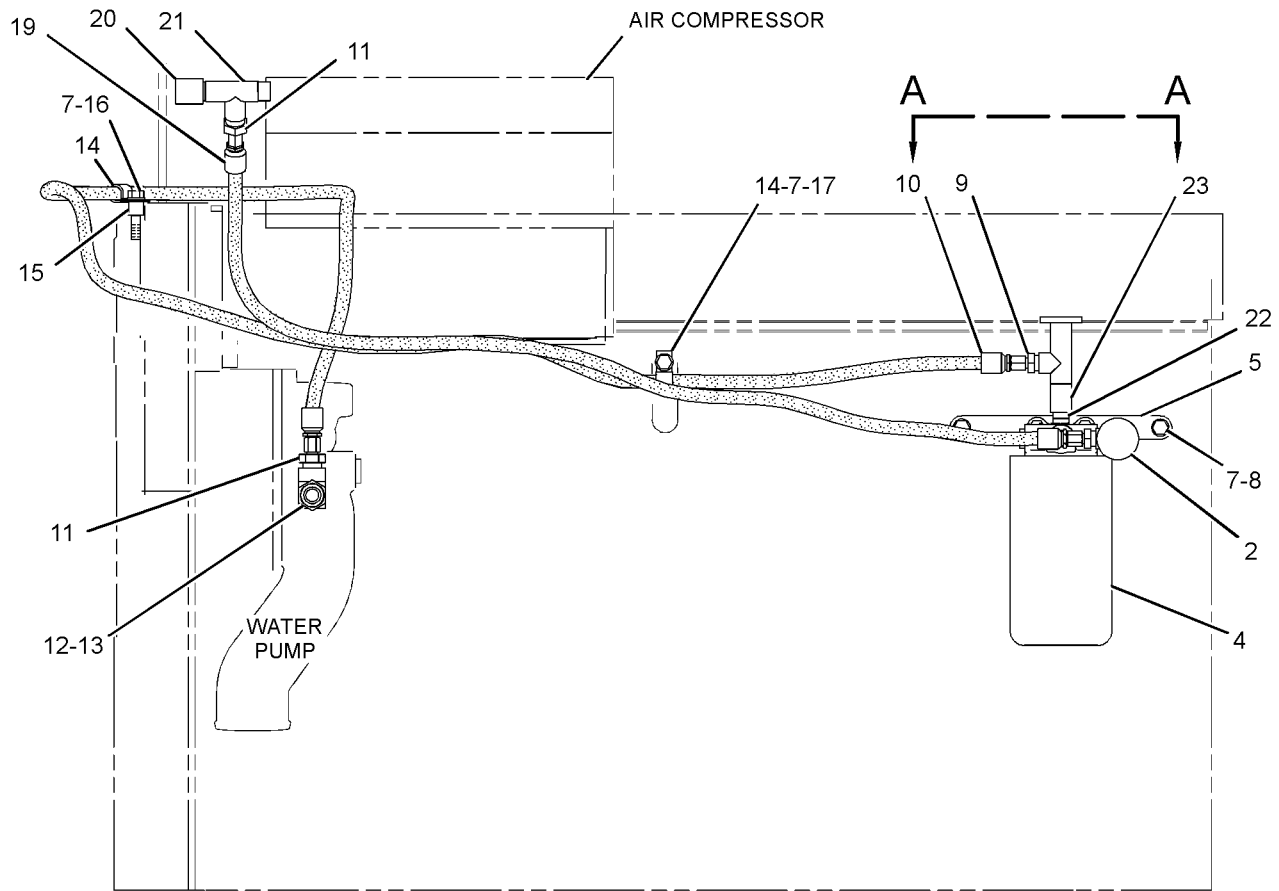
NOTE	REF NO	GRAPHIC REF	PART NUMBER	QTY	PART NAME						SEE PAGE
					1	2	3	4	5	6 (PRODUCT LEVEL)	
	1	1	3J-5390	2	PLUG						
	2	1	9N-3666	2	VALVE-MANUAL (COOLANT CONDITIONER)						
	3	1	003-2143	1	ELBOW						
J	4	1	9N-3367	1	FILTER-COOLANT CONDITIONER (PRECHARGE)						
					-OR-						
A		1	9N-3368	1	FILTER-COOLANT CONDITIONER (MAINTENANCE)						
	5	1	4W-5045	1	BRACKET						
	6	1	0S-1594	2	BOLT (3/8-16X1-IN)						
	7	1	5M-2894	4	WASHER-HARD (10.2X18.5X2.5-MM THK)						
	8	1	0S-1588	2	BOLT (3/8-16X1.25-IN)						
	9	1	001-6449	2	CONNECTOR						
I	10	1	3P-6049	1	HOSE AS						
	11	1	001-9440	2	CONNECTOR						
	12	1	3B-7259	1	ELBOW						
	13	1	012-8140	1	BUSHING-TERMINAL						
	14	1	4K-8864	2	CLIP						
	15	1	6H-7127	1	SPACER (13/32X5/8X9/16-IN THK)						
	16	1	0S-1571	1	BOLT (3/8-16X1.75-IN)						
	17	1	0S-0509	1	BOLT (3/8-16X0.75-IN)						
	18	1	9N-3668	1	BASE AS						
		1	9N-3645	1	STUD-TAPERLOCK						
I	19	1	5N-5646	1	HOSE AS						
	20	1	2N-3378	1	ELBOW-FLARED						
	21	1	5B-8978	1	TEE						
	22	1	3B-7741	2	NIPPLE-PIPE (CLOSE)						
	23	1	5B-1309	2	COUPLING-PIPE						

A-NOT PART OF THIS GROUP
I-REFER TO HYDRAULIC INFORMATION SYSTEM
J-REFER TO CHART FOR COOLANT CONDITIONER INFORMATION

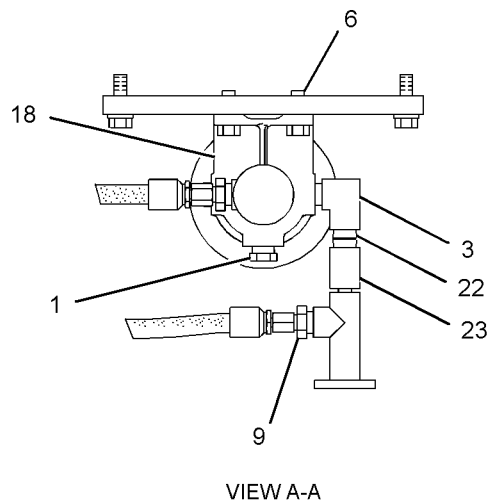
COOLING SYSTEM

4W-4250 COOLANT CONDITIONER GP (contd.)

i03354100



LEFT SIDE VIEW OF ENGINE



VIEW A-A

GRAPHIC #1

<END>

g01952323

COOLING SYSTEM

4W-4251 COOLANT CONDITIONER GP

FOR USE WITH EXPANSION TANK. CANNOT BE USED WITH AIR COMPRESSOR OR LH AIR
STARTER WHEN USED WITH MECHANICAL SHUT-OFF
ALSO AN ATTACHMENT

SMCS-1352

i03808509

NOTE	REF NO	GRAPHIC REF	PART NUMBER	QTY	PART NAME						SEE PAGE
					1	2	3	4	5	6 (PRODUCT LEVEL)	
	1	1	5B-1309	2	COUPLING-PIPE						
	2	1	3J-5390	2	PLUG						
	3	1	9N-3666	2	VALVE-MANUAL (COOLANT CONDITIONER)						
	4	1	003-2143	2	ELBOW						
J	5	1	9N-3367	1	FILTER-COOLANT CONDITIONER (PRECHARGE)						
					-OR-						
A		1	9N-3718	1	FILTER-COOLANT CONDITIONER						
	6	1	4W-5045	1	BRACKET						
	7	1	0S-1594	2	BOLT (3/8-16X1-IN)						
	8	1	5M-2894	4	WASHER-HARD (10.2X18.5X2.5-MM THK)						
	9	1	0S-1588	2	BOLT (3/8-16X1.25-IN)						
	10	1	001-6449	1	CONNECTOR						
I	11	1	3P-6049	1	HOSE AS						
	12	1	001-9440	1	CONNECTOR						
	13	1	3B-7259	1	ELBOW						
B	14	1	012-8140	1	BUSHING-TERMINAL						
	15	1	4K-8864	2	CLIP						
	16	1	6H-7127	1	SPACER (13/32X5/8X9/16-IN THK)						
	17	1	0S-1571	1	BOLT (3/8-16X1.75-IN)						
	18	1	3B-7741	2	NIPPLE-PIPE (CLOSE)						
	19	1	0S-0509	1	BOLT (3/8-16X0.75-IN)						
	20	1	8L-3282	2	CONNECTOR						
I	21	1	7D-9052	1	HOSE AS						
	22	1	9N-3668	1	BASE AS						
		1	9N-3645	1	STUD-TAPERLOCK						

A-NOT PART OF THIS GROUP

B-USE AS REQUIRED

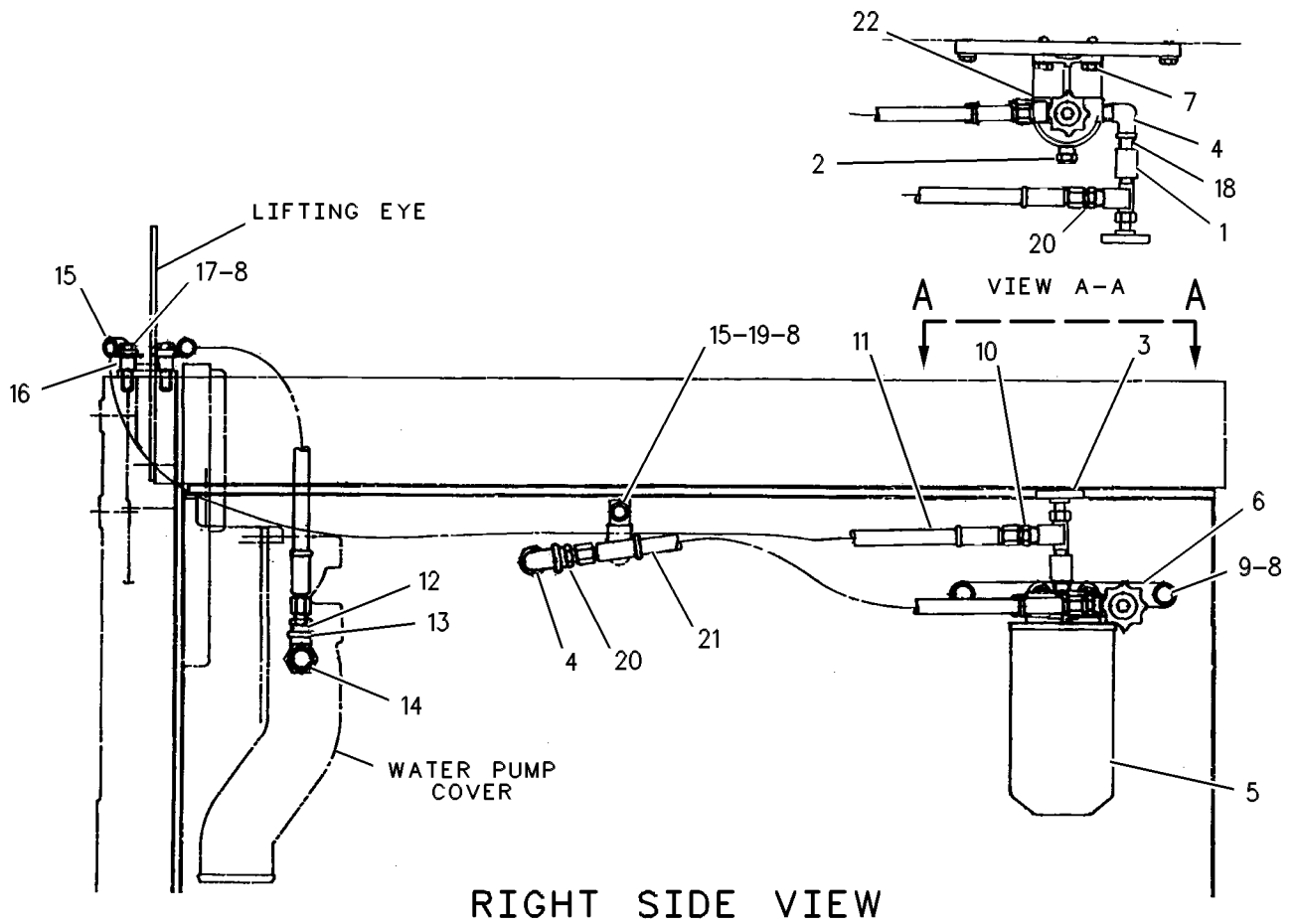
I-REFER TO HYDRAULIC INFORMATION SYSTEM

J-REFER TO CHART FOR COOLANT CONDITIONER INFORMATION

COOLING SYSTEM

4W-4251 COOLANT CONDITIONER GP (contd.)

i03808509



GRAPHIC #1

<END>

g00251270

COOLING SYSTEM

217-4445 COOLANT CONDITIONER GP

FOR USE WITH 193-5769-PAGE 75, 2 CYLINDER KNORR, 27 CFM AIR COMPRESSOR
AN ATTACHMENT

SMCS-1352

i02788418

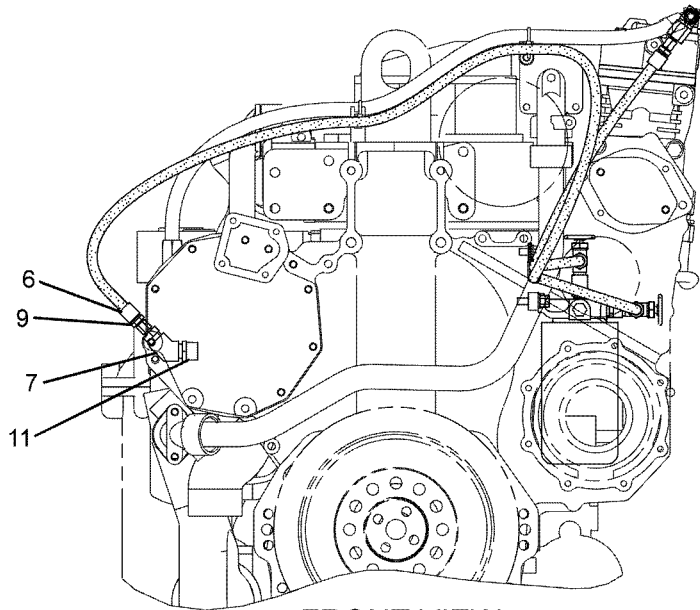
NOTE	REF NO	GRAPHIC REF	PART NUMBER	QTY	PART NAME						SEE PAGE
					1	2	3	4	5	6 (PRODUCT LEVEL)	
	1	1	9N-3668	1	BASE AS						
		1	9N-3645	1	STUD-TAPERLOCK						
	2	1	4W-5045	1	BRACKET						
I	3	1	5N-5646	1	HOSE AS						
	5	1	9N-3666	2	VALVE-MANUAL (COOLANT CONDITIONER)						
I	6	1	214-4687	1	HOSE AS						
	7	1	000-7244	1	ELBOW						
	8	1	001-6449	2	CONNECTOR						
	9	1	001-9440	1	CONNECTOR						
	10	1	003-2143	1	ELBOW						
	11	1	012-8140	1	BUSHING-TERMINAL						
	12	1	6S-5693	1	TEE						
	13	1	0S-0509	1	BOLT (3/8-16X0.75-IN)						
	14	1	0S-1588	2	BOLT (3/8-16X1.25-IN)						
	15	1	0S-1594	2	BOLT (3/8-16X1-IN)						
	16	1	3B-7741	2	NIPPLE-PIPE (CLOSE)						
	17	1	3J-5390	2	PLUG						
	18	1	4D-6466	1	CLIP						
	19	1	5B-1309	2	COUPLING-PIPE						
	20	1	5M-2894	3	WASHER-HARD (10.2X18.5X2.5-MM THK)						
	21	1	5P-5007	1	REDUCER						
J	22	1	9N-3367	1	FILTER-COOLANT CONDITIONER (PRECHARGE)						
					-OR-						
A		1	9N-3368	1	FILTER-COOLANT CONDITIONER (PRECHARGE)						

A-NOT PART OF THIS GROUP
I-REFER TO HYDRAULIC INFORMATION SYSTEM
J-REFER TO CHART FOR COOLANT MAINTENANCE

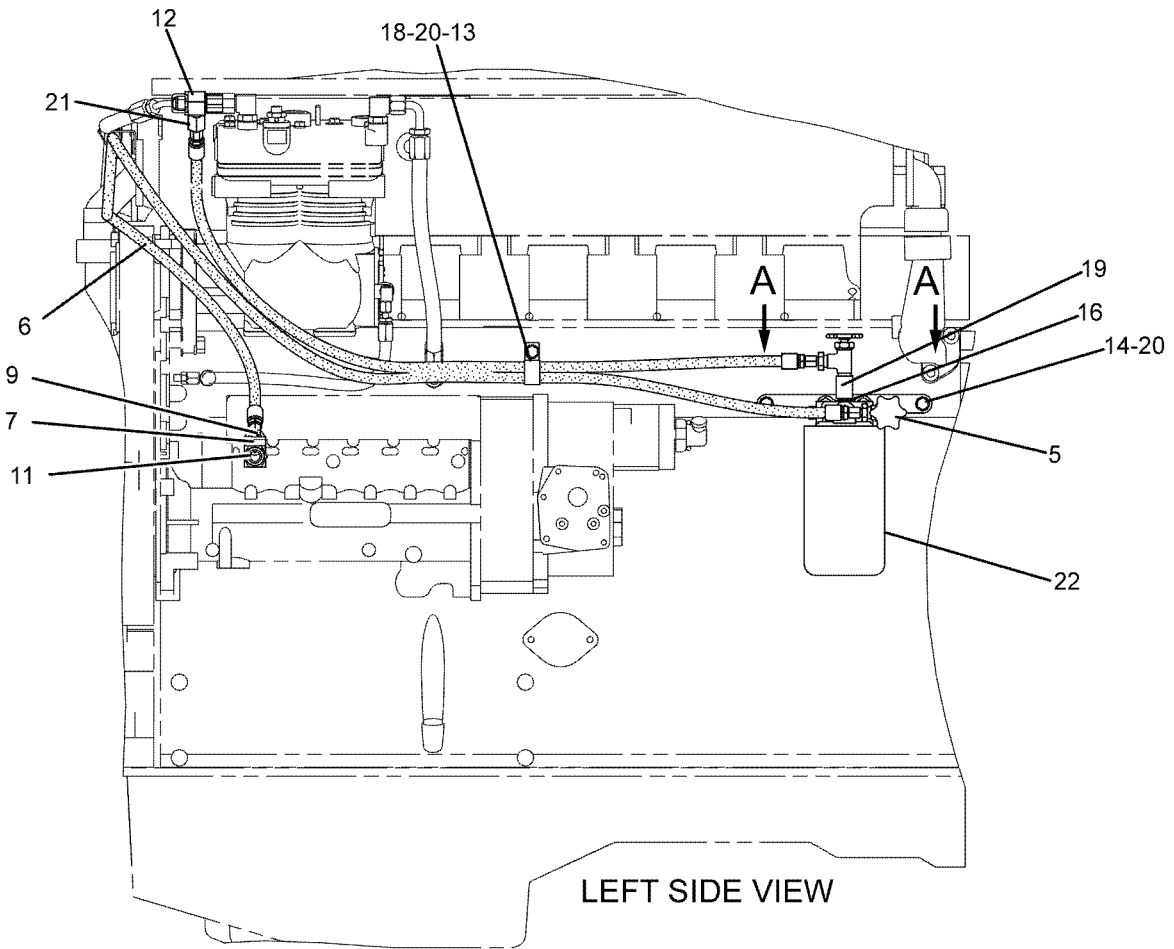
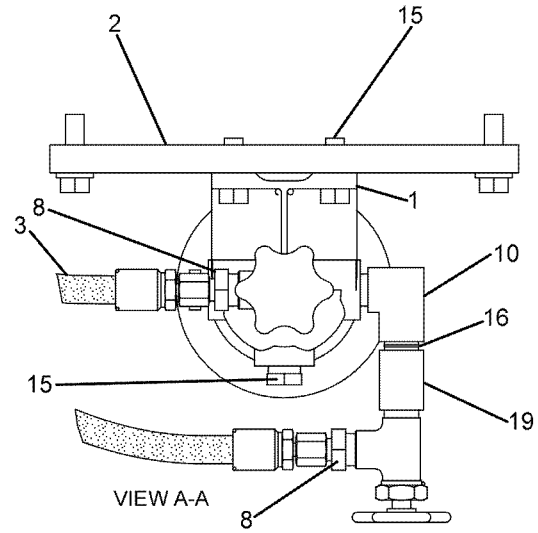
COOLING SYSTEM

217-4445 COOLANT CONDITIONER GP (contd.)

i02788418



FRONT VIEW



LEFT SIDE VIEW

GRAPHIC #1

<END>

g01055123

COOLING SYSTEM

2W-4125 COOLER AR-TRANSMISSION OIL

FOR USE WITH WATERCOOLED MANIFOLD, 4W-3799-PAGE 11

AN ATTACHMENT

SMCS-1375

i00978278

NOTE	PART NUMBER	QTY	PART NAME						SEE PAGE
			1	2	3	4	5	6 (PRODUCT LEVEL)	
Y	2W-4124	1	COOLER GP-TRANSMISSION OIL						453
Y	7N-8084	1	GAUGE GP-OIL LEVEL (DIPSTICK)						415
Y	1W-8808	1	LINES GP-TURBOCHARGER OIL						425

Y-SEPARATE ILLUSTRATION

<END>

COOLING SYSTEM

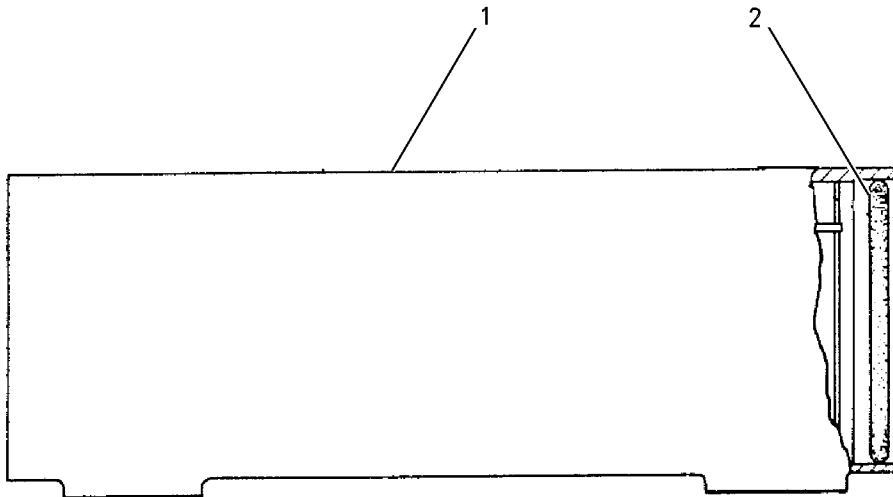
7W-2206 COOLER GP-ENGINE OIL ALSO AN ATTACHMENT

SMCS-1378

i02454132

NOTE	REF NO	GRAPHIC REF	PART NUMBER	QTY	PART NAME	SEE PAGE
					1 2 3 4 5 6 (PRODUCT LEVEL)	
R	1	1	7C-3039	1	CORE AS (ENGINE OIL COOLER)	
	2	1	109-0077	2	SEAL-O-RING	

R-REMFG PART MAY BE AVAILABLE



GRAPHIC #1

<END>

g00604532

COOLING SYSTEM

2W-4124 COOLER GP-TRANSMISSION OIL

PART OF 2W-4125 COOLER AR-TRANSMISSION OIL
AN ATTACHMENT

SMCS-1375

i01906560

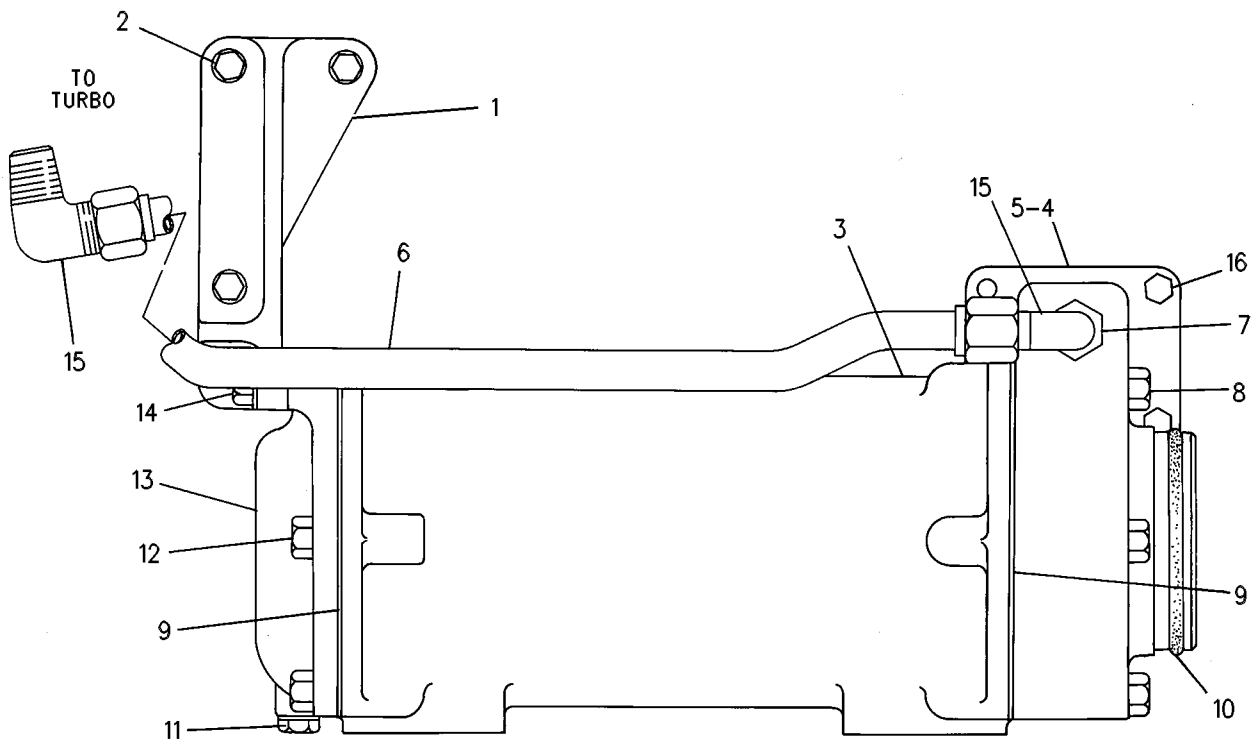
NOTE	REF NO	GRAPHIC REF	PART NUMBER	QTY	PART NAME						SEE PAGE
					1	2	3	4	5	6 (PRODUCT LEVEL)	
	1	1	7N-7912	1	BRACKET						
	2	1	1A-2029	3	BOLT (3/8-16X1.125-IN)						
		1	5M-2894	3	WASHER-HARD (10.2X18.5X2.5-MM THK)						
CYR	3	1	4P-7731	1	CORE GP-OIL COOLER						459
	4	1	130-8875	1	BONNET-COOLER						
	5	1	4N-0641	1	GASKET						
	6	1	2W-1610	1	TUBE AS						
	7	1	6B-9081	1	BUSHING-REDUCING						
	8	1	0V-0375	6	BOLT (1/2-13X3.25-IN)						
	9	1	2S-0795	2	GASKET						
C	10	1	109-0077	1	SEAL-O-RING						
	11	1	8M-9307	1	PLUG (TRANSMISSION COOLER)						
		1	6F-7062	1	WASHER (12.7X19.05X1.83-MM THK)						
	12	1	7B-3235	4	BOLT (1/2-13X1.375-IN)						
	13	1	8S-4304	1	BONNET-TMSN OIL COOLER						
	14	1	9S-1366	2	BOLT (1/2-13X2.5-IN)						
		1	5P-8245	2	WASHER-HARD (13.5X25.5X3-MM THK)						
	15	1	031-0782	2	ELBOW-FLARED						
	16	1	1A-2029	3	BOLT (3/8-16X1.125-IN)						

C-CHANGE FROM PREVIOUS TYPE
R-REMG PART MAY BE AVAILABLE
Y-SEPARATE ILLUSTRATION

COOLING SYSTEM

2W-4124 COOLER GP-TRANSMISSION OIL (contd.)

i01906560



GRAPHIC #1

<END>

g00257816

COOLING SYSTEM

7N-8085 COOLER GP-TRANSMISSION OIL

FOR USE WITH 7N-8084-PAGE 415, 9N-5443-PAGE 470

AN ATTACHMENT

SMCS-1375

i03168762

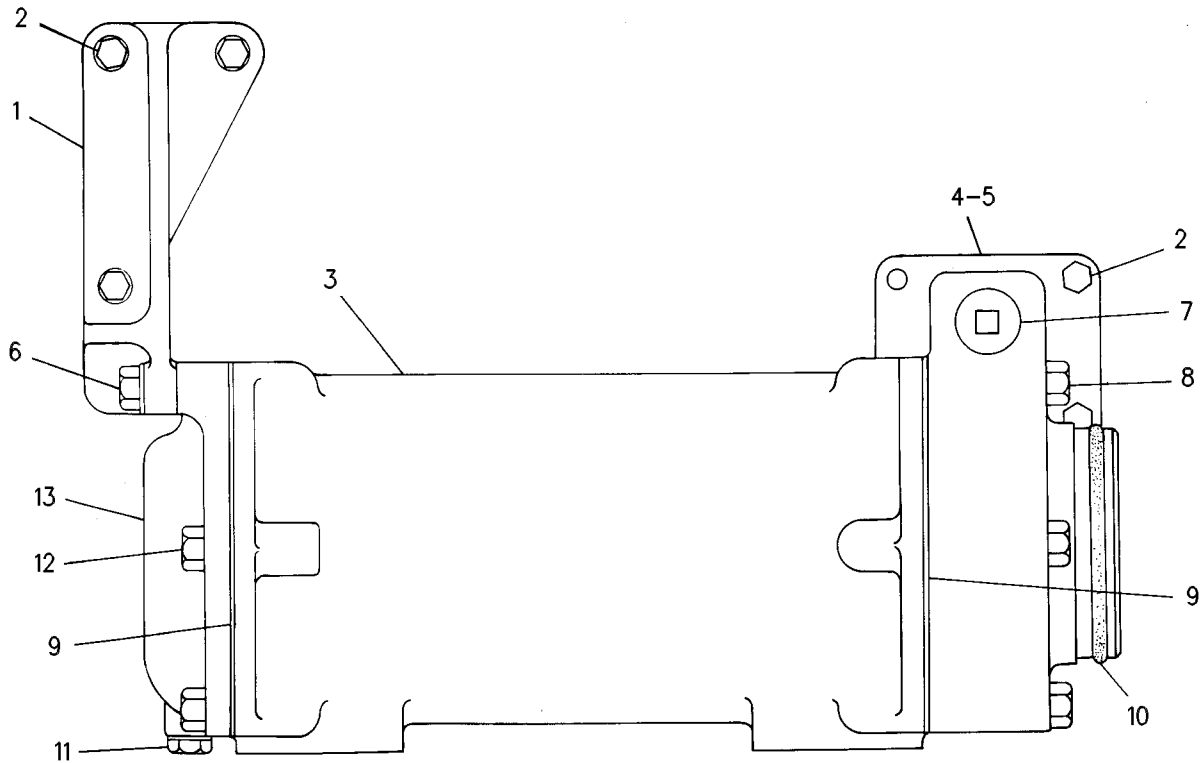
NOTE	REF NO	GRAPHIC REF	PART NUMBER	QTY	PART NAME						SEE PAGE
					1	2	3	4	5	6 (PRODUCT LEVEL)	
	1	1	7N-7912	1	BRACKET						
	2	1	1A-2029	6	BOLT (3/8-16X1.125-IN)						
CYR	3	1	4P-7731	1	CORE GP-OIL COOLER (TRANSMISSION)						459
	4	1	130-8875	1	BONNET-COOLER						
	5	1	4N-0641	1	GASKET						
	6	1	9S-1366	2	BOLT (1/2-13X2.5-IN)						
	7	1	8T-6761	1	PLUG-PIPE						
	8	1	0V-0375	6	BOLT (1/2-13X3.25-IN)						
	9	1	2S-0795	2	GASKET						
C	10	1	109-0077	1	SEAL-O-RING						
	11	1	8M-9307	1	PLUG (TRANSMISSION OIL COOLER)						
	12	1	7B-3235	4	BOLT (1/2-13X1.375-IN)						
	13	1	8S-4304	1	BONNET-XMSN OIL COOLER						
F		1	6F-7062	1	WASHER (12.7X19.05X1.83-MM THK)						
F		1	5P-8245	2	WASHER-HARD (13.5X25.5X3-MM THK)						
F		1	5M-2894	3	WASHER-HARD (10.2X18.5X2.5-MM THK)						

C-CHANGE FROM PREVIOUS TYPE
 F-NOT SHOWN
 R-REMG PART MAY BE AVAILABLE
 Y-SEPARATE ILLUSTRATION

COOLING SYSTEM

7N-8085 COOLER GP-TRANSMISSION OIL (contd.)

i03168762



GRAPHIC #1

<END>

g01622995

COOLING SYSTEM

101-8308 COOLER GP-TRANSMISSION OIL

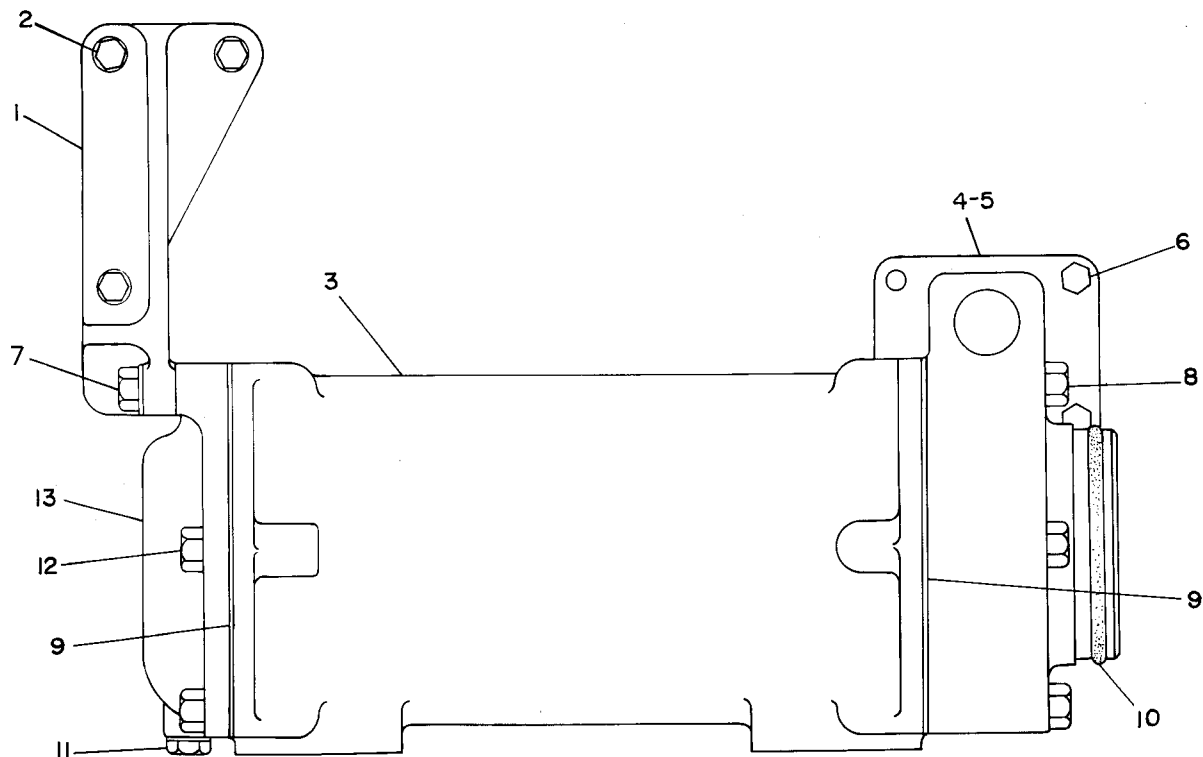
S/N: 6TB11381-18566

SMCS-1375

i01962572

NOTE	REF NO	GRAPHIC REF	PART NUMBER	QTY	PART NAME						SEE PAGE
					1	2	3	4	5	6 (PRODUCT LEVEL)	
	1	1	7N-7912	1	BRACKET						
	2	1	0S-1594	3	BOLT (3/8-16X1-IN)						
		1	5M-2894	3	WASHER-HARD (10.2X18.5X2.5-MM THK)						
YR	3	1	4P-7731	1	CORE GP-OIL COOLER						459
	4	1	130-8875	1	BONNET-COOLER						
	5	1	4N-0641	1	GASKET						
	6	1	0S-1594	3	BOLT (3/8-16X1-IN)						
	7	1	9S-1366	2	BOLT (1/2-13X2.5-IN)						
		1	5P-8245	2	WASHER-HARD (13.5X25.5X3-MM THK)						
	8	1	0V-0375	5	BOLT (1/2-13X3.25-IN)						
	9	1	2S-0795	2	GASKET						
	10	1	109-0077	1	SEAL-O-RING						
	11	1	8M-9307	1	PLUG (TRANSMISSION OIL COOLER)						
		1	6F-7062	1	WASHER (12.7X19.05X1.83-MM THK)						
	12	1	7B-3235	4	BOLT (1/2-13X1.375-IN)						
	13	1	8S-4304	1	BONNET-TMSN OIL COOLER						

R-REMFG PART MAY BE AVAILABLE
Y-SEPARATE ILLUSTRATION



GRAPHIC #1

<END>

g00233477

COOLING SYSTEM

195-3873 COOLER GP-TRANSMISSION OIL

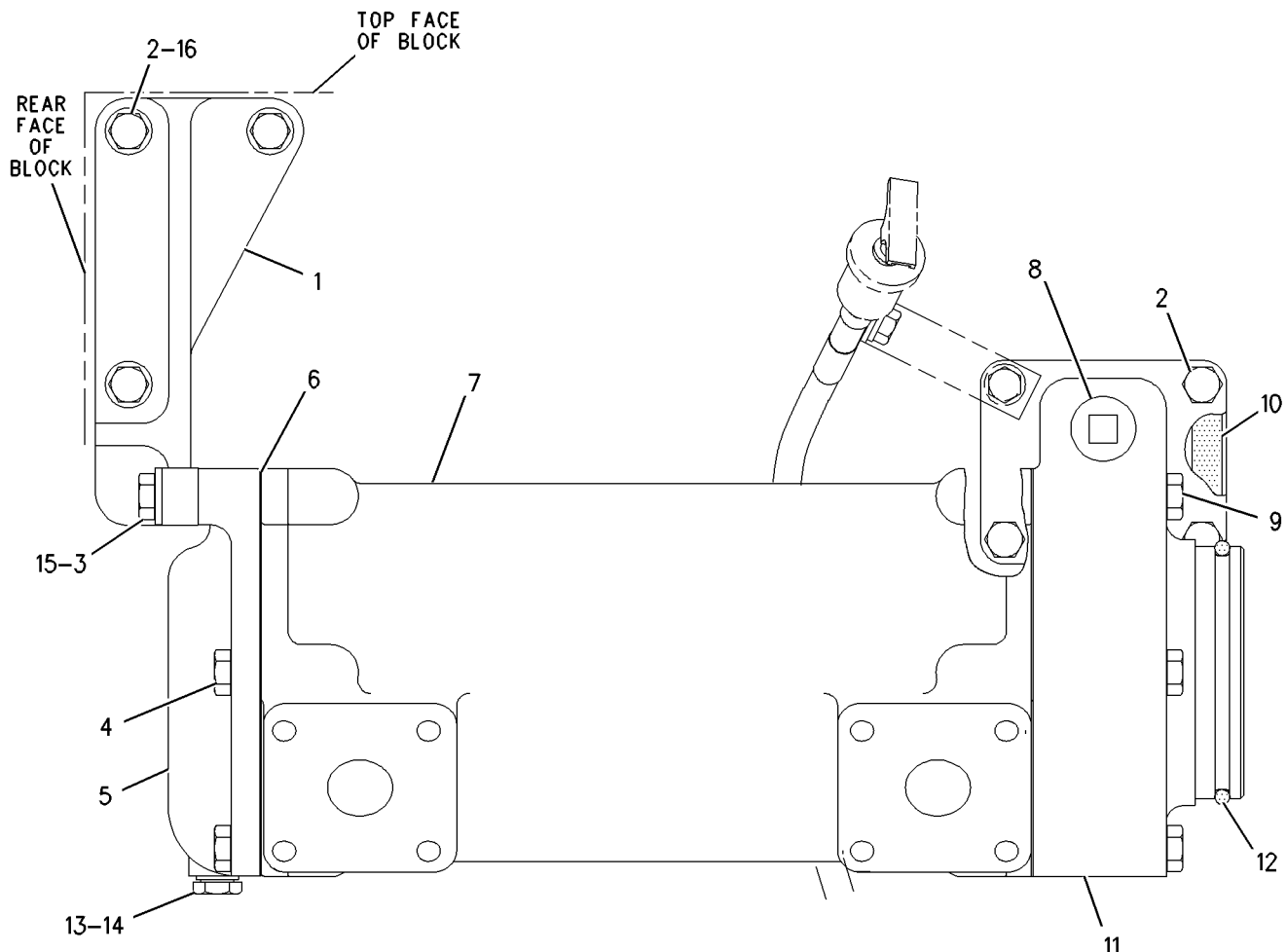
CANNOT BE USED WITH 106-8764-PAGE 1035, 6N-7387-PAGE 1061, 5N-2685-PAGE 1058, WATERCOOLED MANIFOLD, JACKET WATER HEATER OR CONTACTORS
AN ATTACHMENT

SMCS-1375

i02399385

NOTE	REF NO	GRAPHIC REF	PART NUMBER	QTY	PART NAME						SEE PAGE
					1	2	3	4	5	6 (PRODUCT LEVEL)	
	1	1	7N-7912	1	BRACKET						
	2	1	1A-2029	6	BOLT (3/8-16X1.125-IN)						
	3	1	9S-1366	2	BOLT (1/2-13X2.5-IN)						
	4	1	7B-3235	4	BOLT (1/2-13X1.375-IN)						
	5	1	8S-4304	1	BONNET-TMSN OIL COOLER						
	6	1	2S-0795	2	GASKET						
YR	7	1	4P-7731	1	CORE GP-OIL COOLER						459
	8	1	8T-6767	1	PLUG-PIPE						
	9	1	0V-0375	6	BOLT (1/2-13X3.25-IN)						
	10	1	4N-0641	1	GASKET						
	11	1	130-8875	1	BONNET-COOLER						
	12	1	109-0077	1	SEAL-O-RING						
	13	1	6F-7062	1	WASHER (12.7X19.05X1.83-MM THK)						
	14	1	8M-9307	1	PLUG (TRANSMISSION OIL COOLER)						
	15	1	5P-8245	2	WASHER-HARD (13.5X25.5X3-MM THK)						
	16	1	5M-2894	3	WASHER-HARD (10.2X18.5X2.5-MM THK)						

R-REMFG PART MAY BE AVAILABLE
Y-SEPARATE ILLUSTRATION



GRAPHIC #1

<END>

g00738435

COOLING SYSTEM

4P-7731 CORE GP-OIL COOLER-TRANSMISSION*R

S/N: 6TB11381-UP

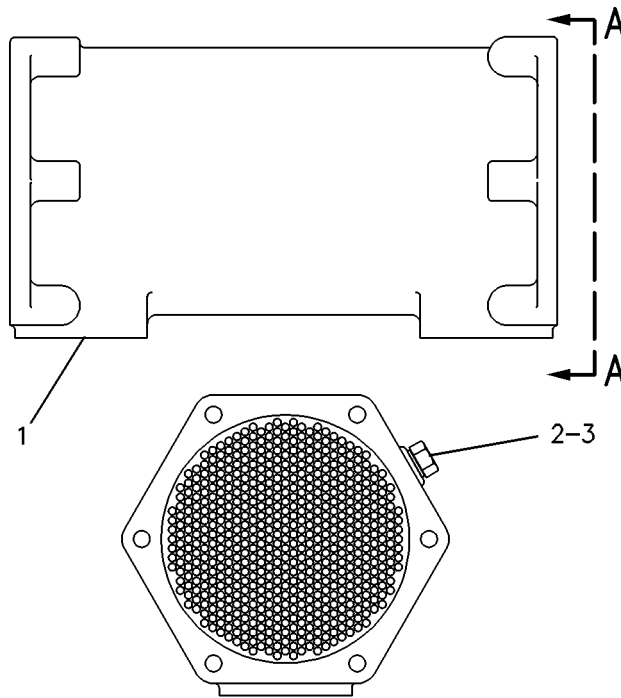
PART OF 101-8308, 195-3873, 2W-4124, 7N-8085 COOLER GP-TRANSMISSION OIL
ALSO AN ATTACHMENT

SMCS-1378

i03205361

NOTE	REF NO	GRAPHIC REF	PART NUMBER	QTY	PART NAME						SEE PAGE
					1	2	3	4	5	6 (PRODUCT LEVEL)	
R	1	1	7E-2660	1	CORE GP-OIL COOLER (TRANSMISSION)						
	2	1	3K-8460	1	PLUG						
	3	1	5P-7814	1	SEAL-O-RING						

R-REMFG PART MAY BE AVAILABLE



VIEW A-A

<END>

GRAPHIC #1

g00233484

COOLING SYSTEM

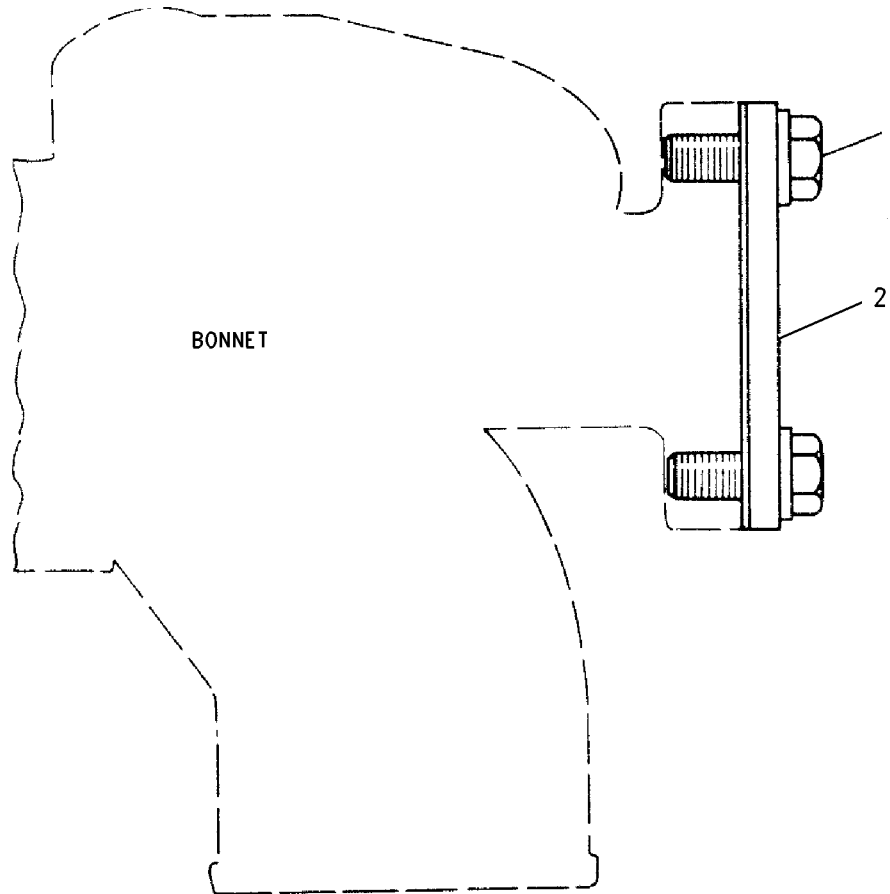
9N-0685 COVER GP-WATER LINES

FOR USE WITH MARINE APPLICATIONS FOR OIL COOLER BONNET WHEN CONVERTING TO USE OF SEA WATER, INSTEAD OF JACKET WATER TO COOL THE AFTERCOOLER, TRUCKS WHEN USING BRAKESAVER ENGINES

SMCS-1380

i01849002

NOTE	REF NO	GRAPHIC REF	PART NUMBER	QTY	PART NAME						SEE PAGE
					1	2	3	4	5	6 (PRODUCT LEVEL)	
	1	1	0S-1594	2	BOLT (3/8-16X1 IN)						
		1	5M-2894	2	WASHER-HARD (10.2X18.5X2.5MM THK)						
	2	1	2P-2772	1	COVER						
		1	4N-0933	1	GASKET						



GRAPHIC #1

<END>

g00942461

COOLING SYSTEM

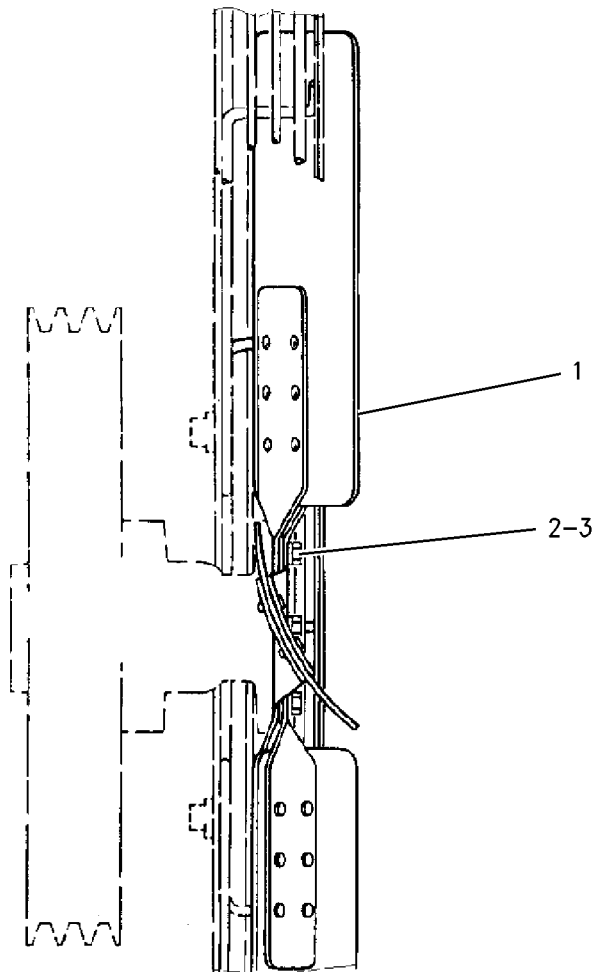
4N-2569 FAN GP-BLOWER

838-MM (33-INCH) DIAMETER
AN ATTACHMENT

SMCS-1356, 1360

i02728879

NOTE	REF NO	GRAPHIC REF	PART NUMBER	QTY	PART NAME						SEE PAGE
					1	2	3	4	5	6 (PRODUCT LEVEL)	
	1	1	4N-2571	1	SPIDER AS-FAN (6-BLADE)						
	2	1	8T-2502	6	BOLT (3/8-16X1.125-IN)						
	3	1	8T-4896	6	WASHER-HARD (10.2X18.5X2.5-MM THK)						



GRAPHIC #1

<END>

g00727447

COOLING SYSTEM

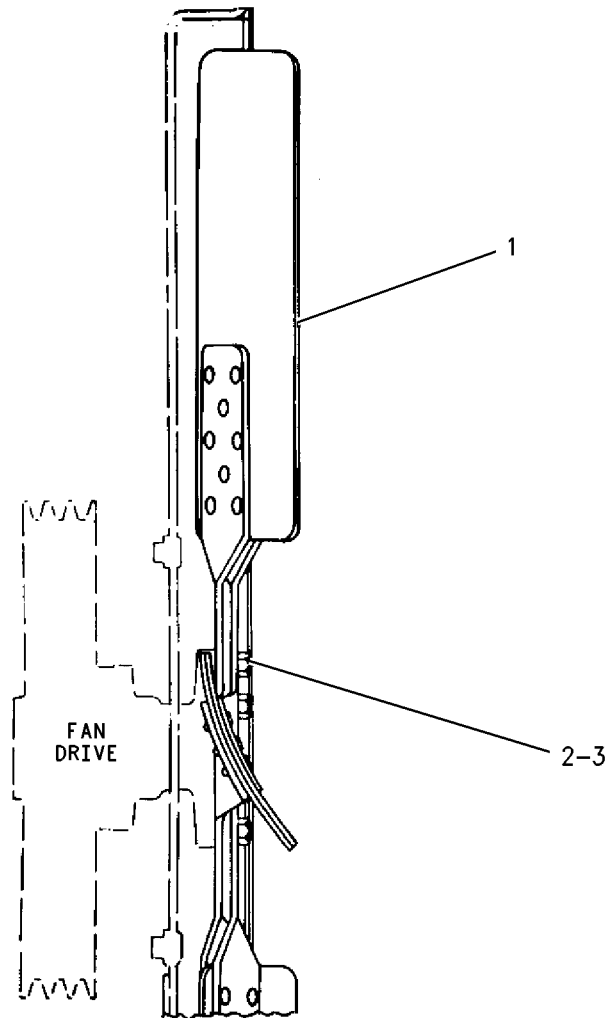
4N-3093 FAN GP-BLOWER

1016-MM (40-INCH) DIAMETER
AN ATTACHMENT

SMCS-1356, 1360

i02728886

NOTE	REF NO	GRAPHIC REF	PART NUMBER	QTY	PART NAME						SEE PAGE
					1	2	3	4	5	6 (PRODUCT LEVEL)	
	1	1	4N-3091	1	SPIDER AS (8-BLADE)						
	2	1	5P-2566	6	BOLT (1/2-13X1.5-IN)						
	3	1	8T-4223	6	WASHER-HARD (13.5X25.5X3-MM THK)						



GRAPHIC #1

<END>

g00723269

COOLING SYSTEM

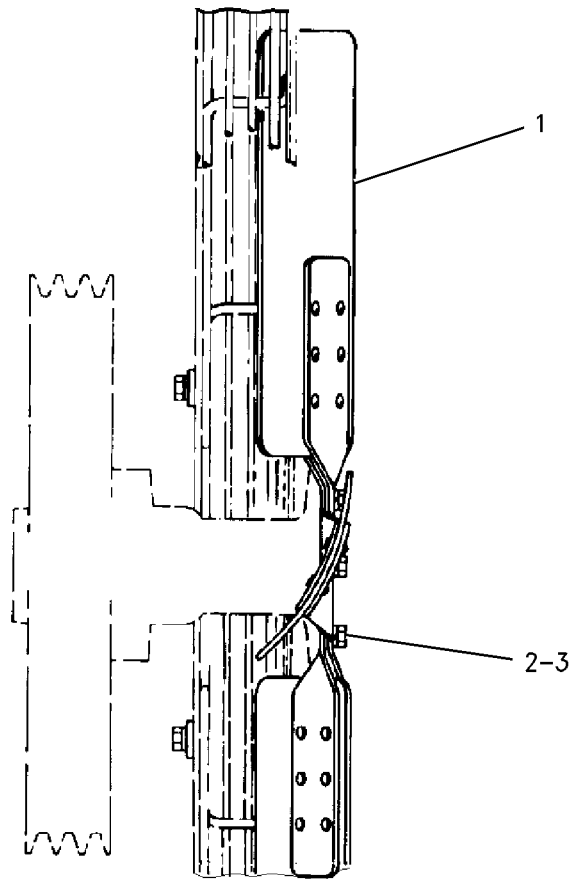
4N-2570 FAN GP-SUCTION

838-MM (33-INCH) DIAMETER
AN ATTACHMENT

SMCS-1356

i02728908

NOTE	REF NO	GRAPHIC REF	PART NUMBER	QTY	PART NAME						SEE PAGE
					1	2	3	4	5	6 (PRODUCT LEVEL)	
	1	1	4N-2572	1	SPIDER AS-FAN (6-BLADE)						
	2	1	8T-2502	6	BOLT (3/8-16X1.125-IN)						
	3	1	8T-4896	6	WASHER-HARD (10.2X18.5X2.5-MM THK)						



RIGHT SIDE VIEW

GRAPHIC #1

<END>

g00787102

COOLING SYSTEM

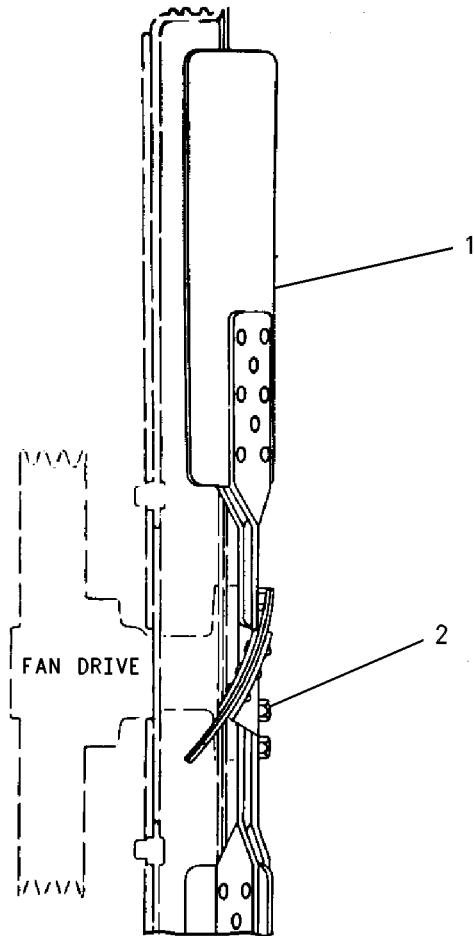
4N-3094 FAN GP-SUCTION

40-INCH DIAMETER
AN ATTACHMENT

SMCS-1356

i02728911

NOTE	REF NO	GRAPHIC REF	PART NUMBER	QTY	PART NAME						SEE PAGE
					1	2	3	4	5	6 (PRODUCT LEVEL)	
	1	1	4N-3092	1	SPIDER AS (8-BLADE)						
	2	1	5P-2566	6	BOLT (1/2-13X1.5-IN)						
		1	8T-4223	6	WASHER-HARD (13.5X25.5X3-MM THK)						



GRAPHIC #1

<END>

g00567378

COOLING SYSTEM

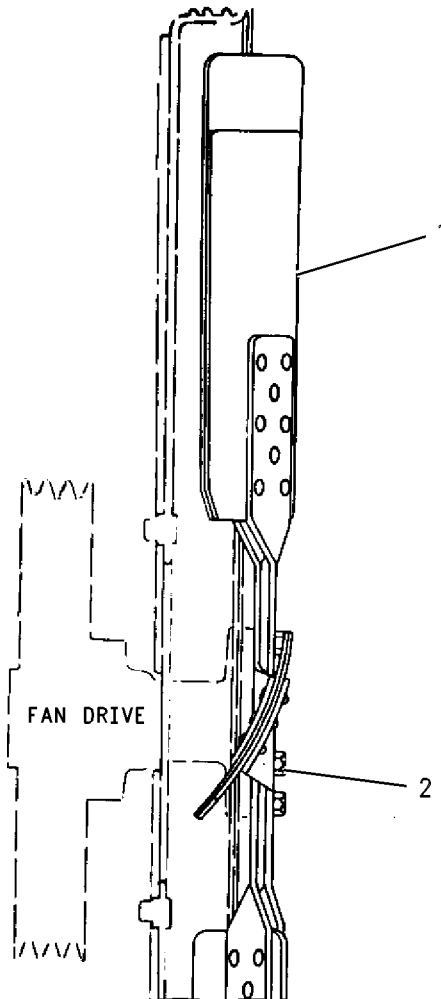
4N-3466 FAN GP-SUCTION

1168-MM (46-INCH) DIAMETER
FOR USE WITH SAE STANDARD ENGINE ROTATION
AN ATTACHMENT

SMCS-1356

i02362361

NOTE	REF NO	GRAPHIC REF	PART NUMBER	QTY	PART NAME						SEE PAGE
					1	2	3	4	5	6 (PRODUCT LEVEL)	
	1	1	4N-3338	1	SPIDER AS (8-BLADE)						
	2	1	0S-1587	6	BOLT (1/2-13X1.75-IN)						
		1	2M-0849	6	WASHER-HARD (13.5X25.5X5-MM THK)						



GRAPHIC #1

<END>

g00567437

COOLING SYSTEM

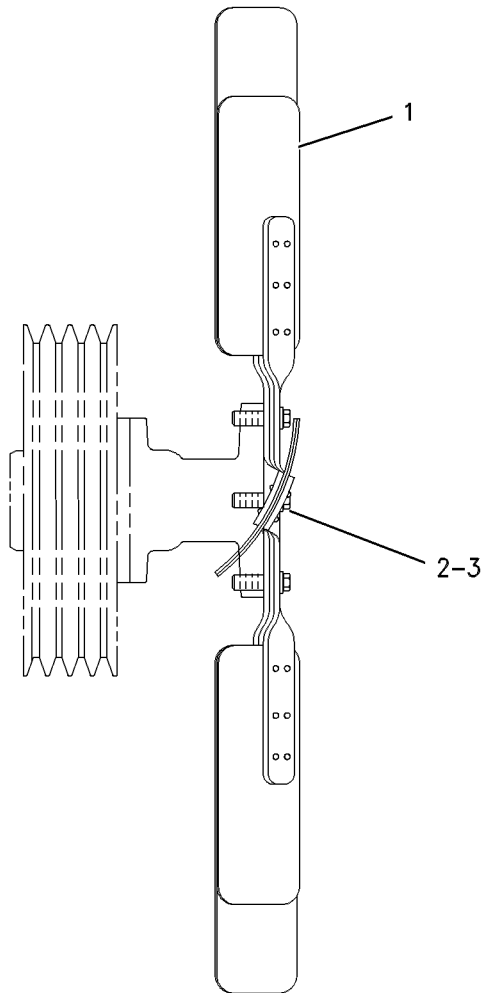
162-8237 FAN GP-SUCTION

33 INCH DIAMETER
AN ATTACHMENT

SMCS - 1356

i01748285

NOTE	REF NO	GRAPHIC REF	PART NUMBER	QTY	PART NAME						SEE PAGE
					1	2	3	4	5	6 (PRODUCT LEVEL)	
	1	1	162-7530	1	SPIDER AS-FAN (6 BLADE)						
	2	1	0S-1571	6	BOLT (3/8-16X1.75 IN)						
	3	1	5M-2894	6	WASHER-HARD (10.2X18.5X2.5MM THK)						



GRAPHIC #1

<END>

g00535546

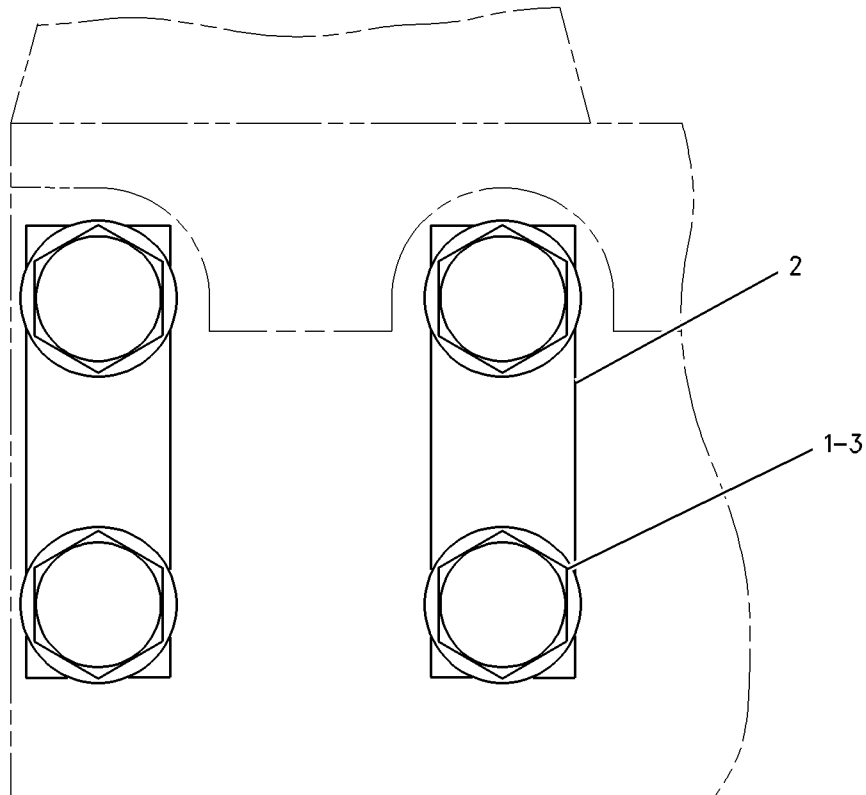
COOLING SYSTEM

198-5374 FASTENER GP-RADIATOR AN ATTACHMENT

SMCS-1353

i01454698

NOTE	REF NO	GRAPHIC REF	PART NUMBER	QTY	PART NAME						SEE PAGE
					1	2	3	4	5	6 (PRODUCT LEVEL)	
	1	1	7X-0382	8	BOLT (7/8-9X2.25-IN)						
	2	1	2W-6964	4	PLATE						
	3	1	8C-6913	8	WASHER-HARD (24X41.5X4-MM THK)						



GRAPHIC #1

<END>

g00763456

COOLING SYSTEM

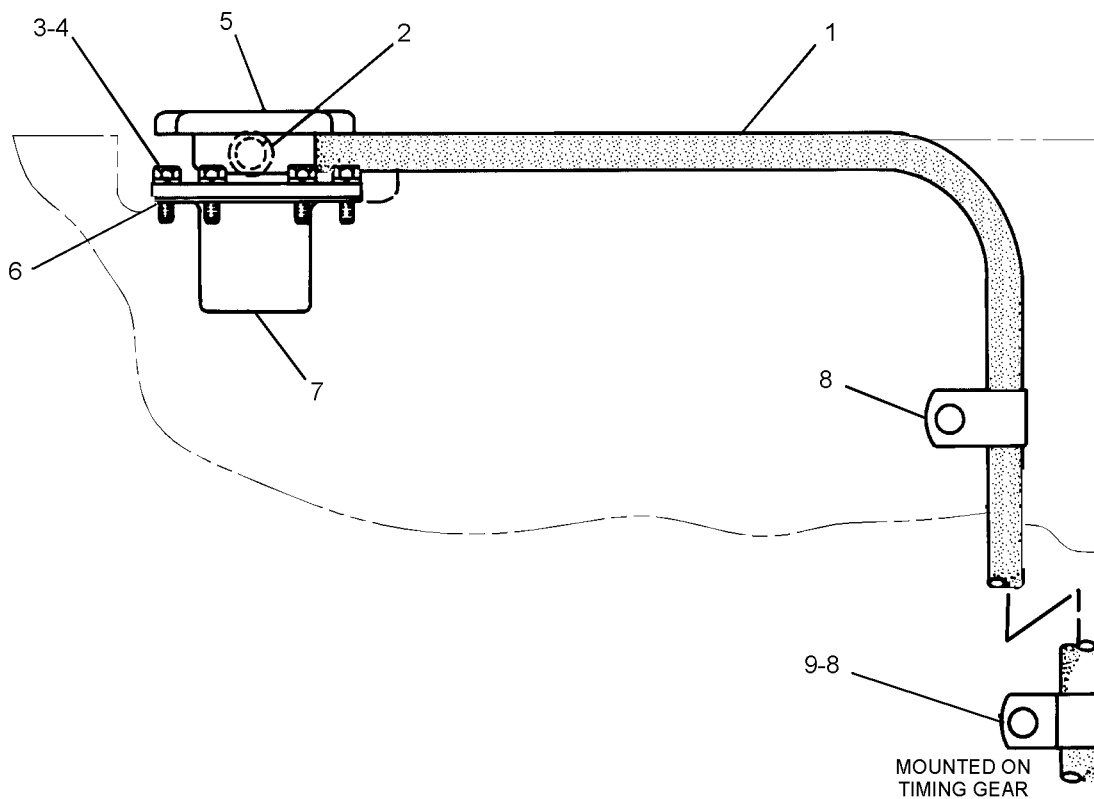
4N-7090 FILLER & CAP GP-RADIATOR FOR USE WITH EXPANSION TANK AN ATTACHMENT

SMCS-1382

i02797591

NOTE	REF NO	GRAPHIC REF	PART NUMBER	QTY	PART NAME						SEE PAGE
					1	2	3	4	5	6 (PRODUCT LEVEL)	
E	1	1	5P-1420		HOSE (112-CM)						
	2	1	6L-8700	1	CLAMP						
	3	1	OS-1615	6	BOLT (1/4-20X0.75-IN)						
	4	1	3B-4504	6	LOCKWASHER						
	5	1	6L-8617	1	CAP-PRESSURE (7-PSI) (RADIATOR)						
	6	1	4L-7636	1	GASKET						
	7	1	6L-8649	1	NECK AS-FILLER						
		1	3L-5893	1	TUBE-OVERFLOW						
	8	1	3D-9428	2	CLIP						
9	1	5P-8245	1	WASHER-HARD (13.5X25.5X3-MM THK)							

E-ORDER BY THE CENTIMETER



GRAPHIC #1

<END>

g01268188

COOLING SYSTEM

9N-3382 FILTER GP-COOLANT

REMOTE MOUNTED

FOR USE WITH COOLING SYSTEM CAPACITY OF 61 TO 163-L (16 TO 43-GALLON)
AN ATTACHMENT

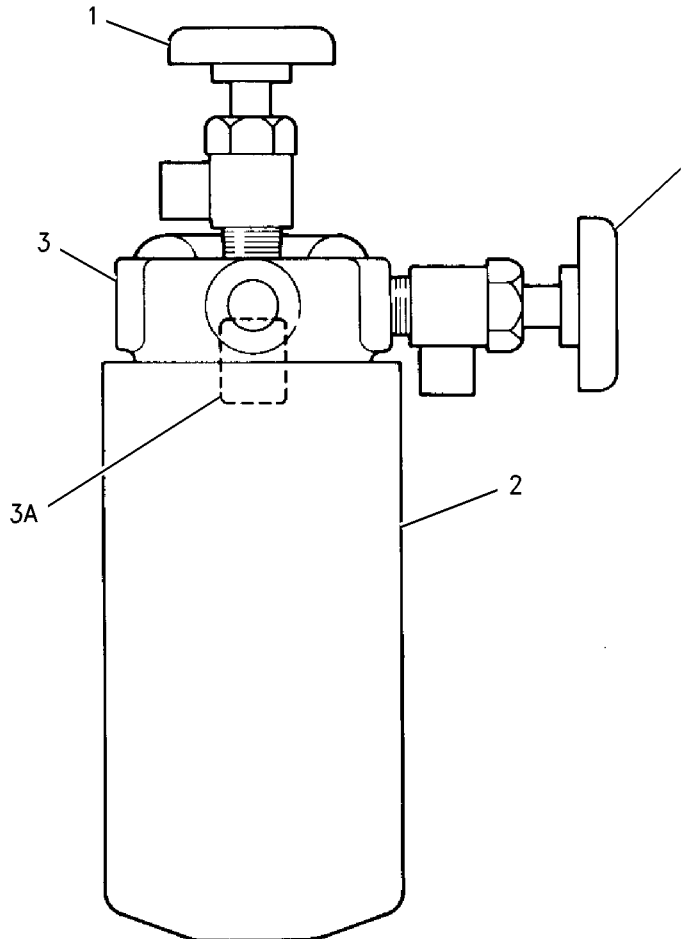
SMCS-1352

i03525608

NOTE	REF NO	GRAPHIC REF	PART NUMBER	QTY	PART NAME						SEE PAGE
					1	2	3	4	5	6 (PRODUCT LEVEL)	
	1	1	9N-3666	2	VALVE-MANUAL						
J	2	1	9N-3367	1	FILTER-COOLANT CONDITIONER (PRECHARGE)						
					-OR-						
A		1	9N-3368	1	FILTER-COOLANT CONDITIONER (MAINTENANCE)						
	3	1	9N-3668	1	BASE AS						
	3A	1	9N-3645	1	STUD-TAPERLOCK						

A-NOT PART OF THIS GROUP

J-REFER TO CHART FOR COOLANT CONDITIONER INFORMATION



GRAPHIC #1

<END>

g00768286

COOLING SYSTEM

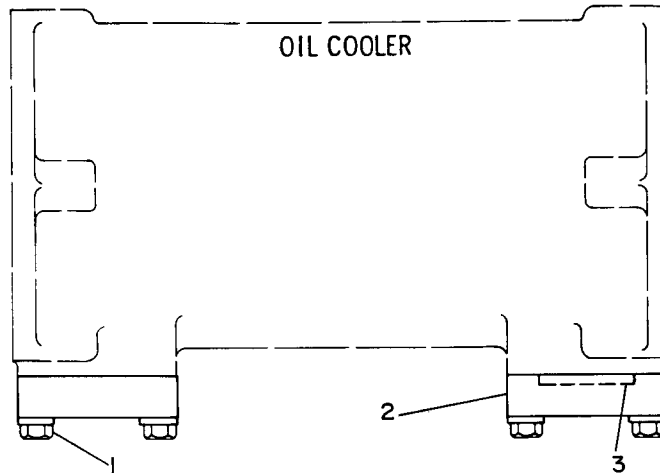
9N-5443 FLANGE GP-OIL COOLER

FOR USE WITH 7N-8085-PAGE 455. CANNOT BE USED WITH ENGINES HAVING
WATERCOOLED MANIFOLDS
AN ATTACHMENT

SMCS-1378

i01228499

NOTE	REF NO	GRAPHIC REF	PART NUMBER	QTY	PART NAME						SEE PAGE
					1	2	3	4	5	6 (PRODUCT LEVEL)	
	1	1	0S-1591	4	BOLT (3/8-16X1.5-IN)						
		1	5M-2894	4	WASHER-HARD (10.2X18.5X2.5-MM THK)						
	2	1	9N-5444	2	FLANGE						
	3	1	9M-9647	2	SEAL-O-RING						



GRAPHIC #1

<END>

g00145098

COOLING SYSTEM

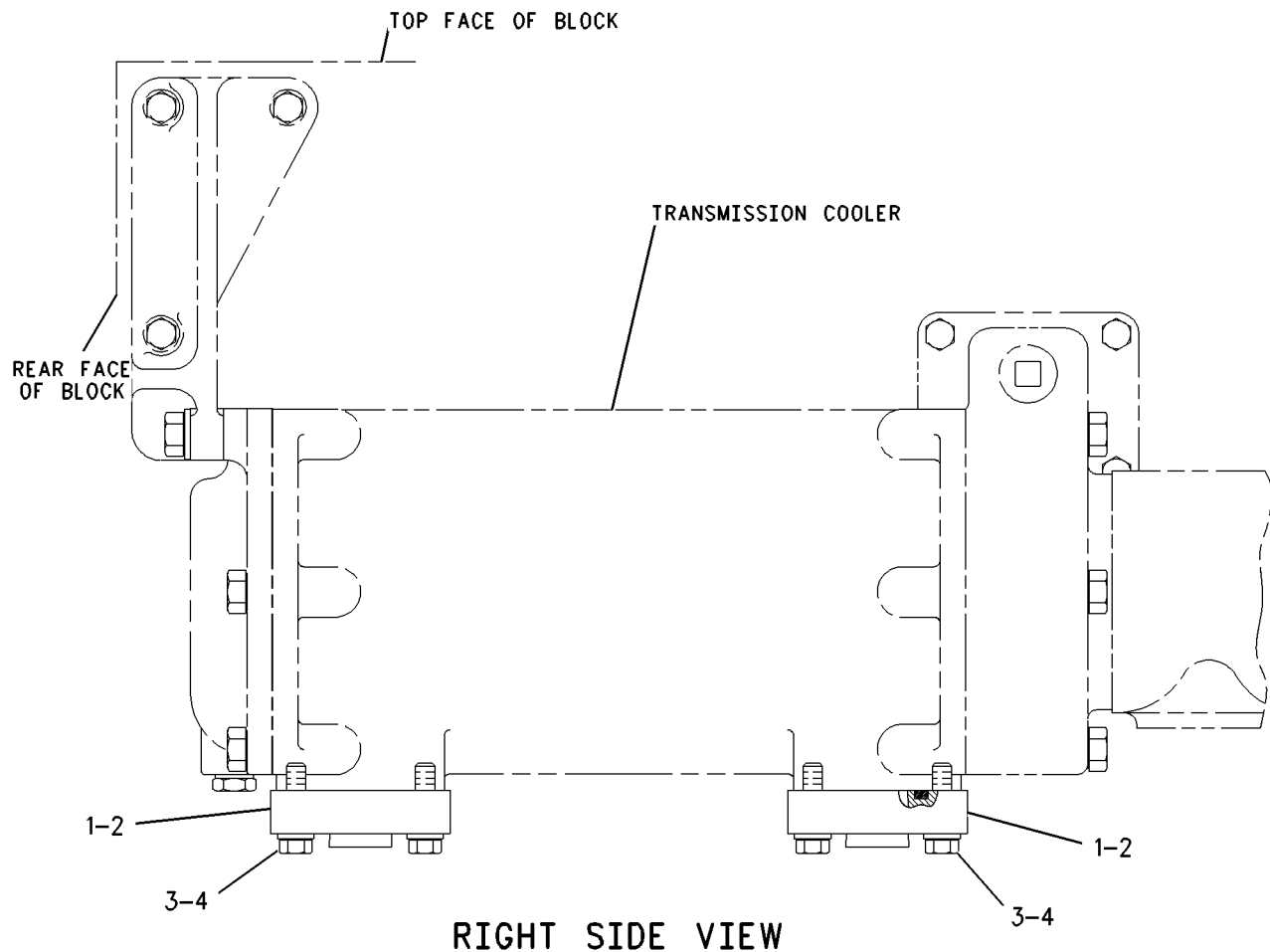
111-7303 FLANGE GP-TMSN OIL COOLER

PROVIDE FLANGES WITH 1.00 PTF PORTS
FOR USE WITH TRANSMISSION OIL COOLER
AN ATTACHMENT

SMCS-1375

i02332396

NOTE	REF NO	GRAPHIC REF	PART NUMBER	QTY	PART NAME						SEE PAGE
					1	2	3	4	5	6 (PRODUCT LEVEL)	
	1	1	9N-5444	2	FLANGE						
	2	1	5P-5846	2	SEAL-O-RING						
	3	1	OS-1591	4	BOLT (3/8-16X1.5-IN)						
	4	1	5M-2894	4	WASHER-HARD (10.2X18.5X2.5-MM THK)						



GRAPHIC #1

<END>

g00832128

COOLING SYSTEM

3N-7990 HEAT EXCHANGER GP-SEA WATER

23 SQUARE FEET COOLING

PART OF 3N-8775 HEAT EXCHANGER GP-SEA WATER
AN ATTACHMENT

SMCS-1379

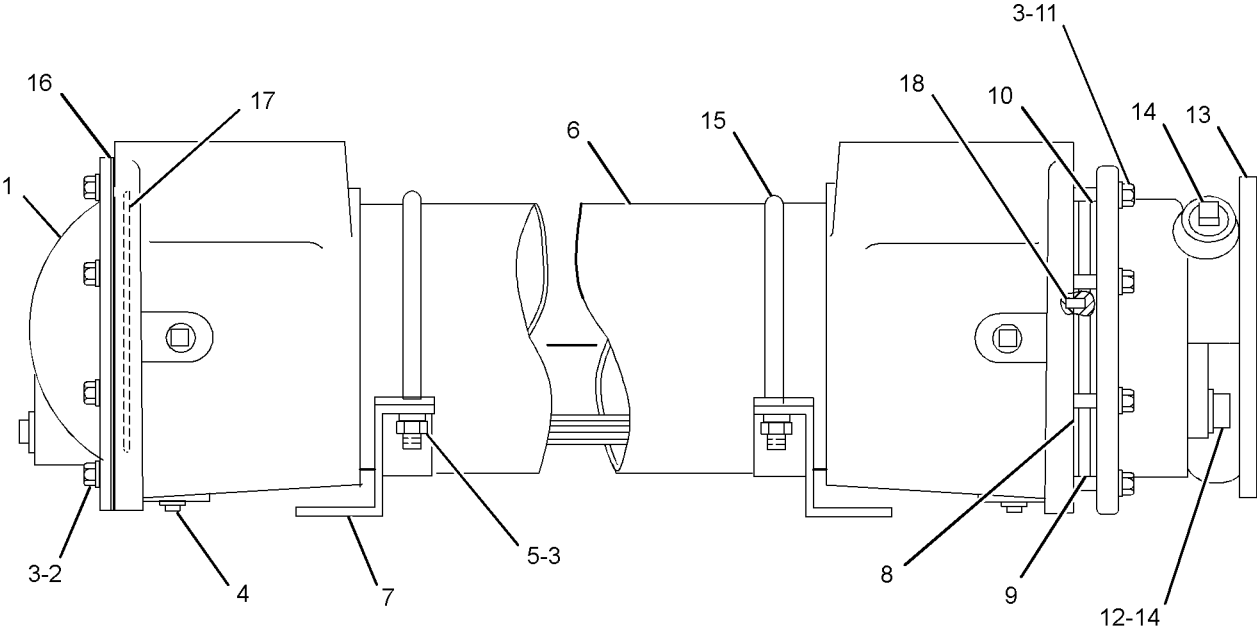
i03432403

NOTE	REF NO	GRAPHIC REF	PART NUMBER	QTY	PART NAME						SEE PAGE
					1	2	3	4	5	6 (PRODUCT LEVEL)	
	1	1	8L-4502	1	BONNET (RETURN)						
	2	1	9B-7237	8	BOLT (3/8-16X1.25-IN)						
	3	1	3B-4506	20	LOCKWASHER						
	4	1	6L-2282	4	PLUG-PIPE						
	5	1	6V-8801	4	NUT (3/8-16-THD)						
	6	1	3N-9636	1	SHELL AS						
	7	1	3N-9612	2	BRACKET AS						
	8	1	8L-4497	1	GASKET						
	9	1	293-0004	1	CORE AS (HEAT EXCHANGER)						
	10	1	8L-4498	1	GASKET						
	11	1	5S-7383	8	BOLT (3/8-16X1.75-IN)						
	12	1	<i>8L-4521</i>	2	ROD AS-ZINC (HEAT EXCHANGER)						
					(EACH INCLUDES)						
		1	6L-2280	1	ROD-ZINC (HEAT EXCHANGER)						
		1	5B-9169	1	PLUG-DRAIN (HEAT EXCHANGER)						
	13	1	3N-9607	1	BONNET						
	14	1	5B-9169	3	PLUG-DRAIN (HEAT EXCHANGER)						
	15	1	3N-9599	2	U-BOLT						
B	16	1	8L-9767	48	SHIM (0.015-IN THK)						
	17	1	3N-7351	1	SEAL-RUBBER						
	18	1	1H-1200	1	PIN-SPRING						
B-USE AS REQUIRED											

COOLING SYSTEM

3N-7990 HEAT EXCHANGER GP-SEA WATER (contd.)

i03432403



GRAPHIC #1

<END>

g01261822

COOLING SYSTEM

3N-7992 HEAT EXCHANGER GP-SEA WATER

34-SQ FT COOLING

PART OF 3N-9094 HEAT EXCHANGER GP-SEA WATER

AN ATTACHMENT

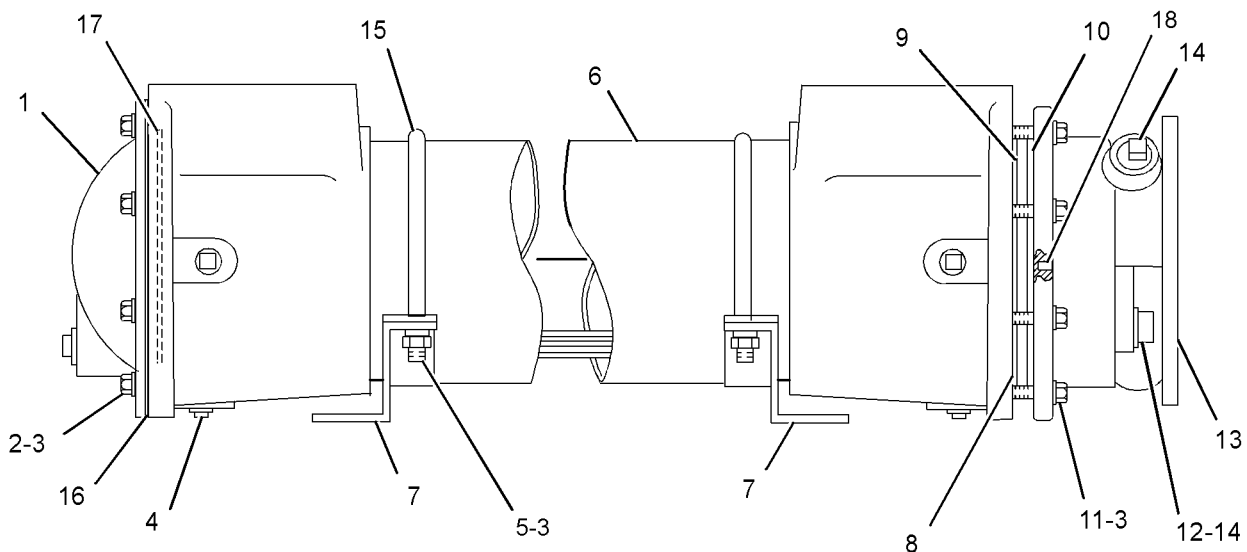
TYPE 1

SMCS-1379

i02910514

NOTE	REF NO	GRAPHIC REF	PART NUMBER	QTY	PART NAME						SEE PAGE
					1	2	3	4	5	6 (PRODUCT LEVEL)	
	1	1	8L-4502	1	BONNET (RETURN)						
	2	1	9B-7237	8	BOLT (3/8-16X1.25-IN)						
	3	1	3B-4506	20	LOCKWASHER						
	4	1	6L-2282	4	PLUG-PIPE						
	5	1	1D-4717	4	NUT (3/8-16-THD)						
	6	1	3N-9635	1	SHELL AS						
	7	1	3N-9612	2	BRACKET AS						
	8	1	8L-4497	1	GASKET						
	9	1	3N-9638	1	CORE AS (HEAT EXCHANGER)						
	10	1	8L-4498	1	GASKET						
	11	1	5S-7383	8	BOLT (3/8-16X1.75-IN)						
	12	1	6L-2280	2	ROD-ZINC (HEAT EXCHANGER)						
	13	1	3N-9607	1	BONNET						
	14	1	5B-9169	3	PLUG-DRAIN (HEAT EXCHANGER)						
	15	1	3N-9599	2	U-BOLT						
B	16	1	8L-9767	48	SHIM (0.015-IN THK)						
	17	1	3N-7351	1	SEAL-RUBBER						
	18	1	1H-1200	1	PIN-SPRING						

B-USE AS REQUIRED



GRAPHIC #1

<END>

q01261782

COOLING SYSTEM

3N-7992 HEAT EXCHANGER GP-SEA WATER

34-SQ FT COOLING

PART OF 3N-9094 HEAT EXCHANGER GP-SEA WATER

AN ATTACHMENT

TYPE 2

SMCS-1379

i02910515

NOTE	REF NO	GRAPHIC REF	PART NUMBER	QTY	PART NAME						SEE PAGE
					1	2	3	4	5	6 (PRODUCT LEVEL)	
	1	1	8L-4521	2	ROD AS-ZINC (HEAT EXCHANGER)						
	2	1	3N-9607	1	BONNET						
	3	1	3N-9612	2	BRACKET AS						
	4	1	3N-9635	1	SHELL AS						
	5	1	5B-9169	3	PLUG-DRAIN (HEAT EXCHANGER)						
	6	1	6L-2282	4	PLUG-PIPE						
	7	1	8L-4497	1	GASKET						
	8	1	8L-4498	1	GASKET						
	9	1	8L-4502	1	BONNET (RETURN)						
B	10	1	8L-9767	48	SHIM (0.015-IN THK)						
C	11	1	293-0006	1	CORE AS (HEAT EXCHANGER)						
	12	1	1H-1200	1	PIN-SPRING						
	13	1	3B-4506	20	LOCKWASHER						
	14	1	3N-7351	1	SEAL-RUBBER						
	15	1	3N-9599	2	U-BOLT						
	16	1	5S-7383	8	BOLT (3/8-16X1.75-IN)						
C	17	1	6V-8801	4	NUT (3/8-16-THD)						
	18	1	9B-7237	8	BOLT (3/8-16X1.25-IN)						

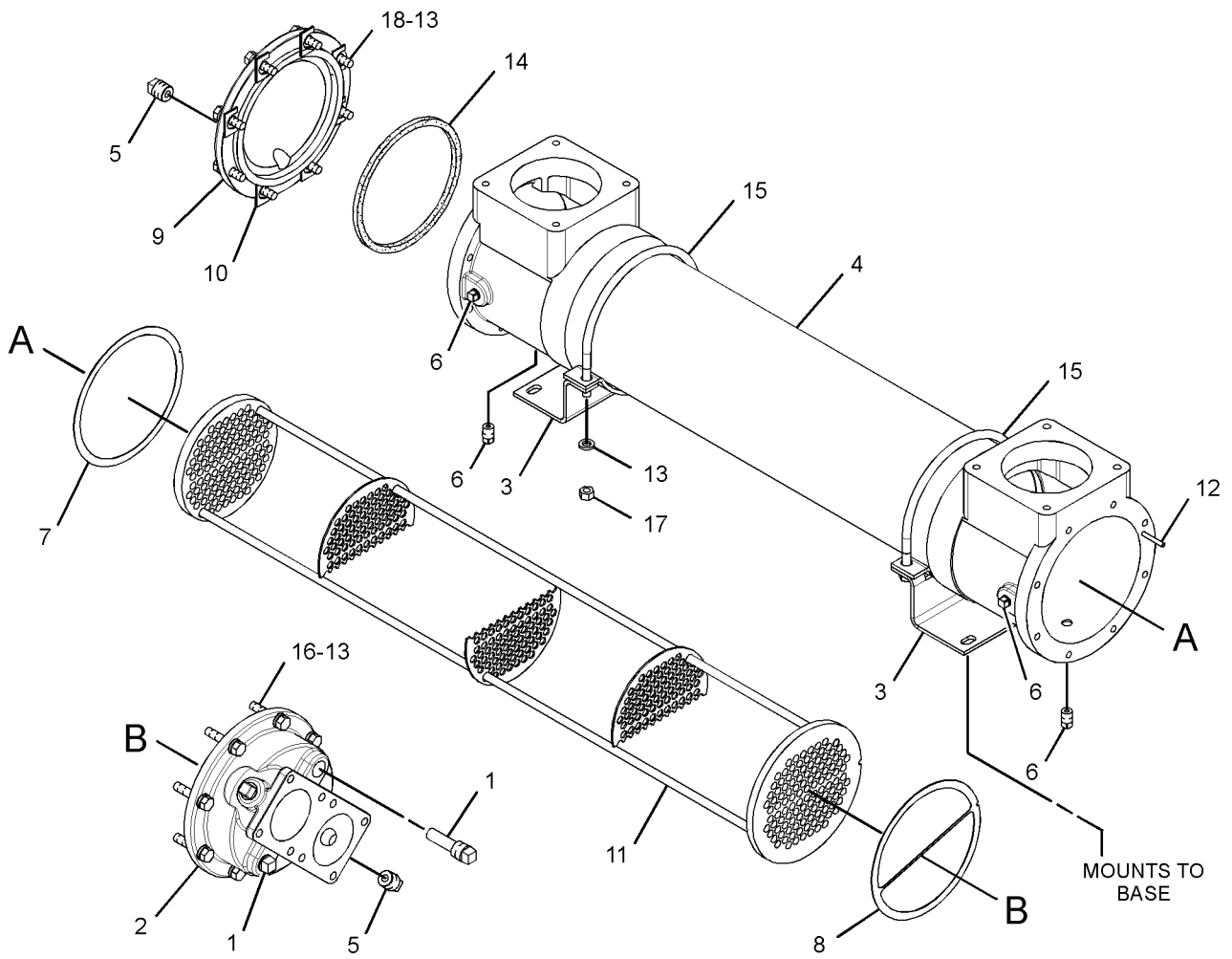
B-USE AS REQUIRED

C-CHANGE FROM PREVIOUS TYPE

COOLING SYSTEM

3N-7992 HEAT EXCHANGER GP-SEA WATER (contd.)

i02910515



GRAPHIC #1

<END>

g01358103

COOLING SYSTEM

3N-8775 HEAT EXCHANGER GP-SEA WATER

28-SQ FT COOLING

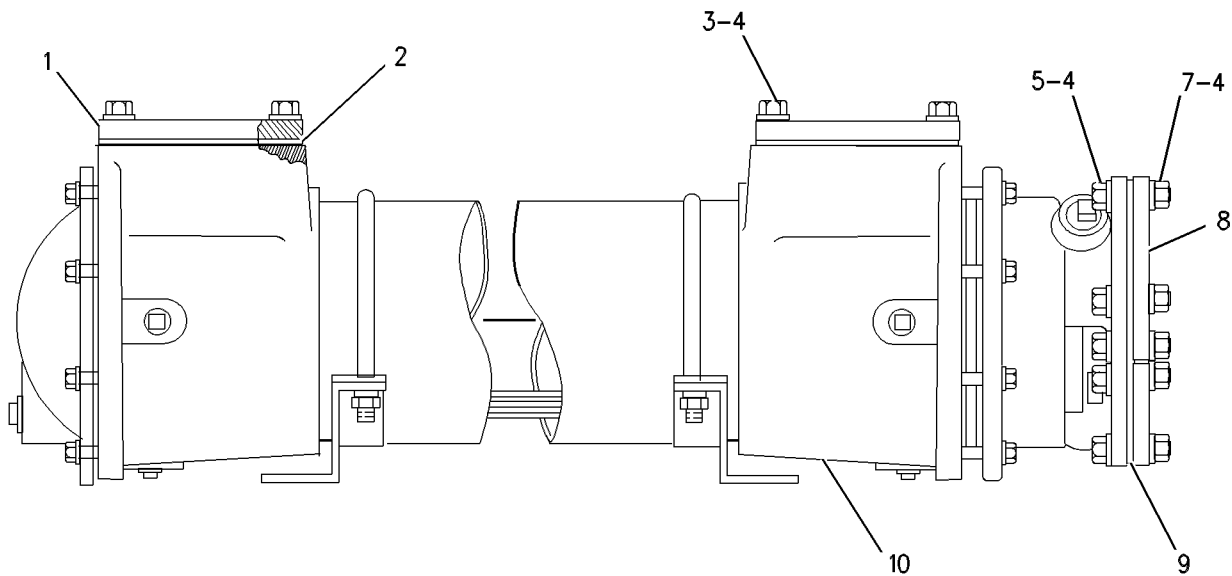
FOR USE WITH ALL 60 HERTZ RATINGS FOR HEAT EXCHANGE SIZING
AN ATTACHMENT

SMCS-1379

i01983550

NOTE	REF NO	GRAPHIC REF	PART NUMBER	QTY	PART NAME						SEE PAGE
					1	2	3	4	5	6 (PRODUCT LEVEL)	
	1	1	3N-9479	2	FLANGE						
	2	1	4L-3862	2	GASKET						
	3	1	9B-7237	8	BOLT (3/8-16X1.25-IN)						
	4	1	8T-4896	24	WASHER-HARD (10.2X18.5X2.5-MM THK)						
	5	1	6V-8801	8	NUT (3/8-16-THD)						
	7	1	5S-7383	8	BOLT (3/8-16X1.75-IN)						
	8	1	3N-1555	2	FLANGE						
	9	1	4F-4873	2	GASKET						
Y	10	1	3N-7990	1	HEAT EXCHANGER GP-SEA WATER						472

Y-SEPARATE ILLUSTRATION



GRAPHIC #1

<END>

g00610171

COOLING SYSTEM

3N-9094 HEAT EXCHANGER GP-SEA WATER

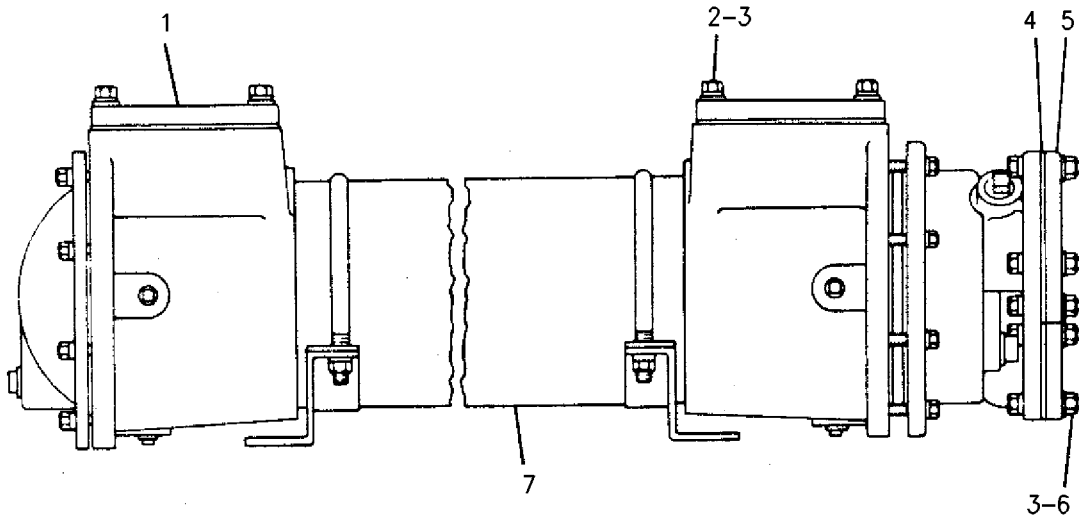
REMOTE MOUNTED 6-IN X 36-IN, TWO PASS COOLER, WITH REMOVABLE BUNDLE
AN ATTACHMENT

SMCS-1379

i02728961

NOTE	REF NO	GRAPHIC REF	PART NUMBER	QTY	PART NAME						SEE PAGE
					1	2	3	4	5	6 (PRODUCT LEVEL)	
	1	1	4N-9720	2	FLANGE						
		1	4L-3862	2	GASKET						
	2	1	9B-7237	8	BOLT (3/8-16X1.25-IN)						
	3	1	8T-4896	24	WASHER-HARD (10.2X18.5X2.5-MM THK)						
	4	1	4F-4873	2	GASKET						
	5	1	3N-1555	2	FLANGE						
	6	1	5S-7383	8	BOLT (3/8-16X1.75-IN)						
		1	6V-8801	8	NUT (3/8-16-THD)						
Y	7	1	3N-7992	1	HEAT EXCHANGER GP-SEA WATER						474

Y-SEPARATE ILLUSTRATION



GRAPHIC #1

<END>

g00651049

COOLING SYSTEM

4N-5466 HOUSING & REGULATOR GP

ALSO AN ATTACHMENT

SMCS-1355, 1393

i02797590

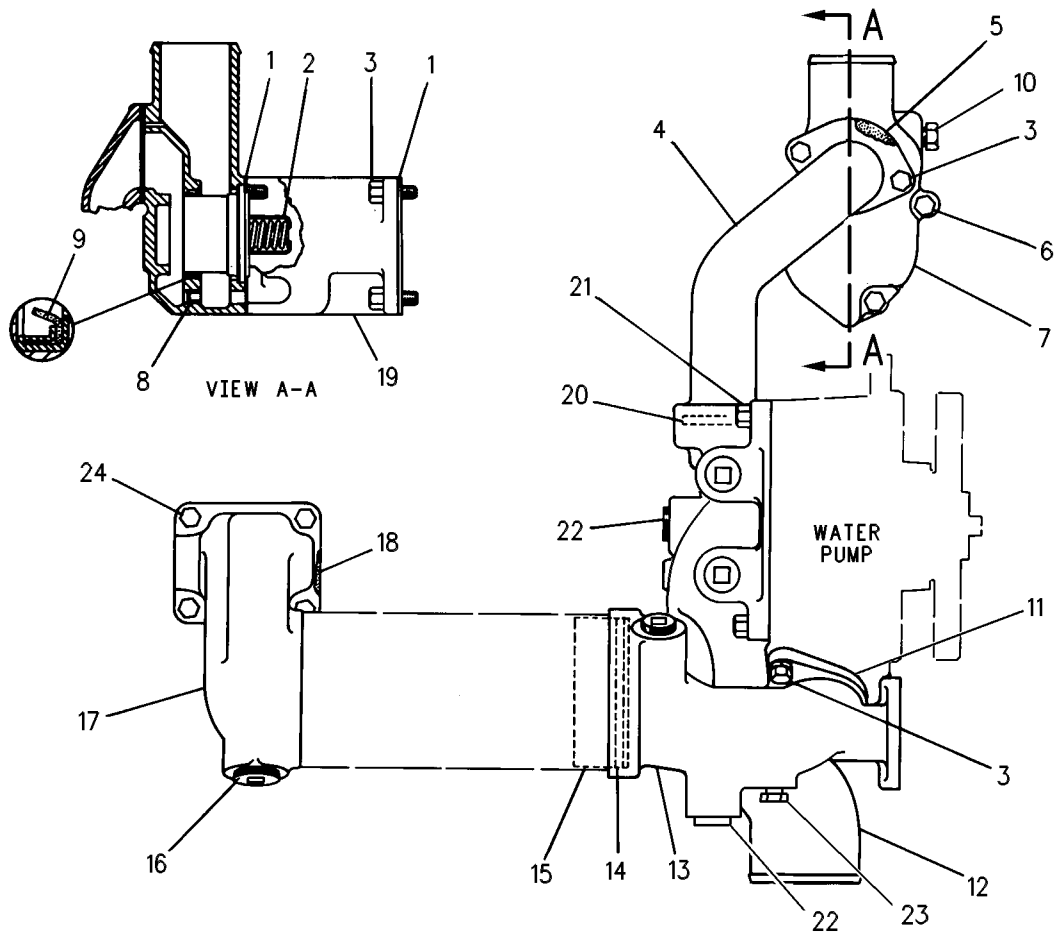
NOTE	REF NO	GRAPHIC REF	PART NUMBER	QTY	PART NAME						SEE PAGE
					1	2	3	4	5	6 (PRODUCT LEVEL)	
	1	1	4N-1156	2	GASKET-REGULATOR COVER (EXPANSION TANK)						
	2	1	248-5513	1	REGULATOR-TEMPERATURE (92-DEG C) (COOLANT)						
C	3	1	0S-1594	7	BOLT (3/8-16X1-IN)						
	4	1	4N-1547	1	ELBOW-BYPASS						
	5	1	7C-0307	1	GASKET						
C	6	1	0S-1619	3	BOLT (3/8-16X3-IN)						
	7	1	4N-0362	1	COVER AS-REGULATOR						
	8	1	2H-1193	2	FERRULE						
	9	1	3S-9643	1	SEAL-LIP TYPE (WATER TEMPERATURE REGULATOR)						
C	10	1	5M-6213	1	PLUG-PIPE						
	11	1	1W-2636	1	GASKET						
	12	1	7N-1572	1	COVER-WATER PUMP						
	13	1	6N-0367	1	BONNET-OIL COOLER						
	14	1	109-0077	1	SEAL-O-RING						
	15	1	4N-6257	1	ADAPTER						
	16	1	8T-6761	1	PLUG-PIPE						
	17	1	130-8855	1	BONNET-OIL COOLER OUTLET						
	18	1	4N-0641	1	GASKET						
	19	1	4N-1546	1	CONNECTOR-WATER						
	20	1	109-0076	1	SEAL-O-RING						
C	21	1	0S-1591	4	BOLT (3/8-16X1.5-IN)						
	22	1	7X-7731	5	PLUG-PIPE						
	23	1	8T-6767	1	PLUG-PIPE						
	24	1	1A-2029	4	BOLT (3/8-16X1.125-IN)						

C-CHANGE FROM PREVIOUS TYPE

COOLING SYSTEM

4N-5466 HOUSING & REGULATOR GP (contd.)

i02797590



GRAPHIC #1

<END>

g00255596

COOLING SYSTEM

4N-2474 LINES GP-AFTERCOOLER WATER

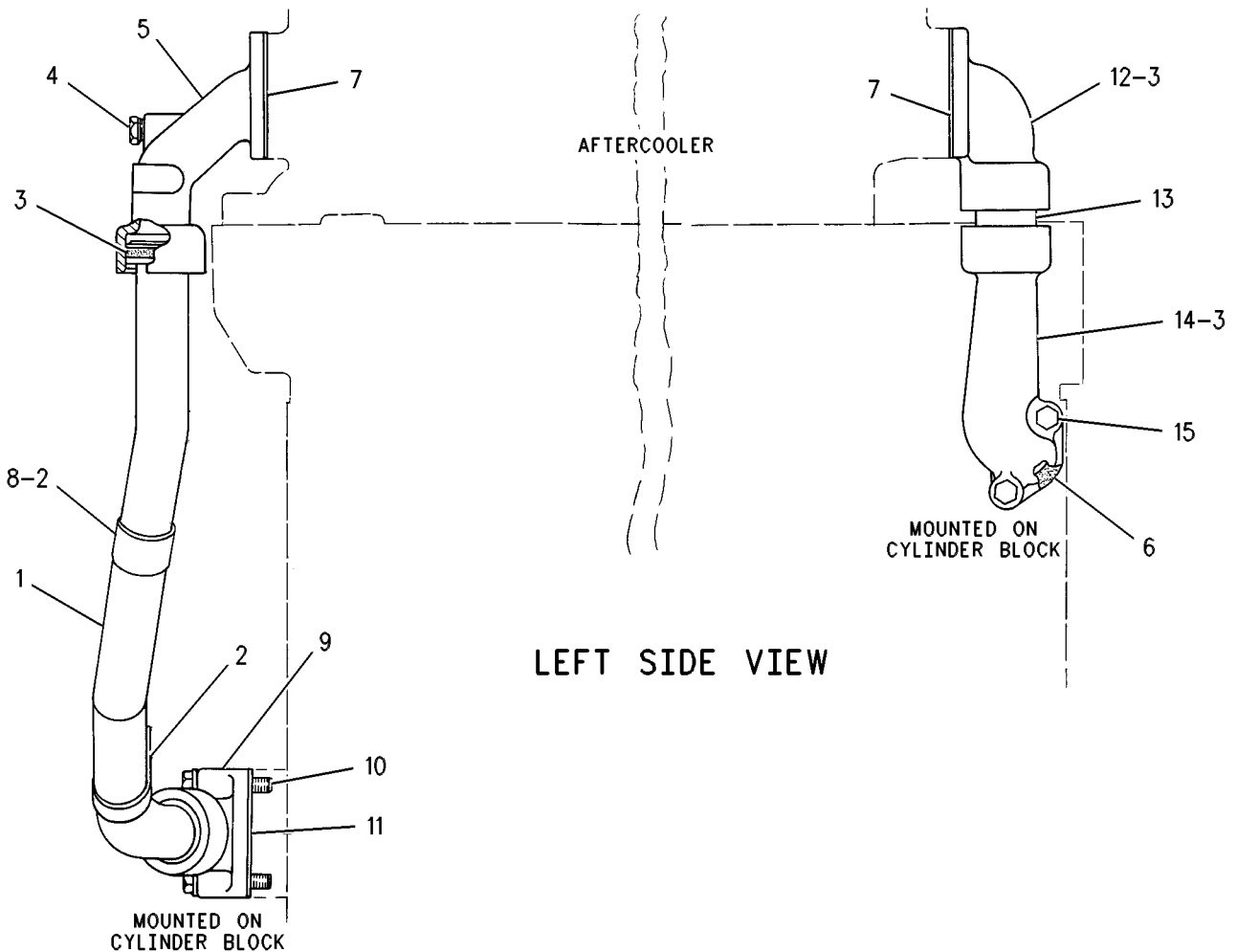
S/N: 6TB9857-11236

SMCS-1380

i00956673

NOTE	REF NO	GRAPHIC REF	PART NUMBER	QTY	PART NAME						SEE PAGE
					1	2	3	4	5	6 (PRODUCT LEVEL)	
	1	1	1W-7112	1	TUBE						
	2	1	2S-2053	2	CLIP						
	3	1	9M-7002	4	SEAL-O-RING						
	4	1	5M-6213	1	PLUG-PIPE						
	5	1	4N-7806	1	ELBOW						
	6	1	4N-0699	1	GASKET						
C	7	1	6L-9589	2	GASKET						
	8	1	5M-2894	1	WASHER-HARD (10.2X18.5X2.5-MM THK)						
	9	1	4N-2617	1	ELBOW						
	10	1	OS-1590	2	BOLT (3/8-16X2-IN)						
	11	1	4N-0933	1	GASKET						
	12	1	4N-7796	1	ELBOW-OUTLET						
	13	1	4N-4196	1	PIPE-OUTLET						
	14	1	4N-4192	1	ELBOW-OUTLET						
	15	1	OS-1591	2	BOLT (3/8-16X1.5-IN)						

C-CHANGE FROM PREVIOUS TYPE



GRAPHIC #1

<END>

g00487511

COOLING SYSTEM

4N-2474 LINES GP-AFTERCooler WATER

S/N: 6TB11237-UP

SMCS-1380

i00987782

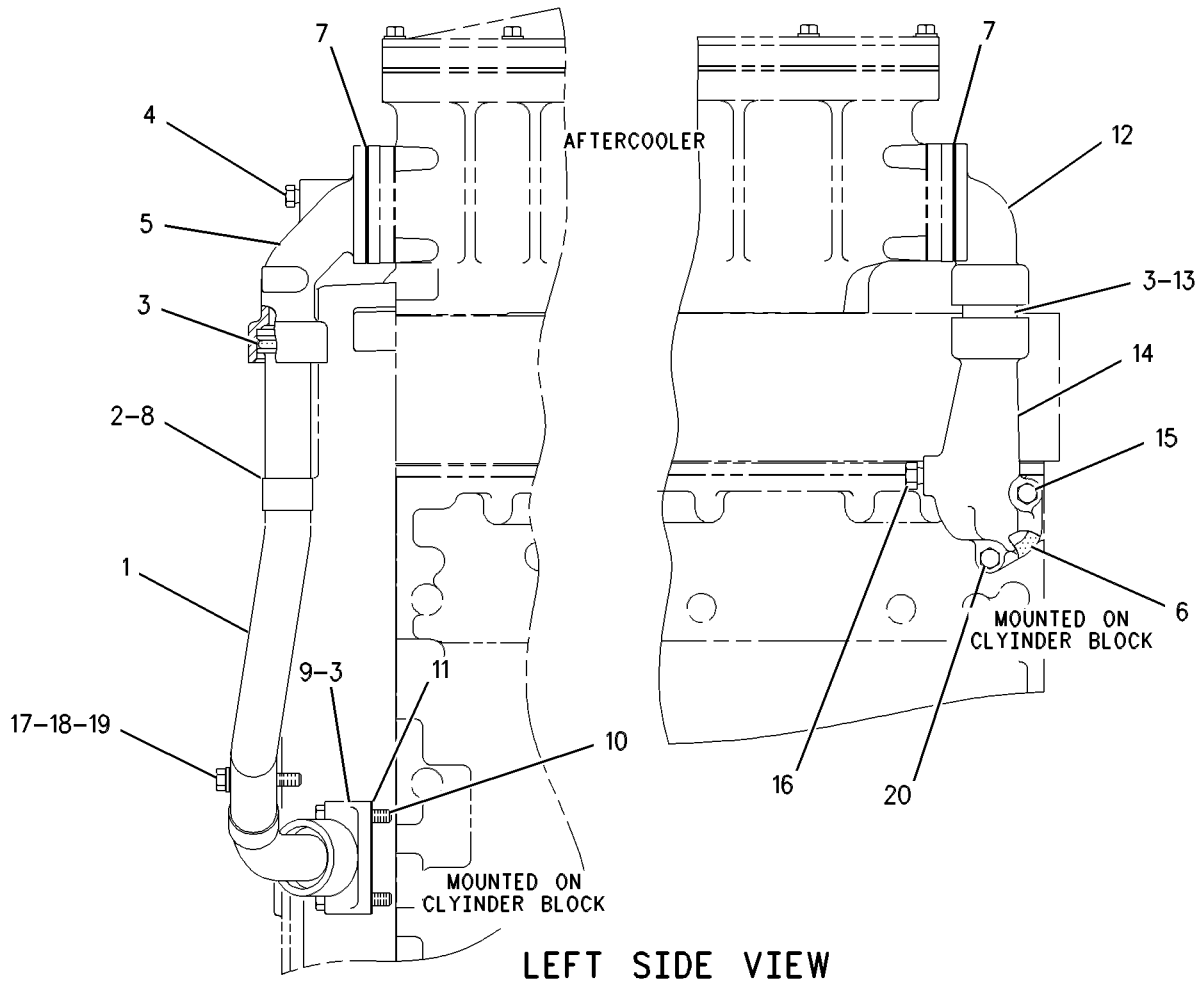
NOTE	REF NO	GRAPHIC REF	PART NUMBER	QTY	PART NAME						SEE PAGE
					1	2	3	4	5	6 (PRODUCT LEVEL)	
	1	1	153-2724	1	TUBE AS						
	2	1	2S-2053	2	CLIP						
	3	1	109-0078	4	SEAL-O-RING						
	4	1	8T-6765	1	PLUG-PIPE						
	5	1	4N-7806	1	ELBOW						
	6	1	4N-0699	1	GASKET						
C	7	1	6L-9589	2	GASKET						
	8	1	5M-2894	1	WASHER-HARD (10.2X18.5X2.5-MM THK)						
	9	1	4N-2617	1	ELBOW						
	10	1	0S-1590	2	BOLT (3/8-16X2-IN)						
	11	1	4N-0933	1	GASKET						
	12	1	4N-7796	1	ELBOW-OUTLET						
	13	1	4N-4196	1	PIPE-OUTLET						
C	14	1	6I-1575	1	ELBOW-OUTLET						
	15	1	3B-1915	1	BOLT (3/8-16X1.375-IN)						
C	16	1	8T-6767	1	PLUG-PIPE						
B	17	1	1A-2029	1	BOLT (3/8-16X1.125-IN)						
B	18	1	5M-2894	2	WASHER-HARD (10.2X18.5X2.5-MM THK)						
B	19	1	6F-8515	1	SPACER (0.493X0.675X1.12-IN THK)						
	20	1	0L-2070	1	BOLT (3/8-16X2.25-IN)						

B-USE AS REQUIRED
C-CHANGE FROM PREVIOUS TYPE

COOLING SYSTEM

4N-2474 LINES GP-AFTERCOOLER WATER (contd.)

i00987782



GRAPHIC #1

<END>

g00494194

COOLING SYSTEM

1W-1394 LINES GP-WATER

S/N: 6TB9857-11236

AFTERCOOLED

SMCS-1355, 1380, 1393

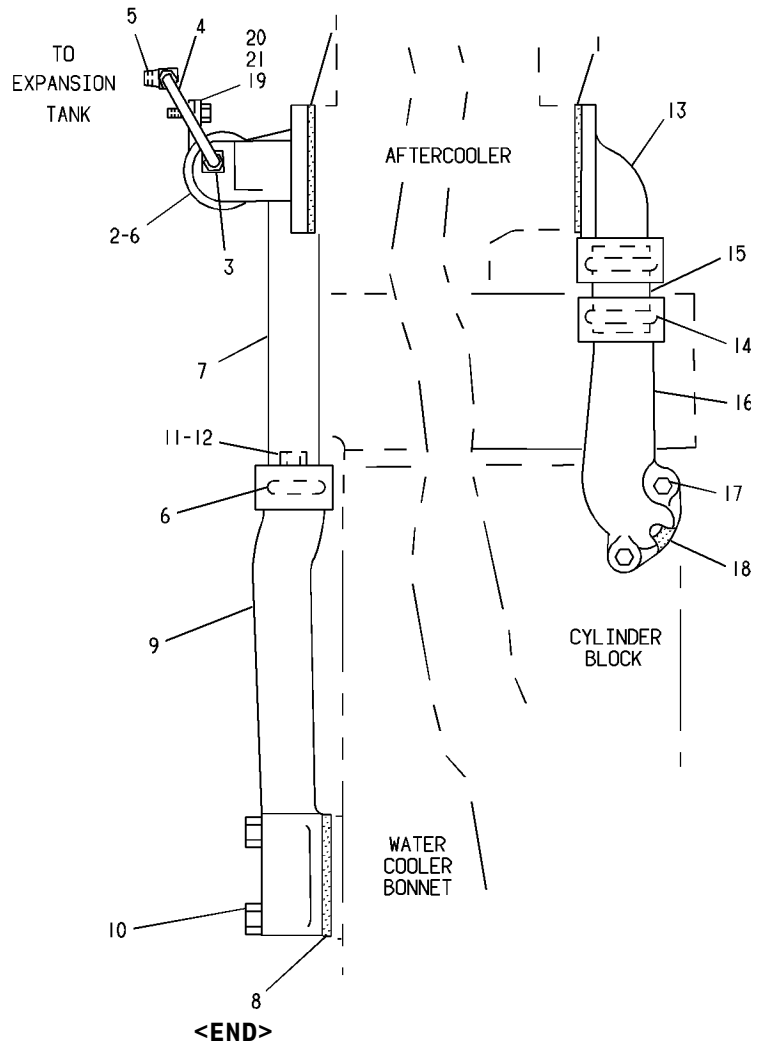
i00641324

NOTE	REF NO	GRAPHIC REF	PART NUMBER	QTY	PART NAME						SEE PAGE
					1	2	3	4	5	6 (PRODUCT LEVEL)	
	1	1	4N-4188	2	GASKET						
	2	1	1W-1396	1	ELBOW (INLET) (INLET)						
	3	1	5K-9241	1	ELBOW						
	4	1	1W-1399	1	TUBE AS-VENT						
	5	1	5K-9243	1	ELBOW-FLARED						
	6	1	1S-9544	2	SEAL-O-RING						
	7	1	1W-1398	1	TUBE						
	8	1	4N-0933	1	GASKET						
	9	1	1W-1397	1	ELBOW (OUTLET) (OUTLET)						
	10	1	OL-1143	2	BOLT (3/8-16X2.5-IN)						
	11	1	9L-9132	1	WASHER (10.2X25.5X2.5-MM THK)						
	12	1	OS-0509	1	BOLT (3/8-16X0.75-IN)						
	13	1	4N-7796	1	ELBOW-OUTLET						
	14	1	9M-7002	2	SEAL-O-RING						
	15	1	4N-4196	1	PIPE-OUTLET						
	16	1	4N-4192	1	ELBOW-OUTLET						
	17	1	OS-1591	2	BOLT (3/8-16X1.5-IN)						
	18	1	4N-0699	1	GASKET						
	19	1	3G-4213	1	CLAMP						
	20	1	5M-2894	1	WASHER-HARD (10.2X18.5X2.5-MM THK)						
	21	1	OL-1351	1	BOLT (3/8-16X0.875-IN)						

COOLING SYSTEM

1W-1394 LINES GP-WATER (contd.)

i00641324



GRAPHIC #1

g00156615

COOLING SYSTEM

1W-1394 LINES GP-WATER

S/N: 6TB11237-UP
AFTERCOOLED

SMCS-1355, 1380, 1393

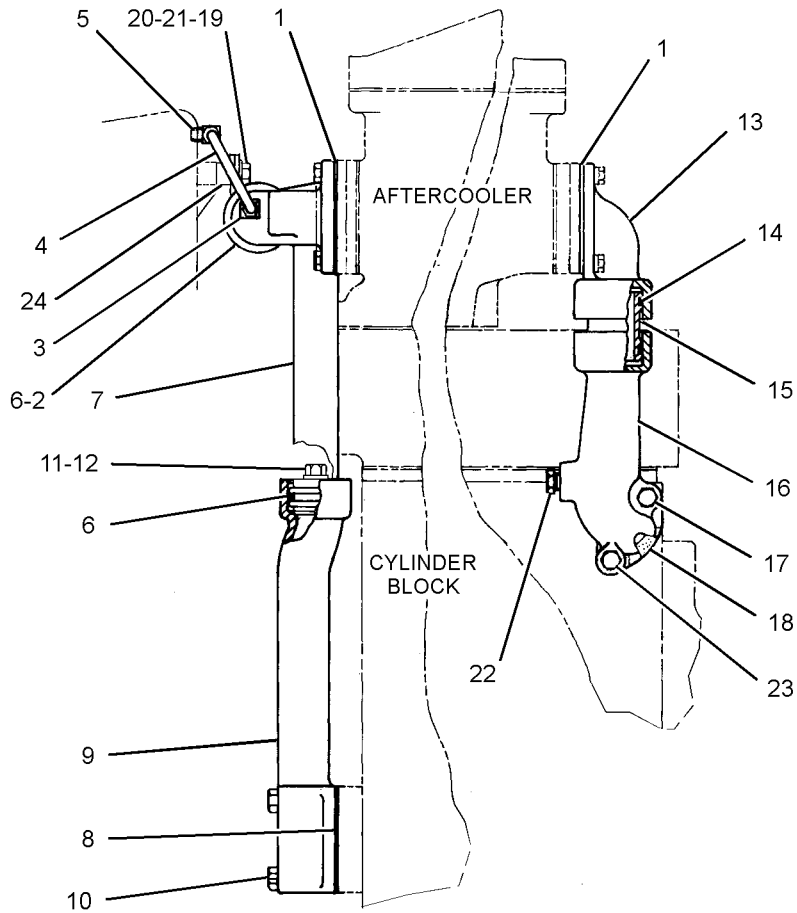
i02518060

NOTE	REF NO	GRAPHIC REF	PART NUMBER	QTY	PART NAME						SEE PAGE
					1	2	3	4	5	6 (PRODUCT LEVEL)	
	1	1	4N-4188	2	GASKET						
	2	1	1W-1396	1	ELBOW (INLET)						
	3	1	5K-9241	1	ELBOW						
	4	1	1W-1399	1	TUBE AS-VENT						
	5	1	5K-9243	1	ELBOW-FLARED						
	6	1	6V-3830	2	SEAL-O-RING						
	7	1	1W-1398	1	TUBE						
	8	1	4N-0933	1	GASKET						
	9	1	1W-1397	1	ELBOW (OUTLET)						
	10	1	0L-1143	2	BOLT (3/8-16X2.5-IN)						
	11	1	9L-9132	1	WASHER (10.2X25.5X2.5-MM THK)						
	12	1	0S-0509	1	BOLT (3/8-16X0.75-IN)						
	13	1	4N-7796	1	ELBOW-OUTLET						
	14	1	109-0078	2	SEAL-O-RING						
	15	1	4N-4196	1	PIPE-OUTLET						
	16	1	6I-1575	1	ELBOW-OUTLET						
	17	1	3B-1915	1	BOLT (3/8-16X1.375-IN)						
	18	1	4N-0699	1	GASKET						
	19	1	2S-2053	1	CLIP						
	20	1	5M-2894	1	WASHER-HARD (10.2X18.5X2.5-MM THK)						
	21	1	0L-1351	1	BOLT (3/8-16X0.875-IN)						
	22	1	8T-6767	1	PLUG-PIPE						
	23	1	1A-2029	1	BOLT (3/8-16X1.125-IN)						
	24	1	6B-0933	1	SPACER (10.31X19.05X6.35-MM THK)						

COOLING SYSTEM

1W-1394 LINES GP-WATER (contd.)

i02518060



LEFT SIDE VIEW OF ENGINE

<END>

GRAPHIC #1

g01337018

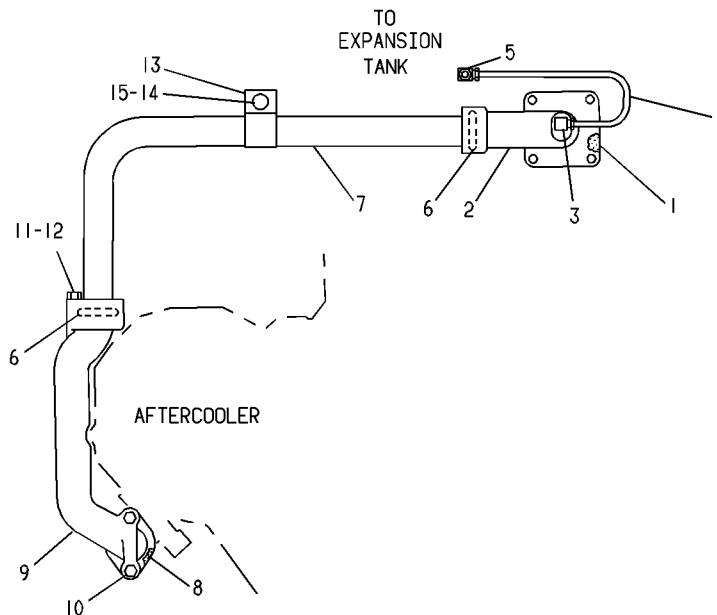
COOLING SYSTEM

2W-7157 LINES GP-WATER-AFTERCOOLER FOR USE WITH DIRECT INJECTION TURBOCHARGED AFTERCOOLED ENGINES, 2W-7158-PAGE 535 AN ATTACHMENT

SMCS-1355, 1380, 1393

i02863628

NOTE	REF NO	GRAPHIC REF	PART NUMBER	QTY	PART NAME						SEE PAGE
					1	2	3	4	5	6 (PRODUCT LEVEL)	
	1	1	4N-4188	1	GASKET						
	2	1	1W-1396	1	ELBOW (INLET)						
	3	1	5K-9241	1	ELBOW						
	4	1	1W-1399	1	TUBE AS-VENT						
	5	1	5K-9243	1	ELBOW-FLARED						
	6	1	1S-9544	2	SEAL-O-RING						
	7	1	1W-1398	1	TUBE						
	8	1	4N-0933	1	GASKET						
	9	1	1W-1397	1	ELBOW (OUTLET)						
	10	1	0L-1143	2	BOLT (3/8-16X2.5-IN)						
	11	1	9L-9132	1	WASHER (10.2X25.5X2.5-MM THK)						
	12	1	0S-0509	1	BOLT (3/8-16X0.75-IN)						
	13	1	3G-4214	1	CLIP (SLOT)						
		1	3G-4218	1	CLIP (TAB)						
	14	1	5M-2894	1	WASHER-HARD (10.2X18.5X2.5-MM THK)						
	15	1	0L-1351	1	BOLT (3/8-16X0.875-IN)						



GRAPHIC #1

<END>

g00157459

COOLING SYSTEM

4N-1641 LINES GP-WATER

SMCS-1355, 1380, 1393

i02399320

NOTE	REF NO	GRAPHIC REF	PART NUMBER	QTY	PART NAME						SEE PAGE
					1	2	3	4	5	6 (PRODUCT LEVEL)	
C	1	1	7X-7731	3	PLUG-PIPE						
	2	1	109-0076	1	SEAL-O-RING						
	3	1	4N-3002	1	ELBOW						
C	4	1	248-5513	1	REGULATOR-TEMPERATURE (92-DEG C) (COOLANT)						
C	5	1	0S-1594	4	BOLT (3/8-16X1-IN)						
	6	1	7C-0307	1	GASKET						
	7	1	4N-0362	1	COVER AS-REGULATOR						
	8	1	2H-1193	1	FERRULE						
	9	1	3S-9643	1	SEAL-LIP TYPE (WATER TEMPERATURE REGULATOR)						
	10	1	5M-6213	1	PLUG-PIPE						
	11	1	4N-1156	1	GASKET-REGULATOR COVER (WATER TEMPERATURE)						
	12	1	0S-1591	4	BOLT (3/8-16X1.5-IN)						
	13	1	1W-2636	1	GASKET						
C	14	1	7N-1572	1	COVER-WATER PUMP						
	15	1	6N-0367	1	BONNET-OIL COOLER						
	16	1	109-0077	1	SEAL-O-RING						
	17	1	4N-6257	1	ADAPTER						
	18	1	8T-6761	1	PLUG-PIPE						
	19	1	130-8885	1	BONNET-OUTLET						
	20	1	4N-0641	1	GASKET						
	21	1	8T-6767	1	PLUG-PIPE						
B	22	1	1A-2029	1	BOLT (3/8-16X1.125-IN) (USE WITHOUT OIL LEVEL GAUGE)						
	23	1	0S-1619	3	BOLT (3/8-16X3-IN)						
B	24	1	7X-7731	1	PLUG-PIPE						
	25	1	1A-2029	3	BOLT (3/8-16X1.125-IN)						

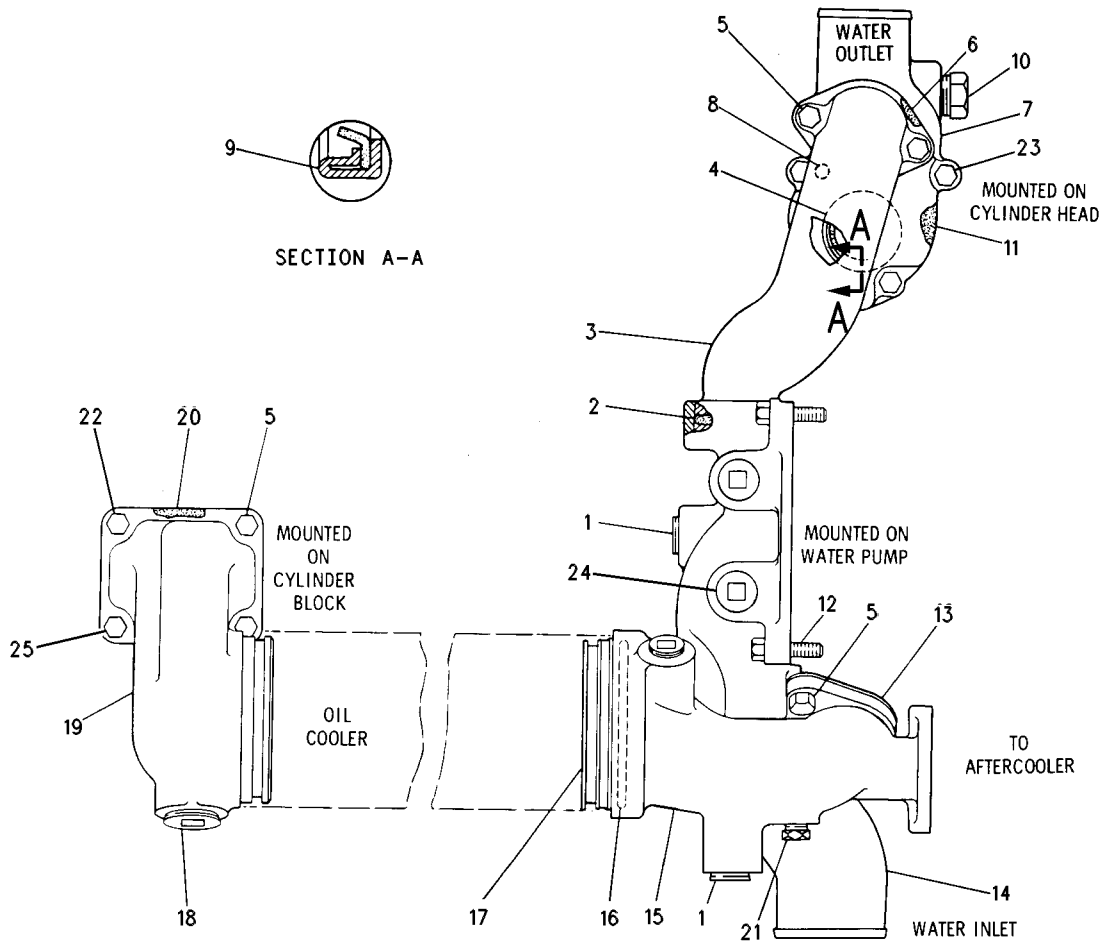
B-USE AS REQUIRED

C-CHANGE FROM PREVIOUS TYPE

COOLING SYSTEM

4N-1641 LINES GP-WATER (contd.)

i02399320



GRAPHIC #1

<END>

g00256609

COOLING SYSTEM

4N-4075 LINES GP-WATER

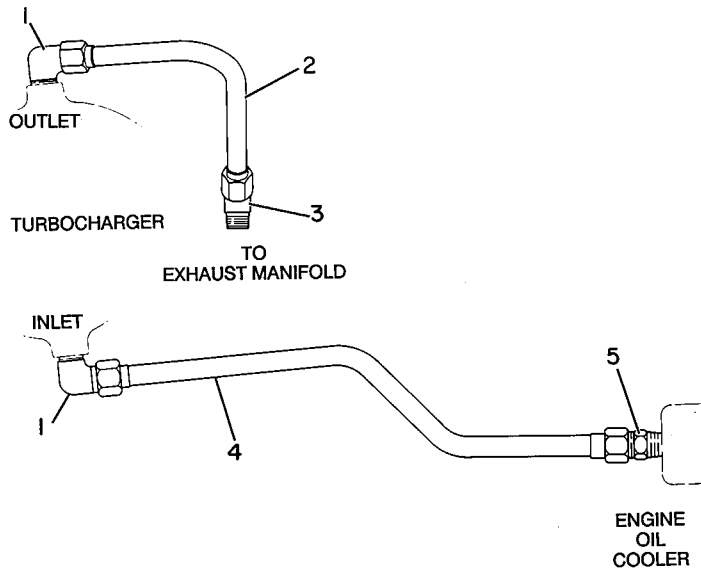
TURBO COOLING
ALSO AN ATTACHMENT

SMCS-1355, 1380, 1393

i00641097

NOTE	REF NO	GRAPHIC REF	PART NUMBER	QTY	PART NAME						SEE PAGE
					1	2	3	4	5	6 (PRODUCT LEVEL)	
	1	1	031-0782	2	ELBOW-FLARED						
	2	1	4N-4999	1	TUBE AS-OUTLET						
C	3	1	2P-1311	1	ELBOW-FLARED						
C	4	1	6N-8801	1	TUBE AS-WATER INLET						
C	5	1	2P-1289	1	CONNECTOR-FLARED						

C-CHANGE FROM PREVIOUS TYPE



GRAPHIC #1

<END>

g00142351

COOLING SYSTEM

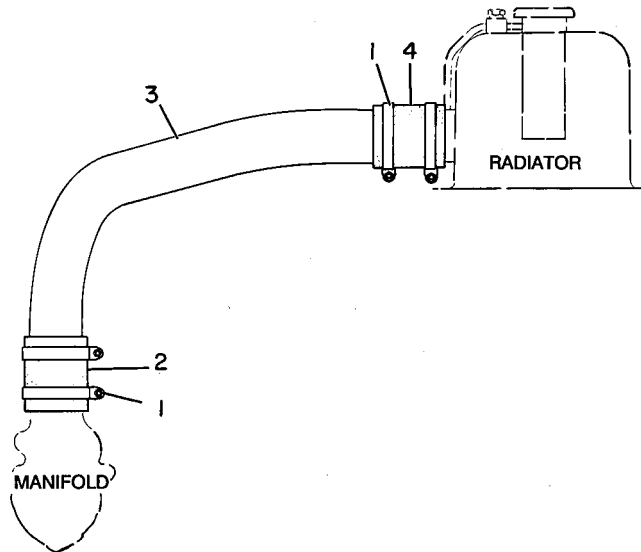
4N-9776 LINES GP-WATER RADIATOR CONNECTION-DRY MANIFOLD AN ATTACHMENT

SMCS-1355, 1380, 1393

i02863639

NOTE	REF NO	GRAPHIC REF	PART NUMBER	QTY	PART NAME						SEE PAGE
					1	2	3	4	5	6 (PRODUCT LEVEL)	
	1	1	5P-4868	4	CLAMP-HOSE						
G	2	1	2S-6658		HOSE (3.5-IN)						
	3	1	4N-7937	1	TUBE-RADIATOR INLET						
G	4	1	2S-6658		HOSE (3.5-IN)						

G-ORDER BY THE INCH



GRAPHIC #1

<END>

g00141483

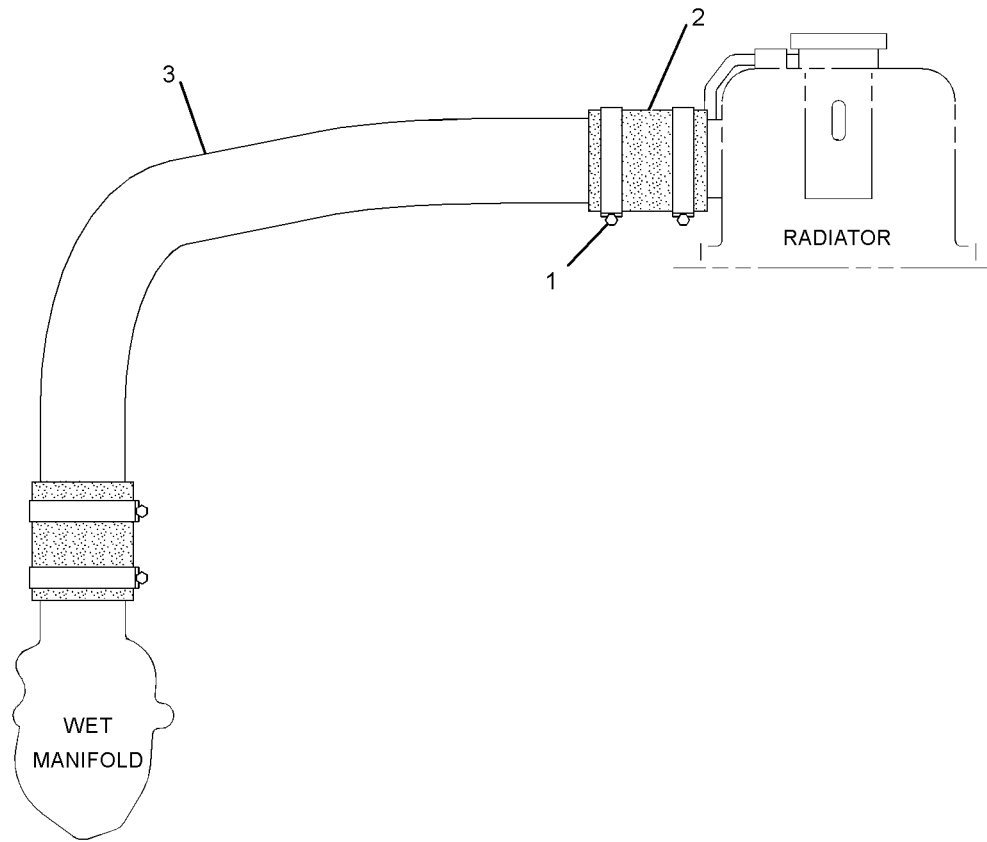
COOLING SYSTEM

4N-9777 LINES GP-WATER-RADIATOR AN ATTACHMENT

SMCS-1355, 1380, 1393

i03069813

NOTE	REF NO	GRAPHIC REF	PART NUMBER	QTY	PART NAME						SEE PAGE
					1	2	3	4	5	6 (PRODUCT LEVEL)	
	1	1	5P-4868	4	CLAMP-HOSE						
	2	1	6L-4854	2	HOSE						
	3	1	4N-3256	1	TUBE-RADIATOR INLET (34.72IN)						



GRAPHIC #1

<END>

g01580600

COOLING SYSTEM

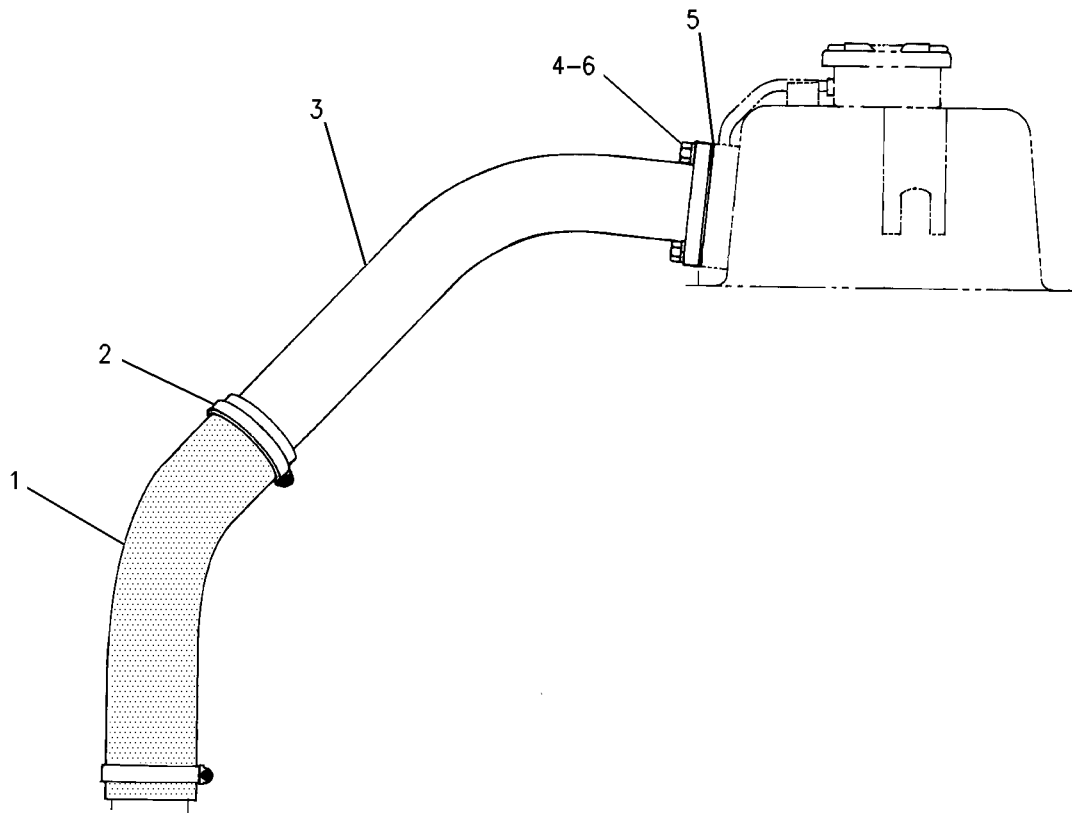
4N-9778 LINES GP-WATER

RADIATOR CONNECTIONS-DRY MANIFOLD
AN ATTACHMENT

SMCS-1355, 1380, 1393

i02471191

NOTE	REF NO	GRAPHIC REF	PART NUMBER	QTY	PART NAME						SEE PAGE
					1	2	3	4	5	6 (PRODUCT LEVEL)	
	1	1	6N-7031	1	HOSE (RADIATOR)						
	2	1	5P-4868	2	CLAMP-HOSE						
	3	1	4N-8200	1	TUBE AS						
	4	1	8T-2502	4	BOLT (3/8-16X1.125-IN)						
	5	1	4N-1418	1	GASKET-RADIATOR INLET						
	6	1	8T-4896	4	WASHER-HARD (10.2X18.5X2.5-MM THK)						



GRAPHIC #1

<END>

g00725660

COOLING SYSTEM

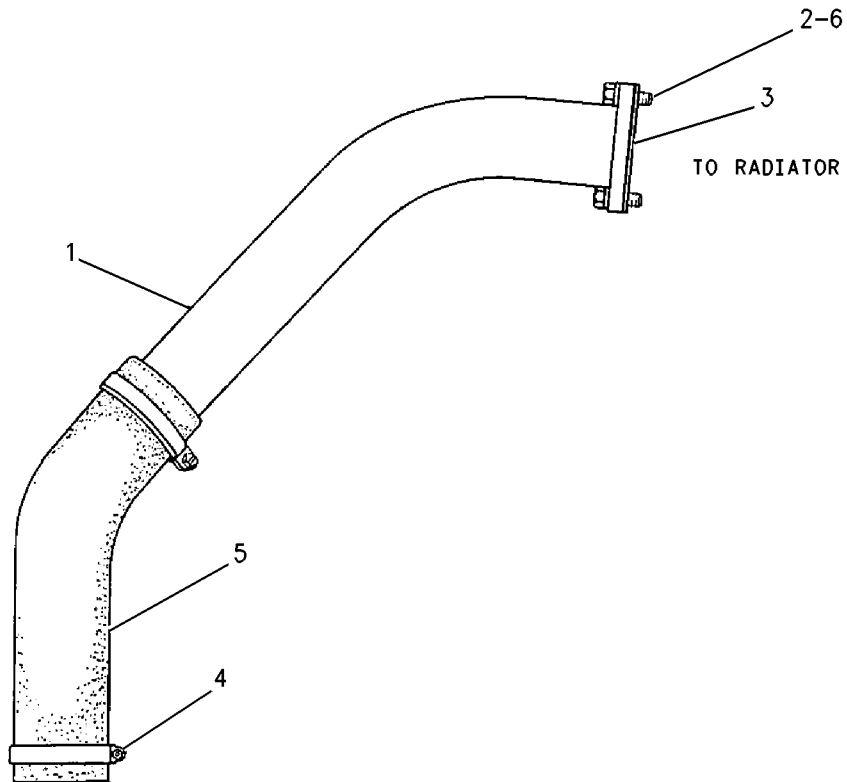
4N-9779 LINES GP-WATER-RADIATOR AN ATTACHMENT

SMCS-1355, 1380, 1393

i03069809

NOTE	REF NO	GRAPHIC REF	PART NUMBER	QTY	PART NAME						SEE PAGE
					1	2	3	4	5	6 (PRODUCT LEVEL)	
	1	1	4N-3082	1	TUBE AS						
C	2	1	8T-2502	4	BOLT (3/8-16X1.125-IN)						
	3	1	4N-1418	1	GASKET-RADIATOR INLET						
	4	1	5P-4868	2	CLAMP-HOSE						
C	5	1	6N-7031	1	HOSE (RADIATOR)						
C	6	1	8T-4896	4	WASHER-HARD (10.2X18.5X2.5-MM THK)						

C-CHANGE FROM PREVIOUS TYPE



RIGHT SIDE VIEW

GRAPHIC #1

<END>

g00942321

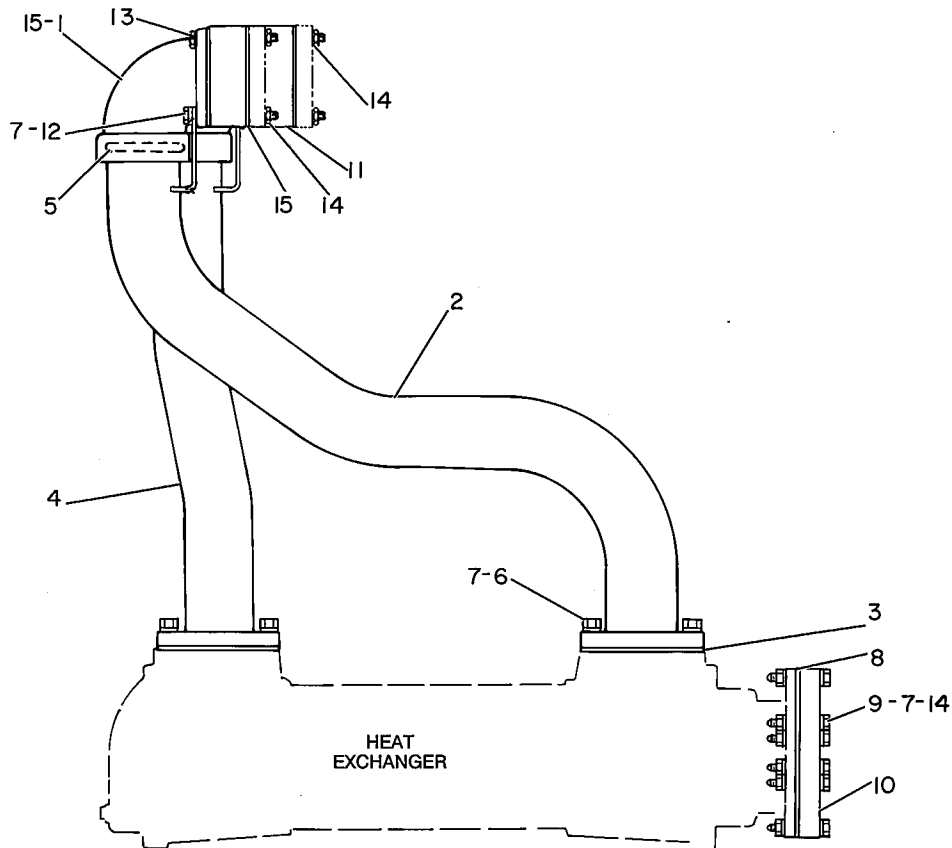
COOLING SYSTEM

5N-4710 LINES GP-WATER HEAT EXCHANGER FOR USE WITH FIRE PUMP ENGINES AN ATTACHMENT

SMCS-1355, 1380, 1393

i01946297

NOTE	REF NO	GRAPHIC REF	PART NUMBER	QTY	PART NAME						SEE PAGE
					1	2	3	4	5	6 (PRODUCT LEVEL)	
	1	1	6N-6473	2	ELBOW-WATER TRANSFER						
	2	1	5N-4701	1	TUBE AS						
	3	1	4L-3862	2	GASKET						
	4	1	5N-4699	1	TUBE AS						
	5	1	109-0079	2	SEAL-O-RING						
	6	1	9B-7237	8	BOLT (3/8-16X1.25-IN)						
	7	1	8T-4896	28	WASHER-HARD (10.2X18.5X2.5-MM THK)						
	8	1	4F-4873	2	GASKET						
	9	1	8T-9377	8	BOLT (3/8-16X2.25-IN)						
	10	1	5N-6930	2	FLANGE						
	11	1	5N-2808	2	ADAPTER						
	12	1	7X-0290	4	BOLT (3/8-16X3.5-IN)						
	13	1	8T-8915	4	BOLT (3/8-16X3.25-IN)						
	14	1	6V-8801	16	NUT (3/8-16-THD)						
	15	1	2N-0931	4	GASKET						



GRAPHIC #1

<END>

g00177799

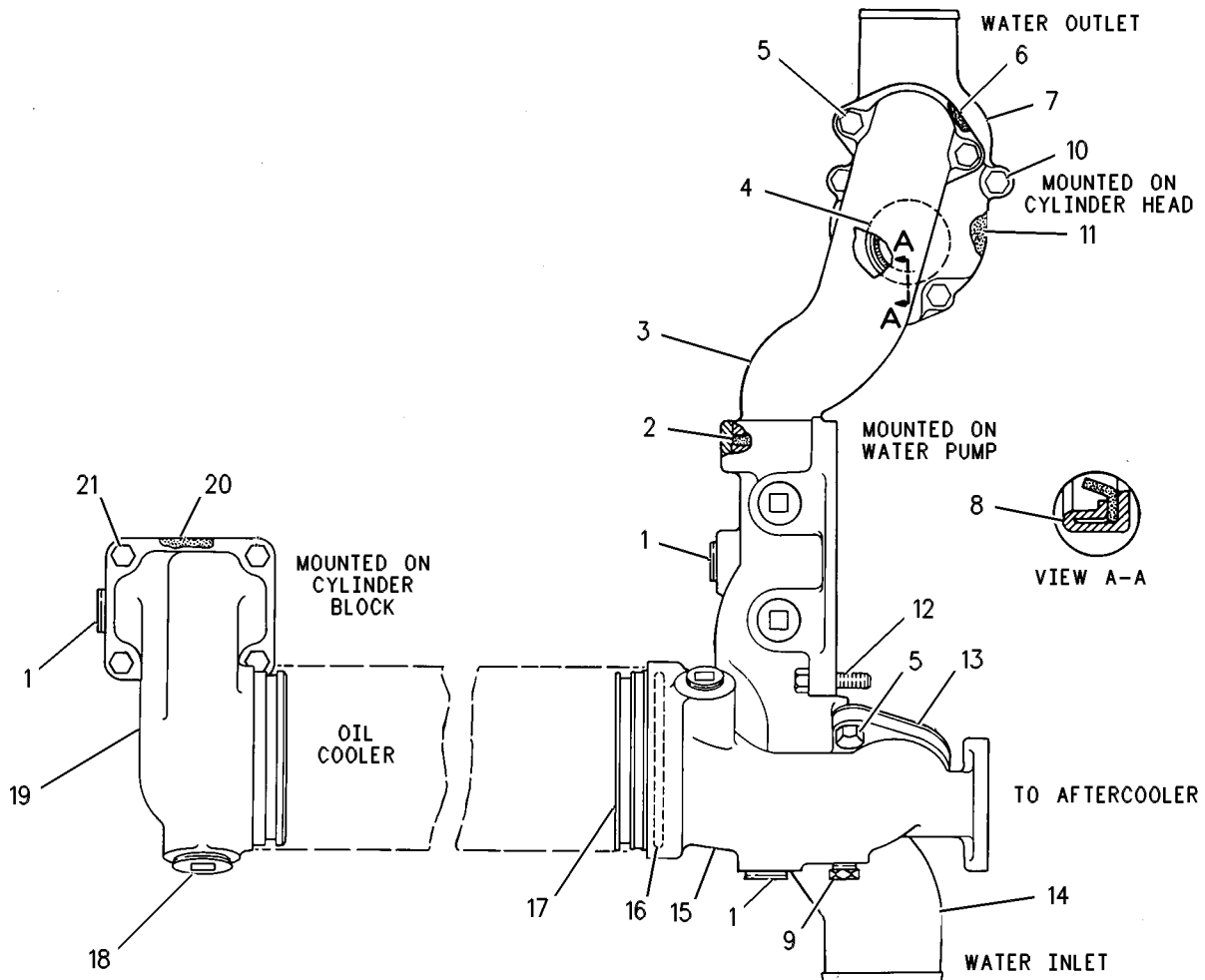
COOLING SYSTEM

7W-1754 LINES GP-WATER

SMCS-1355, 1380, 1393

i02797806

NOTE	REF NO	GRAPHIC REF	PART NUMBER	QTY	PART NAME						SEE PAGE
					1	2	3	4	5	6 (PRODUCT LEVEL)	
	1	1	7X-7731	6	PLUG-PIPE						
	2	1	109-0076	1	SEAL-O-RING						
	3	1	4N-3002	1	ELBOW						
	4	1	247-7133	1	REGULATOR-WATER TEMPERATURE (98-DEG C)						
	5	1	0S-1594	4	BOLT (3/8-16X1-IN)						
	6	1	7C-0307	1	GASKET						
	7	1	9N-0947	1	COVER AS						
	8	1	3S-9643	1	SEAL-LIP TYPE (WATER REGULATOR COVER)						
	9	1	8T-6767	1	PLUG-PIPE						
	10	1	0S-1619	3	BOLT (3/8-16X3-IN)						
	11	1	4N-1156	1	GASKET-REGULATOR COVER (WATER TEMPERATURE)						
	12	1	0S-1591	3	BOLT (3/8-16X1.5-IN)						
	13	1	1W-2636	1	GASKET						
	14	1	7N-1572	1	COVER-WATER PUMP						
	15	1	9N-1927	1	BONNET-OIL COOLER						
	16	1	109-0077	1	SEAL-O-RING						
	17	1	4N-6257	1	ADAPTER						
	18	1	8T-6761	1	PLUG-PIPE						
	19	1	130-8855	1	BONNET-OIL COOLER OUTLET						
	20	1	4N-0641	1	GASKET						
	21	1	1A-2029	4	BOLT (3/8-16X1.125-IN)						



GRAPHIC #1

<END>

g00254083

COOLING SYSTEM

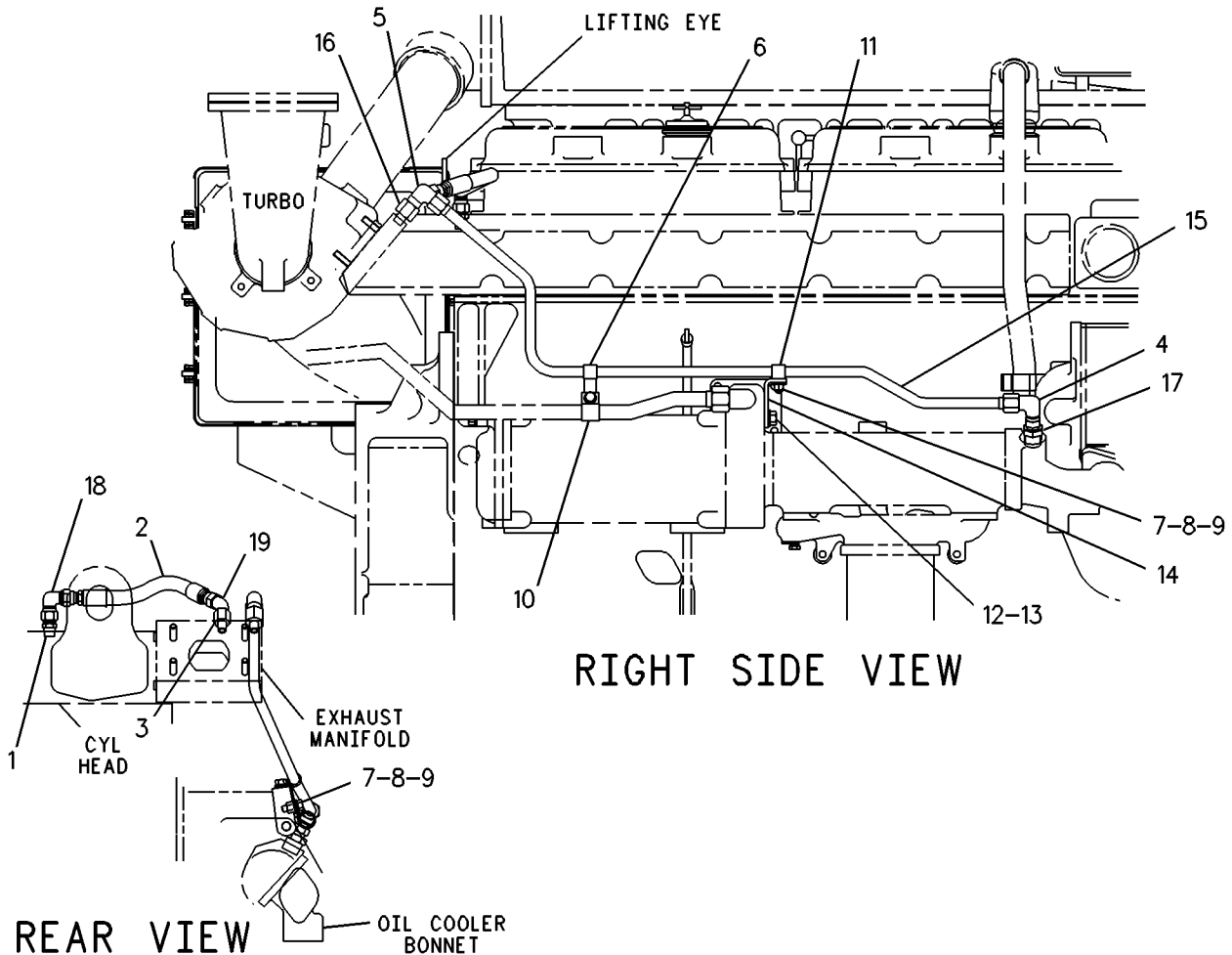
101-7757 LINES GP-WATER

S/N: 6TB11381-18566

SMCS-1355, 1380, 1393

i00640042

NOTE	REF NO	GRAPHIC REF	PART NUMBER	QTY	PART NAME						SEE PAGE
					1	2	3	4	5	6 (PRODUCT LEVEL)	
	1	1	8M-0755	1	ADAPTER						
	2	1	9N-6419	1	HOSE AS-WATER						
	3	1	030-8370	1	ADAPTER-PIPE						
	4	1	8K-2396	1	ELBOW-FLARED						
	5	1	032-1269	1	ELBOW						
	6	1	6K-8178	1	CLIP						
	7	1	0S-1594	2	BOLT (3/8-16X1-IN)						
	8	1	9S-8752	2	NUT-FULL (3/8-16-THD)						
	9	1	5M-2894	4	WASHER-HARD (10.2X18.5X2.5-MM THK)						
	10	1	3S-8665	1	CLIP						
	11	1	9M-8406	1	CLIP						
	12	1	9X-8875	1	BOLT (1/2-13X3.5-IN)						
	13	1	5P-8245	1	WASHER-HARD (13.5X25.5X3-MM THK)						
	14	1	8N-6265	1	BRACKET						
	15	1	101-7759	1	TUBE AS-COOLER						
	16	1	4L-7412	1	ADAPTER (PIPE)						
	17	1	004-7626	1	CONNECTOR (FLARED)						
	18	1	8M-0547	1	ELBOW-FLARED (SWIVEL)						
	19	1	2N-1288	1	ELBOW						



GRAPHIC #1

<END>

g00233466

COOLING SYSTEM

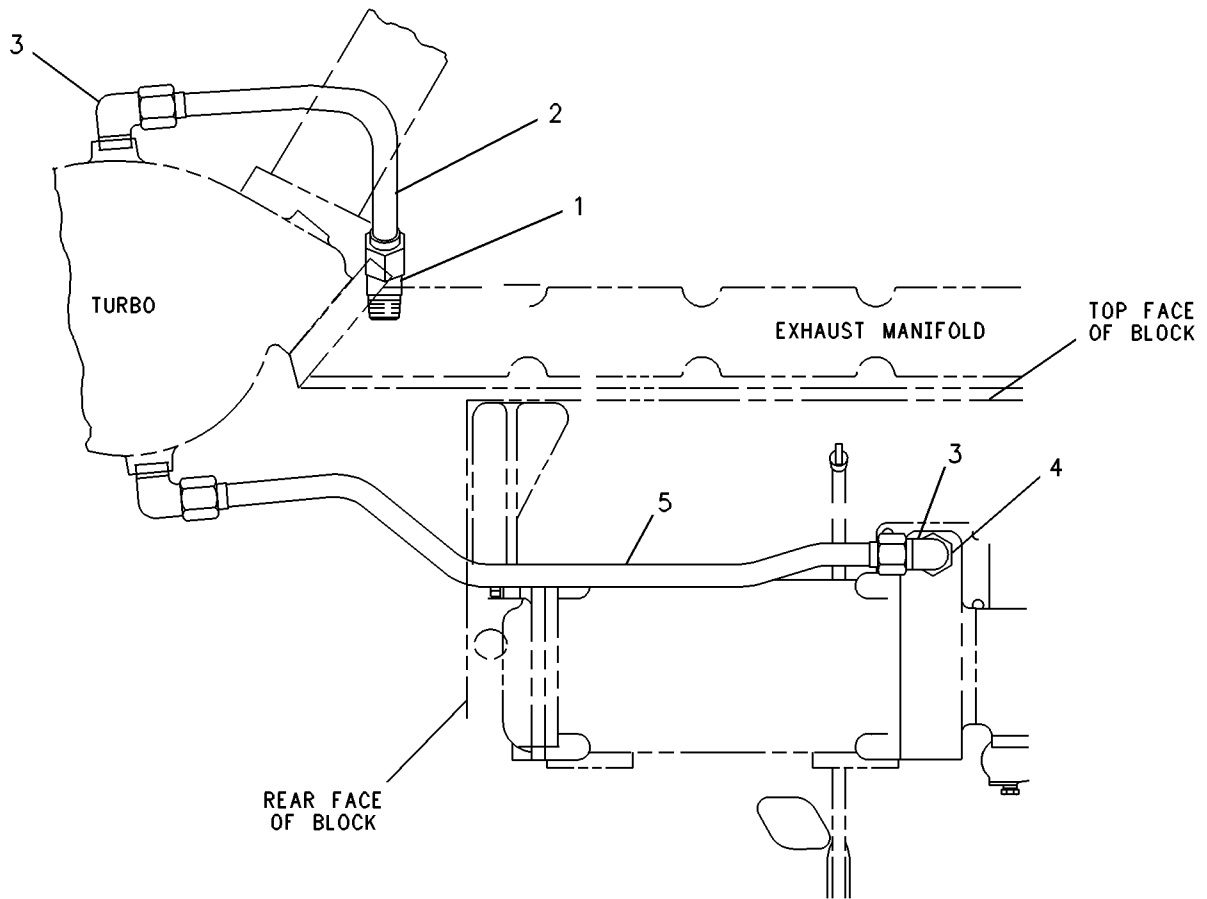
101-8303 LINES GP-WATER

S/N: 6TB11381-18566
TURBOCHARGER COOLING

SMCS-1355, 1380, 1393

i01748288

NOTE	REF NO	GRAPHIC REF	PART NUMBER	QTY	PART NAME						SEE PAGE
					1	2	3	4	5	6 (PRODUCT LEVEL)	
	1	1	2P-1311	1	ELBOW-FLARED						
	2	1	4N-4999	1	TUBE AS-OUTLET						
	3	1	031-0782	3	ELBOW-FLARED						
	4	1	6B-9081	1	BUSHING-REDUCING						
	5	1	2W-1610	1	TUBE AS						



RIGHT SIDE VIEW

GRAPHIC #1

<END>

g00233475

COOLING SYSTEM

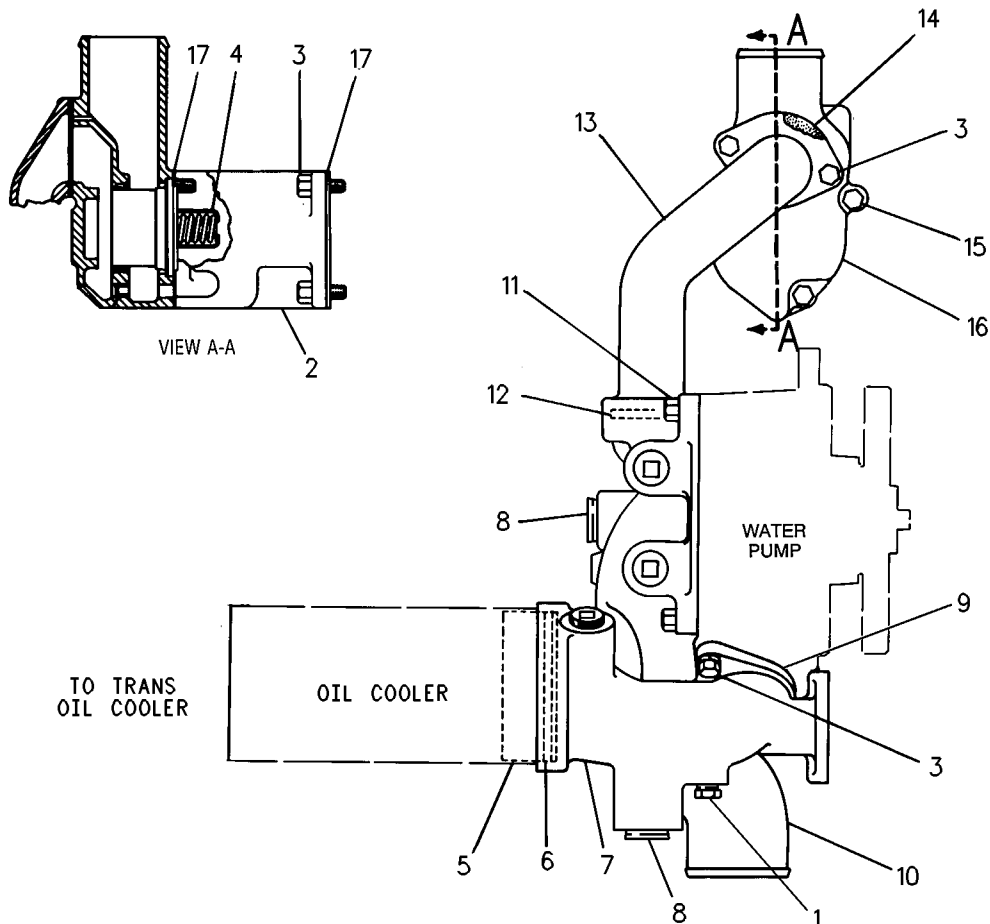
101-8304 LINES GP-WATER

S/N: 6TB11381-18566

SMCS-1355, 1380, 1393

i02797601

NOTE	REF NO	GRAPHIC REF	PART NUMBER	QTY	PART NAME						SEE PAGE
					1	2	3	4	5	6 (PRODUCT LEVEL)	
	1	1	8T-6767	1	PLUG-PIPE						
	2	1	4N-1546	1	CONNECTOR-WATER						
	3	1	0S-1594	7	BOLT (3/8-16X1-IN)						
	4	1	248-5513	1	REGULATOR-TEMPERATURE (92-DEG C) (COOLANT)						
	5	1	4N-6257	1	ADAPTER						
	6	1	109-0077	1	SEAL-O-RING						
	7	1	6N-0367	1	BONNET-OIL COOLER						
	8	1	7X-7731	5	PLUG-PIPE						
	9	1	1W-2636	1	GASKET						
	10	1	7N-1572	1	COVER-WATER PUMP						
	11	1	0S-1591	4	BOLT (3/8-16X1.5-IN)						
	12	1	109-0076	1	SEAL-O-RING						
	13	1	4N-1547	1	ELBOW-BYPASS						
	14	1	7C-0307	1	GASKET						
	15	1	0S-1619	3	BOLT (3/8-16X3-IN)						
	16	1	4N-0362	1	COVER AS-REGULATOR						
		1	2H-1193	1	FERRULE						
		1	3S-9643	1	SEAL-LIP TYPE (WATER TEMPERATURE REGULATOR)						
		1	5M-6213	1	PLUG-PIPE						
17	1	1	4N-1156	1	GASKET-REGULATOR COVER (WATER, COOLANT)						



GRAPHIC #1

<END>

g00233471

COOLING SYSTEM

134-6422 LINES GP-WATER

FOR USE WITH 126-8325-PAGE 531

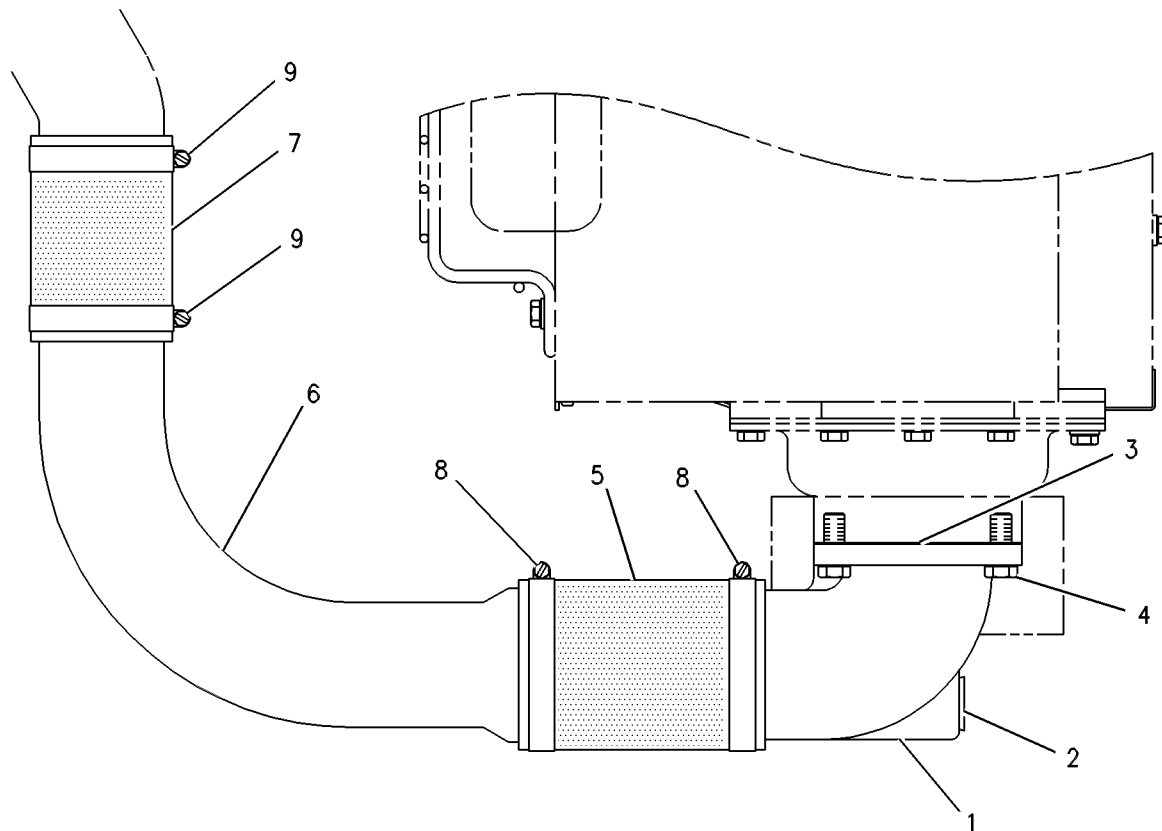
AN ATTACHMENT

SMCS-1355, 1380, 1393

i01787477

NOTE	REF NO	GRAPHIC REF	PART NUMBER	QTY	PART NAME						SEE PAGE
					1	2	3	4	5	6 (PRODUCT LEVEL)	
	1	1	4N-8579	1	ELBOW-RADIATOR OUTLET						
	2	1	7X-7731	1	PLUG-PIPE						
	3	1	8N-3248	1	GASKET						
	4	1	0S-1595	4	BOLT (1/2-13X1.25-IN)						
E	5	1	5P-1296		HOSE (15CM)						
	6	1	4N-3070	1	TUBE-RADIATOR OUTLET						
E	7	1	7X-7893		HOSE (18CM)						
	8	1	8T-6726	2	CLAMP-HOSE						
	9	1	5P-0598	2	CLAMP-HOSE						

E-ORDER BY THE CENTIMETER



RIGHT SIDE VIEW

GRAPHIC #1

<END>

g00258896

COOLING SYSTEM

161-9754 LINES GP-WATER

S/N: 6TB18461-UP

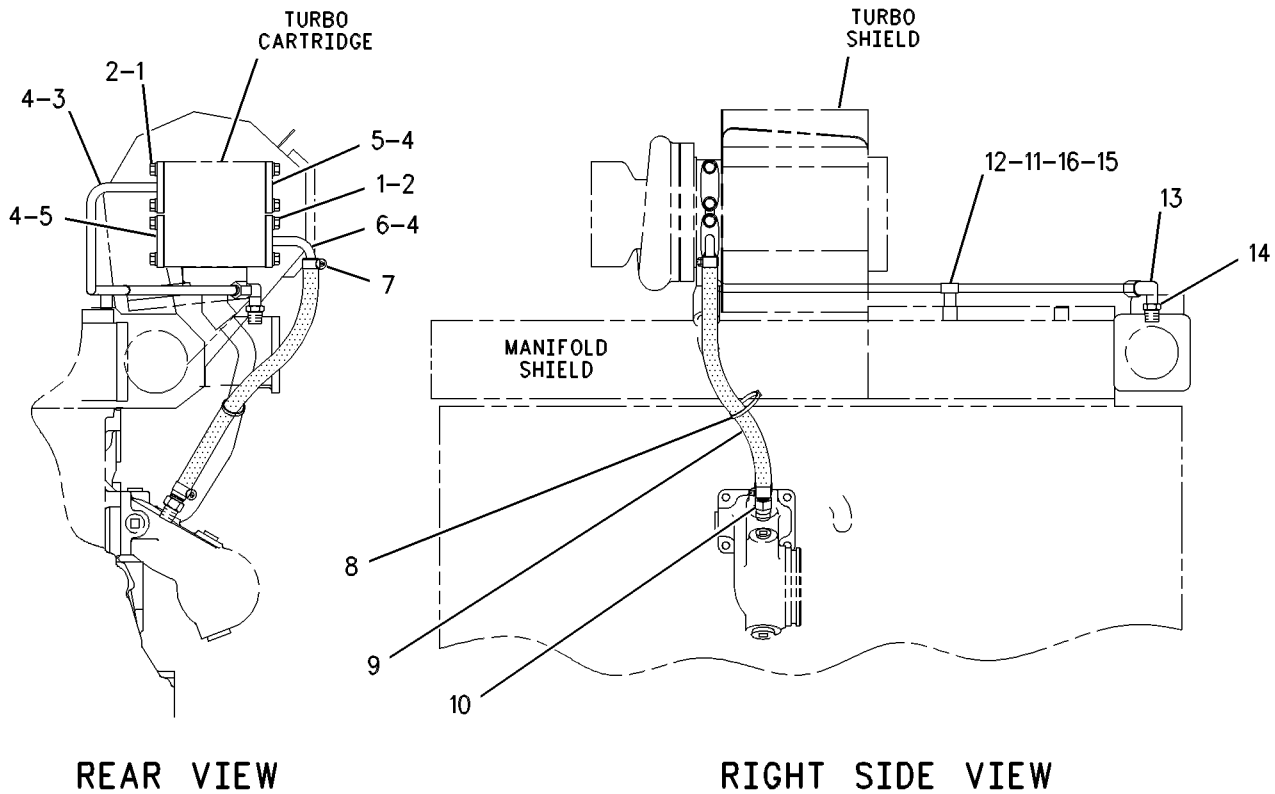
FOR USE WITH WATER COOLED TURBO

SMCS-1355, 1380, 1393

i01654015

NOTE	REF NO	GRAPHIC REF	PART NUMBER	QTY	PART NAME						SEE PAGE
					1	2	3	4	5	6 (PRODUCT LEVEL)	
	1	1	1A-2029	8	BOLT (3/8-16X1.125-IN)						
	2	1	5M-2894	8	WASHER-HARD (10.2X18.5X2.5-MM THK)						
	3	1	161-9752	1	TUBE AS						
	4	1	7N-7628	4	GASKET						
	5	1	7N-7878	2	PLATE-COVER						
	6	1	161-9753	1	TUBE AS						
	7	1	8T-0154	2	CLAMP-HOSE						
	8	1	3S-2093	1	STRAP-CABLE						
E	9	1	9X-2133		HOSE (50CM)						
	10	1	2H-9089	1	STEM-HOSE						
	11	1	1B-3057	1	CLIP						
	12	1	2A-2677	1	SPACER (10.7X17.14X19.05-MM THK)						
	13	1	7L-7262	1	ELBOW-FLARED						
	14	1	3B-7255	1	BUSHING-REDUCING						
	15	1	1A-9579	1	BOLT (5/16-18X1.5-IN)						
	16	1	9M-1974	1	WASHER-HARD (8.8X16X2-MM THK)						

E-ORDER BY THE CENTIMETER



GRAPHIC #1

<END>

g00582772

COOLING SYSTEM

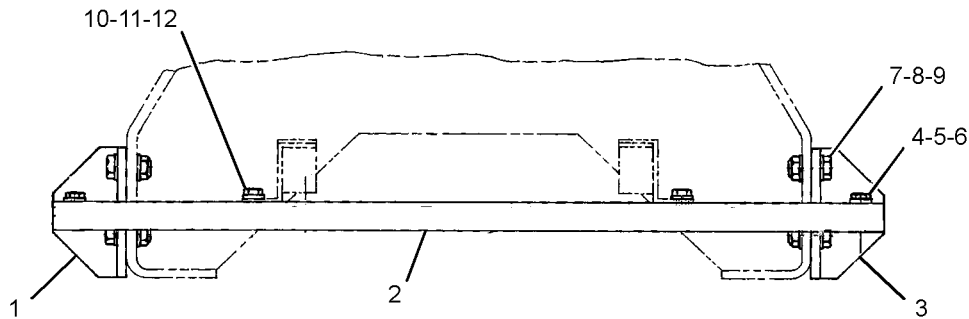
5N-4681 MOUNTING GP-HEAT EXCHANGER

FOR USE WITH FIRE PUMP ENGINES
AN ATTACHMENT

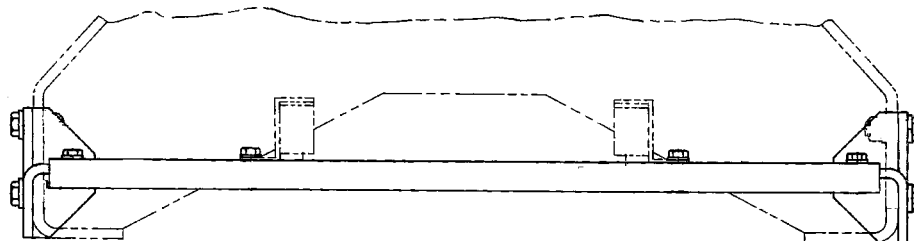
SMCS-1379

i03309961

NOTE	REF NO	GRAPHIC REF	PART NUMBER	QTY	PART NAME						SEE PAGE
					1	2	3	4	5	6 (PRODUCT LEVEL)	
	1	1	5N-4656	1	SUPPORT AS						
	2	1	5N-2496	1	PLATE-EXCHANGER MOUNTING						
	3	1	5N-4487	1	SUPPORT AS						
	4	1	5P-2566	4	BOLT (1/2-13X1.5-IN)						
	5	1	6V-8188	4	NUT (1/2-13-THD)						
	6	1	8T-4223	8	WASHER-HARD (13.5X25.5X3-MM THK)						
	7	1	7X-0346	8	BOLT (5/8-11X2-IN)						
	8	1	7X-0448	8	NUT (5/8-11-THD)						
	9	1	8T-4122	16	WASHER-HARD (17X32X3.5-MM THK)						
	10	1	5S-7382	4	BOLT (3/8-16X1.375-IN)						
	11	1	9S-8752	4	NUT-FULL (3/8-16-THD)						
	12	1	8C-0566	8	WASHER (10.2X25.5X2.5-MM THK)						



SUPPORT ASSEMBLIES TO BE MOUNTED AS SHOWN
WHEN USED WITH NARROW FRONT SUPPORT



SUPPORT ASSEMBLIES TO BE MOUNTED AS SHOWN
WHEN USED WITH WIDE FRONT SUPPORT

GRAPHIC #1

<END>

g01927295

COOLING SYSTEM

3N-4851 PUMP GP-AUXILIARY SEA WATER*R

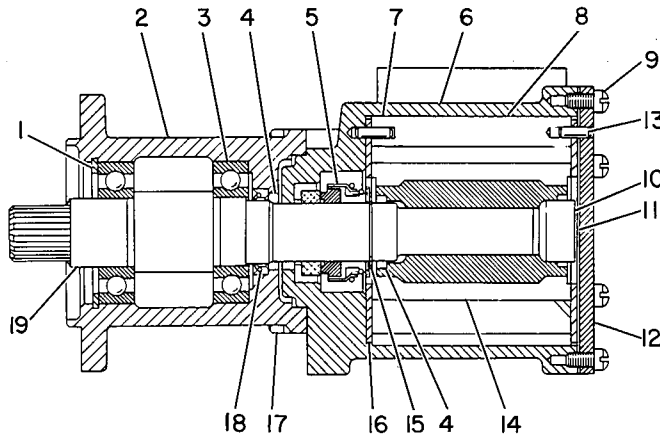
PART OF 1W-8584 PUMP GP-AUXILIARY WATER
AN ATTACHMENT

SMCS-1371

i02459958

NOTE	REF NO	GRAPHIC REF	PART NUMBER	QTY	PART NAME						SEE PAGE
					1	2	3	4	5	6 (PRODUCT LEVEL)	
	1	1	1L-4775	1	RING-RETAINING						
	2	1	3N-4857	1	HOUSING-BEARING						
	3	1	1B-3867	2	BALL BEARING						
	4	1	3N-4866	2	SEAL-O-RING						
C	5	1	3N-5632	1	SEAL AS						
C	6	1	3N-4856	1	BODY AS						
	7	1	3N-4855	1	DOWEL						
	8	1	3N-4860	1	CAM						
	9	1	3F-7586	6	SCREW-MACHINE						
	10	1	3N-7758	1	SEAL-SPLINE						
	11	1	3N-4861	1	GASKET						
	12	1	3N-4854	1	COVER AS-END						
	13	1	3N-4855	1	DOWEL						
	14	1	3N-4859	1	IMPELLER AS						
	15	1	3N-7759	1	RING-RETAINING						
	16	1	3N-4862	2	PLATE-WEAR						
	17	1	4M-0061	4	BOLT (5/16-18X0.75-IN)						
		1	3L-6789	4	LOCKWASHER						
	18	1	3N-4863	1	SEAL						
	19	1	3N-4858	1	SHAFT						

C-CHANGE FROM PREVIOUS TYPE



GRAPHIC #1

<END>

g00144244

COOLING SYSTEM

1W-8584 PUMP GP-AUXILIARY WATER

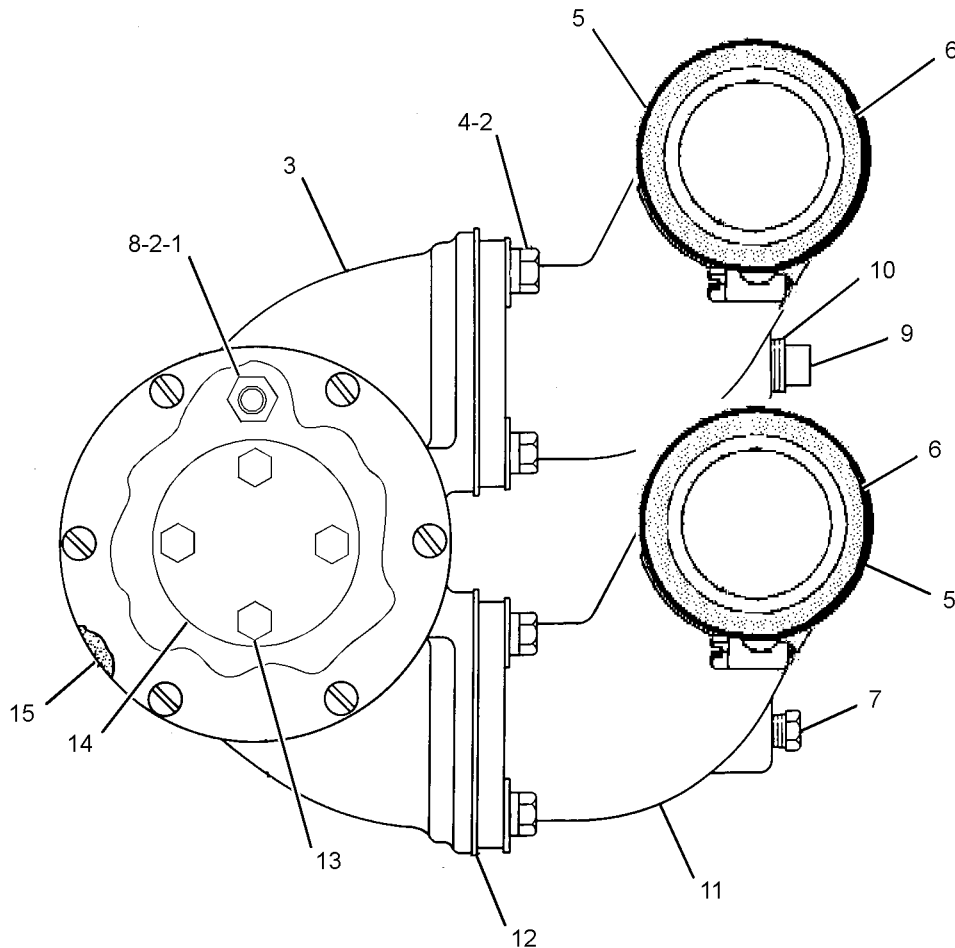
SEA WATER
AN ATTACHMENT

SMCS-1371

i03507940

NOTE	REF NO	GRAPHIC REF	PART NUMBER	QTY	PART NAME						SEE PAGE
					1	2	3	4	5	6 (PRODUCT LEVEL)	
	1	1	6F-7012	2	STUD-TAPERLOCK (3/8-16X1.57-IN)						
	2	1	8T-4896	12	WASHER-HARD (10.2X18.5X2.5-MM THK)						
YR	3	1	3N-4851	1	PUMP GP-AUXILIARY SEA WATER						504
	4	1	8T-2502	8	BOLT (3/8-16X1.125-IN)						
	5	1	9M-7959	4	CLAMP-HOSE						
E	6	1	5P-1261		HOSE (12.7-CM EACH)						
	7	1	9B-0887	1	PLUG-PIPE						
	8	1	6V-8801	4	NUT (3/8-16-THD)						
	9	1	6L-2280	1	ROD-ZINC (AUXILIARY WATER PUMP)						
	10	1	6L-2279	1	PLUG-PIPE						
	11	1	3N-4849	2	ELBOW-WATER PUMP						
	12	1	4L-3833	2	GASKET						
	13	1	6V-8918	4	BOLT (5/16-18X1.25-IN)						
	14	1	3N-4848	1	ADAPTER-PUMP DRIVE						
	15	1	3N-4850	1	GASKET-PUMP						

E-ORDER BY THE CENTIMETER
R-REMG PART MAY BE AVAILABLE
Y-SEPARATE ILLUSTRATION



GRAPHIC #1

<END>

g01927137

COOLING SYSTEM

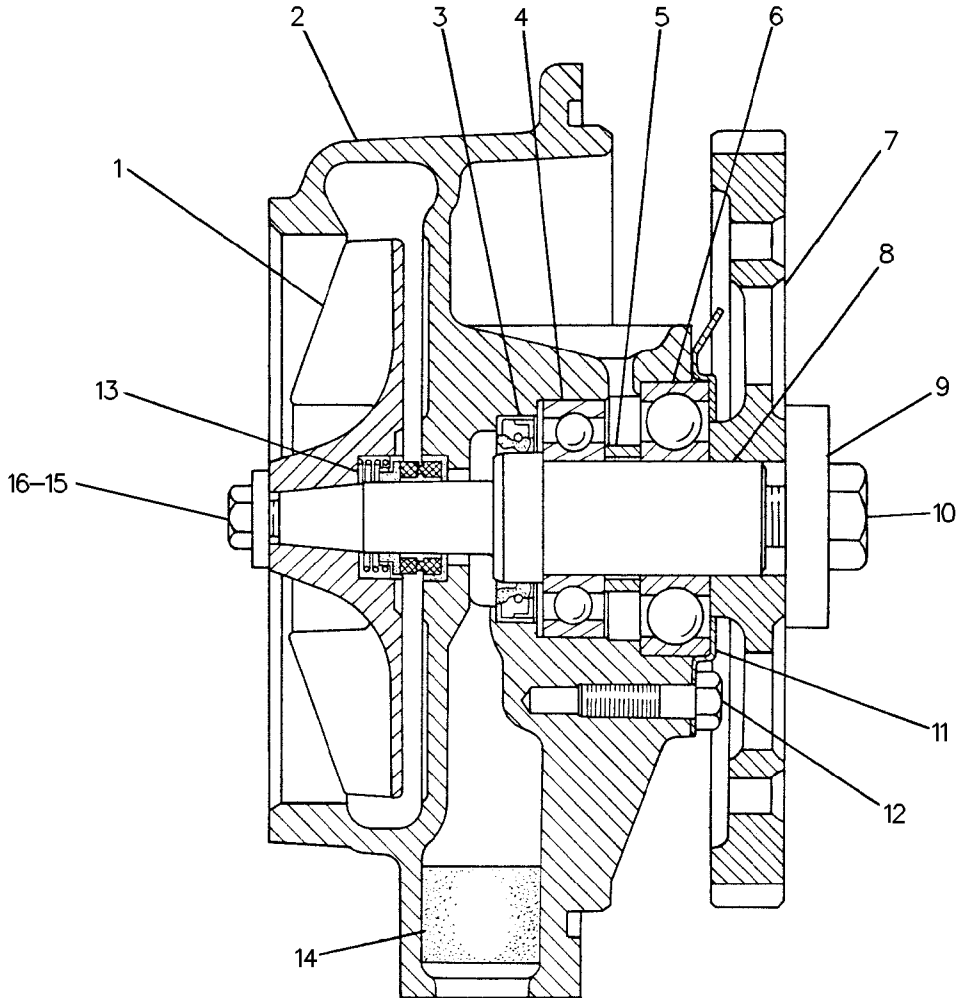
4P-9372 PUMP GP-WATER

S/N: 6TB9857-10943
PART OF 9N-3288 PUMP GP-WATER

SMCS-1361

i03808510

NOTE	REF NO	GRAPHIC REF	PART NUMBER	QTY	PART NAME						SEE PAGE
					1	2	3	4	5	6 (PRODUCT LEVEL)	
	1	1	7C-5479	1	IMPELLER-PUMP						
	2	1	9N-5034	1	HOUSING						
W	3	1	8C-3100	1	SEAL-LIP TYPE						
W	4	1	1B-3867	1	BALL BEARING						
W	5	1	2N-7942	1	SPACER (31.29X38.10X9.65-MM THK)						
W	6	1	2L-5271	1	BALL BEARING						
	7	1	4N-0350	1	GEAR-WATER PUMP DRIVE (74-TEETH)						
W	8	1	7W-1821	1	SHAFT-WATER PUMP						
W	9	1	2P-3696	1	RETAINER						
W	10	1	1A-1135	1	BOLT (5/8-11X2-IN)						
	11	1	9N-3033	1	RETAINER						
	12	1	1B-7182	4	BOLT (5/16-18X1.25-IN)						
	13	1	101-0700	1	SEAL GP (WATER PUMP)						
W	14	1	4N-1400	1	FILTER-WATER PUMP						
W	15	1	0S-1591	1	BOLT (3/8-16X1.5-IN)						
W	16	1	9M-6527	1	WASHER-HARD (10.2X25.5X5-MM THK)						
AVAILABLE REPAIR KIT(S):											
W			129-3068	1	KIT-WATER PUMP REBUILD						
W-KIT MARKED W INCLUDES PART(S) MARKED W											



GRAPHIC #1

<END>

g00114392

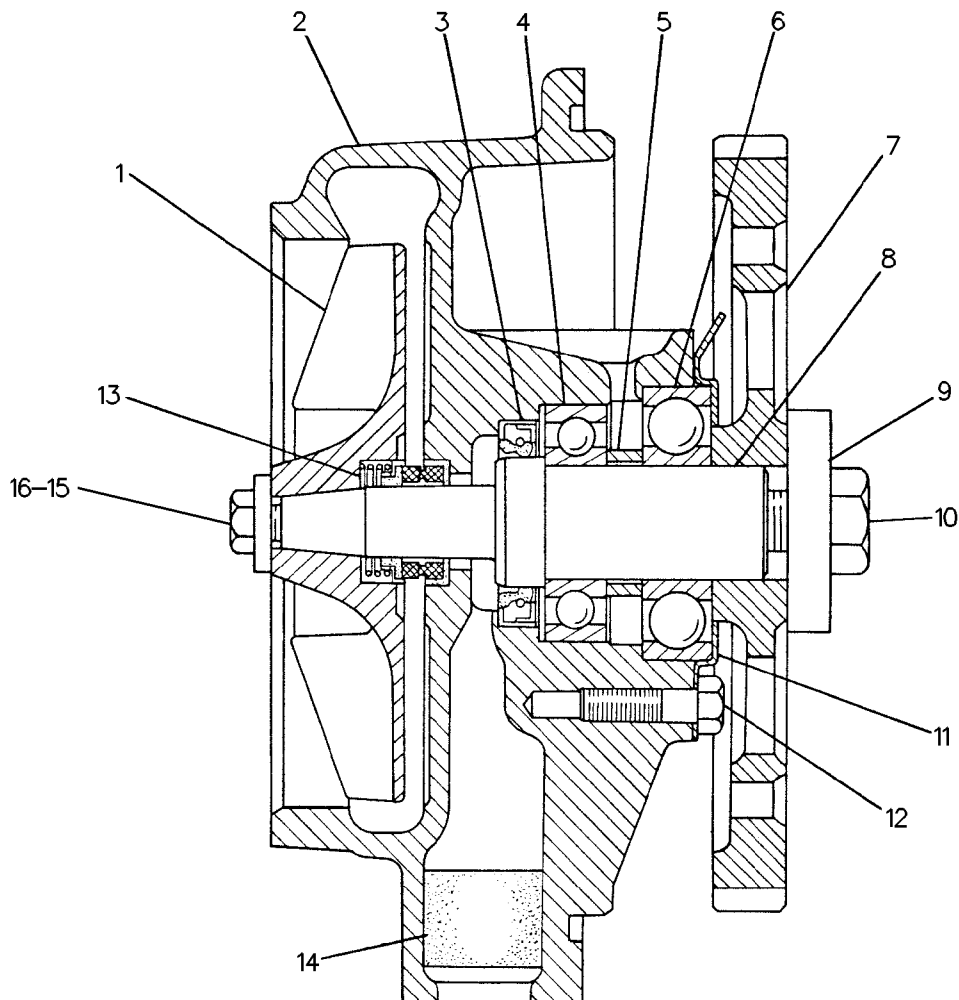
COOLING SYSTEM

7E-6843 PUMP GP-WATER*R PART OF 9N-3288 PUMP GP-WATER

SMCS-1361

i02778979

NOTE	REF NO	GRAPHIC REF	PART NUMBER	QTY	PART NAME						SEE PAGE
					1	2	3	4	5	6 (PRODUCT LEVEL)	
	1	1	7C-5479	1	IMPELLER-PUMP						
	2	1	9N-5034	1	HOUSING						
W	3	1	8C-3100	1	SEAL-LIP TYPE						
W	4	1	1B-3867	1	BALL BEARING						
W	5	1	2N-7942	1	SPACER (31.29X38.10X9.65-MM THK)						
W	6	1	2L-5271	1	BALL BEARING						
	7	1	4N-0350	1	GEAR-WATER PUMP DRIVE (74-TEETH)						
W	8	1	7W-1821	1	SHAFT-WATER PUMP						
W	9	1	2P-3696	1	RETAINER						
W	10	1	1A-1135	1	BOLT (5/8-11X2-IN)						
	11	1	9N-3033	1	RETAINER						
	12	1	1B-7182	4	BOLT (5/16-18X1.25-IN)						
	13	1	7E-6844	1	SEAL GP (WATER PUMP)						
W	14	1	4N-1400	1	FILTER-WATER PUMP (WATER PUMP)						
W	15	1	0S-1591	1	BOLT (3/8-16X1.5-IN)						
W	16	1	9M-6527	1	WASHER-HARD (10.2X25.5X5-MM THK)						
AVAILABLE REPAIR KIT(S):											
W			129-3068	1	KIT-WATER PUMP REBUILD						
W-KIT MARKED W INCLUDES PART(S) MARKED W											



GRAPHIC #1

<END>

g00114392

COOLING SYSTEM

9N-3288 PUMP GP-WATER

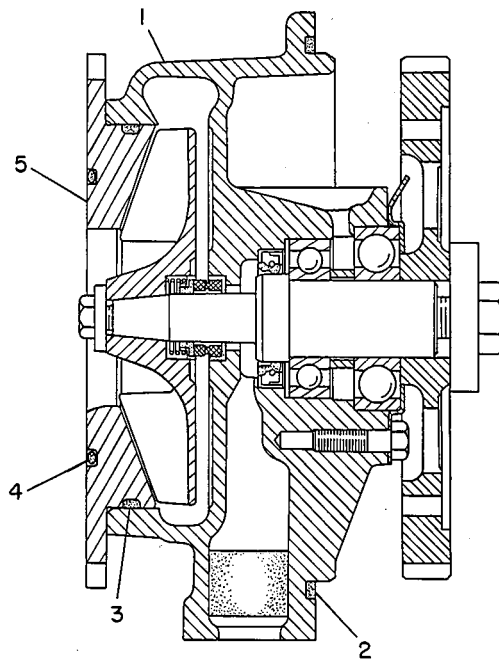
S/N: 6TB9857-10943

SMCS-1361

i00159148

NOTE	REF NO	GRAPHIC REF	PART NUMBER	QTY	PART NAME						SEE PAGE
					1	2	3	4	5	6 (PRODUCT LEVEL)	
CY	1	1	4P-9372	1	PUMP GP-WATER						506
	2	1	4K-6804	1	SEAL-O-RING						
	3	1	9M-3786	1	SEAL-O-RING						
	4	1	4F-7387	1	SEAL-O-RING						
	5	1	7C-9222	1	ADAPTER						

C-CHANGE FROM PREVIOUS TYPE
Y-SEPARATE ILLUSTRATION



GRAPHIC #1

<END>

g00114037

COOLING SYSTEM

9N-3288 PUMP GP-WATER

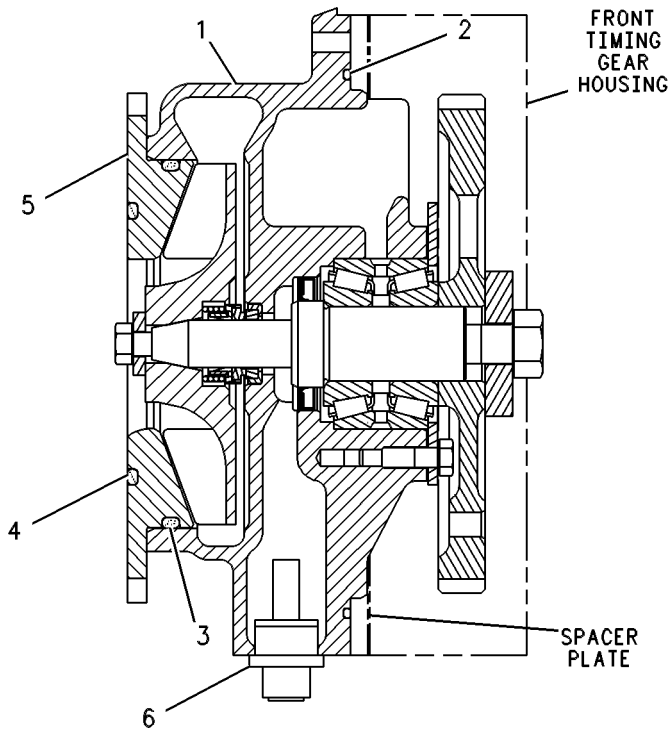
S/N: 6TB10944-16104

SMCS-1361

i00130430

NOTE	REF NO	GRAPHIC REF	PART NUMBER	QTY	PART NAME						SEE PAGE
					1	2	3	4	5	6 (PRODUCT LEVEL)	
YR	1	1	102-5939	1	PUMP GP-WATER						514
	2	1	122-3772	1	SEAL-O-RING						
	3	1	9M-3786	1	SEAL-O-RING						
	4	1	109-0077	1	SEAL-O-RING						
	5	1	7C-9222	1	ADAPTER						
	6	1	127-0890	1	STANDPIPE						

R-REMFG PART MAY BE AVAILABLE
Y-SEPARATE ILLUSTRATION



GRAPHIC #1

<END>

g00108938

COOLING SYSTEM

9N-3288 PUMP GP-WATER

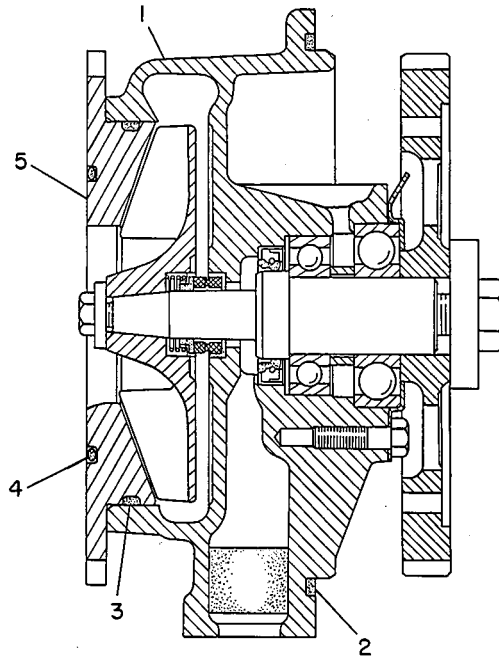
S/N: 6TB11561-UP

SMCS-1361

i00159145

NOTE	REF NO	GRAPHIC REF	PART NUMBER	QTY	PART NAME						SEE PAGE
					1	2	3	4	5	6 (PRODUCT LEVEL)	
CYR	1	1	7E-6843	1	PUMP GP-WATER						507
	2	1	4K-6804	1	SEAL-O-RING						
	3	1	9M-3786	1	SEAL-O-RING						
	4	1	4F-7387	1	SEAL-O-RING						
	5	1	7C-9222	1	ADAPTER						

C-CHANGE FROM PREVIOUS TYPE
 R-REMG PART MAY BE AVAILABLE
 Y-SEPARATE ILLUSTRATION



GRAPHIC #1

<END>

g00114037

COOLING SYSTEM

9N-3288 PUMP GP-WATER

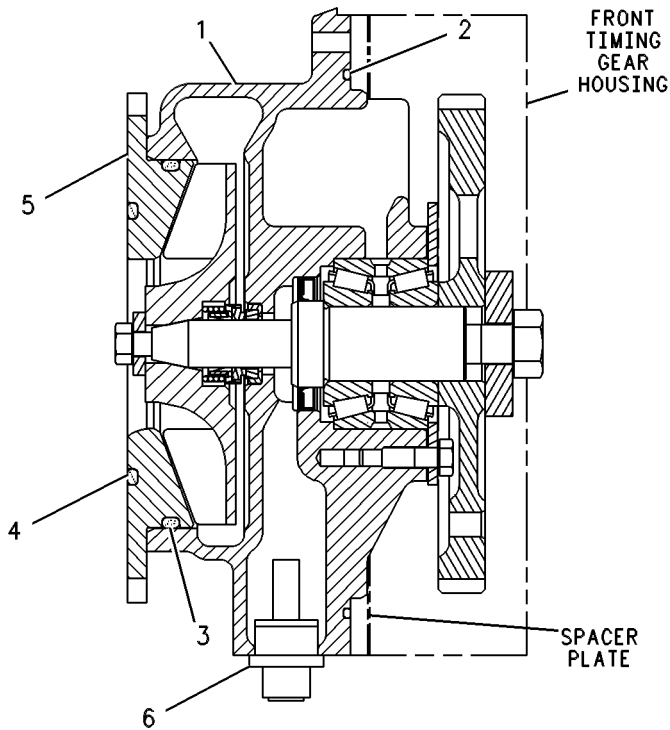
S/N: 6TB16105-16290

SMCS-1361

i02459961

NOTE	REF NO	GRAPHIC REF	PART NUMBER	QTY	PART NAME						SEE PAGE
					1	2	3	4	5	6 (PRODUCT LEVEL)	
CY	1	1	<i>134-1341</i>	1	PUMP GP-WATER						515
	2	1	122-3772	1	SEAL-O-RING						
	3	1	9M-3786	1	SEAL-O-RING						
	4	1	109-0077	1	SEAL-O-RING						
	5	1	7C-9222	1	ADAPTER						
	6	1	127-0890	1	STANDPIPE						

C-CHANGE FROM PREVIOUS TYPE
Y-SEPARATE ILLUSTRATION



GRAPHIC #1

<END>

g00108938

COOLING SYSTEM

9N-3288 PUMP GP-WATER

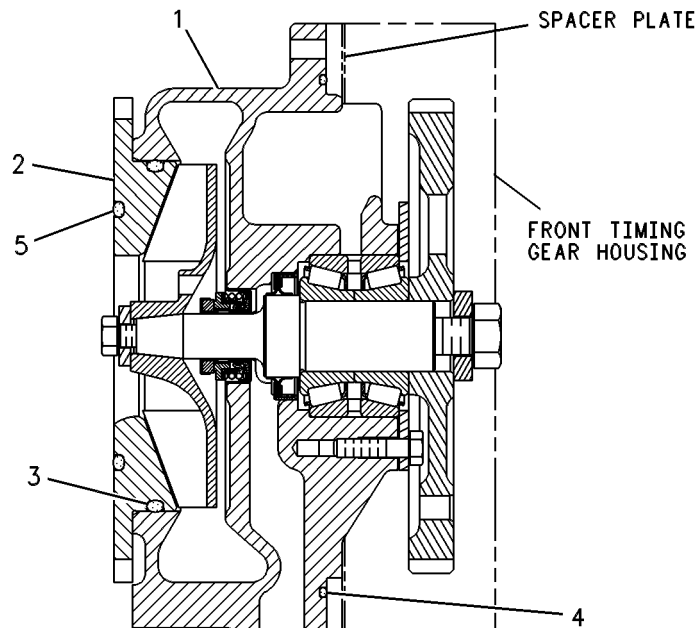
S/N: 6TB16291-24541

SMCS-1361

i02582104

NOTE	REF NO	GRAPHIC REF	PART NUMBER	QTY	PART NAME						SEE PAGE
					1	2	3	4	5	6 (PRODUCT LEVEL)	
CYR	1	1	135-4926	1	PUMP GP-WATER						516
	2	1	7C-9222	1	ADAPTER						
	3	1	9M-3786	1	SEAL-O-RING						
	4	1	156-5198	1	SEAL-O-RING						
	5	1	109-0077	1	SEAL-O-RING						

C-CHANGE FROM PREVIOUS TYPE
R-REMG PART MAY BE AVAILABLE
Y-SEPARATE ILLUSTRATION



GRAPHIC #1

<END>

g00109502

COOLING SYSTEM

9N-3288 PUMP GP-WATER

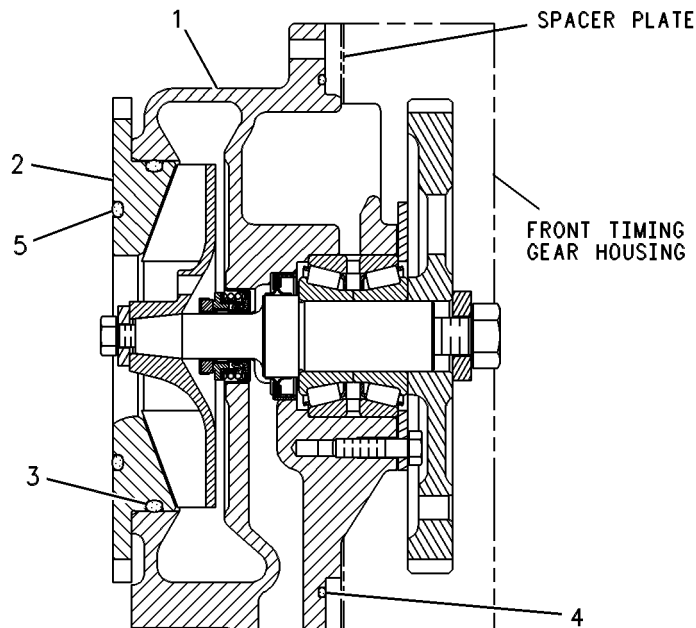
S/N: 6TB24542-UP

SMCS-1361

i03554224

NOTE	REF NO	GRAPHIC REF	PART NUMBER	QTY	PART NAME						SEE PAGE
					1	2	3	4	5	6 (PRODUCT LEVEL)	
YR	1	1	135-4926	1	PUMP GP-WATER (ENGINE COOLANT)						516
	2	1	7C-9222	1	ADAPTER						
	3	1	9M-3786	1	SEAL-O-RING						
C	4	1	122-3772	1	SEAL-O-RING						
	5	1	109-0077	1	SEAL-O-RING						

C-CHANGE FROM PREVIOUS TYPE
 R-REMFG PART MAY BE AVAILABLE
 Y-SEPARATE ILLUSTRATION



GRAPHIC #1

<END>

g00109502

COOLING SYSTEM

102-5939 PUMP GP-WATER*R

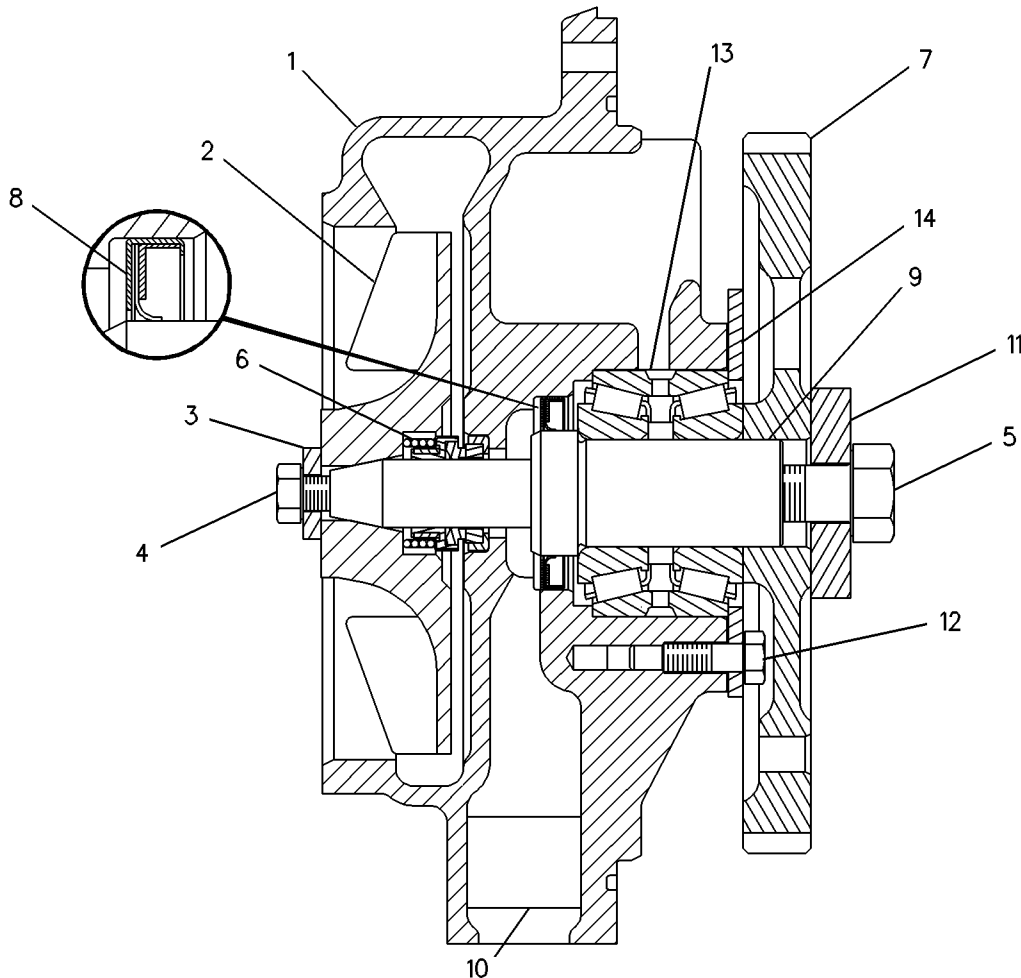
S/N: 6TB10944-16104

PART OF 9N-3288 PUMP GP-WATER

SMCS-1361

i02797603

NOTE	REF NO	GRAPHIC REF	PART NUMBER	QTY	PART NAME						SEE PAGE
					1	2	3	4	5	6 (PRODUCT LEVEL)	
	1	1	102-5946	1	HOUSING - PUMP						
	2	1	7C-5479	1	IMPELLER - PUMP						
W	3	1	9M-6527	1	WASHER - HARD (10.2X25.5X5-MM THK)						
W	4	1	0S-1591	1	BOLT (3/8-16X1.5-IN)						
	5	1	1A-1135	1	BOLT (5/8-11X2-IN)						
	6	1	106-7150	1	SEAL GP						
	7	1	4N-0350	1	GEAR-WATER PUMP DRIVE (74-TEETH)						
	8	1	8C-3100	1	SEAL-LIP TYPE						
W	9	1	123-6666	1	SHAFT-WATER PUMP						
W	10	1	4N-1400	1	FILTER-WATER PUMP (WATER PUMP)						
W	11	1	5S-0581	1	WASHER-HARD (17X38X8-MM THK)						
	12	1	1B-7182	4	BOLT (5/16-18X1.25-IN)						
W	13	1	102-8478	1	BEARING AS-ROLLER						
W	14	1	105-3785	1	RETAINER						
AVAILABLE REPAIR KIT(S):											
W			105-4985	1	KIT-WATER PUMP REBUILD						
W-KIT MARKED W INCLUDES PART(S) MARKED W											



GRAPHIC #1

<END>

g00111222

COOLING SYSTEM

134-1341 PUMP GP-WATER

S/N: 6TB16105-16290

PART OF 9N-3288 PUMP GP-WATER

SMCS-1361

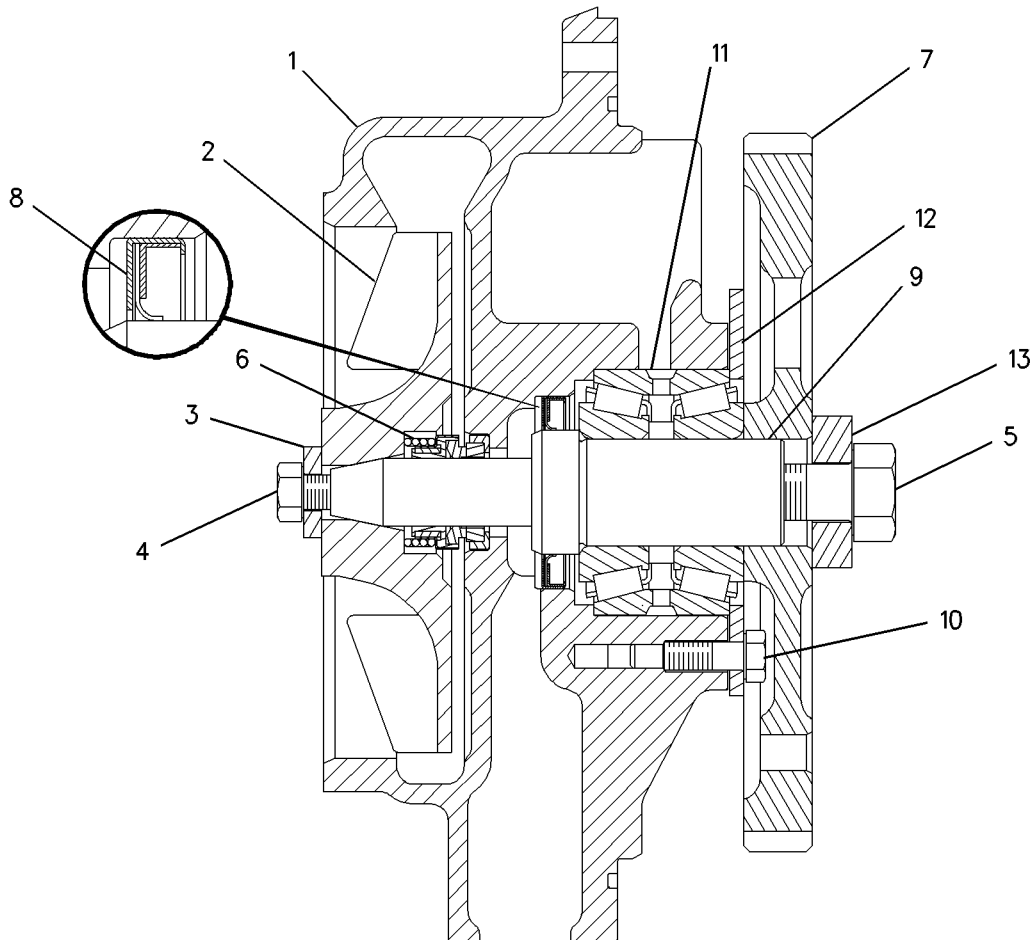
i01962576

NOTE	REF NO	GRAPHIC REF	PART NUMBER	QTY	PART NAME						SEE PAGE
					1	2	3	4	5	6 (PRODUCT LEVEL)	
	1	1	102-5946	1	HOUSING - PUMP						
	2	1	9Y-3778	1	IMPELLER - PUMP						
W	3	1	9M-6527	1	WASHER-HARD (10.2X25.5X5-MM THK)						
W	4	1	0S-1591	1	BOLT (3/8-16X1.5-IN)						
	5	1	1A-1135	1	BOLT (5/8-11X2-IN)						
W	6	1	131-3815	1	SEAL GP (WATER PUMP)						
	7	1	4N-0350	1	GEAR-WATER PUMP DRIVE (74-TEETH)						
W	8	1	8C-3100	1	SEAL-LIP TYPE						
W	9	1	135-4928	1	SHAFT-WATER PUMP						
	10	1	1B-7182	4	BOLT (5/16-18X1.25-IN)						
W	11	1	108-7930	1	BEARING AS-ROLLER						
	12	1	105-3785	1	RETAINER						
W	13	1	5S-0581	1	WASHER-HARD (17X38X8-MM THK)						

AVAILABLE REPAIR KIT(S):

AW	129-3069	1	KIT-WATER PUMP REBUILD
----	----------	---	------------------------

A - NOT PART OF THIS GROUP
 W - KIT MARKED W INCLUDES PART(S) MARKED W



GRAPHIC #1

<END>

g00814266

COOLING SYSTEM

135-4926 PUMP GP-WATER*R

S/N: 6TB16291-UP

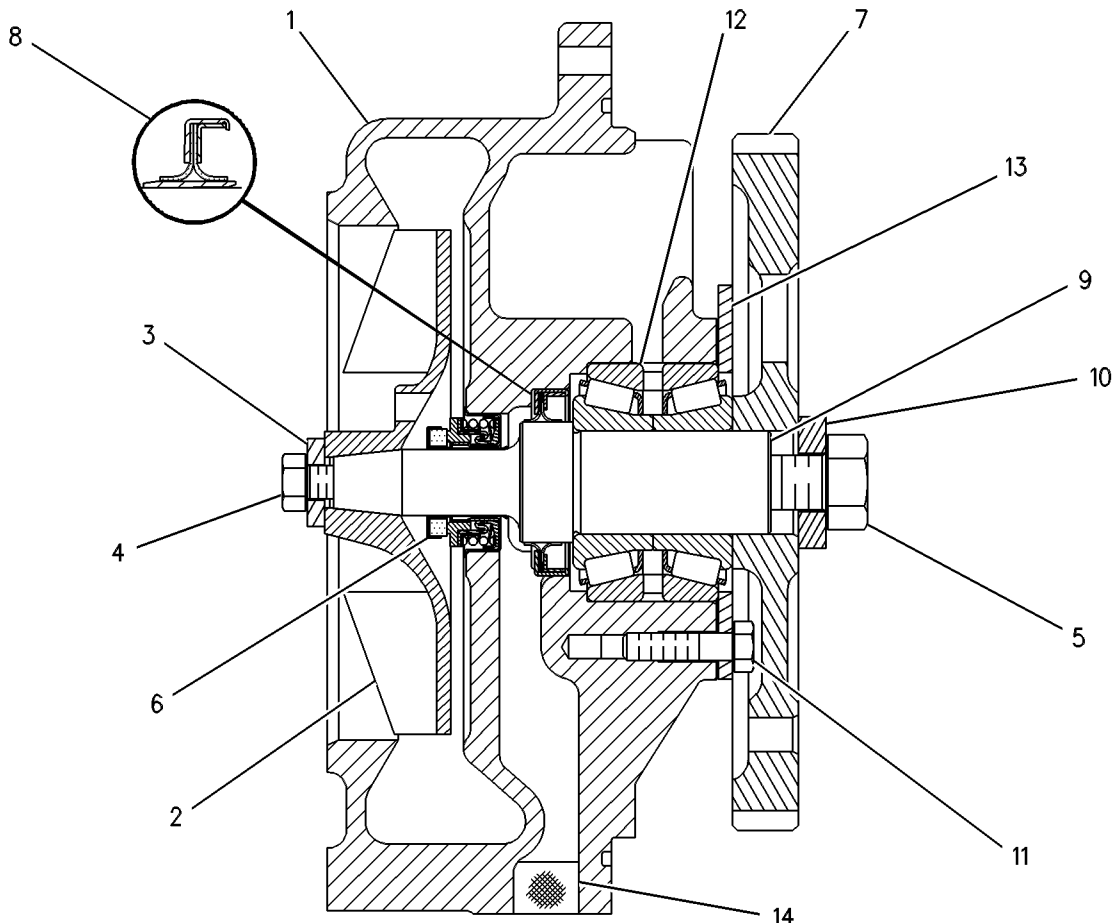
PART OF 9N-3288 PUMP GP-WATER

SMCS-1361

i02781754

NOTE	REF NO	GRAPHIC REF	PART NUMBER	QTY	PART NAME						SEE PAGE
					1	2	3	4	5	6 (PRODUCT LEVEL)	
	1	1	136-1106	1	HOUSING-WATER PUMP						
	2	1	129-9907	1	IMPELLER-PUMP						
J	3	1	9M-6527	1	WASHER-HARD (10.2X25.5X5-MM THK)						
	4	1	0S-1591	1	BOLT (3/8-16X1.5-IN)						
	5	1	1A-1135	1	BOLT (5/8-11X2-IN)						
J	6	1	128-0317	1	SEAL GP (WATER PUMP)						
	7	1	4N-0350	1	GEAR-WATER PUMP DRIVE (74-TEETH)						
J	8	1	153-1256	1	SEAL-LIP TYPE						
J	9	1	135-4928	1	SHAFT-WATER PUMP						
J	10	1	5S-0581	1	WASHER-HARD (17X38X8-MM THK)						
	11	1	1B-7182	4	BOLT (5/16-18X1.25-IN)						
J	12	1	108-7930	1	BEARING AS-ROLLER						
J	13	1	136-1107	1	RETAINER						
J	14	1	136-3742	1	PLUG-FELT						
AVAILABLE REPAIR KIT(S):											
J			138-6744	1	KIT-PUMP REBUILD (WATER)						
			128-2922	1	KIT-GASKET (WATER PUMP)						
(INCLUDES SEALS-O-RING & GASKETS)											

J-KIT MARKED J INCLUDES PART(S) MARKED J



GRAPHIC #1

<END>

g00109501

COOLING SYSTEM

7N-9944 RADIATOR GP .88 SQ. METERS (9.5 SQ.FT.) 5 ROW AN ATTACHMENT

SMCS-1353

i02459071

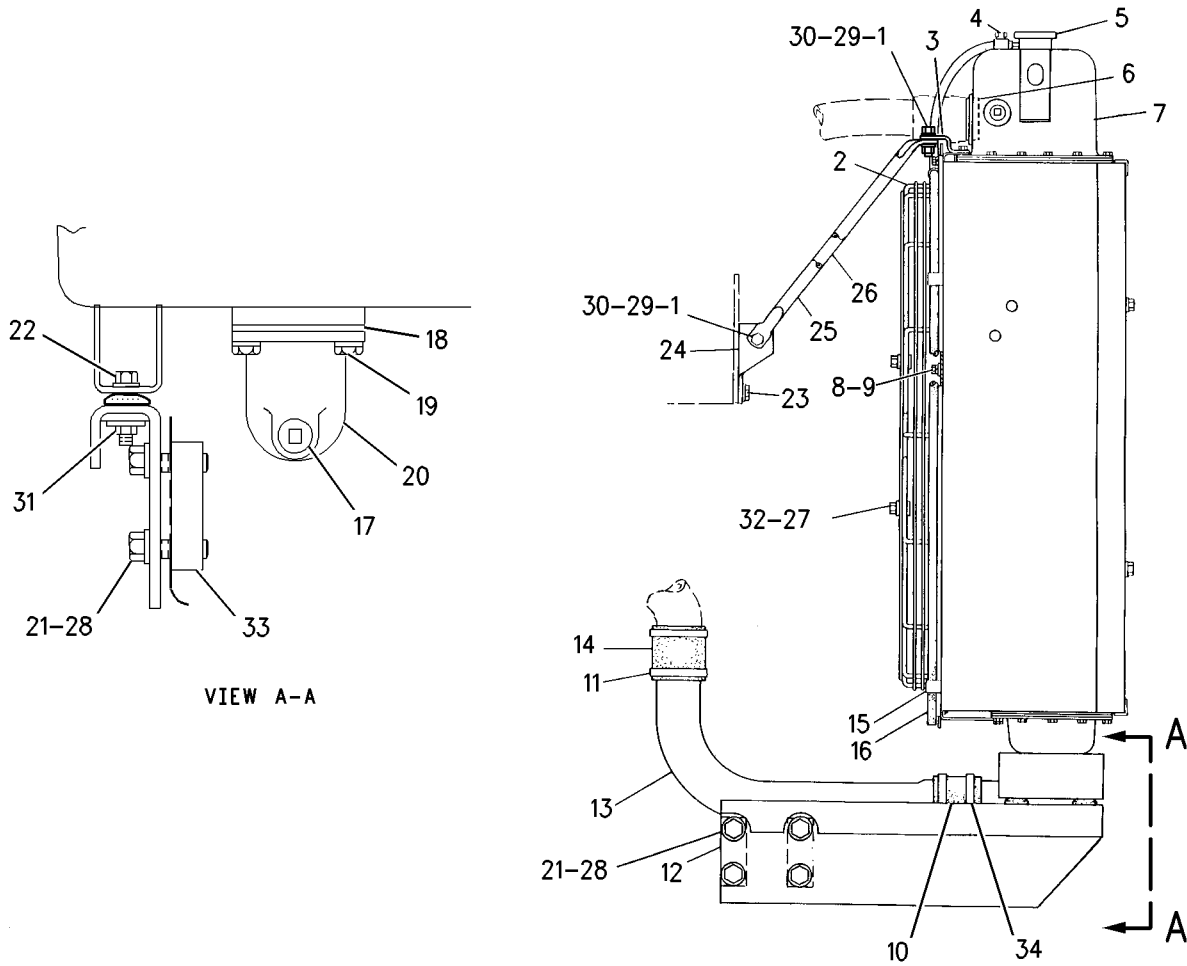
NOTE	REF NO	GRAPHIC REF	PART NUMBER	QTY	PART NAME						SEE PAGE
					1	2	3	4	5	6 (PRODUCT LEVEL)	
	1	1	9B-7237	4	BOLT (3/8-16X1.25-IN)						
	2	1	4N-2573	2	GUARD AS-FAN						
	3	1	4N-3032	2	BRACKET-RADIATOR						
	4	1	8T-6764	1	PLUG-PIPE						
	5	1	6L-8617	1	CAP-PRESSURE (7-PSI) (RADIATOR)						
	6	1	9X-6138	1	PLUG-PIPE						
YR	7	1	8N-8836	1	RADIATOR GP						525
	8	1	4M-0061	20	BOLT (5/16-18X0.75-IN)						
C	9	1	7X-0579	20	WASHER-HARD (8.8X25.5X2-MM THK)						
CE	10	1	5P-1296		HOSE (15-CM)						
	11	1	5P-0598	2	CLAMP-HOSE						
	12	1	4W-0660	1	SUPPORT-RADIATOR-RH						
		1	4W-0663	1	SUPPORT-RADIATOR-LH						
	13	1	4N-2985	1	TUBE-RADIATOR OUTLET						
CE	14	1	7X-7893		HOSE (13-CM)						
	15	1	1B-8471	3	CLIP						
D	16	1	5P-5991		HOSE (1.6-M)						
	17	1	7X-7731	1	PLUG-PIPE						
	18	1	4L-4642	1	GASKET						
	19	1	4L-6454	4	BOLT (3/8-16X1-IN)						
	20	1	6L-4964	1	ELBOW-RADIATOR OUTLET						
	21	1	7X-0382	8	BOLT (7/8-9X2.25-IN)						
	22	1	7X-0310	4	BOLT (7/16-14X2-IN)						
		1	8D-0983	4	MOUNTING AS-VIBRATION ISOLATOR						
		1	7X-0447	4	NUT (7/16-14-THD)						
		1	8T-5360	4	WASHER (12X22.5X2.5-MM THK)						
	23	1	5P-2566	4	BOLT (1/2-13X1.5-IN)						
		1	8T-4223	4	WASHER-HARD (13.5X25.5X3-MM THK)						
	24	1	7N-9864	1	BRACKET						
		1	7N-9863	1	BRACKET						
	25	1	7N-9857	1	BRACE-RADIATOR (RH)						
	26	1	7N-9858	1	BRACE-RADIATOR (LH)						
	27	1	4L-5757	2	STRAP						
	28	1	8C-6913	8	WASHER-HARD (24X41.5X4-MM THK)						
	29	1	2K-4973	4	LOCKNUT (3/8-16-THD)						
	30	1	8T-4896	8	WASHER-HARD (10.2X18.5X2.5-MM THK)						
	31	1	1C-1976	12	WASHER (0.438X1.5X0.075-IN THK)						
	32	1	5S-7379	4	BOLT (3/8-16X0.875-IN)						
C	33	1	2W-6964	4	PLATE						
	34	1	8T-6726	2	CLAMP-HOSE						

C-CHANGE FROM PREVIOUS TYPE
D-ORDER BY THE METER
E-ORDER BY THE CENTIMETER
R-REMFG PART MAY BE AVAILABLE
Y-SEPARATE ILLUSTRATION

COOLING SYSTEM

7N-9944 RADIATOR GP (contd.)

i02459071



GRAPHIC #1

<END>

g00664172

COOLING SYSTEM

7N-9945 RADIATOR GP .88 SQUARE METERS (9.5 SQUARE FEET) 6 ROW AN ATTACHMENT

SMCS-1353

i02459086

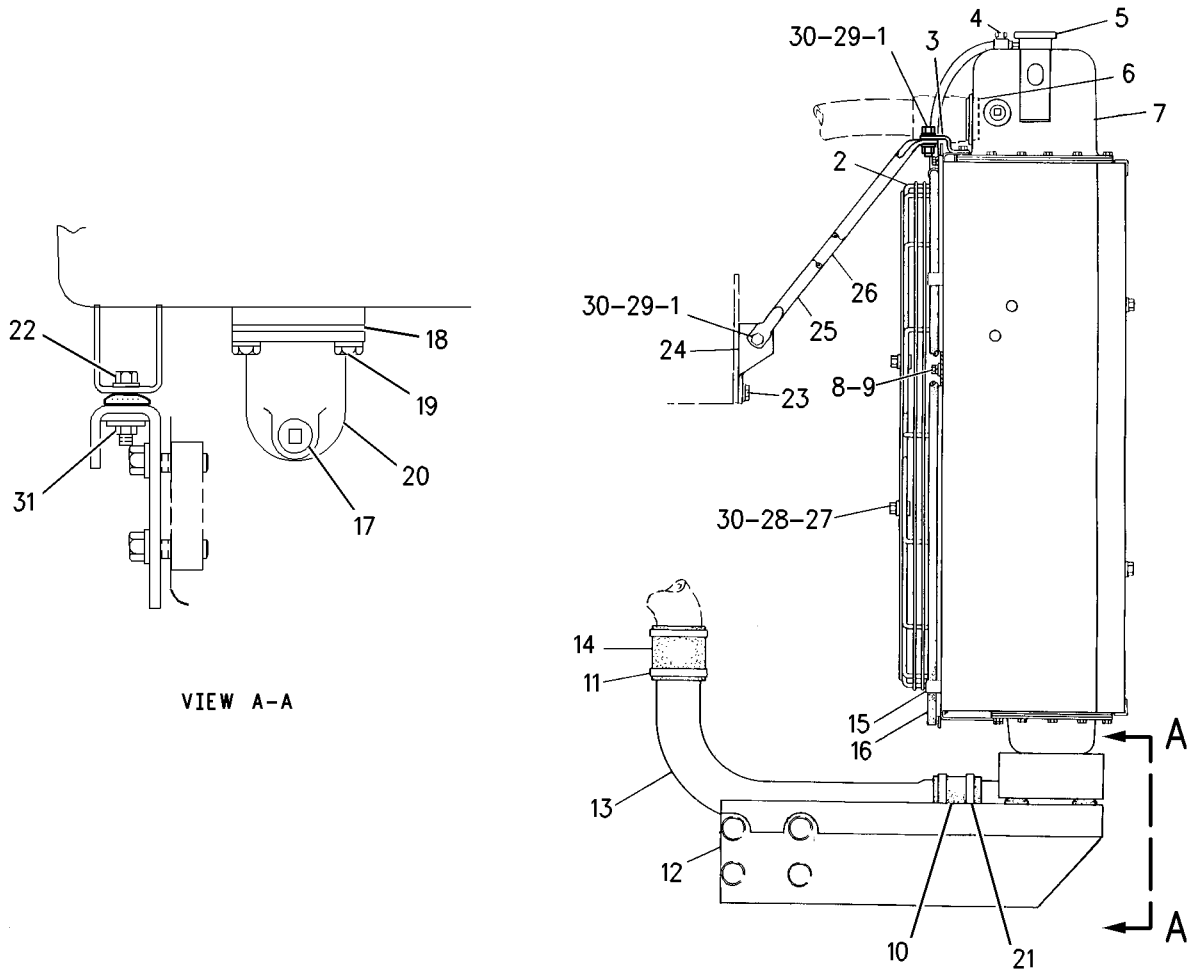
NOTE	REF NO	GRAPHIC REF	PART NUMBER	QTY	PART NAME						SEE PAGE
					1	2	3	4	5	6 (PRODUCT LEVEL)	
	1	1	9B-7237	4	BOLT (3/8-16X1.25-IN)						
	2	1	4N-2573	2	GUARD AS-FAN						
	3	1	4N-3032	2	BRACKET-RADIATOR						
	4	1	8T-6764	1	PLUG-PIPE						
	5	1	6L-8617	1	CAP-PRESSURE (7-PSI) (RADIATOR)						
	6	1	9X-6138	1	PLUG-PIPE						
YR	7	1	8N-8838	1	RADIATOR GP						527
	8	1	4M-0061	20	BOLT (5/16-18X0.75-IN)						
	9	1	7X-0579	20	WASHER-HARD (8.8X25.5X2-MM THK)						
E	10	1	5P-1296		HOSE (15-CM)						
	11	1	5P-0598	2	CLAMP-HOSE						
	12	1	4W-0660	1	SUPPORT-RADIATOR-RH						
		1	4W-0663	1	SUPPORT-RADIATOR-LH						
	13	1	4N-2985	1	TUBE-RADIATOR OUTLET						
E	14	1	7X-7893		HOSE (13-CM)						
	15	1	1B-8471	3	CLIP						
D	16	1	5P-5991		HOSE (1.6-M)						
	17	1	7X-7731	1	PLUG-PIPE						
	18	1	4L-4642	1	GASKET						
	19	1	4L-6454	4	BOLT (3/8-16X1-IN)						
	20	1	6L-4964	1	ELBOW-RADIATOR OUTLET						
	21	1	8T-6726	2	CLAMP-HOSE						
	22	1	7X-0310	4	BOLT (7/16-14X2-IN)						
		1	8D-0983	4	MOUNTING AS-VIBRATION ISOLATOR						
		1	7X-0447	4	NUT (7/16-14-THD)						
		1	8T-5360	4	WASHER (12X22.5X2.5-MM THK)						
	23	1	5P-2566	4	BOLT (1/2-13X1.5-IN)						
		1	8T-4223	4	WASHER-HARD (13.5X25.5X3-MM THK)						
	24	1	7N-9864	1	BRACKET						
		1	7N-9863	1	BRACKET						
	25	1	7N-9857	1	BRACE-RADIATOR (RH)						
	26	1	7N-9858	1	BRACE-RADIATOR (LH)						
	27	1	227-4055	2	STRAP						
	28	1	5S-7379	4	BOLT (3/8-16X0.875-IN)						
	29	1	2K-4973	4	LOCKNUT (3/8-16-THD)						
	30	1	8T-4896	12	WASHER-HARD (10.2X18.5X2.5-MM THK)						
	31	1	1C-1976	12	WASHER (0.438X1.5X0.075-IN THK)						

D-ORDER BY THE METER
E-ORDER BY THE CENTIMETER
R-REMFG PART MAY BE AVAILABLE
Y-SEPARATE ILLUSTRATION

COOLING SYSTEM

7N-9945 RADIATOR GP (contd.)

i02459086



GRAPHIC #1

<END>

g00772139

COOLING SYSTEM

7N-9946 RADIATOR GP 1.39 SQ. METERS (15 SQ.FT.) 5 ROW AN ATTACHMENT

SMCS-1353

i02618823

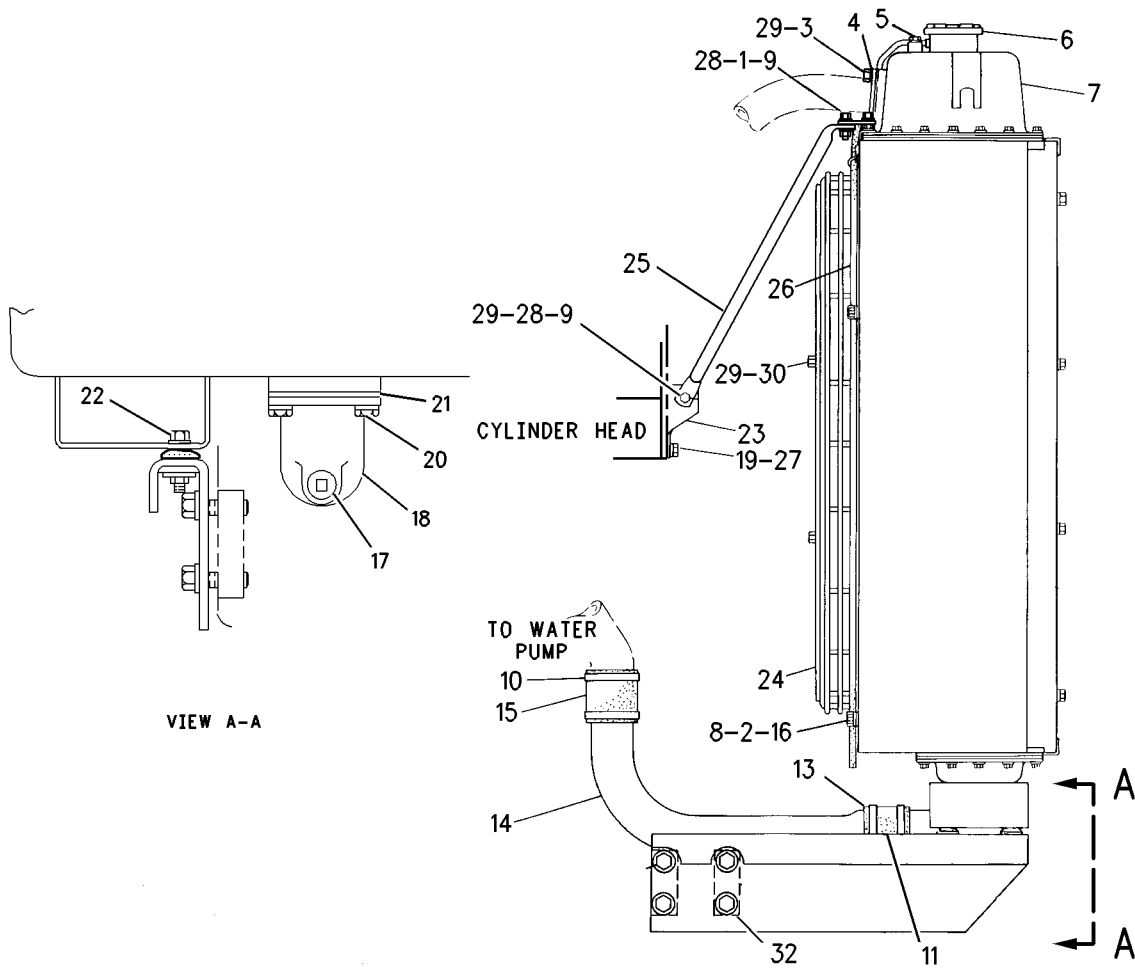
NOTE	REF NO	GRAPHIC REF	PART NUMBER	QTY	PART NAME						SEE PAGE
					1	2	3	4	5	6 (PRODUCT LEVEL)	
	1	1	4N-3306	2	PLATE-RADIATOR BRACE						
		1	4N-0205	4	SPACER (0.42X0.75X0.6-IN THK)						
	2	1	4M-0061	22	BOLT (5/16-18X0.75-IN)						
	3	1	4L-6454	4	BOLT (3/8-16X1-IN)						
	4	1	4L-4859	1	COVER-TANK SIDE						
		1	4N-1418	1	GASKET-RADIATOR INLET						
	5	1	8T-6764	1	PLUG-PIPE						
J	6	1	4N-3311	1	CAP-PRESSURE (7-PSI) (RADIATOR)						
YR	7	1	8N-4880	1	RADIATOR GP						523
	8	1	7X-0579	22	WASHER-HARD (8.8X25.5X2-MM THK)						
	9	1	9B-7237	4	BOLT (3/8-16X1.25-IN)						
	10	1	5P-0598	2	CLAMP-HOSE						
E	11	1	5P-1296		HOSE (15-CM)						
	12	1	4W-0662	1	SUPPORT-RADIATOR-RH						
		1	4W-0661	1	SUPPORT-RADIATOR-LH						
	13	1	8T-6726	2	CLAMP-HOSE						
	14	1	4N-3070	1	TUBE-RADIATOR OUTLET						
E	15	1	7X-7893		HOSE (13-CM)						
	16	1	1B-8471	3	CLIP						
	17	1	7X-7731	1	PLUG-PIPE						
	18	1	4N-8579	1	ELBOW-RADIATOR OUTLET						
	19	1	5P-2566	4	BOLT (1/2-13X1.5-IN)						
	20	1	8T-8917	4	BOLT (1/2-13X1.25-IN)						
	21	1	8N-3248	1	GASKET						
	22	1	7X-0310	4	BOLT (7/16-14X2-IN)						
		1	8D-0983	4	MOUNTING AS-VIBRATION ISOLATOR						
		1	7X-0447	4	NUT (7/16-14-THD)						
		1	8T-5360	4	WASHER (12X22.5X2.5-MM THK)						
		1	1C-1976	4	WASHER (0.438X1.5X0.075-IN THK)						
	23	1	7N-9864	1	BRACKET						
		1	7N-9863	1	BRACKET						
	24	1	4N-3095	2	GUARD AS-FAN						
	25	1	7N-9860	1	BRACE-RADIATOR (RH)						
		1	7N-9859	1	BRACE-RADIATOR (LH)						
BD	26	1	5P-5991		HOSE (1.7-M)						
BD		1	5P-5991		HOSE (2.5-M)						
	27	1	8T-4223	4	WASHER-HARD (13.5X25.5X3-MM THK)						
	28	1	2K-4973	4	LOCKNUT (3/8-16-THD)						
	29	1	8T-4896	16	WASHER-HARD (10.2X18.5X2.5-MM THK)						
	30	1	5S-7379	4	BOLT (3/8-16X0.875-IN)						
		1	227-4055	2	STRAP						
AVAILABLE REPAIR KIT(S):											
J			225-4256	1	FILM-WARNING (HOT FLUID UNDER PRESSURE, U.S.)						
J			294-9052	1	KIT-RADIATOR CAP						
(INCLUDES RADIATOR CAP AND WARNING FILM)											

B-USE AS REQUIRED
D-ORDER BY THE METER
E-ORDER BY THE CENTIMETER
J-PARTS MARKED J SERVICE PART(S) MARKED J
R-REMFG PART MAY BE AVAILABLE
Y-SEPARATE ILLUSTRATION

COOLING SYSTEM

7N-9946 RADIATOR GP (contd.)

i02618823



GRAPHIC #1

<END>

g00772133

COOLING SYSTEM

8N-4880 RADIATOR GP*R

1.39 SQ METER (15 SQ FEET)
PART OF 7N-9946 RADIATOR GP
AN ATTACHMENT

SMCS-1353

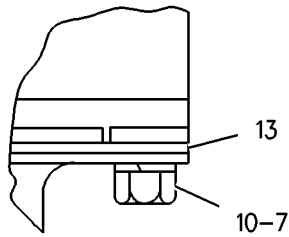
i03551440

NOTE	REF NO	GRAPHIC REF	PART NUMBER	QTY	PART NAME						SEE PAGE
					1	2	3	4	5	6 (PRODUCT LEVEL)	
	1	1	0L-2070	4	BOLT (3/8-16X2.25-IN)						
	2	1	1D-4717	78	NUT (3/8-16-THD)						
	3	1	6N-7033	1	TANK AS-RADIATOR TOP						
		1	3N-5863	1	BOSS						
		1	4N-8549	1	TUBE-OVERFLOW						
		1	6B-9807	1	BOSS						
		1	6L-9849	1	NECK-FILLER						
4		1	4N-8567	1	BAFFLE AS-TOP						
		1	4K-9097	8	NUT-WELD (5/16-18-THD)						
5		1	0S-1588	68	BOLT (3/8-16X1.25-IN)						
6		1	4N-8557	1	GASKET-TOP TANK						
7		1	3B-4506	1	LOCKWASHER						
8		1	4N-8566	4	STRIP						
9		1	8N-4882	1	PLATE AS (LH)						
		1	1F-0750	5	NUT-WELD (3/8-16-THD)						
		1	4K-9097	5	NUT-WELD (5/16-18-THD)						
10		1	0S-1594	24	BOLT (3/8-16X1-IN)						
11		1	8N-4881	1	PLATE AS (RH)						
		1	1F-0750	5	NUT-WELD (3/8-16-THD)						
		1	4K-9097	5	NUT-WELD (5/16-18-THD)						
12		1	4N-8569	1	BAFFLE AS-BOTTOM						
		1	4K-9097	6	NUT-WELD (5/16-18-THD)						
13		1	4N-8561	1	GASKET						
14		1	4N-8562	1	TANK AS-RADIATOR BOTTOM						
15		1	3B-1915	8	BOLT (3/8-16X1.375-IN)						
		1	4B-4278	8	WASHER (10.2X20.5X1.6-MM THK)						
16		1	4N-8559	1	CORE AS-RADIATOR						
17		1	5M-6213	1	PLUG-PIPE						
18		1	4N-6134	1	GUARD-RADIATOR						
19		1	0T-0573	8	BOLT (3/8-16X2.75-IN)						
		1	9L-9132	8	WASHER (10.2X25.5X2.5-MM THK)						

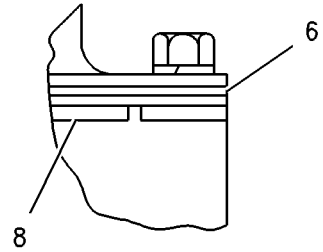
COOLING SYSTEM

8N-4880 RADIATOR GP (contd.)

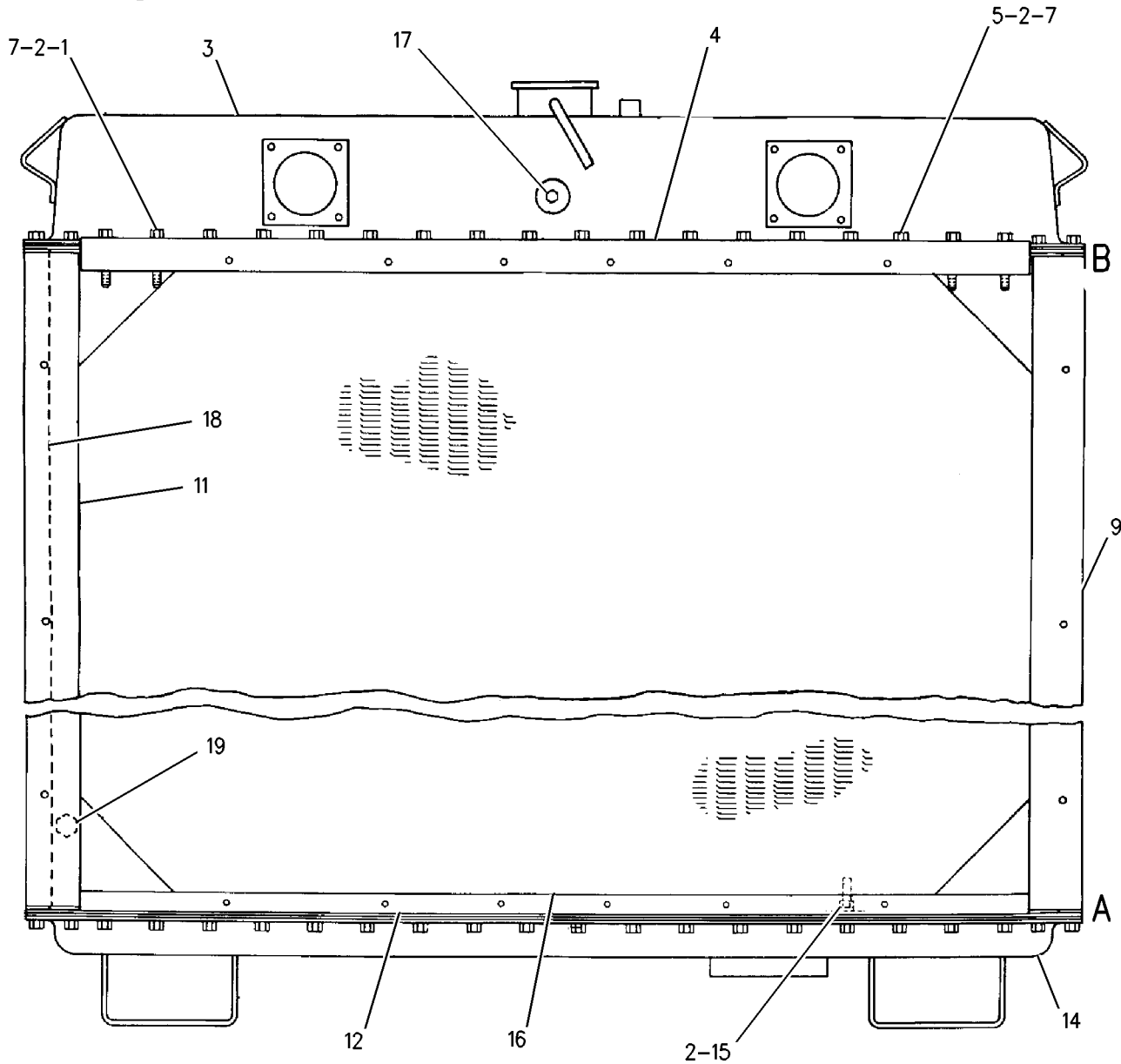
i03551440



VIEW OF AREA A



VIEW OF AREA B



COOLING SYSTEM

8N-8836 RADIATOR GP*R

PART OF 7N-9944 RADIATOR GP

AN ATTACHMENT

SMCS-1353

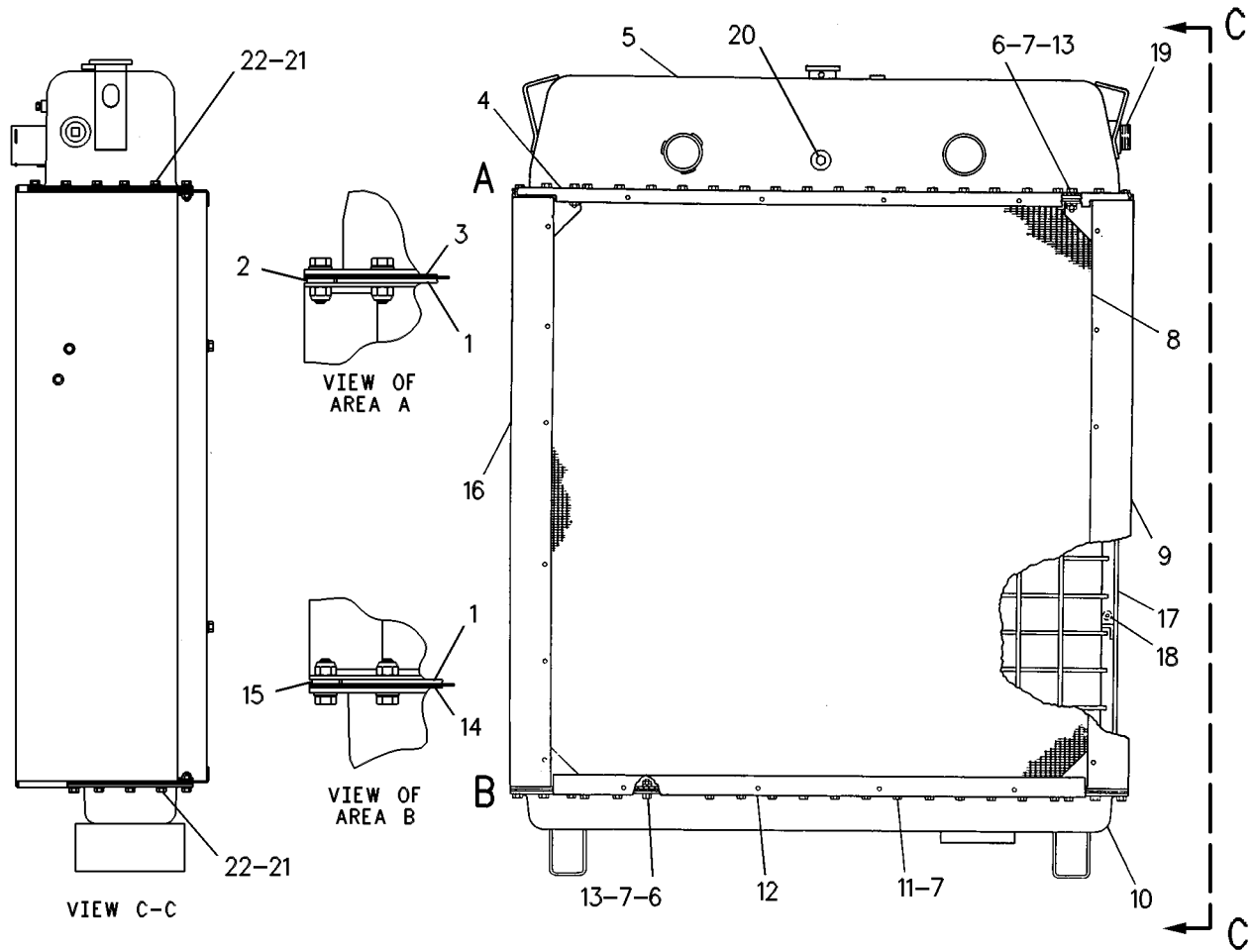
i03551602

NOTE	REF NO	GRAPHIC REF	PART NUMBER	QTY	PART NAME						SEE PAGE
					1	2	3	4	5	6 (PRODUCT LEVEL)	
	1	1	4N-8194	4	WASHER-CORE						
	2	1	4N-8192	2	PLATE AS						
					(EACH INCLUDES)						
		1	5P-5157	4	NUT-TAB WELD						
	3	1	4N-8185	1	GASKET-TOP TANK						
	4	1	4N-8188	1	PLATE AS-RADIATOR TOP						
		1	4K-9097	4	NUT-WELD (5/16-18-THD)						
	5	1	8N-8837	1	TANK AS-RADIATOR TOP						
	6	1	1B-7182	12	BOLT (5/16-18X1.25-IN)						
	7	1	031-4155	82	LOCKNUT (5/16-18-THD)						
		1	9M-1974	82	WASHER-HARD (8.8X16X2-MM THK)						
	8	1	4N-8190	1	CORE AS-RADIATOR						
	9	1	8N-4876	1	PLATE AS (RH)						
		1	1F-0750	2	NUT-WELD (3/8-16-THD)						
		1	4K-9097	9	NUT-WELD (5/16-18-THD)						
	10	1	4N-8183	1	TANK AS-RADIATOR BOTTOM						
	11	1	0S-1618	76	BOLT (5/16-18X1-IN)						
	12	1	4N-8189	1	PLATE AS-RADIATOR BOTTOM						
		1	4K-9097	4	NUT-WELD (5/16-18-THD)						
	13	1	5P-4116	8	WASHER-HARD (8.8X20.5X2-MM THK)						
	14	1	4N-8184	1	GASKET						
	15	1	4N-8193	2	PLATE AS						
					(EACH INCLUDES)						
		1	5P-5157	3	NUT-TAB WELD						
	16	1	8N-4875	1	PLATE AS (LH)						
		1	1F-0750	2	NUT-WELD (3/8-16-THD)						
		1	4K-9097	9	NUT-WELD (5/16-18-THD)						
	17	1	4N-5995	1	GUARD-RADIATOR						
	18	1	0L-1143	4	BOLT (3/8-16X2.5-IN)						
		1	5M-2894	4	WASHER-HARD (10.2X18.5X2.5-MM THK)						
	19	1	8T-6761	1	PLUG-PIPE						
	20	1	8T-6765	1	PLUG-PIPE						
	21	1	3B-4505	20	LOCKWASHER						
	22	1	0S-1617	14	BOLT (5/16-18X0.75-IN)						

COOLING SYSTEM

8N-8836 RADIATOR GP (contd.)

i03551602



GRAPHIC #1

<END>

g00237802

COOLING SYSTEM

8N-8838 RADIATOR GP*R

PART OF 7N-9945 RADIATOR GP

AN ATTACHMENT

SMCS-1353

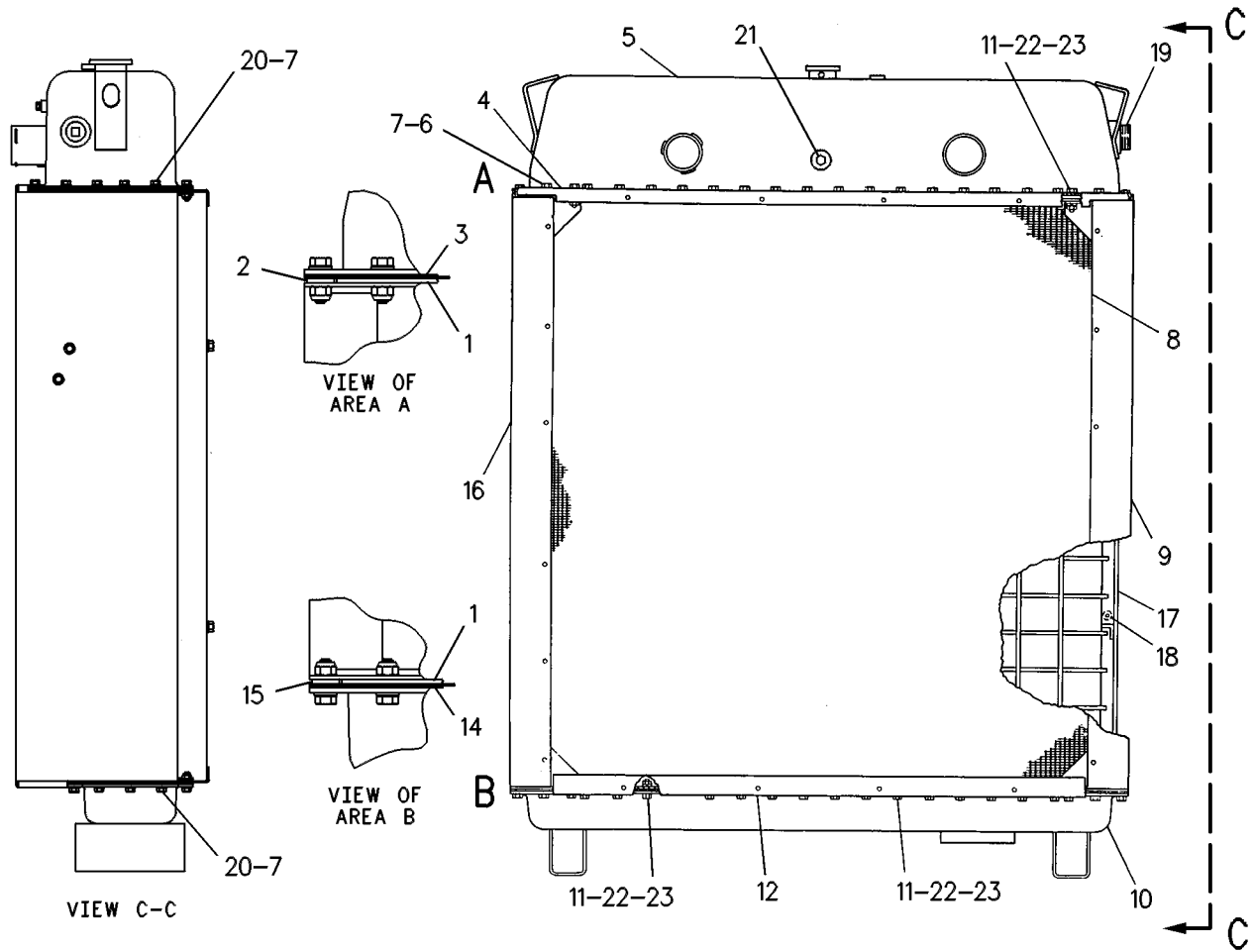
i03551620

NOTE	REF NO	GRAPHIC REF	PART NUMBER	QTY	PART NAME						SEE PAGE
					1	2	3	4	5	6 (PRODUCT LEVEL)	
	1	1	4N-8194	4	WASHER-CORE						
	2	1	4N-8192	2	PLATE AS						
					(EACH INCLUDES)						
		1	5P-5157	4	NUT-TAB WELD						
3		1	4N-8185	1	GASKET-TOP TANK						
4		1	4N-8188	1	PLATE AS-RADIATOR TOP						
		1	4K-9097	4	NUT-WELD (5/16-18-THD)						
5		1	8N-8837	1	TANK AS-RADIATOR TOP						
6		1	1B-7182	12	BOLT (5/16-18X1.25-IN)						
7		1	3B-4505	20	LOCKWASHER						
8		1	117-3176	1	CORE AS-RADIATOR						
9		1	8N-4876	1	PLATE AS (RH)						
		1	1F-0750	2	NUT-WELD (3/8-16-THD)						
		1	4K-9097	9	NUT-WELD (5/16-18-THD)						
10		1	4N-8183	1	TANK AS-RADIATOR BOTTOM						
11		1	0S-1618	76	BOLT (5/16-18X1-IN)						
12		1	4N-8189	1	PLATE AS-RADIATOR BOTTOM						
		1	4K-9097	4	NUT-WELD (5/16-18-THD)						
13		1	5P-4116	8	WASHER-HARD (8.8X20.5X2-MM THK)						
14		1	4N-8184	1	GASKET						
15		1	4N-8193	2	PLATE AS						
					(EACH INCLUDES)						
		1	5P-5157	3	NUT-TAB WELD						
16		1	8N-4875	1	PLATE AS (LH)						
		1	1F-0750	2	NUT-WELD (3/8-16-THD)						
		1	4K-9097	9	NUT-WELD (5/16-18-THD)						
17		1	4N-5995	1	GUARD-RADIATOR						
18		1	0L-1143	4	BOLT (3/8-16X2.5-IN)						
		1	5M-2894	4	WASHER-HARD (10.2X18.5X2.5-MM THK)						
19		1	8T-6761	1	PLUG-PIPE						
20		1	0S-1617	14	BOLT (5/16-18X0.75-IN)						
21		1	8T-6765	1	PLUG-PIPE						
22		1	9M-1974	82	WASHER-HARD (8.8X16X2-MM THK)						
23		1	031-4155	82	LOCKNUT (5/16-18-THD)						

COOLING SYSTEM

8N-8838 RADIATOR GP (contd.)

i03551620



GRAPHIC #1

<END>

g00238213

COOLING SYSTEM

126-8321 RADIATOR GP

PART OF 126-8325 RADIATOR GP
AN ATTACHMENT

SMCS-1353

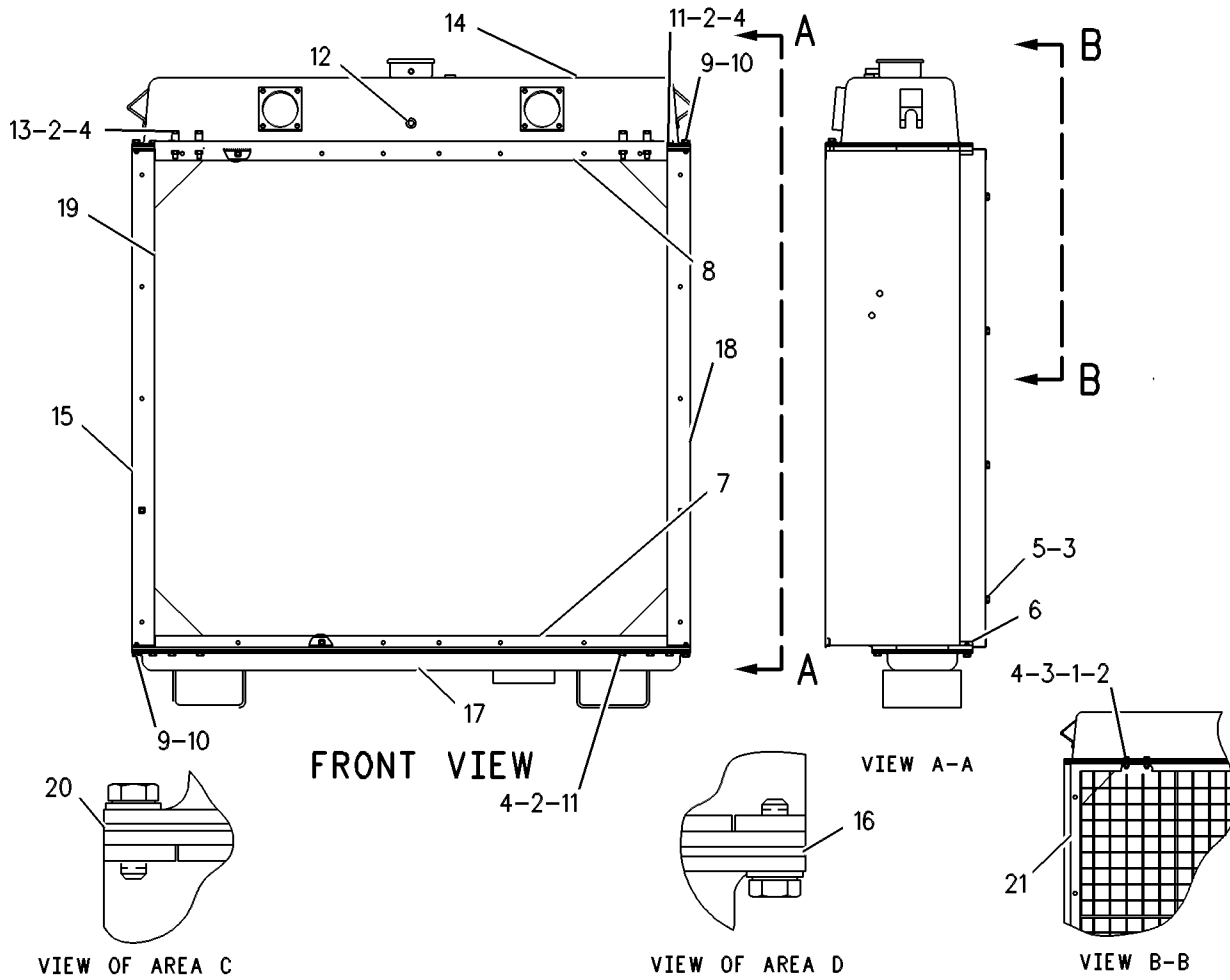
i01983262

NOTE	REF NO	GRAPHIC REF	PART NUMBER	QTY	PART NAME						SEE PAGE
					1	2	3	4	5	6 (PRODUCT LEVEL)	
	1	1	3B-1915	8	BOLT (3/8-16X1.375-IN)						
	2	1	5M-2894	84	WASHER-HARD (10.2X18.5X2.5-MM THK)						
	3	1	9X-6458	16	WASHER-HARD (10.2X22.5X3-MM THK)						
	4	1	2K-4973	80	LOCKNUT (3/8-16-THD)						
	5	1	0T-0573	8	BOLT (3/8-16X2.75-IN)						
	6	1	4N-8566	4	STRIP						
	7	1	4N-8569	1	BAFFLE AS-BOTTOM						
	8	1	4N-8567	1	BAFFLE AS-TOP						
	9	1	0S-1594	24	BOLT (3/8-16X1-IN)						
	10	1	3B-4506	24	LOCKWASHER						
	11	1	0S-1588	68	BOLT (3/8-16X1.25-IN)						
	12	1	8T-6765	1	PLUG-PIPE						
	13	1	0L-2070	4	BOLT (3/8-16X2.25-IN)						
	14	1	6N-7033	1	TANK AS-RADIATOR TOP						
	15	1	8N-4882	1	PLATE AS (LH)						
	16	1	4N-8561	1	GASKET						
	17	1	4N-8562	1	TANK AS-RADIATOR BOTTOM						
	18	1	8N-4881	1	PLATE AS (RH)						
	19	1	127-3436	1	CORE AS-RADIATOR						
	20	1	4N-8557	1	GASKET-TOP TANK						
	21	1	4N-6134	1	GUARD-RADIATOR						

COOLING SYSTEM

126-8321 RADIATOR GP (contd.)

i01983262



GRAPHIC #1

<END>

g00258886

COOLING SYSTEM

126-8325 RADIATOR GP AN ATTACHMENT

SMCS - 1353

i03808511

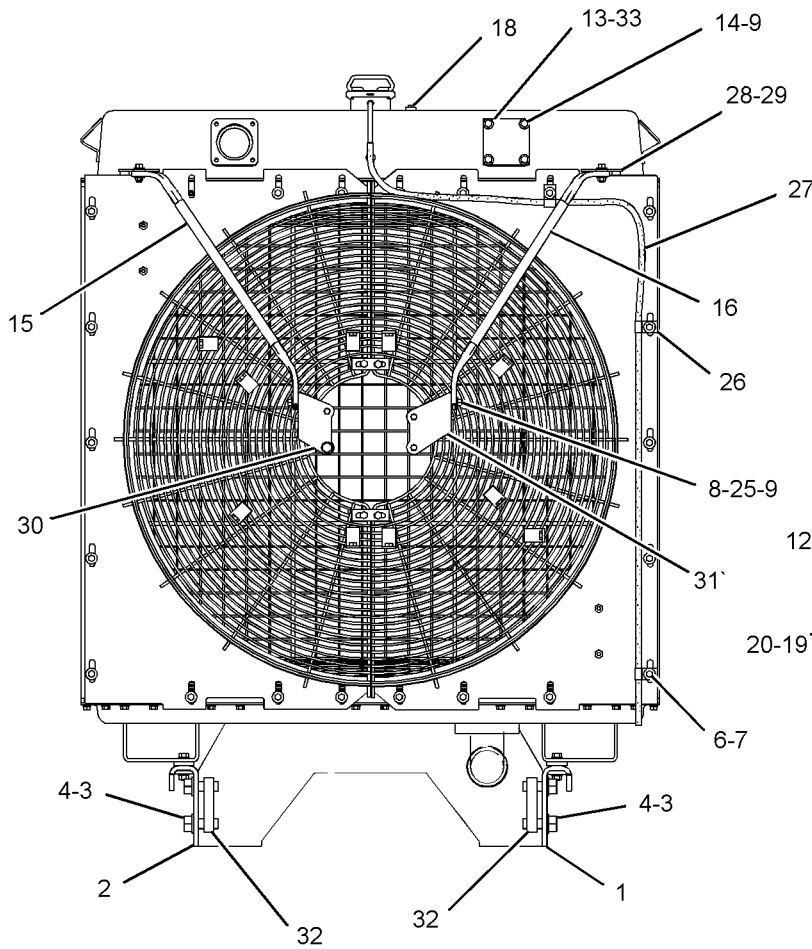
NOTE	REF NO	GRAPHIC REF	PART NUMBER	QTY	PART NAME						SEE PAGE
					1	2	3	4	5	6 (PRODUCT LEVEL)	
	1	1	4W-0662	1	SUPPORT-RADIATOR-RH						
	2	1	4W-0661	1	SUPPORT-RADIATOR-LH						
	3	1	7X-0382	8	BOLT (7/8-9X2.25-IN)						
	4	1	8C-6913	8	WASHER-HARD (24X41.5X4-MM THK)						
	5	1	7E-9803	2	GUARD AS-FAN						
	6	1	4M-0061	22	BOLT (5/16-18X0.75-IN)						
	7	1	7X-0579	22	WASHER-HARD (8.8X25.5X2-MM THK)						
	8	1	2K-4973	4	LOCKNUT (3/8-16-THD)						
	9	1	5P-1075	12	WASHER-HARD (10.2X22.5X3-MM THK)						
Y	10	1	126-8321	1	RADIATOR GP (3/8-16X1.25IN)						529
	11	1	5P-2566	4	BOLT (1/2-13X1.5-IN)						
	12	1	7X-0568	4	WASHER-HARD (13.5X25.5X5-MM THK)						
	13	1	4L-4859	1	COVER-TANK SIDE (3MM THK)						
	14	1	4L-6454	4	BOLT (3/8-16X1-IN)						
	15	1	7N-9859	1	BRACE-RADIATOR (LH)						
	16	1	7N-9860	1	BRACE-RADIATOR (RH)						
J	17	1	4N-3311	1	CAP-PRESSURE (7-PSI) (RADIATOR)						
	18	1	8T-6764	1	PLUG-PIPE (1/8-27-THD)						
	19	1	4L-5757	2	STRAP						
	20	1	5M-3062	4	BOLT (3/8-16X0.75-IN)						
	21	1	7X-0310	4	BOLT (7/16-14X2-IN)						
	22	1	8T-5360	8	WASHER (12X22.5X2.5-MM THK)						
	23	1	8D-0983	4	MOUNTING AS-VIBRATION ISOLATOR						
	24	1	7X-0447	4	NUT (7/16-14-THD)						
	25	1	9B-7237	4	BOLT (3/8-16X1.25-IN)						
	26	1	1B-8471	3	CLIP						
D	27	1	5P-1908		HOSE (1.7M)						
	28	1	4N-3306	2	PLATE-RADIATOR BRACE						
	29	1	4N-0205	4	SPACER (0.42X0.75X0.6-IN THK)						
	30	1	7N-9863	1	BRACKET						
	31	1	7N-9864	1	BRACKET						
	32	1	2W-6964	4	PLATE						
	33	1	4N-1418	1	GASKET-RADIATOR INLET						
					AVAILABLE REPAIR KIT(S):						
J			294-9052	1	KIT-RADIATOR CAP						
					(INCLUDES RADIATOR CAP AND WARNING FILM)						

D-ORDER BY THE METER
 J-PARTS MARKED J SERVICE PART(S) MARKED J
 Y-SEPARATE ILLUSTRATION

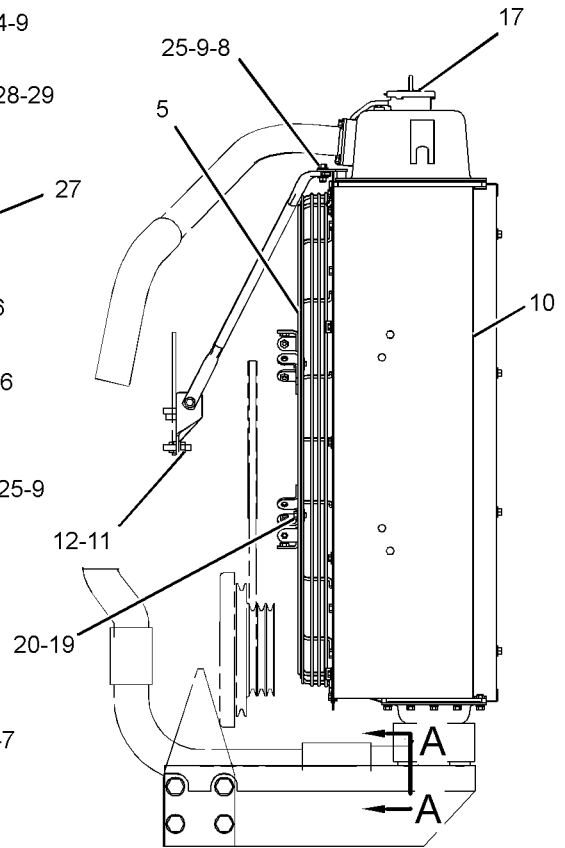
COOLING SYSTEM

126-8325 RADIATOR GP (contd.)

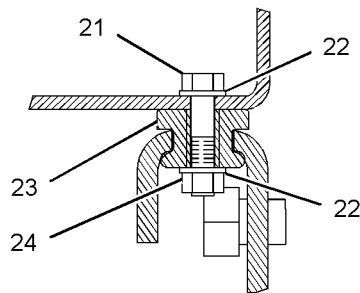
i03808511



REAR VIEW OF ENGINE



RIGHT SIDE VIEW OF ENGINE



SECTION A-A

GRAPHIC #1

<END>

g01952322

COOLING SYSTEM

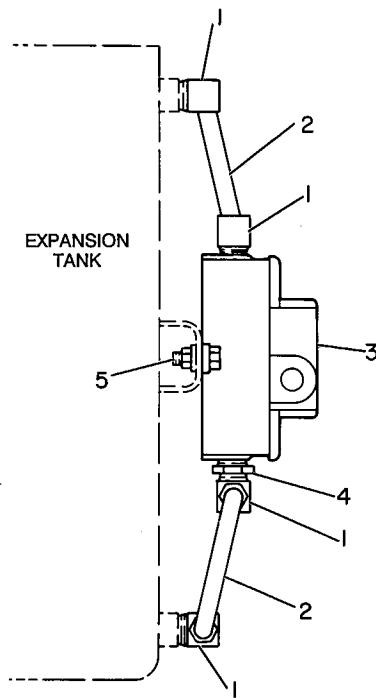
7N-9528 SWITCH GP-COOLANT LEVEL

FOR USE WITH EXPANSION TANK
AN ATTACHMENT

SMCS-7470

i01624050

NOTE	REF NO	GRAPHIC REF	PART NUMBER	QTY	PART NAME						SEE PAGE
					1	2	3	4	5	6 (PRODUCT LEVEL)	
	1	1	5K-9235	4	ELBOW-FLARED						
	2	1	7N-9546	2	TUBE AS						
	3	1	2N-9768	1	SWITCH-LIQUID LEVEL (COOLANT)						
	4	1	6B-5072	1	BUSHING-REDUCING						
	5	1	0S-1616	2	BOLT (1/4-20X1-IN)						
		1	1B-4330	2	NUT (1/4-20-THD)						
		1	5P-0537	4	WASHER-HARD (7.2X14.5X2-MM THK)						



GRAPHIC #1

<END>

g00144016

COOLING SYSTEM

105-8044 SWITCH GP-COOLANT LEVEL

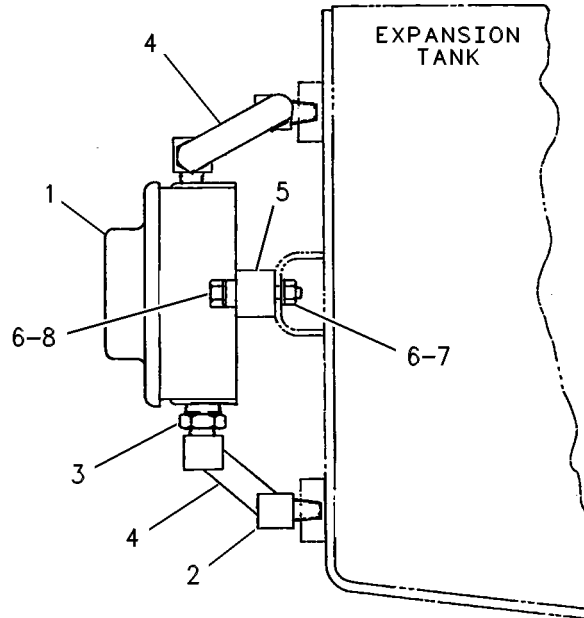
FOR USE WITH FRONT MOUNTED EXPANSION TANKS
AN ATTACHMENT

SMCS-7470

i01624047

NOTE	REF NO	GRAPHIC REF	PART NUMBER	QTY	PART NAME						SEE PAGE
					1	2	3	4	5	6 (PRODUCT LEVEL)	
	1	1	2N-9768	1	SWITCH-LIQUID LEVEL (COOLANT)						
	2	1	6K-1972	4	ELBOW-FLARED						
	3	1	6B-5072	1	BUSHING-REDUCING						
I	4	1	7W-1831	2	HOSE AS						
	5	1	104-6564	2	MOUNT						
	6	1	8T-4205	4	WASHER-HARD (7.2X14.5X2-MM THK)						
	7	1	6V-8185	2	NUT (1/4-20-THD)						
	8	1	8T-9364	2	BOLT (1/4-20X0.625-IN)						

I-REFER TO HYDRAULIC INFORMATION SYSTEM



FRONT VIEW

GRAPHIC #1

<END>

g00237688

COOLING SYSTEM

2W-7158 TANK GP-EXPANSION FOR USE WITH WATERCOOLED OR DRY EXHAUST MANIFOLDS AN ATTACHMENT

SMCS-1354

i03041298

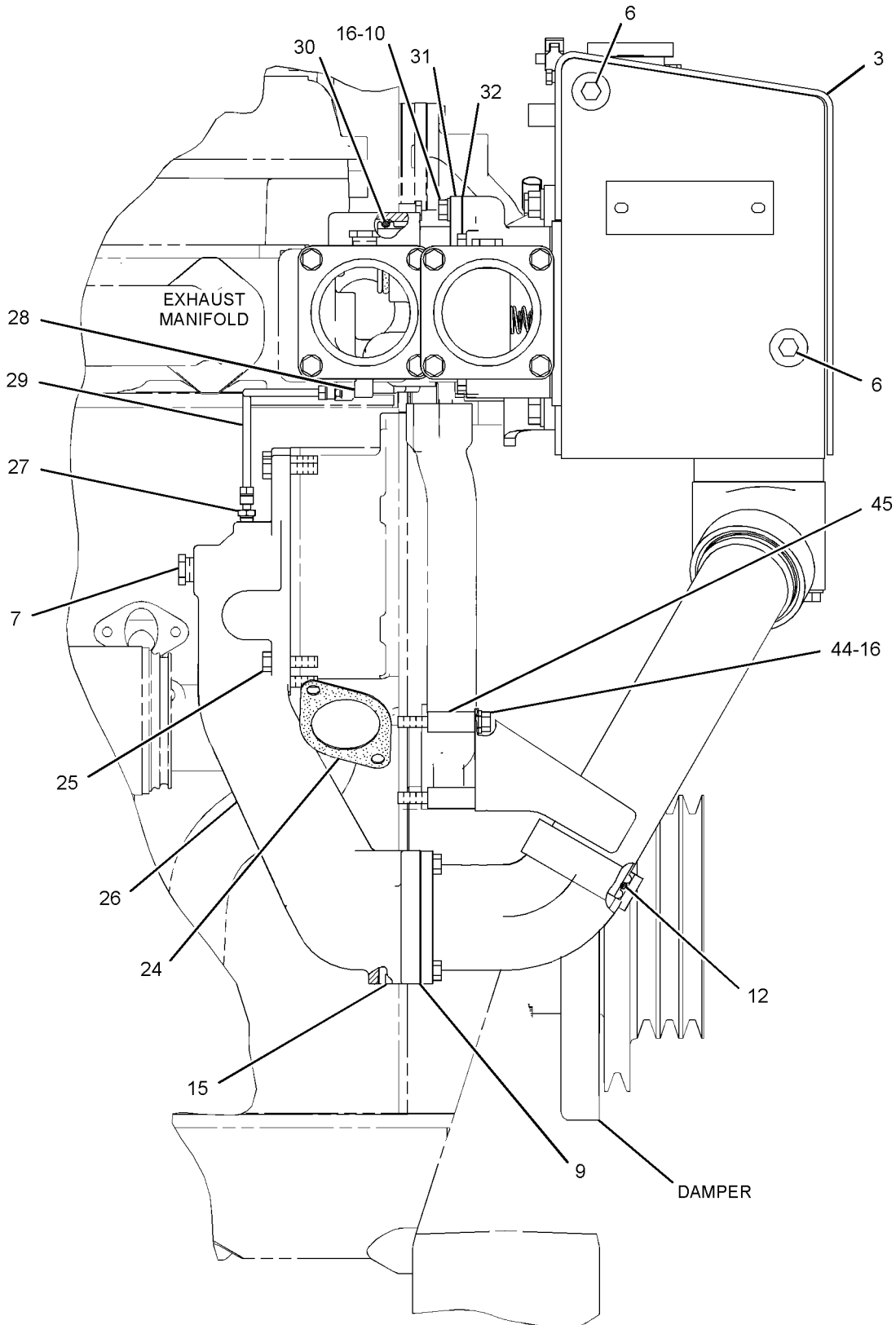
NOTE	REF NO	GRAPHIC REF	PART NUMBER	QTY	PART NAME	1 2 3 4 5 6 (PRODUCT LEVEL)						SEE PAGE
	1	2	4N-3863	1	SUPPORT-EXPANSION TANK							
	2	2	0S-1585	6	BOLT (1/2-13X1.5-IN)							
C	3	1	1W-1430	1	TANK AS-EXPANSION (WATER TEMPERATURE)							
		1	3N-5863	2	BOSS							
		1	4J-4862	4	BOSS-WELD							
		1	5D-2643	1	LUG							
		1	6J-2237	5	BOSS-WELD							
4	2	2	0T-0055	2	BOLT (3/8-16X4.25-IN)							
5	2		4N-3858	1	GASKET							
6	1		8T-6765	2	PLUG-PIPE							
7	1,2		7W-6492	2	PLUG-PIPE							
8	2		8T-6764	1	PLUG-PIPE (1/8-27-THD)							
9	1,2		2N-0931	4	GASKET							
10	1,2		0S-1594	11	BOLT (3/8-16X1-IN)							
11	2		1W-4482	1	ELBOW							
12	1		110-7753	2	SEAL-O-RING							
13	2		1W-4481	1	TUBE AS							
14	2		1W-4478	1	ELBOW							
15	1		7X-7731	1	PLUG-PIPE							
C	16	1,2	5M-2894	15	WASHER-HARD (10.2X18.5X2.5-MM THK)							
	17	2	5P-8245	6	WASHER-HARD (13.5X25.5X3-MM THK)							
	18	2	4N-1156	1	GASKET-REGULATOR COVER							
	19	2	4N-3857	1	PIPE-HEAD OUTLET							
	20	2	0S-1608	5	BOLT (3/8-16X3.75-IN)							
	21	2	9S-8752	8	NUT-FULL (3/8-16-THD)							
	22	2	0S-1571	8	BOLT (3/8-16X1.75-IN)							
	23	2	5R-0066	2	FLANGE							
	24	1	1W-2636	1	GASKET							
	25	1	0S-1591	4	BOLT (3/8-16X1.5-IN)							
	26	1	4N-3065	1	COVER-WATER PUMP							
	27	1	6L-3616	1	CONNECTOR							
	28	1	5K-9243	1	ELBOW-FLARED							
	29	1	4N-6643	1	TUBE AS-VENT							
	30	1	109-0076	1	SEAL-O-RING							
	31	1	4N-3862	1	ADAPTER AS							
	32	1	7C-0307	1	GASKET							
C	33	2	248-5513	2	REGULATOR-TEMPERATURE (92-DEG C)							
	34	2	4N-3918	1	COVER AS							
		2	3S-9643	2	SEAL-LIP TYPE							
		2	4M-1336	3	FERRULE							
		2	7W-6492	1	PLUG-PIPE							
	35	2	5P-1420	1	HOSE							
	36	2	6L-8700	1	CLAMP							
	37	2	6L-8617	1	CAP-PRESSURE (7-PSI)							
B	38	2	4F-5695	1	PLUG-CUP							
	39	2	0S-1615	6	BOLT (1/4-20X0.75-IN)							
	40	2	5P-0537	6	WASHER-HARD (7.2X14.5X2-MM THK)							
	41	2	6L-8649	1	NECK AS-FILLER							
		2	3L-5893	1	TUBE-OVERFLOW							
	42	2	4L-7636	1	GASKET							
	43	2	9F-2947	1	CLIP							
C	44	1	0T-0573	2	BOLT (3/8-16X2.75-IN)							
BC	45	1	2M-8545	2	SPACER (1.56-IN THK)							
	46	2	3D-9428	1	CLIP							
	47	2	0S-0509	1	BOLT (3/8-16X0.75-IN)							
B	48	2	8T-6764	1	PLUG-PIPE (1/8-27-THD)							

COOLING SYSTEM

2W-7158 TANK GP-EXPANSION (contd.)

i03041298

B-USE AS REQUIRED
C-CHANGE FROM PREVIOUS TYPE



RIGHT SIDE VIEW OF ENGINE

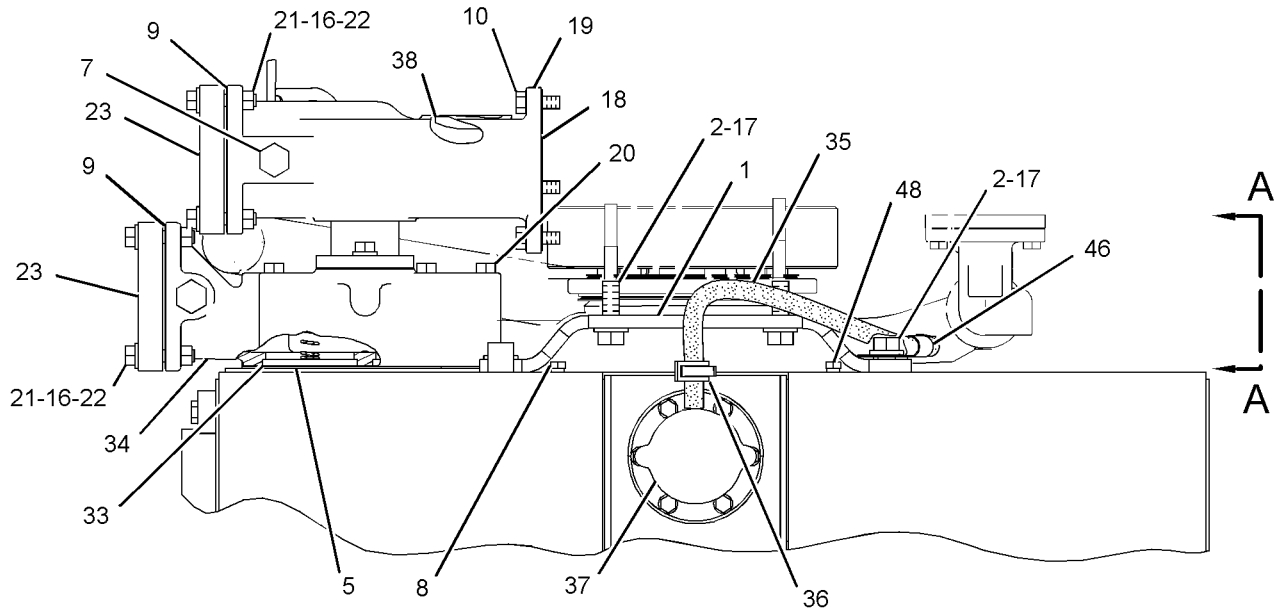
GRAPHIC #1

g01625499

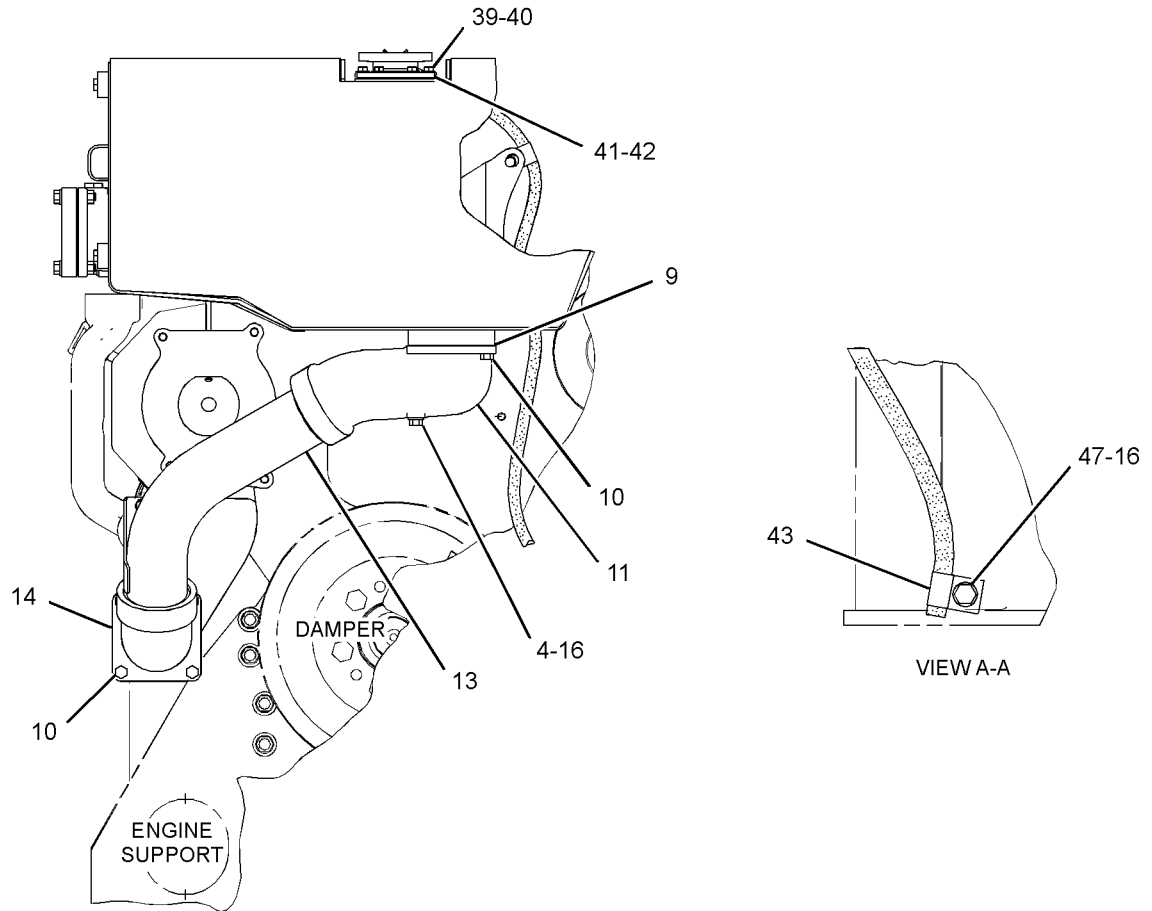
COOLING SYSTEM

2W-7158 TANK GP-EXPANSION (contd.)

i03041298



TOP VIEW OF ENGINE



FRONT VIEW OF ENGINE

GRAPHIC #2

<END>

g01625500

COOLING SYSTEM

9Y-0993 TANK GP-EXPANSION

SMCS - 1354

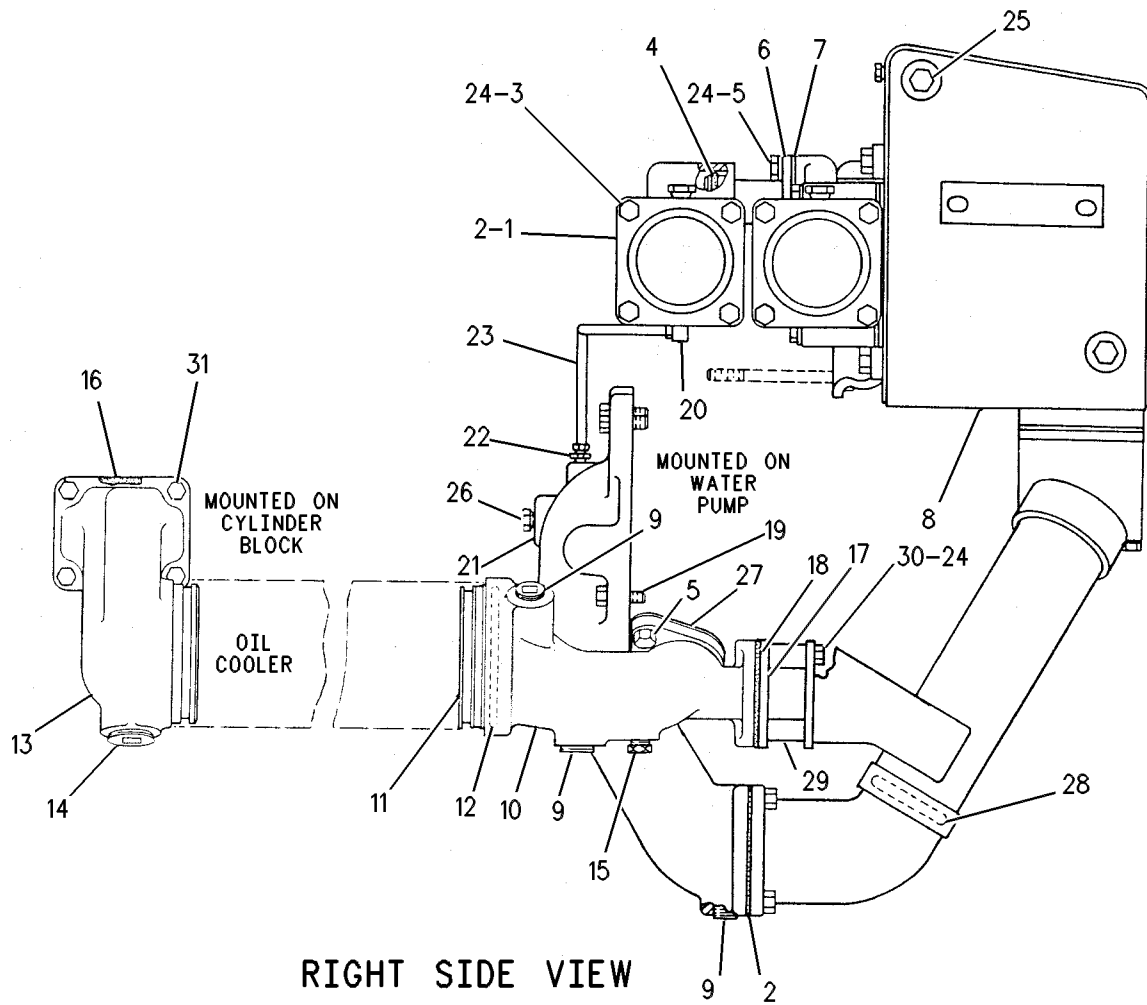
i02424622

NOTE	REF NO	GRAPHIC REF	PART NUMBER	QTY	PART NAME	1 2 3 4 5 6 (PRODUCT LEVEL)						SEE PAGE	
						1	2	3	4	5	6		
	1	1	5R-0066	2	FLANGE								
	2	1,2	2N-0931	4	GASKET								
	3	1	0S-1571	8	BOLT (3/8-16X1.75-IN)								
		1	9S-8752	8	NUT-FULL (3/8-16-THD)								
	4	1	109-0076	1	SEAL-O-RING								
	5	1	0S-1594	4	BOLT (3/8-16X1-IN)								
	6	1	4N-3862	1	ADAPTER AS								
	7	1	7C-0307	1	GASKET								
	8	1	1W-1430	1	TANK AS-EXPANSION								
		1	5D-2643	1	LUG								
		1	6J-2237	5	BOSS-WELD								
	9	1	7X-7731	3	PLUG-PIPE								
	10	1	6N-0367	1	BONNET-OIL COOLER								
	11	1	4N-6257	1	ADAPTER								
	12	1	109-0077	1	SEAL-O-RING								
	13	1	130-8885	1	BONNET-OUTLET								
	14	1	8T-6761	1	PLUG-PIPE								
	15	1	8T-6767	1	PLUG-PIPE								
	16	1	4N-0641	1	GASKET								
	17	1	2P-2772	1	COVER								
	18	1	4N-0933	1	GASKET								
	19	1	0S-1591	4	BOLT (3/8-16X1.5-IN)								
	20	1	5K-9243	1	ELBOW-FLARED								
	21	1	4N-3065	1	COVER-WATER PUMP								
	22	1	6L-3616	1	CONNECTOR								
	23	1	4N-6643	1	TUBE AS-VENT								
	24	1	5M-2894	12	WASHER-HARD (10.2X18.5X2.5-MM THK)								
	25	1	8T-6765	2	PLUG-PIPE								
	26	1	7W-6492	1	PLUG-PIPE								
	27	1	1W-2636	1	GASKET								
	28	1	110-7753	2	SEAL-O-RING								
	29	1	2M-8545	2	SPACER (1.56-IN THK)								
	30	1	0T-0573	2	BOLT (3/8-16X2.75-IN)								
	31	1	1A-2029	4	BOLT (3/8-16X1.125-IN)								
	32	2	4N-3857	1	PIPE-HEAD OUTLET								
	33	2	4F-5695	1	PLUG-CUP								
	34	2	4N-1156	1	GASKET-REGULATOR COVER (EXPANSION TANK)								
	35	2	0S-1594	9	BOLT (3/8-16X1-IN)								
	36	2	0S-1608	5	BOLT (3/8-16X3.75-IN)								
	37	2	0S-1585	6	BOLT (1/2-13X1.5-IN)								
		2	5P-8245	6	WASHER-HARD (13.5X25.5X3-MM THK)								
	38	2	5M-2894	2	WASHER-HARD (10.2X18.5X2.5-MM THK)								
	39	2	4N-3863	1	SUPPORT-EXPANSION TANK								
	40	2	1W-4482	1	ELBOW								
	41	2	7W-6492	1	PLUG-PIPE								
	42	2	8T-6764	2	PLUG-PIPE (1/8-27-THD)								
	43	2	0T-0055	2	BOLT (3/8-16X4.25-IN)								
	44	2	4N-3858	1	GASKET (TEMPERATURE REGULATOR HOUSING)								
	46	2	248-5513	2	REGULATOR-TEMPERATURE (92-DEG C) (EXPANSION TANK COOLANT)								
	47	2	4N-3918	1	COVER AS								
		2	7W-6492	1	PLUG-PIPE								
	48	2	4M-1336	3	FERRULE								
	49	2	3S-9643	2	SEAL-LIP TYPE (WATER TEMPERATURE REGULATOR)								
	50	2	1W-4478	1	ELBOW								
	51	2	1W-4481	1	TUBE AS								

COOLING SYSTEM

9Y-0993 TANK GP-EXPANSION (contd.)

i02424622



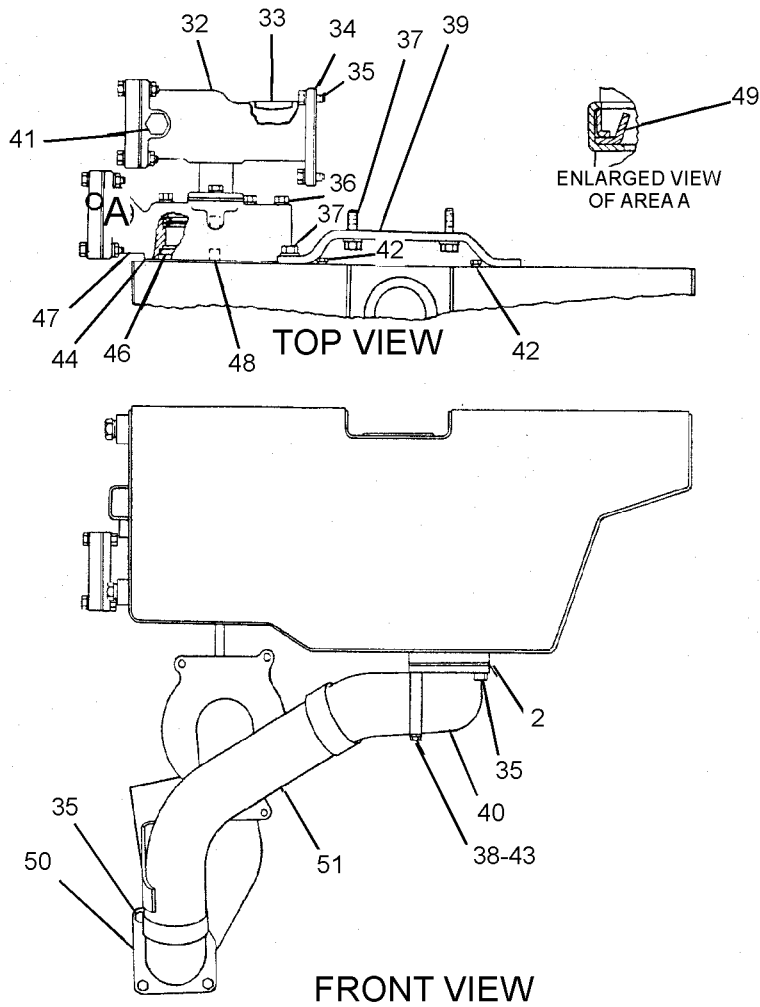
GRAPHIC #1

g00448246

COOLING SYSTEM

9Y-0993 TANK GP-EXPANSION (contd.)

i02424622



COOLING SYSTEM

9Y-0994 TANK GP-EXPANSION

SMCS-1354

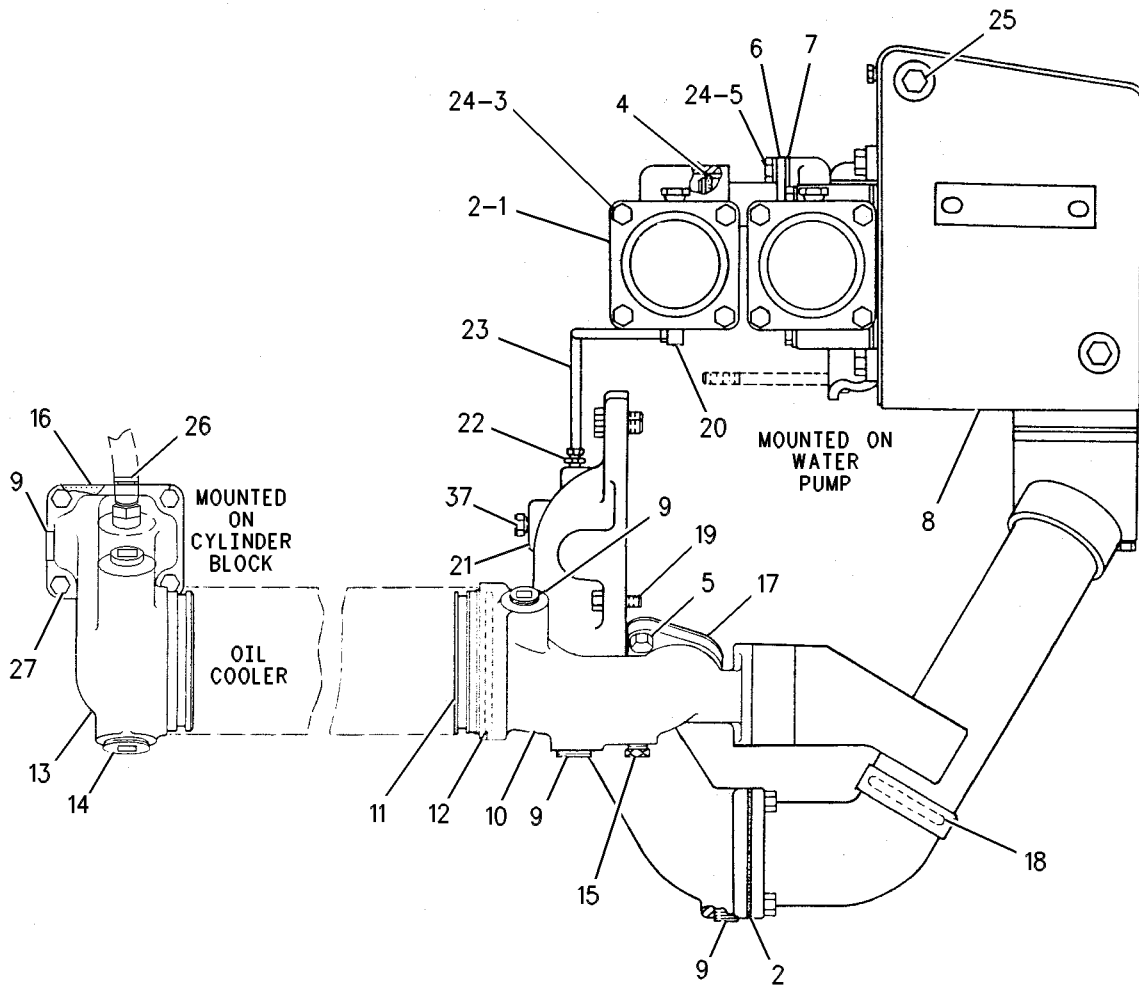
i02424621

NOTE	REF NO	GRAPHIC REF	PART NUMBER	QTY	PART NAME						SEE PAGE
					1	2	3	4	5	6 (PRODUCT LEVEL)	
	1	1	5R-0066	2	FLANGE						
	2	1,2	2N-0931	4	GASKET						
	3	1	0S-1571	8	BOLT (3/8-16X1.75-IN)						
		1	9S-8752	8	NUT-FULL (3/8-16-THD)						
	4	1	109-0076	1	SEAL-O-RING						
	5	1	0S-1594	4	BOLT (3/8-16X1-IN)						
	6	1	4N-3862	1	ADAPTER AS						
	7	1	7C-0307	1	GASKET						
	8	1	1W-1430	1	TANK AS-EXPANSION						
		1	5D-2643	1	LUG						
		1	6J-2237	5	BOSS-WELD						
	9	1	7X-7731	4	PLUG-PIPE						
	10	1	6N-0367	1	BONNET-OIL COOLER						
	11	1	4N-6257	1	ADAPTER						
	12	1	109-0077	1	SEAL-O-RING						
	13	1	130-8860	1	BONNET-OUTLET						
	14	1	8T-6761	1	PLUG-PIPE						
	15	1	8T-6767	1	PLUG-PIPE						
	16	1	4N-0641	1	GASKET						
	17	1	1W-2636	1	GASKET						
	18	1	110-7753	2	SEAL-O-RING						
	19	1	0S-1591	4	BOLT (3/8-16X1.5-IN)						
	20	1	5K-9243	1	ELBOW-FLARED						
	21	1	4N-3065	1	COVER-WATER PUMP						
	22	1	6L-3616	1	CONNECTOR						
	23	1	4N-6643	1	TUBE AS-VENT						
	24	1	5M-2894	10	WASHER-HARD (10.2X18.5X2.5-MM THK)						
	25	1	8T-6765	2	PLUG-PIPE						
	26	1	8T-6762	2	PLUG-PIPE						
	27	1	1A-2029	4	BOLT (3/8-16X1.125-IN)						
	28	2	4N-3857	1	PIPE-HEAD OUTLET						
	29	2	1W-4481	1	TUBE AS						
	30	2	4N-1156	1	GASKET-REGULATOR COVER (EXPANSION TANK)						
	31	2	0S-1594	9	BOLT (3/8-16X1-IN)						
	32	2	0S-1608	5	BOLT (3/8-16X3.75-IN)						
	33	2	0S-1585	6	BOLT (1/2-13X1.5-IN)						
		2	5P-8245	6	WASHER-HARD (13.5X25.5X3-MM THK)						
	34	2	5M-2894	2	WASHER-HARD (10.2X18.5X2.5-MM THK)						
	35	2	4N-3863	1	SUPPORT-EXPANSION TANK						
	36	2	1W-4482	1	ELBOW						
	37	2	7W-6492	2	PLUG-PIPE						
	38	2	8T-6764	1	PLUG-PIPE (1/8-27-THD)						
	39	2	0T-0055	2	BOLT (3/8-16X4.25-IN)						
	40	2	4N-3858	1	GASKET (TEMPERATURE REGULATOR HOUSING)						
	42	2	248-5513	2	REGULATOR-TEMPERATURE (92-DEG C) (EXPANSION TANK COOLANT)						
	43	2	4N-3918	1	COVER AS						
		2	3J-5389	1	PLUG						
	44	2	4M-1336	3	FERRULE						
	45	2	3S-9643	2	SEAL-LIP TYPE (WATER TEMPERATURE REGULATOR)						
	46	2	1W-4478	1	ELBOW						
	47	2	4F-5695	1	PLUG-CUP						

COOLING SYSTEM

9Y-0994 TANK GP-EXPANSION (contd.)

i02424621



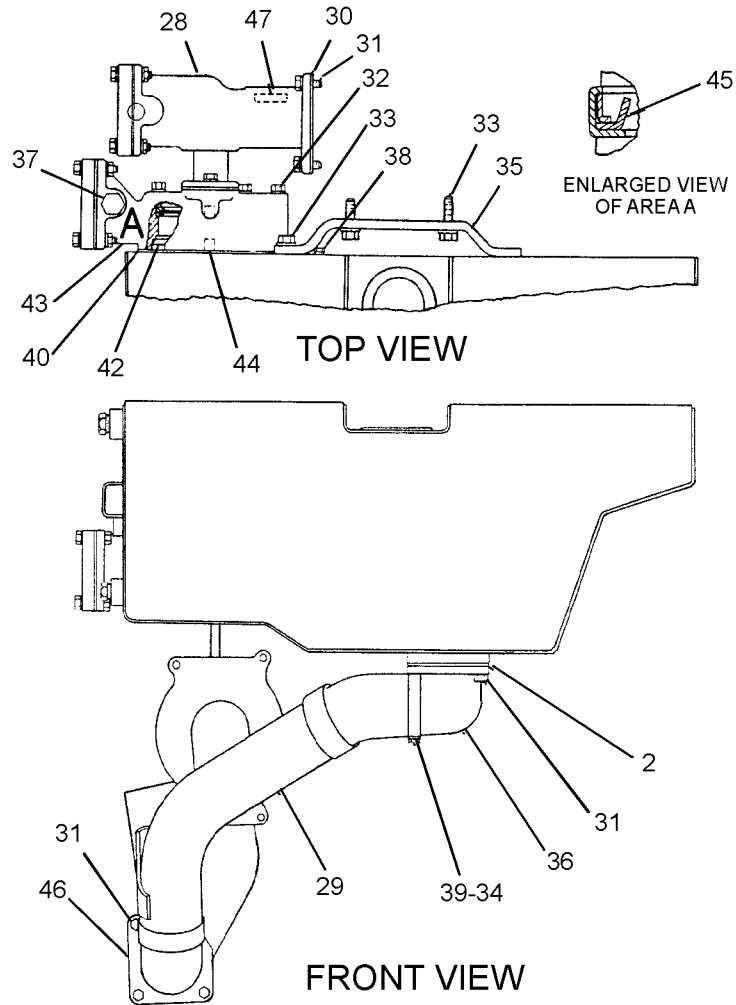
GRAPHIC #1

g00577325

COOLING SYSTEM

9Y-0994 TANK GP-EXPANSION (contd.)

i02424621



GRAPHIC #2

<END>

g01211730

MEMORANDA

PART NUMBER INDEX

Part	Page	Part	Page	Part	Page	Part	Page
0							
			378		384		395
			382		386		396
0L-0639	92		391		388		399
	94		428		390		429
0L-1022	332		429		391		432
	333		432		427		443
0L-1143	369		434		428		445
	391		436		429		447
	430		482		430		449
	484		523		435		523
	486		529		437		529
	488	OS-0355	991		443		555
	525	OS-0509	85		445		557
	527		86		447		560
0L-1351	64		254		466		568
	83		264		535		569
	254		265		538		619
	373		266		541		628
	390		402		645		630
	391		403		658		634
	405		409		774		642
	406		411		783		643
	410		412		800		646
	418		413		1133		779
	420		414		1135		787
	421		415		1183		800
	423		417		1185		802
	424		423		1187	OS-1589	106
	484		443	OS-1576	236		329
	486		445		237	OS-1590	63
	488		447		241		273
	746		449	OS-1577	238		369
	796		484		242		401
	803		486	OS-1585	300		481
0L-1352	67		488		302		482
	69		535		305		642
	284		555		306		643
	391		557		308		646
	654		560		311		647
0L-1365	305		569		312		779
	311		804		535		804
	312		975		538		1150
0L-1558	90		1006		541		1183
0L-1648	87		1007	OS-1587	53		1185
0L-2070	181		1183		87		1187
	185		1185		182	OS-1591	63
	187		1187		305		87
	189	OS-0550	273		311		92
	191		275		312		94
	193	OS-1347	787		465		184
	195	OS-1566	644	OS-1588	90		254
	199		645		103		258
	205		652		107		270
	207	OS-1571	243		254		279
	209		270		258		280
	211		279		292		281
	213		280		296		282
	215		281		361		374
	217		282		363		391
	219		305		365		411
	221		311		380		413
	223		312		382		420
	225		374		384		421
	273		380		386		423
	374		382		388		424

PART NUMBER INDEX

Part	Page	Part	Page	Part	Page	Part	Page
	470		378		379		1201
	471		382		380	OS-1618	228
	479		390		384		230
	481		391		386		302
	484		401		388		374
	489		410		390		525
	497		418		397		527
	500		428		398		741
	506		435		400		805
	507		443		535		811
	514		445		538		813
	515		447		541		815
	516		449	OS-1613	83		817
	535		457		372		1183
	538		460		373		1185
	541		479	OS-1614	760		1187
	657		489	OS-1615	55	OS-1619	57
	658		497		67		67
	659		498		69		69
	664		500		73		103
	666		523		468		104
	1183		529		535		105
OS-1592	555		535		756		273
	557		538		805		275
	569		541		811		281
OS-1594	55		568		813		282
	64		569		815		283
	83		591		817		374
	87		592		827		379
	96		599		828		380
	97		617		830		384
	98		630		832		386
	99		634		834		388
	100		637		836		397
	101		667		838		398
	102		669		840		400
	103		671		843		427
	104		673		851		430
	105		737		1147		435
	109		763	OS-1616	533		437
	111		777		575		479
	183		798		579		489
	185		974		581		497
	219		1014		584		500
	221		1015		586		721
	223		1145		588	OS-1623	308
	225		1183		737	OS-1624	380
	254		1185		746		382
	258		1187		760		384
	264	OS-1595	286	OS-1617	55		386
	265		501		67		388
	266	OS-1597	745		69	OS-1625	87
	273		1070		73		328
	275		1079		92	OS-1973	1169
	286		1108		94	OT-0055	284
	292		1118		370		535
	294		1122		525		538
	296		1125		527		541
	300		1128		796	OT-0065	378
	302	OS-1600	234		805		382
	306	OS-1601	235		811		617
	308		239		815	OT-0102	57
	370	OS-1602	240		817		269
	373		336		974		1035
	374	OS-1608	374		1200	OT-0318	269

PART NUMBER INDEX

Part	Page	Part	Page	Part	Page	Part	Page
OT-0320	1163		283		817	1B-5358	606
	1165		284		1145		607
OT-0573	270		305	1B-0581	777		609
	279		311	1B-1293	777		610
	280		312	1B-2578	721		614
	281		371		732		644
	282		372	1B-2713	574		645
	302		373		787		652
	523		375	1B-2714	760		653
	529		379		779	1B-5997	182
	535		380	1B-2716	775	1B-7182	184
	538		382		776		506
OT-0772	422		384	1B-2717	760		507
OT-0857	177		386	1B-2790	113		514
	336		388		370		515
OV-0375	453		391		404		516
	455		397		618		525
	457		398		805		527
	458		400		811		800
			404		813		1147
			420		815	1B-7709	183
			421		817	1B-8074	232
			423		849	1B-8471	517
			426		850		519
1A-1135	506		427		1147		521
	507		431	1B-2886	232		531
	514		437		339	1B-8704	374
	515		453	1B-3057	502		390
	516		455	1B-3867	504		897
	610		458		506	1B-8705	85
1A-1460	90		479		507		86
	92		482	1B-4201	721		243
	94		486	1B-4203	304		904
	270		489	1B-4330	300		909
	279		497		390		913
	280		502		533		915
	281		538		721	1B-8714	55
	300		541		737		57
	305		617		746		64
	306		803		779		67
	311		804		1147		69
	312		974		1199		73
	899		994	1B-4367	614	1B-8737	90
1A-2029	67	1A-4784	411	1B-4430	302	1B-9575	292
	69		413		311		294
	187	1A-4907	760		312		296
	189	1A-5183	304		899		304
	191		305	1B-5170	277		548
	193		311		391		550
	195		312	1B-5174	185		551
	199		390		187		637
	205	1A-5964	83		189		746
	207		107		193		1147
	209		109		199	1C-0569	667
	211		111		213		669
	213		373		270		671
	215		390		279		673
	217	1A-7669	308		280		675
	231	1A-8285	737		681	1C-1976	517
	244		739	1B-5355	645		519
	253	1A-9579	502		666		521
	254		805	1B-5357	608	1C-2251	774
	258		811		612	1D-4538	746
	269		813		613	1D-4539	779
	281		815		644	1D-4540	248
	282						

1

PART NUMBER INDEX

Part	Page	Part	Page	Part	Page	Part	Page
	637		61		1076	1H-9580	1163
1D-4541	249		62		1079		1165
1D-4566	185		63		1083	1H-9581	1165
	187		83		1086	1H-9696	828
	189		90		1088		832
	191		107		1122		836
	193		109		1125		840
	195		111		1128	1J-8668	273
	199		185	1H-3244	876		275
	205		191		879	1J-9671	787
	207		205		881		828
	209		207		884		832
	211		211		887		836
	213		217		890		840
	215		219		893		867
	217		221		895	1K-6539	743
1D-4569	54		223		897	1K-6937	292
	59		225		901		294
	60		299		906		296
	61		302		909	1L-2072	1165
	62		305		911	1L-2073	▶1165
	63		306		913	1L-2279	443
	178		308		918		1035
	244		311		920		1037
	299		312		923	1L-2313	739
1D-4572	273		899		926	1L-3613	404
1D-4716	665	1F-7960	185		928		407
	779		187	1H-3337	441	1L-3769	785
	1182		189		667	1L-4775	184
1D-4717	390		193		669		504
	391		199		673	1L-4863	92
	474		205	1H-3338	92		94
	523		209	1H-5166	304	1L-5011	▶1163
	657		211		1168	1L-5081	869
	737		213	1H-5403	185		1150
	779		215		187	1L-5987	991
	799		219		189		993
	994		221		193		994
	1133		223		199	1L-6561	375
	1135		225		207		390
	1200	1H-1023	1043		209		391
1D-4719	178		1047		219		941
	187		1052		221		944
	189		1063	1H-5514	734		949
	193		1066		735		1191
	199		1070		737		1193
	209		1073	1H-6936	985		1195
	213		1076		986	1L-6931	87
	215		1079		990		90
	300		1082	1H-7339	107		94
	304		1085		109	1L-6939	390
1F-0750	267		1088		111	1L-9048	904
	420		1122		184		1163
	523		1125	1H-8278	183		1165
	525		1128	1H-8289	737	1L-9049	1163
	527	1H-1200	472		739		1165
	637		474	1H-9569	1163	1L-9059	1163
1F-3856	258		475		1165	1L-9060	1163
1F-4111	637	1H-2629	1042	1H-9570	1165	1L-9061	1163
1F-4622	793		1047	1H-9572	1163	1L-9062	1163
1F-6660	294		1052		1165	1L-9063	1163
	296		1063	1H-9573	1165	1L-9064	1163
1F-7958	54		1066	1H-9574	1165	1L-9066	1163
	59		1070	1H-9575	1165	1L-9067	1163
	60		1073	1H-9578	1165	1L-9068	1163

PART NUMBER INDEX

Part	Page	Part	Page	Part	Page	Part	Page
1L-9069	1163		1125	1N-8162	559		1187
1L-9079	1165		1128	1N-8509	▶1166		1191
1L-9080	1165	1N-2984	636	1N-9087	897		1193
1L-9899	1166	1N-2991	▶54	1N-9770	938		1195
1M-0130	102	1N-2992	▶55		947		1200
1M-0644	438		77	1N-9882	760		1201
	439	1N-2993	55	1N-9954	868	1S-1770	575
	440	1N-2994	55	1P-0436	779		579
1M-1254	752	1N-2995	▶57		848		581
1M-3735	181		78		849		584
1M-4986	1105	1N-2997	▶59		850		588
	1110	1N-2998	57	1P-1120	575	1S-1953	828
	1133	1N-3181	284		579		830
	1135	1N-3257	846		581		832
	1145		847		584		834
	1147	1N-3447	▶642		586		836
1M-6119	930	1N-3449	▶643		588		838
	931	1N-3450	643	1P-1367	358		840
	932	1N-3452	642		362		843
	933		646		391	1S-2244	978
	934	1N-3456	643	1P-1669	280	1S-2294	978
	935	1N-3522	57		281	1S-4295	683
	937	1N-3523	287		282		685
	955		288		283		686
	1133		290	1P-3458	419		687
	1135		298	1P-4578	422		689
1M-6120	930	1N-3583	785	1P-4923	1179		695
	931	1N-3789	782		1180		700
	932	1N-3800	788		1181		702
	933	1N-3802	788	1P-6452	872		708
	934	1N-3810	410		873		712
	935	1N-3876	▶252		874		715
	937	1N-3877	252	1P-7326	941		717
	955	1N-3880	▶253		944	1S-4577	664
	1133	1N-3881	253	1P-7346	243		666
	1135	1N-3886	302	1P-9390	553	1S-4810	426
1M-7643	1145	1N-3887	787		554		427
1M-9968	1043	1N-3935	787		565		428
	1048	1N-3970	▶178		566		431
	1052	1N-3973	178		1206	1S-5440	764
	1063	1N-3974	178	1P-9946	191		766
	1067	1N-3975	178		195		768
	1071	1N-4470	▶287		197		788
	1073	1N-4471	1		201	1S-6595	425
	1077		3		203		426
	1080		5		205		427
	1083		9		207		428
	1086		17		211		431
	1089		45		215	1S-7056	897
	1123		49		217		1019
	1126		▶635	1R-0716	378		1021
	1129	1N-4475	287		379	1S-7107	55
1M-9971	1043	1N-4483	1181		380		67
	1048	1N-4493	1179		382		69
	1053	1N-4753	29		384	1S-7251	955
	1064		▶1179		386	1S-7443	92
	1066	1N-4802	655		397	1S-7446	1066
	1070	1N-4803	655		398		1070
	1074		656	1R-0749	782		1073
	1076	1N-4874	▶401		783		1076
	1079	1N-4888	▶1169	1R-1808	374		1079
	1083	1N-5331	13		388		1082
	1085		▶732		400		1085
	1088	1N-8160	559	1S-0666	1183		1088
	1122	1N-8161	559		1185		1122

PART NUMBER INDEX

Part	Page	Part	Page	Part	Page	Part	Page
	1125		▶793		13	1W-3151	796
	1128	1W-1205	755		15		800
1S-9540	120		▶760		17		803
	122		866		19		866
	124	1W-1394	19		21	1W-3285	828
	126		▶484		23		830
	128		▶486		25		832
	130	1W-1395	1		27		834
	132		3		29		836
	134		5		31		838
	136		7		33		840
	141		9		35		843
	143		11		37	1W-3559	706
	145		13		39		707
	149		15		41	1W-3860	161
	151		17		43		164
1S-9544	484		19		45	1W-3961	787
	488		21		46	1W-3962	787
1S-9593	941		23		47	1W-4097	681
	944		29		48	1W-4243	787
	949		31		49	1W-4291	647
	953		33		50	1W-4478	535
	967		35		▶284		538
	1156		37	1W-1469	284		541
1S-9799	292		39	1W-1471	284	1W-4481	535
	296		41	1W-1652	800		538
1S-9867	55		43	1W-1653	▶575		541
1T-0808	1070		45		681	1W-4482	535
	1079		46	1W-1669	851		538
	1122		47	1W-1698	851		541
	1125		48	1W-1699	851	1W-4580	773
	1128		49	1W-1700	827	1W-4581	770
1T-0822	553		50		▶851		772
	565		▶107	1W-1898	181	1W-4878	▶553
1U-8846	280	1W-1396	484	1W-2031	390		▶554
	281		486	1W-2032	390	1W-4879	548
1W-0292	182		488	1W-2093	615		551
1W-0293	182	1W-1397	484		616	1W-5106	5
1W-0294	182		486		619		▶96
1W-0295	182		488		622	1W-5107	25
1W-0296	▶182	1W-1398	484		623		27
1W-0422	▶345		486		625		37
1W-0512	548		488		626		▶97
	551	1W-1399	484	1W-2316	771	1W-5283	153
1W-0557	7		486	1W-2488	107		154
	▶805		488		109		168
1W-1176	25	1W-1430	535		111	1W-5339	788
	27		538	1W-2636	479	1W-5341	788
	▶185		541		489	1W-5427	764
1W-1179	755	1W-1439	7		497		766
	▶777		9		500		768
1W-1184	760		11		535	1W-5431	764
1W-1185	760		31		538		766
1W-1186	760		49		541		768
1W-1187	760		50	1W-2803	55	1W-5434	764
1W-1188	760		▶155		57		766
1W-1189	760		▶156		64		768
1W-1190	760		▶157	1W-2838	▶1150	1W-5438	764
1W-1191	760	1W-1456	306	1W-2841	1150		766
1W-1192	760	1W-1468	1		1152		768
1W-1196	760		3	1W-3092	628	1W-5441	764
1W-1198	760		5		629		766
1W-1200	760		7	1W-3136	273		768
1W-1202	760		9		275	1W-5785	828
1W-1204	760		11	1W-3138	▶807		830

PART NUMBER INDEX

Part	Page	Part	Page	Part	Page	Part	Page
	832		48	1W-9113	315		1183
	834		49	1W-9162	67	2B-0941	302
	836		50		69		1183
	838		▶774	1W-9167	808		1185
	840	1W-7410	733		809		1187
	843		734		810		1195
1W-5910	851		735		822	2B-0947	60
1W-6134	83		737	1W-9168	808		61
1W-6157	▶300		739		809		63
1W-6159	300		745		810		253
	302	1W-7411	▶733		820		299
1W-6354	620	1W-7412	▶734		821		300
	624	1W-7413	▶735		822		302
1W-6378	9	1W-7935	▶227	1W-9169	808		644
	11	1W-8217	▶1001		809	2B-2006	107
	29	1W-8235	31		810		109
	49		▶770		820		111
	50	1W-8340	7		821		302
	▶763		▶233		822	2B-2404	758
1W-6382	763	1W-8341	7	1W-9302	118	2B-2694	551
1W-6411	▶183		▶102	1W-9460	321		779
1W-6412	183	1W-8342	7	1Y-0684	288		849
1W-6990	547		▶419				869
	550	1W-8347	7				1185
1W-7112	481		13				1187
1W-7238	438		15			2B-2695	64
	439		19	2A-0047	986		67
	440		21		988		69
1W-7239	438		23		989		178
	439		25		990		227
	440		27	2A-0762	701		229
1W-7303	553		29		703		287
	554		33		716		288
	565		35		1145		290
	566		37		1147		292
1W-7305	565		39	2A-0954	55		294
	566		41	2A-1162	270		296
1W-7306	553		43		271		298
	554		46		272		787
	569		▶548		277	2B-6030	233
1W-7376	1	1W-8460	5		278	2B-7408	90
	3		▶615		279	2D-1523	182
	5	1W-8582	▶184	2A-1314	991	2D-4534	83
	7	1W-8583	▶228	2A-2677	502	2D-4867	185
	9	1W-8584	▶505	2A-4133	746		187
	11	1W-8684	31	2A-4429	161		189
	13		▶736		162		191
	15	1W-8702	184		163		193
	17	1W-8791	794		164		195
	19		826		165		197
	21	1W-8808	▶425		166		199
	23		451		169		201
	25	1W-8914	1171		170		203
	27	1W-9010	5	2A-4639	425		205
	29		▶771		426		207
	31	1W-9070	667		431		209
	33		669		974		211
	35		671	2A-4996	760		213
	37		673	2A-5546	727		215
	39		1001		729		217
	41		1002	2A-5790	721		219
	43		1003	2B-0858	55		221
	45		1005		57		223
	46		1014		67		225
	47		1015		288	2D-6235	737

2

PART NUMBER INDEX

Part	Page	Part	Page	Part	Page	Part	Page
	739		1108		1147	2L-8060	1166
2D-6392	726		1122	2L-3331	795	2L-8061	1166
	731		1125	2L-3402	1173	2L-8065	1168
	860		1128		1174	2L-8066	978
	1043	2H-3750	155	2L-3605	667	2L-8067	978
	1048		158		669	2L-8068	978
	1052	2H-3755	55		671	2L-8071	978
	1063		375		673	2L-8074	1168
	1066		665		675	2L-8075	876
	1070		779	2L-4437	90		881
	1073		1182	2L-4441	90		884
	1076	2H-3920	909	2L-5271	506		887
	1079		913		507		911
	1082	2H-3931	55	2L-6010	87		918
	1085	2H-3934	244	2L-6243	410		978
	1088	2H-6139	953		418		1017
	1122	2H-9089	502	2L-6267	87		1018
	1125	2J-0157	785		92		1166
	1128	2J-3505	1169		94		1168
2D-6642	783	2J-6540	647		760	2L-8076	304
2D-8822	83	2J-8163	1042	2L-6457	869	2L-8077	1166
2F-2860	1042		1043	2L-6679	995	2L-8079	1168
	1047		1047		1042	2L-8081	978
	1052		1048		1047		1166
	1063		1052		1052		1168
2F-4967	292		1063		1063	2L-9038	745
	294		1066		1067	2L-9724	1166
	296		1070		1070		1168
2F-6262	83		1073		1073		1183
2F-6678	1043		1076		1077		1185
	1048		1079		1079	2L-9808	▶1166
	1052		1082		1082	2M-0849	83
	1063		1085		1085		107
	1067		1088		1088		270
	1071		1122		1122		279
	1074		1125		1128		280
	1077		1128	2L-6726	721		281
	1080	2K-0564	90	2L-6744	721		300
	1083	2K-4472	244	2L-6965	1019		302
	1086	2K-4821	879		1021		465
	1089		881	2L-7151	90		899
	1123		884	2L-7152	90	2M-1538	181
	1126		887	2L-7153	90		273
	1129		904	2L-7154	90		275
2F-7771	324		906	2L-7155	90		375
	325		909	2L-7156	90		391
	327		911	2L-7157	90	2M-2488	181
2H-0191	676		913	2L-7158	90	2M-4453	783
	678		915	2L-7159	90	2M-4779	779
2H-0210	743		920	2L-7160	90	2M-6471	120
2H-1193	479	2K-4973	267	2L-7161	90		128
	489		424	2L-7162	90		153
	500		517	2L-7246	90		154
2H-3429	760		519	2L-7287	721		168
	785		521	2L-7289	721	2M-7819	788
	1066		529	2L-8049	978	2M-8545	535
	1070		531		1166		538
	1074		553	2L-8050	978	2M-9780	120
	1076		554		1166		128
	1079		565	2L-8052	1166		288
	1082		566	2L-8054	978		428
	1085	2K-8198	246		1039		754
	1088		249		1166		783
	1099	2K-8467	783	2L-8057	1166	2N-0178	374
	1102	2L-0273	1145	2L-8058	1166		390

PART NUMBER INDEX

Part	Page	Part	Page	Part	Page	Part	Page
2N-0179	374	2N-2766	590		164	2N-8630	292
	390		594		165		296
2N-0816	1191		601		166		615
	1193		602		167		616
	1195		615	2N-5842	353		617
2N-0821	1191		616		354		619
	1193		619		355		628
	1195		623	2N-5848	374		671
2N-0828	788		624		390		673
2N-0931	496		625		1191	2N-9263	▶604
	535		626		1193	2N-9345	441
	538		627		1195	2N-9768	533
	541		628		1199		534
2N-1287	249		629	2N-5920	760	2P-1289	296
	287		630	2N-6005	721		491
	288		631	2N-7228	332	2P-1306	375
	290		632		333	2P-1311	491
	292		633	2N-7229	332		499
	294		634		333	2P-1956	52
	296		682	2N-7638	1145	2P-2216	636
	298		683		1147		991
	375		685	2N-7942	506	2P-2243	189
	825		686		507		193
	961		687	2N-8037	798		199
	1023		689	2N-8109	366	2P-2685	872
	1025		690		367		873
	1183		695		368		874
	1185		700	2N-8204	548	2P-2719	372
	1187		702		550		373
2N-1288	292		708		551	2P-2720	83
	294		712		635		372
	296		713	2N-8220	1		373
	498		715		3	2P-2772	103
2N-2258	941		717		5		104
	944		718		7		105
	949	2N-2878	861		9		273
	952	2N-3350	774		11		275
2N-2280	308	2N-3378	287		13		281
2N-2765	590		298		15		282
	594		443		17		283
	601		445		19		391
	602	2N-3385	545		21		460
	615		555		23		538
	616		557		25	2P-2817	316
	619		560		27		317
	623		564		29		319
	624		568		33		321
	625	2N-3479	941		35	2P-3202	615
	626		944		37		616
	627		949		39		617
	628		952		41	2P-3203	314
	629		1183		43		315
	683		1185		45		615
	685		1187		46		616
	686	2N-3480	545		47	2P-3205	438
	687		938		48		439
	689		941		49		440
	690		944		50	2P-3696	506
	695		949		▶366		507
	700		952	2N-8612	▶345	2P-3760	374
	702	2N-4604	1191	2N-8628	615		378
	708		1193		616		382
	712	2N-5775	161		617		391
	715		162		619	2P-3761	374
	717		163		628		378

PART NUMBER INDEX

Part	Page	Part	Page	Part	Page	Part	Page
	382		225		440		49
	391		788	2T-2305	375		50
2P-4005	391	2P-9556	788	2V-1713	1017		▶796
2P-4301	374	2P-9845	353		1018	2W-3453	779
	391		355		930	2W-3454	779
2P-4303	380	2R-4761	809	2V-7397	931	2W-3455	779
	382	2R-6806	779		932	2W-3456	779
	384		796		933	2W-3457	13
	386		800		934		37
	388		804		935		▶798
	391	2S-0795	453		937	2W-3458	798
2P-4304	359		455	2W-0394	941	2W-3466	737
	364		457		944		739
	374		458	2W-0417	1199	2W-3467	737
	378	2S-1304	688	2W-0459	107		739
	380		698		109	2W-3469	▶737
	382		714		111		▶739
	384		716	2W-0619	970	2W-3560	▶1008
	386	2S-2053	402	2W-0715	575	2W-3638	183
	388		403		579	2W-3681	374
	391		405		581		1191
2P-4305	374		406		584		1193
	380		481	2W-0719	704		1195
	382		482	2W-0725	683		1199
	384		486	2W-0727	577	2W-3687	1199
	386	2S-2251	378		698	2W-3815	128
	388		380	2W-0799	788		130
	390		382	2W-0800	788		132
	391	2S-2301	1191	2W-0801	787	2W-4071	▶638
2P-4439	869	2S-2493	655	2W-0956	721	2W-4072	▶639
2P-5616	876		656	2W-1007	▶726	2W-4073	▶640
	881		661	2W-1609	425		▶641
	884		662	2W-1610	453	2W-4124	451
	887	2S-2760	438		499		▶453
	906		439	2W-1838	178	2W-4125	▶451
	911		440	2W-1847	▶681	2W-4331	300
	918	2S-2923	246		713	2W-4381	1
2P-7214	796		249	2W-2133	431		3
	800	2S-3079	55	2W-2216	788		5
	803	2S-3770	631	2W-2622	161		8
2P-7554	244		632		164		10
2P-7555	244		633	2W-2927	796		12
2P-8643	757	2S-3992	783	2W-3452	1		14
2P-8986	244	2S-4013	55		3		15
2P-8987	244	2S-4245	55		7		18
2P-9084	185	2S-4652	760		9		20
	187	2S-4663	244		11		22
	189	2S-4704	567		13		24
	191	2S-5651	▶655		15		25
	193	2S-5658	1023		17		27
	195		1025		19		30
	197		1035		21		31
	199		1037		23		33
	201	2S-6658	492		29		36
	203	2S-6708	655		31		38
	205		656		33		39
	207		661		35		41
	209		662		37		43
	211	2S-7227	38		39		45
	213		▶1039		41		46
	215		▶1040		43		47
	217	2S-7593	83		45		48
	219		758		46		49
	221	2S-7905	438		47		50
	223		439		48		▶827

PART NUMBER INDEX

Part	Page	Part	Page	Part	Page	Part	Page
2W-4869	777	2W-7284	1183		23		949
2W-4899	941		1185		31	2W-8901	▶940
	1190		1187		33	2W-8903	▶940
2W-4904	87	2W-7285	1183		35	2W-8911	▶1156
2W-4908	▶87		1185		37	2W-8915	958
	324		1187		39		959
2W-4909	▶324	2W-7288	1183		41		961
2W-4912	▶90		1185		43		▶1158
	325		1187		45	2W-8916	963
2W-4913	▶325	2W-7289	799		46		▶1138
2W-5133	55	2W-7290	799		47	2W-8935	723
2W-5447	852	2W-7291	1183		48		944
	853		1185		49		949
	859		1187		50	2W-8936	938
	860	2W-7292	1183		▶1180	2W-8937	938
	861		1185	2W-8197	▶1002	2W-8938	938
	862		1187	2W-8198	14		947
	863	2W-7293	799		38	2W-8939	938
	864	2W-7295	▶1183		▶1003	2W-8940	938
	869	2W-7297	1183	2W-8539	1	2W-8956	▶1139
2W-5448	852	2W-7325	▶787		3	2W-9104	12
	853		852		5		32
	855		853		45		50
	857		855		▶852		▶855
	858		857	2W-8541	8	2W-9112	758
	859		858		18	2W-9115	10
	860		859		22		49
	861		860		24		▶857
	862		861		36	2W-9161	32
	863		862		39		▶868
	864		863		41		1145
2W-6000	128		864		43		1147
	132	2W-7400	787		47	2W-9215	1175
	141	2W-7455	243		48	2W-9305	788
2W-6044	55	2W-7593	263		▶853	2W-9315	727
2W-6102	788	2W-7594	▶263	2W-8547	713		729
2W-6458	796	2W-7595	▶799	2W-8602	941	2W-9316	727
2W-6660	855	2W-7615	244		944		729
	857	2W-7704	869		949	2W-9660	254
	862	2W-7811	1197		952		256
	863	2W-7841	▶594	2W-8603	941	2W-9661	254
	▶872	2W-7846	▶606		944		256
2W-6820	719	2W-7847	▶607		949	2W-9663	254
2W-6964	467	2W-7848	▶608		952		256
	517	2W-7850	▶609	2W-8604	985	2W-9664	▶254
	531	2W-7851	▶610		986		▶256
2W-7037	807	2W-7857	▶611		990	2W-9666	▶258
2W-7157	▶488	2W-7858	611	2W-8628	852		▶260
2W-7158	▶535	2W-7859	611		853	2W-9667	254
2W-7201	13	2W-7860	▶612		860		256
	▶370	2W-7861	612		861		258
2W-7203	370	2W-7862	612		864		260
2W-7234	872	2W-7863	▶613		▶873	2W-9672	258
	873	2W-7864	613	2W-8683	1190		260
	874	2W-7865	613	2W-8684	941	2W-9675	254
2W-7256	262	2W-8133	1		944		258
2W-7257	▶262		3		949	2W-9679	254
2W-7263	807		7	2W-8685	▶938		258
	819		9	2W-8799	1199	2W-9684	254
	823		11	2W-8802	941		258
	824		13		944	2W-9685	254
2W-7264	807		15		949		256
	819		17		952		258
	823		19	2W-8803	941		260
	824		21		944	2W-9686	254

PART NUMBER INDEX

Part	Page	Part	Page	Part	Page	Part	Page
	256		1018		1195	3E-0130	1093
	258		1143		1199		1106
	260		1155	3B-7255	502	3E-0131	1093
2W-9687	254	3B-4502	545	3B-7257	1035		1106
	256		1010		1037	3E-0132	1093
	258		1012	3B-7259	299		1106
	260		1144		443	3E-0133	1093
2W-9688	254	3B-4504	55		445		1106
	256		67		447	3E-0134	1093
	258		69	3B-7263	1183		1106
	260		468		1185	3E-0135	1093
2W-9689	254		721		1187		1106
	256	3B-4505	55		1191	3E-0136	1093
	258		64		1193		1106
	260		67		1195	3E-0137	1093
2W-9690	254		69		1200		1106
	256		525		1201	3E-0138	1093
	258		527	3B-7280	1035		1106
	260	3B-4506	55	3B-7721	957	3E-0139	1093
2W-9691	258		57		958		1106
	260		64		960	3E-0140	1093
2W-9694	254		67		961		1106
	256		69		986	3E-0141	1093
2W-9996	788		90		990		1106
2W-9998	▶288		92	3B-7741	443	3E-0142	1093
	▶290		94		445		1106
2Y-5575	1200		472		447	3E-0144	1093
	1201		474		449		1106
			475	3B-7744	287	3E-0145	1093
			523		288		1106
			529		290	3E-0146	1093
			721		292		1106
			1144		294	3E-3361	978
3B-0551	688	3B-4507	57		296	3E-3362	978
	991	3B-4508	94		298	3E-3371	957
	993	3B-4510	90		991		958
	994		897		994		960
3B-0623	153		1039	3B-7747	292	3E-4301	764
	154		743	3B-7749	1023		766
	168	3B-4604	746		1025		768
3B-0645	153	3B-4607	559	3B-8485	83	3E-4352	1145
	154	3B-4618	92	3B-8489	87	3E-5451	901
	168	3B-4627	92		90	3E-5454	879
3B-1915	375	3B-5301	92		92		890
	402	3B-6424	760		94		893
	403	3B-6490	294		99		895
	415	3B-6491	991	3D-2098	1133		901
	417		993		1135		941
	432		994	3D-2824	851	3E-6477	944
	434	3B-6498	1035	3D-2871	273		949
	436		1037		275		952
	437	3B-6552	553	3D-2898	851		1139
	482		554	3D-5878	746		120
	486		565	3D-8317	787	3E-6747	122
	523		566	3D-8752	777		124
	529		961	3D-8884	1023		128
	619	3B-6555	1035		1025		130
	628		1037	3D-9428	468		132
	799	3B-6556	1023		535		139
	800		1025	3E-0125	1093		141
	1133	3B-6768	249	3E-0127	1093		143
	1135	3B-6769	1183		1106		145
	1200		1185	3E-0128	1093		727
	1201		1187		1106	3E-6760	729
3B-4501	938		1191	3E-0129	1093		157
	947		1193		1106	3E-6772	

3

PART NUMBER INDEX

Part	Page	Part	Page	Part	Page	Part	Page
	160	3H-0761	103		362	3L-3380	1042
	171		104		726		1047
	172	3H-3680	1010		731		1052
3E-6777	128		1012		783		1063
	141		1042		828		1066
3E-7430	292		1047		830		1070
	296		1052		832		1073
	548		1063		834		1076
	550	3H-3681	1042		836		1079
	551		1047		838		1082
3E-7446	804		1052		840		1085
3E-7577	13		1064		843		1088
	▶876	3H-5175	55		869		1122
3E-7771	1066	3H-5181	64		985		1125
	1071	3H-5366	938		986		1128
	1073	3H-5368	326		990	3L-4566	938
	1076	3H-7311	55		1178		941
	1080	3H-7654	232		1183		944
	1083		252		1185		949
	1086		263		1187	3L-4576	737
	1089		339		1191		1141
	1123	3H-9571	92		1193		1142
	1125		94		1195	3L-5893	468
	1129	3H-9572	92		1200		535
3E-7775	1102		94		1201	3L-5987	760
	1108	3H-9574	92	3K-0360	71	3L-6521	1173
	1113		94	3K-1715	955		1174
	1115	3H-9575	90	3K-3256	284	3L-6768	64
	1118	3H-9690	991	3K-3467	764		119
3E-7853	1120		993		766	3L-6789	504
3E-7886	▶996		994		768		938
	998	3J-1907	358	3K-5733	788		947
3E-9362	965		754	3K-6113	269	3L-7314	938
	966		779	3K-6168	897	3L-8187	1141
3F-0379	1042		783	3K-8106	938		1142
	1047		799		947		1176
	1052		866	3K-8460	459		1177
	1063		942		867	3L-9071	1023
	1066		944	3K-9089	737		1025
	1073		949		739	3L-9689	427
	1076		953	3L-1425	185		437
	1083		962		187	3M-7045	294
	1086		963		189	3N-1200	897
	1099	3J-5389	55		191	3N-1202	897
	1102		64		193	3N-1223	897
	1113		155		195	3N-1294	75
	1115		158		197		76
3F-3728	94		541		199	3N-1461	87
3F-4987	64		598		201	3N-1462	87
3F-7586	504		599		203	3N-1555	477
3F-9190	374		600		205		478
	390		618		207	3N-3015	606
3F-9556	92	3J-5390	55		209	3N-3017	607
	94		57		211	3N-3469	1206
	721		64		213	3N-3763	1043
	920		101		215		1048
3G-2292	243		155		217		1053
3G-3835	788		158		219		1064
3G-4213	484		287		221		1067
3G-4214	488		443		223		1071
3G-4218	488		445		225		1074
3H-0442	828		447	3L-2875	1191		1077
	830		449		1193		1080
	832	3J-7352	986		1195		1083
	834	3J-7354	178	3L-3324	760		1086

PART NUMBER INDEX

Part	Page	Part	Page	Part	Page	Part	Page
	1089	3N-7055	1132		475		1073
	1123	3N-7056	▶1132	3N-9612	472		1076
	1125	3N-7178	1183		474		1080
	1128		1185		475		1083
3N-3786	743		1187	3N-9635	474		1086
3N-3787	743	3N-7212	1197		475		1089
3N-3790	1206	3N-7303	746	3N-9636	472		1123
3N-4387	269	3N-7351	472	3N-9638	474		1125
3N-4411	1023		474	3P-0009	787		1129
	1025		475	3P-0650	375	3R-9090	38
	1035	3N-7391	869		378		▶345
	1183	3N-7442	1159		379	3S-0036	273
	1185	3N-7443	961		380		275
	1187	3N-7547	671		382	3S-0127	763
	1193	3N-7549	▶671		384	3S-1099	390
	1195	3N-7741	▶741		386		1183
	1200	3N-7758	504		388		1185
	1201	3N-7759	504		397		1187
3N-4418	1172	3N-7817	1190		398		1191
3N-4420	1172	3N-7848	667		400		1193
3N-4427	1172		669	3P-0653	1027		1195
	1197		671		1029		1200
3N-4565	1172		673		1031		1201
3N-4582	▶667		1014		1033	3S-2093	299
3N-4583	▶669		1015	3P-0656	375		502
3N-4622	374	3N-7990	▶472	3P-1323	120		970
3N-4792	1200		477		122		1166
	1201	3N-7992	▶474		128	3S-2713	796
3N-4848	184		▶475		130	3S-4484	586
	505		478		132		704
3N-4849	505	3N-8123	92		138	3S-4487	704
3N-4850	505		94		141	3S-4488	704
3N-4851	▶504	3N-8124	92		147	3S-5126	704
	505		94	3P-1823	869	3S-5127	704
3N-4854	504	3N-8125	92	3P-1979	380	3S-5128	704
3N-4855	504		94		382	3S-5129	704
3N-4856	504	3N-8269	1197	3P-6048	1037		706
3N-4857	504	3N-8427	87		1191		707
3N-4858	504	3N-8775	▶477		1193	3S-5135	704
3N-4859	504	3N-8803	234		1195	3S-5496	120
3N-4860	504	3N-8804	37	3P-6049	443		122
3N-4861	504		▶234		445		124
3N-4862	504	3N-8848	▶345		447		126
3N-4863	504	3N-9008	▶1175	3P-9200	758		128
3N-4866	504	3N-9012	▶1170	3R-1937	81		130
3N-4892	752	3N-9014	1197		82		132
3N-4896	92	3N-9015	▶1172	3R-2251	779		134
3N-4899	94		1197	3R-4437	1035		136
3N-5632	504	3N-9094	▶478		1037		141
3N-5714	1190	3N-9096	721	3R-8116	875		143
3N-5719	1190	3N-9106	671	3R-8797	1070		145
3N-5863	523	3N-9175	87		1079		149
	535	3N-9176	87		1088		151
3N-5976	1190	3N-9178	87		1108		155
3N-5978	1190	3N-9179	87		1118		156
3N-5986	1197	3N-9180	87		1120		157
3N-5987	1197	3N-9479	477		1123		158
3N-5988	1197	3N-9582	▶83		1125		159
3N-5990	1170	3N-9583	83		1128		160
3N-5992	1170	3N-9597	▶331	3R-8801	1012		171
3N-6245	961	3N-9599	472		1042		172
3N-6537	336		474		1053	3S-6049	955
3N-6667	795		475		1063	3S-6050	955
3N-7012	▶1203	3N-9607	472		1066	3S-7189	796
3N-7054	1132		474		1071	3S-8022	828

PART NUMBER INDEX

Part	Page	Part	Page	Part	Page	Part	Page
	830		1079		1129		1077
	832		1082	3T-3424	1042		1079
	834		1085		1043		1082
	836		1088		1047		1085
	838		1122		1048		1088
	840		1125		1052		1122
	843		1128		1053		1128
3S-8664	800	3T-3419	1053		1063	3T-4710	995
3S-8665	498		1064		1064		1042
3S-8888	978	3T-3420	1043		1066		1047
3S-9228	655		1047		1067		1052
	656		1052		1070		1063
3S-9643	479		1063		1071		1067
	489	3T-3421	▶1010		1073		1070
	497		1047		1076		1073
	500	3T-3422	1042		1077		1077
	535		1047		1079		1079
	538		1052		1080		1082
	541		1063		1082		1085
3T-0306	1017		1066		1083		1088
	1018		1070		1085		1122
3T-0842	1095		1073		1086		1128
	1097		1076		1088	3T-4711	1063
3T-0844	1095		1079		1089		1073
	1097		1082		1122	3T-4716	1095
3T-0847	1095		1085		1123		1097
	1097		1088		1125	3T-5451	978
3T-0849	1095		1099		1128	3T-5760	931
	1097		1102		1129	3T-5857	930
3T-0850	1095		1108	3T-3433	1043	3T-6352	▶879
	1097		1113		1048		894
3T-0858	1095		1115		1064	3T-6354	876
	1097		1118	3T-3434	1053		879
3T-0862	1095		1120		1066		881
	1097		1122		1070		884
3T-0863	1095		1125		1074		890
	1097		1128		1076		895
3T-0864	1095	3T-3423	1042		1079		911
	1097		1043		1082		918
3T-0865	1095		1047		1085		923
	1097		1048		1088		926
3T-0867	1095		1052		1099		928
	1097		1053		1102	3T-7017	1095
3T-1885	915		1063		1108		1097
3T-1886	915		1064		1113	3T-7020	1095
3T-1887	904		1066		1115		1097
	915		1067		1118	3T-7021	1095
3T-2650	▶1041		1070		1120		1097
	1061		1071		1122	3T-7022	1095
3T-2768	1095		1073		1125		1097
	1097		1076		1128	3T-7025	1095
3T-2769	1095		1077	3T-4278	887		1097
	1097		1079	3T-4696	978	3T-8955	▶1042
3T-3106	1042		1080	3T-4700	1043		▶1047
	1047		1082		1048		1058
	1052		1083	3T-4704	▶1011	3T-8967	▶1052
	1063		1085		1073	3T-9331	758
3T-3418	1042		1086	3T-4709	995	3T-9494	995
	1047		1088		1042		1042
	1052		1089		1047		1047
	1063		1122		1052		1052
	1066		1123		1063		1063
	1070		1125		1067		1067
	1073		1126		1070		1070
	1076		1128		1073		1073

PART NUMBER INDEX

Part	Page	Part	Page	Part	Page	Part	Page
	1074		1199		1173	4B-9782	87
	1077	4B-2042	949	4B-4278	523	4C-9614	676
	1079	4B-2043	876	4B-4280	1010		678
	1080		879		1012	4D-3704	106
	1082		881	4B-4281	997		233
	1083		884		998		234
	1085		887		1000		235
	1086		906	4B-4550	83		236
	1088		918		185		237
	1089		938		187		238
	1122		947		189		239
	1123		952		191		240
	1125	4B-2047	545		193		241
	1128		808		195		242
	1129		809		197		336
3T-9524	1042		810		199		337
	1047		820		201		343
	1052		821		203		380
	1063		822		205		382
	1066		897		209		384
	1071		923		211		386
	1073		926		213		388
	1076		928		215		555
	1080		938		217		557
	1083		944		219		569
	1086		1183		221		1057
	1089		1185		223		1058
	1123		1187		225		1059
	1125	4B-2049	787	4B-4716	92		1131
	1128		1010		94	4D-3967	1023
3T-9525	▶995		1011	4B-4721	92		1025
	1042		1012		94		1035
	1047		1067	4B-4723	90		1037
	1052		1071	4B-4754	92	4D-6466	449
	1063		1074		94	4D-7388	401
	1067		1077	4B-4758	92	4D-8948	1183
	1070		1080		94		1185
	1073		1083	4B-4760	90		1187
	1077		1086	4B-4764	87	4F-2099	828
	1079		1089	4B-4773	87		830
	1082		1093	4B-4775	90		832
	1085		1099	4B-4792	92		834
	1088		1102		94		836
	1122		1106	4B-4810	87		838
	1125		1108		92		840
	1128		1123		94		843
3V-0409	637		1125	4B-4845	64	4F-2294	947
3V-6153	1035		1129		67	4F-2317	1191
3V-6785	955		1172	4B-4863	938	4F-4873	477
			1174		947		478
			1191	4B-5324	1176		496
			1193		1177	4F-5695	535
			1195		1195		538
4B-0418	403		1197	4B-6029	1185		541
	414	4B-3586	343		1187	4F-6024	788
	415	4B-4043	103	4B-7270	92	4F-7387	508
	417		104		94		510
	1185	4B-4161	378	4B-7770	991	4F-7390	368
	1187	4B-4274	809		993	4F-7957	671
4B-2041	375		1010		994		775
	390		1011		1023		776
	953		1012		1025		777
	1191		1042		1035		779
	1193		1053		1037		796
	1195		1064	4B-9365	827		828

4

PART NUMBER INDEX

Part	Page	Part	Page	Part	Page	Part	Page
	830		184		535		1079
	832	4K-5824	637	4L-8183	986		1082
	834	4K-6804	508		990		1085
	836		510	4L-8337	615		1088
	838	4K-7240	869		616		1099
	840	4K-8651	962		617		1102
	843	4K-8864	443		618		1108
	1014		445		619		1122
4F-8711	938		447		621	4M-1829	1042
	941	4K-9097	523		622		1047
	944		525		623		1052
	947		527		625		1063
	949	4K-9821	1018		626		1066
	953	4K-9822	1018		627		1073
	968	4K-9890	787		628		1076
4F-8965	182	4L-1192	▶1168		629		1082
4H-0002	92	4L-2729	1052		667		1085
	94		1067		669	4M-1831	1042
4H-1641	783		1071		673		1043
4H-3001	942		1074		675		1047
	945		1077	4L-9337	408		1048
	949		1080		658		1052
	952		1083		659		1063
4H-3243	380		1086		869		1066
	382		1089		1195		1070
4H-6145	284		1123	4M-0061	504		1073
4H-7869	52		1126		517		1076
	81		1129		519		1079
	82	4L-2791	1166		521		1082
	1023	4L-3124	1023		531		1085
	1035		1025		970		1088
	1037	4L-3527	92		973		1099
	1039		94	4M-1336	535		1102
	1056	4L-3776	760		538		1108
	1061	4L-3833	505		541		1113
	1062	4L-3862	477	4M-1815	1010		1115
	1110		478		1011		1118
4H-9541	430		496		1012		1120
4H-9756	374	4L-4642	517		1067		1122
	391		519		1077		1125
4J-0522	962	4L-4859	521		1083		1128
4J-4382	640		531	4M-1827	1043	4M-1833	1043
4J-4862	535	4L-5757	517		1047		1048
4J-5477	375		531		1053		1053
4J-6750	743	4L-5801	▶652		1064		1064
4J-7533	760	4L-6105	90		1066	4M-1851	1043
	828	4L-6454	256		1070		1048
	832		260		1074		1053
	836		263		1076		1064
	840		292		1079	4M-1853	1043
	852		296		1082		1048
	853		517		1085		1053
	855		519		1088		1064
	857		521		1099		1066
	858		531		1102		1070
	859		739		1108		1074
	861		758		1122		1076
	862		899	4M-1828	1043		1079
	863		970		1047		1082
	864		973		1052		1085
4J-8997	827		1191		1063		1088
4K-0367	83		1193		1066		1122
4K-1388	120	4L-7412	498		1070		1125
	128	4L-7636	441		1073		1128
4K-4845	183		468		1076	4M-1854	1043

PART NUMBER INDEX

Part	Page	Part	Page	Part	Page	Part	Page
	1048		771		203		▶379
	1053		772		205		380
	1064		773		207	4N-0732	9
	1066		1179		209		11
	1070		1180		211		31
	1074		1181		213		49
	1076	4N-0015	556		215		50
	1079		563		217		▶270
	1082	4N-0045	556		219		▶271
	1085		563		221		▶272
	1088	4N-0205	521		223	4N-0733	1
	1122		531		244		3
	1125	4N-0260	787	4N-0685	120		5
	1128	4N-0273	107		122		7
4M-1896	1043		109		128		9
	1048		111		130		12
	1053	4N-0342	85		139		14
	1064		86		141		15
	1067	4N-0350	506		147		17
	1071		507		148		20
	1074		514	4N-0691	9		21
	1077		515		11		23
	1080		516		49		25
	1083	4N-0362	479		50		27
	1086		489		▶630		29
	1089		500	4N-0699	96		31
	1123	4N-0432	788		97		33
	1126	4N-0538	770		98		35
	1129		771		99		38
	284		773		100		39
4M-2743			1180		101		41
4M-5274	1010		1181		371		43
4M-5281	758		453		427		▶438
	771	4N-0641	455		428	4N-0741	1
4M-5285	184		457		430		3
4M-5317	758		458		435		5
	1023		479		437		7
	1025		489		481		9
	1173		497		482		11
4M-6410	64		538		484		13
4M-6424	1191		541		486		15
	1193	4N-0683	120		592		17
4M-6425	986		122	4N-0731	1		19
	990		124		3		21
4M-6480	102		126		5		23
4M-6646	575		128		7		25
	579		130		9		27
	581		132		11		29
	584		134		13		31
	586		136		15		33
	588		141		17		35
	704		143		19		37
4M-6853	1025		145		21		39
	1105		149		23		41
4M-6983	577		151		25		43
	683	4N-0684	118		27		45
	698		183		29		46
4M-6990	683		185		31		47
4M-8013	577		189		33		48
	583		191		35		49
	589		193		37		50
	683		195		39		▶118
	698		197		41	4N-0748	3
4M-8303	756		199		43		▶409
	770		201		▶378	4N-0754	1

PART NUMBER INDEX

Part	Page	Part	Page	Part	Page	Part	Page
	3		49		31		25
	5		▶617		33		27
	13	4N-0878	555		35		29
	15		▶556		37		31
	21		560		39		33
	23		564		41		35
	25		568		43		37
	27		569		45		39
	29	4N-0879	▶557		46		41
	33	4N-0913	420		47		43
	35		421		48		45
	39	4N-0914	420		49		46
	41		421		50		47
	43	4N-0933	104		▶420		48
	45		273		▶421		49
	46		281	4N-1151	314		50
	47		282	4N-1156	479		▶286
	48		283		489	4N-1400	506
	▶631		391		497		507
4N-0756	1		460		500		514
	3		481		535	4N-1402	▶772
	5		482		538	4N-1418	494
	7		484		541		495
	9		486	4N-1157	624		521
	11		488		626		531
	14		538	4N-1171	557	4N-1546	479
	15	4N-0955	332	4N-1230	244		500
	17		333	4N-1288	1	4N-1547	479
	19	4N-0995	420		9		500
	21		423		11	4N-1641	1
	23	4N-1010	616		13		3
	25		624		15		5
	27		626		21		7
	29	4N-1040	557		23		13
	31	4N-1045	▶332		29		15
	33		353		33		21
	35		355		35		23
	38		356		37		29
	39	4N-1047	173		39		33
	41		175		41		35
	43		331		43		37
	45		899		45		39
	46	4N-1059	1040		46		41
	47		1055		47		43
	48		1057		48		45
	49		1058		49		46
	50		1059		50		47
	▶314		1111		▶402		48
4N-0794	96		1112	4N-1292	813		▶489
	97	4N-1062	▶1055	4N-1294	410	4N-1650	120
	98		▶1056		411		122
	99	4N-1114	106		415		124
	100	4N-1128	1	4N-1320	547		126
	101		5	4N-1331	1		128
	777		9		3		130
4N-0822	630		11		5		132
	634		13		7		134
4N-0839	332		15		9		136
4N-0848	244		17		11		141
4N-0873	▶555		19		13		143
4N-0875	1		21		15		145
	3		23		17		149
	45		25		19		151
	▶616		27		21	4N-1684	391
4N-0876	9		29		23	4N-1797	813

PART NUMBER INDEX

Part	Page	Part	Page	Part	Page	Part	Page
4N-1981	1	4N-2372	185		45		3
	3		187		46		5
	5		189		47		8
	7		191		48		10
	9		193		49		12
	11		195		50		14
	13		197		▶369		15
	15		199	4N-2514	51		18
	17		201		233		20
	19		203		234		21
	21		205		235		23
	23		207		236		25
	25		209		237		27
	27		211		238		29
	29		213		239		31
	31		215		241		33
	33		217		242		36
	35		219	4N-2532	189		39
	37		221		191		41
	39		223		205		43
	41		225	4N-2569	▶461		▶848
	43	4N-2474	7	4N-2570	▶463	4N-3306	521
	45		11	4N-2571	461		531
	46		13	4N-2572	463	4N-3311	521
	47		15	4N-2573	517		531
	48		21		519	4N-3338	465
	49		23	4N-2617	481	4N-3410	1035
	50		25		482		1037
	▶782		27	4N-2743	3	4N-3466	▶465
4N-2040	427		29		▶403	4N-3661	315
	430		31	4N-2803	161	4N-3828	734
	435		33		162		737
	437		35	4N-2882	671		739
4N-2211	380		37	4N-2883	667		▶742
	382		39		669	4N-3829	733
	384		41		671		▶743
	386		43		673		745
	388		46	4N-2888	667	4N-3830	735
4N-2271	8		47		669		▶744
	10		48		673	4N-3852	178
	12		50	4N-2927	764	4N-3857	535
	32		▶481		766		538
	49		▶482		768		541
	50	4N-2481	1	4N-2953	788	4N-3858	535
	▶353		3	4N-2985	517		538
4N-2272	1		5		519		541
	3		7	4N-3002	489	4N-3862	535
	9		9		497		538
	11		11	4N-3032	517		541
	29		13		519	4N-3863	535
	31		15	4N-3065	535		538
	45		17		538		541
	49		19		541	4N-3889	667
	50		21	4N-3070	501		1015
	▶112		23		521	4N-3890	669
4N-2370	189		25	4N-3082	495		671
	191		27	4N-3091	462		673
	193		29	4N-3092	464		1014
	195		31	4N-3093	▶462	4N-3918	535
	199		33	4N-3094	▶464		538
	201		35	4N-3095	521		541
4N-2371	205		37	4N-3123	211	4N-3955	598
	209		39		217	4N-3986	▶881
	213		41	4N-3256	493		▶884
	215		43	4N-3287	1	4N-3987	▶887

PART NUMBER INDEX

Part	Page	Part	Page	Part	Page	Part	Page
4N-3994	55		1033	4N-4403	1027	4N-4935	287
	64	4N-4380	1027		1029		288
4N-4073	9		1029		1031		290
	11		1031		1033		292
	49		1033	4N-4405	1027		294
	50	4N-4381	1027		1029		296
	▶426		1029		1031		298
4N-4074	12		1031		1033	4N-4941	311
	50		1033		1095		312
	▶682	4N-4382	1027		1097	4N-4942	300
4N-4075	9		1029	4N-4409	1027		302
	11		1031		1029		306
	49		1033		1031		308
	50	4N-4383	1027		1033	4N-4943	305
	▶491		1029	4N-4413	1027		311
4N-4077	11		1031		1029		312
	31		1033		1031	4N-4946	302
	50	4N-4384	1027		1033		304
	▶550		1029	4N-4421	1027	4N-4953	5
4N-4078	11		1031		1029		25
	31		1033		1031		27
	50	4N-4386	1027		1033		37
	▶618		1029	4N-4436	625		▶113
4N-4107	231		1031	4N-4519	742	4N-4967	598
4N-4157	618		1033		743		599
4N-4159	618	4N-4387	1027	4N-4520	742	4N-4999	491
	675		1029		743		499
4N-4188	484		1031		744	4N-5186	286
	486		1033	4N-4523	742	4N-5254	184
	488	4N-4388	1027		743	4N-5263	403
	547		1029		744		414
4N-4192	481		1031	4N-4526	83	4N-5264	402
	484		1033	4N-4668	367		403
4N-4193	548	4N-4390	1027	4N-4792	1	4N-5394	1
	550		1029		3		3
	551		1031		5		5
4N-4196	481		1033		9		13
	482	4N-4391	1027		11		15
	484		1029		13		21
	486		1031		15		23
4N-4286	▶337		1033		17		25
4N-4308	286	4N-4392	1027		19		27
4N-4371	1027		1029		21		29
	1029		1031		23		33
	1031		1033		29		35
	1033	4N-4393	1027		31		39
4N-4375	1027		1029		33		41
	1029		1031		35		43
	1031		1033		37		46
	1033	4N-4394	1027		39		▶427
4N-4376	1027		1029		41	4N-5466	9
	1029		1031		43		11
	1031		1033		45		49
	1033	4N-4397	1027		46		50
4N-4377	1027		1029		47		▶479
	1029		1031		48	4N-5484	787
	1031		1033		49	4N-5485	787
	1033	4N-4400	1027		50	4N-5489	9
4N-4378	1027		1029		▶103		11
	1029		1031	4N-4827	630		31
	1031		1033		634		49
	1033	4N-4402	1027	4N-4859	630		50
4N-4379	1027		1029		634		▶592
	1029		1031	4N-4931	555	4N-5495	545
	1031		1033		568	4N-5498	▶545

PART NUMBER INDEX

Part	Page	Part	Page	Part	Page	Part	Page
4N-5607	355	4N-6276	378	4N-7596	577	4N-8217	199
4N-5614	332	4N-6288	225		698		201
4N-5621	787	4N-6289	185	4N-7597	577		213
4N-5656	757		199		583		215
4N-5857	120		201		589	4N-8225	300
	122		213		698		305
	128		215	4N-7598	577		308
	130	4N-6302	▶345		698		311
	132	4N-6373	193	4N-7601	▶577		312
	138		195		688		899
	141		209	4N-7609	577	4N-8278	▶346
	147	4N-6404	788		589	4N-8445	787
4N-5893	153	4N-6406	788		698	4N-8470	292
	154	4N-6407	788	4N-7766	617		294
	168	4N-6408	788	4N-7767	617		296
4N-5906	161	4N-6410	788	4N-7796	481	4N-8549	523
	162	4N-6423	▶346		482	4N-8557	523
	163	4N-6540	▶991		484		529
	170	4N-6643	535		486	4N-8559	523
4N-5995	525		538	4N-7806	481	4N-8561	523
	527		541		482		529
4N-6006	1	4N-6658	120	4N-7808	557	4N-8562	523
	3		122	4N-7937	492		529
	5		128	4N-8025	338	4N-8566	523
	7		130	4N-8026	304		529
	9		139	4N-8048	11	4N-8567	523
	11		141		31		529
	13		147		50	4N-8569	523
	15		148		▶757		529
	17	4N-6661	1183	4N-8123	688	4N-8579	501
	19	4N-6699	683	4N-8124	577		521
	21	4N-6700	▶683		698	4N-9008	442
	23		685	4N-8150	358	4N-9019	788
	25	4N-6701	2		359	4N-9027	550
	27		3		360	4N-9428	426
	29		45		362	4N-9538	683
	31		▶685		374	4N-9540	683
	33	4N-6783	617		378	4N-9556	683
	35	4N-6991	1183		382	4N-9680	▶246
	37		1185		391		248
	39		1187	4N-8183	525	4N-9720	478
	41	4N-7024	545		527	4N-9776	▶492
	43	4N-7050	▶441	4N-8184	525	4N-9777	▶493
	45	4N-7082	374		527	4N-9778	▶494
	46		380	4N-8185	525	4N-9779	▶495
	47		382		527	4N-9951	13
	48		384	4N-8188	525		▶410
	49		386		527	4P-0320	▶1191
	50		388	4N-8189	525	4P-0396	949
	▶231		391		527	4P-0519	53
4N-6134	523	4N-7090	▶468	4N-8190	525	4P-0990	828
	529	4N-7158	704	4N-8192	525		830
4N-6162	402	4N-7253	155		527	4P-1348	832
4N-6237	555		156	4N-8193	525		834
	564		157		527	4P-1349	836
	569		158	4N-8194	525		838
4N-6257	479		159		527	4P-1350	840
	489		160	4N-8198	▶346		843
	497		171	4N-8200	494	4P-1368	764
	500		172	4N-8216	300		766
	538	4N-7521	1093		302		768
	541		1106		306	4P-1369	764
4N-6268	555	4N-7594	577		308		766
	564		698		311		768
	569	4N-7595	683		312	4P-1379	828

PART NUMBER INDEX

Part	Page	Part	Page	Part	Page	Part	Page
	830	4P-5420	713	4P-8087	▶346	4W-0663	517
	832	4P-5532	11	4P-8480	836		519
	834		13		838	4W-0924	727
	836		50		840		729
	838		▶173		843	4W-1055	155
	840	4P-5712	30	4P-8495	316		156
	843		▶354		317		158
4P-1381	▶828	4P-5894	1		319		159
	▶830		3		321	4W-1101	▶773
	852		5	4P-9202	306	4W-1273	63
	853		7		308	4W-1463	▶619
	858		9	4P-9214	899	4W-1566	1
	859		11	4P-9372	▶506		3
	861		15		508		5
	862		17	4P-9411	270		13
	863		19	4P-9658	805		15
	864		21		▶808		17
	866		23		811		19
4P-1383	▶832		25		813		21
	▶834		27		817		23
	855		29	4P-9659	805		25
4P-1384	▶836		31		▶809		27
	▶838		33		811		29
	857		35		813		33
4P-1394	815		37		817		35
4P-1395	815		39	4P-9660	805		37
4P-1396	815		41		▶810		39
4P-1415	▶840		43		811		41
	▶843		45		813		43
	860		46		817		45
4P-1650	107		47	4S-4455	970		46
	109		48		973		47
	111		49		974		48
4P-2092	120		▶174	4S-5719	402		▶811
4P-2446	287	4P-6791	292		403	4W-1573	25
	288		296		1183		▶620
	290	4P-7045	836	4S-6137	155	4W-1727	▶756
	292		838		156		1182
	294		840		157		1200
	296		843		158		1201
	298	4P-7274	727		159	4W-1873	▶315
4P-2899	828		729		160	4W-1894	411
	832	4P-7275	727		171	4W-1895	▶411
	836		729		172	4W-1970	869
	840	4P-7373	421	4S-8472	657	4W-1972	869
4P-3020	87		424	4S-9191	1183	4W-1973	869
4P-3073	▶92	4P-7503	583	4V-6698	800	4W-1975	869
	326	4P-7681	828	4W-0229	51	4W-1976	869
	▶326		832	4W-0304	758	4W-1979	▶869
4P-3074	▶326		836	4W-0423	▶758	4W-2181	401
4P-3099	235		840	4W-0435	763	4W-2420	290
4P-3100	▶235		▶846		764	4W-2436	1
4P-3945	813		846		766		3
	815	4P-7688	847		768		5
4P-3946	813		847		768		5
4P-3977	73	4P-7731	453	4W-0506	1197		13
4P-4258	763		455	4W-0510	1197		15
4P-4297	175		457	4W-0608	25		17
4P-4365	766		458		27		19
4P-4366	764		▶459		▶1004		21
4P-4367	768	4P-7957	1015	4W-0660	517		23
4P-5258	▶333	4P-7974	1167		519		25
	354	4P-8021	667	4W-0661	521		27
	357		669		531		29
4P-5259	333		673	4W-0662	521		33
4P-5261	333		675		531		35

PART NUMBER INDEX

Part	Page	Part	Page	Part	Page	Part	Page
	37	4W-3822	27	4W-5126	▶571		▶826
	39		38		663	4W-7018	▶794
	41		▶686	4W-5191	691		813
	43	4W-3912	858		692		815
	45		859		709		817
	46		▶874		710	4W-7079	802
	47	4W-3922	412	4W-5192	▶579	4W-7186	236
	48	4W-3923	412		696	4W-7263	▶656
	▶158	4W-3924	5		709	4W-7265	656
	▶159		25	4W-5193	579	4W-7342	583
	▶160		27		581	4W-7344	583
4W-2461	2		▶412		584		589
	3	4W-3925	941	4W-5195	579	4W-7346	583
	6		944	4W-5196	579	4W-7349	583
	14		949		581	4W-7352	583
	15	4W-3969	941		584	4W-7354	583
	18		944	4W-5233	37		589
	20		949		▶621	4W-7370	25
	22		952	4W-5322	25		27
	24	4W-4250	▶443		▶687		▶236
	25		▶445	4W-5391	▶722	4W-7502	▶1005
	27	4W-4251	13		1190	4W-7503	1005
	33		37	4W-5392	750	4W-7544	986
	36		▶447	4W-5424	▶719		990
	38	4W-4536	1023		1023	4W-7599	938
	40		1025		1025	4W-7773	737
	42		1037	4W-5556	1180		739
	43	4W-4588	128	4W-5580	▶302	4W-7957	941
	45		130	4W-5581	▶304		944
	46		132	4W-5698	118		949
	47	4W-4616	763	4W-5699	118	4W-7986	▶595
	48		764	4W-5700	118	4W-8011	768
	▶355		766	4W-5701	118	4W-8196	▶755
4W-2471	164		768	4W-5735	787	4W-8221	869
	165	4W-4617	764	4W-5781	1147	4W-8222	869
	166		766	4W-5828	▶572	4W-8223	869
	169		768	4W-5998	353	4W-8224	869
4W-2472	164	4W-4619	1		354	4W-8226	1190
	165		3		355	4W-8227	1190
	166		5		356	4W-8229	1190
	169		7		357	4W-8293	9
4W-2473	164		17	4W-6049	▶1193		11
	165		19	4W-6050	▶1195		31
	166		21	4W-6059	5		49
	169		23		25		50
4W-2474	164		25		27		▶813
	165		27		▶800		▶815
	166		35	4W-6061	128		▶817
	169		39		130	4W-8471	941
4W-2541	742		41		132		949
	743		43	4W-6116	25		952
	744		45		27	4W-8510	▶346
4W-2542	742		47		▶109	4W-8585	120
	743		48	4W-6334	986		122
	744		▶764		990		124
4W-2655	90	4W-4700	▶993	4W-6366	1169		126
4W-2683	1175	4W-4775	548	4W-6404	952		128
	1197		550	4W-6412	1206		130
4W-3123	▶180		551	4W-6548	545		132
4W-3791	▶1	4W-5045	443	4W-6681	67		134
4W-3792	▶3		445		69		136
4W-3793	▶5		447	4W-6868	788		139
4W-3794	▶7		449	4W-6993	803		141
4W-3798	▶9	4W-5074	337	4W-7017	805		143
4W-3799	▶11	4W-5125	663		811		145

PART NUMBER INDEX

Part	Page	Part	Page	Part	Page	Part	Page
	149		290	5H-1190	667		1079
	151		292		669		1082
4W-8726	869		294		671		1085
4W-8734	1190		296		673		1088
4W-8735	1190		298		675		1122
4W-8739	803	5B-9079	1005	5H-1504	155		1125
4W-8745	1190	5B-9169	472		156		1128
4W-8746	1190		474		157	5J-5793	271
4W-8787	1190		475		158		272
4W-8790	1190	5C-2874	904		159		277
4W-8791	1190		915		160		278
4W-8792	1190		1092		171		282
4W-9051	▶347		1095		172		283
4W-9112	▶1181		1097		353	5J-7303	249
4W-9479	67	5C-6266	758		354		1035
	69	5D-2643	535		355		1037
4W-9489	67		538		356	5K-0605	742
	69		541		357		743
4W-9576	803	5D-4697	760	5H-2532	760		744
4W-9601	▶941	5D-5055	991		788	5K-0906	1189
	948		994	5H-3124	411	5K-9065	244
4W-9602	▶944	5D-8214	953		413	5K-9090	375
4W-9733	941	5D-9372	777	5H-3633	1105	5K-9235	533
	944	5D-9844	548		1110	5K-9241	484
	952		550	5H-5744	667		486
4W-9890	96		551		671		488
	97		635		673	5K-9243	484
	98	5E-8767	384		760		486
	99		386		793		488
	100		388		1014		535
	101	5F-0229	90		1015		538
	592	5F-0304	270	5H-6552	787		541
4W-9977	696		271		852		758
	697		272		853		1183
	709		277		855		1185
	710		278		857		1187
			279		858	5K-9979	390
		5F-3092	83		859	5L-1171	741
		5F-3106	244		860	5L-1545	87
		5F-4899	155		861	5L-2264	652
5B-1309	443		156		862	5L-2692	559
	445		157		863	5L-2727	391
	447		158		864	5L-3233	553
	449		159	5H-6555	375		554
5B-2404	94		160	5H-7153	155		555
5B-2406	94		171		156		557
5B-2407	92		172		158		560
	94		375		159		562
5B-2410	87		617	5H-7704	555		564
	92	5F-5434	248		568		565
	94	5F-8651	1027		620		566
5B-2638	273		1029		624		568
	391		1031	5H-8310	614	5L-3485	87
5B-3180	787		1033	5H-8331	607	5L-3487	87
5B-4855	963	5F-9144	787		610	5L-3492	87
	964	5G-2003	1001		614	5L-3493	87
	1159		1002		644	5L-3495	87
5B-5620	548	5G-3699	986		648	5L-3496	87
5B-7040	775		990		652	5L-3553	87
5B-7890	1165	5H-0071	1133	5H-8936	375	5L-3556	87
5B-8473	304		1135	5J-1714	952	5L-3557	87
5B-8978	443	5H-0244	103	5J-5314	1066	5L-3558	87
	445	5H-0793	764		1070	5L-3559	87
5B-8979	287		766		1074	5L-3560	87
	288		768		1076	5L-3561	87

5

PART NUMBER INDEX

Part	Page	Part	Page	Part	Page	Part	Page
5L-3602	87	5L-9894	▶1173		391		557
5L-3603	87	5L-9895	▶1174		395		560
5L-3613	87	5M-1932	83		396		568
5L-3617	87	5M-2894	63		397		569
5L-3773	608		67		398		591
5L-3785	1023		69		399		592
	1025		83		400		617
5L-3934	732		96		401		619
5L-3946	732		97		402		628
5L-4035	1027		98		403		630
	1029		99		404		631
	1031		100		405		632
	1033		101		406		633
5L-4398	612		102		409		634
	613		103		410		635
5L-5502	69		104		411		642
5L-7200	1017		105		412		643
	1018		107		413		646
	1143		109		414		654
	1155		111		415		667
5L-7441	1174		181		417		669
5L-7442	1174		183		418		671
5L-7443	1173		231		423		673
5L-7520	▶605		253		426		737
5L-7631	596		254		427		746
	597		258		428		763
	600		264		429		777
5L-7634	596		265		431		779
5L-7635	597		266		432		783
5L-7661	▶596		269		434		796
5L-7812	757		270		435		798
5L-8484	606		272		436		799
	609		273		437		800
	645		275		438		802
	653		279		439		803
5L-8601	▶614		280		440		804
5L-8605	653		281		443		974
5L-8632	▶653		282		445		994
5L-8854	590		283		447		1006
	594		284		449		1007
	595		286		453		1015
	601		292		455		1035
	602		294		457		1133
	603		296		458		1135
	615		302		460		1183
	616		305		466		1185
	619		311		470		1187
	623		312		471		1200
	624		361		481		1201
	625		363		482	5M-3034	1043
	626		365		484		1048
	627		369		486		1053
	628		370		488		1064
	629		371		498		1066
5L-8855	615		372		502		1070
	625		373		525		1074
5L-8957	938		375		527		1076
5L-9423	90		378		529		1079
5L-9652	92		379		535		1082
	94		380		538		1085
5L-9653	92		382		541		1088
	94		384		548		1122
5L-9654	92		386		550		1125
	94		388		551		1128
5L-9655	92		390		555	5M-3062	256

PART NUMBER INDEX

Part	Page	Part	Page	Part	Page	Part	Page
	531	5N-1694	325	5N-4739	607	5N-6483	▶745
	545		343		610	5N-6501	739
	564	5N-1703	667	5N-4741	606	5N-6502	993
	970		669		609	5N-6646	1172
5M-5689	869		671	5N-4742	606	5N-6753	997
5M-5926	779		673	5N-4751	▶347	5N-6754	993
	796		1014	5N-4806	▶1144	5N-6930	496
5M-6213	55		1015		1145	5N-6942	1165
	270	5N-1933	▶344		1147	5N-7381	404
	273	5N-1934	90	5N-4979	1145		407
	279	5N-2010	▶336		1147		408
	280	5N-2042	1133	5N-4988	944	5N-7430	▶404
	358		1135		949	5N-7510	938
	378	5N-2060	▶675		952	5N-7739	758
	382	5N-2062	▶1014		969	5N-7740	758
	479	5N-2072	▶1015	5N-5129	667	5N-8132	90
	481	5N-2144	1133		669	5N-8288	▶1197
	489		1135		671	5N-8503	▶623
	500	5N-2145	1133		673	5N-8519	13
	523		1135		1014		▶958
	596	5N-2270	1135		1015	5N-8757	▶997
	615	5N-2271	1133	5N-5131	667	5N-8857	▶956
	616		1135		669		962
	618	5N-2346	▶347		671	5N-8943	978
	628	5N-2368	798		673	5N-8998	938
	763	5N-2448	▶1133		1014		1025
	779	5N-2449	▶1135		1015	5N-9065	978
	783	5N-2496	503	5N-5159	941	5N-9066	978
5M-6214	57	5N-2650	▶1057		944	5N-9067	978
	67	5N-2685	14		949	5N-9068	978
	73		▶1058		952	5N-9069	978
	107		▶1059		969	5N-9070	978
	109	5N-2808	496		1140	5N-9071	978
	111	5N-2829	667	5N-5285	1133	5N-9072	978
	391		669		1135	5N-9073	978
	419		671	5N-5498	1190	5N-9117	978
	556		673	5N-5646	443	5N-9174	▶966
	563		675		445	5N-9175	▶967
	1183	5N-2830	675		449	5N-9177	▶959
	1185	5N-3160	667	5N-5662	667	5N-9222	942
5M-6509	57		669		669		945
5M-9204	930		673		673		949
	931		675		675		952
	932	5N-3219	721	5N-5664	667	5N-9231	244
	933	5N-3220	▶721		669	5N-9240	7
5M-9205	930		746		673		▶244
	931	5N-3310	269	5N-5666	671	5N-9281	746
	932	5N-3311	269	5N-5668	671	5N-9313	746
	933	5N-3312	▶269	5N-5692	37	5N-9317	92
5N-0093	128	5N-3334	▶94		▶890		94
	130		327		▶893	5N-9337	▶746
	132	5N-3335	▶327	5N-5725	13	5N-9365	▶1162
5N-0361	1140	5N-3785	▶232		▶957	5N-9366	▶977
	1156	5N-3852	667	5N-5744	669	5N-9552	869
5N-0363	▶968		669	5N-6053	675	5P-0060	57
5N-0364	1140		671	5N-6056	991	5P-0076	774
5N-0367	938		673	5N-6062	994	5P-0399	733
5N-0414	▶347		675	5N-6063	991		745
5N-0635	27	5N-4227	760	5N-6133	404	5P-0537	83
	▶622	5N-4487	503		407		249
5N-1620	▶673	5N-4656	503	5N-6147	644		372
5N-1677	343	5N-4681	▶503		648		373
5N-1678	▶343	5N-4699	496	5N-6148	▶644		375
5N-1693	325	5N-4701	496	5N-6176	645		390
	343	5N-4710	▶496	5N-6177	▶645		533

PART NUMBER INDEX

Part	Page	Part	Page	Part	Page	Part	Page
	535		937		923		1156
	671	5P-0760	1145	5P-3419	876	5P-5624	979
	701		1147		881		1166
	703	5P-0761	955		884		1168
	716	5P-0796	793		887	5P-5675	979
	721	5P-0801	556		906		1039
	726	5P-1075	407		911		1166
	727		408		918	5P-5677	940
	729		531		923	5P-5678	112
	731		636		926		113
	737		796	5P-3422	419		114
	746	5P-1255	402	5P-3499	87		115
	756		403		325		116
	760		408		327		117
	776	5P-1261	505	5P-3501	358	5P-5689	1166
	777	5P-1296	501		359	5P-5694	1166
	779		517		360	5P-5756	704
	796		519	5P-3860	553	5P-5757	577
	805		521		554		583
	811	5P-1404	754		555		589
	813	5P-1420	468		557		698
	815		535		560	5P-5846	421
	817	5P-1471	642		564		423
	827		646		565		424
	849	5P-1475	941		566		471
	850		944		568		774
	938		949		569	5P-5855	608
	947		952	5P-4116	407	5P-5991	517
	1003		978		525		519
	1004		1156		527		521
	1006	5P-1476	978		665	5P-6009	949
	1007	5P-1477	978		777		967
	1014	5P-1478	978		796	5P-6025	941
	1015	5P-1908	531		1191		944
	1023	5P-2321	944		1193		953
	1025		979	5P-4255	284	5P-6298	995
	1027	5P-2424	178	5P-4479	375		1042
	1029	5P-2559	419		1037		1047
	1031	5P-2566	178	5P-4571	978		1052
	1033		462		1166		1067
	1035		464	5P-4592	869		1070
	1133		503	5P-4675	867		1077
	1135		517	5P-4868	492		1079
	1145		519		493		1082
	1147		521		494		1085
	1199		531		495		1088
5P-0597	642		899	5P-4939	808		1122
	643	5P-2645	869		809		1128
	646	5P-2675	1172		810	5P-6620	852
5P-0598	501	5P-2817	643		820		853
	517	5P-2948	1017		821		855
	519		1018		822		857
	521	5P-3059	941	5P-5007	449		858
5P-0599	565		944	5P-5157	525		859
	566		949		527		860
5P-0600	661		978	5P-5391	1017		861
	662	5P-3272	787		1018		862
5P-0746	1133	5P-3383	766	5P-5528	783		863
	1135	5P-3418	876		1178		864
5P-0747	930		881	5P-5610	1017	5P-6836	897
	931		884	5P-5622	979	5P-6920	879
	932		887		1166		890
	933		906	5P-5623	979		895
	934		911		1017		901
	935		918		1018	5P-6923	390

PART NUMBER INDEX

Part	Page	Part	Page	Part	Page	Part	Page
5P-6945	727	5P-8215	851		80		193
	729	5P-8244	422		180		195
5P-7033	51	5P-8245	54	5P-8249	1169		197
5P-7197	313		59	5P-8289	275		199
5P-7204	548		60	5P-8783	796		201
	550		61	5P-8937	952		203
	551		62	5P-9297	796		205
5P-7684	358		63	5P-9514	182		207
	359		92	5P-9538	184		209
5P-7701	359		107	5P-9617	362		211
	362		109	5P-9757	788		213
5P-7751	938		111	5P-9795	807		215
5P-7807	876		182	5R-0066	535		217
	881		253		538		219
	884		271		541		221
	887		272	5R-1453	779		223
	906		275	5R-1771	187		225
	911		277		197	5S-4517	683
	918		278		203		688
5P-7813	830		282		207		698
	834		283		211		701
	838		286		217		714
	843		299	5R-3564	779		716
5P-7814	75		302	5R-3809	▶875	5S-4546	577
	459		304	5R-4728	▶1177		583
5P-7816	359		305	5R-4780	▶964		589
5P-7854	739		306	5R-5020	▶779		683
5P-7970	249		308	5R-5084	779		698
5P-7979	185		311	5R-5404	779	5S-4547	577
	187		312	5R-5405	779		589
	189		338	5R-5406	779		683
	191		340	5R-7425	▶81		698
	193		341	5S-0003	249	5S-4548	683
	195		344		292	5S-4549	577
	197		453		294		583
	199		455		296		589
	201		457		370		683
	203		458		637		698
	205		468		777	5S-4550	683
	207		498		1183	5S-4551	683
	209		535	5S-0581	514	5S-4554	683
	211		538		515	5S-4555	683
	213		541		516	5S-4556	577
	215		612	5S-1188	615		583
	217		613		616		589
	219	5P-8247	52		618		683
	221		103		619		698
	223		104		620	5S-4557	577
	225		177		621		683
5P-8038	109		375		622		698
	232		560		623	5S-4558	683
	338		568		624	5S-5199	577
	339		606		625		583
	340		607		627		683
	341		610		628		698
	342		899		667	5S-7264	185
5P-8066	424		904		669		187
5P-8068	421		909		671		189
	423		913		673		193
5P-8167	598		915		675		199
	970		920	5S-2106	83		207
	1037		991		185		209
5P-8210	314		993		187		219
	727	5P-8248	77		189		221
	729		78		191	5S-7348	390

PART NUMBER INDEX

Part	Page	Part	Page	Part	Page	Part	Page
	1191		94	6F-8814	642	6I-2981	120
	1193	6B-5072	533		643		122
	1195		534		645		124
	1199		1173		646		126
5S-7349	869		1174	6G-9333	370		128
	911	6B-5150	743	6G-9869	292		130
	920	6B-6682	77		294		132
	926		78		296		134
	1099		80	6H-0406	284		136
	1102		180	6H-1717	325		141
	1108	6B-6684	306	6H-3622	1042		143
	1113		308		1047		145
	1115	6B-7639	875		1052		149
	1118	6B-8128	1035		1063		151
	1120		1037	6H-3958	764	6I-3066	156
5S-7379	256	6B-8129	1037		766		157
	517	6B-9081	453		768		159
	519		499	6H-5431	938		160
	521		993		1144		171
5S-7382	407	6B-9807	523	6H-7127	443		172
	503	6D-2928	739		445	6I-3833	▶1206
	985		1002		447	6I-4024	120
5S-7383	472		1191	6H-9691	788		122
	474		1193	6I-0093	243		124
	475		1195	6I-1088	▶305		126
	477	6D-3479	391	6I-1193	589		128
	478		1035	6I-1220	55		130
	648		1037		64		132
	961		1193	6I-1393	▶380		134
	962	6D-3787	1027		▶382		136
	970		1029		▶384		141
5S-9062	185		1031		▶386		143
	187		1033		▶388		145
	189	6D-3897	787	6I-1453	118		149
	191	6D-4636	292	6I-1511	▶13		151
	193		294	6I-1564	727	6I-4361	128
	195		296		729		130
	197	6D-5801	676	6I-1575	482		132
	199		678		486	6I-4362	128
	201	6D-8498	851	6I-1665	846		130
	203	6F-0253	87	6I-1815	1172		132
	205		90	6I-1819	292	6I-4363	128
	207		92	6I-1820	▶292		130
	209		94	6I-1841	949		132
	211	6F-5926	760	6I-1842	944	6I-4364	128
	213	6F-6405	183	6I-1862	941		130
	215		275	6I-1909	967		132
	217		962	6I-1936	753	6I-4365	128
	219	6F-6580	90	6I-2002	1001		130
	221	6F-6581	90		1002		132
	223	6F-6582	90		1003	6I-4366	128
	225	6F-6672	851		1004		130
5S-9607	745	6F-7012	184		1006		132
5T-7123	1035		505		1007	6J-0488	803
			647	6I-2172	244	6J-2237	535
		6F-7024	173	6I-2507	558		538
			175	6I-2508	558		541
			331	6I-2517	630	6J-2244	1027
6B-0933	109		899		634		1029
	486	6F-7027	760	6I-2593	554		1031
	961	6F-7062	453		▶558		1033
6B-2250	284		455		566	6J-2245	429
6B-2882	304		457	6I-2916	▶858	6J-2419	851
	401		458	6I-2967	13	6J-6478	746
6B-3223	92	6F-8515	482		▶175	6J-8356	374

6

PART NUMBER INDEX

Part	Page	Part	Page	Part	Page	Part	Page
	390	6L-4854	493		191	6N-1873	881
6K-0806	546	6L-4964	517		197		884
	1035		519		205	6N-1875	881
	1037	6L-5151	87		211		884
6K-1972	249		92		219		887
	534		94	6N-0598	187	6N-1876	881
	1023	6L-5551	787		207		884
	1025	6L-5652	962		221		887
	1035		963	6N-0624	391	6N-1877	887
	1037	6L-5855	938	6N-0628	391	6N-1889	1055
6K-6307	358	6L-5874	305	6N-0630	391		▶1060
6K-8162	182	6L-5897	872	6N-0634	57	6N-1925	881
6K-8178	498		873	6N-0672	1177		884
6K-9194	869		874	6N-0719	8		887
6K-9591	938	6L-7442	155		14	6N-1931	438
	941		156		32		439
	944		157		38		440
	949		158		▶338	6N-1936	390
6L-1597	760		159	6N-0775	742	6N-1944	881
6L-1651	391		160		743		884
6L-1883	248		171		744		887
6L-2279	505		172	6N-0822	391		911
6L-2280	472	6L-8150	938	6N-0824	374	6N-1945	881
	474	6L-8562	155		390		884
	505		158	6N-1015	371		923
6L-2282	472		630	6N-1016	5	6N-1946	881
	474		634		17		884
	475	6L-8617	468		19		887
6L-2845	1182		517		25	6N-1968	881
6L-2927	13		519		27		884
	▶597		535		37		887
6L-3314	559	6L-8649	468		▶371	6N-2097	57
6L-3316	559		535	6N-1047	804	6N-2098	57
6L-3317	559	6L-8700	468	6N-1055	▶1151	6N-2099	57
6L-3362	559		535	6N-1097	555	6N-2100	57
6L-3363	559	6L-9589	481		568	6N-2106	57
6L-3365	559		482	6N-1141	427	6N-2109	57
6L-3428	783		548	6N-1258	374	6N-2212	7
6L-3483	997		550		390		▶273
6L-3616	535		551	6N-1259	374		▶275
	538	6L-9781	869		391	6N-2282	1
	541	6L-9849	523	6N-1260	391		9
	1183	6L-9888	777	6N-1281	▶237		11
	1185	6M-7476	290	6N-1283	237		15
	1187		425	6N-1299	▶238		17
6L-3961	87		426	6N-1301	238		19
	94		431	6N-1856	881		21
6L-3962	90	6N-0367	479		884		23
6L-3963	90		489		887		29
6L-3964	87		500	6N-1870	881		33
	94		538		884		35
6L-3967	92		541		887		37
	94	6N-0388	▶347	6N-1871	881		39
6L-3969	87	6N-0389	284		884		41
6L-3970	87	6N-0425	595		887		43
6L-3971	90		601	6N-1872	876		45
6L-3972	92	6N-0452	391		879		46
	94	6N-0475	▶657		881		47
6L-3973	90	6N-0476	657		884		48
6L-4016	87	6N-0507	391		887		49
6L-4207	964	6N-0561	598		890		50
6L-4428	306		599		895		▶413
	308	6N-0577	682		901	6N-2283	411
	899		▶688		911		413
6L-4502	▶1206	6N-0597	189		918	6N-2645	777

PART NUMBER INDEX

Part	Page	Part	Page	Part	Page	Part	Page
6N-2985	112		584	6N-7135	305	6N-9158	▶349
	114		586	6N-7154	161	6N-9159	▶349
	116		588		162	6N-9294	▶894
	117		704		163		▶895
	371	6N-5010	390		170		899
	372	6N-5337	▶348	6N-7249	420	6N-9587	1017
	373	6N-5579	556		421		1018
6N-3170	390	6N-5899	1017		423	6N-9667	51
	961		1018	6N-7369	419	6N-9782	6
6N-3279	1042	6N-6070	559	6N-7378	174		▶689
	1047	6N-6071	559		330	6N-9829	31
	1052	6N-6072	559	6N-7380	328		▶51
	1064	6N-6075	559		329	6N-9908	681
	1066	6N-6078	▶559	6N-7381	38	6N-9995	1017
	1070		562		▶328	6P-7055	737
	1074	6N-6093	▶598	6N-7387	▶1061	6P-8028	405
	1076		▶599		▶1062		406
	1079	6N-6128	698	6N-7420	374	6S-4279	559
	1082	6N-6129	698	6N-7421	375	6S-4454	737
	1085	6N-6130	698	6N-7422	390	6S-5693	449
	1088	6N-6223	558	6N-7423	390	6T-0362	1010
	1122		567	6N-7653	409		1011
	1125	6N-6248	783		413		1012
	1128	6N-6250	783		414		1074
6N-3310	244	6N-6251	783		415	6T-0363	995
6N-3504	788	6N-6252	783	6N-7672	1018		1042
6N-3575	600	6N-6259	783	6N-7674	1017		1047
6N-3683	426	6N-6290	▶783		1018		1052
6N-3826	1043	6N-6300	783	6N-7688	187		1063
	1048	6N-6444	567		189		1067
	1053	6N-6473	496		191		1070
	1063	6N-6490	185		193		1073
	1066		219		195		1077
	1070		221		197		1079
	1073		223		199		1082
	1076		225		201		1085
	1079	6N-6598	185		203		1088
	1082		187		205		1122
	1085		197		207		1128
	1088		203		209	6T-0371	995
	1099		219		211		1042
	1102		221		213		1047
	1108		223		215		1052
	1113		225		217		1063
	1115	6N-6611	586	6N-7692	558		1067
	1118	6N-6650	348		567		1070
	1120	6N-6651	▶348	6N-7840	409		1073
	1122	6N-6652	197		411		1077
	1125		211		413		1079
	1128		▶348		414		1082
6N-3880	391	6N-6653	▶348	6N-7854	292		1085
6N-3895	390	6N-6655	187		294		1088
6N-3899	1035		207		296		1122
	1037		▶348	6N-7948	▶547		1128
6N-4202	391	6N-6656	203	6N-7962	575	6T-0372	995
6N-4204	374		217		588		1042
	390		▶349	6N-8587	658		1047
6N-4205	374	6N-6798	▶349	6N-8588	▶658		1052
	390	6N-6949	57	6N-8801	491		1063
6N-4207	390	6N-6998	175	6N-8863	1135		1070
6N-4208	390	6N-7031	494	6N-8878	37		1073
6N-4722	391		495		▶1178		1079
6N-5004	575	6N-7033	523	6N-9150	10		1082
	579		529		49		1085
	581	6N-7053	▶349		▶718		1088

PART NUMBER INDEX

Part	Page	Part	Page	Part	Page	Part	Page
	1122		1076		804		985
	1128		1079		375		986
6T-0647	1039		1082	6V-5050	120		990
	▶1063		1085	6V-5121	828		1037
6T-1119	1010		1088	6V-5135	830		1191
	1011		1122		832		1193
6T-1120	1010		1125		834		1195
	1011		1128		836	6V-8186	746
	1012	6V-1426	302		838		777
	1067	6V-1813	1023		840		938
	1077		1025		843	6V-8187	677
	1083		1035	6V-5193	1019		879
6T-1121	1010		1037		1021		881
6T-1124	1012	6V-1873	330	6V-5217	71		884
6T-1395	▶897	6V-2202	879	6V-5266	429		887
6T-1546	942		890		432		890
	945		895		434		893
	953		901		436		895
6T-2031	897	6V-2369	1166	6V-5391	395		901
6T-3631	1141	6V-2605	300	6V-5539	▶1091		911
	1142	6V-2611	867	6V-5540	1091		923
6T-3632	1141	6V-2673	942		▶1092		926
	1142		944	6V-5582	1091		928
6T-3633	1141		949		▶1093	6V-8188	178
	1142		952	6V-5764	922		195
6T-3642	941	6V-2712	665		925		197
	944	6V-2744	979	6V-5782	869		201
	949		1168	6V-5817	978		203
	952	6V-3251	430	6V-5818	978		503
6T-3644	941		435	6V-5819	978		611
	944		437	6V-5894	726		636
	949	6V-3265	869		731		1011
	952		1183		775		1066
	1139		1185		776		1071
6T-3645	938		1187	6V-6228	429		1073
	947	6V-3319	774	6V-6353	677		1076
6T-4949	754	6V-3507	375		680		1080
6T-6652	962		1171	6V-6609	75		1083
	963		1176		76		1086
6T-7337	952		1191	6V-6835	787		1089
6T-9446	897		1193	6V-7192	941		1093
6U-1989	207		1195		944		1099
6V-0387	73		1199		952		1102
6V-0455	326	6V-3830	53	6V-7543	764		1106
6V-0590	▶1066		486		766		1108
	▶1070		547		768		1113
	1105	6V-3831	366	6V-7699	808		1115
6V-0885	1059		367		809		1118
	▶1073	6V-3908	375		810		1120
	▶1076		386		820		1123
	▶1079		388		821		1125
6V-0890	▶1082	6V-3964	665		822		1129
	▶1085	6V-4259	107	6V-7742	75	6V-8189	869
	1111		109		79		920
6V-0927	1040		111	6V-8137	788		986
	1057	6V-5029	787	6V-8185	534		990
	▶1088	6V-5044	665		667		1185
6V-1179	1027	6V-5048	375		669		1187
	1029		803		673		1189
	1031	6V-5049	359		675	6V-8362	669
	1033		362		739		671
6V-1322	961		796		869		673
	1066		800		897		1014
	1070		802		909	6V-8364	1143
	1073		803		913		1155

PART NUMBER INDEX

Part	Page	Part	Page	Part	Page	Part	Page
6V-8368	1176		505		▶690	7C-1899	▶930
	1177		636	7C-0088	▶560	7C-1900	▶931
6V-8373	1011		648	7C-0089	985	7C-1977	▶932
	1012		658	7C-0091	985	7C-2500	▶350
	1067		659	7C-0092	560	7C-3039	452
	1077		663		568	7C-3173	701
	1083		667	7C-0095	▶994	7C-3427	813
6V-8374	1141		739	7C-0097	988		815
	1142		758	7C-0307	96	7C-3433	▶1182
6V-8376	748		970		97	7C-3491	▶970
	749		985		98		1167
	750		986		99	7C-3492	▶978
	751		988		100		1167
	938		989		101	7C-3659	952
	941		990		292	7C-4301	819
	944		1185		294	7C-4302	819
	947		1187		296	7C-4303	823
	949		1191		370	7C-4304	823
	952		1193		479	7C-4305	824
	1017		1201		489	7C-4306	824
	1018	6V-8832	1017		497	7C-4307	807
	1139		1018		500		▶819
	1156	6V-8918	505		535	7C-4354	970
	1173	6V-9008	375		538		973
	1174	6V-9673	1095		541		974
6V-8377	890		1097		630	7C-4372	▶1152
	895	6V-9872	375		634	7C-4521	176
	901				777	7C-4751	993
	1004				869	7C-4752	994
	1005			7C-0316	▶294	7C-4753	991
	1006			7C-0367	292	7C-4911	207
	1007	7B-1115	325		294	7C-4943	55
	1016	7B-1597	375		296		64
	1176	7B-1598	411	7C-0675	258	7C-4944	55
	1177		413		260		64
	1204	7B-2176	279	7C-0676	254	7C-5353	153
	1205	7B-2742	736		256		154
6V-8378	1042		737	7C-0689	27		168
	1053		775		▶859	7C-5354	153
	1064		776	7C-0730	13		154
	1113		849		15		168
	1115		850		21	7C-5404	758
	1118		1004		23	7C-5479	506
	1120		1027		33		507
	1170		1029		35		514
	1173		1031		39	7C-5601	358
6V-8379	1017		1033		41	7C-5602	361
	1018		1145		43		395
6V-8397	375		1147		46		396
6V-8635	375		1199		47	7C-5721	▶802
6V-8642	432	7B-3235	324		48	7C-6045	227
	436		326		▶114		229
6V-8645	897		327	7C-0755	▶306	7C-6164	64
6V-8736	375		453	7C-0790	788	7C-6165	64
6V-8764	1145		455	7C-0942	181	7C-6166	64
6V-8801	256		457	7C-1072	1201	7C-6167	64
	260		458		▶1204	7C-6168	64
	267	7B-9008	1035	7C-1418	296	7C-6172	64
	407	7B-9919	390	7C-1478	952	7C-6173	64
	408	7C-0052	560	7C-1572	561	7C-6174	64
	472		568	7C-1661	430	7C-6175	64
	475	7C-0067	17		435	7C-6177	64
	477		19	7C-1717	296	7C-6178	73
	478		▶632	7C-1723	▶561	7C-6180	64
	496	7C-0068	18	7C-1783	▶296	7C-6181	64

7

PART NUMBER INDEX

Part	Page	Part	Page	Part	Page	Part	Page
7C-6498	438	7C-7548	▶1159		117		317
7C-6514	112	7C-7602	153	7E-0331	116		319
	113		154	7E-0332	115		321
	114		168	7E-0333	112	7E-5887	828
	115	7C-7603	153		113		830
	116		154		114		832
	117		168		115		834
7C-6532	758	7C-7604	153	7E-0491	9		836
7C-6533	14		154		11		838
	15		168		17		840
	33	7C-7605	153		20		843
	38		154		33	7E-5996	316
	46		168		35		317
	▶860	7C-7631	▶583		41		319
7C-6609	686		701		47		321
	▶691	7C-7692	690		49	7E-6000	155
	▶692		▶701		50		158
7C-6610	▶581	7C-7704	▶899		▶316	7E-6002	828
	691	7C-8217	628	7E-0558	316		830
	693		629		317		832
7C-6611	691	7C-8218	1133		321		834
	692		1135	7E-0559	316		836
	693	7C-9081	20		317		838
	694		▶861		321		840
	703	7C-9198	805	7E-1428	▶60	7E-6003	843
7C-6612	581		811		▶61		828
	584		813		▶62		830
7C-6614	▶15		815	7E-1518	113		832
7C-6615	▶693		817	7E-1520	117		834
	▶694	7C-9222	508	7E-2464	851		836
	695		509	7E-2660	459		838
7C-6616	693		510	7E-2681	1206		840
	694		511	7E-3157	1200		843
	696		512		▶1205	7E-6004	828
	697		513	7E-3632	120		830
	703	7C-9365	957		122		832
7C-6624	14		960	7E-3667	851		834
	15		▶1160	7E-3986	788		836
	24	7C-9368	▶962	7E-4195	316		838
	33	7C-9411	21		317		840
	36		▶624		319		843
	40	7C-9588	29		321	7E-6007	846
	42		▶625	7E-4656	851	7E-6011	828
	43	7C-9621	117	7E-4697	9		830
	46	7C-9894	20		11		832
	48		▶702		17		834
	▶695	7C-9895	702		19		836
7C-6644	726		▶703		33		838
	731	7C-9896	▶584		35		840
7C-6648	▶696		703		41		843
	▶697	7D-1649	191		47	7E-6247	▶981
	700		195		49		▶982
7C-6702	▶698		197		50		▶983
	718		207		▶120	7E-6266	1147
7C-6704	688		217		▶122	7E-6479	120
	698	7D-9052	447		▶124		122
7C-6764	▶17	7D-9949	249		▶126		128
7C-6765	▶19	7E-0300	589	7E-4832	▶248		141
7C-6838	22	7E-0329	112	7E-4847	828	7E-6785	857
	▶700		113		832		858
7C-6842	▶21		114		836	7E-6843	▶507
7C-6843	▶23		116		840		510
7C-7400	▶25		117	7E-5346	783	7E-6844	507
7C-7401	▶27	7E-0330	112	7E-5661	243	7E-7646	▶350
7C-7425	▶442		114	7E-5665	316	7E-8456	141

PART NUMBER INDEX

Part	Page	Part	Page	Part	Page	Part	Page
7E-8923	73		887		830		1089
7E-8924	73		906		832		1123
7E-8926	73	7F-7622	1144		834		1125
7E-8927	73	7F-8896	326		836		1128
7E-8928	73	7F-8897	92		838	7M-0326	1042
7E-9493	584		94		840		1047
7E-9515	▶350	7F-8916	92		843		1052
7E-9803	531	7F-9090	375	7L-4186	737		1063
7E-9907	828		380		739		1066
	830		382	7L-4535	▶1189		1070
	832		384	7L-4536	1189		1073
	834		386	7L-4774	157		1076
	836		388		160		1079
	838		391		171		1082
	840	7F-9958	721		172		1085
	843	7G-4327	988	7L-4958	858		1088
7F-1906	737	7G-7889	▶901		▶871		1122
7F-2742	64	7G-8802	737	7L-4959	855		1125
7F-3425	375		739	7L-4975	793		1128
7F-3488	1042	7H-2079	897	7L-4984	671	7M-0327	1042
	1047	7H-7954	83		760		1047
	1052	7H-9678	785	7L-5810	344		1052
	1063	7J-0204	569	7L-6326	402		1063
	1066		760		403		1066
	1071		828		405		1070
	1073		832		406		1073
	1076		836		408		1076
	1080		840	7L-6551	87		1079
	1083	7J-5225	374	7L-7020	▶350		1082
	1086	7J-9016	777	7L-7262	292		1085
	1089	7K-1181	970		296		1088
	1123	7K-4128	869		502		1122
	1125	7K-4129	869	7L-7856	325		1125
	1128	7K-9197	178	7L-7871	▶933		1128
7F-3491	1042		985		▶934		1143
	1047		986	7L-7872	▶935		1155
	1052		990	7L-8056	857	7M-0336	1043
	1063	7L-0688	945		864		1048
	1066		949	7L-8705	1163		1053
	1073		952	7M-0324	1042		1064
	1076	7L-2894	1042		1047	7M-7219	788
	1082		1043		1052	7M-7273	682
	1085		1047		1063		690
	1088		1048		1066		718
7F-3494	1042		1052		1070	7M-7410	120
	1047		1063		1073		128
	1052		1066		1076		1027
	1063		1070		1079		1029
7F-3525	995		1073		1083		1031
	1042		1076		1086		1033
	1047		1079		1088	7M-7644	772
	1052		1082		1122		773
	1063		1085		1125	7M-8485	63
	1067		1088		1128		358
	1070		1099	7M-0325	1042		375
	1073		1102		1047	7M-8651	1042
	1077		1108		1052		1047
	1079		1113		1063		1052
	1082		1115		1066		1063
	1085		1118		1071		1066
	1088		1120		1073		1071
	1122		1122		1076		1073
	1128		1125		1080		1076
7F-7621	879		1128		1083		1080
	881	7L-3326	828		1086		1083

PART NUMBER INDEX

Part	Page	Part	Page	Part	Page	Part	Page
	1086		187		23		69
	1089		189		25	7N-7447	67
	1123		191		27		69
	1125		193		29	7N-7448	67
	1128		195		31		69
7M-9544	1023		197		38	7N-7450	67
	1025		199		39		69
	1035		201		45	7N-7451	67
	1037		203		46		69
7M-9831	808		205		48	7N-7559	430
	810		207		▶317		435
	820		209		▶319	7N-7628	502
	821		211	7N-3759	575		591
	822		213		579	7N-7672	701
7M-9910	809		215		581		716
7N-0011	689		217		584	7N-7673	701
	▶704		219		586		716
7N-0060	932		221		588	7N-7723	577
	933		223		704	7N-7779	720
	934		225	7N-3760	586		737
	936	7N-3060	1		704		739
7N-0140	1017		3	7N-4148	▶350		754
	1018		5	7N-4160	▶1143		941
7N-0166	7		9		1150		942
	▶414		11		1153		944
7N-0174	906		13	7N-4837	57		945
7N-0239	577		15	7N-5274	955		949
	589		17		1133		953
	698		19		1135		956
7N-0243	57		21	7N-5685	654		958
7N-0296	1017		23	7N-5973	659		959
	1018		29	7N-5974	▶659		961
	1156		33	7N-6114	51		962
7N-0911	374		35	7N-6172	57		963
7N-0912	390		39	7N-6249	52		964
7N-0913	374		41	7N-6291	▶52		978
	390		43	7N-6331	▶562		996
7N-0914	374		45	7N-6351	▶600		1138
	390		46	7N-6821	83		1156
7N-1052	787		47		373		1158
7N-1572	479		48	7N-6822	▶372		1160
	489		49	7N-7055	▶351		1168
	497		50	7N-7078	316	7N-7780	720
	500		▶239		317		737
7N-1599	760	7N-3079	▶240		319		739
7N-1628	785	7N-3193	586		321		754
7N-1796	872		704	7N-7122	879		941
	873	7N-3194	586	7N-7221	941		942
	874		704		978		944
7N-2043	316	7N-3448	427	7N-7264	764		945
	317		437		766		949
	321	7N-3451	378		768		953
7N-2059	1017		382	7N-7269	788		956
	1018	7N-3456	1191	7N-7270	788		958
7N-2156	438	7N-3516	1	7N-7435	67		959
	439		3		69		961
	440		5	7N-7439	67		962
7N-2176	787		7		69		963
7N-2444	615		9	7N-7440	67		964
	616		11		69		978
	619		14	7N-7441	67		996
	628		15		69		1138
7N-2856	577		17	7N-7442	67		1156
	698		19		69		1158
7N-2900	185		21	7N-7446	67		1160

PART NUMBER INDEX

Part	Page	Part	Page	Part	Page	Part	Page
	1168	7N-7810	879	7N-8968	▶205		521
7N-7781	942		890	7N-8970	▶207		531
	945		895	7N-8974	▶209	7N-9944	▶517
	949		901	7N-8975	▶211	7N-9945	▶519
	953	7N-7811	879	7N-8976	▶213	7N-9946	▶521
	956		890		▶215	7S-0687	555
	958		895	7N-8978	▶217		557
	959		901	7N-8985	184		560
	961	7N-7878	502	7N-8986	184		562
	962		591	7N-9021	879		564
	963	7N-7912	453		890		568
	964		455		895	7S-3687	658
	978		457		901		659
	1138		458		911	7S-4338	938
	1158	7N-7913	415	7N-9023	876		941
	1160	7N-7916	415		879		944
7N-7782	941		417		890		947
	944	7N-8008	737		895		952
	949		1141		901		1139
	978		1142		911	7S-4411	▶573
	1168	7N-8084	▶415		918	7S-5003	644
7N-7795	879		451	7N-9024	879		648
	890	7N-8085	▶455		890	7S-5005	118
	895	7N-8488	▶373		895	7S-5757	760
	901	7N-8760	1150		901	7S-6719	300
7N-7796	879		1153	7N-9035	727	7S-6798	760
	890	7N-8821	788		729	7S-7680	647
	895		851	7N-9036	727	7S-9323	785
	901	7N-8827	185	7N-9062	727	7T-0037	722
7N-7798	879		187		729		1190
	890		189	7N-9194	1015	7T-0676	897
	895		191	7N-9335	270	7T-0677	897
	901		193		273	7T-0794	1060
7N-7800	879		195		279		▶1095
	890		197	7N-9528	▶533	7T-0795	1041
	895		199	7N-9546	533		▶1097
	901		201	7N-9666	618	7T-0816	904
7N-7801	879		203	7N-9720	894	7T-0895	897
	890		205		▶904	7T-2339	1095
	895		207	7N-9737	978		1097
	901		209		1156	7T-2790	909
7N-7802	879		211		1168		913
	890		213	7N-9738	720	7T-2791	909
	895		215		737	7T-2792	909
	901		217		739		913
7N-7804	879		219		754	7T-2793	909
	895		221		978		913
7N-7805	879		223		996	7T-2794	909
	890		225	7N-9801	1017	7T-2795	909
	895	7N-8828	193		1156		913
	901		195	7N-9845	1005	7T-2796	909
7N-7806	879		203	7N-9857	517	7T-2797	909
	890		209		519		913
	895		217	7N-9858	517	7T-2798	909
7N-7807	879		223		519		913
	890	7N-8830	▶187	7N-9859	521	7T-2799	909
	895	7N-8833	▶189		531		913
7N-7808	879		▶191	7N-9860	521	7T-2800	909
	890	7N-8836	▶193		531		913
	895		▶195	7N-9863	517	7T-2801	909
	901	7N-8837	▶197		519		913
7N-7809	879	7N-8838	▶199		521	7T-2802	909
	890		▶201		531		913
	895	7N-8840	▶203	7N-9864	517	7T-2803	909
	901	7N-8875	435		519		913

PART NUMBER INDEX

Part	Page	Part	Page	Part	Page	Part	Page
7T-2804	909		1113		80	7W-1060	▶988
	913		1115		180	7W-1092	25
7T-2805	909		1118	7W-0510	1019		▶862
	913		1120		1021	7W-1117	254
7T-2816	909	7T-3973	1099	7W-0511	1019		256
	913		1120		1021		258
7T-3267	1100	7T-3974	1066	7W-0512	1019		260
	1103		1070		1021	7W-1170	950
	1108		1074	7W-0513	1019	7W-1171	949
	1113		1076		1021		952
	1116		1079	7W-0514	1019	7W-1248	233
	1118		1082		1021		239
	1120		1085	7W-0516	1019	7W-1250	240
7T-3268	1100		1088		1021	7W-1276	630
	1103		1099	7W-0517	1019	7W-1318	788
	1108		1102		1021	7W-1321	788
	1113		1108	7W-0518	1019	7W-1340	13
	1116		1115		1021		▶308
	1118		1118	7W-0519	1019	7W-1749	787
	1120		1120		1021	7W-1754	25
7T-3269	1099		1122	7W-0520	1019		27
	1102		1125		1021		▶497
7T-3270	1099	7T-6364	941	7W-0521	1019	7W-1821	506
	1102		944		1021		507
	1108		949	7W-0523	1019	7W-1831	534
7T-3271	1099		941		1021	7W-2000	788
	1102	7T-6365	941	7W-0525	1019	7W-2015	727
	1113		944		1021		729
	1115		949	7W-0528	1019	7W-2060	1174
7T-3275	1113		952		1021	7W-2061	1173
7T-3276	1099	7T-6416	913	7W-0529	1019	7W-2114	380
	1102	7T-6417	913		1021		382
	1108	7T-6418	913	7W-0530	1019		384
	1115	7T-8854	▶1012		1021		386
	1118		1042	7W-0531	1019		388
	1120		1052		1021	7W-2202	155
7T-3277	1099		1063	7W-0532	1019		156
	1102	7T-9123	1011		1021		157
	1108		1012	7W-0533	1019		▶161
	1115		1067		1021		▶162
	1118		1071	7W-0534	1019		▶163
	1120		1077		1021	7W-2203	158
7T-3278	1099		1080	7W-0538	1019		159
	1102		1083		1021		160
	1108		1086	7W-0540	1019		▶164
	1115		1089		1021		▶165
	1118		1123	7W-0632	▶985		▶166
	1120	7T-9517	1017	7W-0683	828	7W-2206	1
7T-3279	1099		1018		830		3
	1102	7V-1037	985		832		5
	1108		1037		834		7
	1113	7W-0007	▶153		836		9
	1115		161		838		11
	1118		164		840		13
	1120	7W-0023	▶63		843		15
7T-3451	1099	7W-0113	▶177	7W-0688	442		17
	1102	7W-0130	575		548		19
	1108		581		551		21
	1113		584		669		23
	1115	7W-0131	575	7W-0752	▶986		25
	1118		581	7W-0825	▶955		27
	1120		584	7W-0993	763		29
7T-3454	1099	7W-0134	851		764		31
	1102	7W-0140	77		766		33
	1108		78		768		35

PART NUMBER INDEX

Part	Page	Part	Page	Part	Page	Part	Page
	37	7W-3472	952	7W-5733	83		143
	39	7W-3550	120		107		145
	41	7W-3581	▶1199		109		149
	43		1200		111		151
	45		1201		373	7W-6568	1025
	46	7W-3582	1199	7W-5836	787	7W-6569	▶1019
	47	7W-3583	1199	7W-5910	13		1023
	48	7W-3617	▶1200		15	7W-6570	▶1021
	49		▶1201		33		1025
	50	7W-3645	1190		37	7W-6571	▶1023
	▶452	7W-3798	1		46	7W-6572	▶1025
7W-2295	758		3		▶766	7W-6614	1199
7W-2296	758		5	7W-6081	120	7W-6743	300
7W-2315	805		13		122	7W-6788	942
	811		15		124		945
	813		17		126	7W-7125	▶706
	815		19		128		▶707
	817		21		130		708
7W-2368	575		23		132	7W-7127	30
	579		25		134		▶863
	581		27		136	7W-7155	92
	584		29		139	7W-7195	30
	586		33		141		▶708
	588		35		143	7W-7352	115
7W-2373	577		37		145	7W-7353	17
7W-2709	938		39		149		19
7W-2710	938		41		151		▶115
7W-2731	374		43	7W-6404	▶1147	7W-7386	863
	1191		45	7W-6492	120	7W-7394	63
	1193		46		122	7W-7663	764
	1195		47		124		766
	1199		48		126		768
7W-2826	727		▶85		128	7W-7664	802
	729	7W-3841	583		130	7W-7778	701
7W-2828	727	7W-3842	583		132	7W-7881	950
	729	7W-3843	701		134		952
7W-2831	726	7W-3935	13		136	7W-7901	▶277
	▶727		15		139	7W-7987	665
7W-2936	1173		33		141	7W-7999	▶947
7W-2937	1174		37		143	7W-8001	940
	▶1176		46		145		▶948
7W-2967	962		▶825		149	7W-8003	940
7W-3051	▶755	7W-4020	63		151		▶949
7W-3069	1190		▶64		156	7W-8051	940
7W-3070	1190	7W-4247	787		157		▶1140
7W-3071	1190	7W-4272	788		159	7W-8052	948
7W-3072	1190	7W-4381	181		160		▶969
7W-3073	1190	7W-4482	794		171	7W-8300	354
7W-3074	1190	7W-4487	826		172	7W-8405	872
7W-3134	989	7W-4640	▶29		535		873
7W-3135	▶989	7W-4990	128		538		874
7W-3140	▶1167		130		541	7W-8432	178
7W-3218	764	7W-5313	567		548	7W-8531	▶104
	766	7W-5342	▶963		551	7W-8633	422
	768	7W-5435	155		634	7W-9008	▶866
7W-3222	▶351		156		635	7W-9010	▶422
7W-3288	▶976		158	7W-6534	122	7W-9048	947
7W-3355	▶998		159		124	7W-9399	▶973
	1182	7W-5499	288		126	7W-9467	107
7W-3401	▶1190		290		130		109
7W-3403	1190	7W-5520	300		132		111
7W-3410	1023		302		134	7W-9472	687
7W-3468	952		306		136		▶709
7W-3469	952		308		139		▶710
7W-3470	952		899		141	7W-9473	696

PART NUMBER INDEX

Part	Page	Part	Page	Part	Page	Part	Page
	697		1113		283		1122
	709		1115		479		1125
	710		1118		489		1128
7W-9608	▶952		1120		497	8C-3100	506
7W-9797	952		1123		500		507
7W-9812	292		1125		501		514
	294		1129		517		515
7W-9827	292	7X-0568	531		519	8C-3389	777
	294	7X-0575	970		521	8C-3445	362
	296	7X-0579	517		535	8C-3446	362
7W-9834	292		519		538	8C-3644	1060
	294		521		541		▶1099
	296		531	7X-7732	69	8C-3649	1041
7W-9835	▶990	7X-0586	869		122		▶1102
7X-0288	973	7X-0591	564		124	8C-3655	1100
7X-0290	496	7X-0613	1191		126		1103
	970		1193		130		1108
7X-0308	324	7X-0620	904		132		1116
	327		915		134		1118
7X-0310	517	7X-0869	775		136		1120
	519		776		139	8C-5196	112
	521	7X-2501	739		141		113
	531		848		143		114
7X-0328	197	7X-3178	985		145		115
	201		986		149		116
	203		990		151		117
7X-0341	262	7X-3353	890		292	8C-5230	375
7X-0343	564		895		294		379
7X-0346	503		901		296		384
	986		918		434		386
	989	7X-3364	942	7X-7893	501		388
7X-0347	636	7X-3373	1066		517		397
	986		1070		519		398
	988		1074		521		400
	990		1076			8C-5917	934
7X-0382	467		1079				935
	517		1082				937
	531		1085			8C-6099	1005
7X-0447	517		1088			8C-6561	407
	519		1099	8B-1931	758		848
	521		1102	8B-2377	249		
	531		1108		737	8C-6808	1143
	909		1113		760		1155
	913		1115		849	8C-6876	739
	915		1118	8B-4884	375	8C-6913	467
7X-0448	503		1120		390		517
	648		1122	8B-7121	87		531
	986		1125		90	8C-8418	720
7X-0513	1011		1128		92		777
7X-0562	1067	7X-3374	305		94	8C-8422	277
	1071	7X-3391	201	8B-7987	92	8C-9660	876
	1073		203		94		906
	1076	7X-7731	197	8B-8679	667		918
	1080		203	8B-8817	64		1066
	1083		205		635		1070
	1086		205	8C-0566	503		1074
	1089		219	8C-0624	361		1076
	1092		221		396		1079
	1093		223	8C-3089	1066		1082
	1095		225		1070		1085
	1097		271		1074		1088
	1099		272		1076		1122
	1102		277		1079		1125
	1106		278		1082		1128
	1108		281		1085	8C-9986	1006
			282		1088	8D-0983	517

8

PART NUMBER INDEX

Part	Page	Part	Page	Part	Page	Part	Page
	519		1187		201		205
	521		1191		203		209
	531		1193		205		213
8D-1266	1177		1195		207		215
8E-5237	828		1197		209	8L-5832	764
	830	8F-3030	103		211		766
	832	8F-3437	1143		213		768
	834		1155		215		787
	836	8F-4610	727		217		852
	838		729		219		853
	840	8F-8178	775		221		855
	843		776		223		857
8F-0244	1191	8F-8454	721		225		858
	1193	8F-8513	390	8J-4351	830		859
	1195	8F-8544	1027		834		860
8F-0908	938		1029		838		861
	947		1031		843		862
8F-1326	906		1033	8J-4785	1152		863
8F-1434	876	8F-8804	244		1154		864
	879	8F-8833	374	8J-8343	852	8L-6557	178
	890		390		853		287
	895	8H-0707	1005		855		288
	897	8H-0708	760		857		290
	901	8H-1141	1099		858		292
	906		1102		859		294
	918		1108		860		296
	923		1113		861		298
	926		1115		862		726
	928		1118		863		731
	1011		1120		864		985
	1017	8H-1607	391	8K-2396	498		986
	1018	8H-1727	1183	8L-2779	805		990
	1042	8H-2778	785		811		1035
	1053	8H-3127	676		817	8L-7979	795
	1064		678	8L-3282	447	8L-8234	860
	1066		770	8L-3873	1005	8L-8413	304
	1071		772	8L-4282	742		932
	1074		1180		743		933
	1076		1181		744		934
	1080	8H-3128	773	8L-4497	472		935
	1083		1179		474		937
	1086	8H-7202	785		475		962
	1089	8H-7204	13	8L-4498	472		963
	1092		37		474		970
	1093		▶785		475		978
	1095	8H-9186	760	8L-4502	472		1133
	1097	8H-9204	787		474		1135
	1099		805		475		1166
	1102		807	8L-4521	472		1168
	1106		811		475		1206
	1108		813	8L-5008	553	8L-9362	897
	1113		815		554	8L-9654	897
	1115		817		562	8L-9655	897
	1118	8H-9789	67		565	8L-9656	897
	1120		69		566	8L-9657	897
	1123		83		958	8L-9661	897
	1125		183		960	8L-9663	897
	1129		185		1178	8L-9767	472
	1143		187	8L-5137	▶351		474
	1155		189	8L-5213	189		475
	1170		191		191	8L-9790	853
	1173		193		193		859
	1174		195		195		862
	1183		197		199	8M-0547	498
	1185		199		201	8M-0755	287

PART NUMBER INDEX

Part	Page	Part	Page	Part	Page	Part	Page
	288	8N-0075	737		706		47
	290	8N-0076	737	8N-2362	706		48
	298		739		707		▶626
	299	8N-0530	▶1153	8N-2363	586	8N-4455	556
	498	8N-0620	▶1017	8N-2499	787		563
8M-2773	804	8N-0621	▶1018	8N-2505	788	8N-4617	545
	970	8N-0654	828	8N-2510	788		556
8M-3839	942		830	8N-2637	851		563
	944		832	8N-2640	851	8N-4875	525
	949		834	8N-2641	851		527
8M-4437	807	8N-0819	586	8N-2694	553	8N-4876	525
	813	8N-0869	955		554		527
	815		1133		565	8N-4880	521
8M-5260	390		1135		566		▶523
8M-5312	941	8N-0999	13	8N-3093	755	8N-4881	523
	944		▶906		858		529
	950	8N-1184	594		864	8N-4882	523
	952		595	8N-3094	852		529
8M-5521	869		601		853	8N-4975	644
8M-6701	881		602		855	8N-5305	185
	884		603		857		187
	887	8N-1608	316		859		191
8M-6755	52		317		860		195
	240		319		861		197
8M-7065	287		321		862		201
	288	8N-1610	941		863		203
	290	8N-1667	410	8N-3238	760		205
	292	8N-1693	1156	8N-3248	501		207
	294	8N-1725	955		521		209
	296		1133	8N-3256	787		211
	298		1135	8N-3303	787		213
8M-7145	300	8N-1730	▶748	8N-3536	1017		215
	302		▶749		1018		217
	306	8N-1731	▶750	8N-3665	57		219
	308		▶751	8N-3666	57		221
8M-7581	370	8N-2020	2	8N-3731	828		223
8M-7892	▶1171		3		830		225
	1199		6		832	8N-5761	563
8M-8489	438		10		834	8N-5763	727
	439		12	8N-3757	788		729
	440		15	8N-3760	787	8N-5764	727
8M-8515	852		18	8N-3761	787		729
	853		20	8N-3762	787	8N-5765	727
	855		22	8N-3776	755		729
	857		24		787	8N-5766	557
	858		30	8N-3799	852		▶563
	859		33		853	8N-5881	▶1154
	860		36		855	8N-5916	55
	861		39		857		64
	862		41		858	8N-5940	279
	863		43		859	8N-5941	1
	864		45		861		3
8M-9024	390		46		862		5
	423		47		863		13
8M-9062	872		48		864		15
	873		49	8N-3956	787		17
	874		50	8N-4398	13		19
8M-9124	599		▶339		15		21
	1133	8N-2104	420		23		23
	1135		421		33		29
8M-9141	852		423		35		33
8M-9307	453	8N-2148	760		39		35
	455	8N-2177	37		41		37
	457		▶752		43		39
	458	8N-2361	▶586		46		41

PART NUMBER INDEX

Part	Page	Part	Page	Part	Page	Part	Page
	43		31		838	8P-1438	178
	45		49		840	8S-0948	802
	46		50		843	8S-1460	644
	47		▶86	8N-9371	828		648
	48	8N-9245	86		830	8S-2331	1035
	▶278	8N-9246	1		832		1037
	▶279		3		834		1057
8N-5993	846		5		836	8S-2332	1023
	847		7		838		1025
8N-6114	▶330		9		840		1035
8N-6115	▶564		11		843		1037
8N-6116	560		13	8N-9374	828		1039
	564		15		832		1040
8N-6265	498		17		836		1055
8N-6587	▶219		19		840		1056
8N-6588	37		21	8N-9382	852		1058
	▶221		23		853		1059
8N-6589	▶223		25		857		1061
8N-6670	▶1141		27		858		1062
8N-6677	305		29		859		1105
	311		31		860		1110
8N-6679	37		33		861		1111
	▶311		35		862	8S-2381	654
8N-6680	726		37		863	8S-4304	453
	731		39		864		455
	860		41	8N-9476	181		457
8N-6696	▶351		43	8N-9560	▶313		458
8N-6708	▶351		45	8N-9653	1	8S-4626	1168
8N-6710	▶352		46		3	8S-4645	55
8N-7043	391		47		5	8S-4710	775
8N-7269	▶390		48		7		776
8N-7518	873		49		9	8S-4711	249
8N-7520	872		50		11	8S-4753	174
8N-7521	874		▶243		13		176
8N-8082	756	8N-9267	1		15	8S-4950	1035
8N-8098	548		3		17		1037
	550		5		19	8S-5169	704
	551		7		21	8S-5383	300
8N-8099	548		9		23		305
	551		11		25		306
8N-8100	548		13		27		308
	551		15		29		311
8N-8254	85		17		31		312
	86		19		33		899
8N-8256	181		21		35	8S-6511	439
8N-8258	181		23		37		440
8N-8259	181		25		39	8S-6558	645
8N-8358	▶565		27		41	8S-6559	648
	▶566		29		43	8S-6814	787
8N-8361	636		31		45		788
8N-8614	642		37		46		793
	646		39		47	8S-7803	753
8N-8740	▶646		45		48		787
8N-8836	517		46		49	8S-8042	704
	▶525		48		50	8S-8043	704
8N-8837	525		▶128		▶181	8S-8158	777
	527		▶130	8N-9678	788		941
8N-8838	519		▶132	8N-9680	788		944
	▶527		▶134	8N-9710	▶601		952
8N-8934	553		▶136	8N-9759	▶636	8S-8817	390
	565	8N-9367	828	8N-9801	867	8S-9092	560
	▶567		830	8N-9802	867		606
8N-9244	7		832	8N-9803	867		607
	9		834	8N-9968	313		991
	11		836	8N-9969	313		993

PART NUMBER INDEX

Part	Page	Part	Page	Part	Page	Part	Page
8S-9094	120	8T-0726	1019		893		408
	122		1021		895		461
	124	8T-0727	1019		897		463
	126		1021		901		477
	128	8T-0728	1019		911		478
	130		1021		920		494
	132	8T-1160	1019		923		495
	134		1021		926		496
	136	8T-1266	296		928		505
	139	8T-2182	1019		961		517
	141		1021		985		519
	143	8T-2190	1019		986		521
	145		1021		990		545
	149	8T-2191	1019		1037		554
	151		1021		1066		564
8S-9191	63	8T-2223	1019		1070		566
	258		1021		1073		663
	1150	8T-2224	1019		1076		739
8S-9222	683		1021		1079		758
8S-9223	683	8T-2501	1152		1082		869
8T-0100	71	8T-2502	197		1085		899
8T-0154	502		201		1088		962
8T-0271	1019		203		1095		970
	1021		256		1097		973
8T-0328	879		260		1099		985
	881		407		1102		986
	884		408		1108		988
	887		461		1113		989
	890		463		1115		990
	895		494		1118		1037
	897		495		1120		1191
	901		505		1122		1193
	904		636		1125		1195
	911		869		1128	8T-4970	1095
	915		970		1191		1097
	918		973		1193	8T-4988	561
	923		985		1195	8T-5360	517
	926	8T-3282	75	8T-4223	178		519
	928		79		262		521
	1011	8T-4121	1093		462		531
	1067		1106		464		904
	1071	8T-4122	503		503		915
	1074		609		517	8T-5677	720
	1077		636		519	8T-6684	375
	1080		758		521	8T-6726	501
	1083		986		611		517
	1086		988		636		519
	1089		989	8T-4224	848		521
	1092		990		869		991
	1093	8T-4133	1093		920		993
	1095		1106		970		994
	1097	8T-4205	534		973	8T-6757	120
	1099		667		986		122
	1102		669		990		124
	1106		673		1189		126
	1108		675	8T-4244	1092		128
	1113		739		1095		130
	1115		758		1097		132
	1118		848	8T-4896	256		134
	1120		869		260		136
	1123		879		262		139
	1125		881		267		141
	1129		884		292		143
	1174		887		296		145
8T-0701	1182		890		407		149

PART NUMBER INDEX

Part	Page	Part	Page	Part	Page	Part	Page
	151		521		1120		749
	249		531	8T-8568	1113		750
8T-6761	314		535	8T-8569	1099		751
	315		538		1102		876
	375		541		1108		879
	455		548		1113		881
	479		550		1115		884
	489		551		1118		887
	497		635		1120		890
	525		1187	8T-8570	1113		895
	527	8T-6765	181	8T-8729	957		901
	538		271		958		906
	541		272		960		911
8T-6762	69		275		1161		918
	153		277	8T-8737	997		938
	287		278		1000		941
	290		281	8T-8908	739		944
	292		282	8T-8911	970		947
	294		283		1191		949
	296		359		1193		952
	298		360	8T-8915	73		1004
	541		482		496		1005
	548		525		663		1006
	550		527	8T-8917	521		1007
	551		529		636		1014
	635		535	8T-9364	534		1016
8T-6763	120		538	8T-9368	739		1017
	122		541	8T-9377	197		1018
	124		548		201		1139
	126		551		203		1156
	128		597		496		1176
	130		619		636		1177
	132		635	8T-9378	1152		1204
	134		675	8T-9393	648		1205
	136	8T-6767	120		653	9B-7237	256
	139		128	8T-9757	934		260
	141		156		935		472
	143		157		937		474
	145		159	8T-9762	911		475
	149		160	8T-9884	1100		477
	151		171		1103		478
	634		172		1108		496
	1027		323		1113		517
	1029		458		1116		519
	1031		479		1118		521
	1033		482		1120		531
8T-6764	69		486	8T-9885	1113		564
	120		489				962
	122		497				986
	124		500				990
	126		538			9B-9774	1027
	128		541	9A-7377	787		1029
	130		597	9B-0453	90		1031
	132	8T-7893	764		1042		1033
	134		766		1052	9C-5344	1152
	136		768		1063		1193
	139	8T-7971	263	9B-0887	505	9D-3721	1156
	141		264		596	9D-6637	1004
	143		899	9B-1117	390		1006
	145	8T-8566	1099		1193		1007
	149		1102		1199	9F-0978	721
	151		1108	9B-7233	669	9F-0981	721
	284		1113		671	9F-2186	336
	517		1115		673	9F-2187	344
	519		1118		748	9F-2188	344

9

PART NUMBER INDEX

Part	Page	Part	Page	Part	Page	Part	Page
9F-2247	83	9F-5975	1179	9G-4344	1166		141
	87	9F-6580	375	9G-4365	1156		147
	248		390	9G-4513	1063		148
	876		671	9G-4574	894	9H-1958	952
	918		737		►909	9H-3757	1042
9F-2940	390		868	9G-5208	897		1047
9F-2947	535		1001	9G-5232	901		1052
9F-2978	254		1199	9G-5233	901		1063
	263	9F-8125	952	9G-5234	901		1066
	269		1172	9G-5578	890		1070
	402	9F-8219	746	9G-6770	1012		1073
	403	9F-8885	300		1067		1076
9F-3099	938	9F-8999	548		1077		1079
	947		551		1083		1082
9F-3691	1172	9G-0003	930	9G-7548	904		1085
9F-4337	1040		931		915		1088
	1055		932	9G-7549	904		1122
	1056		933		915		1125
	1057		934	9G-7551	904		1128
	1058		935		915	9H-5404	1183
	1059		937	9G-7552	904		1185
	1061	9G-0004	930		915		1187
	1062		931	9G-7553	904	9H-8260	300
	1111		932		915		306
	1112		933	9G-7554	904		899
	1131		934		915	9H-8872	178
9F-4446	185		935	9G-7555	904		182
	187		937		915	9J-6190	795
	189	9G-3186	940	9G-7556	904	9J-8050	777
	191		941		915	9K-2175	271
	193		944	9G-7558	904		272
	195		949	9G-7559	904	9L-1517	55
	197		978		915	9L-1518	55
	199		997	9G-7560	904	9L-1937	101
	201	9G-3662	941		915	9L-2137	879
	203		944	9G-7561	904		890
	205		949	9G-7562	904		895
	207	9G-3695	941		915		901
	209		944	9G-7564	915	9L-2139	879
	211		978	9G-7565	904		890
	213	9G-4101	1042		915		895
	215		1047	9G-7566	904		901
	217		1052		915	9L-2140	879
	219		1066	9G-7567	904		890
	221		1070		915		895
	223		1073	9G-7568	904		901
	225		1076		915	9L-2269	64
9F-4976	1010		1077	9G-8010	748		119
	1012		1079		749	9L-2270	64
	1047		1082		750	9L-2271	64
9F-5599	995		1083		751	9L-2272	64
	1042		1085	9G-8909	955	9L-2273	64
	1047		1086	9G-9151	970		119
	1052		1088		973	9L-4238	185
	1063		1089		1156		219
	1067		1122		1168		221
	1070		1123	9G-9153	970		223
	1073		1125		974		225
	1077		1128		1168	9L-4590	►1137
	1079		1129	9H-1031	120		1151
	1082	9G-4232	933		122	9L-4652	1023
	1085	9G-4233	932		128		1025
	1088	9G-4336	1166		130		1035
	1122	9G-4342	1166		132		1037
	1128	9G-4343	1166		138	9L-5125	249

PART NUMBER INDEX

Part	Page	Part	Page	Part	Page	Part	Page
	390		901		360		510
9L-5254	287		904		374		511
	292		906		378		512
	294		909		382		513
	296		911		391	9M-4136	1147
	298		913	9M-1974	71	9M-4584	288
9L-5717	380		915		113		427
	382		918		178		428
	384		920		184		429
	386		923		227		430
	388		926		228		435
9L-5839	594		928		229		437
	602	9L-6776	911		230	9M-4791	64
	603	9L-6913	704		248	9M-4849	428
	627	9L-6958	800		249	9M-5181	55
	628	9L-7285	304		287		64
	629	9L-7657	364		288	9M-5520	938
9L-5854	120		793		290		947
	122	9L-7712	332		292	9M-5732	371
	128		333		294	9M-5775	1133
	130		353		296		1135
	132		354		298	9M-6522	287
	141		355		299		288
	147	9L-8412	688		302		290
	148	9L-8492	758		304	9M-6527	506
9L-6239	704	9L-8496	758		370		507
9L-6242	704	9L-8557	758		375		514
9L-6243	704	9L-8925	112		404		515
9L-6244	704		113		502		516
9L-6371	899		114		525	9M-7002	481
9L-6378	849		115		527		484
9L-6529	▶1105		116		548	9M-7228	370
9L-6531	1206		117		550	9M-7540	427
9L-6643	899	9L-9098	794		551		437
9L-6657	616		826		618	9M-7606	1042
	619	9L-9132	264		637		1047
9L-6671	2		265		746		1052
	3		266		757		1063
	5		484		777		1066
	8		486		779		1073
	14		488		800		1076
	15		523		805		1082
	22		560		811	9M-7609	1043
	24		1183		813		1047
	25		1185		815		1052
	27		1187		817		1063
	30	9L-9159	808		849		1066
	33		809		850		1070
	36		810		974		1073
	38	9L-9814	805		1147		1076
	39		807		1182		1079
	41		811		1183		1082
	43		813		1185		1085
	45		815		1187		1088
	46		817	9M-2342	785		1099
	47	9M-0379	55	9M-2904	401		1102
	48		64		402		1108
	▶664	9M-0381	57		403		1122
9L-6729	615	9M-0394	64		404	9M-7611	1043
	625	9M-0397	287		405		1048
9L-6770	876		298		406		1053
	879	9M-0402	246		407		1064
	890		249		408	9M-7783	560
	893	9M-0766	390	9M-3786	508		568
	895	9M-0853	359		509		993

PART NUMBER INDEX

Part	Page	Part	Page	Part	Page	Part	Page
9M-7959	505		▶100	9N-2036	575		18
9M-8406	498	9N-0685	1		579		20
9M-8911	575		3		581		22
	579		5		584		24
	581		9		586		25
	584		17		588		27
	586		45	9N-2038	681		30
	588		49		691		32
9M-8915	575		▶460		692		33
	579	9N-0694	428		693		36
	581	9N-0696	428		694		38
	584	9N-0720	▶593		696		39
	586	9N-0869	1200		697		41
	588		1201		703		43
	704	9N-0937	881		706		45
9M-8919	575		884		707		46
	579		887		709		47
	581	9N-0939	881		710		48
	584		884		711		49
	586		887	9N-2039	681		50
	588	9N-0942	881		691		▶508
	704		884		692		▶509
9M-9647	470		887		693		▶510
9N-0013	7		911		694		▶511
	37	9N-0943	876		703		▶512
	▶428		881		711		▶513
	▶429		884	9N-2041	575	9N-3367	443
9N-0015	1		887		579		445
	3		906		581		447
	9		911		584		449
	17		918		586		469
	45	9N-0947	497		588	9N-3368	443
	49	9N-1008	664		704		445
	▶98		666	9N-2043	575		449
9N-0022	7	9N-1012	83		588		469
	37	9N-1324	▶352	9N-2046	575	9N-3370	800
	▶633	9N-1325	▶352		579	9N-3382	▶469
9N-0055	228	9N-1545	828		581	9N-3388	807
9N-0146	683		830		584		819
9N-0311	83		832		586		823
9N-0316	83		834		588		824
9N-0477	380		836	9N-2282	3		876
	382		838		7		879
	384		840		▶423		881
	386		843		▶424		884
	388	9N-1650	269	9N-2517	7		887
9N-0608	683	9N-1754	727		▶405		906
9N-0684	11		729	9N-2570	236		911
	13	9N-1822	736	9N-2699	627	9N-3425	5
	15		▶753	9N-2855	55		25
	19	9N-1849	802	9N-3033	506		27
	21	9N-1927	497		507		▶406
	23	9N-1940	546	9N-3220	590	9N-3618	7
	29	9N-1941	546		623		▶116
	31	9N-1942	▶546	9N-3247	621	9N-3645	443
	33	9N-1943	590		627		445
	35		615	9N-3258	428		447
	39		619	9N-3288	1		449
	41		623		3		469
	43	9N-2032	711		5	9N-3666	443
	46	9N-2035	575		8		445
	47		579		10		447
	48		581		12		449
	50		586		14		469
	▶99		588		15	9N-3668	443

PART NUMBER INDEX

Part	Page	Part	Page	Part	Page	Part	Page
	445	9N-6519	▶867		907		1079
	447	9N-6610	31	9S-2291	877		1082
	449		▶768		907		1085
	469	9S-0211	770	9S-2292	876		1088
9N-3673	7		771		906		1122
	▶627		772		918		1125
9N-3674	588		773	9S-2300	876		1128
9N-3675	711		1179		906	9S-2592	557
9N-3701	575		1180		918	9S-3032	1179
	588		1181	9S-2301	876	9S-3451	876
9N-3718	447	9S-1354	87		906		906
9N-3735	753		90		918	9S-3784	302
9N-3736	753		92	9S-2302	876	9S-4167	782
9N-3866	7		94		881		783
	▶101	9S-1366	107		884	9S-4180	859
9N-3887	25		109		887	9S-4182	122
	27		111		906		124
	▶280		304		911		126
	▶281		306		918		130
	▶282		308		923		132
	▶283		453	9S-2389	876		134
9N-3889	25		455		906		136
	27		457		918		139
	▶105		458	9S-2390	876		141
9N-3937	38	9S-2004	918		881		143
	▶849	9S-2005	876		884		145
9N-5034	506		906		887		149
	507		918		906		151
9N-5120	185	9S-2006	876		911		315
	187		906		918		796
	189	9S-2009	876		923		800
	191		881		926		803
	193		884		928		828
	195		887	9S-2393	876		830
	197		906		906		832
	199		911		918		834
	201		918	9S-2396	876		836
	203	9S-2011	876		881		838
	205		906		884		840
	207		918		887		843
	209	9S-2012	876		906	9S-4190	120
	211		907		918		122
	213		918	9S-2437	876		124
	215	9S-2013	876		879		126
	217		906		890		128
	219		911		895		130
	221		918		901		132
	223	9S-2014	876		906		134
	225		887		918		136
9N-5124	420		906	9S-2438	906		139
	421	9S-2246	906	9S-2544	876		141
9N-5263	▶588	9S-2248	876		879		143
	711		906		881		145
9N-5264	▶711		918		884		149
	712	9S-2250	906		887		151
9N-5265	8	9S-2255	876		890		592
	▶712		906		895	9S-4191	358
9N-5279	804		918		901		359
9N-5443	▶470	9S-2260	876		906		362
9N-5444	470		906		911	9S-4200	375
	471		918		918	9S-4684	942
9N-5449	55	9S-2262	876		1066		944
	▶119		906		1070		949
9N-5915	423		918		1073		952
9N-6419	498	9S-2290	876		1076	9S-5282	667

PART NUMBER INDEX

Part	Page	Part	Page	Part	Page	Part	Page
	669		151		664	9X-7378	122
	671	9S-8748	727		774		124
	673		729		796		126
	675	9S-8750	249		800		130
9S-5578	390		375		802		132
9S-5828	1023		574		1183		134
	1025		721	9S-8993	683		136
	1035		796	9S-9334	358		139
	1037		938		359		141
9S-7148	▶574		947		360		143
	645		1003		362		145
9S-7703	758		1004	9S-9829	906		149
9S-7720	390		1006	9S-9830	876		151
9S-8001	760		1007		906		315
	828		1023		918		796
	830		1025	9V-7451	764		800
	832		1035		768	9X-7715	764
	834		1145	9W-1077	1152		766
	836	9S-8752	107		1154		768
	838		109		▶1155	9X-7803	▶911
	840		111	9W-1494	1182	9X-8486	949
	843		181	9X-0332	1095	9X-8873	54
	852		184		1097		59
	853		244	9X-1124	1173		62
	855		253		1174		90
	857		254	9X-1386	996	9X-8875	219
	858		258		999		221
	861		284	9X-2133	502		223
	862		302	9X-2500	876		225
	863		305		881		498
	864		311		884	9X-8880	337
9S-8003	787		312		887	9X-8881	375
	828		375		906		568
	830		380		911	9X-8882	90
	832		382		918	9X-8903	111
	834		384	9X-2649	1003		178
	836		386		1004	9X-8904	156
	838		388		1006		159
	840		402		1007	9X-9511	1099
	843		403	9X-2836	794		1102
9S-8004	360		404		826	9X-9720	934
9S-8006	783		405	9X-3402	997	9X-9730	935
9S-8007	760		406	9X-4276	949		▶936
	828		410	9X-4452	1060	9Y-0578	17
	830		411		▶1106		▶628
	832		413	9X-4824	1108	9Y-0579	17
	834		414		1118		19
	836		415	9X-6001	904		▶591
	838		417		915	9Y-0581	17
	840		418	9X-6138	517		19
	843		427		519		▶430
9S-8009	120		437	9X-6259	375	9Y-0582	19
	122		498	9X-6451	314		▶629
	124		503		315	9Y-0951	952
	126		535	9X-6458	401	9Y-0993	18
	128		538		417		▶538
	130		541		418	9Y-0994	20
	132		548		420		▶541
	134		551		421	9Y-1100	430
	136		617		424	9Y-1117	298
	139		642		529	9Y-1233	855
	141		643		637	9Y-1234	▶775
	143		646		975		852
	145		647		1014		853
	149		654		1145		855

PART NUMBER INDEX

Part	Page	Part	Page	Part	Page	Part	Page
	857		1131		1147	032-1268	779
	858	9Y-6400	317	030-7571	120		869
	859	9Y-6499	▶961		122	032-1269	292
	861	9Y-7037	788		124		294
	862	9Y-7735	317		126		296
	863		321		128		498
	864	9Y-8087	▶729		130	033-5879	852
9Y-1606	▶976		731		132		853
9Y-1607	▶974		860		134		855
9Y-1611	▶960	9Y-8088	729		136		857
9Y-1792	440	9Y-8857	635		139		858
9Y-1800	438				141		859
	439				143		860
9Y-1936	579	0			145		861
	581				149		862
9Y-2060	5	000-7244	449		151		863
	▶1006		993	030-7942	800		864
9Y-2141	273	001-6449	443		804	034-3664	1199
9Y-2240	60		445	030-7946	178	034-4160	67
	▶67		447		726		69
9Y-2278	67		449		731	034-4288	774
	69	001-7025	299		825	034-8363	1145
9Y-2988	366	001-7043	287		985		1147
9Y-2989	▶367		288		990	034-9362	83
9Y-3319	▶665		290		1183	035-0499	1133
9Y-3368	128		292		1185		1135
	130		294		1187	036-9821	1042
	132		296		1191		1047
	▶1206		298		1193		1052
9Y-3775	▶154	001-9440	443		1195		1063
	162		445		1200		1066
	165		447		1201		1070
9Y-3778	515		449	030-7947	779		1073
9Y-4004	317	003-2143	443		783		1076
9Y-4383	332		445		796		1079
	333		447		799		1082
9Y-4384	332		449		800		1085
	333	004-7270	294		802		1088
9Y-4542	665	004-7626	498		803		1099
9Y-4561	665	006-7403	332		804		1102
9Y-4701	787		333	030-8142	1035		1108
9Y-4812	▶795	007-0950	993		1037		1122
9Y-4872	▶358	009-1436	1027	030-8195	251	036-9823	1042
	395		1029	030-8307	292		1043
9Y-4913	▶776		1031		294		1047
	860		1033	030-8370	498		1048
9Y-5281	405	009-3101	764	030-9612	879		1052
	406		766		890		1063
9Y-5288	777		768		895		1066
9Y-5289	777	011-3580	721		901		1073
9Y-5290	777	012-8140	299		911		1076
9Y-5291	777		443	030-9615	787		1082
9Y-5292	777		445	031-0216	760		1085
9Y-5438	▶53		447		788		1088
9Y-5654	▶1185		449	031-0219	548		1099
9Y-5672	1185		963		550		1102
	1187	013-8307	51		551		1113
9Y-5673	1185	019-2082	292		635		1115
	1187		294	031-0782	453		1120
	317		296		491	039-2280	746
9Y-6051	317	030-0060	244		499	039-2281	746
9Y-6053	51	030-0061	244	031-4155	525	045-4065	922
9Y-6089	103	030-1707	1105		527		925
	104		1110	032-1267	779		1010
	106		1145		869		1011

PART NUMBER INDEX

Part	Page	Part	Page	Part	Page	Part	Page
	1012	100-6534	906		▶417		▶1033
	1067	100-6648	1035	101-7364	31		1037
	1071	100-6656	876		▶418	105-5136	1027
	1074		918	101-7756	431		1029
	1077	100-6657	876	101-7757	31		1031
	1080		918		▶498		1033
	1083	100-6658	876	101-7759	498	105-5137	1027
	1086		918	101-7769	714		1029
	1089	100-6889	356		716		1031
	1123		357	101-7788	353		1033
	1126	100-6920	157		354	105-5138	1027
	1129		160		355		1029
052-0512	1027		171		356		1031
	1029		172		357		1033
	1031	100-7047	281	101-8233	▶31	105-7123	981
	1033	100-7399	120	101-8302	32	105-7147	▶33
053-2171	1168		122		▶713	105-7565	1206
053-2294	181		124	101-8303	31	105-8044	▶534
054-4984	805		126		▶499	106-0447	▶965
	811		128	101-8304	31	106-1111	162
	813		130		▶500		165
	815		132	101-8308	31	106-1792	157
	817		134		▶457		160
060-7519	1019		136	101-8310	31		171
	1021		139		▶634		172
061-6717	298		141	101-8312	31	106-3544	429
061-7540	363		143		▶431		432
	365		145	101-8516	368		434
	399		149	101-8517	31		436
061-8639	374		151		▶368	106-4004	429
061-9258	1035	100-7408	85	101-8923	▶723	106-6493	727
	1037	100-7432	107		748		729
061-9458	315		109	102-5939	509	106-7150	514
061-9593	374		111		▶514	106-7687	911
062-5388	978	101-0523	120	102-5946	514	106-7689	911
067-9425	647		122		515	106-7690	911
090-4715	978		124	102-8478	514	106-8554	1091
095-0757	71		126	102-8501	631		▶1108
095-1712	71		141	102-8503	633	106-8764	▶1035
			143	102-8802	999	106-8765	▶1037
			145		1167	106-9586	374
		101-0524	124	102-8803	957	107-3847	▶241
			126		958	108-0136	▶754
100-5045	▶913	101-0525	124		960	108-2102	847
	917		126		1161	108-2104	847
100-5046	▶915	101-0700	506		1167	108-2858	667
	917	101-1816	353	102-8805	1167		669
100-5047	▶917		354	103-1736	▶1167		673
100-6531	876		355	104-3038	809	108-3190	▶1161
	881	101-1817	353	104-4832	429	108-3560	92
	884	101-1818	354	104-5283	632	108-3561	87
	887		355	104-6564	534		92
	906	101-1819	353	105-2508	848	108-3612	630
	911	101-2850	1206	105-3762	881		631
	918	101-3998	1037		884		632
	923	101-5720	869		887		633
	926	101-5726	869	105-3763	911		634
	928	101-7352	631	105-3764	911	108-3913	122
100-6532	876		632	105-3785	514		130
	881		633		515		141
	884	101-7359	417	105-4985	514	108-3914	▶138
	887	101-7360	418	105-5080	▶1027		139
	906	101-7361	417		▶1029	108-3916	▶139
	911	101-7362	418		1035	108-4744	278
	918	101-7363	31	105-5081	▶1031	108-4747	271

1

PART NUMBER INDEX

Part	Page	Part	Page	Part	Page	Part	Page
	272		838		136		124
108-4750	282		843		139		126
108-4760	275	110-2220	122		141		130
108-5603	332		130		143		132
	333		132		145		134
108-5891	282		147		149		136
108-5902	162		148		151		139
	165	110-5035	1113		290		141
108-6633	830	110-5096	▶167		425		143
	834	110-5099	163		426		145
	838		166		427		149
	843		167		429		151
	▶847		▶168		431	119-8514	697
108-7930	515		169		592		710
	516		170	114-5988	1206	119-8516	692
109-0072	420	110-5369	▶1110	115-2353	424		694
	630	110-6464	1001	115-2367	163	119-8699	788
	634	110-6465	1002		166	120-9100	▶1111
109-0073	630	110-6886	▶1149	115-2368	163		▶1112
	634	110-7753	535		166	121-0145	314
109-0076	479		538	115-2370	424	121-0924	359
	489		541	115-2421	937	121-2471	▶359
	497	110-8025	▶37	115-3358	727		▶360
	500	110-9159	380		729		396
	535		▶395	115-4266	▶864		399
	538	111-1323	941	115-4527	▶731	121-2472	379
	541		950	115-4904	▶975		384
109-0077	384	111-1325	941	115-7582	▶568		▶396
	452		944	115-8396	975	121-9859	166
	453	111-7303	▶471	116-7952	▶176		167
	455	111-8606	130	116-7954	▶225		169
	457	112-5041	▶918	117-1385	805		170
	458	112-5360	721		811	121-9860	166
	479	112-9119	879		817		167
	489		890	117-3176	527		169
	497		895	117-3278	▶117		170
	500		901	117-5717	▶589	122-0321	169
	509	112-9217	243		716		170
	511	113-7794	830	117-5719	589	122-0322	169
	512		834	117-7470	6		170
	513		838		▶1007	122-3772	509
	538		843	117-8773	▶229		511
	541	113-9774	602	118-1295	▶39		513
109-0078	420	113-9777	▶647	118-2018	▶352	122-7374	163
	482	113-9779	647	118-2855	▶41		166
	486	113-9781	602	118-4728	75		167
	547	113-9782	▶602		76		169
	548	114-2687	426	118-5068	409		170
	550		427		410	122-7971	569
	551		429		411	123-1373	931
109-0079	496		430		412		937
109-1349	▶35		431		413	123-2886	825
109-1532	▶407		432		414	123-4612	321
109-3206	830		434		415	123-6666	514
	834		435		417	123-9711	402
	838		436		418		403
	843		437	118-7214	422		405
109-6507	941	114-3362	794	119-1321	43		406
	944	114-3364	826		▶321	123-9816	402
	949	114-4427	122	119-1322	43		403
	1149		124		▶141	123-9817	402
109-6509	1149		126		▶143		403
109-8932	983		130		▶145	123-9819	405
109-9685	830		132	119-1787	▶43		406
	834		134	119-5155	122	123-9820	405

PART NUMBER INDEX

Part	Page	Part	Page	Part	Page	Part	Page
	406	126-8268	242		749	141-2676	805
123-9827	407	126-8269	▶242	131-7123	243		811
124-0174	1191	126-8321	▶529	132-5789	299		817
	1195		531	133-3089	▶106	142-5867	335
	1200	126-8325	▶531	133-5554	242	142-5868	334
	1201	127-0890	509	133-5671	▶786	142-6073	▶603
124-1855	157		511	133-5673	786	142-6217	122
	160	127-3436	529	133-8890	788		130
	171	127-6260	982	133-8940	432		141
	172	127-6356	439		434		147
124-2397	815		440		436		148
	▶820	127-8780	▶803	133-9670	▶1142	142-7072	122
124-2398	815	128-0317	516	134-1341	511		130
	▶821	128-2002	277		▶515		141
124-2399	815	128-2922	516	134-3761	316		147
	▶822	129-0375	786		317		148
124-4434	1019	129-3068	506		319	143-4681	804
	1021		507	134-6422	▶501	143-4682	▶804
124-5289	8	129-3069	515	134-8278	897	143-9760	897
	▶666	129-3948	54	135-4649	675	144-0477	855
124-5572	64		59	135-4723	1014	144-0478	787
	69		60		1015	144-0479	787
	73		61	135-4926	512	144-0480	755
125-0157	241		62		513		787
125-5773	1004		63		▶516	144-0481	855
	1007		178	135-4928	515	144-0482	830
125-5774	1003	129-4863	575		516		834
	▶1016	129-6321	1167	136-1106	516		838
125-6533	1066	129-9452	630	136-1107	516		843
	1076		631	136-3742	516	144-0502	67
	1083		632	136-7226	432		69
125-6535	1067		633		434	144-0503	67
	1071		634		436		69
	1077	129-9907	516	136-7227	432	144-0750	61
	1080	130-2800	280		436		▶69
	1083	130-3281	660	137-4367	786	144-1636	999
	1086	130-5469	▶714	137-5541	779	144-3517	809
	1089		715		849	144-6142	75
	1123	130-5470	714		850		76
	1126		716	137-7343	436	144-7619	1145
	1129	130-5622	36	138-0777	▶720	144-7640	▶1145
125-6536	1067		47	138-2544	▶1009	145-1899	▶590
	1071		▶715	138-2887	67	145-3966	▶654
	1077	130-5694	617		69	145-4211	569
	1080		626	138-4773	7	145-4212	569
	1083		629		37	145-8855	1
	1086	130-6537	▶648		▶432		3
	1089	130-8855	479		▶434		5
	1123		497	138-6744	516		8
125-6537	1066	130-8860	541	138-9057	69		10
	1071	130-8875	453	138-9507	787		12
	1076		455	140-3004	897		14
	1080		457	140-3005	897		15
	1083		458	141-0284	786		18
	1086	130-8885	489	141-1468	714		20
	1089		538	141-1469	589		21
	1123	131-3719	830	141-2672	805		23
	1126		834		811		25
	1129		838		817		27
126-1756	243		843	141-2674	805		29
126-2702	432	131-3815	515		811		31
	434	131-5453	751		817		33
	436		754	141-2675	805		36
	437		1190		811		39
126-2704	432	131-5454	▶724		817		41

PART NUMBER INDEX

Part	Page	Part	Page	Part	Page	Part	Page
	43		5	160-1131	316		272
	45		7	160-5447	▶937		277
	46		9	160-6211	▶716		278
	47		11		717		283
	48		13	161-2527	20	165-3931	271
	49		15		▶717		272
	50		17	161-4111	1		277
	▶850		19		3		278
145-9987	660		21		5		283
146-2649	637		23		8	165-3932	275
146-2650	637		25		9	165-3933	275
146-2651	637		27		12	165-3934	271
146-2652	637		29		14		272
146-2653	637		31		15		278
146-5202	▶637		33		17		283
146-8053	▶660		35		20	165-3937	275
147-0182	181		37		21	165-6170	409
147-6431	665		39		23		410
147-7369	▶298		41		25		411
148-3747	665		43		27		412
148-7017	636		45		29		413
148-8335	375		46		31		414
148-8357	375		47		33		415
149-2087	▶1187		48		35		417
149-5268	109		49		38		418
150-1713	▶661		50		39	165-6557	▶649
150-1714	▶662		▶397		41	166-9142	284
150-4441	375		▶398		43	166-9146	284
150-4637	314	154-4327	361		45	167-8081	148
150-5146	73		▶362		46	167-8083	148
150-7158	434		363		47	167-8126	173
150-8698	676		365		48		174
	678	155-2260	1167		▶439		176
151-5925	124	155-2261	1000	161-4113	10	171-5349	996
	126	155-2263	997		12		999
	132		1000		18	172-0208	▶984
	134	155-2270	1000		20		1035
	136		1167		35		1037
	149	155-2274	976		49	173-7188	164
	151		997		50		165
	321		1000		▶440	173-9603	432
151-5928	124		1167	161-9752	502	174-4895	660
	126		1205	161-9753	502	174-6469	▶265
151-5929	132	155-2629	786	161-9754	19	174-6471	▶266
	134	155-4800	386		▶502	174-6473	266
	149		▶399	162-0782	957	174-6475	265
152-7646	124	155-5005	▶363		958	174-6476	266
	143		374		960	174-6478	265
	▶147		388	162-7530	466	174-6479	340
153-1256	516		398	162-8237	▶466	174-6482	266
153-2724	482	155-5203	264	163-0930	321	174-6483	265
153-5484	547	155-5619	271	163-6365	▶71	174-6484	265
	548		272		75		266
	550		275		79	175-3166	71
	551		278	164-7565	▶73	175-3168	71
153-6680	363		283		80	175-3169	71
	399	155-6185	264	164-7572	73	175-3170	249
154-3244	807	155-6627	244	165-0577	21	175-3171	71
	▶823	156-5198	512		23	175-3172	71
154-3245	807	156-5813	264		29	175-4856	▶340
	▶824	156-7040	▶264		35	176-1363	360
154-4324	▶361	157-1206	786		47		362
	397	158-2770	▶329		48		▶364
154-4326	1	160-0433	▶230		▶551	176-2543	1112
	3	160-0434	230	165-3929	271		1131

PART NUMBER INDEX

Part	Page	Part	Page	Part	Page	Part	Page
176-5818	183	193-5770	▶299		926	214-4687	449
177-9024	173	193-8570	1115		928	214-5584	▶650
	174	194-8124	167	204-7810	437	214-5585	▶651
	176	195-3873	▶458	205-0626	920	214-6045	608
178-1318	805	195-7940	299	206-2568	1205	214-7566	825
	811	195-7941	299	206-2587	1000	214-7567	76
	817	195-7942	299	206-2588	▶1000	214-7568	360
178-6440	435	197-7348	1204	206-4202	890	215-5519	676
178-6441	19		1205		895		678
	▶435	197-8820	▶920		901	215-5568	▶922
178-8095	75	197-9322	122	206-7331	314	216-2485	634
180-9571	▶352		130	206-8789	1113	217-0136	887
183-3407	360		147	206-8874	256	217-4445	▶449
183-6689	249		148		260	217-4620	▶45
183-7638	918	197-9336	321	206-8876	256	219-4458	319
185-2638	920	198-0971	922		260	219-7852	312
185-2639	920		925	206-9188	256	219-9886	▶312
185-2644	920	198-5374	▶467		260	221-3368	▶46
185-2645	920	198-6068	434	207-1532	1110	224-4319	▶725
185-2647	920		436		▶1113	225-0340	▶47
185-2648	920		437	207-1549	1062	225-4256	521
185-2650	920	199-3212	432		▶1115	226-4752	▶676
185-2651	920		436	207-1556	▶1118		677
185-2653	920	199-7891	920	207-1564	1056	227-4055	519
185-2654	920	199-8436	920		▶1120		521
185-2655	920			207-2805	434	229-9407	926
185-2658	920			208-0423	434	231-6133	926
185-2831	805			208-5033	374		928
	811			208-5034	374	233-6205	676
	817	200-4246	365	209-5775	7		678
186-4180	984	200-5233	1191		37	234-8937	103
187-1481	71		1193		▶149		105
187-1483	71		1195		▶151		275
187-2034	876	201-0181	▶663	209-5777	7	235-1587	439
	890	202-1258	126		37		440
	893		134		▶400	236-0485	354
	895		136	209-6302	▶365		357
	901		145		400	236-9918	438
	911		▶148	209-7314	▶436	237-1962	1112
	918		149	211-0130	941		▶1122
	923		151		952	237-3788	▶48
	926	202-2700	923	212-1487	1	238-1851	1086
	928		926		21	238-5084	360
189-1918	249		928		23	241-8167	374
189-1919	249	202-2703	911		29	242-7499	676
189-1920	249	202-2708	923		35		678
189-1922	249		926		45	243-3384	374
189-1923	249		928		47	243-3386	374
189-1924	249	202-2783	926		48	243-6718	118
189-2288	▶249		928		▶437		▶285
	251	202-2784	923	213-1626	676	244-2674	676
189-5746	▶999		926	214-1666	2		678
	1000		928		8	244-2676	676
189-5844	▶251	202-2785	923		10		678
191-7941	808		926		12	244-2677	676
191-7942	808		928		18		678
191-7943	809	202-2786	923		20	244-2678	676
191-7944	809		926		22		678
191-7945	810	202-2787	923		24	244-2679	676
191-7946	810		926		36		678
193-1235	75		928		40	247-7133	497
	79	202-8626	▶408		42	248-4841	677
193-5769	▶75	202-9008	609		▶356		680
	▶76	202-9769	611	214-1667	▶169	248-5513	479
	299	202-9897	923		172		489

PART NUMBER INDEX

Part	Page	Part	Page	Part	Page	Part	Page
	500	3			29		
	535				35		
	538	304-4222	283		39		
	541	305-6843	353		41		
250-0466	126		354		▶172		
	134		355	351-0913	339		
	136		356		342		
	149		357	351-2223	30		
	151	306-2174	▶925		▶357		
250-8279	1108	306-3997	1108	352-1237	267		
	1118	306-3998	1070	352-3326	267		
	1120		1079	352-3447	267		
252-9298	1165		1088	352-3448	267		
253-1752	118		1122	352-3619	▶267		
	285	308-1362	926	352-9767	▶1128		
253-2468	▶82		928		1131		
255-6863	599	308-1365	926	354-7530	54		
256-0811	374		928		▶77		
257-9878	374	308-1366	926	354-7531	59		
259-2471	▶677		928		▶78		
266-0889	783	311-6117	▶680	354-7533	76		
	1178	315-5008	107		▶79		
	1191	316-6379	▶323	354-7535	62		
	1193	316-7251	▶926		▶80		
	1195	317-6990	▶49	355-7412	341		
266-7228	▶923	317-6991	▶50	355-7415	10		
267-1360	▶678	317-8766	118		12		
	680		285		18		
267-2170	678	318-2082	1010		20		
267-5195	374		1011		▶341		
267-5196	374		1012		▶342		
267-5197	374		1071	362-0105	984		
267-5198	374		1089	362-3292	▶1131		
267-5199	374		1123				
267-5200	374	319-0785	118				
267-5201	▶374		▶334				
271-2489	794	319-6234	360				
	826	319-7401	118				
278-0592	1120		▶335				
283-1107	1108	326-6485	267				
	1118	328-5573	316				
	1120		319				
287-3561	17	328-8410	928				
	19	329-4282	719				
	▶111	333-1184	▶928				
290-0017	319	338-3453	1080				
290-6567	136		1125				
	151		1129				
291-8247	923	338-3454	▶1125				
291-8253	923	343-8115	825				
291-8263	923	346-5490	952				
291-8271	923	346-5630	▶569				
291-8274	923	346-9090	649				
292-3815	923	347-2222	569				
	928	350-4421	▶170				
293-0004	472		171				
293-0006	475	350-4422	7				
294-9052	521		9				
	531		11				
299-1761	926		▶171				
	928	350-4424	1				
			17				
			19				
			21				
			23				



**SEBP2737-30
VOLUME I
Pages 1-544**

3406C Industrial Engine

6TB9857-Up

