

Parts Manual



See "General Information"
for New Parts Manual
Features.

3516C Marine Engine

TTH1-Up (Engine)

This Parts Manual is also available in .PDF Format on Compact Disc
(CD-ROM)-Caterpillar Form No. SERP4547

Product and Dealer Information

Note: For product identification plate locations, see the section "Product Identification Information" in the Operation and Maintenance Manual.

Delivery Date: _____

Product Information

Model: _____

Product Identification Number: _____

Engine Serial Number: _____

Transmission Serial Number: _____

Generator Serial Number: _____

Attachment Serial Numbers: _____

Attachment Information: _____

Customer Equipment Number: _____

Dealer Equipment Number: _____

Dealer Information

Name: _____ Branch: _____

Address: _____

Dealer Contact

Phone Number

Hours

Sales: _____

Parts: _____

Service: _____

MEMORANDA

TABLE OF CONTENTS

Name	Page	Name	Page
GENERAL INFORMATION	A3	VALVE MECHANISM GP	123
REPAIR ALTERNATIVES	A5	LUBRICATION SYSTEM	127
SUPPLEMENTAL COOLANT ADDITIVES	A6	BREATHER GP	127
MAINTENANCE PARTS	A7	CONNECTION GP-OIL	129
INDEX	A10	FILLER GP-ENGINE OIL	130
ENGINE ARRANGEMENT	1	FILTER GP-CENTRIFUGAL	132
CONVERSION AR-CRANK ROTATION	1	FILTER GP-ENGINE OIL	135
ENGINE AR	3	FILTER GP-FUMES	146
BASIC ENGINE	7	FILTER GP-FUMES DISPOSAL	148
BARRING GP	7	GAUGE GP-OIL LEVEL (DIPSTICK)	150
BASE GP-VALVE COVER	9	HOSE AS	152
CAMSHAFT GP	10	LINES GP-CENTRIFUGAL FILTER	154
COVER GP-CAMSHAFT	11	LINES GP-ENGINE OIL	155
COVER GP-CYLINDER BLOCK	13	LINES GP-PRELUBRICATION	158
COVER GP-FLYWHEEL HOUSING	16	LINES GP-TURBOCHARGER OIL	159
COVER GP-FRONT HOUSING	18	PUMP & LINES GP-PRELUBRICATION	161
COVER GP-OIL PAN	20	PUMP GP-ENGINE OIL	165
COVER GP-VALVE MECHANISM	21	PUMP GP-PRELUBRICATION	168
CRANKSHAFT GP	23	PUMP GP-SCAVENGE	170
CYLINDER BLOCK AS	24	PUMP GP-SUMP	173
CYLINDER BLOCK GP	29	SHIELD GP-ENGINE OIL LINES	178
CYLINDER HEAD AS	36	VALVE GP-FLUID CONTROL	184
CYLINDER HEAD GP	38	COOLING SYSTEM	185
DAMPER GP	44	CONNECTION GP-EXPANSION TANK	185
DRAIN GP-ENGINE OIL	48	CONNECTION GP-TORQUE CONV	
DRIVE GP-ACCESSORY	49	CLR	186
DRIVE GP-AUXILIARY	58	CONNECTION GP-WATER	188
DRIVE GP-FAN	62	COOLER GP-ENGINE OIL	191
ELBOW-PIPE	63	HEAT EXCHANGER GP	193
FLYWHEEL GP	64	HEAT EXCHANGER GP-SEA WATER	195
GEAR GP-FRONT	66	HOUSING & REGULATOR GP	197
GEAR GP-REAR	71	LINES GP-WATER	199
GUARD GP-BELT	75	PLATE GP-HEAT EXCHANGER	222
GUARD GP-DAMPER	78	PUMP GP-AUXILIARY SEA WATER	224
HOUSING GP-FLYWHEEL	83	PUMP GP-AUXILIARY WATER	243
HOUSING GP-FRONT	84	PUMP GP-WATER	246
LIFTING GP-ENGINE	85	SEPARATOR GP-AIR	250
MOUNTING GP-ALTERNATOR	86	SWITCH GP-COOLANT LEVEL	252
MOUNTING GP-SOUND ISOLATION	90	TANK GP-COOLANT	253
PAN GP-OIL	92	TANK GP-EXPANSION	254
PISTON & ROD GP	100	VALVE GP-CHECK	259
PULLEY AS-CRANKSHAFT	104	AIR INLET AND EXHAUST SYSTEM	260
PULLEY GP-AUXILIARY DRIVE	106	ADAPTER GP-AIR CLEANER	260
SEAL GP-CRANKSHAFT	110	AFTERCOOLER GP-WATER	263
SHAFT GP-AUXILIARY DRIVE	111	AIR CLEANER GP	264
SHAFT GP-STUB	117	ELBOW-EXHAUST	270
SUPPORT GP-ENGINE	118	FITTING GP-EXHAUST	273
TRUNNION GP-ENGINE	120	FLANGE GP-EXHAUST	276
VALVE GP-EXPLOSION RELIEF	121	LINES GP-AIR	279
		LINES GP-PCV	285
		MANIFOLD GP-EXHAUST	288
		MOUNTING GP-AIR CLEANER	293

TABLE OF CONTENTS

Name	Page	Name	Page
MUFFLER	298	SENSOR & MTG GP-EXPANSION	
SHIELD GP-HEAT	301	TANK	470
SHIELD GP-TURBOCHARGER	307	SENSOR GP-EXHAUST	
TURBOCHARGER GP	309	TEMPERATURE	471
VALVE GP-AIR CONTROL	313	SENSOR GP-LIQUID LEVEL	473
FUEL SYSTEM	314	SENSOR GP-POSITION	474
CONTROL GP-FUEL	314	SENSOR GP-PRESSURE	475
FILTER GP-FUEL	315	SENSOR GP-SPEED	482
FILTER GP-PRIMARY FUEL	321	SENSOR GP-TEMPERATURE	487
LINES GP-FLEXIBLE FUEL	322	STARTING MOTOR GP-AIR	490
LINES GP-FUEL	323	STARTING MOTOR GP-ELECTRIC	506
LINES GP-FUEL INJECTION	325	SUPPORT GP-BATTERY	522
MANIFOLD GP-FUEL	329	SWITCH GP-LIQUID LEVEL	523
PUMP GP-FUEL INJECTION	331	SWITCH GP-TOGGLE	524
PUMP GP-FUEL PRIMING	332	THERMOCOUPLE GP	525
PUMP GP-FUEL TRANSFER	337	VALVE AS-SOLENOID	526
SHIELD GP-FUEL LINES	339	VALVE GP-PRESSURE REDUCING	527
ELECTRICAL AND STARTING SYSTEM	351	WIRING GP-AIR SHUTOFF	528
ALTERNATOR GP-CHARGING	351	WIRING GP-ALTERNATOR	530
BATTERY CHARGER	364	WIRING GP-ELECTRIC STARTING	531
BATTERY GP	365	WIRING GP-ENGINE	532
BOX AS-CONTROL	368	WIRING GP-ENGINE ELECTRONIC	547
BOX GP-JUNCTION	370	WIRING GP-PANEL	555
CABLE AS-COMMUNICATION	381	WIRING GP-PRELUBRICATION	556
CONTACTOR GP	381	WIRING GP-SENSOR	557
CONTACTOR-PRESSURE	382	ENCLOSURES, GUARDS AND BASES	571
CONTACTOR-OIL PRESSURE	383	RAIL GP-ENGINE SUPPORT	571
CONTACTOR-TEMPERATURE	384	MARINE TRANSMISSION	572
CONTROL & MTG GP-ENGINE ELEK	386	MOUNTING GP-MARINE TMSN	572
CONTROL GP-AIR STARTING	390	OPERATOR STATION	573
CONTROL GP-COMMUNICATION	391	BOARD AS-RELAY	573
CONTROL GP-ENGINE ELECTRONIC	392	BOX AS-INSTRUMENT	574
CONTROL GP-REMOTE SPEED	396	BOX GP-INSTRUMENT PANEL	575
CONVERSION GP-WIRING	397	CONTROL GP-ENGINE MONITORING	595
CONVERTER GP-ELECTRICAL	399	CONTROL GP-MONITOR	599
COVER GP-MODULE CONNECTOR	401	DISPLAY GP-MONITOR	600
DIODE AS	402	MODULE GP-ALARM	607
GROUND GP-ELECTRICAL	403	MODULE GP-RELAY DRIVER	608
HARNESS AS-BOX	404	MODULE GP-SYSTEM	
HARNESS AS-CONTROL	407	COMMUNICATION	609
HARNESS AS-ENGINE	409	MODULE-EXHAUST TEMPERATURE	612
HARNESS AS-MOTOR	424	MOUNTING GP-INSTRUMENT PANEL	613
HARNESS AS-PANEL	425	PANEL GP-PILOT HOUSE INSTR	618
HARNESS AS-SENSOR	432	PYROMETER GP	622
HARNESS AS-SOLENOID	443	SERVICE EQUIPMENT AND SUPPLIES	623
HARNESS AS-WIRING	444	CHART-PLATE & FILM	623
HEATER GP-JACKET WATER	446	FILM GP	624
LUBRICATOR GP-AIR MOTOR	450	KIT-SENSOR POCKET	625
MOUNTING GP-BOX	453	PART NUMBER INDEX	B1
MOUNTING GP-CONTACTOR	454		
MOUNTING GP-JACKET WTR			
HEATER	462		
PROTECTION GP-ENGINE	469		

GENERAL INFORMATION

1. ENGINE IDENTIFICATION

Caterpillar engines are identified with Serial Numbers and Arrangement Numbers. In some cases, Modification Numbers are also used. The serial number plate which shows these numbers is mounted on the engine.

Caterpillar dealers need this information to determine which components were included on the engine when it was assembled at the factory. This permits accurate identification of replacement part numbers.

2. ORDERING PARTS

WARNING

When replacement parts are required for this product Caterpillar recommends using Caterpillar replacement parts or parts with equivalent specifications including, but not limited to, physical dimensions, type, strength and material.

Failure to heed this warning can lead to premature failures, product damage, personal injury or death.

Quality Caterpillar replacement parts are available from Caterpillar dealers throughout the world. Their parts inventories are up to date and include all parts normally required to protect your investment in Caterpillar Engines. Dealers may offer repair kits or remanufactured parts to allow selection of the most effective repair alternative for a particular situation. When ordering parts, your order should specify the quantity, part number, part name, and the serial number/product identification number of the engine for which the parts are needed.

3. PARTS MANUAL ORGANIZATION

Product information in this manual is presented as "information elements" that represent all of the components for the specific model. An Engine Arrangement is an example of an information element. The information elements are organized alphabetically by part name and secondarily by part number within each major section of the manual.

4. TABLE OF CONTENTS

A table of contents (TOC) is found at the beginning of the manual. The TOC lists each section of the manual with a complete list of all information elements organized as they appear in the manual. Page numbers are provided for quick reference to detailed parts identification illustrations and serviceable consist lists.

5. MAINTENANCE PARTS INDEX

The Maintenance Parts Index, located near the beginning of the manual, references most frequently used maintenance part numbers, providing description, quantity, usage and page number. This information is organized alphabetically by part description.

6. INDEX

The index located near the front of the manual is an alphabetical listing of all information elements included in the manual. Page numbers are provided for quick reference to detailed parts identification illustrations and serviceable consist lists.

7. PART NUMBER INDEX

A numerical index listing all part numbers and the corresponding page number(s) appears at the back of the manual.

8. CAPTIONS

Captions located at the beginning each information element identify the part number and part name along with additional descriptive information. S/N information found in each caption should be used to select correct information for a specific engine. Field replacement options, identification of optional attachment components, and where used ("part of") information is also provided.

The first line of a caption is shown in larger type font to indicate the beginning of an information element. Captions for additional pages that may be required to illustrate an information element will be shown in standard type font and will include the term (*contd.*) .

9. NON-SERVICED PARTS

In some instances it is necessary to display non-serviced parts that are a link to lower level serviceable consist lists. These non-serviced part numbers are shown in *italic* type indicating that they are not available. All consist lists have not been converted to reflect this enhancement.

GENERAL INFORMATION

10. PARTS LIST REFERENCE NUMBERS

Numbers shown in the Ref No column correspond to numbers used in the associated graphic(s). An alphabetic suffix may be added to a reference number to identify lower level consist items. Numbers shown in the Graphic Ref column refer to the graphic number identifier displayed in the lower left corner of each illustration. The Graphic Ref number may be used in combination with the item Ref No to determine the correct part number. There may be intentional omission of a Ref No in a consist list as information is updated to reflect the latest serviceable part numbers.

11. INDENTED PART NAMES

When a part name is indented in a parts list, it is part of (included in) the group or assembly under which it is indented.

12. ILLUSTRATION REFERENCE LETTERS

When necessary, illustrations contain reference letters (A, B, C etc.) that are intended to track lines and harnesses from one point to another. They are also used to show where to reconnect illustrations that have been separated.

13. ABBREVIATIONS AND SYMBOLS

O.D. – Outside Diameter
I.D. – Inside Diameter
A – Not Part Of This Group
B – Use As Required
C – Change From Previous Type
D – Order By The Meter
E – Order By The Centimeter
F – Not Shown
G – Order By The Inch
I – Refer To Hydraulic Information System
M – Metric Part
R – Remfg Part May Be Available
Y – Separate Illustration
Z – Not Serviced Separately



14. DESCRIPTION OF TYPE CHANGES

Type - A type is defined as any configuration change that requires an additional Information Element for an Arrangement, Group, or Assembly. If serial number breaks for types are not available, a type # (Type 1, Type 2, etc.) will be displayed in the caption. These "type" changes are identified with a "C" note (change from previous type) in the Parts List. Only the "types" that apply to this Parts Manual will be included. Additional types may exist causing "C" notes to appear on an Information Element when no other types are shown.

15. <END>

This symbol indicates the end of an information element.

NOTE:

Continuing improvement and advancement of product design may cause changes to your engine which may not be included in this publication. Whenever a question arises regarding your Caterpillar product or this publication, please consult your Caterpillar dealer for the latest available information.

REPAIR ALTERNATIVES

REMANUFACTURED COMPONENTS

As an option when making repairs consider Caterpillar Remanufactured Components. Components that are available through the Caterpillar Remanufactured Program are identified three ways in the parts book:

- with the letter R in the note field of the parts list
- with an R* at the beginning of the first line of the caption
- with an *R at the end of the first line of the caption

Typical components included in the Remanufacturing Program include:

ALTERNATORS
CONNECTING RODS
CRANKSHAFTS - UNDERSIZE
CRANKSHAFTS - UPGRADE TO NEW
CYLINDER HEADS
ELECTRONIC CONTROL MODULES (ECM)
ELECTRONIC SENSORS
FUEL INJECTORS
FUEL NOZZLES
FUEL PUMPS
GOVERNORS
OIL PUMPS
PISTONS
SHORT BLOCKS
STARTERS
TURBOCHARGERS - COMPLETE
TURBOCHARGER CARTRIDGES
WATER PUMPS

Caterpillar Remanufactured engines for many engine arrangements are also available.

SUPPLEMENTAL COOLANT ADDITIVES

CUSTOMER BENEFITS:

Protects against cavitation, foam, erosion, corrosion, and scale buildup in cooling systems.

- Provides measured coolant conditioner.

DESCRIPTION:

Additives deplete from the coolant with normal operation. For this reason, Supplemental Coolant Additives (SCA) must be added to all heavy duty coolants at regular intervals. In addition, when not using a fully formulated, pre-charged antifreeze, like Caterpillar's DEAC, an initial charge of SCA must be added to the cooling system. The amount of SCA added to the system is dependent on the capacity of the system.

The SCA for initial fill is provided as a liquid. SCA's for maintenance intervals are available in liquid form and as a spin-on element. (No Spin-on available for 3600 Family of Engines)

NOTE:

The amount of SCA added at initial fill is not the same as the amount added at maintenance intervals.

The coolant additive elements can be used with any ethylene or propylene glycol type antifreeze which meets ASTM D4985 or ASTM D5345 Specifications.

NOTE:

For use with standard heavy duty coolant only, not for use with Extended Life Coolant.

PARTS NEEDED:

Cooling System Capacity		Liquid SCA at Initial Fill	Liquid SCA at Maintenance*	Spin-on SCA Maintenance Element*
Liters	Gallons			
22-30	(6-8)	3P-2044 (1)	6V-3542 (1)	111-2370 (1)
30-38	(8-10)	3P-2044 (1) 6V-3542 (1)	111-2372 (1)	111-2369 (1)
38-49	(10-13)	3P-2044 (1) 8T-1589 (1)	111-2372 (1)	111-2369 (1)
49-64	(13-17)	3P-2044 (2)	8T-1589 (1)	9N-3368 (1)
64-83	(17-22)	3P-2044 (2) 8T-1589 (1)	111-2372 (1) 6V-3542 (1)	111-2371 (1)
83-114	(22-30)	3P-2044 (3) 8T-1589 (1)	3P-2044 (1)	9N-3718 (1)
114-163	(30-43)	3P-2044 (5)	3P-2044 (1) 6V-3542 (1)	111-2371 (2)
163-242	(43-64)	3P-2044 (8)	3P-2044 (2)	9N-3718 (2)

* Normal maintenance period is 250 hrs. See your Operation and Maintenance Manual for complete coolant maintenance instructions.

() Indicates quantity required.

MAINTENANCE PARTS

DESCRIPTION	PART NUMBER	QTY	WHERE USED	PAGE
AIR INLET AND EXHAUST SYSTEM				
FILTER ELEMENT AS-AIR (PRIMARY)	208 - 9065	1	AIR CLEANER GP	264
		1	AIR CLEANER GP	266
		1	AIR CLEANER GP	268
	226 - 2779	1	AIR CLEANER GP	265
		1	AIR CLEANER GP	267
		1	AIR CLEANER GP	269
BASIC ENGINE				
BELT-SERPENTINE (ALTERNATOR)	141 - 7116	1	MOUNTING GP-ALTERNATOR	86
		1	MOUNTING GP-ALTERNATOR	88
PLUG-OIL DRAIN (PAN)	4B - 2363	1	PAN GP-OIL	93
		1	PAN GP-OIL	95
		2	PAN GP-OIL	98
	6I - 0723	1	PAN GP-OIL	93
		1	PAN GP-OIL	95
SCREEN AS-SUCTION (OIL PAN)	1W - 1564	1	PAN GP-OIL	93
		1	PAN GP-OIL	98
	295 - 5897	1	PAN GP-OIL	95
		1	PAN GP-OIL	95
SEAL-VALVE COVER (BASE)	272 - 0760	1	COVER GP-VALVE MECHANISM	21
		1	COVER GP-VALVE MECHANISM	22
COOLING SYSTEM				
CAP-PRESSURE (14-PSI) (COOLANT TANK)	127 - 8660	1	TANK GP-COOLANT	253
		1	TANK GP-EXPANSION	254
CAP-PRESSURE (14-PSI) (EXPANSION TANK)	127 - 8660	1	TANK GP-EXPANSION	256
		1	TANK GP-COOLANT	253
CAP-PRESSURE (7-PSI) (COOLANT TANK)	4N - 3311	1	TANK GP-EXPANSION	253
		1	TANK GP-COOLANT	253
FILTER-FOAM (WATER PUMP HOUSING)	4N - 5834	2	PUMP GP-WATER	248
		1	TANK GP-COOLANT	253
KIT-RADIATOR CAP (COOLANT TANK)	294 - 9052	1	TANK GP-COOLANT	253
		1	TANK GP-EXPANSION	254
KIT-RADIATOR CAP (EXPANSION TANK)	294 - 9052	1	TANK GP-EXPANSION	254
		1	TANK GP-EXPANSION	256
	295 - 5458	1	TANK GP-EXPANSION	254
		1	TANK GP-EXPANSION	256
PLUG-DRAIN (AUXILIARY SEA WATER PUMP)	3F - 1358	1	PUMP GP-AUXILIARY SEA WATER	237
		1	LINES GP-WATER	201
PLUG-DRAIN (OIL COOLER)	9M - 4202	1	LINES GP-WATER	203
		2	HOUSING & REGULATOR GP	198
REGULATOR-TEMPERATURE (30-DEG C)	219 - 3240	2	HOUSING & REGULATOR GP	198
REGULATOR-TEMPERATURE (92-DEG C)	248 - 5513	4	HOUSING & REGULATOR GP	197
ROD AS-ZINC (HEAT EXCHANGER)	116 - 7011	2	LINES GP-WATER	209
ROD-ZINC (AUXILIARY SEA WATER PUMP)	6L - 2280	1	PUMP GP-AUXILIARY SEA WATER	226
		1	PUMP GP-AUXILIARY SEA WATER	228
		1	PUMP GP-AUXILIARY SEA WATER	235
SEAL-LIP TYPE (WATER TEMPERATURE REGULATOR)	3S - 9643	4	HOUSING & REGULATOR GP	197
		2	HOUSING & REGULATOR GP	198

MAINTENANCE PARTS

DESCRIPTION	PART NUMBER	QTY	WHERE USED	PAGE
ELECTRICAL AND STARTING SYSTEM				
BATTERY (12-VOLT) (DRY)	9X-9720	2	BATTERY GP	365
BREATHER (ATMOSPHERIC AIR)	9G-5127	1	WIRING GP-ENGINE	532
		1	WIRING GP-ENGINE	538
		1	WIRING GP-ENGINE	542
CIRCUIT BREAKER AS (20-AMPERE, DOUBLE POLE)	231-9866	3	BOX GP-JUNCTION	372
		3	BOX GP-JUNCTION	375
CIRCUIT BREAKER AS (40-AMPERE, DOUBLE POLE)	231-9864	1	BOX GP-JUNCTION	372
		1	BOX GP-JUNCTION	375
CIRCUIT BREAKER AS (70-AMPERE, DOUBLE POLE)	231-9863	1	BOX GP-JUNCTION	372
		1	BOX GP-JUNCTION	375
SCREEN-STRAINER (PRESSURE REDUCING VALVE)	252-9298	1	VALVE GP-PRESSURE REDUCING	527
		1	BOX GP-JUNCTION	375
FUEL SYSTEM				
FILTER ELEMENT-FUEL (ADVANCED EFFICIENCY)	1R-0756	5	FILTER GP-FUEL	315
		5	FILTER GP-FUEL	317
		7	FILTER GP-FUEL	319
FILTER ELEMENT-FUEL (PRIMARY) GASKET (FUEL FILTER)	9M-2342	1	FILTER GP-PRIMARY FUEL	321
	9Y-8389	1	FILTER GP-FUEL	315
GASKET (FUEL PRIMING PUMP)	9Y-8389	1	FILTER GP-FUEL	317
		1	FILTER GP-FUEL	319
		1	PUMP GP-FUEL PRIMING	332
LUBRICATION SYSTEM				
BREATHER AS (CHROME) (CRANKCASE)	126-0577	1	BREATHER GP	127
		4	BREATHER GP	128
CAP AS-ENGINE OIL FILLER	4W-3027	1	FILLER GP-ENGINE OIL	131
	128-5988	1	FILLER GP-ENGINE OIL	130
ELEMENT-BREATHER (FUMES DISPOSAL)	262-6104	1	FILLER GP-ENGINE OIL	130
		1	FILTER GP-FUMES	146
FILTER ELEMENT AS-ENGINE OIL (STANDARD EFFICIENCY)	275-2276	1	FILTER GP-FUMES	147
		3	FILTER GP-ENGINE OIL	135
		4	FILTER GP-ENGINE OIL	137
SCREEN AS-SUCTION (ENGINE OIL PAN)	1R-0726	3	FILTER GP-ENGINE OIL	142
		1	CONNECTION GP-OIL	129
SCREEN-SCAVENGE (ENGINE OIL)	7C-4716	1	CONNECTION GP-OIL	129
	4P-4917	1	PUMP GP-SCAVENGE	170
SEAL-VALVE COVER (BREATHER)	4P-5500	1	PUMP GP-SCAVENGE	170
	272-0760	1	BREATHER GP	127
SEAL-VALVE COVER (OIL FILLER)	272-0760	4	BREATHER GP	128
		1	FILLER GP-ENGINE OIL	130
STRAINER AS (ENGINE OIL)	2G-6304	1	FILLER GP-ENGINE OIL	131
		1	PUMP & LINES GP-PRELUBRICATION	161
		1	PUMP & LINES GP-PRELUBRICATION	163

MAINTENANCE PARTS

DESCRIPTION	PART NUMBER	QTY	WHERE USED	PAGE
OPERATOR STATION				
BATTERY (LITHIUM) (3 VOLT)	101 - 1785	1	MODULE GP-SYSTEM COMMUNICATION	609
FUSE (1-AMPERE)	8K - 4644	10	BOARD AS-RELAY	573
FUSE (10-AMPERE)	3K - 8782	10	CONTROL GP-ENGINE MONITORING	595
LAMP AS (24-VOLT, AMBER)	308 - 9781	1	PANEL GP-PILOT HOUSE INSTR	618
			PANEL GP-PILOT HOUSE INSTR	620
LAMP AS (24-VOLT, GREEN)	308 - 9783	1	PANEL GP-PILOT HOUSE INSTR	618
			PANEL GP-PILOT HOUSE INSTR	620
LAMP-LED (24-VOLT, AMBER)	125 - 9956	1	BOX GP-INSTRUMENT PANEL	575
			BOX GP-INSTRUMENT PANEL	577
			BOX GP-INSTRUMENT PANEL	580
			BOX GP-INSTRUMENT PANEL	583
			BOX GP-INSTRUMENT PANEL	587
			BOX GP-INSTRUMENT PANEL	591
LAMP-LED (24-VOLT, GREEN)	125 - 9957	1	BOX GP-INSTRUMENT PANEL	575
			BOX GP-INSTRUMENT PANEL	577
			BOX GP-INSTRUMENT PANEL	580
			BOX GP-INSTRUMENT PANEL	583
			BOX GP-INSTRUMENT PANEL	587
			BOX GP-INSTRUMENT PANEL	591
LAMP-LED (24-VOLT, RED)	125 - 9955	1	BOX GP-INSTRUMENT PANEL	575
			BOX GP-INSTRUMENT PANEL	577
			BOX GP-INSTRUMENT PANEL	580
			BOX GP-INSTRUMENT PANEL	583
			BOX GP-INSTRUMENT PANEL	587
			BOX GP-INSTRUMENT PANEL	591

INDEX

Name	Page	Name	Page
CONTROL GP-ENGINE MONITORING– DISCRETE INPUT/OUTPUT	597		46
	598	DIODE AS	47
CONTROL GP-ENGINE MONITORING– PROGRAMMABLE RELAY	595	DISPLAY GP-MONITOR	402
CONTROL GP-ENGINE MONITORING– PROGRAMMABLE RELAY CONTROL MODULE	596	DISPLAY GP-MONITOR– MARINE POWER DISPLAY	602
CONTROL GP-FUEL	314		603
CONTROL GP-MONITOR–ENGINE VISION	599		604
CONTROL GP-REMOTE SPEED	396		605
CONVERSION AR-CRANK ROTATION	1	DISPLAY GP-MONITOR–UNPROGRAMMED ...	601
	2	DRAIN GP-ENGINE OIL–PAN	48
CONVERSION GP-WIRING	397	DRIVE GP-ACCESSORY–UPPER, LH	51
CONVERTER GP-ELECTRICAL	399		53
	400	DRIVE GP-ACCESSORY–UPPER, RH	49
COOLER GP-ENGINE OIL	191		55
	192		56
CORE AS-AFTERCOOLER	263	DRIVE GP-AUXILIARY–LOWER LH, REV ROT ...	60
CORE AS-ENGINE OIL COOLER	192	DRIVE GP-AUXILIARY–LOWER, LH	58
CORE GP-OIL COOLER	191	DRIVE GP-FAN	62
COVER GP-CAMSHAFT	11		
	12	E	
COVER GP-CYLINDER BLOCK– CENTRAL STRUCTURE	14	ELBOW-EXHAUST	270
COVER GP-CYLINDER BLOCK– CRANKCASE	13		271
COVER GP-FLYWHEEL HOUSING	16		272
COVER GP-FRONT HOUSING	18	ELBOW-PIPE	63
COVER GP-FRONT HOUSING– ACCESSORY DRIVE	19	ELECTRONICS GP-ENGINE RATINGS	4
COVER GP-MODULE CONNECTOR	401		6
COVER GP-OIL PAN	20	ELEMENT-BREATHER (FUMES DISPOSAL) ...	146
COVER GP-VALVE MECHANISM	21		147
	22	ENGINE AR	3
CRANKSHAFT GP	23		5
CYLINDER BLOCK AS	24	F	
	25	FASTENER GP-CYLINDER HEAD	40
	26		41
	27	FILLER GP-ENGINE OIL	130
CYLINDER BLOCK GP	29		131
	30	FILM GP	624
	32	FILM-CONTROL PANEL (EMCP II, PRCM)	596
	34	FILM-CONTROL PANEL (FRONT)	609
CYLINDER HEAD AS	36	FILM-IDENTIFICATION (10-AMPERE FUSE) ...	595
	37	FILM-IDENTIFICATION (CATERPILLAR)	399
CYLINDER HEAD GP	38		608
	40	FILM-IDENTIFICATION (POWER DISTRIBUTION)	373
	41	FILM-INFORMATION (EMCP II, PRCM)	596
	42	FILM-INTERFACE (COMMUNICATION MODULE) (REAR)	609
D		FILM-INTERFACE (REAR)	611
DAMPER GP	44	FILM-PANEL	618
	45		620

INDEX

Name	Page	Name	Page
HARNES AS-ENGINE			553
(SMALL INTERCONNECT)	532		577
HARNES AS-ENGINE-AIR SHUTOFF	416		587
HARNES AS-ENGINE-			591
LARGE INTERCONNECT	409	HARNES AS-SENSOR	
HARNES AS-ENGINE-LH	420	(THERMOCOUPLE, LH)	536
HARNES AS-ENGINE-			555
MARINE POWER DISPLAY	417	HARNES AS-SENSOR	
	418	(THERMOCOUPLE, RH)	536
HARNES AS-ENGINE-PRELUBRICATION	415		555
HARNES AS-ENGINE-RH	410	HARNES AS-SENSOR-	
HARNES AS-ENGINE-		OIL, FUEL PRESSURE	443
SMALL INTERCONNECT	414	HARNES AS-SENSOR-	
HARNES AS-MOTOR (ENGINE START)	531	OIL, FUEL PRESSURE, LH SERVICE	433
HARNES AS-MOTOR-ENGINE START	424	HARNES AS-SENSOR-	
HARNES AS-PANEL	429	OIL, FUEL PRESSURE, RH SERVICE	432
HARNES AS-PANEL		HARNES AS-SENSOR-THERMOCOUPLE	434
(MARINE POWER DISPLAY)	575		437
	577		438
	580		439
	583		440
	587		441
	591		442
HARNES AS-PANEL		HARNES AS-SENSOR-	
(MARINE POWER DISPLAY, EXT)	548	THERMOCOUPLE, LH	436
	549	HARNES AS-SENSOR-	
HARNES AS-PANEL (SPEED CONTROL)	314	THERMOCOUPLE, RH	435
HARNES AS-PANEL-		HARNES AS-SOLENOID	443
MARINE POWER DISPLAY	427	HARNES AS-SOLENOID (AIR STARTING)	
	430	(LH)	390
HARNES AS-PANEL-		HARNES AS-WIRING	444
MARINE POWER DISPLAY, EXTENSION	426		445
HARNES AS-PANEL-SPEED CONTROL	425	HARNES AS-WIRING	
HARNES AS-POWER	372	(LARGE INTERCONNECT)	538
	375		546
HARNES AS-SENSOR		HARNES AS-WIRING	
(ENGINE OIL TEMPERATURE)	563	(SMALL INTERCONNECT)	538
HARNES AS-SENSOR			546
(MANIFOLD AIR TEMPERATURE)	564	HARNES AS-WIRING (VALVE MECHANISM)	123
HARNES AS-SENSOR			125
(OIL FILTER, FUEL FILTER)	561	HEAT EXCHANGER GP	193
	568		194
HARNES AS-SENSOR		HEAT EXCHANGER GP-SEA WATER	194
(OIL, FUEL PRESSURE)	559		195
	565	HEATER GP-JACKET WATER	446
	566		447
HARNES AS-SENSOR			448
(OIL, FUEL PRESSURE, LH SERVICE)	558		449
	570	HOSE AS	152
HARNES AS-SENSOR			153
(OIL, FUEL PRESSURE, RH SERVICE)	557	HOUSING & REGULATOR GP-	
HARNES AS-SENSOR		AFTERCOOLER	198
(THERMOCOUPLE EXTENSION, LH)	551	HOUSING & REGULATOR GP-	
HARNES AS-SENSOR (THERMOCOUPLE)	549	INLET CONTROL	197
	551	HOUSING GP-FLYWHEEL	83

INDEX

Name	Page	Name	Page
HOUSING GP-FRONT-ACCESSORY DRIVE . . .	84	LUBRICATOR GP-AIR MOTOR	450 451 452 494
K			
KIT-RADIATOR CAP (COOLANT TANK)	253		
KIT-RADIATOR CAP (EXPANSION TANK)	254 256		
KIT-SENSOR POCKET- TEMPERATURE CONTACTOR	625		
L			
LAMP AS (24-VOLT, AMBER)	618 620		
LAMP AS (24-VOLT, GREEN)	618 620		
LAMP-LED (24-VOLT, AMBER)	575 577 580 583 587 591		
LAMP-LED (24-VOLT, GREEN)	575 577 580 583 587 591		
LAMP-LED (24-VOLT, RED)	575 577 580 583 587 591		
LIFTING GP-ENGINE	85		
LINES GP-AIR	279 282		
LINES GP-CENTRIFUGAL FILTER	154		
LINES GP-ENGINE OIL	155		
LINES GP-FLEXIBLE FUEL	322		
LINES GP-FUEL	323		
LINES GP-FUEL INJECTION	325		
LINES GP-PCV	285		
LINES GP-PRELUBRICATION-RH	158		
LINES GP-TURBOCHARGER OIL	159		
LINES GP-WATER	214 220		
LINES GP-WATER-AFTERCOOLER	217		
LINES GP-WATER-HEAT EXCHANGER	209 210 212		
LINES GP-WATER-LOWER	201 203		
LINES GP-WATER-UPPER	199 205		
		MANIFOLD GP-EXHAUST	288 290
		MANIFOLD GP-FUEL-LH	330
		MANIFOLD GP-FUEL-RH	329
		MODULE GP-ALARM	607
		MODULE GP-RELAY DRIVER	608
		MODULE GP-SYSTEM COMMUNICATION	609 610 611
		MODULE-EXHAUST TEMPERATURE	612
		MOUNTING GP-AIR CLEANER	293 295 297
		MOUNTING GP-ALTERNATOR	86 88
		MOUNTING GP-BOX	453
		MOUNTING GP-CONTACTOR	454 456 458 460
		MOUNTING GP-ENGINE FLEXIBLE	118
		MOUNTING GP-INSTRUMENT PANEL-LH	613 617
		MOUNTING GP-INSTRUMENT PANEL-RH	615 616
		MOUNTING GP-JACKET WTR HEATER-LH	465
		MOUNTING GP-JACKET WTR HEATER-RH	462 467
		MOUNTING GP-MARINE TMSN	572
		MOUNTING GP-SOUND ISOLATION	90 91
		MUFFLER	298 299 300
P			
		PAN GP-OIL-DEEP SUMP	92 98
		PAN GP-OIL-REAR SUMP	93 95
		PANEL GP-PILOT HOUSE INSTR- MARINE POWER DISPLAY	621
		PANEL GP-PILOT HOUSE INSTR-WITH KEY	618
		PANEL GP-PILOT HOUSE INSTR- WITHOUT KEY	620
		PISTON & ROD GP	100 102

INDEX

Name	Page	Name	Page
S			476
SCREEN AS-SUCTION (ENGINE OIL PAN)	129		477
SCREEN AS-SUCTION (OIL PAN)	93		478
	95		479
	98		480
SCREEN-SCAVENGE (ENGINE OIL)	170	SENSOR GP-PRESSURE	
SCREEN-STRAINER		(ATMOSPHERIC AIR)	532
(PRESSURE REDUCING VALVE)	527	SENSOR GP-PRESSURE (ATMOSPHERIC)	538
SEAL GP	248		542
SEAL GP-CRANKSHAFT	110	SENSOR GP-PRESSURE	
SEAL-LIP TYPE		(CRANKCASE PRESSURE)	479
(WATER TEMPERATURE REGULATOR)	197	SENSOR GP-PRESSURE (CRANKCASE)	532
	198		538
SEAL-VALVE COVER (BASE)	21		542
	22	SENSOR GP-PRESSURE	
SEAL-VALVE COVER (BREATHER)	127	(ENGINE OIL, FUEL)	481
	128	SENSOR GP-PRESSURE (FILTERED FUEL)	565
SEAL-VALVE COVER (OIL FILLER)	130		566
	131		568
SENSOR & MTG GP-EXPANSION TANK-			570
COOLANT LEVEL	470	SENSOR GP-PRESSURE (FILTERED OIL)	565
SENSOR AS-PRESSURE			566
(FILTERED ENGINE OIL)	559		568
	561		570
SENSOR AS-PRESSURE (FILTERED FUEL)	557	SENSOR GP-PRESSURE	
	558	(TURBOCHARGER INLET, LH)	532
	559		538
	561		542
SENSOR AS-PRESSURE (FILTERED OIL)	557	SENSOR GP-PRESSURE	
	558	(TURBOCHARGER INLET, RH)	532
SENSOR AS-PRESSURE			538
(UNFILTERED ENGINE OIL)	559		542
	561	SENSOR GP-PRESSURE	
SENSOR AS-PRESSURE		(TURBOCHARGER OUTLET)	480
(UNFILTERED FUEL)	557		532
	558		538
	559		542
	561	SENSOR GP-PRESSURE	
SENSOR AS-PRESSURE (UNFILTERED OIL)	557	(UNFILTERED FUEL)	565
	558		566
SENSOR GP-EXHAUST TEMPERATURE	471		568
	472		570
SENSOR GP-EXHAUST TEMPERATURE		SENSOR GP-PRESSURE (UNFILTERED OIL)	565
(TURBOCHARGER, LH)	532		566
	538		568
	542		570
SENSOR GP-EXHAUST TEMPERATURE		SENSOR GP-SPEED	482
(TURBOCHARGER, RH)	532		483
	538		484
	542		485
SENSOR GP-LIQUID LEVEL	470		486
	473	SENSOR GP-SPEED (ENGINE)	532
SENSOR GP-POSITION-ROTARY	474		538
SENSOR GP-PRESSURE	475		542

INDEX

Name	Page	Name	Page
SENSOR GP-SPEED (PRIMARY, TIMING)	532		510
	538		520
	542	STARTING MOTOR GP-AIR	490
SENSOR GP-SPEED (SECONDARY, TIMING) . . .	532		498
	538		500
	542	STARTING MOTOR GP-AIR-MOUNTED, LH	496
SENSOR GP-SPEED (TIMING CALIBRATION) . . .	532		502
	538		504
	542	STARTING MOTOR GP-AIR- REVERSE ROTATION, LH	492
SENSOR GP-TEMPERATURE	487		494
	488	STARTING MOTOR GP-ELECTRIC	506
SENSOR GP-TEMPERATURE (AFTERCOOLER COOLANT)	532		509
	538		515
	542		517
SENSOR GP-TEMPERATURE (AIR INLET)	564		519
SENSOR GP-TEMPERATURE (COOLANT)	489	STARTING MOTOR GP-ELECTRIC-DUAL	512
SENSOR GP-TEMPERATURE (CYLINDER EXHAUST)	525		513
	525		514
SENSOR GP-TEMPERATURE (ENGINE COOLANT)	532	STRAINER AS (ENGINE OIL)	161
	538		163
	542	SUPPORT GP-BATTERY	522
SENSOR GP-TEMPERATURE (ENGINE OIL) . . .	563	SUPPORT GP-ENGINE	118
SENSOR GP-TEMPERATURE-COOLANT	489		119
SEPARATOR GP-AIR	250	SWITCH AS-MAGNETIC (24-VOLT) (AIR SHUTOFF)	372
SHAFT GP-AUXILIARY DRIVE- LOWER FRONT, LH	111		375
SHAFT GP-AUXILIARY DRIVE- UPPER FRONT, LH	115	SWITCH AS-MAGNETIC (24-VOLT) (PRELUBRICATION PUMP)	372
	115		375
SHAFT GP-AUXILIARY DRIVE- UPPER FRONT, RH	113	SWITCH AS-MAGNETIC (24-VOLT) (STARTING MOTOR)	372
SHAFT GP-STUB-FRONT	117		375
SHIELD GP-ENGINE OIL LINES	179	SWITCH AS-PRESSURE (PRELUBRICATION)	370
	180	SWITCH AS-PUSH BUTTON (EMERGENCY STOP)	575
	181		577
	183		580
SHIELD GP-ENGINE OIL LINES- TURBOCHARGER OIL	178		583
SHIELD GP-FUEL LINES	341		587
	342		591
	345		618
SHIELD GP-FUEL LINES-FUEL FILTER	349		620
SHIELD GP-FUEL LINES-FUEL MANIFOLD	348	SWITCH AS-ROTARY (ENGINE CONTROL)	575
SHIELD GP-FUEL LINES- FUEL PRIMING PUMP	339		577
SHIELD GP-FUEL LINES-FUEL RETURN	350		580
SHIELD GP-HEAT	304		583
	305		587
	306		591
SHIELD GP-HEAT-EXHAUST	301	SWITCH AS-TOGGLE (ENGINE PROTECTION OVERRIDE)	575
	303		577
SHIELD GP-TURBOCHARGER	307		580
	308		583
SOLENOID AS-STARTING MOTOR (24-VOLT) . . .	507		

INDEX

Name	Page	Name	Page
	587	VALVE GP-PRESSURE REDUCING–RH	527
	591	VALVE GP-RELAY (AIR STARTING MOTOR)	494
SWITCH AS-TOGGLE (TORQUE LIMIT)	575		496
	577		502
	580		504
	583	VALVE MECHANISM GP	123
	587		125
	592		
SWITCH GP-COOLANT LEVEL	252		
SWITCH GP-LIQUID LEVEL	523		
SWITCH GP-TOGGLE	524		
SWITCH GP-TOGGLE (CRANK OVERRIDE)	575		
	577		
	580		
	584		
	587		
	592		
SWITCH GP-TOGGLE (LOCAL, REMOTE THROTTLE)	575		
	577		
	580		
	583		
	587		
	591		
SWITCH GP-TOGGLE (PRELUBRICATION OVERRIDE)	575		
	577		
	580		
	584		
	587		
	592		
SWITCH-KEY (POWER)	618		
SWITCH-LIQUID LEVEL (COOLANT)	252		
T			
TANK GP-COOLANT	253		
TANK GP-EXPANSION	254		
	256		
THERMOCOUPLE GP	525		
TRUNNION GP-ENGINE	120		
TURBOCHARGER GP	309		
	310		
	311		
	312		
V			
VALVE AS-SOLENOID–AIR START	526		
VALVE GP-AIR CONTROL–RH	313		
VALVE GP-CHECK– AUXILIARY WATER PUMP	259		
VALVE GP-EXPLOSION RELIEF	121		
	122		
VALVE GP-FLUID CONTROL–DUPLEX OIL	184		
		W	
		WIRING GP-AIR SHUTOFF	528
		WIRING GP-ALTERNATOR	530
		WIRING GP-ELECTRIC STARTING	531
		WIRING GP-ENGINE	532
			538
			542
			546
		WIRING GP-ENGINE ELECTRONIC– MARINE POWER DISPLAY	547
			554
		WIRING GP-ENGINE ELECTRONIC– MARINE POWER DISPLAY, EXT	548
			549
			550
			551
			552
			553
		WIRING GP-ENGINE– MARINE POWER DISPLAY	536
		WIRING GP-PANEL– MARINE POWER DISPLAY	555
		WIRING GP-PRELUBRICATION	556
		WIRING GP-SENSOR– ENGINE OIL TEMPERATURE	563
		WIRING GP-SENSOR– MANIFOLD AIR TEMPERATURE	564
		WIRING GP-SENSOR– OIL, FUEL PRESSURE, LH SERVICE	558
			559
			561
			566
			568
			570
		WIRING GP-SENSOR– OIL, FUEL PRESSURE, RH SERVICE	557
			565

ENGINE ARRANGEMENT

271-5800 CONVERSION AR-CRANK ROTATION

CONVERTS STANDARD ROTATION TO REVERSE ROTATION

AN ATTACHMENT

TYPE 1

SMCS-1000, 1202

i03868754

NOTE	PART NUMBER	QTY	PART NAME						SEE PAGE
			1	2	3	4	5	6 (PRODUCT LEVEL)	
Y	8N-5768	1	GEAR GP-FRONT (RH) (REVERSE ROTATION, HIGH SPEED)						66
Y	261-3132	1	GEAR GP-REAR (REVERSE ROTATION)						73
	1A-2029	4	BOLT (3/8-16X1.125-IN)						
	9S-8893	12	BOLT-12 POINT HEAD (1-14X4-IN)						
	243-3221	1	FLYWHEEL AS						
	233-0644	1	GEAR-FLYWHEEL (183-TEETH)						
	117-9308	2	PLATE						
	5P-8839	12	WASHER-HARD (28X42X4-MM THK)						
	128-5993	2	WASHER-THRUST						

Y-SEPARATE ILLUSTRATION

ENGINE ARRANGEMENT

271-5800 CONVERSION AR-CRANK ROTATION

CONVERTS STANDARD ROTATION TO REVERSE ROTATION

AN ATTACHMENT

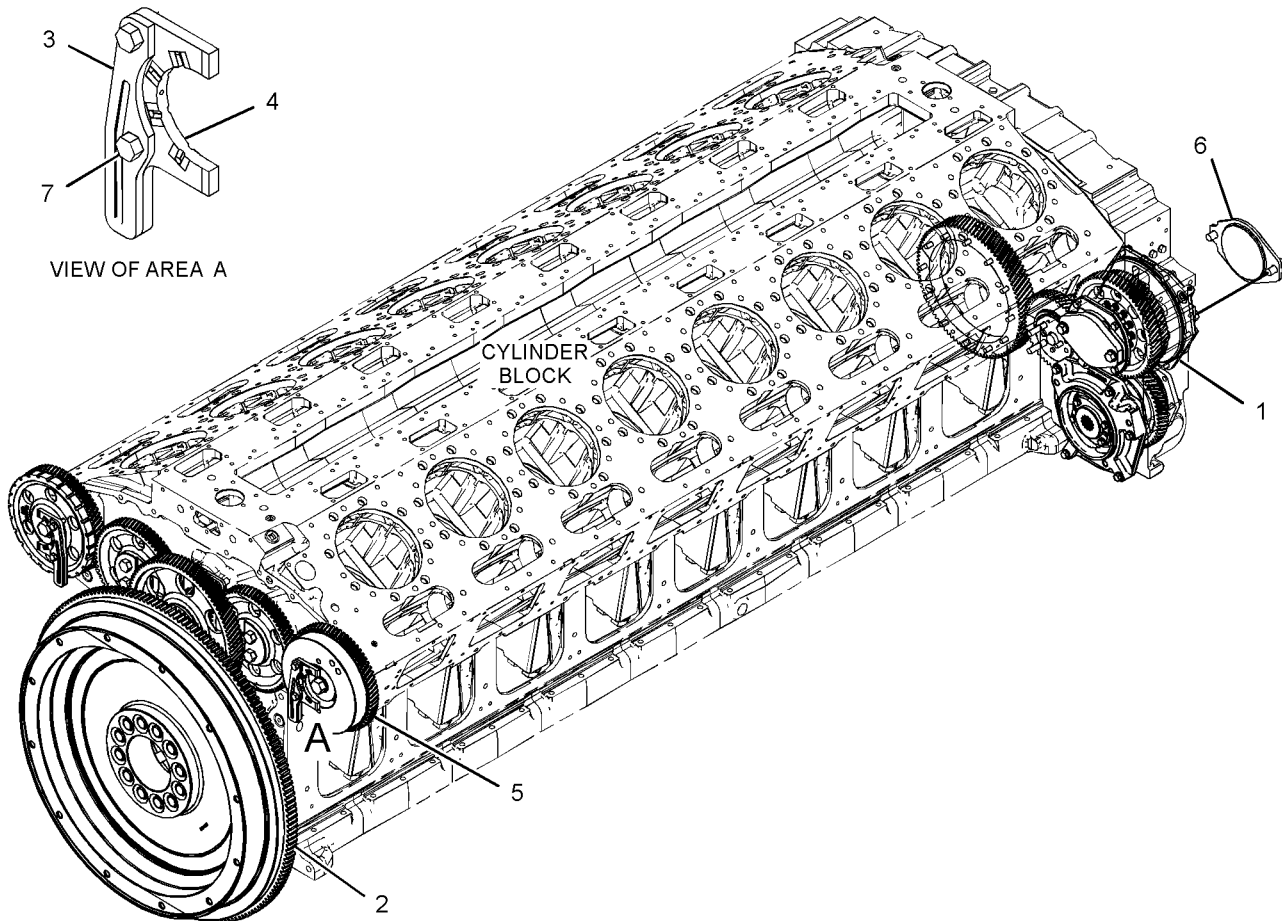
TYPE 2

SMCS-1000, 1202

i03868769

NOTE	REF NO	GRAPHIC REF	PART NUMBER	QTY	PART NAME	1 2 3 4 5 6 (PRODUCT LEVEL)						SEE PAGE
Y	1	1	8N-5768	1	GEAR GP-FRONT (RH) (REVERSE ROTATION, HIGH SPEED)							66
CY	2	1	8N-6038	1	FLYWHEEL GP							65
	3	1	117-9308	2	PLATE							
	4	1	128-5993	2	WASHER-THRUST							
Y	5	1	261-3132	1	GEAR GP-REAR (REVERSE ROTATION)							73
CY	6	1	334-5307	1	COVER GP-FRONT HOUSING (ACCESSORY DRIVE)							19
	7	1	1A-2029	4	BOLT (3/8-16X1.125-IN)							

C- CHANGE FROM PREVIOUS TYPE
Y- SEPARATE ILLUSTRATION



GRAPHIC #1

<END>

g02034613

ENGINE ARRANGEMENT

282-9668 ENGINE AR

RATED SPEED 1600-RPM

SMCS - 1000

i03877205

NOTE	PART NUMBER	QTY	PART NAME						SEE PAGE
			1	2	3	4	5	6 (PRODUCT LEVEL)	
Y	255-2288	1	AFTERCOOLER GP-WATER						263
Y	247-4696	1	BREATHER GP (CRANKCASE)						128
Y	273-5713	1	CAMSHAFT GP						10
Y	8N-8993	1	CONNECTION GP-WATER (INLET, LH)						190
Y	220-2677	1	CONTROL & MTG GP-ENGINE ELEK (PRIMARY)						386
Y	231-7069	1	CONTROL & MTG GP-ENGINE ELEK (SECONDARY)						387
			S/N: TTH1-205						
Y	296-8294	1	CONTROL & MTG GP-ENGINE ELEK (SECONDARY)						389
			S/N: TTH206-UP						
Y	312-3149	1	COOLER GP-ENGINE OIL						192
Y	271-7785	1	COVER GP-CYLINDER BLOCK (CENTRAL STRUCTURE)						14
Y	285-5929	1	COVER GP-FLYWHEEL HOUSING						16
Y	107-0278	1	COVER GP-FRONT HOUSING						18
Y	101-0831	11	COVER GP-VALVE MECHANISM						21
Y	161-6928	1	CRANKSHAFT GP						23
Y	240-6653	1	CYLINDER BLOCK GP						30
Y	299-3521	16	CYLINDER HEAD GP						40
Y	248-0197	1	DAMPER GP						47
Y	308-3565	1	DRIVE GP-AUXILIARY (LOWER, LH)						58
Y	112-6033	1	FILLER GP-ENGINE OIL						130
Y	112-4921	1	FILTER GP-ENGINE OIL (RH)						135
Y	7W-9741	1	FILTER GP-FUEL (RH)						315
Y	7N-4851	1	FLYWHEEL GP						64
Y	7C-9784	1	GAUGE GP-OIL LEVEL (DIPSTICK) (DEEP SUMP)						151
Y	8N-7174	1	GEAR GP-FRONT						69
Y	175-5203	1	GEAR GP-REAR						71
Y	8N-7643	1	HOUSING & REGULATOR GP (INLET CONTROL)						197
Y	101-1269	1	HOUSING GP-FLYWHEEL						83
Y	4P-5426	1	HOUSING GP-FRONT (ACCESSORY DRIVE)						84
Y	7E-6872	1	LIFTING GP-ENGINE						85
Y	282-4176	1	LINES GP-AIR						279
Y	242-6277	1	LINES GP-ENGINE OIL						155
Y	234-8724	1	LINES GP-FUEL INJECTION						325
Y	282-4201	1	LINES GP-TURBOCHARGER OIL						159
Y	107-0474	1	LINES GP-WATER (UPPER)						199
			S/N: TTH1-203						
Y	261-7697	1	LINES GP-WATER (UPPER)						205
			S/N: TTH204-UP						
Y	115-7850	1	LINES GP-WATER (LOWER)						201
Y	313-4133	1	LINES GP-WATER (AFTERCOOLER)						217
Y	308-6816	1	LINES GP-WATER (TURBOCHARGER) (TURBO)						214
Y	282-4180	1	MANIFOLD GP-EXHAUST						288
Y	7C-7178	1	PAN GP-OIL (DEEP SUMP)						92
Y	310-6962	16	PISTON & ROD GP						102
Y	9Y-8909	1	PUMP GP-AUXILIARY WATER (FRESH WATER)						243
			S/N: TTH1-205						
Y	297-6833	1	PUMP GP-AUXILIARY WATER (FRESH WATER)						244
			S/N: TTH206-UP						
Y	106-9873	1	PUMP GP-ENGINE OIL (2-SECTION GEAR)						167
Y	248-8695	16	PUMP GP-FUEL INJECTION						331
Y	8N-6151	1	PUMP GP-FUEL TRANSFER (1-SECTION GEAR)						337
Y	2W-9729	1	PUMP GP-WATER						246
Y	7W-3813	1	SEAL GP-CRANKSHAFT						110
Y	296-0620	1	SHIELD GP-HEAT (EXHAUST)						303
			S/N: TTH1-215, 235-UP						
Y	333-3701	1	SHIELD GP-HEAT (EXHAUST)						306
			S/N: TTH216-234						

ENGINE ARRANGEMENT

282-9668 ENGINE AR (contd.)

i03877205

NOTE	PART NUMBER	QTY	PART NAME						SEE PAGE
			1	2	3	4	5	6 (PRODUCT LEVEL)	
Y	270-7277	1	SHIELD GP-HEAT (EXHAUST MANIFOLD)						301
Y	305-6260	1	SHIELD GP-HEAT (TURBOCHARGER & AIR LINES)						304
			S/N: TTH206-209						
Y	119-7334	1	TANK GP-EXPANSION						254
Y	282-4207	1	TURBOCHARGER GP						309
Y	281-6160	16	VALVE MECHANISM GP						125
			S/N: TTH1-205						
Y	224-9869	16	VALVE MECHANISM GP						123
			S/N: TTH206-UP						
	292-1898	1	ELECTRONICS GP-ENGINE RATINGS						
PLEASE USE THE GASKET KIT LINK IN SIS OR CONTACT YOUR LOCAL DEALER FOR THE LATEST GASKET KIT INFORMATION									
Y-SEPARATE ILLUSTRATION									

ENGINE ARRANGEMENT

348-4821 ENGINE AR

S/N: TTH246-UP
RATED SPEED 1600-RPM

SMCS - 1000

i03878914

NOTE	PART NUMBER	QTY	PART NAME						SEE PAGE
			1	2	3	4	5	6 (PRODUCT LEVEL)	
Y	255-2288	1	AFTERCOOLER GP-WATER						263
Y	247-4696	1	BREATHER GP (CRANKCASE)						128
Y	273-5713	1	CAMSHAFT GP						10
Y	8N-8993	1	CONNECTION GP-WATER (INLET, LH)						190
Y	220-2677	1	CONTROL & MTG GP-ENGINE ELEK (PRIMARY)						386
Y	296-8294	1	CONTROL & MTG GP-ENGINE ELEK (SECONDARY)						389
Y	312-3149	1	COOLER GP-ENGINE OIL						192
			S/N: TTH246-251						
Y	4W-5891	1	COOLER GP-ENGINE OIL						191
			S/N: TTH252-UP						
Y	271-7785	1	COVER GP-CYLINDER BLOCK (CENTRAL STRUCTURE)						14
Y	285-5929	1	COVER GP-FLYWHEEL HOUSING						16
Y	107-0278	1	COVER GP-FRONT HOUSING						18
Y	101-0831	11	COVER GP-VALVE MECHANISM						21
Y	161-6928	1	CRANKSHAFT GP						23
Y	240-6653	1	CYLINDER BLOCK GP						30
Y	299-3521	16	CYLINDER HEAD GP						40
Y	248-0197	1	DAMPER GP						47
Y	308-3565	1	DRIVE GP-AUXILIARY (LOWER, LH)						58
Y	112-6033	1	FILLER GP-ENGINE OIL						130
Y	112-4921	1	FILTER GP-ENGINE OIL (RH)						135
Y	7W-9741	1	FILTER GP-FUEL (RH)						315
Y	7N-4851	1	FLYWHEEL GP						64
Y	7C-9784	1	GAUGE GP-OIL LEVEL (DIPSTICK) (DEEP SUMP)						151
Y	8N-7174	1	GEAR GP-FRONT (STANDARD ROTATION)						69
Y	175-5203	1	GEAR GP-REAR (CAM DRIVE)						71
Y	8N-7643	1	HOUSING & REGULATOR GP (INLET CONTROL)						197
Y	101-1269	1	HOUSING GP-FLYWHEEL						83
Y	4P-5426	1	HOUSING GP-FRONT (ACCESSORY DRIVE)						84
Y	7E-6872	1	LIFTING GP-ENGINE						85
Y	282-4176	1	LINES GP-AIR						279
Y	242-6277	1	LINES GP-ENGINE OIL						155
Y	234-8724	1	LINES GP-FUEL INJECTION						325
Y	282-4201	1	LINES GP-TURBOCHARGER OIL						159
Y	115-7850	1	LINES GP-WATER (LOWER)						201
Y	261-7697	1	LINES GP-WATER (UPPER)						205
Y	308-6816	1	LINES GP-WATER (TURBOCHARGER)						214
Y	313-4133	1	LINES GP-WATER (AFTERCOOLER)						217
Y	282-4180	1	MANIFOLD GP-EXHAUST						288
Y	7C-7178	1	PAN GP-OIL (DEEP SUMP)						92
Y	310-6962	16	PISTON & ROD GP						102
			S/N: TTH246-251						
Y	249-5671	16	PISTON & ROD GP						100
			S/N: TTH252-UP						
Y	297-6833	1	PUMP GP-AUXILIARY WATER						244
Y	106-9873	1	PUMP GP-ENGINE OIL (2-SECTION GEAR)						167
Y	248-8695	16	PUMP GP-FUEL INJECTION						331
Y	8N-6151	1	PUMP GP-FUEL TRANSFER (1-SECTION GEAR)						337
Y	2W-9729	1	PUMP GP-WATER						246
Y	7W-3813	1	SEAL GP-CRANKSHAFT						110
Y	270-7277	1	SHIELD GP-HEAT (EXHAUST MANIFOLD)						301
Y	296-0620	1	SHIELD GP-HEAT (EXHAUST) (TURBOCHARGER)						303
Y	305-6260	1	SHIELD GP-HEAT (TURBOCHARGER & AIR LINES)						304
Y	119-7334	1	TANK GP-EXPANSION						254
Y	282-4207	1	TURBOCHARGER GP						309
Y	224-9869	16	VALVE MECHANISM GP						123

ENGINE ARRANGEMENT

348-4821 ENGINE AR (contd.)

i03878914

NOTE	PART NUMBER	QTY	PART NAME						SEE PAGE
			1	2	3	4	5	6 (PRODUCT LEVEL)	
	292-1898	1	ELECTRONICS GP-ENGINE RATINGS						
			S/N: TTH246-251						
	354-0193	1	ELECTRONICS GP-ENGINE RATINGS						
			S/N: TTH252-UP						
			PLEASE USE THE GASKET KIT LINK IN SIS OR CONTACT YOUR LOCAL DEALER FOR THE LATEST GASKET KIT INFORMATION						
Y-SEPARATE ILLUSTRATION									

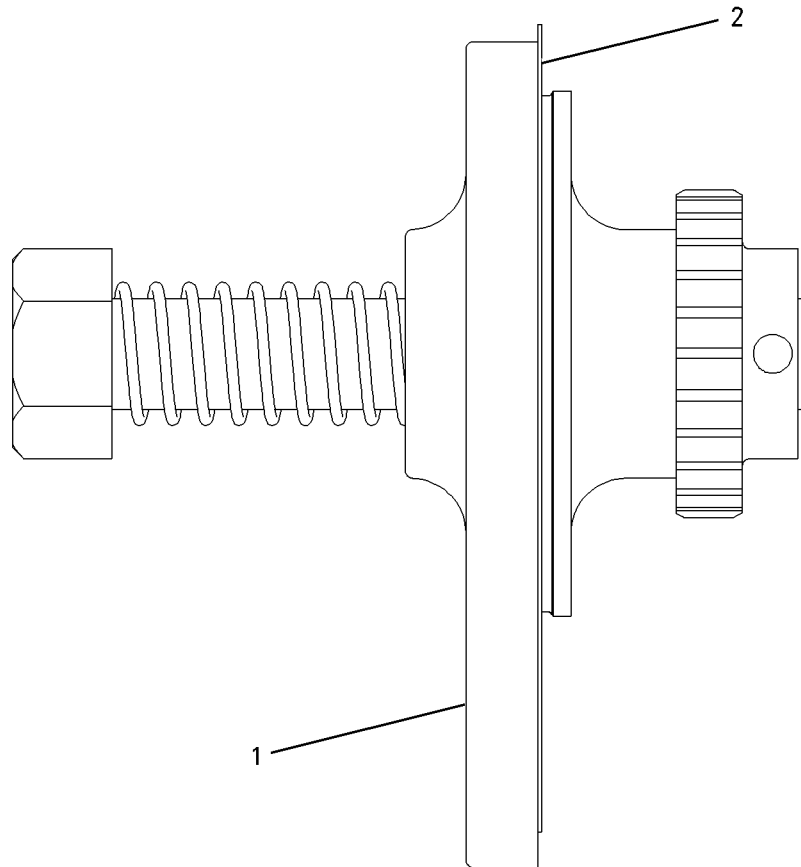
BASIC ENGINE

5R-7425 BARRING GP-LH AN ATTACHMENT

SMCS - 1235

i01581694

NOTE	REF NO	GRAPHIC REF	PART NUMBER	QTY	PART NAME						SEE PAGE
					1	2	3	4	5	6 (PRODUCT LEVEL)	
	1	1	3R-1937	1	TOOL - BARRING						
	2	1	4H-7869	1	GASKET						



GRAPHIC #1

<END>

g00824462

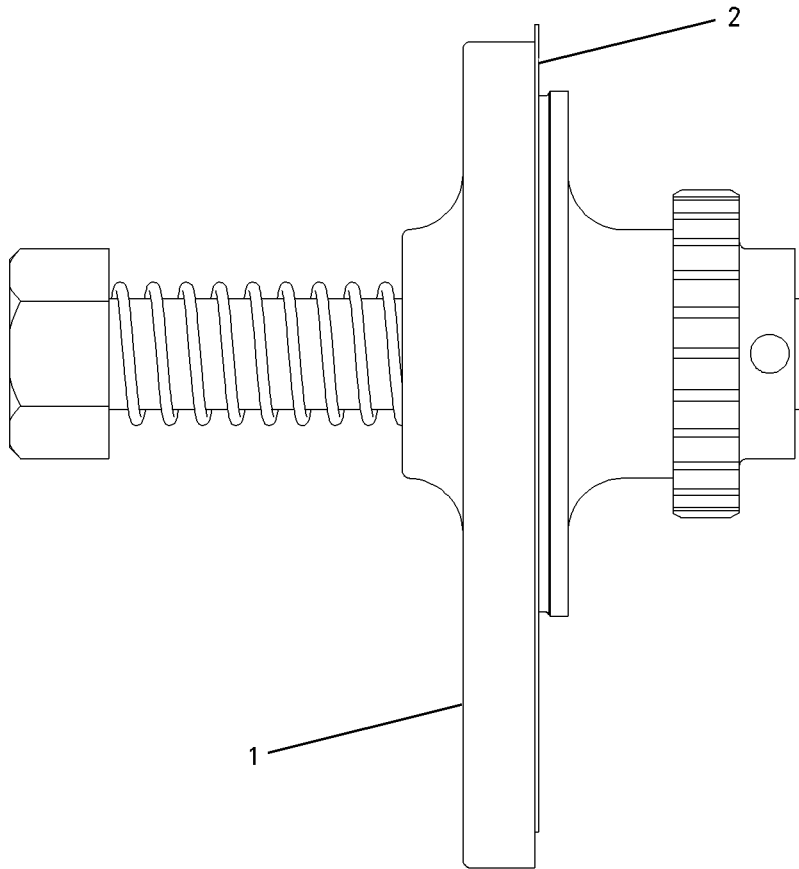
BASIC ENGINE

253-2468 BARRING GP-RH AN ATTACHMENT

SMCS - 1235

i02113355

NOTE	REF NO	GRAPHIC REF	PART NUMBER	QTY	PART NAME						SEE PAGE
					1	2	3	4	5	6 (PRODUCT LEVEL)	
	1	1	3R-1937	1	TOOL - BARRING						
	2	1	4H-7869	1	GASKET						



GRAPHIC #1

<END>

g00824462

BASIC ENGINE

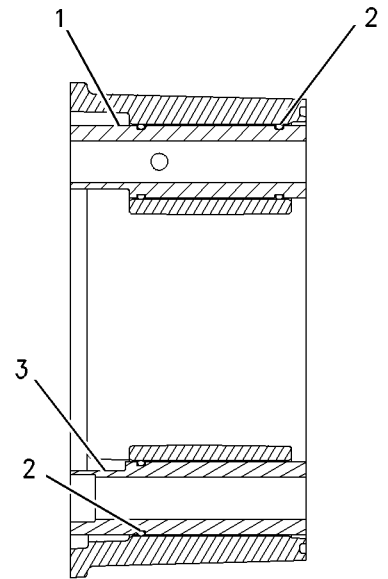
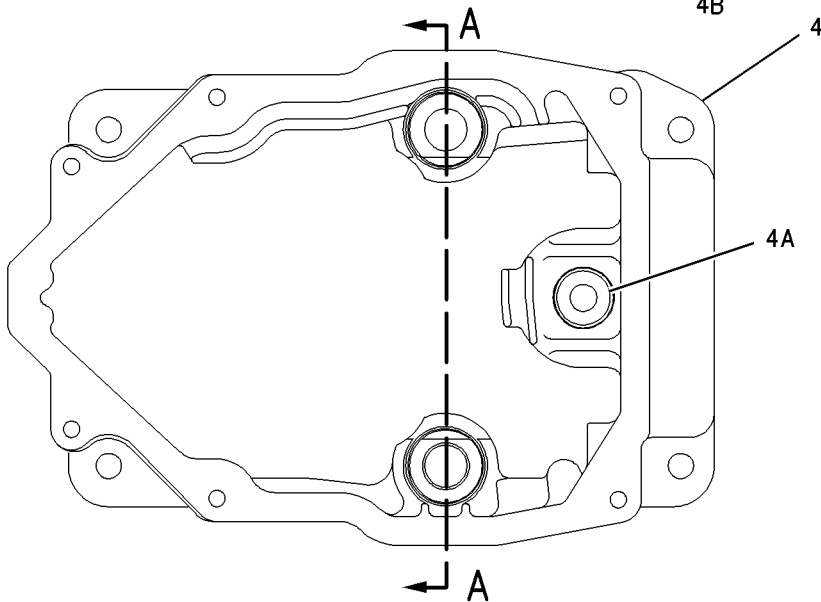
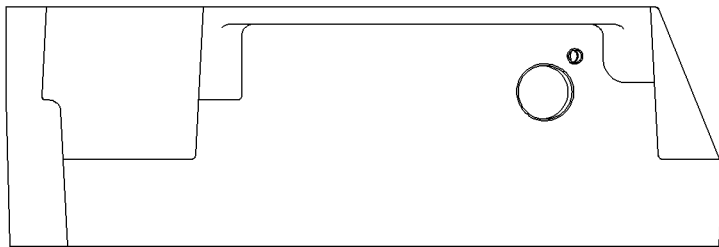
247-8341 BASE GP-VALVE COVER-ROCKER ARM

PART OF 224-9869, 281-6160 VALVE MECHANISM GP

SMCS-1120

i02685870

NOTE	REF NO	GRAPHIC REF	PART NUMBER	QTY	PART NAME						SEE PAGE
					1	2	3	4	5	6 (PRODUCT LEVEL)	
	1	1	119-0839	1	SPACER (17.5X30.94X98-MM)						
	2	1	6V-6228	3	SEAL-O-RING						
	3	1	119-0838	1	SPACER (17.5X30.94X98-MM)						
	4	1	247-8340	1	BASE AS						
	4A	1	120-4339	1	WASHER-SPRING						
	4B	1	261-0195	1	DOWEL-HOLLOW						



SECTION A-A

GRAPHIC #1

<END>

g00842340

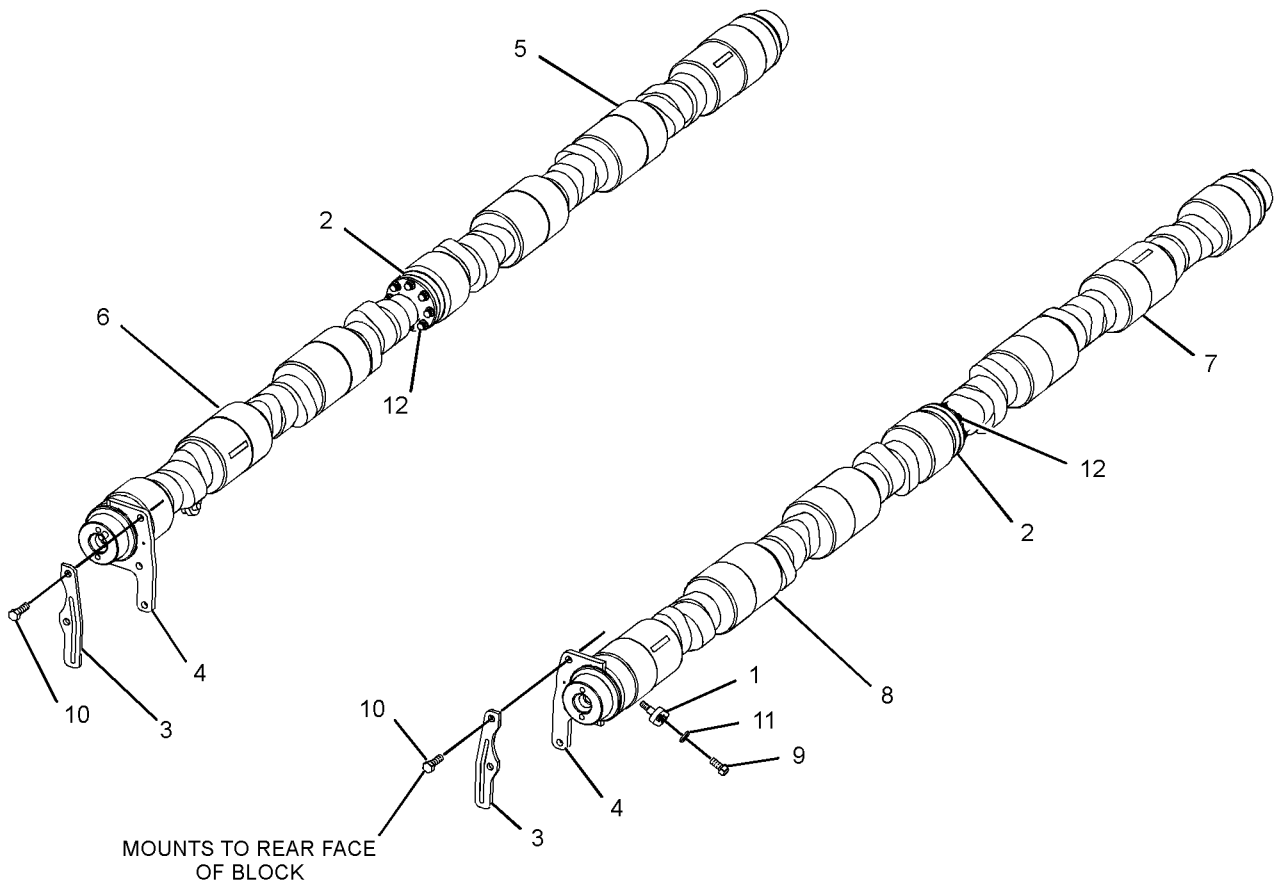
BASIC ENGINE

273-5713 CAMSHAFT GP

SMCS-1210

i02427763

NOTE	REF NO	GRAPHIC REF	PART NUMBER	QTY	PART NAME						SEE PAGE
					1	2	3	4	5	6 (PRODUCT LEVEL)	
	1	1	4W-6664	2	PLATE AS-TIMING						
	2	1	7N-3216	2	SPACER (35.035X84X12-MM THK)						
	3	1	117-9308	2	PLATE						
	4	1	128-5993	2	WASHER-THRUST						
	5	1	283-5740	1	CAMSHAFT AS						
		1	4N-1650	1	DOWEL						
	6	1	283-5742	1	CAMSHAFT AS						
		1	5B-5821	1	DOWEL						
	7	1	283-5744	1	CAMSHAFT AS						
		1	5B-5821	1	DOWEL						
	8	1	283-5787	1	CAMSHAFT AS						
		1	4N-1650	1	DOWEL						
	9	1	0S-0509	2	BOLT (3/8-16X0.75-IN)						
	10	1	1A-2029	4	BOLT (3/8-16X1.125-IN)						
	11	1	5M-2894	2	WASHER-HARD (10.2X18.5X2.5-MM THK)						
	12	1	5P-0076	16	BOLT-12 POINT HEAD (3/8-16X1.5-IN)						



GRAPHIC #1

<END>

g01222883

BASIC ENGINE

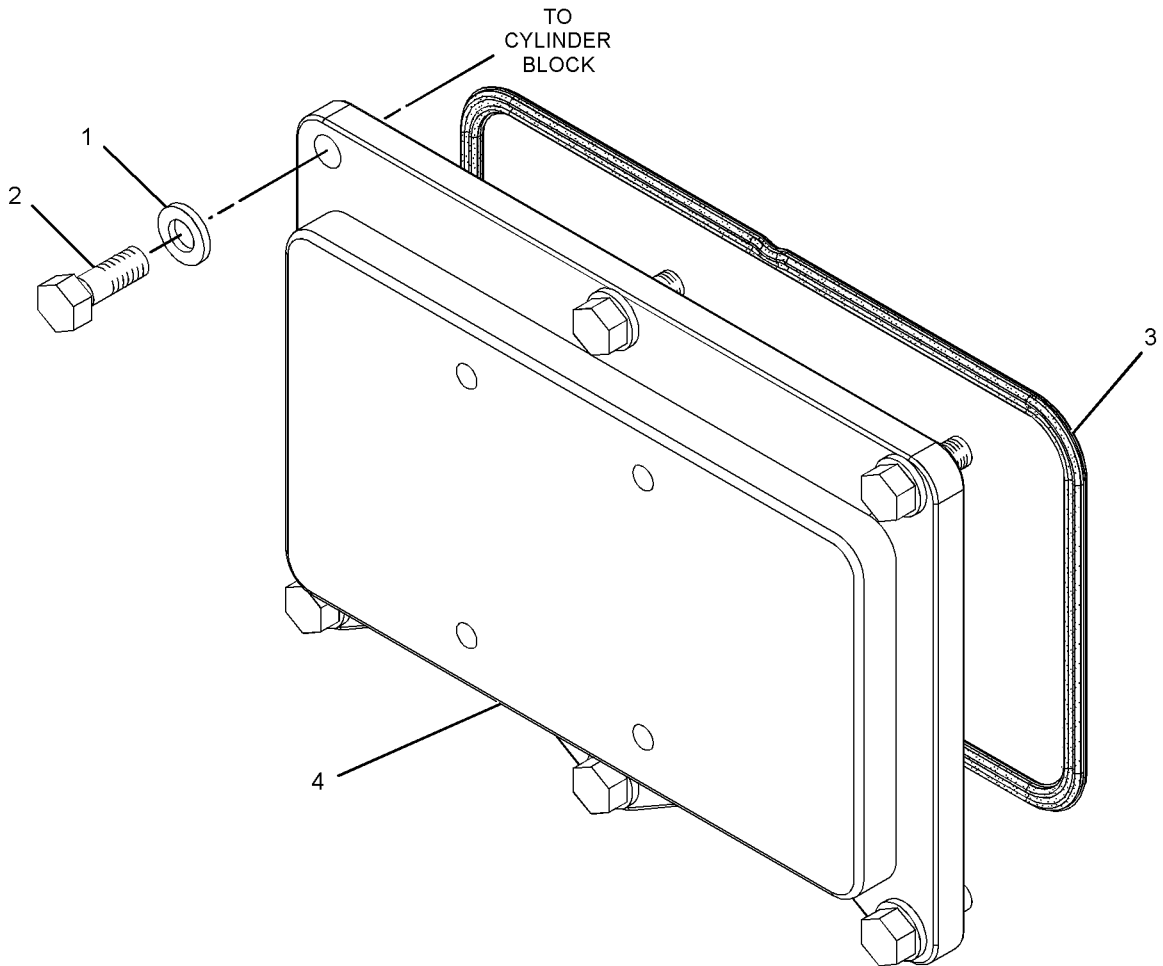
155-2564 COVER GP-CAMSHAFT

CHROME PLATED
AN ATTACHMENT

SMCS-1210

i02625637

NOTE	REF NO	GRAPHIC REF	PART NUMBER	QTY	PART NAME						SEE PAGE
					1	2	3	4	5	6 (PRODUCT LEVEL)	
	1	1	133-6261	6	WASHER (M10.2X18.5X2.5 THK)						
	2	1	133-6269	6	BOLT (3/8-16X1-IN)						
	3	1	272-0758	1	SEAL						
	4	1	155-2573	1	COVER-CAMSHAFT						



GRAPHIC #1

<END>

g01317508

BASIC ENGINE

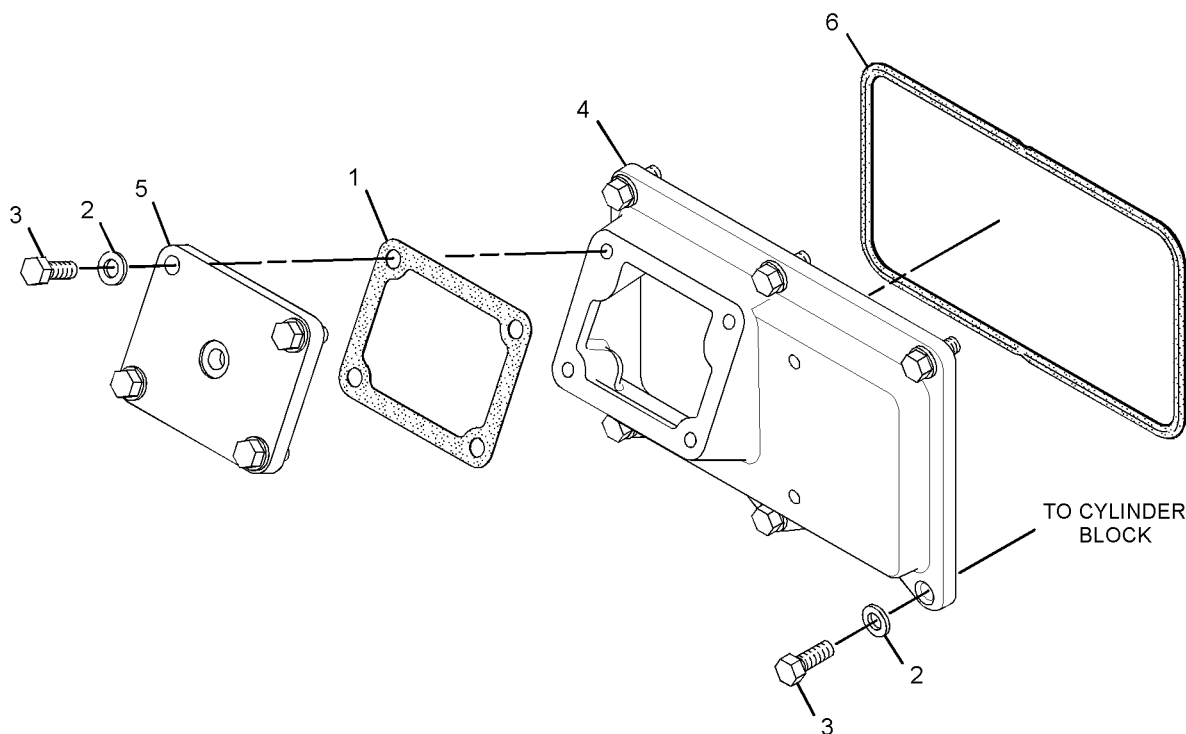
155-2583 COVER GP-CAMSHAFT

CHROME PLATED
AN ATTACHMENT

SMCS-1210

i02625635

NOTE	REF NO	GRAPHIC REF	PART NUMBER	QTY	PART NAME						SEE PAGE
					1	2	3	4	5	6	
	1	1	2W-0752	1	GASKET						
	2	1	133-6261	10	WASHER (10.2X18.5X2.5-MM THK)						
	3	1	133-6269	10	BOLT (3/8-16X1-IN)						
	4	1	155-2574	1	COVER-CAMSHAFT						
	5	1	222-4059	1	COVER (SENSOR)						
	6	1	272-0758	1	SEAL						



GRAPHIC #1

<END>

g01317336

BASIC ENGINE

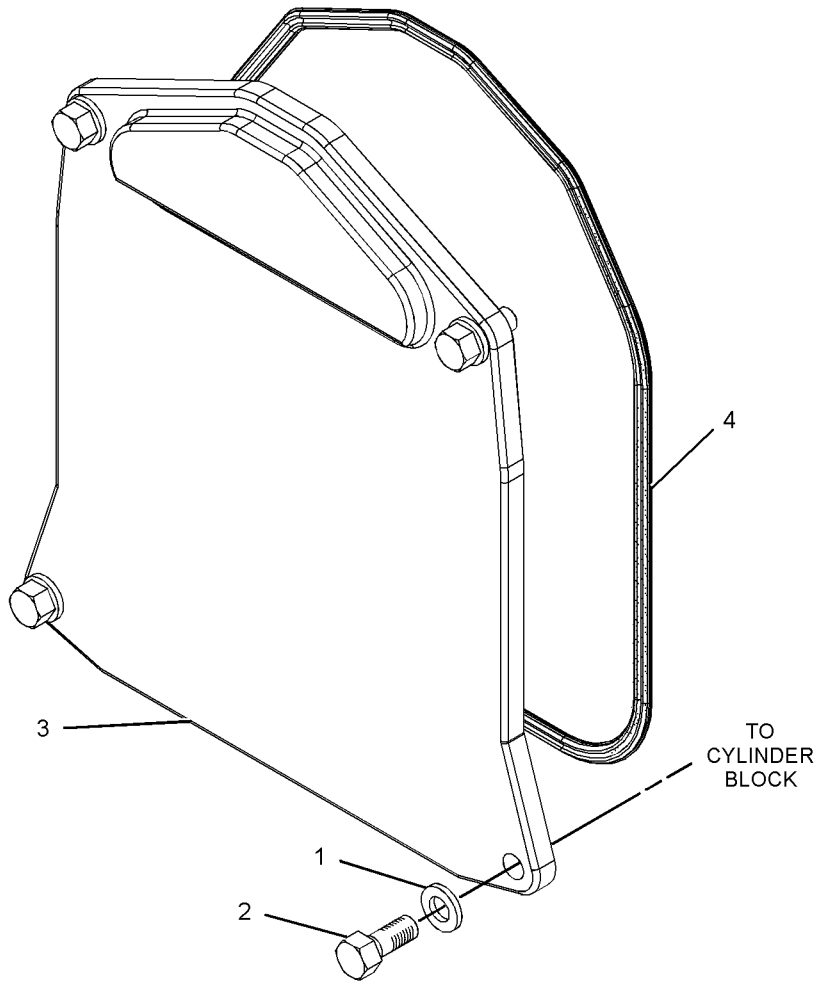
155-2563 COVER GP-CYLINDER BLOCK-CRANKCASE

CHROME PLATED
AN ATTACHMENT

SMCS-1201

i02625634

NOTE	REF NO	GRAPHIC REF	PART NUMBER	QTY	PART NAME						SEE PAGE
					1	2	3	4	5	6 (PRODUCT LEVEL)	
	1	1	133-6261	4	WASHER (M10.2X18.5X2.5 THK)						
	2	1	133-6268	4	BOLT (3/8-16X1-IN)						
	3	1	155-2575	1	COVER						
	4	1	272-0759	1	SEAL						



GRAPHIC #1

<END>

g01317501

BASIC ENGINE

271-7785 COVER GP-CYLINDER BLOCK-CENTRAL STRUCTURE

SMCS-1201

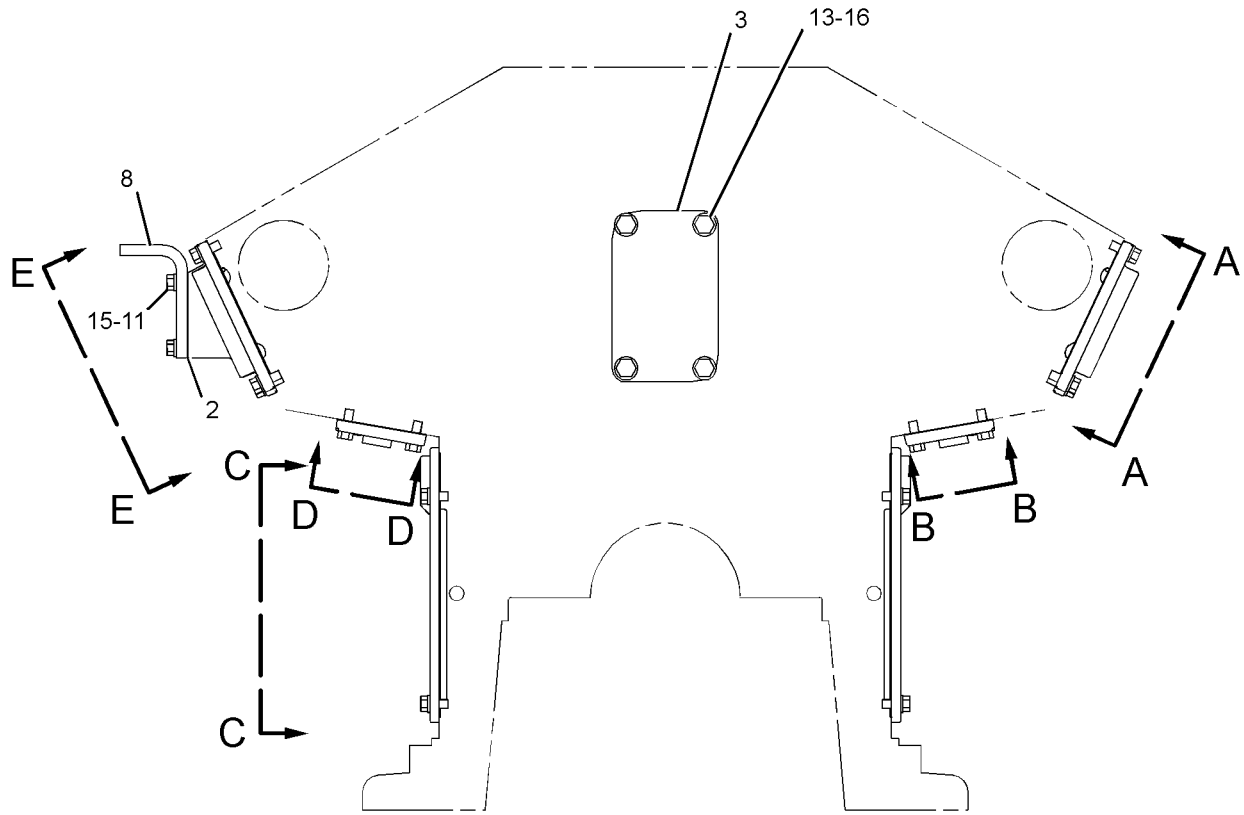
i03870051

NOTE	REF NO	GRAPHIC REF	PART NUMBER	QTY	PART NAME						SEE PAGE
					1	2	3	4	5	6 (PRODUCT LEVEL)	
	1	1	1N-2914	16	COVER-CYLINDER BLOCK SIDE						
	2	1	2W-0752	1	GASKET						
	3	1	4W-5015	1	COVER						
	4	1	7N-3298	3	COVER-BLOCK						
	5	1	7N-4945	3	GASKET						
	6	1	8N-9992	15	COVER-CAMSHAFT						
	7	1	8N-9993	1	COVER-CAMSHAFT						
	8	1	117-0066	1	BRACKET-MOUNTING						
	9	1	272-0758	16	SEAL						
	10	1	272-0759	16	SEAL						
	11	1	0S-1588	4	BOLT (3/8-16X1.25-IN)						
	12	1	0S-1594	12	BOLT (3/8-16X1-IN)						
	13	1	0S-1595	4	BOLT (1/2-13X1.25-IN)						
	14	1	1A-2029	96	BOLT (3/8-16X1.125-IN)						
	15	1	5M-2894	164	WASHER-HARD (10.2X18.5X2.5-MM THK)						
	16	1	5P-8245	4	WASHER-HARD (13.5X25.5X3-MM THK)						
	17	1	8T-6761	2	PLUG-PIPE						
	18	1	9X-8872	64	BOLT-LOCKING (3/8-16X0.875-IN)						

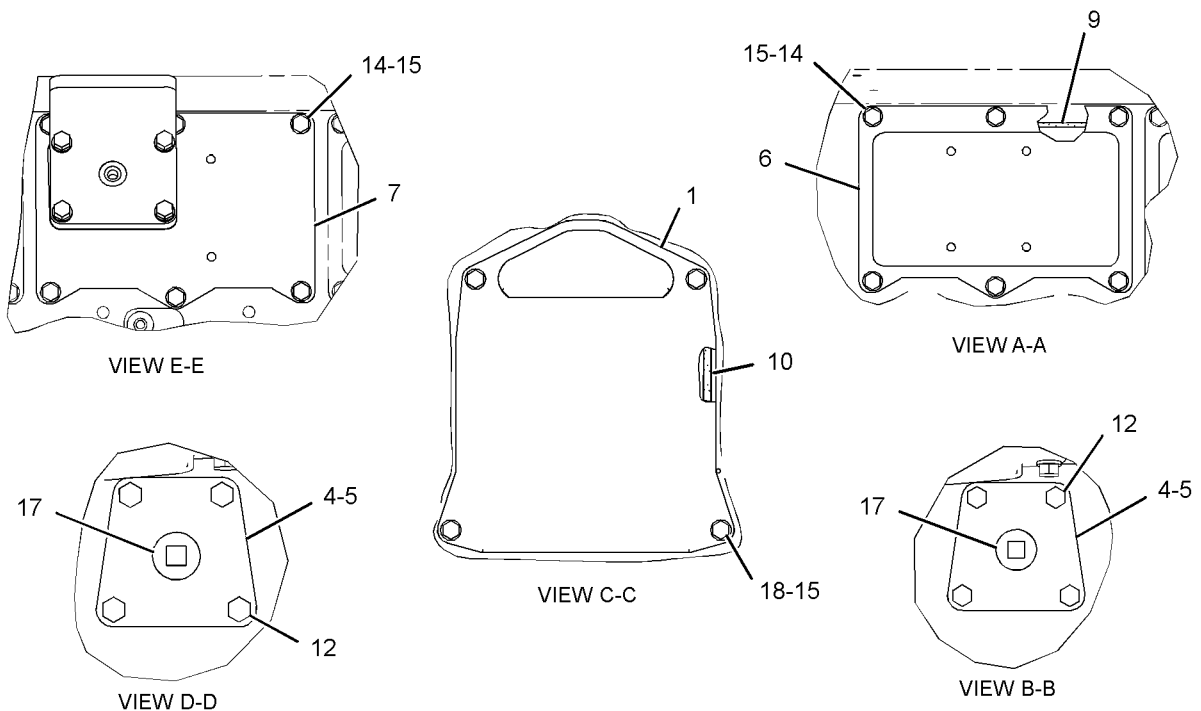
BASIC ENGINE

271-7785 COVER GP-CYLINDER BLOCK (contd.)

i03870051



FRONT VIEW



GRAPHIC #1

<END>

g01189185

BASIC ENGINE

285-5929 COVER GP-FLYWHEEL HOUSING

SMCS-1157

i02578620

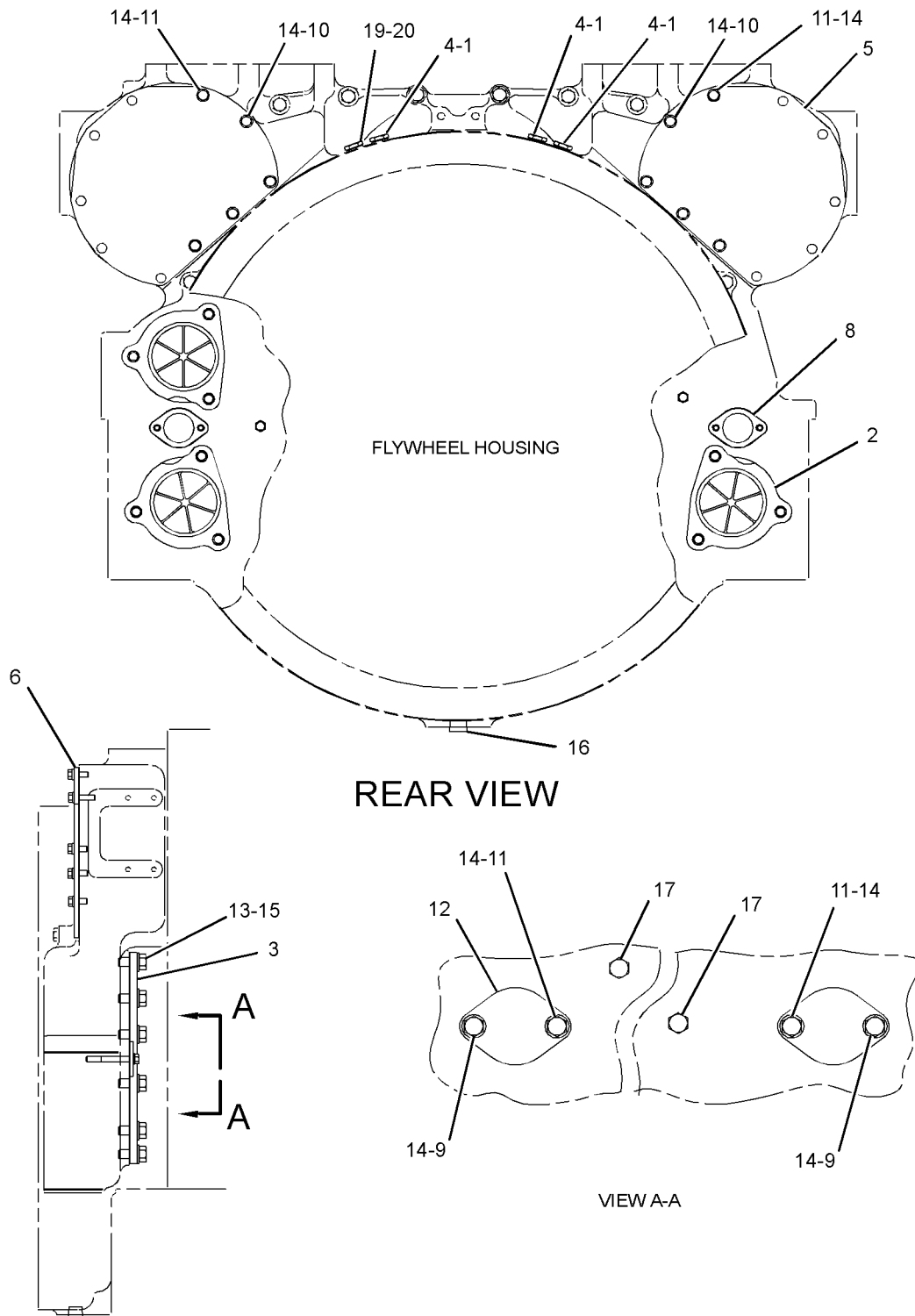
NOTE	REF NO	GRAPHIC REF	PART NUMBER	QTY	PART NAME						SEE PAGE
					1	2	3	4	5	6 (PRODUCT LEVEL)	
	1	1	4B-8407	3	GASKET - COPPER						
	2	1	4H-7869	3	GASKET						
	3	1	4N-1114	3	COVER						
	4	1	5F-0304	3	PLUG						
	5	1	7N-4319	2	COVER						
	6	1	7N-4320	2	GASKET						
	8	1	234-8937	2	SEAL - INTEGRAL						
	9	1	0L-1352	2	BOLT (3/8-16X3.25-IN)						
	10	1	0S-1591	2	BOLT (3/8-16X1.5-IN)						
	11	1	0S-1594	10	BOLT (3/8-16X1-IN)						
	12	1	2P-2772	2	COVER						
	13	1	4B-4043	9	BOLT (5/8-11X1.375-IN)						
	14	1	5M-2894	14	WASHER-HARD (10.2X18.5X2.5-MM THK)						
	15	1	5P-8247	9	WASHER-HARD (17X32X3.5-MM THK)						
	16	1	8T-6761	1	PLUG-PIPE						
	17	1	8T-6765	2	PLUG-PIPE						
B	19	1	4B-8407	1	GASKET - COPPER						
B	20	1	5F-0304	1	PLUG						

B-USE AS REQUIRED

BASIC ENGINE

285-5929 COVER GP-FLYWHEEL HOUSING (contd.)

i02578620



RIGHT SIDE VIEW

GRAPHIC #1

<END>

g01293307

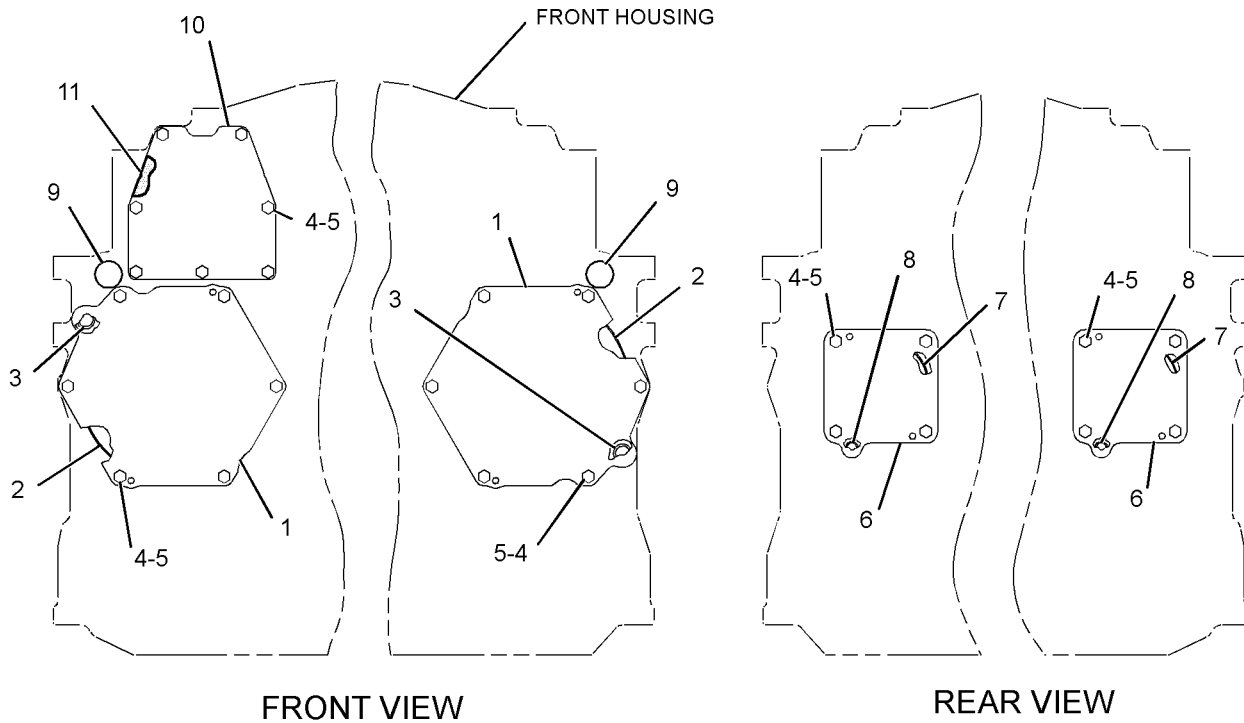
BASIC ENGINE

107-0278 COVER GP-FRONT HOUSING

SMCS-1151, 1166

i03825733

NOTE	REF NO	GRAPHIC REF	PART NUMBER	QTY	PART NAME						SEE PAGE
					1	2	3	4	5	6	
	1	1	7N-4951	2	COVER						
	2	1	235-3546	2	SEAL-O-RING						
	3	1	6V-3348	2	SEAL-O-RING						
	4	1	1A-2029	27	BOLT (3/8-16X1.125-IN)						
	5	1	5M-2894	27	WASHER-HARD (10.2X18.5X2.5-MM THK)						
	6	1	7N-4952	2	COVER						
	7	1	259-4598	2	SEAL-O-RING						
	8	1	5P-0840	2	SEAL-O-RING						
	9	1	3P-1896	2	PLUG-CUP						
	10	1	2W-5285	1	COVER						
	11	1	8N-9885	1	GASKET-COVER						



GRAPHIC #1

<END>

g01173129

BASIC ENGINE

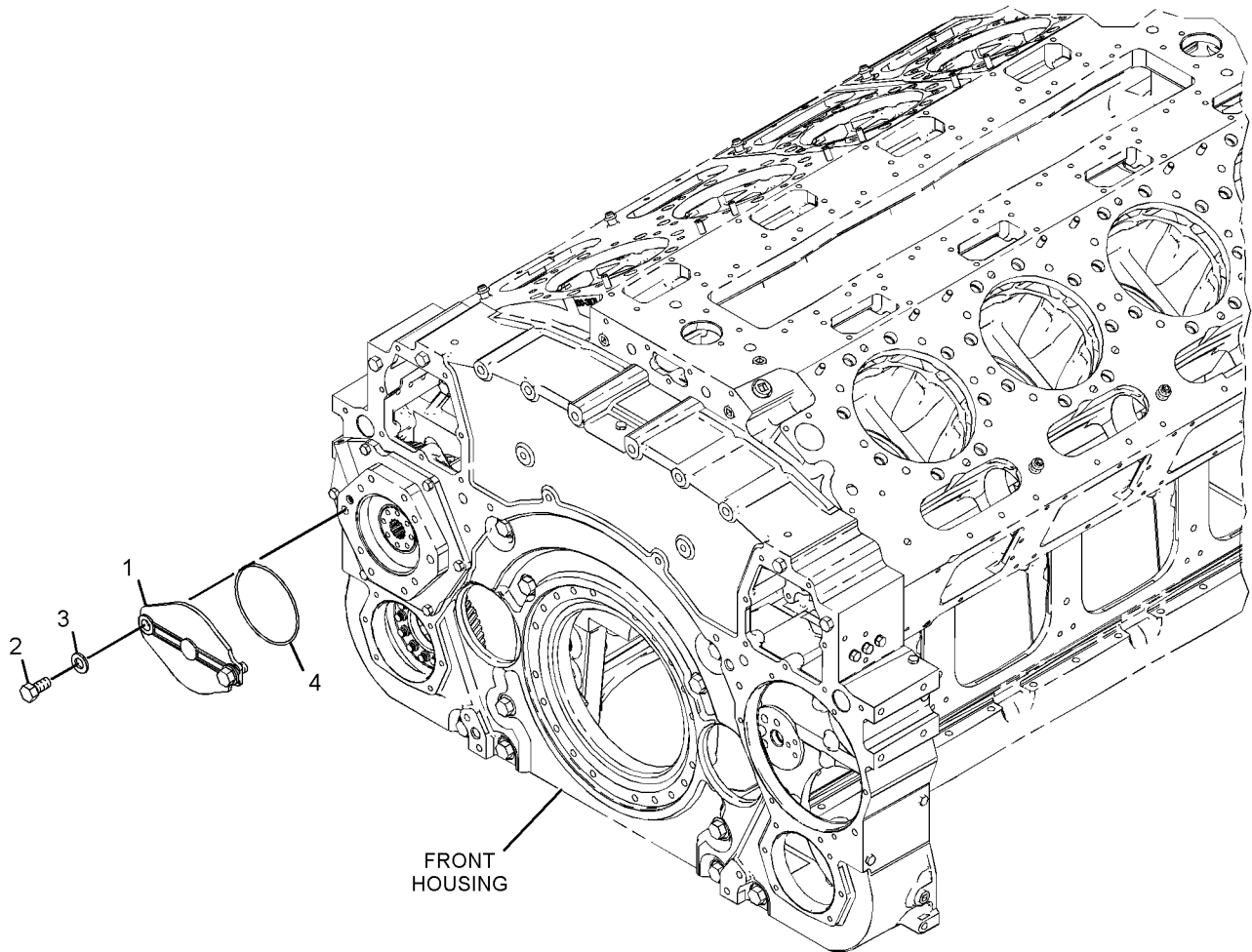
334-5307 COVER GP-FRONT HOUSING-ACCESSORY DRIVE

PART OF 271-5800 CONVERSION AR-CRANK ROTATION
AN ATTACHMENT

SMCS-1151, 1166

i03637313

NOTE	REF NO	GRAPHIC REF	PART NUMBER	QTY	PART NAME						SEE PAGE
					1	2	3	4	5	6 (PRODUCT LEVEL)	
	1	1	7N-8374	1	COVER-PUMP						
	2	1	0S-1592	2	BOLT (5/8-11X1.25-IN)						
	3	1	5P-8247	2	WASHER-HARD (17X32X3.5-MM THK)						
	4	1	9X-7371	1	SEAL-O-RING						



GRAPHIC #1

<END>

g01774614

BASIC ENGINE

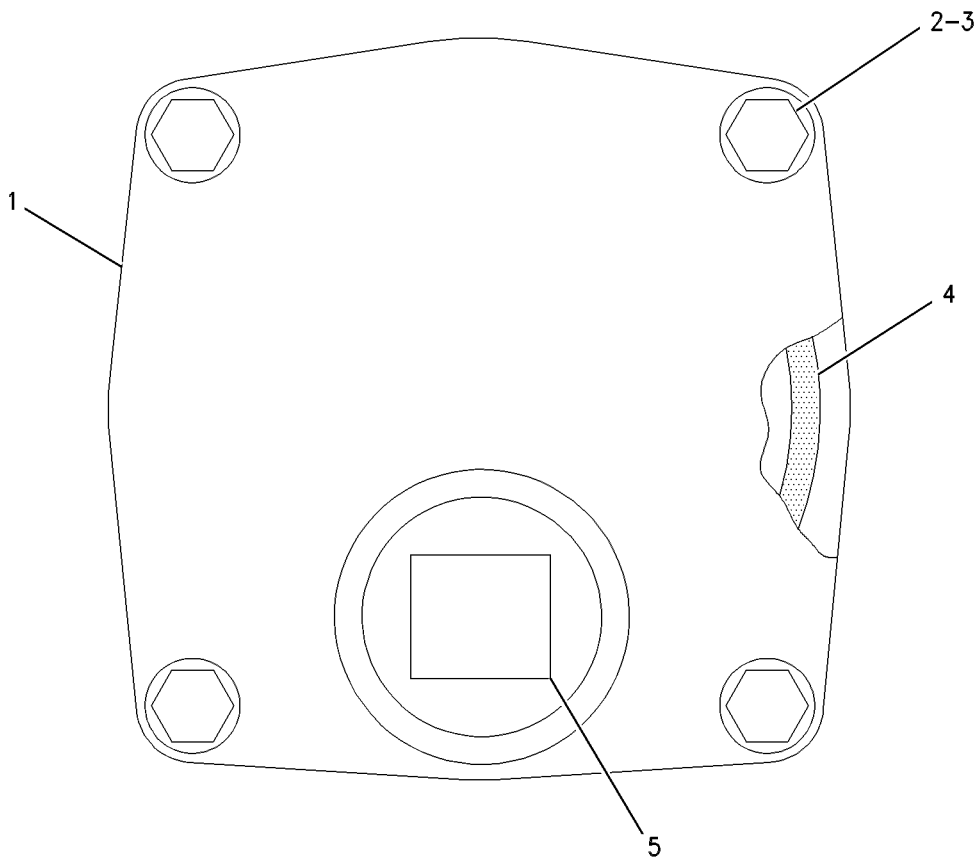
2W-5616 COVER GP-OIL PAN AN ATTACHMENT

SMCS-1302

i02776823

NOTE	REF NO	GRAPHIC REF	PART NUMBER	QTY	PART NAME						SEE PAGE
					1	2	3	4	5	6 (PRODUCT LEVEL)	
C	1	1	151-9264	1	COVER AS						
C	2	1	0S-1588	4	BOLT (3/8-16X1.25-IN)						
C	3	1	8M-9024	4	WASHER-HARD (10.2X22.5X5-MM THK)						
C	4	1	6V-7351	1	SEAL-O-RING						
	5	1	9X-6138	1	PLUG-PIPE (ENGINE OIL DRAIN)						

C-CHANGE FROM PREVIOUS TYPE



GRAPHIC #1

<END>

g00617879

BASIC ENGINE

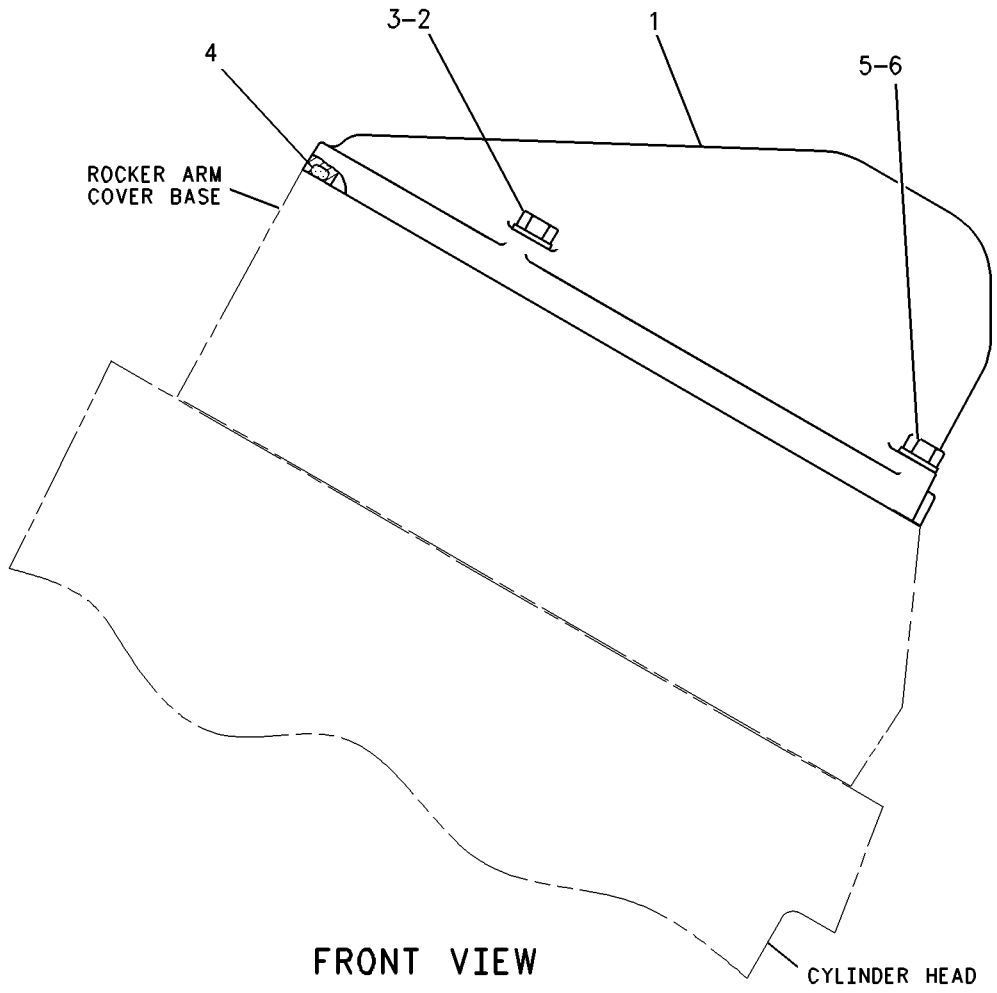
101-0831 COVER GP-VALVE MECHANISM

SMCS-1107

i03863189

NOTE	REF NO	GRAPHIC REF	PART NUMBER	QTY	PART NAME						SEE PAGE
					1	2	3	4	5	6 (PRODUCT LEVEL)	
	1	1	101-4197	1	COVER						
	2	1	1A-9579	3	BOLT (5/16-18X1.5-IN)						
	3	1	9M-1974	3	WASHER-HARD (8.8X16X2-MM THK)						
	4	1	272-0760	1	SEAL-VALVE COVER (BASE)						
B	5	1	1A-9579	1	BOLT (5/16-18X1.5-IN)						
B	6	1	9M-1974	1	WASHER-HARD (8.8X16X2-MM THK)						

B-USE AS REQUIRED



GRAPHIC #1

<END>

g00773092

BASIC ENGINE

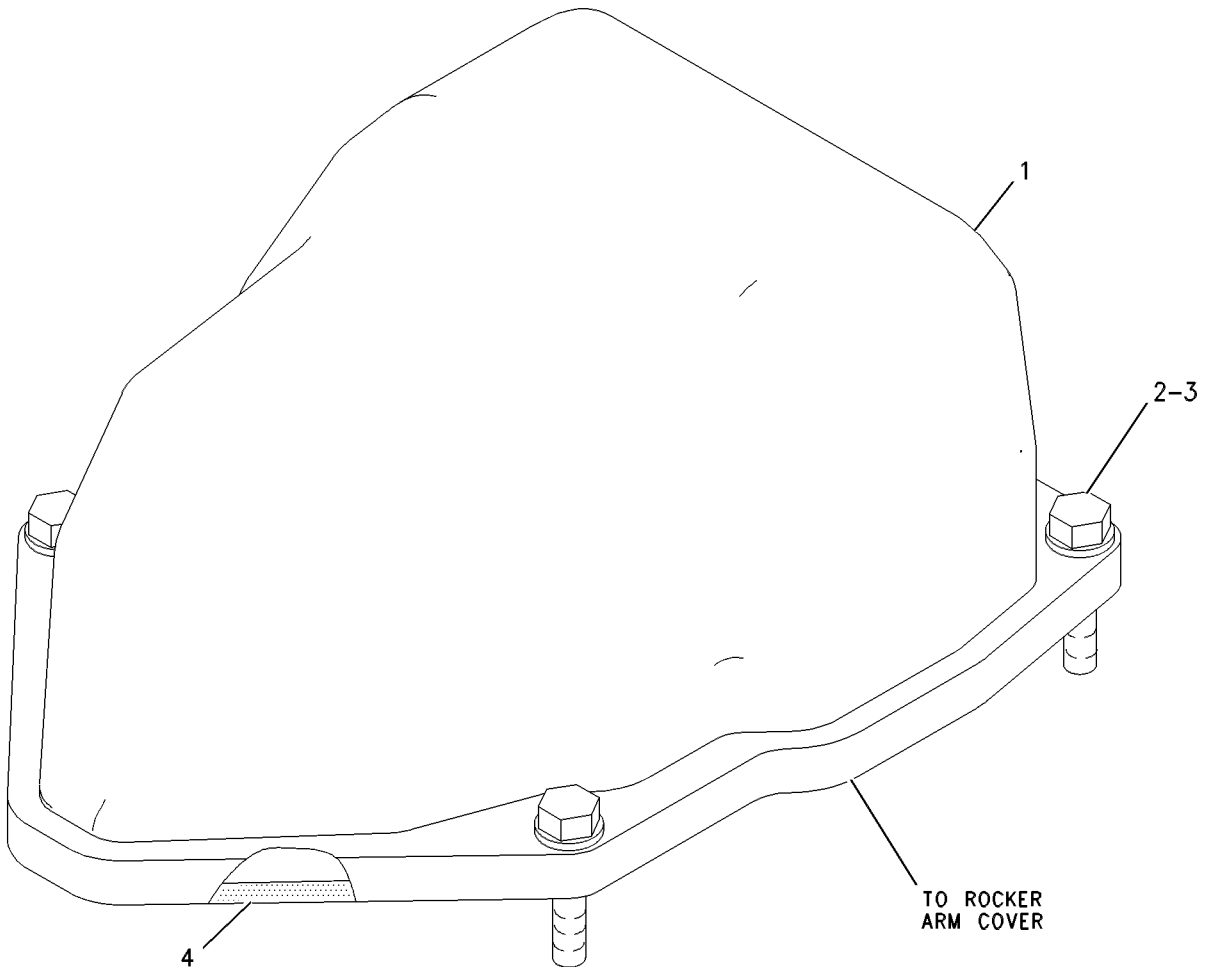
155-2566 COVER GP-VALVE MECHANISM

CHROME PLATED
FOR USE WITH EUI ENGINE
AN ATTACHMENT

SMCS-1107

i03627555

NOTE	REF NO	GRAPHIC REF	PART NUMBER	QTY	PART NAME						SEE PAGE
					1	2	3	4	5	6 (PRODUCT LEVEL)	
	1	1	155-2571	1	COVER						
	2	1	133-6270	4	BOLT (5/16-18X1.5-IN)						
	3	1	133-6265	4	WASHER (8.8X16X2-MM THK)						
	4	1	272-0760	1	SEAL-VALVE COVER (BASE)						



GRAPHIC #1

<END>

g00536865

BASIC ENGINE

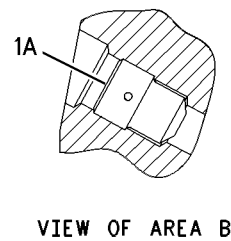
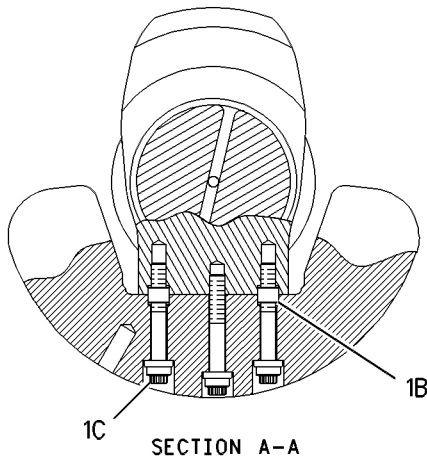
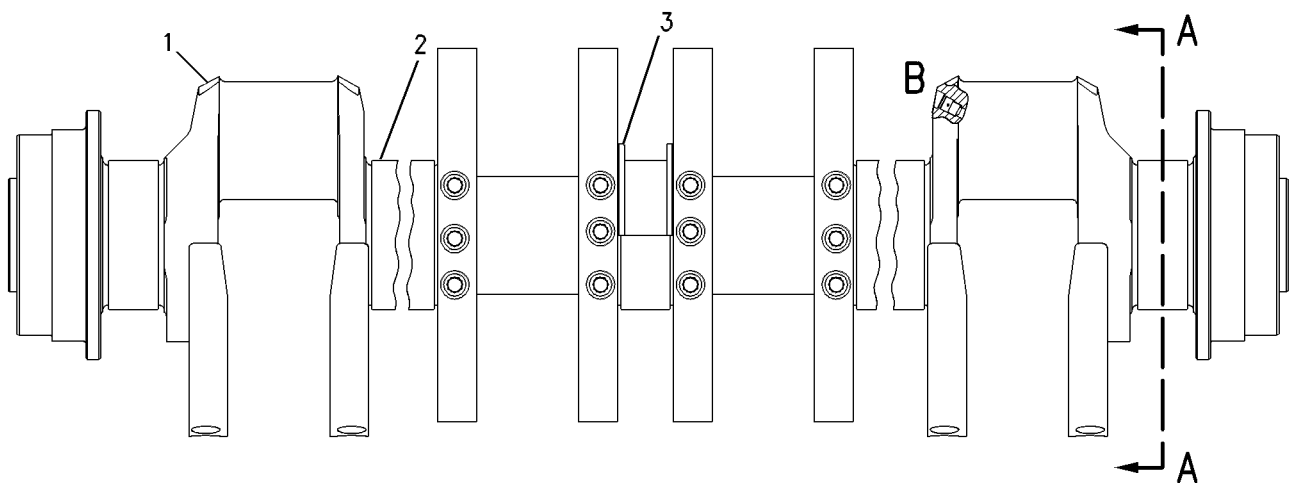
161-6928 CRANKSHAFT GP

SMCS-1202

i03354842

NOTE	REF NO	GRAPHIC REF	PART NUMBER	QTY	PART NAME						SEE PAGE
					1	2	3	4	5	6 (PRODUCT LEVEL)	
	1	1	172-0916	1	CRANKSHAFT AS						
	1A	1	2W-2288	8	PLUG						
	1B	1	7N-2003	32	DOWEL						
	1C	1	128-4845	48	BOLT AS						
	2	1	149-6031	9	BEARING AS-MAIN (STANDARD) (CRANKSHAFT)						
AB		1	149-6032		BEARING-MAIN (0.63-MM US ID) (CRANKSHAFT)						
AB		1	149-6033		BEARING-MAIN (1.27-MM US ID) (CRANKSHAFT)						
AB		1	149-6034		BEARING-MAIN (0.63-MM OS OD) (CRANKSHAFT)						
AB		1	149-6035		BEARING-MAIN (0.63-MM US ID - 0.63-MM OS OD) (CRANKSHAFT)						
	3	1	7C-6209	2	PLATE-THRUST						

A-NOT PART OF THIS GROUP
B-USE AS REQUIRED



GRAPHIC #1

<END>

g00614916

BASIC ENGINE

101-1173 CYLINDER BLOCK AS

S/N: TTH1-251

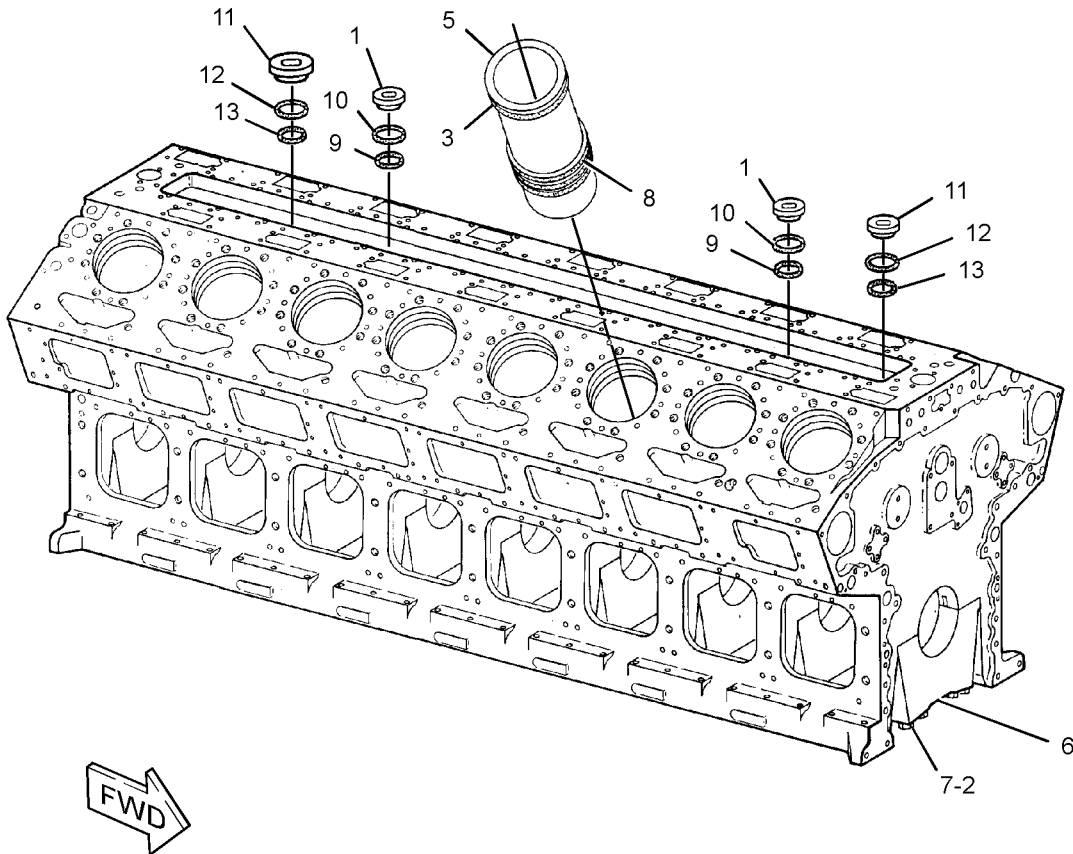
PART OF 240-6653 CYLINDER BLOCK GP
FIELD REPLACEMENT ORDER 115-5160-PAGE 29

SMCS-1201

i02629910

NOTE	REF NO	GRAPHIC REF	PART NUMBER	QTY	PART NAME						SEE PAGE
					1	2	3	4	5	6 (PRODUCT LEVEL)	
	1	1	4W-4813	2	PLUG						
	2	1	7X-7925	36	BOLT (7/8-14X11-IN)						
	3	1	8N-4707	16	BAND-FILLER						
	5	1	211-7826	16	LINER-CYLINDER						
	6	1	223-1696	9	CAP-CRANKSHAFT BEARING						
	7	1	5P-8249	36	WASHER-HARD (24X41.5X4-MM THK)						
	8	1	7N-2046	48	SEAL-O-RING						
	9	1	8T-2928	2	SEAL-O-RING						
	10	1	8T-2929	2	SEAL-O-RING						
B	11	1	4W-4813	2	PLUG						
B	12	1	8T-2928	2	SEAL-O-RING						
B	13	1	8T-2929	2	SEAL-O-RING						

B-USE AS REQUIRED



GRAPHIC #1

<END>

g01318852

BASIC ENGINE

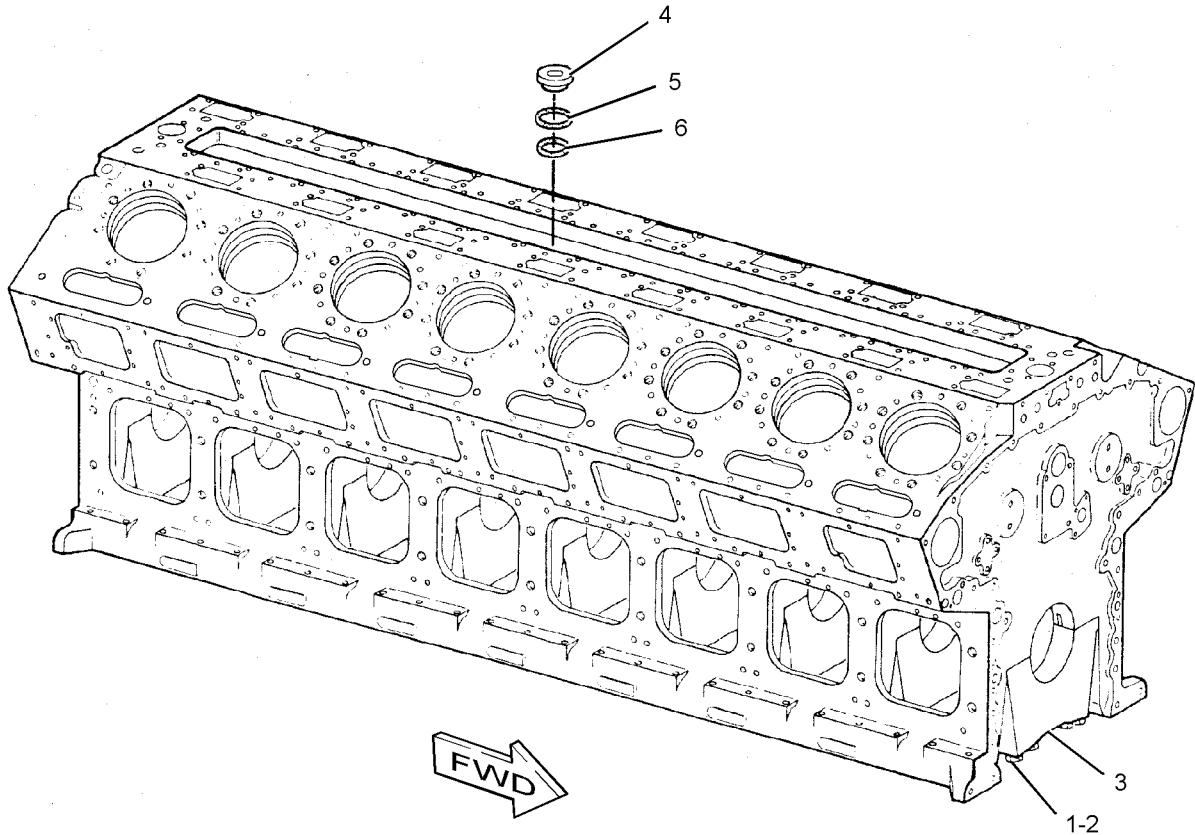
106-2780 CYLINDER BLOCK AS

PART OF 115-5160 CYLINDER BLOCK GP

SMCS-1201

i02768067

NOTE	REF NO	GRAPHIC REF	PART NUMBER	QTY	PART NAME						SEE PAGE
					1	2	3	4	5	6 (PRODUCT LEVEL)	
	1	1	5P-8249	36	WASHER-HARD (24X41.5X4-MM THK)						
	2	1	7X-7925	36	BOLT (7/8-14X11-IN)						
	3	1	223-1696	9	CAP-CRANKSHAFT BEARING						
	4	1	4W-4813	4	PLUG						
	5	1	8T-2929	4	SEAL-O-RING						
	6	1	8T-2928	4	SEAL-O-RING						



GRAPHIC #1

<END>

g01384705

BASIC ENGINE

350-1393 CYLINDER BLOCK AS

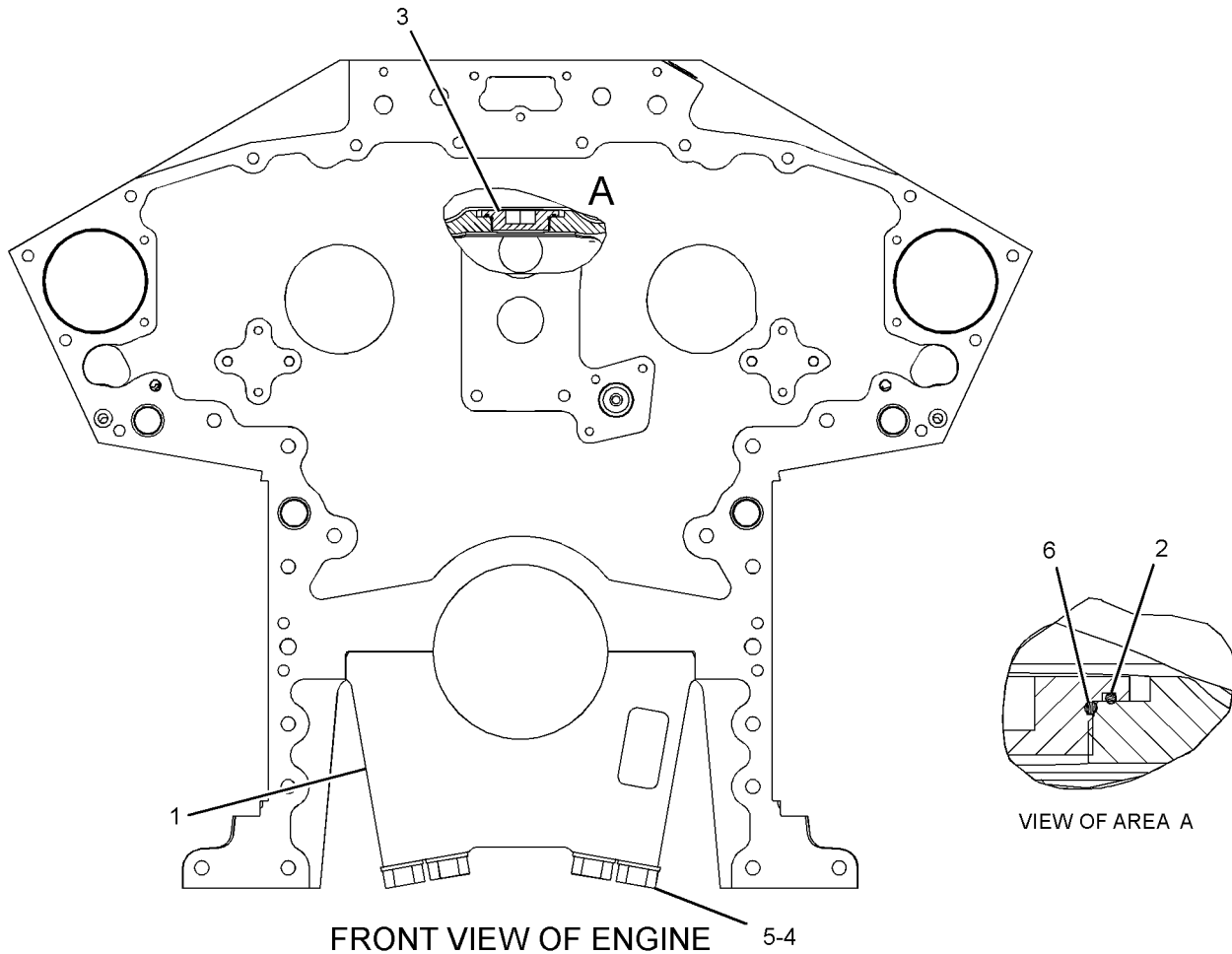
16-CYLINDER

PART OF 353-3971 CYLINDER BLOCK GP

SMCS-1201

i03811114

NOTE	REF NO	GRAPHIC REF	PART NUMBER	QTY	PART NAME						SEE PAGE
					1	2	3	4	5	6 (PRODUCT LEVEL)	
	1	1	223-1696	9	CAP-CRANKSHAFT BEARING						
	2	1	8T-2929	4	SEAL-O-RING						
	3	1	4W-4813	4	PLUG						
	4	1	5P-8249	36	WASHER-HARD (24X41.5X4-MM THK)						
	5	1	7X-7925	36	BOLT (7/8-14X11-IN)						
	6	1	8T-2928	4	SEAL-O-RING						



GRAPHIC #1

<END>

g02066073

BASIC ENGINE

350-1417 CYLINDER BLOCK AS

S/N: TTH252-UP

PART OF 240-6653 CYLINDER BLOCK GP

SMCS-1201

i03812852

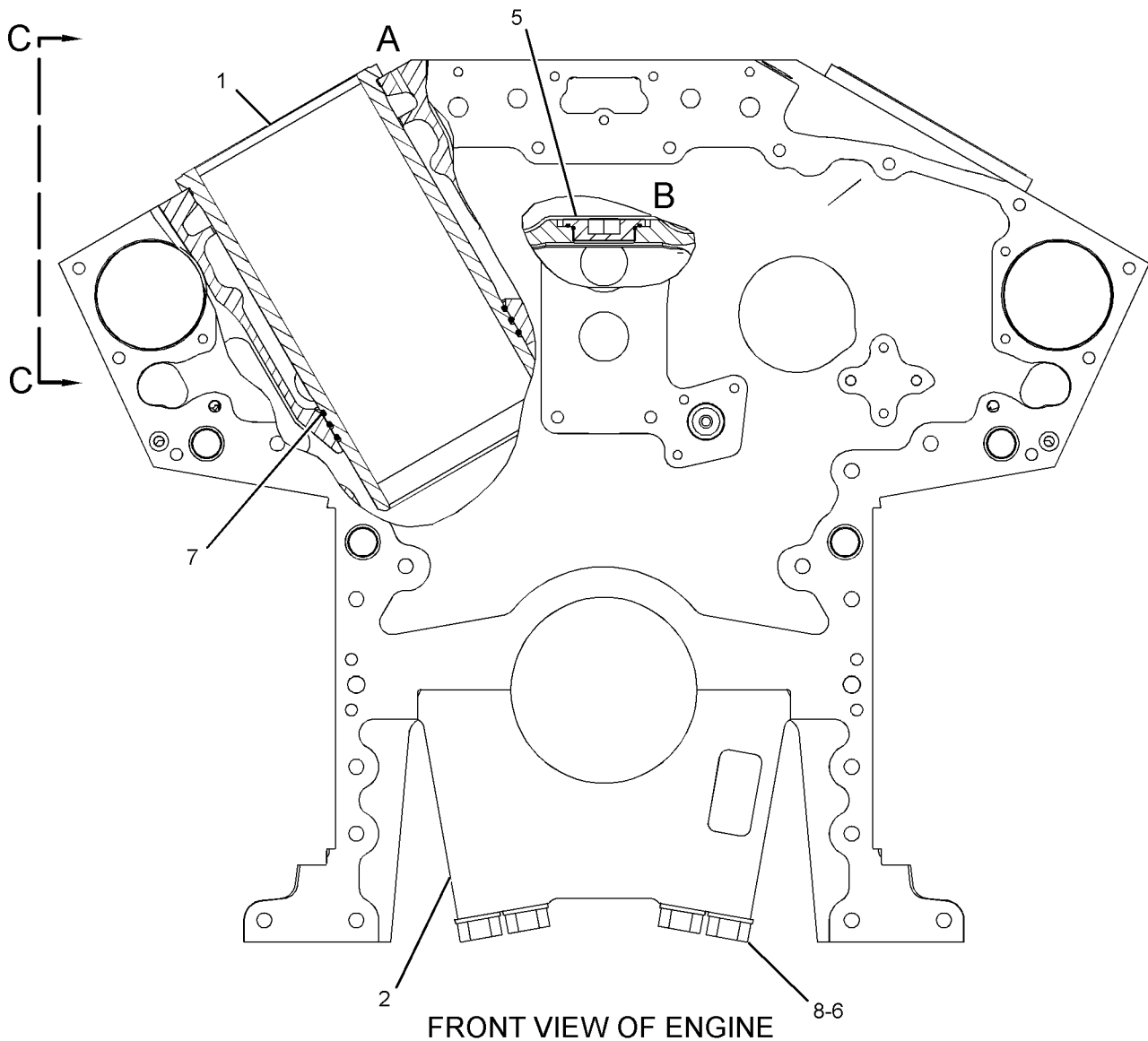
NOTE	REF NO	GRAPHIC REF	PART NUMBER	QTY	PART NAME						SEE PAGE
					1	2	3	4	5	6 (PRODUCT LEVEL)	
	1	1	211-7826	16	LINER-CYLINDER BLOCK						
	2	1	223-1696	9	CAP-CRANKSHAFT BEARING						
	3	1	339-4950	16	SEAL-LINER						
	5	1	4W-4813	2	PLUG						
	6	1	5P-8249	36	WASHER-HARD (24X41.5X4-MM THK)						
	7	1	7N-2046	48	SEAL-O-RING						
	8	1	7X-7925	36	BOLT (7/8-14X11-IN)						
	9	1	8T-2928	2	SEAL-O-RING						
	10	1	8T-2929	2	SEAL-O-RING						
B	11	1	4W-4813	2	PLUG						
B	12	1	8T-2928	2	SEAL-O-RING						
B	13	1	8T-2929	2	SEAL-O-RING						

B-USE AS REQUIRED

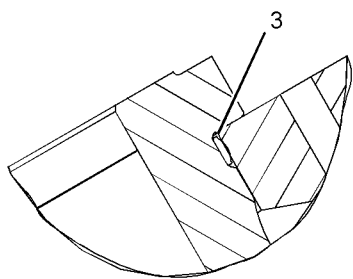
BASIC ENGINE

350-1417 CYLINDER BLOCK AS (contd.)

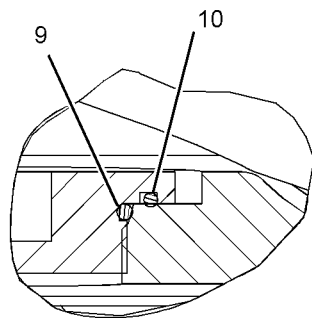
i03812852



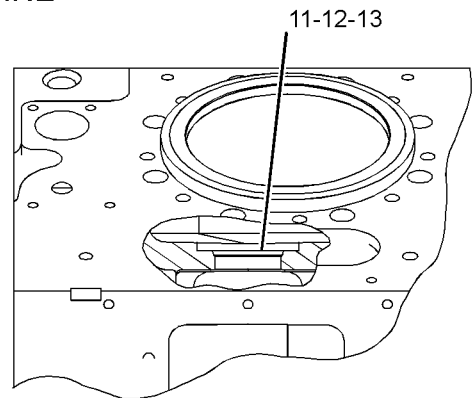
FRONT VIEW OF ENGINE



VIEW OF AREA A



VIEW OF AREA B



VIEW C-C

GRAPHIC #1

<END>

g02068235

BASIC ENGINE

115-5160 CYLINDER BLOCK GP*R

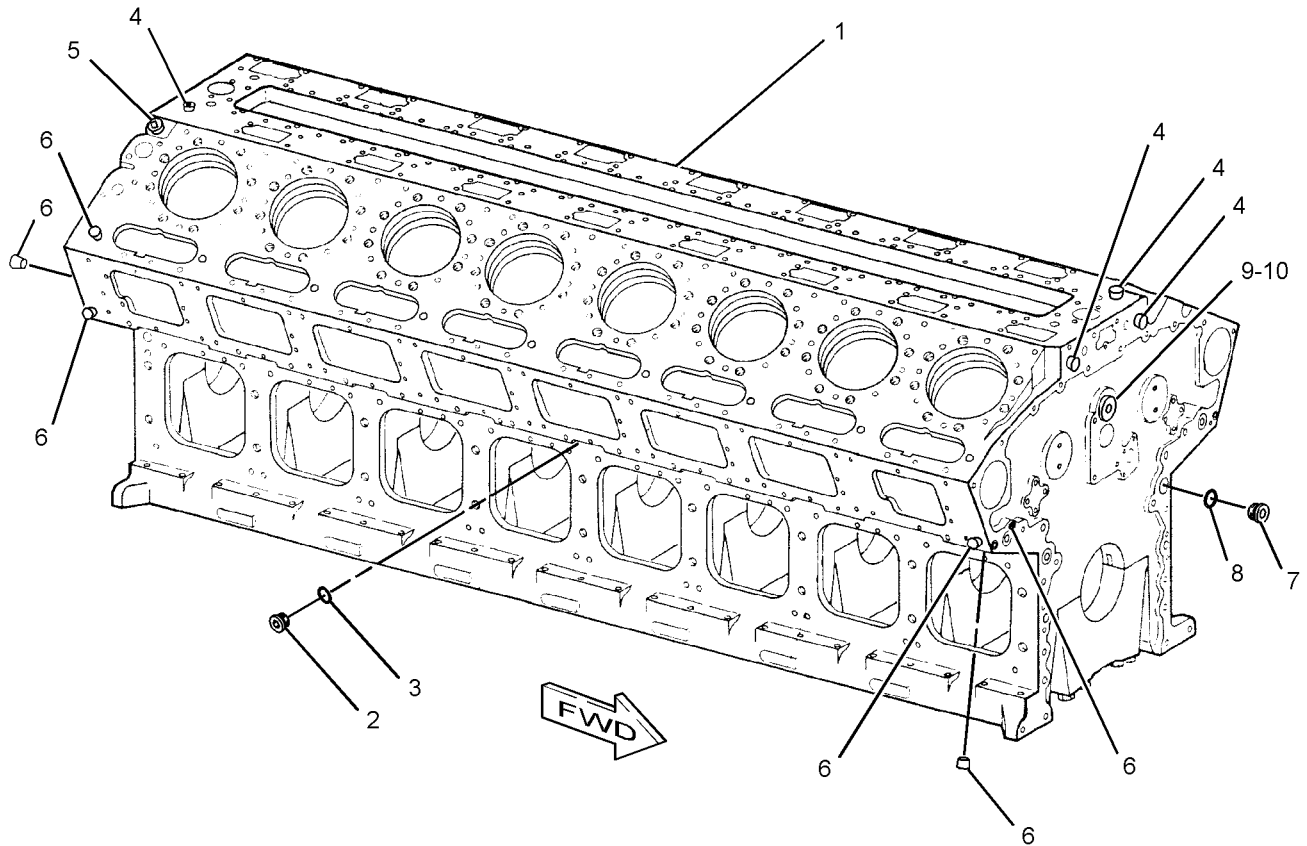
FIELD REPLACEMENT FOR 101-1173-PAGE 24

SMCS-1201

i03357180

NOTE	REF NO	GRAPHIC REF	PART NUMBER	QTY	PART NAME						SEE PAGE
					1	2	3	4	5	6 (PRODUCT LEVEL)	
Y	1	1	106-2780	1	CYLINDER BLOCK AS						25
	2	1	9S-4191	6	PLUG-O-RING						
	3	1	033-6042	6	SEAL-O-RING						
	4	1	8T-6762	4	PLUG-PIPE						
	5	1	7X-7731	2	PLUG-PIPE						
	6	1	8T-6763	26	PLUG-PIPE						
	7	1	2W-2940	8	PLUG						
	8	1	6V-3348	8	SEAL-O-RING						
	9	1	7N-5641	2	PLUG-MANIFOLD						
	10	1	5F-9657	4	SEAL-O-RING						

Y-SEPARATE ILLUSTRATION



GRAPHIC #1

<END>

g01384720

BASIC ENGINE

240-6653 CYLINDER BLOCK GP

S/N: TTH1-251

SMCS-1201

i03357281

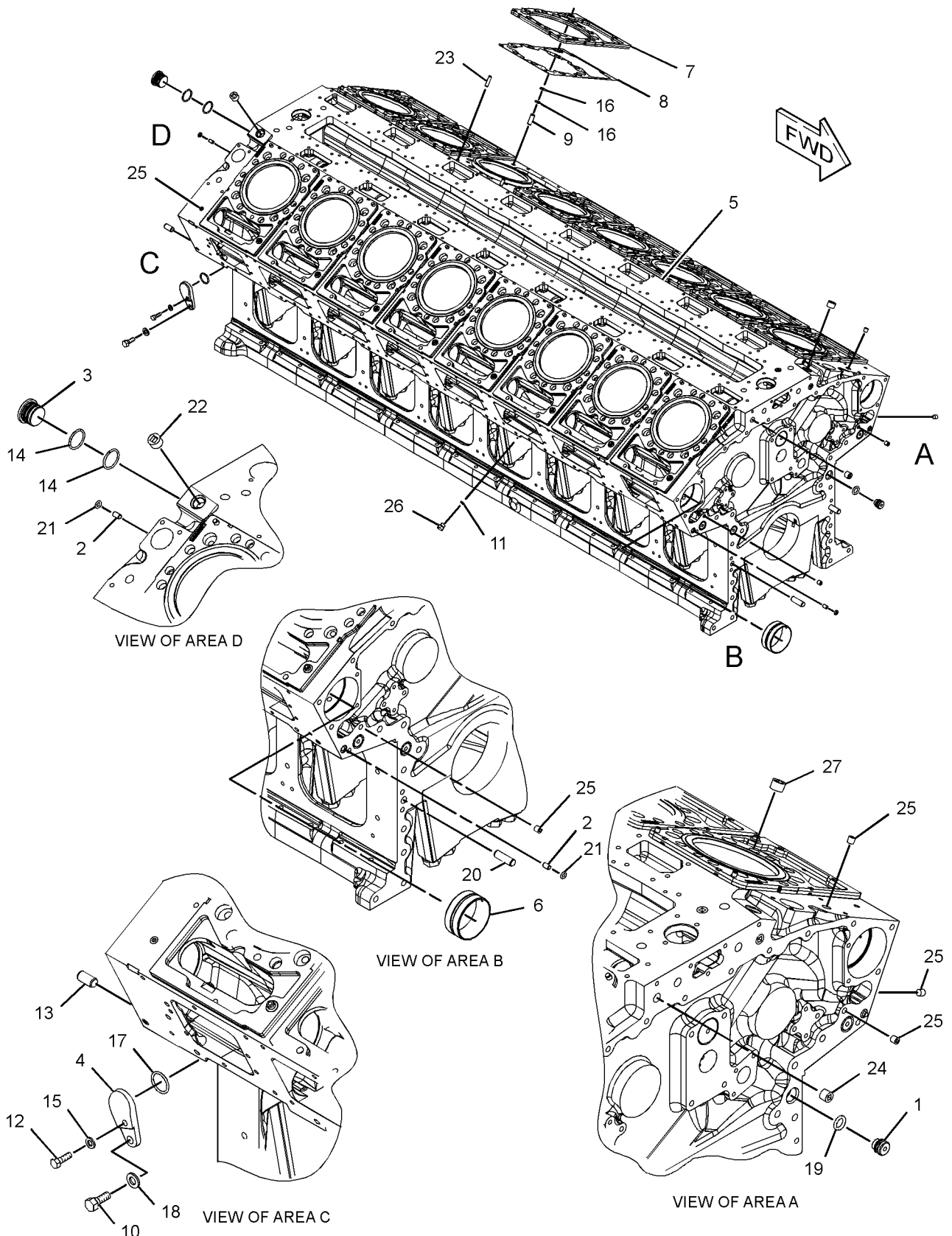
NOTE	REF NO	GRAPHIC REF	PART NUMBER	QTY	PART NAME						SEE PAGE
					1	2	3	4	5	6 (PRODUCT LEVEL)	
	1	1	2W-2940	8	PLUG						
	2	1	7N-2047	3	DOWEL						
	3	1	7N-5641	2	PLUG-MANIFOLD						
	4	1	8N-8056	2	COVER						
Y	5	1	<i>101-1173</i>	1	CYLINDER BLOCK AS						24
	6	1	101-1198	18	BEARING-CAMSHAFT						
	7	1	110-6994	16	PLATE-SPACER						
	8	1	144-5692	16	GASKET-PLATE						
	9	1	197-7008	16	DOWEL						
	10	1	0S-1595	2	BOLT (1/2-13X1.25-IN)						
	11	1	153-4906	6	SEAL-O-RING						
	12	1	1A-2029	2	BOLT (3/8-16X1.125-IN)						
	13	1	4N-0683	2	DOWEL						
	14	1	5F-9657	4	SEAL-O-RING						
	15	1	5M-2894	2	WASHER-HARD (10.2X18.5X2.5-MM THK)						
	16	1	5P-0840	32	SEAL-O-RING						
	17	1	5P-8210	2	SEAL-O-RING						
	18	1	5P-8245	2	WASHER-HARD (13.5X25.5X3-MM THK)						
	19	1	6V-3348	8	SEAL-O-RING						
	20	1	7N-2044	2	DOWEL						
	21	1	7X-4805	3	SEAL-O-RING						
	22	1	7X-7731	1	PLUG-PIPE						
	23	1	8T-0099	32	DOWEL						
	24	1	8T-6762	4	PLUG-PIPE						
	25	1	8T-6763	26	PLUG-PIPE						
	26	1	9S-4191	6	PLUG-O-RING						
B	27	1	7X-7731	1	PLUG-PIPE						

B-USE AS REQUIRED
Y-SEPARATE ILLUSTRATION

BASIC ENGINE

240-6653 CYLINDER BLOCK GP (contd.)

i03357281



GRAPHIC #1

<END>

g01229064

BASIC ENGINE

240-6653 CYLINDER BLOCK GP

S/N: TTH252-UP

SMCS-1201

i03842910

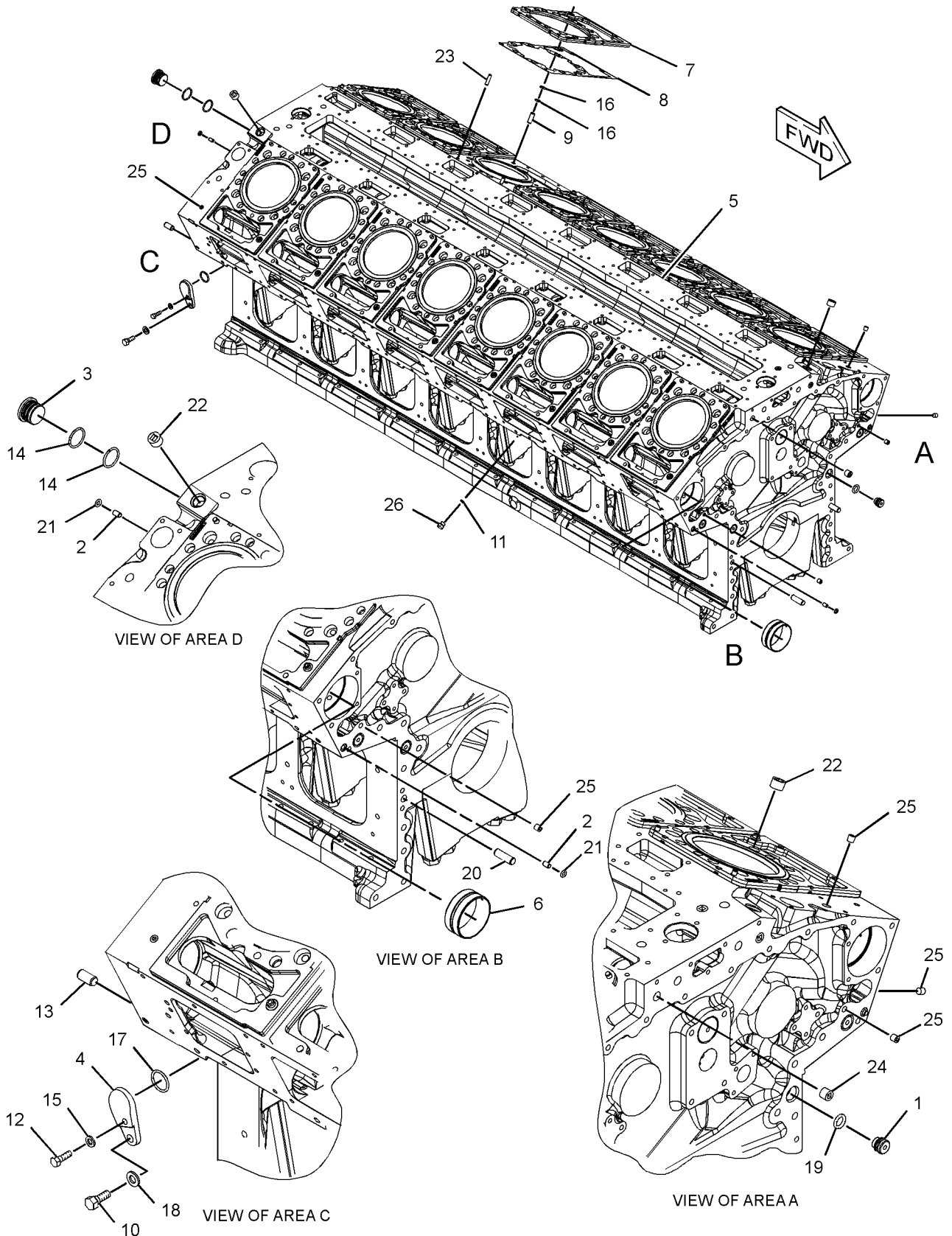
NOTE	REF NO	GRAPHIC REF	PART NUMBER	QTY	PART NAME						SEE PAGE
					1	2	3	4	5	6 (PRODUCT LEVEL)	
	1	1	2W-2940	8	PLUG						
	2	1	7N-2047	3	DOWEL						
	3	1	7N-5641	2	PLUG-MANIFOLD						
	4	1	8N-8056	2	COVER						
CY	5	1	350-1417	1	CYLINDER BLOCK AS						27
	6	1	101-1198	18	BEARING-CAMSHAFT						
	7	1	110-6994	16	PLATE-SPACER						
	8	1	144-5692	16	GASKET-PLATE						
	9	1	197-7008	16	DOWEL						
	10	1	0S-1595	2	BOLT (1/2-13X1.25-IN)						
C	11	1	214-7568	6	SEAL-O-RING						
	12	1	1A-2029	2	BOLT (3/8-16X1.125-IN)						
	13	1	4N-0683	2	DOWEL						
	14	1	5F-9657	4	SEAL-O-RING						
	15	1	5M-2894	2	WASHER-HARD (10.2X18.5X2.5-MM THK)						
	16	1	5P-0840	32	SEAL-O-RING						
	17	1	5P-8210	2	SEAL-O-RING						
	18	1	5P-8245	2	WASHER-HARD (13.5X25.5X3-MM THK)						
	19	1	6V-3348	8	SEAL-O-RING						
	20	1	7N-2044	2	DOWEL						
	21	1	7X-4805	3	SEAL-O-RING						
B	22	1	7X-7731	2	PLUG-PIPE						
	23	1	8T-0099	32	DOWEL						
	24	1	8T-6762	4	PLUG-PIPE						
	25	1	8T-6763	26	PLUG-PIPE						
	26	1	9S-4191	6	PLUG-O-RING						

B-USE AS REQUIRED
 C-CHANGE FROM PREVIOUS TYPE
 Y-SEPARATE ILLUSTRATION

BASIC ENGINE

240-6653 CYLINDER BLOCK GP (contd.)

i03842910



GRAPHIC #1

<END>

g02091813

BASIC ENGINE

353-3971 CYLINDER BLOCK GP

16 CYLINDER
FIELD INSTALLATION

SMCS-1201

i03811038

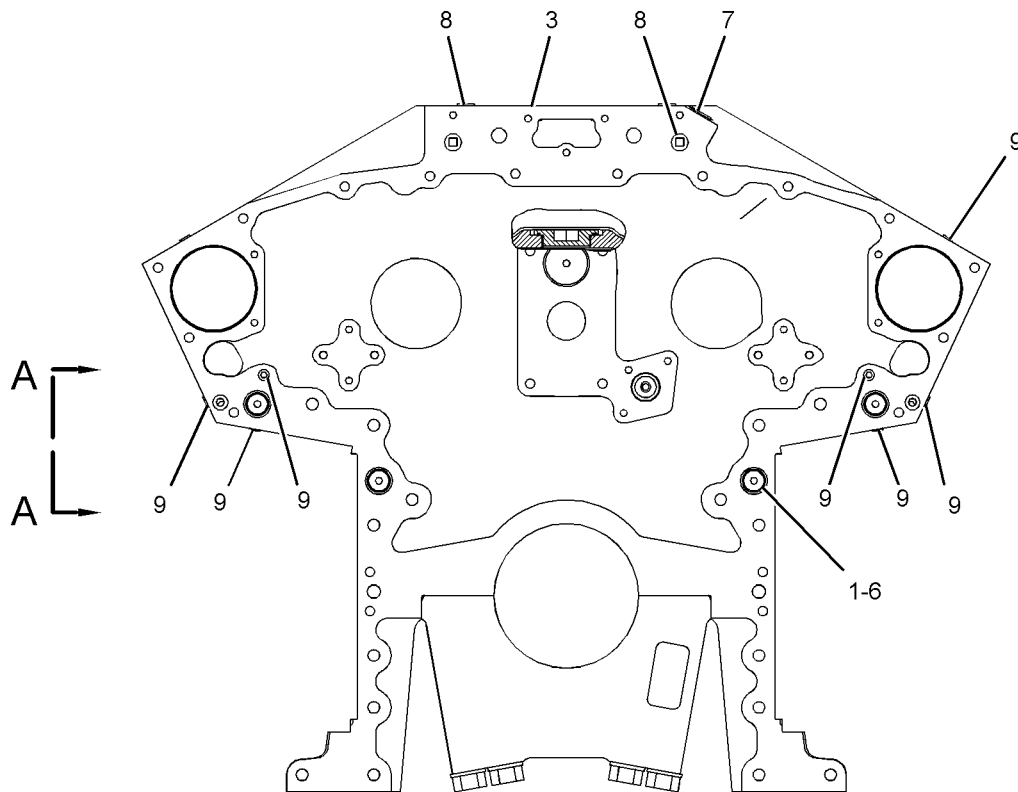
NOTE	REF NO	GRAPHIC REF	PART NUMBER	QTY	PART NAME						SEE PAGE
					1	2	3	4	5	6 (PRODUCT LEVEL)	
	1	1	2W-2940	8	PLUG						
	2	1	7N-5641	2	PLUG-MANIFOLD						
Y	3	1	<i>350-1393</i>	1	CYLINDER BLOCK AS						26
	4	1	214-7568	6	SEAL-O-RING						
	5	1	5F-9657	4	SEAL-O-RING						
	6	1	6V-3348	8	SEAL-O-RING						
	7	1	7X-7731	2	PLUG-PIPE						
	8	1	8T-6762	4	PLUG-PIPE						
	9	1	8T-6763	26	PLUG-PIPE						
	10	1	9S-4191	6	PLUG-O-RING						

Y-SEPARATE ILLUSTRATION

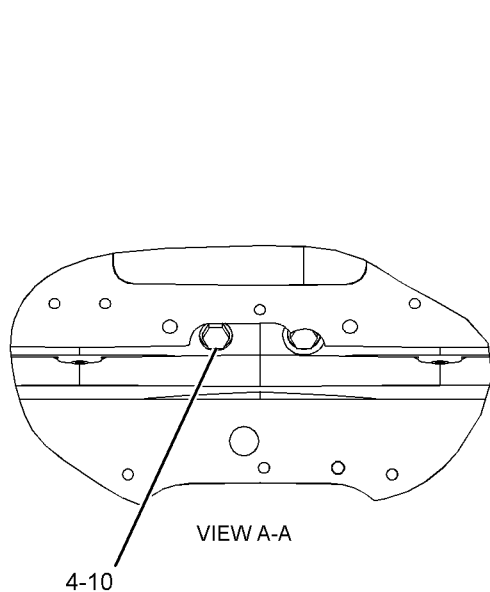
BASIC ENGINE

353-3971 CYLINDER BLOCK GP (contd.)

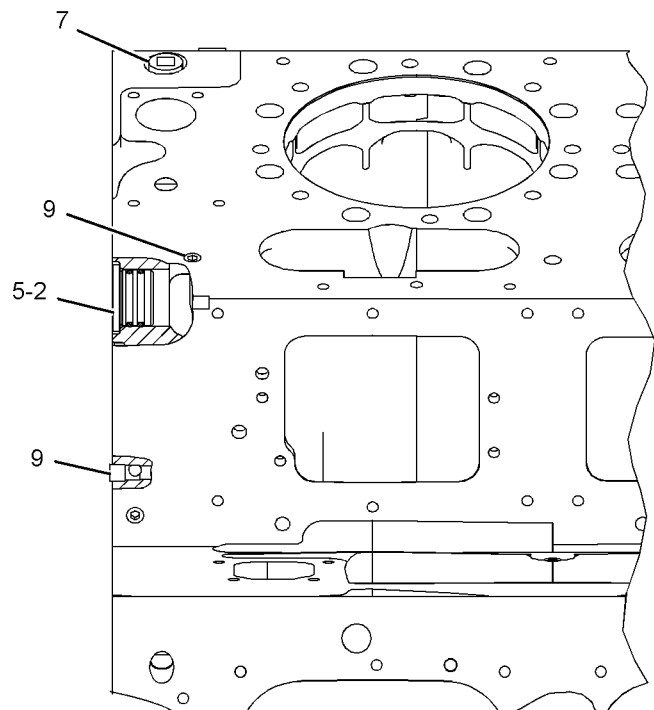
i03811038



FRONT VIEW OF ENGINE



VIEW A-A



RIGHT SIDE VIEW OF ENGINE

GRAPHIC #1

<END>

g02065574

BASIC ENGINE

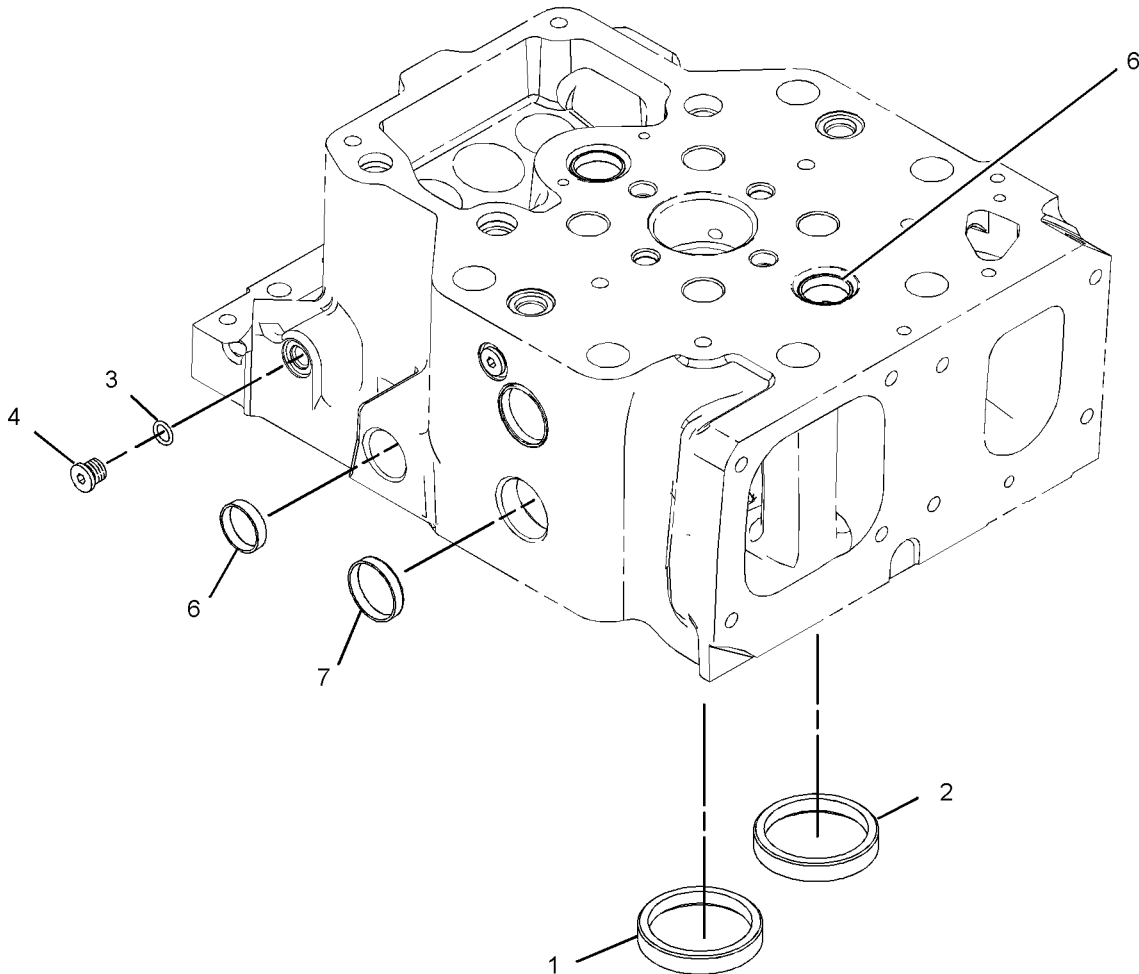
290-1351 CYLINDER HEAD AS

PART OF 299-3519 CYLINDER HEAD AS, 290-1352, 335-6220 CYLINDER HEAD GP
FIELD REPLACEMENT ORDER 299-3519-PAGE 37

SMCS-1100, 1101

i02625615

NOTE	REF NO	GRAPHIC REF	PART NUMBER	QTY	PART NAME						SEE PAGE
					1	2	3	4	5	6 (PRODUCT LEVEL)	
	1	1	183-8809	2	INSERT-VALVE SEAT (INTAKE)						
	2	1	289-9745	2	INSERT-VALVE SEAT (EXHAUST)						
	3	1	3J-7354	4	SEAL-O-RING						
	4	1	9S-8002	4	PLUG-O-RING						
	6	1	3B-0623	5	PLUG-CUP						
	7	1	3B-0645	5	PLUG-CUP						



GRAPHIC #1

<END>

g01205314

BASIC ENGINE

299-3519 CYLINDER HEAD AS

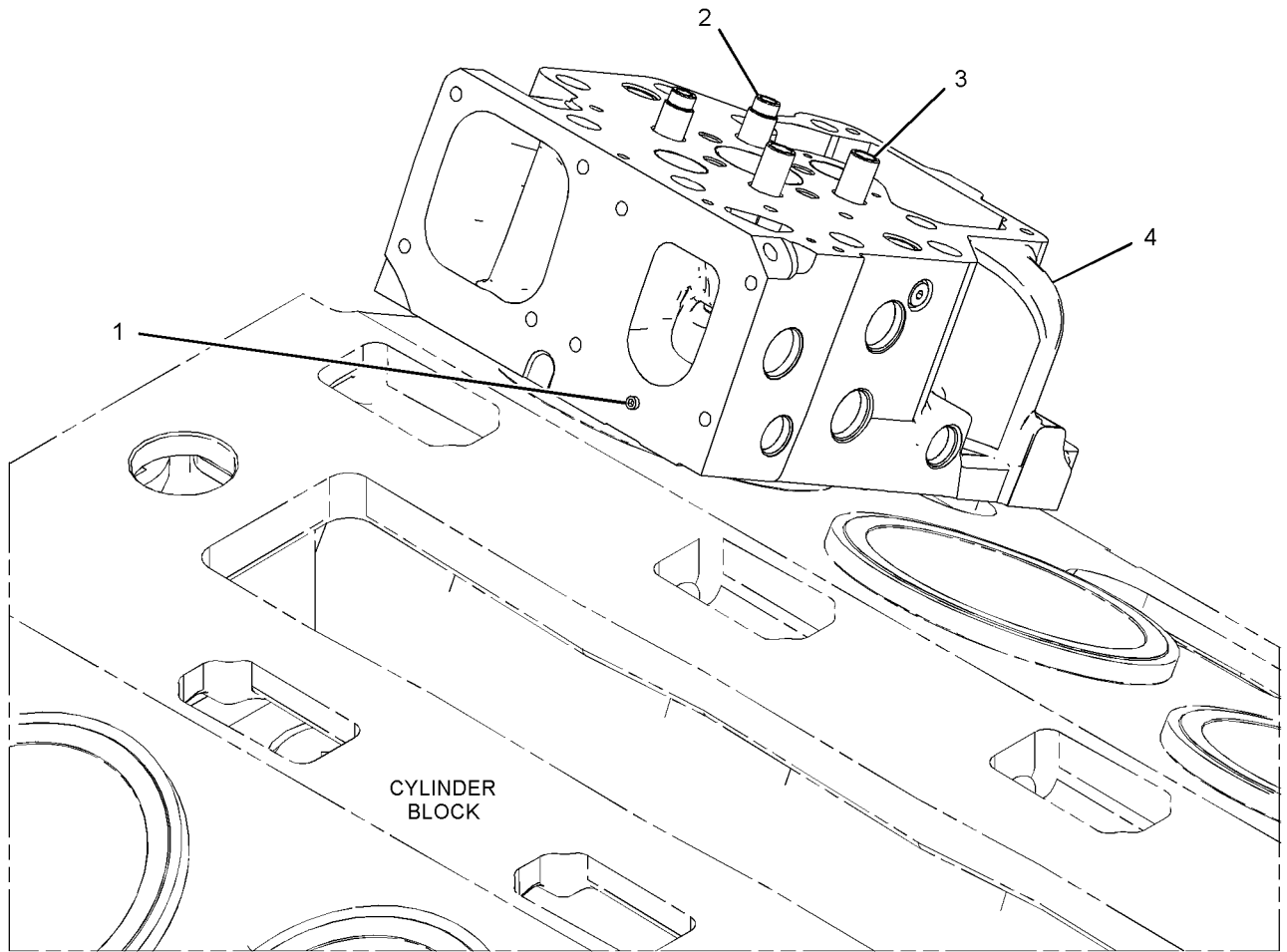
FIELD REPLACEMENT FOR 290-1351-PAGE 36

SMCS-1100, 1101

i03652271

NOTE	REF NO	GRAPHIC REF	PART NUMBER	QTY	PART NAME						SEE PAGE
					1	2	3	4	5	6 (PRODUCT LEVEL)	
	1	1	8T-6759	1	PLUG-PIPE						
R	2	1	133-9306	2	GUIDE-VALVE (STANDARD) (INTAKE)						
AB		1	149-1982		GUIDE-VALVE (0.508-MM OS OD) (INLET)						
AB		1	273-3553		GUIDE-VALVE (0.127-MM OS OD) (INLET)						
AB		1	273-3554		GUIDE-VALVE (0.254-MM OS OD) (INLET)						
AB		1	301-9248		GUIDE-VALVE (0.381-MM OS OD) (INLET)						
R	3	1	197-6995	2	GUIDE-VALVE (STANDARD) (EXHAUST)						
AB		1	276-3875		GUIDE-VALVE (0.127-MM OS OD) (EXHAUST)						
AB		1	276-3876		GUIDE-VALVE (0.254-MM OS OD) (EXHAUST)						
Y	4	1	<i>290-1351</i>	1	CYLINDER HEAD AS						36

A-NOT PART OF THIS GROUP
 B-USE AS REQUIRED
 R-REMG PART MAY BE AVAILABLE
 Y-SEPARATE ILLUSTRATION



GRAPHIC #1

<END>

g01959832

BASIC ENGINE

290-1352 CYLINDER HEAD GP

PART OF 299-3521 CYLINDER HEAD GP

SMCS-1100

i02625612

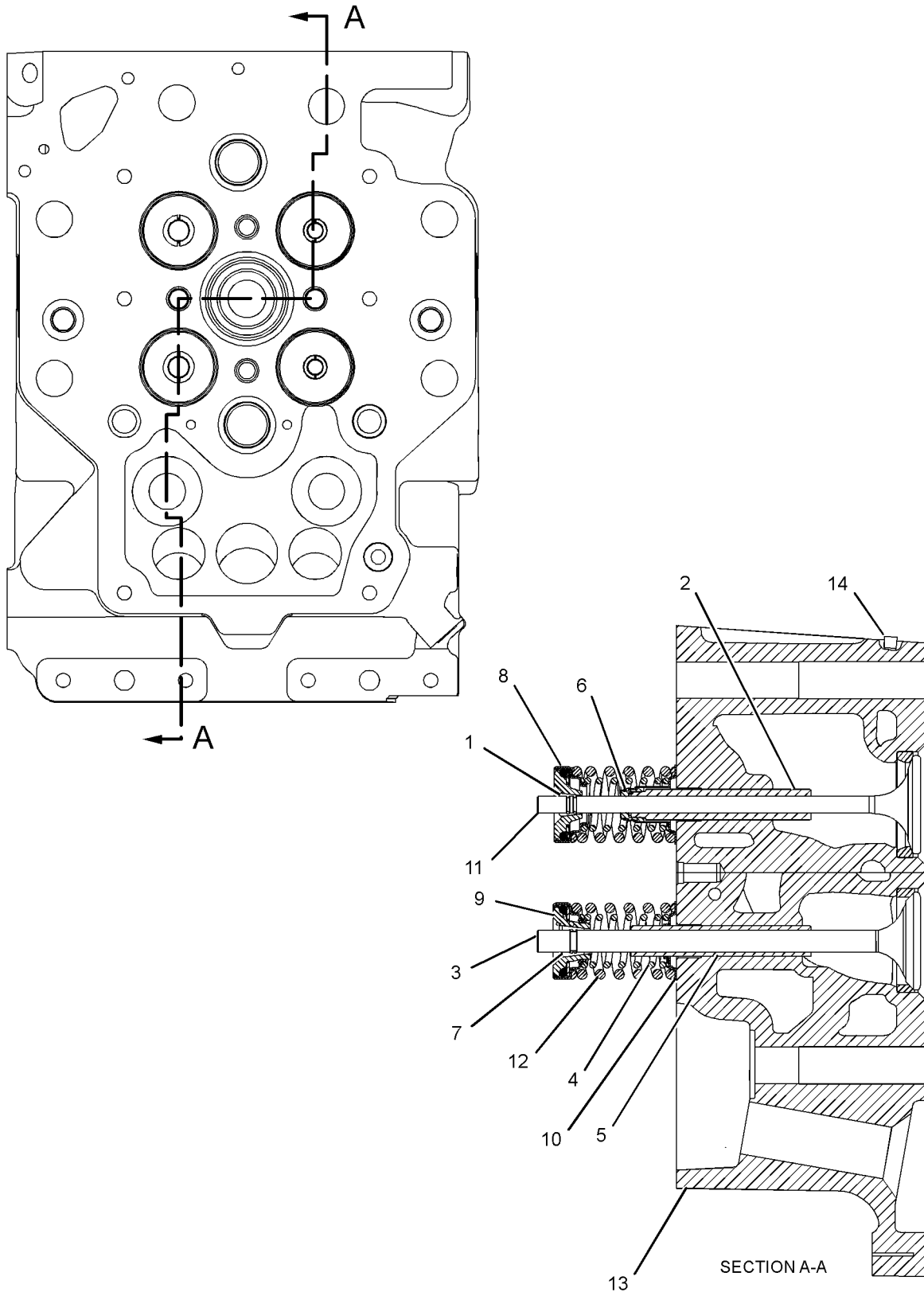
NOTE	REF NO	GRAPHIC REF	PART NUMBER	QTY	PART NAME						SEE PAGE
					1	2	3	4	5	6 (PRODUCT LEVEL)	
	1	1	2A-4429	4	LOCK-RETAINER						
R	2	1	133-9306	2	GUIDE-VALVE (STANDARD) (INLET)						
AB		1	149-1982	2	GUIDE-VALVE (0.508-MM OS OD) (INLET)						
AB		1	273-3553	1	GUIDE-VALVE (0.127-MM OS OD) (INLET)						
AB		1	273-3554	1	GUIDE-VALVE (0.254-MM OS OD) (INLET)						
AB		1	301-9248	1	GUIDE-VALVE (0.381-MM OS OD) (INLET)						
	3	1	194-4897	2	VALVE-EXHAUST						
	4	1	194-4902	4	SPRING-VALVE						
R	5	1	197-6995	2	GUIDE-VALVE (STANDARD) (EXHAUST)						
AB		1	276-3875	1	GUIDE-VALVE (0.127-MM OS OD) (EXHAUST)						
AB		1	276-3876	1	GUIDE-VALVE (0.254-MM OS OD) (EXHAUST)						
	6	1	197-7006	2	SEAL-VALVE STEM						
	7	1	197-7055	4	LOCK-RETAINER						
	8	1	197-7062	2	ROTOCOIL AS						
	9	1	197-7063	2	ROTOCOIL AS						
	10	1	209-0962	2	WASHER (17.8X45X7.29-MM THK)						
	11	1	210-2542	2	VALVE-INLET						
	12	1	281-6157	4	SPRING						
Y	13	1	<i>290-1351</i>	1	CYLINDER HEAD AS						36
	14	1	8T-6759	1	PLUG-PIPE						

A-NOT PART OF THIS GROUP
 B-USE AS REQUIRED
 R-REMG PART MAY BE AVAILABLE
 Y-SEPARATE ILLUSTRATION

BASIC ENGINE

290-1352 CYLINDER HEAD GP (contd.)

i02625612



GRAPHIC #1

<END>

g01324364

BASIC ENGINE

299-3521 CYLINDER HEAD GP

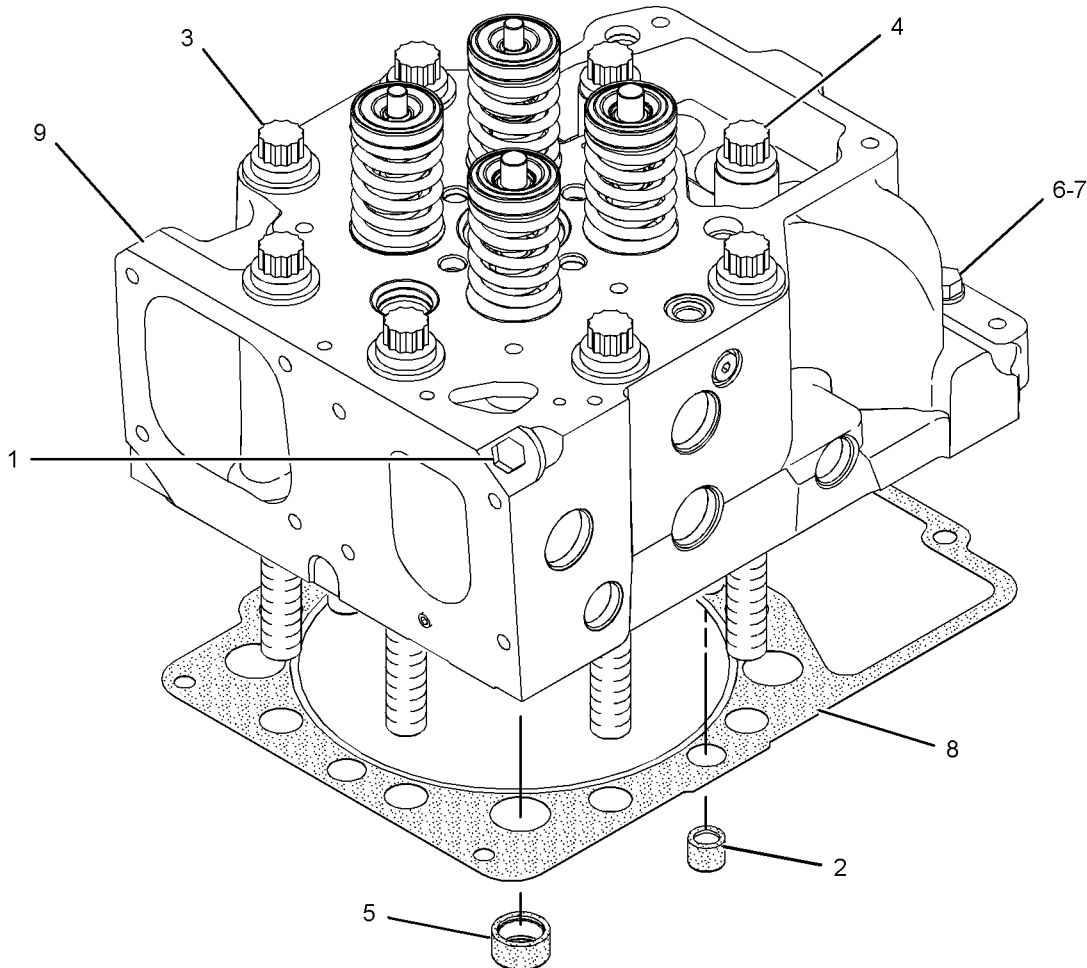
S/N: TTH1-230

SMCS-1100

i03054778

NOTE	REF NO	GRAPHIC REF	PART NUMBER	QTY	PART NAME						SEE PAGE	
					1	2	3	4	5	6 (PRODUCT LEVEL)		
B	1	1	5B-7890	1	PLUG-PIPE						38	
	2	1	204-5426	4	SEAL (WATER)							
	3	1	131-0420	6	FASTENER GP-CYLINDER HEAD (EACH INCLUDES)							
			1	7N-1961	1	BOLT-12 POINT HEAD (3/4-16X8.5-IN)						
			1	187-7738	1	WASHER-HARD (21X36.5X3.5-MM THK)						
	4	1	131-0421	2	FASTENER GP-CYLINDER HEAD (EACH INCLUDES)							
			1	7N-1961	1	BOLT-12 POINT HEAD (3/4-16X8.5-IN)						
			1	9Y-0635	1	SPACER (19.35X30.18X45-MM THK)						
			1	187-7738	1	WASHER-HARD (21X36.5X3.5-MM THK)						
	5	1	204-5427	4	SEAL (WATER)							
	6	1	5B-0213	2	BOLT (3/8-16X2.375-IN)							
	7	1	5M-2894	2	WASHER-HARD (10.2X18.5X2.5-MM THK)							
	8	1	110-6991	1	GASKET-CYLINDER HEAD							
Y	9	1	290-1352	1	CYLINDER HEAD GP							

B-USE AS REQUIRED
Y-SEPARATE ILLUSTRATION



GRAPHIC #1

<END>

g01324449

BASIC ENGINE

299-3521 CYLINDER HEAD GP

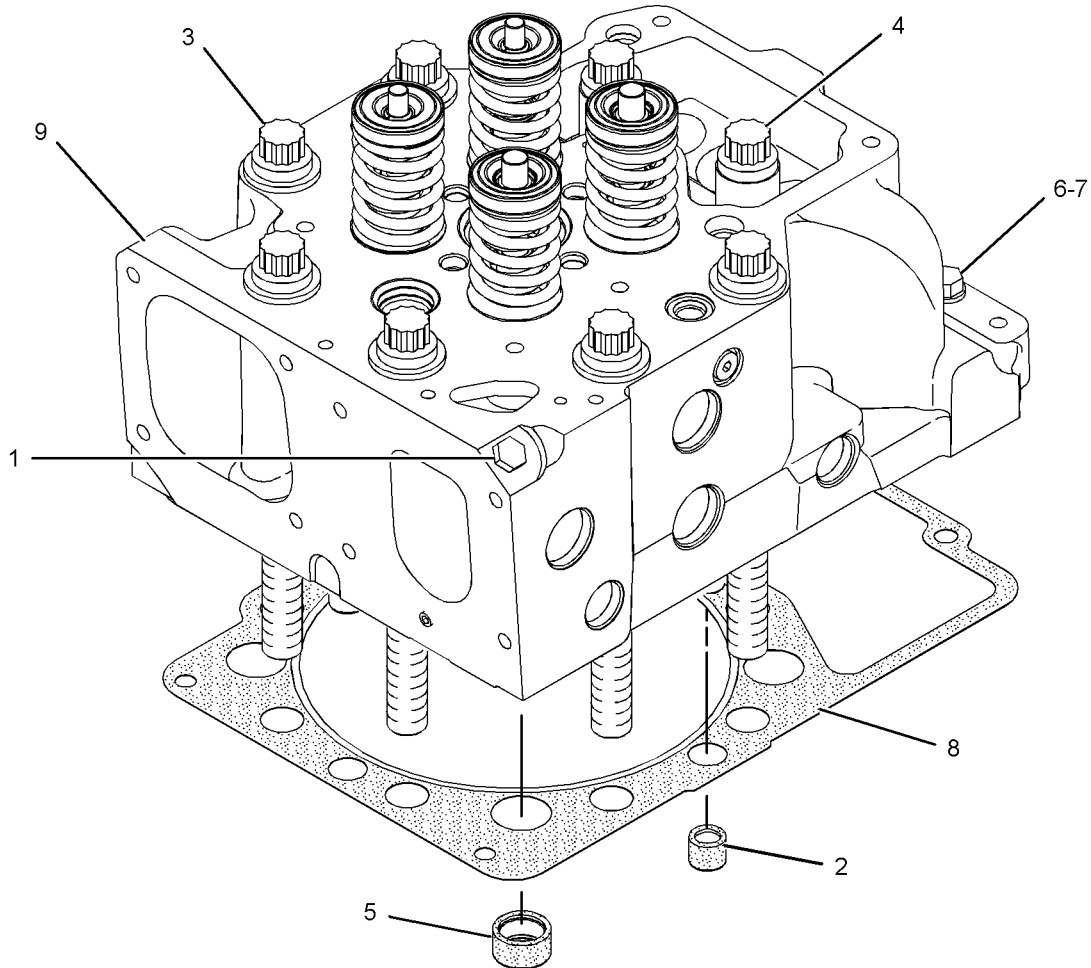
S/N: TTH231-UP

SMCS-1100

i03862945

NOTE	REF NO	GRAPHIC REF	PART NUMBER	QTY	PART NAME						SEE PAGE
					1	2	3	4	5	6 (PRODUCT LEVEL)	
B	1	1	5B-7890	1	PLUG-PIPE						42
	2	1	325-1412	4	SEAL AS-WATER						
	3	1	131-0420	6	FASTENER GP-CYLINDER HEAD (EACH INCLUDES)						
		1	7N-1961	1	BOLT-12 POINT HEAD (3/4-16X8.5-IN)						
		1	187-7738	1	WASHER-HARD (21X36.5X3.5-MM THK)						
	4	1	131-0421	2	FASTENER GP-CYLINDER HEAD (EACH INCLUDES)						
		1	7N-1961	1	BOLT-12 POINT HEAD (3/4-16X8.5-IN)						
		1	9Y-0635	1	SPACER (19.35X30.18X45-MM THK)						
		1	187-7738	1	WASHER-HARD (21X36.5X3.5-MM THK)						
	5	1	325-1410	4	SEAL AS-WATER						
	6	1	5B-0213	2	BOLT (3/8-16X2.375-IN)						
	7	1	5M-2894	2	WASHER-HARD (10.2X18.5X2.5-MM THK)						
	8	1	110-6991	1	GASKET-CYLINDER HEAD						
CYR	9	1	335-6220	1	CYLINDER HEAD GP						

B-USE AS REQUIRED
 C-CHANGE FROM PREVIOUS TYPE
 R-REMG PART MAY BE AVAILABLE
 Y-SEPARATE ILLUSTRATION



GRAPHIC #1

<END>

g01324449

BASIC ENGINE

335-6220 CYLINDER HEAD GP

S/N: TTH231-UP

PART OF 299-3521 CYLINDER HEAD GP

SMCS-1100

i03588680

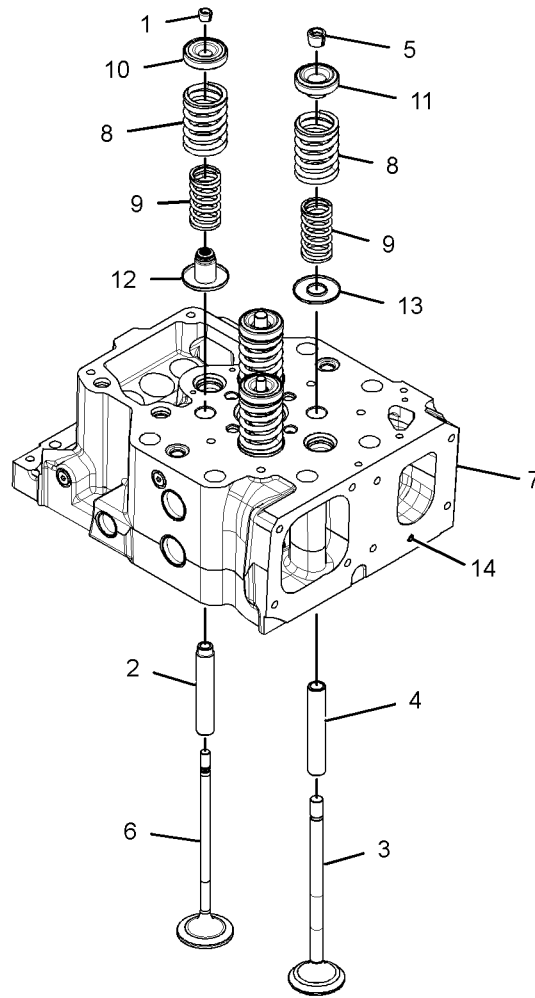
NOTE	REF NO	GRAPHIC REF	PART NUMBER	QTY	PART NAME						SEE PAGE
					1	2	3	4	5	6 (PRODUCT LEVEL)	
	1	1	2A-4429	4	LOCK-RETAINER						
R	2	1	133-9306	2	GUIDE-VALVE (STANDARD) (INLET)						
AB		1	149-1982		GUIDE-VALVE (0.508-MM OS OD) (INLET)						
AB		1	273-3553		GUIDE-VALVE (0.127-MM OS OD) (INLET)						
AB		1	273-3554		GUIDE-VALVE (0.254-MM OS OD) (INLET)						
AB		1	301-9248		GUIDE-VALVE (0.381-MM OS OD) (INLET)						
	3	1	194-4897	2	VALVE-EXHAUST						
R	4	1	197-6995	2	GUIDE-VALVE (STANDARD) (EXHAUST)						
AB		1	276-3875		GUIDE-VALVE (0.127-MM OS OD) (EXHAUST)						
AB		1	276-3876		GUIDE-VALVE (0.254-MM OS OD) (EXHAUST)						
	5	1	197-7055	4	LOCK-RETAINER						
	6	1	210-2542	2	VALVE-INLET						
Y	7	1	290-1351	1	CYLINDER HEAD AS						36
	8	1	316-5976	4	SPRING (OUTER)						
	9	1	316-5977	4	SPRING (INNER)						
	10	1	316-5978	2	ROTOCOIL AS (INLET)						
	11	1	316-5979	2	ROTOCOIL AS (EXHAUST)						
	12	1	316-5980	2	SEAL-VALVE STEM						
	13	1	316-5981	2	WASHER						
	14	1	8T-6759	1	PLUG-PIPE						

A-NOT PART OF THIS GROUP
 B-USE AS REQUIRED
 R-REMG PART MAY BE AVAILABLE
 Y-SEPARATE ILLUSTRATION

BASIC ENGINE

335-6220 CYLINDER HEAD GP (contd.)

i03588680



GRAPHIC #1

<END>

g01835055

BASIC ENGINE

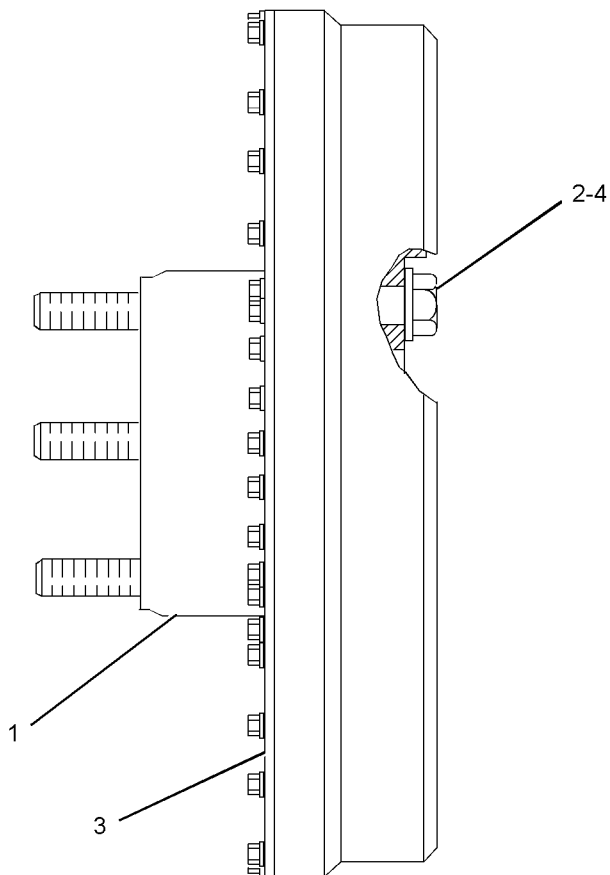
240-7762 DAMPER GP AN ATTACHMENT

SMCS-1205

i02360266

NOTE	REF NO	GRAPHIC REF	PART NUMBER	QTY	PART NAME						SEE PAGE
					1	2	3	4	5	6 (PRODUCT LEVEL)	
	1	1	1N-3482	1	ADAPTER						
	2	1	8S-4757	6	BOLT (1-14X8-IN)						
Y	3	1	244-4508	1	DAMPER GP						45
	4	1	5P-8250	6	WASHER (28X49X5-MM THK)						

Y-SEPARATE ILLUSTRATION



RIGHT SIDE VIEW

<END>

GRAPHIC #1

g01179213

BASIC ENGINE

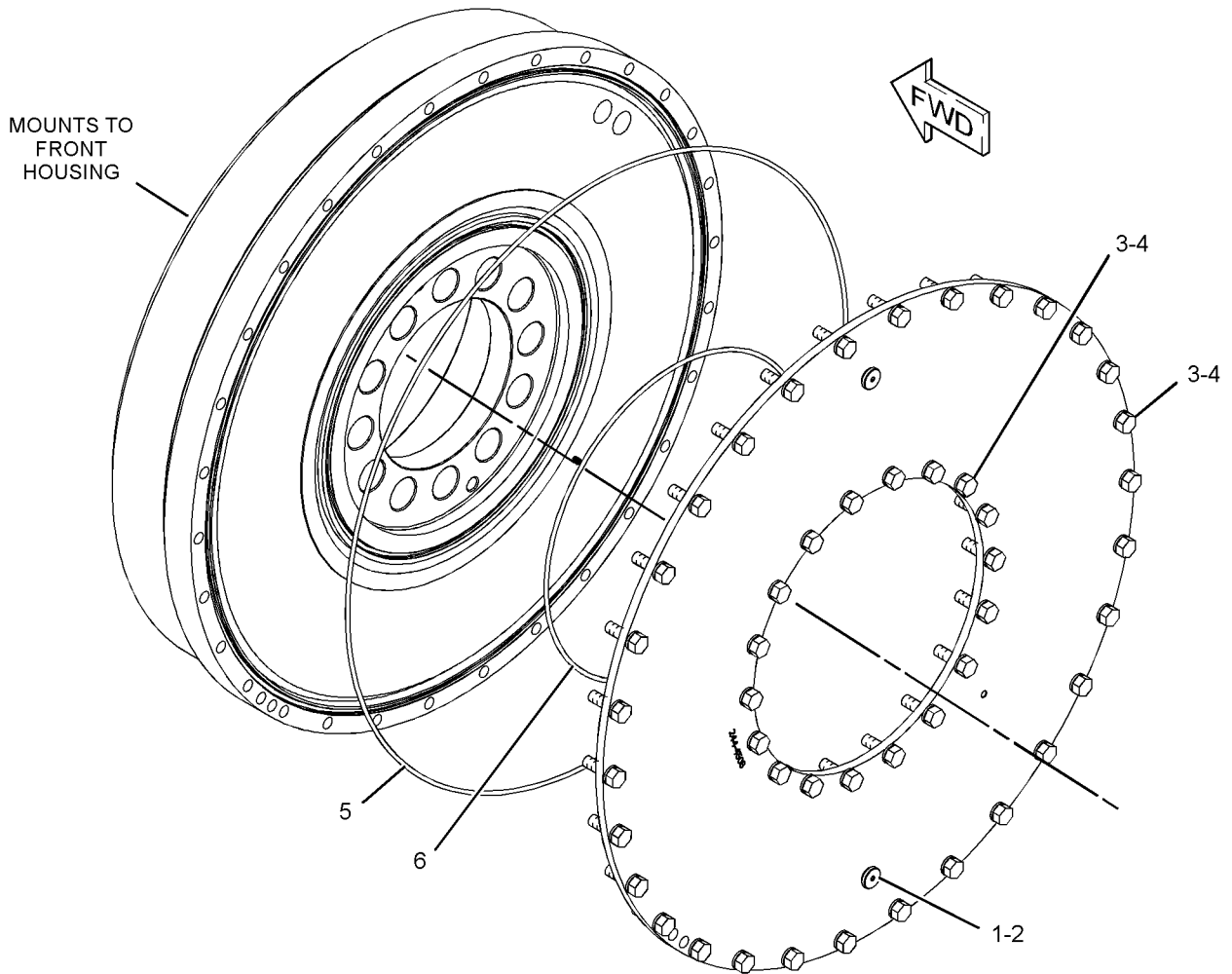
244-4508 DAMPER GP

PART OF 240-7762 DAMPER GP
AN ATTACHMENT

SMCS-1205

i02361129

NOTE	REF NO	GRAPHIC REF	PART NUMBER	QTY	PART NAME						SEE PAGE
					1	2	3	4	5	6 (PRODUCT LEVEL)	
	1	1	151-9263	2	WASHER (10.35X16X2-MM THK)						
	2	1	227-3801	2	PLUG						
	3	1	1A-2029	48	BOLT (3/8-16X1.125-IN)						
	4	1	3V-2431	48	WASHER (10.2X16X2-MM THK)						
	5	1	4D-0449	1	SEAL-O-RING						
	6	1	6V-7991	1	SEAL-O-RING						



GRAPHIC #1

<END>

g01179740

BASIC ENGINE

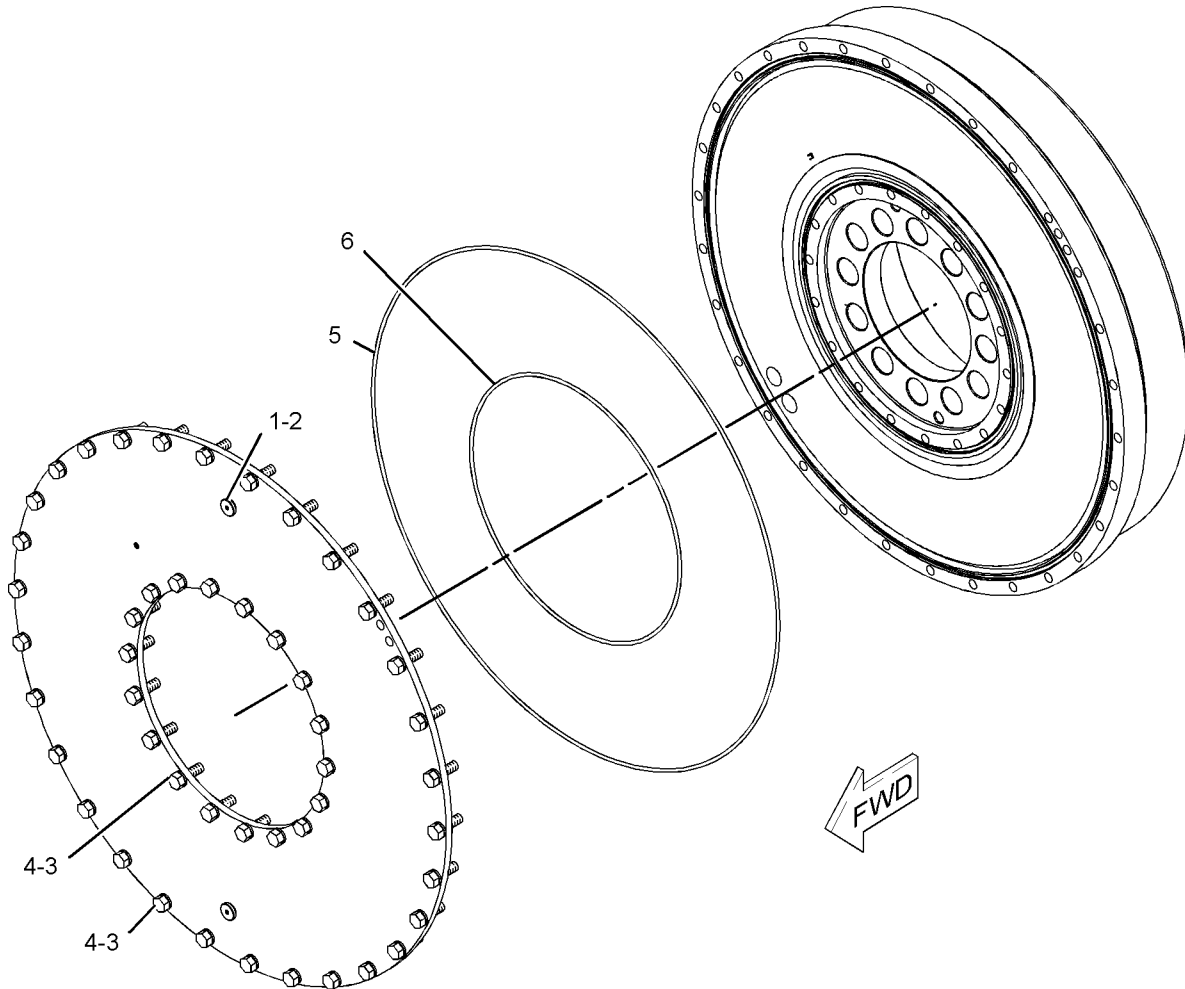
247-0845 DAMPER GP

PART OF 248-0197 DAMPER GP

SMCS - 1205

i02094264

NOTE	REF NO	GRAPHIC REF	PART NUMBER	QTY	PART NAME						SEE PAGE
					1	2	3	4	5	6 (PRODUCT LEVEL)	
	1	1	151-9263	2	WASHER (10.35X16X2-MM THK)						
	2	1	227-3801	2	PLUG						
	3	1	1A-2029	48	BOLT (3/8-16X1.125-IN)						
	4	1	3V-2431	48	WASHER (10.2X16X2-MM THK)						
	5	1	4D-0449	1	SEAL-O-RING						
	6	1	6V-7991	1	SEAL-O-RING						



GRAPHIC #1

<END>

g01070264

BASIC ENGINE

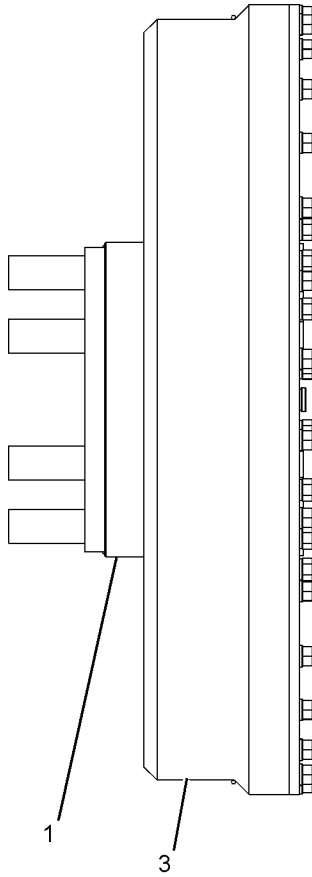
248-0197 DAMPER GP

SMCS - 1205

i02094263

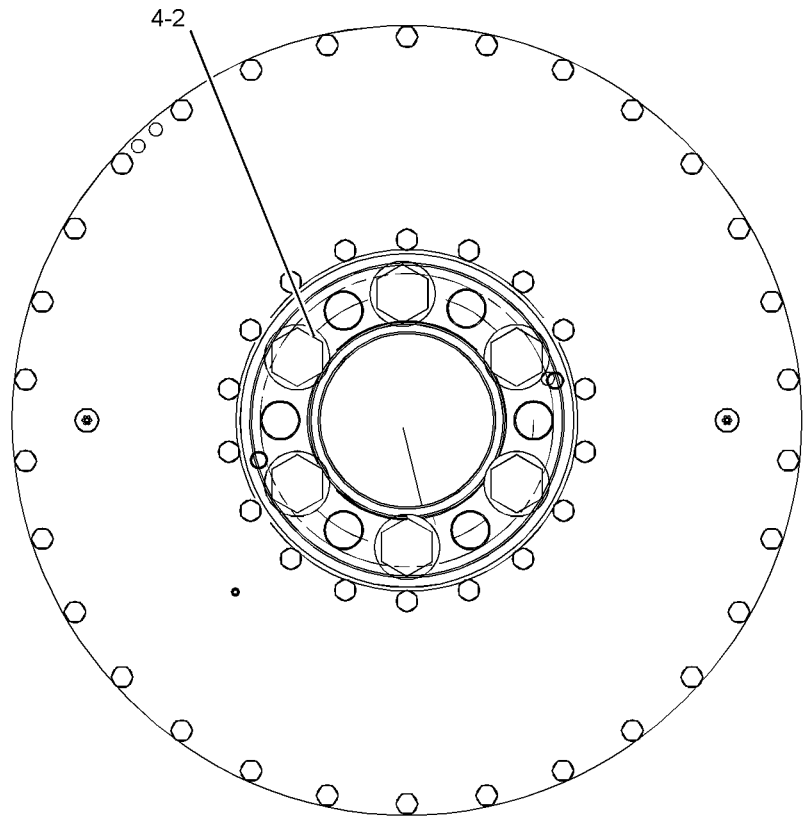
NOTE	REF NO	GRAPHIC REF	PART NUMBER	QTY	PART NAME						SEE PAGE
					1	2	3	4	5	6 (PRODUCT LEVEL)	
	1	1	1N-3482	1	ADAPTER						
	2	1	8S-4757	6	BOLT (1-14X8-IN)						
Y	3	1	247-0845	1	DAMPER GP						46
	4	1	5P-8250	6	WASHER (28X49X5-MM THK)						

Y - SEPARATE ILLUSTRATION



RIGHT SIDE VIEW

GRAPHIC #1



FRONT VIEW

<END>

g01069674

BASIC ENGINE

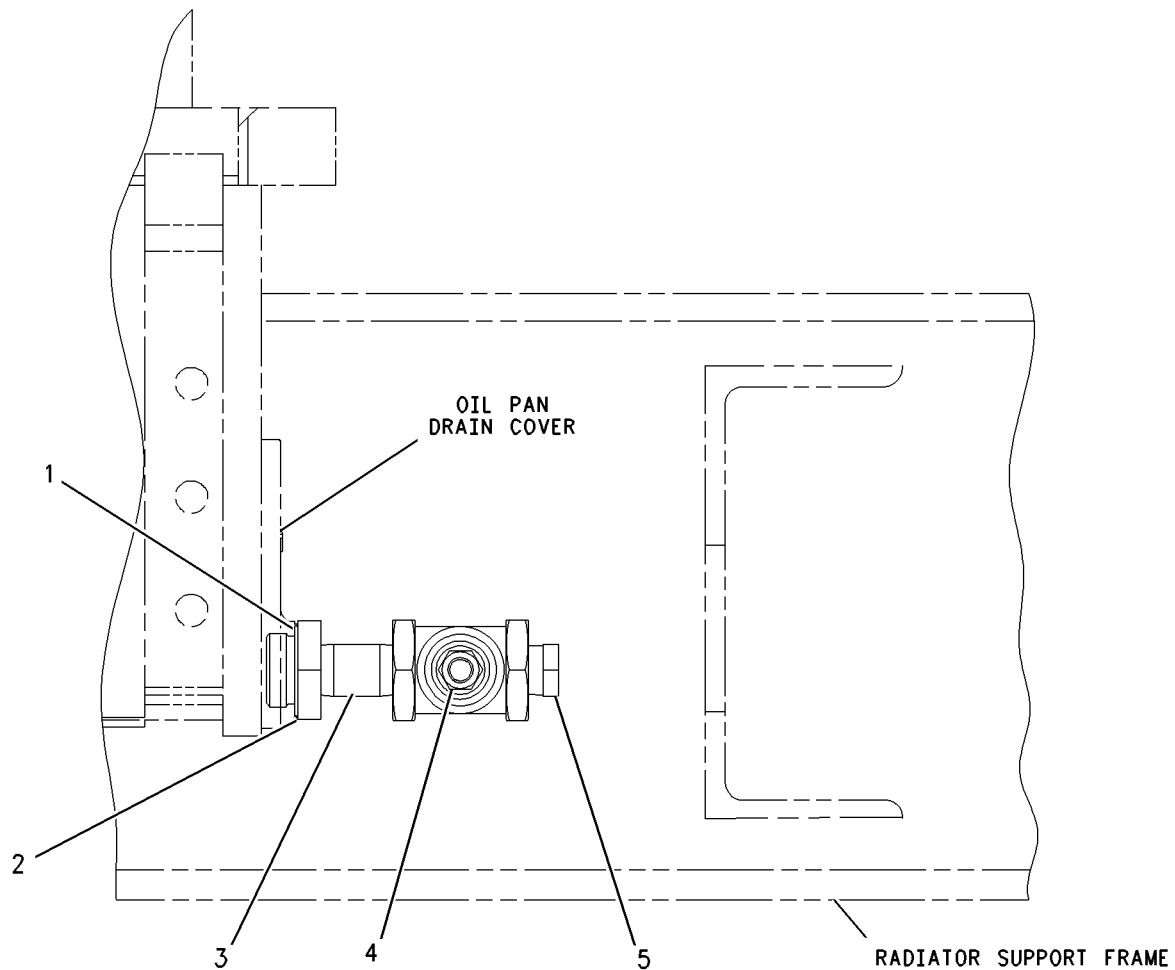
9Y-7876 DRAIN GP-ENGINE OIL-PAN AN ATTACHMENT

SMCS-1302

i02509881

NOTE	REF NO	GRAPHIC REF	PART NUMBER	QTY	PART NAME						SEE PAGE
					1	2	3	4	5	6 (PRODUCT LEVEL)	
	1	1	6F-4868	1	GASKET						
	2	1	7N-6511	1	ADAPTER						
	3	1	1F-6660	1	NIPPLE-PIPE						
	4	1	9B-4202	1	VALVE-DRAIN (ENGINE OIL)						
B	5	1	3E-7430	1	PLUG-PIPE						

B-USE AS REQUIRED



GRAPHIC #1

<END>

g00825656

BASIC ENGINE

7N-4871 DRIVE GP-ACCESSORY-UPPER, RH

STANDARD ROTATION

FOR USE WITH 900-1800 RPM. CANNOT BE USED WITH RIGHT HAND GOVERNOR
AN ATTACHMENT

SMCS-1207

i03845513

NOTE	REF NO	GRAPHIC REF	PART NUMBER	QTY	PART NAME						SEE PAGE
					1	2	3	4	5	6 (PRODUCT LEVEL)	
B	1	1	8T-6757	1	PLUG-PIPE						
	2	1	6V-3348	1	SEAL-O-RING						
	3	1	7N-5875	1	GEAR-AUXILIARY DRIVE (63-TEETH)						
	4	1	7N-5248	1	GEAR-AUXILIARY DRIVE (63-TEETH)						
	5	1	5P-0840	1	SEAL-O-RING						
	6	1	7N-5874	1	SHAFT-AUXILIARY DRIVE						
	7	1	5P-2546	12	BOLT-12 POINT HEAD (7/16-14X1.25-IN)						
	8	1	259-4598	1	SEAL-O-RING						
	9	1	7J-8114	1	GASKET						
C	10	1	8P-1438	1	COVER						
	11	1	0L-1351	4	BOLT (3/8-16X0.875-IN)						
	12	1	8T-6759	1	PLUG-PIPE						
C	13	1	0S-1595	2	BOLT (1/2-13X1.25-IN)						
	14	1	5P-8245	2	WASHER-HARD (13.5X25.5X3-MM THK)						
	15	1	7C-4165	1	ADAPTER AS						
	15A	1	127-5400	1	BEARING-SLEEVE						
	16	1	2B-2695	4	BOLT (5/16-18X0.875-IN)						
	17	1	7N-7539	2	WASHER-THRUST						
	18	1	235-3546	1	SEAL-O-RING						
	19	1	0S-1594	6	BOLT (3/8-16X1-IN)						
	20	1	7N-5279	1	ADAPTER AS						
	20A	1	127-5400	1	BEARING-SLEEVE						
	21	1	6K-3772	12	BOLT-12 POINT HEAD (7/16-14X2.25-IN)						
22	1	9M-1974	4	WASHER-HARD (8.8X16X2-MM THK)							
23	1	8T-6757	1	PLUG-PIPE							

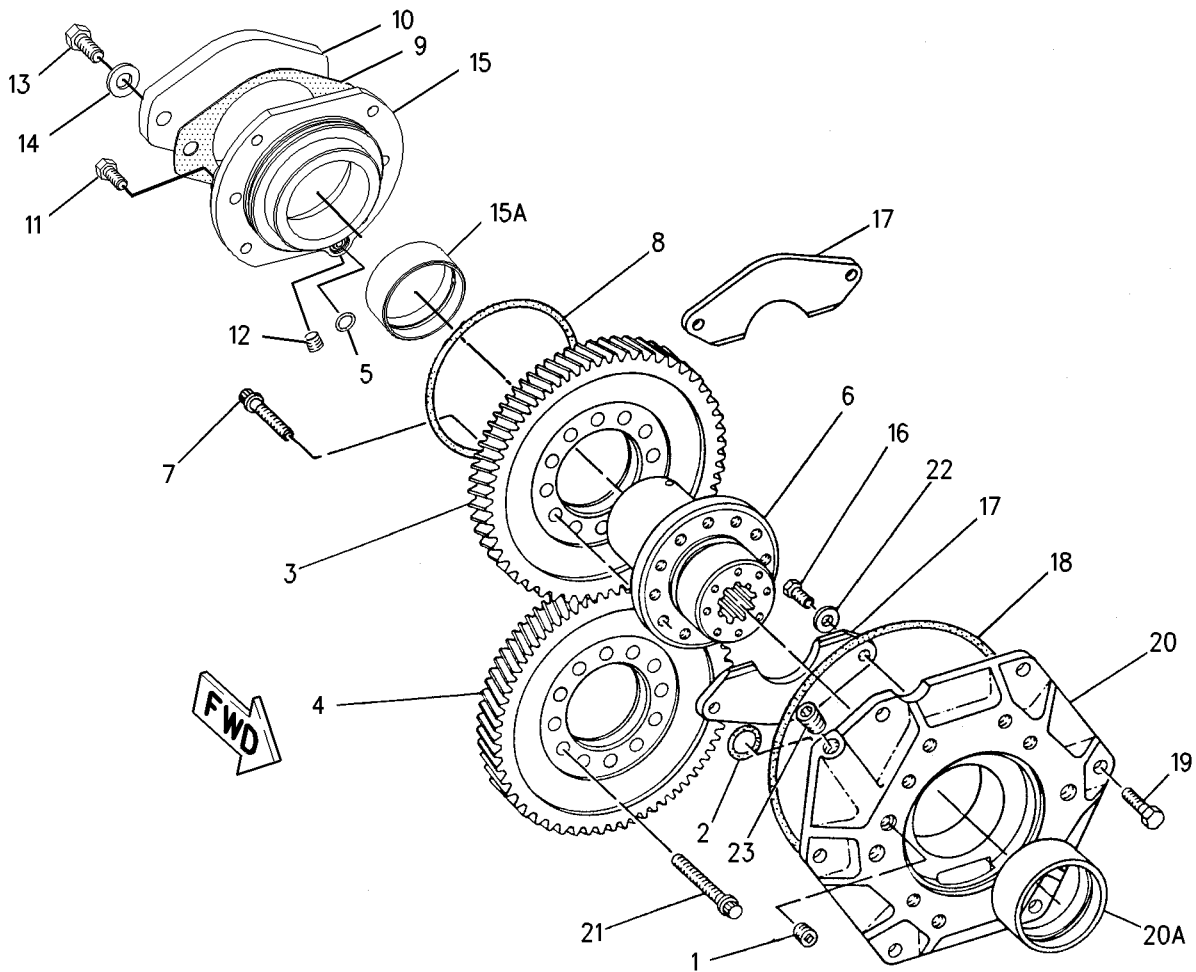
B-USE AS REQUIRED

C-CHANGE FROM PREVIOUS TYPE

BASIC ENGINE

7N-4871 DRIVE GP-ACCESSORY (contd.)

i03845513



GRAPHIC #1

<END>

g00740513

BASIC ENGINE

8N-5743 DRIVE GP-ACCESSORY-UPPER, LH REVERSE ROTATION AN ATTACHMENT

SMCS-1207

i03845510

NOTE	REF NO	GRAPHIC REF	PART NUMBER	QTY	PART NAME						SEE PAGE
					1	2	3	4	5	6 (PRODUCT LEVEL)	
	1	1	5R-7136	1	WASHER-SEALING						
	2	1	5R-7137	2	WASHER-SEALING						
	3	1	7C-3258	1	WASHER AS-THRUST						
		1	7N-2047	1	DOWEL						
	4	1	7C-3260	1	SHAFT						
	5	1	7E-0275	1	GEAR-WATER PUMP DRIVE (69-TEETH)						
	6	1	7N-5279	1	ADAPTER AS						
		1	127-5400	1	BEARING-SLEEVE						
	7	1	7N-5874	1	SHAFT-AUXILIARY DRIVE						
	8	1	7N-7539	2	WASHER-THRUST						
	9	1	7N-8374	2	COVER-PUMP						
	10	1	8N-8210	1	ADAPTER AS						
		1	127-5400	1	BEARING-SLEEVE						
C	11	1	144-8263	1	GEAR AS-IDLER (53-TEETH)						
		1	140-9597	1	BEARING-SLEEVE						
	12	1	235-3546	1	SEAL-O-RING						
	13	1	235-3548	1	SEAL-O-RING						
	14	1	0S-1592	4	BOLT (5/8-11X1.25-IN)						
	15	1	0S-1594	6	BOLT (3/8-16X1-IN)						
	16	1	0T-0055	1	BOLT (3/8-16X4.25-IN)						
	17	1	1T-0765	6	BOLT (3/8-16X1-IN)						
	18	1	259-4598	1	SEAL-O-RING						
	19	1	2B-2695	4	BOLT (5/16-18X0.875-IN)						
	20	1	5M-2894	1	WASHER-HARD (10.2X18.5X2.5-MM THK)						
	21	1	5P-0840	1	SEAL-O-RING						
	22	1	5P-8245	2	WASHER-HARD (13.5X25.5X3-MM THK)						
	23	1	5P-8247	4	WASHER-HARD (17X32X3.5-MM THK)						
	24	1	6K-3772	12	BOLT-12 POINT HEAD (7/16-14X2.25-IN)						
	25	1	6V-3348	1	SEAL-O-RING						
B	26	1	8T-6757	2	PLUG-PIPE						
C	27	1	8T-6759	2	PLUG-PIPE						
	28	1	9M-1974	4	WASHER-HARD (8.8X16X2-MM THK)						
	29	1	9X-7371	2	SEAL-O-RING						
	30	1	9X-8879	2	BOLT (1/2-13X5.5-IN)						

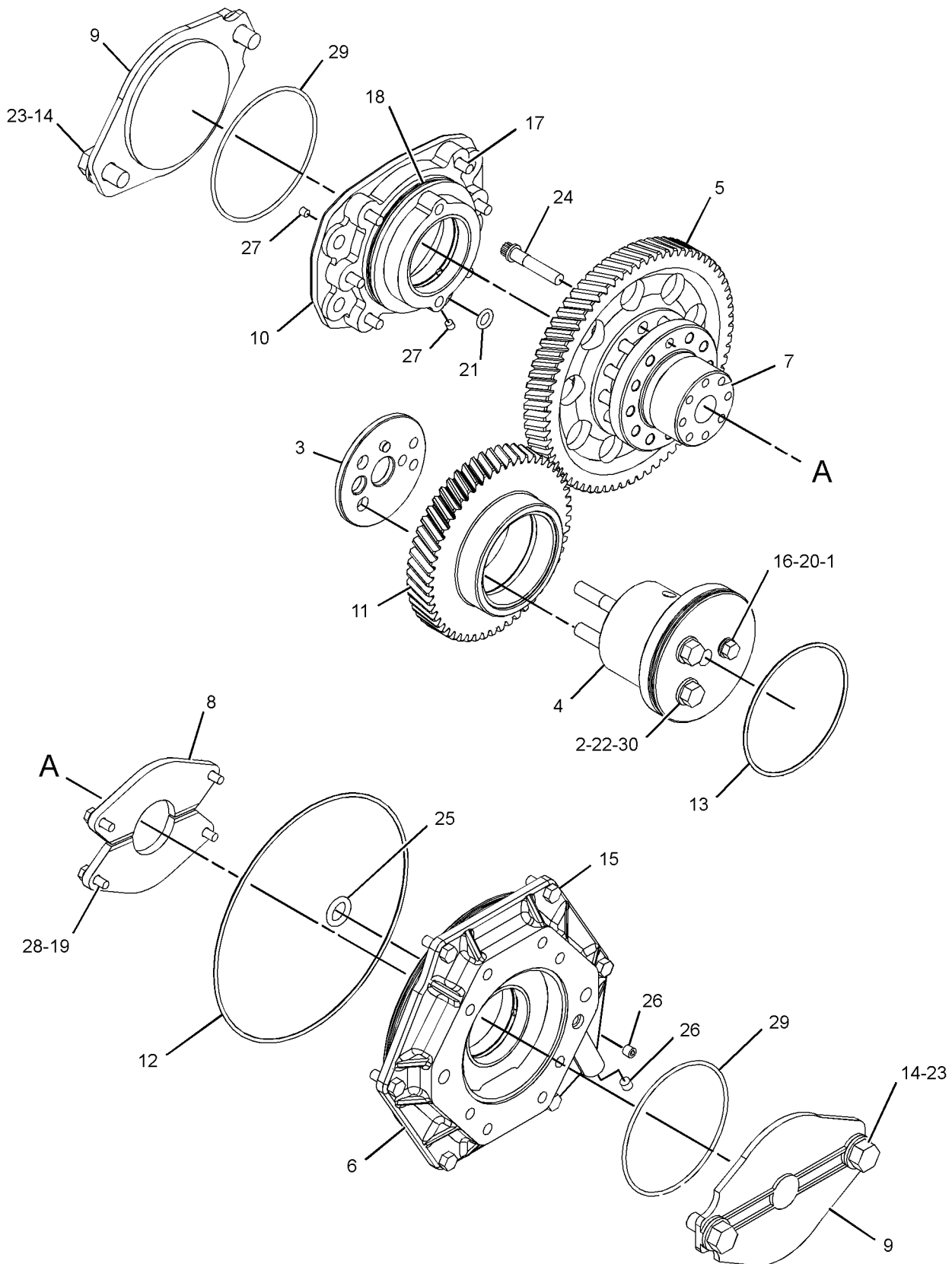
B-USE AS REQUIRED

C-CHANGE FROM PREVIOUS TYPE

BASIC ENGINE

8N-5743 DRIVE GP-ACCESSORY (contd.)

i03845510



GRAPHIC #1

<END>

g02092277

BASIC ENGINE

8N-9166 DRIVE GP-ACCESSORY-UPPER, LH STANDARD ROTATION AN ATTACHMENT

SMCS-1207

i03862931

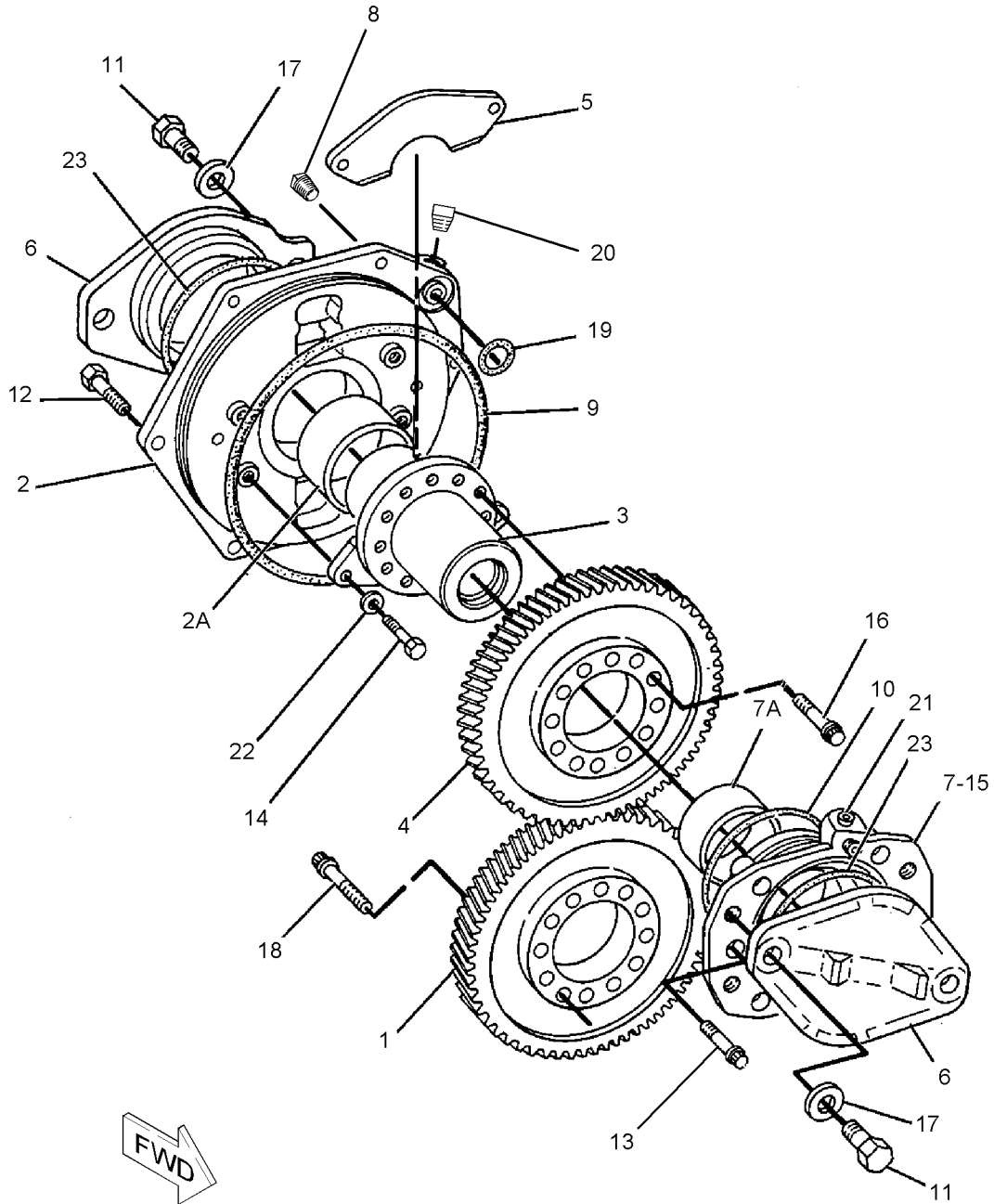
NOTE	REF NO	GRAPHIC REF	PART NUMBER	QTY	PART NAME						SEE PAGE
					1	2	3	4	5	6 (PRODUCT LEVEL)	
	1	1	7N-5248	1	GEAR-AUXILIARY DRIVE (63-TEETH)						
	2	1	7N-5279	1	ADAPTER AS						
	2A	1	127-5400	1	BEARING-SLEEVE						
	3	1	7N-5874	1	SHAFT-AUXILIARY DRIVE						
	4	1	7N-5875	1	GEAR-AUXILIARY DRIVE (63-TEETH)						
	5	1	7N-7539	2	WASHER-THRUST						
	6	1	7N-8374	2	COVER-PUMP						
	7	1	8N-8210	1	ADAPTER AS						
	7A	1	127-5400	1	BEARING-SLEEVE						
B	8	1	8T-6757	1	PLUG-PIPE						
	9	1	235-3546	1	SEAL-O-RING						
	10	1	259-4598	1	SEAL-O-RING						
	11	1	0S-1592	4	BOLT (5/8-11X1.25-IN)						
	12	1	0S-1594	6	BOLT (3/8-16X1-IN)						
	13	1	1T-0765	6	BOLT (3/8-16X1-IN)						
	14	1	2B-2695	4	BOLT (5/16-18X0.875-IN)						
	15	1	5P-0840	1	SEAL-O-RING						
	16	1	5P-2546	12	BOLT-12 POINT HEAD (7/16-14X1.25-IN)						
	17	1	5P-8247	4	WASHER-HARD (17X32X3.5-MM THK)						
	18	1	6K-3772	12	BOLT-12 POINT HEAD (7/16-14X2.25-IN)						
	19	1	6V-3348	1	SEAL-O-RING						
	20	1	8T-6757	1	PLUG-PIPE						
	21	1	8T-6759	2	PLUG-PIPE						
	22	1	9M-1974	4	WASHER-HARD (8.8X16X2-MM THK)						
	23	1	9X-7371	2	SEAL-O-RING						

B-USE AS REQUIRED

BASIC ENGINE

8N-9166 DRIVE GP-ACCESSORY (contd.)

i03862931



GRAPHIC #1

<END>

g01102444

BASIC ENGINE

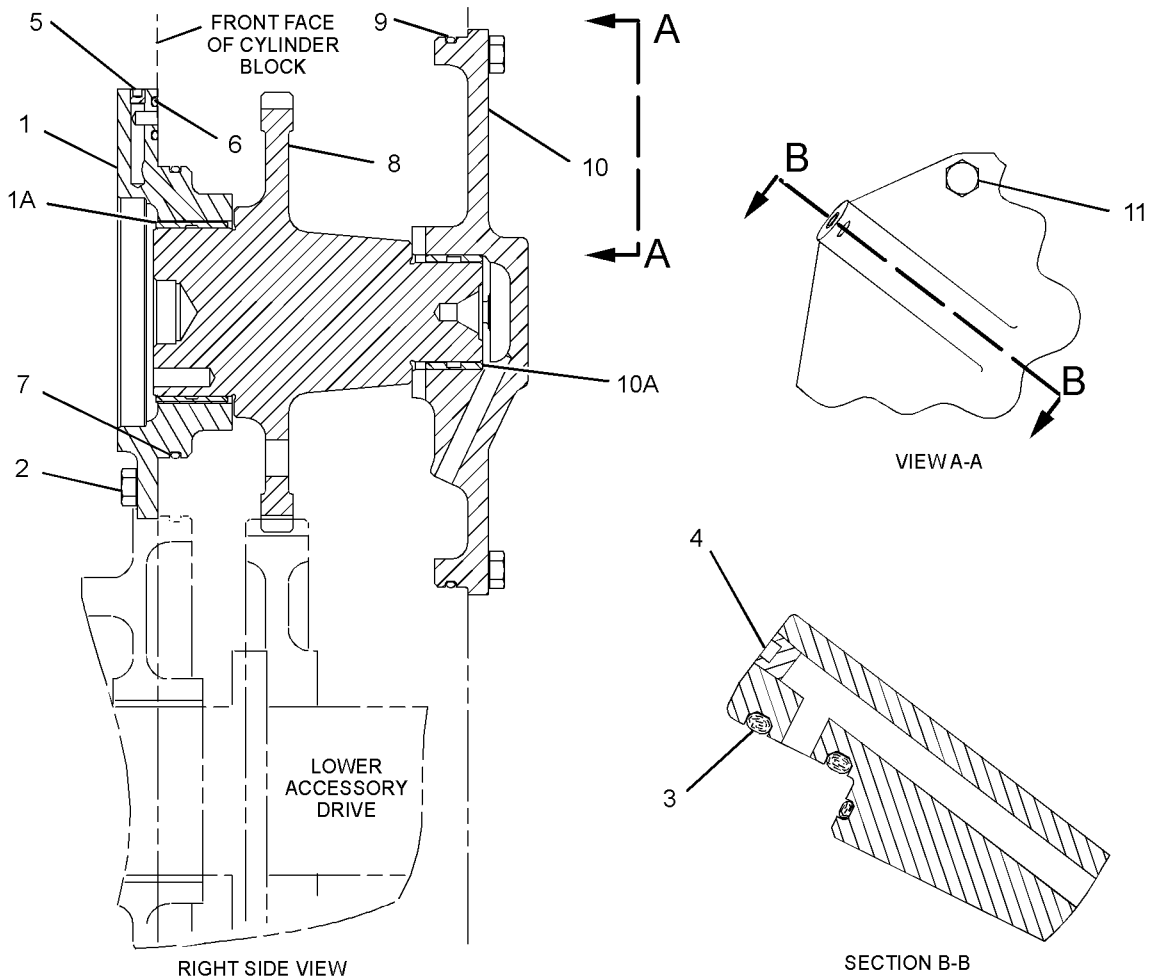
107-7361 DRIVE GP-ACCESSORY-UPPER, RH

STANDARD ROTATION
CANNOT BE USED WITH MECHANICAL GOVERNOR
AN ATTACHMENT

SMCS-1207

i02686118

NOTE	REF NO	GRAPHIC REF	PART NUMBER	QTY	PART NAME						SEE PAGE
					1	2	3	4	5	6 (PRODUCT LEVEL)	
	1	1	7C-4165	1	ADAPTER AS						
	1A	1	7N-5244	1	BEARING-SLEEVE						
	2	1	0L-1351	4	BOLT (3/8-16X0.875-IN)						
	3	1	6V-3348	1	SEAL-O-RING						
	4	1	8T-6757	1	PLUG-PIPE						
	5	1	8T-6759	1	PLUG-PIPE						
	6	1	5P-0840	1	SEAL-O-RING						
	7	1	235-3548	1	SEAL-O-RING						
	8	1	107-0466	1	GEAR-ACCESSORY DRIVE (55-TEETH)						
	9	1	235-3546	1	SEAL-O-RING						
	10	1	107-7362	1	COVER AS						
	10A	1	2S-7056	1	BEARING-SLEEVE						
	11	1	0S-1594	6	BOLT (3/8-16X1-IN)						



GRAPHIC #1

<END>

g01351431

BASIC ENGINE

166-4357 DRIVE GP-ACCESSORY-UPPER, RH

STANDARD ROTATION

CANNOT BE USED WITH RIGHT HAND GOVERNOR
AN ATTACHMENT

SMCS-1207

i03814231

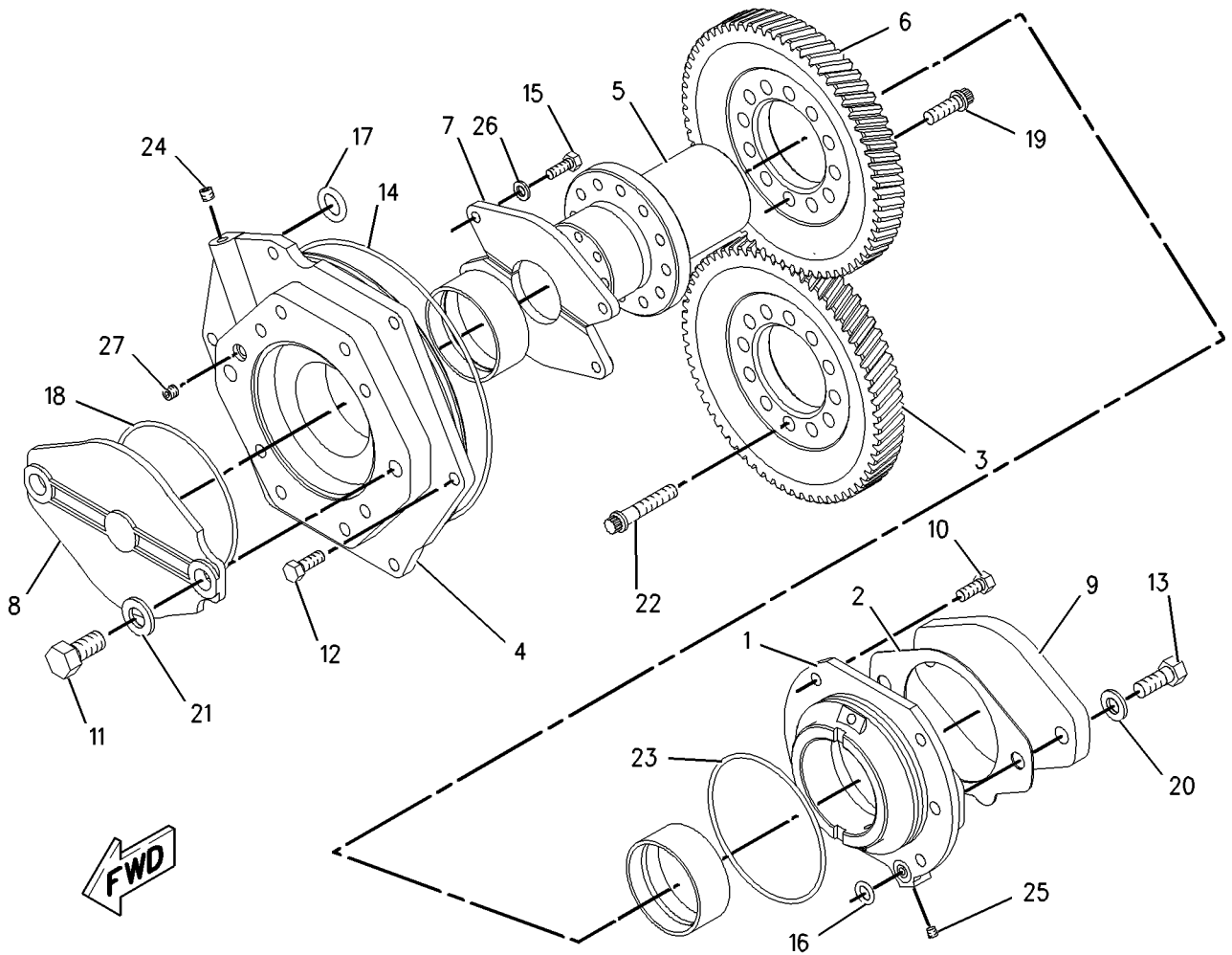
NOTE	REF NO	GRAPHIC REF	PART NUMBER	QTY	PART NAME						SEE PAGE
					1	2	3	4	5	6 (PRODUCT LEVEL)	
	1	1	7C-4165	1	ADAPTER AS						
		1	127-5400	1	BEARING-SLEEVE						
	2	1	7J-8114	1	GASKET						
	3	1	7N-5248	1	GEAR-AUXILIARY DRIVE (63-TEETH)						
	4	1	7N-5279	1	ADAPTER AS						
		1	127-5400	1	BEARING-SLEEVE						
	5	1	7N-5874	1	SHAFT-AUXILIARY DRIVE						
	6	1	7N-5875	1	GEAR-AUXILIARY DRIVE (63-TEETH)						
	7	1	7N-7539	2	WASHER-THRUST						
	8	1	7N-8374	1	COVER-PUMP						
	9	1	8P-1438	1	COVER						
	10	1	0L-1351	4	BOLT (3/8-16X0.875-IN)						
	11	1	0S-1592	2	BOLT (5/8-11X1.25-IN)						
	12	1	0S-1594	6	BOLT (3/8-16X1-IN)						
	13	1	0S-1595	2	BOLT (1/2-13X1.25-IN)						
	14	1	235-3546	1	SEAL-O-RING						
	15	1	2B-2695	4	BOLT (5/16-18X0.875-IN)						
	16	1	5P-0840	1	SEAL-O-RING						
	17	1	6V-3348	1	SEAL-O-RING						
	18	1	9X-7371	1	SEAL-O-RING						
	19	1	5P-2546	12	BOLT-12 POINT HEAD (7/16-14X1.25-IN)						
	20	1	5P-8245	2	WASHER-HARD (13.5X25.5X3-MM THK)						
	21	1	5P-8247	2	WASHER-HARD (17X32X3.5-MM THK)						
	22	1	6K-3772	12	BOLT-12 POINT HEAD (7/16-14X2.25-IN)						
	23	1	259-4598	1	SEAL-O-RING						
	24	1	8T-6757	1	PLUG-PIPE						
	25	1	8T-6759	1	PLUG-PIPE						
	26	1	9M-1974	4	WASHER-HARD (8.8X16X2-MM THK)						
B	27	1	8T-6757	1	PLUG-PIPE						

B-USE AS REQUIRED

BASIC ENGINE

166-4357 DRIVE GP-ACCESSORY (contd.)

i03814231



GRAPHIC #1

<END>

g00760768

BASIC ENGINE

308-3565 DRIVE GP-AUXILIARY-LOWER, LH

SMCS-1207, 3108

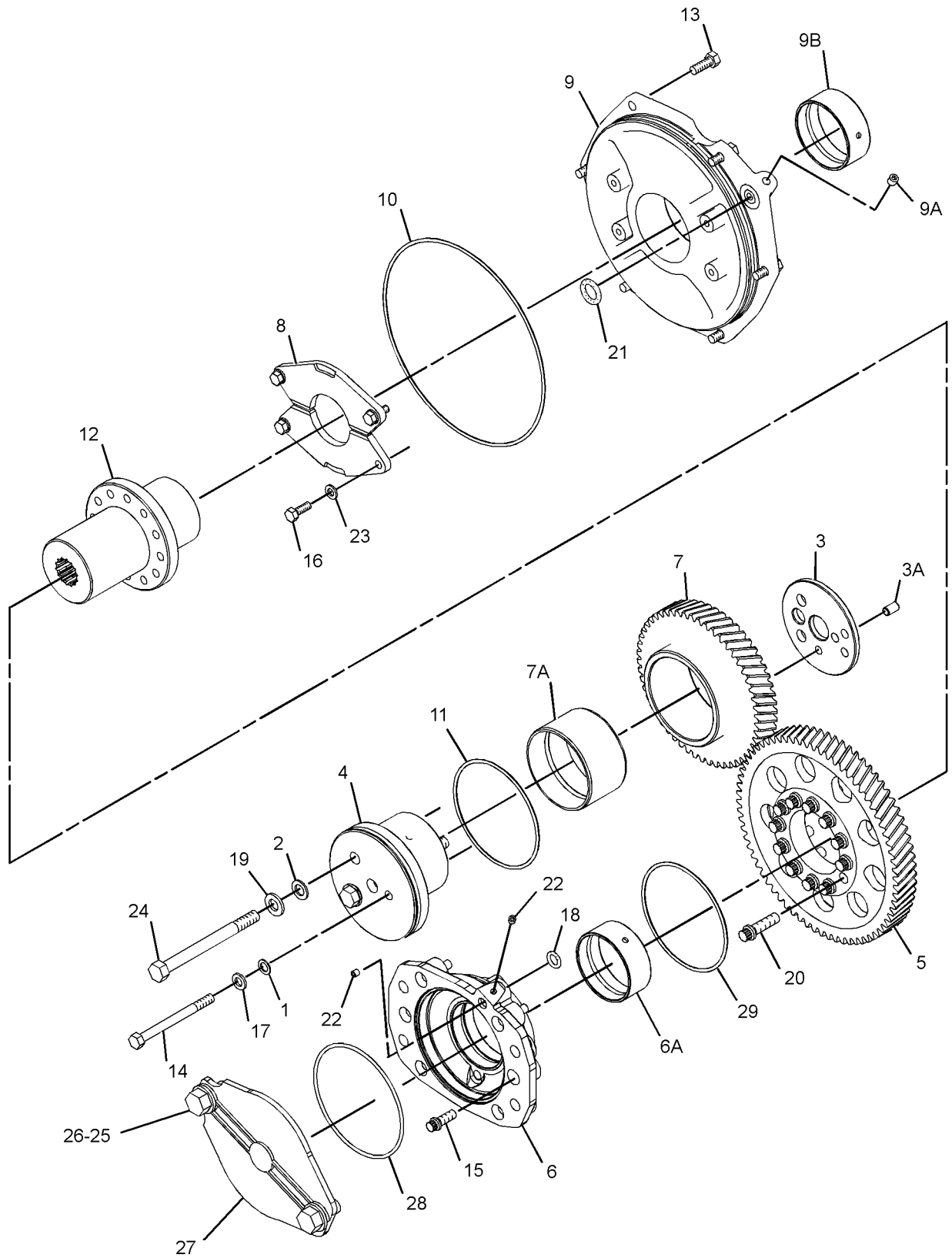
i03814237

NOTE	REF NO	GRAPHIC REF	PART NUMBER	QTY	PART NAME						SEE PAGE
					1	2	3	4	5	6 (PRODUCT LEVEL)	
	1	1	5R-7136	1	WASHER-SEALING						
	2	1	5R-7137	2	WASHER-SEALING						
	3	1	7C-3258	1	WASHER AS-THRUST						
	3A	1	7N-2047	1	DOWEL						
	4	1	7C-3260	1	SHAFT						
	5	1	7E-0275	1	GEAR-WATER PUMP DRIVE (69-TEETH)						
	6	1	8N-8210	1	ADAPTER AS						
	6A	1	127-5400	1	BEARING-SLEEVE						
	7	1	144-8263	1	GEAR AS-IDLER (53-TEETH)						
	7A	1	140-9597	1	BEARING-SLEEVE						
	8	1	157-2811	2	WASHER-THRUST						
	9	1	180-7412	1	ADAPTER AS						
	9A	1	8T-6757	1	PLUG-PIPE						
	9B	1	127-5400	1	BEARING-SLEEVE						
	10	1	235-3546	1	SEAL-O-RING						
	11	1	235-3548	1	SEAL-O-RING						
	12	1	315-2643	1	SHAFT-PUMP DRIVE						
	13	1	0S-1594	6	BOLT (3/8-16X1-IN)						
	14	1	0T-0055	1	BOLT (3/8-16X4.25-IN)						
	15	1	1T-0765	6	BOLT (3/8-16X1-IN)						
	16	1	2B-2695	4	BOLT (5/16-18X0.875-IN)						
	17	1	5M-2894	1	WASHER-HARD (10.2X18.5X2.5-MM THK)						
	18	1	5P-0840	1	SEAL-O-RING						
	19	1	5P-8245	2	WASHER-HARD (13.5X25.5X3-MM THK)						
	20	1	6K-3771	12	BOLT-12 POINT HEAD (7/16-14X1.5-IN)						
	21	1	6V-3348	1	SEAL-O-RING						
	22	1	8T-6759	2	PLUG-PIPE						
	23	1	9M-1974	4	WASHER-HARD (8.8X16X2-MM THK)						
	24	1	9X-8879	2	BOLT (1/2-13X5.5-IN)						
	25	1	0S-1592	2	BOLT (5/8-11X1.25-IN)						
	26	1	5P-8247	2	WASHER-HARD (17X32X3.5-MM THK)						
	27	1	7N-8374	1	COVER-PUMP						
	28	1	9X-7371	1	SEAL-O-RING						
	29	1	259-4598	1	SEAL-O-RING						

BASIC ENGINE

308-3565 DRIVE GP-AUXILIARY (contd.)

i03814237



GRAPHIC #1

<END>

g02079875

BASIC ENGINE

310-2841 DRIVE GP-AUXILIARY-LOWER LH, REV ROT AN ATTACHMENT

SMCS-1207, 3108

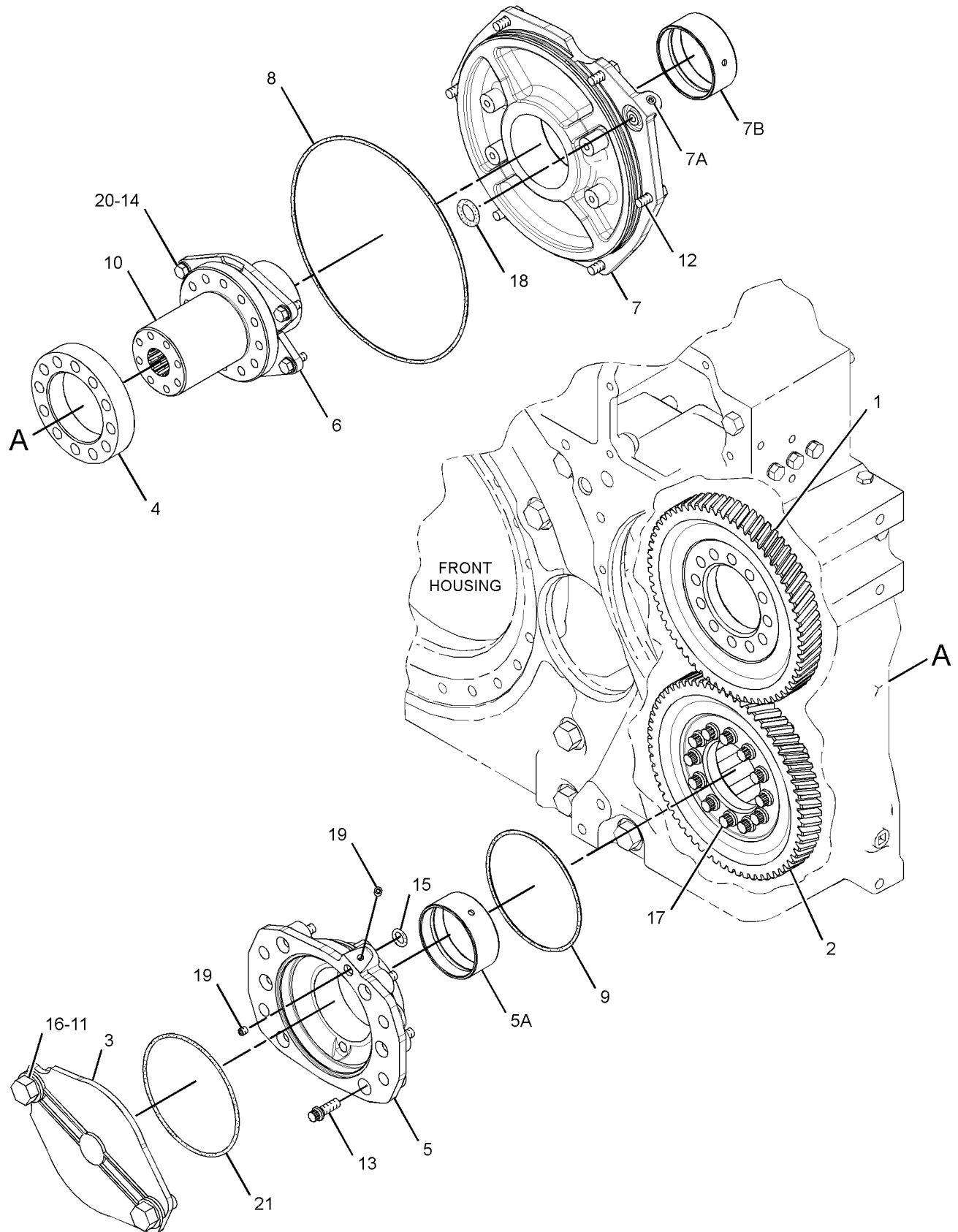
i03814250

NOTE	REF NO	GRAPHIC REF	PART NUMBER	QTY	PART NAME						SEE PAGE
					1	2	3	4	5	6 (PRODUCT LEVEL)	
	1	1	7N-5248	1	GEAR-AUXILIARY DRIVE (63-TEETH)						
	2	1	7N-5875	1	GEAR-AUXILIARY DRIVE (63-TEETH)						
	3	1	7N-8374	1	COVER-PUMP						
	4	1	8N-5771	1	SPACER (76X121X22.5-MM THK)						
	5	1	8N-8210	1	ADAPTER AS						
	5A	1	127-5400	1	BEARING-SLEEVE						
	6	1	157-2811	2	WASHER-THRUST						
	7	1	180-7412	1	ADAPTER AS						
	7A	1	8T-6757	1	PLUG-PIPE						
	7B	1	127-5400	1	BEARING-SLEEVE						
	8	1	235-3546	1	SEAL-O-RING						
	9	1	259-4598	1	SEAL-O-RING						
	10	1	315-2643	1	SHAFT-PUMP DRIVE						
	11	1	0S-1592	2	BOLT (5/8-11X1.25-IN)						
	12	1	0S-1594	6	BOLT (3/8-16X1-IN)						
	13	1	1T-0765	6	BOLT (3/8-16X1-IN)						
	14	1	2B-2695	4	BOLT (5/16-18X0.875-IN)						
	15	1	5P-0840	1	SEAL-O-RING						
	16	1	5P-8247	2	WASHER-HARD (17X32X3.5-MM THK)						
	17	1	6K-3772	12	BOLT-12 POINT HEAD (7/16-14X2.25-IN)						
	18	1	6V-3348	1	SEAL-O-RING						
	19	1	8T-6759	2	PLUG-PIPE						
	20	1	9M-1974	4	WASHER-HARD (8.8X16X2-MM THK)						
	21	1	9X-7371	1	SEAL-O-RING						

BASIC ENGINE

310-2841 DRIVE GP-AUXILIARY (contd.)

i03814250



GRAPHIC #1

<END>

g01736903

BASIC ENGINE

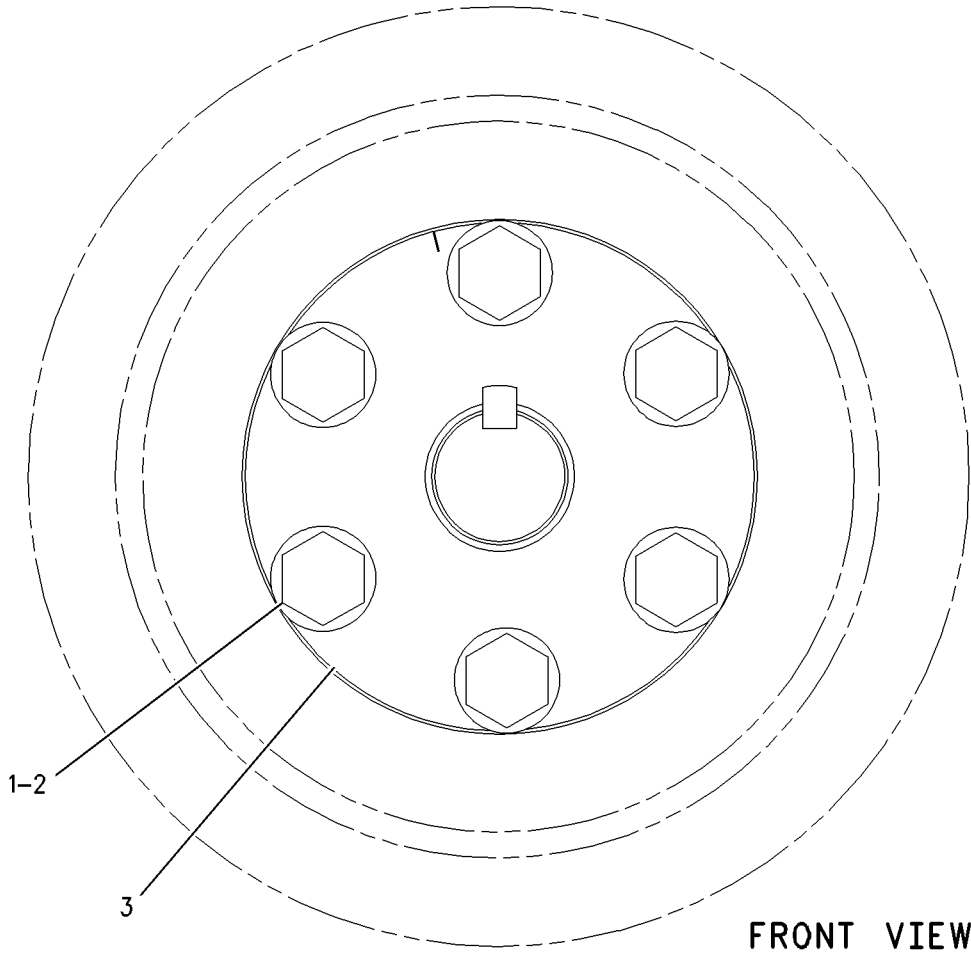
7N-7660 DRIVE GP-FAN

LOW KILOWATT
AN ATTACHMENT

SMCS-1359

i02220725

NOTE	REF NO	GRAPHIC REF	PART NUMBER	QTY	PART NAME						SEE PAGE
					1	2	3	4	5	6 (PRODUCT LEVEL)	
	1	1	5P-8250	6	WASHER (28X49X5-MM THK)						
	2	1	9F-8122	6	BOLT (1-14X9-IN)						
	3	1	7N-7057	1	SHAFT-STUB						



FRONT VIEW

GRAPHIC #1

<END>

g00994930

BASIC ENGINE

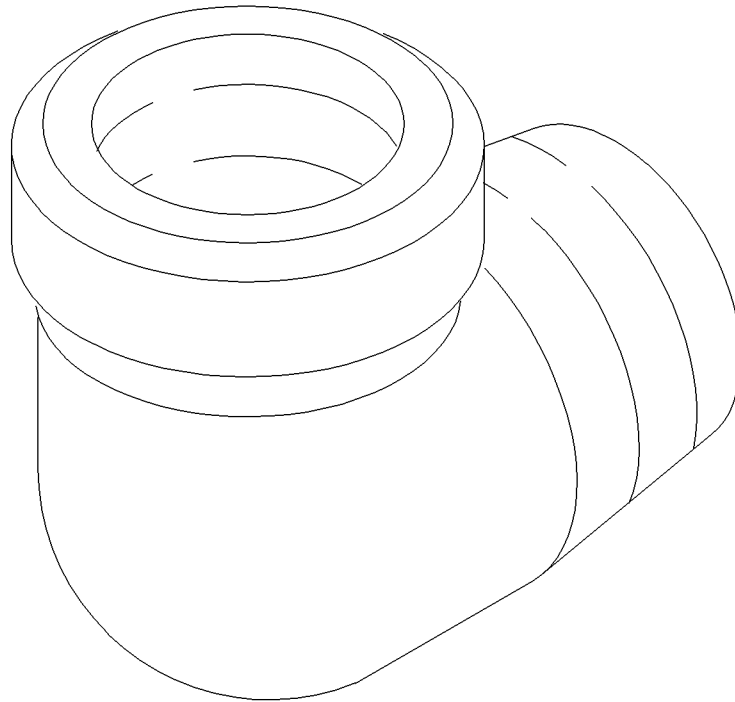
7J-8611 ELBOW-PIPE

PART OF 311-8110 STARTING MOTOR GP-AIR
FOR USE WITH 435/425 BHP OIL PRESSURE SENDING UNIT MOUNTED ON REAR OF THE
RIGHT SIDE CYLINDER HEAD
AN ATTACHMENT

SMCS-1800

i01499584

NOTE	REF NO	GRAPHIC REF	PART NUMBER	QTY	PART NAME						SEE PAGE
					1	2	3	4	5	6 (PRODUCT LEVEL)	
(NO SERVICED PARTS)											



GRAPHIC #1

<END>

g00778289

BASIC ENGINE

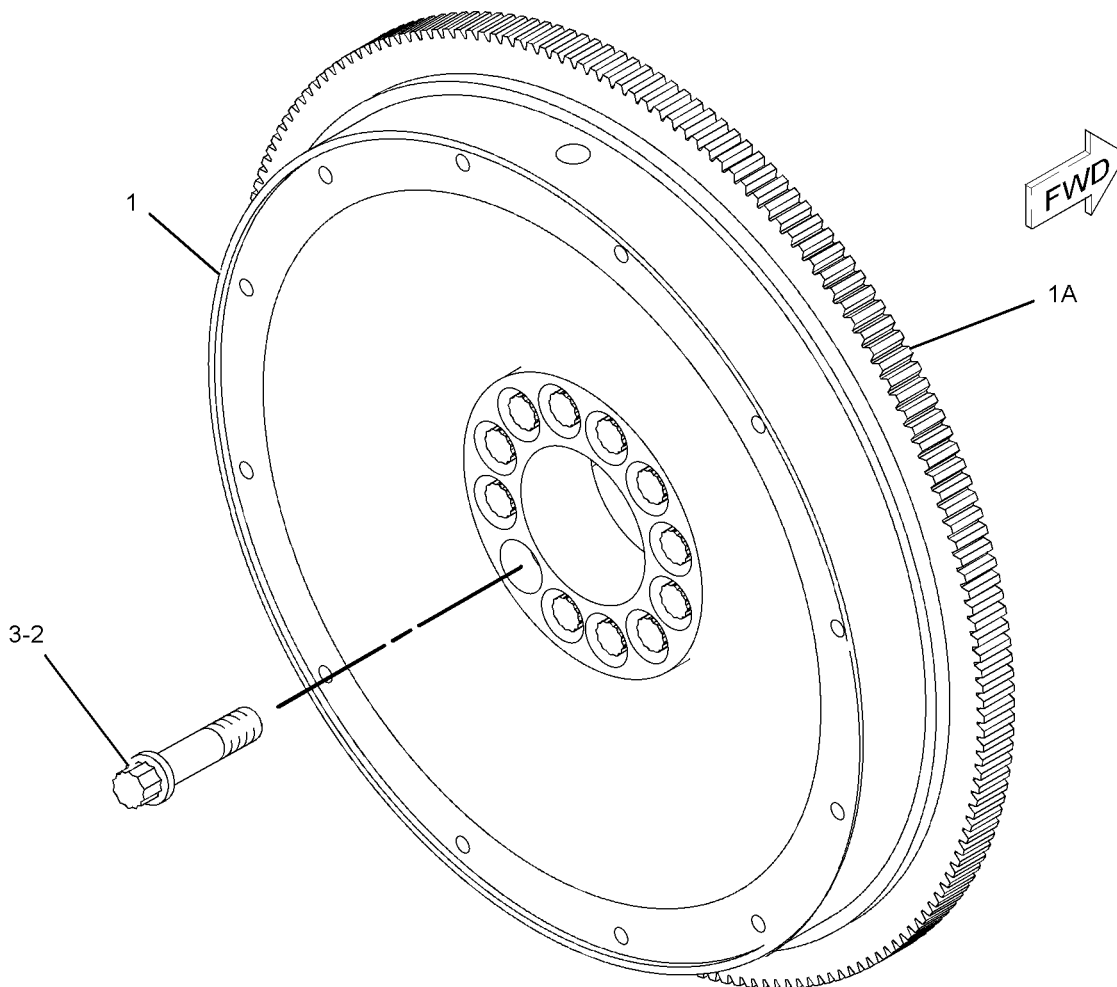
7N-4851 FLYWHEEL GP

SMCS-1156

i02189120

NOTE	REF NO	GRAPHIC REF	PART NUMBER	QTY	PART NAME						SEE PAGE
					1	2	3	4	5	6 (PRODUCT LEVEL)	
C	1	1	243-3216	1	FLYWHEEL AS						
	1A	1	233-0643	1	GEAR-FLYWHEEL (183-TEETH)						
	2	1	9S-8893	12	BOLT-12 POINT HEAD (1-14X101.6-MM)						
	3	1	5P-8839	12	WASHER-HARD (28X42X4-MM THK)						

C-CHANGE FROM PREVIOUS TYPE



GRAPHIC #1

<END>

g01109106

BASIC ENGINE

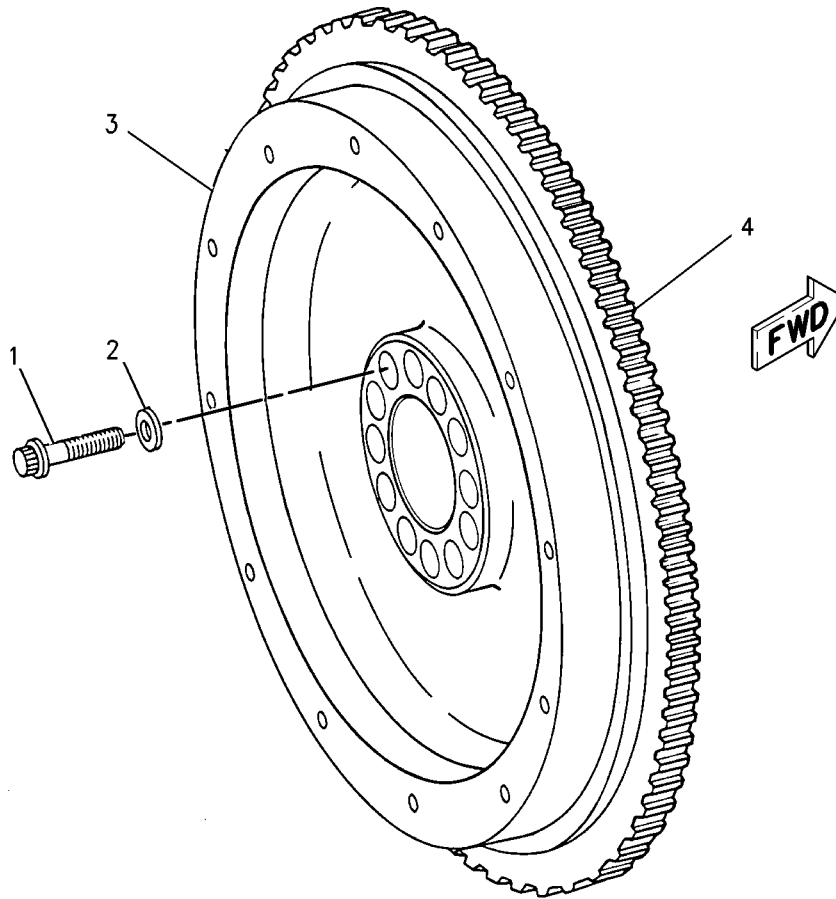
8N-6038 FLYWHEEL GP

PART OF 271-5800 CONVERSION AR-CRANK ROTATION
FOR USE WITH SAE REVERSE ENGINE ROTATION
AN ATTACHMENT

SMCS-1156

i02052344

NOTE	REF NO	GRAPHIC REF	PART NUMBER	QTY	PART NAME						SEE PAGE
					1	2	3	4	5	6 (PRODUCT LEVEL)	
	1	1	9S-8893	12	BOLT-12 POINT HEAD (1-14X101.6-MM)						
	2	1	5P-8839	12	WASHER-HARD (28X42X4-MM THK)						
	3	1	243-3221	1	FLYWHEEL AS						
	4	1	233-0644	1	GEAR-FLYWHEEL (183 TEETH)						



GRAPHIC #1

<END>

g00995191

BASIC ENGINE

8N-5768 GEAR GP-FRONT-RH REVERSE ROTATION, HIGH SPEED PART OF 271-5800 CONVERSION AR-CRANK ROTATION AN ATTACHMENT

SMCS-1151, 1162, 1206

i03845508

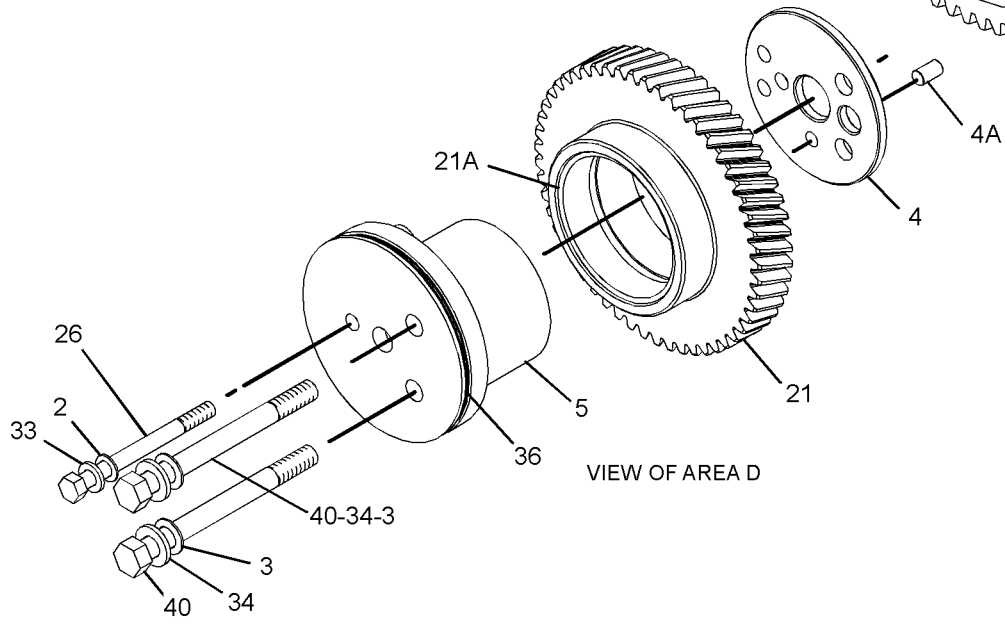
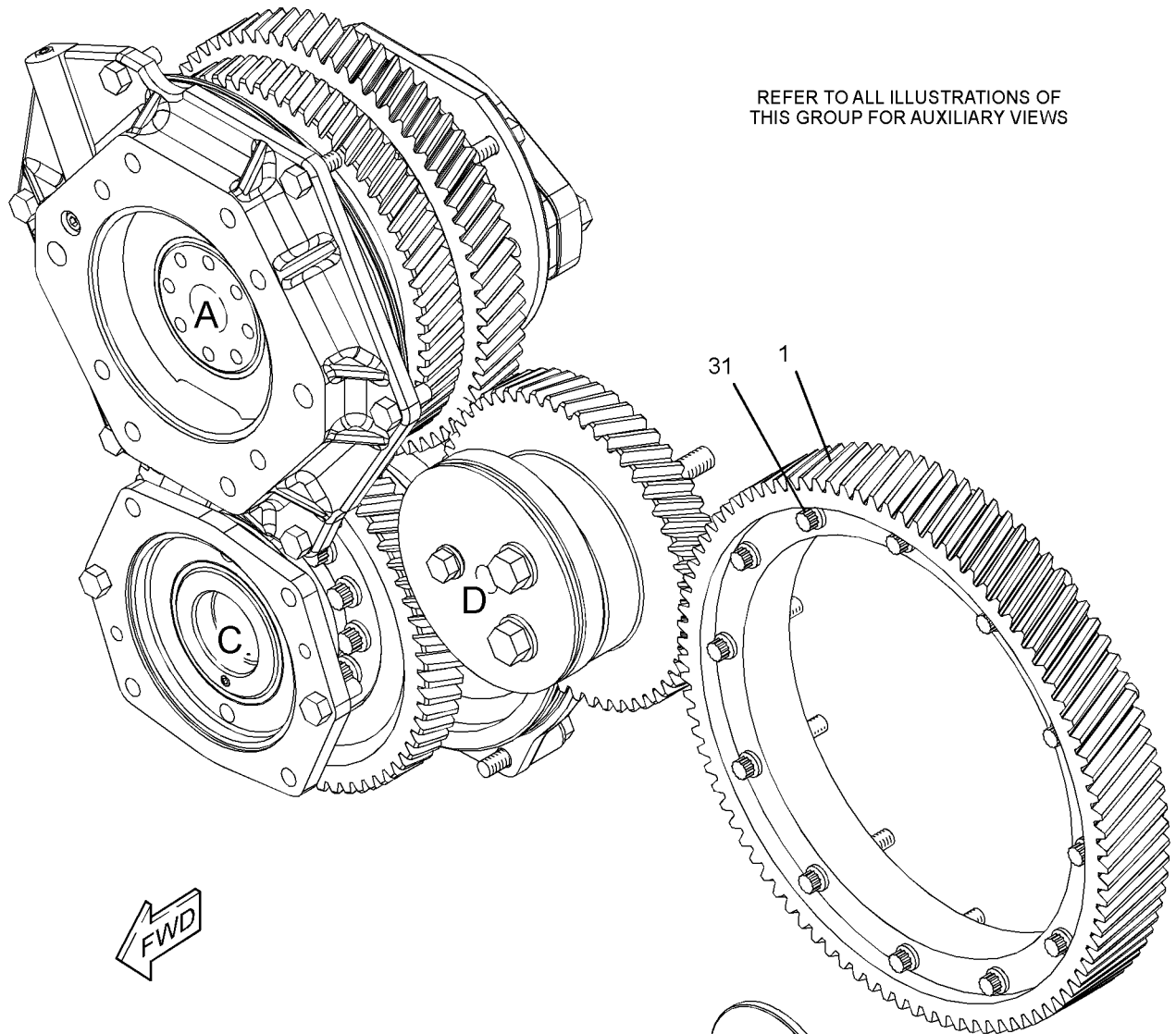
NOTE	REF NO	GRAPHIC REF	PART NUMBER	QTY	PART NAME						SEE PAGE
					1	2	3	4	5	6 (PRODUCT LEVEL)	
	1	1	2W-2895	1	GEAR-CRANKSHAFT (92-TEETH)						
	2	1	5R-7136	1	WASHER-SEALING						
	3	1	5R-7137	2	WASHER-SEALING						
	4	1	7C-3258	1	WASHER AS-THRUST						
	4A	1	7N-2047	1	DOWEL						
	5	1	7C-3260	1	SHAFT						
	6	2	7C-4165	1	ADAPTER AS						
	6A	2	127-5400	1	BEARING-SLEEVE						
	8	2	7E-0275	1	GEAR-WATER PUMP DRIVE (69-TEETH)						
	9	2	7J-8114	1	GASKET						
	10	2	7N-5239	1	SHAFT AS-PUMP DRIVE						
	10A	2	8T-2153	1	SETSCREW-SOCKET (1/4-28X0.31-IN)						
	11	2	7N-5245	1	ADAPTER AS-PUMP						
	11A	2	127-5400	1	BEARING-SLEEVE						
	12	2	7N-5246	2	WASHER-THRUST						
	13	2	7N-5248	1	GEAR-AUXILIARY DRIVE (63-TEETH)						
	14	2	278-4287	1	ADAPTER AS-PUMP						
	14A	2	127-5400	1	BEARING-SLEEVE						
	15	2	7N-5279	1	ADAPTER AS						
	15A	2	127-5400	1	BEARING-SLEEVE						
	16	2	7N-5874	1	SHAFT-AUXILIARY DRIVE						
	17	2	7N-5875	1	GEAR-AUXILIARY DRIVE (63-TEETH)						
	18	2	7N-7539	2	WASHER-THRUST						
	19	2	8N-5771	1	SPACER (76X121X22.5-MM THK)						
	20	2	8P-1438	1	COVER						
C	21	1	144-8263	1	GEAR AS-IDLER (53-TEETH)						
	21A	1	140-9597	1	BEARING-SLEEVE						
	22	2	0L-1351	4	BOLT (3/8-16X0.875-IN)						
	23	2	0S-1590	5	BOLT (3/8-16X2-IN)						
	24	2	0S-1594	8	BOLT (3/8-16X1-IN)						
	25	2	0S-1595	2	BOLT (1/2-13X1.25-IN)						
	26	1	0T-0055	1	BOLT (3/8-16X4.25-IN)						
	27	2	235-3546	2	SEAL-O-RING						
	28	2	2B-2695	4	BOLT (5/16-18X0.875-IN)						
	29	2	5P-0840	1	SEAL-O-RING						
	30	2	6V-3348	2	SEAL-O-RING						
	31	1	3S-1307	12	BOLT-12 POINT HEAD (3/8-16X2-IN)						
	32	2	4B-3388	4	BOLT (5/16-18X1.125-IN)						
	33	1,2	5M-2894	6	WASHER-HARD (10.2X18.5X2.5-MM THK)						
	34	1,2	5P-8245	4	WASHER-HARD (13.5X25.5X3-MM THK)						
	35	2	6K-3772	24	BOLT-12 POINT HEAD (7/16-14X2.25-IN)						
	36	1	235-3548	1	SEAL-O-RING						
	37	2	8T-6757	1	PLUG-PIPE						
C	38	2	8T-6759	1	PLUG-PIPE						
	39	2	9M-1974	8	WASHER-HARD (8.8X16X2-MM THK)						
	40	1	9X-8879	2	BOLT (1/2-13X5.5-IN)						
B	41	2	8T-6757	1	PLUG-PIPE						
	42	2	259-4598	2	SEAL-O-RING						

B-USE AS REQUIRED
C-CHANGE FROM PREVIOUS TYPE

BASIC ENGINE

8N-5768 GEAR GP-FRONT (contd.)

i03845508



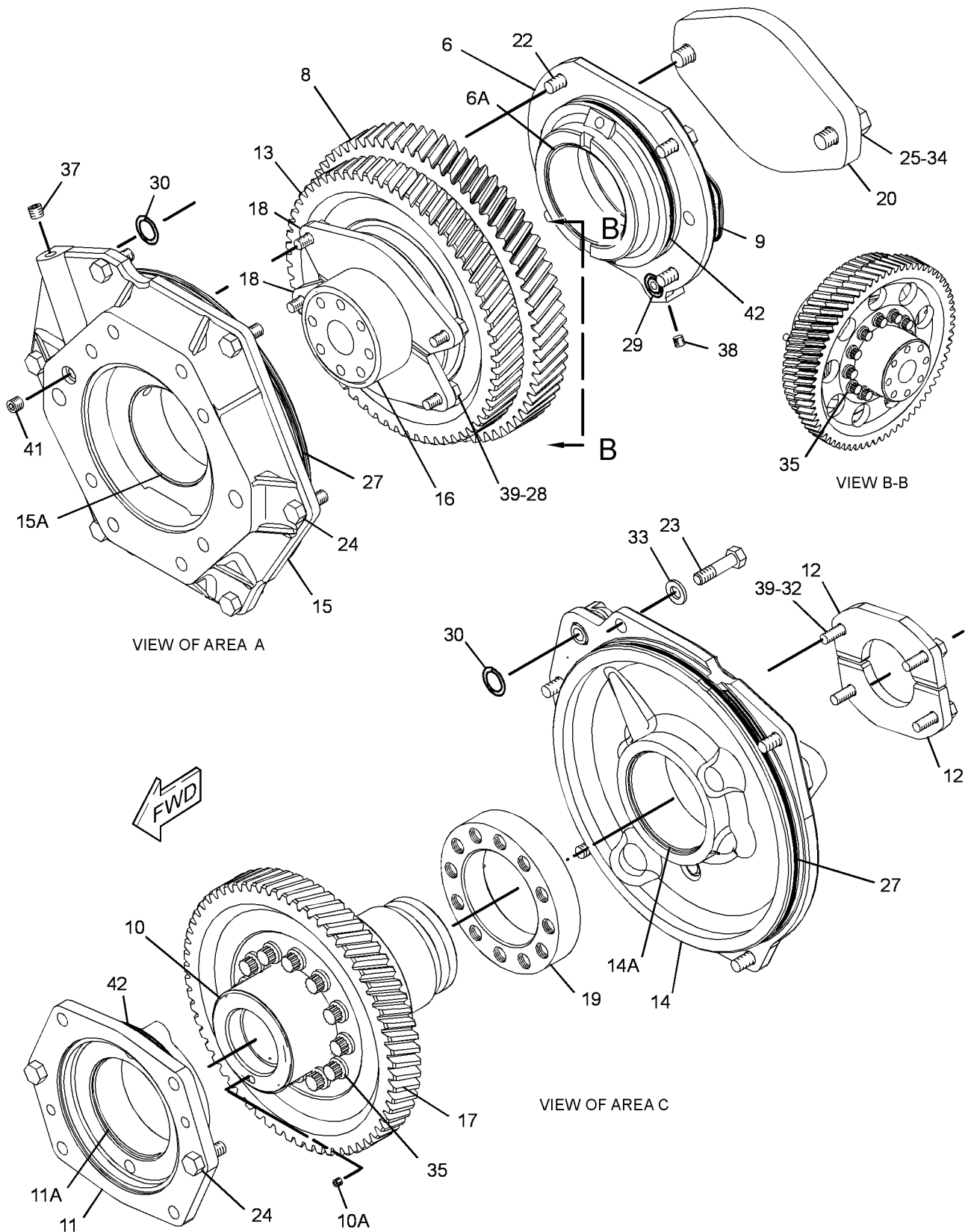
GRAPHIC #1

g01202635

BASIC ENGINE

8N-5768 GEAR GP-FRONT (contd.)

i03845508



GRAPHIC #2

<END>

g02091980

BASIC ENGINE

8N-7174 GEAR GP-FRONT-STANDARD ROTATION

SMCS-1151, 1162, 1206

i03862772

NOTE	REF NO	GRAPHIC REF	PART NUMBER	QTY	PART NAME						SEE PAGE
					1	2	3	4	5	6 (PRODUCT LEVEL)	
	1	1	2W-2895	1	GEAR-CRANKSHAFT (92-TEETH)						
	2	1	5R-7136	1	WASHER-SEALING						
	3	1	5R-7137	2	WASHER-SEALING						
	4	1	7C-3258	1	WASHER AS-THRUST						
	4A	1	7N-2047	1	DOWEL						
	5	1	7C-3260	1	SHAFT						
	6	1	7E-0275	1	GEAR-WATER PUMP DRIVE (69-TEETH)						
	7	1	7N-5239	1	SHAFT AS-PUMP DRIVE						
	7A	1	8T-2153	1	SETSCREW-SOCKET (1/4-28X0.31-IN)						
	8	1	7N-5245	1	ADAPTER AS-PUMP (WATER)						
	8A	1	127-5400	1	BEARING-SLEEVE						
	9	1	7N-5246	2	WASHER-THRUST						
C	10	1	144-8263	1	GEAR AS-IDLER (53-TEETH)						
	10A	1	140-9597	1	BEARING-SLEEVE						
	11	1	235-3546	1	SEAL-O-RING						
	12	1	235-3548	1	SEAL-O-RING						
	13	1	278-4287	1	ADAPTER AS-PUMP (OIL)						
	13A	1	127-5400	1	BEARING-SLEEVE						
	14	1	0S-1590	5	BOLT (3/8-16X2-IN)						
	15	1	0S-1594	2	BOLT (3/8-16X1-IN)						
	16	1	0T-0055	1	BOLT (3/8-16X4.25-IN)						
	17	1	3S-1307	12	BOLT-12 POINT HEAD (3/8-16X2-IN)						
	18	1	4B-3388	4	BOLT (5/16-18X1.125-IN)						
	19	1	5M-2894	6	WASHER-HARD (10.2X18.5X2.5-MM THK)						
	20	1	5P-8245	2	WASHER-HARD (13.5X25.5X3-MM THK)						
	21	1	6V-3348	1	SEAL-O-RING						
	22	1	9M-1974	4	WASHER-HARD (8.8X16X2-MM THK)						
	23	1	9X-8879	2	BOLT (1/2-13X5.5-IN)						
BC	24	1	6K-3771	12	BOLT-12 POINT HEAD (7/16-14X1.5-IN)						
	25	1	259-4598	1	SEAL-O-RING						

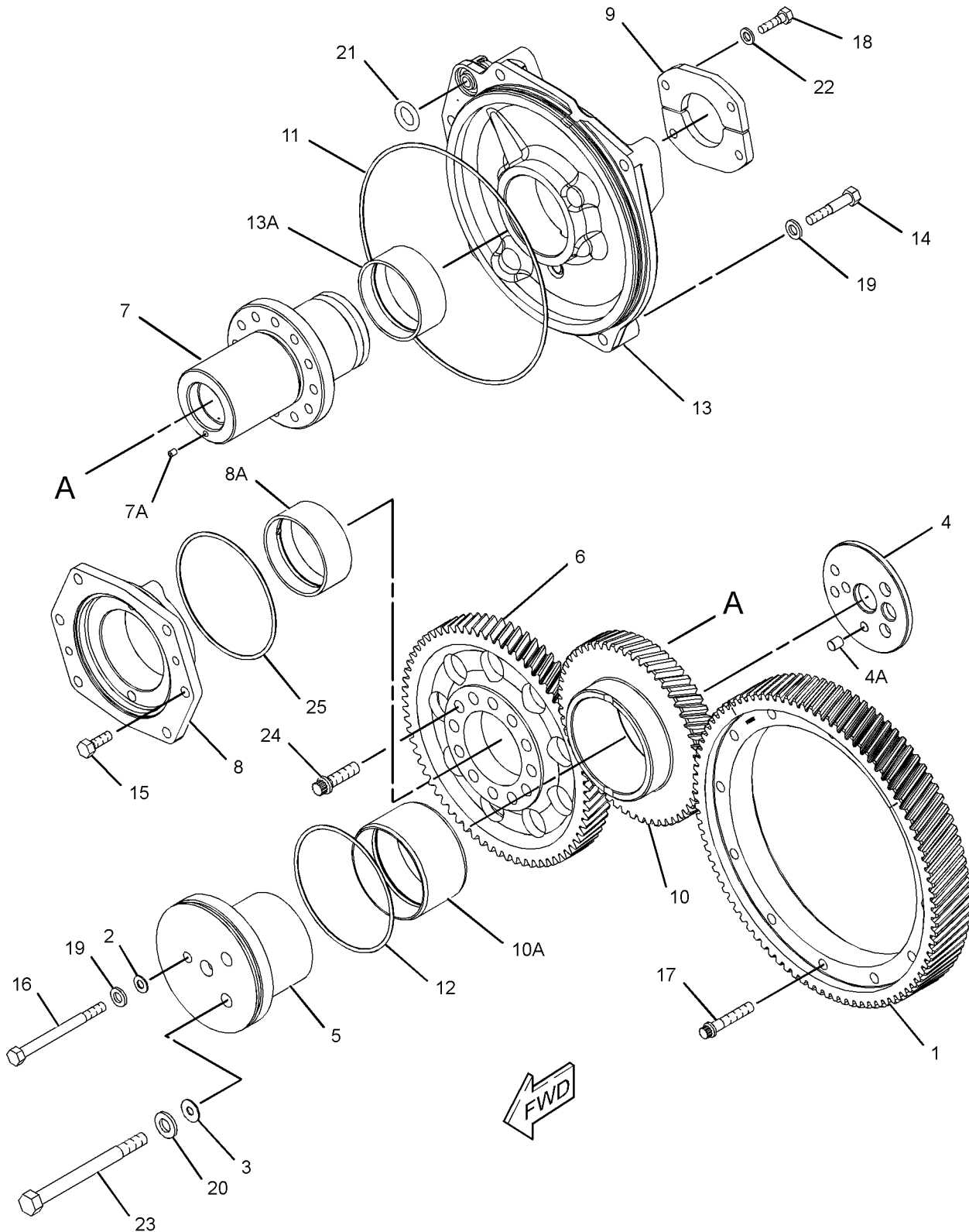
B-USE AS REQUIRED

C-CHANGE FROM PREVIOUS TYPE

BASIC ENGINE

8N-7174 GEAR GP-FRONT (contd.)

i03862772



GRAPHIC #1

<END>

g02106194

BASIC ENGINE

175-5203 GEAR GP-REAR

SMCS-1204

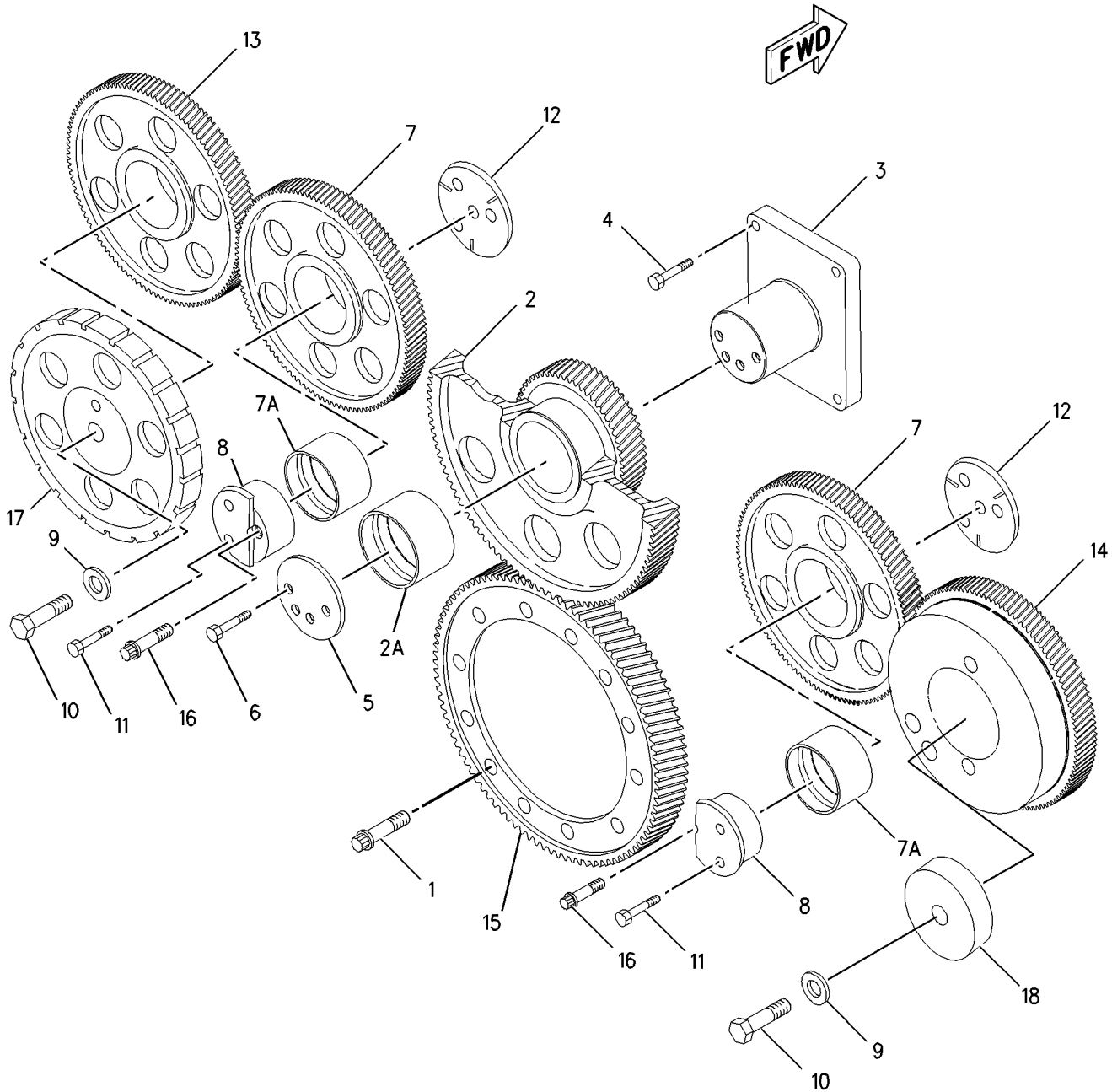
i02102985

NOTE	REF NO	GRAPHIC REF	PART NUMBER	QTY	PART NAME						SEE PAGE
					1	2	3	4	5	6 (PRODUCT LEVEL)	
	1	1	3S-1307	12	BOLT-12 POINT HEAD (3/8-16X2-IN)						
	2	1	175-5200	1	GEAR AS-IDLER (92, 35-TEETH)						
	2A	1	101-1372	1	BEARING-SLEEVE						
	3	1	101-1366	1	SHAFT-GEAR (CLUSTER)						
	4	1	8M-2530	4	BOLT-12 POINT HEAD (1/2-13X1.25-IN)						
	5	1	101-1365	1	PLATE-THRUST						
	6	1	0L-1351	4	BOLT (3/8-16X0.875-IN)						
	7	1	175-5197	2	GEAR AS-IDLER (69-TEETH)						
					(EACH INCLUDES)						
	7A	1	125-9751	1	BEARING-SLEEVE						
	8	1	101-1367	2	SHAFT-IDLER						
	9	1	5P-8248	2	WASHER-HARD (20X36.5X3.5-MM THK)						
	10	1	9X-8887	2	BOLT (3/4-10X3-IN)						
	11	1	1B-4367	4	BOLT (5/8-11X3-IN)						
	12	1	101-1368	2	WASHER-THRUST (19.50X106X1.9-MM THK)						
	13	1	175-5201	1	GEAR-CAMSHAFT (70-TEETH)						
	14	1	175-5202	1	GEAR-CAMSHAFT (70-TEETH)						
	15	1	101-1370	1	GEAR-CRANKSHAFT (92-TEETH)						
	16	1	8S-2331	2	BOLT-12 POINT HEAD (5/8-11X2-IN)						
	17	1	7E-5324	1	RING						
	18	1	4W-4586	1	PLATE						

BASIC ENGINE

175-5203 GEAR GP-REAR (contd.)

i02102985



GRAPHIC #1

<END>

g00663119

BASIC ENGINE

261-3132 GEAR GP-REAR-REVERSE ROTATION PART OF 271-5800 CONVERSION AR-CRANK ROTATION FOR USE WITH 3516 LONG STROKE AN ATTACHMENT

SMCS-1204

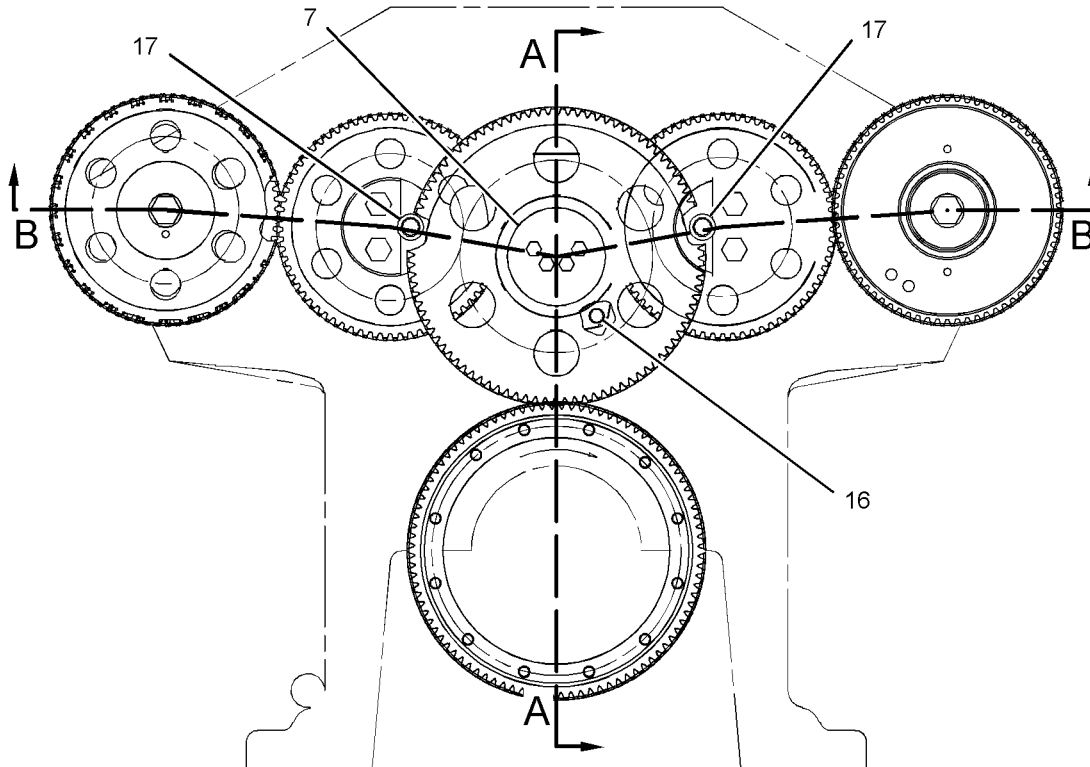
i02356748

NOTE	REF NO	GRAPHIC REF	PART NUMBER	QTY	PART NAME						SEE PAGE
					1	2	3	4	5	6 (PRODUCT LEVEL)	
	1	1	4W-4586	1	PLATE						
	2	1	101-1365	1	PLATE-THRUST						
	3	1	101-1366	1	SHAFT-GEAR (CLUSTER)						
	4	1	101-1367	2	SHAFT-IDLER						
	5	1	101-1368	2	WASHER-THRUST (19.5X106X1.9-MM THK)						
	6	1	113-4649	1	RING						
	7	1	261-3133	1	GEAR AS-IDLER (92/35-TEETH) (CLUSTER)						
		1	101-1372	1	BEARING-SLEEVE						
	8	1	261-3137	2	GEAR AS-IDLER (69-TEETH) (EACH INCLUDES)						
		1	125-9751	1	BEARING-SLEEVE						
	9	1	261-3139	1	GEAR AS-IDLER (69-TEETH)						
	10	1	261-3140	1	GEAR-CAMSHAFT (70-TEETH)						
	11	1	261-3141	1	GEAR-CRANKSHAFT (92-TEETH)						
	12	1	0L-1351	4	BOLT (3/8-16X0.875-IN)						
	13	1	1B-4367	4	BOLT (5/8-11X3-IN)						
	14	1	3S-1307	12	BOLT-12 POINT HEAD (3/8-16X2-IN)						
	15	1	5P-8248	2	WASHER-HARD (20X36.5X3.5-MM THK)						
	16	1	8M-2530	4	BOLT-12 POINT HEAD (1/2-13X1.25-IN)						
	17	1	8S-2331	2	BOLT-12 POINT HEAD (5/8-11X2-IN)						
	18	1	9X-8887	2	BOLT (3/4-10X3-IN)						

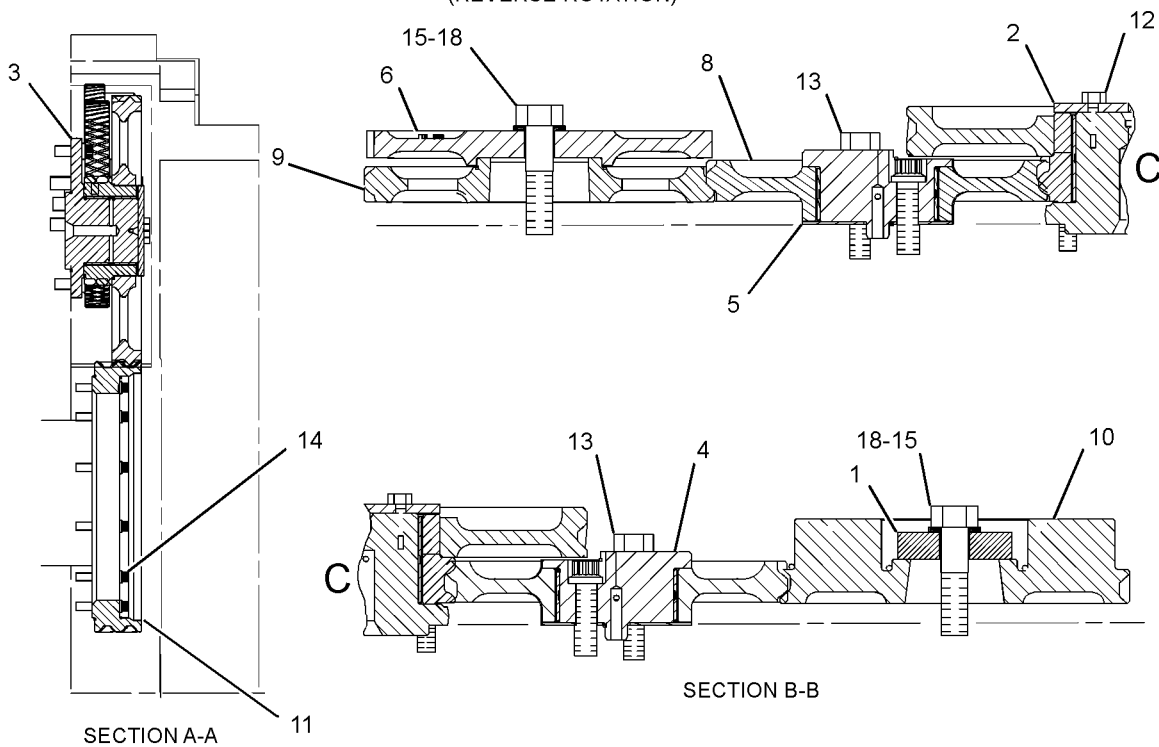
BASIC ENGINE

261-3132 GEAR GP-REAR (contd.)

i02356748



REAR VIEW
(REVERSE ROTATION)



GRAPHIC #1

<END>

g01177159

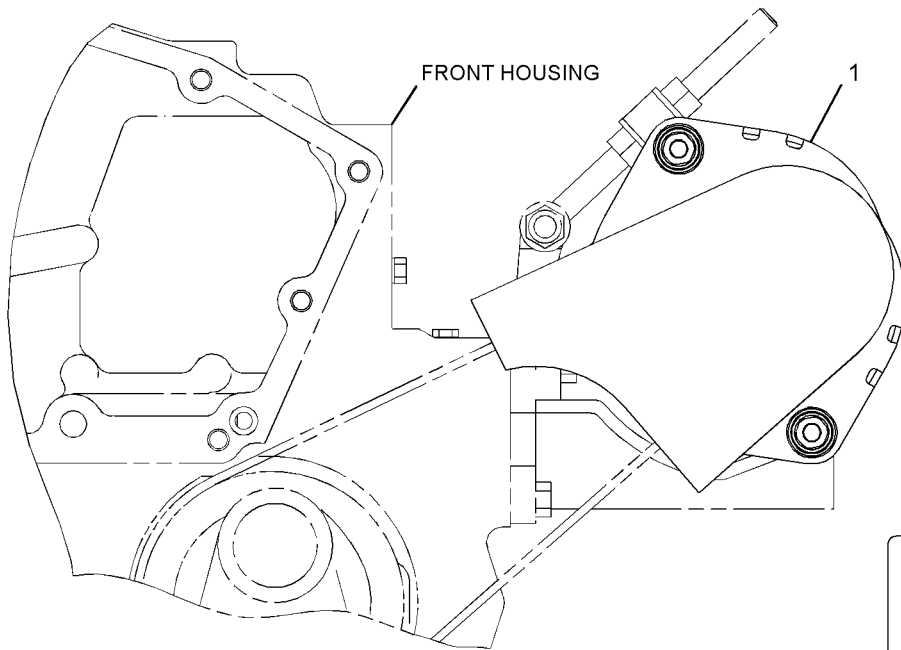
BASIC ENGINE

7W-5780 GUARD GP-BELT-ALTERNATOR AN ATTACHMENT

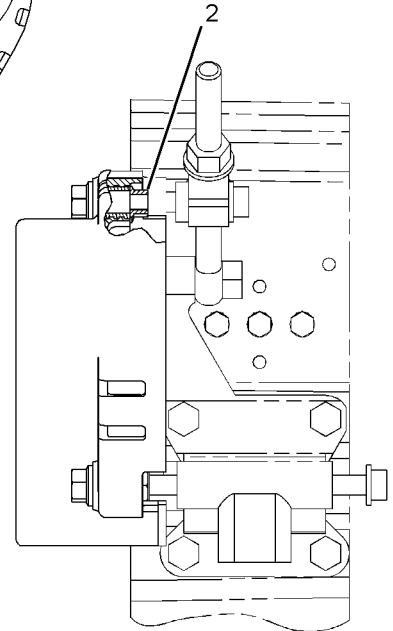
SMCS-7174

i03867210

NOTE	REF NO	GRAPHIC REF	PART NUMBER	QTY	PART NAME						SEE PAGE
					1	2	3	4	5	6 (PRODUCT LEVEL)	
	1	1	288-6174	1	GUARD AS-ALTERNATOR						
	2	1	235-1089	2	NUT-FLANGE (1/2-13-THD)						



REAR VIEW OF ENGINE



RIGHT SIDE VIEW OF ENGINE

GRAPHIC #1

<END>

g02118657

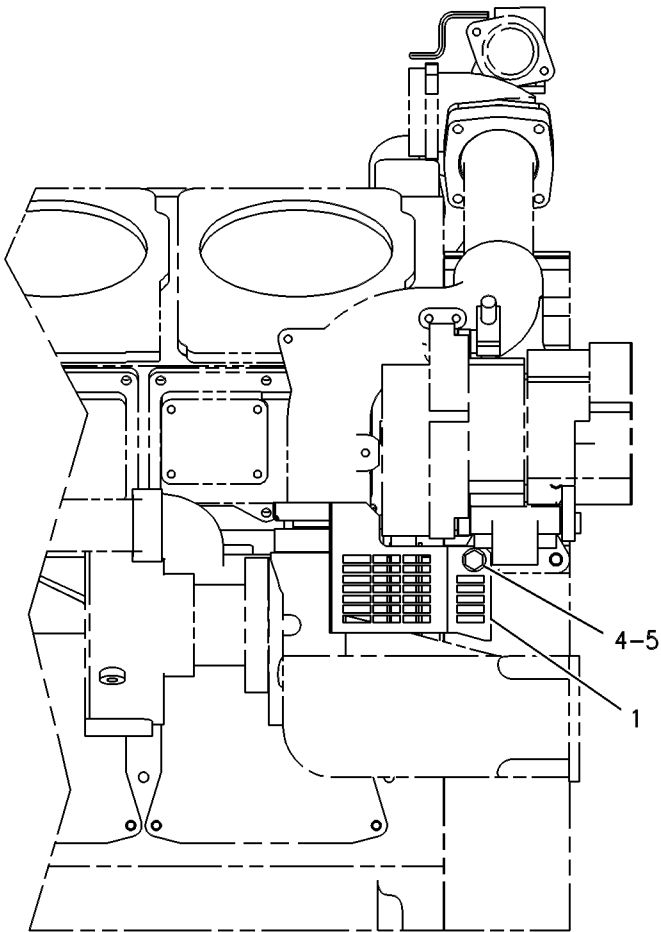
BASIC ENGINE

151-9228 GUARD GP-BELT-ALTERNATOR AN ATTACHMENT

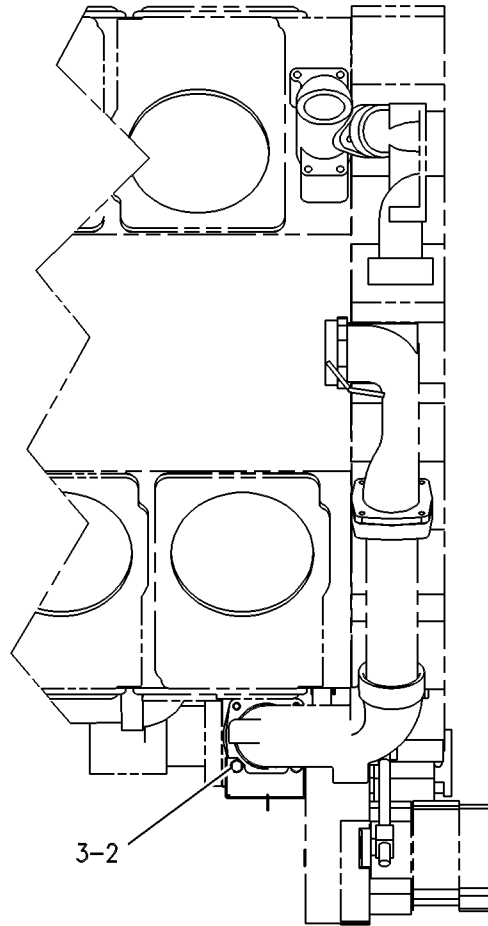
SMCS-7174

i01442458

NOTE	REF NO	GRAPHIC REF	PART NUMBER	QTY	PART NAME						SEE PAGE
					1	2	3	4	5	6 (PRODUCT LEVEL)	
	1	1	171-1359	1	GUARD AS-BELT						
	2	1	8T-2501	2	BOLT (3/8-16X2-IN)						
	3	1	8T-4896	2	WASHER-HARD (10.2X18.5X2.5-MM THK)						
	4	1	5P-2566	1	BOLT (1/2-13X1.5-IN)						
	5	1	8T-4223	1	WASHER-HARD (13.5X25.5X3-MM THK)						



RIGHT SIDE VIEW



TOP VIEW

GRAPHIC #1

<END>

g00333482

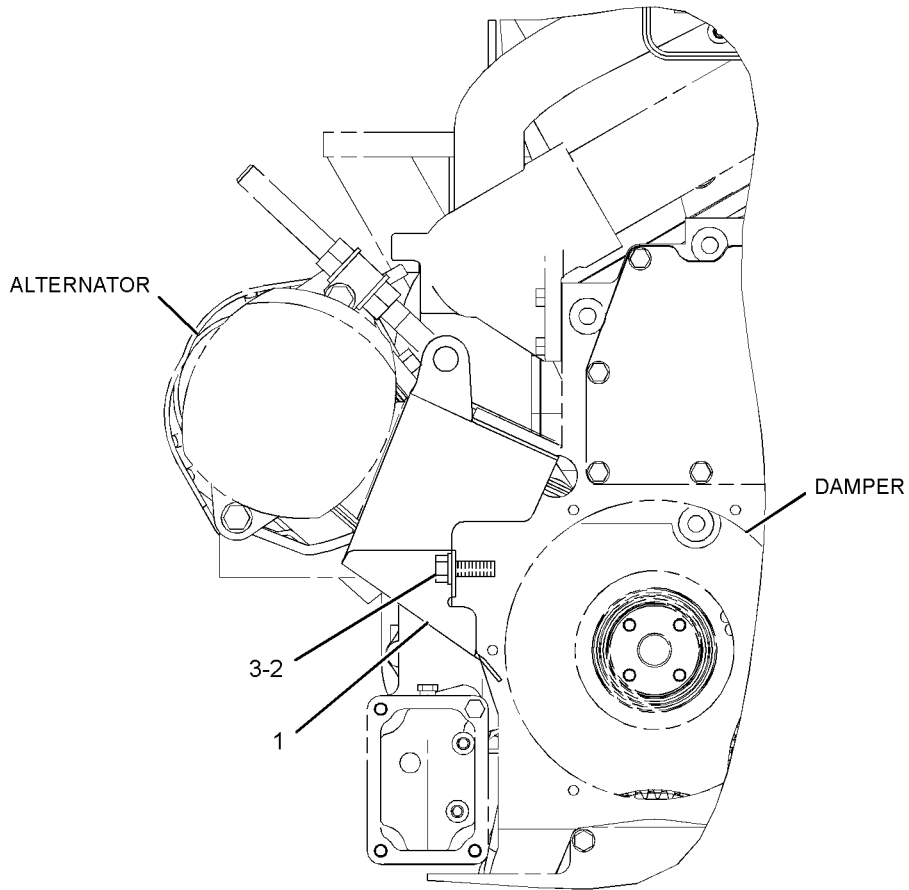
BASIC ENGINE

307-1569 GUARD GP-BELT-ALTERNATOR AN ATTACHMENT

SMCS-7174

i02680449

NOTE	REF NO	GRAPHIC REF	PART NUMBER	QTY	PART NAME						SEE PAGE
					1	2	3	4	5	6 (PRODUCT LEVEL)	
	1	1	302-7332	1	GUARD-ALTERNATOR						
	2	1	5P-2566	1	BOLT (1/2-13X1.5-IN)						
	3	1	8T-4223	1	WASHER-HARD (13.5X25.5X3-MM THK)						



FRONT VIEW OF ENGINE

<END>

GRAPHIC #1

g01346871

BASIC ENGINE

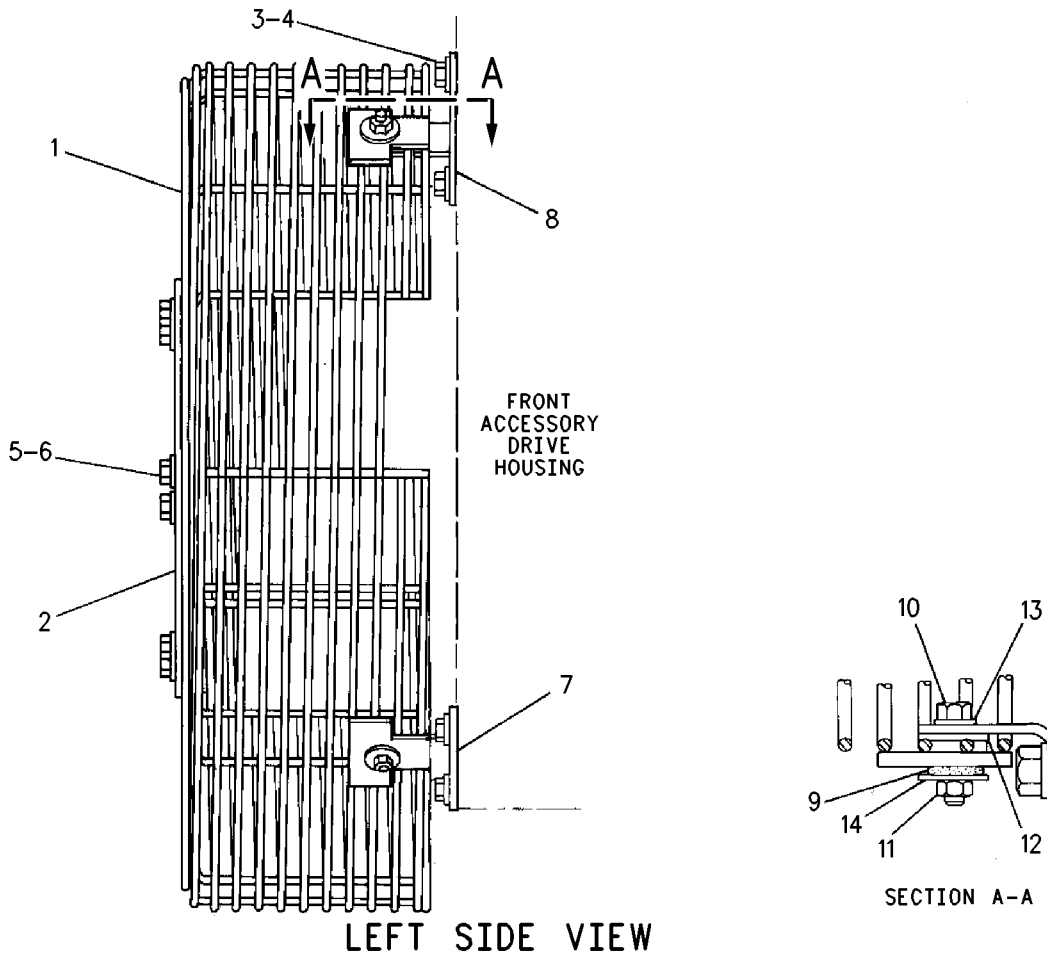
8N-9639 GUARD GP-DAMPER FOR USE WITH FRONT ACCESSORY DRIVE HOUSING AN ATTACHMENT

SMCS-1205

i03373021

NOTE	REF NO	GRAPHIC REF	PART NUMBER	QTY	PART NAME						SEE PAGE
					1	2	3	4	5	6 (PRODUCT LEVEL)	
	1	1	1W-4923	1	DAMPER & GUARD AS						
		1	1V-8638	6	NUT (3/8-16-THD)						
	2	1	8J-8919	1	COVER						
	3	1	0S-1621	8	BOLT (1/2-13X1-IN)						
	4	1	5P-8245	8	WASHER-HARD (13.5X25.5X3-MM THK)						
	5	1	030-8535	6	BOLT-LOCKING (3/8-16X0.875-IN)						
	6	1	5P-1075	6	WASHER-HARD (10.2X22.5X3-MM THK)						
C	7	1	7W-3031	2	BRACKET						
C	8	1	7W-3032	2	BRACKET						
C	9	1	1P-7115	4	GROMMET AS						
C	10	1	0S-1591	4	BOLT (3/8-16X1.5-IN)						
C	11	1	9S-8752	4	NUT-FULL (3/8-16-THD)						
C	12	1	3F-1417	4	WASHER (10.3X30.2X3-MM THK)						
C	13	1	5M-2894	4	WASHER-HARD (10.2X18.5X2.5-MM THK)						
C	14	1	9L-9132	4	WASHER (10.2X25.5X2.5-MM THK)						

C-CHANGE FROM PREVIOUS TYPE



GRAPHIC #1

<END>

g00908882

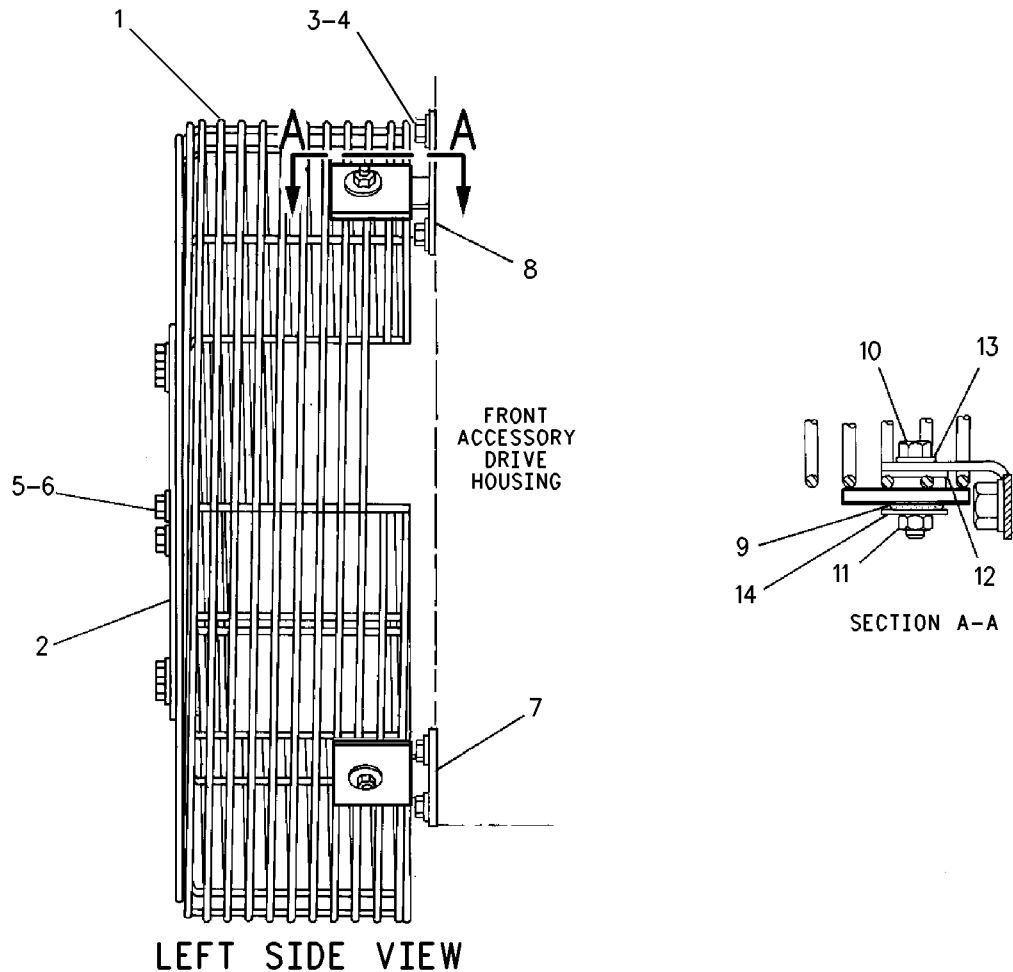
BASIC ENGINE

102-8616 GUARD GP-DAMPER FOR USE WITH FRONT TRUNNION ENGINE MOUNT AN ATTACHMENT TYPE 1

SMCS-1205

i02139074

NOTE	REF NO	GRAPHIC REF	PART NUMBER	QTY	PART NAME						SEE PAGE
					1	2	3	4	5	6 (PRODUCT LEVEL)	
	1	1	102-4169	1	GUARD AS-DAMPER						
		1	1V-8638	6	NUT (3/8-16 THD)						
	2	1	8J-8919	1	COVER						
	3	1	0S-1621	8	BOLT (1/2-13X1-IN)						
	4	1	5P-8245	8	WASHER-HARD (13.5X25.5X3-MM THK)						
	5	1	030-8535	6	BOLT-LOCKING (3/8-16X0.875-IN)						
	6	1	5P-1075	6	WASHER-HARD (10.2X22.5X3-MM THK)						
	7	1	7W-3031	2	BRACKET						
	8	1	7W-3032	2	BRACKET						
	9	1	1P-7115	4	GROMMET AS						
	10	1	0S-1591	4	BOLT (3/8-16X1.5-IN)						
	11	1	9S-8752	4	NUT-FULL (3/8-16-THD)						
	12	1	3F-1417	4	WASHER (10.3X30.2X3-MM THK)						
	13	1	5M-2894	4	WASHER-HARD (10.2X18.5X2.5-MM THK)						
	14	1	9L-9132	4	WASHER (10.2X25.5X2.5-MM THK)						



GRAPHIC #1

<END>

g00927945

BASIC ENGINE

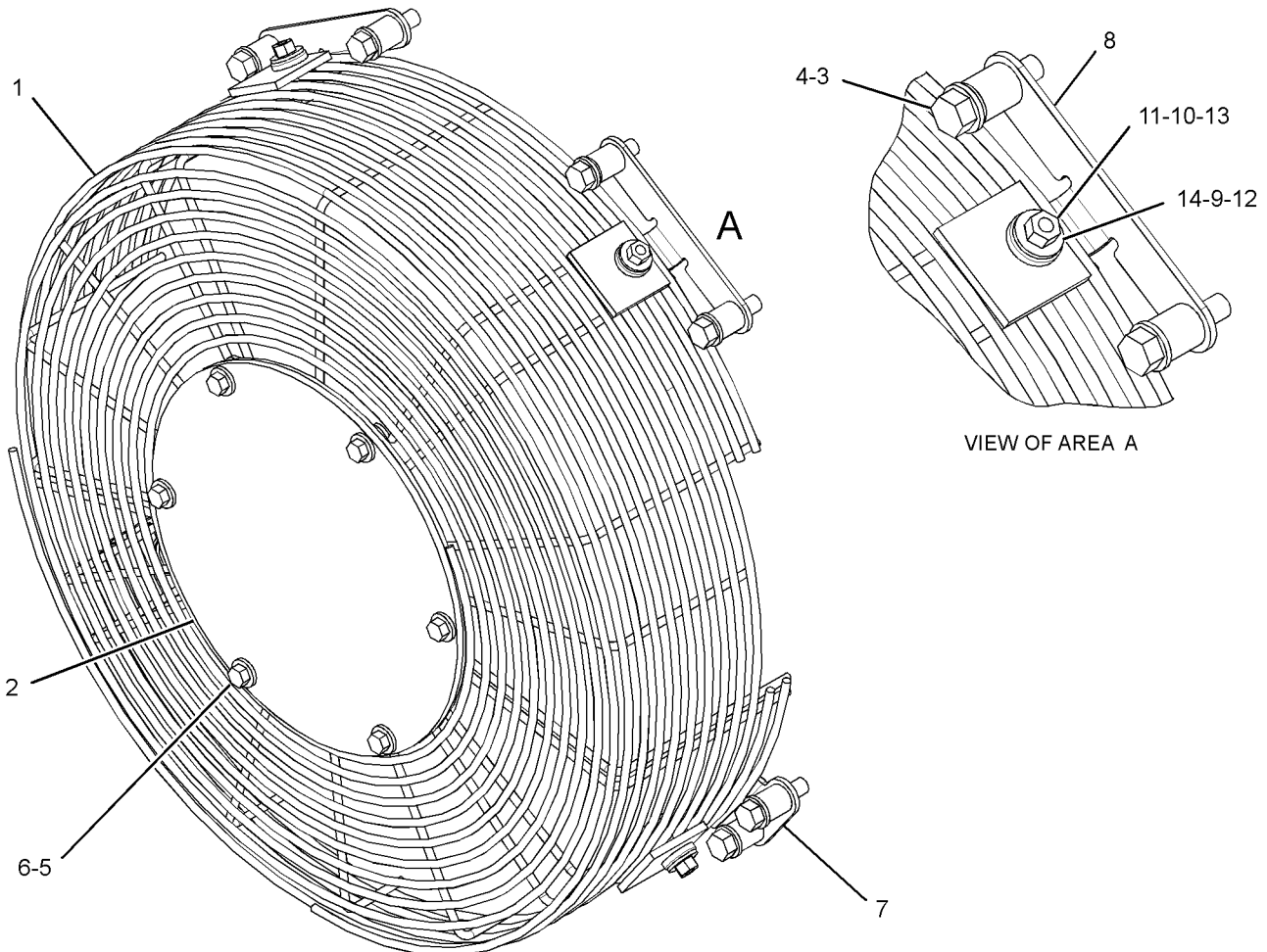
102-8616 GUARD GP-DAMPER FOR USE WITH FRONT TRUNNION ENGINE MOUNT AN ATTACHMENT TYPE 2

SMCS-1205

i03758114

NOTE	REF NO	GRAPHIC REF	PART NUMBER	QTY	PART NAME						SEE PAGE
					1	2	3	4	5	6 (PRODUCT LEVEL)	
	1	1	102-4169	1	GUARD AS-DAMPER						
		1	1V-8638	6	NUT (3/8-16-THD)						
	2	1	8J-8919	1	COVER						
C	3	1	351-2245	8	BOLT-SPECIAL (1/2-13X2-IN)						
	4	1	5P-8245	8	WASHER-HARD (13.5X25.5X3-MM THK)						
	5	1	030-8535	6	BOLT-LOCKING (3/8-16X0.875-IN)						
	6	1	5P-1075	6	WASHER-HARD (10.2X22.5X3-MM THK)						
C	7	1	351-9005	2	BRACKET AS						
C	8	1	351-9004	2	BRACKET AS						
	9	1	1P-7115	4	GROMMET AS						
	10	1	0S-1591	4	BOLT (3/8-16X1.5-IN)						
	11	1	9S-8752	4	NUT-FULL (3/8-16-THD)						
	12	1	3F-1417	4	WASHER (10.3X30.2X3-MM THK)						
	13	1	5M-2894	4	WASHER-HARD (10.2X18.5X2.5-MM THK)						
	14	1	9L-9132	4	WASHER (10.2X25.5X2.5-MM THK)						

C-CHANGE FROM PREVIOUS TYPE



GRAPHIC #1

<END>

g02045538

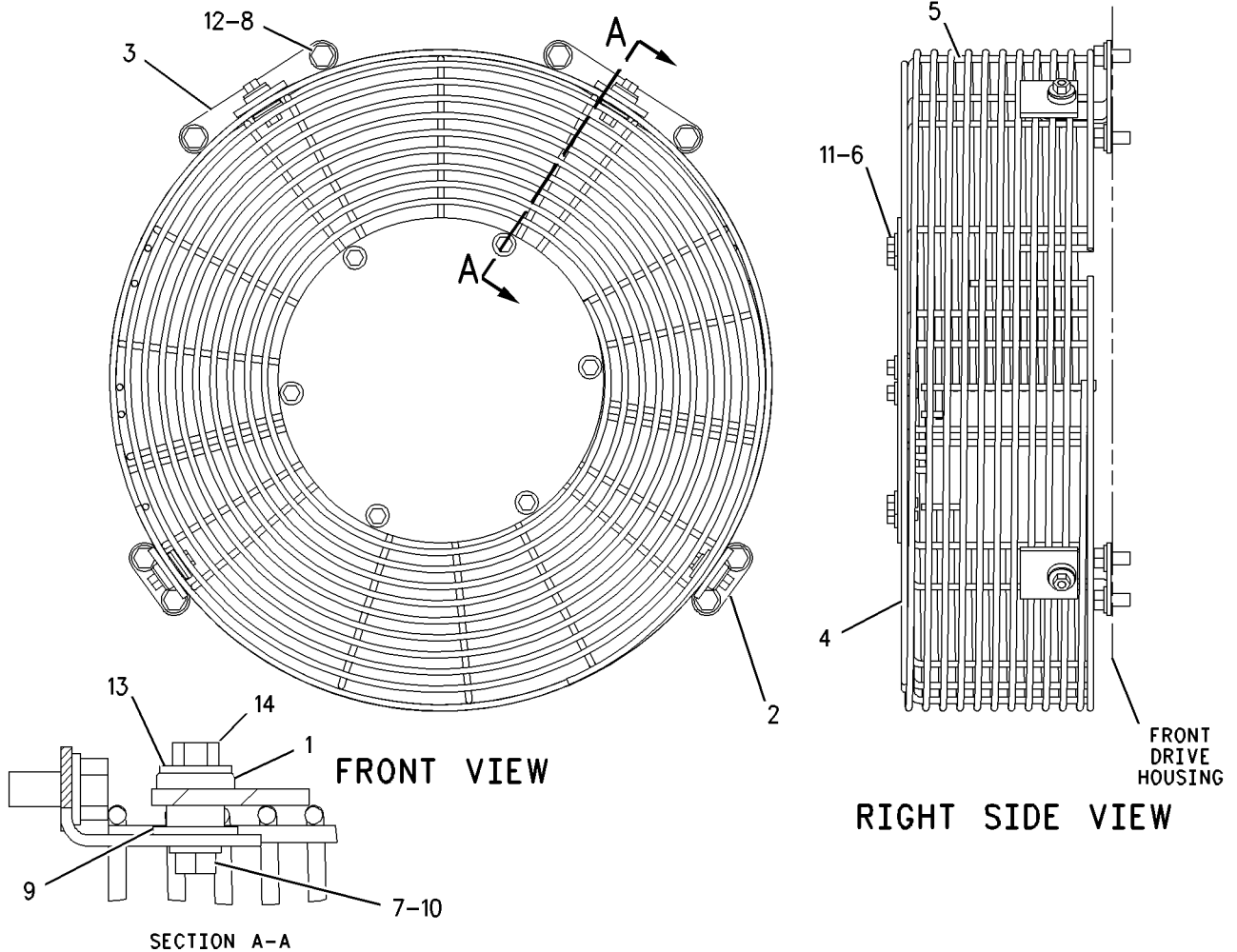
BASIC ENGINE

197-9052 GUARD GP-DAMPER AN ATTACHMENT

SMCS-1205

i01729175

NOTE	REF NO	GRAPHIC REF	PART NUMBER	QTY	PART NAME						SEE PAGE
					1	2	3	4	5	6 (PRODUCT LEVEL)	
	1	1	1P-7115	4	GROMMET AS						
	2	1	7W-3031	2	BRACKET						
	3	1	7W-3032	2	BRACKET						
	4	1	8J-8919	1	COVER						
	5	1	197-9051	1	GUARD AS-DAMPER						
		1	1V-8638		NUT (3/8-16 THD)						
	6	1	030-8535	6	BOLT-LOCKING (3/8-16X0.875-IN)						
	7	1	0S-1591	4	BOLT (3/8-16X1.5-IN)						
	8	1	0S-1621	8	BOLT (1/2-13X1-IN)						
	9	1	3F-1417	4	WASHER (10.3X30.2X3-MM THK)						
	10	1	5M-2894	4	WASHER-HARD (10.2X18.5X2.5-MM THK)						
	11	1	5P-1075	6	WASHER-HARD (10.2X22.5X3-MM THK)						
	12	1	5P-8245	8	WASHER-HARD (13.5X25.5X3-MM THK)						
	13	1	9L-9132	4	WASHER (10.2X25.5X2.5-MM THK)						
	14	1	9S-8752	4	NUT-FULL (3/8-16-THD)						



GRAPHIC #1

<END>

g00888034

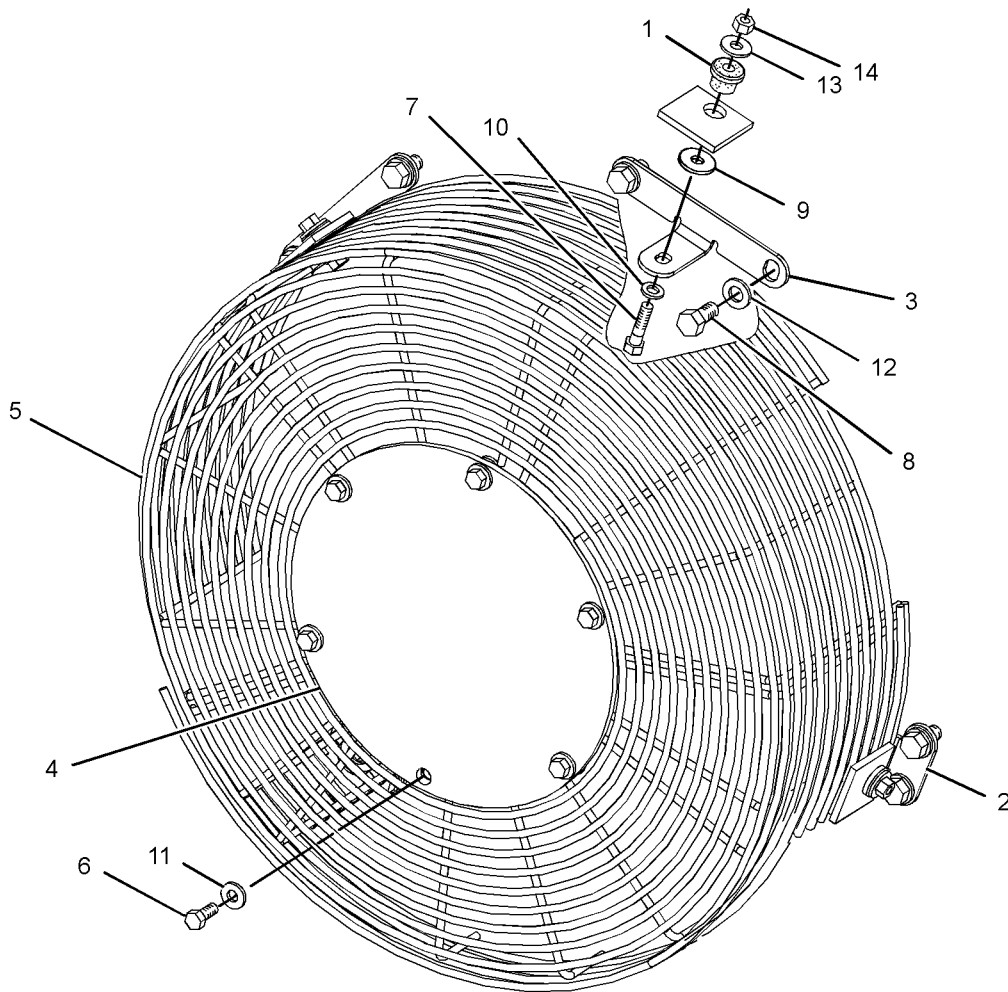
BASIC ENGINE

310-7976 GUARD GP-DAMPER AN ATTACHMENT

SMCS-1205

i02726312

NOTE	REF NO	GRAPHIC REF	PART NUMBER	QTY	PART NAME						SEE PAGE
					1	2	3	4	5	6 (PRODUCT LEVEL)	
	1	1	1P-7115	4	GROMMET AS						
	2	1	7W-3031	2	BRACKET						
	3	1	7W-3032	2	BRACKET						
	4	1	8J-8919	1	COVER						
	5	1	310-7977	1	GUARD AS-DAMPER						
		1	1V-8638	6	NUT (3/8-16-THD)						
	6	1	030-8535	6	BOLT-LOCKING (3/8-16X0.875-IN)						
	7	1	0S-1591	4	BOLT (3/8-16X1.5-IN)						
	8	1	0S-1621	8	BOLT (1/2-13X1-IN)						
	9	1	3F-1417	4	WASHER (10.3X30.2X3-MM THK)						
	10	1	5M-2894	4	WASHER-HARD (10.2X18.5X2.5-MM THK)						
	11	1	5P-1075	6	WASHER-HARD (10.2X22.5X3-MM THK)						
	12	1	5P-8245	8	WASHER-HARD (13.5X25.5X3-MM THK)						
	13	1	9L-9132	4	WASHER (10.2X25.5X2.5-MM THK)						
	14	1	9S-8752	4	NUT-FULL (3/8-16-THD)						



GRAPHIC #1

<END>

g01369140

BASIC ENGINE

101-1269 HOUSING GP-FLYWHEEL

FOR USE WITH SAE 00 FLYWHEEL

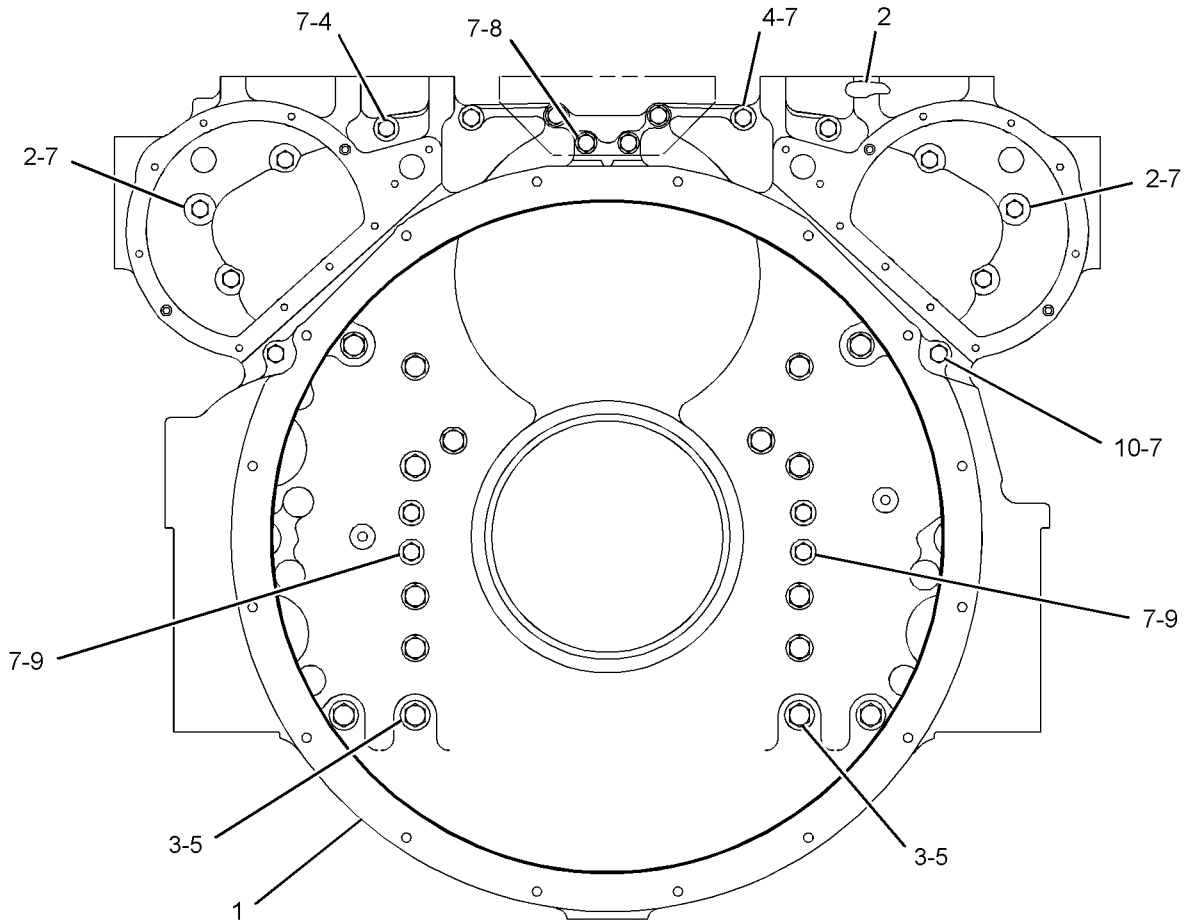
SMCS-1157

i02664728

NOTE	REF NO	GRAPHIC REF	PART NUMBER	QTY	PART NAME						SEE PAGE
					1	2	3	4	5	6 (PRODUCT LEVEL)	
C	1	1	222-9921	1	HOUSING-FLYWHEEL						
	2	1	9X-8873	6	BOLT (1/2-13X2.25-IN)						
	3	1	5P-8247	16	WASHER-HARD (17X32X3.5-MM THK)						
	4	1	9X-8875	4	BOLT (1/2-13X3.5-IN)						
	5	1	1D-4590	16	BOLT (5/8-11X4.75-IN)						
B	7	1	5P-8245	18	WASHER-HARD (13.5X25.5X3-MM THK)						
B	8	1	6M-9613	2	BOLT (1/2-13X9-IN)						
	9	1	8S-9089	4	BOLT (1/2-13X4.5-IN)						
	10	1	9S-1374	2	BOLT (1/2-13X8-IN)						

B-USE AS REQUIRED

C-CHANGE FROM PREVIOUS TYPE



REAR VIEW

<END>

GRAPHIC #1

g01344496

BASIC ENGINE

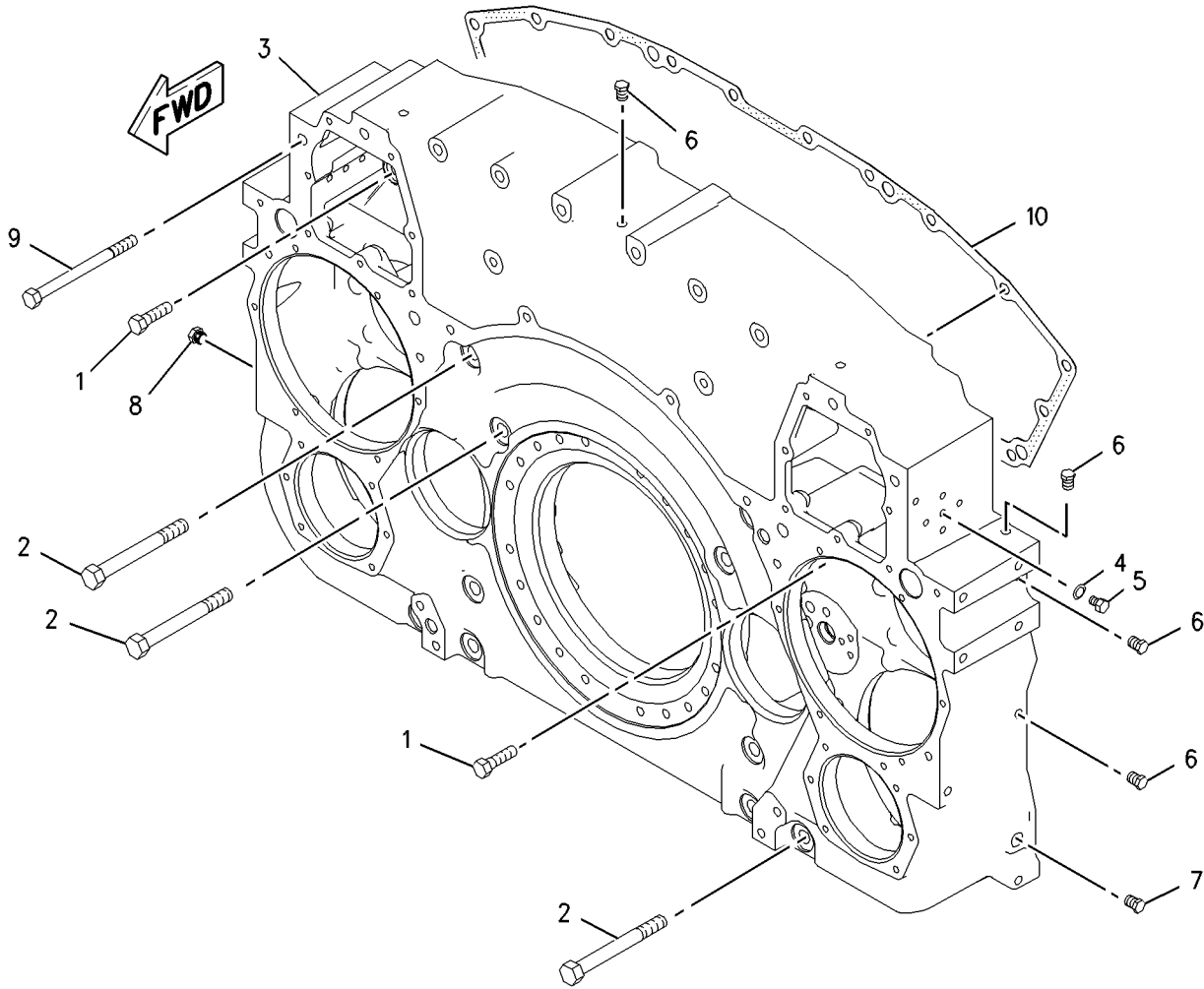
4P-5426 HOUSING GP-FRONT-ACCESSORY DRIVE

SMCS-1151, 1162, 1206

i02809441

NOTE	REF NO	GRAPHIC REF	PART NUMBER	QTY	PART NAME						SEE PAGE
					1	2	3	4	5	6 (PRODUCT LEVEL)	
	1	1	0S-1587	4	BOLT (1/2-13X1.75-IN)						
	2	1	1D-4593	10	BOLT (5/8-11X5.5-IN)						
	3	1	102-8634	1	HOUSING-ACCESSORY DRIVE						
	4	1	1B-4218	6	WASHER (0.39X0.625X0.064-IN THK)						
	5	1	2A-5220	6	PLUG						
B	6	1	8T-6765	7	PLUG-PIPE						
	7	1	8T-6762	1	PLUG-PIPE						
	8	1	8T-6758	1	PLUG-PIPE						
	9	1	9H-8260	4	BOLT (1/2-13X6.25-IN)						
	10	1	7N-3049	1	GASKET						

B-USE AS REQUIRED



GRAPHIC #1

<END>

g00995169

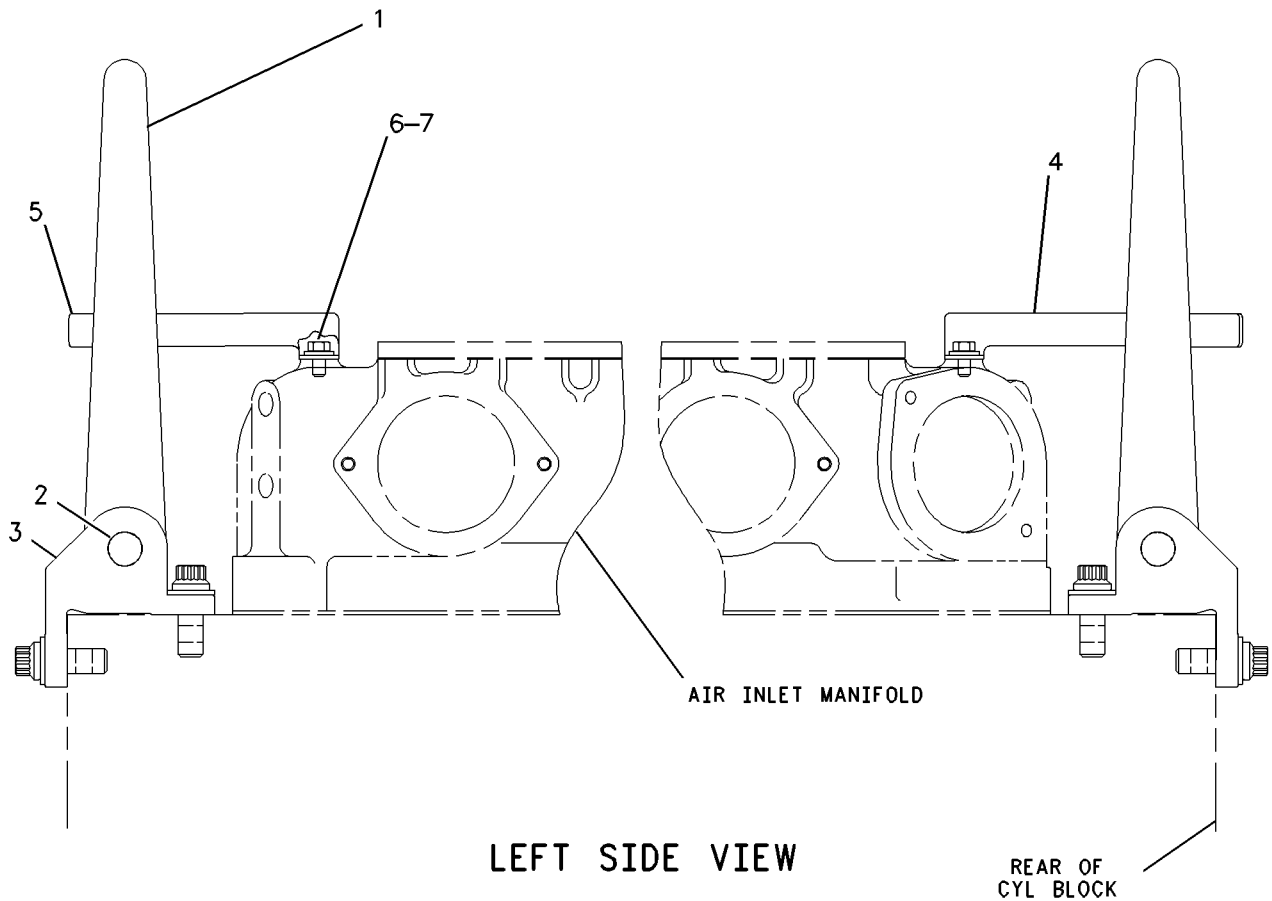
BASIC ENGINE

7E-6872 LIFTING GP-ENGINE

SMCS-1122

i02900513

NOTE	REF NO	GRAPHIC REF	PART NUMBER	QTY	PART NAME						SEE PAGE
					1	2	3	4	5	6 (PRODUCT LEVEL)	
	1	1	7N-2326	2	EYE-LIFTING						
	2	1	7N-2328	4	DOWEL						
	3	1	155-0726	2	BRACKET AS						
					(EACH INCLUDES)						
		1	5P-8248	4	WASHER-HARD (20X36.5X3.5-MM THK)						
		1	5P-8291	2	BOLT (3/4-16X2-IN)						
		1	6V-9995	2	BOLT-12 POINT HEAD (3/4-16X2.5-IN)						
	4	1	193-3286	1	RETAINER-EYE (REAR)						
	5	1	4P-4642	1	RETAINER-EYE (FRONT)						
	6	1	OS-0509	4	BOLT (3/8-16X0.75-IN)						
	7	1	5P-1075	4	WASHER-HARD (10.2X22.5X3-MM THK)						



GRAPHIC #1

<END>

g00799817

BASIC ENGINE

7E-4836 MOUNTING GP-ALTERNATOR

S/N: TTH1-201
AN ATTACHMENT

SMCS-1154, 1405

i03628504

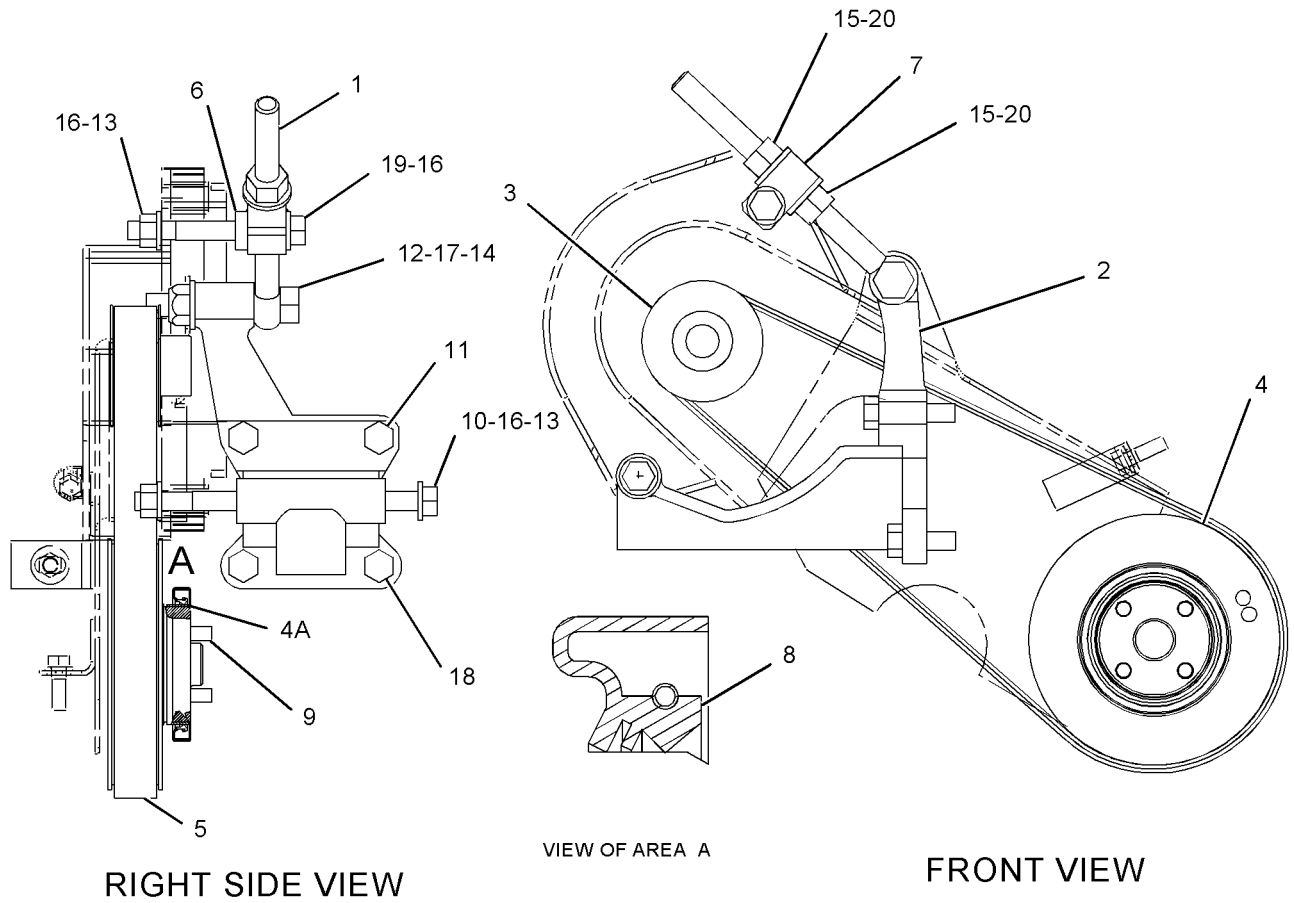
NOTE	REF NO	GRAPHIC REF	PART NUMBER	QTY	PART NAME						SEE PAGE
					1	2	3	4	5	6 (PRODUCT LEVEL)	
C	1	1	252-6498	1	ROD						
	2	1	4P-5211	1	SUPPORT-ALTERNATOR						
	3	1	7E-4839	1	PULLEY (8-GROOVE)						
	4	1	7E-4838	1	PULLEY (8-GROOVE)						
	4A	1	053-5065	1	SLEEVE						
	5	1	141-7116	1	BELT-SERPENTINE (ALTERNATOR)						
	6	1	7N-2597	1	SPACER (13.5X25.4X8.08-MM THK)						
C	7	1	252-6464	1	BLOCK						
	8	1	235-2484	1	SEAL-LIP TYPE						
	9	1	0S-1571	4	BOLT (3/8-16X1.75-IN)						
	10	1	1A-0168	1	BOLT (1/2-13X7.5-IN)						
	11	1	1A-1460	2	BOLT (1/2-13X2-IN)						
	12	1	1D-4586	1	BOLT (5/8-11X3.5-IN)						
	13	1	1F-7958	2	NUT-FULL (1/2-13-THD)						
	14	1	3K-2889	1	LOCKNUT (5/8-11-THD)						
C	15	1	2J-3506	2	NUT-FULL (3/4-10-THD)						
	16	1	5P-8245	4	WASHER-HARD (13.5X25.5X3-MM THK)						
C	17	1	5P-8247	1	WASHER-HARD (17X32X3.5-MM THK)						
	18	1	7B-3235	2	BOLT (1/2-13X1.375-IN)						
	19	1	7D-9766	1	BOLT (1/2-13X4.25-IN)						
C	20	1	5P-8248	2	WASHER-HARD (20X36.5X3.5-MM THK)						

C-CHANGE FROM PREVIOUS TYPE

BASIC ENGINE

7E-4836 MOUNTING GP-ALTERNATOR (contd.)

i03628504



RIGHT SIDE VIEW

VIEW OF AREA A

FRONT VIEW

GRAPHIC #1

<END>

g01109005

BASIC ENGINE

7E-4836 MOUNTING GP-ALTERNATOR

S/N: TTH202-UP
AN ATTACHMENT

SMCS-1154, 1405

i03878727

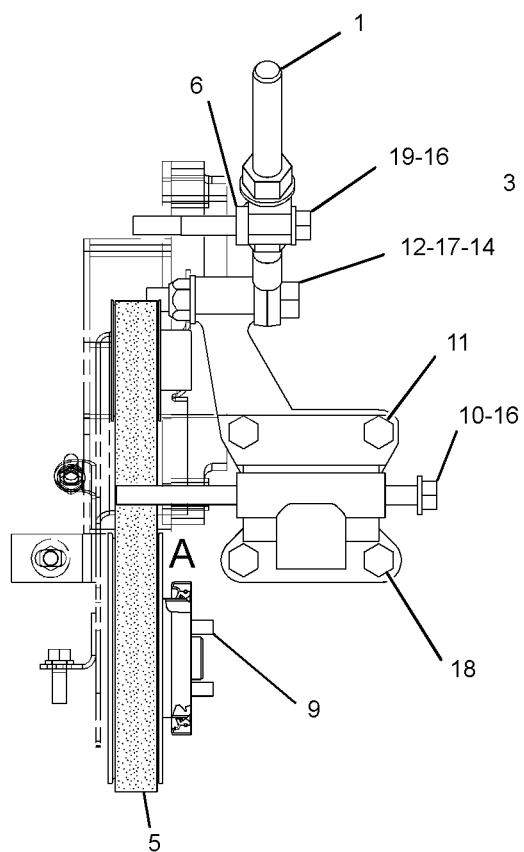
NOTE	REF NO	GRAPHIC REF	PART NUMBER	QTY	PART NAME						SEE PAGE
					1	2	3	4	5	6 (PRODUCT LEVEL)	
	1	1	252-6498	1	ROD						
	2	1	4P-5211	1	SUPPORT-ALTERNATOR						
	3	1	7E-4839	1	PULLEY (8-GROOVE)						
C	4	1	300-8570	1	PULLEY AS						
		1	300-8567	1	SLEEVE						
		1	300-8569	1	PULLEY (8-GROOVE)						
	5	1	141-7116	1	BELT-SERPENTINE (ALTERNATOR)						
	6	1	7N-2597	1	SPACER (13.5X25.4X8.08-MM THK)						
	7	1	252-6464	1	BLOCK						
	8	1	235-2484	1	SEAL-LIP TYPE						
C	9	1	0S-1590	4	BOLT (3/8-16X2-IN)						
	10	1	6V-6633	1	BOLT (1/2-13X8-IN)						
	11	1	1A-1460	2	BOLT (1/2-13X2-IN)						
	12	1	1D-4586	1	BOLT (5/8-11X3.5-IN)						
	14	1	3K-2889	1	LOCKNUT (5/8-11-THD)						
	15	1	2J-3506	2	NUT-FULL (3/4-10-THD)						
	16	1	5P-8245	2	WASHER-HARD (13.5X25.5X3-MM THK)						
	17	1	5P-8247	1	WASHER-HARD (17X32X3.5-MM THK)						
	18	1	7B-3235	2	BOLT (1/2-13X1.375-IN)						
	19	1	7D-9766	1	BOLT (1/2-13X4.25-IN)						
	20	1	5P-8248	2	WASHER-HARD (20X36.5X3.5-MM THK)						

C-CHANGE FROM PREVIOUS TYPE

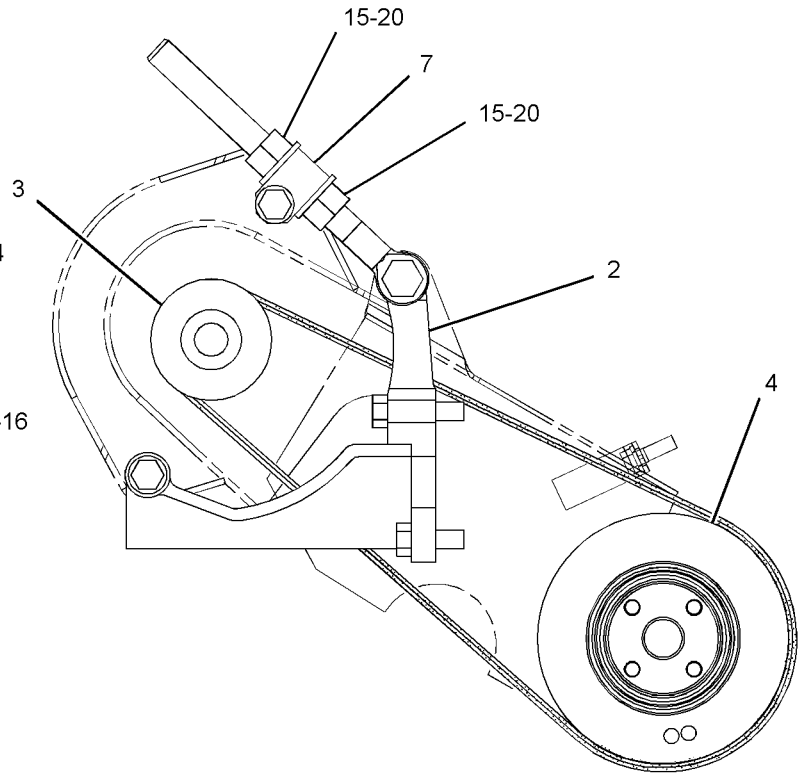
BASIC ENGINE

7E-4836 MOUNTING GP-ALTERNATOR (contd.)

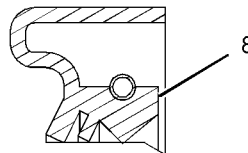
i03878727



RIGHT SIDE VIEW OF ENGINE



FRONT VIEW OF ENGINE



VIEW OF AREA A

GRAPHIC #1

<END>

g02112357

BASIC ENGINE

2W-3037 MOUNTING GP-SOUND ISOLATION

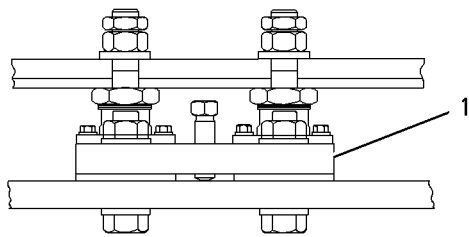
FOR USE WITH MARINE ENGINES WITH ENGINE LENGTH RAILS
AN ATTACHMENT

SMCS-1152, 1801

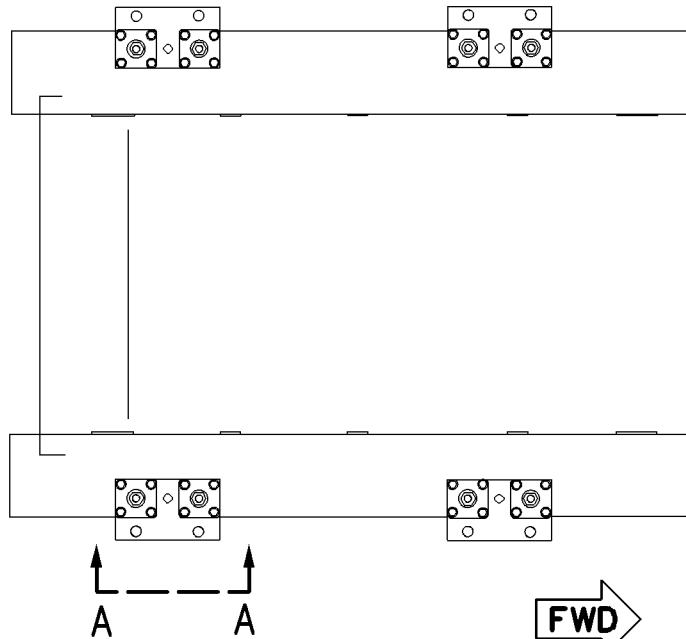
i01909702

NOTE	REF NO	GRAPHIC REF	PART NUMBER	QTY	PART NAME						SEE PAGE
					1	2	3	4	5	6 (PRODUCT LEVEL)	
Y	1	1	5N-1900	1	MOUNTING GP-SOUND ISOLATION						91

Y-SEPARATE ILLUSTRATION



VIEW A-A



TOP VIEW

GRAPHIC #1

<END>

g00995988

BASIC ENGINE

5N-1900 MOUNTING GP-SOUND ISOLATION

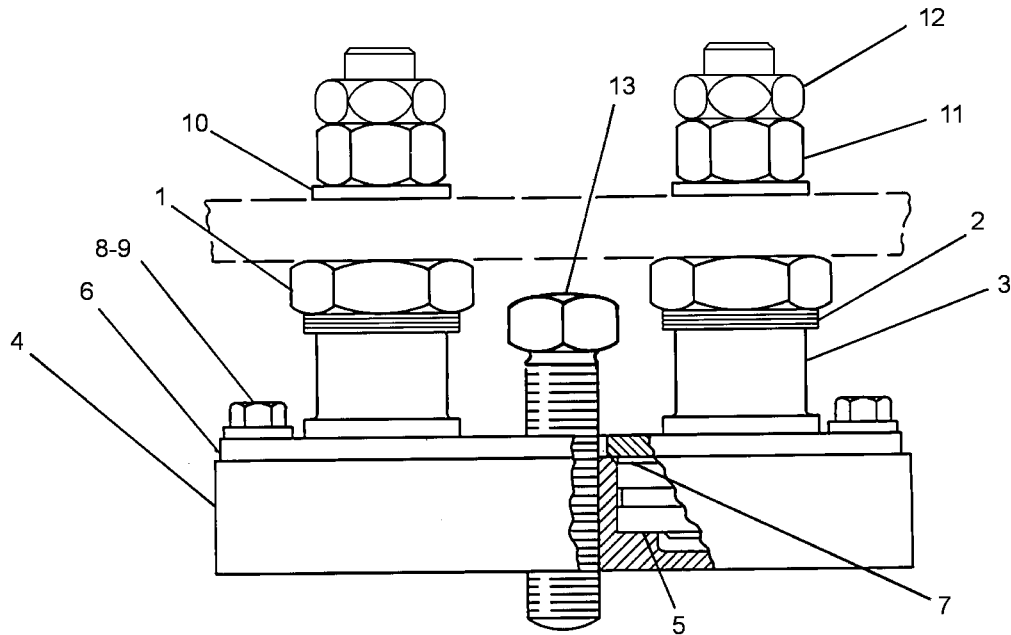
PART OF 2W-3037 MOUNTING GP-SOUND ISOLATION
AN ATTACHMENT

SMCS-1152, 1801

i02866109

NOTE	REF NO	GRAPHIC REF	PART NUMBER	QTY	PART NAME						SEE PAGE
					1	2	3	4	5	6 (PRODUCT LEVEL)	
	1	1	5N-1901	2	FASTENER						
B	2	1	5N-1902	2	SHIM (4.98-MM THK)						
	3	1	5N-1903	2	SPOOL						
	4	1	5N-1904	1	BASE						
	5	1	5N-1905	4	WASHER-ISOLATOR						
	6	1	5N-1906	2	FLANGE						
B	7	1	5N-1907	18	SHIM (0.25-MM THK)						
	8	1	OS-1594	8	BOLT (3/8-16X1-IN)						
	9	1	5M-2894	8	WASHER-HARD (10.2X18.5X2.5-MM THK)						
	10	1	2J-3507	2	WASHER (28X49X5-MM THK)						
	11	1	2J-3507	2	NUT-FULL (1-8-THD)						
	12	1	1D-6306	2	NUT (1-8-THD)						
	13	1	2H-3893	1	SETScrew-SQUARE HEAD						

B-USE AS REQUIRED



GRAPHIC #1

<END>

g01427792

BASIC ENGINE

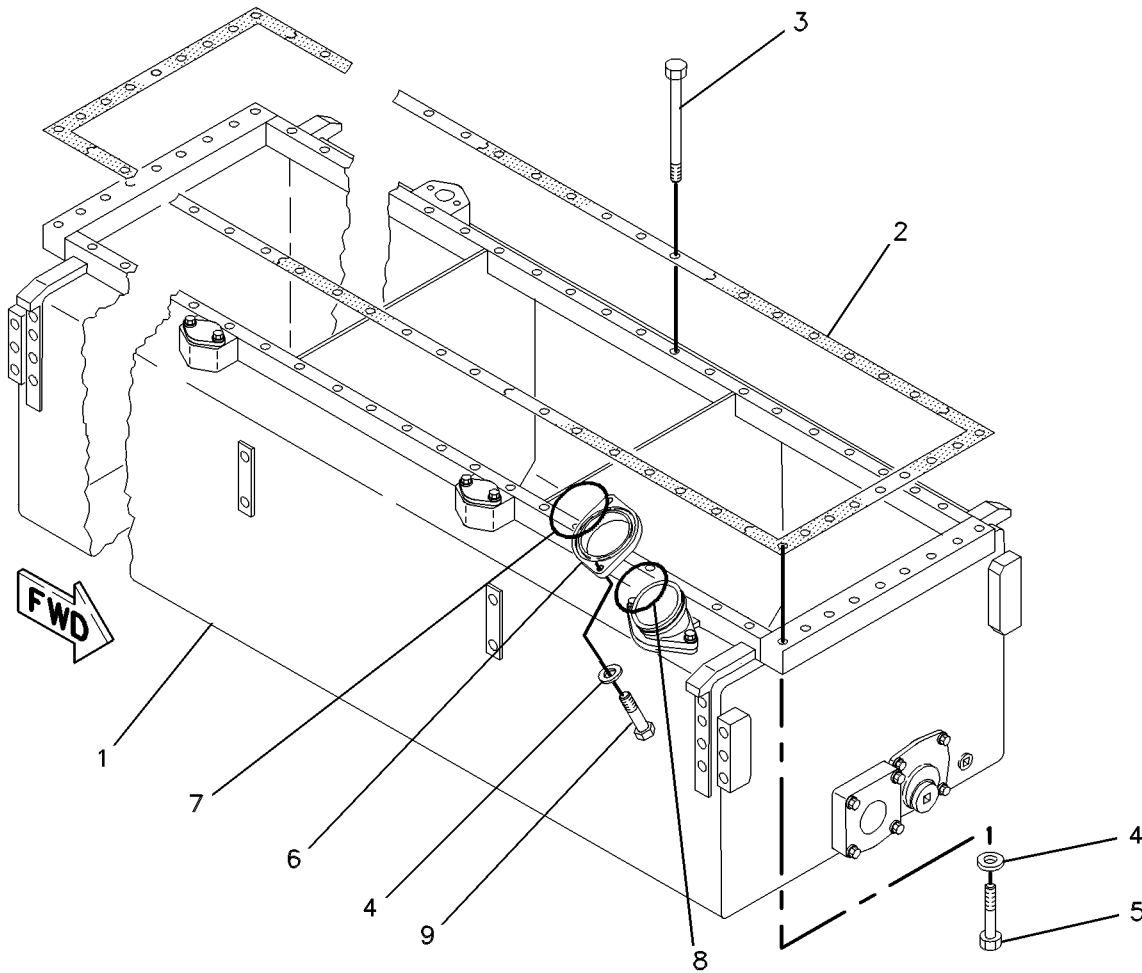
7C-7178 PAN GP-OIL-DEEP SUMP

SMCS-1302

i02357235

NOTE	REF NO	GRAPHIC REF	PART NUMBER	QTY	PART NAME						SEE PAGE
					1	2	3	4	5	6 (PRODUCT LEVEL)	
Y	1	1	9Y-3085	1	PAN GP-OIL (DEEP SUMP)						98
	2	1	7E-2632	1	GASKET-OIL PAN						
	3	1	0T-0065	50	BOLT (3/8-16X3.5-IN)						
	4	1	5M-2894	20	WASHER-HARD (10.2X18.5X2.5-MM THK)						
	5	1	0L-2070	18	BOLT (3/8-16X2.25-IN)						
	6	1	7W-0129	1	FLANGE						
	7	1	6V-5101	1	SEAL-O-RING						
	8	1	3P-0654	1	SEAL-O-RING						
	9	1	0S-1588	2	BOLT (3/8-16X1.25-IN)						

Y-SEPARATE ILLUSTRATION



GRAPHIC #1

<END>

g00618459

BASIC ENGINE

8N-7236 PAN GP-OIL-REAR SUMP

S/N: TTH1-205

AN ATTACHMENT

SMCS-1302

i02741433

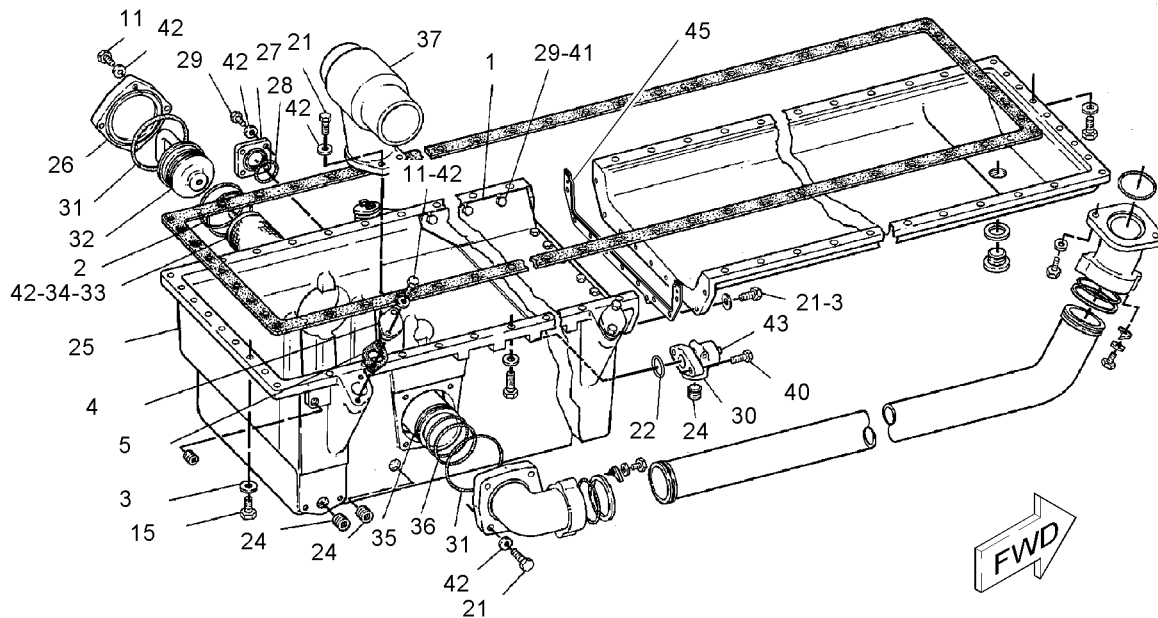
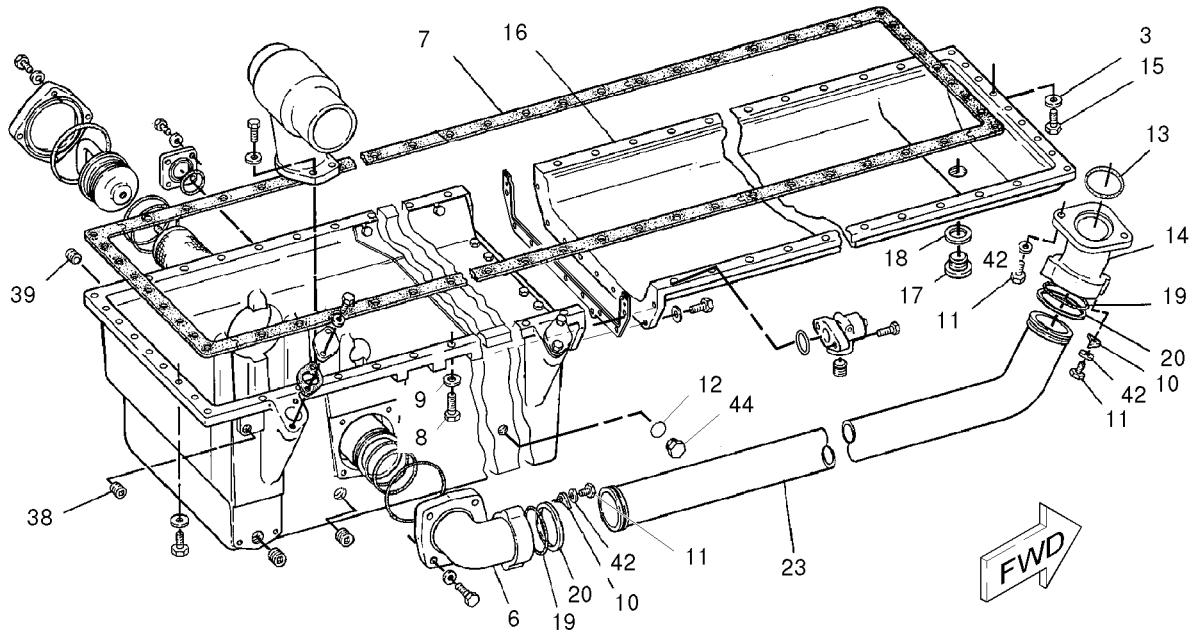
NOTE	REF NO	GRAPHIC REF	PART NUMBER	QTY	PART NAME						SEE PAGE
					1	2	3	4	5	6 (PRODUCT LEVEL)	
	1	1	1W-1568	1	PLATE						
	2	1	6V-4315	2	SEAL-O-RING						
	3	1	8M-3175	27	WASHER-HARD (10.2X16X3-MM THK)						
	4	1	4N-0996	2	COVER						
	5	1	4F-3765	2	GASKET-SHAFT						
	6	1	1W-1565	1	ELBOW						
	7	1	7E-2632	1	GASKET-OIL PAN						
	8	1	5P-5855	50	BOLT-12 POINT HEAD (1/2-13X1.75-IN)						
	9	1	3H-7654	50	WASHER-HARD (13.5X22.5X3.0-MM THK)						
	10	1	8N-3639	4	RETAINER						
	11	1	0S-1588	14	BOLT (3/8-16X1.25-IN)						
C	12	1	2M-9780	1	SEAL-O-RING						
	13	1	6V-5101	1	SEAL-O-RING						
	14	1	7W-0117	1	ELBOW (PUMP INLET)						
	15	1	5P-0076	18	BOLT-12 POINT HEAD (3/8-16X1.5-IN)						
	16	1	133-5926	1	PAN-OIL						
	17	1	4B-2363	1	PLUG-OIL DRAIN (PAN)						
	18	1	6F-4868	1	GASKET						
	19	1	3P-0654	2	SEAL-O-RING						
	20	1	8N-3640	2	RING-RETAINING						
	21	1	3B-1915	17	BOLT (3/8-16X1.375-IN)						
	22	1	5P-8068	1	SEAL-O-RING						
	23	1	1W-2462	1	TUBE						
C	24	1	8T-6761	6	PLUG-PIPE						
	25	1	133-5924	1	PAN AS-OIL						
		1	101-2862	2	DOWEL						
		1	119-6296	1	PIPE						
	26	1	7N-6388	1	COVER						
	27	1	1W-2060	1	COVER						
	28	1	5P-4892	1	SEAL-O-RING						
	29	1	1A-2029	19	BOLT (3/8-16X1.125-IN)						
	30	1	6I-0724	1	ADAPTER-PLUG						
	31	1	6V-4314	2	SEAL-O-RING						
	32	1	1W-1563	1	HANDLE-OIL SCREEN						
	33	1	0L-1351	1	BOLT (3/8-16X0.875-IN)						
	34	1	1W-1564	1	SCREEN AS-SUCTION (OIL PAN)						
	35	1	1N-4666	1	TUBE						
	36	1	5P-5700	4	SEAL-O-RING						
	37	1	1N-3150	1	HOUSING-OIL SCREEN						
C	38	1	8T-6762	1	PLUG-PIPE						
C	39	1	7X-7731	1	PLUG-PIPE						
	40	1	0S-1587	2	BOLT (1/2-13X1.75-IN)						
	41	1	8M-9024	15	WASHER-HARD (10.2X22.5X5-MM THK)						
	42	1	5M-2894	27	WASHER-HARD (10.2X18.5X2.5-MM THK)						
	43	1	6I-0723	1	PLUG-OIL DRAIN (PAN)						
C	44	1	9S-4190	1	PLUG-O-RING						
	45	1	142-4159	1	SEAL-INTEGRAL						

C-CHANGE FROM PREVIOUS TYPE

BASIC ENGINE

8N-7236 PAN GP-OIL (contd.)

i02741433



GRAPHIC #1

<END>

g01025967

BASIC ENGINE

8N-7236 PAN GP-OIL-REAR SUMP

S/N: TTH206-UP

AN ATTACHMENT

SMCS-1302

i02816608

NOTE	REF NO	GRAPHIC REF	PART NUMBER	QTY	PART NAME						SEE PAGE
					1	2	3	4	5	6 (PRODUCT LEVEL)	
	1	1	1W-1568	1	PLATE						
	2	2	6V-4315	2	SEAL-O-RING						
	3	1	8M-3175	27	WASHER-HARD (10.2X16X3-MM THK)						
	4	1	4N-0996	2	COVER						
	5	1	4F-3765	2	GASKET-SHAFT						
	6	1	1W-1565	1	ELBOW						
	7	1	7E-2632	1	GASKET-OIL PAN						
	8	1	5P-5855	50	BOLT-12 POINT HEAD (1/2-13X1.75-IN)						
	9	1	3H-7654	50	WASHER-HARD (13.5X22.5X3.0-MM THK)						
	10	1	8N-3639	4	RETAINER						
	11	1	0S-1588	14	BOLT (3/8-16X1.25-IN)						
	12	1	2M-9780	1	SEAL-O-RING						
	13	1	6V-5101	1	SEAL-O-RING						
	14	1	7W-0117	1	ELBOW (PUMP INLET)						
	15	1	5P-0076	18	BOLT-12 POINT HEAD (3/8-16X1.5-IN)						
	16	1	133-5926	1	PAN-OIL						
	17	1	4B-2363	1	PLUG-OIL DRAIN (PAN)						
	18	1	6F-4868	1	GASKET						
	19	1	3P-0654	2	SEAL-O-RING						
	20	1	8N-3640	2	RING-RETAINING						
	21	1,2	3B-1915	17	BOLT (3/8-16X1.375-IN)						
	22	2	5P-8068	1	SEAL-O-RING						
	23	1	1W-2462	1	TUBE						
	24	1	8T-6761	6	PLUG-PIPE						
	25	1	133-5924	1	PAN AS-OIL						
		1	101-2862	2	DOWEL						
		1	119-6296	1	PIPE						
	26	1	7N-6388	1	COVER						
	27	1	1W-2060	1	COVER						
	28	1	5P-4892	1	SEAL-O-RING						
	29	1	1A-2029	19	BOLT (3/8-16X1.125-IN)						
	30	1	6I-0724	1	ADAPTER-PLUG						
	31	2	6V-4314	2	SEAL-O-RING						
	32	2	1W-1563	1	HANDLE-OIL SCREEN						
C	34	2	295-5897	1	SCREEN AS-SUCTION (OIL PAN)						
	35	2	1N-4666	1	TUBE						
	36	2	5P-5700	4	SEAL-O-RING						
	37	2	1N-3150	1	HOUSING-OIL SCREEN						
	38	1	8T-6762	1	PLUG-PIPE						
	39	1	7X-7731	1	PLUG-PIPE						
	40	1	0S-1587	2	BOLT (1/2-13X1.75-IN)						
	41	1	8M-9024	15	WASHER-HARD (10.2X22.5X5-MM THK)						
C	42	1,2	5M-2894	26	WASHER-HARD (10.2X18.5X2.5-MM THK)						
	43	2	6I-0723	1	PLUG-OIL DRAIN (PAN)						
	44	1	9S-4190	1	PLUG-O-RING						
	45	1	142-4159	1	SEAL-INTEGRAL						

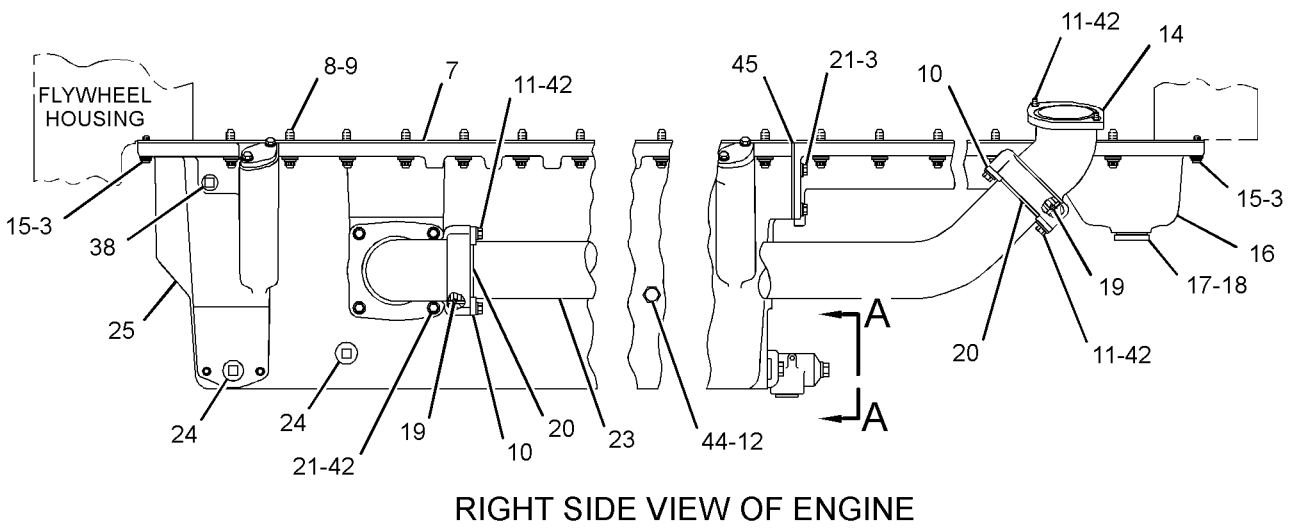
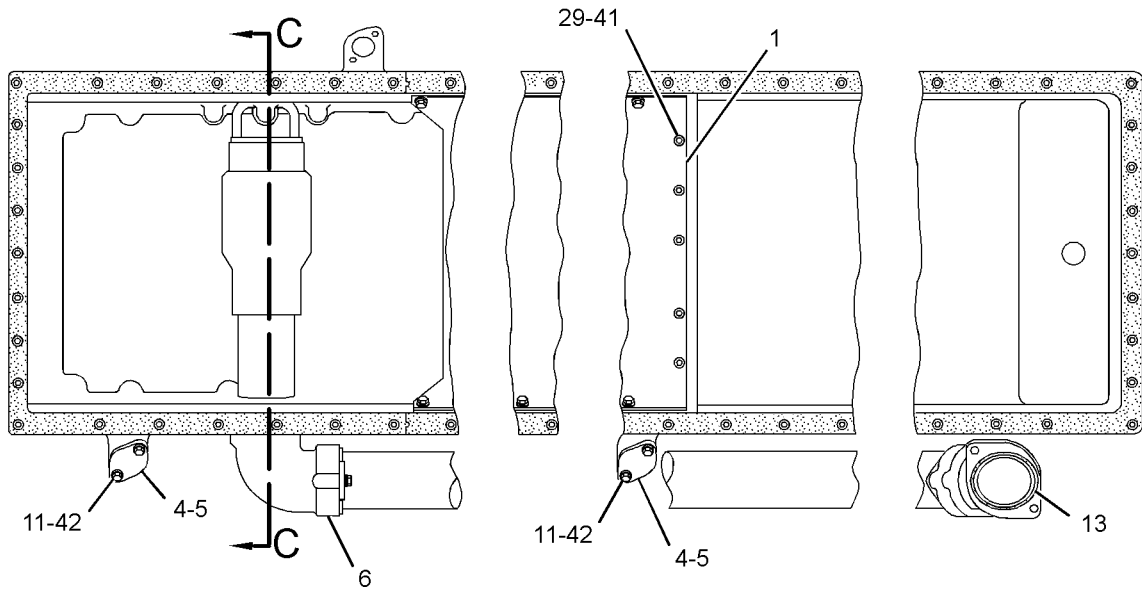
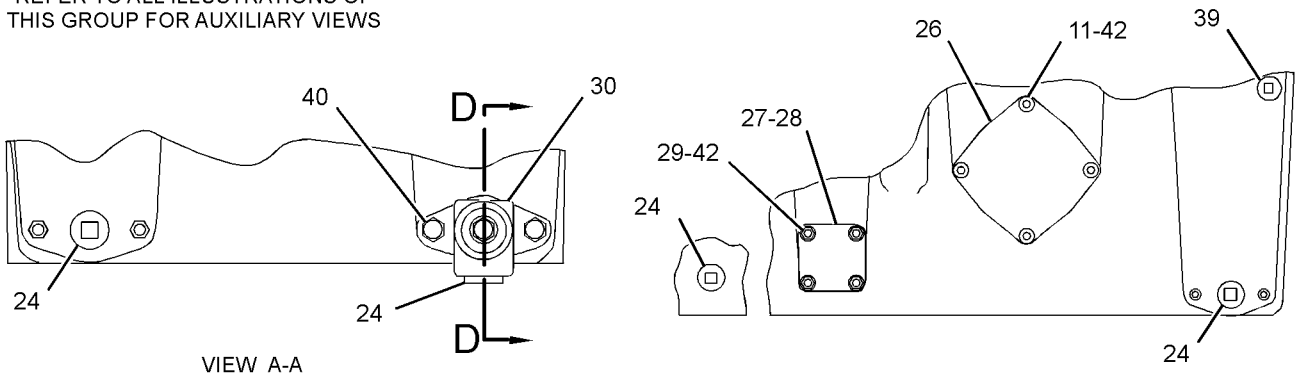
C-CHANGE FROM PREVIOUS TYPE

BASIC ENGINE

8N-7236 PAN GP-OIL (contd.)

i02816608

REFER TO ALL ILLUSTRATIONS OF THIS GROUP FOR AUXILIARY VIEWS



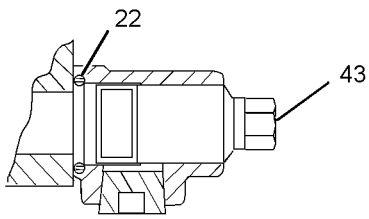
GRAPHIC #1

g01401011

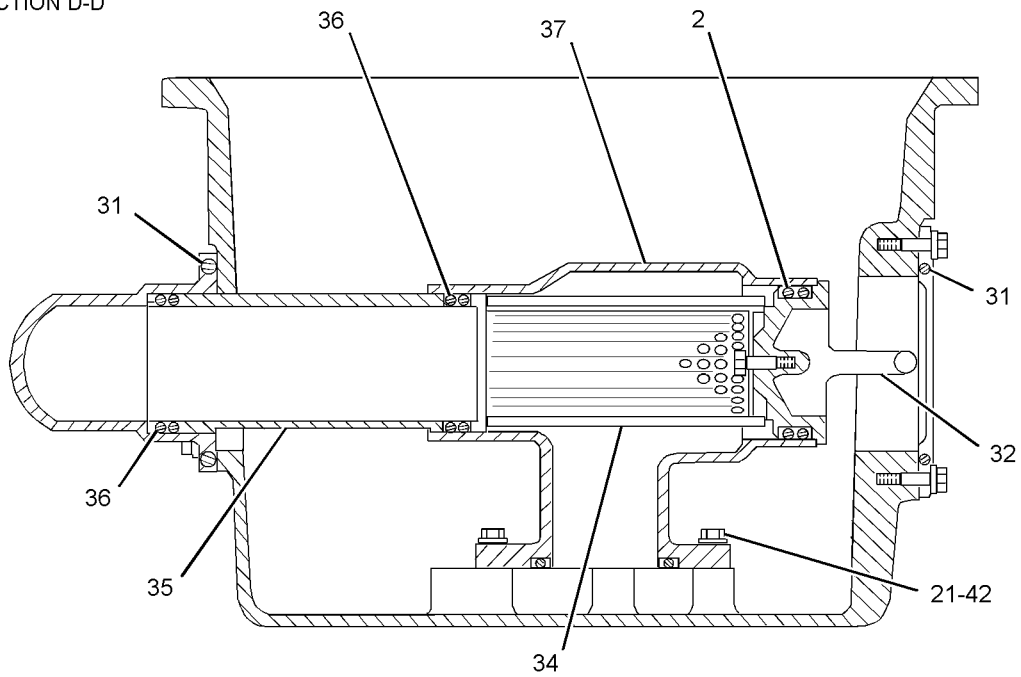
BASIC ENGINE

8N-7236 PAN GP-OIL (contd.)

i02816608



SECTION D-D



SECTION C-C

<END>

GRAPHIC #2

g01401013

BASIC ENGINE

9Y-3085 PAN GP-OIL-DEEP SUMP PART OF 7C-7178 PAN GP-OIL

SMCS-1302

i03870069

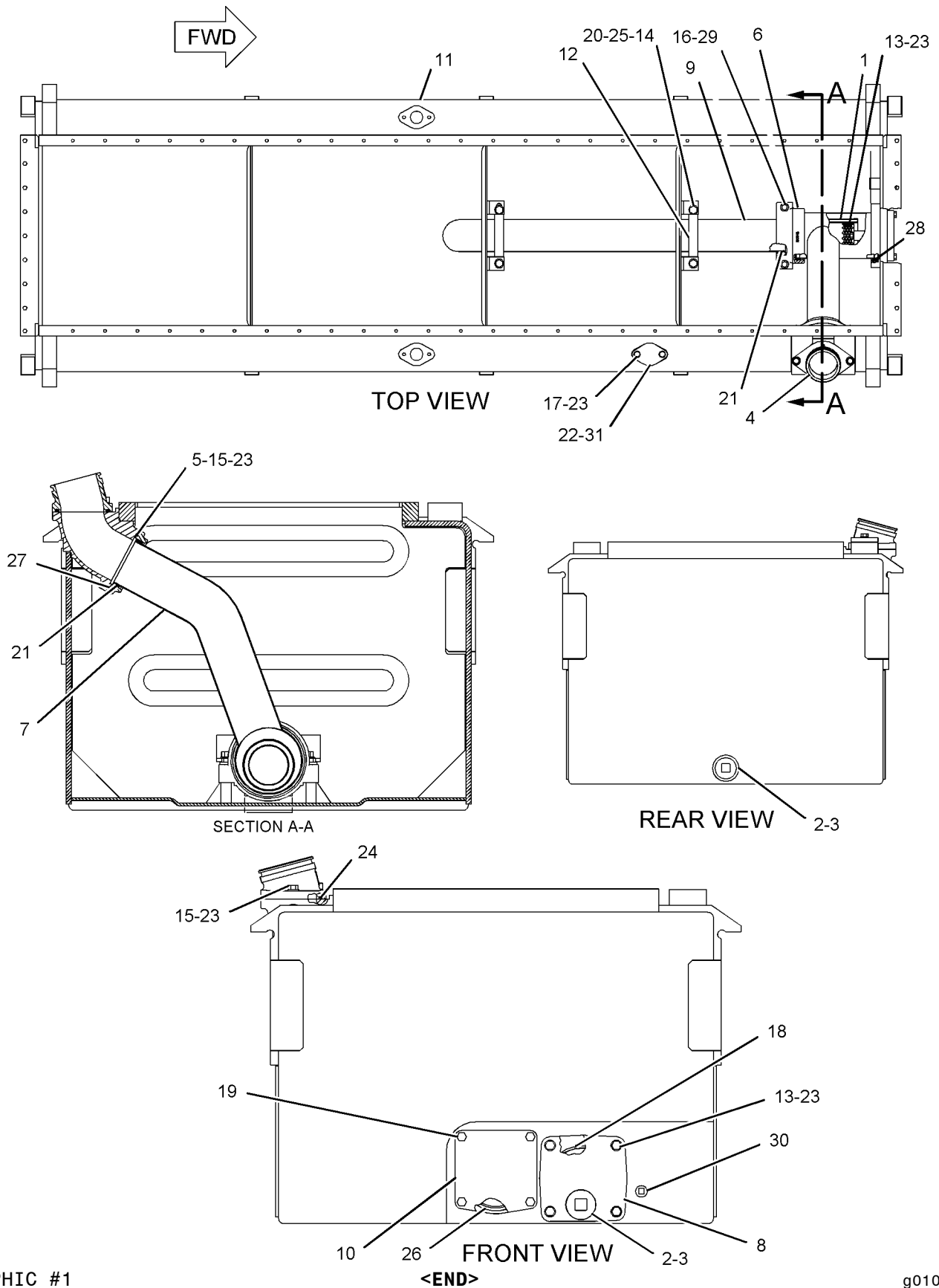
NOTE	REF NO	GRAPHIC REF	PART NUMBER	QTY	PART NAME						SEE PAGE
					1	2	3	4	5	6 (PRODUCT LEVEL)	
C	1	1	1W-1564	1	SCREEN AS-SUCTION (OIL PAN)						
	2	1	4B-2363	2	PLUG-OIL DRAIN (PAN)						
	3	1	6F-4868	2	GASKET						
	4	1	7C-4715	1	CONNECTOR						
	5	1	7W-0129	1	FLANGE						
	6	1	111-2081	1	HOUSING-OIL						
	7	1	114-2413	1	TUBE AS						
	8	1	149-9298	1	COVER						
C	9	1	228-8925	1	TUBE-SUCTION						
C	10	1	228-8926	1	ADAPTER						
C	11	1	229-8391	1	PAN AS-OIL						
C	12	1	231-5867	4	CLAMP						
C	13	1	0L-1351	5	BOLT (3/8-16X0.875-IN)						
C	14	1	0S-1585	4	BOLT (1/2-13X1.5-IN)						
	15	1	0S-1588	4	BOLT (3/8-16X1.25-IN)						
	16	1	0S-1590	2	BOLT (3/8-16X2-IN)						
	17	1	0S-1594	2	BOLT (3/8-16X1-IN)						
	18	1	125-9794	1	SEAL-O-RING						
C	19	1	1A-2029	4	BOLT (3/8-16X1.125-IN)						
C	20	1	1K-6872	4	LOCKNUT (1/2-13-THD)						
C	21	1	3P-0654	2	SEAL-O-RING						
	22	1	4B-3140	1	COVER						
C	23	1	5M-2894	11	WASHER-HARD (10.2X18.5X2.5-MM THK)						
	24	1	5P-7818	1	SEAL-O-RING						
C	25	1	5P-8245	8	WASHER-HARD (13.5X25.5X3-MM THK)						
	26	1	5P-8872	1	SEAL-O-RING						
	27	1	6V-5101	1	SEAL-O-RING						
	28	1	7X-1547	2	SEAL-O-RING						
	29	1	8M-9024	2	WASHER-HARD (10.2X22.5X5-MM THK)						
	30	1	8T-6762	1	PLUG-PIPE						
	31	1	9L-1480	1	GASKET						

C-CHANGE FROM PREVIOUS TYPE

BASIC ENGINE

9Y-3085 PAN GP-OIL (contd.)

i03870069



GRAPHIC #1

<END>

g01025140

BASIC ENGINE

249-5671 PISTON & ROD GP

S/N: TTH252-UP

SMCS-1225

i03520304

NOTE	REF NO	GRAPHIC REF	PART NUMBER	QTY	PART NAME						SEE PAGE
					1	2	3	4	5	6 (PRODUCT LEVEL)	
R	1	1	230-2516	1	ROD AS						
	1A	1	7N-2043	1	DOWEL						
	1B	1	7N-2405	4	BOLT-CONNECTING ROD						
	1C	1	230-2519	1	BEARING-SLEEVE						
	2	1	144-5695	1	RING-PISTON (INTERMEDIATE)						
	3	1	165-6668	1	RING-PISTON (OIL CONTROL)						
	4	1	229-1632	1	RING-PISTON (TOP)						
	5	1	8N-7296	2	RETAINER-PIN						
	6	1	230-2520	1	BEARING-CONNECTING ROD						
	7	1	138-8508	1	PIN-PISTON						
	8	1	249-5496	1	PISTON GP						
	8A	1	155-5271	1	SKIRT-PISTON						
		1	249-4512	1	CROWN AS						
			121-3558	1	RETAINER AS						
			6V-3537	1	DOWEL						
F			162-3898	1	TUBE AS (PISTON COOLING JET)						
F			5M-2894	1	WASHER-HARD (10.2X18.5X2.5-MM THK)						
F			9M-1974	1	WASHER-HARD (8.8X16X2-MM THK)						
F			0T-0102	1	BOLT (3/8-16X0.625-IN)						
F			1B-2790	1	BOLT (5/16-18X1.375-IN)						

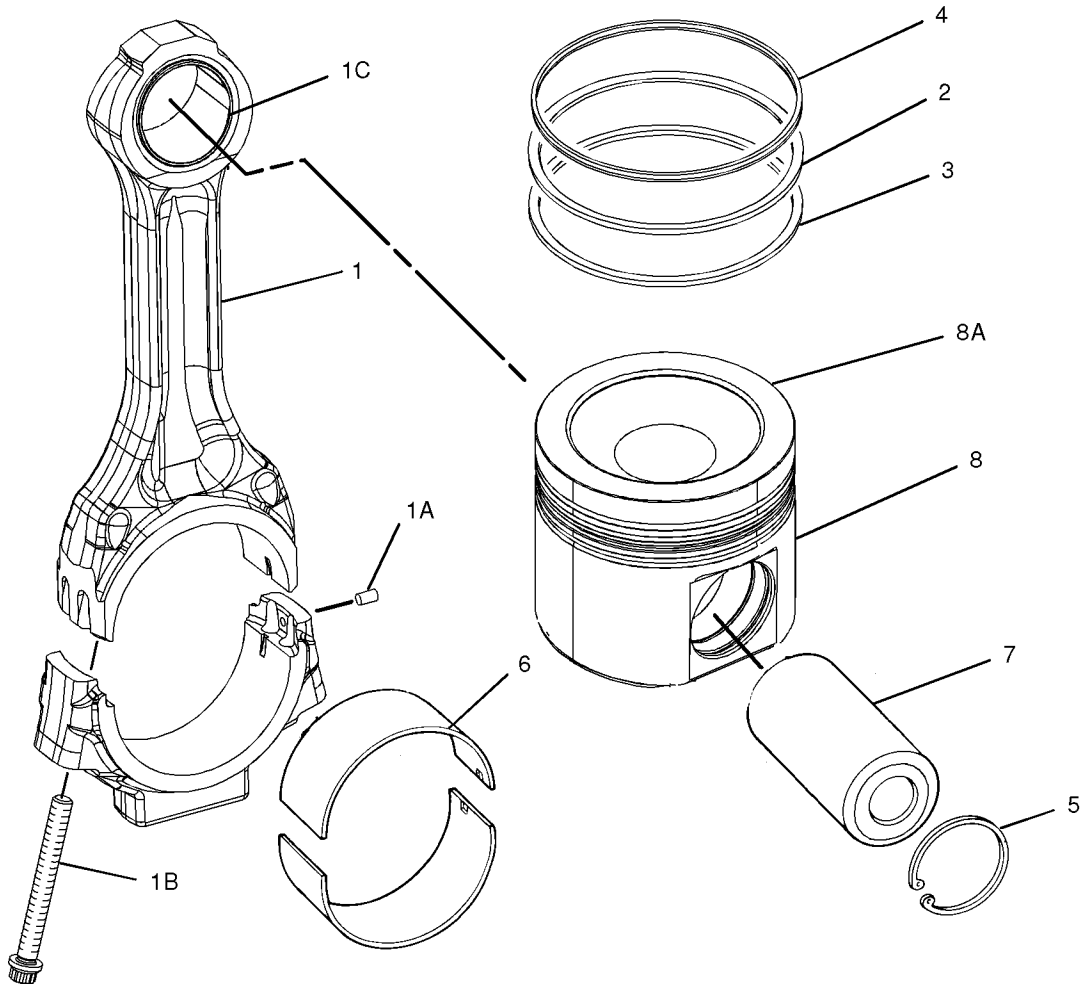
F-NOT SHOWN

R-REMG PART MAY BE AVAILABLE

BASIC ENGINE

249-5671 PISTON & ROD GP (contd.)

i03520304



GRAPHIC #1

<END>

g01057309

BASIC ENGINE

310-6962 PISTON & ROD GP

SMCS - 1225

i02773464

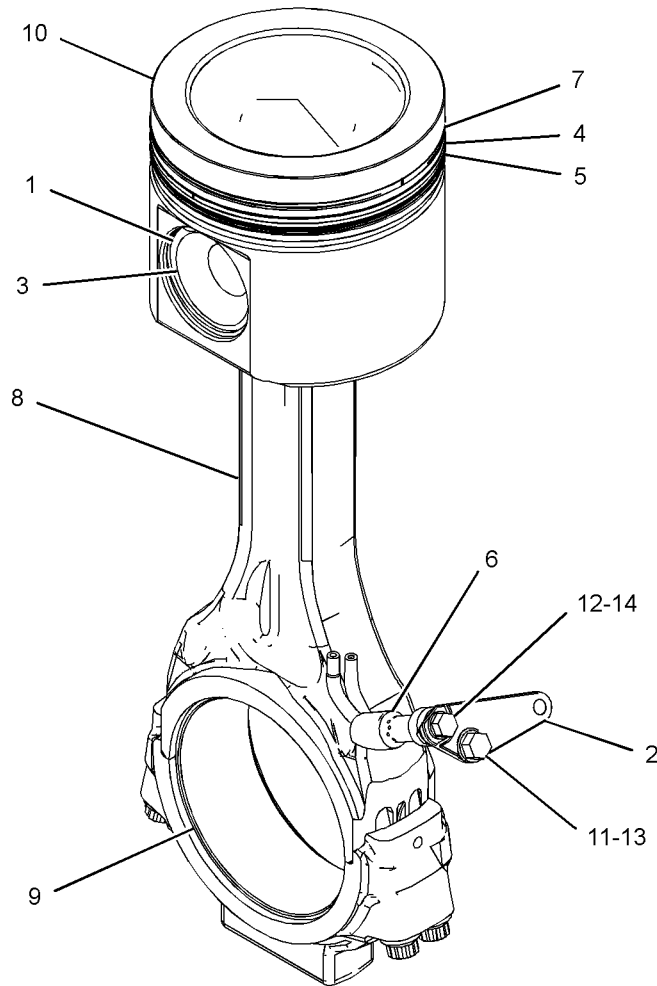
NOTE	REF NO	GRAPHIC REF	PART NUMBER	QTY	PART NAME						SEE PAGE
					1	2	3	4	5	6 (PRODUCT LEVEL)	
	1	1	8N-7296	2	RETAINER-PIN						
	2	1	121-3558	1	RETAINER AS						
		1	6V-3537	1	DOWEL						
	3	1	138-8508	1	PIN-PISTON						
	4	1	144-5695	1	RING-PISTON (INTERMEDIATE)						
	5	1	165-6668	1	RING-PISTON (OIL CONTROL)						
	6	1	162-3898	1	TUBE AS (PISTON COOLING JET)						
	7	1	229-1632	1	RING-PISTON (TOP)						
R	8	1	230-2516	1	ROD AS						
		1	7N-2043	1	DOWEL						
		1	7N-2405	4	BOLT-CONNECTING ROD						
		1	230-2519	1	BEARING-SLEEVE						
	9	1	230-2520	1	BEARING-CONNECTING ROD (STANDARD)						
AB		1	283-2579		BEARING-CONNECTING ROD (0.63-MM US)						
AB		1	283-2580		BEARING-CONNECTING ROD (1.27-MM US)						
AB		1	283-2581		BEARING-CONNECTING ROD (0.25-MM OS)						
AB		1	283-2582		BEARING-CONNECTING ROD (0.63-MM US ID, 0.25-MM OS OD)						
AB		1	283-2584		BEARING-CONNECTING ROD (1.27-MM US ID, 0.25-MM OS OD)						
	10	1	283-0245	1	PISTON AS						
		1	155-5271	1	SKIRT-PISTON						
	11	1	0T-0102	1	BOLT (3/8-16X0.625-IN)						
	12	1	1B-2790	1	BOLT (5/16-18X1.375-IN)						
	13	1	5M-2894	1	WASHER-HARD (10.2X18.5X2.5-MM THK)						
	14	1	9M-1974	1	WASHER-HARD (8.8X16X2-MM THK)						

A-NOT PART OF THIS GROUP
 B-USE AS REQUIRED
 R-REMFG PART MAY BE AVAILABLE

BASIC ENGINE

310-6962 PISTON & ROD GP (contd.)

i02773464



GRAPHIC #1

<END>

g01369180

BASIC ENGINE

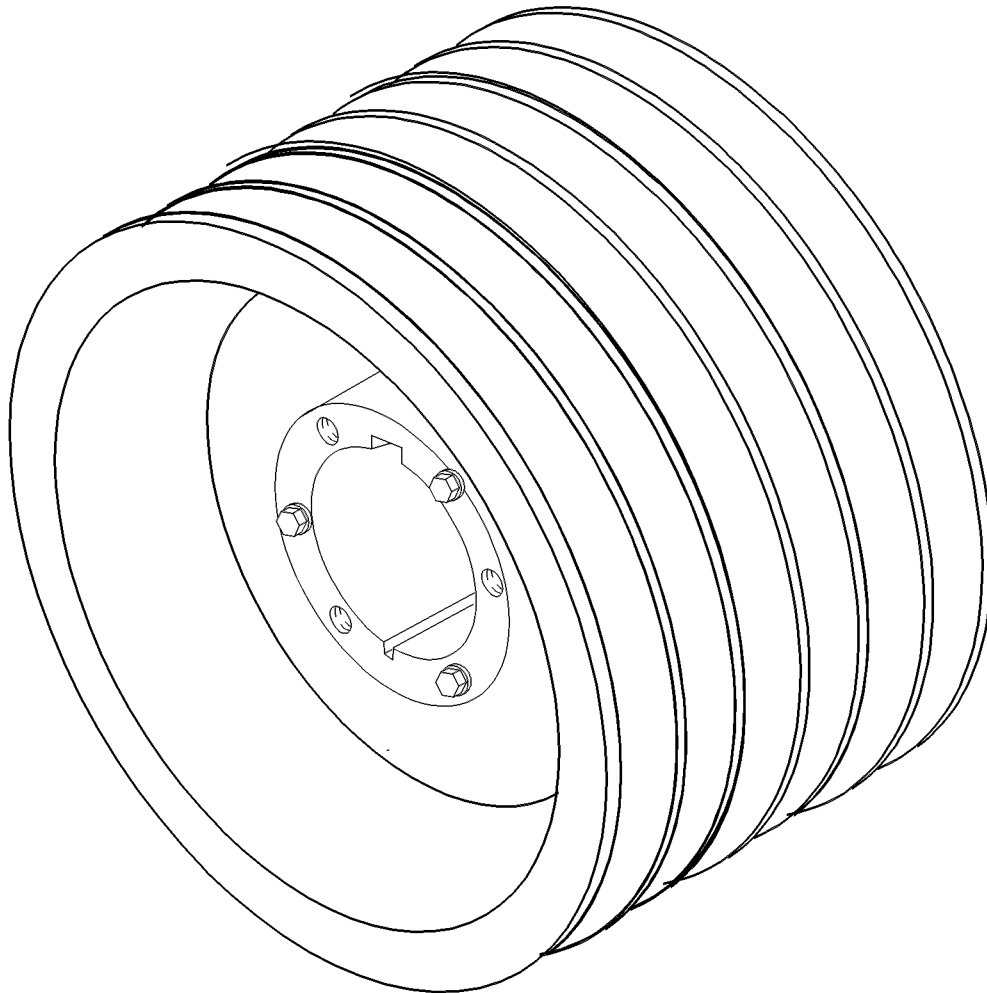
7N-4106 PULLEY AS-CRANKSHAFT

196.85-MM DIAMETER (7.75-IN)
FOR USE WITH LOW KW STUB SHAFT GP
AN ATTACHMENT

SMCS-1205

i02656382

NOTE	REF NO	GRAPHIC REF	PART NUMBER	QTY	PART NAME						SEE PAGE
					1	2	3	4	5	6 (PRODUCT LEVEL)	
					AVAILABLE REPAIR KIT(S):						
			4W-0335	1	KIT-BUSHING (CRANKSHAFT PULLEY)						
					(INCLUDES BUSHING, BOLTS, LOCKWASHER, SET SCREW AND KEY)						



GRAPHIC #1

<END>

g00621997

BASIC ENGINE

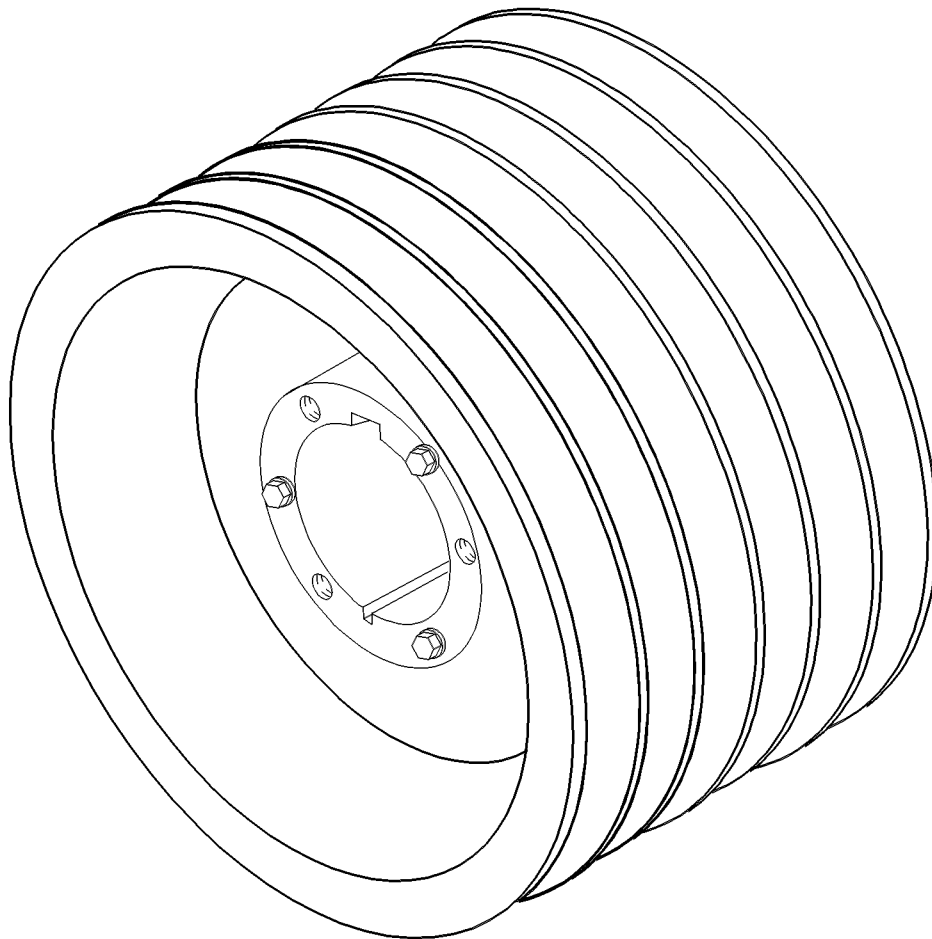
8N-6564 PULLEY AS-CRANKSHAFT

247.65-MM DIAMETER (9.75-IN)
FOR USE WITH LOW KW STUB SHAFT GP
AN ATTACHMENT

SMCS-1205

i02774996

NOTE	REF NO	GRAPHIC REF	PART NUMBER	QTY	PART NAME						SEE PAGE
					1	2	3	4	5	6 (PRODUCT LEVEL)	
					AVAILABLE REPAIR KIT(S):						
			4W-0335	1	KIT-BUSHING (CRANKSHAFT PULLEY)						
					(INCLUDES BUSHING, BOLTS, LOCKWASHER, SET SCREW AND KEY)						



GRAPHIC #1

<END>

g00625097

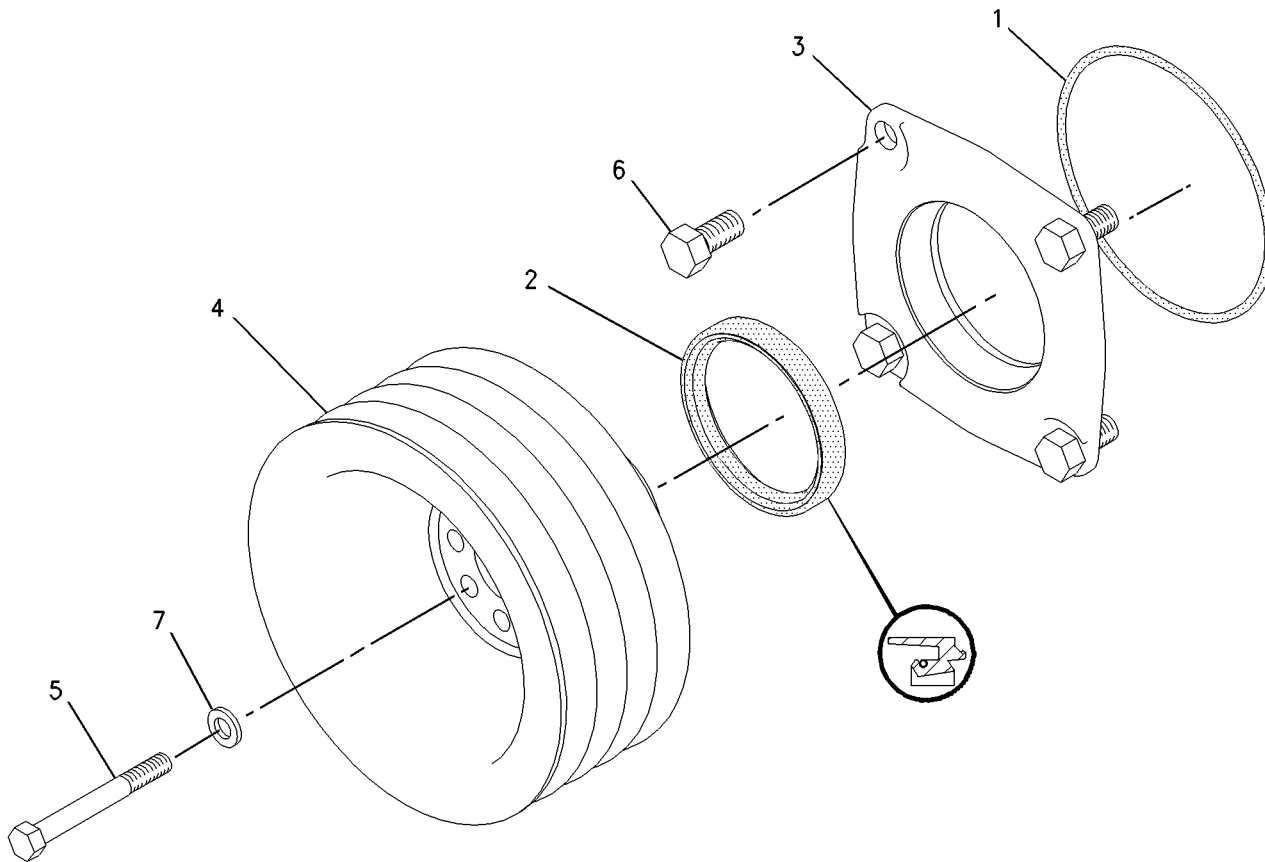
BASIC ENGINE

7N-8041 PULLEY GP-AUXILIARY DRIVE-LOWER FRONT, LH AN ATTACHMENT

SMCS-1205, 1207

i01973641

NOTE	REF NO	GRAPHIC REF	PART NUMBER	QTY	PART NAME						SEE PAGE
					1	2	3	4	5	6	
	1	1	9X-7371	1	SEAL-O-RING						
	2	1	7C-7808	1	SEAL-LIP TYPE						
	3	1	7N-7991	1	ADAPTER						
	4	1	7N-8011	1	PULLEY						
	5	1	0L-1352	8	BOLT (3/8-16X3.25-IN)						
	6	1	0S-1621	4	BOLT (1/2-13X1-IN)						
	7	1	5M-2894	8	WASHER-HARD (10.2X18.5X2.5-MM THK)						



GRAPHIC #1

<END>

g00856036

BASIC ENGINE

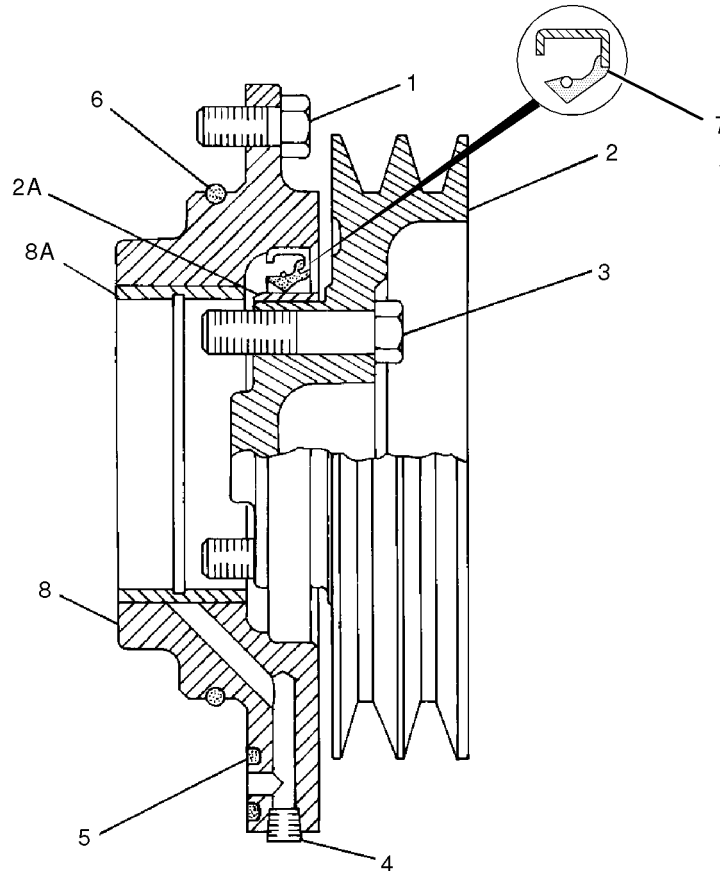
8N-8467 PULLEY GP-AUXILIARY DRIVE-LOWER FRONT, LH AN ATTACHMENT

SMCS-1205, 1207

i03862929

NOTE	REF NO	GRAPHIC REF	PART NUMBER	QTY	PART NAME						SEE PAGE
					1	2	3	4	5	6 (PRODUCT LEVEL)	
	1	1	0L-1351	4	BOLT (3/8-16X0.875-IN)						
C	2	1	9Y-5286	1	PULLEY AS						
	2A	1	053-5065	1	SLEEVE						
	3	1	0S-1571	4	BOLT (3/8-16X1.75-IN)						
	4	1	8T-6759	1	PLUG-PIPE						
	5	1	5P-0840	1	SEAL-O-RING						
	6	1	259-4598	1	SEAL-O-RING						
	7	1	235-2484	1	SEAL-LIP TYPE						
	8	1	7C-4165	1	ADAPTER AS						
	8A	1	127-5400	1	BEARING-SLEEVE						

C-CHANGE FROM PREVIOUS TYPE



GRAPHIC #1

<END>

g01014927

BASIC ENGINE

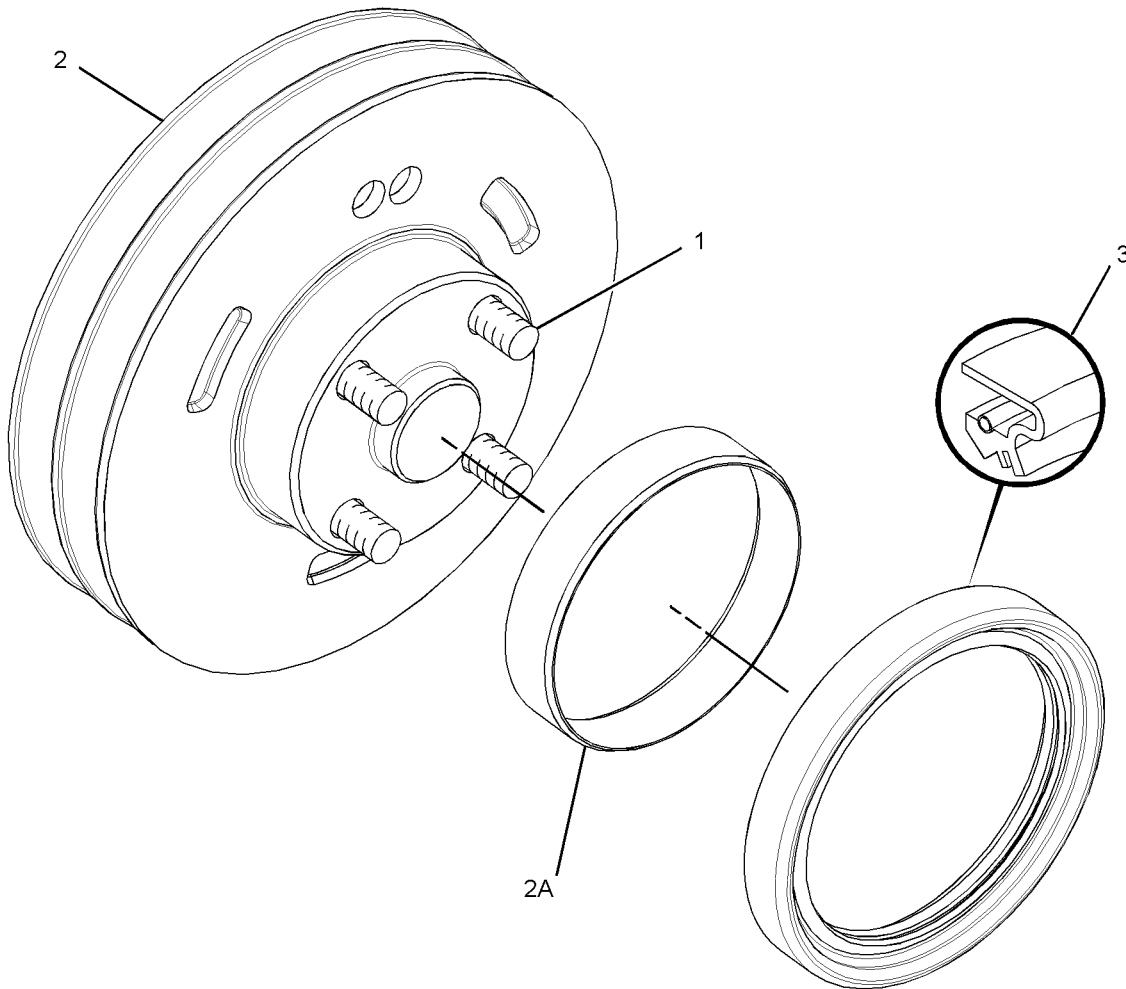
8N-8468 PULLEY GP-AUXILIARY DRIVE-UPPER REAR, RH AN ATTACHMENT

SMCS-1205, 1207

i03421111

NOTE	REF NO	GRAPHIC REF	PART NUMBER	QTY	PART NAME						SEE PAGE
					1	2	3	4	5	6 (PRODUCT LEVEL)	
	1	1	0S-1571	4	BOLT (3/8-16X1.75-IN)						
C	2	1	9Y-5286	1	PULLEY AS						
	2A	1	053-5065	1	SLEEVE						
	3	1	235-2484	1	SEAL-LIP TYPE						

C-CHANGE FROM PREVIOUS TYPE



GRAPHIC #1

<END>

g01790355

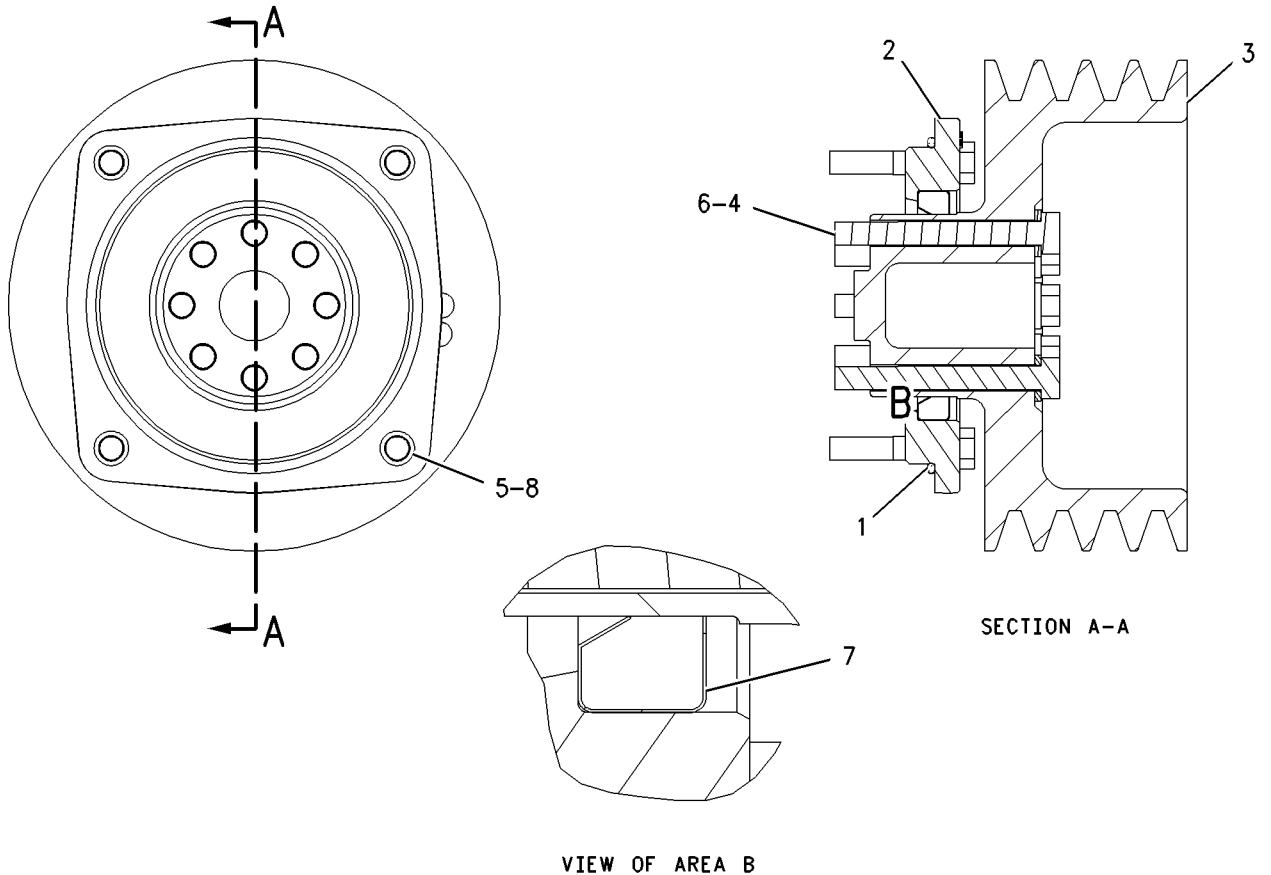
BASIC ENGINE

210-9214 PULLEY GP-AUXILIARY DRIVE-LOWER FRONT, LH AN ATTACHMENT

SMCS-1205, 1207

i01980145

NOTE	REF NO	GRAPHIC REF	PART NUMBER	QTY	PART NAME						SEE PAGE
					1	2	3	4	5	6 (PRODUCT LEVEL)	
	1	1	9X-7371	1	SEAL-O-RING						
	2	1	7N-7991	1	ADAPTER						
	3	1	7N-8011	1	PULLEY						
	4	1	0L-1352	8	BOLT (3/8-16X3.25-IN)						
	5	1	0S-1590	4	BOLT (3/8-16X2-IN)						
	6	1	5M-2894	8	WASHER-HARD (10.2X18.5X2.5-MM THK)						
	7	1	7C-7808	1	SEAL-LIP TYPE						
	8	1	9L-9132	4	WASHER (10.2X25.5X2.5-MM THK)						



GRAPHIC #1

<END>

g00854650

BASIC ENGINE

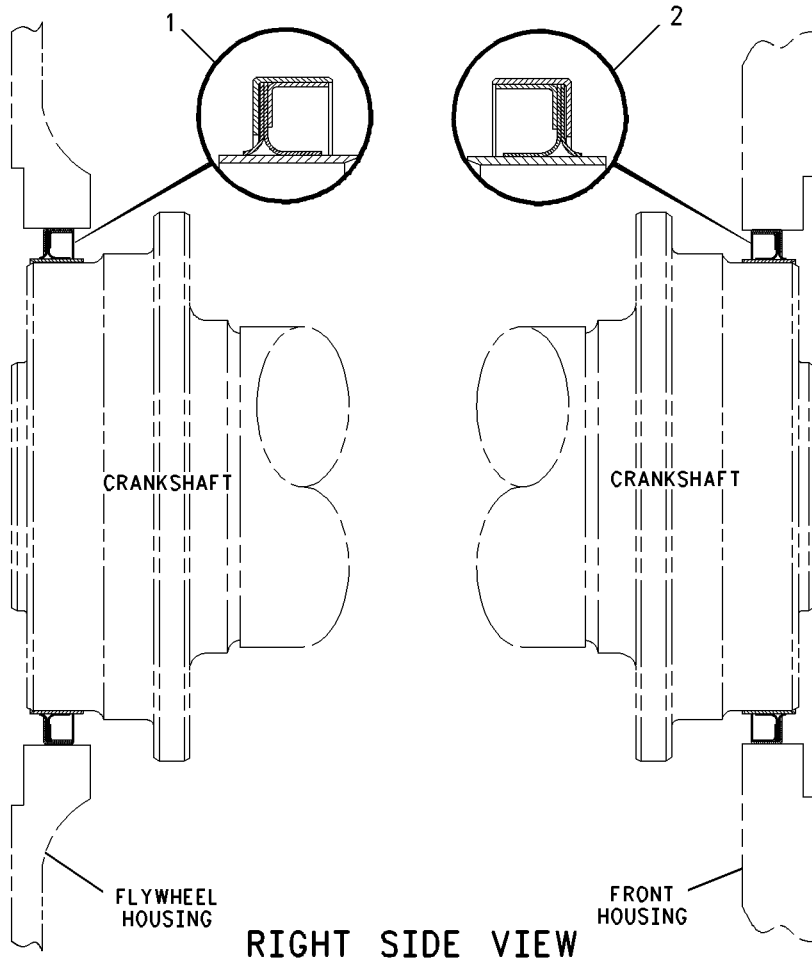
7W-3813 SEAL GP-CRANKSHAFT

SMCS-1160, 1161

i02390835

NOTE	REF NO	GRAPHIC REF	PART NUMBER	QTY	PART NAME						SEE PAGE
					1	2	3	4	5	6 (PRODUCT LEVEL)	
C	1	1	113-8433	1	SEAL GP-CRANKSHAFT (CCW ROTATION) (INSTALL IN FLYWHEEL HOUSING ON STANDARD ROTATION ENGINES & IN FRONT HOUSING ON REVERSE ROTATION ENGINES)						
C	2	1	113-8432	1	SEAL GP-CRANKSHAFT (CW ROTATION) (INSTALL IN FRONT HOUSING ON STANDARD ROTATION ENGINES & IN FLYWHEEL HOUSING ON REVERSE ROTATION ENGINES)						

C-CHANGE FROM PREVIOUS TYPE



GRAPHIC #1

<END>

g00899342

BASIC ENGINE

7N-8042 SHAFT GP-AUXILIARY DRIVE-LOWER FRONT, LH AN ATTACHMENT

SMCS-1207

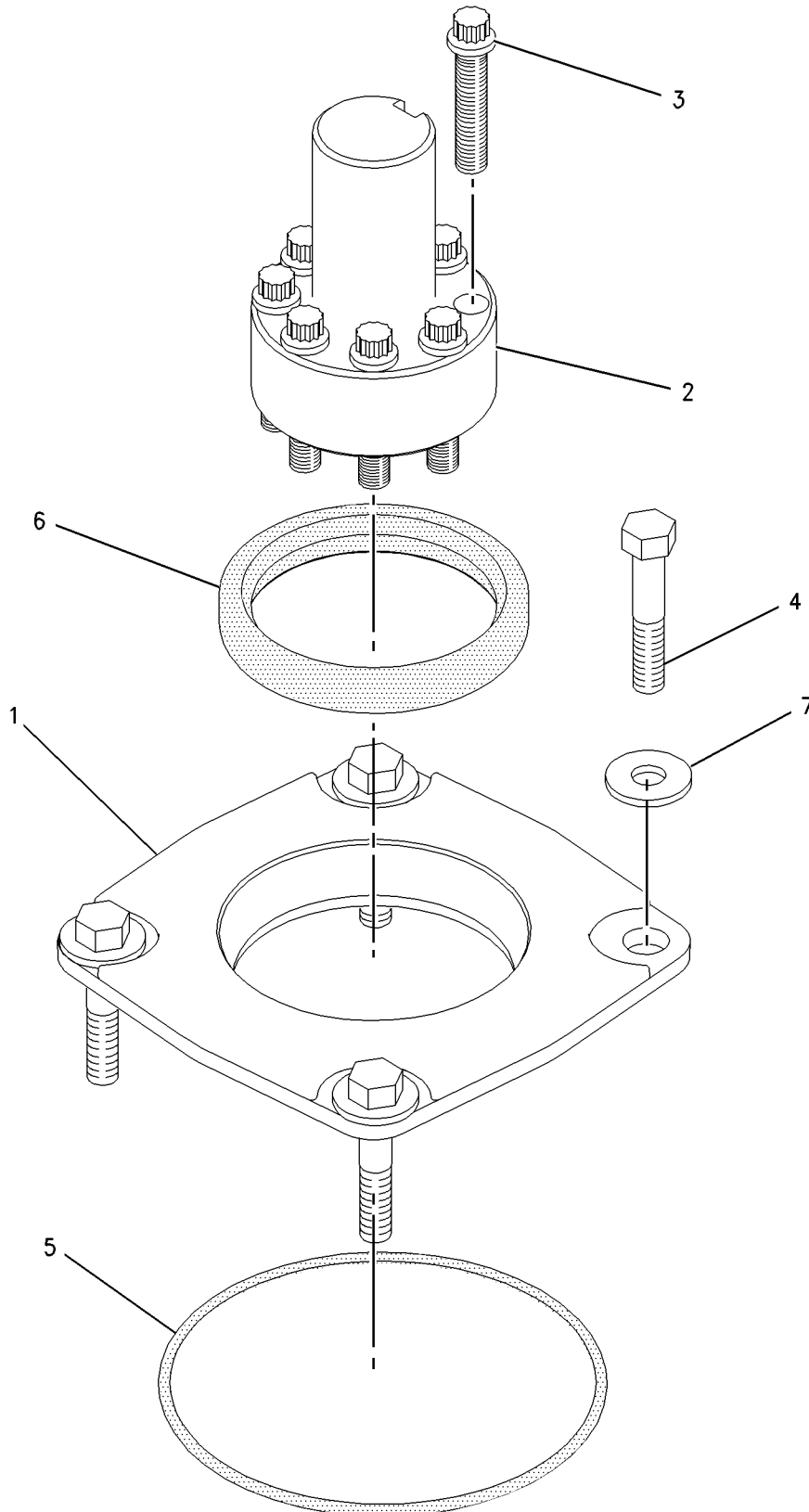
i02327559

NOTE	REF NO	GRAPHIC REF	PART NUMBER	QTY	PART NAME						SEE PAGE
					1	2	3	4	5	6 (PRODUCT LEVEL)	
	1	1	7N-7991	1	ADAPTER						
	2	1	9Y-4957	1	SHAFT-STUB						
	3	1	053-2294	8	BOLT-12 POINT HEAD (3/8-16X1.75-IN)						
	4	1	0S-1590	4	BOLT (3/8-16X2-IN)						
	5	1	9X-7371	1	SEAL-O-RING						
	6	1	7C-7808	1	SEAL-LIP TYPE						
	7	1	9L-9132	4	WASHER (10.2X25.5X2.5-MM THK)						

BASIC ENGINE

7N-8042 SHAFT GP-AUXILIARY DRIVE (contd.)

i02327559



GRAPHIC #1

<END>

g00813860

BASIC ENGINE

209-3559 SHAFT GP-AUXILIARY DRIVE-UPPER FRONT, RH AN ATTACHMENT

SMCS-1207

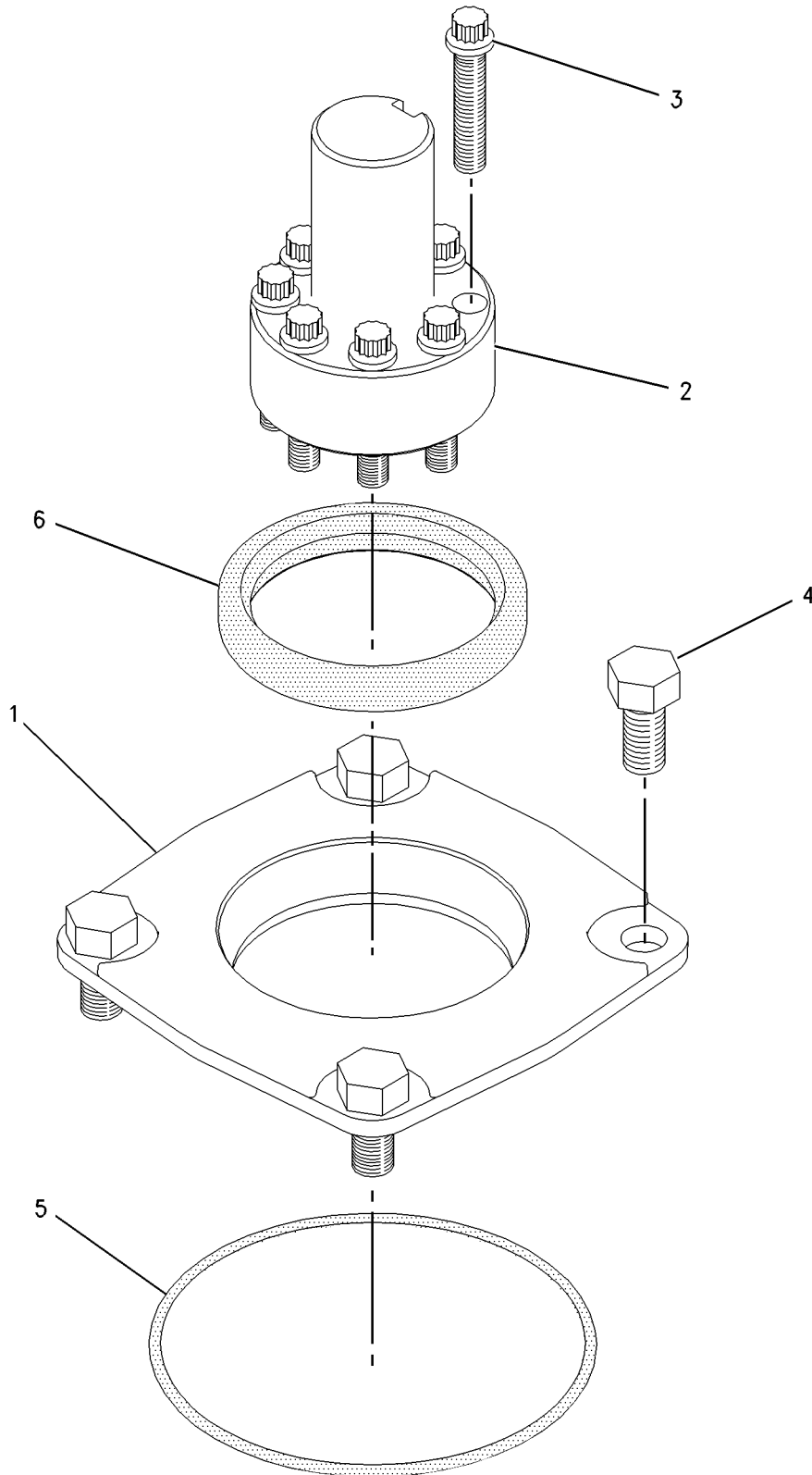
i02327561

NOTE	REF NO	GRAPHIC REF	PART NUMBER	QTY	PART NAME						SEE PAGE
					1	2	3	4	5	6 (PRODUCT LEVEL)	
	1	1	7N-7991	1	ADAPTER						
	2	1	9Y-4957	1	SHAFT-STUB						
	3	1	053-2294	8	BOLT-12 POINT HEAD (3/8-16X1.75-IN)						
	4	1	0S-1621	4	BOLT (1/2-13X1-IN)						
	5	1	9X-7371	1	SEAL-O-RING						
	6	1	7C-7808	1	SEAL-LIP TYPE						

BASIC ENGINE

209-3559 SHAFT GP-AUXILIARY DRIVE (contd.)

i02327561



GRAPHIC #1

<END>

g00814255

BASIC ENGINE

209-3562 SHAFT GP-AUXILIARY DRIVE-UPPER FRONT, LH AN ATTACHMENT

SMCS-1207

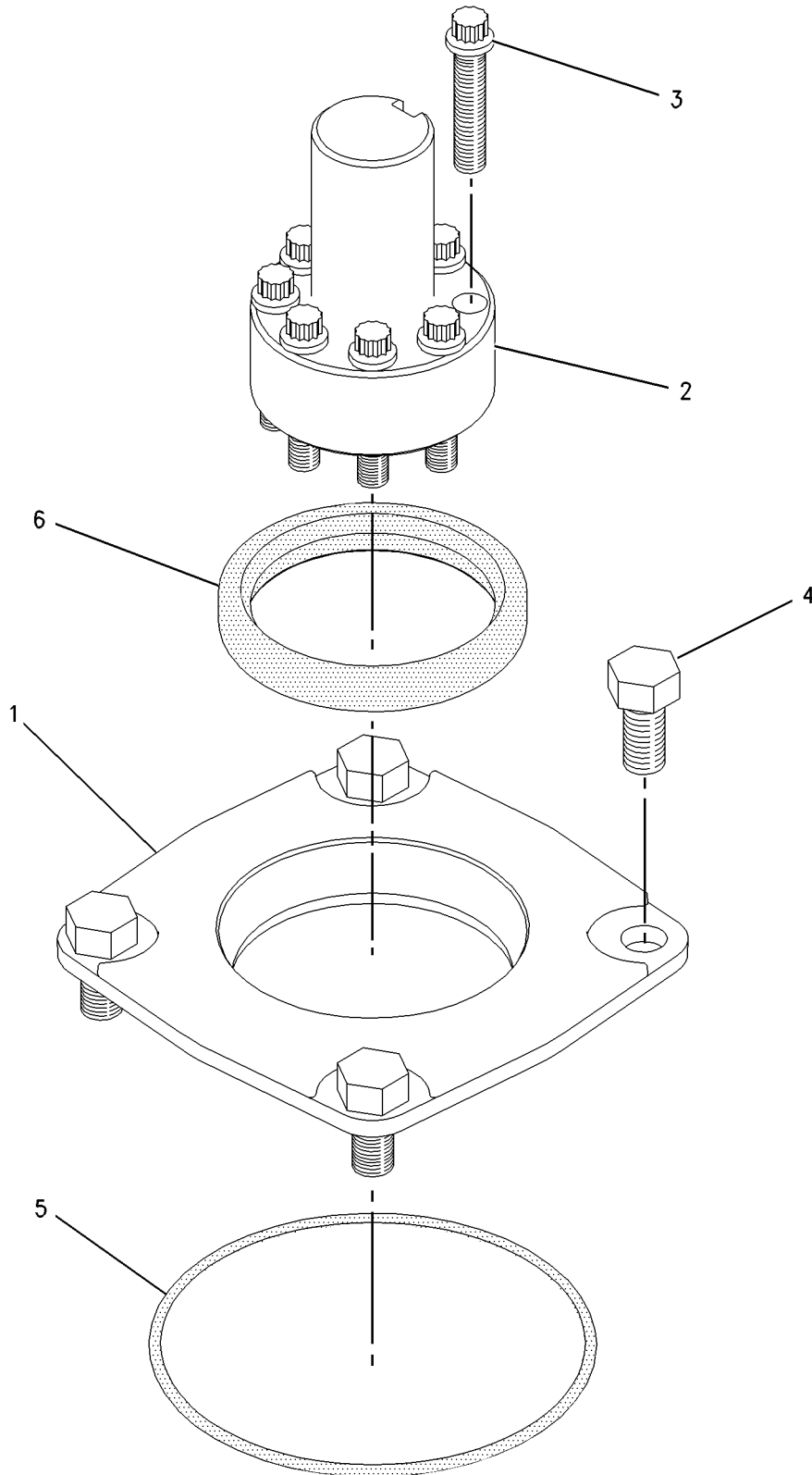
i02327562

NOTE	REF NO	GRAPHIC REF	PART NUMBER	QTY	PART NAME						SEE PAGE
					1	2	3	4	5	6 (PRODUCT LEVEL)	
	1	1	7N-7991	1	ADAPTER						
	2	1	9Y-4957	1	SHAFT-STUB						
	3	1	053-2294	8	BOLT-12 POINT HEAD (3/8-16X1.75-IN)						
	4	1	0S-1621	4	BOLT (1/2-13X1-IN)						
	5	1	9X-7371	1	SEAL-O-RING						
	6	1	7C-7808	1	SEAL-LIP TYPE						

BASIC ENGINE

209-3562 SHAFT GP-AUXILIARY DRIVE (contd.)

i02327562



GRAPHIC #1

<END>

g00814255

BASIC ENGINE

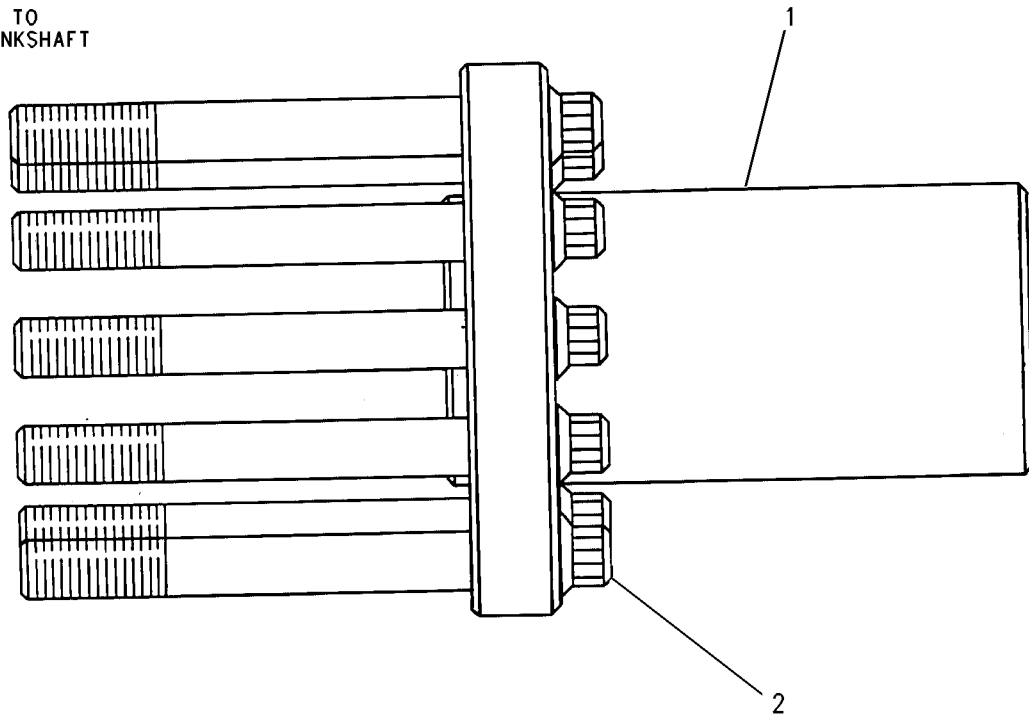
7W-3629 SHAFT GP-STUB-FRONT AN ATTACHMENT

SMCS-1237

i02327531

NOTE	REF NO	GRAPHIC REF	PART NUMBER	QTY	PART NAME						SEE PAGE
					1	2	3	4	5	6 (PRODUCT LEVEL)	
	1	1	7W-3579	1	SHAFT-STUB						
	2	1	5N-2317	12	BOLT-12 POINT HEAD (1-14X9.5-IN)						

TO
CRANKSHAFT



RIGHT SIDE VIEW

GRAPHIC #1

<END>

g00995115

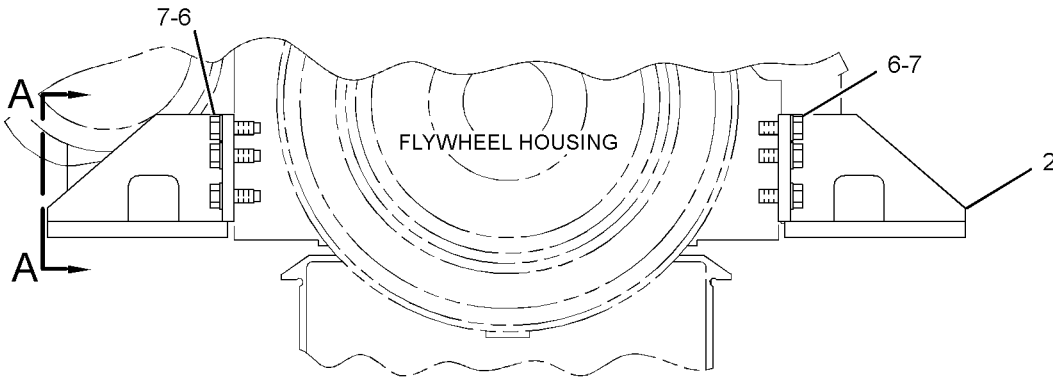
BASIC ENGINE

4P-3469 SUPPORT GP-ENGINE AN ATTACHMENT

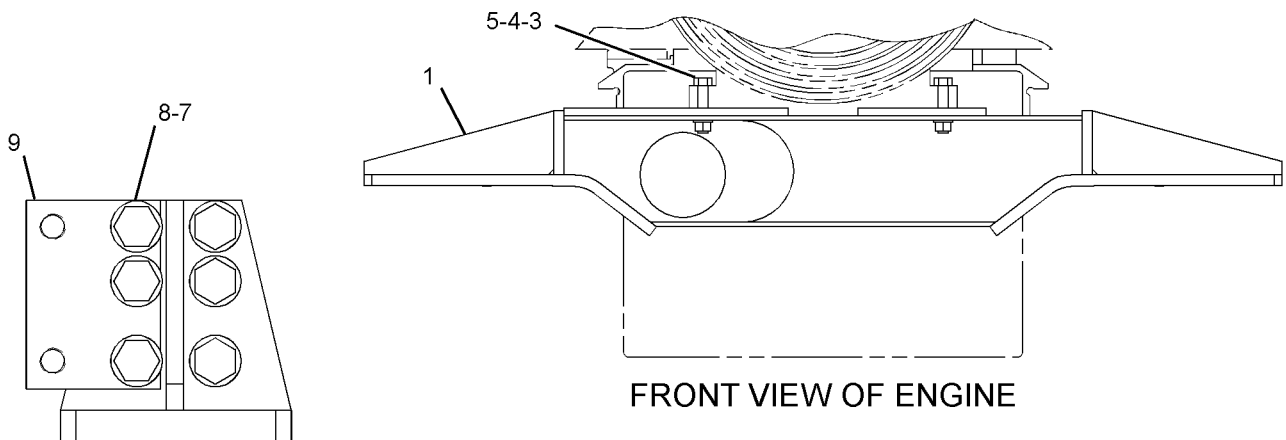
SMCS-1152, 1153, 1154

i03645881

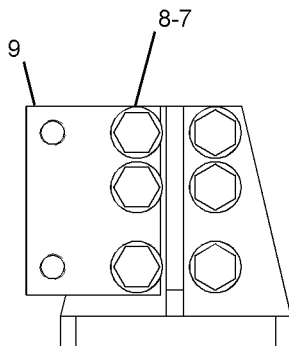
NOTE	REF NO	GRAPHIC REF	PART NUMBER	QTY	PART NAME						SEE PAGE
					1	2	3	4	5	6 (PRODUCT LEVEL)	
	1	1	4P-0571	1	SUPPORT AS-FRONT						
	2	1	4P-3462	2	SUPPORT AS-ENGINE						
	3	1	3B-2968	4	BOLT (3/4-10X3.5-IN)						
	4	1	2J-3506	4	NUT-FULL (3/4-10-THD)						
	5	1	5P-8248	4	WASHER-HARD (20X36.5X3.5-MM THK)						
	6	1	5B-9385	9	BOLT (1-14X2.5-IN)						
	7	1	5P-8250	12	WASHER (28X49X5-MM THK)						
	8	1	6B-9194	3	BOLT (1-14X3-IN)						
	9	1	4P-3458	1	PLATE						



REAR VIEW OF ENGINE



FRONT VIEW OF ENGINE



VIEW A-A

GRAPHIC #1

<END>

g01956664

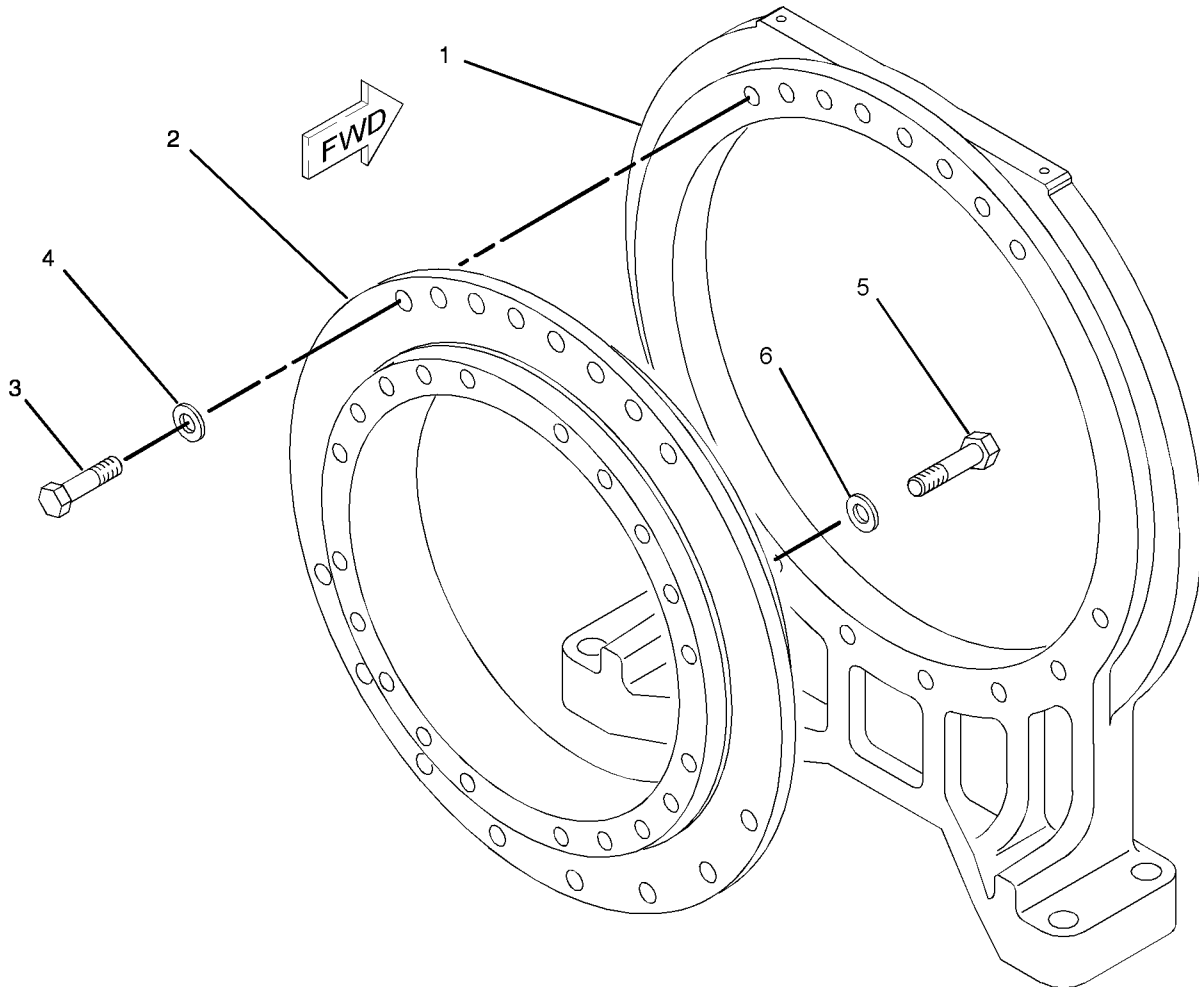
BASIC ENGINE

4P-3309 TRUNNION GP-ENGINE AN ATTACHMENT

SMCS-1154

i01978164

NOTE	REF NO	GRAPHIC REF	PART NUMBER	QTY	PART NAME						SEE PAGE
					1	2	3	4	5	6 (PRODUCT LEVEL)	
	1	1	4P-3307	1	SUPPORT- OUTER						
	2	1	4P-3308	1	ADAPTER-ENGINE SUPPORT						
	3	1	8S-4734	16	BOLT (9/16-12X2-IN)						
	4	1	5P-8246	16	WASHER-HARD (15.5X29X3-MM THK)						
	5	1	1D-4566	20	BOLT (1/2-13X3.5-IN)						
	6	1	5P-8245	20	WASHER-HARD (13.5X25.5X3-MM THK)						



GRAPHIC #1

<END>

g01025839

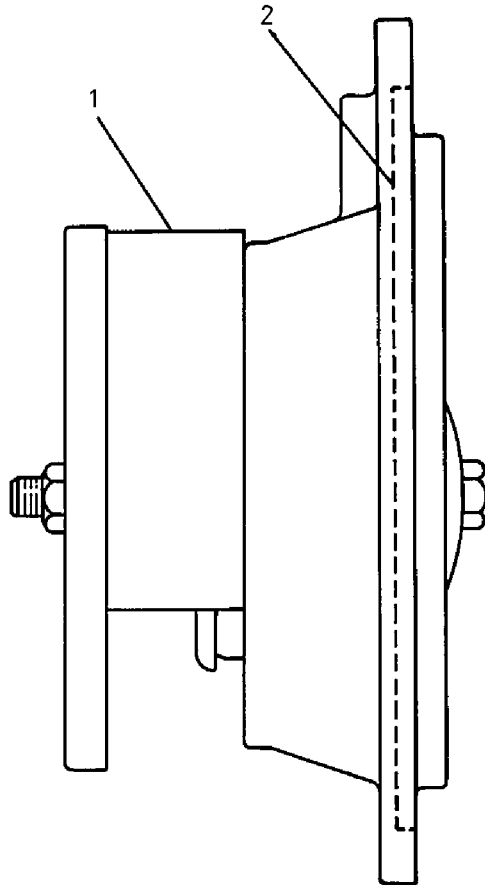
BASIC ENGINE

8N-8510 VALVE GP-EXPLOSION RELIEF AN ATTACHMENT

SMCS-1233

i02656760

NOTE	REF NO	GRAPHIC REF	PART NUMBER	QTY	PART NAME						SEE PAGE
					1	2	3	4	5	6 (PRODUCT LEVEL)	
J	1	1	8N-8509	2	VALVE GP-EXPLOSION RELIEF (CRANKCASE)						
	2	1	272-0759	2	SEAL						
AVAILABLE REPAIR KIT(S):											
J			2W-3584	1	KIT-REPAIR (EXPLOSION RELIEF) (CRANKCASE) (INCLUDES VALVE PLATE AND SPINDLE O-RINGS)						
J-KIT MARKED J SERVICES PART MARKED J											



GRAPHIC #1

<END>

g00637870

BASIC ENGINE

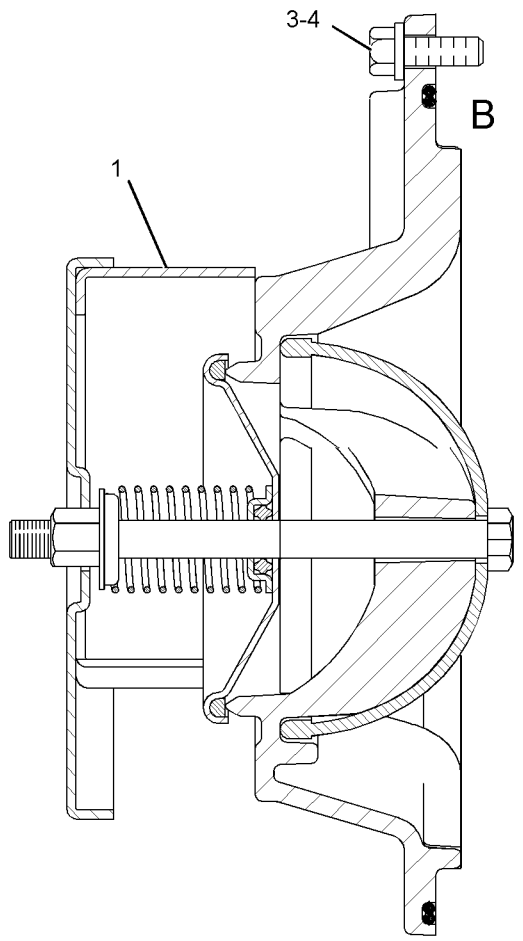
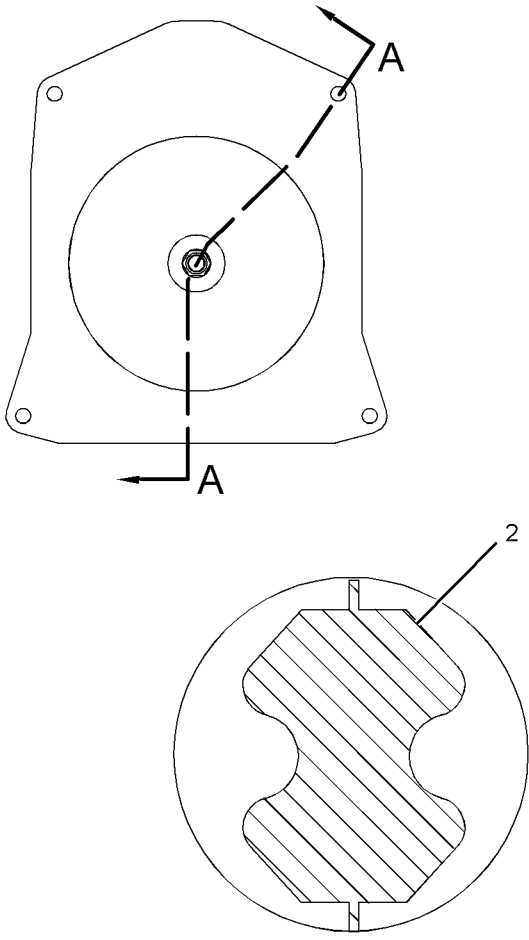
155-2586 VALVE GP-EXPLOSION RELIEF

CHROME PLATED
AN ATTACHMENT

SMCS-1233

i02626007

NOTE	REF NO	GRAPHIC REF	PART NUMBER	QTY	PART NAME						SEE PAGE
					1	2	3	4	5	6 (PRODUCT LEVEL)	
J	1	1	155-2567	1	VALVE GP-EXPLOSION RELIEF (CRANKCASE)						
	2	1	272-0759	1	SEAL						
	3	1	133-6261	4	WASHER (10.2X18.5X2.5-MM THK)						
	4	1	133-6268	4	BOLT (3/8-16X1-IN)						
AVAILABLE REPAIR KIT(S):											
J			2W-3584	1	KIT-REPAIR (EXPLOSION RELIEF)						
(INCLUDES VALVE PLATE & SPINDLE O-RINGS)											
J-KIT MARKED J SERVICES PART MARKED J											



GRAPHIC #1

<END>

g01319451

BASIC ENGINE

224-9869 VALVE MECHANISM GP

S/N: TTH206-UP

SMCS-1102, 1121, 1123, 1209

i03601604

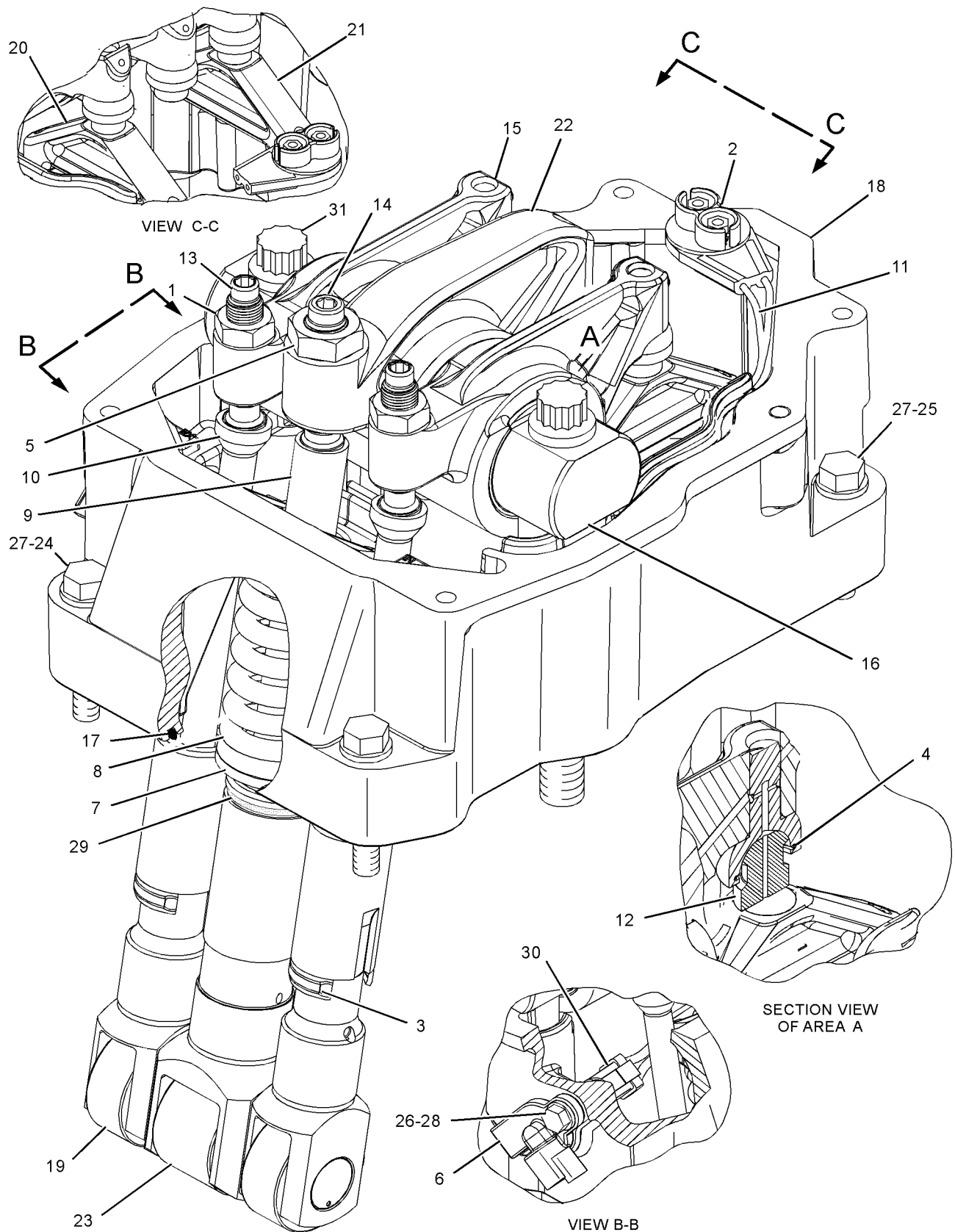
NOTE	REF NO	GRAPHIC REF	PART NUMBER	QTY	PART NAME						SEE PAGE
					1	2	3	4	5	6 (PRODUCT LEVEL)	
	1	1	3J-9196	2	NUT-JAM (1/2-20-THD)						
	2	1	7E-6508	1	CAP AS						
	3	1	7N-4782	2	SPRING-LIFTER GUIDE						
	4	1	9F-7707	3	RING-RETAINING						
	5	1	317-1121	1	NUT-JAM						
	6	1	9X-0352	1	RECEPTACLE AS						
	7	1	100-3877	1	RETAINER-SPRING						
	8	1	100-3878	1	SPRING-INJECTOR						
	9	1	100-3879	1	PUSHROD-INJECTOR						
	10	1	100-3880	2	PUSHROD-VALVE						
	11	1	132-6469	1	HARNES AS-WIRING (VALVE MECHANISM)						
		1	155-2270	1	KIT-CONNECTING PLUG (2-PIN) (INCLUDES PLUG AS AND WEDGE)						
		1	7E-6513	1	CONNECTOR AS						
		1	186-3736	2	SOCKET-CONNECTOR (16-GA TO 18-GA)						
E		1	124-0284		TUBE-HEAT SHRINK (3.2-MM DIA) (6-CM)						
	12	1	154-6389	3	BUTTON						
	13	1	200-2003	2	SCREW-ADJUSTMENT (1/2-20X2-IN)						
	14	1	230-2619	1	SCREW-ADJUSTMENT						
R	15	1	230-2621	2	ROCKER ARM AS (EACH INCLUDES)						
		1	8N-7197	1	SOCKET-ARM						
		1	230-2620	1	BEARING-SLEEVE						
	16	1	230-2633	1	SHAFT AS (ROCKER ARM)						
		1	155-4094	1	PIN-SPRING						
C	17	1	240-7032	1	SEAL						
CY	18	1	247-8341	1	BASE GP-VALVE COVER						9
R	19	1	263-6674	2	LIFTER AS-VALVE						
	20	1	265-7537	1	BRIDGE (INLET)						
	21	1	265-7538	1	BRIDGE (EXHAUST)						
R	22	1	281-6159	1	ROCKER ARM AS (EACH INCLUDES)						
		1	8N-7197	1	SOCKET-ARM						
		1	230-2620	1	BEARING-SLEEVE						
R	23	1	282-7944	1	LIFTER AS-INJECTOR						
	24	1	0L-2070	2	BOLT (3/8-16X2.25-IN)						
	25	1	334-1626	2	BOLT						
	26	1	0S-1615	1	BOLT (1/4-20X0.75-IN)						
	27	1	5M-2894	4	WASHER-HARD (10.2X18.5X2.5-MM THK)						
	28	1	5P-0537	1	WASHER-HARD (7.2X14.5X2-MM THK)						
	29	1	5P-7530	1	SEAL-O-RING						
	30	1	6J-2245	1	SEAL-O-RING						
	31	1	8D-7942	2	BOLT-12 POINT HEAD (5/8-11X6.5-IN)						

C-CHANGE FROM PREVIOUS TYPE
 E-ORDER BY THE CENTIMETER
 R-REMG PART MAY BE AVAILABLE
 Y-SEPARATE ILLUSTRATION

BASIC ENGINE

224-9869 VALVE MECHANISM GP (contd.)

i03601604



GRAPHIC #1

<END>

g01260702

BASIC ENGINE

281-6160 VALVE MECHANISM GP

S/N: TTH1-205

SMCS-1102, 1121, 1123, 1209

i02426365

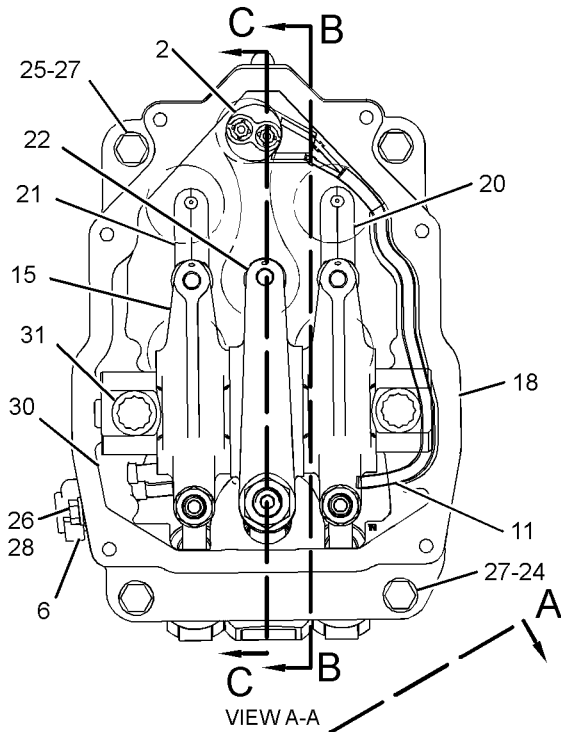
NOTE	REF NO	GRAPHIC REF	PART NUMBER	QTY	PART NAME						SEE PAGE
					1	2	3	4	5	6 (PRODUCT LEVEL)	
	1	1	3J-9196	2	NUT-JAM (1/2-20-THD)						
	2	1	7E-6508	1	CAP AS						
	3	1	7N-4782	2	SPRING-LIFTER GUIDE						
	4	1	9F-7707	3	RING-RETAINING						
	5	1	9S-1354	1	NUT (5/8-18-THD)						
	6	1	9X-0352	1	RECEPTACLE AS						
	7	1	100-3877	1	RETAINER-SPRING						
	8	1	100-3878	1	SPRING-INJECTOR						
	9	1	100-3879	1	PUSHROD-INJECTOR						
	10	1	100-3880	2	PUSHROD-VALVE						
	11	1	132-6469	1	HARNESS AS-WIRING (VALVE MECHANISM)						
		1	155-2270	1	KIT-CONNECTING PLUG (2-PIN) (INCLUDES PLUG AS AND WEDGE)						
	12	1	154-6389	3	BUTTON						
	13	1	200-2003	2	SCREW-ADJUSTMENT						
	14	1	230-2619	1	SCREW-ADJUSTMENT						
R	15	1	230-2621	2	ROCKER ARM AS (EACH INCLUDES)						
		1	8N-7197	1	SOCKET-ARM						
		1	230-2620	1	BEARING-SLEEVE						
	16	1	230-2633	1	SHAFT AS						
		1	155-4094	1	PIN-SPRING						
	17	1	240-7032	1	SEAL						
Y	18	1	247-8341	1	BASE GP-VALVE COVER						9
	19	1	263-6674	2	LIFTER AS-VALVE						
	20	1	265-7537	1	BRIDGE (INLET)						
	21	1	265-7538	1	BRIDGE (EXHAUST)						
R	22	1	281-6159	1	ROCKER ARM AS						
		1	8N-7197	1	SOCKET-ARM						
		1	230-2620	1	BEARING-SLEEVE						
	23	1	282-7944	1	LIFTER AS-INJECTOR						
	24	1	0L-2070	2	BOLT (3/8-16X2.25-IN)						
	25	1	0S-1590	2	BOLT (3/8-16X2-IN)						
	26	1	0S-1615	1	BOLT (1/4-20X0.75-IN)						
	27	1	5M-2894	4	WASHER-HARD (10.2X18.5X2.5-MM THK)						
	28	1	5P-0537	1	WASHER-HARD (7.2X14.5X2-MM THK)						
	29	1	5P-7530	1	SEAL-O-RING						
	30	1	6J-2245	1	SEAL-O-RING						
	31	1	8D-7942	2	BOLT-12 POINT HEAD (5/8-11X6.5-IN)						

R-REMG PART MAY BE AVAILABLE
Y-SEPARATE ILLUSTRATION

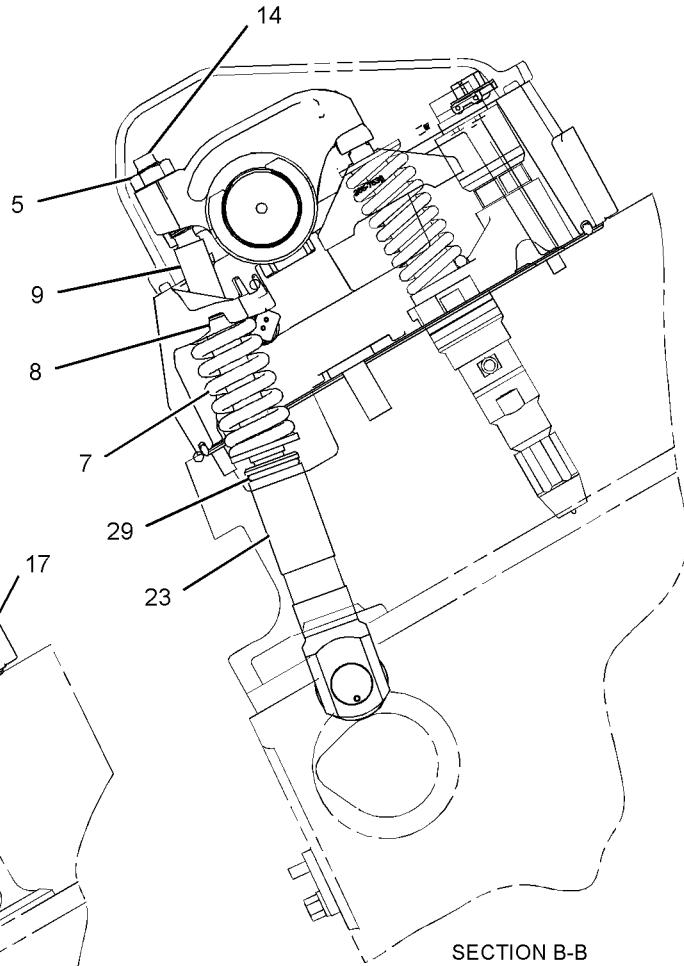
BASIC ENGINE

281-6160 VALVE MECHANISM GP (contd.)

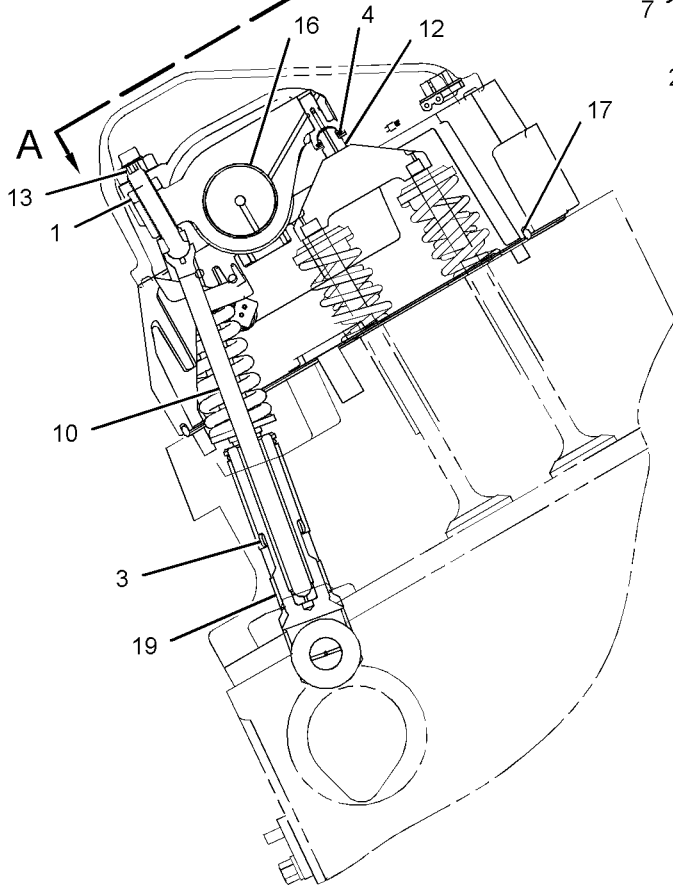
i02426365



VIEW A-A



SECTION B-B



SECTION C-C

GRAPHIC #1

<END>

g01214471

LUBRICATION SYSTEM

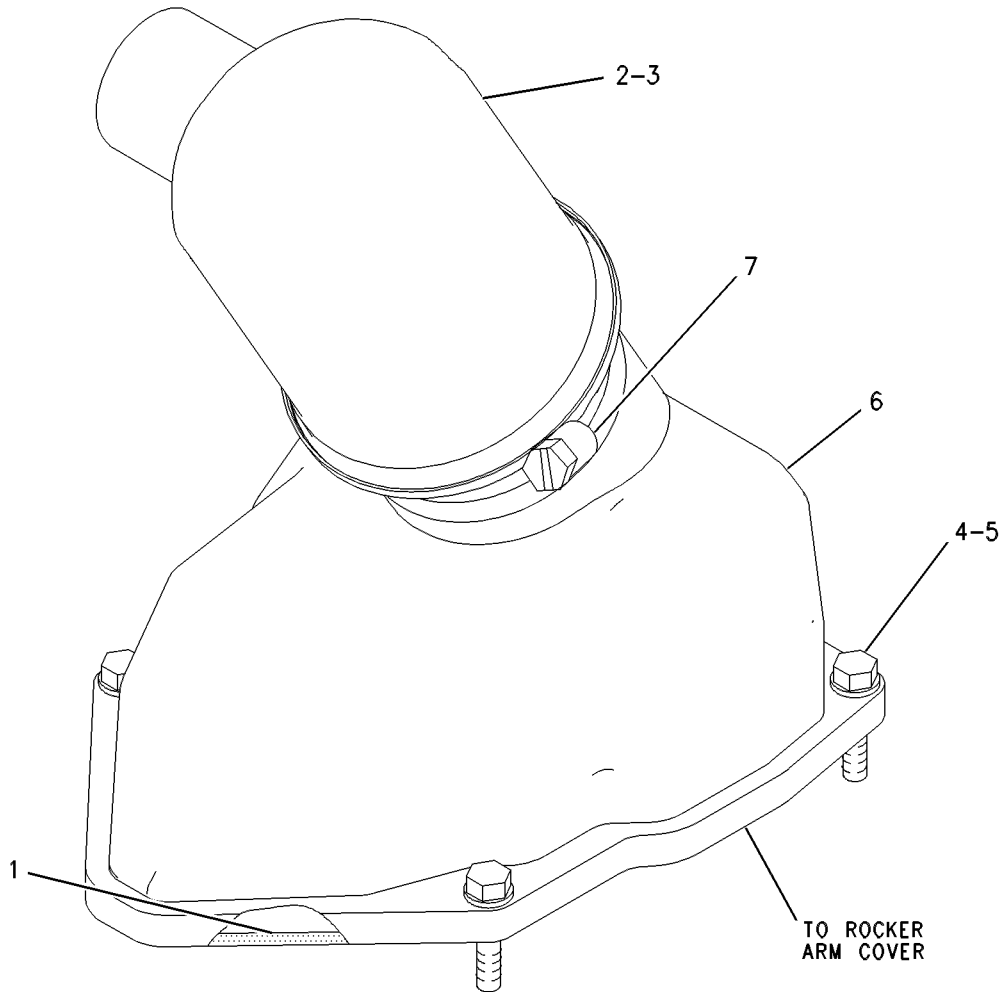
155-2585 BREATHER GP-CRANKCASE

CHROME PLATED
FOR USE WITH EUI ENGINE
AN ATTACHMENT

SMCS-1317

i03533541

NOTE	REF NO	GRAPHIC REF	PART NUMBER	QTY	PART NAME						SEE PAGE
					1	2	3	4	5	6 (PRODUCT LEVEL)	
	1	1	272-0760	1	SEAL-VALVE COVER (BREATHER)						
	2	1	126-0577	1	BREATHER AS (CHROME) (CRANKCASE)						
	3	1	033-6031	1	SEAL-O-RING						
	4	1	133-6270	4	BOLT (5/16-18X1.5-IN)						
	5	1	133-6265	4	WASHER (8.8X16X2-MM THK)						
	6	1	155-2572	1	COVER AS						
	7	1	4W-3034	1	CLAMP-HOSE						



GRAPHIC #1

<END>

g00536789

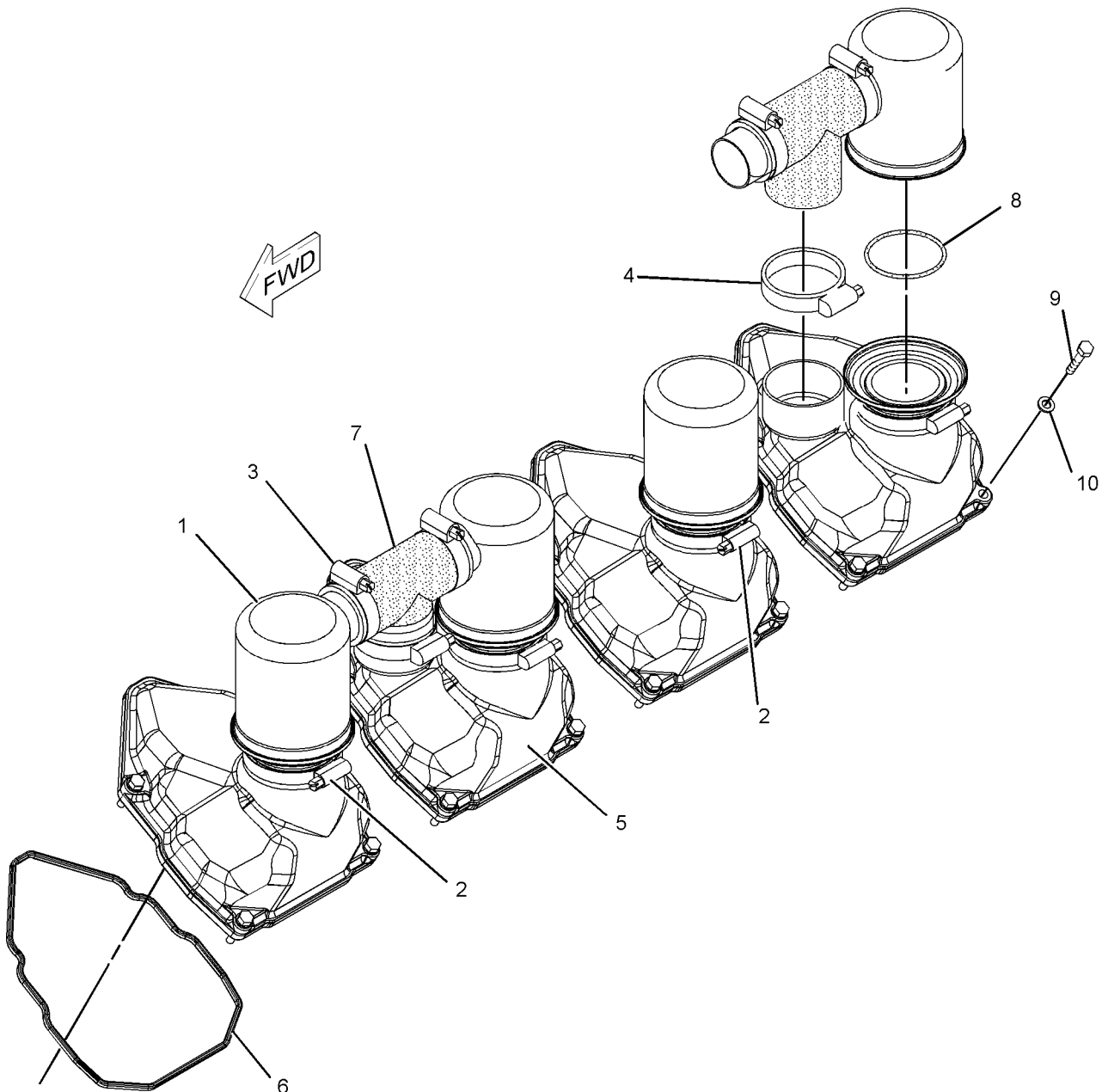
LUBRICATION SYSTEM

247-4696 BREATHER GP-CRANKCASE

SMCS-1317

i03513209

NOTE	REF NO	GRAPHIC REF	PART NUMBER	QTY	PART NAME						SEE PAGE
					1	2	3	4	5	6 (PRODUCT LEVEL)	
	1	1	4W-3027	4	BREATHER AS (CRANKCASE)						
	2	1	4W-3034	4	CLAMP-HOSE						
	3	1	5P-0597	4	CLAMP-HOSE						
	4	1	180-3007	2	CLAMP-HOSE						
	5	1	101-4199	4	COVER AS						
	6	1	272-0760	4	SEAL-VALVE COVER (BREATHER)						
	7	1	217-6692	2	HOSE-TEE						
	8	1	033-6031	4	SEAL-O-RING						
	9	1	1A-9579	16	BOLT (5/16-18X1.5-IN)						
	10	1	9M-1974	16	WASHER-HARD (8.8X16X2-MM THK)						



GRAPHIC #1

<END>

g01075904

LUBRICATION SYSTEM

9Y-4888 CONNECTION GP-OIL

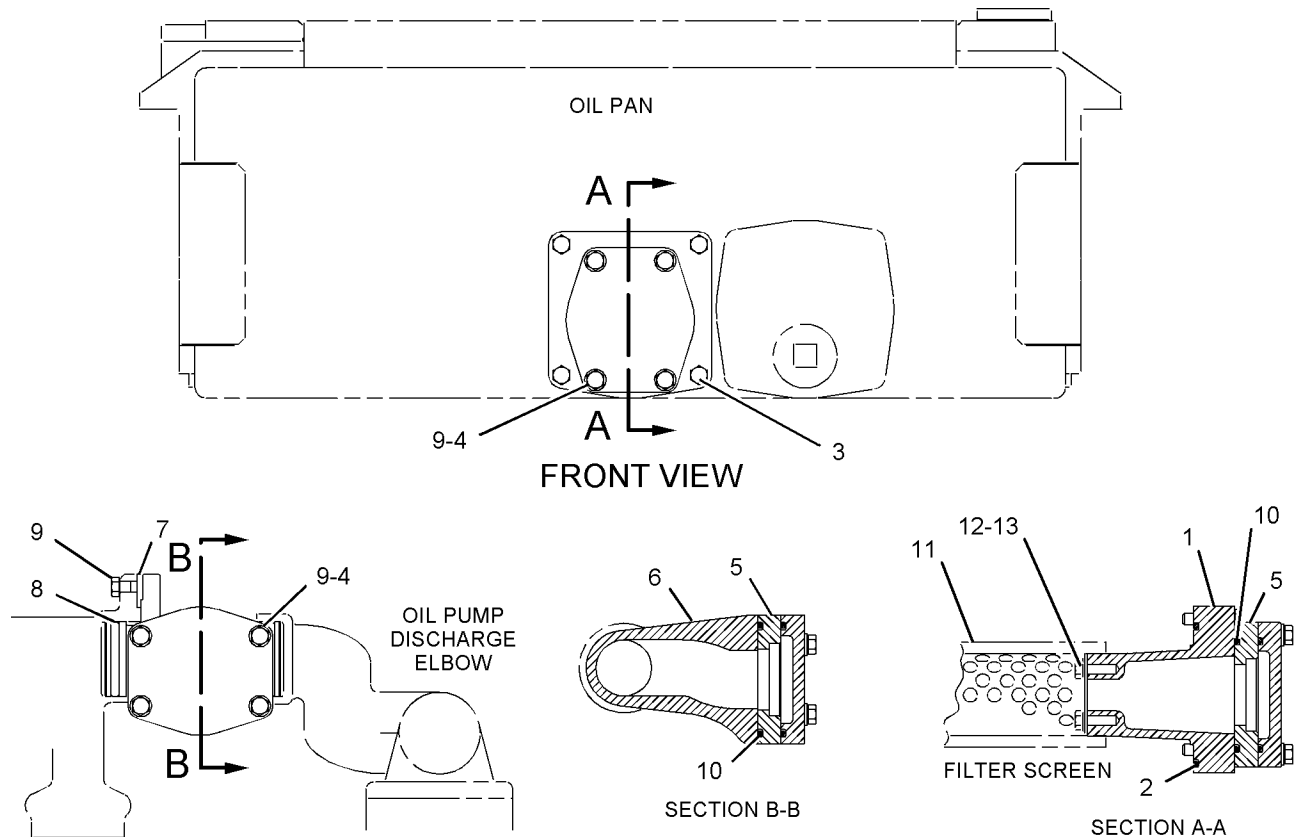
FOR USE WITH 7C-7178-PAGE 92
AN ATTACHMENT

SMCS-1307

i03628532

NOTE	REF NO	GRAPHIC REF	PART NUMBER	QTY	PART NAME						SEE PAGE
					1	2	3	4	5	6 (PRODUCT LEVEL)	
C	1	1	149-9297	1	ADAPTER						
	2	1	5P-8872	1	SEAL-O-RING						
	3	1	0S-1571	4	BOLT (3/8-16X1.75-IN)						
	4	1	5M-2894	8	WASHER-HARD (10.2X18.5X2.5-MM THK)						
	5	1	7N-5798	2	FLANGE						
	6	1	7N-5796	1	ELBOW-CONNECTOR						
	7	1	7G-1239	1	SPACER (10.5X19X4.5-MM THK)						
	8	1	109-2332	2	SEAL-O-RING						
	9	1	0S-1591	9	BOLT (3/8-16X1.5-IN)						
	10	1	6V-0973	2	SEAL-O-RING						
	11	1	7C-4716	1	SCREEN AS-SUCTION (ENGINE OIL PAN)						
	12	1	0S-1614	2	BOLT (1/4-20X0.5-IN)						
	13	1	5P-0537	2	WASHER-HARD (7.2X14.5X2-MM THK)						

C-CHANGE FROM PREVIOUS TYPE



RIGHT SIDE VIEW

GRAPHIC #1

<END>

g01102961

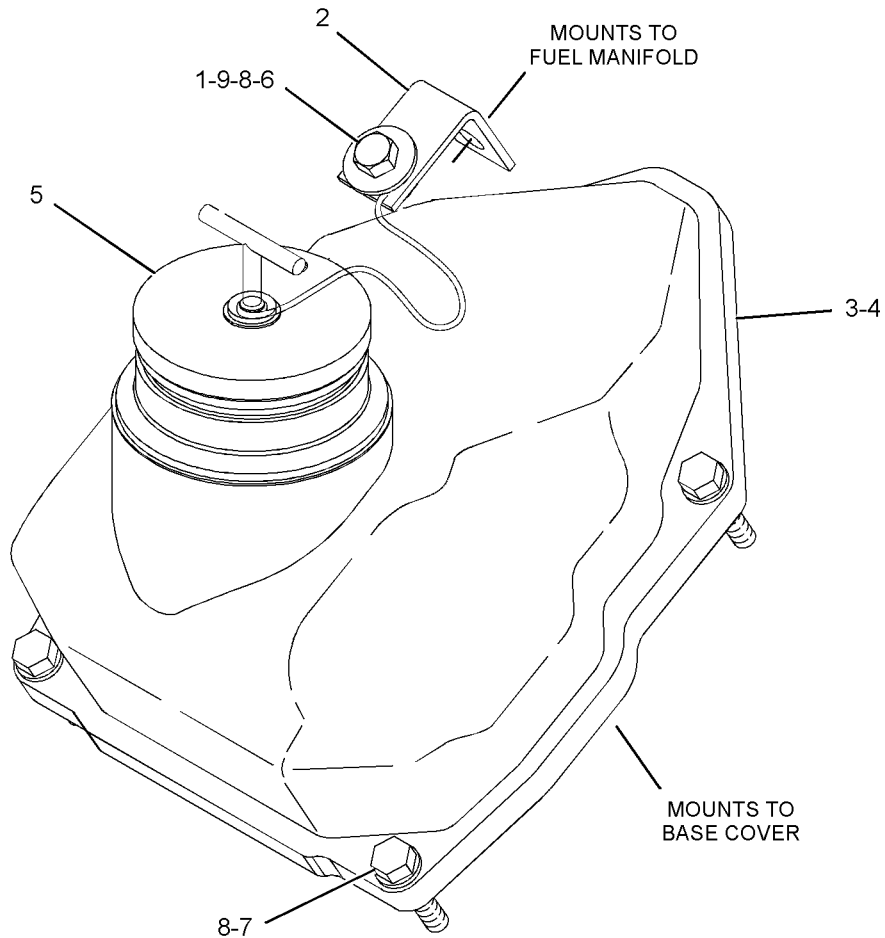
LUBRICATION SYSTEM

112-6033 FILLER GP-ENGINE OIL

SMCS-1316

i03513212

NOTE	REF NO	GRAPHIC REF	PART NUMBER	QTY	PART NAME						SEE PAGE
					1	2	3	4	5	6 (PRODUCT LEVEL)	
	1	1	2B-2695	1	BOLT (5/16-18X0.875-IN)						
	2	1	4P-9226	1	BRACKET						
	3	1	101-4199	1	COVER AS						
	4	1	272-0760	1	SEAL-VALVE COVER (OIL FILLER)						
	5	1	262-6104	1	CAP AS-ENGINE OIL FILLER						
	6	1	031-4155	1	LOCKNUT (5/16-18-THD)						
	7	1	1A-9579	4	BOLT (5/16-18X1.5-IN)						
	8	1	9M-1974	5	WASHER-HARD (8.8X16X2-MM THK)						
	9	1	9N-0869	1	WASHER-HARD (8.8X25.5X2-MM THK)						



GRAPHIC #1

<END>

g01167696

LUBRICATION SYSTEM

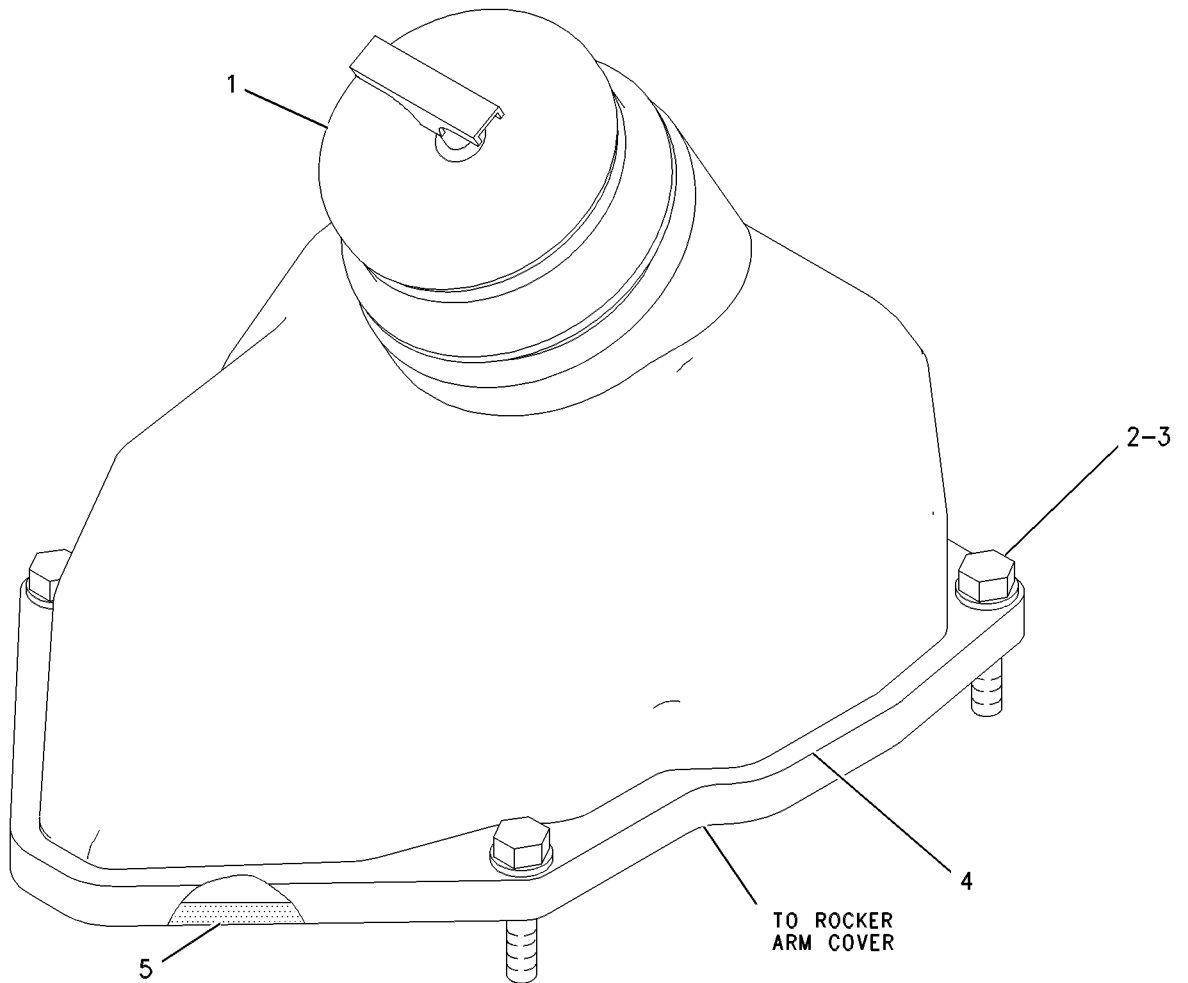
155-2594 FILLER GP-ENGINE OIL

CHROME PLATED
AN ATTACHMENT

SMCS-1316

i03513213

NOTE	REF NO	GRAPHIC REF	PART NUMBER	QTY	PART NAME						SEE PAGE
					1	2	3	4	5	6 (PRODUCT LEVEL)	
	1	1	128-5988	1	CAP AS-ENGINE OIL FILLER						
	2	1	133-6265	4	WASHER (8.8X16X2-MM THK)						
	3	1	133-6270	4	BOLT (5/16-18X1.5-IN)						
	4	1	155-2572	1	COVER AS						
	5	1	272-0760	1	SEAL-VALVE COVER (OIL FILLER)						



GRAPHIC #1

<END>

g00596067

LUBRICATION SYSTEM

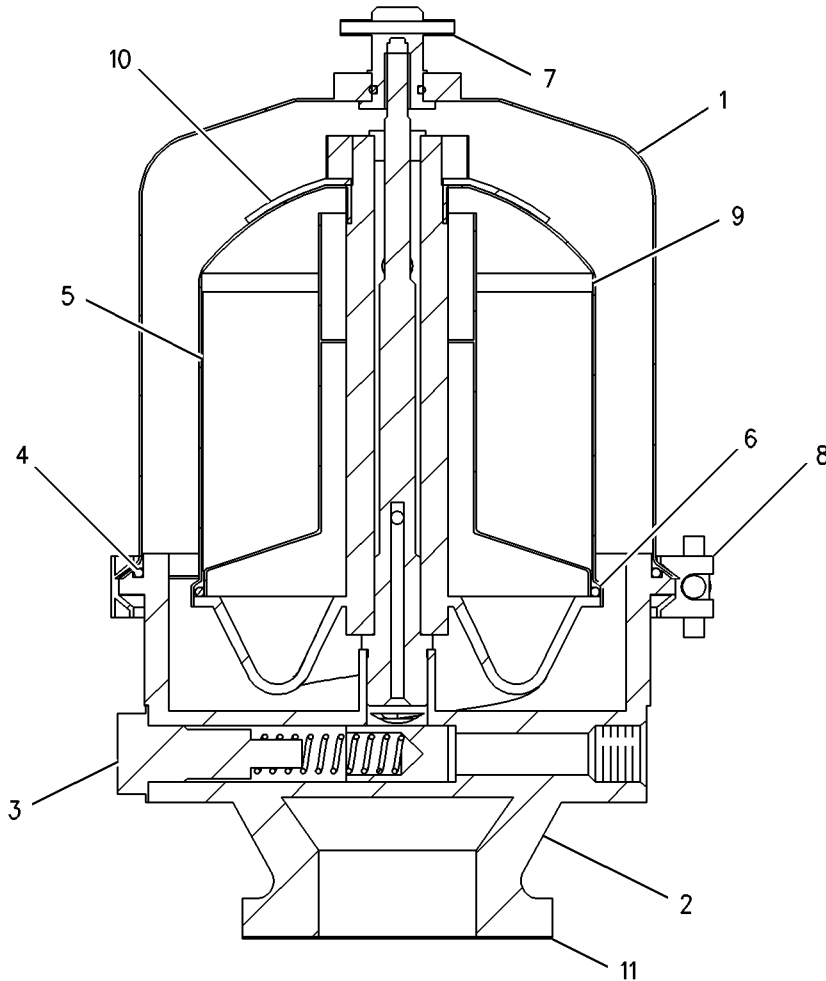
1W-4191 FILTER GP-CENTRIFUGAL

PART OF 243-1286 FILTER GP-CENTRIFUGAL
AN ATTACHMENT

SMCS-1328

i03096360

NOTE	REF NO	GRAPHIC REF	PART NUMBER	QTY	PART NAME						SEE PAGE
					1	2	3	4	5	6 (PRODUCT LEVEL)	
	1	1	7C-4415	1	COVER AS-FILTER						
	2	1	7C-4416	1	BODY-FILTER						
	3	1	7C-4417	1	KIT-VALVE CUTOFF (OIL FILTER) (INCLUDES SHUTTLE, PLUG, SPRING & WASHER)						
	4	1	7C-4419	1	SEAL-O-RING						
	5	1	7C-4420	1	ROTOR AS						
	6	1	7C-4421	1	SEAL-O-RING						
	7	1	7C-4422	1	KIT-COVER-FILTER (OIL FILTER) (INCLUDES COVER, PIN, SEAL & CLIP)						
	8	1	7C-4423	1	CLAMP						
	9	1	7C-8390	1	LINER-ROTOR						
	10	1	168-6357	1	PLATE-STIFFENER						
	11	1	7C-5485	1	GASKET-FLANGE (CENTRIFUGAL FILTER)						



GRAPHIC #1

<END>

g00627726

LUBRICATION SYSTEM

243-1286 FILTER GP-CENTRIFUGAL AN ATTACHMENT

SMCS-1328

i03862942

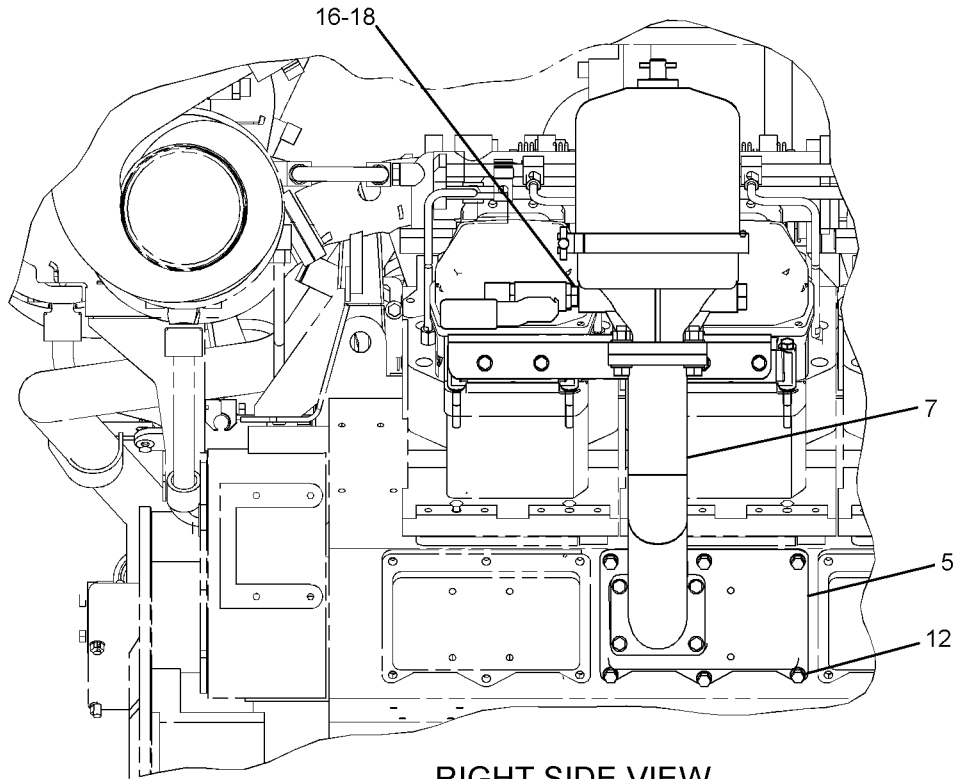
NOTE	REF NO	GRAPHIC REF	PART NUMBER	QTY	PART NAME						SEE PAGE
					1	2	3	4	5	6 (PRODUCT LEVEL)	
Y	1	1	1W-4191	1	FILTER GP-CENTRIFUGAL						132
	2	1	1W-8129	2	SUPPORT						
	3	1	2W-0752	1	GASKET						
	4	1	4R-8658	1	VALVE AS-MANUAL						
	5	1	8N-9993	1	COVER-CAMSHAFT						
	6	1	272-0758	1	SEAL						
	7	1	243-1288	1	ELBOW AS						
	8	1	243-1289	1	SUPPORT						
	9	1	032-1269	1	ELBOW						
	10	1	0S-1588	4	BOLT (3/8-16X1.25-IN)						
	11	1	0S-1591	4	BOLT (3/8-16X1.5-IN)						
	12	1	1A-2029	6	BOLT (3/8-16X1.125-IN)						
	13	1	1A-1460	2	BOLT (1/2-13X2-IN)						
	14	1	1A-5964	4	BOLT (3/8-16X4.5-IN)						
	15	1	1F-7958	4	NUT-FULL (1/2-13-THD)						
	16	1	2M-9780	1	SEAL-O-RING						
	17	1	5M-2894	18	WASHER-HARD (10.2X18.5X2.5-MM THK)						
	18	1	5P-5877	1	CONNECTOR						
	19	1	5P-8245	8	WASHER-HARD (13.5X25.5X3-MM THK)						
	20	1	9S-1366	2	BOLT (1/2-13X2.5-IN)						
	21	1	9S-8752	4	NUT-FULL (3/8-16-THD)						

Y-SEPARATE ILLUSTRATION

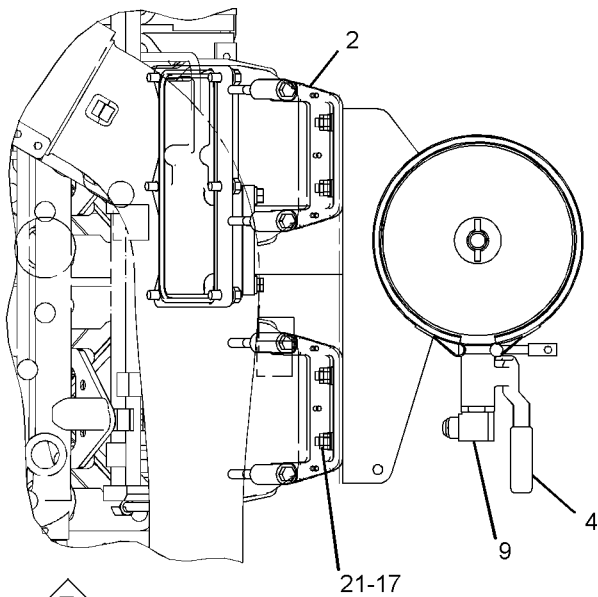
LUBRICATION SYSTEM

243-1286 FILTER GP-CENTRIFUGAL (contd.)

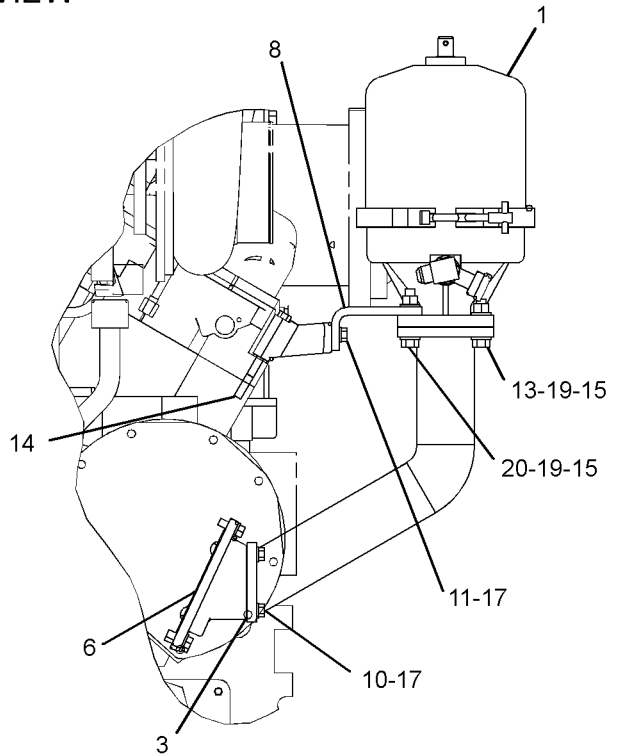
i03862942



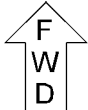
RIGHT SIDE VIEW



TOP VIEW



REAR VIEW



GRAPHIC #1

<END>

g01343037

LUBRICATION SYSTEM

112-4921 FILTER GP-ENGINE OIL-RH

SMCS-1306, 1308

i03533660

NOTE	REF NO	GRAPHIC REF	PART NUMBER	QTY	PART NAME						SEE PAGE
					1	2	3	4	5	6 (PRODUCT LEVEL)	
	1	1	8N-9482	1	SUPPORT-OIL FILTER						
	2	1	5P-4624	2	BOLT (3/4-10X11.5-IN)						
	3	1	4S-5882	2	BOLT (1/2-13X7.25-IN)						
	4	1	278-1082	1	HOUSING AS-FILTER (ENGINE OIL)						
		1	4V-7412	1	BOSS (3/8-16-THD)						
	5	1	0S-1588	8	BOLT (3/8-16X1.25-IN)						
	6	1	2S-5100	1	VALVE-MANUAL (ENGINE OIL DRAIN)						
C	7	1	4W-5592	1	COVER						
	8	1	4W-8459	1	COVER						
C	9	1	4W-6387	1	HOUSING AS (BYPASS)						
		1	7N-2043	3	DOWEL						
	10	1	133-9313	1	PLATE						
	11	1	0L-1351	3	BOLT (3/8-16X0.875-IN)						
	12	1	5M-2894	15	WASHER-HARD (10.2X18.5X2.5-MM THK)						
C	13	1	2W-1969	1	VALVE-BYPASS (ENGINE OIL)						
C	14	1	155-1690	1	ADAPTER AS						
		1	154-1581	1	RING-RETAINING						
	15	1	2W-1635	1	SPRING						
	16	1	1R-0726	3	FILTER ELEMENT AS-ENGINE OIL (STANDARD EFFICIENCY)						
C	17	1	5P-4892	4	SEAL-O-RING						
	18	1	0S-1571	2	BOLT (3/8-16X1.75-IN)						
	19	1	9S-8752	2	NUT-FULL (3/8-16-THD)						
	20	1	6V-3907	4	SEAL-O-RING						
	21	1	157-0443	1	COVER AS						
		1	7N-2043	1	DOWEL						
	22	1	7F-0192	3	BOLT (3/8-16X2-IN)						
	24	1	5D-5957	1	SEAL-O-RING						
	25	1	8T-6762	1	PLUG-PIPE						
	26	1	4W-6960	1	SUPPORT-HOUSING						
C	27	1	6V-5048	6	SEAL-O-RING						
C	28	1	9S-4182	6	PLUG-O-RING						
C	29	1	1M-0644	3	BOLT (3/8-16X2.25-IN)						
C	30	1	0S-1619	2	BOLT (3/8-16X3-IN)						
C	31	1	6V-8001	1	SEAL-O-RING						
C	32	1	111-8639	1	COVER-BYPASS VALVE						
	33	1	0T-0573	3	BOLT (3/8-16X2.75-IN)						
B	34	1	0T-0573	1	BOLT (3/8-16X2.75-IN)						
B	35	1	1D-4574	2	BOLT (1/2-13X6-IN)						
B	36	1	5M-2894	2	WASHER-HARD (10.2X18.5X2.5-MM THK)						
B	37	1	5P-5421	4	BOLT (1/2-13X11.5-IN)						
B	38	1	9S-8752	1	NUT-FULL (3/8-16-THD)						
	39	1	165-3931	3	BOLT (3/8-16X1.75-IN)						

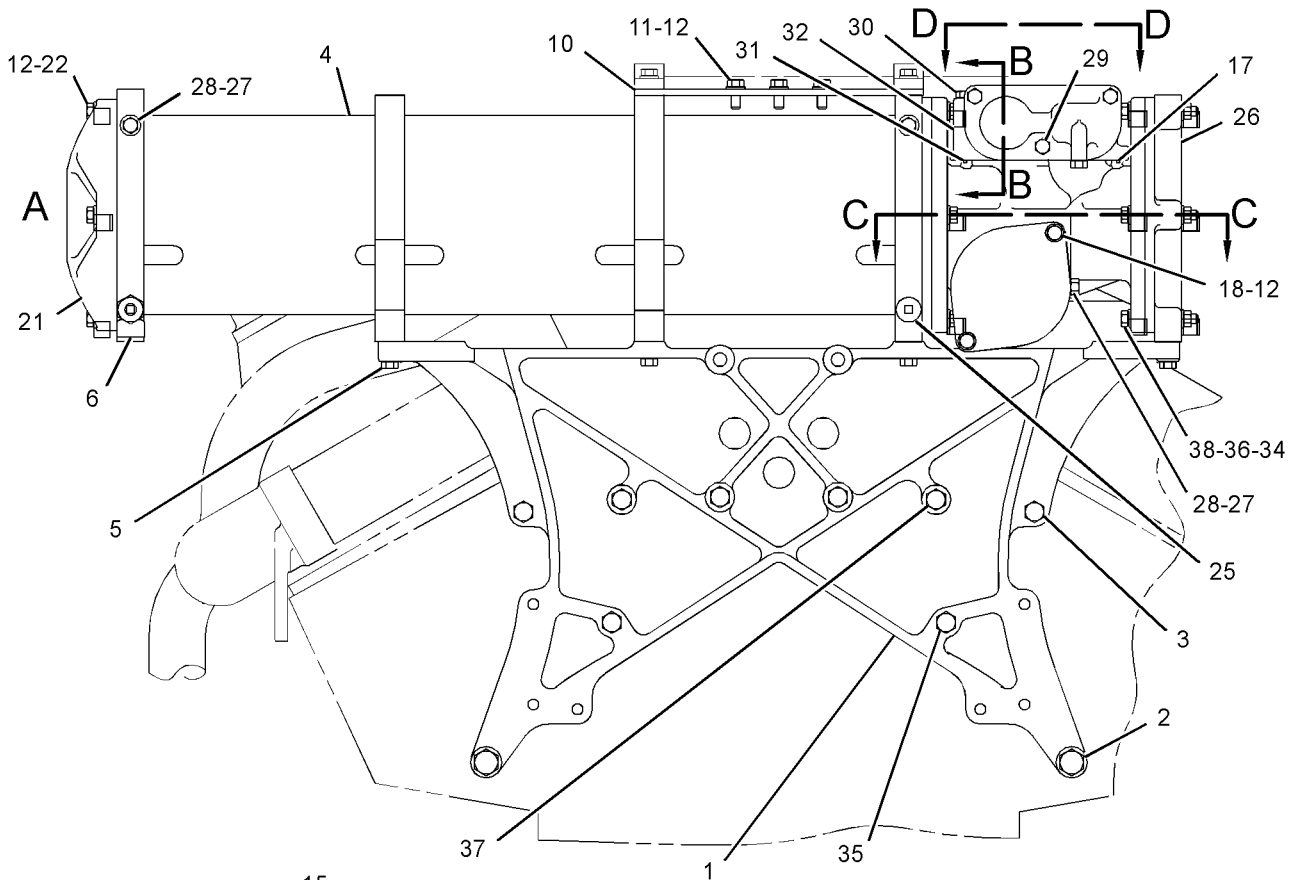
B-USE AS REQUIRED

C-CHANGE FROM PREVIOUS TYPE

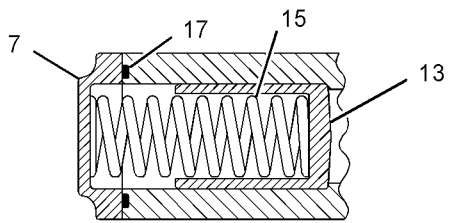
LUBRICATION SYSTEM

112-4921 FILTER GP-ENGINE OIL (contd.)

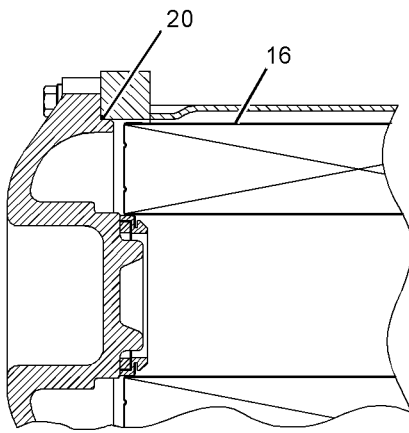
i03533660



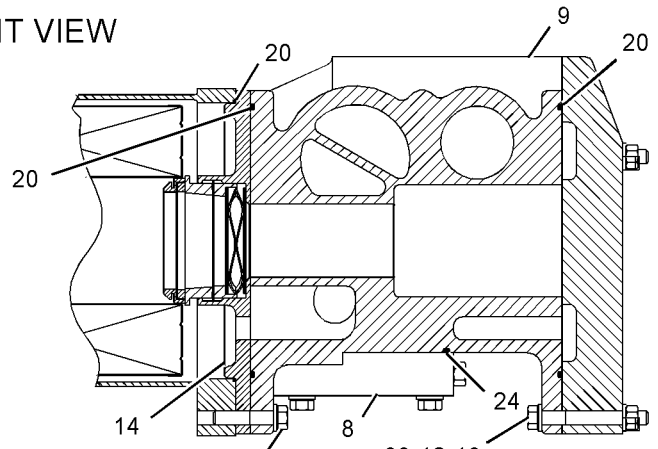
FRONT VIEW



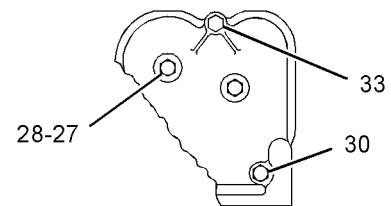
SECTION B-B



SECTION VIEW OF AREA A



SECTION C-C



VIEW D-D

GRAPHIC #1

<END>

g01277752

LUBRICATION SYSTEM

120-4501 FILTER GP-ENGINE OIL-DUPLEX

**CANNOT BE USED WITH ENGINE MOUNTED FANS OR WHERE FAN IS MOUNTED IN CLOSE
PROXIMITY TO THE ENGINE
AN ATTACHMENT**

SMCS-1306, 1308

i03877209

NOTE	REF NO	GRAPHIC REF	PART NUMBER	QTY	PART NAME						SEE PAGE
					1	2	3	4	5	6 (PRODUCT LEVEL)	
	1	3	1R-0726	4	FILTER ELEMENT AS-ENGINE OIL (STANDARD EFFICIENCY)						
	2	1,2	2S-5100	2	VALVE-MANUAL						
	3	2	2W-1635	1	SPRING						
	4	2	2W-1969	1	VALVE-BYPASS						
	5	3	2W-9209	1	VALVE AS-CHECK						
	6	1	3D-9777	1	LEVER						
	7	3	3J-9173	1	BOLT-SPECIAL						
	8	1	3L-5389	1	TIE ROD						
	9	2	4W-0090	1	BLOCK						
	10	2	4W-0096	1	LEVER						
	11	1	4W-0288	1	TUBE AS						
	12	1	4W-0289	1	TUBE AS						
	13	2	4W-0290	1	VALVE AS-TOGGLE						
	14	2	4W-0334	1	PLUNGER AS-BALL						
	15	2	4W-0343	1	BRACKET						
	16	2	4W-5592	1	COVER						
	17	2	5B-9079	2	NUT-JAM (3/8-24-THD)						
	18	1,2	7F-0192	6	BOLT (3/8-16X2-IN)						
Y	19	3	7W-3816	1	VALVE GP-FLUID CONTROL (DUPLEX OIL)						184
	20	1	8N-9482	1	SUPPORT-OIL FILTER						
	21	3	9K-6540	1	WASHER-SPRING (0.63X1.25X0.04-IN THK)						
	22	1	111-8639	1	COVER-BYPASS VALVE						
	23	1	133-9313	1	PLATE						
C	24	3	155-1690	2	ADAPTER AS (EACH INCLUDES)						
		3	154-1581	1	RING-RETAINING						
C	25	3	157-0443	2	COVER AS (EACH INCLUDES)						
		3	7N-2043	1	DOWEL						
	26	1	278-1082	1	HOUSING AS-FILTER (ENGINE OIL)						
		1	4V-7412	1	BOSS (3/8-16-THD)						
C	27	1	278-1083	1	HOUSING AS-FILTER (AUXILIARY)						
	29	3	165-3931	3	BOLT (3/8-16X1.75-IN)						
	30	2	0L-1143	1	BOLT (3/8-16X2.5-IN)						
	31	1	0L-1351	3	BOLT (3/8-16X0.875-IN)						
	32	1,2	0S-1571	3	BOLT (3/8-16X1.75-IN)						
	33	1	0S-1588	8	BOLT (3/8-16X1.25-IN)						
	34	1	0S-1594	1	BOLT (3/8-16X1-IN)						
C	35	1,2	0S-1619	2	BOLT (3/8-16X3-IN)						
C	36	3	0T-0573	2	BOLT (3/8-16X2.75-IN)						
	37	2	1A-9252	2	END-ADJUSTMENT ROD						
	38	1	1B-8706	1	KEY-WOODRUFF						
	39	1	1D-4574	2	BOLT (1/2-13X6-IN)						
	40	1	1M-0644	3	BOLT (3/8-16X2.25-IN)						
	41	2	3B-4615	2	PIN-COTTER						
	42	1	4S-5882	2	BOLT (1/2-13X7.25-IN)						
	43	1,2,3	5M-2894	21	WASHER-HARD (10.2X18.5X2.5-MM THK)						
	44	1	5P-4624	2	BOLT (3/4-10X11.5-IN)						
	45	1,2	5P-4892	4	SEAL-O-RING						
	46	1	5P-5421	4	BOLT (1/2-13X11.5-IN)						
	47	3	5P-8245	1	WASHER-HARD (13.5X25.5X3-MM THK)						
	48	2	6K-9194	1	ELBOW-FLARED						
	49	3	6V-3907	6	SEAL-O-RING						
	50	1,2	6V-5048	5	SEAL-O-RING						

LUBRICATION SYSTEM

120-4501 FILTER GP-ENGINE OIL (contd.)

i03877209

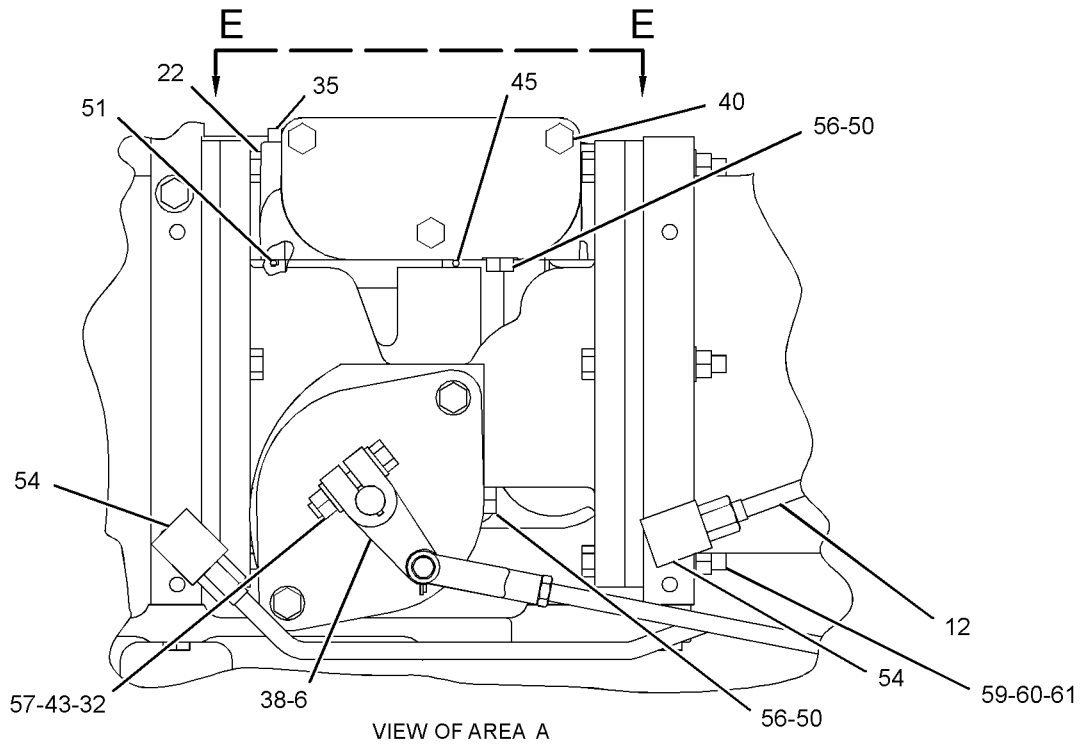
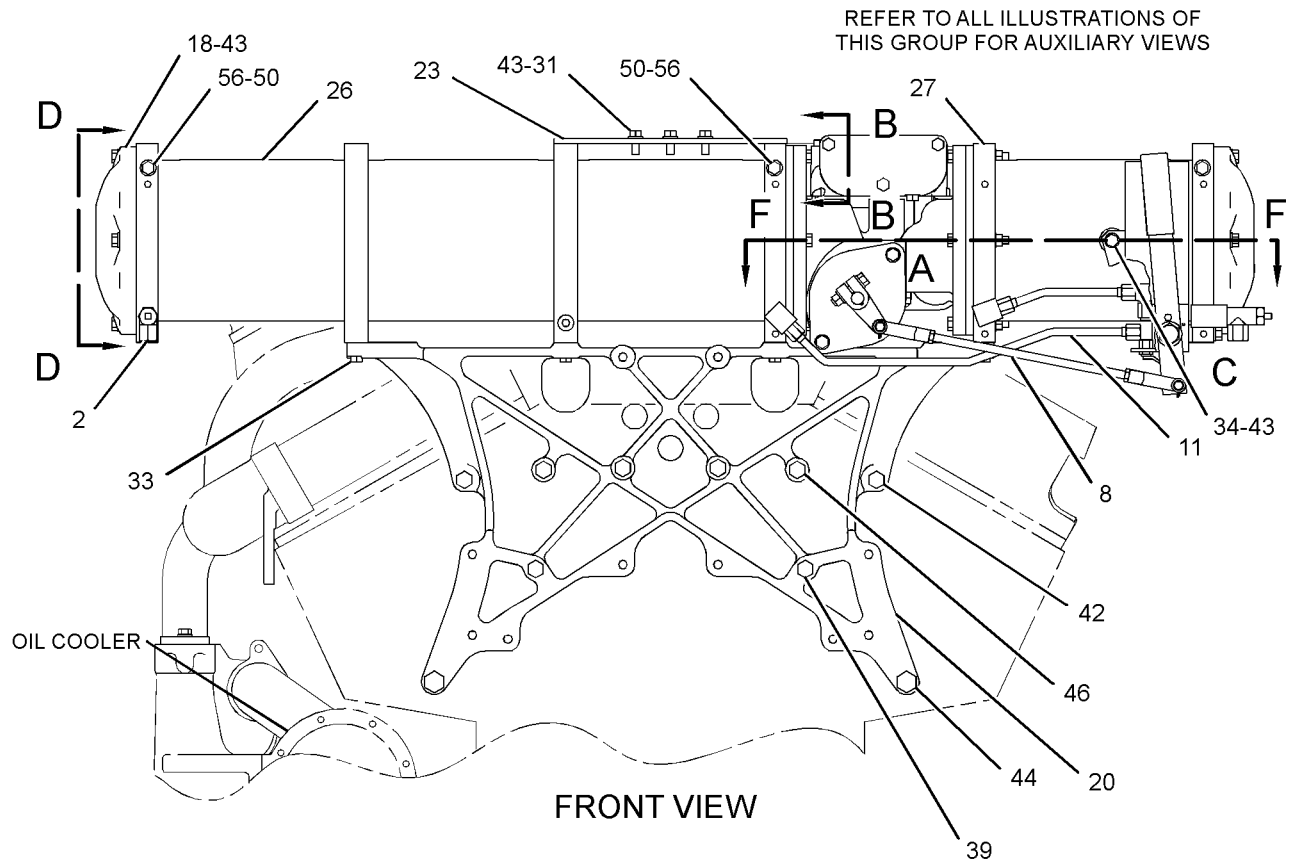
NOTE	REF NO	GRAPHIC REF	PART NUMBER	QTY	PART NAME						SEE PAGE
					1	2	3	4	5	6 (PRODUCT LEVEL)	
	51	1	6V-8001	1	SEAL-O-RING						
	52	3	6V-8002	1	SEAL-O-RING						
	53	3	6V-8823	1	WASHER-HARD (19.25X27X2-MM THK)						
	54	1	7D-8793	2	ELBOW-FLARED						
	55	2	9H-6673	2	PIN						
	56	1,2	9S-4182	5	PLUG-O-RING						
	57	1,3	9S-8752	3	NUT-FULL (3/8-16-THD)						
BC	59	1	0T-0573	1	BOLT (3/8-16X2.75-IN)						
B	60	1	5M-2894	2	WASHER-HARD (10.2X18.5X2.5-MM THK)						
B	61	1	9S-8752	1	NUT-FULL (3/8-16-THD)						

B-USE AS REQUIRED
 C-CHANGE FROM PREVIOUS TYPE
 Y-SEPARATE ILLUSTRATION

LUBRICATION SYSTEM

120-4501 FILTER GP-ENGINE OIL (contd.)

i03877209



GRAPHIC #1

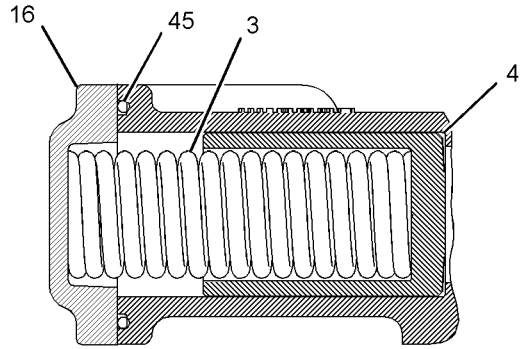
g01276325

LUBRICATION SYSTEM

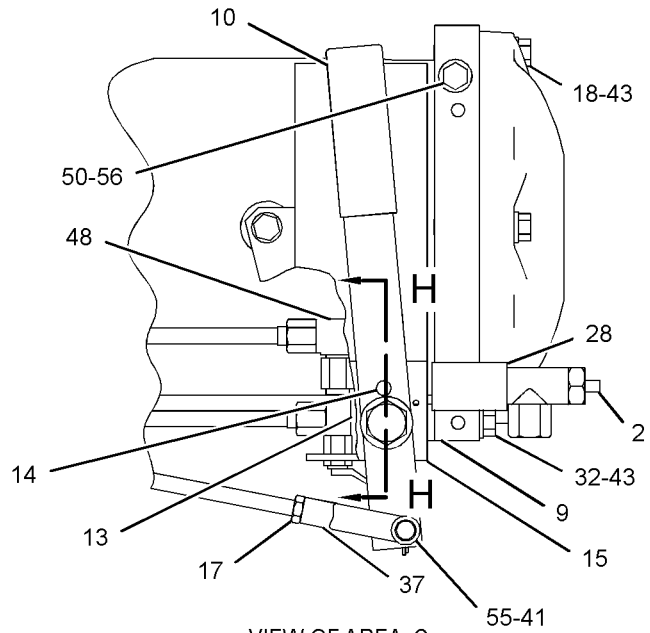
120-4501 FILTER GP-ENGINE OIL (contd.)

i03877209

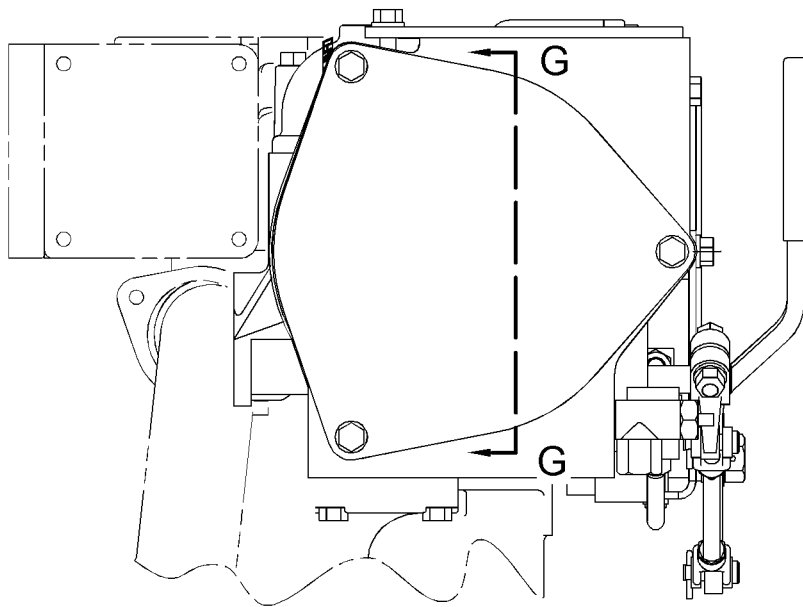
REFER TO ALL ILLUSTRATIONS OF THIS GROUP FOR AUXILIARY VIEWS



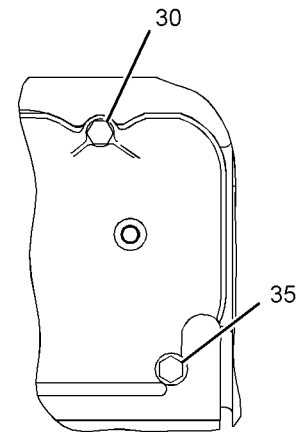
SECTION B-B



VIEW OF AREA C



VIEW D-D



VIEW E-E

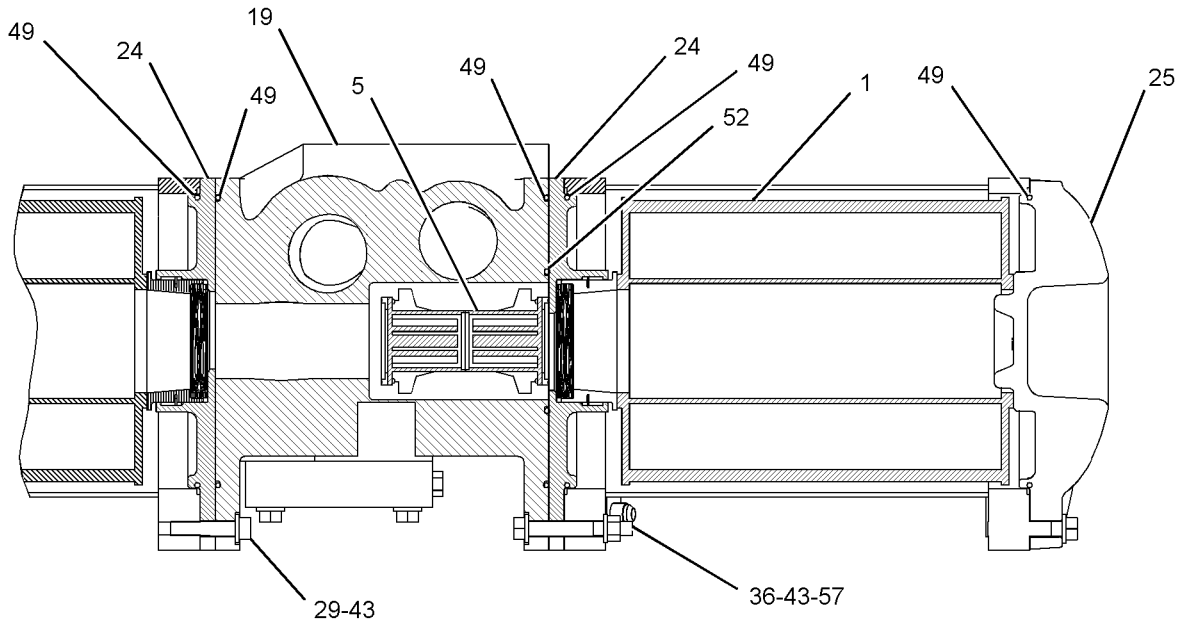
GRAPHIC #2

g01276326

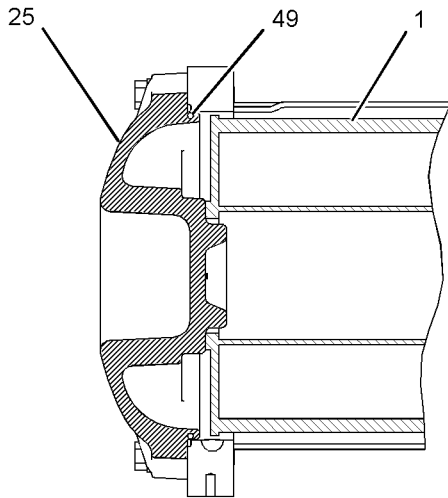
LUBRICATION SYSTEM

120-4501 FILTER GP-ENGINE OIL (contd.)

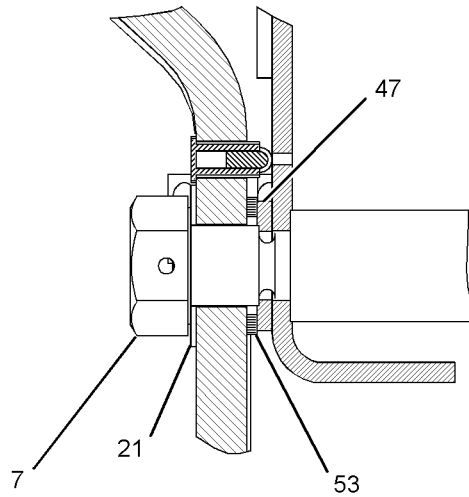
i03877209



SECTION F-F



SECTION G-G



SECTION H-H

GRAPHIC #3

<END>

g01276327

LUBRICATION SYSTEM

242-6278 FILTER GP-ENGINE OIL-LH

AN ATTACHMENT

SMCS-1306, 1308

i03871852

NOTE	REF NO	GRAPHIC REF	PART NUMBER	QTY	PART NAME	1 2 3 4 5 6 (PRODUCT LEVEL)						SEE PAGE
	1	2	1R-0726	3	FILTER ELEMENT AS-ENGINE OIL (STANDARD EFFICIENCY)							
	2	2	2S-5100	1	VALVE-MANUAL							
	3	2	2W-1635	1	SPRING							
	4	2	2W-1969	1	VALVE-BYPASS							
B	5	1	4P-8097	1	BRACKET							
B	6	1	4S-5719	1	SPACER (10.31X25X12.7-MM THK)							
	7	2	4W-5592	1	COVER							
	8	2	4W-6387	1	HOUSING AS (BYPASS)							
		2	7N-2043	3	DOWEL							
	9	1	4W-6491	1	SUPPORT-HOUSING							
	10	2	4W-6492	1	ADAPTER							
	11	1	4W-8459	1	COVER							
	12	1	4W-8467	1	TUBE							
B	13	1	7E-6369	1	BRACKET							
	14	1	7F-0192	3	BOLT (3/8-16X2-IN)							
C	15	2	8C-3445	1	CAP-DUST							
	16	2	8N-1991	1	RING-RETAINING							
	17	2	8N-1992	2	RETAINER							
	18	1	8N-9482	1	SUPPORT-OIL FILTER							
	19	1,2	100-8075	2	CLAMP AS							
	20	2	111-3820	2	RING-RETAINING							
	21	1	111-8639	1	COVER-BYPASS VALVE							
	22	1	133-9313	1	PLATE							
	23	2	155-1690	1	ADAPTER AS							
		2	154-1581	1	RING-RETAINING							
	24	2	157-0443	1	COVER AS							
		2	7N-2043	1	DOWEL							
C	25	2	253-4778	1	TUBE AS							
	26	1,2	264-0450	2	CLAMP AS							
	27	1	278-1082	1	HOUSING AS-FILTER (ENGINE OIL)							
		1	4V-7412	1	BOSS (3/8-16-THD)							
	28	2	0L-1143	4	BOLT (3/8-16X2.5-IN)							
	29	1	0L-1351	3	BOLT (3/8-16X0.875-IN)							
	30	2	0S-1571	6	BOLT (3/8-16X1.75-IN)							
B	31	1	0S-1588	9	BOLT (3/8-16X1.25-IN)							
	32	2	0S-1594	6	BOLT (3/8-16X1-IN)							
	33	1,2	0S-1619	5	BOLT (3/8-16X3-IN)							
	34	2	109-2332	4	SEAL-O-RING							
	35	2	165-3931	3	BOLT (3/8-16X1.75-IN)							
	36	1	1M-0644	3	BOLT (3/8-16X2.25-IN)							
B	37	1	3B-1915	1	BOLT (3/8-16X1.375-IN)							
C	38	2	3J-7354	1	SEAL-O-RING							
	39	1	4S-5882	2	BOLT (1/2-13X7.25-IN)							
	40	2	5D-5957	1	SEAL-O-RING							
B	41	1,2	5M-2894	30	WASHER-HARD (10.2X18.5X2.5-MM THK)							
	42	1	5P-4624	2	BOLT (3/4-10X11.5-IN)							
	43	1,2	5P-4892	6	SEAL-O-RING							
B	44	1	6V-0267	1	CLIP (TAB)							
B	45	1	6V-0268	1	CLIP (SLOT)							
	46	2	6V-3907	4	SEAL-O-RING							
	47	1,2	6V-5048	6	SEAL-O-RING							
	48	1	6V-8001	1	SEAL-O-RING							
C	49	2	8C-3446	1	VALVE-FLUID SAMPLING							
	50	1	8T-6762	1	PLUG-PIPE							
	51	1,2	9S-4182	6	PLUG-O-RING							
B	52	1,2	9S-8752	4	NUT-FULL (3/8-16-THD)							

LUBRICATION SYSTEM

242-6278 FILTER GP-ENGINE OIL (contd.)

i03871852

NOTE	REF NO	GRAPHIC REF	PART NUMBER	QTY	PART NAME						SEE PAGE
					1	2	3	4	5	6 (PRODUCT LEVEL)	
B	53	1	1D-4574	2	BOLT (1/2-13X6-IN)						
B	54	1	5P-5421	4	BOLT (1/2-13X11.5-IN)						
B	55	1	4S-5719	1	SPACER (10.31X25X12.7-MM THK)						
B	56	1	0S-1571	1	BOLT (3/8-16X1.75-IN)						
B	57	1	6V-0267	1	CLIP (TAB)						
B	58	1	6V-0268	1	CLIP (SLOT)						
B	59	1	9S-8752	1	NUT-FULL (3/8-16-THD)						
B	60	1	0S-1588	1	BOLT (3/8-16X1.25-IN)						
B	61	1	5M-2894	3	WASHER-HARD (10.2X18.5X2.5-MM THK)						

B- USE AS REQUIRED

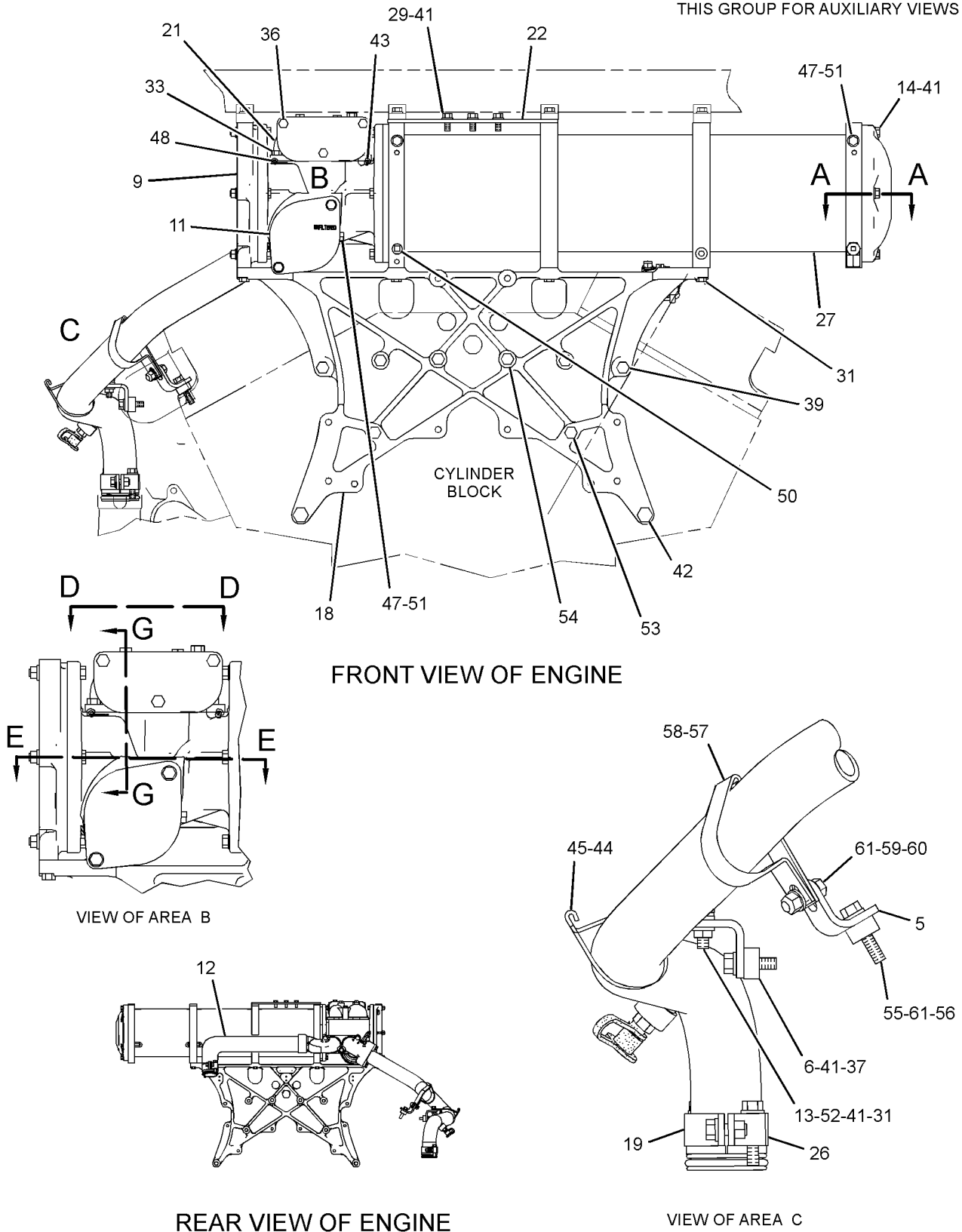
C- CHANGE FROM PREVIOUS TYPE

LUBRICATION SYSTEM

242-6278 FILTER GP-ENGINE OIL (contd.)

i03871852

REFER TO ALL ILLUSTRATIONS OF THIS GROUP FOR AUXILIARY VIEWS



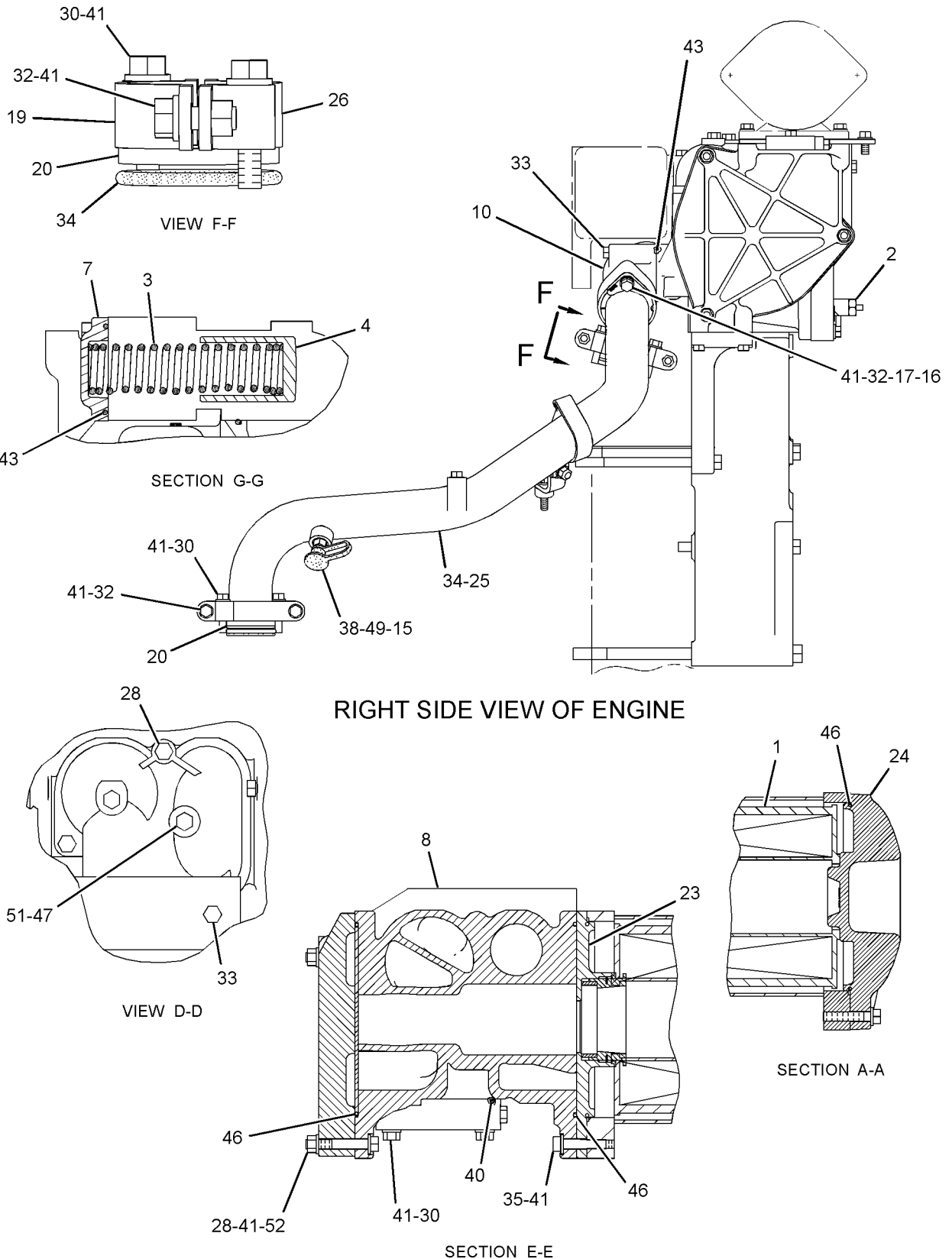
GRAPHIC #1

g01467188

LUBRICATION SYSTEM

242-6278 FILTER GP-ENGINE OIL (contd.)

i03871852



GRAPHIC #2

<END>

g01467189

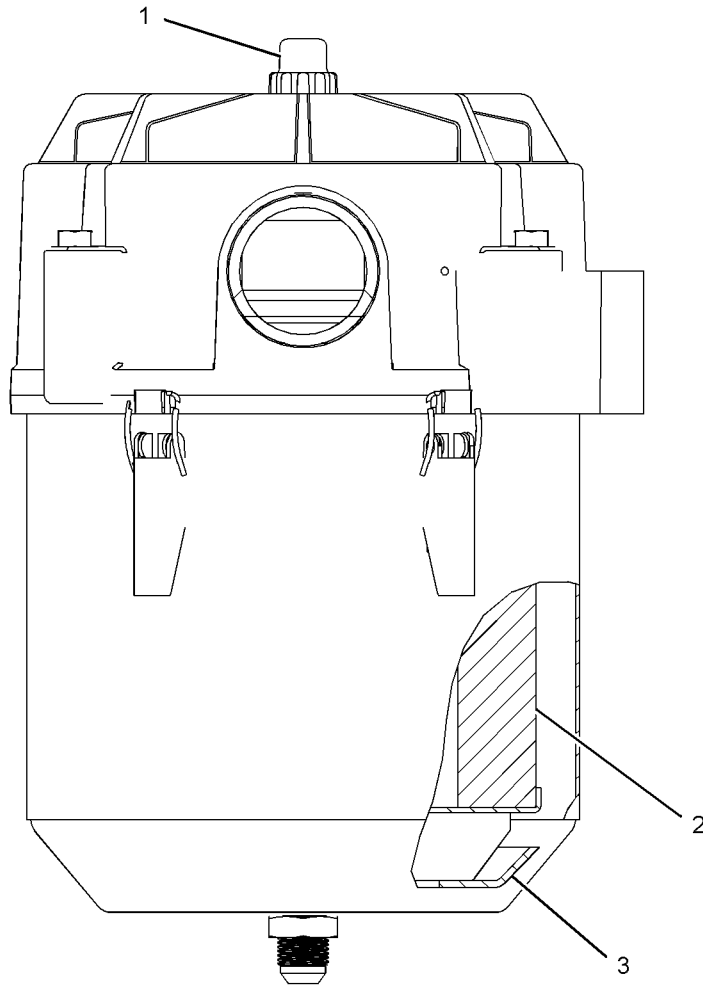
LUBRICATION SYSTEM

279-2475 FILTER GP-FUMES PART OF 300-9828 FILTER GP-FUMES DISPOSAL AN ATTACHMENT

SMCS-1074

i02710353

NOTE	REF NO	GRAPHIC REF	PART NUMBER	QTY	PART NAME						SEE PAGE
					1	2	3	4	5	6 (PRODUCT LEVEL)	
	1	1	195-4550	1	CAP						
	2	1	275-2276	1	ELEMENT-BREATHER (FUMES DISPOSAL)						
	3	1	291-9125	1	PAD						



GRAPHIC #1

<END>

g01303885

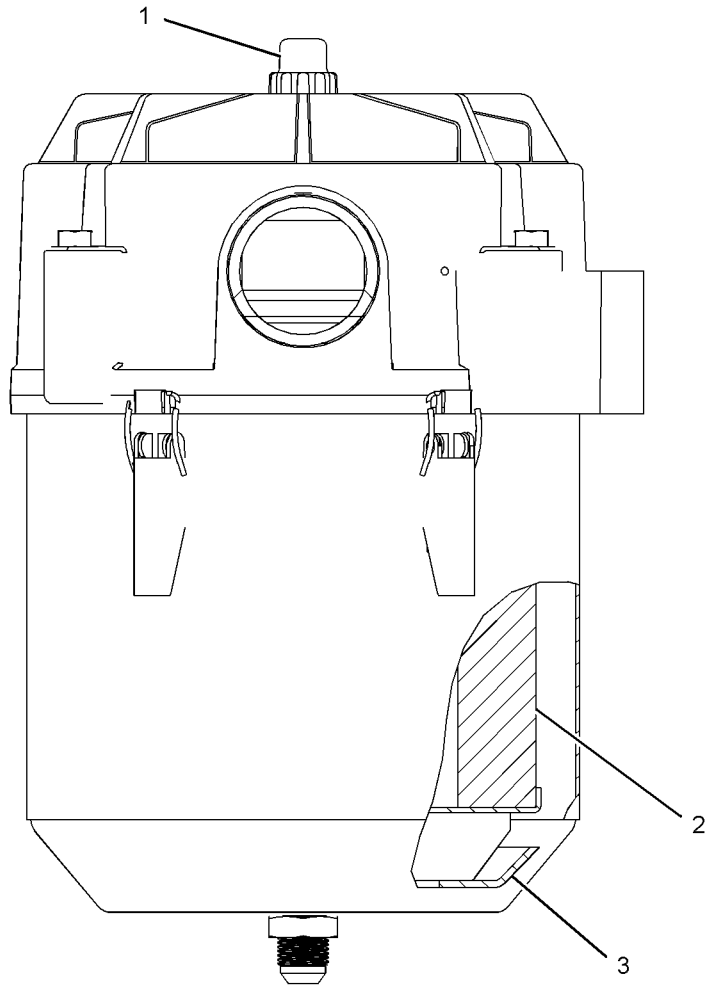
LUBRICATION SYSTEM

282-5367 FILTER GP-FUMES PART OF 300-9828 FILTER GP-FUMES DISPOSAL AN ATTACHMENT

SMCS-1074

i02710354

NOTE	REF NO	GRAPHIC REF	PART NUMBER	QTY	PART NAME						SEE PAGE
					1	2	3	4	5	6 (PRODUCT LEVEL)	
	1	1	195-4550	1	CAP						
	2	1	275-2276	1	ELEMENT-BREATHER (FUMES DISPOSAL)						
	3	1	291-9125	1	PAD						



GRAPHIC #1

<END>

g01303885

LUBRICATION SYSTEM

300-9828 FILTER GP-FUMES DISPOSAL

FOR USE WITH CLOSED CRANKCASE VENTILATION SYSTEM
AN ATTACHMENT

SMCS-1074

i02736949

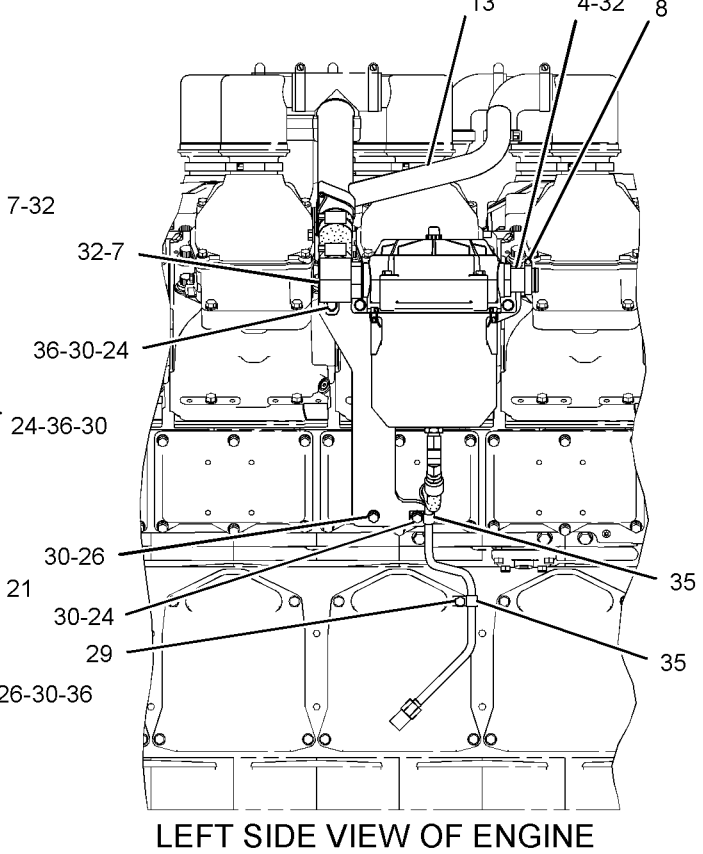
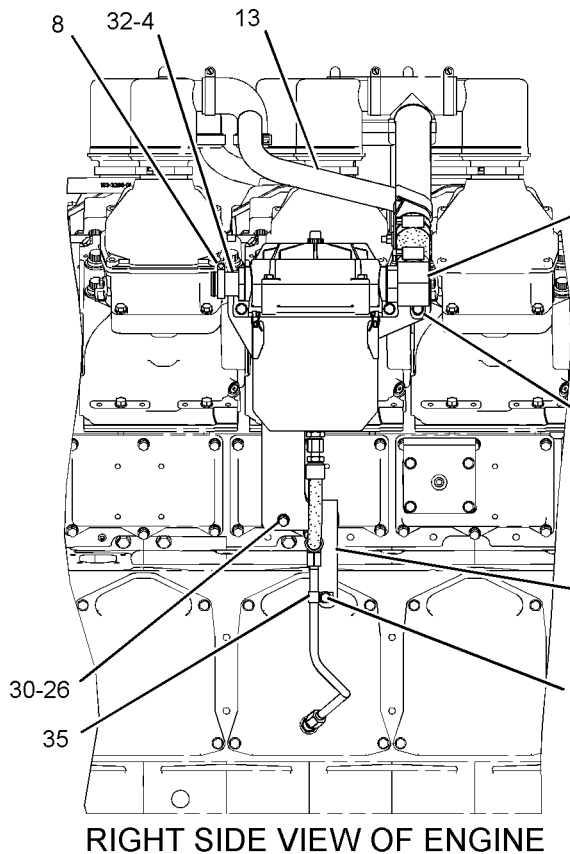
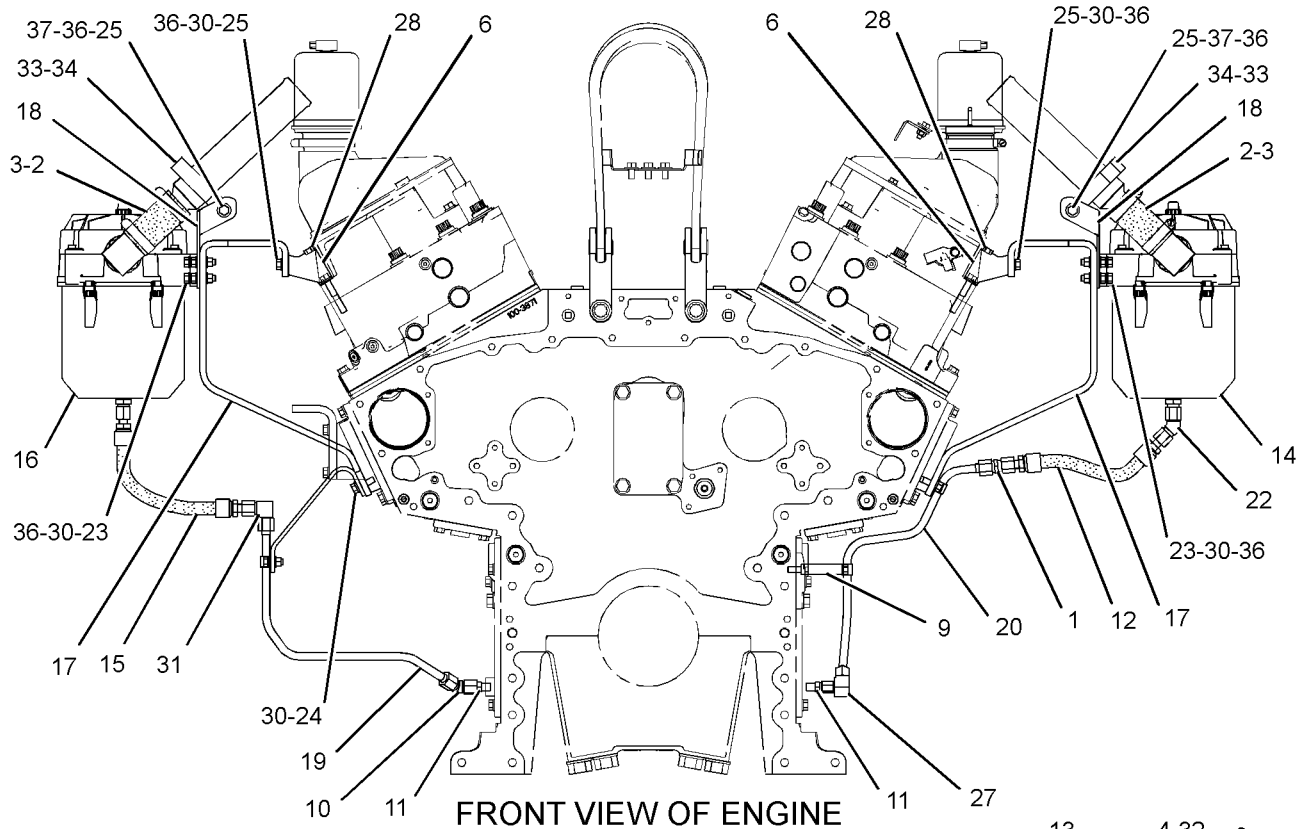
NOTE	REF NO	GRAPHIC REF	PART NUMBER	QTY	PART NAME						SEE PAGE
					1	2	3	4	5	6 (PRODUCT LEVEL)	
	1	1	3R-2704	1	UNION-FLARED						
E	2	1	5P-1291		HOSE (10.5-CM EACH)						
	3	1	127-4471	4	CLAMP-HOSE						
	4	1	5P-1947	2	CONNECTOR						
	6	1	7N-6986	2	SUPPORT						
	7	1	8C-9020	2	ELBOW AS						
	8	1	110-2445	2	CLAMP-HOSE						
	9	1	126-3005	1	PIPE						
	10	1	153-7487	1	ELBOW						
	11	1	158-6457	2	VALVE-CHECK						
I	12	1	244-3732	1	HOSE AS						
	13	1	278-0155	2	TUBE AS						
Y	14	1	279-2475	1	FILTER GP-FUMES DISPOSAL						146
I	15	1	279-2482	1	HOSE AS						
Y	16	1	282-5367	1	FILTER GP-FUMES DISPOSAL						147
	17	1	284-4169	2	BRACKET						
	18	1	284-4171	2	BRACKET						
	19	1	291-6549	1	TUBE AS						
	20	1	291-6550	1	TUBE AS						
	21	1	297-3279	1	BRACKET						
	22	1	030-7963	1	ELBOW-FLARED						
	23	1	0S-1571	8	BOLT (3/8-16X1.75-IN)						
	24	1	0S-1588	6	BOLT (3/8-16X1.25-IN)						
	25	1	0S-1591	6	BOLT (3/8-16X1.5-IN)						
	26	1	0S-1594	3	BOLT (3/8-16X1-IN)						
	27	1	112-4387	1	ELBOW						
	28	1	1A-5964	4	BOLT (3/8-16X4.5-IN)						
	29	1	2M-3403	1	BOLT (3/8-16X3.63-IN)						
	30	1	5M-2894	38	WASHER-HARD (10.2X18.5X2.5-MM THK)						
	31	1	5P-6399	1	ELBOW-FLARED						
	32	1	6K-6307	4	SEAL-O-RING						
	33	1	6V-0267	2	CLIP (TAB)						
	34	1	6V-0268	2	CLIP (SLOT)						
	35	1	8M-2770	3	CLIP						
	36	1	9S-8752	19	NUT-FULL (3/8-16-THD)						
	37	1	9X-6458	4	WASHER-HARD (10.2X22.5X3-MM THK)						

E-ORDER BY THE CENTIMETER
I-REFER TO HYDRAULIC INFORMATION SYSTEM
Y-SEPARATE ILLUSTRATION

LUBRICATION SYSTEM

300-9828 FILTER GP-FUMES DISPOSAL (contd.)

i02736949



GRAPHIC #1

<END>

g01373299

LUBRICATION SYSTEM

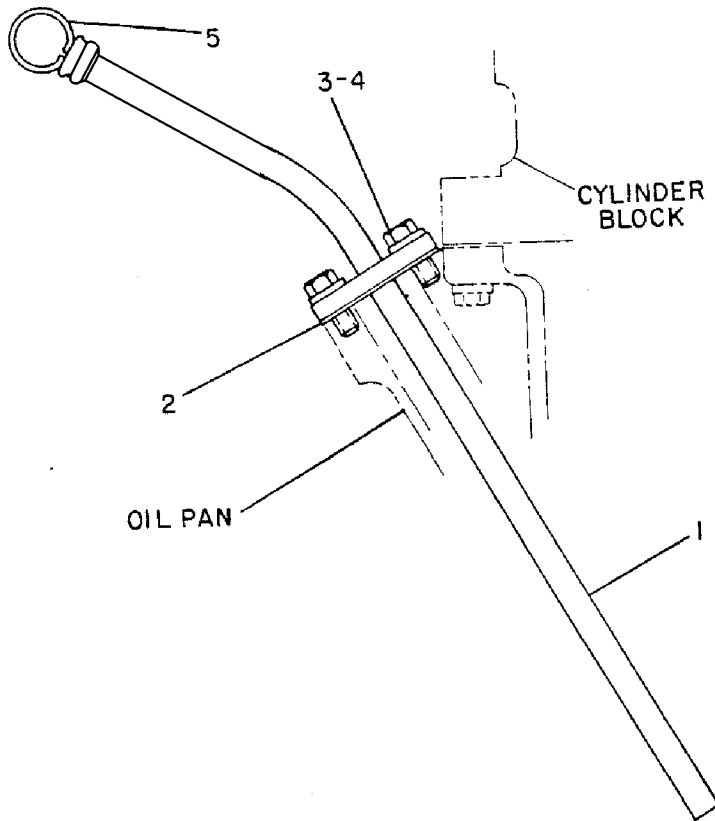
4P-6732 GAUGE GP-OIL LEVEL (DIPSTICK)

CANNOT BE USED WITH ENGINE MTD RAILS
AN ATTACHMENT

SMCS-1326

i02360087

NOTE	REF NO	GRAPHIC REF	PART NUMBER	QTY	PART NAME						SEE PAGE
					1	2	3	4	5	6 (PRODUCT LEVEL)	
	1	1	1N-4775	1	TUBE AS-GAUGE GUIDE						
	2	1	4F-3765	1	GASKET-SHAFT						
	3	1	0S-1588	2	BOLT (3/8-16X1.25-IN)						
	4	1	5M-2894	2	WASHER-HARD (10.2X18.5X2.5-MM THK)						
	5	1	4P-6733	1	GAUGE AS-OIL LEVEL (DIPSTICK)						



GRAPHIC #1

<END>

g00220577

LUBRICATION SYSTEM

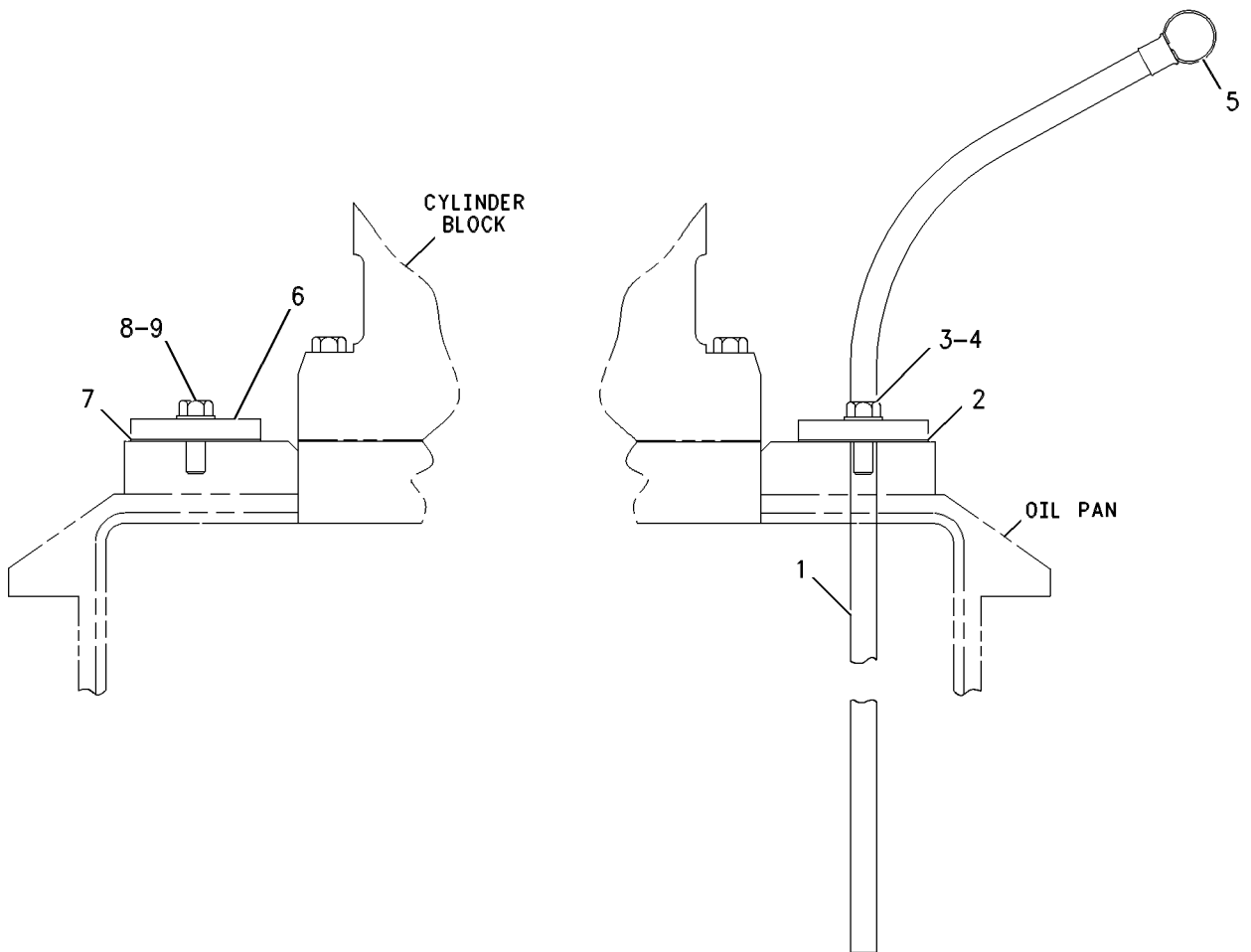
7C-9784 GAUGE GP-OIL LEVEL (DIPSTICK)-DEEP SUMP

SMCS-1326

i02458978

NOTE	REF NO	GRAPHIC REF	PART NUMBER	QTY	PART NAME						SEE PAGE
					1	2	3	4	5	6 (PRODUCT LEVEL)	
	1	1	7E-0467	1	TUBE AS-OIL LEVEL						
	2	1	9L-1480	1	GASKET						
	3	1	0S-1594	2	BOLT (3/8-16X1-IN)						
	4	1	5M-2894	2	WASHER-HARD (10.2X18.5X2.5-MM THK)						
	5	1	7C-9786	1	GAUGE AS-OIL LEVEL (DIPSTICK) (DEEP SUMP)						
B	6	1	4B-3140	1	COVER						
B	7	1	9L-1480	1	GASKET						
B	8	1	0S-1594	2	BOLT (3/8-16X1-IN)						
B	9	1	5M-2894	2	WASHER-HARD (10.2X18.5X2.5-MM THK)						

B-USE AS REQUIRED



GRAPHIC #1

<END>

g00618660

LUBRICATION SYSTEM

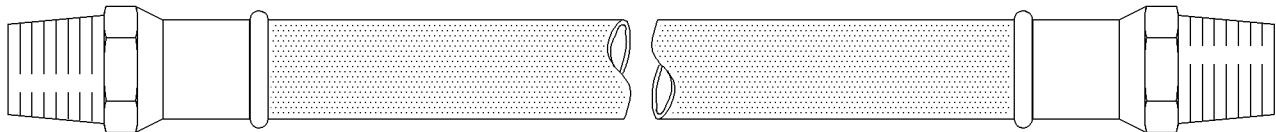
3N-4513 HOSE AS*I

1830-MM LENGTH
AN ATTACHMENT

SMCS - 1307

i01305106

NOTE	REF NO	GRAPHIC REF	PART NUMBER	QTY	PART NAME						SEE PAGE
					1	2	3	4	5	6 (PRODUCT LEVEL)	
(NO SERVICED PARTS)											



GRAPHIC #1

<END>

g00691641

LUBRICATION SYSTEM

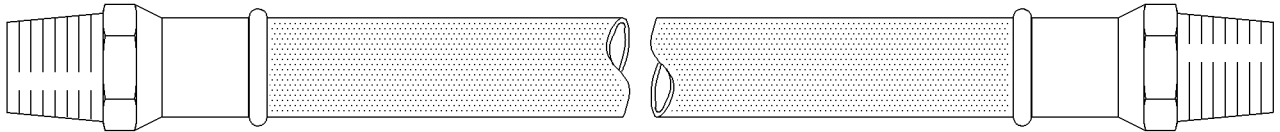
3N-4868 HOSE AS*I

915-MM LENGTH
AN ATTACHMENT

SMCS-1307

i01305109

NOTE	REF NO	GRAPHIC REF	PART NUMBER	QTY	PART NAME						SEE PAGE
					1	2	3	4	5	6 (PRODUCT LEVEL)	
(NO SERVICED PARTS)											



GRAPHIC #1

<END>

g00691548

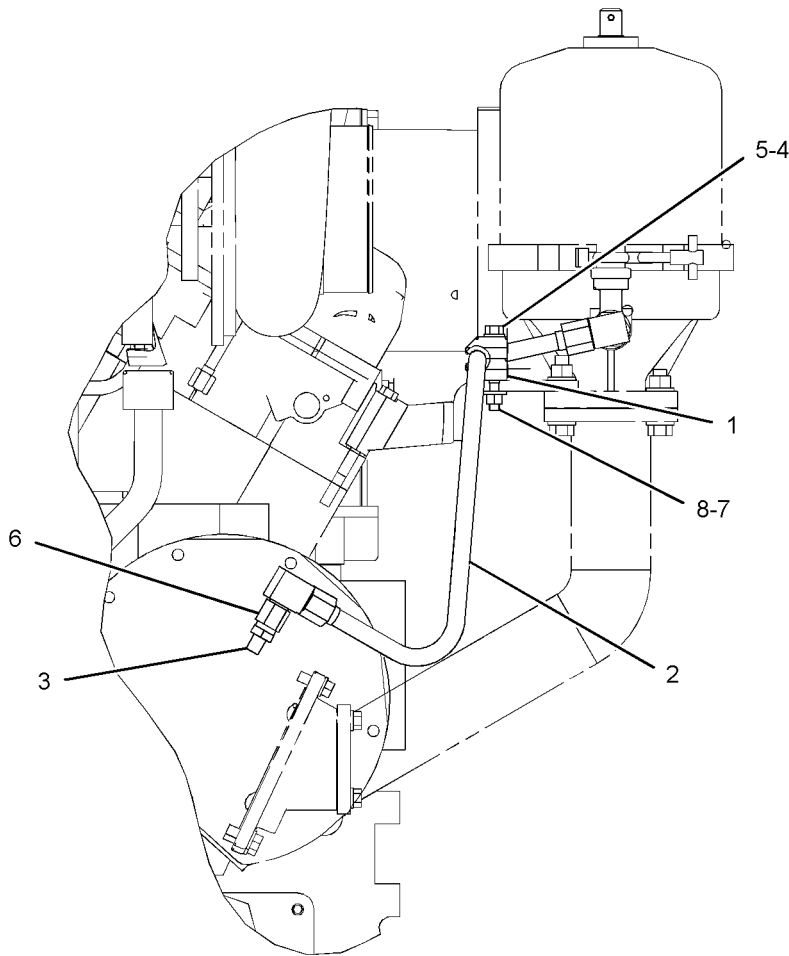
LUBRICATION SYSTEM

243-1290 LINES GP-CENTRIFUGAL FILTER AN ATTACHMENT

SMCS-1328

i02209927

NOTE	REF NO	GRAPHIC REF	PART NUMBER	QTY	PART NAME						SEE PAGE
					1	2	3	4	5	6 (PRODUCT LEVEL)	
	1	1	4P-0692	2	CLAMP AS						
					(EACH INCLUDES)						
		1	108-1434	1	GROMMET						
	2	1	244-2258	1	TUBE AS						
	3	1	061-9463	1	CONNECTOR (FLARED)						
	4	1	0T-0573	1	BOLT (3/8-16X2.75-IN)						
	5	1	5M-2894	1	WASHER-HARD (10.2X18.5X2.5-MM THK)						
	6	1	8K-2396	1	ELBOW-FLARED						
	7	1	9S-8752	1	NUT-FULL (3/8-16-THD)						
	8	1	9X-6458	1	WASHER-HARD (10.2X22.5X3-MM THK)						



REAR VIEW

<END>

GRAPHIC #1

g01135072

LUBRICATION SYSTEM

242-6277 LINES GP-ENGINE OIL

SMCS - 1307

i03357400

NOTE	REF NO	GRAPHIC REF	PART NUMBER	QTY	PART NAME						SEE PAGE
					1	2	3	4	5	6 (PRODUCT LEVEL)	
	1	1	1N-3333	1	TUBE						
	2	2	2W-1635	1	SPRING						
	3	2	2W-1969	1	VALVE-BYPASS						
	4	2	2W-7226	1	ADAPTER						
	5	2	4S-5719	1	SPACER (10.31X25X12.7-MM THK)						
	6	2	4W-4313	1	ADAPTER						
	7	1	4W-4677	1	TUBE						
	8	1	4W-5597	1	COVER						
	9	1	6B-0933	4	SPACER (10.31X19.05X6.35-MM THK)						
	10	1	6B-9202	2	SPRING						
	11	2	7C-9217	1	ELBOW						
	12	2	7E-6369	1	BRACKET						
	13	1	7N-5413	1	ELBOW						
	14	1	7N-5416	1	ELBOW						
	15	1	7N-7697	2	PLUNGER AS (EACH INCLUDES)						
		1	7M-1808	1	DOWEL						
C	16	2	8C-3445	1	CAP-DUST						
	17	2	8N-1991	1	RING-RETAINING						
	18	2	8N-1992	2	RETAINER						
	19	1	8N-2929	2	COVER						
	20	1	100-8075	1	CLAMP AS						
	21	2	111-3820	1	RING-RETAINING						
	22	2	116-1352	1	ADAPTER						
C	23	2	253-4777	1	TUBE AS						
	24	1	264-0450	1	CLAMP AS						
	25	2	061-9456	4	SEAL-O-RING						
	26	2	0L-1143	4	BOLT (3/8-16X2.5-IN)						
	27	2	0L-1352	1	BOLT (3/8-16X3.25-IN)						
C	28	1	0S-1571	2	BOLT (3/8-16X1.75-IN)						
	29	1,2	0S-1588	11	BOLT (3/8-16X1.25-IN)						
	30	2	0S-1590	2	BOLT (3/8-16X2-IN)						
	31	2	0S-1591	2	BOLT (3/8-16X1.5-IN)						
	32	1,2	0S-1594	14	BOLT (3/8-16X1-IN)						
	33	2	0T-0065	4	BOLT (3/8-16X3.5-IN)						
	34	1,2	109-2332	6	SEAL-O-RING						
	35	2	3B-1915	1	BOLT (3/8-16X1.375-IN)						
	37	1,2	3P-0655	3	SEAL-O-RING						
	38	1	4B-3140	1	COVER						
	39	2	4W-5596	1	COVER						
	40	2	5F-4899	1	BOLT (3/8-16X5.5-IN)						
C	41	1,2	5M-2894	17	WASHER-HARD (10.2X18.5X2.5-MM THK)						
	42	2	5P-4892	3	SEAL-O-RING						
	43	1	5P-5846	1	SEAL-O-RING						
	44	2	5P-7817	1	SEAL-O-RING						
	45	2	6V-0267	1	CLIP (TAB)						
	46	2	6V-0268	1	CLIP (SLOT)						
	47	1	6V-3908	1	SEAL-O-RING						
	48	2	6V-4589	2	SEAL-O-RING						
	49	2	6V-5048	2	SEAL-O-RING						
C	50	2	8C-3446	1	VALVE-FLUID SAMPLING						
BC	51	1	8T-6765	1	PLUG-PIPE						
	52	2	9S-4182	1	PLUG-O-RING						
	53	2	9S-4190	2	PLUG-O-RING						
	54	2	9S-8752	1	NUT-FULL (3/8-16-THD)						
	55	2	2W-1053	1	PLUG						
B	58	2	6V-4589	1	SEAL-O-RING						
B	59	1	8T-6762	1	PLUG-PIPE						
B	60	2	0C-4100	1	PLUG-O-RING						

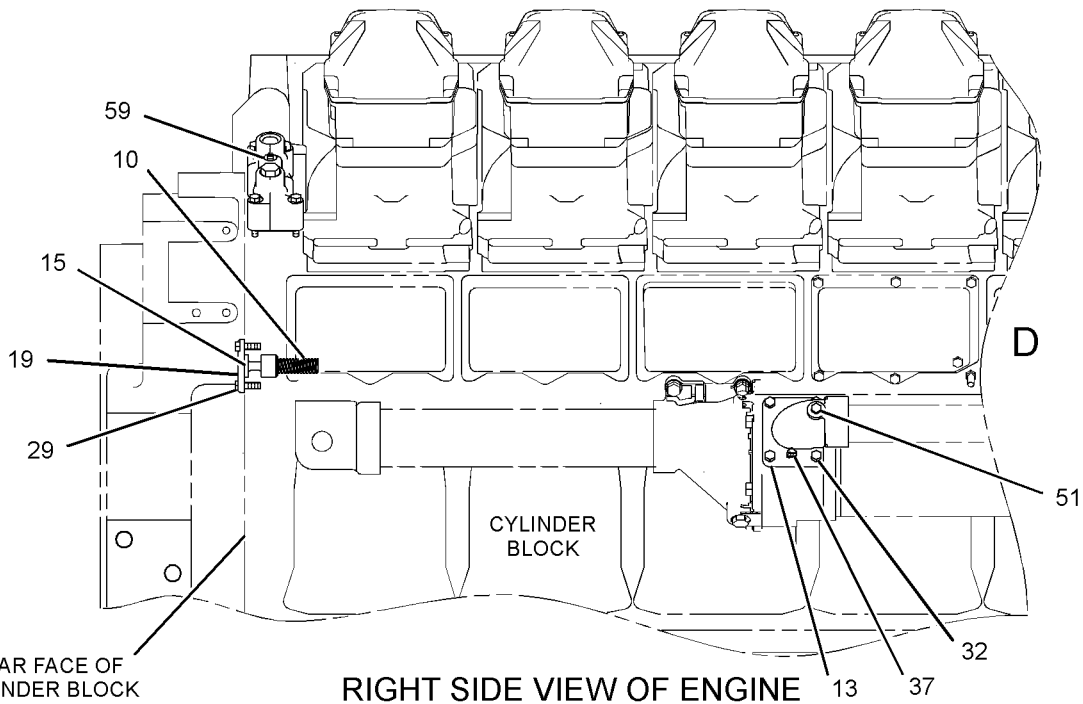
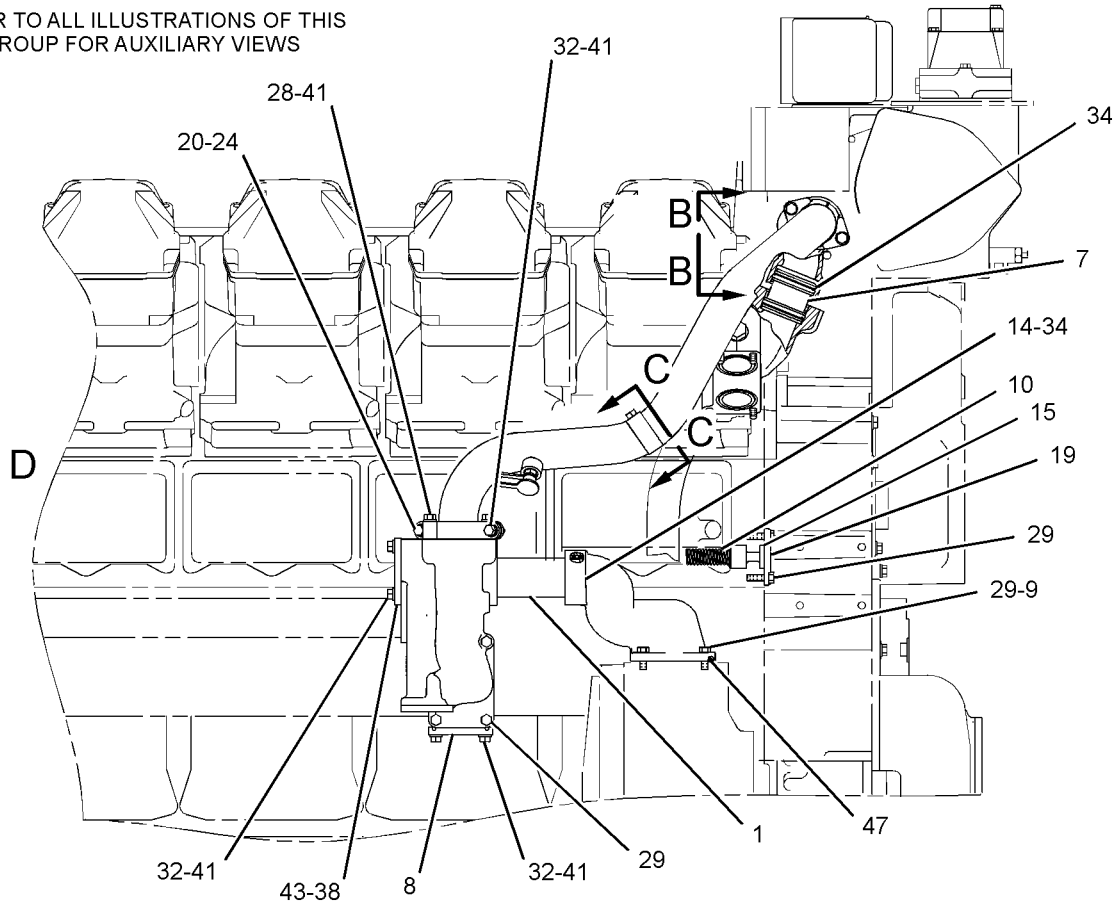
LUBRICATION SYSTEM

242-6277 LINES GP-ENGINE OIL (contd.)

i03357400

B-USE AS REQUIRED
C-CHANGE FROM PREVIOUS TYPE

REFER TO ALL ILLUSTRATIONS OF THIS GROUP FOR AUXILIARY VIEWS



REAR FACE OF
CYLINDER BLOCK

RIGHT SIDE VIEW OF ENGINE

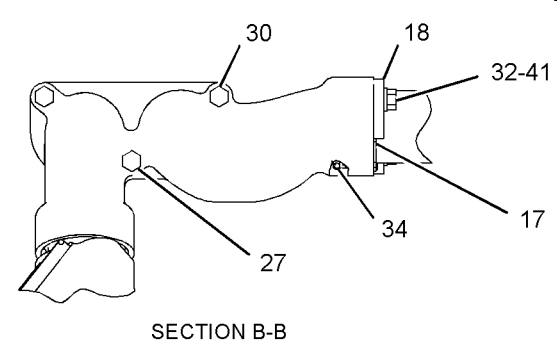
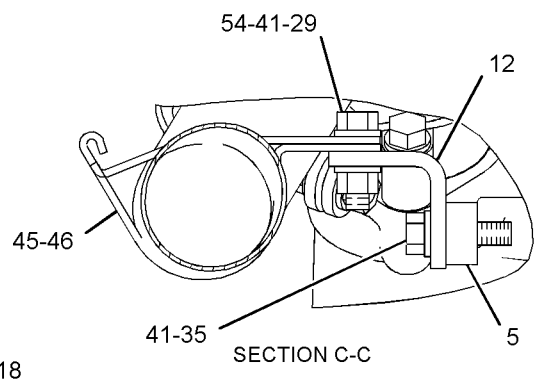
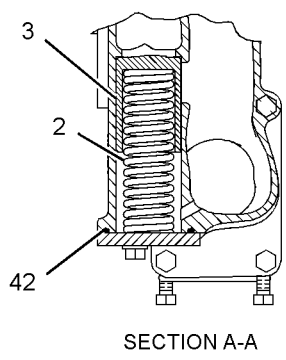
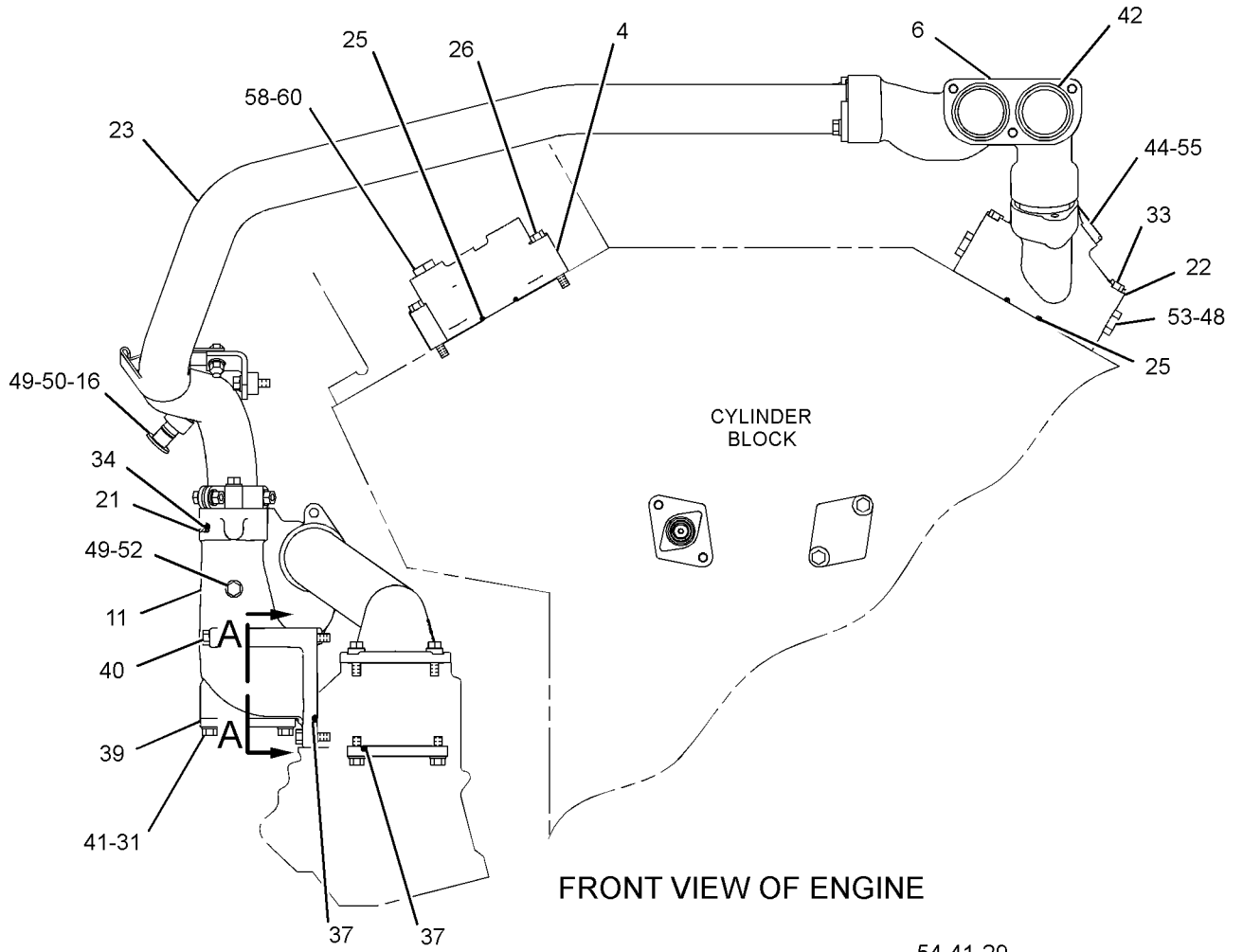
GRAPHIC #1

g01812813

LUBRICATION SYSTEM

242-6277 LINES GP-ENGINE OIL (contd.)

i03357400



GRAPHIC #2

<END>

g01812776

LUBRICATION SYSTEM

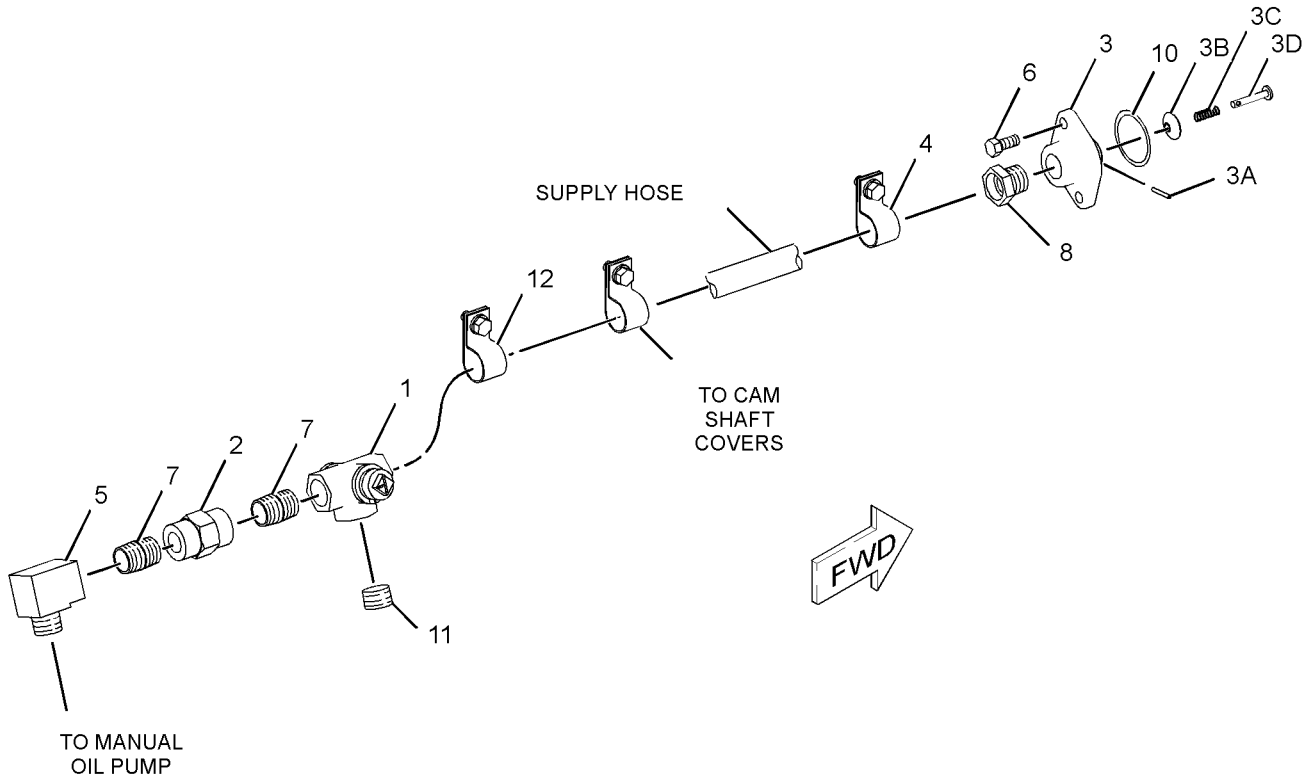
5N-6241 LINES GP-PRELUBRICATION-RH AN ATTACHMENT

SMCS-1307, 1319

i02406091

NOTE	REF NO	GRAPHIC REF	PART NUMBER	QTY	PART NAME						SEE PAGE
					1	2	3	4	5	6 (PRODUCT LEVEL)	
	1	1	3N-7057	1	VALVE AS (3-WAY) (OIL SUPPLY)						
	2	1	6B-1667	1	UNION						
	3	1	7N-6570	1	ADAPTER AS						
	3A	1	3H-3433	1	PIN-SPRING						
	3B	1	9L-0672	1	VALVE-CHECK						
	3C	1	9H-2367	1	SPRING-VALVE						
	3D	1	1P-5274	1	PIN-VALVE SPRING						
	4	1	134-5645	1	CLIP						
	5	1	003-9163	1	ELBOW						
	6	1	0L-1351	2	BOLT (3/8-16X0.875-IN)						
	7	1	3B-7745	2	NIPPLE-PIPE						
	8	1	5F-6371	1	CONNECTOR						
	10	1	5P-5846	1	SEAL-O-RING						
	11	1	7X-7731	1	PLUG-PIPE						
B	12	1	134-5645	2	CLIP						

B-USE AS REQUIRED



GRAPHIC #1

<END>

g01211509

LUBRICATION SYSTEM

282-4201 LINES GP-TURBOCHARGER OIL

SMCS-1052, 1307

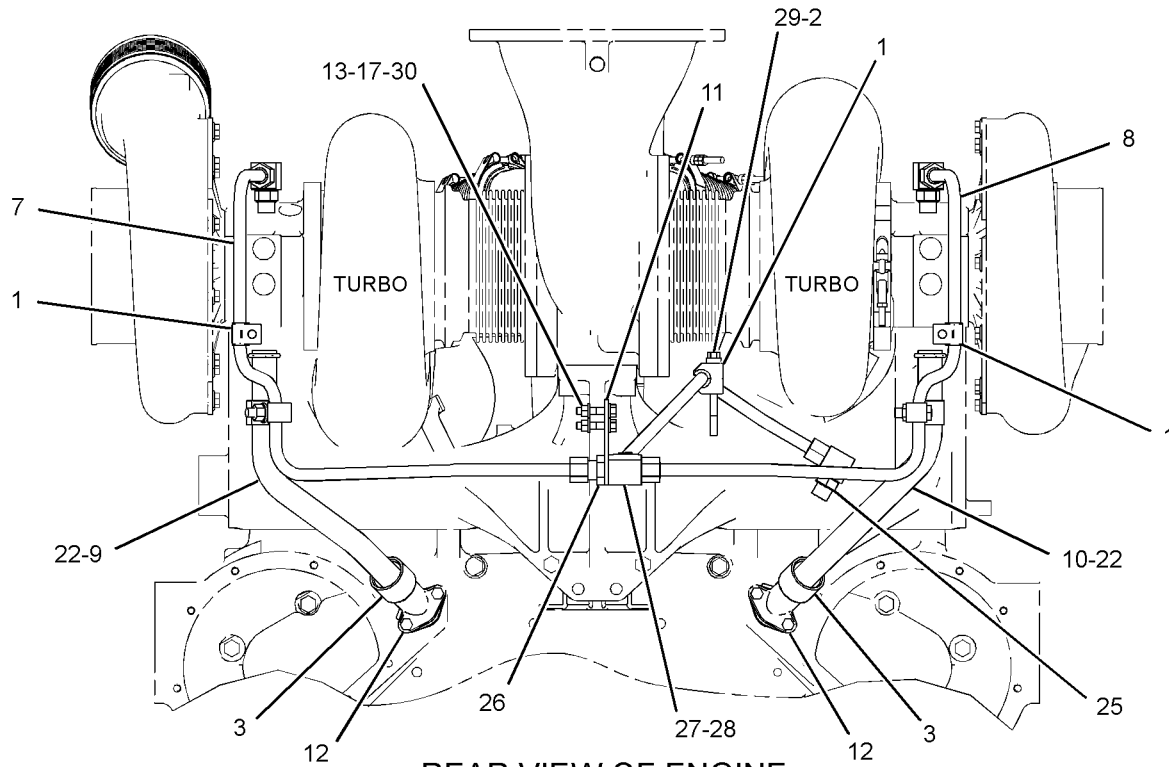
i02985466

NOTE	REF NO	GRAPHIC REF	PART NUMBER	QTY	PART NAME						SEE PAGE
					1	2	3	4	5	6 (PRODUCT LEVEL)	
	1	1	4P-0692	6	CLAMP AS						
					(EACH INCLUDES)						
		1	108-1434	1	GROMMET						
	2	1	6W-2928	1	BOSS						
	3	1	125-2784	2	ELBOW						
	4	1	166-4116	2	SPACER (10X16X20-MM THK)						
	5	1	252-8374	2	GASKET						
	6	1	282-4121	1	TUBE AS						
	7	1	282-4123	1	TUBE AS						
	8	1	282-4124	1	TUBE AS						
	9	1	282-4125	1	TUBE						
	10	1	307-8309	1	TUBE						
	11	1	282-4209	1	BRACKET						
	12	1	0L-1143	4	BOLT (3/8-16X2.5-IN)						
	13	1	0S-1571	2	BOLT (3/8-16X1.75-IN)						
	14	1	0S-1585	2	BOLT (1/2-13X1.5-IN)						
	15	1	1F-7958	2	NUT-FULL (1/2-13-THD)						
	16	1	304-8000	2	ELBOW AS						
					(EACH INCLUDES)						
		1	227-0057	1	ELBOW						
		1	228-7091	1	SEAL-O-RING						
		1	228-7105	1	SEAL-O-RING						
	17	1	5M-2894	4	WASHER-HARD (10.2X18.5X2.5-MM THK)						
	18	1	5P-8245	4	WASHER-HARD (13.5X25.5X3-MM THK)						
	19	1	6K-4934	2	CLIP (SLOT)						
	20	1	6K-4935	2	CLIP (TAB)						
	22	1	6V-5134	4	SEAL-O-RING						
	23	1	6V-6758	2	CLIP						
	24	1	6V-6759	2	CLIP						
	25	1	281-5975	1	ELBOW AS						
		1	6V-8626	1	ELBOW						
		1	228-7091	1	SEAL-O-RING						
		1	238-5081	1	SEAL-O-RING						
	26	1	6V-9170	1	NUT-BULKHEAD (1-14-THD)						
	27	1	6V-9350	1	TEE-BULKHEAD						
	28	1	228-7091	3	SEAL-O-RING						
	29	1	8S-9191	1	BOLT (3/8-16X4-IN)						
	30	1	9S-8752	2	NUT-FULL (3/8-16-THD)						

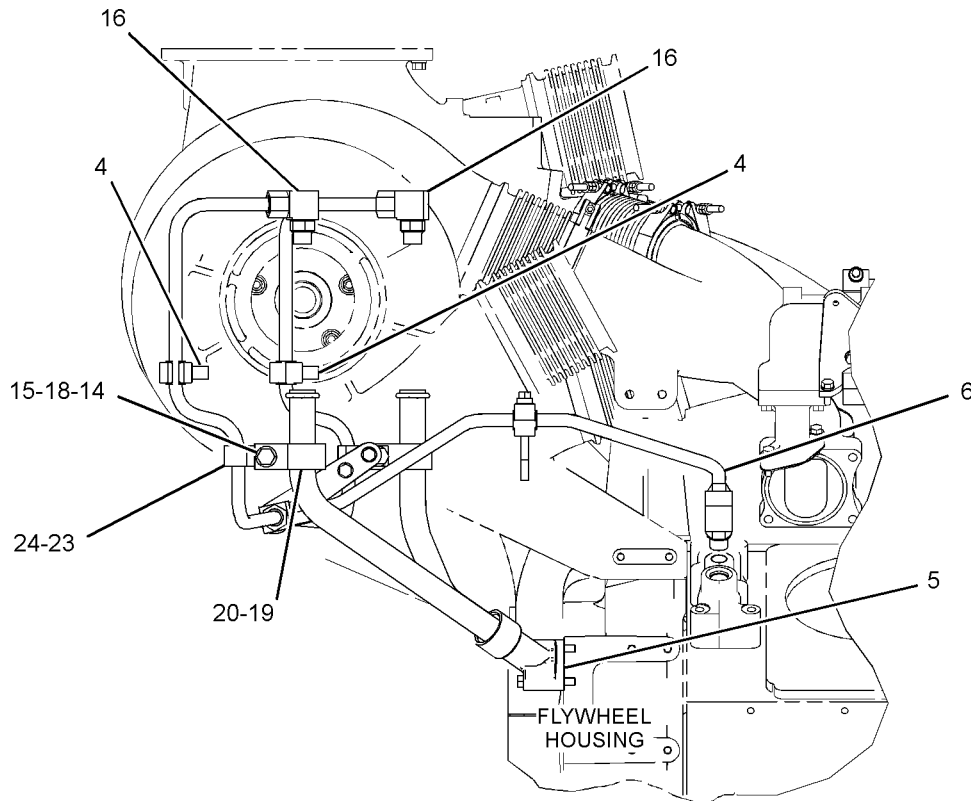
LUBRICATION SYSTEM

282-4201 LINES GP-TURBOCHARGER OIL (contd.)

i02985466



REAR VIEW OF ENGINE



RIGHT SIDE VIEW OF ENGINE

GRAPHIC #1

<END>

g01607276

LUBRICATION SYSTEM

4P-4926 PUMP & LINES GP-PRELUBRICATION-DEEP SUMP 24-VOLT AN ATTACHMENT TYPE 1

SMCS-1319

i02366001

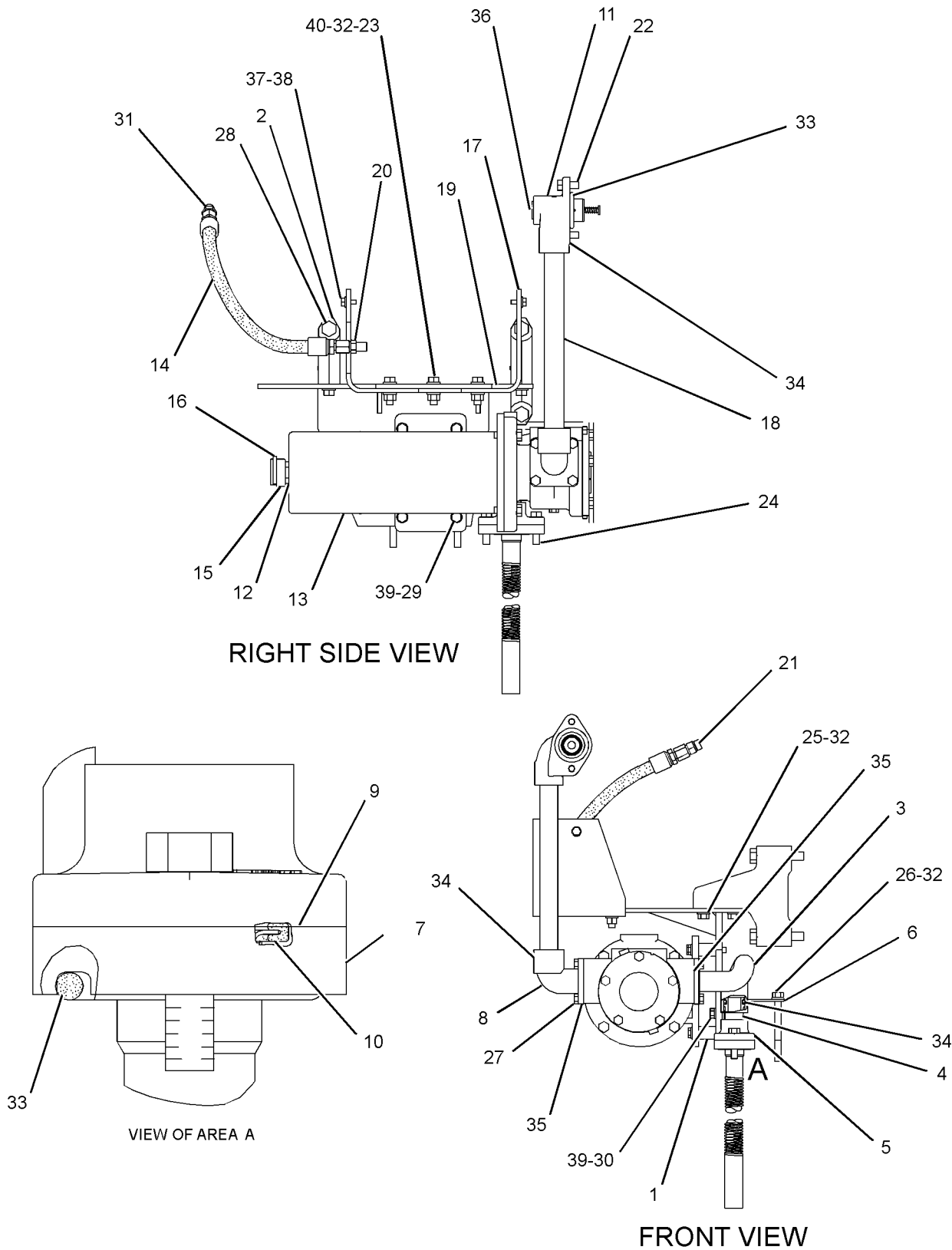
NOTE	REF NO	GRAPHIC REF	PART NUMBER	QTY	PART NAME						SEE PAGE
					1	2	3	4	5	6 (PRODUCT LEVEL)	
	1	1	1M-3381	4	SPACER (0.438X0.75X1-IN THK)						
	2	1	1N-3872	2	SUPPORT						
	3	1	1W-3942	1	ELBOW						
	4	1	1W-3943	1	COUPLING						
	5	1	1W-3944	1	FLANGE						
	6	1	1W-4257	1	BRACKET AS						
		1	4K-9097	2	NUT-WELD (5/16-18-THD)						
	7	1	1W-4820	1	HOSE AS						
	8	1	1W-8188	1	ELBOW						
	9	1	2G-6303	1	SEAL						
	10	1	2G-6304	1	STRAINER AS (ENGINE OIL)						
	11	1	2W-0694	1	ELBOW AS-VALVE						
		1	1P-5274	1	PIN-VALVE SPRING						
		1	7L-0811	1	DOWEL						
		1	9B-0701	2	SPRING						
		1	9H-2367	1	SPRING-VALVE						
		1	9L-0672	1	VALVE-CHECK						
	12	1	3F-2065	1	LOCKNUT (1/2-14-NPTF-THD)						
Y	13	1	3T-3735	1	PUMP GP-PRELUBRICATION						168
I	14	1	4P-4927	1	HOSE AS						
	15	1	5N-8943	1	ADAPTER						
	16	1	5N-9073	1	CLIP						
	17	1	6I-0744	1	BRACKET						
	18	1	7N-6460	1	TUBE						
	19	1	251-9436	1	BRACKET AS						
	20	1	032-1267	1	CONNECTOR						
	21	1	033-6042	1	SEAL-O-RING						
	22	1	0L-1351	2	BOLT (3/8-16X0.875-IN)						
	23	1	0S-1588	3	BOLT (3/8-16X1.25-IN)						
	24	1	0S-1591	2	BOLT (3/8-16X1.5-IN)						
	25	1	0S-1594	4	BOLT (3/8-16X1-IN)						
	26	1	0S-1608	2	BOLT (3/8-16X3.75-IN)						
	27	1	0S-1617	8	BOLT (5/16-18X0.75-IN)						
	28	1	1A-5822	4	BOLT (1/2-13X2.75-IN)						
	29	1	2B-2694	4	BOLT (5/16-18X2-IN)						
	30	1	2B-2695	2	BOLT (5/16-18X0.875-IN)						
	31	1	2R-6806	1	CONNECTOR-O-RING						
	32	1	5M-2894	12	WASHER-HARD (10.2X18.5X2.5-MM THK)						
	33	1	5P-5846	2	SEAL-O-RING						
	34	1	5P-9890	4	SEAL-O-RING						
	35	1	6V-5100	2	SEAL-O-RING						
	36	1	7X-7731	1	PLUG-PIPE						
	37	1	8T-4205	4	WASHER-HARD (7.2X14.5X2-MM THK)						
	38	1	8T-9364	4	BOLT (1/4-20X0.625-IN)						
	39	1	9M-1974	6	WASHER-HARD (8.8X16X2-MM THK)						
	40	1	9S-8752	3	NUT-FULL (3/8-16-THD)						

I-REFER TO HYDRAULIC INFORMATION SYSTEM
Y-SEPARATE ILLUSTRATION

LUBRICATION SYSTEM

4P-4926 PUMP & LINES GP-PRELUBRICATION (contd.)

i02366001



GRAPHIC #1

<END>

g01190033

LUBRICATION SYSTEM

4P-4926 PUMP & LINES GP-PRELUBRICATION-DEEP SUMP 24-VOLT AN ATTACHMENT TYPE 2

SMCS-1319

i02716302

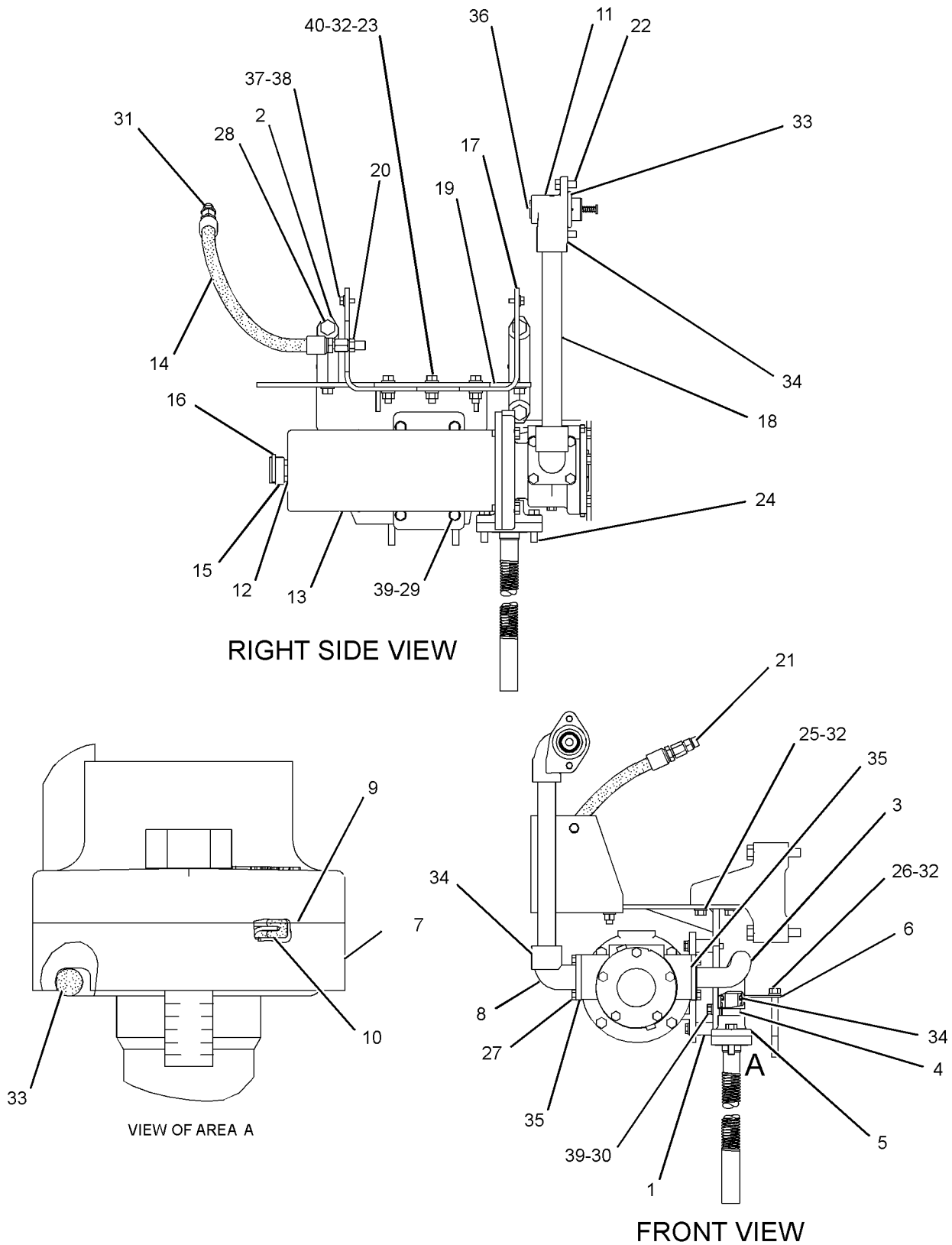
NOTE	REF NO	GRAPHIC REF	PART NUMBER	QTY	PART NAME						SEE PAGE
					1	2	3	4	5	6 (PRODUCT LEVEL)	
	1	1	1M-3381	4	SPACER (0.438X0.75X1-IN THK)						
	2	1	1N-3872	2	SUPPORT						
	3	1	1W-3942	1	ELBOW						
	4	1	1W-3943	1	COUPLING						
	5	1	1W-3944	1	FLANGE						
	6	1	1W-4257	1	BRACKET AS						
		1	4K-9097	2	NUT-WELD (5/16-18-THD)						
	7	1	1W-4820	1	HOSE AS						
	8	1	1W-8188	1	ELBOW						
	9	1	2G-6303	1	SEAL						
	10	1	2G-6304	1	STRAINER AS (ENGINE OIL)						
	11	1	2W-0694	1	ELBOW AS-VALVE						
		1	1P-5274	1	PIN-VALVE SPRING						
		1	7L-0811	1	DOWEL						
		1	9B-0701	2	SPRING						
		1	9H-2367	1	SPRING-VALVE						
		1	9L-0672	1	VALVE-CHECK						
	12	1	3F-2065	1	LOCKNUT (1/2-14-NPTF-THD)						
CY	13	1	302-8729	1	PUMP GP-PRELUBRICATION (24-VOLT DC)						169
I	14	1	4P-4927	1	HOSE AS						
	15	1	5N-8943	1	ADAPTER						
	16	1	5N-9073	1	CLIP						
	17	1	6I-0744	1	BRACKET						
	18	1	7N-6460	1	TUBE						
	19	1	251-9436	1	BRACKET AS						
	20	1	032-1267	1	CONNECTOR						
	21	1	033-6042	1	SEAL-O-RING						
	22	1	0L-1351	2	BOLT (3/8-16X0.875-IN)						
	23	1	0S-1588	3	BOLT (3/8-16X1.25-IN)						
	24	1	0S-1591	2	BOLT (3/8-16X1.5-IN)						
	25	1	0S-1594	4	BOLT (3/8-16X1-IN)						
	26	1	0S-1608	2	BOLT (3/8-16X3.75-IN)						
	27	1	0S-1617	8	BOLT (5/16-18X0.75-IN)						
	28	1	1A-5822	4	BOLT (1/2-13X2.75-IN)						
	29	1	2B-2694	4	BOLT (5/16-18X2-IN)						
	30	1	2B-2695	2	BOLT (5/16-18X0.875-IN)						
	31	1	2R-6806	1	CONNECTOR-O-RING						
	32	1	5M-2894	12	WASHER-HARD (10.2X18.5X2.5-MM THK)						
	33	1	5P-5846	2	SEAL-O-RING						
	34	1	5P-9890	4	SEAL-O-RING						
	35	1	6V-5100	2	SEAL-O-RING						
	36	1	7X-7731	1	PLUG-PIPE						
	37	1	8T-4205	4	WASHER-HARD (7.2X14.5X2-MM THK)						
	38	1	8T-9364	4	BOLT (1/4-20X0.625-IN)						
	39	1	9M-1974	6	WASHER-HARD (8.8X16X2-MM THK)						
	40	1	9S-8752	3	NUT-FULL (3/8-16-THD)						

C-CHANGE FROM PREVIOUS TYPE
I-REFER TO HYDRAULIC INFORMATION SYSTEM
Y-SEPARATE ILLUSTRATION

LUBRICATION SYSTEM

4P-4926 PUMP & LINES GP-PRELUBRICATION (contd.)

i02716302



GRAPHIC #1

<END>

g01190033

LUBRICATION SYSTEM

5N-6237 PUMP GP-ENGINE OIL-MANUAL LUBRICATION

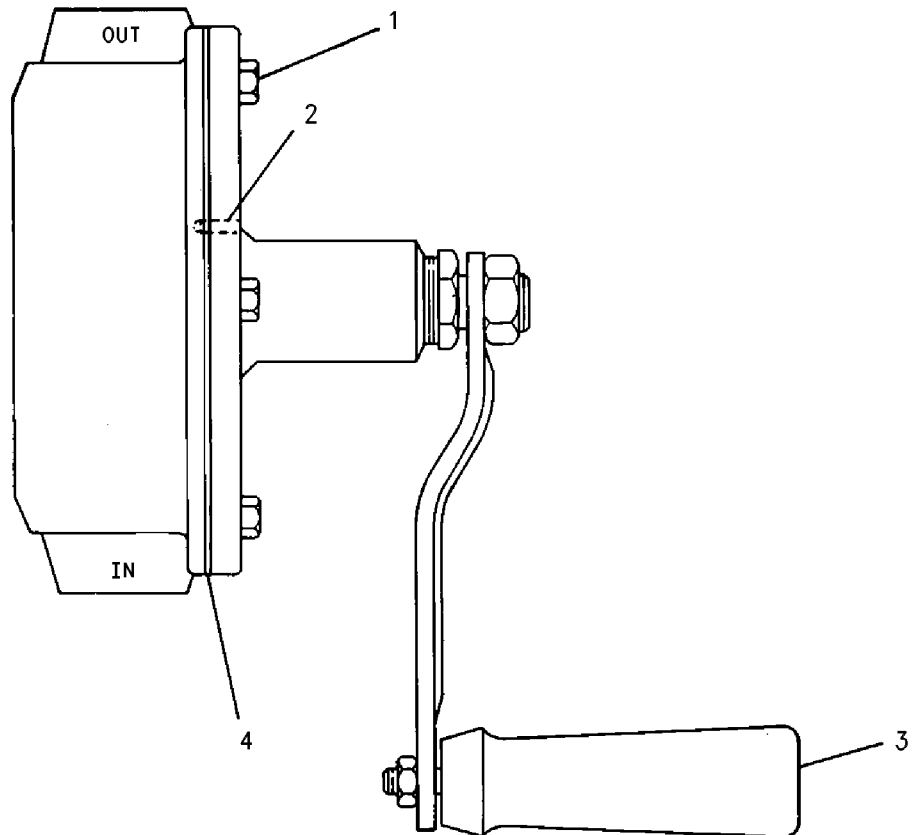
PART OF 4P-7442, 4P-7749, 7N-7069, 7W-9703 PUMP GP-SUMP
AN ATTACHMENT

SMCS-1304, 1315

i03645887

NOTE	REF NO	GRAPHIC REF	PART NUMBER	QTY	PART NAME						SEE PAGE
					1	2	3	4	5	6 (PRODUCT LEVEL)	
	1	1	2A-0762	2	BOLT (1/4-20X0.625-IN)						
	2	1	3N-3297	2	PIN-TAPERED						
	3	1	5N-6255	1	HANDLE AS						
B	4	1	3N-3299	1	GASKET SET (INCLUDES 4 GASKETS)						
					AVAILABLE REPAIR KIT(S):						
					3N-3300	1	KIT-PUMP (SUMP)				
					(INCLUDES VANE, SPRING, PACKING, NUT & GASKET)						

B-USE AS REQUIRED



GRAPHIC #1

<END>

g00621010

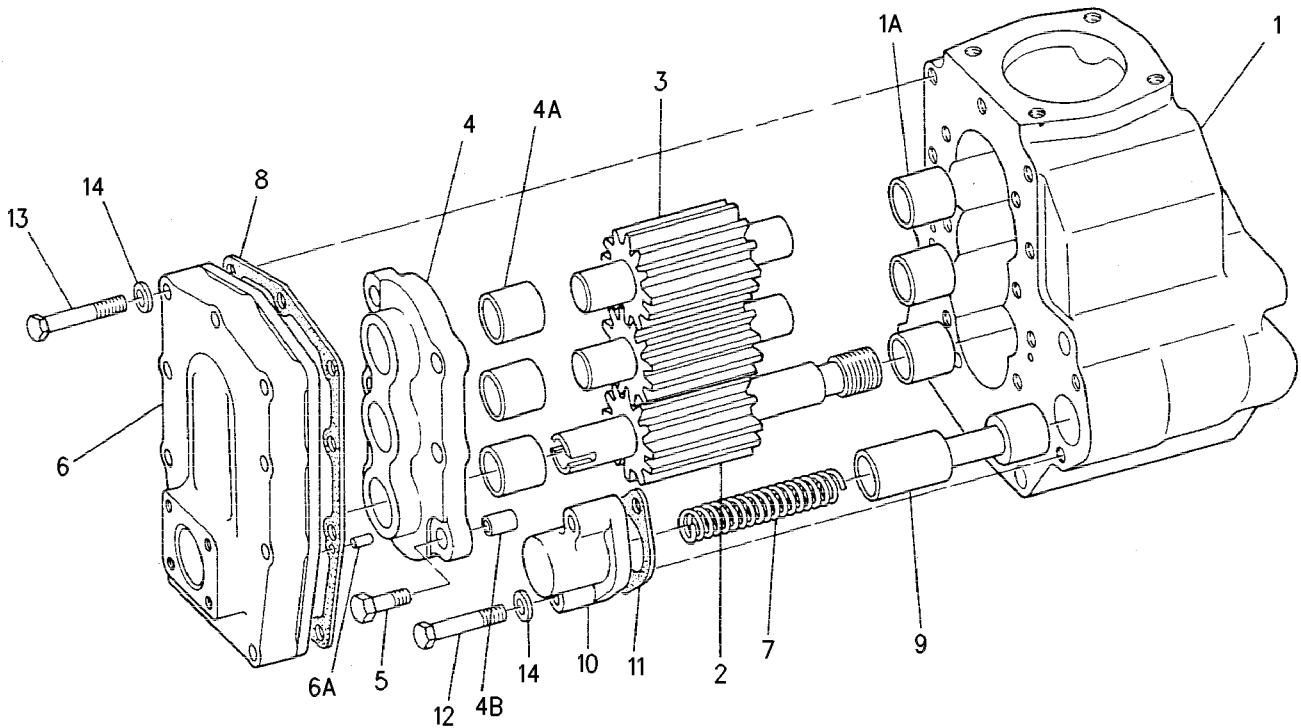
LUBRICATION SYSTEM

106-9872 PUMP GP-ENGINE OIL-2-SECTION GEAR*R PART OF 106-9873 PUMP GP-ENGINE OIL

SMCS-1304, 1315

i02516779

NOTE	REF NO	GRAPHIC REF	PART NUMBER	QTY	PART NAME						SEE PAGE
					1	2	3	4	5	6 (PRODUCT LEVEL)	
	1	1	106-9871	1	BODY AS-OIL PUMP						
	1A	1	1W-6005	3	BEARING-SLEEVE						
	2	1	106-9869	1	SHAFT AS-OIL PUMP DRIVE (12-TEETH)						
	3	1	106-9867	2	SHAFT AS-IDLER (12-TEETH)						
	4	1	7W-0050	1	COVER AS-PUMP						
	4A	1	1W-6005	3	BEARING-SLEEVE						
	4B	1	4M-3248	2	DOWEL-HOLLOW						
	5	1	OS-1585	6	BOLT (1/2-13X1.5-IN)						
	6	1	1N-4637	1	COVER AS-PUMP						
	6A	1	7N-2043	2	DOWEL						
	7	1	107-7175	1	SPRING						
	8	1	7N-5057	1	GASKET						
	9	1	7N-5449	1	SPOOL-PRESSURE RELIEF						
	10	1	107-7326	1	COVER-RELIEF VALVE						
	11	1	111-1349	1	GASKET						
	12	1	7F-1866	2	BOLT (3/8-16X3-IN)						
	13	1	OS-1590	9	BOLT (3/8-16X2-IN)						
	14	1	5M-2894	11	WASHER-HARD (10.2X18.5X2.5-MM THK)						



GRAPHIC #1

<END>

g00475661

LUBRICATION SYSTEM

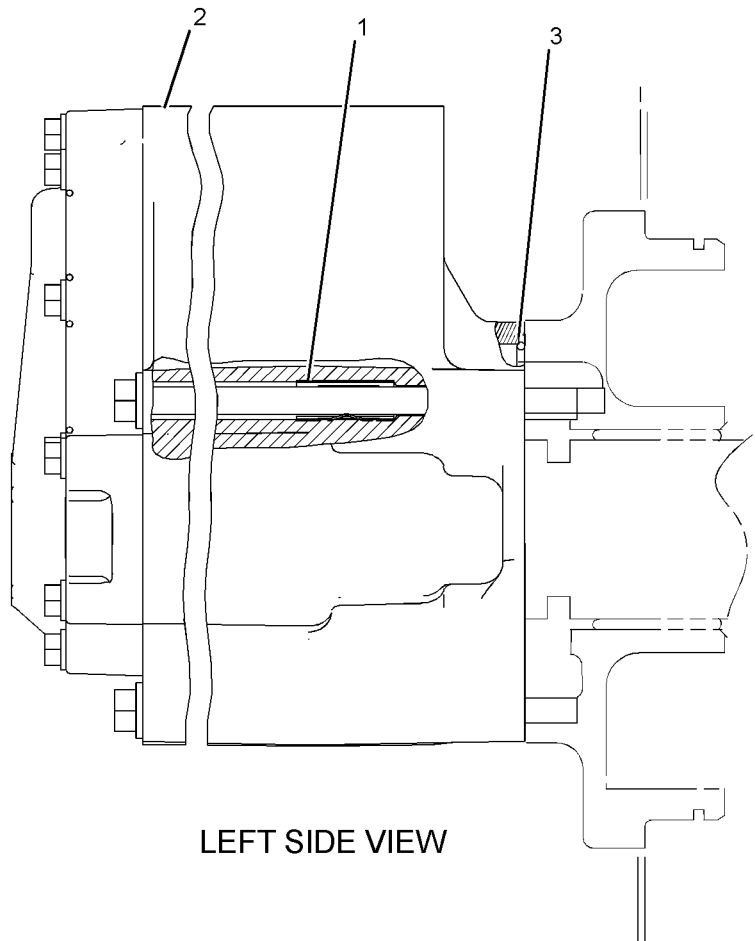
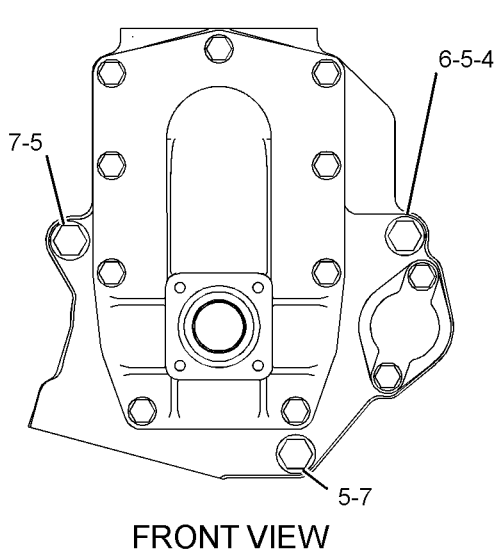
106-9873 PUMP GP-ENGINE OIL-2-SECTION GEAR

SMCS-1304, 1315

i02645537

NOTE	REF NO	GRAPHIC REF	PART NUMBER	QTY	PART NAME						SEE PAGE
					1	2	3	4	5	6 (PRODUCT LEVEL)	
	1	1	9M-4355	3	DAMPER-BOLT						
YR	2	1	106-9872	1	PUMP GP-ENGINE OIL (2-SECTION GEAR)						166
	3	1	298-6387	1	SEAL-O-RING						
B	4	1	1B-3573	1	BOLT (1/2-13X8.5-IN)						
	5	1	5P-8245	3	WASHER-HARD (13.5X25.5X3-MM THK)						
B	6	1	6M-9613	1	BOLT (1/2-13X9-IN)						
	7	1	1B-3573	2	BOLT (1/2-13X8.5-IN)						

B-USE AS REQUIRED
 R-REMFG PART MAY BE AVAILABLE
 Y-SEPARATE ILLUSTRATION



GRAPHIC #1

<END>

g01338326

LUBRICATION SYSTEM

3T-3735 PUMP GP-PRELUBRICATION

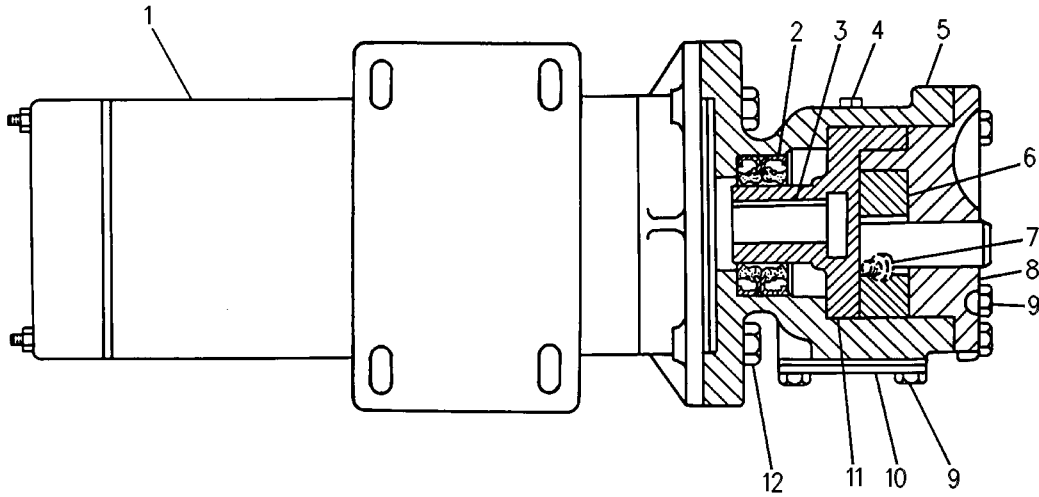
24-VOLT

PART OF 4P-4926 PUMP & LINES GP-PRELUBRICATION
AN ATTACHMENT

SMCS-1319

i02656401

NOTE	REF NO	GRAPHIC REF	PART NUMBER	QTY	PART NAME						SEE PAGE
					1	2	3	4	5	6 (PRODUCT LEVEL)	
	1	1	3T-7583	1	MOTOR AS-PRELUBRICATION						
	2	1	1H-5959	2	SEAL-LIP TYPE						
	3	1	008-8694	1	KEY						
	4	1	5M-6214	2	PLUG-PIPE						
	5	1	5N-6668	1	HOUSING						
	6	1	2N-7523	1	IDLER AS (7-TEETH)						
	7	1	6D-3910	1	SCREW-BUTTON HEAD (10-32X0.25-IN)						
	8	1	2N-7524	1	HEAD AS						
	9	1	0S-1617	9	BOLT (5/16-18X0.75-IN)						
	10	1	2N-7521	1	COVER						
	11	1	6N-5595	1	ROTOR						
	12	1	0S-1588	4	BOLT (3/8-16X1.25-IN)						
	13	1	2N-7520	1	GASKET						
					AVAILABLE REPAIR KIT(S):						
			2N-7522	1	KIT-GASKET (PRELUBRICATION PUMP) (INCLUDES GASKETS)						



GRAPHIC #1

<END>

g00490993

LUBRICATION SYSTEM

302-8729 PUMP GP-PRELUBRICATION

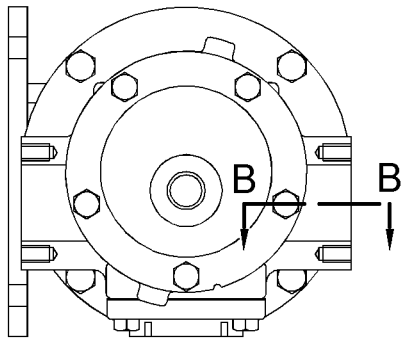
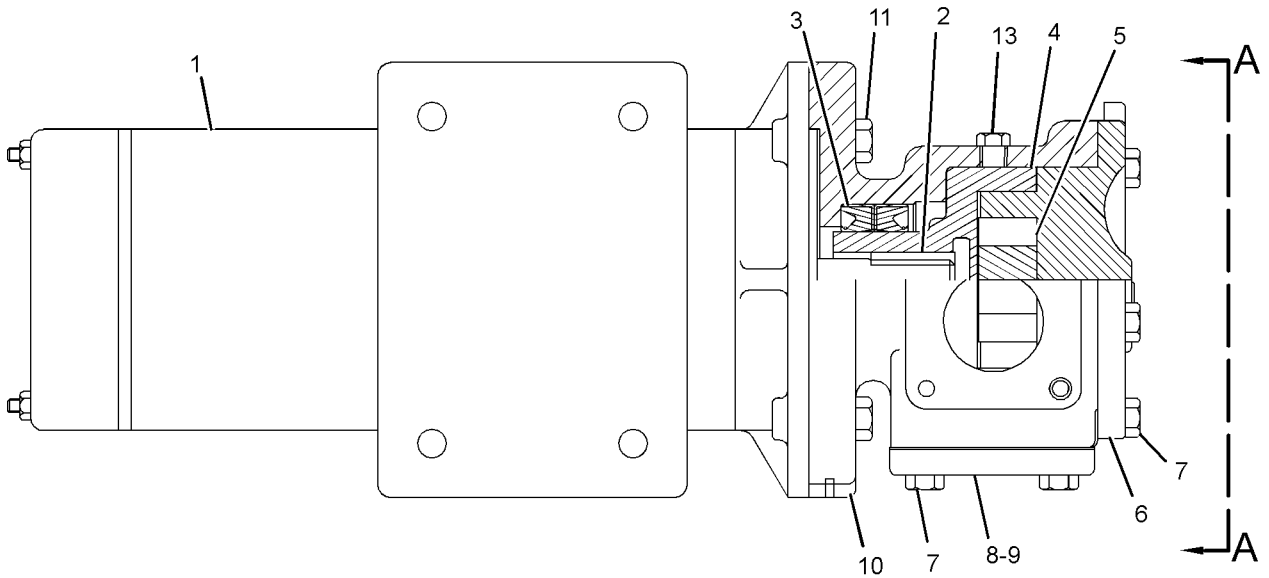
24-VOLT

PART OF 4P-4926 PUMP & LINES GP-PRELUBRICATION
AN ATTACHMENT

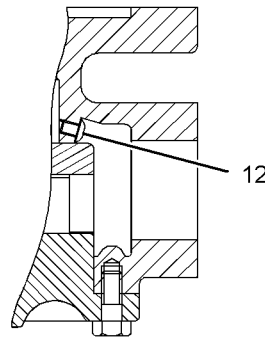
SMCS-1319

i02715916

NOTE	REF NO	GRAPHIC REF	PART NUMBER	QTY	PART NAME						SEE PAGE
					1	2	3	4	5	6 (PRODUCT LEVEL)	
	1	1	302-8728	1	MOTOR AS-PRELUBRICATION						
	2	1	008-8694	1	KEY						
	3	1	1H-5959	2	SEAL-LIP TYPE						
	4	1	6N-5595	1	ROTOR						
	5	1	2N-7523	1	IDLER AS (7-TEETH)						
	6	1	2N-7524	1	HEAD AS						
	7	1	0S-1617	9	BOLT (5/16-18X0.75-IN)						
	8	1	2N-7521	1	COVER						
	9	1	2N-7520	1	GASKET						
	10	1	5N-6668	1	HOUSING						
	11	1	0S-1588	4	BOLT (3/8-16X1.25-IN)						
	12	1	6D-3910	1	SCREW-BUTTON HEAD (10-32X0.25-IN)						
	13	1	5M-6214	2	PLUG-PIPE						



VIEW A-A



SECTION B-B

GRAPHIC #1

<END>

g01364349

LUBRICATION SYSTEM

8N-9183 PUMP GP-SCAVENGE

ONE SECTION

FOR USE WITH REAR SUMP OIL PAN
AN ATTACHMENT

SMCS-1312

i03097403

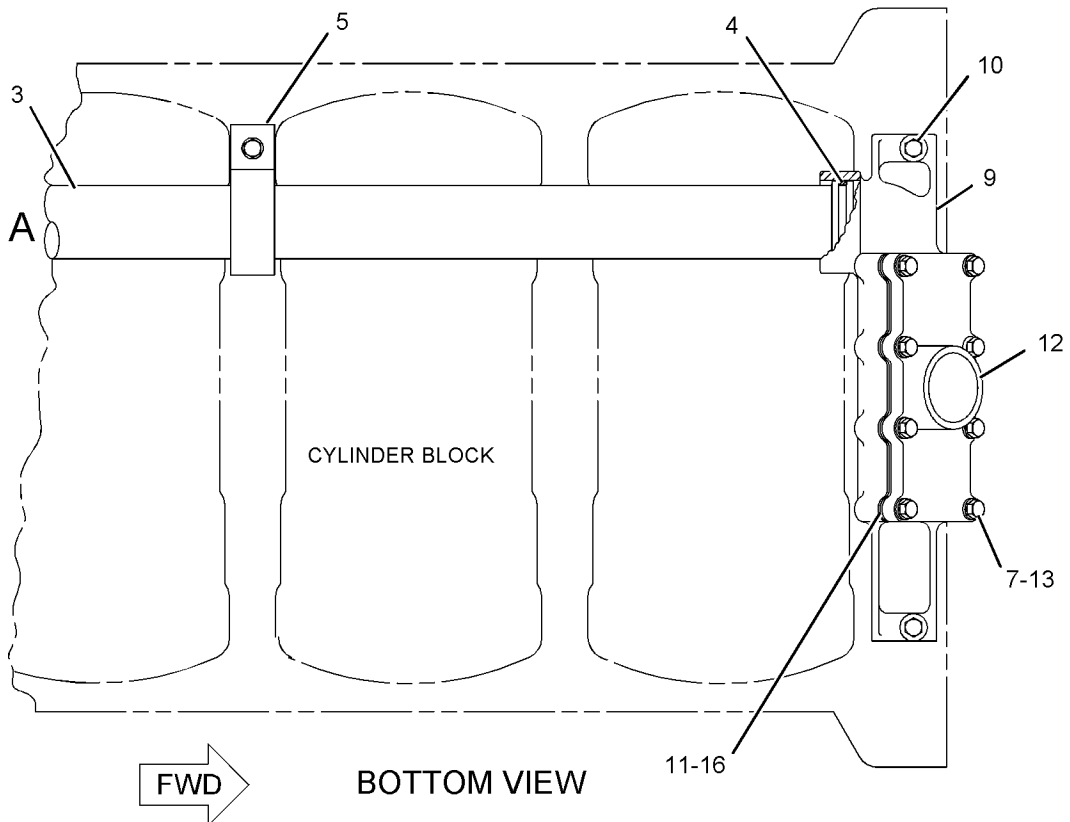
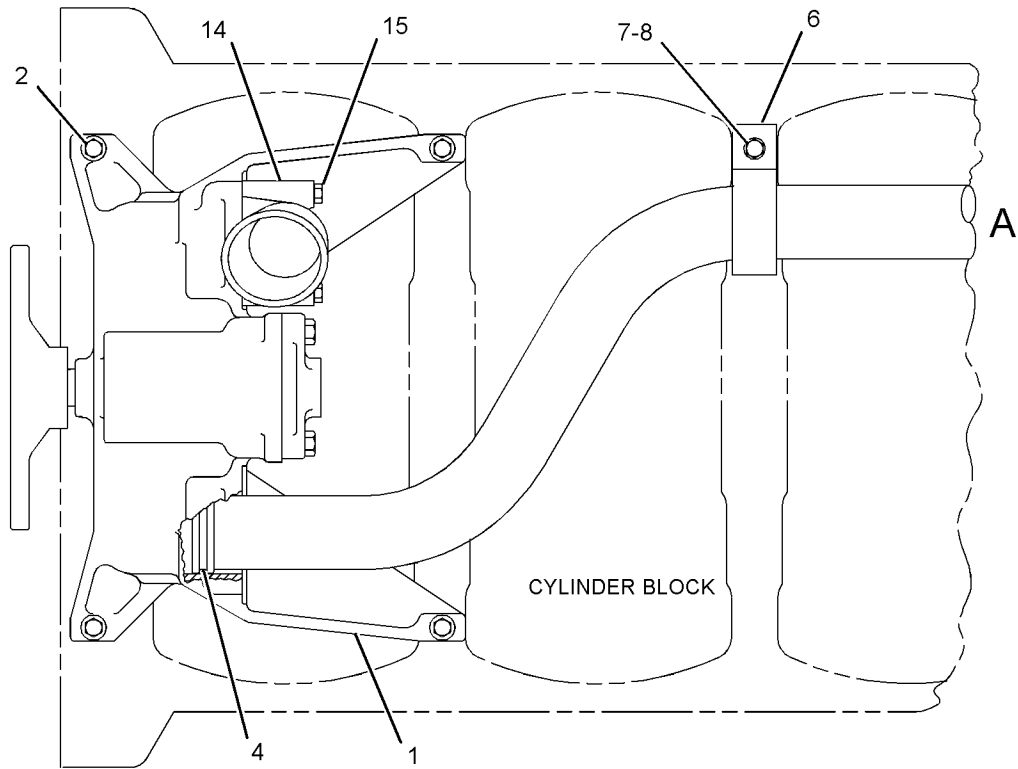
NOTE	REF NO	GRAPHIC REF	PART NUMBER	QTY	PART NAME	SEE PAGE
					1 2 3 4 5 6 (PRODUCT LEVEL)	
CYR	1	1	144-8267	1	PUMP GP-SCAVENGE (REAR SUMP)	172
	2	1	4F-9351	4	BOLT-SPECIAL	
	3	1	1N-4379	1	TUBE	
	4	1	3P-0657	2	SEAL-O-RING	
	5	1	6V-1582	2	CLIP (TAB)	
	6	1	6V-1581	2	CLIP (SLOT)	
	7	1	5M-2894	10	WASHER-HARD (10.2X18.5X2.5-MM THK)	
	8	1	1A-2029	2	BOLT (3/8-16X1.125-IN)	
	9	1	1N-3193	1	HOUSING	
	10	1	0S-1590	2	BOLT (3/8-16X2-IN)	
	11	1	4P-5500	1	SCREEN-SCAVENGE (ENGINE OIL)	
	12	1	1N-3225	1	COVER-SCAVENGE PUMP	
	13	1	0S-1591	8	BOLT (3/8-16X1.5-IN)	
	14	1	1W-8805	1	ELBOW	
	15	1	0S-1619	2	BOLT (3/8-16X3-IN)	
	16	1	4P-4917	1	SCREEN-SCAVENGE (ENGINE OIL)	

C-CHANGE FROM PREVIOUS TYPE
R-REMG PART MAY BE AVAILABLE
Y-SEPARATE ILLUSTRATION

LUBRICATION SYSTEM

8N-9183 PUMP GP-SCAVENGE (contd.)

i03097403



GRAPHIC #1

<END>

g01025986

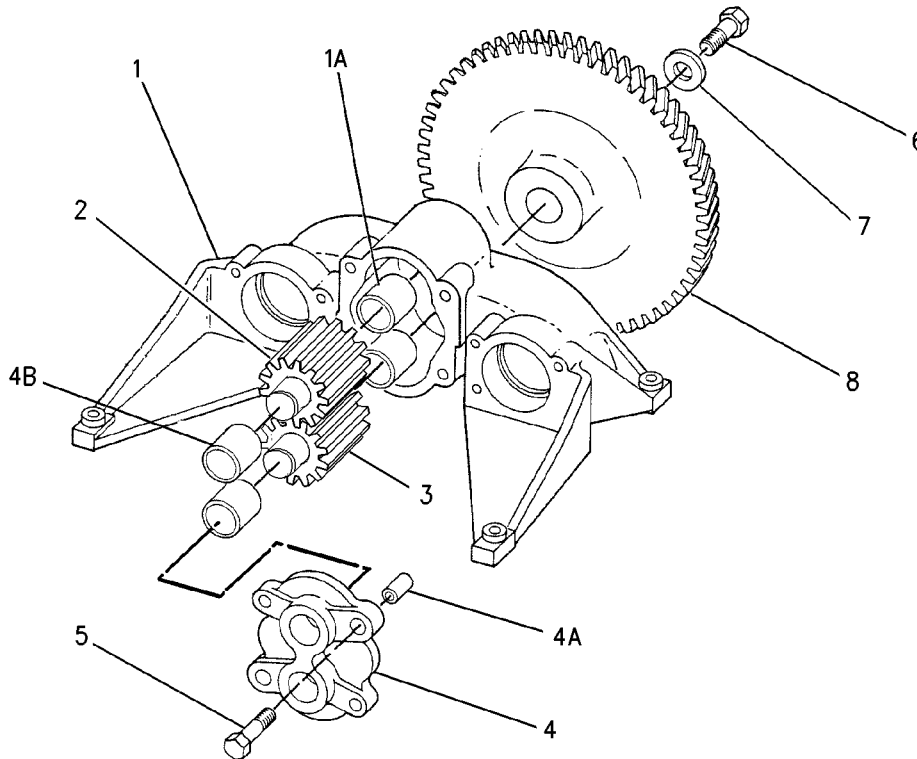
LUBRICATION SYSTEM

144-8267 PUMP GP-SCAVENGE*R 300-LITER PER MINUTE. ONE SECTION GEAR PART OF 8N-9183 PUMP GP-SCAVENGE AN ATTACHMENT

SMCS-1312

i02616847

NOTE	REF NO	GRAPHIC REF	PART NUMBER	QTY	PART NAME						SEE PAGE
					1	2	3	4	5	6 (PRODUCT LEVEL)	
	1	1	144-8266	1	BODY AS-SCAVENGE OIL PUMP						
	1A	1	1W-6005	2	BEARING-SLEEVE						
	2	1	144-8271	1	SHAFT AS-IDLER						
	3	1	176-3227	1	SHAFT AS-DRIVE						
	4	1	7N-8527	1	COVER AS-PUMP						
	4A	1	4M-3248	2	DOWEL -HOLLOW						
	4B	1	1W-6005	2	BEARING-SLEEVE						
	5	1	0S-1587	4	BOLT (1/2-13X1.75-IN)						
	6	1	0S-0484	1	BOLT (1/2-20X2.25-IN)						
	7	1	053-4679	1	WASHER (13.5X44.45X10-MM THK)						
	8	1	161-2513	1	GEAR-DRIVE (71-TEETH)						



GRAPHIC #1

<END>

g00642382

LUBRICATION SYSTEM

4P-7442 PUMP GP-SUMP

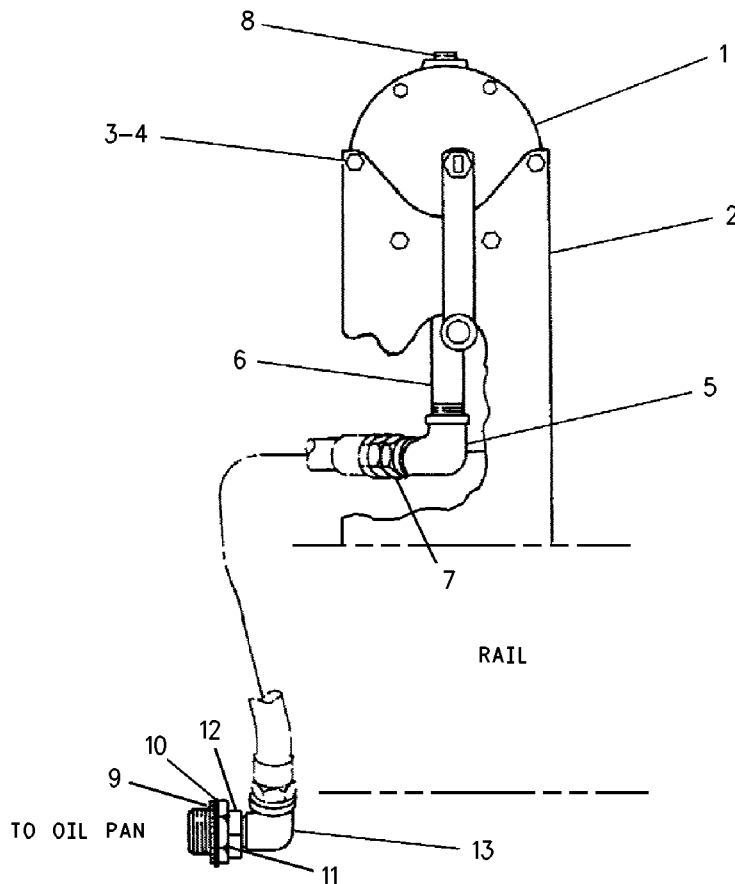
FOR USE WITH STEEL OIL PAN
AN ATTACHMENT

SMCS-1324

i01526060

NOTE	REF NO	GRAPHIC REF	PART NUMBER	QTY	PART NAME						SEE PAGE
					1	2	3	4	5	6 (PRODUCT LEVEL)	
Y	1	1	5N-6237	1	PUMP GP-ENGINE OIL						165
	2	1	5N-6236	1	BRACKET						
	3	1	7B-2742	4	BOLT (1/4-20X1.25-IN)						
	4	1	5P-0537	8	WASHER-HARD (7.2X14.5X2-MM THK)						
	5	1	1K-6937	1	ELBOW-PIPE						
	6	1	3B-7265	1	NIPPLE-PIPE						
	7	1	5F-6371	1	CONNECTOR						
	8	1	7X-7731	1	PLUG-PIPE						
	9	1	4J-0521	1	SEAL-O-RING						
	10	1	1U-4738	1	WASHER (39.3X60X6-MM THK)						
	11	1	0L-0701	1	NUT (1-1/2-12-THD)						
	12	1	4P-5242	1	PICKUP AS-OIL						
	13	1	003-9163	1	ELBOW						

Y-SEPARATE ILLUSTRATION



GRAPHIC #1

<END>

g00792728

LUBRICATION SYSTEM

4P-7749 PUMP GP-SUMP

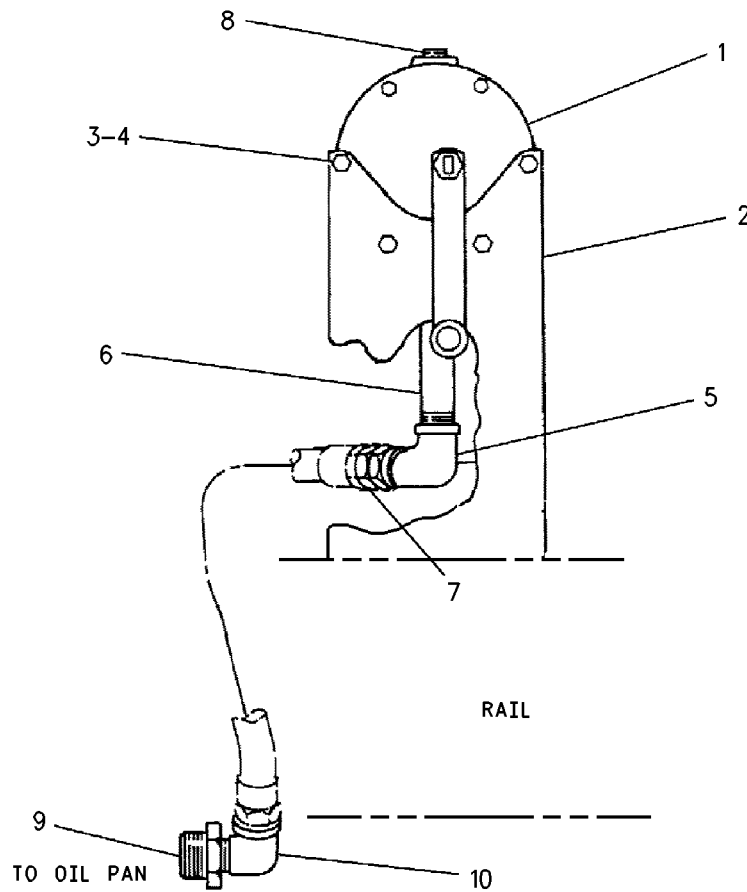
FOR USE WITH CAST IRON OIL PAN
AN ATTACHMENT

SMCS-1324

i03877210

NOTE	REF NO	GRAPHIC REF	PART NUMBER	QTY	PART NAME						SEE PAGE
					1	2	3	4	5	6 (PRODUCT LEVEL)	
Y	1	1	5N-6237	1	PUMP GP-ENGINE OIL (MANUAL LUBRICATION)						165
	2	1	5N-6236	1	BRACKET						
	3	1	7B-2742	4	BOLT (1/4-20X1.25-IN)						
	4	1	5P-0537	8	WASHER-HARD (7.2X14.5X2-MM THK)						
	5	1	1K-6937	1	ELBOW-PIPE						
	6	1	3B-7265	1	NIPPLE-PIPE						
	7	1	5F-6371	1	CONNECTOR						
	8	1	7X-7731	1	PLUG-PIPE						
	9	1	6B-9081	1	BUSHING-REDUCING						
	10	1	003-9163	1	ELBOW						

Y-SEPARATE ILLUSTRATION



GRAPHIC #1

<END>

g00792717

LUBRICATION SYSTEM

7N-7069 PUMP GP-SUMP AN ATTACHMENT

SMCS-1324

i03877211

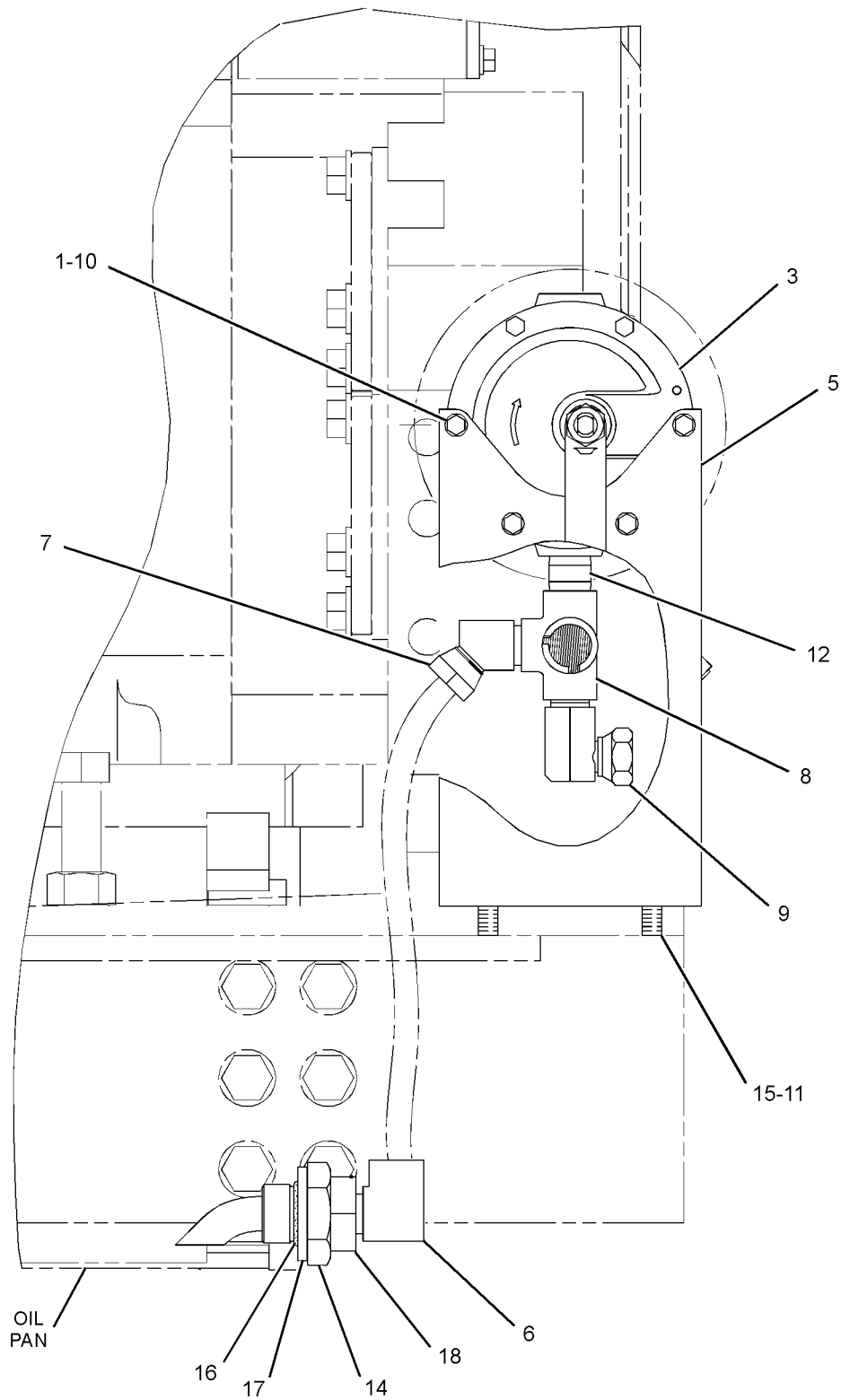
NOTE	REF NO	GRAPHIC REF	PART NUMBER	QTY	PART NAME						SEE PAGE
					1	2	3	4	5	6 (PRODUCT LEVEL)	
	1	1	8T-4205	8	WASHER-HARD (7.2X14.5X2-MM THK)						
Y	3	1	5N-6237	1	PUMP GP-ENGINE OIL (MANUAL LUBRICATION)						165
	5	1	5N-6236	1	BRACKET						
	6	1	003-9163	1	ELBOW						
	7	1	6H-8297	1	ELBOW						
	8	1	3N-7057	1	VALVE AS (3-WAY)						
	9	1	2H-3939	1	ELBOW						
	10	1	7X-2501	4	BOLT (1/4-20X1.25-IN)						
	11	1	5P-8245	2	WASHER-HARD (13.5X25.5X3-MM THK)						
	12	1	3B-7270	1	NIPPLE-PIPE						
	14	1	0L-0701	1	NUT (1-1/2-12-THD)						
	15	1	0S-1595	2	BOLT (1/2-13X1.25-IN)						
	16	1	4J-0521	1	SEAL-O-RING						
	17	1	1U-4738	1	WASHER (39.3X60X6-MM THK)						
	18	1	4P-5242	1	PICKUP AS-OIL						

Y-SEPARATE ILLUSTRATION

LUBRICATION SYSTEM

7N-7069 PUMP GP-SUMP (contd.)

i03877211



LEFT SIDE VIEW OF ENGINE

GRAPHIC #1

<END>

g01488853

LUBRICATION SYSTEM

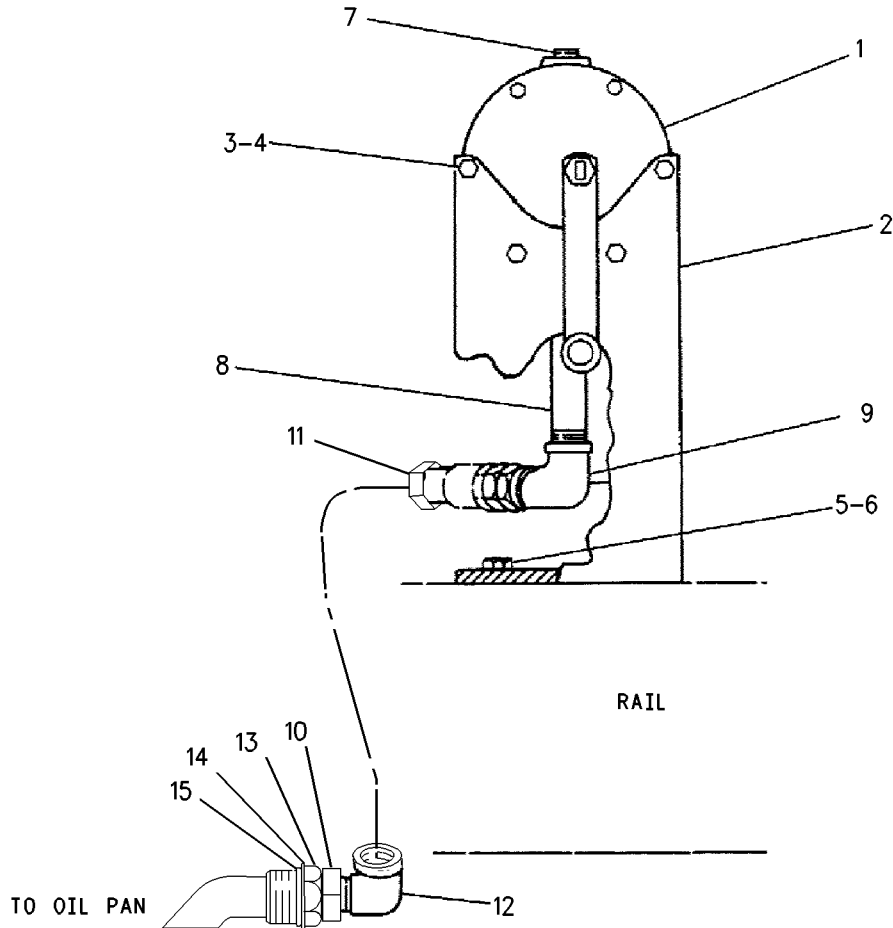
7W-9703 PUMP GP-SUMP AN ATTACHMENT

SMCS-1324

i03877213

NOTE	REF NO	GRAPHIC REF	PART NUMBER	QTY	PART NAME						SEE PAGE
					1	2	3	4	5	6 (PRODUCT LEVEL)	
Y	1	1	5N-6237	1	PUMP GP-ENGINE OIL (MANUAL LUBRICATION)						165
	2	1	5N-6236	1	BRACKET						
	3	1	7X-2501	4	BOLT (1/4-20X1.25-IN)						
	4	1	8T-4205	8	WASHER-HARD (7.2X14.5X2-MM THK)						
	5	1	8T-8917	2	BOLT (1/2-13X1.25-IN)						
	6	1	8T-4223	2	WASHER-HARD (13.5X25.5X3-MM THK)						
	7	1	7X-7731	1	PLUG-PIPE						
	8	1	3B-7265	1	NIPPLE-PIPE						
	9	1	1K-6937	1	ELBOW-PIPE						
	10	1	4P-5242	1	PICKUP AS-OIL						
	11	1	5F-6371	1	CONNECTOR						
	12	1	003-9163	1	ELBOW						
	13	1	0L-0701	1	NUT (1-1/2-12-THD)						
	14	1	1U-4738	1	WASHER (39.3X60X6-MM THK)						
	15	1	4J-0521	1	SEAL-O-RING						

Y-SEPARATE ILLUSTRATION



GRAPHIC #1

<END>

g00778854

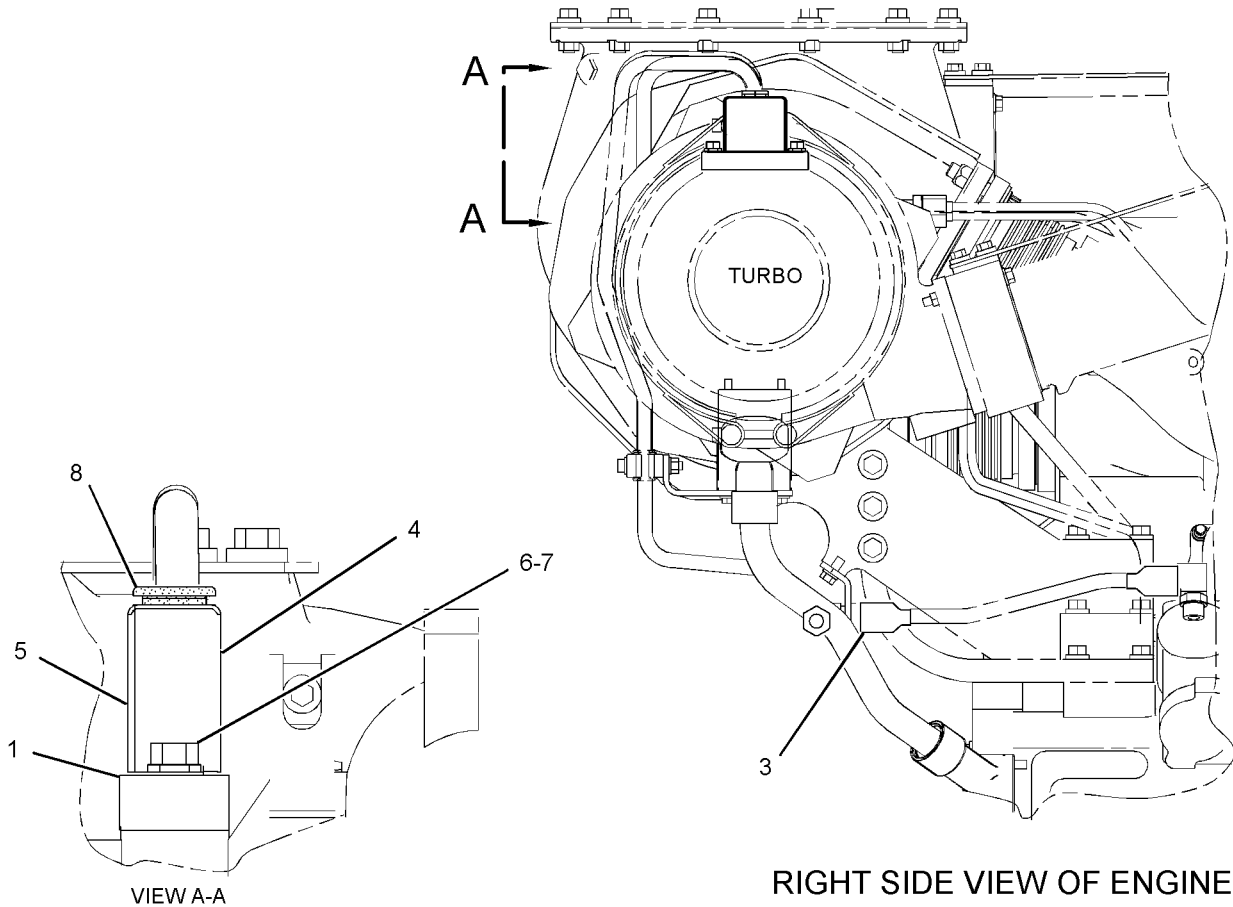
LUBRICATION SYSTEM

244-0476 SHIELD GP-ENGINE OIL LINES-TURBOCHARGER OIL AN ATTACHMENT

SMCS-1307

i02786382

NOTE	REF NO	GRAPHIC REF	PART NUMBER	QTY	PART NAME						SEE PAGE
					1	2	3	4	5	6 (PRODUCT LEVEL)	
	1	1	140-9606	2	FLANGE-SUPPLY						
	3	1	251-1255	4	SHIELD-FUEL LINE FITTING (18.05-MM ID)						
	4	1	292-8248	2	COVER						
	5	1	292-8247	2	COVER						
	6	1	5M-3062	4	BOLT (3/8-16X0.75-IN)						
	7	1	8T-4896	4	WASHER-HARD (10.2X18.5X2.5-MM THK)						
	8	1	9D-3769	2	GROMMET						



GRAPHIC #1

<END>

g01405963

LUBRICATION SYSTEM

244-0479 SHIELD GP-ENGINE OIL LINES

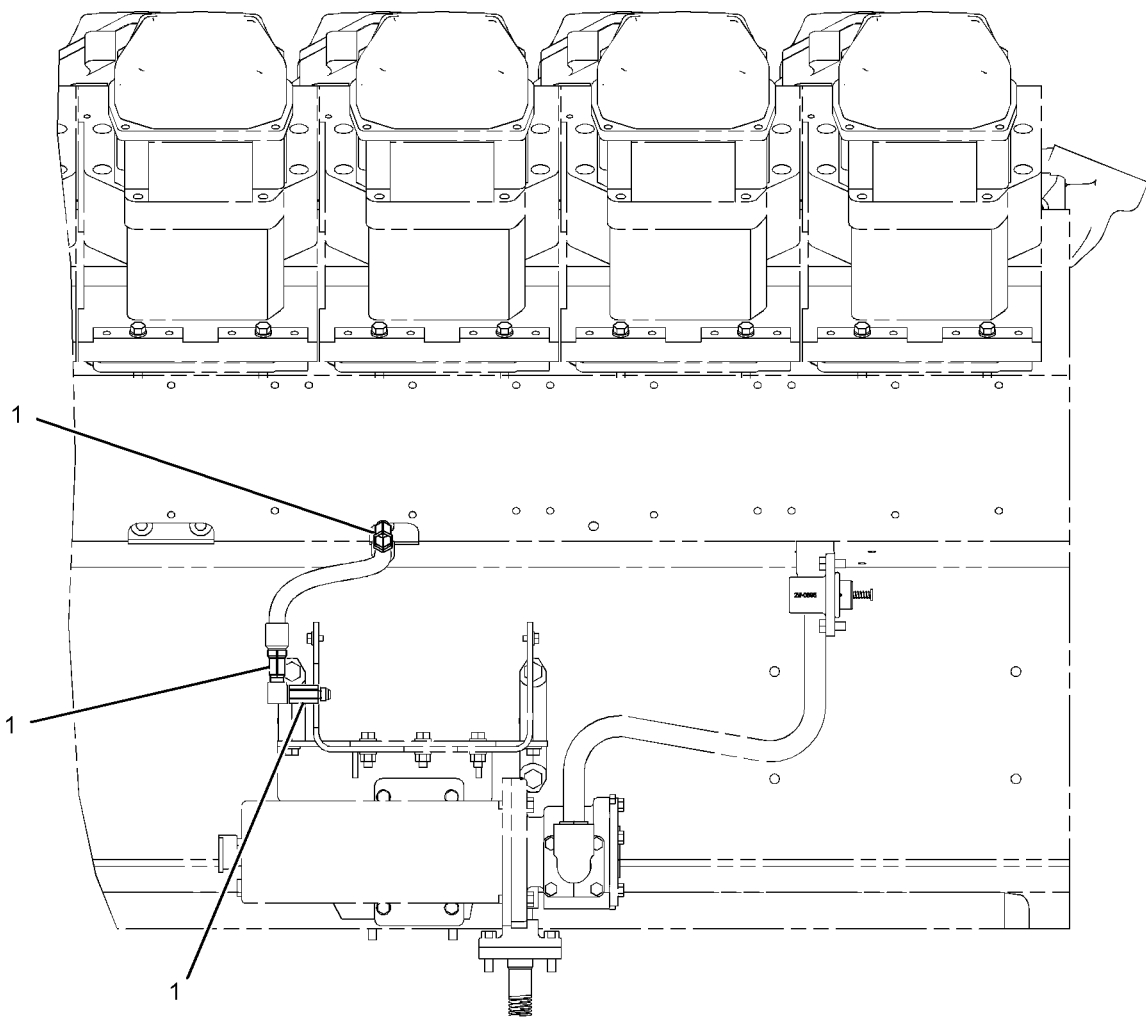
ANTI-SPLASH
AN ATTACHMENT

SMCS-1307

i02187274

NOTE	REF NO	GRAPHIC REF	PART NUMBER	QTY	PART NAME						SEE PAGE
					1	2	3	4	5	6 (PRODUCT LEVEL)	
B	1	1	237-3860		TAPE (ANTI-SPLASH, 50-MM WIDE) (10-M ROLL)						

B-USE AS REQUIRED



FRONT VIEW
<END>

GRAPHIC #1

g01069718

LUBRICATION SYSTEM

244-0480 SHIELD GP-ENGINE OIL LINES

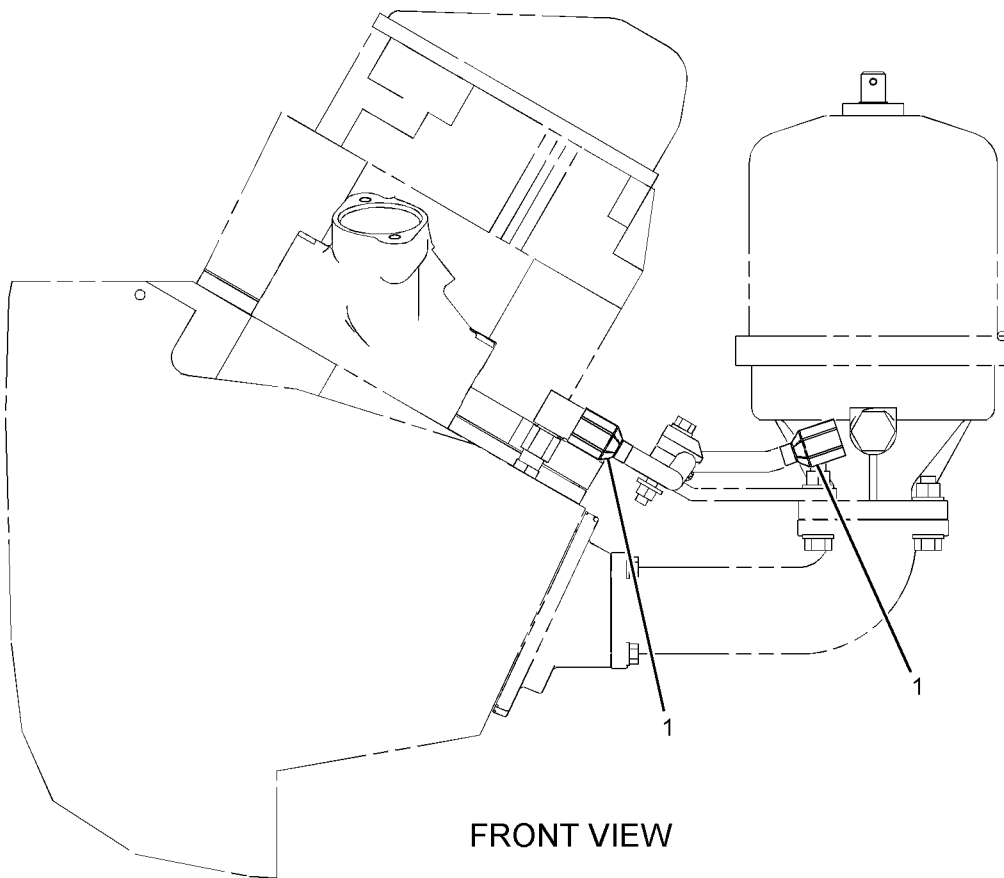
ANTI-SPLASH
AN ATTACHMENT

SMCS-1307

i02187276

NOTE	REF NO	GRAPHIC REF	PART NUMBER	QTY	PART NAME	SEE PAGE
					1 2 3 4 5 6 (PRODUCT LEVEL)	
B	1	1	237-3860		TAPE (ANTI-SPLASH, 50-MM WIDE) (10-M ROLL)	

B-USE AS REQUIRED



GRAPHIC #1

<END>

g01069500

LUBRICATION SYSTEM

306-2157 SHIELD GP-ENGINE OIL LINES

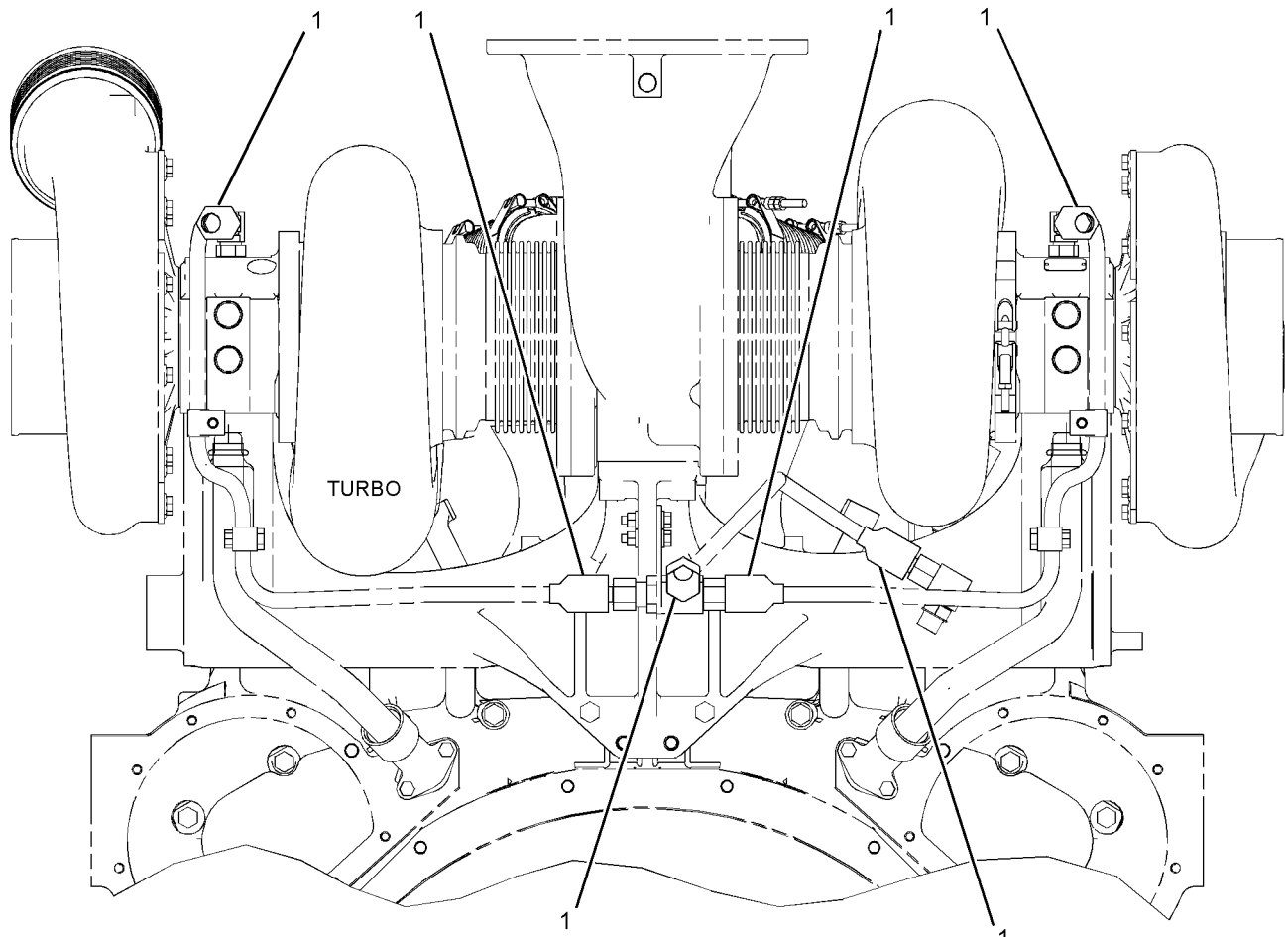
ANTI-SPLASH
AN ATTACHMENT

SMCS-1307

i02703324

NOTE	REF NO	GRAPHIC REF	PART NUMBER	QTY	PART NAME						SEE PAGE
					1	2	3	4	5	6 (PRODUCT LEVEL)	
B	1	1,2	237-3860		TAPE (ANTI-SPLASH, 50-MM WIDE) (10-M ROLL)						

B-USE AS REQUIRED



REAR VIEW OF ENGINE

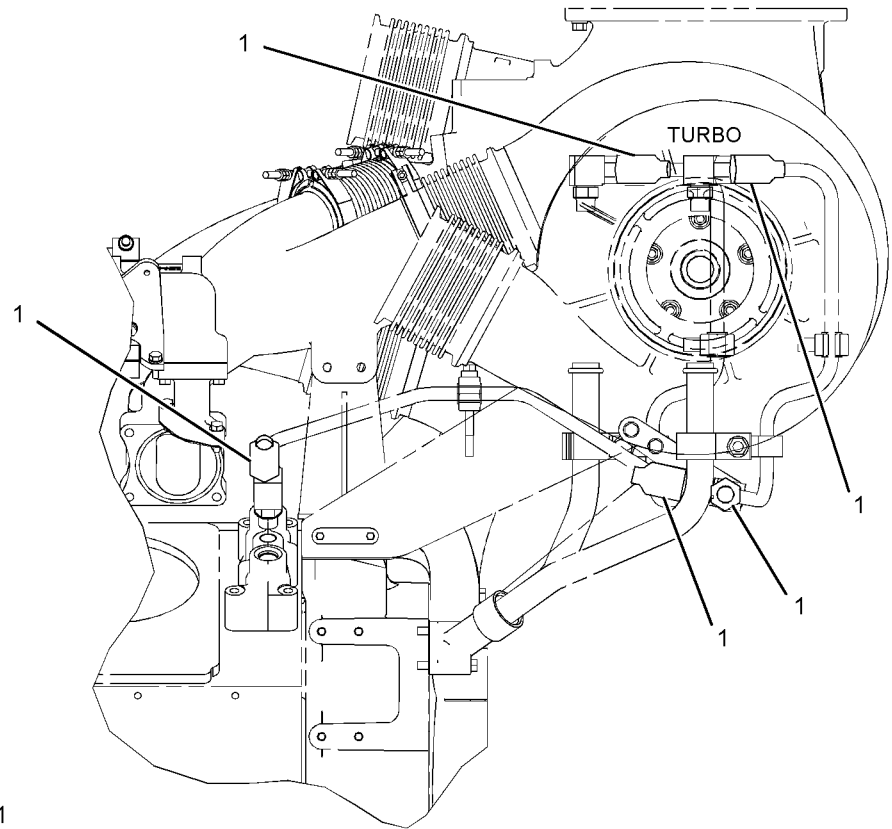
GRAPHIC #1

g01359024

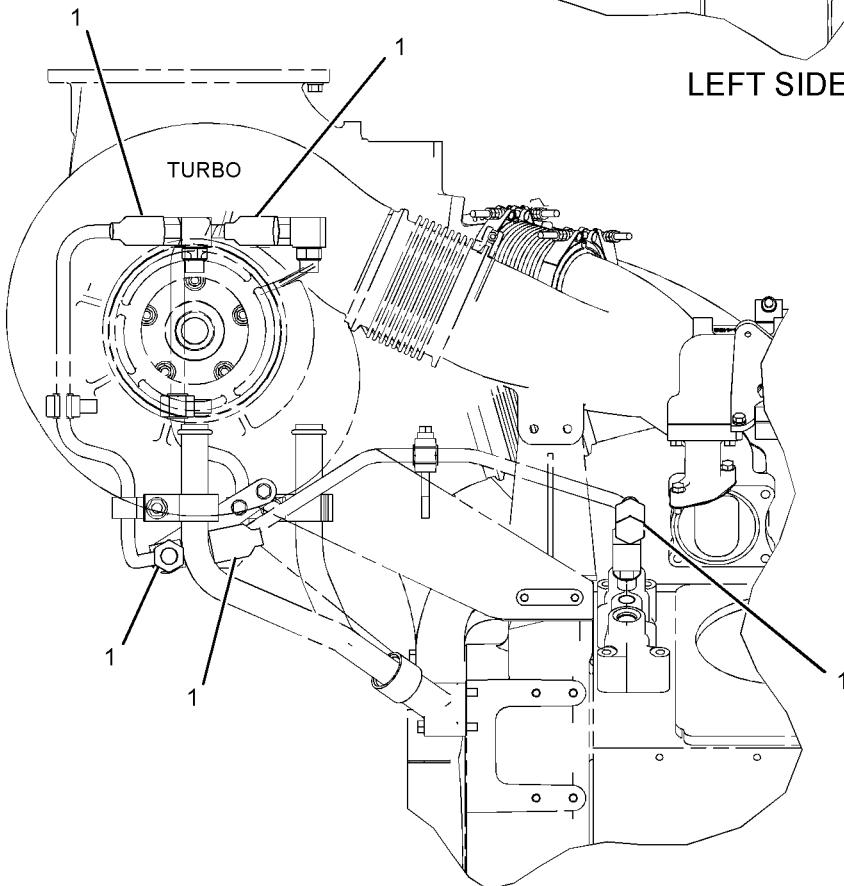
LUBRICATION SYSTEM

306-2157 SHIELD GP-ENGINE OIL LINES (contd.)

i02703324



LEFT SIDE VIEW OF ENGINE



RIGHT SIDE VIEW OF ENGINE

GRAPHIC #2

<END>

g01359025

LUBRICATION SYSTEM

309-2890 SHIELD GP-ENGINE OIL LINES

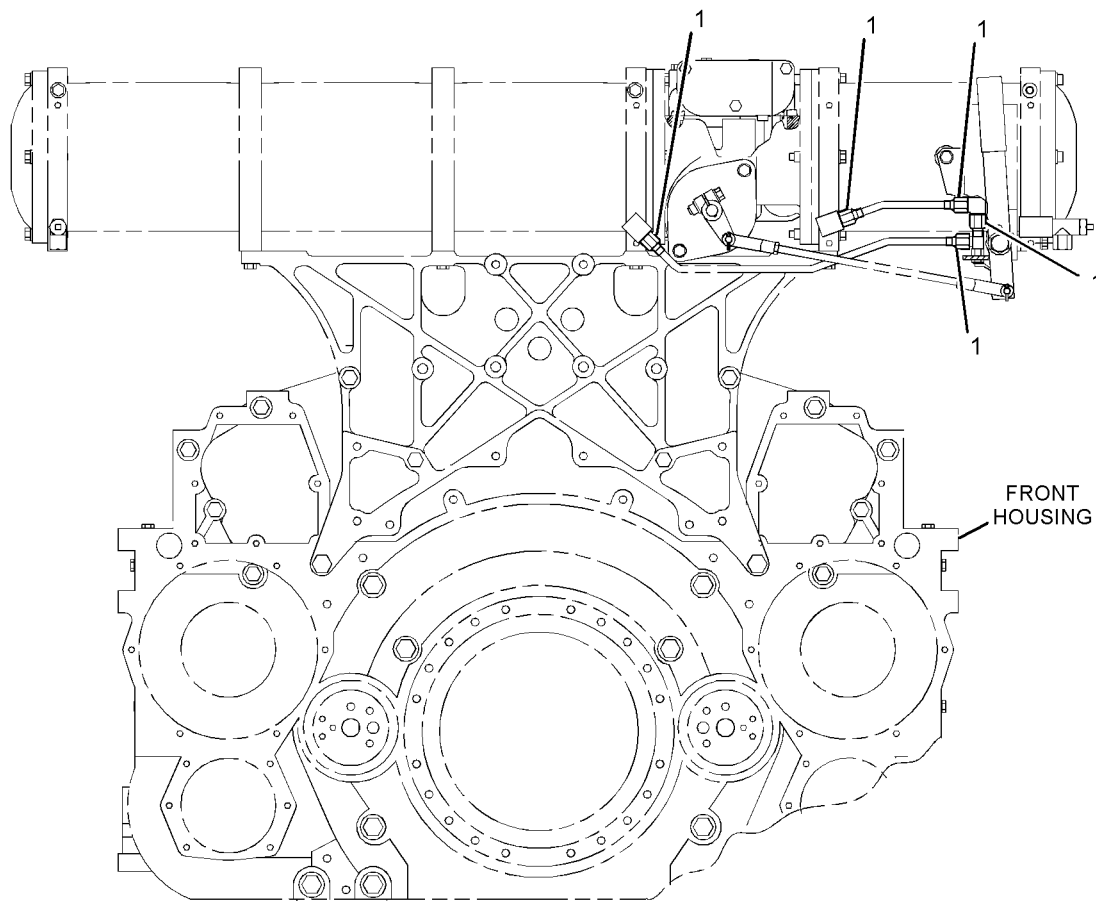
FOR USE WITH DUPLEX OIL FILTER
AN ATTACHMENT

SMCS-1307

i03637581

NOTE	REF NO	GRAPHIC REF	PART NUMBER	QTY	PART NAME						SEE PAGE
					1	2	3	4	5	6 (PRODUCT LEVEL)	
B	1	1	237-3860		TAPE (ANTI-SPLASH, 50-MM WIDE)						

B-USE AS REQUIRED



FRONT VIEW OF ENGINE

<END>

GRAPHIC #1

g01366271

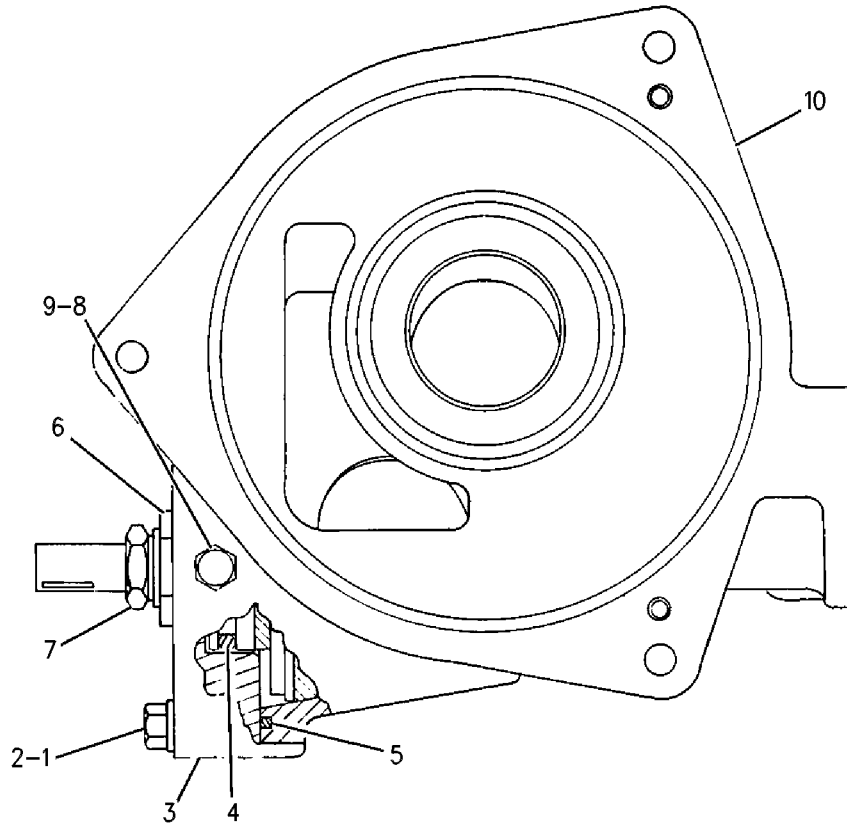
LUBRICATION SYSTEM

7W-3816 VALVE GP-FLUID CONTROL-DUPLEX OIL PART OF 120-4501 FILTER GP-ENGINE OIL AN ATTACHMENT

SMCS-7560

i02640558

NOTE	REF NO	GRAPHIC REF	PART NUMBER	QTY	PART NAME						SEE PAGE
					1	2	3	4	5	6 (PRODUCT LEVEL)	
	1	1	0S-1571	2	BOLT (3/8-16X1.75-IN)						
	2	1	5M-2894	2	WASHER-HARD (10.2X18.5X2.5-MM THK)						
	3	1	2W-0013	1	COVER AS						
		1	7S-2245	1	DOWEL						
		1	3H-2617	1	PIN-SPRING						
	4	1	9M-2610	1	SEAL-O-RING						
	5	1	5D-5957	1	SEAL-O-RING						
	6	1	3B-7329	1	NUT (1-14-THD)						
	7	1	5H-7225	1	NUT-RETAINER (1-11/16-THD)						
	8	1	9S-4182	1	PLUG-O RING						
	9	1	6V-5048	1	SEAL-O-RING						
	10	1	2W-9210	1	VALVE AS-OIL (DUPLEX)						
		1	4H-6996	1	PIN-SPRING						
		1	7N-2043	3	DOWEL						



GRAPHIC #1

<END>

g00623922

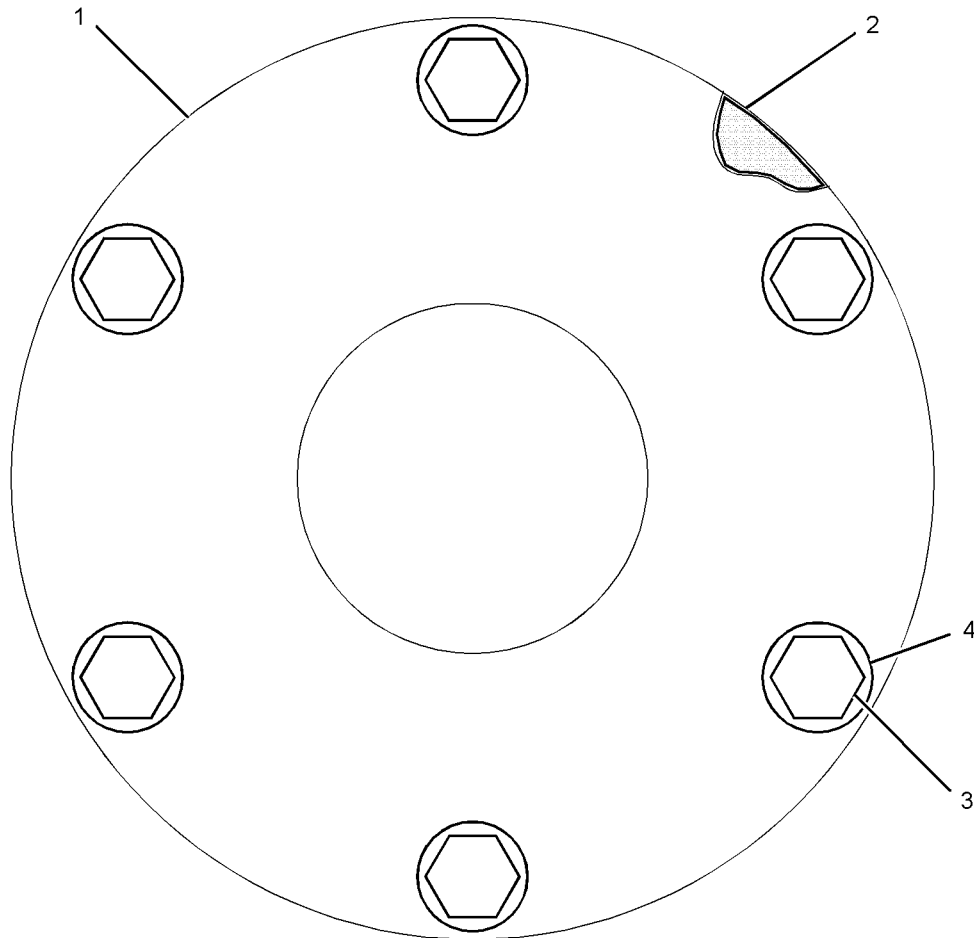
COOLING SYSTEM

3N-2652 CONNECTION GP-EXPANSION TANK-AUXILIARY AN ATTACHMENT

SMCS-1354

i02346068

NOTE	REF NO	GRAPHIC REF	PART NUMBER	QTY	PART NAME						SEE PAGE
					1	2	3	4	5	6 (PRODUCT LEVEL)	
	1	1	2N-7604	1	FLANGE						
	2	1	3H-5939	2	GASKET-HEAT EXCHANGER						
	3	1	0S-1594	6	BOLT (3/8-16X1-IN)						
	4	1	3V-3308	6	WASHER-HARD (10.2X20.5X2.5-MM THK)						



GRAPHIC #1

<END>

g01172854

COOLING SYSTEM

7N-6527 CONNECTION GP-TORQUE CONV CLR

REMOTE

FOR USE WITH ENGINE ACCESSORIES WHICH REQUIRE A SOURCE OF ENGINE JACKET
WATER FOR COOLING
AN ATTACHMENT

SMCS-1375

i01935599

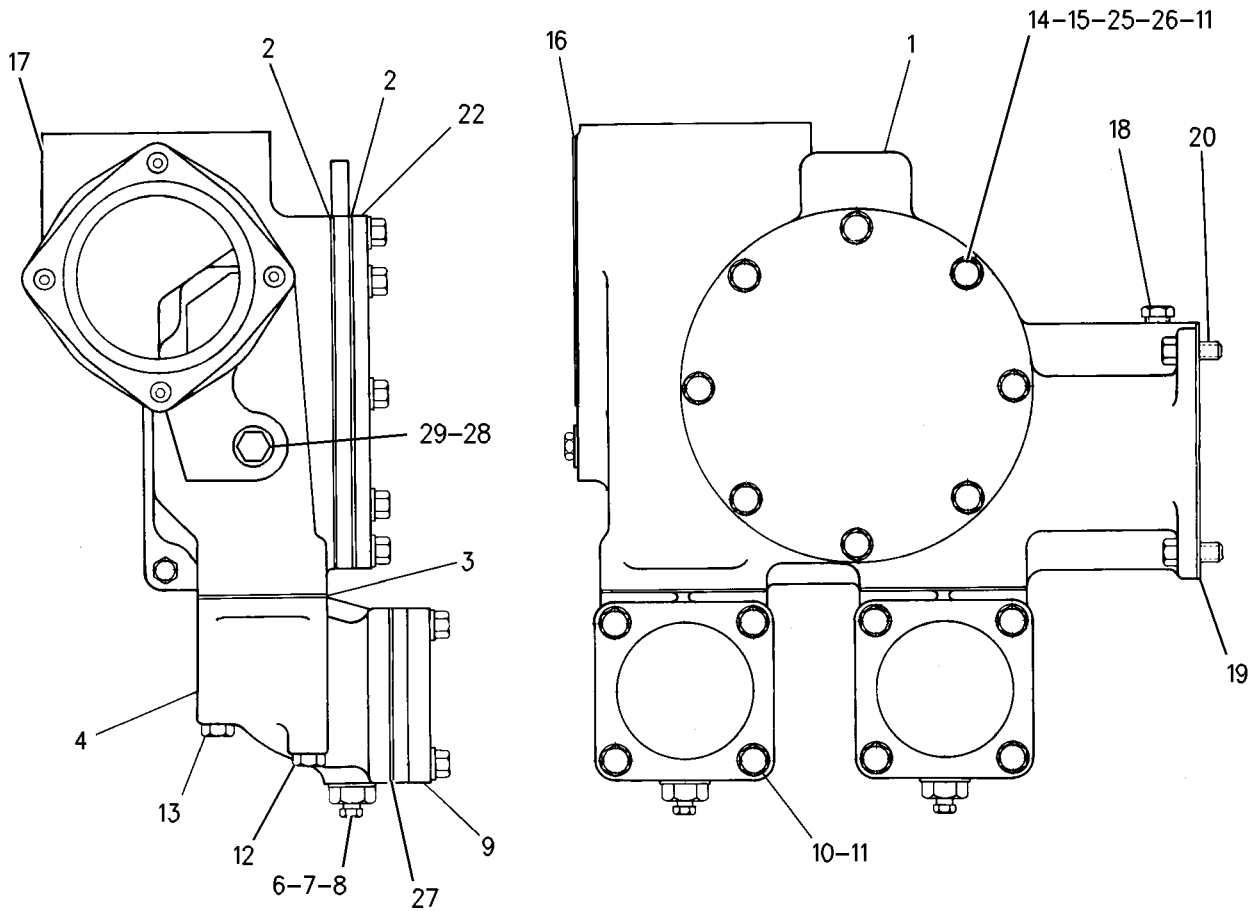
NOTE	REF NO	GRAPHIC REF	PART NUMBER	QTY	PART NAME						SEE PAGE
					1	2	3	4	5	6 (PRODUCT LEVEL)	
	1	1	8N-8535	1	ORIFICE AS						
	2	1	1S-5772	2	GASKET						
	3	1	1N-4859	2	GASKET						
	4	1	8N-8524	2	ELBOW						
	6	1	9M-4897	2	ADAPTER-FITTING						
	7	1	4B-8407	2	GASKET-COPPER						
	8	1	8T-6764	2	PLUG-PIPE (1/8-27-THD)						
	9	1	2N-8329	2	FLANGE						
	10	1	0S-1588	8	BOLT (3/8-16X1.25-IN)						
	11	1	5M-2894	16	WASHER-HARD (10.2X18.5X2.5-MM THK)						
	12	1	8S-9191	4	BOLT (3/8-16X4-IN)						
	13	1	0L-1352	4	BOLT (3/8-16X3.25-IN)						
B	14	1	0S-1590	8	BOLT (3/8-16X2-IN)						
B	15	1	0S-1591	8	BOLT (3/8-16X1.5-IN)						
	16	1	4N-1320	1	GASKET						
	17	1	120-7420	1	ADAPTER						
	18	1	8T-6765	1	PLUG-PIPE						
	19	1	7N-4932	1	GASKET						
	20	1	0S-1594	4	BOLT (3/8-16X1-IN)						
	22	1	7S-8420	1	COVER-HYDRAULIC PUMP						
B	25	1	0S-1594	8	BOLT (3/8-16X1-IN)						
B	26	1	0S-1571	8	BOLT (3/8-16X1.75-IN)						
	27	1	1H-7666	2	GASKET						
	28	1	6V-6609	1	SEAL-O-RING						
	29	1	9S-4185	1	PLUG-O-RING						

B-USE AS REQUIRED

COOLING SYSTEM

7N-6527 CONNECTION GP-TORQUE CONV CLR (contd.)

i01935599



GRAPHIC #1

<END>

g00829328

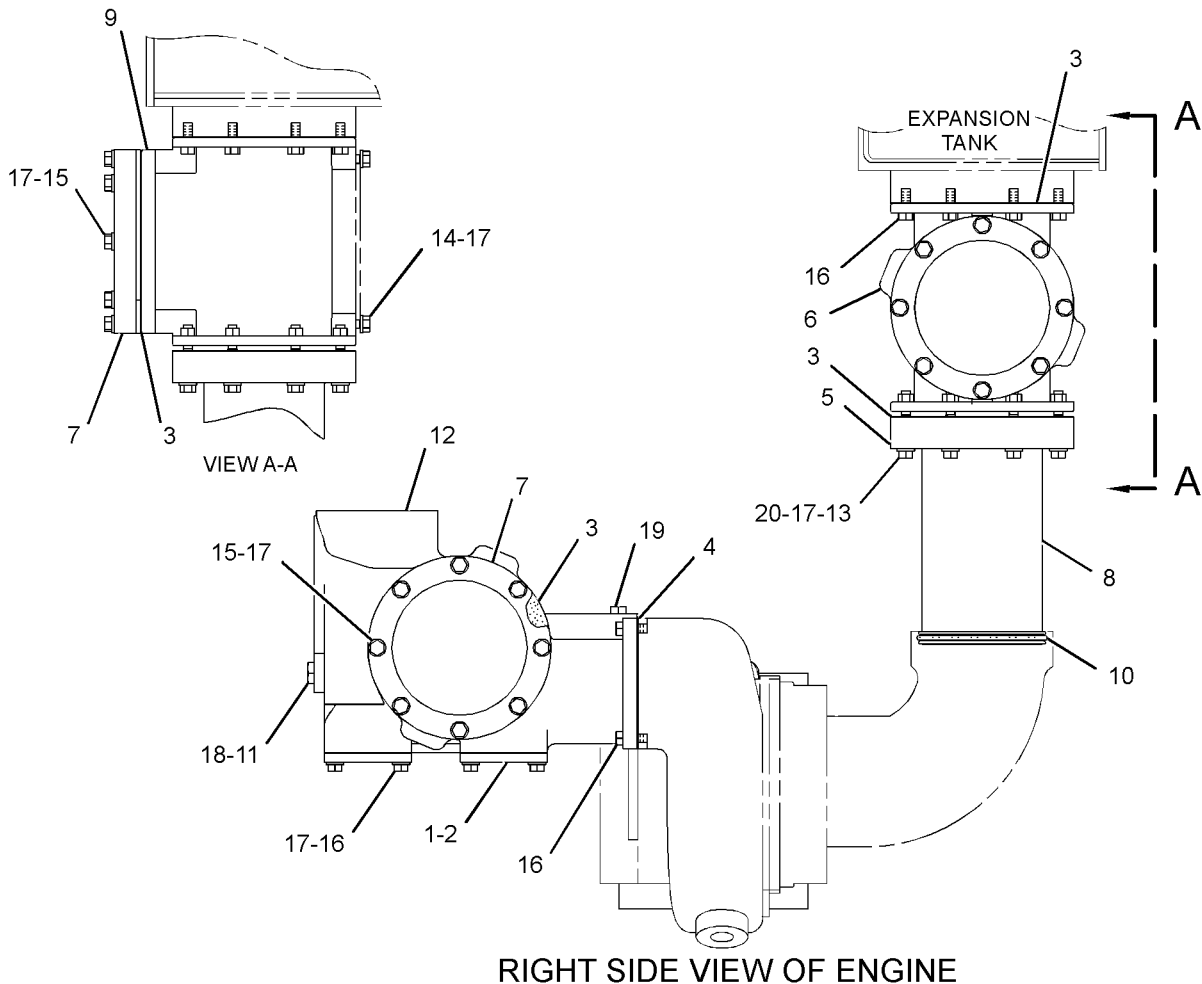
COOLING SYSTEM

7N-6965 CONNECTION GP-WATER-INLET AN ATTACHMENT

SMCS - 1380

i02429378

NOTE	REF NO	GRAPHIC REF	PART NUMBER	QTY	PART NAME						SEE PAGE
					1	2	3	4	5	6 (PRODUCT LEVEL)	
	1	1	1N-4859	2	GASKET						
	2	1	1N-4860	2	COVER						
	3	1	1S-5772	4	GASKET						
	4	1	7N-4932	1	GASKET						
	5	1	7N-5120	1	FLANGE						
	6	1	7N-7008	2	PLATE						
	7	1	7N-7009	2	FLANGE						
	8	1	7N-7010	1	TUBE						
	9	1	7N-7012	1	HOUSING						
	10	1	8T-2903	2	SEAL-O-RING						
	11	1	9S-4185	1	PLUG-O-RING						
	12	1	120-7420	1	ADAPTER						
	13	1	0L-1143	8	BOLT (3/8-16X2.5-IN)						
	14	1	0S-0509	2	BOLT (3/8-16X0.75-IN)						
	15	1	0S-1571	16	BOLT (3/8-16X1.75-IN)						
	16	1	0S-1594	20	BOLT (3/8-16X1-IN)						
	17	1	5M-2894	34	WASHER-HARD (10.2X18.5X2.5-MM THK)						
	18	1	6V-6609	1	SEAL-O-RING						
	19	1	8T-6765	1	PLUG-PIPE						
	20	1	9S-8752	8	NUT-FULL (3/8-16-THD)						



GRAPHIC #1

g01280828

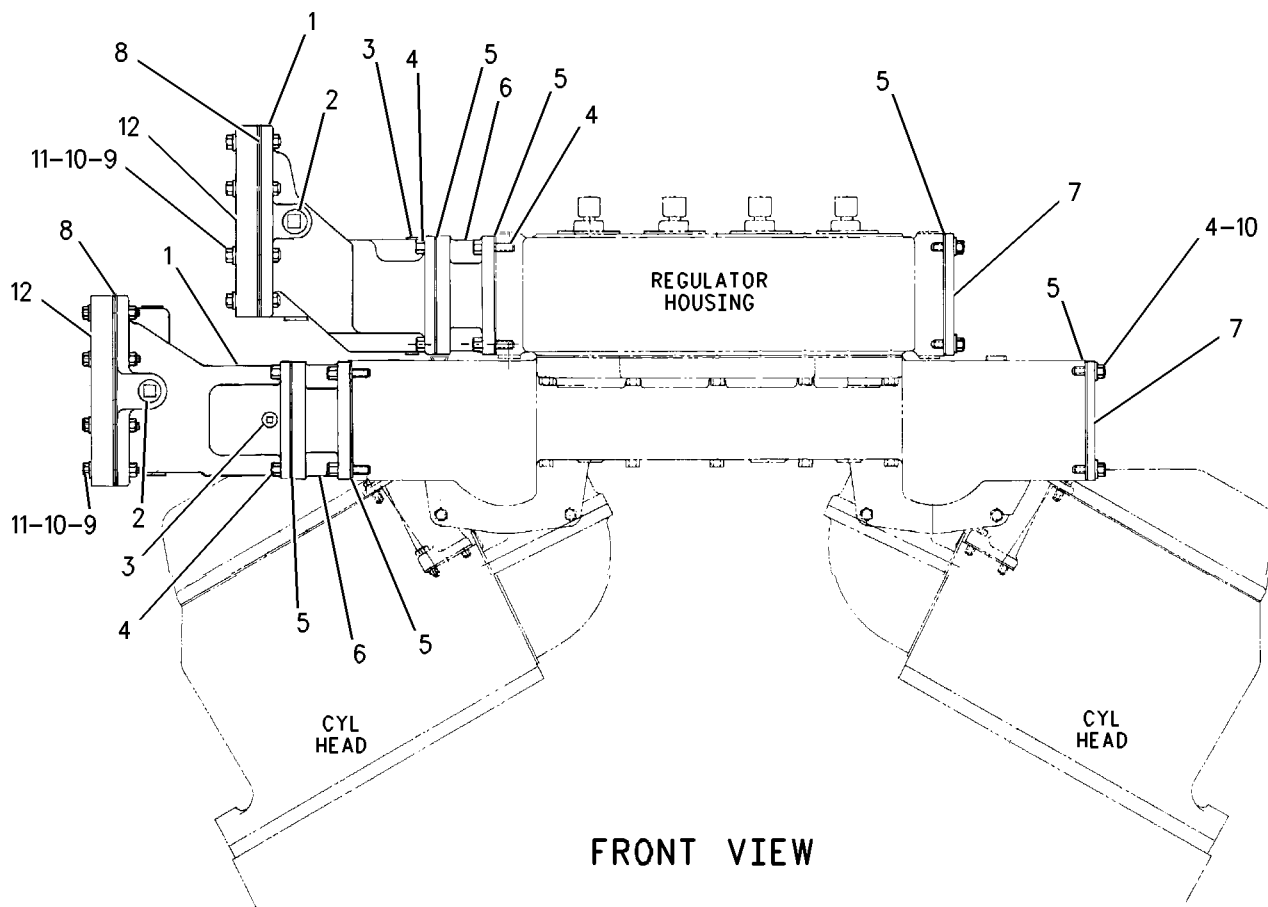
COOLING SYSTEM

7W-5848 CONNECTION GP-WATER-INLET, RH AN ATTACHMENT

SMCS - 1380

i02160294

NOTE	REF NO	GRAPHIC REF	PART NUMBER	QTY	PART NAME						SEE PAGE
					1	2	3	4	5	6 (PRODUCT LEVEL)	
	1	1	1W-2639	2	ADAPTER - EXCHANGER						
	2	1	8T-6762	6	PLUG-PIPE						
	3	1	8T-6758	4	PLUG-PIPE						
	4	1	OS-1594	24	BOLT (3/8-16X1-IN)						
	5	1	7E-6016	6	GASKET						
	6	1	7W-5849	2	SPACER						
	7	1	7E-6017	2	COVER						
	8	1	1S-5772	2	GASKET						
	9	1	OS-1590	16	BOLT (3/8-16X2-IN)						
	10	1	5M-2894	24	WASHER-HARD (10.2X18.5X2.5-MM THK)						
	11	1	9S-8752	16	NUT-FULL (3/8-16-THD)						
	12	1	7N-7009	2	FLANGE						



GRAPHIC #1

<END>

g00705458

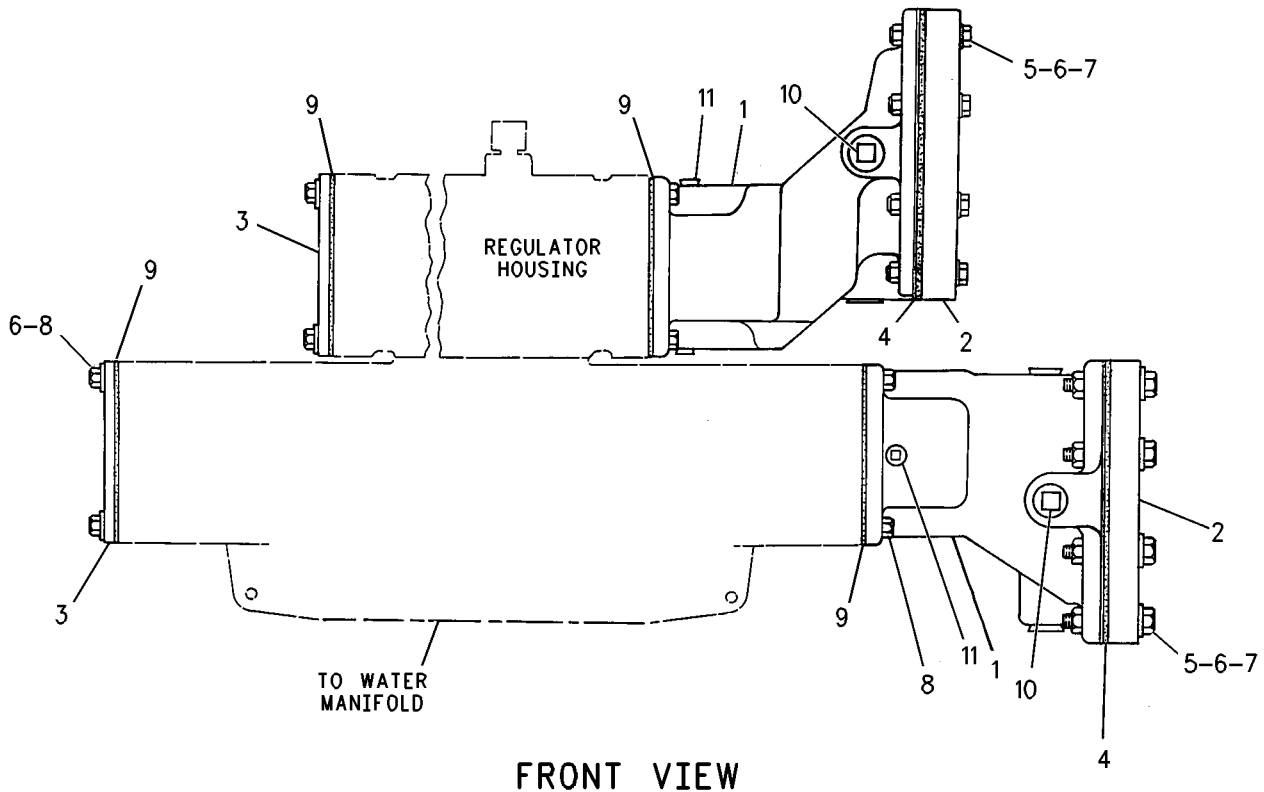
COOLING SYSTEM

8N-8993 CONNECTION GP-WATER-INLET, LH

SMCS-1380

i02356688

NOTE	REF NO	GRAPHIC REF	PART NUMBER	QTY	PART NAME						SEE PAGE
					1	2	3	4	5	6	
	1	1	1W-2639	2	ADAPTER-EXCHANGER						
	2	1	7N-7009	2	FLANGE						
	3	1	7E-6017	2	COVER						
	4	1	1S-5772	2	GASKET						
	5	1	0S-1590	16	BOLT (3/8-16X2-IN)						
	6	1	5M-2894	24	WASHER-HARD (10.2X18.5X2.5-MM THK)						
	7	1	9S-8752	16	NUT-FULL (3/8-16-THD)						
	8	1	0S-1594	16	BOLT (3/8-16X1-IN)						
	9	1	7E-6016	4	GASKET						
	10	1	8T-6762	6	PLUG-PIPE						
	11	1	8T-6758	4	PLUG-PIPE						



FRONT VIEW

GRAPHIC #1

<END>

g00863463

COOLING SYSTEM

4W-5891 COOLER GP-ENGINE OIL

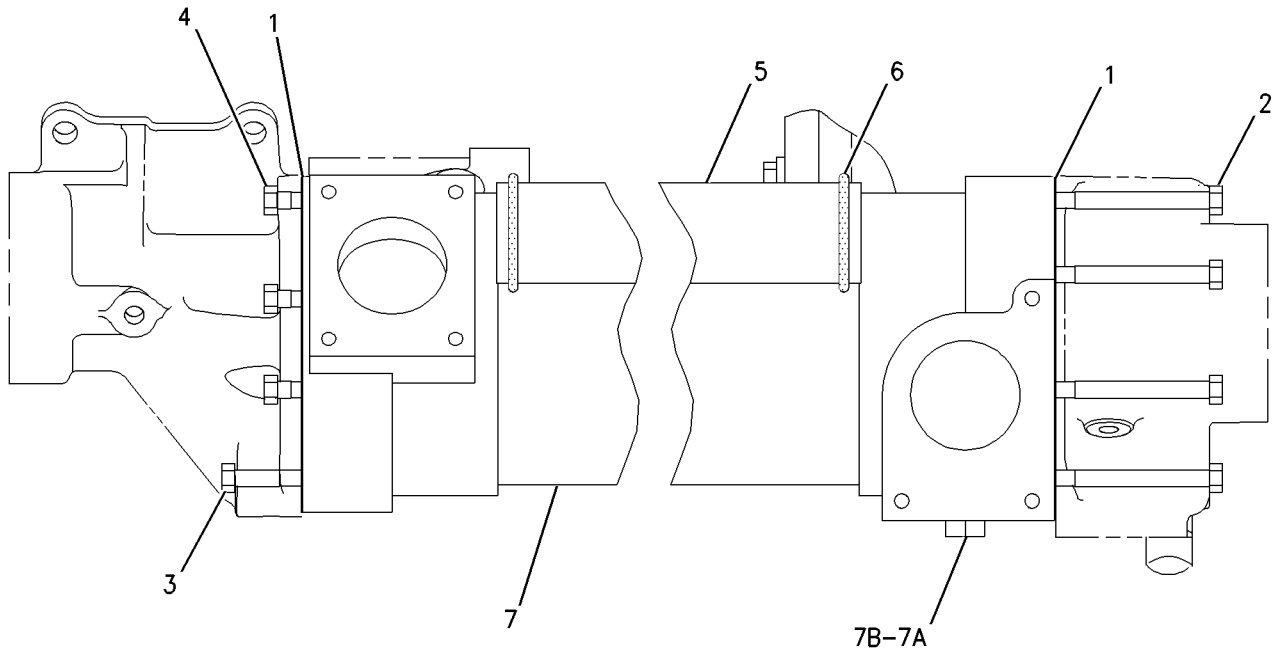
S/N: TTH252-UP

SMCS-1378

i02046622

NOTE	REF NO	GRAPHIC REF	PART NUMBER	QTY	PART NAME						SEE PAGE
					1	2	3	4	5	6 (PRODUCT LEVEL)	
	1	1	247-3796	2	GASKET						
	2	1	8S-9191	8	BOLT (3/8-16X4-IN)						
	3	1	0S-1590	2	BOLT (3/8-16X2-IN)						
	4	1	1A-2029	6	BOLT (3/8-16X1.125-IN)						
	5	1	7W-1930	1	TUBE						
	6	1	109-2332	2	SEAL-O-RING						
R	7	1	4W-5405	1	CORE GP-OIL COOLER						
	7A	1	9S-4185	1	PLUG-O-RING						
	7B	1	8L-2786	1	SEAL-O-RING						

R-REMFG PART MAY BE AVAILABLE



GRAPHIC #1

<END>

g00838163

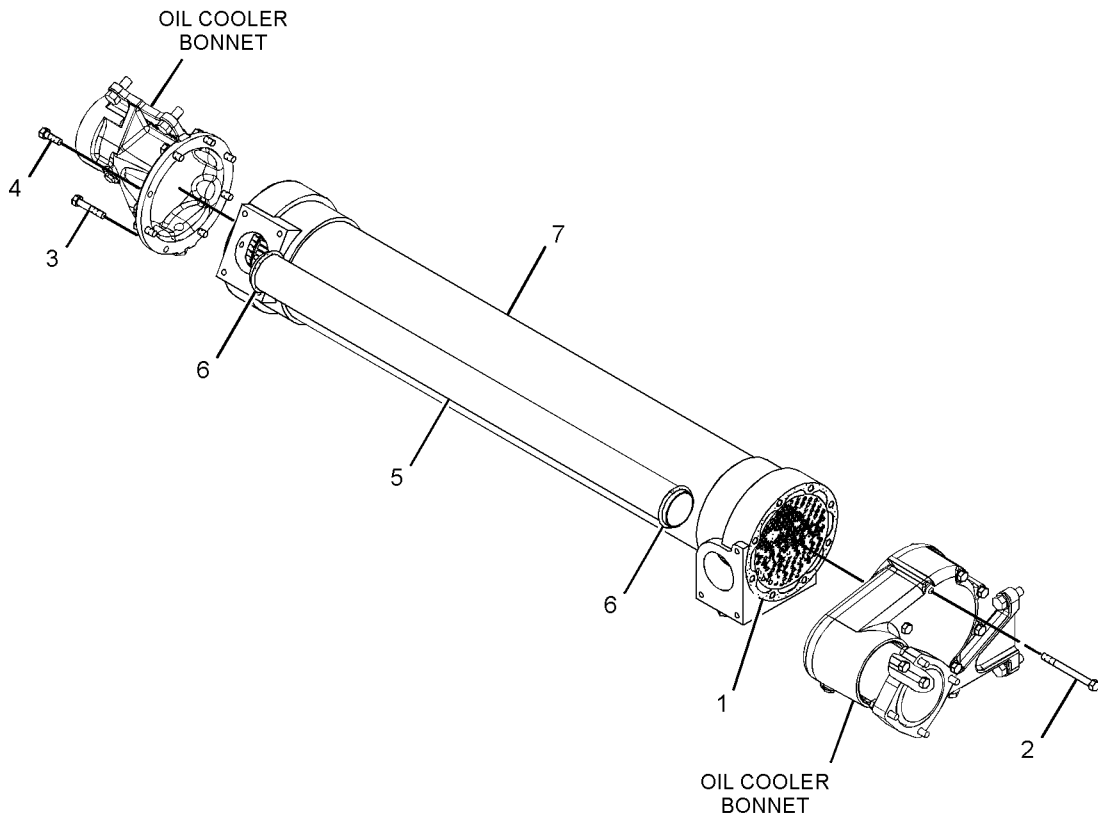
COOLING SYSTEM

312-3149 COOLER GP-ENGINE OIL

SMCS-1378

i02773954

NOTE	REF NO	GRAPHIC REF	PART NUMBER	QTY	PART NAME						SEE PAGE
					1	2	3	4	5	6	
	1	1	247-3796	2	GASKET						
	2	1	8S-9191	8	BOLT (3/8-16X4-IN)						
	3	1	0S-1590	2	BOLT (3/8-16X2-IN)						
	4	1	1A-2029	6	BOLT (3/8-16X1.125-IN)						
	5	1	7W-1930	1	TUBE						
	6	1	109-2332	2	SEAL-O-RING						
	7	1	311-7484	1	CORE AS-ENGINE OIL COOLER						
		1	8L-2786	1	SEAL-O-RING						
		1	9S-4185	1	PLUG-O-RING						



GRAPHIC #1

<END>

g01396144

COOLING SYSTEM

305-8612 HEAT EXCHANGER GP

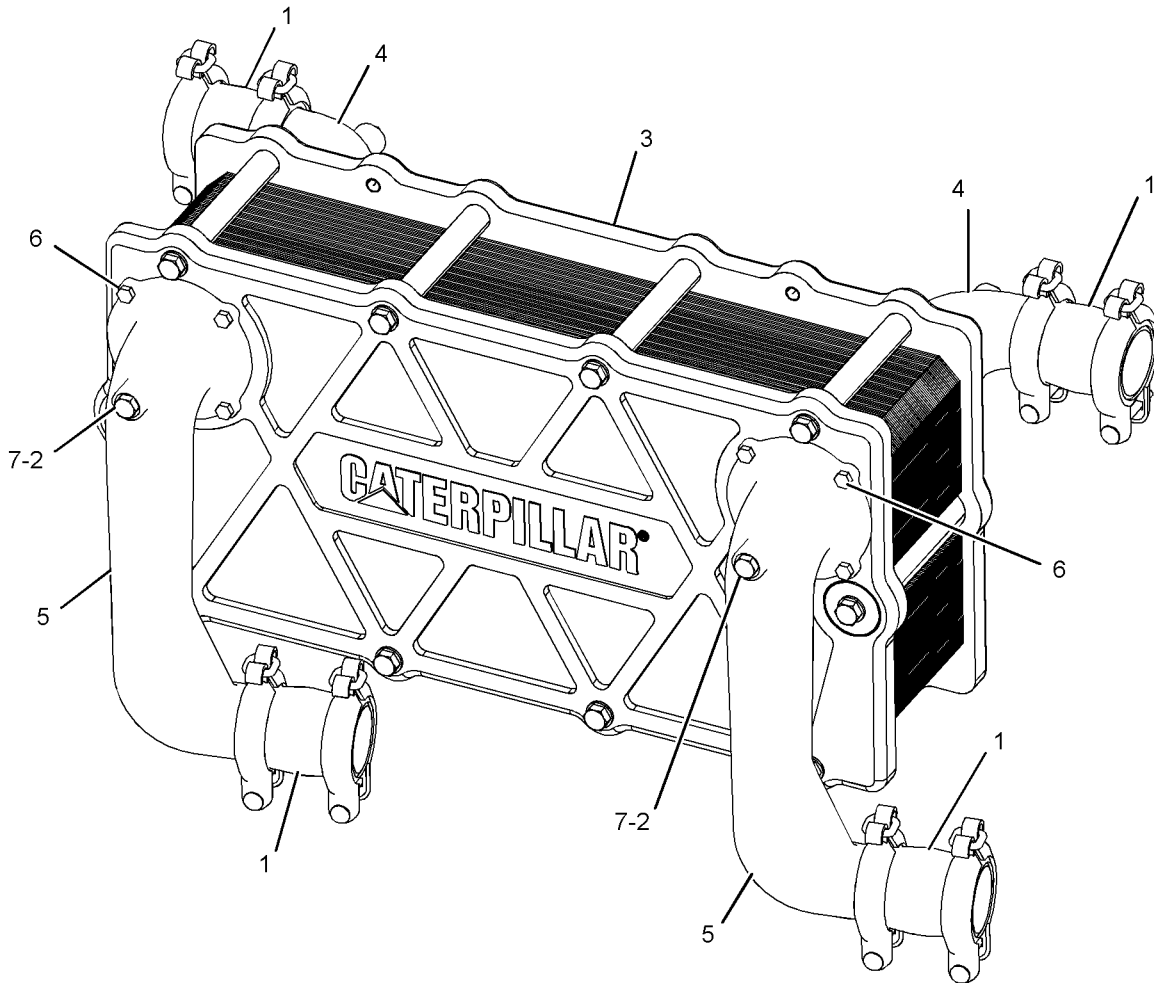
S/N: TTH1-235

AN ATTACHMENT

SMCS-1379

i03005565

NOTE	REF NO	GRAPHIC REF	PART NUMBER	QTY	PART NAME						SEE PAGE
					1	2	3	4	5	6 (PRODUCT LEVEL)	
	1	1	7L-3201	4	JOINT AS-TUBE						
					(EACH INCLUDES)						
		1	8L-8585	2	SEAL						
	2	1	287-7296	4	PLUG-BRASS						
	3	1	300-5622	1	HEAT EXCHANGER GP-SEA WATER						
	4	1	304-4498	2	ELBOW						
	5	1	304-4499	2	ELBOW						
	6	1	8T-2502	16	BOLT (3/8-16X1.125-IN)						
	7	1	8T-7877	4	SEAL-O-RING						



GRAPHIC #1

<END>

g01368864

COOLING SYSTEM

305-8612 HEAT EXCHANGER GP

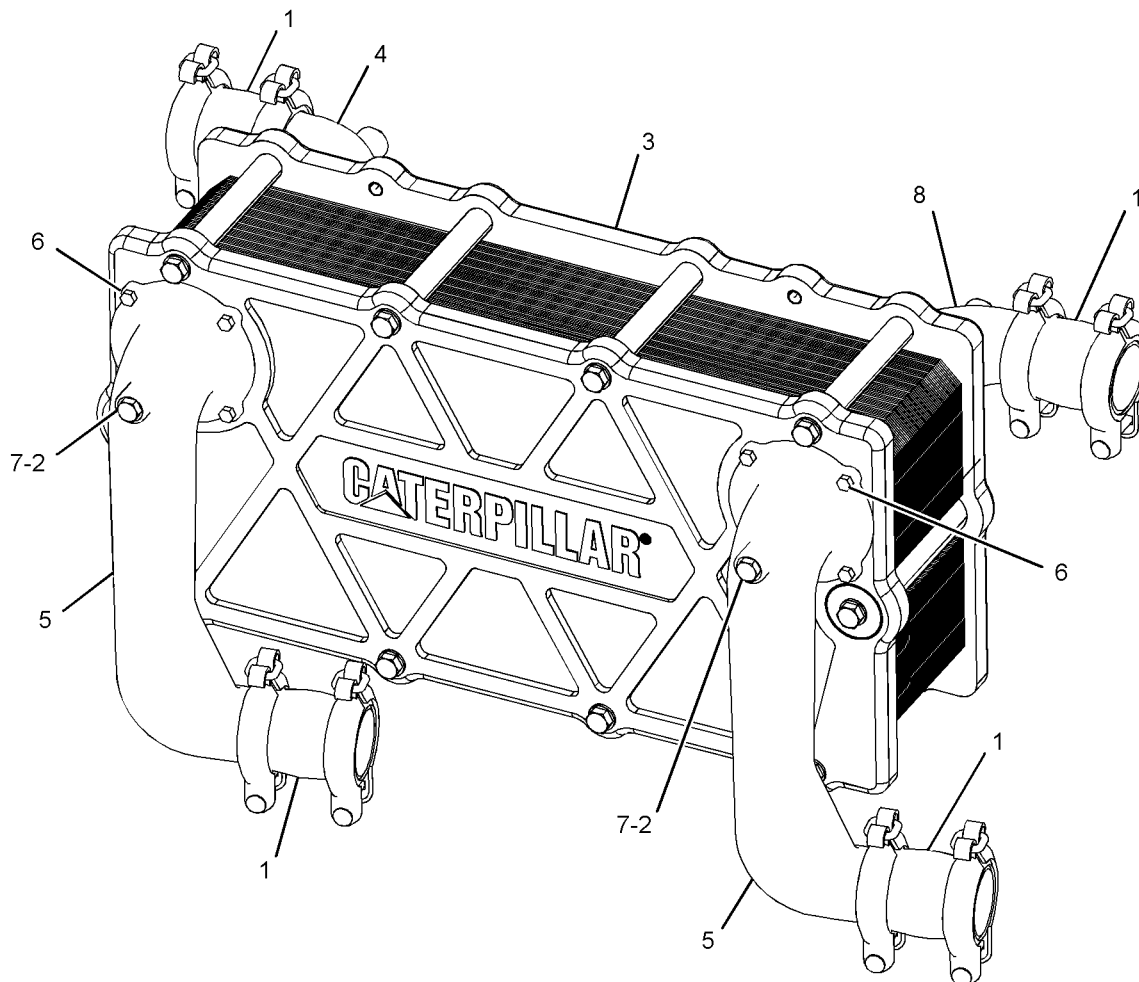
S/N: TTH236-UP
AN ATTACHMENT

SMCS - 1379

i03589480

NOTE	REF NO	GRAPHIC REF	PART NUMBER	QTY	PART NAME						SEE PAGE
					1	2	3	4	5	6 (PRODUCT LEVEL)	
	1	1	7L-3201	4	JOINT AS-TUBE						
					(EACH INCLUDES)						
		1	8L-8585	2	SEAL						
	2	1	287-7296	4	PLUG-BRASS						
Y	3	1	300-5622	1	HEAT EXCHANGER GP-SEA WATER						195
C	4	1	304-4498	1	ELBOW						
	5	1	304-4499	2	ELBOW						
	6	1	8T-2502	16	BOLT (3/8-16X1.125-IN)						
	7	1	8T-7877	4	SEAL-O-RING						
C	8	1	316-4345	1	ELBOW						

C- CHANGE FROM PREVIOUS TYPE
Y- SEPARATE ILLUSTRATION



GRAPHIC #1

<END>

g02033220

COOLING SYSTEM

300-5622 HEAT EXCHANGER GP-SEA WATER

PART OF 305-8612 HEAT EXCHANGER GP
AN ATTACHMENT

SMCS-1379

i03779514

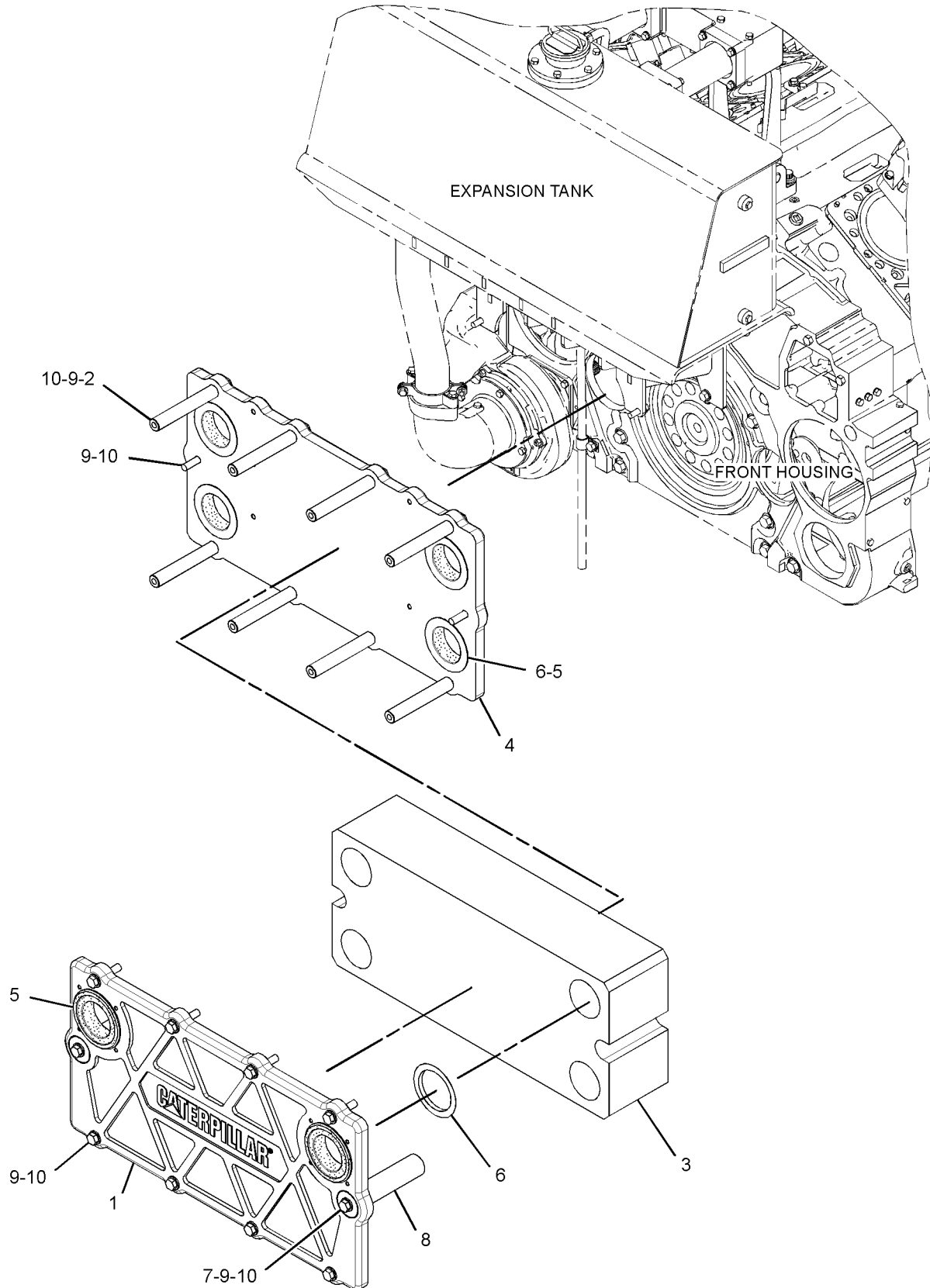
NOTE	REF NO	GRAPHIC REF	PART NUMBER	QTY	PART NAME						SEE PAGE
					1	2	3	4	5	6 (PRODUCT LEVEL)	
	1	1	300-5620	1	FRAME - FRONT						
	2	1	300-5621	8	SPACER						
Y	3	1	300-5623	1	PLATE GP-HEAT EXCHANGER						222
	4	1	300-9986	1	FRAME - REAR						
	5	1	327-1099	6	LINER						
	6	1	327-1101	6	COLLAR						
	7	1	327-1105	2	SPACER						
	8	1	327-1743	2	SPACER						
	9	1	164-4537	20	WASHER (17X32X3.5-MM THK)						
	10	1	164-4538	20	BOLT (5/8-11X3-IN)						

Y-SEPARATE ILLUSTRATION

COOLING SYSTEM

300-5622 HEAT EXCHANGER GP-SEA WATER (contd.)

i03779514



GRAPHIC #1

<END>

g02046298

COOLING SYSTEM

8N-7643 HOUSING & REGULATOR GP-INLET CONTROL FOR USE WITH EXPANSION TANK AND STANDBY GENERATOR ENGINE

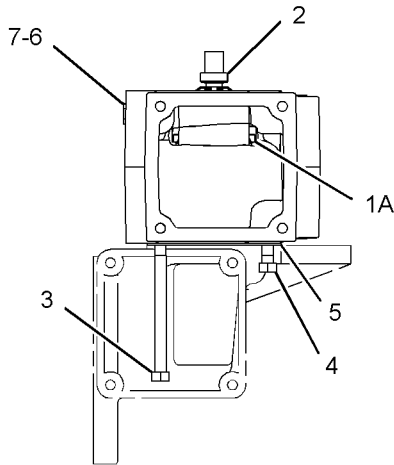
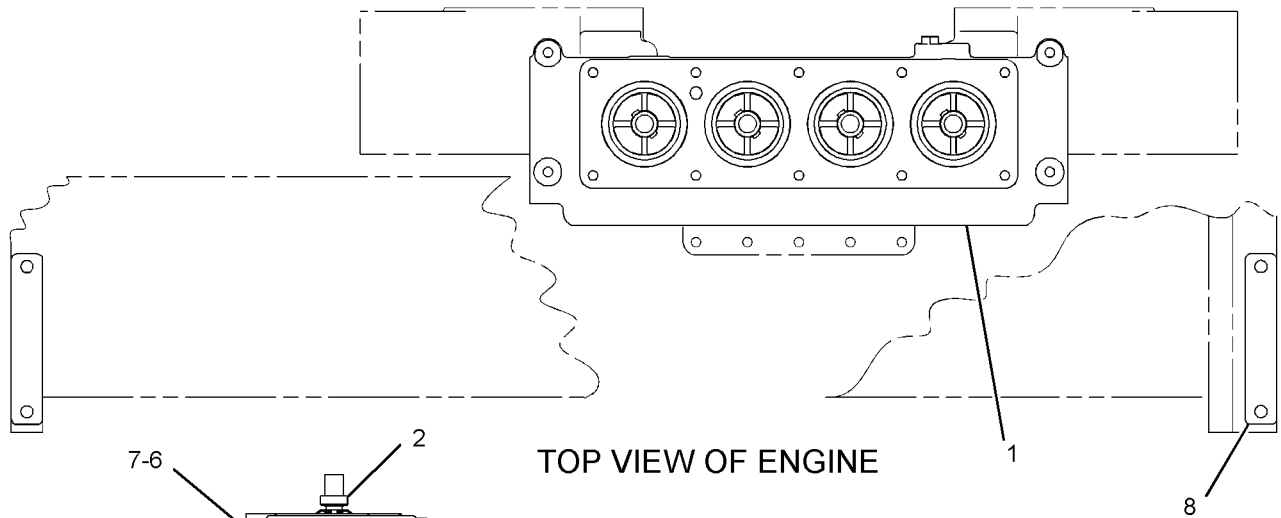
SMCS-1355, 1393

i03632669

NOTE	REF NO	GRAPHIC REF	PART NUMBER	QTY	PART NAME						SEE PAGE
					1	2	3	4	5	6 (PRODUCT LEVEL)	
	1	1	7E-6466	1	HOUSING AS-REGULATOR						
	1A	1	3S-9643	4	SEAL-LIP TYPE (WATER TEMPERATURE REGULATOR)						
	2	1	248-5513	4	REGULATOR-TEMPERATURE (92-DEG C)						
	3	1	1A-5183	5	BOLT (3/8-16X4.75-IN)						
	4	1	0S-1588	5	BOLT (3/8-16X1.25-IN)						
	5	1	7N-4927	1	GASKET-HOUSING COVER						
C	6	1	9S-4182	1	PLUG-O-RING						
C	7	1	6V-9027	1	SEAL-O-RING						
BC	8	1	106-3512	2	PLATE						

B-USE AS REQUIRED

C-CHANGE FROM PREVIOUS TYPE



GRAPHIC #1

<END>

g02021193

COOLING SYSTEM

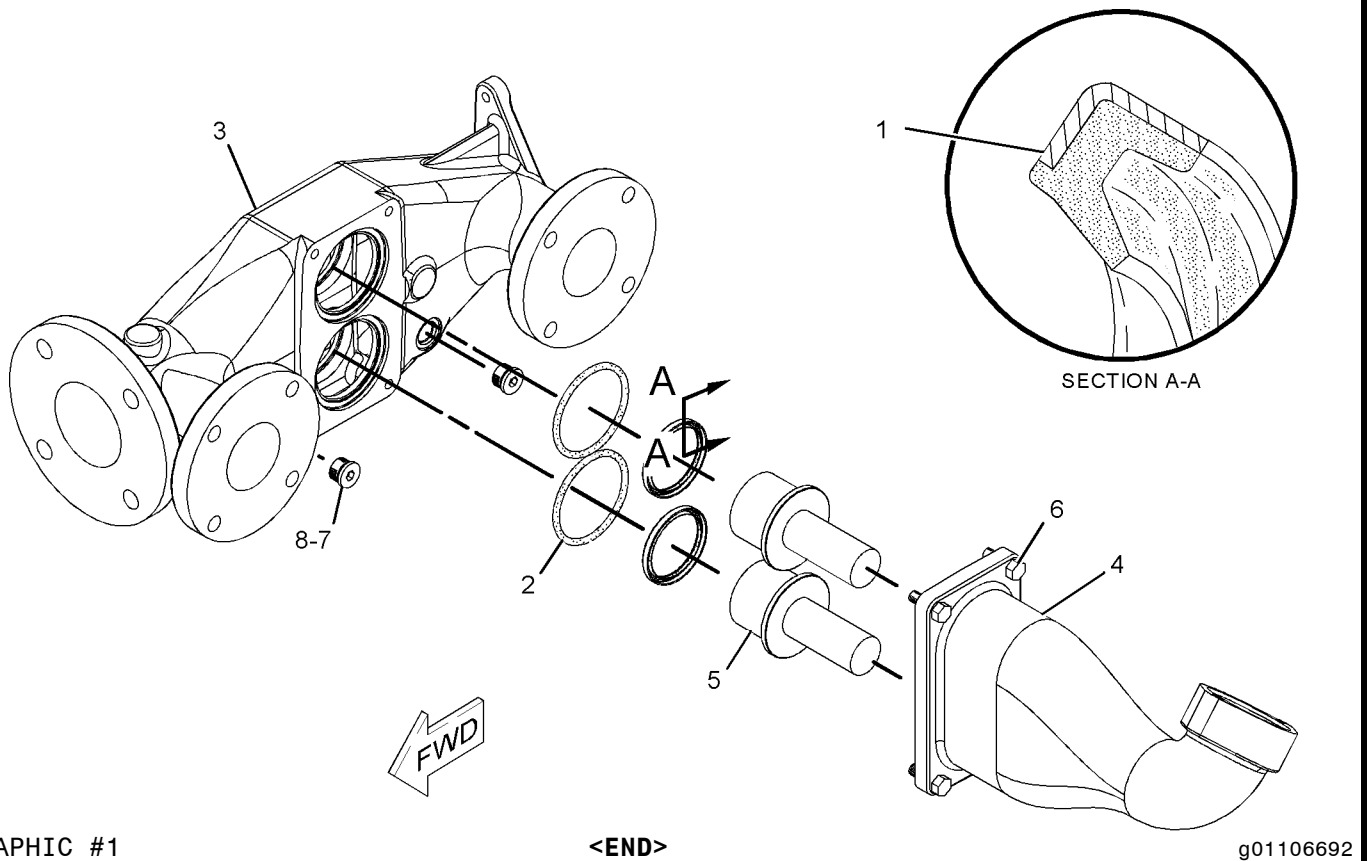
216-6217 HOUSING & REGULATOR GP-AFTERCOOLER

PART OF 313-4133 LINES GP-WATER

SMCS-1355, 1393

i03642683

NOTE	REF NO	GRAPHIC REF	PART NUMBER	QTY	PART NAME						SEE PAGE
					1	2	3	4	5	6 (PRODUCT LEVEL)	
	1	1	3S-9643	2	SEAL-LIP TYPE (WATER TEMPERATURE REGULATOR)						
	2	1	6V-1454	2	SEAL-O-RING						
	3	1	214-0728	1	HOUSING						
	4	1	214-0729	1	ADAPTER						
	5	1	219-3240	2	REGULATOR-TEMPERATURE (30-DEG C)						
	6	1	1A-2029	4	BOLT (3/8-16X1.125-IN)						
	7	1	3K-0360	2	SEAL-O-RING						
	8	1	9S-8005	2	PLUG-O-RING						



COOLING SYSTEM

107-0474 LINES GP-WATER-UPPER

S/N: TTH1-203

SMCS-1355, 1380, 1393

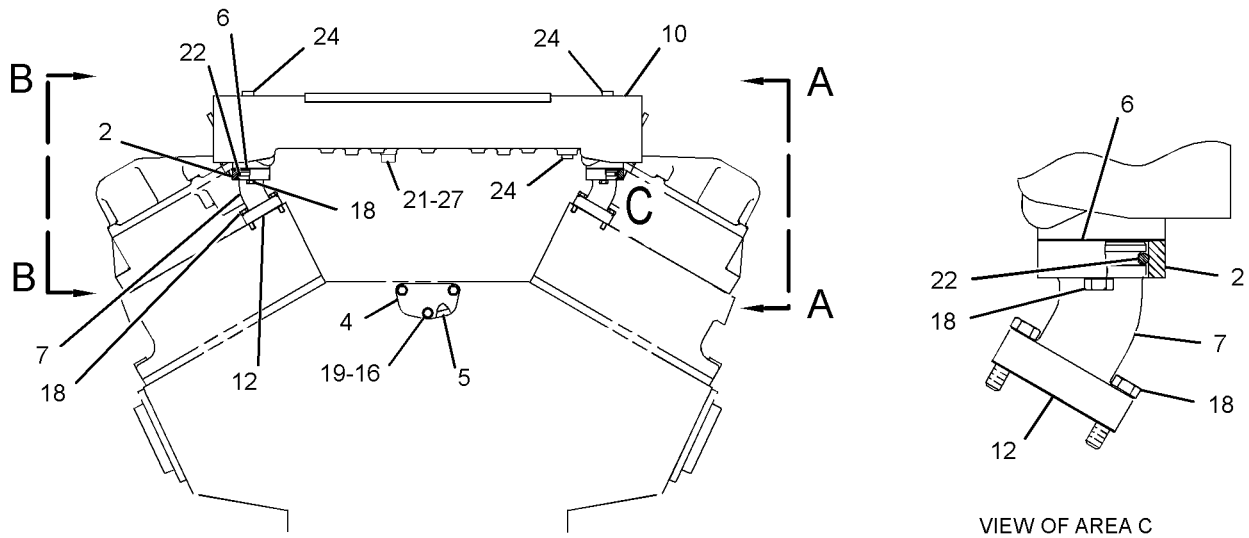
i02866111

NOTE	REF NO	GRAPHIC REF	PART NUMBER	QTY	PART NAME						SEE PAGE
					1	2	3	4	5	6 (PRODUCT LEVEL)	
	1	1	243-2288	6	GASKET						
	2	1	2W-3146	16	FLANGE						
	3	1	4P-3897	4	MANIFOLD (INTERMEDIATE)						
	4	1	7N-3297	2	COVER						
	5	1	7N-3368	2	GASKET						
	6	1	241-5928	16	GASKET						
	7	1	8N-7639	16	ELBOW						
	8	1	111-8276	1	MANIFOLD (REAR, LH)						
	9	1	111-8277	1	MANIFOLD (REAR, RH)						
	10	1	111-9374	1	HOUSING-REGULATOR						
	11	1	122-8856	2	GASKET						
	12	1	127-2176	16	SEAL-INTEGRAL						
	13	1	133-8382	16	BRACKET						
	14	1	154-1616	1	MANIFOLD (FRONT, LH)						
	15	1	154-1617	1	MANIFOLD (FRONT, RH)						
	16	1	0S-1594	38	BOLT (3/8-16X1-IN)						
	17	1	0S-1618	62	BOLT (5/16-18X1-IN)						
	18	1	1B-7182	64	BOLT (5/16-18X1.25-IN)						
	19	1	5M-2894	6	WASHER-HARD (10.2X18.5X2.5-MM THK)						
	20	1	6V-6609	2	SEAL-O-RING						
	21	1	6V-9027	1	SEAL-O-RING						
	22	1	6V-9769	16	SEAL-O-RING						
	23	1	8T-6761	2	PLUG-PIPE						
	24	1	8T-6762	4	PLUG-PIPE						
	25	1	8T-6765	2	PLUG-PIPE						
	26	1	9M-1974	62	WASHER-HARD (8.8X16X2-MM THK)						
	27	1	9S-4182	1	PLUG-O-RING						
	28	1	9S-4185	2	PLUG-O-RING						
	29	1	6V-5064	2	SEAL-O-RING						
	30	1	9S-4181	2	PLUG-O-RING						

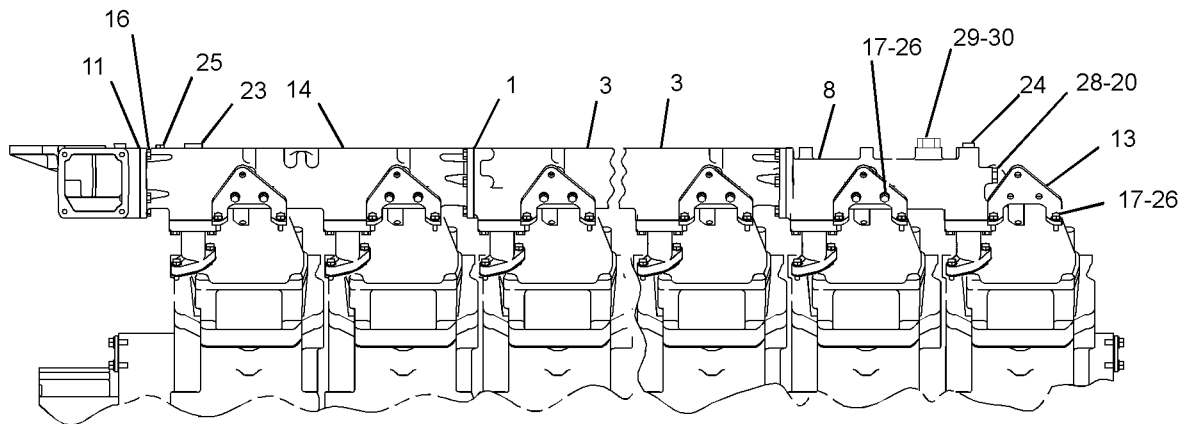
COOLING SYSTEM

107-0474 LINES GP-WATER (contd.)

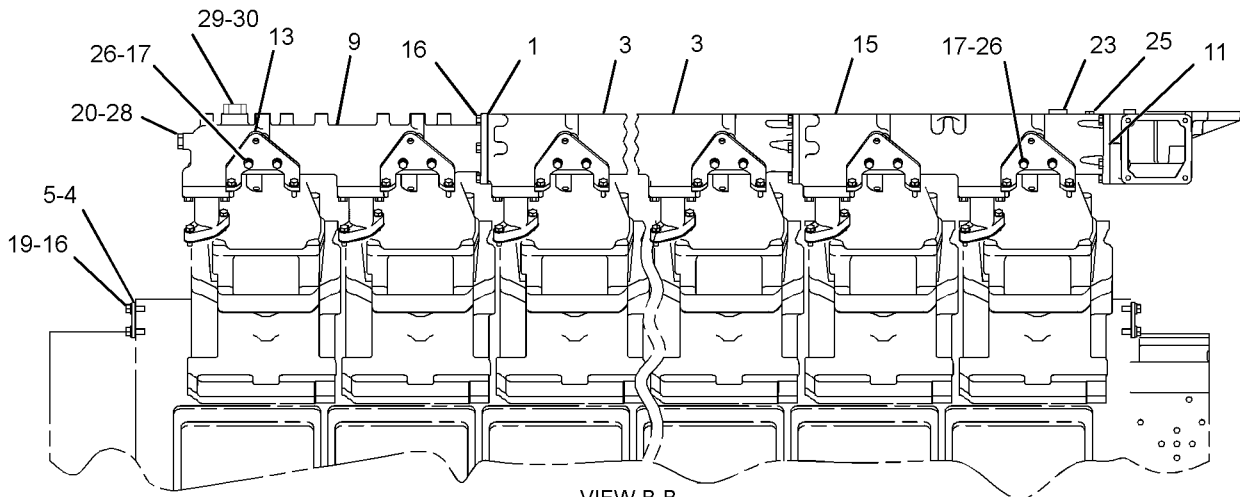
i02866111



FRONT VIEW



VIEW A-A



VIEW B-B

GRAPHIC #1

<END>

g01427795

COOLING SYSTEM

115-7850 LINES GP-WATER-LOWER

TYPE 1

SMCS-1355, 1380, 1393

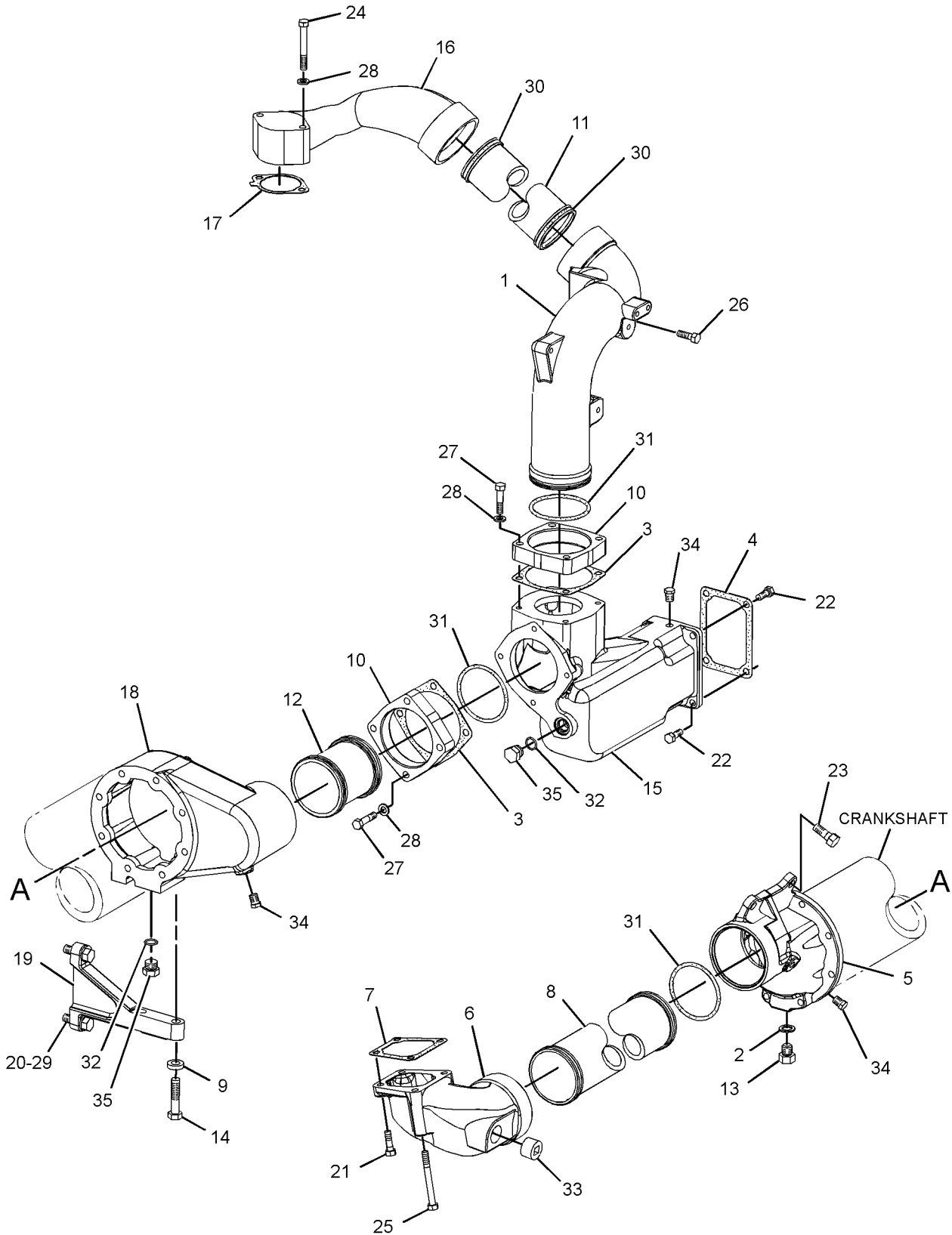
i02717770

NOTE	REF NO	GRAPHIC REF	PART NUMBER	QTY	PART NAME						SEE PAGE
					1	2	3	4	5	6 (PRODUCT LEVEL)	
	1	1	1N-4087	1	ELBOW						
	2	1	4B-8407	1	GASKET-COPPER						
	3	1	4N-1320	2	GASKET						
	4	1	7N-4932	1	GASKET						
	5	1	7N-4941	1	BONNET-OIL COOLER						
	6	1	7N-4944	1	ELBOW						
	7	1	7N-4945	1	GASKET						
	8	1	7N-9045	1	TUBE						
	9	1	8B-9725	2	BOSS						
	10	1	8N-0386	2	FLANGE						
	11	1	8N-1989	1	TUBE						
	12	1	8N-7641	1	TUBE						
	13	1	9M-4202	1	PLUG-DRAIN (OIL COOLER)						
	14	1	9X-8873	2	BOLT (1/2-13X2.25-IN)						
	15	1	120-7421	1	ADAPTER						
	16	1	141-9285	1	ELBOW						
	17	1	230-1072	1	GASKET						
	18	1	278-0539	1	HOUSING-OIL COOLER						
	19	1	278-0540	1	BRACKET						
	20	1	0S-1585	2	BOLT (1/2-13X1.5-IN)						
	21	1	0S-1588	2	BOLT (3/8-16X1.25-IN)						
	22	1	0S-1594	4	BOLT (3/8-16X1-IN)						
	23	1	0S-1595	2	BOLT (1/2-13X1.25-IN)						
	24	1	0S-1619	2	BOLT (3/8-16X3-IN)						
	25	1	0T-0065	2	BOLT (3/8-16X3.5-IN)						
	26	1	1A-2029	2	BOLT (3/8-16X1.125-IN)						
	27	1	2A-4639	6	BOLT (3/8-16X1.625-IN)						
	28	1	5M-2894	8	WASHER-HARD (10.2X18.5X2.5-MM THK)						
	29	1	5P-8245	2	WASHER-HARD (13.5X25.5X3-MM THK)						
	30	1	6V-1454	2	SEAL-O-RING						
	31	1	6V-5066	5	SEAL-O-RING						
	32	1	6V-6609	2	SEAL-O-RING						
	33	1	8T-6761	1	PLUG-PIPE						
	34	1	8T-6765	3	PLUG-PIPE						
	35	1	9S-4185	2	PLUG-O-RING						

COOLING SYSTEM

115-7850 LINES GP-WATER (contd.)

i02717770



GRAPHIC #1

<END>

g01368506

COOLING SYSTEM

115-7850 LINES GP-WATER-LOWER

TYPE 2

SMCS-1355, 1380, 1393

i03401069

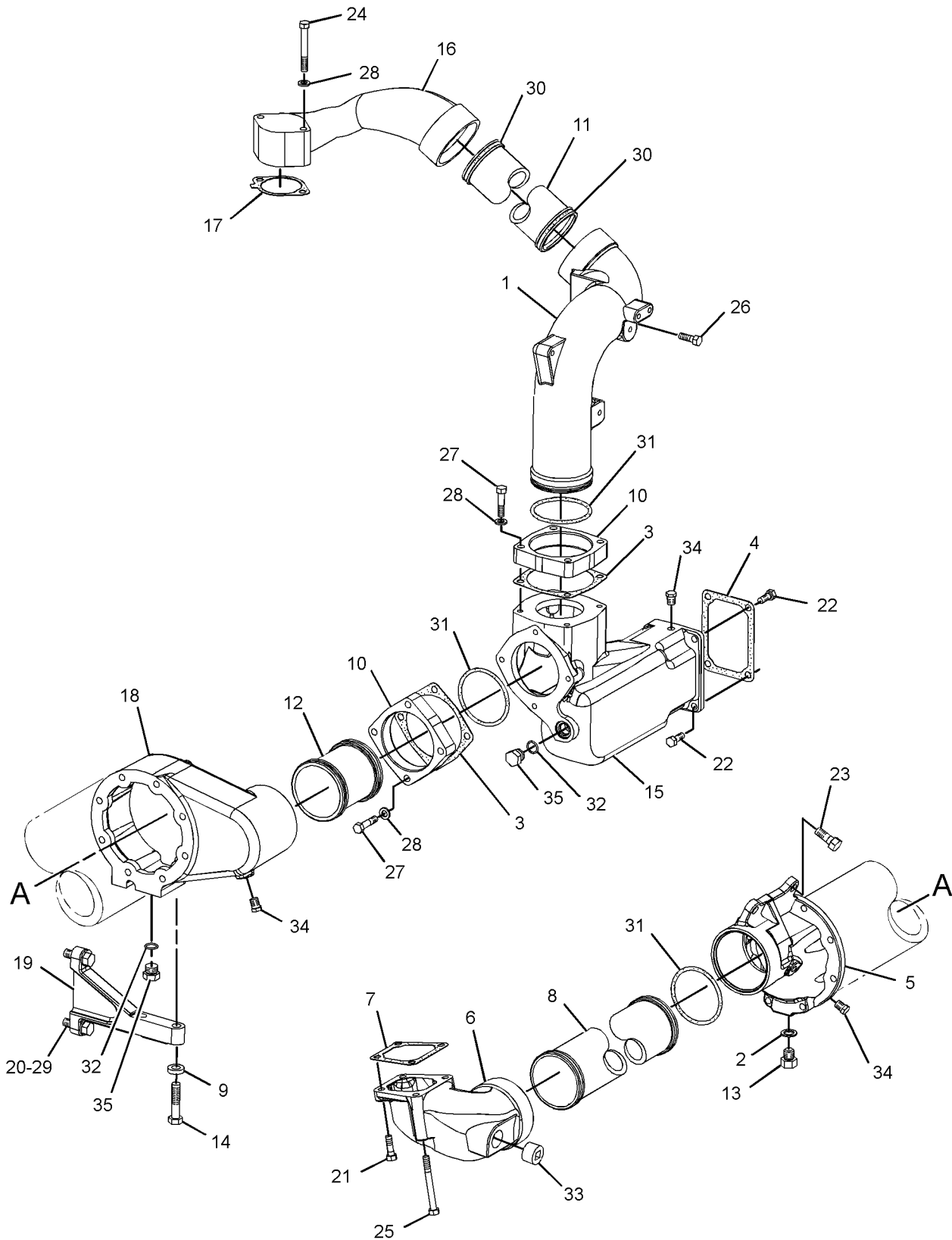
NOTE	REF NO	GRAPHIC REF	PART NUMBER	QTY	PART NAME						SEE PAGE
					1	2	3	4	5	6 (PRODUCT LEVEL)	
	1	1	1N-4087	1	ELBOW						
	2	1	4B-8407	1	GASKET-COPPER						
	3	1	4N-1320	2	GASKET						
	4	1	7N-4932	1	GASKET						
	5	1	7N-4941	1	BONNET-OIL COOLER						
	6	1	7N-4944	1	ELBOW						
	7	1	7N-4945	1	GASKET						
	8	1	7N-9045	1	TUBE						
C	9	1	8B-9725	2	BOSS						
	10	1	8N-0386	2	FLANGE						
	11	1	8N-1989	1	TUBE						
	12	1	8N-7641	1	TUBE						
	13	1	9M-4202	1	PLUG-DRAIN (OIL COOLER)						
C	14	1	9X-8873	2	BOLT (1/2-13X2.25-IN)						
	15	1	120-7421	1	ADAPTER						
	16	1	141-9285	1	ELBOW						
	17	1	230-1072	1	GASKET						
C	18	1	278-0539	1	HOUSING-OIL COOLER						
C	19	1	278-0540	1	BRACKET						
	20	1	0S-1585	2	BOLT (1/2-13X1.5-IN)						
	21	1	0S-1588	2	BOLT (3/8-16X1.25-IN)						
	22	1	0S-1594	4	BOLT (3/8-16X1-IN)						
	23	1	0S-1595	2	BOLT (1/2-13X1.25-IN)						
	24	1	0S-1619	2	BOLT (3/8-16X3-IN)						
	25	1	0T-0065	2	BOLT (3/8-16X3.5-IN)						
	26	1	1A-2029	2	BOLT (3/8-16X1.125-IN)						
	27	1	2A-4639	6	BOLT (3/8-16X1.625-IN)						
C	28	1	5M-2894	8	WASHER-HARD (10.2X18.5X2.5-MM THK)						
	29	1	5P-8245	2	WASHER-HARD (13.5X25.5X3-MM THK)						
	30	1	6V-1454	2	SEAL-O-RING						
	31	1	6V-5066	5	SEAL-O-RING						
	32	1	6V-6609	2	SEAL-O-RING						
	33	1	8T-6761	1	PLUG-PIPE						
	34	1	8T-6765	3	PLUG-PIPE						
	35	1	9S-4185	2	PLUG-O-RING						

C-CHANGE FROM PREVIOUS TYPE

COOLING SYSTEM

115-7850 LINES GP-WATER (contd.)

i03401069



GRAPHIC #1

<END>

g01761153

COOLING SYSTEM

261-7697 LINES GP-WATER-UPPER

S/N: TTH204-UP

SMCS-1355, 1380, 1393

i02250902

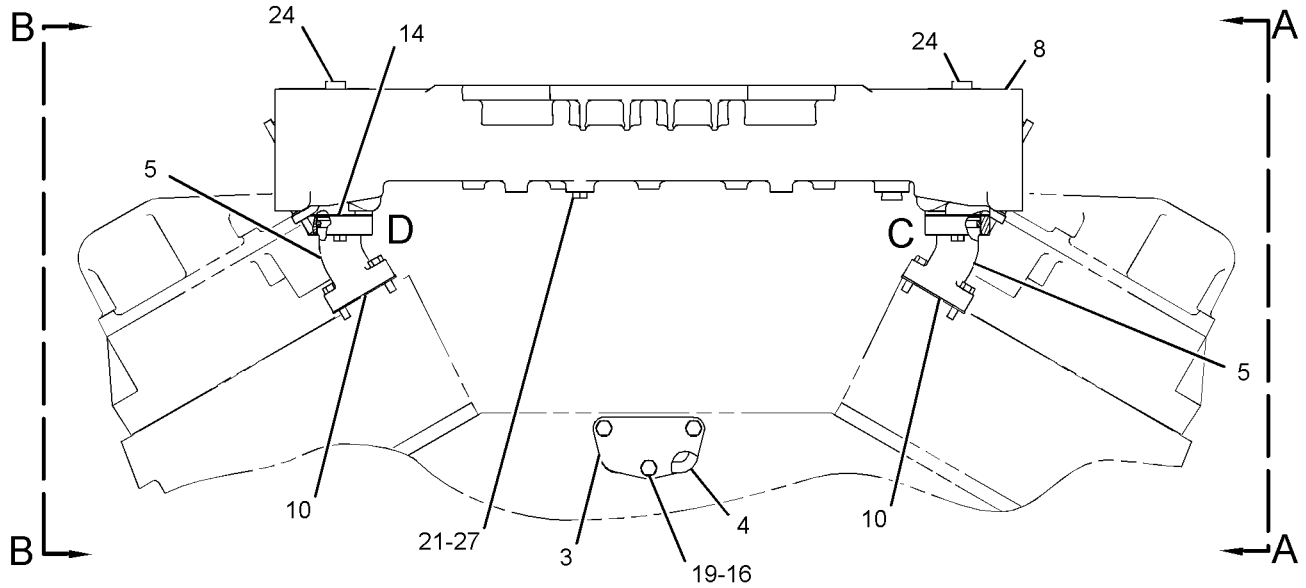
NOTE	REF NO	GRAPHIC REF	PART NUMBER	QTY	PART NAME						SEE PAGE
					1	2	3	4	5	6 (PRODUCT LEVEL)	
	1	1	2W-3146	16	FLANGE						
	2	2,3	4P-3897	4	MANIFOLD (INTERMEDIATE)						
	3	1,3	7N-3297	2	COVER						
	4	1,3	7N-3368	2	GASKET						
	5	1	8N-7639	16	ELBOW						
	6	2	111-8276	1	MANIFOLD (REAR, LH)						
	7	3	111-8277	1	MANIFOLD (REAR, RH)						
	8	1	111-9374	1	HOUSING-REGULATOR (EXPANSION TANK)						
	9	2,3	122-8856	2	GASKET						
	10	1	127-2176	16	SEAL-INTEGRAL						
	11	2,3	133-8382	16	BRACKET						
	12	2	154-1616	1	MANIFOLD (FRONT, LH)						
	13	3	154-1617	1	MANIFOLD (FRONT, RH)						
	14	1	241-5928	16	GASKET						
	15	2,3	243-2288	6	GASKET						
	16	1,2,3	0S-1594	38	BOLT (3/8-16X1-IN)						
	17	2,3	0S-1618	62	BOLT (5/16-18X1-IN)						
	18	1	1B-7182	64	BOLT (5/16-18X1.25-IN)						
	19	1,3	5M-2894	6	WASHER-HARD (10.2X18.5X2.5-MM THK)						
	20	2,3	6V-6609	2	SEAL-O-RING						
	21	1	6V-9027	1	SEAL-O-RING						
	22	1	6V-9769	16	SEAL-O-RING						
	23	2,3	8T-6761	2	PLUG-PIPE						
	24	1,2	8T-6762	4	PLUG-PIPE						
	25	2,3	8T-6765	2	PLUG-PIPE						
	26	2,3	9M-1974	62	WASHER-HARD (8.8X16X2-MM THK)						
	27	1	9S-4182	1	PLUG-O-RING						
	28	2,3	9S-4185	2	PLUG-O-RING						

COOLING SYSTEM

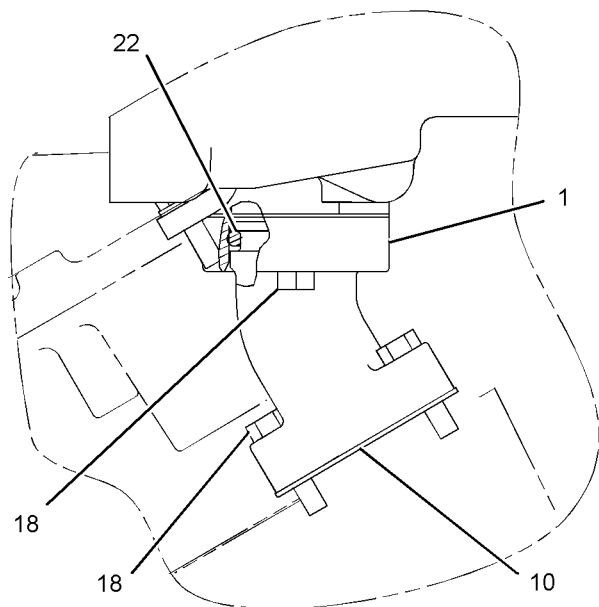
261-7697 LINES GP-WATER (contd.)

i02250902

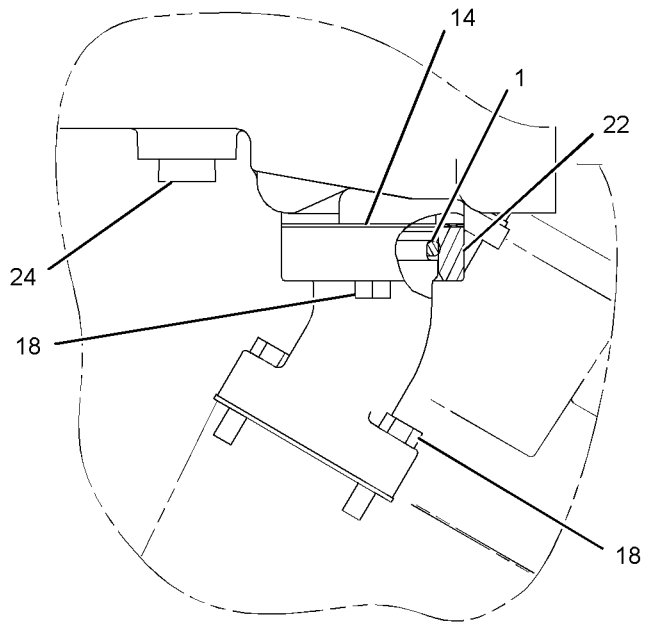
REFER TO ALL ILLUSTRATIONS OF THIS GROUP FOR AUXILIARY VIEWS



FRONT VIEW



VIEW OF AREA D



VIEW OF AREA C

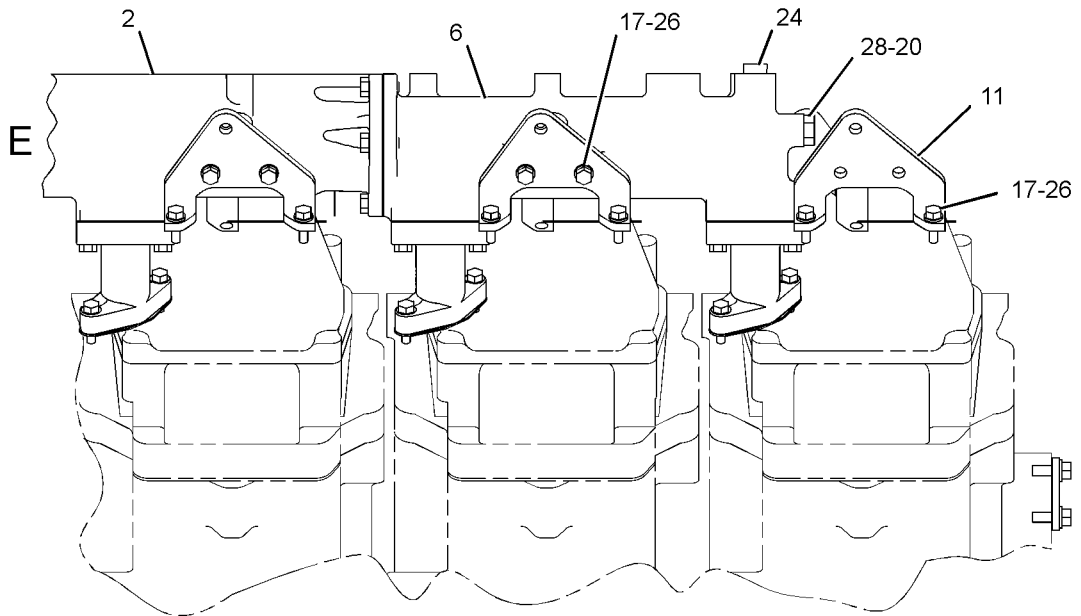
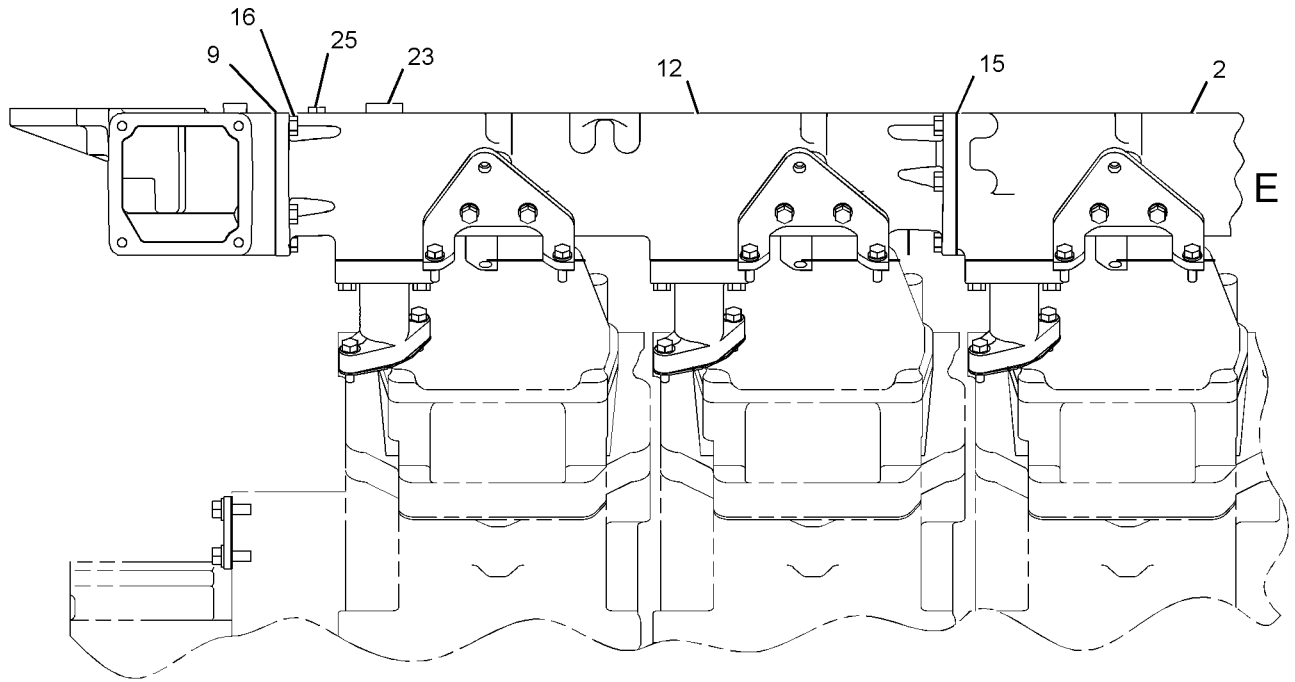
GRAPHIC #1

g01157428

COOLING SYSTEM

261-7697 LINES GP-WATER (contd.)

i02250902



VIEW A-A

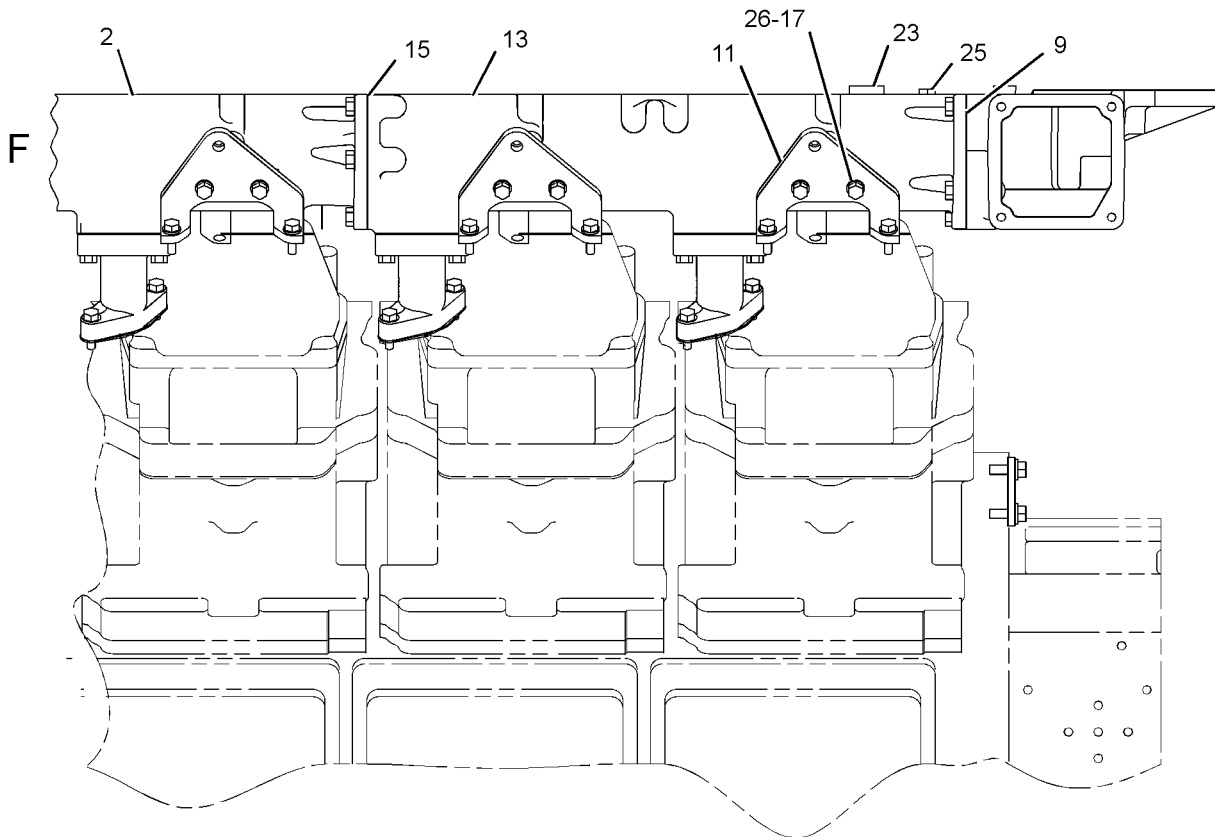
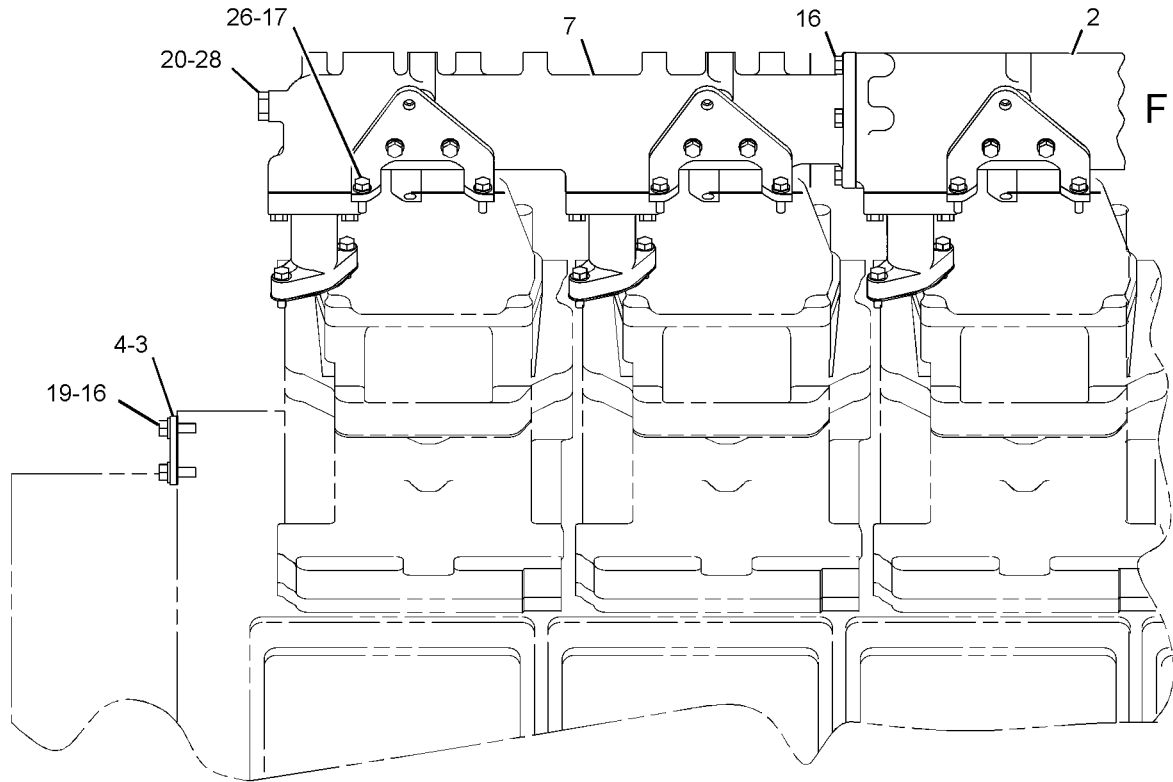
GRAPHIC #2

g01157434

COOLING SYSTEM

261-7697 LINES GP-WATER (contd.)

i02250902



VIEW B-B
<END>

GRAPHIC #3

g01157486

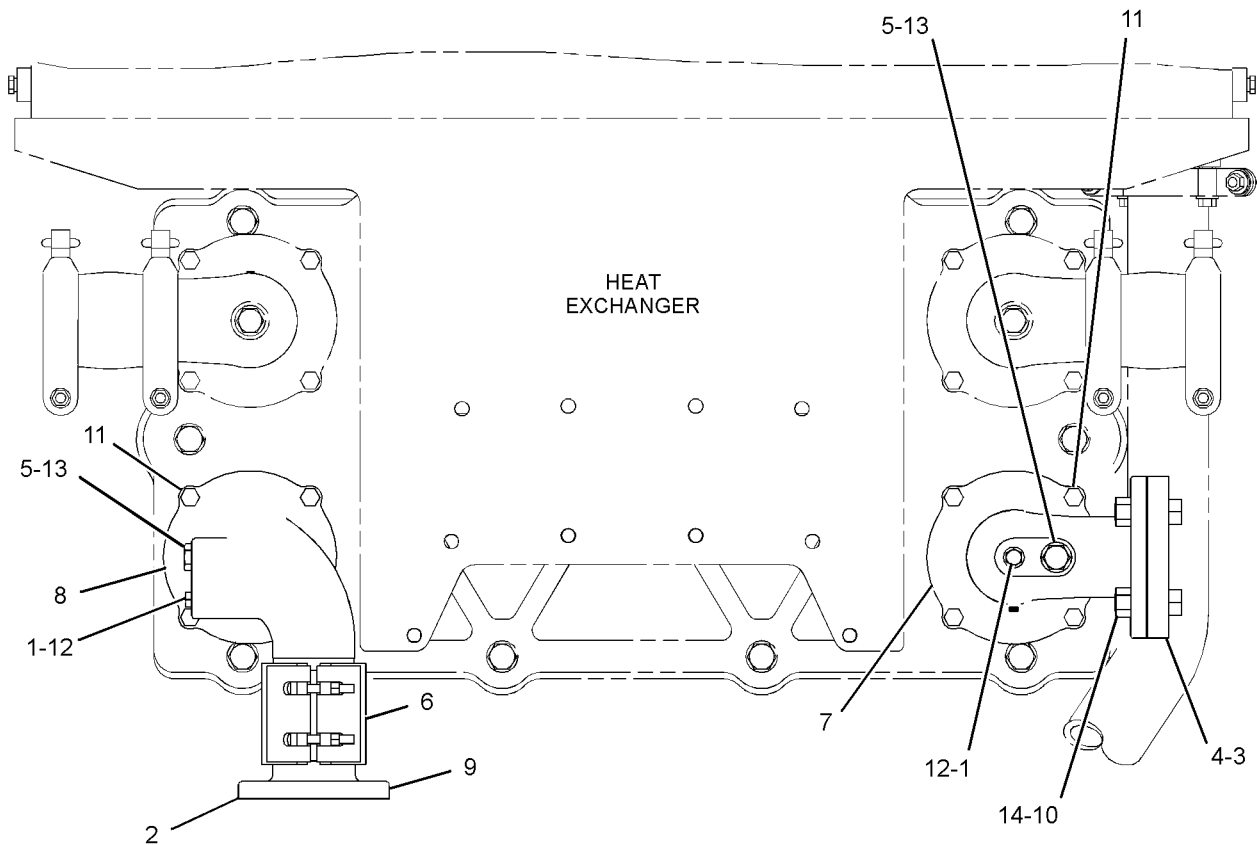
COOLING SYSTEM

302-4519 LINES GP-WATER-HEAT EXCHANGER AN ATTACHMENT

SMCS-1355, 1380, 1393

i03354860

NOTE	REF NO	GRAPHIC REF	PART NUMBER	QTY	PART NAME						SEE PAGE
					1	2	3	4	5	6 (PRODUCT LEVEL)	
	1	1	116-7011	2	ROD AS-ZINC (HEAT EXCHANGER)						
	2	1	144-6074	1	GASKET						
	3	1	161-6244	1	GASKET						
	4	1	201-4670	1	COVER						
	5	1	287-7296	2	PLUG-BRASS						
	6	1	300-6871	1	COUPLING AS						
	7	1	304-4418	1	ELBOW						
	8	1	304-4419	1	ELBOW						
	9	1	304-4500	1	FLANGE						
	10	1	4K-0367	4	NUT-FULL (5/8-11-THD)						
	11	1	8T-2502	8	BOLT (3/8-16X1.125-IN)						
	12	1	6V-9027	2	SEAL-O-RING						
	13	1	8T-7877	2	SEAL-O-RING						
	14	1	9X-8880	4	BOLT (5/8-11X2-IN)						



REAR VIEW OF ENGINE

GRAPHIC #1

<END>

g01333937

COOLING SYSTEM

302-5307 LINES GP-WATER-HEAT EXCHANGER AN ATTACHMENT

SMCS-1355, 1380, 1393

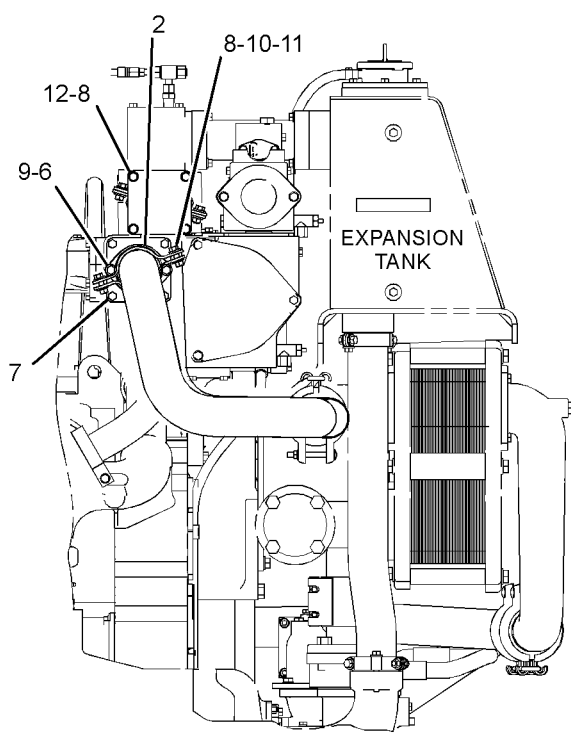
i03503421

NOTE	REF NO	GRAPHIC REF	PART NUMBER	QTY	PART NAME						SEE PAGE
					1	2	3	4	5	6 (PRODUCT LEVEL)	
	1	1	7E-6016	4	GASKET						
	2	1	124-6333	4	CLAMP AS						
	3	1	293-3412	2	FLANGE						
	4	1	304-4424	1	TUBE						
	5	1	304-4497	1	TUBE						
	6	1	0S-1571	4	BOLT (3/8-16X1.75-IN)						
	7	1	0S-1588	8	BOLT (3/8-16X1.25-IN)						
	8	1	0S-1594	12	BOLT (3/8-16X1-IN)						
	9	1	6V-5839	4	WASHER (11X21X2.5-MM THK)						
	10	1	9S-8752	4	NUT-FULL (3/8-16-THD)						
	11	1	9X-6458	8	WASHER-HARD (10.2X22.5X3-MM THK)						
	12	1	5M-2894	8	WASHER-HARD (10.2X18.5X2.5-MM THK)						
	13	1	7E-6017	2	COVER						
	14	1	7E-7209	2	RING-RETAINING						
	15	1	110-7753	2	SEAL-O-RING						

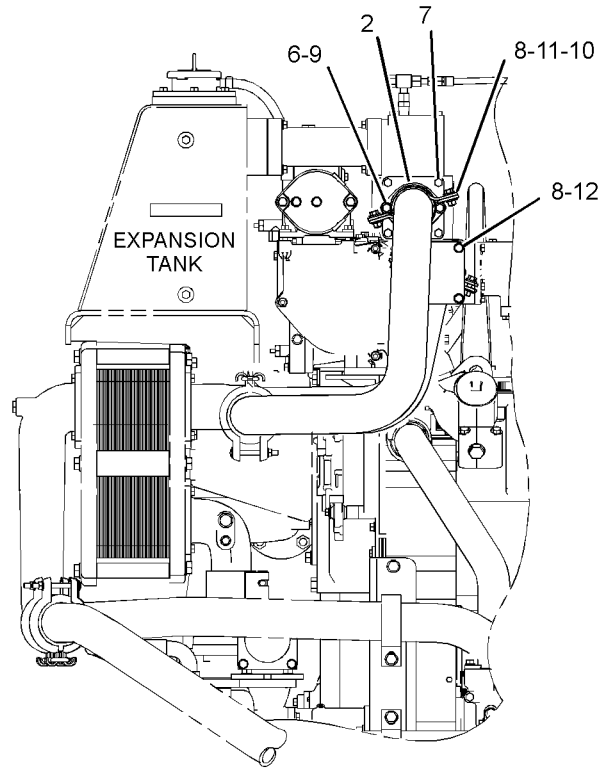
COOLING SYSTEM

302-5307 LINES GP-WATER (contd.)

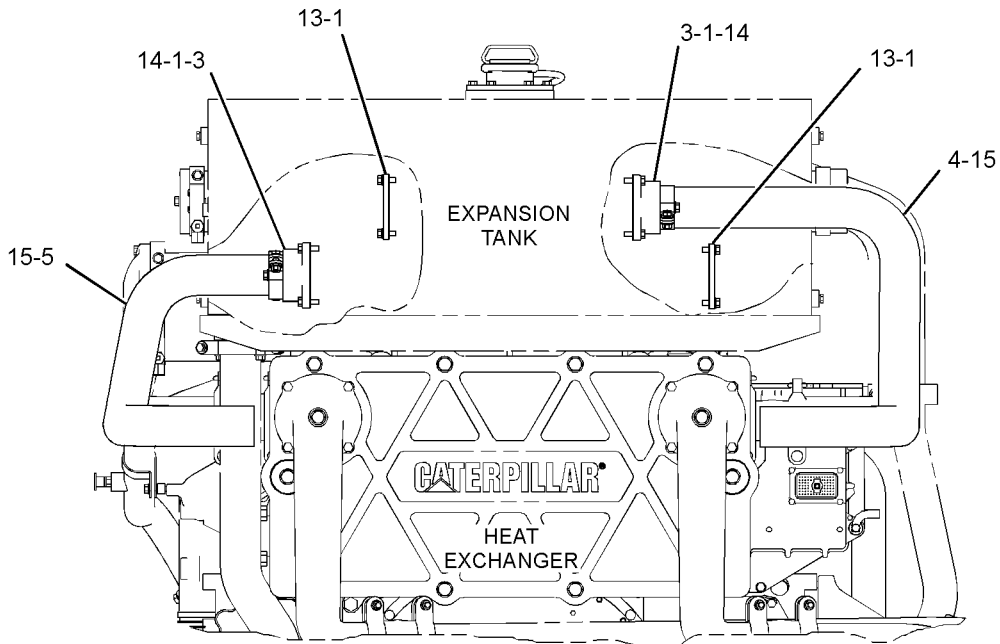
i03503421



RIGHT SIDE VIEW OF ENGINE



LEFT SIDE VIEW OF ENGINE



FRONT VIEW OF ENGINE

GRAPHIC #1

<END>

g01842613

COOLING SYSTEM

305-8613 LINES GP-WATER-HEAT EXCHANGER AN ATTACHMENT

SMCS-1355, 1380, 1393

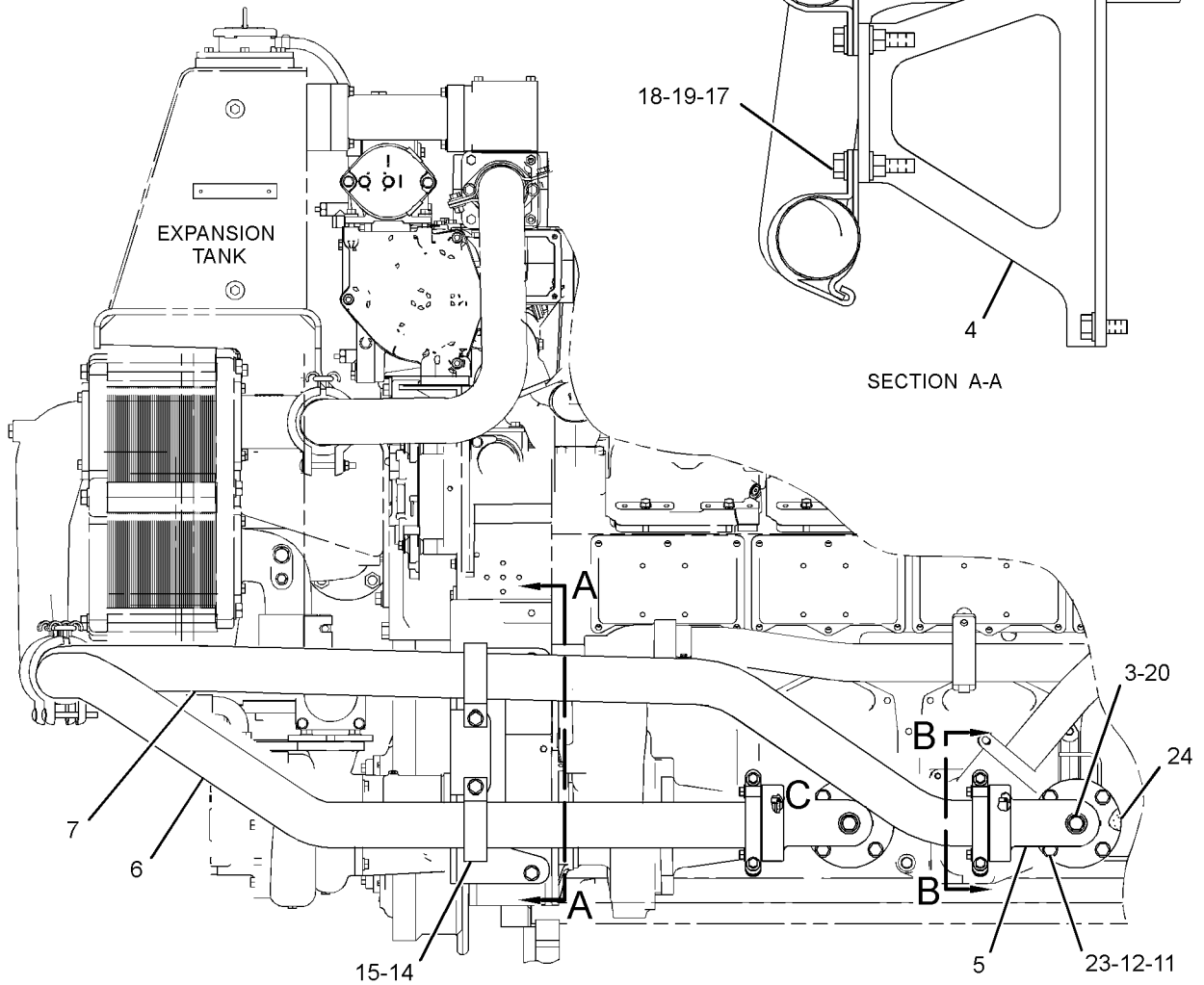
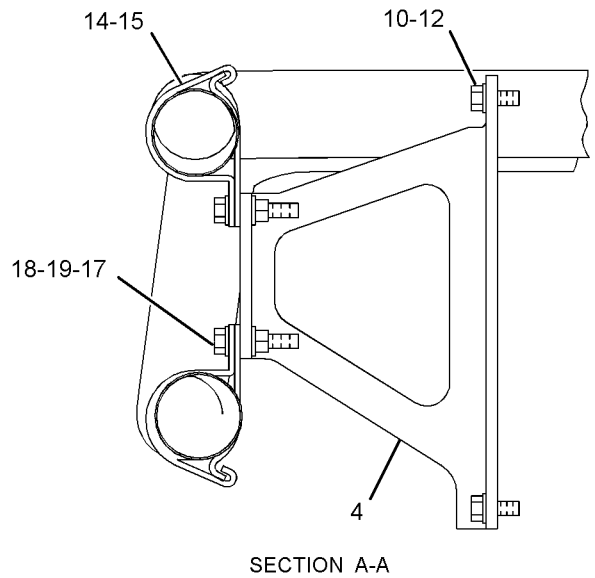
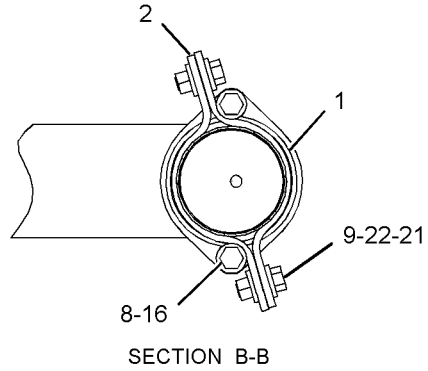
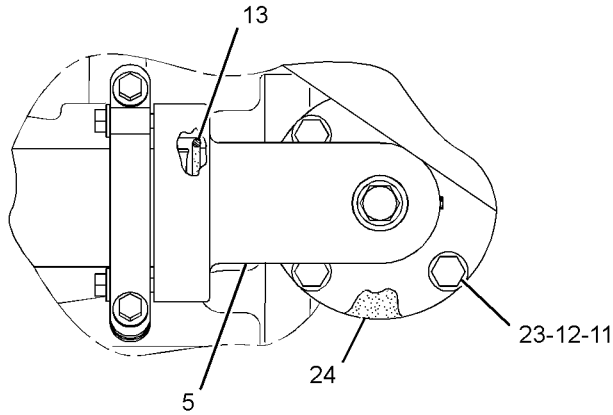
i03096340

NOTE	REF NO	GRAPHIC REF	PART NUMBER	QTY	PART NAME						SEE PAGE
					1	2	3	4	5	6 (PRODUCT LEVEL)	
	1	1	7E-7209	2	RING-RETAINING						
	2	1	124-6333	4	CLAMP AS						
	3	1	287-7296	2	PLUG-BRASS						
	4	1	293-3411	1	BRACKET						
	5	1	293-3413	2	ELBOW						
	6	1	305-8009	1	TUBE						
	7	1	305-8010	1	TUBE						
	8	1	0S-1571	4	BOLT (3/8-16X1.75-IN)						
	9	1	0S-1594	4	BOLT (3/8-16X1-IN)						
	10	1	0S-1595	3	BOLT (1/2-13X1.25-IN)						
	11	1	1F-7958	8	NUT-FULL (1/2-13-THD)						
	12	1	5P-8245	19	WASHER-HARD (13.5X25.5X3-MM THK)						
	13	1	6V-1454	2	SEAL-O-RING						
	14	1	6V-5039	2	CLIP (SLOT)						
	15	1	6V-5040	2	CLIP (TAB)						
	16	1	6V-5839	4	WASHER (11X21X2.5-MM THK)						
	17	1	6V-8188	2	NUT (1/2-13-THD)						
	18	1	7X-0325	2	BOLT (1/2-13X2.5-IN)						
	19	1	8T-4223	4	WASHER-HARD (13.5X25.5X3-MM THK)						
	20	1	8T-7877	2	SEAL-O-RING						
	21	1	9S-8752	4	NUT-FULL (3/8-16-THD)						
	22	1	9X-6458	8	WASHER-HARD (10.2X22.5X3-MM THK)						
	23	1	9X-8873	8	BOLT (1/2-13X2.25-IN)						
	24	1	9Y-6893	2	GASKET						

COOLING SYSTEM

305-8613 LINES GP-WATER (contd.)

i03096340



GRAPHIC #1

<END>

g01620342

COOLING SYSTEM

308-6816 LINES GP-WATER

SMCS-1355, 1380, 1393

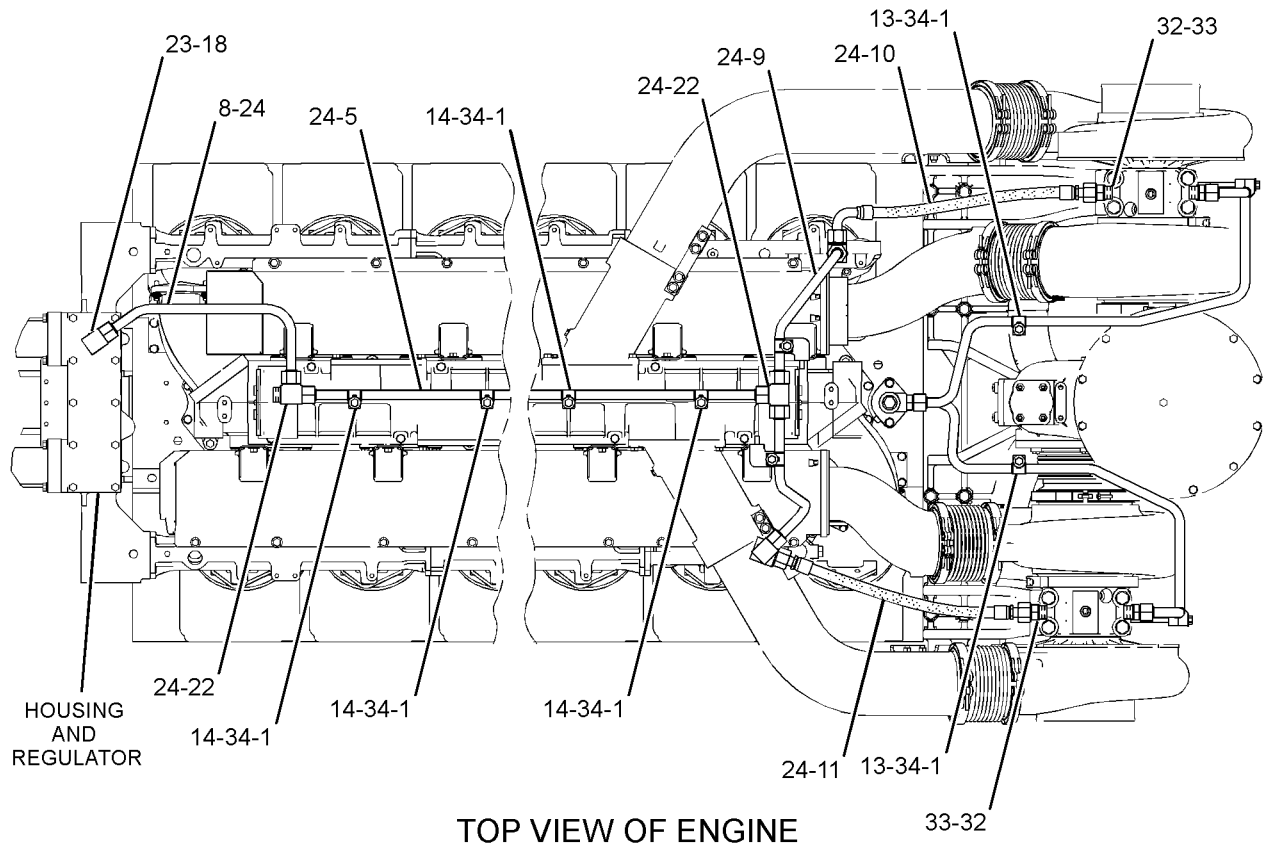
i02774318

NOTE	REF NO	GRAPHIC REF	PART NUMBER	QTY	PART NAME						SEE PAGE
					1	2	3	4	5	6 (PRODUCT LEVEL)	
	1	1	4P-3563	20	CLAMP AS						
	2	1	230-1072	1	GASKET						
	3	1	282-4130	1	TUBE AS						
	4	1	282-4131	1	TUBE AS						
	5	1	282-4139	1	TUBE AS						
	6	1	282-4163	2	BRACKET						
	7	1	282-4165	1	ADAPTER						
	8	1	289-3571	1	TUBE AS						
	9	1	308-6819	1	TUBE AS						
	10	1	313-6219	1	HOSE AS						
	11	1	313-6220	1	HOSE AS						
	12	2	313-6223	1	TUBE AS						
	13	1	0L-1143	4	BOLT (3/8-16X2.5-IN)						
	14	1	0L-2070	4	BOLT (3/8-16X2.25-IN)						
	15	1	0S-1588	2	BOLT (3/8-16X1.25-IN)						
	16	1	0S-1594	2	BOLT (3/8-16X1-IN)						
	17	1	1A-5183	2	BOLT (3/8-16X4.75-IN)						
	18	1	3D-2824	1	SEAL-O-RING						
	19	2	3K-0360	3	SEAL-O-RING						
	20	1	5M-2894	2	WASHER-HARD (10.2X18.5X2.5-MM THK)						
	21	2	6V-8716	1	CONNECTOR						
	22	1	6V-8791	2	TEE-FACE SEAL						
	23	1	6V-9007	1	ELBOW						
	24	1,2	6V-9746	19	SEAL-O-RING						
	26	2	6V-9839	1	TEE-SWIVEL						
	27	2	6V-9853	1	ELBOW						
	28	2	6V-9874	2	CONNECTOR						
	29	2	7M-8485	2	SEAL-O-RING						
	30	2	8C-4423	4	PLUG						
	31	2	8T-1685	1	TEE						
	32	1,2	8T-7494	4	CONNECTOR						
	33	1,2	8T-7525	8	SEAL-O-RING						
	34	1	9L-9132	14	WASHER (10.2X25.5X2.5-MM THK)						
	35	2	9S-4185	1	PLUG-O-RING						
	36	1	9S-8752	2	NUT-FULL (3/8-16-THD)						

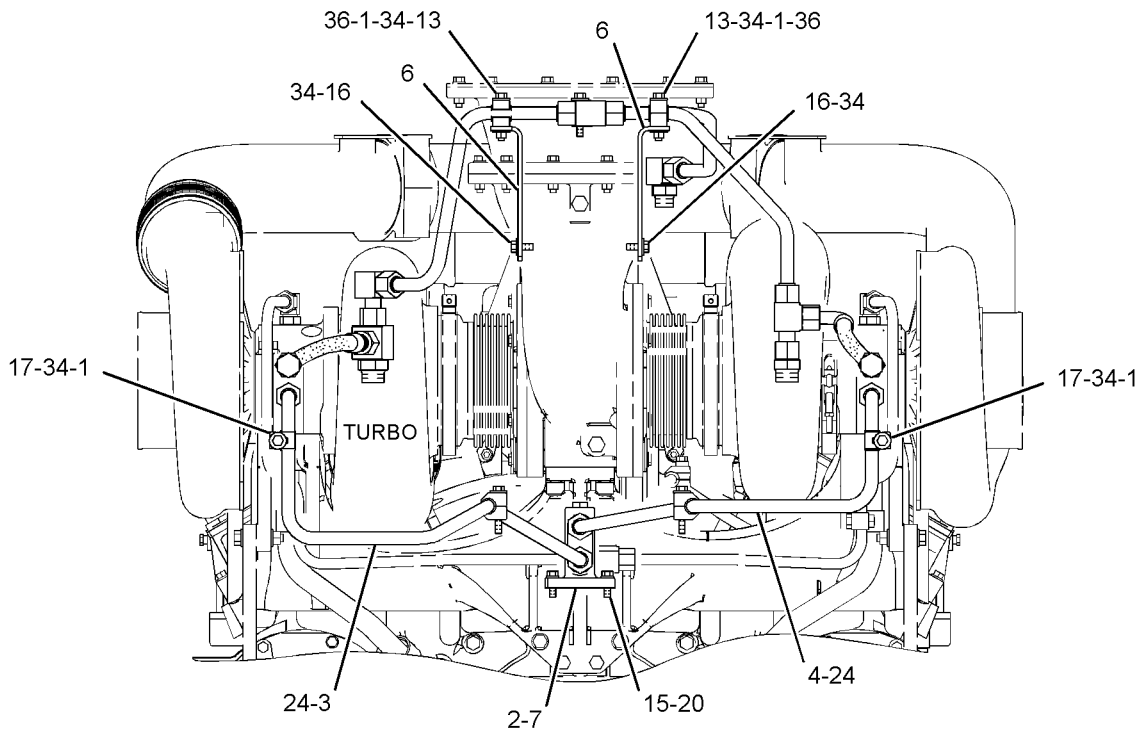
COOLING SYSTEM

308-6816 LINES GP-WATER (contd.)

i02774318



TOP VIEW OF ENGINE



REAR VIEW OF ENGINE

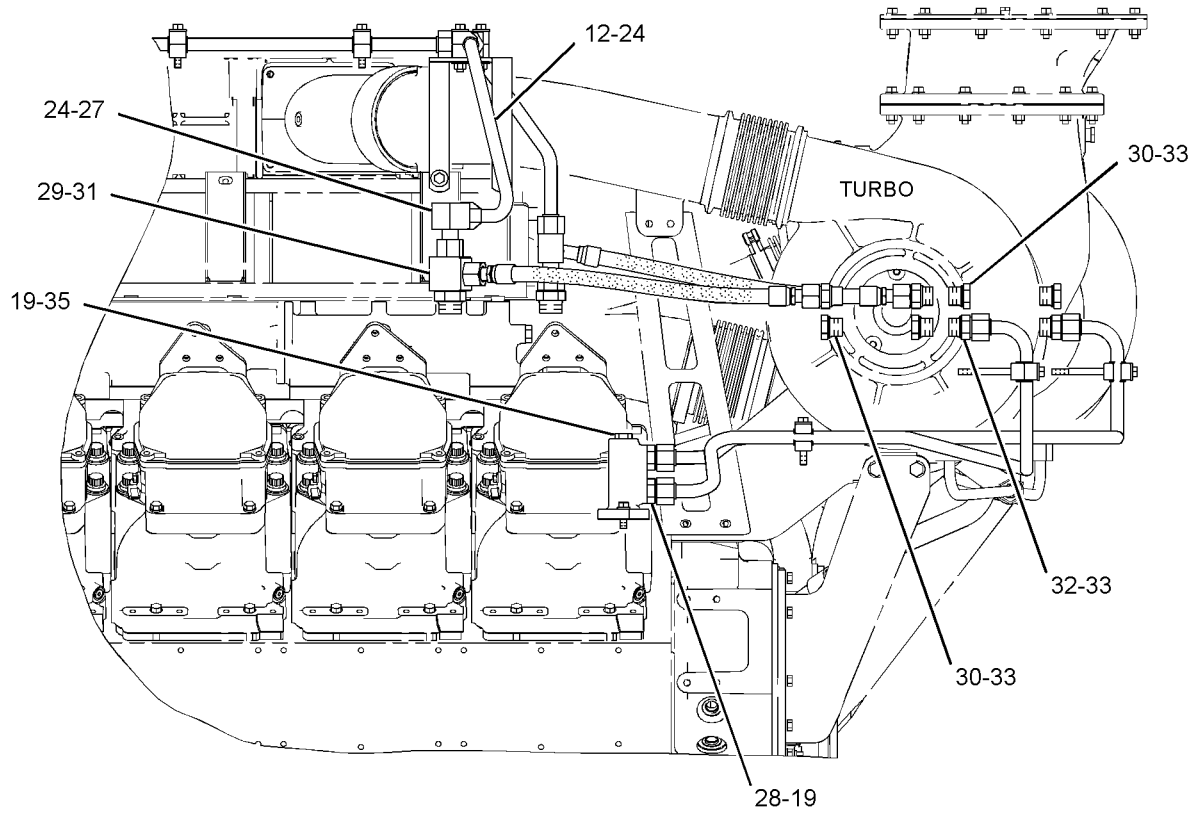
GRAPHIC #1

g01523509

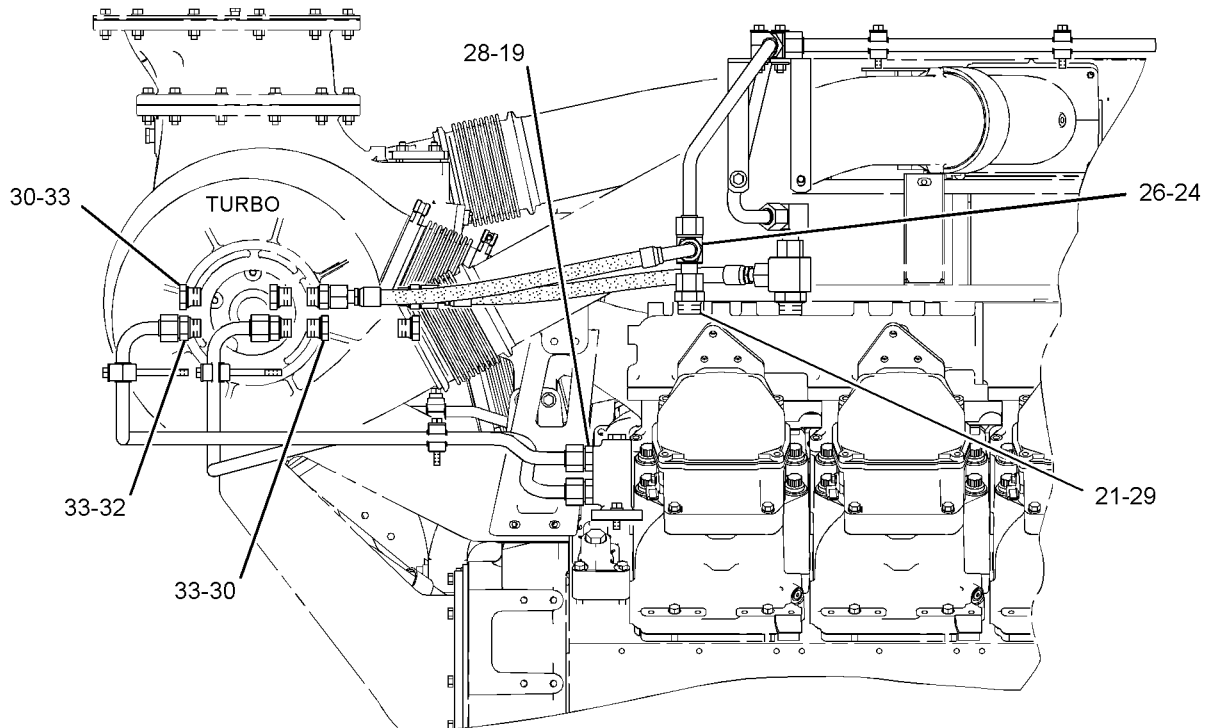
COOLING SYSTEM

308-6816 LINES GP-WATER (contd.)

i02774318



LEFT SIDE VIEW OF ENGINE



RIGHT SIDE VIEW OF ENGINE

GRAPHIC #2

<END>

g01523511

COOLING SYSTEM

313-4133 LINES GP-WATER-AFTERCOOLER

SMCS-1355, 1380, 1393

i03869085

NOTE	REF NO	GRAPHIC REF	PART NUMBER	QTY	PART NAME						SEE PAGE
					1	2	3	4	5	6 (PRODUCT LEVEL)	
	1	2	1N-3872	1	SUPPORT						
	2	2	1W-8129	1	SUPPORT						
	3	2	2V-4387	2	SPACER (10.312X25.4X23.11-MM THK)						
	4	2	2W-5225	2	FLANGE						
	5	2	7C-9597	4	FLANGE						
	7	1,2	153-9481	8	CLAMP AS						
	8	1,2	153-9963	4	RING						
	9	2	196-5052	2	CLIP (SLOT)						
	10	2	196-5053	2	CLIP (TAB)						
	11	2	214-0731	1	BRACKET						
	12	1	216-2285	2	JOINT AS-TUBE						
					(EACH INCLUDES)						
		1	127-4230	1	SEAL						
Y	13	2	216-6217	1	HOUSING & REGULATOR GP (AFTERCOOLER)						198
	14	2	268-6293	1	ELBOW						
	15	1	268-6294	1	ADAPTER						
	16	1	272-8396	4	CLAMP						
	17	2	279-8984	1	CONNECTOR						
	18	1	279-8985	1	CONNECTOR						
	19	2	279-8986	1	CONNECTOR						
	20	2	279-8987	1	BRACKET AS						
	21	1	279-8988	1	TUBE						
	22	1	279-8989	1	TUBE						
	23	1	279-8990	1	TUBE						
	24	1	279-8991	1	TUBE						
	25	1	279-8992	1	SEAL-O-RING						
	26	2	279-8993	2	CLAMP						
	27	2	313-4136	1	FLANGE						
	28	1,2	0L-1351	12	BOLT (3/8-16X0.875-IN)						
	29	2	0L-1352	2	BOLT (3/8-16X3.25-IN)						
	30	1,2	0S-1571	6	BOLT (3/8-16X1.75-IN)						
	31	1,2	0S-1588	4	BOLT (3/8-16X1.25-IN)						
	32	2	0S-1590	10	BOLT (3/8-16X2-IN)						
	33	1	0S-1591	5	BOLT (3/8-16X1.5-IN)						
	34	2	0S-1594	1	BOLT (3/8-16X1-IN)						
	35	2	0T-0055	2	BOLT (3/8-16X4.25-IN)						
	36	2	1A-2029	2	BOLT (3/8-16X1.125-IN)						
	37	2	1A-5822	2	BOLT (1/2-13X2.75-IN)						
	38	2	1F-7958	8	NUT-FULL (1/2-13-THD)						
	39	2	2H-3928	1	SEAL-O-RING						
	40	2	3B-1915	4	BOLT (3/8-16X1.375-IN)						
	41	2	3J-7354	1	SEAL-O-RING						
	42	2	3K-0360	2	SEAL-O-RING						
	43	2	3S-1223	1	SEAL-O-RING						
	44	2	3V-3308	2	WASHER-HARD (10.2X20.5X2.5-MM THK)						
	45	2	4F-7387	1	SEAL-O-RING						
	46	2	5B-0841	4	BOLT (5/8-18X1.75-IN)						
	47	2	5B-4399	5	SEAL-O-RING						
	48	2	5H-8848	4	SEAL-O-RING						
	49	1,2	5M-2894	44	WASHER-HARD (10.2X18.5X2.5-MM THK)						
	50	2	5P-8245	16	WASHER-HARD (13.5X25.5X3-MM THK)						
	51	1	6V-4589	1	SEAL-O-RING						
	52	1	8T-1919	4	SEAL-O-RING						
	53	2	9L-9132	2	WASHER (10.2X25.5X2.5-MM THK)						
	54	2	9S-4182	1	PLUG-O-RING						
	55	2	9S-4185	2	PLUG-O-RING						
	56	1	9S-4190	1	PLUG-O-RING						
	57	1,2	9S-8752	11	NUT-FULL (3/8-16-THD)						

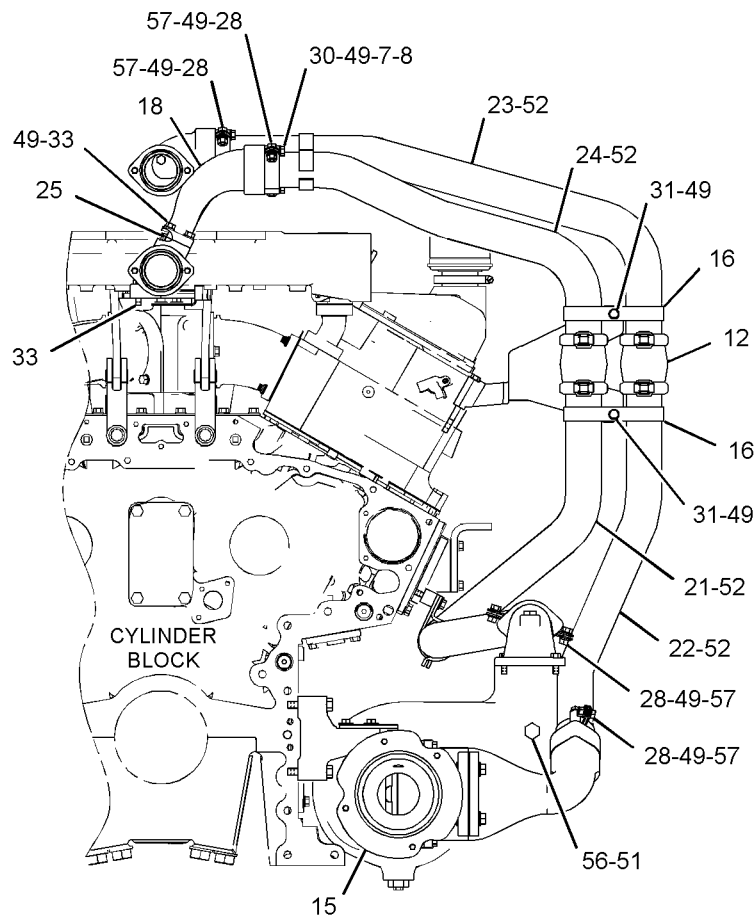
COOLING SYSTEM

313-4133 LINES GP-WATER (contd.)

i03869085

NOTE	REF NO	GRAPHIC REF	PART NUMBER	QTY	PART NAME						SEE PAGE
					1	2	3	4	5	6 (PRODUCT LEVEL)	
	58	2	9X-6458	4	WASHER-HARD (10.2X22.5X3-MM THK)						
	59	2	9X-8873	8	BOLT (1/2-13X2.25-IN)						
	60	2	9Y-6893	2	GASKET						

Y-SEPARATE ILLUSTRATION



FRONT VIEW OF ENGINE

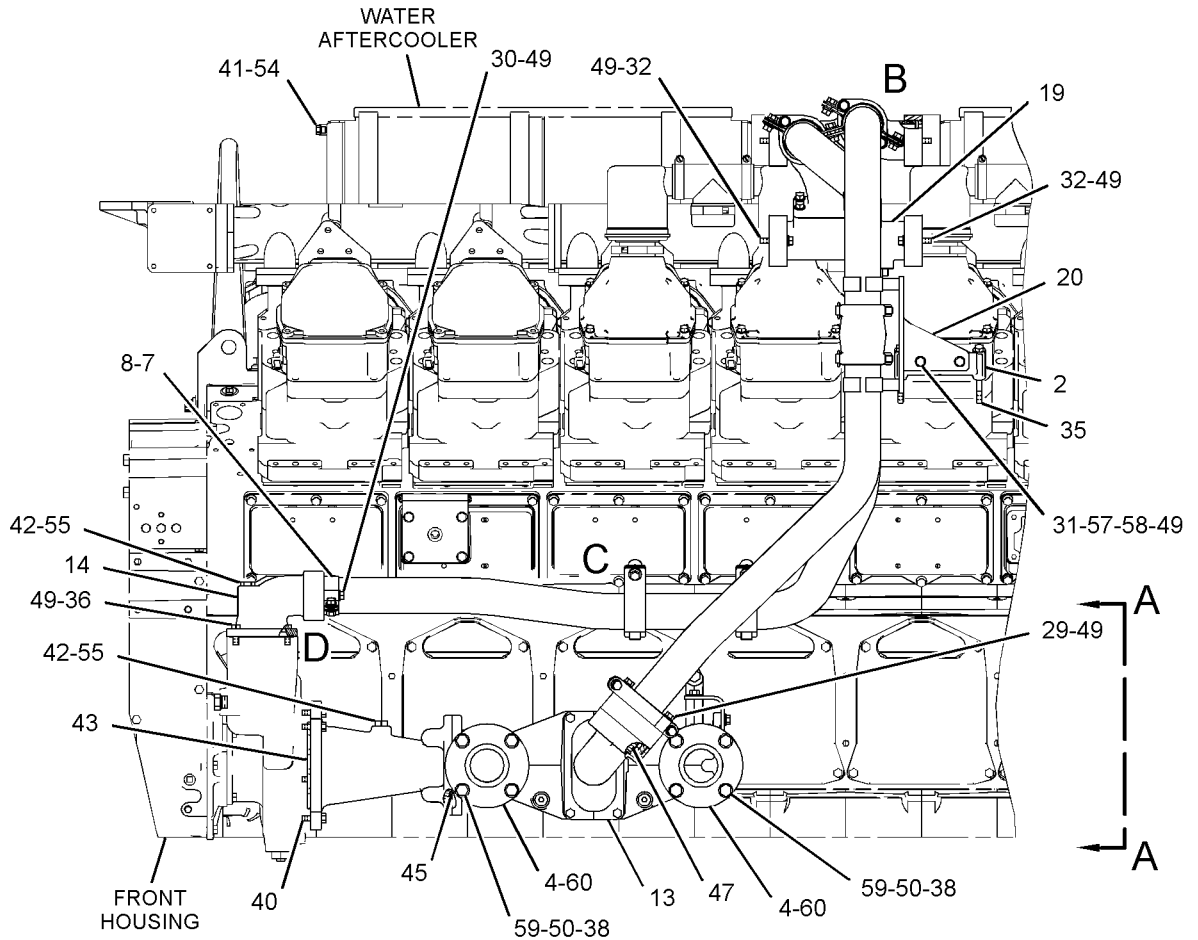
GRAPHIC #1

g01568476

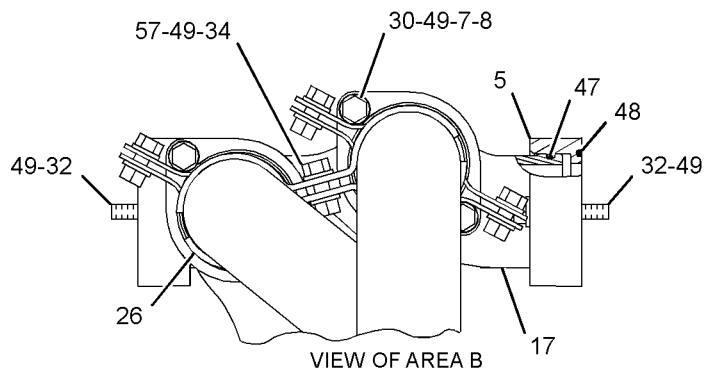
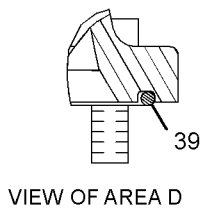
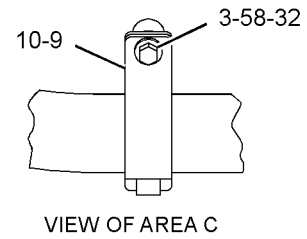
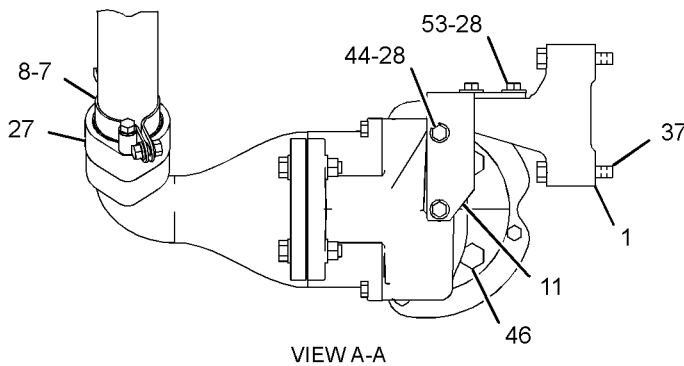
COOLING SYSTEM

313-4133 LINES GP-WATER (contd.)

i03869085



LEFT SIDE VIEW OF ENGINE



GRAPHIC #2

<END>

g01568477

COOLING SYSTEM

320-6879 LINES GP-WATER

FOR USE WITH 3516 TIER 2 ENGINES
AN ATTACHMENT

SMCS-1355, 1380, 1393

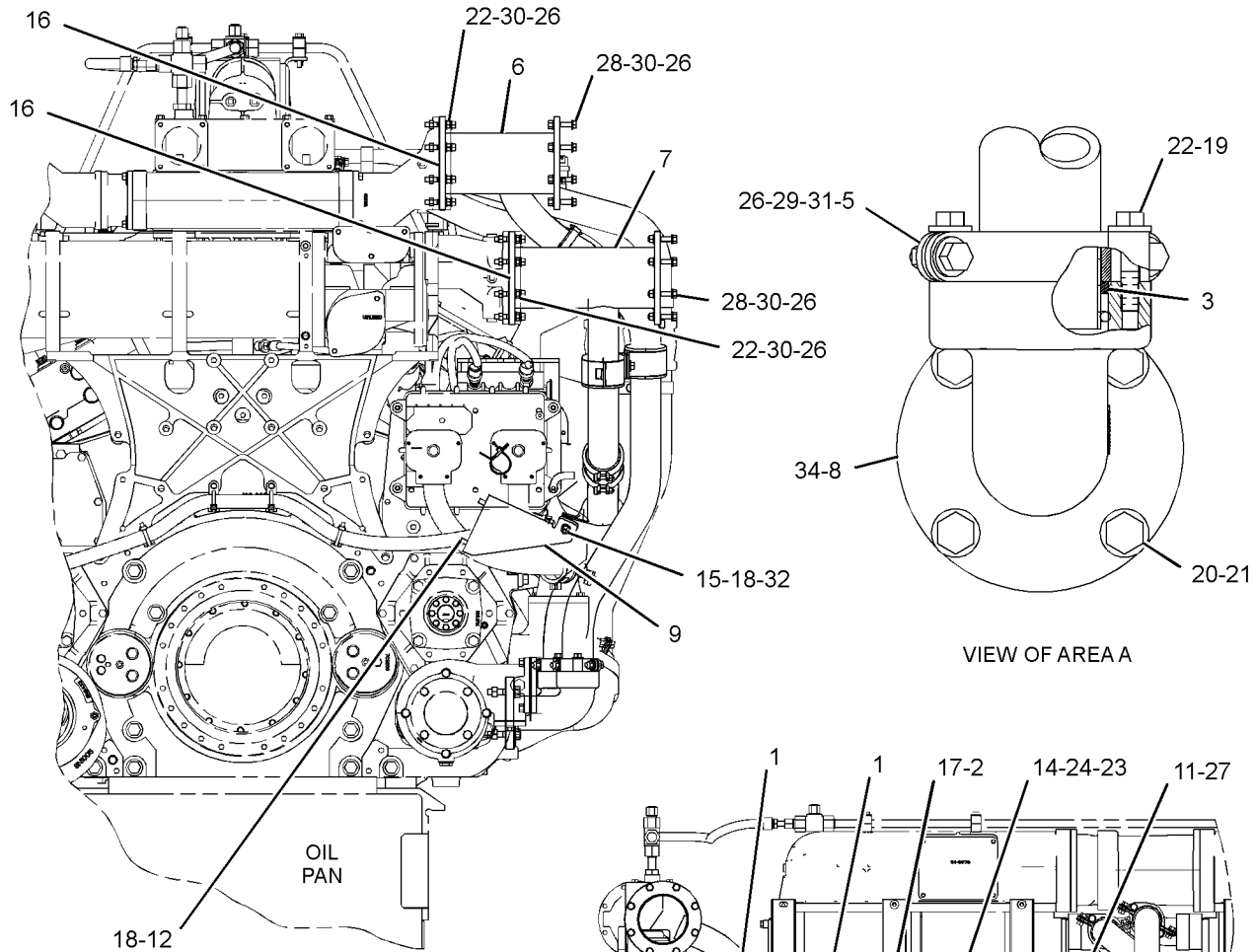
i03315960

NOTE	REF NO	GRAPHIC REF	PART NUMBER	QTY	PART NAME						SEE PAGE
					1	2	3	4	5	6 (PRODUCT LEVEL)	
	1	1	9S-9635	2	JOINT AS-TUBE						
					(EACH INCLUDES)						
		1	9X-7523	2	SEAL						
	2	1	9X-6772	1	STRAP-CABLE						
	3	1	153-9963	2	RING						
	4	1	221-1887	1	ELBOW						
	5	1	245-6848	4	CLAMP AS						
	6	1	320-6880	1	TUBE AS						
	7	1	320-6881	1	TUBE AS						
	8	1	320-6882	1	ELBOW						
	9	1	320-6883	1	BRACKET						
	10	1	320-6884	1	TUBE						
	11	1	320-6885	1	TUBE						
	12	1	0L-1351	2	BOLT (3/8-16X0.875-IN)						
	13	1	0S-1591	1	BOLT (3/8-16X1.5-IN)						
	14	1	193-2120	3	GROMMET						
	15	1	1A-2029	1	BOLT (3/8-16X1.125-IN)						
	16	1	1S-5772	2	GASKET						
	17	1	4P-8134	1	CLIP						
	18	1	5M-2894	4	WASHER-HARD (10.2X18.5X2.5-MM THK)						
	19	1	5P-1075	4	WASHER-HARD (10.2X22.5X3-MM THK)						
	20	1	5P-2424	8	BOLT (1/2-13X2.25-IN)						
	21	1	5P-8245	8	WASHER-HARD (13.5X25.5X3-MM THK)						
	22	1	5S-7383	20	BOLT (3/8-16X1.75-IN)						
	23	1	6V-1867	3	CLIP (SLOT)						
	24	1	6V-1868	3	CLIP (TAB)						
	25	1	6V-8188	4	NUT (1/2-13-THD)						
	26	1	6V-8801	36	NUT (3/8-16-THD)						
	27	1	8T-1919	2	SEAL-O-RING						
	28	1	8T-2501	16	BOLT (3/8-16X2-IN)						
	29	1	8T-4121	8	WASHER-HARD (11X21X2.5-MM THK)						
	30	1	8T-4896	48	WASHER-HARD (10.2X18.5X2.5-MM THK)						
	31	1	9B-7237	4	BOLT (3/8-16X1.25-IN)						
	32	1	9S-8752	2	NUT-FULL (3/8-16-THD)						
	33	1	9X-6458	2	WASHER-HARD (10.2X22.5X3-MM THK)						
	34	1	9Y-6893	2	GASKET						

COOLING SYSTEM

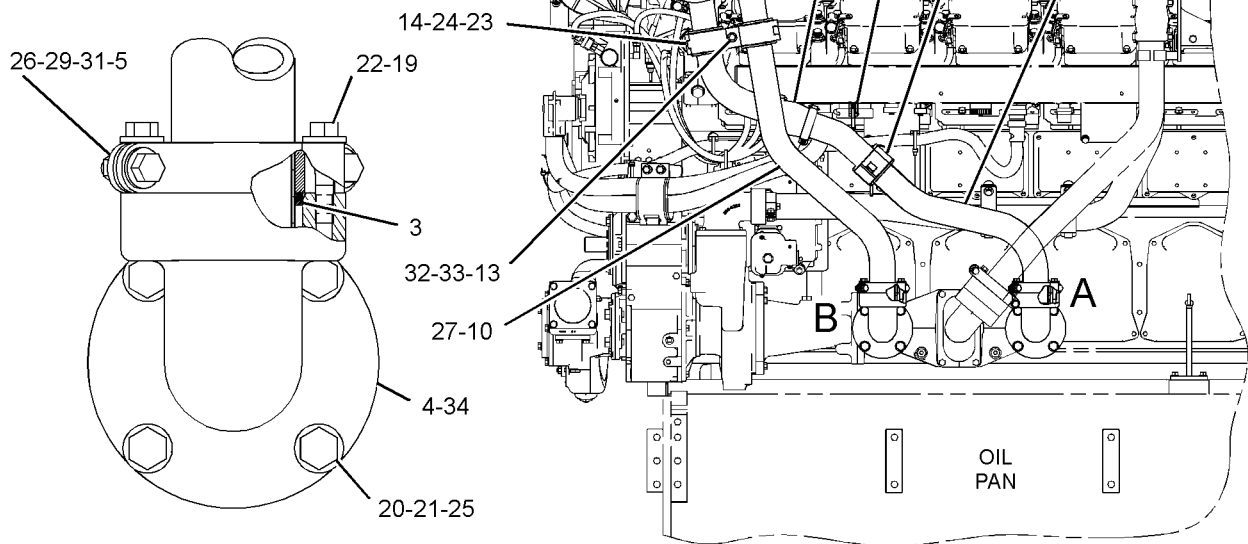
320-6879 LINES GP-WATER (contd.)

i03315960



VIEW OF AREA A

FRONT VIEW OF ENGINE



VIEW OF AREA B

LEFT SIDE VIEW OF ENGINE

GRAPHIC #1

<END>

g01702795

COOLING SYSTEM

300-5623 PLATE GP-HEAT EXCHANGER

PART OF 300-5622 HEAT EXCHANGER GP-SEA WATER
AN ATTACHMENT

SMCS-1379

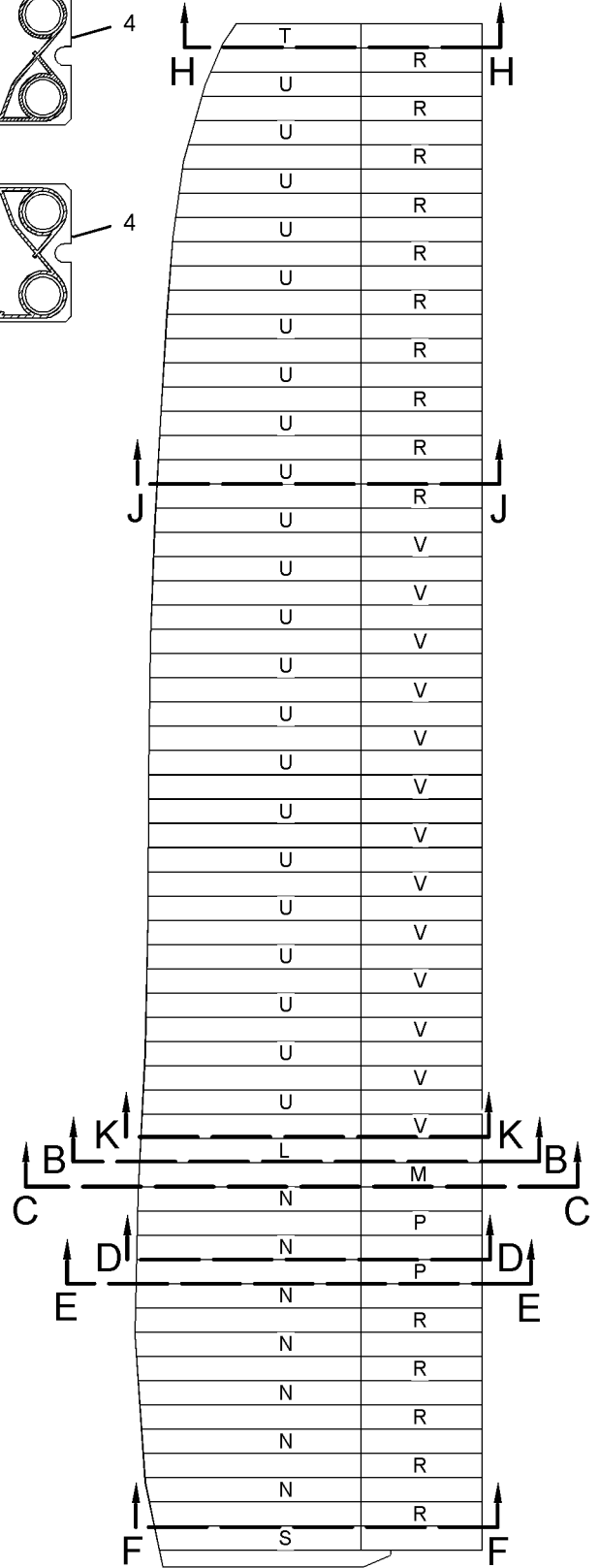
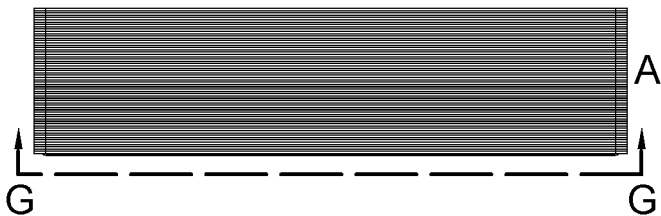
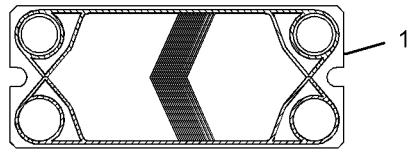
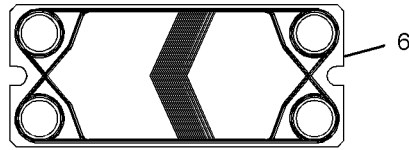
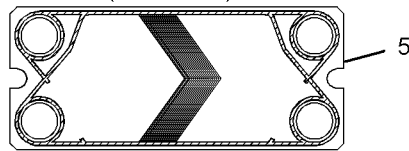
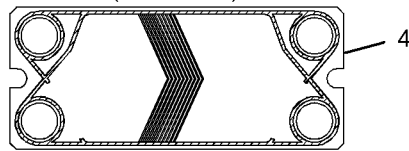
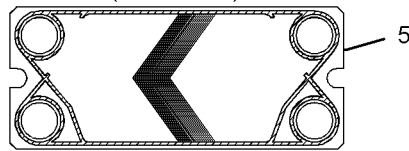
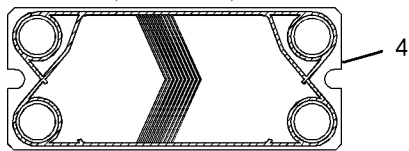
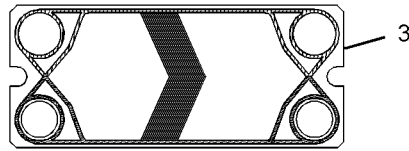
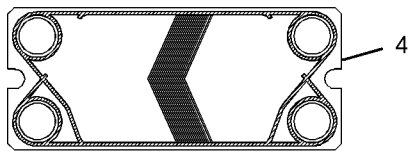
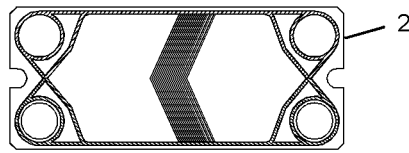
i03779529

NOTE	REF NO	GRAPHIC REF	PART NUMBER	QTY	PART NAME						SEE PAGE	
					1	2	3	4	5	6 (PRODUCT LEVEL)		
	1	1	327-1115	1	PLATE	AS						
		1	149-2213	1	SEAL							
	2	1	327-1133	1	PLATE	AS						
	3	1	327-1134	1	PLATE	AS						
	4	1	327-1135	37	PLATE	AS						
					(EACH INCLUDES)							
		1	149-2213	1	SEAL							
	5	1	327-1136	22	PLATE	AS						
					(EACH INCLUDES)							
		1	149-2213	1	SEAL							
	6	1	327-1137	1	PLATE	AS						

COOLING SYSTEM

300-5623 PLATE GP-HEAT EXCHANGER (contd.)

i03779529



GRAPHIC #1

<END>

g02046333

COOLING SYSTEM

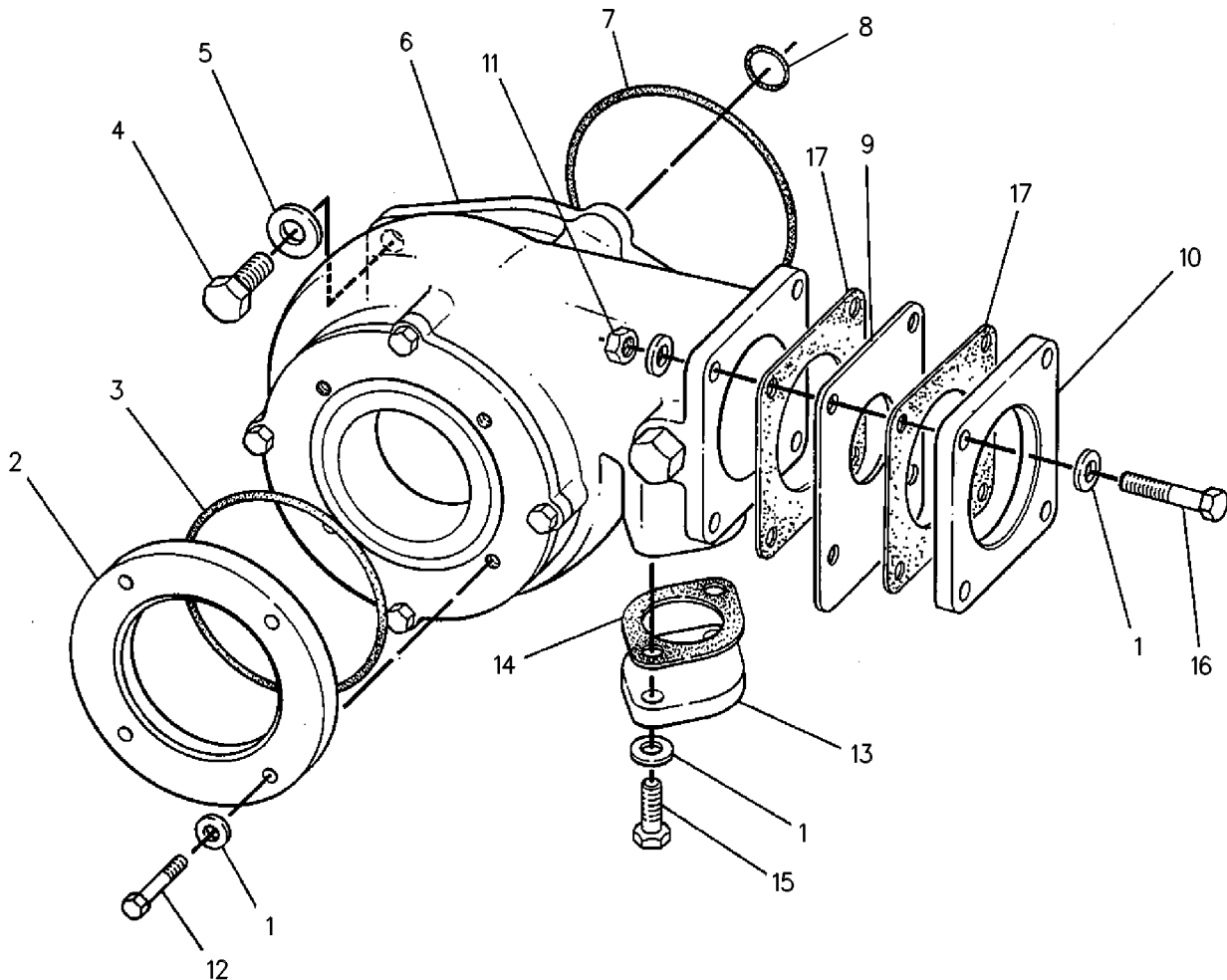
8N-8466 PUMP GP-AUXILIARY SEA WATER AN ATTACHMENT

SMCS-1371

i02945066

NOTE	REF NO	GRAPHIC REF	PART NUMBER	QTY	PART NAME						SEE PAGE
					1	2	3	4	5	6 (PRODUCT LEVEL)	
	1	1	5M-2894	14	WASHER-HARD (10.2X18.5X2.5-MM THK)						
	2	1	8N-8462	1	FLANGE						
	3	1	4F-7387	1	SEAL-O-RING						
	4	1	4B-4043	4	BOLT (5/8-11X1.375-IN)						
	5	1	5P-8247	4	WASHER-HARD (17X32X3.5-MM THK)						
Y	6	1	315-5137	1	PUMP GP-AUXILIARY SEA WATER						237
	7	1	5F-3106	1	SEAL-O-RING						
	8	1	2M-4453	1	SEAL-O-RING						
	9	1	5N-0408	1	PLATE-ORIFICE						
	10	1	5N-1845	1	FLANGE						
	11	1	9S-8752	4	NUT-FULL (3/8-16-THD)						
	12	1	0S-1588	4	BOLT (3/8-16X1.25-IN)						
	13	1	5N-1941	1	COVER						
	14	1	5N-1940	1	GASKET						
	15	1	0S-1594	2	BOLT (3/8-16X1-IN)						
	16	1	0S-1571	4	BOLT (3/8-16X1.75-IN)						
	17	1	3P-6061	2	GASKET						

Y-SEPARATE ILLUSTRATION



GRAPHIC #1

<END>

g00237826

COOLING SYSTEM

144-6080 PUMP GP-AUXILIARY SEA WATER*R

PART OF 144-6081 PUMP GP-AUXILIARY SEA WATER

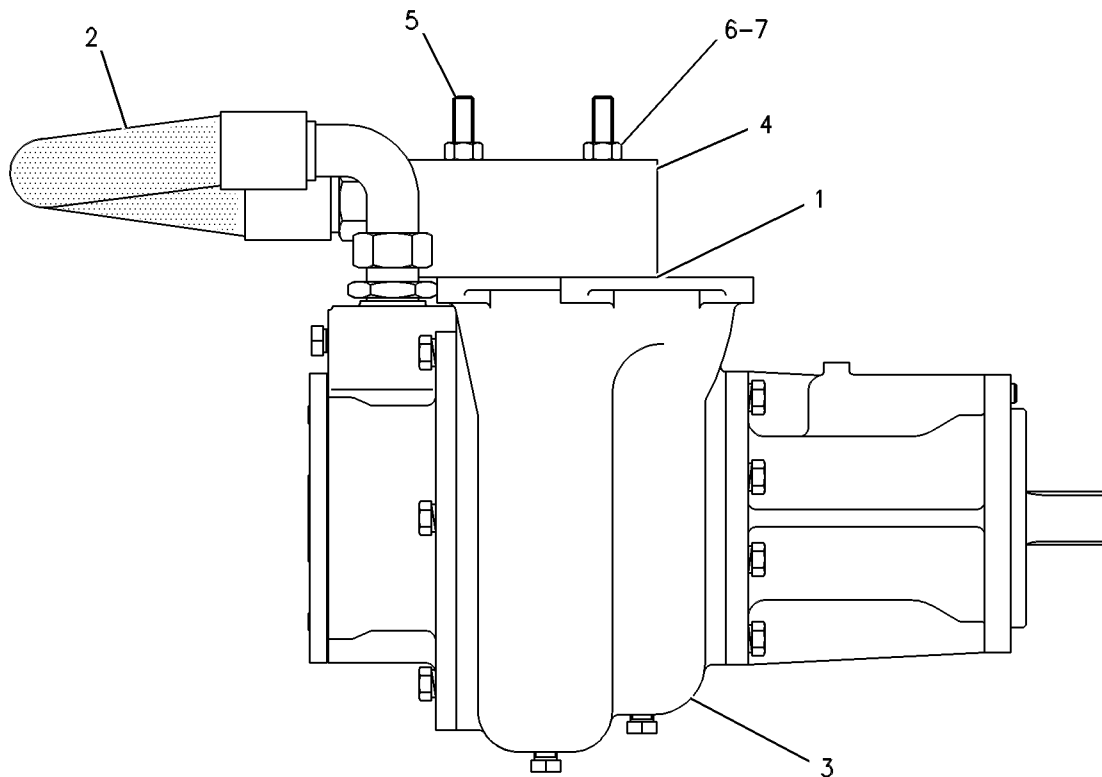
AN ATTACHMENT

SMCS-1371

i03869093

NOTE	REF NO	GRAPHIC REF	PART NUMBER	QTY	PART NAME						SEE PAGE
					1	2	3	4	5	6 (PRODUCT LEVEL)	
	1	1	148-7996	1	GASKET						
	2	1	148-7997	1	HOSE AS						
YR	3	1	148-8000	1	PUMP GP-AUXILIARY SEA WATER						230
Y	4	1	148-8005	1	VALVE GP-CHECK (AUXILIARY WATER PUMP)						259
	5	1	148-8006	4	ROD (M12X 112MM)						
M	6	1	8T-4244	4	NUT (M12X1.75-THD)						
	7	1	7X-0584	4	WASHER-HARD (13.5X20.5X2-MM THK)						

M-METRIC PART
R-REMFG PART MAY BE AVAILABLE
Y-SEPARATE ILLUSTRATION



GRAPHIC #1

<END>

g00290507

COOLING SYSTEM

144-6081 PUMP GP-AUXILIARY SEA WATER

S/N: TTH1-235

AN ATTACHMENT

SMCS-1371

i02868387

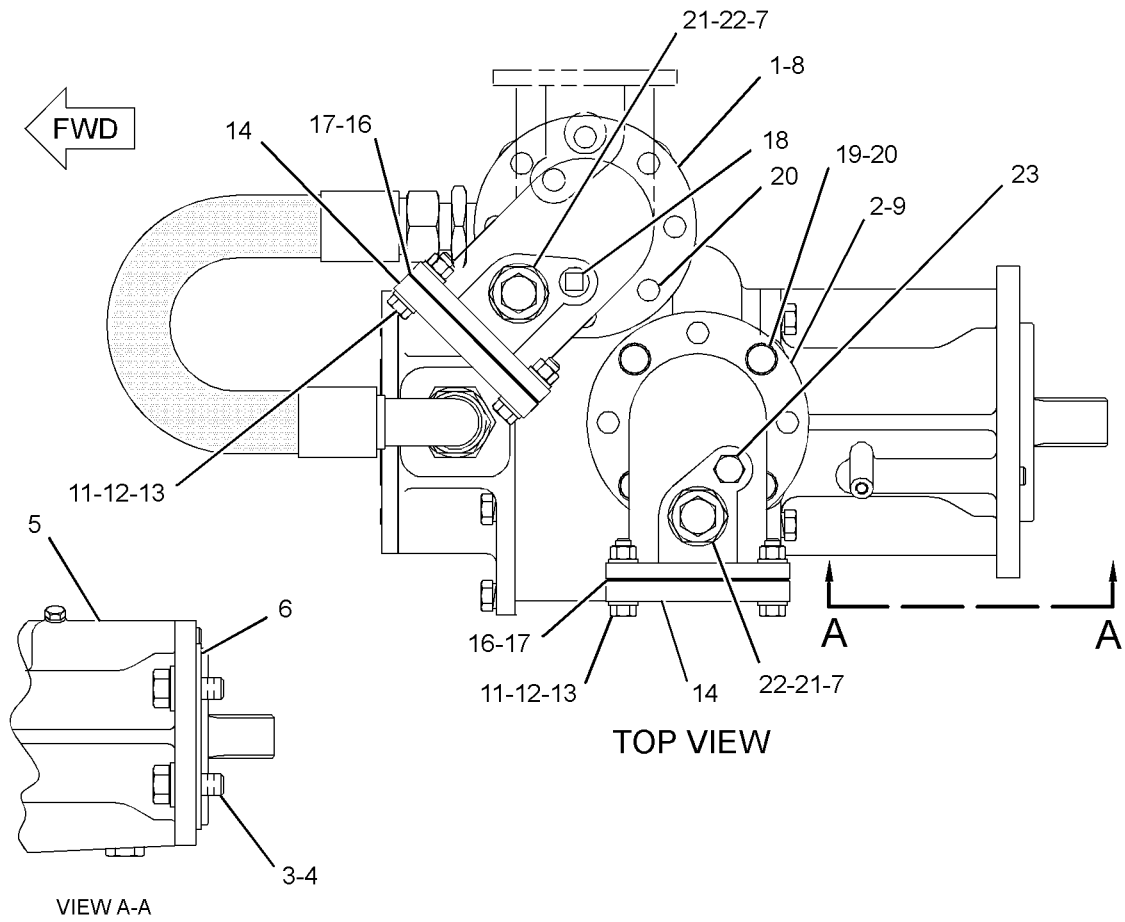
NOTE	REF NO	GRAPHIC REF	PART NUMBER	QTY	PART NAME						SEE PAGE
					1	2	3	4	5	6 (PRODUCT LEVEL)	
	1	1	143-9207	1	ELBOW						
	2	1	143-9208	1	ELBOW						
	3	1	0S-1566	4	BOLT (5/8-11X1.5-IN)						
	4	1	5P-8247	4	WASHER-HARD (17X32X3.5-MM THK)						
YR	5	1	144-6080	1	PUMP GP-AUXILIARY SEA WATER						225
	6	1	9X-7371	1	SEAL-O-RING						
	7	1	8T-6766	2	PLUG-PIPE						
	8	1	144-6074	1	GASKET						
	9	1	144-6076	1	GASKET						
	11	1	5M-2894	16	WASHER-HARD (10.2X18.5X2.5-MM THK)						
	12	1	9S-8752	8	NUT-FULL (3/8-16-THD)						
B	13	1	0S-1571	8	BOLT (3/8-16X1.75-IN)						
	14	1	5N-1845	2	FLANGE						
	16	1	3P-6061	2	GASKET						
B	17	1	3P-6061	2	GASKET						
	18	1	6L-2280	1	ROD-ZINC (AUXILIARY SEA WATER PUMP)						
			233-8525	1	PLUG-PIPE						
M	19	1	8T-4192	4	BOLT (M12X1.75X25-MM)						
	20	1	7X-0584	8	WASHER-HARD (13.5X20.5X2-MM THK)						
	21	1	5L-5879	2	ADAPTER						
	22	1	5B-3265	2	GASKET						
	23	1	9B-0887	1	PLUG-PIPE						

B-USE AS REQUIRED
M-METRIC PART
R-REMG PART MAY BE AVAILABLE
Y-SEPARATE ILLUSTRATION

COOLING SYSTEM

144-6081 PUMP GP-AUXILIARY SEA WATER (contd.)

i02868387



GRAPHIC #1

<END>

g01179758

COOLING SYSTEM

144-6081 PUMP GP-AUXILIARY SEA WATER

S/N: TTH236-UP
AN ATTACHMENT

SMCS-1371

i03513189

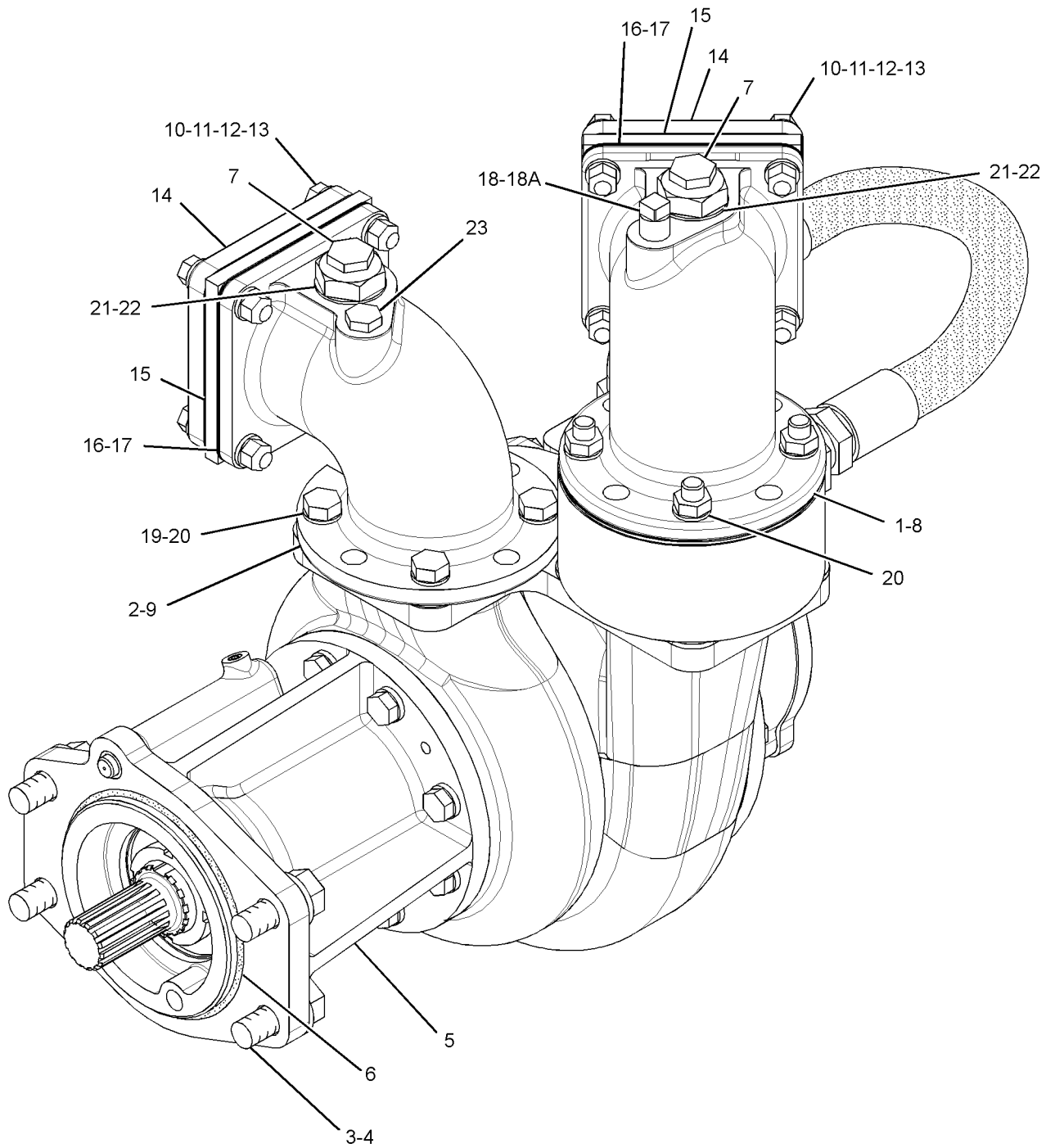
NOTE	REF NO	GRAPHIC REF	PART NUMBER	QTY	PART NAME						SEE PAGE
					1	2	3	4	5	6 (PRODUCT LEVEL)	
	1	1	143-9207	1	ELBOW						
	2	1	143-9208	1	ELBOW						
	3	1	0S-1566	4	BOLT (5/8-11X1.5-IN)						
	4	1	5P-8247	4	WASHER-HARD (17X32X3.5-MM THK)						
CY	5	1	318-2579	1	PUMP GP-AUXILIARY SEA WATER						240
	6	1	9X-7371	1	SEAL-O-RING						
	7	1	8T-6766	2	PLUG-PIPE						
	8	1	144-6074	1	GASKET						
	9	1	144-6076	1	GASKET						
	10	1	0S-1590	8	BOLT (3/8-16X2-IN)						
	11	1	5M-2894	16	WASHER-HARD (10.2X18.5X2.5-MM THK)						
	12	1	9S-8752	8	NUT-FULL (3/8-16-THD)						
B	13	1	0S-1571	8	BOLT (3/8-16X1.75-IN)						
	14	1	5N-1845	2	FLANGE						
	15	1	2N-0822	2	PLATE						
	16	1	3P-6061	2	GASKET						
B	17	1	3P-6061	2	GASKET						
	18	1	6L-2280	1	ROD-ZINC (AUXILIARY SEA WATER PUMP)						
	18A	1	233-8525	1	PLUG-PIPE						
M	19	1	8T-4192	4	BOLT (M12X1.75X25-MM)						
	20	1	7X-0584	8	WASHER-HARD (13.5X20.5X2-MM THK)						
	21	1	5L-5879	2	ADAPTER						
	22	1	5B-3265	2	GASKET						
	23	1	9B-0887	1	PLUG-PIPE						

B-USE AS REQUIRED
C-CHANGE FROM PREVIOUS TYPE
M-METRIC PART
Y-SEPARATE ILLUSTRATION

COOLING SYSTEM

144-6081 PUMP GP-AUXILIARY SEA WATER (contd.)

i03513189



GRAPHIC #1

<END>

g01845077

COOLING SYSTEM

148-8000 PUMP GP-AUXILIARY SEA WATER*R

PART OF 144-6080 PUMP GP-AUXILIARY SEA WATER

AN ATTACHMENT

SMCS-1371

i03870138

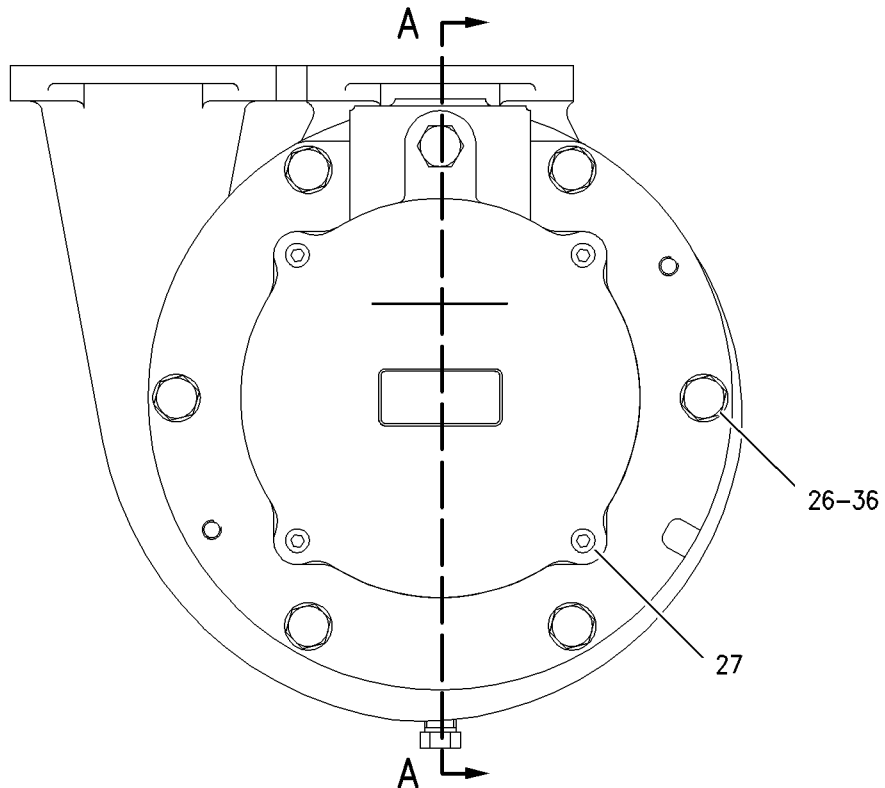
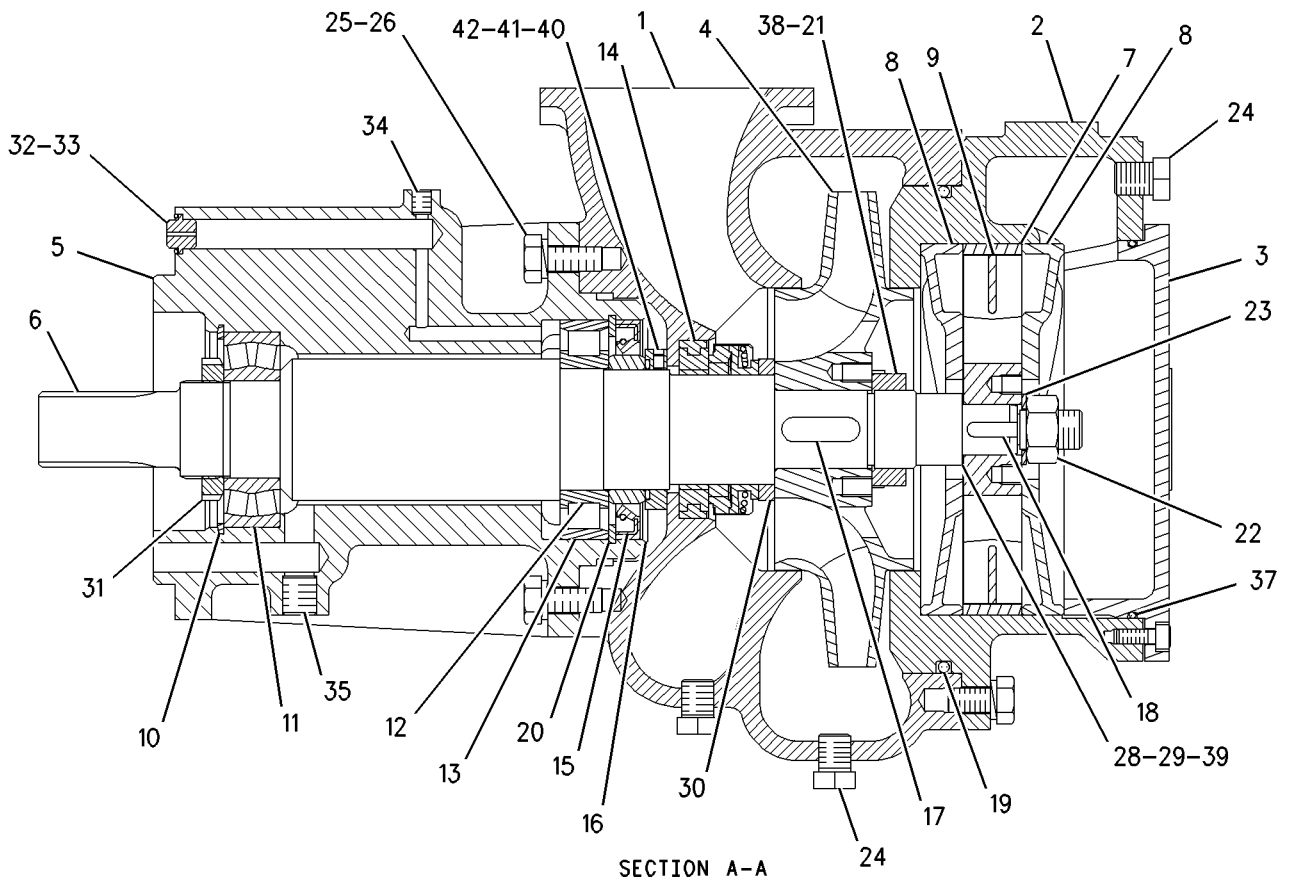
NOTE	REF NO	GRAPHIC REF	PART NUMBER	QTY	PART NAME						SEE PAGE
					1	2	3	4	5	6 (PRODUCT LEVEL)	
	1	1	148-7983	1	BODY-PUMP						
	2	1	148-7984	1	BODY-PUMP						
	3	1	148-7985	1	COVER-PUMP END						
	4	1	148-7986	1	IMPELLER-CENTRIFUGAL						
	5	1	148-7987	1	HOUSING-BEARING						
	6	1	148-7988	1	SHAFT-PUMP						
	7	1	148-7989	1	IMPELLER-SELF PRIMING						
	8	1	148-7990	2	PLATE						
	9	1	3N-8213	1	RING						
	10	1	107-5565	1	CLIP						
	11	1	3N-8463	1	BEARING-ROLLER						
	12	1	4M-6107	1	BEARING-INNER						
	13	1	8T-0209	1	RACE-ROLLER BEARING						
	14	1	5N-9006	1	SEAL GP						
	15	1	5N-2902	1	SEAL-OIL						
	16	1	5N-2904	1	COLLAR-SEAL						
	17	1	148-7991	1	KEY						
	18	1	148-7992	1	KEY						
	19	1	3N-8462	1	SEAL-O-RING						
	20	1	8T-0707	1	RING-RETAINING (INTERNAL)						
	21	1	148-7994	1	LOCKNUT (M32X1.5-THD)						
	22	1	148-7995	1	NUT (M16X2-THD)						
	23	1	149-4312	1	WASHER (17X30X3.5-MM THK)						
	24	1	104-1718	3	PLUG						
M	25	1	8T-4136	8	BOLT (M10X1.5X25-MM)						
	26	1	3B-4507	14	LOCKWASHER						
M	27	1	149-4311	4	BOLT-SOCKET HEAD (M6X1X16-MM)						
B	28	1	3N-8217	1	SHIM (0.25-MM THK)						
B	29	1	3N-8218	1	SHIM (0.38-MM THK)						
	30	1	148-7998	1	WASHER (45X58X6.6-MM THK)						
	31	1	8B-7614	1	NUT-BEARING						
	32	1	148-7999	1	ORIFICE-OIL FEED						
	33	1	6V-8398	1	SEAL-O-RING						
M	34	1	9X-6279	1	SETSCREW-SOCKET (M8X1.25-THD)						
M	35	1	149-4156	1	SETSCREW-SOCKET (M16X2-THD)						
M	36	1	7X-0409	6	BOLT-HIGH TEMPERATURE (M10X1.5X20-MM)						
	37	1	146-6769	1	SEAL						
	38	1	175-4981	1	LOCKWASHER						
B	39	1	175-4982	1	SHIM (0.3-MM THK)						
	40	1	175-4983	1	RING-RETAINING						
	41	1	175-4984	2	SETSCREW-SOCKET						
	42	1	175-4985	1	SEAL-O-RING						

B-USE AS REQUIRED
M-METRIC PART

COOLING SYSTEM

148-8000 PUMP GP-AUXILIARY SEA WATER (contd.)

i03870138



GRAPHIC #1

<END>

g00646818

COOLING SYSTEM

248-2857 PUMP GP-AUXILIARY SEA WATER

PART OF 248-2858 PUMP GP-AUXILIARY SEA WATER

AN ATTACHMENT

SMCS-1371

i03194724

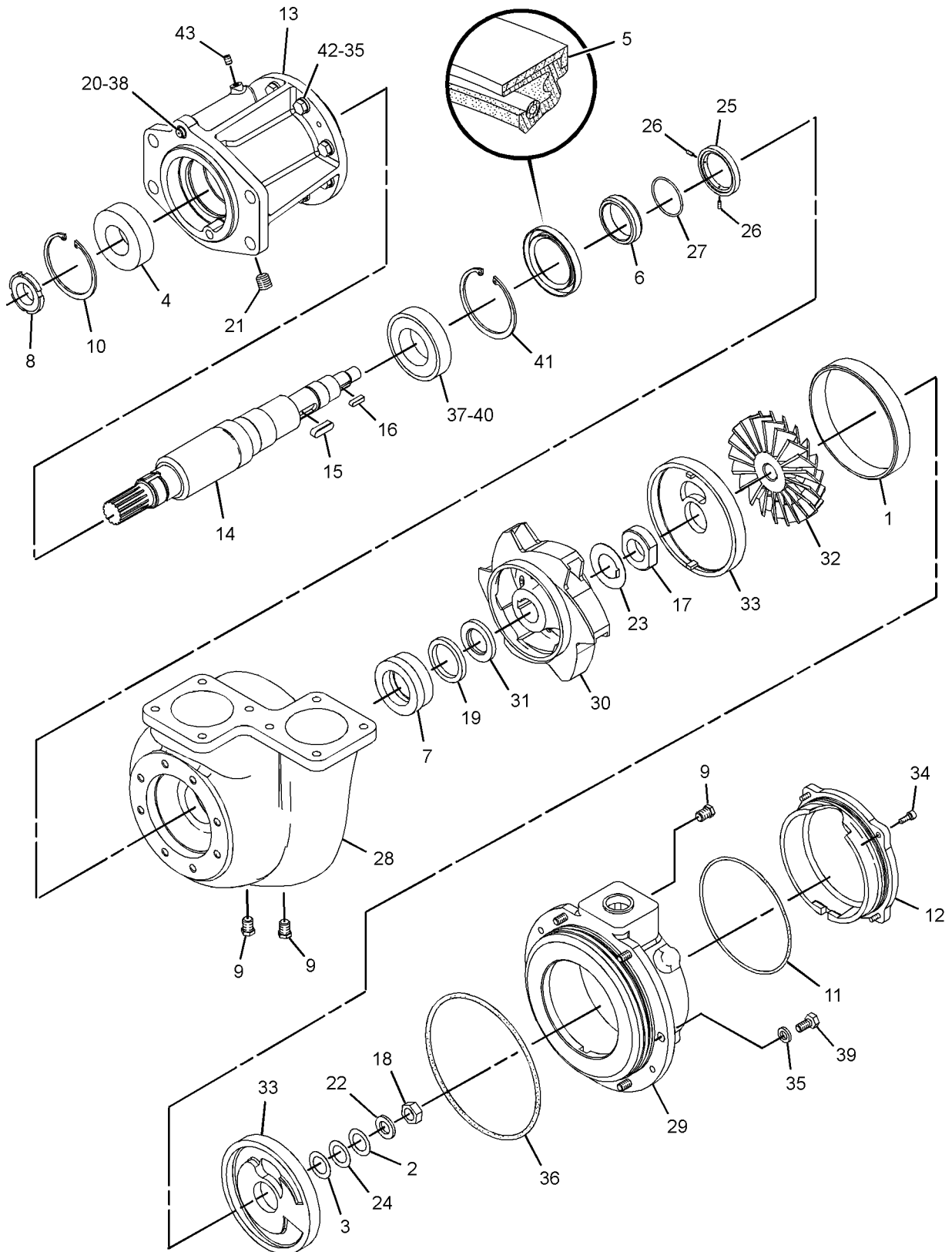
NOTE	REF NO	GRAPHIC REF	PART NUMBER	QTY	PART NAME						SEE PAGE
					1	2	3	4	5	6 (PRODUCT LEVEL)	
	1	1	3N-8213	1	RING						
	2	1	3N-8217	1	SHIM (0.25-MM THK)						
	3	1	3N-8218	1	SHIM (0.38-MM THK)						
	4	1	3N-8463	1	BEARING-ROLLER						
	5	1	5N-2902	1	SEAL-OIL						
	6	1	5N-2904	1	COLLAR-SEAL						
	7	1	5N-9006	1	SEAL GP						
	8	1	8B-7614	1	NUT-BEARING						
	9	1	104-1718	3	PLUG						
	10	1	107-5565	1	CLIP						
	11	1	146-6769	1	SEAL						
	12	1	148-7985	1	COVER-PUMP END						
	13	1	148-7987	1	HOUSING-BEARING						
	14	1	148-7988	1	SHAFT-PUMP						
	15	1	148-7991	1	KEY						
	16	1	148-7992	1	KEY						
	17	1	148-7994	1	LOCKNUT (M32X1.5-THD)						
	18	1	148-7995	1	NUT (M16X2-THD)						
	19	1	148-7998	1	WASHER (45X58X6.6-MM THK)						
	20	1	148-7999	1	ORIFICE-OIL FEED						
M	21	1	149-4156	1	SETSCREW-SOCKET (M16X2-THD)						
	22	1	149-4312	1	WASHER (17X30X3.5-MM THK)						
	23	1	175-4981	1	LOCKWASHER						
	24	1	175-4982	1	SHIM (0.3-MM THK)						
	25	1	175-4983	1	RING-RETAINING						
	26	1	175-4984	2	SETSCREW-SOCKET						
	27	1	175-4985	1	SEAL-O-RING						
	28	1	284-1085	1	BODY-PUMP						
	29	1	284-1086	1	BODY-PUMP						
	30	1	284-1087	1	IMPELLER						
	31	1	284-1088	1	WASHER-THRUST						
	32	1	329-9238	1	IMPELLER						
	33	1	329-9239	2	PLATE						
M	34	1	149-4311	4	BOLT-SOCKET HEAD (M6X1X16-MM)						
	35	1	3B-4507	14	LOCKWASHER						
	36	1	3N-8462	1	SEAL-O-RING						
	37	1	4M-6107	1	BEARING-INNER						
	38	1	6V-8398	1	SEAL-O-RING						
M	39	1	7X-0409	6	BOLT-HIGH TEMPERATURE (M10X1.5X20-MM)						
	40	1	8T-0209	1	RACE-ROLLER BEARING						
	41	1	8T-0707	1	RING-RETAINING (INTERNAL)						
M	42	1	8T-4136	8	BOLT (M10X1.5X25-MM)						
M	43	1	9X-6279	1	SETSCREW-SOCKET (M8X1.25-THD)						

M-METRIC PART

COOLING SYSTEM

248-2857 PUMP GP-AUXILIARY SEA WATER (contd.)

i03194724



GRAPHIC #1

<END>

g01629193

COOLING SYSTEM

248-2858 PUMP GP-AUXILIARY SEA WATER

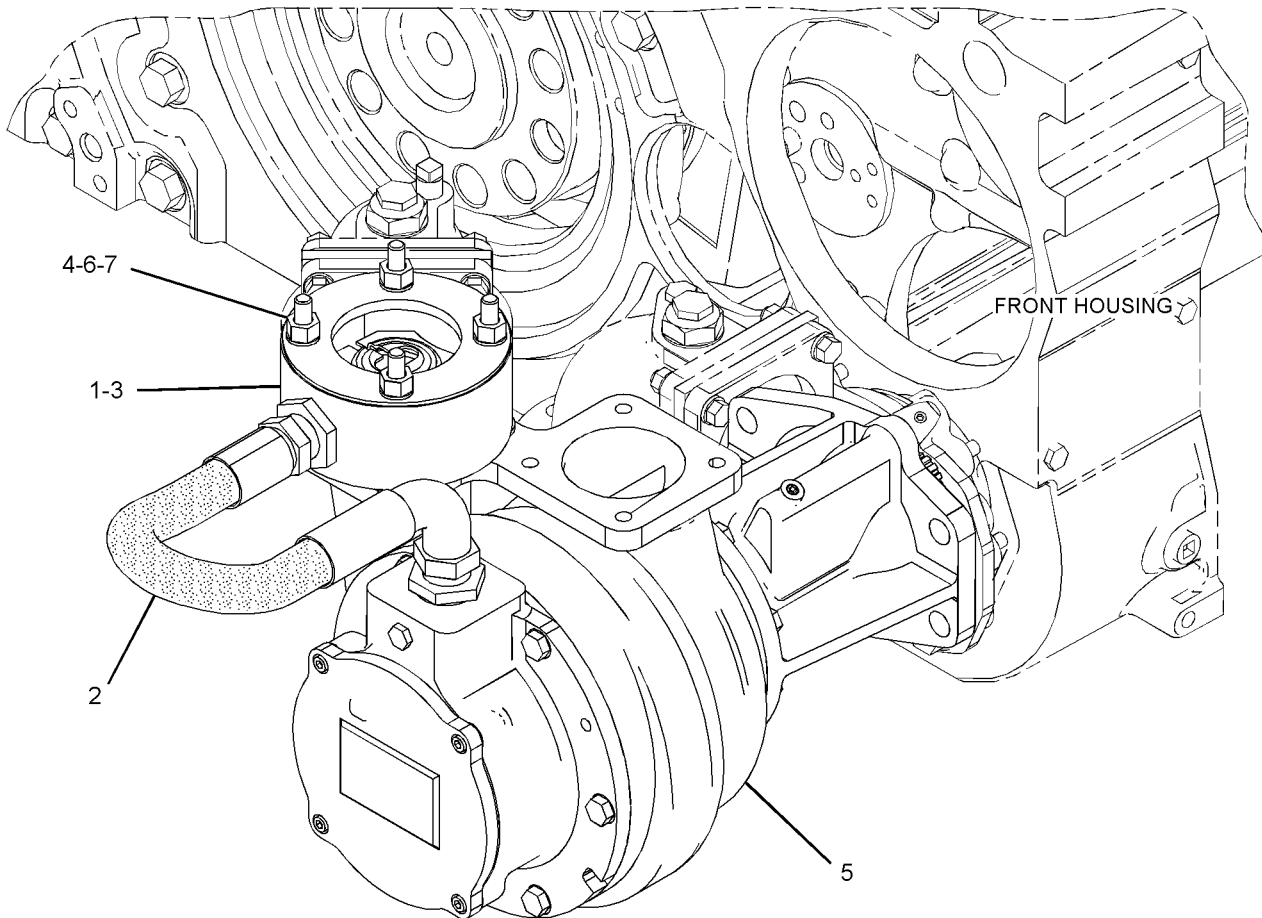
PART OF 260-8660 PUMP GP-AUXILIARY SEA WATER
AN ATTACHMENT

SMCS-1371

i03869098

NOTE	REF NO	GRAPHIC REF	PART NUMBER	QTY	PART NAME						SEE PAGE
					1	2	3	4	5	6 (PRODUCT LEVEL)	
	1	1	148-7996	1	GASKET						
	2	1	148-7997	1	HOSE AS						
Y	3	1	148-8005	1	VALVE GP-CHECK (AUXILIARY WATER PUMP)						259
	4	1	148-8006	4	ROD						
Y	5	1	248-2857	1	PUMP GP-AUXILIARY SEA WATER						232
	6	1	7X-0584	4	WASHER-HARD (13.5X20.5X2-MM THK)						
M	7	1	8T-4244	4	NUT (M12X1.75-THD)						

M-METRIC PART
Y-SEPARATE ILLUSTRATION



GRAPHIC #1

<END>

g02034134

COOLING SYSTEM

260-8660 PUMP GP-AUXILIARY SEA WATER AN ATTACHMENT

SMCS-1371

i03863190

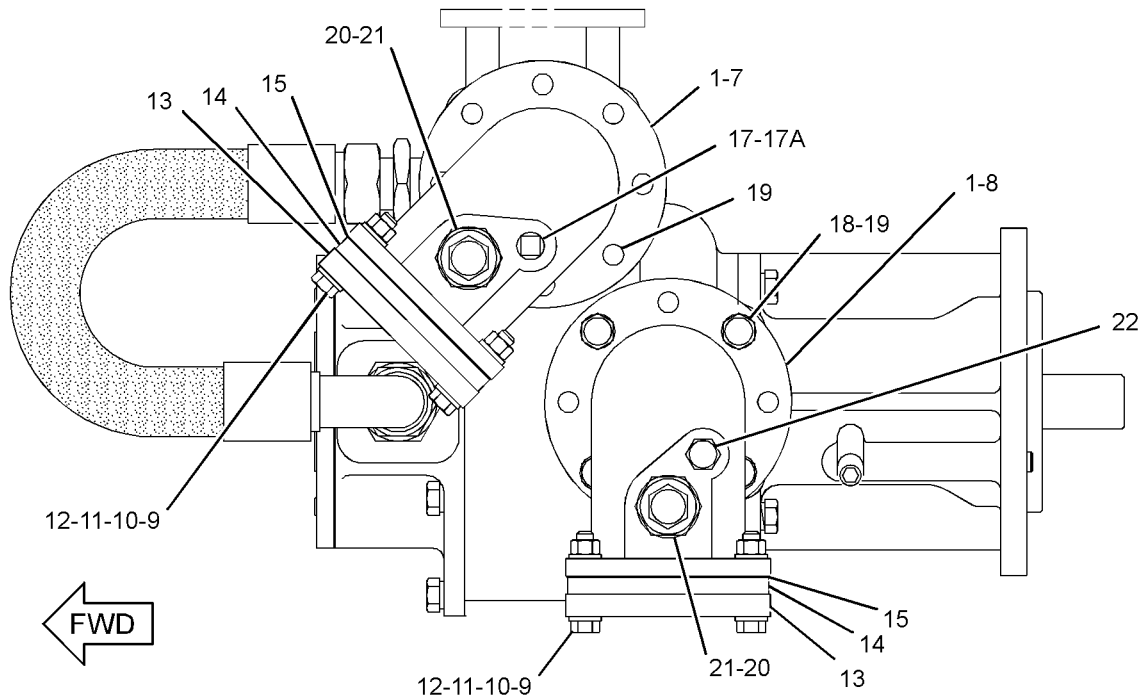
NOTE	REF NO	GRAPHIC REF	PART NUMBER	QTY	PART NAME						SEE PAGE
					1	2	3	4	5	6 (PRODUCT LEVEL)	
	1	1	143-9208	2	ELBOW						
	2	1	0S-1566	4	BOLT (5/8-11X1.5-IN)						
	3	1	5P-8247	4	WASHER-HARD (17X32X3.5-MM THK)						
Y	4	1	248-2858	1	PUMP GP-AUXILIARY SEA WATER						234
	5	1	9X-7371	1	SEAL-O-RING						
	6	1	8T-6766	2	PLUG-PIPE						
	7	1	144-6074	1	GASKET						
	8	1	144-6076	1	GASKET						
	9	1	0S-1590	8	BOLT (3/8-16X2-IN)						
	10	1	5M-2894	16	WASHER-HARD (10.2X18.5X2.5-MM THK)						
	11	1	9S-8752	8	NUT-FULL (3/8-16-THD)						
	12	1	0S-1571	8	BOLT (3/8-16X1.75-IN)						
	13	1	5N-1845	2	FLANGE						
	14	1	2N-0822	2	PLATE						
	15	1	3P-6061	4	GASKET						
	17	1	6L-2280	1	ROD-ZINC (AUXILIARY SEA WATER PUMP)						
	17A	1	233-8525	1	PLUG-PIPE						
M	18	1	8T-4192	4	BOLT (M12X1.75X25-MM)						
	19	1	7X-0584	8	WASHER-HARD (13.5X20.5X2-MM THK)						
	20	1	5L-5879	2	ADAPTER						
	21	1	5B-3265	2	GASKET						
	22	1	9B-0887	1	PLUG-PIPE						

M-METRIC PART
Y-SEPARATE ILLUSTRATION

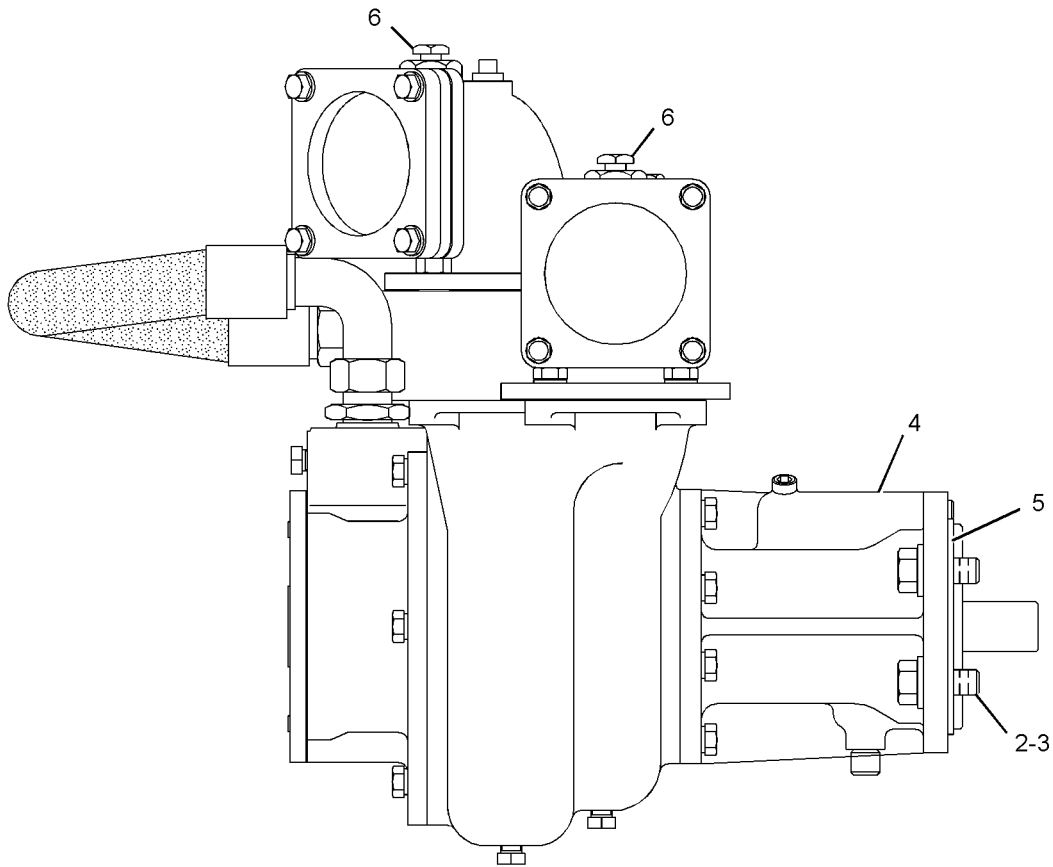
COOLING SYSTEM

260-8660 PUMP GP-AUXILIARY SEA WATER (contd.)

i03863190



TOP VIEW



LEFT SIDE VIEW

<END>

GRAPHIC #1

g02024613

COOLING SYSTEM

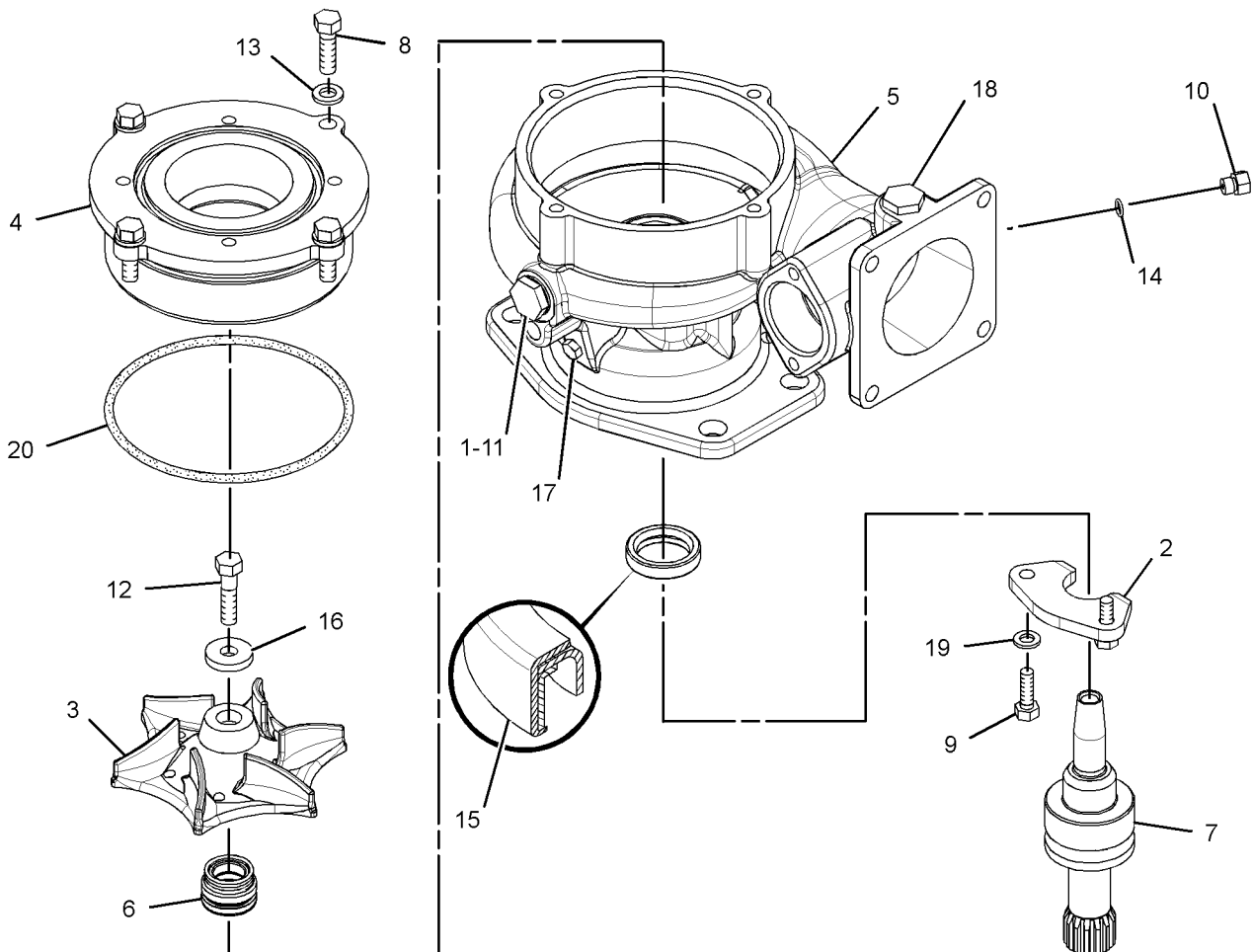
315-5137 PUMP GP-AUXILIARY SEA WATER

PART OF 316-1817, 8N-8466 PUMP GP-AUXILIARY SEA WATER
AN ATTACHMENT

SMCS-1371

i03129082

NOTE	REF NO	GRAPHIC REF	PART NUMBER	QTY	PART NAME						SEE PAGE
					1	2	3	4	5	6 (PRODUCT LEVEL)	
	1	1	3F-1358	1	PLUG-DRAIN (AUXILIARY SEA WATER PUMP)						
	2	1	7N-4758	1	WASHER-THRUST						
	3	1	8N-8455	1	IMPELLER-PUMP						
	4	1	8N-8461	1	ADAPTER						
	5	1	8N-8464	1	HOUSING AS						
	6	1	262-4378	1	SEAL AS-WATER PUMP						
	7	1	315-5136	1	SHAFT AS						
	8	1	OS-1588	4	BOLT (3/8-16X1.25-IN)						
	9	1	OS-1618	2	BOLT (5/16-18X1-IN)						
	10	1	1N-5999	1	PLUG-O-RING						
	11	1	2A-1162	1	GASKET						
	12	1	3H-5844	1	BOLT (3/8-16X1.5-IN)						
	13	1	5M-2894	4	WASHER-HARD (10.2X18.5X2.5-MM THK)						
	14	1	7J-0204	1	SEAL-O-RING						
	15	1	8C-5236	1	SEAL-LIP TYPE						
	16	1	8N-8456	1	WASHER (10.2X28.5X5-MM THK)						
	17	1	8T-6764	1	PLUG-PIPE						
	18	1	8T-6766	1	PLUG-PIPE						
	19	1	9M-1974	2	WASHER-HARD (8.8X16X2-MM THK)						
	20	1	9M-3786	1	SEAL-O-RING						



GRAPHIC #1

<END>

g01467007

COOLING SYSTEM

316-1817 PUMP GP-AUXILIARY SEA WATER AN ATTACHMENT

SMCS-1371

i03016930

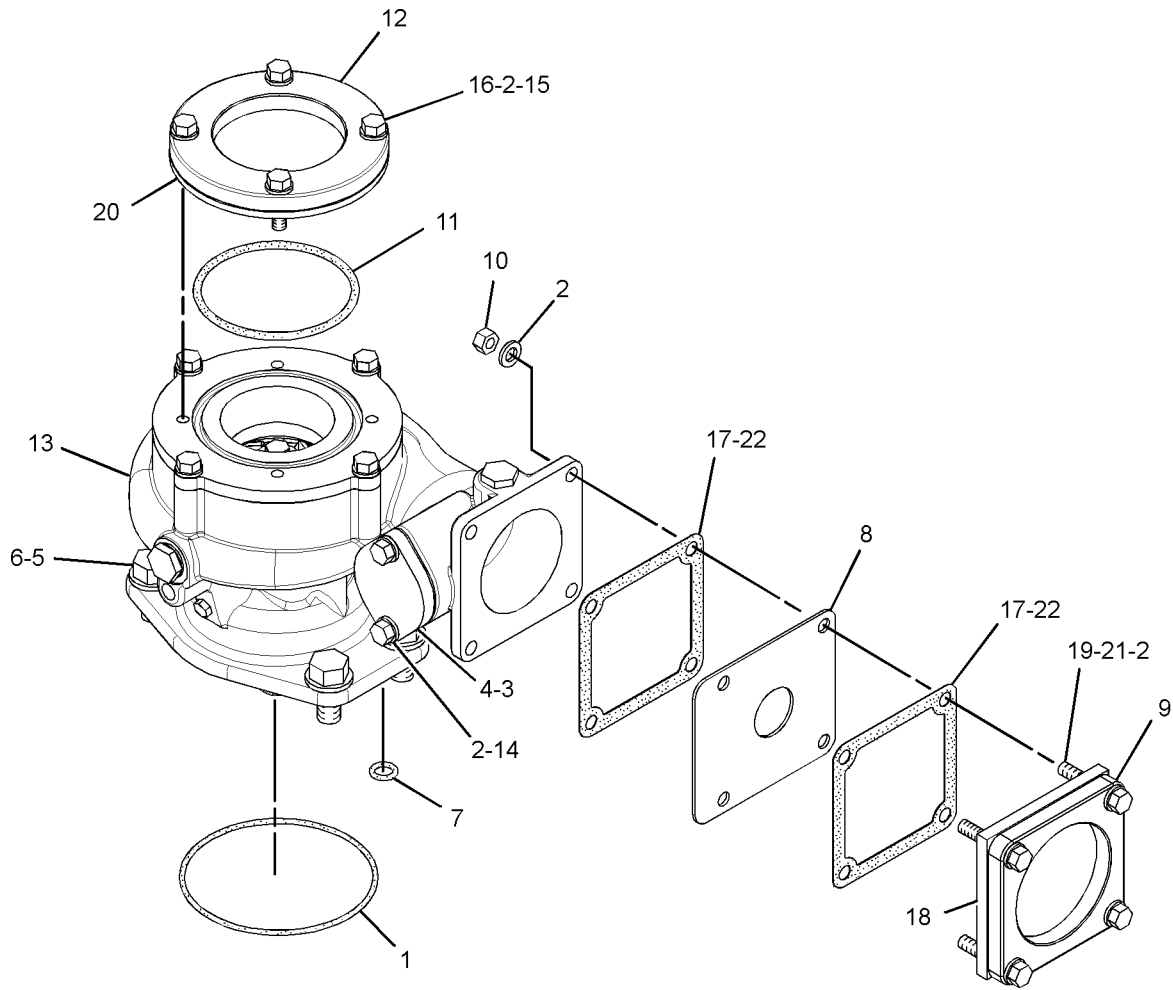
NOTE	REF NO	GRAPHIC REF	PART NUMBER	QTY	PART NAME						SEE PAGE
					1	2	3	4	5	6 (PRODUCT LEVEL)	
	1	1	5F-3106	1	SEAL-O-RING						
	2	1	5M-2894	14	WASHER-HARD (10.2X18.5X2.5-MM THK)						
	3	1	5N-1940	1	GASKET						
	4	1	5N-1941	1	COVER						
	5	1	5P-8247	4	WASHER-HARD (17X32X3.5-MM THK)						
	6	1	4B-4043	4	BOLT (5/8-11X1.375-IN)						
	7	1	2M-4453	1	SEAL-O-RING						
	8	1	5N-0408	1	PLATE-ORIFICE						
	9	1	5N-1845	1	FLANGE						
	10	1	9S-8752	4	NUT-FULL (3/8-16-THD)						
	11	1	4F-7387	1	SEAL-O-RING						
	12	1	8N-8462	1	FLANGE						
Y	13	1	315-5137	1	PUMP GP-AUXILIARY SEA WATER						237
	14	1	0S-1594	2	BOLT (3/8-16X1-IN)						
B	15	1	3B-1915	4	BOLT (3/8-16X1.375-IN)						
	16	1	0S-1588	4	BOLT (3/8-16X1.25-IN)						
	17	1	3P-6061	2	GASKET						
	18	1	2N-0822	1	PLATE						
B	19	1	0S-1590	4	BOLT (3/8-16X2-IN)						
	20	1	5N-5639	1	COVER						
	21	1	0S-1571	4	BOLT (3/8-16X1.75-IN)						
B	22	1	3P-6061	2	GASKET						

B-USE AS REQUIRED
Y-SEPARATE ILLUSTRATION

COOLING SYSTEM

316-1817 PUMP GP-AUXILIARY SEA WATER (contd.)

i03016930



GRAPHIC #1

<END>

g01926654

COOLING SYSTEM

318-2579 PUMP GP-AUXILIARY SEA WATER

PART OF 144-6081 PUMP GP-AUXILIARY SEA WATER

AN ATTACHMENT

SMCS-1371

i03869100

NOTE	REF NO	GRAPHIC REF	PART NUMBER	QTY	PART NAME						SEE PAGE
					1	2	3	4	5	6 (PRODUCT LEVEL)	
	1	2	3N-8213	1	RING						
	2	1	3N-8463	1	BEARING-ROLLER						
	3	1	5N-2902	1	SEAL-OIL						
	4	1	8B-7614	1	NUT-BEARING						
	5	1,2	104-1718	3	PLUG						
	6	1	107-5565	1	CLIP						
	7	2	146-6769	1	SEAL						
	8	2	148-7984	1	BODY-PUMP						
	9	2	148-7985	1	COVER-PUMP END						
	10	1	148-7987	1	HOUSING-BEARING						
	11	2	148-7990	2	PLATE						
	12	1	148-7996	1	GASKET						
	13	2	148-7997	1	HOSE AS						
	14	1	148-7999	1	ORIFICE-OIL FEED						
Y	15	1	148-8005	1	VALVE GP-CHECK (AUXILIARY WATER PUMP)						259
	16	1	148-8006	4	ROD						
M	17	1	149-4156	1	SETSCREW-SOCKET (M16X2-THD)						
	18	1	175-4985	1	SEAL-O-RING						
	19	1	318-2560	1	SHAFT-PUMP						
	20	2	318-2561	1	IMPELLER-CENTRIFUGAL						
	21	2	318-2562	1	IMPELLER						
	22	1	318-2563	1	COLLAR-SEAL						
	23	2	318-2564	1	SEAL AS-WATER PUMP						
M	24	1	318-2565	2	SETSCREW-SOCKET (M4X0.7X8-MM)						
	25	2	318-2566	2	RING-LOCK						
	26	2	318-2567	1	WASHER-THRUST						
M	27	2	318-2568	1	BOLT (M12X1.75X35-MM)						
	28	2	318-2574	1	SEAL-O-RING						
	29	2	318-2575	1	SEAL-O-RING						
B	30	1	318-2576	1	SHIM (0.25-MM THK)						
B	31	1	318-2577	1	SHIM (0.38-MM THK)						
	32	1	318-2578	1	SHIM (0.3-MM THK)						
	33	1	318-9795	1	BODY-PUMP						
B	34	1	318-9796	1	SHIM (0.1-MM THK)						
M	35	2	149-4311	4	BOLT-SOCKET HEAD (M6X1X16-MM)						
	36	1,2	3B-4507	14	LOCKWASHER						
	37	2	3N-8462	1	SEAL-O-RING						
	38	1	4M-6107	1	BEARING-INNER						
	39	1	6V-8398	1	SEAL-O-RING						
M	40	2	7X-0409	6	BOLT-HIGH TEMPERATURE (M10X1.5X20-MM)						
	41	1	7X-0584	4	WASHER-HARD (13.5X20.5X2-MM THK)						
	42	1	8T-0209	1	RACE-ROLLER BEARING						
	43	1	8T-0707	1	RING-RETAINING (INTERNAL)						
M	44	1	8T-4136	8	BOLT (M10X1.5X25-MM)						
M	45	1	8T-4244	4	NUT (M12X1.75-THD)						
M	46	1	9X-6279	1	SETSCREW-SOCKET (M8X1.25-THD)						

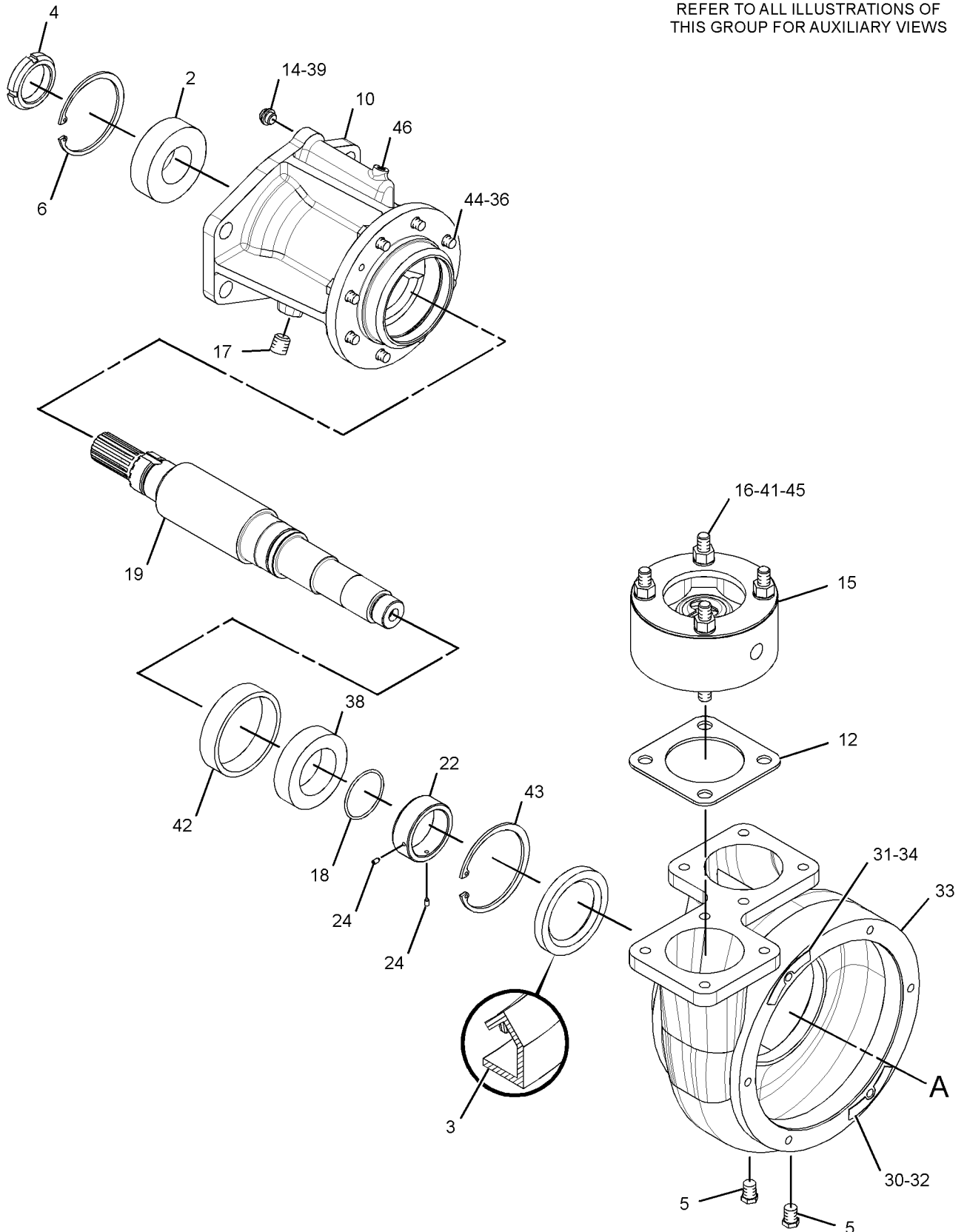
B- USE AS REQUIRED
M- METRIC PART
Y- SEPARATE ILLUSTRATION

COOLING SYSTEM

318-2579 PUMP GP-AUXILIARY SEA WATER (contd.)

i03869100

REFER TO ALL ILLUSTRATIONS OF THIS GROUP FOR AUXILIARY VIEWS



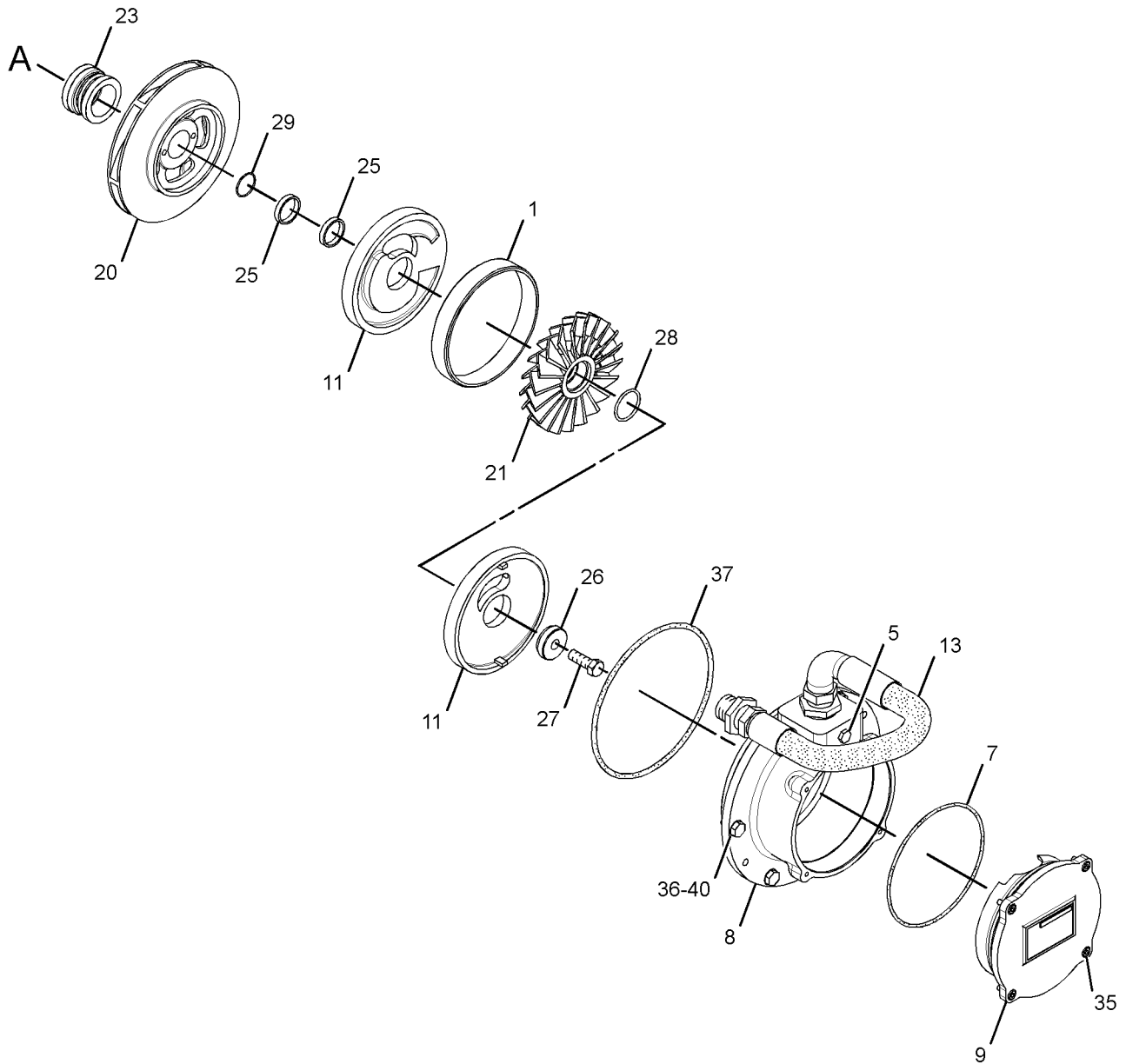
GRAPHIC #1

g01818289

COOLING SYSTEM

318-2579 PUMP GP-AUXILIARY SEA WATER (contd.)

i03869100



GRAPHIC #2

<END>

g01818559

COOLING SYSTEM

9Y-8909 PUMP GP-AUXILIARY WATER-FRESH WATER

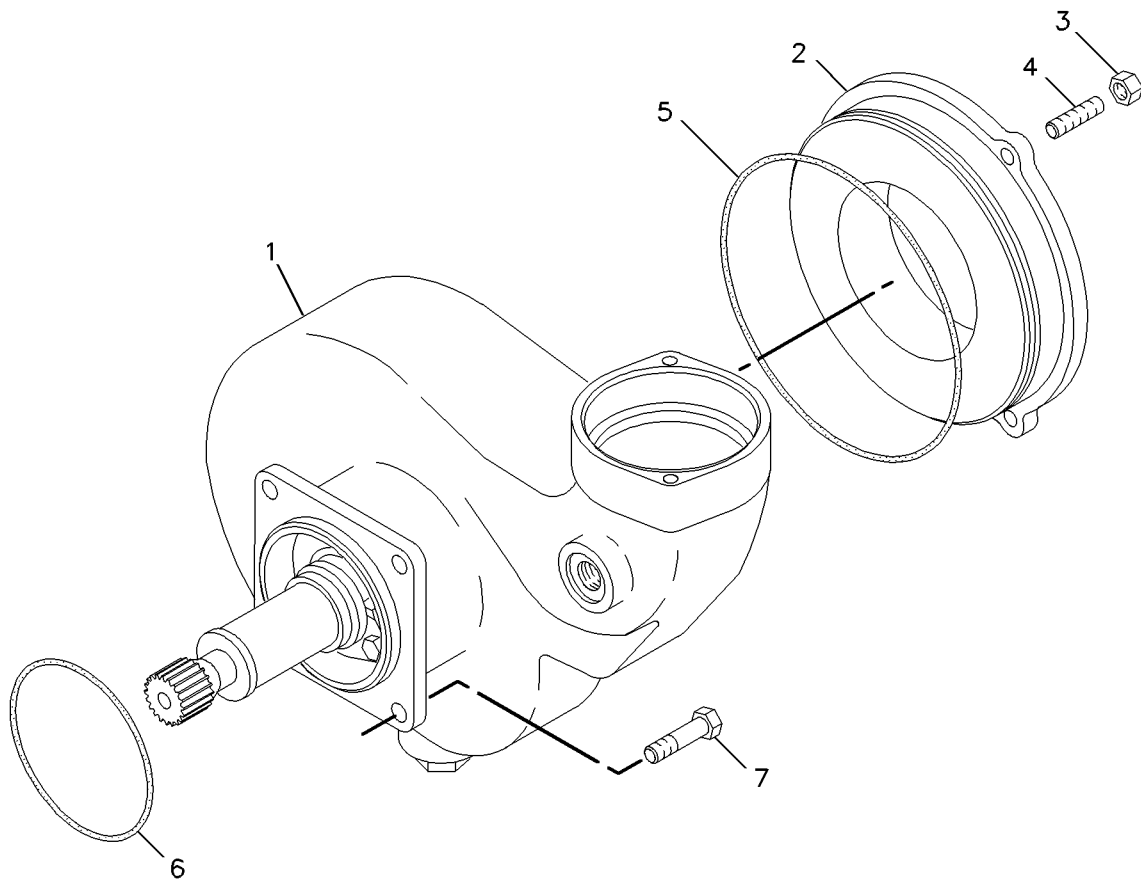
S/N: TTH1-205

SMCS-1371

i02958518

NOTE	REF NO	GRAPHIC REF	PART NUMBER	QTY	PART NAME						SEE PAGE
					1	2	3	4	5	6 (PRODUCT LEVEL)	
CYR	1	1	313-2650	1	PUMP GP-WATER (FRESH WATER)						249
	2	1	7E-7631	1	COVER-WATER PUMP						
	3	1	9S-8752	3	NUT-FULL (3/8-16-THD)						
	4	1	9M-2151	3	STUD-TAPERLOCK (3/8-16X1.378-IN)						
	5	1	149-5462	1	SEAL-O-RING						
	6	1	5H-6734	1	SEAL-O-RING						
	7	1	0S-1594	4	BOLT (3/8-16X1-IN)						

C-CHANGE FROM PREVIOUS TYPE
R-REMFG PART MAY BE AVAILABLE
Y-SEPARATE ILLUSTRATION



GRAPHIC #1

<END>

g00893695

COOLING SYSTEM

297-6833 PUMP GP-AUXILIARY WATER

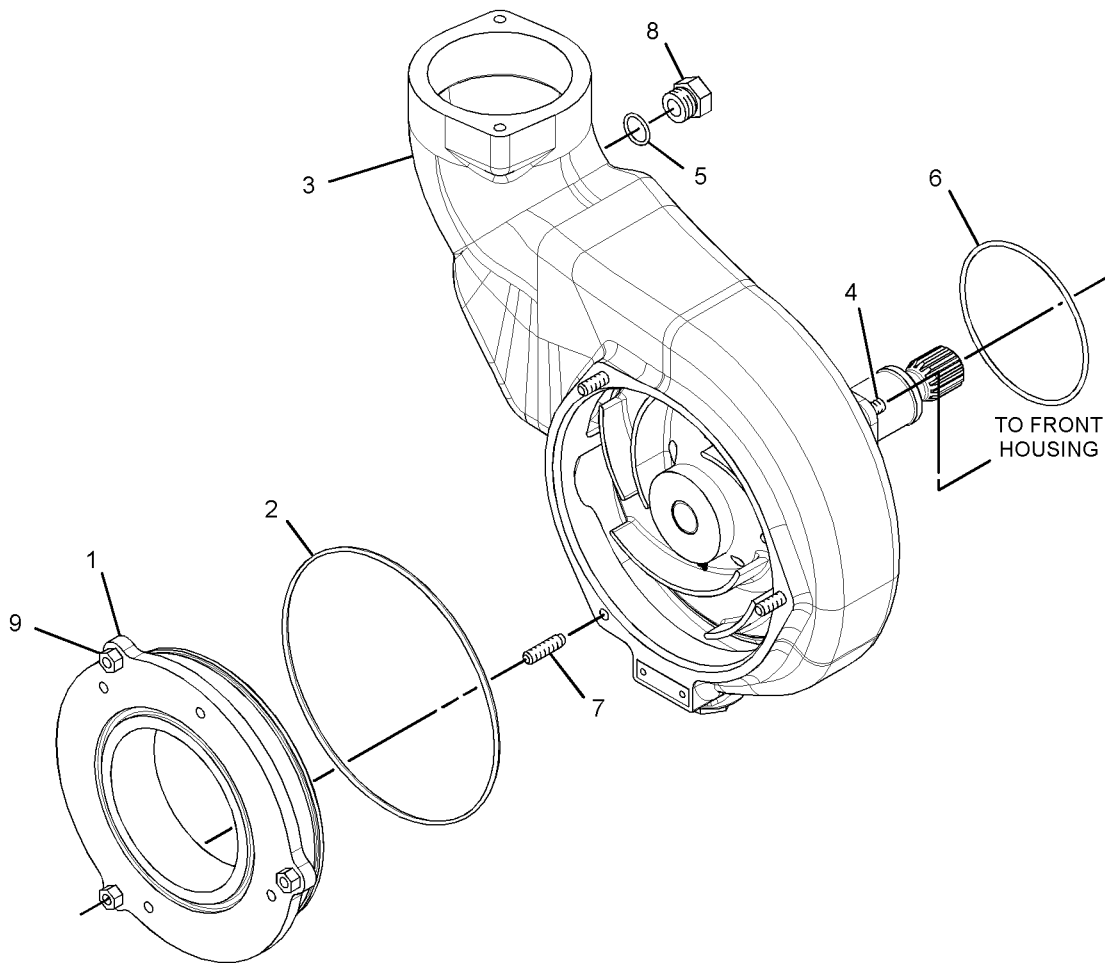
S/N: TTH206-UP
FRESH WATER
TYPE 1

SMCS-1371

i02939656

NOTE	REF NO	GRAPHIC REF	PART NUMBER	QTY	PART NAME						SEE PAGE
					1	2	3	4	5	6 (PRODUCT LEVEL)	
	1	1	7E-7631	1	COVER-WATER PUMP						
	2	1	149-5462	1	SEAL-O-RING						
Y	3	1	212-8174	1	PUMP GP-WATER						247
	4	1	0S-1594	4	BOLT (3/8-16X1-IN)						
	5	1	2M-9780	1	SEAL-O-RING						
	6	1	5H-6734	1	SEAL-O-RING						
	7	1	9M-2151	3	STUD-TAPERLOCK (3/8-16X1.378-IN)						
	8	1	9S-4190	1	PLUG-O-RING						
	9	1	9S-8752	3	NUT-FULL (3/8-16-THD)						

Y-SEPARATE ILLUSTRATION



GRAPHIC #1

<END>

g01459123

COOLING SYSTEM

297-6833 PUMP GP-AUXILIARY WATER

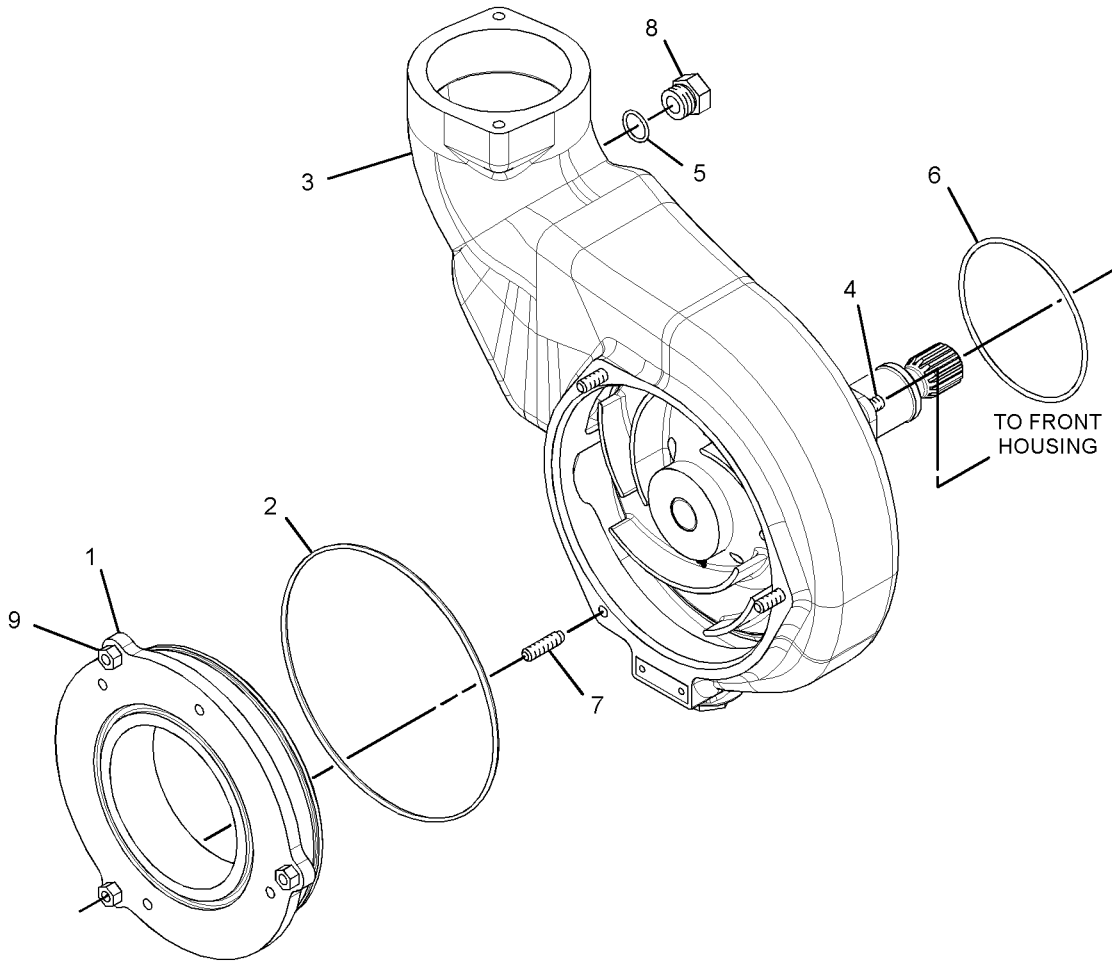
S/N: TTH206-UP
FRESH WATER
TYPE 2

SMCS-1371

i03020869

NOTE	REF NO	GRAPHIC REF	PART NUMBER	QTY	PART NAME	1 2 3 4 5 6 (PRODUCT LEVEL)						SEE PAGE
	1	1	7E-7631	1	COVER-WATER PUMP							
	2	1	149-5462	1	SEAL-O-RING							
CYR	3	1	313-2650	1	PUMP GP-WATER							249
	4	1	0S-1594	4	BOLT (3/8-16X1-IN)							
	5	1	2M-9780	1	SEAL-O-RING							
	6	1	5H-6734	1	SEAL-O-RING							
	7	1	9M-2151	3	STUD-TAPERLOCK (3/8-16X1.378-IN)							
	8	1	9S-4190	1	PLUG-O-RING							
	9	1	9S-8752	3	NUT-FULL (3/8-16-THD)							

C- CHANGE FROM PREVIOUS TYPE
R- REMFG PART MAY BE AVAILABLE
Y- SEPARATE ILLUSTRATION



GRAPHIC #1

<END>

g01459123

COOLING SYSTEM

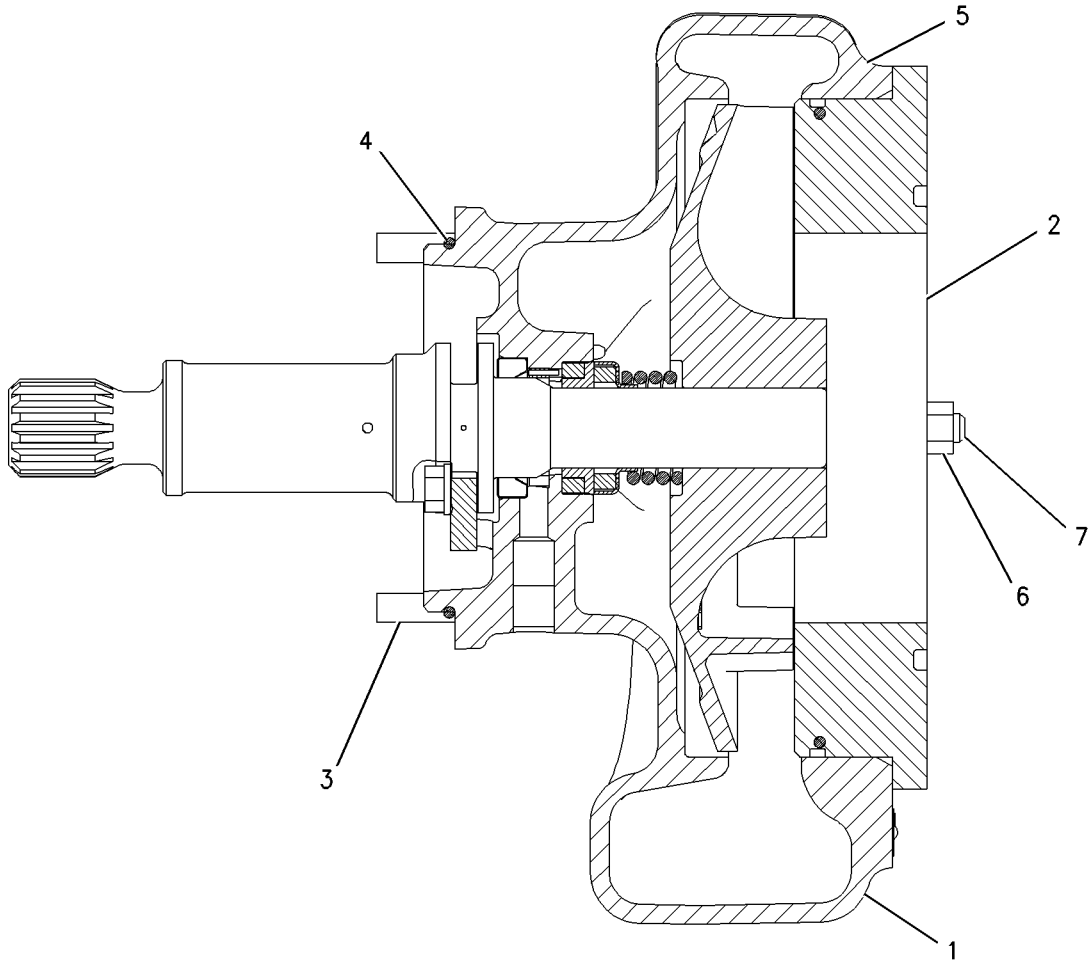
2W-9729 PUMP GP-WATER

SMCS-1361

i02220677

NOTE	REF NO	GRAPHIC REF	PART NUMBER	QTY	PART NAME						SEE PAGE
					1	2	3	4	5	6	
CYR	1	1	212-8177	1	PUMP GP-WATER						248
	2	1	8N-6423	1	COVER (WATER INLET)						
	3	1	3B-1915	4	BOLT (3/8-16X1.375-IN)						
	4	1	5H-6734	1	SEAL-O-RING						
	5	1	149-5462	1	SEAL-O-RING						
	6	1	9S-8752	3	NUT-FULL (3/8-16-THD)						
	7	1	9M-2151	3	STUD-TAPERLOCK (3/8-16X1.378-IN)						

C-CHANGE FROM PREVIOUS TYPE
 R-REMG PART MAY BE AVAILABLE
 Y-SEPARATE ILLUSTRATION



GRAPHIC #1

<END>

g00898448

COOLING SYSTEM

212-8174 PUMP GP-WATER-AUXILIARY

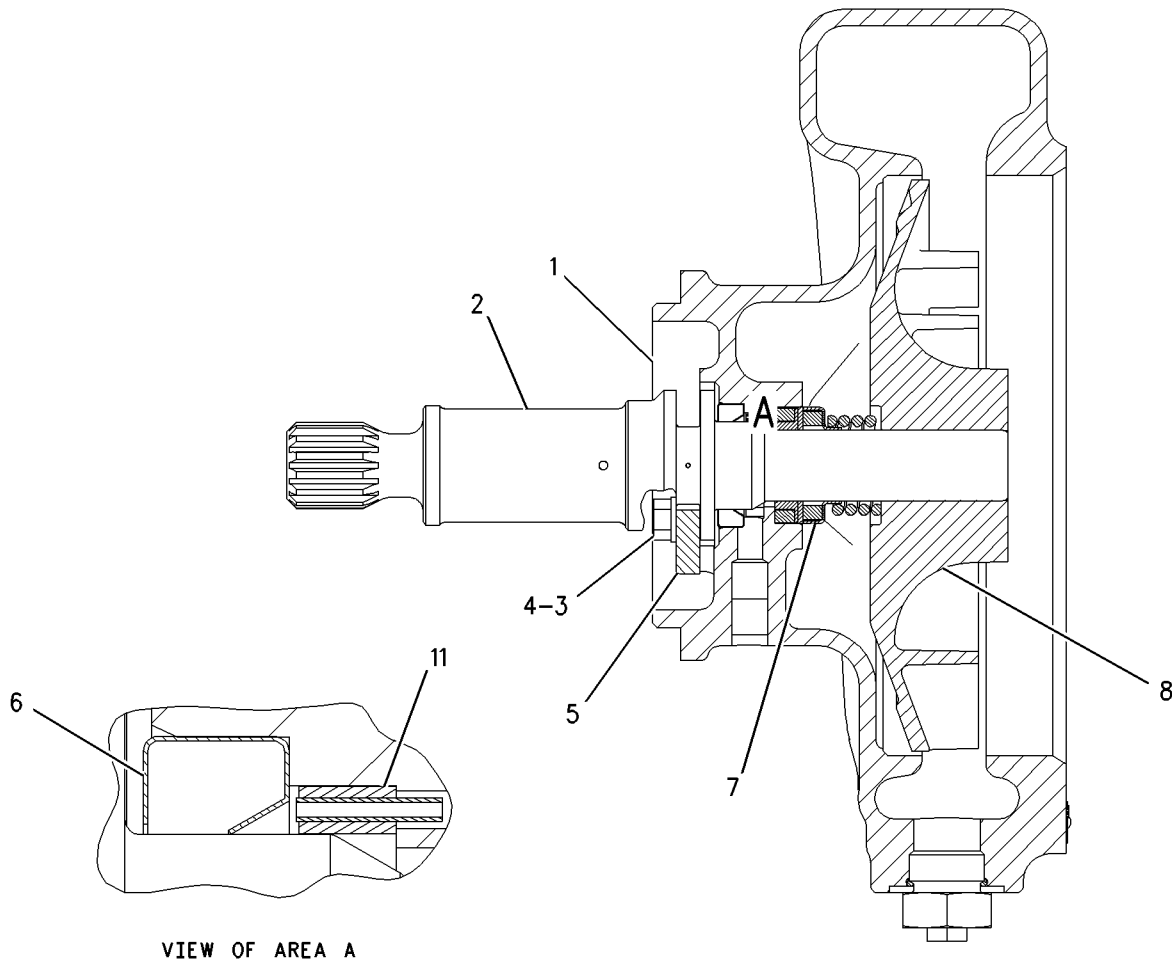
S/N: TTH206-UP

PART OF 297-6833 PUMP GP-AUXILIARY WATER

SMCS-1361

i02618842

NOTE	REF NO	GRAPHIC REF	PART NUMBER	QTY	PART NAME						SEE PAGE
					1	2	3	4	5	6 (PRODUCT LEVEL)	
	1	1	137-8241	1	HOUSING AS-PUMP						
		1	3D-2824	1	SEAL-O-RING						
		1	4N-5834	2	FILTER-FOAM (WATER PUMP HOUSING)						
		1	7G-8478	1	ADAPTER						
		1	8T-6765	1	PLUG-PIPE						
2		1	212-8180	1	SHAFT						
		1	4B-9782	1	BALL						
3		1	OS-1618	2	BOLT (5/16-18X1-IN)						
4		1	9M-1974	2	WASHER-HARD (8.8X16X2-MM THK)						
5		1	7N-4758	1	WASHER-THRUST						
6		1	9X-4594	1	SEAL-LIP TYPE						
7		1	166-4376	1	SEAL GP						
8		1	212-8186	1	IMPELLER						
11		1	166-4374	1	RING AS						
		1	1L-5316	1	PIN-SPRING						



VIEW OF AREA A

GRAPHIC #1

<END>

g00895674

COOLING SYSTEM

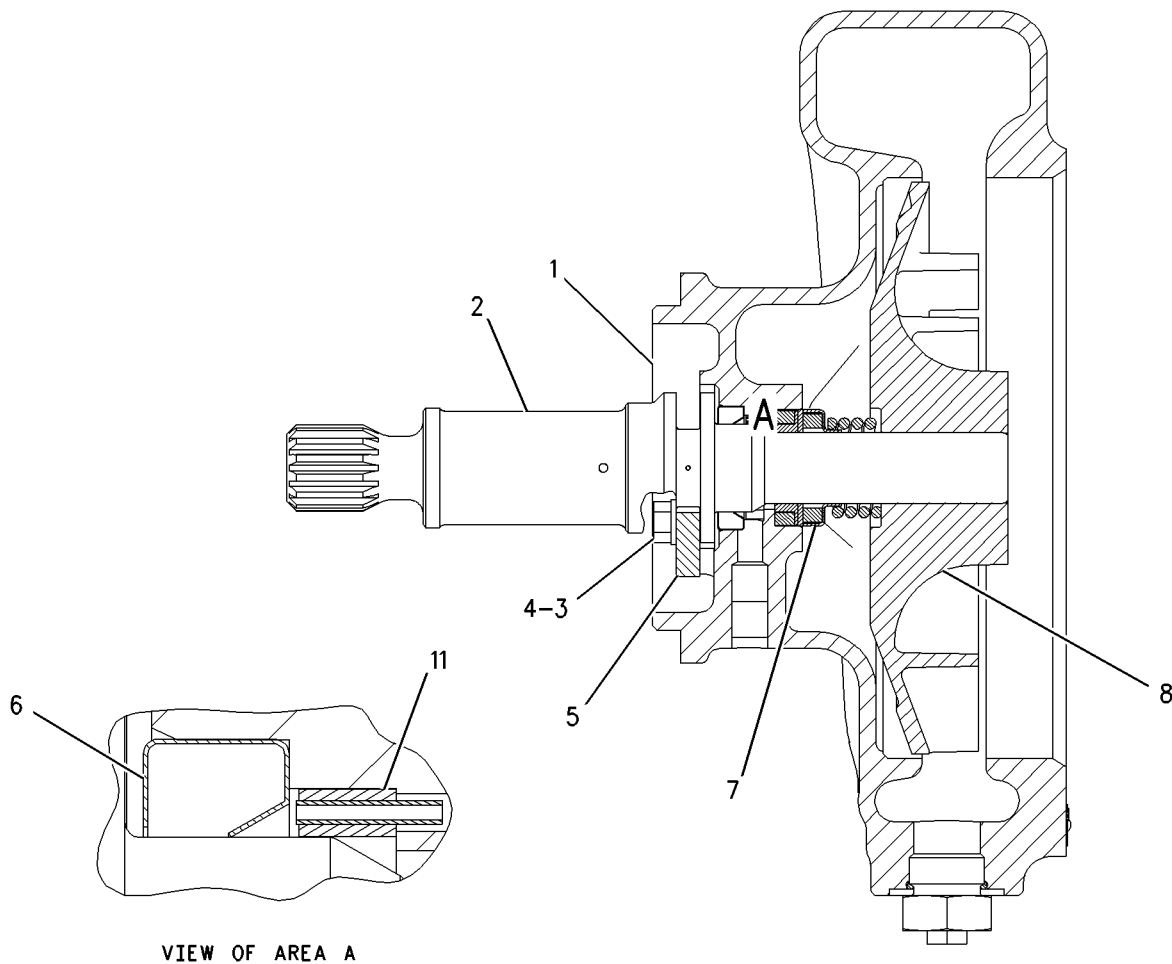
313-2650 PUMP GP-WATER*R

PART OF 297-6833, 9Y-8909 PUMP GP-AUXILIARY WATER

SMCS-1361

i02918707

NOTE	REF NO	GRAPHIC REF	PART NUMBER	QTY	PART NAME						SEE PAGE
					1	2	3	4	5	6 (PRODUCT LEVEL)	
	1	1	313-4432	1	HOUSING AS-PUMP						
		1	3D-2824	1	SEAL-O-RING						
		1	4N-5834	2	FILTER-FOAM (WATER PUMP HOUSING)						
		1	7G-8478	1	ADAPTER						
		1	8T-6765	1	PLUG-PIPE						
		1	313-2651	1	HOUSING-WATER PUMP						
2		1	212-8180	1	SHAFT						
		1	4B-9782	1	BALL						
3		1	OS-1618	2	BOLT (5/16-18X1-IN)						
4		1	9M-1974	2	WASHER-HARD (8.8X16X2-MM THK)						
5		1	7N-4758	1	WASHER-THRUST						
6		1	9X-4594	1	SEAL-LIP TYPE						
7		1	166-4376	1	SEAL GP						
8		1	212-8186	1	IMPELLER						
11		1	166-4374	1	RING AS						
		1	1L-5316	1	PIN-SPRING						



GRAPHIC #1

<END>

g00895674

COOLING SYSTEM

4P-5767 SEPARATOR GP-AIR FOR USE WITH HEAT EXCHANGER OR KEEL COOLER AN ATTACHMENT

SMCS - 139S

i01794861

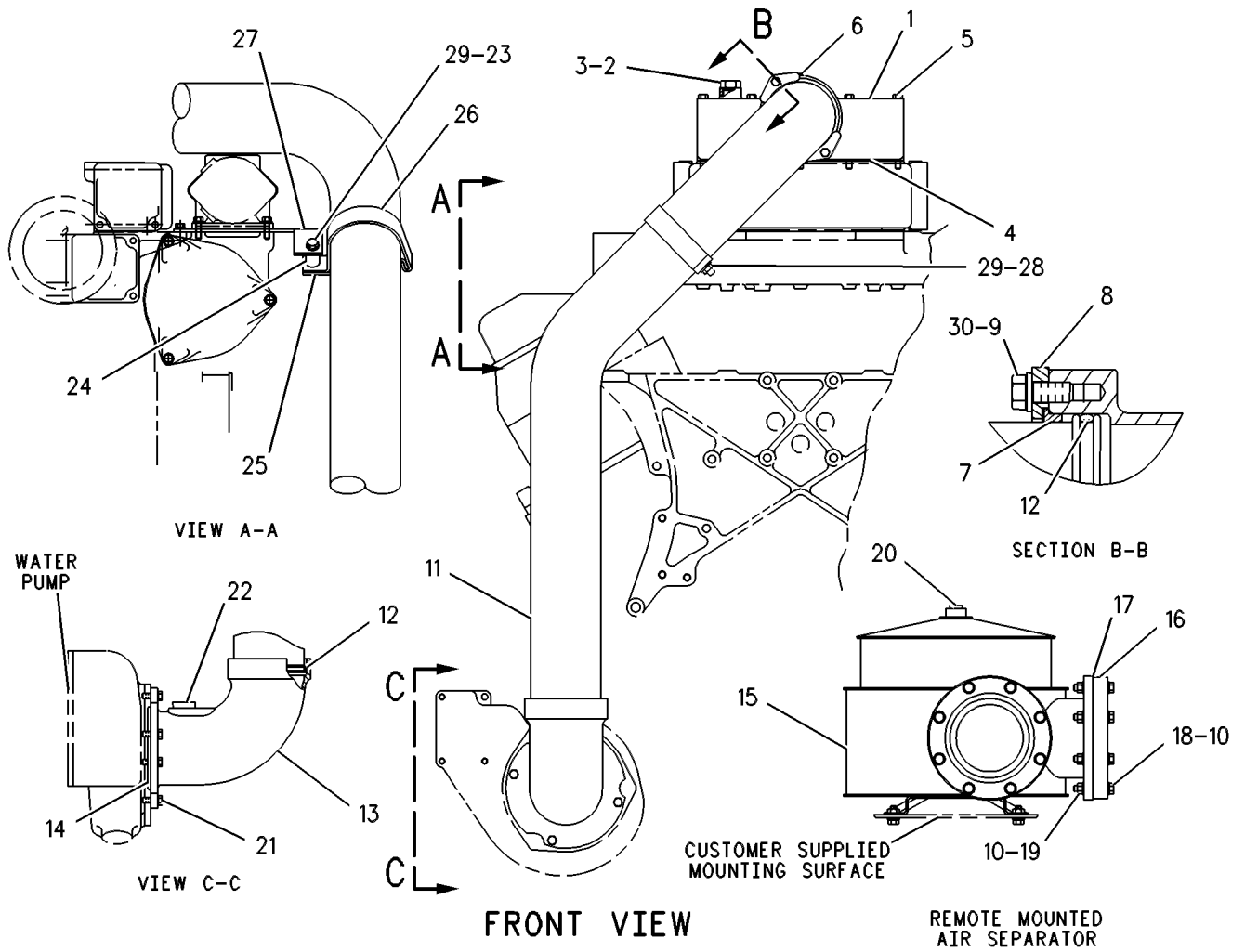
NOTE	REF NO	GRAPHIC REF	PART NUMBER	QTY	PART NAME						SEE PAGE
					1	2	3	4	5	6 (PRODUCT LEVEL)	
	1	1	7E-4650	1	HOUSING						
B	2	1	9S-4183	1	PLUG-O-RING						
B	3	1	3D-2824	1	SEAL-O-RING						
	4	1	7N-4927	1	GASKET-HOUSING COVER						
	5	1	5B-9603	8	BOLT (3/8-16X5-IN)						
	6	1	4F-0411	2	BOLT (3/8-16X6.5-IN)						
	7	1	8N-8570	1	RING-RETAINING						
	8	1	8N-8571	2	RETAINER						
	9	1	0L-1351	2	BOLT (3/8-16X0.875-IN)						
	10	1	8T-4896	32	WASHER-HARD (10.2X18.5X2.5-MM THK)						
	11	1	7E-4500	1	TUBE						
	12	1	8T-2903	2	SEAL-O-RING						
	13	1	7E-4879	1	ELBOW						
	14	1	6V-6809	1	SEAL-O-RING						
	15	1	4P-5295	1	SEPARATOR AS-AIR						
	16	1	7N-7009	2	FLANGE						
	17	1	1S-5772	2	GASKET						
	18	1	8T-9377	16	BOLT (3/8-16X2.25-IN)						
	19	1	6V-8801	16	NUT (3/8-16-THD)						
	20	1	8T-6762	1	PLUG-PIPE						
	21	1	1A-2029	4	BOLT (3/8-16X1.125-IN)						
	22	1	7X-7730	1	PLUG-PIPE						
	23	1	1A-5822	1	BOLT (1/2-13X2.75-IN)						
	24	1	8V-9708	1	SPACER (14.3X25.4X35-MM THK)						
	25	1	7W-2033	1	CLIP (TAB)						
	26	1	7W-2034	1	CLIP (SLOT)						
	27	1	6I-3136	1	PLATE						
	28	1	1F-7958	1	NUT-FULL (1/2-13-THD)						
	29	1	5P-8245	2	WASHER-HARD (13.5X25.5X3-MM THK)						
	30	1	5M-2894	2	WASHER-HARD (10.2X18.5X2.5-MM THK)						

B-USE AS REQUIRED

COOLING SYSTEM

4P-5767 SEPARATOR GP-AIR (contd.)

i01794861



GRAPHIC #1

<END>

g00249087

COOLING SYSTEM

7N-4885 SWITCH GP-COOLANT LEVEL

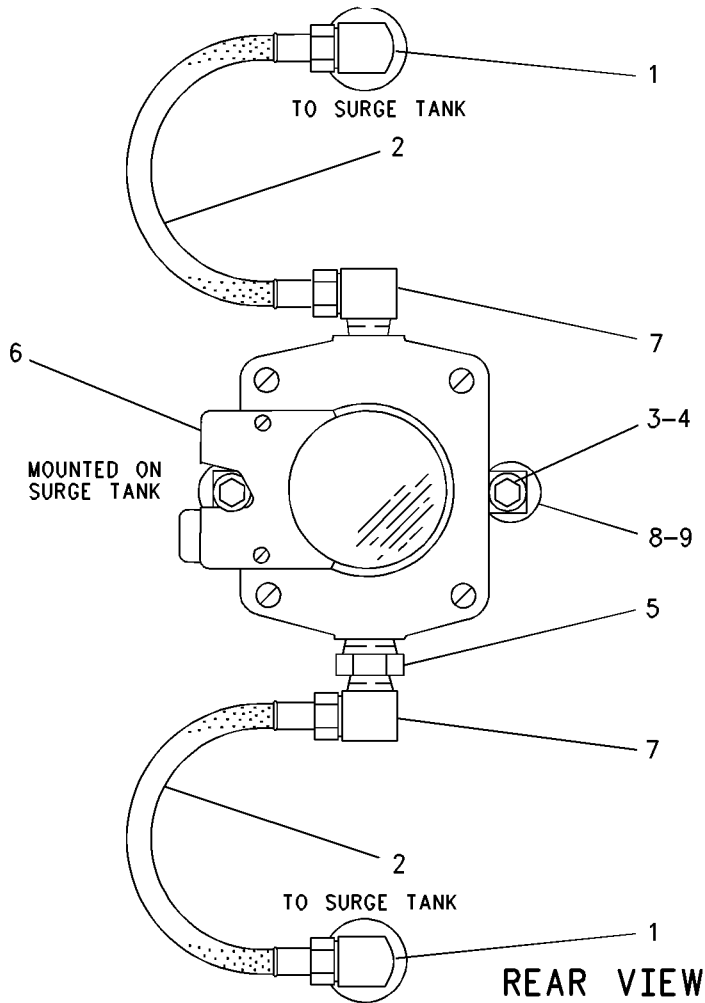
FOR USE WITH EXPANSION TANK
AN ATTACHMENT

SMCS-7470

i02766298

NOTE	REF NO	GRAPHIC REF	PART NUMBER	QTY	PART NAME						SEE PAGE
					1	2	3	4	5	6 (PRODUCT LEVEL)	
C	1	1	6V-4245	2	ELBOW						
CI	2	1	3N-4622	2	HOSE AS						
C	3	1	2A-0762	2	BOLT (1/4-20X0.625-IN)						
	4	1	5P-0537	2	WASHER-HARD (7.2X14.5X2-MM THK)						
	5	1	6B-5072	1	BUSHING-REDUCING						
	6	1	2N-9768	1	SWITCH-LIQUID LEVEL (COOLANT)						
C	7	1	4R-8605	2	ELBOW						
C	8	1	7E-7731	2	MOUNT						
	9	1	6V-7646	2	WASHER-HARD (7.2X25X2-MM THK)						

C-CHANGE FROM PREVIOUS TYPE
I-REFER TO HYDRAULIC INFORMATION SYSTEM



GRAPHIC #1

<END>

g00899609

COOLING SYSTEM

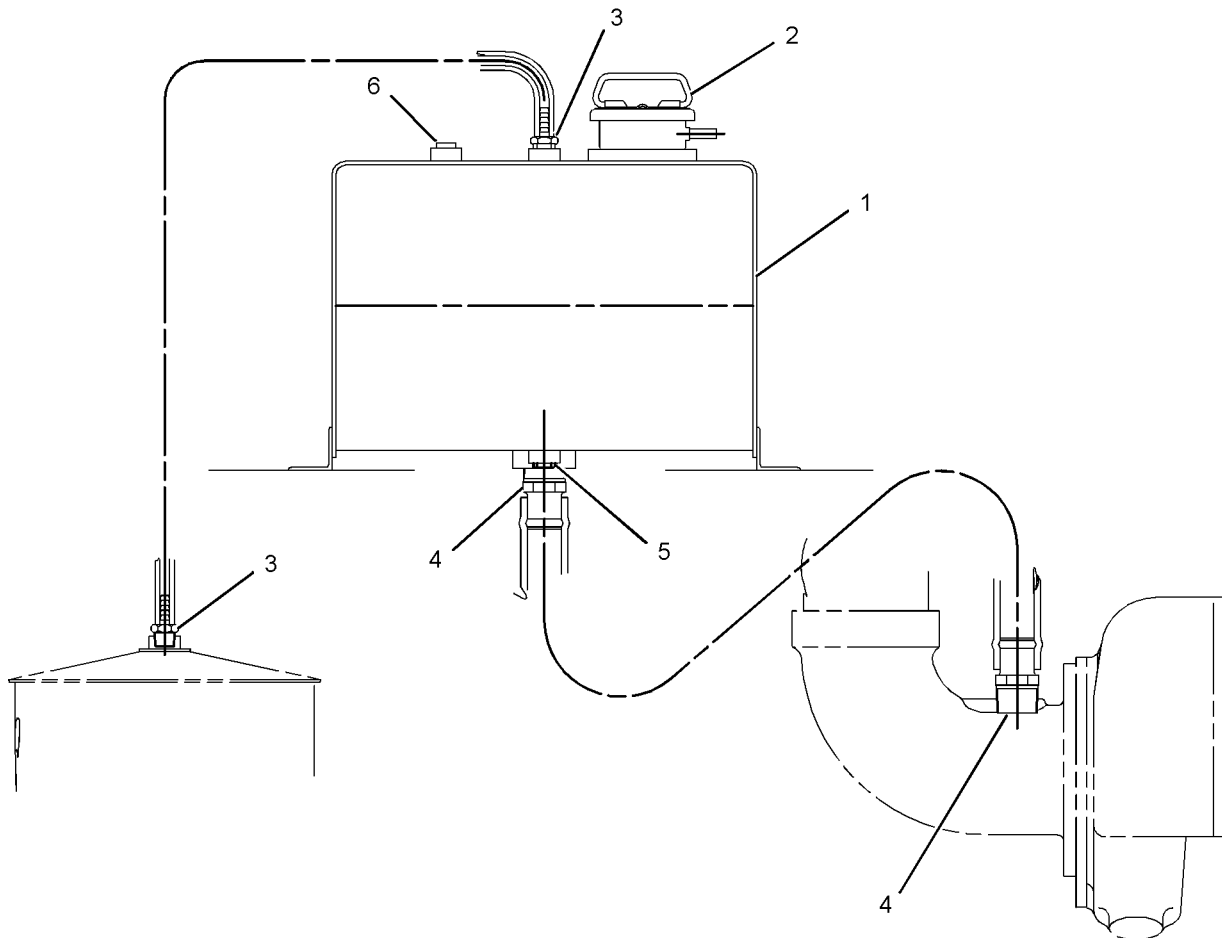
4P-5766 TANK GP-COOLANT AN ATTACHMENT

SMCS-1377

i03687963

NOTE	REF NO	GRAPHIC REF	PART NUMBER	QTY	PART NAME						SEE PAGE
					1	2	3	4	5	6 (PRODUCT LEVEL)	
	1	1	4P-5635	1	TANK AS						
J	2	1	4N-3311	1	CAP-PRESSURE (7-PSI) (COOLANT TANK)						
					-OR-						
L		1	127-8660	1	CAP-PRESSURE (14-PSI) (COOLANT TANK)						
	3	1	2R-8613	2	ADAPTER-HOSE						
	4	1	7X-1445	2	FITTING						
	5	1	8T-6765	2	PLUG-PIPE						
	6	1	8T-6762	1	PLUG-PIPE						
AVAILABLE REPAIR KIT(S):											
JL			225-4256	1	FILM-WARNING (HOT FLUID UNDER PRESSURE, U.S.)						
J			294-9052	1	KIT-RADIATOR CAP (COOLANT TANK)						
					(INCLUDES RADIATOR CAP AND WARNING FILM)						
L			295-5458		KIT-RADIATOR CAP (COOLANT TANK)						
					(INCLUDES RADIATOR CAP AND WARNING FILM)						

J-KIT MARKED J SERVICES PART(S) MARKED J
L-KIT MARKED L SERVICES PARTS(S) MARKED L



GRAPHIC #1

<END>

g01015392

COOLING SYSTEM

119-7334 TANK GP-EXPANSION

SMCS-1354

i03196842

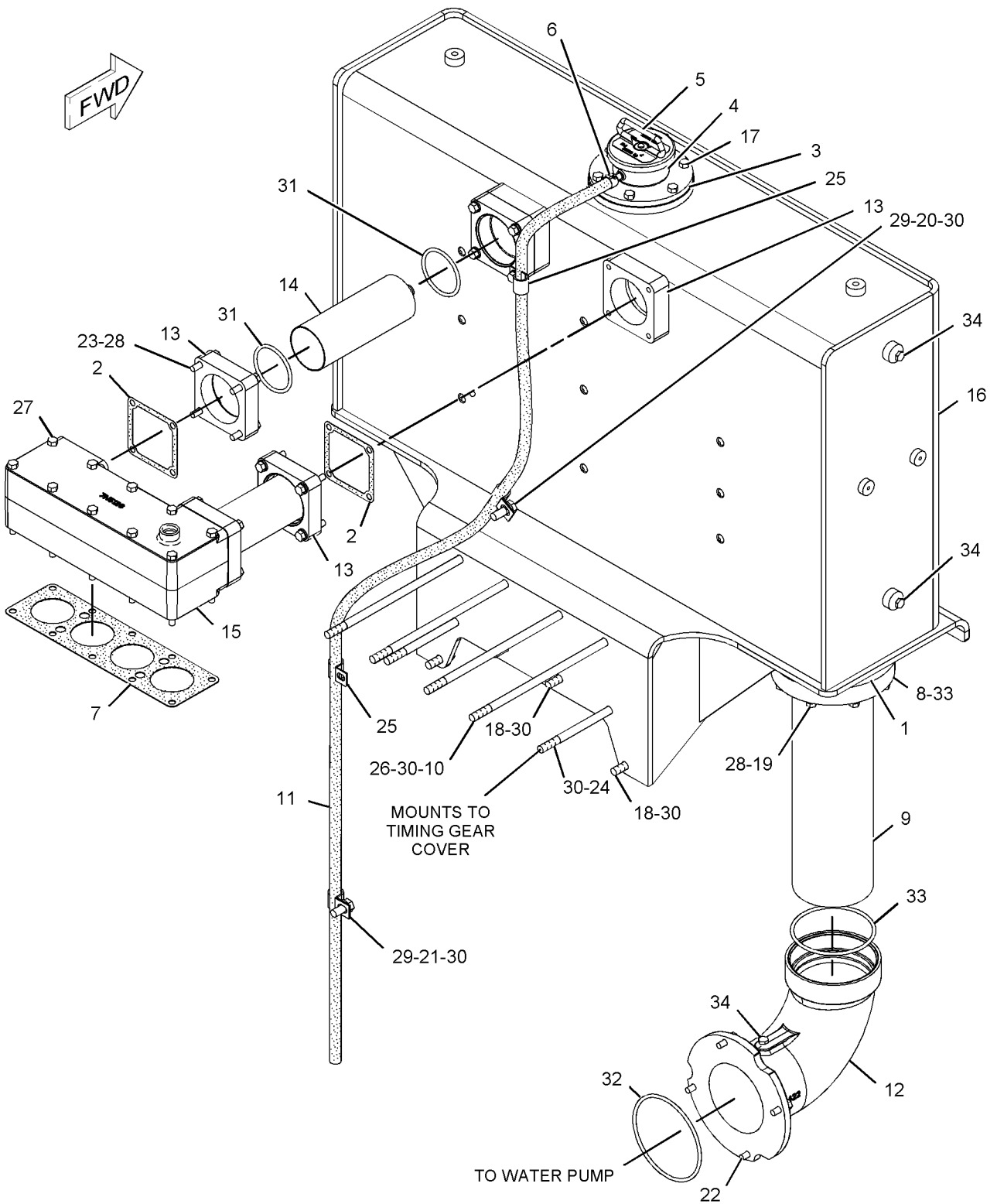
NOTE	REF NO	GRAPHIC REF	PART NUMBER	QTY	PART NAME						SEE PAGE
					1	2	3	4	5	6 (PRODUCT LEVEL)	
	1	1	1S-5772	1	GASKET						
	2	1	2N-0931	4	GASKET						
	3	1	3H-5939	1	GASKET-HEAT EXCHANGER						
	4	1	3N-1341	1	ADAPTER AS-NECK						
J	5	1	4N-3311	1	CAP-PRESSURE (7-PSI) (EXPANSION TANK)						
					-OR-						
L		1	127-8660	1	CAP-PRESSURE (14-PSI) (EXPANSION TANK)						
	6	1	5D-1026	1	CLAMP-BAND						
	7	1	7N-4927	1	GASKET-HOUSING COVER						
	8	1	7N-5120	1	FLANGE						
	9	1	7N-5123	1	TUBE						
	10	1	8B-9725	4	BOSS						
E	11	1	5P-0721		HOSE (193-CM)						
	12	1	8N-9422	1	ELBOW						
	13	1	8N-9609	4	FLANGE						
	14	1	8N-9706	2	TUBE						
	15	1	119-7333	1	HOUSING AS						
		1	111-4374	1	VALVE AS-VENT LINE						
	16	1	245-2876	1	TANK AS-EXPANSION						
	17	1	0L-1351	6	BOLT (3/8-16X0.875-IN)						
	18	1	0S-1585	4	BOLT (1/2-13X1.5-IN)						
	19	1	0S-1590	8	BOLT (3/8-16X2-IN)						
	20	1	0S-1595	1	BOLT (1/2-13X1.25-IN)						
	21	1	0S-1621	1	BOLT (1/2-13X1-IN)						
	22	1	1A-2029	4	BOLT (3/8-16X1.125-IN)						
	23	1	1C-2251	16	BOLT (3/8-16X1.87-IN)						
	24	1	2A-1531	2	BOLT (1/2-13X6.5-IN)						
	25	1	3S-8664	2	CLIP						
	26	1	4M-2442	4	BOLT (1/2-13X12.32-IN)						
	27	1	5B-9603	10	BOLT (3/8-16X5-IN)						
	28	1	5M-2894	24	WASHER-HARD (10.2X18.5X2.5-MM THK)						
	29	1	5P-4295	2	CLIP						
	30	1	5P-8245	12	WASHER-HARD (13.5X25.5X3-MM THK)						
	31	1	6V-1454	4	SEAL-O-RING						
	32	1	6V-6809	1	SEAL-O-RING						
	33	1	8T-2903	2	SEAL-O-RING						
	34	1	8T-6765	5	PLUG-PIPE						
					AVAILABLE REPAIR KIT(S):						
JL			225-4256	1	FILM-WARNING (HOT FLUID UNDER PRESSURE, U.S.)						
J			294-9052	1	KIT-RADIATOR CAP (EXPANSION TANK) (INCLUDES RADIATOR CAP AND WARNING FILM)						
L			295-5458		KIT-RADIATOR CAP (EXPANSION TANK) (INCLUDES RADIATOR CAP AND WARNING FILM)						

E-ORDER BY THE CENTIMETER
 J-PARTS MARKED J SERVICE PART(S) MARKED J
 L-KIT MARKED L SERVICE PARTS(S) MARKED L

COOLING SYSTEM

119-7334 TANK GP-EXPANSION (contd.)

i03196842



GRAPHIC #1

<END>

g01051237

COOLING SYSTEM

293-3397 TANK GP-EXPANSION AN ATTACHMENT

SMCS-1354

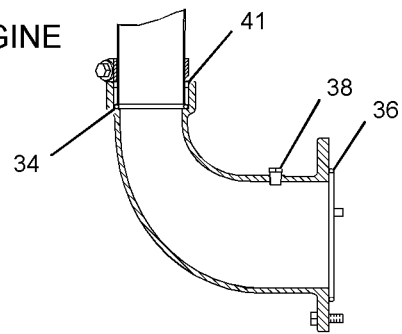
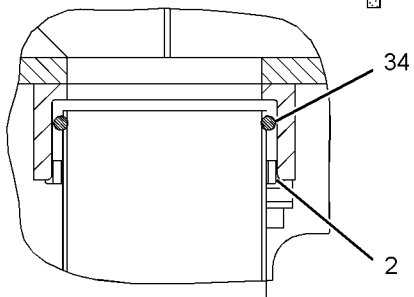
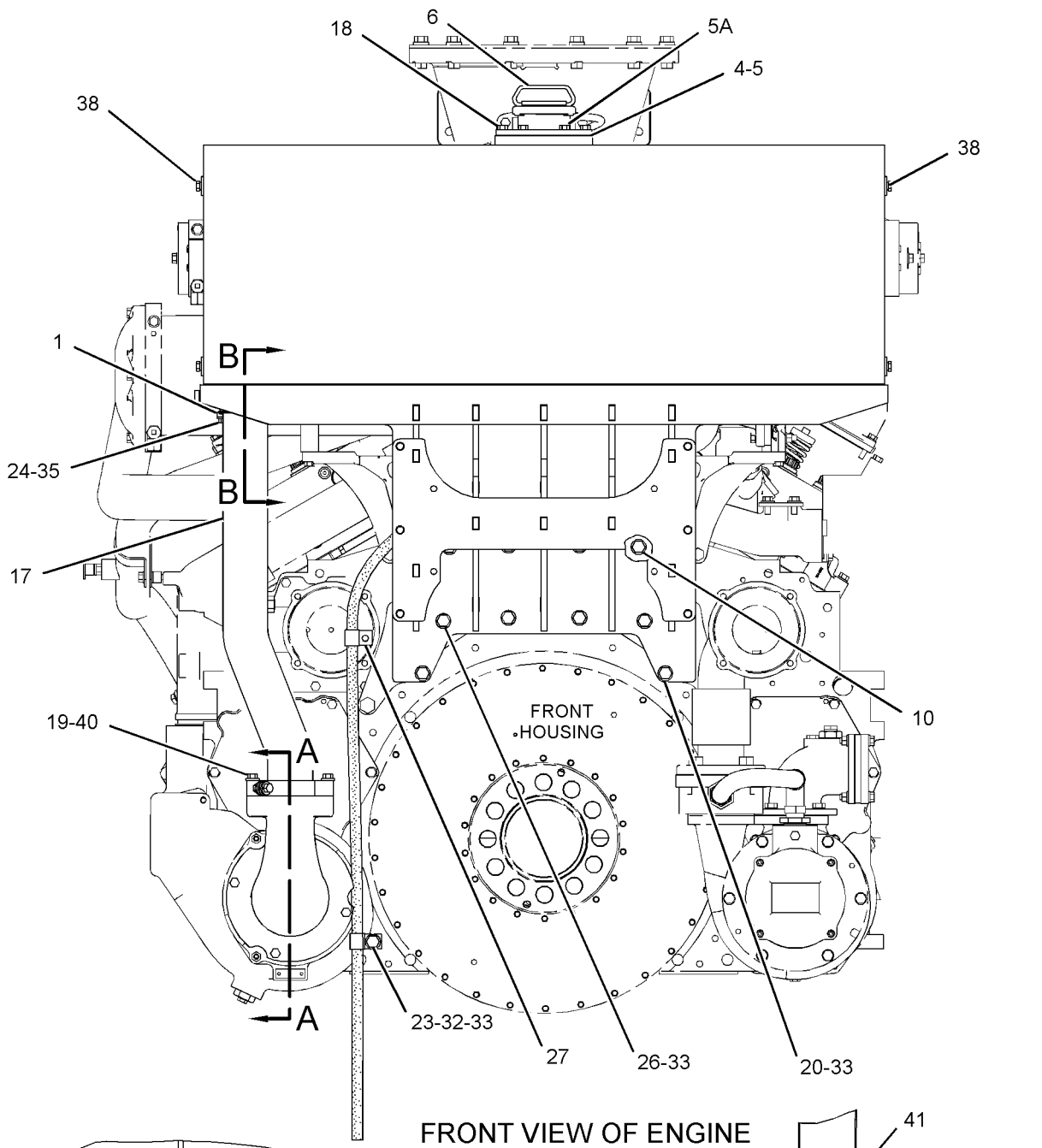
i03513185

NOTE	REF NO	GRAPHIC REF	PART NUMBER	QTY	PART NAME						SEE PAGE
					1	2	3	4	5	6 (PRODUCT LEVEL)	
	1	1	1W-4072	2	RETAINER						
	2	1	1W-4099	1	RING-RETAINING						
	3	2	2N-0931	4	GASKET						
	4	1	3H-5939	1	GASKET-HEAT EXCHANGER						
	5	1	3N-1341	1	ADAPTER AS-NECK						
	5A	1	6L-9849		NECK-FILLER						
J	6	1	4N-3311	1	CAP-PRESSURE (7-PSI) (EXPANSION TANK)						
					-OR-						
L		1	127-8660	1	CAP-PRESSURE (14-PSI) (EXPANSION TANK)						
	7	2	5D-1026	1	CLAMP-BAND						
	8	2	7N-4927	1	GASKET-HOUSING COVER						
	9	2	119-7333	1	HOUSING AS						
		2	111-4374	1	VALVE AS-VENT LINE						
	10	1	8B-9725	4	BOSS						
	11	2	8N-5213	1	HOSE						
	12	2	8N-9609	4	FLANGE						
	13	2	188-0324	2	TUBE						
	14	2	236-2623	1	ELBOW						
	15	2	248-4792	2	CLAMP AS						
	16	2	293-3399	1	TANK AS						
16A	2		3N-5863	4	BOSS						
16B	2		3N-7320	1	FLANGE-EXPANSION TANK						
	17	1	304-4501	1	TUBE						
	18	1	0L-1351	6	BOLT (3/8-16X0.875-IN)						
	19	1	0S-1571	2	BOLT (3/8-16X1.75-IN)						
	20	1	0S-1585	4	BOLT (1/2-13X1.5-IN)						
	21	2	0S-1594	2	BOLT (3/8-16X1-IN)						
	22	2	0S-1595	1	BOLT (1/2-13X1.25-IN)						
	23	1	0S-1621	1	BOLT (1/2-13X1-IN)						
	24	1,2	1A-2029	6	BOLT (3/8-16X1.125-IN)						
	25	2	1C-2251	16	BOLT (3/8-16X1.87-IN)						
	26	1	2A-1531	2	BOLT (1/2-13X6.5-IN)						
	27	1,2	3S-8664	2	CLIP						
	28	2	4M-2442	4	BOLT (1/2-13X12.32-IN)						
	29	2	5B-9603	10	BOLT (3/8-16X5-IN)						
	30	2	5M-2894	16	WASHER-HARD (10.2X18.5X2.5-MM THK)						
	31	2	5P-2566	6	BOLT (1/2-13X1.5-IN)						
	32	1,2	5P-4295	2	CLIP						
	33	1,2	5P-8245	12	WASHER-HARD (13.5X25.5X3-MM THK)						
	34	1,2	6V-1454	6	SEAL-O-RING						
	35	1	6V-5839	2	WASHER (11X21X2.5-MM THK)						
	36	1	6V-6809	1	SEAL-O-RING						
	37	2	8T-4223	6	WASHER-HARD (13.5X25.5X3-MM THK)						
	38	1	8T-6765	5	PLUG-PIPE						
	39	2	9S-8752	2	NUT-FULL (3/8-16-THD)						
	40	1,2	9X-6458	6	WASHER-HARD (10.2X22.5X3-MM THK)						
	41	1	7E-7209	1	RING-RETAINING						
					AVAILABLE REPAIR KIT(S):						
JL			225-4256	1	FILM-WARNING (HOT FLUID UNDER PRESSURE, U.S.)						
J			294-9052	1	KIT-RADIATOR CAP (EXPANSION TANK) (INCLUDES RADIATOR CAP AND WARNING FILM)						
L			295-5458		KIT-RADIATOR CAP (EXPANSION TANK) (INCLUDES RADIATOR CAP AND WARNING FILM)						
J-KIT MARKED J SERVICE PART(S) MARKED J L-KIT MARKED L SERVICE PARTS(S) MARKED L											

COOLING SYSTEM

293-3397 TANK GP-EXPANSION (contd.)

i03513185



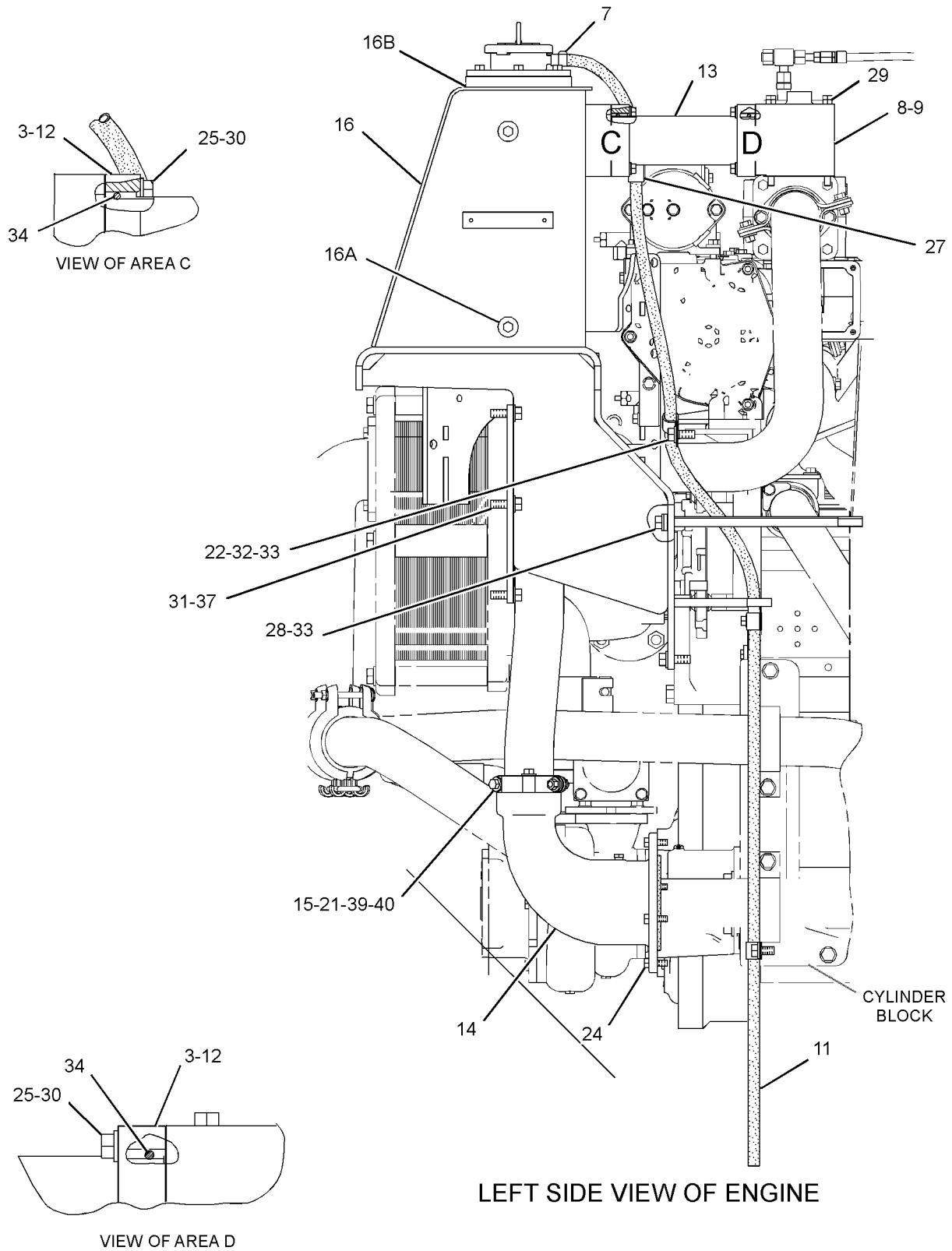
GRAPHIC #1

g01696535

COOLING SYSTEM

293-3397 TANK GP-EXPANSION (contd.)

i03513185



GRAPHIC #2

<END>

g01696761

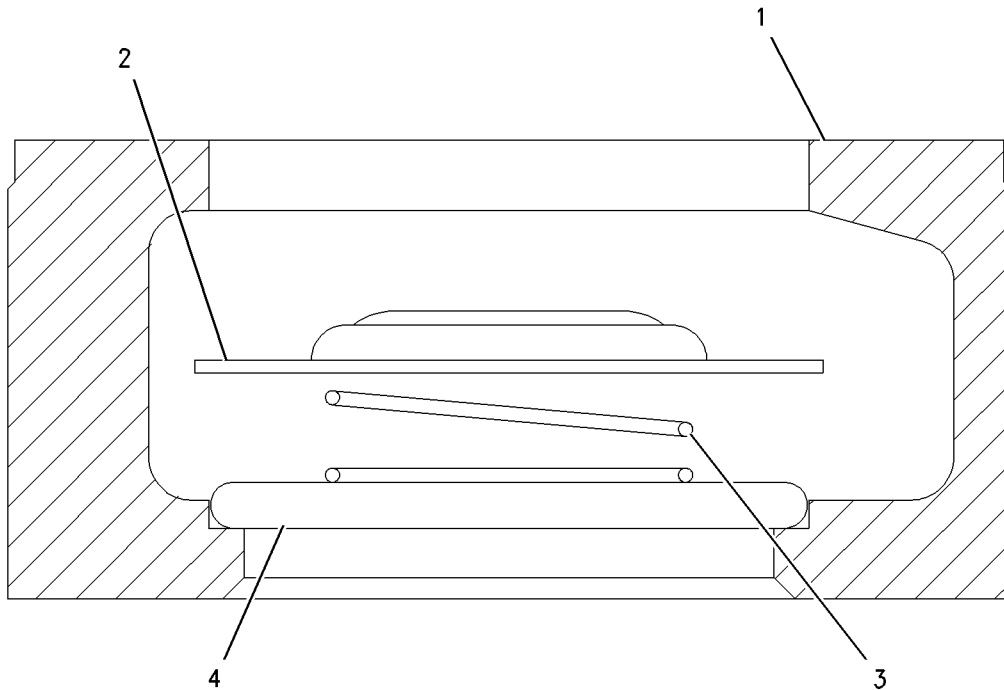
COOLING SYSTEM

148-8005 VALVE GP-CHECK-AUXILIARY WATER PUMP PART OF 144-6080, 248-2858, 318-2579 PUMP GP-AUXILIARY SEA WATER AN ATTACHMENT

SMCS-5067

i01186433

NOTE	REF NO	GRAPHIC REF	PART NUMBER	QTY	PART NAME						SEE PAGE
					1	2	3	4	5	6 (PRODUCT LEVEL)	
	1	1	148-8001	1	BODY-VALVE						
	2	1	148-8002	1	RETAINER						
	3	1	148-8003	1	SPRING						
	4	1	148-8004	1	DISC-FLAP						



GRAPHIC #1

<END>

g00635304

AIR INLET AND EXHAUST SYSTEM

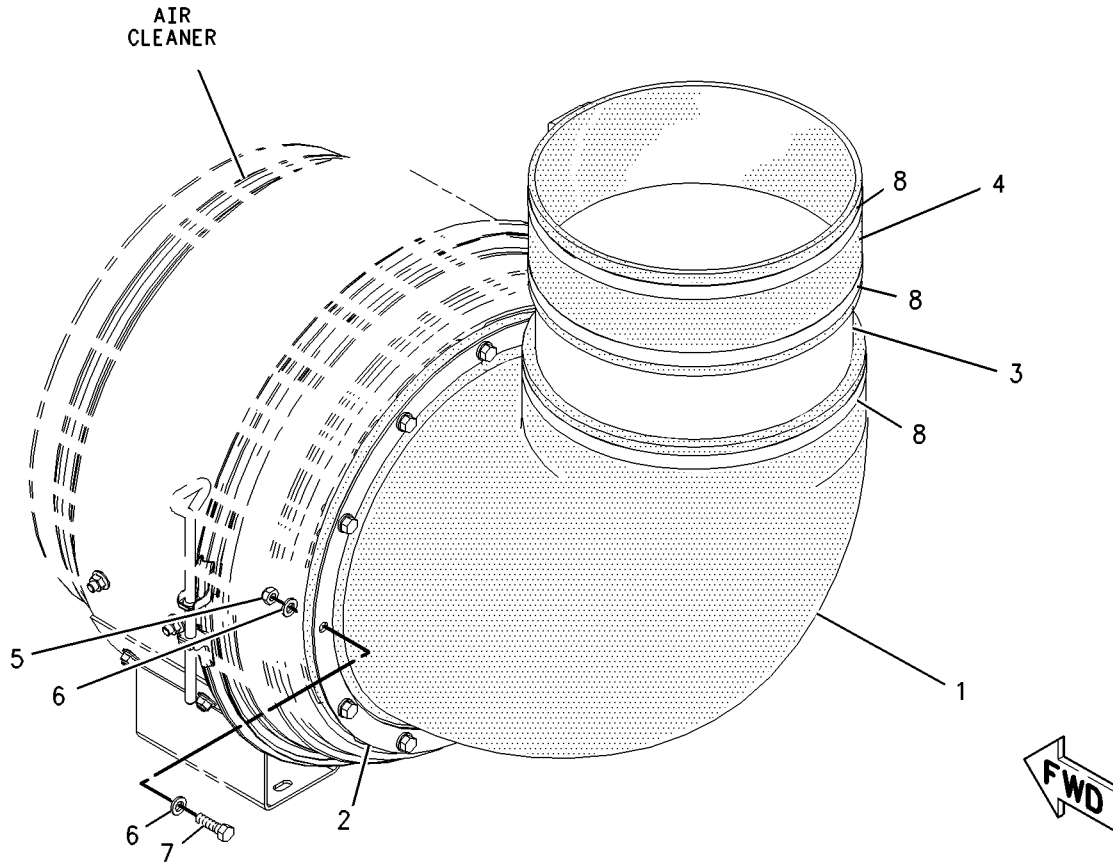
209-4453 ADAPTER GP-AIR CLEANER

FOR USE WITH 206-0884-PAGE 264
AN ATTACHMENT

SMCS-1051

i02327542

NOTE	REF NO	GRAPHIC REF	PART NUMBER	QTY	PART NAME						SEE PAGE
					1	2	3	4	5	6 (PRODUCT LEVEL)	
	1	1	209-4455	1	ADAPTER						
	2	1	212-8188	1	STRIP						
	3	1	219-7509	1	TUBE						
	4	1	219-7510	1	HOSE						
	5	1	031-4155	12	LOCKNUT (5/16-18-THD)						
	6	1	5P-4116	24	WASHER-HARD (8.8X20.5X2-MM THK)						
	7	1	6V-8918	12	BOLT (5/16-18X1.25-IN)						
	8	1	128-0856	3	CLAMP-HOSE						



GRAPHIC #1

<END>

g00924798

AIR INLET AND EXHAUST SYSTEM

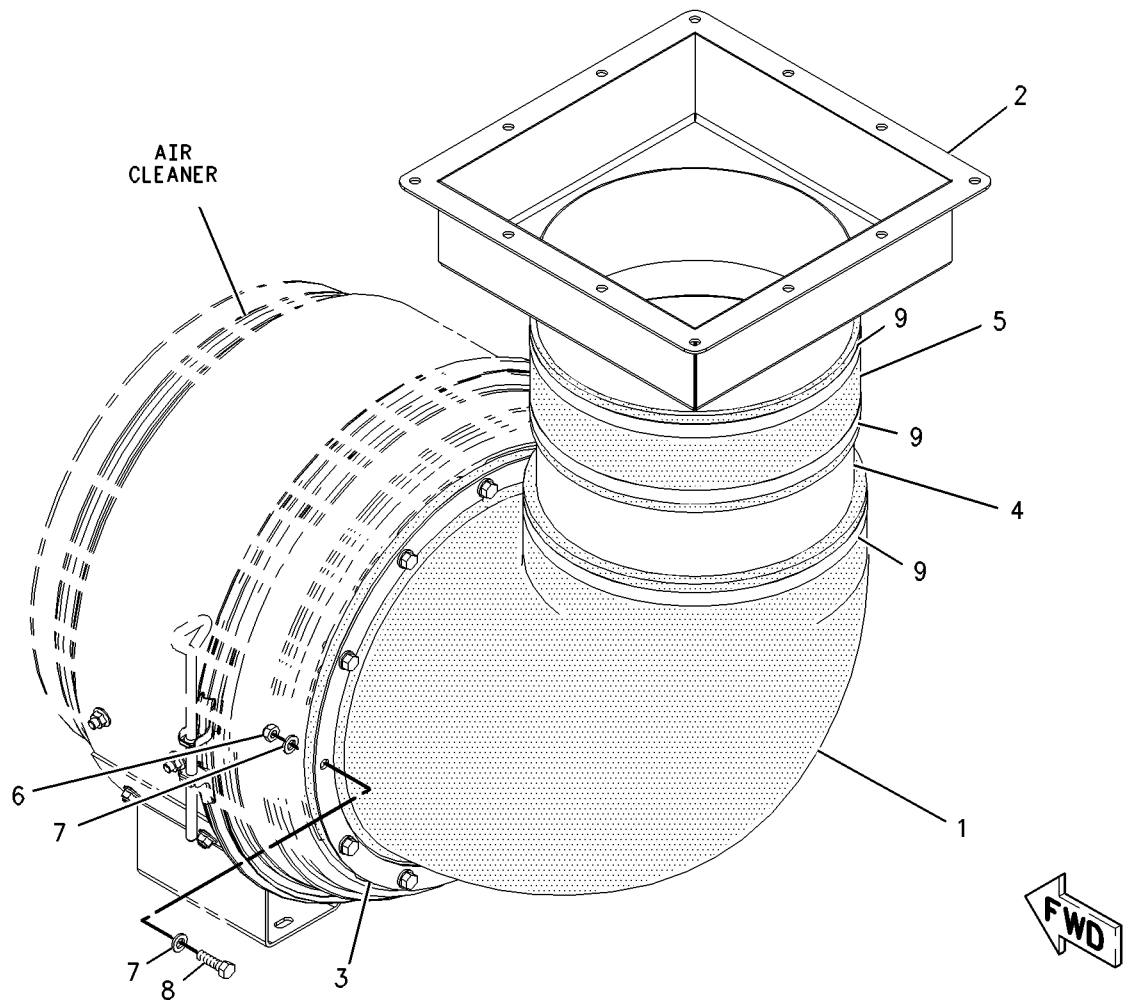
209-4454 ADAPTER GP-AIR CLEANER

FOR USE WITH 206-0884-PAGE 264
AN ATTACHMENT

SMCS-1051

i02327544

NOTE	REF NO	GRAPHIC REF	PART NUMBER	QTY	PART NAME						SEE PAGE
					1	2	3	4	5	6 (PRODUCT LEVEL)	
	1	1	209-4455	1	ADAPTER						
	2	1	209-4457	1	ADAPTER AS						
	3	1	212-8188	1	STRIP						
	4	1	219-7509	1	TUBE						
	5	1	219-7510	1	HOSE						
	6	1	031-4155	12	LOCKNUT (5/16-18-THD)						
	7	1	5P-4116	24	WASHER-HARD (8.8X20.5X2-MM THK)						
	8	1	6V-8918	12	BOLT (5/16-18X1.25-IN)						
	9	1	128-0856	3	CLAMP-HOSE						



GRAPHIC #1

<END>

g00924779

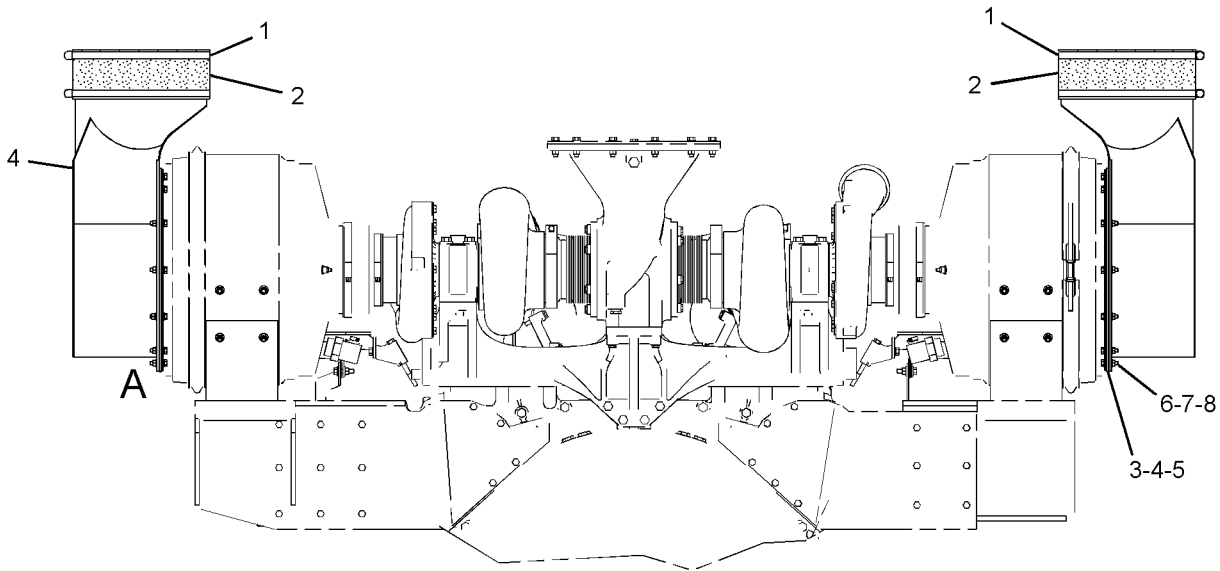
AIR INLET AND EXHAUST SYSTEM

301-9565 ADAPTER GP-AIR CLEANER AN ATTACHMENT

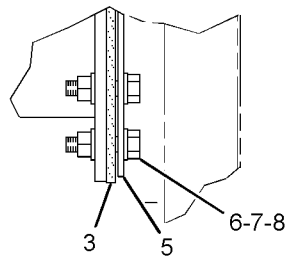
SMCS-1051

i03174284

NOTE	REF NO	GRAPHIC REF	PART NUMBER	QTY	PART NAME						SEE PAGE
					1	2	3	4	5	6 (PRODUCT LEVEL)	
	1	1	128-0856	4	CLAMP-HOSE						
	2	1	219-7510	2	HOSE						
	3	1	293-7467	2	GASKET						
	4	1	301-9564	2	ADAPTER AS-AIR CLEANER						
	5	1	331-4777	2	RING						
	6	1	031-2701	24	BOLT-LOCKING (5/16-18X1.25-IN)						
	7	1	6V-8189	24	NUT (5/16-18-THD)						
	8	1	8T-4224	48	WASHER-HARD (8.8X16X2-MM THK)						



REAR VIEW OF ENGINE



VIEW OF AREA A

<END>

GRAPHIC #1

g01624961

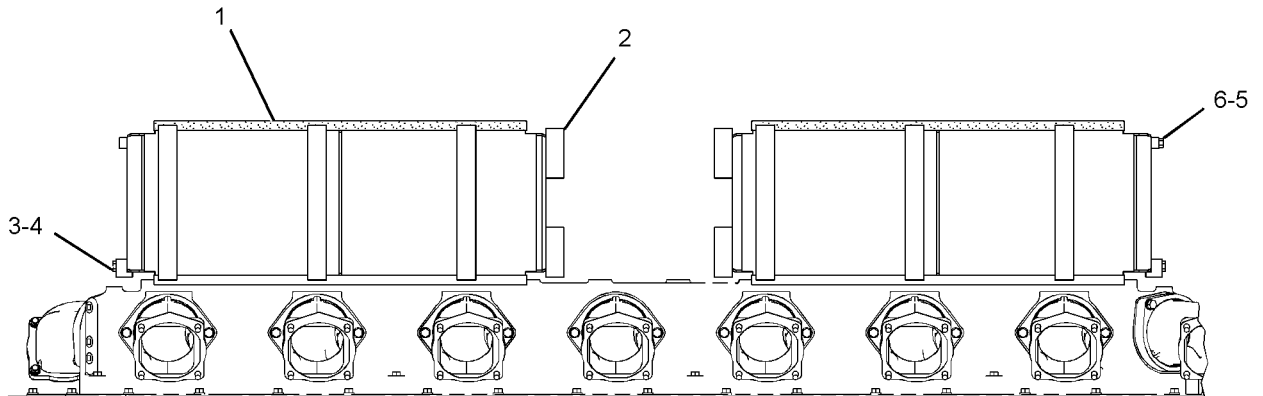
AIR INLET AND EXHAUST SYSTEM

255-2288 AFTERCOOLER GP-WATER

SMCS - 1063

i02601151

NOTE	REF NO	GRAPHIC REF	PART NUMBER	QTY	PART NAME						SEE PAGE
					1	2	3	4	5	6 (PRODUCT LEVEL)	
	1	1	107-3758	4	SEAL (AFTERCOOLER)						
	2	1	245-4621	2	CORE AS-AFTERCOOLER						
	3	1	1J-9671	2	SEAL-O-RING						
	4	1	3K-8460	2	PLUG						
	5	1	6V-9027	1	SEAL-O-RING						
	6	1	9S-4182	1	PLUG-O RING						



LEFT SIDE VIEW

GRAPHIC #1

<END>

g01244253

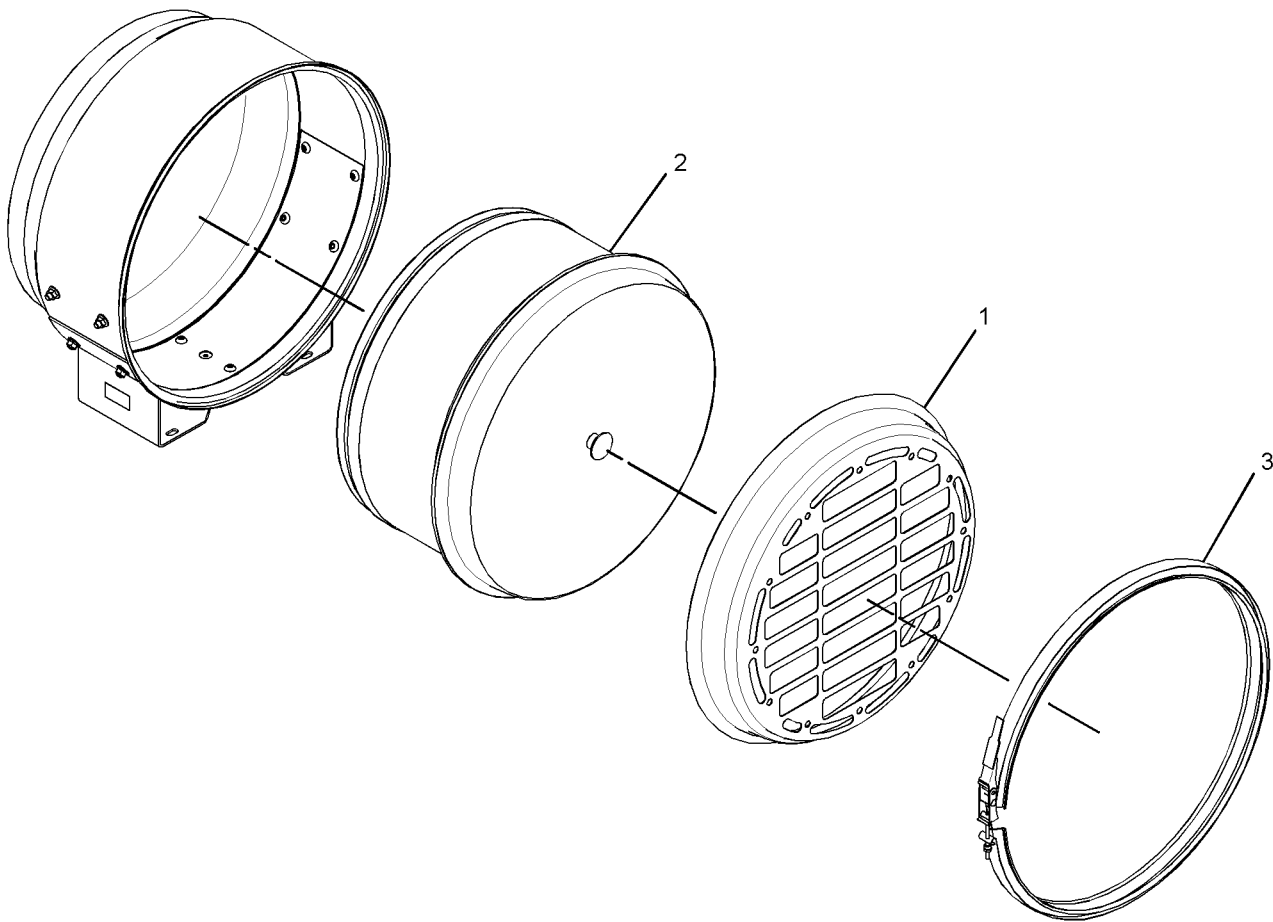
AIR INLET AND EXHAUST SYSTEM

206-0884 AIR CLEANER GP PART OF 249-2865, 281-0694 AIR CLEANER GP AN ATTACHMENT

SMCS-1051, 1054

i02586894

NOTE	REF NO	GRAPHIC REF	PART NUMBER	QTY	PART NAME						SEE PAGE
					1	2	3	4	5	6 (PRODUCT LEVEL)	
	1	1	208-9064	1	COVER						
	2	1	208-9065	1	FILTER ELEMENT AS-AIR (PRIMARY)						
	3	1	293-4388	1	CLAMP AS						



GRAPHIC #1

<END>

g01310251

AIR INLET AND EXHAUST SYSTEM

226-2773 AIR CLEANER GP

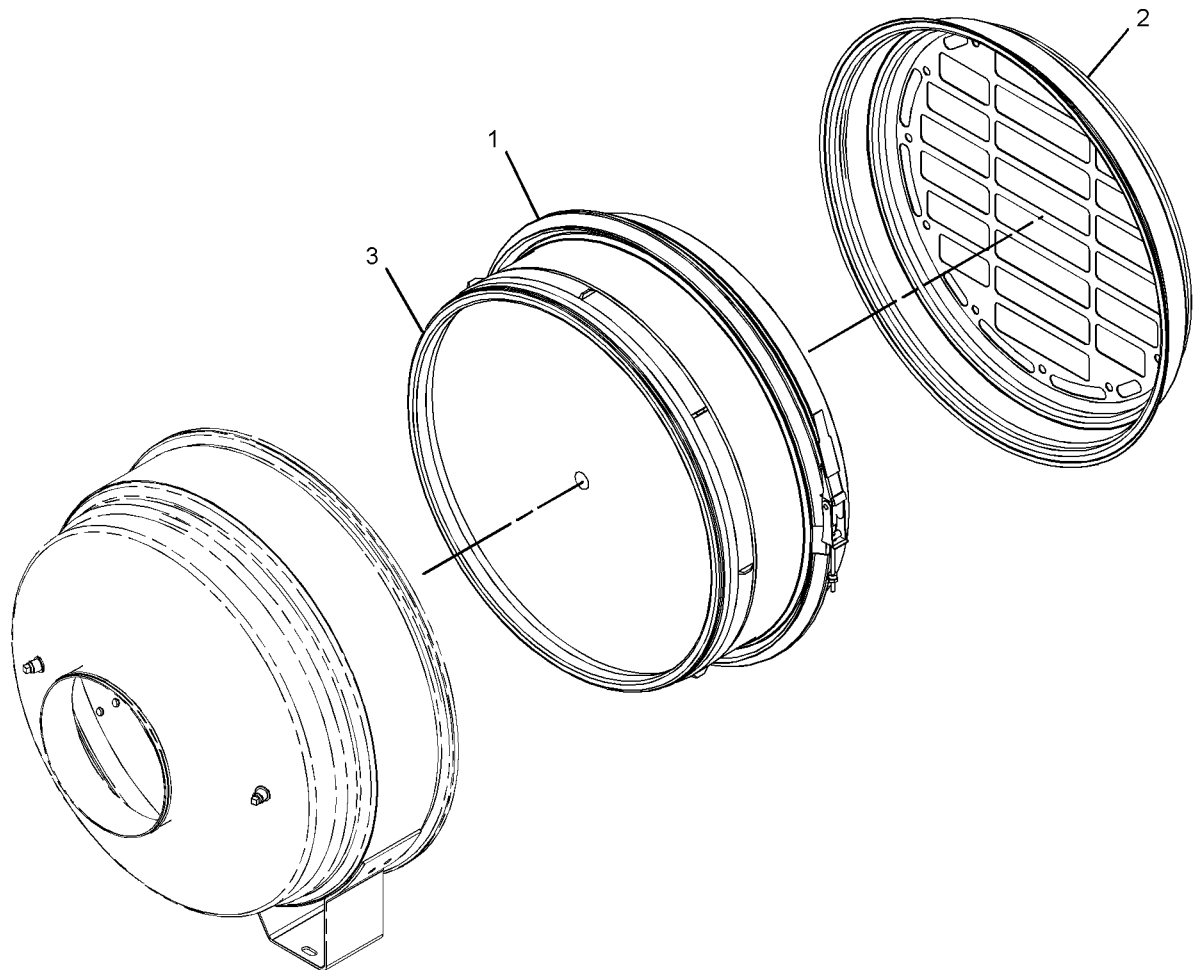
7-IN POWER CORE

PART OF 251-5884 AIR CLEANER GP
AN ATTACHMENT

SMCS-1051, 1054

i02608751

NOTE	REF NO	GRAPHIC REF	PART NUMBER	QTY	PART NAME						SEE PAGE
					1	2	3	4	5	6 (PRODUCT LEVEL)	
	1	1	293-4388	1	CLAMP AS						
	2	1	208-9064	1	COVER						
	3	1	226-2779	1	FILTER ELEMENT AS-AIR (PRIMARY)						



GRAPHIC #1

<END>

g01307144

AIR INLET AND EXHAUST SYSTEM

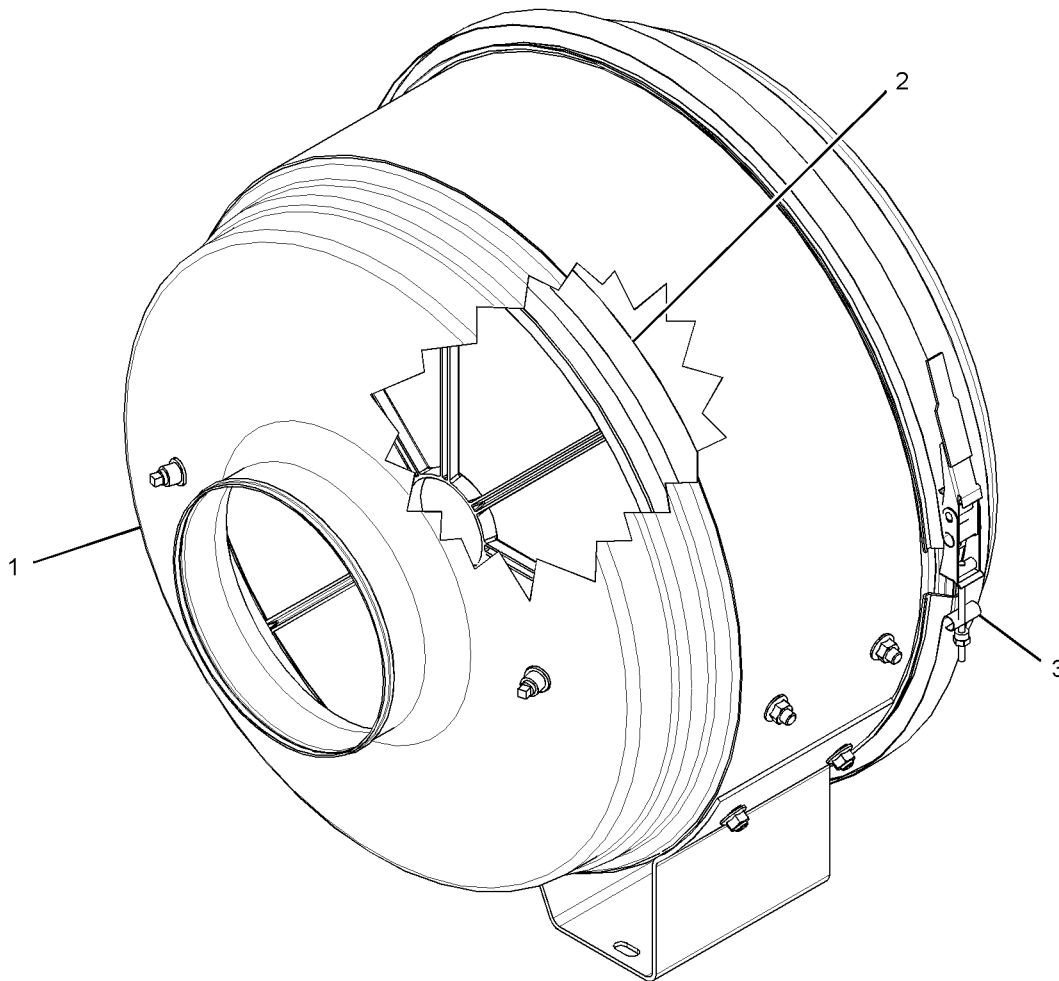
249-2865 AIR CLEANER GP AN ATTACHMENT

SMCS-1051, 1054

i02958843

NOTE	REF NO	GRAPHIC REF	PART NUMBER	QTY	PART NAME						SEE PAGE
					1	2	3	4	5	6 (PRODUCT LEVEL)	
Y	1	1	206-0884	1	AIR CLEANER GP						264
	2	1	208-9065	1	FILTER ELEMENT AS-AIR (PRIMARY)						
	3	1	293-4388	1	CLAMP AS						

Y-SEPARATE ILLUSTRATION



GRAPHIC #1

<END>

g01491174

AIR INLET AND EXHAUST SYSTEM

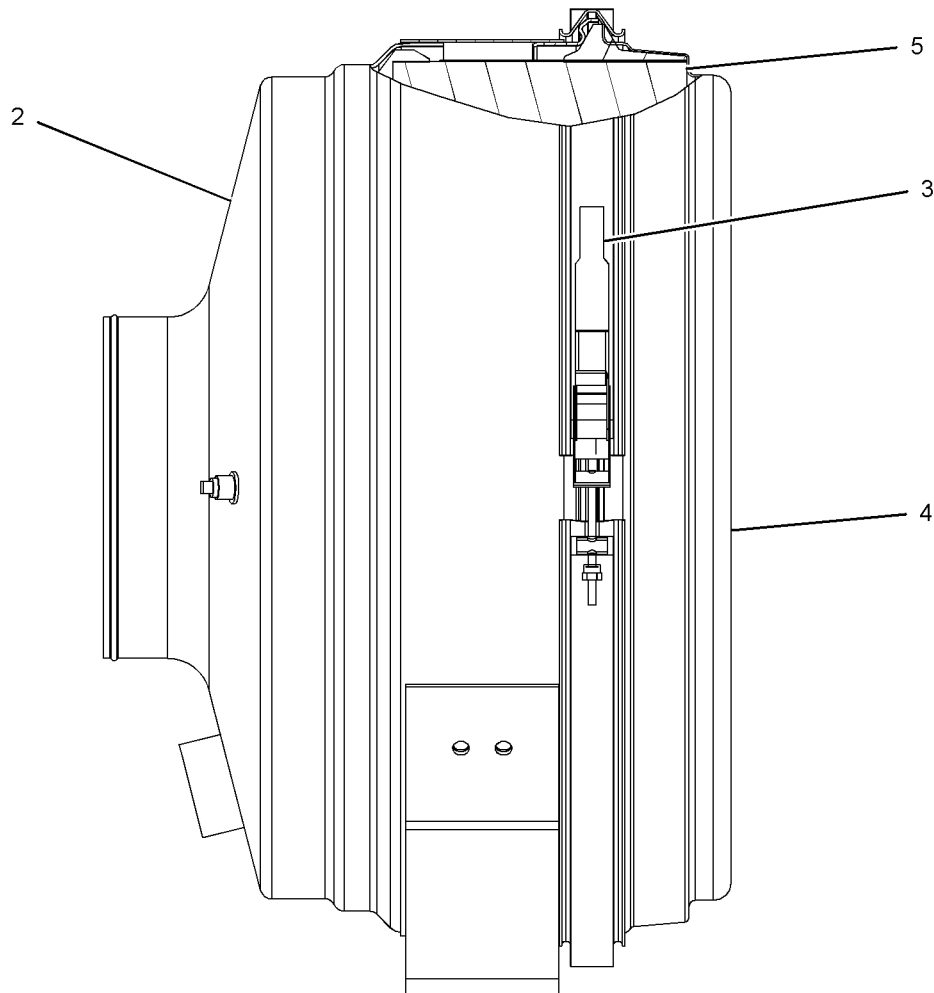
251-5884 AIR CLEANER GP AN ATTACHMENT

SMCS-1051, 1054

i02676061

NOTE	REF NO	GRAPHIC REF	PART NUMBER	QTY	PART NAME						SEE PAGE
					1	2	3	4	5	6 (PRODUCT LEVEL)	
Y	2	1	226-2773	1	AIR CLEANER GP (SINGLE)						265
	3	1	293-4388	1	CLAMP AS						
	4	1	208-9064	1	COVER						
	5	1	226-2779	1	FILTER ELEMENT AS-AIR (PRIMARY)						

Y-SEPARATE ILLUSTRATION



GRAPHIC #1

<END>

g01346887

AIR INLET AND EXHAUST SYSTEM

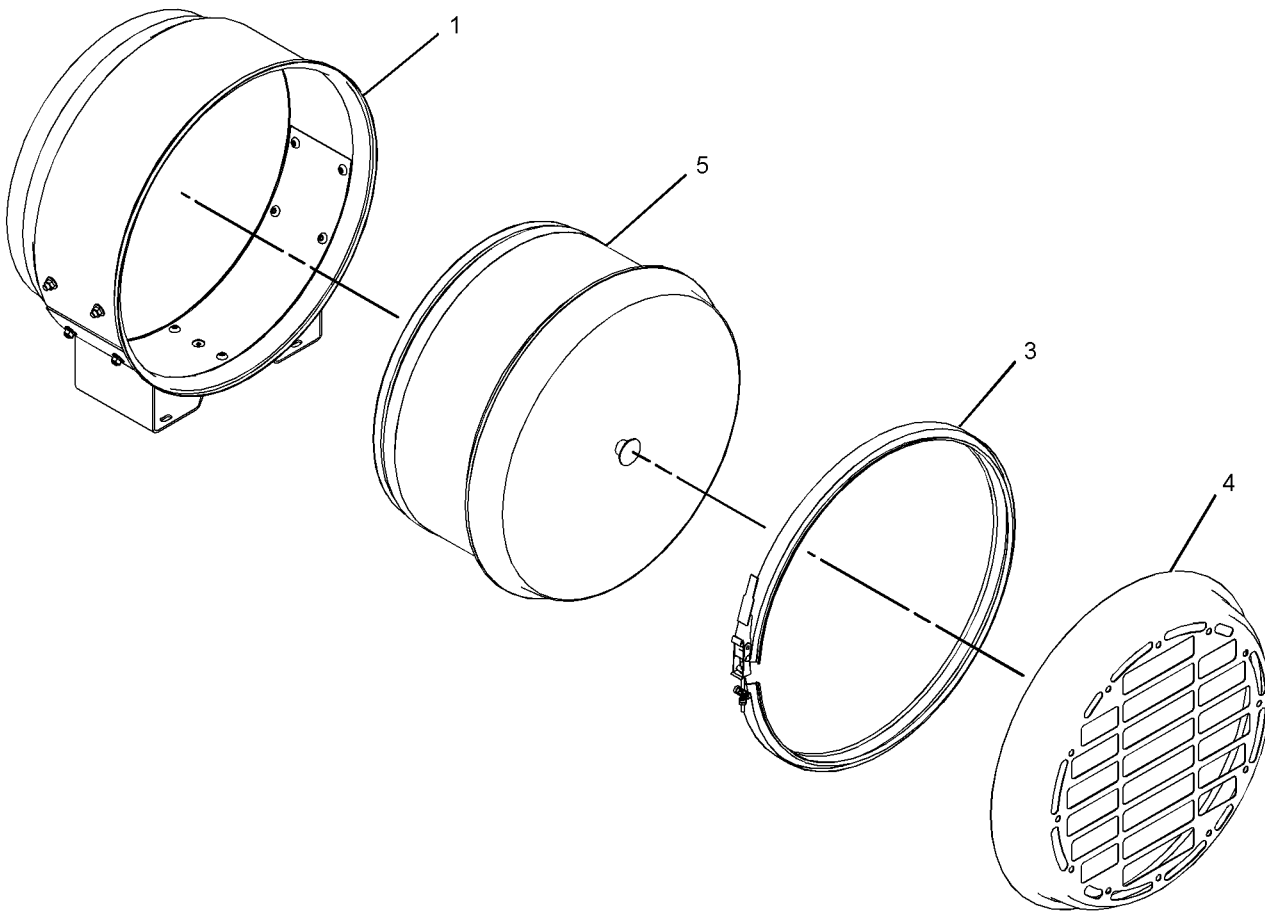
281-0694 AIR CLEANER GP AN ATTACHMENT

SMCS-1051, 1054

i02735862

NOTE	REF NO	GRAPHIC REF	PART NUMBER	QTY	PART NAME						SEE PAGE
					1	2	3	4	5	6 (PRODUCT LEVEL)	
Y	1	1	206-0884	1	AIR CLEANER GP						264
	3	1	293-4388	1	CLAMP AS						
	4	1	208-9064	1	COVER						
	5	1	208-9065	1	FILTER ELEMENT AS-AIR (PRIMARY)						

Y-SEPARATE ILLUSTRATION



GRAPHIC #1

<END>

g01373606

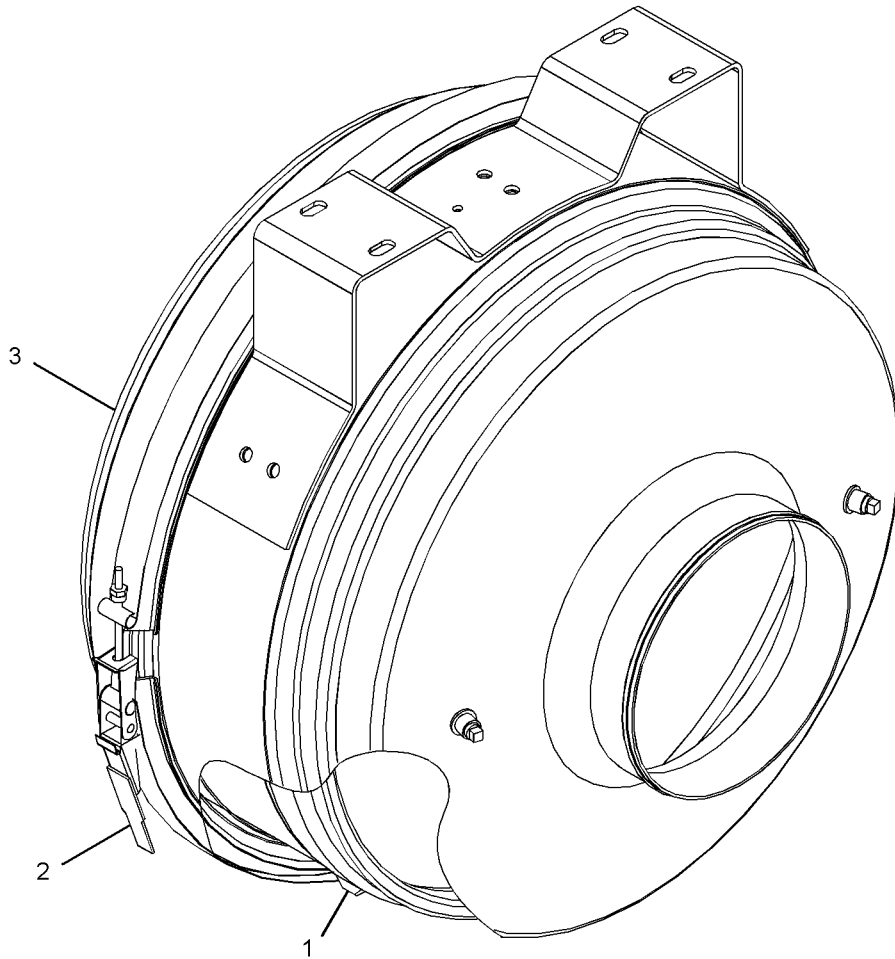
AIR INLET AND EXHAUST SYSTEM

317-9958 AIR CLEANER GP AN ATTACHMENT

SMCS-1051, 1054

i02958927

NOTE	REF NO	GRAPHIC REF	PART NUMBER	QTY	PART NAME						SEE PAGE
					1	2	3	4	5	6 (PRODUCT LEVEL)	
	1	1	226-2779	1	FILTER ELEMENT AS-AIR (PRIMARY)						
	2	1	317-9956	1	CLAMP AS						
	3	1	317-9957	1	COVER						



GRAPHIC #1

<END>

g01491455

AIR INLET AND EXHAUST SYSTEM

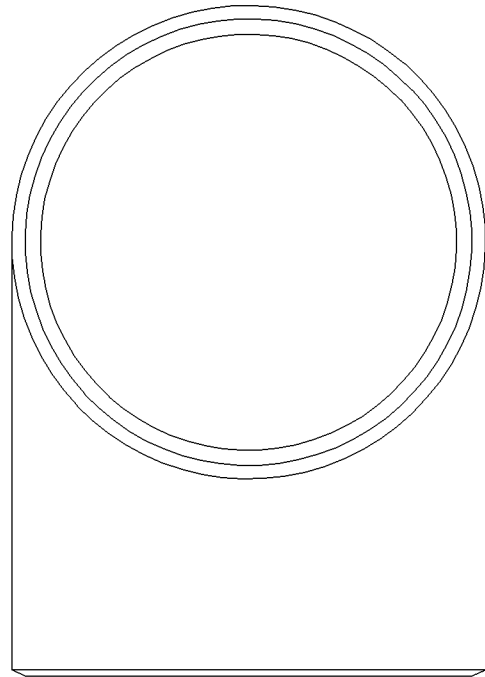
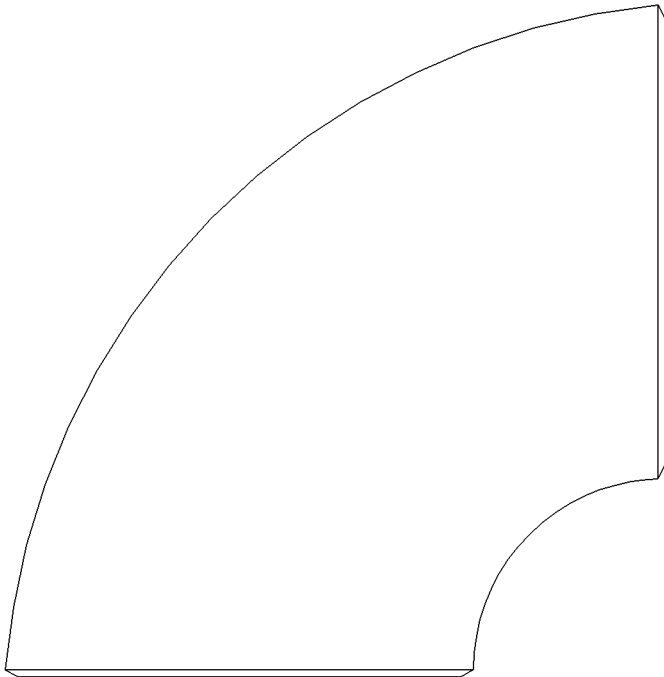
5L-6954 ELBOW-EXHAUST

12-IN
AN ATTACHMENT

SMCS-1061

i01213269

NOTE	REF NO	GRAPHIC REF	PART NUMBER	QTY	PART NAME	SEE PAGE
					1 2 3 4 5 6 (PRODUCT LEVEL)	
(NO SERVICED PARTS)						



GRAPHIC #1

<END>

g00648631

AIR INLET AND EXHAUST SYSTEM

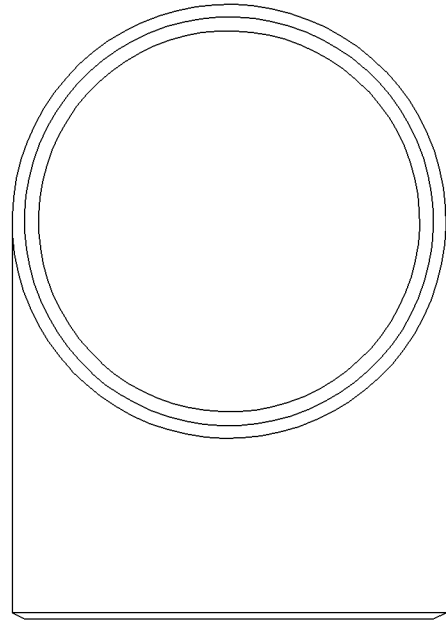
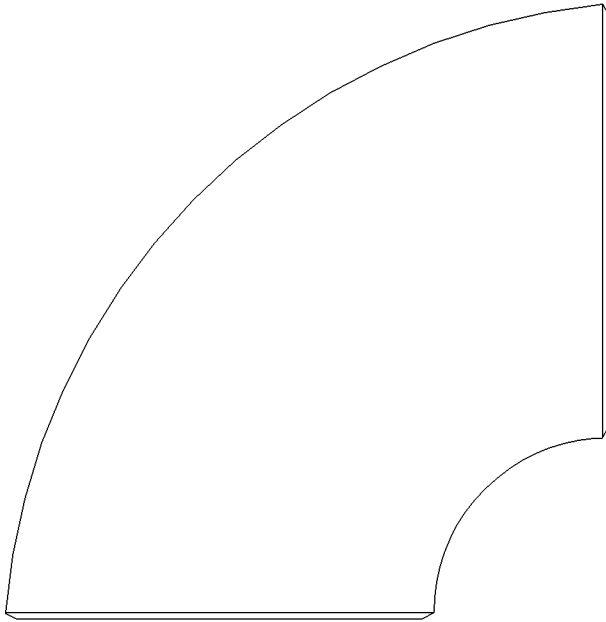
5N-8529 ELBOW-EXHAUST

14-IN
AN ATTACHMENT

SMCS-1061

i01450754

NOTE	REF NO	GRAPHIC REF	PART NUMBER	QTY	PART NAME	SEE PAGE
					1 2 3 4 5 6 (PRODUCT LEVEL)	
(NO SERVICED PARTS)						



GRAPHIC #1

<END>

g00658604

AIR INLET AND EXHAUST SYSTEM

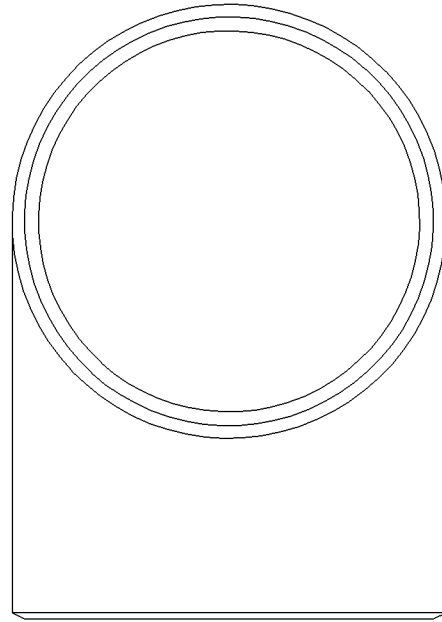
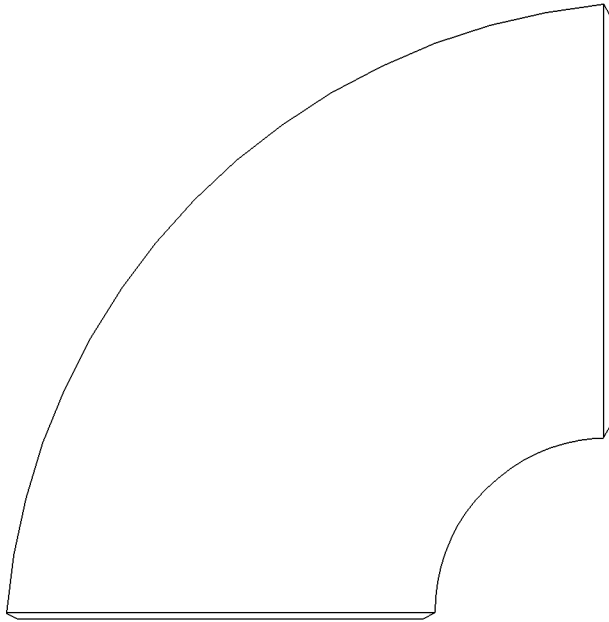
111-4986 ELBOW-EXHAUST

406.4-MM ID
AN ATTACHMENT

SMCS-1061

i01450748

NOTE	REF NO	GRAPHIC REF	PART NUMBER	QTY	PART NAME	SEE PAGE
					1 2 3 4 5 6 (PRODUCT LEVEL)	
(NO SERVICED PARTS)						



GRAPHIC #1

<END>

g00658604

AIR INLET AND EXHAUST SYSTEM

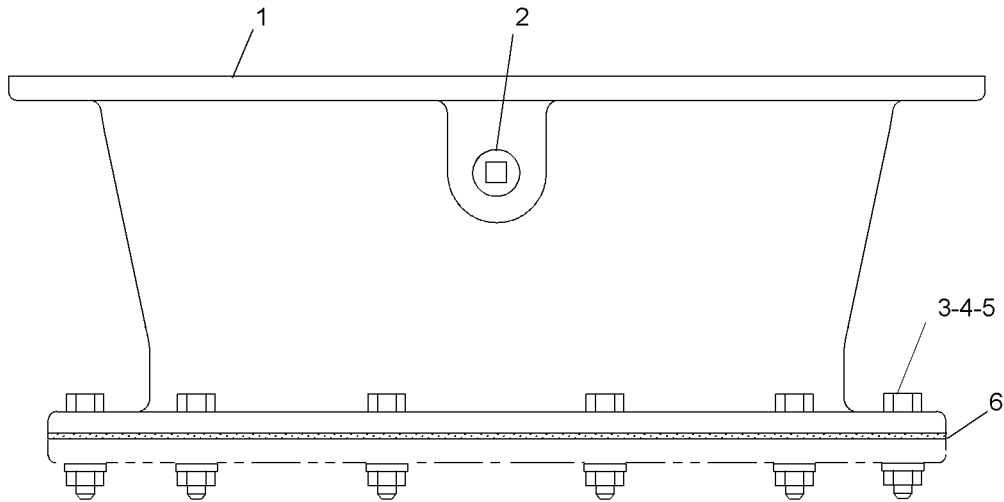
1W-9487 FITTING GP-EXHAUST

355.6-MM
AN ATTACHMENT

SMCS-1061

i02428050

NOTE	REF NO	GRAPHIC REF	PART NUMBER	QTY	PART NAME						SEE PAGE
					1	2	3	4	5	6 (PRODUCT LEVEL)	
	1	1	1W-7996	1	ADAPTER						
	2	1	8T-6762	1	PLUG-PIPE						
	3	1	0S-1591	12	BOLT (3/8-16X1.5-IN)						
	4	1	9S-8752	12	NUT-FULL (3/8-16-THD)						
	5	1	5M-2894	12	WASHER-HARD (10.2X18.5X2.5-MM THK)						
	6	1	1W-6356	1	GASKET						



GRAPHIC #1

<END>

g01215216

AIR INLET AND EXHAUST SYSTEM

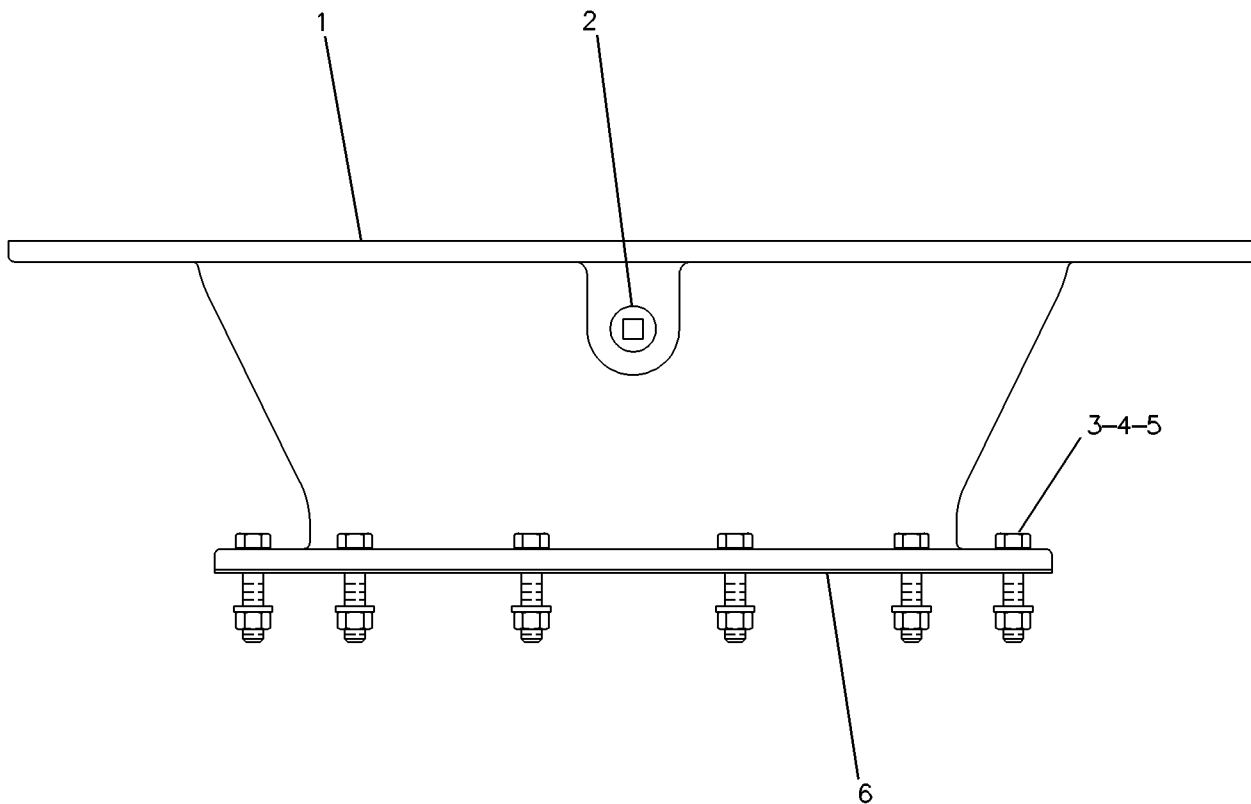
4P-3363 FITTING GP-EXHAUST

410.2-MM
AN ATTACHMENT

SMCS-1061

i02393284

NOTE	REF NO	GRAPHIC REF	PART NUMBER	QTY	PART NAME						SEE PAGE
					1	2	3	4	5	6 (PRODUCT LEVEL)	
	1	1	4P-3362	1	ADAPTER						
	2	1	8T-6762	1	PLUG-PIPE						
	3	1	0S-1571	12	BOLT (3/8-16X1.75-IN)						
	4	1	9S-8752	12	NUT-FULL (3/8-16-THD)						
	5	1	5M-2894	12	WASHER-HARD (10.2X18.5X2.5-MM THK)						
	6	1	1W-6356	1	GASKET						



GRAPHIC #1

<END>

g00212151

AIR INLET AND EXHAUST SYSTEM

5N-9527 FITTING GP-EXHAUST-FLEXIBLE

305-MM

FOR USE WITH WATERCOOLED, HOT EXHAUST STACKS
AN ATTACHMENT

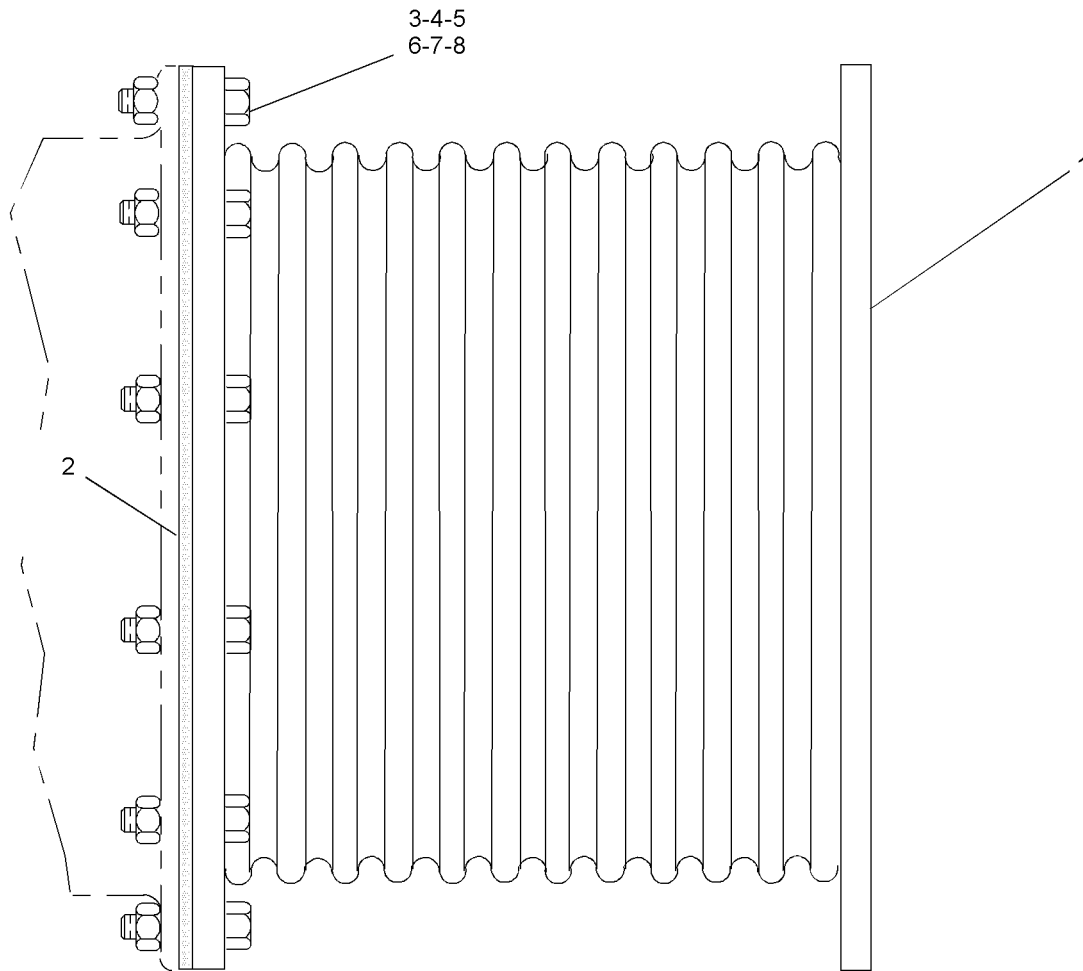
SMCS-1061

i02219329

NOTE	REF NO	GRAPHIC REF	PART NUMBER	QTY	PART NAME						SEE PAGE
					1	2	3	4	5	6 (PRODUCT LEVEL)	
	1	1	207-1332	1	BELLOWS AS						
	2	1	2W-7873	1	GASKET-EXHAUST						
B	3	1	5L-4398	12	BOLT (1/2-13X2.25-IN)						
B	4	1	1B-5357	12	NUT-FULL (1/2-13-THD)						
B	5	1	5P-8245	24	WASHER-HARD (13.5X25.5X3-MM THK)						
BJ	6	1	0S-1571	12	BOLT (3/8-16X1.75-IN)						
BJ	7	1	1B-5355	12	NUT-FULL (3/8-16-THD)						
BJ	8	1	5M-2894	12	WASHER-HARD (10.2X18.5X2.5-MM THK)						

B-USE AS REQUIRED

J-FOR USE WITH 1W5532 ELBOW OR 7N6959 ADAPTER



GRAPHIC #1

<END>

g01109652

AIR INLET AND EXHAUST SYSTEM

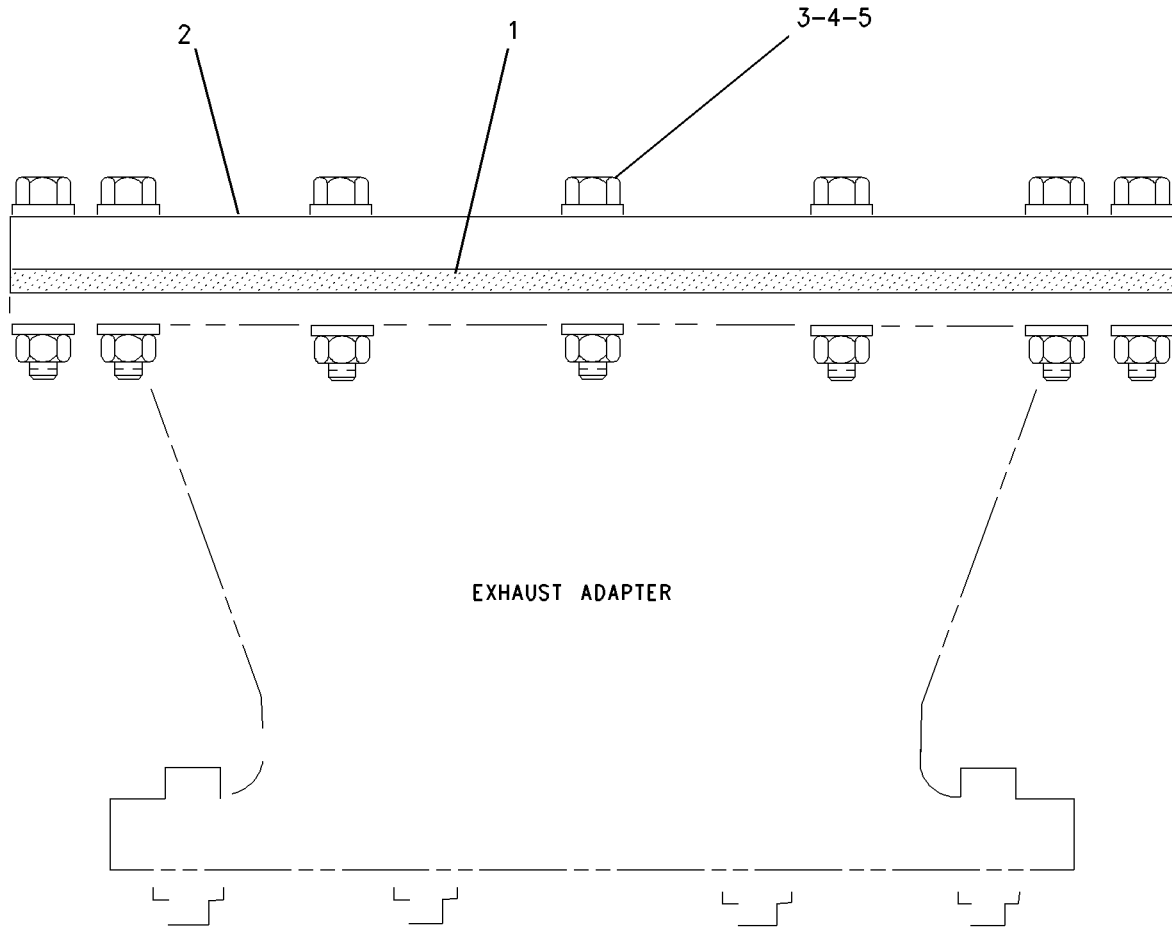
2W-7756 FLANGE GP-EXHAUST

355.61-MM
AN ATTACHMENT

SMCS-1061

i02179545

NOTE	REF NO	GRAPHIC REF	PART NUMBER	QTY	PART NAME						SEE PAGE
					1	2	3	4	5	6 (PRODUCT LEVEL)	
	1	1	111-5822	1	GASKET - EXHAUST						
	2	1	2W-7755	1	FLANGE - EXHAUST						
	3	1	9X-8873	12	BOLT (1/2-13X2.25-IN)						
	4	1	5P-8245	24	WASHER-HARD (13.5X25.5X3-MM THK)						
	5	1	1B-5357	12	NUT-FULL (1/2-13-THD)						



GRAPHIC #1

<END>

g00788150

AIR INLET AND EXHAUST SYSTEM

2W-7871 FLANGE GP-EXHAUST

323.9-MM
AN ATTACHMENT

SMCS-1061

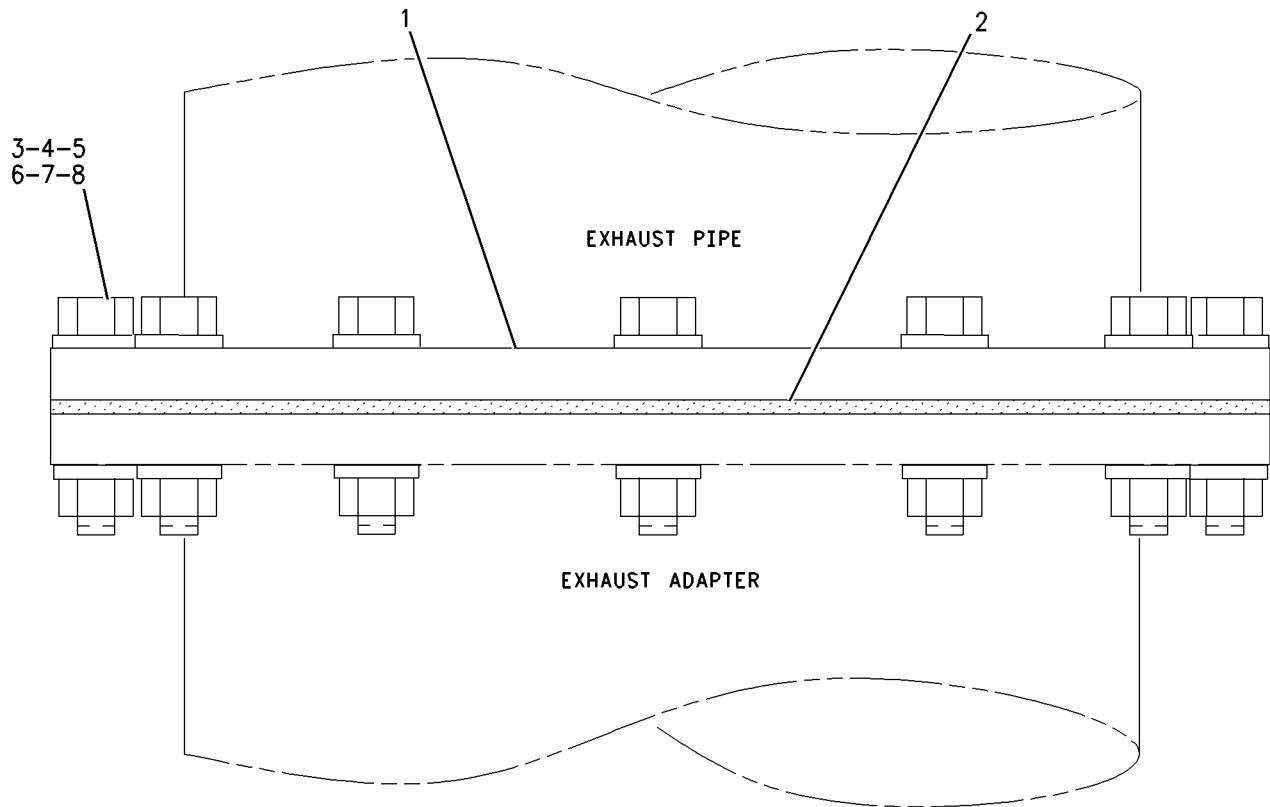
i02153824

NOTE	REF NO	GRAPHIC REF	PART NUMBER	QTY	PART NAME						SEE PAGE
					1	2	3	4	5	6 (PRODUCT LEVEL)	
	1	1	2W-7872	1	FLANGE - EXHAUST						
	2	1	2W-7873	1	GASKET - EXHAUST						
BL	3	1	5L-4398	12	BOLT (1/2-13X2.25-IN)						
BL	4	1	1B-5357	12	NUT-FULL (1/2-13-THD)						
BL	5	1	5P-8245	24	WASHER-HARD (13.5X25.5X3-MM THK)						
BJ	6	1	0S-1571	12	BOLT (3/8-16X1.75-IN)						
BJ	7	1	1B-5355	12	NUT-FULL (3/8-16-THD)						
BJ	8	1	9L-9132	24	WASHER (10.2X25.5X2.5-MM THK)						

B-USE AS REQUIRED

J-FOR USE WITH ENGINE EXHAUST ELBOW OR EXPANDER FITTING GP

L-FOR USE WITH FLEXIBLE FITTING GP OR MUFFLER GP



GRAPHIC #1

<END>

g00705447

AIR INLET AND EXHAUST SYSTEM

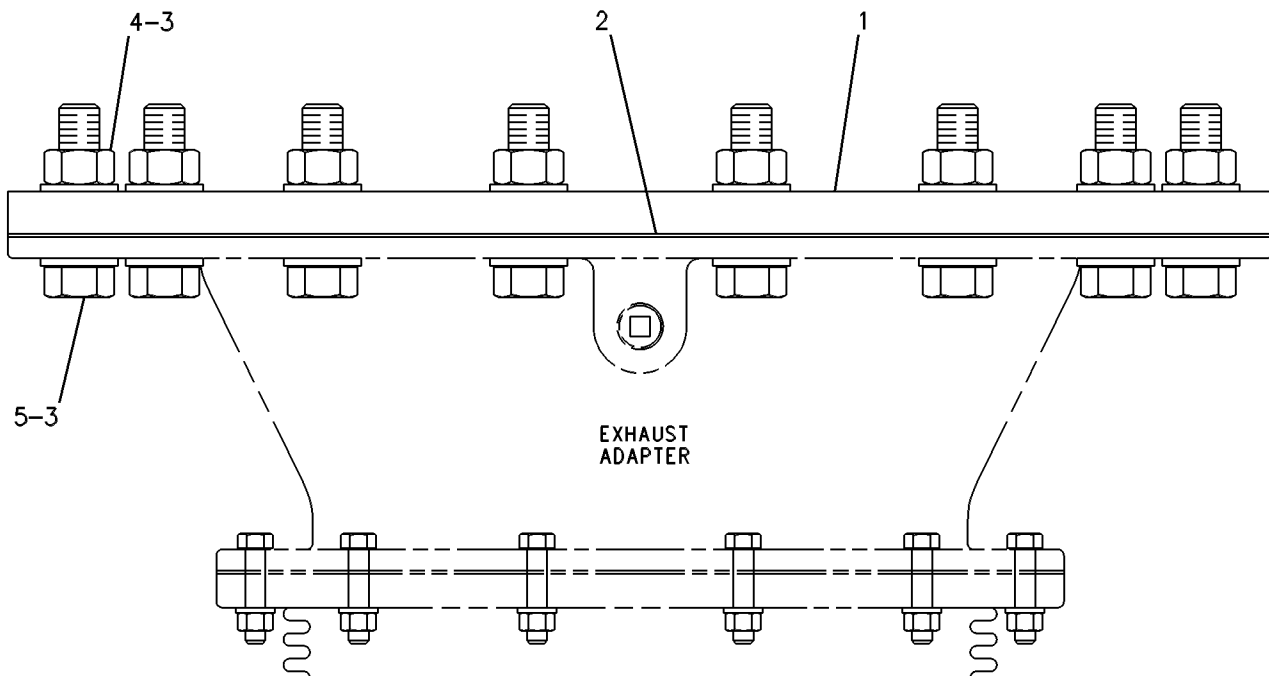
103-6668 FLANGE GP-EXHAUST

410.2-MM
AN ATTACHMENT

SMCS-1061

i02224074

NOTE	REF NO	GRAPHIC REF	PART NUMBER	QTY	PART NAME						SEE PAGE
					1	2	3	4	5	6 (PRODUCT LEVEL)	
	1	1	133-6479	1	FLANGE - EXHAUST						
	2	1	133-6480	1	GASKET						
	3	1	5P-8248	32	WASHER-HARD (20X36.5X3.5-MM THK)						
	4	1	2J-3506	16	NUT-FULL (3/4-10-THD)						
	5	1	9X-8887	16	BOLT (3/4-10X3-IN)						



GRAPHIC #1

<END>

g00248869

AIR INLET AND EXHAUST SYSTEM

282-4176 LINES GP-AIR

S/N: TTH1-237

SMCS-1071

i03791417

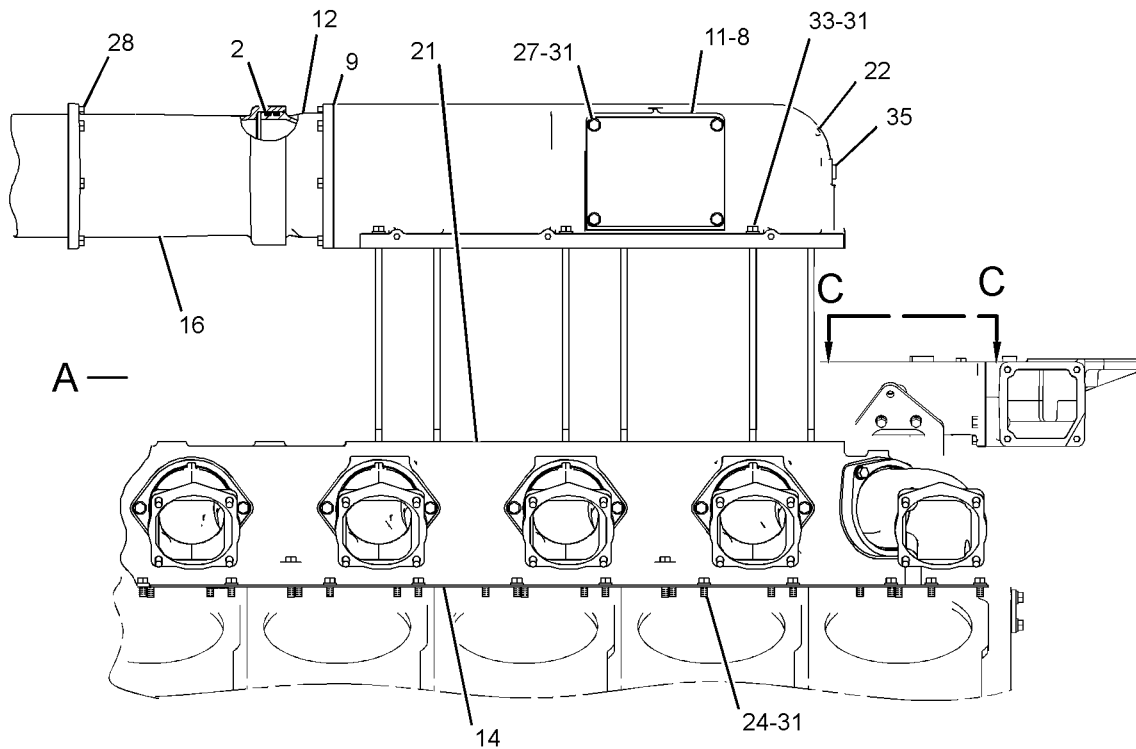
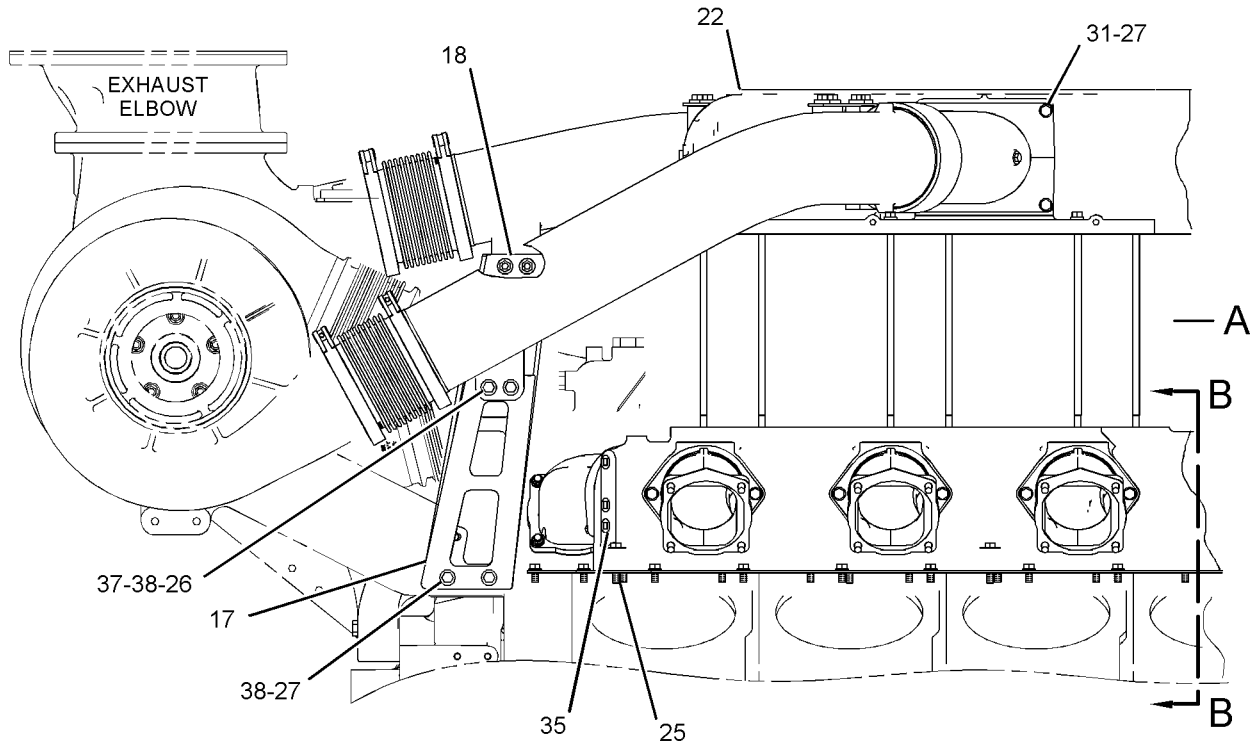
NOTE	REF NO	GRAPHIC REF	PART NUMBER	QTY	PART NAME						SEE PAGE
					1	2	3	4	5	6 (PRODUCT LEVEL)	
	1	2	4S-5898	16	SEAL-O-RING						
	2	1	6V-3968	2	SEAL-O-RING						
	3	2	6V-5101	16	SEAL-O-RING						
	4	2	7C-7909	14	ELBOW (AIR INLET)						
	5	2	7C-7910	2	ELBOW (AIR INLET)						
	6	2	7C-8199	16	FLANGE						
	7	2	7N-5080	16	GASKET-MANIFOLD						
	8	1,2	109-7411	4	SEAL-O-RING						
	9	1	112-1564	2	GASKET						
	10	2	112-1567	2	STRAP						
	11	1	114-3378	2	COVER						
	12	1	114-3380	1	ADAPTER						
	13	2	122-3374	2	ELBOW (AIR INLET)						
	14	1	123-6915	1	PLATE						
	15	2	243-2975	4	CLAMP AS						
	16	1	279-8994	1	ADAPTER						
	17	1	281-6005	1	BRACKET						
	18	1	281-6006	1	BRACKET						
	19	2	334-0225	1	TUBE AS-AIR (RH)						
		2	329-5508	1	PLUG-PIPE						
	20	2	334-0226	1	TUBE AS-AIR (LH)						
		2	329-5508		PLUG-PIPE						
	21	1	283-9779	1	MANIFOLD (INLET AIR)						
	22	1	285-8437	2	COVER (AIR INLET)						
	23	2	302-6504	2	BELLOWS						
	24	1	0S-0509	38	BOLT (3/8-16X0.75-IN)						
	25	1	0S-1590	8	BOLT (3/8-16X2-IN)						
	26	1	0S-1591	4	BOLT (3/8-16X1.5-IN)						
	27	1,2	0S-1594	29	BOLT (3/8-16X1-IN)						
	28	1	1A-2029	16	BOLT (3/8-16X1.125-IN)						
	29	2	1T-0720	64	BOLT-12 POINT HEAD (3/8-16X1.25-IN)						
	30	2	2A-4639	32	BOLT (3/8-16X1.625-IN)						
	31	1,2	5M-2894	162	WASHER-HARD (10.2X18.5X2.5-MM THK)						
	32	2	6V-5103	4	SEAL-O-RING						
	33	1	8J-5985	12	BOLT (3/8-16X12.375-IN)						
	34	2	8M-9024	8	WASHER-HARD (10.2X22.5X5-MM THK)						
	35	1,2	8T-6762	10	PLUG-PIPE						
	36	2	8T-6764	2	PLUG-PIPE (1/8-27-THD)						
	37	1	9S-8752	4	NUT-FULL (3/8-16-THD)						
	38	1	9X-6458	13	WASHER-HARD (10.2X22.5X3-MM THK)						

AIR INLET AND EXHAUST SYSTEM

282-4176 LINES GP-AIR (contd.)

i03791417

REFER TO ALL ILLUSTRATIONS OF THIS GROUP FOR AUXILIARY VIEWS.



RIGHT SIDE VIEW OF ENGINE

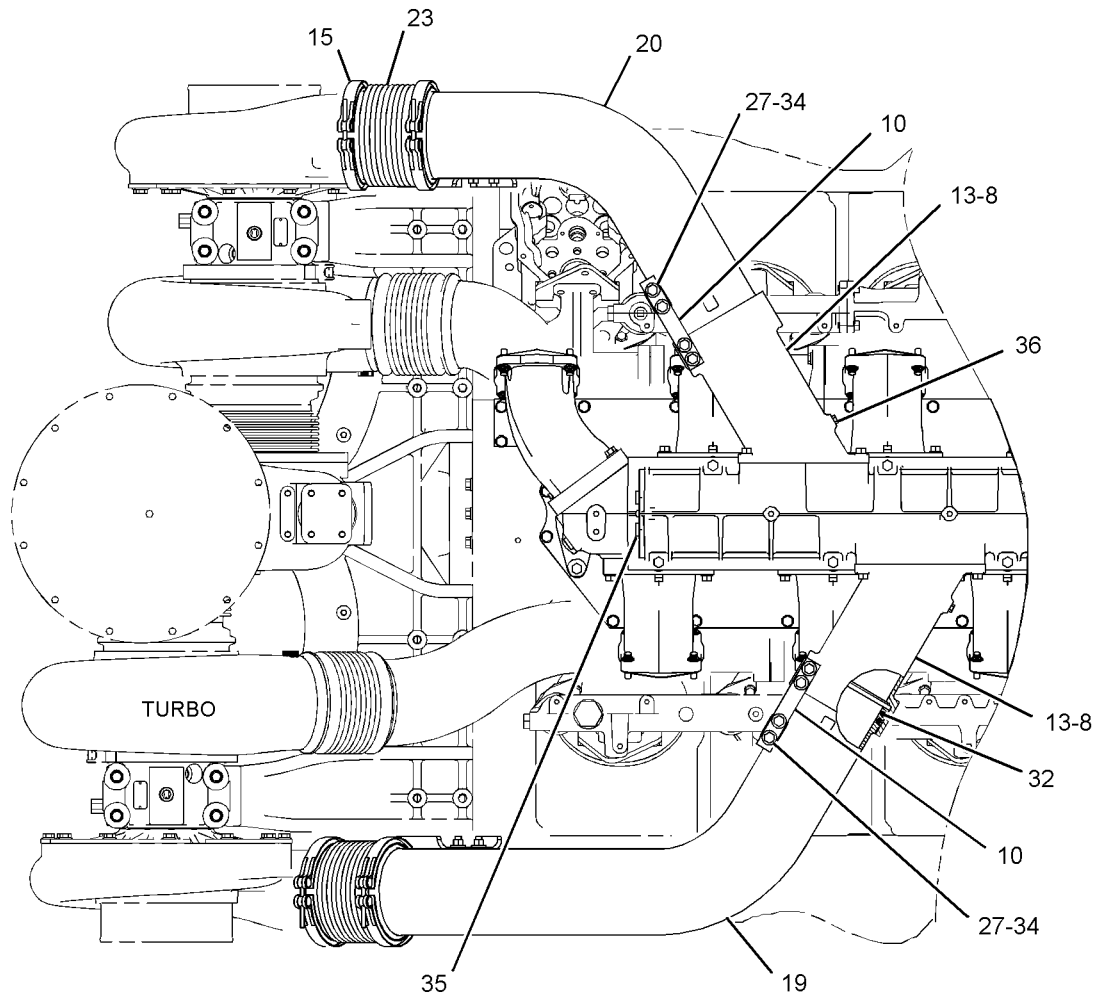
GRAPHIC #1

g02049179

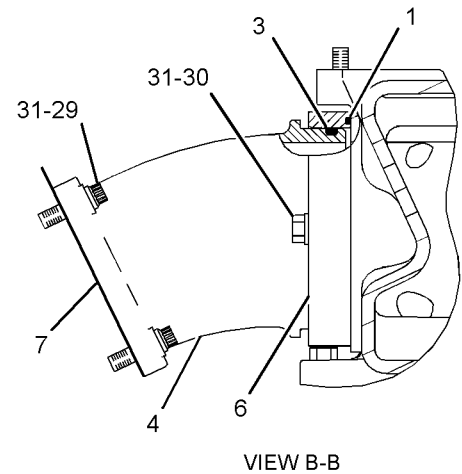
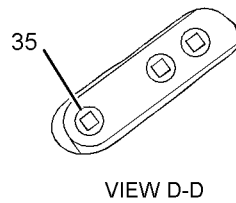
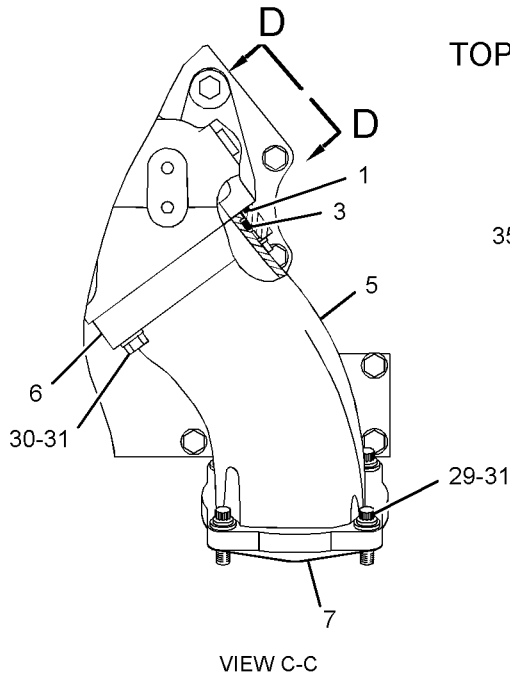
AIR INLET AND EXHAUST SYSTEM

282-4176 LINES GP-AIR (contd.)

i03791417



TOP VIEW OF ENGINE



GRAPHIC #2

<END>

g01348126

AIR INLET AND EXHAUST SYSTEM

282-4176 LINES GP-AIR

SMCS-1071

i03791507

NOTE	REF NO	GRAPHIC REF	PART NUMBER	QTY	PART NAME						SEE PAGE
					1	2	3	4	5	6 (PRODUCT LEVEL)	
	1	2	4S-5898	16	SEAL-O-RING						
	2	1	6V-3968	2	SEAL-O-RING						
	3	2	6V-5101	16	SEAL-O-RING						
	4	2	7C-7909	14	ELBOW (AIR INLET)						
	5	2	7C-7910	2	ELBOW (AIR INLET)						
	6	2	7C-8199	16	FLANGE						
	7	2	7N-5080	16	GASKET-MANIFOLD						
	8	1,2	109-7411	4	SEAL-O-RING						
	9	1	112-1564	2	GASKET						
	10	2	112-1567	2	STRAP						
	11	1	114-3378	2	COVER						
	12	1	114-3380	1	ADAPTER						
	13	2	122-3374	2	ELBOW (AIR INLET)						
	14	1	123-6915	1	PLATE						
	15	2	243-2975	4	CLAMP AS						
	16	1	279-8994	1	ADAPTER						
	17	1	281-6005	1	BRACKET						
	18	1	281-6006	1	BRACKET						
C	19	2	338-7521	1	TUBE-AIR (RH)						
C	20	2	338-7522	1	TUBE-AIR (LH)						
	21	1	283-9779	1	MANIFOLD (INLET AIR)						
	22	1	285-8437	2	COVER (AIR INLET)						
	23	2	302-6504	2	BELLOWS						
	24	1	0S-0509	38	BOLT (3/8-16X0.75-IN)						
	25	1	0S-1590	8	BOLT (3/8-16X2-IN)						
	26	1	0S-1591	4	BOLT (3/8-16X1.5-IN)						
	27	1,2	0S-1594	29	BOLT (3/8-16X1-IN)						
	28	1	1A-2029	16	BOLT (3/8-16X1.125-IN)						
	29	2	1T-0720	64	BOLT-12 POINT HEAD (3/8-16X1.25-IN)						
	30	2	2A-4639	32	BOLT (3/8-16X1.625-IN)						
	31	1,2	5M-2894	162	WASHER-HARD (10.2X18.5X2.5-MM THK)						
	32	2	6V-5103	4	SEAL-O-RING						
	33	1	8J-5985	12	BOLT (3/8-16X12.375-IN)						
	34	2	8M-9024	8	WASHER-HARD (10.2X22.5X5-MM THK)						
	35	1,2	8T-6762	10	PLUG-PIPE						
	36	2	8T-6764	2	PLUG-PIPE (1/8-27-THD)						
	37	1	9S-8752	4	NUT-FULL (3/8-16-THD)						
	38	1	9X-6458	13	WASHER-HARD (10.2X22.5X3-MM THK)						

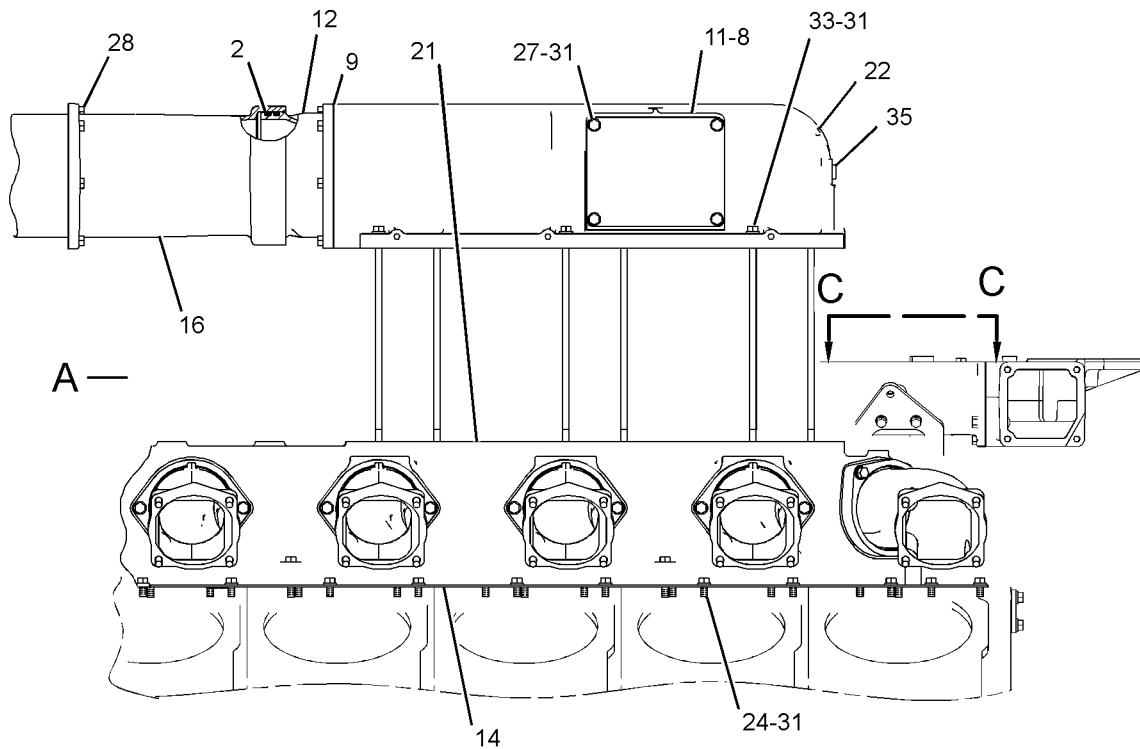
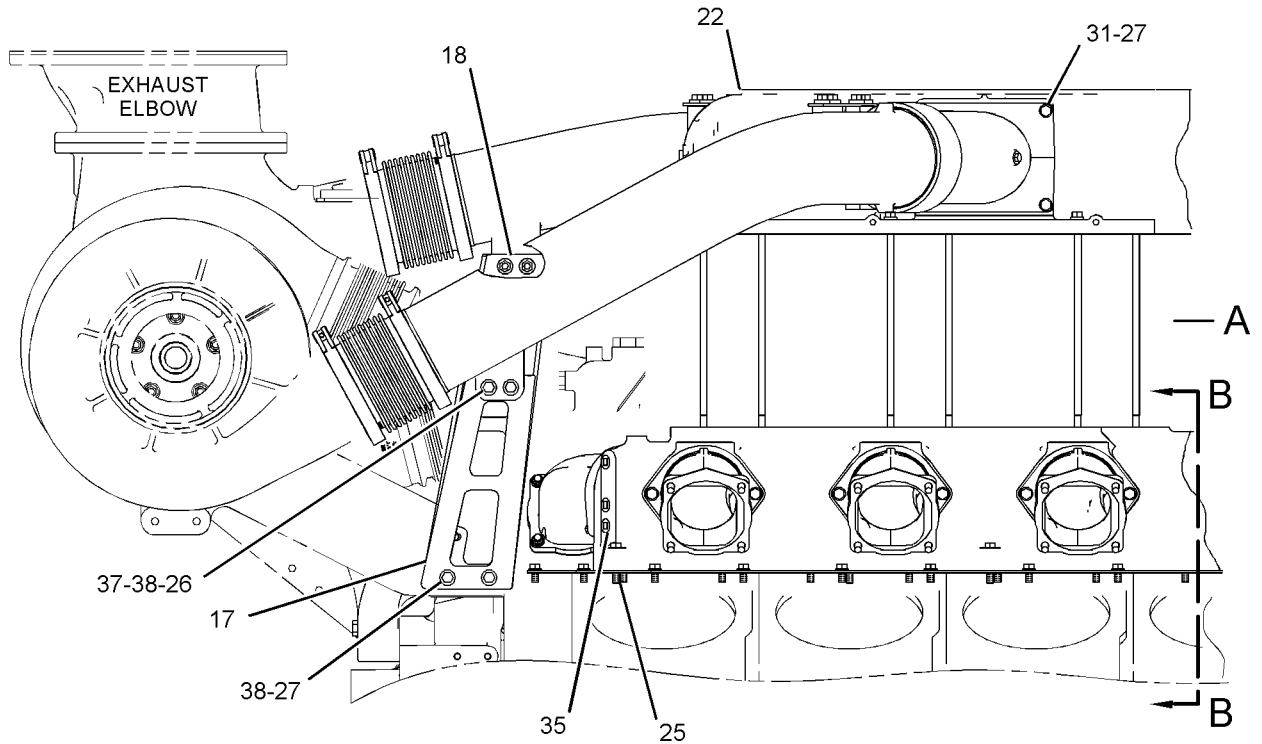
C-CHANGE FROM PREVIOUS TYPE

AIR INLET AND EXHAUST SYSTEM

282-4176 LINES GP-AIR (contd.)

i03791507

REFER TO ALL ILLUSTRATIONS OF THIS GROUP FOR AUXILIARY VIEWS.



RIGHT SIDE VIEW OF ENGINE

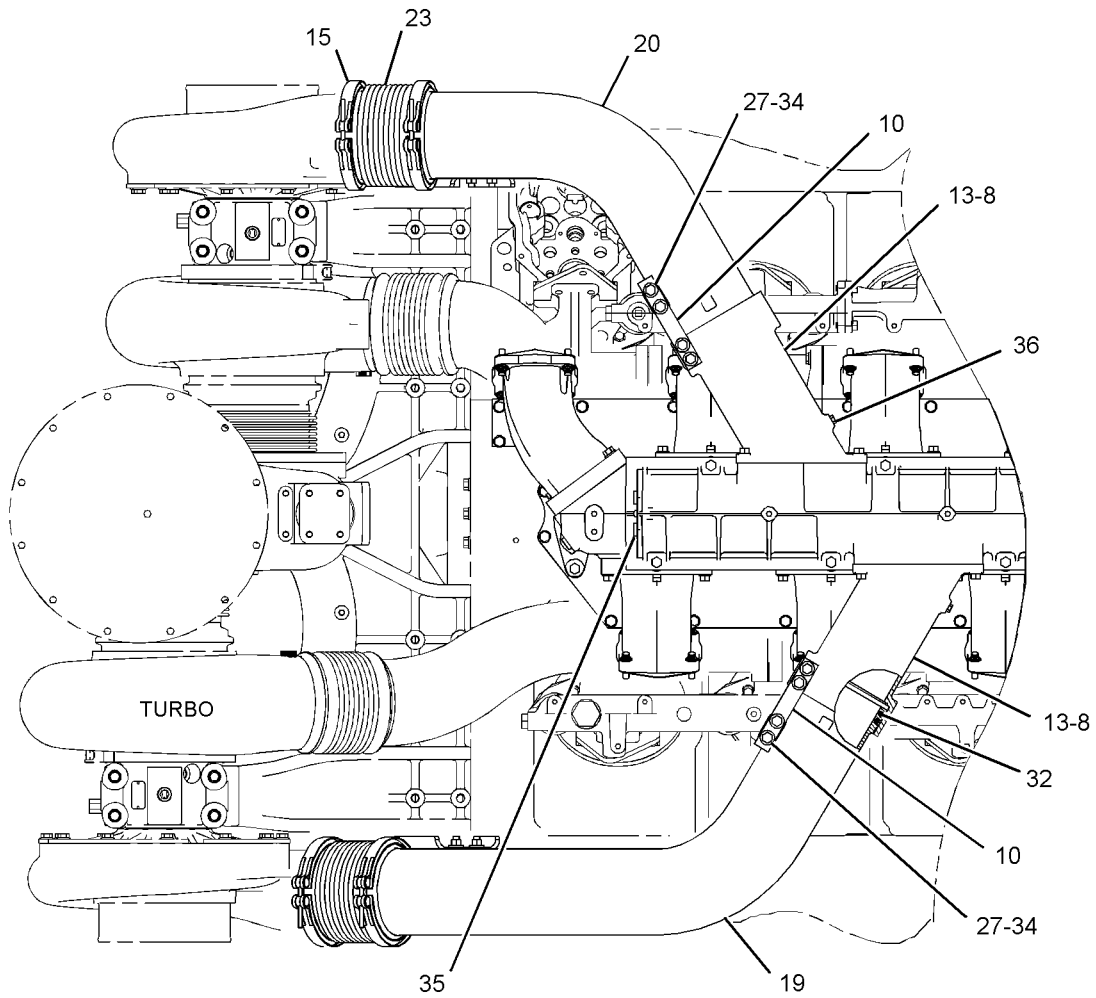
GRAPHIC #1

g02049179

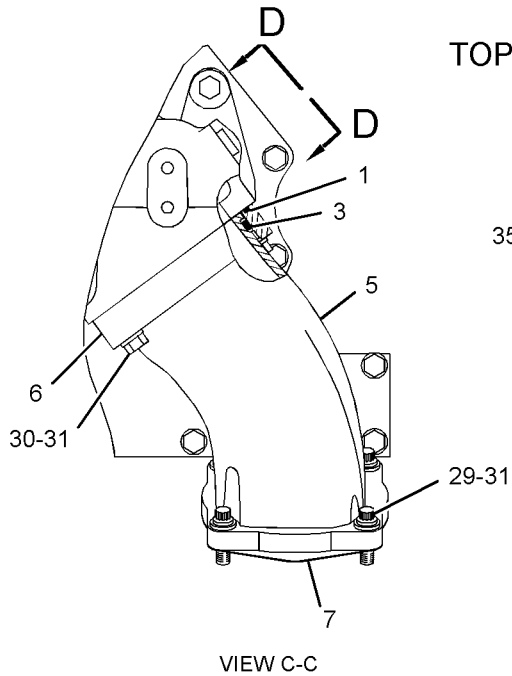
AIR INLET AND EXHAUST SYSTEM

282-4176 LINES GP-AIR (contd.)

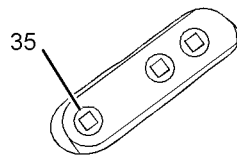
i03791507



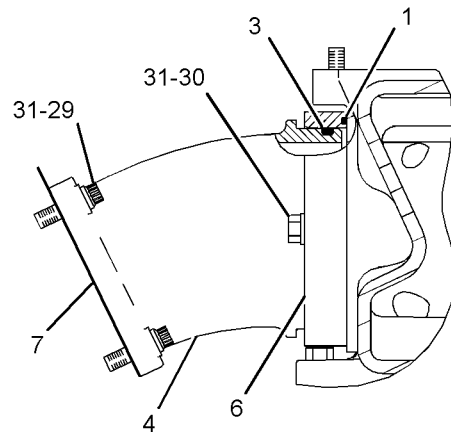
TOP VIEW OF ENGINE



VIEW C-C



VIEW D-D



VIEW B-B

GRAPHIC #2

<END>

g01348126

AIR INLET AND EXHAUST SYSTEM

285-5339 LINES GP-PCV AN ATTACHMENT

SMCS-1074, 1317

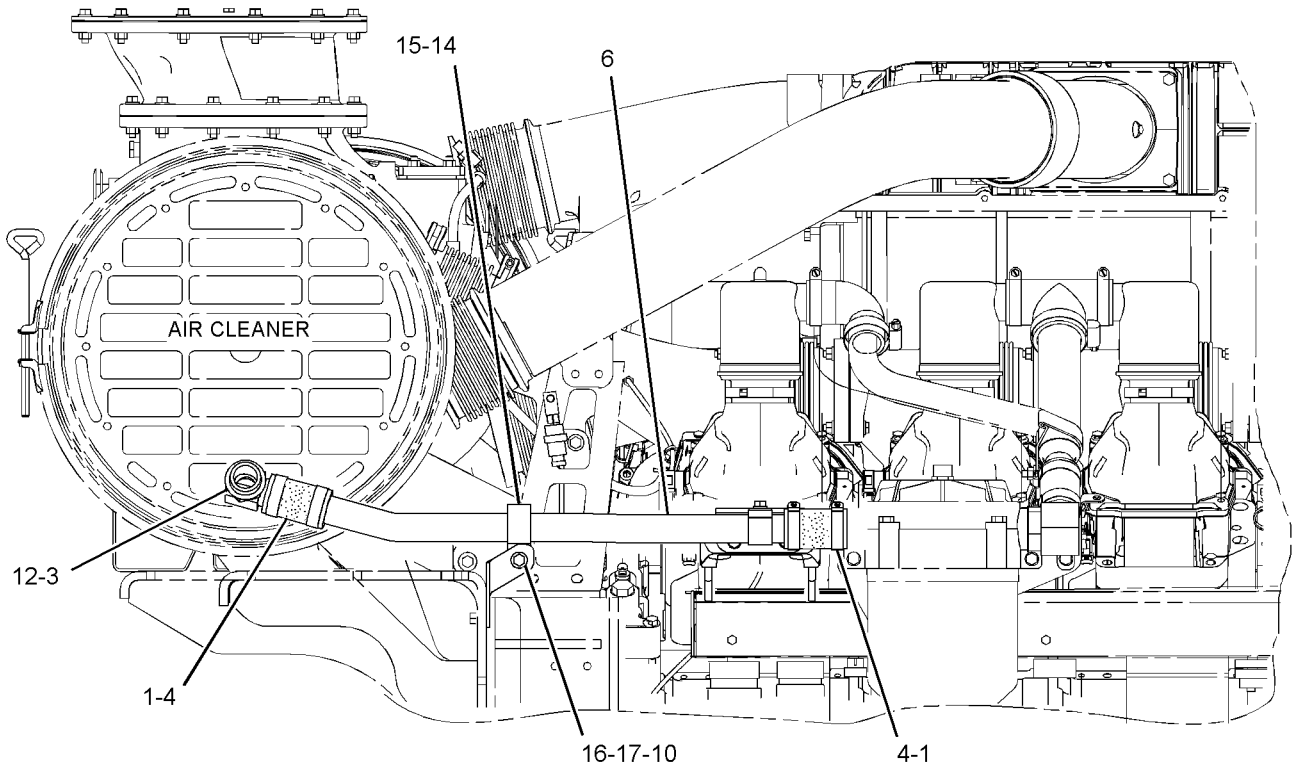
i02627348

NOTE	REF NO	GRAPHIC REF	PART NUMBER	QTY	PART NAME						SEE PAGE
					1	2	3	4	5	6 (PRODUCT LEVEL)	
	1	1	5P-0597	8	CLAMP-HOSE						
	2	2	7N-6986	2	SUPPORT						
	3	1	8C-9022	2	ELBOW						
	4	1	113-9533	4	HOSE						
	5	2	284-4172	2	SUPPORT AS						
	6	1	284-4175	1	TUBE						
	7	1	284-4176	1	TUBE						
	8	2	288-8048	2	BRACKET						
	9	2	0S-1571	2	BOLT (3/8-16X1.75-IN)						
	10	1,2	0S-1591	6	BOLT (3/8-16X1.5-IN)						
	11	2	1A-5964	4	BOLT (3/8-16X4.5-IN)						
	12	1	2S-4078	2	SEAL-O-RING						
	13	2	5M-2894	12	WASHER-HARD (10.2X18.5X2.5-MM THK)						
	14	1,2	7K-1401	4	CLIP						
	15	1,2	7K-1402	4	BRACKET						
	16	1,2	9S-8752	8	NUT-FULL (3/8-16-THD)						
	17	1	9X-6458	4	WASHER-HARD (10.2X22.5X3-MM THK)						

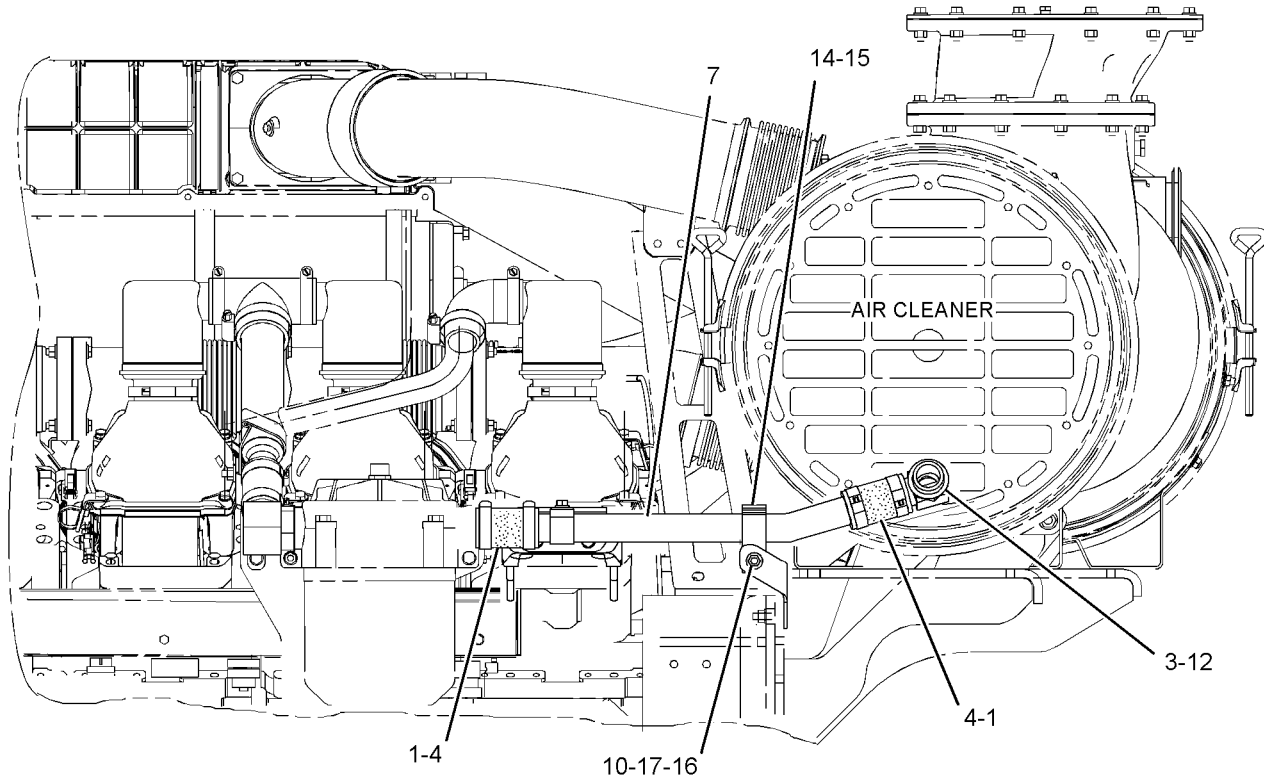
AIR INLET AND EXHAUST SYSTEM

285-5339 LINES GP-PCV (contd.)

i02627348



RIGHT SIDE VIEW OF ENGINE



LEFT SIDE VIEW OF ENGINE

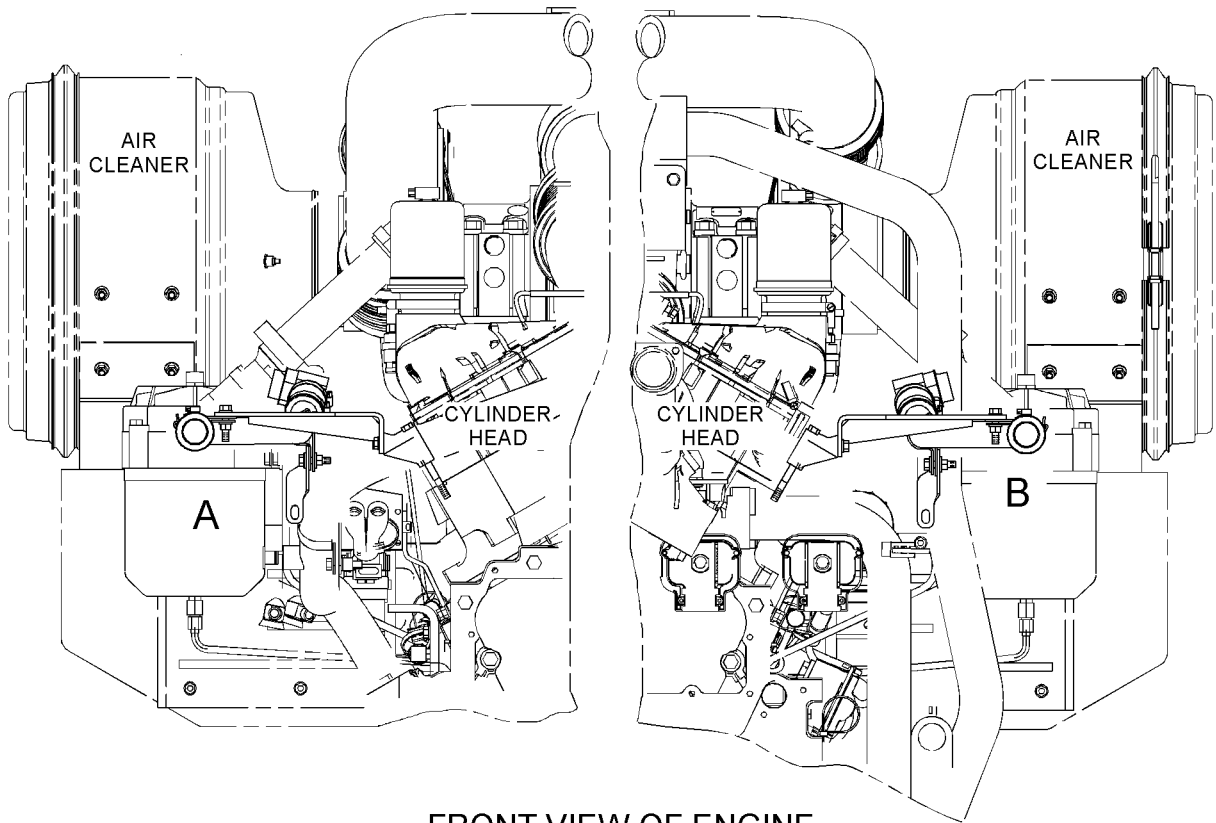
GRAPHIC #1

g01327735

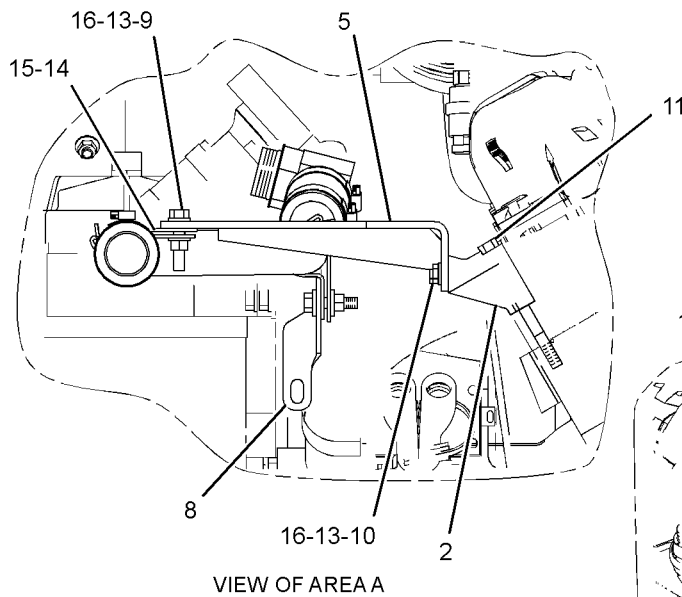
AIR INLET AND EXHAUST SYSTEM

285-5339 LINES GP-PCV (contd.)

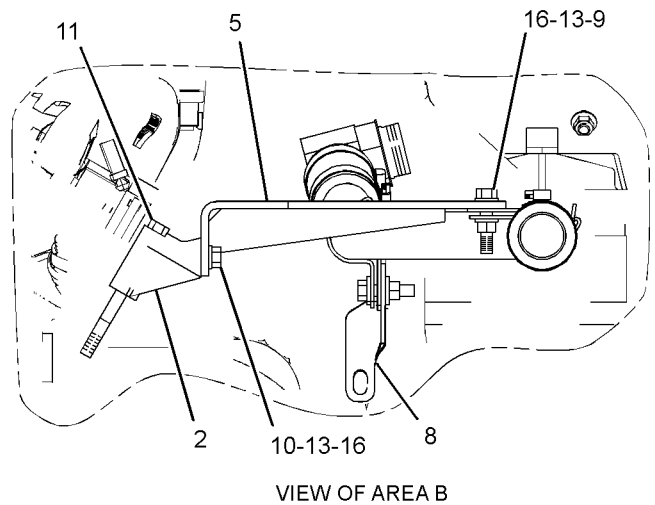
i02627348



FRONT VIEW OF ENGINE



VIEW OF AREA A



VIEW OF AREA B

GRAPHIC #2

<END>

g01327551

AIR INLET AND EXHAUST SYSTEM

282-4180 MANIFOLD GP-EXHAUST

SMCS - 1059

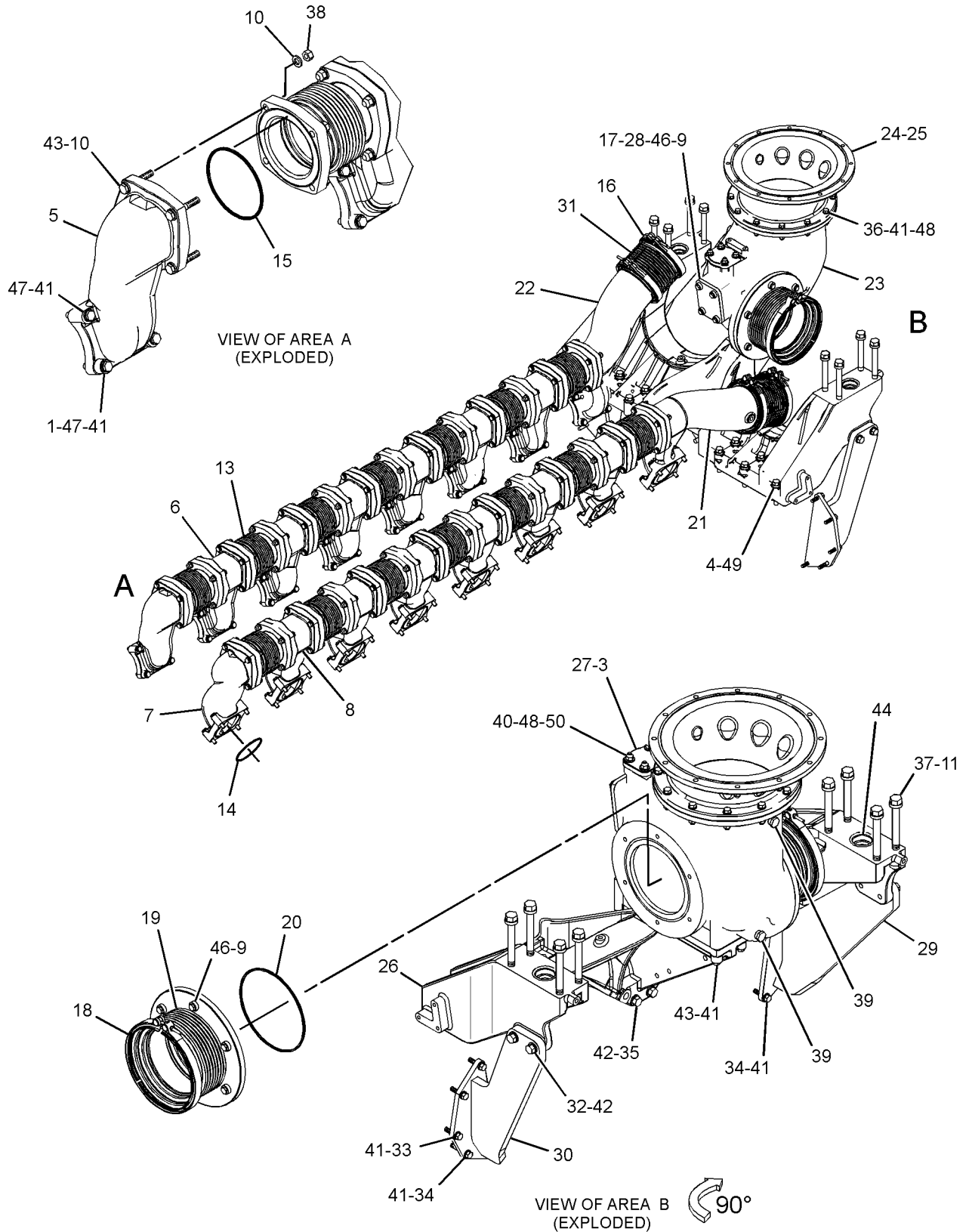
i02992876

NOTE	REF NO	GRAPHIC REF	PART NUMBER	QTY	PART NAME						SEE PAGE
					1	2	3	4	5	6 (PRODUCT LEVEL)	
	1	1	4P-7680	16	SPACER (10.5X22.5X15-MM THK)						
	3	1	314-5226	1	GASKET						
	4	1	8B-9725	12	BOSS						
	5	1	100-3145	1	MANIFOLD-EXHAUST (FRONT, RH)						
	6	1	100-3146	6	MANIFOLD-EXHAUST (INTERMEDIATE, RH)						
	7	1	100-3147	1	MANIFOLD-EXHAUST (FRONT, LH)						
	8	1	100-3148	6	MANIFOLD-EXHAUST (INTERMEDIATE, LH)						
	9	1	107-7954	16	SPACER (10.2X22X8-MM THK)						
	10	1	110-8314	224	WASHER (10.3X18.3X2.66-MM THK)						
	11	1	172-5487	8	SPACER (17X29X7.5-MM THK)						
	13	1	207-1364	14	BELLOWS AS						
	14	1	229-5332	16	SEAL-EXHAUST						
	15	1	229-5333	28	SEAL-EXHAUST						
	16	1	243-2975	4	CLAMP AS						
	17	1	248-5012	1	SEAL						
	18	1	263-1174	2	CLAMP-BAND						
	19	1	311-3385	2	BELLOWS AS						
	20	1	279-0487	2	GASKET						
	21	1	282-4153	1	MANIFOLD-EXHAUST (REAR, LH)						
	22	1	282-4154	1	MANIFOLD-EXHAUST (REAR, RH)						
	23	1	282-4158	1	ELBOW-EXHAUST						
	24	1	282-4166	1	ADAPTER						
	25	1	282-4168	1	GASKET						
	26	1	282-4169	1	SUPPORT						
	27	1	282-4173	1	COVER						
	28	1	282-4174	1	COVER						
	29	1	284-1028	1	BRACKET AS (RH)						
	30	1	284-1029	1	BRACKET AS (LH)						
	31	1	302-6504	2	BELLOWS						
	32	1	0S-1587	4	BOLT (1/2-13X1.75-IN)						
	33	1	0S-1590	2	BOLT (3/8-16X2-IN)						
	34	1	0S-1591	8	BOLT (3/8-16X1.5-IN)						
	35	1	0V-0375	2	BOLT (1/2-13X3.25-IN)						
	36	1	1C-2251	12	BOLT (3/8-16X1.87-IN)						
	37	1	1D-4595	8	BOLT (5/8-11X6-IN)						
	38	1	3E-6916	112	NUT-FULL (3/8-16-THD)						
	39	1	3J-5389	3	PLUG						
	40	1	5M-1719	4	STUD-TAPERLOCK (3/8-16X1.87-IN)						
	41	1	5M-2894	90	WASHER-HARD (10.2X18.5X2.5-MM THK)						
	42	1	5P-8245	6	WASHER-HARD (13.5X25.5X3-MM THK)						
	43	1	7L-6443	116	BOLT-HIGH TEMPERATURE (3/8-16X2.25-IN)						
	44	1	8C-3107	2	SEAL-O-RING						
	46	1	9L-2295	16	BOLT-HIGH TEMPERATURE (3/8-16X1.5-IN)						
	47	1	9L-7373	64	BOLT-HIGH TEMPERATURE (3/8-16X2-IN)						
	48	1	9S-8752	16	NUT-FULL (3/8-16-THD)						
	49	1	9X-8874	12	BOLT (1/2-13X3-IN)						
	50	1	9X-6458	4	WASHER-HARD (10.2X22.5X3-MM THK)						

AIR INLET AND EXHAUST SYSTEM

282-4180 MANIFOLD GP-EXHAUST (contd.)

i02992876



GRAPHIC #1

<END>

g01518671

AIR INLET AND EXHAUST SYSTEM

301-6823 MANIFOLD GP-EXHAUST

AN ATTACHMENT

SMCS - 1059

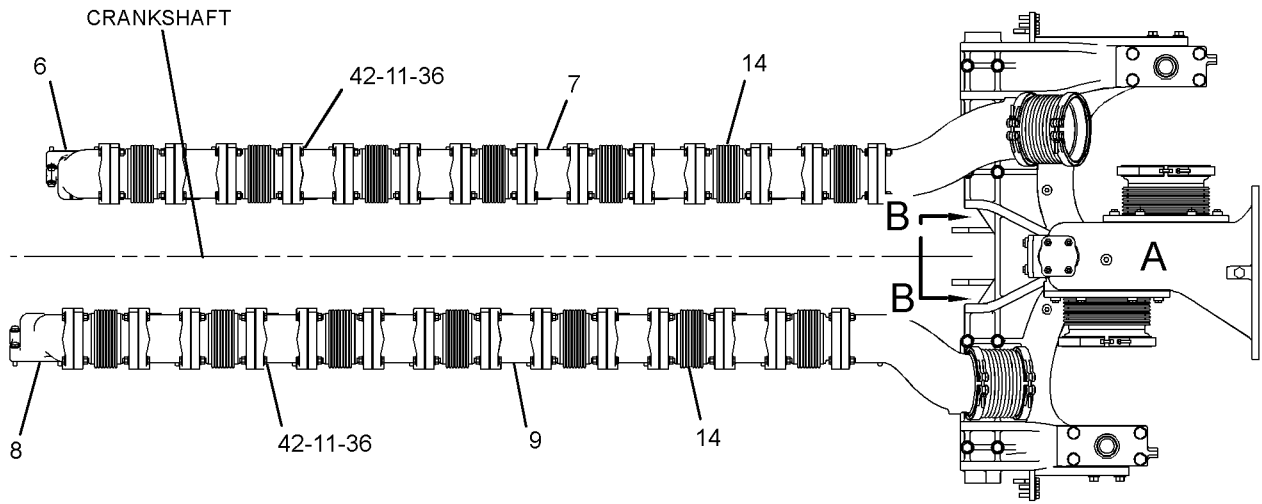
i03321582

NOTE	REF NO	GRAPHIC REF	PART NUMBER	QTY	PART NAME						SEE PAGE
					1	2	3	4	5	6 (PRODUCT LEVEL)	
	1	2	314-5226	1	GASKET						
	2	2	4P-7680	16	SPACER (10.5X22.5X15-MM THK)						
	5	1	8B-9725	12	BOSS						
	6	1	100-3145	1	MANIFOLD-EXHAUST (FRONT, RH)						
	7	1	100-3146	6	MANIFOLD-EXHAUST (INTERMEDIATE, RH)						
	8	1	100-3147	1	MANIFOLD-EXHAUST (FRONT, LH)						
	9	1	100-3148	6	MANIFOLD-EXHAUST (INTERMEDIATE, LH)						
	10	1,2	107-7954	16	SPACER (10.2X22X8-MM THK)						
	11	1	110-8314	224	WASHER (10.3X18.3X2.66-MM THK)						
	12	1	172-5487	8	SPACER (17X29X7.5-MM THK)						
	14	1	207-1364	14	BELLOWS AS						
	15	2	229-5332	16	SEAL-EXHAUST						
	16	2	229-5333	28	SEAL-EXHAUST						
	17	1	243-2975	4	CLAMP AS						
	18	2	248-5012	1	SEAL						
	19	2	263-1174	2	CLAMP-BAND						
	20	2	311-3385	2	BELLOWS AS						
	21	2	279-0487	2	GASKET						
	22	1	282-4153	1	MANIFOLD-EXHAUST (REAR, LH)						
	23	1	282-4154	1	MANIFOLD-EXHAUST (REAR, RH)						
	24	2	282-4169	1	SUPPORT						
	25	2	282-4173	1	COVER						
	26	2	282-4174	1	COVER						
	27	2	284-1028	1	BRACKET AS (RH)						
	28	2	284-1029	1	BRACKET AS (LH)						
	29	1	302-6504	2	BELLOWS						
	30	2	300-7326	1	ELBOW-EXHAUST						
	31	2	0S-1587	4	BOLT (1/2-13X1.75-IN)						
	32	2	0S-1590	2	BOLT (3/8-16X2-IN)						
	33	2	0S-1591	8	BOLT (3/8-16X1.5-IN)						
	34	2	0V-0375	2	BOLT (1/2-13X3.25-IN)						
	35	1	1D-4595	8	BOLT (5/8-11X6-IN)						
	36	1	3E-6916	112	NUT-FULL (3/8-16-THD)						
	37	1,2	3J-5389	3	PLUG						
	38	2	5M-1719	4	STUD-TAPERLOCK (3/8-16X1.87-IN)						
	39	2	5M-2894	78	WASHER-HARD (10.2X18.5X2.5-MM THK)						
	40	2	5P-8245	6	WASHER-HARD (13.5X25.5X3-MM THK)						
	42	1,2	7L-6443	116	BOLT-HIGH TEMPERATURE (3/8-16X2.25-IN)						
	43	1	8C-3107	2	SEAL-O-RING						
	45	1,2	9L-2295	16	BOLT-HIGH TEMPERATURE (3/8-16X1.5-IN)						
	46	2	9L-7373	64	BOLT-HIGH TEMPERATURE (3/8-16X2-IN)						
	47	2	9S-8752	4	NUT-FULL (3/8-16-THD)						
	48	1	9X-8874	12	BOLT (1/2-13X3-IN)						
	49	2	9X-6458	4	WASHER-HARD (10.2X22.5X3-MM THK)						

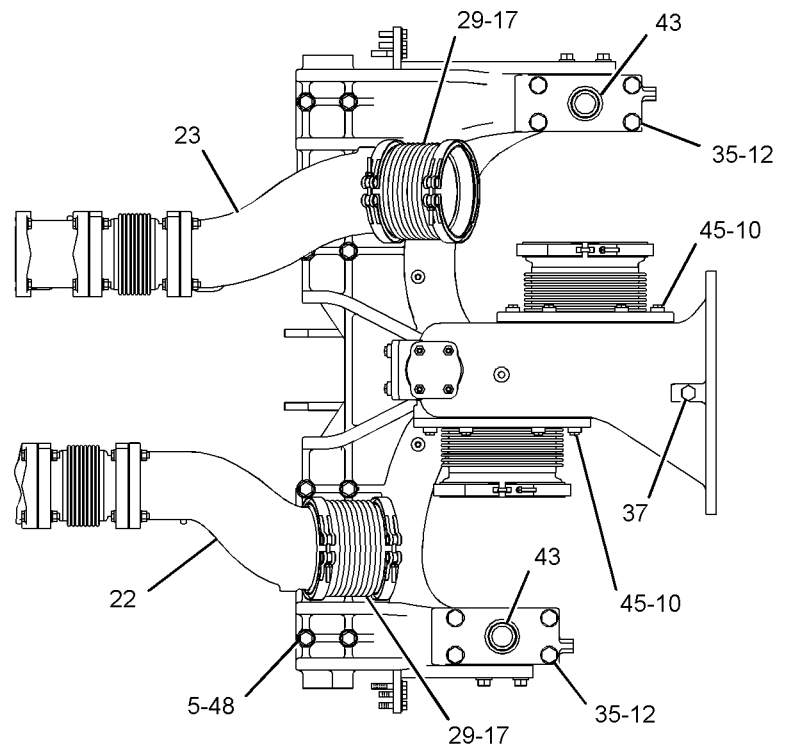
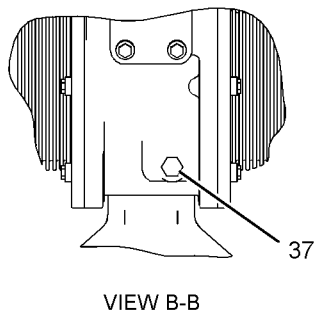
AIR INLET AND EXHAUST SYSTEM

301-6823 MANIFOLD GP-EXHAUST (contd.)

i03321582



TOP VIEW OF ENGINE



VIEW OF AREA A

GRAPHIC #1

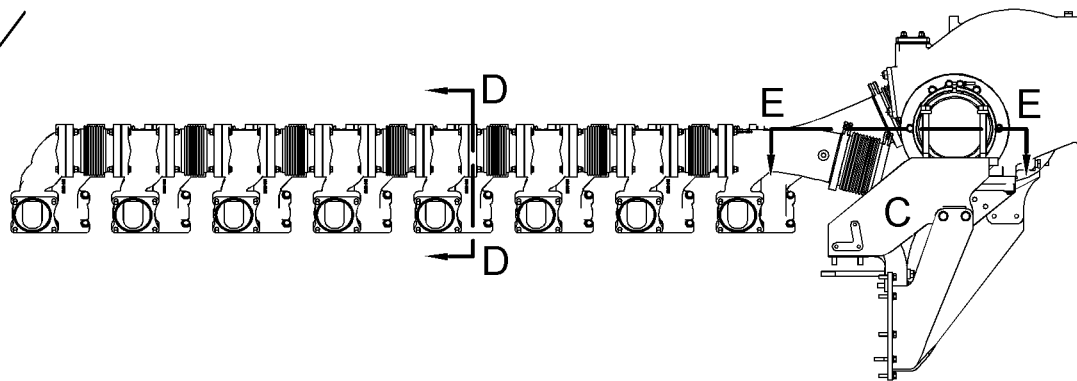
g01373352

AIR INLET AND EXHAUST SYSTEM

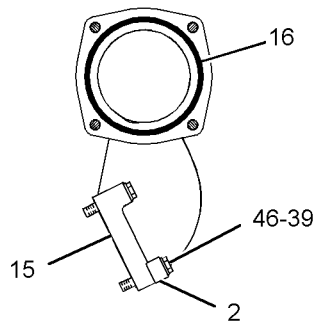
301-6823 MANIFOLD GP-EXHAUST (contd.)

i03321582

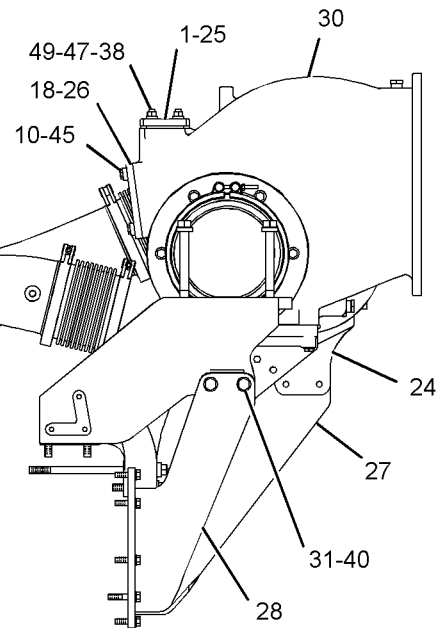
FRONT OF
CYLINDER BLOCK



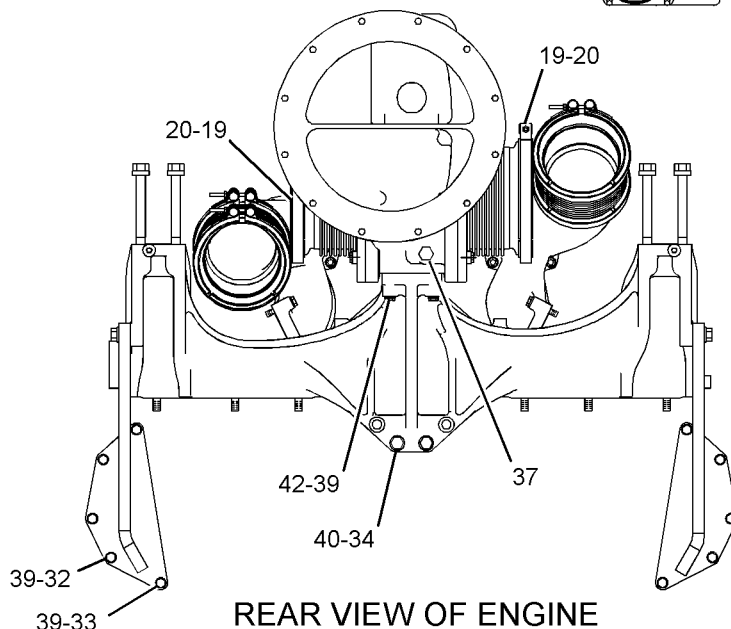
LEFT SIDE VIEW OF ENGINE



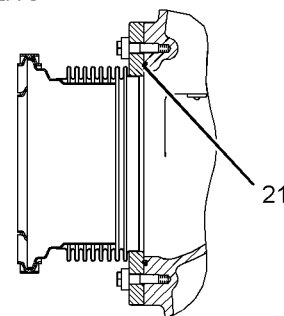
SECTION D-D



VIEW OF AREA C



REAR VIEW OF ENGINE



SECTION E-E

GRAPHIC #2

<END>

g01677613

AIR INLET AND EXHAUST SYSTEM

288-8047 MOUNTING GP-AIR CLEANER

AN ATTACHMENT

SMCS-1051

i03593344

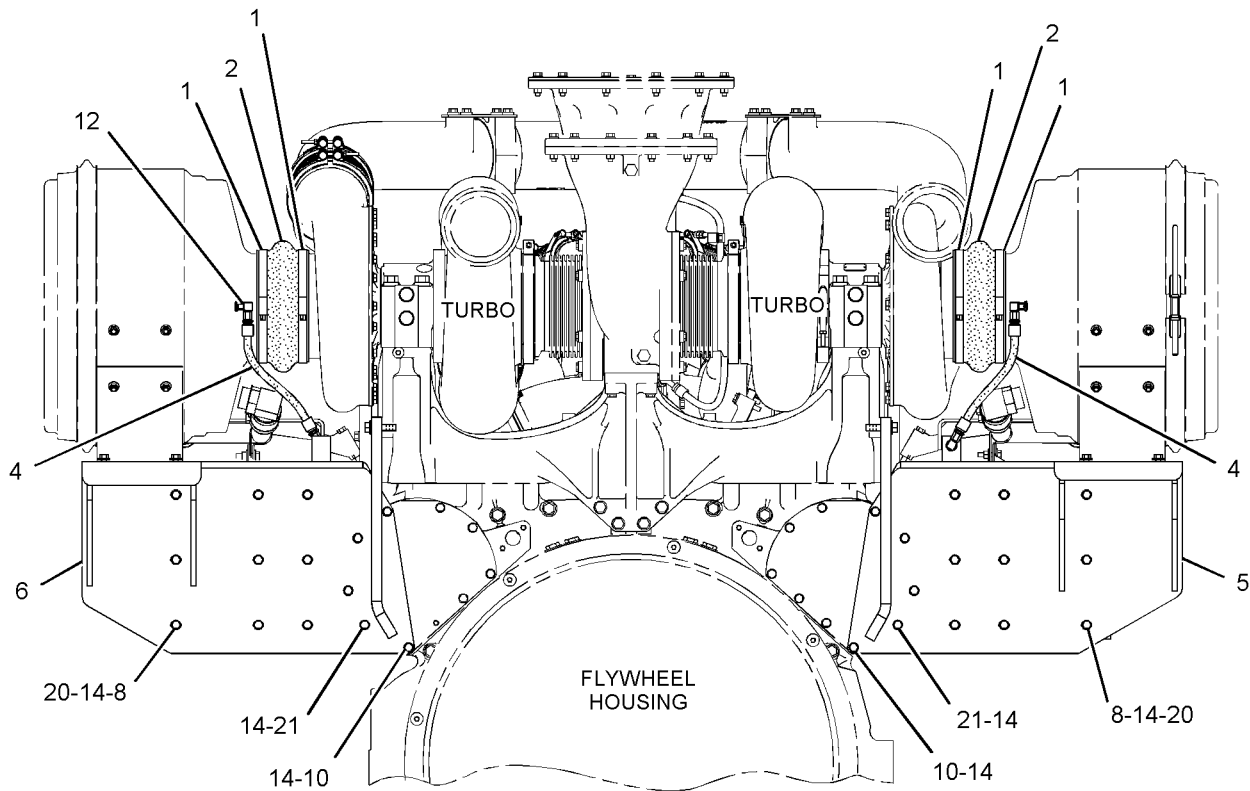
NOTE	REF NO	GRAPHIC REF	PART NUMBER	QTY	PART NAME						SEE PAGE
					1	2	3	4	5	6 (PRODUCT LEVEL)	
	1	1	5P-0600	4	CLAMP-HOSE						
	2	1	8N-5991	2	HOSE						
	3	1	8R-1794	8	BUSHING-TERMINAL						
I	4	1	161-8071	2	HOSE AS						
	5	1	288-5761	1	BRACKET AS (RH)						
	6	1	288-5762	1	BRACKET AS (LH)						
	7	1	288-5763	2	BRACKET AS						
	8	1	0S-1571	18	BOLT (3/8-16X1.75-IN)						
	10	1	0S-1591	16	BOLT (3/8-16X1.5-IN)						
	11	1	9X-8873	4	BOLT (1/2-13X2.25-IN)						
	12	1	2N-1287	2	ELBOW-FLARED						
	13	1	4L-9337	8	BOLT (3/8-16X1.5-IN)						
	14	1	9X-6458	54	WASHER-HARD (10.2X22.5X3-MM THK)						
	15	1	5P-1075	16	WASHER-HARD (10.2X22.5X3-MM THK)						
	16	1	5P-3426	2	ELBOW						
	17	1	198-4767	4	WASHER-HARD (13.5X30X12-MM THK)						
	18	1	6V-5048	2	SEAL-O-RING						
	19	1	6V-8801	8	NUT (3/8-16-THD)						
	20	1	9S-8752	18	NUT-FULL (3/8-16-THD)						
	21	1	0S-1590	2	BOLT (3/8-16X2-IN)						

I-REFER TO HYDRAULIC INFORMATION SYSTEM

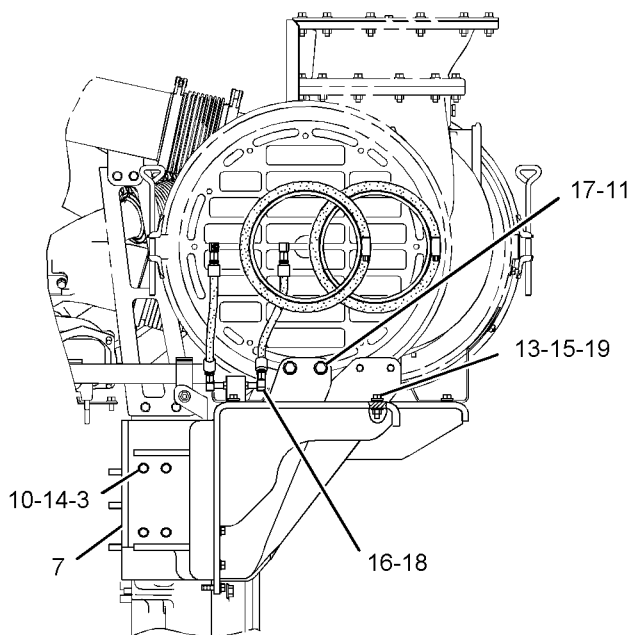
AIR INLET AND EXHAUST SYSTEM

288-8047 MOUNTING GP-AIR CLEANER (contd.)

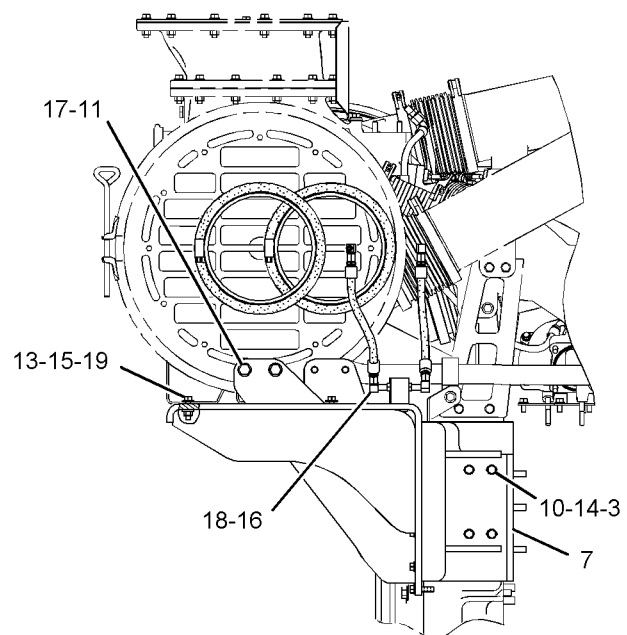
i03593344



REAR VIEW OF ENGINE



LEFT SIDE VIEW OF ENGINE



RIGHT SIDE VIEW OF ENGINE

GRAPHIC #1

<END>

g02051617

AIR INLET AND EXHAUST SYSTEM

315-4837 MOUNTING GP-AIR CLEANER

AN ATTACHMENT

SMCS-1051

i03016927

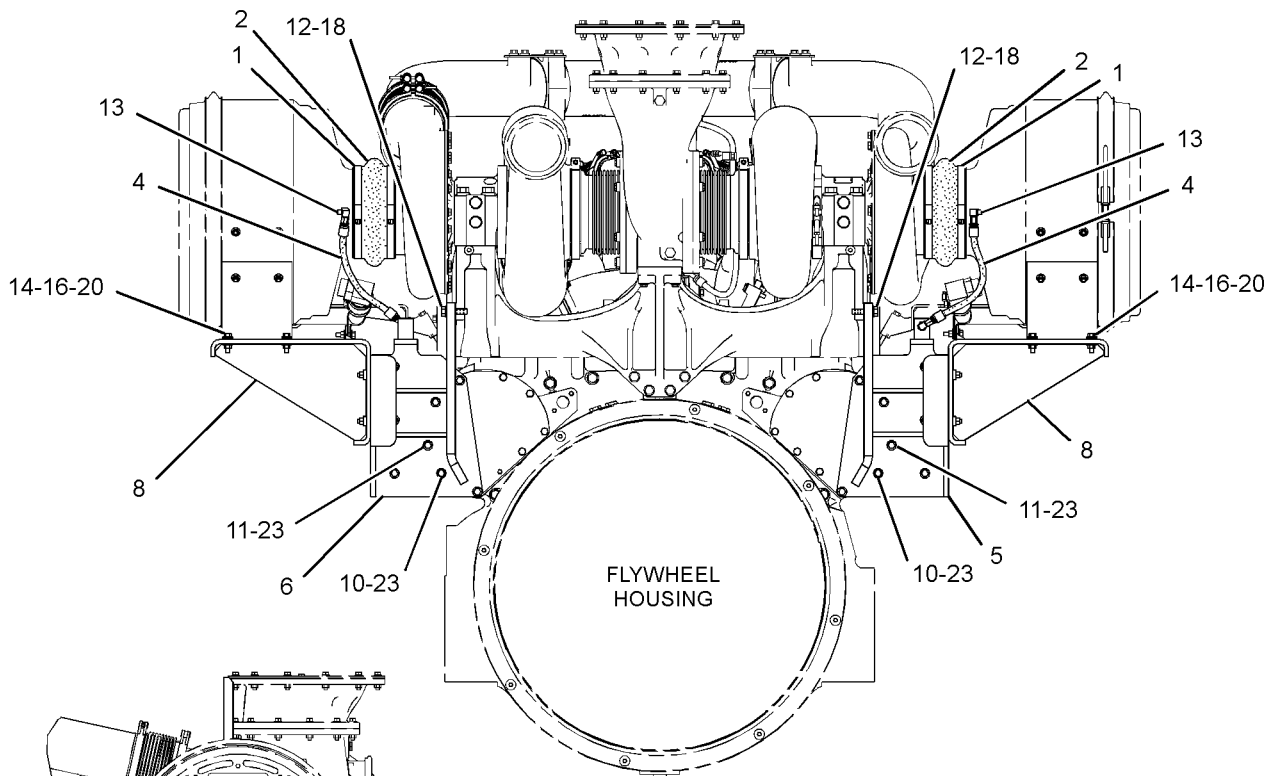
NOTE	REF NO	GRAPHIC REF	PART NUMBER	QTY	PART NAME						SEE PAGE
					1	2	3	4	5	6 (PRODUCT LEVEL)	
	1	1	5P-0600	4	CLAMP-HOSE						
	2	1	8N-5991	2	HOSE						
	3	1	8R-1794	8	BUSHING-TERMINAL						
I	4	1	161-8071	2	HOSE AS						
	5	1	315-4841	1	BRACKET AS (RH)						
	6	1	315-4842	1	BRACKET AS (LH)						
	7	1	315-4843	2	BRACKET AS (RH, LH)						
	8	1	315-4844	2	BRACKET AS (RH, LH)						
	9	1	0S-1571	6	BOLT (3/8-16X1.75-IN)						
	10	1	0S-1590	10	BOLT (3/8-16X2-IN)						
	11	1	0S-1591	16	BOLT (3/8-16X1.5-IN)						
	12	1	1A-1460	4	BOLT (1/2-13X2-IN)						
	13	1	2N-1287	2	ELBOW-FLARED						
	14	1	4L-9337	8	BOLT (3/8-16X1.5-IN)						
	15	1	5M-2894	8	WASHER-HARD (10.2X18.5X2.5-MM THK)						
	16	1	5P-1075	16	WASHER-HARD (10.2X22.5X3-MM THK)						
	17	1	5P-3426	2	ELBOW						
	18	1	5P-8245	4	WASHER-HARD (13.5X25.5X3-MM THK)						
	19	1	6V-5048	2	SEAL-O-RING						
	20	1	6V-8801	8	NUT (3/8-16-THD)						
	21	1	7X-0732	16	WASHER-HARD (10X22.5X8-MM THK)						
	22	1	9S-8752	14	NUT-FULL (3/8-16-THD)						
	23	1	9X-6458	22	WASHER-HARD (10.2X22.5X3-MM THK)						

I-REFER TO HYDRAULIC INFORMATION SYSTEM

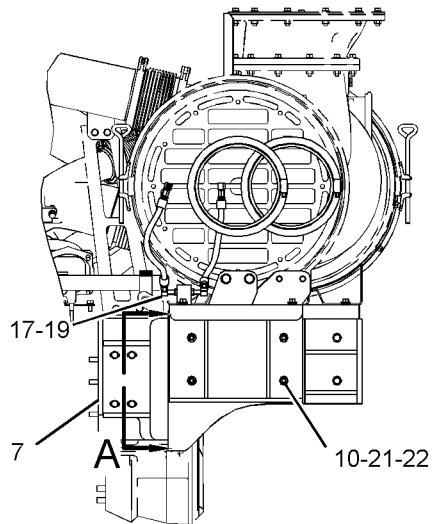
AIR INLET AND EXHAUST SYSTEM

315-4837 MOUNTING GP-AIR CLEANER (contd.)

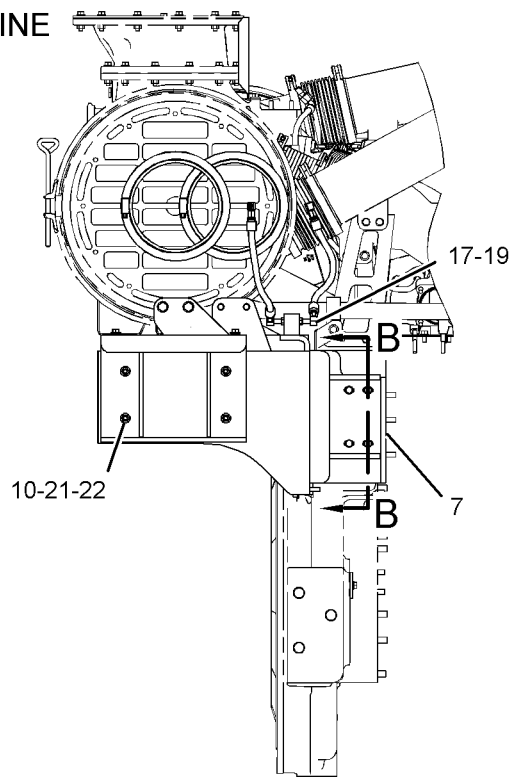
i03016927



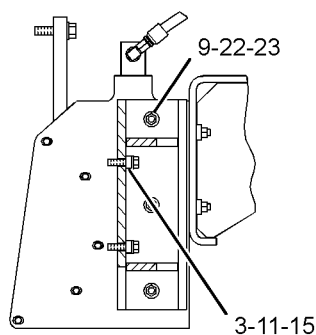
REAR VIEW OF ENGINE



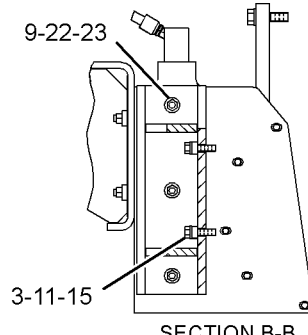
LEFT SIDE VIEW OF ENGINE



RIGHT SIDE VIEW OF ENGINE



SECTION A-A



SECTION B-B

GRAPHIC #1

<END>

g01696174

AIR INLET AND EXHAUST SYSTEM

334-8198 MOUNTING GP-AIR CLEANER

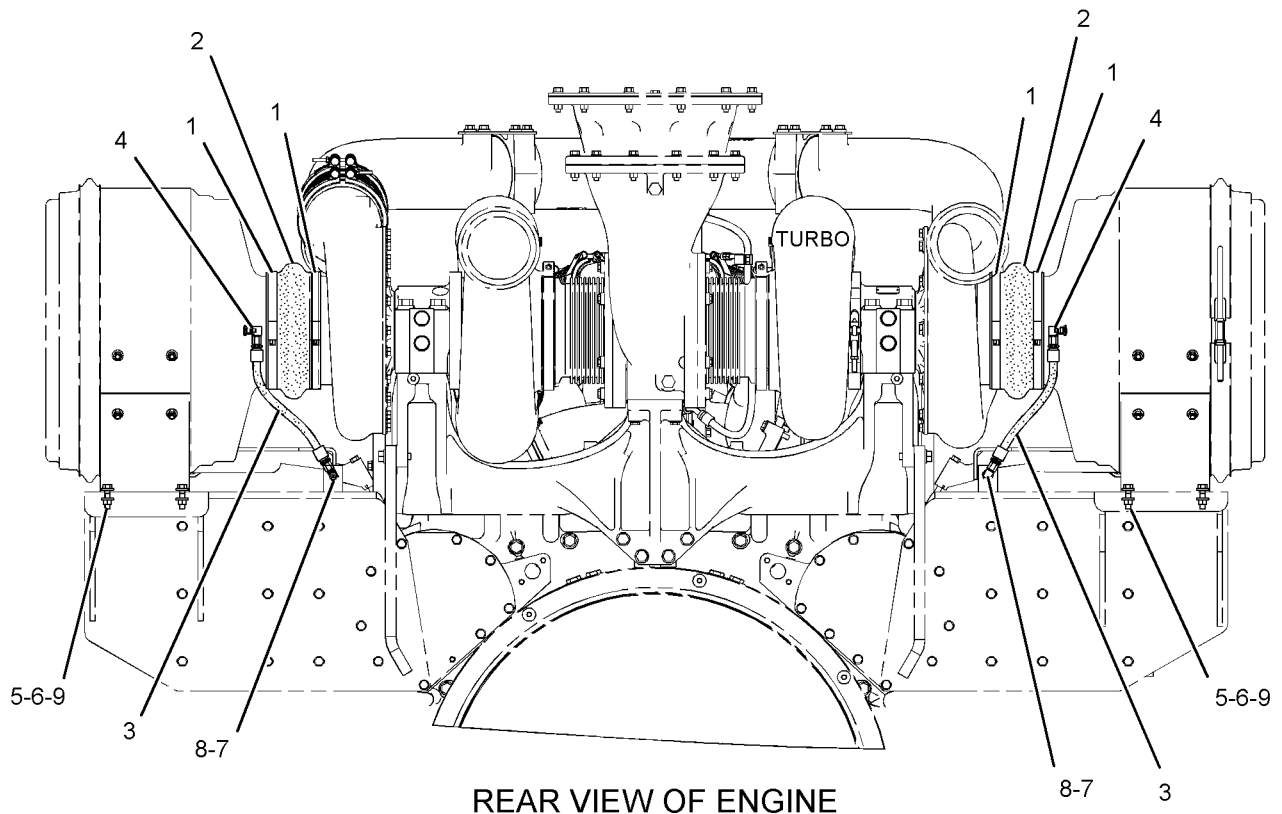
AN ATTACHMENT

SMCS-1051

i03810130

NOTE	REF NO	GRAPHIC REF	PART NUMBER	QTY	PART NAME						SEE PAGE
					1	2	3	4	5	6 (PRODUCT LEVEL)	
	1	1	5P-0600	4	CLAMP-HOSE						
	2	1	8N-5991	2	HOSE						
I	3	1	161-8071	2	HOSE AS						
	4	1	2N-1287	2	ELBOW-FLARED						
	5	1	4L-9337	8	BOLT (3/8-16X1.5-IN)						
	6	1	5P-1075	16	WASHER-HARD (10.2X22.5X3-MM THK)						
	7	1	5P-3426	2	ELBOW						
	8	1	6V-5048	2	SEAL-O-RING						
	9	1	6V-8801	8	NUT (3/8-16-THD)						

I-REFER TO HYDRAULIC INFORMATION SYSTEM



REAR VIEW OF ENGINE

GRAPHIC #1

<END>

g02066513

AIR INLET AND EXHAUST SYSTEM

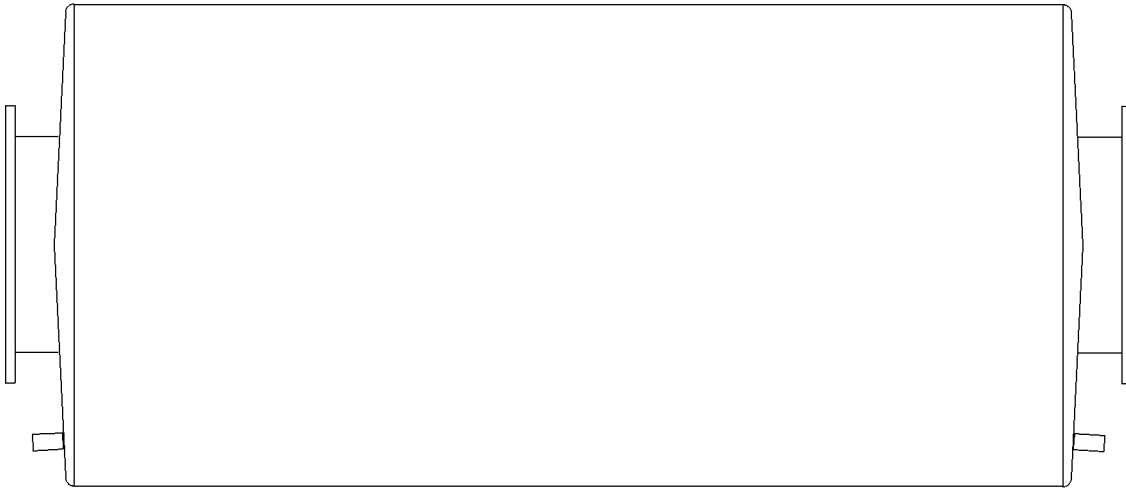
110-8066 MUFFLER

406.4-MM ID, M21
AN ATTACHMENT

SMCS-1062

i01130476

NOTE	REF NO	GRAPHIC REF	PART NUMBER	QTY	PART NAME						SEE PAGE
					1	2	3	4	5	6 (PRODUCT LEVEL)	
(NO SERVICED PARTS)											



GRAPHIC #1

<END>

g00598057

AIR INLET AND EXHAUST SYSTEM

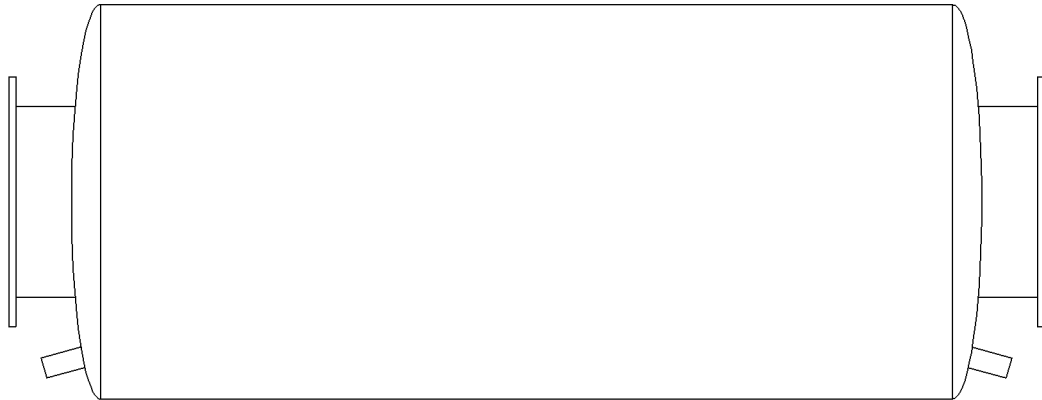
141-7047 MUFFLER

304.8-MM ID
AN ATTACHMENT

SMCS-1062

i01333885

NOTE	REF NO	GRAPHIC REF	PART NUMBER	QTY	PART NAME						SEE PAGE
					1	2	3	4	5	6 (PRODUCT LEVEL)	
(NO SERVICED PARTS)											



GRAPHIC #1

<END>

g00705396

AIR INLET AND EXHAUST SYSTEM

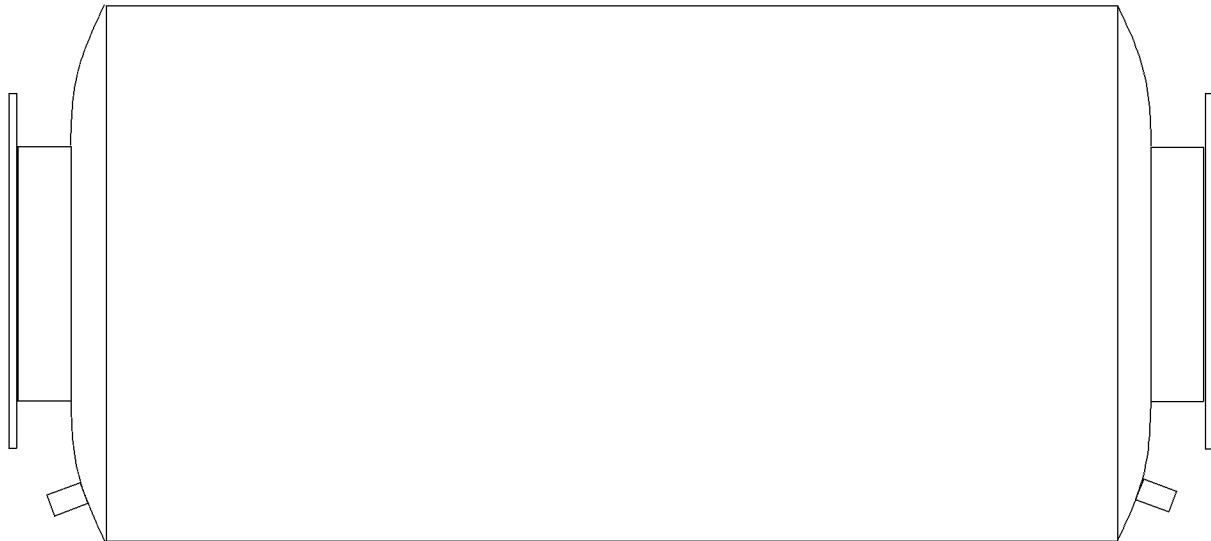
141-7048 MUFFLER

355.6-MM ID
AN ATTACHMENT

SMCS-1062

i01979307

NOTE	REF NO	GRAPHIC REF	PART NUMBER	QTY	PART NAME						SEE PAGE
					1	2	3	4	5	6 (PRODUCT LEVEL)	
(NO SERVICED PARTS)											



GRAPHIC #1

<END>

g00646649

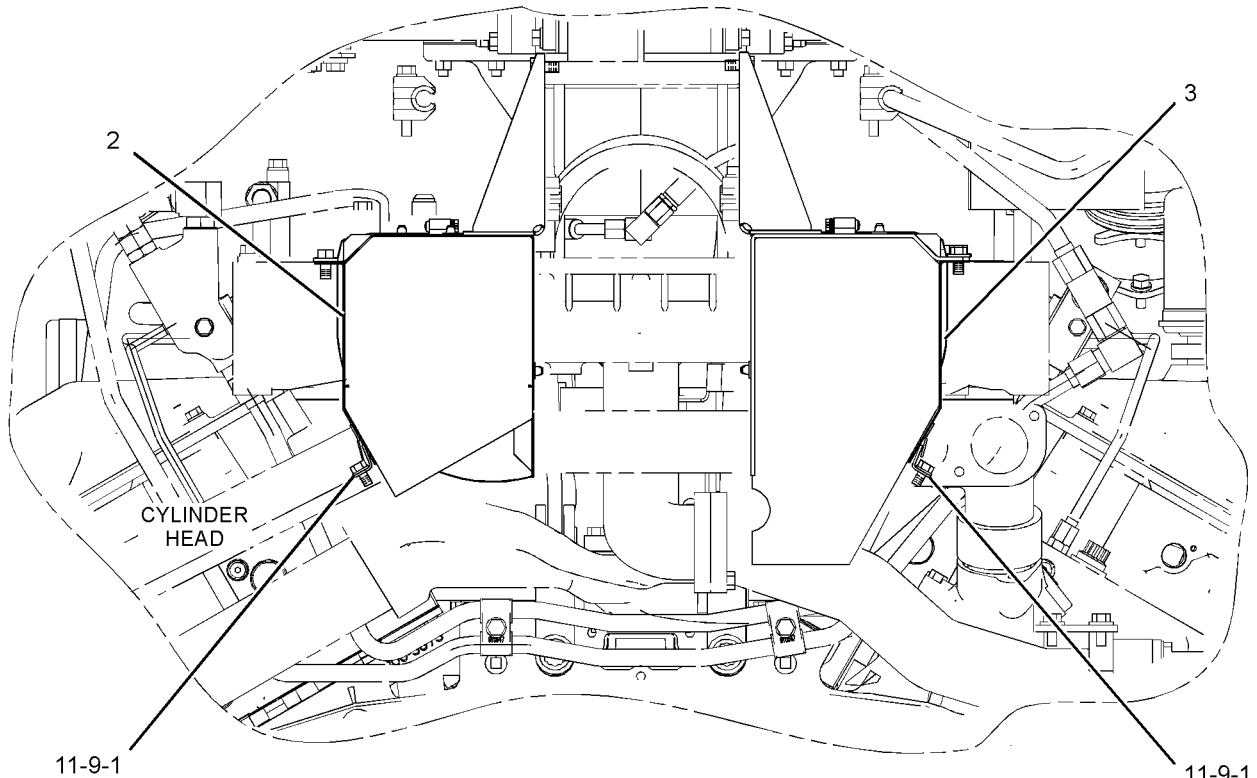
AIR INLET AND EXHAUST SYSTEM

270-7277 SHIELD GP-HEAT-EXHAUST

SMCS-1067

i03141840

NOTE	REF NO	GRAPHIC REF	PART NUMBER	QTY	PART NAME						SEE PAGE
					1	2	3	4	5	6 (PRODUCT LEVEL)	
	1	1	7W-7336	8	GUIDE-SHIELD						
	2	1	312-0305	1	SHIELD AS-EXHAUST (OUTER, RH)						
	3	1	312-0306	1	SHIELD AS-EXHAUST (OUTER, LH)						
	4	2	232-4449	2	STRAP						
	5	2	270-8401	1	SHIELD AS-EXHAUST (INNER, RH)						
	6	2	270-8474	1	SHIELD AS-EXHAUST (INNER, LH)						
	7	2	301-4516	2	SHIELD						
	8	2	0S-0509	14	BOLT (3/8-16X0.75-IN)						
	9	1,2	2H-3755	35	BOLT (5/16-18X0.43-IN)						
	10	2	3E-4352	19	WASHER-HARD (8.8X20.5X2.5-MM THK)						
	11	1	9M-1974	16	WASHER-HARD (8.8X16X2-MM THK)						
	12	2	9X-6458	14	WASHER-HARD (10.2X22.5X3-MM THK)						



FRONT VIEW OF ENGINE

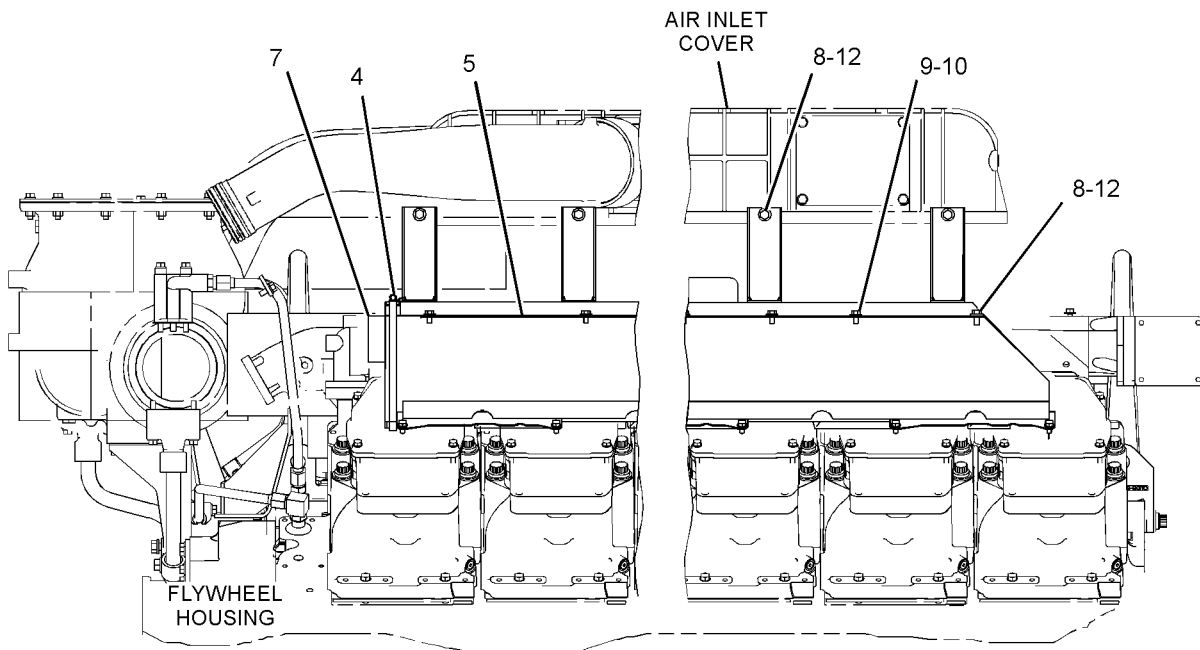
GRAPHIC #1

g01324558

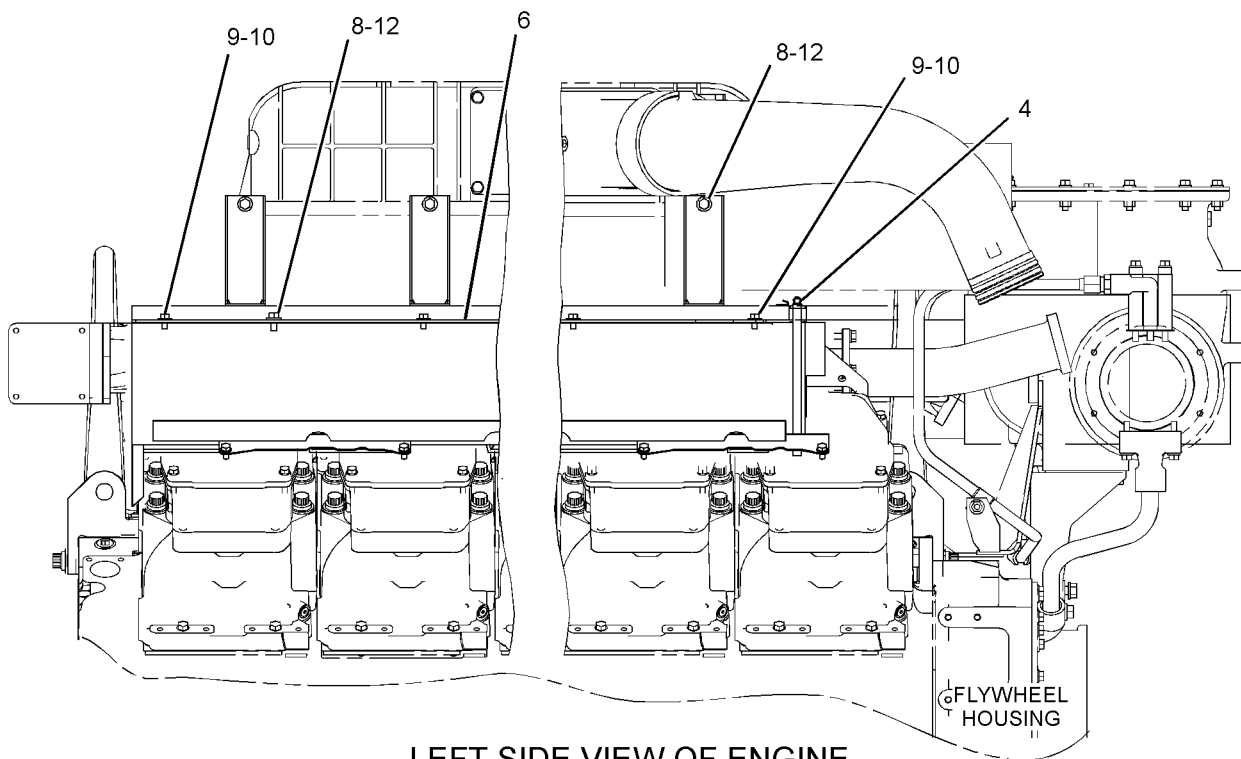
AIR INLET AND EXHAUST SYSTEM

270-7277 SHIELD GP-HEAT (contd.)

i03141840



RIGHT SIDE VIEW OF ENGINE



LEFT SIDE VIEW OF ENGINE

GRAPHIC #2

<END>

g01324559

AIR INLET AND EXHAUST SYSTEM

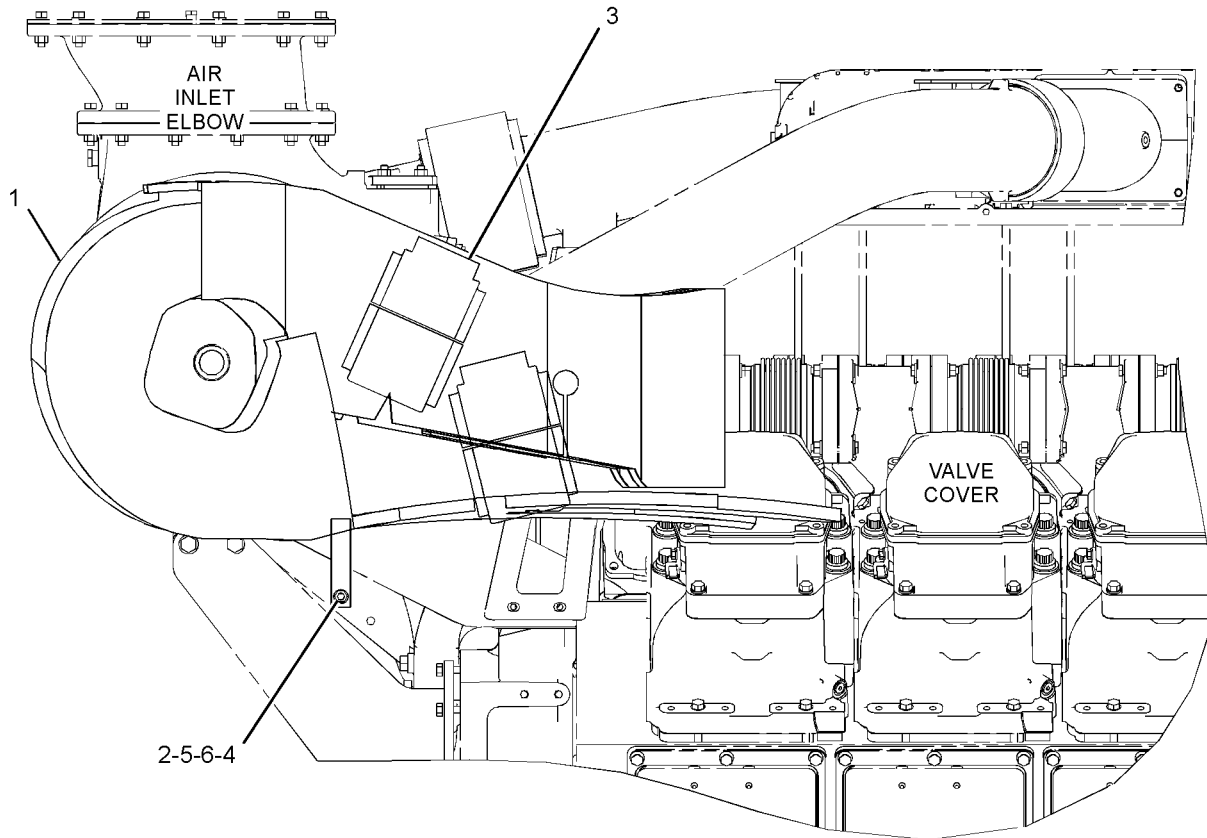
296-0620 SHIELD GP-HEAT-EXHAUST

S/N: TTH1-215, 235-UP

SMCS-1067

i03666186

NOTE	REF NO	GRAPHIC REF	PART NUMBER	QTY	PART NAME						SEE PAGE
					1	2	3	4	5	6 (PRODUCT LEVEL)	
	1	1	291-2117	1	SHIELD AS-HEAT						
	2	1	324-9728	2	PLATE						
	3	1	309-9599	2	SHIELD-HEAT						
	4	1	5S-7383	1	BOLT (3/8-16X1.75-IN)						
	5	1	6V-8801	1	NUT (3/8-16-THD)						
	6	1	8T-4896	2	WASHER-HARD (10.2X18.5X2.5-MM THK)						



RIGHT SIDE VIEW OF ENGINE

<END>

GRAPHIC #1

g02026100

AIR INLET AND EXHAUST SYSTEM

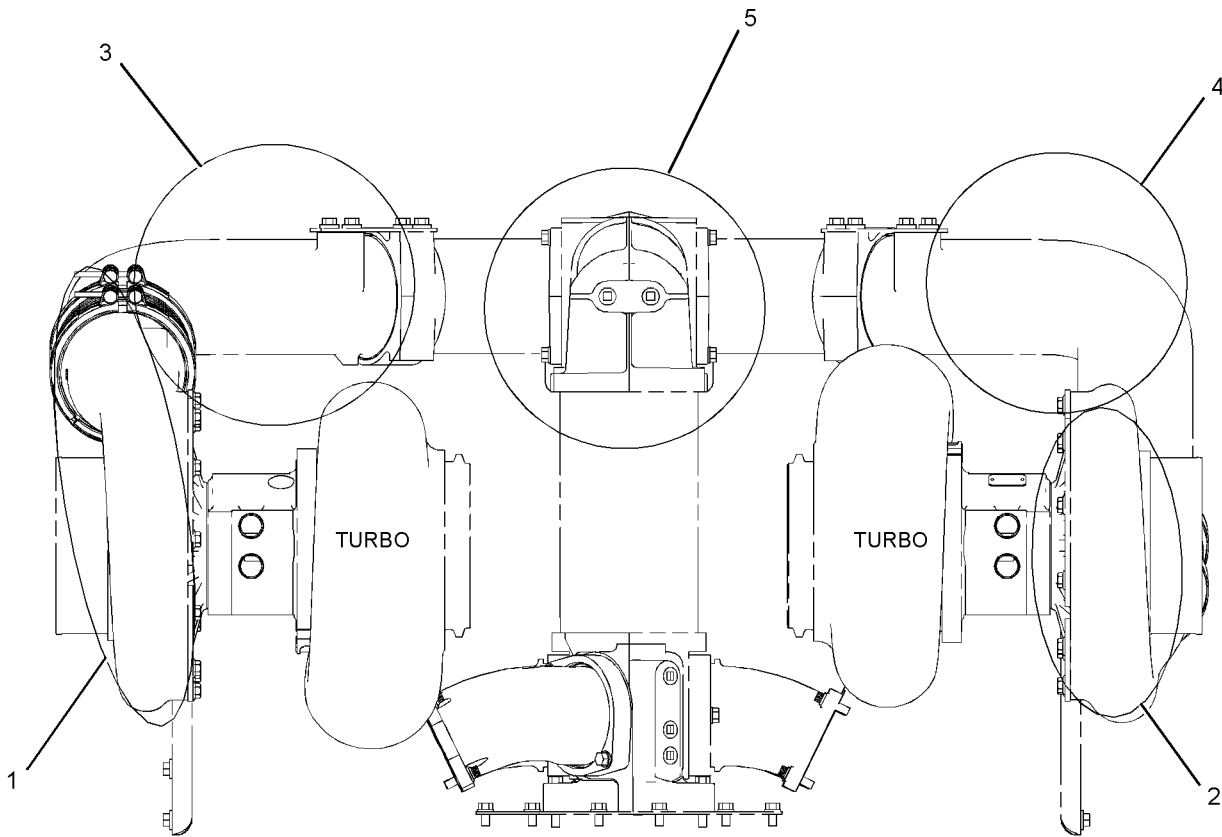
305-6260 SHIELD GP-HEAT

S/N: TTH1-209
ALSO AN ATTACHMENT

SMCS-1067

i02675359

NOTE	REF NO	GRAPHIC REF	PART NUMBER	QTY	PART NAME						SEE PAGE
					1	2	3	4	5	6 (PRODUCT LEVEL)	
	1	1	305-6242	1	SHIELD-HEAT						
	2	1	305-6243	1	SHIELD-HEAT						
	3	1	305-6248	1	SHIELD-HEAT						
	4	1	305-6249	1	SHIELD-HEAT						
	5	1	305-6254	1	SHIELD AS-HEAT						



REAR VIEW OF ENGINE

GRAPHIC #1

<END>

g01347378

AIR INLET AND EXHAUST SYSTEM

305-6260 SHIELD GP-HEAT

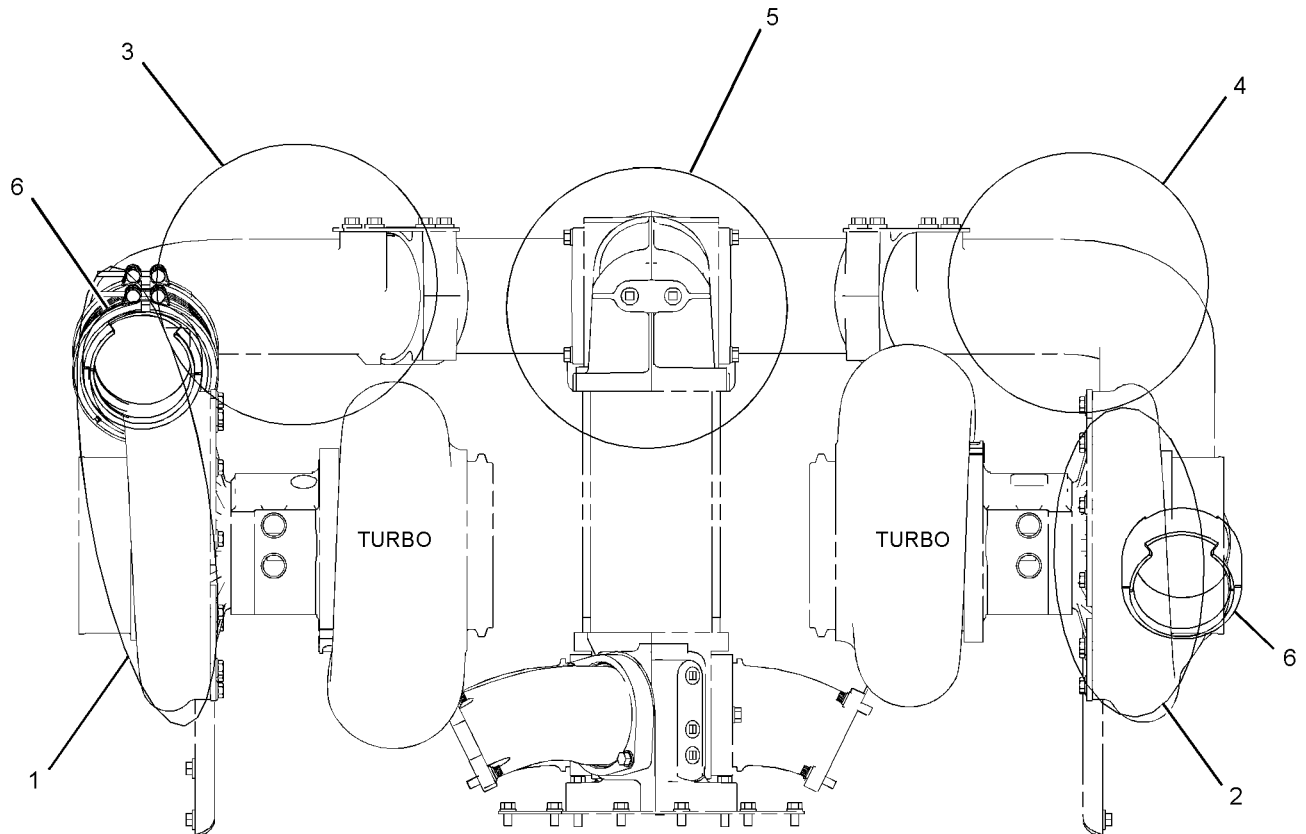
S/N: TTH246-UP

SMCS-1067

i03772781

NOTE	REF NO	GRAPHIC REF	PART NUMBER	QTY	PART NAME						SEE PAGE
					1	2	3	4	5	6 (PRODUCT LEVEL)	
	1	1	305-6242	1	SHIELD-HEAT						
	2	1	305-6243	1	SHIELD-HEAT						
C	3	1	330-3359	1	SHIELD-HEAT						
C	4	1	330-3360	1	SHIELD-HEAT						
C	5	1	333-4905	1	SHIELD AS-HEAT						
	6	1	309-9599	2	SHIELD-HEAT						

C-CHANGE FROM PREVIOUS TYPE



REAR VIEW OF ENGINE

GRAPHIC #1

<END>

g02069417

AIR INLET AND EXHAUST SYSTEM

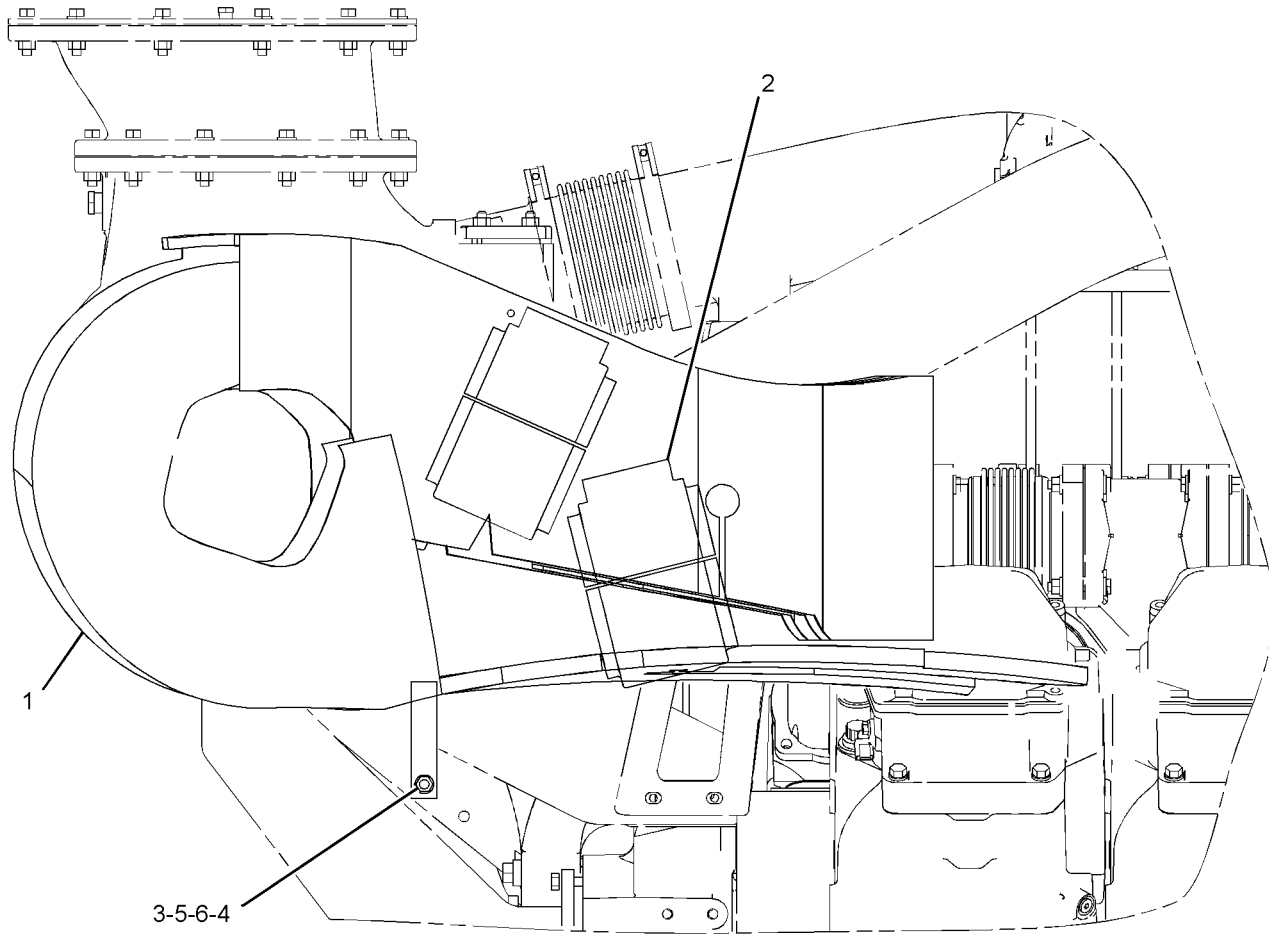
333-3701 SHIELD GP-HEAT

S/N: TTH216-234

SMCS-1067

i03387468

NOTE	REF NO	GRAPHIC REF	PART NUMBER	QTY	PART NAME						SEE PAGE
					1	2	3	4	5	6 (PRODUCT LEVEL)	
	1	1	291-2117	1	SHIELD AS-HEAT						
	2	1	309-9599	2	SHIELD-HEAT						
	3	1	324-9728	2	PLATE						
	4	1	5S-7383	1	BOLT (3/8-16X1.75-IN)						
	5	1	6V-8801	1	NUT (3/8-16-THD)						
	6	1	8T-4896	2	WASHER-HARD (10.2X18.5X2.5-MM THK)						



RIGHT SIDE VIEW OF ENGINE

GRAPHIC #1

<END>

g01941298

AIR INLET AND EXHAUST SYSTEM

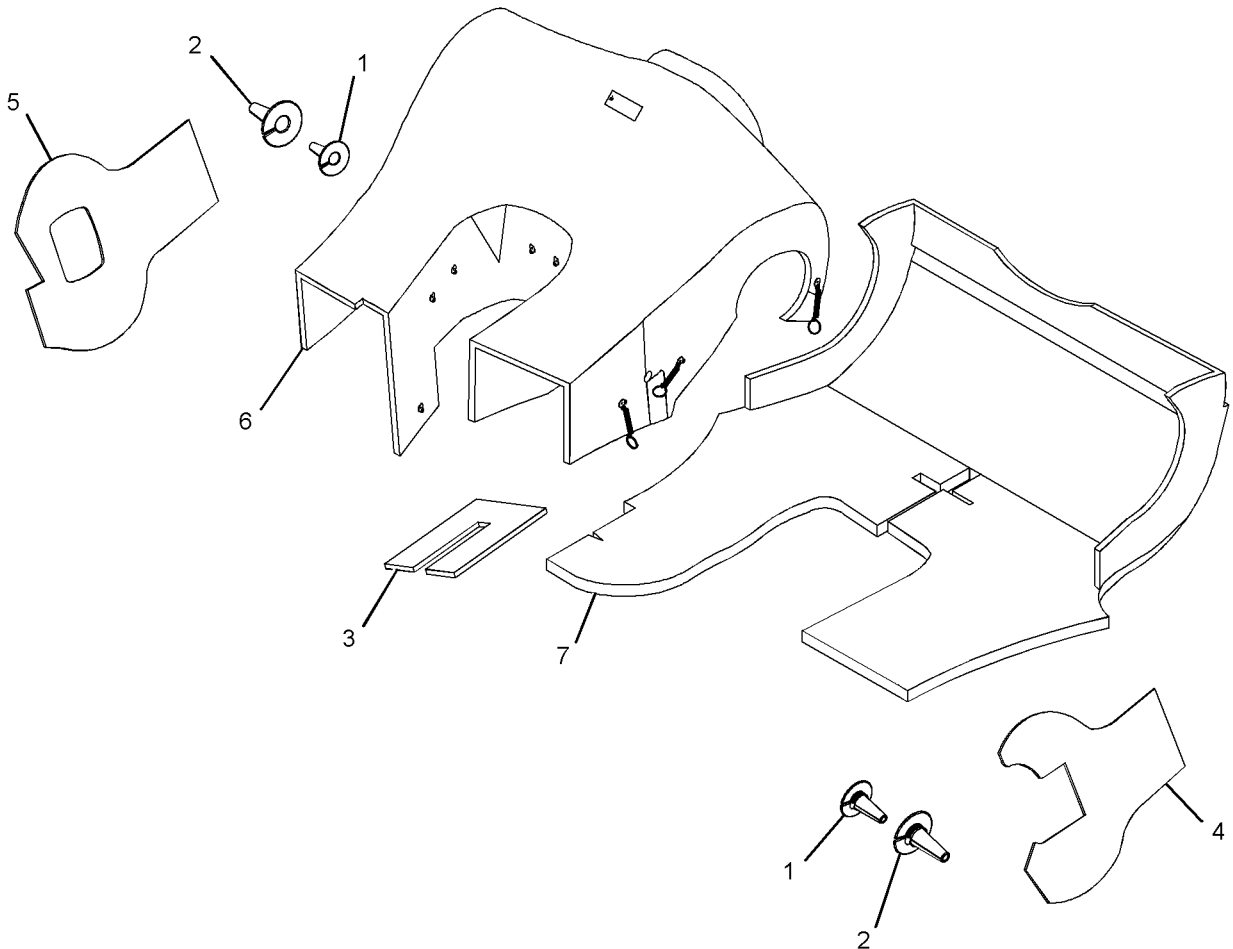
310-8026 SHIELD GP-TURBOCHARGER

PART OF 343-5363 SHIELD GP-TURBOCHARGER
AN ATTACHMENT

SMCS-1073

i03666763

NOTE	REF NO	GRAPHIC REF	PART NUMBER	QTY	PART NAME						SEE PAGE
					1	2	3	4	5	6	
	1	1	292-4331	2	SHIELD						
	2	1	317-6289	2	SHIELD						
	3	1	317-6302	1	SHIELD						
	4	1	334-5177	1	SHIELD-TURBOCHARGER						
	5	1	334-5178	1	SHIELD-TURBOCHARGER						
	6	1	341-3604	1	SHIELD-HEAT (TOP)						
	7	1	341-3605	1	SHIELD-BOTTOM						



GRAPHIC #1

<END>

g02051714

AIR INLET AND EXHAUST SYSTEM

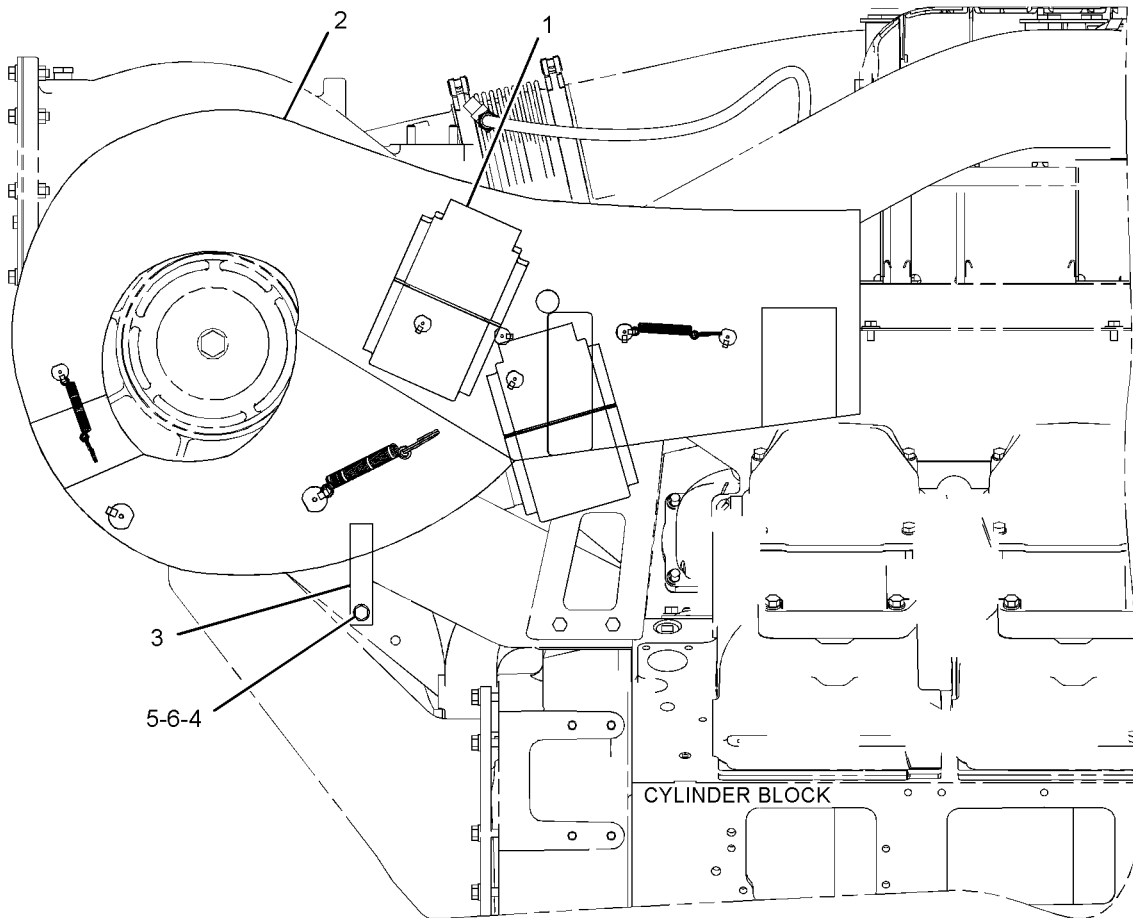
343-5363 SHIELD GP-TURBOCHARGER AN ATTACHMENT

SMCS-1073

i03666556

NOTE	REF NO	GRAPHIC REF	PART NUMBER	QTY	PART NAME						SEE PAGE
					1	2	3	4	5	6 (PRODUCT LEVEL)	
	1	1	309-9599	2	SHIELD-HEAT						
Y	2	1	310-8026	1	SHIELD GP-TURBOCHARGER						307
	3	1	324-9728	2	PLATE						
	4	1	5S-7383	1	BOLT (3/8-16X1.75-IN)						
	5	1	6V-8801	1	NUT (3/8-16-THD)						
	6	1	8T-4896	2	WASHER-HARD (10.2X18.5X2.5-MM THK)						

Y-SEPARATE ILLUSTRATION



RIGHT SIDE VIEW OF ENGINE

GRAPHIC #1

<END>

g02013113

AIR INLET AND EXHAUST SYSTEM

282-4207 TURBOCHARGER GP

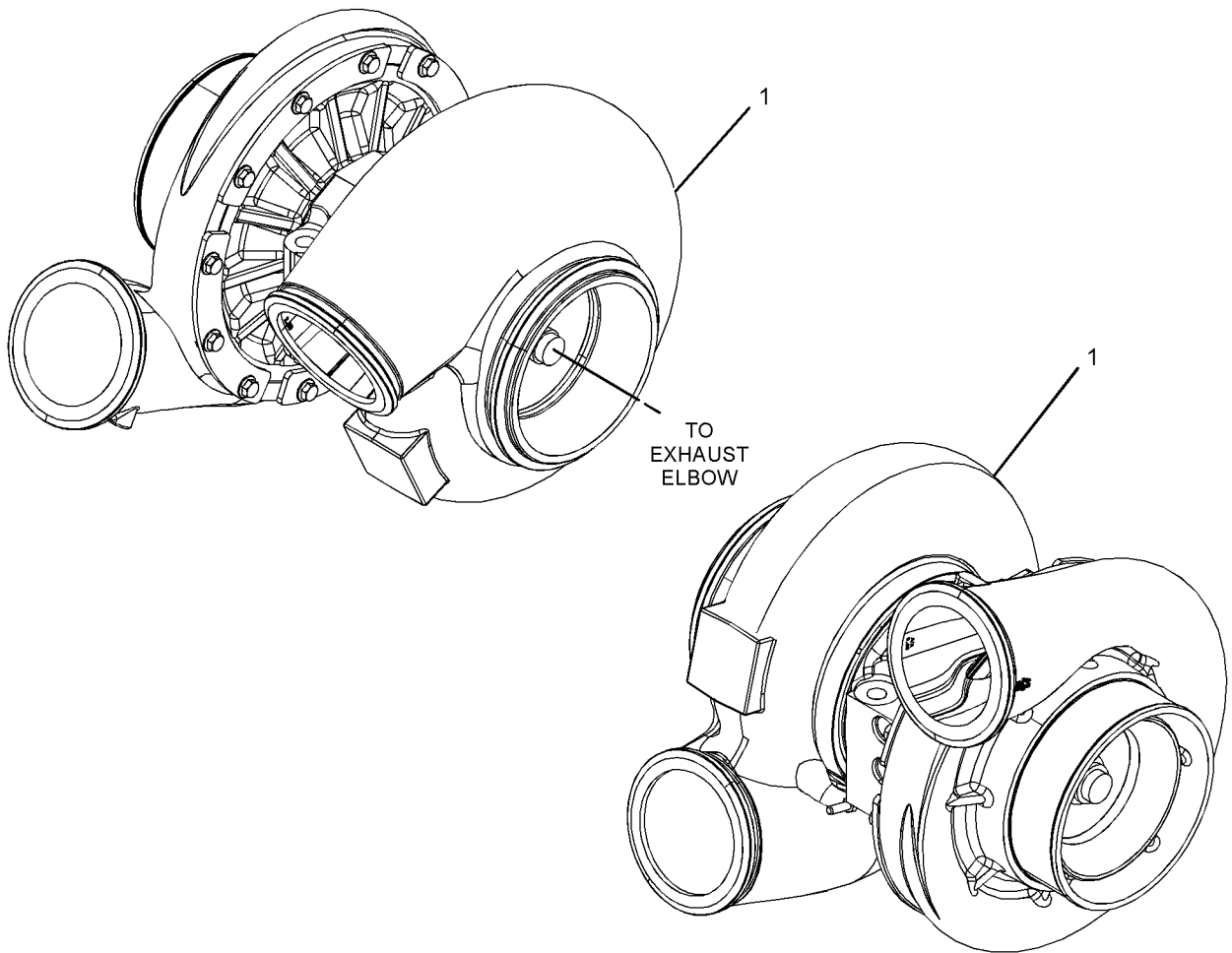
S/N: TTH1-247

SMCS-1052, 1053

i02674166

NOTE	REF NO	GRAPHIC REF	PART NUMBER	QTY	PART NAME						SEE PAGE
					1	2	3	4	5	6 (PRODUCT LEVEL)	
Y	1	1	304-3748	2	TURBOCHARGER GP						311

Y-SEPARATE ILLUSTRATION



GRAPHIC #1

<END>

g01347339

AIR INLET AND EXHAUST SYSTEM

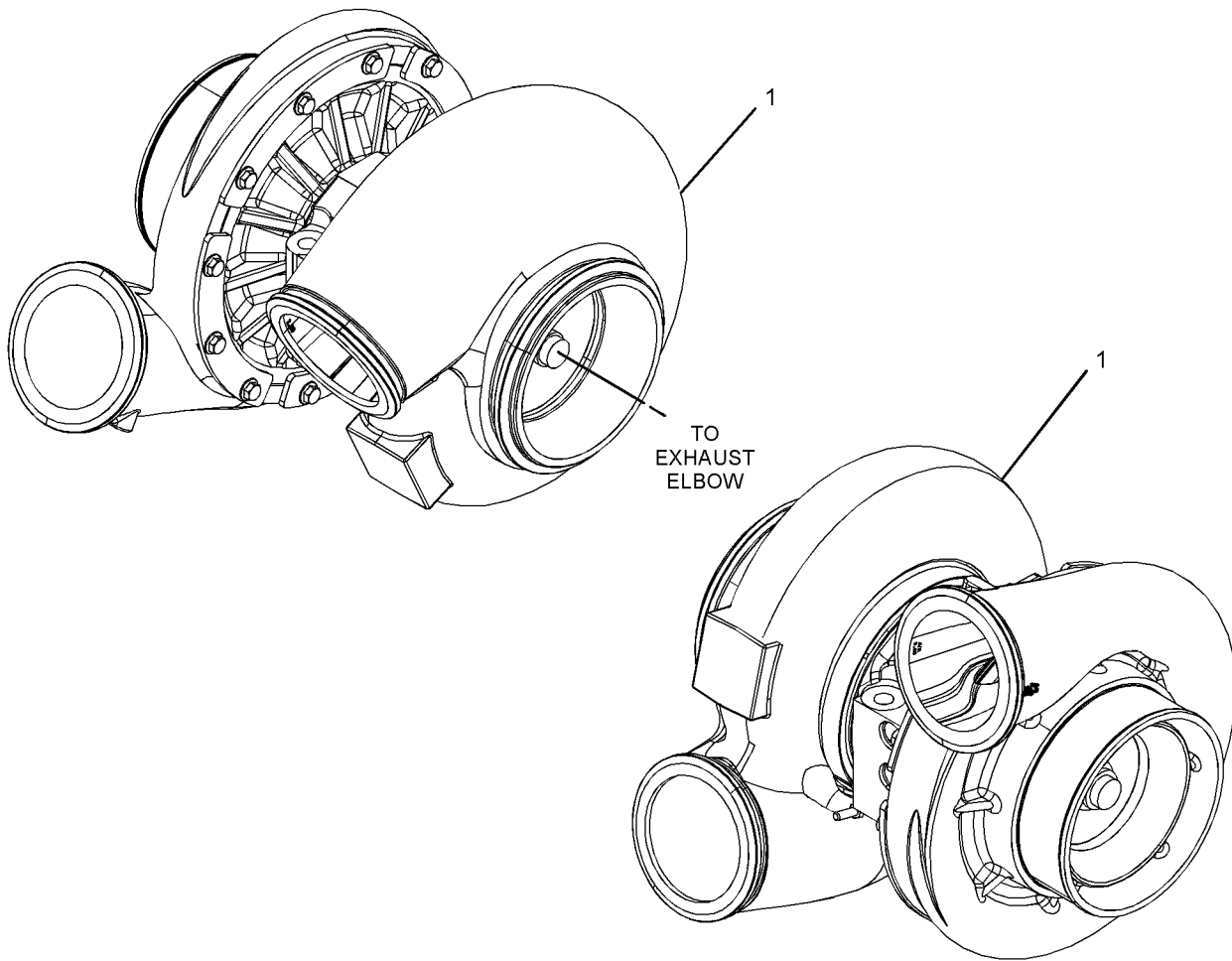
282-4207 TURBOCHARGER GP

S/N: TTH248-UP

SMCS-1052, 1053

i03809893

NOTE	REF NO	GRAPHIC REF	PART NUMBER	QTY	PART NAME						SEE PAGE
					1	2	3	4	5	6 (PRODUCT LEVEL)	
CY	1	1	328-4268	2	TURBOCHARGER GP						312
C-CHANGE FROM PREVIOUS TYPE											
Y-SEPARATE ILLUSTRATION											



GRAPHIC #1

<END>

g01347339

AIR INLET AND EXHAUST SYSTEM

304-3748 TURBOCHARGER GP

S/N: TTH1-247

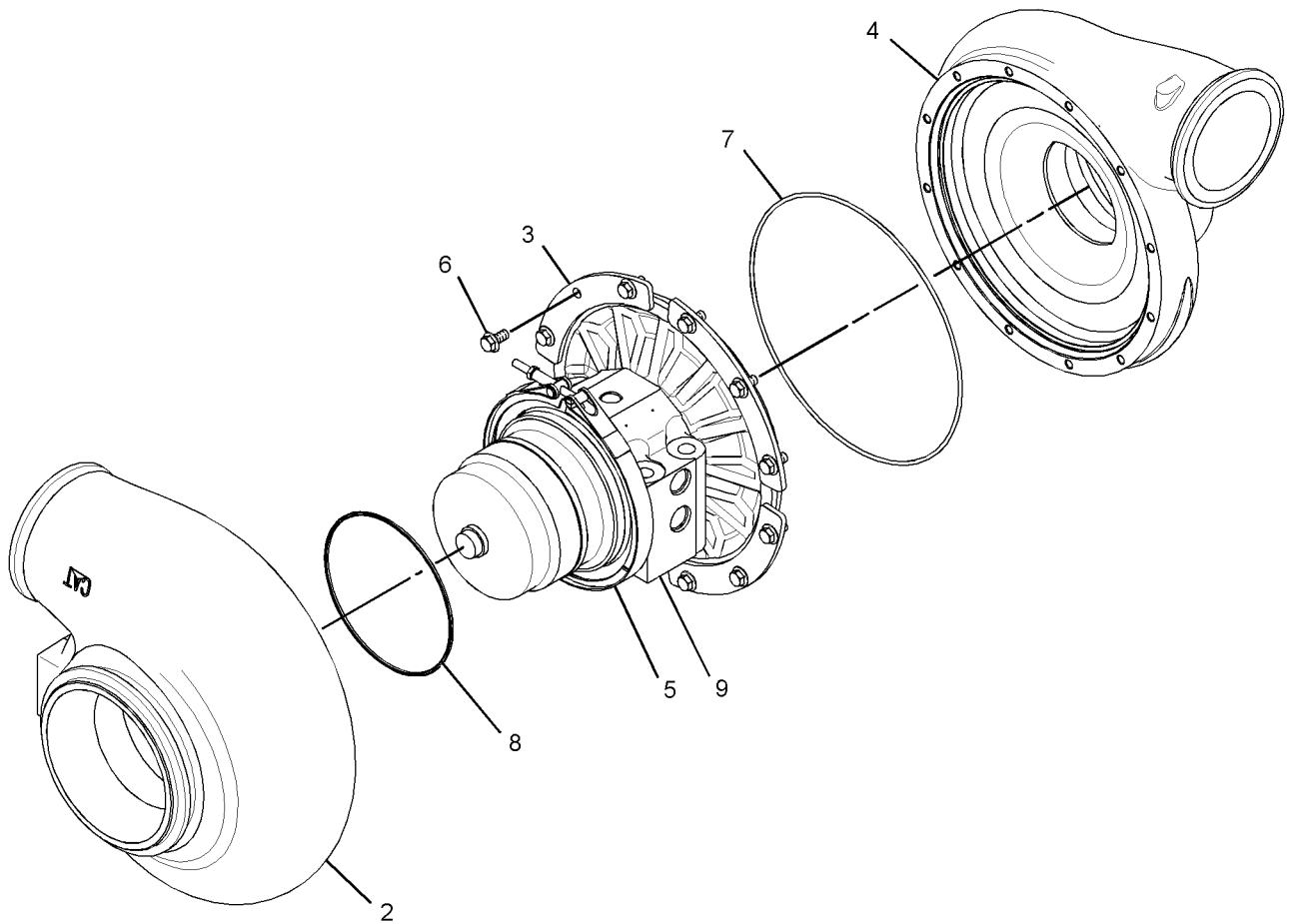
PART OF 282-4207 TURBOCHARGER GP

SMCS-1052, 1053

i02680915

NOTE	REF NO	GRAPHIC REF	PART NUMBER	QTY	PART NAME						SEE PAGE
					1	2	3	4	5	6 (PRODUCT LEVEL)	
	2	1	275-5622	1	HOUSING						
	3	1	289-1195	4	PLATE (COMPRESSOR)						
	4	1	289-1200	1	HOUSING (COMPRESSOR)						
	5	1	293-5488	1	CLAMP AS (TURBINE)						
M	6	1	293-5490	12	BOLT-FLANGE HEAD (M10X1.5X20-MM)						
	7	1	293-5491	1	SEAL-O-RING						
	8	1	303-6267	1	GASKET-EXHAUST						
	9	1	305-3510	1	CARTRIDGE GP-TURBOCHARGER						

M-METRIC PART



GRAPHIC #1

<END>

g01347357

AIR INLET AND EXHAUST SYSTEM

328-4268 TURBOCHARGER GP

S/N: TTH248-UP

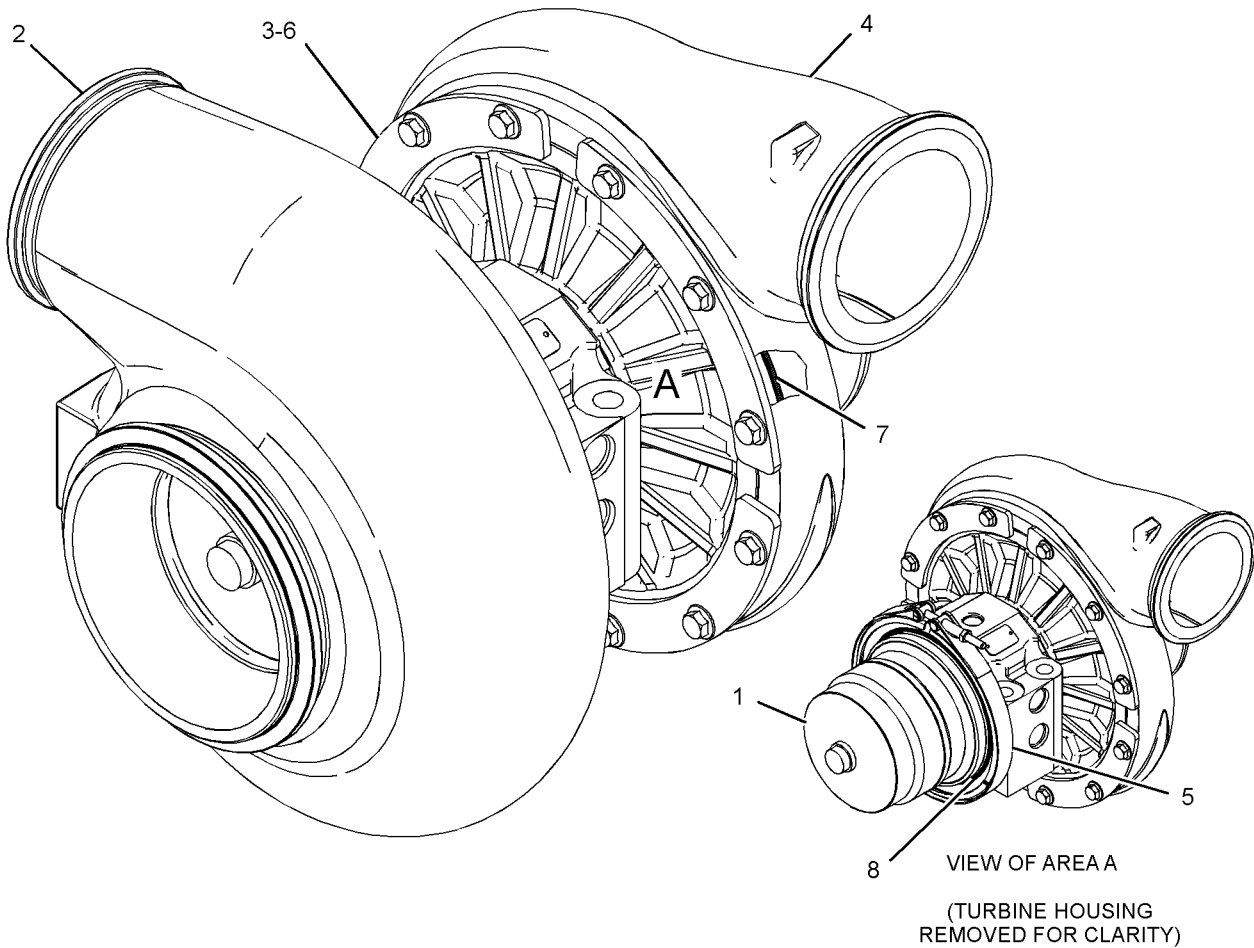
PART OF 282-4207 TURBOCHARGER GP

SMCS-1052, 1053

i03809935

NOTE	REF NO	GRAPHIC REF	PART NUMBER	QTY	PART NAME	1 2 3 4 5 6 (PRODUCT LEVEL)						SEE PAGE
	1	1	321-9043	1	CARTRIDGE GP - TURBOCHARGER							
	2	1	275-5622	1	HOUSING (TURBINE)							
	3	1	289-1195	4	PLATE (COMPRESSOR)							
	4	1	289-1200	1	HOUSING (COMPRESSOR)							
	5	1	293-5488	1	CLAMP AS (TURBINE)							
M	6	1	293-5490	12	BOLT-FLANGE HEAD (M10X1.5X20-MM)							
	7	1	293-5491	1	SEAL-O-RING							
	8	1	303-6267	1	GASKET-EXHAUST							

M-METRIC PART



GRAPHIC #1

<END>

g02078453

AIR INLET AND EXHAUST SYSTEM

8N-8483 VALVE GP-AIR CONTROL-RH

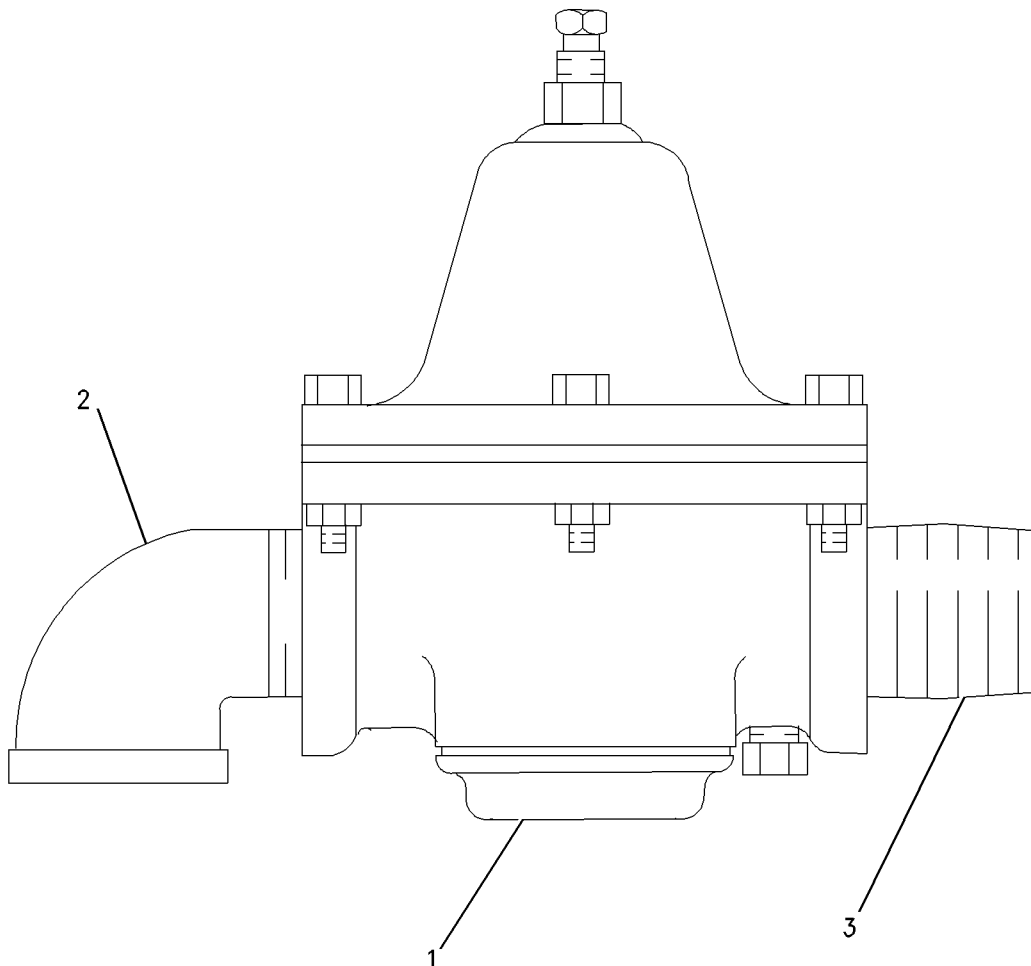
FOR USE WITH AIR START SYSTEM
AN ATTACHMENT

SMCS-108A, 1462

i03869158

NOTE	REF NO	GRAPHIC REF	PART NUMBER	QTY	PART NAME	SEE PAGE
					1 2 3 4 5 6 (PRODUCT LEVEL)	
Y	1	1	1L-2073	1	VALVE GP-PRESSURE REDUCING (AIR STARTING) (RH)	527
	2	1	5B-7666	1	ELBOW	
	3	1	3L-8993	1	FITTING	

Y-SEPARATE ILLUSTRATION



GRAPHIC #1

<END>

g00637864

FUEL SYSTEM

238-9549 CONTROL GP-FUEL

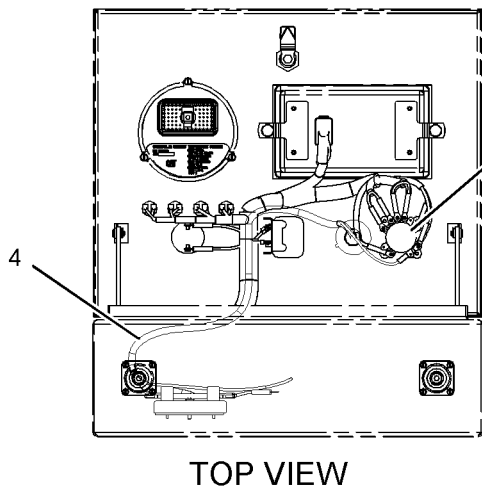
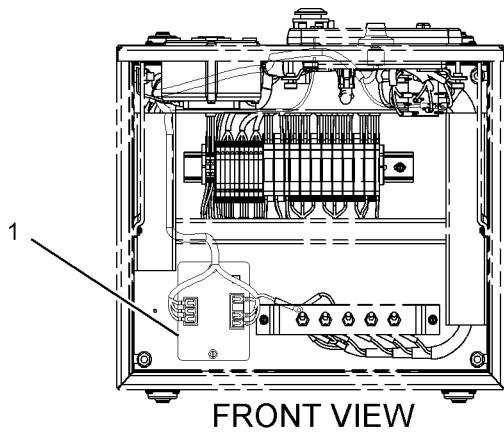
AN ATTACHMENT

SMCS-1265

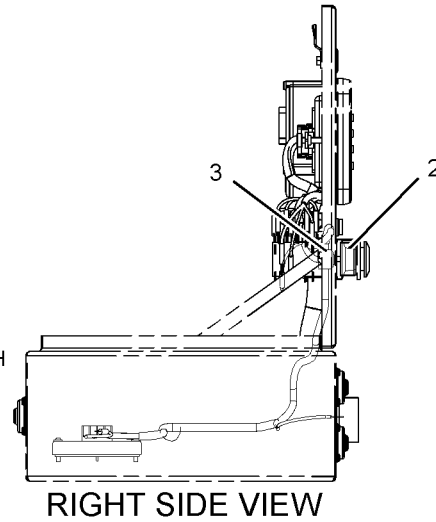
i03187725

NOTE	REF NO	GRAPHIC REF	PART NUMBER	QTY	PART NAME						SEE PAGE
					1	2	3	4	5	6 (PRODUCT LEVEL)	
Y	1	1	9X-9591	1	CONVERTER GP-ELECTRICAL (PULSE WIDTH MODULATED)						399
	2	1	116-9723	1	DIAL-VERNIER						
	3	1	122-9458	1	POTENTIOMETER (1000-OHM) (SPEED ADJUST)						
Y	4	1	237-9022	1	HARNES AS-PANEL (SPEED CONTROL)						425

Y-SEPARATE ILLUSTRATION



CONTROL SWITCH



GRAPHIC #1

<END>

g01010321

FUEL SYSTEM

7W-9741 FILTER GP-FUEL-RH

SMCS-1261

i03657714

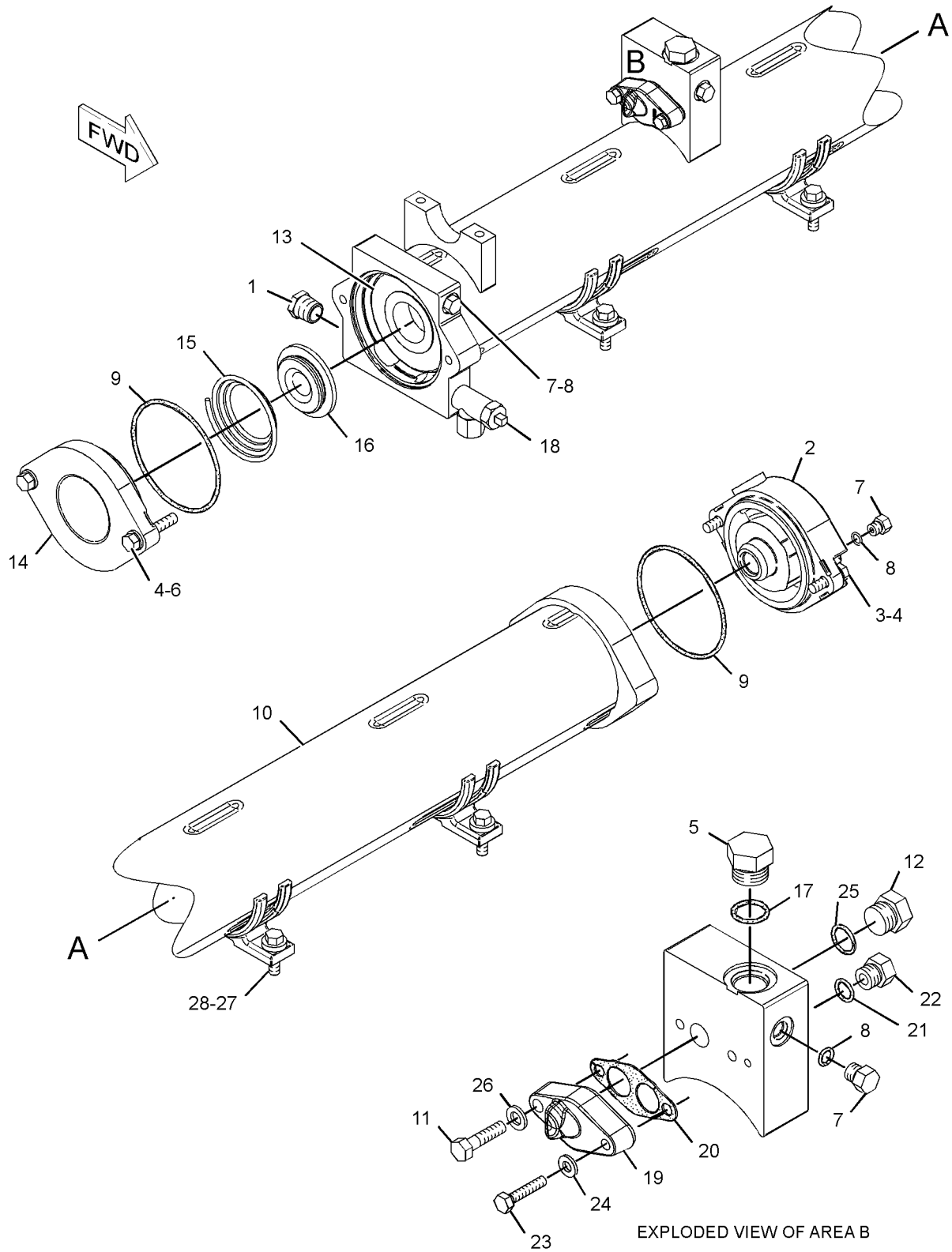
NOTE	REF NO	GRAPHIC REF	PART NUMBER	QTY	PART NAME						SEE PAGE
					1	2	3	4	5	6 (PRODUCT LEVEL)	
	1	1	8T-6766	1	PLUG-PIPE						
	2	1	267-9689	1	COVER-FILTER HOUSING						
	3	1	0S-1588	2	BOLT (3/8-16X1.25-IN)						
	4	1	5M-2894	4	WASHER-HARD (10.2X18.5X2.5-MM THK)						
	5	1	9S-4190	1	PLUG-O-RING						
C	6	1	7F-0192	2	BOLT (3/8-16X2-IN)						
	7	1	9S-4182	5	PLUG-O-RING						
	8	1	6V-5048	5	SEAL-O-RING						
	9	1	5D-5957	2	SEAL-O-RING						
	10	1	278-1776	1	HOUSING AS-FUEL FILTER						
C	11	1	1B-7182	1	BOLT (5/16-18X1.25-IN)						
	12	1	9S-4185	1	PLUG-O-RING						
	13	1	1R-0756	5	FILTER ELEMENT-FUEL (ADVANCED EFFICIENCY)						
	14	1	2W-9300	1	COVER-FILTER HOUSING						
	15	1	1N-2895	1	SPRING						
	16	1	6I-3754	1	RETAINER-FILTER						
	17	1	6V-4589	1	SEAL-O-RING						
	18	1	2S-5100	1	VALVE-MANUAL						
	19	1	6N-4414	1	COVER-FILTER BASE						
	20	1	9Y-8389	1	GASKET (FUEL FILTER)						
	21	1	6V-5049	1	SEAL-O-RING						
	22	1	9S-4191	1	PLUG-O-RING						
	23	1	7B-2742	1	BOLT (1/4-20X1.25-IN)						
	24	1	5P-0537	1	WASHER-HARD (7.2X14.5X2-MM THK)						
	25	1	8L-2786	1	SEAL-O-RING						
	26	1	9M-1974	1	WASHER-HARD (8.8X16X2-MM THK)						
C	27	1	3B-1915	8	BOLT (3/8-16X1.375-IN)						
	28	1	8M-9024	8	WASHER-HARD (10.2X22.5X5-MM THK)						

C-CHANGE FROM PREVIOUS TYPE

FUEL SYSTEM

7W-9741 FILTER GP-FUEL (contd.)

i03657714



GRAPHIC #1

<END>

g01228338

FUEL SYSTEM

7W-9742 FILTER GP-FUEL-LH AN ATTACHMENT

SMCS-1261

i03513184

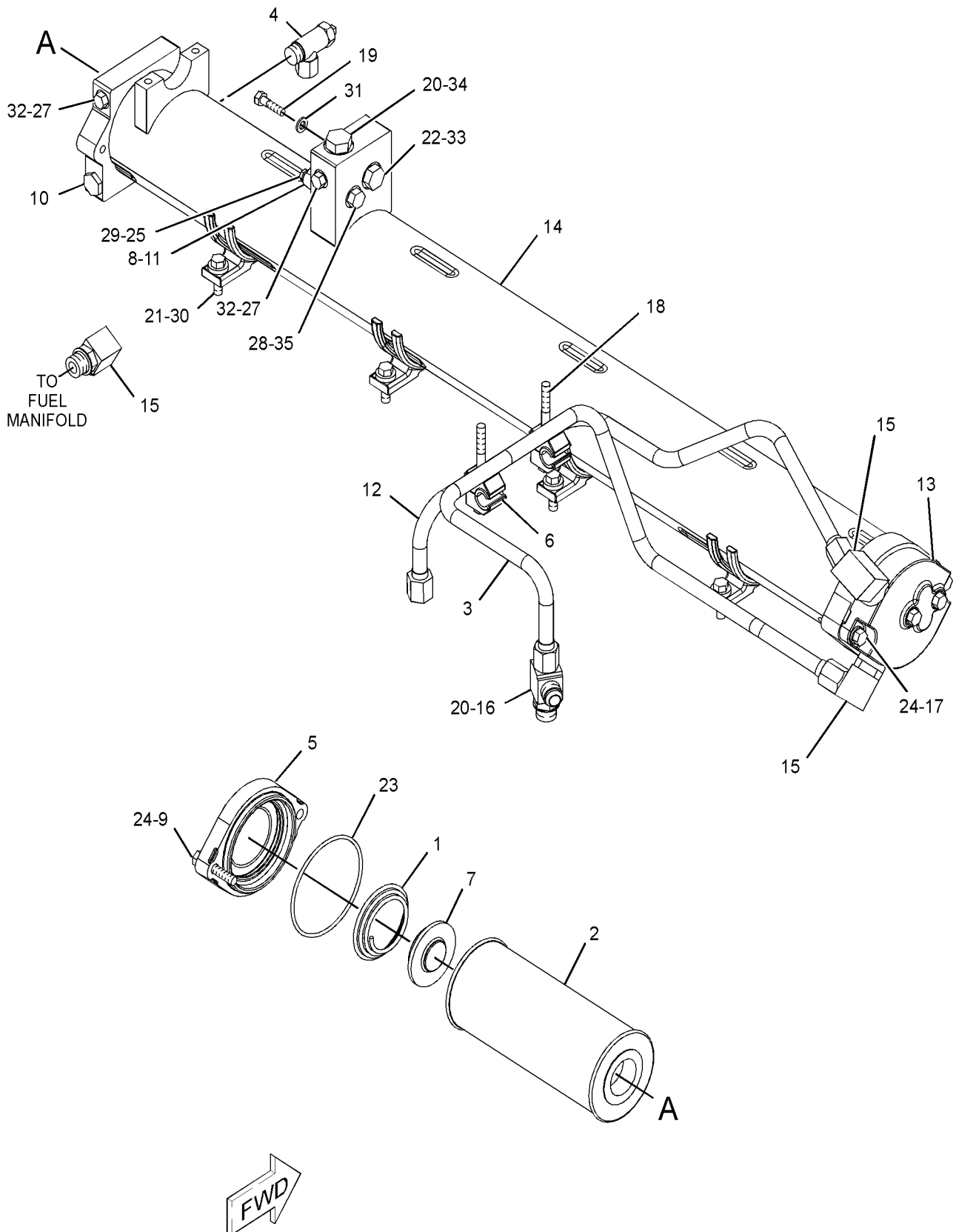
NOTE	REF NO	GRAPHIC REF	PART NUMBER	QTY	PART NAME						SEE PAGE
					1	2	3	4	5	6 (PRODUCT LEVEL)	
	1	1	1N-2895	1	SPRING						
	2	1	1R-0756	5	FILTER ELEMENT-FUEL (ADVANCED EFFICIENCY)						
	3	1	1W-7548	1	TUBE AS						
	4	1	2S-5100	1	VALVE-MANUAL						
	5	1	2W-9300	1	COVER-FILTER HOUSING						
	6	1	4P-0692	4	CLAMP AS						
					(EACH INCLUDES)						
		1	108-1434	1	GROMMET						
	7	1	6I-3754	1	RETAINER-FILTER						
	8	1	6N-4414	1	COVER-FILTER BASE						
C	9	1	7F-0192	2	BOLT (3/8-16X2-IN)						
	10	1	8T-6766	1	PLUG-PIPE						
	11	1	9Y-8389	1	GASKET (FUEL FILTER)						
	12	1	237-2719	1	TUBE AS						
	13	1	267-9689	1	COVER-FILTER HOUSING						
	14	1	278-1776	1	HOUSING AS-FUEL FILTER						
	15	1	250-1498	3	ELBOW AS						
					(EACH INCLUDES)						
		1	6V-4589	1	SEAL-O-RING						
		1	250-1497	1	ELBOW						
	16	1	031-4136	1	TEE-FLARED						
	17	1	0S-1588	2	BOLT (3/8-16X1.25-IN)						
	18	1	0S-1608	2	BOLT (3/8-16X3.75-IN)						
C	19	1	1B-7182	1	BOLT (5/16-18X1.25-IN)						
	20	1	2M-9780	2	SEAL-O-RING						
C	21	1	3B-1915	8	BOLT (3/8-16X1.375-IN)						
	22	1	3K-0360	1	SEAL-O-RING						
	23	1	5D-5957	2	SEAL-O-RING						
	24	1	5M-2894	4	WASHER-HARD (10.2X18.5X2.5-MM THK)						
	25	1	5P-0537	1	WASHER-HARD (7.2X14.5X2-MM THK)						
	27	1	6V-5048	5	SEAL-O-RING						
	28	1	6V-5049	1	SEAL-O-RING						
	29	1	7B-2742	1	BOLT (1/4-20X1.25-IN)						
	30	1	8M-9024	8	WASHER-HARD (10.2X22.5X5-MM THK)						
	31	1	9M-1974	1	WASHER-HARD (8.8X16X2-MM THK)						
	32	1	9S-4182	5	PLUG-O-RING						
	33	1	9S-4185	1	PLUG-O-RING						
	34	1	9S-4190	1	PLUG-O-RING						
	35	1	9S-4191	1	PLUG-O-RING						

C-CHANGE FROM PREVIOUS TYPE

FUEL SYSTEM

7W-9742 FILTER GP-FUEL (contd.)

i03513184



GRAPHIC #1

<END>

g01341896

FUEL SYSTEM

241-2738 FILTER GP-FUEL

FOR USE WITH SERIES II FUEL INJECTION LINES GP
AN ATTACHMENT

SMCS-1261

i03864146

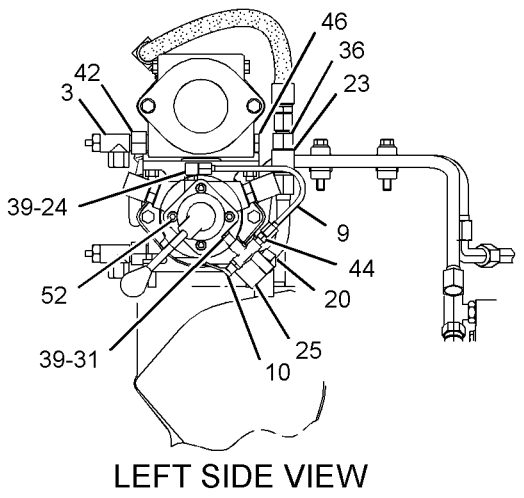
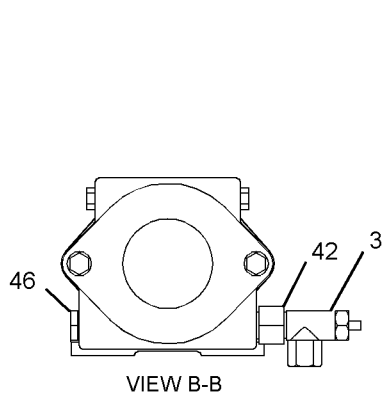
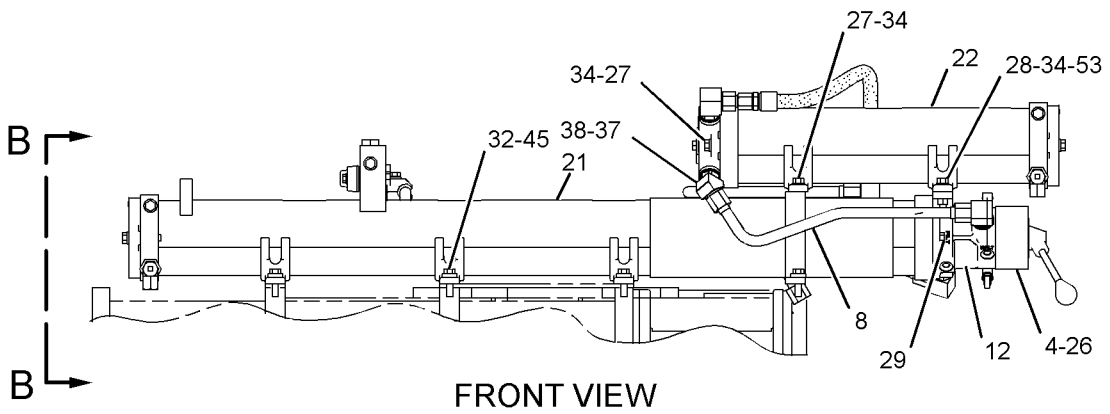
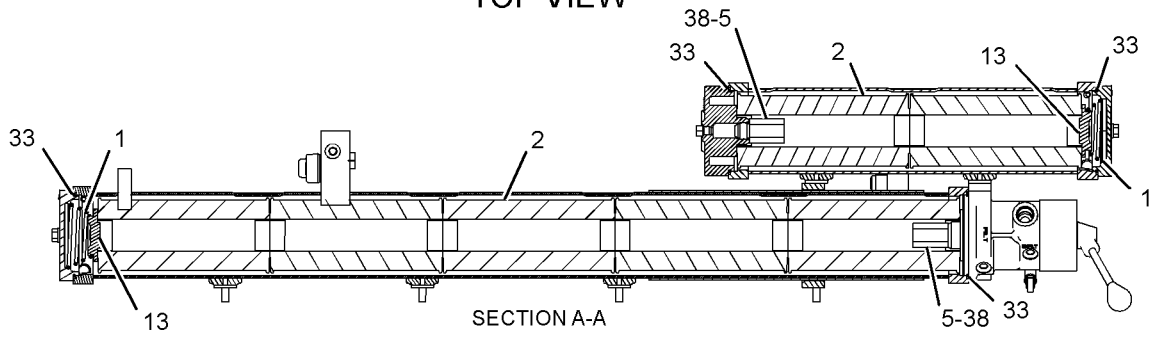
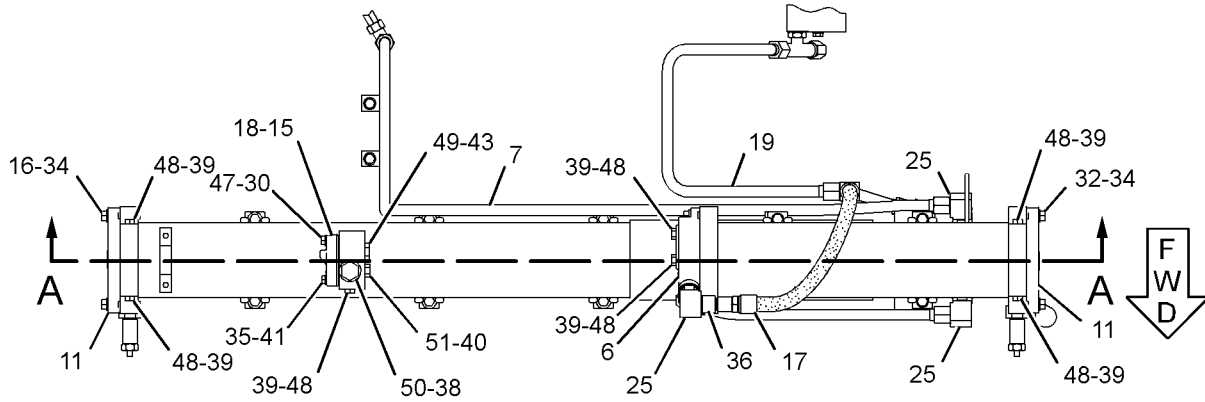
NOTE	REF NO	GRAPHIC REF	PART NUMBER	QTY	PART NAME						SEE PAGE
					1	2	3	4	5	6 (PRODUCT LEVEL)	
	1	1	1N-2895	2	SPRING						
	2	1	1R-0756	7	FILTER ELEMENT-FUEL (ADVANCED EFFICIENCY)						
	3	1	2S-5100	2	VALVE-MANUAL (FUEL DRAIN)						
	4	1	2W-6286	1	VALVE AS-CONTROL (DUPLEX FUEL FILTER)						
		1	266-2259	1	HANDLE AS						
	5	1	2W-6287	2	VALVE AS-CHECK (FUEL)						
	6	1	267-9689	1	COVER-FILTER HOUSING						
	7	1	2W-6289	1	TUBE AS						
	8	1	2W-6290	1	TUBE AS						
	9	1	2W-6667	1	TUBE AS						
	10	1	2W-6672	1	VALVE AS-TOGGLE (FUEL)						
	11	1	2W-9300	2	COVER-FILTER HOUSING						
	12	1	4W-4444	1	ADAPTER-VALVE						
	13	1	6I-3754	2	RETAINER-FILTER						
	15	1	6N-4414	1	COVER-FILTER BASE						
	16	1	7F-0192	2	BOLT (3/8-16X2-IN)						
I	17	1	9G-2653	1	HOSE AS						
	18	1	9Y-8389	1	GASKET (FUEL FILTER)						
	19	1	121-0474	1	TUBE AS						
	20	1	121-0476	1	TUBE AS						
	21	1	278-1774	1	HOUSING AS-FUEL FILTER (AUXILIARY)						
	22	1	278-1775	1	HOUSING AS-FUEL FILTER (AUXILIARY)						
	23	1	003-8581	1	TEE-UNION						
	24	1	030-7946	1	ELBOW						
	25	1	250-1498	4	ELBOW AS						
					(EACH INCLUDES)						
		1	6V-4589	1	SEAL-O-RING						
		1	250-1497	1	ELBOW						
	26	1	061-8639	4	SEAL-O-RING						
	27	1	0S-1588	4	BOLT (3/8-16X1.25-IN)						
	28	1	0S-1591	2	BOLT (3/8-16X1.5-IN)						
	29	1	0S-1594	2	BOLT (3/8-16X1-IN)						
	30	1	1B-7182	1	BOLT (5/16-18X1.25-IN)						
	31	1	1P-3861	1	CONNECTOR						
	32	1	3B-1915	10	BOLT (3/8-16X1.375-IN)						
	33	1	5D-5957	4	SEAL-O-RING						
	34	1	5M-2894	10	WASHER-HARD (10.2X18.5X2.5-MM THK)						
	35	1	5P-0537	1	WASHER-HARD (7.2X14.5X2-MM THK)						
	36	1	5P-8228	2	REDUCER-FLARED						
	37	1	6M-7476	1	ELBOW						
	38	1	6V-4589	4	SEAL-O-RING						
	39	1	6V-5048	9	SEAL-O-RING						
	40	1	6V-5049	1	SEAL-O-RING						
	41	1	7B-2742	1	BOLT (1/4-20X1.25-IN)						
	42	1	7D-4903	2	ADAPTER						
	43	1	8L-2786	1	SEAL-O-RING						
	44	1	8L-6557	1	CONNECTOR						
	45	1	8M-9024	8	WASHER-HARD (10.2X22.5X5-MM THK)						
	46	1	8T-6766	2	PLUG-PIPE						
	47	1	9M-1974	1	WASHER-HARD (8.8X16X2-MM THK)						
	48	1	9S-4182	7	PLUG-O-RING						
	49	1	9S-4185	1	PLUG-O-RING						
	50	1	9S-4190	1	PLUG-O-RING						
	51	1	9S-4191	1	PLUG-O-RING						
	52	1	9S-7381	4	BOLT-SOCKET HEAD (5/16-18X2-IN)						
	53	1	9S-8752	2	NUT-FULL (3/8-16-THD)						

FUEL SYSTEM

241-2738 FILTER GP-FUEL (contd.)

i03864146

I-REFER TO HYDRAULIC INFORMATION SYSTEM



GRAPHIC #1

<END>

g01324199

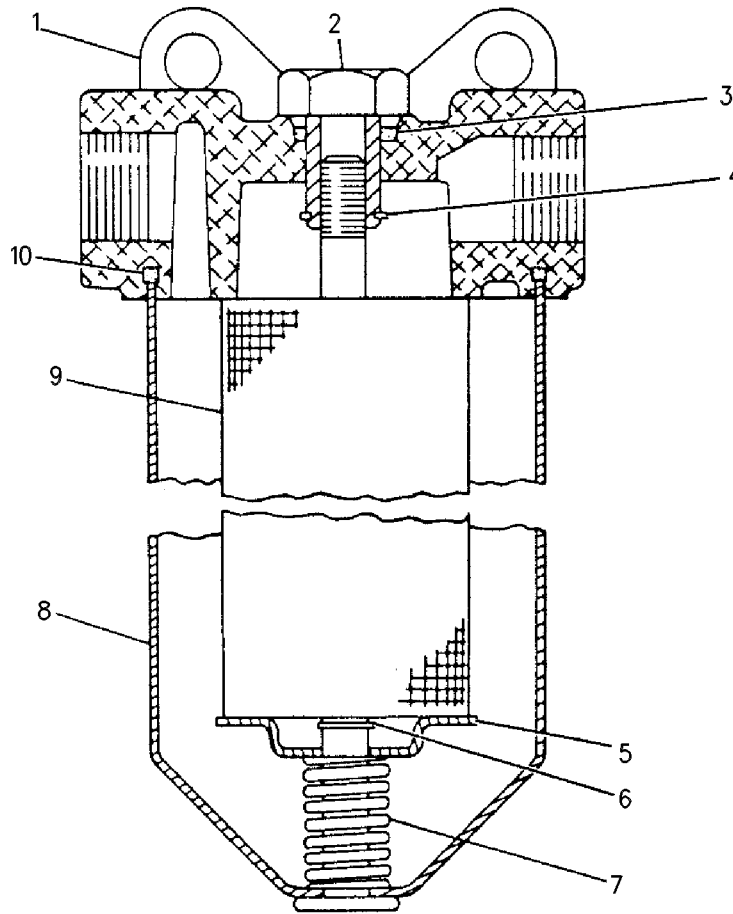
FUEL SYSTEM

8N-6435 FILTER GP-PRIMARY FUEL AN ATTACHMENT

SMCS-1260, 1261

i02205253

NOTE	REF NO	GRAPHIC REF	PART NUMBER	QTY	PART NAME						SEE PAGE
					1	2	3	4	5	6 (PRODUCT LEVEL)	
	1	1	1W-0531	1	BASE-PRIMARY FUEL FILTER						
	2	1	7N-1628	1	NUT (3/8-24-THD)						
	3	1	2J-0157	1	SEAL-O-RING						
	4	1	1L-3769	1	RING-RETAINING						
	5	1	7H-9678	1	RETAINER-ELEMENT						
	6	1	2H-3429	1	RING-RETAINING						
	7	1	7S-9323	1	SPRING						
	8	1	8H-7202	1	CASE AS-FUEL FILTER						
	9	1	9M-2342	1	FILTER ELEMENT-FUEL (PRIMARY)						
	10	1	8H-2778	1	SEAL-RING (FUEL FILTER)						



GRAPHIC #1

<END>

g00625270

FUEL SYSTEM

5N-2438 LINES GP-FLEXIBLE FUEL AN ATTACHMENT

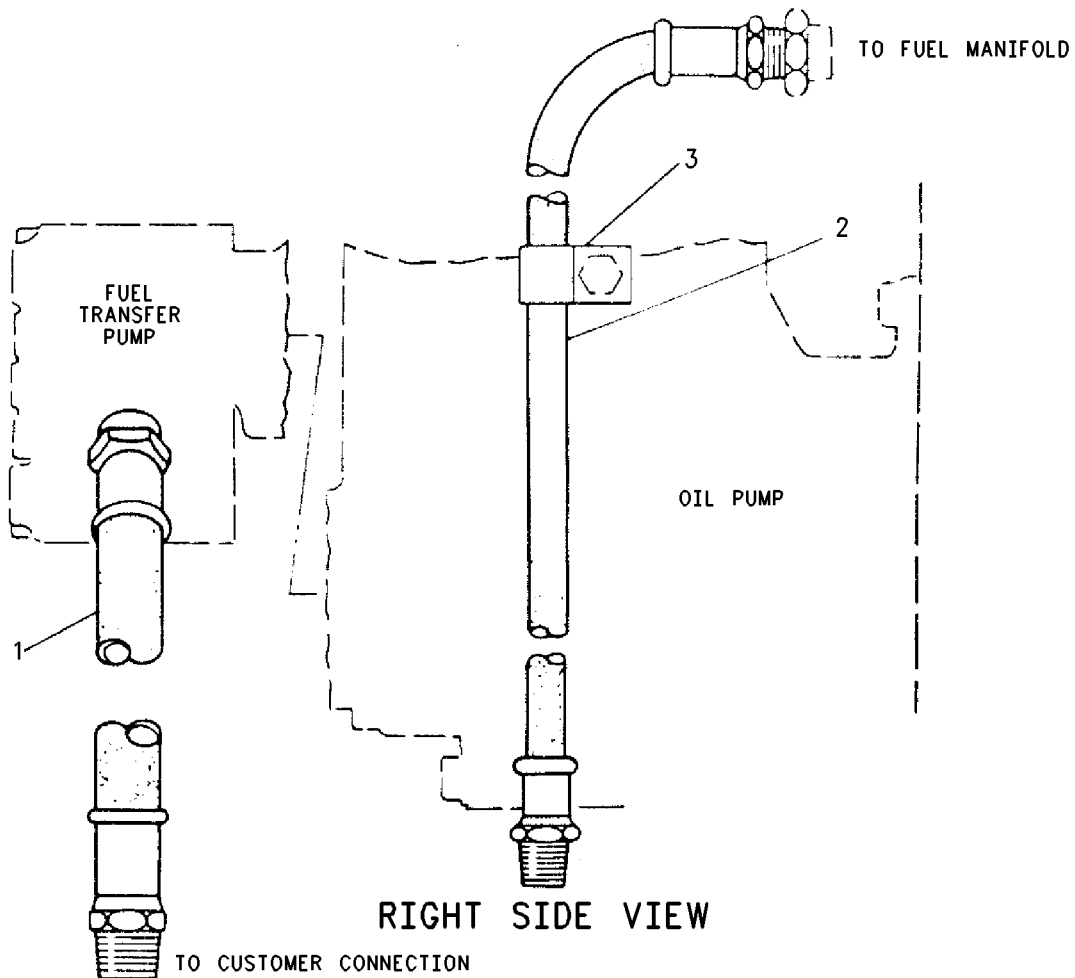
SMCS-1274

i01979418

NOTE	REF NO	GRAPHIC REF	PART NUMBER	QTY	PART NAME						SEE PAGE
					1	2	3	4	5	6 (PRODUCT LEVEL)	
I	1	1	3N-6504	1	HOSE AS						
I	2	1	8N-1186	1	HOSE AS						
B	3	1	5F-5990	2	CLIP						

B-USE AS REQUIRED

I-REFER TO HYDRAULIC INFORMATION SYSTEM



GRAPHIC #1

<END>

g00995187

FUEL SYSTEM

273-3285 LINES GP-FUEL AN ATTACHMENT

SMCS-1274

i02537710

NOTE	REF NO	GRAPHIC REF	PART NUMBER	QTY	PART NAME						SEE PAGE
					1	2	3	4	5	6 (PRODUCT LEVEL)	
	1	1	1W-8129	1	SUPPORT						
I	2	1	3N-6504	1	HOSE AS						
	3	1	4P-0692	4	CLAMP AS						
					(EACH INCLUDES)						
		1	108-1434	1	GROMMET						
	4	1	5G-4313	1	SPACER (10.34X15.88X12-MM THK)						
I	5	1	7D-3958	1	HOSE AS						
	6	1	273-3286	1	TUBE AS						
	7	1	0L-1143	1	BOLT (3/8-16X2.5-IN)						
	8	1	1A-5964	2	BOLT (3/8-16X4.5-IN)						
	9	1	5M-2894	3	WASHER-HARD (10.2X18.5X2.5-MM THK)						
	10	1	6B-1557	1	BOLT (3/8-16X7.5-IN)						
	11	1	6V-1846	1	CONNECTOR						
	13	1	8C-8554	1	CONNECTOR						
	14	1	9S-8752	1	NUT-FULL (3/8-16-THD)						
B	15	1	9R-5008	1	SPACER (11X20X6-MM THK)						

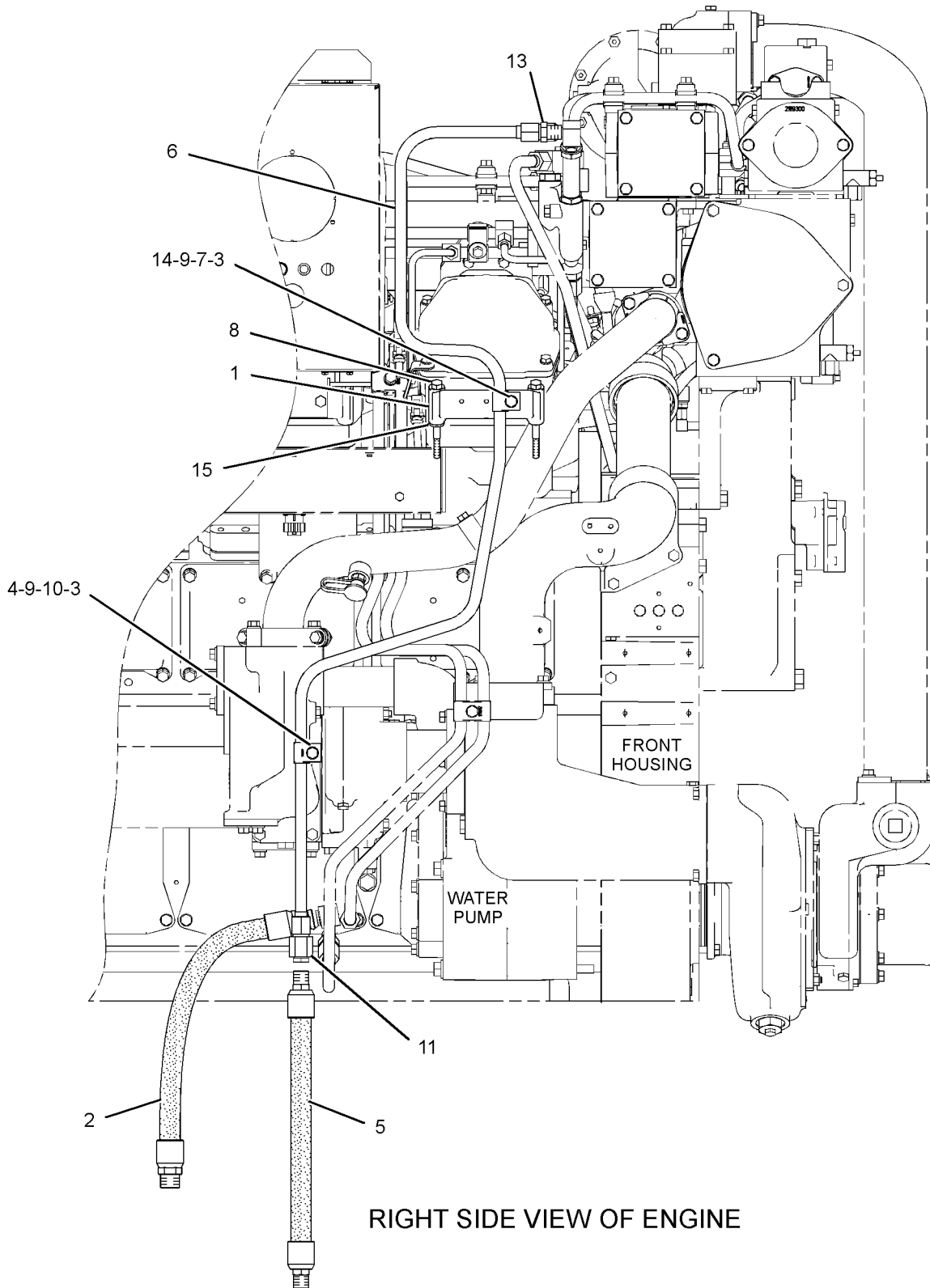
B-USE AS REQUIRED

I-REFER TO HYDRAULIC INFORMATION SYSTEM

FUEL SYSTEM

273-3285 LINES GP-FUEL (contd.)

i02537710



RIGHT SIDE VIEW OF ENGINE

GRAPHIC #1

<END>

g01285819

FUEL SYSTEM

234-8724 LINES GP-FUEL INJECTION

SMCS-1252, 1254

i02795834

NOTE	REF NO	GRAPHIC REF	PART NUMBER	QTY	PART NAME						SEE PAGE
					1	2	3	4	5	6 (PRODUCT LEVEL)	
	1	1, 2, 3	4P-0692	16	CLAMP AS						
					(EACH INCLUDES)						
		1, 2, 3	108-1434	1	GROMMET						
	2	2, 3	4P-0693	4	CLAMP AS						
					(EACH INCLUDES)						
		2, 3	108-1434	2	GROMMET						
	3	2, 3	6B-6205	2	SPACER (0.438X0.875X1.281-IN THK)						
	4	2	6V-4363	1	ELBOW (90-DEG)						
	5	2, 3	7C-7677	16	TUBE AS						
	6	2, 3	7C-7678	16	TUBE AS						
	7	1	7C-7682	1	ADAPTER-FUEL MANIFOLD (RH)						
	8	2	7C-7683	1	ADAPTER-FUEL MANIFOLD (LH)						
	9	1	7E-3921	1	VALVE-CHECK						
	10	2, 3	7W-2122	32	CONNECTOR-PORT						
	11	1, 2	8N-6210	1	BRACKET-LINE SUPPORT						
	12	1	8N-6211	1	PLATE-LINE SUPPORT						
	13	1	8N-6326	1	TUBE AS						
	14	1	8N-6327	1	TUBE AS						
	15	3	9N-4053	1	SPRING						
	16	1	030-7977	1	ELBOW						
	17	1	111-3388	1	TUBE AS						
	18	1	111-3389	1	TUBE AS						
	19	3	114-5477	1	PLUNGER-VALVE						
Y	20	2	156-9755	1	MANIFOLD GP-FUEL (RH)						329
Y	21	3	156-9756	1	MANIFOLD GP-FUEL (LH)						330
	22	2	205-8421	1	TUBE AS						
	23	1	250-1498	3	ELBOW AS						
					(EACH INCLUDES)						
		1	6V-4589	1	SEAL-O-RING						
		1	250-1497	1	ELBOW (90-DEG)						
	24	1	030-7972	1	ELBOW						
	25	1, 2, 3	0L-2070	5	BOLT (3/8-16X2.25-IN)						
	26	1	0S-1590	1	BOLT (3/8-16X2-IN)						
	27	1	0S-1594	1	BOLT (3/8-16X1-IN)						
	28	1, 3	0T-0065	3	BOLT (3/8-16X3.5-IN)						
	29	2	1D-4539	1	BOLT (5/16-18X2.5-IN)						
	30	3	1F-4111	1	BOLT (5/16-18X3.5-IN)						
	31	1, 2	2M-9780	6	SEAL-O-RING						
	32	2	250-1499	1	TEE						
	33	1	2P-7636	1	CONNECTOR						
	34	2, 3	3J-1907	32	SEAL-O-RING						
	35	3	3J-7354	1	SEAL-O-RING						
	36	1	3K-0360	1	SEAL-O-RING						
	37	1, 2, 3	5M-2894	10	WASHER-HARD (10.2X18.5X2.5-MM THK)						
	38	1	250-1496	1	ELBOW						
	39	3	5S-0003	1	NUT (5/16-18-THD)						
	40	2	6V-5049	1	SEAL-O-RING						
	41	1	7K-3377	2	PIPE						
	42	2, 3	7N-6806	4	SEAL-RECTANGULAR						
	43	2, 3	9M-1974	3	WASHER-HARD (8.8X16X2-MM THK)						
	44	1	9M-4584	2	CONNECTOR						
	45	3	9S-4182	1	PLUG-O-RING						
	46	2	9S-4191	1	PLUG-O-RING						
B	49	1	0L-1590	2	BOLT (1/4-28X1.125-IN)						
B	50	2	0T-0065	1	BOLT (3/8-16X3.5-IN)						
B	51	1, 2	5M-2894	3	WASHER-HARD (10.2X18.5X2.5-MM THK)						

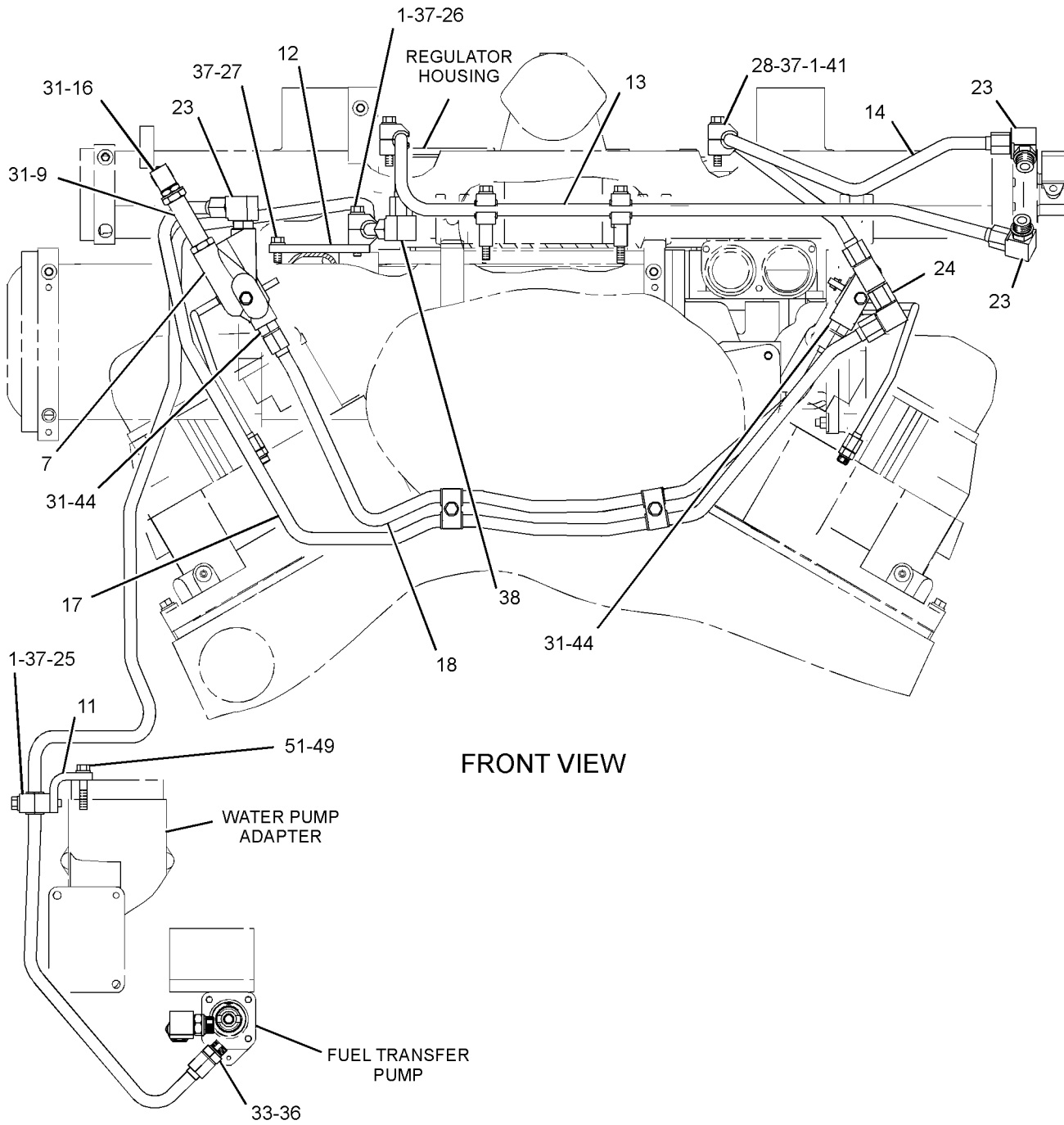
B-USE AS REQUIRED

Y-SEPARATE ILLUSTRATION

FUEL SYSTEM

234-8724 LINES GP-FUEL INJECTION (contd.)

i02795834



GRAPHIC #1

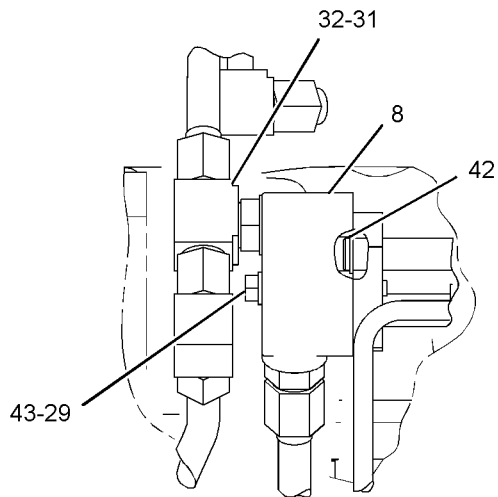
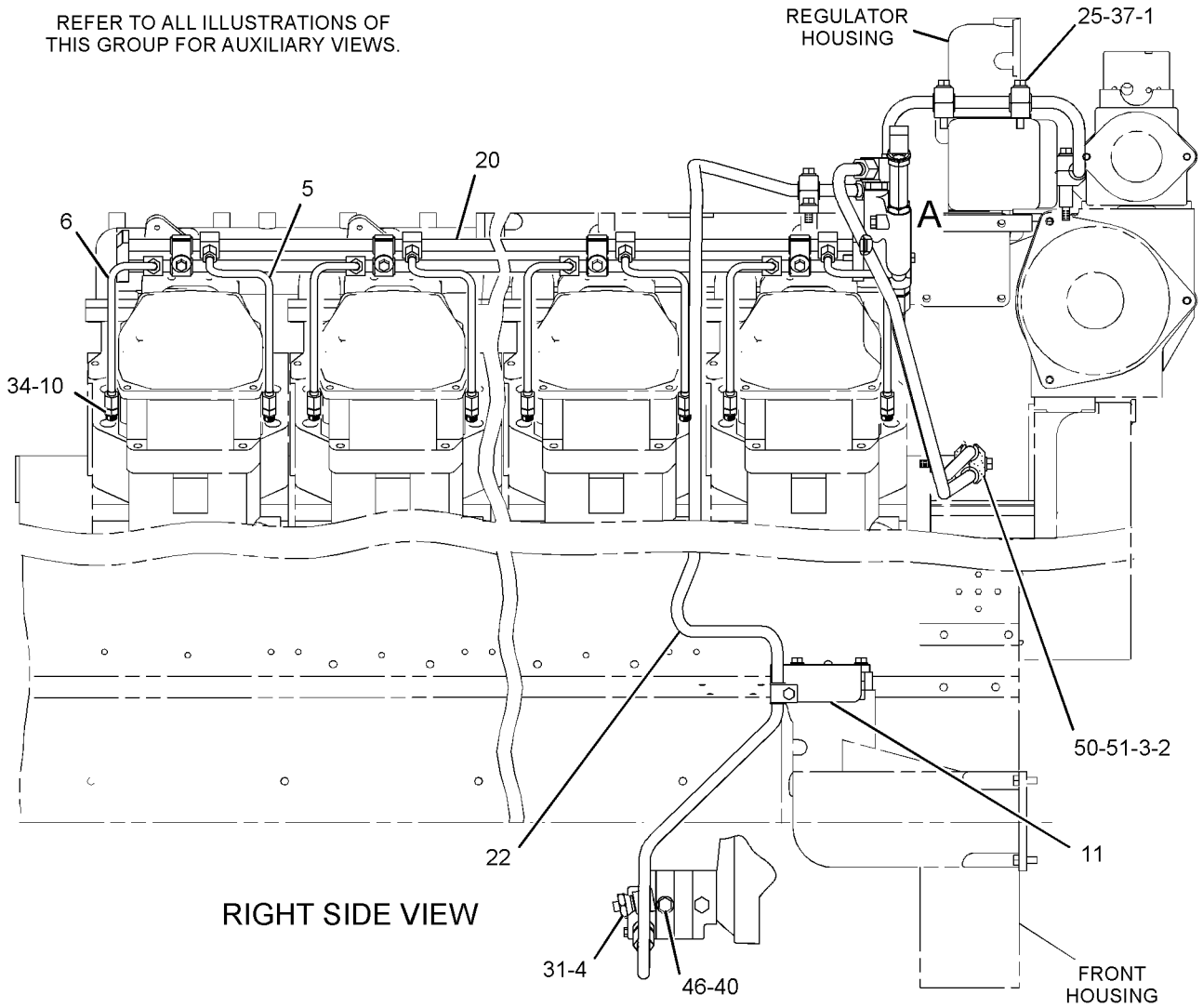
g01326600

FUEL SYSTEM

234-8724 LINES GP-FUEL INJECTION (contd.)

i02795834

REFER TO ALL ILLUSTRATIONS OF THIS GROUP FOR AUXILIARY VIEWS.



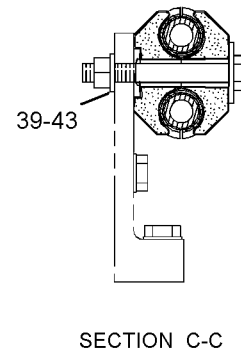
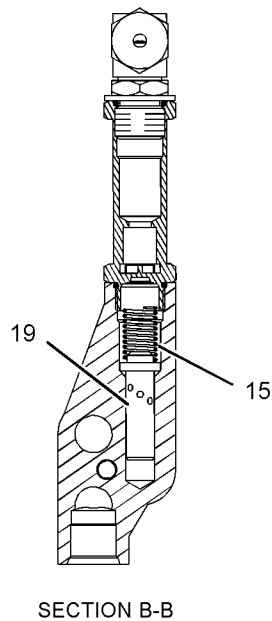
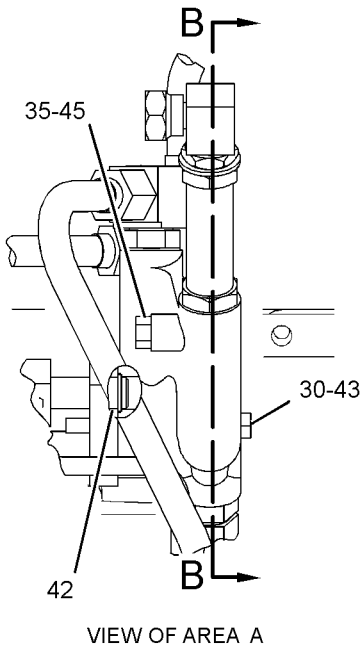
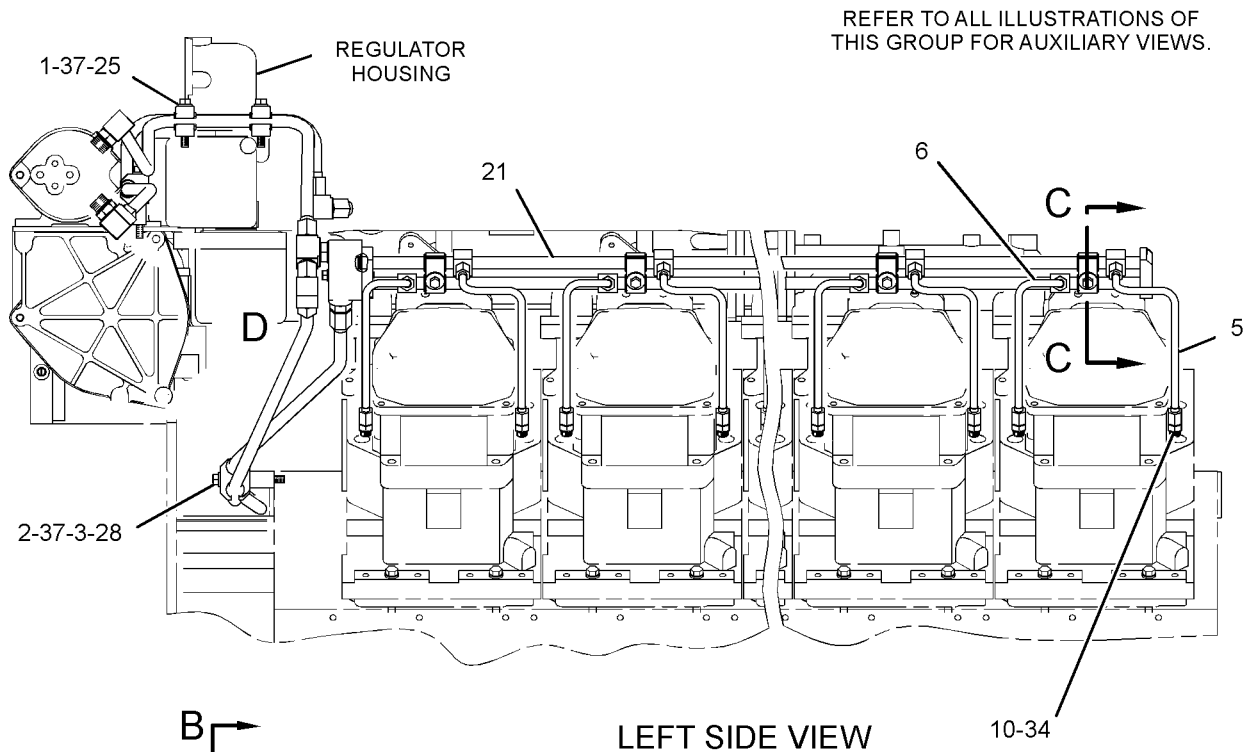
GRAPHIC #2

g01215584

FUEL SYSTEM

234-8724 LINES GP-FUEL INJECTION (contd.)

i02795834



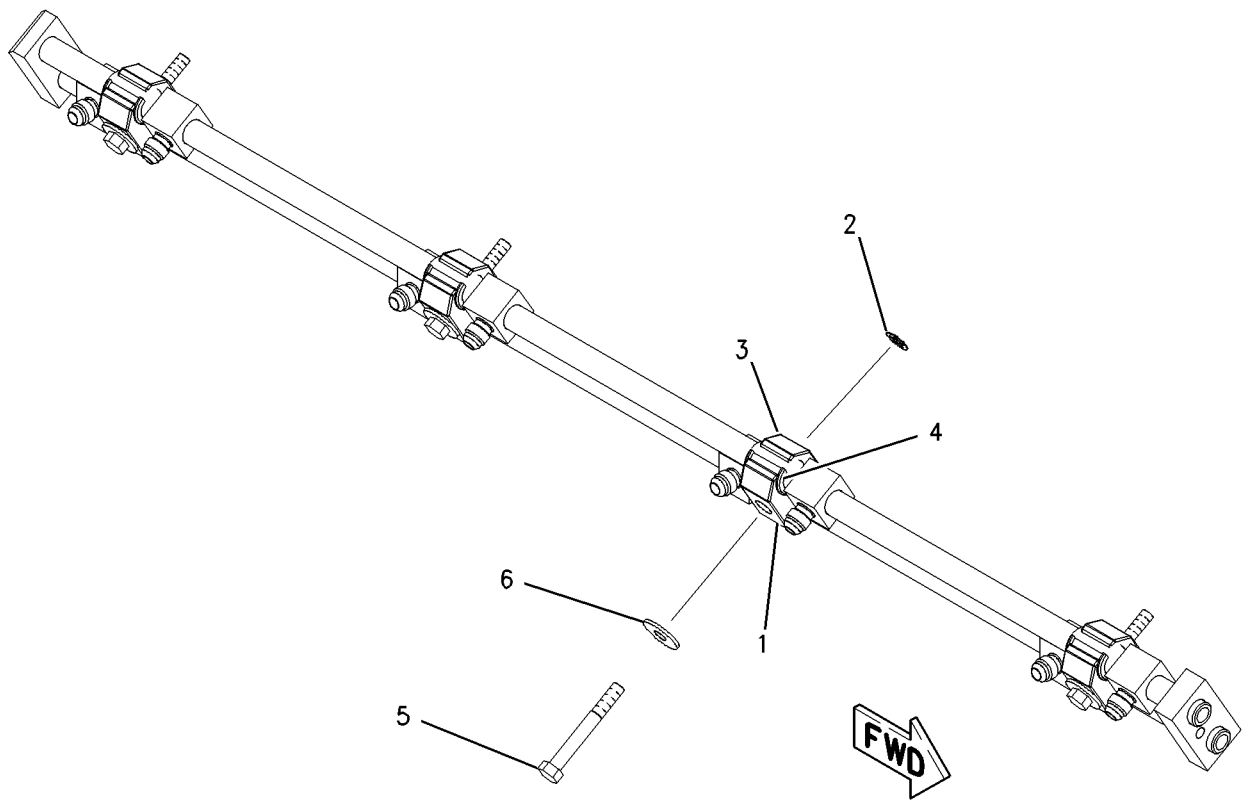
FUEL SYSTEM

156-9755 MANIFOLD GP-FUEL-RH PART OF 234-8724 LINES GP-FUEL INJECTION

SMCS-1274, 1380, 1702

i02327540

NOTE	REF NO	GRAPHIC REF	PART NUMBER	QTY	PART NAME						SEE PAGE
					1	2	3	4	5	6 (PRODUCT LEVEL)	
	1	1	9Y-0047	8	CLAMP						
	2	1	147-3745	8	WASHER-RETAINING						
	3	1	156-9748	8	CLAMP						
	4	1	100-3237	16	GROMMET						
	5	1	1D-4539	8	BOLT (5/16-18X2.5-IN)						
	6	1	9N-0869	8	WASHER-HARD (8.8X25.5X2-MM THK)						



GRAPHIC #1

<END>

g00901869

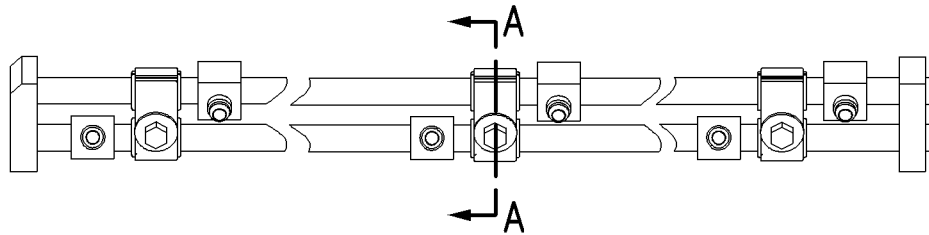
FUEL SYSTEM

156-9756 MANIFOLD GP-FUEL-LH PART OF 234-8724 LINES GP-FUEL INJECTION

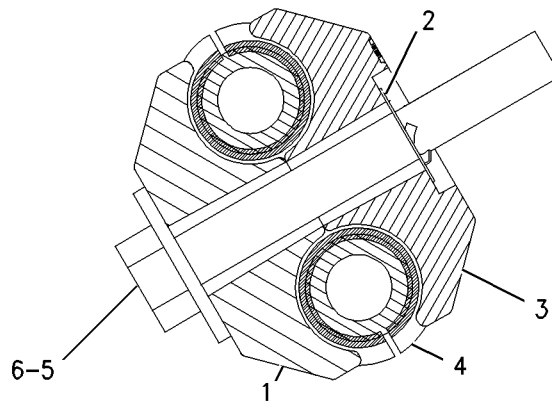
SMCS-1274, 1380, 1702

i02327539

NOTE	REF NO	GRAPHIC REF	PART NUMBER	QTY	PART NAME						SEE PAGE
					1	2	3	4	5	6 (PRODUCT LEVEL)	
	1	1	9Y-0047	8	CLAMP						
	2	1	147-3745	8	WASHER-RETAINING						
	3	1	156-9748	8	CLAMP						
	4	1	100-3237	16	GROMMET						
	5	1	1D-4539	8	BOLT (5/16-18X2.5-IN)						
	6	1	9N-0869	8	WASHER-HARD (8.8X25.5X2-MM THK)						



LEFT SIDE VIEW



SECTION A-A

GRAPHIC #1

<END>

g00901870

FUEL SYSTEM

248-8695 PUMP GP-FUEL INJECTION

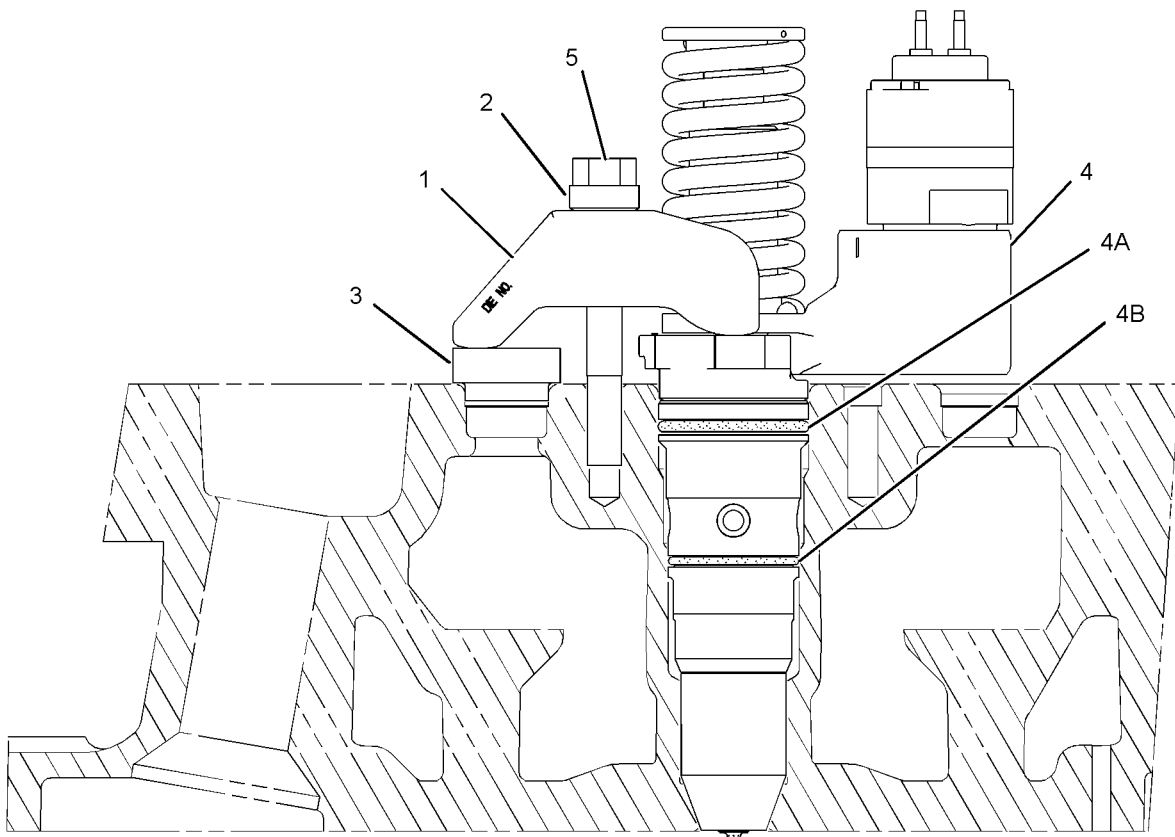
ALSO AN ATTACHMENT

SMCS-1251, 1290

i02211655

NOTE	REF NO	GRAPHIC REF	PART NUMBER	QTY	PART NAME						SEE PAGE
					1	2	3	4	5	6 (PRODUCT LEVEL)	
	1	1	7E-2580	1	CLAMP-INJECTOR						
	2	1	7N-5487	1	WASHER (12X22X9.5-MM THK)						
	3	1	234-4182	1	PLUG						
C	4	1	250-1305	1	INJECTOR GP-FUEL						
	4A	1	245-4908	1	SEAL-O-RING						
	4B	1	245-4907	1	SEAL-O-RING						
	5	1	7F-8698	1	BOLT (7/16-14X3.5-IN)						

C-CHANGE FROM PREVIOUS TYPE



GRAPHIC #1

<END>

g01167810

FUEL SYSTEM

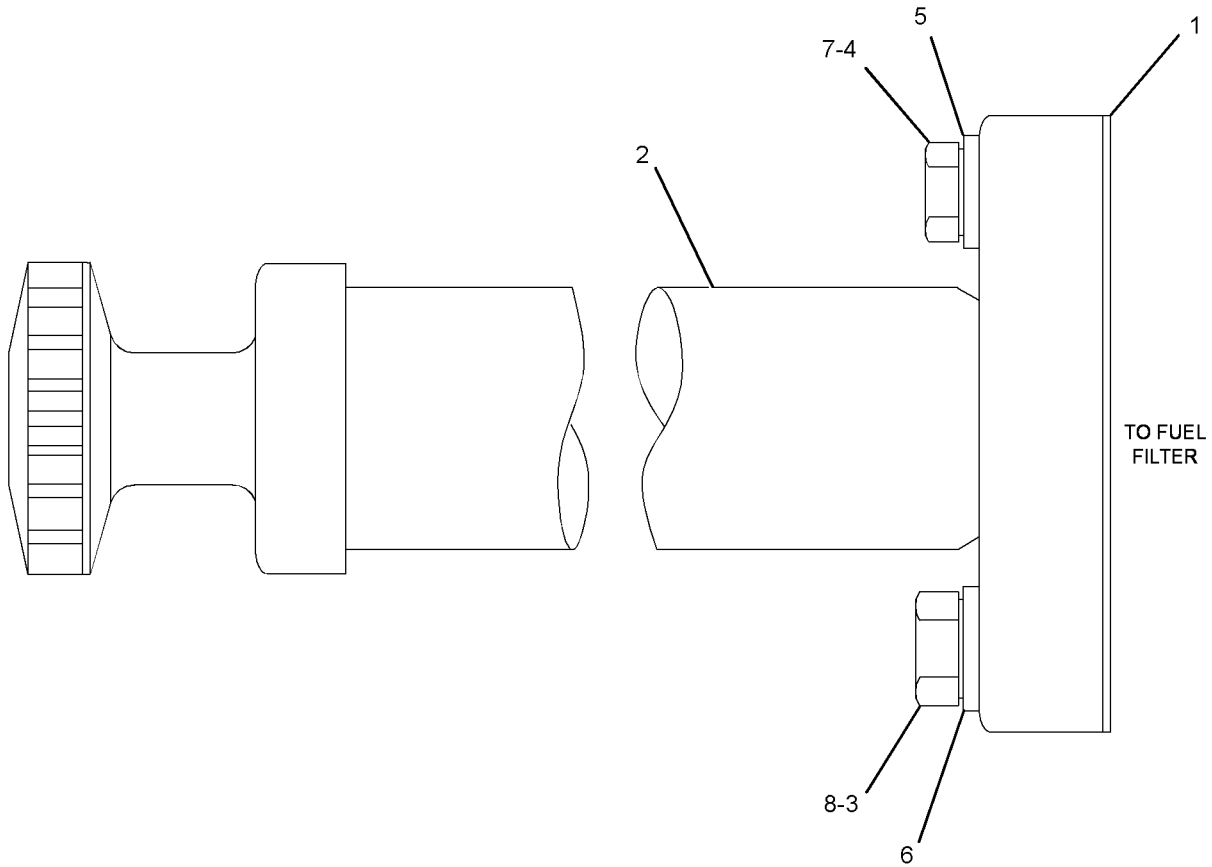
7N-8599 PUMP GP-FUEL PRIMING PART OF 210-1175, 241-4902 PUMP GP-FUEL PRIMING AN ATTACHMENT

SMCS - 1258

i02822496

NOTE	REF NO	GRAPHIC REF	PART NUMBER	QTY	PART NAME						SEE PAGE
					1	2	3	4	5	6 (PRODUCT LEVEL)	
	1	1	9Y-8389	1	GASKET (FUEL PRIMING PUMP)						
C	2	1	162-3906	1	PUMP AS-FUEL PRIMING						
		1	061-7539	1	SEAL-O-RING						
		1	229-3218	2	VALVE AS						
B	3	1	6V-8918	1	BOLT (5/16-18X1.25-IN)						
B	4	1	7X-2501	1	BOLT (1/4-20X1.25-IN)						
	5	1	8T-4205	1	WASHER-HARD (7.2X14.5X2-MM THK)						
	6	1	8T-4224	1	WASHER-HARD (8.8X16X2-MM THK)						
BM	7	1	8T-4971	1	BOLT (M6X1X30-MM)						
BM	8	1	8T-7547	1	BOLT (M8X1.25X30-MM)						

B - USE AS REQUIRED
C - CHANGE FROM PREVIOUS TYPE
M - METRIC PART



GRAPHIC #1

<END>

g01258253

FUEL SYSTEM

210-1175 PUMP GP-FUEL PRIMING-RH AN ATTACHMENT

SMCS - 1258

i03334018

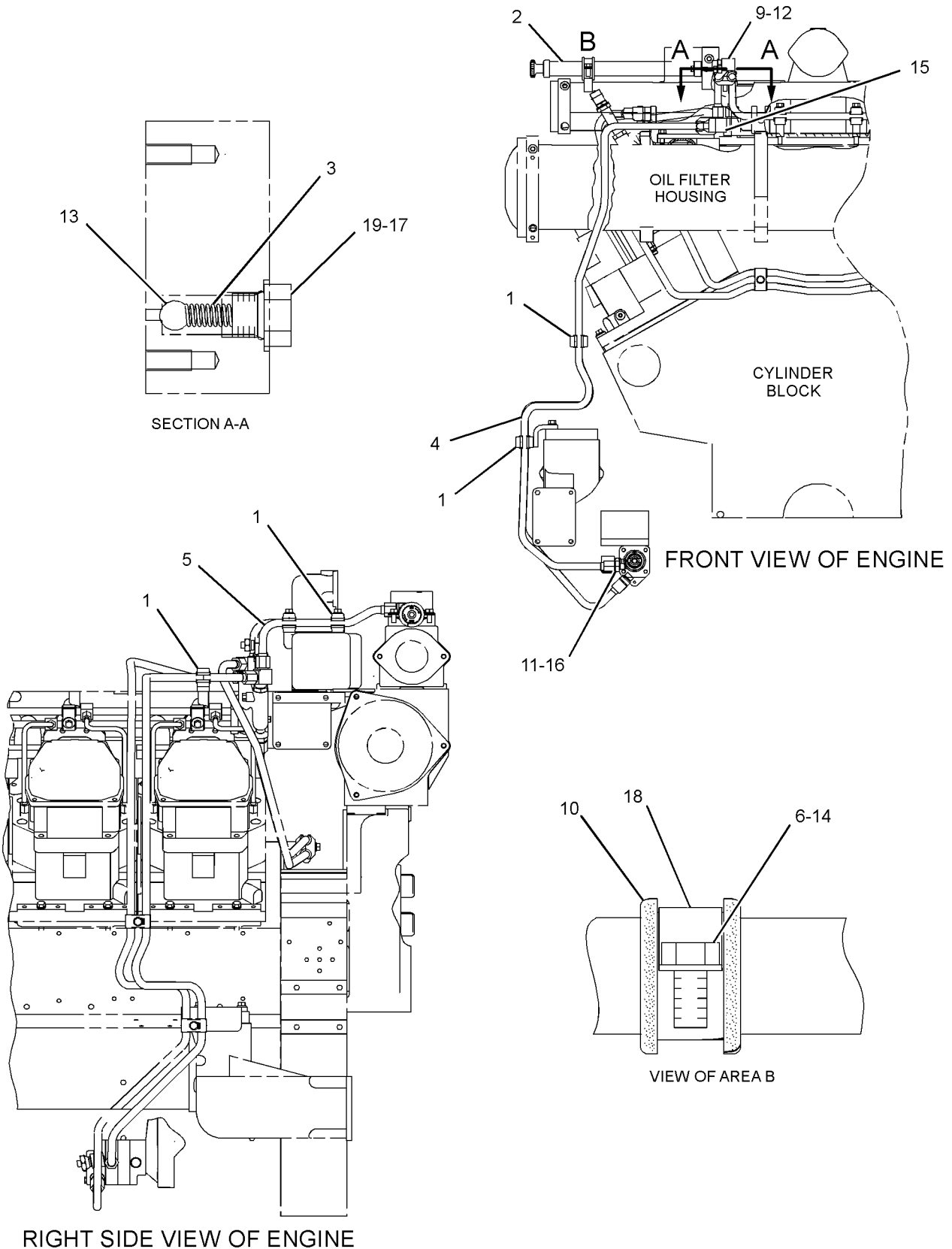
NOTE	REF NO	GRAPHIC REF	PART NUMBER	QTY	PART NAME						SEE PAGE
					1	2	3	4	5	6 (PRODUCT LEVEL)	
	1	1	4P-0693	10	CLAMP AS						
					(EACH INCLUDES)						
		1	108-1434	2	GROMMET						
Y	2	1	7N-8599	1	PUMP GP-FUEL PRIMING						332
	3	1	9N-1752	1	SPRING						
	4	1	210-1471	1	TUBE AS						
	5	1	237-2715	1	TUBE AS						
	6	1	0L-1351	2	BOLT (3/8-16X0.875-IN)						
	9	1	1P-7625	1	ELBOW						
	10	1	2H-9523	1	GROMMET						
	11	1	3J-1907	1	SEAL-O-RING						
	12	1	3K-0360	1	SEAL-O-RING						
	13	1	4B-9782	1	BALL						
	14	1	5M-2894	2	WASHER-HARD (10.2X18.5X2.5-MM THK)						
	15	1	250-1496	1	ELBOW						
	16	1	6V-4362	1	CONNECTOR						
	17	1	6V-5049	1	SEAL-O-RING						
	18	1	8N-3480	1	CLIP						
	19	1	9S-4191	1	PLUG-O-RING						

Y-SEPARATE ILLUSTRATION

FUEL SYSTEM

210-1175 PUMP GP-FUEL PRIMING (contd.)

i03334018



GRAPHIC #1

<END>

g01715879

FUEL SYSTEM

241-4902 PUMP GP-FUEL PRIMING-RH AN ATTACHMENT

SMCS - 1258

i03777255

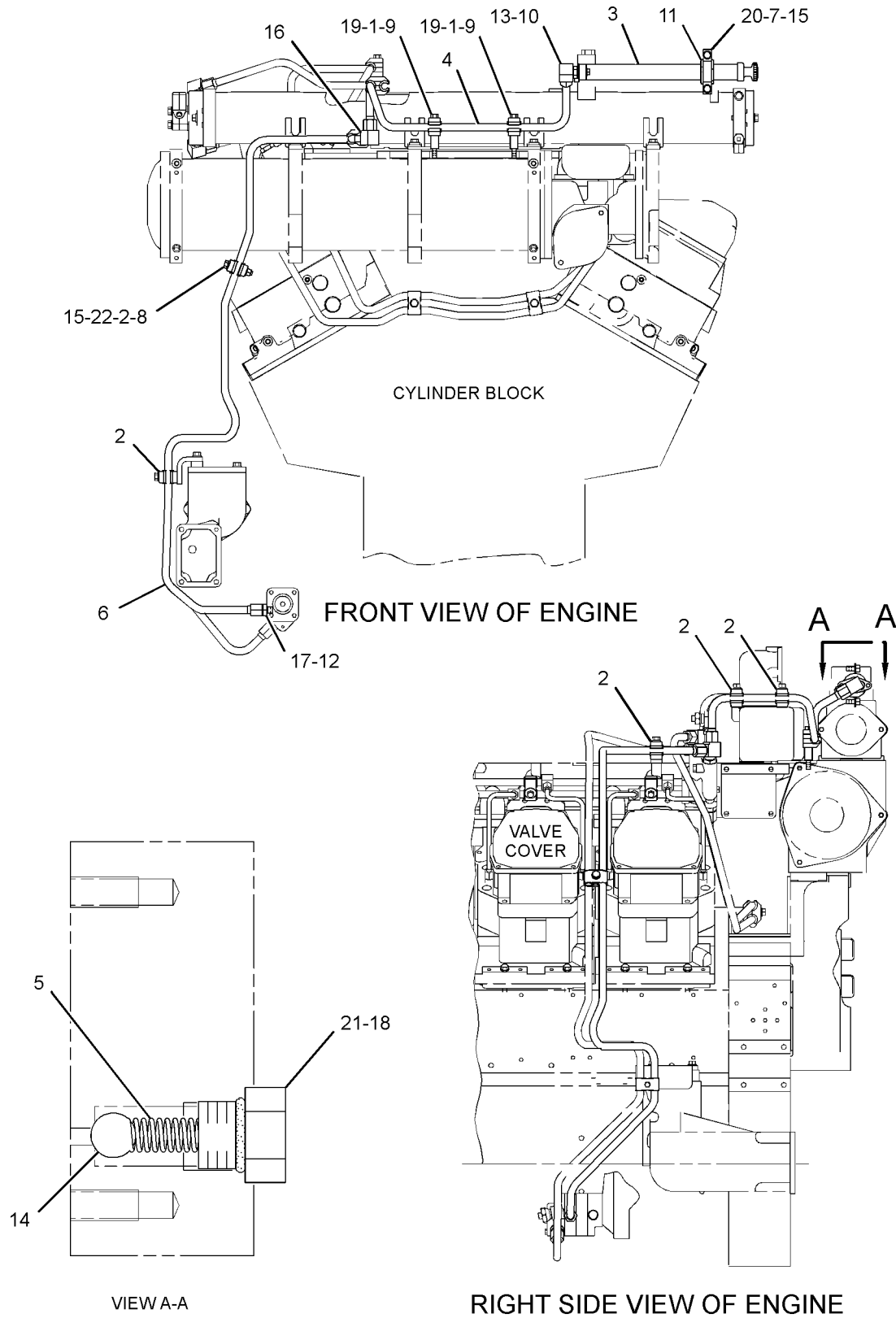
NOTE	REF NO	GRAPHIC REF	PART NUMBER	QTY	PART NAME						SEE PAGE
					1	2	3	4	5	6 (PRODUCT LEVEL)	
	1	1	4P-0692	4	CLAMP AS						
					(EACH INCLUDES)						
		1	108-1434	1	GROMMET						
	2	1	4P-0693	10	CLAMP AS						
					(EACH INCLUDES)						
		1	108-1434	2	GROMMET						
Y	3	1	7N-8599	1	PUMP GP-FUEL PRIMING						332
	4	1	237-2718	1	TUBE AS						
	5	1	9N-1752	1	SPRING						
	6	1	210-1471	1	TUBE AS						
	7	1	0L-1351	2	BOLT (3/8-16X0.875-IN)						
	8	1	0L-2070	1	BOLT (3/8-16X2.25-IN)						
	9	1	0T-0065	2	BOLT (3/8-16X3.5-IN)						
	10	1	1P-7625	1	ELBOW						
	11	1	2H-9523	1	GROMMET						
	12	1	3J-1907	1	SEAL-O-RING						
	13	1	3K-0360	1	SEAL-O-RING						
	14	1	4B-9782	1	BALL						
	15	1	5M-2894	4	WASHER-HARD (10.2X18.5X2.5-MM THK)						
	16	1	250-1496	1	ELBOW						
	17	1	6V-4362	1	CONNECTOR						
	18	1	6V-5049	1	SEAL-O-RING						
	19	1	7K-3377	2	PIPE						
	20	1	8N-3480	1	CLIP						
	21	1	9S-4191	1	PLUG-O-RING						
	22	1	9S-8752	1	NUT-FULL (3/8-16-THD)						

Y-SEPARATE ILLUSTRATION

FUEL SYSTEM

241-4902 PUMP GP-FUEL PRIMING (contd.)

i03777255



GRAPHIC #1

<END>

g01361355

FUEL SYSTEM

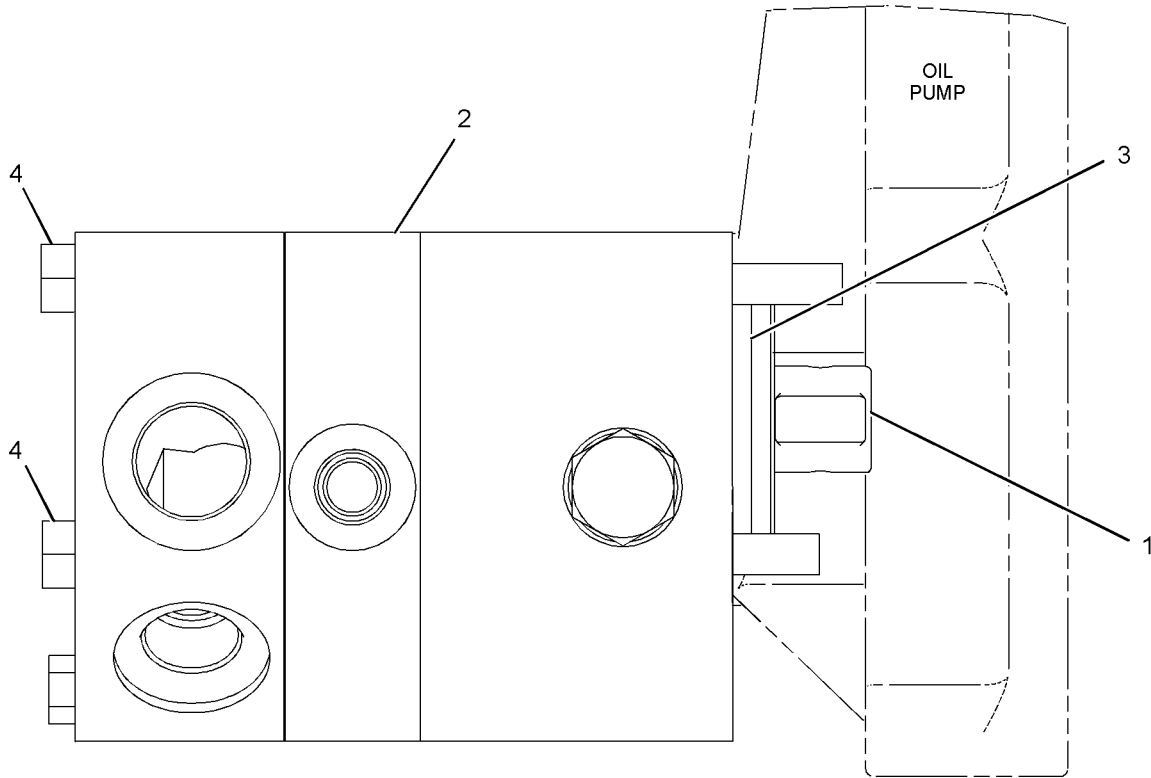
8N-6151 PUMP GP-FUEL TRANSFER ONE SECTION GEAR

SMCS-1256

i03479481

NOTE	REF NO	GRAPHIC REF	PART NUMBER	QTY	PART NAME						SEE PAGE
					1	2	3	4	5	6 (PRODUCT LEVEL)	
	1	1	1N-4636	1	COUPLING-DRIVE						
CYR	2	1	313-7770	1	PUMP GP-FUEL TRANSFER (1-SECTION GEAR)						338
	3	1	1H-9696	1	SEAL-O-RING						
C	4	1	5L-1761	4	BOLT (5/16-18X5.5-IN)						

C-CHANGE FROM PREVIOUS TYPE
R-REMFG PART MAY BE AVAILABLE
Y-SEPARATE ILLUSTRATION



GRAPHIC #1

<END>

g01184091

FUEL SYSTEM

313-7770 PUMP GP-FUEL TRANSFER*R

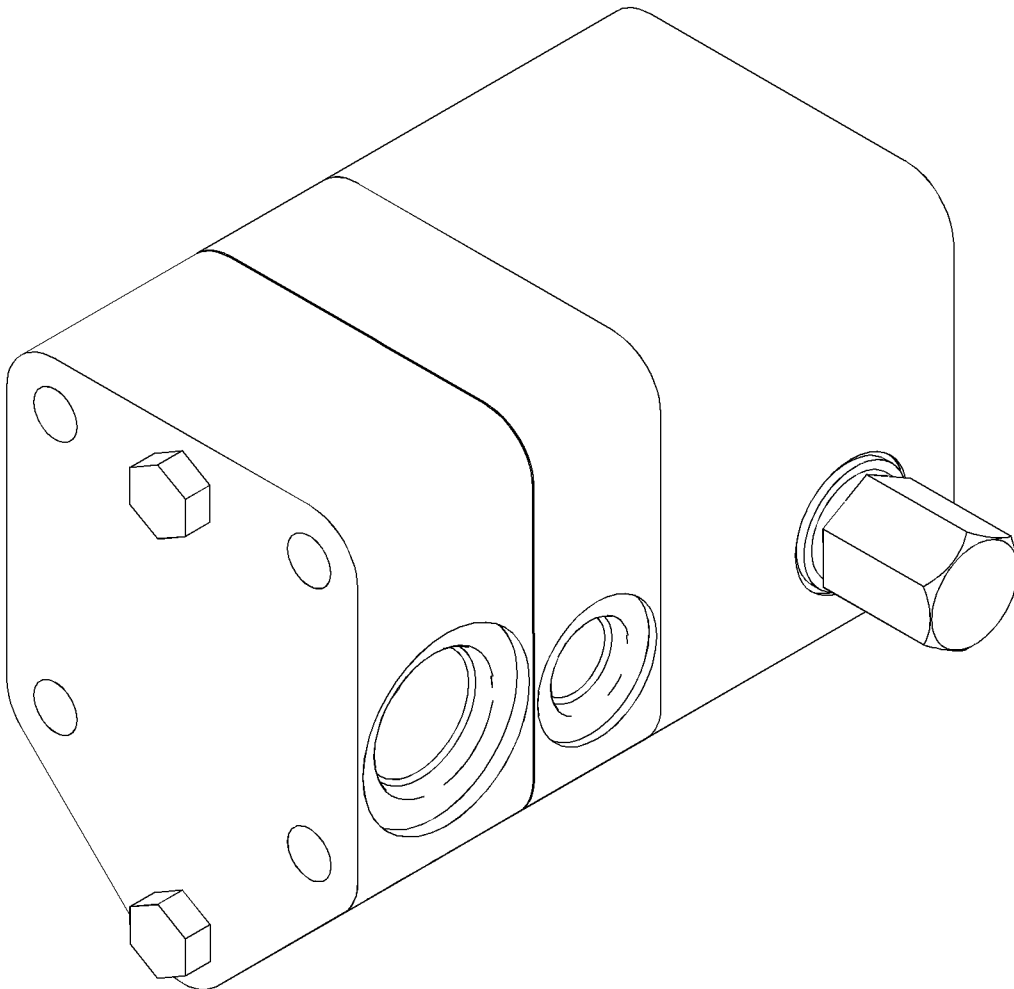
ONE SECTION GEAR

PART OF 8N-6151 PUMP GP-FUEL TRANSFER

SMCS-1256

i03674701

NOTE	REF NO	GRAPHIC REF	PART NUMBER	QTY	PART NAME						SEE PAGE
					1	2	3	4	5	6 (PRODUCT LEVEL)	
					AVAILABLE REPAIR KIT(S):						
			255-8691	1	KIT-SEAL (KIT INCLUDES GASKET AND SEALS)						
			255-8692	1	KIT-REPAIR (GEAR, SHAFT) (KIT INCLUDES GEAR AS, BUSHINGS, AND SHAFT AS)						



GRAPHIC #1

<END>

g01975973

FUEL SYSTEM

244-2478 SHIELD GP-FUEL LINES--FUEL PRIMING PUMP AN ATTACHMENT

SMCS-1067, 1252

i03636724

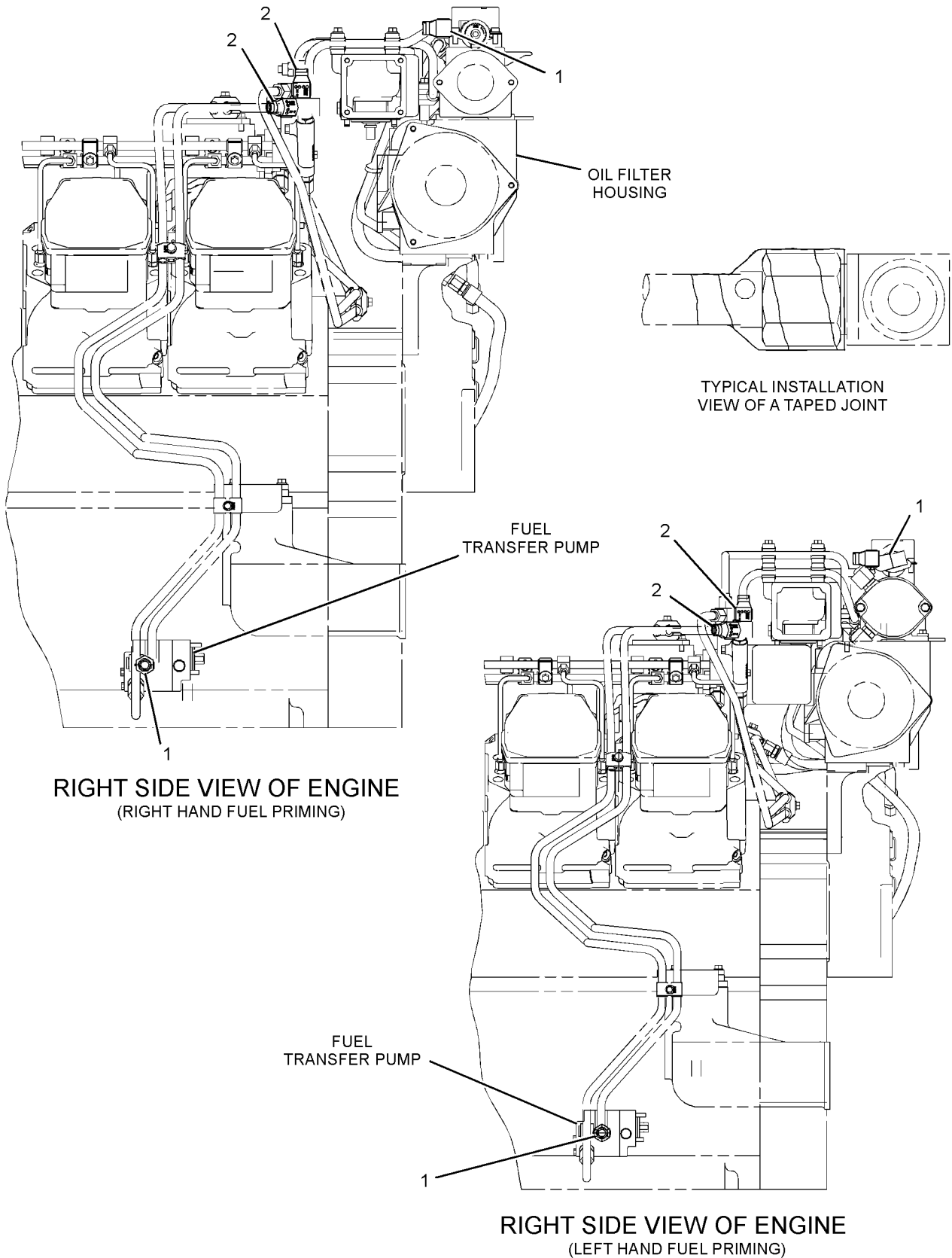
NOTE	REF NO	GRAPHIC REF	PART NUMBER	QTY	PART NAME	SEE PAGE
					1 2 3 4 5 6 (PRODUCT LEVEL)	
B	1	1	237-3860		TAPE (ANTI-SPLASH, 50-MM WIDE)	
	2	1	251-1255	2	SHIELD-FUEL LINE FITTING (18.05-MM ID)	

B-USE AS REQUIRED

FUEL SYSTEM

244-2478 SHIELD GP-FUEL LINES (contd.)

i03636724



GRAPHIC #1

<END>

g02033209

FUEL SYSTEM

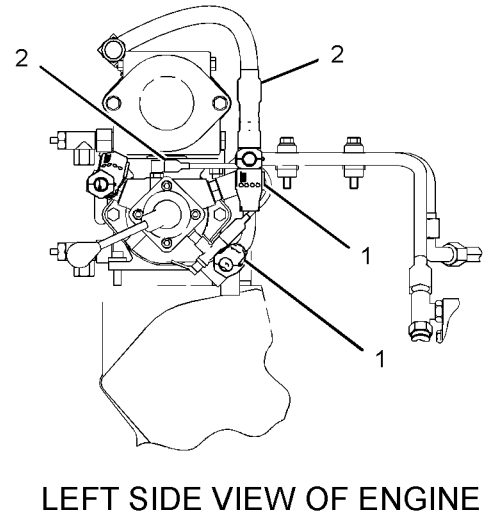
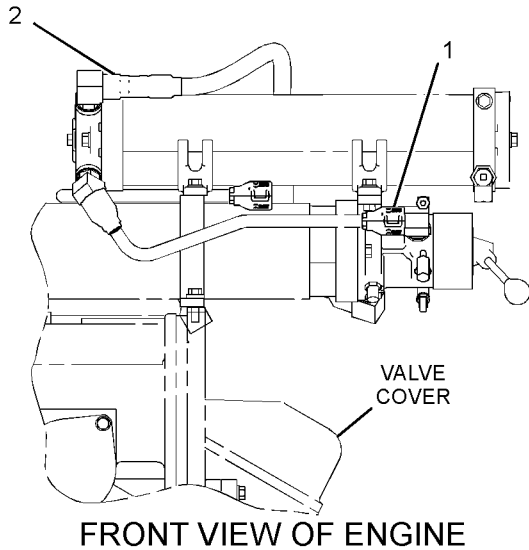
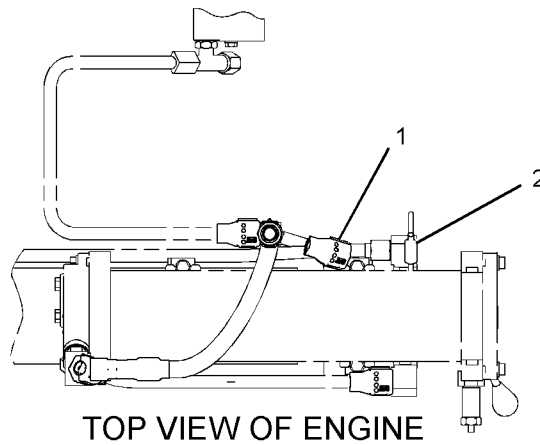
244-6567 SHIELD GP-FUEL LINES AN ATTACHMENT

SMCS-1067, 1252

i03636735

NOTE	REF NO	GRAPHIC REF	PART NUMBER	QTY	PART NAME						SEE PAGE
					1	2	3	4	5	6 (PRODUCT LEVEL)	
	1	1	251-1255	4	SHIELD-FUEL LINE FITTING (18.05-MM ID)						
B	2	1	237-3860		TAPE (ANTI-SPLASH, 50-MM WIDE)						

B-USE AS REQUIRED



GRAPHIC #1

<END>

g01956958

FUEL SYSTEM

246-0457 SHIELD GP-FUEL LINES

S/N: TTH1-245
AN ATTACHMENT

SMCS-1067, 1252

i03103084

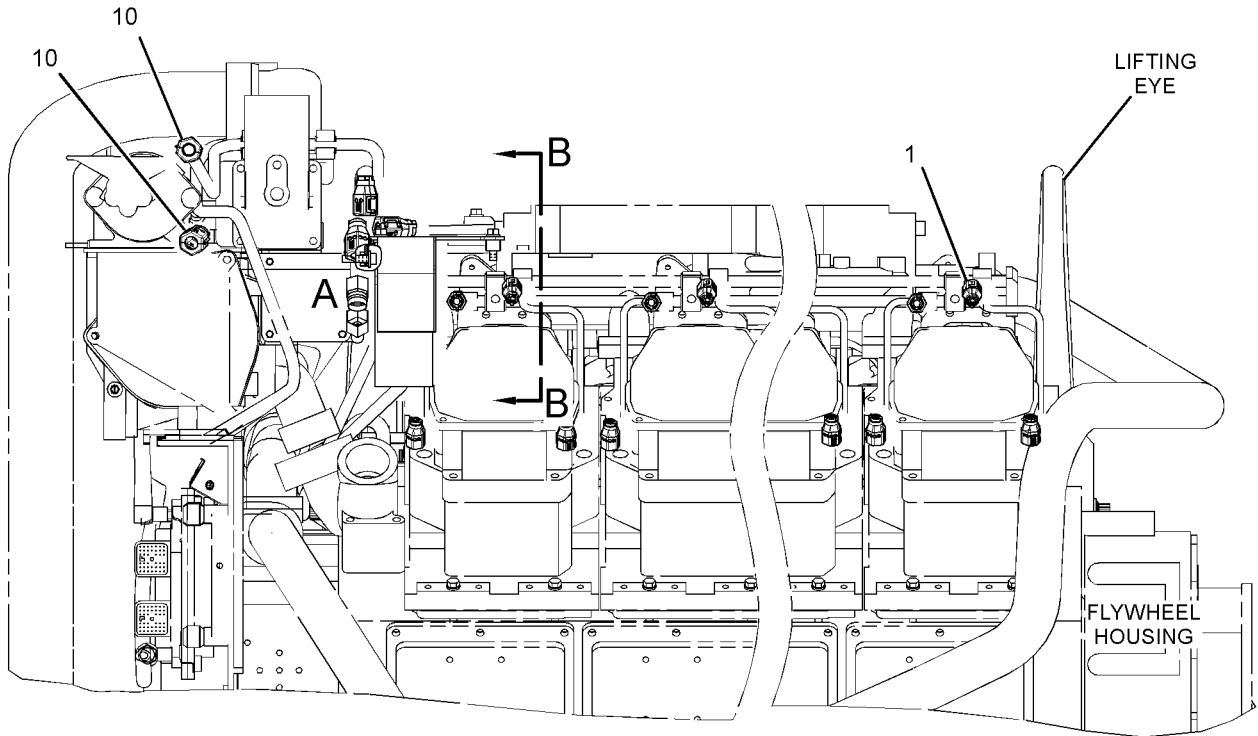
NOTE	REF NO	GRAPHIC REF	PART NUMBER	QTY	PART NAME						SEE PAGE
					1	2	3	4	5	6 (PRODUCT LEVEL)	
	1	1,2	241-6244	64	SHIELD-FUEL LINE FITTING (9.8-MM ID)						
	2	2	246-2946	1	SHIELD						
	3	2	246-2947	1	COVER (RH)						
	4	2	246-2948	1	COVER (RH)						
	5	2	246-2949	1	SHIELD AS (RH)						
		2	1F-0750	4	NUT-WELD (3/8-16-THD)						
		2	248-5503	3	NUT-CLINCH						
	6	2	246-2950	1	PLATE AS (RH)						
	7	1	246-7964	1	SHIELD AS (RH)						
		1	9V-7451	2	NUT-WELD (1/4-20-THD)						
	8	1	247-2954	1	BRACKET AS						
		1	1F-0750	1	NUT-WELD (3/8-16-THD)						
	9	1	249-8926	1	SHIELD						
	10	1,2	251-1255	6	SHIELD-FUEL LINE FITTING (18.05-MM ID)						
	11	1	287-3390	1	SPACER (10.3X19.1X14.3-MM THK)						
	12	2	0S-1588	2	BOLT (3/8-16X1.25-IN)						
	13	1	0S-1591	1	BOLT (3/8-16X1.5-IN)						
	14	1	132-7551	1	SPACER (11X19X6-MM THK)						
	15	2	3B-1915	1	BOLT (3/8-16X1.375-IN)						
	16	1,2	4M-5281	4	BOLT (1/4-20X0.75-IN)						
	17	2	5M-2894	2	WASHER-HARD (10.2X18.5X2.5-MM THK)						
	18	1,2	5S-7379	5	BOLT (3/8-16X0.875-IN)						
	19	1	5S-7382	1	BOLT (3/8-16X1.375-IN)						
	20	1,2	8T-4205	5	WASHER-HARD (7.2X14.5X2-MM THK)						
	21	2	8T-9364	1	BOLT (1/4-20X0.625-IN)						
	22	1,2	9X-6458	2	WASHER-HARD (10.2X22.5X3-MM THK)						
BE	23	1	237-3860		TAPE (ANTI-SPLASH, 50-MM WIDE) (30-CM)						
	24	1,2	8T-4896	6	WASHER-HARD (10.2X18.5X2.5-MM THK)						

B-USE AS REQUIRED
E-ORDER BY THE CENTIMETER

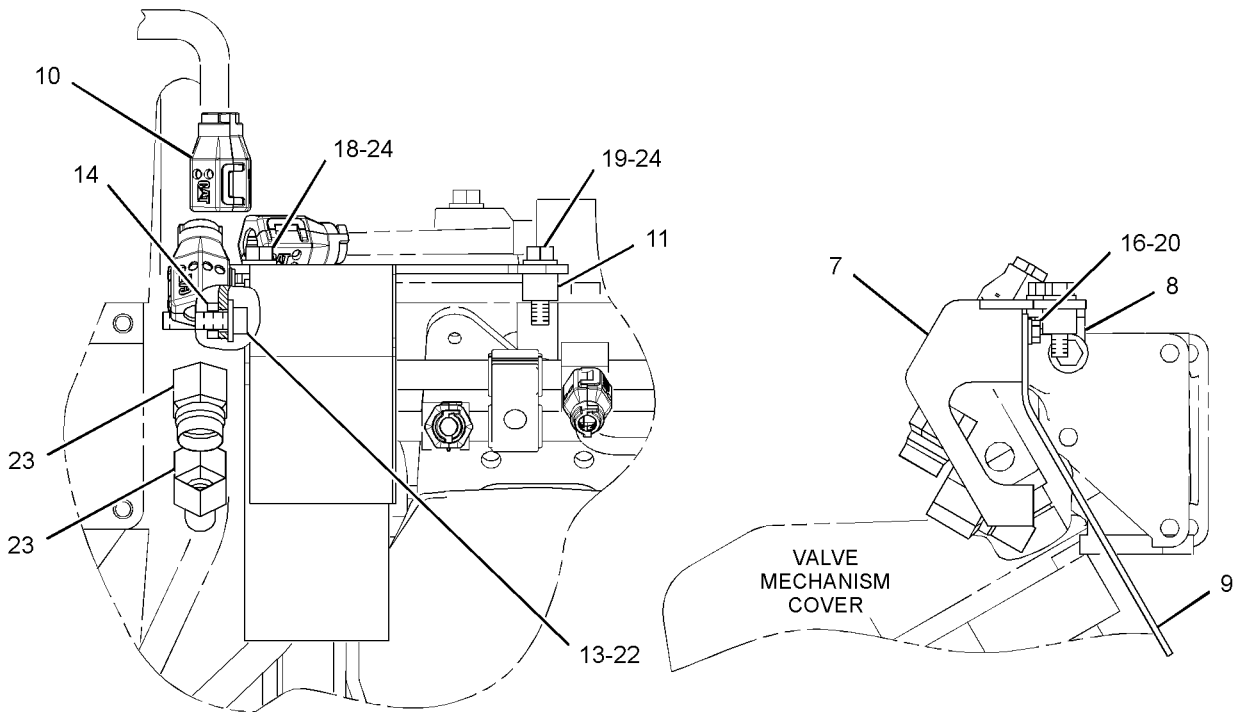
FUEL SYSTEM

246-0457 SHIELD GP-FUEL LINES (contd.)

i03103084



LEFT SIDE VIEW OF ENGINE



VIEW OF AREA A

VIEW B-B

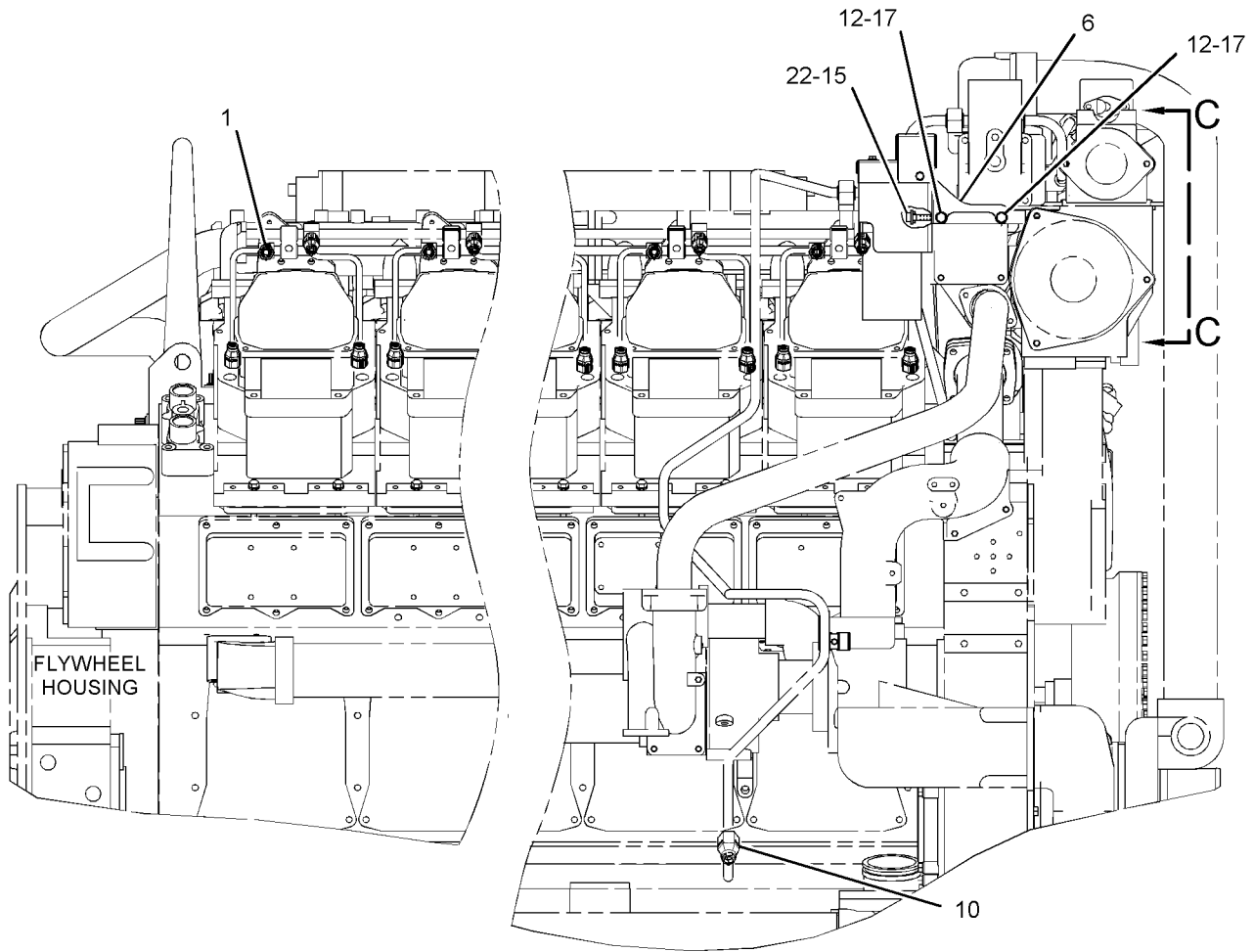
GRAPHIC #1

g01699373

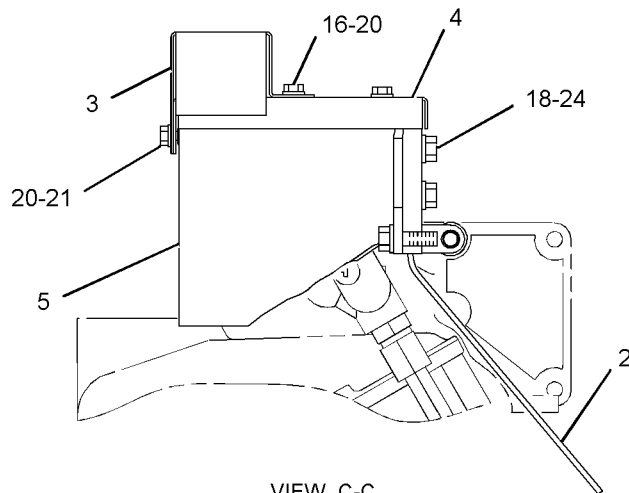
FUEL SYSTEM

246-0457 SHIELD GP-FUEL LINES (contd.)

i03103084



RIGHT SIDE VIEW OF ENGINE



VIEW C-C

GRAPHIC #2

<END>

g01699374

FUEL SYSTEM

246-0457 SHIELD GP-FUEL LINES

S/N: TTH246-UP

AN ATTACHMENT

SMCS-1067, 1252

i03662703

NOTE	REF NO	GRAPHIC REF	PART NUMBER	QTY	PART NAME						SEE PAGE
					1	2	3	4	5	6 (PRODUCT LEVEL)	
	1	1,2	241-6244	64	SHIELD-FUEL LINE FITTING (9.8-MM ID)						
	2	2	246-2946	1	SHIELD						
	3	2	246-2947	1	COVER (RH)						
	4	2	246-2948	1	COVER (RH)						
	5	2	246-2949	1	SHIELD AS (RH)						
		2	1F-0750	4	NUT-WELD (3/8-16-THD)						
		2	248-5503	3	NUT-CLINCH						
	6	2	246-2950	1	PLATE AS (RH)						
	7	1	246-7964	1	SHIELD AS (RH)						
		1	9V-7451	2	NUT-WELD (1/4-20-THD)						
	8	1	247-2954	1	BRACKET AS						
		1	1F-0750	1	NUT-WELD (3/8-16-THD)						
	9	1	249-8926	1	SHIELD						
	10	1,2	251-1255	6	SHIELD-FUEL LINE FITTING (18.05-MM ID)						
	11	1	287-3390	1	SPACER (10.3X19.1X14.3-MM THK)						
	12	2	0S-1588	2	BOLT (3/8-16X1.25-IN)						
	13	1	0S-1591	1	BOLT (3/8-16X1.5-IN)						
	14	1	132-7551	1	SPACER (11X19X6-MM THK)						
	16	1,2	4M-5281	4	BOLT (1/4-20X0.75-IN)						
	17	2	5M-2894	2	WASHER-HARD (10.2X18.5X2.5-MM THK)						
	18	1,2	5S-7379	5	BOLT (3/8-16X0.875-IN)						
	19	1	5S-7382	1	BOLT (3/8-16X1.375-IN)						
	20	1,2	8T-4205	5	WASHER-HARD (7.2X14.5X2-MM THK)						
	21	2	8T-9364	1	BOLT (1/4-20X0.625-IN)						
C	22	1	9X-6458	1	WASHER-HARD (10.2X22.5X3-MM THK)						
B	23	1	237-3860		TAPE (ANTI-SPLASH, 50-MM WIDE)						
	24	1,2	8T-4896	6	WASHER-HARD (10.2X18.5X2.5-MM THK)						

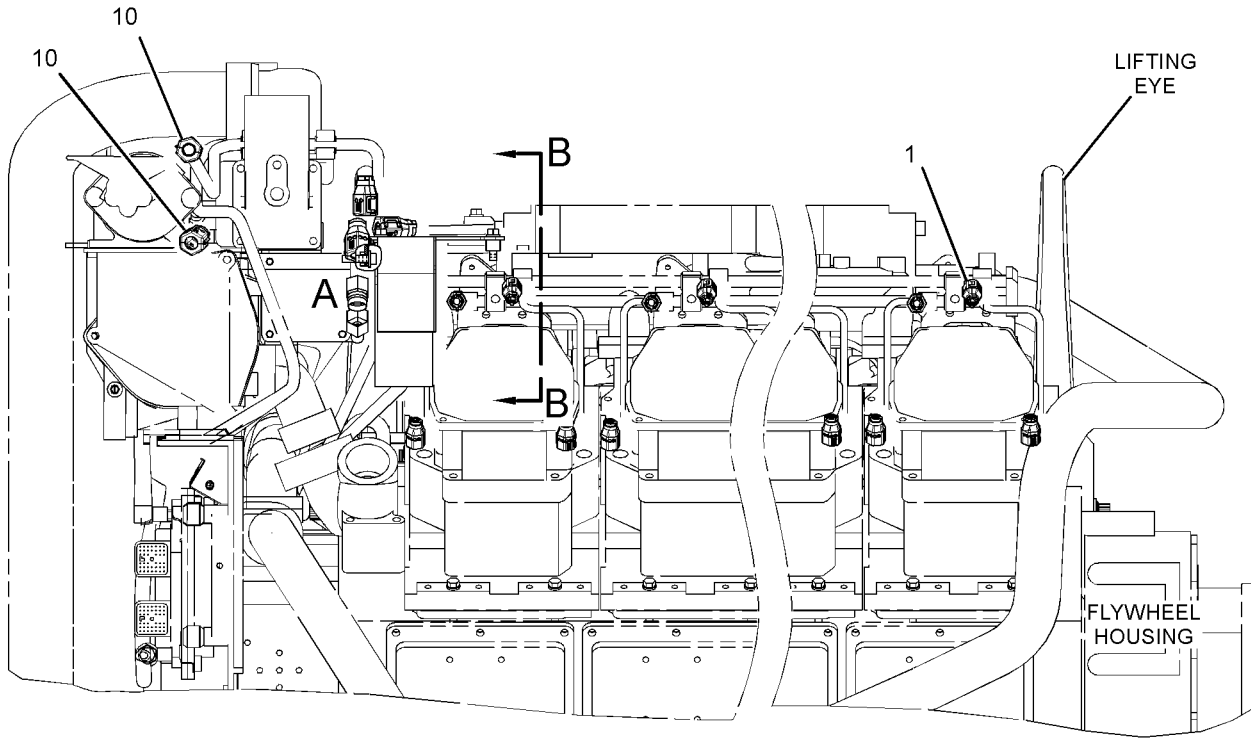
B- USE AS REQUIRED

C- CHANGE FROM PREVIOUS TYPE

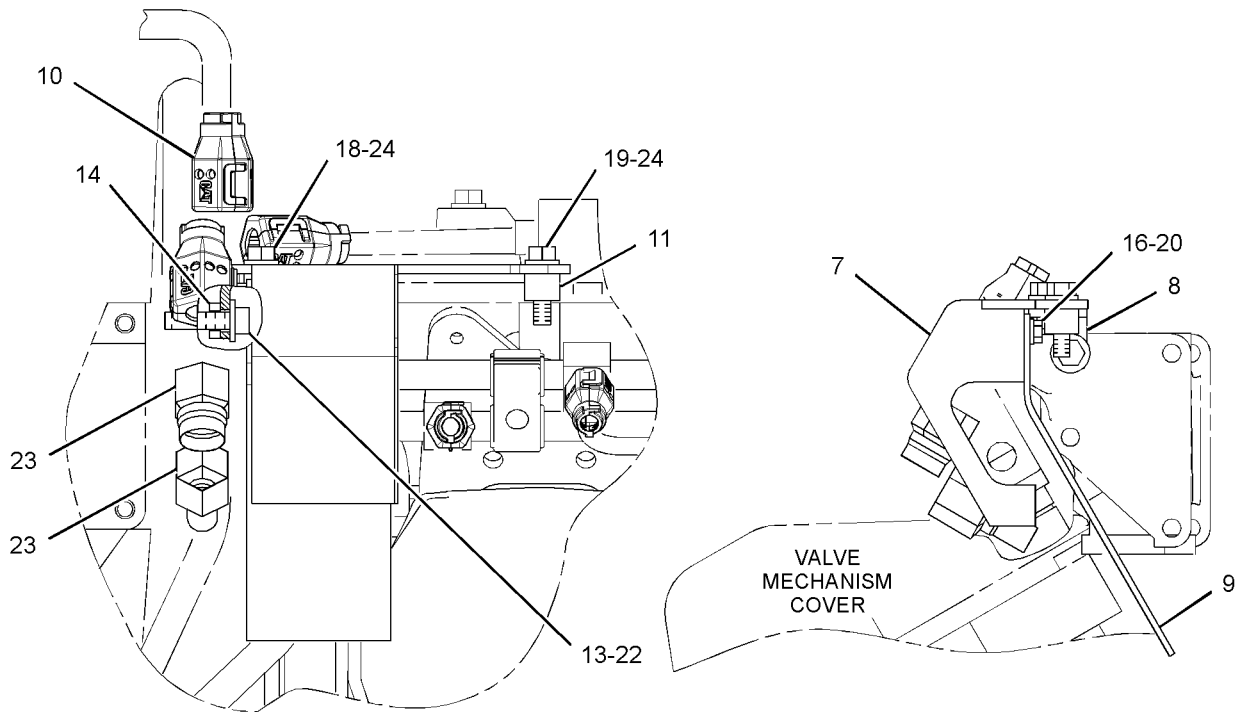
FUEL SYSTEM

246-0457 SHIELD GP-FUEL LINES (contd.)

i03662703



LEFT SIDE VIEW OF ENGINE



VIEW OF AREA A

VIEW B-B

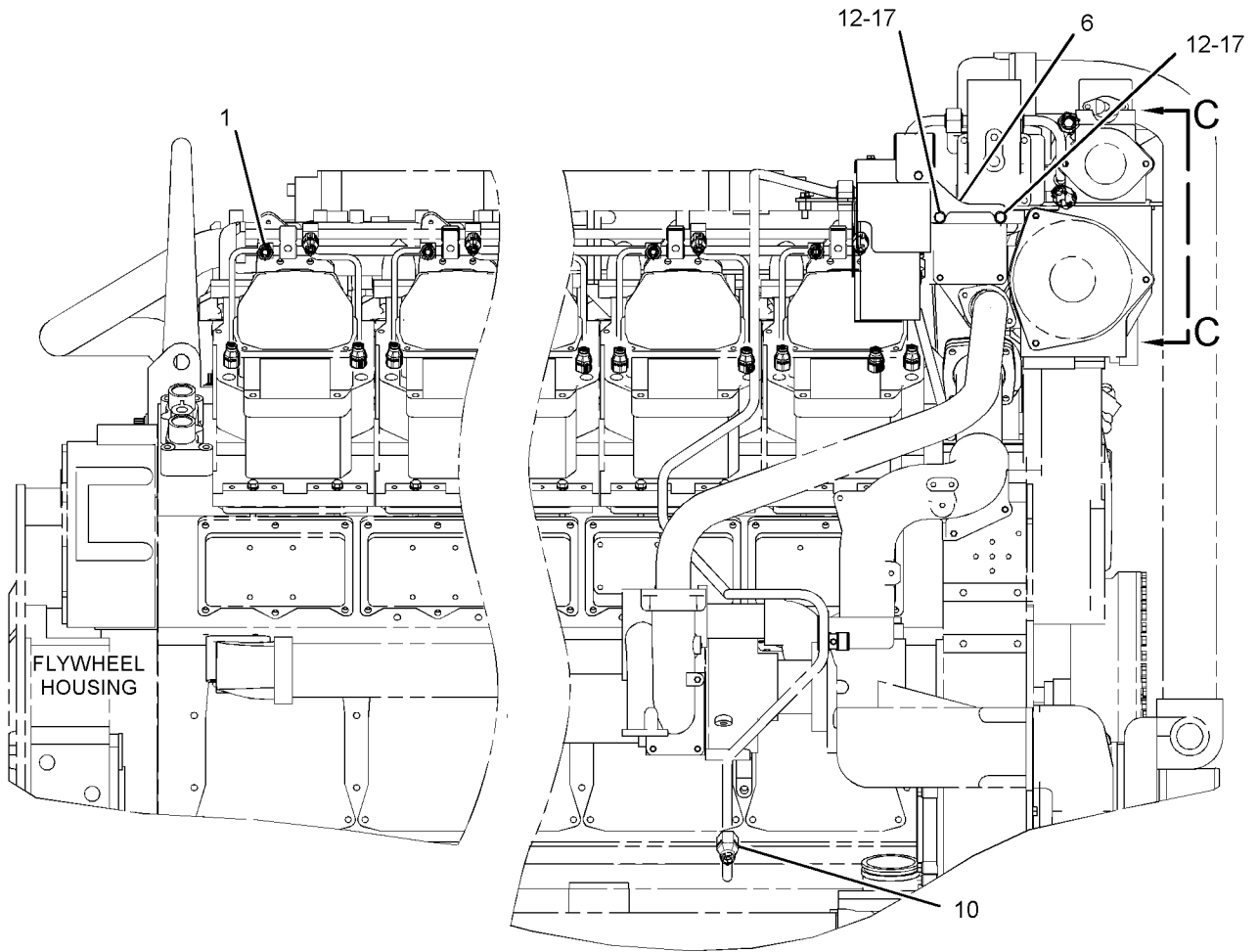
GRAPHIC #1

g01699373

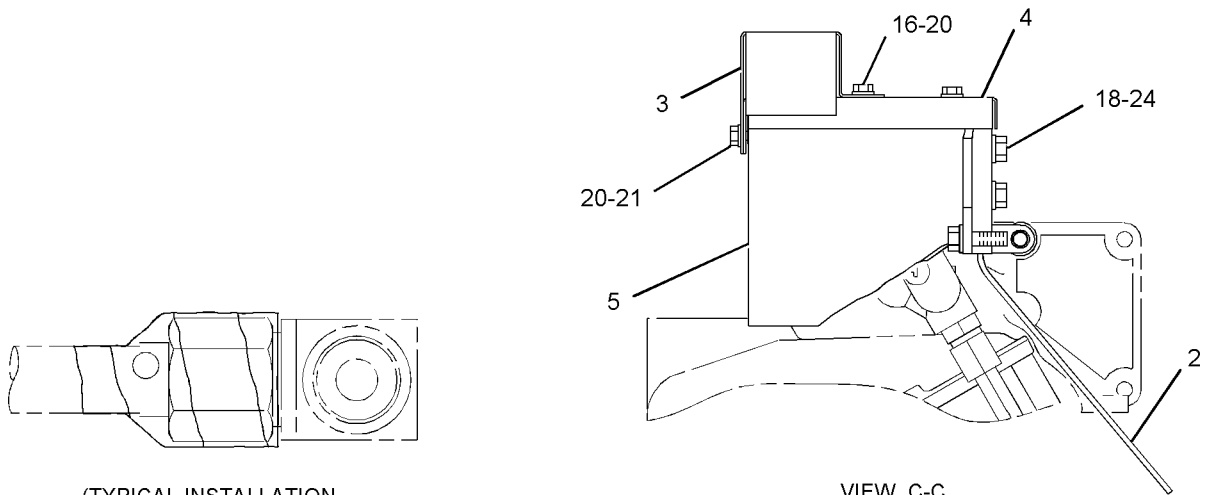
FUEL SYSTEM

246-0457 SHIELD GP-FUEL LINES (contd.)

i03662703



RIGHT SIDE VIEW OF ENGINE



(TYPICAL INSTALLATION VIEW OF A TAPED JOINT)

VIEW C-C

GRAPHIC #2

<END>

g02033473

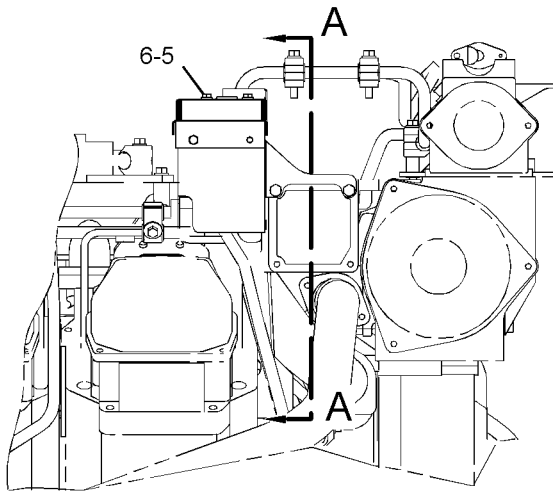
FUEL SYSTEM

254-7277 SHIELD GP-FUEL LINES-FUEL MANIFOLD AN ATTACHMENT

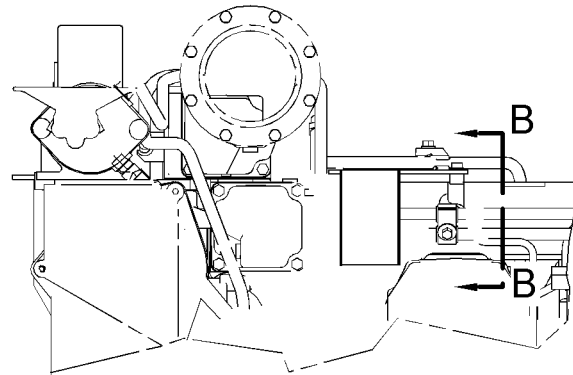
SMCS-1067, 1252

i02801506

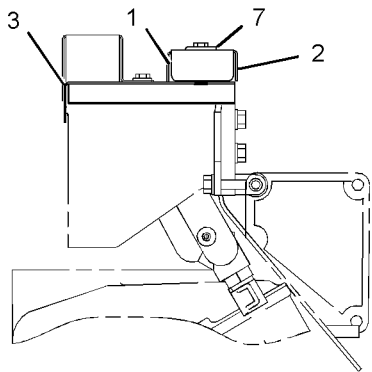
NOTE	REF NO	GRAPHIC REF	PART NUMBER	QTY	PART NAME						SEE PAGE
					1	2	3	4	5	6 (PRODUCT LEVEL)	
	1	1	253-2120	1	COVER						
	2	1	253-2122	1	COVER						
	3	1	254-7278	1	COVER AS						
		1	248-5503	2	NUT-CLINCH						
	4	1	254-7279	1	SHIELD AS						
		1	9F-6445	2	NUT-WELD (1/4-20-THD)						
	5	1	7X-3178	2	BOLT (1/4-20X1.625-IN)						
	6	1	8T-4205	2	WASHER-HARD (7.2X14.5X2-MM THK)						
	7	1	9D-3769	1	GROMMET						



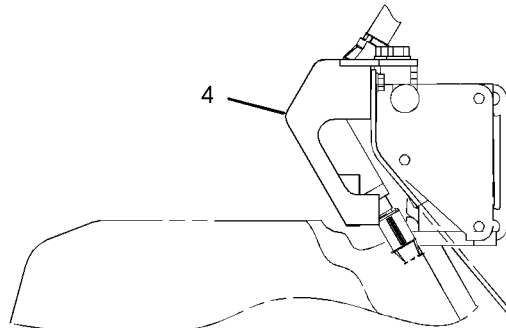
RIGHT SIDE VIEW



LEFT SIDE VIEW



VIEW A-A



VIEW B-B

GRAPHIC #1

<END>

g01180865

FUEL SYSTEM

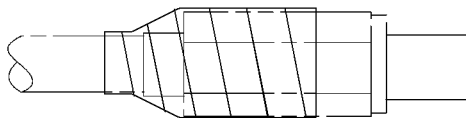
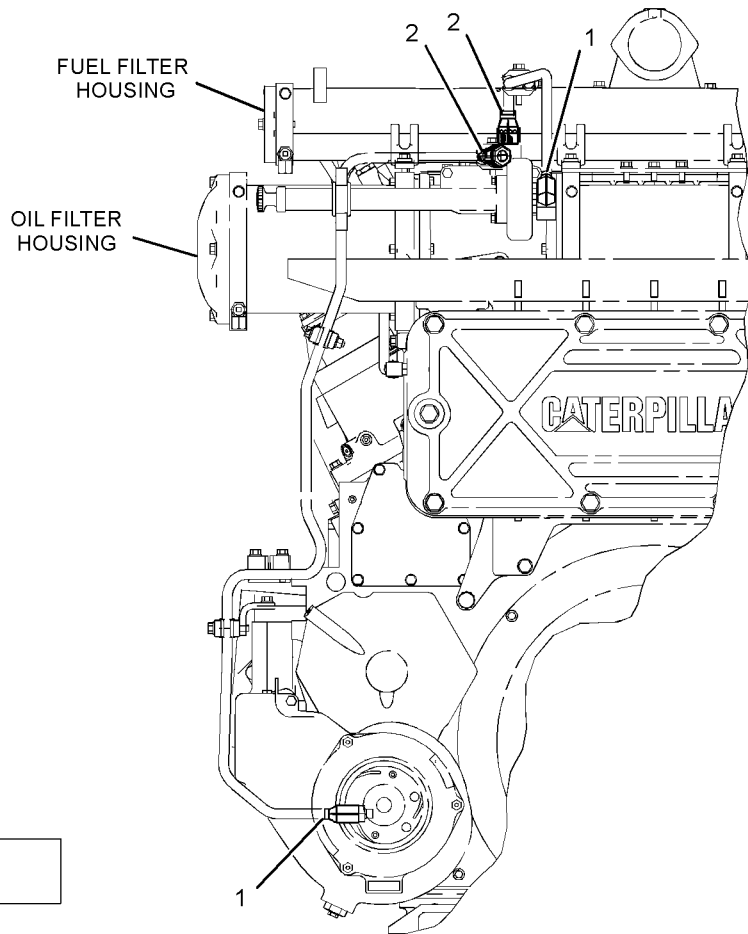
268-3765 SHIELD GP-FUEL LINES-FUEL FILTER AN ATTACHMENT

SMCS-1067, 1252

i03636755

NOTE	REF NO	GRAPHIC REF	PART NUMBER	QTY	PART NAME						SEE PAGE
					1	2	3	4	5	6 (PRODUCT LEVEL)	
B	1	1	237-3860		TAPE (ANTI-SPLASH, 50-MM WIDE)						
	2	1	251-1255	2	SHIELD-FUEL LINE FITTING (18.05-MM ID)						

B-USE AS REQUIRED



(TYPICAL INSTALLATION VIEW OF A TAPED JOINT)

FRONT VIEW OF ENGINE

GRAPHIC #1

<END>

g02033513

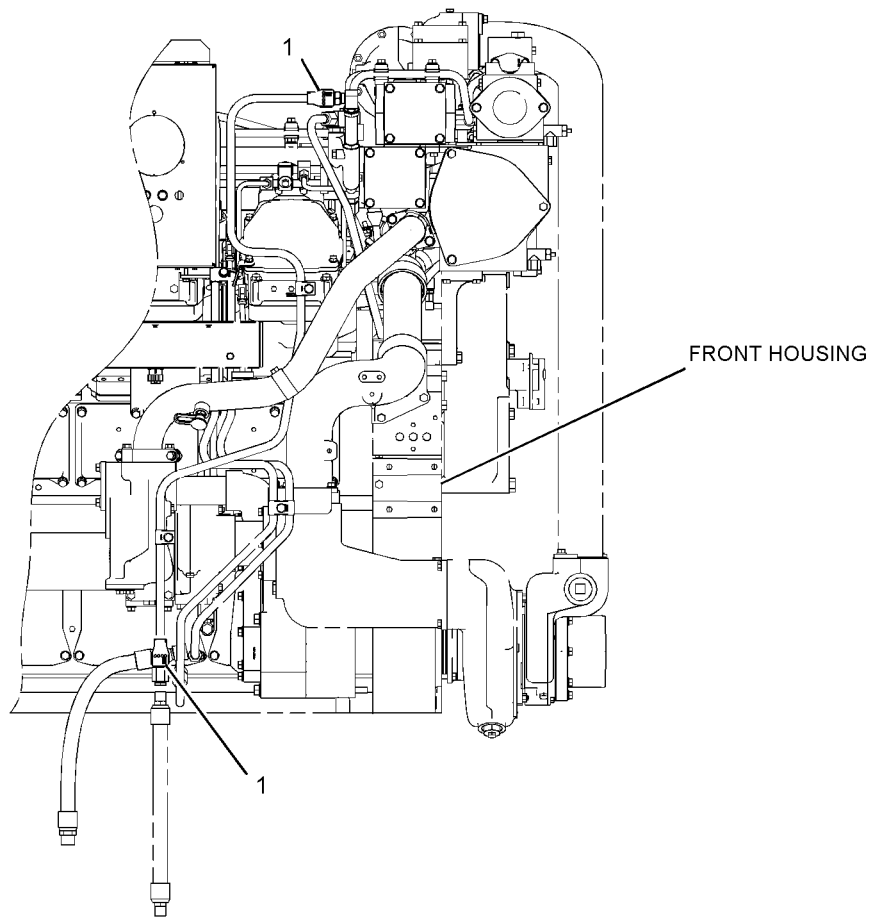
FUEL SYSTEM

276-1307 SHIELD GP-FUEL LINES-FUEL RETURN AN ATTACHMENT

SMCS-1067, 1252

i02735841

NOTE	REF NO	GRAPHIC REF	PART NUMBER	QTY	PART NAME						SEE PAGE
					1	2	3	4	5	6 (PRODUCT LEVEL)	
	1	1	251-1255	2	SHIELD-FUEL LINE FITTING (18.05-MM ID)						



RIGHT SIDE VIEW OF ENGINE

<END>

GRAPHIC #1

g01373234

ELECTRICAL AND STARTING SYSTEM

4N-3986 ALTERNATOR GP-CHARGING*R

24-VOLT, 60-AMPERE

PART OF 7E-2858 ALTERNATOR GP-CHARGING

FIELD REPLACEMENT ORDER 266-7227-PAGE 358, 331-5717-PAGE 360,

333-1184-PAGE 362

AN ATTACHMENT

TYPE 1

SMCS-1405

i02858057

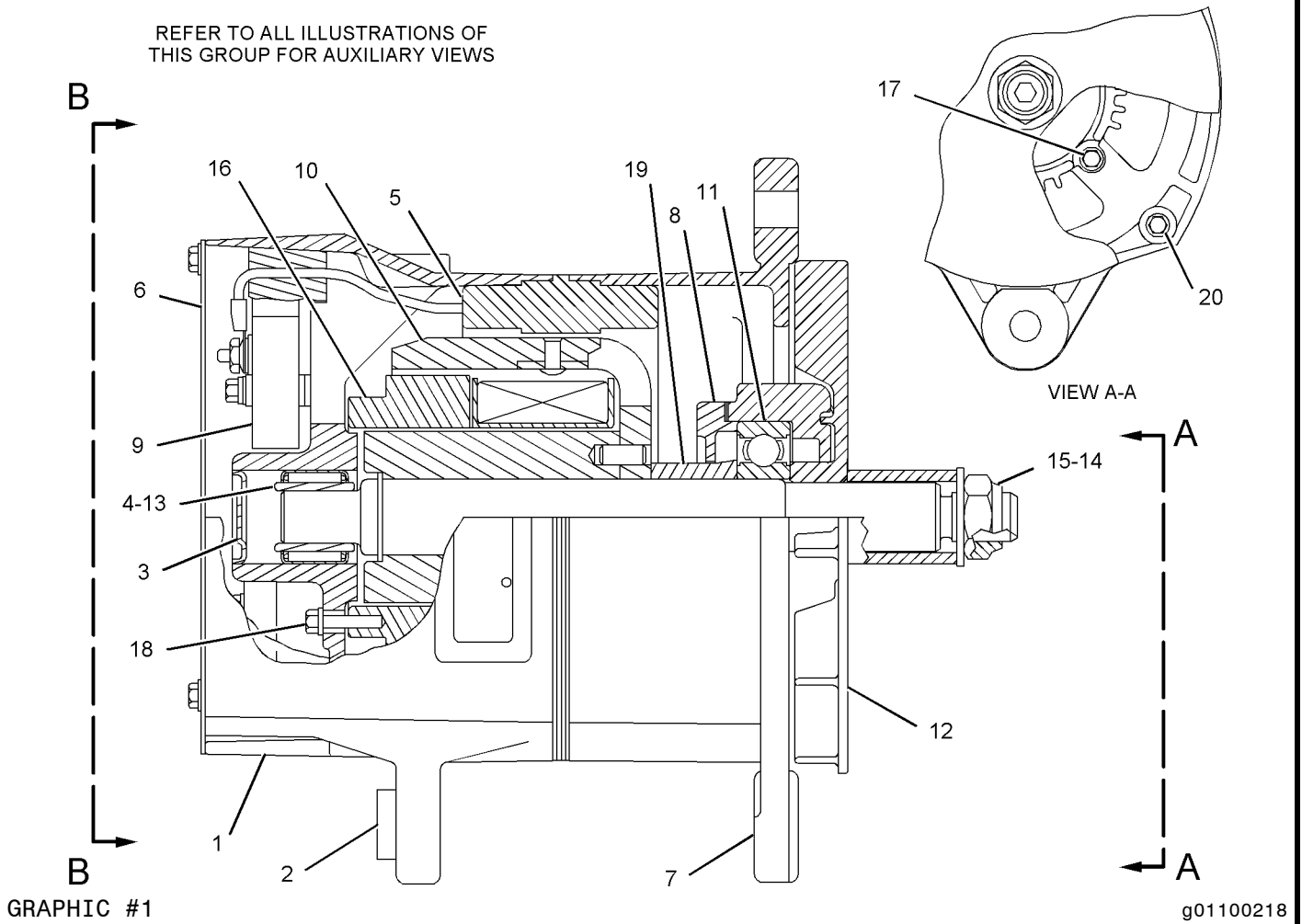
NOTE	REF NO	GRAPHIC REF	PART NUMBER	QTY	PART NAME						SEE PAGE
					1	2	3	4	5	6 (PRODUCT LEVEL)	
	1	1	6N-1876	1	HOUSING AS (RECTIFIER)						
	2	1	9S-2396	1	BUSHING-TERMINAL						
	3	1	9N-0943	1	PLUG-BEARING WELL						
	4	1	5P-3418	1	BEARING-ROLLER						
	5	1	6N-1968	1	STATOR AS						
		1	2L-8075	3	TERMINAL-RING (14-GA TO 16-GA, NO. 8 SCREW)						
		1	9N-0939	1	GROMMET						
	6	1	9N-0942	1	PLATE-COVER						
	7	1	2P-5616	1	FRAME-DRIVE END						
	8	1	9S-2390	1	RETAINER						
	9	1	9N-0937	1	RECTIFIER AS						
	10	1	9S-2302	1	ROTOR AS						
	11	1	5P-7807	1	BALL BEARING						
	12	1	100-6531	1	FAN-ALTERNATOR (11-BLADE)						
	13	1	5P-3419	1	RACE-BEARING INNER						
	14	1	7F-7621	1	WASHER (0.635X1.25X0.09-IN THK)						
	15	1	2K-4821	1	LOCKNUT (5/8-18-THD)						
	16	1	6N-1945	1	COIL AS-FIELD						
	17	1	9X-2500	4	SCREW-HEX FLANGE (10-24X38.1-MM)						
	18	1	9N-3388	5	BOLT (10-24X0.75-IN)						
	19	1	100-6532	1	COLLAR-ALTERNATOR						
	20	1	9S-2009	4	BOLT-FLANGE HEAD (10-24X3.625-IN)						
	21	2	6N-1944	1	DIODE AS						
	22	2	6N-1870	2	SCREW AS (8-32X34-MM)						
	23	2	8T-0328	2	WASHER-HARD (5.5X10X1-MM THK)						
	24	2	9S-2544	7	SCREW-HEX HEAD (8-32X11.13-MM)						
	25	2	9B-7233	11	LOCKWASHER						
	26	2	4B-2043	4	NUT (8-32-THD)						
	27	2	6V-8187	2	NUT (1/4-28-THD)						
	28	2	1H-3244	2	LOCKWASHER						
	29	2	6N-1925	1	BRACKET						
	30	2	6N-1946	1	CAPACITOR AS						
	31	2	6N-1872	3	SCREW AS (8-32X1.25-IN)						
	32	2	3T-6354	1	REGULATOR AS-VOLTAGE (24-VOLT) (ALTERNATOR)						
	33	2	6N-1873	1	LEAD AS						
	34	2	2L-8075	3	TERMINAL-RING (14-GA TO 16-GA, NO. 8 SCREW)						
	35	2	8T-4205	2	WASHER-HARD (7.2X14.5X2-MM THK)						
	36	2	6N-1871	1	LEAD AS						
	37	2	8M-6701	3	WASHER (0.281X0.5X0.032-IN THK)						
	38	2	6N-1856	4	BUSHING-TERMINAL						
					AVAILABLE REPAIR KIT(S):						
			6N-1875	1	KIT-OUTPUT TERMINAL (ALTERNATOR) (INCLUDES TERMINAL, LEAD ASSEMBLY, BUSHING, WASHERS, NUTS AND LOCKWASHERS)						
			105-3762	1	KIT-ALTERNATOR TERMINAL (INCLUDES TERMINAL ASSEMBLY, INSULATOR, BUSHING, WASHER, NUTS AND LOCKWASHERS)						

ELECTRICAL AND STARTING SYSTEM

4N-3986 ALTERNATOR GP-CHARGING (contd.)

i02858057

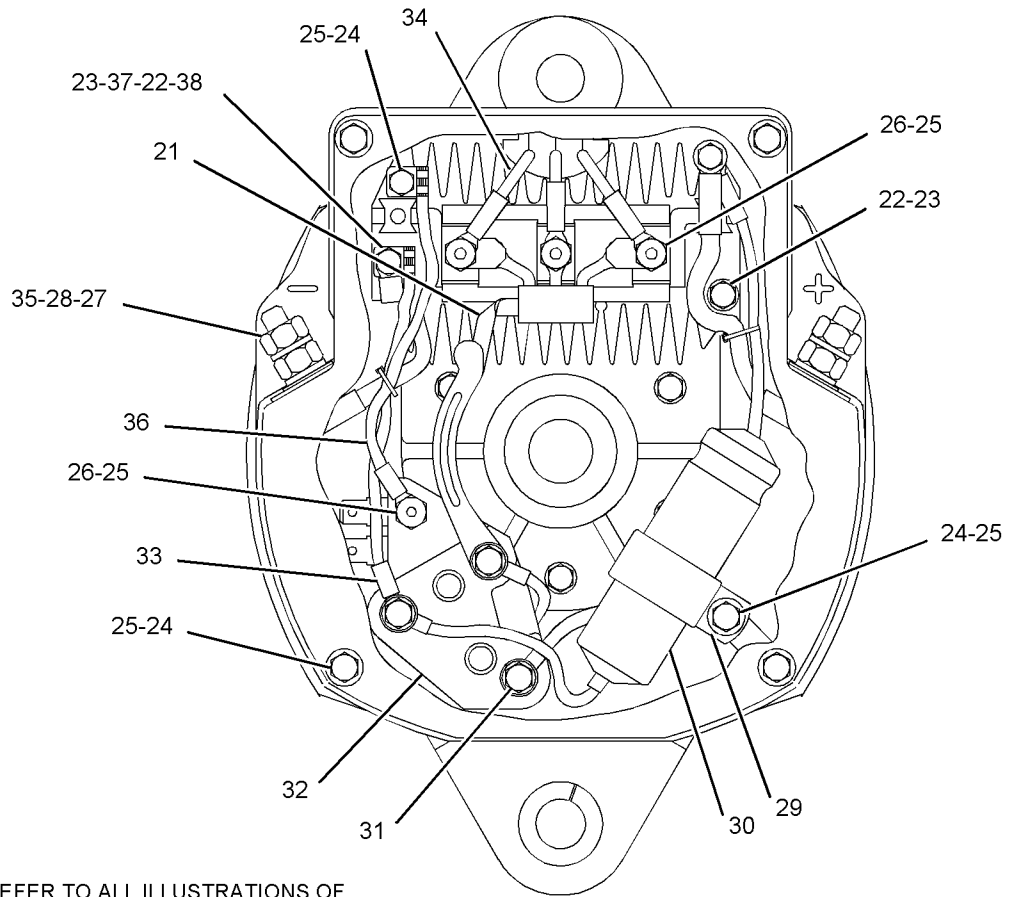
REFER TO ALL ILLUSTRATIONS OF THIS GROUP FOR AUXILIARY VIEWS



ELECTRICAL AND STARTING SYSTEM

4N-3986 ALTERNATOR GP-CHARGING (contd.)

i02858057



REFER TO ALL ILLUSTRATIONS OF THIS GROUP FOR AUXILIARY VIEWS

VIEW B-B

<END>

GRAPHIC #2

g01117023

ELECTRICAL AND STARTING SYSTEM

4N-3986 ALTERNATOR GP-CHARGING*R

24-VOLT, 60-AMPERE

PART OF 7E-2858 ALTERNATOR GP-CHARGING

FIELD REPLACEMENT ORDER 266-7227-PAGE 358, 331-5717-PAGE 360,

333-1184-PAGE 362

AN ATTACHMENT

TYPE 2

SMCS-1405

i03507497

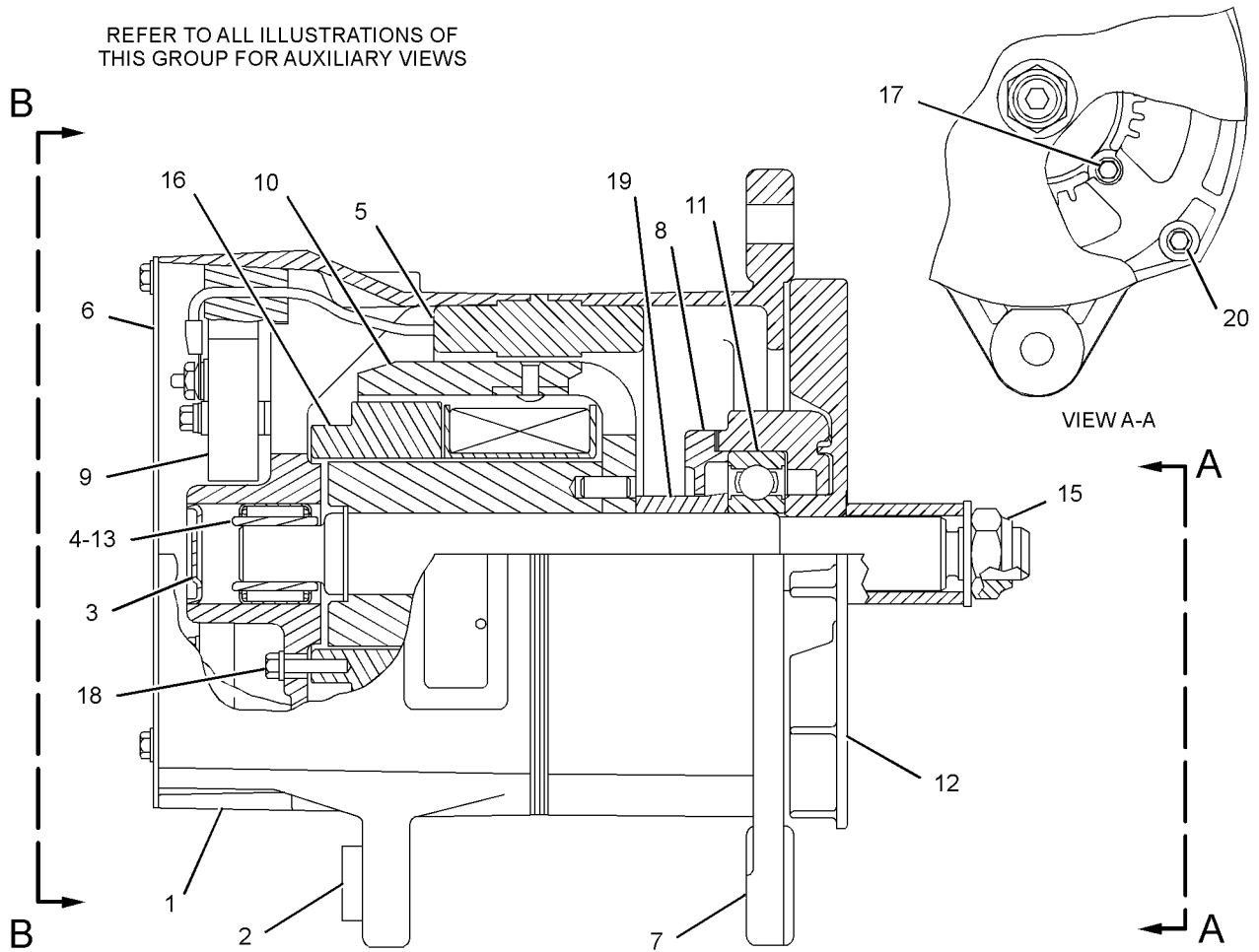
NOTE	REF NO	GRAPHIC REF	PART NUMBER	QTY	PART NAME						SEE PAGE
					1	2	3	4	5	6 (PRODUCT LEVEL)	
	1	1	6N-1876	1	HOUSING AS (RECTIFIER)						
	2	1	9S-2396	1	BUSHING-TERMINAL						
	3	1	9N-0943	1	PLUG-BEARING WELL						
	4	1	5P-3418	1	BEARING-ROLLER						
	5	1	6N-1968	1	STATOR AS						
		1	2L-8075	3	TERMINAL-RING (14-GA TO 16-GA, NO. 8 SCREW)						
		1	9N-0939	1	GROMMET						
	6	1	9N-0942	1	PLATE-COVER						
	7	1	2P-5616	1	FRAME-DRIVE END						
	8	1	9S-2390	1	RETAINER						
	9	1	9N-0937	1	RECTIFIER AS						
	10	1	9S-2302	1	ROTOR AS						
	11	1	5P-7807	1	BALL BEARING						
	12	1	100-6531	1	FAN-ALTERNATOR (11-BLADE)						
	13	1	5P-3419	1	RACE-BEARING INNER						
	15	1	2K-4821	1	LOCKNUT (5/8-18-THD)						
	16	1	6N-1945	1	COIL AS-FIELD						
	17	1	9X-2500	4	SCREW-HEX FLANGE (10-24X38.1-MM)						
	18	1	9N-3388	5	BOLT (10-24X0.75-IN)						
	19	1	100-6532	1	COLLAR-ALTERNATOR						
	20	1	9S-2009	4	BOLT-FLANGE HEAD (10-24X3.625-IN)						
	21	2	6N-1944	1	DIODE AS						
	22	2	6N-1870	2	SCREW AS (8-32X34-MM)						
	23	2	8T-0328	2	WASHER-HARD (5.5X10X1-MM THK)						
	24	2	9S-2544	7	SCREW-HEX HEAD (8-32X11.13-MM)						
	25	2	9B-7233	11	LOCKWASHER						
	26	2	4B-2043	4	NUT (8-32-THD)						
	27	2	6V-8187	2	NUT (1/4-28-THD)						
	28	2	1H-3244	2	LOCKWASHER						
	29	2	6N-1925	1	BRACKET						
	30	2	6N-1946	1	CAPACITOR AS						
	31	2	6N-1872	3	SCREW AS (8-32X1.25-IN)						
	32	2	3T-6354	1	REGULATOR AS-VOLTAGE (24-VOLT) (ALTERNATOR)						
	33	2	6N-1873	1	LEAD AS						
	34	2	2L-8075	3	TERMINAL-RING (14-GA TO 16-GA, NO. 8 SCREW)						
	35	2	8T-4205	2	WASHER-HARD (7.2X14.5X2-MM THK)						
	36	2	6N-1871	1	LEAD AS						
	37	2	8M-6701	3	WASHER (0.281X0.5X0.032-IN THK)						
	38	2	6N-1856	4	BUSHING-TERMINAL						
					AVAILABLE REPAIR KIT(S):						
			6N-1875	1	KIT-OUTPUT TERMINAL (ALTERNATOR) (INCLUDES TERMINAL, LEAD ASSEMBLY, BUSHING, WASHERS, NUTS AND LOCKWASHERS)						
			105-3762	1	KIT-ALTERNATOR TERMINAL (INCLUDES TERMINAL ASSEMBLY, INSULATOR, BUSHING, WASHER, NUTS AND LOCKWASHERS)						

ELECTRICAL AND STARTING SYSTEM

4N-3986 ALTERNATOR GP-CHARGING (contd.)

i03507497

REFER TO ALL ILLUSTRATIONS OF THIS GROUP FOR AUXILIARY VIEWS



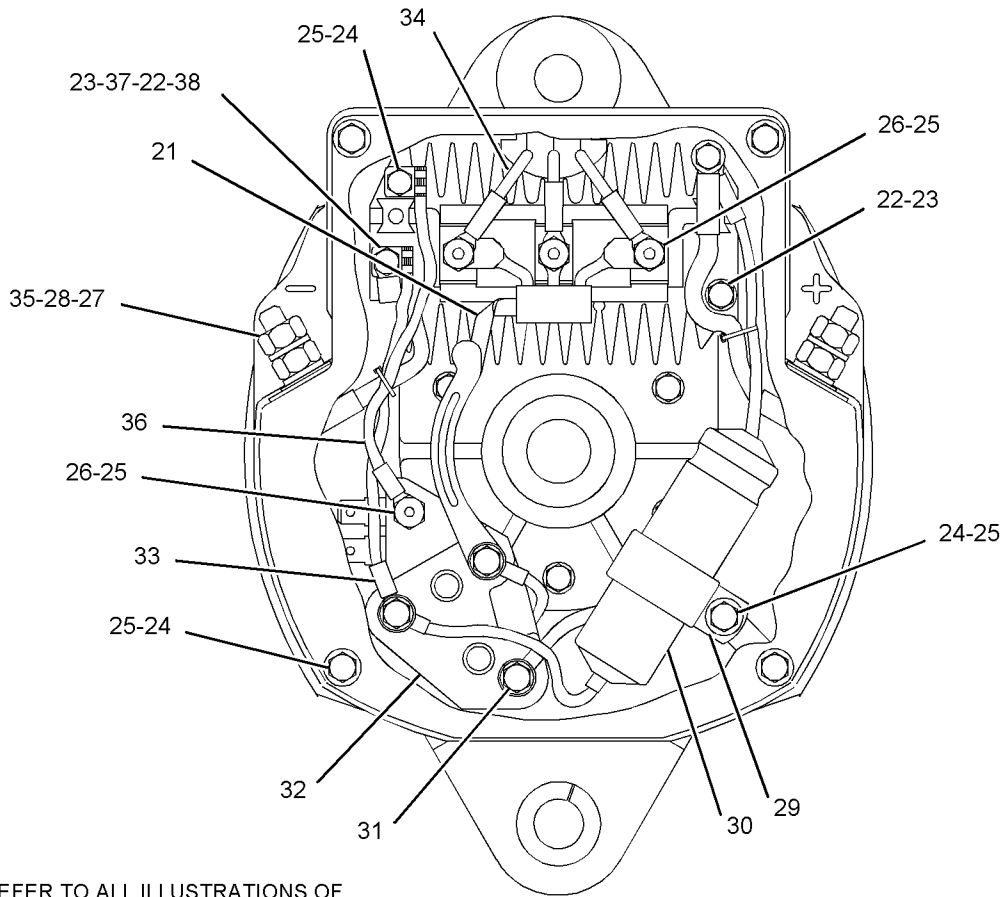
GRAPHIC #1

g01852654

ELECTRICAL AND STARTING SYSTEM

4N-3986 ALTERNATOR GP-CHARGING (contd.)

i03507497



REFER TO ALL ILLUSTRATIONS OF THIS GROUP FOR AUXILIARY VIEWS

VIEW B-B

<END>

GRAPHIC #2

g01117023

ELECTRICAL AND STARTING SYSTEM

7E-2858 ALTERNATOR GP-CHARGING

24-VOLT, 60-AMPERE
AN ATTACHMENT

SMCS - 1405

i01752076

NOTE	PART NUMBER	QTY	PART NAME						SEE PAGE
			1	2	3	4	5	6 (PRODUCT LEVEL)	
YR	4N-3986	1	ALTERNATOR GP-CHARGING (24-VOLT, 60-AMPERE)						351

R-REMFG PART MAY BE AVAILABLE
Y-SEPARATE ILLUSTRATION

<END>

ELECTRICAL AND STARTING SYSTEM

266-7227 ALTERNATOR GP-CHARGING

24-VOLT, 60-AMPERE

FIELD REPLACEMENT ORDER 333-1184-PAGE 362. FIELD REPLACEMENT FOR
4N-3986-PAGE 351
FIELD INSTALLATION

SMCS-1405

i03642348

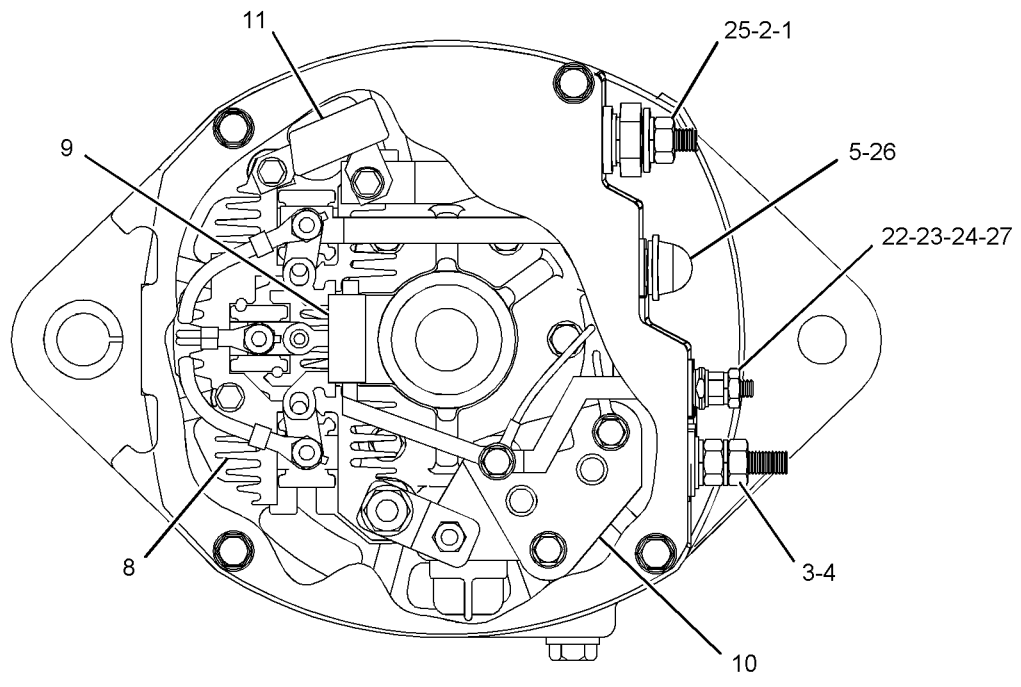
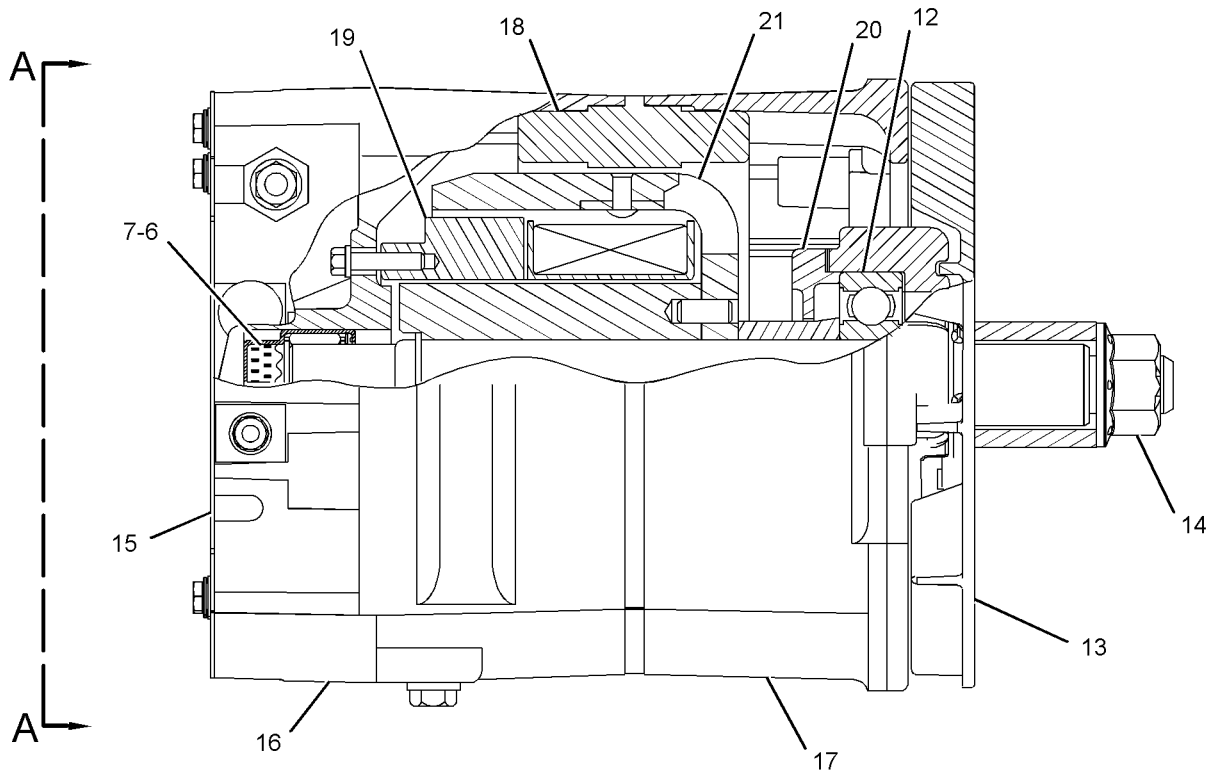
NOTE	REF NO	GRAPHIC REF	PART NUMBER	QTY	PART NAME						SEE PAGE
					1	2	3	4	5	6 (PRODUCT LEVEL)	
	1	1	8T-4205	1	WASHER-HARD (7.2X14.5X2-MM THK)						
	2	1	1H-3244	1	LOCKWASHER						
	3	1	6V-8187	1	NUT (1/4-28-THD)						
	4	1	292-3815	2	KIT-TERMINAL						
	5	1	9L-6770	1	CAP-DUST						
	6	1	5P-3418	1	BEARING-ROLLER						
	7	1	5P-3419	1	RACE-BEARING INNER						
	8	1	291-8247	1	RECTIFIER AS						
	9	1	202-2708	1	DIODE AS						
	10	1	3T-6354	1	REGULATOR AS-VOLTAGE (24-VOLT) (ALTERNATOR)						
	11	1	291-8253	1	CAPACITOR AS						
	12	1	202-9897	1	BEARING-SPECIAL BALL						
	13	1	100-6531	1	FAN-ALTERNATOR (11-BLADE)						
	14	1	187-2034	1	NUT-FLANGE (5/8-18-THD)						
	15	1	291-8274	1	PLATE						
	16	1	291-8271	1	HOUSING AS						
	17	1	202-2700	1	FRAME						
	18	1	291-8263	1	STATOR AS						
	19	1	6N-1945	1	COIL AS-FIELD						
	20	1	9S-2390	1	RETAINER						
	21	1	9S-2302	1	ROTOR AS						
	22	1	4B-2047	1	NUT (10-24-THD)						
	23	1	8T-0328	1	WASHER-HARD (5.5X10X1-MM THK)						
	24	1	8F-1434	1	LOCKWASHER						
	25	1	202-2784	1	KIT-ALTERNATOR TERMINAL (KIT INCLUDES NUT, WASHERS, INSULATORS, CONNECTORS, ADAPTER, AND SCREW)						
	26	1	202-2785	1	KIT-ALTERNATOR TERMINAL (KIT INCLUDES STUD, BUSHINGS, CONNECTOR, AND NUT)						
	27	1	202-2786	1	KIT-ALTERNATOR TERMINAL (KIT INCLUDES NUTS, WASHERS, BUSHINGS, AND CONNECTOR)						
F			202-2787	1	KIT-HARDWARE (KIT INCLUDES NUTS, SCREWS, WASHER, BOOT, COLLAR, AND CONNECTOR)						

F-NOT SHOWN

ELECTRICAL AND STARTING SYSTEM

266-7227 ALTERNATOR GP-CHARGING (contd.)

i03642348



VIEW A-A

GRAPHIC #1

<END>

g01394690

ELECTRICAL AND STARTING SYSTEM

331-5717 ALTERNATOR GP-CHARGING

24-VOLT, 105-AMPERE

FIELD REPLACEMENT FOR 266-7227 ALTERNATOR GP-CHARGING
FIELD INSTALLATION

SMCS-1405

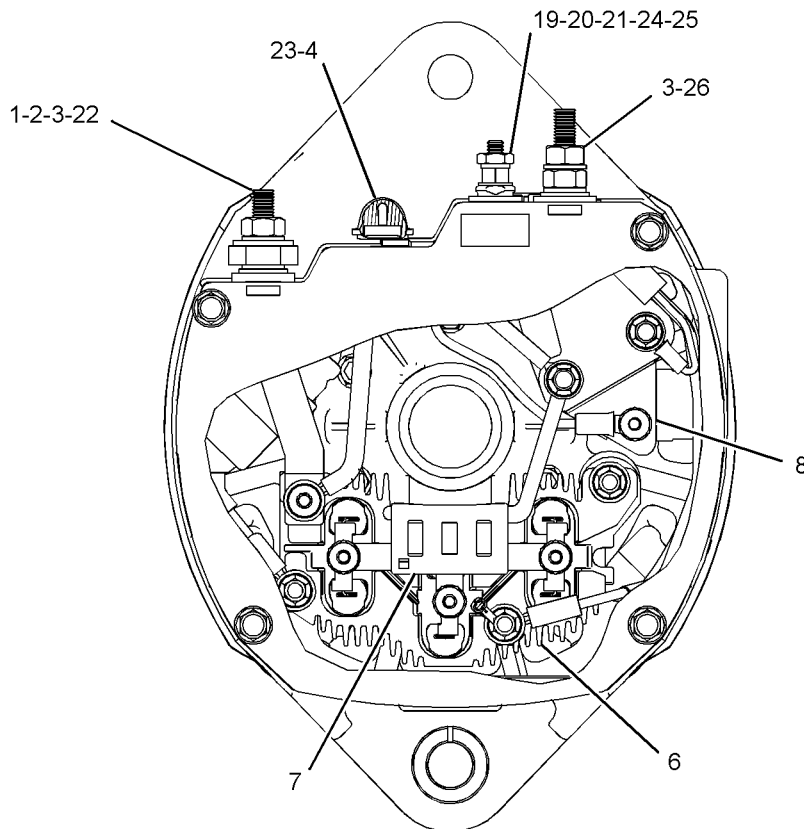
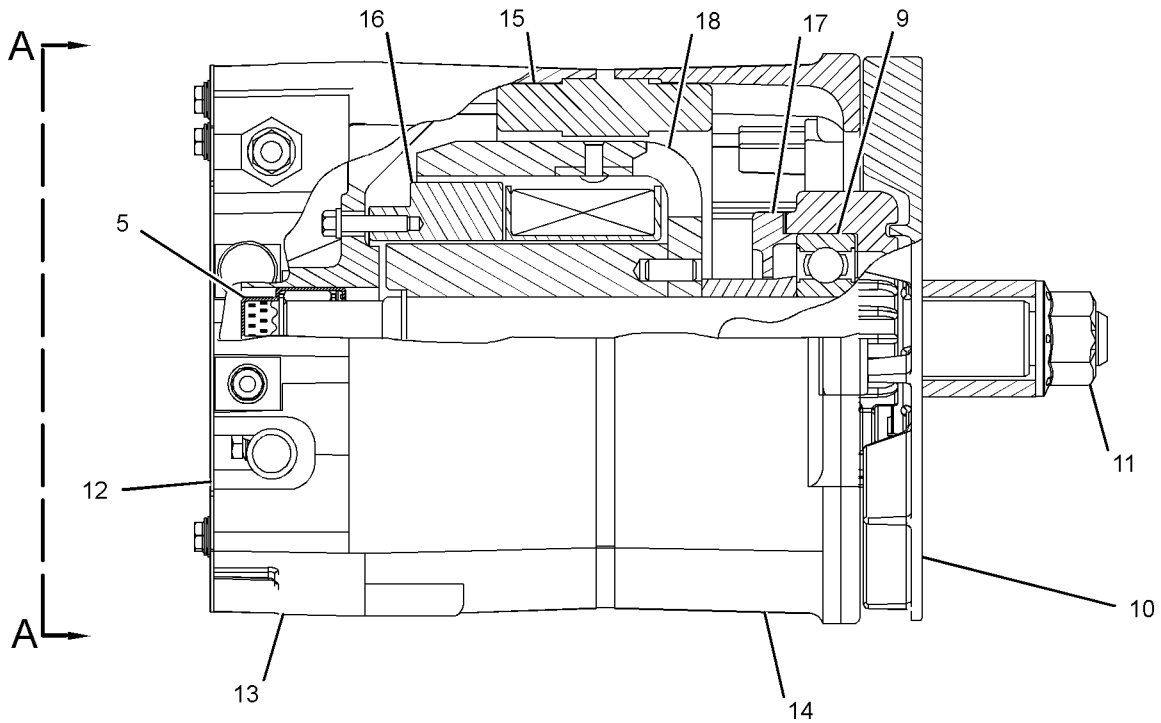
i03638746

NOTE	REF NO	GRAPHIC REF	PART NUMBER	QTY	PART NAME						SEE PAGE
					1	2	3	4	5	6 (PRODUCT LEVEL)	
	1	1	8T-4205	1	WASHER-HARD (7.2X14.5X2-MM THK)						
	2	1	1H-3244	1	LOCKWASHER						
	3	1	6V-8187	2	NUT (1/4-28-THD)						
	4	1	9L-6770	1	CAP-DUST						
	5	1	231-6133	1	KIT-BEARING (ALTERNATOR)						
		1	5P-3419	1	RACE-BEARING INNER						
		1	229-9407	1	BEARING AS						
	6	1	308-1362	1	RECTIFIER AS						
	7	1	202-2708	1	DIODE AS (ALTERNATOR)						
	8	1	3T-6354	1	REGULATOR AS-VOLTAGE (24-VOLT) (ALTERNATOR)						
	9	1	202-9897	1	BEARING-SPECIAL BALL						
	10	1	100-6531	1	FAN-ALTERNATOR (11-BLADE)						
	11	1	187-2034	1	NUT-FLANGE (5/8-18-THD)						
	12	1	202-2783	1	PLATE						
	13	1	334-4399	1	HOUSING AS-ALTERNATOR						
	14	1	202-2700	1	FRAME (ALTERNATOR)						
	15	1	308-1365	1	STATOR AS (ALTERNATOR)						
	16	1	308-1366	1	COIL AS (ALTERNATOR)						
	17	1	9S-2390	1	RETAINER						
	18	1	299-1761	1	ROTOR AS						
	19	1	4B-2047	1	NUT (10-24-THD)						
	20	1	8T-0328	1	WASHER-HARD (5.5X10X1-MM THK)						
	21	1	8F-1434	1	LOCKWASHER						
	22	1	202-2784	1	KIT-ALTERNATOR TERMINAL (INCLUDES NUT, LOCKWASHERS, WASHERS, INSULATORS, SCREW, CONNECTORS, AND ADAPTER)						
	23	1	202-2785	1	KIT-ALTERNATOR TERMINAL (INCLUDES STUD, BUSHINGS, WASHERS, CONNECTOR, AND NUT)						
	24	1	202-2787	1	KIT-HARDWARE (ALTERNATOR) (INCLUDES NUT AS, SCREW AS, SCREW, PLUG, LOCKWASHER, NUT, CONNECTOR, BOLT, COLLAR AND BOOT)						
	25	1	328-8410	1	KIT-TERMINAL						
	26	1	292-3815	1	KIT-TERMINAL						

ELECTRICAL AND STARTING SYSTEM

331-5717 ALTERNATOR GP-CHARGING (contd.)

i03638746



VIEW A-A

<END>

GRAPHIC #1

g01931153

ELECTRICAL AND STARTING SYSTEM

333-1184 ALTERNATOR GP-CHARGING

24-VOLT, 68-AMPERE

FIELD REPLACEMENT FOR 4N-3986—PAGE 351, 266-7227—PAGE 358
FIELD INSTALLATION

SMCS-1405

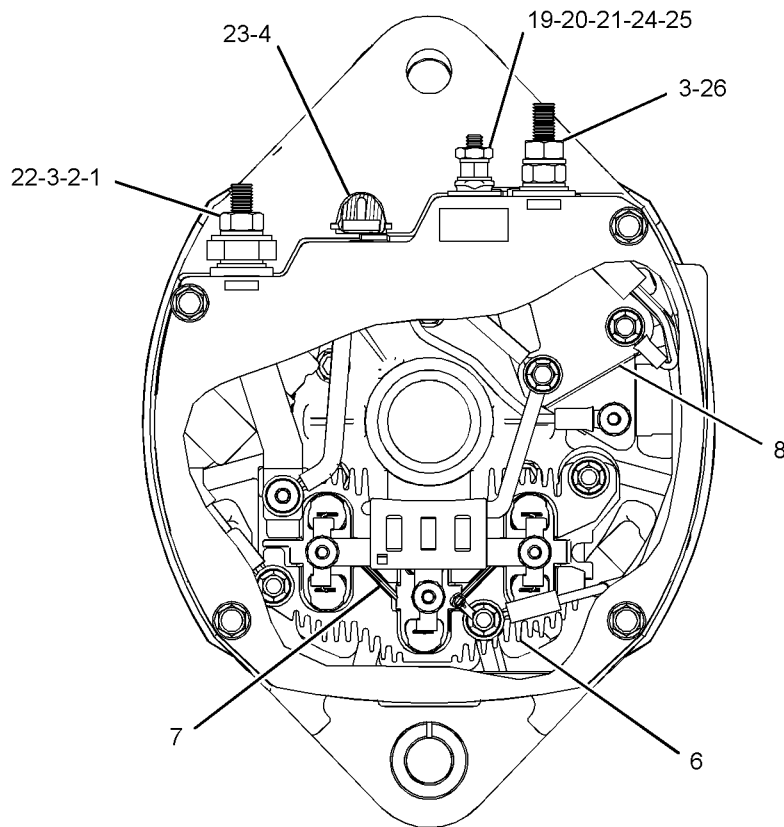
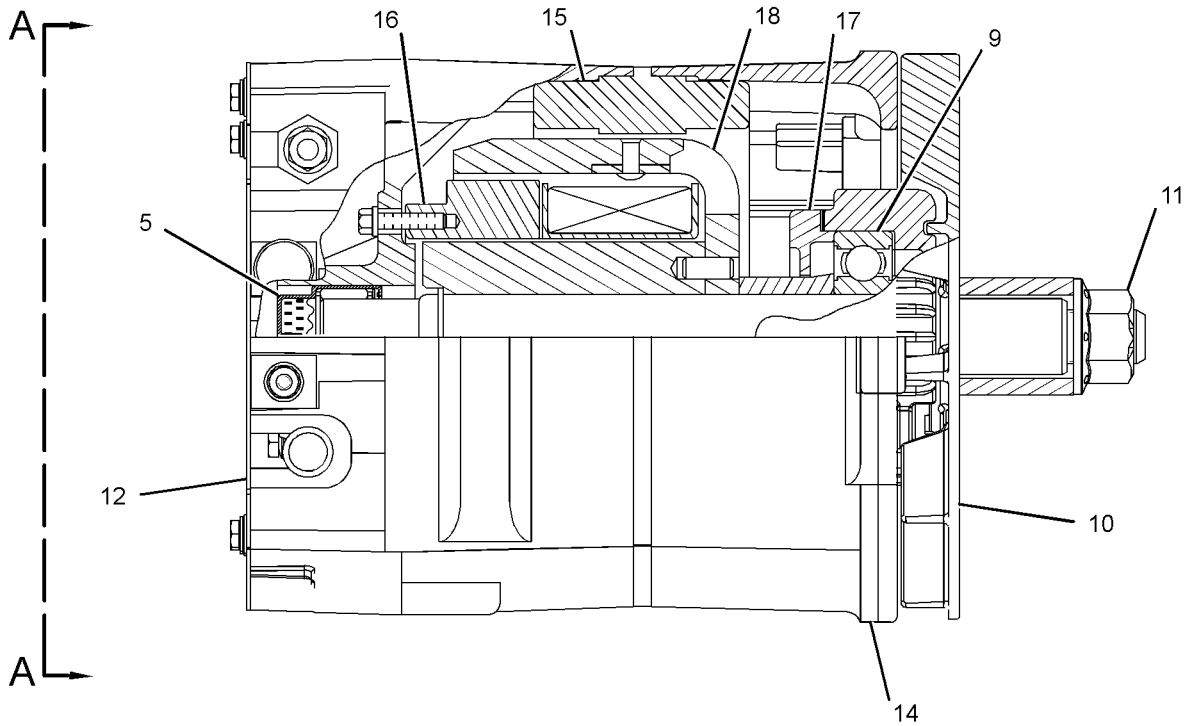
i03862949

NOTE	REF NO	GRAPHIC REF	PART NUMBER	QTY	PART NAME						SEE PAGE
					1	2	3	4	5	6 (PRODUCT LEVEL)	
	1	1	8T-4205	1	WASHER-HARD (7.2X14.5X2-MM THK)						
	2	1	1H-3244	1	LOCKWASHER						
	3	1	6V-8187	2	NUT (1/4-28-THD)						
	4	1	9L-6770	1	CAP-DUST						
	5	1	231-6133	1	KIT-BEARING (INCLUDES BEARING AS & RACE-BEARING INNER)						
	6	1	308-1362	1	RECTIFIER AS						
	7	1	202-2708	1	DIODE AS						
	8	1	3T-6354	1	REGULATOR AS-VOLTAGE (24-VOLT) (ALTERNATOR)						
	9	1	202-9897	1	BEARING-SPECIAL BALL						
	10	1	100-6531	1	FAN-ALTERNATOR (11-BLADE)						
	11	1	187-2034	1	NUT-FLANGE (5/8-18-THD)						
	12	1	202-2783	1	PLATE						
	14	1	202-2700	1	FRAME						
	15	1	308-1365	1	STATOR AS						
	16	1	308-1366	1	COIL AS						
	17	1	9S-2390	1	RETAINER						
	18	1	299-1761	1	ROTOR AS						
	19	1	4B-2047	1	NUT (10-24-THD)						
	20	1	8T-0328	1	WASHER-HARD (5.5X10X1-MM THK)						
	21	1	8F-1434	1	LOCKWASHER						
	22	1	202-2784	1	KIT-ALTERNATOR TERMINAL (INCLUDES NUT, LOCKWASHERS, WASHERS, INSULATORS, SCREW, CONNECTORS, AND ADAPTER)						
	23	1	202-2785	1	KIT-ALTERNATOR TERMINAL (INCLUDES STUD, BUSHINGS, WASHERS, CONNECTOR, AND NUT)						
	24	1	202-2787	1	KIT-HARDWARE (INCLUDES NUT AS, SCREW AS, SCREW, PLUG, LOCKWASHER, NUT, CONNECTOR, BOLT, COLLAR & BOOT)						
	25	1	328-8410	1	KIT-TERMINAL						
	26	1	292-3815	1	KIT-TERMINAL						

ELECTRICAL AND STARTING SYSTEM

333-1184 ALTERNATOR GP-CHARGING (contd.)

i03862949



VIEW A-A

<END>

GRAPHIC #1

g02109864

ELECTRICAL AND STARTING SYSTEM

7W-0408 BATTERY CHARGER

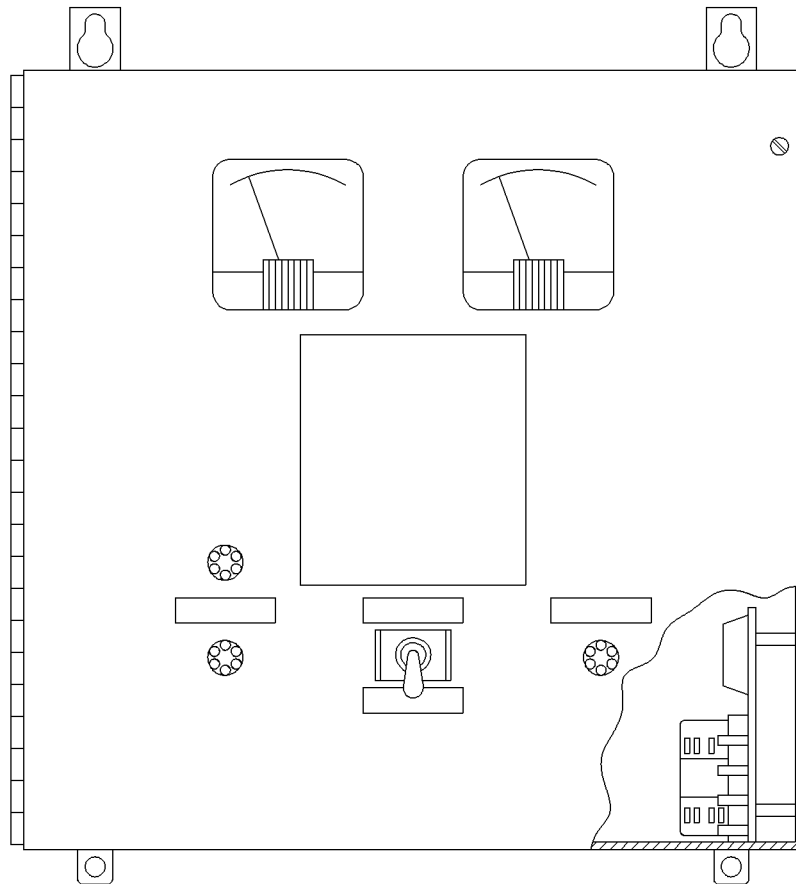
24-VOLT

FOR USE WITH LEAD ACID OR NICAD BATTERY
AN ATTACHMENT

SMCS-1401, 1406

i01505530

NOTE	REF NO	GRAPHIC REF	PART NUMBER	QTY	PART NAME	SEE PAGE
					1 2 3 4 5 6 (PRODUCT LEVEL)	
(NO SERVICED PARTS)						



GRAPHIC #1

<END>

g00746505

ELECTRICAL AND STARTING SYSTEM

7L-7871 BATTERY GP

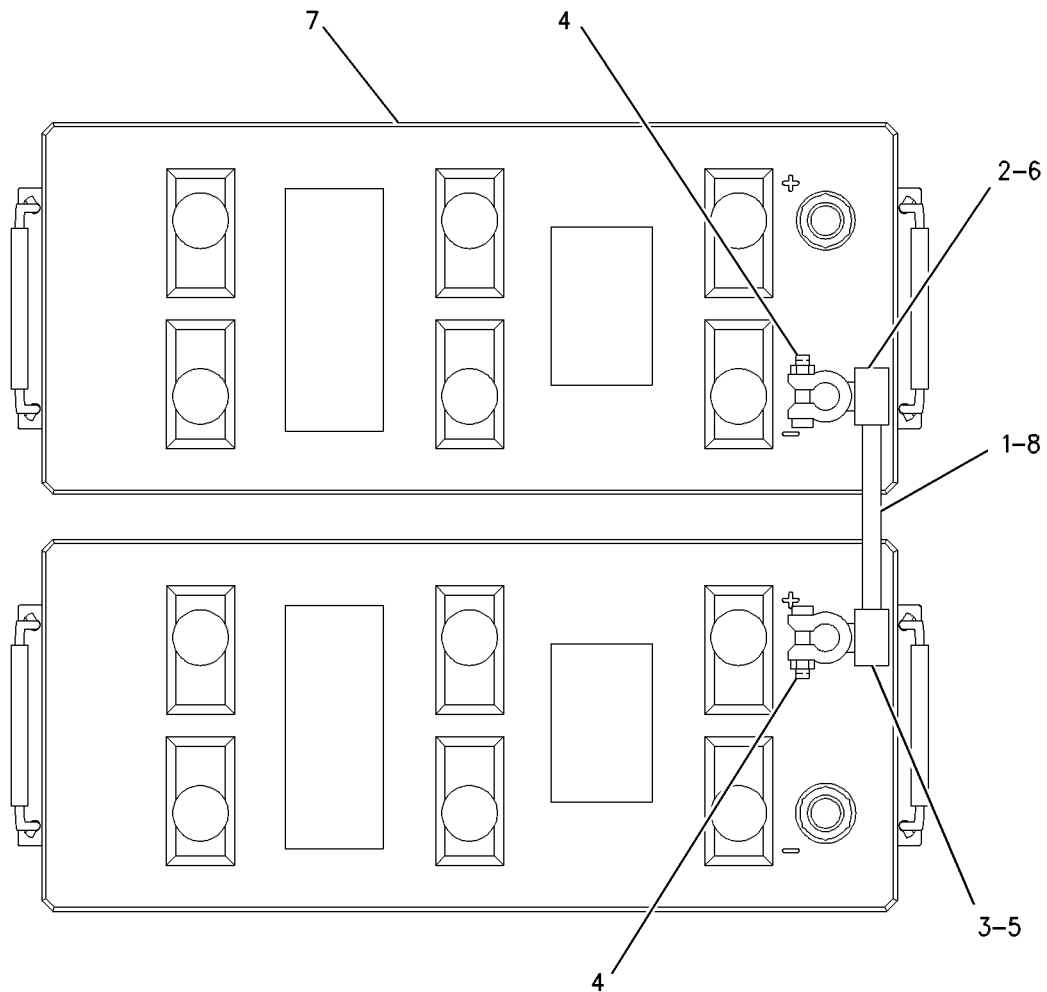
24-VOLT, 1000-COLD CRANKING AMPERE, 140-AMPERE HOUR
AN ATTACHMENT

SMCS-1401

i03640568

NOTE	REF NO	GRAPHIC REF	PART NUMBER	QTY	PART NAME						SEE PAGE
					1	2	3	4	5	6 (PRODUCT LEVEL)	
	1	1	2V-7397	1	CABLE AS						
E		1	5P-0747		CABLE (00-GA, BLACK) (20-CM)						
	2	1	8T-9757	1	TERMINAL AS-BATTERY (NEGATIVE)						
	3	1	8C-5917	1	TERMINAL AS-BATTERY (POSITIVE)						
	4	1	1M-6119	2	BOLT (5/16-18X1.375-IN)						
		1	1M-6120	2	NUT (5/16-18-THD)						
	5	1	9G-0004	1	COVER AS-TERMINAL (RED)						
	6	1	9G-0003	1	COVER AS-TERMINAL (BLACK)						
C	7	1	9X-9720	2	BATTERY (12-VOLT) (DRY)						
					(EACH INCLUDES)						
		1	7N-0060	6	VENT AS (BATTERY)						
	8	1	8L-8413	2	STRAP-CABLE						

C-CHANGE FROM PREVIOUS TYPE
E-ORDER BY THE CENTIMETER



GRAPHIC #1

<END>

g00621897

ELECTRICAL AND STARTING SYSTEM

7L-7872 BATTERY GP

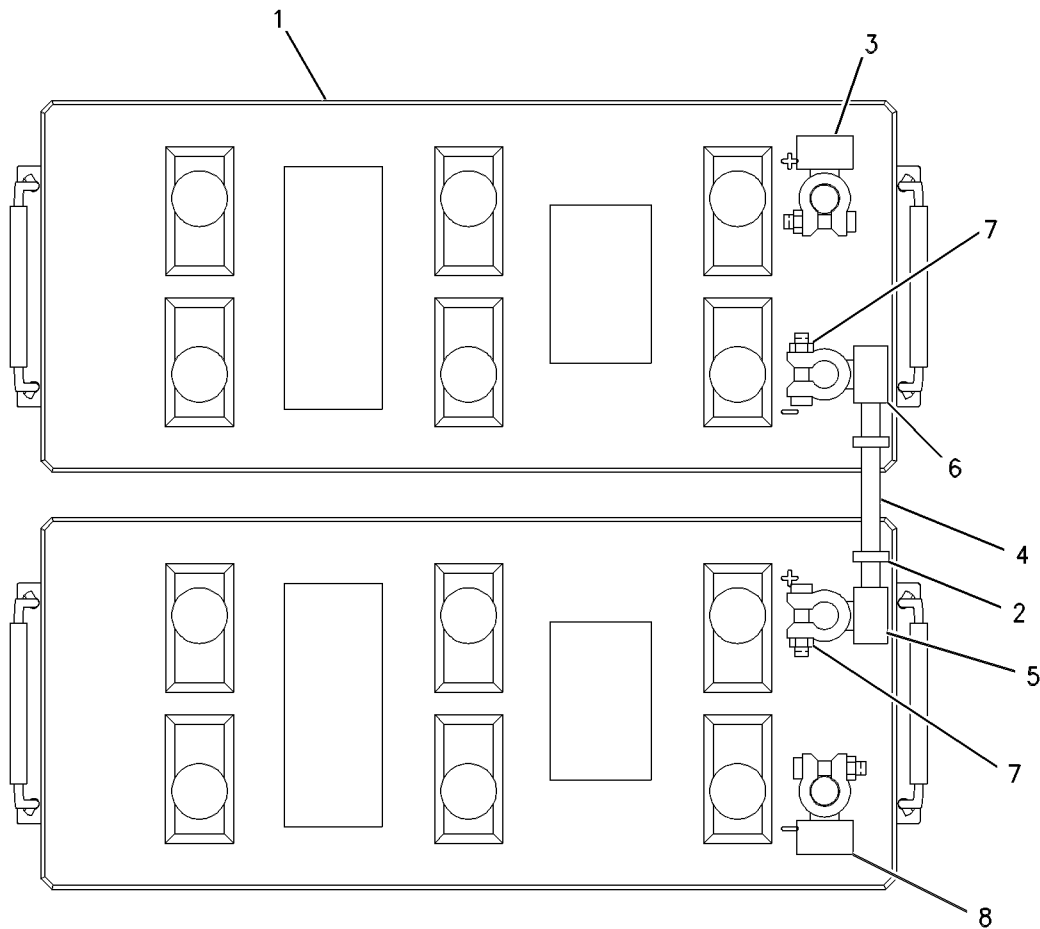
24-VOLT, 1300-COLD CRANKING AMPERE, 190-AMPERE HOUR
AN ATTACHMENT

SMCS-1401

i03760525

NOTE	REF NO	GRAPHIC REF	PART NUMBER	QTY	PART NAME						SEE PAGE
					1	2	3	4	5	6 (PRODUCT LEVEL)	
CY	1	1	9X-9730	2	BATTERY GP (12-VOLT) (DRY)						367
C	2	1	8L-8413	2	STRAP-CABLE						
C	3	1	9G-0004	1	COVER AS-TERMINAL (RED)						
C	4	1	2V-7397	1	CABLE AS						
E		1	5P-0747		CABLE (00-GA, BLACK) (20-CM)						
		1	1M-6120	2	NUT (5/16-18-THD)						
	5	1	8C-5917	1	TERMINAL AS-BATTERY (POSITIVE)						
	6	1	8T-9757	1	TERMINAL AS-BATTERY (NEGATIVE)						
	7	1	1M-6119	2	BOLT (5/16-18X1.375-IN)						
C	8	1	9G-0003	1	COVER AS-TERMINAL (BLACK)						

C-CHANGE FROM PREVIOUS TYPE
E-ORDER BY THE CENTIMETER
Y-SEPARATE ILLUSTRATION



GRAPHIC #1

<END>

g00622754

ELECTRICAL AND STARTING SYSTEM

9X-9730 BATTERY GP-DRY

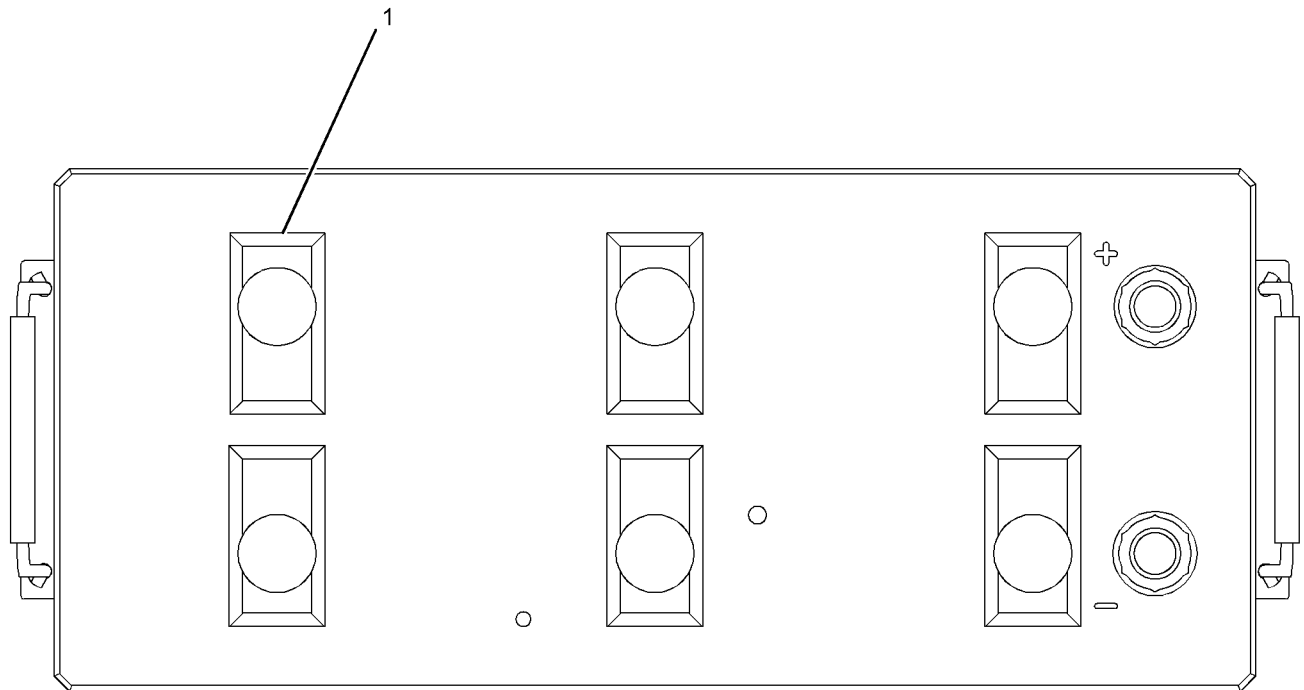
12-VOLT

PART OF 7L-7872 BATTERY GP
AN ATTACHMENT

SMCS-1401

i02482336

NOTE	REF NO	GRAPHIC REF	PART NUMBER	QTY	PART NAME						SEE PAGE
					1	2	3	4	5	6 (PRODUCT LEVEL)	
	1	1	7N-0060	6	VENT AS						



GRAPHIC #1

<END>

g01239900

ELECTRICAL AND STARTING SYSTEM

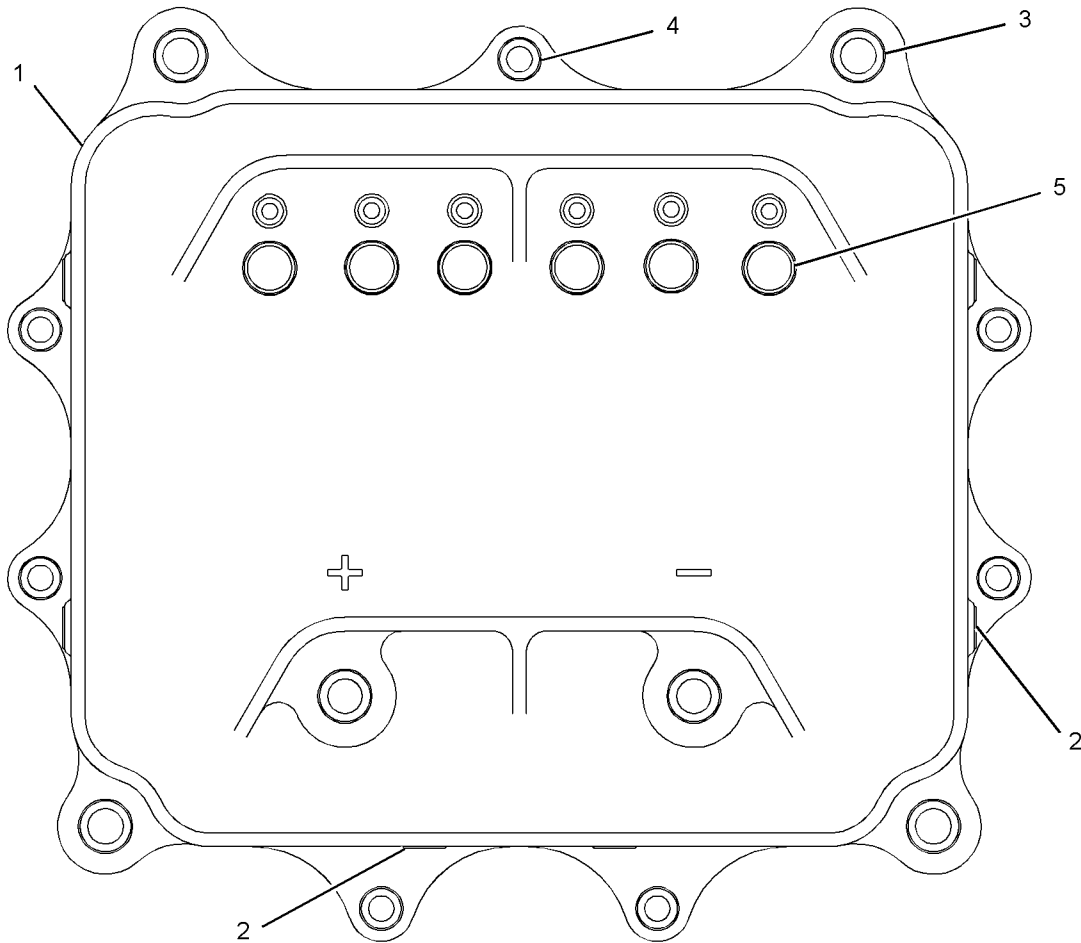
210-9035 BOX AS-CONTROL

PART OF 235-2768 BOX AS-CONTROL
AN ATTACHMENT

SMCS-4460, 7426

i02097566

NOTE	REF NO	GRAPHIC REF	PART NUMBER	QTY	PART NAME						SEE PAGE
					1	2	3	4	5	6 (PRODUCT LEVEL)	
	1	1	199-5601	1	BOX						
	2	1	203-8993	8	SPACER (4.6X12.7X11-MM THK)						
	3	1	203-8995	4	SPACER (10.5X15.9X33-MM THK)						
	4	1	203-8996	7	SPACER (7.5X12.7X21-MM THK)						
	5	1	211-4317	6	SPACER (13X15.9X5-MM THK)						



GRAPHIC #1

<END>

g01069425

ELECTRICAL AND STARTING SYSTEM

235-2768 BOX AS-CONTROL

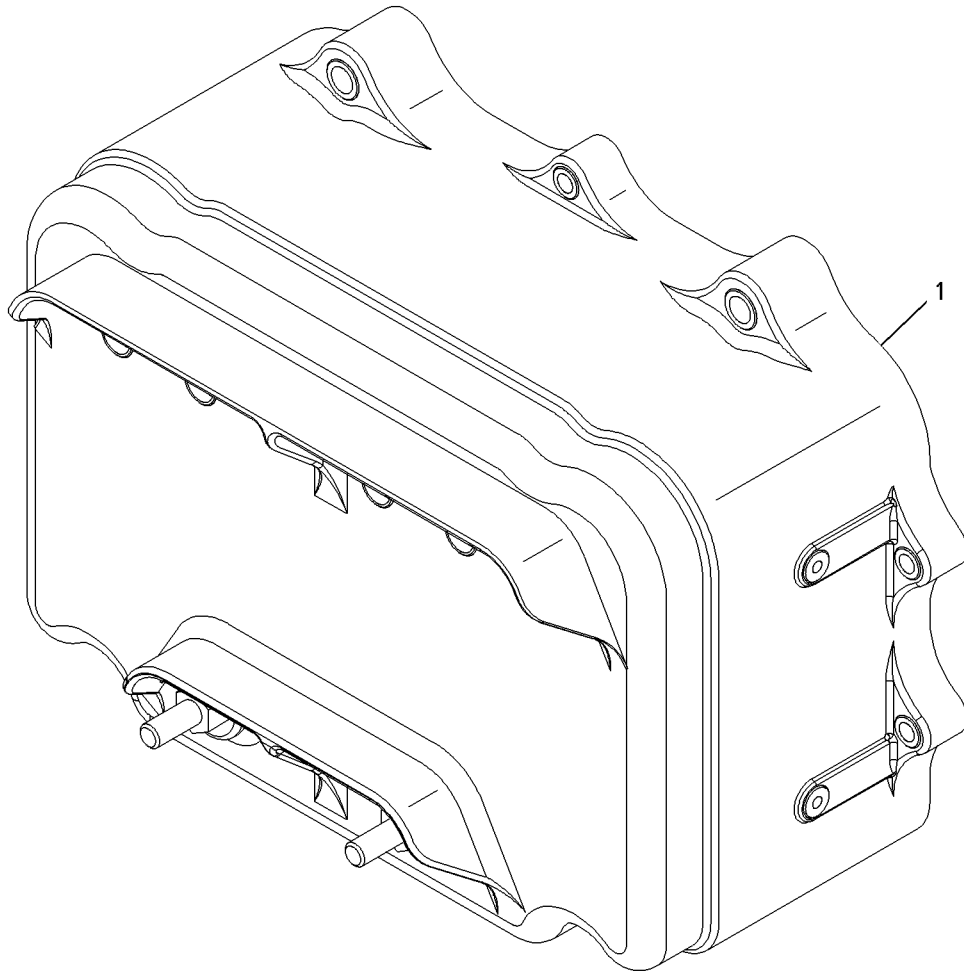
PART OF 231-9999 BOX GP-JUNCTION
AN ATTACHMENT

SMCS-4460, 7426

i01924296

NOTE	REF NO	GRAPHIC REF	PART NUMBER	QTY	PART NAME						SEE PAGE
					1	2	3	4	5	6 (PRODUCT LEVEL)	
Y	1	1	210-9035	1	BOX AS-CONTROL						368

Y-SEPARATE ILLUSTRATION



GRAPHIC #1

<END>

g01006404

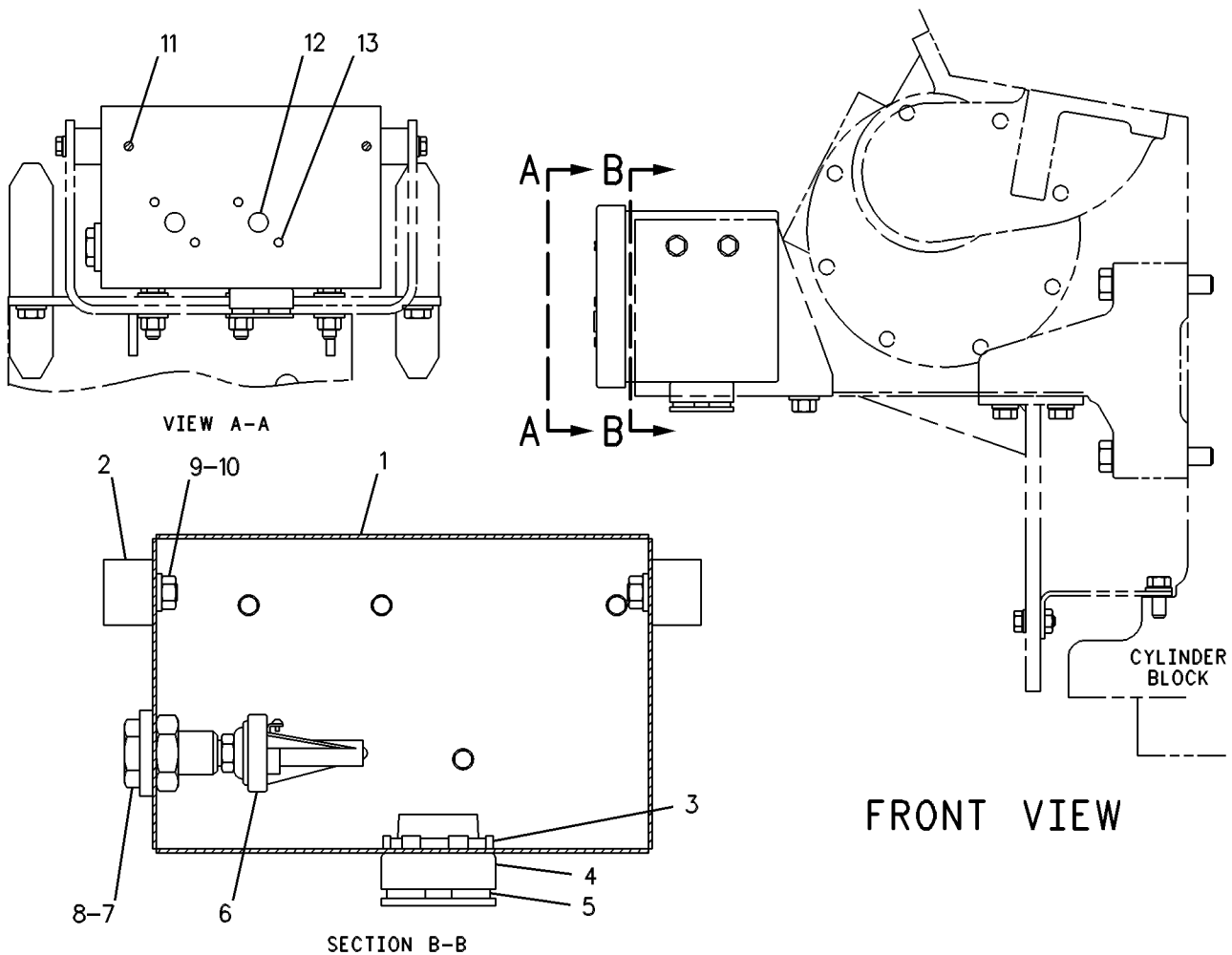
ELECTRICAL AND STARTING SYSTEM

120-4513 BOX GP-JUNCTION-PRELUBRICATION AN ATTACHMENT

SMCS-7426

i01972012

NOTE	REF NO	GRAPHIC REF	PART NUMBER	QTY	PART NAME						SEE PAGE
					1	2	3	4	5	6 (PRODUCT LEVEL)	
	1	1	4P-5285	1	ENCLOSURE AS						
	2	1	7E-7731	4	MOUNT						
	3	1	062-5388	1	LOCKNUT (1-11-1/2-THD)						
	4	1	5N-9117	1	ADAPTER						
	5	1	5N-9073	1	CLIP						
	6	1	3N-1400	1	SWITCH AS-PRESSURE (PRELUBRICATION)						
		1	6V-8376	2	SCREW-MACHINE (8-32X0.25-IN)						
	7	1	9M-7357	1	COUPLING AS						
	8	1	7X-0519	1	WASHER-HARD (20X33.5X5-MM THK)						
	9	1	8T-4205	4	WASHER-HARD (7.2X14.5X2-MM THK)						
	10	1	6V-8185	4	NUT (1/4-20-THD)						
	11	1	9M-5520	2	SCREW-TAPPING (10-24X0.5-IN)						
	12	1	3L-4566	2	PLUG-BUTTON						
	13	1	6K-9591	4	PLUG-BUTTON						



GRAPHIC #1

<END>

g00248937

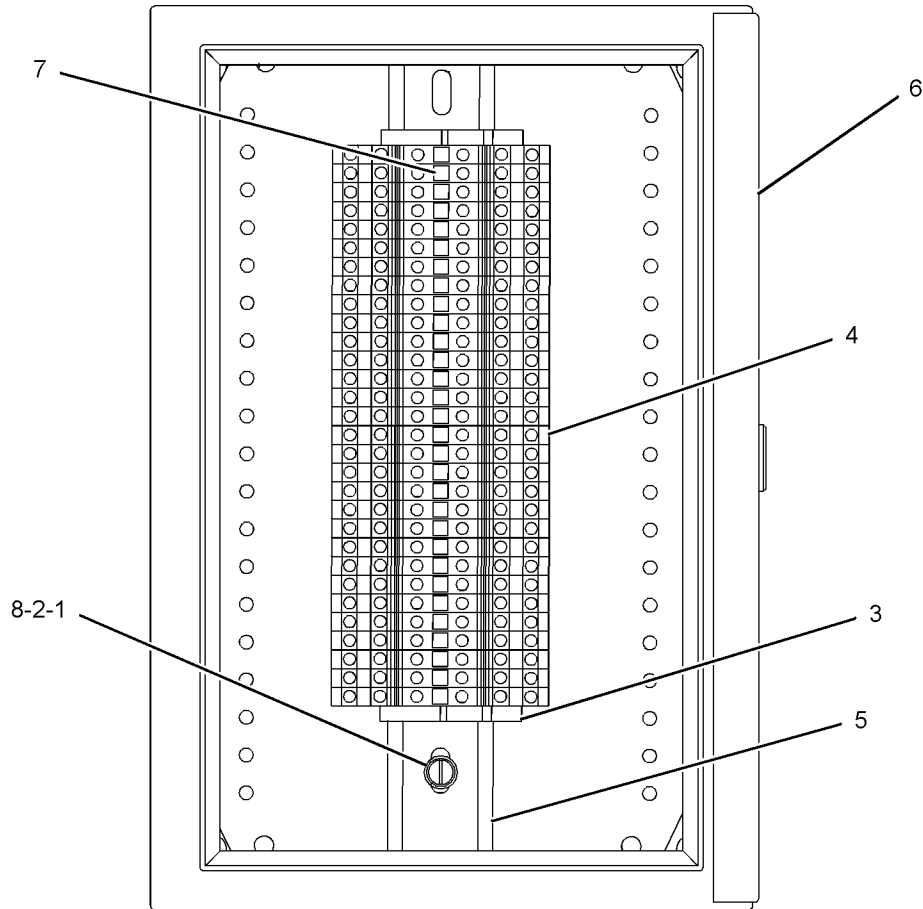
ELECTRICAL AND STARTING SYSTEM

231-3471 BOX GP-JUNCTION-CUSTOMER INTERFACE PART OF 241-5629, 241-5630, 241-5631, 346-5276 BOX GP-JUNCTION AN ATTACHMENT

SMCS-7426

i01957464

NOTE	REF NO	GRAPHIC REF	PART NUMBER	QTY	PART NAME						SEE PAGE
					1	2	3	4	5	6 (PRODUCT LEVEL)	
	1	1	1H-4393	3	LOCKWASHER						
	2	1	7S-1197	3	SCREW-MACHINE (8-32X0.5-IN)						
	3	1	9X-9675	2	BRACKET-END						
	4	1	120-9079	30	TERMINAL						
	5	1	147-1960	1	RAIL						
	6	1	177-7215	1	ENCLOSURE						
	7	1	146-6775	1	MARKER						
	8	1	4B-4863	3	WASHER (4.7X11X1.2-MM THK)						



GRAPHIC #1

<END>

g01019403

ELECTRICAL AND STARTING SYSTEM

231-9999 BOX GP - JUNCTION-POWER DISTRIBUTION

AN ATTACHMENT

TYPE 1

SMCS-7426

i02710355

NOTE	REF NO	GRAPHIC REF	PART NUMBER	QTY	PART NAME 1 2 3 4 5 6 (PRODUCT LEVEL)	SEE PAGE
	1	1	3L-7314	6	WASHER (0.406X0.62X0.032-IN THK)	
BC	2	1	3S-2093	10	STRAP-CABLE	
	3	1	5P-7751	4	NUT-BRONZE (3/8-16-THD)	
	4	1	6H-5431	4	NUT-BRASS JAM (3/8-16-THD)	
C	5	1	7D-6922	22	LOCKNUT (6-32-THD)	
	6	1	8N-9300	4	MOUNT AS	
	7	1	8T-8827	1	BOOT (RED)	
	8	1	9M-4704	4	BOLT (8-32X1-IN)	
BC	9	1	9X-6772	8	STRAP-CABLE	
	10	1	9X-8124	1	SWITCH AS-MAGNETIC (24-VOLT) (STARTING MOTOR)	
	10A	1	9X-8124	1	SWITCH AS-MAGNETIC (24-VOLT) (STARTING MOTOR)	
	10B	1	9X-8124	1	SWITCH AS-MAGNETIC (24-VOLT) (AIR SHUTOFF)	
	10C	1	9X-8124	1	SWITCH AS-MAGNETIC (24-VOLT) (PRELUBRICATION PUMP)	
	11	1	9Y-2921	10	RELAY (24-VOLT) (ECM ENERGIZE)	
C	12	1	202-2099	1	PLATE	
	13	1	231-9863	1	CIRCUIT BREAKER AS (70-AMPERE, DOUBLE POLE)	
	14	1	231-9864	1	CIRCUIT BREAKER AS (40-AMPERE, DOUBLE POLE)	
	15	1	231-9866	3	CIRCUIT BREAKER AS (20-AMPERE, DOUBLE POLE)	
	16	1	231-9892	1	SEAL	
Y	17	1	235-2768	1	BOX AS-CONTROL	369
	18	1	239-5794	1	TIMER	
C	19	1	250-1946	1	BRACKET AS	
C	20	1	250-1947	1	BRACKET AS	
		1	5P-6917	1	STUD-WELD (1/4-20X1.25-IN)	
C	21	1	295-6649	1	HARNES AS-BOX	
		1	5E-9295	4	PIN-CONNECTOR	
		1	8T-4205	2	WASHER-HARD (7.2X14.5X2-MM THK)	
		1	186-3736	8	SOCKET-CONNECTOR (16-GA TO 18-GA)	
		1	8T-8737	8	PLUG-SEAL	
		1	8T-9368	2	BOLT (1/4-20X2.25-IN)	
E		1	114-8843		SLEEVE-PLASTIC (40-CM)	
		1	123-0316	2	DIODE AS	
		1	155-2271	4	KIT-CONNECTING PLUG (4-PIN) (EACH KIT INCLUDES PLUG AS AND WEDGE)	
		1	159-9496	2	LOCKWASHER	
		1	203-8977	2	RECEPTACLE AS (6-PIN)	
		1	203-8999	4	SEAL	
		1	203-9001	4	SLEEVE	
		1	203-9007	2	NUT (1-1/2-18-THD)	
E		1	231-9897		CONDUIT-FLEXIBLE (36-MM ID) (146-CM)	
		1	231-9899	2	CONNECTOR (CONDUIT)	
		1	233-9219	1	CONNECTOR (31-PIN)	
		1	233-9221	1	CONNECTOR AS (31-PIN)	
		1	233-9227	23	SOCKET-CONNECTOR (16-GA TO 20-GA)	
		1	233-9228	3	PLUG-SEAL	
		1	233-9229	10	SOCKET-CONNECTOR (12-GA TO 14-GA)	
		1	233-9231	2	SOCKET-CONNECTOR (4-GA TO 6-GA)	
		1	233-9235	20	PLUG-SEAL	
E		1	233-9494		CONDUIT (47-MM OD) (45-CM)	
		1	233-9495	1	CONNECTOR (CONDUIT)	
		1	233-9517	1	GASKET	
		1	236-7942	1	PLATE	
		1	241-8266	2	ADAPTER	
C	22	1	254-0331	2	HARNES AS-POWER (EACH INCLUDES)	

ELECTRICAL AND STARTING SYSTEM

231-9999 BOX GP-JUNCTION (contd.)

i02710355

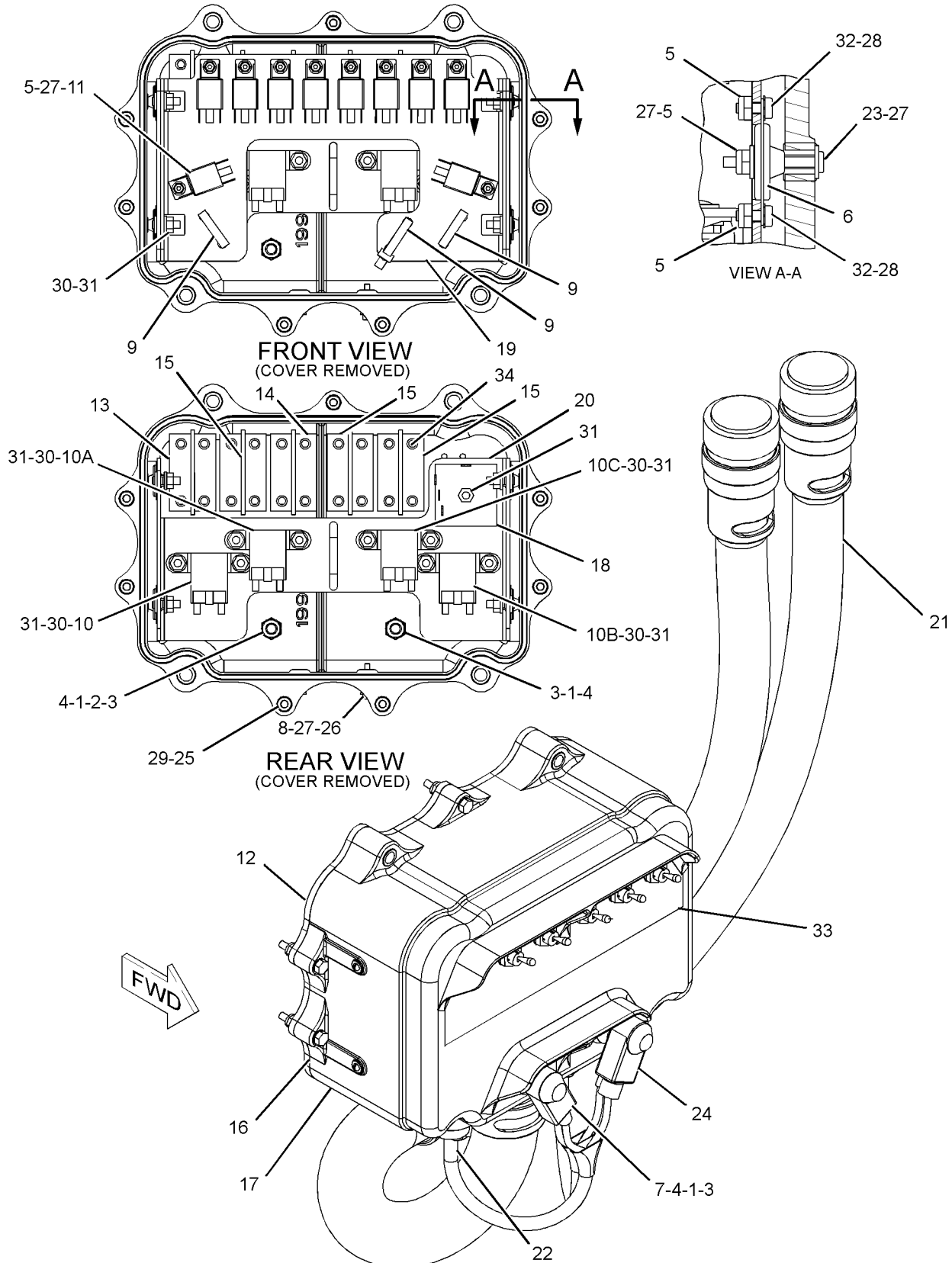
NOTE	REF NO	GRAPHIC REF	PART NUMBER	QTY	PART NAME						SEE PAGE
					1	2	3	4	5	6 (PRODUCT LEVEL)	
		1	8N-1543	2	SOCKET-CONNECTOR (10-GA)						
E		1	210-8958		TUBE-HEAT SHRINK (24-MM DIA) (12-CM)						
		1	203-9001	2	SLEEVE						
		1	203-9000	1	PLUG AS (6-PIN)						
		1	203-8999	2	SEAL						
E		1	119-3662		TUBE-HEAT SHRINK (10.85-MM DIA) (6-CM)						
		1	8T-8737	4	PLUG-SEAL						
	23	1	234-8788	4	SCREW-MACHINE (6-32X1.25-IN)						
	24	1	121-1110	1	BOOT (BLACK)						
	25	1	3E-9865	7	LOCKNUT (1/4-20-THD)						
	26	1	4B-2043	4	NUT (8-32-THD)						
C	27	1	4B-4863	26	WASHER (4.7X11X1.2-MM THK)						
	28	1	5H-6555	8	LOCKWASHER						
	29	1	5P-2675	7	BOLT (1/4-20X1.75-IN)						
	30	1	8T-4205	12	WASHER-HARD (7.2X14.5X2-MM THK)						
C	31	1	9S-8750	13	NUT-FULL (1/4-20-THD)						
	32	1	9X-6259	8	SCREW-MACHINE (6-32X0.375-IN)						
	33	1	241-9399	1	FILM-IDENTIFICATION (POWER DISTRIBUTION)						
	34	1	1H-3338	20	LOCKWASHER (EXTERNAL TOOTH)						

B-USE AS REQUIRED
 C-CHANGE FROM PREVIOUS TYPE
 E-ORDER BY THE CENTIMETER
 Y-SEPARATE ILLUSTRATION

ELECTRICAL AND STARTING SYSTEM

231-9999 BOX GP-JUNCTION (contd.)

i02710355



GRAPHIC #1

<END>

g01353254

ELECTRICAL AND STARTING SYSTEM

231-9999 BOX GP-JUNCTION-POWER DISTRIBUTION

AN ATTACHMENT

TYPE 2

SMCS-7426

i03526960

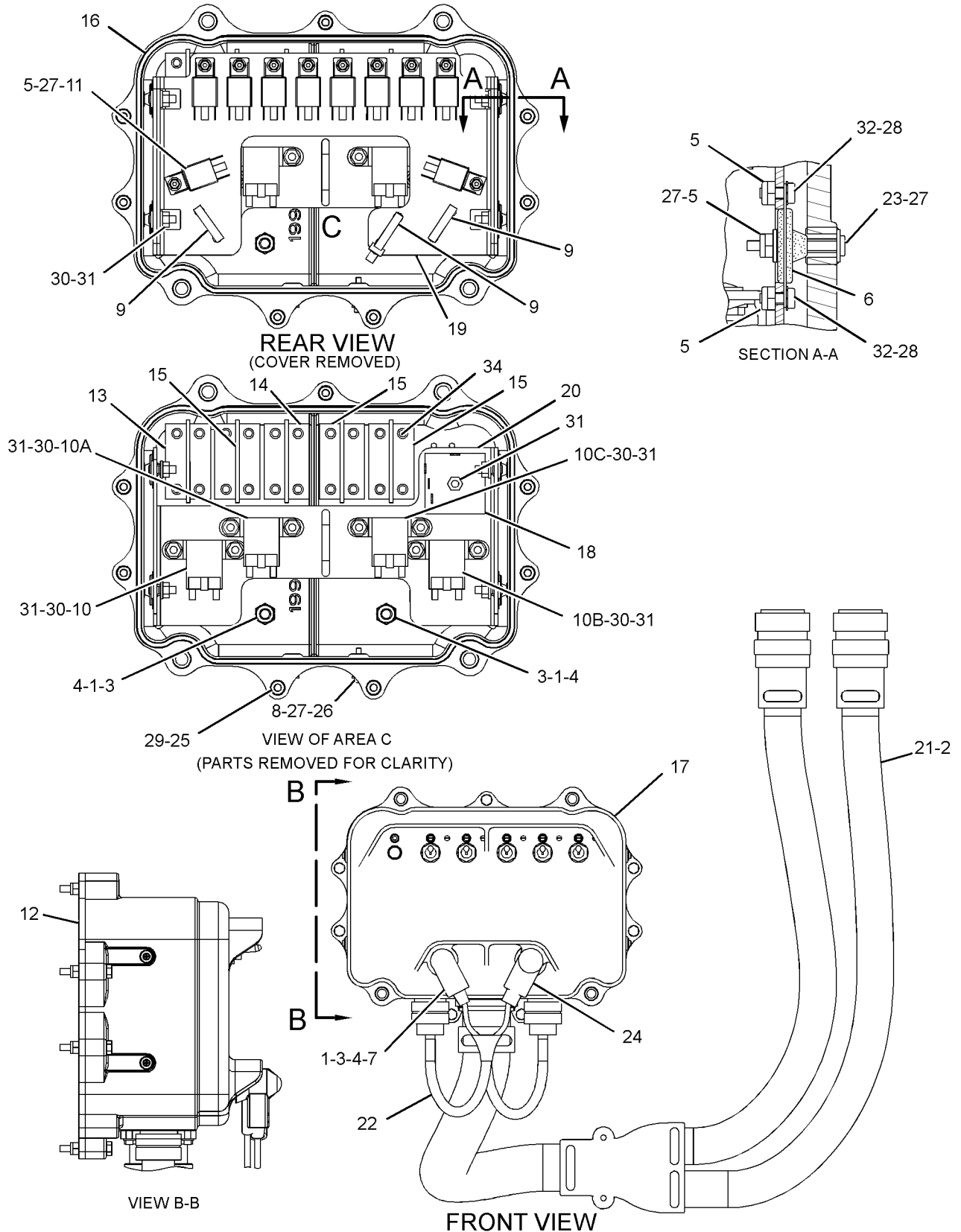
NOTE	REF NO	GRAPHIC REF	PART NUMBER	QTY	PART NAME						SEE PAGE
					1	2	3	4	5	6 (PRODUCT LEVEL)	
	1	1	3L-7314	6	WASHER (0.406X0.62X0.032-IN THK)						
B	2	1	3S-2093	10	STRAP-CABLE						
	3	1	5P-7751	4	NUT-BRONZE (3/8-16-THD)						
	4	1	6H-5431	4	NUT-BRASS JAM (3/8-16-THD)						
	5	1	7D-6922	22	LOCKNUT (6-32-THD)						
	6	1	8N-9300	4	MOUNT AS						
	7	1	8T-8827	1	BOOT (RED)						
	8	1	9M-4704	4	BOLT (8-32X1-IN)						
B	9	1	9X-6772	8	STRAP-CABLE						
	10	1	9X-8124	1	SWITCH AS-MAGNETIC (24-VOLT) (STARTING MOTOR)						
	10A	1	9X-8124	1	SWITCH AS-MAGNETIC (24-VOLT) (STARTING MOTOR)						
	10B	1	9X-8124	1	SWITCH AS-MAGNETIC (24-VOLT) (AIR SHUTOFF)						
	10C	1	9X-8124	1	SWITCH AS-MAGNETIC (24-VOLT) (PRELUBRICATION PUMP)						
	11	1	9Y-2921	10	RELAY (24-VOLT) (ECM ENERGIZE)						
	12	1	202-2099	1	PLATE						
	13	1	231-9863	1	CIRCUIT BREAKER AS (70-AMPERE, DOUBLE POLE)						
	14	1	231-9864	1	CIRCUIT BREAKER AS (40-AMPERE, DOUBLE POLE)						
	15	1	231-9866	3	CIRCUIT BREAKER AS (20-AMPERE, DOUBLE POLE)						
	16	1	231-9892	1	SEAL						
Y	17	1	235-2768	1	BOX AS-CONTROL						369
	18	1	239-5794	1	TIMER						
	19	1	250-1946	1	BRACKET AS						
	20	1	250-1947	1	BRACKET AS						
		1	5P-6917	1	STUD-WELD (1/4-20X1.25-IN)						
C	21	1	314-4213	1	HARNESS AS-BOX						
	22	1	254-0331	2	HARNESS AS-POWER						
					(EACH INCLUDES)						
		1	8N-1543	2	SOCKET-CONNECTOR (10-GA)						
E		1	210-8958		TUBE-HEAT SHRINK (24-MM DIA) (12-CM)						
		1	203-9001	2	SLEEVE						
		1	203-9000	1	PLUG AS (6-PIN)						
		1	203-8999	2	SEAL						
E		1	119-3662		TUBE-HEAT SHRINK (10.85-MM DIA) (6-CM)						
		1	8T-8737	4	PLUG-SEAL						
	23	1	234-8788	4	SCREW-MACHINE (6-32X1.25-IN)						
	24	1	121-1110	1	BOOT (BLACK)						
	25	1	3E-9865	7	LOCKNUT (1/4-20-THD)						
	26	1	4B-2043	4	NUT (8-32-THD)						
	27	1	4B-4863	26	WASHER (4.7X11X1.2-MM THK)						
	28	1	5H-6555	8	LOCKWASHER						
	29	1	5P-2675	7	BOLT (1/4-20X1.75-IN)						
	30	1	8T-4205	12	WASHER-HARD (7.2X14.5X2-MM THK)						
	31	1	9S-8750	13	NUT-FULL (1/4-20-THD)						
	32	1	9X-6259	8	SCREW-MACHINE (6-32X0.375-IN)						
	34	1	1H-3338	20	LOCKWASHER (EXTERNAL TOOTH)						

B-USE AS REQUIRED
 C-CHANGE FROM PREVIOUS TYPE
 E-ORDER BY THE CENTIMETER
 Y-SEPARATE ILLUSTRATION

ELECTRICAL AND STARTING SYSTEM

231-9999 BOX GP-JUNCTION (contd.)

i03526960



GRAPHIC #1

<END>

g01859854

ELECTRICAL AND STARTING SYSTEM

241-5629 BOX GP-JUNCTION

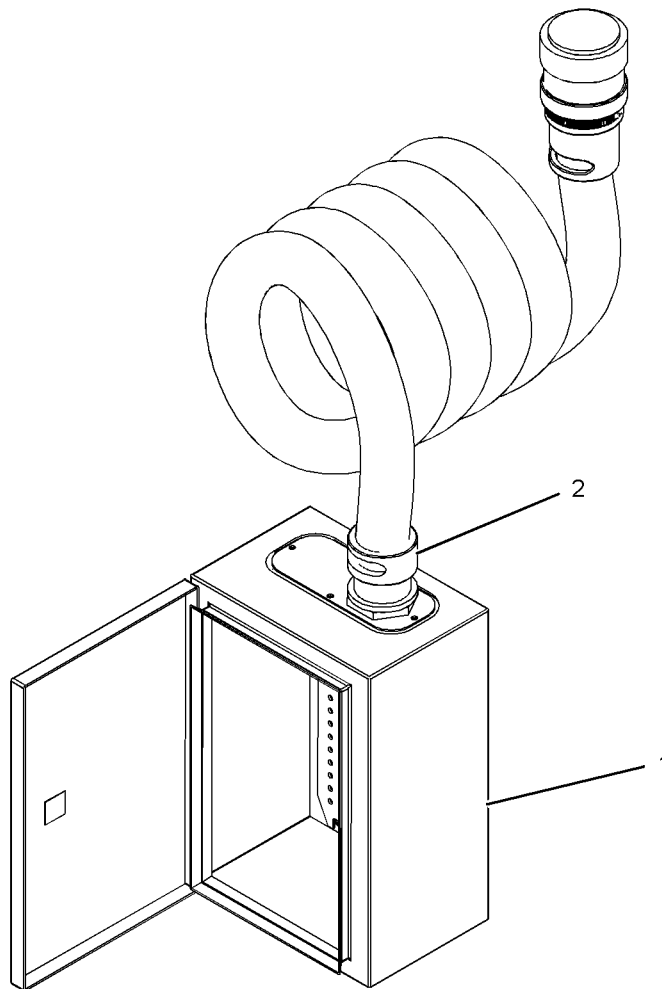
3-METER
AN ATTACHMENT

SMCS-7426

i03869160

NOTE	REF NO	GRAPHIC REF	PART NUMBER	QTY	PART NAME						SEE PAGE
					1	2	3	4	5	6 (PRODUCT LEVEL)	
Y	1	1	231-3471	1	BOX GP-JUNCTION (CUSTOMER INTERFACE)						371
Y	2	1	240-5872	1	HARNESS AS-BOX (INTERCONNECT)						404

Y-SEPARATE ILLUSTRATION



GRAPHIC #1

<END>

g01628128

ELECTRICAL AND STARTING SYSTEM

241-5630 BOX GP-JUNCTION

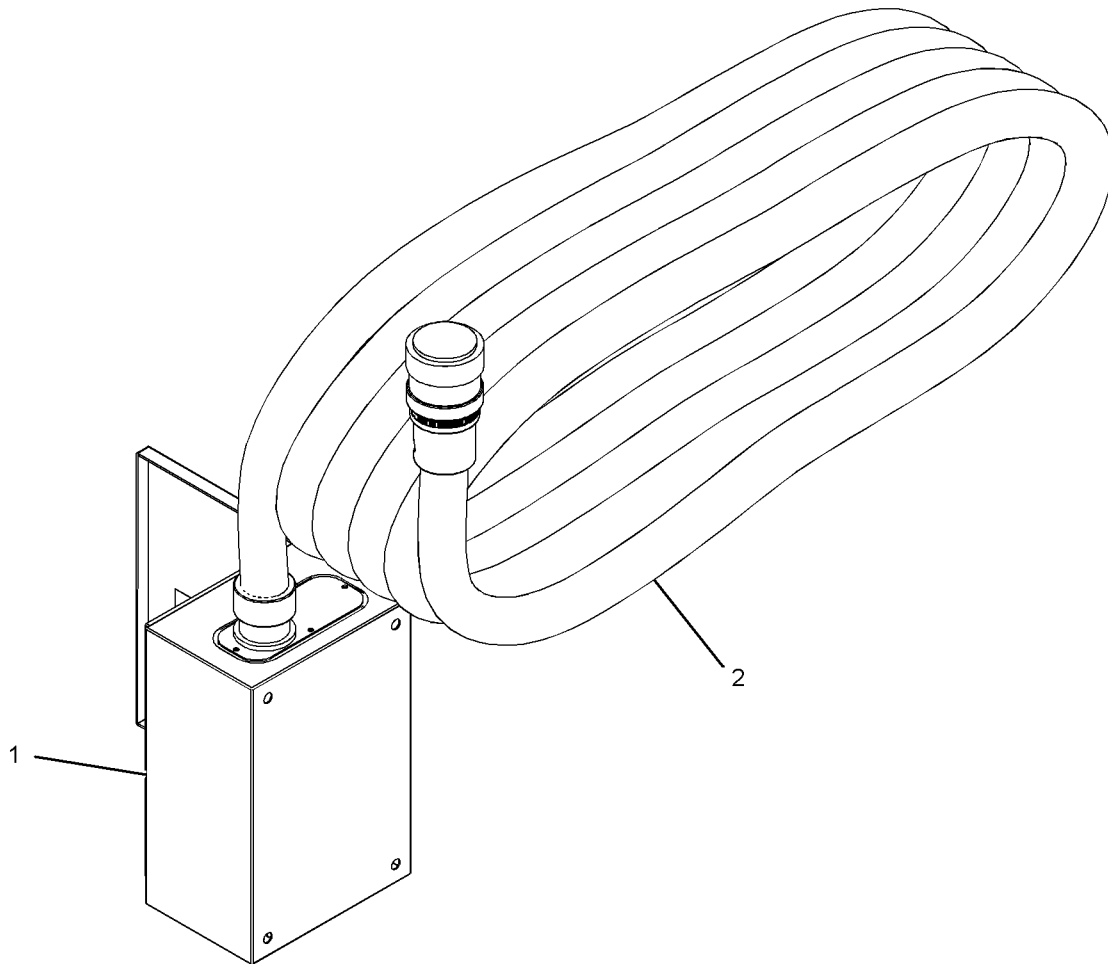
10-METER
AN ATTACHMENT

SMCS-7426

i03869170

NOTE	REF NO	GRAPHIC REF	PART NUMBER	QTY	PART NAME	SEE PAGE
					1 2 3 4 5 6 (PRODUCT LEVEL)	
Y	1	1	231-3471	1	BOX GP-JUNCTION (CUSTOMER INTERFACE)	371
Y	2	1	240-5874	1	HARNESS AS-BOX (INTERCONNECT)	405

Y-SEPARATE ILLUSTRATION



GRAPHIC #1

<END>

g01628130

ELECTRICAL AND STARTING SYSTEM

241-5631 BOX GP-JUNCTION

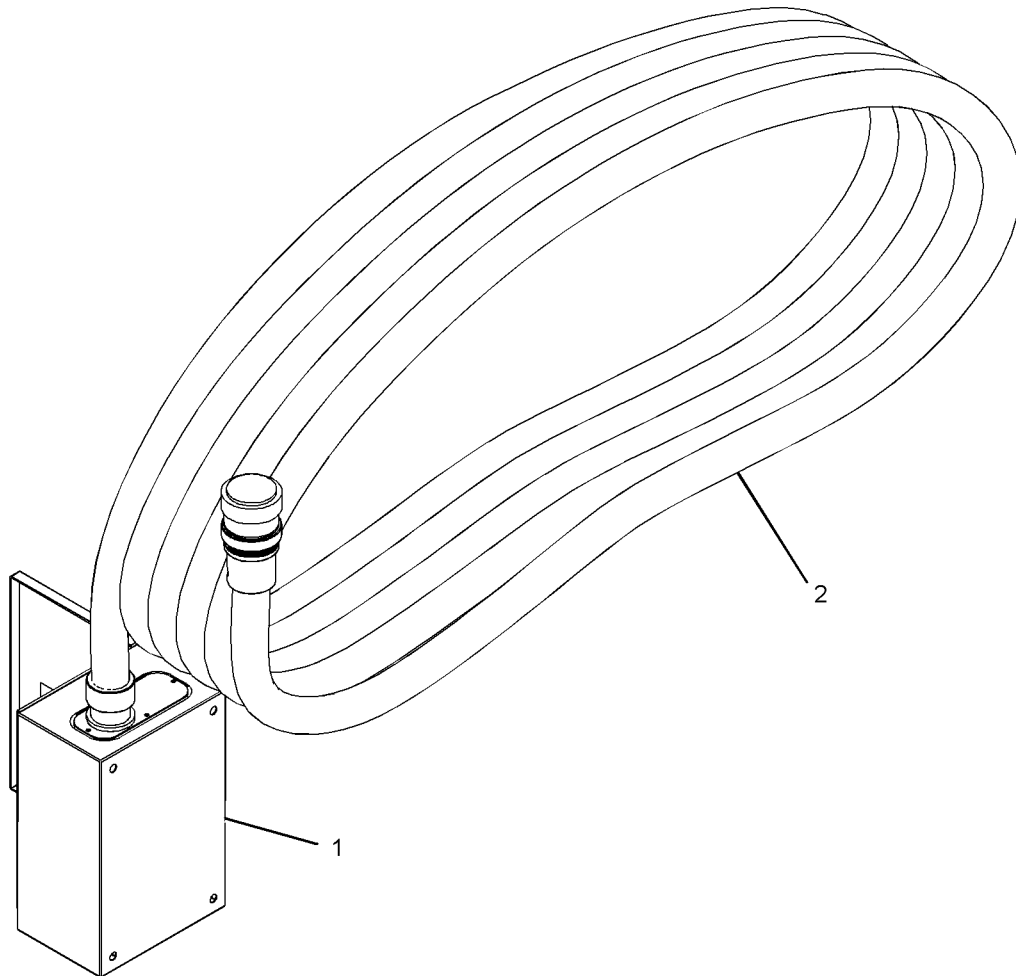
15-METER
AN ATTACHMENT

SMCS-7426

i03869172

NOTE	REF NO	GRAPHIC REF	PART NUMBER	QTY	PART NAME						SEE PAGE
					1	2	3	4	5	6 (PRODUCT LEVEL)	
Y	1	1	231-3471	1	BOX GP-JUNCTION (CUSTOMER INTERFACE)						371
Y	2	1	240-5876	1	HARNESS AS-BOX (INTERCONNECT)						406

Y-SEPARATE ILLUSTRATION



GRAPHIC #1

<END>

g01628131

ELECTRICAL AND STARTING SYSTEM

346-5276 BOX GP-JUNCTION

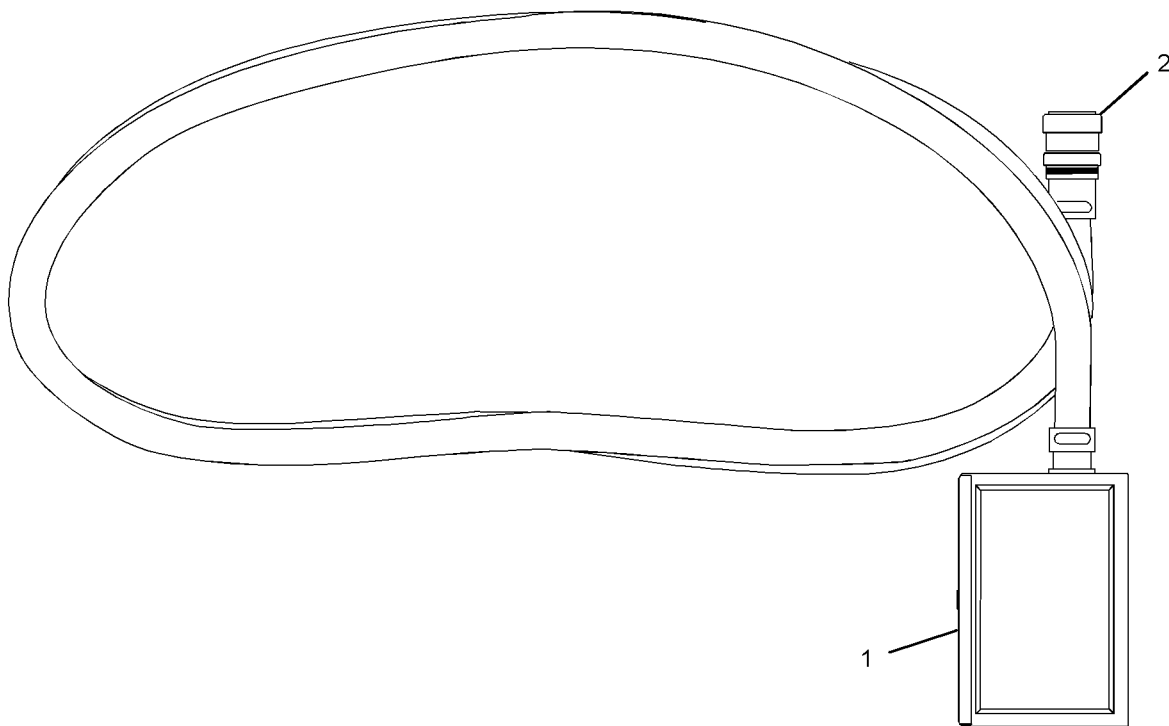
90-METER
AN ATTACHMENT

SMCS-7426

i03869190

NOTE	REF NO	GRAPHIC REF	PART NUMBER	QTY	PART NAME	SEE PAGE
					1 2 3 4 5 6 (PRODUCT LEVEL)	
Y	1	1	231-3471	1	BOX GP-JUNCTION (CUSTOMER INTERFACE)	371
Y	2	1	239-1486	1	HARNESS AS-ENGINE (EXTENSION) (30-METER)	419

Y-SEPARATE ILLUSTRATION



GRAPHIC #1

<END>

g02042313

ELECTRICAL AND STARTING SYSTEM

228-6559 CABLE AS-COMMUNICATION

FOR USE WITH 276-0785-PAGE 408

AN ATTACHMENT

SMCS-7556

i02525035

NOTE	PART NUMBER	QTY	PART NAME						SEE PAGE
			1	2	3	4	5	6 (PRODUCT LEVEL)	
			(NO SERVICED PARTS)						
<END>									

4W-2767 CONTACTOR GP OIL PRESSURE, COOLANT TEMPERATURE AN ATTACHMENT

SMCS-1400, 7400

i03873143

NOTE	PART NUMBER	QTY	PART NAME						SEE PAGE
			1	2	3	4	5	6 (PRODUCT LEVEL)	
Y	4W-2642	1	CONTACTOR-PRESSURE (ALARM)						383
Y	4W-2637	1	CONTACTOR-TEMPERATURE (COOLANT)						384
Y-SEPARATE ILLUSTRATION									
<END>									

4W-2768 CONTACTOR GP OIL PRESSURE, COOLANT TEMPERATURE AN ATTACHMENT

SMCS-1400, 7400

i03870230

NOTE	PART NUMBER	QTY	PART NAME						SEE PAGE
			1	2	3	4	5	6 (PRODUCT LEVEL)	
Y	4W-2641	1	CONTACTOR-PRESSURE (ENGINE OIL)						382
Y	4W-2640	1	CONTACTOR-TEMPERATURE (COOLANT)						385
Y-SEPARATE ILLUSTRATION									
<END>									

ELECTRICAL AND STARTING SYSTEM

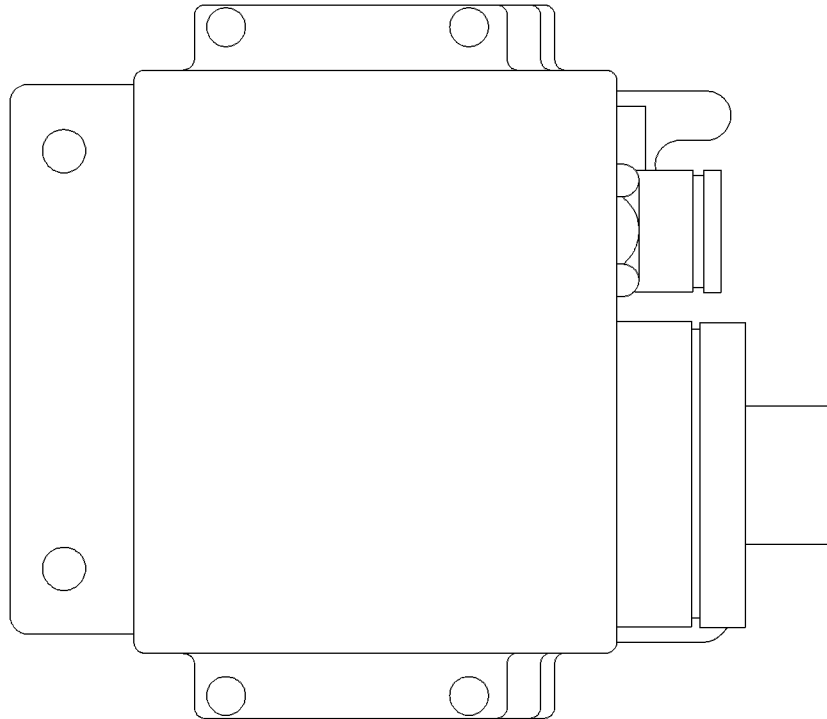
4W-2641 CONTACTOR - PRESSURE

PART OF 4W-2768 CONTACTOR GP
AN ATTACHMENT

SMCS-7454, 7455, 7456, 7461, 7465, 7485

i01506840

NOTE	REF NO	GRAPHIC REF	PART NUMBER	QTY	PART NAME	SEE PAGE
					1 2 3 4 5 6 (PRODUCT LEVEL)	
(NO SERVICED PARTS)						



GRAPHIC #1

<END>

g00580022

ELECTRICAL AND STARTING SYSTEM

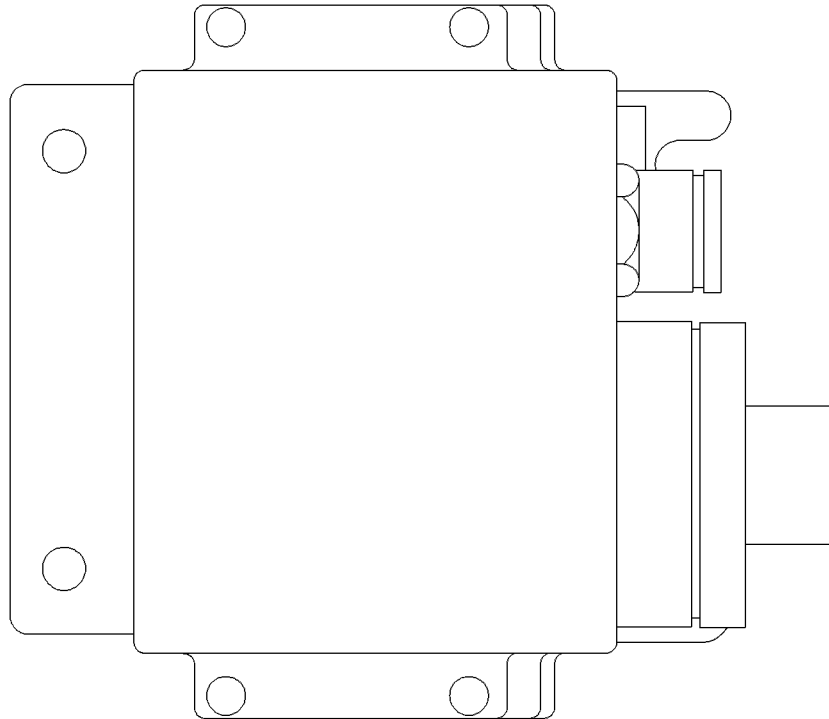
4W-2642 CONTACTOR-OIL PRESSURE

PART OF 4W-2767 CONTACTOR GP
AN ATTACHMENT

SMCS-7454, 7455, 7456, 7461, 7465, 7485

i01450670

NOTE	REF NO	GRAPHIC REF	PART NUMBER	QTY	PART NAME						SEE PAGE
					1	2	3	4	5	6 (PRODUCT LEVEL)	
(NO SERVICED PARTS)											



GRAPHIC #1

<END>

g00580022

ELECTRICAL AND STARTING SYSTEM

4W-2637 CONTACTOR-TEMPERATURE-COOLANT

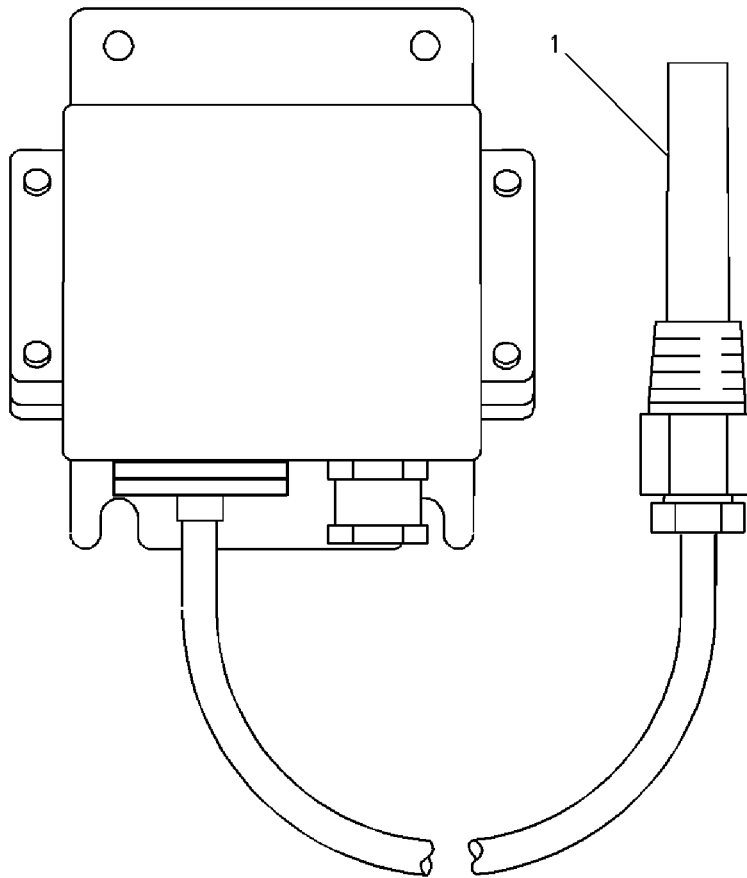
PART OF 4W-2767 CONTACTOR GP
AN ATTACHMENT

SMCS-7400, 7403, 7453, 7484

i02655877

NOTE	REF NO	GRAPHIC REF	PART NUMBER	QTY	PART NAME	SEE PAGE
					1 2 3 4 5 6 (PRODUCT LEVEL)	
Y	1	1	7E-3127	1	KIT-SENSOR POCKET (TEMPERATURE CONTACTOR) (KIT INCLUDES POCKET, RETAINERS, WASHERS, RING, ADAPTER & GAUGE STRIP)	625

Y-SEPARATE ILLUSTRATION



GRAPHIC #1

<END>

g00620113

ELECTRICAL AND STARTING SYSTEM

4W-2640 CONTACTOR-TEMPERATURE-COOLANT

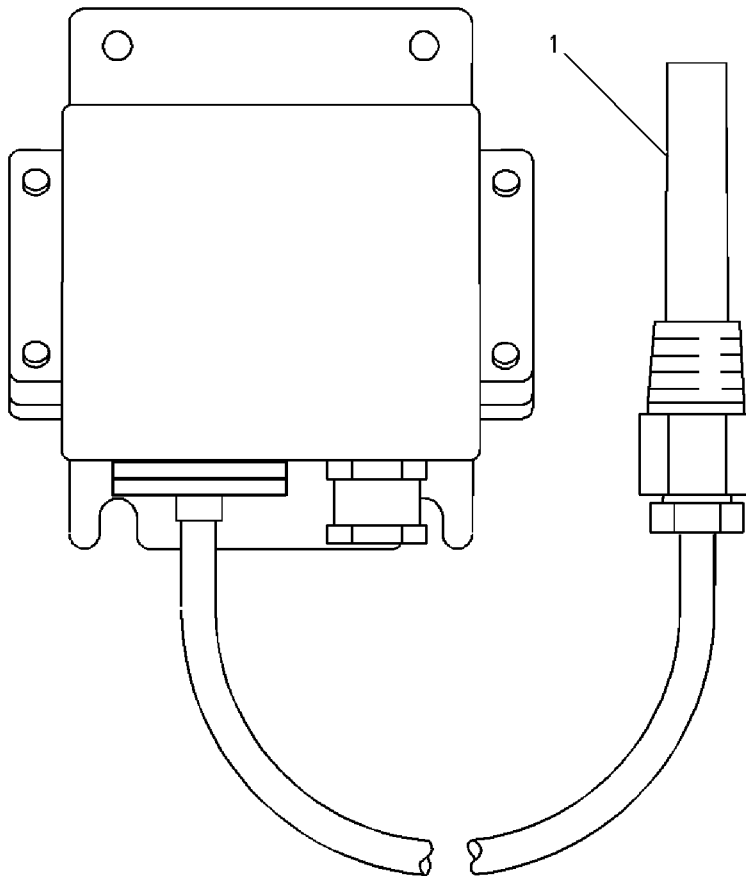
PART OF 4W-2768 CONTACTOR GP
AN ATTACHMENT

SMCS-7400, 7403, 7453, 7484

i02240434

NOTE	REF NO	GRAPHIC REF	PART NUMBER	QTY	PART NAME	SEE PAGE
					1 2 3 4 5 6 (PRODUCT LEVEL)	
Y	1	1	7E-3127	1	KIT-SENSOR POCKET (TEMPERATURE CONTACTOR) (KIT INCLUDES POCKET, RETAINERS, WASHERS, RING, ADAPTER & GAUGE STRIP)	625

Y-SEPARATE ILLUSTRATION



GRAPHIC #1

<END>

g00620121

ELECTRICAL AND STARTING SYSTEM

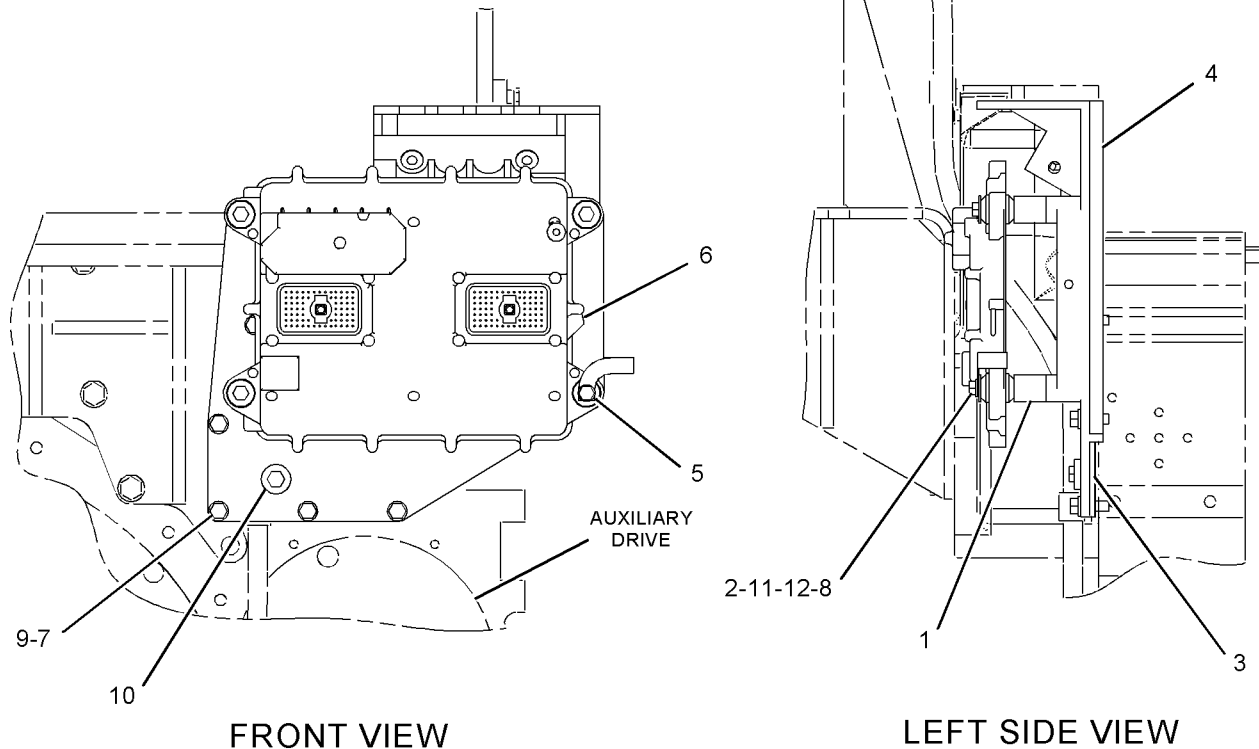
220-2677 CONTROL & MTG GP-ENGINE ELEK-PRIMARY FOR USE WITH AIR COOLED ADEM III

SMCS-1900, 1901

i03514244

NOTE	REF NO	GRAPHIC REF	PART NUMBER	QTY	PART NAME						SEE PAGE
					1	2	3	4	5	6 (PRODUCT LEVEL)	
	1	1	2V-4387	4	SPACER (10.312X25.4X23.11-MM THK)						
	2	1	6I-1418	4	SPACER (8.2X12.7X28.7-MM THK)						
	3	1	8N-9885	1	GASKET-COVER						
	4	1	111-0349	1	BRACKET-MODULE						
	5	1	155-0576	8	MOUNT-ISOLATION						
Y	6	1	206-2711	1	CONTROL GP-ENGINE ELECTRONIC						394
	7	1	1A-2029	7	BOLT (3/8-16X1.125-IN)						
	8	1	1D-4540	4	BOLT (5/16-18X2.75-IN)						
	9	1	5M-2894	7	WASHER-HARD (10.2X18.5X2.5-MM THK)						
	10	1	8T-6765	1	PLUG-PIPE						
	11	1	9M-1974	1	WASHER-HARD (8.8X16X2-MM THK)						
	12	1	9N-0869	4	WASHER-HARD (8.8X25.5X2-MM THK)						

Y-SEPARATE ILLUSTRATION



GRAPHIC #1

<END>

g01120936

ELECTRICAL AND STARTING SYSTEM

231-7069 CONTROL & MTG GP-ENGINE ELEK-SECONDARY FOR USE WITH AIR COOLED ADEM III

SMCS-1900, 1901

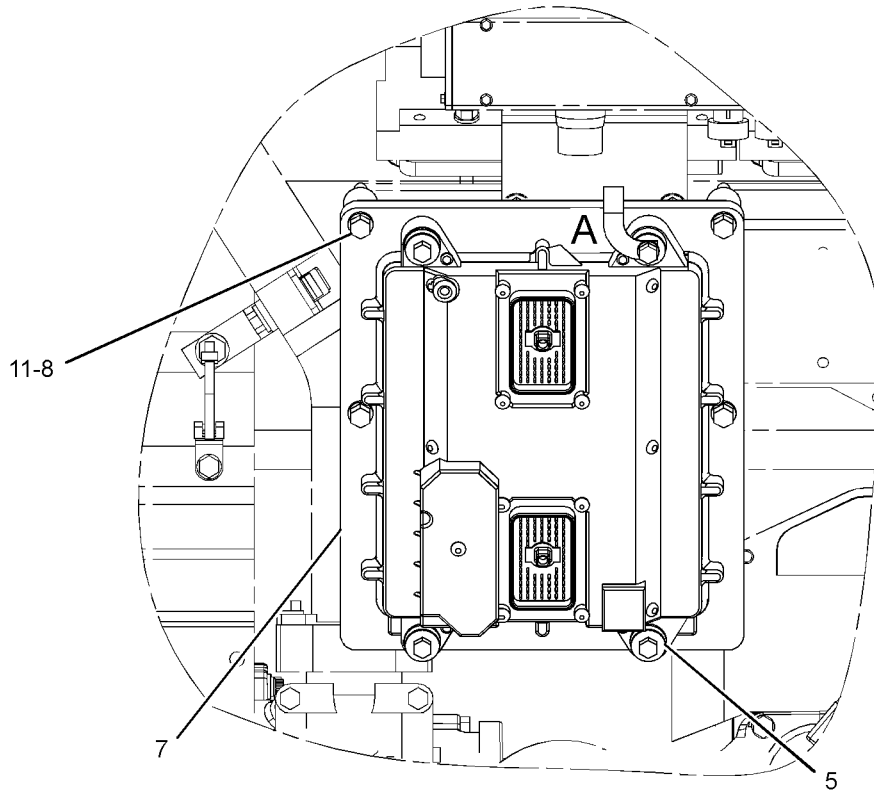
i03515827

NOTE	REF NO	GRAPHIC REF	PART NUMBER	QTY	PART NAME						SEE PAGE
					1	2	3	4	5	6 (PRODUCT LEVEL)	
	1	1	1L-4031	1	TEE-SERVICE						
	2	1	2V-4387	4	SPACER (10.312X25.4X23.11-MM THK)						
	3	1	6I-1418	4	SPACER (8.2X12.7X28.7-MM THK)						
	4	1	9M-1974	1	WASHER-HARD (8.8X16X2-MM THK)						
	5	1	155-0576	8	MOUNT-ISOLATION						
Y	6	1	206-2711	1	CONTROL GP-ENGINE ELECTRONIC						394
	7	1	231-7070	1	BRACKET						
	8	1	0L-1143	4	BOLT (3/8-16X2.5-IN)						
	9	1	118-1656	1	BUSHING-REDUCER						
	10	1	1B-9575	4	BOLT (5/16-18X1.56-IN)						
	11	1	9X-6458	4	WASHER-HARD (10.2X22.5X3-MM THK)						
	12	1	8T-6761	1	PLUG-PIPE						
	13	1	8T-6762	1	PLUG-PIPE						
	14	1	9N-0869	4	WASHER-HARD (8.8X25.5X2-MM THK)						
Y-SEPARATE ILLUSTRATION											

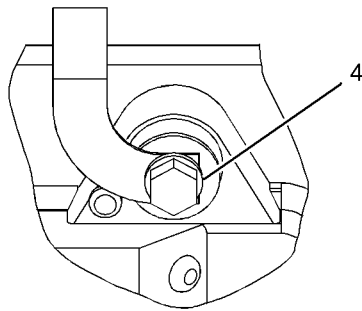
ELECTRICAL AND STARTING SYSTEM

231-7069 CONTROL & MTG GP-ENGINE ELEK (contd.)

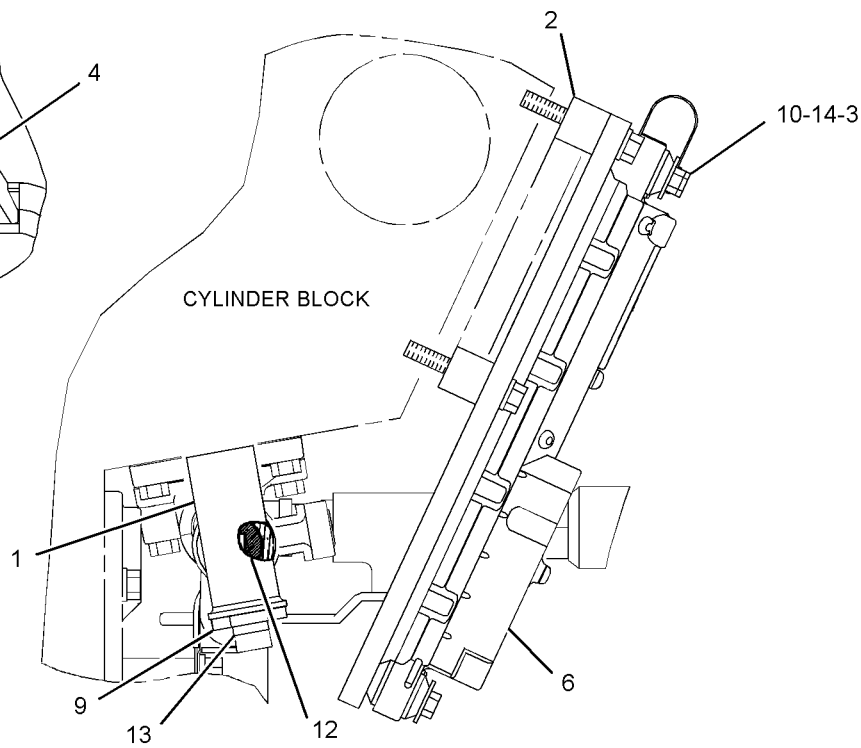
i03515827



LEFT SIDE VIEW



VIEW OF AREA A



CYLINDER BLOCK

FRONT VIEW

GRAPHIC #1

<END>

g01255327

ELECTRICAL AND STARTING SYSTEM

296-8294 CONTROL & MTG GP-ENGINE ELEK

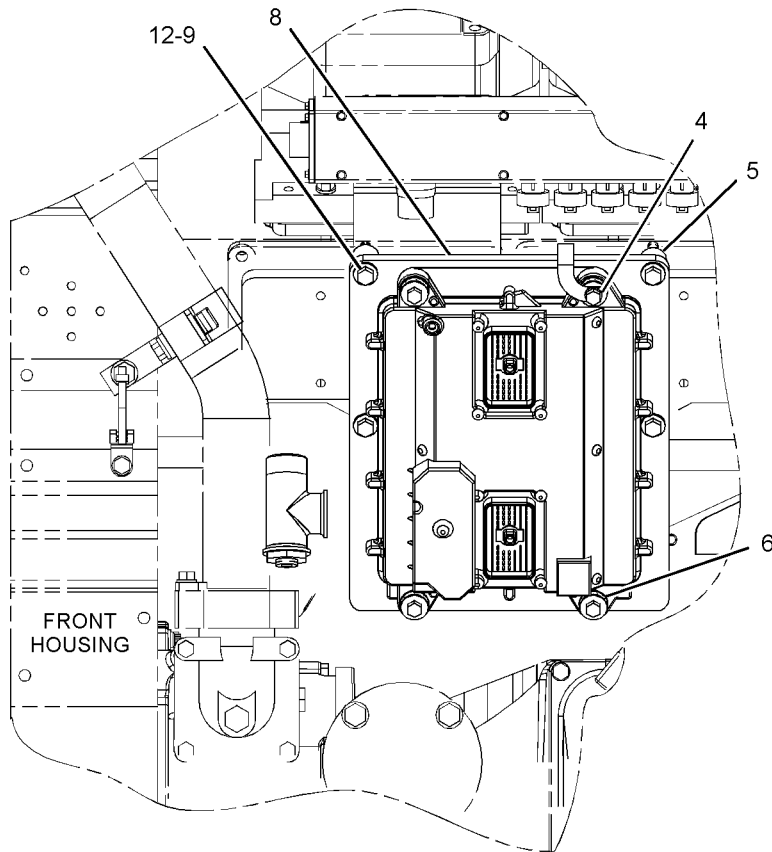
S/N: TTH206-UP

SMCS-1900, 1901

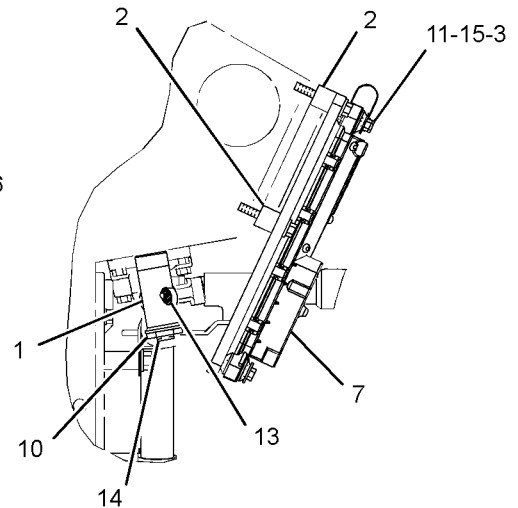
i03514223

NOTE	REF NO	GRAPHIC REF	PART NUMBER	QTY	PART NAME						SEE PAGE
					1	2	3	4	5	6 (PRODUCT LEVEL)	
	1	1	1L-4031	1	TEE-SERVICE						
	2	1	2V-4387	3	SPACER (10.312X25.4X23.11-MM THK)						
	3	1	6I-1418	4	SPACER (8.2X12.7X28.7-MM THK)						
	4	1	9M-1974	1	WASHER-HARD (8.8X16X2-MM THK)						
	5	1	130-1433	1	SPACER (11X25X17-MM THK)						
	6	1	155-0576	8	MOUNT-ISOLATION						
Y	7	1	206-2711	1	CONTROL GP-ENGINE ELECTRONIC						394
	8	1	231-7070	1	BRACKET						
	9	1	0L-1143	4	BOLT (3/8-16X2.5-IN)						
	10	1	118-1656	1	BUSHING-REDUCER						
	11	1	1B-9575	4	BOLT (5/16-18X1.56-IN)						
	12	1	9X-6458	4	WASHER-HARD (10.2X22.5X3-MM THK)						
	13	1	8T-6761	1	PLUG-PIPE						
	14	1	8T-6762	1	PLUG-PIPE						
	15	1	9N-0869	4	WASHER-HARD (8.8X25.5X2-MM THK)						

Y-SEPARATE ILLUSTRATION



LEFT SIDE VIEW OF ENGINE



FRONT VIEW OF ENGINE

GRAPHIC #1

<END>

g01533854

ELECTRICAL AND STARTING SYSTEM

238-9734 CONTROL GP-AIR STARTING

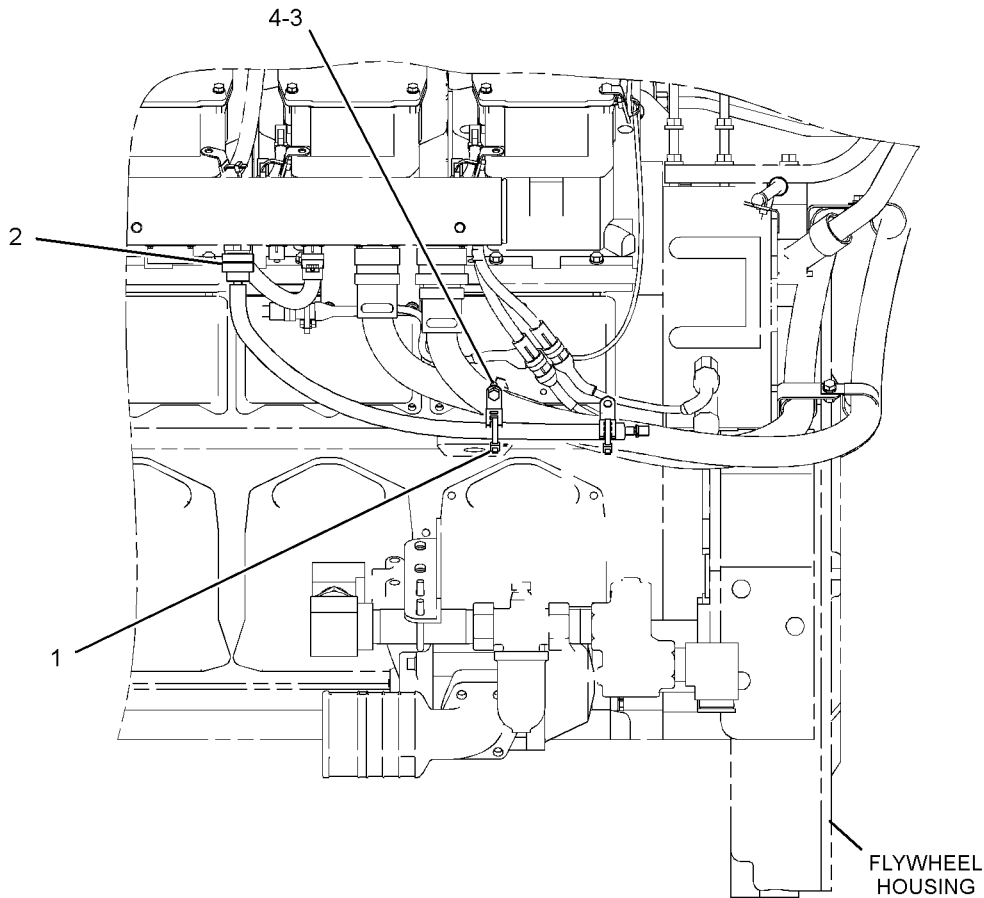
24/32 VOLT
AN ATTACHMENT

SMCS-1462

i03864158

NOTE	REF NO	GRAPHIC REF	PART NUMBER	QTY	PART NAME						SEE PAGE
					1	2	3	4	5	6 (PRODUCT LEVEL)	
	1	1	9X-6772	2	STRAP-CABLE						
Y	2	1	237-8995	1	HARNES AS-SOLENOID (AIR STARTING) (LH)						443
	3	1	0S-1594	1	BOLT (3/8-16X1-IN)						
	4	1	4P-8134	2	CLIP						

Y-SEPARATE ILLUSTRATION



LEFT SIDE VIEW OF ENGINE

GRAPHIC #1

<END>

g01812553

ELECTRICAL AND STARTING SYSTEM

256-7511 CONTROL GP-COMMUNICATION-PL1000T

FOR USE WITH 270-1732-PAGE 407

AN ATTACHMENT

SMCS-7606, 7610, 7620

i03753404

NOTE	PART NUMBER	QTY	PART NAME						SEE PAGE
			1	2	3	4	5	6 (PRODUCT LEVEL)	
	335-6885	1	FILM-WARNING (CSA CONTROL PANEL APPROVAL)						
	126-7574	1	SCREW-PAN HEAD (8-32X9.52-MM)						
	7X-6315	1	STRAP AS-GROUND						
	134-4126	1	WASHER (4.52X8.28X0.76-MM THK)						
<END>									

256-7512 CONTROL GP-COMMUNICATION-PL1000E

AN ATTACHMENT

SMCS-7606, 7610, 7620

i03462832

NOTE	PART NUMBER	QTY	PART NAME						SEE PAGE
			1	2	3	4	5	6 (PRODUCT LEVEL)	
	335-6885	1	FILM-WARNING (CSA CONTROL PANEL APPROVAL)						
<END>									

ELECTRICAL AND STARTING SYSTEM

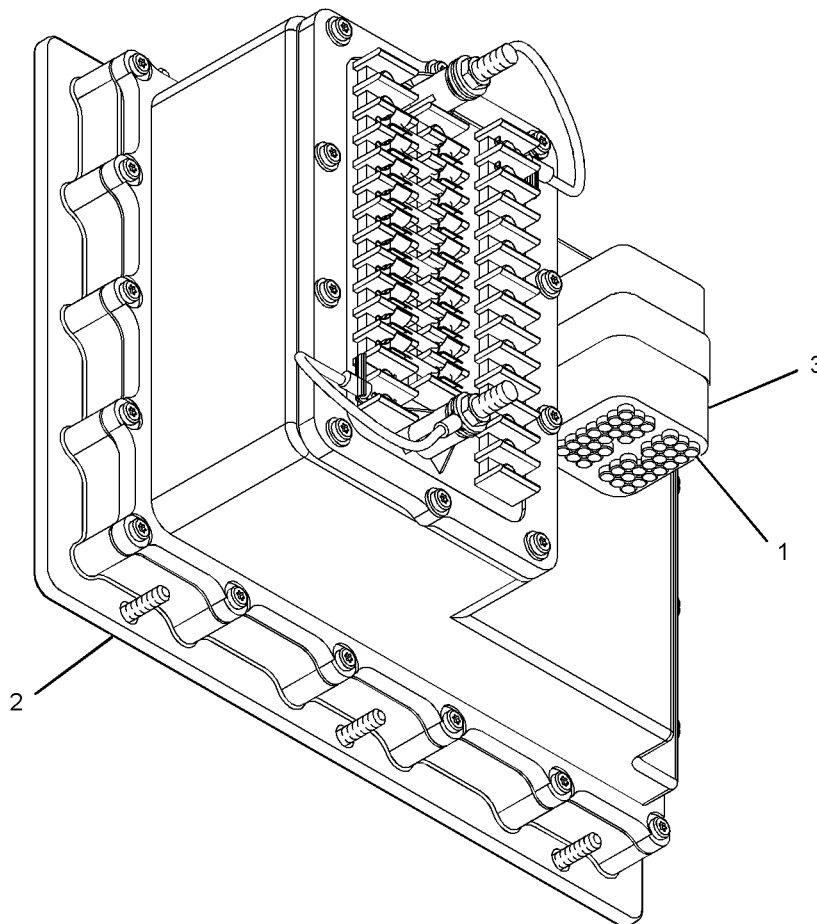
133-9300 CONTROL GP-ENGINE ELECTRONIC-RELAY AN ATTACHMENT

SMCS-1901

i03869192

NOTE	REF NO	GRAPHIC REF	PART NUMBER	QTY	PART NAME						SEE PAGE
					1	2	3	4	5	6 (PRODUCT LEVEL)	
	1	1	8T-8737	40	PLUG-SEAL						
CY	2	1	144-1624	1	CONTROL GP-ENGINE MONITORING (PROGRAMMABLE RELAY CONTROL MOD)						596
	3	1	110-6845	1	PLUG AS-CONNECTOR (40-PIN)						

C-CHANGE FROM PREVIOUS TYPE
Y-SEPARATE ILLUSTRATION



GRAPHIC #1

<END>

g01277079

ELECTRICAL AND STARTING SYSTEM

206-2710 CONTROL GP-ENGINE ELECTRONIC*R

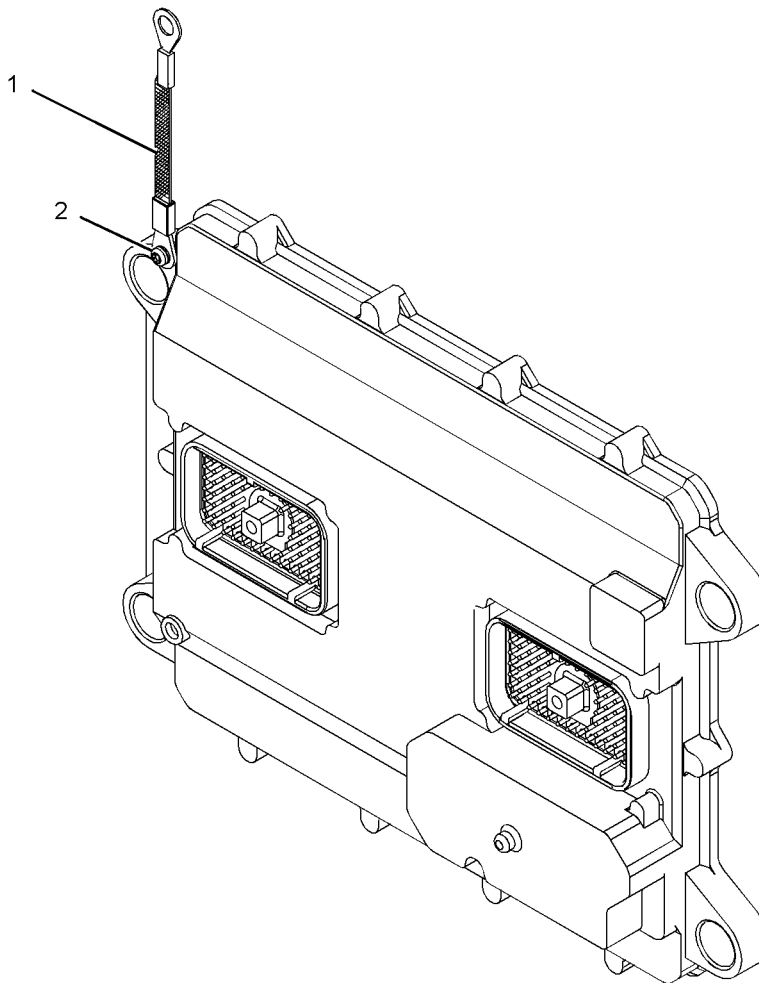
PART OF 206-2711 CONTROL GP-ENGINE ELECTRONIC

SMCS-1901

i03811988

NOTE	REF NO	GRAPHIC REF	PART NUMBER	QTY	PART NAME						SEE PAGE
					1	2	3	4	5	6 (PRODUCT LEVEL)	
	1	1	7X-6315	1	STRAP AS-GROUND						
	2	1	184-2472	1	SCREW-PAN HEAD (8-32X0.375-IN)						
AFR		1	322-3612	1	CONTROL GP-ENGINE ELECTRONIC (OPTIONAL SERVICE REPLACEMENT)						

A-NOT PART OF THIS GROUP
 F-NOT SHOWN
 R-REMG PART MAY BE AVAILABLE



GRAPHIC #1

<END>

g01180180

ELECTRICAL AND STARTING SYSTEM

206-2711 CONTROL GP-ENGINE ELECTRONIC

ADEMIII - 16

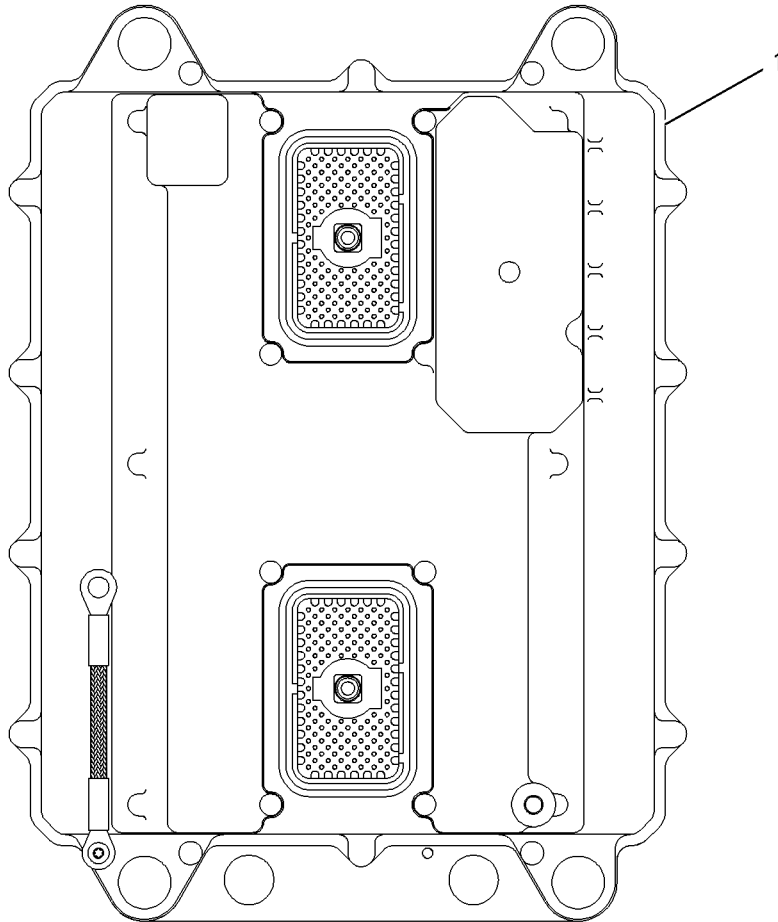
PART OF 220-2677, 231-7069, 296-8294 CONTROL & MTG GP-ENGINE ELEK

SMCS-1901

i01931782

NOTE	REF NO	GRAPHIC REF	PART NUMBER	QTY	PART NAME						SEE PAGE
					1	2	3	4	5	6 (PRODUCT LEVEL)	
Y	1	1	206-2710	1	CONTROL GP-ENGINE ELECTRONIC						393

Y-SEPARATE ILLUSTRATION



GRAPHIC #1

<END>

g00892529

ELECTRICAL AND STARTING SYSTEM

206-2711 CONTROL GP-ENGINE ELECTRONIC

S/N: TTH206-UP

ADEMIII - 16

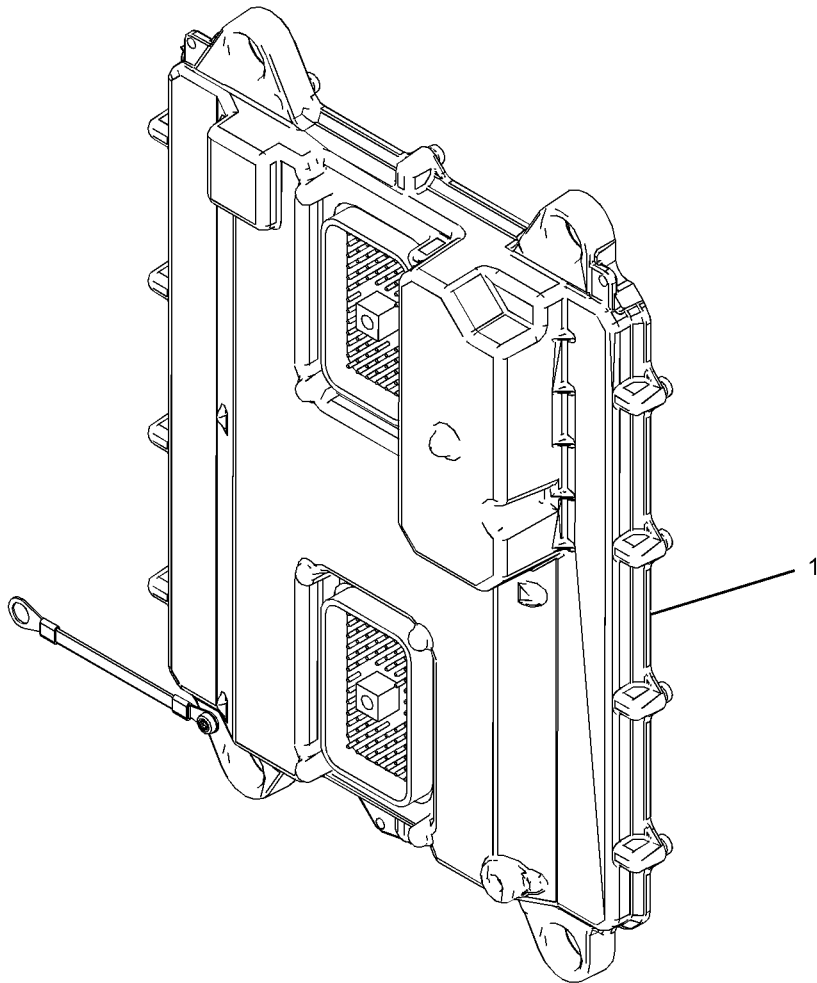
PART OF 220-2677, 296-8294 CONTROL & MTG GP-ENGINE ELEK

SMCS-1901

i03870046

NOTE	REF NO	GRAPHIC REF	PART NUMBER	QTY	PART NAME						SEE PAGE
					1	2	3	4	5	6 (PRODUCT LEVEL)	
R	1	1	322-3612	1	CONTROL GP-ENGINE ELECTRONIC						
		1	7X-6315	1	STRAP AS-GROUND						
		1	184-2472	1	SCREW-PAN HEAD (8-32X0.375-IN)						

R-REMFG PART MAY BE AVAILABLE



GRAPHIC #1

<END>

g01797137

ELECTRICAL AND STARTING SYSTEM

140-2175 CONTROL GP-REMOTE SPEED

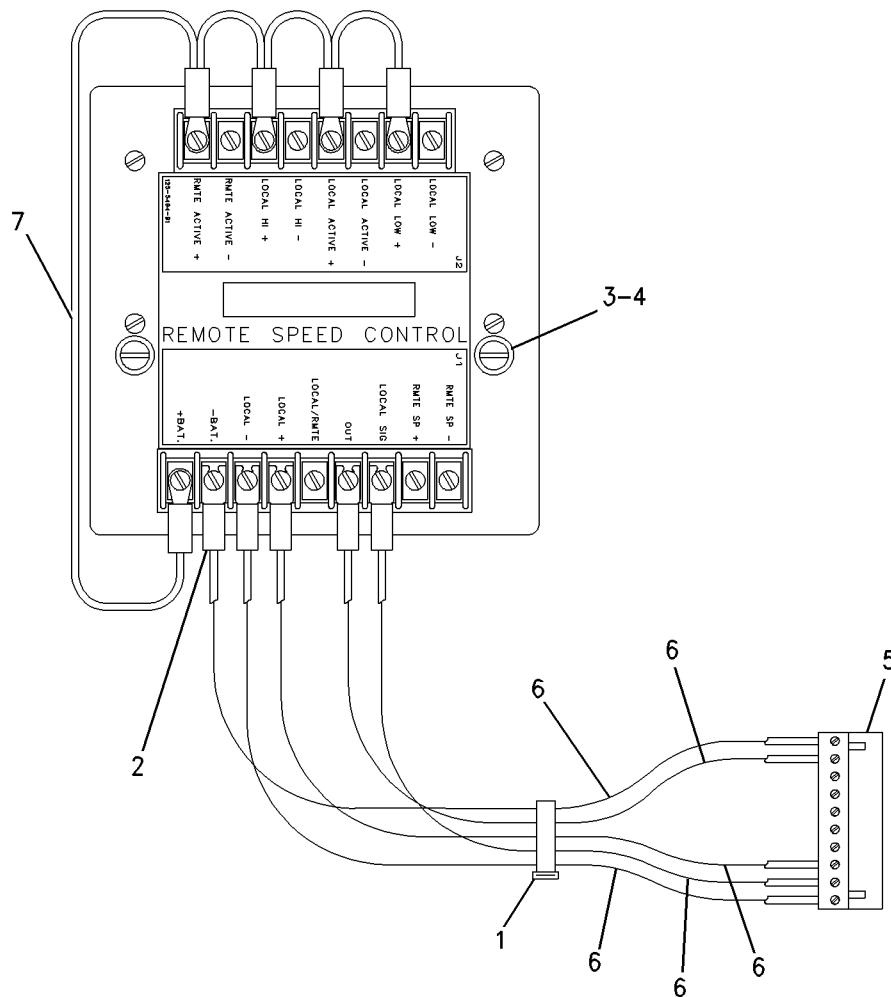
AN ATTACHMENT

SMCS-1907, 1915

i01678441

NOTE	REF NO	GRAPHIC REF	PART NUMBER	QTY	PART NAME						SEE PAGE
					1	2	3	4	5	6 (PRODUCT LEVEL)	
	1	1	8L-8413	1	STRAP-CABLE						
	2	1	5P-2321	5	TERMINAL-FORK (14-GA TO 16-GA, NO. 6 SCREW)						
	3	1	7S-1198	2	SCREW-MACHINE (8-32X1.5-IN)						
	4	1	4B-4863	2	WASHER (4.7X11X1.2-MM THK)						
	5	1	9X-9672	1	CONNECTOR-PLUG						
BD	6	1	5P-5677		WIRE (18-GA, BLACK)						
	7	1	132-5559	1	WIRE AS (18-GA)						

B-USE AS REQUIRED
D-ORDER BY THE METER



GRAPHIC #1

<END>

g00730904

ELECTRICAL AND STARTING SYSTEM

166-4373 CONVERSION GP-WIRING

FOR USE WITH SPECIAL APPEARANCE PACKAGE WITH CHROME PLATED FASTENERS
AN ATTACHMENT

SMCS-1408

i03464004

NOTE	PART NUMBER	QTY	PART NAME						SEE PAGE
			1	2	3	4	5	6 (PRODUCT LEVEL)	
	8S-5383	1	BLOCK						
	5M-3062	1	BOLT (3/8-16X0.75-IN)						
	4L-6454	1	BOLT (3/8-16X1-IN)						
	4L-9337	1	BOLT (3/8-16X1.5-IN)						
	8T-9377	1	BOLT (3/8-16X2.25-IN)						
	5S-7383	1	BOLT (3/8-16X1.75-IN)						
	4L-6459	1	BOLT (3/8-16X2.5-IN)						
	8T-7008	1	BOLT (3/8-16X3-IN)						
	8T-9101	1	BOLT (3/8-16X2.75-IN)						
	7X-0292	1	BOLT (3/8-16X4.5-IN)						
	7X-0440	1	BOLT (5/16-18X1.75-IN)						
	7X-3178	1	BOLT (1/4-20X1.625-IN)						
	8T-9367	1	BOLT (1/4-20X2-IN)						
	7X-2501	1	BOLT (1/4-20X1.25-IN)						
	8T-9392	1	BOLT (1/2-13X7.5-IN)						
	7X-0350	1	BOLT (5/8-11X3.5-IN)						
	7D-9766	1	BOLT (1/2-13X4.25-IN)						
	7X-0290	1	BOLT (3/8-16X3.5-IN)						
	7X-0326	1	BOLT (1/2-13X3-IN)						
	7X-3189	1	BOLT (1/2-13X9-IN)						
	9M-7269	1	BOLT (1/2-13X6.75-IN)						
	5P-2566	1	BOLT (1/2-13X1.5-IN)						
	7X-0340	1	BOLT (1/2-13X6.5-IN)						
	4M-2442	1	BOLT (1/2-13X12.32-IN)						
	5P-2228	1	BOLT (1/2-13X1-IN)						
	8T-8917	1	BOLT (1/2-13X1.25-IN)						
	7X-0289	1	BOLT (3/8-16X1.875-IN)						
	8T-2502	1	BOLT (3/8-16X1.125-IN)						
	5S-7379	1	BOLT (3/8-16X0.875-IN)						
	7X-0294	1	BOLT (3/8-16X5-IN)						
	7X-0300	1	BOLT (3/8-16X6.5-IN)						
	8T-2501	1	BOLT (3/8-16X2-IN)						
	8T-9399	1	BOLT (3/4-10X2.25-IN)						
	8C-3121	1	BOLT (5/16-18X1.5-IN)						
	8T-9379	1	BOLT (3/8-16X4.25-IN)						
	8T-8911	1	BOLT (5/16-18X2-IN)						
	7X-0274	1	BOLT (5/16-18X2.75-IN)						
	8T-8915	1	BOLT (3/8-16X3.25-IN)						
	4M-0061	1	BOLT (5/16-18X0.75-IN)						
	8T-9368	1	BOLT (1/4-20X2.25-IN)						
	9B-7237	1	BOLT (3/8-16X1.25-IN)						
	8B-9725	1	BOSS						
	6V-7496	1	CAP/PLUG-TAPERED						
	4W-3034	1	CLAMP-HOSE						
	5P-0597	1	CLAMP-HOSE						
	4P-8134	1	CLIP						
	4P-7581	1	CLIP						
	124-0289	1	CLIP						
	4P-7429	1	CLIP						
	8N-3480	1	CLIP						
	6V-1581	1	CLIP (SLOT)						
	6V-1582	1	CLIP (TAB)						
	1L-8181	1	CLIP						
	4P-7428	1	CLIP						
	132-5789	1	CLIP						
	2H-9523	1	GROMMET						

ELECTRICAL AND STARTING SYSTEM

166-4373 CONVERSION GP-WIRING (contd.)

i03464004

NOTE	PART NUMBER	QTY	PART NAME						SEE PAGE
			1	2	3	4	5	6 (PRODUCT LEVEL)	
	3K-2889	1	LOCKNUT (5/8-11-THD)						
	3N-1968	1	MOUNT-FLEXIBLE						
	8T-9655	1	MOUNT-ISOLATION						
	6V-8185	1	NUT (1/4-20-THD)						
	7X-0448	1	NUT (5/8-11-THD)						
	6V-8188	1	NUT (1/2-13-THD)						
	6V-8801	1	NUT (3/8-16-THD)						
	6V-8182	1	NUT (3/4-10-THD)						
	5B-7890	1	PLUG-PIPE						
	9M-4594	1	SPACER (0.406X0.875X0.75-IN THK)						
	6W-6672	1	SPACER (10.5X20X38-MM THK)						
	6I-1418	1	SPACER (8.2X12.7X28.7-MM THK)						
	7E-5639	1	SPACER (13.88X21.34X25-MM THK)						
	9L-4234	1	SPACER (0.406X1X0.962-IN THK)						
	1S-2303	1	SPACER (1.062X1.75X1.44-IN THK)						
	9X-6772	1	STRAP-CABLE						
	3S-2093	1	STRAP-CABLE						
	7K-1181	1	STRAP-CABLE						
	108-9656	1	STRAP-CABLE						
	131-1578	1	STRAP-CABLE						
	2W-8604	2	WASHER (6.5X35X1.5-MM THK)						
	1A-8912	1	WASHER (6.7X12.7X1.6-MM THK)						
	8T-4896	1	WASHER-HARD (10.2X18.5X2.5-MM THK)						
	7X-0579	1	WASHER-HARD (8.8X25.5X2-MM THK)						
	5P-4116	1	WASHER-HARD (8.8X20.5X2-MM THK)						
	8T-4224	1	WASHER-HARD (8.8X16X2-MM THK)						
	8T-4205	1	WASHER-HARD (7.2X14.5X2-MM THK)						
	8T-4223	1	WASHER-HARD (13.5X25.5X3-MM THK)						
	8T-4122	1	WASHER-HARD (17X32X3.5-MM THK)						
	5P-1075	1	WASHER-HARD (10.2X22.5X3-MM THK)						
	8T-4994	1	WASHER-HARD (20X36.5X3.5-MM THK)						
	5P-4115	1	WASHER-HARD (7.2X19X2-MM THK)						

<END>

ELECTRICAL AND STARTING SYSTEM

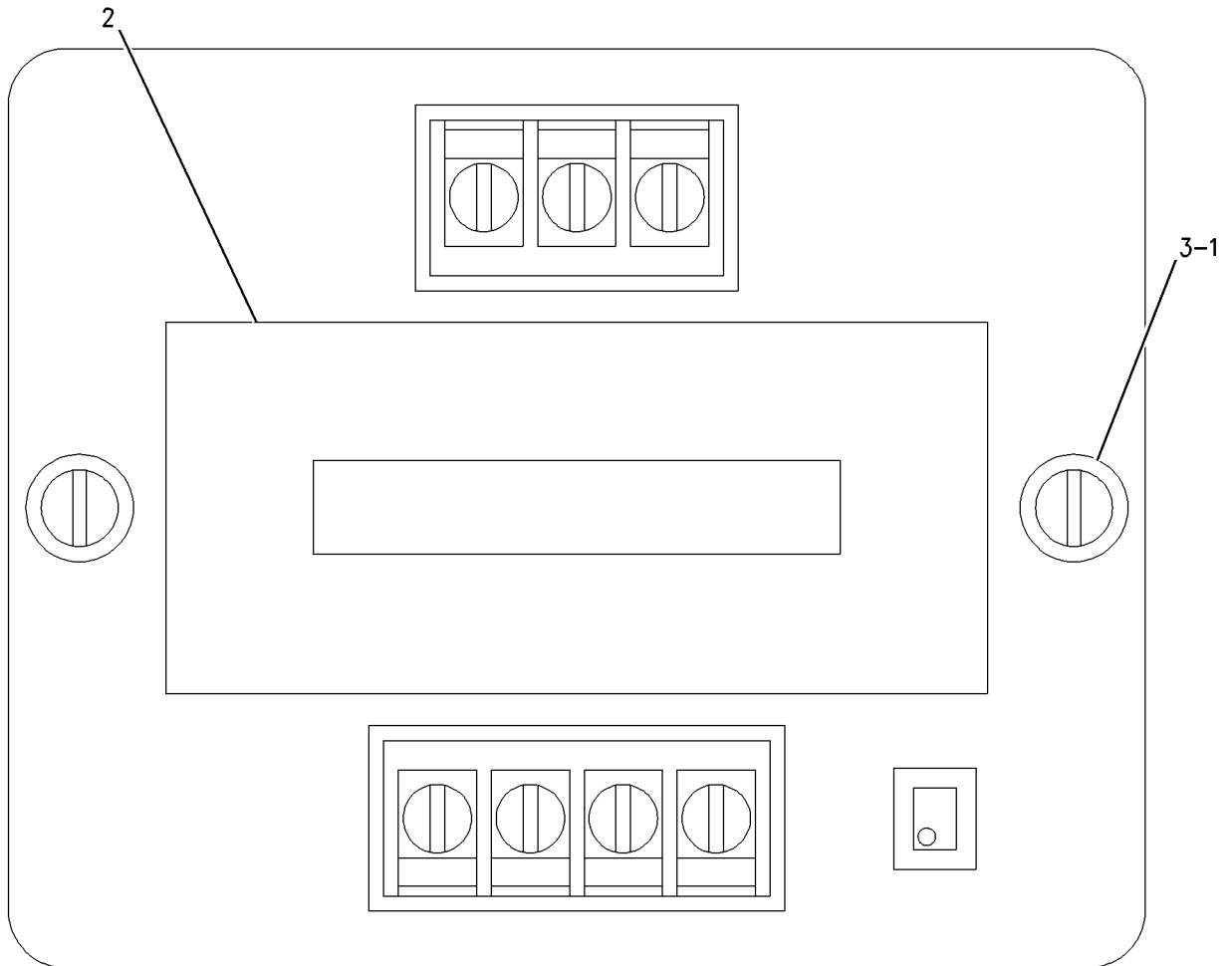
9X-9591 CONVERTER GP-ELECTRICAL

PULSE WIDTH MODULATED
PART OF 238-9549 CONTROL GP-FUEL
AN ATTACHMENT

SMCS-1421

i03686440

NOTE	REF NO	GRAPHIC REF	PART NUMBER	QTY	PART NAME						SEE PAGE
					1	2	3	4	5	6 (PRODUCT LEVEL)	
	1	1	4B-4863	2	WASHER (4.7X11X1.2-MM THK)						
	2	1	9X-9857	1	FILM-IDENTIFICATION (CATERPILLAR)						
	3	1	3K-8106	2	SCREW-MACHINE (8-32X1-IN)						



GRAPHIC #1

<END>

g00774430

ELECTRICAL AND STARTING SYSTEM

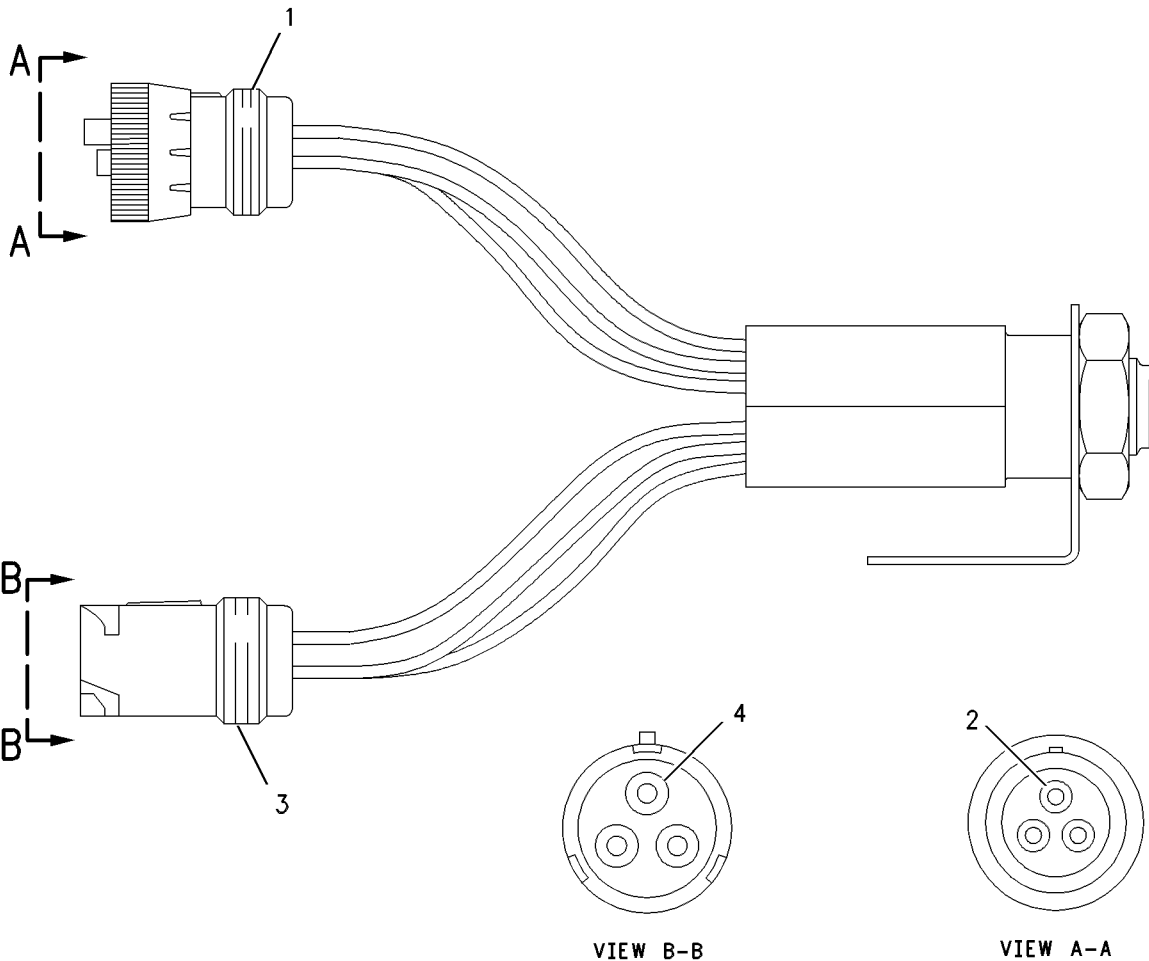
145-9929 CONVERTER GP-ELECTRICAL

THROTTLE AN ATTACHMENT

SMCS-1421

i01180135

NOTE	REF NO	GRAPHIC REF	PART NUMBER	QTY	PART NAME						SEE PAGE
					1	2	3	4	5	6 (PRODUCT LEVEL)	
	1	1	8T-8731	1	PLUG-CONNECTOR						
	2	1	8T-8730	3	SOCKET-CONNECTOR						
	3	1	8T-8732	1	RECEPTACLE-CONNECTOR						
	4	1	8T-8729	3	PIN-CONNECTOR						



GRAPHIC #1

<END>

g00631918

ELECTRICAL AND STARTING SYSTEM

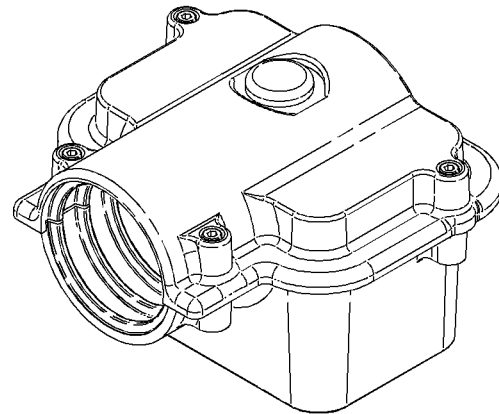
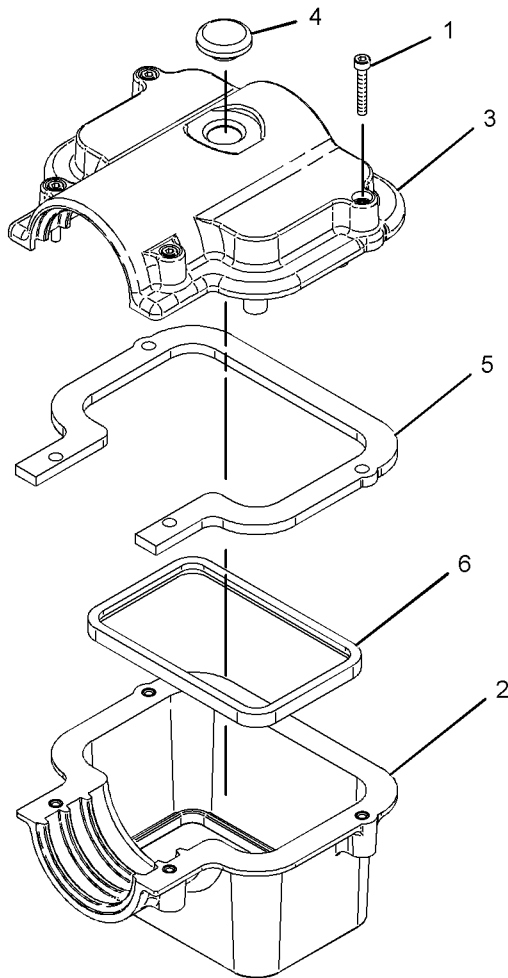
309-4122 COVER GP-MODULE CONNECTOR

PART OF 279-2065 HARNESS AS-ENGINE
AN ATTACHMENT

SMCS-1901

i02957474

NOTE	REF NO	GRAPHIC REF	PART NUMBER	QTY	PART NAME						SEE PAGE
					1	2	3	4	5	6 (PRODUCT LEVEL)	
	1	1	311-3922	4	BOLT-SOCKET HEAD (M3X0.5X20-MM)						
	2	1	288-4677	1	CONNECTOR AS						
	3	1	288-4678	1	CONNECTOR AS						
	4	1	232-4673	1	PLUG						
	5	1	232-4674	1	SEAL-CONNECTOR						
	6	1	232-4675	1	SEAL-CONNECTOR						



UNEXPLODED VIEW

GRAPHIC #1

<END>

g01210314

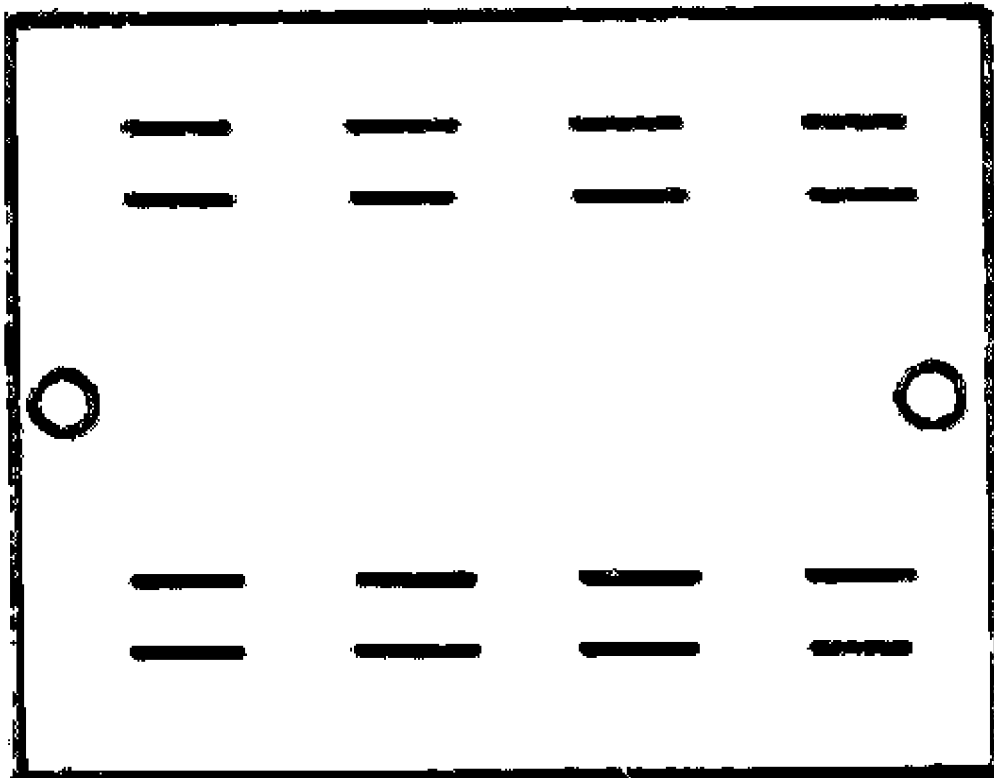
ELECTRICAL AND STARTING SYSTEM

7C-2668 DIODE AS AN ATTACHMENT

SMCS-1408

i01449082

NOTE	REF NO	GRAPHIC REF	PART NUMBER	QTY	PART NAME	SEE PAGE
					1 2 3 4 5 6 (PRODUCT LEVEL)	
(NO SERVICED PARTS)						



GRAPHIC #1

<END>

g00758724

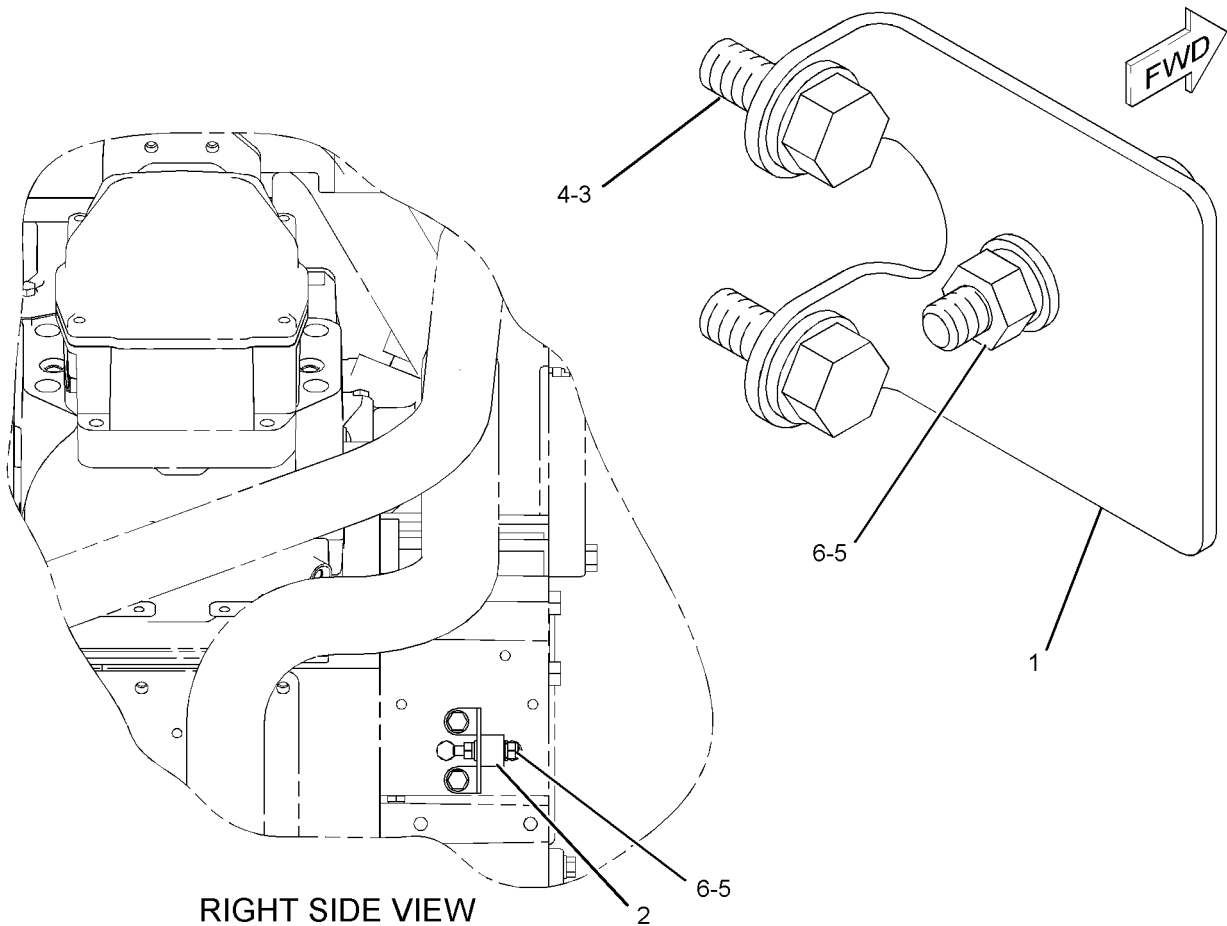
ELECTRICAL AND STARTING SYSTEM

126-9191 GROUND GP-ELECTRICAL-ALTERNATOR AN ATTACHMENT

SMCS-1405

i02246577

NOTE	REF NO	GRAPHIC REF	PART NUMBER	QTY	PART NAME						SEE PAGE
					1	2	3	4	5	6 (PRODUCT LEVEL)	
	1	1	126-9188	1	BRACKET						
	2	1	126-9187	1	MOUNT-FLEXIBLE						
	3	1	5M-2894	2	WASHER-HARD (10.2X18.5X2.5-MM THK)						
	4	1	0L-1351	2	BOLT (3/8-16X0.875-IN)						
	5	1	9M-1974	2	WASHER-HARD (8.8X16X2-MM THK)						
	6	1	3E-9860	2	LOCKNUT (5/16-18-THD)						



GRAPHIC #1

<END>

g01132300

ELECTRICAL AND STARTING SYSTEM

240-5872 HARNESS AS-BOX-INTERCONNECT

3-METER

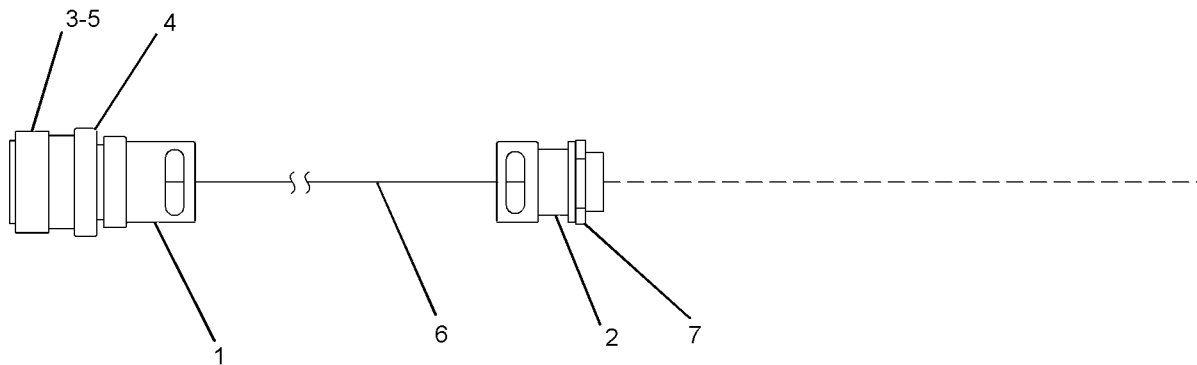
PART OF 241-5629 BOX GP-JUNCTION
AN ATTACHMENT

SMCS-1408

i02530356

NOTE	REF NO	GRAPHIC REF	PART NUMBER	QTY	PART NAME						SEE PAGE
					1	2	3	4	5	6 (PRODUCT LEVEL)	
	1	1	231-9899	1	CONNECTOR (CONDUIT)						
	2	1	231-9898	1	CONNECTOR						
	3	1	233-9217	1	CONNECTOR (85-PIN)						
	4	1	236-8125	1	ADAPTER						
	5	1	233-9226	82	PIN-CONNECTOR (16-GA TO 20-GA)						
E	6	1	231-9897		CONDUIT-FLEXIBLE (36-MM ID) (300-CM)						
	7	1	236-8130	1	NUT (M40-THD)						

E-ORDER BY THE CENTIMETER



GRAPHIC #1

<END>

g01322170

ELECTRICAL AND STARTING SYSTEM

240-5874 HARNESS AS-BOX-INTERCONNECT

10-METER

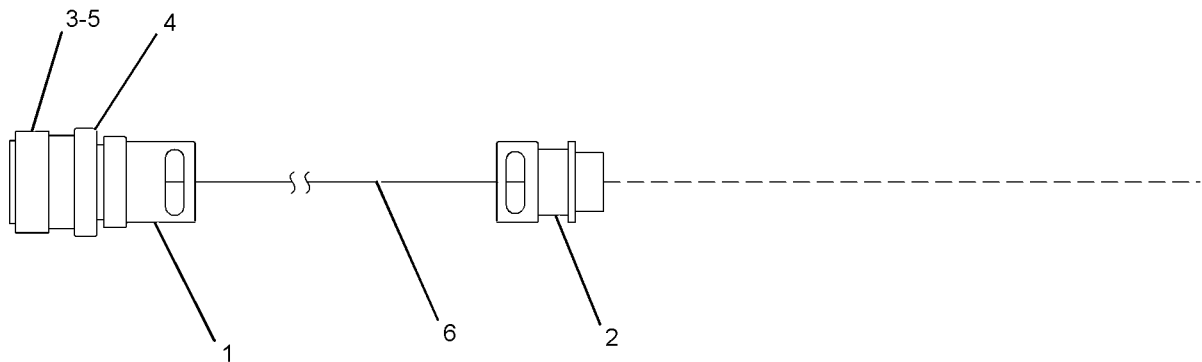
PART OF 241-5630 BOX GP-JUNCTION
AN ATTACHMENT

SMCS-1408

i02530396

NOTE	REF NO	GRAPHIC REF	PART NUMBER	QTY	PART NAME						SEE PAGE
					1	2	3	4	5	6 (PRODUCT LEVEL)	
	1	1	231-9899	1	CONNECTOR (CONDUIT)						
	2	1	231-9898	1	CONNECTOR						
	3	1	233-9217	1	CONNECTOR (85-PIN)						
	4	1	236-8125	1	ADAPTER						
	5	1	233-9226	82	PIN-CONNECTOR (16-GA TO 20-GA)						
E	6	1	231-9897		CONDUIT-FLEXIBLE (36-MM ID) (1003-CM)						

E-ORDER BY THE CENTIMETER



GRAPHIC #1

<END>

g01251986

ELECTRICAL AND STARTING SYSTEM

240-5876 HARNESS AS-BOX-INTERCONNECT

15-METERS

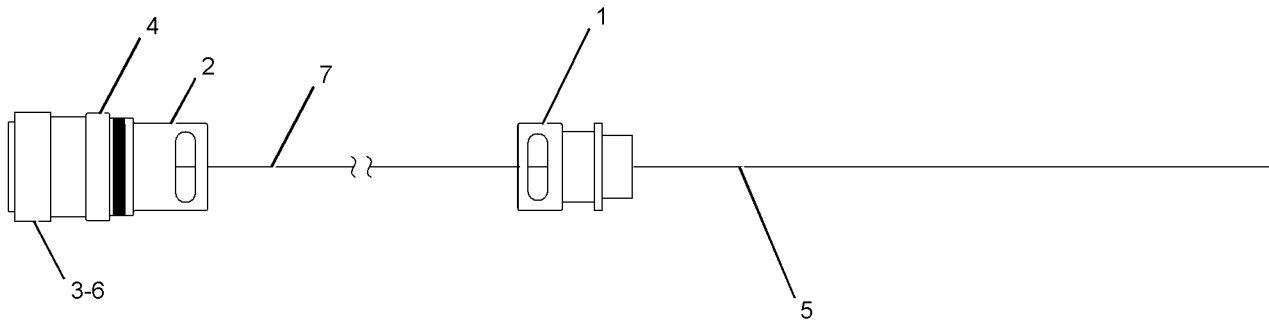
PART OF 241-5631 BOX GP-JUNCTION
AN ATTACHMENT

SMCS-1408

i02739598

NOTE	REF NO	GRAPHIC REF	PART NUMBER	QTY	PART NAME						SEE PAGE
					1	2	3	4	5	6 (PRODUCT LEVEL)	
	1	1	231-9898	1	CONNECTOR						
	2	1	231-9899	1	CONNECTOR (CONDUIT)						
	3	1	233-9217	1	CONNECTOR (85-PIN)						
	4	1	236-8125	1	ADAPTER						
D	5	1	5P-5677		WIRE (18-GA, BLACK) (891.6-M)						
	6	1	233-9226	82	PIN-CONNECTOR (20-GA TO 16-GA)						
E	7	1	231-9897		CONDUIT-FLEXIBLE (36-MM ID) (1503-CM)						

D-ORDER BY THE METER
E-ORDER BY THE CENTIMETER



GRAPHIC #1

<END>

g01330047

ELECTRICAL AND STARTING SYSTEM

249-6964 HARNESS AS-CONTROL-MARINE POWER DISPLAY PART OF 249-6961, 257-7948 PANEL GP-PILOT HOUSE INSTR AN ATTACHMENT

SMCS-1408

i03748109

NOTE	PART NUMBER	QTY	PART NAME						SEE PAGE
			1	2	3	4	5	6 (PRODUCT LEVEL)	
	109-3038	24	END-WIRE (16-GA)						
	110-8714	6	END-WIRE (18-GA)						
	155-2255	1	KIT-CONNECTING PLUG (12-PIN)						
	155-2260	2	KIT-CONNECTING PLUG (3-PIN)						
			(INCLUDES PLUG AS, WEDGE, & INTERFACE SEAL)						
	174-3016	1	PLUG AS-CONNECTOR (3-PIN)						
	7X-6222	1	PLUG AS-CONNECTOR (24-PIN)						
	3E-4367	1	RING-RETAINING						
M	3E-8558	1	BOLT (M5X0.8X39.37-MM)						
	9X-3265	2	SEAL-CONNECTOR (24-PIN)						
	8T-8737	9	PLUG-SEAL						
	133-0970	1	RECEPTACLE AS (TEE)						
	8T-8730	34	SOCKET-CONNECTOR (16-GA TO 18-GA)						
	9W-0844	2	SOCKET-CONNECTOR (14-GA)						

M-METRIC PART

<END>

270-1732 HARNESS AS-CONTROL-PL1000T FOR USE WITH 256-7511-PAGE 391 AN ATTACHMENT

SMCS-1408

i02417749

NOTE	PART NUMBER	QTY	PART NAME						SEE PAGE
			1	2	3	4	5	6 (PRODUCT LEVEL)	
	126-1774	1	COVER-CONNECTOR						
	155-2270	4	KIT-CONNECTING PLUG (2-PIN)						
			(EACH INCLUDES PLUG AS AND WEDGE)						
	102-8804	1	KIT-RECEPTACLE (4-PIN)						
			(INCLUDES RECEPTACLE AS AND WEDGE)						
	257-2719	1	PLUG AS						
	160-7690	1	PLUG AS-CONNECTOR (70-PIN)						
	159-9322	1	SEAL-O-RING						
	8T-8735	1	PLUG-CONNECTOR						
	7K-1181	1	STRAP-CABLE						
	9X-6772	2	STRAP-CABLE						
	218-4935	2	SUPPRESSOR-ARC						
E	119-3662		TUBE-HEAT SHRINK (10.85-MM DIA) (20-CM)						
E	125-7874		TUBE-HEAT SHRINK (5.72-MM DIA) (5-CM)						
	3E-3377	1	WEDGE-RECEPTACLE LOCK (4-PIN)						

E-ORDER BY THE CENTIMETER

<END>

ELECTRICAL AND STARTING SYSTEM

276-0785 HARNESS AS-CONTROL-PL1000E

AN ATTACHMENT

SMCS-1408

i02384488

NOTE	PART NUMBER	QTY	PART NAME						SEE PAGE
			1	2	3	4	5	6 (PRODUCT LEVEL)	
	8C-6354	1	CAP-RECEPTACLE						
	126-1774	1	COVER-CONNECTOR						
	155-2270	2	KIT-CONNECTING PLUG (2-PIN)						
			(EACH INCLUDES PLUG ASSEMBLY AND WEDGE)						
	102-8804	1	KIT-RECEPTACLE (4-PIN)						
			(INCLUDES RECEPTACLE ASSEMBLY AND WEDGE)						
	171-5349	1	STRAP-MARKER						
	186-3735	7	PIN-CONNECTOR (16-GA TO 18-GA)						
	257-2719	1	PLUG AS						
	160-7690	1	PLUG AS-CONNECTOR (70-PIN)						
	159-9322	1	SEAL-O-RING						
	8T-8735	1	PLUG-CONNECTOR						
	8T-8737	65	PLUG-SEAL						
	9W-1951	1	RECEPTACLE-CONNECTOR (9-PIN)						
	186-3736	10	SOCKET-CONNECTOR (16-GA TO 18-GA)						
	9X-3402	14	SOCKET-CONNECTOR (16-GA TO 18-GA)						
	126-1768	14	SOCKET-CONNECTOR (14-GA)						
	7K-1181	1	STRAP-CABLE						
	9X-6772	2	STRAP-CABLE						
	218-4935	2	SUPPRESSOR-ARC						
E	119-3662		TUBE-HEAT SHRINK (10.85-MM DIA) (20-CM)						
E	125-7875		TUBE-HEAT SHRINK (7.44-MM DIA) (5-CM)						

E-ORDER BY THE CENTIMETER

<END>

ELECTRICAL AND STARTING SYSTEM

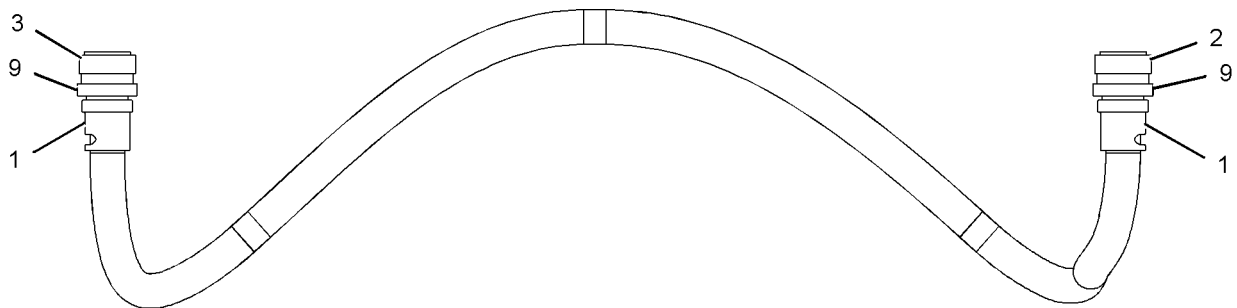
231-9875 HARNESS AS-ENGINE-LARGE INTERCONNECT PART OF 232-0016 WIRING GP-ENGINE AN ATTACHMENT

SMCS-1408

i03357200

NOTE	REF NO	GRAPHIC REF	PART NUMBER	QTY	PART NAME						SEE PAGE
					1	2	3	4	5	6 (PRODUCT LEVEL)	
	1	1	231-9915	2	CONNECTOR (CONDUIT)						
	2	1	233-9225	1	CONNECTOR AS (85-PIN)						
	3	1	233-9217	1	CONNECTOR (85-PIN)						
	9	1	236-8125	2	ADAPTER						
	BF		5P-5677		WIRE (18-GA, BLACK)						
	F		233-9226	85	PIN-CONNECTOR (16-GA TO 20-GA)						
	F		233-9227	85	SOCKET-CONNECTOR (16-GA TO 20-GA)						
	EF		134-6258		CABLE-ELECTRICAL (16-GA) (269-CM)						
	EF		153-2707		CABLE-ELECTRICAL (19-GA) (269-CM)						
	EF		231-9897		CONDUIT-FLEXIBLE (36-MM ID) (257-CM)						

B-USE AS REQUIRED
E-ORDER BY THE CENTIMETER
F-NOT SHOWN



GRAPHIC #1

<END>

g01017372

ELECTRICAL AND STARTING SYSTEM

232-0018 HARNESS AS-ENGINE-RH PART OF 232-0016, 296-8289 WIRING GP-ENGINE AN ATTACHMENT

SMCS-1408

i03871991

NOTE	REF NO	GRAPHIC REF	PART NUMBER	QTY	PART NAME						SEE PAGE
					1	2	3	4	5	6 (PRODUCT LEVEL)	
	1	1,2	1H-3340	6	BOLT (10-24X1-IN)						
	2	1	128-4250	1	NUT (1-11/16-18-THD)						
	3	1	131-4731	1	GASKET						
	4	1	153-1223	1	CONNECTOR-RECEPTACLE (23-PIN)						
	5	2	154-3254	3	GASKET						
	6	1	202-2141	12	NUT-SQUARE (5/16-18-THD)						
	7	2	203-8944	2	GASKET						
	8	1,2	203-8945	2	GASKET						
C	9	1	203-8977	2	RECEPTACLE AS (6-PIN) (EACH INCLUDES)						
		1	159-9496	1	LOCKWASHER						
		1	203-9000	1	PLUG AS (6-PIN)						
		1	203-9007	1	NUT (1-1/2-18-THD)						
C	10	1	203-9000	2	PLUG AS (6-PIN)						
	11	1,2	212-3221	16	BOLT (4-40X0.5-IN)						
	12	1,2	212-3222	20	BOLT (8-32X0.439-IN)						
	13	1,2	214-5165	2	CAP						
	14	1	346-0233	1	CAP-END						
	15	1	346-0234	1	CAP-END						
	18	2	232-0005	1	COVER						
	19	1	232-0019	1	RECEPTACLE (46-PIN)						
	20	2	232-0888	1	FOAM						
	21	2	232-0892	1	FOAM						
	22	1	232-0894	20	CONNECTOR (CONDUIT)						
	23	1	232-0900	3	BRACKET						
	24	2	232-0907	1	TRAY						
	25	2	233-9218	1	RECEPTACLE (31-PIN)						
	26	2	233-9220	1	RECEPTACLE (31-PIN)						
	27	2	233-9222	1	RECEPTACLE (31-PIN)						
	28	2	233-9224	1	RECEPTACLE (85-PIN)						
	29	2	233-9517	1	GASKET						
	30	1	236-7941	5	FASTENER						
	31	1	236-8126	20	NUT						
	32	1	246-2932	1	CAP						
	35	2	100-5805	2	CAP-RECEPTACLE						
	36	1,2	174-0503	2	KIT-CONNECTING PLUG (3-PIN) (EACH PLUG KIT INCLUDES PLUG AS. AND WEDGE)						
	37	1	176-2943	16	KIT-CONNECTING PLUG (2-PIN)						
	38	1,2	3E-5394	2	RECEPTACLE (FLANGE)						
	39	1	5P-9959	12	BOLT (5/16-18X0.5-IN)						
	40	1	5S-7349	5	BOLT (1/4-20X0.5-IN)						
C	41	1	6K-0806	17	STRAP-CABLE						
	42	1	8T-4205	5	WASHER-HARD (7.2X14.5X2-MM THK)						
	43	1,2	8T-8731	2	PLUG-CONNECTOR (3-PIN)						
	44	2	9X-4813	2	RECEPTACLE AS-CONNECTOR (3-PIN)						
E	82	1	239-6337		SEAL (380-CM)						
CDF			5P-5677		WIRE (18-GA, BLACK) (115.1-M)						
DF			5P-5624		WIRE (14-GA, BLACK) (4.2-M)						
DF			5P-5689		WIRE (8-GA, BLACK) (3.2-M)						
CDF			6V-2369		CABLE (4-GA, BLACK) (3.3-M)						
DF			5P-5621		WIRE (12-GA) (0.09-M)						
F			186-3735	29	PIN-CONNECTOR (16-GA TO 18-GA)						
F			233-9226	71	PIN-CONNECTOR (16-GA TO 20-GA)						
F			9W-0852	2	PIN-CONNECTOR (14-GA)						
F			233-9232	10	PIN-CONNECTOR (12-GA TO 14-GA)						

ELECTRICAL AND STARTING SYSTEM

232-0018 HARNESS AS-ENGINE (contd.)

i03871991

NOTE	REF NO	GRAPHIC REF	PART NUMBER	QTY	PART NAME						SEE PAGE
					1	2	3	4	5	6 (PRODUCT LEVEL)	
F			233-9233	4	PIN-CONNECTOR (8-GA TO 10-GA)						
F			8N-1542	2	PIN-CONNECTOR (10-GA)						
F			233-9234	2	PIN-CONNECTOR (4-GA TO 6-GA)						
F			5E-9295	2	PIN-CONNECTOR (6-GA)						
F			233-9227	90	SOCKET-CONNECTOR (16-GA TO 20-GA)						
F			233-9229	10	SOCKET-CONNECTOR (12-GA TO 14-GA)						
F			233-9230	2	SOCKET-CONNECTOR (8-GA TO 10-GA)						
F			186-3736	43	SOCKET-CONNECTOR (16-GA TO 18-GA)						
EF			125-7875		TUBE-HEAT SHRINK (7.44-MM DIA) (10-CM)						
EF			125-7874		TUBE-HEAT SHRINK (5.72-MM DIA) (75-CM)						
EF			119-3662		TUBE-HEAT SHRINK (10.85-MM DIA) (13-CM)						
F			155-2270	16	KIT-CONNECTING PLUG (2-PIN)						
					(EACH INCLUDES PLUG AS AND WEDGE)						
F			155-2260	2	KIT-CONNECTING PLUG (3-PIN)						
					(EACH INCLUDES PLUG AS AND WEDGE)						
CF			159-9496	2	LOCKWASHER						
CF			8T-8737	19	PLUG-SEAL						
CF			7G-7920	4	PLUG-SEAL						
CF			9G-3695	6	PLUG-SEAL						
F			233-9228	12	PLUG-SEAL						
F			233-9235	22	PLUG-SEAL						
F			233-9237	1	PLUG-SEAL						
CEF			210-8958		TUBE-HEAT SHRINK (24-MM DIA) (100-CM)						
CF			203-9007	2	NUT (1-1/2-18-THD)						
CF			203-9001	4	SLEEVE						
CF			203-8999	4	SEAL						
CEF			232-0893		CONDUIT-FLEXIBLE (6.2-MM ID) (601-CM)						
EF			153-2707		CABLE-ELECTRICAL (2-CONDUCTOR, 18-GA) (154-CM)						
EF			134-6258		CABLE-ELECTRICAL (16-GA) (154-CM)						
CEF			116-2652		CABLE-ELECTRICAL (18-GA) (803-CM)						

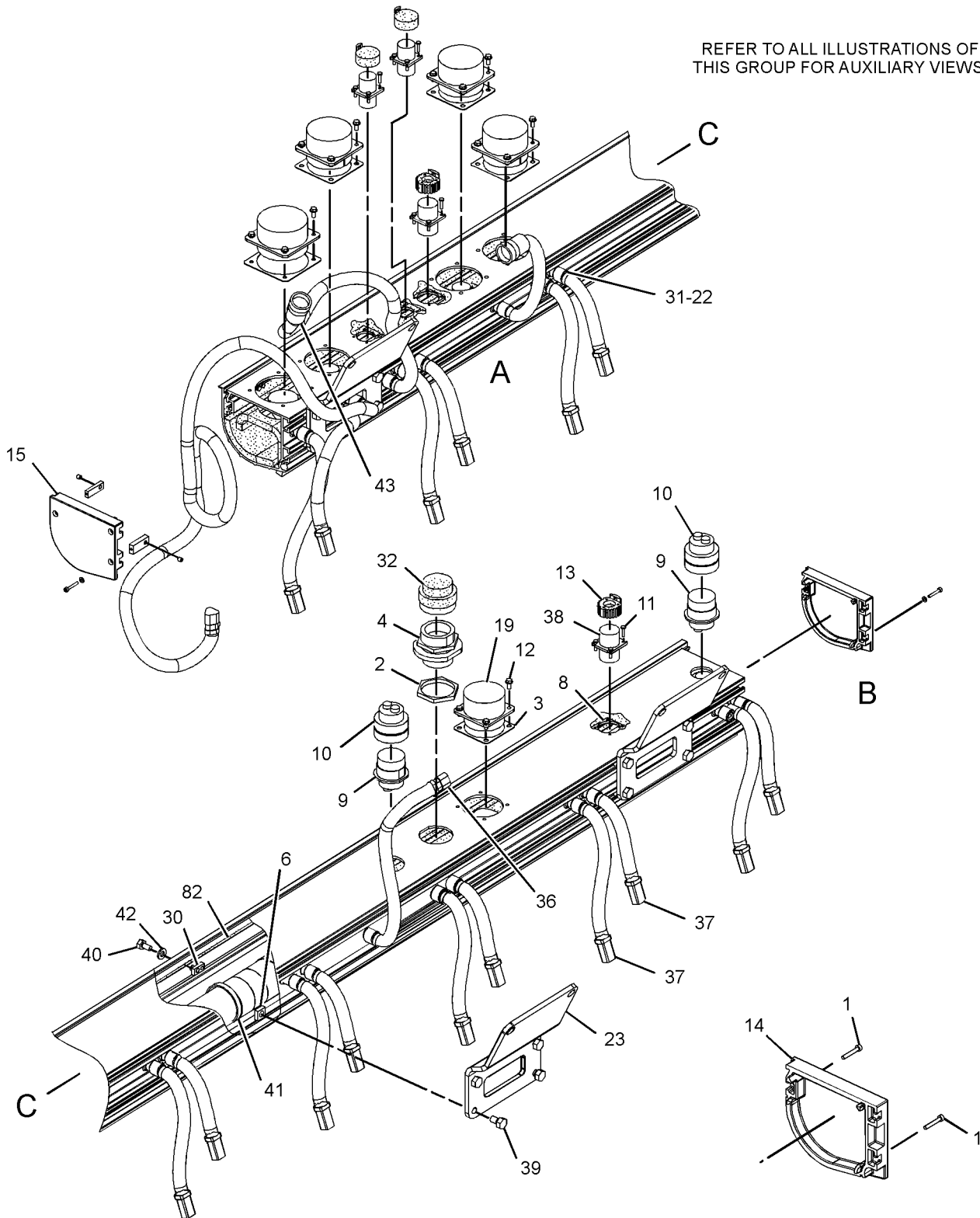
C-CHANGE FROM PREVIOUS TYPE
D-ORDER BY THE METER
E-ORDER BY THE CENTIMETER
F-NOT SHOWN

ELECTRICAL AND STARTING SYSTEM

232-0018 HARNESS AS-ENGINE (contd.)

i03871991

REFER TO ALL ILLUSTRATIONS OF THIS GROUP FOR AUXILIARY VIEWS.



VIEW OF AREA B

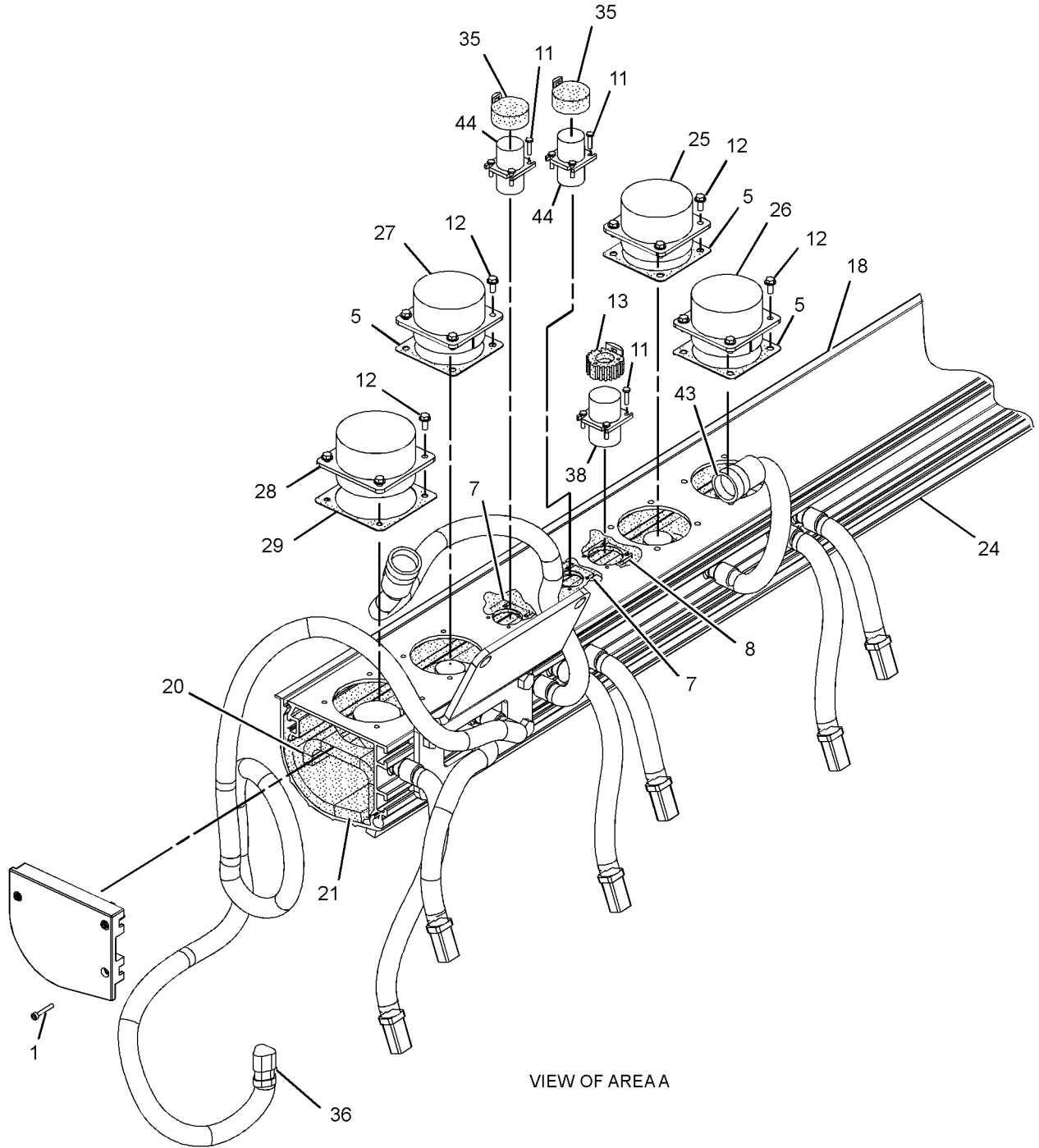
GRAPHIC #1

g02038477

ELECTRICAL AND STARTING SYSTEM

232-0018 HARNESS AS-ENGINE (contd.)

i03871991



GRAPHIC #2

<END>

g02038493

ELECTRICAL AND STARTING SYSTEM

233-9210 HARNESS AS-ENGINE--SMALL INTERCONNECT

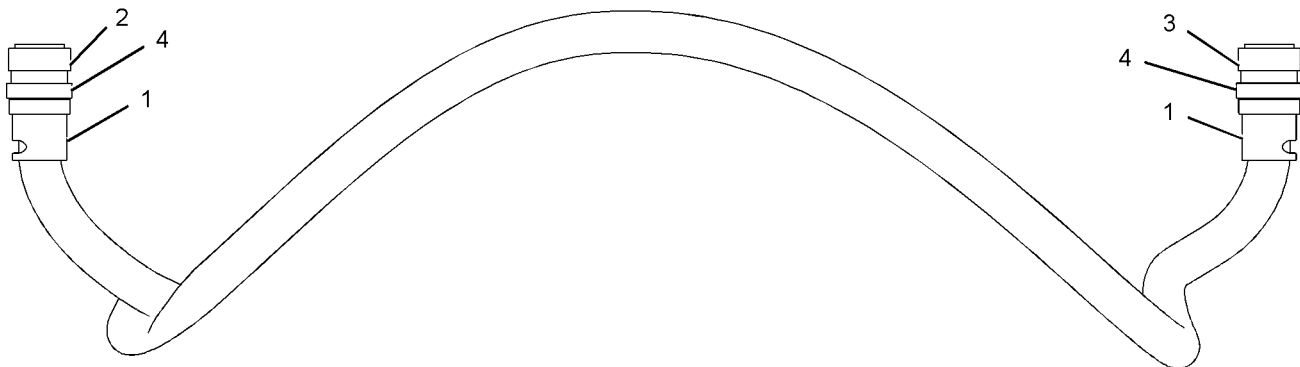
PART OF 232-0016 WIRING GP-ENGINE
AN ATTACHMENT

SMCS-1408

i03357241

NOTE	REF NO	GRAPHIC REF	PART NUMBER	QTY	PART NAME						SEE PAGE
					1	2	3	4	5	6 (PRODUCT LEVEL)	
	1	1	231-9899	2	CONNECTOR (CONDUIT)						
	2	1	233-9223	1	CONNECTOR (31-PIN)						
	3	1	233-9219	1	CONNECTOR (31-PIN)						
	4	1	241-8266	2	ADAPTER						
BF			5P-5621		WIRE (12-GA)						
BF			5P-5689		WIRE (8-GA, BLACK)						
BF			5P-5677		WIRE (18-GA, BLACK)						
F			233-9232	14	PIN-CONNECTOR (12-GA TO 14-GA)						
F			233-9233	2	PIN-CONNECTOR (8-GA TO 10-GA)						
F			233-9226	14	PIN-CONNECTOR (16-GA TO 20-GA)						
F			233-9229	14	SOCKET-CONNECTOR (12-GA TO 14-GA)						
F			233-9230	2	SOCKET-CONNECTOR (8-GA TO 10-GA)						
F			233-9227	14	SOCKET-CONNECTOR (16-GA TO 20-GA)						
F			233-9237	2	PLUG-SEAL						
EF			231-9897		CONDUIT-FLEXIBLE (36-MM ID) (270-CM)						
F			233-9234	1	PIN-CONNECTOR (4-GA TO 6-GA)						
F			233-9231	1	SOCKET-CONNECTOR (4-GA TO 6-GA)						
BF			6V-2369		CABLE (4-GA, BLACK)						

B-USE AS REQUIRED
E-ORDER BY THE CENTIMETER
F-NOT SHOWN



GRAPHIC #1

<END>

g01045437

ELECTRICAL AND STARTING SYSTEM

237-8992 HARNESS AS-ENGINE-PRELUBRICATION

PART OF 232-0899 WIRING GP-PRELUBRICATION

AN ATTACHMENT

SMCS-1408

i03529200

NOTE	PART NUMBER	QTY	PART NAME						SEE PAGE
			1	2	3	4	5	6 (PRODUCT LEVEL)	
	235-2764	1	ADAPTER (CONDUIT)						
E	232-0897		CONDUIT-FLEXIBLE (16.2-MM ID) (81-CM)						
E	231-9895		CONDUIT-FLEXIBLE (21.9-MM ID) (39-CM)						
	203-9000	1	PLUG AS (6-PIN)						
	203-8999	2	SEAL						
	203-9001	2	SLEEVE						
	8T-8737	2	PLUG-SEAL						
	203-8999	2	SEAL						
	7R-3354	2	SOCKET						
	131-1488	2	TERMINAL AS-RING (6-GA TO 8-GA)						
			(EACH INCLUDES)						
	2L-8050	1	TERMINAL-RING (6-GA, 1/4-IN SCREW)						
			-OR-						
	2L-8058	1	TERMINAL-RING (8-GA, 1/4-IN SCREW)						
E	119-3662		TUBE-HEAT SHRINK (10.85-MM DIA) (3-CM)						
	152-5538	2	TERMINAL AS						
			(EACH INCLUDES)						
	7N-9194	1	RING-TERMINAL (18-GA TO 22-GA)						
E	125-7874		TUBE-HEAT SHRINK (5.72-MM DIA) (3-CM)						
E	135-5009		TUBE-HEAT SHRINK (32-MM DIA) (5-CM)						

E-ORDER BY THE CENTIMETER

<END>

ELECTRICAL AND STARTING SYSTEM

237-8994 HARNESS AS-ENGINE-AIR SHUTOFF

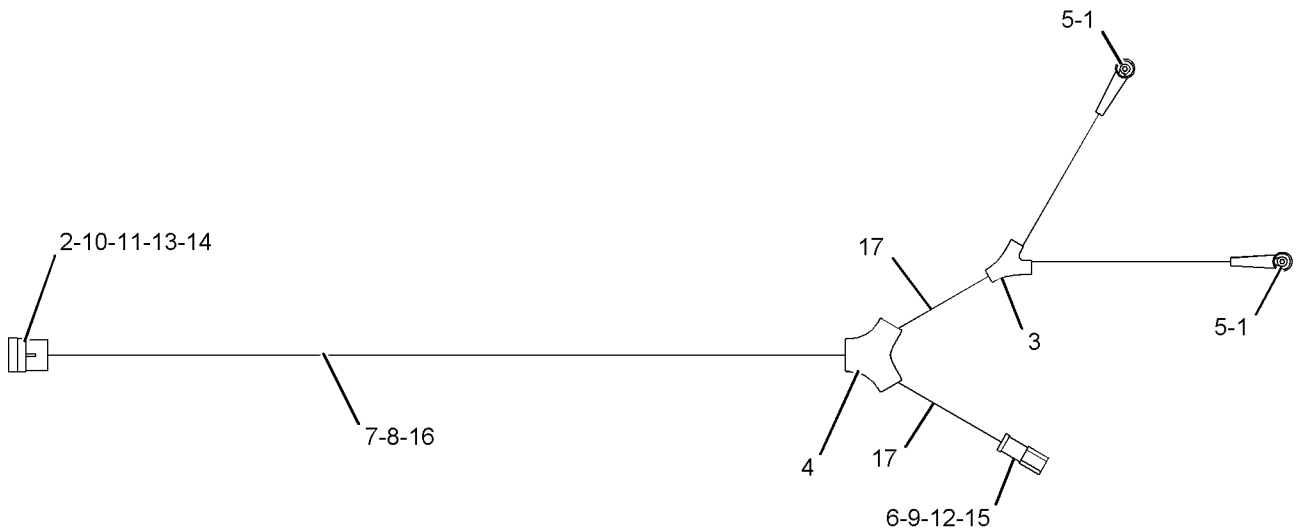
PART OF 232-0889 WIRING GP-AIR SHUTOFF
AN ATTACHMENT

SMCS-1408

i02649953

NOTE	REF NO	GRAPHIC REF	PART NUMBER	QTY	PART NAME						SEE PAGE
					1	2	3	4	5	6 (PRODUCT LEVEL)	
	1	1	3B-3638	2	BOOT						
	2	1	8T-8733	1	PLUG-CONNECTOR (5-PIN)						
	3	1	202-2109	1	TUBE-HEAT SHRINK (12.8-MM DIA, Y-TRANSITION)						
	4	1	238-9802	1	FITTING						
	5	1	<i>131-1502</i>	2	TERMINAL AS						
					(EACH INCLUDES)						
		1	2L-8075	1	TERMINAL-RING (14-GA TO 16-GA, NO. 8 SCREW)						
E		1	125-7874		TUBE-HEAT SHRINK (5.72-MM DIA) (3-CM)						
	6	1	102-8802	1	KIT-RECEPTACLE (2-PIN)						
					(INCLUDES RECEPTACLE AS AND WEDGE)						
BD	7	1	5P-5624		WIRE (14-GA, BLACK)						
BD	8	1	5P-5677		WIRE (18-GA, BLACK)						
	9	1	186-3735	4	PIN-CONNECTOR (16-GA TO 18-GA)						
	10	1	9W-0844	2	SOCKET-CONNECTOR (14-GA)						
	11	1	186-3736	2	SOCKET-CONNECTOR (16-GA TO 18-GA)						
	12	1	3E-3365	1	WEDGE-RECEPTACLE LOCK (2-PIN)						
	13	1	8T-8737	1	PLUG-SEAL						
E	14	1	135-5009		TUBE-HEAT SHRINK (32-MM DIA) (5-CM)						
J	15	1	097-7404		TUBE-HEAT SHRINK (19.1-MM DIA) (1-DM)						
E	16	1	232-0897		CONDUIT-FLEXIBLE (16.2-MM ID) (79-CM)						
E	17	1	232-0895		CONDUIT-FLEXIBLE (9.6-MM ID) (36-CM)						

B-USE AS REQUIRED
D-ORDER BY THE METER
E-ORDER BY THE CENTIMETER
J-ORDER BY THE DECIMETER



GRAPHIC #1

<END>

g01076127

ELECTRICAL AND STARTING SYSTEM

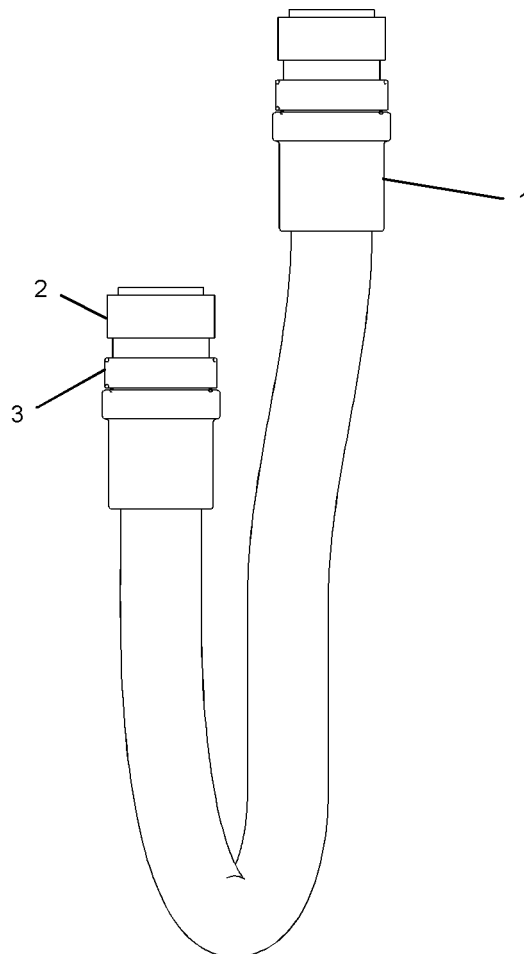
239-1471 HARNESS AS-ENGINE-MARINE POWER DISPLAY PART OF 239-6364 WIRING GP-ENGINE, 239-1470, 239-6365 WIRING GP-ENGINE ELECTRONIC, 239-1472 WIRING GP-PANEL AN ATTACHMENT

SMCS-1408

i02739623

NOTE	REF NO	GRAPHIC REF	PART NUMBER	QTY	PART NAME						SEE PAGE
					1	2	3	4	5	6 (PRODUCT LEVEL)	
	1	1	231-9915	2	CONNECTOR (CONDUIT)						
	2	1	232-0020	2	CONNECTOR AS (46-PIN)						
	3	1	241-8267	2	ADAPTER						
DF			5P-5677		WIRE (18-GA, BLACK) (35.6-M)						
F			233-9227	92	SOCKET-CONNECTOR (16-GA TO 20-GA)						
EF			231-9897		CONDUIT-FLEXIBLE (36-MM ID) (76-CM)						
EF			153-2707		CABLE-ELECTRICAL (19-GA) (89-CM)						
EF			134-6258		CABLE-ELECTRICAL (16-GA) (89-CM)						

D- ORDER BY THE METER
E- ORDER BY THE CENTIMETER
F- NOT SHOWN



<END>

GRAPHIC #1

g01050294

ELECTRICAL AND STARTING SYSTEM

239-1481 HARNESS AS-ENGINE-MARINE POWER DISPLAY

15-METER EXTENSION

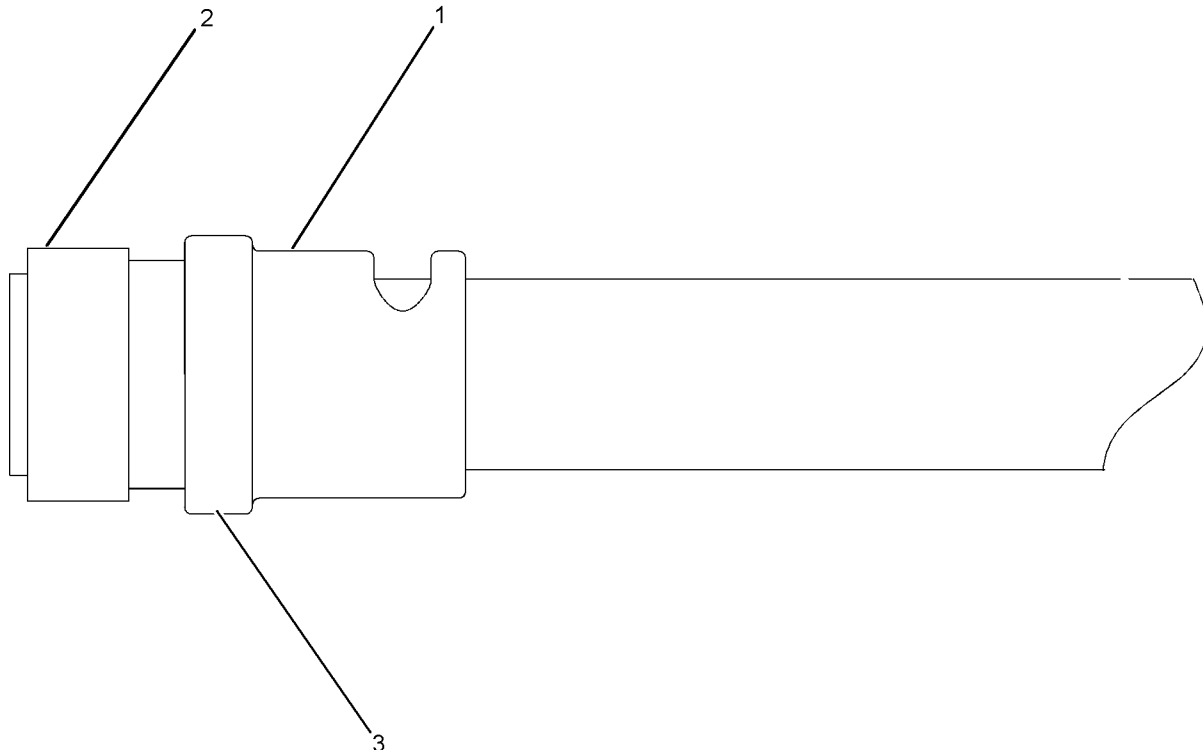
PART OF 239-1480, 239-1482 WIRING GP-ENGINE ELECTRONIC
AN ATTACHMENT

SMCS-1408

i02739633

NOTE	REF NO	GRAPHIC REF	PART NUMBER	QTY	PART NAME						SEE PAGE
					1	2	3	4	5	6 (PRODUCT LEVEL)	
	1	1	231-9915	2	CONNECTOR (CONDUIT)						
	2	1	232-0020	2	CONNECTOR AS (46-PIN)						
	3	1	241-8267	2	ADAPTER						
DF			5P-5677		WIRE (18-GA, BLACK) (635.6-M)						
F			233-9227	92	SOCKET-CONNECTOR (16-GA TO 20-GA)						
EF			231-9897		CONDUIT-FLEXIBLE (36-MM ID) (1576-CM)						
EF			153-2707		CABLE-ELECTRICAL (19-GA) (1589-CM)						
EF			134-6258		CABLE-ELECTRICAL (16-GA) (1589-CM)						

D- ORDER BY THE METER
E- ORDER BY THE CENTIMETER
F- NOT SHOWN



GRAPHIC #1

<END>

g01050256

ELECTRICAL AND STARTING SYSTEM

239-1486 HARNESS AS-ENGINE

30-METER EXTENSION

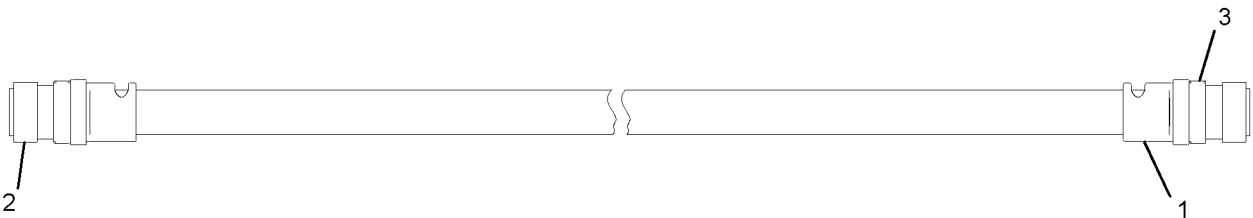
PART OF 346-5276 BOX GP-JUNCTION, 239-1485, 239-1487 WIRING GP-ENGINE
ELECTRONIC
AN ATTACHMENT

SMCS-1408

i02739752

NOTE	REF NO	GRAPHIC REF	PART NUMBER	QTY	PART NAME						SEE PAGE
					1	2	3	4	5	6 (PRODUCT LEVEL)	
	1	1	231-9915	2	CONNECTOR (CONDUIT)						
	2	1	232-0020	2	CONNECTOR AS (46-PIN)						
	3	1	241-8267	2	ADAPTER						
F			233-9227	92	SOCKET-CONNECTOR (16-GA TO 20-GA)						
EF			231-9897		CONDUIT-FLEXIBLE (36-MM ID) (3076-CM)						
EF			153-2707		CABLE-ELECTRICAL (19-GA) (3089-CM)						
EF			134-6258		CABLE-ELECTRICAL (16-GA) (3089-CM)						

E-ORDER BY THE CENTIMETER
F-NOT SHOWN



GRAPHIC #1

<END>

g01050255

ELECTRICAL AND STARTING SYSTEM

279-2065 HARNESS AS-ENGINE-LH PART OF 232-0016, 296-8289 WIRING GP-ENGINE AN ATTACHMENT

SMCS-1408

i03757894

NOTE	REF NO	GRAPHIC REF	PART NUMBER	QTY	PART NAME 1 2 3 4 5 6 (PRODUCT LEVEL)	SEE PAGE
	1	1	309-7564	2	BEAD-FERRITE	
	2	1	8C-6354	1	CAP-RECEPTACLE	
	3	2	1H-3340	6	BOLT (10-24X1-IN)	
	4	1	123-0316	1	DIODE AS	
	5	1	128-4250	1	NUT (1-11/16-18-THD)	
	6	1	131-4731	1	GASKET	
	7	1	147-1443	2	PLUG AS-CONNECTOR (70-PIN) (EACH INCLUDES)	
		1	159-9322	1	SEAL-O-RING	
	8	1	153-1223	1	CONNECTOR-RECEPTACLE (23-PIN)	
	9	1	154-3254	1	GASKET	
	10	1	160-7690	2	PLUG AS-CONNECTOR (70-PIN) (EACH INCLUDES)	
		1	159-9322	1	SEAL-O-RING	
	11	1	202-2141	12	NUT-SQUARE (5/16-18-THD)	
	12	1	203-8944	1	GASKET	
	13	1	203-8945	1	GASKET	
	14	1	203-8977	1	RECEPTACLE AS (6-PIN)	
		1	159-9496	1	LOCKWASHER	
		1	203-9000	1	PLUG AS (6-PIN)	
		1	203-9007	1	NUT (1-1/2-18-THD)	
	15	1	203-9000	1	PLUG AS (6-PIN)	
		1	203-8999	2	SEAL	
		1	203-9001	2	SLEEVE	
	16	1	212-3221	20	BOLT (4-40X0.5-IN)	
	17	1	212-3222	16	BOLT (8-32X0.439-IN)	
	18	1	214-5165	1	CAP	
	19	1	346-0233	1	CAP-END	
	20	1	346-0234	1	CAP-END	
	23	1	231-9898	2	CONNECTOR (CONDUIT)	
	24	1	232-0005	1	COVER	
	25	1	232-0019	1	RECEPTACLE (46-PIN)	
	26	1	232-0886	1	FOAM	
	27	1	232-0892	1	FOAM	
	28	1	232-0894	25	CONNECTOR (CONDUIT)	
	29	1	232-0900	3	BRACKET	
	30	1	232-0906	1	TRAY	
Y	31	1	309-4122	4	COVER GP-MODULE CONNECTOR	401
	32	1	233-9216	1	RECEPTACLE (85-PIN)	
	33	1	233-9218	1	RECEPTACLE (31-PIN)	
	34	1	233-9224	1	RECEPTACLE (85-PIN)	
	35	1	233-9517	2	GASKET	
	36	1	235-2761	1	GASKET	
	37	2	236-7941	5	FASTENER	
	38	1	236-8126	25	NUT	
	39	1	236-8130	2	NUT (M40X1.5-THD)	
	40	1	311-7510	2	ADAPTER	
	41	1	311-7511	2	ADAPTER	
	42	1	239-5374	2	CONNECTOR (CONDUIT)	
	43	1	239-5375	2	NUT (M32X1.5-THD)	
	44	1	239-8154	2	GASKET	
	45	1	246-2932	1	CAP	
	46	1	246-6506	1	CAP-CONNECTOR	
M	47	2	096-0028	5	SETSCREW-SOCKET (M5X0.8X5-MM)	
	49	1	100-5805	1	CAP-RECEPTACLE	
	50	1	155-2271	2	KIT-CONNECTING PLUG (4-PIN)	

ELECTRICAL AND STARTING SYSTEM

279-2065 HARNESS AS-ENGINE (contd.)

i03757894

NOTE	REF NO	GRAPHIC REF	PART NUMBER	QTY	PART NAME						SEE PAGE
					1	2	3	4	5	6 (PRODUCT LEVEL)	
	51	1,2	174-0503	3	KIT-CONNECTING PLUG (3-PIN)						
	52	1	176-2943	16	KIT-CONNECTING PLUG (2-PIN) (EACH INCLUDES PLUG AS, WEDGE, & INTERFACE SEAL)						
	53	1	3E-5394	1	RECEPTACLE (FLANGE)						
	54	1	5P-9959	12	BOLT (5/16-18X0.5-IN)						
	55	2	5S-7349	5	BOLT (1/4-20X0.5-IN)						
	56	1	6K-0806	19	STRAP-CABLE						
	57	1	8C-3654	1	PLUG-CONNECTOR (6-PIN)						
	58	2	8T-4205	5	WASHER-HARD (7.2X14.5X2-MM THK)						
	59	1	8T-8731	4	PLUG-CONNECTOR (3-PIN)						
	60	1	8T-8732	2	RECEPTACLE (3-PIN)						
	61	1	9W-1951	1	RECEPTACLE-CONNECTOR (9-PIN)						
	62	1	9X-4813	1	RECEPTACLE AS-CONNECTOR (3-PIN)						
	63	1	9X-4814	2	RECEPTACLE AS-CONNECTOR (6-PIN)						
E	99	2	239-6337		SEAL (380-CM)						
FL			5P-5677		WIRE (18-GA, BLACK) (4264-DM)						
FL			5P-5624		WIRE (14-GA, BLACK) (215-DM)						
FL			5P-5689		WIRE (8-GA, BLACK) (8-DM)						
F			186-3735	45	PIN-CONNECTOR (16-GA TO 18-GA)						
F			233-9226	136	PIN-CONNECTOR (16-GA TO 20-GA)						
F			233-9232	10	PIN-CONNECTOR (12-GA TO 14-GA)						
F			9W-0852	4	PIN-CONNECTOR (14-GA)						
F			233-9233	2	PIN-CONNECTOR (8-GA TO 10-GA)						
F			8N-1542	2	PIN-CONNECTOR (10-GA)						
F			186-3736	63	SOCKET-CONNECTOR (16-GA TO 18-GA)						
F			9X-3402	158	SOCKET-CONNECTOR (16-GA TO 18-GA)						
F			233-9227	82	SOCKET-CONNECTOR (16-GA TO 20-GA)						
F			126-1768	8	SOCKET-CONNECTOR (14-GA)						
EF			125-7874		TUBE-HEAT SHRINK (5.72-MM DIA) (465-CM)						
EF			119-3662		TUBE-HEAT SHRINK (10.85-MM DIA) (46-CM)						
EF			125-7875		TUBE-HEAT SHRINK (7.44-MM DIA) (40-CM)						
F			155-2270	16	KIT-CONNECTING PLUG (2-PIN)						
F			155-2260	3	KIT-CONNECTING PLUG (3-PIN) (EACH INCLUDES PLUG AS & WEDGE)						
F			159-9496	1	LOCKWASHER						
F			8T-8737	131	PLUG-SEAL						
F			7G-7920	2	PLUG-SEAL (4-GA TO 6-GA)						
F			233-9228	13	PLUG-SEAL						
F			233-9235	4	PLUG-SEAL						
F			233-9237	1	PLUG-SEAL						
EF			210-8958		TUBE-HEAT SHRINK (24-MM DIA) (130-CM)						
F			203-9007	1	NUT (1-1/2-18-THD)						
F			203-9001	2	SLEEVE						
F			203-8999	2	SEAL						
EF			153-2707		CABLE-ELECTRICAL (2-CONDUCTOR, 18-GA) (673-CM)						
EF			134-6258		CABLE-ELECTRICAL (16-GA) (172-CM)						
EF			116-2652		CABLE-ELECTRICAL (18-GA) (718-CM)						
EF			232-0893		CONDUIT-FLEXIBLE (6.2-MM ID) (916-CM)						
EF			231-9897		CONDUIT-FLEXIBLE (36-MM ID) (213-CM)						
EF			235-2765		CONDUIT-FLEXIBLE (27.6-MM ID) (80-CM)						

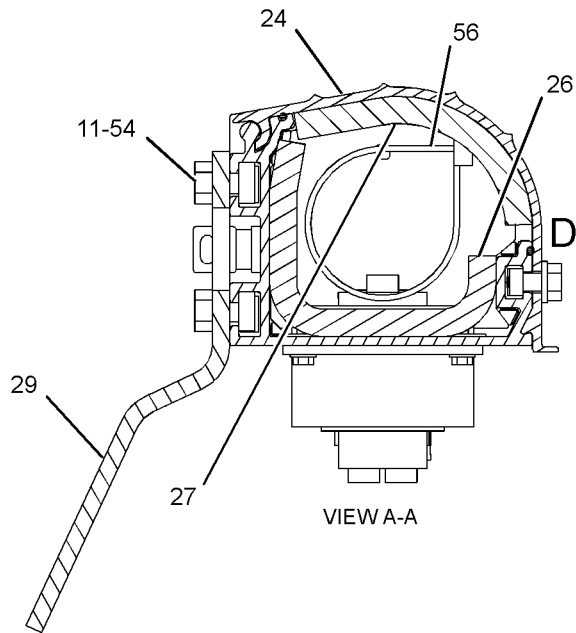
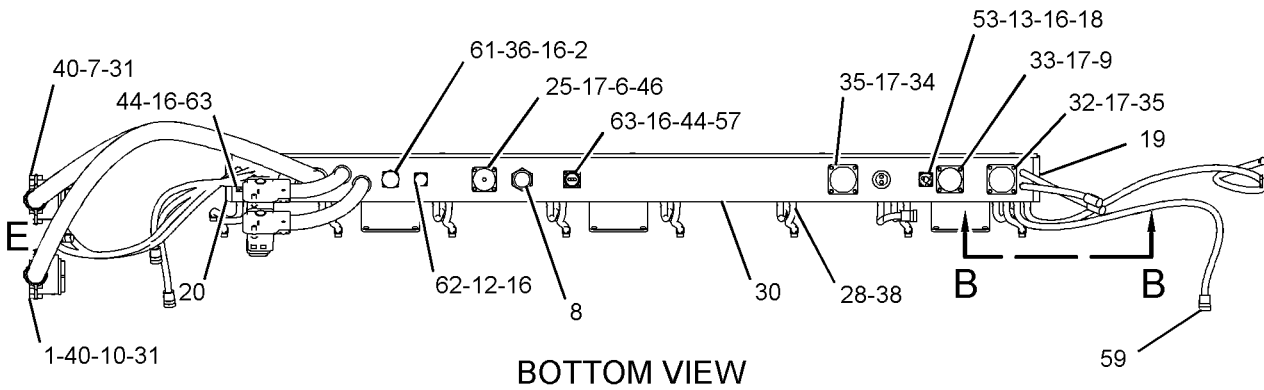
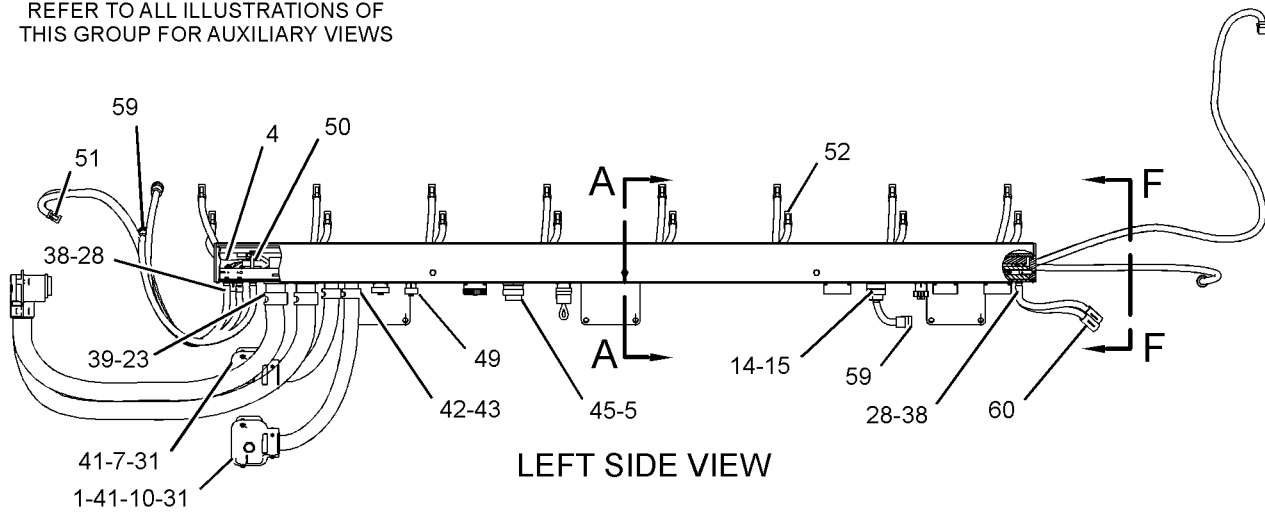
E-ORDER BY THE CENTIMETER
 F-NOT SHOWN
 L-ORDER BY THE DECIMETER
 M-METRIC PART
 Y-SEPARATE ILLUSTRATION

ELECTRICAL AND STARTING SYSTEM

279-2065 HARNESS AS-ENGINE (contd.)

i03757894

REFER TO ALL ILLUSTRATIONS OF THIS GROUP FOR AUXILIARY VIEWS



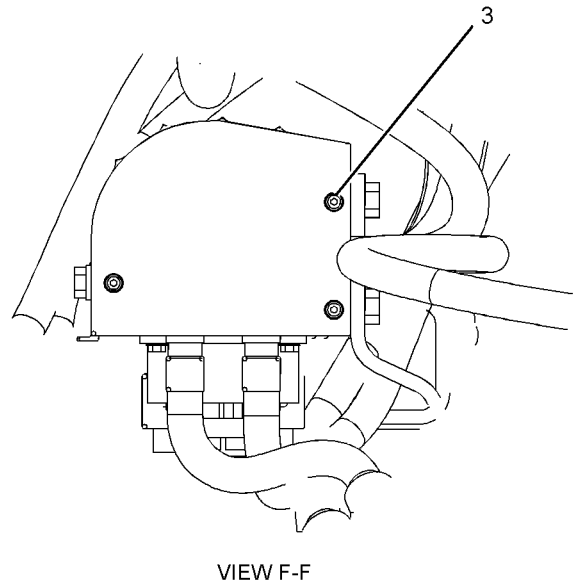
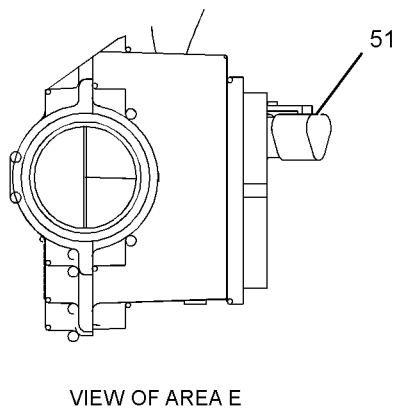
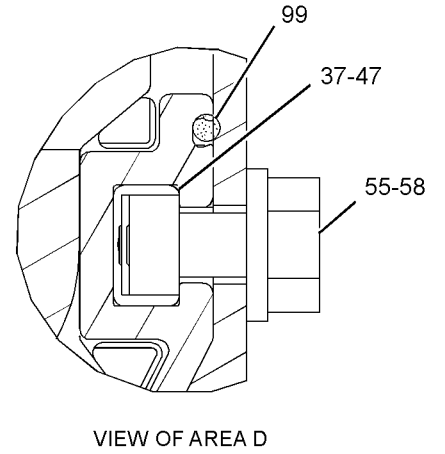
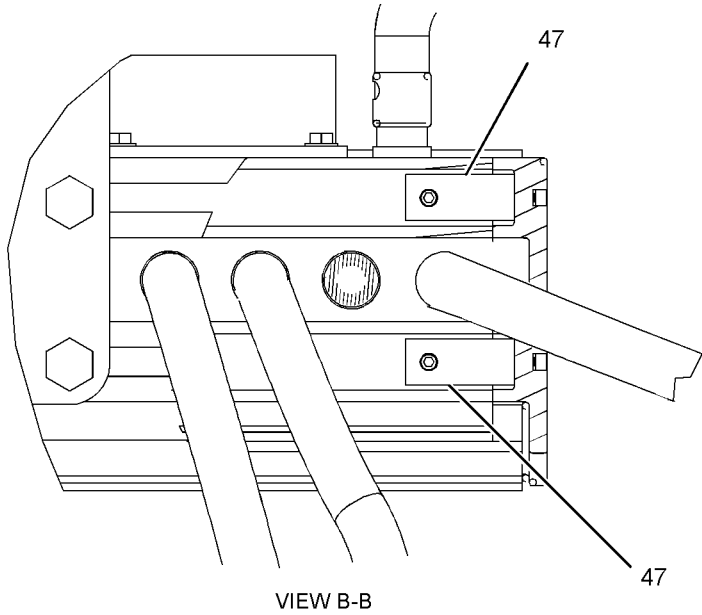
GRAPHIC #1

g02038442

ELECTRICAL AND STARTING SYSTEM

279-2065 HARNESS AS-ENGINE (contd.)

i03757894



GRAPHIC #2

<END>

g02038454

ELECTRICAL AND STARTING SYSTEM

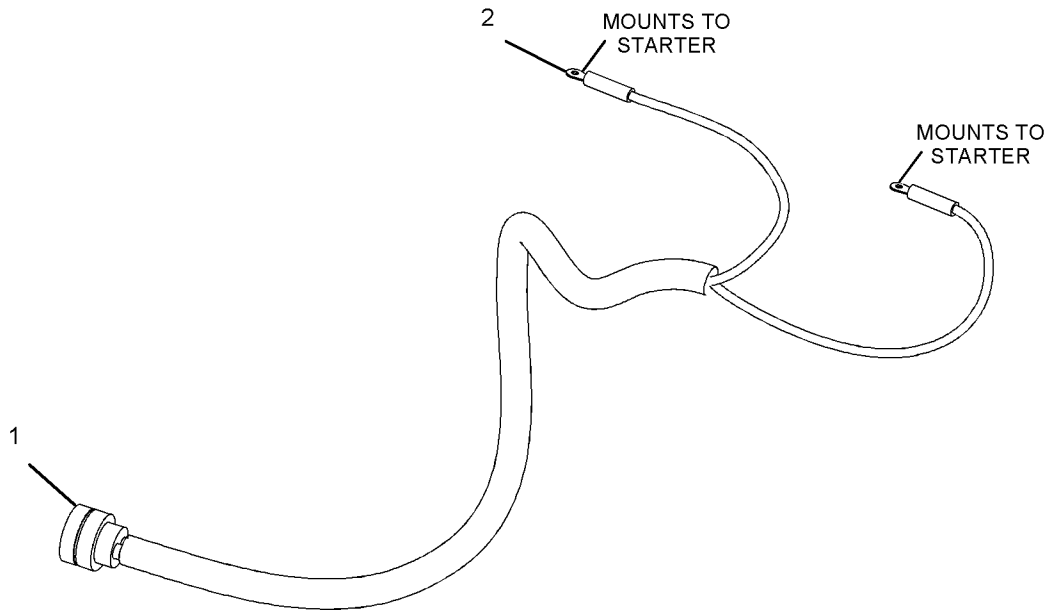
238-2929 HARNESS AS-MOTOR-ENGINE START PART OF 238-2928 WIRING GP-ELECTRIC STARTING AN ATTACHMENT

SMCS-1408

i03870231

NOTE	REF NO	GRAPHIC REF	PART NUMBER	QTY	PART NAME						SEE PAGE
					1	2	3	4	5	6 (PRODUCT LEVEL)	
	1	1	203-9000	1	PLUG AS (6-PIN)						
		1	203-8999	2	SEAL						
		1	203-9001	2	SLEEVE						
	2	1	131-1487	2	TERMINAL AS (6-GA TO 8-GA)						
					(EACH INCLUDES)						
		1	2L-8049	1	TERMINAL-RING (6-GA, NO. 10 SCREW)						
					-OR-						
		1	2L-8057	1	TERMINAL-RING (8-GA, NO. 10 SCREW)						
E		1	119-3662		TUBE-HEAT SHRINK (10.85-MM DIA) (4-CM)						
FH			097-7404		TUBE-HEAT SHRINK (19.1-MM DIA) (1-DM)						
F			8T-8737	4	PLUG-SEAL						
F			203-8999	2	SEAL						
F			203-9001	2	SLEEVE						
F			7R-3354	2	SOCKET						
EF			135-5009		TUBE-HEAT SHRINK (32-MM DIA) (5-CM)						
DF			5P-5622		WIRE (10-GA, BLACK) (2.3-M)						
EF			232-0897		CONDUIT-FLEXIBLE (16.2-MM ID) (80-CM)						

D-ORDER BY THE METER
E-ORDER BY THE CENTIMETER
F-NOT SHOWN
H-ORDER BY THE DECIMETER



GRAPHIC #1

<END>

g01059974

ELECTRICAL AND STARTING SYSTEM

237-9022 HARNESS AS-PANEL-SPEED CONTROL

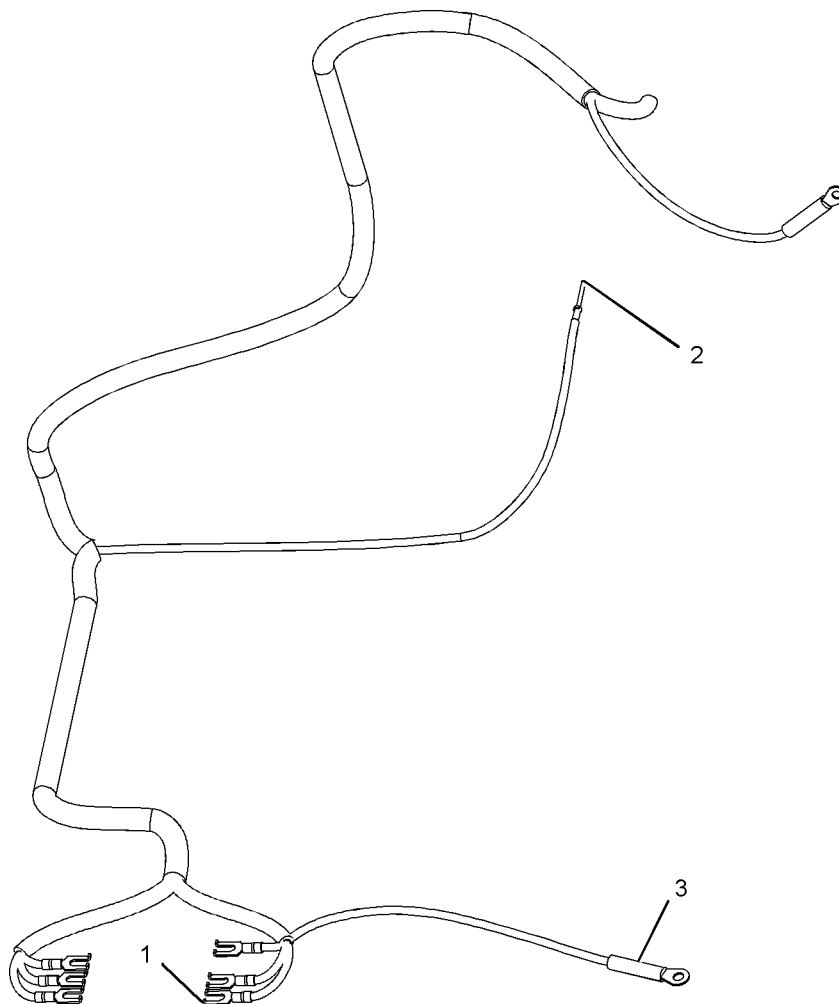
PART OF 238-9549 CONTROL GP-FUEL
FOR USE WITH POWER DISTRIBUTION BOX
AN ATTACHMENT

SMCS-1408, 7451

i01935420

NOTE	REF NO	GRAPHIC REF	PART NUMBER	QTY	PART NAME						SEE PAGE
					1	2	3	4	5	6 (PRODUCT LEVEL)	
	1	1	092-7436	6	TERMINAL						
	2	1	233-9226	1	PIN-CONNECTOR (16-GA TO 20-GA)						
	3	1	128-4183	2	TERMINAL AS						
					(EACH INCLUDES)						
		1	2L-8075	1	TERMINAL-RING (14-GA TO 16-GA, NO. 8 SCREW)						
BD		1	6V-2689		TUBE-HEAT SHRINK (6.35-MM DIA)						
	BDF		5P-5677		WIRE (18-GA, BLACK)						
	F		8L-8413	20	STRAP-CABLE						

B-USE AS REQUIRED
D-ORDER BY THE METER
F-NOT SHOWN



GRAPHIC #1

<END>

g01017317

ELECTRICAL AND STARTING SYSTEM

239-1476 HARNESS AS-PANEL- MARINE POWER DISPLAY, EXTENSION 3-METER EXTENSION

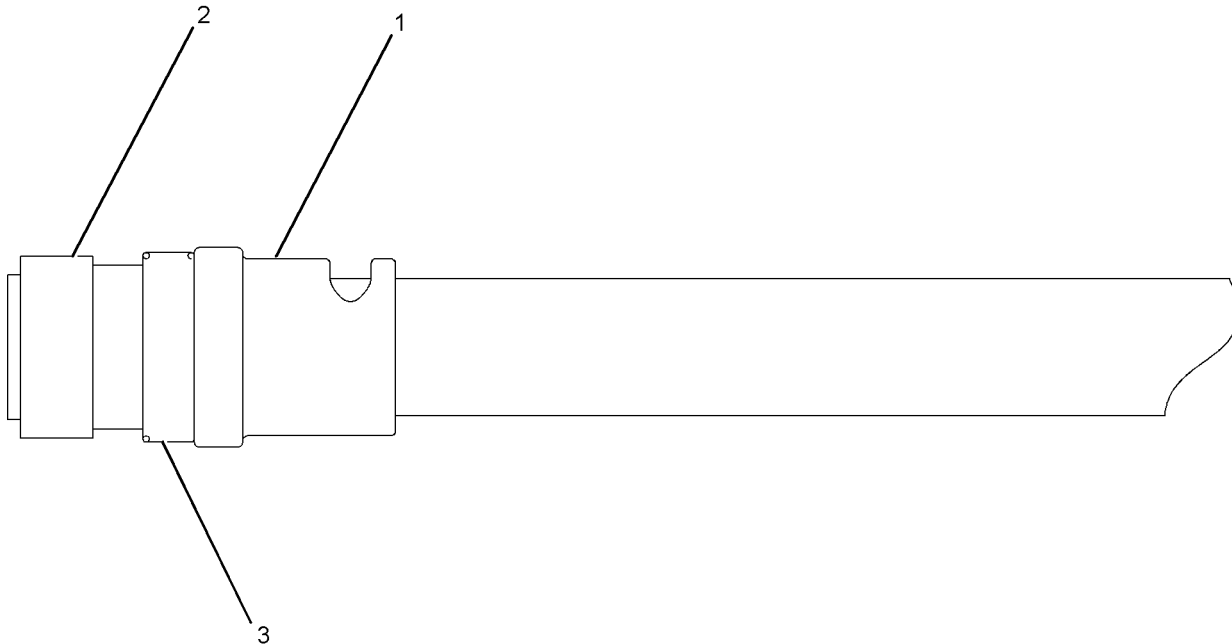
PART OF 239-1475, 239-1477 WIRING GP-ENGINE ELECTRONIC
AN ATTACHMENT

SMCS-1408, 7451

i02739764

NOTE	REF NO	GRAPHIC REF	PART NUMBER	QTY	PART NAME						SEE PAGE
					1	2	3	4	5	6 (PRODUCT LEVEL)	
	1	1	231-9915	2	CONNECTOR (CONDUIT)						
	2	1	232-0020	2	CONNECTOR AS (46-PIN)						
	3	1	241-8267	2	ADAPTER						
DF			5P-5677		WIRE (18-GA, BLACK) (155.6DM)						
F			233-9227	92	SOCKET-CONNECTOR (16-GA TO 20-GA)						
EF			231-9897		CONDUIT-FLEXIBLE (36-MM ID) (376-CM)						
EF			153-2707		CABLE-ELECTRICAL (19-GA) (389-CM)						
EF			134-6258		CABLE-ELECTRICAL (16-GA) (389-CM)						

D- ORDER BY THE METER
E- ORDER BY THE CENTIMETER
F- NOT SHOWN



GRAPHIC #1

<END>

g01050284

ELECTRICAL AND STARTING SYSTEM

278-1836 HARNESS AS-PANEL-MARINE POWER DISPLAY

PART OF 231-9900, 231-9901, 290-3211, 300-0478 BOX GP-INSTRUMENT PANEL
AN ATTACHMENT

SMCS-1408, 7451

i02456944

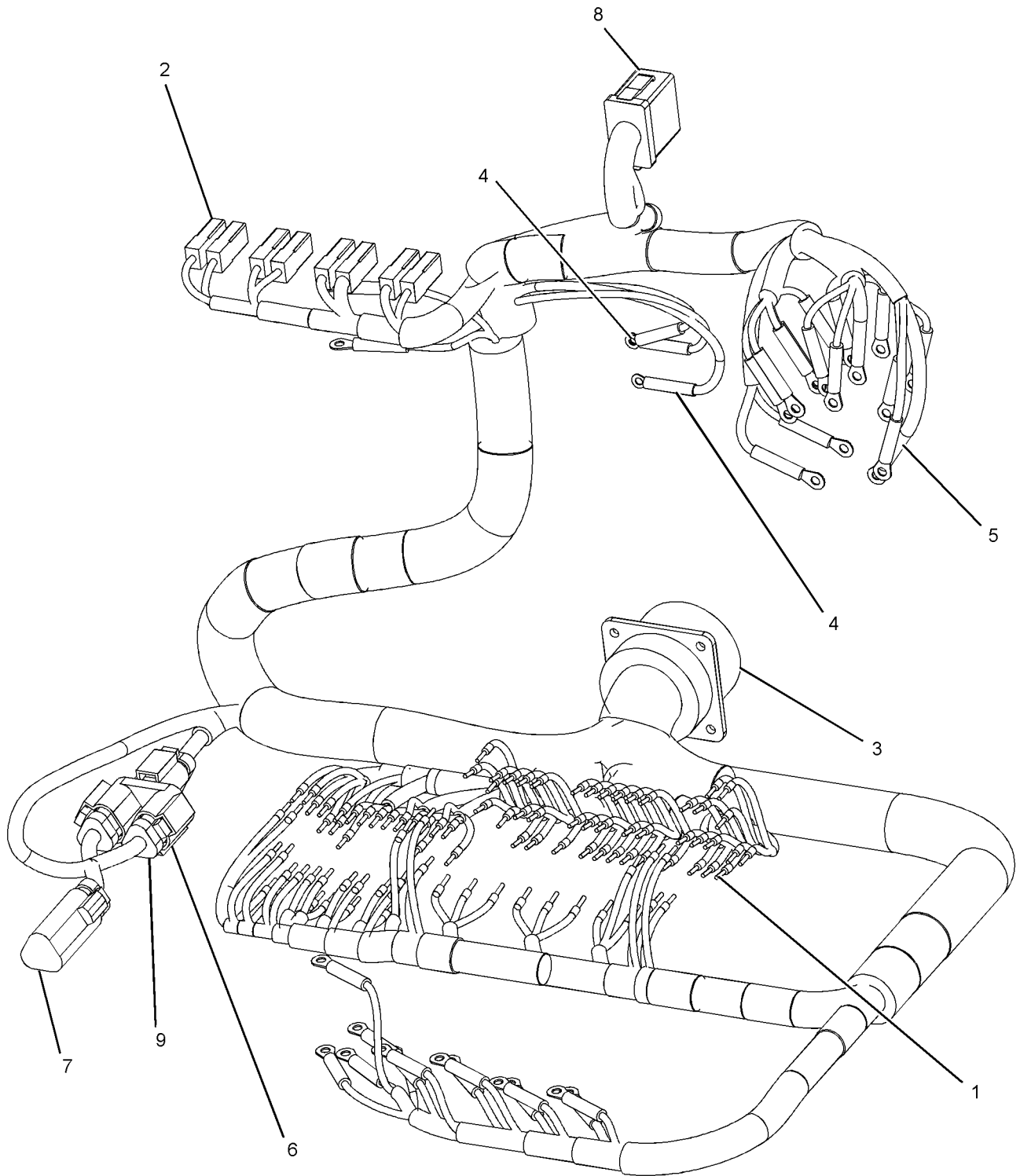
NOTE	REF NO	GRAPHIC REF	PART NUMBER	QTY	PART NAME						SEE PAGE
					1	2	3	4	5	6 (PRODUCT LEVEL)	
	1	1	110-8714	100	END-WIRE (18-GA)						
	2	1	207-5432	8	TERMINAL-BLADE (14-GA TO 16-GA)						
	3	1	232-0019	1	RECEPTACLE (46-PIN)						
	4	1	5P-2321	3	TERMINAL-FORK (14-GA TO 16-GA, NO. 6 SCREW)						
	5	1	2L-8075	30	TERMINAL-RING (14-GA TO 16-GA, NO. 8 SCREW)						
	6	1	133-0970	1	RECEPTACLE AS (TEE)						
	7	1	134-2540	1	RESISTOR AS-CONNECTION (3-PIN)						
	8	1	155-2255	1	KIT-CONNECTING PLUG (12-PIN) (INCLUDES PLUG AS AND WEDGE)						
	9	1	174-0503	4	KIT-CONNECTING PLUG (3-PIN) (EACH INCLUDES PLUG AS AND WEDGE)						
F			233-9226	41	PIN-CONNECTOR (16-GA TO 20-GA)						
F			8T-8737	2	PLUG-SEAL						
F			233-9228	5	PLUG-SEAL						
F			186-3736	21	SOCKET-CONNECTOR (16-GA TO 18-GA)						
F			9W-0844	1	SOCKET-CONNECTOR (14-GA)						
BF			8L-8413	60	STRAP-CABLE						
EF			125-7874		TUBE-HEAT SHRINK (5.72-MM DIA) (105-CM)						
EF			119-3662		TUBE-HEAT SHRINK (10.85-MM DIA) (20-CM)						
EF			125-7875		TUBE-HEAT SHRINK (7.44-MM DIA) (5-CM)						
F			155-2258	1	WEDGE-PLUG LOCK (12-PIN)						
BEF			153-2707		CABLE-ELECTRICAL (2-CONDUCTOR, 18-GA)						

B-USE AS REQUIRED
E-ORDER BY THE CENTIMETER
F-NOT SHOWN

ELECTRICAL AND STARTING SYSTEM

278-1836 HARNESS AS-PANEL (contd.)

i02456944



GRAPHIC #1

<END>

g01286638

ELECTRICAL AND STARTING SYSTEM

323-5180 HARNESS AS-PANEL

AN ATTACHMENT

SMCS-1408, 7451

i03613882

NOTE	PART NUMBER	QTY	PART NAME						SEE PAGE
			1	2	3	4	5	6 (PRODUCT LEVEL)	
	155-2255		KIT-CONNECTING PLUG (12-PIN)						
			(INCLUDES PLUG AS, WEDGE & INTERFACE SEAL)						
	155-2271		KIT-CONNECTING PLUG (4-PIN)						
			(INCLUDES PLUG AS, WEDGE & INTERFACE SEAL)						
	102-8801		KIT-RECEPTACLE (12-PIN)						
			(INCLUDES RECEPTACLE AS & WEDGE)						
			<END>						

ELECTRICAL AND STARTING SYSTEM

336-0194 HARNESS AS-PANEL-MARINE POWER DISPLAY

S/N: TTH237-UP

PART OF 290-3211, 300-0478 BOX GP-INSTRUMENT PANEL
AN ATTACHMENT

SMCS-1408, 7451

i03633723

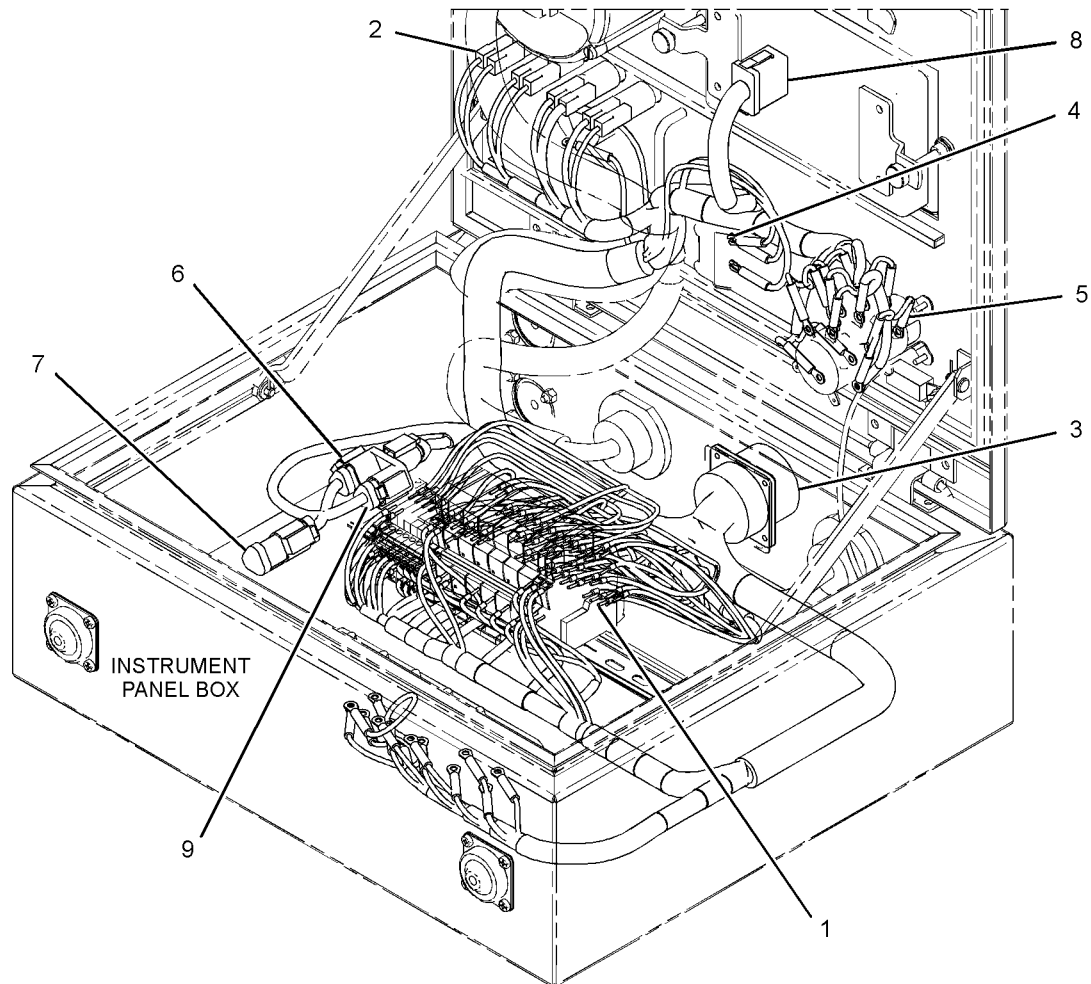
NOTE	REF NO	GRAPHIC REF	PART NUMBER	QTY	PART NAME						SEE PAGE
					1	2	3	4	5	6 (PRODUCT LEVEL)	
	1	1	110-8714	89	END-WIRE (18-GA)						
	2	1	207-5432	8	TERMINAL-BLADE (14-GA TO 16-GA)						
	3	1	232-0019	1	RECEPTACLE (46-PIN)						
	4	1	5P-2321	3	TERMINAL-FORK (14-GA TO 16-GA, NO. 6 SCREW)						
	5	1	2L-8075	30	TERMINAL-RING (14-GA TO 16-GA, NO. 8 SCREW)						
	6	1	133-0970	1	RECEPTACLE AS (TEE)						
	7	1	134-2540	1	RESISTOR AS-CONNECTION (3-PIN)						
	8	1	155-2255	1	KIT-CONNECTING PLUG (12-PIN)						
					(INCLUDES PLUG AS, WEDGE & INTERFACE SEAL)						
	9	1	174-0503	4	KIT-CONNECTING PLUG (3-PIN)						
					(EACH INCLUDES PLUG AS, WEDGE & INTERFACE SEAL)						
F			8L-8413	60	STRAP-CABLE						
F			233-9226	41	PIN-CONNECTOR (16-GA TO 20-GA)						
F			8T-8730	21	SOCKET-CONNECTOR (16-GA TO 18-GA)						
F			9W-0844	1	SOCKET-CONNECTOR (14-GA)						
BEF			125-7874		TUBE-HEAT SHRINK (5.72-MM DIA)						
BEF			119-3662		TUBE-HEAT SHRINK (10.85-MM DIA)						
BEF			125-7875		TUBE-HEAT SHRINK (7.44-MM DIA)						
F			8T-8737	2	PLUG-SEAL						
F			233-9228	5	PLUG-SEAL						

B-USE AS REQUIRED
E-ORDER BY THE CENTIMETER
F-NOT SHOWN

ELECTRICAL AND STARTING SYSTEM

336-0194 HARNESS AS-PANEL (contd.)

i03633723



GRAPHIC #1

<END>

g01980742

ELECTRICAL AND STARTING SYSTEM

235-6275 HARNESS AS-SENSOR- OIL, FUEL PRESSURE, RH SERVICE PART OF 235-6276 WIRING GP-SENSOR AN ATTACHMENT

SMCS-1408

i02739767

NOTE	PART NUMBER	QTY	PART NAME						SEE PAGE
			1	2	3	4	5	6 (PRODUCT LEVEL)	
	238-9803	1	ADAPTER						
E	232-0897		CONDUIT-FLEXIBLE (16.2-MM ID) (113-CM)						
E	232-0895		CONDUIT-FLEXIBLE (9.6-MM ID) (113-CM)						
E	232-0893		CONDUIT-FLEXIBLE (6.2-MM ID) (59-CM)						
	238-9591	1	TEE						
	238-9733	1	FITTING						
	238-9802	1	FITTING						
	174-0503	4	KIT-CONNECTING PLUG (3-PIN) (INCLUDES PLUG AS. AND WEDGES)						
	8C-3654	1	PLUG-CONNECTOR (6-PIN)						
	186-3736	18	SOCKET-CONNECTOR (16-GA TO 18-GA)						
BE	125-7875		TUBE-HEAT SHRINK (7.44-MM DIA)						
H	097-7404		TUBE-HEAT SHRINK (19.1-MM DIA) (2-DM)						
	155-2276	4	WEDGE-PLUG LOCK (3-PIN)						

B-USE AS REQUIRED
E-ORDER BY THE CENTIMETER
H-ORDER BY THE DECIMETER

<END>

ELECTRICAL AND STARTING SYSTEM

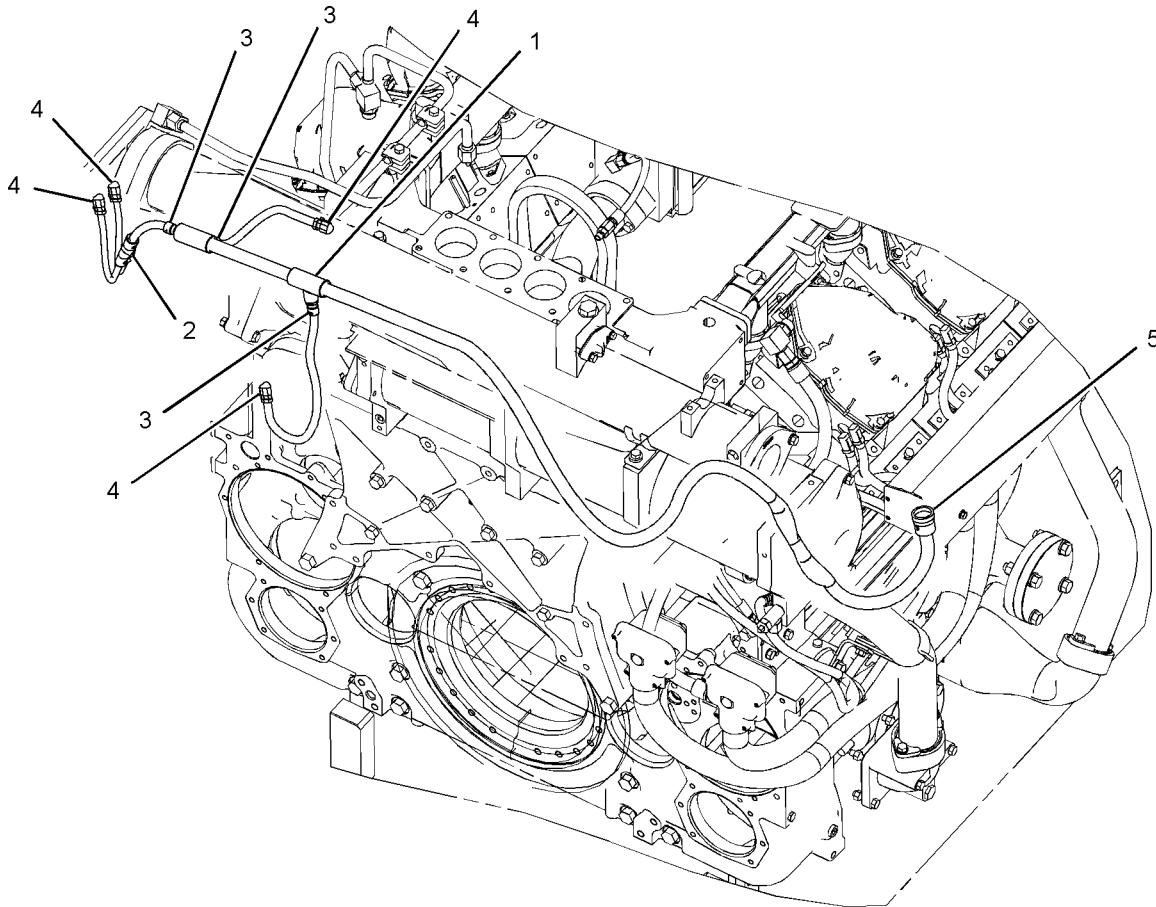
235-6280 HARNESS AS-SENSOR- OIL, FUEL PRESSURE, LH SERVICE PART OF 235-6277, 307-2046 WIRING GP-SENSOR AN ATTACHMENT

SMCS-1408

i03767939

NOTE	REF NO	GRAPHIC REF	PART NUMBER	QTY	PART NAME						SEE PAGE
					1	2	3	4	5	6 (PRODUCT LEVEL)	
	1	1	238-9591	1	TEE						
	2	1	238-9733	1	FITTING						
	3	1	238-9803	1	ADAPTER						
	4	1	174-0503	4	KIT-CONNECTING PLUG (3-PIN) (INCLUDES PLUG AS, WEDGE, & INTERFACE SEAL)						
	5	1	8C-3654	1	PLUG-CONNECTOR (6-PIN)						
EF			232-0893		CONDUIT-FLEXIBLE (6.2-MM ID) (40-CM)						
EF			232-0895		CONDUIT-FLEXIBLE (9.6-MM ID) (86-CM)						
EF			232-0897		CONDUIT-FLEXIBLE (16.2-MM ID) (180-CM)						
F			8T-8730	18	SOCKET-CONNECTOR (16-GA TO 18-GA)						
EF			9X-8243		TUBE-HEAT SHRINK (39.9-MM DIA) (5-CM)						
EF			125-7875		TUBE-HEAT SHRINK (7.44-MM DIA) (10-CM)						
EF			210-8958		TUBE-HEAT SHRINK (24-MM DIA) (200-CM)						

E-ORDER BY THE CENTIMETER
F-NOT SHOWN



GRAPHIC #1

<END>

g02034234

ELECTRICAL AND STARTING SYSTEM

237-9023 HARNESS AS-SENSOR-THERMOCOUPLE

PART OF 231-9901, 300-0478 BOX GP-INSTRUMENT PANEL
AN ATTACHMENT

SMCS-1408

i02707178

NOTE	PART NUMBER	QTY	PART NAME						SEE PAGE
			1	2	3	4	5	6 (PRODUCT LEVEL)	
	153-1223	2	CONNECTOR-RECEPTACLE (23-PIN)						
	174-0503	1	KIT-CONNECTING PLUG (3-PIN)						
			(KIT INCLUDES PLUG AS AND WEDGE)						
	176-9299	1	KIT-RECEPTACLE (3-PIN)						
			(KIT INCLUDES RECEPTACLE AS AND WEDGE)						
	128-4250	2	NUT (1-11/16-18-THD)						
	186-3735	35	PIN-CONNECTOR (16-GA TO 18-GA)						
	233-9226	3	PIN-CONNECTOR (16-GA TO 20-GA)						
	160-7689	1	PLUG AS-CONNECTOR (70-PIN)						
	159-9322	1	SEAL-O-RING						
	8T-8737	44	PLUG-SEAL						
	186-3736	3	SOCKET-CONNECTOR (16-GA TO 18-GA)						
	9X-3402	40	SOCKET-CONNECTOR (16-GA TO 18-GA)						
	8L-8413	20	STRAP-CABLE						
E	5P-6009		TUBE-HEAT SHRINK (9.52-MM DIA) (2-CM)						
E	125-7875		TUBE-HEAT SHRINK (7.44-MM DIA) (30-CM)						
E	126-9424		TUBE-HEAT SHRINK (3.2-MM DIA) (40-CM)						

E-ORDER BY THE CENTIMETER

<END>

ELECTRICAL AND STARTING SYSTEM

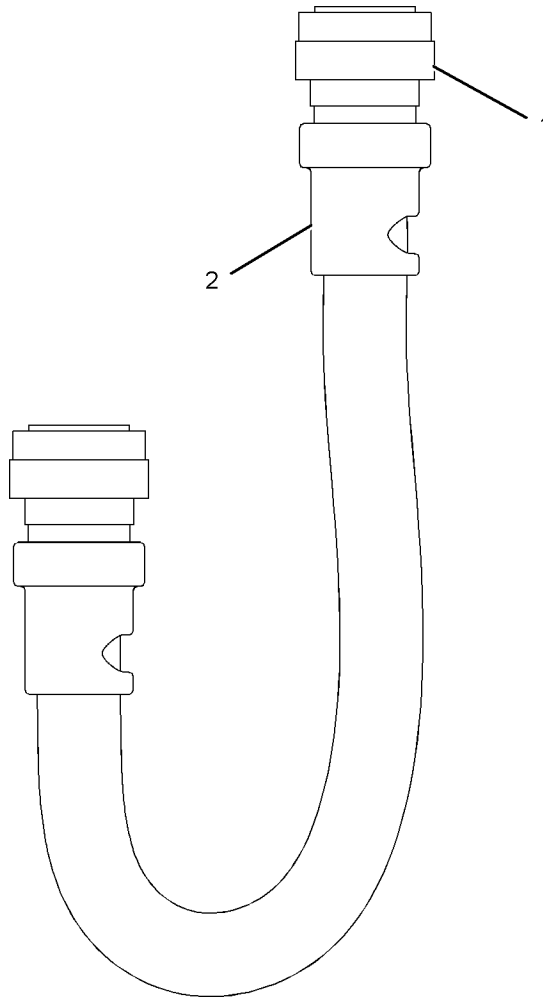
239-1473 HARNESS AS-SENSOR-THERMOCOUPLE, RH PART OF 239-6364 WIRING GP-ENGINE, 239-1472 WIRING GP-PANEL AN ATTACHMENT

SMCS-1408

i02739813

NOTE	REF NO	GRAPHIC REF	PART NUMBER	QTY	PART NAME						SEE PAGE
					1	2	3	4	5	6 (PRODUCT LEVEL)	
	1	1	122-4386	2	CONNECTOR-PLUG (23-PIN)						
	2	1	235-2762	2	CONNECTOR (CONDUIT)						
F			186-3736	32	SOCKET-CONNECTOR (16-GA TO 18-GA)						
F			8T-8737	14	PLUG-SEAL						
EF			231-9895		CONDUIT-FLEXIBLE (21.9-MM ID) (57-CM)						

E-ORDER BY THE CENTIMETER
F-NOT SHOWN



GRAPHIC #1

<END>

g01017357

ELECTRICAL AND STARTING SYSTEM

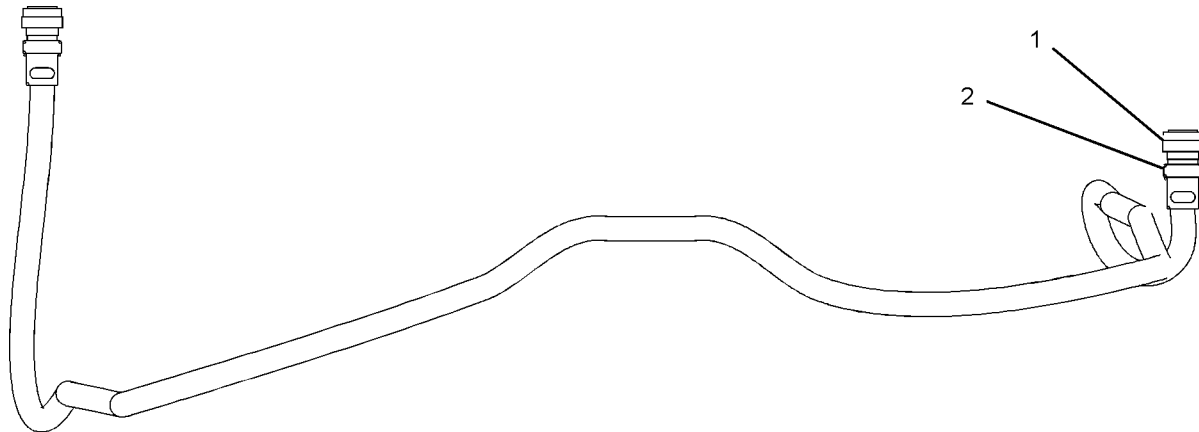
239-1474 HARNESS AS-SENSOR-THERMOCOUPLE, LH PART OF 239-6364 WIRING GP-ENGINE, 239-1472 WIRING GP-PANEL AN ATTACHMENT

SMCS-1408

i03870234

NOTE	REF NO	GRAPHIC REF	PART NUMBER	QTY	PART NAME						SEE PAGE
					1	2	3	4	5	6 (PRODUCT LEVEL)	
	1	1	122-4386	2	CONNECTOR-PLUG (23-PIN)						
	2	1	235-2762	2	CONNECTOR (CONDUIT)						
F			186-3736	32	SOCKET-CONNECTOR (16-GA TO 18-GA)						
F			8T-8737	14	PLUG-SEAL						
EF			231-9895		CONDUIT-FLEXIBLE (21.9-MM ID) (377-CM)						
BF			116-2652		CABLE-ELECTRICAL (18-GA)						

B-USE AS REQUIRED
E-ORDER BY THE CENTIMETER
F-NOT SHOWN



GRAPHIC #1

<END>

g01017262

ELECTRICAL AND STARTING SYSTEM

239-1478 HARNESS AS-SENSOR-THERMOCOUPLE

3-METER EXTENSION

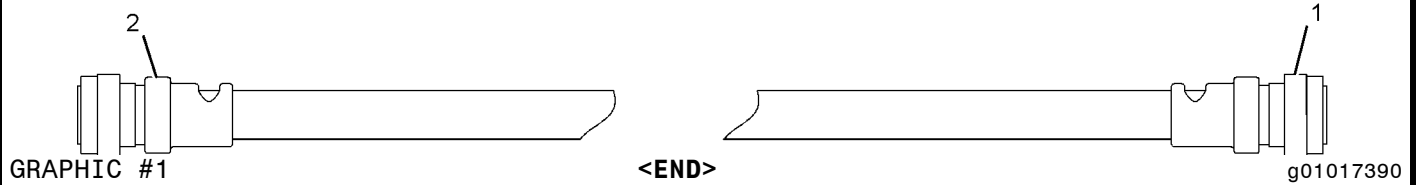
PART OF 239-1477 WIRING GP-ENGINE ELECTRONIC
AN ATTACHMENT

SMCS-1408

i03870249

NOTE	REF NO	GRAPHIC REF	PART NUMBER	QTY	PART NAME						SEE PAGE
					1	2	3	4	5	6 (PRODUCT LEVEL)	
	1	1	122-4386	2	CONNECTOR-PLUG (23-PIN)						
	2	1	235-2762	2	CONNECTOR (CONDUIT)						
F			186-3736	32	SOCKET-CONNECTOR (16-GA TO 18-GA)						
F			8T-8737	14	PLUG-SEAL						
BEF			116-2652		CABLE-ELECTRICAL (18-GA)						
EF			231-9895		CONDUIT-FLEXIBLE (21.9-MM ID) (357-CM)						

B-USE AS REQUIRED
E-ORDER BY THE CENTIMETER
F-NOT SHOWN



ELECTRICAL AND STARTING SYSTEM

239-1479 HARNESS AS-SENSOR-THERMOCOUPLE

3-METER EXTENSION

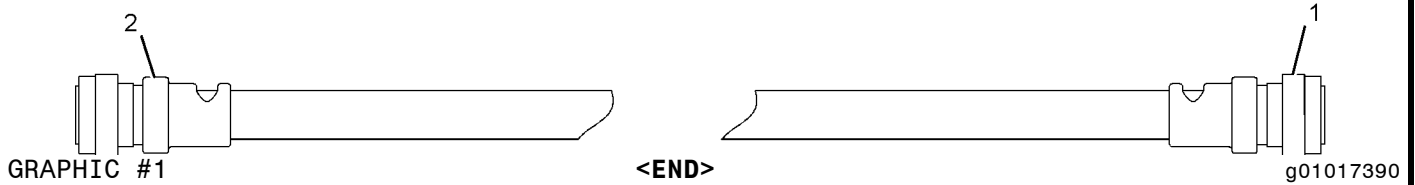
PART OF 239-1477 WIRING GP-ENGINE ELECTRONIC
AN ATTACHMENT

SMCS-1408

i03870254

NOTE	REF NO	GRAPHIC REF	PART NUMBER	QTY	PART NAME						SEE PAGE
					1	2	3	4	5	6 (PRODUCT LEVEL)	
	1	1	122-4386	2	CONNECTOR-PLUG (23-PIN)						
	2	1	235-2762	2	CONNECTOR (CONDUIT)						
F			186-3736	32	SOCKET-CONNECTOR (16-GA TO 18-GA)						
F			8T-8737	14	PLUG-SEAL						
BEF			116-2652		CABLE-ELECTRICAL (18-GA)						
EF			231-9895		CONDUIT-FLEXIBLE (21.9-MM ID) (653-CM)						

B-USE AS REQUIRED
E-ORDER BY THE CENTIMETER
F-NOT SHOWN



ELECTRICAL AND STARTING SYSTEM

239-1483 HARNESS AS-SENSOR-THERMOCOUPLE

15-METER EXTENSION

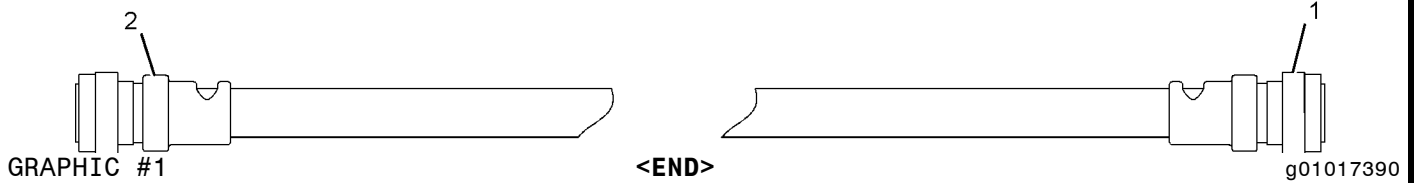
PART OF 239-1482 WIRING GP-ENGINE ELECTRONIC
AN ATTACHMENT

SMCS-1408

i03870256

NOTE	REF NO	GRAPHIC REF	PART NUMBER	QTY	PART NAME						SEE PAGE
					1	2	3	4	5	6 (PRODUCT LEVEL)	
	1	1	122-4386	2	CONNECTOR-PLUG (23-PIN)						
	2	1	235-2762	2	CONNECTOR (CONDUIT)						
F			186-3736	32	SOCKET-CONNECTOR (16-GA TO 18-GA)						
F			8T-8737	14	PLUG-SEAL						
BF			116-2652		CABLE-ELECTRICAL (18-GA)						
EF			231-9895		CONDUIT-FLEXIBLE (21.9-MM ID) (1557-CM)						

B-USE AS REQUIRED
E-ORDER BY THE CENTIMETER
F-NOT SHOWN



ELECTRICAL AND STARTING SYSTEM

239-1484 HARNESS AS-SENSOR-THERMOCOUPLE

15-METER EXTENSION

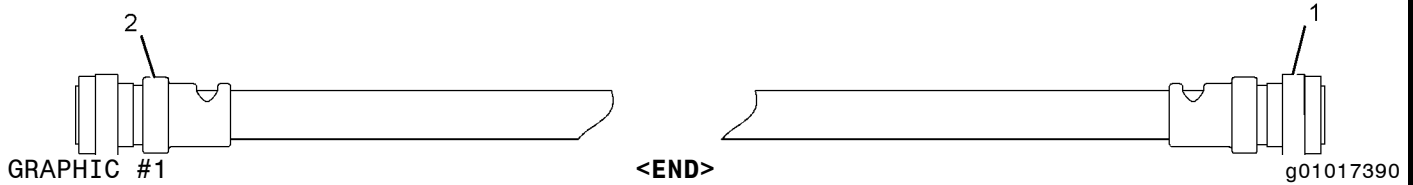
PART OF 239-1482 WIRING GP-ENGINE ELECTRONIC
AN ATTACHMENT

SMCS-1408

i03870271

NOTE	REF NO	GRAPHIC REF	PART NUMBER	QTY	PART NAME						SEE PAGE
					1	2	3	4	5	6 (PRODUCT LEVEL)	
	1	1	122-4386	2	CONNECTOR-PLUG (23-PIN)						
	2	1	235-2762	2	CONNECTOR (CONDUIT)						
F			186-3736	32	SOCKET-CONNECTOR (16-GA TO 18-GA)						
F			8T-8737	14	PLUG-SEAL						
BF			116-2652		CABLE-ELECTRICAL (18-GA)						
EF			231-9895		CONDUIT-FLEXIBLE (21.9-MM ID) (1853-CM)						

B-USE AS REQUIRED
E-ORDER BY THE CENTIMETER
F-NOT SHOWN



ELECTRICAL AND STARTING SYSTEM

239-1488 HARNESS AS-SENSOR-THERMOCOUPLE

30-METER EXTENSION

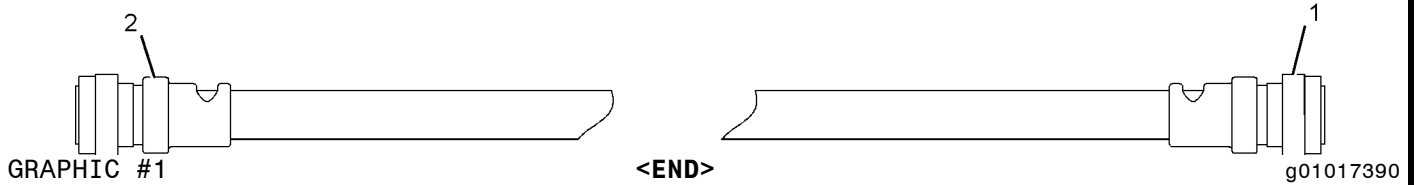
PART OF 239-1487 WIRING GP-ENGINE ELECTRONIC
AN ATTACHMENT

SMCS-1408

i03870309

NOTE	REF NO	GRAPHIC REF	PART NUMBER	QTY	PART NAME	SEE PAGE
	1	1	122-4386	2	CONNECTOR-PLUG (23-PIN)	
	2	1	235-2762	2	CONNECTOR (CONDUIT)	
F			186-3736	32	SOCKET-CONNECTOR (16-GA TO 18-GA)	
F			8T-8737	14	PLUG-SEAL	
BF			116-2652		CABLE-ELECTRICAL (18-GA)	
EF			231-9895		CONDUIT-FLEXIBLE (21.9-MM ID) (3057-CM)	

B-USE AS REQUIRED
E-ORDER BY THE CENTIMETER
F-NOT SHOWN



ELECTRICAL AND STARTING SYSTEM

239-1489 HARNESS AS-SENSOR-THERMOCOUPLE

30-METER EXTENSION

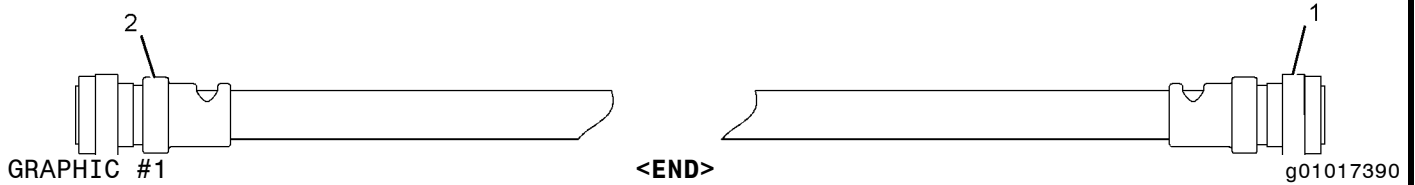
PART OF 239-1487 WIRING GP-ENGINE ELECTRONIC
AN ATTACHMENT

SMCS-1408

i03870310

NOTE	REF NO	GRAPHIC REF	PART NUMBER	QTY	PART NAME						SEE PAGE
					1	2	3	4	5	6 (PRODUCT LEVEL)	
	1	1	122-4386	2	CONNECTOR-PLUG (23-PIN)						
	2	1	235-2762	2	CONNECTOR (CONDUIT)						
F			186-3736	32	SOCKET-CONNECTOR (16-GA TO 18-GA)						
F			8T-8737	14	PLUG-SEAL						
BF			116-2652		CABLE-ELECTRICAL (18-GA)						
EF			231-9895		CONDUIT-FLEXIBLE (21.9-MM ID) (3353-CM)						

B-USE AS REQUIRED
E-ORDER BY THE CENTIMETER
F-NOT SHOWN



ELECTRICAL AND STARTING SYSTEM

306-8879 HARNESS AS-SENSOR-OIL, FUEL PRESSURE PART OF 307-0008 WIRING GP-SENSOR AN ATTACHMENT

SMCS-1408

i02665382

NOTE	PART NUMBER	QTY	PART NAME						SEE PAGE
			1	2	3	4	5	6 (PRODUCT LEVEL)	
	254-5668	1	ADAPTER (CONDUIT)						
E	232-0895		CONDUIT-FLEXIBLE (9.6-MM ID) (43-CM)						
E	232-0897		CONDUIT-FLEXIBLE (16.2-MM ID) (78-CM)						
E	232-0893		CONDUIT-FLEXIBLE (6.2-MM ID) (40-CM)						
	238-9591	1	TEE						
	238-9733	1	FITTING						
	238-9802	1	FITTING						
	155-2260	4	KIT-CONNECTING PLUG (3-PIN) (EACH INCLUDES PLUG AS AND WEDGE)						
	174-0503	4	KIT-CONNECTING PLUG (3-PIN) (EACH INCLUDES PLUG AS AND WEDGE)						
	8C-3654	1	PLUG-CONNECTOR (6-PIN)						
	186-3736	18	SOCKET-CONNECTOR (16-GA TO 18-GA)						
E	9X-8243		TUBE-HEAT SHRINK (39.9-MM DIA) (5-CM)						
E	125-7875		TUBE-HEAT SHRINK (7.44-MM DIA) (10-CM)						
E	210-8958		TUBE-HEAT SHRINK (24-MM DIA) (20-CM)						

E-ORDER BY THE CENTIMETER

<END>

237-8995 HARNESS AS-SOLENOID

PART OF 238-9734 CONTROL GP-AIR STARTING
FOR USE WITH LH MOUNTED AIR START
AN ATTACHMENT

SMCS-1408

i03870330

NOTE	PART NUMBER	QTY	PART NAME						SEE PAGE
			1	2	3	4	5	6 (PRODUCT LEVEL)	
	3T-3048	1	CLIP AS						
E	232-0897		CONDUIT-FLEXIBLE (16.2-MM ID) (70-CM)						
	7N-9737	1	HOUSING-RECEPTACLE (14-GA TO 18-GA)						
	7N-7780	1	PIN-CONNECTOR (14-GA TO 18-GA)						
	203-9000	1	PLUG AS (6-PIN)						
	203-8999	2	SEAL						
	203-9001	2	SLEEVE						
	8T-8737	4	PLUG-SEAL						
	7N-7779	1	SOCKET-CONNECTOR (14-GA TO 18-GA)						
	186-3736	2	SOCKET-CONNECTOR (16-GA TO 18-GA)						
	135-5009		TUBE-HEAT SHRINK (32-MM DIA) (1CM)						
J	097-7404		TUBE-HEAT SHRINK (19.1-MM DIA) (1-DM)						
BD	5P-5677		WIRE (18-GA, BLACK)						

B-USE AS REQUIRED

D-ORDER BY THE METER

E-ORDER BY THE CENTIMETER

J-ORDER BY THE DECIMETER

<END>

ELECTRICAL AND STARTING SYSTEM

242-0083 HARNESS AS-WIRING

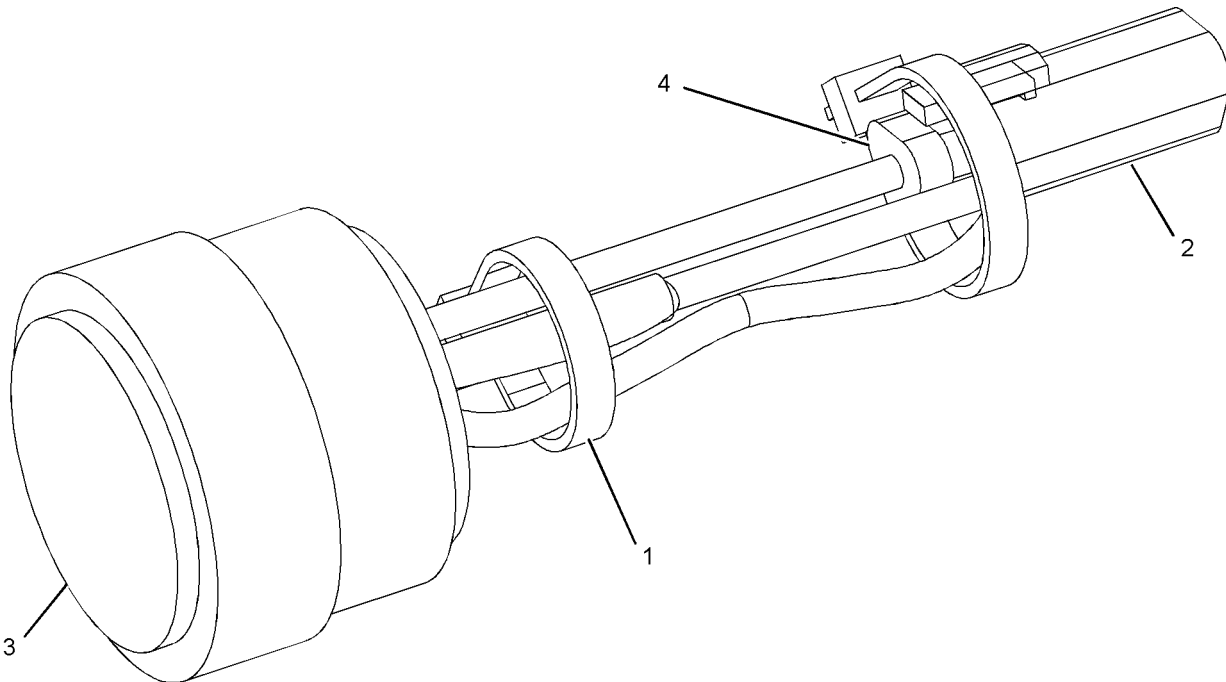
CUSTOMER CONNECT
AN ATTACHMENT

SMCS-1408

i01964444

NOTE	REF NO	GRAPHIC REF	PART NUMBER	QTY	PART NAME						SEE PAGE
					1	2	3	4	5	6 (PRODUCT LEVEL)	
	1	1	9X-6772	2	STRAP-CABLE						
	2	1	134-2540	1	RESISTOR AS-CONNECTION (3-PIN)						
		1	174-0503	1	KIT-CONNECTING PLUG (3-PIN) (KIT INCLUDES PLUG AS. & WEDGES)						
	3	1	233-9217	1	CONNECTOR (85-PIN)						
	4	1	155-2260	1	KIT-CONNECTING PLUG (3-PIN) (KIT INCLUDES PLUG AS. AND WEDGE)						
F		1	233-9226	6	PIN-CONNECTOR (16-GA TO 20-GA)						
F		1	8T-8737	80	PLUG-SEAL						
F		1	186-3736	2	SOCKET-CONNECTOR (16-GA TO 18-GA)						
F		1	155-2266	1	WEDGE-PLUG LOCK (3-PIN)						
BDF		1	5P-5677		WIRE (18-GA, BLACK)						

B-USE AS REQUIRED
D-ORDER BY THE METER
F-NOT SHOWN



GRAPHIC #1

<END>

g01020947

ELECTRICAL AND STARTING SYSTEM

301-0625 HARNESS AS-WIRING

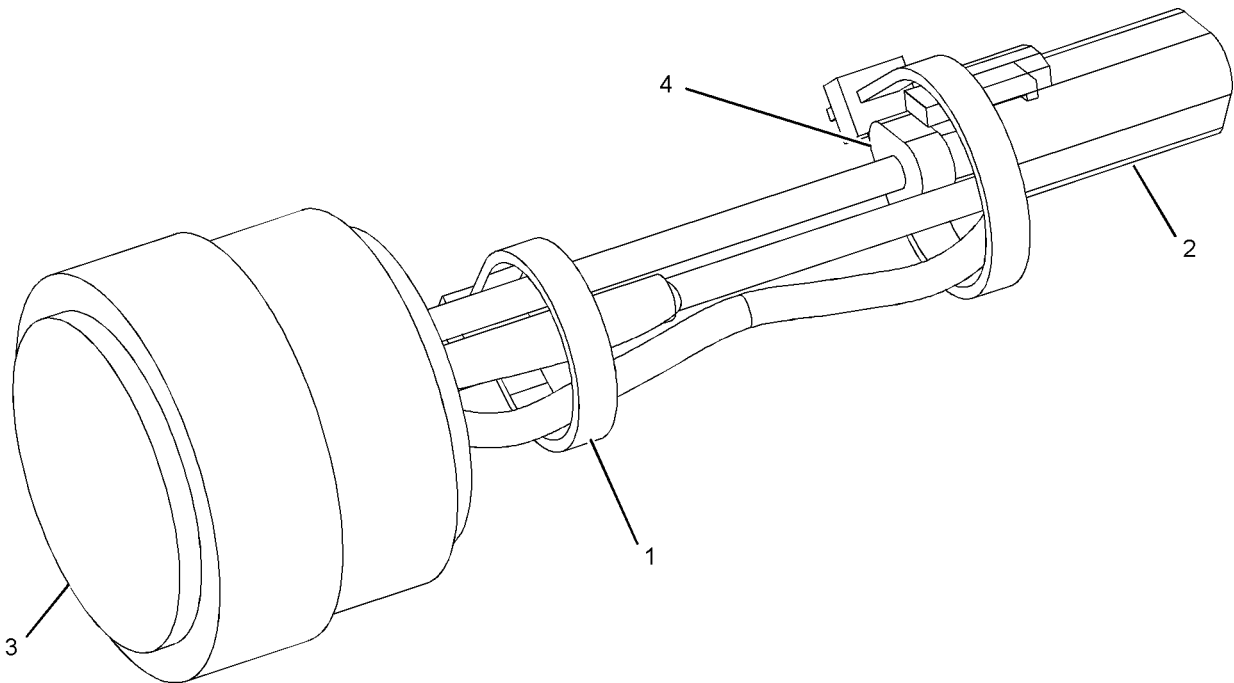
CUSTOMER CONNECT
AN ATTACHMENT

SMCS-1408

i03753178

NOTE	REF NO	GRAPHIC REF	PART NUMBER	QTY	PART NAME						SEE PAGE
					1	2	3	4	5	6 (PRODUCT LEVEL)	
	1	1	9X-6772	2	STRAP-CABLE						
	2	1	134-2540	1	RESISTOR AS-CONNECTION (3-PIN)						
	3	1	233-9217	1	CONNECTOR (85-PIN)						
	4	1	155-2260	1	KIT-CONNECTING PLUG (3-PIN)						
(INCLUDES PLUG AS, WEDGE, & INTERFACE SEAL)											
F			8T-8730	2	SOCKET-CONNECTOR (16-GA TO 18-GA)						
F			8T-8737	80	PLUG-SEAL						
F			233-9226	6	PIN-CONNECTOR (16-GA TO 20-GA)						

F - NOT SHOWN



GRAPHIC #1

<END>

g01020947

ELECTRICAL AND STARTING SYSTEM

7E-6247 HEATER GP-JACKET WATER

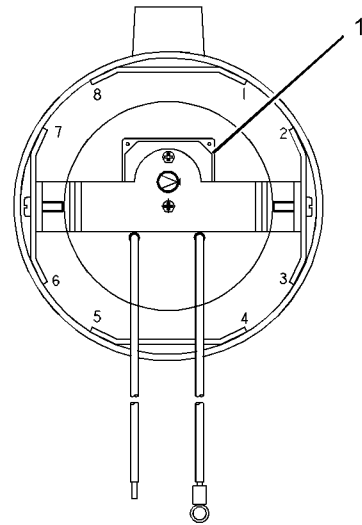
120-VOLT TO 240-VOLT, 3-KILOWATT
AN ATTACHMENT
TYPE 1

SMCS-1383

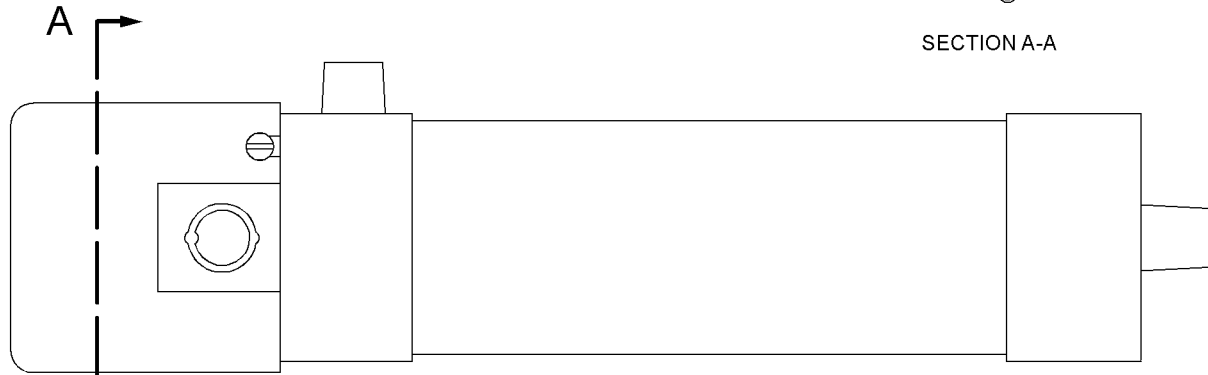
i03021944

NOTE	REF NO	GRAPHIC REF	PART NUMBER	QTY	PART NAME	SEE PAGE
C	1	1	127-6260	1	THERMOSTAT AS (20-DEG C TO 80-DEG C) (JACKET WATER HEATER)	

C-CHANGE FROM PREVIOUS TYPE



SECTION A-A



GRAPHIC #1

<END>

g01397474

ELECTRICAL AND STARTING SYSTEM

7E-6247 HEATER GP-JACKET WATER

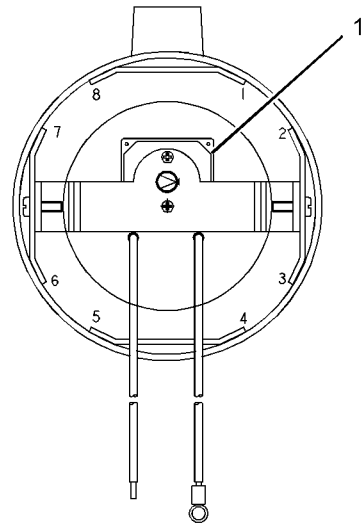
120-VOLT TO 240-VOLT, 3-KILOWATT
AN ATTACHMENT
TYPE 2

SMCS-1383

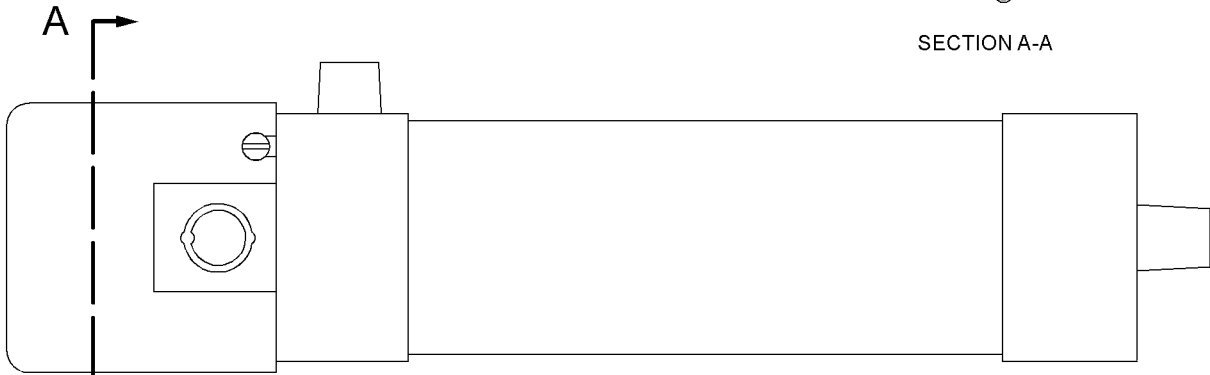
i03167895

NOTE	REF NO	GRAPHIC REF	PART NUMBER	QTY	PART NAME	SEE PAGE
C	1	1	109-8932	1	THERMOSTAT (60 DEG F TO 160 DEG F) (JACKET WATER HEATER)	

C-CHANGE FROM PREVIOUS TYPE



SECTION A-A



GRAPHIC #1

<END>

g01397474

ELECTRICAL AND STARTING SYSTEM

200-6504 HEATER GP-JACKET WATER

240-VOLT TO 480-VOLT AC, 6-KILOWATT

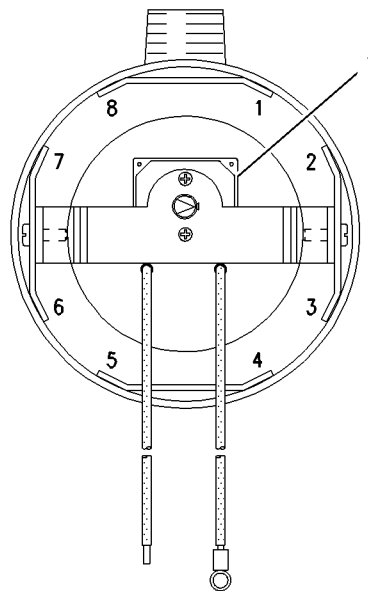
AN ATTACHMENT

TYPE 1

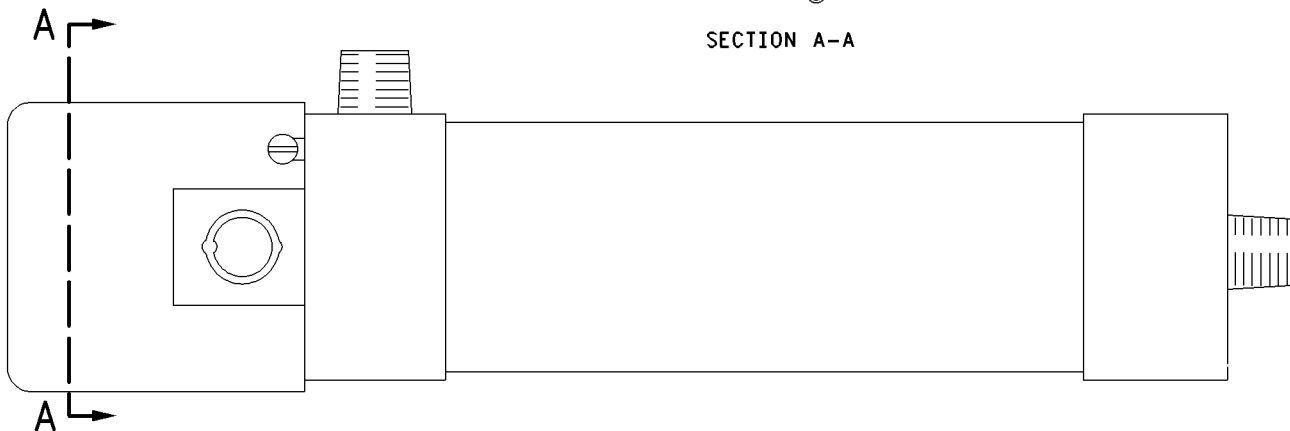
SMCS-1383

i03021477

NOTE	REF NO	GRAPHIC REF	PART NUMBER	QTY	PART NAME	SEE PAGE
	1	1	127-6260	1	1 2 3 4 5 6 (PRODUCT LEVEL) THERMOSTAT AS (20-DEG C TO 80-DEG C) (JACKET WATER HEATER)	



SECTION A-A



GRAPHIC #1

<END>

g01000471

ELECTRICAL AND STARTING SYSTEM

200-6504 HEATER GP-JACKET WATER

240-VOLT TO 480-VOLT AC, 6-KILOWATT

AN ATTACHMENT

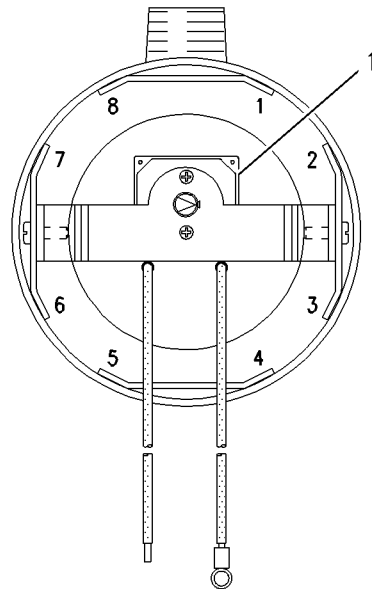
TYPE 2

SMCS-1383

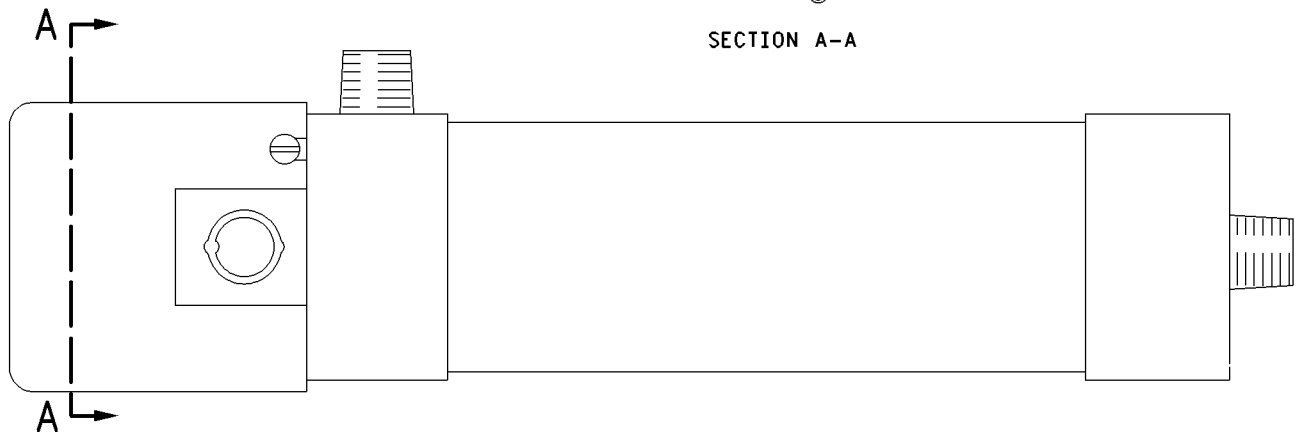
i03167554

NOTE	REF NO	GRAPHIC REF	PART NUMBER	QTY	PART NAME						SEE PAGE
					1	2	3	4	5	6 (PRODUCT LEVEL)	
C	1	1	109-8932	1	THERMOSTAT (60 DEG F TO 160 DEG F) (JACKET WATER HEATER)						

C-CHANGE FROM PREVIOUS TYPE



SECTION A-A



GRAPHIC #1

<END>

g01000471

ELECTRICAL AND STARTING SYSTEM

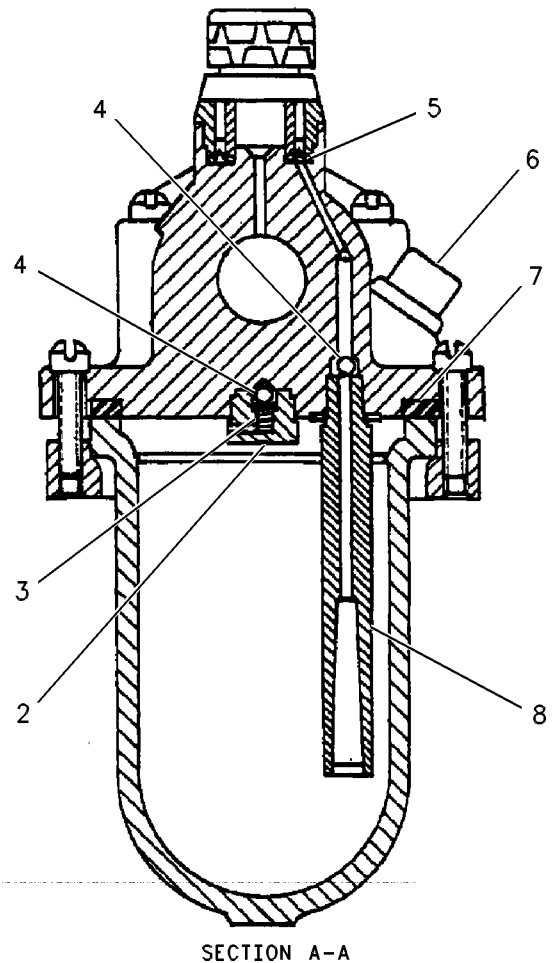
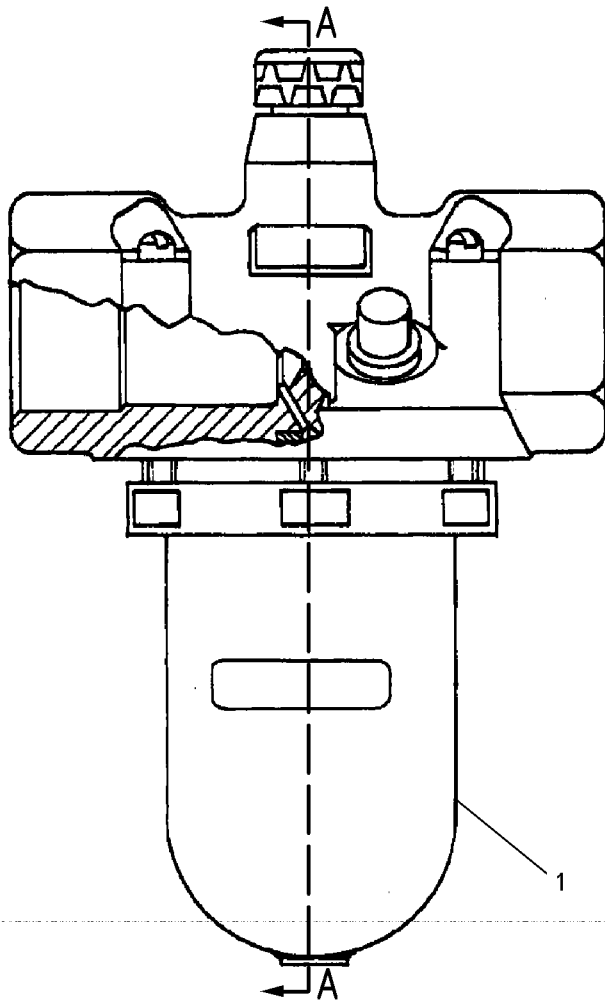
119-6282 LUBRICATOR GP-AIR MOTOR

PART OF 119-6284 LUBRICATOR GP-AIR MOTOR
 FIELD REPLACEMENT ORDER 119-6284—PAGE 452
 AN ATTACHMENT

SMCS-1451

i01889307

NOTE	REF NO	GRAPHIC REF	PART NUMBER	QTY	PART NAME						SEE PAGE
					1	2	3	4	5	6 (PRODUCT LEVEL)	
	1	1	6N-2192	1	BOWL						
	2	1	6N-2191	1	SEAT						
	3	1	6N-2190	1	SPRING						
	4	1	6N-2188	2	BALL						
	5	1	7C-4429	1	SEAL						
	6	1	6N-2185	2	PLUG-FILLER						
	7	1	6N-2184	1	GASKET						
	8	1	6N-2193	1	TUBE-SIPHON						



GRAPHIC #1

<END>

g00103878

ELECTRICAL AND STARTING SYSTEM

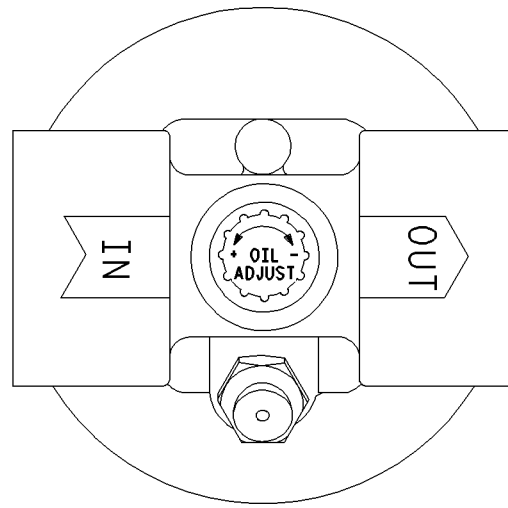
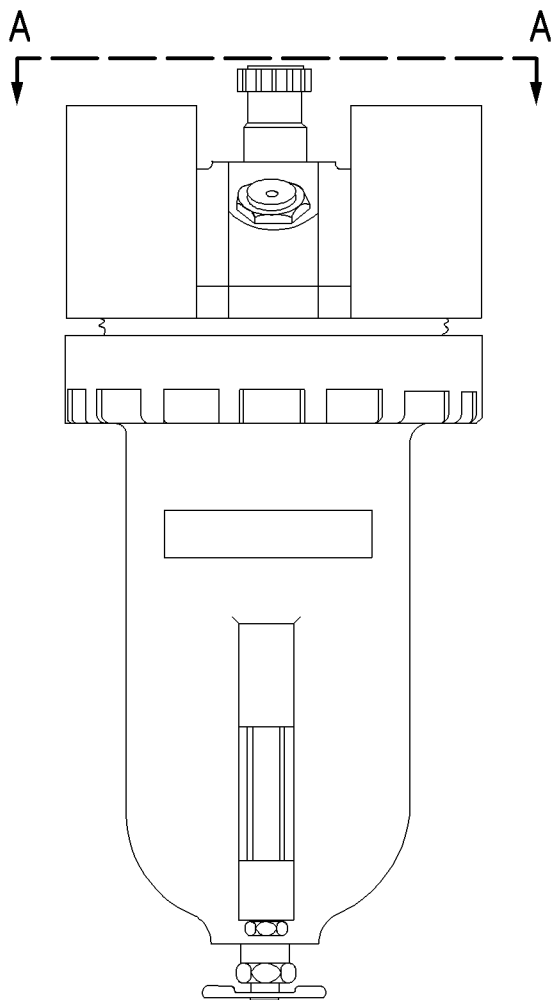
119-6283 LUBRICATOR GP-AIR MOTOR

PART OF 119-6284 LUBRICATOR GP-AIR MOTOR
 FIELD REPLACEMENT ORDER 119-6284—PAGE 452
 AN ATTACHMENT

SMCS-1451

i01491135

NOTE	REF NO	GRAPHIC REF	PART NUMBER	QTY	PART NAME						SEE PAGE
					1	2	3	4	5	6 (PRODUCT LEVEL)	
(NO SERVICED PARTS)											



VIEW A-A

GRAPHIC #1

<END>

g00774411

ELECTRICAL AND STARTING SYSTEM

119-6284 LUBRICATOR GP-AIR MOTOR

PART OF 143-5173, 143-5174, 311-8110, 311-8111 STARTING MOTOR GP-AIR
FIELD REPLACEMENT FOR 119-6282-PAGE 450: FOR 119-6283-PAGE 451
AN ATTACHMENT

SMCS-1451

i01168549

NOTE	PART NUMBER	QTY	PART NAME						SEE PAGE
			1	2	3	4	5	6 (PRODUCT LEVEL)	
Y	119-6282	1	LUBRICATOR GP-AIR MOTOR						450
			-OR-						
Y	119-6283	1	LUBRICATOR GP-AIR MOTOR						451
Y-SEPARATE ILLUSTRATION									

<END>

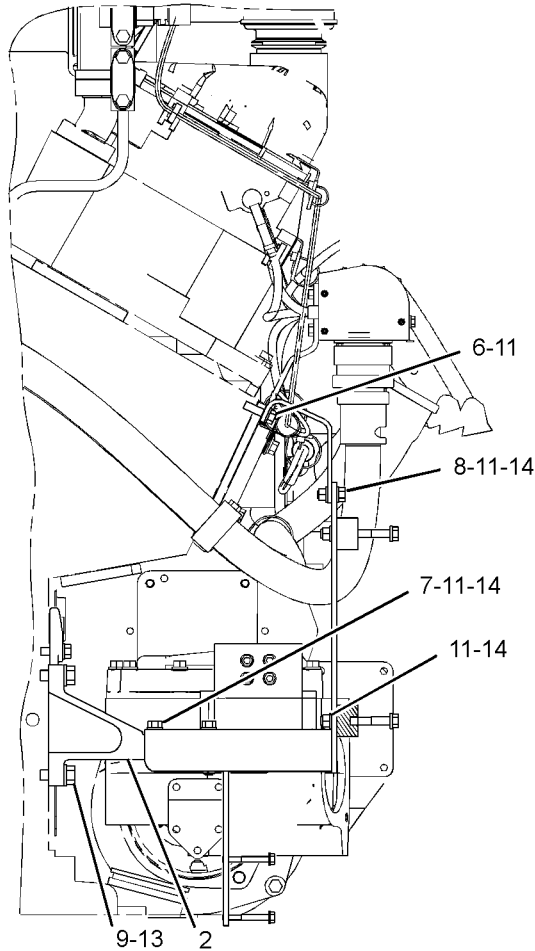
ELECTRICAL AND STARTING SYSTEM

253-6218 MOUNTING GP-BOX AN ATTACHMENT

SMCS-7426

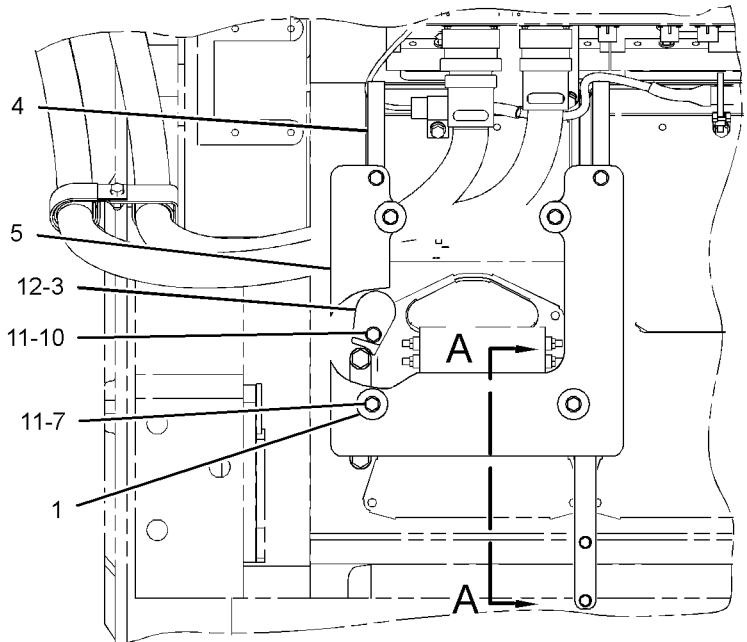
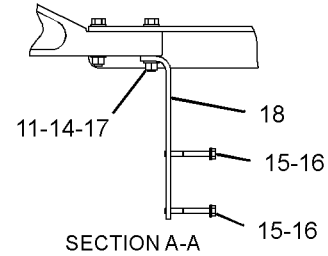
i02956441

NOTE	REF NO	GRAPHIC REF	PART NUMBER	QTY	PART NAME						SEE PAGE
					1	2	3	4	5	6 (PRODUCT LEVEL)	
	1	1	4P-0870	4	MOUNT-FLEXIBLE						
	2	1	7N-4940	2	BRACKET						
	3	1	133-6484	1	COVER-BOX						
	4	1	134-6275	2	BRACKET						
	5	1	253-6217	1	BRACKET AS						
	6	1	0S-1588	2	BOLT (3/8-16X1.25-IN)						
	7	1	0S-1590	7	BOLT (3/8-16X2-IN)						
	8	1	0S-1594	2	BOLT (3/8-16X1-IN)						
	9	1	0S-1595	4	BOLT (1/2-13X1.25-IN)						
	10	1	1A-2029	1	BOLT (3/8-16X1.125-IN)						
	11	1	5M-2894	23	WASHER-HARD (10.2X18.5X2.5-MM THK)						
	12	1	5P-8210	1	SEAL-O-RING						
	13	1	5P-8245	4	WASHER-HARD (13.5X25.5X3-MM THK)						
	14	1	9S-8752	10	NUT-FULL (3/8-16-THD)						
	15	1	8T-4205	2	WASHER-HARD (7.2X14.5X2-MM THK)						
	16	1	8T-9368	2	BOLT (1/4-20X2.25-IN)						
	17	1	8T-9377	1	BOLT (3/8-16X2.25-IN)						
	18	1	254-3402	1	BRACKET						



REAR VIEW OF ENGINE

GRAPHIC #1



RIGHT SIDE VIEW OF ENGINE

<END>

g01489913

ELECTRICAL AND STARTING SYSTEM

231-9526 MOUNTING GP-CONTACTOR AN ATTACHMENT

SMCS-7400

i02278901

NOTE	REF NO	GRAPHIC REF	PART NUMBER	QTY	PART NAME						SEE PAGE	
					1	2	3	4	5	6 (PRODUCT LEVEL)		
B	1	1	5P-8937		COMPOUND-JOINT (THERMAL)							
	2	1	3N-1968	8	MOUNT-FLEXIBLE							
	3	1	231-9873	1	BRACKET AS							
I	4	1	231-9877	1	HOSE AS							
	5	1	030-7941	1	ELBOW (45-DEG)							
	6	1	153-4906	1	SEAL-O-RING							
	7	1	0S-0509	1	BOLT (3/8-16X0.75-IN)							
	8	1	0S-1618	3	BOLT (5/16-18X1-IN)							
	9	1	1B-9575	2	BOLT (5/16-18X1.56-IN)							
	10	1	4B-0418	2	CLIP							
	11	1	4P-7581	2	CLIP							
	12	1	4W-2648	1	ADAPTER AS							
	13	1	5M-2894	4	WASHER-HARD (10.2X18.5X2.5-MM THK)							
	B	14	1	5P-9085	3	CLIP						
		15	1	5P-9617	1	ADAPTER						
		16	1	6V-5048	1	SEAL-O-RING						
		17	1	7K-9197	1	ELBOW						
		18	1	9M-1974	3	WASHER-HARD (8.8X16X2-MM THK)						
		19	1	9S-8750	16	NUT-FULL (1/4-20-THD)						
	B	20	1	9X-6772	3	STRAP-CABLE						

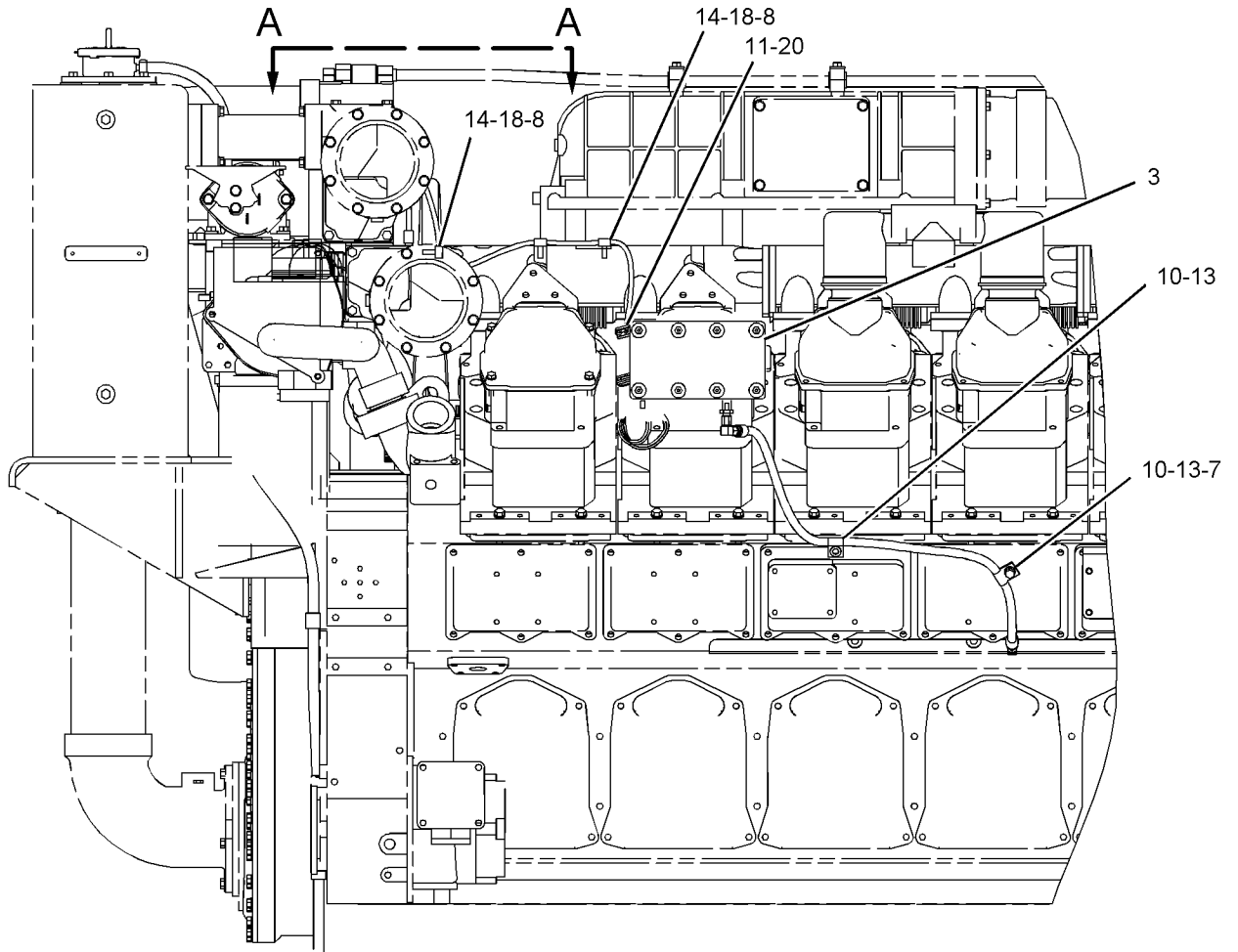
B-USE AS REQUIRED

I-REFER TO HYDRAULIC INFORMATION SYSTEM

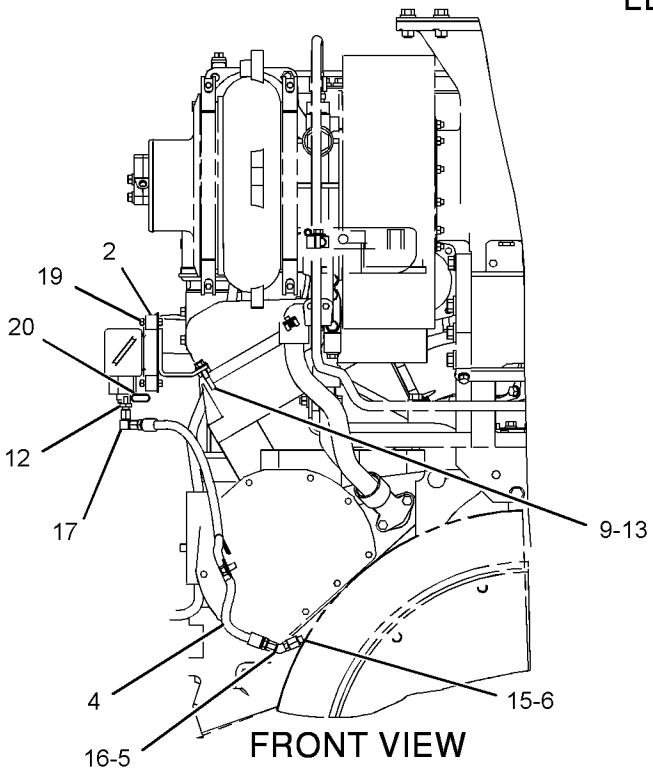
ELECTRICAL AND STARTING SYSTEM

231-9526 MOUNTING GP-CONTACTOR (contd.)

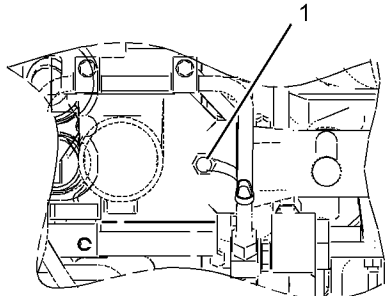
i02278901



LEFT SIDE VIEW



FRONT VIEW



VIEW A-A

GRAPHIC #1

<END>

g01023675

ELECTRICAL AND STARTING SYSTEM

232-0858 MOUNTING GP-CONTACTOR

FOR USE WITH RIGID HARNESS, LH MOUNTED POWER DISTRIBUTION PANEL
AN ATTACHMENT

SMCS-7400

i02214324

NOTE	REF NO	GRAPHIC REF	PART NUMBER	QTY	PART NAME						SEE PAGE
					1	2	3	4	5	6 (PRODUCT LEVEL)	
B	1	1	5P-8937		COMPOUND-JOINT (THERMAL)						
	2	1	3N-1968	8	MOUNT-FLEXIBLE						
I	3	1	3N-7281	1	HOSE AS						
	4	1	4P-7581	2	CLIP						
B	5	1	9X-6772	3	STRAP-CABLE						
	6	1	232-0867	1	PLATE						
	7	1	030-7941	1	ELBOW (45-DEG)						
	8	1	0S-1594	2	BOLT (3/8-16X1-IN)						
	9	1	0S-1618	4	BOLT (5/16-18X1-IN)						
	10	1	153-4906	1	SEAL-O-RING						
	11	1	4B-0418	1	CLIP						
	12	1	4W-2648	1	ADAPTER AS						
	13	1	5M-2894	4	WASHER-HARD (10.2X18.5X2.5-MM THK)						
B	14	1	5P-9085	4	CLIP						
	15	1	5P-9617	1	ADAPTER						
	16	1	6V-5048	1	SEAL-O-RING						
	17	1	7K-9197	1	ELBOW						
	18	1	9M-1974	4	WASHER-HARD (8.8X16X2-MM THK)						
	19	1	9S-8750	16	NUT-FULL (1/4-20-THD)						
	20	1	9S-8752	2	NUT-FULL (3/8-16-THD)						

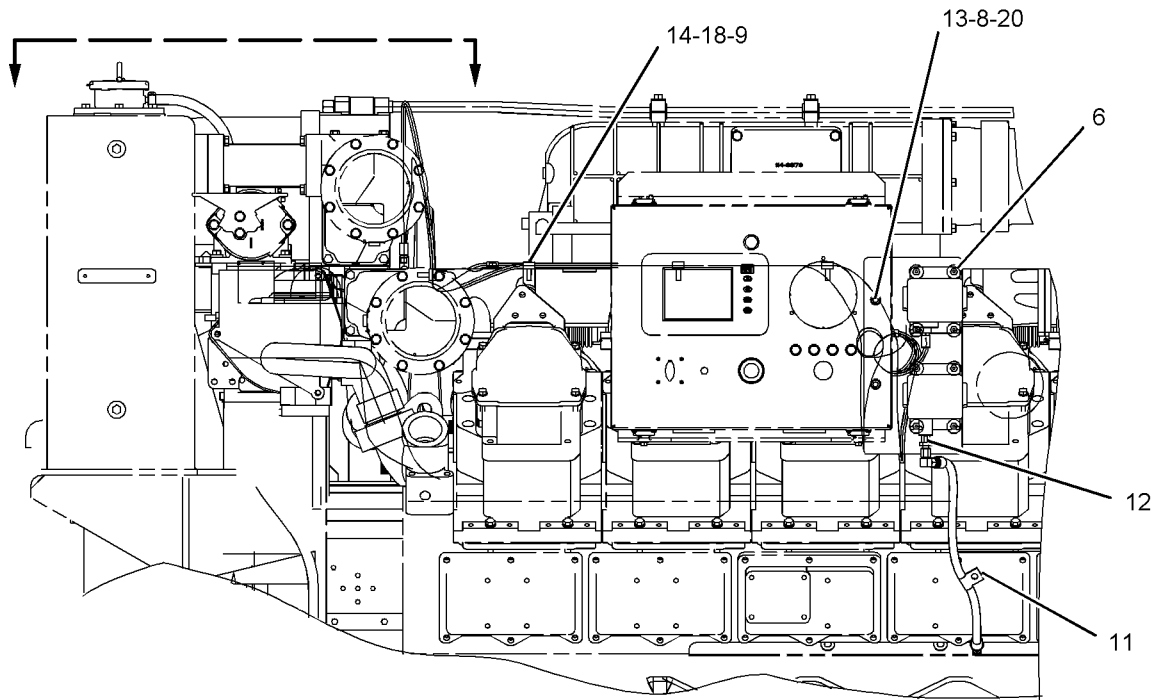
B-USE AS REQUIRED

I-REFER TO HYDRAULIC INFORMATION SYSTEM

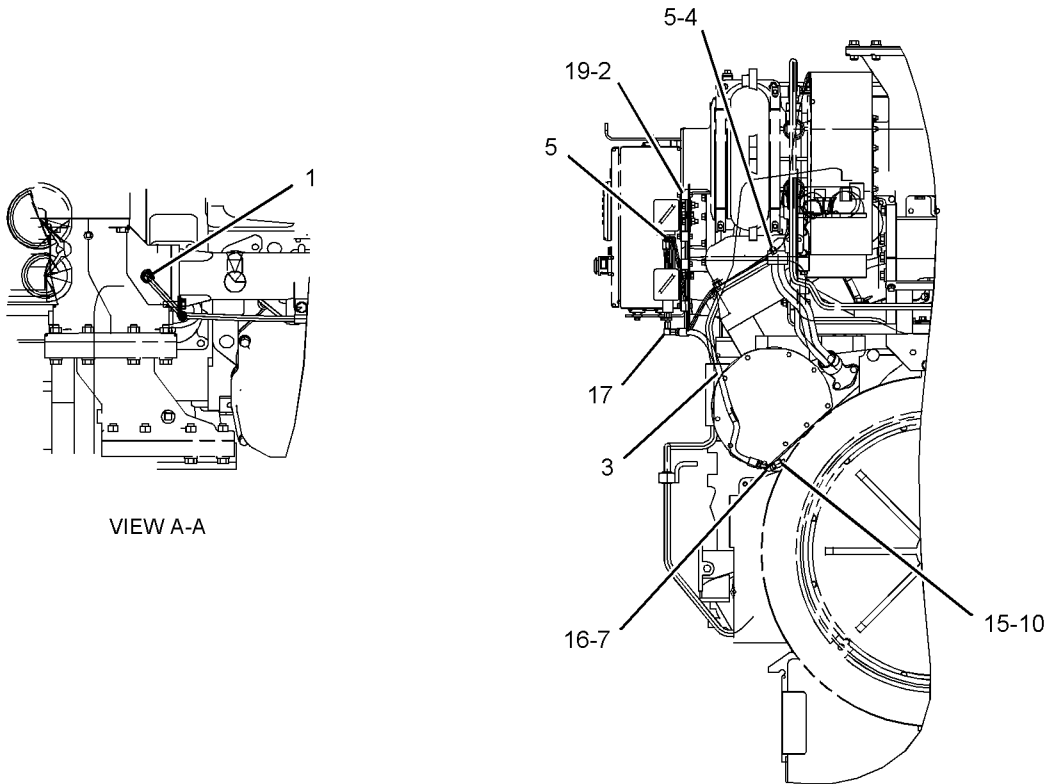
ELECTRICAL AND STARTING SYSTEM

232-0858 MOUNTING GP-CONTACTOR (contd.)

i02214324



LEFT SIDE VIEW



FRONT VIEW

GRAPHIC #1

<END>

g01147172

ELECTRICAL AND STARTING SYSTEM

241-9055 MOUNTING GP-CONTACTOR FOR USE WITH RH MOUNTED POWER DISTRIBUTION PANEL AN ATTACHMENT

SMCS-7400

i03706792

NOTE	REF NO	GRAPHIC REF	PART NUMBER	QTY	PART NAME						SEE PAGE
					1	2	3	4	5	6 (PRODUCT LEVEL)	
	1	1	3N-1968	8	MOUNT-FLEXIBLE						
	2	1	4P-7581	3	CLIP						
I	3	1	7N-2539	1	HOSE AS						
B	5	1	9X-6772	3	STRAP-CABLE						
	6	1	232-0867	1	PLATE						
	7	1	030-7941	1	ELBOW (45-DEG)						
	8	1	0S-1588	2	BOLT (3/8-16X1.25-IN)						
	9	1	0S-1618	4	BOLT (5/16-18X1-IN)						
	10	1	153-4906	1	SEAL-O-RING						
	11	1	4B-0418	1	CLIP						
	12	1	4W-2648	1	ADAPTER AS						
	13	1	5M-2894	4	WASHER-HARD (10.2X18.5X2.5-MM THK)						
B	14	1	5P-9085	4	CLIP						
	15	1	5P-9617	1	ADAPTER						
	16	1	6V-5048	1	SEAL-O-RING						
	17	1	7K-9197	1	ELBOW						
	18	1	9M-1974	4	WASHER-HARD (8.8X16X2-MM THK)						
	19	1	9S-8750	16	NUT-FULL (1/4-20-THD)						
	20	1	9S-8752	2	NUT-FULL (3/8-16-THD)						

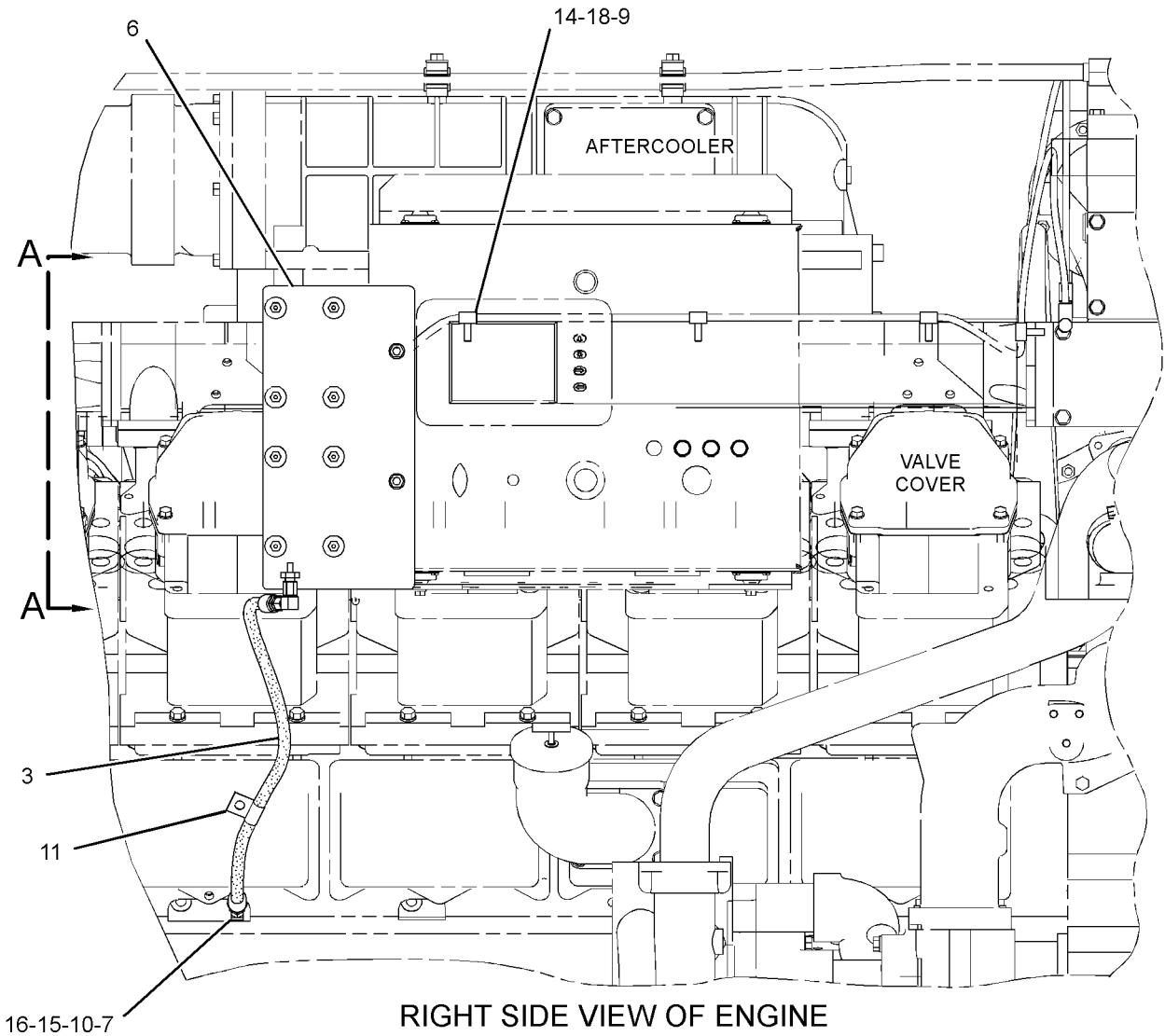
B-USE AS REQUIRED

I-REFER TO HYDRAULIC INFORMATION SYSTEM

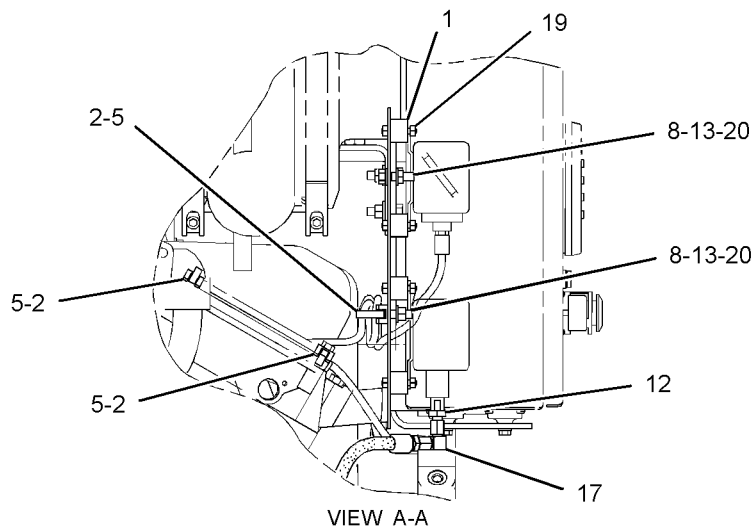
ELECTRICAL AND STARTING SYSTEM

241-9055 MOUNTING GP-CONTACTOR (contd.)

i03706792



RIGHT SIDE VIEW OF ENGINE



VIEW A-A

<END>

GRAPHIC #1

g02033187

ELECTRICAL AND STARTING SYSTEM

241-9056 MOUNTING GP-CONTACTOR FOR USE WITH LH MOUNTED POWER DISTRIBUTION PANEL AN ATTACHMENT

SMCS-7400

i02279176

NOTE	REF NO	GRAPHIC REF	PART NUMBER	QTY	PART NAME						SEE PAGE
					1	2	3	4	5	6 (PRODUCT LEVEL)	
	1	1	3N-1968	8	MOUNT-FLEXIBLE						
B	2	1	5P-8937		COMPOUND-JOINT (THERMAL)						
	3	1	9X-6772	3	STRAP-CABLE						
	4	1	231-9873	1	BRACKET AS						
I	5	1	231-9877	1	HOSE AS						
	6	1	030-7941	1	ELBOW (45-DEG)						
	7	1	153-4906	1	SEAL-O-RING						
	8	1	0S-0509	1	BOLT (3/8-16X0.75-IN)						
	9	1	0S-1618	3	BOLT (5/16-18X1-IN)						
	10	1	1B-9575	2	BOLT (5/16-18X1.56-IN)						
	11	1	4B-0418	2	CLIP						
	12	1	4P-7581	2	CLIP						
	13	1	4W-2648	1	ADAPTER AS						
	14	1	5M-2894	4	WASHER-HARD (10.2X18.5X2.5-MM THK)						
	15	1	5P-9085	3	CLIP						
	16	1	5P-9617	1	ADAPTER						
	17	1	6V-5048	1	SEAL-O-RING						
	18	1	7K-9197	1	ELBOW						
	19	1	9M-1974	3	WASHER-HARD (8.8X16X2-MM THK)						
	20	1	9S-8750	16	NUT-FULL (1/4-20-THD)						

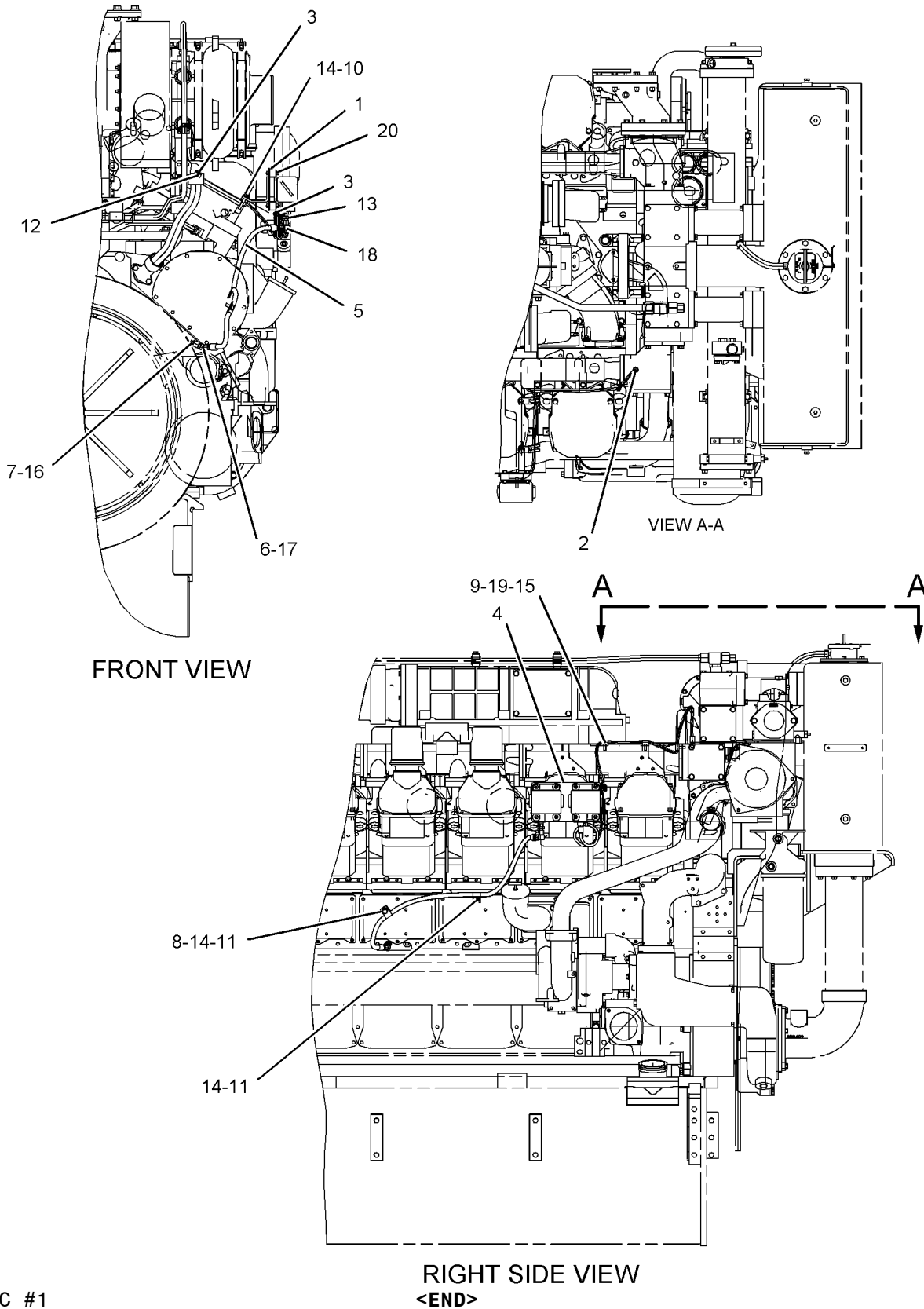
B-USE AS REQUIRED

I-REFER TO HYDRAULIC INFORMATION SYSTEM

ELECTRICAL AND STARTING SYSTEM

241-9056 MOUNTING GP-CONTACTOR (contd.)

i02279176



GRAPHIC #1

RIGHT SIDE VIEW
<END>

g01014631

ELECTRICAL AND STARTING SYSTEM

258-8950 MOUNTING GP-JACKET WTR HEATER-RH AN ATTACHMENT

SMCS-1383

i03772613

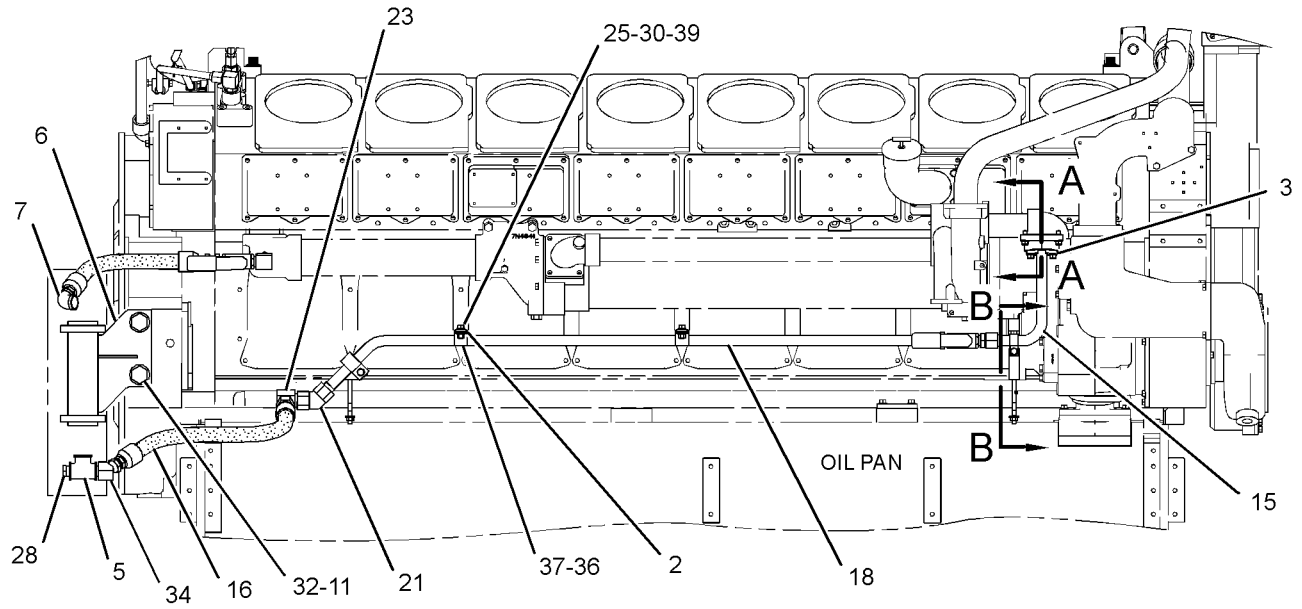
NOTE	REF NO	GRAPHIC REF	PART NUMBER	QTY	PART NAME						SEE PAGE
					1	2	3	4	5	6 (PRODUCT LEVEL)	
	1	1	1S-2303	2	SPACER (1.062X1.75X1.44-IN THK)						
	2	1	2P-8977	2	PLATE						
	3	1	4W-2109	2	RETAINER						
	4	2	4W-2110	1	RING-RETAINING						
	5	1	6F-0496	1	TEE-PIPE						
	6	1	7C-1707	1	BRACKET AS						
		1	5P-2251	1	GUSSET						
	7	1	7L-8074	1	ELBOW-REDUCING						
	8	1	7N-4945	1	GASKET						
	9	2	8C-1358	2	VALVE-BALL						
	10	1	8T-6726	2	CLAMP-HOSE						
	11	1	9S-1368	2	BOLT (1-14X3.5-IN)						
	12	1	9Y-3108	1	BRACKET						
	13	1	6W-2928	1	BOSS						
	14	2	134-3100	1	FLANGE						
	15	1	258-8952	1	TUBE AS						
	16	1	258-8955	1	HOSE AS						
	17	2	259-2608	1	HOSE AS						
	18	1	274-6317	1	TUBE AS						
	19	1	294-3312	1	BRACKET						
	20	1	003-9163	1	ELBOW						
	21	1	030-7966	1	ELBOW						
	22	2	030-8307	2	CONNECTOR						
	23	1	031-5744	1	ELBOW						
	24	1	0S-1588	1	BOLT (3/8-16X1.25-IN)						
	25	1	0S-1594	9	BOLT (3/8-16X1-IN)						
	26	1	0S-1621	2	BOLT (1/2-13X1-IN)						
	27	1	3B-7745	1	NIPPLE-PIPE						
	28	1	3E-7430	1	PLUG-PIPE						
	29	2	5F-6371	1	CONNECTOR						
	30	1	5M-2894	15	WASHER-HARD (10.2X18.5X2.5-MM THK)						
	31	1	5P-8245	2	WASHER-HARD (13.5X25.5X3-MM THK)						
	32	1	5P-8250	2	WASHER (28X49X5-MM THK)						
	33	1	6B-9081	1	BUSHING-REDUCING						
	34	1	6H-8297	1	ELBOW						
	35	1	7C-4354	1	CLIP						
	36	1	7J-0728	3	CLIP (TAB)						
	37	1	7J-0729	3	CLIP (SLOT)						
	38	2	9M-4849	1	SEAL-O-RING						
	39	1	9S-8752	4	NUT-FULL (3/8-16-THD)						
B	40	1	9X-6458	2	WASHER-HARD (10.2X22.5X3-MM THK)						
B	41	1	9S-8752	2	NUT-FULL (3/8-16-THD)						
B	42	1	1A-5964	2	BOLT (3/8-16X4.5-IN)						
					-OR-						
B	43	1	0S-1608	2	BOLT (3/8-16X3.75-IN)						
	44	1	9X-6458	1	WASHER-HARD (10.2X22.5X3-MM THK)						

B-USE AS REQUIRED

ELECTRICAL AND STARTING SYSTEM

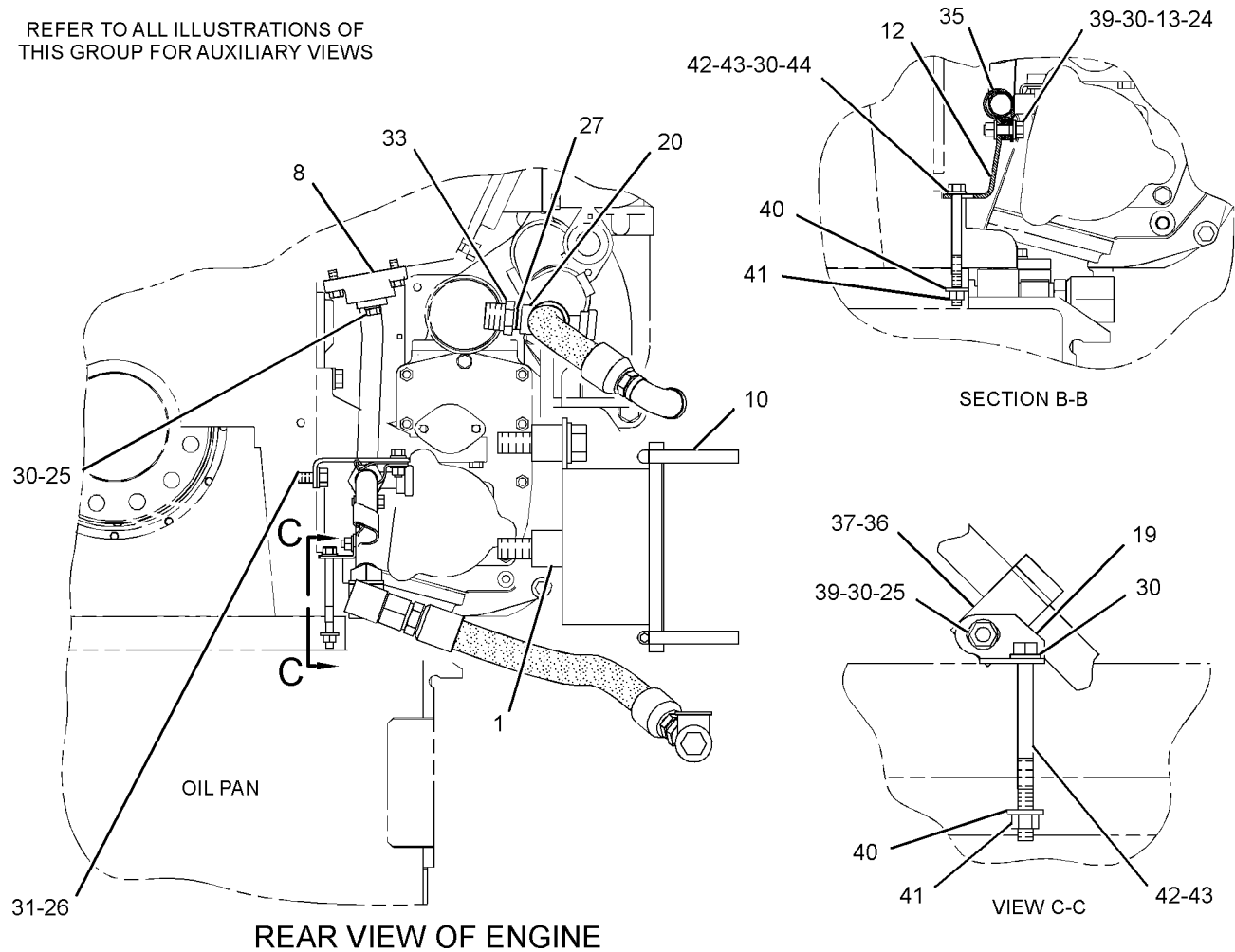
258-8950 MOUNTING GP-JACKET WTR HEATER (contd.)

i03772613



RIGHT SIDE VIEW OF ENGINE

REFER TO ALL ILLUSTRATIONS OF THIS GROUP FOR AUXILIARY VIEWS



REAR VIEW OF ENGINE

SECTION B-B

VIEW C-C

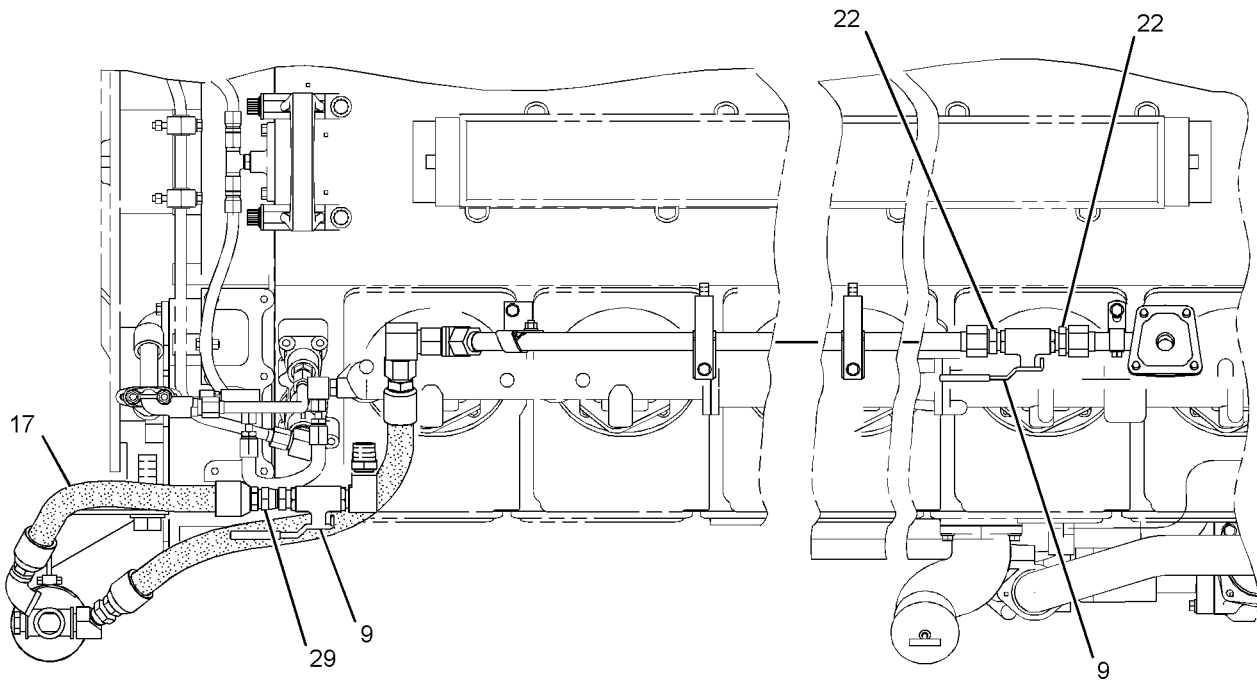
GRAPHIC #1

g02043115

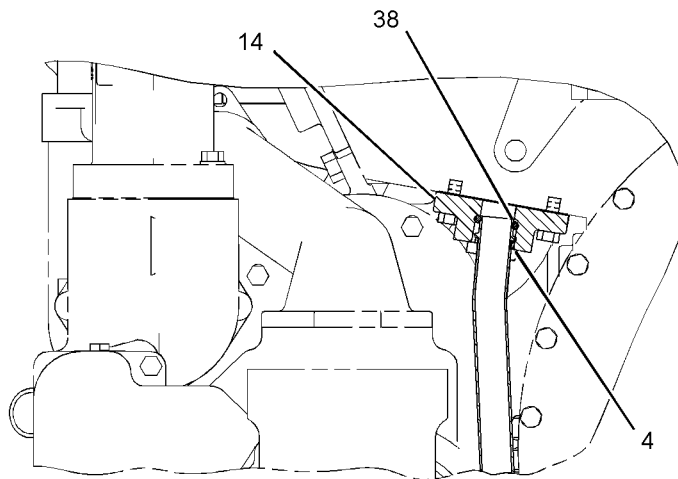
ELECTRICAL AND STARTING SYSTEM

258-8950 MOUNTING GP-JACKET WTR HEATER (contd.)

i03772613



TOP VIEW OF ENGINE



SECTION A-A

GRAPHIC #2

<END>

g01330110

ELECTRICAL AND STARTING SYSTEM

258-8951 MOUNTING GP-JACKET WTR HEATER-LH AN ATTACHMENT

SMCS-1383

i02717776

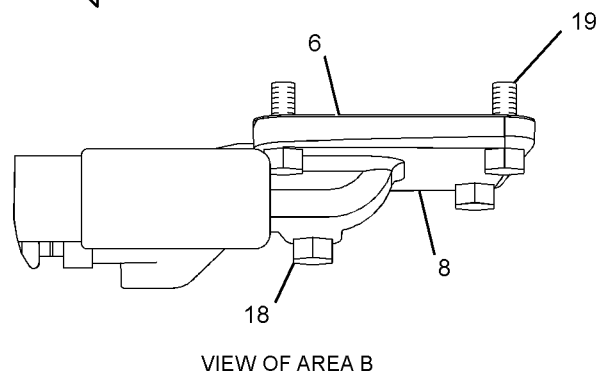
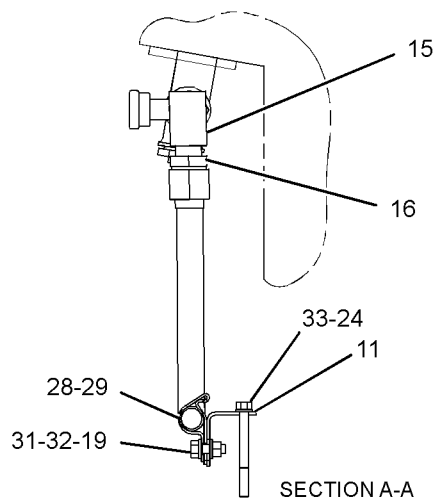
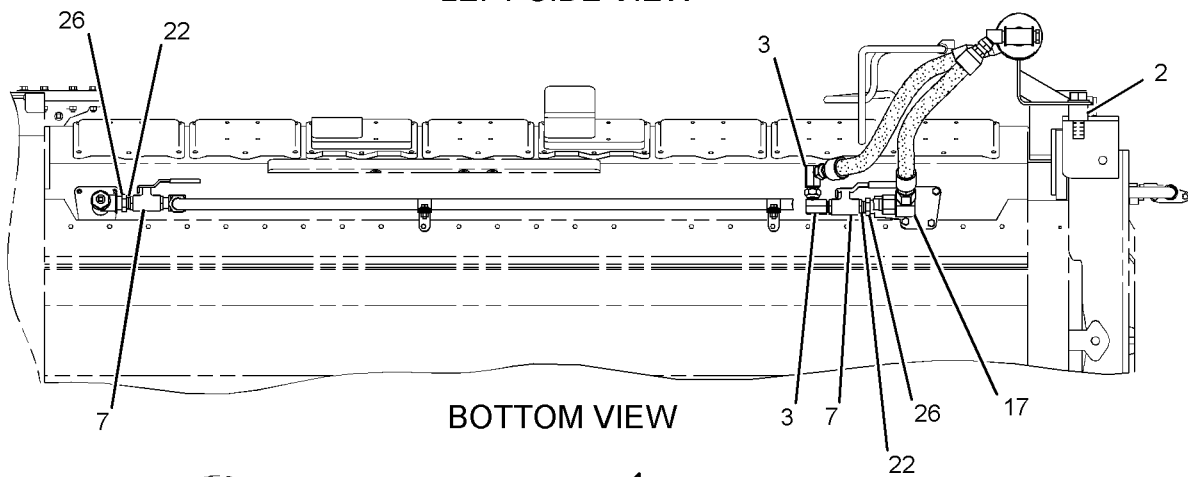
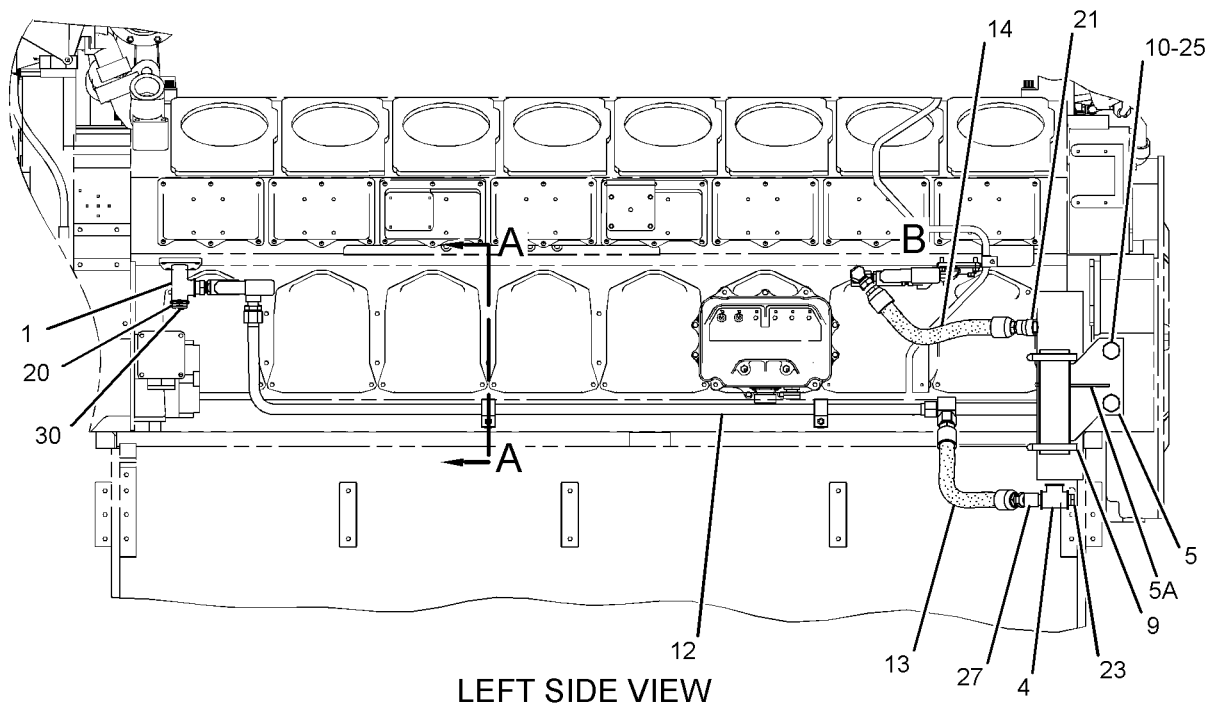
NOTE	REF NO	GRAPHIC REF	PART NUMBER	QTY	PART NAME						SEE PAGE
					1	2	3	4	5	6 (PRODUCT LEVEL)	
	1	1	1L-4031	1	TEE-SERVICE						
	2	1	1S-2303	2	SPACER (1.062X1.75X1.44-IN THK)						
	3	1	2H-3939	2	ELBOW						
	4	1	6F-0496	1	TEE-PIPE						
	5	1	7C-1707	1	BRACKET AS						
	5A	1	5P-2251	1	GUSSET						
	6	1	7N-4945	1	GASKET						
	7	1	8C-1358	2	VALVE-BALL (JACKET WATER)						
	8	1	8N-8550	1	ELBOW						
	9	1	8T-6726	2	CLAMP-HOSE						
	10	1	9S-1368	2	BOLT (1-14X3.5-IN)						
	11	1	116-3266	2	BRACKET						
	12	1	258-8954	1	TUBE AS						
	13	1	259-2607	1	HOSE AS						
I	14	1	267-7346	1	HOSE AS						
	15	1	003-9163	1	ELBOW						
	16	1	030-8307	1	CONNECTOR						
	17	1	031-5744	1	ELBOW						
	18	1	0S-1571	1	BOLT (3/8-16X1.75-IN)						
	19	1	0S-1594	5	BOLT (3/8-16X1-IN)						
	20	1	118-1656	1	BUSHING-REDUCER						
	21	1	2R-7712	1	COUPLING (REDUCING)						
	22	1	3B-7745	2	NIPPLE-PIPE						
	23	1	3E-7430	1	PLUG-PIPE						
	24	1	5M-2894	2	WASHER-HARD (10.2X18.5X2.5-MM THK)						
	25	1	5P-8250	2	WASHER (28X49X5-MM THK)						
	26	1	6B-9081	2	BUSHING-REDUCING						
	27	1	6H-8297	1	ELBOW						
	28	1	7J-0728	2	CLIP (TAB)						
	29	1	7J-0729	2	CLIP (SLOT)						
	30	1	8T-6762	1	PLUG-PIPE						
	31	1	9S-8752	2	NUT-FULL (3/8-16-THD)						
	32	1	3V-3308	4	WASHER-HARD (10.2X20.5X2.5-MM THK)						
	33	1	0S-1608	2	BOLT (3/8-16X3.75-IN)						

I-REFER TO HYDRAULIC INFORMATION SYSTEM

ELECTRICAL AND STARTING SYSTEM

258-8951 MOUNTING GP-JACKET WTR HEATER (contd.)

i02717776



GRAPHIC #1

<END>

g01364298

ELECTRICAL AND STARTING SYSTEM

294-3308 MOUNTING GP-JACKET WTR HEATER-RH AN ATTACHMENT

SMCS - 1383

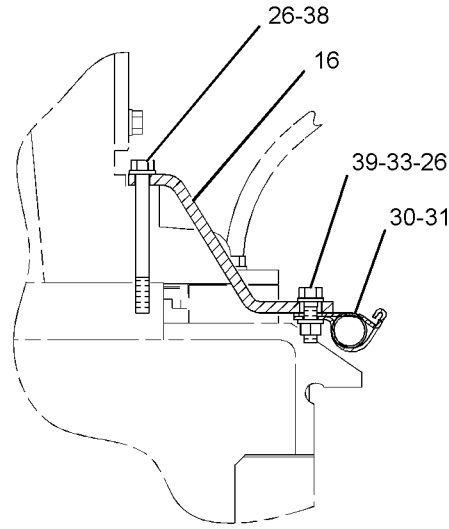
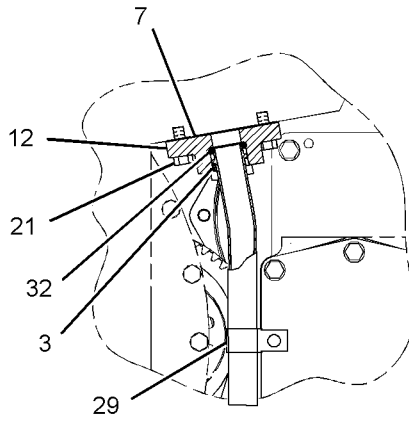
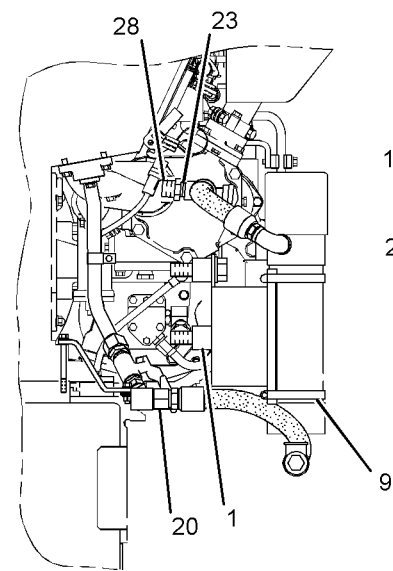
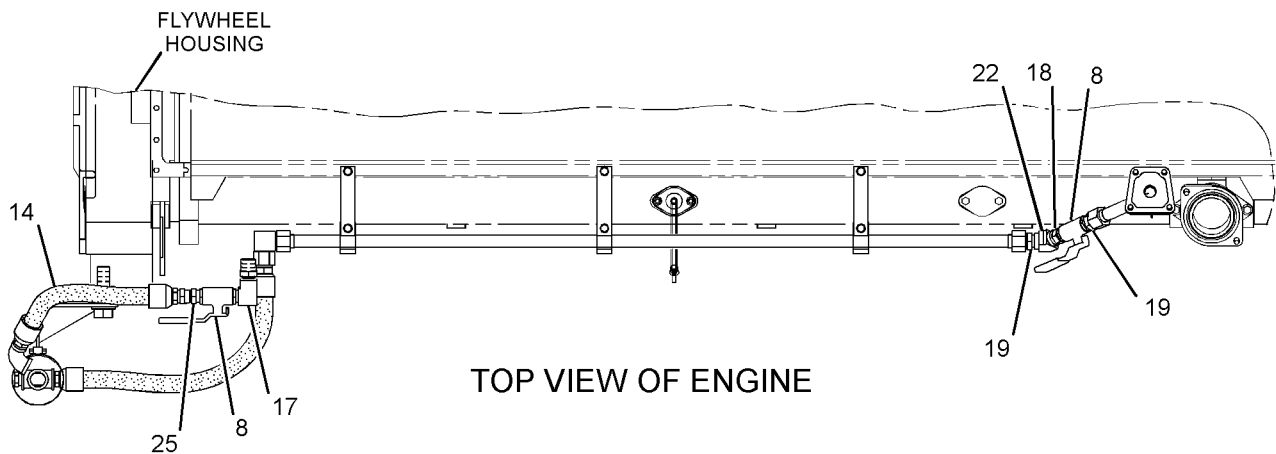
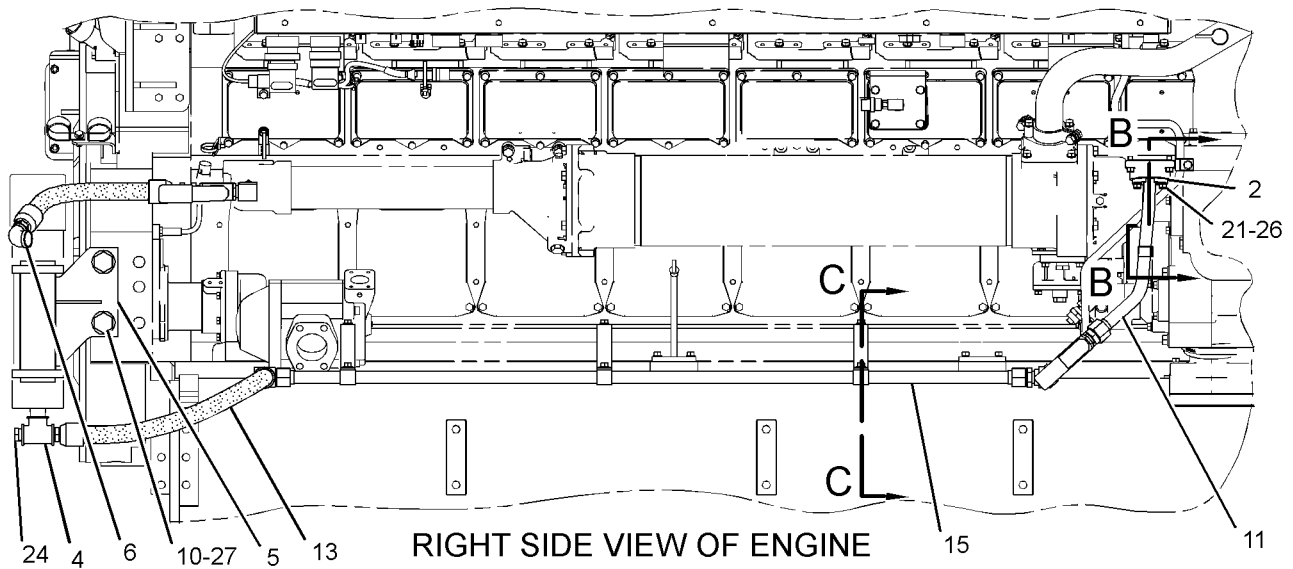
i03380294

NOTE	REF NO	GRAPHIC REF	PART NUMBER	QTY	PART NAME						SEE PAGE
					1	2	3	4	5	6 (PRODUCT LEVEL)	
	1	1	1S-2303	2	SPACER (1.062X1.75X1.44-IN THK)						
	2	1	4W-2109	2	RETAINER						
	3	1	4W-2110	1	RING-RETAINING						
	4	1	6F-0496	1	TEE-PIPE						
	5	1	7C-1707	1	BRACKET AS						
	6	1	7L-8074	1	ELBOW-REDUCING						
	7	1	7N-4945	1	GASKET						
	8	1	8C-1358	2	VALVE-BALL						
	9	1	8T-6726	2	CLAMP-HOSE						
	10	1	9S-1368	2	BOLT (1-14X3.5-IN)						
	11	1	134-3098	1	TUBE AS						
	12	1	134-3100	1	FLANGE						
	13	1	258-8955	1	HOSE AS						
	14	1	259-2608	1	HOSE AS						
	15	1	294-3310	1	TUBE AS						
	16	1	296-2717	3	BRACKET						
	17	1	003-9163	1	ELBOW						
	18	1	004-7270	1	FITTING-PIPE						
	19	1	030-8307	2	CONNECTOR						
	20	1	031-5744	1	ELBOW						
	21	1	0S-1594	6	BOLT (3/8-16X1-IN)						
	22	1	3B-7728	1	ELBOW						
	23	1	3B-7745	1	NIPPLE-PIPE						
	24	1	3E-7430	1	PLUG-PIPE						
	25	1	5F-6371	1	CONNECTOR						
	26	1	5M-2894	11	WASHER-HARD (10.2X18.5X2.5-MM THK)						
	27	1	5P-8250	2	WASHER (28X49X5-MM THK)						
	28	1	6B-9081	1	BUSHING-REDUCING						
	29	1	7C-4354	1	CLIP						
	30	1	7J-0728	3	CLIP (TAB)						
	31	1	7J-0729	3	CLIP (SLOT)						
	32	1	9M-4849	1	SEAL-O-RING						
	33	1	9S-8752	3	NUT-FULL (3/8-16-THD)						
	38	1	8S-9191	3	BOLT (3/8-16X4-IN)						
	39	1	0S-1588	3	BOLT (3/8-16X1.25-IN)						

ELECTRICAL AND STARTING SYSTEM

294-3308 MOUNTING GP-JACKET WTR HEATER (contd.)

i03380294



GRAPHIC #1

<END>

g01762074

ELECTRICAL AND STARTING SYSTEM

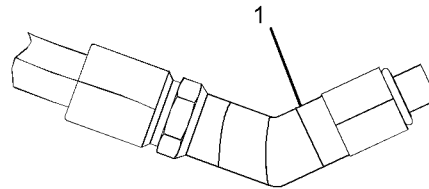
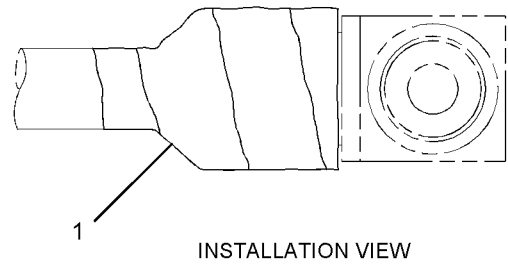
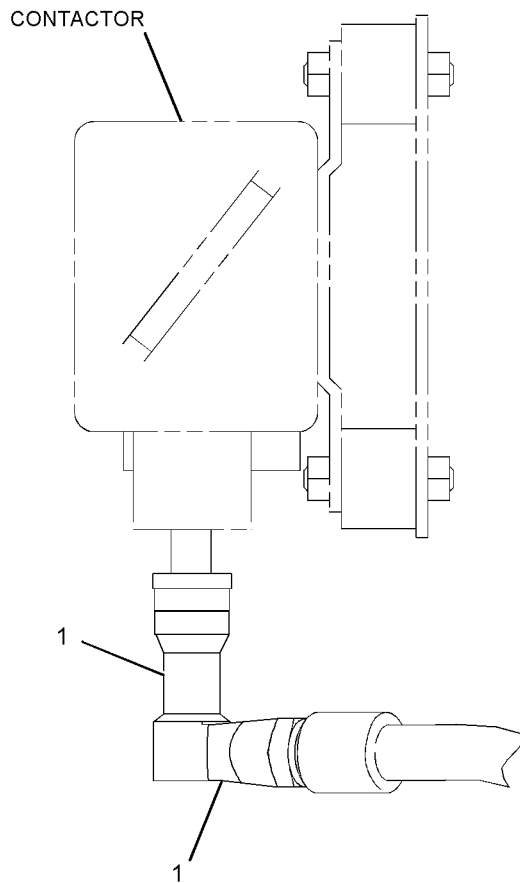
264-3074 PROTECTION GP-ENGINE AN ATTACHMENT

SMCS - 1900

i03636753

NOTE	REF NO	GRAPHIC REF	PART NUMBER	QTY	PART NAME						SEE PAGE
					1	2	3	4	5	6 (PRODUCT LEVEL)	
B	1	1	237-3860		TAPE (ANTI-SPLASH, 50-MM WIDE)						

B-USE AS REQUIRED



FRONT VIEW

<END>

GRAPHIC #1

g01320494

ELECTRICAL AND STARTING SYSTEM

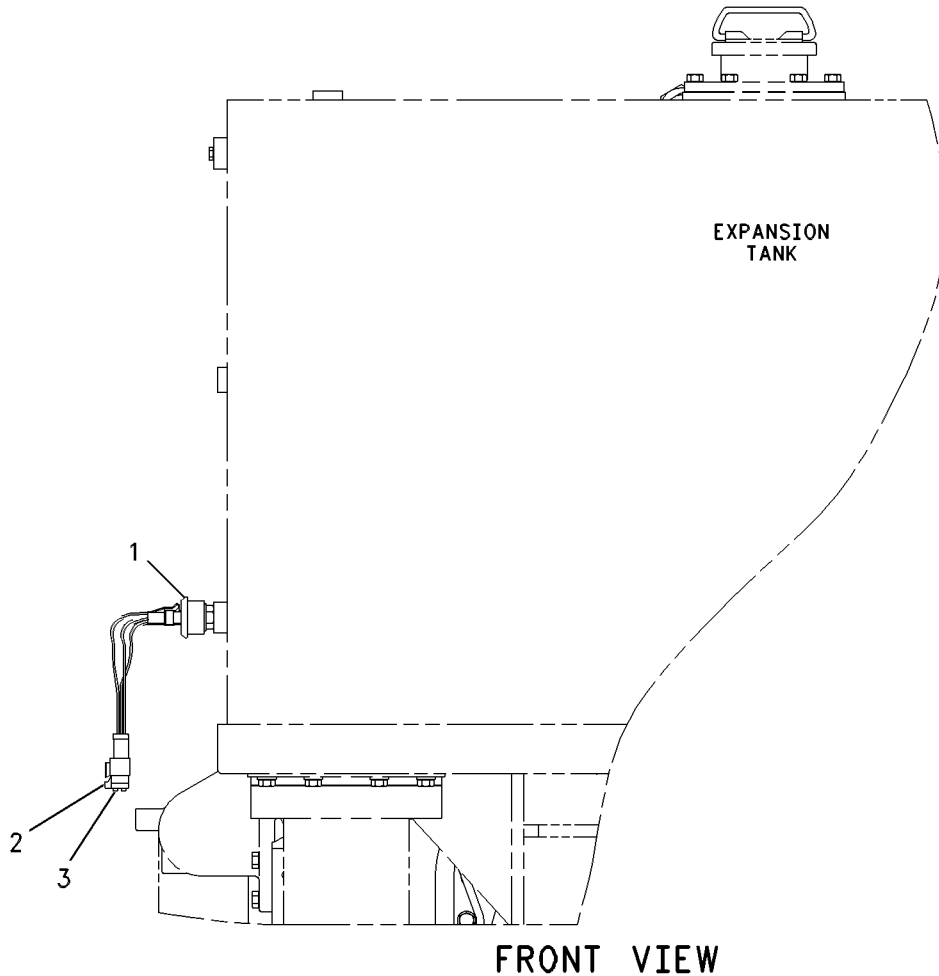
124-0121 SENSOR & MTG GP-EXPANSION TANK- COOLANT LEVEL AN ATTACHMENT

SMCS-1354, 7400

i02706890

NOTE	REF NO	GRAPHIC REF	PART NUMBER	QTY	PART NAME						SEE PAGE
					1	2	3	4	5	6 (PRODUCT LEVEL)	
CY	1	1	204-2518	1	SENSOR GP-LIQUID LEVEL						473
	2	1	155-2260	1	KIT-CONNECTING PLUG (3-PIN) (INCLUDES PLUG AS AND WEDGE)						
	3	1	8T-8737	3	PLUG-SEAL						

C-CHANGE FROM PREVIOUS TYPE
Y-SEPARATE ILLUSTRATION



GRAPHIC #1

<END>

g00626754

ELECTRICAL AND STARTING SYSTEM

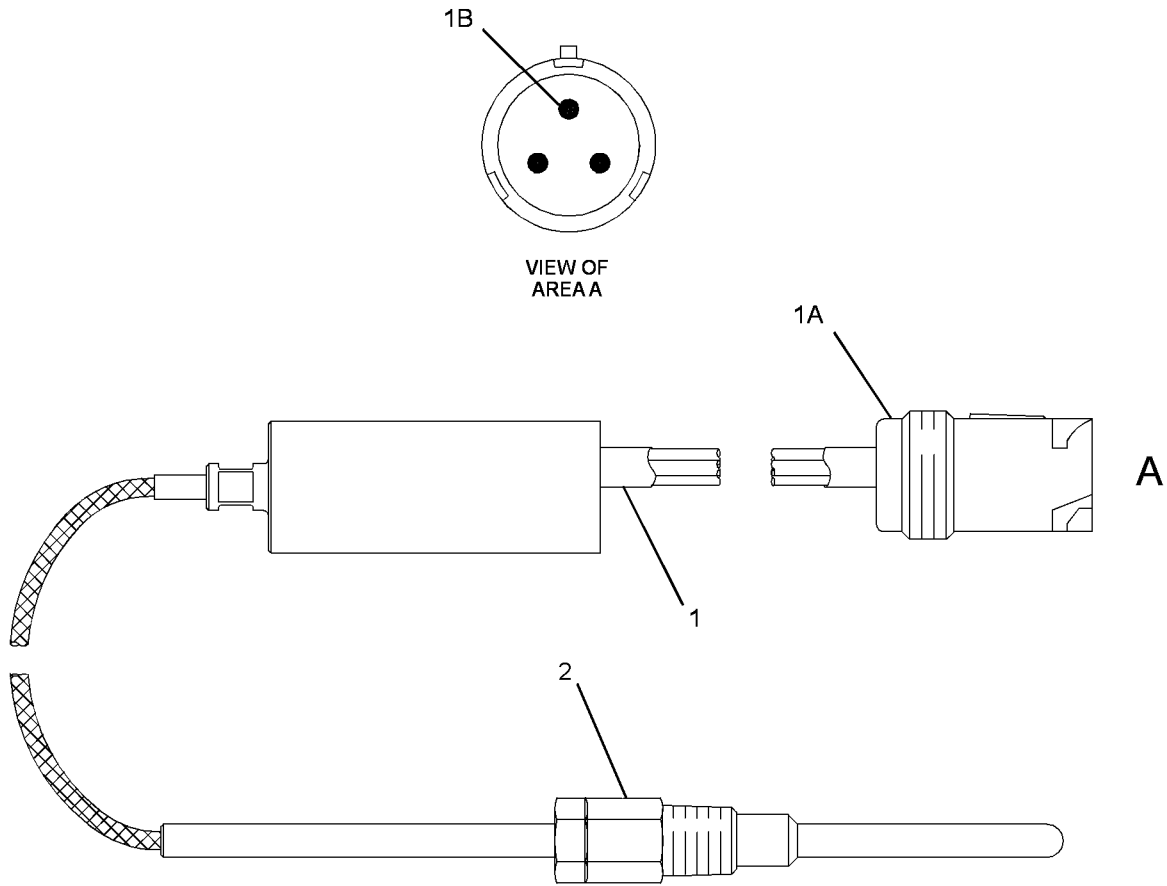
164-2441 SENSOR GP-EXHAUST TEMPERATURE

PART OF 212-3425 SENSOR GP-EXHAUST TEMPERATURE
AN ATTACHMENT

SMCS-1919

i02508013

NOTE	REF NO	GRAPHIC REF	PART NUMBER	QTY	PART NAME						SEE PAGE
					1	2	3	4	5	6 (PRODUCT LEVEL)	
	1	1	261-6849	1	SENSOR GP-EXHAUST TEMPERATURE						
	1A	1	8T-8732	1	RECEPTACLE (3-PIN)						
	1B	1	186-3735	3	PIN-CONNECTOR (16-GA TO 18-GA)						
	2	1	261-6847	1	ADAPTER						



GRAPHIC #1

<END>

g01251710

ELECTRICAL AND STARTING SYSTEM

212-3425 SENSOR GP-EXHAUST TEMPERATURE

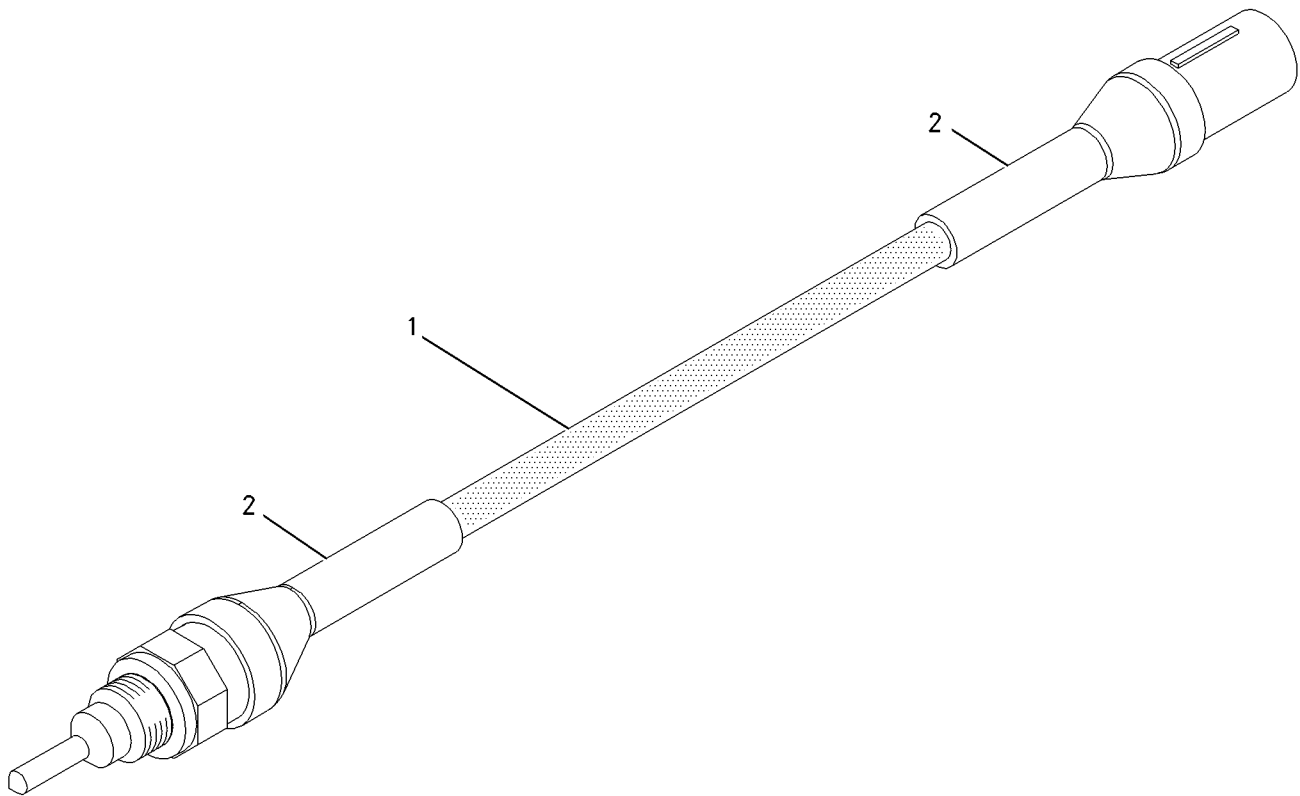
PART OF 232-0016, 296-8289 WIRING GP-ENGINE
AN ATTACHMENT

SMCS-1919

i02360107

NOTE	REF NO	GRAPHIC REF	PART NUMBER	QTY	PART NAME						SEE PAGE
					1	2	3	4	5	6 (PRODUCT LEVEL)	
Y	1	1	164-2441	1	SENSOR GP-EXHAUST TEMPERATURE						471
E	2	1	135-5009		TUBE-HEAT SHRINK (32-MM DIA) (16-CM)						

E-ORDER BY THE CENTIMETER
Y-SEPARATE ILLUSTRATION



GRAPHIC #1

<END>

g00916796

ELECTRICAL AND STARTING SYSTEM

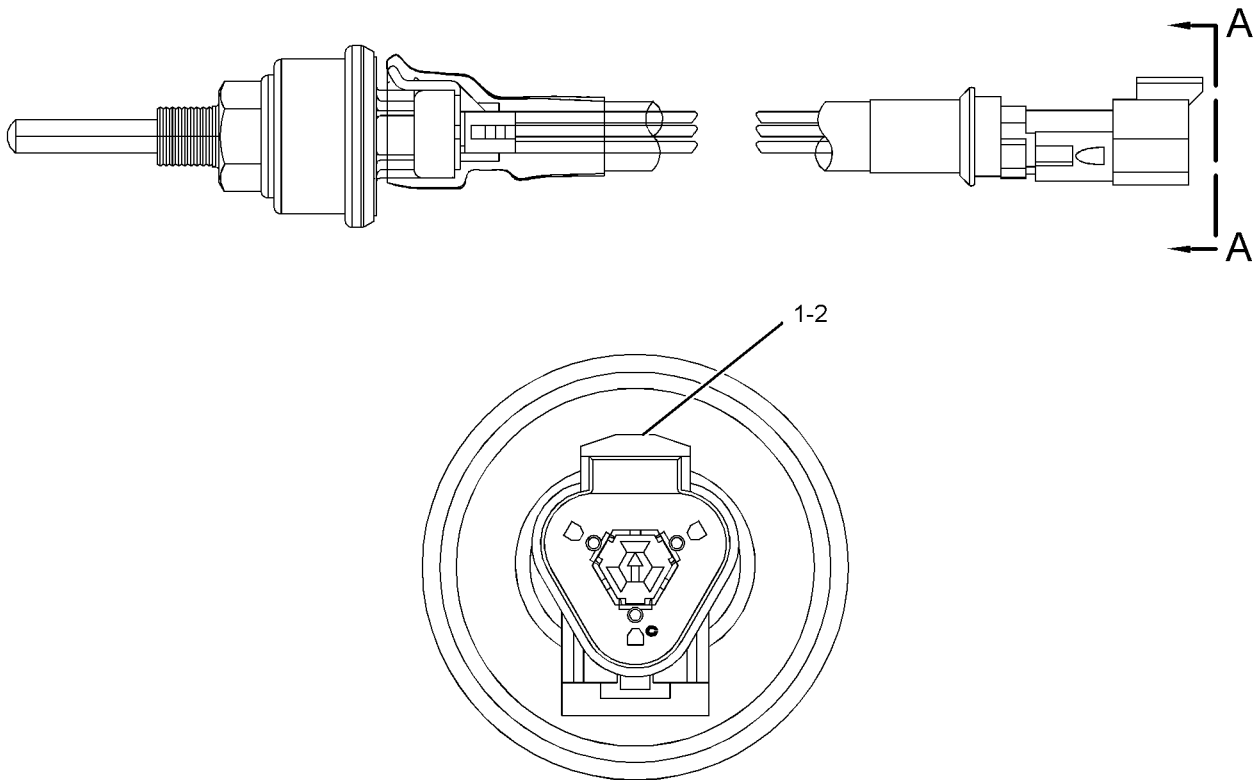
204-2518 SENSOR GP-LIQUID LEVEL

PART OF 124-0121 SENSOR & MTG GP-EXPANSION TANK
AN ATTACHMENT

SMCS-7422

i02585904

NOTE	REF NO	GRAPHIC REF	PART NUMBER	QTY	PART NAME						SEE PAGE
					1	2	3	4	5	6 (PRODUCT LEVEL)	
	1	1	186-3735	3	PIN-CONNECTOR (16-GA TO 18-GA)						
	2	1	102-8803	1	KIT-RECEPTACLE (3-PIN)						
(INCLUDES RECEPTACLE AS & WEDGE)											



VIEW A-A

GRAPHIC #1

<END>

g01203130

ELECTRICAL AND STARTING SYSTEM

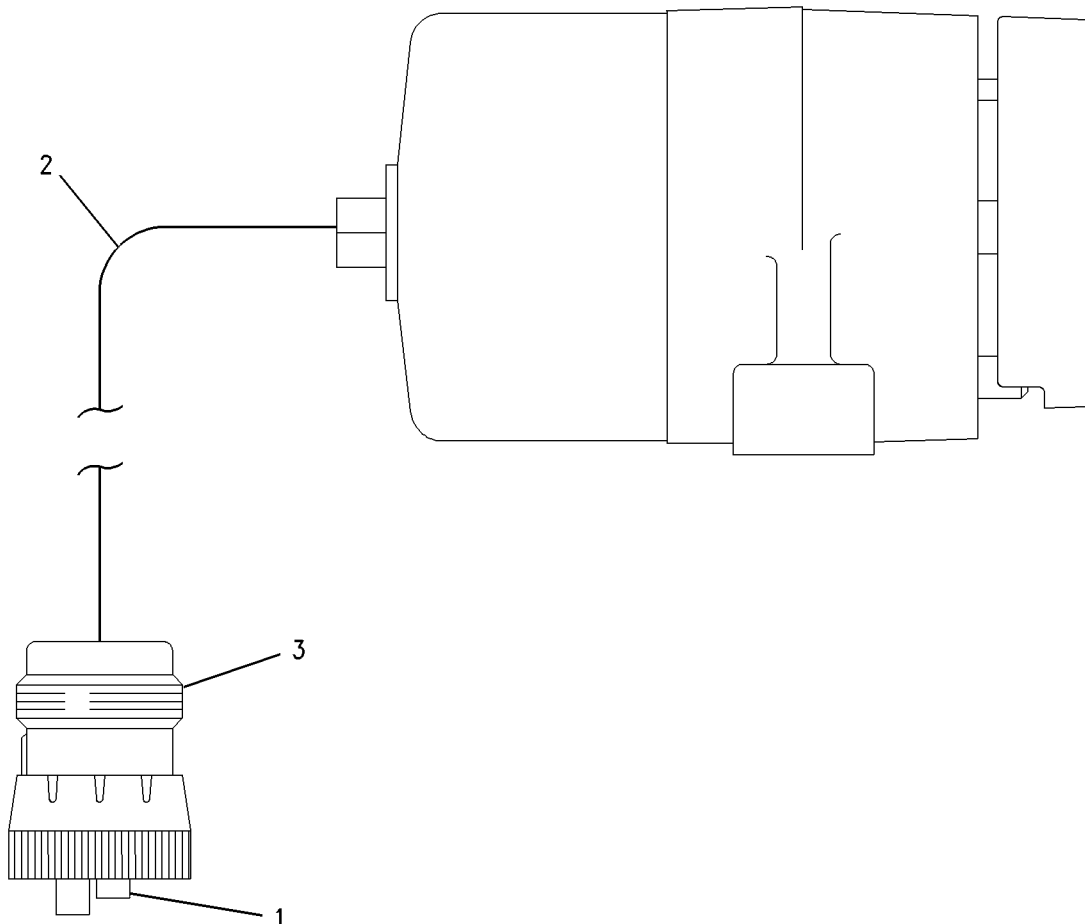
9X-9647 SENSOR GP-POSITION-ROTARY AN ATTACHMENT

SMCS-1905, 1911, 1913, 4809, 5736, 5737

i02740693

NOTE	REF NO	GRAPHIC REF	PART NUMBER	QTY	PART NAME						SEE PAGE
					1	2	3	4	5	6 (PRODUCT LEVEL)	
	1	1	186-3736	3	SOCKET-CONNECTOR (16-GA TO 18-GA)						
E	2	1	9X-1813		SLEEVE (23-CM)						
	3	1	8T-8731	1	PLUG-CONNECTOR (3-PIN)						

E-ORDER BY THE CENTIMETER



GRAPHIC #1

<END>

g00683899

ELECTRICAL AND STARTING SYSTEM

161-9932 SENSOR GP-PRESSURE

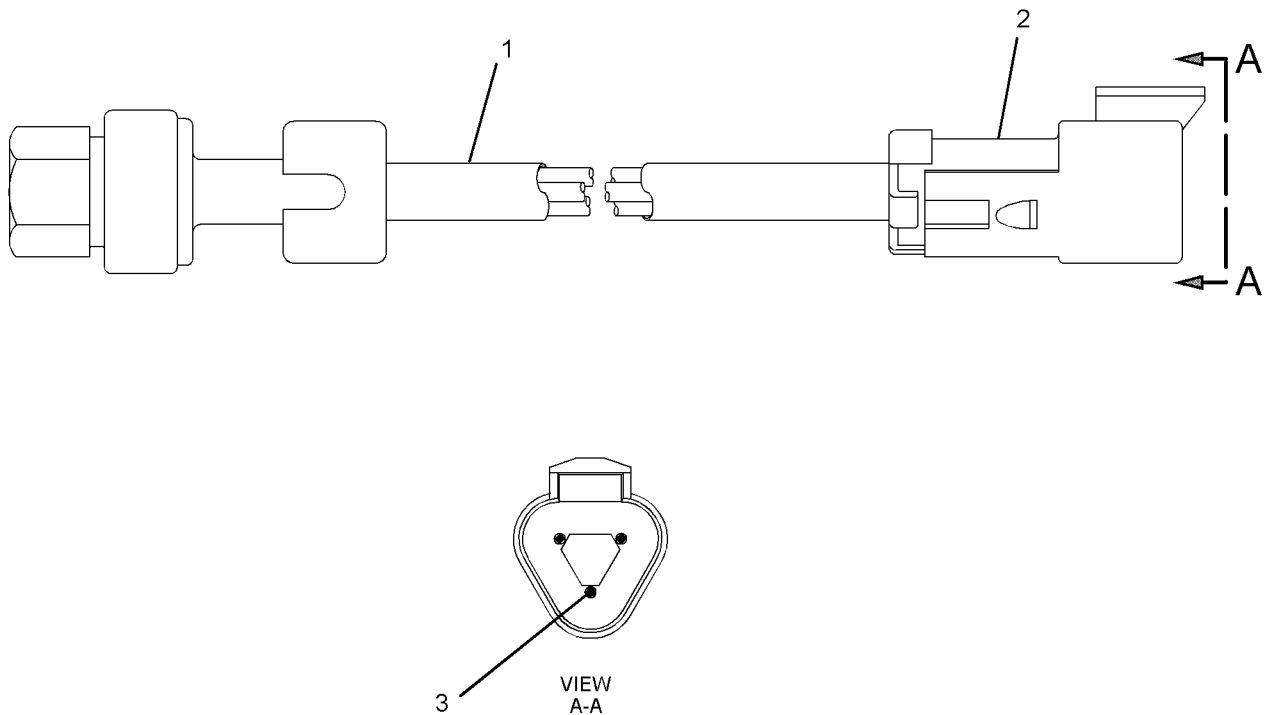
AN ATTACHMENT

SMCS-1718, 1916, 1917, 1923, 1924, 1925

i03805429

NOTE	REF NO	GRAPHIC REF	PART NUMBER	QTY	PART NAME						SEE PAGE
					1	2	3	4	5	6 (PRODUCT LEVEL)	
E	1	1	9X-1386		SLEEVE (15-CM)						
	2	1	102-8803	1	KIT-RECEPTACLE (3-PIN) (INCLUDES RECEPTACLE AS & WEDGE)						
	3	1	9X-3401	3	PIN-CONNECTOR (16-GA TO 18-GA)						
					-OR-						
		1	126-1767	3	PIN-CONNECTOR (14-GA)						

E-ORDER BY THE CENTIMETER



GRAPHIC #1

<END>

g02060753

ELECTRICAL AND STARTING SYSTEM

194-6722 SENSOR GP-PRESSURE

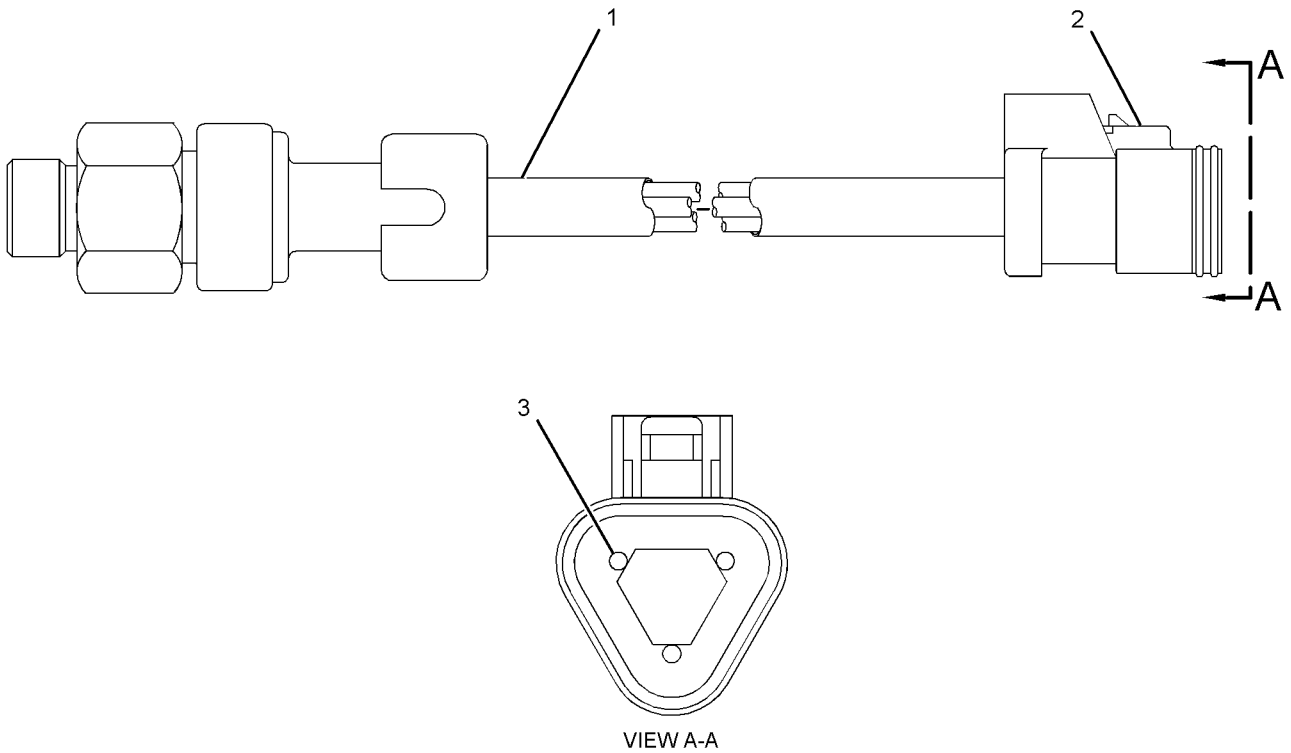
PART OF 304-5666 SENSOR GP-PRESSURE
AN ATTACHMENT

SMCS-1718, 1916, 1917, 1923, 1924, 1925

i03698115

NOTE	REF NO	GRAPHIC REF	PART NUMBER	QTY	PART NAME						SEE PAGE
					1	2	3	4	5	6 (PRODUCT LEVEL)	
E	1	1	9X-1813		SLEEVE (34-CM)						
	2	1	155-2260	1	KIT-CONNECTING PLUG (3-PIN) (INCLUDES PLUG AS, WEDGE & INTERFACE SEAL)						
	3	1	180-9340	3	SOCKET-CONNECTOR (14-GA TO 18-GA)						

E-ORDER BY THE CENTIMETER



GRAPHIC #1

<END>

g01991395

ELECTRICAL AND STARTING SYSTEM

194-6724 SENSOR GP-PRESSURE

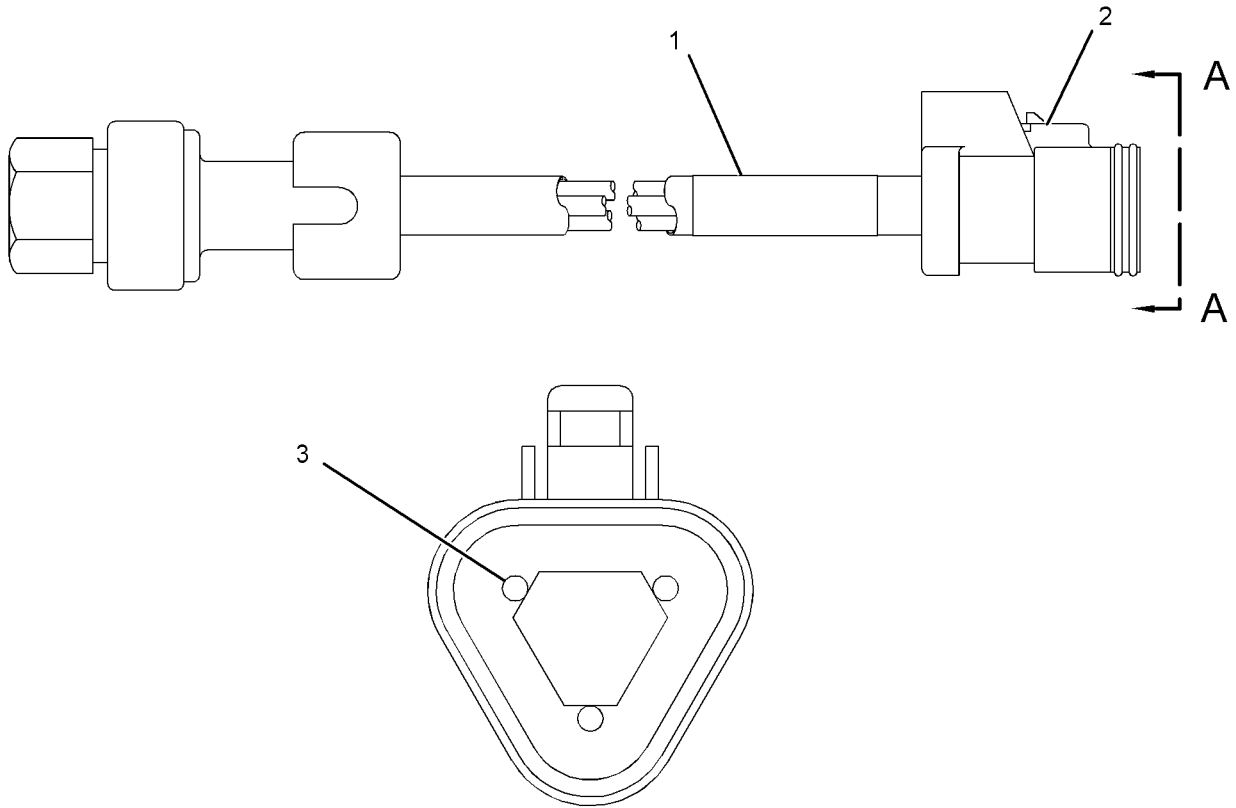
PART OF 304-5667 SENSOR GP-PRESSURE
AN ATTACHMENT

SMCS-1718, 1916, 1917, 1923, 1924, 1925

i03260181

NOTE	REF NO	GRAPHIC REF	PART NUMBER	QTY	PART NAME						SEE PAGE
					1	2	3	4	5	6 (PRODUCT LEVEL)	
E	1	1	9X-1813		SLEEVE (34-CM)						
	2	1	155-2260	1	KIT-CONNECTING PLUG (3-PIN) (INCLUDES PLUG AS, WEDGE & INTERFACE SEAL)						
	3	1	194-5226	3	WIRE AS						

E-ORDER BY THE CENTIMETER



VIEW A-A

GRAPHIC #1

<END>

g01662018

ELECTRICAL AND STARTING SYSTEM

194-6725 SENSOR GP-PRESSURE

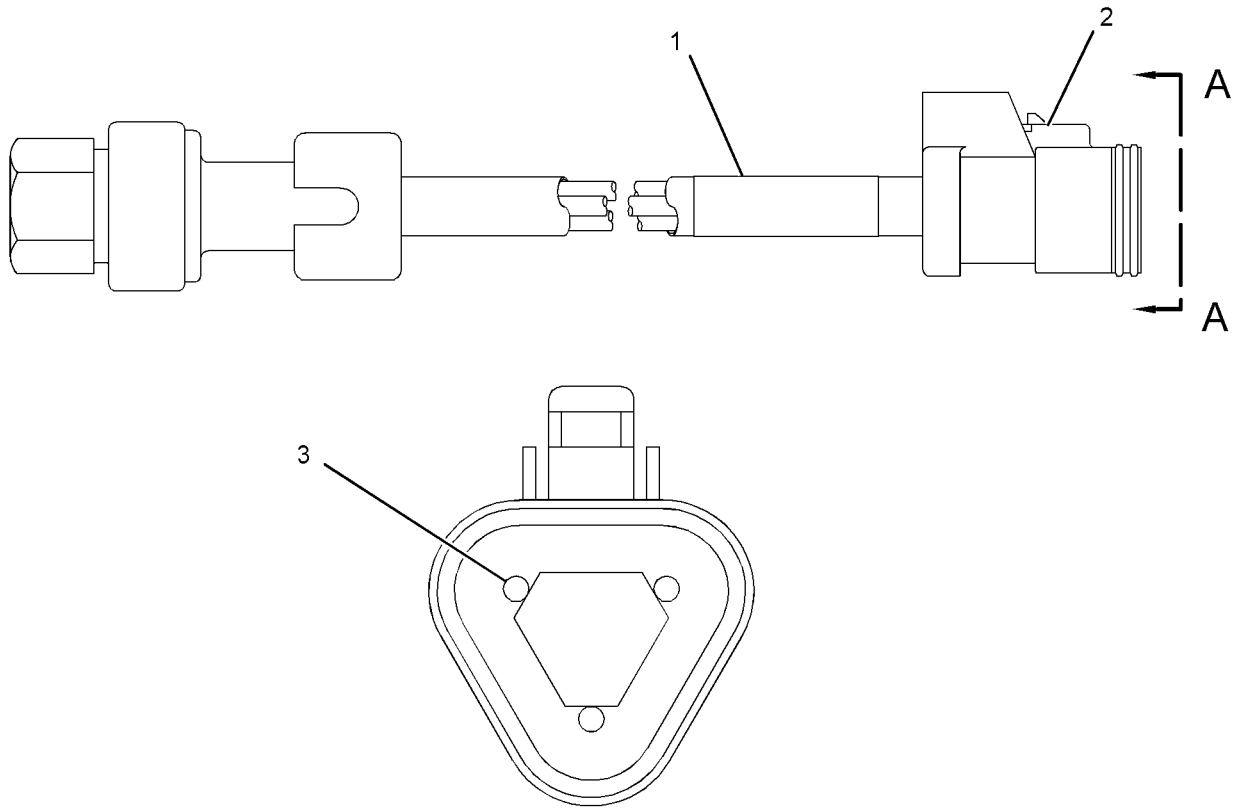
PART OF 304-5668 SENSOR GP-PRESSURE
AN ATTACHMENT

SMCS-1718, 1916, 1917, 1923, 1924, 1925

i03642385

NOTE	REF NO	GRAPHIC REF	PART NUMBER	QTY	PART NAME						SEE PAGE
					1	2	3	4	5	6 (PRODUCT LEVEL)	
E	1	1	9X-1813		SLEEVE (34-CM)						
	2	1	155-2260	1	KIT-CONNECTING PLUG (3-PIN) (INCLUDES PLUG AS, INTERFACE SEAL & WEDGE)						
	3	1	180-9340	3	SOCKET-CONNECTOR (14-GA TO 18-GA)						

E-ORDER BY THE CENTIMETER



VIEW A-A

GRAPHIC #1

<END>

g01662003

ELECTRICAL AND STARTING SYSTEM

304-5666 SENSOR GP-PRESSURE

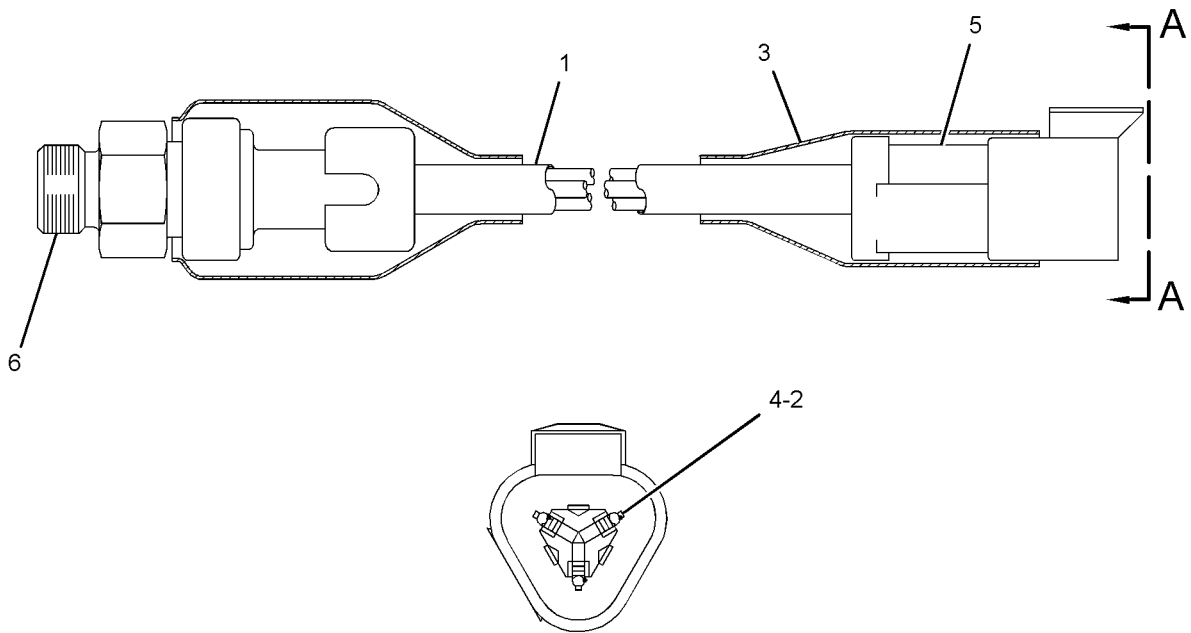
PART OF 232-0016, 296-8289 WIRING GP-ENGINE
AN ATTACHMENT

SMCS-1718, 1916, 1917, 1923, 1924, 1925

i03869371

NOTE	REF NO	GRAPHIC REF	PART NUMBER	QTY	PART NAME						SEE PAGE
					1	2	3	4	5	6 (PRODUCT LEVEL)	
E	1	1	9X-1813		SLEEVE (31-CM)						
	2	1	3E-3371	1	WEDGE-RECEPTACLE LOCK (3-PIN)						
E	3	1	210-8958		TUBE-HEAT SHRINK (24-MM DIA) (16-CM)						
	4	1	186-3735	3	PIN-CONNECTOR (16-GA TO 18-GA)						
	5	1	102-8803	1	KIT-RECEPTACLE (3-PIN) (INCLUDES RECEPTACLE AS AND WEDGE)						
Y	6	1	194-6722	1	SENSOR GP-PRESSURE (CRANKCASE PRESSURE)						476

E-ORDER BY THE CENTIMETER
Y-SEPARATE ILLUSTRATION



VIEW A-A

GRAPHIC #1

<END>

g01365418

ELECTRICAL AND STARTING SYSTEM

304-5667 SENSOR GP-PRESSURE

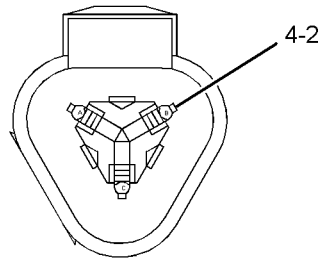
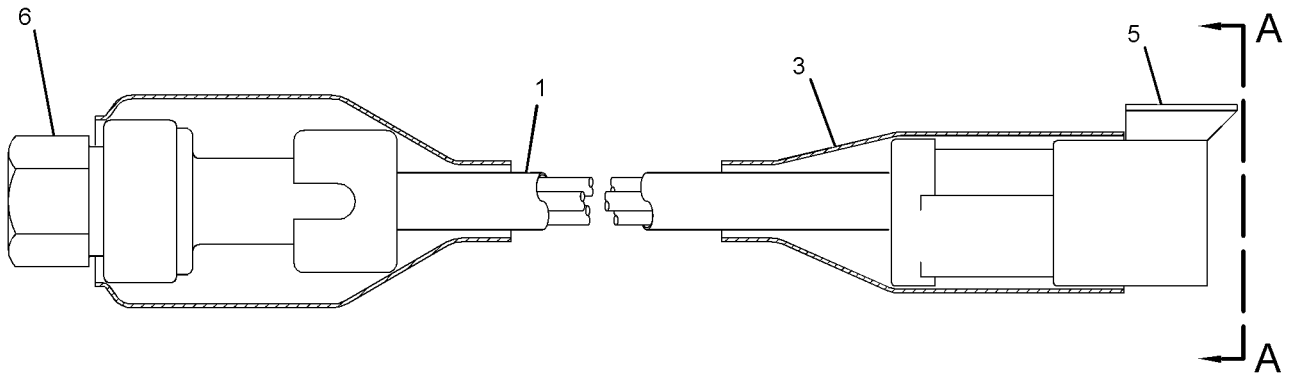
PART OF 232-0016, 296-8289 WIRING GP-ENGINE
AN ATTACHMENT

SMCS-1718, 1916, 1917, 1923, 1924, 1925

i03869377

NOTE	REF NO	GRAPHIC REF	PART NUMBER	QTY	PART NAME						SEE PAGE
					1	2	3	4	5	6 (PRODUCT LEVEL)	
E	1	1	9X-1813		SLEEVE (31-CM)						
	2	1	3E-3371	1	WEDGE-RECEPTACLE LOCK (3-PIN)						
E	3	1	210-8958		TUBE-HEAT SHRINK (24-MM DIA) (16-CM)						
	4	1	186-3735	3	PIN-CONNECTOR (16-GA TO 18-GA)						
	5	1	102-8803	1	KIT-RECEPTACLE (3-PIN) (INCLUDES RECEPTACLE AS AND WEDGE)						
Y	6	1	194-6724	1	SENSOR GP-PRESSURE (TURBOCHARGER OUTLET)						477

E-ORDER BY THE CENTIMETER
Y-SEPARATE ILLUSTRATION



VIEW A-A

GRAPHIC #1

<END>

g01365429

ELECTRICAL AND STARTING SYSTEM

304-5668 SENSOR GP-PRESSURE

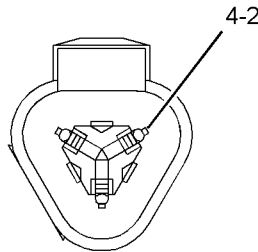
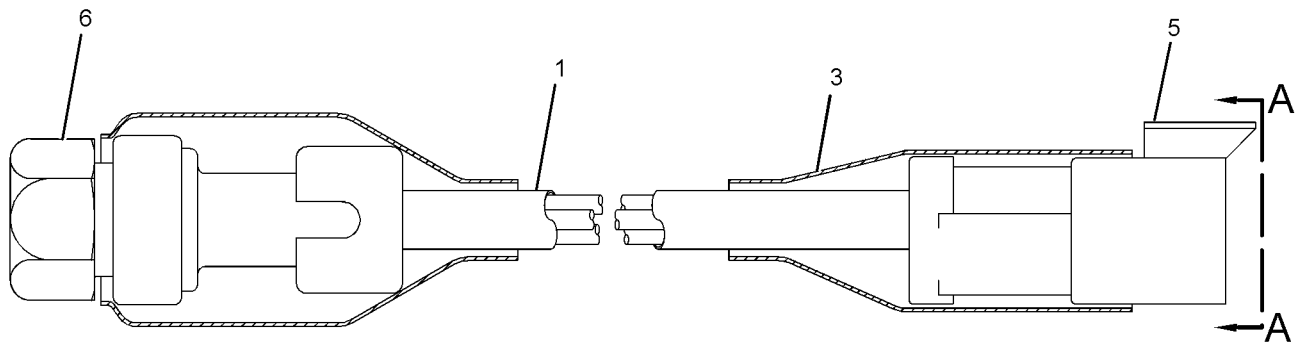
PART OF 307-0008, 307-2044, 307-2045, 307-2046 WIRING GP-SENSOR
AN ATTACHMENT

SMCS-1718, 1916, 1917, 1923, 1924, 1925

i03869379

NOTE	REF NO	GRAPHIC REF	PART NUMBER	QTY	PART NAME						SEE PAGE
					1	2	3	4	5	6 (PRODUCT LEVEL)	
E	1	1	9X-1813		SLEEVE (31-CM)						
	2	1	3E-3371	1	WEDGE-RECEPTACLE LOCK (3-PIN)						
E	3	1	210-8958		TUBE-HEAT SHRINK (24-MM DIA) (16-CM)						
	4	1	186-3735	3	PIN-CONNECTOR (16-GA TO 18-GA)						
	5	1	102-8803	1	KIT-RECEPTACLE (3-PIN)						
					(INCLUDES RECEPTACLE AS AND WEDGE)						
Y	6	1	194-6725	1	SENSOR GP-PRESSURE (ENGINE OIL, FUEL)						478

E-ORDER BY THE CENTIMETER
Y-SEPARATE ILLUSTRATION



VIEW A-A

GRAPHIC #1

<END>

g01367728

ELECTRICAL AND STARTING SYSTEM

9X-5392 SENSOR GP-SPEED

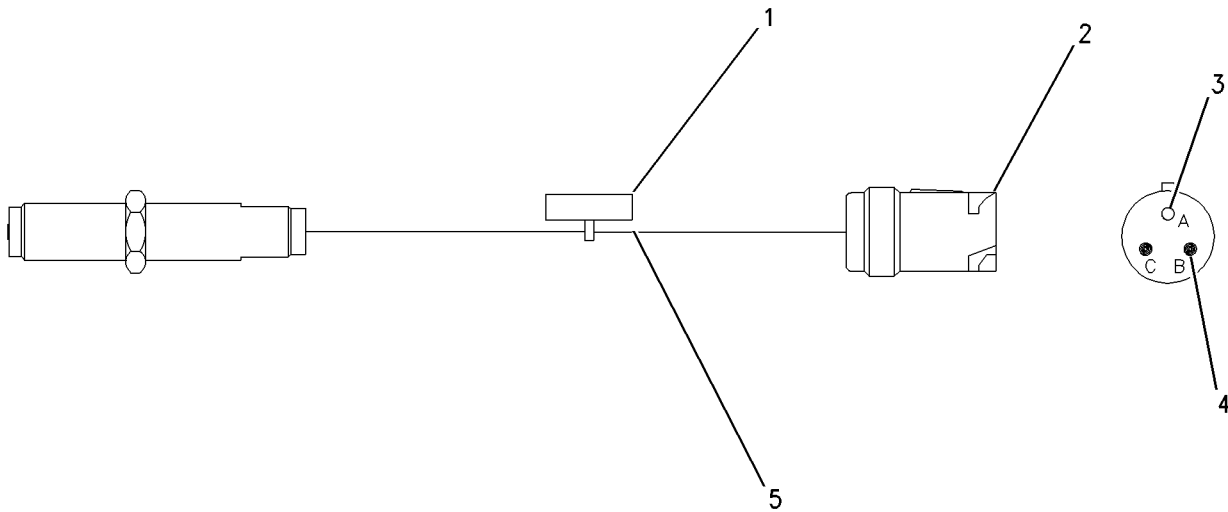
PART OF 212-3426 SENSOR GP-SPEED
AN ATTACHMENT

SMCS-1907

i02408693

NOTE	REF NO	GRAPHIC REF	PART NUMBER	QTY	PART NAME						SEE PAGE
					1	2	3	4	5	6 (PRODUCT LEVEL)	
	1	1	171-5349	1	STRAP-MARKER						
	2	1	8T-8732	1	RECEPTACLE (3-PIN)						
	3	1	8T-8737	1	PLUG-SEAL						
	4	1	186-3735	2	PIN-CONNECTOR (16-GA TO 18-GA)						
E	5	1	9X-1386		SLEEVE (14-CM)						

E-ORDER BY THE CENTIMETER



GRAPHIC #1

<END>

g00839872

ELECTRICAL AND STARTING SYSTEM

212-0848 SENSOR GP-SPEED

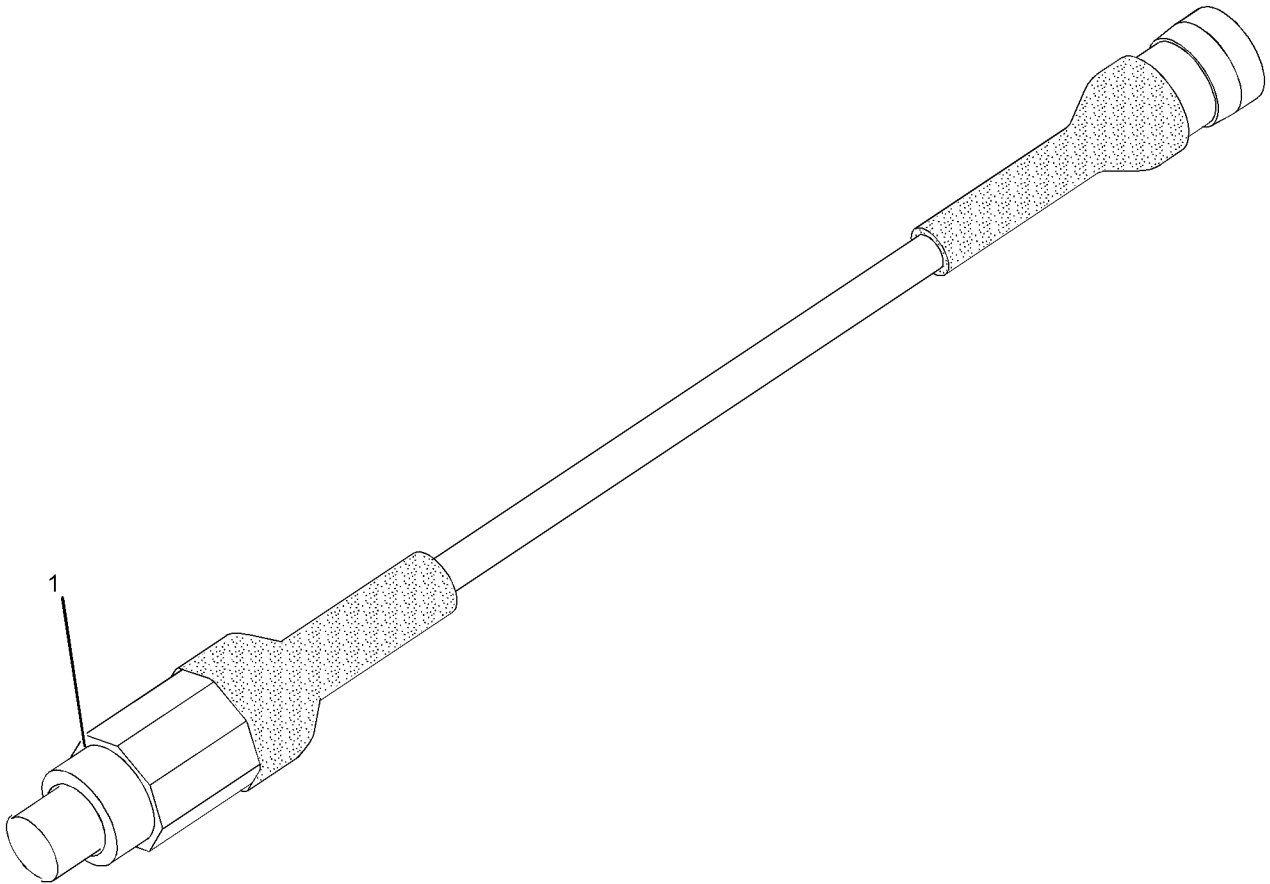
PART OF 296-8289 WIRING GP-ENGINE
AN ATTACHMENT

SMCS-1907

i02629218

NOTE	REF NO	GRAPHIC REF	PART NUMBER	QTY	PART NAME						SEE PAGE
					1	2	3	4	5	6 (PRODUCT LEVEL)	
CY	1	1	295-4636	1	SENSOR GP-SPEED						486

C-CHANGE FROM PREVIOUS TYPE
Y-SEPARATE ILLUSTRATION



GRAPHIC #1

<END>

g01320016

ELECTRICAL AND STARTING SYSTEM

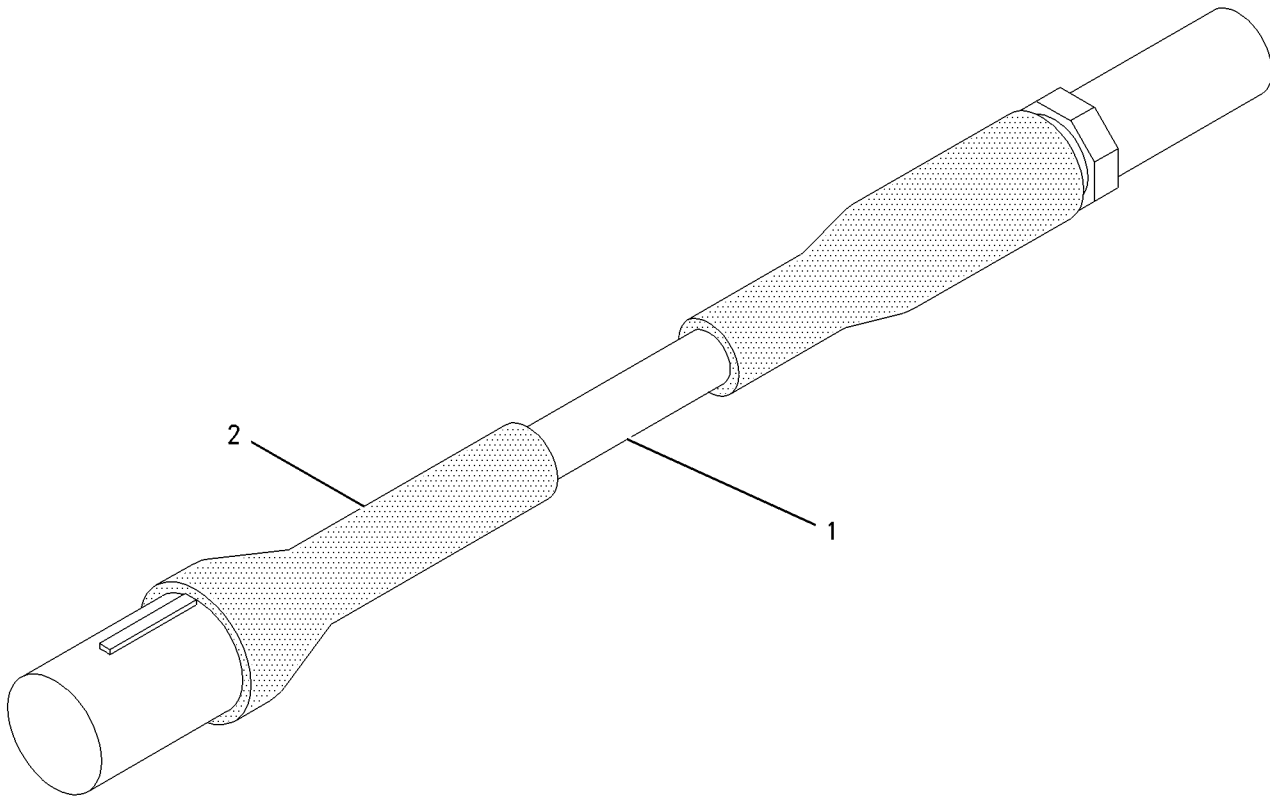
212-3426 SENSOR GP-SPEED PART OF 232-0016, 296-8289 WIRING GP-ENGINE AN ATTACHMENT

SMCS-1907

i02741350

NOTE	REF NO	GRAPHIC REF	PART NUMBER	QTY	PART NAME						SEE PAGE
					1	2	3	4	5	6 (PRODUCT LEVEL)	
Y	1	1	9X-5392	1	SENSOR GP-SPEED						482
E	2	1	210-8958		TUBE-HEAT SHRINK (24-MM DIA) (16-CM)						

E-ORDER BY THE CENTIMETER
Y-SEPARATE ILLUSTRATION



GRAPHIC #1

<END>

g00916980

ELECTRICAL AND STARTING SYSTEM

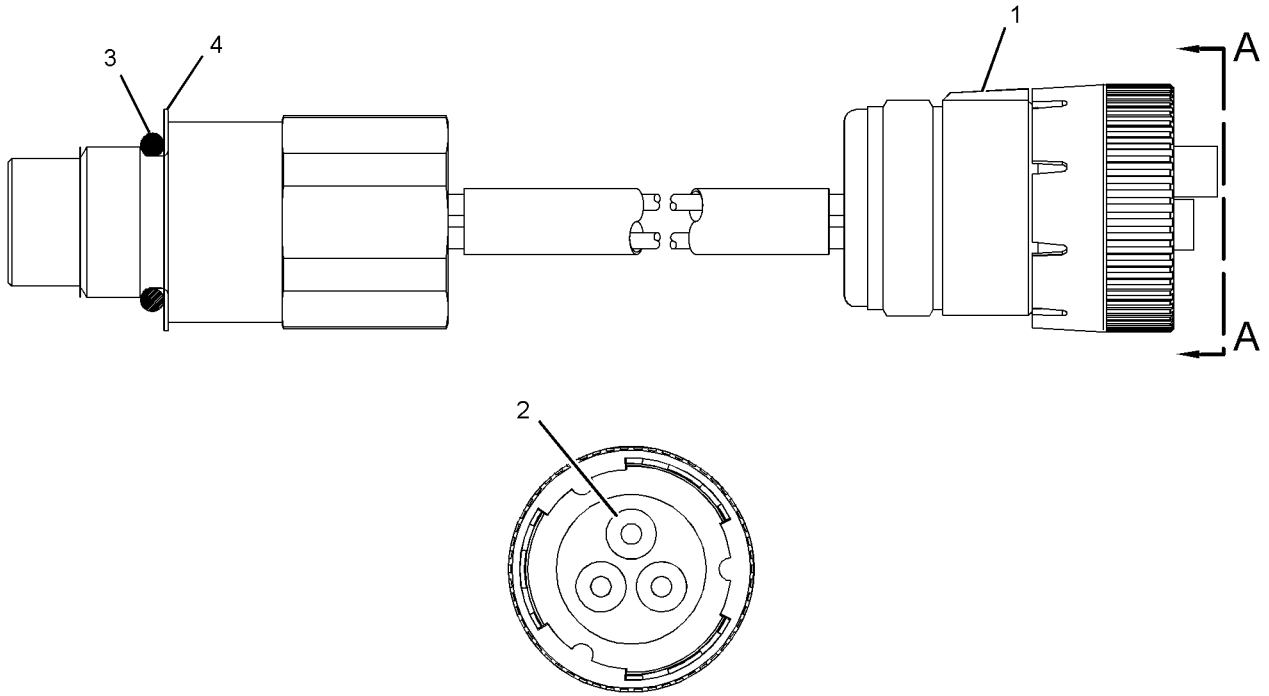
265-9034 SENSOR GP-SPEED

PART OF 295-4636 SENSOR GP-SPEED
AN ATTACHMENT

SMCS-1907

i03442075

NOTE	REF NO	GRAPHIC REF	PART NUMBER	QTY	PART NAME						SEE PAGE
					1	2	3	4	5	6 (PRODUCT LEVEL)	
	1	1	8T-8731	1	PLUG-CONNECTOR (3-PIN)						
	2	1	180-9340	3	SOCKET-CONNECTOR (14-GA TO 18-GA)						
	3	1	117-8766	1	SEAL-O-RING						
	4	1	133-1207	1	WASHER (21.1X28.1X0.9-MM THK)						



VIEW A-A

GRAPHIC #1

<END>

g01310558

ELECTRICAL AND STARTING SYSTEM

295-4636 SENSOR GP-SPEED

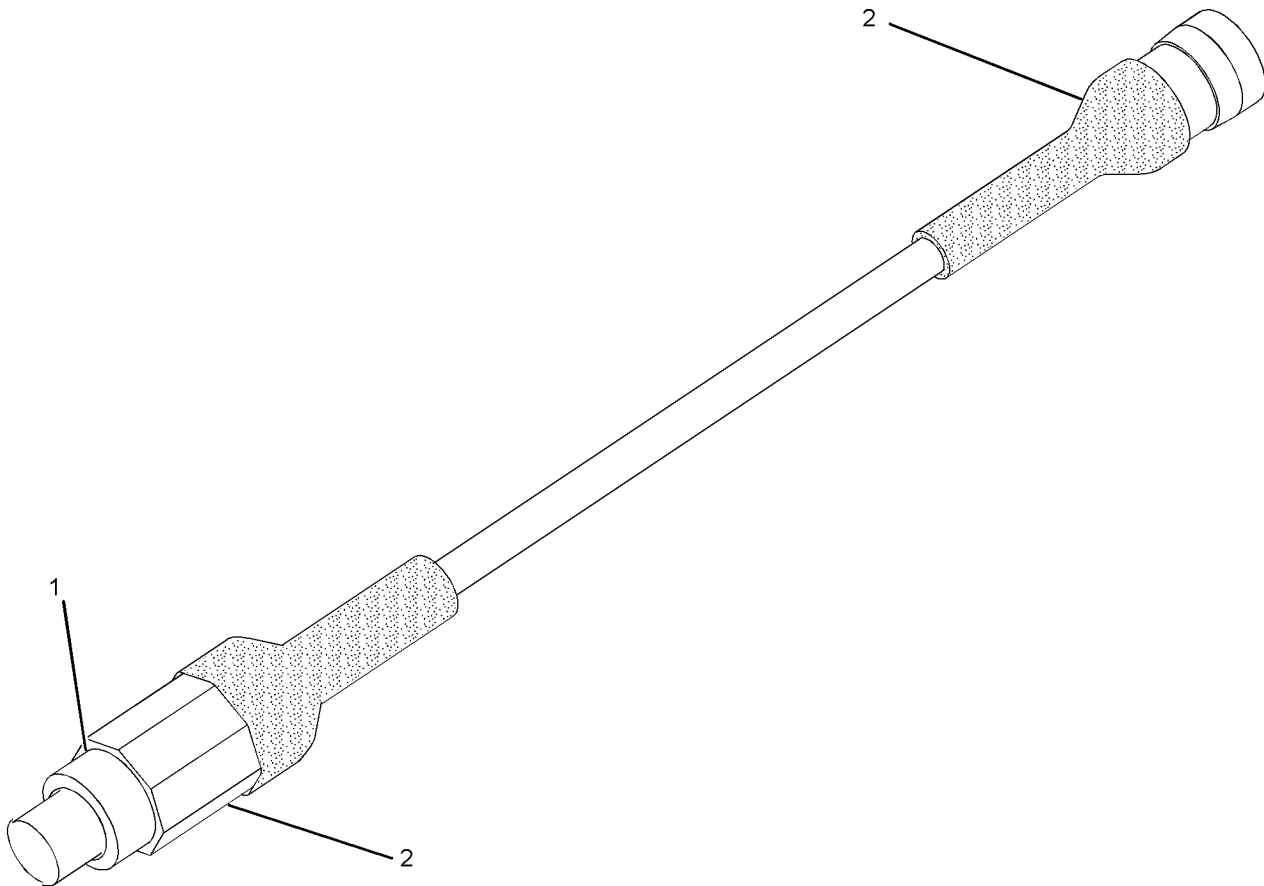
PART OF 212-0848 SENSOR GP-SPEED, 232-0016 WIRING GP-ENGINE
AN ATTACHMENT

SMCS-1907

i02628879

NOTE	REF NO	GRAPHIC REF	PART NUMBER	QTY	PART NAME						SEE PAGE
					1	2	3	4	5	6 (PRODUCT LEVEL)	
Y	1	1	265-9034	1	SENSOR GP-SPEED						485
E	2	1	135-5009		TUBE-HEAT SHRINK (32-MM DIA) (16-CM)						

E-ORDER BY THE CENTIMETER
Y-SEPARATE ILLUSTRATION



GRAPHIC #1

<END>

g01327714

ELECTRICAL AND STARTING SYSTEM

102-2240 SENSOR GP-TEMPERATURE

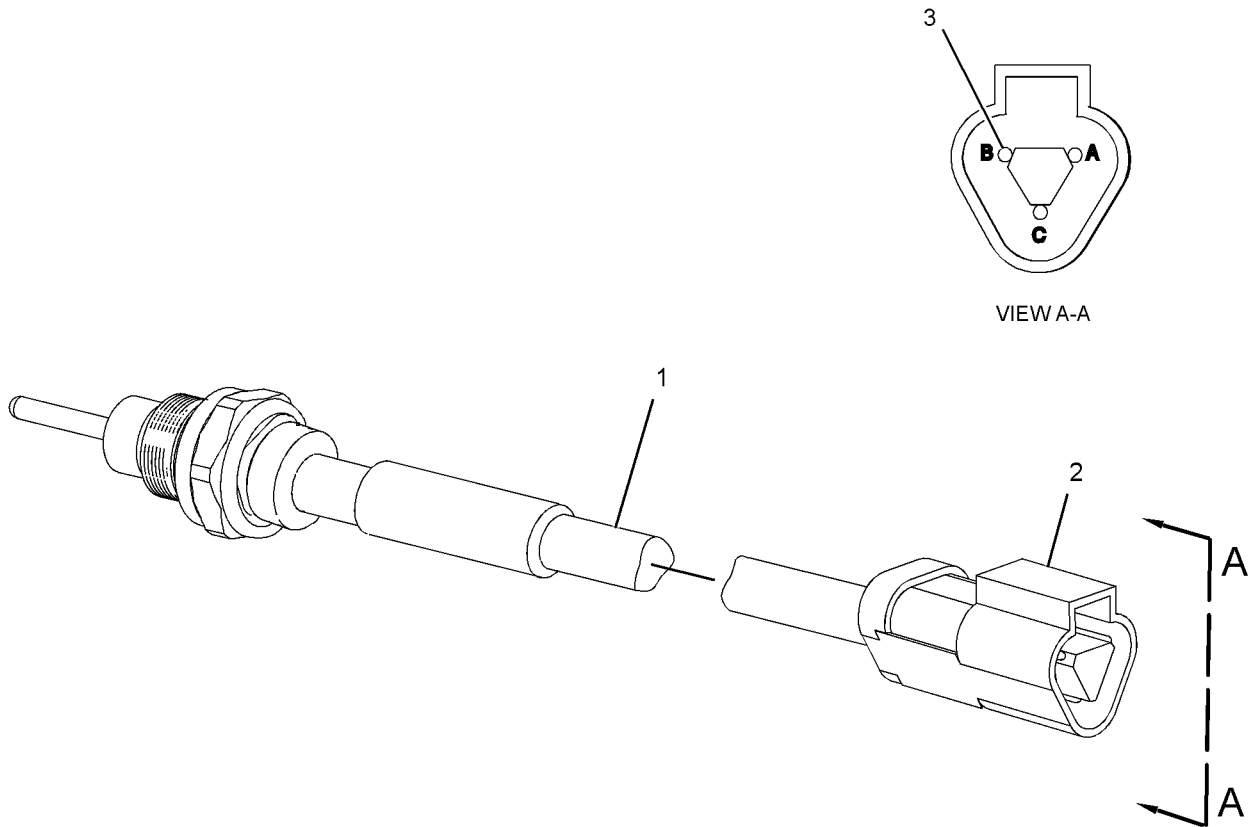
AN ATTACHMENT

SMCS-1906, 1919, 1921, 1922, 1928, 1929

i03772736

NOTE	REF NO	GRAPHIC REF	PART NUMBER	QTY	PART NAME						SEE PAGE
					1	2	3	4	5	6 (PRODUCT LEVEL)	
E	1	1	9X-1813		SLEEVE (31-CM)						
	2	1	102-8803	1	KIT-RECEPTACLE (3-PIN) (INCLUDES RECEPTACLE AS & WEDGE)						
	3	1	186-3735	3	PIN-CONNECTOR (16-GA TO 18-GA)						

E-ORDER BY THE CENTIMETER



GRAPHIC #1

<END>

g01965958

ELECTRICAL AND STARTING SYSTEM

195-2150 SENSOR GP-TEMPERATURE

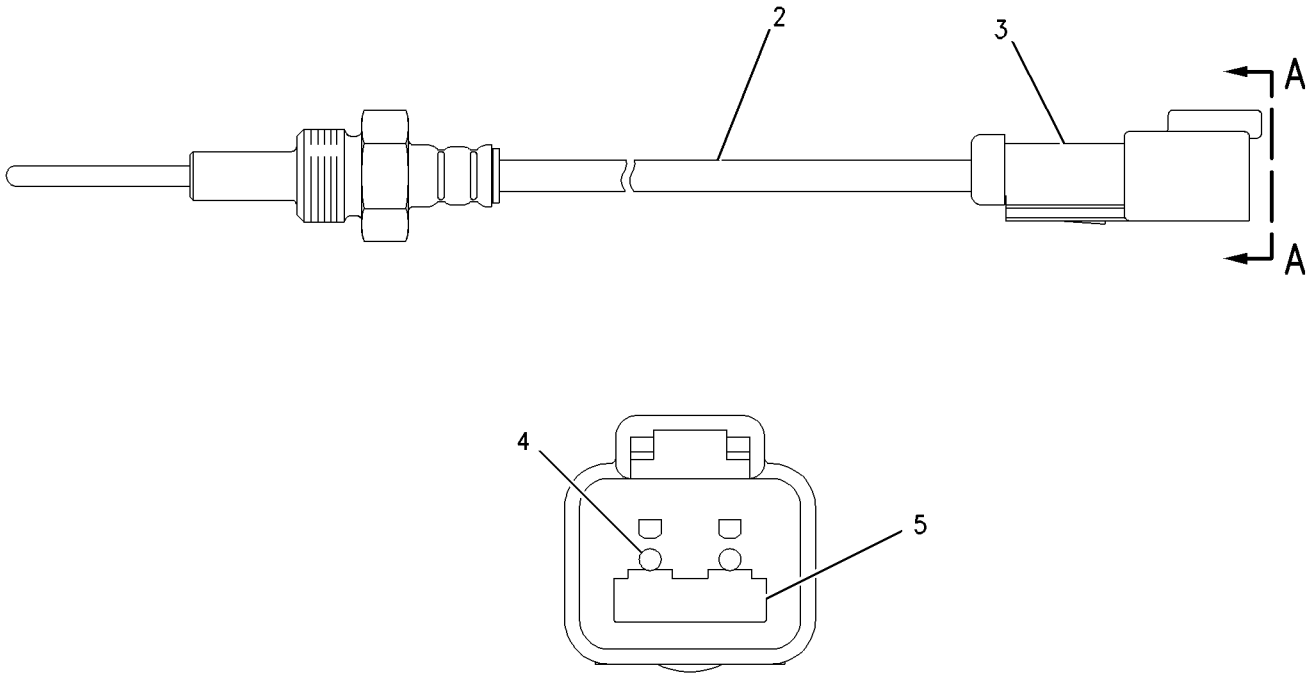
PART OF 255-0178, 255-0180 WIRING GP-SENSOR
AN ATTACHMENT

SMCS-1906, 1919, 1921, 1922, 1928, 1929

i02231071

NOTE	REF NO	GRAPHIC REF	PART NUMBER	QTY	PART NAME						SEE PAGE
					1	2	3	4	5	6 (PRODUCT LEVEL)	
BH	2	1	153-5043		SLEEVE (4-DM)						
	3	1	102-8802	1	KIT-RECEPTACLE (2-PIN) (INCLUDES RECEPTACLE AS AND WEDGE)						
	4	1	186-3735	2	PIN-CONNECTOR (16-GA TO 18-GA)						
	5	1	3E-3365	1	WEDGE-RECEPTACLE LOCK (2-PIN)						

B-USE AS REQUIRED
H-ORDER BY THE DECIMETER



VIEW A-A

GRAPHIC #1

<END>

g00857794

ELECTRICAL AND STARTING SYSTEM

212-3423 SENSOR GP-TEMPERATURE-COOLANT

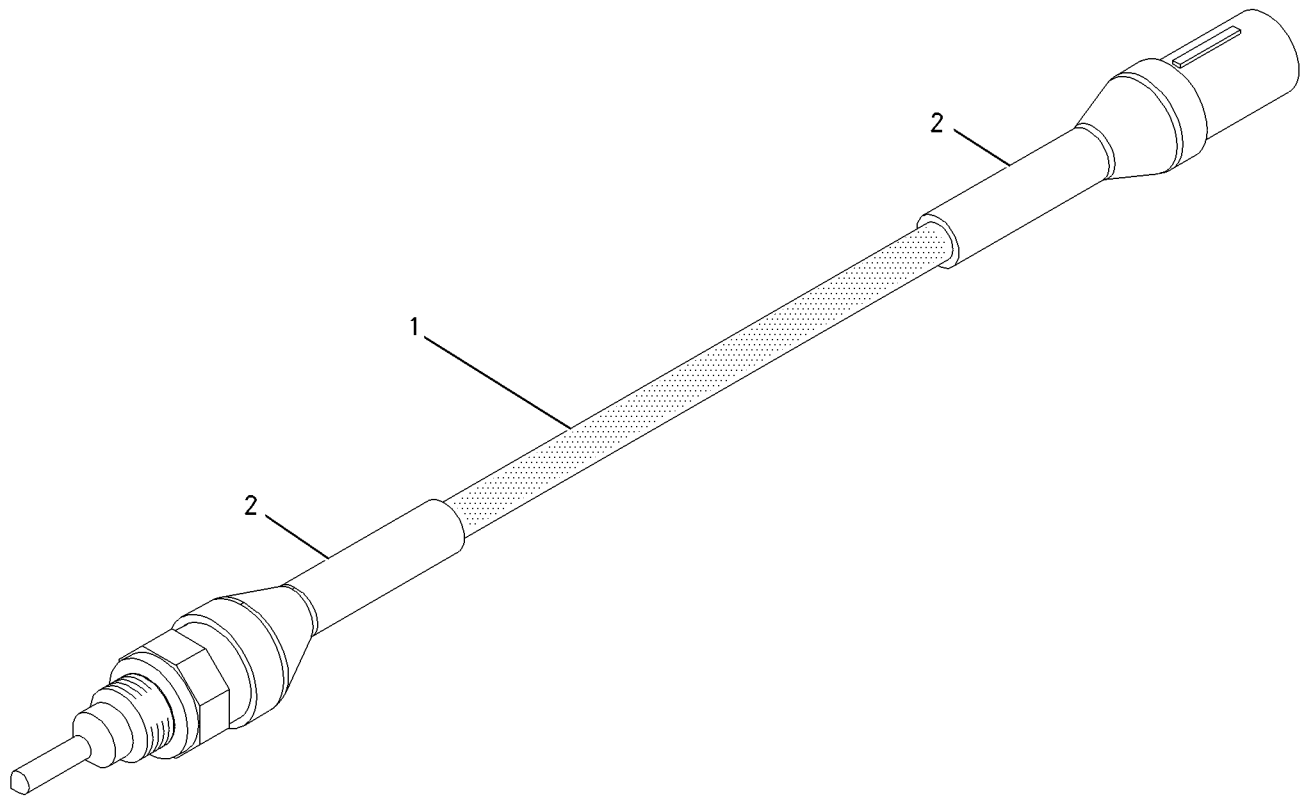
PART OF 232-0016, 296-8289 WIRING GP-ENGINE
AN ATTACHMENT

SMCS-1906, 1919, 1921, 1922, 1928, 1929

i02400533

NOTE	REF NO	GRAPHIC REF	PART NUMBER	QTY	PART NAME						SEE PAGE
					1	2	3	4	5	6 (PRODUCT LEVEL)	
	1	1	102-7532	1	SENSOR GP-TEMPERATURE (COOLANT)						
E	2	1	135-5009		TUBE-HEAT SHRINK (32-MM DIA) (16-CM)						

E-ORDER BY THE CENTIMETER



GRAPHIC #1

<END>

g00916796

ELECTRICAL AND STARTING SYSTEM

143-5168 STARTING MOTOR GP-AIR

PART OF 143-5174 STARTING MOTOR GP-AIR

AN ATTACHMENT

SMCS-1451

i03473648

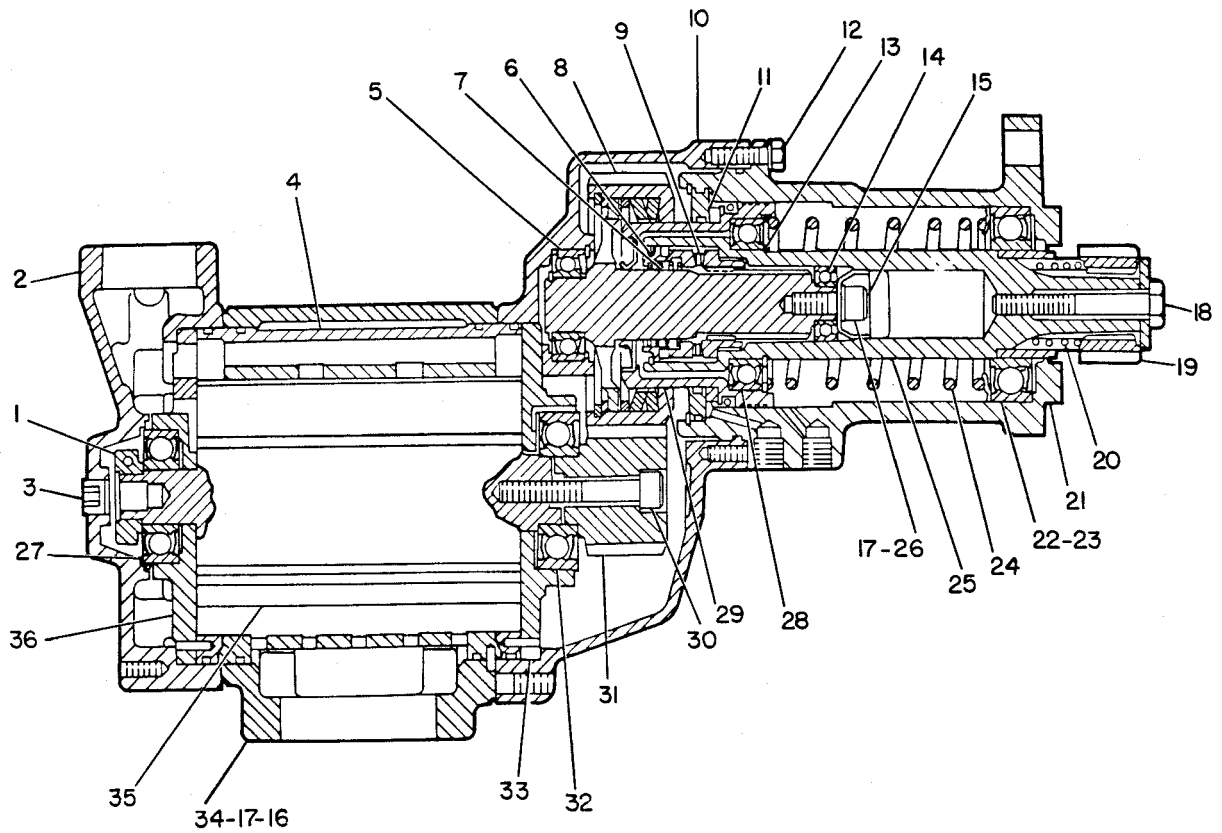
NOTE	REF NO	GRAPHIC REF	PART NUMBER	QTY	PART NAME						SEE PAGE
					1	2	3	4	5	6 (PRODUCT LEVEL)	
M	1	1	096-4833	1	BOLT-SOCKET HEAD (M5X0.8X20-MM)						
		1	5N-8378	1	NUT-ROTOR CLAMP (M5X0.8-THD)						
	2	1	5N-8363	1	COVER AS						
	3	1	4D-3118	3	PLUG-PIPE						
	4	1	5N-8383	1	CYLINDER						
	5	1	6V-3916	1	BALL BEARING						
		1	1L-8497	1	RING-SNAP (SMALL)						
		1	6J-7855	1	RING-LOCK (LARGE)						
	6	1	5N-8375	1	CUP-SPRING						
		1	6V-3935	1	RING-RETAINING						
	7	1	5N-8381	1	SPRING-CLUTCH						
	8	1	2W-6081	1	GEAR AS-DRIVE (37-TEETH)						
	9	1	5N-9574	1	JAW AS-CLUTCH						
	10	1	5N-8387	1	CASE-GEAR						
	11	1	5N-8424	1	BULKHEAD						
M	12	1	6V-3940	8	BOLT (M8X1.25X25-MM)						
		1	3B-4505	8	LOCKWASHER						
	13	1	3J-7719	1	RING-RETAINING (INNER)						
		1	6V-3971	1	RING-RETAINING (OUTER)						
	14	1	7F-8671	1	BALL BEARING						
	15	1	5N-8428	1	WASHER-GEAR (10.1X34X15.5-MM THK)						
M	16	1	5N-8427	4	BOLT-MOTOR (M10X1.5X180-MM)						
	17	1	6V-3959	5	LOCKWASHER						
M	18	1	5N-8403	1	SCREW-PINION (M12X1.25X70-MM)						
		1	5N-8425	1	WASHER (12.2X41.5X4.5-MM THK)						
	19	1	2W-6078	1	PINION-DRIVE (12-TEETH)						
	20	1	5N-8380	1	SPRING-PINION						
		1	5N-8374	1	SLEEVE-SPRING						
	21	1	2W-6082	1	KIT-DRIVE (AIR STARTING MOTOR) (INCLUDES O-RING, HOUSING, BEARING, SEAL AND VENT)						
	22	1	8B-7624	1	BALL BEARING						
	23	1	5N-8379	1	SEAT-SPRING						
	24	1	5N-8372	1	SPRING-RETURN						
	25	1	5N-8384	1	SHAFT-DRIVE						
M	26	1	6V-3938	1	BOLT (M10X1.5X20-MM)						
	27	1	5P-9514	1	BALL BEARING						
	28	1	5N-8377	1	BEARING-DRIVE SHAFT						
	29	1	5N-8373	1	PISTON						
M	30	1	6V-3939	1	BOLT (M12X1.75X60-MM)						
	31	1	5N-8368	1	PINION-ROTOR (17-TEETH)						
	32	1	6V-1394	1	BALL BEARING						
		1	039-4317	2	WASHER-SPRING						
	33	1	5N-8365	1	PLATE-FRONT END						
	34	1	111-4399	1	HOUSING-MOTOR						
	35	1	5N-8388	1	ROTOR						
	36	1	5N-8367	1	PLATE-REAR END						
					AVAILABLE REPAIR KIT(S):						
			5N-8390	1	KIT-SEAL & VANE (AIR STARTING MOTOR) (INCLUDES PINS, RINGS, SEALS, VANES AND RETAINER)						

M-METRIC PART

ELECTRICAL AND STARTING SYSTEM

143-5168 STARTING MOTOR GP-AIR (contd.)

i03473648



GRAPHIC #1

<END>

g00081746

ELECTRICAL AND STARTING SYSTEM

143-5169 STARTING MOTOR GP-AIR-REVERSE ROTATION, LH PART OF 143-5173 STARTING MOTOR GP-AIR AN ATTACHMENT

SMCS-1451

i03463741

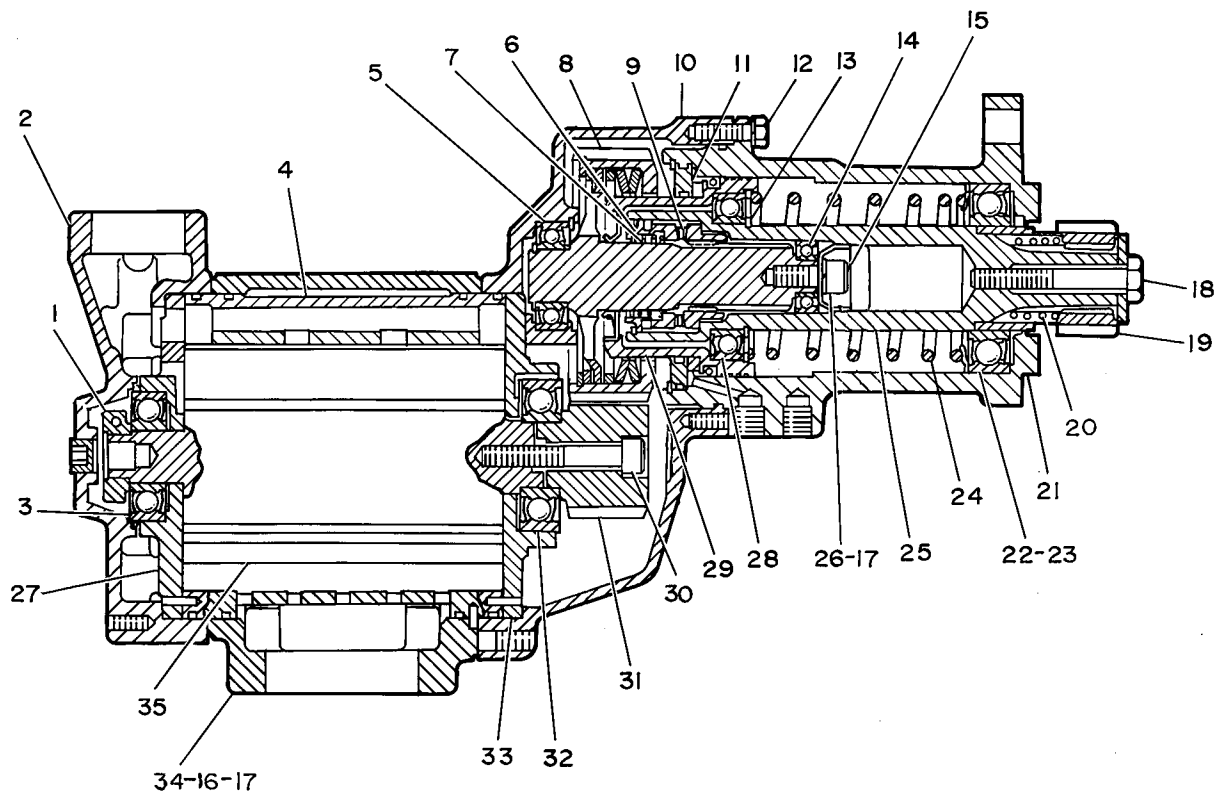
NOTE	REF NO	GRAPHIC REF	PART NUMBER	QTY	PART NAME 1 2 3 4 5 6 (PRODUCT LEVEL)	SEE PAGE
M	1	1	096-4833	1	BOLT-SOCKET HEAD (M5X0.8X20-MM)	
		1	5N-8378	1	NUT-ROTOR CLAMP (M5X0.8-THD)	
	2	1	5N-8363	1	COVER AS	
		1	4D-3118	3	PLUG-PIPE	
	3	1	5P-9514	1	BALL BEARING	
	4	1	5N-8383	1	CYLINDER	
	5	1	6V-3916	1	BALL BEARING	
		1	1L-8497	1	RING-SNAP (EXTERNAL)	
		1	6J-7855	1	RING-LOCK (INTERNAL)	
	6	1	5N-8375	1	CUP-SPRING	
		1	6V-3935	1	RING-RETAINING	
	7	1	5N-8381	1	SPRING-CLUTCH	
	8	1	2W-6081	1	GEAR AS-DRIVE (37-TEETH)	
	9	1	5N-9575	1	JAW AS-CLUTCH	
	10	1	5N-8387	1	CASE-GEAR	
	11	1	5N-8424	1	BULKHEAD	
M	12	1	6V-3940	8	BOLT (M8X1.25X25-MM)	
		1	3B-4505	8	LOCKWASHER	
	13	1	3J-7719	1	RING-RETAINING (INNER)	
		1	6V-3971	1	RING-RETAINING (OUTER)	
	14	1	7F-8671	1	BALL BEARING	
	15	1	5N-8428	1	WASHER-GEAR (10.1X34X15.5-MM THK)	
M	16	1	5N-8427	4	BOLT-MOTOR (M10X1.5X180-MM)	
	17	1	6V-3959	5	LOCKWASHER	
M	18	1	6V-3941	1	BOLT (M12X1.25X70-MM)	
		1	5N-8425	1	WASHER (12.2X41.5X4.5-MM THK)	
	19	1	2W-6079	1	PINION-DRIVE (12 TEETH)	
	20	1	5N-8389	1	SPRING-PINION	
		1	5N-8374	1	SLEEVE-SPRING	
	21	1	2W-6082	1	KIT-DRIVE (AIR STARTING MOTOR) (INCLUDES O-RING, HOUSING, BEARING, SEAL & VENT)	
	22	1	8B-7624	1	BALL BEARING	
	23	1	5N-8379	1	SEAT-SPRING	
	24	1	5N-8372	1	SPRING-RETURN	
	25	1	5N-8385	1	SHAFT-DRIVE	
M	26	1	6V-3938	1	BOLT (M10X1.5X20-MM)	
	27	1	5N-8366	1	PLATE-REAR END	
	28	1	5N-8377	1	BEARING-DRIVE SHAFT	
	29	1	5N-8373	1	PISTON	
M	30	1	6V-3939	1	BOLT (M12X1.75X60-MM)	
	31	1	5N-8368	1	PINION-ROTOR (17-TEETH)	
	32	1	6V-1394	1	BALL BEARING	
		1	039-4317	2	WASHER-SPRING	
	33	1	5N-8365	1	PLATE-FRONT END	
	34	1	111-4399	1	HOUSING-MOTOR	
	35	1	5N-8388	1	ROTOR	
AVAILABLE REPAIR KIT(S):						
			5N-8390	1	KIT-SEAL & VANE (AIR STARTING MOTOR) (INCLUDES PINS, O-RINGS, SEALS, VANES & RETAINER)	

M-METRIC PART

ELECTRICAL AND STARTING SYSTEM

143-5169 STARTING MOTOR GP-AIR (contd.)

i03463741



GRAPHIC #1

<END>

g00167331

ELECTRICAL AND STARTING SYSTEM

143-5173 STARTING MOTOR GP-AIR-REVERSE ROTATION, LH AN ATTACHMENT

SMCS-1451

i03869381

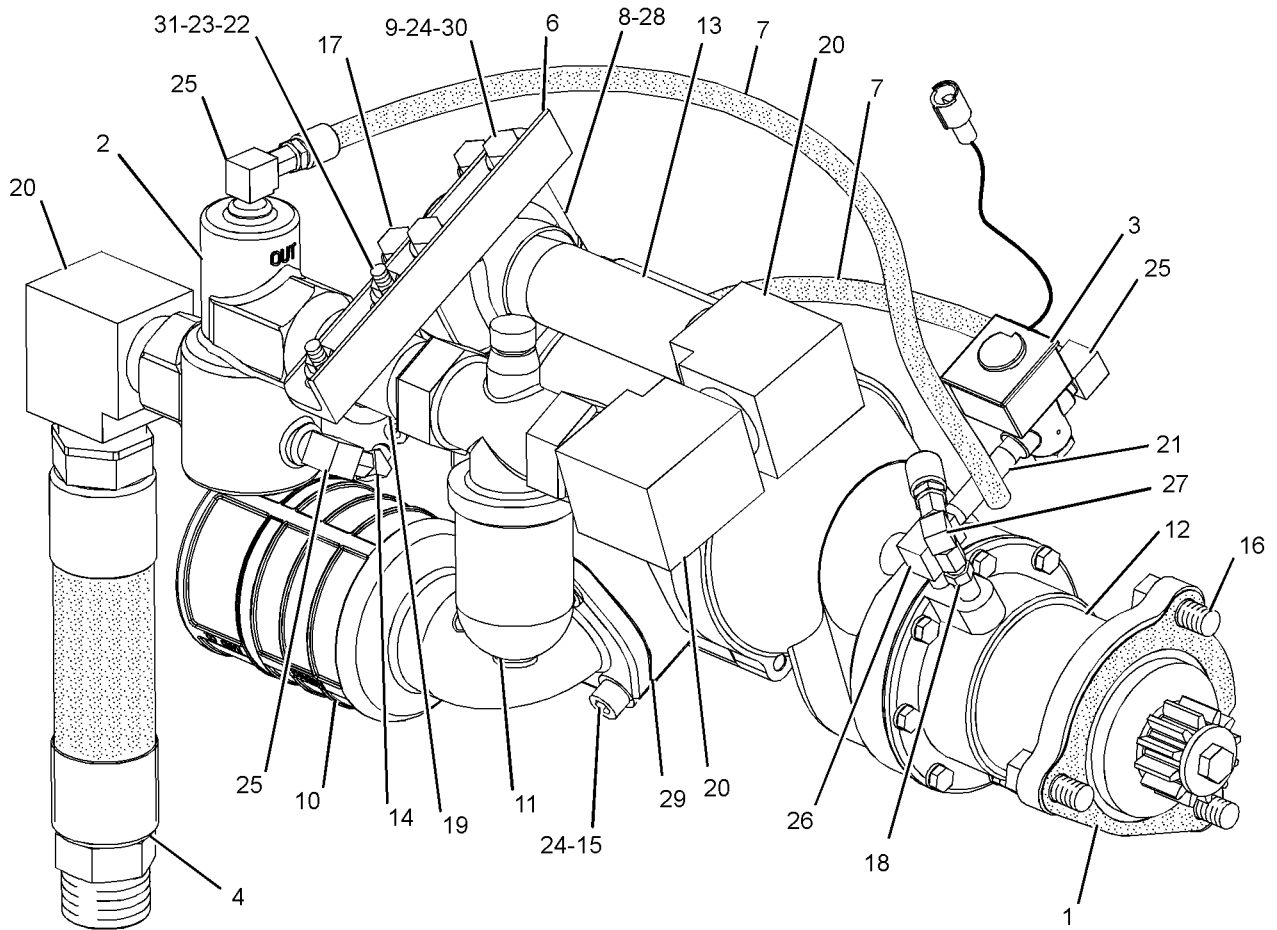
NOTE	REF NO	GRAPHIC REF	PART NUMBER	QTY	PART NAME						SEE PAGE
					1	2	3	4	5	6 (PRODUCT LEVEL)	
	1	1	4H-7869	1	GASKET						
J	2	1	4N-3411	1	VALVE GP-RELAY (AIR STARTING MOTOR)						
Y	3	1	5N-8980	1	VALVE AS-SOLENOID (AIR START)						526
I	4	1	6F-5985	1	HOSE AS						
C	6	1	7C-2946	2	BRACKET						
I	7	1	7N-2539	2	HOSE AS						
	8	1	8N-8446	1	ELBOW						
	9	1	9S-9238	2	SPACER (13.49X23.88X16.13-MM THK)						
	10	1	107-8769	1	SILENCER-AIR STARTING						
Y	11	1	119-6284	1	LUBRICATOR GP-AIR MOTOR						452
Y	12	1	143-5169	1	STARTING MOTOR GP-AIR (REVERSE ROTATION, LH)						492
	13	1	143-5177	1	NIPPLE-PIPE						
C	14	1	030-7961	1	ELBOW						
	15	1	141-8596	4	BOLT-SOCKET HEAD (1/2-13X1.25-IN)						
	16	1	0S-1566	3	BOLT (5/8-11X1.5-IN)						
	17	1	1D-4566	2	BOLT (1/2-13X3.5-IN)						
C	18	1	4S-6399	1	CONNECTOR						
	19	1	5B-7643	1	NIPPLE-PIPE						
C	20	1	5B-7666	3	ELBOW						
	21	1	5H-7598	1	NIPPLE-PIPE						
	22	1	5L-2534	1	U-BOLT						
	23	1	5P-1075	2	WASHER-HARD (10.2X22.5X3-MM THK)						
	24	1	5P-8245	6	WASHER-HARD (13.5X25.5X3-MM THK)						
C	25	1	6K-1972	3	ELBOW-FLARED						
C	26	1	7J-8611	1	ELBOW-PIPE						
C	27	1	7K-9197	1	ELBOW						
	28	1	8N-8451	1	GASKET						
	29	1	8N-8452	1	GASKET						
	30	1	8S-9089	2	BOLT (1/2-13X4.5-IN)						
	31	1	9S-8752	2	NUT-FULL (3/8-16-THD)						
					AVAILABLE REPAIR KIT(S):						
J			7C-5105	1	KIT-VALVE SEAL (AIR STARTING)						
					(INCLUDES SEALS, RETAINER, AND BUMPER)						

C-CHANGE FROM PREVIOUS TYPE
 I-REFER TO HYDRAULIC INFORMATION SYSTEM
 J-KIT MARKED J SERVICES PART MARKED J
 Y-SEPARATE ILLUSTRATION

ELECTRICAL AND STARTING SYSTEM

143-5173 STARTING MOTOR GP-AIR (contd.)

i03869381



GRAPHIC #1

<END>

g01321305

ELECTRICAL AND STARTING SYSTEM

143-5174 STARTING MOTOR GP-AIR-MOUNTED, LH AN ATTACHMENT

SMCS-1451

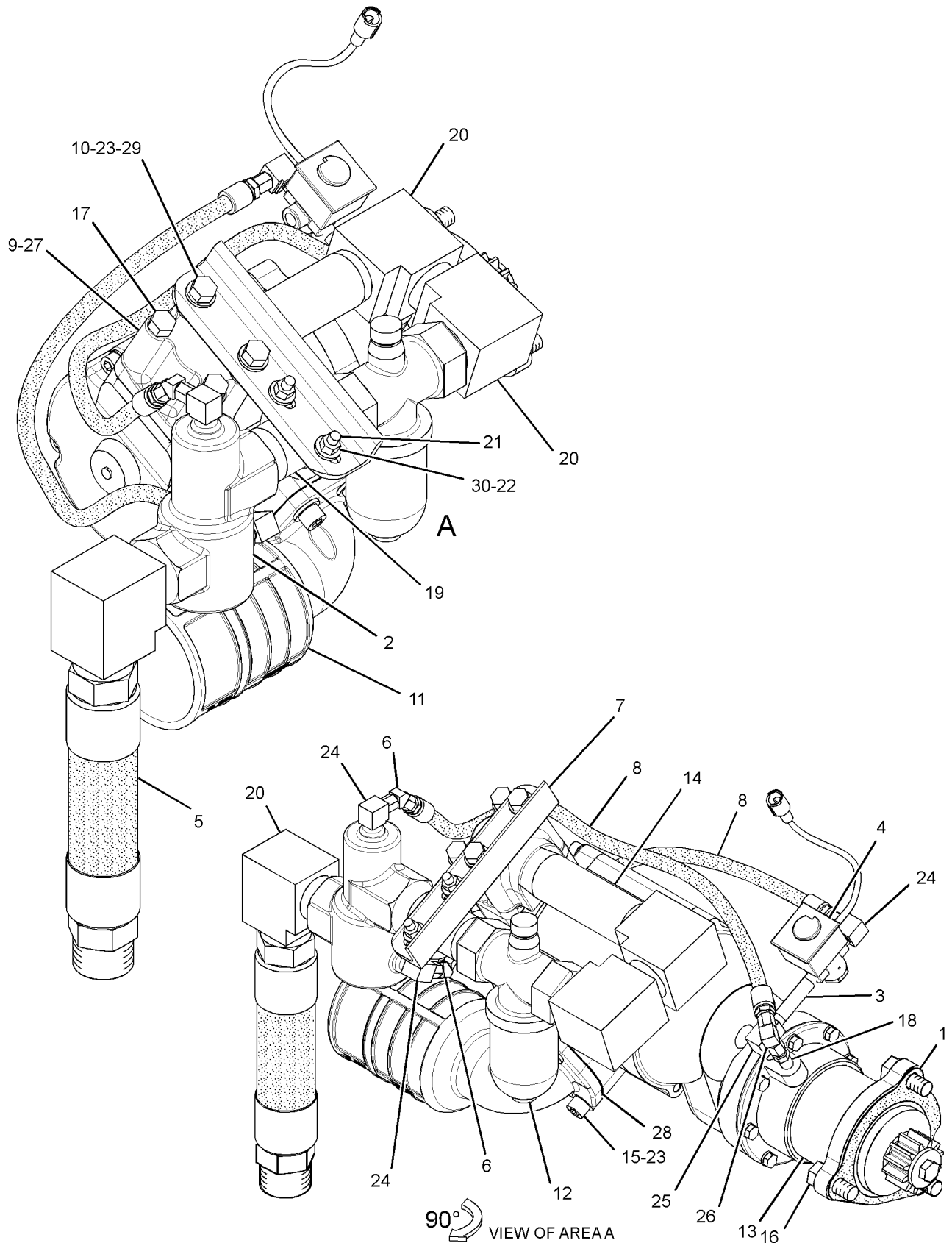
i03432531

NOTE	REF NO	GRAPHIC REF	PART NUMBER	QTY	PART NAME						SEE PAGE
					1	2	3	4	5	6 (PRODUCT LEVEL)	
	1	1	4H-7869	1	GASKET						
J	2	1	4N-3411	1	VALVE GP-RELAY (AIR STARTING MOTOR)						
C	3	1	5H-7598	1	NIPPLE-PIPE						
Y	4	1	5N-8980	1	VALVE AS-SOLENOID (AIR START)						526
I	5	1	6F-5985	1	HOSE AS						
	6	1	030-7961	2	ELBOW						
C	7	1	7C-2946	1	BRACKET						
CI	8	1	7N-2539	2	HOSE AS						
	9	1	8N-8446	1	ELBOW						
	10	1	9S-9238	2	SPACER (13.49X23.88X16.13-MM THK)						
	11	1	107-8769	1	SILENCER-AIR STARTING						
Y	12	1	119-6284	1	LUBRICATOR GP-AIR MOTOR						452
Y	13	1	143-5168	1	STARTING MOTOR GP-AIR						490
	14	1	143-5177	1	NIPPLE-PIPE						
	15	1	141-8596	4	BOLT-SOCKET HEAD (1/2-13X1.25-IN)						
	16	1	0S-1566	3	BOLT (5/8-11X1.5-IN)						
	17	1	1D-4566	2	BOLT (1/2-13X3.5-IN)						
C	18	1	4S-6399	1	CONNECTOR						
	19	1	5B-7643	1	NIPPLE-PIPE						
C	20	1	5B-7666	3	ELBOW						
	21	1	5L-2534	1	U-BOLT						
	22	1	5P-1075	2	WASHER-HARD (10.2X22.5X3-MM THK)						
	23	1	5P-8245	6	WASHER-HARD (13.5X25.5X3-MM THK)						
	24	1	6K-1972	3	ELBOW-FLARED						
C	25	1	7J-8611	1	ELBOW-PIPE						
C	26	1	7K-9197	1	ELBOW						
	27	1	8N-8451	1	GASKET						
	28	1	8N-8452	1	GASKET						
	29	1	8S-9089	2	BOLT (1/2-13X4.5-IN)						
	30	1	9S-8752	2	NUT-FULL (3/8-16-THD)						
					AVAILABLE REPAIR KIT(S):						
J			7C-5105	1	KIT-VALVE SEAL (AIR STARTING)						
					(INCLUDES SEALS, RETAINER, AND BUMPER)						
C-CHANGE FROM PREVIOUS TYPE I-REFER TO HYDRAULIC INFORMATION SYSTEM J-KIT MARKED J SERVICES PART MARKED J Y-SEPARATE ILLUSTRATION											

ELECTRICAL AND STARTING SYSTEM

143-5174 STARTING MOTOR GP-AIR (contd.)

i03432531



GRAPHIC #1

90°
VIEW OF AREA A
<END>

g01843616

ELECTRICAL AND STARTING SYSTEM

311-8106 STARTING MOTOR GP-AIR

PART OF 311-8110 STARTING MOTOR GP-AIR

AN ATTACHMENT

SMCS-1451

i02835068

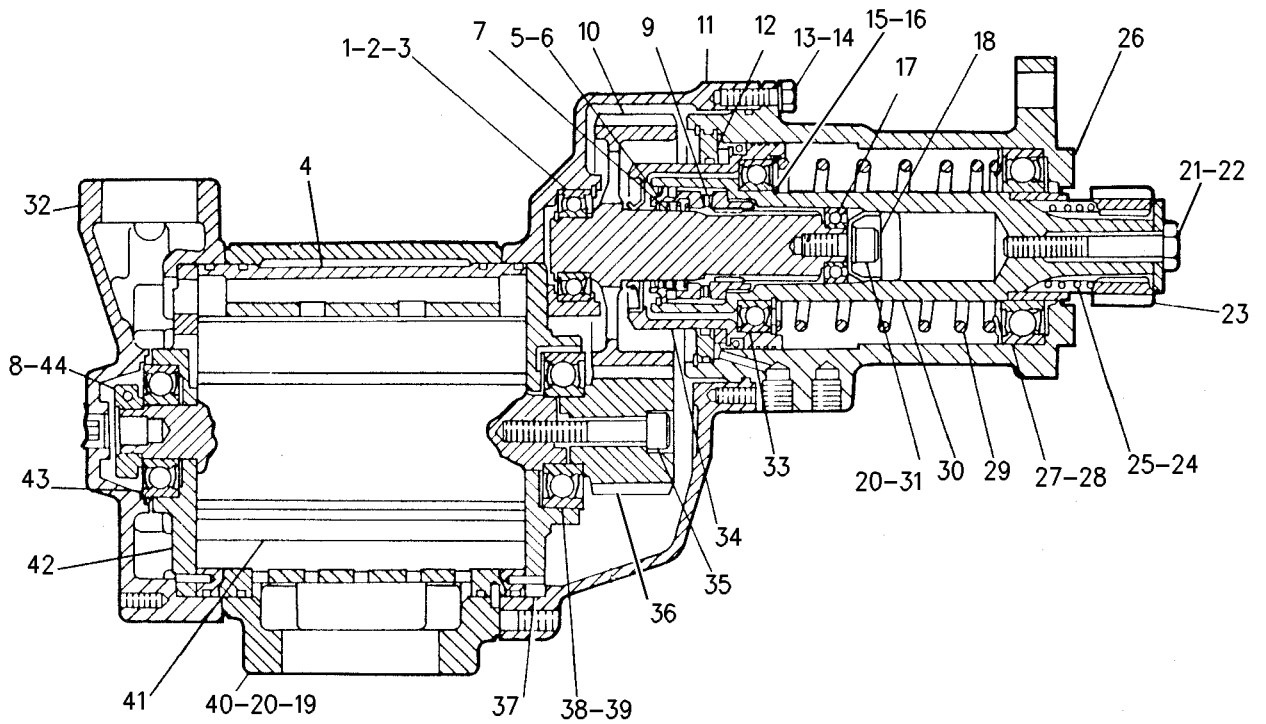
NOTE	REF NO	GRAPHIC REF	PART NUMBER	QTY	PART NAME						SEE PAGE
					1	2	3	4	5	6 (PRODUCT LEVEL)	
	1	1	6V-3916	1	BALL BEARING						
	2	1	1L-8497	1	RING-SNAP (SMALL)						
	3	1	6J-7855	1	RING-LOCK (LARGE)						
	4	1	5N-8383	1	CYLINDER						
	5	1	5N-8375	1	CUP-SPRING						
	6	1	6V-3935	1	RING-RETAINING						
	7	1	5N-8381	1	SPRING-CLUTCH						
M	8	1	096-4833	1	BOLT-SOCKET HEAD (M5X0.8X20-MM)						
	9	1	5N-9574	1	JAW AS-CLUTCH (DRIVEN)						
	10	1	2W-6084	1	GEAR AS-DRIVE (38/24-TEETH)						
	11	1	5N-8387	1	CASE-GEAR						
	12	1	5N-8424	1	BULKHEAD						
M	13	1	6V-3940	8	BOLT (M8X1.25X25-MM)						
	14	1	3B-4505	8	LOCKWASHER						
	15	1	3J-7719	1	RING-RETAINING (INNER)						
	16	1	6V-3971	1	RING-RETAINING (OUTER)						
	17	1	7F-8671	1	BALL BEARING						
	18	1	5N-8428	1	WASHER-GEAR (10.1X34X15.5-MM THK)						
M	19	1	5N-8427	4	BOLT-MOTOR (M10X1.5X180-MM)						
	20	1	6V-3959	5	LOCKWASHER						
M	21	1	5N-8403	1	SCREW-PINION (M12X1.25X70-MM)						
	22	1	5N-8425	1	WASHER (12.2X41.5X4.5-MM THK)						
	23	1	7W-1650	1	PINION-DRIVE (11-TEETH)						
	24	1	5N-8374	1	SLEEVE-SPRING						
	25	1	5N-8380	1	SPRING-PINION						
	26	1	2W-6082	1	KIT-DRIVE (AIR STARTING MOTOR) (INCLUDES HOUSING, O-RING, BEARING, SEAL AND VENT)						
	27	1	8B-7624	1	BALL BEARING						
	28	1	5N-8379	1	SEAT-SPRING						
	29	1	5N-8372	1	SPRING-RETURN						
	30	1	5N-8384	1	SHAFT-DRIVE						
M	31	1	6V-3938	1	BOLT (M10X1.5X20-MM)						
	32	1	5N-8363	1	COVER AS						
		1	4D-3118	3	PLUG-PIPE						
	33	1	5N-8377	1	BEARING-DRIVE SHAFT						
	34	1	5N-8373	1	PISTON						
M	35	1	6V-3939	1	BOLT (M12X1.75X60-MM)						
	36	1	5N-8368	1	PINION-ROTOR (17-TEETH)						
	37	1	5N-8365	1	PLATE-FRONT END						
	38	1	6V-1394	1	BALL BEARING						
	39	1	039-4317	2	WASHER-SPRING						
	40	1	5N-8364	1	HOUSING-MOTOR						
	41	1	7W-4154	1	ROTOR						
	42	1	5N-8367	1	PLATE-REAR END						
	43	1	5P-9514	1	BALL BEARING						
	44	1	5N-8378	1	NUT-ROTOR CLAMP (M5X0.8-THD)						
					AVAILABLE REPAIR KIT(S):						
			5N-8390	1	KIT-SEAL & VANE (AIR STARTING MOTOR) (INCLUDES END PLATE ALIGNMENT PIN, CYLINDER ALIGNMENT PIN, O-RINGS, VANE, SEALS AND RETAINER)						

M-METRIC PART

ELECTRICAL AND STARTING SYSTEM

311-8106 STARTING MOTOR GP-AIR (contd.)

i02835068



GRAPHIC #1

<END>

g00811200

ELECTRICAL AND STARTING SYSTEM

311-8107 STARTING MOTOR GP-AIR

PART OF 311-8111 STARTING MOTOR GP-AIR

AN ATTACHMENT

SMCS-1451

i02835071

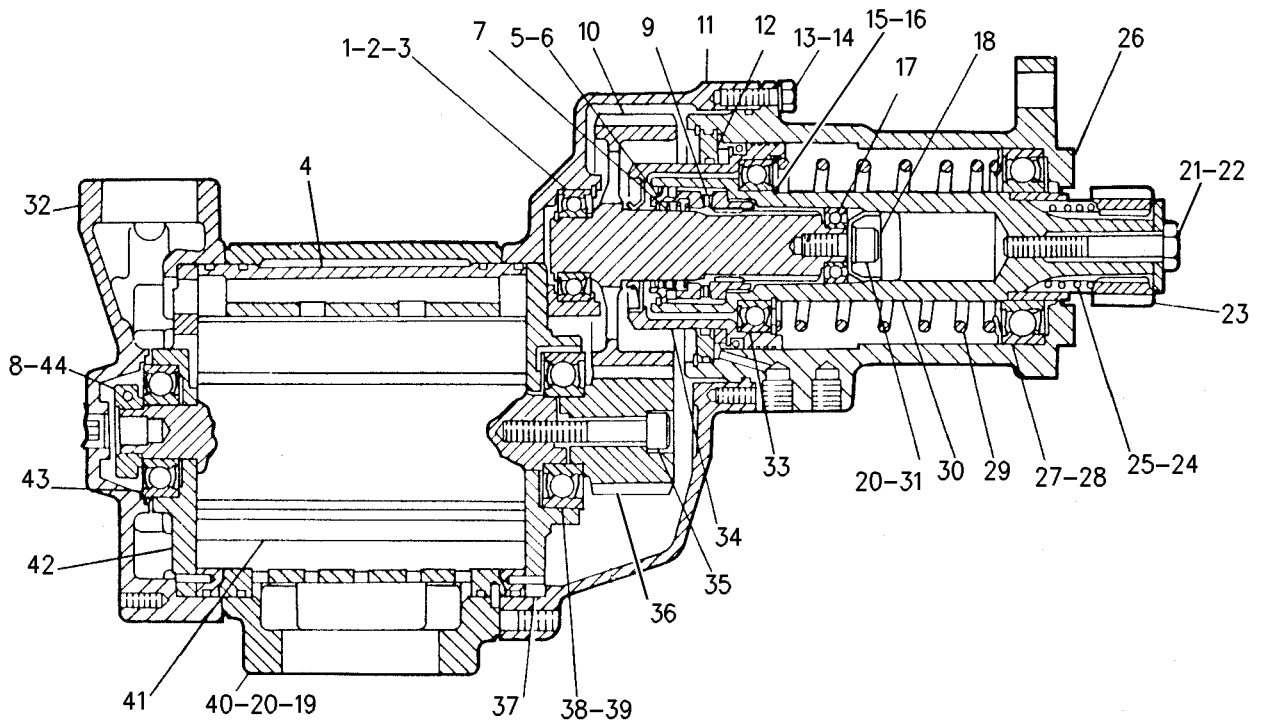
NOTE	REF NO	GRAPHIC REF	PART NUMBER	QTY	PART NAME						SEE PAGE
					1	2	3	4	5	6 (PRODUCT LEVEL)	
	1	1	6V-3916	1	BALL BEARING						
	2	1	1L-8497	1	RING-SNAP (SMALL)						
	3	1	6J-7855	1	RING-LOCK (LARGE)						
	4	1	5N-8383	1	CYLINDER						
	5	1	5N-8375	1	CUP-SPRING						
	6	1	6V-3935	1	RING-RETAINING						
	7	1	5N-8381	1	SPRING-CLUTCH						
M	8	1	096-4833	1	BOLT-SOCKET HEAD (M5X0.8X20-MM)						
	9	1	5N-9574	1	JAW AS-CLUTCH (DRIVEN)						
	10	1	2W-6084	1	GEAR AS-DRIVE (38/24-TEETH)						
	11	1	5N-8387	1	CASE-GEAR						
	12	1	5N-8424	1	BULKHEAD						
M	13	1	6V-3940	8	BOLT (M8X1.25X25-MM)						
	14	1	3B-4505	8	LOCKWASHER						
	15	1	3J-7719	1	RING-RETAINING (INNER)						
	16	1	6V-3971	1	RING-RETAINING (OUTER)						
	17	1	7F-8671	1	BALL BEARING						
	18	1	5N-8428	1	WASHER-GEAR (10.1X34X15.5-MM THK)						
M	19	1	5N-8427	4	BOLT-MOTOR (M10X1.5X180-MM)						
	20	1	6V-3959	5	LOCKWASHER						
M	21	1	5N-8403	1	SCREW-PINION (M12X1.25X70-MM)						
	22	1	5N-8425	1	WASHER (12.2X41.5X4.5-MM THK)						
	23	1	7W-1651	1	PINION-DRIVE (11-TEETH)						
	24	1	5N-8374	1	SLEEVE-SPRING						
	25	1	5N-8380	1	SPRING-PINION						
	26	1	2W-6082	1	KIT-DRIVE (AIR STARTING MOTOR) (INCLUDES HOUSING, O-RING, BEARING, SEAL AND VENT)						
	27	1	8B-7624	1	BALL BEARING						
	28	1	5N-8379	1	SEAT-SPRING						
	29	1	5N-8372	1	SPRING-RETURN						
	30	1	5N-8384	1	SHAFT-DRIVE						
M	31	1	6V-3938	1	BOLT (M10X1.5X20-MM)						
	32	1	5N-8363	1	COVER AS						
		1	4D-3118	3	PLUG-PIPE						
	33	1	5N-8377	1	BEARING-DRIVE SHAFT						
	34	1	5N-8373	1	PISTON						
M	35	1	6V-3939	1	BOLT (M12X1.75X60-MM)						
	36	1	5N-8368	1	PINION-ROTOR (17-TEETH)						
	37	1	5N-8365	1	PLATE-FRONT END						
	38	1	6V-1394	1	BALL BEARING						
	39	1	039-4317	2	WASHER-SPRING						
	40	1	5N-8364	1	HOUSING-MOTOR						
	41	1	7W-4154	1	ROTOR						
	42	1	5N-8367	1	PLATE-REAR END						
	43	1	5P-9514	1	BALL BEARING						
	44	1	5N-8378	1	NUT-ROTOR CLAMP (M5X0.8-THD)						
					AVAILABLE REPAIR KIT(S):						
			5N-8390	1	KIT-SEAL & VANE (AIR STARTING MOTOR) (INCLUDES END PLATE ALIGNMENT PIN, CYLINDER ALIGNMENT PIN, O-RINGS, VANE, SEALS AND RETAINER)						

M-METRIC PART

ELECTRICAL AND STARTING SYSTEM

311-8107 STARTING MOTOR GP-AIR (contd.)

i02835071



GRAPHIC #1

<END>

g00811200

ELECTRICAL AND STARTING SYSTEM

311-8110 STARTING MOTOR GP-AIR-MOUNTED, LH 24/32-VOLT AN ATTACHMENT

SMCS-1451

i02856024

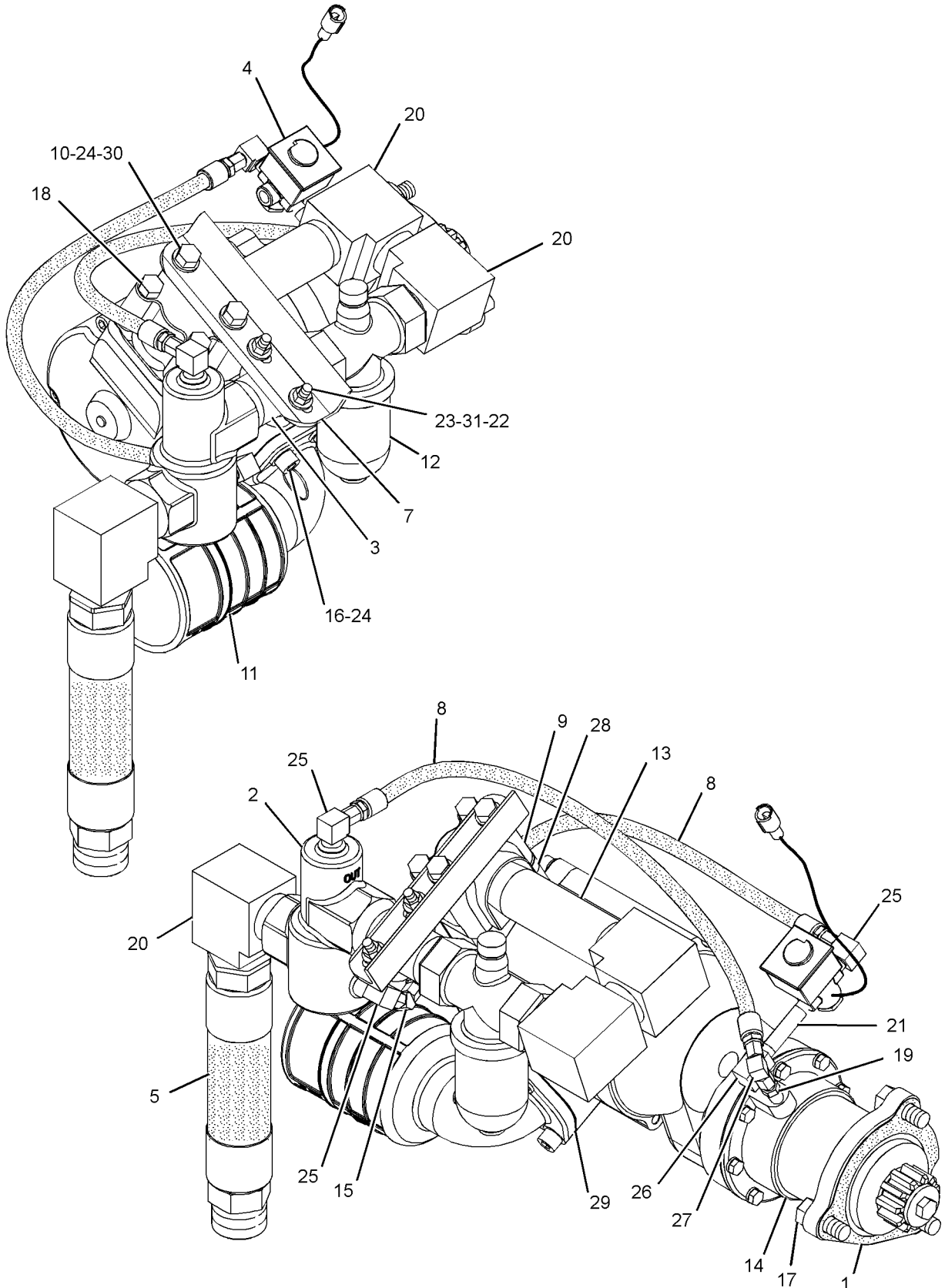
NOTE	REF NO	GRAPHIC REF	PART NUMBER	QTY	PART NAME						SEE PAGE
					1	2	3	4	5	6 (PRODUCT LEVEL)	
	1	1	4H-7869	1	GASKET						
J	2	1	4N-3411	1	VALVE GP-RELAY (AIR STARTING MOTOR)						
	3	1	5B-7643	1	NIPPLE-PIPE						
Y	4	1	5N-8980	1	VALVE AS-SOLENOID (AIR START)						526
I	5	1	6F-5985	1	HOSE AS						
	7	1	7C-2946	1	BRACKET						
I	8	1	172-4288	2	HOSE AS						
	9	1	8N-8446	1	ELBOW						
	10	1	9S-9238	2	SPACER (13.49X23.88X16.13-MM THK)						
	11	1	107-8769	1	SILENCER-AIR STARTING						
Y	12	1	119-6284	1	LUBRICATOR GP-AIR MOTOR						452
	13	1	143-5177	1	NIPPLE-PIPE						
Y	14	1	311-8106	1	STARTING MOTOR GP-AIR						498
	15	1	030-7961	1	ELBOW						
	16	1	141-8596	4	BOLT-SOCKET HEAD (1/2-13X1.25-IN)						
	17	1	0S-1566	3	BOLT (5/8-11X1.5-IN)						
	18	1	1D-4566	2	BOLT (1/2-13X3.5-IN)						
	19	1	4S-6399	1	CONNECTOR						
	20	1	5B-7666	3	ELBOW						
	21	1	5H-7598	1	NIPPLE-PIPE						
	22	1	5L-2534	1	U-BOLT						
	23	1	5P-1075	2	WASHER-HARD (10.2X22.5X3-MM THK)						
	24	1	5P-8245	6	WASHER-HARD (13.5X25.5X3-MM THK)						
	25	1	6K-1972	3	ELBOW-FLARED						
Y	26	1	7J-8611	1	ELBOW-PIPE						63
	27	1	7K-9197	1	ELBOW						
	28	1	8N-8451	1	GASKET						
	29	1	8N-8452	1	GASKET						
	30	1	8S-9089	2	BOLT (1/2-13X4.5-IN)						
	31	1	9S-8752	2	NUT-FULL (3/8-16-THD)						
					AVAILABLE REPAIR KIT(S):						
J			7C-5105	1	KIT-VALVE SEAL (AIR STARTING)						
					(INCLUDES SEALS, RETAINER, AND BUMPER)						

I-REFER TO HYDRAULIC INFORMATION SYSTEM
J-KIT MARKED J SERVICES PART MARKED J
Y-SEPARATE ILLUSTRATION

ELECTRICAL AND STARTING SYSTEM

311-8110 STARTING MOTOR GP-AIR (contd.)

i02856024



GRAPHIC #1

<END>

g01415709

ELECTRICAL AND STARTING SYSTEM

311-8111 STARTING MOTOR GP-AIR-MOUNTED, LH AN ATTACHMENT

SMCS-1451

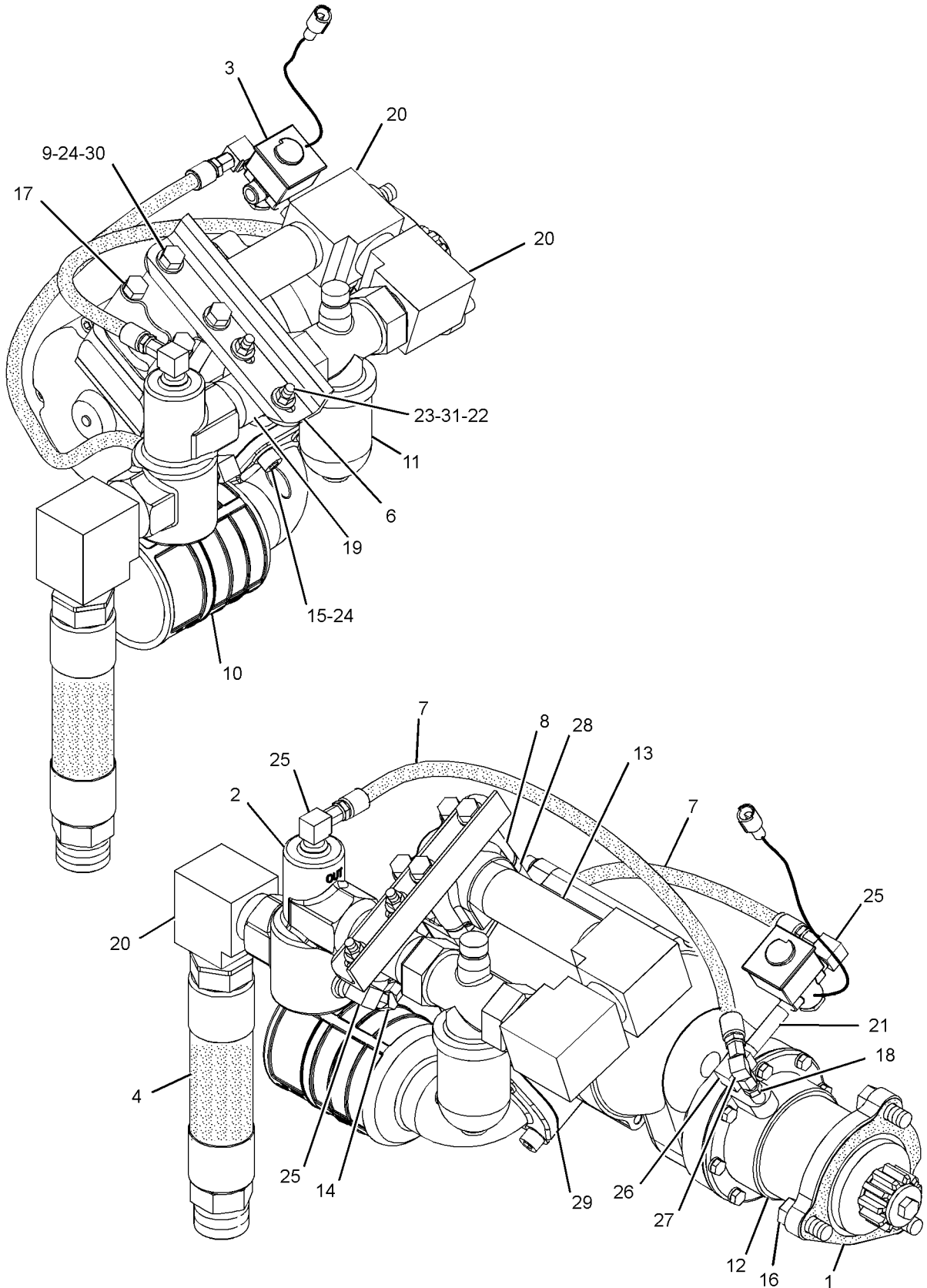
i02834629

NOTE	REF NO	GRAPHIC REF	PART NUMBER	QTY	PART NAME						SEE PAGE
					1	2	3	4	5	6 (PRODUCT LEVEL)	
	1	1	4H-7869	1	GASKET						
J	2	1	4N-3411	1	VALVE GP-RELAY (AIR STARTING MOTOR)						
Y	3	1	5N-8980	1	VALVE AS-SOLENOID (AIR START)						526
I	4	1	6F-5985	1	HOSE AS						
	6	1	7C-2946	1	BRACKET						
I	7	1	7N-2539	2	HOSE AS						
	8	1	8N-8446	1	ELBOW						
	9	1	9S-9238	2	SPACER (13.49X23.88X16.13-MM THK)						
	10	1	107-8769	1	SILENCER-AIR STARTING						
Y	11	1	119-6284	1	LUBRICATOR GP-AIR MOTOR						452
Y	12	1	311-8107	1	STARTING MOTOR GP-AIR						500
	13	1	143-5177	1	NIPPLE-PIPE						
	14	1	030-7961	1	ELBOW						
	15	1	141-8596	4	BOLT-SOCKET HEAD (1/2-13X1.25-IN)						
	16	1	0S-1566	3	BOLT (5/8-11X1.5-IN)						
	17	1	1D-4566	2	BOLT (1/2-13X3.5-IN)						
	18	1	4S-6399	1	CONNECTOR						
	19	1	5B-7643	1	NIPPLE-PIPE						
	20	1	5B-7666	3	ELBOW						
	21	1	5H-7598	1	NIPPLE-PIPE						
	22	1	5L-2534	1	U-BOLT						
	23	1	5P-1075	2	WASHER-HARD (10.2X22.5X3-MM THK)						
	24	1	5P-8245	6	WASHER-HARD (13.5X25.5X3-MM THK)						
	25	1	6K-1972	3	ELBOW-FLARED						
	26	1	7J-8611	1	ELBOW-PIPE						
	27	1	7K-9197	1	ELBOW						
	28	1	8N-8451	1	GASKET						
	29	1	8N-8452	1	GASKET						
	30	1	8S-9089	2	BOLT (1/2-13X4.5-IN)						
	31	1	9S-8752	2	NUT-FULL (3/8-16-THD)						
					AVAILABLE REPAIR KIT(S):						
J			7C-5105	1	KIT-VALVE SEAL (AIR STARTING)						
					(INCLUDES SEALS, RETAINER, AND BUMPER)						
I-REFER TO HYDRAULIC INFORMATION SYSTEM J-KIT MARKED J SERVICES PART MARKED J Y-SEPARATE ILLUSTRATION											

ELECTRICAL AND STARTING SYSTEM

311-8111 STARTING MOTOR GP-AIR (contd.)

i02834629



GRAPHIC #1

<END>

g01415859

ELECTRICAL AND STARTING SYSTEM

6V-0511 STARTING MOTOR GP-ELECTRIC

24-VOLT

PART OF 8N-3898 STARTING MOTOR GP-ELECTRIC
AN ATTACHMENT

SMCS-1453

i02956439

NOTE	REF NO	GRAPHIC REF	PART NUMBER	QTY	PART NAME						SEE PAGE
					1	2	3	4	5	6 (PRODUCT LEVEL)	
	1	1	7M-0326	1	CONNECTOR						
	2	1	9H-3757	2	WASHER (0.516X1X0.094-IN THK)						
	3	1	1S-7446	3	SCREW-MACHINE (8-32X0.437-IN)						
	4	1	8C-9660	3	WASHER (4.6X7.9X0.8-MM THK)						
	5	1	9S-2544	9	SCREW-HEX HEAD (8-32X11.13-MM)						
	6	1	7M-0327	1	WASHER-THRUST (17.4X25.4X1.6-MM THK)						
	7	1	5L-6425	1	COIL AS-FIELD						
	8	1	3T-9525	1	PLATE AS-BRUSH						
	8A	1	6T-0372	1	PLATE						
	8B	1	6T-0371	1	INSULATOR						
	8C	1	6T-0363	6	HOLDER AS-BRUSH						
					(EACH INCLUDES)						
		1	3T-9494	1	SPRING						
	8D	1	3T-4709	3	PLATE						
	8E	1	3T-4710	3	PLATE						
	8F	1	2L-6679	3	PLATE-INSULATOR						
	8G	1	7F-3525	6	WASHER-BUSHING (0.207X0.39X0.09-IN THK)						
	8H	1	5P-6298	12	SCREW-MACHINE (10-32X0.5-IN)						
	8J	1	9F-5599	12	LOCKWASHER						
	9	1	7F-3491	2	WASHER (0.516X1X0.094-IN THK)						
	10	1	3T-3422	1	WIRE AS						
	11	1	2J-8163	2	SEAL-O-RING						
	12	1	7X-3373	1	BOLT (5/16-18X0.88-IN)						
B	13	1	3T-3434	6	PLUG						
	14	1	5J-5314	5	BOLT (5/16-18X1.5-IN)						
	15	1	3L-3380	1	BUSHING-TERMINAL						
	16	1	036-9821	1	WASHER						
	17	1	4M-1828	1	RETAINER-SPRING						
	18	1	306-3998	1	BOOT-RUBBER						
	20	1	9M-7609	1	SPRING (SHIFT LEVER)						
	21	1	4M-1827	1	RETAINER-SPRING						
	22	1	8C-3089	1	SEAL-O-RING						
	23	1	4M-1853	1	LEVER AS-SHIFT						
	24	1	5M-3034	1	LOCKNUT (5/16-24-THD)						
	25	1	7L-2894	4	GASKET						
	26	1	4M-1831	4	PLUG-LEVER HOUSING						
	27	1	4M-1854	1	SHAFT-LEVER						
	28	1	1H-1023	1	SEAL-O-RING						
	29	1	2D-6392	1	SEAL-O-RING						
	30	1	7T-3974	1	HOUSING AS-DRIVE						
	31	1	3T-5440	1	FRAME AS-END						
	31A	1	3T-3423	1	CUP						
	31B	1	3T-3424	1	PLUG-FELT						
	31C	1	9G-4101	1	BUSHING-END						
	32	1	2H-3429	2	RING-RETAINING						
	33	1	6V-1322	4	BOLT (1/4-20X0.375-IN)						
	34	1	8T-4205	4	WASHER-HARD (7.2X14.5X2-MM THK)						
	35	1	6N-3279	1	INSULATOR						
	36	1	036-9823	13	BOLT (1/4-28X1-IN)						
	37	1	1M-9971	1	SPACER (0.835X1.72X0.188-IN THK)						
	38	1	1H-2629	3	STRIP-INSULATION						
	39	1	3T-5343	1	DRIVE AS-MOTOR						
	40	1	3R-8797	12	SCREW & WASHER AS (3/8-24X0.72-IN)						
	41	1	7F-3488	6	SHOE-POLE						
	42	1	7M-8651	1	ARMATURE AS						

ELECTRICAL AND STARTING SYSTEM

6V-0511 STARTING MOTOR GP-ELECTRIC (contd.)

i02956439

NOTE	REF NO	GRAPHIC REF	PART NUMBER	QTY	PART NAME						SEE PAGE
					1	2	3	4	5	6 (PRODUCT LEVEL)	
	43	1	7M-0325	1	INSULATOR						
	44	1	3T-9524	6	BRUSH AS						
	45	1	3N-3763	1	KIT-TERMINAL (STARTING MOTOR) (INCLUDES BUSHINGS & WASHER)						
	46	1	125-6535	1	COVER-STARTING MOTOR						
	47	1	3R-8801	1	CLAMP						
	48	1	8F-1434	2	LOCKWASHER						
	49	1	6V-8188	6	NUT (1/2-13-THD)						
	50	1	7X-0562	6	WASHER-HARD (13.5X19X0.8-MM THK)						
	51	1	4B-2049	6	NUT (10-32-THD)						
	52	1	8T-0328	10	WASHER-HARD (5.5X10X1-MM THK)						
	53	1	3T-9494	6	SPRING						
	54	1	3E-7771	1	HOUSING AS (STARTING MOTOR)						
	56	1	3T-3424	3	PLUG-FELT						
	57	1	3T-3423	3	CUP						
	58	1	1M-9968	1	BUSHING						
	59	1	2F-6678	1	SEAL-LIP TYPE						
	60	1	4L-2729	1	WASHER (0.844X1.9X0.188-IN THK)						
	61	1	4M-1896	1	BUSHING-TERMINAL						
	62	1	045-4065	4	SCREW-MACHINE (10-32X0.75-IN)						
	67	1	125-6537	1	INSULATOR						
	68	1	7T-9123	1	GASKET-PLATE						
C	69	1	318-2082	1	SOLENOID AS-STARTING MOTOR (24-VOLT)						
		1	3R-8801	1	CLAMP						
	70	1	125-6536	1	TERMINAL AS						

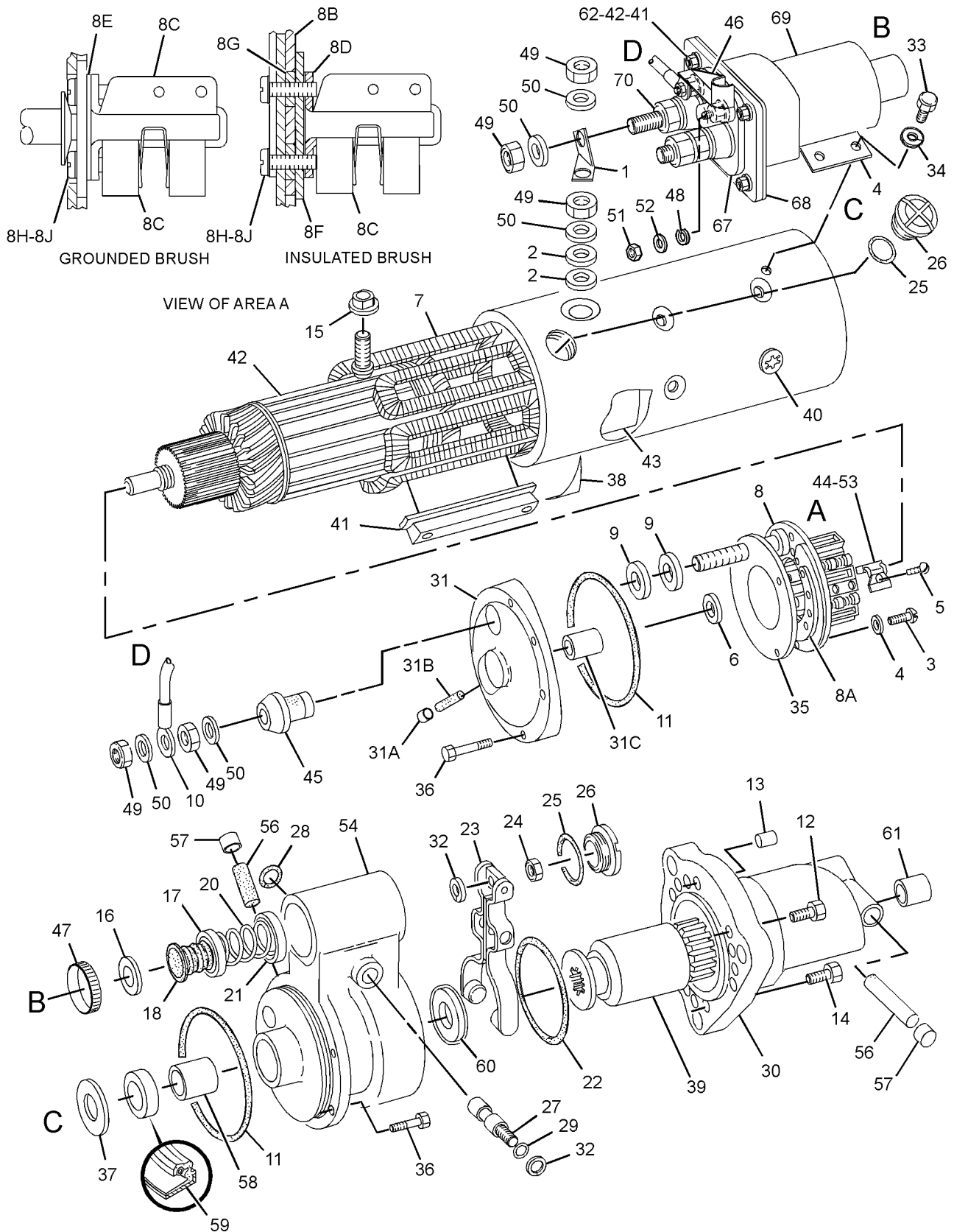
B-USE AS REQUIRED

C-CHANGE FROM PREVIOUS TYPE

ELECTRICAL AND STARTING SYSTEM

6V-0511 STARTING MOTOR GP-ELECTRIC (contd.)

i02956439



GRAPHIC #1

<END>

g01503314

ELECTRICAL AND STARTING SYSTEM

6V-0927 STARTING MOTOR GP-ELECTRIC

24-VOLT

PART OF 8N-3896 STARTING MOTOR GP-ELECTRIC

FIELD REPLACEMENT ORDER 237-1962-PAGE 519

AN ATTACHMENT

SMCS-1453

i02881131

NOTE	REF NO	GRAPHIC REF	PART NUMBER	QTY	PART NAME						SEE PAGE
					1	2	3	4	5	6 (PRODUCT LEVEL)	
	1	1	7M-0326	1	CONNECTOR						
	2	1	9H-3757	2	WASHER (0.516X1X0.094-IN THK)						
	3	1	1S-7446	3	SCREW-MACHINE (8-32X0.437-IN)						
	4	1	8C-9660	3	WASHER (4.6X7.9X0.8-MM THK)						
	5	1	9S-2544	9	SCREW-HEX HEAD (8-32X11.13-MM)						
	6	1	7M-0327	1	WASHER-THRUST (17.4X25.4X1.6-MM THK)						
	7	1	3T-3418	1	FRAME AS-END						
		1	3T-3423	1	CUP						
		1	9G-4101	1	BUSHING-END						
		1	3T-3424	1	PLUG-FELT						
	8	1	3T-9525	1	PLATE AS-BRUSH						
	8A	1	6T-0371	1	INSULATOR						
	8B	1	5P-6298	12	SCREW-MACHINE (10-32X0.5-IN)						
		1	9F-5599	12	LOCKWASHER						
	8C	1	7F-3525	6	WASHER-BUSHING (0.207X0.39X0.09-IN THK)						
	8D	1	6T-0372	1	PLATE						
	8E	1	3T-4709	3	PLATE						
	8F	1	2L-6679	3	PLATE-INSULATOR						
	8G	1	3T-4710	3	PLATE						
	8H	1	6T-0363	6	HOLDER AS-BRUSH (STARTING MOTOR) (EACH INCLUDES)						
	8J	1	3T-9494	1	SPRING (STARTING MOTOR BRUSH)						
	9	1	7F-3491	2	WASHER (0.516X1X0.094-IN THK)						
	10	1	3T-3422	1	WIRE AS						
	11	1	2J-8163	2	SEAL-O-RING						
	12	1	7X-3373	1	BOLT (5/16-18X0.88-IN)						
B	13	1	3T-3434	6	PLUG						
	14	1	5J-5314	5	BOLT (5/16-18X1.5-IN)						
	15	1	3L-3380	1	BUSHING-TERMINAL						
	16	1	036-9821	1	WASHER						
	17	1	4M-1828	1	RETAINER-SPRING						
	18	1	306-3998	1	BOOT-RUBBER						
	19	1	4M-1827	1	RETAINER-SPRING						
	20	1	9M-7609	1	SPRING (SHIFT LEVER)						
	21	1	8C-3089	1	SEAL-O-RING						
	22	1	4M-1853	1	LEVER AS-SHIFT						
	23	1	5M-3034	1	LOCKNUT (5/16-24-THD)						
	24	1	7L-2894	4	GASKET						
	25	1	4M-1831	4	PLUG-LEVER HOUSING						
	26	1	4M-1854	1	SHAFT-LEVER						
	27	1	1H-1023	1	SEAL-O-RING						
	28	1	2D-6392	1	SEAL-O-RING						
	29	1	7T-3974	1	HOUSING AS-DRIVE						
	30	1	6N-3826	1	DRIVE AS-MOTOR						
	31	1	2H-3429	2	RING-RETAINING (EXTERNAL)						
	32	1	6V-1322	4	BOLT (1/4-20X0.375-IN)						
	33	1	8T-4205	4	WASHER-HARD (7.2X14.5X2-MM THK)						
	34	1	6N-3279	1	INSULATOR						
	35	1	036-9823	13	BOLT (1/4-28X1-IN)						
	36	1	1M-9971	1	SPACER (0.835X1.72X0.188-IN THK)						
	37	1	1H-2629	3	STRIP-INSULATION						
	38	1	7M-0324	1	COIL AS-FIELD						
	39	1	3R-8797	12	SCREW & WASHER AS (3/8-24X0.72-IN)						
	40	1	7F-3488	6	SHOE-POLE						

ELECTRICAL AND STARTING SYSTEM

6V-0927 STARTING MOTOR GP-ELECTRIC (contd.)

i02881131

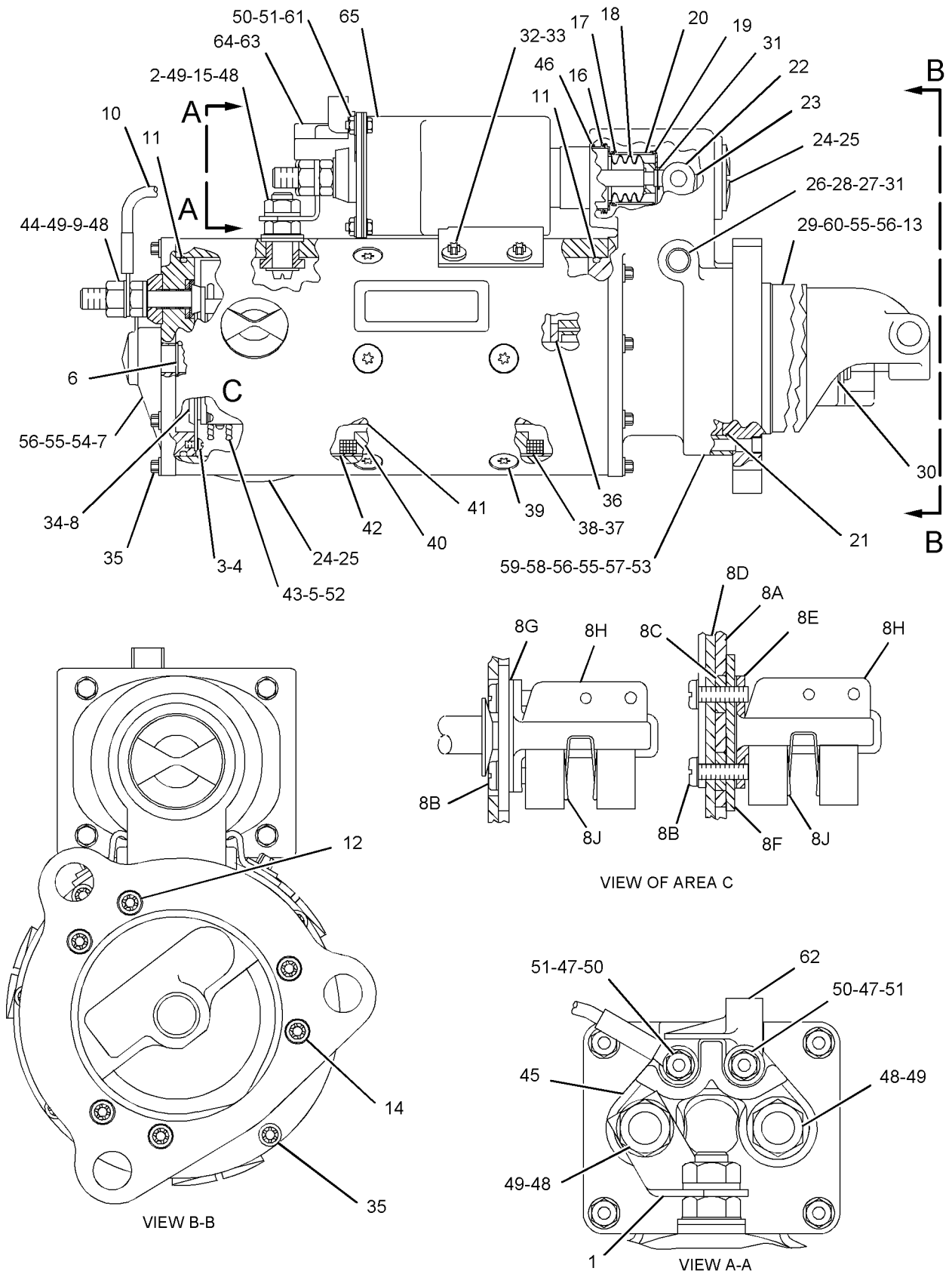
NOTE	REF NO	GRAPHIC REF	PART NUMBER	QTY	PART NAME						SEE PAGE
					1	2	3	4	5	6 (PRODUCT LEVEL)	
	41	1	7M-8651	1	ARMATURE AS						
	42	1	7M-0325	1	INSULATOR						
	43	1	3T-9524	6	BRUSH AS (STARTING MOTOR)						
	44	1	3N-3763	1	KIT-TERMINAL (STARTING MOTOR)						
					(INCLUDES INSULATOR, BUSHINGS AND WASHER)						
	45	1	125-6537	1	INSULATOR						
	46	1	3R-8801	1	CLAMP						
	47	1	8F-1434	2	LOCKWASHER						
	48	1	6V-8188	6	NUT (1/2-13-THD)						
	49	1	7X-0562	6	WASHER-HARD (13.5X19X0.8-MM THK)						
	50	1	4B-2049	6	NUT (10-32-THD)						
	51	1	8T-0328	10	WASHER-HARD (5.5X10X1-MM THK)						
	52	1	3T-9494	6	SPRING (STARTING MOTOR BRUSH)						
	53	1	3E-7771	1	HOUSING AS (STARTING MOTOR)						
	54	1	9G-4101	1	BUSHING-END						
	55	1	3T-3424	3	PLUG-FELT						
	56	1	3T-3423	3	CUP						
	57	1	1M-9968	1	BUSHING						
	58	1	2F-6678	1	SEAL-LIP TYPE						
	59	1	4L-2729	1	WASHER (0.844X1.9X0.188-IN THK)						
	60	1	4M-1896	1	BUSHING-TERMINAL						
	61	1	045-4065	4	SCREW-MACHINE (10-32X0.75-IN)						
	62	1	125-6535	1	COVER-STARTING MOTOR						
	63	1	7T-9123	1	GASKET-PLATE						
	64	1	125-6536	1	TERMINAL AS						
	65	1	318-2082	1	SOLENOID AS-STARTING MOTOR (24-VOLT)						

B-USE AS REQUIRED

ELECTRICAL AND STARTING SYSTEM

6V-0927 STARTING MOTOR GP-ELECTRIC (contd.)

i02881131



VIEW B-B

VIEW OF AREA C

VIEW A-A

GRAPHIC #1

<END>

g01092038

ELECTRICAL AND STARTING SYSTEM

7C-0527 STARTING MOTOR GP-ELECTRIC-DUAL

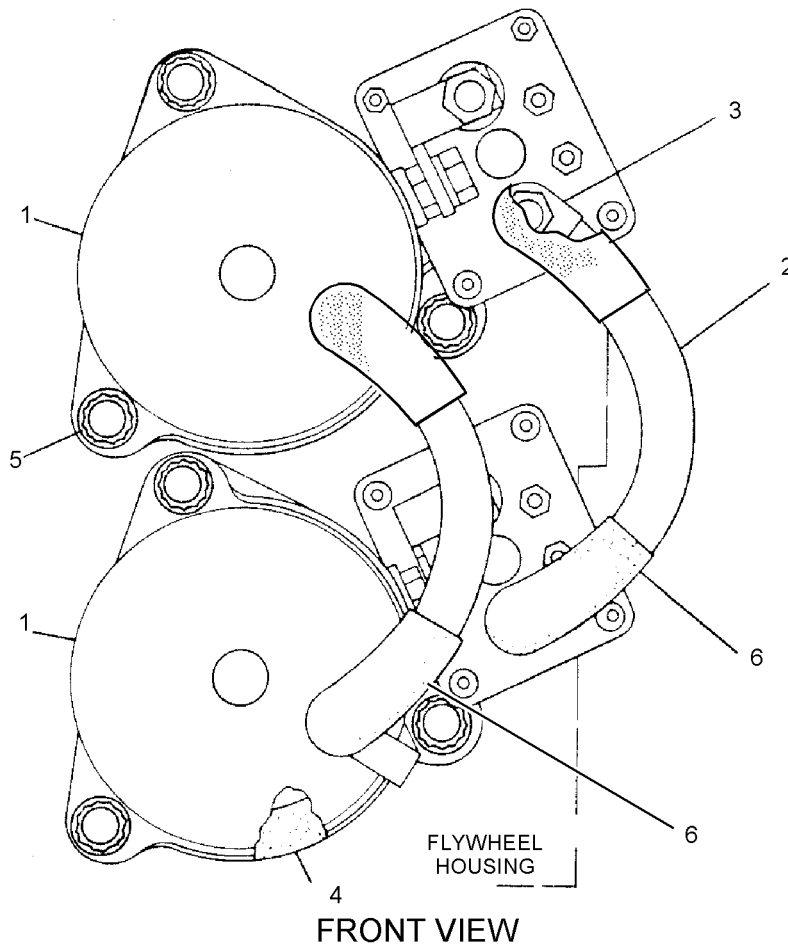
24-VOLT
AN ATTACHMENT

SMCS-1453

i03870395

NOTE	REF NO	GRAPHIC REF	PART NUMBER	QTY	PART NAME						SEE PAGE
					1	2	3	4	5	6 (PRODUCT LEVEL)	
Y	1	1	207-1562	2	STARTING MOTOR GP-ELECTRIC						517
	2	1	7L-5887	2	CABLE AS (0000-GA) (EACH INCLUDES)						
	3	1	3L-7634	2	TERMINAL-RING (0000-GA, 1/2-IN SCREW)						
BE		1	5P-0745		CABLE (0000-GA) (25.4-CM)						
	4	1	4H-7869	2	GASKET						
	5	1	7J-8902	6	BOLT-12 POINT HEAD (5/8-11X1.5-IN)						
	6	1	3L-7604	4	SHIELD-TERMINAL						

B-USE AS REQUIRED
E-ORDER BY THE CENTIMETER
Y-SEPARATE ILLUSTRATION



GRAPHIC #1

<END>

g01105817

ELECTRICAL AND STARTING SYSTEM

8N-3896 STARTING MOTOR GP-ELECTRIC-DUAL

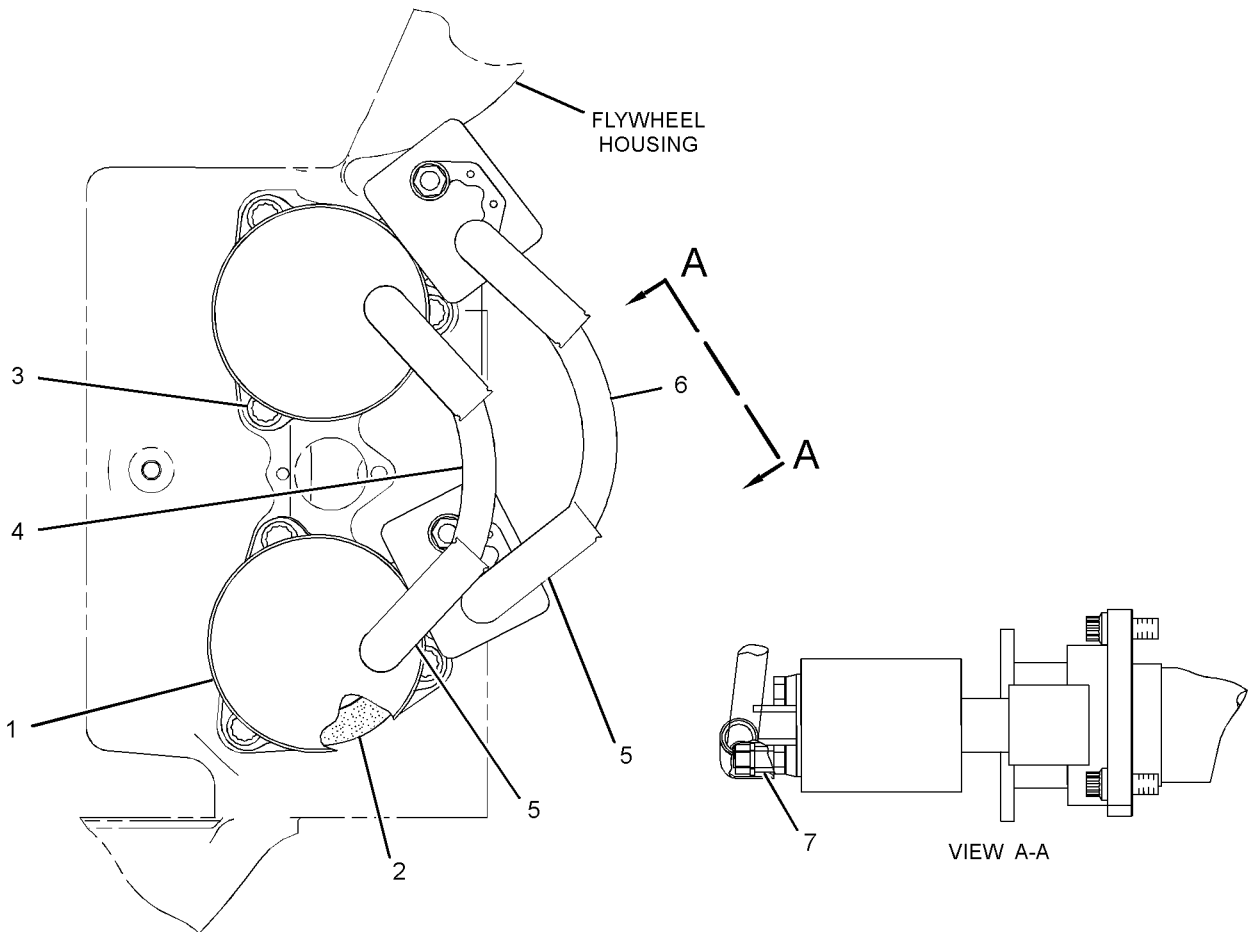
24-VOLT
AN ATTACHMENT

SMCS-1453

i03033540

NOTE	REF NO	GRAPHIC REF	PART NUMBER	QTY	PART NAME						SEE PAGE
					1	2	3	4	5	6 (PRODUCT LEVEL)	
Y	1	1	6V-0927	2	STARTING MOTOR GP-ELECTRIC						509
C	2	1	9Y-6089	2	GASKET						
	3	1	7J-8902	6	BOLT-12 POINT HEAD (5/8-11X1.5-IN)						
	4	1	7L-5887	1	CABLE AS (0000-GA)						
BE		1	5P-0745		CABLE (0000-GA)						
		1	3L-7634	2	TERMINAL-RING (0000-GA, 1/2-IN SCREW)						
	5	1	3L-7604	4	SHIELD-TERMINAL						
	6	1	4L-6155	1	CABLE AS (0000-GA)						
BE		1	5P-0745		CABLE (0000-GA)						
		1	3L-7634	2	TERMINAL-RING (0000-GA, 1/2-IN SCREW)						
	7	1	3L-6836	1	SPACER (0.5X0.75X0.56-IN THK)						

B-USE AS REQUIRED
C-CHANGE FROM PREVIOUS TYPE
E-ORDER BY THE CENTIMETER
Y-SEPARATE ILLUSTRATION



GRAPHIC #1

<END>

g01539094

ELECTRICAL AND STARTING SYSTEM

8N-3898 STARTING MOTOR GP-ELECTRIC-DUAL

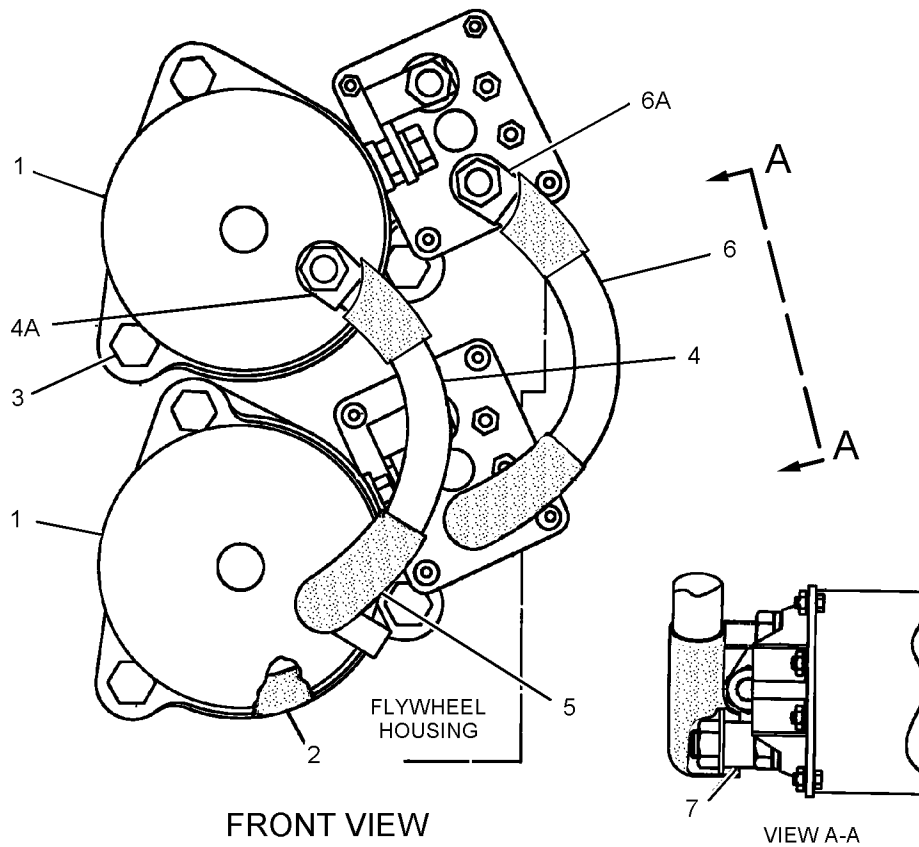
24-VOLT. REVERSE ROTATION
AN ATTACHMENT

SMCS-1453

i03114050

NOTE	REF NO	GRAPHIC REF	PART NUMBER	QTY	PART NAME						SEE PAGE
					1	2	3	4	5	6 (PRODUCT LEVEL)	
Y	1	1	6V-0511	2	STARTING MOTOR GP-ELECTRIC						506
	2	1	9Y-6089	2	GASKET						
	3	1	7J-8902	6	BOLT-12 POINT HEAD (5/8-11X1.5-IN)						
	4	1	7L-5887	1	CABLE AS (0000-GA)						
	4A	1	3L-7634	2	TERMINAL-RING (0000-GA, 1/2-IN SCREW)						
	5	1	3L-7604	4	SHIELD-TERMINAL						
	6	1	4L-6155	1	CABLE AS (0000-GA)						
	6A	1	3L-7634	2	TERMINAL-RING (0000-GA, 1/2-IN SCREW)						
	7	1	3L-6836	1	SPACER (0.5X0.75X0.56-IN THK)						

Y-SEPARATE ILLUSTRATION



FRONT VIEW
<END>

VIEW A-A

GRAPHIC #1

g01118891

ELECTRICAL AND STARTING SYSTEM

207-1556 STARTING MOTOR GP-ELECTRIC*R

24-VOLT

OPTIONAL FIELD REPLACEMENT ORDER 237-1962-PAGE 519. FIELD REPLACEMENT FOR
207-1562-PAGE 517

SMCS-1453

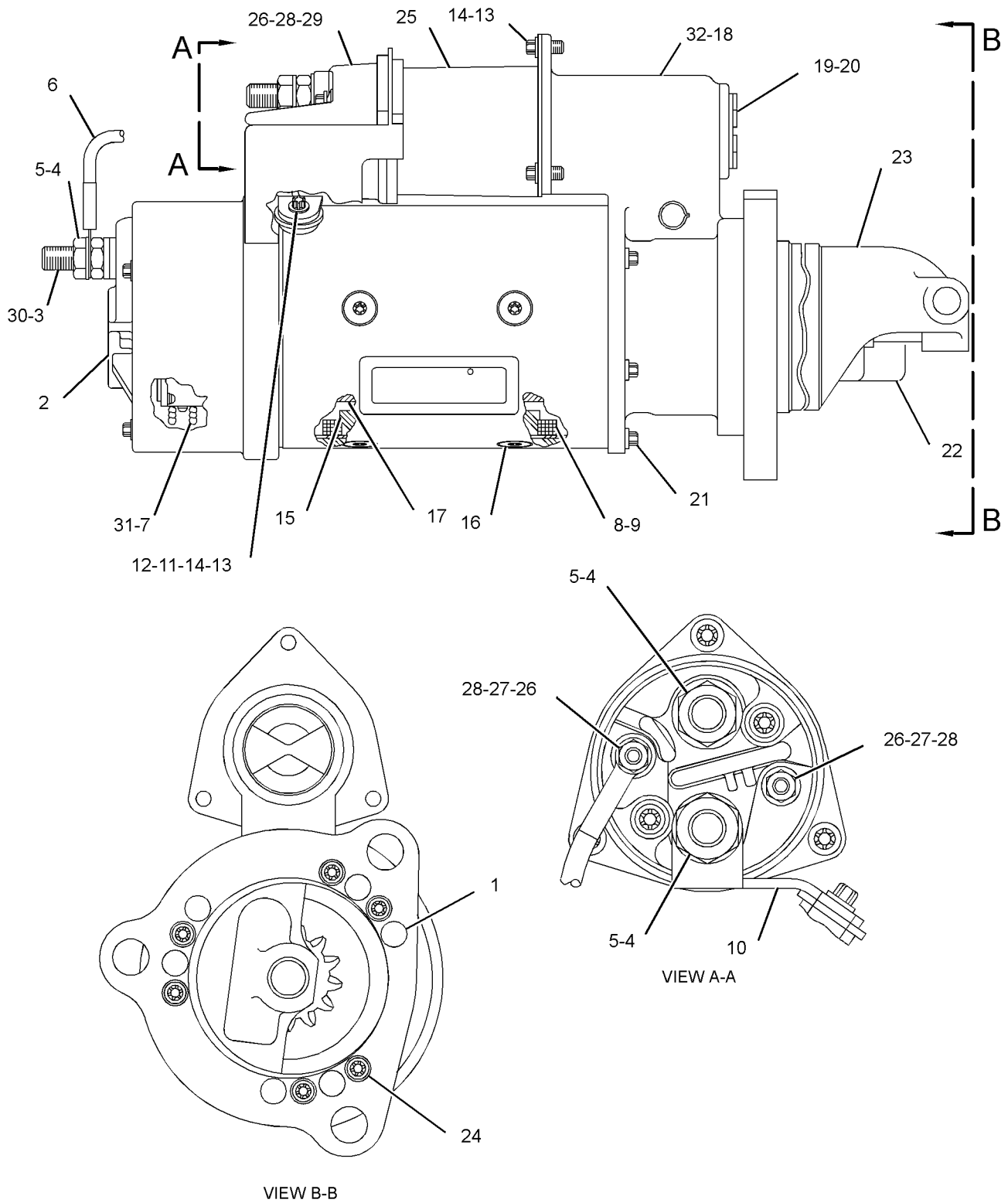
i03629299

NOTE	REF NO	GRAPHIC REF	PART NUMBER	QTY	PART NAME						SEE PAGE
					1	2	3	4	5	6 (PRODUCT LEVEL)	
	1	1	3T-3434	6	PLUG						
	2	1	7T-3279	1	HOUSING AS						
	3	1	8T-8566	1	TERMINAL AS						
	4	1	6V-8188	4	NUT (1/2-13-THD)						
	5	1	7X-0562	4	WASHER-HARD (13.5X19X0.8-MM THK)						
	6	1	3T-3422	1	WIRE AS						
	7	1	7T-3278	1	HOLDER AS-BRUSH						
	8	1	7T-3277	1	COIL AS-FIELD						
	9	1	7T-3454	1	INSULATOR						
	10	1	283-1107	1	KIT-CONNECTOR (STARTING MOTOR) (INCLUDES CONNECTORS, BOLT & TERMINAL-STARTER)						
	11	1	7T-3451	1	KIT-INSULATOR (TERMINAL) (INCLUDES INSULATORS & GROMMET)						
	12	1	8T-8569	1	INSULATOR-TERMINAL						
	13	1	5S-7349	4	BOLT (1/4-20X0.5-IN)						
	14	1	8T-4205	4	WASHER-HARD (7.2X14.5X2-MM THK)						
	15	1	8H-1141	4	SHOE-POLE						
	16	1	3R-8797	8	SCREW & WASHER AS (3/8-24X0.72-IN)						
	17	1	7T-3276	1	ARMATURE AS (24-VOLT)						
	18	1	3E-7775	1	HOUSING AS						
	19	1	4M-1831	1	PLUG-LEVER HOUSING						
	20	1	7L-2894	1	GASKET						
	21	1	0S-1597	5	BOLT (1/4-28X1-IN)						
	22	1	6N-3826	1	DRIVE AS-MOTOR						
	23	1	7T-3974	1	HOUSING AS-DRIVE						
	24	1	7X-3373	6	BOLT (5/16-18X0.88-IN)						
	25	1	250-8279	1	KIT-SOLENOID (24-VOLT) (INCLUDES SOLENOID AS, BOLT, NUTS, COVER & CONNECTORS)						
	26	1	6V-8378	3	NUT (10-32-THD)						
	27	1	8F-1434	2	LOCKWASHER						
	28	1	8T-0328	3	WASHER-HARD (5.5X10X1-MM THK)						
	29	1	9X-4824	1	COVER-STARTING MOTOR						
	30	1	8T-9884	1	KIT-INSULATOR (STARTING MOTOR) (INCLUDES INSULATORS & BUSHING)						
	31	1	8C-3655	1	KIT-BRUSH (STARTING MOTOR) (INCLUDES BRUSHES, SPRINGS, SCREWS, SCREW ASSEMBLIES & SEAL)						
	32	1	7T-3268	1	KIT-LEVER (STARTING MOTOR) (INCLUDES LEVER ASSEMBLIES, SEAL, NUT, GASKET & RETAINER)						
					AVAILABLE REPAIR KIT(S):						
			7T-3267	1	KIT-BUSHING (STARTING MOTOR) (INCLUDES BUSHINGS, WICKS, CUPS, SEALS, GASKET, SCREW AS, WASHERS, SPACER & NUT)						

ELECTRICAL AND STARTING SYSTEM

207-1556 STARTING MOTOR GP-ELECTRIC (contd.)

i03629299



GRAPHIC #1

<END>

g01478692

ELECTRICAL AND STARTING SYSTEM

207-1562 STARTING MOTOR GP-ELECTRIC

24-VOLT

PART OF 7C-0527 STARTING MOTOR GP-ELECTRIC

FIELD REPLACEMENT ORDER 207-1556-PAGE 515

AN ATTACHMENT

SMCS-1453

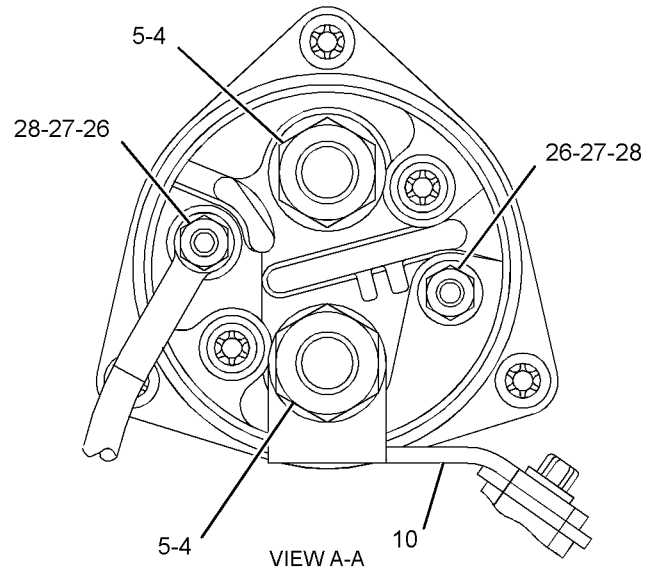
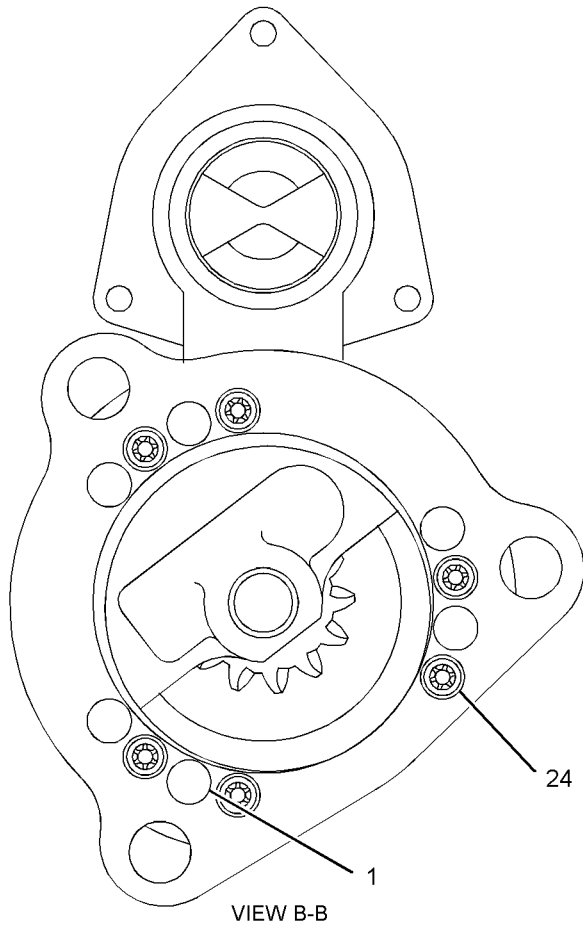
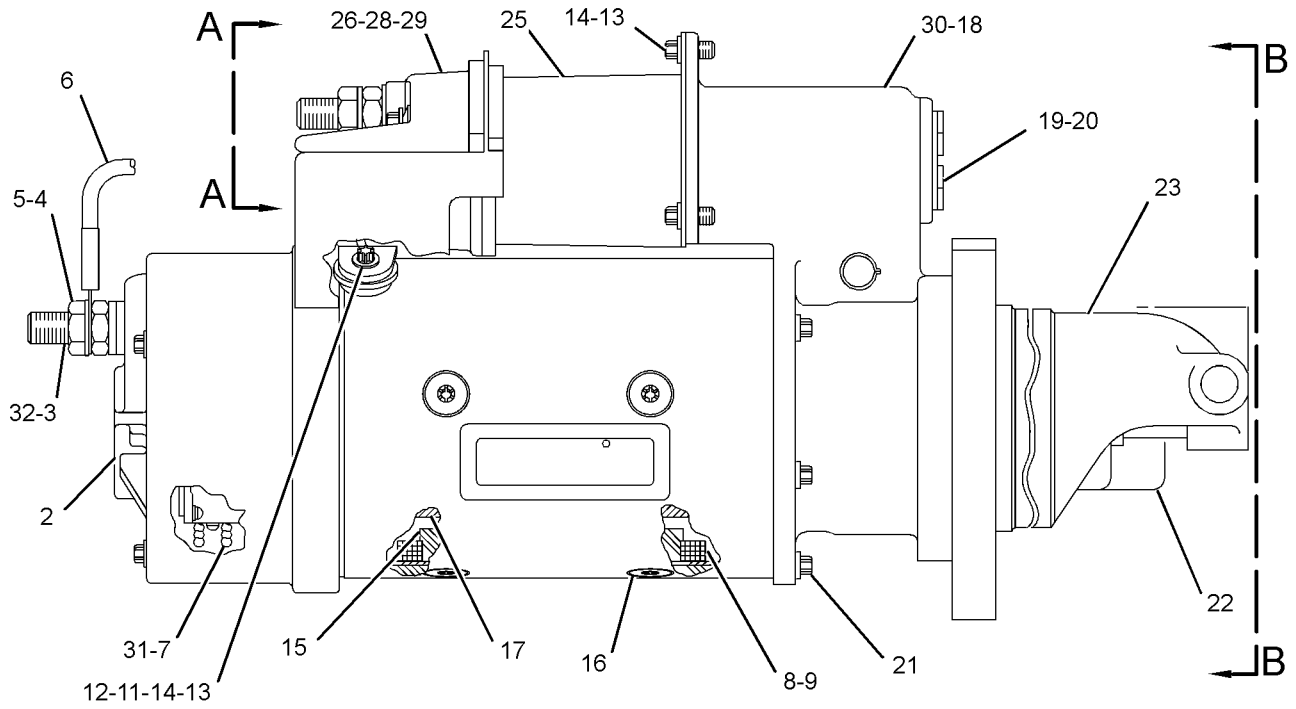
i02958611

NOTE	REF NO	GRAPHIC REF	PART NUMBER	QTY	PART NAME						SEE PAGE
					1	2	3	4	5	6 (PRODUCT LEVEL)	
	1	1	3T-3434	6	PLUG						
	2	1	7T-3279	1	HOUSING AS						
	3	1	8T-8566	1	TERMINAL AS						
	4	1	6V-8188	4	NUT (1/2-13-THD)						
	5	1	7X-0562	4	WASHER-HARD (13.5X19X0.8-MM THK)						
	6	1	3T-3422	1	WIRE AS						
	7	1	7T-3278	1	HOLDER AS-BRUSH (STARTING MOTOR)						
	8	1	7T-3277	1	COIL AS-FIELD						
	9	1	7T-3454	1	INSULATOR						
	10	1	283-1107	1	KIT-CONNECTOR (STARTING MOTOR) (INCLUDES CONNECTORS, BOLT & TERMINAL-STARTER)						
	11	1	7T-3451	1	KIT-INSULATOR (TERMINAL)						
	12	1	8T-8569	1	INSULATOR-TERMINAL						
	13	1	5S-7349	4	BOLT (1/4-20X0.5-IN)						
	14	1	8T-4205	4	WASHER-HARD (7.2X14.5X2-MM THK)						
	15	1	8H-1141	4	SHOE-POLE						
	16	1	3R-8797	8	SCREW & WASHER AS (3/8-24X0.72-IN)						
	17	1	7T-3276	1	ARMATURE AS (24-VOLT)						
	18	1	3E-7775	1	HOUSING AS						
	19	1	4M-1831	1	PLUG-LEVER HOUSING						
	20	1	7L-2894	1	GASKET						
	21	1	036-9823	5	BOLT (1/4-28X1-IN)						
	22	1	6N-3826	1	DRIVE AS-MOTOR						
	23	1	7T-3974	1	HOUSING AS-DRIVE						
	24	1	7X-3373	6	BOLT (5/16-18X0.88-IN)						
	25	1	250-8279	1	KIT-SOLENOID (24-VOLT) (INCLUDES SOLENOID AS, BOLT, NUT AS, NUT, COVER & CONNECTORS)						
	26	1	6V-8378	3	NUT (10-32-THD)						
	27	1	8F-1434	2	LOCKWASHER						
	28	1	8T-0328	3	WASHER-HARD (5.5X10X1-MM THK)						
	29	1	9X-4824	1	COVER-STARTING MOTOR						
	30	1	7T-3268	1	KIT-LEVER (STARTING MOTOR) (INCLUDES LEVER ASSEMBLIES, SEALS, NUT, GASKET & RETAINER)						
	31	1	8C-3655	1	KIT-BRUSH (STARTING MOTOR) (INCLUDES BRUSHES, SPRINGS, SCREWS, SCREW ASSEMBLIES, & SEAL)						
	32	1	8T-9884	1	KIT-INSULATOR (STARTING MOTOR) (INCLUDES INSULATORS & BUSHING)						
					AVAILABLE REPAIR KIT(S):						
			7T-3267	1	KIT-BUSHING (STARTING MOTOR) (INCLUDES BUSHINGS, WICKS, CUPS, SEALS, GASKET, SCREW ASSEMBLIES, WASHERS, SPACER & NUT)						

ELECTRICAL AND STARTING SYSTEM

207-1562 STARTING MOTOR GP-ELECTRIC (contd.)

i02958611



GRAPHIC #1

<END>

g01478494

ELECTRICAL AND STARTING SYSTEM

237-1962 STARTING MOTOR GP-ELECTRIC*R 24-VOLT

FIELD REPLACEMENT FOR 6V-0927-PAGE 509: FOR 207-1556-PAGE 515

SMCS-1453

i03630206

NOTE	REF NO	GRAPHIC REF	PART NUMBER	QTY	PART NAME						SEE PAGE
					1	2	3	4	5	6 (PRODUCT LEVEL)	
	1	1	7M-0326	1	CONNECTOR						
	2	1	9H-3757	2	WASHER (0.516X1X0.094-IN THK)						
	3	1	1S-7446	3	SCREW-MACHINE (8-32X0.437-IN)						
	4	1	8C-9660	3	WASHER (4.6X7.9X0.8-MM THK)						
	5	1	9S-2544	9	SCREW-HEX HEAD (8-32X11.13-MM)						
	6	1	7M-0327	1	WASHER-THRUST (17.4X25.4X1.6-MM THK)						
	7	1	3T-3418	1	FRAME AS-END						
		1	3T-3423	1	CUP						
		1	3T-3424	1	PLUG-FELT						
		1	9G-4101	1	BUSHING-END						
	8	1	3T-9525	1	PLATE AS-BRUSH						
	8A	1	6T-0371	1	INSULATOR						
	8B	1	5P-6298	12	SCREW-MACHINE (10-32X0.5-IN)						
		1	9F-5599	12	LOCKWASHER						
	8C	1	7F-3525	6	WASHER-BUSHING (0.207X0.39X0.09-IN THK)						
	8D	1	6T-0372	1	PLATE						
	8E	1	3T-4709	3	PLATE						
	8F	1	2L-6679	3	PLATE-INSULATOR						
	8G	1	3T-4710	3	PLATE						
	8H	1	6T-0363	6	HOLDER AS-BRUSH (STARTING MOTOR) (EACH INCLUDES)						
	8J	1	3T-9494	1	SPRING						
	9	1	1T-0808	2	WASHER (0.516X0.812X0.09-IN THK)						
	10	1	3T-3422	1	WIRE AS (STARTING MOTOR)						
	11	1	2J-8163	2	SEAL-O-RING						
	12	1	7X-3373	1	BOLT (5/16-18X0.88-IN)						
	13	1	3T-3434	6	PLUG						
	14	1	5J-5314	5	BOLT (5/16-18X1.5-IN)						
	15	1	3L-3380	1	BUSHING-TERMINAL						
	16	1	036-9821	1	WASHER						
	17	1	4M-1828	1	RETAINER-SPRING						
	18	1	306-3998	1	BOOT-RUBBER						
	19	1	9M-7609	1	SPRING (SHIFT LEVER)						
	20	1	4M-1827	1	RETAINER-SPRING						
	21	1	8C-3089	1	SEAL-O-RING						
	22	1	4M-1853	1	LEVER AS-SHIFT						
	23	1	5M-3034	1	LOCKNUT (5/16-24-THD)						
	24	1	7L-2894	4	GASKET						
	25	1	4M-1831	4	PLUG-LEVER HOUSING						
	26	1	4M-1854	1	SHAFT-LEVER						
	27	1	1H-1023	1	SEAL-O-RING						
	28	1	2D-6392	1	SEAL-O-RING						
	29	1	7T-3974	1	HOUSING AS-DRIVE						
	30	1	6N-3826	1	DRIVE AS-MOTOR						
	31	1	2H-3429	2	RING-RETAINING						
	32	1	6V-1322	4	BOLT (1/4-20X0.375-IN)						
	33	1	8T-4205	4	WASHER-HARD (7.2X14.5X2-MM THK)						
	34	1	6N-3279	1	INSULATOR						
	35	1	0S-1597	13	BOLT (1/4-28X1-IN)						
	36	1	1M-9971	1	SPACER (0.835X1.72X0.188-IN THK)						
	37	1	1H-2629	3	STRIP-INSULATION						
	38	1	7M-0324	1	COIL AS-FIELD						
	39	1	3R-8797	12	SCREW & WASHER AS (3/8-24X0.72-IN)						
	40	1	7F-3488	6	SHOE-POLE						
	41	1	7M-8651	1	ARMATURE AS						
	42	1	7M-0325	1	INSULATOR						

ELECTRICAL AND STARTING SYSTEM

237-1962 STARTING MOTOR GP-ELECTRIC (contd.)

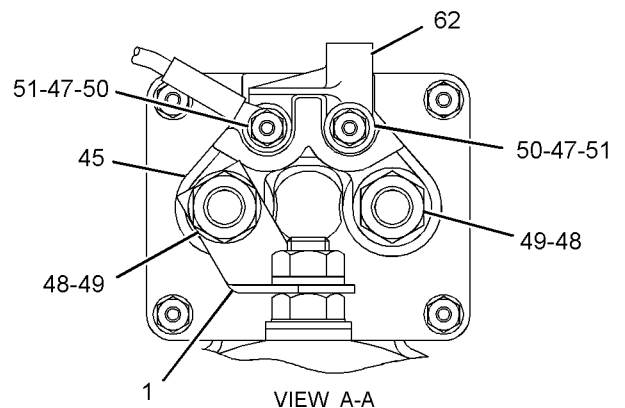
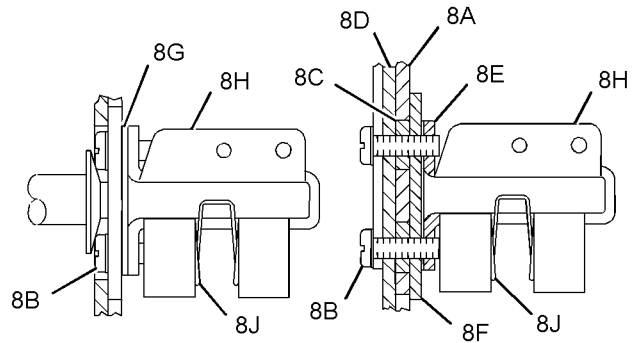
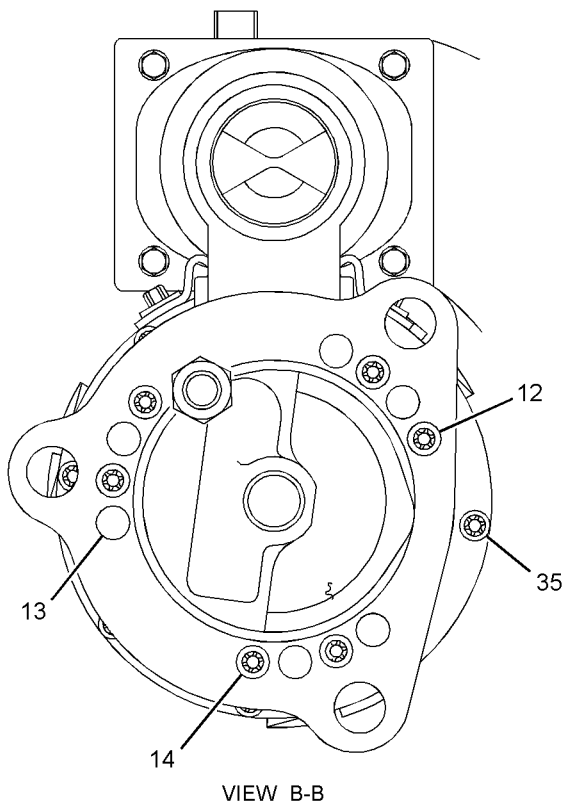
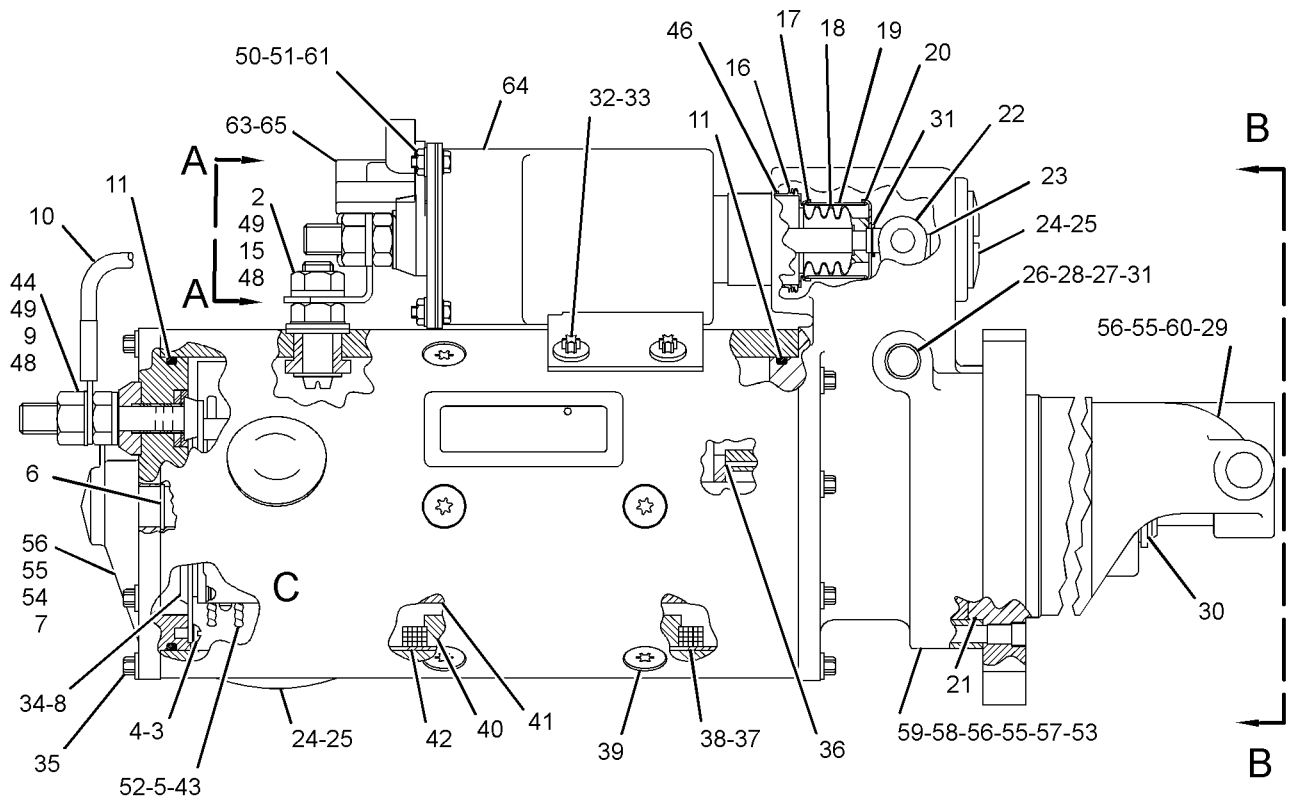
i03630206

NOTE	REF NO	GRAPHIC REF	PART NUMBER	QTY	PART NAME						SEE PAGE
					1	2	3	4	5	6 (PRODUCT LEVEL)	
	43	1	3T-9524	6	BRUSH AS						
	44	1	3N-3763	1	KIT-TERMINAL (STARTING MOTOR) (INCLUDES BUSHINGS & WASHERS)						
	45	1	125-6537	1	INSULATOR						
	46	1	3R-8801	1	CLAMP						
	47	1	8F-1434	2	LOCKWASHER						
	48	1	6V-8188	6	NUT (1/2-13-THD)						
	49	1	7X-0562	6	WASHER-HARD (13.5X19X0.8-MM THK)						
	50	1	4B-2049	6	NUT (10-32-THD)						
	51	1	8T-0328	10	WASHER-HARD (5.5X10X1-MM THK)						
	52	1	3T-9494	6	SPRING (STARTING MOTOR)						
	53	1	3E-7771	1	HOUSING AS (STARTING MOTOR)						
	54	1	9G-4101	1	BUSHING-END						
	55	1	3T-3424	3	PLUG-FELT						
	56	1	3T-3423	3	CUP						
	57	1	1M-9968	1	BUSHING						
	58	1	2F-6678	1	SEAL-LIP TYPE						
	59	1	4L-2729	1	WASHER (0.844X1.9X0.188-IN THK)						
	60	1	4M-1896	1	BUSHING-TERMINAL						
	61	1	045-4065	4	SCREW-MACHINE (10-32X0.75-IN)						
	62	1	125-6535	1	COVER-STARTING MOTOR						
	63	1	7T-9123	1	GASKET-PLATE						
	64	1	318-2082	1	SOLENOID AS-STARTING MOTOR (24-VOLT)						
	65	1	125-6536	1	TERMINAL AS						

ELECTRICAL AND STARTING SYSTEM

237-1962 STARTING MOTOR GP-ELECTRIC (contd.)

i03630206



GRAPHIC #1

<END>

g01453239

ELECTRICAL AND STARTING SYSTEM

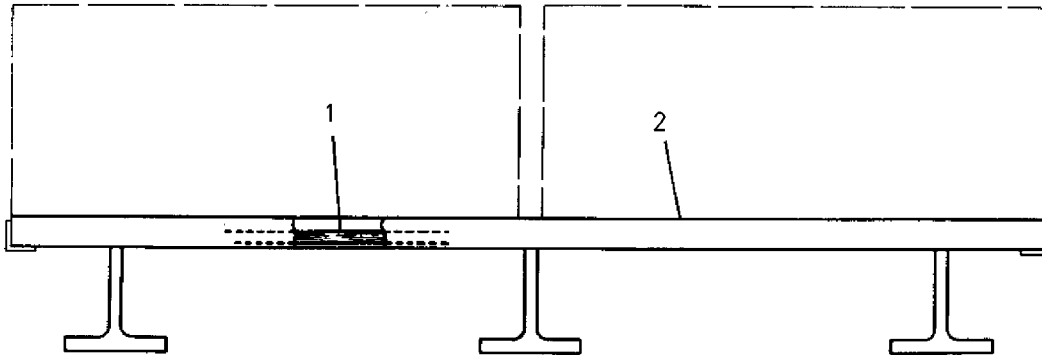
3N-7056 SUPPORT GP-BATTERY

FLOOR TYPE, 2-BATTERY
AN ATTACHMENT

SMCS-7257

i01380951

NOTE	REF NO	GRAPHIC REF	PART NUMBER	QTY	PART NAME						SEE PAGE
					1	2	3	4	5	6 (PRODUCT LEVEL)	
	1	1	3N-7055	1	BOARD						
	2	1	3N-7054	1	SUPPORT AS-BATTERY						



GRAPHIC #1

<END>

g00729953

ELECTRICAL AND STARTING SYSTEM

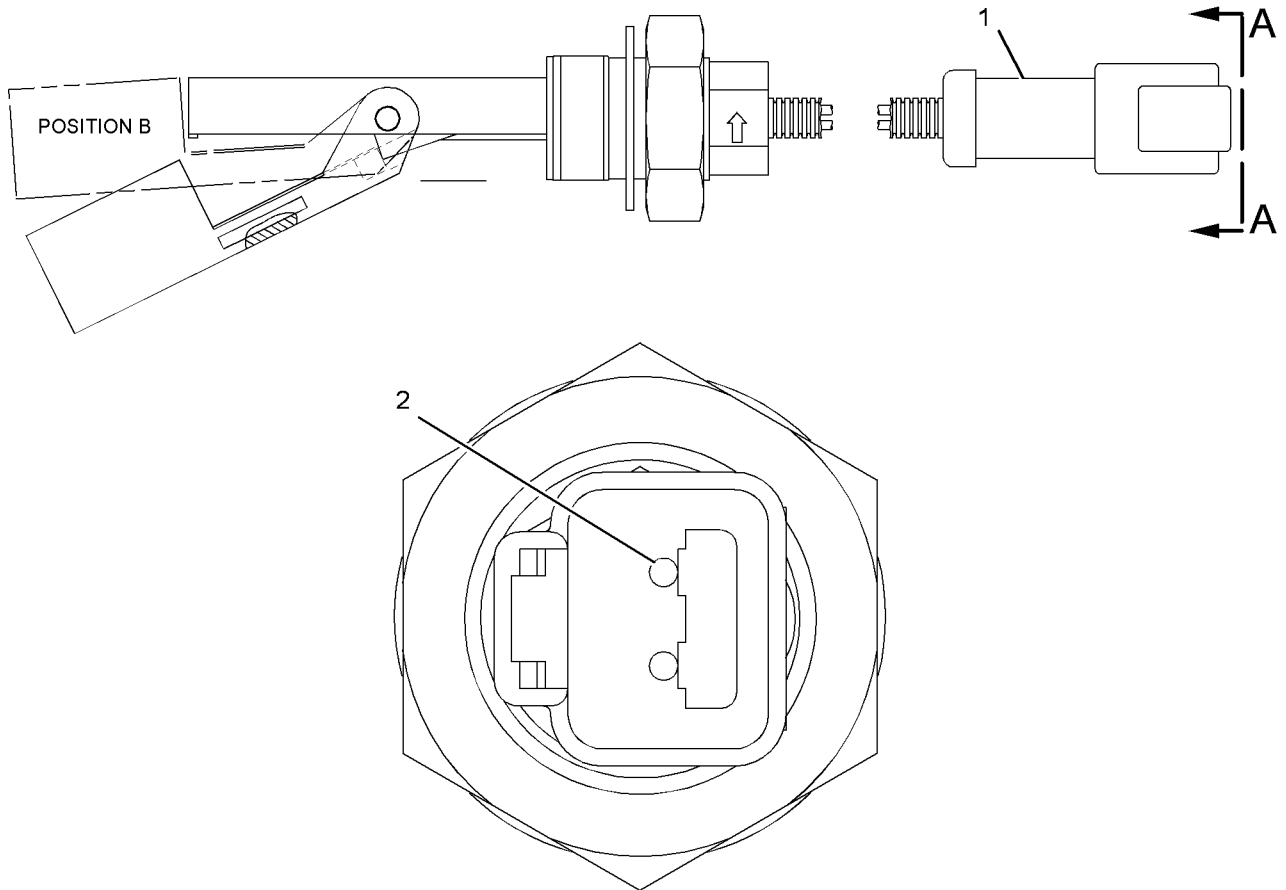
172-8660 SWITCH GP-LIQUID LEVEL

FOR USE WITH FOR DRY CIRCUIT APPLICATIONS ONLY
AN ATTACHMENT

SMCS-7422

i03632078

NOTE	REF NO	GRAPHIC REF	PART NUMBER	QTY	PART NAME						SEE PAGE
					1	2	3	4	5	6 (PRODUCT LEVEL)	
	1	1	102-8802	1	KIT-RECEPTACLE (2-PIN)						
					(INCLUDES RECEPTACLE AS & WEDGE)						
	2	1	9X-3401	2	PIN-CONNECTOR (16-GA TO 18-GA)						



VIEW A-A

GRAPHIC #1

<END>

g01948478

ELECTRICAL AND STARTING SYSTEM

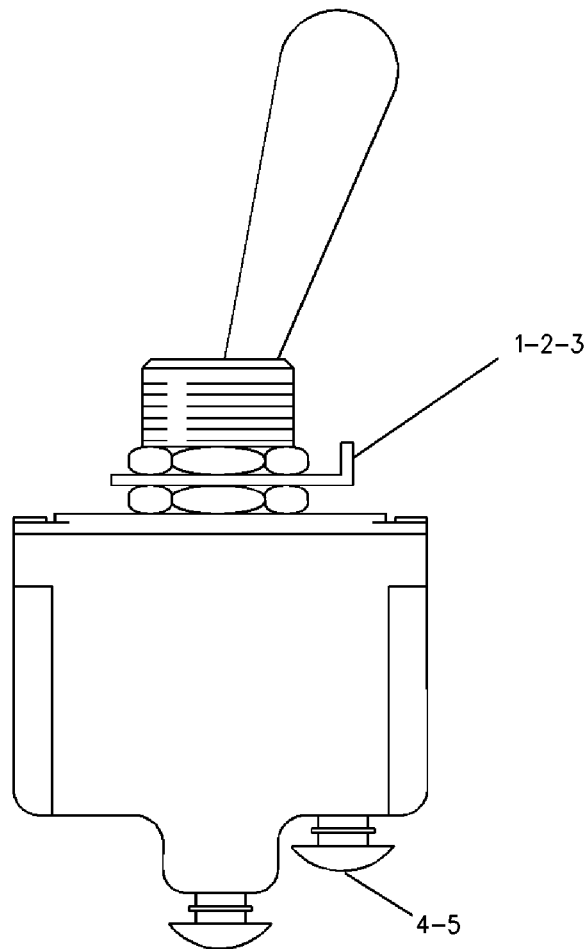
7N-8001 SWITCH GP-TOGGLE

PART OF 231-9900, 231-9901, 290-3211, 300-0478 BOX GP-INSTRUMENT PANEL
AN ATTACHMENT

SMCS-7332

i01982658

NOTE	REF NO	GRAPHIC REF	PART NUMBER	QTY	PART NAME						SEE PAGE
					1	2	3	4	5	6 (PRODUCT LEVEL)	
	1	1	6T-3631	2	NUT-HEX (15/32-32-THD)						
	2	1	6T-3632	1	LOCKWASHER						
	3	1	6T-3633	1	RING-LOCKING						
	4	1	6V-8374	2	SCREW-MACHINE (6-32X0.25-IN)						
	5	1	3L-8187	2	LOCKWASHER						



GRAPHIC #1

<END>

g00637350

ELECTRICAL AND STARTING SYSTEM

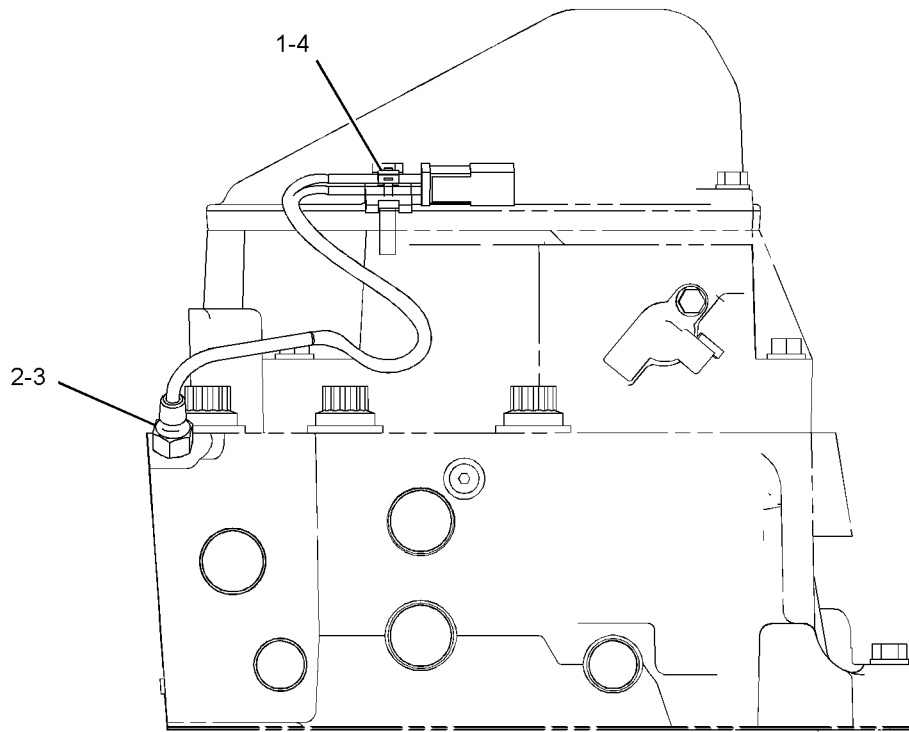
120-4498 THERMOCOUPLE GP

FOR USE WITH MONITORING SYSTEM PANEL AND PYROMETER GROUP
AN ATTACHMENT

SMCS-7498

i03396201

NOTE	REF NO	GRAPHIC REF	PART NUMBER	QTY	PART NAME						SEE PAGE
					1	2	3	4	5	6 (PRODUCT LEVEL)	
	1	1	3S-2093	1	STRAP-CABLE						
	2	1	5N-2126	1	CONNECTOR (THERMOCOUPLE)						
	3	1	243-5752	1	SENSOR GP-TEMPERATURE (CYLINDER EXHAUST)						
		1	186-3735	2	PIN-CONNECTOR (16-GA TO 18-GA)						
		1	102-8802	2	KIT-RECEPTACLE (2-PIN)						
					(EACH INCLUDES RECEPTACLE AS AND WEDGE)						
	4	1	4P-7581	1	CLIP						



FRONT VIEW

GRAPHIC #1

<END>

g01277880

ELECTRICAL AND STARTING SYSTEM

5N-8980 VALVE AS-SOLENOID-AIR START

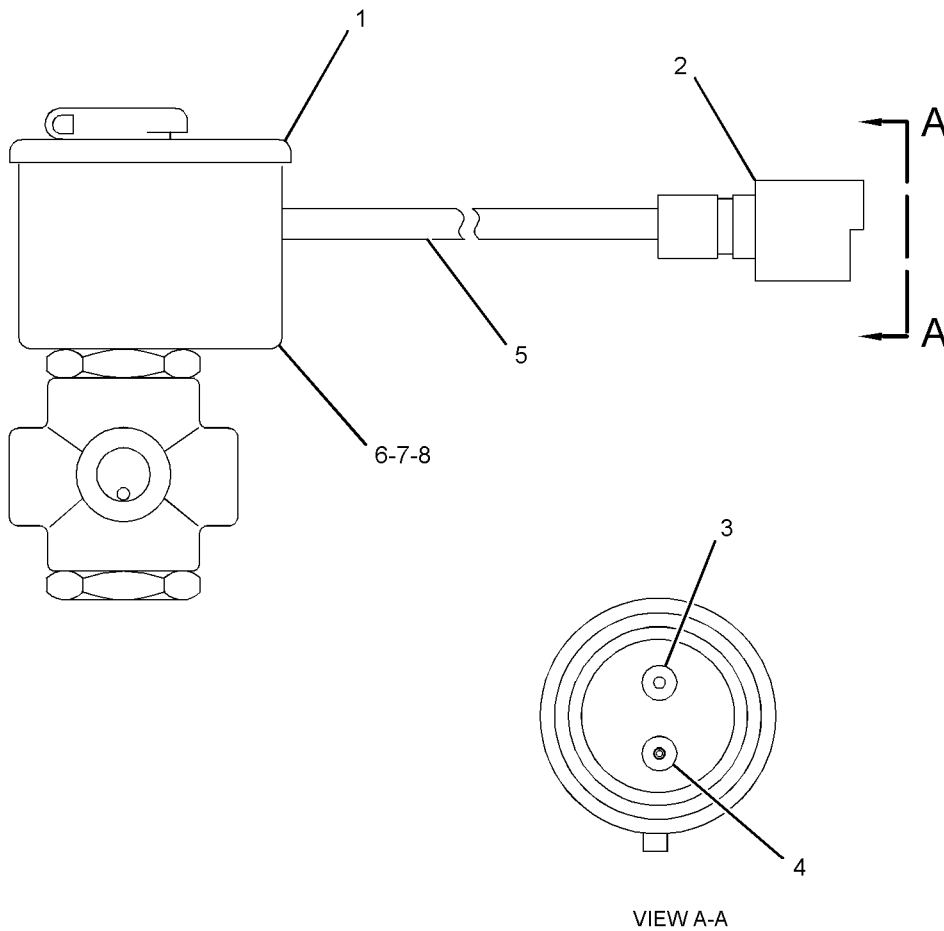
PART OF 143-5173, 143-5174, 311-8110, 311-8111 STARTING MOTOR GP-AIR
AN ATTACHMENT

SMCS-5479

i02871444

NOTE	REF NO	GRAPHIC REF	PART NUMBER	QTY	PART NAME						SEE PAGE
					1	2	3	4	5	6 (PRODUCT LEVEL)	
	1	1	7G-8765	1	VALVE-SOLENOID						
	2	1	7N-9738	1	HOUSING-RECEPTACLE (14-GA TO 18-GA)						
	3	1	7N-7779	1	SOCKET-CONNECTOR (14-GA TO 18-GA)						
	4	1	7N-7780	1	PIN-CONNECTOR (14-GA TO 18-GA)						
E	5	1	9X-1813		SLEEVE (21-CM)						
	6	1	5N-9073	1	CLIP						
	7	1	3F-2065	1	LOCKNUT (1/2-14-NPTF-THD)						
	8	1	5N-8943	1	ADAPTER						

E-ORDER BY THE CENTIMETER



GRAPHIC #1

<END>

g01441571

ELECTRICAL AND STARTING SYSTEM

1L-2073 VALVE GP-PRESSURE REDUCING-RH

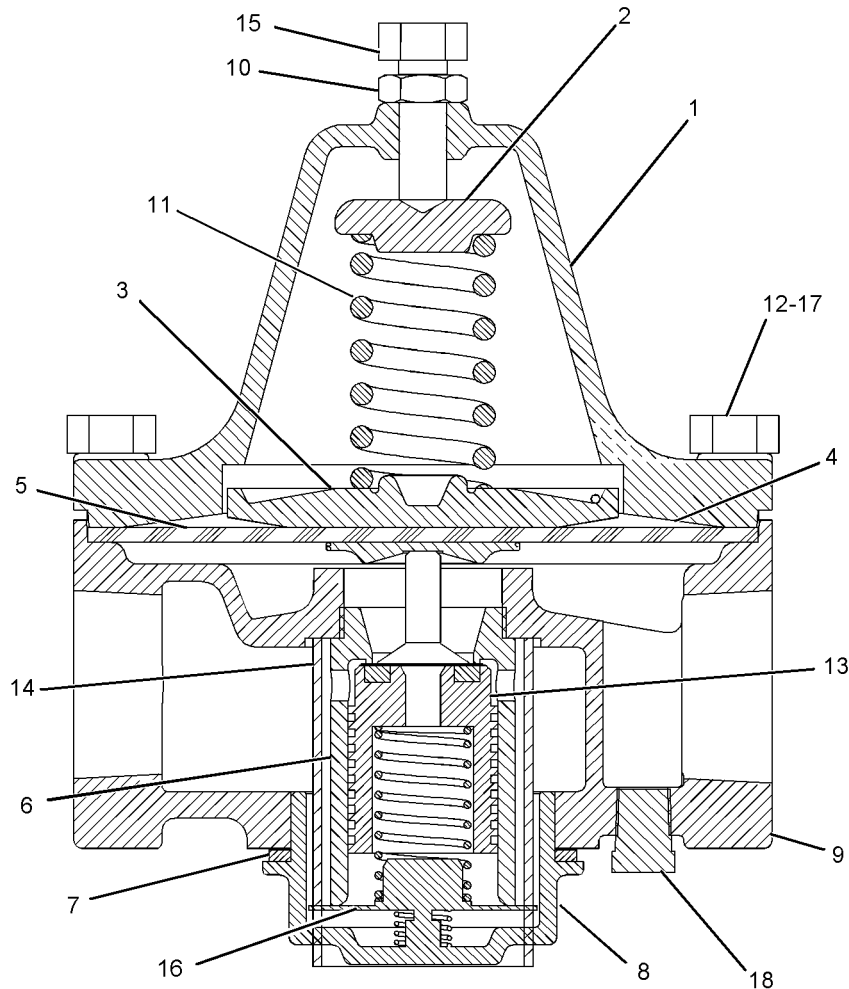
AIR CONTROL

PART OF 8N-8483 VALVE GP-AIR CONTROL
AN ATTACHMENT

SMCS-1462

i02698945

NOTE	REF NO	GRAPHIC REF	PART NUMBER	QTY	PART NAME						SEE PAGE
					1	2	3	4	5	6 (PRODUCT LEVEL)	
	1	1	1H-9570	1	CHAMBER						
	2	1	1H-9569	1	BUTTON-SPRING						
	3	1	1H-9572	1	PLATE-PRESSURE						
	4	1	1H-9573	1	DIAPHRAGM						
	5	1	1H-9574	1	BUTTON						
	6	1	1H-9575	1	CYLINDER						
	7	1	1H-9580	1	GASKET-PLUG						
	8	1	1H-9581	1	PLUG AS						
	9	1	1L-2072	1	BODY-VALVE						
	10	1	1L-9048	1	NUT-PLATED JAM (7/16-14-THD)						
	11	1	1L-9049	1	SPRING-PRESSURE						
	12	1	1L-9079	6	NUT-PLATED FULL (7/16-20-THD)						
	13	1	5N-6942	1	PISTON AS						
	14	1	252-9298	1	SCREEN-STRAINER (PRESSURE REDUCING VALVE)						
	15	1	0T-0320	1	BOLT (7/16-14X1.25-IN)						
	16	1	1H-9578	1	SPRING-PISTON						
	17	1	1L-9080	6	BOLT (7/16-20X1.5-IN)						
	18	1	5B-7890	1	PLUG-PIPE						



GRAPHIC #1

<END>

g01069160

ELECTRICAL AND STARTING SYSTEM

232-0889 WIRING GP-AIR SHUTOFF

FOR USE WITH RIGID HARNESS
AN ATTACHMENT

SMCS-1078, 1408

i02275810

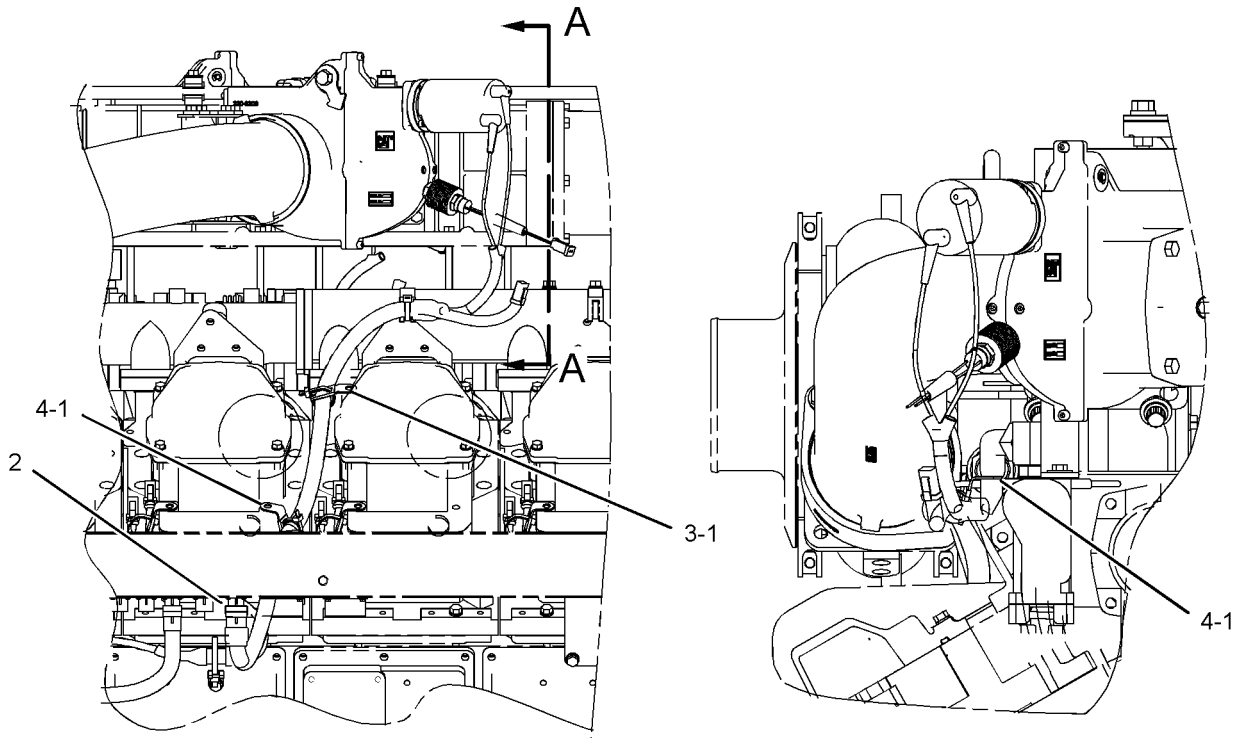
NOTE	REF NO	GRAPHIC REF	PART NUMBER	QTY	PART NAME						SEE PAGE
					1	2	3	4	5	6 (PRODUCT LEVEL)	
	1	1	7K-1181	5	STRAP-CABLE						
Y	2	1	237-8994	2	HARNESS AS-ENGINE (AIR SHUTOFF)						416
	3	1	4P-7581	2	CLIP						
	4	1	4P-8134	3	CLIP						

Y-SEPARATE ILLUSTRATION

ELECTRICAL AND STARTING SYSTEM

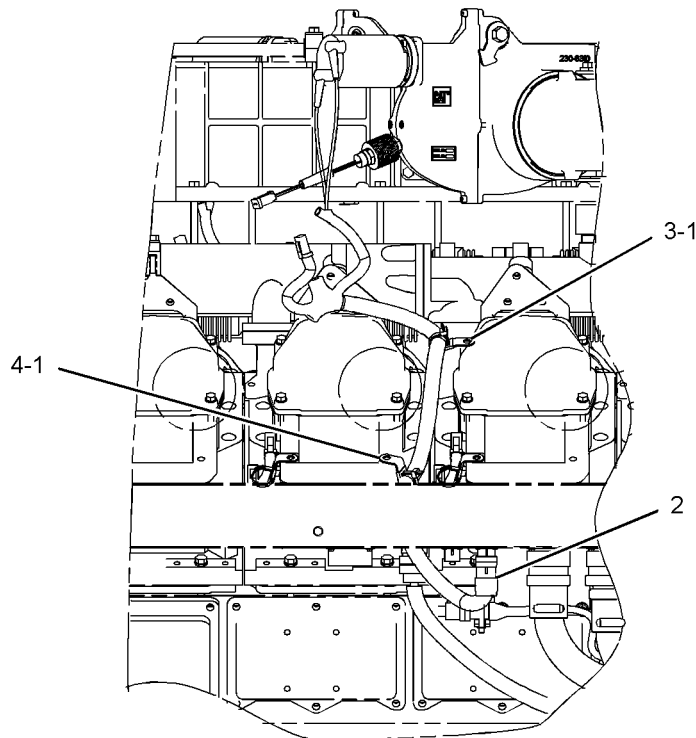
232-0889 WIRING GP-AIR SHUTOFF (contd.)

i02275810



RIGHT SIDE VIEW

VIEW A-A



LEFT SIDE VIEW
<END>

GRAPHIC #1

g01011709

ELECTRICAL AND STARTING SYSTEM

253-9546 WIRING GP-ALTERNATOR

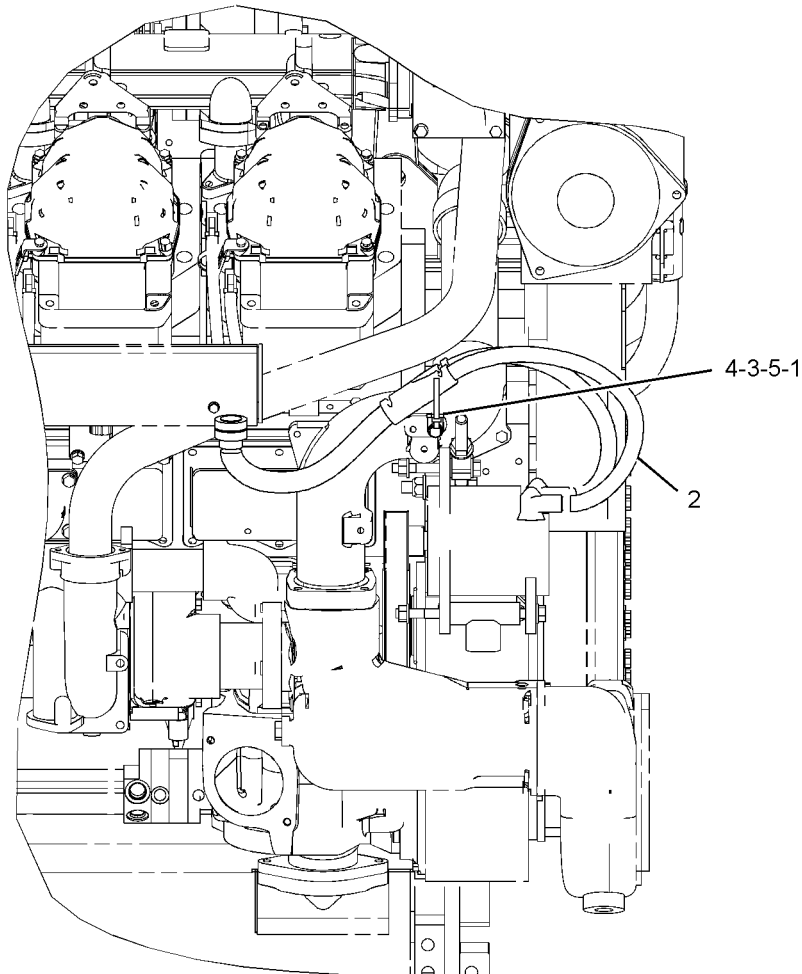
FOR USE WITH RIGID HARNESS
AN ATTACHMENT

SMCS-1405, 1408

i02349944

NOTE	REF NO	GRAPHIC REF	PART NUMBER	QTY	PART NAME						SEE PAGE
					1	2	3	4	5	6 (PRODUCT LEVEL)	
	1	1	9X-6772	1	STRAP-CABLE						
	2	1	253-9547	1	HARNESS AS-ENGINE (ALTERNATOR)						
E		1	135-5009		TUBE-HEAT SHRINK (32-MM DIA) (6-CM)						
		1	7R-3354	2	SOCKET						
		1	8T-8737	4	PLUG-SEAL						
		1	8T-8827	1	BOOT (RED)						
E		1	5P-3454	2	TERMINAL-RING (4-GA, 5/16-IN SCREW)						
		1	121-1110	1	BOOT (BLACK)						
		1	203-8999	2	SEAL						
		1	203-9000	1	PLUG AS (6-PIN)						
		1	203-9001	2	SLEEVE						
E		1	210-8958		TUBE-HEAT SHRINK (24-MM DIA) (6-CM)						
E		1	231-9895		CONDUIT-FLEXIBLE (21.9-MM ID) (29-CM)						
E		1	232-0897		CONDUIT-FLEXIBLE (16.2-MM ID) (79-CM)						
		1	235-2764	1	ADAPTER (CONDUIT)						
	3	1	0S-0509	1	BOLT (3/8-16X0.75-IN)						
	4	1	4P-8134	1	CLIP						
	5	1	5M-2894	1	WASHER-HARD (10.2X18.5X2.5-MM THK)						

E-ORDER BY THE CENTIMETER



GRAPHIC #1

<END>

g01138834

ELECTRICAL AND STARTING SYSTEM

238-2928 WIRING GP-ELECTRIC STARTING

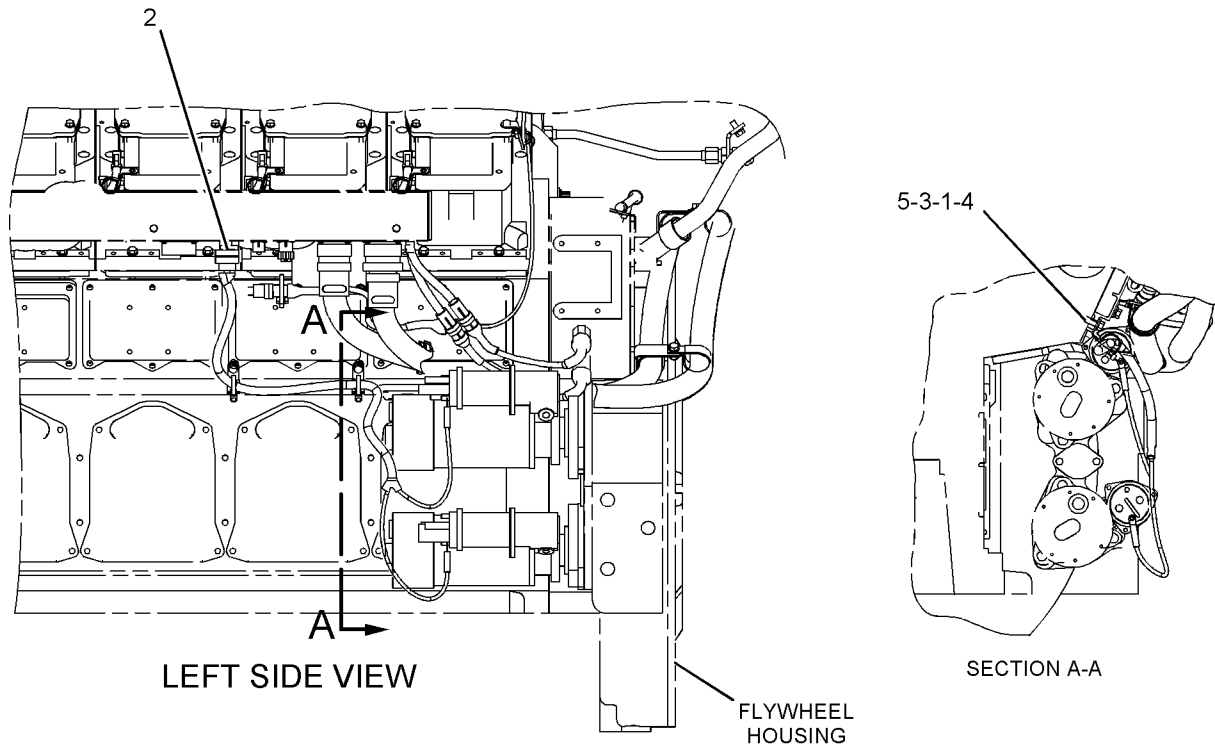
DUAL ELECTRIC STARTER
FOR USE WITH RIGID HARNESS
AN ATTACHMENT

SMCS-1408, 1453

i02822630

NOTE	REF NO	GRAPHIC REF	PART NUMBER	QTY	PART NAME						SEE PAGE
					1	2	3	4	5	6 (PRODUCT LEVEL)	
	1	1	9X-6772	2	STRAP-CABLE						
Y	2	1	238-2929	1	HARNESS AS-MOTOR (ENGINE START)						424
	3	1	0S-1594	2	BOLT (3/8-16X1-IN)						
	4	1	4P-8134	2	CLIP						
	5	1	5M-2894	2	WASHER-HARD (10.2X18.5X2.5-MM THK)						

Y-SEPARATE ILLUSTRATION



GRAPHIC #1

<END>

g01011142

ELECTRICAL AND STARTING SYSTEM

232-0016 WIRING GP-ENGINE

AN ATTACHMENT

SMCS-1000, 1408

i03096364

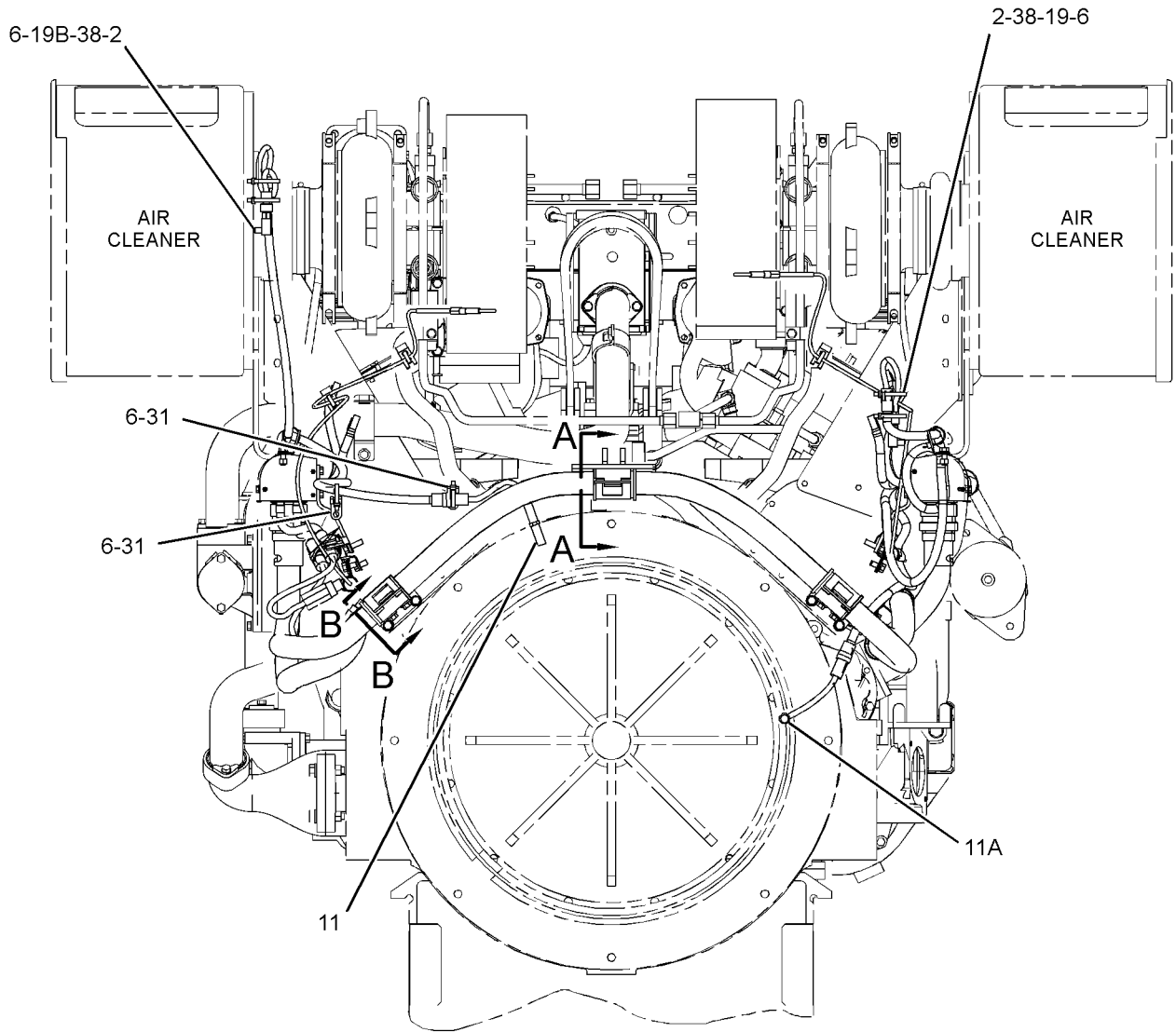
NOTE	REF NO	GRAPHIC REF	PART NUMBER	QTY	PART NAME						SEE PAGE
					1	2	3	4	5	6 (PRODUCT LEVEL)	
	1	3	6B-6205	1	SPACER (0.438X0.875X1.281-IN THK)						
	2	1	6V-9330	2	ELBOW						
	3	3	7K-1181	2	STRAP-CABLE						
	4	3	9G-5127	1	BREATHER (ATMOSPHERIC AIR)						
	5	3	9X-0262	1	ADAPTER						
	6	1, 2, 3	9X-6772	44	STRAP-CABLE						
	7	2	111-3684	1	HOSE AS						
Y	8	2	295-4636	1	SENSOR GP-SPEED (PRIMARY, TIMING)						486
Y	8A	2	295-4636	1	SENSOR GP-SPEED (SECONDARY, TIMING)						486
Y	9	3	212-3423	1	SENSOR GP-TEMPERATURE (ENGINE COOLANT)						489
Y	9A	3	212-3423	1	SENSOR GP-TEMPERATURE (AFTERCOOLER COOLANT)						489
Y	10	2	212-3425	1	SENSOR GP-EXHAUST TEMPERATURE (TURBOCHARGER, LH)						472
Y	10A	2	212-3425	1	SENSOR GP-EXHAUST TEMPERATURE (TURBOCHARGER, RH)						472
Y	11	1	212-3426	1	SENSOR GP-SPEED (ENGINE)						484
Y	11A	1	212-3426	1	SENSOR GP-SPEED (TIMING CALIBRATION)						484
Y	12	2	231-9875	1	HARNESS AS-ENGINE (LARGE INTERCONNECT)						409
Y	13	2	232-0018	1	HARNESS AS-ENGINE (RH)						410
Y	14	2	233-9210	1	HARNESS AS-ENGINE (SMALL INTERCONNECT)						414
	15	1	245-0522	1	BRACKET						
	16	1	245-0523	2	BRACKET						
C	17	1, 2, 3	278-6469	4	GROMMET						
CY	18	2	279-2065	1	HARNESS AS-ENGINE						420
Y	19	1	304-5666	1	SENSOR GP-PRESSURE (CRANKCASE)						479
Y	19A	3	304-5666	1	SENSOR GP-PRESSURE (ATMOSPHERIC AIR)						479
Y	19B	1	304-5666	1	SENSOR GP-PRESSURE (TURBOCHARGER INLET, LH)						479
Y	19C	2	304-5666	1	SENSOR GP-PRESSURE (TURBOCHARGER INLET, RH)						479
Y	20	3	304-5667	1	SENSOR GP-PRESSURE (TURBOCHARGER OUTLET)						480
	21	2	001-9440	1	CONNECTOR						
	22	3	0L-2070	1	BOLT (3/8-16X2.25-IN)						
	23	2	0S-0509	5	BOLT (3/8-16X0.75-IN)						
	24	1, 2	0S-1588	16	BOLT (3/8-16X1.25-IN)						
	25	1	0S-1590	6	BOLT (3/8-16X2-IN)						
	26	2	0S-1591	1	BOLT (3/8-16X1.5-IN)						
	27	2	0S-1594	4	BOLT (3/8-16X1-IN)						
	28	2	135-9941	1	ADAPTER						
	29	2	3A-3692	2	CLIP						
	30	3	4P-7581	2	CLIP						
	31	1, 2, 3	4P-8134	33	CLIP						
	32	1, 2, 2, 3	5M-2894	26	WASHER-HARD (10.2X18.5X2.5-MM THK)						
	33	2	5P-3426	1	ELBOW						
	34	1	5P-8245	2	WASHER-HARD (13.5X25.5X3-MM THK)						
	35	2	6V-1581	1	CLIP (SLOT)						
	36	2	6V-1582	1	CLIP (TAB)						
	37	2, 3	6V-5048	5	SEAL-O-RING						
	38	1, 2, 3	6V-5049	4	SEAL-O-RING						
	39	1, 2	7G-5984	4	CLIP (TAB)						
	40	1, 2	7G-5985	4	CLIP (SLOT)						
	41	1	7H-1911	2	BOLT (1/2-13X9.375-IN)						
	42	3	8T-2353	1	ADAPTER						
	43	2	9S-8752	5	NUT-FULL (3/8-16-THD)						
	44	1, 2	9X-6458	8	WASHER-HARD (10.2X22.5X3-MM THK)						

C-CHANGE FROM PREVIOUS TYPE
Y-SEPARATE ILLUSTRATION

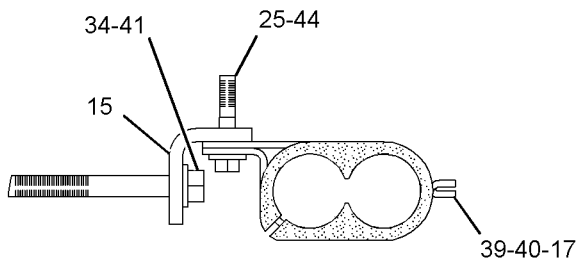
ELECTRICAL AND STARTING SYSTEM

232-0016 WIRING GP-ENGINE (contd.)

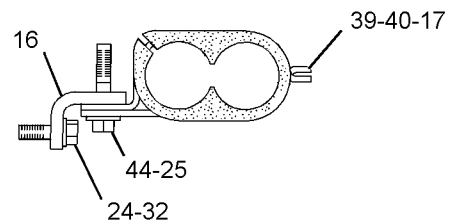
i03096364



REAR VIEW OF ENGINE



SECTION A-A



SECTION B-B

GRAPHIC #1

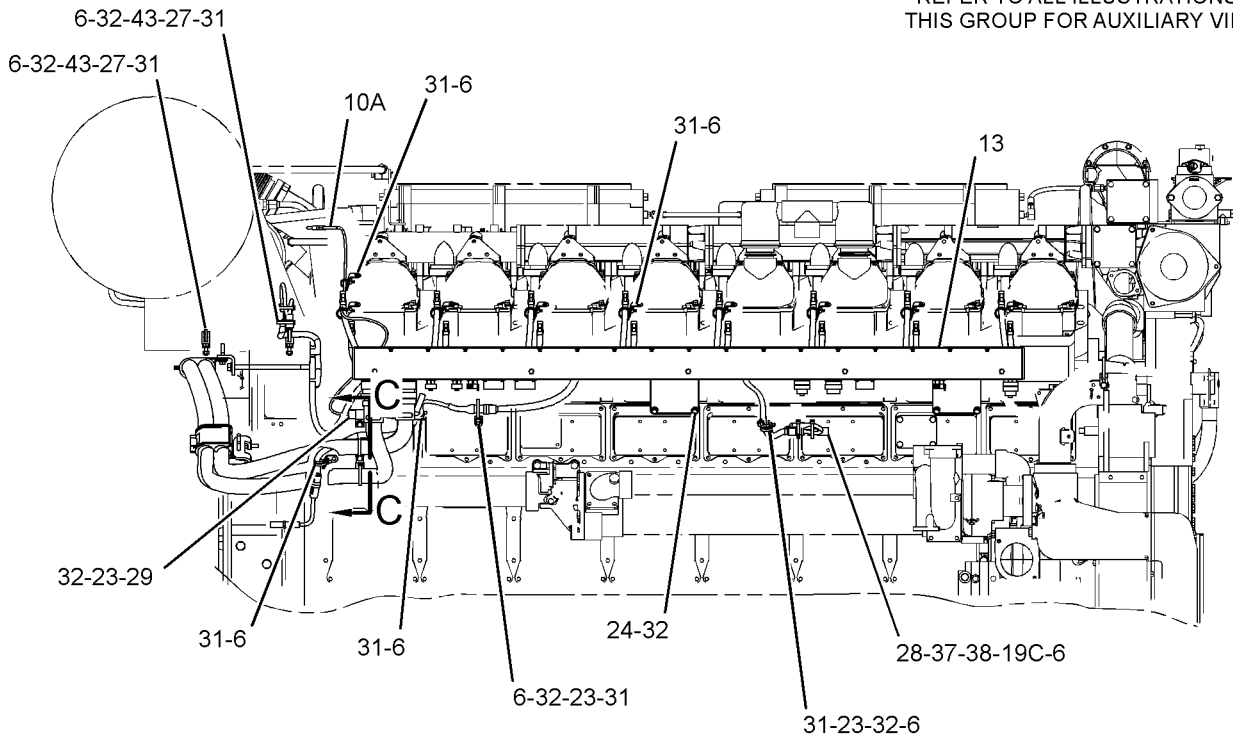
g01578453

ELECTRICAL AND STARTING SYSTEM

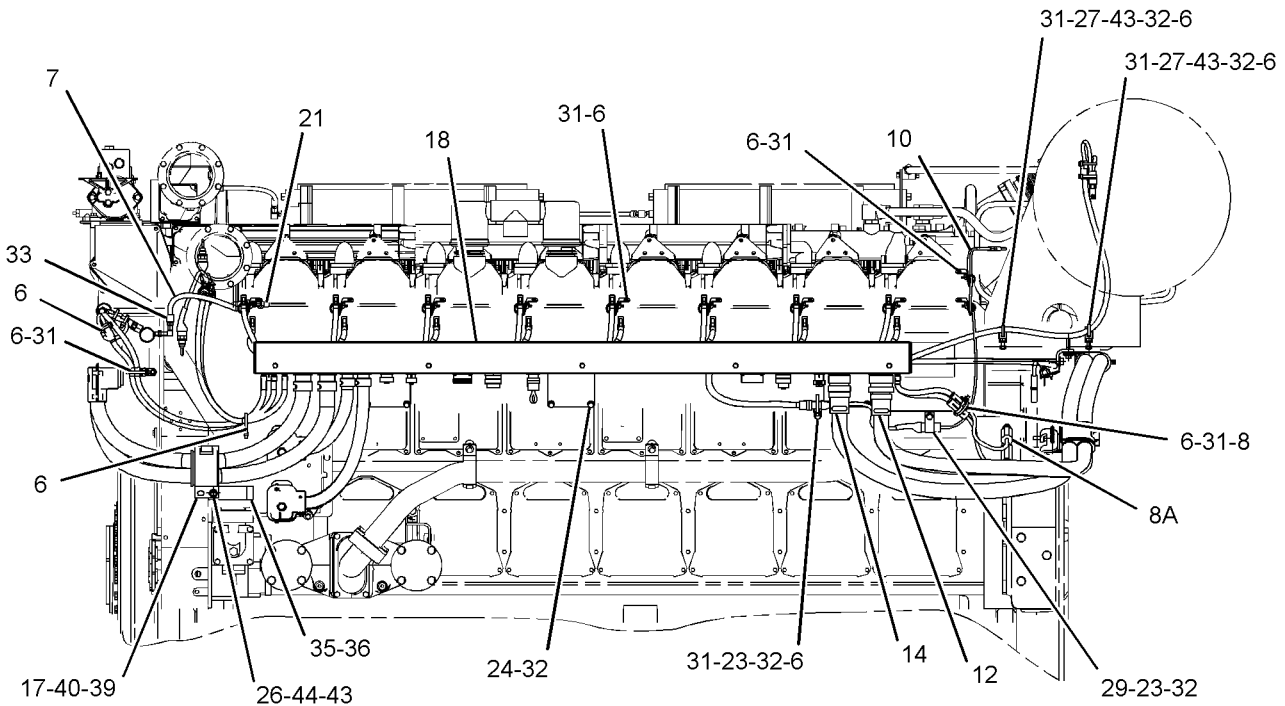
232-0016 WIRING GP-ENGINE (contd.)

i03096364

REFER TO ALL ILLUSTRATIONS OF THIS GROUP FOR AUXILIARY VIEWS.



RIGHT SIDE VIEW OF ENGINE



LEFT SIDE VIEW OF ENGINE

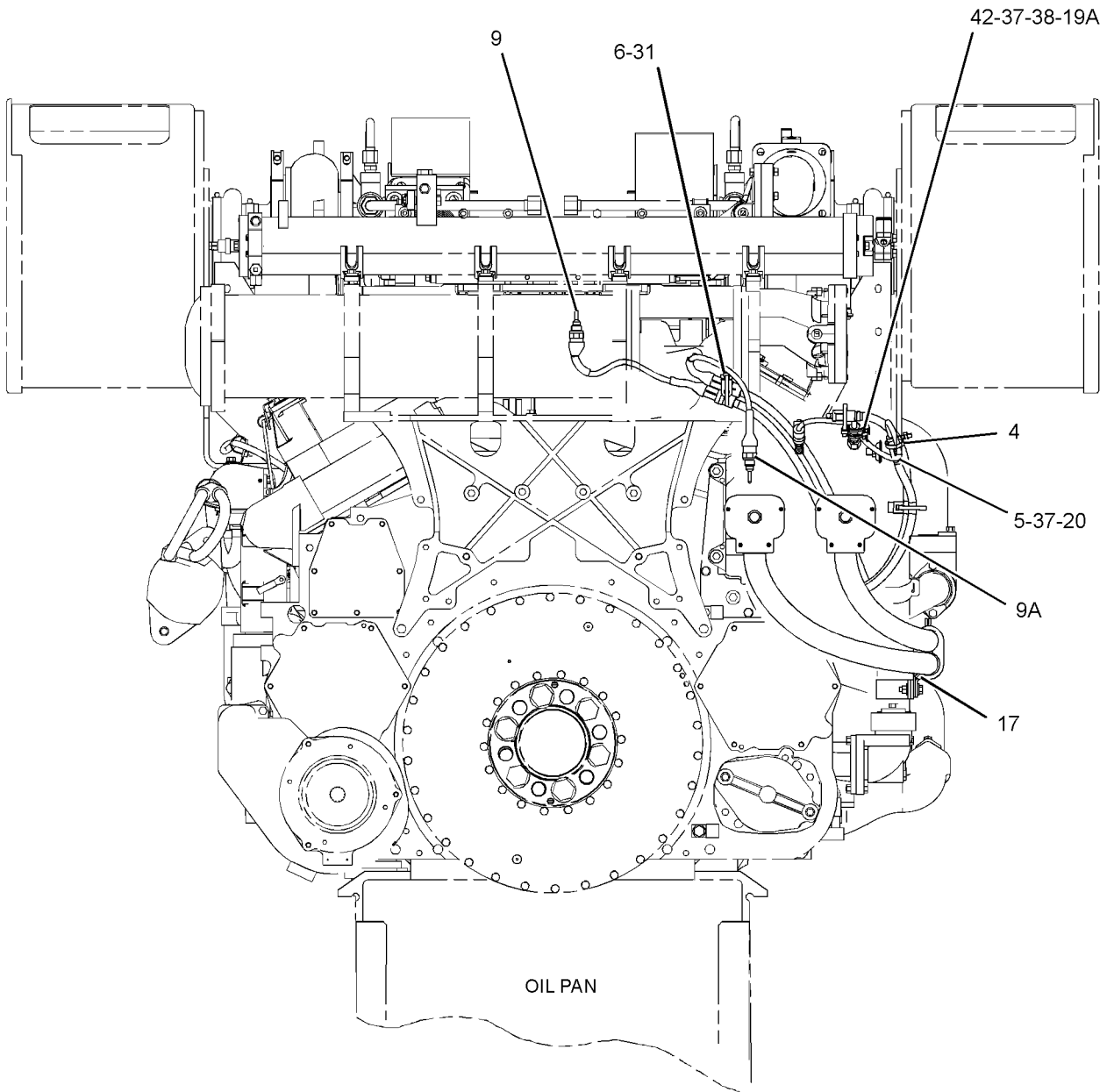
GRAPHIC #2

g01400689

ELECTRICAL AND STARTING SYSTEM

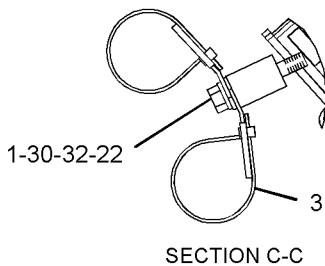
232-0016 WIRING GP-ENGINE (contd.)

i03096364



OIL PAN

FRONT VIEW OF ENGINE



SECTION C-C

GRAPHIC #3

<END>

g01400692

ELECTRICAL AND STARTING SYSTEM

239-6364 WIRING GP-ENGINE-MARINE POWER DISPLAY LH AN ATTACHMENT

SMCS-1000, 1408

i02823090

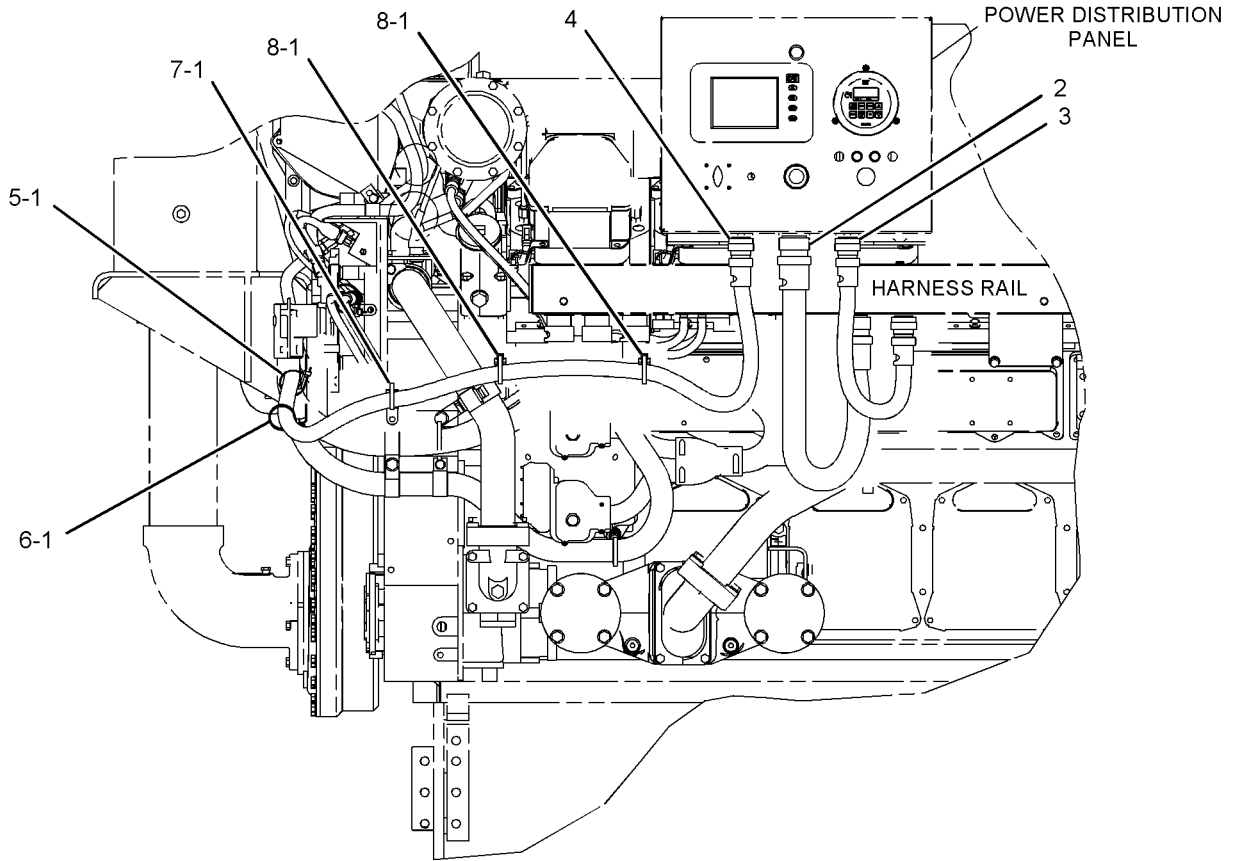
NOTE	REF NO	GRAPHIC REF	PART NUMBER	QTY	PART NAME	SEE PAGE
					1 2 3 4 5 6 (PRODUCT LEVEL)	
	1	1	7K-1181	11	STRAP-CABLE	
Y	2	1	239-1471	1	HARNESS AS-ENGINE (MARINE POWER DISPLAY)	417
Y	3	1	239-1473	1	HARNESS AS-SENSOR (THERMOCOUPLE, RH)	435
Y	4	1	239-1474	1	HARNESS AS-SENSOR (THERMOCOUPLE, LH)	436
	5	1	4P-7428	2	CLIP	
	6	1	4P-7429	2	CLIP	
	7	1	4P-7581	2	CLIP	
	8	1	4P-8134	5	CLIP	

Y-SEPARATE ILLUSTRATION

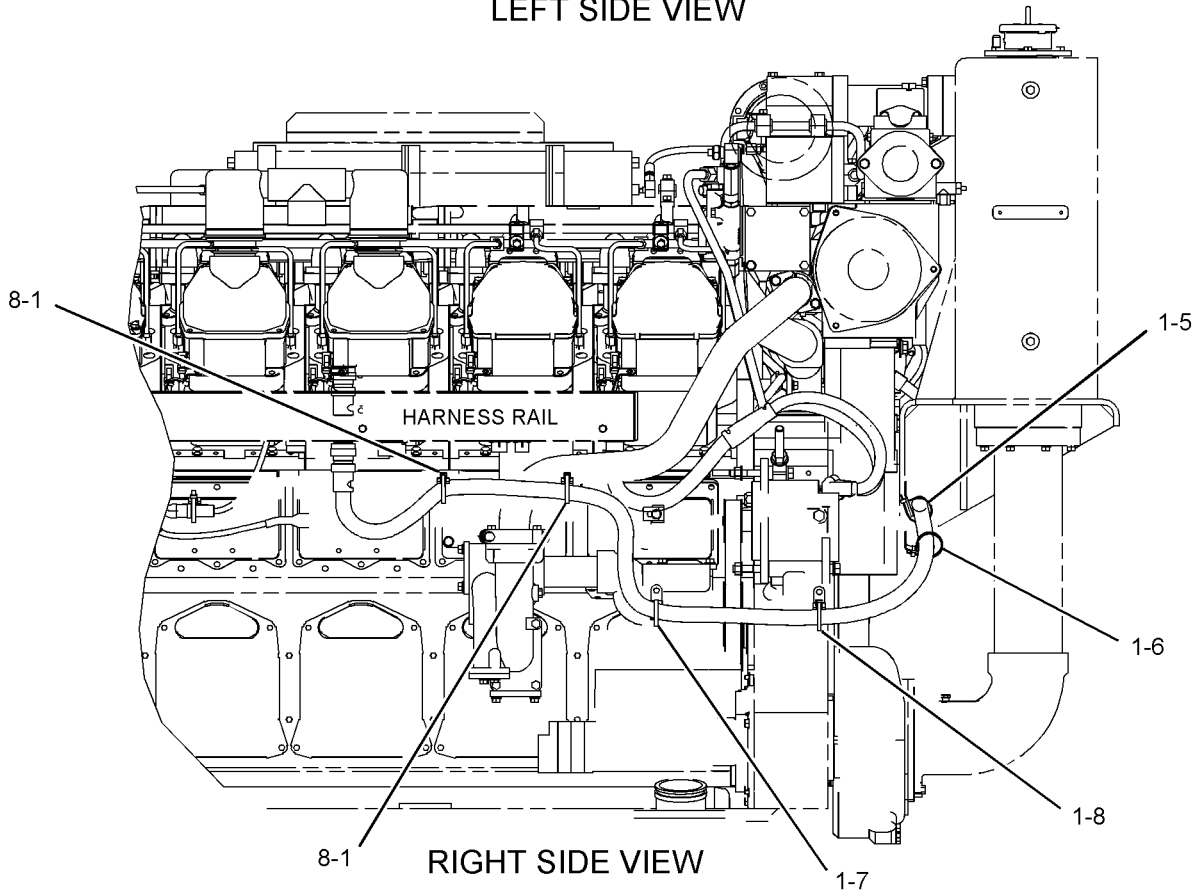
ELECTRICAL AND STARTING SYSTEM

239-6364 WIRING GP-ENGINE (contd.)

i02823090



LEFT SIDE VIEW



RIGHT SIDE VIEW

GRAPHIC #1

<END>

g01014726

ELECTRICAL AND STARTING SYSTEM

296-8289 WIRING GP-ENGINE

S/N: TTH1-221

AN ATTACHMENT

SMCS-1000, 1408

i03206421

NOTE	REF NO	GRAPHIC REF	PART NUMBER	QTY	PART NAME						SEE PAGE
					1	2	3	4	5	6 (PRODUCT LEVEL)	
	1	3	2K-3374	4	WASHER (10.3X31.8X12.7-MM THK)						
	2	2	6B-6205	1	SPACER (0.438X0.875X1.281-IN THK)						
	3	2	7K-1181	2	STRAP-CABLE						
	4	3	9G-5127	1	BREATHER (ATMOSPHERIC AIR)						
	5	3	9X-0262	1	ADAPTER						
C	6	1, 2, 3	9X-6772	40	STRAP-CABLE						
	7	2	111-3684	1	HOSE AS						
Y	8	2	212-0848	1	SENSOR GP-SPEED (SECONDARY, TIMING)						483
Y	8A	2	212-0848	1	SENSOR GP-SPEED (PRIMARY, TIMING)						483
Y	9	3	212-3423	1	SENSOR GP-TEMPERATURE (ENGINE COOLANT)						489
Y	9A	3	212-3423	1	SENSOR GP-TEMPERATURE (AFTERCOOLER COOLANT)						489
Y	10	2	212-3425	1	SENSOR GP-EXHAUST TEMPERATURE (TURBOCHARGER, LH)						472
Y	10A	1	212-3425	1	SENSOR GP-EXHAUST TEMPERATURE (TURBOCHARGER, RH)						472
Y	11	1	212-3426	1	SENSOR GP-SPEED (ENGINE)						484
Y	11A	1	212-3426	1	SENSOR GP-SPEED (TIMING CALIBRATION)						484
Y	12	1	232-0018	1	HARNESS AS-ENGINE (RH)						410
C	13	3	245-0522	1	BRACKET						
	14	3	245-0523	2	BRACKET						
	15	2	269-8326	1	HARNESS AS-WIRING (SMALL INTERCONNECT)						
	16	2	269-8327	1	HARNESS AS-WIRING (LARGE INTERCONNECT)						
	17	2, 3	278-6469	4	GROMMET						
Y	18	2	279-2065	1	HARNESS AS-ENGINE (LH)						420
CY	20	3	304-5666	1	SENSOR GP-PRESSURE (ATMOSPHERIC)						479
CY	20A	1	304-5666	1	SENSOR GP-PRESSURE (TURBOCHARGER INLET, LH)						479
CY	20B	1	304-5666	1	SENSOR GP-PRESSURE (TURBOCHARGER INLET, RH)						479
CY	20C	1	304-5666	1	SENSOR GP-PRESSURE (CRANKCASE)						479
CY	21	3	304-5667	1	SENSOR GP-PRESSURE (TURBOCHARGER OUTLET)						480
	22	2	001-9440	1	CONNECTOR						
	23	2	0L-2070	1	BOLT (3/8-16X2.25-IN)						
	24	1, 2	0S-0509	5	BOLT (3/8-16X0.75-IN)						
	25	1, 2	0S-1588	12	BOLT (3/8-16X1.25-IN)						
C	26	3	0S-1590	4	BOLT (3/8-16X2-IN)						
	27	2	0S-1591	1	BOLT (3/8-16X1.5-IN)						
C	28	3	0S-1594	2	BOLT (3/8-16X1-IN)						
	29	1	135-9941	1	ADAPTER						
	30	2	3A-3692	2	CLIP						
C	31	1, 2	4P-7581	4	CLIP						
C	32	1, 2, 3	4P-8134	29	CLIP						
C	33	1, 2, 3	5M-2894	22	WASHER-HARD (10.2X18.5X2.5-MM THK)						
	34	2	5P-3426	1	ELBOW						
	35	3	5P-8245	2	WASHER-HARD (13.5X25.5X3-MM THK)						
C	37	3	6V-1612	2	BOLT (1/2-13X9.75-IN)						
	38	1, 3	6V-5048	5	SEAL-O-RING						
	39	1, 3	6V-5049	4	SEAL-O-RING						
	40	2, 3	7G-5984	4	CLIP (TAB)						
	41	2, 3	7G-5985	4	CLIP (SLOT)						
	42	3	8T-2353	1	ADAPTER						
	43	2, 3	9X-6458	7	WASHER-HARD (10.2X22.5X3-MM THK)						
	44	3	0S-1571	4	BOLT (3/8-16X1.75-IN)						

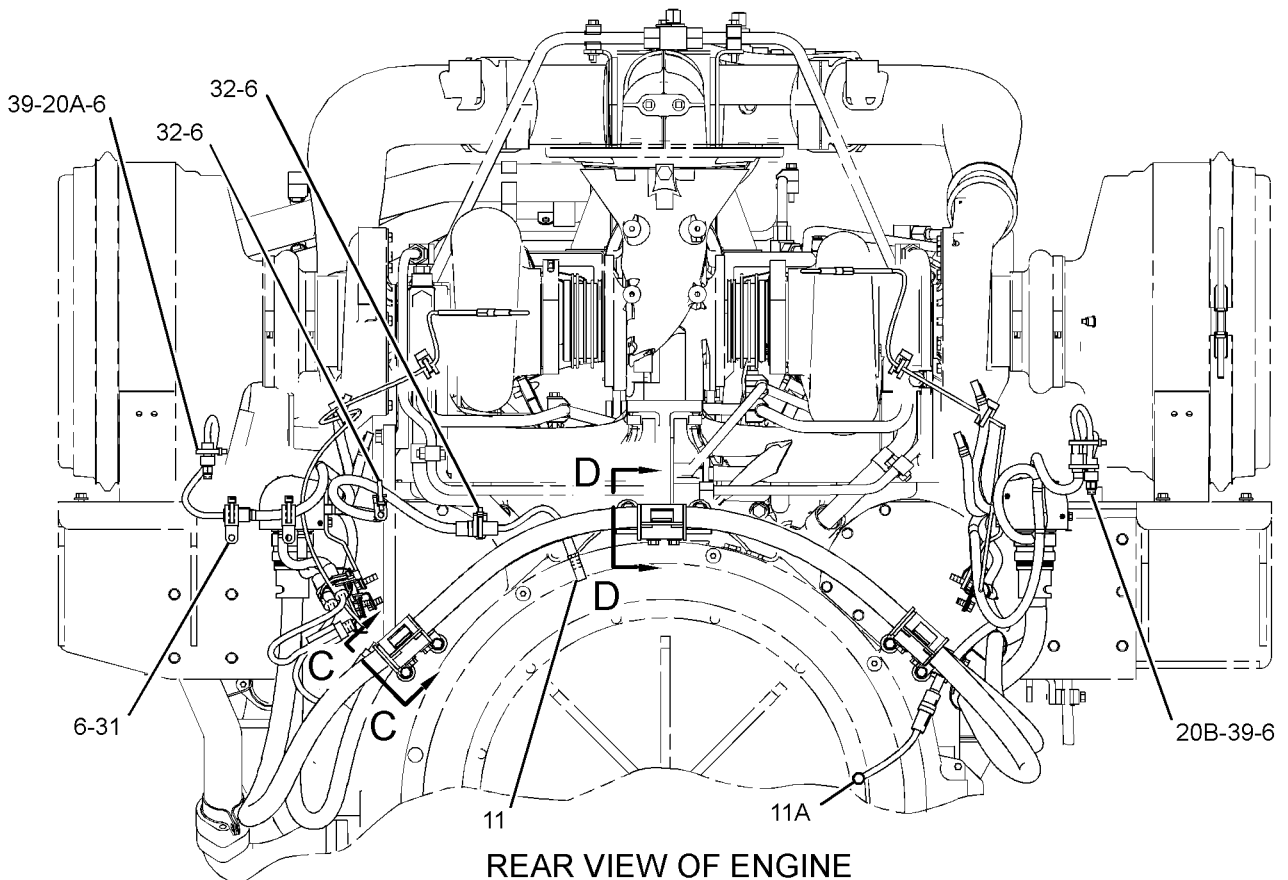
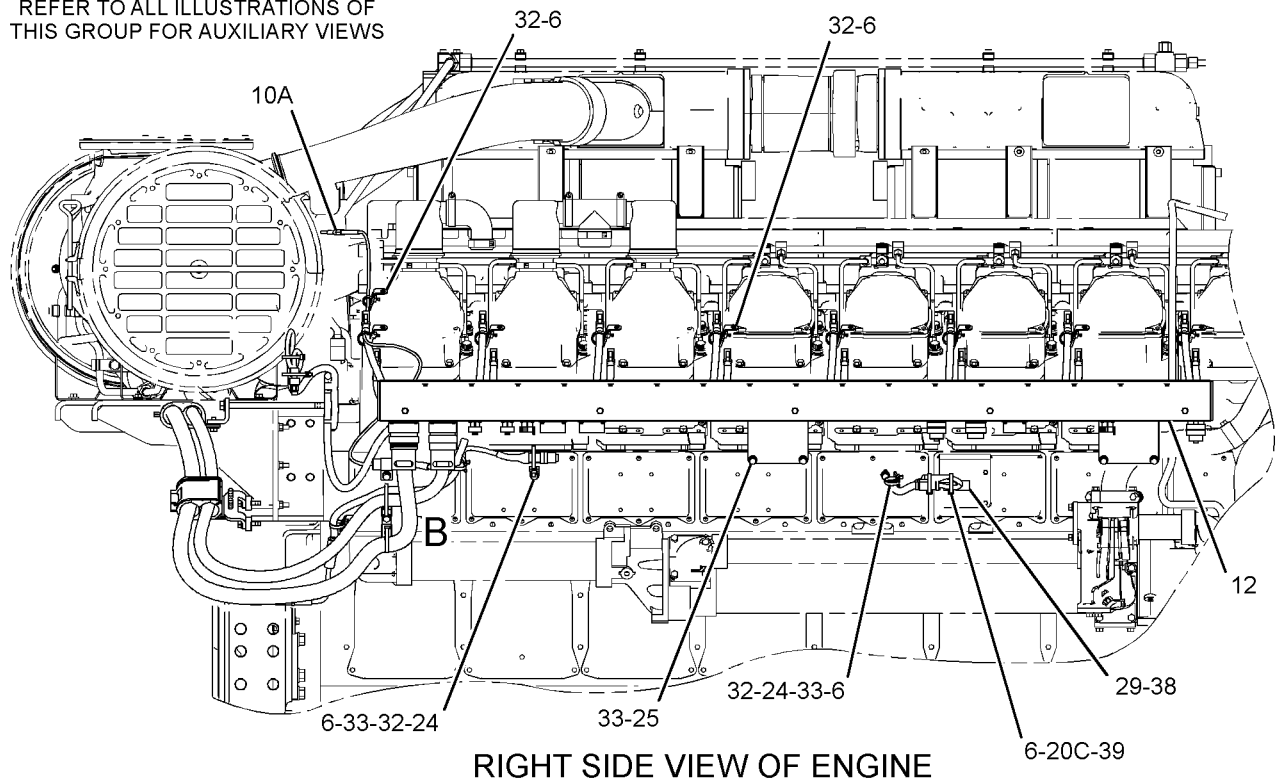
C-CHANGE FROM PREVIOUS TYPE
Y-SEPARATE ILLUSTRATION

ELECTRICAL AND STARTING SYSTEM

296-8289 WIRING GP-ENGINE (contd.)

i03206421

REFER TO ALL ILLUSTRATIONS OF THIS GROUP FOR AUXILIARY VIEWS



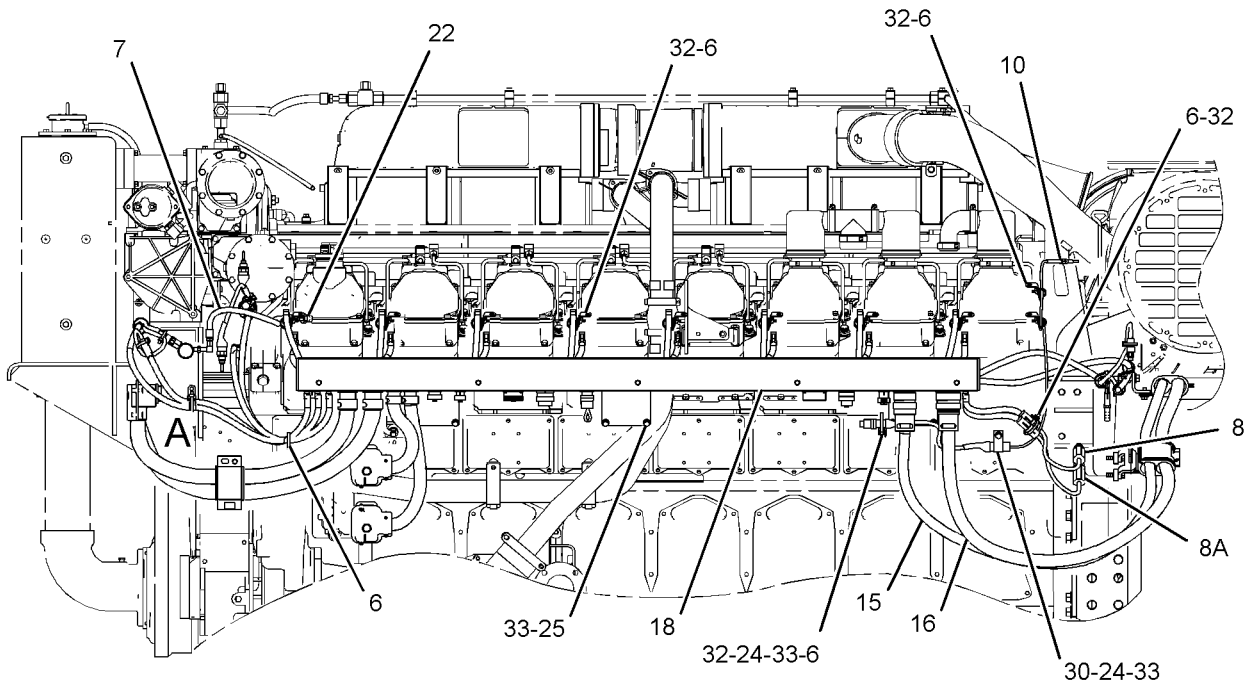
GRAPHIC #1

g01524980

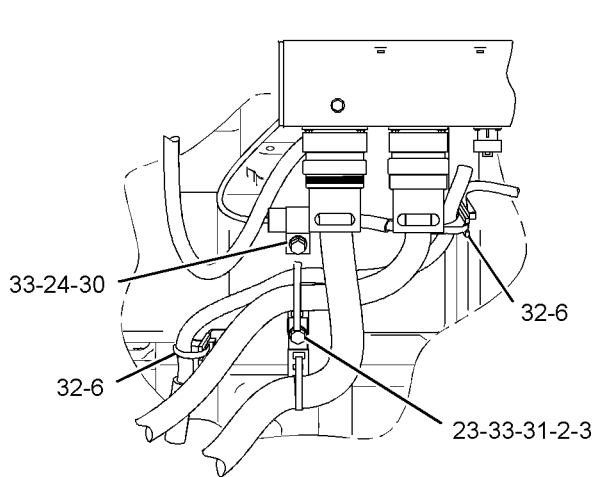
ELECTRICAL AND STARTING SYSTEM

296-8289 WIRING GP-ENGINE (contd.)

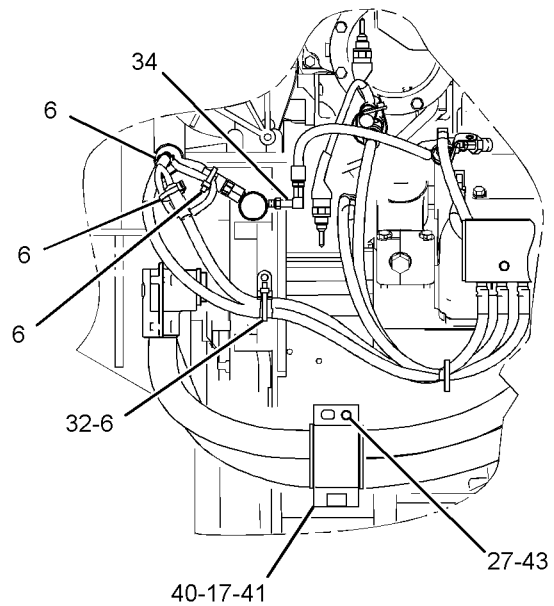
i03206421



LEFT SIDE VIEW OF ENGINE



VIEW OF AREA B



VIEW OF AREA A

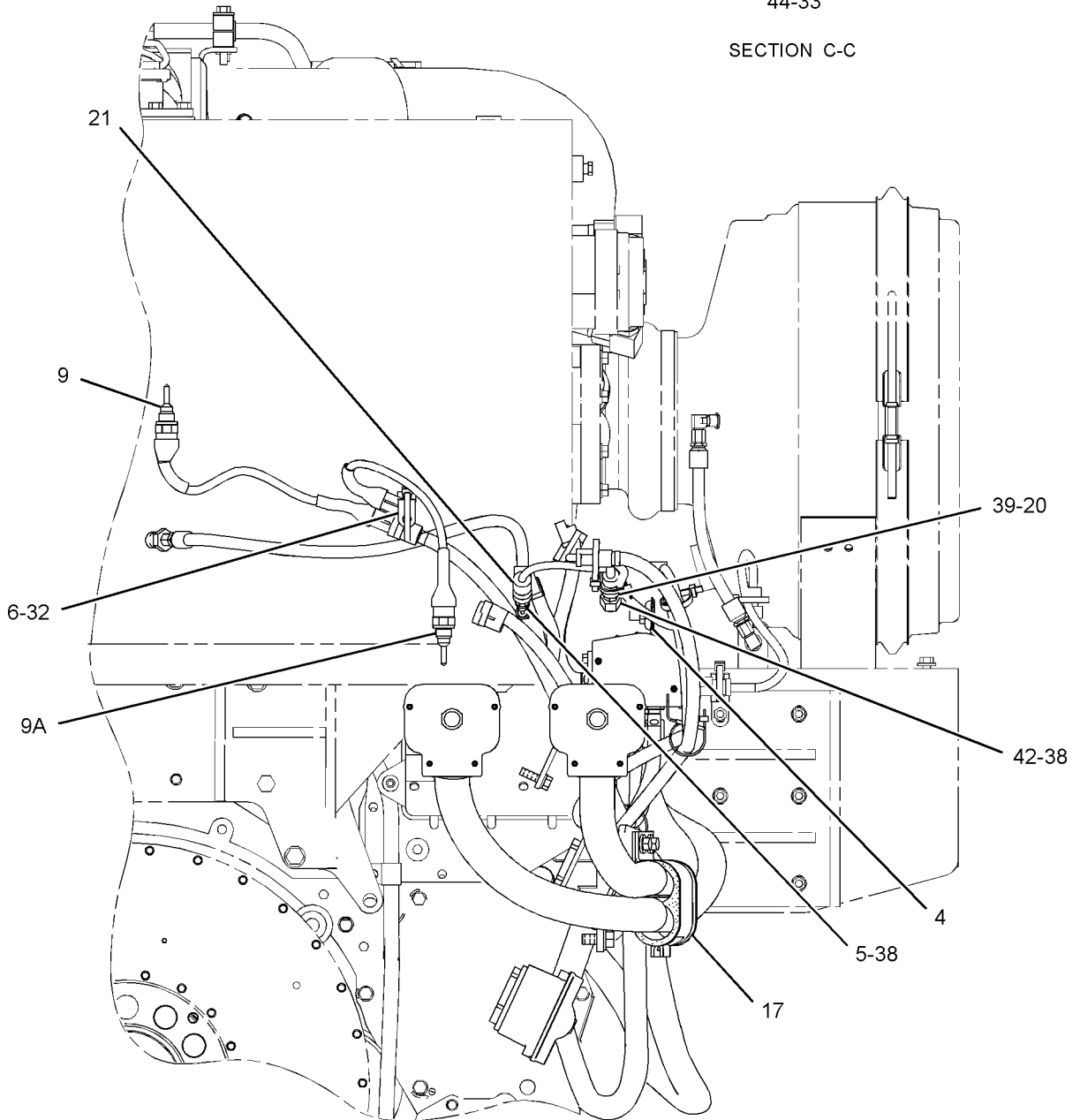
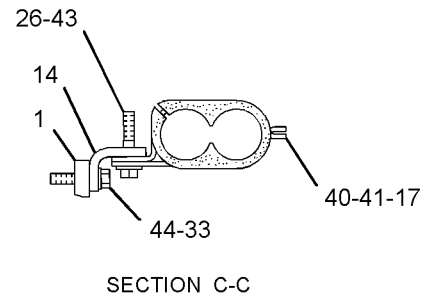
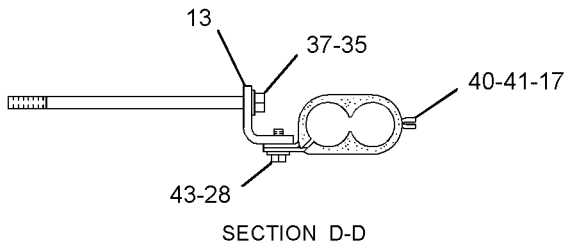
GRAPHIC #2

g01524982

ELECTRICAL AND STARTING SYSTEM

296-8289 WIRING GP-ENGINE (contd.)

i03206421



FRONT VIEW OF ENGINE

GRAPHIC #3

<END>

g01524985

ELECTRICAL AND STARTING SYSTEM

296-8289 WIRING GP-ENGINE

S/N: TTH222-UP

AN ATTACHMENT

SMCS-1000, 1408

i03359663

NOTE	REF NO	GRAPHIC REF	PART NUMBER	QTY	PART NAME 1 2 3 4 5 6 (PRODUCT LEVEL)	SEE PAGE
	1	2	6B-6205	1	SPACER (0.438X0.875X1.281-IN THK)	
	2	2	7K-1181	2	STRAP-CABLE	
	3	1	9G-5127	1	BREATHER (ATMOSPHERIC AIR)	
C	4	2	9G-8140	4	SPACER (10.5X25X15-MM THK)	
	5	1	9X-0262	1	ADAPTER	
C	6	1, 2, 3	9X-6772	39	STRAP-CABLE	
	7	3	111-3684	1	HOSE AS	
Y	8	3	212-0848	1	SENSOR GP-SPEED (SECONDARY, TIMING)	483
Y	8A	3	212-0848	1	SENSOR GP-SPEED (PRIMARY, TIMING)	483
Y	9	1	212-3423	1	SENSOR GP-TEMPERATURE (ENGINE COOLANT)	489
Y	9A	1	212-3423	1	SENSOR GP-TEMPERATURE (AFTERCOOLER COOLANT)	489
Y	10	3	212-3425	1	SENSOR GP-EXHAUST TEMPERATURE (TURBOCHARGER, LH)	472
Y	10A	2	212-3425	1	SENSOR GP-EXHAUST TEMPERATURE (TURBOCHARGER, RH)	472
Y	11	1	212-3426	1	SENSOR GP-SPEED (ENGINE)	484
Y	11A	1	212-3426	1	SENSOR GP-SPEED (TIMING CALIBRATION)	484
	12	2	245-0522	1	BRACKET	
	13	2	245-0523	2	BRACKET	
	14	2, 3	278-6469	4	GROMMET	
Y	15	3	279-2065	1	HARNES AS-ENGINE (LH)	420
Y	16	1	304-5666	1	SENSOR GP-PRESSURE (ATMOSPHERIC)	479
Y	16A	1	304-5666	1	SENSOR GP-PRESSURE (TURBOCHARGER INLET, LH)	479
Y	16B	1	304-5666	1	SENSOR GP-PRESSURE (TURBOCHARGER INLET, RH)	479
Y	16C	2	304-5666	1	SENSOR GP-PRESSURE (CRANKCASE)	479
Y	17	1	304-5667	1	SENSOR GP-PRESSURE (TURBOCHARGER OUTLET)	480
CY	18	3	329-4776	1	WIRING GP-ENGINE	546
	19	3	001-9440	1	CONNECTOR	
	20	2	0L-2070	1	BOLT (3/8-16X2.25-IN)	
C	21	2, 3	0S-0509	6	BOLT (3/8-16X0.75-IN)	
	22	2, 3	0S-1588	12	BOLT (3/8-16X1.25-IN)	
	23	2	0S-1590	4	BOLT (3/8-16X2-IN)	
	24	3	0S-1591	1	BOLT (3/8-16X1.5-IN)	
C	25	2	0S-1594	6	BOLT (3/8-16X1-IN)	
	26	2	135-9941	1	ADAPTER	
	27	2, 3	3A-3692	2	CLIP	
	28	1, 2	4P-7581	4	CLIP	
	29	1, 2, 3	4P-8134	29	CLIP	
C	30	2, 3	5M-2894	23	WASHER-HARD (10.2X18.5X2.5-MM THK)	
	31	3	5P-3426	1	ELBOW	
	32	2	5P-8245	2	WASHER-HARD (13.5X25.5X3-MM THK)	
	33	2	6V-1612	2	BOLT (1/2-13X9.75-IN)	
	34	1, 2, 3	6V-5048	5	SEAL-O-RING	
	35	1, 2	6V-5049	4	SEAL-O-RING	
	36	2, 3	7G-5984	4	CLIP (TAB)	
	37	2, 3	7G-5985	4	CLIP (SLOT)	
	38	1	8T-2353	1	ADAPTER	
	39	2, 3	9X-6458	7	WASHER-HARD (10.2X22.5X3-MM THK)	

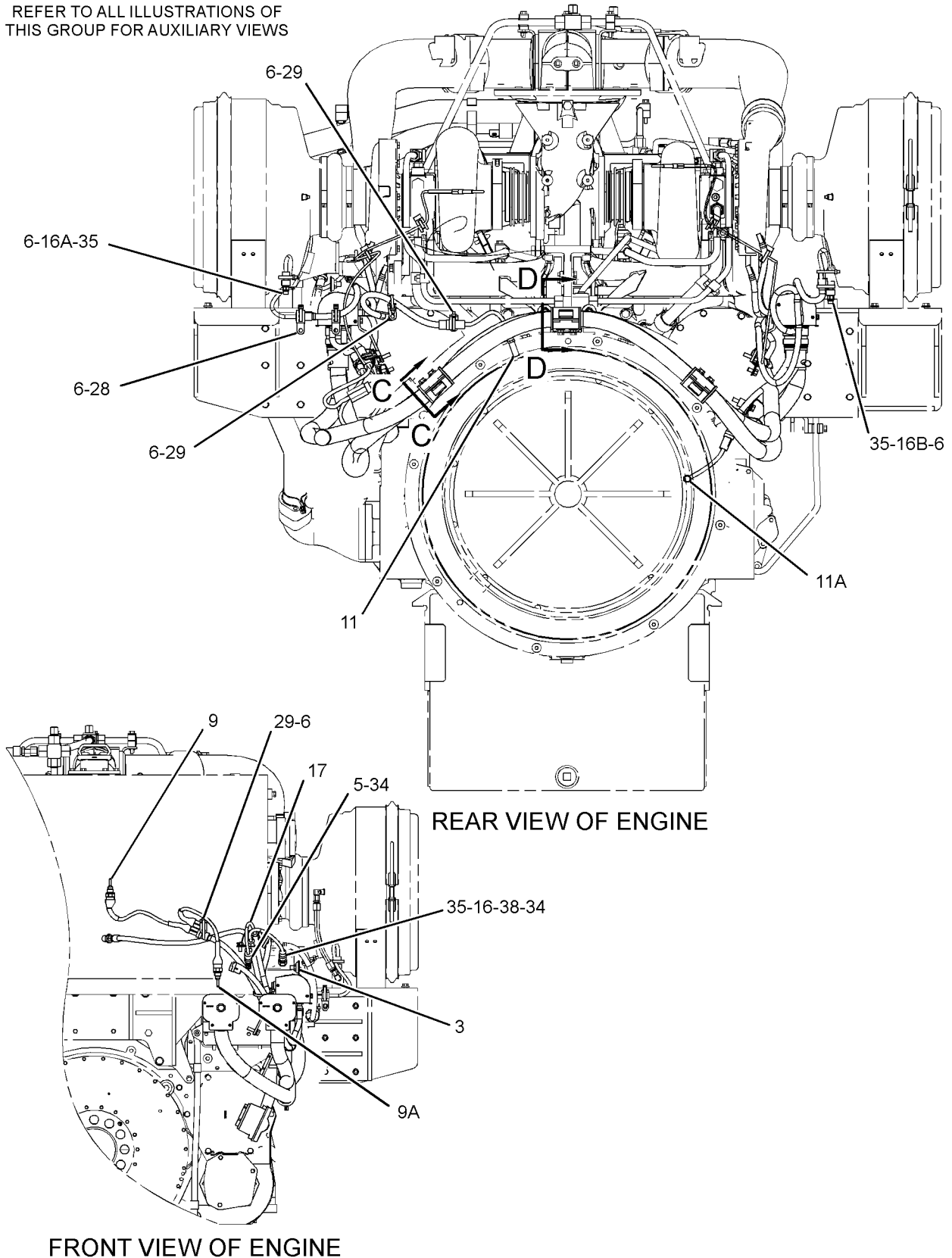
C-CHANGE FROM PREVIOUS TYPE
Y-SEPARATE ILLUSTRATION

ELECTRICAL AND STARTING SYSTEM

296-8289 WIRING GP-ENGINE (contd.)

i03359663

REFER TO ALL ILLUSTRATIONS OF THIS GROUP FOR AUXILIARY VIEWS



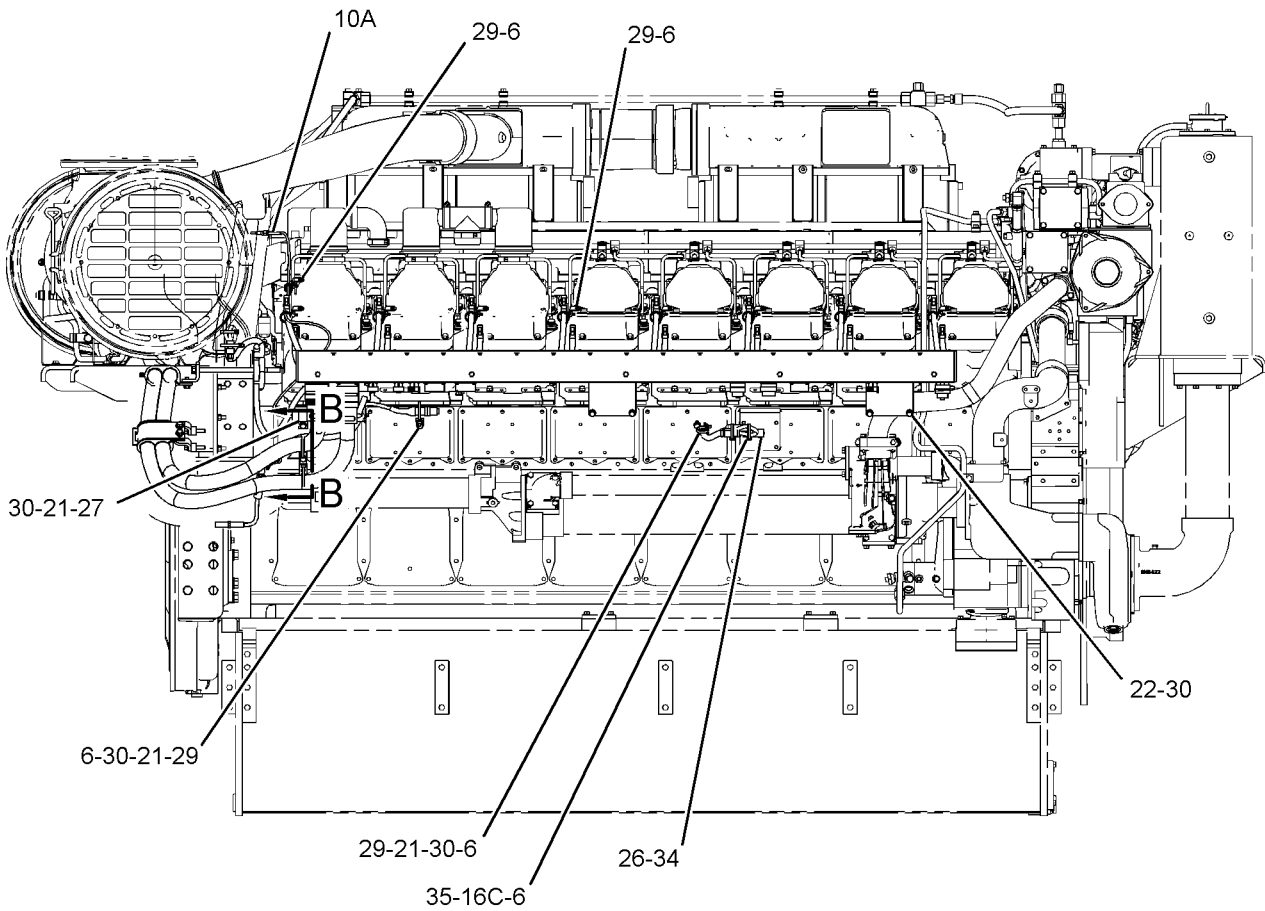
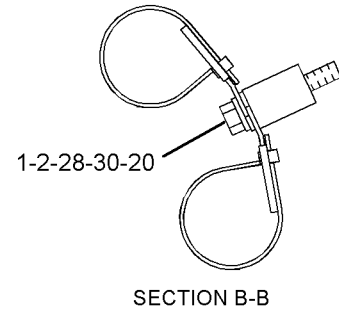
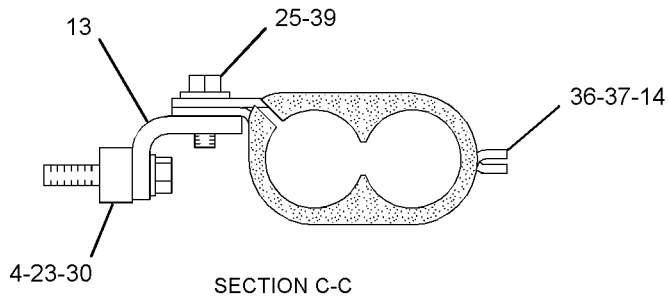
GRAPHIC #1

g01814033

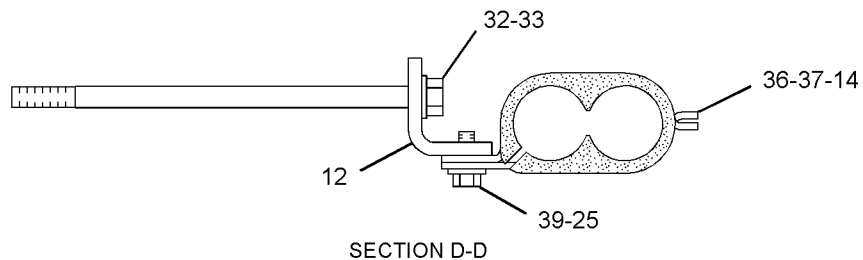
ELECTRICAL AND STARTING SYSTEM

296-8289 WIRING GP-ENGINE (contd.)

i03359663



RIGHT SIDE VIEW OF ENGINE



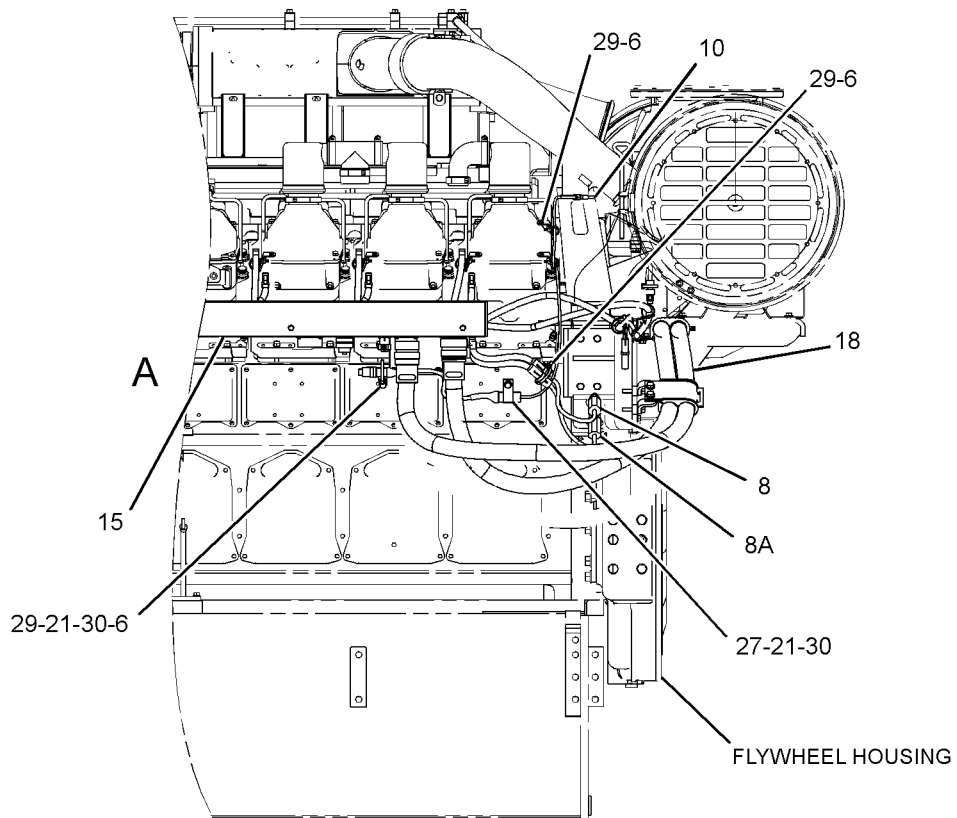
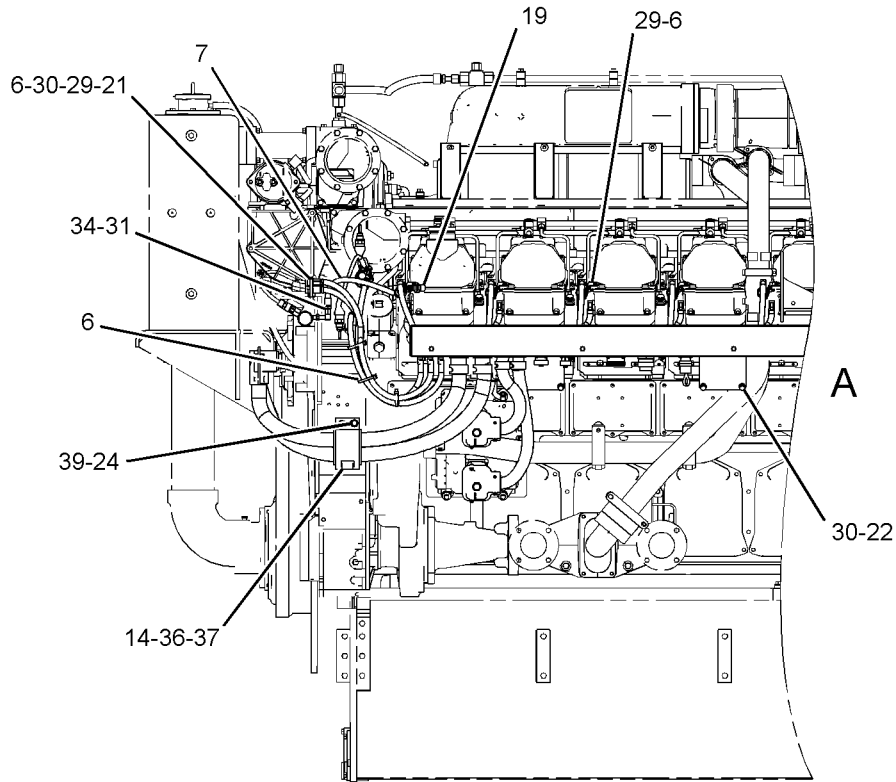
GRAPHIC #2

g01814034

ELECTRICAL AND STARTING SYSTEM

296-8289 WIRING GP-ENGINE (contd.)

i03359663



LEFT SIDE VIEW OF ENGINE

<END>

GRAPHIC #3

g01814035

ELECTRICAL AND STARTING SYSTEM

329-4776 WIRING GP-ENGINE

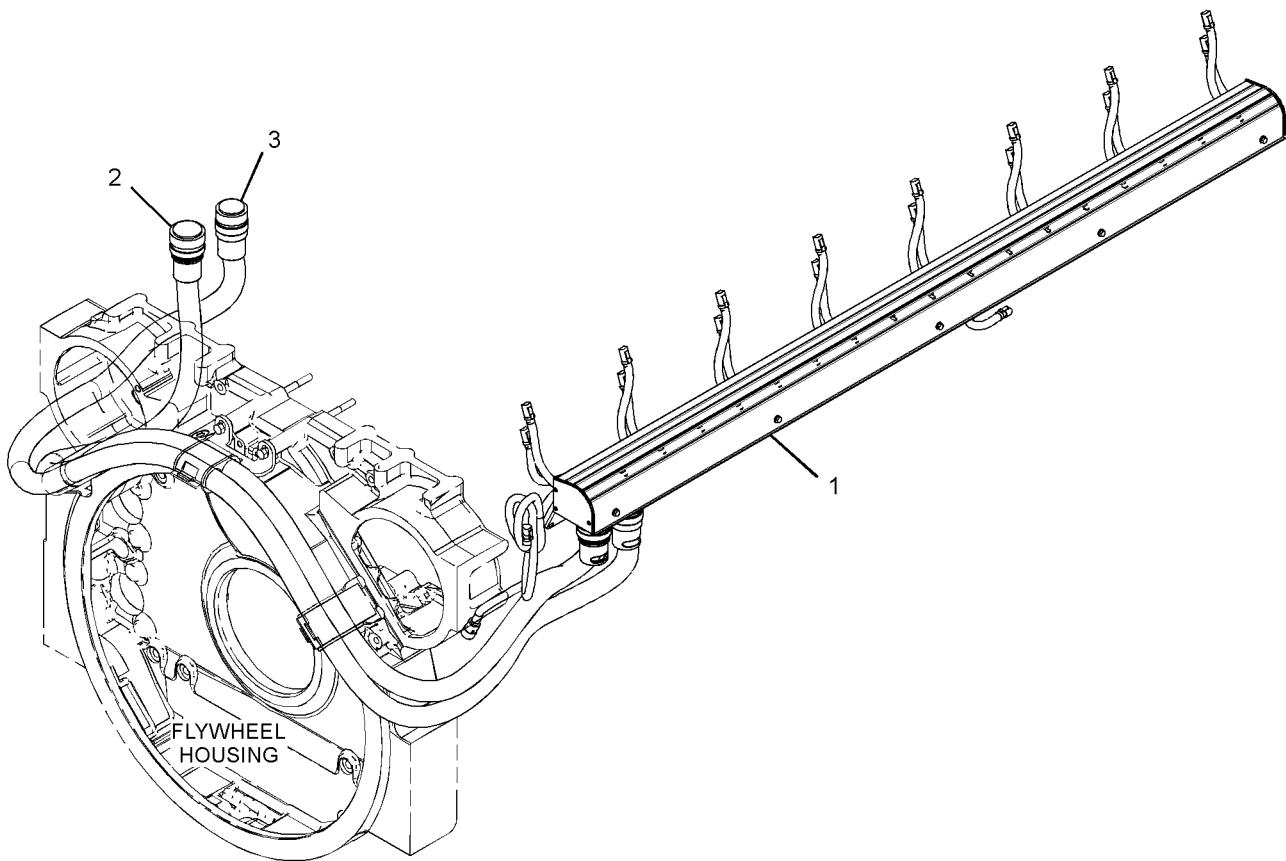
S/N: TTH222-UP

PART OF 296-8289 WIRING GP-ENGINE
AN ATTACHMENT

SMCS-1000, 1408

i03349007

NOTE	REF NO	GRAPHIC REF	PART NUMBER	QTY	PART NAME						SEE PAGE
					1	2	3	4	5	6 (PRODUCT LEVEL)	
	1	1	232-0018	1	HARNESS AS-ENGINE (RH)						
	2	1	329-4772	1	HARNESS AS-WIRING (SMALL INTERCONNECT)						
	3	1	329-4773	1	HARNESS AS-WIRING (LARGE INTERCONNECT)						



GRAPHIC #1

<END>

g01812873

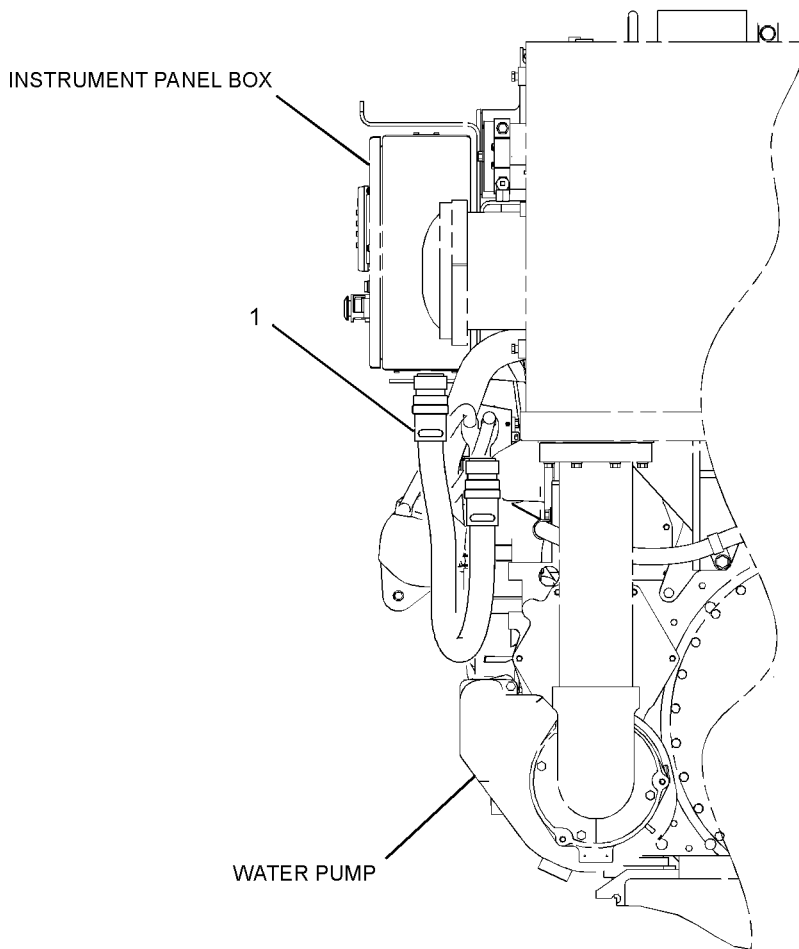
ELECTRICAL AND STARTING SYSTEM

239-1470 WIRING GP-ENGINE ELECTRONIC- MARINE POWER DISPLAY RH AN ATTACHMENT

SMCS-1408, 1900

i03097821

NOTE	REF NO	GRAPHIC REF	PART NUMBER	QTY	PART NAME						SEE PAGE
					1	2	3	4	5	6 (PRODUCT LEVEL)	
Y	1	1	239-1471	1	HARNESS AS-ENGINE (MARINE POWER DISPLAY)						417
Y-SEPARATE ILLUSTRATION											



FRONT VIEW OF ENGINE

<END>

GRAPHIC #1

g01616333

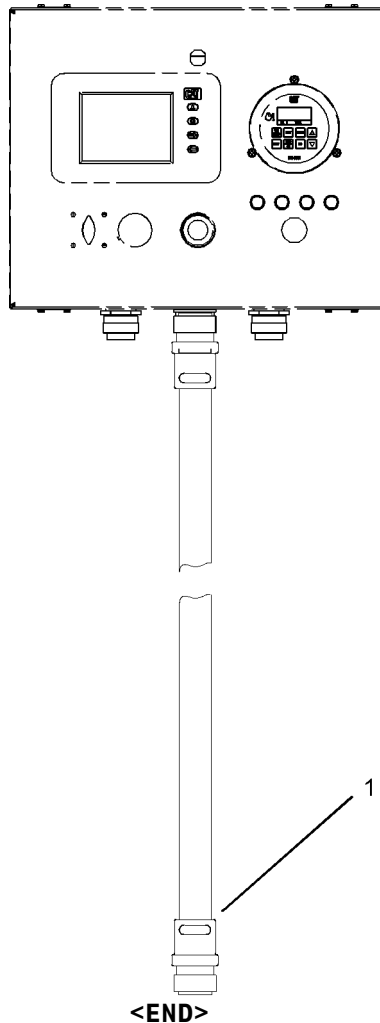
ELECTRICAL AND STARTING SYSTEM

239-1475 WIRING GP-ENGINE ELECTRONIC- MARINE POWER DISPLAY, EXT 3-METER EXTENSION AN ATTACHMENT

SMCS-1408, 1900

i02739937

NOTE	REF NO	GRAPHIC REF	PART NUMBER	QTY	PART NAME						SEE PAGE
					1	2	3	4	5	6 (PRODUCT LEVEL)	
Y	1	1	239-1476	1	HARNESS AS-PANEL (MARINE POWER DISPLAY, EXT)						426
Y-SEPARATE ILLUSTRATION											



GRAPHIC #1

g01011476

ELECTRICAL AND STARTING SYSTEM

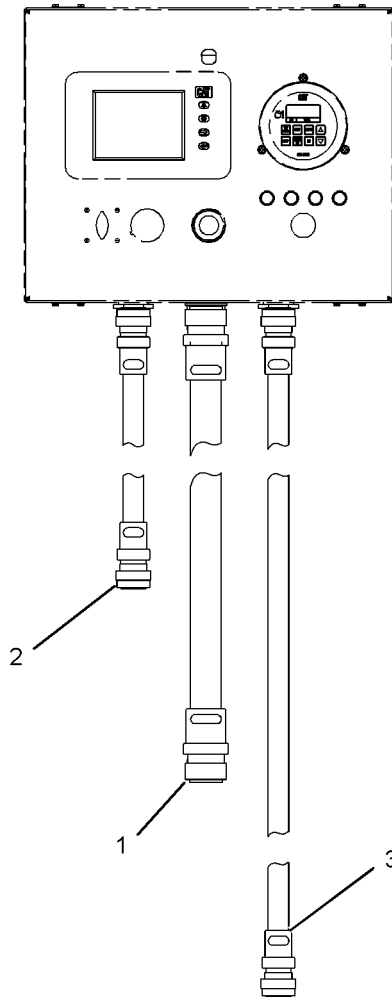
239-1477 WIRING GP-ENGINE ELECTRONIC- MARINE POWER DISPLAY, EXT 3-METER EXTENSION AN ATTACHMENT

SMCS-1408, 1900

i02739950

NOTE	REF NO	GRAPHIC REF	PART NUMBER	QTY	PART NAME						SEE PAGE
					1	2	3	4	5	6 (PRODUCT LEVEL)	
Y	1	1	239-1476	1	HARNESS AS-PANEL (MARINE POWER DISPLAY, EXT)						426
Y	2	1	239-1478	1	HARNESS AS-SENSOR (THERMOCOUPLE)						437
Y	3	1	239-1479	1	HARNESS AS-SENSOR (THERMOCOUPLE)						438

Y-SEPARATE ILLUSTRATION



GRAPHIC #1

<END>

g01011176

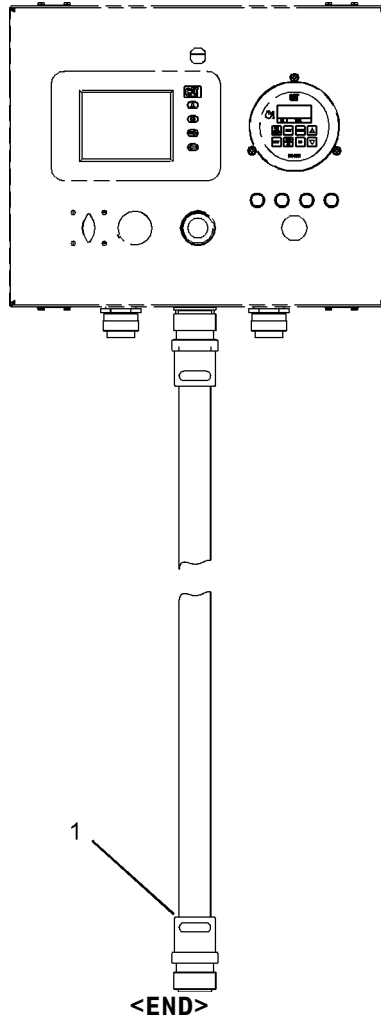
ELECTRICAL AND STARTING SYSTEM

239-1480 WIRING GP-ENGINE ELECTRONIC- MARINE POWER DISPLAY, EXT 15-METER EXTENSION AN ATTACHMENT

SMCS-1408, 1900

i02741027

NOTE	REF NO	GRAPHIC REF	PART NUMBER	QTY	PART NAME						SEE PAGE
					1	2	3	4	5	6 (PRODUCT LEVEL)	
Y	1	1	239-1481	1	HARNESS AS-ENGINE (MARINE POWER DISPLAY, EXT)						418
Y-SEPARATE ILLUSTRATION											



GRAPHIC #1

g01011182

ELECTRICAL AND STARTING SYSTEM

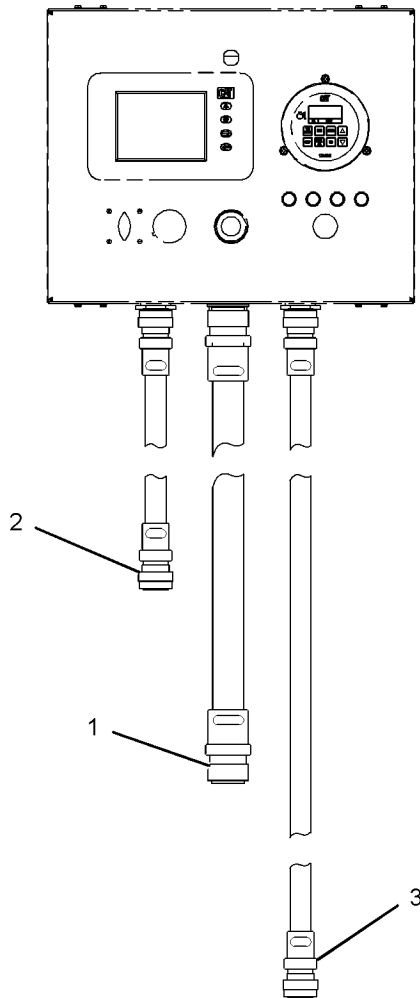
239-1482 WIRING GP-ENGINE ELECTRONIC- MARINE POWER DISPLAY, EXT 15-METER EXTENSION AN ATTACHMENT

SMCS-1408, 1900

i02740253

NOTE	REF NO	GRAPHIC REF	PART NUMBER	QTY	PART NAME	SEE PAGE
Y	1	1	239-1481	1	HARNESS AS-ENGINE (MARINE POWER DISPLAY, EXT)	418
Y	2	1	239-1483	1	HARNESS AS-SENSOR (THERMOCOUPLE EXTENSION, LH)	439
Y	3	1	239-1484	1	HARNESS AS-SENSOR (THERMOCOUPLE)	440

Y-SEPARATE ILLUSTRATION



GRAPHIC #1

<END>

g01011180

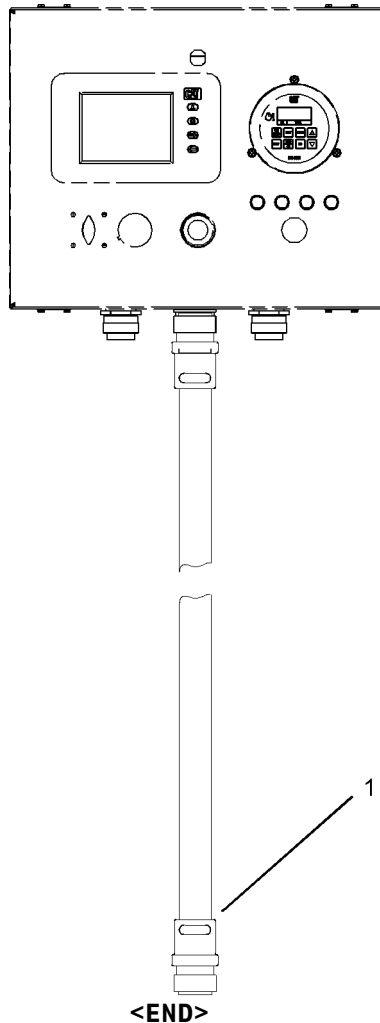
ELECTRICAL AND STARTING SYSTEM

239-1485 WIRING GP-ENGINE ELECTRONIC- MARINE POWER DISPLAY, EXT 30-METER EXTENSION AN ATTACHMENT

SMCS-1408, 1900

i02740257

NOTE	REF NO	GRAPHIC REF	PART NUMBER	QTY	PART NAME						SEE PAGE
					1	2	3	4	5	6 (PRODUCT LEVEL)	
Y	1	1	239-1486	1	HARNESS AS-ENGINE (EXTENSION)						419
Y-SEPARATE ILLUSTRATION											



GRAPHIC #1

g01011476

ELECTRICAL AND STARTING SYSTEM

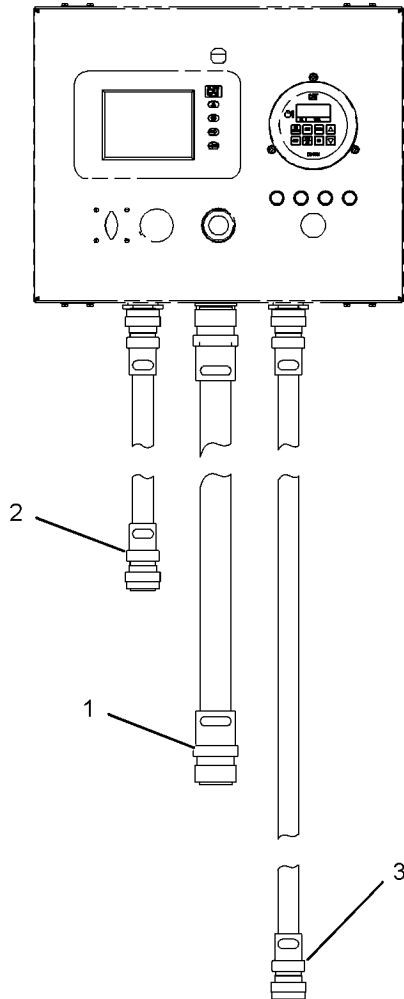
239-1487 WIRING GP-ENGINE ELECTRONIC- MARINE POWER DISPLAY, EXT 30-METER EXTENSION AN ATTACHMENT

SMCS-1408, 1900

i02656104

NOTE	REF NO	GRAPHIC REF	PART NUMBER	QTY	PART NAME						SEE PAGE
					1	2	3	4	5	6 (PRODUCT LEVEL)	
Y	1	1	239-1486	1	HARNESS AS-ENGINE (EXTENSION)						419
Y	2	1	239-1488	1	HARNESS AS-SENSOR (THERMOCOUPLE)						441
Y	3	1	239-1489	1	HARNESS AS-SENSOR (THERMOCOUPLE)						442

Y-SEPARATE ILLUSTRATION



GRAPHIC #1

<END>

g01011184

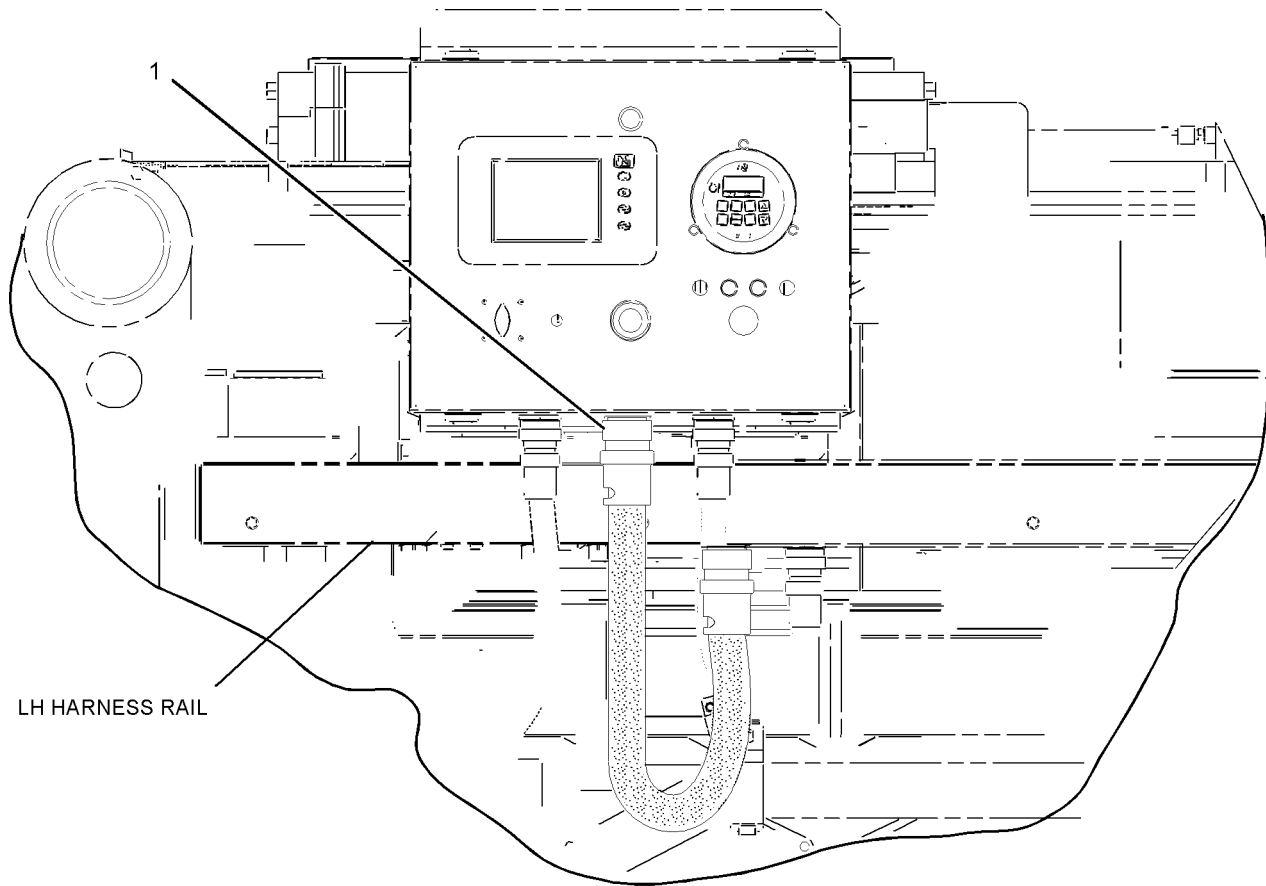
ELECTRICAL AND STARTING SYSTEM

239-6365 WIRING GP-ENGINE ELECTRONIC- MARINE POWER DISPLAY LH AN ATTACHMENT

SMCS-1408, 1900

i02823886

NOTE	REF NO	GRAPHIC REF	PART NUMBER	QTY	PART NAME						SEE PAGE
					1	2	3	4	5	6 (PRODUCT LEVEL)	
Y	1	1	239-1471	1	HARNESS AS-ENGINE (MARINE POWER DISPLAY)						417
Y-SEPARATE ILLUSTRATION											



LEFT SIDE VIEW
<END>

GRAPHIC #1

g01026190

ELECTRICAL AND STARTING SYSTEM

239-1472 WIRING GP-PANEL-MARINE POWER DISPLAY

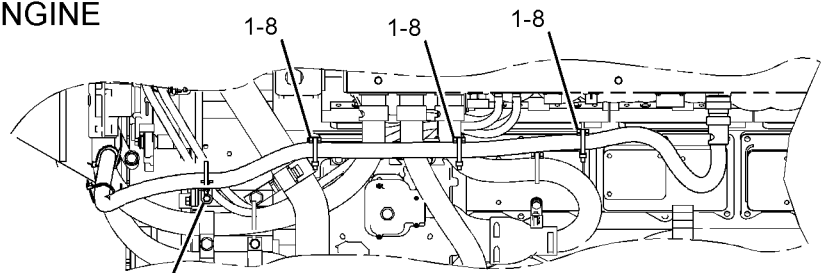
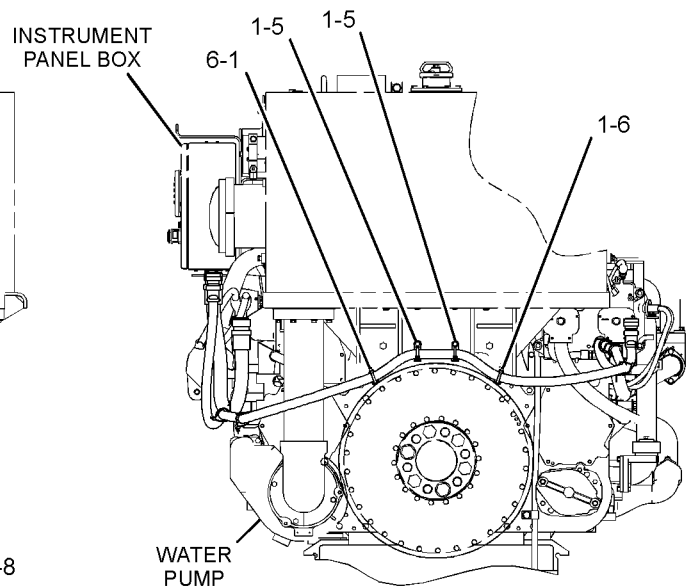
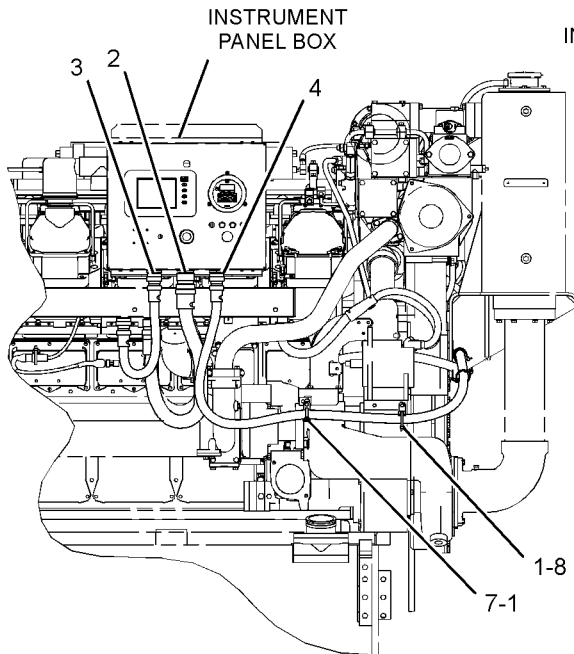
RH
AN ATTACHMENT

SMCS-4459

i03097801

NOTE	REF NO	GRAPHIC REF	PART NUMBER	QTY	PART NAME						SEE PAGE
					1	2	3	4	5	6 (PRODUCT LEVEL)	
	1	1	7K-1181	10	STRAP-CABLE						
Y	2	1	239-1471	1	HARNESS AS-ENGINE (MARINE POWER DISPLAY)						417
Y	3	1	239-1473	1	HARNESS AS-SENSOR (THERMOCOUPLE, RH)						435
Y	4	1	239-1474	1	HARNESS AS-SENSOR (THERMOCOUPLE, LH)						436
	5	1	4P-7428	2	CLIP						
	6	1	4P-7429	3	CLIP						
	7	1	4P-7581	1	CLIP						
	8	1	4P-8134	4	CLIP						

Y-SEPARATE ILLUSTRATION



<END>

GRAPHIC #1

g01617413

ELECTRICAL AND STARTING SYSTEM

232-0899 WIRING GP-PRELUBRICATION

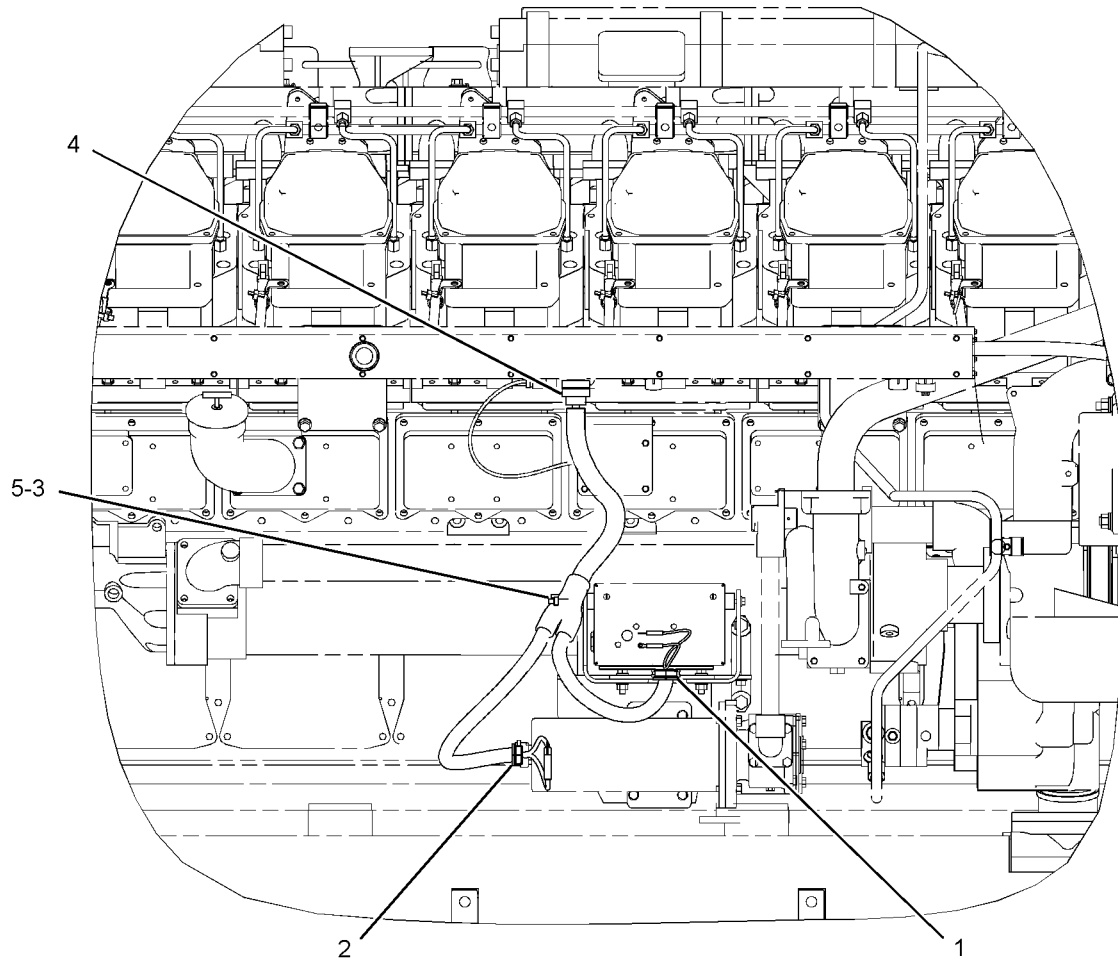
AN ATTACHMENT

SMCS-1319, 1408, 1469

i02277938

NOTE	REF NO	GRAPHIC REF	PART NUMBER	QTY	PART NAME						SEE PAGE
					1	2	3	4	5	6 (PRODUCT LEVEL)	
	1	1	5N-9068	1	COLLAR						
	2	1	5N-9070	1	COLLAR						
	3	1	9X-6772	1	STRAP-CABLE						
Y	4	1	237-8992	1	HARNESS AS-ENGINE (PRELUBRICATION)						415
	5	1	156-6175	1	CLIP						

Y-SEPARATE ILLUSTRATION



RIGHT SIDE VIEW

<END>

GRAPHIC #1

g01149173

ELECTRICAL AND STARTING SYSTEM

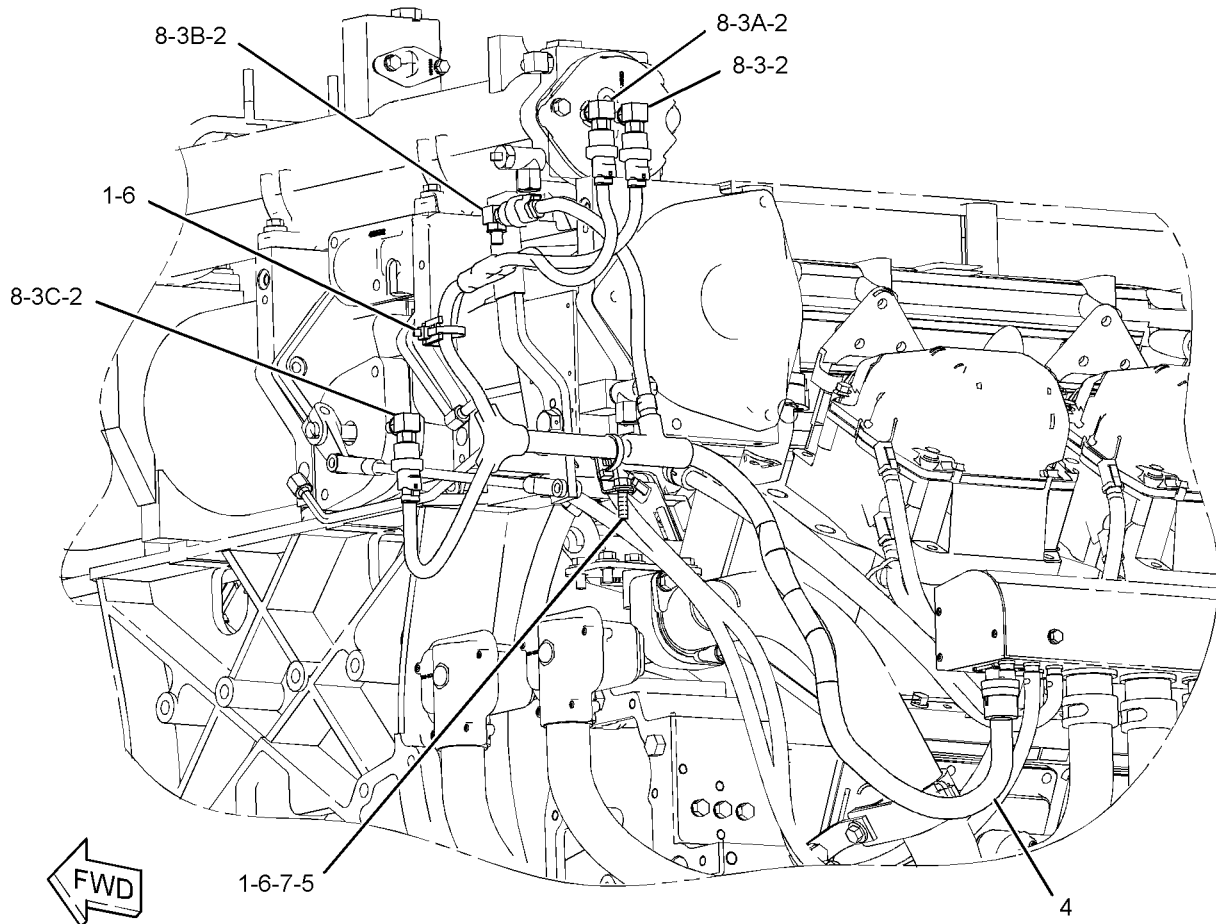
235-6276 WIRING GP-SENSOR- OIL, FUEL PRESSURE, RH SERVICE AN ATTACHMENT

SMCS-1408, 1900

i03869394

NOTE	REF NO	GRAPHIC REF	PART NUMBER	QTY	PART NAME						SEE PAGE
					1	2	3	4	5	6 (PRODUCT LEVEL)	
	1	1	9X-6772	5	STRAP-CABLE						
C	2	1	117-0067	4	ELBOW						
	3	1	161-1705	1	SENSOR AS-PRESSURE (FILTERED FUEL)						
	3A	1	161-1705	1	SENSOR AS-PRESSURE (UNFILTERED FUEL)						
	3B	1	161-1705	1	SENSOR AS-PRESSURE (FILTERED OIL)						
	3C	1	161-1705	1	SENSOR AS-PRESSURE (UNFILTERED OIL)						
Y	4	1	235-6275	1	HARNESS AS-SENSOR (OIL, FUEL PRESSURE, RH SERVICE)						432
C	5	1	0S-1588	1	BOLT (3/8-16X1.25-IN)						
C	6	1	4P-8134	3	CLIP						
C	7	1	5M-2894	1	WASHER-HARD (10.2X18.5X2.5-MM THK)						
	8	1	6V-5048	8	SEAL-O-RING						

C-CHANGE FROM PREVIOUS TYPE
Y-SEPARATE ILLUSTRATION



GRAPHIC #1

<END>

g01179548

ELECTRICAL AND STARTING SYSTEM

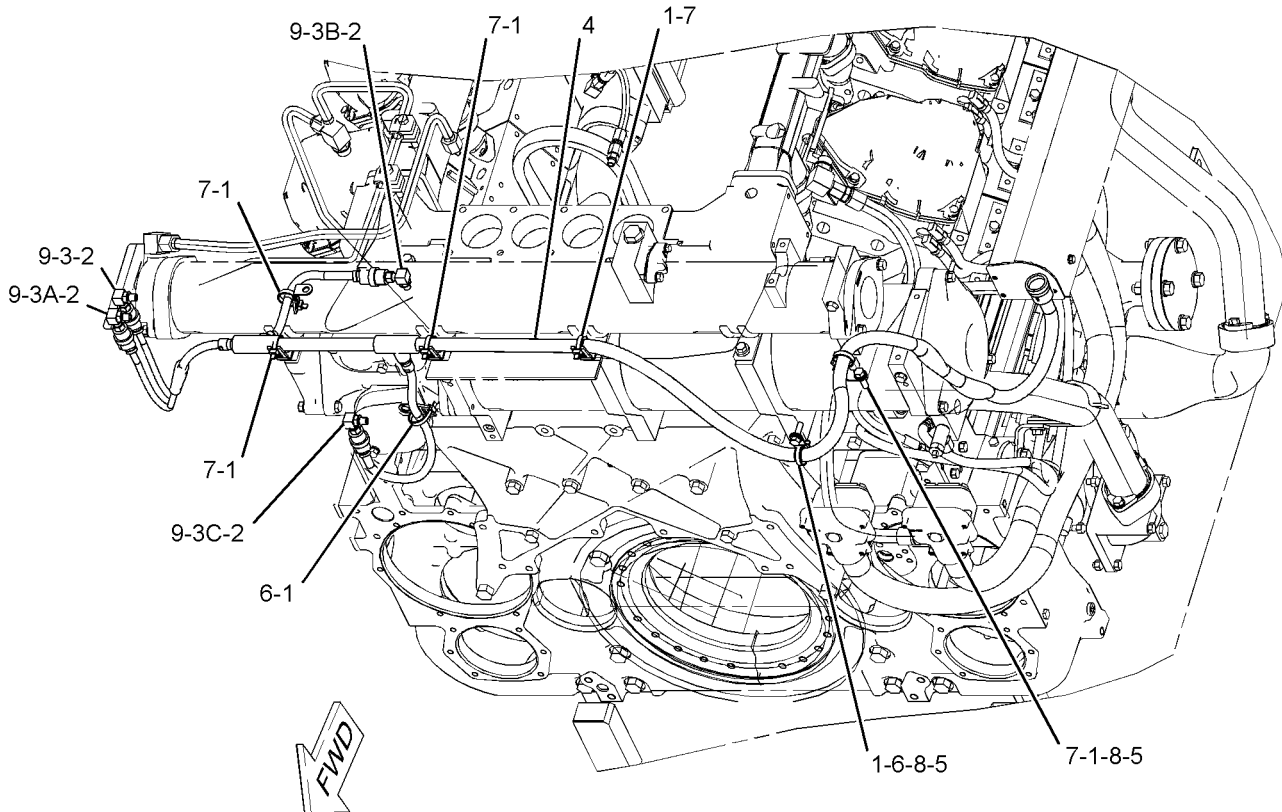
235-6277 WIRING GP-SENSOR- OIL, FUEL PRESSURE, LH SERVICE FOR USE WITH STANDARD DUPLEX FILTERS AN ATTACHMENT

SMCS-1408, 1900

i03869418

NOTE	REF NO	GRAPHIC REF	PART NUMBER	QTY	PART NAME	1 2 3 4 5 6 (PRODUCT LEVEL)						SEE PAGE
C	1	1	9X-6772	7	STRAP-CABLE							
C	2	1	117-0067	4	ELBOW							
	3	1	161-1705	1	SENSOR AS-PRESSURE (FILTERED FUEL)							
	3A	1	161-1705	1	SENSOR AS-PRESSURE (UNFILTERED FUEL)							
	3B	1	161-1705	1	SENSOR AS-PRESSURE (FILTERED OIL)							
	3C	1	161-1705	1	SENSOR AS-PRESSURE (UNFILTERED OIL)							
Y	4	1	235-6280	1	HARNESS AS-SENSOR (OIL, FUEL PRESSURE, LH SERVICE)							433
C	5	1	0S-1588	2	BOLT (3/8-16X1.25-IN)							
C	6	1	4P-7428	2	CLIP							
C	7	1	4P-8134	5	CLIP							
C	8	1	5M-2894	2	WASHER-HARD (10.2X18.5X2.5-MM THK)							
	9	1	6V-5048	8	SEAL-O-RING							

C-CHANGE FROM PREVIOUS TYPE
Y-SEPARATE ILLUSTRATION



GRAPHIC #1

<END>

g01136198

ELECTRICAL AND STARTING SYSTEM

253-6137 WIRING GP-SENSOR- OIL, FUEL PRESSURE, LH SERVICE FOR USE WITH DUPLEX OIL AN ATTACHMENT

SMCS-1408, 1900

i03748143

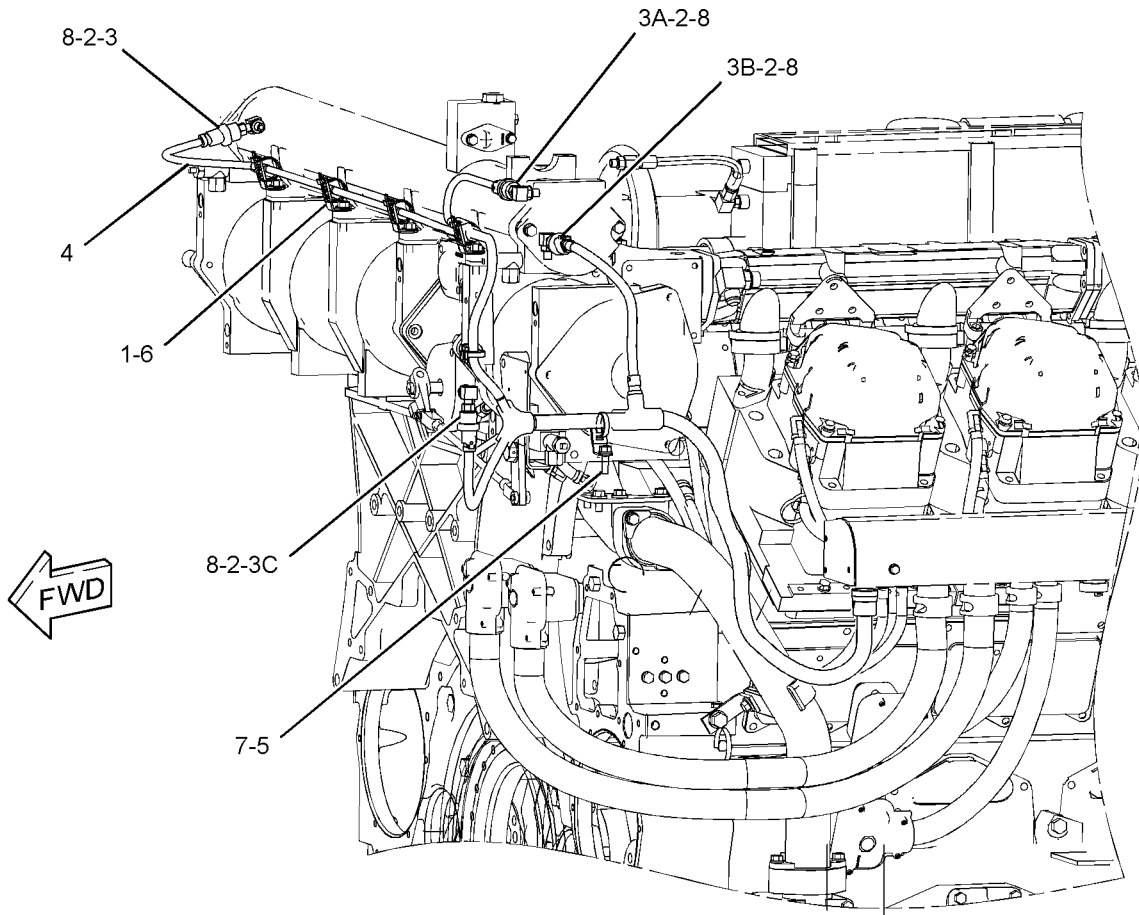
NOTE	REF NO	GRAPHIC REF	PART NUMBER	QTY	PART NAME						SEE PAGE
					1	2	3	4	5	6 (PRODUCT LEVEL)	
	1	1	9X-6772	6	STRAP-CABLE						
	2	1	117-0067	4	ELBOW						
	3	1	161-1705	1	SENSOR AS-PRESSURE (FILTERED FUEL)						
	3A	1	161-1705	1	SENSOR AS-PRESSURE (UNFILTERED FUEL)						
	3B	1	161-1705	1	SENSOR AS-PRESSURE (FILTERED ENGINE OIL)						
	3C	1	161-1705	1	SENSOR AS-PRESSURE (UNFILTERED ENGINE OIL)						
	4	1	253-3820	1	HARNES AS-SENSOR (OIL, FUEL PRESSURE)						
E		1	232-0893		CONDUIT-FLEXIBLE (6.2-MM ID)						
E		1	232-0895		CONDUIT-FLEXIBLE (9.6-MM ID)						
E		1	232-0897		CONDUIT-FLEXIBLE (16.2-MM ID)						
		1	238-9591	1	TEE						
		1	238-9733	1	FITTING						
		1	238-9802	1	FITTING						
		1	155-2260	4	KIT-CONNECTING PLUG (3-PIN)						
		1	174-0503	4	KIT-CONNECTING PLUG (3-PIN)						
					(EACH INCLUDES PLUG ASSEMBLY AND WEDGE)						
		1	8C-3654	1	PLUG-CONNECTOR (6-PIN)						
		1	186-3736	18	SOCKET-CONNECTOR (16-GA TO 18-GA)						
E		1	9X-8243		TUBE-HEAT SHRINK (39.9-MM DIA)						
E		1	125-7875		TUBE-HEAT SHRINK (7.44-MM DIA)						
E		1	210-8958		TUBE-HEAT SHRINK (24-MM DIA)						
	5	1	0S-1588	1	BOLT (3/8-16X1.25-IN)						
	6	1	4P-8134	6	CLIP						
	7	1	5M-2894	1	WASHER-HARD (10.2X18.5X2.5-MM THK)						
	8	1	6V-5048	8	SEAL-O-RING						

E-ORDER BY THE CENTIMETER

ELECTRICAL AND STARTING SYSTEM

253-6137 WIRING GP-SENSOR (contd.)

i03748143



GRAPHIC #1

<END>

g01171717

ELECTRICAL AND STARTING SYSTEM

253-6138 WIRING GP-SENSOR- OIL, FUEL PRESSURE, LH SERVICE FOR USE WITH DUPLEX FUEL AN ATTACHMENT

SMCS-1408, 1900

i02360590

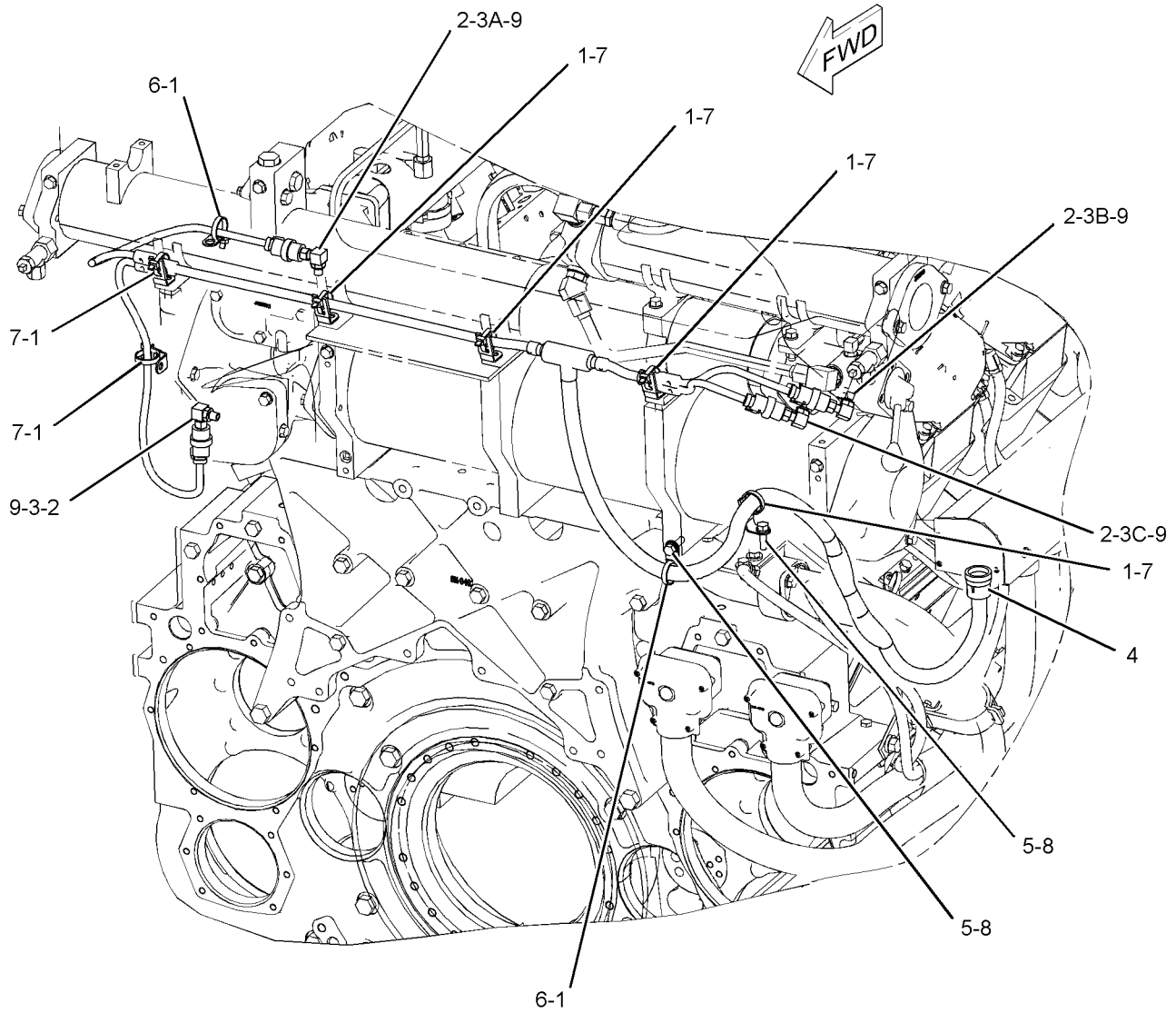
NOTE	REF NO	GRAPHIC REF	PART NUMBER	QTY	PART NAME						SEE PAGE
					1	2	3	4	5	6 (PRODUCT LEVEL)	
	1	1	9X-6772	8	STRAP-CABLE						
	2	1	117-0067	4	ELBOW						
	3	1	161-1705	1	SENSOR AS-PRESSURE (UNFILTERED ENGINE OIL)						
	3A	1	161-1705	1	SENSOR AS-PRESSURE (FILTERED ENGINE OIL)						
	3B	1	161-1705	1	SENSOR AS-PRESSURE (UNFILTERED FUEL)						
	3C	1	161-1705	1	SENSOR AS-PRESSURE (FILTERED FUEL)						
	4	1	253-3821	1	HARNES AS-SENSOR (OIL FILTER, FUEL FILTER)						
E		1	9X-8243		TUBE-HEAT SHRINK (39.9-MM DIA) (5-CM)						
E		1	125-7875		TUBE-HEAT SHRINK (7.44-MM DIA) (10-CM)						
		1	155-2260	4	KIT-CONNECTING PLUG (3-PIN)						
		1	174-0503	4	KIT-CONNECTING PLUG (3-PIN)						
					(EACH KIT INCLUDES PLUG ASSEMBLY AND WEDGE)						
E		1	210-8958		TUBE-HEAT SHRINK (24-MM DIA) (20-CM)						
E		1	232-0893		CONDUIT-FLEXIBLE (6.2-MM ID) (131-CM)						
E		1	232-0895		CONDUIT-FLEXIBLE (9.6-MM ID) (73-CM)						
E		1	232-0897		CONDUIT-FLEXIBLE (16.2-MM ID) (122-CM)						
		1	238-9591	1	TEE						
		1	238-9733	2	FITTING						
	5	1	0S-1588	2	BOLT (3/8-16X1.25-IN)						
	6	1	4P-7428	2	CLIP						
	7	1	4P-8134	6	CLIP						
	8	1	5M-2894	2	WASHER-HARD (10.2X18.5X2.5-MM THK)						
	9	1	6V-5048	8	SEAL-O-RING						

E-ORDER BY THE CENTIMETER

ELECTRICAL AND STARTING SYSTEM

253-6138 WIRING GP-SENSOR (contd.)

i02360590



GRAPHIC #1

<END>

g01138979

ELECTRICAL AND STARTING SYSTEM

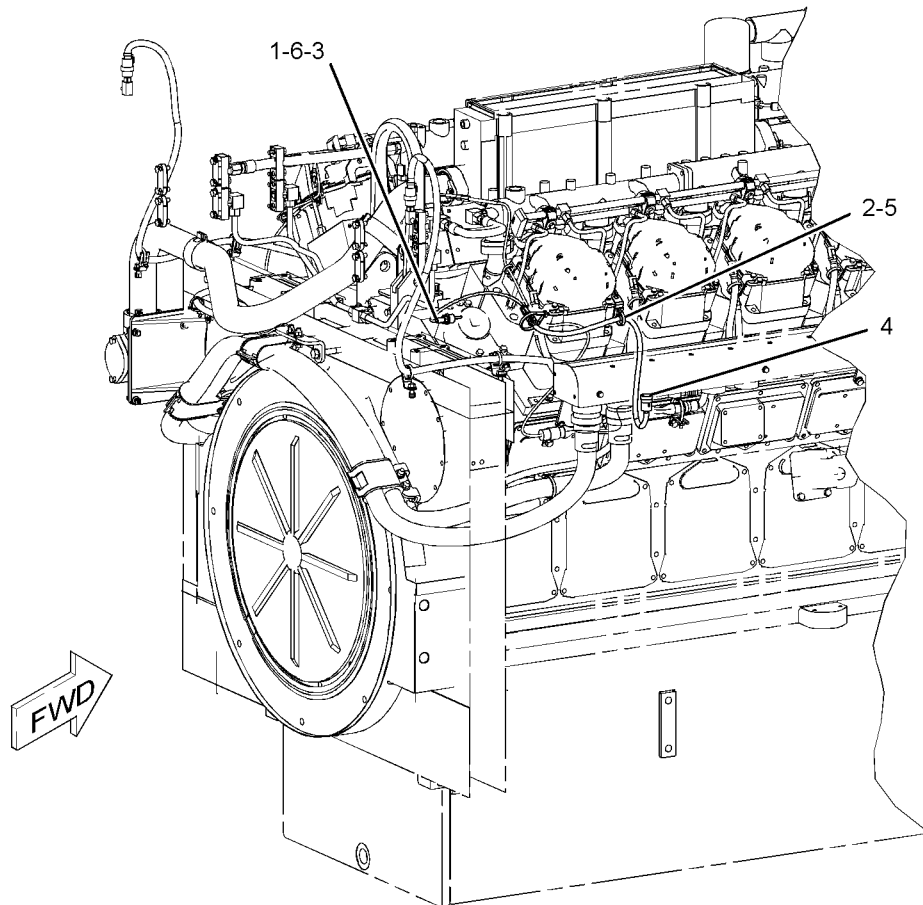
255-0178 WIRING GP-SENSOR-ENGINE OIL TEMPERATURE AN ATTACHMENT

SMCS-1408, 1900

i02698939

NOTE	REF NO	GRAPHIC REF	PART NUMBER	QTY	PART NAME						SEE PAGE
					1	2	3	4	5	6 (PRODUCT LEVEL)	
	1	1	9X-3271	1	ADAPTER (1/2-14-NPTF-THD)						
	2	1	9X-6772	2	STRAP-CABLE						
Y	3	1	195-2150	1	SENSOR GP-TEMPERATURE (ENGINE OIL)						488
	4	1	255-0179	1	HARNESS AS-SENSOR (ENGINE OIL TEMPERATURE)						
		1	8T-8737	1	PLUG-SEAL						
		1	155-2270	1	KIT-CONNECTING PLUG (2-PIN) (INCLUDES PLUG ASSEMBLY AND WEDGE)						
		1	176-2942	1	PLUG AS-CONNECTOR (2-PIN)						
		1	176-2943	1	KIT-CONNECTING PLUG (2-PIN) (INCLUDES PLUG ASSEMBLY AND WEDGE)						
E		1	210-8958		TUBE-HEAT SHRINK (24-MM DIA) (10-CM)						
E		1	232-0893		CONDUIT-FLEXIBLE (6.2-MM ID) (64-CM)						
	5	1	4P-8134	1	CLIP						
	6	1	6V-5049	1	SEAL-O-RING						

E-ORDER BY THE CENTIMETER
Y-SEPARATE ILLUSTRATION



GRAPHIC #1

<END>

g01138801

ELECTRICAL AND STARTING SYSTEM

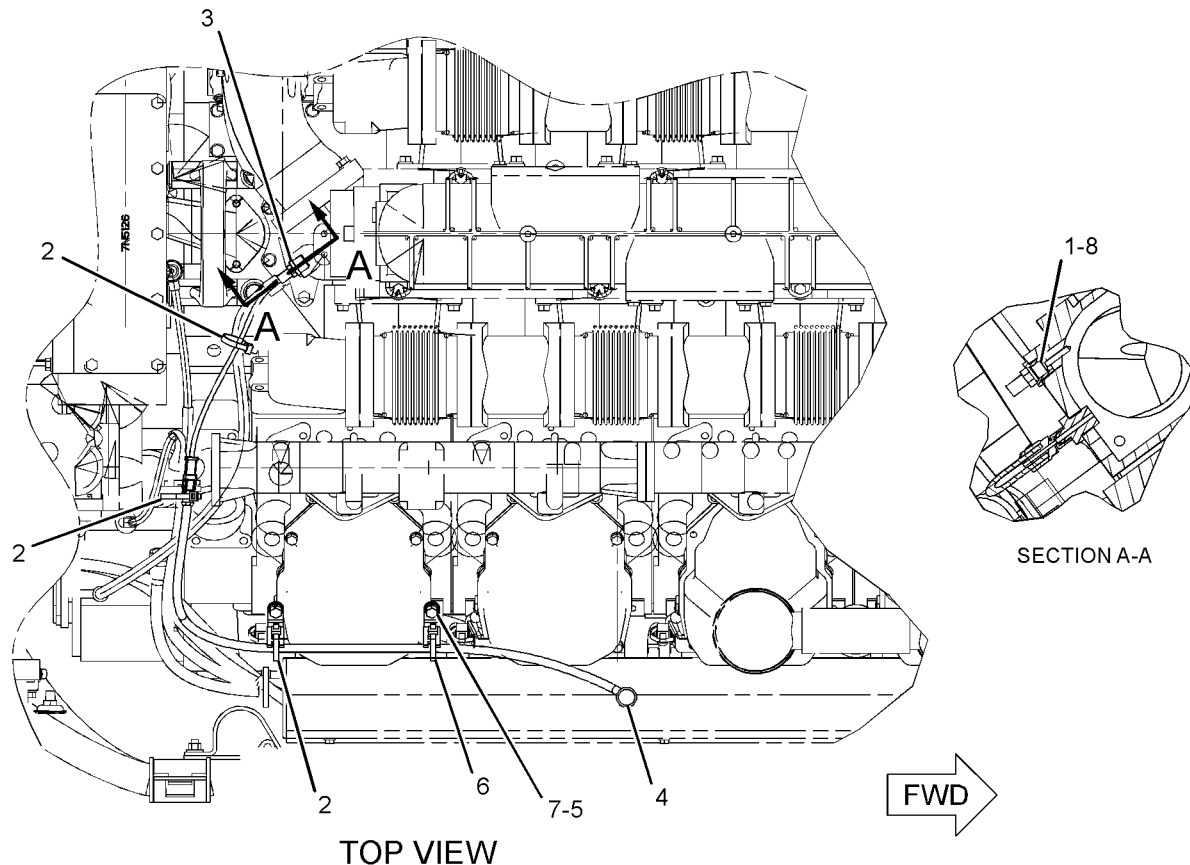
255-0180 WIRING GP-SENSOR-MANIFOLD AIR TEMPERATURE AN ATTACHMENT

SMCS-1408, 1900

i02698940

NOTE	REF NO	GRAPHIC REF	PART NUMBER	QTY	PART NAME						SEE PAGE
					1	2	3	4	5	6 (PRODUCT LEVEL)	
	1	1	9X-3271	1	ADAPTER (1/2-14-NPTF-THD)						
	2	1	9X-6772	4	STRAP-CABLE						
Y	3	1	195-2150	1	SENSOR GP-TEMPERATURE (AIR INLET)						488
	4	1	255-0181	1	HARNESS AS-SENSOR (MANIFOLD AIR TEMPERATURE)						
		1	8T-8737	1	PLUG-SEAL						
		1	155-2270	1	KIT-CONNECTING PLUG (2-PIN) (INCLUDES PLUG ASSEMBLY AND WEDGE)						
		1	176-2942	1	PLUG AS-CONNECTOR (2-PIN)						
		1	176-2943	1	KIT-CONNECTING PLUG (2-PIN) (INCLUDES PLUG ASSEMBLY AND WEDGE)						
E		1	210-8958		TUBE-HEAT SHRINK (24-MM DIA) (10-CM)						
E		1	232-0893		CONDUIT-FLEXIBLE (6.2-MM ID) (94-CM)						
	5	1	0T-0102	2	BOLT (3/8-16X0.625-IN)						
	6	1	4P-8134	2	CLIP						
	7	1	5M-2894	2	WASHER-HARD (10.2X18.5X2.5-MM THK)						
	8	1	6V-5049	1	SEAL-O-RING						

E-ORDER BY THE CENTIMETER
Y-SEPARATE ILLUSTRATION



GRAPHIC #1

<END>

g01138829

ELECTRICAL AND STARTING SYSTEM

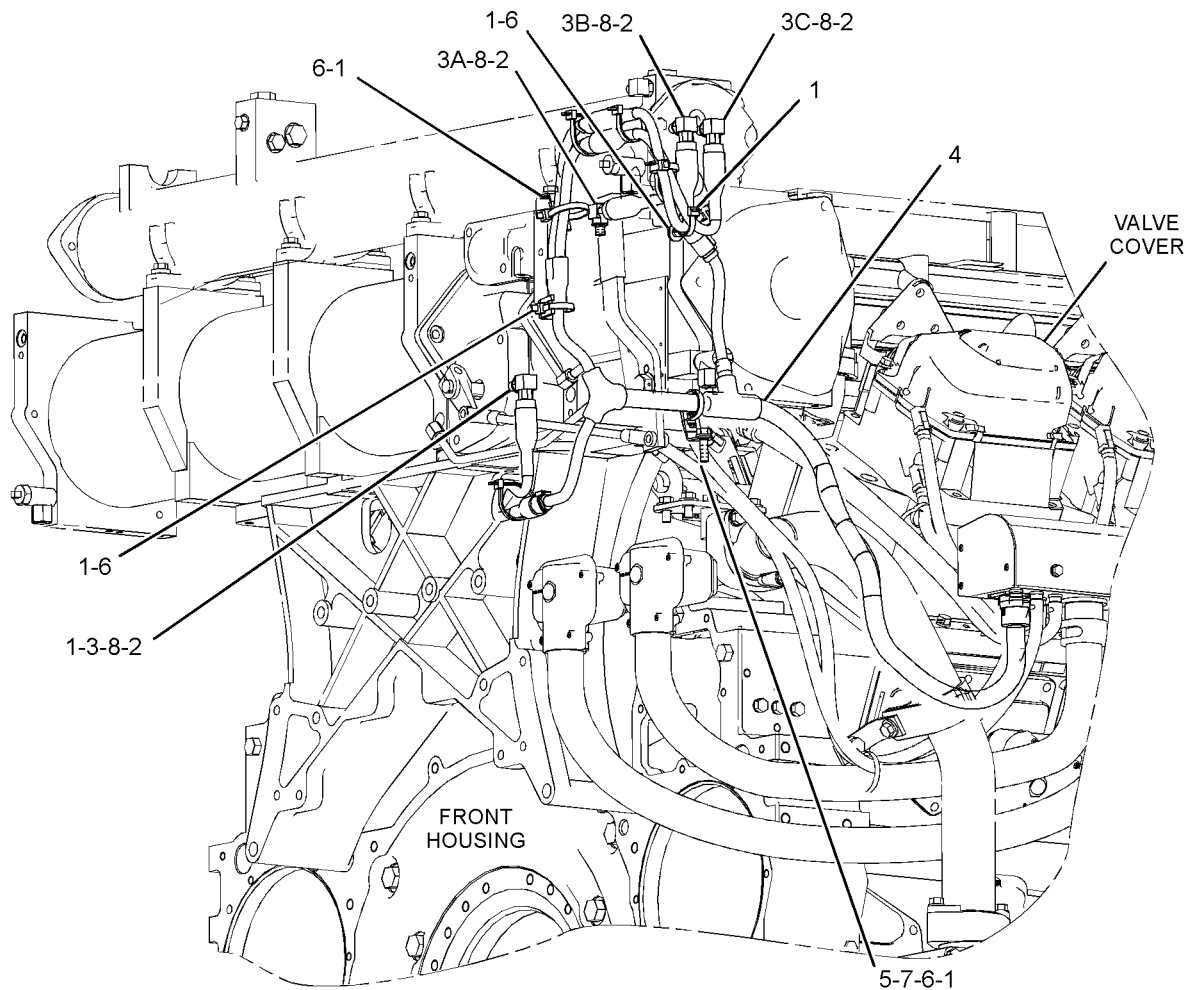
307-0008 WIRING GP-SENSOR- OIL, FUEL PRESSURE, RH SERVICE AN ATTACHMENT

SMCS-1408, 1900

i03103288

NOTE	REF NO	GRAPHIC REF	PART NUMBER	QTY	PART NAME						SEE PAGE
					1	2	3	4	5	6 (PRODUCT LEVEL)	
	1	1	9X-6772	10	STRAP - CABLE						
	2	1	117-0067	4	ELBOW						
Y	3	1	304-5668	1	SENSOR GP-PRESSURE (UNFILTERED OIL)						481
Y	3A	1	304-5668	1	SENSOR GP-PRESSURE (FILTERED OIL)						481
Y	3B	1	304-5668	1	SENSOR GP-PRESSURE (UNFILTERED FUEL)						481
Y	3C	1	304-5668	1	SENSOR GP-PRESSURE (FILTERED FUEL)						481
Y	4	1	306-8879	1	HARNESS AS-SENSOR (OIL, FUEL PRESSURE)						443
	5	1	OS-1588	1	BOLT (3/8-16X1.25-IN)						
	6	1	4P-8134	4	CLIP						
	7	1	5M-2894	1	WASHER-HARD (10.2X18.5X2.5-MM THK)						
	8	1	6V-5048	8	SEAL-O-RING						

Y-SEPARATE ILLUSTRATION



GRAPHIC #1

<END>

g01617373

ELECTRICAL AND STARTING SYSTEM

307-2044 WIRING GP-SENSOR- OIL, FUEL PRESSURE, LH SERVICE FOR USE WITH DUPLEX OIL AN ATTACHMENT

SMCS-1408, 1900

i03863852

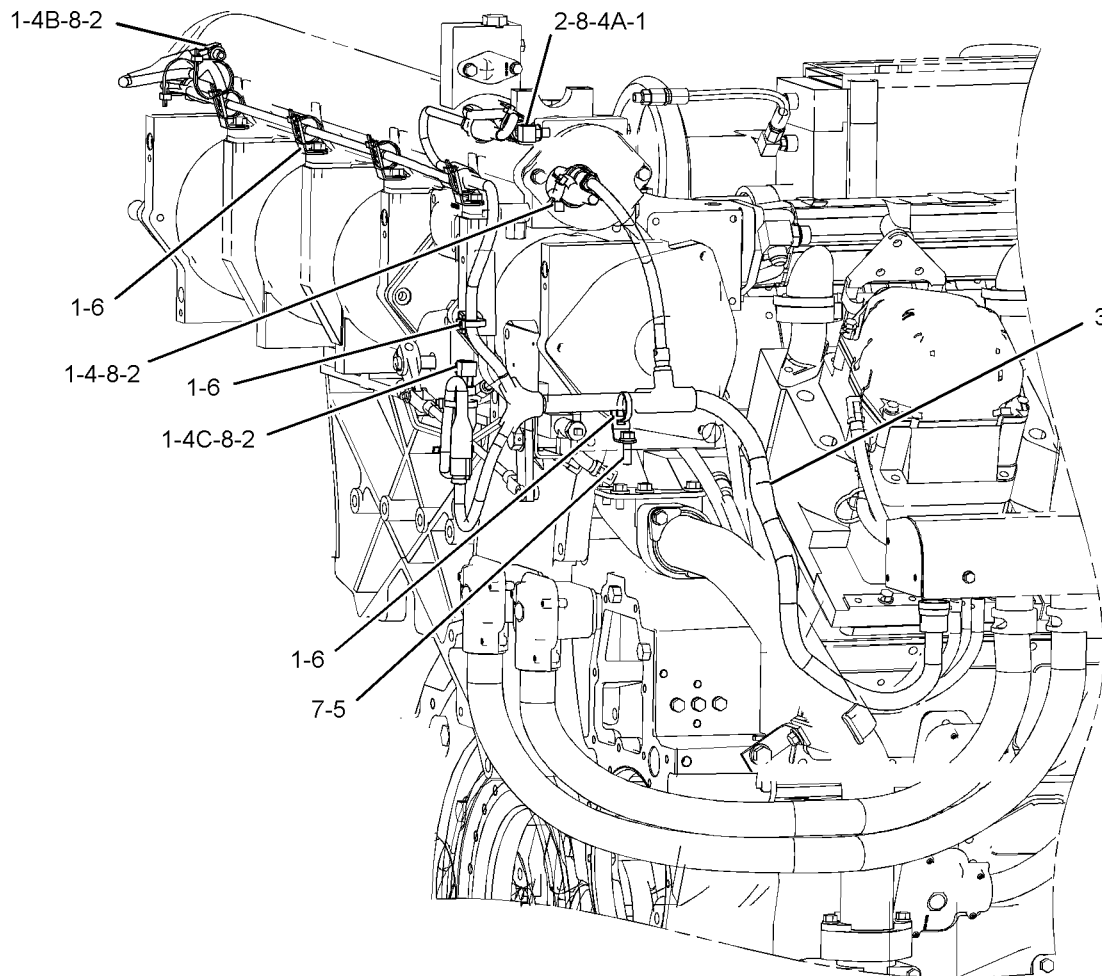
NOTE	REF NO	GRAPHIC REF	PART NUMBER	QTY	PART NAME						SEE PAGE
					1	2	3	4	5	6 (PRODUCT LEVEL)	
	1	1	9X-6772	14	STRAP-CABLE						
	2	1	117-0067	4	ELBOW						
	3	1	253-3820	1	HARNESS AS-SENSOR (OIL, FUEL PRESSURE)						
		1	8C-3654	1	PLUG-CONNECTOR (6-PIN)						
		1	186-3736	18	SOCKET-CONNECTOR (16-GA TO 18-GA)						
E		1	9X-8243		TUBE-HEAT SHRINK (39.9-MM DIA) (5-CM)						
E		1	125-7875		TUBE-HEAT SHRINK (7.44-MM DIA) (10-CM)						
		1	155-2260	4	KIT-CONNECTING PLUG (3-PIN)						
		1	174-0503	4	KIT-CONNECTING PLUG (3-PIN)						
					(EACH PLUG KIT INCLUDES PLUG AS AND WEDGE)						
E		1	210-8958		TUBE-HEAT SHRINK (24-MM DIA) (20-CM)						
E		1	232-0893		CONDUIT-FLEXIBLE (6.2-MM ID) (139-CM)						
E		1	232-0895		CONDUIT-FLEXIBLE (9.6-MM ID) (91-CM)						
E		1	232-0897		CONDUIT-FLEXIBLE (16.2-MM ID) (77-CM)						
		1	238-9591	1	TEE						
		1	238-9733	1	FITTING						
		1	238-9802	1	FITTING						
		1	254-5668	1	ADAPTER (CONDUIT)						
Y	4	1	304-5668	1	SENSOR GP-PRESSURE (FILTERED OIL)						481
Y	4A	1	304-5668	1	SENSOR GP-PRESSURE (UNFILTERED FUEL)						481
Y	4B	1	304-5668	1	SENSOR GP-PRESSURE (FILTERED FUEL)						481
Y	4C	1	304-5668	1	SENSOR GP-PRESSURE (UNFILTERED OIL)						481
	5	1	0S-1588	1	BOLT (3/8-16X1.25-IN)						
	6	1	4P-8134	6	CLIP						
	7	1	5M-2894	1	WASHER-HARD (10.2X18.5X2.5-MM THK)						
	8	1	6V-5048	8	SEAL-O-RING						

E-ORDER BY THE CENTIMETER
Y-SEPARATE ILLUSTRATION

ELECTRICAL AND STARTING SYSTEM

307-2044 WIRING GP-SENSOR (contd.)

i03863852



GRAPHIC #1

<END>

g01358116

ELECTRICAL AND STARTING SYSTEM

307-2045 WIRING GP-SENSOR- OIL, FUEL PRESSURE, LH SERVICE FOR USE WITH DUPLEX FUEL AN ATTACHMENT

SMCS-1408, 1900

i02703335

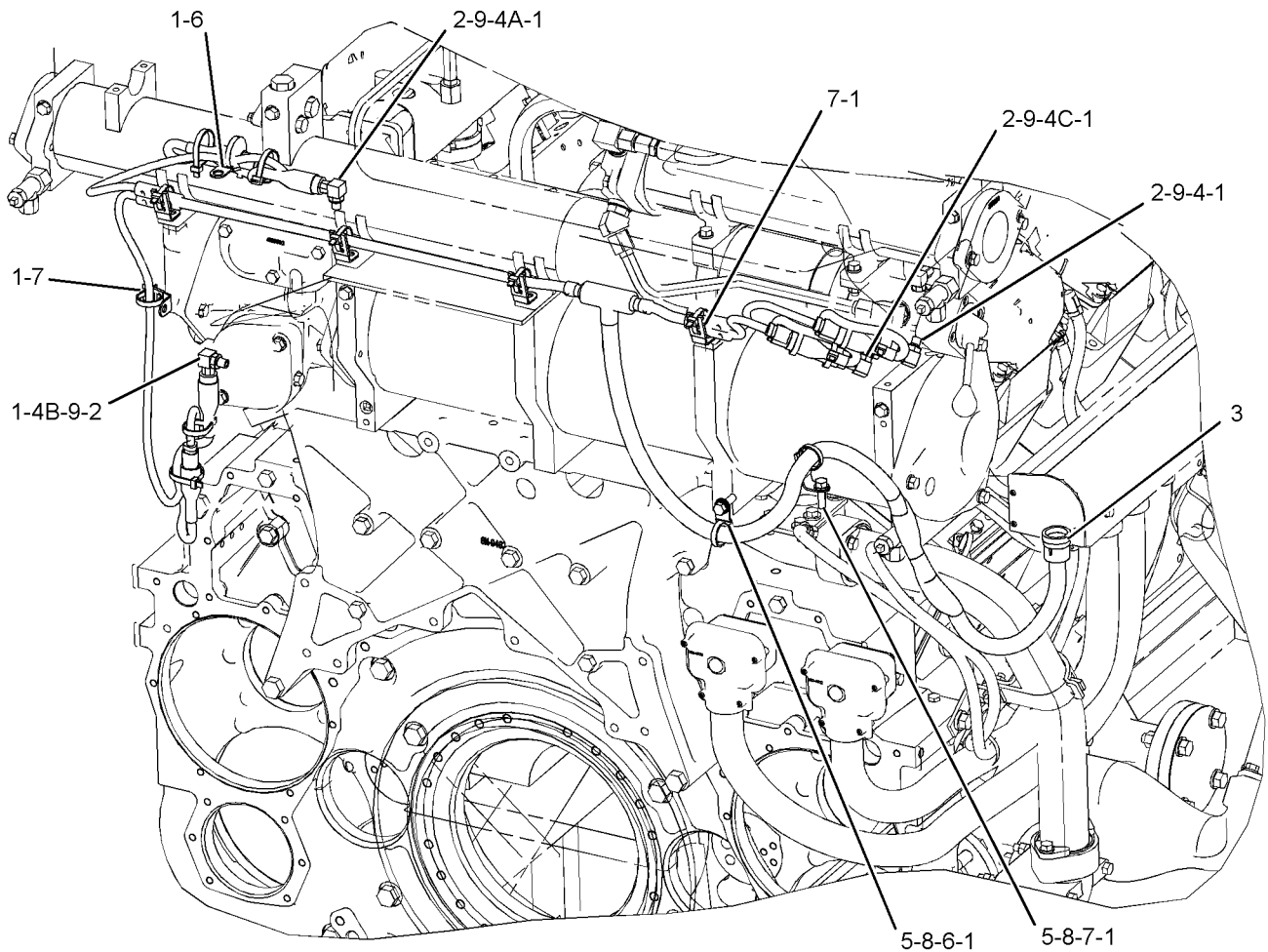
NOTE	REF NO	GRAPHIC REF	PART NUMBER	QTY	PART NAME						SEE PAGE
					1	2	3	4	5	6 (PRODUCT LEVEL)	
	1	1	9X-6772	16	STRAP-CABLE						
	2	1	117-0067	4	ELBOW						
	3	1	253-3821	1	HARNESS AS-SENSOR (OIL FILTER, FUEL FILTER)						
		1	8C-3654	1	PLUG-CONNECTOR (6-PIN)						
E		1	9X-8243		TUBE-HEAT SHRINK (39.9-MM DIA) (5-CM)						
E		1	125-7875		TUBE-HEAT SHRINK (7.44-MM DIA) (10-CM)						
		1	155-2260	4	KIT-CONNECTING PLUG (3-PIN)						
		1	174-0503	4	KIT-CONNECTING PLUG (3-PIN)						
					(EACH PLUG KIT INCLUDES PLUG AS AND WEDGE)						
E		1	210-8958		TUBE-HEAT SHRINK (24-MM DIA) (20-CM)						
E		1	232-0893		CONDUIT-FLEXIBLE (6.2-MM ID) (131-CM)						
E		1	232-0895		CONDUIT-FLEXIBLE (9.6-MM ID) (73-CM)						
E		1	232-0897		CONDUIT-FLEXIBLE (16.2-MM ID) (122-CM)						
		1	238-9591	1	TEE						
		1	238-9733	2	FITTING						
		1	254-5668	2	ADAPTER (CONDUIT)						
Y	4	1	304-5668	1	SENSOR GP-PRESSURE (UNFILTERED FUEL)						481
Y	4A	1	304-5668	1	SENSOR GP-PRESSURE (FILTERED OIL)						481
Y	4B	1	304-5668	1	SENSOR GP-PRESSURE (UNFILTERED OIL)						481
Y	4C	1	304-5668	1	SENSOR GP-PRESSURE (FILTERED FUEL)						481
	5	1	0S-1588	2	BOLT (3/8-16X1.25-IN)						
	6	1	4P-7428	2	CLIP						
	7	1	4P-8134	6	CLIP						
	8	1	5M-2894	2	WASHER-HARD (10.2X18.5X2.5-MM THK)						
	9	1	6V-5048	8	SEAL-O-RING						

E-ORDER BY THE CENTIMETER
Y-SEPARATE ILLUSTRATION

ELECTRICAL AND STARTING SYSTEM

307-2045 WIRING GP-SENSOR (contd.)

i02703335



GRAPHIC #1

<END>

g01357992

ELECTRICAL AND STARTING SYSTEM

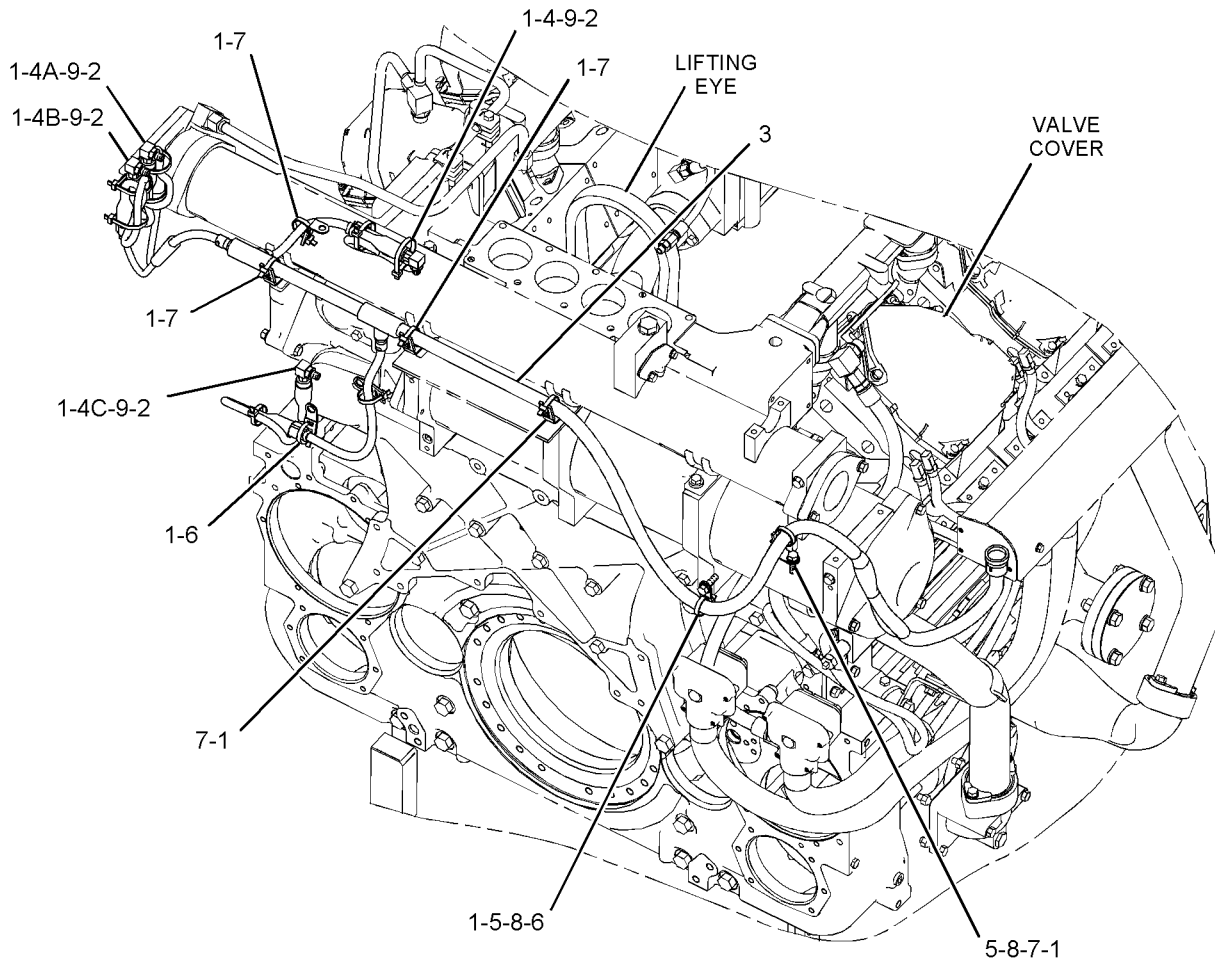
307-2046 WIRING GP-SENSOR- OIL, FUEL PRESSURE, LH SERVICE AN ATTACHMENT

SMCS-1408, 1900

i03666480

NOTE	REF NO	GRAPHIC REF	PART NUMBER	QTY	PART NAME						SEE PAGE
					1	2	3	4	5	6 (PRODUCT LEVEL)	
	1	1	9X-6772	15	STRAP-CABLE						
	2	1	117-0067	4	ELBOW						
Y	3	1	235-6280	1	HARNESS AS-SENSOR (OIL, FUEL PRESSURE, LH SERVICE)						433
Y	4	1	304-5668	1	SENSOR GP-PRESSURE (UNFILTERED OIL)						481
Y	4A	1	304-5668	1	SENSOR GP-PRESSURE (FILTERED FUEL)						481
Y	4B	1	304-5668	1	SENSOR GP-PRESSURE (UNFILTERED FUEL)						481
Y	4C	1	304-5668	1	SENSOR GP-PRESSURE (FILTERED OIL)						481
	5	1	0S-1588	2	BOLT (3/8-16X1.25-IN)						
	6	1	4P-7581	3	CLIP						
	7	1	4P-8134	5	CLIP						
	8	1	5M-2894	2	WASHER-HARD (10.2X18.5X2.5-MM THK)						
	9	1	6V-5048	8	SEAL-O-RING						

Y-SEPARATE ILLUSTRATION



GRAPHIC #1

<END>

g01345496

ENCLOSURES, GUARDS AND BASES

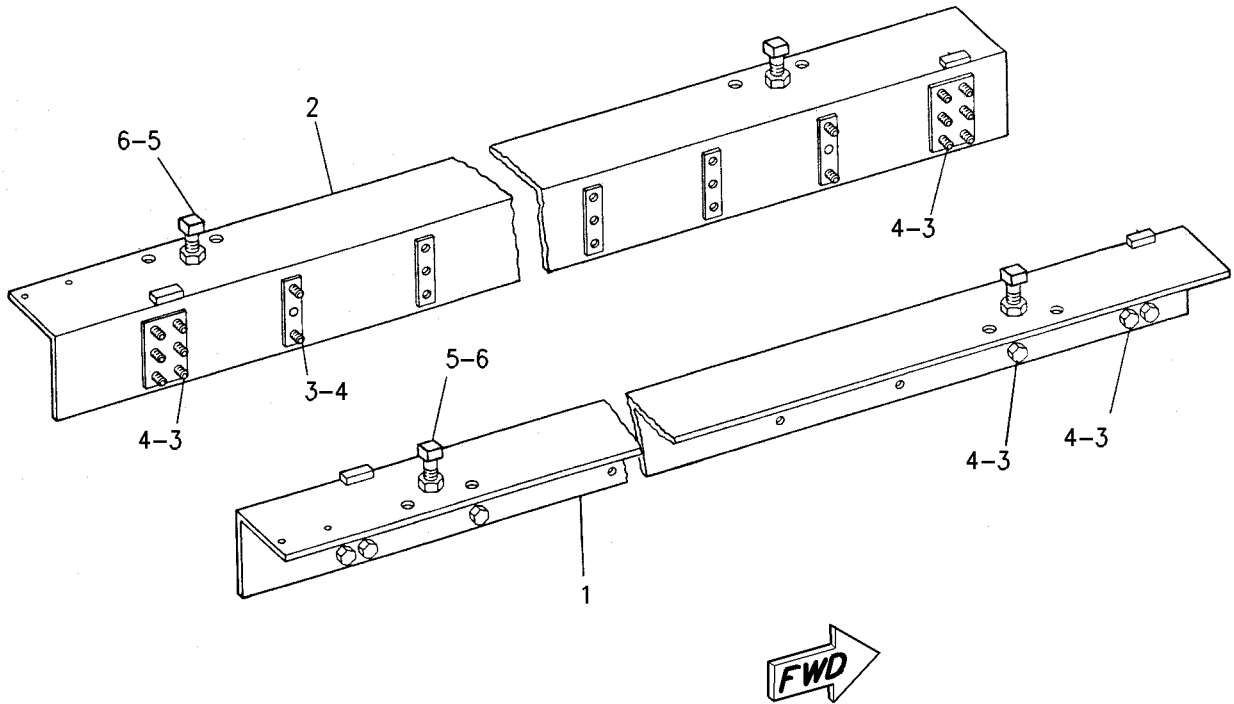
7N-8650 RAIL GP-ENGINE SUPPORT

MARINE LEDGE
AN ATTACHMENT

SMCS-7060

i01754845

NOTE	REF NO	GRAPHIC REF	PART NUMBER	QTY	PART NAME						SEE PAGE
					1	2	3	4	5	6 (PRODUCT LEVEL)	
	1	1	7N-8651	1	SUPPORT AS (RH)						
	2	1	7N-8652	1	SUPPORT AS (LH)						
	3	1	8T-9399	32	BOLT (3/4-10X2.25-IN)						
	4	1	8T-4994	32	WASHER-HARD (20X36.5X3.5-MM THK)						
	5	1	4L-6665	4	SETSCREW (1-14X3.88-IN)						
	6	1	1B-4209	4	NUT-FULL (1-14-THD)						



GRAPHIC #1

<END>

g00931411

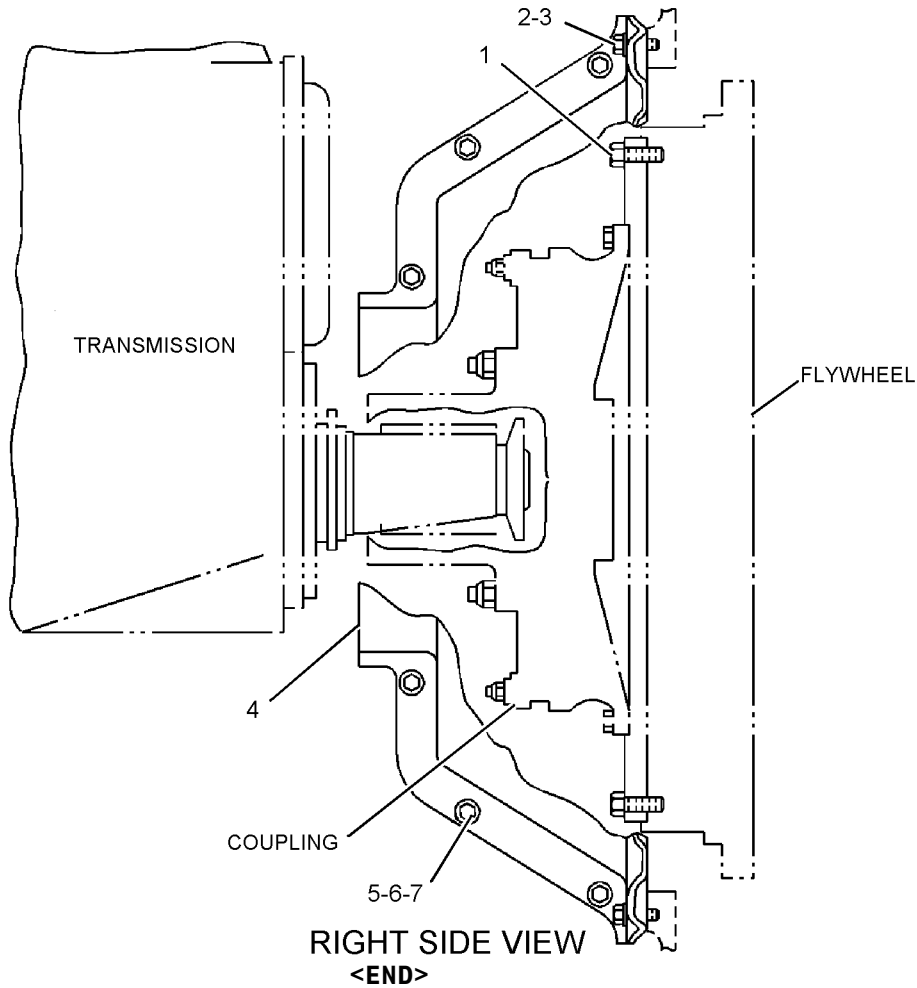
MARINE TRANSMISSION

7C-9077 MOUNTING GP-MARINE TMSN FOR USE WITH REINTJES TRANSMISSIONS AN ATTACHMENT

SMCS-3300

i01978980

NOTE	REF NO	GRAPHIC REF	PART NUMBER	QTY	PART NAME						SEE PAGE
					1	2	3	4	5	6 (PRODUCT LEVEL)	
	1	1	OS-1589	12	BOLT (5/8-11X1.75-IN)						
	2	1	OS-1595	16	BOLT (1/2-13X1.25-IN)						
	3	1	7D-1649	16	WASHER-HARD (13.5X32X5-MM THK)						
	4	1	7C-8692	2	GUARD-COUPLING						
	5	1	OS-1588	6	BOLT (3/8-16X1.25-IN)						
	6	1	9L-9132	12	WASHER (10.2X25.5X2.5-MM THK)						
	7	1	9S-8752	6	NUT-FULL (3/8-16-THD)						



GRAPHIC #1

g01026064

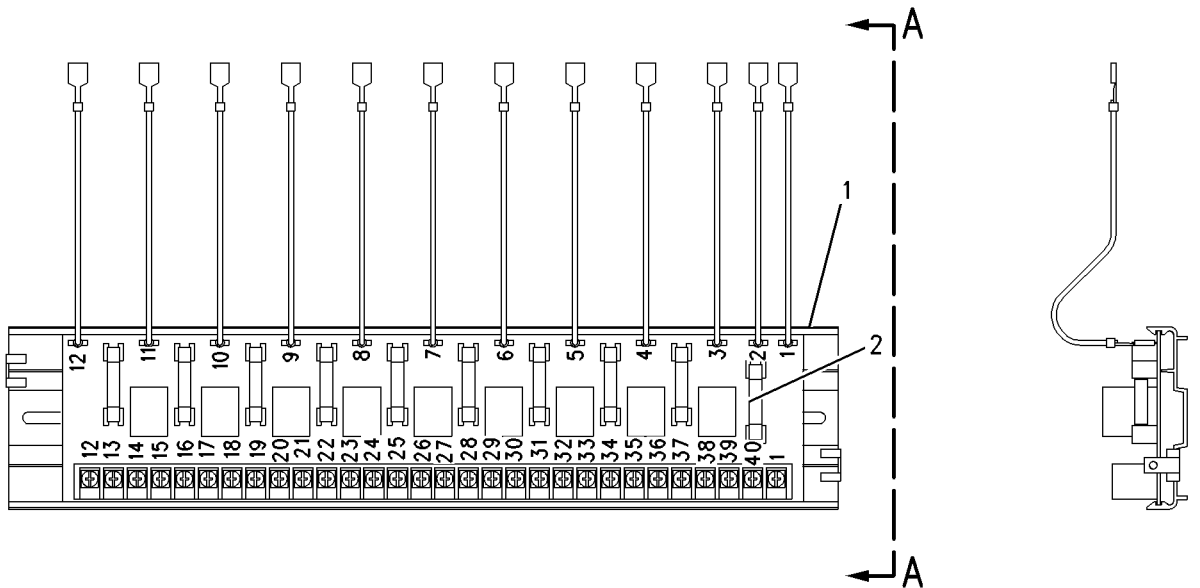
OPERATOR STATION

9Y-6497 BOARD AS-RELAY AN ATTACHMENT

SMCS-4490, 7451

i02400531

NOTE	REF NO	GRAPHIC REF	PART NUMBER	QTY	PART NAME						SEE PAGE
					1	2	3	4	5	6 (PRODUCT LEVEL)	
	1	1	6V-1075	34	TRACK-RELAY						
	2	1	8K-4644	10	FUSE (1-AMPERE)						



VIEW A-A

GRAPHIC #1

<END>

g00679816

OPERATOR STATION

290-7263 BOX AS-INSTRUMENT

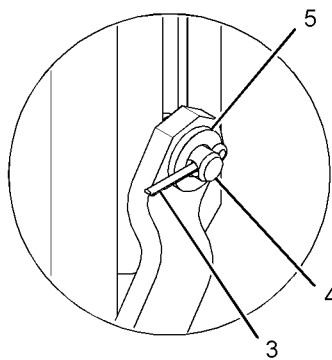
PART OF 290-3211, 300-0478 BOX GP-INSTRUMENT PANEL
AN ATTACHMENT

SMCS-7451

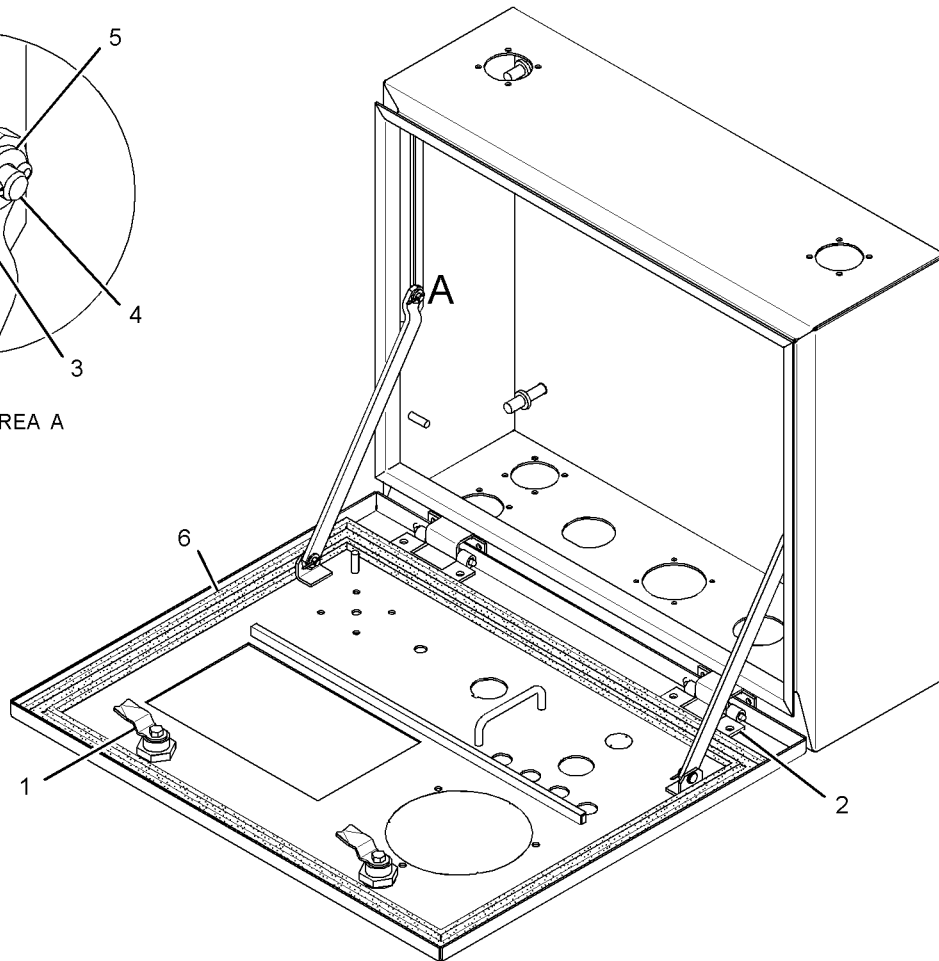
i02629018

NOTE	REF NO	GRAPHIC REF	PART NUMBER	QTY	PART NAME	SEE PAGE
					1 2 3 4 5 6 (PRODUCT LEVEL)	
	1	1	128-8545	2	LATCH AS	
	2	1	153-3723	2	HINGE AS	
					(EACH INCLUDES)	
		1	8T-5447	1	RING-RETAINING	
	3	1	3B-4605	4	PIN-COTTER	
	4	1	9P-6895	4	PIN	
	5	1	9X-6381	4	WASHER (6.5X12.5X1.6-MM THK)	
D	6	1	6V-1392		SEAL (1.8-M)	

D-ORDER BY THE METER



VIEW OF AREA A



GRAPHIC #1

<END>

g01327035

OPERATOR STATION

231-9900 BOX GP-INSTRUMENT PANEL

AN ATTACHMENT

SMCS-7451, 7490

i02824061

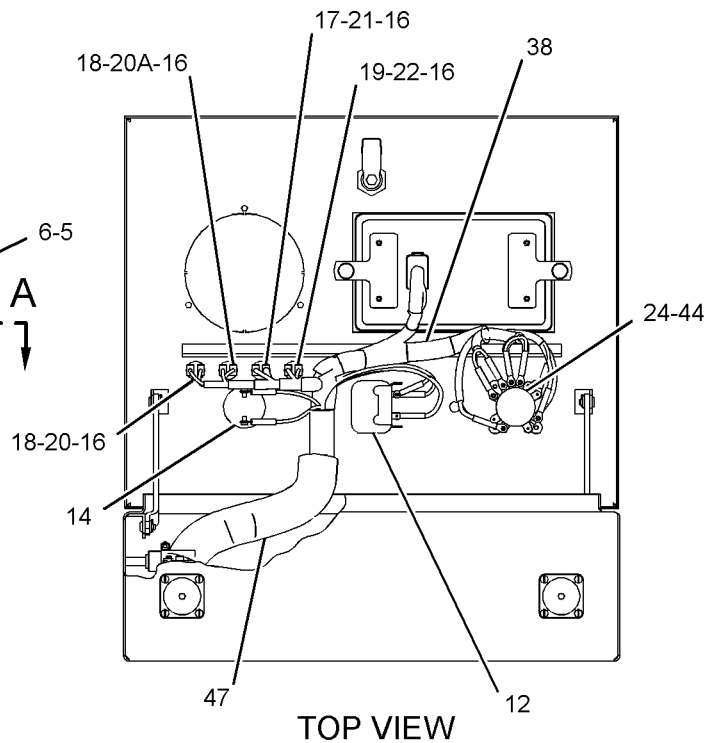
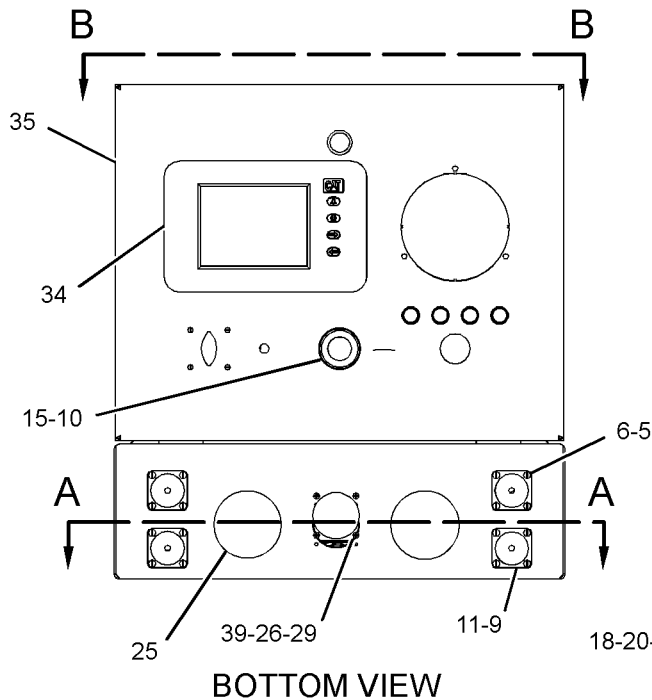
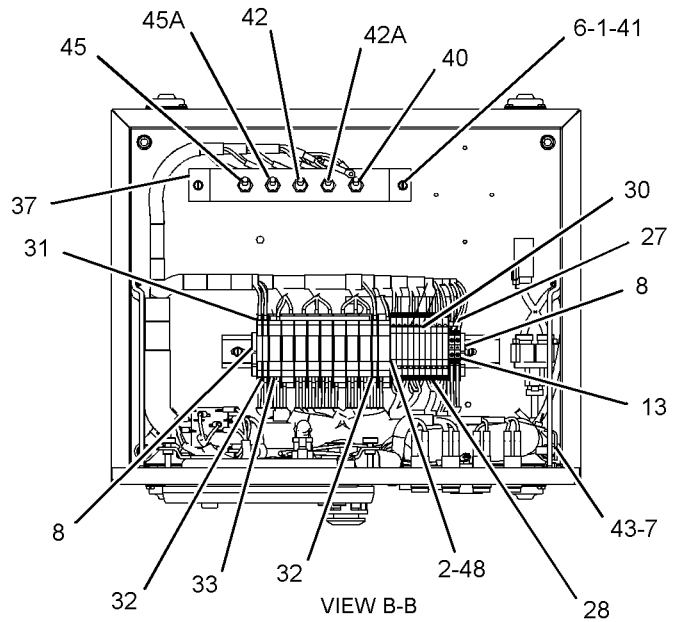
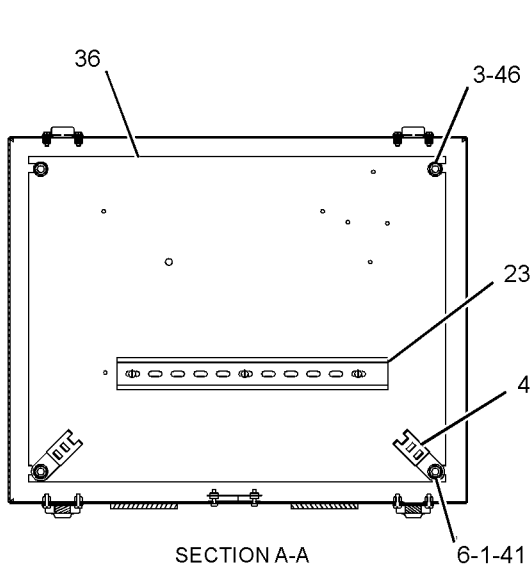
NOTE	REF NO	GRAPHIC REF	PART NUMBER	QTY	PART NAME						SEE PAGE
					1	2	3	4	5	6 (PRODUCT LEVEL)	
	1	1	1H-4393	5	LOCKWASHER						
	2	1	3E-0357	11	DIODE AS						
	3	1	3E-9860	4	LOCKNUT (5/16-18-THD)						
	4	1	4P-7581	2	CLIP						
	5	1	6D-5801	24	LOCKNUT (8-32-THD)						
	6	1	7S-1197	29	SCREW-MACHINE (8-32X0.5-IN)						
	7	1	8L-8413	1	STRAP-CABLE						
	8	1	9X-9675	2	BRACKET-END						
	9	1	107-2482	6	GASKET						
	10	1	109-6507	1	SWITCH AS-PUSH BUTTON (EMERGENCY STOP)						
	11	1	110-8909	6	MOUNT-FLEXIBLE						
	12	1	111-1323	1	BLOCK-CONTACT (1-POLE)						
	13	1	120-9079	2	TERMINAL						
	14	1	123-9694	1	HORN						
	15	1	124-3176	1	COVER						
	16	1	125-9941	4	BASE-LAMP						
	17	1	125-9942	1	LENS (AMBER)						
	18	1	125-9943	2	LENS (RED)						
	19	1	125-9944	1	LENS (GREEN)						
	20	1	125-9955	1	LAMP-LED (24-VOLT, RED)						
	20A	1	125-9955	1	LAMP-LED (24-VOLT, RED)						
	21	1	125-9956	1	LAMP-LED (24-VOLT, AMBER)						
	22	1	125-9957	1	LAMP-LED (24-VOLT, GREEN)						
	23	1	125-9969	1	RAIL (PERFORATED)						
	24	1	127-2331	1	SWITCH AS-ROTARY (ENGINE CONTROL)						
	25	1	131-9131	2	SEAL-CONNECTOR (76-MM ID)						
	26	1	132-8489	1	NUT-RING						
	27	1	134-0957	1	COVER-BLOCK						
	28	1	135-6740	11	BLOCK-DIODE						
	29	1	131-4891	1	GASKET						
	30	1	197-2691	1	STRIP-CONTACT						
	31	1	204-5592	1	BAR-FIXED BRIDGE						
	32	1	204-5593	3	RELAY (24-VOLT) (PANEL)						
	33	1	204-5594	9	RELAY (24-VOLT) (PANEL)						
Y	34	1	267-8623	1	DISPLAY GP-MONITOR (MARINE POWER DISPLAY)						600
	35	1	231-9905	1	ENCLOSURE AS						
	36	1	231-9907	1	PANEL						
	37	1	231-9911	1	BRACKET						
CY	38	1	278-1836	1	HARNESS AS-PANEL (MARINE POWER DISPLAY)						427
	39	1	156-6450	4	SCREW-PAN HEAD (6-32X15.88-MM)						
	40	1	3T-4405	1	SWITCH GP-TOGGLE (LOCAL, REMOTE THROTTLE)						
		1	3L-8187	6	LOCKWASHER						
		1	6T-3631	2	NUT-HEX (15/32-32-THD)						
		1	6T-3632	1	LOCKWASHER						
		1	6T-3633	1	RING-LOCKING						
		1	6V-8374	6	SCREW-MACHINE (6-32X0.25-IN)						
	41	1	4B-4863	5	WASHER (4.7X11X1.2-MM THK)						
	42	1	4D-1836	1	SWITCH AS-TOGGLE (ENGINE PROTECTION OVERRIDE)						
	42A	1	4D-1836	1	SWITCH AS-TOGGLE (TORQUE LIMIT)						
	43	1	4P-8134	1	CLIP						
	44	1	7C-4910	1	SEAL						
Y	45	1	7N-8001	1	SWITCH GP-TOGGLE (CRANK OVERRIDE)						524
Y	45A	1	7N-8001	1	SWITCH GP-TOGGLE (PRELUBRICATION OVERRIDE)						524
	46	1	8T-4224	4	WASHER-HARD (8.8X16X2-MM THK)						
E	47	1	7Y-5074		GUARD-HOSE (19-CM)						
	48	1	241-8224	1	KIT-MARKER						

OPERATOR STATION

231-9900 BOX GP-INSTRUMENT PANEL (contd.)

i02824061

C-CHANGE FROM PREVIOUS TYPE
 E-ORDER BY THE CENTIMETER
 Y-SEPARATE ILLUSTRATION



OPERATOR STATION

231-9901 BOX GP-INSTRUMENT PANEL

WITH PYROMETER
AN ATTACHMENT

SMCS-7451, 7490

i02855220

NOTE	REF NO	GRAPHIC REF	PART NUMBER	QTY	PART NAME						SEE PAGE
					1	2	3	4	5	6 (PRODUCT LEVEL)	
	1	1	1H-4393	5	LOCKWASHER						
	2	1	3E-0357	11	DIODE AS						
	3	1	6D-5801	24	LOCKNUT (8-32-THD)						
	4	1	7S-1197	29	SCREW-MACHINE (8-32X0.5-IN)						
	5	1	8L-8413	1	STRAP-CABLE						
	6	1	9X-9675	2	BRACKET-END						
	7	1	107-2482	6	GASKET						
	8	1	109-6507	1	SWITCH AS-PUSH BUTTON (EMERGENCY STOP)						
	9	1	110-8909	6	MOUNT-FLEXIBLE						
	10	1	111-1323	1	BLOCK-CONTACT (1-POLE)						
	11	1	120-9079	2	TERMINAL						
	12	1	123-9694	1	HORN						
	13	1	124-3176	1	COVER						
	14	1	125-9941	4	BASE-LAMP						
	15	1	125-9942	1	LENS (AMBER)						
	16	1	125-9943	2	LENS (RED)						
	17	1	125-9944	1	LENS (GREEN)						
	18	1	125-9955	1	LAMP-LED (24-VOLT, RED)						
	18A	1	125-9955	1	LAMP-LED (24-VOLT, RED)						
	19	1	125-9956	1	LAMP-LED (24-VOLT, AMBER)						
	20	1	125-9957	1	LAMP-LED (24-VOLT, GREEN)						
	21	1	125-9969	1	RAIL (PERFORATED)						
	22	1	127-2331	1	SWITCH AS-ROTARY (ENGINE CONTROL)						
	23	1	131-4891	1	GASKET						
	24	1	132-8489	1	NUT-RING						
	25	1	134-0957	1	COVER-BLOCK						
	26	1	135-6740	11	BLOCK-DIODE						
	27	1	285-6670	1	PYROMETER GP (EXHAUST TEMPERATURE SCANNER)						
	28	1	197-2691	1	STRIP-CONTACT						
	29	1	204-5592	1	BAR-FIXED BRIDGE						
	30	1	204-5593	3	RELAY (24-VOLT) (POWER)						
	31	1	204-5594	9	RELAY (24-VOLT) (START ENABLE)						
	32	1	231-9905	1	ENCLOSURE AS						
	33	1	231-9907	1	PANEL						
	34	1	231-9911	1	BRACKET						
CY	35	1	278-1836	1	HARNESS AS-PANEL (MARINE POWER DISPLAY)						427
Y	36	1	237-9023	1	HARNESS AS-SENSOR (THERMOCOUPLE)						434
Y	37	1	267-8623	1	DISPLAY GP-MONITOR (MARINE POWER DISPLAY)						600
	38	1	156-6450	4	SCREW-PAN HEAD (6-32X15.88-MM)						
	39	1	3E-9860	4	LOCKNUT (5/16-18-THD)						
	40	1	3T-4405	1	SWITCH GP-TOGGLE (LOCAL, REMOTE THROTTLE)						
		1	3L-8187	6	LOCKWASHER						
		1	6T-3631	2	NUT-HEX (15/32-32-THD)						
		1	6T-3632	1	LOCKWASHER						
		1	6T-3633	1	RING-LOCKING						
		1	6V-8374	6	SCREW-MACHINE (6-32X0.25-IN)						
	41	1	4B-4863	5	WASHER (4.7X11X1.2-MM THK)						
	42	1	4D-1836	1	SWITCH AS-TOGGLE (ENGINE PROTECTION OVERRIDE)						
	42A	1	4D-1836	1	SWITCH AS-TOGGLE (TORQUE LIMIT)						
	43	1	4P-7581	2	CLIP						
	44	1	4P-8134	1	CLIP						
	45	1	7C-4910	1	SEAL						
Y	46	1	7N-8001	1	SWITCH GP-TOGGLE (CRANK OVERRIDE)						524
Y	46A	1	7N-8001	1	SWITCH GP-TOGGLE (PRELUBRICATION OVERRIDE)						524
	47	1	8T-4224	4	WASHER-HARD (8.8X16X2-MM THK)						
E	48	1	7Y-5074		GUARD-HOSE (19-CM)						

OPERATOR STATION

231-9901 BOX GP-INSTRUMENT PANEL (contd.)

i02855220

NOTE	REF NO	GRAPHIC REF	PART NUMBER	QTY	PART NAME 1 2 3 4 5 6 (PRODUCT LEVEL)	SEE PAGE
------	--------	-------------	-------------	-----	--	----------

AVAILABLE REPAIR KIT(S):

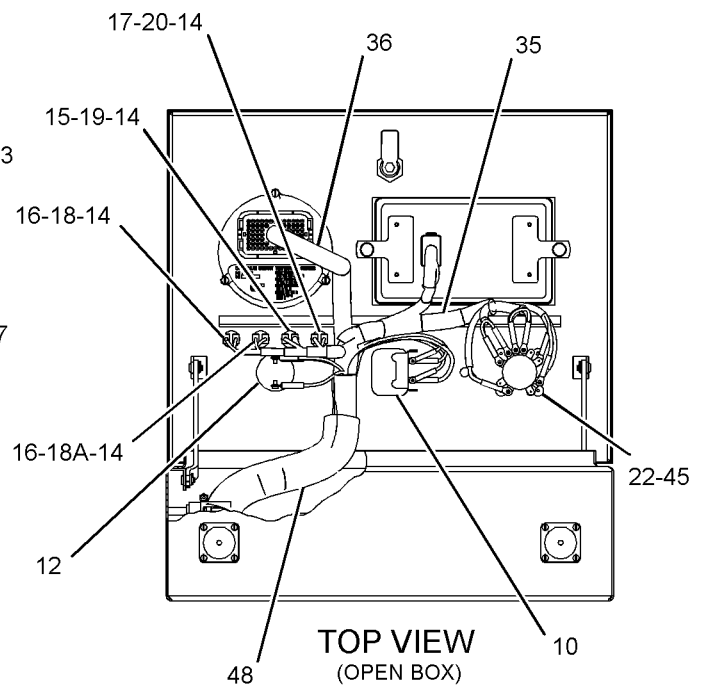
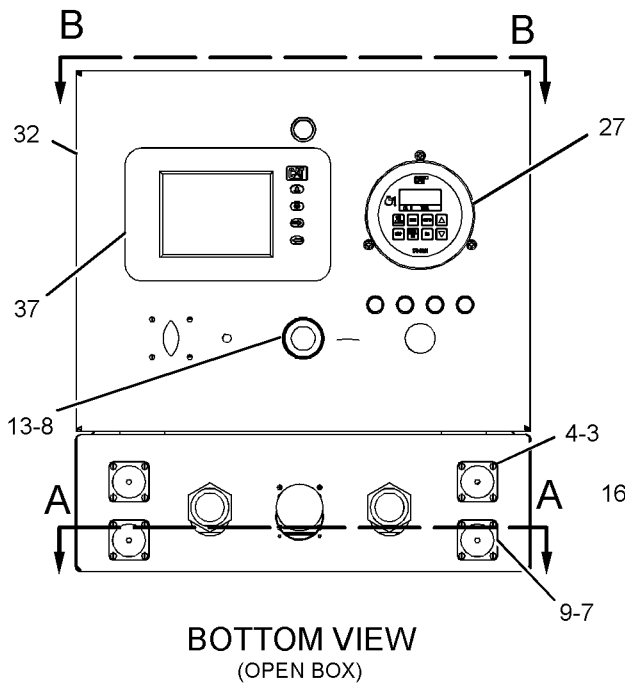
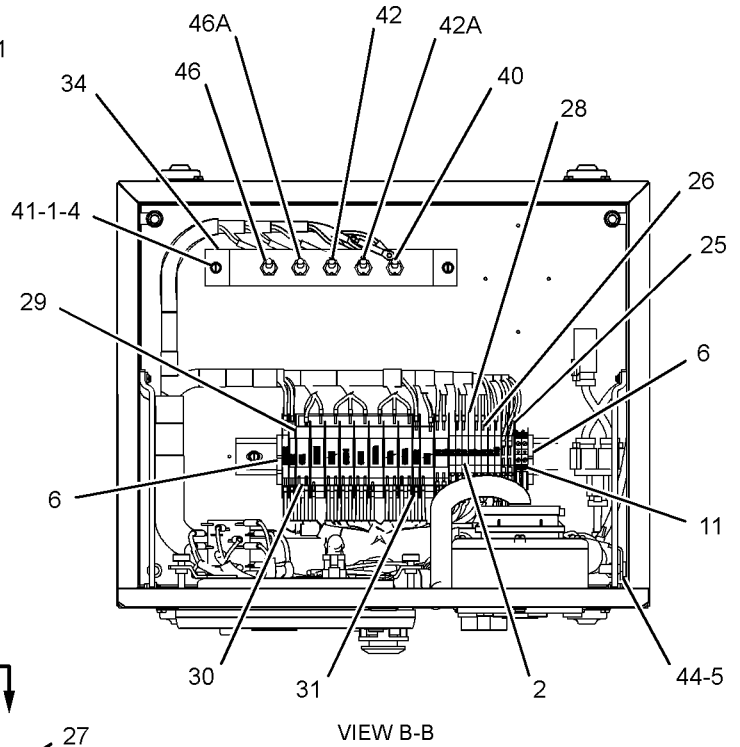
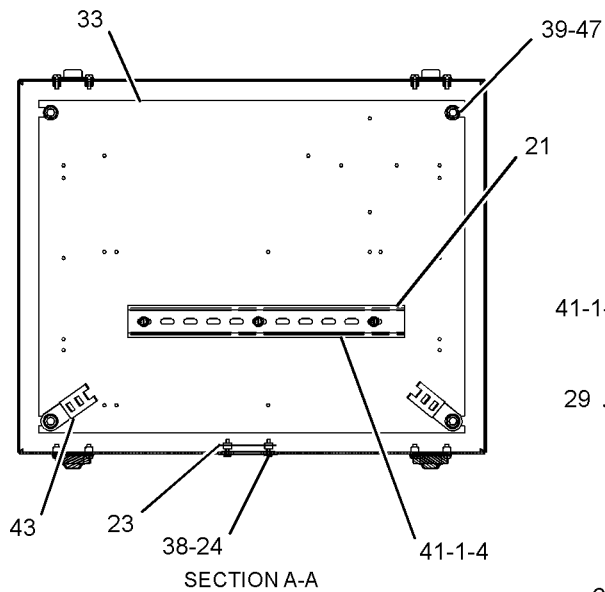
			241-8224	1	KIT-MARKER (INSTRUMENT PANEL)	
--	--	--	----------	---	-------------------------------	--

C-CHANGE FROM PREVIOUS TYPE
E-ORDER BY THE CENTIMETER
Y-SEPARATE ILLUSTRATION

OPERATOR STATION

231-9901 BOX GP-INSTRUMENT PANEL (contd.)

i02855220



GRAPHIC #1

<END>

g01374421

OPERATOR STATION

290-3211 BOX GP-INSTRUMENT PANEL

S/N: TTH1-236

AN ATTACHMENT

SMCS-7451, 7490

i02824133

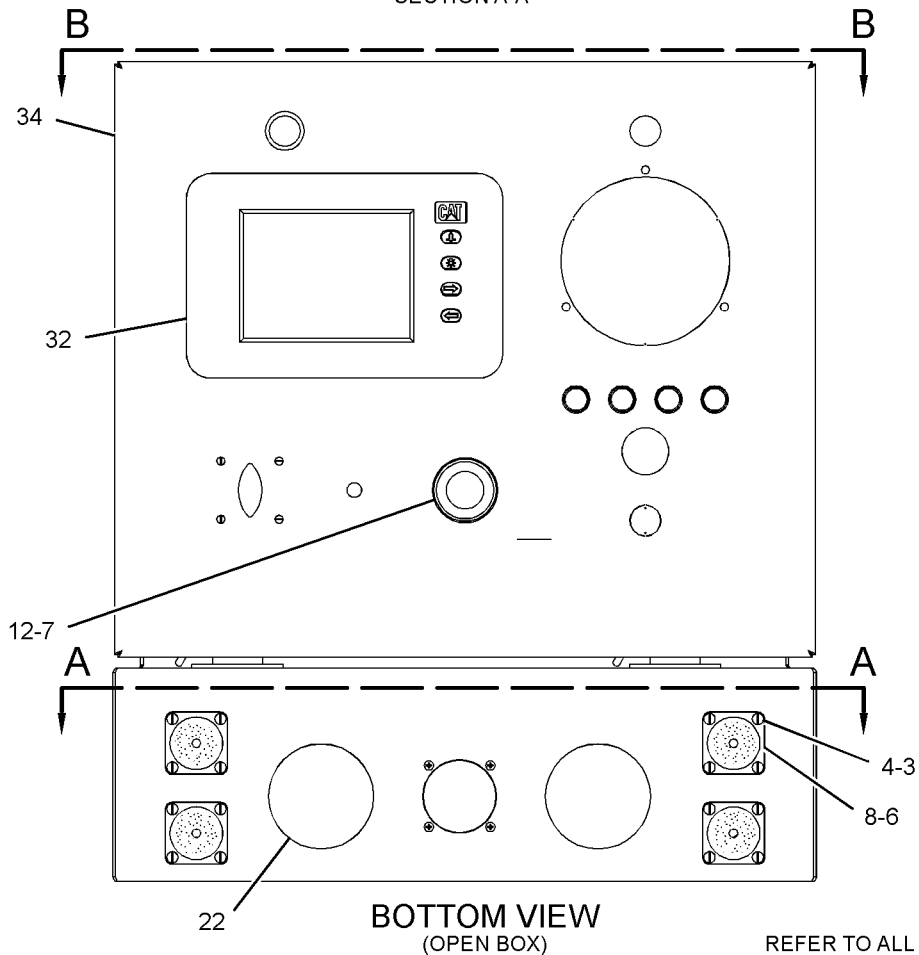
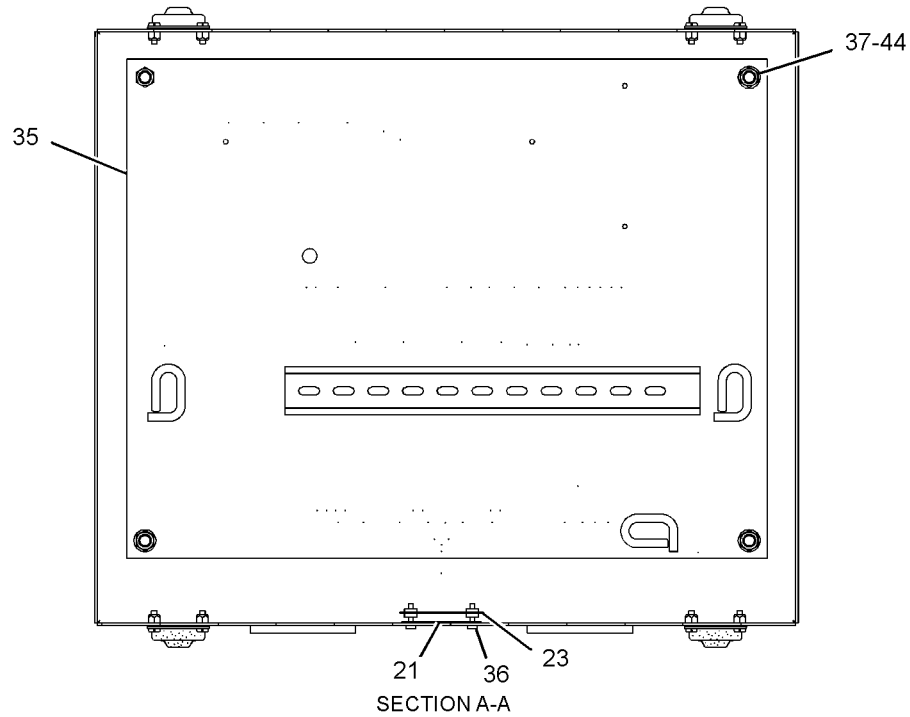
NOTE	REF NO	GRAPHIC REF	PART NUMBER	QTY	PART NAME						SEE PAGE
					1	2	3	4	5	6 (PRODUCT LEVEL)	
	1	2	1H-4393	2	LOCKWASHER						
	2	2	3E-0357	11	DIODE AS						
	3	1	6D-5801	24	LOCKNUT (8-32-THD)						
	4	1,2	7S-1197	26	SCREW-MACHINE (8-32X0.5-IN)						
	5	2	9X-9675	2	BRACKET-END						
	6	1	107-2482	6	GASKET						
	7	1	109-6507	1	SWITCH AS-PUSH BUTTON (EMERGENCY STOP)						
	8	1	110-8909	6	MOUNT-FLEXIBLE						
	9	2	111-1323	1	BLOCK-CONTACT (1-POLE)						
	10	2	120-9079	2	TERMINAL						
	11	2	123-9694	1	HORN						
	12	1	124-3176	1	COVER						
	13	2	125-9941	4	BASE-LAMP						
	14	2	125-9942	1	LENS (AMBER)						
	15	2	125-9943	2	LENS (RED)						
	16	2	125-9944	1	LENS (GREEN)						
	17	2	125-9955	1	LAMP-LED (24-VOLT, RED)						
	17A	2	125-9955	1	LAMP-LED (24-VOLT, RED)						
	18	2	125-9956	1	LAMP-LED (24-VOLT, AMBER)						
	19	2	125-9957	1	LAMP-LED (24-VOLT, GREEN)						
	20	2	127-2331	1	SWITCH AS-ROTARY (ENGINE CONTROL)						
	21	1	131-4891	1	GASKET						
	22	1	131-9131	2	SEAL-CONNECTOR (76-MM ID)						
	23	1	132-8489	1	NUT-RING						
	24	2	134-0957	1	COVER-BLOCK						
	25	2	135-6740	11	BLOCK-DIODE						
	26	2	197-2691	1	STRIP-CONTACT						
	27	2	204-5592	1	BAR-FIXED BRIDGE						
	28	2	204-5593	3	RELAY (24-VOLT) (POWER)						
	29	2	204-5594	9	RELAY (24-VOLT) (START ENABLE)						
	30	2	221-2498	1	WIRE AS						
	31	2	231-9911	1	BRACKET						
Y	32	1	267-8623	1	DISPLAY GP-MONITOR (MARINE POWER DISPLAY)						600
Y	33	2	278-1836	1	HARNESS AS-PANEL (MARINE POWER DISPLAY)						427
Y	34	1	290-7263	1	BOX AS-INSTRUMENT						574
	35	1	291-4828	1	PLATE AS						
		1	7T-1099	3	LINK						
	36	1	156-6450	4	SCREW-PAN HEAD (6-32X15.88-MM)						
	37	1	3E-9860	4	LOCKNUT (5/16-18-THD)						
	38	2	3T-4405	1	SWITCH GP-TOGGLE (LOCAL, REMOTE THROTTLE)						
		2	3L-8187	6	LOCKWASHER						
		2	6T-3631	2	NUT-HEX (15/32-32-THD)						
		2	6T-3632	1	LOCKWASHER						
		2	6T-3633	1	RING-LOCKING						
		2	6V-8374	6	SCREW-MACHINE (6-32X0.25-IN)						
	39	2	4B-4863	2	WASHER (4.7X11X1.2-MM THK)						
	40	2	4D-1836	1	SWITCH AS-TOGGLE (ENGINE PROTECTION OVERRIDE)						
	40A	2	4D-1836	1	SWITCH AS-TOGGLE (TORQUE LIMIT)						
	41	2	5P-0537	4	WASHER-HARD (7.2X14.5X2-MM THK)						
	42	2	7C-4910	1	SEAL						
Y	43	2	7N-8001	1	SWITCH GP-TOGGLE (CRANK OVERRIDE)						524
Y	43A	2	7N-8001	1	SWITCH GP-TOGGLE (PRELUBRICATION OVERRIDE)						524
	44	1	8T-4224	4	WASHER-HARD (8.8X16X2-MM THK)						
	45	2	9S-8750	2	NUT-FULL (1/4-20-THD)						
E	46	2	7Y-5074		GUARD-HOSE (19-CM)						
	47	2	241-8224	1	KIT-MARKER (INSTRUMENT PANEL)						

OPERATOR STATION

290-3211 BOX GP-INSTRUMENT PANEL (contd.)

i02824133

E-ORDER BY THE CENTIMETER
Y-SEPARATE ILLUSTRATION



BOTTOM VIEW
(OPEN BOX)

REFER TO ALL ILLUSTRATIONS OF
THIS GROUP FOR AUXILIARY VIEWS

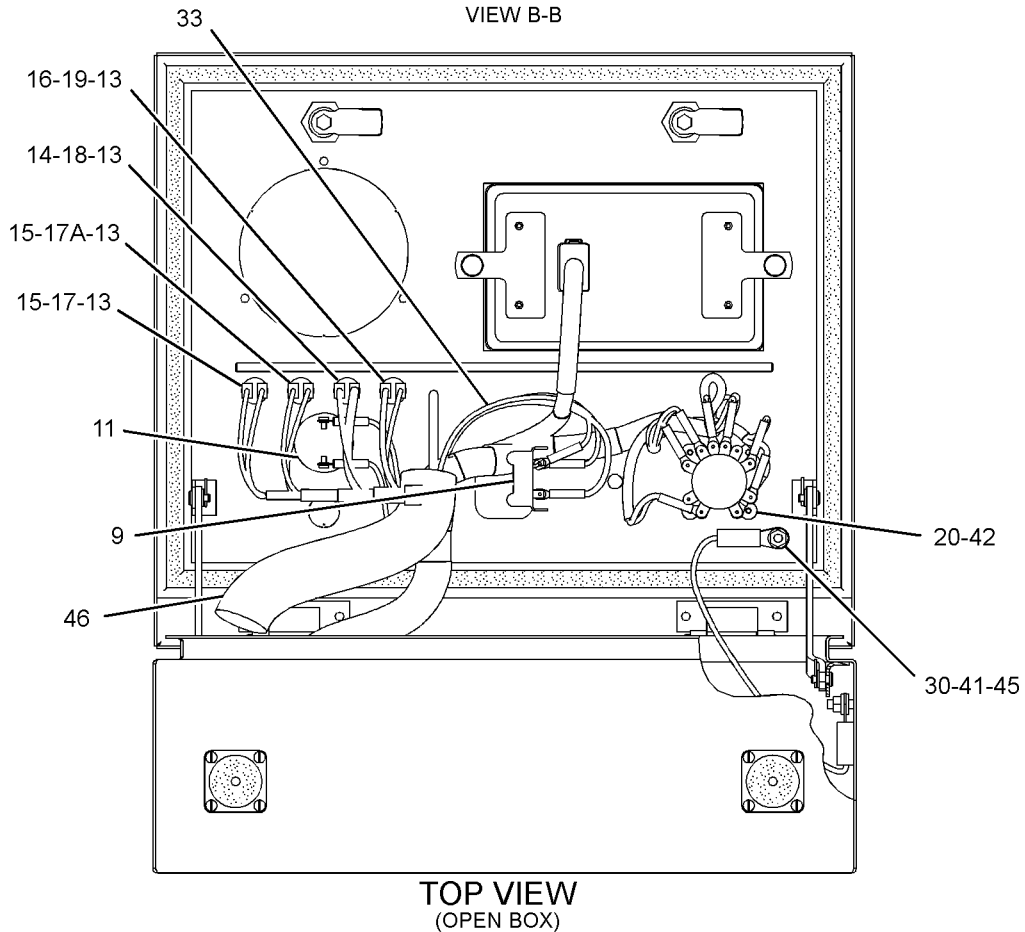
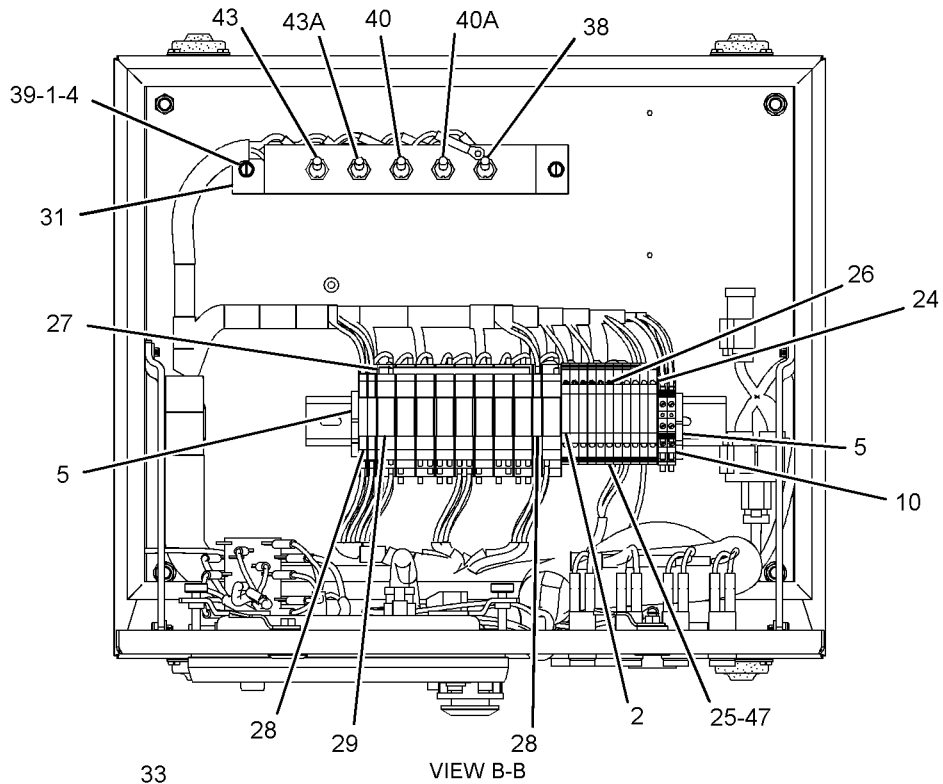
GRAPHIC #1

g01325862

OPERATOR STATION

290-3211 BOX GP-INSTRUMENT PANEL (contd.)

i02824133



GRAPHIC #2

<END>

g01373964

OPERATOR STATION

290-3211 BOX GP-INSTRUMENT PANEL

S/N: TTH237-UP

AN ATTACHMENT

SMCS-7451, 7490

i03620263

NOTE	REF NO	GRAPHIC REF	PART NUMBER	QTY	PART NAME						SEE PAGE
					1	2	3	4	5	6 (PRODUCT LEVEL)	
	1	2	1H-4393	2	LOCKWASHER						
C	2	2	3E-0357	7	DIODE AS						
	3	1	6D-5801	24	LOCKNUT (8-32-THD)						
	4	1,2	7S-1197	26	SCREW-MACHINE (8-32X0.5-IN)						
	5	2	9X-9675	2	BRACKET-END						
	6	1	107-2482	6	GASKET						
	7	1	109-6507	1	SWITCH AS-PUSH BUTTON (EMERGENCY STOP)						
	8	1	110-8909	6	MOUNT-FLEXIBLE						
	9	2	111-1323	1	BLOCK-CONTACT (1-POLE)						
	10	2	120-9079	2	TERMINAL						
	11	2	123-9694	1	HORN						
	12	1	124-3176	1	COVER						
	13	2	125-9941	4	BASE-LAMP						
	14	2	125-9942	1	LENS (AMBER)						
	15	2	125-9943	2	LENS (RED)						
	16	2	125-9944	1	LENS (GREEN)						
	17	2	125-9955	1	LAMP-LED (24-VOLT, RED)						
	17A	2	125-9955	1	LAMP-LED (24-VOLT, RED)						
	18	2	125-9956	1	LAMP-LED (24-VOLT, AMBER)						
	19	2	125-9957	1	LAMP-LED (24-VOLT, GREEN)						
	20	2	127-2331	1	SWITCH AS-ROTARY (ENGINE CONTROL)						
	21	1	131-4891	1	GASKET						
	22	1	131-9131	2	SEAL-CONNECTOR (76-MM ID)						
	23	1	132-8489	1	NUT-RING						
	24	2	134-0957	1	COVER-BLOCK						
C	25	2	135-6740	7	BLOCK-DIODE						
	27	2	204-5592	1	BAR-FIXED BRIDGE						
	28	2	204-5593	1	RELAY (24-VOLT) (POWER)						
	28A	2	204-5593	1	RELAY (24-VOLT) (REMOTE SYSTEM RESET)						
	28B	2	204-5593	1	RELAY (24-VOLT) (ENGINE CONT SWITCH IN REMOTE)						
C	28C	2	204-5593	1	RELAY (24-VOLT) (HORN)						
	29	2	204-5594	1	RELAY (24-VOLT) (START ENABLE)						
	29A	2	204-5594	1	RELAY (24-VOLT) (RUN 1)						
	29B	2	204-5594	1	RELAY (24-VOLT) (STOP 1)						
	29C	2	204-5594	1	RELAY (24-VOLT) (STOP ENABLE)						
	29D	2	204-5594	1	RELAY (24-VOLT) (RUN 2)						
	29E	2	204-5594	1	RELAY (24-VOLT) (STOP 2)						
	30	2	221-2498	1	WIRE AS						
	31	2	231-9911	1	BRACKET						
Y	32	1	267-8623	1	DISPLAY GP-MONITOR (MARINE POWER DISPLAY)						600
CY	33	2	336-0194	1	HARNESS AS-PANEL (MARINE POWER DISPLAY)						430
Y	34	1	290-7263	1	BOX AS-INSTRUMENT						574
	35	1	291-4828	1	PLATE AS						
		1	7T-1099	3	LINK						
	36	1	156-6450	4	SCREW-PAN HEAD (6-32X15.88-MM)						
	37	1	3E-9860	4	LOCKNUT (5/16-18-THD)						
	38	2	3T-4405	1	SWITCH GP-TOGGLE (LOCAL, REMOTE THROTTLE)						
		2	3L-8187	6	LOCKWASHER						
		2	6T-3631	2	NUT-HEX (15/32-32-THD)						
		2	6T-3632	1	LOCKWASHER						
		2	6T-3633	1	RING-LOCKING						
		2	6V-8374	6	SCREW-MACHINE (6-32X0.25-IN)						
	39	2	4B-4863	2	WASHER (4.7X11X1.2-MM THK)						
	40	2	4D-1836	1	SWITCH AS-TOGGLE (ENGINE PROTECTION OVERRIDE)						
	40A	2	4D-1836	1	SWITCH AS-TOGGLE (TORQUE LIMIT)						

OPERATOR STATION

290-3211 BOX GP-INSTRUMENT PANEL (contd.)

i03620263

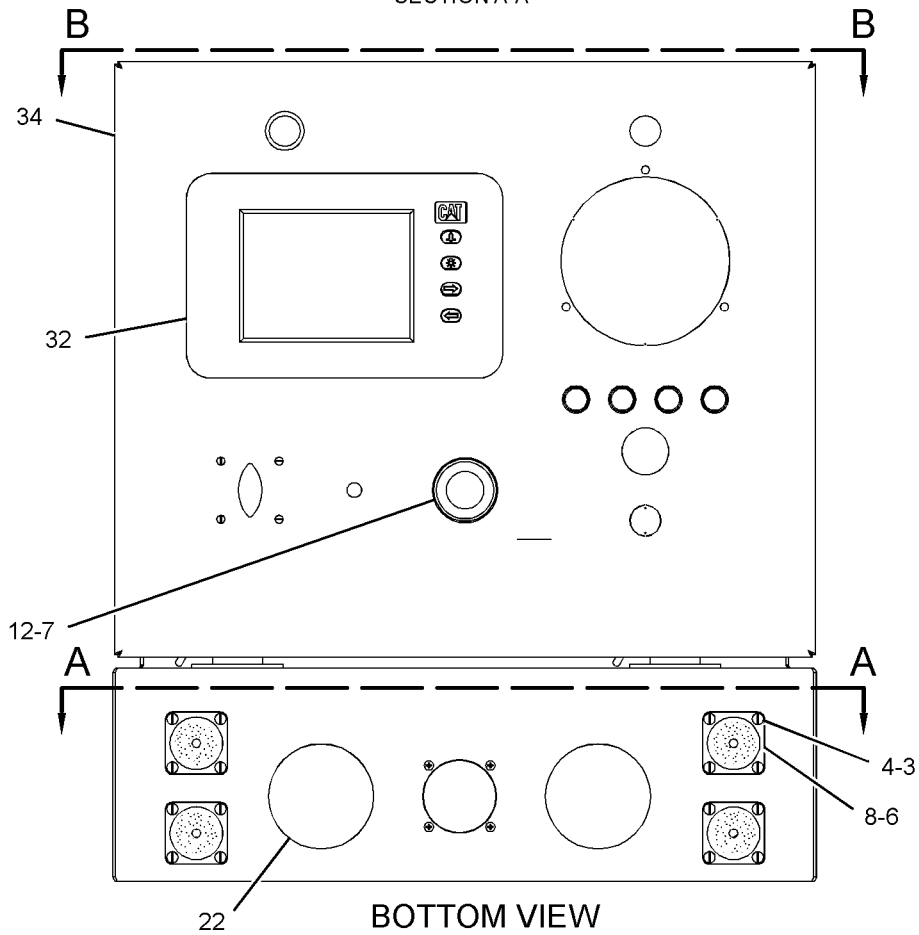
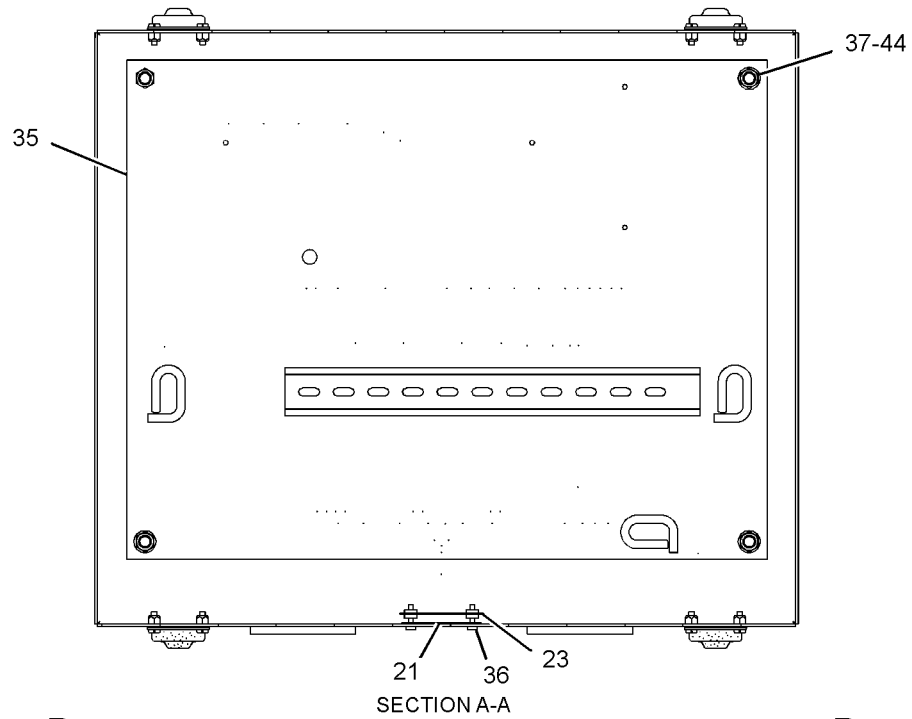
NOTE	REF NO	GRAPHIC REF	PART NUMBER	QTY	PART NAME	SEE PAGE
					1 2 3 4 5 6 (PRODUCT LEVEL)	
	41	2	5P-0537	4	WASHER-HARD (7.2X14.5X2-MM THK)	
	42	2	7C-4910	1	SEAL	
Y	43	2	7N-8001	1	SWITCH GP-TOGGLE (CRANK OVERRIDE)	524
Y	43A	2	7N-8001	1	SWITCH GP-TOGGLE (PRELUBRICATION OVERRIDE)	524
	44	1	8T-4224	4	WASHER-HARD (8.8X16X2-MM THK)	
	45	2	9S-8750	2	NUT-FULL (1/4-20-THD)	
E	46	2	7Y-5074		GUARD-HOSE (19-CM)	
	47	2	241-8224	1	KIT-MARKER (INSTRUMENT PANEL)	

C-CHANGE FROM PREVIOUS TYPE
 E-ORDER BY THE CENTIMETER
 Y-SEPARATE ILLUSTRATION

OPERATOR STATION

290-3211 BOX GP-INSTRUMENT PANEL (contd.)

i03620263



BOTTOM VIEW
(OPEN BOX)

REFER TO ALL ILLUSTRATIONS OF
THIS GROUP FOR AUXILIARY VIEWS

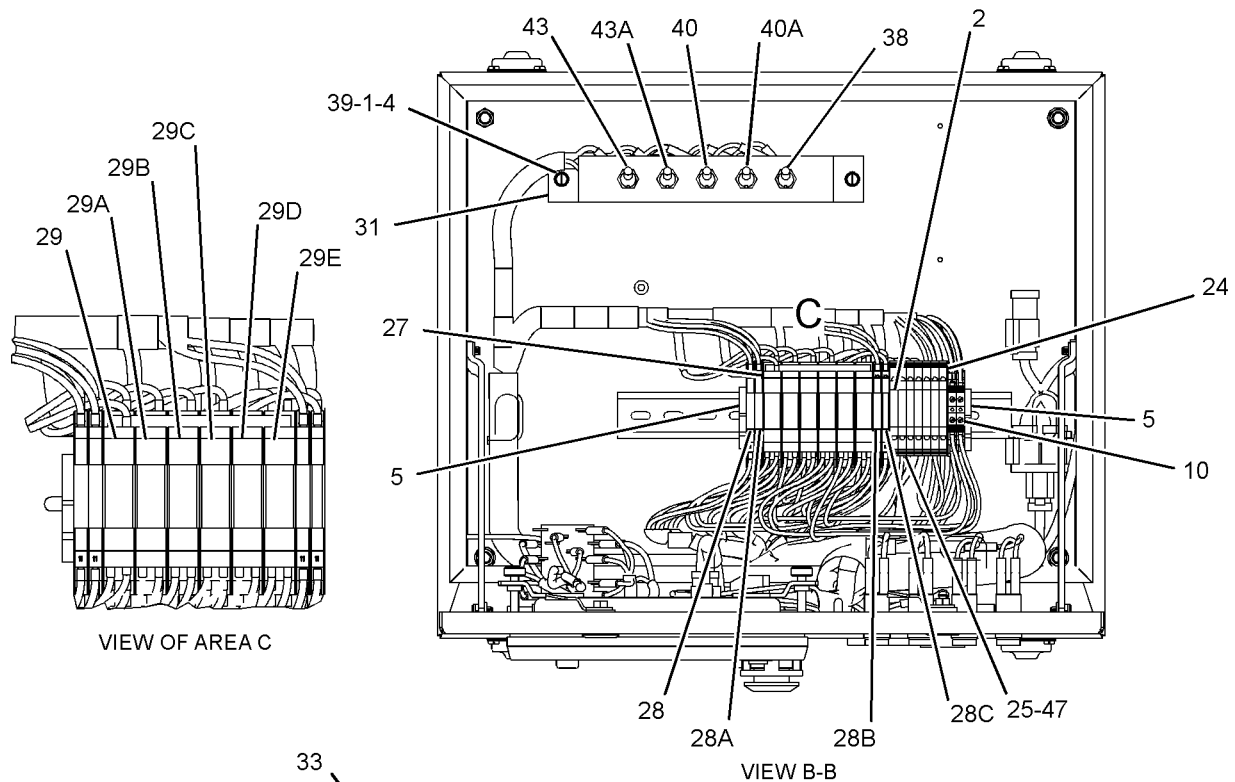
GRAPHIC #1

g01948618

OPERATOR STATION

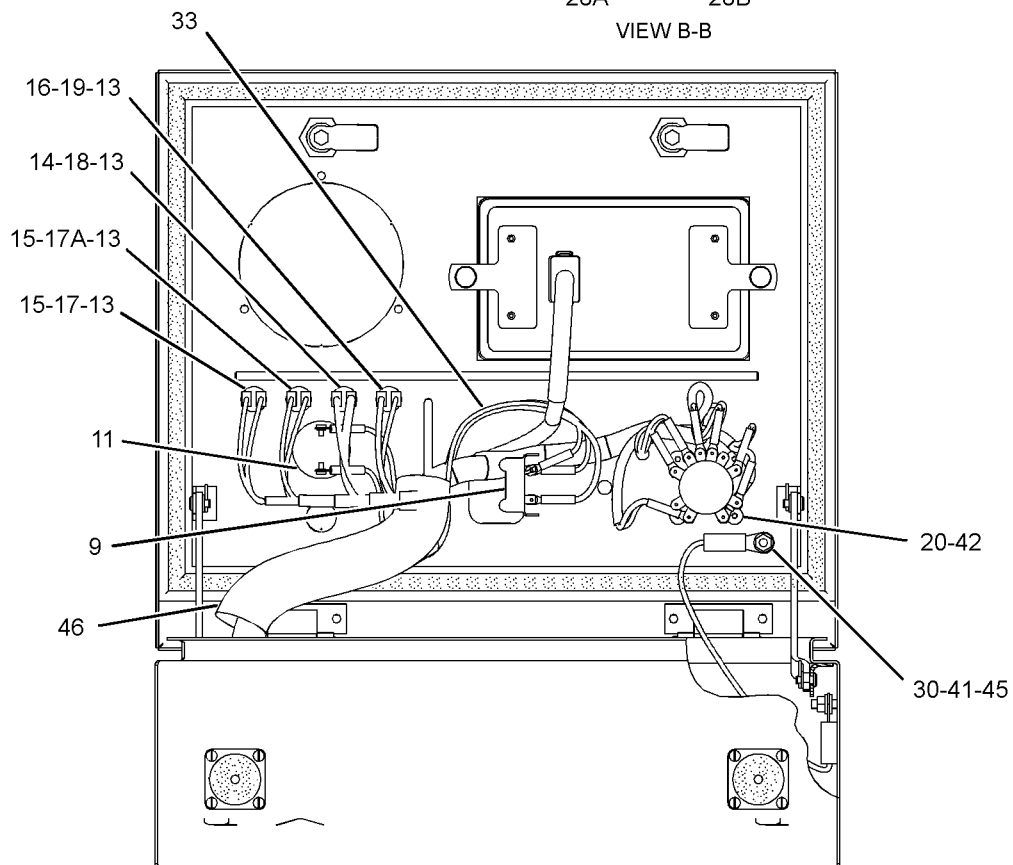
290-3211 BOX GP-INSTRUMENT PANEL (contd.)

i03620263



VIEW OF AREA C

VIEW B-B



TOP VIEW
(OPEN BOX)

<END>

GRAPHIC #2

g01948619

OPERATOR STATION

300-0478 BOX GP-INSTRUMENT PANEL

S/N: TTH1-236

AN ATTACHMENT

SMCS-7451, 7490

i03871749

NOTE	REF NO	GRAPHIC REF	PART NUMBER	QTY	PART NAME						SEE PAGE
					1	2	3	4	5	6 (PRODUCT LEVEL)	
	1	2	1H-4393	2	LOCKWASHER						
	2	2	3E-0357	11	DIODE AS						
	3	1	6D-5801	24	LOCKNUT (8-32-THD)						
	4	2	9X-9675	2	BRACKET-END						
	5	1	107-2482	6	GASKET						
	6	1	109-6507	1	SWITCH AS-PUSH BUTTON (EMERGENCY STOP)						
	7	1	110-8909	6	MOUNT-FLEXIBLE						
	8	2	111-1323	1	BLOCK-CONTACT (1-POLE)						
	9	2	120-9079	2	TERMINAL						
	10	2	123-9694	1	HORN						
	11	1	124-3176	1	COVER						
	12	2	125-9941	4	BASE-LAMP						
	13	2	125-9942	1	LENS (AMBER)						
	14	2	125-9943	2	LENS (RED)						
	15	2	125-9944	1	LENS (GREEN)						
	16	2	125-9955	1	LAMP-LED (24-VOLT, RED)						
	16A	2	125-9955	1	LAMP-LED (24-VOLT, RED)						
	17	2	125-9956	1	LAMP-LED (24-VOLT, AMBER)						
	18	2	125-9957	1	LAMP-LED (24-VOLT, GREEN)						
	19	2	127-2331	1	SWITCH AS-ROTARY (ENGINE CONTROL)						
	20	1	131-4891	1	GASKET						
	21	1	132-8489	1	NUT-RING						
	22	2	134-0957	1	COVER-BLOCK						
	23	2	135-6740	11	BLOCK-DIODE						
	24	1,2	178-3339	26	SCREW (8-32X0.5-IN)						
	25	2	197-2691	1	STRIP-CONTACT						
	26	2	204-5592	1	BAR-FIXED BRIDGE						
	27	2	204-5593	3	RELAY (24-VOLT) (POWER)						
	28	2	204-5594	9	RELAY (24-VOLT) (START ENABLE)						
	29	2	221-2498	1	WIRE AS						
	30	2	231-9911	1	BRACKET						
Y	31	2	237-9023	1	HARNESS AS-SENSOR (THERMOCOUPLE)						434
	32	1	251-9430	1	MODULE-EXHAUST TEMPERATURE						
Y	33	1	267-8623	1	DISPLAY GP-MONITOR (MARINE POWER DISPLAY)						600
Y	34	2	278-1836	1	HARNESS AS-PANEL (MARINE POWER DISPLAY)						427
Y	35	1	290-7263	1	BOX AS-INSTRUMENT						574
	36	1	291-4828	1	PLATE AS						
		1	7T-1099	3	LINK						
	37	1	156-6450	4	SCREW-PAN HEAD (6-32X15.88-MM)						
	38	1	3E-9860	4	LOCKNUT (5/16-18-THD)						
	39	2	3T-4405	1	SWITCH GP-TOGGLE (LOCAL, REMOTE THROTTLE)						
		2	3L-8187	6	LOCKWASHER						
		2	6T-3631	2	NUT-HEX (15/32-32-THD)						
		2	6T-3632	1	LOCKWASHER						
		2	6T-3633	1	RING-LOCKING						
		2	6V-8374	6	SCREW-MACHINE (6-32X0.25-IN)						
	40	2	4B-4863	2	WASHER (4.7X11X1.2-MM THK)						
	41	2	4D-1836	1	SWITCH AS-TOGGLE (ENGINE PROTECTION OVERRIDE)						
	41A	2	4D-1836	1	SWITCH AS-TOGGLE (TORQUE LIMIT)						
	42	2	5P-0537	4	WASHER-HARD (7.2X14.5X2-MM THK)						
	43	2	7C-4910	1	SEAL						
Y	44	2	7N-8001	1	SWITCH GP-TOGGLE (CRANK OVERRIDE)						524
Y	44A	2	7N-8001	1	SWITCH GP-TOGGLE (PRELUBRICATION OVERRIDE)						524
	45	1	8T-4224	4	WASHER-HARD (8.8X16X2-MM THK)						
	46	2	9S-8750	2	NUT-FULL (1/4-20-THD)						
E	47	2	7Y-5074		GUARD-HOSE (19-CM)						

OPERATOR STATION

300-0478 BOX GP-INSTRUMENT PANEL (contd.)

i03871749

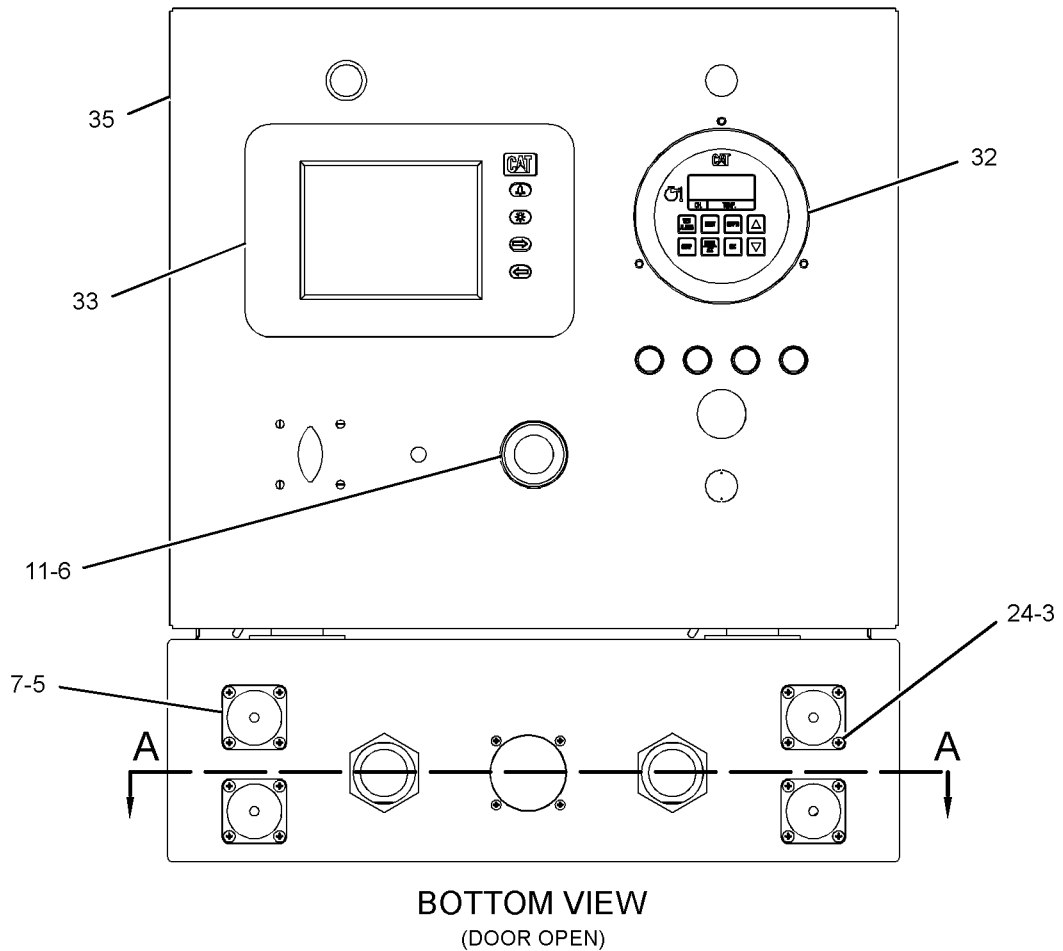
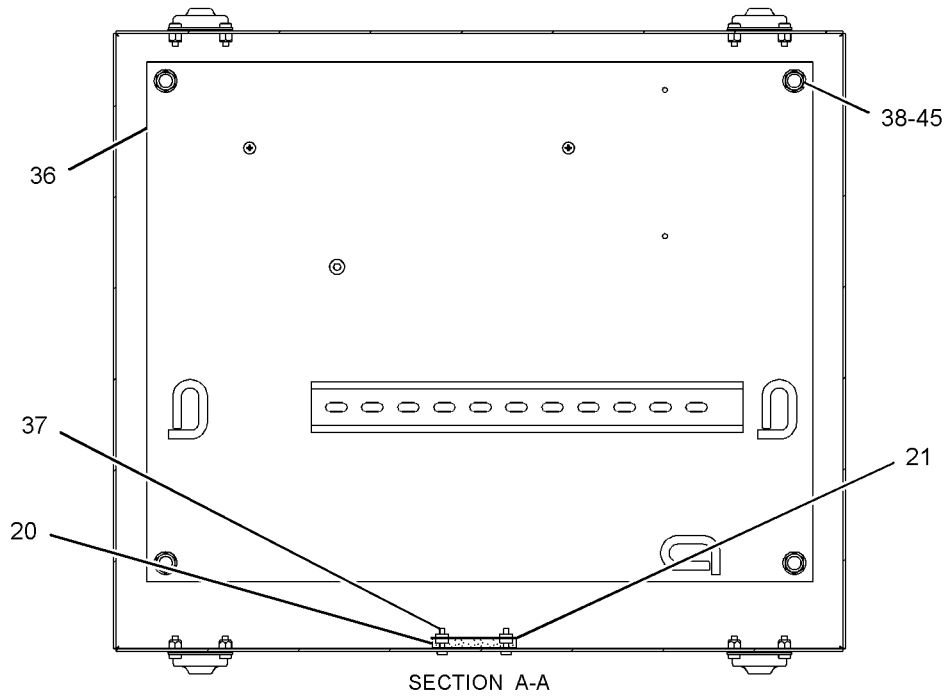
NOTE	REF NO	GRAPHIC REF	PART NUMBER	QTY	PART NAME						SEE PAGE
					1	2	3	4	5	6 (PRODUCT LEVEL)	
	48	2	241-8224	1	KIT-MARKER (INSTRUMENT PANEL)						

E-ORDER BY THE CENTIMETER
Y-SEPARATE ILLUSTRATION

OPERATOR STATION

300-0478 BOX GP-INSTRUMENT PANEL (contd.)

i03871749



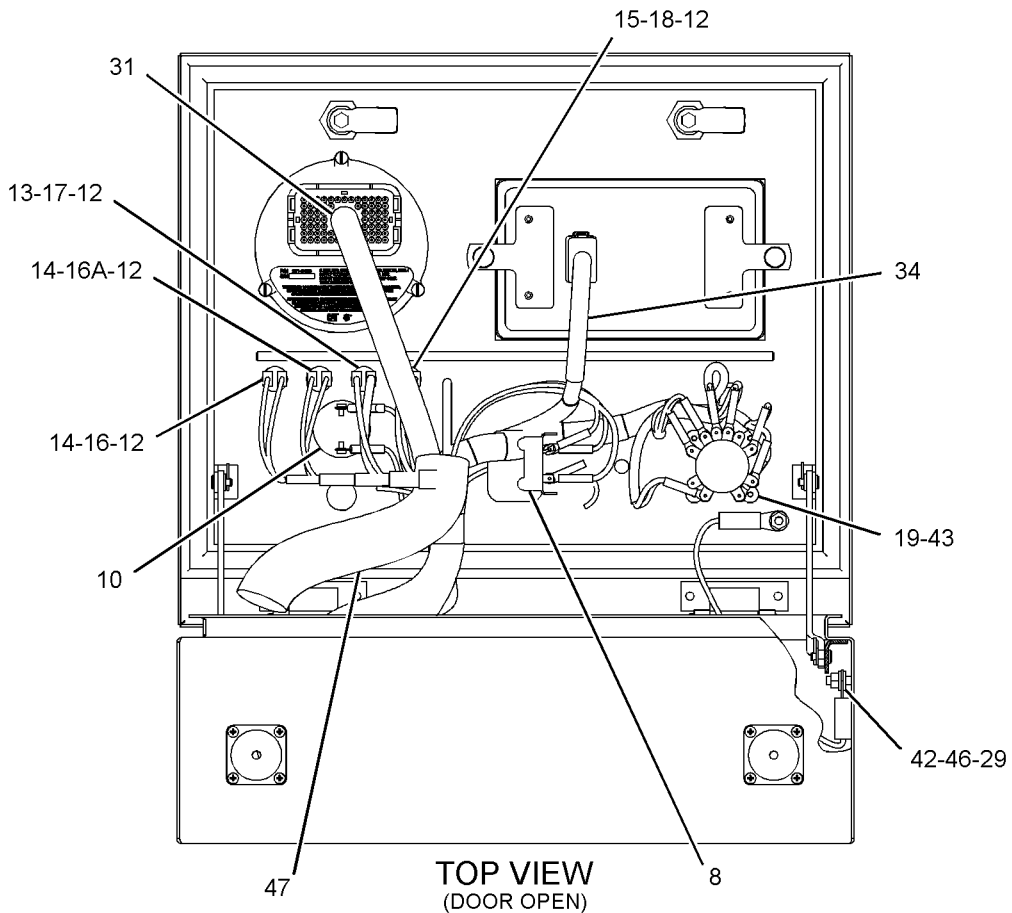
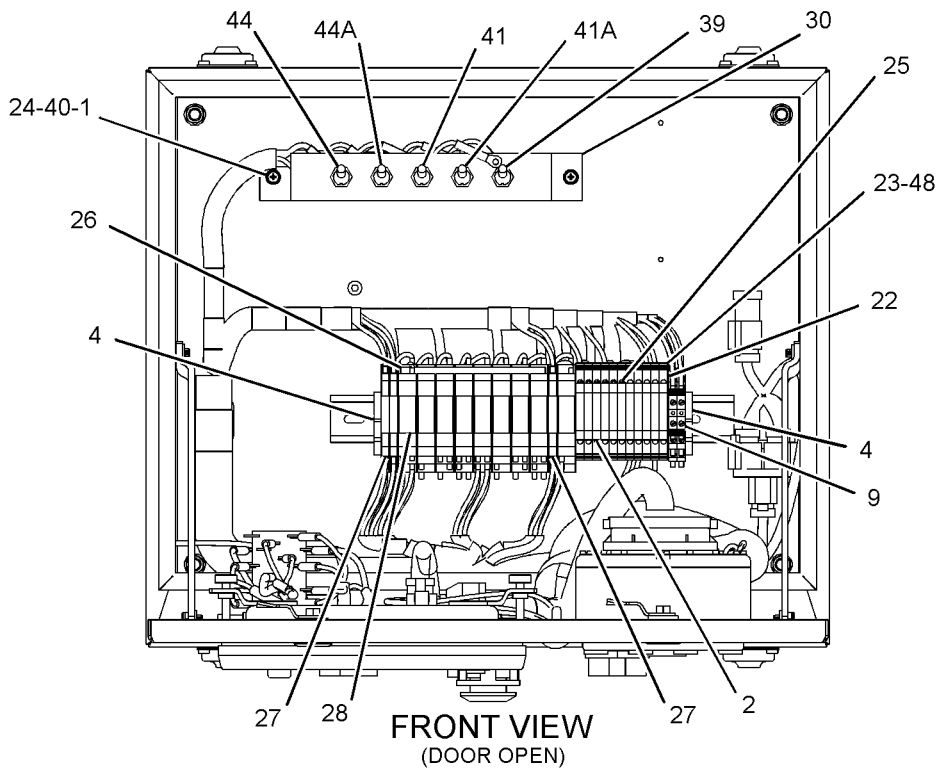
GRAPHIC #1

g01347129

OPERATOR STATION

300-0478 BOX GP-INSTRUMENT PANEL (contd.)

i03871749



GRAPHIC #2

<END>

g01373967

OPERATOR STATION

300-0478 BOX GP-INSTRUMENT PANEL

S/N: TTH237-UP

AN ATTACHMENT

SMCS-7451, 7490

i03621821

NOTE	REF NO	GRAPHIC REF	PART NUMBER	QTY	PART NAME						SEE PAGE
					1	2	3	4	5	6 (PRODUCT LEVEL)	
	1	1	1H-4393	2	LOCKWASHER						
C	2	1	3E-0357	7	DIODE AS						
	3	2	6D-5801	24	LOCKNUT (8-32-THD)						
	4	1	9X-9675	2	BRACKET-END						
	5	2	107-2482	6	GASKET						
	6	2	109-6507	1	SWITCH AS-PUSH BUTTON (EMERGENCY STOP)						
	7	2	110-8909	6	MOUNT-FLEXIBLE						
	8	1	111-1323	1	BLOCK-CONTACT (1-POLE)						
	9	1	120-9079	2	TERMINAL						
	10	1	123-9694	1	HORN						
	11	2	124-3176	1	COVER						
	12	1	125-9941	4	BASE-LAMP						
	13	1	125-9942	1	LENS (AMBER)						
	14	1	125-9943	2	LENS (RED)						
	15	1	125-9944	1	LENS (GREEN)						
	16	1	125-9955	1	LAMP-LED (24-VOLT, RED)						
	16A	1	125-9955	1	LAMP-LED (24-VOLT, RED)						
	17	1	125-9956	1	LAMP-LED (24-VOLT, AMBER)						
	18	1	125-9957	1	LAMP-LED (24-VOLT, GREEN)						
	19	1	127-2331	1	SWITCH AS-ROTARY (ENGINE CONTROL)						
	20	2	131-4891	1	GASKET						
	21	2	132-8489	1	NUT-RING						
	22	1	134-0957	1	COVER-BLOCK						
C	23	1	135-6740	7	BLOCK-DIODE						
	24	1,2	178-3339	26	SCREW (8-32X0.5-IN)						
	26	1	204-5592	1	BAR-FIXED BRIDGE						
C	27	1	204-5593	1	RELAY (24-VOLT) (POWER)						
	27A	1	204-5593	1	RELAY (24-VOLT) (REMOTE SYSTEM RESET)						
	27B	1	204-5593	1	RELAY (24-VOLT) (ENGINE CONT SWITCH IN REMOTE)						
	27C	1	204-5593	1	RELAY (24-VOLT) (HORN)						
C	28	1	204-5594	1	RELAY (24-VOLT) (START ENABLE)						
	28A	1	204-5594	1	RELAY (24-VOLT) (RUN 1)						
	28B	1	204-5594	1	RELAY (24-VOLT) (STOP 1)						
	28C	1	204-5594	1	RELAY (24-VOLT) (STOP ENABLE)						
	28D	1	204-5594	1	RELAY (24-VOLT) (RUN 2)						
	28E	1	204-5594	1	RELAY (24-VOLT) (STOP 2)						
	29	1	221-2498	1	WIRE AS						
	30	1	231-9911	1	BRACKET						
Y	31	1	237-9023	1	HARNESS AS-SENSOR (THERMOCOUPLE)						434
	32	2	251-9430	1	MODULE-EXHAUST TEMPERATURE						
Y	33	2	267-8623	1	DISPLAY GP-MONITOR (MARINE POWER DISPLAY)						600
CY	34	1	336-0194	1	HARNESS AS-PANEL (MARINE POWER DISPLAY)						430
Y	35	2	290-7263	1	BOX AS-INSTRUMENT						574
	36	2	291-4828	1	PLATE AS						
		2	7T-1099	3	LINK						
	37	2	156-6450	4	SCREW-PAN HEAD (6-32X15.88-MM)						
	38	2	3E-9860	4	LOCKNUT (5/16-18-THD)						
	39	1	3T-4405	1	SWITCH GP-TOGGLE (LOCAL, REMOTE THROTTLE)						
		1	3L-8187	6	LOCKWASHER						
		1	6T-3631	2	NUT-HEX (15/32-32-THD)						
		1	6T-3632	1	LOCKWASHER						
		1	6T-3633	1	RING-LOCKING						
		1	6V-8374	6	SCREW-MACHINE (6-32X0.25-IN)						
	40	1	4B-4863	2	WASHER (4.7X11X1.2-MM THK)						
	41	1	4D-1836	1	SWITCH AS-TOGGLE (ENGINE PROTECTION OVERRIDE)						

OPERATOR STATION

300-0478 BOX GP-INSTRUMENT PANEL (contd.)

i03621821

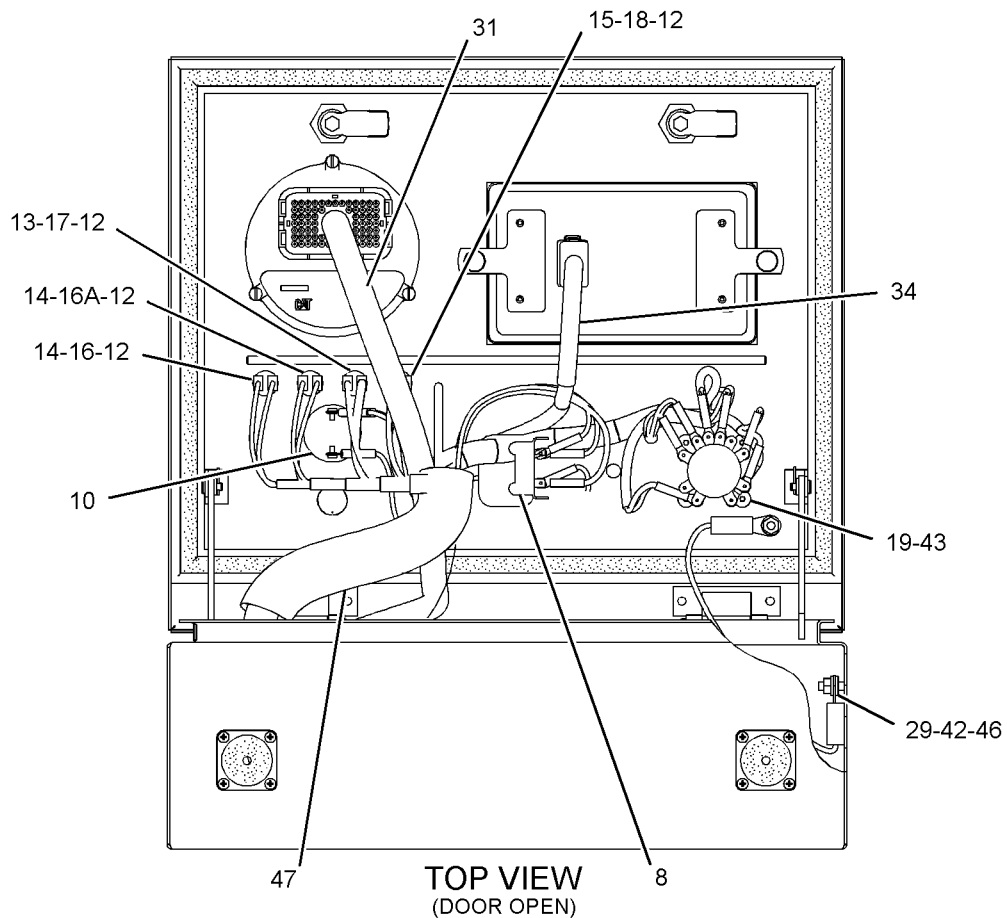
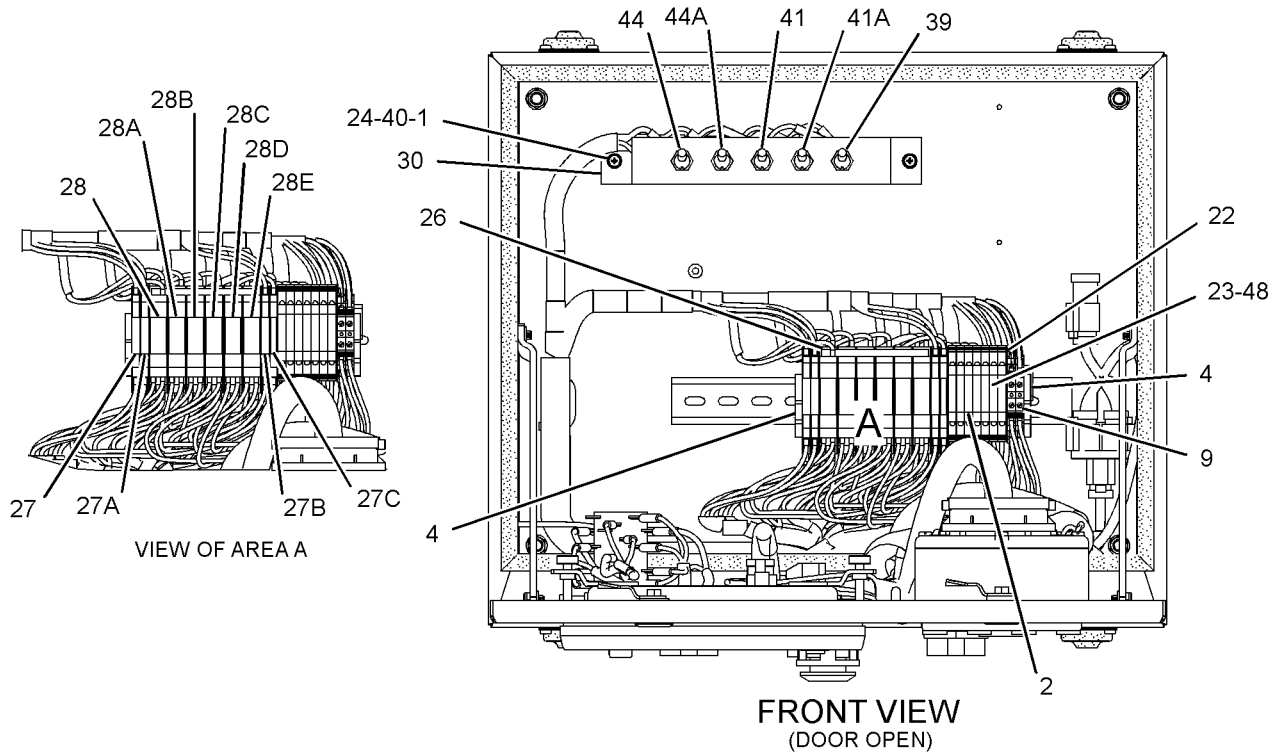
NOTE	REF NO	GRAPHIC REF	PART NUMBER	QTY	PART NAME	SEE PAGE
					1 2 3 4 5 6 (PRODUCT LEVEL)	
	41A	1	4D-1836	1	SWITCH AS-TOGGLE (TORQUE LIMIT)	
	42	1	5P-0537	4	WASHER-HARD (7.2X14.5X2-MM THK)	
	43	1	7C-4910	1	SEAL	
Y	44	1	7N-8001	1	SWITCH GP-TOGGLE (CRANK OVERRIDE)	524
Y	44A	1	7N-8001	1	SWITCH GP-TOGGLE (PRELUBRICATION OVERRIDE)	524
	45	2	8T-4224	4	WASHER-HARD (8.8X16X2-MM THK)	
	46	1	9S-8750	2	NUT-FULL (1/4-20-THD)	
E	47	1	7Y-5074		GUARD-HOSE (19-CM)	
	48	1	241-8224	1	KIT-MARKER (INSTRUMENT PANEL)	

C-CHANGE FROM PREVIOUS TYPE
 E-ORDER BY THE CENTIMETER
 Y-SEPARATE ILLUSTRATION

OPERATOR STATION

300-0478 BOX GP-INSTRUMENT PANEL (contd.)

i03621821



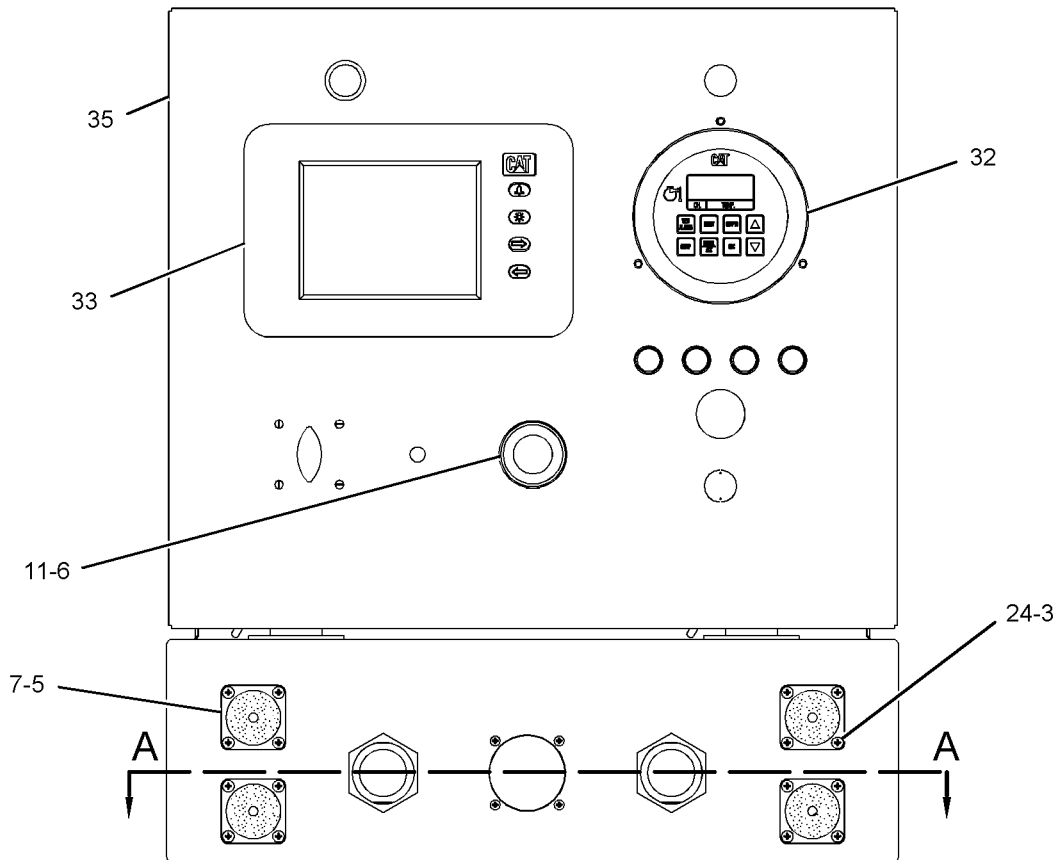
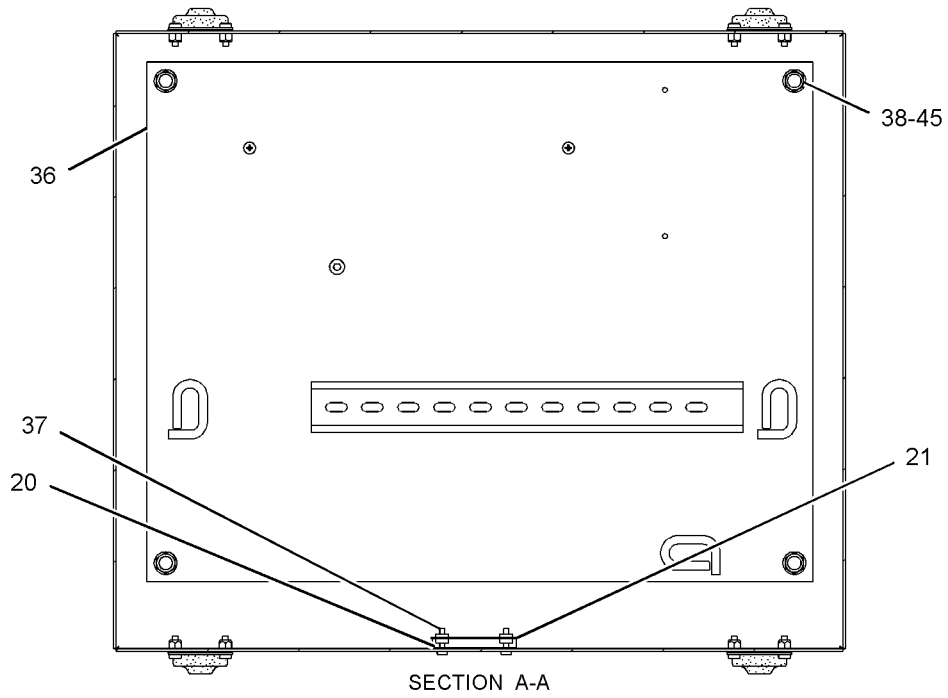
GRAPHIC #1

g01950594

OPERATOR STATION

300-0478 BOX GP-INSTRUMENT PANEL (contd.)

i03621821



GRAPHIC #2

<END>

g01950595

OPERATOR STATION

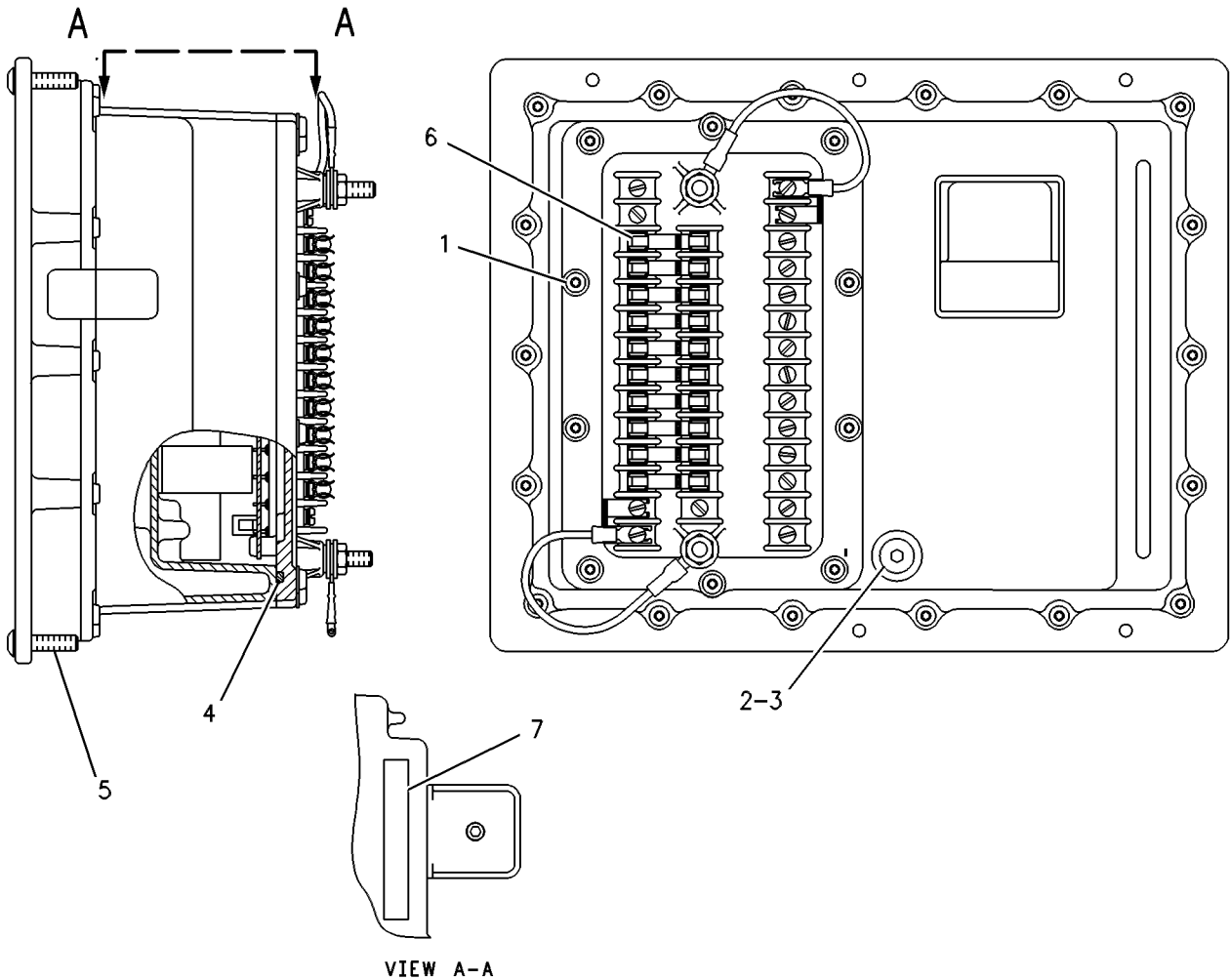
144-1623 CONTROL GP-ENGINE MONITORING- PROGRAMMABLE RELAY*R

PART OF 144-1624 CONTROL GP-ENGINE MONITORING
AN ATTACHMENT

SMCS-1901, 7490

i02400706

NOTE	REF NO	GRAPHIC REF	PART NUMBER	QTY	PART NAME						SEE PAGE
					1	2	3	4	5	6 (PRODUCT LEVEL)	
	1	1	4B-4863	10	WASHER (4.7X11X1.2-MM THK)						
	2	1	9S-8002	1	PLUG-O-RING						
	3	1	3J-7354	1	SEAL-O-RING						
	4	1	1S-4974	1	SEAL-O-RING						
	5	1	9W-1464	6	SCREW (1/4-20X1-IN)						
	6	1	3K-8782	10	FUSE (10-AMPERE)						
	7	1	9Y-9782	1	FILM-IDENTIFICATION (10-AMPERE FUSE)						



GRAPHIC #1

<END>

g00275386

OPERATOR STATION

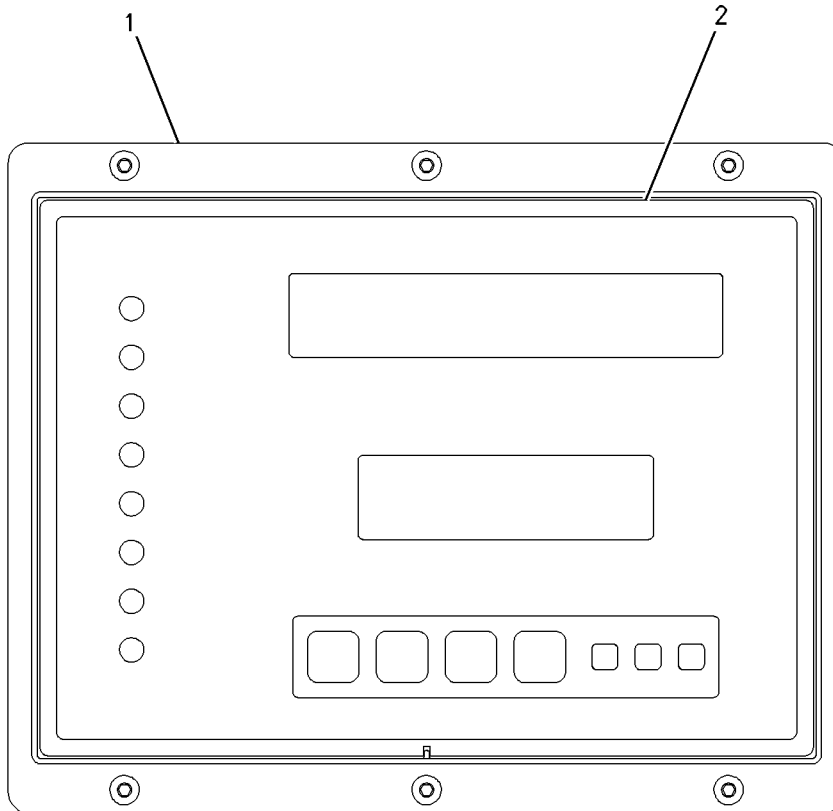
144-1624 CONTROL GP-ENGINE MONITORING- PROGRAMMABLE RELAY CONTROL MODULE PART OF 133-9300 CONTROL GP-ENGINE ELECTRONIC AN ATTACHMENT

SMCS-1901, 7490

i01905810

NOTE	REF NO	GRAPHIC REF	PART NUMBER	QTY	PART NAME						SEE PAGE
					1	2	3	4	5	6 (PRODUCT LEVEL)	
YR	1	1	144-1623	1	CONTROL GP-ENGINE MONITORING (PROGRAMMABLE RELAY CONTROL MOD)						595
	2	1	123-3932	1	FILM-CONTROL PANEL (EMCP II, PRCM)						
F			126-9246	1	FILM-INFORMATION (EMCP II, PRCM)						

F-NOT SHOWN
R-REMFG PART MAY BE AVAILABLE
Y-SEPARATE ILLUSTRATION



GRAPHIC #1

<END>

g00763036

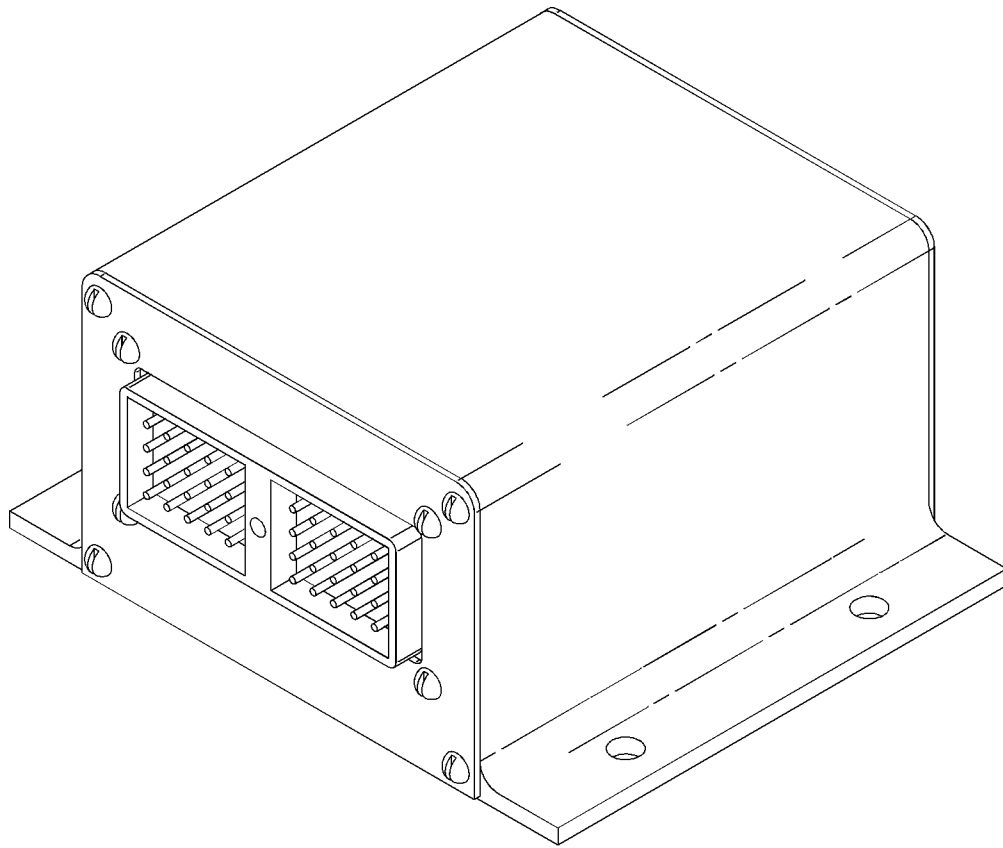
OPERATOR STATION

234-0275 CONTROL GP-ENGINE MONITORING- DISCRETE INPUT/OUTPUT PART OF 341-2532 CONTROL GP-ENGINE MONITORING AN ATTACHMENT

SMCS-1901, 7490

i02105063

NOTE	REF NO	GRAPHIC REF	PART NUMBER	QTY	PART NAME						SEE PAGE
					1	2	3	4	5	6 (PRODUCT LEVEL)	
(NO SERVICED PARTS)											



GRAPHIC #1

<END>

g01072402

OPERATOR STATION

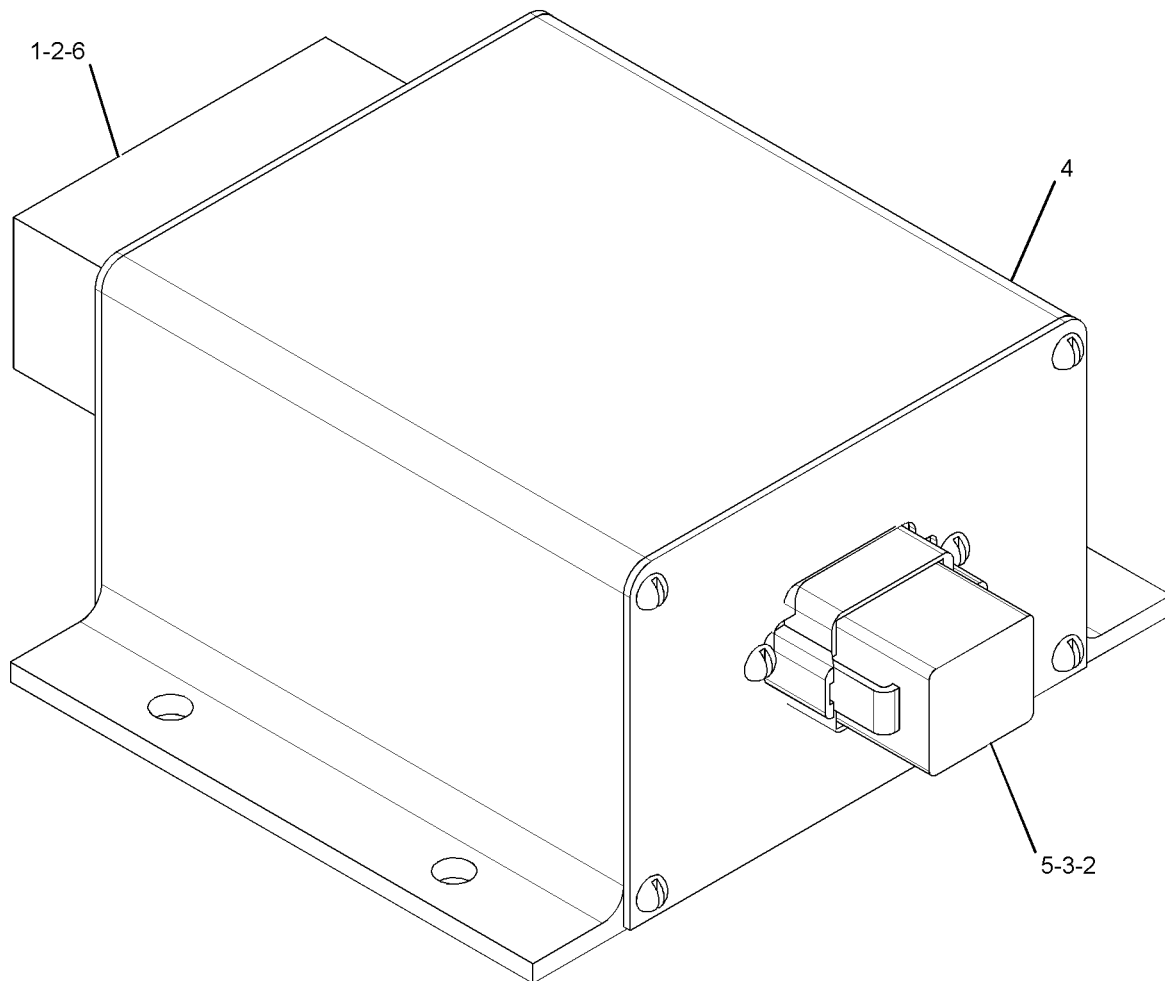
341-2532 CONTROL GP-ENGINE MONITORING- DISCRETE INPUT/OUTPUT AN ATTACHMENT

SMCS-1901, 7490

i03495625

NOTE	REF NO	GRAPHIC REF	PART NUMBER	QTY	PART NAME						SEE PAGE
					1	2	3	4	5	6 (PRODUCT LEVEL)	
	1	1	8T-8737	20	PLUG-SEAL						
	2	1	9X-3402	48	SOCKET-CONNECTOR (16-GA TO 18-GA)						
	3	1	155-2259	1	WEDGE-PLUG LOCK (8-PIN)						
Y	4	1	234-0275	1	CONTROL GP-ENGINE MONITORING (DISCRETE INPUT/OUTPUT)						597
	5	1	155-2265	1	KIT-CONNECTING PLUG (8-PIN) (INCLUDES PLUG AS AND WEDGE)						
	6	1	9X-7147	1	PLUG AS-CONNECTOR (40-PIN)						
		1	3E-4367	1	RING-RETAINING						
M		1	3E-8557	1	BOLT (M5X0.8X39.37-MM)						
		1	9X-3490	2	SEAL-CONNECTOR (40-PIN)						

M-METRIC PART
Y-SEPARATE ILLUSTRATION



GRAPHIC #1

<END>

g01836454

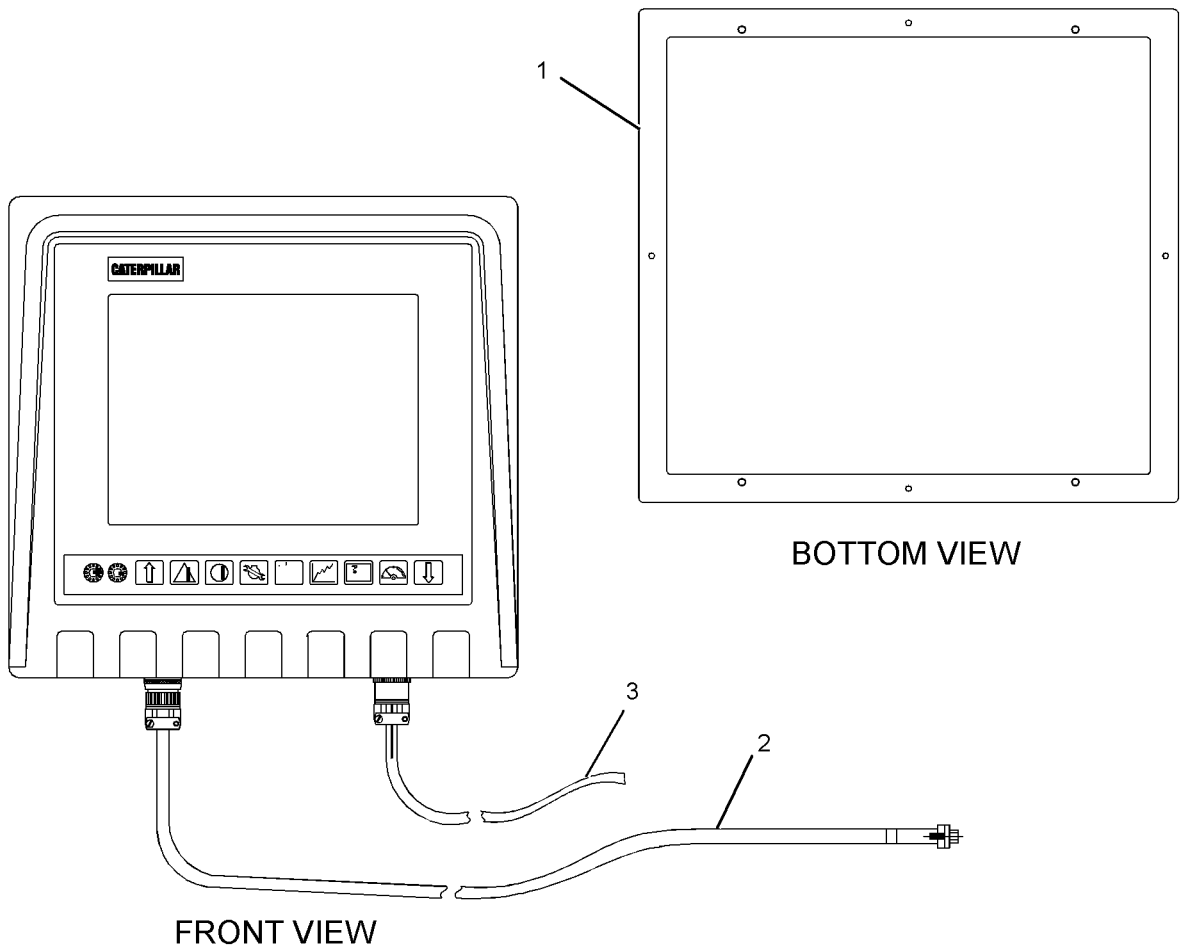
OPERATOR STATION

289-6327 CONTROL GP-MONITOR-ENGINE VISION AN ATTACHMENT

SMCS-7490

i02633956

NOTE	REF NO	GRAPHIC REF	PART NUMBER	QTY	PART NAME						SEE PAGE
					1	2	3	4	5	6 (PRODUCT LEVEL)	
	1	1	163-3972	1	KIT-MOUNTING (INCLUDES PLATE AND SCREWS)						
	2	1	163-3973	1	CABLE AS (DATA)						
	3	1	163-3974	1	CABLE AS-POWER						



GRAPHIC #1

<END>

g01334444

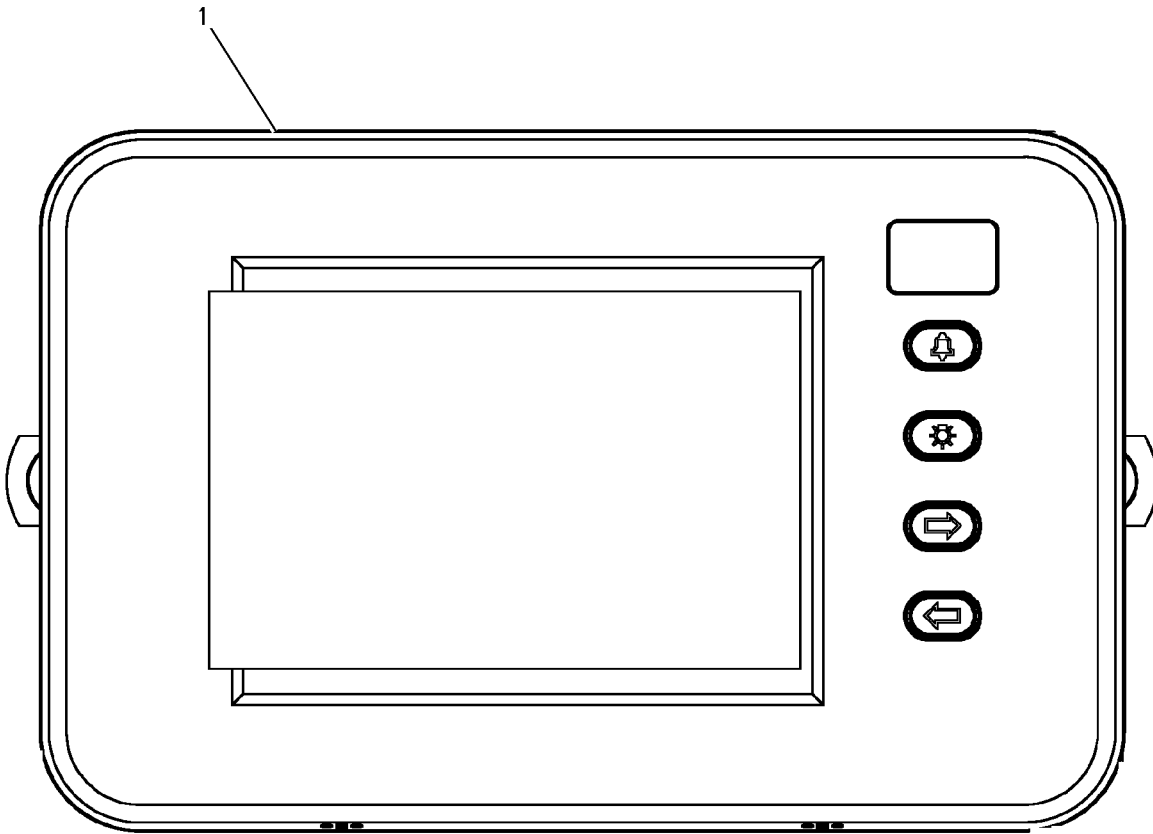
OPERATOR STATION

267-8623 DISPLAY GP-MONITOR—MARINE POWER DISPLAY
 PART OF 231-9900, 231-9901, 290-3211, 300-0478 BOX GP-INSTRUMENT PANEL,
 249-6961, 257-7948 PANEL GP-PILOT HOUSE INSTR
 FIELD REPLACEMENT ORDER 307-7541—PAGE 605
 AN ATTACHMENT

SMCS-7490

i03197520

NOTE	REF NO	GRAPHIC REF	PART NUMBER	QTY	PART NAME						SEE PAGE
					1	2	3	4	5	6 (PRODUCT LEVEL)	
Y	1	1	307-7542	1	DISPLAY GP-MONITOR (MARINE POWER DISPLAY)						606
Y-SEPARATE ILLUSTRATION											



GRAPHIC #1

<END>

g00914466

OPERATOR STATION

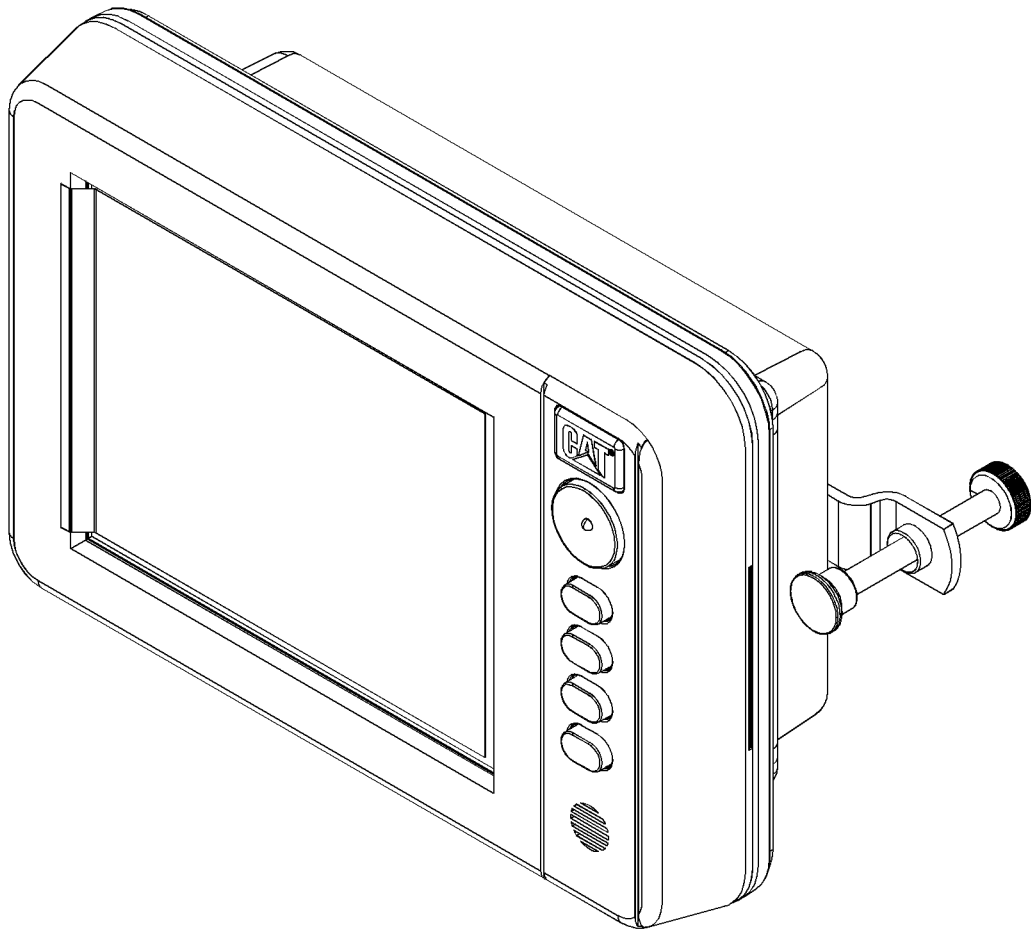
284-3001 DISPLAY GP-MONITOR-UNPROGRAMMED

PART OF 284-3004 DISPLAY GP-MONITOR
FIELD REPLACEMENT FOR 284-3004-PAGE 602
AN ATTACHMENT AND FIELD INSTALLATION

SMCS-7490

i02895959

NOTE	REF NO	GRAPHIC REF	PART NUMBER	QTY	PART NAME						SEE PAGE
					1	2	3	4	5	6 (PRODUCT LEVEL)	
(NO SERVICED PARTS)											



GRAPHIC #1

<END>

g01441724

OPERATOR STATION

284-3004 DISPLAY GP-MONITOR

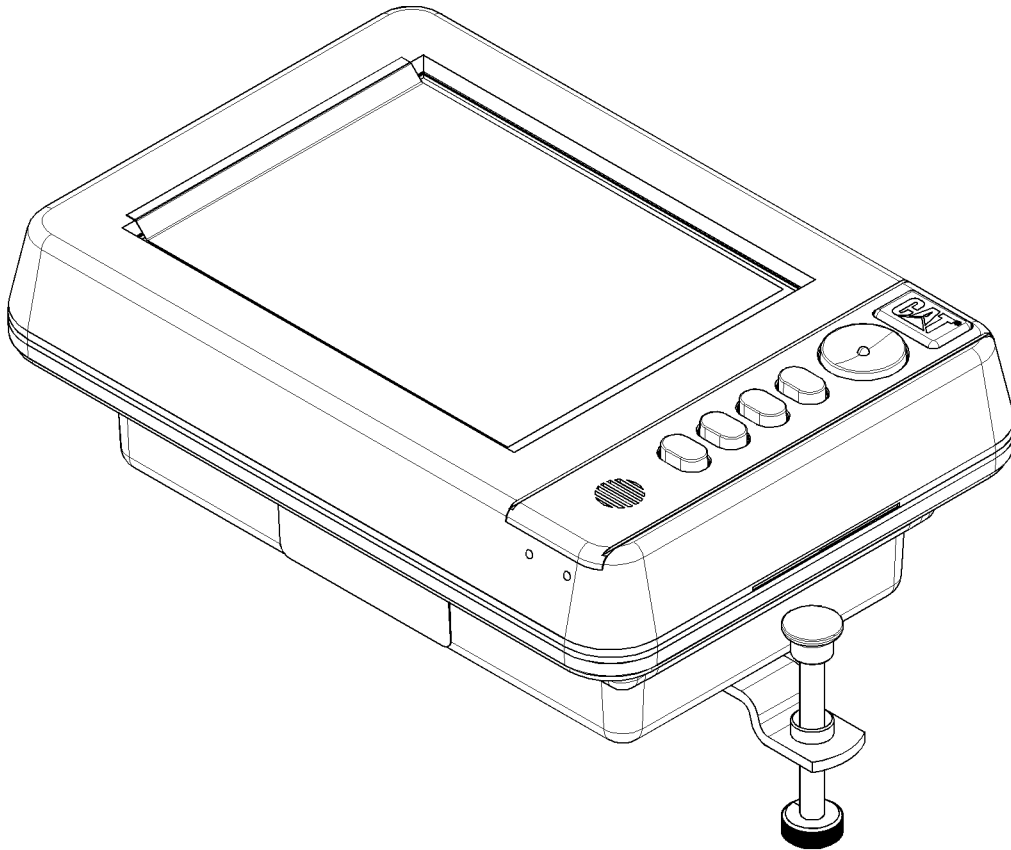
PART OF 284-3005 DISPLAY GP-MONITOR
AN ATTACHMENT

SMCS-7490

i02927331

NOTE	REF NO	GRAPHIC REF	PART NUMBER	QTY	PART NAME						SEE PAGE
					1	2	3	4	5	6 (PRODUCT LEVEL)	
FY			284-3001	1	DISPLAY GP-MONITOR (UNPROGRAMMED)						601

F - NOT SHOWN
Y - SEPARATE ILLUSTRATION



GRAPHIC #1

<END>

g01520084

OPERATOR STATION

284-3005 DISPLAY GP-MONITOR

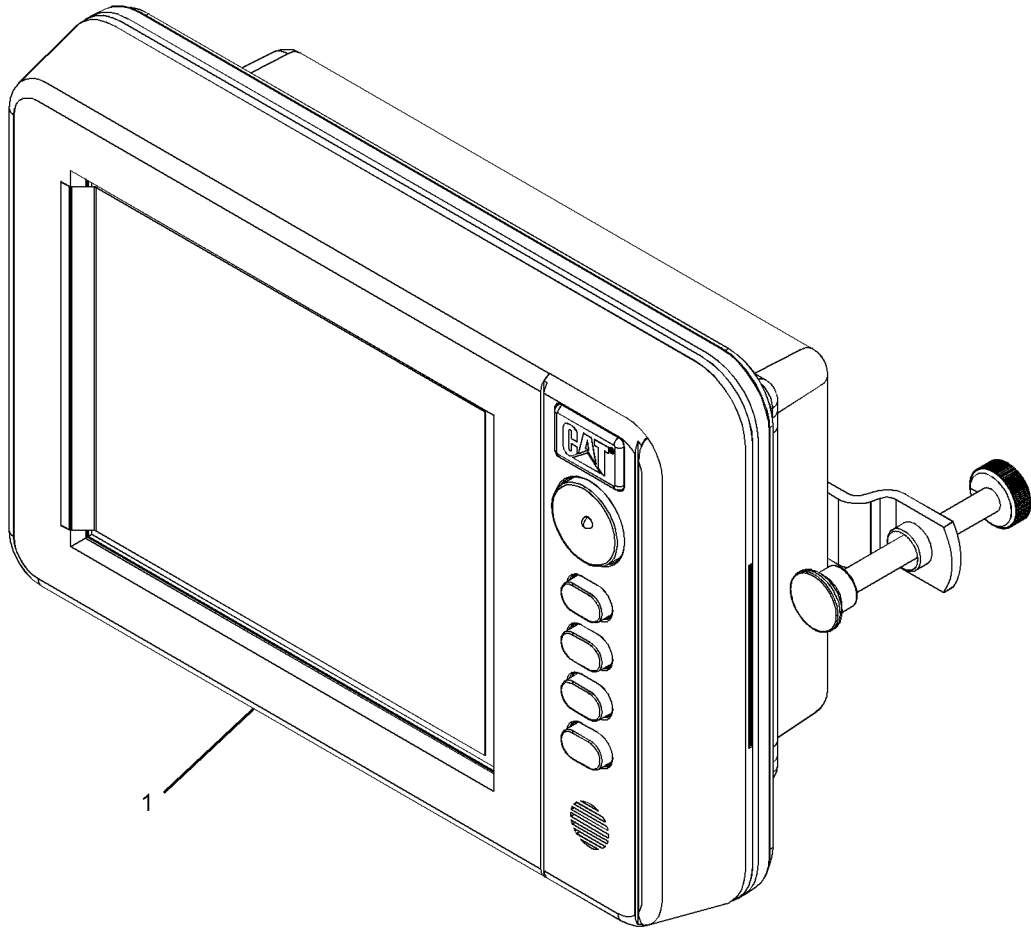
FIELD REPLACEMENT ORDER 284-3001-PAGE 601
AN ATTACHMENT

SMCS-7490

i02995335

NOTE	REF NO	GRAPHIC REF	PART NUMBER	QTY	PART NAME						SEE PAGE
					1	2	3	4	5	6 (PRODUCT LEVEL)	
Y	1	1	284-3004	1	DISPLAY GP-MONITOR						602

Y-SEPARATE ILLUSTRATION



GRAPHIC #1

<END>

g01441698

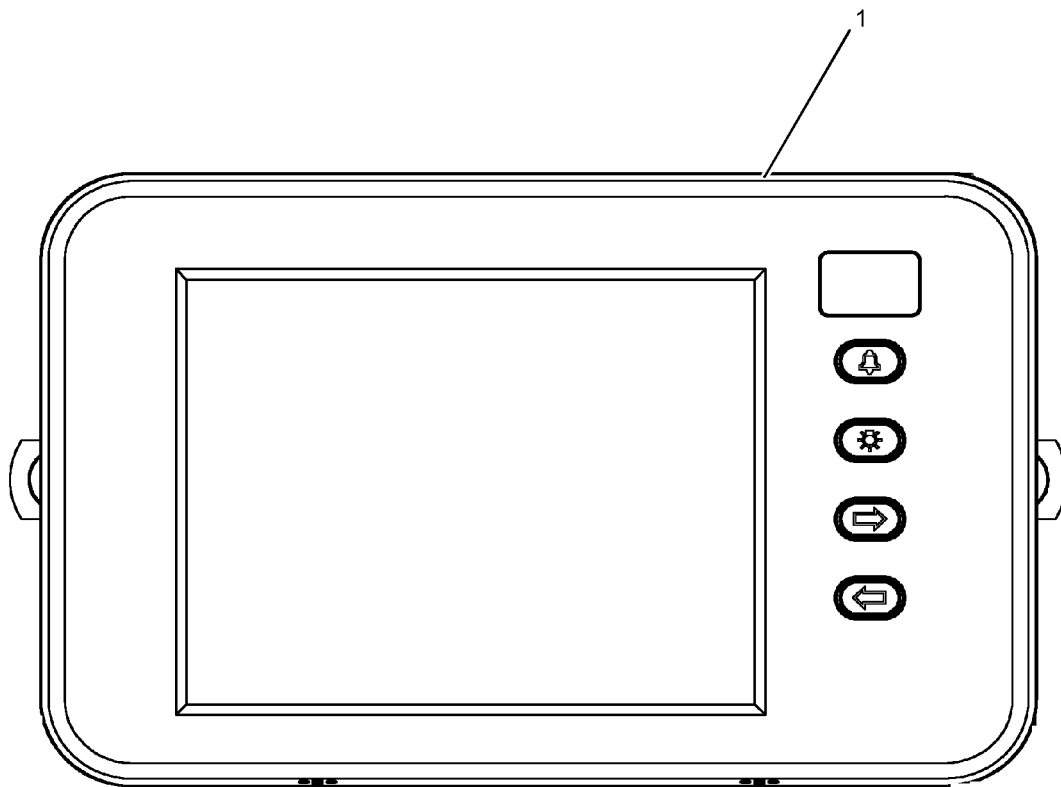
OPERATOR STATION

292-9715 DISPLAY GP-MONITOR-MARINE POWER DISPLAY AN ATTACHMENT

SMCS-7490

i02883573

NOTE	REF NO	GRAPHIC REF	PART NUMBER	QTY	PART NAME						SEE PAGE
					1	2	3	4	5	6 (PRODUCT LEVEL)	
	1	1	292-9714	1	DISPLAY GP-MONITOR (MARINE POWER DISPLAY)						



GRAPHIC #1

<END>

g01434488

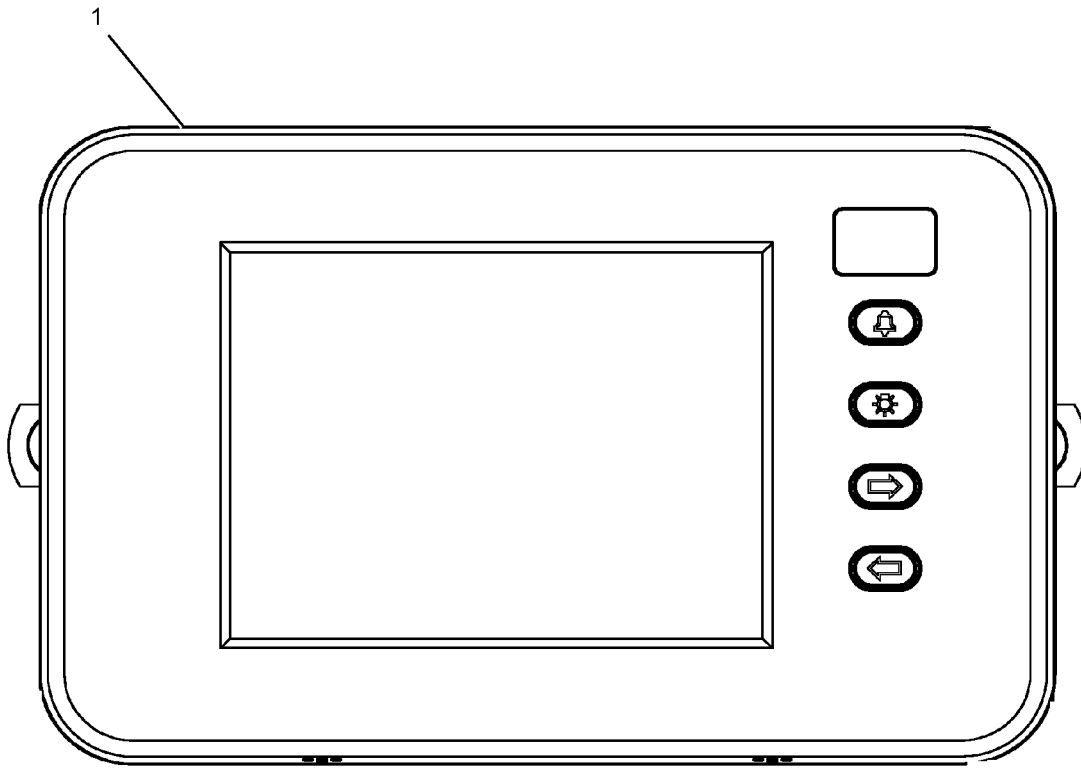
OPERATOR STATION

307-7541 DISPLAY GP-MONITOR-MARINE POWER DISPLAY
PART OF 307-7542 DISPLAY GP-MONITOR
FIELD REPLACEMENT FOR 267-8623-PAGE 600
AN ATTACHMENT

SMCS-7490

i02958038

NOTE	REF NO	GRAPHIC REF	PART NUMBER	QTY	PART NAME						SEE PAGE
					1	2	3	4	5	6 (PRODUCT LEVEL)	
	1	1	208-0589	1	COVER-PROTECTION						



GRAPHIC #1

<END>

g01442741

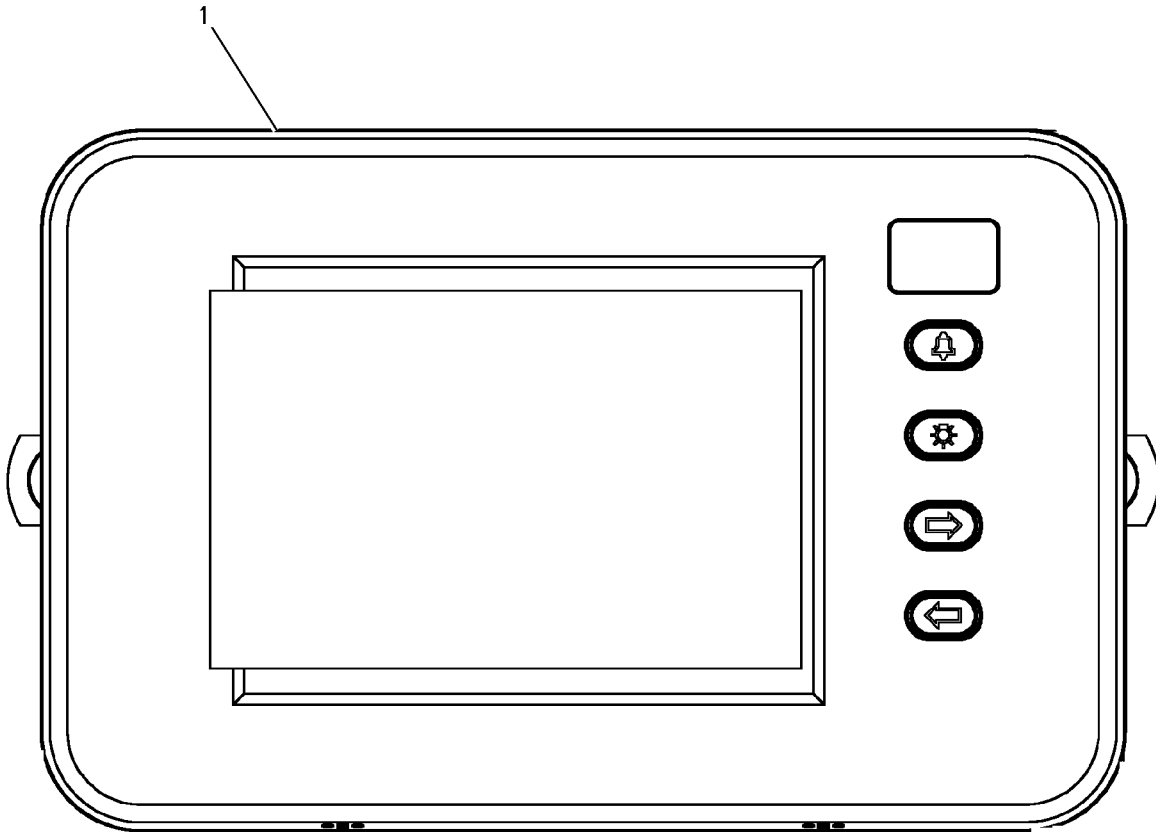
OPERATOR STATION

307-7542 DISPLAY GP-MONITOR-MARINE POWER DISPLAY PART OF 267-8623 DISPLAY GP-MONITOR AN ATTACHMENT

SMCS-7490

i02958050

NOTE	REF NO	GRAPHIC REF	PART NUMBER	QTY	PART NAME						SEE PAGE
					1	2	3	4	5	6 (PRODUCT LEVEL)	
Y	1	1	307-7541	1	DISPLAY GP-MONITOR (MARINE POWER DISPLAY)						605
Y-SEPARATE ILLUSTRATION											



GRAPHIC #1

<END>

g00914466

OPERATOR STATION

345-2374 MODULE GP-ALARM

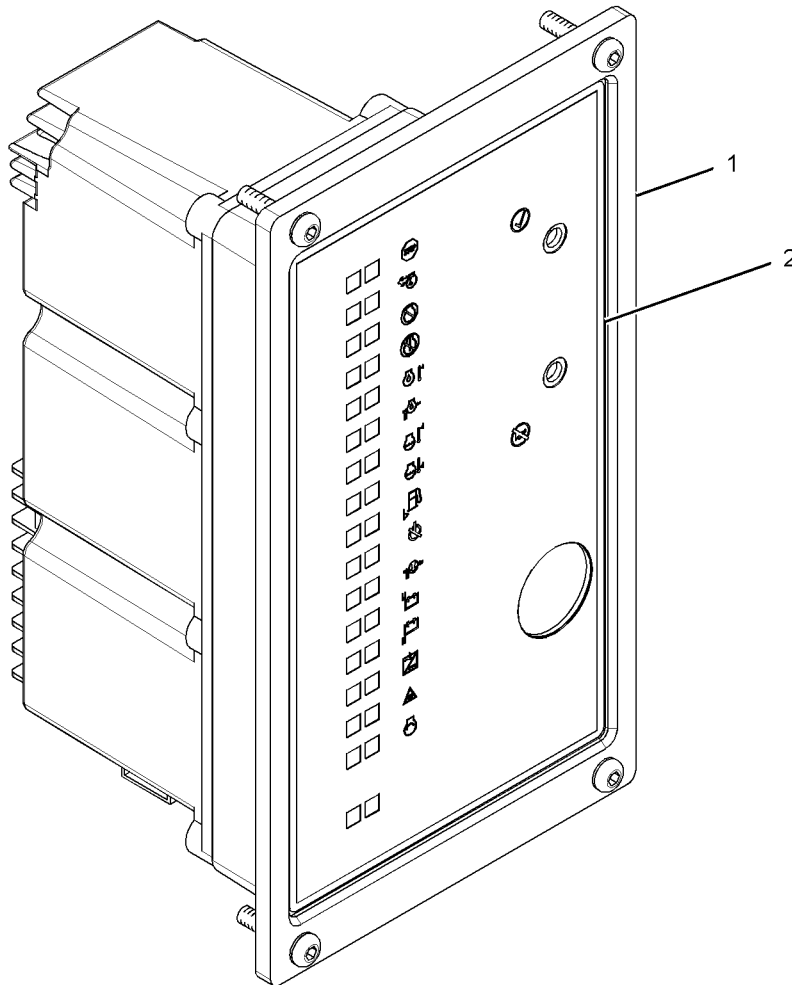
EMCP 3 ANNUNCIATOR
AN ATTACHMENT

SMCS-7400

i03589140

NOTE	REF NO	GRAPHIC REF	PART NUMBER	QTY	PART NAME						SEE PAGE
					1	2	3	4	5	6 (PRODUCT LEVEL)	
	1	1	236-1158	1	MODULE GP-ALARM						
M		1	166-3777	4	SCREW-BUTTON HEAD (M6X1X28-MM)						
	2	1	260-6898	1	KIT-FILM (CATERPILLAR)						
					(INCLUDES FILMS & DISKETTE)						

M-METRIC PART



GRAPHIC #1

<END>

g01922033

OPERATOR STATION

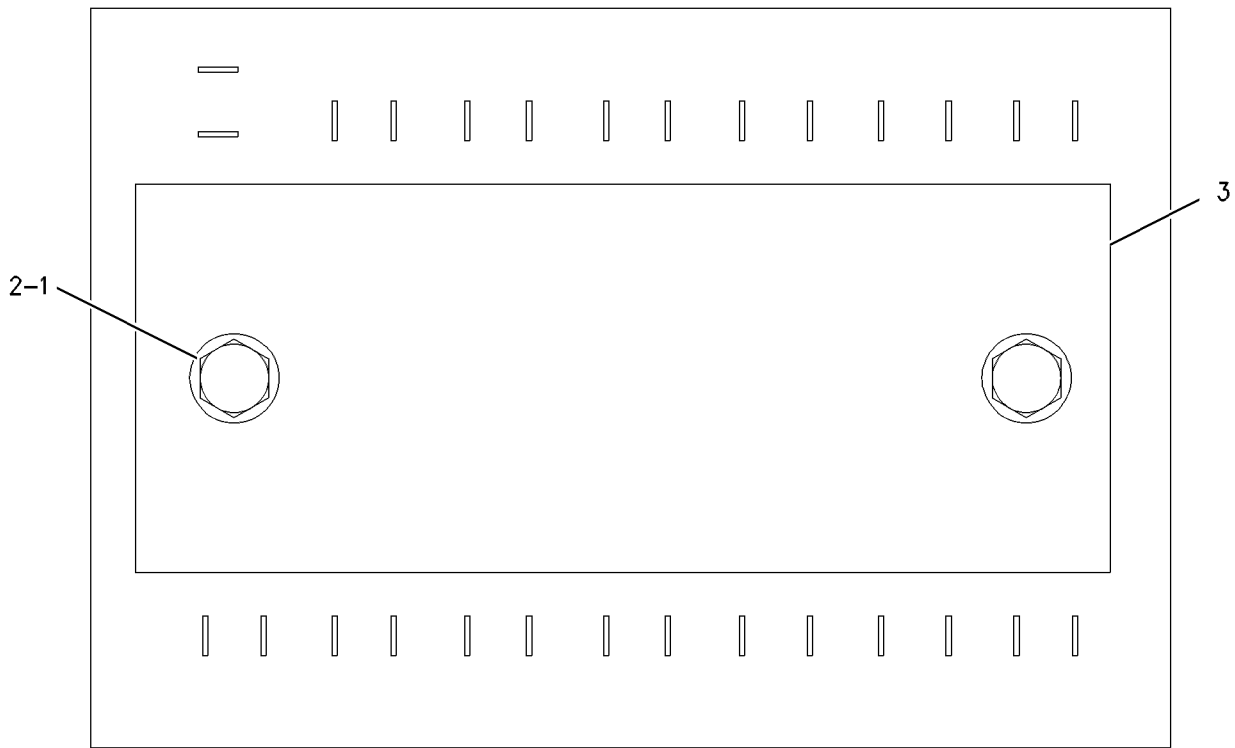
123-7450 MODULE GP-RELAY DRIVER

AN ATTACHMENT

SMCS-1927

i02345606

NOTE	REF NO	GRAPHIC REF	PART NUMBER	QTY	PART NAME						SEE PAGE
					1	2	3	4	5	6 (PRODUCT LEVEL)	
	1	1	2D-7563	2	BOLT (1/4-28X1.75-IN)						
	2	1	5P-0537	2	WASHER-HARD (7.2X14.5X2-MM THK)						
	3	1	127-3330	1	FILM-IDENTIFICATION (CATERPILLAR)						



GRAPHIC #1

<END>

g00626753

OPERATOR STATION

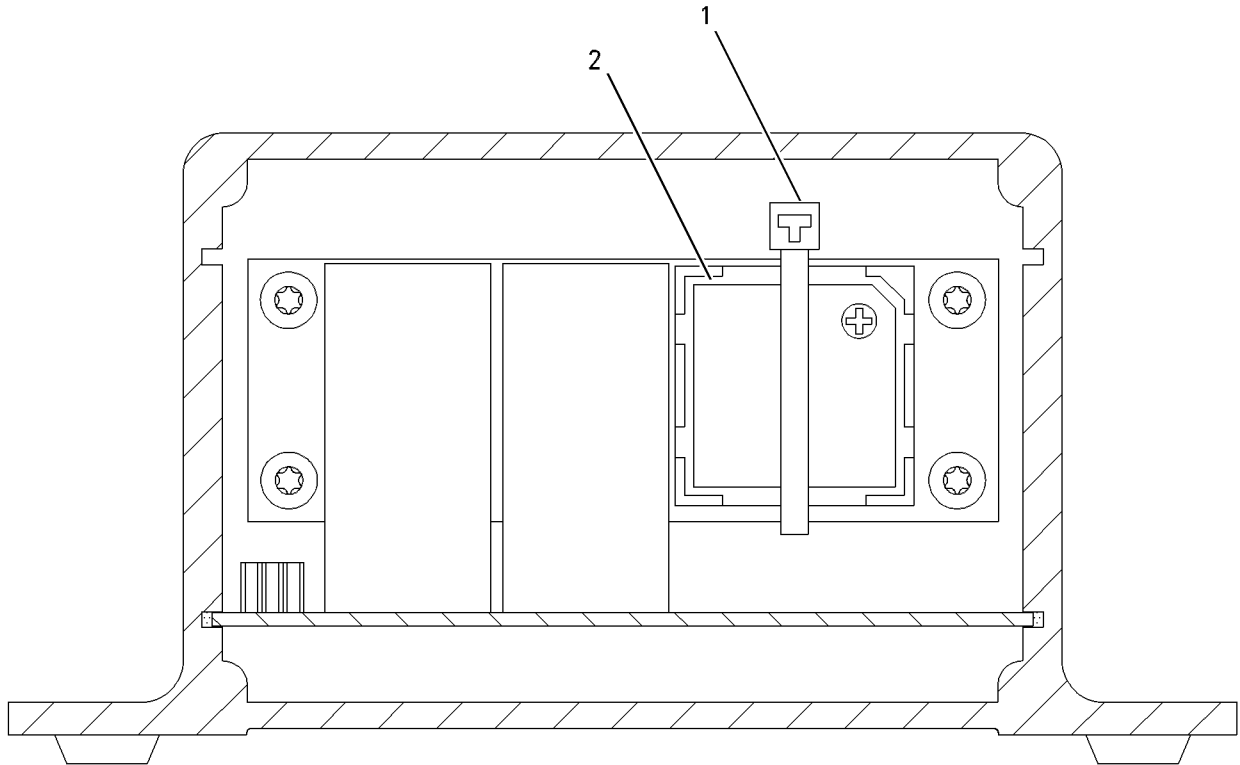
130-6191 MODULE GP-SYSTEM COMMUNICATION

AN ATTACHMENT

SMCS - 1926

i01974217

NOTE	REF NO	GRAPHIC REF	PART NUMBER	QTY	PART NAME						SEE PAGE
					1	2	3	4	5	6 (PRODUCT LEVEL)	
	1	1	8L-8413	1	STRAP-CABLE						
	2	1	101-1785	1	BATTERY (LITHIUM) (3 VOLT)						
F		1	132-0451	1	FILM-CONTROL PANEL (FRONT)						
F		1	109-5738	1	FILM-INTERFACE (COMMUNICATION MODULE) (REAR)						
F - NOT SHOWN											



GRAPHIC #1

<END>

g00630712

OPERATOR STATION

130-6196 MODULE GP-SYSTEM COMMUNICATION

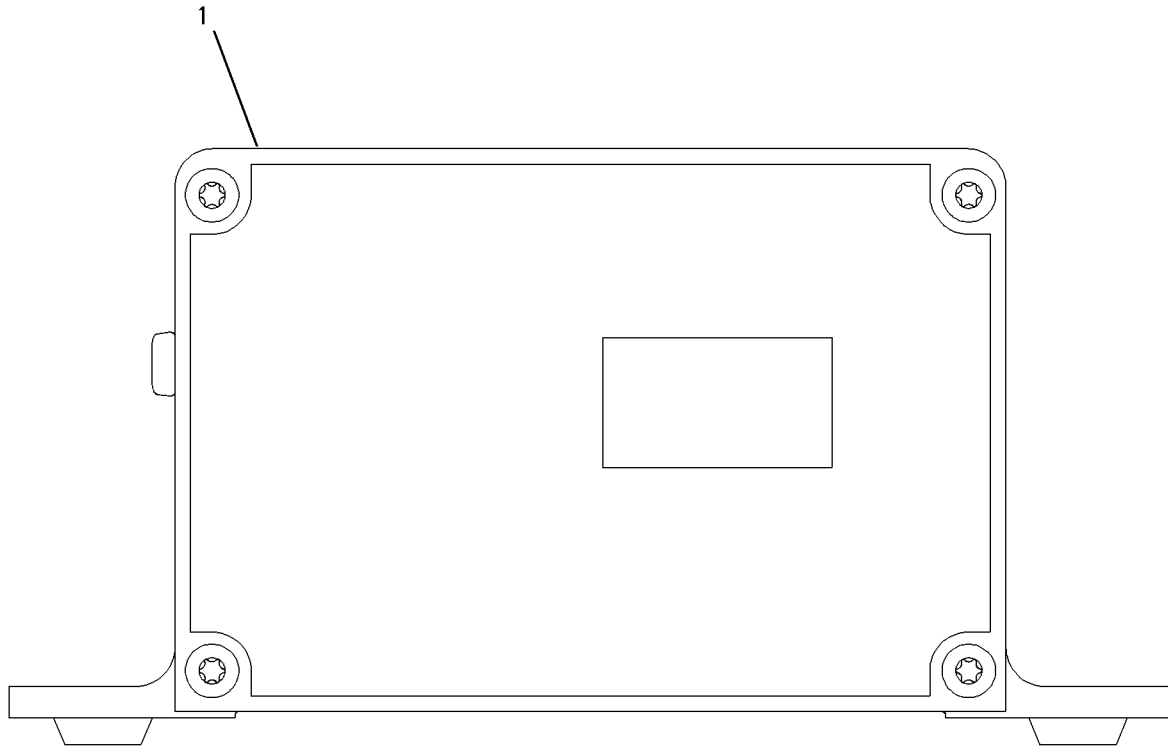
FIELD REPLACEMENT ORDER 225-0774-PAGE 611. FOR USE WITH ENGINE VISION
DISPLAY
AN ATTACHMENT

SMCS-1926

i01962193

NOTE	REF NO	GRAPHIC REF	PART NUMBER	QTY	PART NAME						SEE PAGE
					1	2	3	4	5	6 (PRODUCT LEVEL)	
Y	1	1	225-0774	1	MODULE GP-SYSTEM COMMUNICATION (ENGINE VISION)						611

Y-SEPARATE ILLUSTRATION



GRAPHIC #1

<END>

g00630720

OPERATOR STATION

225-0774 MODULE GP-SYSTEM COMMUNICATION

PART OF 130-6196 MODULE GP-SYSTEM COMMUNICATION

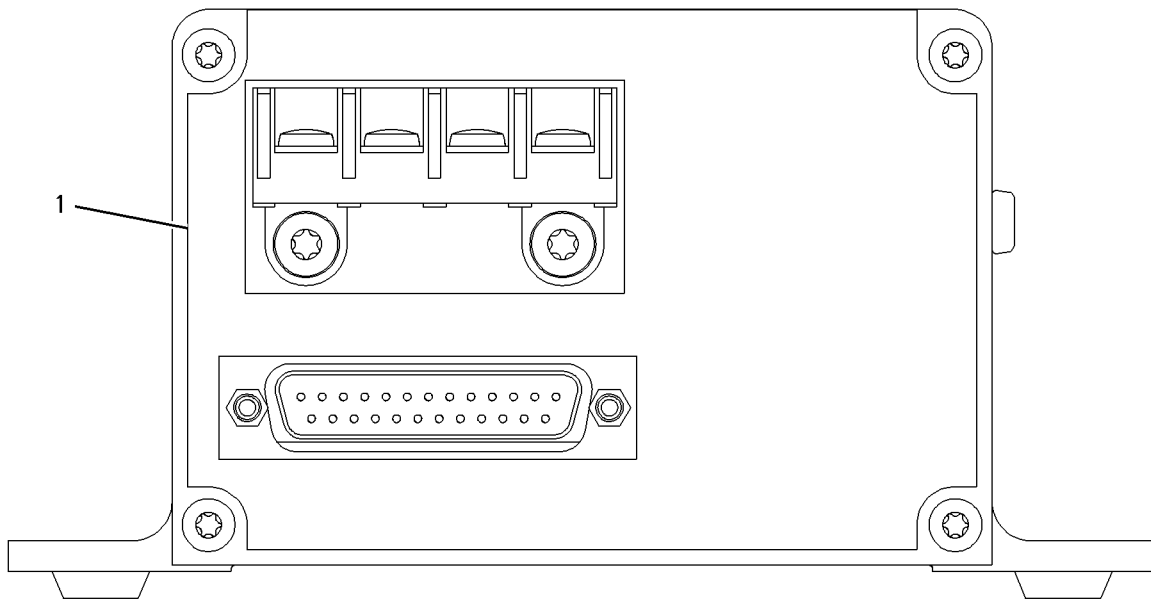
FIELD REPLACEMENT FOR 130-6196-PAGE 610

AN ATTACHMENT

SMCS-1926

i01962582

NOTE	REF NO	GRAPHIC REF	PART NUMBER	QTY	PART NAME						SEE PAGE
					1	2	3	4	5	6 (PRODUCT LEVEL)	
	1	1	109-5738	1	FILM-INTERFACE (REAR)						



REAR VIEW

GRAPHIC #1

<END>

g00782086

OPERATOR STATION

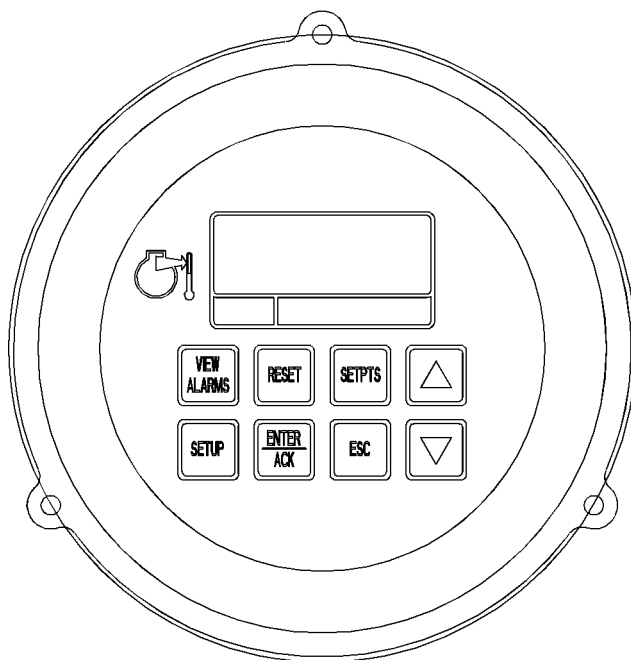
251-9450 MODULE - EXHAUST TEMPERATURE

AN ATTACHMENT

SMCS-7466

i02988114

NOTE	REF NO	GRAPHIC REF	PART NUMBER	QTY	PART NAME	SEE PAGE
					1 2 3 4 5 6 (PRODUCT LEVEL)	
(NO SERVICED PARTS)						



GRAPHIC #1

<END>

g01026124

OPERATOR STATION

231-9870 MOUNTING GP-INSTRUMENT PANEL-LH

FOR USE WITH RIGID HARNESS
AN ATTACHMENT

SMCS-7451

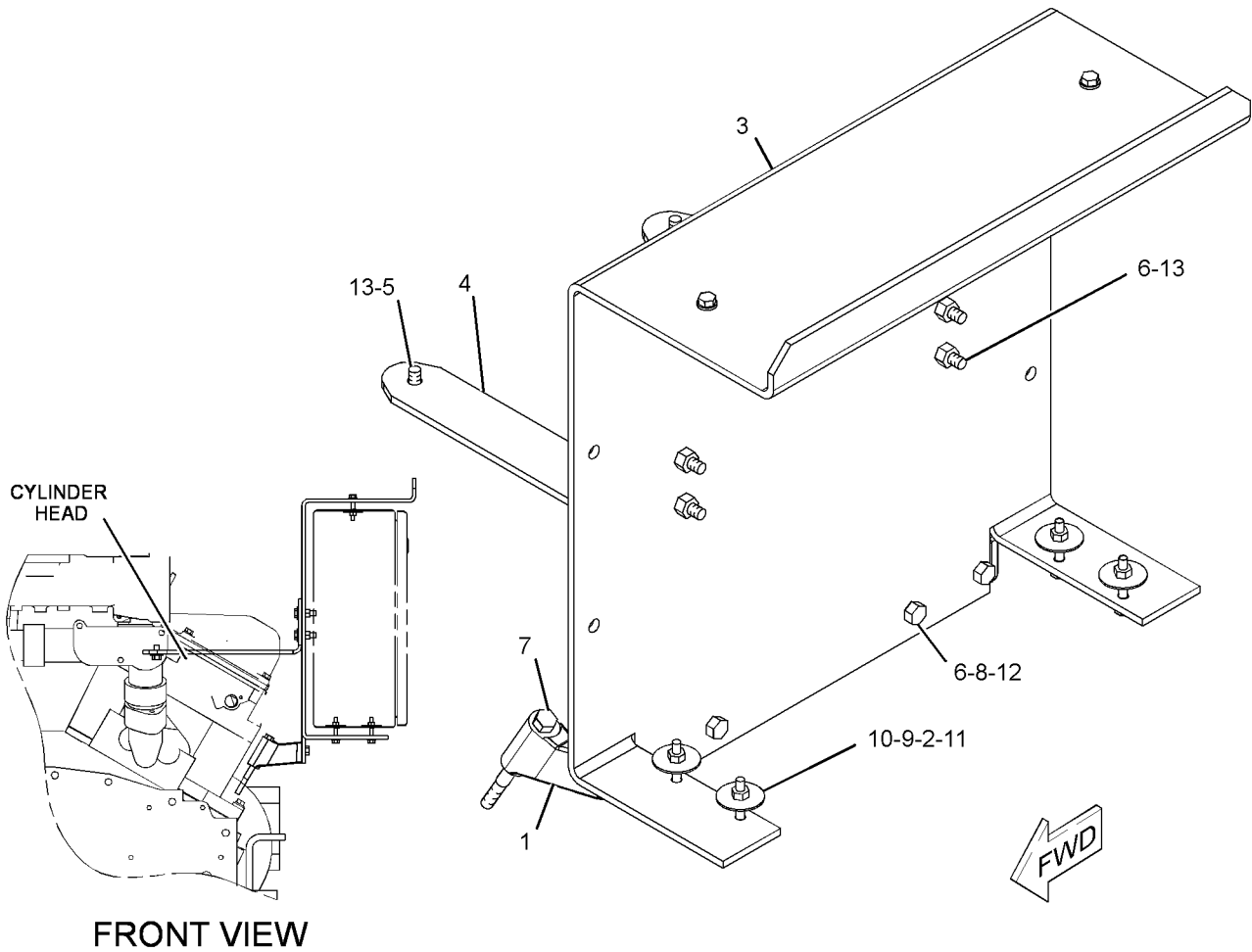
i02277450

NOTE	REF NO	GRAPHIC REF	PART NUMBER	QTY	PART NAME						SEE PAGE
					1	2	3	4	5	6 (PRODUCT LEVEL)	
	1	1	1W-8129	2	SUPPORT						
	2	1	2W-8604	6	WASHER (6.5X35X1.5-MM THK)						
	3	1	231-9891	1	BRACKET AS						
	4	1	235-2763	2	BRACKET						
	5	1	0S-0509	2	BOLT (3/8-16X0.75-IN)						
	6	1	0S-1588	8	BOLT (3/8-16X1.25-IN)						
	7	1	1A-5964	4	BOLT (3/8-16X4.5-IN)						
	8	1	5M-2894	4	WASHER-HARD (10.2X18.5X2.5-MM THK)						
	9	1	5P-0537	6	WASHER-HARD (7.2X14.5X2-MM THK)						
	10	1	7B-8167	6	BOLT (1/4-20X1.625-IN)						
	11	1	9S-8750	6	NUT-FULL (1/4-20-THD)						
	12	1	9S-8752	4	NUT-FULL (3/8-16-THD)						
	13	1	9X-6458	6	WASHER-HARD (10.2X22.5X3-MM THK)						

OPERATOR STATION

231-9870 MOUNTING GP-INSTRUMENT PANEL (contd.)

i02277450



GRAPHIC #1

<END>

g01149158

OPERATOR STATION

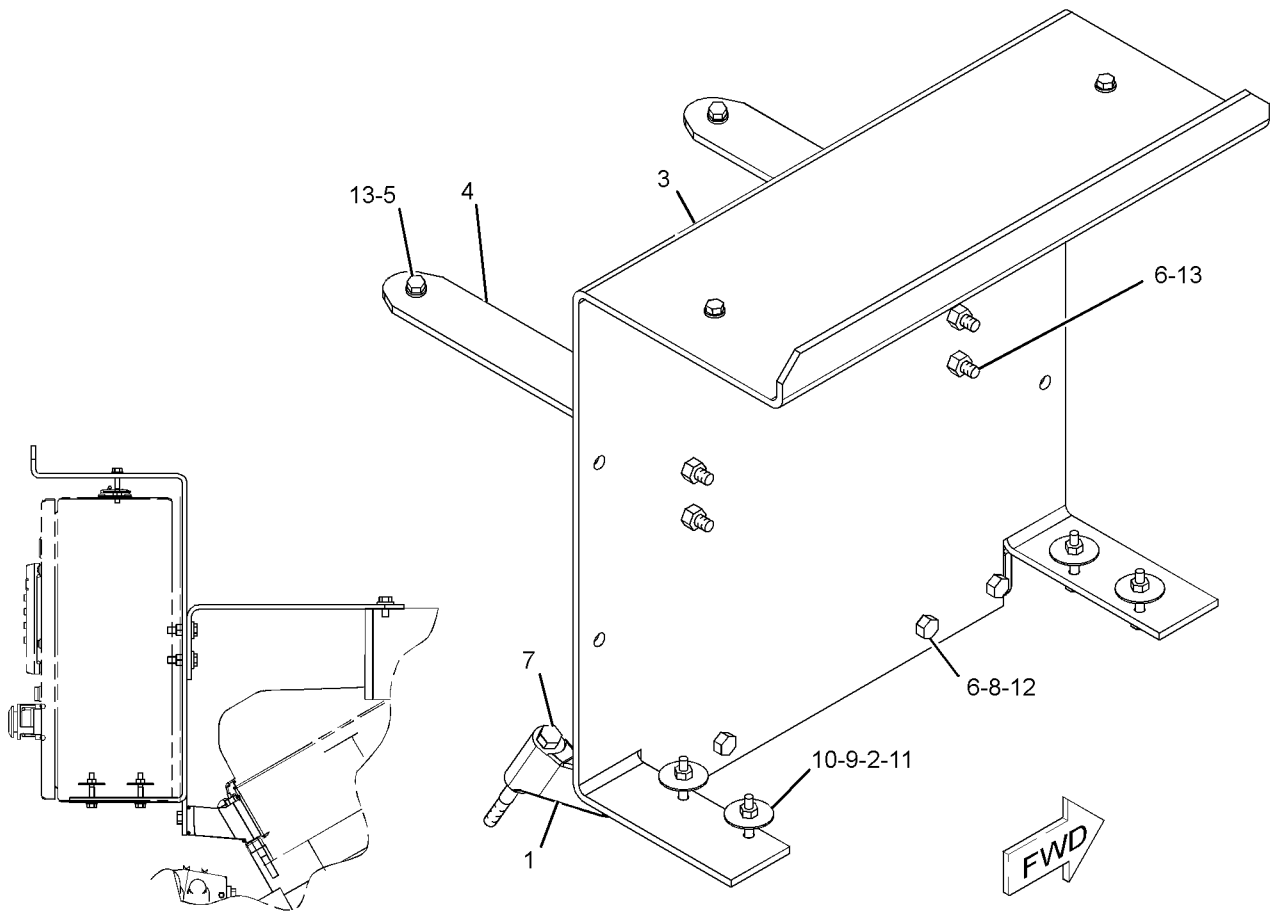
231-9880 MOUNTING GP-INSTRUMENT PANEL-RH

FOR USE WITH RIGID HARNESS
AN ATTACHMENT

SMCS-7451

i02277494

NOTE	REF NO	GRAPHIC REF	PART NUMBER	QTY	PART NAME						SEE PAGE
					1	2	3	4	5	6 (PRODUCT LEVEL)	
	1	1	1W-8129	2	SUPPORT						
	2	1	2W-8604	6	WASHER (6.5X35X1.5-MM THK)						
	3	1	231-9891	1	BRACKET AS						
	4	1	235-2763	2	BRACKET						
	5	1	0S-0509	2	BOLT (3/8-16X0.75-IN)						
	6	1	0S-1588	8	BOLT (3/8-16X1.25-IN)						
	7	1	1A-5964	4	BOLT (3/8-16X4.5-IN)						
	8	1	5M-2894	4	WASHER-HARD (10.2X18.5X2.5-MM THK)						
	9	1	5P-0537	6	WASHER-HARD (7.2X14.5X2-MM THK)						
	10	1	7B-8167	6	BOLT (1/4-20X1.625-IN)						
	11	1	9S-8750	6	NUT-FULL (1/4-20-THD)						
	12	1	9S-8752	4	NUT-FULL (3/8-16-THD)						
	13	1	9X-6458	6	WASHER-HARD (10.2X22.5X3-MM THK)						



FRONT VIEW

GRAPHIC #1

<END>

g01149171

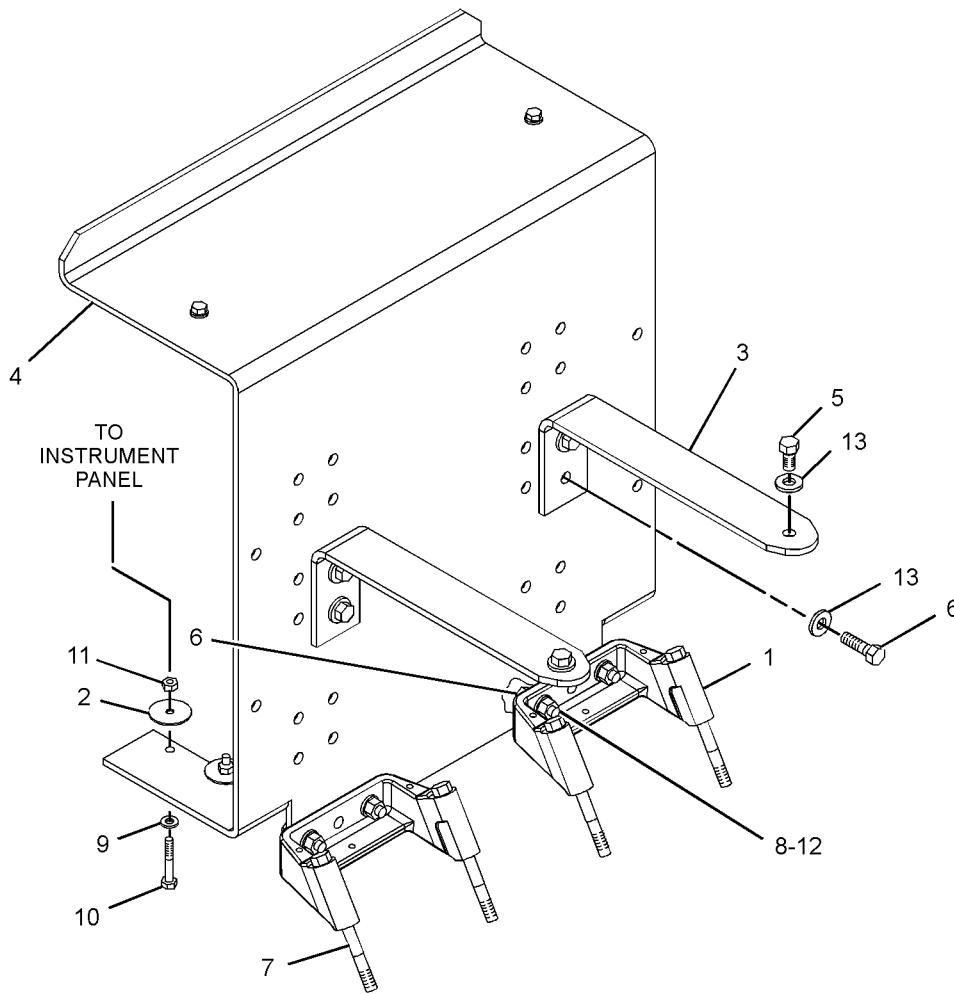
OPERATOR STATION

292-4520 MOUNTING GP-INSTRUMENT PANEL-RH AN ATTACHMENT

SMCS-7451

i03807630

NOTE	REF NO	GRAPHIC REF	PART NUMBER	QTY	PART NAME						SEE PAGE
					1	2	3	4	5	6 (PRODUCT LEVEL)	
	1	1	1W-8129	2	SUPPORT						
	2	1	2W-8604	6	WASHER (6.5X35X1.5-MM THK)						
	3	1	235-2763	2	BRACKET						
	4	1	291-6227	1	BRACKET AS						
		1	1F-0750	6	NUT-WELD (3/8-16-THD)						
	5	1	0S-0509	2	BOLT (3/8-16X0.75-IN)						
	6	1	0S-1588	8	BOLT (3/8-16X1.25-IN)						
	7	1	1A-5964	4	BOLT (3/8-16X4.5-IN)						
	8	1	5M-2894	4	WASHER-HARD (10.2X18.5X2.5-MM THK)						
	9	1	5P-0537	6	WASHER-HARD (7.2X14.5X2-MM THK)						
	10	1	7B-8167	6	BOLT (1/4-20X1.625-IN)						
	11	1	9S-8750	6	NUT-FULL (1/4-20-THD)						
	12	1	9S-8752	4	NUT-FULL (3/8-16-THD)						
	13	1	9X-6458	6	WASHER-HARD (10.2X22.5X3-MM THK)						



GRAPHIC #1

<END>

g01325975

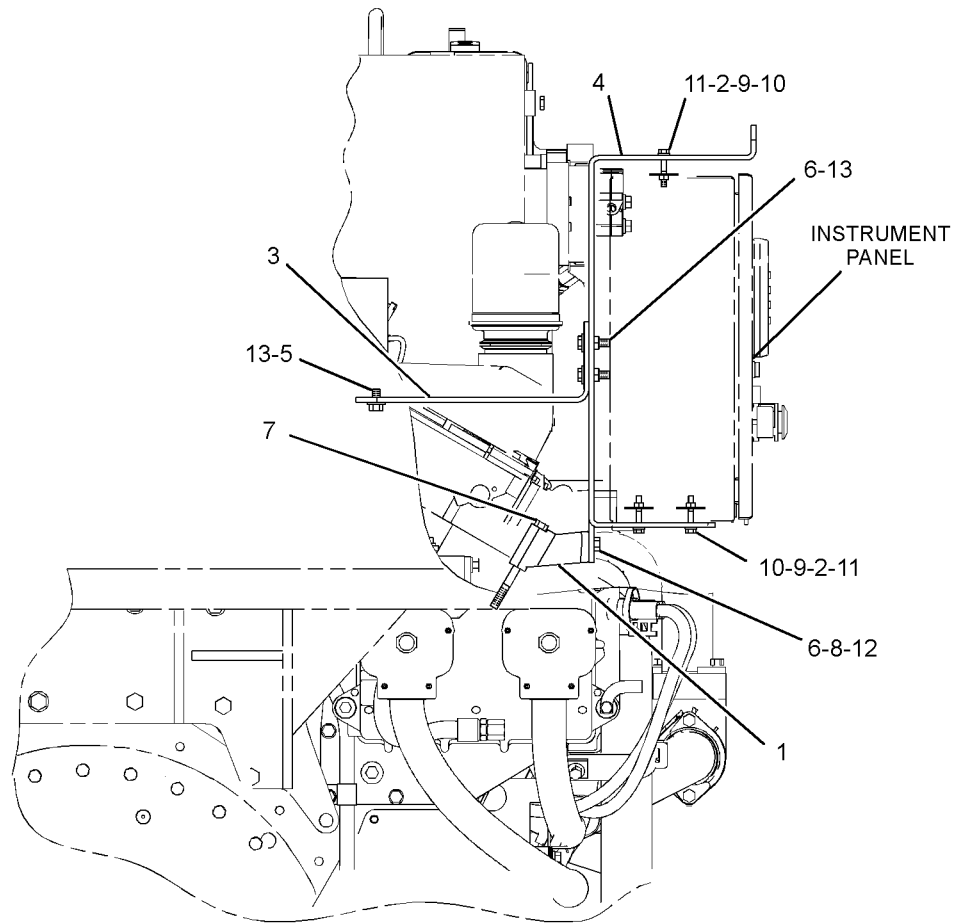
OPERATOR STATION

292-4521 MOUNTING GP-INSTRUMENT PANEL-LH AN ATTACHMENT

SMCS-7451

i02627352

NOTE	REF NO	GRAPHIC REF	PART NUMBER	QTY	PART NAME						SEE PAGE
					1	2	3	4	5	6 (PRODUCT LEVEL)	
	1	1	1W-8129	2	SUPPORT						
	2	1	2W-8604	6	WASHER (6.5X35X1.5-MM THK)						
	3	1	235-2763	2	BRACKET						
	4	1	291-6227	1	BRACKET AS						
		1	1F-0750	4	NUT-WELD (3/8-16-THD)						
	5	1	0S-0509	2	BOLT (3/8-16X0.75-IN)						
	6	1	0S-1588	8	BOLT (3/8-16X1.25-IN)						
	7	1	1A-5964	4	BOLT (3/8-16X4.5-IN)						
	8	1	5M-2894	4	WASHER-HARD (10.2X18.5X2.5-MM THK)						
	9	1	5P-0537	6	WASHER-HARD (7.2X14.5X2-MM THK)						
	10	1	7B-8167	6	BOLT (1/4-20X1.625-IN)						
	11	1	9S-8750	6	NUT-FULL (1/4-20-THD)						
	12	1	9S-8752	4	NUT-FULL (3/8-16-THD)						
	13	1	9X-6458	6	WASHER-HARD (10.2X22.5X3-MM THK)						



GRAPHIC #1

<END>

g01320406

OPERATOR STATION

249-6961 PANEL GP-PILOT HOUSE INSTR-WITH KEY PART OF 257-7952 PANEL GP-PILOT HOUSE INSTR AN ATTACHMENT

SMCS-7451

i03869434

NOTE	REF NO	GRAPHIC REF	PART NUMBER	QTY	PART NAME	SEE PAGE
					1 2 3 4 5 6 (PRODUCT LEVEL)	
	1	1	249-6959	1	PLATE	
Y	2	1	267-8623	1	DISPLAY GP-MONITOR (MARINE POWER DISPLAY)	600
	3	1	109-6507	1	SWITCH AS-PUSH BUTTON (EMERGENCY STOP)	
	4	1	124-3176	1	COVER	
	5	1	308-9776	1	BLOCK-CONTACT	
	6	1	308-9775	1	LATCH-MOUNTING	
	7	1	308-9781	1	LAMP AS (24-VOLT, AMBER)	
	8	1	308-9780	1	LENS-AMBER	
	9	1	308-9782	1	LENS-GREEN	
	10	1	308-9783	1	LAMP AS (24-VOLT, GREEN)	
	11	1	336-3662	1	BUTTON-PUSH (ENGINE START)	
	11A	1	336-3662	1	BUTTON-PUSH (ENGINE STOP)	
	12	1	111-1324	2	BLOCK-CONTACT (1-POLE)	
	13	1	111-1323	3	BLOCK-CONTACT (1-POLE)	
	14	1	9X-0146	1	RECEPTACLE AS-CONNECTOR (24-PIN)	
	15	1	308-9799	1	SWITCH-KEY (POWER)	
	16	1	186-3735	24	PIN-CONNECTOR (16-GA TO 18-GA)	
	17	1	279-0338	1	FILM-PANEL	
FY		1	249-6964	1	HARNESS AS-CONTROL (MARINE POWER DISPLAY)	407

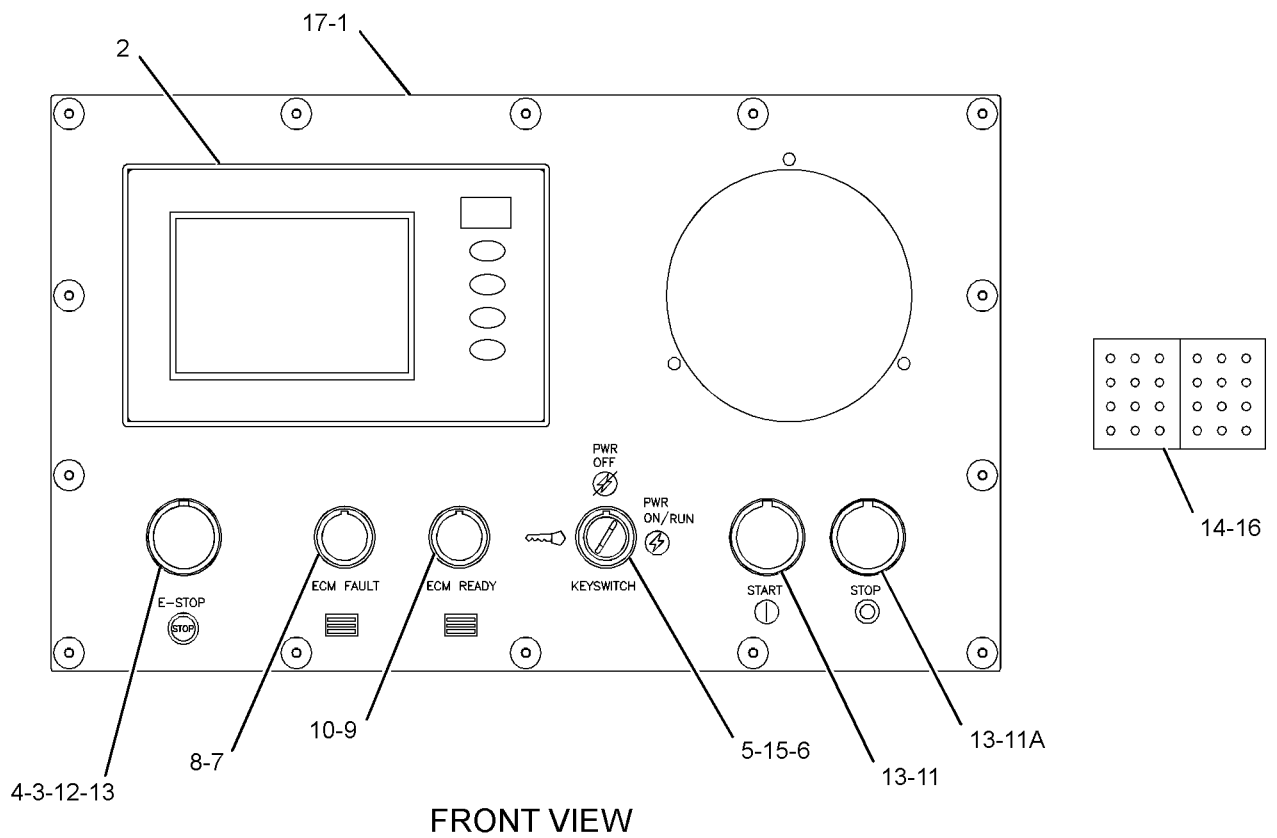
F - NOT SHOWN

Y - SEPARATE ILLUSTRATION

OPERATOR STATION

249-6961 PANEL GP-PILOT HOUSE INSTR (contd.)

i03869434



FRONT VIEW

GRAPHIC #1

<END>

g01345757

OPERATOR STATION

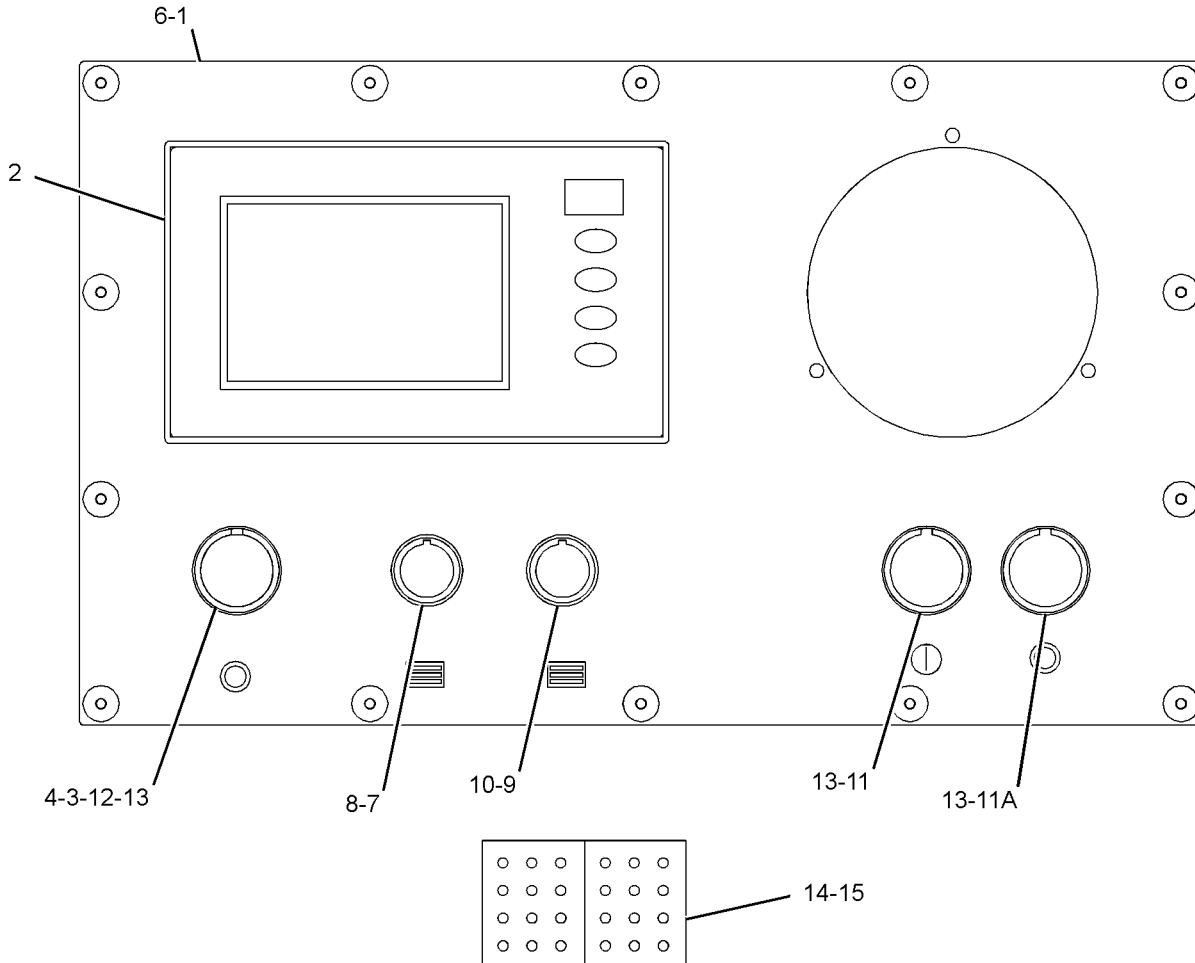
257-7948 PANEL GP-PILOT HOUSE INSTR-WITHOUT KEY PART OF 257-7952 PANEL GP-PILOT HOUSE INSTR AN ATTACHMENT

SMCS-7451

i03869436

NOTE	REF NO	GRAPHIC REF	PART NUMBER	QTY	PART NAME						SEE PAGE
					1	2	3	4	5	6 (PRODUCT LEVEL)	
	1	1	249-6959	1	PLATE						
CY	2	1	267-8623	1	DISPLAY GP-MONITOR (MARINE POWER DISPLAY)						600
	3	1	109-6507	1	SWITCH AS-PUSH BUTTON (EMERGENCY STOP)						
	4	1	124-3176	1	COVER						
	6	1	279-0339	1	FILM-PANEL						
	7	1	308-9781	1	LAMP AS (24-VOLT, AMBER)						
	8	1	308-9780	1	LENS-AMBER						
	9	1	308-9782	1	LENS-GREEN						
	10	1	308-9783	1	LAMP AS (24-VOLT, GREEN)						
	11	1	336-3662	1	BUTTON-PUSH (ENGINE START)						
	11A	1	336-3662	1	BUTTON-PUSH (ENGINE STOP)						
	12	1	111-1324	2	BLOCK-CONTACT (1-POLE)						
	13	1	111-1323	3	BLOCK-CONTACT (1-POLE)						
	14	1	9X-0146	1	RECEPTACLE AS-CONNECTOR (24-PIN)						
	15	1	186-3735	24	PIN-CONNECTOR (16-GA TO 18-GA)						
FY			249-6964	1	HARNESS AS-CONTROL (MARINE POWER DISPLAY)						407

C- CHANGE FROM PREVIOUS TYPE
F- NOT SHOWN
Y- SEPARATE ILLUSTRATION



GRAPHIC #1

<END>

g01865893

OPERATOR STATION

257-7952 PANEL GP-PILOT HOUSE INSTR- MARINE POWER DISPLAY AN ATTACHMENT

SMCS-7451

i02290301

NOTE	PART NUMBER	QTY	PART NAME						SEE PAGE
			1	2	3	4	5	6 (PRODUCT LEVEL)	
Y	249-6961	1	PANEL	GP-PILOT	HOUSE	INSTR	(WITH KEY)	618	
Y	257-7948	1	PANEL	GP-PILOT	HOUSE	INSTR	(WITHOUT KEY)	620	
Y-SEPARATE ILLUSTRATION									

<END>

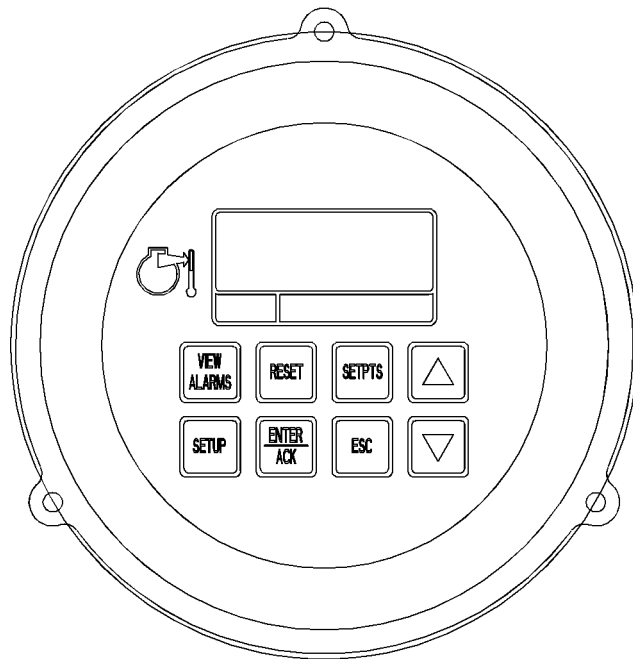
OPERATOR STATION

195-0383 PYROMETER GP EXHAUST GAS TEMPERATURE SCANNER AN ATTACHMENT

SMCS-7466

i01979144

NOTE	REF NO	GRAPHIC REF	PART NUMBER	QTY	PART NAME						SEE PAGE
					1	2	3	4	5	6 (PRODUCT LEVEL)	
(NO SERVICED PARTS)											



GRAPHIC #1

<END>

g01026124

SERVICE EQUIPMENT AND SUPPLIES

6L-4502 CHART-PLATE & FILM

SMCS-7557

i03825749

NOTE	PART NUMBER	QTY	PART NAME 1 2 3 4 5 6 (PRODUCT LEVEL)	SEE PAGE
	305-3460	1	FILM GP	
			CONTACT YOUR LOCAL DEALER.	
			INSTALL FILM ON THE VALVE COVER ADJACENT TO THE IMO CERT FILM VISIBLE FROM THE SIDE OF ENGINE.	
			IF THAT COVER IS NOT VISIBLE, MOVE FORWARD TO THE FIRST AVAILABLE COVER.	
			INSTALL LAMINATE CENTERED OVER THE TOP OF THE FILM.	
	8L-9765	1	FILM-FUEL RETURN (EXCESS)	
			INSTALL FILM ON FUEL RETURN VALVE OR THE FUEL FILTER HOUSING.	
	5P-1175	1	FILM-IDENTIFICATION (ENGINE OIL FILL)	
			INSTALL FILM ON THE TOP OF THE OIL FILL CAP CENTERED BETWEEN THE HANDLE AND THE TOP EDGE OF THE OIL FILL CAP.	
	250-3444	1	FILM-INFORMATION (STANDARD ROTATION)	
			INSTALL FILM ON THE LH CAM GEAR COVER IN A VISIBLE LOCATION,	
			IF THAT COVER IS NOT AVAILABLE MOVE TO THE RH CAM GEAR COVER.	
	308-4479	21	FILM-WARNING (NO WELD, READ OMM)	
			INSTALL ONE FILM ON EACH SIDE OF THE ENGINE, ONE FILM ON TOP OF THE POWER DISTRIBUTION BOX,	
			AND ONE ON THE OPPOSITE SIDE OF THE ENGINE, CENTERED ON THE FIRST VISIBLE SIDE COVER FROM THE REAR OF THE ENGINE.	
			IF THERE IS NO POWER DISTRIBUTION BOX, INSTALL BOTH FILMS ON THE FIRST VISIBLE SIDE COVER FROM THE REAR.	
	225-3227	2	FILM-WARNING (HOT SURFACE)	
			INSTALL ONE FILM ON THE RH SIDE ON THE OIL COOLER, ABOVE THE DIPSTICK,	
			AND ONE FILM ON THE LH SIDE OF THE ENGINE, ON THE CRANKCASE COVER NEAR THE MIDLINE OF THE ENGINE,	
			BOTH FILMS SHOULD BE VISIBLE FROM THE SIDE OF THE ENGINE.	
	225-4256	1	FILM-WARNING (HOT FLUID UNDER PRESSURE, U.S.)	
			INSTALL FILM ON THE TOP OF THE EXPANSION TANK CENTERED WITH THE FILL CAP ON THE RIGHT SIDE.	
	228-3369	4	FILM-WARNING (DO NOT OPERATE, READ OMM)	
			INSTALL ONE FILM ON CYLS #1, #2, #15 AND #16 VALVE COVER ROCKER BASES,	
			IF THESE COVERS ARE NOT VISIBLE, MOVE FILM TO THE FIRST VISIBLE VALVE COVER ROCKER BASE.	
	233-6084	2	FILM-WARNING (FIRE, STOP ENGINE, DO NOT OPEN)	
			INSTALL ONE FILM ON THE RH AND LH SIDES OF THE ENGINE NEAR THE TOP OF THE CRANKCASE COVERS	
			NEAREST THE CENTERLINE OF THE ENGINE VISIBLE FROM THE SIDE OF THE ENGINE,	
			DO NOT INSTALL ON THE EXPLOSION RELIEF VALVES.	
	225-3226	2	FILM-WARNING (HOT SURFACE)	
			INSTALL FILM ON THE VALVE COVERS ON CYLS. #13 AND CYL #14. IF EITHER OF THESE COVERS ARE NOT AVAILABLE,	
			MOVE FILM TO THE NEXT AVAILABLE VALVE COVER NEAREST TO THE TURBOCHARGER, VISIBLE FROM THE SIDE OF THE ENGINE.	

SERVICE EQUIPMENT AND SUPPLIES

6L-4502 CHART-PLATE & FILM (contd.)

i03825749

NOTE	PART NUMBER	QTY	PART NAME 1 2 3 4 5 6 (PRODUCT LEVEL)	SEE PAGE
	115-5852	1	PLATE & FILM GP (ENGINE INFORMATION) CONTACT YOUR LOCAL DEALER. INSTALL FILM ON LH, FRONT, LOWER HEAD FACE OF THE BLOCK BETWEEN CYL. #2 AND THE FRONT HOUSING, READABLE FROM THE REAR OF ENGINE. INSTALL CLEAR LAMINATE OVER FILM.	
	298-5631	2	PLATE-IDENTIFICATION (CAT) INSTALL ONE ON RH REAR CAM COVER AND ONE ON THE LH FRONT CAM COVER IF VISIBLE. IF EITHER PRIMARY LOCATION IS NOT VISIBLE INSTALL PLATE ON THE NEXT VISIBLE CAM COVER LOCATION ON THAT SIDE OF THE ENGINE.	
	3N-3790	1	PLATE-SERIAL NUMBER (ENGINE) CONTACT YOUR LOCAL DEALER. REFLATTEN AFTER STAMPING. INSTALL ON LH SIDE OF BLOCK NEAR REAR FACE ON CAMSHAFT COMPARTMENT USING 7B-3028 DRIVE SCREWS. STAMP SERIAL NUMBER IN BLOCK JUST BELOW PLATE IN FIGURES 6 HIGH.	
	7B-3028	2	SCREW-DRIVE (4X0.187-IN)	
<END>				

352-9860 FILM GP AN ATTACHMENT

SMCS-7405, 7557

i03792252

NOTE	PART NUMBER	QTY	PART NAME 1 2 3 4 5 6 (PRODUCT LEVEL)	SEE PAGE
	8L-8413	2	STRAP-CABLE	
	353-2691	1	TAG	
<END>				

SERVICE EQUIPMENT AND SUPPLIES

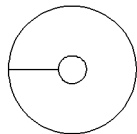
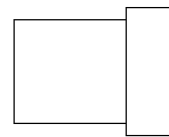
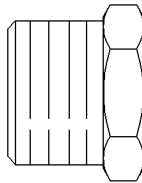
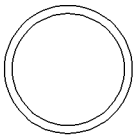
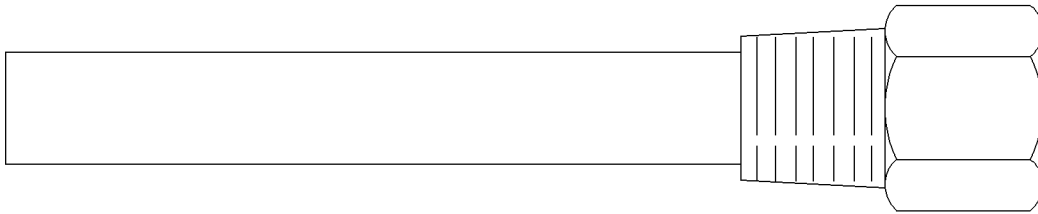
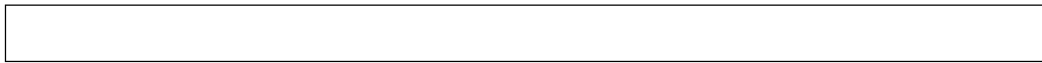
7E-3127 KIT-SENSOR POCKET-TEMPERATURE CONTACTOR

PART OF 4W-2637, 4W-2640 CONTACTOR-TEMPERATURE
AN ATTACHMENT

SMCS-1900, 7400

i02419883

NOTE	REF NO	GRAPHIC REF	PART NUMBER	QTY	PART NAME	SEE PAGE
					1 2 3 4 5 6 (PRODUCT LEVEL) (INCLUDES POCKET-SENSOR, RETAINERS, RING-ADAPTER, STRIP GAUGE AND WASHERS)	



GRAPHIC #1

<END>

g00768771

MEMORANDA

PART NUMBER INDEX

Part	Page	Part	Page	Part	Page	Part	Page
0							
OL-0701	173		542		137		254
	175		613		142		279
	177		615		143		282
OL-1143	137	OS-1566	226		148		288
	142		228		150		290
	155		235		155		293
	159		494		161		295
	188		496		163		325
	214		502		168		453
	323		504		169		532
	387	OS-1571	86		186		538
	389		107		197	OS-1591	542
OL-1351	49		108		201		16
	55		129		203		78
	56		135		210		79
	66		137		214		80
	71		142		217		81
	73		143		224		82
	93		148		237		129
	98		155		238		133
	107		159		315		148
	135		184		317		155
	137		186		319		161
	142		188		342		163
	158		210		345		170
	161		212		453		186
	163		217		458		217
	217		224		462		220
	220		226		467		273
	250		228		532		279
	254		235		538		282
	256		238		542		285
	333		256		557		288
	335		274		558		290
	403		275		559		293
OL-1352	16		277		561		295
	106		285		565		319
	109		293		566		342
	155		295		568		345
	186		465		570		532
	217		538		572		538
OL-1590	325	OS-1585	98		613		542
OL-2070	92		118		615	OS-1592	19
	123		159	OS-1589	616		51
	125		166		617		53
	214		201	OS-1590	572		56
	325		203		66		58
	335		254		69		60
	532		256		88	OS-1594	14
	538	OS-1587	84		98		16
	542		93		109		49
OS-0484	172		95		111		51
OS-0509	10		172		125		53
	85		288		155		55
	188		290		166		56
	279	OS-1588	14		170		58
	282		20		186		60
	301		92		189		66
	454		93		190		69
	460		95		191		91
	530		98		192		98
	532		133		217		137
	538		135		228		142
					235		148
					238		151

PART NUMBER INDEX

Part	Page	Part	Page	Part	Page	Part	Page
	155		205		93	1D-4539	325
	161		237		95		329
	163		247		98		330
	185		248		133	1D-4540	386
	186		249		170	1D-4566	120
	188		454		191		494
	189		456		192		496
	190		458		198		502
	199		460		201		504
	201	OS-1619	135		203	1D-4574	135
	203		137		217		137
	205		142		220		143
	210		170		250	1D-4586	86
	212		201		254		88
	214		203		256	1D-4590	83
	217	OS-1621	78		279	1D-4593	84
	224		79		282	1D-4595	288
	238		81		386		290
	243		82		453	1D-4608	118
	244		106	1A-5183	197	1D-6306	91
	245		113		214	1F-0750	342
	256		115	1A-5822	161		345
	279		254		163		616
	282		256		217		617
	319		462		250	1F-4111	325
	325	OT-0055	51	1A-5964	133	1F-6660	48
	390		58		148	1F-7958	86
	453		66		285		133
	456		69		323		159
	462		217		462		212
	465	OT-0065	92		613		217
	467		155		615		250
	531		201		616	1H-1023	506
	532		203		617		509
	538		325	1A-8063	118		519
	542		335	1A-8912	398	1H-2629	506
OS-1595	14	OT-0102	100	1A-9252	137		509
	30		102	1A-9579	21		519
	32		564		128	1H-3244	351
	49	OT-0320	527		130		354
	56	OT-0573	135	1B-2790	100		358
	66		137		102		360
	175		138	1B-3573	167		362
	201		154	1B-4209	571	1H-3338	373
	203	OV-0375	288	1B-4218	84		375
	212		290	1B-4367	71	1H-3340	410
	254				73		420
	256			1B-5355	275	1H-4393	371
	453				277		575
	572			1B-5357	275		577
OS-1597	515	1A-0168	86		276		580
	519	1A-1460	86		277		583
OS-1608	161		88	1B-7182	199		587
	163		118		205		591
	317		133		315	1H-5959	168
	462		295		317		169
	465	1A-2029	1		319	1H-7666	186
OS-1614	129		2	1B-8706	137	1H-9569	527
OS-1615	123		10	1B-9575	387	1H-9570	527
	125		14		389	1H-9572	527
OS-1617	161		18		454	1H-9573	527
	163		30		460	1H-9574	527
	168		32	1C-2251	254	1H-9575	527
	169		45		256	1H-9578	527
OS-1618	199		46		288	1H-9580	527

1

PART NUMBER INDEX

Part	Page	Part	Page	Part	Page	Part	Page
1H-9581	527		188	1W-3942	161		510
1H-9696	337	1N-4860	188		163		520
1J-9671	263	1N-5999	237	1W-3943	161	2G-6303	161
1K-6872	98	1P-3861	319		163		163
1K-6937	173	1P-5274	158	1W-3944	161	2G-6304	161
	174		161		163		163
	177		163	1W-4072	256	2H-3429	321
1K-9465	118	1P-7115	78	1W-4099	256		506
1L-2072	527		79	1W-4191	▶132		509
1L-2073	313		80		133		519
	▶527		81	1W-4257	161	2H-3755	301
1L-3769	321		82		163	2H-3889	118
1L-4031	387	1P-7625	333	1W-4820	161	2H-3893	91
	389		335		163	2H-3928	217
	465	1R-0726	135	1W-4923	78	2H-3939	175
1L-5316	247		137	1W-6005	166		465
	248		142		172	2H-9523	333
	249	1R-0756	315	1W-6356	273		335
1L-8181	397		317		274		397
1L-8497	490		319	1W-7548	317	2J-0157	321
	492	1S-2303	398	1W-7996	273	2J-3506	86
	498		462	1W-8129	133		88
	500		465		217		119
1L-9048	527		467		323		278
1L-9049	527	1S-4974	595		613	2J-3507	91
1L-9079	527	1S-5772	186		615		118
1L-9080	527		188		616	2J-8163	506
1M-0644	135		189		617		509
	137		190	1W-8188	161		519
	142		220		163	2K-3374	538
1M-3381	161		250	1W-8805	170	2K-4821	351
	163		254	1W-9487	▶273		354
1M-6119	365	1S-7446	506			2L-6679	506
	366		509				509
1M-6120	365		519				519
	366	1T-0720	279			2L-8049	424
1M-9968	507		282	2A-0762	165	2L-8050	415
	510	1T-0765	51		252	2L-8057	424
	520		53	2A-1162	237	2L-8058	415
1M-9971	506		58	2A-1531	254	2L-8075	351
	509		60		256		354
	519	1T-0808	519	2A-4429	38		416
1N-2895	315	1U-4738	173		42		425
	317		175	2A-4639	201		427
	319		177		203		430
1N-2914	14	1V-8638	78		279	2M-3403	148
1N-3150	93		79		282	2M-4453	224
	95		80	2A-5220	84		238
1N-3193	170		81	2B-2694	161	2M-9780	93
1N-3225	170		82		163		95
1N-3333	155	1W-0531	321	2B-2695	49		133
1N-3482	44	1W-1563	93		51		244
	47		95		53		245
1N-3872	161	1W-1564	93		56		317
	163		98		58		325
	217	1W-1565	93		60	2N-0822	228
1N-4087	201		95		66		235
	203	1W-1568	93		130		238
1N-4379	170		95		161	2N-0931	254
1N-4636	337	1W-2060	93		163		256
1N-4637	166		95	2D-6392	506	2N-1287	293
1N-4666	93	1W-2462	93		509		295
	95		95		519		297
1N-4775	150	1W-2639	189	2D-7563	608	2N-7520	168
1N-4859	186		190	2F-6678	507		169

PART NUMBER INDEX

Part	Page	Part	Page	Part	Page	Part	Page
2N-7521	168	2W-6081	490	3B-7265	173	3H-3433	158
	169		492		174	3H-5844	237
2N-7522	168	2W-6082	490		177	3H-5939	185
2N-7523	168		492	3B-7270	175		254
	169		498	3B-7329	184		256
2N-7524	168		500	3B-7728	467	3H-7654	93
	169	2W-6084	498	3B-7745	158		95
			500		462	3J-1907	325
2N-7604	185		319		465		333
2N-8329	186	2W-6286	319		467		335
2N-9768	252	2W-6287	319		214	3J-5389	288
2P-2772	16	2W-6289	319	3D-2824	247		290
2P-5616	351	2W-6290	319		248	3J-7354	36
	354	2W-6667	319		249		142
		2W-6672	319		250		217
2P-7636	325	2W-7226	155		137		325
2P-8977	462	2W-7755	276	3D-9777	137		595
2R-6806	161	2W-7756	▶276	3E-0357	575		490
	163	2W-7871	▶277		577	3J-7719	492
2R-7712	465	2W-7872	277		580		498
2R-8613	253	2W-7873	275		583		500
2S-4078	285		277		587		137
2S-5100	135	2W-8604	398		591	3J-9173	123
	137		613	3E-3365	416	3J-9196	125
	142		615		488		198
	315		616	3E-3371	479	3K-0360	214
	317		617		480		217
	319		137		481		317
2S-7056	55	2W-9209	184	3E-3377	407		325
2V-4387	217	2W-9210	315	3E-4352	301		333
	386	2W-9300	317	3E-4367	407		335
	387		319		598		86
	389	2W-9729	3	3E-5394	410	3K-2889	88
2V-7397	365		5		421		398
	366		▶246	3E-6916	288		399
2W-0013	184				290	3K-8106	263
2W-0694	161			3E-7430	48	3K-8460	595
	163				462	3K-8782	506
2W-0752	12				465	3L-3380	509
	14				467		519
	133	3A-3692	532	3E-7771	507		370
2W-1053	155		538		510	3L-4566	137
2W-1635	135		542		520	3L-5389	513
	137	3B-0623	36	3E-7775	515	3L-6836	514
	142	3B-0645	36		517		372
	155	3B-1915	93		598	3L-7314	375
2W-1969	135		95	3E-8557	407		512
	137		142	3E-8558	403	3L-7604	513
	142		155	3E-9860	575		514
	155		217		577		512
2W-2288	23		238		580	3L-7634	513
2W-2895	66		246		583		514
	69		315		587		524
2W-2940	29		317		591	3L-8187	575
	30		319		591		577
	32		342	3E-9865	373		580
	34	3B-2968	119		375		583
2W-3037	▶90	3B-3638	416	3F-1358	237		587
2W-3146	199	3B-4505	490	3F-1417	78		591
	205		492		79		313
	121		498		80	3L-8993	254
	122		500		81	3N-1341	256
2W-5225	217	3B-4507	230		82		370
2W-5285	18		232	3F-2065	161		398
2W-5616	▶20		240		163	3N-1400	454
2W-6078	490	3B-4605	574		526		
2W-6079	492	3B-4615	137	3H-2617	184		

3

PART NUMBER INDEX

Part	Page	Part	Page	Part	Page	Part	Page
	456	3S-2093	372		509		592
	458		375		519	4D-3118	490
	460		398	3V-2431	45		492
3N-2652	▶185		525		46		498
3N-3297	165	3S-8664	254	3V-3308	185		500
3N-3299	165		256		217	4F-0411	250
3N-3300	165	3S-9643	197		465	4F-3765	93
3N-3763	507		198				95
	510	3T-3048	443				150
	520	3T-3418	509			4F-7387	217
	624		519				224
3N-3790		3T-3422	506	4B-0418	454		238
3N-4513	▶152		509		456	4F-9351	170
3N-4622	252		515		458	4H-6996	184
3N-4868	▶153		517		460	4H-7869	7
3N-5863	256		519	4B-2043	351		8
3N-6504	322	3T-3423	506		354		16
	323		507		373		494
3N-7054	522		509		375		496
3N-7055	522		510	4B-2047	358		502
3N-7056	▶522		519		360		504
3N-7057	158		520		362		512
	175	3T-3424	506	4B-2049	507	4J-0521	173
3N-7281	456		507		510		175
3N-7320	256		509		520		177
3N-8213	230		510	4B-2363	93	4K-0367	118
	232		519		95		209
	240		520		98	4K-9097	161
3N-8217	230	3T-3434	506	4B-3140	98		163
	232		509		151	4L-2729	507
3N-8218	230		515		155		510
	232		517	4B-3388	66		520
3N-8462	230		519		69	4L-6155	513
	232	3T-3735	161	4B-4043	16		514
	240		▶168		224	4L-6454	397
3N-8463	230	3T-4405	575		238	4L-6459	397
	232		577	4B-4863	371	4L-6665	571
	240		580		373	4L-9337	293
3P-0654	92		583		375		295
	93		587		396		297
	95		591		399		397
	98	3T-4709	506		575	4M-0061	397
3P-0655	155		509		577	4M-1827	506
3P-0657	170		519		580		509
3P-1896	18		506		583		519
3P-6061	224	3T-4710	509		587	4M-1828	506
	226		519		591		509
	228		506		595		519
	235	3T-5343	506	4B-8407	16	4M-1831	506
	238	3T-5440	506		186		509
3R-1937	7	3T-6354	351		201		515
	8		354		203		517
3R-2704	148		358	4B-9782	247		519
3R-8797	506		360		248	4M-1853	506
	509		362		249		509
	515	3T-7583	168		249		519
	517	3T-9494	506		333		519
	519		507		335	4M-1854	506
3R-8801	507		509	4D-0449	45		509
	510		510		46		519
	520		519	4D-1836	575	4M-1896	507
3S-1223	217		520		577		510
3S-1307	66	3T-9524	507		580		520
	69		510		583	4M-2442	254
	71		520		587		256
	73	3T-9525	506		591		397

4

PART NUMBER INDEX

Part	Page	Part	Page	Part	Page	Part	Page
4M-3248	166		177	4R-8605	252		▶191
	172	4P-5285	370	4R-8658	133	4W-6387	135
4M-5281	342	4P-5295	250	4S-5719	142		142
	345	4P-5426	3		143	4W-6491	142
4M-6107	230		5		155	4W-6492	142
	232		▶84	4S-5882	135	4W-6664	10
	240	4P-5500	170		137	4W-6960	135
4N-0683	30	4P-5635	253		142	4W-8459	135
	32	4P-5766	▶253	4S-5898	279		142
4N-0996	93	4P-5767	▶250		282	4W-8467	142
	95	4P-6732	▶150	4S-6399	494		
4N-1114	16	4P-6733	150		496		
4N-1320	186	4P-7428	397		502		
	201		536		504		
	203		555	4V-7412	135	5B-0213	40
4N-1650	10		558		137		41
4N-3311	253		561		142	5B-0841	217
	254		568	4W-0090	137	5B-3265	226
	256	4P-7429	397	4W-0096	137		228
4N-3411	494		536	4W-0288	137		235
	496		555	4W-0289	137	5B-4399	217
	502	4P-7442	▶173	4W-0290	137	5B-5821	10
	504	4P-7581	397	4W-0334	137	5B-7643	494
4N-3986	▶351		454	4W-0335	104		496
	▶354		456		105		502
	357		458	4W-0343	137		504
4N-5834	247		460	4W-2109	462	5B-7666	313
	248		525		467		494
	249		528	4W-2110	462		496
4P-0571	119		532		467		502
4P-0692	154		536	4W-2637	381		504
	159		538		▶384	5B-7890	40
	317		542	4W-2640	381		41
	323		555	▶385	▶385		398
	325		570	4W-2641	381		527
	335		575	▶382	▶382	5B-9079	137
4P-0693	325		577	4W-2642	381	5B-9385	119
	333	4P-7680	288	▶383	▶383	5B-9603	250
	335		290	4W-2648	454		254
4P-0870	453	4P-7749	▶174		456		256
4P-3307	120	4P-8097	142		458	5D-1026	254
4P-3308	120	4P-8134	220		460		256
4P-3309	▶120		390	4W-2767	▶381	5D-5957	135
4P-3362	274		397	4W-2768	▶381		142
4P-3363	▶274		528	4W-3027	128		184
4P-3458	119		530	4W-3034	127		315
4P-3459	118		531		128		317
4P-3460	118		532		397		319
4P-3461	118		536	4W-4313	155	5E-9295	372
4P-3462	119		538	4W-4444	319		411
4P-3464	▶118		542	4W-4586	71	5F-0304	16
4P-3469	▶119		555		73	5F-3106	224
4P-3563	214		557	4W-4677	155		238
4P-3897	199		558	4W-4813	24	5F-4899	155
	205		559		25	5F-5990	322
4P-4642	85		561		26	5F-6371	158
4P-4917	170		563		27		173
4P-4926	▶161		564	4W-5015	14		174
	▶163		565	4W-5405	191		177
4P-4927	161		566	4W-5592	135		462
	163		568		137		467
4P-5211	86		570		142	5F-9657	29
	88		575	4W-5596	155		30
4P-5242	173		577	4W-5597	155		32
	175	4P-9226	130	4W-5891	5		34

5

PART NUMBER INDEX

Part	Page	Part	Page	Part	Page	Part	Page
5G-4313	323		148		557		498
5H-6555	373		150		558		500
	375		151		559	5N-8364	498
5H-6734	243		154		561		500
	244		155		564	5N-8365	490
	245		159		565		492
	246		161		566		498
5H-7225	184		163		568		500
5H-7598	494		166		570	5N-8366	492
	496		170		613	5N-8367	490
	502		184		615		498
	504		186		616		500
5H-8848	217		188		617	5N-8368	490
5J-5314	506		189	5M-3034	506		492
	509		190		509		498
	519		199		519		500
5L-1761	337		201	5M-3062	178	5N-8372	490
5L-2534	494		203		397		492
	496		205	5M-6214	168		498
	502		210		169		500
	504		214	5N-0408	224	5N-8373	490
5L-4398	275		217		238		492
	277		220	5N-1845	224		498
5L-5879	226		224		226		500
	228		226		228	5N-8374	490
	235		228		235		492
	506		235		238		498
5L-6425	270		237	5N-1900	90	5N-8375	490
5L-6954	288		238		91		492
5M-1719	290		250	5N-1901	91		498
5M-2894	10		254	5N-1902	91		500
	14		256	5N-1903	91	5N-8377	490
	16		273	5N-1904	91		492
	18		274	5N-1905	91		498
	30		275	5N-1906	91		500
	32		279	5N-1907	91	5N-8378	490
	40		282	5N-1940	224		492
	41		285		238		498
	51		288	5N-1941	224		500
	58		290		238		490
	66		295	5N-2126	525	5N-8379	492
	69		315	5N-2317	117		498
	78		317	5N-2438	322		500
	79		319	5N-2902	230	5N-8380	490
	80		323		232		498
	81		325		240		500
	82		333	5N-2904	230		490
	91		335		232	5N-8381	492
	92		342	5N-5639	238		498
	93		345	5N-6236	173		500
	95		386		174		490
	98		403		175	5N-8383	492
	100		453		177		498
	102		454	5N-6237	165		500
	106		456		173		490
	109		458		174	5N-8384	498
	123		460		175		500
	125		462		177		492
	129		465	5N-6241	158	5N-8385	490
	133		467	5N-6255	165	5N-8387	492
	135		530	5N-6668	168		498
	137		531		169		500
	138		532	5N-6942	527		490
	142		538	5N-8363	490	5N-8388	492
	143		542		492		

PART NUMBER INDEX

Part	Page	Part	Page	Part	Page	Part	Page
5N-8389	492		615		358	5P-7530	123
5N-8390	490		616		360		125
	492		617	5P-3426	293	5P-7751	372
	498	5P-0597	128		295		375
	500		285		297	5P-7807	351
5N-8403	490		397		532		354
	498	5P-0600	293		538	5P-7817	155
	500		295		542	5P-7818	98
5N-8424	490		297	5P-3454	530	5P-8068	93
	492	5P-0721	254	5P-4115	398		95
	498	5P-0745	512	5P-4116	260	5P-8210	30
	500		513		261		32
5N-8425	490	5P-0747	365		398		453
	492		366	5P-4295	254	5P-8228	319
	498	5P-0840	18		256	5P-8245	14
	500		30	5P-4624	135		30
5N-8427	490		32		137		32
	492		49		142		49
	498		51	5P-4892	93		51
	500		53		95		56
5N-8428	490		55		135		58
	492		56		137		66
	498		58		142		69
	500		60		155		78
5N-8529	▶271		66	5P-5421	135		79
5N-8943	161		107		137		80
	163	5P-1075	78		143		81
	526		79	5P-5621	410		82
5N-8980	494		80		414		83
	496		81	5P-5622	424		86
	502		82	5P-5624	410		88
	504		85		416		98
	▶526		220		421		118
5N-9006	230		293	5P-5677	396		120
	232		295		406		133
5N-9068	556		297		409		137
5N-9070	556		398		410		159
5N-9073	161		494		414		167
	163		496		416		175
	370		502		417		201
	526		504		418		203
5N-9117	370	5P-1175	623		421		212
5N-9527	▶275	5P-1291	148		425		217
5N-9574	490	5P-1947	148		426		220
	498	5P-2228	397		443		250
	500	5P-2251	462		444		254
5N-9575	492		465	5P-5689	410		256
5P-0076	10	5P-2321	396		414		275
	93		427		421		276
	95		430	5P-5700	93		277
5P-0537	123	5P-2424	220		95		288
	125	5P-2546	49	5P-5846	155		290
	129		53		158		295
	173		56		161		453
	174	5P-2566	76		163		462
	252		77	5P-5855	93		494
	315		256		95		496
	317		397	5P-5877	133		502
	319	5P-2675	373	5P-6009	434		504
	580		375	5P-6298	506		532
	584	5P-3418	351		509		538
	587		354		519		542
	592		358	5P-6399	148	5P-8246	120
	608	5P-3419	351	5P-6917	372	5P-8247	16
	613		354		375		19

PART NUMBER INDEX

Part	Page	Part	Page	Part	Page	Part	Page
	51		69	6I-1418	386		354
	53	5R-7425	▶7		387	6N-2184	450
	56	5S-0003	325		389	6N-2185	450
	58	5S-7349	410		398	6N-2188	450
	60		421	6I-3136	250	6N-2190	450
	83		515	6I-3754	315	6N-2191	450
	86		517		317	6N-2192	450
	88	5S-7379	342		319	6N-2193	450
	224		345	6J-2245	123	6N-3279	506
	226		397		125		509
	228	5S-7382	342	6J-7855	490		519
	235		345		492	6N-3826	509
	238	5S-7383	220		498		515
5P-8248	71		303		500		517
	73		306	6K-0806	410		519
	85		308		421	6N-4414	315
	86		397	6K-1972	494		317
	88				496		319
	118				502	6N-5595	168
	119				504		169
	278			6K-3771	58	6T-0363	506
5P-8249	24	6B-0933	155		69		509
	25	6B-1557	323	6K-3772	49		519
	26	6B-1667	158		51	6T-0371	506
	27	6B-5072	252		53		509
5P-8250	44	6B-6205	325		56		519
	47		532		60	6T-0372	506
	62		538		66		509
	91		542	6K-4934	159		519
	119	6B-9081	174	6K-4935	159	6T-3631	524
	462		462	6K-6307	148		575
	465		465	6K-9194	137		577
	467		467	6K-9591	370		580
5P-8291	85	6B-9194	119	6L-2280	226		583
5P-8839	1	6B-9202	155		228		587
	64	6D-3910	168		235		591
	65		169	6L-4502	▶623	6T-3632	524
5P-8872	98	6D-5801	575	6L-9849	256		575
	129		577	6M-7476	319		577
5P-8937	454		580	6M-9613	83		580
	456		583		167		583
	460		587	6N-1856	351		587
5P-9085	454		591		354		591
	456	6F-0496	462	6N-1870	351	6T-3633	524
	458		465		354		575
	460		467	6N-1871	351		577
5P-9514	490	6F-4868	48		354		580
	492		93	6N-1872	351		583
	498		95		354		587
	500		98	6N-1873	351		591
5P-9617	454	6F-5985	494		354	6V-0267	142
	456		496	6N-1875	351		143
	458		502		354		148
	460		504	6N-1876	351		155
5P-9890	161	6H-5431	372		354	6V-0268	142
	163		375	6N-1925	351		143
5P-9959	410	6H-8297	175		354		148
	421		462	6N-1944	351		155
5R-7136	51		465		354	6V-0511	▶506
	58	6I-0723	93	6N-1945	351		514
	66		95		354	6V-0927	▶509
	69	6I-0724	93		358		513
5R-7137	51		95	6N-1946	351	6V-0973	129
	58	6I-0744	161		354	6V-1075	573
	66		163	6N-1968	351	6V-1322	506

PART NUMBER INDEX

Part	Page	Part	Page	Part	Page	Part	Page
	509		498		564	6V-8378	515
	519		500	6V-5064	199		517
6V-1392	574	6V-3941	492	6V-5066	201	6V-8398	230
6V-1394	490	6V-3959	490		203		232
	492		492	6V-5100	161		240
	498		498		163	6V-8626	159
	500		500	6V-5101	92	6V-8716	214
6V-1454	198	6V-3968	279		93	6V-8791	214
	201		282		95	6V-8801	220
	203	6V-3971	490		98		250
	212		492		279		293
	254		498		282		295
	256		500	6V-5103	279		297
6V-1581	170	6V-4245	252		282		303
	397	6V-4314	93	6V-5134	159		306
	532		95	6V-5839	210		308
6V-1582	170	6V-4315	93		212		398
	397		95		256	6V-8823	138
	532	6V-4362	333	6V-6228	9	6V-8918	260
6V-1612	538		335	6V-6609	186		261
	542	6V-4363	325		188		332
6V-1846	323	6V-4589	155		199	6V-9007	214
6V-1867	220		217		201	6V-9027	197
6V-1868	220		315		203		199
6V-2369	410		317		205		205
	414		319	6V-6633	88		209
6V-2689	425		325	6V-6758	159		263
6V-3348	18	6V-5039	212	6V-6759	159	6V-9170	159
	29	6V-5040	212	6V-6809	250	6V-9330	532
	30	6V-5048	135		254	6V-9350	159
	32		137		256	6V-9746	214
	34		142	6V-7351	20	6V-9769	199
	49		155	6V-7496	397		205
	51		184	6V-7646	252	6V-9839	214
	53		293	6V-7991	45	6V-9853	214
	55		295		46	6V-9874	214
	56		297	6V-8001	135	6V-9995	85
	58		315		138	6W-2928	159
	60		317		142		462
	66		319	6V-8002	138	6W-6672	398
	69		454	6V-8182	398		
6V-3537	100		456	6V-8185	370		
	102		458		398		
6V-3907	135		460	6V-8187	351		
	137		532		354	7B-2742	173
	142		538		358		174
6V-3908	155		542		360		315
6V-3916	490		557		362		317
	492		558	6V-8188	212		319
	498		559		220	7B-3028	624
	500		561		398	7B-3235	86
6V-3935	490		565		507		88
	492		566		510	7B-8167	613
	498		568		515		615
	500		570		517		616
6V-3938	490	6V-5049	315		520		617
	492		317	6V-8189	262	7C-0527	▶512
	498		319	6V-8374	524	7C-1707	462
	500		325		575		465
6V-3939	490		333		577		467
	492		335		580	7C-2668	▶402
	498		532		583	7C-2946	494
	500		538		587		496
6V-3940	490		542		591		502
	492		563	6V-8376	370		504

7

PART NUMBER INDEX

Part	Page	Part	Page	Part	Page	Part	Page
7C-3258	51	7D-1649	572	7F-3488	506		496
	58	7D-3958	323		509		502
	66	7D-4903	319		519		504
	69	7D-6922	372	7F-3491	506	7L-0811	161
7C-3260	51		375		509		163
	58	7D-8793	138	7F-3525	506	7L-2894	506
	66	7D-9766	86		509		509
	69		88		519		515
	49		397	7F-7621	351		517
7C-4165	55	7E-0275	51	7F-8671	490		519
	56		58		492	7L-3201	193
	66		66		498		194
	107		69		500	7L-5887	512
7C-4354	462	7E-0467	151	7F-8698	331		513
	467	7E-2580	331	7G-1239	129		514
7C-4415	132	7E-2632	92	7G-5984	532	7L-6443	288
7C-4416	132		93		538		290
7C-4417	132		95		542	7L-7871	▶365
7C-4419	132	7E-2858	▶357	7G-5985	532	7L-7872	▶366
7C-4420	132	7E-3127	384		538	7L-8074	462
7C-4421	132		385		542		467
7C-4422	132		▶625	7G-7920	411	7M-0324	509
7C-4423	132	7E-3921	325		421		519
7C-4429	450	7E-4500	250	7G-8478	247	7M-0325	507
7C-4715	98	7E-4650	250		248		510
7C-4716	129	7E-4836	▶86		249		519
7C-4910	575		▶88	7G-8765	526	7M-0326	506
	577	7E-4838	86	7H-1911	532		509
	580	7E-4839	86	7H-9678	321		519
	584		88	7J-0204	237	7M-0327	506
	587	7E-4879	250	7J-0728	462		509
	592	7E-5324	71		465		519
7C-5105	494	7E-5639	398		467	7M-1808	155
	496	7E-6016	189	7J-0729	462	7M-8485	214
	502		190		465	7M-8651	506
	504		210		467		510
7C-5485	132	7E-6017	189	7J-8114	49		519
7C-6209	23		190		56	7N-0060	365
7C-7178	3		210		66		367
	5	7E-6247	▶446	7J-8611	▶63	7N-1628	321
	▶92		▶447		494	7N-1961	40
7C-7677	325	7E-6369	142		496		41
7C-7678	325		155		502	7N-2003	23
7C-7682	325	7E-6466	197		504	7N-2043	100
7C-7683	325	7E-6508	123	7J-8902	512		102
7C-7808	106		125		513		135
	109	7E-6513	123		514		137
	111	7E-6872	3	7K-1181	398		142
	113		5		407		166
	115		▶85		408		184
7C-7909	279	7E-7209	210		528	7N-2044	30
	282		212		532		32
7C-7910	279		256		536	7N-2046	24
	282	7E-7631	243		538		27
7C-8199	279		244		542	7N-2047	30
	282		245		555		32
7C-8390	132	7E-7731	252	7K-1401	285		51
7C-8692	572		370	7K-1402	285		58
7C-9077	▶572	7F-0192	135	7K-3377	325		66
7C-9217	155		137		335		69
7C-9597	217		142	7K-9197	454	7N-2326	85
7C-9784	3		315		456	7N-2328	85
	5		317		458	7N-2405	100
	▶151		319		460		102
7C-9786	151	7F-1866	166		494	7N-2539	458

PART NUMBER INDEX

Part	Page	Part	Page	Part	Page	Part	Page
	494		66		580		520
	496	7N-5279	49		584	7W-0050	166
	504		51		587	7W-0117	93
7N-2597	86		53		592		95
	88		56	7N-8011	106	7W-0129	92
7N-3049	84		66		109		98
7N-3216	10	7N-5413	155	7N-8041	▶106	7W-0408	▶364
7N-3297	199	7N-5416	155	7N-8042	▶111	7W-1650	498
	205	7N-5449	166	7N-8374	19	7W-1651	500
7N-3298	14	7N-5487	331		51	7W-1930	191
7N-3368	199	7N-5641	29		53		192
	205		30		56	7W-2033	250
7N-4106	▶104		32		58	7W-2034	250
7N-4319	16		34		60	7W-2122	325
7N-4320	16	7N-5796	129	7N-8527	172	7W-3031	78
7N-4756	248	7N-5798	129	7N-8599	▶332		79
7N-4758	237	7N-5874	49		333		81
	247		51		335		82
	248		53	7N-8650	▶571	7W-3032	78
	249		56	7N-8651	571		79
7N-4782	123		66	7N-8652	571		81
	125	7N-5875	49	7N-9045	201		82
7N-4851	3		53		203	7W-3579	117
	5		56	7N-9194	415	7W-3629	▶117
	▶64		60	7N-9737	443	7W-3813	3
7N-4871	▶49		66	7N-9738	526		5
7N-4885	▶252	7N-6388	93	7R-3354	415		▶110
7N-4927	197		95		424	7W-3816	137
	250	7N-6460	161		530		▶184
	254		163	7S-1197	371	7W-4154	498
	256	7N-6511	48		575		500
7N-4932	186	7N-6527	▶186		577	7W-5780	▶75
	188	7N-6570	158		580	7W-5848	▶189
	201	7N-6806	325		583	7W-5849	189
	203	7N-6965	▶188	7S-1198	396	7W-7336	301
7N-4940	453	7N-6986	148	7S-2245	184	7W-9703	▶177
7N-4941	201		285	7S-8420	186	7W-9741	3
	203	7N-7008	188	7S-9323	321		5
7N-4944	201	7N-7009	188	7T-1099	580		▶315
	203		189		583	7W-9742	▶317
7N-4945	14		190		587	7X-0274	397
	201		250		591	7X-0289	397
	203	7N-7010	188	7T-3267	515	7X-0290	397
	462	7N-7012	188		517	7X-0292	397
	465	7N-7057	62	7T-3268	515	7X-0294	397
	467	7N-7069	▶175		517	7X-0300	397
7N-4951	18	7N-7539	49	7T-3276	515	7X-0325	212
7N-4952	18		51		517	7X-0326	397
7N-5057	166		53	7T-3277	515	7X-0340	397
7N-5080	279		56		517	7X-0350	397
	282		66	7T-3278	515	7X-0409	230
7N-5120	188	7N-7660	▶62		517		232
	254	7N-7697	155	7T-3279	515		240
7N-5123	254	7N-7779	443		517	7X-0440	397
7N-5239	66		526	7T-3451	515	7X-0448	398
	69	7N-7780	443		517	7X-0519	370
7N-5244	55		526	7T-3454	515	7X-0562	507
7N-5245	66	7N-7991	106		517		510
	69		109	7T-3974	506		515
7N-5246	66		111		509		517
	69		113		515		520
7N-5248	49		115		517	7X-0579	398
	53	7N-8001	▶524		519	7X-0584	225
	56		575	7T-9123	507		226
	60		577		510		228

PART NUMBER INDEX

Part	Page	Part	Page	Part	Page	Part	Page
	234	8C-1358	462		396		5
	235		465		425		▶337
	240		467		427	8N-6210	325
7X-0732	295	8C-3089	506		430	8N-6211	325
7X-1445	253		509		434	8N-6326	325
7X-1547	98		519		575	8N-6327	325
7X-2501	175	8C-3107	288		577	8N-6423	246
	177		290		609	8N-6435	▶321
	332	8C-3121	397		624	8N-6564	▶105
	397	8C-3445	142	8L-8585	193	8N-7174	3
7X-3178	348		155		194		5
	397	8C-3446	142	8L-9765	623		▶69
7X-3189	397		155	8M-2530	71	8N-7197	123
7X-3373	506	8C-3654	421		73		125
	509		432	8M-2770	148	8N-7236	▶93
	515		433	8M-3175	93		▶95
	517		443		95	8N-7296	100
	519		559	8M-6701	351		102
7X-4805	30		566		354	8N-7639	199
	32		568	8M-9024	20		205
7X-6222	407	8C-3655	515		93	8N-7641	201
7X-6315	391		517		95		203
	393	8C-4423	214		98	8N-7643	3
	395	8C-5236	237		279		5
7X-7730	250		248		282		▶197
7X-7731	29	8C-5917	365		315	8N-8056	30
	30		366		317		32
	32	8C-6354	408		319	8N-8210	51
	34		420	8N-0386	201		53
	93	8C-8554	323		203		58
	95	8C-9020	148	8N-1186	322		60
	158	8C-9022	285	8N-1542	411	8N-8446	494
	161	8C-9660	506		421		496
	163		509	8N-1543	373		502
	173		519		375		504
	174	8D-7942	123	8N-1989	201	8N-8451	494
	177		125		203		496
7X-7925	24	8F-1434	358	8N-1991	142		502
	25		360		155		504
	26		362	8N-1992	142	8N-8452	494
	27		507		155		496
7Y-5074	575		510	8N-2929	155		502
	577		515	8N-3480	333		504
	580		517		335	8N-8455	237
	584		520		397	8N-8456	237
	587	8H-1141	515	8N-3639	93	8N-8461	237
	592		517		95	8N-8462	224
		8H-2778	321	8N-3640	93		238
		8H-7202	321		95	8N-8464	237
		8J-5985	279	8N-3896	▶513	8N-8466	▶224
			282	8N-3898	▶514	8N-8467	▶107
8B-7614	230	8J-8919	78	8N-4707	24	8N-8468	▶108
	232		79	8N-5213	256	8N-8483	▶313
	240		80	8N-5743	▶51	8N-8509	121
8B-7624	490		81	8N-5768	1	8N-8510	▶121
	492		82		2	8N-8524	186
	498	8K-2396	154		▶66	8N-8535	186
	500	8K-4644	573	8N-5771	60	8N-8550	465
8B-9725	201	8L-2786	191		66	8N-8570	250
	203		192	8N-5991	293	8N-8571	250
	254		315		295	8N-8993	3
	256		319		297		5
	288	8L-6557	319	8N-6038	2		▶190
	290	8L-8413	365		▶65	8N-9166	▶53
	397		366	8N-6151	3	8N-9183	▶170

8

PART NUMBER INDEX

Part	Page	Part	Page	Part	Page	Part	Page
8N-9300	372	8T-2502	193		234		199
	375		194		240		205
8N-9422	254		209	8T-4896	76		250
8N-9482	135		397		178		253
	137	8T-2903	188		220		273
	142		250		250		274
8N-9609	254		254		303		279
	256	8T-2928	24		306		282
8N-9639	►78		25		308		387
8N-9706	254		26		342		389
8N-9885	18		27		345		465
	386	8T-2929	24		398	8T-6763	29
8N-9992	14		25	8T-4971	332		30
8N-9993	14		26	8T-4994	398		32
	133		27		571		34
8P-1438	49	8T-4121	220	8T-5447	574	8T-6764	186
	56	8T-4122	398	8T-6726	462		237
	66	8T-4136	230		465		279
8R-1794	293		232		467		282
	295		240	8T-6757	49	8T-6765	16
8S-2331	71	8T-4192	226		51		84
	73		228		53		155
8S-4734	120		235		55		186
8S-4757	44	8T-4205	161		56		188
	47		163		58		199
8S-5383	397		175		60		201
8S-9089	83		177		66		203
	494		332	8T-6758	84		205
	496		342		189		247
	502		345		190		248
	504		348	8T-6759	37		249
8S-9191	159		351		38		253
	186		354		42		254
	191		358		49		256
	192		360		51		386
	467		362		53	8T-6766	226
8T-0099	30		370		55		228
	32		372		56		235
8T-0209	230		373		58		237
	232		375		60		315
	240		398		66		317
8T-0328	351		410		107		319
	354		421	8T-6761	14	8T-7008	397
	358		453		16	8T-7494	214
	360		506		93	8T-7525	214
	362		509		95	8T-7547	332
	507		515		199	8T-7877	193
	510		517		201		194
	515		519		203		209
	517	8T-4223	76		205		212
	520		77		387	8T-8566	515
8T-0707	230		177		389		517
	232		212	8T-6762	29	8T-8569	515
	240		256		30		517
8T-1685	214		398		32	8T-8729	400
8T-1919	217	8T-4224	262		34	8T-8730	400
	220		332		84		407
8T-2153	66		398		93		430
	69		575		95		433
8T-2353	532		577		98		445
	538		580		135	8T-8731	400
	542		584		142		410
8T-2501	76		587		155		421
	220		592		189		474
	397	8T-4244	225		190		485

PART NUMBER INDEX

Part	Page	Part	Page	Part	Page	Part	Page
8T-8732	400		517		81	9N-0869	130
	421	8V-9708	250		82		329
	471				109		330
	482				111		386
8T-8733	416				214		387
8T-8735	407				217		389
	408	9B-0701	161		277	9N-0937	351
8T-8737	372		163		572		354
	373	9B-0887	226	9M-1974	21	9N-0939	351
	375		228		49		354
	392		235		51	9N-0942	351
	407	9B-4202	48		53		354
	408	9B-7233	351		56	9N-0943	351
	411		354		58		354
	415	9B-7237	220		60	9N-1752	333
	416		397		66		335
	421	9D-3769	178		69	9N-3388	351
	424		348		100		354
	427	9F-5599	506		102	9N-4053	325
	430		509		128	9P-6895	574
	434		519		130	9R-5008	323
	435	9F-6445	348		161	9S-1354	125
	436	9F-7707	123		163	9S-1366	133
	437		125		199	9S-1368	462
	438	9F-8122	62		205		465
	439	9G-0003	365		237		467
	440		366		247	9S-1374	83
	441	9G-0004	365		248	9S-2009	351
	442		366		249		354
	443	9G-2653	319		301	9S-2302	351
	444	9G-3695	411		315		354
	445	9G-4101	506		317		358
	470		509		319	9S-2390	351
	482		510		325		354
	530		519		386		358
	563		520		387		360
	564	9G-5127	532		389		362
	598		538		403	9S-2396	351
8T-8827	372		542		454		354
	375	9G-8140	542		456	9S-2544	351
	530	9H-2367	158		458		354
	397		161		460		506
8T-8911	397		163	9M-2151	243		509
8T-8915	397		506		244		519
8T-8917	177	9H-3757	509		245	9S-4181	199
	397		519		246	9S-4182	135
8T-9101	397	9H-6673	138	9M-2342	321		138
8T-9364	161	9H-8260	84	9M-2610	184		142
	163	9K-6540	137	9M-3786	237		155
	342	9L-0672	158	9M-4202	201		184
	345		161		203		197
8T-9367	397		163	9M-4355	167		199
8T-9368	372	9L-1480	98	9M-4584	325		205
	397		151	9M-4594	398		217
	453	9L-2295	288	9M-4704	372		263
8T-9377	250		290		375		315
	397	9L-4234	398	9M-4849	462		317
	453	9L-6770	358		467		319
8T-9379	397		360	9M-4897	186		325
8T-9392	397		362	9M-5520	370	9S-4183	250
8T-9399	397	9L-7373	288	9M-7269	397	9S-4185	186
	571		290	9M-7357	370		188
8T-9655	398	9L-9132	78	9M-7609	506		191
8T-9757	365		79		509		192
	366		80		519		199
8T-9884	515						

PART NUMBER INDEX

Part	Page	Part	Page	Part	Page	Part	Page
	201		212		542		613
	203		214	9X-0352	123		615
	205		217		125		616
	214		220	9X-1386	475		617
	217		224		482	9X-6772	220
	315		226	9X-1813	474		372
	317		228		476		375
	319		235		477		390
9S-4190	93		238		478		398
	95		243		479		407
	155		244		480		408
	217		245		481		444
	244		246		487		445
	245		256		526		454
	315		273	9X-2500	351		456
	317		274		354		458
	319		279	9X-3265	407		460
9S-4191	29		282	9X-3271	563		530
	30		285		564		531
	32		288	9X-3401	475		532
	34		290		523		538
	315		293	9X-3402	408		542
	317		295		421		556
	319		319		434		557
	325		323		598		558
	333		335	9X-3490	598		559
	335		453	9X-4594	247		561
9S-7381	319		456		249		563
9S-8002	36		458	9X-4813	410		564
	595		462		421		565
9S-8005	198		465	9X-4814	421		566
9S-8750	373		467	9X-4824	515		568
	375		494		517		570
	454		496	9X-5392	▶482	9X-7147	598
	456		502		484	9X-7371	19
	458		504	9X-6138	20		51
	460		532	9X-6259	373		53
	580		572		375		56
	584		613	9X-6279	230		58
	587		615		232		60
	592		616		240		106
	613		617	9X-6381	574		109
	615	9S-8893	1	9X-6458	148		111
	616		64		154		113
	617		65		210		115
9S-8752	78	9S-9238	494		212		226
	79		496		218		228
	80		502		220		235
	81		504		256	9X-7523	220
	82	9S-9635	220		279	9X-8124	372
	133	9V-7451	342		282		375
	135		345		285	9X-8243	433
	138	9W-0844	407		288		443
	142		416		290		559
	143		427		293		561
	148		430		295		566
	154	9W-0852	410		301		568
	155		421		342	9X-8872	14
	159	9W-1464	595		345	9X-8873	83
	161	9W-1951	408		387		201
	163		421		389		203
	188	9X-0146	618		462		212
	189		620		532		218
	190	9X-0262	532		538		276
	210		538		542		293

PART NUMBER INDEX

Part	Page	Part	Page	Part	Page	Part	Page
9X-8874	288		174		108	101-1368	71
	290		175	061-7539	332		73
9X-8875	83		177	061-8639	319	101-1370	71
9X-8879	51		462	061-9456	155	101-1372	71
	58		465	061-9463	154		73
	66		467	062-5388	370	101-1785	609
	69	004-7270	467	092-7436	425	101-2862	93
9X-8880	209	008-8694	168	096-0028	420		95
9X-8887	71		169	096-4833	490	101-4197	21
	73	030-7941	454		492	101-4199	128
	278		456		498		130
9X-9591	314		458		500	102-2240	▶487
	▶399		460	097-7404	416	102-4169	79
9X-9647	▶474	030-7946	319		424		80
9X-9672	396	030-7961	494		432	102-7532	489
9X-9675	371		496		443	102-8616	▶79
	575		502				▶80
	577		504			102-8634	84
	580	030-7963	148			102-8801	429
	583	030-7966	462			102-8802	416
	587	030-7972	325				488
	591	030-7977	325	100-3145	288		523
9X-9720	365	030-8307	462	100-3146	288		525
9X-9730	366		465		290	102-8803	473
	▶367		467	100-3147	288		475
9X-9857	399	030-8535	78		290		479
9Y-0047	329		79	100-3148	288		480
	330		80		290		481
9Y-0635	40		81	100-3237	329		487
	41		82		330	102-8804	407
9Y-2921	372	031-2701	262	100-3877	123		408
	375	031-4136	317		125	103-6668	▶278
9Y-3085	92	031-4155	130	100-3878	123	104-1718	230
	▶98		260		125		232
9Y-3108	462		261	100-3879	123		240
9Y-4888	▶129	031-5744	462		125	105-3762	351
9Y-4957	111		465	100-3880	123		354
	113		467		125	106-2780	▶25
	115	032-1267	161	100-5805	410		29
9Y-5286	107		163		420	106-3512	197
	108	032-1269	133	100-6531	351	106-9867	166
9Y-6089	513	033-6031	127		354	106-9869	166
	514		128		358	106-9871	166
9Y-6497	▶573	033-6042	29		360	106-9872	▶166
9Y-6893	212		161		362		167
	218		163	100-6532	351	106-9873	3
	220	036-9821	506		354		5
9Y-7876	▶48		509	100-8075	142		▶167
9Y-8389	315		519		155	107-0278	3
	317	036-9823	506	101-0831	3		5
	319		509		5		▶18
	332		517		▶21	107-0466	55
9Y-8909	3	039-4317	490	101-1173	▶24	107-0474	3
	▶243		492		30		▶199
9Y-9782	595		498	101-1198	30	107-2482	575
			500		32		577
		045-4065	507	101-1269	3		580
			510		5		583
			520		▶83		587
001-9440	532	053-2294	111	101-1365	71		591
	538		113		73	107-3758	263
	542		115	101-1366	71	107-5565	230
003-8581	319	053-4679	172		73		232
003-9163	158	053-5065	86	101-1367	71		240
	173		107		73	107-7175	166

1

0

PART NUMBER INDEX

Part	Page	Part	Page	Part	Page	Part	Page
107-7326	166	111-1324	618	116-7011	209		530
107-7361	▶55		620	116-9723	314	121-3558	100
107-7362	55	111-1349	166	117-0066	14		102
107-7954	288	111-2081	98	117-0067	557	122-3374	279
	290	111-3388	325		558		282
107-8769	494	111-3389	325		559	122-4386	435
	496	111-3684	532		561		436
	502		538		565		437
	504		542		566		438
108-1434	154	111-3820	142		568		439
	159		155		570		440
	317	111-4374	254	117-8766	485		441
	323		256	117-9308	1		442
	325	111-4399	490		2	122-8856	199
	333		492		10		205
	335	111-4986	▶272	118-1656	387	122-9458	314
108-9656	398	111-5822	276		389	123-0316	372
109-2332	129	111-8276	199		465		420
	142		205	119-0838	9	123-3932	596
	155	111-8277	199	119-0839	9	123-6915	279
	191		205	119-3662	373		282
	192	111-8639	135		375	123-7450	▶608
109-3038	407		137		407	123-9694	575
109-5738	609		142		408		577
	611	111-9374	199		411		580
109-6507	575		205		415		583
	577	112-1564	279		421		587
	580		282		424		591
	583	112-1567	279		427	124-0121	▶470
	587		282		430	124-0284	123
	591	112-4387	148	119-6282	▶450	124-0289	397
	618	112-4921	3		452	124-3176	575
	620		5	119-6283	▶451		577
109-7411	279		▶135		452		580
	282	112-6033	3	119-6284	▶452		583
109-8932	447		5		494		587
	449		▶130		496		591
110-2445	148	113-4649	73		502		618
110-6845	392	113-8432	110		504		620
110-6991	40	113-8433	110	119-6296	93	124-6333	210
	41	113-9533	285		95		212
110-6994	30	114-2413	98	119-7333	254	125-2784	159
	32	114-3378	279		256	125-6535	507
110-7753	210		282	119-7334	4		510
110-8066	▶298	114-3380	279		5		520
110-8314	288		282		▶254	125-6536	507
	290	114-5477	325	120-4339	9		510
110-8714	407	114-8843	372	120-4498	▶525		520
	427	115-5160	▶29	120-4501	▶137	125-6537	507
	430	115-5852	624	120-4513	▶370		510
110-8909	575	115-7850	3	120-7420	186		520
	577		5		188	125-7874	407
	580		▶201	120-7421	201		411
	583		▶203		203		415
	587	116-1352	155	120-9079	371		416
	591	116-2652	411		575		421
111-0349	386		421		577		427
111-1323	575		436		580		430
	577		437		583	125-7875	408
	580		438		587		411
	583		439		591		421
	587		440	121-0474	319		427
	591		441	121-0476	319		430
	618		442	121-1110	373		432
	620	116-3266	465		375		433

PART NUMBER INDEX

Part	Page	Part	Page	Part	Page	Part	Page
	434	126-9424	434		125		421
	443	127-2176	199	132-7551	342		426
	559		205		345	134-6275	453
	561	127-2331	575	132-8489	575	135-5009	415
	566		577		577		416
	568		580		580		424
125-9751	71		583		583		443
	73		587		587		472
125-9794	98		591		591		486
125-9941	575	127-3330	608	133-0970	407		489
	577	127-4230	217		427		530
	580	127-4471	148		430	135-6740	575
	583	127-5400	49	133-1207	485		577
	587		51	133-5924	93		580
	591		53		95		583
125-9942	575		56	133-5926	93		587
	577		58		95		591
	580		60	133-6261	11	135-9941	532
	583		66		12		538
	587		69		13		542
	591		107		122	137-8241	247
125-9943	575	127-6260	446	133-6265	22	138-8508	100
	577		448		127		102
	580	127-8660	253		131	140-2175	▶396
	583		254	133-6268	13	140-9597	51
	587		256		122		58
	591	128-0856	260	133-6269	11		66
125-9944	575		261		12		69
	577		262	133-6270	22	140-9606	178
	580	128-4183	425		127	141-7047	▶299
	583	128-4250	410		131	141-7048	▶300
	587		420	133-6479	278	141-7116	86
	591		434	133-6480	278		88
125-9955	575	128-4845	23	133-6484	453	141-8596	494
	577	128-5988	131	133-8382	199		496
	580	128-5993	1		205		502
	583		2	133-9030	118		504
	587		10	133-9031	118	141-9285	201
	591	128-8545	574	133-9300	▶392		203
125-9956	575	130-1433	389	133-9306	37	142-4159	93
	577	130-6191	▶609		38		95
	580	130-6196	▶610		42	143-5168	▶490
	583	131-0420	40	133-9313	135		496
	587		41		137	143-5169	▶492
	591	131-0421	40		142		494
125-9957	575		41	134-0957	575	143-5173	▶494
	577	131-1487	424		577	143-5174	▶496
	580	131-1488	415		580	143-5177	494
	583	131-1502	416		583		496
	587	131-1578	398		587		502
	591	131-4731	410		591		504
125-9969	575		420	134-2540	427	143-9207	226
	577	131-4891	575		430		228
126-0577	127		577		444	143-9208	226
126-1767	475		580		445		228
126-1768	408		583	134-3098	467		235
	421		587	134-3100	462	144-1623	▶595
126-1774	407		591		467		596
	408	131-9131	575	134-4126	391	144-1624	392
126-3005	148		580	134-5645	158		▶596
126-7574	391		583	134-6258	409	144-5692	30
126-9187	403	132-0451	609		411		32
126-9188	403	132-5559	396		417	144-5695	100
126-9191	▶403	132-5789	397		418		102
126-9246	596	132-6469	123		419	144-6074	209

PART NUMBER INDEX

Part	Page	Part	Page	Part	Page	Part	Page
	226	148-8003	259		205	156-6450	575
	228	148-8004	259	154-3254	410		577
	235	148-8005	225		420		580
144-6076	226		234	154-6389	123		583
	228		240		125		587
	235		▶259	155-0576	386		591
144-6080	▶225	148-8006	225		387	156-9748	329
	226		234		389		330
144-6081	▶226		240	155-0726	85	156-9755	325
	▶228	149-1982	37	155-1690	135		▶329
144-8263	51		38		137	156-9756	325
	58		42		142		▶330
	66	149-2213	222	155-2255	407	157-0443	135
	69	149-4156	230		427		137
144-8266	172		232		429		142
144-8267	170		240		430	157-2811	58
	▶172	149-4311	230	155-2258	427		60
144-8271	172		232	155-2259	598	158-6457	148
145-9929	▶400		240	155-2260	407	159-9322	407
146-6769	230	149-4312	230		411		408
	232		232		421		420
	240	149-5462	243		443		434
146-6775	371		244		444	159-9496	372
147-1443	420		245		445		410
147-1960	371		246		470		411
147-3745	329	149-6031	23		476		420
	330	149-6032	23		477		421
148-7983	230	149-6033	23		478	160-7689	434
148-7984	230	149-6034	23		559	160-7690	407
	240	149-6035	23		561		408
148-7985	230	149-9297	129		566		420
	232	149-9298	98		568	161-1705	557
	240	151-9228	▶76	155-2265	598		558
148-7986	230	151-9263	45	155-2266	444		559
148-7987	230		46	155-2270	123		561
	232	151-9264	20		125	161-2513	172
	240	152-5538	415		407	161-6244	209
148-7988	230	153-1223	410		408	161-6928	3
	232		420		411		5
148-7989	230		434		421		▶23
148-7990	230	153-2707	409		563	161-8071	293
	240		411		564		295
148-7991	230		417	155-2271	372		297
	232		418		420	161-9932	▶475
148-7992	230		419		429	162-3898	100
	232		421	155-2276	432		102
148-7994	230		426	155-2563	▶13	162-3906	332
	232		427	155-2564	▶11	163-3972	599
148-7995	230	153-3723	574	155-2566	▶22	163-3973	599
	232	153-4906	30	155-2567	122	163-3974	599
148-7996	225		454	155-2571	22	164-2441	▶471
	234		456	155-2572	127		472
	240		458		131	164-4537	195
148-7997	225		460	155-2573	11	164-4538	195
	234	153-5043	488	155-2574	12	165-3931	135
	240	153-7487	148	155-2575	13		137
148-7998	230	153-9481	217	155-2583	▶12		142
	232	153-9963	217	155-2585	▶127	165-6668	100
148-7999	230		220	155-2586	▶122		102
	232	154-1581	135	155-2594	▶131	166-3777	607
	240		137	155-4094	123	166-4116	159
148-8000	225		142		125	166-4357	▶56
	▶230	154-1616	199	155-5271	100	166-4373	▶397
148-8001	259		205		102	166-4374	247
148-8002	259	154-1617	199	156-6175	556		248

PART NUMBER INDEX

Part	Page	Part	Page	Part	Page	Part	Page
	249	186-3735	408		577		411
166-4376	247		410		580		415
	248		416		587		420
	249		421	197-6995	37		421
168-6357	132		434		38		424
171-1359	76		471		42		443
171-5349	408		473	197-7006	38		530
	482		479	197-7008	30	203-9000	373
172-0916	23		480		32		375
172-4288	502		481	197-7055	38		410
172-5487	288		482		42		415
	290		487	197-7062	38		420
172-8660	▶523		488	197-7063	38		424
174-0503	410		525	197-9051	81		443
	421		618	197-9052	▶81		530
	427		620	198-4767	293	203-9001	372
	430	186-3736	123	199-5601	368		373
	432		372				375
	433		408				411
	434		411				415
	443		416				420
	444		421	200-2003	123		421
	559		427		125		424
	561		432	200-6504	▶448		443
	566		434		▶449		530
	568		435	201-4670	209	203-9007	372
174-3016	407		436	202-2099	372		410
175-4981	230		437		375		411
	232		438	202-2109	416		420
175-4982	230		439	202-2141	410		421
	232		440		420	204-2518	470
175-4983	230		441	202-2700	358		▶473
	232		442		360	204-5426	40
175-4984	230		443		362	204-5427	40
	232		444	202-2708	358	204-5592	575
175-4985	230		474		360		577
	232		559		362		580
	240		566	202-2783	360		583
175-5197	71	187-2034	358		362		587
175-5200	71		360	202-2784	358		591
175-5201	71		362		360	204-5593	575
175-5202	71	187-7738	40		362		577
175-5203	3		41	202-2785	358		580
	5	188-0324	256		360		583
	▶71	193-2120	220		362		587
176-2942	563	193-3286	85	202-2786	358		591
	564	194-4897	38	202-2787	358	204-5594	575
176-2943	410		42		360		577
	421	194-4902	38		362		580
	563	194-5226	477	202-9897	358		583
	564	194-6722	▶476		360		587
176-3227	172		479		362		591
176-9299	434	194-6724	▶477	203-8944	410	205-8421	325
177-7215	371		480		420	206-0884	▶264
178-3339	587	194-6725	▶478	203-8945	410		266
	591		481		420		268
180-3007	128	195-0383	▶622	203-8977	372	206-2710	▶393
180-7412	58	195-2150	▶488		410		394
	60		563		420	206-2711	386
180-9340	476		564	203-8993	368		387
	478	195-4550	146	203-8995	368		389
	485		147	203-8996	368		▶394
183-8809	36	196-5052	217	203-8999	372		▶395
184-2472	393	196-5053	217		373	207-1332	275
	395	197-2691	575		375	207-1364	288

2

PART NUMBER INDEX

Part	Page	Part	Page	Part	Page	Part	Page
	290	212-3426	▶484		269	231-9892	372
207-1556	▶515		532	227-0057	159		375
207-1562	512		538	227-3801	45	231-9895	415
	▶517		542		46		435
207-5432	427	212-8174	244	228-3369	623		436
	430		▶247	228-6559	▶381		437
208-0589	605	212-8177	246	228-7091	159		438
208-9064	264		▶248	228-7105	159		439
	265	212-8180	247	228-8925	98		440
	267		248	228-8926	98		441
	268		249	229-1632	100		442
208-9065	264	212-8184	248		102		530
	266	212-8186	247	229-3218	332	231-9897	372
	268		249	229-5332	288		404
209-0962	38	212-8188	260		290		405
209-3559	▶113		261	229-5333	288		406
209-3562	▶115	214-0728	198		290		409
209-4453	▶260	214-0729	198	229-8391	98		414
209-4454	▶261	214-0731	217	229-9407	360		417
209-4455	260	214-5165	410	230-1072	201		418
	261		420		203		419
209-4457	261	214-7568	32		214		421
210-1175	▶333		34	230-2516	100		426
210-1471	333	216-2285	217		102	231-9898	404
	335	216-6217	▶198	230-2519	100		405
210-2542	38		217		102		406
	42	217-6692	128	230-2520	100		420
210-8958	373	218-4935	407		102	231-9899	372
	375		408	230-2619	123		404
	411	219-3240	198		125		405
	421	219-7509	260	230-2620	123		406
	433		261		125		414
	443	219-7510	260	230-2621	123	231-9900	▶575
	479		261		125	231-9901	▶577
	480		262	230-2633	123	231-9905	575
	481	220-2677	3		125		577
	484		5	231-3471	▶371	231-9907	575
	530		▶386		377		577
	559	221-1887	220		378	231-9911	575
	561	221-2498	580		379		577
	563		583		380		580
	564		587	231-5867	98		583
	566		591	231-6133	360		587
	568	222-4059	12		362		591
210-9035	▶368	222-5152	248	231-7069	3	231-9915	409
	369	222-9921	83		▶387		417
210-9214	▶109	223-1696	24	231-7070	387		418
211-4317	368		25		389		419
211-7826	24		26	231-9526	▶454		426
	27		27	231-9863	372	231-9999	▶372
212-0848	▶483	224-9869	4		375		▶375
	538		5	231-9864	372	232-0005	410
	542		▶123		375		420
212-3221	410	225-0774	610	231-9866	372	232-0016	▶532
	420		▶611		375	232-0018	▶410
212-3222	410	225-3226	623	231-9870	▶613		532
	420	225-3227	623	231-9873	454		538
212-3423	▶489	225-4256	253		460		546
	532		254	231-9875	▶409	232-0019	410
	538		256		532		420
	542		623	231-9877	454		427
212-3425	▶472	226-2773	▶265		460		430
	532		267	231-9880	▶615	232-0020	417
	538	226-2779	265	231-9891	613		418
	542		267		615		419

PART NUMBER INDEX

Part	Page	Part	Page	Part	Page	Part	Page
	426		445	234-0275	▶597		420
232-0858	▶456	233-9218	410		598	236-8130	404
232-0867	456		420	234-4182	331		420
	458	233-9219	372	234-8724	3	237-1962	▶519
232-0886	420		414		5	237-2715	333
232-0888	410	233-9220	410		▶325	237-2718	335
232-0889	▶528	233-9221	372	234-8788	373	237-2719	317
232-0892	410	233-9222	410		375	237-3860	179
	420	233-9223	414	234-8937	16		180
232-0893	411	233-9224	410	235-1089	75		181
	421		420	235-2484	86		183
	432	233-9225	409		88		339
	433	233-9226	404		107		341
	443		405		108		342
	559		406	235-2761	420		345
	561		409	235-2762	435		349
	563		410		436		469
	564		414		437	237-8992	▶415
	566		421		438		556
	568		425		439	237-8994	▶416
232-0894	410		427		440		528
	420		430		441	237-8995	390
232-0895	416		434		442		▶443
	432		444	235-2763	613	237-9022	314
	433		445		615		▶425
	443	233-9227	372		616	237-9023	▶434
	559		409		617		577
	561		411	235-2764	415		587
	566		414		530		591
	568		417	235-2765	421	238-2928	▶531
232-0897	415		418	235-2768	▶369	238-2929	▶424
	416		419		372		531
	424		421		375	238-5081	159
	432		426	235-3546	18	238-9549	▶314
	433	233-9228	372		49	238-9591	432
	443		411		51		433
	530		421		53		443
	559		427		55		559
	561		430		56		561
	566	233-9229	372		58		566
	568		411		60		568
232-0899	▶556		414		66	238-9733	432
232-0900	410	233-9230	411		69		433
	420		414	235-3548	51		443
232-0906	420	233-9231	372		55		559
232-0907	410		414		58		561
232-4449	301	233-9232	410		66		566
232-4673	401		414		69		568
232-4674	401		421	235-6275	▶432	238-9734	▶390
232-4675	401	233-9233	411		557	238-9802	416
233-0643	64		414	235-6276	▶557		432
233-0644	1		421	235-6277	▶558		443
	65	233-9234	411	235-6280	▶433		559
	623		414		558		566
233-6084	623		414		570	238-9803	432
233-8525	226	233-9235	372		607		433
	228		411	236-1158	607		433
	235		421	236-2623	256	239-1470	▶547
233-9210	▶414	233-9237	411	236-7941	410	239-1471	▶417
	532		414		420		536
233-9216	420		421	236-7942	372		547
233-9217	404	233-9494	372	236-8125	404		554
	405	233-9495	372		405		555
	406	233-9517	372		406	239-1472	▶555
	409		410		409	239-1473	▶435
	444		420	236-8126	410		536

PART NUMBER INDEX

Part	Page	Part	Page	Part	Page	Part	Page
	555		580		345		517
239-1474	▶436		584	246-6506	420	251-1255	178
	536		588	246-7964	342		339
	555		592		345		341
239-1475	▶548	241-8266	372	247-0845	▶46		342
239-1476	▶426		414		47		345
	548	241-8267	417	247-2954	342		349
	549		418		345		350
239-1477	▶549		419	247-3796	191	251-5884	▶267
239-1478	▶437		426		192	251-9430	587
	549	241-9055	▶458	247-4696	3		591
239-1479	▶438	241-9056	▶460		5	251-9436	161
	549	241-9399	373		▶128		163
239-1480	▶550	242-0083	▶444	247-8340	9	251-9450	▶612
239-1481	▶418	242-6277	3	247-8341	▶9	252-6464	86
	550		5		123		88
	551		▶155		125	252-6498	86
239-1482	▶551	242-6278	▶142	248-0197	3		88
239-1483	▶439	243-1286	▶133		5	252-8374	159
	551	243-1288	133		▶47	252-9298	527
239-1484	▶440	243-1289	133	248-2857	▶232	253-2120	348
	551	243-1290	▶154		234	253-2122	348
239-1485	▶552	243-2288	199	248-2858	▶234	253-2468	▶8
239-1486	380		205		235	253-3820	559
	▶419	243-2975	279	248-4792	256		566
	552		282	248-5012	288	253-3821	561
	553		288		290		568
239-1487	▶553		290	248-5503	342	253-4777	155
239-1488	▶441	243-3216	64		345	253-4778	142
	553	243-3221	1		348	253-6137	▶559
239-1489	▶442		65	248-5513	197	253-6138	▶561
	553	243-5752	525	248-8695	3	253-6217	453
239-5374	420	244-0476	▶178		5	253-6218	▶453
239-5375	420	244-0479	▶179		▶331	253-9546	▶530
239-5794	372	244-0480	▶180	249-2865	▶266	253-9547	530
	375	244-2258	154	249-4512	100	254-0331	372
239-6337	410	244-2478	▶339	249-5496	100		375
	421	244-3732	148	249-5671	5	254-3402	453
239-6364	▶536	244-4508	44		▶100	254-5668	443
239-6365	▶554		▶45	249-6959	618		566
239-8154	420	244-6567	▶341		620		568
240-5872	377	245-0522	532	249-6961	▶618	254-7277	▶348
	▶404		538		621	254-7278	348
240-5874	378		542	249-6964	▶407	254-7279	348
	▶405	245-0523	532		618	255-0178	▶563
240-5876	379		538		620	255-0179	563
	▶406		542	249-8926	342	255-0180	▶564
240-6653	3	245-2876	254		345	255-0181	564
	5	245-4621	263	250-1305	331	255-2288	3
	▶30	245-4907	331	250-1496	325		5
	▶32	245-4908	331		333		▶263
240-7032	123	245-6848	220		335	255-8691	338
	125	246-0457	▶342	250-1497	317	255-8692	338
240-7762	▶44		▶345		319	256-7511	▶391
241-2738	▶319	246-2932	410		325	256-7512	▶391
241-4902	▶335		420	250-1498	317	257-2719	407
241-5629	▶377	246-2946	342		319		408
241-5630	▶378		345		325	257-7948	▶620
241-5631	▶379	246-2947	342	250-1499	325		621
241-5928	199		345	250-1946	372	257-7952	▶621
	205	246-2948	342		375	258-8950	▶462
241-6244	342		345	250-1947	372	258-8951	▶465
	345	246-2949	342		375	258-8952	462
241-8224	575		345	250-3444	623	258-8954	465
	578	246-2950	342	250-8279	515	258-8955	462

PART NUMBER INDEX

Part	Page	Part	Page	Part	Page	Part	Page
	467	270-1732	▶407		577		5
259-2607	465	270-7277	4		580		▶279
259-2608	462		5		587		▶282
	467		▶301	278-4287	66	282-4180	3
259-4598	18	270-8401	301		69		5
	49	270-8474	301	278-6469	532		▶288
	51	271-5800	▶1		538	282-4201	3
	53		▶2		542		5
	56	271-7785	3	279-0338	618		▶159
	58		5	279-0339	620	282-4207	4
	60		▶14	279-0487	288		5
	66	272-0758	11		290		▶309
	69		12	279-2065	▶420		▶310
	107		14		532	282-4209	159
260-6898	607		133		538	282-5367	▶147
260-8660	▶235	272-0759	13		542		148
261-0195	9		14	279-2475	▶146	282-7944	123
261-3132	1		121		148		125
	2		122	279-2482	148	282-9668	▶3
	▶73	272-0760	21	279-8984	217	283-0245	102
261-3133	73		22	279-8985	217	283-1107	515
261-3137	73		127	279-8986	217		517
261-3139	73		128	279-8987	217	283-2579	102
261-3140	73		130	279-8988	217	283-2580	102
261-3141	73		131	279-8989	217	283-2581	102
261-6847	471	272-8396	217	279-8990	217	283-2582	102
261-6849	471	273-3285	▶323	279-8991	217	283-2584	102
261-7697	3	273-3286	323	279-8992	217	283-5740	10
	5	273-3553	37	279-8993	217	283-5742	10
	▶205		38	279-8994	279	283-5744	10
262-4378	237		42		282	283-5787	10
262-6104	130	273-3554	37	281-0694	▶268	283-9779	279
263-1174	288		38	281-5975	159		282
	290		42	281-6005	279	284-1028	288
263-6674	123	273-5713	3		282		290
	125		5	281-6006	279	284-1029	288
264-0450	142		▶10		282		290
	155	274-6317	462	281-6157	38	284-1085	232
264-3074	▶469	275-2276	146	281-6159	123	284-1086	232
265-7537	123		147		125	284-1087	232
	125	275-5622	311	281-6160	4	284-1088	232
265-7538	123		312		▶125	284-3001	▶601
	125	276-0785	▶408	282-4121	159		602
265-9034	▶485	276-1307	▶350	282-4123	159	284-3004	▶602
	486	276-3875	37	282-4124	159		603
266-2259	319		38	282-4125	159	284-3005	▶603
266-7227	▶358		42	282-4130	214	284-4169	148
267-7346	465	276-3876	37	282-4131	214	284-4171	148
267-8623	575		38	282-4139	214	284-4172	285
	577		42	282-4153	288	284-4175	285
	580	278-0155	148		290	284-4176	285
	583	278-0539	201	282-4154	288	285-5339	▶285
	587		203		290	285-5929	3
	591	278-0540	201	282-4158	288		5
	▶600		203	282-4163	214		▶16
	618	278-1082	135	282-4165	214	285-6670	577
	620		137	282-4166	288	285-8437	279
267-9689	315		142	282-4168	288		282
	317	278-1083	137	282-4169	288	287-3390	342
	319	278-1774	319		290		345
268-3765	▶349	278-1775	319	282-4173	288	287-7296	193
268-6293	217	278-1776	315		290		194
268-6294	217		317	282-4174	288		209
269-8326	538	278-1836	▶427		290		212
269-8327	538		575	282-4176	3	288-4677	401

PART NUMBER INDEX

Part	Page	Part	Page	Part	Page	Part	Page
288-4678	401		268	301-0625	▶445	306-3998	506
288-5761	293	293-5488	311	301-4516	301		509
288-5762	293		312	301-6823	▶290		519
288-5763	293	293-5490	311	301-9248	37	306-8879	▶443
288-6174	75		312		38		565
288-8047	▶293	293-5491	311		42	307-0008	▶565
288-8048	285		312	301-9564	262	307-1569	▶77
289-1195	311	293-7467	262	301-9565	▶262	307-2044	▶566
	312	294-3308	▶467	302-4519	▶209	307-2045	▶568
289-1200	311	294-3310	467	302-5307	▶210	307-2046	▶570
	312	294-3312	462	302-6504	279	307-7541	▶605
289-3571	214	294-9052	253		282		606
289-6327	▶599		254		288	307-7542	600
289-9745	36		256		290		▶606
290-1351	▶36	295-4636	483	302-7332	77	307-8309	159
	37		▶486	302-8728	169	308-1362	360
	38		532	302-8729	163		362
	42	295-5458	253		▶169	308-1365	360
290-1352	▶38		254	303-6267	311		362
	40		256		312	308-1366	360
290-3211	▶580	295-5897	95	304-3748	309		362
	▶583	295-6649	372		▶311	308-3565	3
290-7263	▶574	296-0620	3	304-4418	209		5
	580		5	304-4419	209		▶58
	583		▶303	304-4424	210	308-4479	623
	587	296-2717	467	304-4497	210	308-6816	3
	591	296-8289	▶538	304-4498	193		5
291-2117	303		▶542		194		▶214
	306	296-8294	3	304-4499	193	308-6819	214
291-4828	580		5		194	308-9775	618
	583		▶389	304-4500	209	308-9776	618
	587	297-3279	148	304-4501	256	308-9780	618
	591	297-6833	3	304-5666	▶479		620
291-6227	616		5		532	308-9781	618
	617		▶244		538		620
	148		▶245		542	308-9782	618
291-6549	148	298-5631	624	304-5667	▶480		620
291-6550	148	298-6387	167		532	308-9783	618
291-8247	358	299-1761	360		538		620
291-8253	358		362		542	308-9799	618
291-8263	358	299-3519	▶37	304-5668	▶481	309-2890	▶183
291-8271	358	299-3521	3		565	309-4122	▶401
291-8274	358		5		566		420
291-9125	146		▶40		568	309-7564	420
	147		▶41		570	309-9599	303
292-1898	4			304-8000	159		305
	6			305-3460	623		306
292-3815	358			305-3510	311		308
	360			305-6242	304	310-2841	▶60
	362				305	310-6962	3
292-4331	307	300-0478	▶587		304		5
292-4520	▶616		▶591	305-6243	304		▶102
292-4521	▶617	300-5620	195		305		
292-8247	178	300-5621	195	305-6248	304	310-7976	▶82
292-8248	178	300-5622	193	305-6249	304	310-7977	82
292-9714	604		194	305-6254	304	310-8026	▶307
292-9715	▶604		▶195	305-6260	4		308
293-3397	▶256	300-5623	195		5	311-3385	288
293-3399	256		▶222		▶304		290
293-3411	212	300-6871	209		▶305	311-3922	401
293-3412	210	300-7326	290	305-8009	212	311-7484	192
293-3413	212	300-8567	88	305-8010	212	311-7510	420
293-4388	264	300-8569	88	305-8612	▶193	311-7511	420
	265	300-8570	88		▶194	311-8106	▶498
	266	300-9828	▶148	305-8613	▶212		502
	267	300-9986	195	306-2157	▶181	311-8107	▶500

3

PART NUMBER INDEX

Part	Page	Part	Page	Part	Page	Part	Page
	504	318-2577	240		591		
311-8110	▶502	318-2578	240	336-3662	618		
311-8111	▶504	318-2579	228		620		
312-0305	301		▶240	338-7521	282		
312-0306	301	318-9795	240	338-7522	282		
312-3149	3	318-9796	240	339-4950	27		
	5	320-6879	▶220	341-2532	▶598		
	▶192	320-6880	220	341-3604	307		
313-2650	243	320-6881	220	341-3605	307		
	245	320-6882	220	343-5363	▶308		
	▶249	320-6883	220	345-2374	▶607		
313-2651	249	320-6884	220	346-0233	410		
313-4133	3	320-6885	220		420		
	5	321-9043	312	346-0234	410		
	▶217	322-3612	393		420		
313-4136	217		395	346-5276	▶380		
313-4432	249	323-5180	▶429	348-4821	▶5		
313-6219	214	324-9728	303	350-1393	▶26		
313-6220	214		306		34		
313-6223	214		308	350-1417	▶27		
313-7770	337	325-1410	41		32		
	▶338	325-1412	41	351-2245	80		
314-4213	375	327-1099	195	351-9004	80		
314-5226	288	327-1101	195	351-9005	80		
	290	327-1105	195	352-9860	▶624		
315-2643	58	327-1115	222	353-2691	624		
	60	327-1133	222	353-3971	▶34		
315-4837	▶295	327-1134	222	354-0193	6		
315-4841	295	327-1135	222				
315-4842	295	327-1136	222				
315-4843	295	327-1137	222				
315-4844	295	327-1743	195				
315-5136	237	328-4268	310				
315-5137	224		▶312				
	▶237	328-8410	360				
	238		362				
316-1817	▶238	329-4772	546				
316-4345	194	329-4773	546				
316-5976	42	329-4776	542				
316-5977	42		▶546				
316-5978	42	329-5508	279				
316-5979	42	329-9238	232				
316-5980	42	329-9239	232				
316-5981	42	330-3359	305				
317-1121	123	330-3360	305				
317-6289	307	331-4777	262				
317-6302	307	331-5717	▶360				
317-9956	269	333-1184	▶362				
317-9957	269	333-3701	3				
317-9958	▶269		▶306				
318-2082	507	333-4905	305				
	510	334-0225	279				
	520	334-0226	279				
318-2560	240	334-1626	123				
318-2561	240	334-4399	360				
318-2562	240	334-5177	307				
318-2563	240	334-5178	307				
318-2564	240	334-5307	2				
318-2565	240		▶19				
318-2566	240	334-8198	▶297				
318-2567	240	335-6220	41				
318-2568	240		▶42				
318-2574	240	335-6885	391				
318-2575	240	336-0194	▶430				
318-2576	240		583				

MEMORANDA



SEBP4547-05

3516C Marine Engine

TTH1-Up