



Parts Manual

C9 Generator Set

F5A1-UP (Generator)
F6B1-UP (Generator)
LX91-UP (Generator Set)
S9X1-UP (Engine)

Product and Dealer Information

Note: For product identification plate locations, see the section "Product Identification Information" in the Operation and Maintenance Manual.

Delivery Date: _____

Product Information

Model: _____

Product Identification Number: _____

Engine Serial Number: _____

Transmission Serial Number: _____

Generator Serial Number: _____

Attachment Serial Numbers: _____

Attachment Information: _____

Customer Equipment Number: _____

Dealer Equipment Number: _____

Dealer Information

Name: _____ Branch: _____

Address: _____

Dealer Contact

Phone Number

Hours

Sales: _____

Parts: _____

Service: _____

MEMORANDA

TABLE OF CONTENTS

NAME	PAGE	NAME	PAGE
GENERAL INFORMATION.....	A3	FUMES DISPOSAL GP	63
REPAIR ALTERNATIVES.....	A6	GAUGE GP-OIL LEVEL (DIPSTICK)	64
SUPPLEMENTAL COOLANT ADDITIVES.....	A7	LINES GP-ENGINE OIL	65
MAINTENANCE PARTS.....	A8	LINES GP-TURBOCHARGER OIL.....	66
INDEX.....	A11	PUMP GP-ENGINE OIL	67
ENGINE ARRANGEMENT.....	1	COOLING SYSTEM.....	68
ENGINE AR.....	1	ADAPTER GP-FAN	68
ENGINE AR-COMPLETE	2	COOLER GP-ENGINE OIL	69
ENGINE AR-CORE	3	DRAIN GP-COOLANT.....	70
GENERAL AR.....	3	ELBOW GP-WATER	73
BASIC ENGINE	4	GUARD GP-RADIATOR	74
CAMSHAFT GP	4	LINES GP-WATER.....	78
COVER GP-CYLINDER BLOCK.....	5	MOUNTING GP-RADIATOR	79
COVER GP-FRONT HOUSING	6	PLUG GP-WATER LINES	81
COVER GP-VALVE MECHANISM.....	10	PUMP GP-WATER.....	82
CRANKSHAFT GP.....	11	RADIATOR AS	85
CYLINDER BLOCK AS.....	12	RADIATOR GP	86
CYLINDER BLOCK GP	14	TUBE AS	90
CYLINDER HEAD AS.....	17	AIR INLET AND EXHAUST SYSTEM	91
CYLINDER HEAD GP.....	19	AIR CLEANER GP.....	91
DAMPER & PULLEY GP.....	22	CLAMP AS-EXHAUST.....	94
DRIVE GP-FAN.....	24	ELBOW GP-AIR INLET	95
DRIVE GP-WATER PUMP.....	25	ELBOW GP-EXHAUST	97
FASTENER GP-CYLINDER HEAD	26	FITTING GP-EXHAUST	98
FASTENER GP-FAN DRIVE.....	28	FLANGE GP-EXHAUST	99
FASTENER GP-FRONT COVER.....	29	GUARD GP-TURBOCHARGER	100
FASTENER GP-VALVE COVER	30	INSULATION GP-HEAT	101
FASTENER GP-VALVE COVER BASE.....	32	MANIFOLD GP-EXHAUST	105
FLYWHEEL GP.....	33	SPACER GP-INLET MANIFOLD	106
GEAR GP-FRONT	34	TURBOCHARGER GP	107
HOUSING GP-FLYWHEEL.....	36	FUEL SYSTEM.....	109
HOUSING GP-FRONT	38	BASE GP-FUEL FILTER	109
LIFTING GP-ENGINE	39	BASE GP-FUEL TANK.....	110
MOUNTING GP-ALTERNATOR	41	FILTER GP-FUEL.....	113
MOUNTING GP-ENGINE	44	FILTER GP-WATER SEP & FUEL	116
MOUNTING GP-FAN DRIVE.....	48	FITTING GP-FUEL LINES	118
PAN GP-OIL	49	INJECTOR GP-FUEL.....	119
PISTON & ROD GP	50	LINES GP-FUEL.....	120
PLUG GP-ENGINE.....	51	LINES GP-FUEL FILTER.....	123
PULLEY GP-FAN	52	PUMP & MTG GP-UNIT INJ HYD	126
ROCKER ARM GP	53	PUMP GP-FUEL INJECTION	128
SEAL GP-CRANKSHAFT	55	PUMP GP-FUEL TRANSFER.....	129
SUPPORT GP-ENGINE	56	PUMP GP-UNIT INJECTOR HYD	130
VALVE MECHANISM GP.....	57	REGULATOR GP-FUEL PRESSURE	133
LUBRICATION SYSTEM	59	TANK & BASE GP-FUEL.....	134
DRAIN GP-OIL	59	VALVE GP-CHECK	135
FILTER GP-ENGINE OIL.....	61	VALVE GP-FUEL BYPASS	136
		ELECTRICAL AND STARTING SYSTEM.....	137
		ALTERNATOR GP-CHARGING	137
		BATTERY & WIRING GP	138
		BATTERY CHARGER GP	140

TABLE OF CONTENTS

NAME	PAGE	NAME	PAGE
BLOCK GP-JUNCTION	141	OPERATOR STATION	476
BOX GP-GENERATOR		ALARM GP	476
CONNECTION	143	COVER GP-CONTROL PANEL	477
CABLE GP	144	MOUNTING GP-PANEL	479
CABLE GP-BATTERY	145	PANEL GP-ELECTRONIC	482
CIRCUIT BREAKER GP	147		
CONNECTION GP-ELECTRICAL	151	SERVICE EQUIPMENT AND	
CONTROL & MTG GP-ENGINE		SUPPLIES	489
ELEK	157	CHART-PLATE & FILM	489
CONTROL GP-ELECTRONIC	158	KIT-GASKET	490
CONTROL GP-ENGINE		PLATE & FILM GP	491
ELECTRONIC	162		
COVER GP-ACCESS	163	PART NUMBER INDEX	B1
COVER GP-CIRCUIT BREAKER	164		
FASTENER GP-GROUND STUD	167		
FASTENER GP-WIRING HARNESS	168		
HARNESS AS-CONTROL	169		
HARNESS AS-ENGINE	170		
HARNESS AS-PANEL	174		
HARNESS AS-WIRING	175		
HEATER GP-JACKET WATER	177		
MOUNTING GP-BATTERY	181		
MOUNTING GP-BOX	183		
PROTECTION GP-WIRING	184		
SENSOR GP-ENGINE	185		
SENSOR GP-FUEL LEVEL	187		
SENSOR GP-PRESSURE	191		
SENSOR GP-SPEED	193		
SENSOR GP-TEMPERATURE	195		
SHUNT-TRIP	197		
STARTING MOTOR GP-ELECTRIC	198		
SWITCH GP-DISCONNECT	200		
WIRING GP-CONTROL	202		
WIRING GP-ELECTRONIC			
CONTROL	203		
WIRING GP-ENGINE	205		
WIRING GP-GENERATOR	208		
WIRING GP-PANEL	211		
ENCLOSURES, GUARDS AND BASES	215		
COVER GP-BASE	215		
DOOR AS	216		
DOOR GP-ACCESS	220		
ENCLOSURE AS-GENERATOR	221		
ENCLOSURE GP-GENERATOR	222		
ENCLOSURE GP-GENSET	225		
PANEL AS	247		
PANEL AS-ENCLOSURE	250		
PANEL GP-ENCLOSURE	254		
GENERATORS	260		
CONNECTION GP-TERMINAL			
STRIP	260		
FASTENER GP-GENERATOR	261		
GENERATOR AR	263		
GENERATOR GP	288		
HEATER GP-SPACE	472		

GENERAL INFORMATION

1. ENGINE IDENTIFICATION

Cat engines are identified with Serial Numbers and Arrangement Numbers. In some cases, Modification Numbers are also used. The serial number plate which shows these numbers is mounted on the engine.

Cat dealers need this information to determine which components were included on the engine when it was assembled at the factory. This permits accurate identification of replacement part numbers.

Effective First Quarter 2001 the Cat Product Identification Number (PIN) changed from 8 to 17 characters. In an effort to provide uniform equipment identification, Caterpillar and other construction equipment manufacturers are moving to comply with the latest version of the product identification numbering standard. Non-road machine PINs are defined by ISO 10261. The new PIN format will apply to all Cat machines and generator sets. The PIN plates and frame marking will display the 17 character PIN. The new format will look like the following:

*** C A T 0 7 8 9 B G 6 S L 1 2 3 4 5 ***

The diagram shows the 17-character PIN format: * C A T 0 7 8 9 B G 6 S L 1 2 3 4 5 *. Below the first four characters (C, A, T, 0), there are vertical lines connecting to four circles containing the numbers 1, 2, 3, and 4 respectively, indicating that these characters correspond to the numbered list items below.

Where:

1. Caterpillar's World Manufacturing Code (characters 1-3)
2. Machine Descriptor (characters 4-8)
3. Check Character (character 9)
4. Machine Indicator Section (MIS) or Product Sequence Number (characters 10-17). These were previously referred to as the Serial Number.

Machines and generator sets produced before First Quarter 2001 will maintain their 8 character PIN format.

Components such as engines, transmissions, axles, etc. and work tools will continue to use an 8 character Serial Number (S/N).

2. ORDERING PARTS

WARNING

When replacement parts are required for this product Caterpillar recommends using Caterpillar replacement parts or parts with equivalent specifications including, but not limited to, physical dimensions, type, strength and material.

Failure to heed this warning can lead to premature failures, product damage, personal injury or death.

Quality Cat replacement parts are available from Cat dealers throughout the world. Their parts inventories are up to date and include all parts normally required to protect your investment in Cat machines. Dealers may offer repair kits or remanufactured parts to allow selection of the most effective repair alternative for a particular situation. When ordering parts, your order should specify the quantity, part number, part name, and the serial number/product identification number of the engine for which the parts are needed.

3. PARTS MANUAL ORGANIZATION

Product information in this manual is presented as "information elements" that represent all of the components for the specific model. Engine Arrangement and Seat Group are examples of information elements. The information elements are organized alphabetically by part name and secondarily by part number within each major section of the manual.

4. TABLE OF CONTENTS

A table of contents (TOC) is found at the beginning of the manual. The TOC lists each section of the manual with a complete list of all information elements organized as they appear in the manual. Page numbers are provided for quick reference to detailed parts identification illustrations and serviceable consist lists.

5. MAINTENANCE PARTS INDEX

The Maintenance Parts Index, located near the beginning of the manual, references most frequently used maintenance part numbers, providing description, quantity, usage and page number. This information is organized alphabetically by part description.

GENERAL INFORMATION

6. INDEX

The index located near the front of the manual is an alphabetical listing of all information elements included in the manual. Page numbers are provided for quick reference to detailed parts identification illustrations and serviceable consist lists.

7. PART NUMBER INDEX

A numerical index listing all part numbers and the corresponding page number(s) appears at the back of the manual.

8. CAPTIONS

Captions located at the beginning of each information element identify the part number and part name along with additional descriptive information. S/N information found in each caption should be used to select correct information for a specific engine. Field replacement options, identification of optional attachment components, and where used ("part of") information is also provided.

The first line of a caption is shown in larger type font to indicate the beginning of an information element. Captions for additional pages that may be required to illustrate an information element will be shown in standard type font and will include the term (contd.).

9. NON-SERVICED PARTS

In some instances it is necessary to display non-serviced parts that are a link to lower level serviceable consist lists. These non-serviced part numbers are shown in italic type indicating that they are not available. All consist lists have not been converted to reflect this enhancement.

10. PARTS LIST REFERENCE NUMBERS

Numbers shown in the Ref No column correspond to numbers used in the associated graphic(s). An alphabetic suffix may be added to a reference number to identify lower level consist items. Numbers shown in the Graphic Ref column refer to the graphic number identifier displayed in the lower left corner of each illustration. The Graphic Ref number may be used in combination with the item Ref No to determine the correct part number. There may be intentional omission of a Ref No in a consist list as information is updated to reflect the latest serviceable part numbers.

11. INDENTED PART NAMES

When a part name is indented in a parts list, it is part of (included in) the group or assembly under which it is indented.

12. ILLUSTRATION REFERENCE LETTERS

When necessary, illustrations contain reference letters (A, B, C etc.) that are intended to track lines and harnesses from one point to another. They are also used to show where to reconnect illustrations that have been separated.

13. ABBREVIATIONS AND SYMBOLS

O.D. – Outside Diameter
I.D. – Inside Diameter
A – Not Part Of This Group
B – Use As Required
C – Change From Previous Type
D – Order By The Meter
E – Order By The Centimeter
F – Not Shown
G – Order By The Inch
I – Refer To Hydraulic Information System
M – Metric Part
R – Remfg Part May Be Available
Y – Separate Illustration
Z – Not Serviced Separately

14. REPLACEMENT PARTS FOR GENERATORS

Only those generators which are sold and serviced exclusively by Cat Dealers are illustrated on the following pages. Externally-regulated Cat Diesel Electric Sets are equipped with generators made by other manufacturers. Parts for these generators are NOT serviced by Caterpillar Inc. Parts lists and parts should be ordered from the manufacturer whose name is shown on the Generator Name Plate, always giving the generator rating and serial number shown.

15. DESCRIPTION OF TYPE CHANGES

Type - A type is defined as any configuration change that requires an additional Information Element for an Arrangement, Group, or Assembly. If serial number breaks for types are not available, a type # (Type 1, Type 2, etc.) will be displayed in the caption. These "type" changes are identified with a "C" note (change from previous type) in the Parts List. Only the "types" that apply to this Parts Manual will be included. Additional types may exist causing "C" notes to appear on an Information Element when no other types are shown.

GENERAL INFORMATION

16. <END>

This symbol indicates the end of an information element.

NOTE:

Continuing improvement and advancement of product design may cause changes to your machine which may not be included in this publication. Whenever a question arises regarding your Cat product or this publication, please consult your Cat dealer for the latest available information.

REPAIR ALTERNATIVES

REMANUFACTURED COMPONENTS

As an option when making repairs consider Cat Remanufactured Components. Components that are available through the Cat Remanufactured Program are identified three ways in the parts book:

- with the letter R in the note field of the parts list
- with an R* at the beginning of the first line of the caption
- with an *R at the end of the first line of the caption

Typical components included in the Remanufacturing Program include:

ALTERNATORS
CONNECTING RODS
CRANKSHAFTS - UNDERSIZE
CRANKSHAFTS - UPGRADE TO NEW
CYLINDER HEADS
ELECTRONIC CONTROL MODULES (ECM)
ELECTRONIC SENSORS
FUEL INJECTORS
FUEL NOZZLES
FUEL PUMPS
GOVERNORS
OIL PUMPS
PISTONS
SHORT BLOCKS
STARTERS
TURBOCHARGERS - COMPLETE
TURBOCHARGER CARTRIDGES
WATER PUMPS

Cat Remanufactured engines for many engine arrangements are also available.

SUPPLEMENTAL COOLANT ADDITIVES

CUSTOMER BENEFITS:

Protects against cavitation, foam, erosion, corrosion, and scale buildup in cooling systems.

- Provides measured coolant conditioner.

DESCRIPTION:

Additives deplete from the coolant with normal operation. For this reason, Supplemental Coolant Additives (SCA) must be added to all heavy duty coolants at regular intervals. In addition, when not using a fully formulated, pre-charged antifreeze, like Cat DEAC, an initial charge of SCA must be added to the cooling system. The amount of SCA added to the system is dependent on the capacity of the system.

The SCA for initial fill is provided as a liquid. SCA's for maintenance intervals are available in liquid form and as a spin-on element. (No Spin-on available for 3600 Family of Engines)

NOTE:

The amount of SCA added at initial fill is not the same as the amount added at maintenance intervals.

The coolant additive elements can be used with any ethylene or propylene glycol type antifreeze which meets ASTM D4985 or ASTM D5345 Specifications.

NOTE:

For use with standard heavy duty coolant only, not for use with Extended Life Coolant.

PARTS NEEDED:

Cooling System Capacity		Liquid SCA at Initial Fill	Liquid SCA at Maintenance*	Spin-on SCA Maintenance Element*
Liters	Gallons			
22-30	(6-8)	3P-2044 (1)	6V-3542 (1)	111-2370 (1)
30-38	(8-10)	3P-2044 (1) 6V-3542 (1)	111-2372 (1)	111-2369 (1)
38-49	(10-13)	3P-2044 (1) 8T-1589 (1)	111-2372 (1)	111-2369 (1)
49-64	(13-17)	3P-2044 (2)	8T-1589 (1)	9N-3368 (1)
64-83	(17-22)	3P-2044 (2) 8T-1589 (1)	111-2372 (1) 6V-3542 (1)	111-2371 (1)
83-114	(22-30)	3P-2044 (3) 8T-1589 (1)	3P-2044 (1)	9N-3718 (1)
114-163	(30-43)	3P-2044 (5)	3P-2044 (1) 6V-3542 (1)	111-2371 (2)
163-242	(43-64)	3P-2044 (8)	3P-2044 (2)	9N-3718 (2)

* Normal maintenance period is 250 hrs. See your Operation and Maintenance Manual for complete coolant maintenance instructions.

() Indicates quantity required.

MAINTENANCE PARTS

DESCRIPTION	PART NUMBER	QTY	WHERE USED	PAGE
AIR INLET AND EXHAUST SYSTEM				
ELEMENT AS (AIR CLEANER)	471-0777	1	AIR CLEANER GP	91
FILTER ELEMENT-AIR (PRIMARY)	289-2348	1	AIR CLEANER GP	93
BASIC ENGINE				
BREATHER AS (CRANKCASE)	240-0041	1	COVER GP-CYLINDER BLOCK	5
CAP AS-ENGINE OIL FILLER	227-4531	1	COVER GP-VALVE MECHANISM	10
SEAL-INTEGRAL	135-9819	1	COVER GP-FRONT HOUSING	6
SEAL-VALVE COVER	268-3490	1	COVER GP-VALVE MECHANISM	10
	285-4106	1	COVER GP-VALVE MECHANISM	10
V-BELT GP (WATER PUMP)	9L-4896	1	DRIVE GP-WATER PUMP	25
COOLING SYSTEM				
CAP AS	335-2842	1	DRAIN GP-COOLANT	71
		1	DRAIN GP-COOLANT	72
CAP-RADIATOR (16-PSI)	211-6574	1	RADIATOR AS	85
		1	RADIATOR GP	86
REGULATOR-WATER TEMPERATURE (98-DEG C) (COOLANT)	247-7133	1	LINES GP-WATER	78
ELECTRICAL AND STARTING SYSTEM				
CIRCUIT BREAKER (1000-AMPERE, 3- POLE)	417-9299	1	CIRCUIT BREAKER GP	149
CIRCUIT BREAKER (25-AMPERE)	286-4746	1	CONTROL GP-ELECTRONIC	161
CIRCUIT BREAKER (800-AMPERE)	319-0007	1	CIRCUIT BREAKER GP	148
	337-0469	1	CIRCUIT BREAKER GP	147
FUSE (15-AMPERE)	9W-1441	1	WIRING GP-PANEL	211
		1	WIRING GP-PANEL	213
FUSE (5-AMPERE)	139-5345	1	WIRING GP-PANEL	211
		1	WIRING GP-PANEL	213
KEY (BATTERY DISCONNECT)	8H-5306	1	SWITCH GP-DISCONNECT	201
ENCLOSURES, GUARDS AND BASES				
KEY	142-8240	2	ENCLOSURE GP-GENERATOR	222
		2	ENCLOSURE GP-GENERATOR	223
		2	ENCLOSURE GP-GENERATOR	224
		1	ENCLOSURE GP-GENSET	228
		2	ENCLOSURE GP-GENSET	239
ENGINE ARRANGEMENT				
V-BELT SET (INCLUDES 2-BELTS)	7M-4706	1	ENGINE AR-COMPLETE	3
FUEL SYSTEM				
CAP AS-FUEL FILLER (TANK)	143-0853	1	BASE GP-FUEL TANK	110
		1	TANK & BASE GP-FUEL	134
CAP-FUEL	264-6364	1	BASE GP-FUEL TANK	111
		1	BASE GP-FUEL TANK	112
FILTER AS-WATER SEP & FUEL (PRIMARY)	326-1644	1	FILTER GP-WATER SEP & FUEL	116

MAINTENANCE PARTS

DESCRIPTION	PART NUMBER	QTY	WHERE USED	PAGE
FILTER-FUEL (ADVANCED EFFICIENCY)	1R-0762	1	FILTER GP-FUEL	113
GASKET (FUEL PRIMING PUMP)	1P-0436	1	FILTER GP-FUEL	113
GENERATORS				
KEY-SQUARE	241-4615	1	GENERATOR GP	288
		1	GENERATOR GP	299
		1	GENERATOR GP	301
		1	GENERATOR GP	303
		1	GENERATOR GP	305
		1	GENERATOR GP	317
		1	GENERATOR GP	325
		1	GENERATOR GP	327
		1	GENERATOR GP	329
		1	GENERATOR GP	331
		1	GENERATOR GP	333
		1	GENERATOR GP	335
		1	GENERATOR GP	337
		1	GENERATOR GP	339
		1	GENERATOR GP	341
		1	GENERATOR GP	343
		1	GENERATOR GP	410
		1	GENERATOR GP	413
		1	GENERATOR GP	433
		1	GENERATOR GP	435
		1	GENERATOR GP	437
		1	GENERATOR GP	439
		1	GENERATOR GP	441
		1	GENERATOR GP	443
		1	GENERATOR GP	445
		1	GENERATOR GP	447
		1	GENERATOR GP	449
		1	GENERATOR GP	451
		1	GENERATOR GP	453
		1	GENERATOR GP	455
		1	GENERATOR GP	457
		1	GENERATOR GP	459
		1	GENERATOR GP	462
		1	GENERATOR GP	464
		1	GENERATOR GP	466
		1	GENERATOR GP	469
SCREEN (INLET)	463-1487	1	GENERATOR GP	433
		1	GENERATOR GP	435
		1	GENERATOR GP	437
		1	GENERATOR GP	439
		1	GENERATOR GP	441
		1	GENERATOR GP	443
		1	GENERATOR GP	445
		1	GENERATOR GP	447
		1	GENERATOR GP	449

MAINTENANCE PARTS

DESCRIPTION	PART NUMBER	QTY	WHERE USED	PAGE
		1	GENERATOR GP	451
		1	GENERATOR GP	453
		1	GENERATOR GP	455
LUBRICATION SYSTEM				
CAP AS	335-2842	1	DRAIN GP-OIL	59
		1	DRAIN GP-OIL	60
FILTER-ENGINE OIL (ADVANCED EFFICIENCY)	1R-1808	1	FILTER GP-ENGINE OIL	61
OPERATOR STATION				
CIRCUIT BREAKER (16-AMPERE, SINGLE POLE)	286-4744	1	PANEL GP-ELECTRONIC	484
CIRCUIT BREAKER AS (2-AMPERE)	286-4741	4	PANEL GP-ELECTRONIC	484
RELAY (24-VOLT)	392-9541	1	MOUNTING GP-PANEL	481

INDEX

NAME	PAGE	NAME	PAGE
A		BEARING	288
ADAPTER GP-FAN	68		290
AIR CLEANER GP	91		293
	92		296
	93		299
ALARM GP	476		301
ALTERNATOR GP-CHARGING	137		303
			305
			307
			309
B			311
			313
BASE GP-FUEL FILTER	109		315
BASE GP-FUEL TANK.....	110		317
	111		319
	112		321
BASE GP-VALVE COVER.....	10		323
BATTERY & WIRING GP	138		325
BATTERY CHARGER GP	140		327
			329
			331
			333
			335
			337
			339
			341
			343
			345
			347
			349
			351
			353
			355
			357
			360
			363
			365
			367
			369
			371
			374
			376
			378
			380
			382
			384
			386
			388
			390
			392
			394
			396
			398
			400
			402
			404
			406
			408
			410
			413
			415

INDEX

NAME	PAGE	NAME	PAGE
E		G	
ELBOW GP-AIR INLET	95	GASKET (FUEL PRIMING PUMP)	113
	96	GAUGE AS-OIL LEVEL (DIPSTICK)	64
ELBOW GP-EXHAUST	97	GAUGE GP-OIL LEVEL (DIPSTICK)	64
ELBOW GP-WATER	73	GAUGE-FUEL (LEVEL)	110
ELEMENT AS (AIR CLEANER)	91	GAUGE-FUEL LEVEL	111
ENCLOSURE AS-GENERATOR	221		112
ENCLOSURE GP-GENERATOR	222		134
	223	GEAR GP-FRONT	34
	224	GENERAL AR	3
ENCLOSURE GP-GENSET	225	GENERATOR AR	263-287
	228		
	231		
	235		
	239		
	240		
	244		
ENGINE AR	1		
ENGINE AR-COMPLETE	2		
ENGINE AR-CORE	3		
F			
FASTENER GP-CYLINDER HEAD	26		
	27		
FASTENER GP-FAN DRIVE	28		
FASTENER GP-FRONT COVER	29		
FASTENER GP-GENERATOR	261		
	262		
FASTENER GP-GROUND STUD	167		
FASTENER GP-VALVE COVER	30		
	31		
FASTENER GP-VALVE COVER BASE	32		
FASTENER GP-WIRING HARNESS	168		
FILM-IDENTIFICATION (CONTROL PANEL)	487		
FILM-INFORMATION (BATTERY POWER DISCONNECT)	200		
FILM-WARNING (DO NOT OPERATE, READ OMM)	491		
FILTER AS-WATER SEP & FUEL (PRIMARY)	116		
FILTER ELEMENT-AIR (PRIMARY)	93		
FILTER GP-ENGINE OIL	61		
FILTER GP-FUEL	113		
FILTER GP-WATER SEP & FUEL	116		
	117		
FILTER-ENGINE OIL (ADVANCED EFFICIENCY)	61		
FILTER-FUEL (ADVANCED EFFICIENCY)	113		
FITTING GP-EXHAUST	98		
FITTING GP-FUEL LINES	118		
FLANGE GP-EXHAUST	99		
FLYWHEEL GP	33		
FUMES DISPOSAL GP	63		
FUSE (15-AMPERE)	211		
	213		
FUSE (5-AMPERE)	211		
	213		

INDEX

NAME	PAGE	NAME	PAGE
GENERATOR GP.....	288		417
	290		419
	293		421
	296		423
	299		425
	301		426
	303		427
	305		428
	307		429
	309		430
	311		431
	313		433
	315		435
	317		437
	319		439
	321		441
	323		443
	325		445
	327		447
	329		449
	331		451
	333		453
	335		455
	337		457
	339		459
	341		462
	343		464
	345		466
	347		469
	349	GUARD GP-ALTERNATOR.....	386
	351		388
	353		390
	355		392
	357		394
	360		396
	363		398
	365		400
	367		402
	369		404
	371		406
	374		408
	376		415
	378		417
	380		419
	382		421
	384		423
	386		425
	388		426
	390		427
	392		428
	394		429
	396		430
	398		431
	400	GUARD GP-RADIATOR.....	74
	402		75
	404		76
	406		77
	408	GUARD GP-TURBOCHARGER	100
	410		
	413		
	415		

INDEX

NAME	PAGE	NAME	PAGE
H			
HARNESS AS-CONTROL	169	KEY-SQUARE	288
	170		299
HARNESS AS-ENGINE	154		301
	158		303
	160		305
	170		317
	171		325
	172		327
	173		329
	205		331
	206		333
HARNESS AS-ENGINE (UNIT INJECTOR)	203		335
HARNESS AS-HEATER	161		337
HARNESS AS-PANEL	174		339
	175		341
HARNESS AS-POWER	209		343
	210		410
HARNESS AS-SENSOR	113		413
HARNESS AS-WIRING	175		433
	176		435
	208		437
	480		439
HEATER GP-JACKET WATER	177		441
	179		443
HEATER GP-SPACE	472		445
	473		447
	474		449
HOUSING GP-FLYWHEEL	36		451
HOUSING GP-FRONT	38		453
			455
			457
			459
			462
			464
			466
			469
		KIT-GASKET-SINGLE CYLINDER LINER	490
I			
INDICATOR (AIR CLEANER)	93		
INJECTOR GP-FUEL	119		
INSULATION GP-HEAT	101		
	103		
	104		
K			
KEY	222		
	223		
	224		
	228		
	239		
KEY (BATTERY DISCONNECT)	201		
		L	
		LIFTING GP-ENGINE	39
			40
		LINES GP-ENGINE OIL	65
		LINES GP-FUEL	120
			122
		LINES GP-FUEL FILTER	123
			125
		LINES GP-TURBOCHARGER OIL	66
		LINES GP-WATER	78
		M	
		MANIFOLD GP-EXHAUST	105
		MOUNTING GP-ALTERNATOR	41
			43
		MOUNTING GP-BATTERY	181
			182
		MOUNTING GP-BOX	183

INDEX

NAME	PAGE	NAME	PAGE
MOUNTING GP-ENGINE	44	RELAY (GROUND FAULT, 24-VOLT, DC)	158
	45		160
	46	ROCKER ARM GP-EXHAUST	53
	47	ROCKER ARM GP-INLET	54
MOUNTING GP-FAN DRIVE	48		
MOUNTING GP-PANEL	479		
	480		
	481		
MOUNTING GP-RADIATOR	79		
	80		
		S	
		SCREEN (INLET)	433
			435
			437
			439
			441
			443
			445
			447
			449
			451
			453
			455
		SEAL GP-CRANKSHAFT	55
		SEAL-CRANKSHAFT (FRONT)	55
		SEAL-INTEGRAL	6
		SEAL-VALVE COVER	10
		SENSOR GP-ENGINE	3
			185
		SENSOR GP-FUEL LEVEL	187
			188
			189
			190
		SENSOR GP-PRESSURE	191
			192
		SENSOR GP-PRESSURE (ATMOSPHERIC)	185
		SENSOR GP-PRESSURE (ENGINE OIL)	185
		SENSOR GP-PRESSURE (FUEL)	113
		SENSOR GP-PRESSURE (RAIL)	185
		SENSOR GP-PRESSURE (TURBOCHARGER OUTLET)	185
		SENSOR GP-SPEED	193
		SENSOR GP-SPEED (ENGINE TIMING)	185
		SENSOR GP-SPEED (ENGINE)	194
		SENSOR GP-SPEED (ENGINE)	207
		SENSOR GP-SPEED-ENGINE	194
		SENSOR GP-TEMPERATURE	195
			196
		SENSOR GP-TEMPERATURE (COOLANT)	185
		SENSOR GP-TEMPERATURE (FUEL)	113
		SENSOR GP-TEMPERATURE (INTAKE AIR)	185
		SENSOR-PRESSURE	192
		SENSOR-TEMPERATURE	195
			196
		SHUNT-TRIP	197
		SPACER GP-INLET MANIFOLD	106
		STARTING MOTOR GP-ELECTRIC	198
			199
		SUPPORT GP-ENGINE	56
		SWITCH AS-PUSH BUTTON	482
			487
		SWITCH AS-ROTARY (REMOTE START)	482
			487
		SWITCH GP-DISCONNECT	200

P

R

INDEX

NAME	PAGE	NAME	PAGE
SWITCH GP-DISCONNECT-BATTERY	201		
T			
TANK & BASE GP-FUEL	134		
TUBE AS	90		
TURBOCHARGER GP	107		
	108		
V			
V-BELT GP (WATER PUMP).....	25		
V-BELT SET (INCLUDES 2-BELTS).....	3		
VALVE GP-CHECK	113		
	135		
VALVE GP-FUEL BYPASS	136		
VALVE MECHANISM GP.....	57		
	58		
W			
WIRING GP-CONTROL	202		
WIRING GP-ELECTRONIC CONTROL	203		
WIRING GP-ENGINE	205		
	206		
	207		
WIRING GP-GENERATOR	208		
	209		
	210		
WIRING GP-PANEL.....	211		
	213		

MEMORANDA

ENGINE ARRANGEMENT

459-2164 ENGINE AR

S/N: S9X1-UP

SMCS - 1000

i06101234

NOTE	PART NUMBER	QTY	PART NAME						SEE PAGE
			1	2	3	4	5	6 (PRODUCT LEVEL)	
Y	459-2163	1	ENGINE AR-CORE						3
Y	397-3786	1	PLATE & FILM GP						491
	460-1452	1	ELECTRONICS GP-ENGINE						
Y - SEPARATE ILLUSTRATION									
<END>									

ENGINE ARRANGEMENT

467-9194 ENGINE AR-COMPLETE

S/N: S9X1-UP

PART OF 471-0791 GENERAL AR

SMCS-1000

i06285950

NOTE	PART NUMBER	QTY	PART NAME						SEE PAGE
			1	2	3	4	5	6 (PRODUCT LEVEL)	
Y	197-8103	1	ADAPTER GP-FAN						68
YR	5N-5692	1	ALTERNATOR GP-CHARGING						137
Y	313-3624	1	CONTROL & MTG GP-ENGINE ELEK						157
Y	188-3826	1	COOLER GP-ENGINE OIL						69
Y	396-3287	1	COVER GP-CYLINDER BLOCK						5
Y	118-1727	1	COVER GP-FRONT HOUSING (ACCESSORY DRIVE)						6
Y	197-6010	1	COVER GP-FRONT HOUSING						7
Y	217-8669	1	COVER GP-FRONT HOUSING						8
			-OR-						
Y	483-0769	1	COVER GP-FRONT HOUSING						9
Y	280-8003	1	COVER GP-VALVE MECHANISM						10
Y	300-4064	1	DAMPER & PULLEY GP						22
			-OR-						
Y	483-6389	1	DAMPER & PULLEY GP						23
Y	194-9463	1	DRIVE GP-FAN						24
Y	256-6166	1	DRIVE GP-WATER PUMP						25
Y	219-0422	1	ELBOW GP-AIR INLET						95
			-OR-						
Y	470-5943	1	ELBOW GP-AIR INLET						96
Y	459-9294	1	ELBOW GP-EXHAUST						97
Y	231-4545	1	ELBOW GP-WATER (INLET)						73
Y	459-2164	1	ENGINE AR						1
Y	198-7633	1	FASTENER GP-FAN DRIVE						28
Y	211-9118	1	FASTENER GP-FRONT COVER						29
Y	313-6964	1	FASTENER GP-GROUND STUD						167
Y	239-3311	1	FASTENER GP-VALVE COVER						30
			-OR-						
Y	478-1296	1	FASTENER GP-VALVE COVER						31
Y	233-0423	1	FASTENER GP-VALVE COVER BASE						32
Y	220-1998	1	FILTER GP-ENGINE OIL						61
Y	300-4065	1	FILTER GP-FUEL						113
Y	255-3332	1	FILTER GP-WATER SEP & FUEL						117
Y	123-0466	1	FLYWHEEL GP						33
Y	462-6423	1	GAUGE GP-OIL LEVEL (DIPSTICK)						64
Y	222-3991	1	HOUSING GP-FLYWHEEL						36
Y	245-3262	1	HOUSING GP-FRONT						38
Y	169-3113	1	LIFTING GP-ENGINE						39
Y	202-6603	1	LINES GP-ENGINE OIL						65
Y	465-6977	1	LINES GP-FUEL FILTER						123
Y	197-2672	1	LINES GP-TURBOCHARGER OIL						66
Y	252-7885	1	LINES GP-WATER						78
Y	212-6029	1	MANIFOLD GP-EXHAUST						105
Y	297-4883	1	MOUNTING GP-ALTERNATOR						41
Y	194-1093	1	MOUNTING GP-FAN DRIVE						48
Y	219-9943	1	PAN GP-OIL						49
Y	253-2320	1	PLUG GP-ENGINE						51
Y	205-4013	1	PLUG GP-WATER LINES						81
Y	266-3472	1	PULLEY GP-FAN						52
Y	178-3899	1	SEAL GP-CRANKSHAFT						55

ENGINE ARRANGEMENT

467-9194 ENGINE AR-COMPLETE (contd.)

i06285950

NOTE	PART NUMBER	QTY	PART NAME						SEE PAGE
			1	2	3	4	5	6 (PRODUCT LEVEL)	
Y	279-6624	1	SPACER GP-INLET MANIFOLD						106
Y	458-8811	1	STARTING MOTOR GP-ELECTRIC						199
Y	463-6057	1	SUPPORT GP-ENGINE						56
Y	260-3771	1	TURBOCHARGER GP						108
Y	300-6791	1	WIRING GP-ELECTRONIC CONTROL						203
	7M-4706	1	V-BELT SET (INCLUDES 2-BELTS)						

R - REMANUFACTURED PART MAY BE AVAILABLE
Y - SEPARATE ILLUSTRATION

<END>

459-2163 ENGINE AR-CORE

S/N: S9X1-UP

SMCS-1000

i06101540

NOTE	PART NUMBER	QTY	PART NAME						SEE PAGE
			1	2	3	4	5	6 (PRODUCT LEVEL)	
Y	242-0674	1	CAMSHAFT GP						4
Y	242-9403	1	CRANKSHAFT GP						11
Y	161-3406	1	CYLINDER BLOCK GP						14
Y	386-0460	1	CYLINDER HEAD GP						21
Y	205-1321	1	GEAR GP-FRONT						34
YR	265-1400	6	PISTON & ROD GP						50
Y	416-2712	1	PUMP & MTG GP-UNIT INJ HYD						126
Y	195-8098	1	PUMP GP-ENGINE OIL						67
Y	267-9718	6	PUMP GP-FUEL INJECTION						128
Y	260-1546	1	PUMP GP-WATER						82
Y	300-6794	1	SENSOR GP-ENGINE						185
Y	242-0447	1	VALVE MECHANISM GP						58

R - REMANUFACTURED PART MAY BE AVAILABLE
Y - SEPARATE ILLUSTRATION

<END>

471-0791 GENERAL AR

S/N: LX91-UP

SMCS-1000, 4450

i06101345

NOTE	PART NUMBER	QTY	PART NAME						SEE PAGE
			1	2	3	4	5	6 (PRODUCT LEVEL)	
Y	467-9194	1	ENGINE AR-COMPLETE						2

Y - SEPARATE ILLUSTRATION

<END>

BASIC ENGINE

242-0674 CAMSHAFT GP

S/N: S9X1-UP

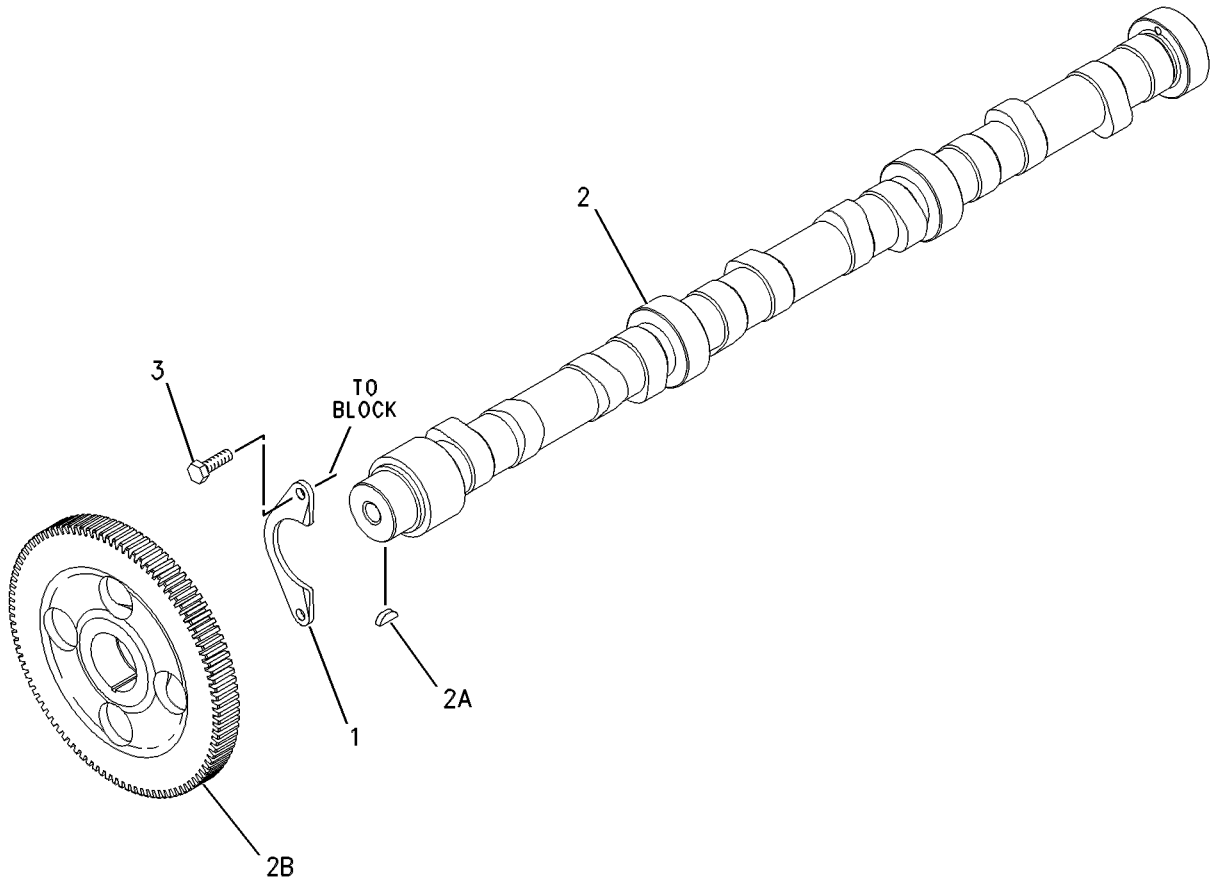
SMCS-1210

i06104070

NOTE	REF NO	GRAPHIC REF	PART NUMBER	QTY	PART NAME						SEE PAGE
					1	2	3	4	5	6 (PRODUCT LEVEL)	
	1	1	107-7694	1	PLATE-THRUST						
R	2	1	242-0673	1	CAMSHAFT AS						
	2A	1	1B-8705	1	KEY-WOODRUFF						
	2B	1	224-3247	1	GEAR (100-TEETH)						
M	3		6V-3940	2	BOLT (M8X1.25X25-MM)						

M - METRIC PART

R - REMANUFACTURED PART MAY BE AVAILABLE



GRAPHIC #1

<END>

g00626400

BASIC ENGINE

396-3287 COVER GP-CYLINDER BLOCK

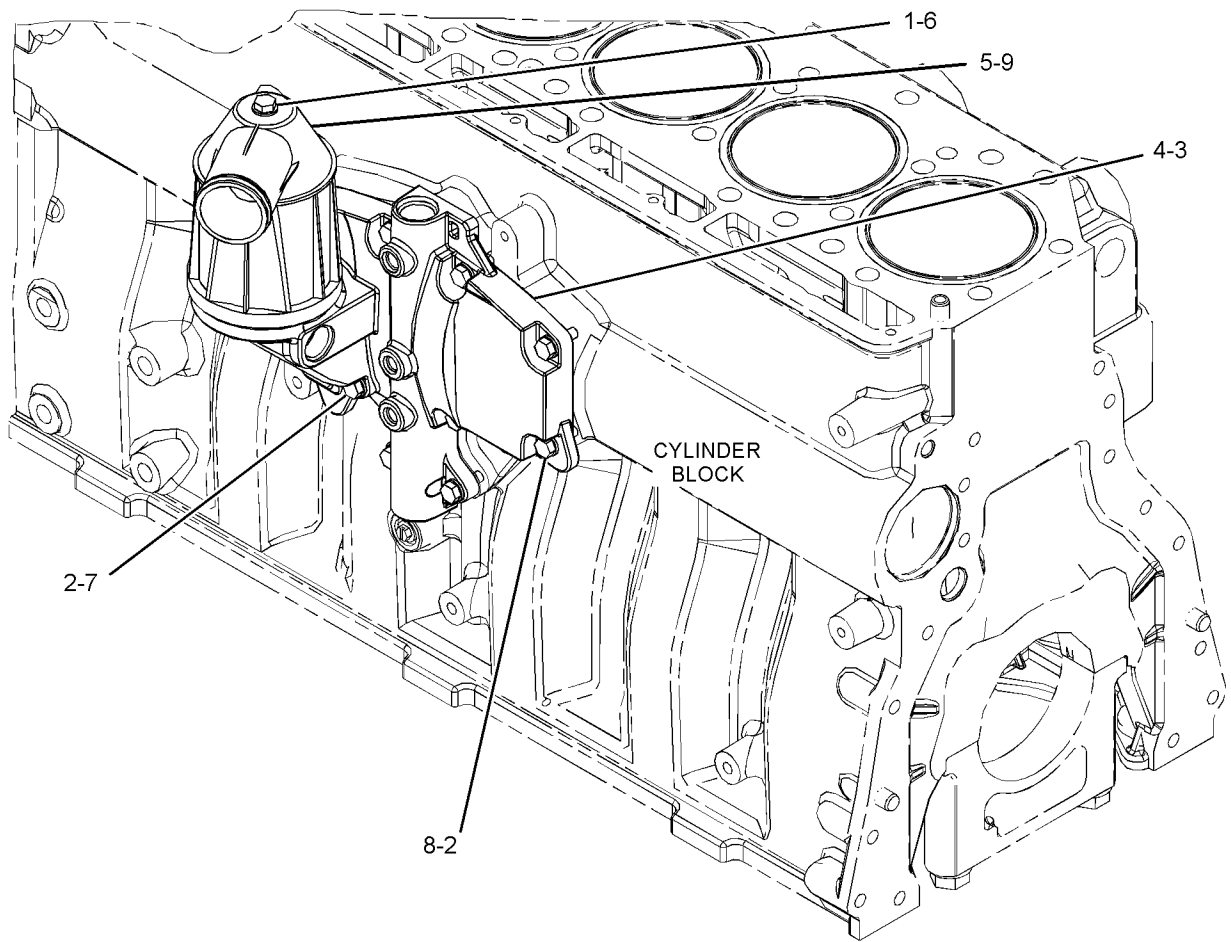
S/N: S9X1-UP

SMCS-1201

i06097409

NOTE	REF NO	GRAPHIC REF	PART NUMBER	QTY	PART NAME						SEE PAGE
					1	2	3	4	5	6 (PRODUCT LEVEL)	
	1	1	5N-4185	1	WASHER-SPECIAL						
	2	1	9M-1974	11	WASHER-HARD (8.8X16X2-MM THK)						
	3	1	213-2410	1	GASKET						
	4	1	213-2411	1	COVER						
	5	1	240-0041	1	BREATHER AS (CRANKCASE)						
M	6	1	3E-8005	1	BOLT (M8X1.25X160-MM)						
M	7	1	6V-3918	2	BOLT (M8X1.25X50-MM)						
M	8	1	6V-3940	9	BOLT (M8X1.25X25-MM)						
	9	1	9F-4446	1	SEAL-O-RING						

M - METRIC PART



GRAPHIC #1

<END>

g02840657

BASIC ENGINE

118-1727 COVER GP-FRONT HOUSING-ACCESSORY DRIVE

S/N: S9X1-UP

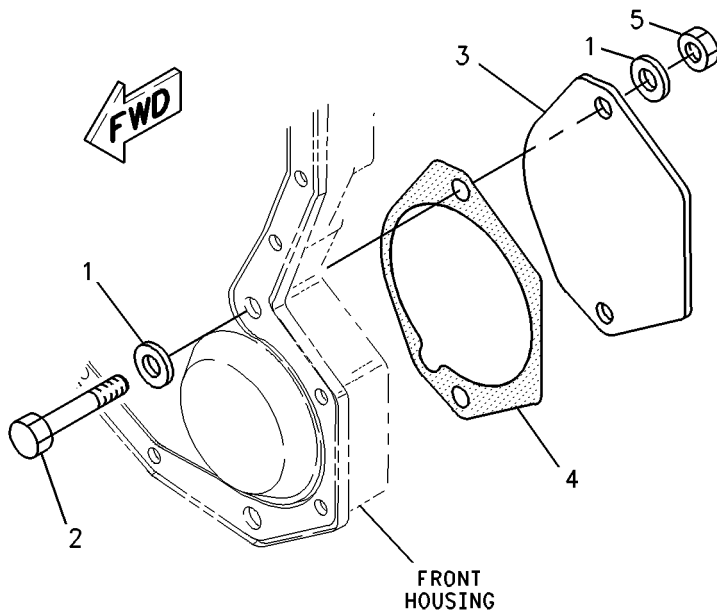
REQUIRED ON ENGINES WITHOUT FACTORY INSTALLED AIR COMPRESSOR

SMCS-1151, 1166

i06097459

NOTE	REF NO	GRAPHIC REF	PART NUMBER	QTY	PART NAME						SEE PAGE
					1	2	3	4	5	6 (PRODUCT LEVEL)	
	1	1	5P-8245	4	WASHER - HARD (13.5X25.5X3-MM THK)						
M	2	1	6V-5696	2	BOLT (M12X1.75X80-MM)						
	3	1	4W-2026	1	COVER						
	4	1	135-9819	1	SEAL - INTEGRAL						
M	5	1	6V-8149	2	NUT (M12X1.75-THD)						

M - METRIC PART



GRAPHIC #1

<END>

g00897312

BASIC ENGINE

197-6010 COVER GP-FRONT HOUSING

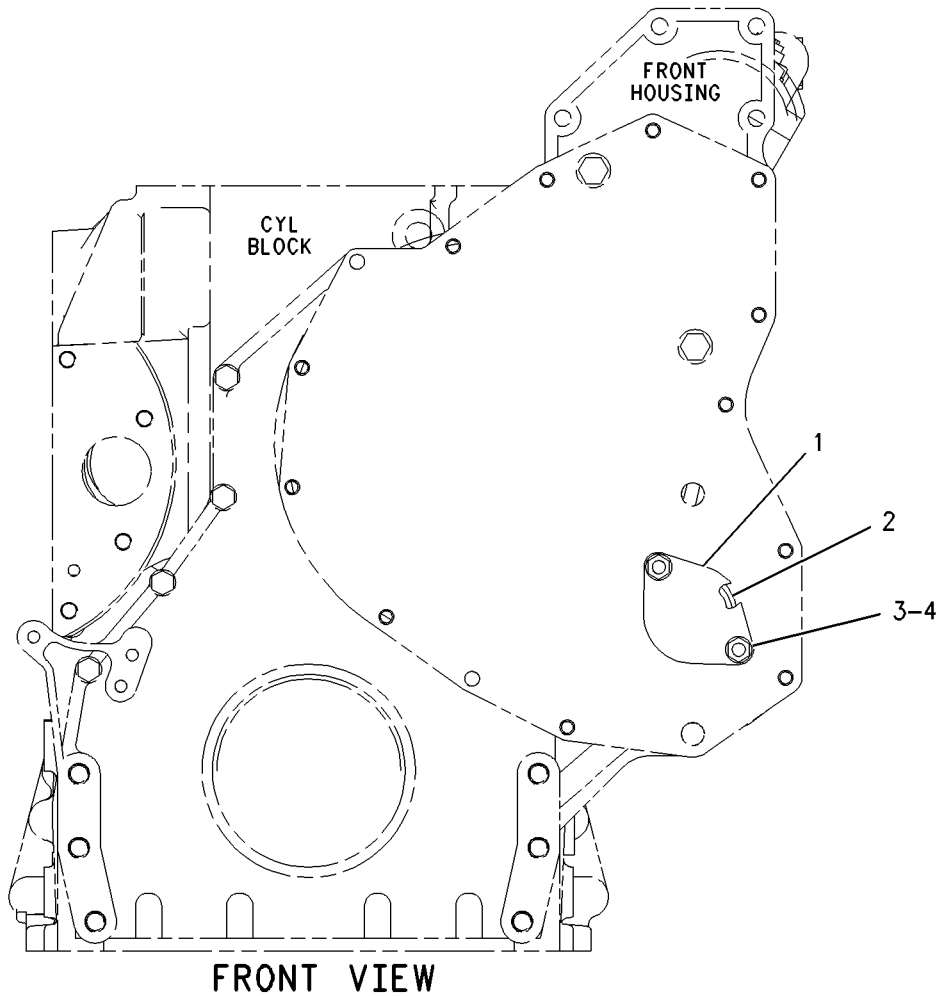
S/N: S9X1-UP

SMCS-1151, 1166

i06097461

NOTE	REF NO	GRAPHIC REF	PART NUMBER	QTY	PART NAME						SEE PAGE
					1	2	3	4	5	6 (PRODUCT LEVEL)	
	1	1	7C-1445	1	COVER						
	2	1	061-9455	1	SEAL-O-RING						
M	3	1	5C-7261	2	NUT (M8X1.25-THD)						
	4	1	8T-4224	2	WASHER-HARD (8.8X16X2-MM THK)						

M - METRIC PART



FRONT VIEW

GRAPHIC #1

<END>

g00945953

BASIC ENGINE

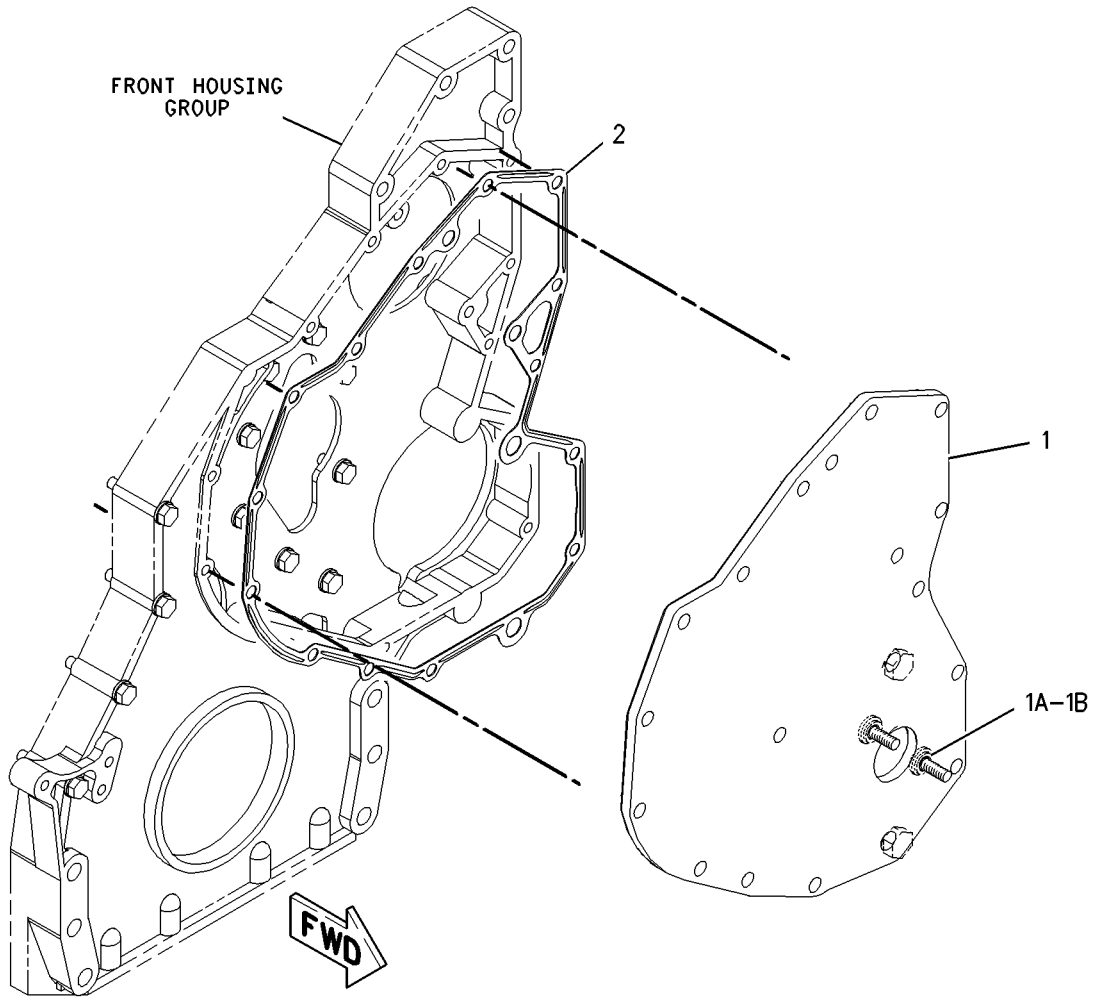
217-8669 COVER GP-FRONT HOUSING

S/N: S9X1-UP

SMCS-1151, 1166

i06102296

NOTE	REF NO	GRAPHIC REF	PART NUMBER	QTY	PART NAME						SEE PAGE
					1	2	3	4	5	6 (PRODUCT LEVEL)	
	1	1	209-0760	1	COVER AS-FRONT						
	1A	1	126-1757	2	WASHER (10.85X19.3X1.27-MM THK)						
	1B	1	136-0822	2	STUD						
	2	1	209-0762	1	GASKET AS						



GRAPHIC #1

<END>

g00849279

BASIC ENGINE

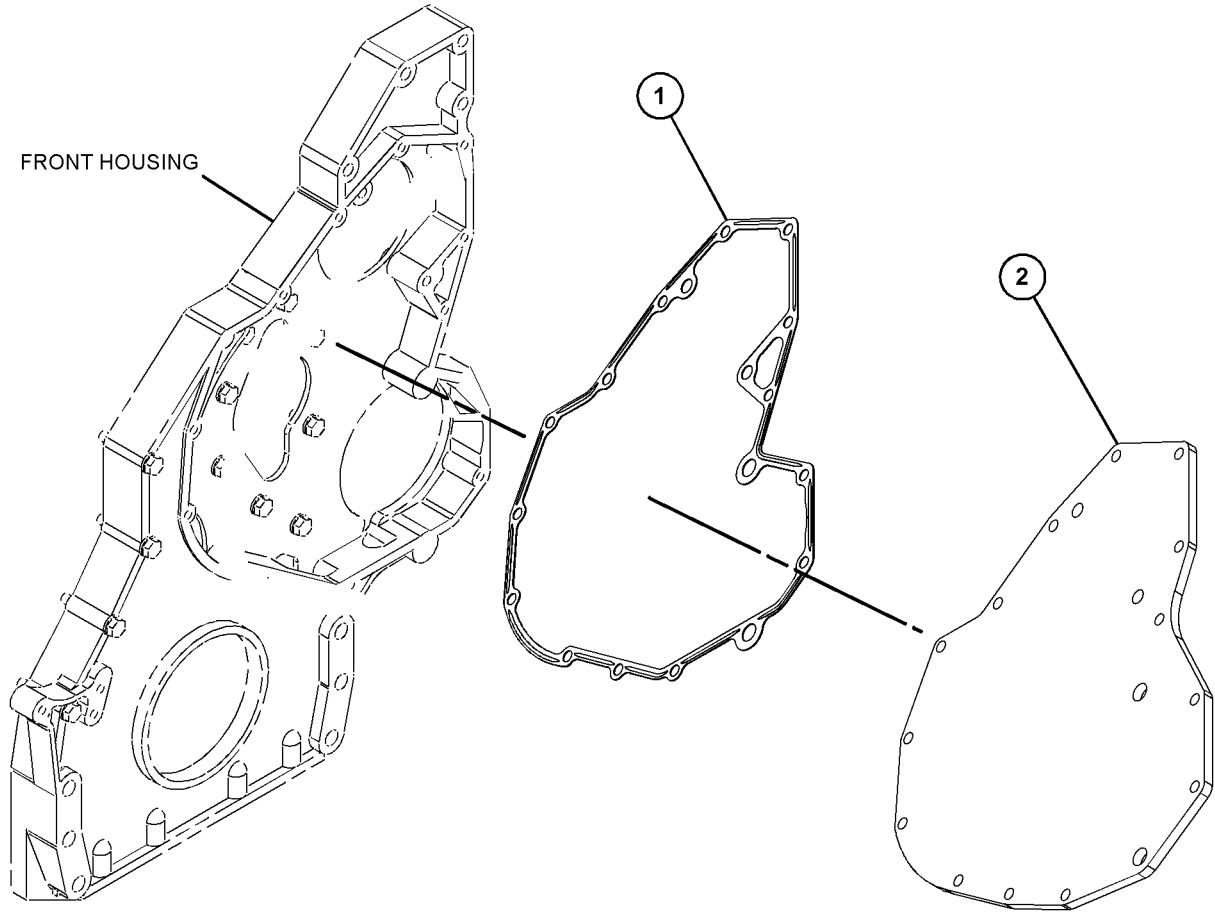
483-0769 COVER GP-FRONT HOUSING

S/N: S9X1-UP

SMCS-1151, 1166

i06289016

NOTE	REF NO	GRAPHIC REF	PART NUMBER	QTY	PART NAME						SEE PAGE
					1	2	3	4	5	6 (PRODUCT LEVEL)	
	1	1	209-0762	1	GASKET AS						
	2	1	483-0768	1	COVER						



GRAPHIC #1

<END>

g06003122

BASIC ENGINE

280-8003 COVER GP-VALVE MECHANISM

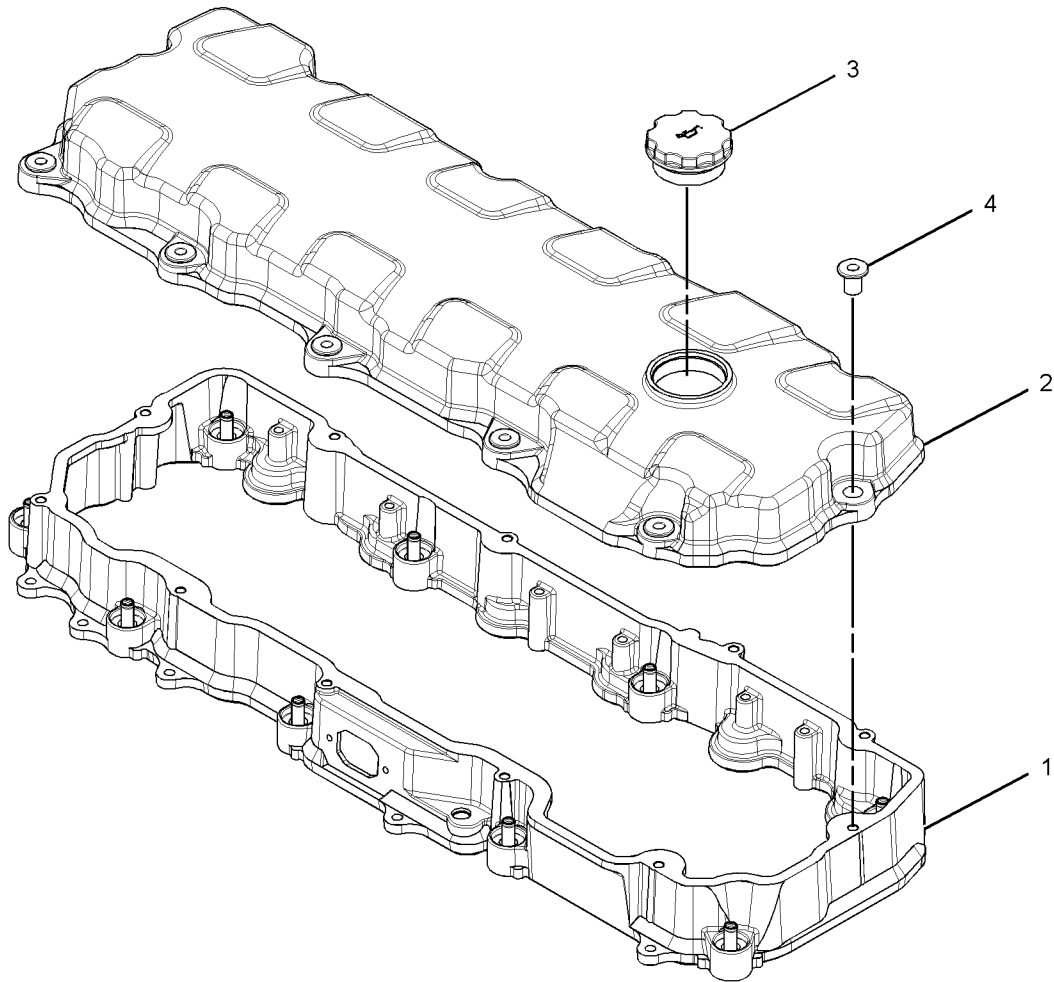
S/N: S9X1-UP

SMCS-1107

i06098733

NOTE	REF NO	GRAPHIC REF	PART NUMBER	QTY	PART NAME						SEE PAGE
					1	2	3	4	5	6 (PRODUCT LEVEL)	
	1	1	353-6988	1	BASE GP-VALVE COVER						
		1	268-3490	1	SEAL-VALVE COVER						
C	2	1	358-7873	1	COVER GP-VALVE MECHANISM						
		1	285-4106	1	SEAL-VALVE COVER						
	3	1	227-4531	1	CAP AS-ENGINE OIL FILLER						
		1	7F-8268	1	SEAL-O-RING						
C	4	1	358-7876	11	SLEEVE-SPACER						

C - CHANGE FROM PREVIOUS TYPE



GRAPHIC #1

<END>

g01309261

BASIC ENGINE

242-9403 CRANKSHAFT GP

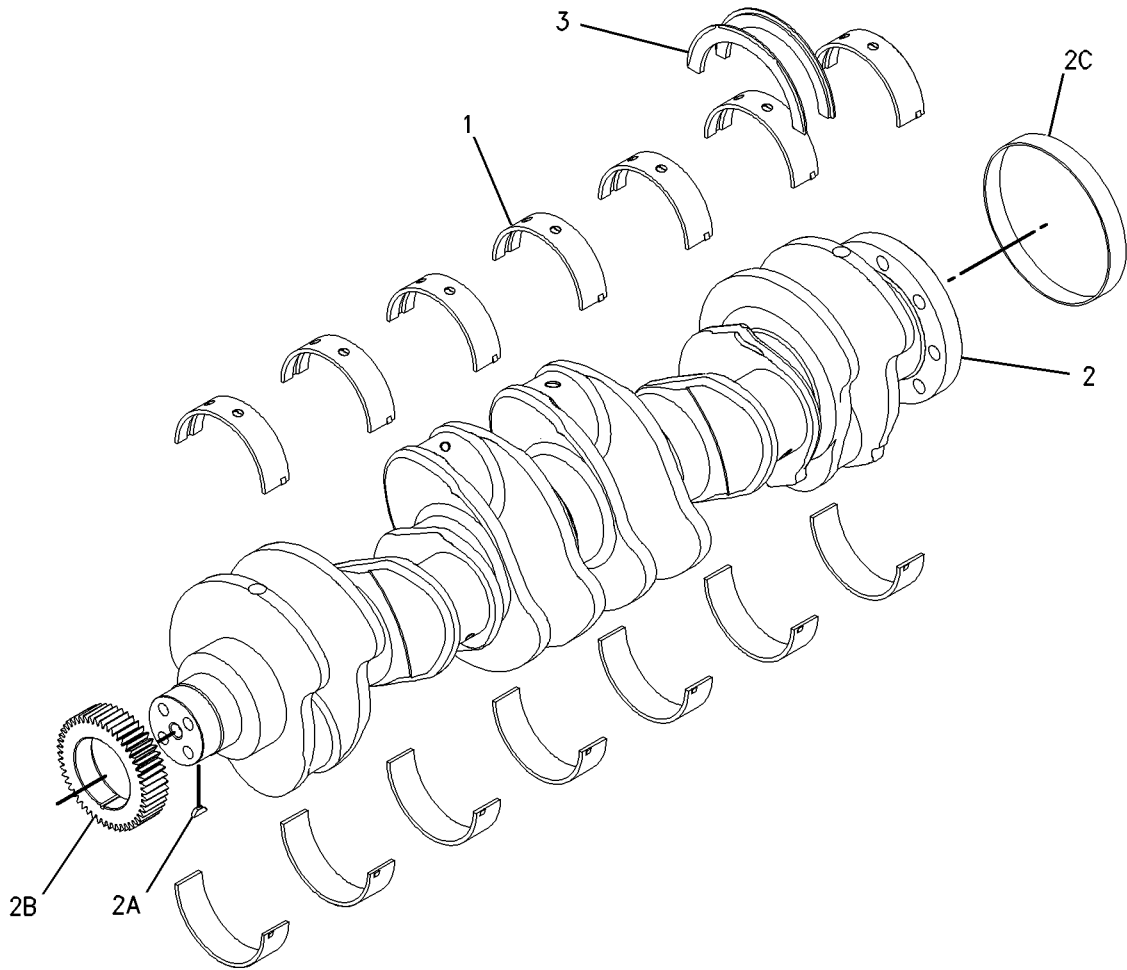
S/N: S9X1-UP

SMCS-1202

i06104090

NOTE	REF NO	GRAPHIC REF	PART NUMBER	QTY	PART NAME						SEE PAGE
					1	2	3	4	5	6 (PRODUCT LEVEL)	
	1	1	151-2939	7	BEARING-MAIN (STANDARD)						
AB		1	282-1771	7	BEARING-MAIN (0.25-MM US)						
AB		1	282-1772	7	BEARING-MAIN (0.51-MM US)						
R	2	1	261-1544	1	CRANKSHAFT AS						
	2A	1	1B-8705	1	KEY-WOODRUFF						
	2B	1	2W-8147	1	GEAR (50-TEETH)						
	2C	1	9Y-0810	1	SLEEVE-WEAR						
	3	1	246-3150	2	PLATE-THRUST						

A - NOT PART OF THIS GROUP
 B - USE AS REQUIRED
 R - REMANUFACTURED PART MAY BE AVAILABLE



GRAPHIC #1

<END>

g00789955

BASIC ENGINE

325-3915 CYLINDER BLOCK AS*R

S/N: S9X1-UP

PART OF 220-1952 CYLINDER BLOCK GP

SMCS-1201

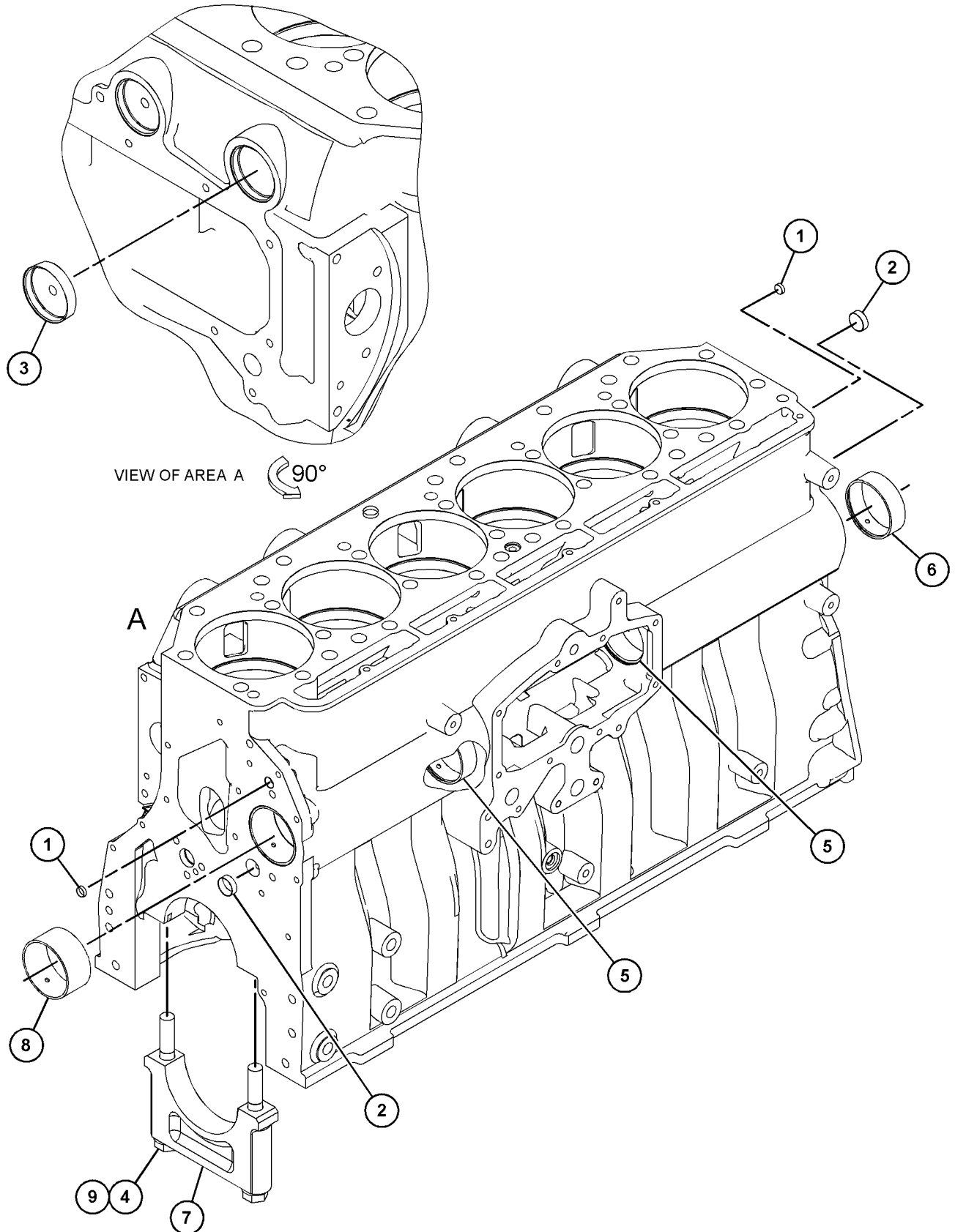
i06591008

NOTE	REF NO	GRAPHIC REF	PART NUMBER	QTY	PART NAME						SEE PAGE
					1	2	3	4	5	6	
	1	1	0L-1026	2	PLUG-CUP						
	2	1	3B-0623	2	PLUG-CUP						
	3	1	4F-5695	4	PLUG-CUP						
M	4	1	175-0454	14	BOLT (M16X2X160-MM)						
	5	1	203-5805	2	BUSHING						
	6	1	203-6090	1	BUSHING						
	7	1	212-7002	7	CAP-BEARING						
	8	1	216-5586	1	BUSHING (CAMSHAFT)						
	9	1	9X-8268	14	WASHER (17.5X30X3.5-MM THK)						
M - METRIC PART											

BASIC ENGINE

325-3915 CYLINDER BLOCK AS (contd.)

i06591008



GRAPHIC #1

<END>

g03729325

BASIC ENGINE

161-3406 CYLINDER BLOCK GP

S/N: S9X1-UP

SMCS - 1201

i06104030

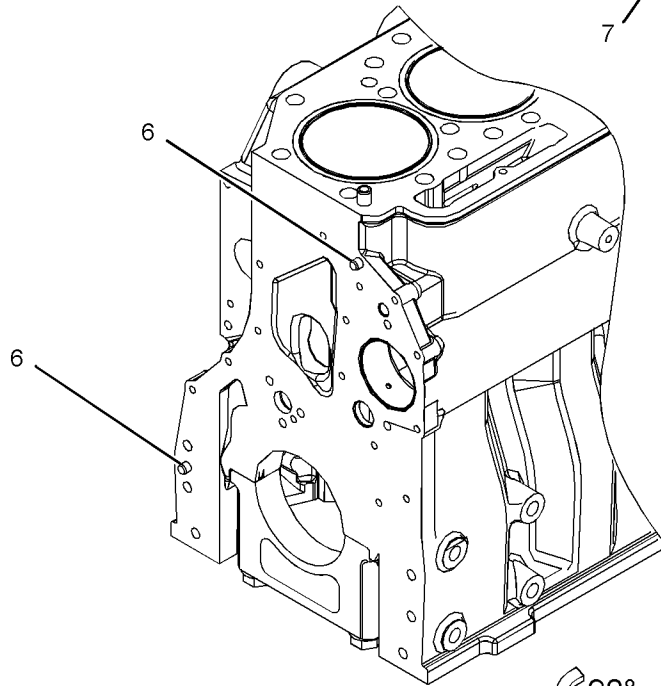
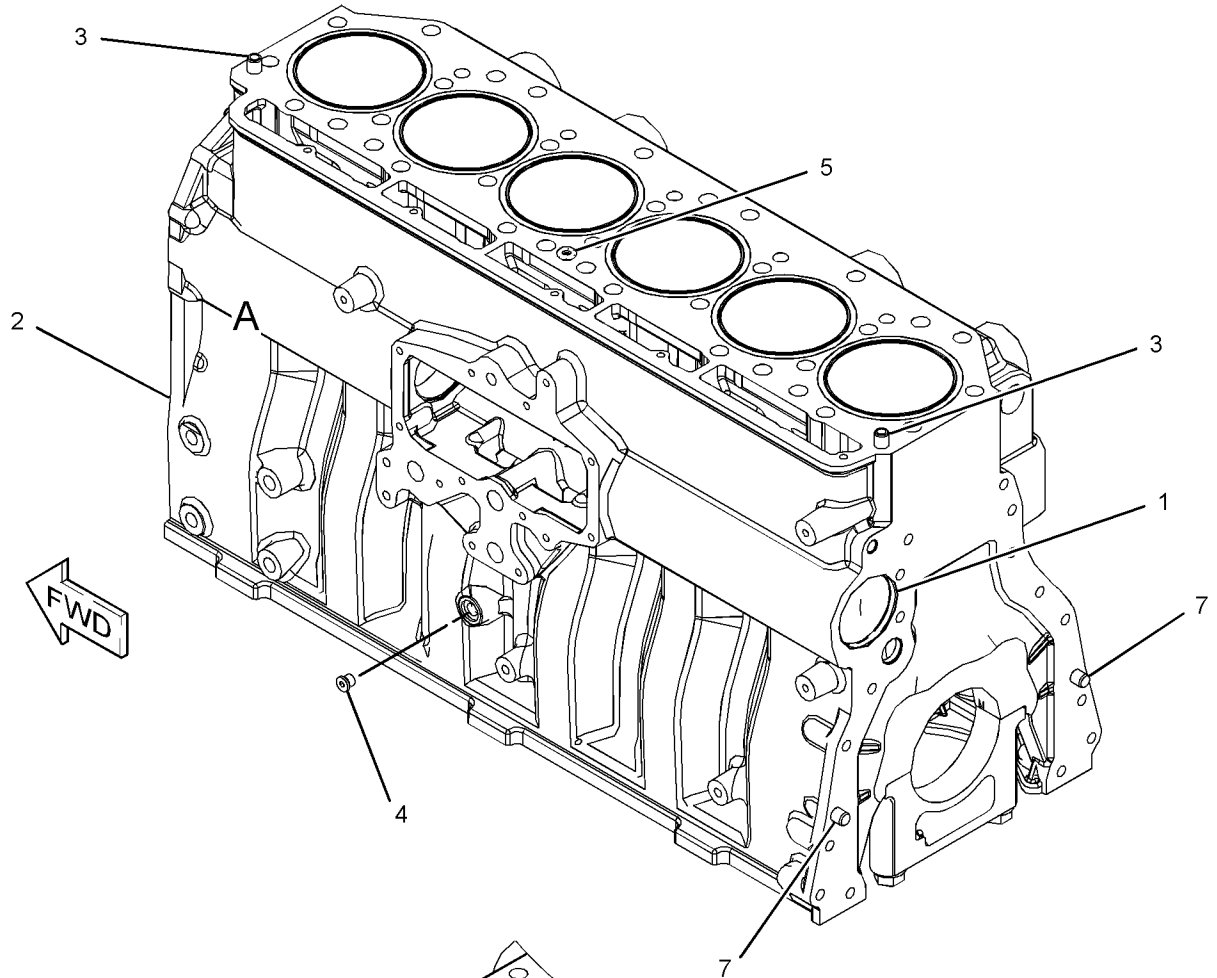
NOTE	REF NO	GRAPHIC REF	PART NUMBER	QTY	PART NAME						SEE PAGE
					1	2	3	4	5	6 (PRODUCT LEVEL)	
	1	1	0S-0519	1	PLUG-CUP						
CY	2	1	220-1952	1	CYLINDER BLOCK GP						16
	3	1	1W-8407	2	SLEEVE						
	4	1	396-0393	1	PLUG AS						
		1	214-7566	1	SEAL-O-RING						
		1	360-3677	1	PLUG						
	5	1	4G-4972	1	SEAL-O-RING						
	6	1	6V-3538	2	DOWEL						
	7	1	7N-5683	2	DOWEL						

C - CHANGE FROM PREVIOUS TYPE
 Y - SEPARATE ILLUSTRATION

BASIC ENGINE

161-3406 CYLINDER BLOCK GP (contd.)

i06104030



VIEW OF AREA A
<END>

GRAPHIC #1

g02727107

BASIC ENGINE

220-1952 CYLINDER BLOCK GP

S/N: S9X1-UP

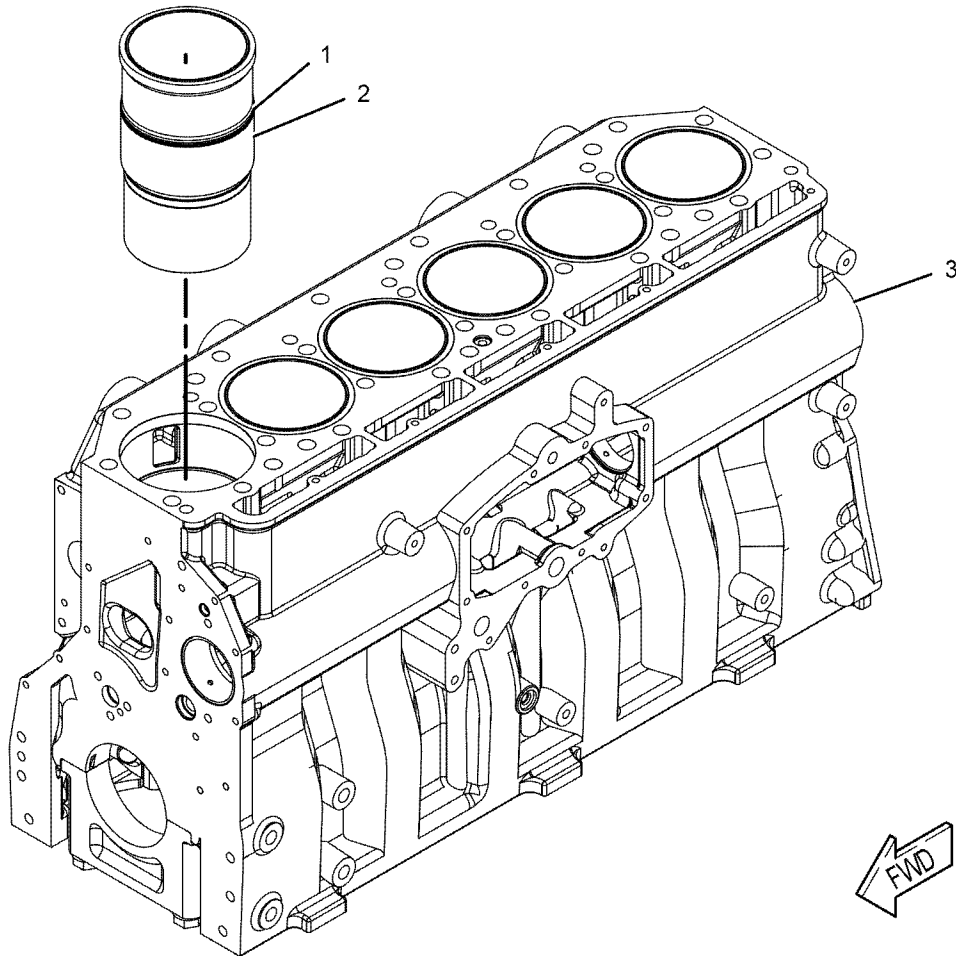
PART OF 161-3406 CYLINDER BLOCK GP

SMCS-1201

i06105316

NOTE	REF NO	GRAPHIC REF	PART NUMBER	QTY	PART NAME						SEE PAGE
					1	2	3	4	5	6 (PRODUCT LEVEL)	
	1	1	167-0024	6	SEAL-LINER						
	2	1	385-7276	6	LINER-CYLINDER BLOCK						
YR	3	1	325-3915	1	CYLINDER BLOCK AS						12

R - REMANUFACTURED PART MAY BE AVAILABLE
 Y - SEPARATE ILLUSTRATION



GRAPHIC #1

<END>

g01032547

BASIC ENGINE

332-3619 CYLINDER HEAD AS

S/N: S9X1-UP

PART OF 252-8439 CYLINDER HEAD GP

SMCS-1100, 1101

i06590905

NOTE	REF NO	GRAPHIC REF	PART NUMBER	QTY	PART NAME						SEE PAGE
					1	2	3	4	5	6 (PRODUCT LEVEL)	
	1	1	6V-7604	7	PLUG-CUP (MARKED X)						
	2	1	8M-5860	18	PLUG-CUP (MARKED Z)						
	3	1	212-8917	12	INSERT-VALVE SEAT (EXHAUST) (STANDARD)						
AB		1	317-7210		INSERT-VALVE SEAT (0.127-MM OS, EXHAUST)						
AB		1	317-7211		INSERT-VALVE SEAT (0.25-MM OS, EXHAUST)						
AB		1	254-3947		INSERT-VALVE SEAT (0.508-MM OS, EXHAUST)						
	4	1	227-1200	6	SLEEVE-INJECTOR						
	5	1	241-8388	12	INSERT-VALVE SEAT (INLET) (STANDARD)						
AB		1	317-7212		INSERT-VALVE SEAT (0.127-MM OS, INLET)						
AB		1	317-7213		INSERT-VALVE SEAT (0.25-MM OS, INLET)						
AB		1	254-3946		INSERT-VALVE SEAT (0.508-MM OS, INLET)						
	6	1	310-7255	6	SEAL-O-RING						
	7	1	310-7257	6	SEAL-O-RING						

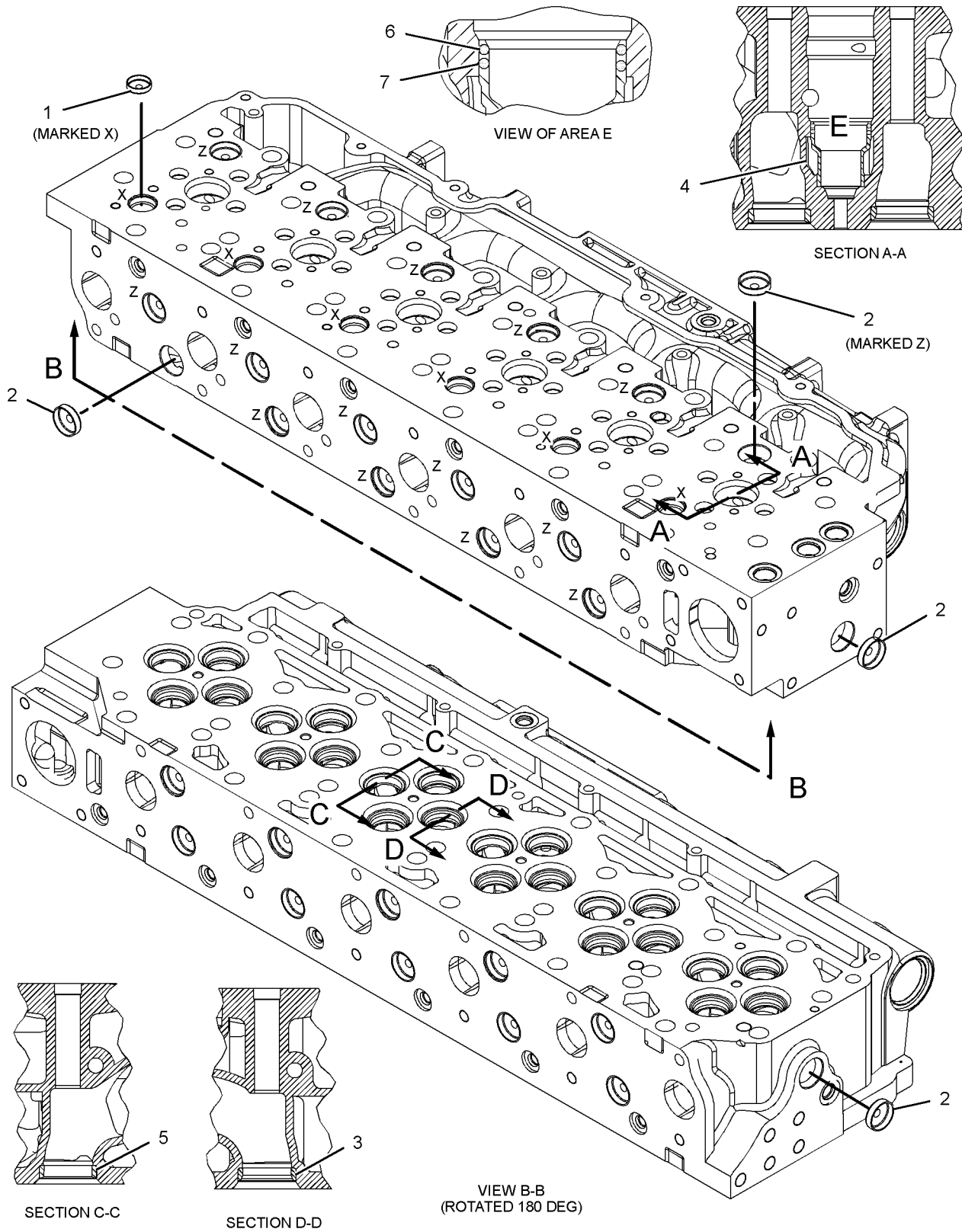
A - NOT PART OF THIS GROUP

B - USE AS REQUIRED

BASIC ENGINE

332-3619 CYLINDER HEAD AS (contd.)

i06590905



GRAPHIC #1

<END>

g01414571

BASIC ENGINE

252-8439 CYLINDER HEAD GP*R

S/N: S9X1-UP

PART OF 386-0460 CYLINDER HEAD GP

SMCS-1100

i06105356

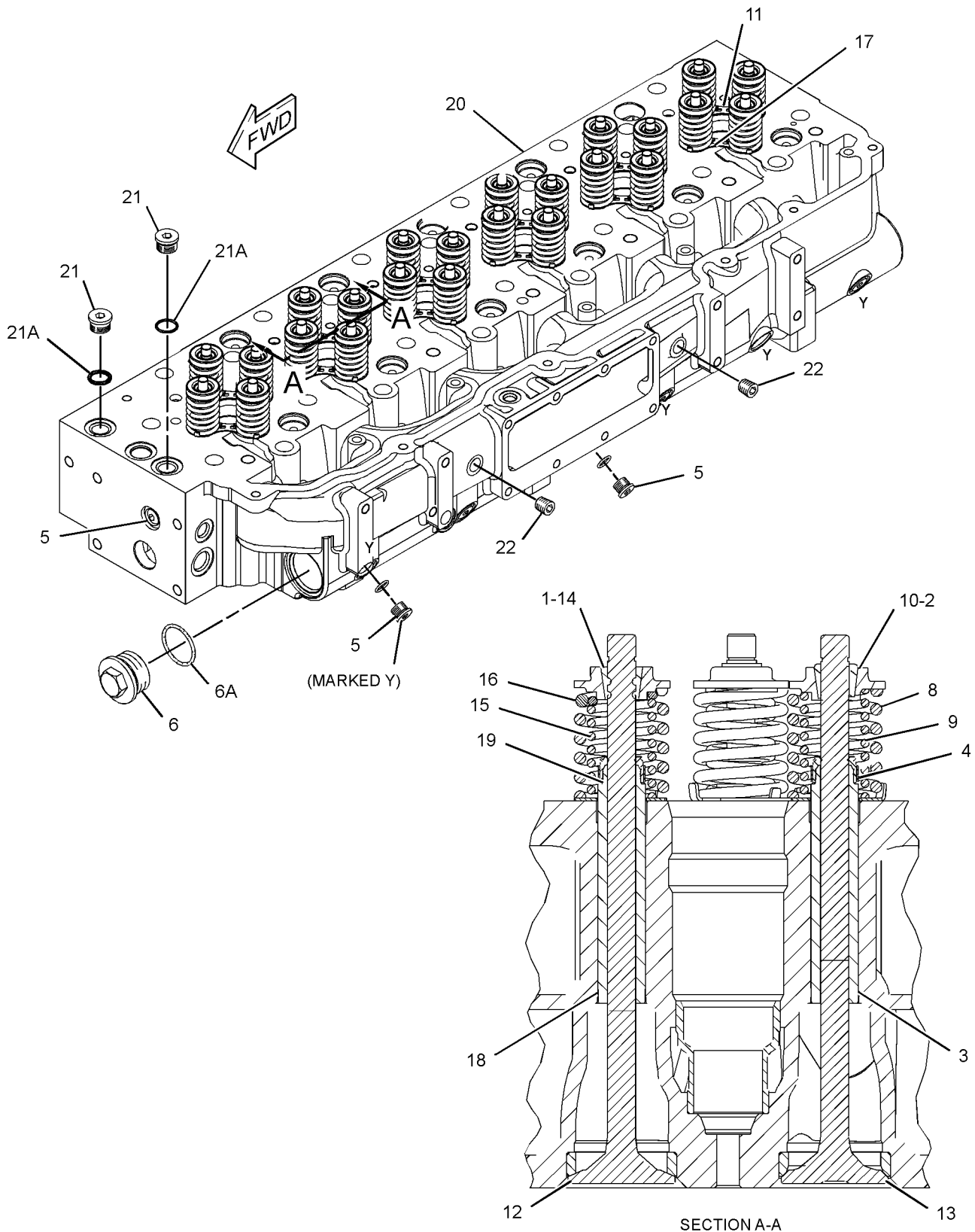
NOTE	REF NO	GRAPHIC REF	PART NUMBER	QTY	PART NAME						SEE PAGE
					1	2	3	4	5	6 (PRODUCT LEVEL)	
	1	1	1W-2715	24	LOCK-RETAINER						
	2	1	2A-4429	24	LOCK-RETAINER						
	3	1	260-4856	12	GUIDE-VALVE (STANDARD, EXHAUST)						
AB		1	203-3237		GUIDE-VALVE (0.13-MM OS, EXHAUST)						
AB		1	203-3238		GUIDE-VALVE (0.5-MM OS, EXHAUST)						
	4	1	163-2478	12	SEAL-VALVE STEM						
	5	1	389-3708	6	PLUG AS (MARKED Y)						
					(EACH INCLUDES)						
		1	360-3679	1	PLUG-CONNECTOR						
		1	214-7568	1	SEAL-O-RING						
	6	1	319-6237	2	PLUG AS (HEX HEAD)						
					(EACH INCLUDES)						
		1	271-7442	1	PLUG						
	6A	1	228-7096	1	SEAL-O-RING						
	8	1	190-6115	12	SPRING-VALVE (INNER)						
	9	1	190-6117	12	SPRING-VALVE (OUTER)						
	10	1	211-2134	12	RETAINER (VALVE SPRING)						
	11	1	217-0609	6	SEAT-VALVE SPRING						
	12	1	241-8382	12	VALVE-INLET						
	13	1	241-8383	12	VALVE-EXHAUST						
	14	1	241-8384	12	RETAINER (VALVE SPRING)						
	15	1	241-8385	12	SPRING-VALVE (OUTER)						
	16	1	241-8386	12	SPRING-VALVE (INNER)						
	17	1	241-8387	6	SEAT						
	18	1	259-5829	12	GUIDE-VALVE (STANDARD, INTAKE)						
AB		1	254-3941		GUIDE-VALVE (0.13-MM OS) (INTAKE)						
AB		1	254-3942		GUIDE-VALVE (0.5-MM OS) (INTAKE)						
	19	1	241-8390	12	SEAL-VALVE STEM						
Y	20	1	332-3619	1	CYLINDER HEAD AS						17
	21	1	396-0405	2	PLUG AS						
					(EACH INCLUDES)						
	21A	1	6V-6609	1	SEAL-O-RING						
		1	360-3680	1	PLUG						
	22	1	8T-6757	2	PLUG-PIPE						

A - NOT PART OF THIS GROUP
 B - USE AS REQUIRED
 Y - SEPARATE ILLUSTRATION

BASIC ENGINE

252-8439 CYLINDER HEAD GP (contd.)

i06105356



GRAPHIC #1

<END>

g02915656

BASIC ENGINE

386-0460 CYLINDER HEAD GP

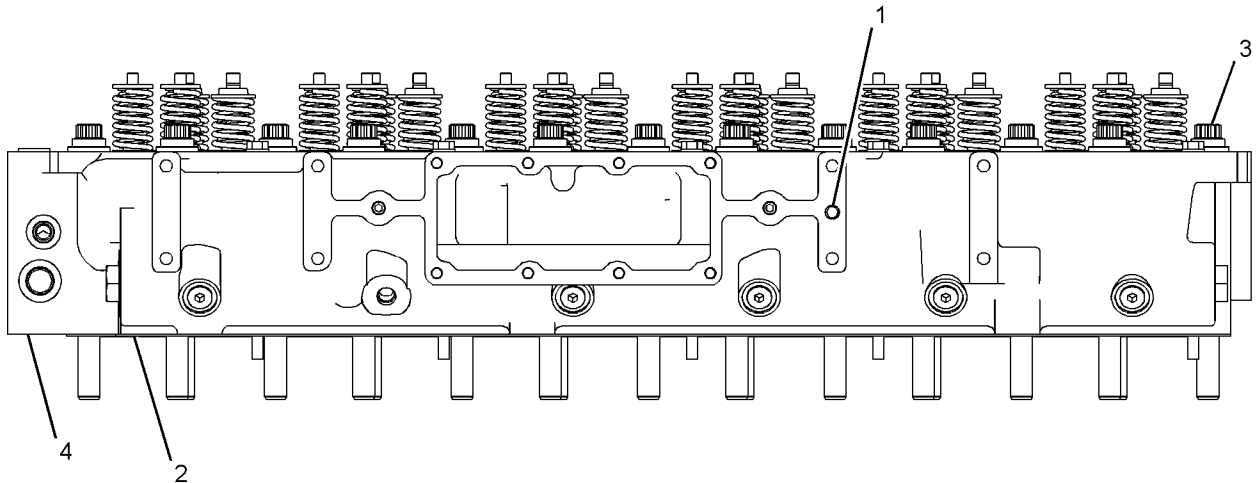
S/N: S9X1-UP

SMCS-1100

i06104398

NOTE	REF NO	GRAPHIC REF	PART NUMBER	QTY	PART NAME						SEE PAGE
					1	2	3	4	5	6 (PRODUCT LEVEL)	
	1	1	2A-3746	1	PLUG-CUP						
	2	1	187-1315	1	GASKET AS						
Y	3	1	213-4363	1	FASTENER GP-CYLINDER HEAD						27
YR	4	1	252-8439	1	CYLINDER HEAD GP						19

R - REMANUFACTURED PART MAY BE AVAILABLE
 Y - SEPARATE ILLUSTRATION



LEFT SIDE VIEW OF ENGINE

GRAPHIC #1

<END>

g02996478

BASIC ENGINE

300-4064 DAMPER & PULLEY GP

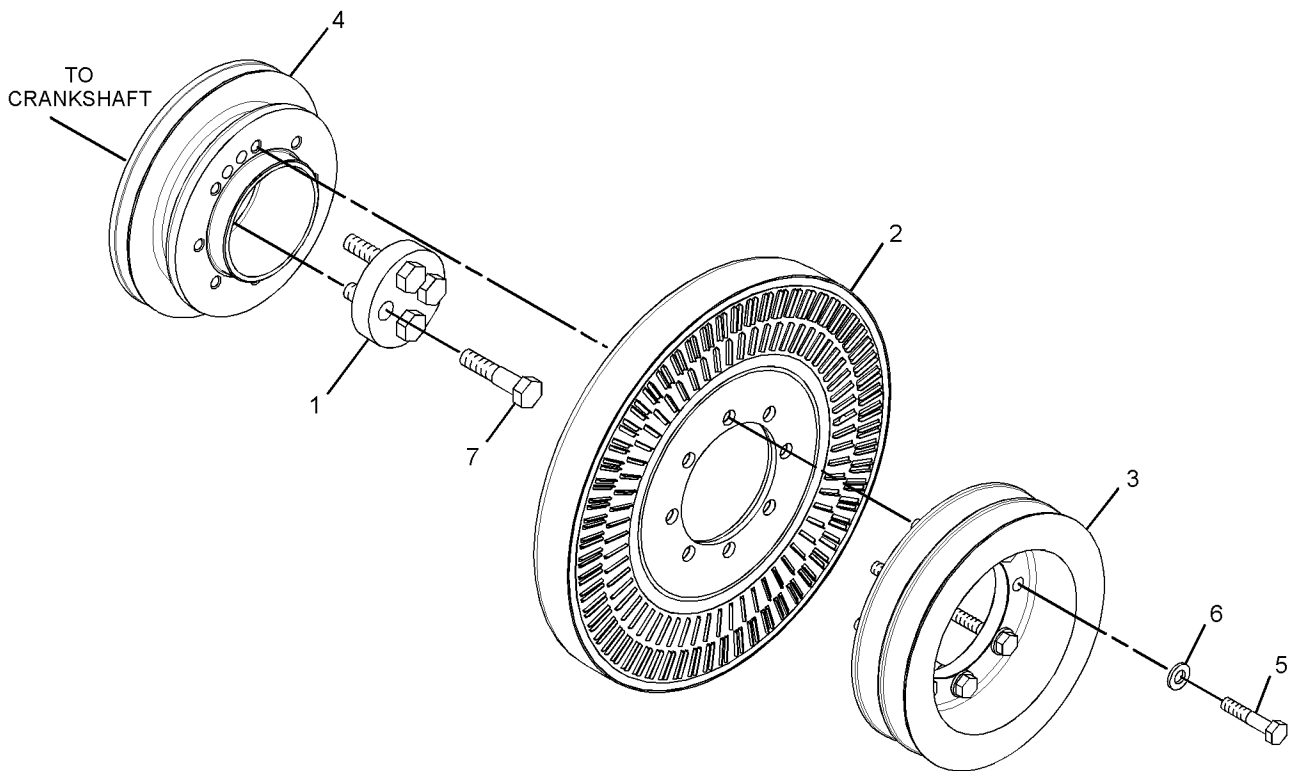
S/N: S9X1-UP

SMCS - 1205

i06098761

NOTE	REF NO	GRAPHIC REF	PART NUMBER	QTY	PART NAME						SEE PAGE
					1	2	3	4	5	6	
	1	1	2W-7381	1	PLATE-CLAMP						
	2	1	255-3549	1	DAMPER AS						
	3	1	266-3471	1	PULLEY-CRANKSHAFT (2-GROOVE)						
	4	1	300-1979	1	PULLEY-CRANKSHAFT (1-GROOVE)						
M	5	1	6V-4249	8	BOLT (M10X1.5X50-MM)						
	6	1	6V-5839	8	WASHER (11X21X2.5-MM THK)						
M	7	1	8T-3666	4	BOLT (M14X2X60-MM)						

M - METRIC PART



GRAPHIC #1

<END>

g01646202

BASIC ENGINE

483-6389 DAMPER & PULLEY GP

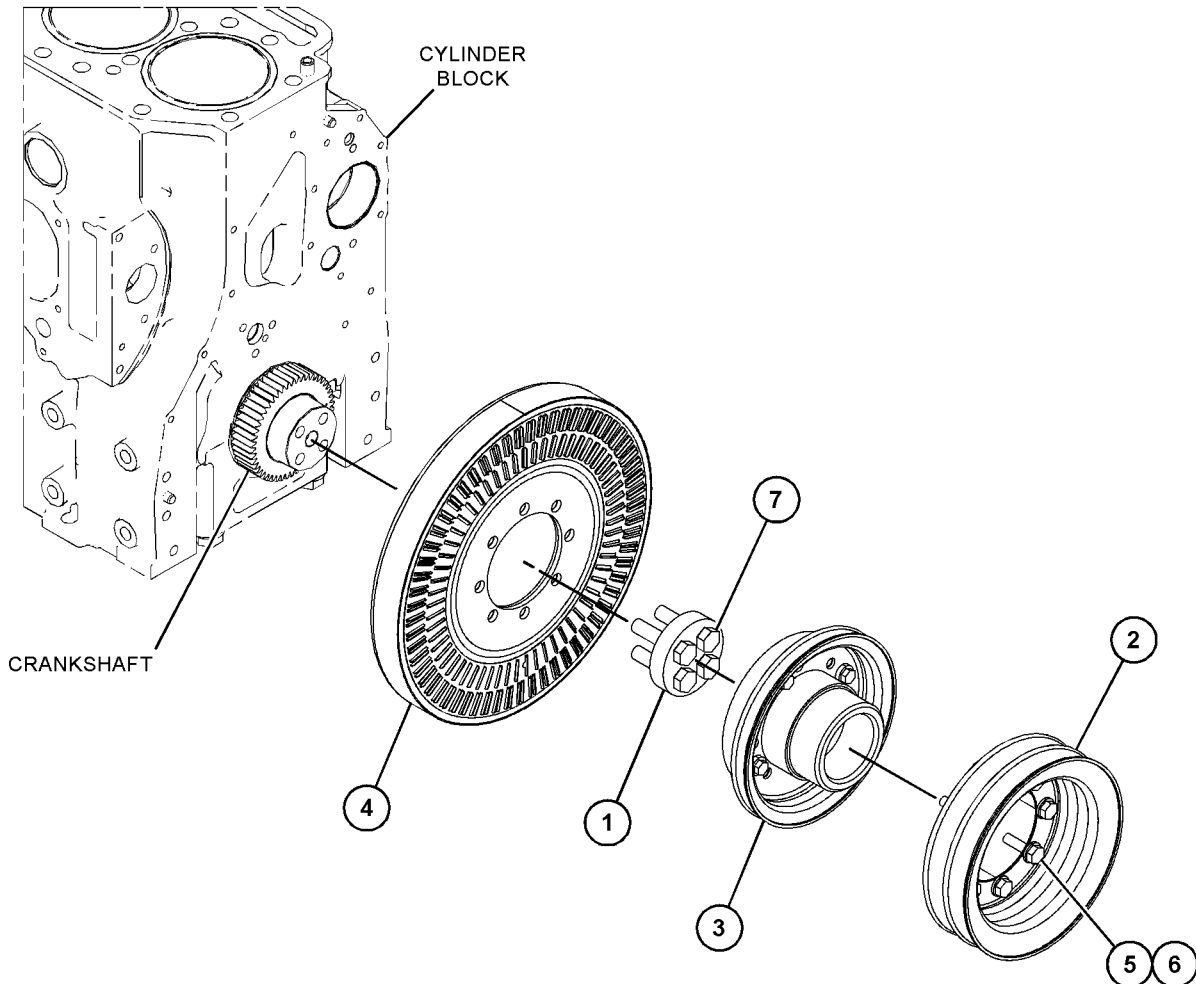
S/N: S9X1-UP

SMCS-1205

i06289018

NOTE	REF NO	GRAPHIC REF	PART NUMBER	QTY	PART NAME						SEE PAGE
					1	2	3	4	5	6 (PRODUCT LEVEL)	
	1	1	2W-7381	1	PLATE-CLAMP						
	2	1	266-3471	1	PULLEY-CRANKSHAFT (2-GROOVE)						
	3	1	300-1979	1	PULLEY-CRANKSHAFT (1-GROOVE)						
	4	1	352-4522	1	DAMPER AS-VIBRATION						
M	5	1	6V-4249	8	BOLT (M10X1.5X50-MM)						
	6	1	6V-5839	8	WASHER (11X21X2.5-MM THK)						
	7	1	214-6277	4	BOLT (M14X2X60-MM)						

M - METRIC PART



GRAPHIC #1

<END>

g06002676

BASIC ENGINE

194-9463 DRIVE GP-FAN

S/N: S9X1-UP

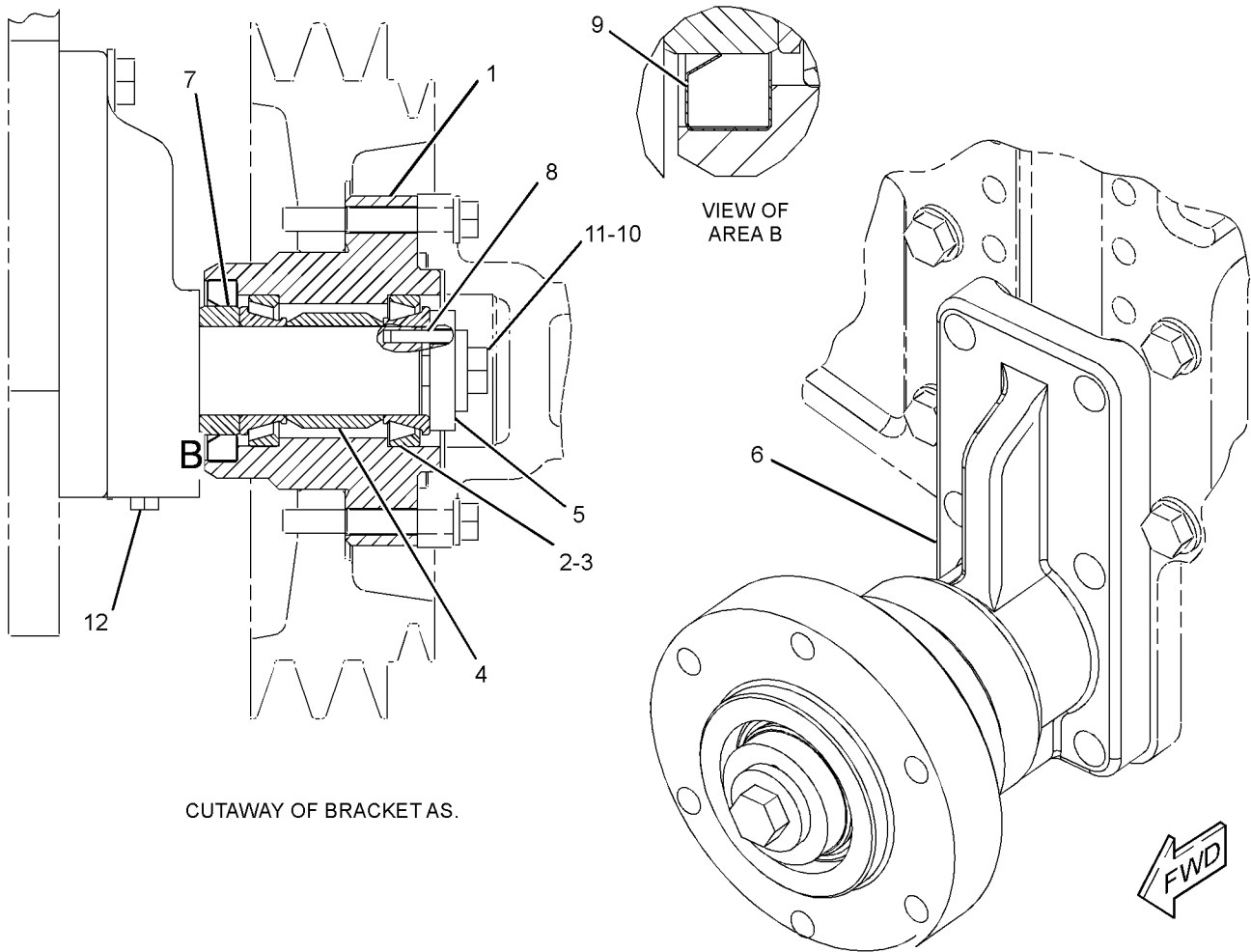
MULTI-POSITION V-BELT ADJUSTMENT; 11 INCH TO 22 INCH FAN HEIGHT

SMCS-1359

i06103655

NOTE	REF NO	GRAPHIC REF	PART NUMBER	QTY	PART NAME						SEE PAGE
					1	2	3	4	5	6 (PRODUCT LEVEL)	
	1	1	1W-5039	1	HUB-FAN PULLEY						
	2	1	4W-1203	2	CUP-BEARING						
	3	1	4W-1204	2	CONE-BEARING						
	4	1	4W-2042	1	SPACER (35.3X45.5X38.331-MM THK)						
	5	1	7E-4808	1	PLATE						
	6	1	194-9462	1	BRACKET AS						
	7	1	5S-9062	1	SPACER (35.032X50.8X15.88-MM THK)						
	8	1	6H-3956	1	PIN						
	9	1	6V-9748	1	SEAL-LIP TYPE						
	10	1	7D-1649	1	WASHER-HARD (13.5X32X5-MM THK)						
M	11	1	8T-0162	1	BOLT (M12X1.75X160-MM)						
	12	1	8T-6764	1	PLUG-PIPE (1/8-27-THD)						

M - METRIC PART



CUTAWAY OF BRACKET AS.

GRAPHIC #1

<END>

g02132833

BASIC ENGINE

256-6166 DRIVE GP-WATER PUMP

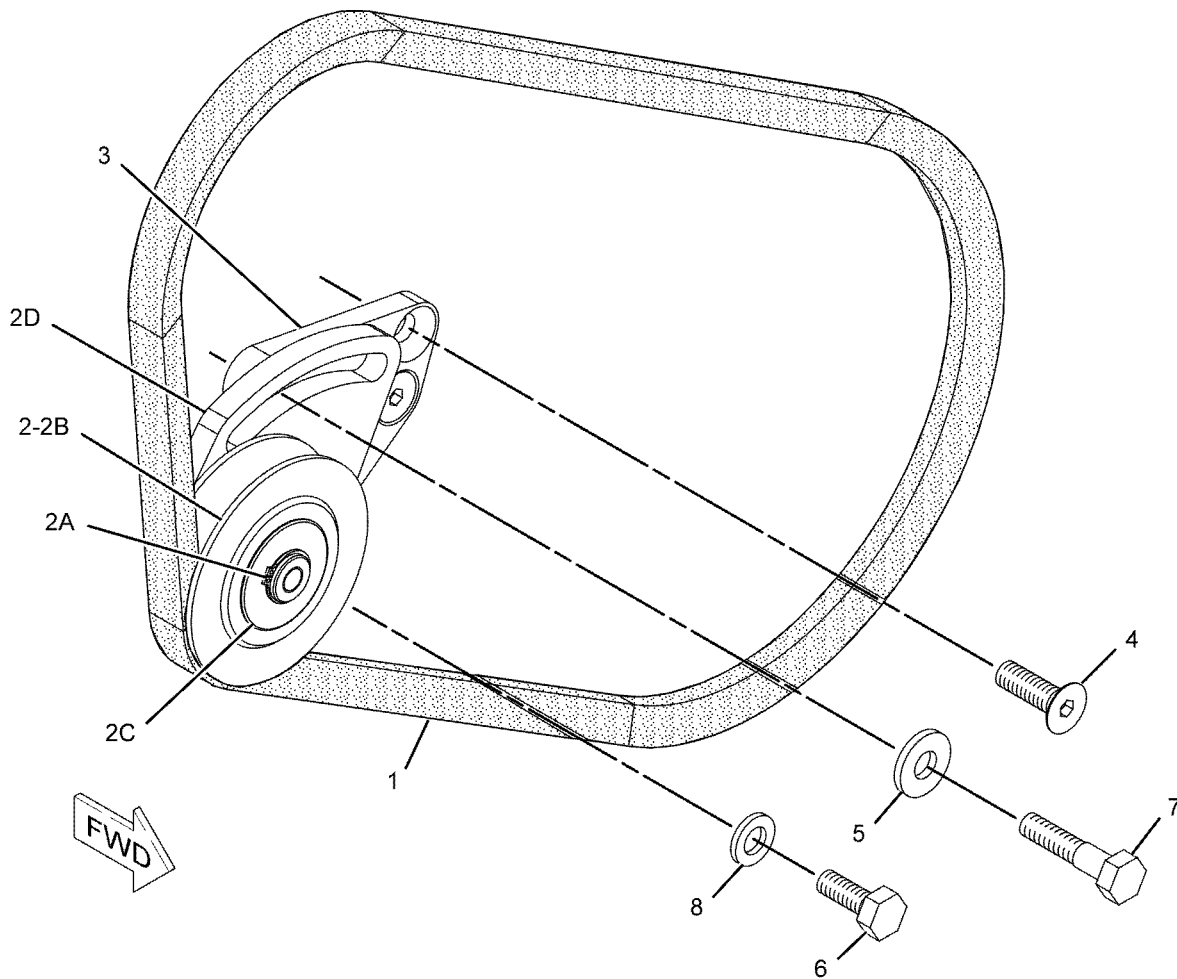
S/N: S9X1-UP

SMCS-1361

i06098775

NOTE	REF NO	GRAPHIC REF	PART NUMBER	QTY	PART NAME						SEE PAGE
					1	2	3	4	5	6 (PRODUCT LEVEL)	
	1	1	9L-4896	1	V-BELT GP (WATER PUMP)						
	2	1	256-6168	1	PULLEY AS-IDLER						
	2A	1	2L-8509	1	RING-LOCK						
	2B	1	115-4237	1	PULLEY-IDLER						
	2C	1	156-1871	2	BALL BEARING						
	2D	1	256-6167	1	PLATE AS						
	3	1	256-6170	1	SPACER						
M	4	1	188-9644	2	SCREW-FLAT HEAD (M8X1.25X25-MM)						
	5	1	3E-4352	1	WASHER-HARD (8.8X20.5X2.5-MM THK)						
M	6	1	6V-5217	1	BOLT (M8X1.25X20-MM)						
M	7	1	6V-5218	1	BOLT (M8X1.25X35-MM)						
	8	1	9M-1974	1	WASHER-HARD (8.8X16X2-MM THK)						

M - METRIC PART



GRAPHIC #1

<END>

g01119745

BASIC ENGINE

167-0171 FASTENER GP-CYLINDER HEAD

S/N: S9X1-UP

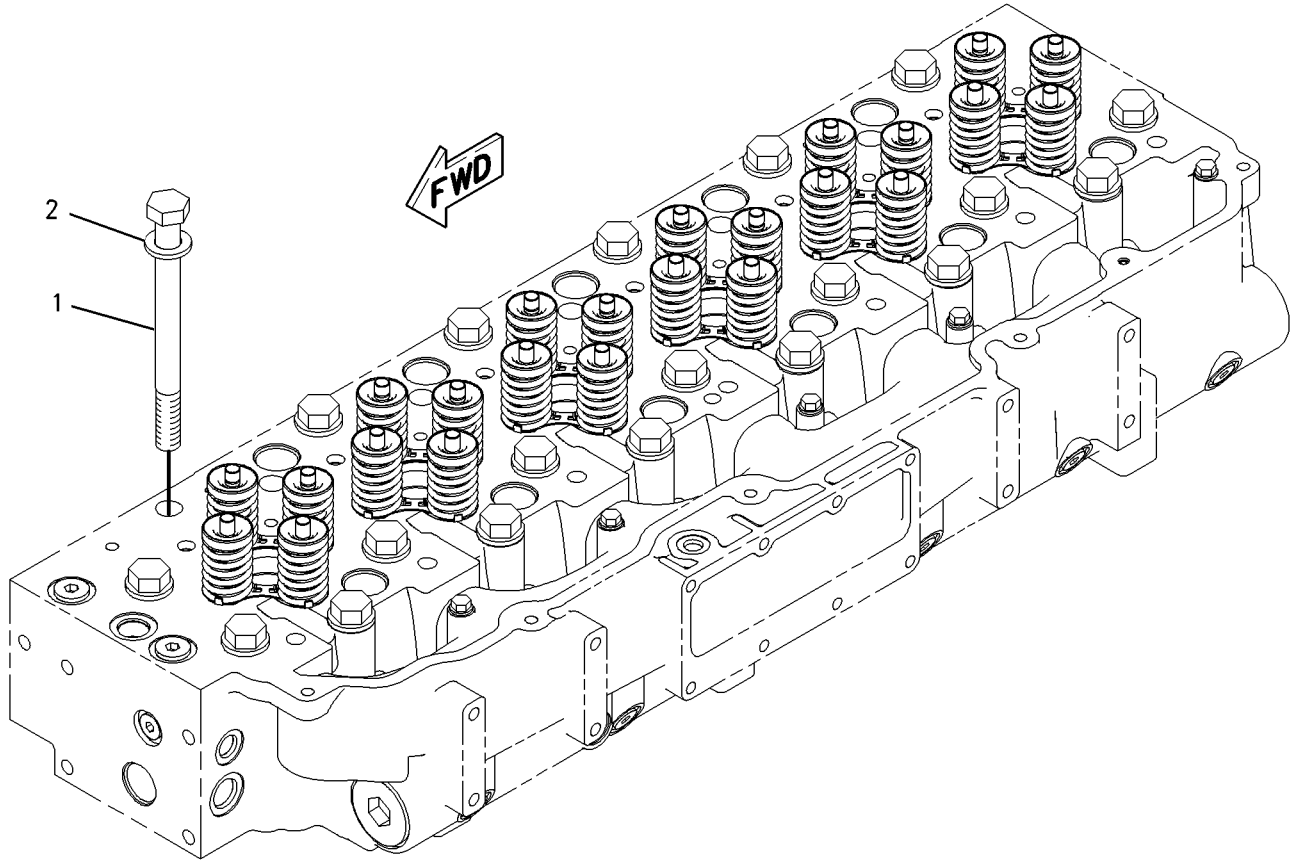
PART OF 213-4363 FASTENER GP-CYLINDER HEAD

SMCS-1100

i06105364

NOTE	REF NO	GRAPHIC REF	PART NUMBER	QTY	PART NAME						SEE PAGE
					1	2	3	4	5	6	
M	1	1	183-5163	1	BOLT (M16X2X180-MM)						
	2	1	9X-8268	1	WASHER (17.5X30X3.5-MM THK)						

M - METRIC PART



GRAPHIC #1

<END>

g00988674

BASIC ENGINE

213-4363 FASTENER GP-CYLINDER HEAD

S/N: S9X1-UP

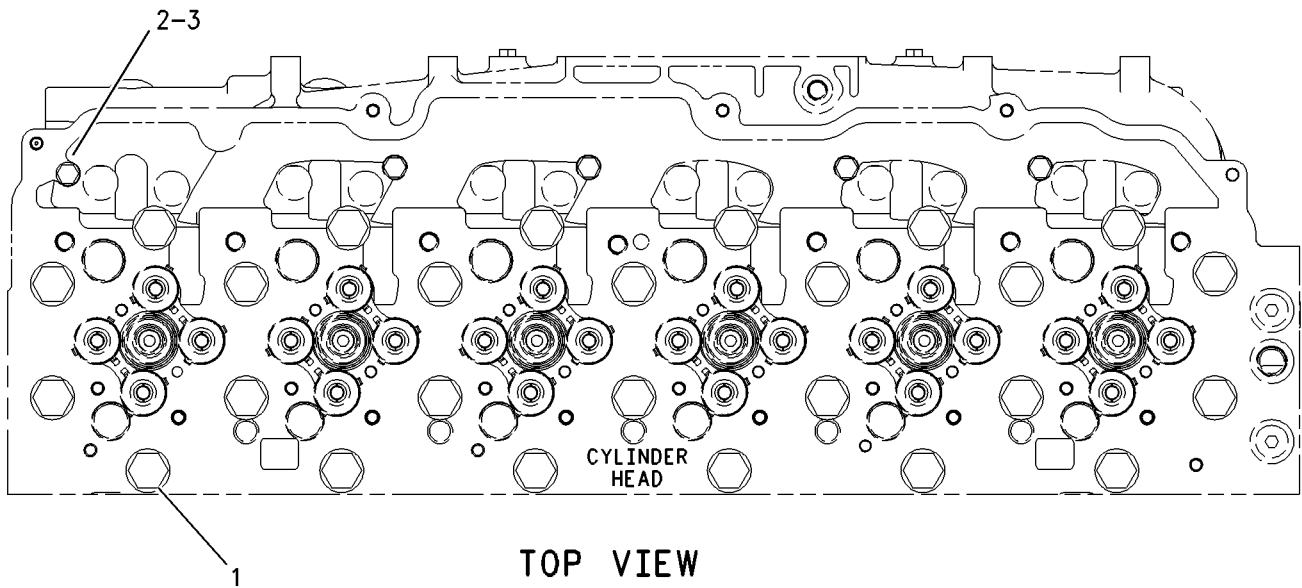
PART OF 386-0460 CYLINDER HEAD GP

SMCS-1100

i06146860

NOTE	REF NO	GRAPHIC REF	PART NUMBER	QTY	PART NAME						SEE PAGE
					1	2	3	4	5	6 (PRODUCT LEVEL)	
Y	1	1	167-0171	26	FASTENER GP-CYLINDER HEAD						26
M	2	1	8C-4984	5	BOLT (M8X1.25X150-MM)						
	3	1	9M-1974	5	WASHER-HARD (8.8X16X2-MM THK)						

M - METRIC PART
Y - SEPARATE ILLUSTRATION



GRAPHIC #1

<END>

g00919169

BASIC ENGINE

198-7633 FASTENER GP-FAN DRIVE

S/N: S9X1-UP

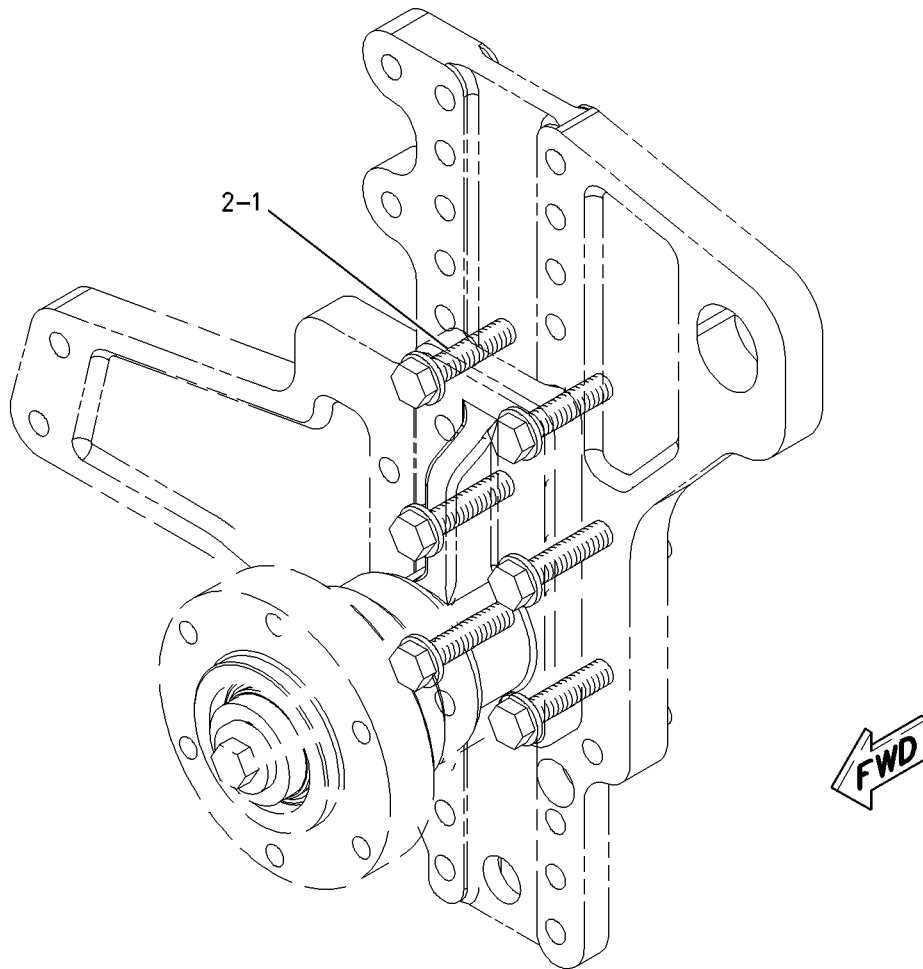
FOR USE WITH 15 INCH FAN DRIVE HEIGHT, 194-9463-PAGE: 24

SMCS-1359

i06098835

NOTE	REF NO	GRAPHIC REF	PART NUMBER	QTY	PART NAME						SEE PAGE
					1	2	3	4	5	6 (PRODUCT LEVEL)	
M	1	1	8T-4183	6	BOLT (M12X1.75X40-MM)						
	2	1	8T-4223	6	WASHER-HARD (13.5X25.5X3-MM THK)						

M - METRIC PART



GRAPHIC #1

<END>

g00751480

BASIC ENGINE

211-9118 FASTENER GP-FRONT COVER

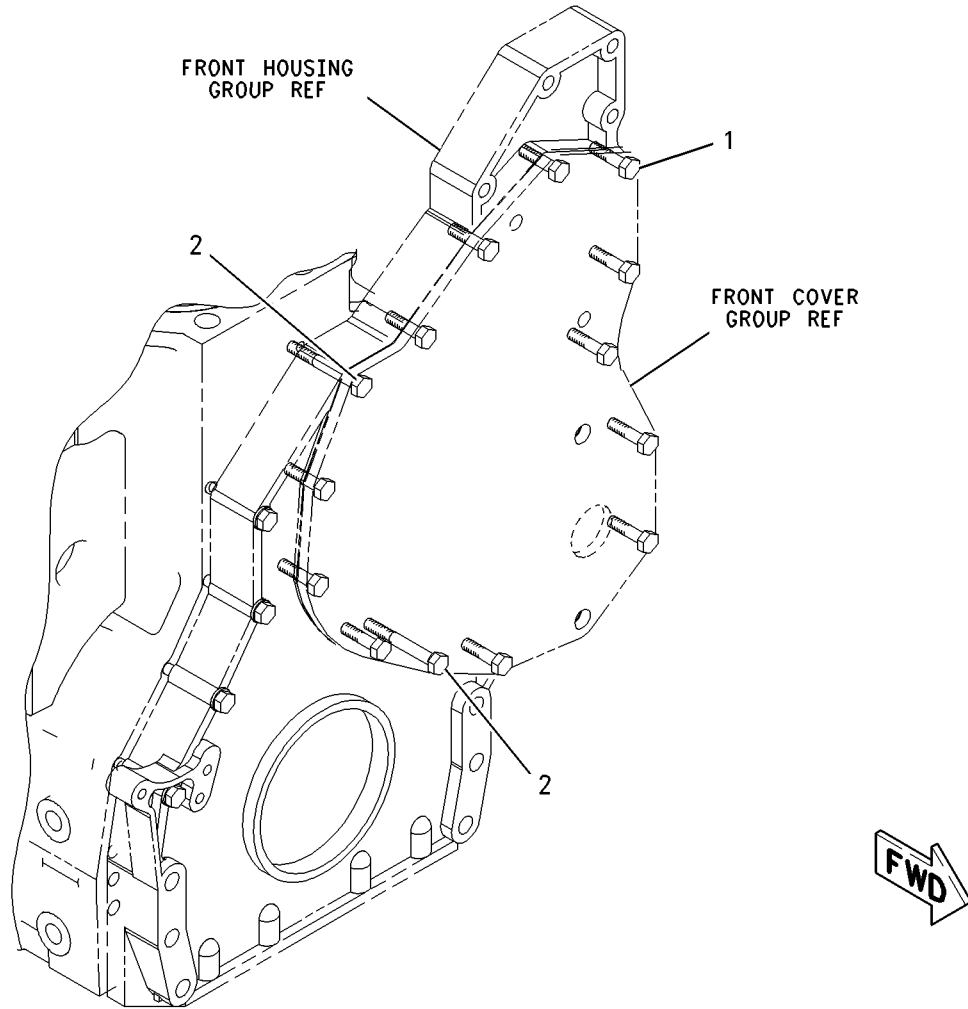
S/N: S9X1-UP

SMCS-1151

i06098861

NOTE	REF NO	GRAPHIC REF	PART NUMBER	QTY	PART NAME						SEE PAGE
					1	2	3	4	5	6 (PRODUCT LEVEL)	
M	1	1	6V-2317	12	BOLT (M8X1.25X30-MM)						
M	2	1	8T-0100	2	BOLT (M8X1.25X60-MM)						

M - METRIC PART



GRAPHIC #1

<END>

g00840755

BASIC ENGINE

239-3311 FASTENER GP-VALVE COVER

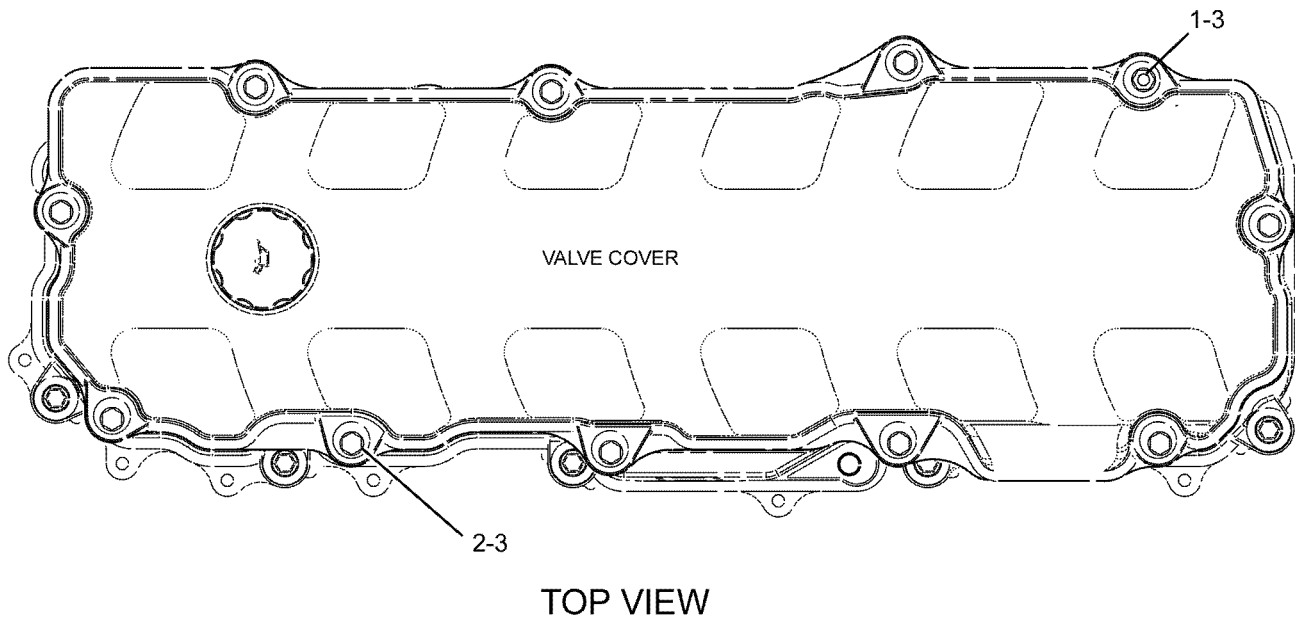
S/N: S9X1-UP

SMCS-1107

i06098870

NOTE	REF NO	GRAPHIC REF	PART NUMBER	QTY	PART NAME						SEE PAGE
					1	2	3	4	5	6 (PRODUCT LEVEL)	
M	1	1	211-3445	2	STUD (M8X1.25X75-MM)						
M	2	1	8T-6912	9	BOLT (M8X1.25X50-MM)						
	3	1	8T-4224	11	WASHER-HARD (8.8X16X2-MM THK)						

M - METRIC PART



GRAPHIC #1

<END>

g01007521

BASIC ENGINE

478-1296 FASTENER GP-VALVE COVER

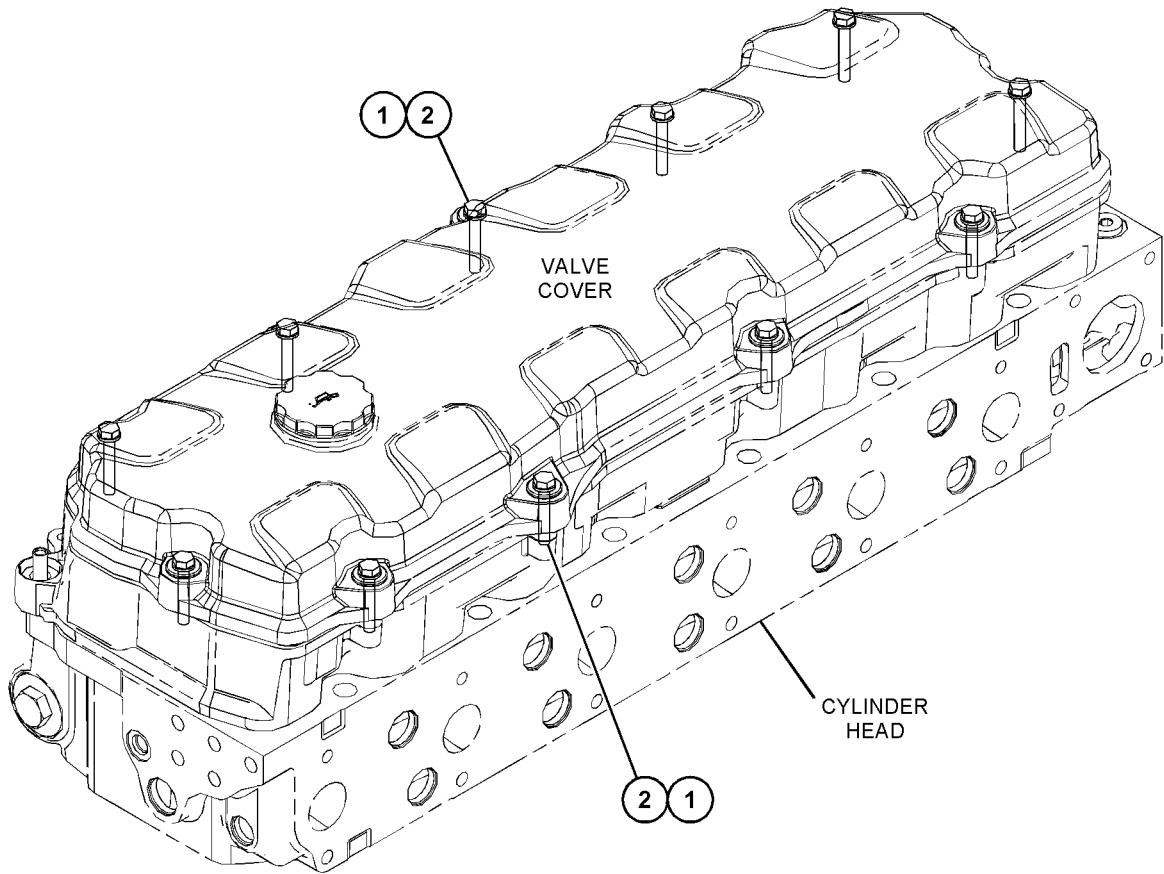
S/N: S9X1-UP

SMCS-1107

i06289014

NOTE	REF NO	GRAPHIC REF	PART NUMBER	QTY	PART NAME						SEE PAGE
					1	2	3	4	5	6 (PRODUCT LEVEL)	
	1	1	8T-4224	11	WASHER-HARD (8.8X16X2-MM THK)						
M	2	1	8T-6912	11	BOLT (M8X1.25X50-MM)						

M - METRIC PART



GRAPHIC #1

<END>

g06002984

BASIC ENGINE

233-0423 FASTENER GP-VALVE COVER BASE

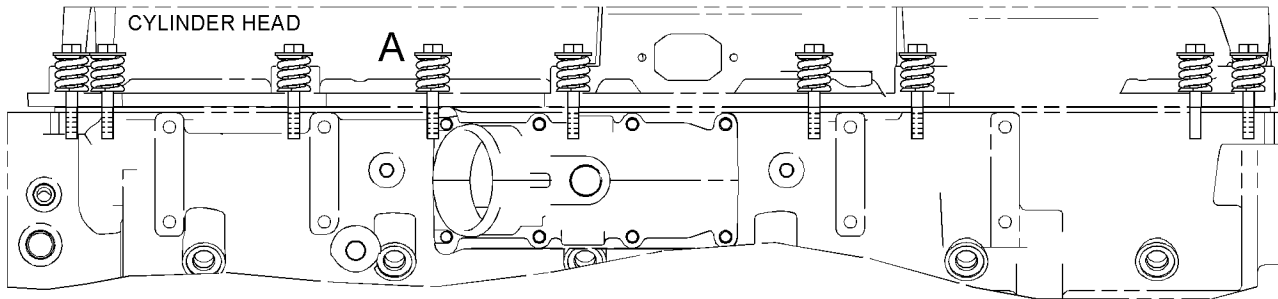
S/N: S9X1-UP

SMCS-1120

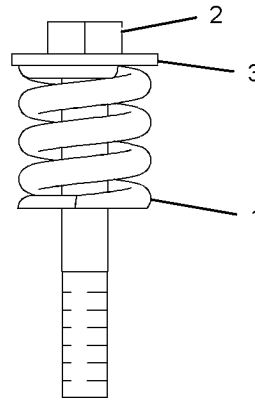
i06098873

NOTE	REF NO	GRAPHIC REF	PART NUMBER	QTY	PART NAME						SEE PAGE
					1	2	3	4	5	6 (PRODUCT LEVEL)	
C	1	1	244-4500	9	SPRING						
CM	2	1	8T-0100	9	BOLT (M8X1.25X60-MM)						
C	3	1	9N-0869	9	WASHER-HARD (8.8X25.5X2-MM THK)						

C - CHANGE FROM PREVIOUS TYPE
M - METRIC PART



LEFT SIDE VIEW



VIEW OF AREA A

GRAPHIC #1

<END>

g01207018

BASIC ENGINE

123-0466 FLYWHEEL GP

S/N: S9X1-UP

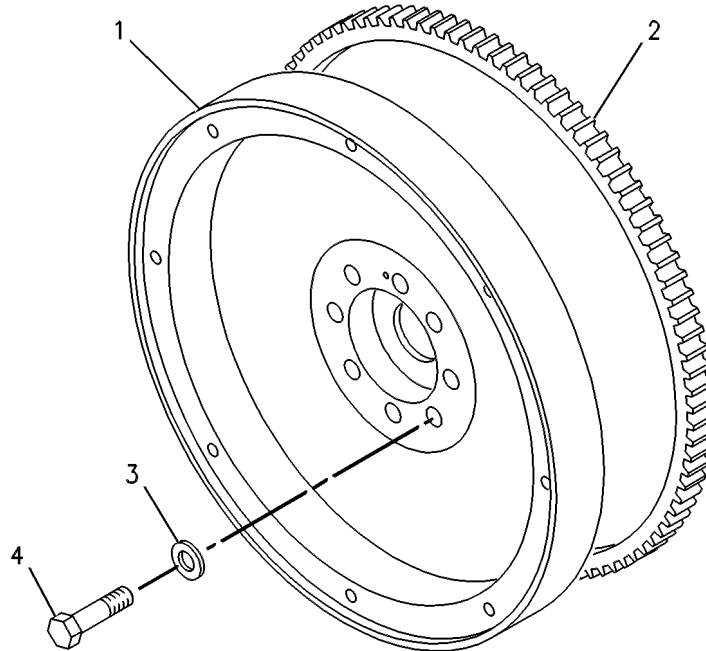
FOR USE WITH SAE NO. 1 FLYWHEEL HOUSING

SMCS-1156

i06098974

NOTE	REF NO	GRAPHIC REF	PART NUMBER	QTY	PART NAME						SEE PAGE
					1	2	3	4	5	6 (PRODUCT LEVEL)	
	1	1	132-3141	1	FLYWHEEL AS						
	2	1	4N-2514	1	GEAR (113-TEETH)						
	3	1	2S-5658	8	WASHER-HARD (17X29X3-MM THK)						
M	4	1	103-6169	8	BOLT-SELF-LOCKING (M16X2X60-MM)						

M - METRIC PART



GRAPHIC #1

<END>

g00264721

BASIC ENGINE

205-1321 GEAR GP-FRONT

S/N: S9X1-UP

SMCS-1151, 1162, 1206

i06104034

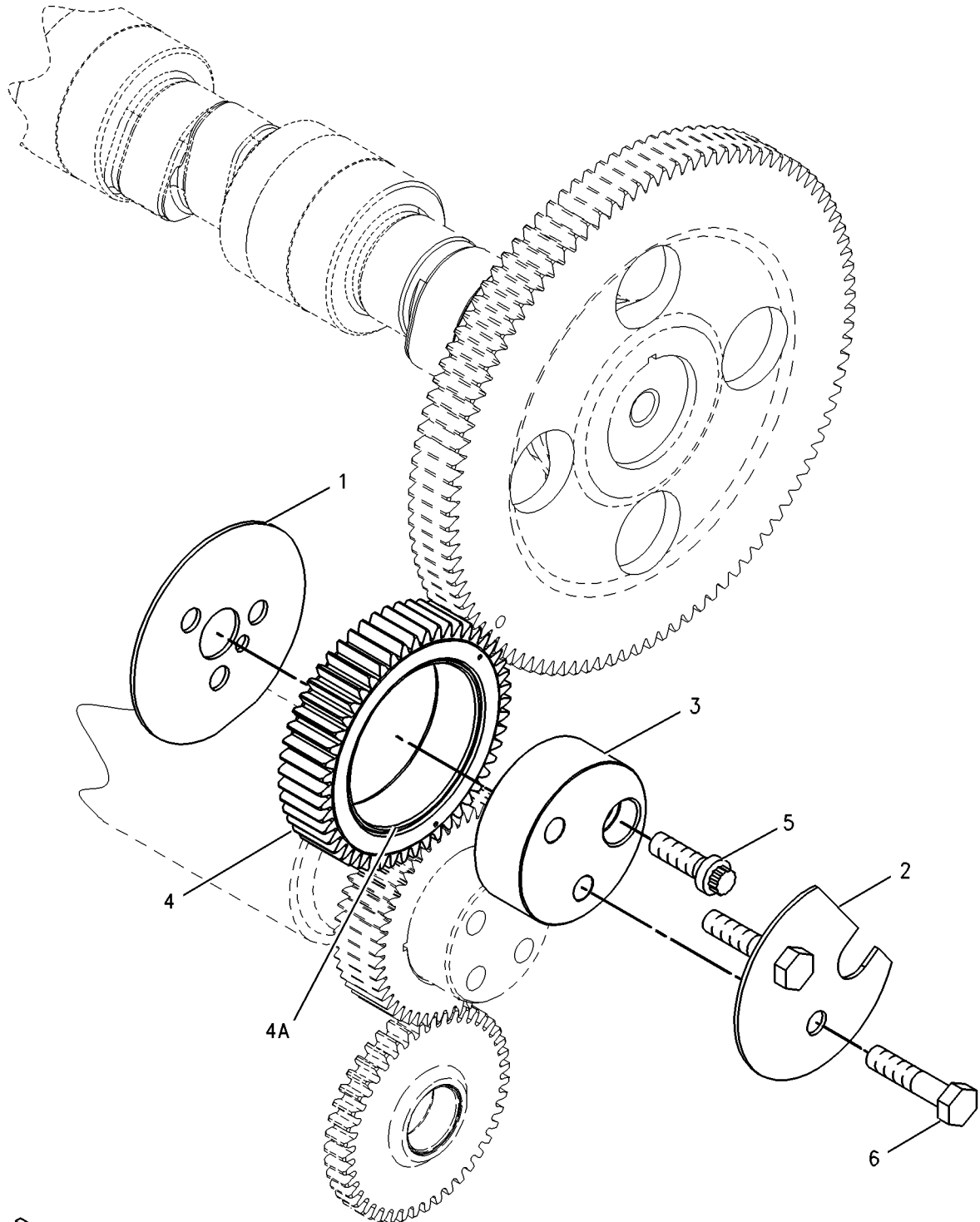
NOTE	REF NO	GRAPHIC REF	PART NUMBER	QTY	PART NAME						SEE PAGE
					1	2	3	4	5	6 (PRODUCT LEVEL)	
	1	1	113-6069	1	PLATE-THRUST						
	2	1	115-4219	1	PLATE-RETAINING						
	3	1	200-4495	1	SHAFT-IDLER						
	4	1	205-1320	1	GEAR AS-IDLER (50-TEETH)						
	4A	1	115-4072	1	BEARING						
M	5	1	136-4183	1	BOLT-12 POINT HEAD (M10X1.5X30-MM)						
M	6	1	6V-5843	2	BOLT (M10X1.5X45-MM)						

M - METRIC PART

BASIC ENGINE

205-1321 GEAR GP-FRONT (contd.)

106104034



GRAPHIC #1

<END>

g00870175

BASIC ENGINE

222-3991 HOUSING GP-FLYWHEEL

S/N: S9X1-UP

SMCS-1157

i06099037

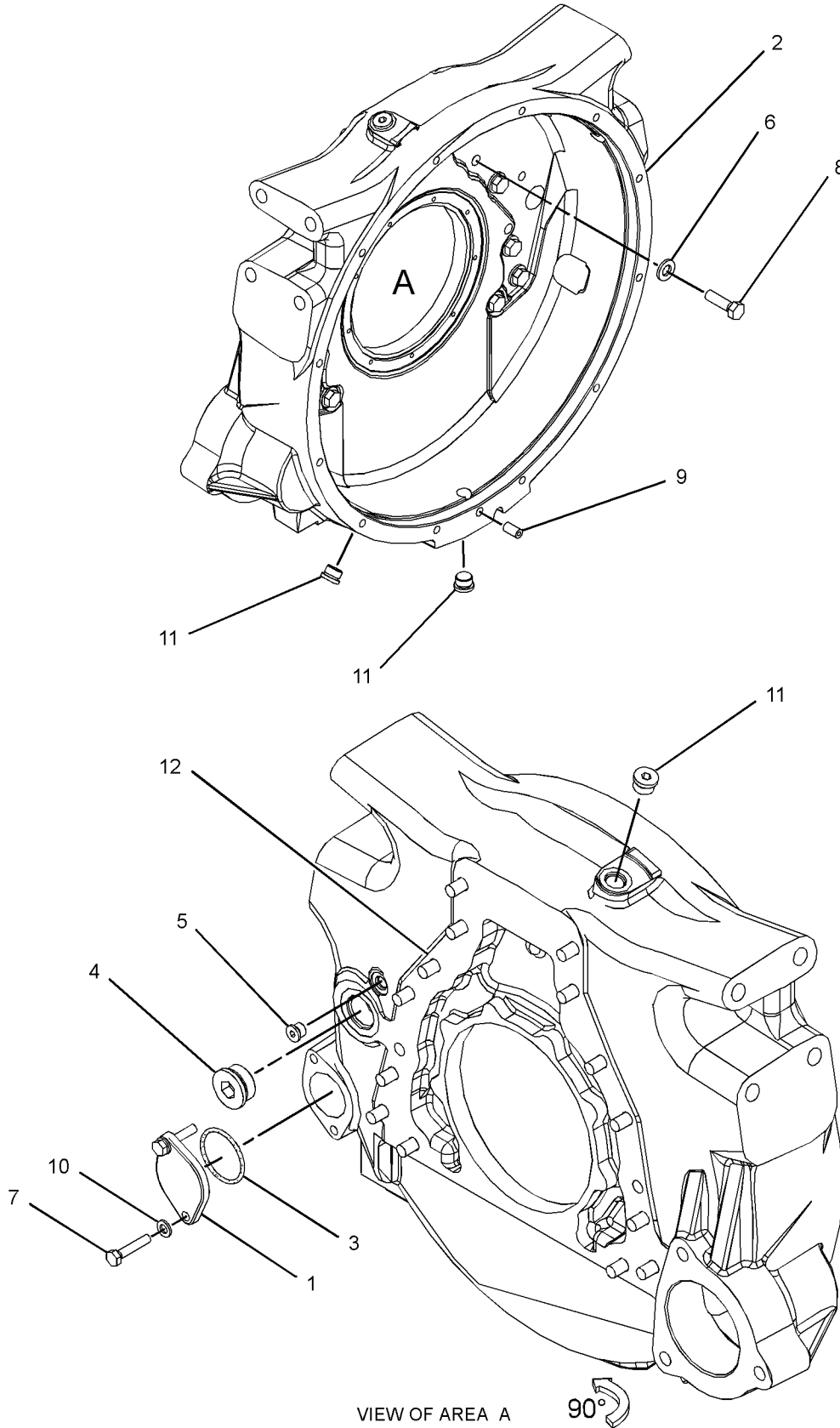
NOTE	REF NO	GRAPHIC REF	PART NUMBER	QTY	PART NAME						SEE PAGE
					1	2	3	4	5	6 (PRODUCT LEVEL)	
	1	1	7C-1445	1	COVER						
C	2	1	228-4740	1	HOUSING-FLYWHEEL						
	3	1	061-9455	1	SEAL-O-RING						
	4	1	389-3728	1	PLUG AS						
		1	360-3684	1	PLUG-O-RING						
		1	238-5084	1	SEAL-O-RING						
	5	1	371-7186	1	PLUG AS						
		1	360-3678	1	PLUG-O-RING						
		1	214-7567		SEAL-O-RING						
C	6	1	5P-8245	14	WASHER-HARD (13.5X25.5X3-MM THK)						
M	7	1	6V-5219	2	BOLT (M8X1.25X40-MM)						
CM	8	1	6V-8197	14	BOLT (M12X1.75X40-MM)						
	9	1	106-1565	1	PLUG						
	10	1	9M-1974	2	WASHER-HARD (8.8X16X2-MM THK)						
	11	1	398-5596	3	PLUG AS (FLYWHEEL HOUSING DRAIN)						
					(EACH INCLUDES)						
		1	360-3680	1	PLUG						
		1	238-5080	1	SEAL-O-RING						
B	12	1	1U-8846		SEALANT-GASKET						

B - USE AS REQUIRED
 C - CHANGE FROM PREVIOUS TYPE
 M - METRIC PART

BASIC ENGINE

222-3991 HOUSING GP-FLYWHEEL (contd.)

106099037



VIEW OF AREA A



<END>

GRAPHIC #1

g02728890

BASIC ENGINE

245-3262 HOUSING GP-FRONT

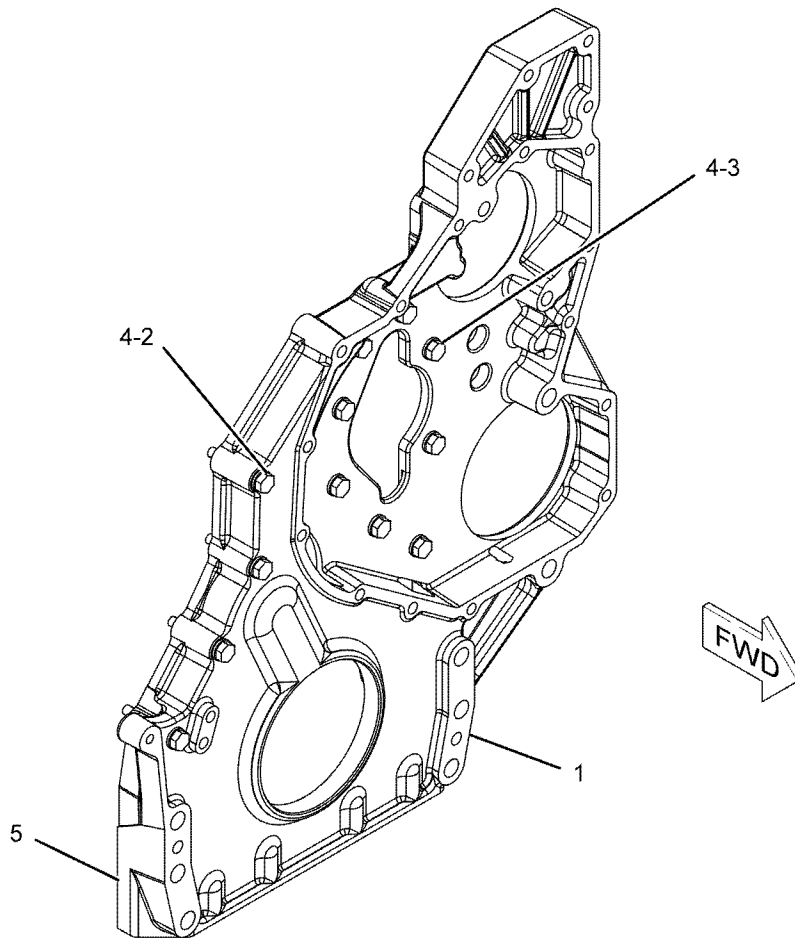
S/N: S9X1-UP

SMCS-1151, 1162, 1206

i06099084

NOTE	REF NO	GRAPHIC REF	PART NUMBER	QTY	PART NAME						SEE PAGE
					1	2	3	4	5	6 (PRODUCT LEVEL)	
	1	1	245-3261	1	HOUSING-FRONT						
M	2	1	6V-3918	4	BOLT (M8X1.25X50-MM)						
M	3	1	6V-5217	8	BOLT (M8X1.25X20-MM)						
	4	1	9M-1974	12	WASHER-HARD (8.8X16X2-MM THK)						
B	5	1	1U-8846		SEALANT-GASKET						

B - USE AS REQUIRED
M - METRIC PART



GRAPHIC #1

<END>

g01141811

BASIC ENGINE

169-3113 LIFTING GP-ENGINE

S/N: S9X1-UP

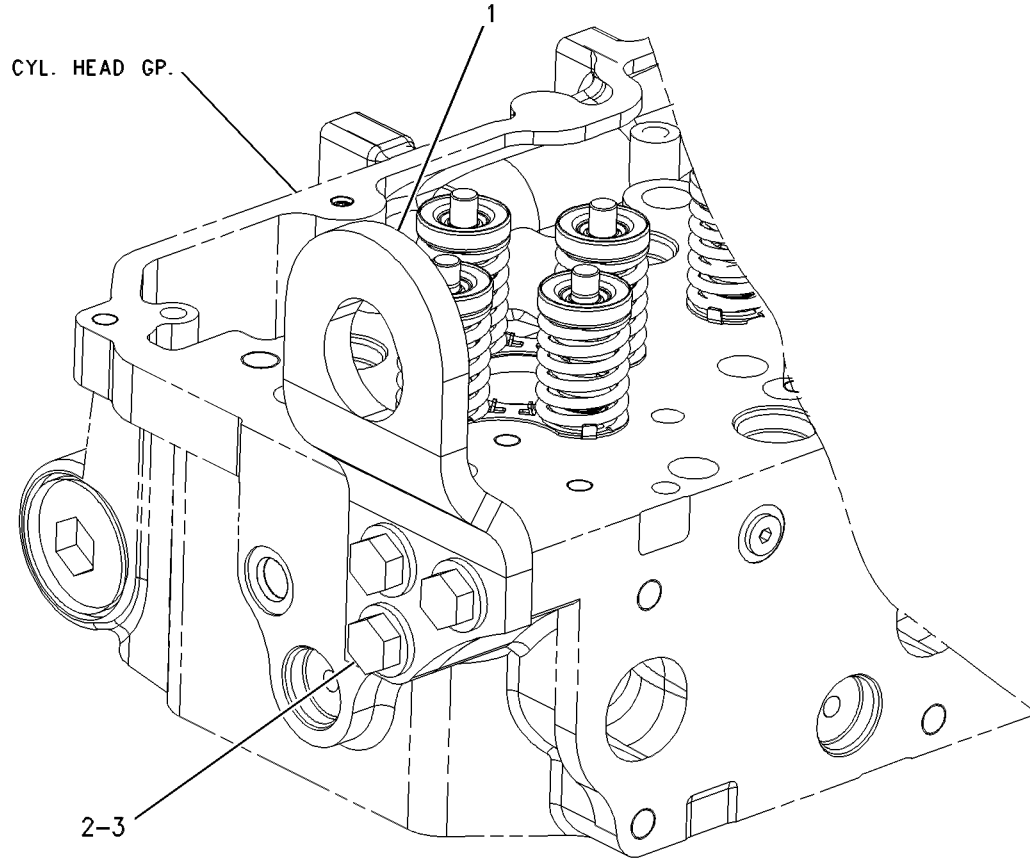
REAR

SMCS-1122

i06099105

NOTE	REF NO	GRAPHIC REF	PART NUMBER	QTY	PART NAME						SEE PAGE
					1	2	3	4	5	6 (PRODUCT LEVEL)	
	1	1	166-1785	1	PLATE-LIFTING						
	2	1	5P-8245	3	WASHER-HARD (13.5X25.5X3-MM THK)						
M	3	1	6V-8675	3	BOLT (M12X1.75X35-MM)						

M - METRIC PART



GRAPHIC #1

<END>

g00626065

BASIC ENGINE

392-1517 LIFTING GP-ENGINE

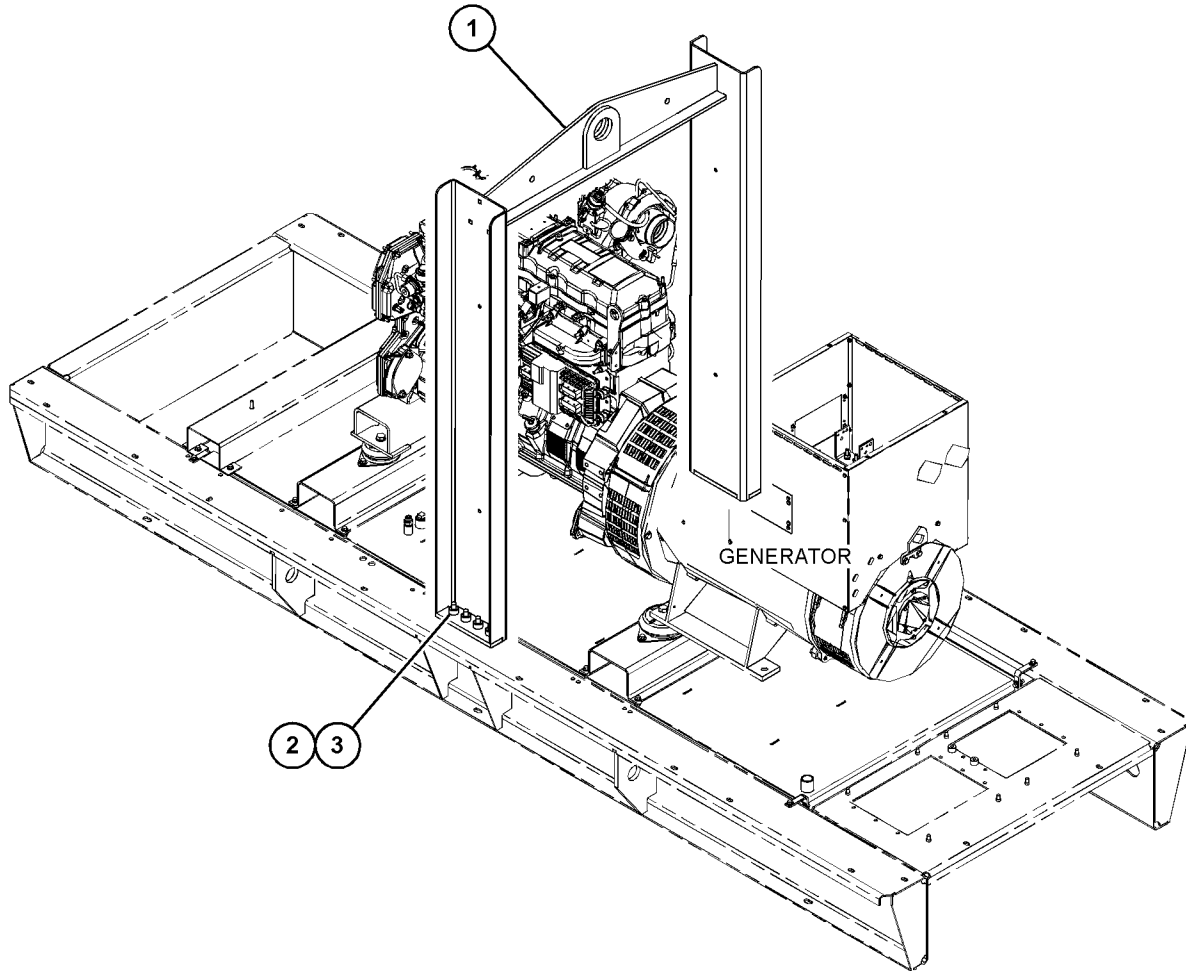
S/N: LX91-UP
AN ATTACHMENT

SMCS-1122

i06547027

NOTE	REF NO	GRAPHIC REF	PART NUMBER	QTY	PART NAME						SEE PAGE
					1	2	3	4	5	6 (PRODUCT LEVEL)	
	1	1	391-8788	1	LIFT AS						
M	2	1	8T-4140	8	BOLT (M16X2X60-MM)						
	3	1	9X-8257	8	WASHER (17.5X30X3.5-MM THK)						

M - METRIC PART



GRAPHIC #1

<END>

g0600941

BASIC ENGINE

297-4883 MOUNTING GP-ALTERNATOR

S/N: S9X1-UP

SMCS-1154, 1405

i06101415

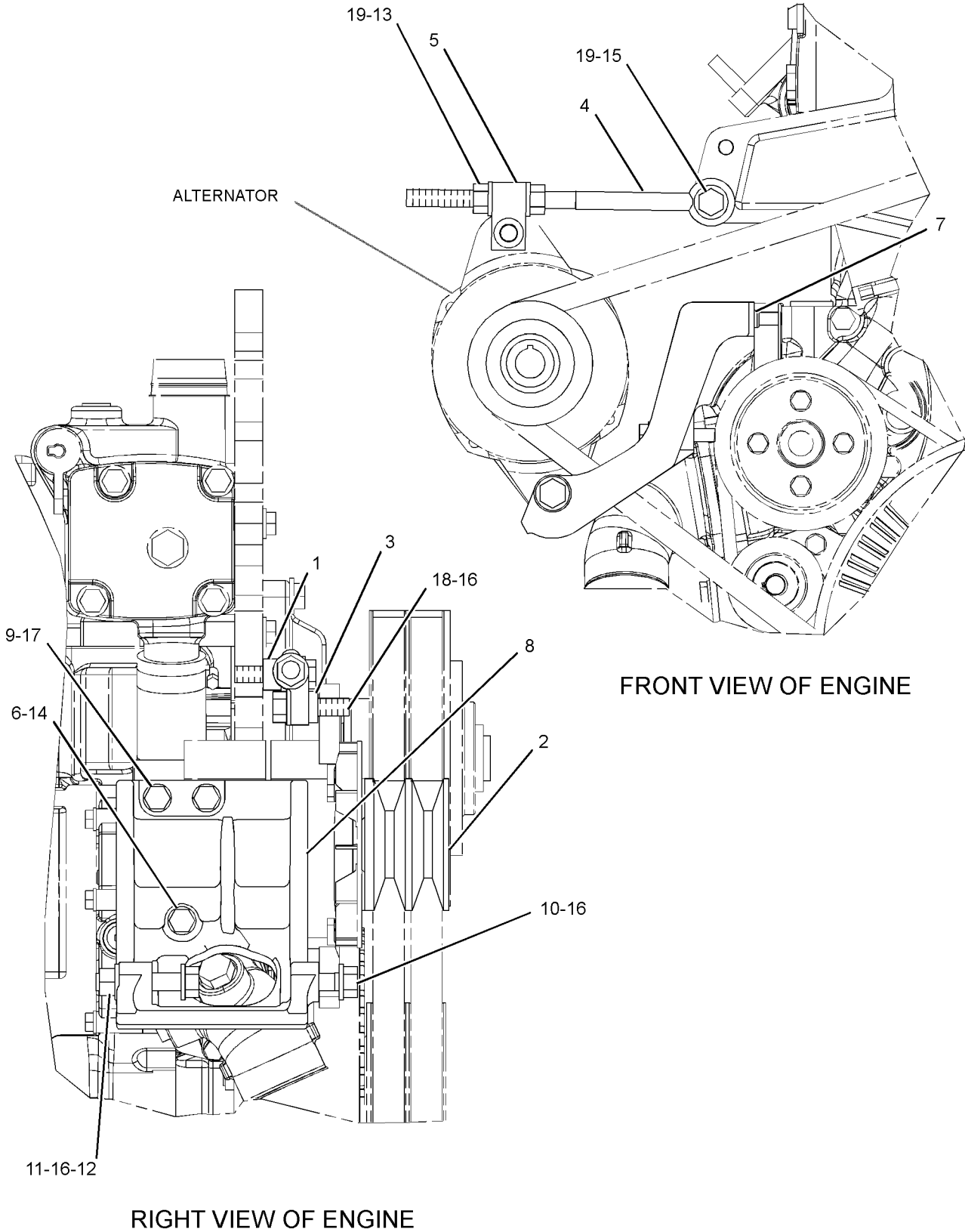
NOTE	REF NO	GRAPHIC REF	PART NUMBER	QTY	PART NAME						SEE PAGE
					1	2	3	4	5	6 (PRODUCT LEVEL)	
	1	1	1L-1486	1	SPACER (0.5X0.875X0.5-IN THK)						
	2	1	2W-8494	1	PULLEY-ALTERNATOR (2-GROOVE)						
	3	1	3J-4278	1	SPACER (13.5X22.2X6.5-MM THK)						
	4	1	6L-5874	1	ROD-PULLEY ADJUSTMENT						
	5	1	9L-6329	1	BLOCK						
	6	1	206-5017	1	SPACER (11X20X5-MM THK)						
	7	1	211-2101	2	SLEEVE (SPLIT)						
	8	1	279-6024	1	BRACKET						
	9	1	089-7338	2	SLEEVE						
	10	1	5P-2566	1	BOLT (1/2-13X1.5-IN)						
	11	1	6V-8188	1	NUT (1/2-13-THD)						
	12	1	7X-0325	1	BOLT (1/2-13X2.5-IN)						
	13	1	7X-3374	2	NUT-FULL (1/2-20-THD)						
M	14	1	6V-4249	1	BOLT (M10X1.5X50-MM)						
M	15	1	6V-7673	1	BOLT (M12X1.75X50-MM)						
	16	1	8T-4223	4	WASHER-HARD (13.5X25.5X3-MM THK)						
M	17	1	6V-5230	2	BOLT (M10X1.5X60-MM)						
	18	1	8T-8919	1	BOLT (1/2-13X1.75-IN)						
	19	1	5P-8245	3	WASHER-HARD (13.5X25.5X3-MM THK)						

M - METRIC PART

BASIC ENGINE

297-4883 MOUNTING GP-ALTERNATOR (contd.)

i06101415



GRAPHIC #1

<END>

g03346025

BASIC ENGINE

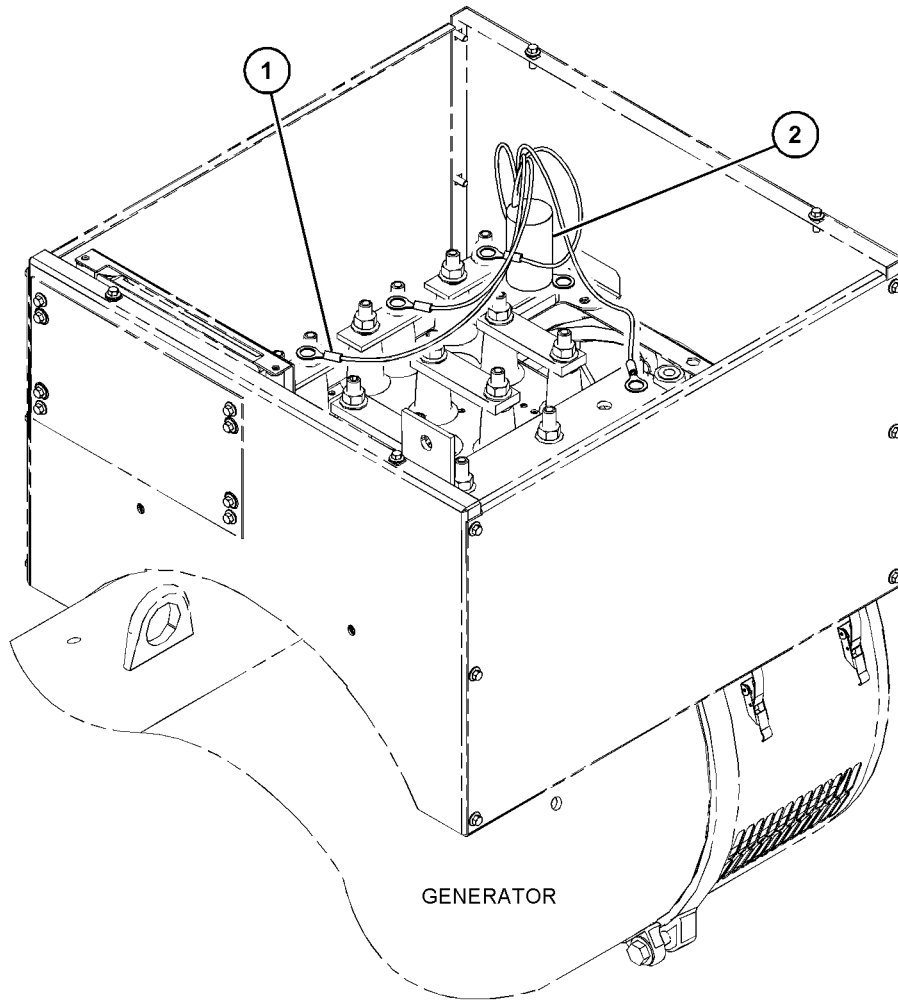
421-8540 MOUNTING GP-ALTERNATOR

S/N: LX91-UP
AN ATTACHMENT

SMCS-1154, 1405

i06104819

NOTE	REF NO	GRAPHIC REF	PART NUMBER	QTY	PART NAME						SEE PAGE
					1	2	3	4	5	6 (PRODUCT LEVEL)	
1	1	1	2L-8081	5	TERMINAL-RING (14-GA TO 16-GA, 1/2-IN SCREW)						
2	1	1	394-6207	1	FILTER-ELECTRONIC (RADIO FREQUENCY INTERFERENCE)						



GRAPHIC #1

<END>

g06001977

BASIC ENGINE

465-2232 MOUNTING GP-ENGINE

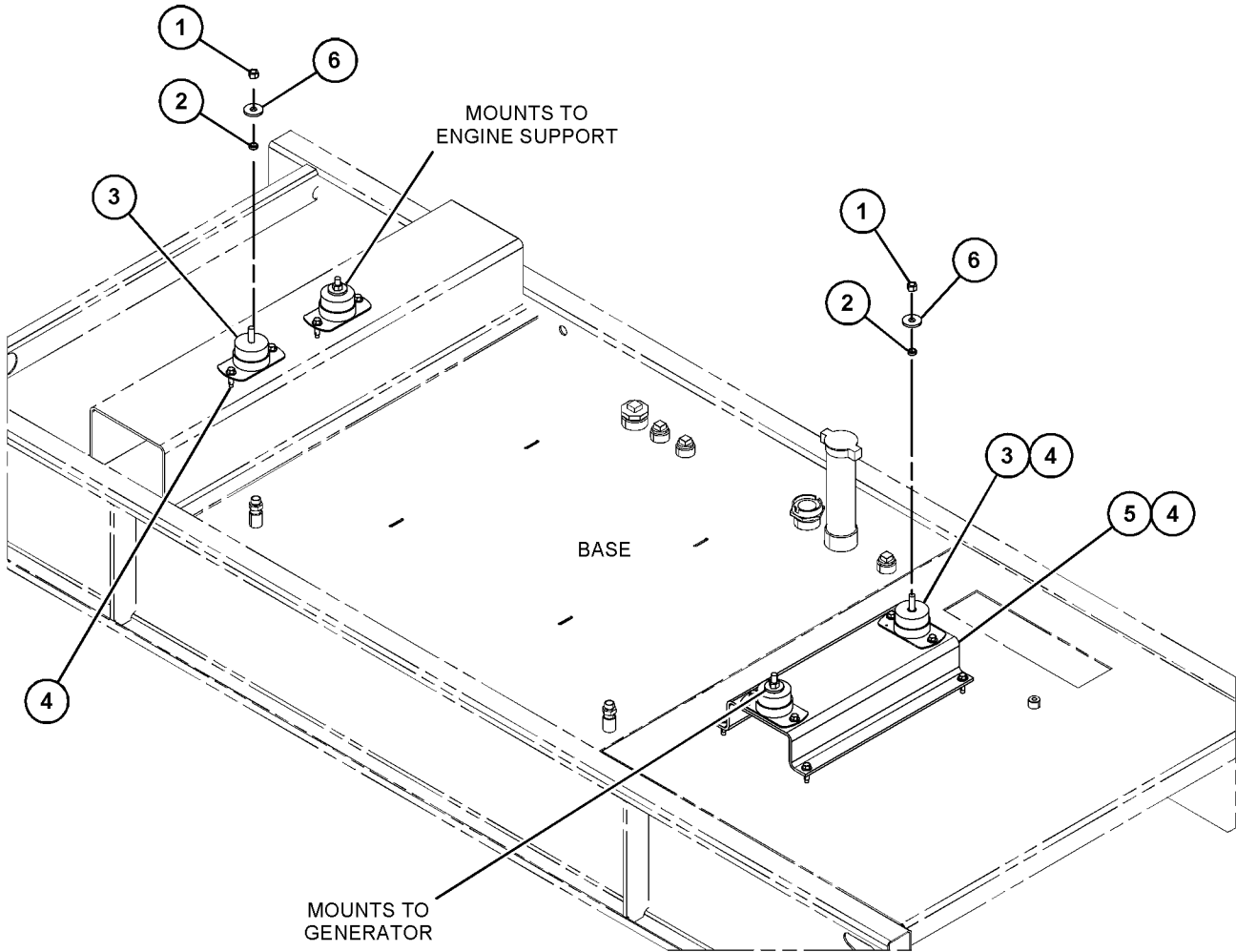
S/N: LX91-UP
AN ATTACHMENT

SMCS-1152, 1153, 1154

i06537107

NOTE	REF NO	GRAPHIC REF	PART NUMBER	QTY	PART NAME						SEE PAGE
					1	2	3	4	5	6 (PRODUCT LEVEL)	
M	1	1	8T-4244	4	NUT (M12X1.75-THD)						
M	2	1	331-7320	4	SPACER (13X18X7-MM THK)						
	3	1	344-5895	4	MOUNT						
M	4	1	356-3231	12	BOLT-FLANGE HEAD (M10X1.5X35-MM)						
	5	1	445-5609	1	BEAM AS						
	6	1	7X-0618	4	WASHER-HARD (13.5X40X5-MM THK)						

M - METRIC PART



GRAPHIC #1

<END>

g06023681

BASIC ENGINE

465-2233 MOUNTING GP-ENGINE

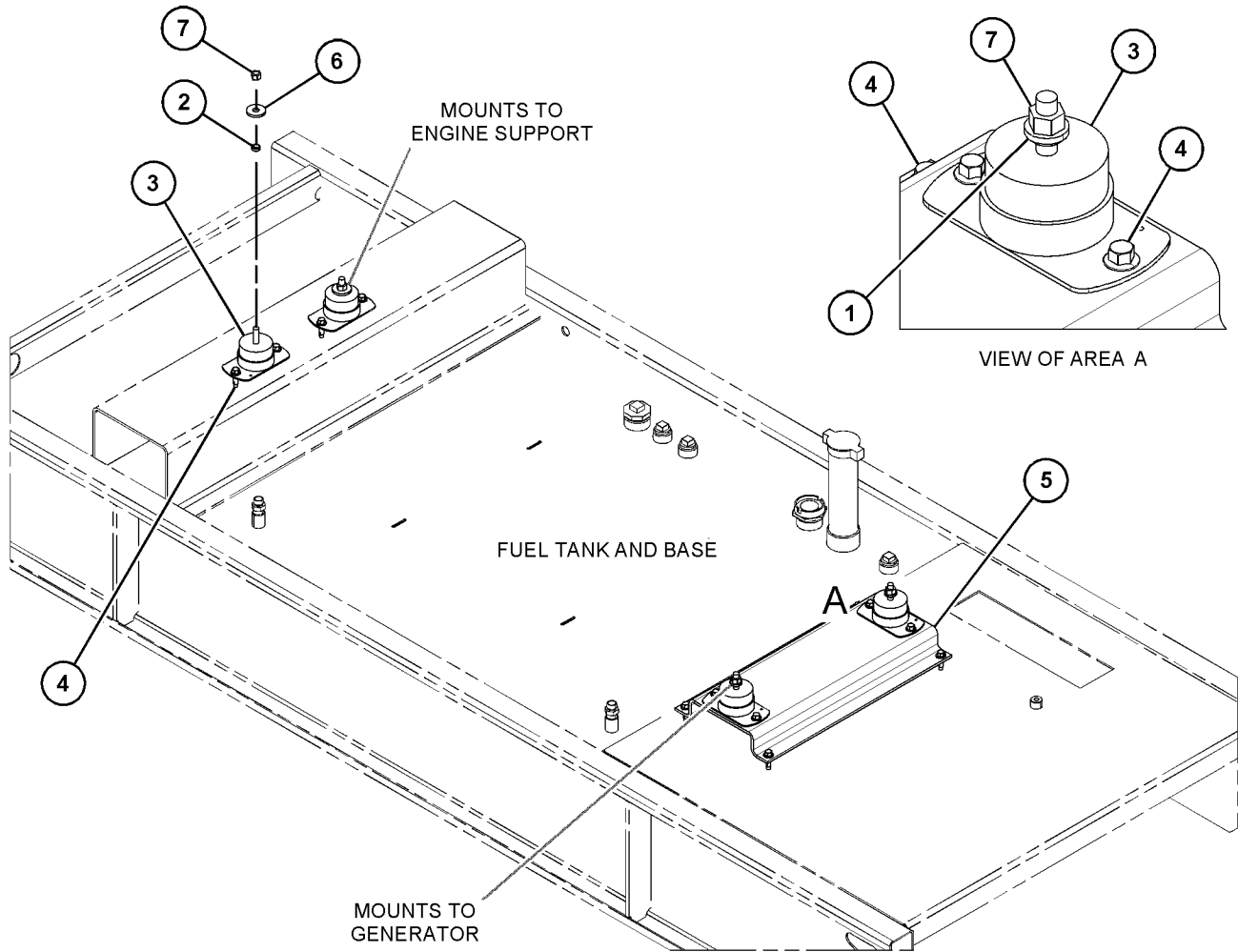
S/N: LX91-UP
AN ATTACHMENT

SMCS-1152, 1153, 1154

i06145198

NOTE	REF NO	GRAPHIC REF	PART NUMBER	QTY	PART NAME						SEE PAGE
					1	2	3	4	5	6 (PRODUCT LEVEL)	
	1	1	262-2705	2	WASHER - SHOULDER						
M	2	1	331-7320	2	SPACER (13X18X7-MM THK)						
	3	1	344-5895	4	MOUNT						
M	4	1	356-3231	12	BOLT - FLANGE HEAD (M10X1.5X35-MM)						
	5	1	445-5608	1	BEAM AS						
	6	1	7X-0618	2	WASHER - HARD (13.5X40X5-MM THK)						
M	7	1	8T-4244	4	NUT (M12X1.75-THD)						

M - METRIC PART



GRAPHIC #1

<END>

g03827436

BASIC ENGINE

465-7783 MOUNTING GP-ENGINE

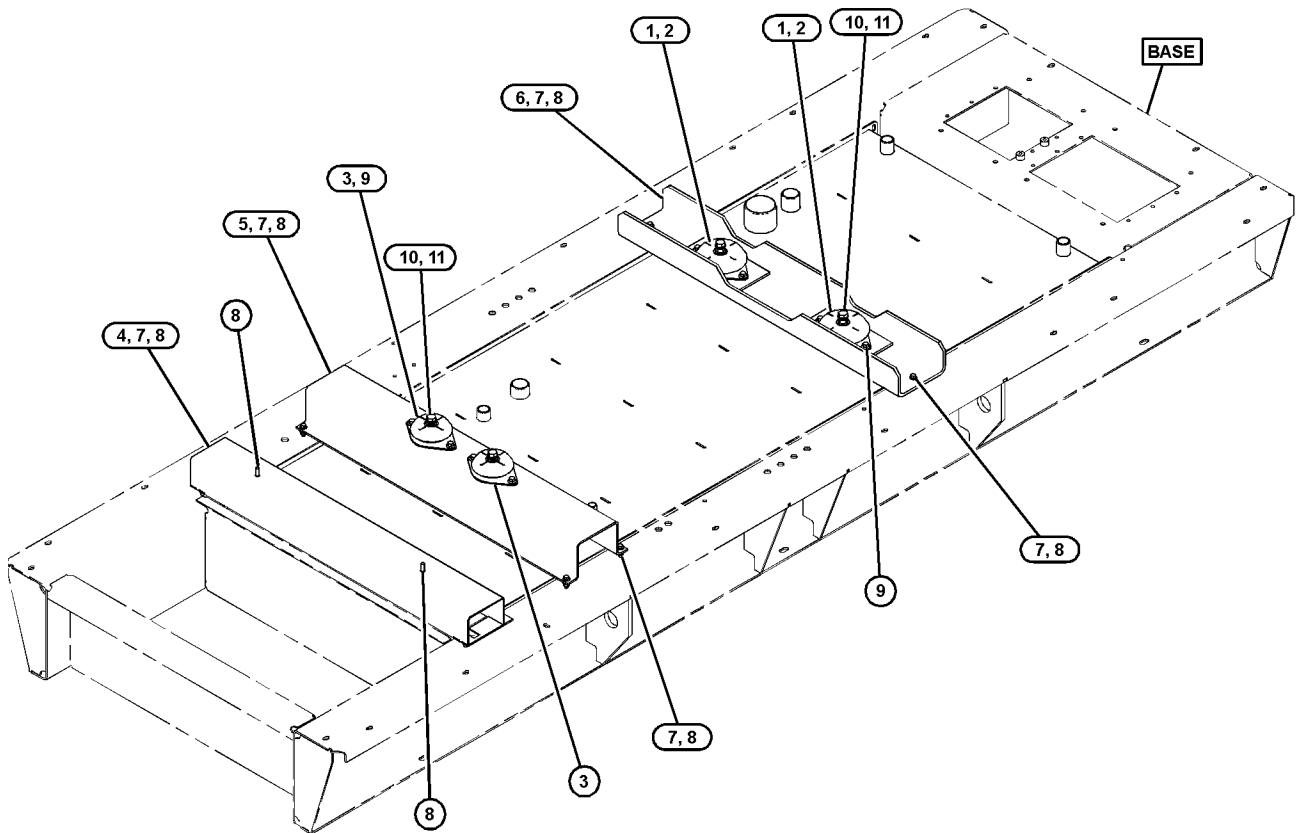
S/N: LX91-UP
AN ATTACHMENT

SMCS-1152, 1153, 1154

i06145238

NOTE	REF NO	GRAPHIC REF	PART NUMBER	QTY	PART NAME						SEE PAGE
					1	2	3	4	5	6 (PRODUCT LEVEL)	
B	1	1	354-6227	2	MOUNT						
					(FOR USE WITH LX5014L)						
B	2	1	354-6228	2	MOUNT						
					(FOR USE WITH LX5014J)						
	3	1	391-3812	2	MOUNT						
	4	1	465-2024	1	BEAM AS						
	5	1	465-2530	1	BEAM AS						
	6	1	473-4582	1	BEAM AS						
M	7	1	175-7141	10	NUT-HEX FLANGE (M10X1.5-THD)						
M	8	1	338-3669	12	BOLT-FLANGE HEAD (M10X1.5X30-MM)						
M	9	1	343-4074	8	BOLT-FLANGE HEAD (M12X1.75X40-MM)						
M	10	1	8T-4193	4	BOLT (M16X2X50-MM)						
	11	1	9X-8257	4	WASHER (17.5X30X3.5-MM THK)						

B - USE AS REQUIRED
M - METRIC PART



GRAPHIC #1

<END>

g03829857

BASIC ENGINE

465-7784 MOUNTING GP-ENGINE

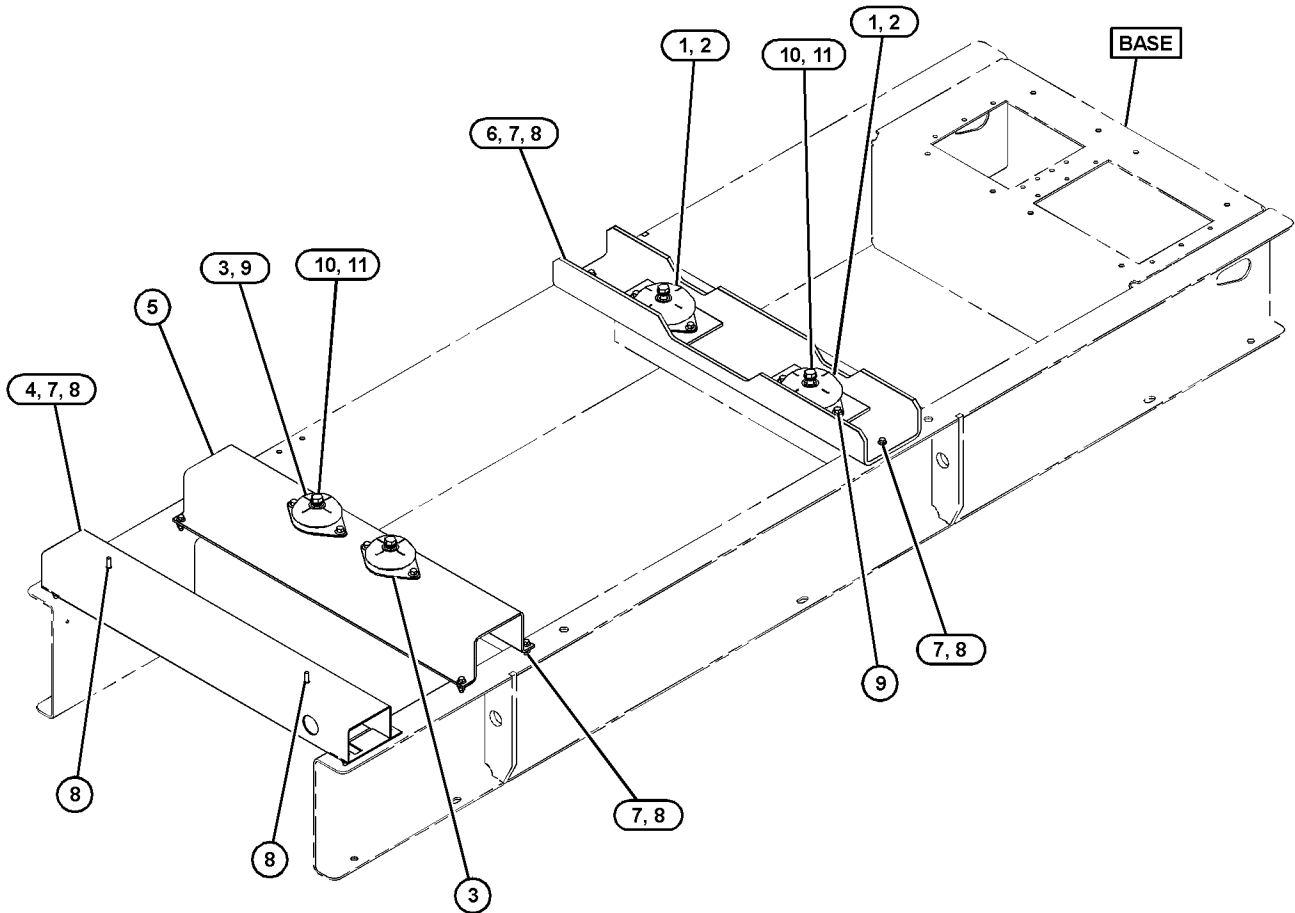
S/N: LX91-UP
AN ATTACHMENT

SMCS-1152, 1153, 1154

i06145241

NOTE	REF NO	GRAPHIC REF	PART NUMBER	QTY	PART NAME						SEE PAGE
					1	2	3	4	5	6 (PRODUCT LEVEL)	
B	1	1	354-6227	2	MOUNT						
					(FOR USE WITH LX5014L)						
B	2	1	354-6228	2	MOUNT						
					(FOR USE WITH LX5014J)						
	3	1	391-3812	2	MOUNT						
	4	1	465-6983	1	BEAM AS						
	5	1	465-6985	1	BEAM AS						
	6	1	471-0802	1	BEAM AS						
M	7	1	175-7141	10	NUT-HEX FLANGE (M10X1.5-THD)						
M	8	1	338-3669	12	BOLT-FLANGE HEAD (M10X1.5X30-MM)						
M	9	1	343-4074	8	BOLT-FLANGE HEAD (M12X1.75X40-MM)						
M	10	1	8T-4193	4	BOLT (M16X2X50-MM)						
	11	1	9X-8257	4	WASHER (17.5X30X3.5-MM THK)						

B - USE AS REQUIRED
M - METRIC PART



GRAPHIC #1

<END>

g03829856

BASIC ENGINE

194-1093 MOUNTING GP-FAN DRIVE

S/N: S9X1-UP

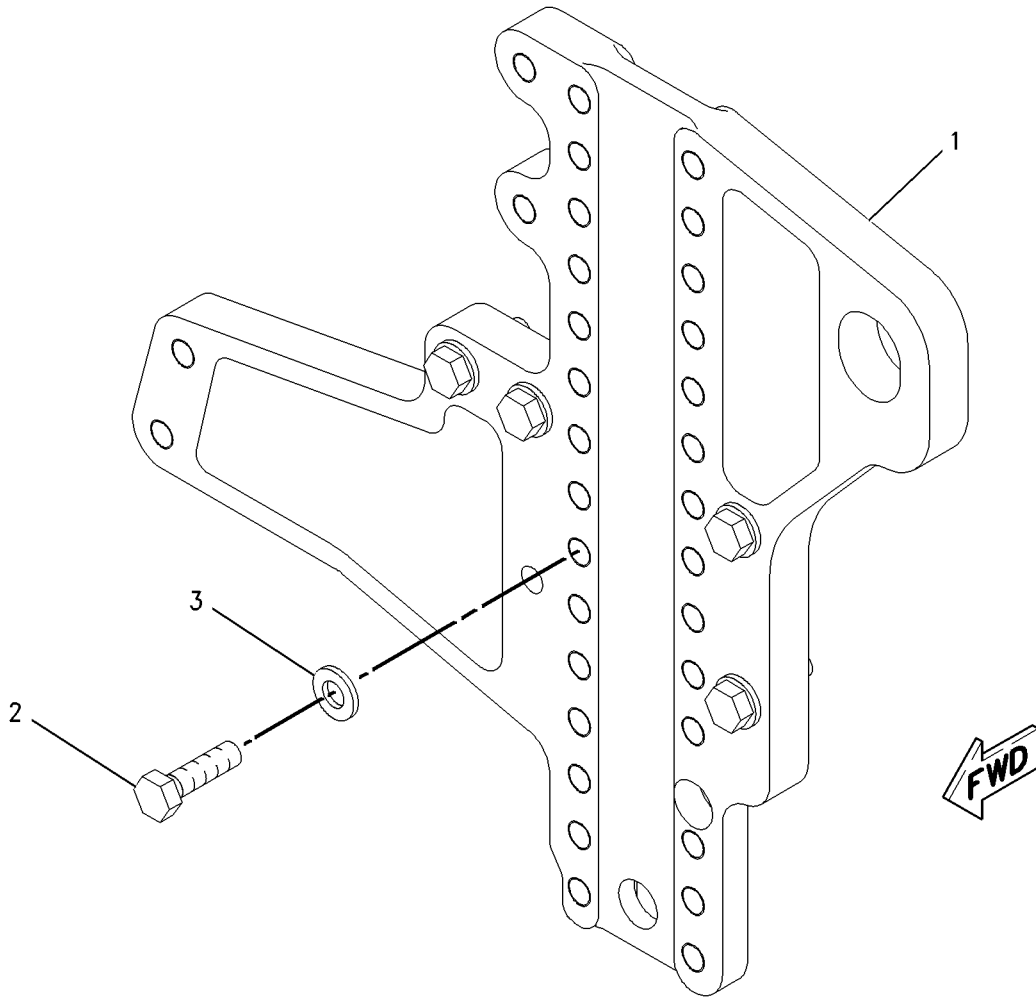
ADJUSTABLE PLATE FOR 11 INCH TO 22 INCH FAN HEIGHT

SMCS-1359

i06101435

NOTE	REF NO	GRAPHIC REF	PART NUMBER	QTY	PART NAME						SEE PAGE
					1	2	3	4	5	6 (PRODUCT LEVEL)	
	1	1	194-1092	1	SUPPORT-FAN						
M	2	1	6V-3822	5	BOLT (M10X1.5X35-MM)						
	3	1	6V-5839	5	WASHER (11X21X2.5-MM THK)						

M - METRIC PART



GRAPHIC #1

<END>

g00754312

BASIC ENGINE

265-1400 PISTON & ROD GP*R

S/N: S9X1-UP

16.1:1 COMPRESSION RATIO

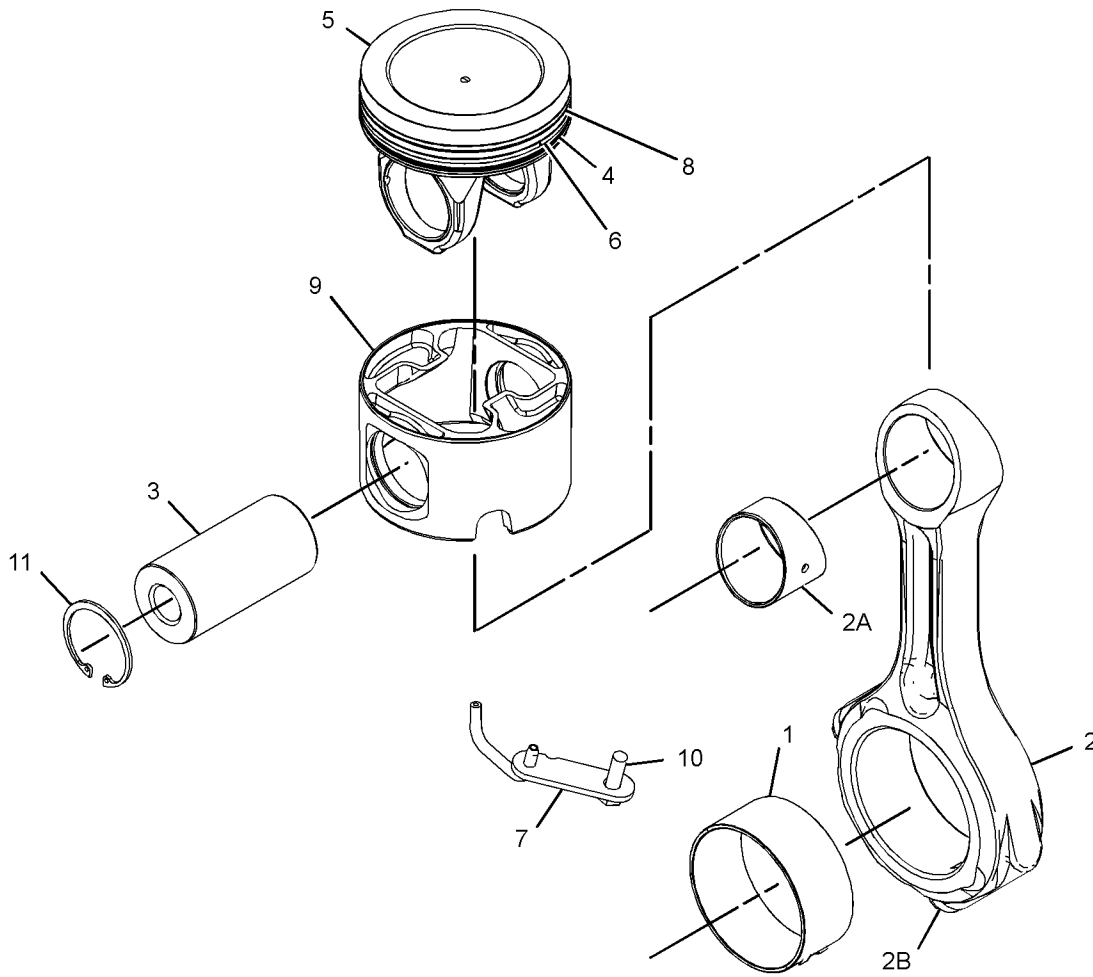
SMCS-1225

i06104335

NOTE	REF NO	GRAPHIC REF	PART NUMBER	QTY	PART NAME						SEE PAGE
					1	2	3	4	5	6	
	1	1	213-3190	1	BEARING (CONNECTING ROD)						
R	2	1	160-8199	1	ROD AS						
	2A	1	160-8194	1	BEARING (CONNECTING ROD)						
M	2B	1	160-8197	2	BOLT (M12X1.25X62-MM)						
	3	1	166-3648	1	PIN-PISTON						
	4	1	347-2382	1	RING-PISTON (OIL CONTROL)						
R	5	1	385-1657	1	CROWN AS-PISTON						
	6	1	347-2381	1	RING-PISTON (INTERMEDIATE)						
	7	1	197-9367	1	TUBE AS (PISTON COOLING JET)						
	8	1	347-2380	1	RING-PISTON (TOP)						
	9	1	324-7380	1	SKIRT-PISTON						
M	10	1	6V-3940	1	BOLT (M8X1.25X25-MM)						
	11	1	7X-2908	2	RING-RETAINING						

M - METRIC PART

R - REMANUFACTURED PART MAY BE AVAILABLE



GRAPHIC #1

<END>

g02511165

BASIC ENGINE

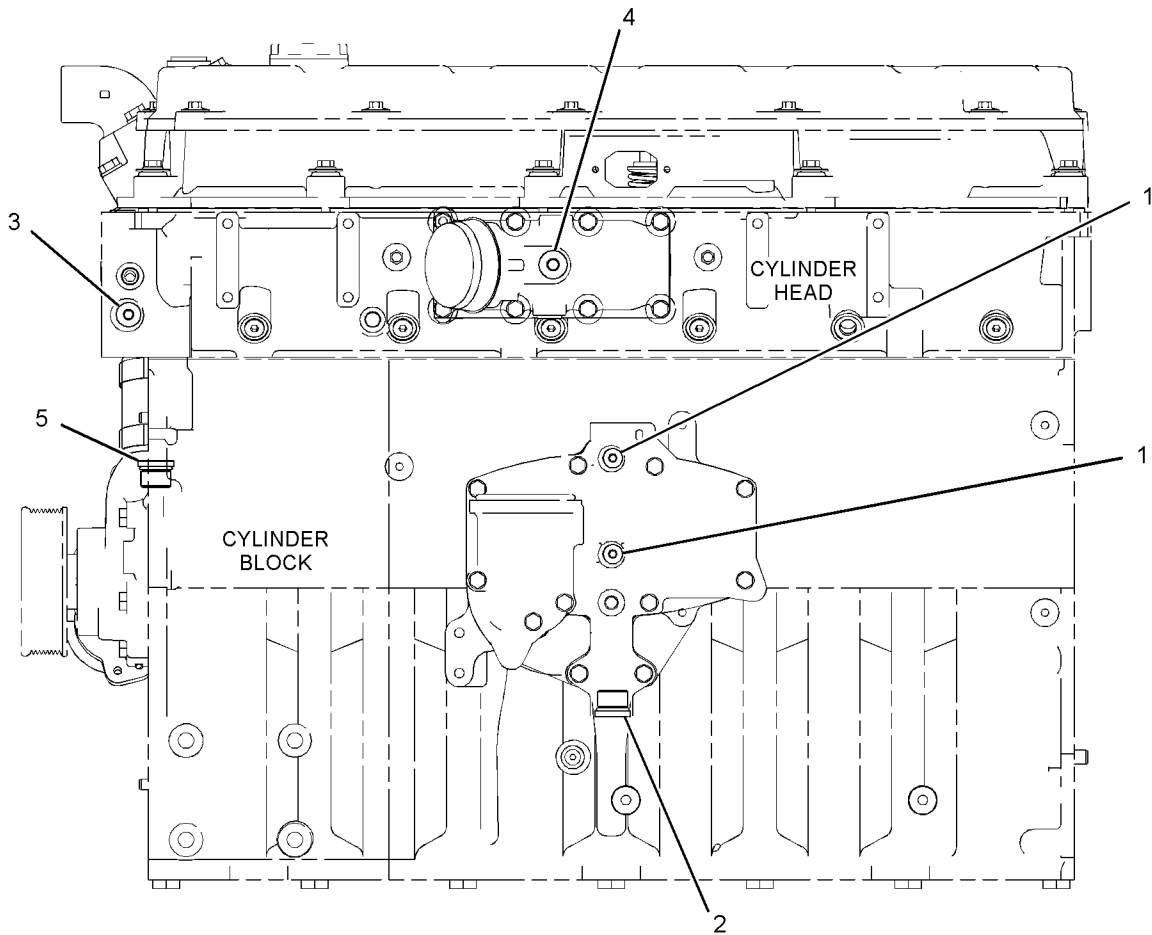
253-2320 PLUG GP-ENGINE

S/N: S9X1-UP

SMCS-1100, 1201

i06101463

NOTE	REF NO	GRAPHIC REF	PART NUMBER	QTY	PART NAME						SEE PAGE
					1	2	3	4	5	6 (PRODUCT LEVEL)	
	1	1	389-3708	2	PLUG AS						
					(EACH INCLUDES)						
		1	214-7568	1	SEAL-O-RING						
		1	360-3679	1	PLUG-CONNECTOR						
	2	1	389-3709	1	PLUG AS						
		1	238-5082	1	SEAL-O-RING						
		1	360-3682	1	PLUG-O-RING						
	3	1	398-5596	1	PLUG AS						
		1	238-5080	1	SEAL-O-RING						
		1	360-3680	1	PLUG						
	4	1	398-5601	1	PLUG AS						
		1	238-5081	1	SEAL-O-RING						
		1	360-3681	1	PLUG						
	5	1	398-5612	1	PLUG AS						
		1	6V-5063	1	SEAL-O-RING						
		1	360-3682	1	PLUG-O-RING						



LEFT SIDE VIEW OF ENGINE

GRAPHIC #1

<END>

g03349187

BASIC ENGINE

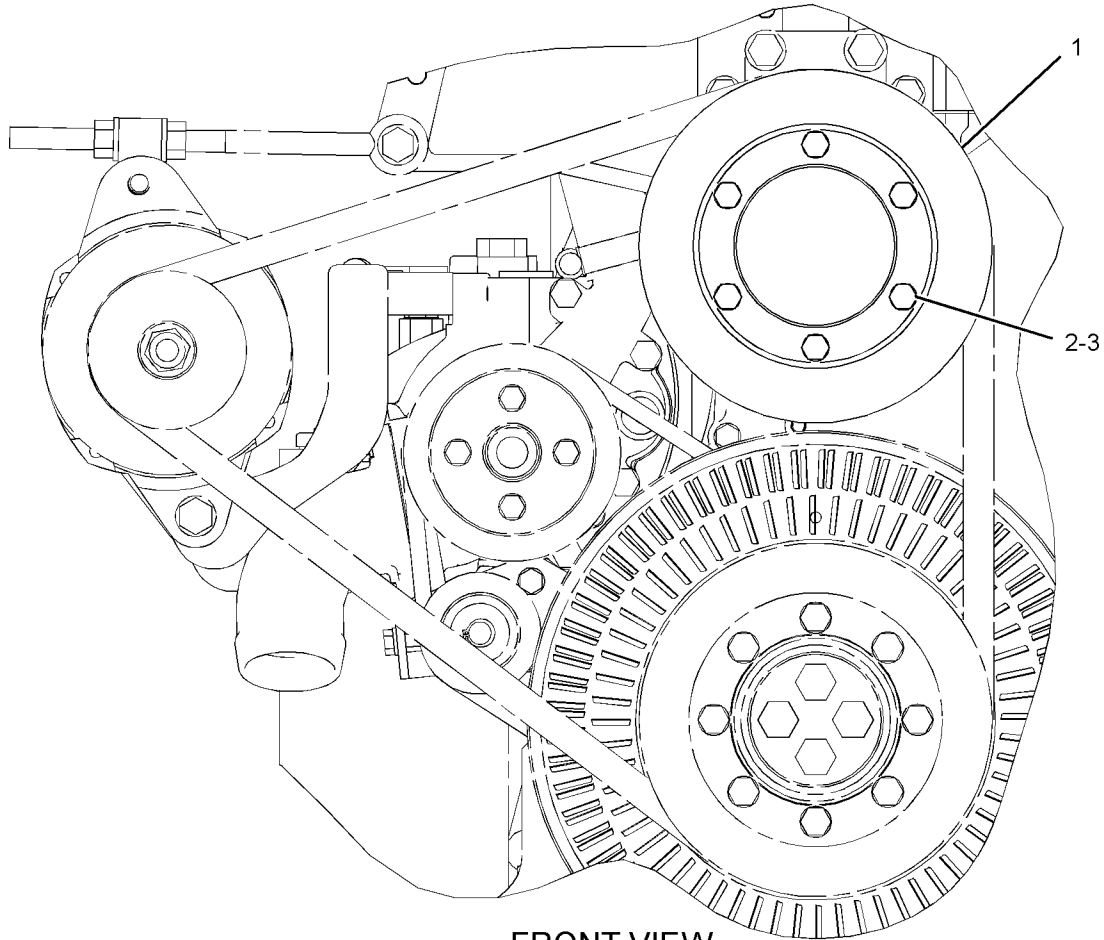
266-3472 PULLEY GP-FAN

S/N: S9X1-UP

SMCS-1359

i06101477

NOTE	REF NO	GRAPHIC REF	PART NUMBER	QTY	PART NAME						SEE PAGE
					1	2	3	4	5	6 (PRODUCT LEVEL)	
	1	1	266-3504	1	PULLEY-FAN (2-GROOVE)						
	2	1	8T-4896	6	WASHER-HARD (10.2X18.5X2.5-MM THK)						
	3	1	8T-9101	6	BOLT (3/8-16X2.75-IN)						



FRONT VIEW

GRAPHIC #1

<END>

g01159358

BASIC ENGINE

213-9320 ROCKER ARM GP-EXHAUST

S/N: S9X1-UP

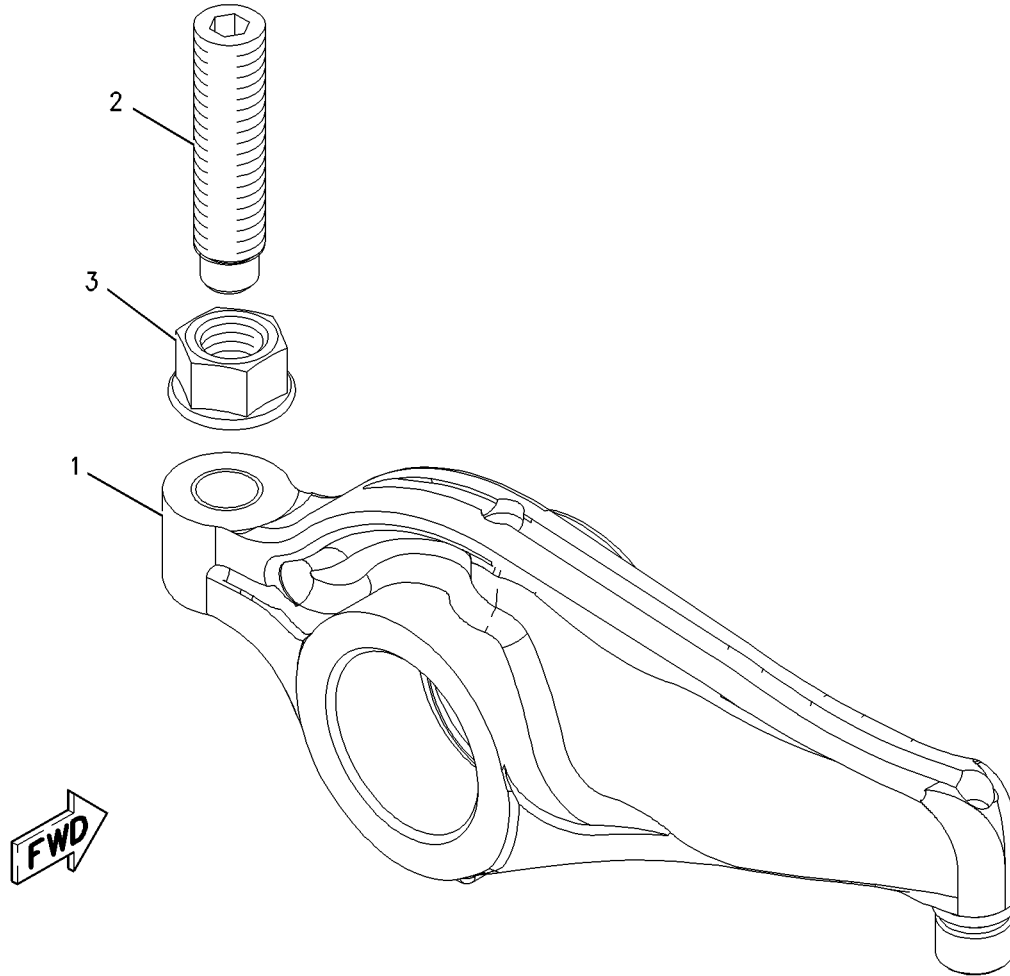
PART OF 212-8926 VALVE MECHANISM GP

SMCS-1123

i06590995

NOTE	REF NO	GRAPHIC REF	PART NUMBER	QTY	PART NAME						SEE PAGE
					1	2	3	4	5	6 (PRODUCT LEVEL)	
R	1	1	163-2447	1	ROCKER ARM AS						
M	2	1	260-7524	1	SCREW-VALVE ADJUSTMENT (M10X1.5-THD)						
M	3	1	2Y-5829	1	NUT (M10X1.5-THD)						

M - METRIC PART
R - REMANUFACTURED PART MAY BE AVAILABLE



GRAPHIC #1

<END>

g00848359

BASIC ENGINE

242-0329 ROCKER ARM GP-INLET

S/N: S9X1-UP

PART OF 212-8926 VALVE MECHANISM GP

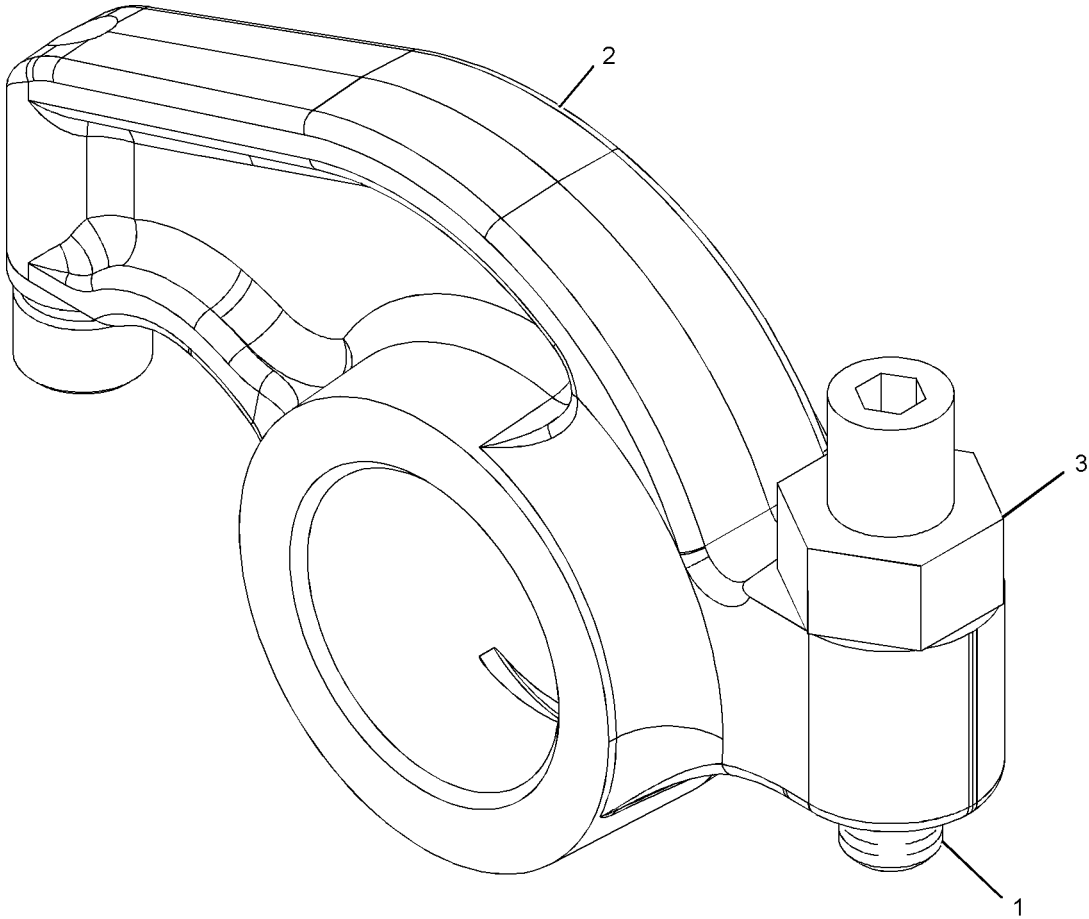
SMCS-1123

i06590998

NOTE	REF NO	GRAPHIC REF	PART NUMBER	QTY	PART NAME						SEE PAGE
					1	2	3	4	5	6 (PRODUCT LEVEL)	
M	1	1	260-7524	1	SCREW-VALVE ADJUSTMENT (M10X1.5-THD)						
R	2	1	242-0328	1	ROCKER ARM AS						
M	3	1	2Y-5829	1	NUT (M10X1.5-THD)						

M - METRIC PART

R - REMANUFACTURED PART MAY BE AVAILABLE



GRAPHIC #1

<END>

g01056688

BASIC ENGINE

178-3899 SEAL GP-CRANKSHAFT

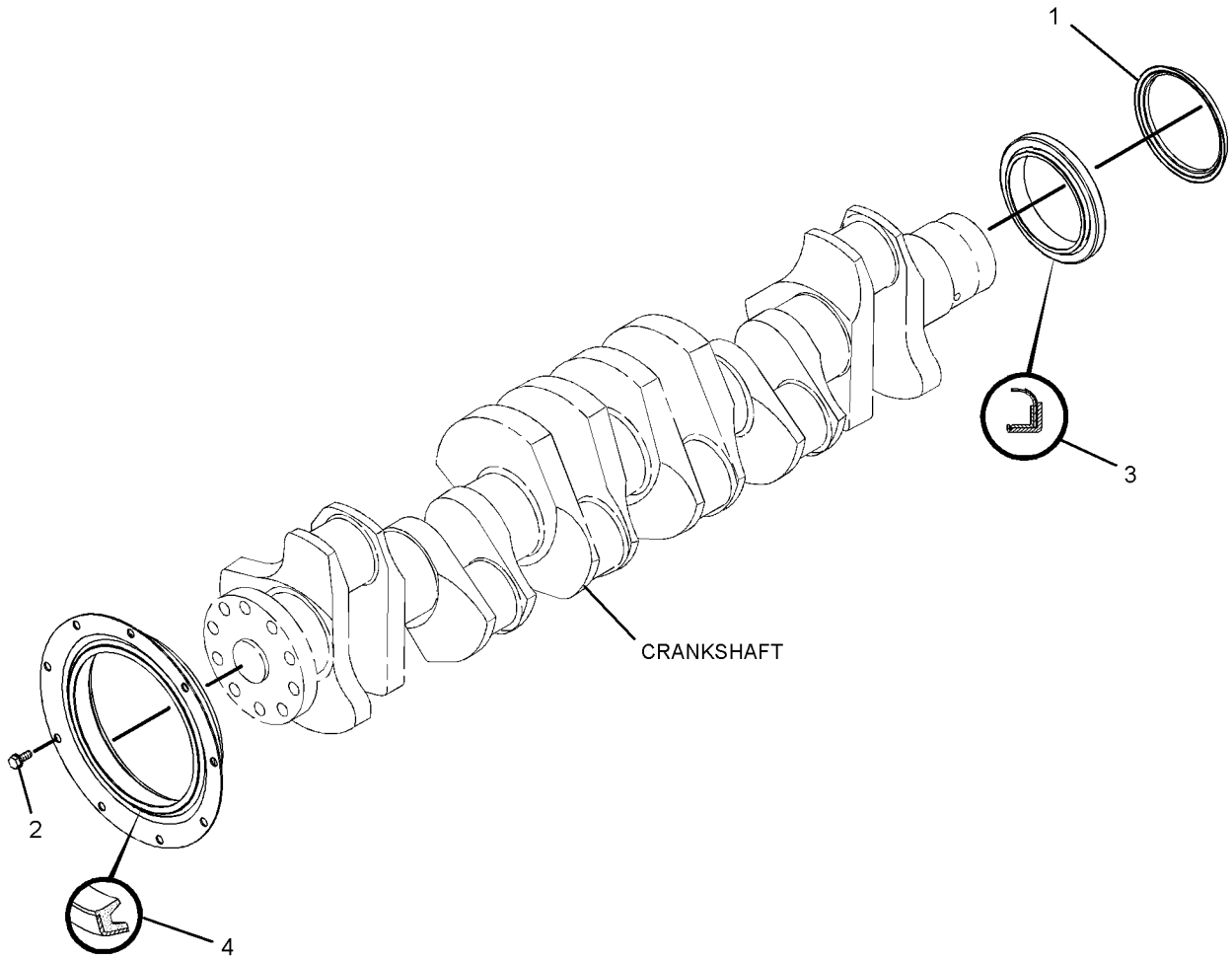
S/N: S9X1-UP

SMCS-1160, 1161

i06101479

NOTE	REF NO	GRAPHIC REF	PART NUMBER	QTY	PART NAME						SEE PAGE
					1	2	3	4	5	6 (PRODUCT LEVEL)	
	1	1	4R-9999	1	EXCLUDER-CRANKSHAFT SEAL						
M	2	1	206-3719	9	BOLT AS						
	3	1	245-7339	1	SEAL-CRANKSHAFT (FRONT)						
	4	1	285-4073	1	SEAL GP-CRANKSHAFT (REAR)						

M - METRIC PART



GRAPHIC #1

<END>

g01439993

BASIC ENGINE

463-6057 SUPPORT GP-ENGINE

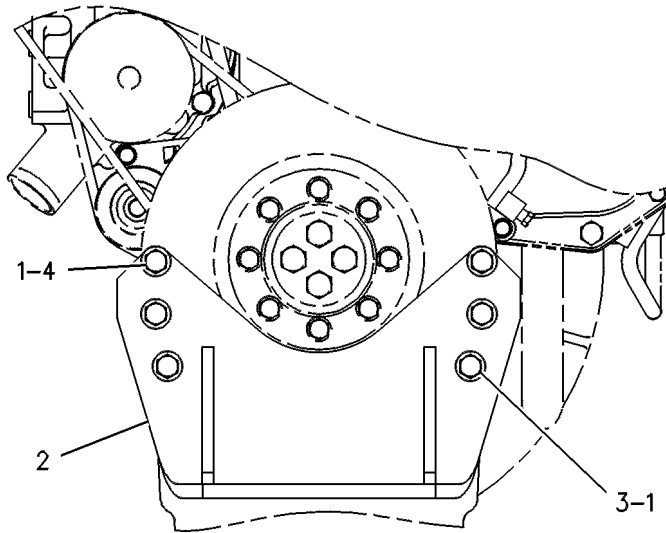
S/N: S9X1-UP

SMCS-1152, 1153, 1154

i06142253

NOTE	REF NO	GRAPHIC REF	PART NUMBER	QTY	PART NAME						SEE PAGE
					1	2	3	4	5	6 (PRODUCT LEVEL)	
	1	1	5P-8245	6	WASHER-HARD (13.5X25.5X3-MM THK)						
	2	1	463-6058	1	SUPPORT						
M	3	1	6V-5696	5	BOLT (M12X1.75X80-MM)						
M	4	1	6V-8336	1	BOLT (M12X1.75X70-MM)						

M - METRIC PART



FRONT VIEW

GRAPHIC #1

<END>

g00243753

BASIC ENGINE

212-8926 VALVE MECHANISM GP

S/N: S9X1-UP

PART OF 242-0447 VALVE MECHANISM GP

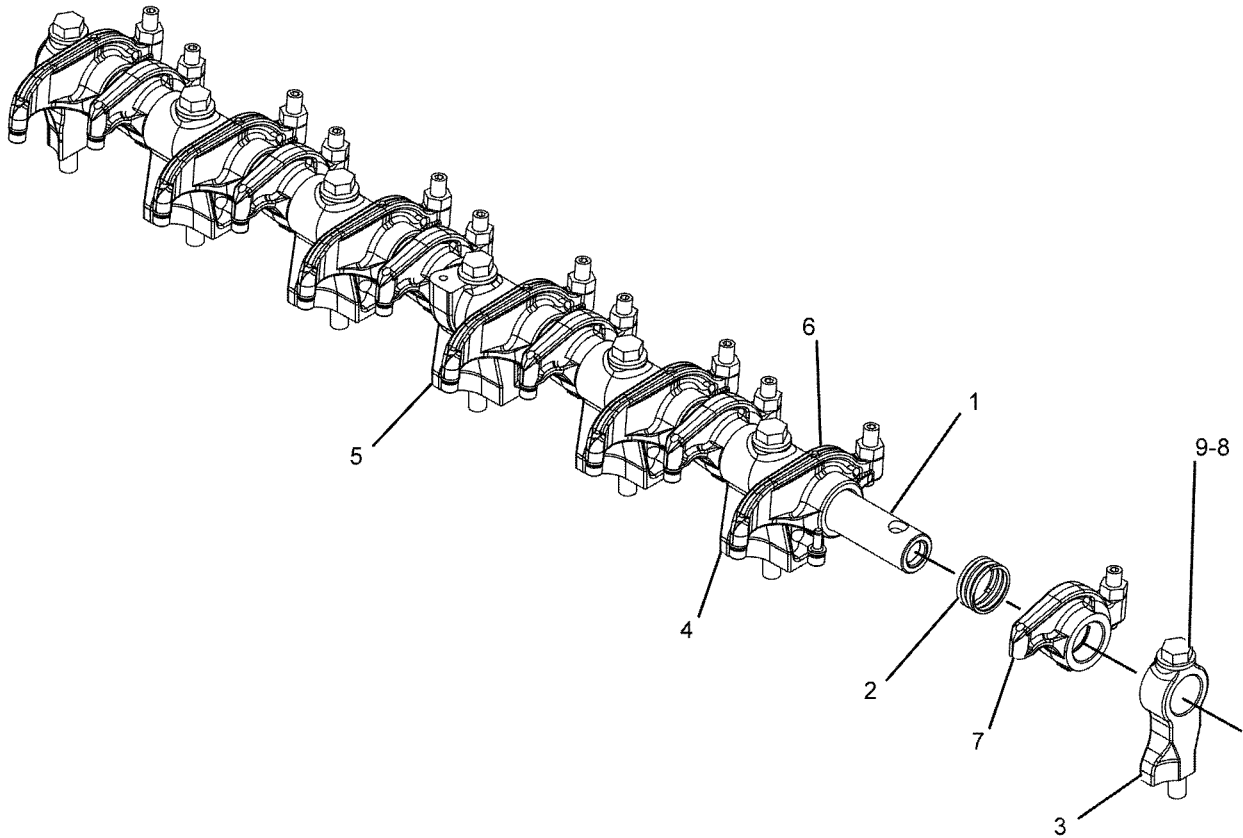
SMCS-1102, 1121, 1123, 1209

i06529592

NOTE	REF NO	GRAPHIC REF	PART NUMBER	QTY	PART NAME						SEE PAGE
					1	2	3	4	5	6 (PRODUCT LEVEL)	
	1	1	163-2445	1	SHAFT AS-ROCKER ARM						
		1	8F-6575	2	PLUG-CUP						
	2	1	163-2459	6	SPRING						
	3	1	164-5669	2	STAND (END)						
	4	1	176-5913	4	STAND (MIDDLE)						
	5	1	176-5914	1	STAND (OIL)						
Y	6	1	213-9320	6	ROCKER ARM GP (EXHAUST)						53
Y	7	1	242-0329	6	ROCKER ARM GP (INLET)						54
	8	1	5P-8245	7	WASHER-HARD (13.5X25.5X3-MM THK)						
M	9	1	8T-0646	7	BOLT (M12X1.75X110-MM)						

M - METRIC PART

Y - SEPARATE ILLUSTRATION



GRAPHIC #1

<END>

g01069313

BASIC ENGINE

242-0447 VALVE MECHANISM GP

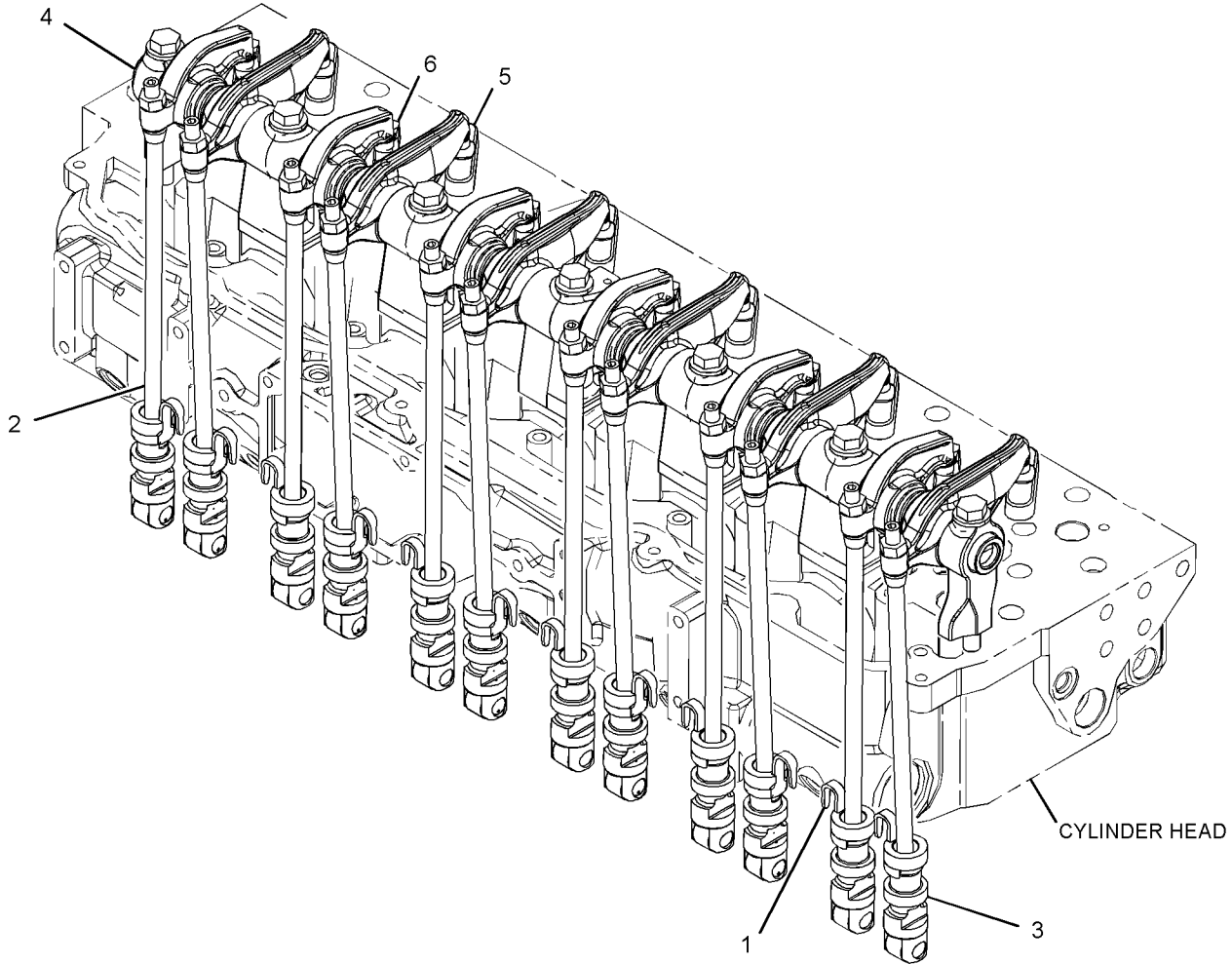
S/N: S9X1-UP

SMCS-1102, 1121, 1123, 1209

i06104050

NOTE	REF NO	GRAPHIC REF	PART NUMBER	QTY	PART NAME						SEE PAGE
					1	2	3	4	5	6 (PRODUCT LEVEL)	
C	1	1	467-4243	12	SPRING-GUIDE						
	2	1	264-6156	12	ROD-VALVE PUSH						
C	3	1	453-5998	12	LIFTER AS-VALVE						
Y	4	1	212-8926	1	VALVE MECHANISM GP						57
	5	1	244-5891	6	BRIDGE-VALVE						
	6	1	255-8674	6	BRIDGE-VALVE						

C - CHANGE FROM PREVIOUS TYPE
Y - SEPARATE ILLUSTRATION



GRAPHIC #1

<END>

g03348904

LUBRICATION SYSTEM

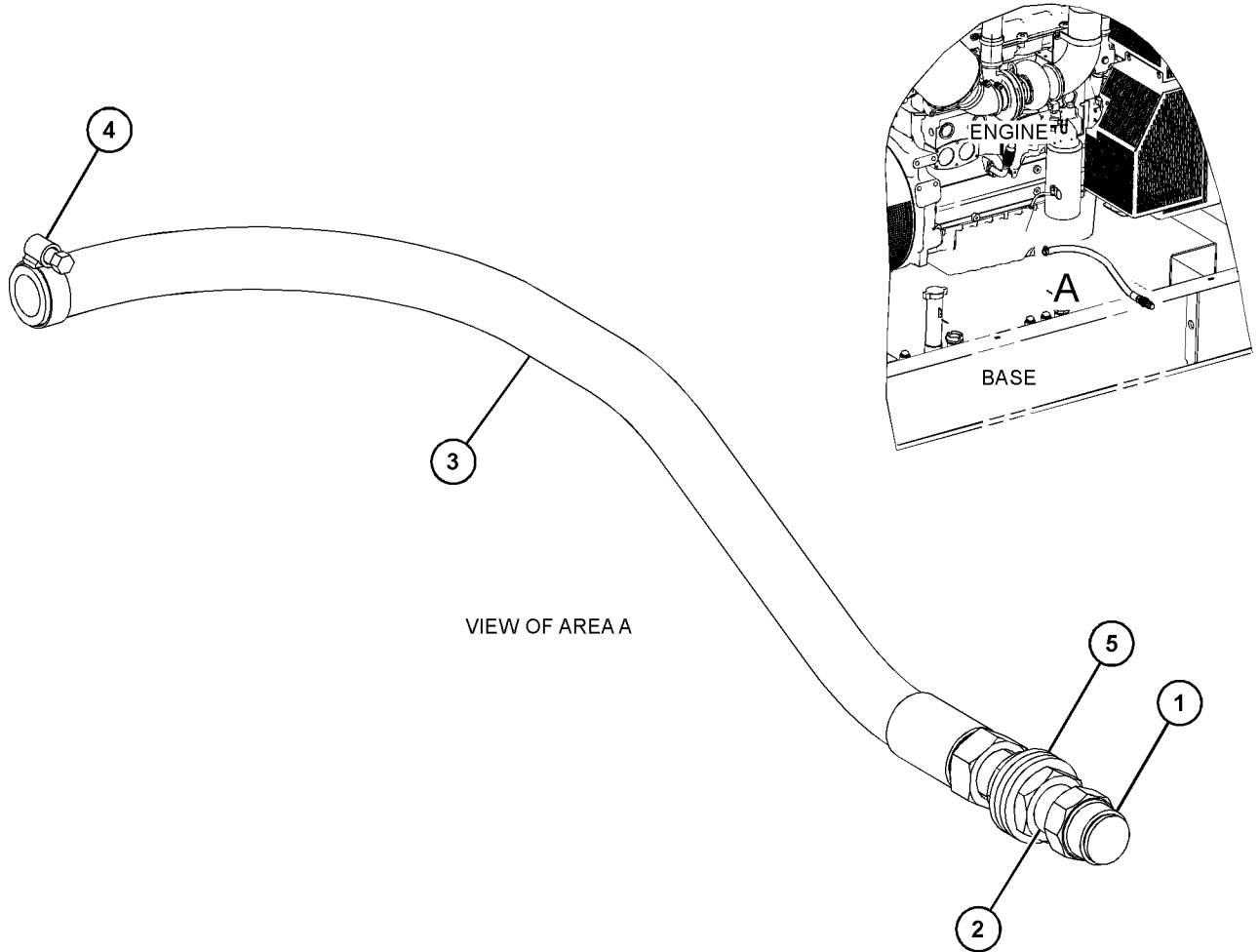
471-0768 DRAIN GP-OIL

S/N: LX91-UP
AN ATTACHMENT

SMCS-1372

i06110427

NOTE	REF NO	GRAPHIC REF	PART NUMBER	QTY	PART NAME						SEE PAGE
					1	2	3	4	5	6 (PRODUCT LEVEL)	
	1	1	335-2842	1	CAP AS						
	2	1	342-6518	1	ADAPTER-BULKHEAD						
	3	1	471-0767	1	HOSE AS						
	4	1	262-0494	1	CLAMP						
	5	1	8T-4123	2	WASHER (3.62X5.75X0.375-MM THK)						



GRAPHIC #1

<END>

g03819337

LUBRICATION SYSTEM

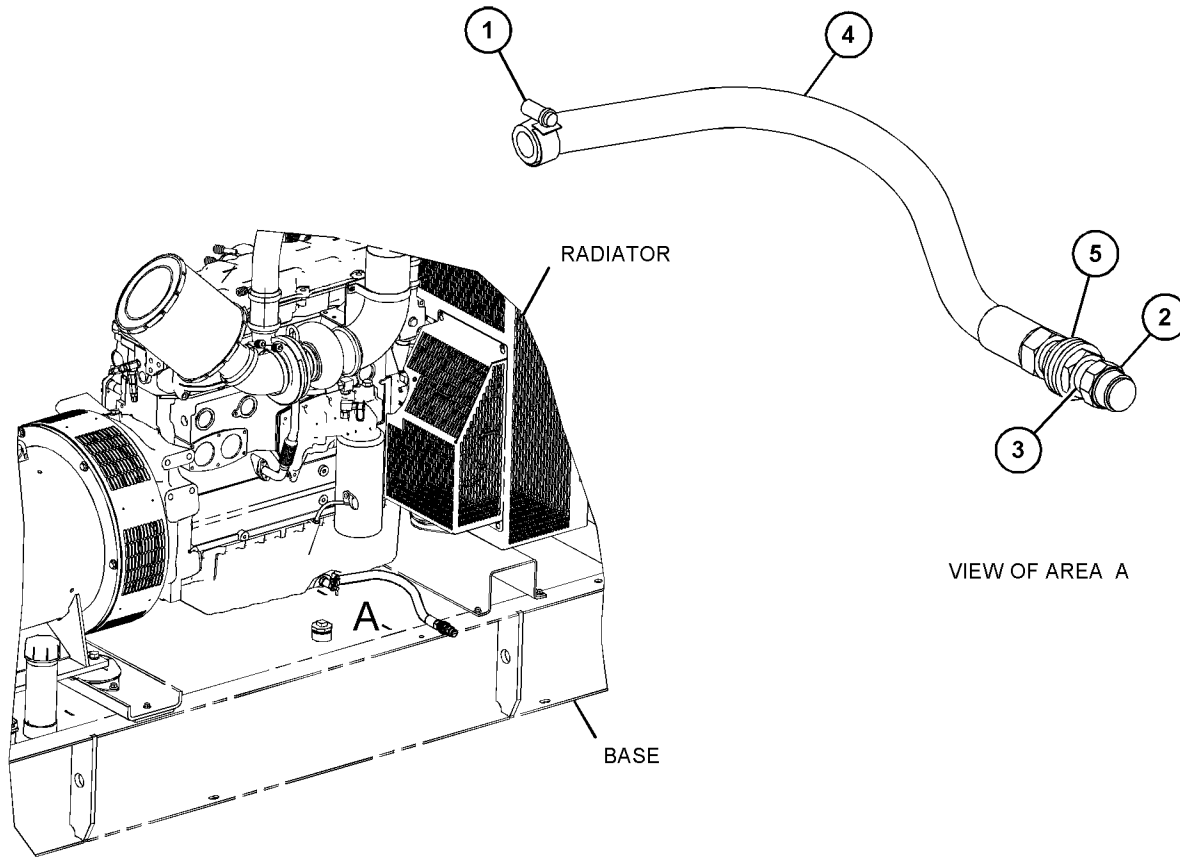
471-0788 DRAIN GP-OIL

S/N: LX91-UP
AN ATTACHMENT

SMCS-1372

i06110449

NOTE	REF NO	GRAPHIC REF	PART NUMBER	QTY	PART NAME						SEE PAGE
					1	2	3	4	5	6 (PRODUCT LEVEL)	
	1	1	262-0494	1	CLAMP						
	2	1	335-2842	1	CAP AS						
	3	1	342-6518	1	ADAPTER - BULKHEAD						
	4	1	471-0787	1	HOSE AS						
	5	1	8T-4123	2	WASHER (3.62X5.75X0.375-MM THK)						



GRAPHIC #1

<END>

g03817036

LUBRICATION SYSTEM

220-1998 FILTER GP-ENGINE OIL

S/N: S9X1-UP

SMCS-1306, 1308

i06098899

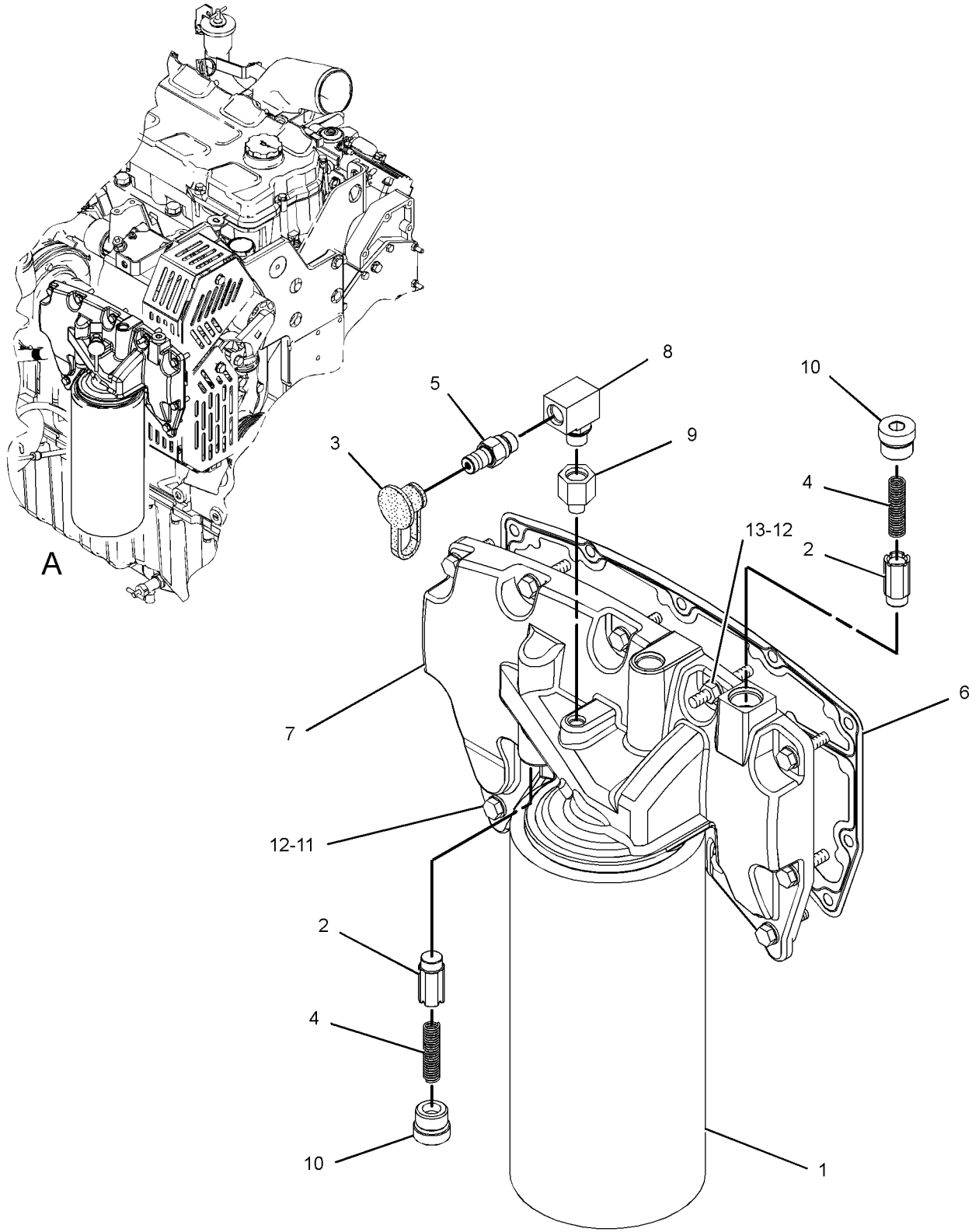
NOTE	REF NO	GRAPHIC REF	PART NUMBER	QTY	PART NAME						SEE PAGE
					1	2	3	4	5	6 (PRODUCT LEVEL)	
	1	1	1R-1808	1	FILTER-ENGINE OIL (ADVANCED EFFICIENCY)						
	2	1	7C-1493	2	VALVE AS-BYPASS (ENGINE OIL FILTER)						
	3	1	8C-3445	1	CAP-DUST						
	4	1	242-3864	2	SPRING						
	5	1	377-9587	1	VALVE AS-FLUID SAMPLING (ENGINE OIL)						
		1	214-7568	1	SEAL-O-RING						
	6	1	209-7290	1	GASKET						
	7	1	209-7291	1	BASE AS-OIL FILTER (ENGINE)						
		1	2P-4304	1	STUD-HOLLOW						
	8	1	315-9835	1	ELBOW AS						
		1	6V-0484	1	ELBOW						
		1	214-7568	1	SEAL-O-RING						
	9	1	329-5518	1	ADAPTER AS						
		1	8T-2353	1	ADAPTER						
		1	214-7566	1	SEAL-O-RING						
	10	1	377-9593	2	PLUG AS						
					(EACH INCLUDES)						
		1	9N-6152	1	PLUG						
		1	238-5081	1	SEAL-O-RING						
M	11	1	6V-5218	11	BOLT (M8X1.25X35-MM)						
	12	1	9M-1974	12	WASHER-HARD (8.8X16X2-MM THK)						
M	13	1	145-2264	1	STUD (M8X1.25X35-MM)						

M - METRIC PART

LUBRICATION SYSTEM

220-1998 FILTER GP-ENGINE OIL (contd.)

i06098899



VIEW OF AREA A

GRAPHIC #1

<END>

g03180036

LUBRICATION SYSTEM

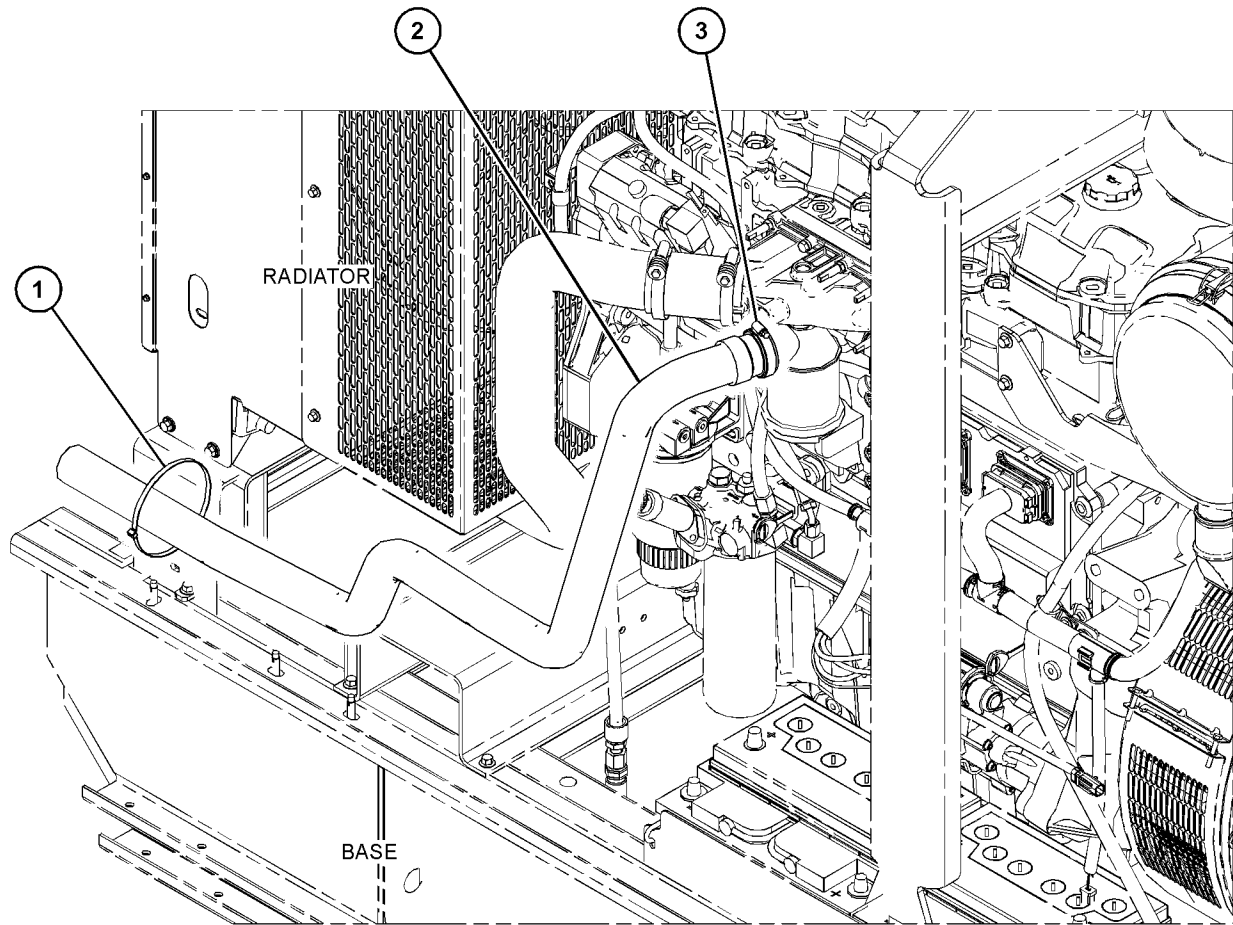
465-2267 FUMES DISPOSAL GP

S/N: LX91-UP
AN ATTACHMENT

SMCS-1074, 1317

i06145213

NOTE	REF NO	GRAPHIC REF	PART NUMBER	QTY	PART NAME						SEE PAGE
					1	2	3	4	5	6 (PRODUCT LEVEL)	
	1	1	034-1432	1	STRAP - CABLE						
	2	1	465-2268	1	HOSE AS						
	3	1	9M-0164	1	CLAMP - HOSE						



GRAPHIC #1

<END>

g03829571

LUBRICATION SYSTEM

462-6423 GAUGE GP-OIL LEVEL (DIPSTICK)

S/N: S9X1-UP

FOR USE WITH 219-9943-PAGE: 49

SMCS-1326

i06101314

NOTE	PART NUMBER	QTY	PART NAME						SEE PAGE
			1	2	3	4	5	6 (PRODUCT LEVEL)	
	187-0716	1	TUBE AS-OIL GAUGE						
	350-2779	1	GAUGE AS-OIL LEVEL (DIPSTICK)						
<END>									

LUBRICATION SYSTEM

202-6603 LINES GP-ENGINE OIL

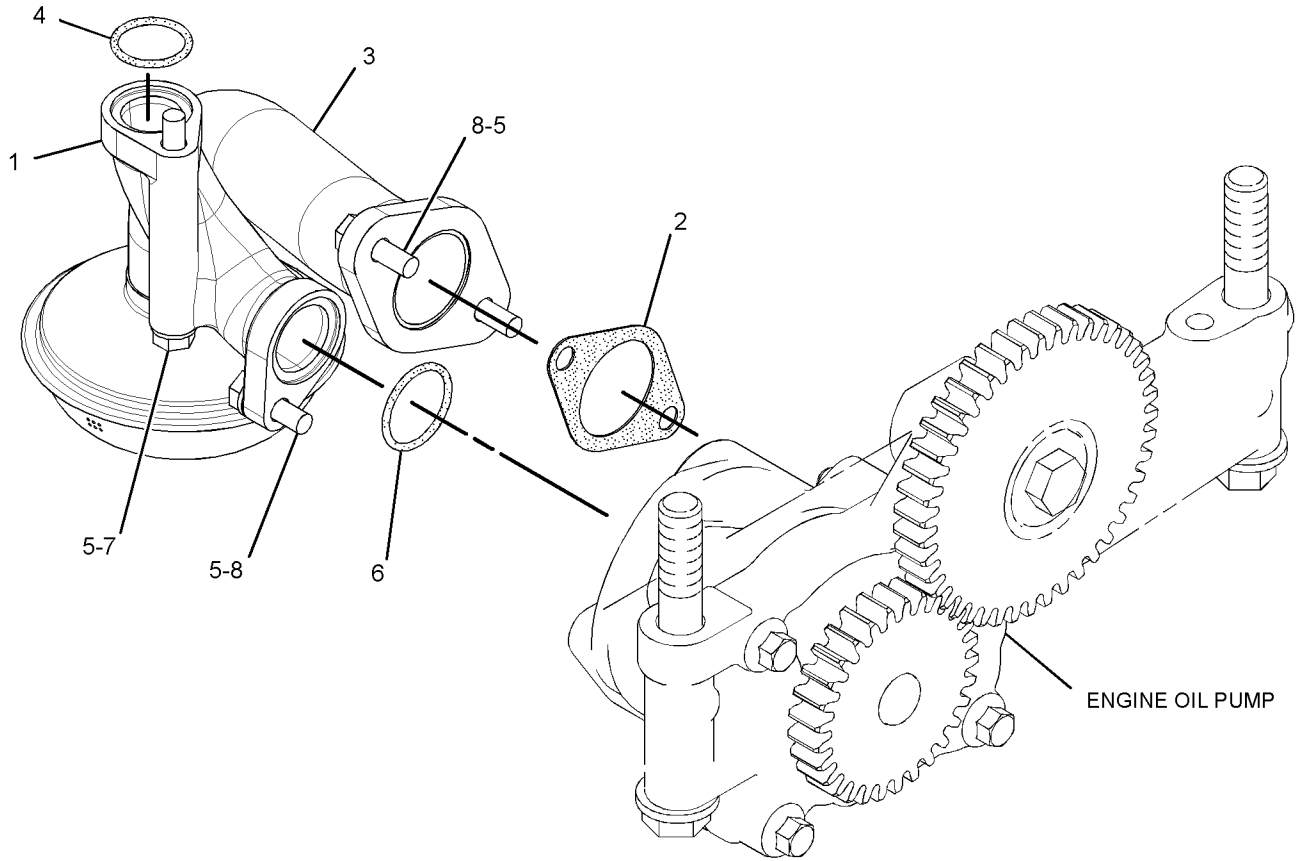
S/N: S9X1-UP

SMCS-1307

i06099110

NOTE	REF NO	GRAPHIC REF	PART NUMBER	QTY	PART NAME						SEE PAGE
					1	2	3	4	5	6 (PRODUCT LEVEL)	
C	1	1	281-2210	1	ELBOW-OUTLET						
	2	1	195-0452	1	GASKET						
	3	1	213-5213	1	TUBE AS						
	4	1	033-6034	1	SEAL-O-RING						
	5	1	9M-1974	4	WASHER-HARD (8.8X16X2-MM THK)						
	6	1	5P-7530	1	SEAL-O-RING						
M	7	1	8T-0292	1	BOLT (M8X1.25X90-MM)						
M	8	1	6V-3940	3	BOLT (M8X1.25X25-MM)						

C - CHANGE FROM PREVIOUS TYPE
M - METRIC PART



GRAPHIC #1

<END>

g03173600

LUBRICATION SYSTEM

197-2672 LINES GP-TURBOCHARGER OIL

S/N: S9X1-UP

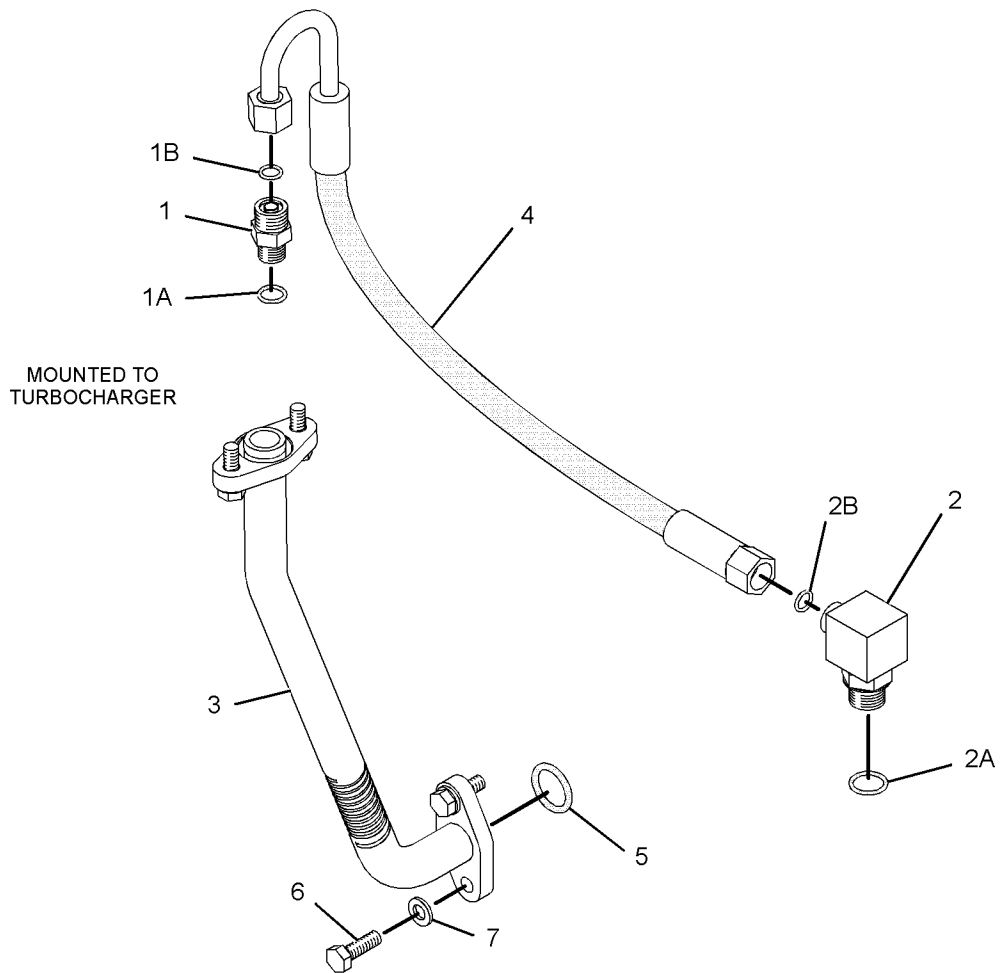
FOR USE WITH FRONT EXHAUST, HIGH MOUNT TURBOCHARGER

SMCS-1052, 1307

i06101375

NOTE	REF NO	GRAPHIC REF	PART NUMBER	QTY	PART NAME						SEE PAGE
					1	2	3	4	5	6 (PRODUCT LEVEL)	
	1	1	183-3399	1	CONNECTOR AS						
		1	6V-8636	1	CONNECTOR						
	1A	1	214-7568	1	SEAL-O-RING						
	1B	1	228-7089	1	SEAL-O-RING						
	2	1	329-5511	1	ELBOW AS						
		1	6V-8723	1	ELBOW						
	2A	1	228-7089	1	SEAL-O-RING						
	2B	1	238-5080	1	SEAL-O-RING						
	3	1	197-2678	1	TUBE AS						
	4	1	200-5736	1	HOSE AS						
	5	1	3P-1156	2	SEAL-O-RING						
M	6	1	6V-3940	4	BOLT (M8X1.25X25-MM)						
	7	1	9M-1974	4	WASHER-HARD (8.8X16X2-MM THK)						

M - METRIC PART



GRAPHIC #1

<END>

g01151255

LUBRICATION SYSTEM

195-8098 PUMP GP-ENGINE OIL

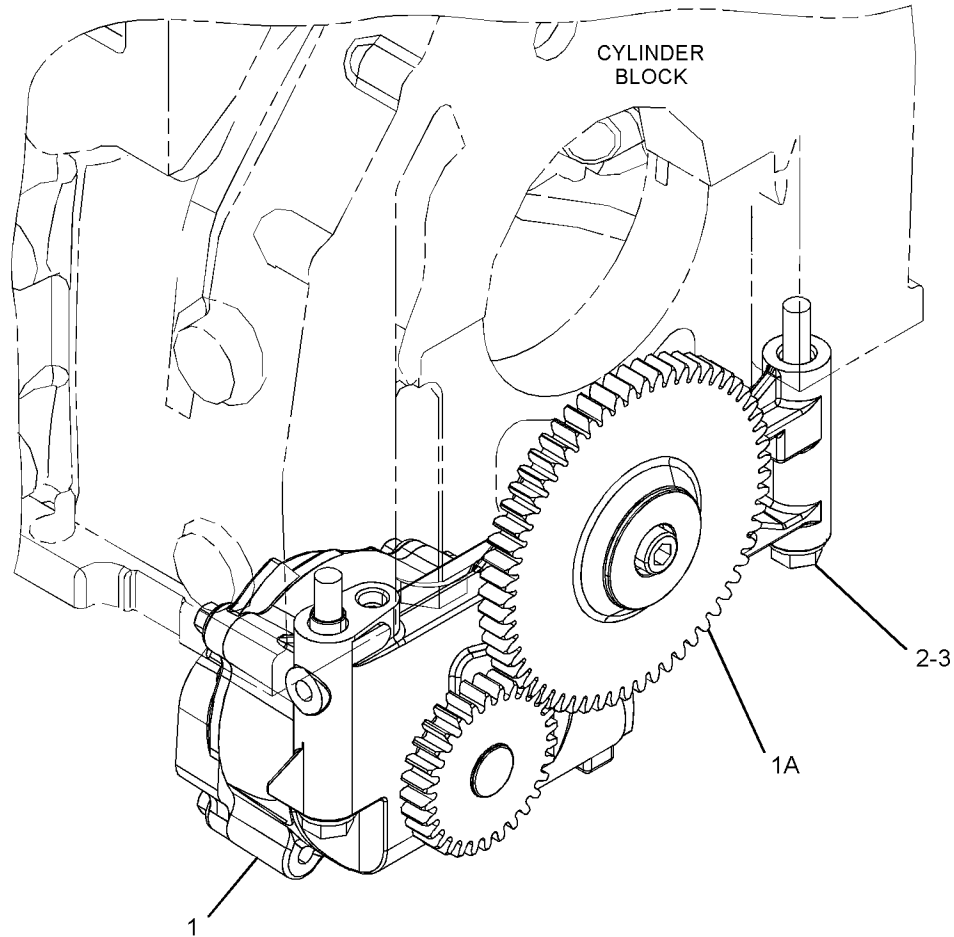
S/N: S9X1-UP

SMCS-1304, 1315

i06110190

NOTE	REF NO	GRAPHIC REF	PART NUMBER	QTY	PART NAME						SEE PAGE
					1	2	3	4	5	6 (PRODUCT LEVEL)	
C	1	1	396-6022	1	PUMP GP-GEROTOR						
	1A	1	221-0144	1	GEAR AS (60-TEETH)						
M	2	1	6V-1819	2	BOLT (M10X1.5X100-MM)						
	3	1	6V-5839	2	WASHER (11X21X2.5-MM THK)						

C - CHANGE FROM PREVIOUS TYPE
M - METRIC PART



GRAPHIC #1

<END>

g03392480

COOLING SYSTEM

197-8103 ADAPTER GP-FAN

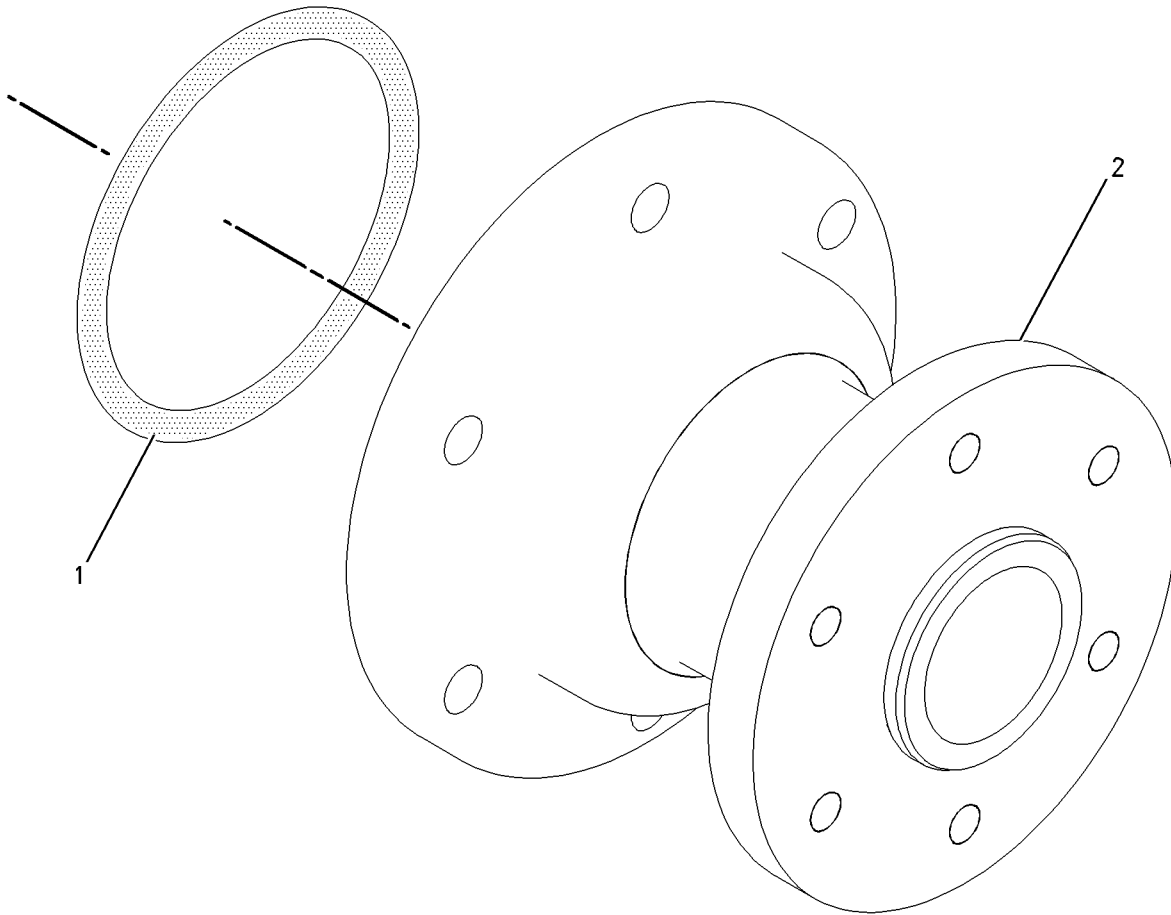
S/N: S9X1-UP

FOR USE WITH 26 INCH SUCTION OR BLOWER FAN HEIGHT

SMCS-1356, 1359

i06595880

NOTE	REF NO	GRAPHIC REF	PART NUMBER	QTY	PART NAME						SEE PAGE
					1	2	3	4	5	6 (PRODUCT LEVEL)	
	1	1	9F-4446	1	SEAL-O-RING						
	2	1	197-0650	1	ADAPTER-FAN						



GRAPHIC #1

<END>

g00756289

COOLING SYSTEM

188-3826 COOLER GP-ENGINE OIL

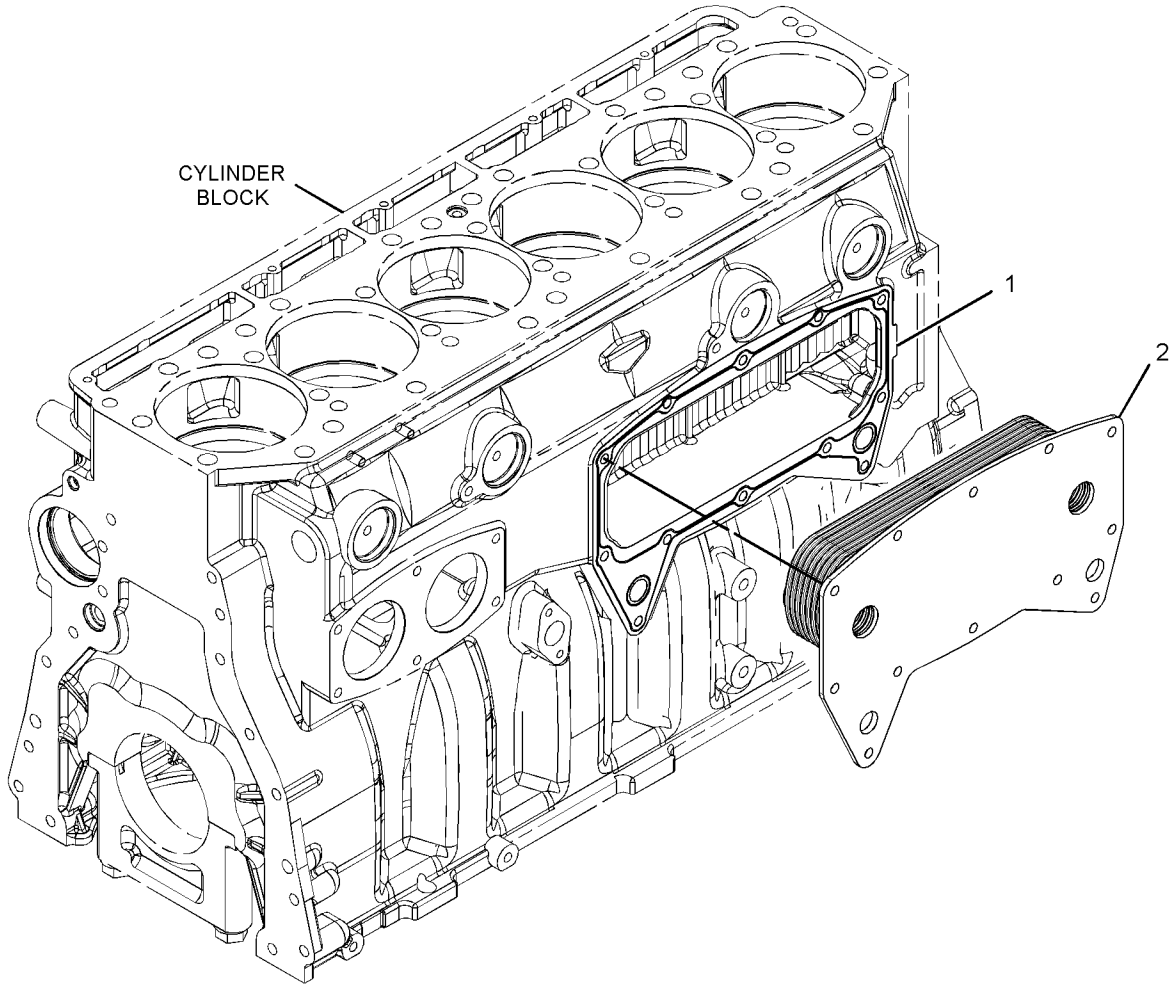
S/N: S9X1-UP

SMCS-1378

i06097154

NOTE	REF NO	GRAPHIC REF	PART NUMBER	QTY	PART NAME						SEE PAGE
					1	2	3	4	5	6 (PRODUCT LEVEL)	
	1	1	209-7293	1	GASKET						
CR	2	1	293-9367	1	CORE AS-OIL COOLER (ENGINE)						

C - CHANGE FROM PREVIOUS TYPE
 R - REMANUFACTURED PART MAY BE AVAILABLE



GRAPHIC #1

<END>

g01419332

COOLING SYSTEM

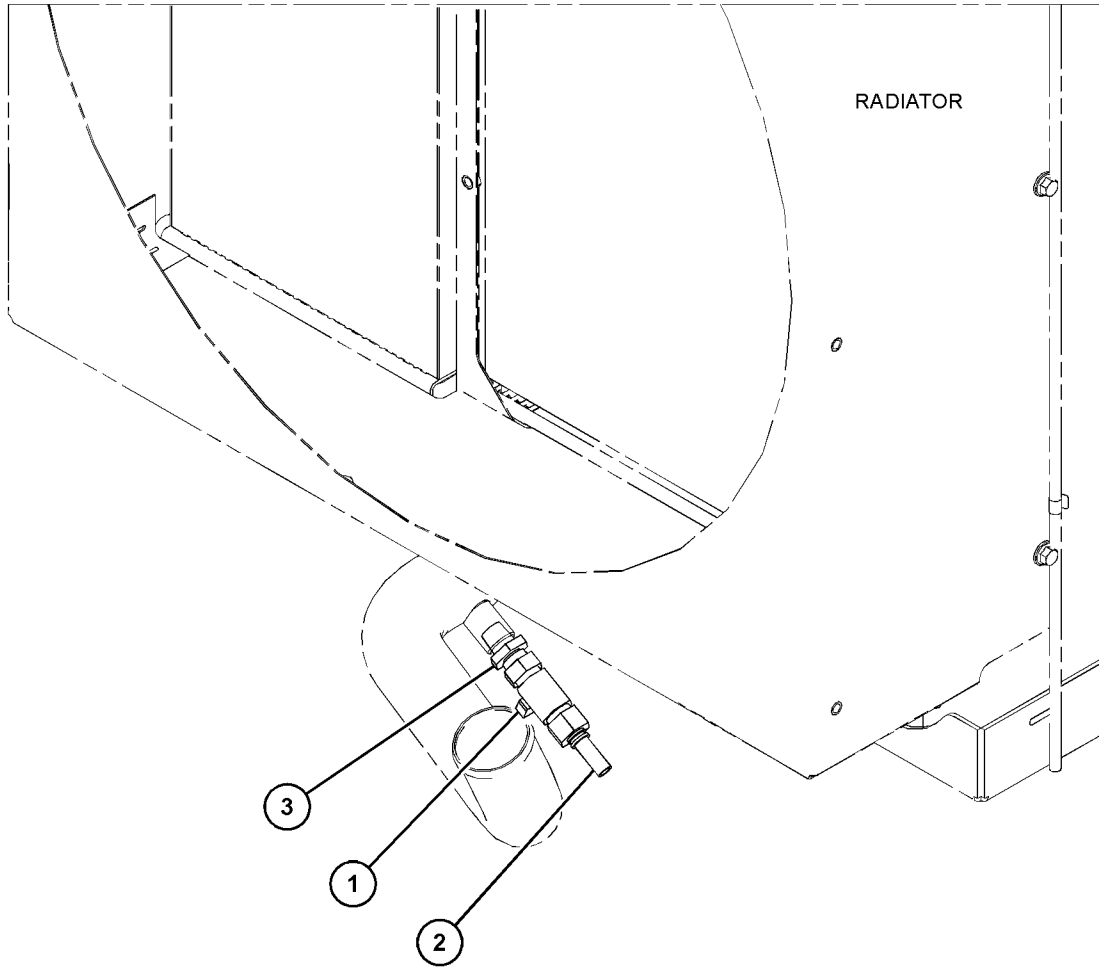
431-9317 DRAIN GP-COOLANT

S/N: LX91-UP
AN ATTACHMENT

SMCS-1380, 1395

i06271658

NOTE	REF NO	GRAPHIC REF	PART NUMBER	QTY	PART NAME						SEE PAGE
					1	2	3	4	5	6 (PRODUCT LEVEL)	
	1	1	335-2834	1	VALVE-BALL						
	2	1	339-4307	1	FITTING AS						
	3	1	348-8539	1	ADAPTER						



GRAPHIC #1

<END>

g06007934

COOLING SYSTEM

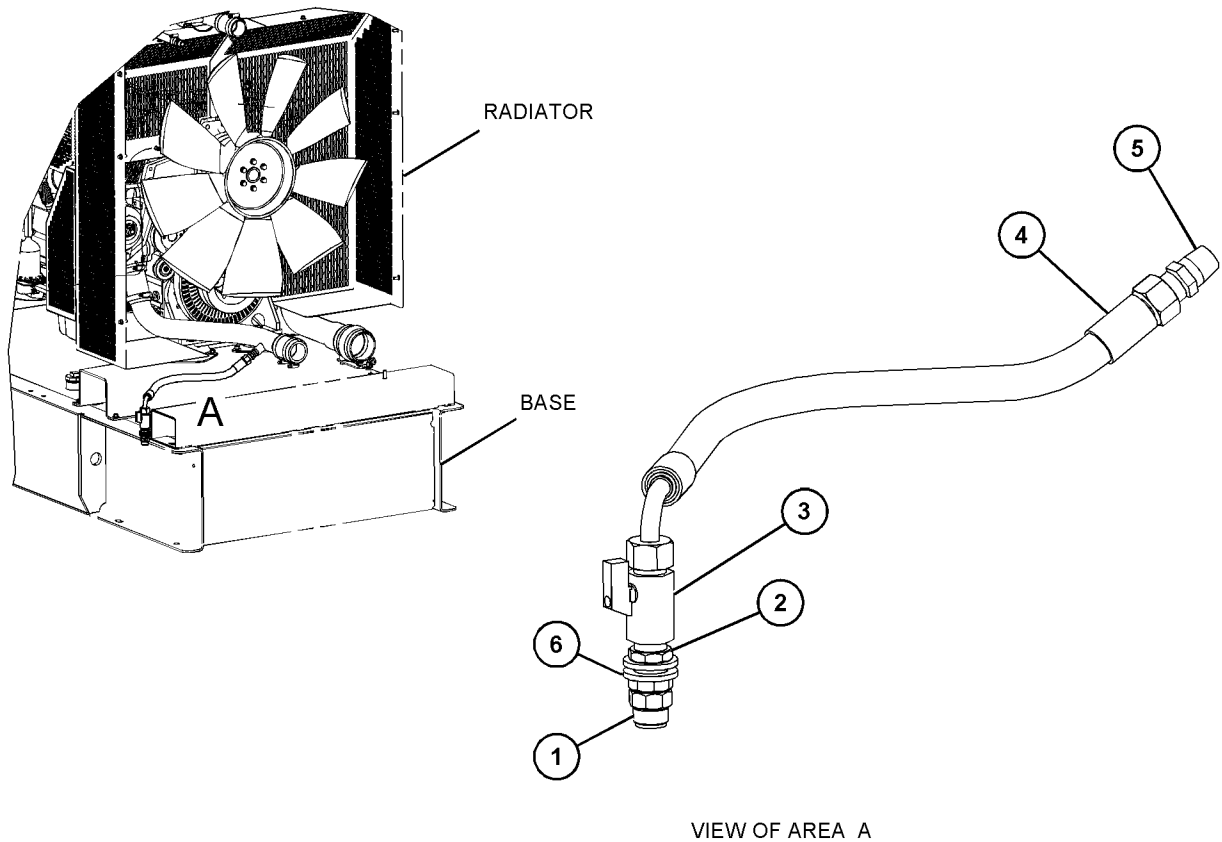
471-0770 DRAIN GP-COOLANT

S/N: LX91-UP
AN ATTACHMENT

SMCS-1380, 1395

i06110435

NOTE	REF NO	GRAPHIC REF	PART NUMBER	QTY	PART NAME						SEE PAGE
					1	2	3	4	5	6 (PRODUCT LEVEL)	
	1	1	335-2842	1	CAP AS						
	2	1	348-6974	1	ADAPTER - BULKHEAD						
	3	1	351-0898	1	VALVE - BALL						
	4	1	471-0769	1	HOSE AS						
	5	1	149-7885	1	ADAPTER						
	6	1	8T-4123	2	WASHER (3.62X5.75X0.375-MM THK)						



GRAPHIC #1

<END>

g03816592

COOLING SYSTEM

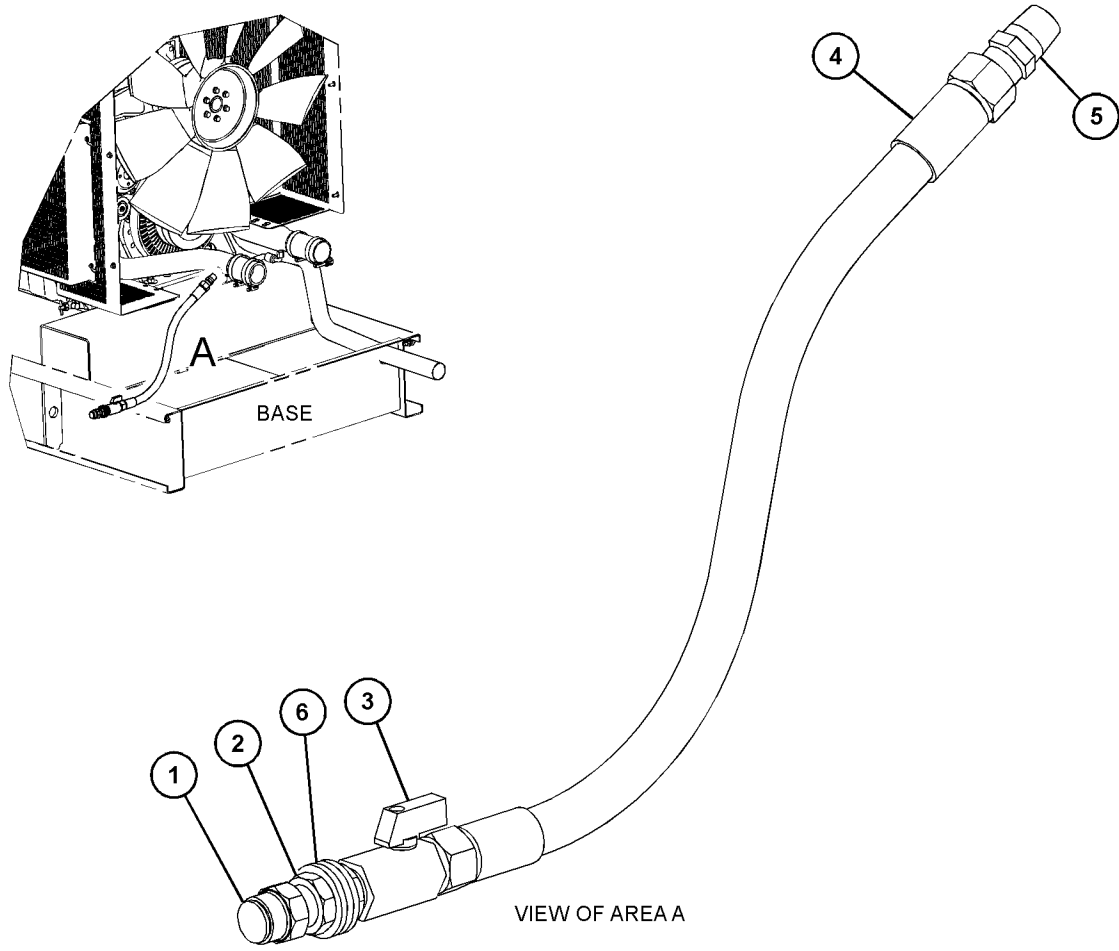
471-0772 DRAIN GP-COOLANT

S/N: LX91-UP
AN ATTACHMENT

SMCS-1380, 1395

i06110441

NOTE	REF NO	GRAPHIC REF	PART NUMBER	QTY	PART NAME						SEE PAGE
					1	2	3	4	5	6 (PRODUCT LEVEL)	
	1	1	335-2842	1	CAP AS						
	2	1	348-6974	1	ADAPTER - BULKHEAD						
	3	1	351-0898	1	VALVE - BALL						
	4	1	471-0771	1	HOSE AS						
	5	1	149-7885	1	ADAPTER						
	6	1	8T-4123	2	WASHER (3.62X5.75X0.375-MM THK)						



GRAPHIC #1

<END>

g03819371

COOLING SYSTEM

231-4545 ELBOW GP-WATER

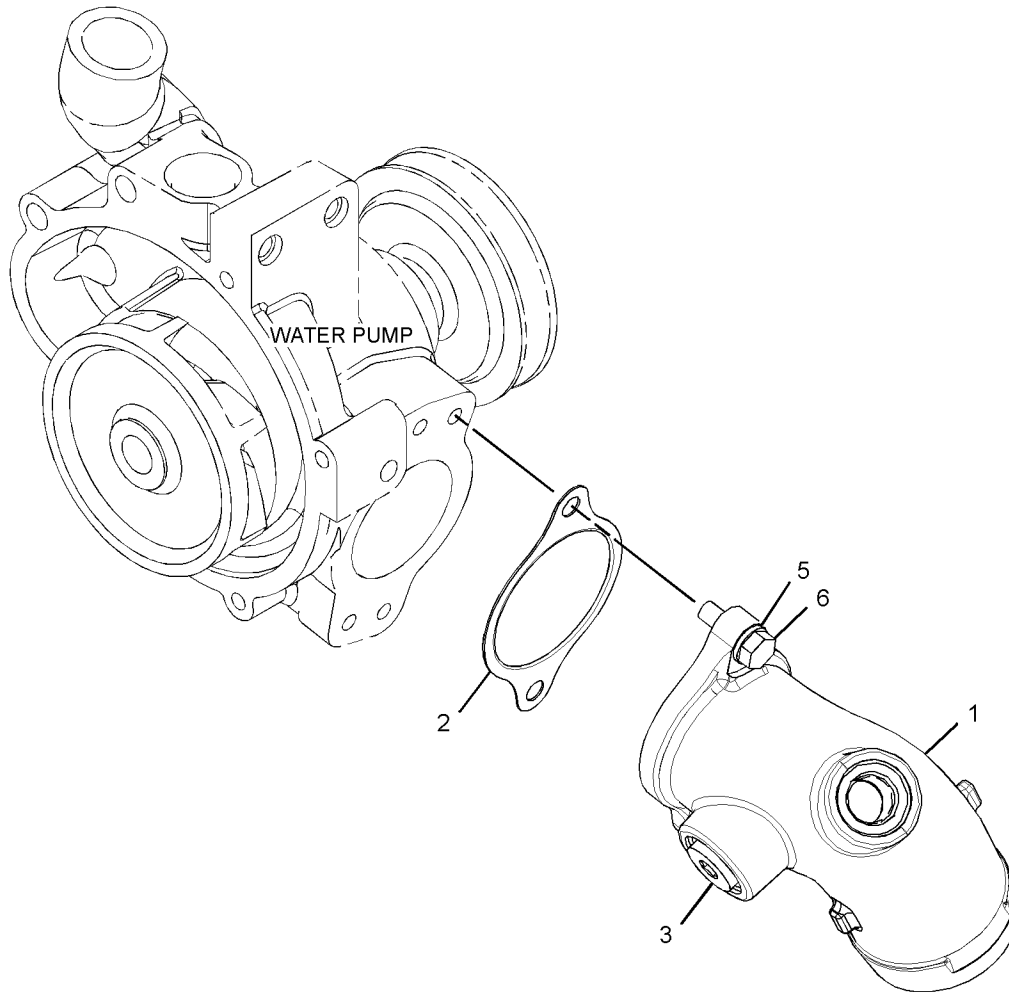
S/N: S9X1-UP

SMCS-1380

i06098819

NOTE	REF NO	GRAPHIC REF	PART NUMBER	QTY	PART NAME						SEE PAGE
					1	2	3	4	5	6 (PRODUCT LEVEL)	
	1	1	200-2257	1	ELBOW						
	2	1	200-2258	1	GASKET						
	3	1	<i>396-0405</i>	1	PLUG AS						
		1	6V-6609	1	SEAL-O-RING						
		1	360-3680	1	PLUG						
	5	1	9M-1974	2	WASHER-HARD (8.8X16X2-MM THK)						
M	6	1	6V-3940	2	BOLT (M8X1.25X25-MM)						

M - METRIC PART



GRAPHIC #1

<END>

g03405036

COOLING SYSTEM

376-4691 GUARD GP-RADIATOR

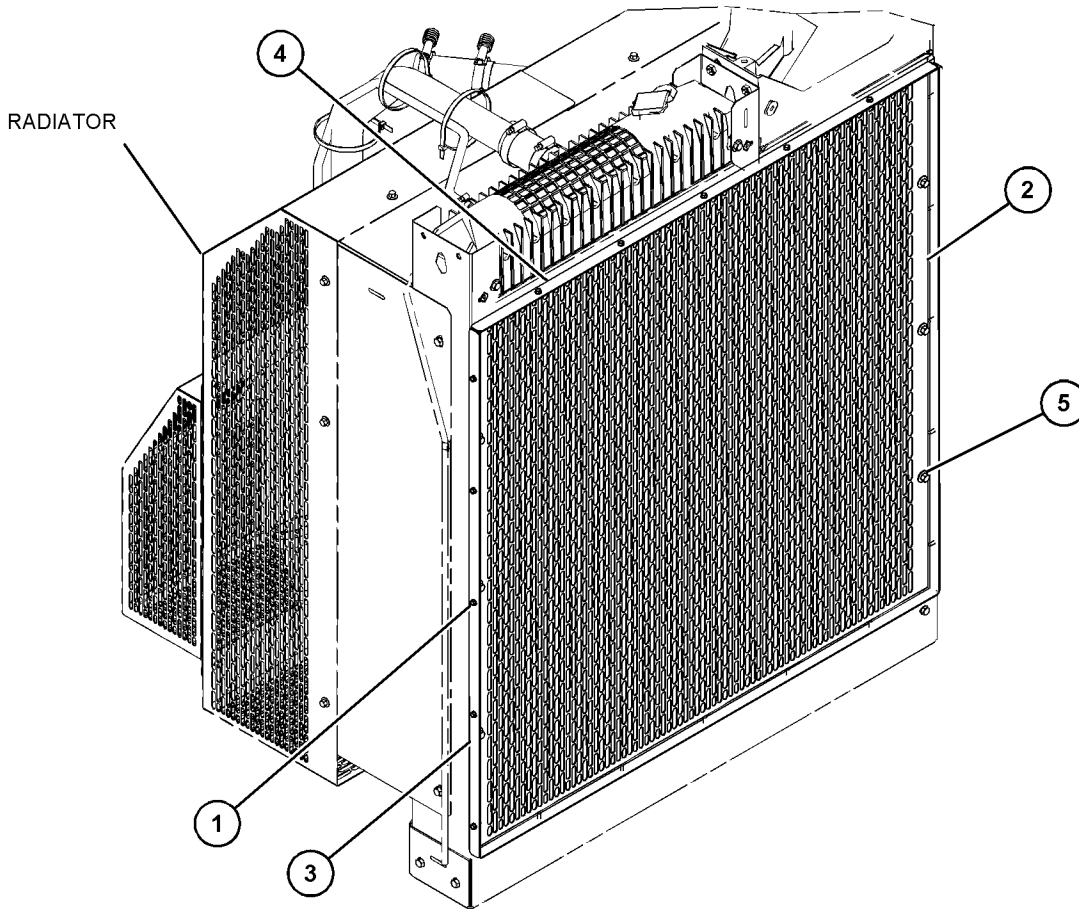
S/N: LX91-UP
AN ATTACHMENT

SMCS-7155

i06148399

NOTE	REF NO	GRAPHIC REF	PART NUMBER	QTY	PART NAME						SEE PAGE
					1	2	3	4	5	6	
	1	1	145-4114	20	SCREW-SELF-TAPPING (8X0.5-IN)						
	2	1	376-4682	1	GUARD						
	3	1	376-4689	2	PLATE						
	4	1	376-4690	2	PLATE						
M	5	1	366-1821	6	BOLT-FLANGE HEAD (M8X1.25X12-MM)						

M - METRIC PART



GRAPHIC #1

<END>

g03831424

COOLING SYSTEM

421-2336 GUARD GP-RADIATOR

S/N: LX91-UP

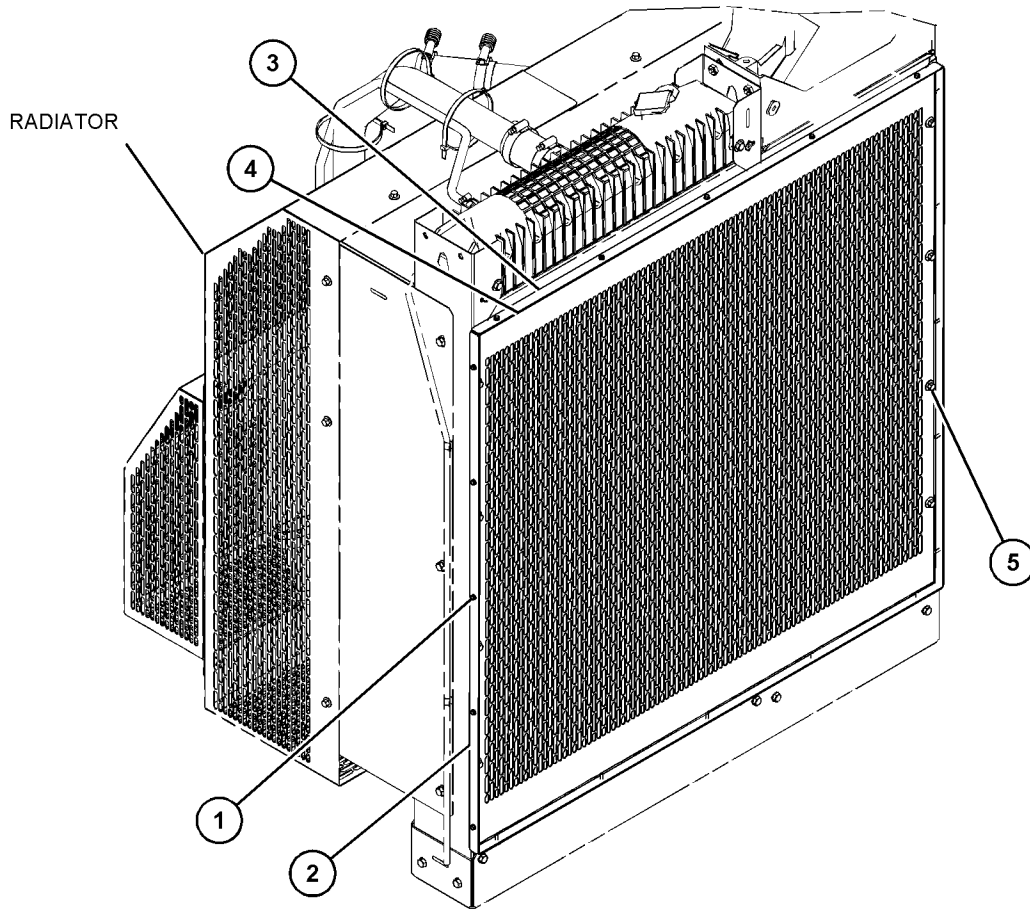
AN ATTACHMENT

SMCS-7155

i06148427

NOTE	REF NO	GRAPHIC REF	PART NUMBER	QTY	PART NAME						SEE PAGE
					1	2	3	4	5	6 (PRODUCT LEVEL)	
	1	1	145-4114	20	SCREW-SELF-TAPPING (8X0.5-IN)						
	2	1	421-3105	2	PLATE						
	3	1	421-3106	2	PLATE						
	4	1	421-3107	1	GUARD						
M	5	1	366-1821	8	BOLT-FLANGE HEAD (M8X1.25X12-MM)						

M - METRIC PART



GRAPHIC #1

<END>

g03831351

COOLING SYSTEM

463-8165 GUARD GP-RADIATOR

S/N: LX91-UP

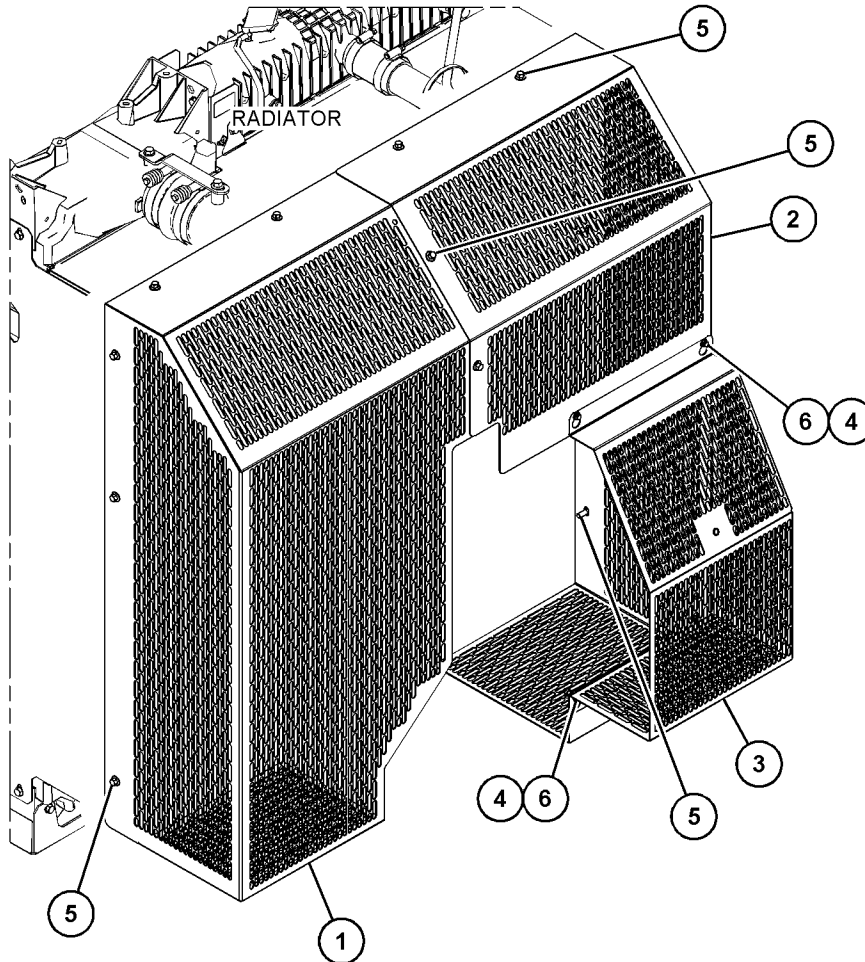
PART OF 463-3670 RADIATOR GP
AN ATTACHMENT

SMCS-7155

i06515291

NOTE	REF NO	GRAPHIC REF	PART NUMBER	QTY	PART NAME						SEE PAGE
					1	2	3	4	5	6 (PRODUCT LEVEL)	
	1	1	463-8166	1	GUARD AS						
M		1	8T-3612	2	NUT-WELD (M8X1.25-THD)						
	2	1	463-8168	1	GUARD AS						
M		1	6V-9632	4	NUT-WELD (M6X1-THD)						
M		1	343-4072	4	BOLT-FLANGE HEAD (M6X1X25-MM)						
M		1	6V-7743	4	LOCKNUT (M6X1-THD)						
	3	1	<i>471-1385</i>	1	COVER AS						
M		1	8T-3612	1	NUT-WELD (M8X1.25-THD)						
M	4	1	6V-7743	4	LOCKNUT (M6X1-THD)						
M	5	1	342-9920	12	BOLT-FLANGE HEAD (M8X1.25X20-MM)						
M	6	1	343-4072	4	BOLT-FLANGE HEAD (M6X1X25-MM)						

M - METRIC PART



GRAPHIC #1

<END>

g06023365

COOLING SYSTEM

464-8046 GUARD GP-RADIATOR

S/N: LX91-UP

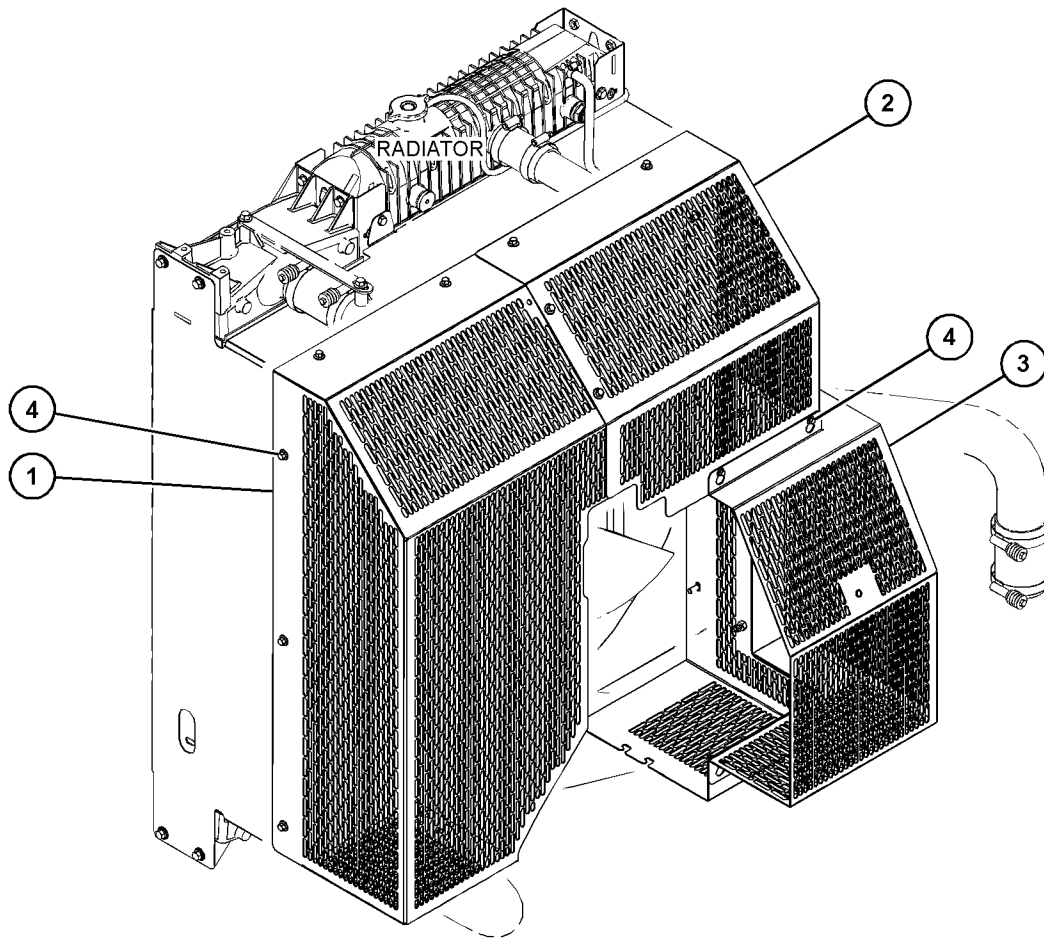
PART OF 463-3690 RADIATOR GP
AN ATTACHMENT

SMCS-7155

i06151350

NOTE	REF NO	GRAPHIC REF	PART NUMBER	QTY	PART NAME						SEE PAGE
					1	2	3	4	5	6 (PRODUCT LEVEL)	
	1	1	464-8047	1	GUARD AS						
M		1	8T-3612	2	NUT-WELD (M8X1.25-THD)						
	2	1	464-8049	1	GUARD AS						
M		1	6V-7743	6	LOCKNUT (M6X1-THD)						
M		1	6V-9632	6	NUT-WELD (M6X1-THD)						
M		1	343-4072	6	BOLT-FLANGE HEAD (M6X1X25-MM)						
	3	1	471-1384	1	COVER AS						
M		1	8T-3612	1	NUT-WELD (M8X1.25-THD)						
M	4	1	342-9920	12	BOLT-FLANGE HEAD (M8X1.25X20-MM)						

M - METRIC PART



GRAPHIC #1

<END>

g03831993

COOLING SYSTEM

252-7885 LINES GP-WATER

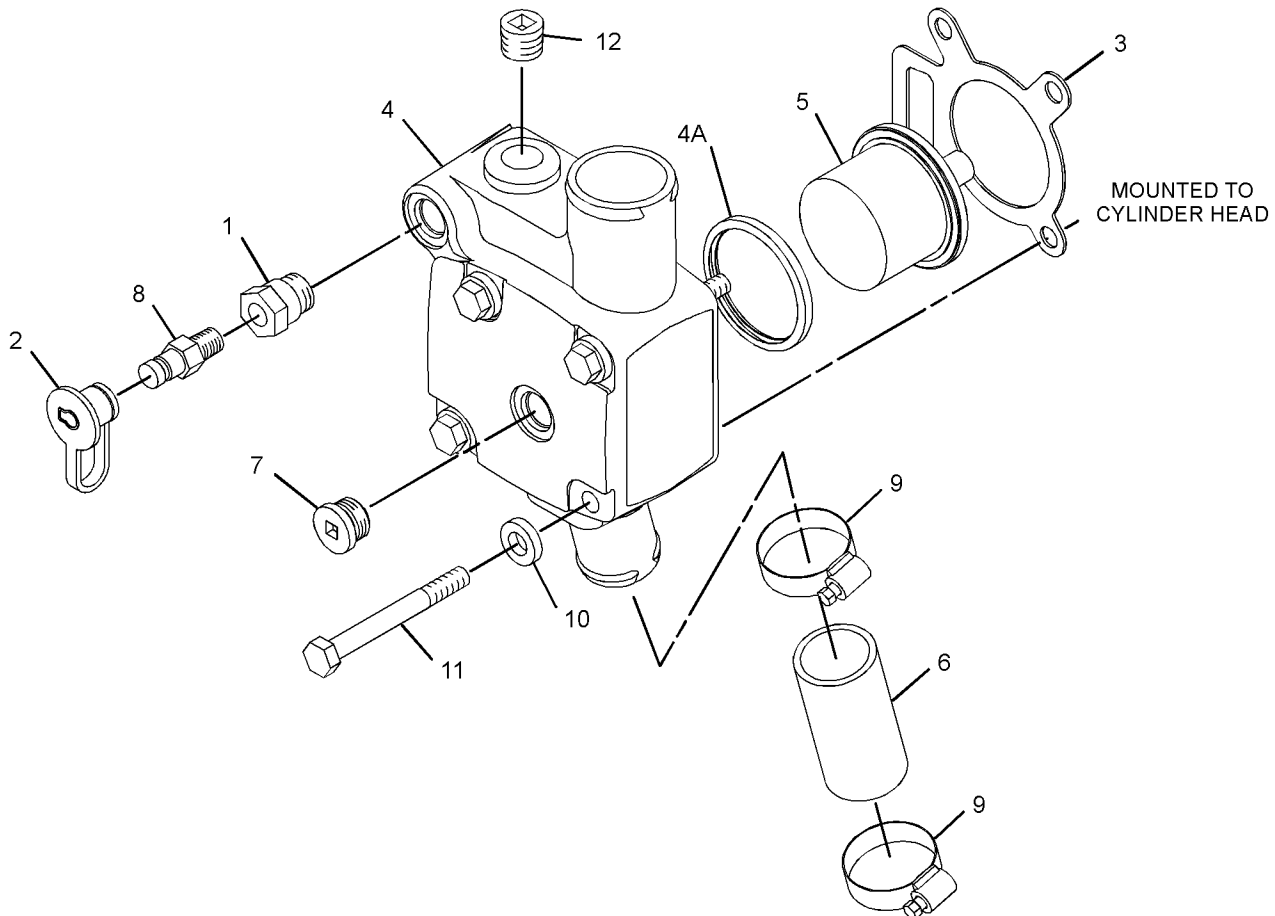
S/N: S9X1-UP

SMCS-1355, 1380, 1393

i06101384

NOTE	REF NO	GRAPHIC REF	PART NUMBER	QTY	PART NAME						SEE PAGE
					1	2	3	4	5	6 (PRODUCT LEVEL)	
	1	1	389-3692	1	ADAPTER AS						
		1	6V-6609	1	SEAL-O-RING						
		1	8J-7844	1	BUSHING-REDUCER						
	2	1	157-0670	1	CAP-DUST						
	3	1	191-4457	1	GASKET (WATER REGULATOR HOUSING)						
	4	1	217-5200	1	HOUSING AS						
	4A	1	3S-9643	1	SEAL-LIP TYPE (WATER TEMPERATURE REGULATOR)						
	5	1	247-7133	1	REGULATOR-WATER TEMPERATURE (98-DEG C) (COOLANT)						
	6	1	280-6794	1	HOSE						
	7	1	396-0405	1	PLUG AS						
		1	6V-6609	1	SEAL-O-RING						
		1	360-3680	1	PLUG (STRAIGHT THREAD O-RING)						
	8	1	154-9025	1	VALVE-SAMPLING (COOLANT)						
	9	1	347-4163	2	CLAMP-BAND						
	10	1	4S-9191	4	WASHER (12X22.5X5-MM THK)						
M	11	1	8T-0644	4	BOLT (M10X1.5X90-MM)						
	12	1	8T-6762	1	PLUG-PIPE (1/2-14-THD)						

M - METRIC PART



GRAPHIC #1

<END>

g03328953

COOLING SYSTEM

465-2280 MOUNTING GP-RADIATOR

S/N: LX91-UP

NARROW

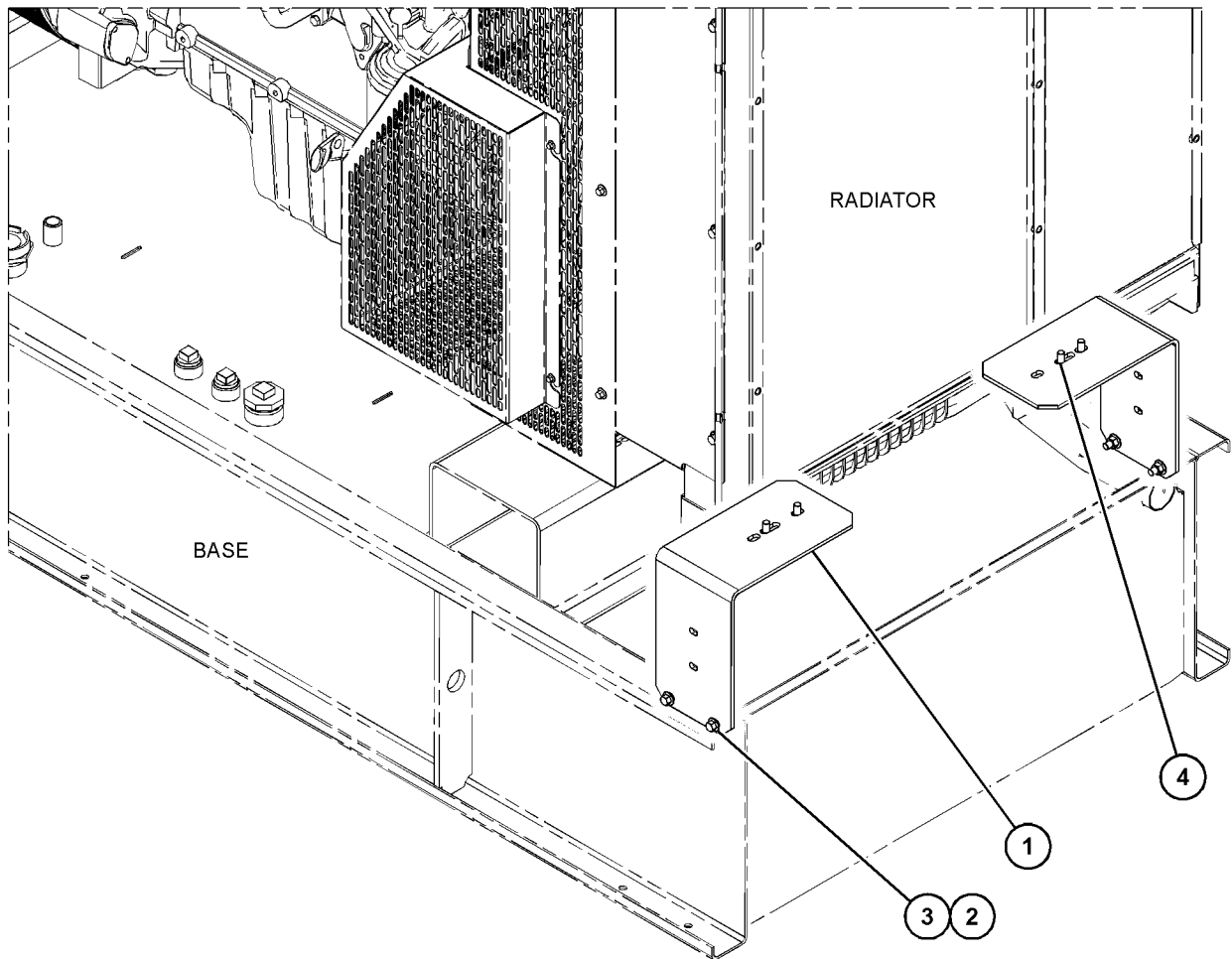
AN ATTACHMENT

SMCS-1353

i06535696

NOTE	REF NO	GRAPHIC REF	PART NUMBER	QTY	PART NAME						SEE PAGE
					1	2	3	4	5	6 (PRODUCT LEVEL)	
	1	1	465-2279	2	BRACKET						
M	2	1	175-7141	4	NUT-HEX FLANGE (M10X1.5-THD)						
M	3	1	338-3669	4	BOLT-FLANGE HEAD (M10X1.5X30-MM)						
M	4	1	342-9913	4	BOLT-FLANGE HEAD (M10X1.5X20-MM)						

M - METRIC PART



GRAPHIC #1

<END>

g03828447

COOLING SYSTEM

465-2282 MOUNTING GP-RADIATOR

S/N: LX91-UP

WIDE

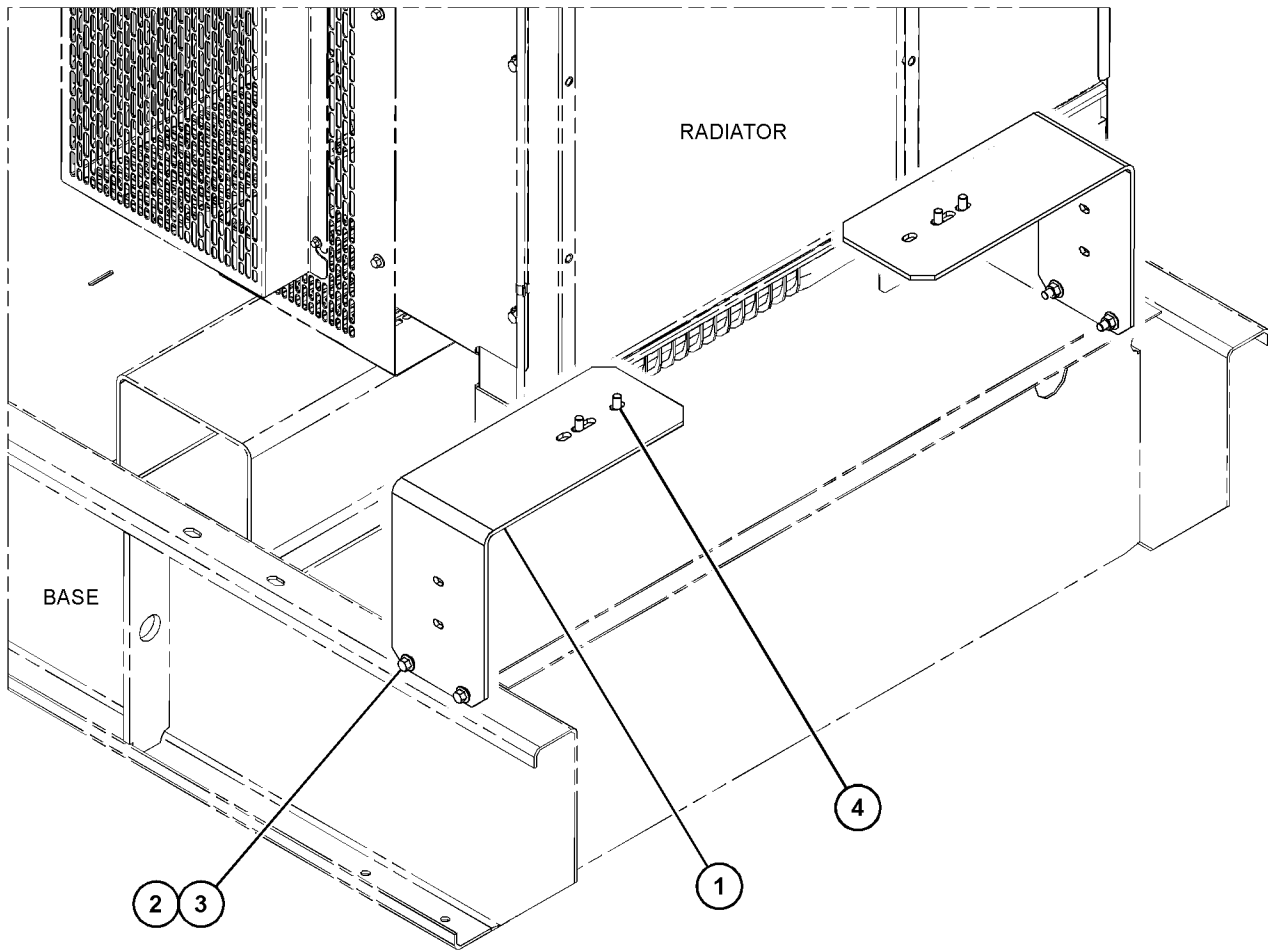
AN ATTACHMENT

SMCS-1353

i06145222

NOTE	REF NO	GRAPHIC REF	PART NUMBER	QTY	PART NAME						SEE PAGE
					1	2	3	4	5	6 (PRODUCT LEVEL)	
	1	1	465-2281	2	BRACKET						
M	2	1	175-7141	4	NUT-HEX FLANGE (M10X1.5-THD)						
M	3	1	338-3669	4	BOLT-FLANGE HEAD (M10X1.5X30-MM)						
M	4	1	342-9913	4	BOLT-FLANGE HEAD (M10X1.5X20-MM)						

M - METRIC PART



GRAPHIC #1

<END>

g03828483

COOLING SYSTEM

205-4013 PLUG GP-WATER LINES

S/N: S9X1-UP

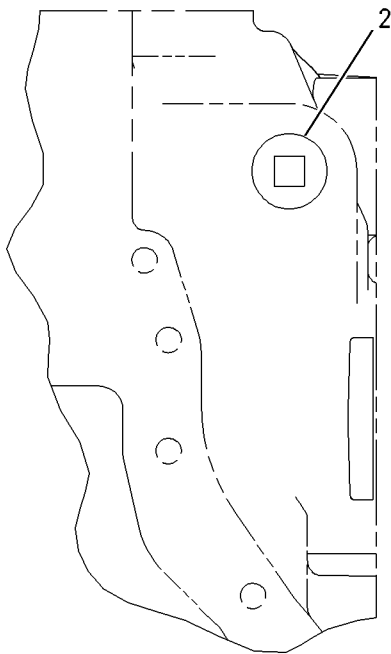
PROVIDES CUP PLUGS FOR THE RH SIDE OF BLOCK AND PIPE PLUG AT REAR OF BLOCK IN PLACE OF A JACKET WATER HEATER

CANNOT BE USED WITH JACKET WATER HEATER

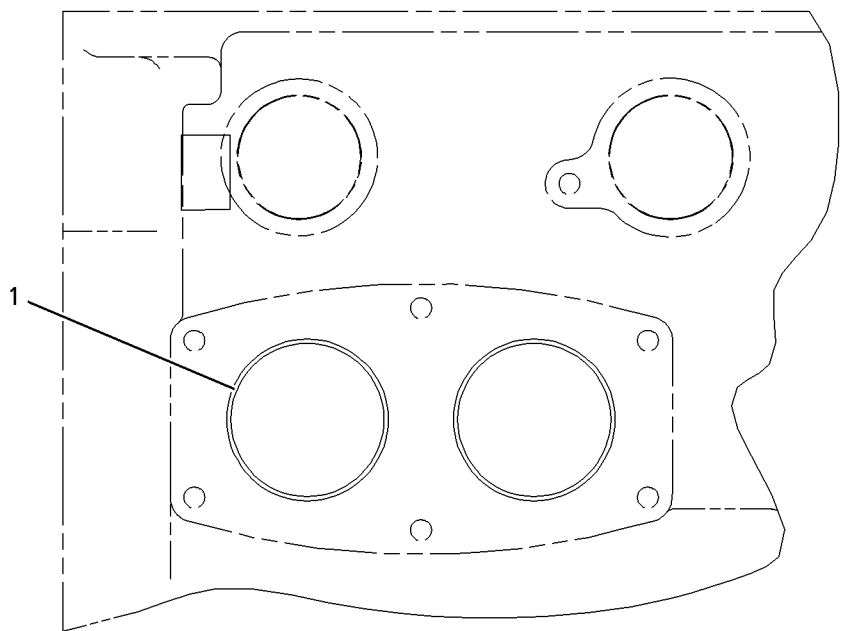
SMCS-1380

i06564397

NOTE	REF NO	GRAPHIC REF	PART NUMBER	QTY	PART NAME						SEE PAGE
					1	2	3	4	5	6 (PRODUCT LEVEL)	
	1	1	209-1434	2	PLUG-CUP (73.38-MM DIA)						
	2	1	8T-6761	1	PLUG-PIPE (1-11-1/2 NPT THD)						



REAR VIEW



RIGHT SIDE VIEW

GRAPHIC #1

<END>

g00790624

COOLING SYSTEM

260-1546 PUMP GP-WATER

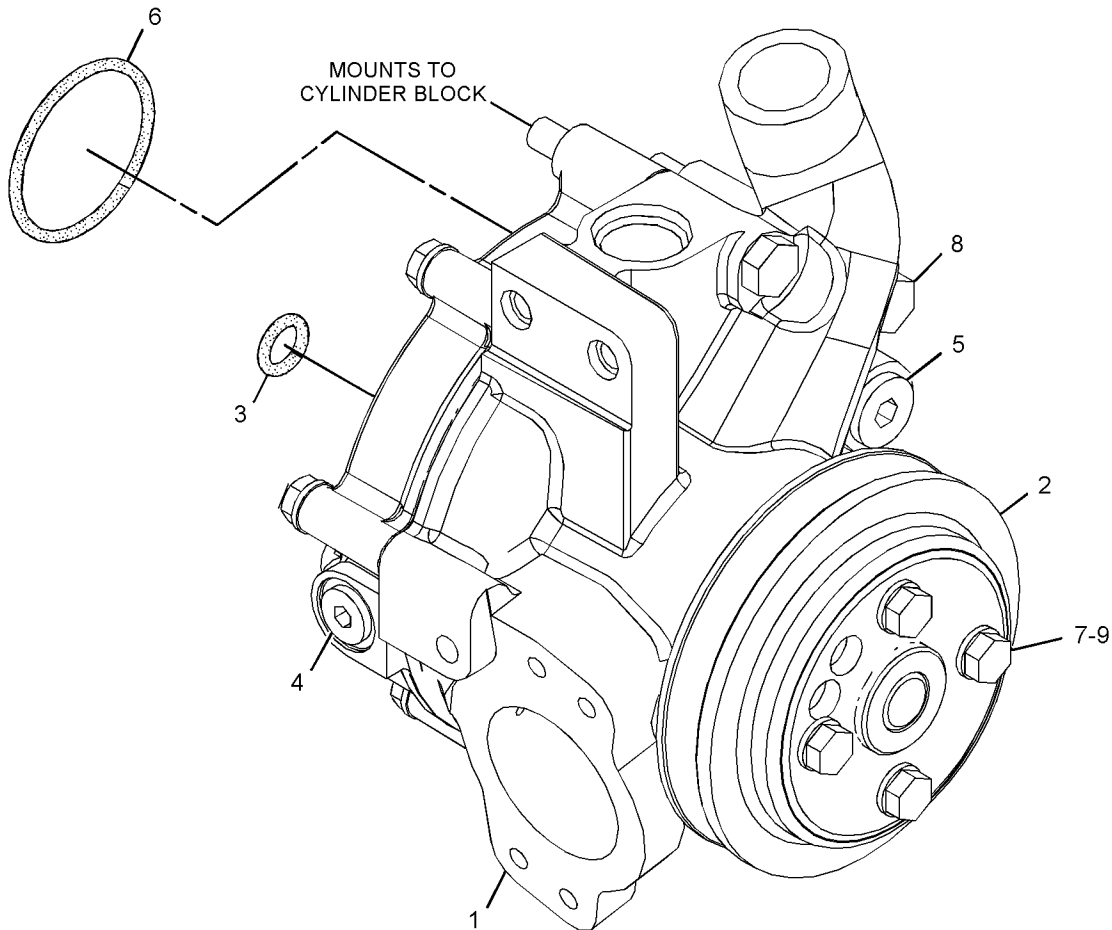
S/N: S9X1-UP

SMCS-1361

i06298277

NOTE	REF NO	GRAPHIC REF	PART NUMBER	QTY	PART NAME						SEE PAGE
					1	2	3	4	5	6 (PRODUCT LEVEL)	
YR	1	1	352-2080	1	PUMP GP-WATER						84
	2	1	478-9865	1	PULLEY (WATER PUMP)						
	3	1	147-0182	1	SEAL-O-RING						
	4	1	353-5124	1	PLUG AS						
		1	6V-3250	1	SEAL-O-RING						
		1	9S-8004	1	PLUG						
	5	1	396-0405	1	PLUG AS						
		1	6V-6609	1	SEAL-O-RING						
		1	360-3680	1	PLUG						
	6	1	384-9992	1	SEAL-O-RING						
M	7	1	6V-5217	4	BOLT (M8X1.25X20-MM)						
M	8	1	8T-0644	4	BOLT (M10X1.5X90-MM)						
	9	1	7S-6369	4	WASHER (0.344X0.75X0.188-IN THK)						

M - METRIC PART
R - REMANUFACTURED PART MAY BE AVAILABLE
Y - SEPARATE ILLUSTRATION



GRAPHIC #1

<END>

g02855556

COOLING SYSTEM

352-2079 PUMP GP-WATER

S/N: S9X1-UP

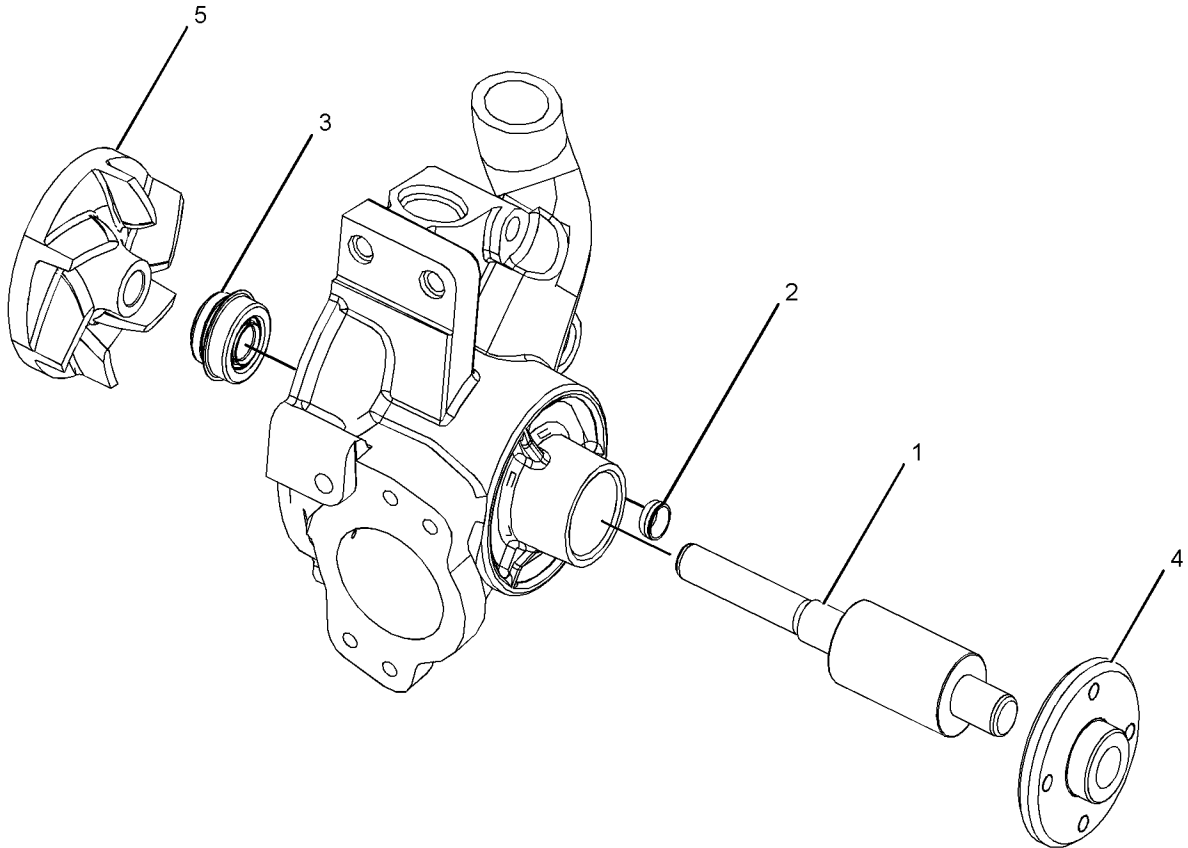
PART OF 352-2080 PUMP GP-WATER

SMCS-1361

i06105354

NOTE	REF NO	GRAPHIC REF	PART NUMBER	QTY	PART NAME						SEE PAGE
					1	2	3	4	5	6 (PRODUCT LEVEL)	
	1	1	397-1832	1	SHAFT AS						
	2	1	177-1058	1	PLUG						
	3	1	350-5417	1	SEAL-WATER PUMP						
	4	1	203-6098	1	HUB						
	5	1	226-6039	1	IMPELLER						

PARTS SHOWN IN GRAPHIC(S) WITHOUT A REFERENCE NUMBER ARE NOT SERVICED SEPARATELY



GRAPHIC #1

<END>

g02730440

COOLING SYSTEM

352-2080 PUMP GP-WATER*R

S/N: S9X1-UP

PART OF 260-1546 PUMP GP-WATER

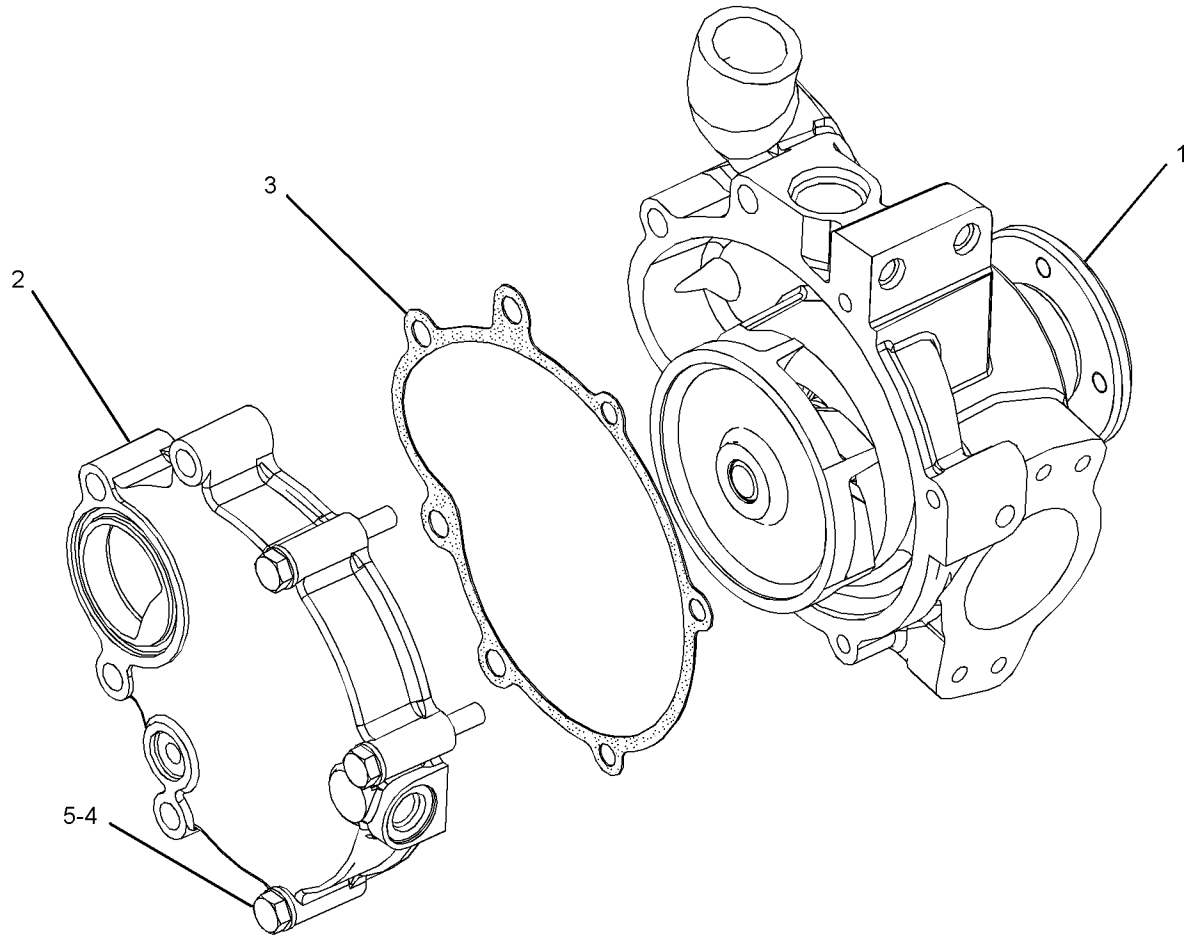
SMCS-1361

i06194389

NOTE	REF NO	GRAPHIC REF	PART NUMBER	QTY	PART NAME						SEE PAGE
					1	2	3	4	5	6 (PRODUCT LEVEL)	
Y	1	1	352-2079	1	PUMP GP-WATER						83
	2	1	226-6051	1	COVER						
	3	1	448-0607	1	GASKET						
M	4	1	6V-3918	3	BOLT (M8X1.25X50-MM)						
	5	1	9M-1974	3	WASHER-HARD (8.8X16X2-MM THK)						

M - METRIC PART

Y - SEPARATE ILLUSTRATION



GRAPHIC #1

<END>

g03847040

COOLING SYSTEM

463-3695 RADIATOR AS

S/N: LX91-UP

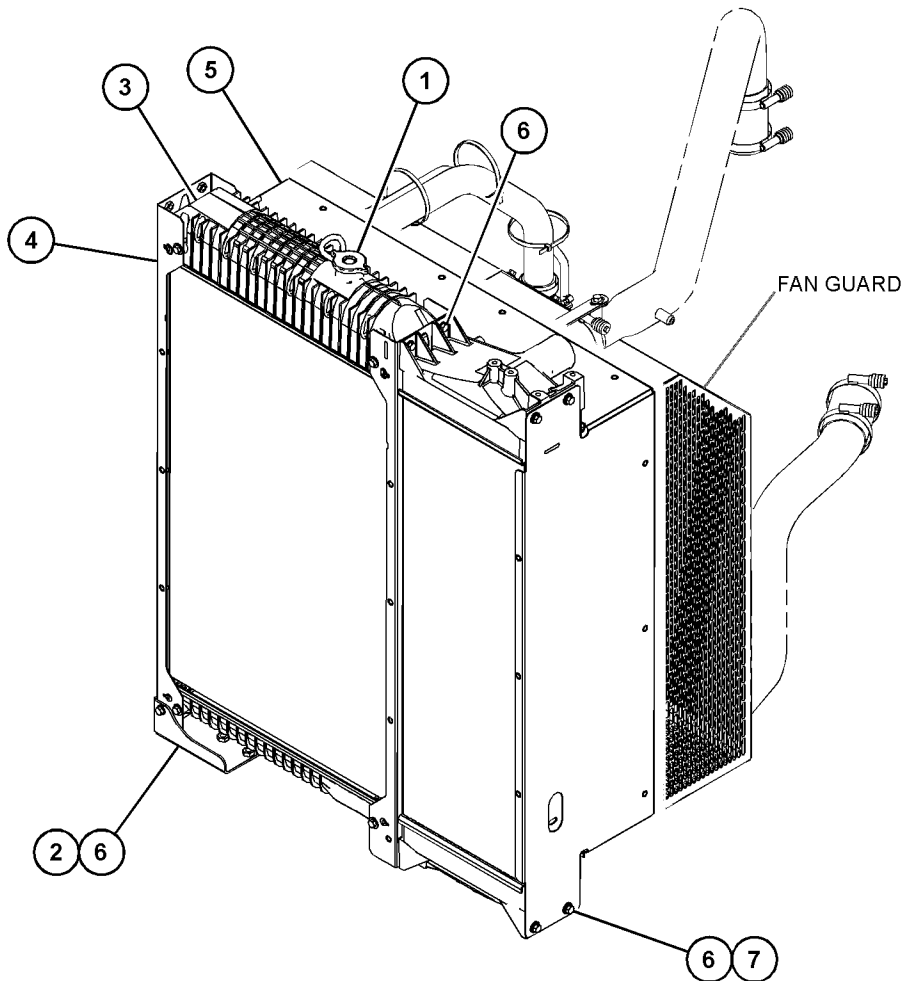
PART OF 463-3690 RADIATOR GP
AN ATTACHMENT

SMCS-1353

i06152200

NOTE	REF NO	GRAPHIC REF	PART NUMBER	QTY	PART NAME						SEE PAGE
					1	2	3	4	5	6 (PRODUCT LEVEL)	
	1	1	211-6574	1	CAP-RADIATOR (16-PSI)						
	2	1	287-3882	1	BRACKET-MOUNTING						
	3	1	294-2156	1	RADIATOR AS (AFTERCOOLER)						
	4	1	473-2833	1	RADIATOR AS						
	5	1	473-2836	1	SHROUD AS						
M	6	1	174-9194	15	BOLT (M8X1.25X16-MM)						
	7	1	5P-4116	7	WASHER-HARD (8.8X20.5X2-MM THK)						

M - METRIC PART



GRAPHIC #1

<END>

g03832028

COOLING SYSTEM

463-3670 RADIATOR GP

S/N: LX91-UP
AN ATTACHMENT

SMCS-1353

i06156326

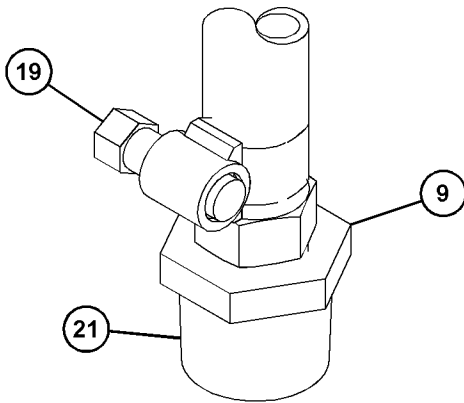
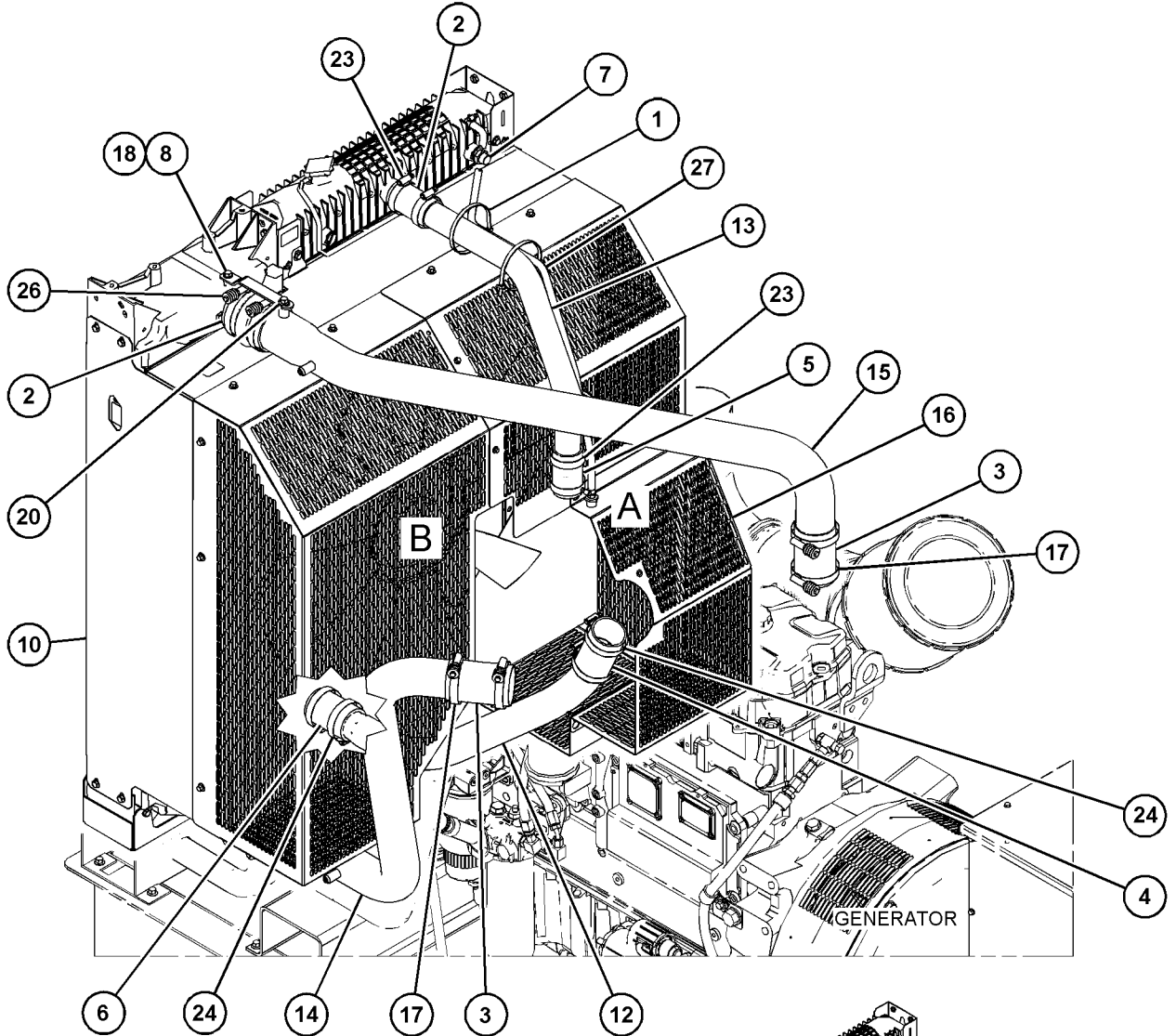
NOTE	REF NO	GRAPHIC REF	PART NUMBER	QTY	PART NAME						SEE PAGE
					1	2	3	4	5	6 (PRODUCT LEVEL)	
	1	1	7K-1181	3	STRAP-CABLE						
	2	1	8N-2807	2	HOSE						
	3	1	256-2058	2	HOSE						
	4	1	264-7111	1	HOSE						
	5	1	266-2815	2	HOSE						
	6	1	371-6173	1	HOSE						
	7	1	377-3884	1	GAUGE GP-COOLANT LEVEL						
	8	1	398-7207	2	BRACKET						
	9	1	425-1132	1	ADAPTER						
	10	1	439-0901	1	RADIATOR AS						
		1	211-6574	1	CAP-RADIATOR (16-PSI)						
		1	471-0754	1	RADIATOR AS						
		1	471-0755	1	AFTERCOOLER AS						
		1	471-0756	1	SHROUD AS						
	11	1	443-2501	1	FAN						
	12	1	463-3671	1	TUBE AS						
	13	1	463-3672	1	TUBE-WATER						
	14	1	463-3673	1	TUBE AS						
	15	1	463-3674	1	TUBE AS						
Y	16	1	<i>463-8165</i>	1	GUARD GP-RADIATOR						76
	17	1	144-0367	4	CLAMP-HOSE						
M	18	1	174-9194	2	BOLT (M8X1.25X16-MM)						
	19	1	262-0490	2	CLAMP						
M	20	1	342-9913	2	BOLT-FLANGE HEAD (M10X1.5X20-MM)						
	21	1	3B-7764	1	BUSHING (REDUCING)						
	22	1	4L-6454	6	BOLT (3/8-16X1-IN)						
	23	1	5P-0597	4	CLAMP-HOSE						
	24	1	5P-4868	4	CLAMP-HOSE						
	25	1	8T-4896	6	WASHER-HARD (10.2X18.5X2.5-MM THK)						
	26	1	8T-4985	4	CLAMP-HOSE						
G	27	1	423-1981		HOSE (38.2-IN)						

G - ORDER BY THE INCH
M - METRIC PART
Y - SEPARATE ILLUSTRATION

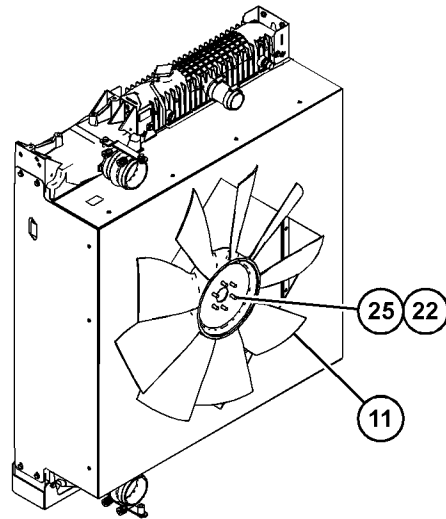
COOLING SYSTEM

463-3670 RADIATOR GP (contd.)

106156326



VIEW OF AREA A
(PARTS REMOVED FOR CLARITY)



VIEW OF AREA B
(PARTS REMOVED FOR CLARITY)

GRAPHIC #1

<END>

g03833694

COOLING SYSTEM

463-3690 RADIATOR GP

S/N: LX91-UP
AN ATTACHMENT

SMCS-1353

i06151346

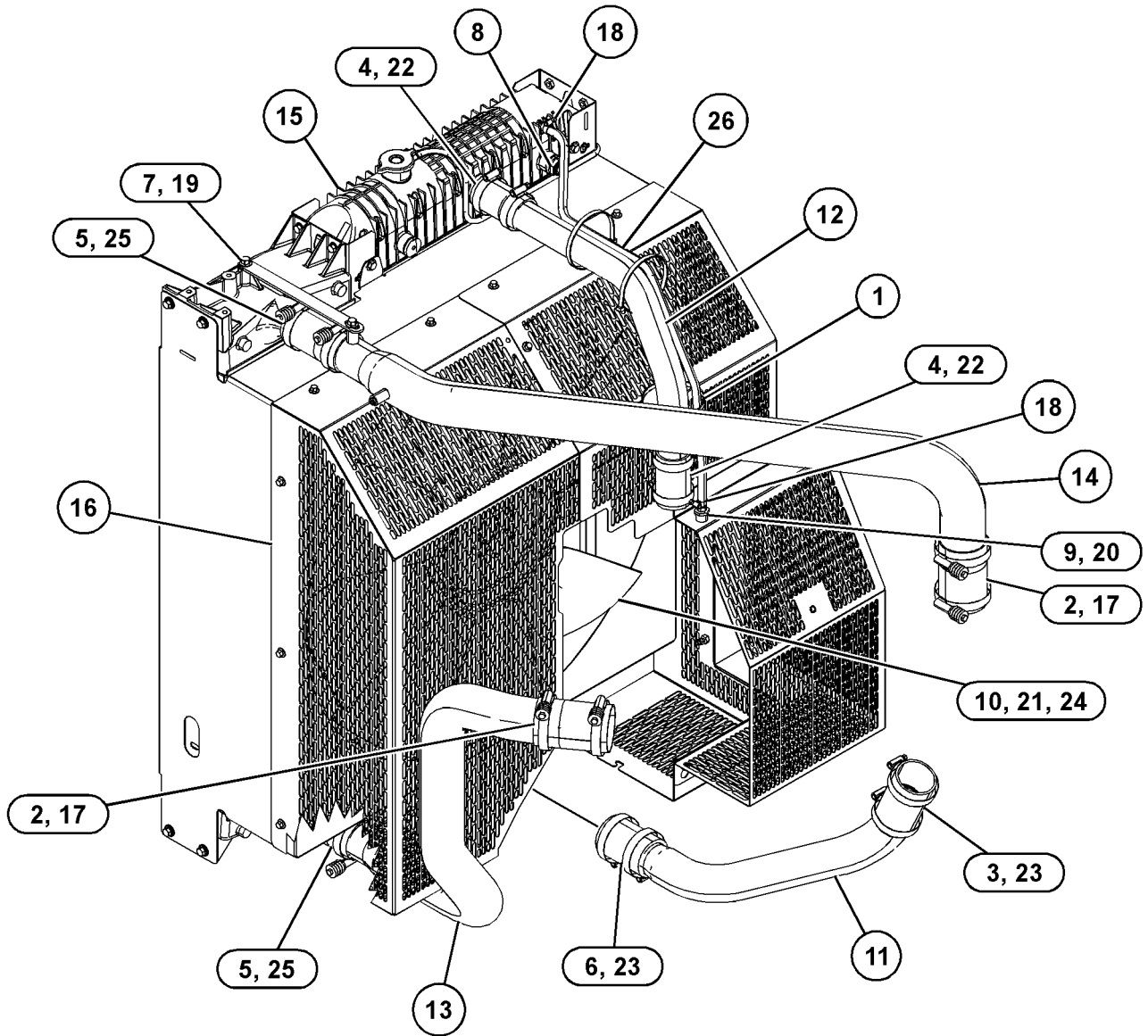
NOTE	REF NO	GRAPHIC REF	PART NUMBER	QTY	PART NAME						SEE PAGE
					1	2	3	4	5	6 (PRODUCT LEVEL)	
	1	1	7K-1181	3	STRAP-CABLE						
	2	1	256-2058	2	HOSE						
	3	1	264-7111	1	HOSE						
	4	1	266-2815	2	HOSE						
	5	1	320-2922	2	HOSE						
	6	1	371-6173	1	HOSE						
	7	1	372-0379	1	STRAP						
	8	1	377-3884	1	GAUGE GP-COOLANT LEVEL						
	9	1	425-1132	1	ADAPTER						
	10	1	443-2501	1	FAN						
	11	1	463-3691	1	TUBE AS						
	12	1	463-3692	1	TUBE-WATER						
	13	1	463-3693	1	TUBE AS						
	14	1	463-3694	1	TUBE AS						
Y	15	1	463-3695	1	RADIATOR AS						85
Y	16	1	<i>464-8046</i>	1	GUARD GP-RADIATOR						77
	17	1	144-0367	4	CLAMP-HOSE						
	18	1	262-0490	2	CLAMP						
M	19	1	342-9913	2	BOLT-FLANGE HEAD (M10X1.5X20-MM)						
	20	1	3B-7764	1	BUSHING (REDUCING)						
	21	1	4L-6454	6	BOLT (3/8-16X1-IN)						
	22	1	5P-0597	4	CLAMP-HOSE						
	23	1	5P-4868	4	CLAMP-HOSE						
	24	1	8T-4896	6	WASHER-HARD (10.2X18.5X2.5-MM THK)						
	25	1	8T-4984	4	CLAMP-HOSE						
G	26	1	423-1981		HOSE (33.5-IN)						

G - ORDER BY THE INCH
M - METRIC PART
Y - SEPARATE ILLUSTRATION

COOLING SYSTEM

463-3690 RADIATOR GP (contd.)

i06151346



GRAPHIC #1

<END>

g03832133

COOLING SYSTEM

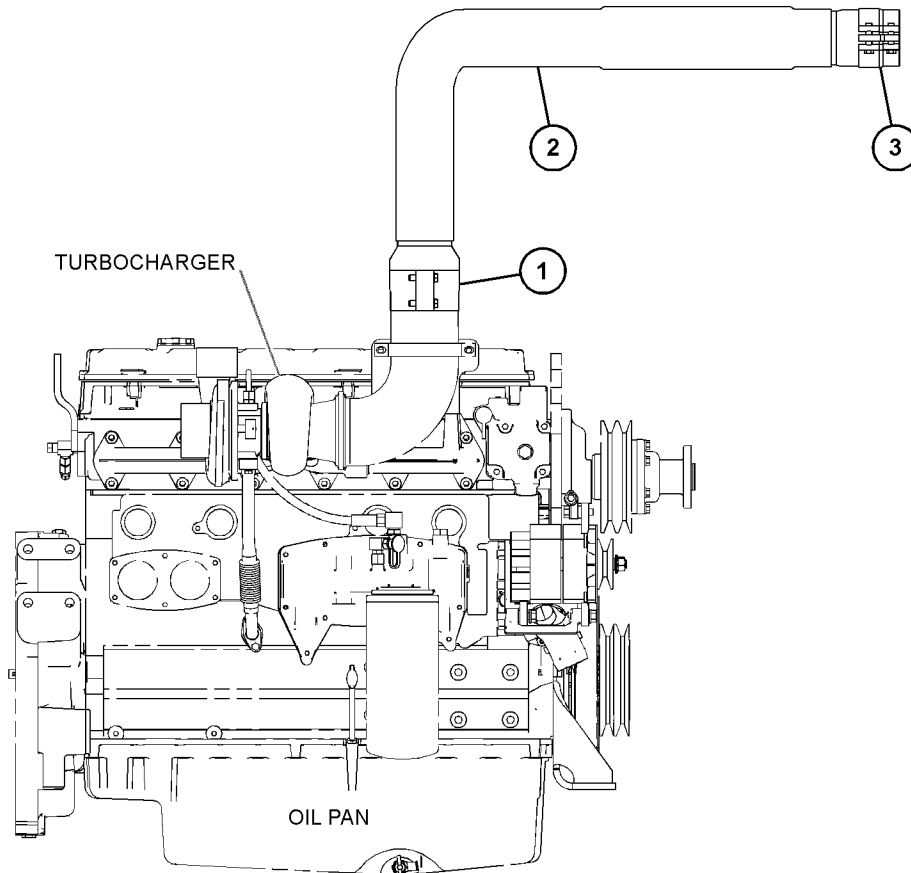
465-8808 TUBE AS

S/N: LX91-UP
AN ATTACHMENT

SMCS-1374, 5057

i06145246

NOTE	REF NO	GRAPHIC REF	PART NUMBER	QTY	PART NAME						SEE PAGE
					1	2	3	4	5	6 (PRODUCT LEVEL)	
	1	1	190-5341	1	CLAMP						
	2	1	465-8806	1	TUBE AS						
	3	1	241-9264	1	CLAMP-MUFFLER						



GRAPHIC #1

<END>

g03829644

AIR INLET AND EXHAUST SYSTEM

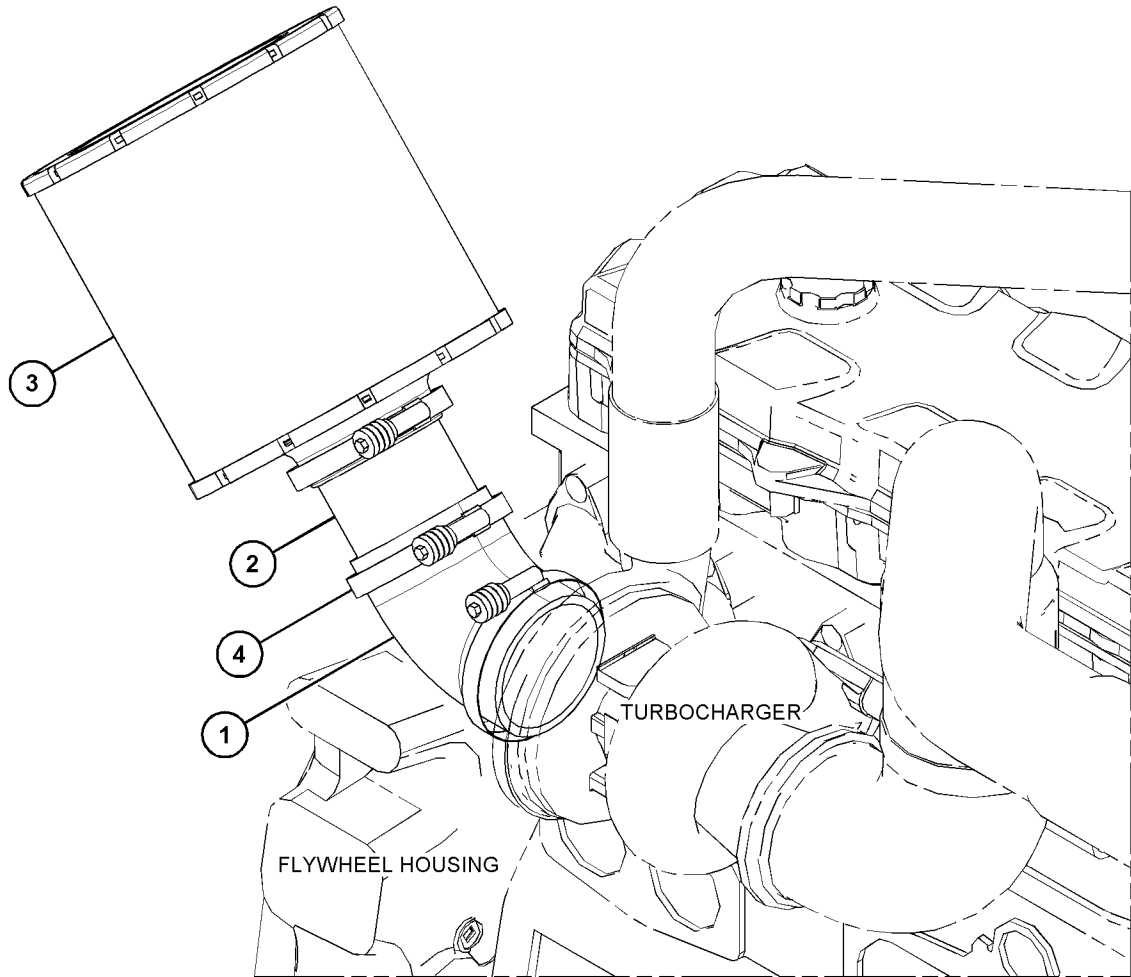
471-0776 AIR CLEANER GP

S/N: LX91-UP
AN ATTACHMENT

SMCS-1051, 1054

i06151356

NOTE	REF NO	GRAPHIC REF	PART NUMBER	QTY	PART NAME						SEE PAGE
					1	2	3	4	5	6 (PRODUCT LEVEL)	
	1	1	416-1057	1	HOSE						
	2	1	416-1058	1	TUBE AS						
	3	1	471-0777	1	ELEMENT AS (AIR CLEANER)						
	4	1	8T-4986	3	CLAMP-HOSE						



GRAPHIC #1

<END>

g03834022

AIR INLET AND EXHAUST SYSTEM

471-0778 AIR CLEANER GP

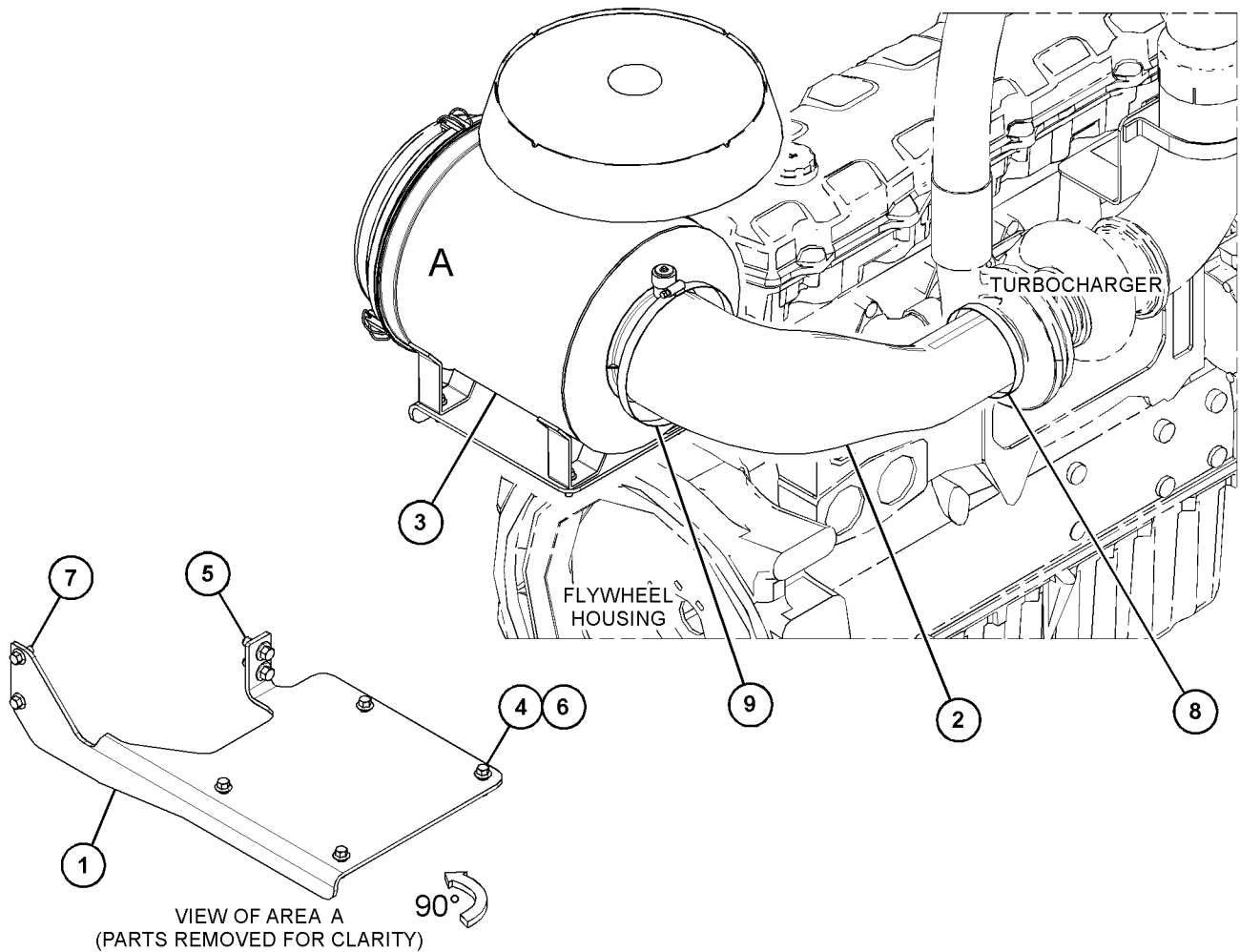
S/N: LX91-UP
AN ATTACHMENT

SMCS-1051, 1054

i06151357

NOTE	REF NO	GRAPHIC REF	PART NUMBER	QTY	PART NAME						SEE PAGE
					1	2	3	4	5	6 (PRODUCT LEVEL)	
	1	1	463-3681	1	BRACKET						
	2	1	463-3682	1	HOSE-AIR						
Y	3	1	471-0779	1	AIR CLEANER GP						93
M	4	1	175-7141	4	NUT-HEX FLANGE (M10X1.5-THD)						
	5	1	208-9310	2	BOLT-FLANGE HEAD (M12X1.75X30-MM)						
M	6	1	338-3669	4	BOLT-FLANGE HEAD (M10X1.5X30-MM)						
M	7	1	342-9913	2	BOLT-FLANGE HEAD (M10X1.5X20-MM)						
	8	1	5P-1717	1	CLAMP-HOSE						
	9	1	5P-4869	1	CLAMP-HOSE						

M - METRIC PART
Y - SEPARATE ILLUSTRATION



GRAPHIC #1

<END>

g03834023

AIR INLET AND EXHAUST SYSTEM

471-0779 AIR CLEANER GP

S/N: LX91-UP

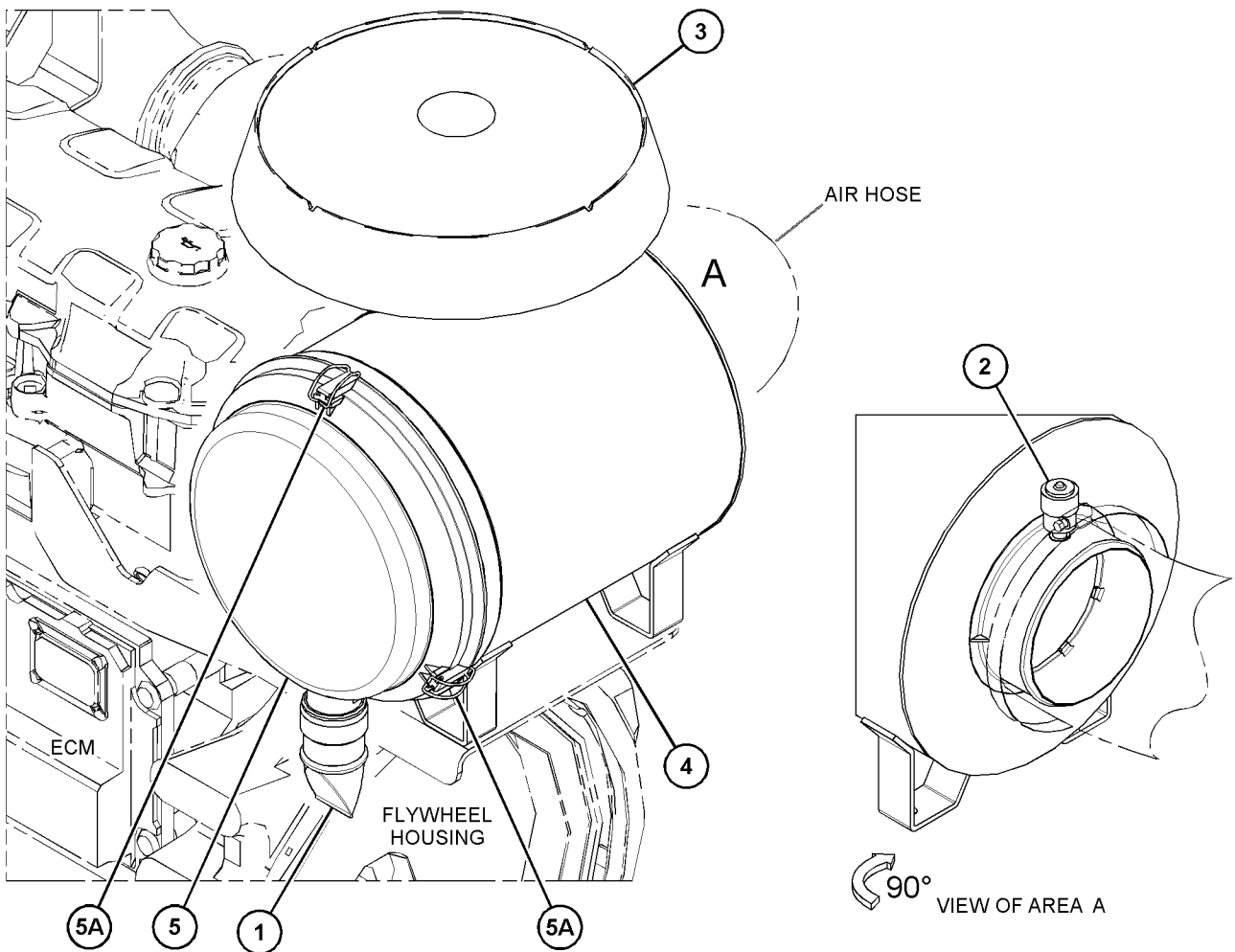
PART OF 471-0778 AIR CLEANER GP
AN ATTACHMENT

SMCS-1051, 1054

i06151362

NOTE	REF NO	GRAPHIC REF	PART NUMBER	QTY	PART NAME						SEE PAGE
					1	2	3	4	5	6 (PRODUCT LEVEL)	
	1	1	131-8829	1	VALVE-DUST (AIR CLEANER)						
	2	1	467-7693	1	INDICATOR (AIR CLEANER)						
	3	1	467-7712	1	HOOD AS						
	4	1	471-0780	1	BODY AS						
	5	1	131-8828	1	COVER AS						
	5A	1	139-8794	3	LATCH						
F			289-2348	1	FILTER ELEMENT-AIR (PRIMARY)						

F - NOT SHOWN



GRAPHIC #1

<END>

g03834024

AIR INLET AND EXHAUST SYSTEM

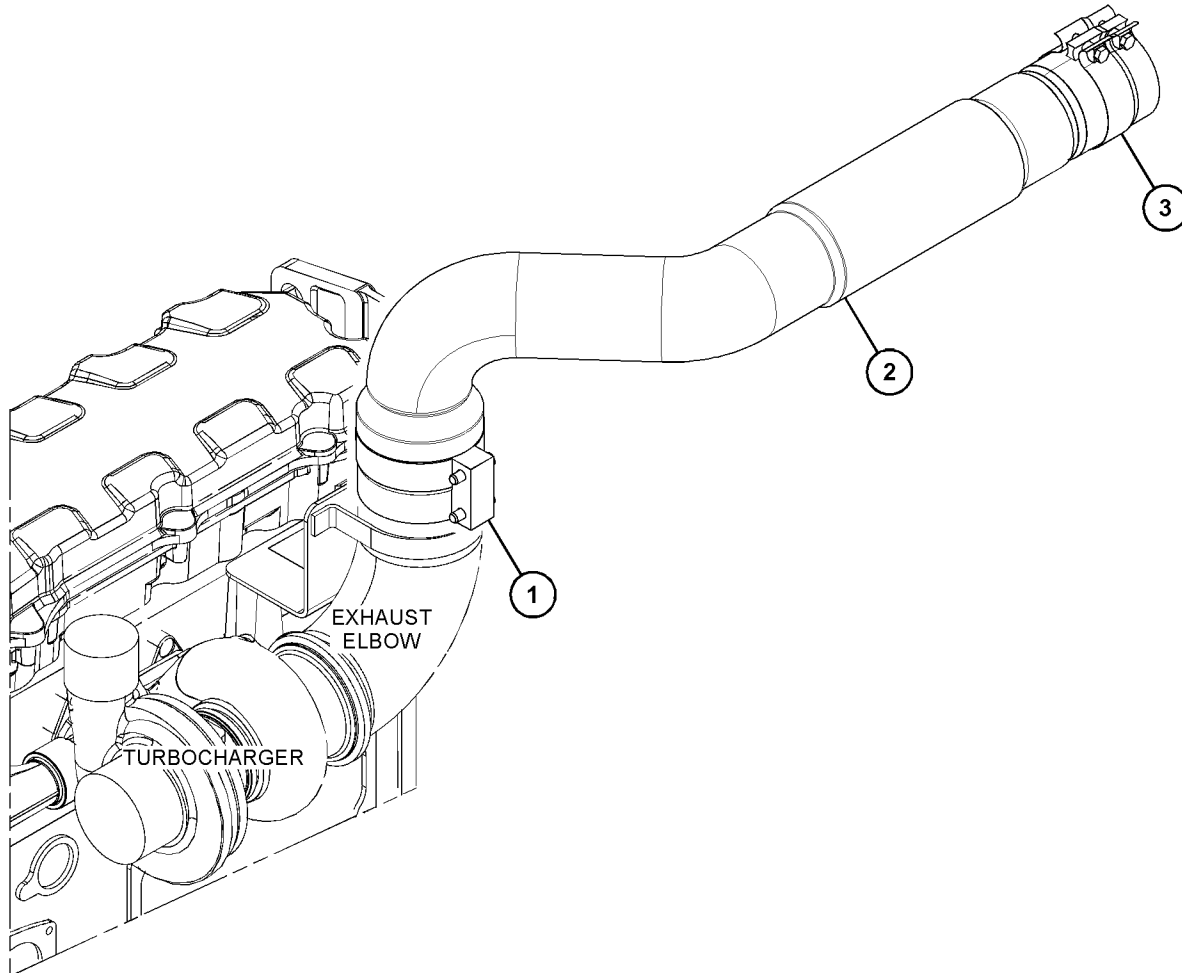
465-2266 CLAMP AS-EXHAUST

S/N: LX91-UP
AN ATTACHMENT

SMCS-1061, 1062, 1071

i06145209

NOTE	REF NO	GRAPHIC REF	PART NUMBER	QTY	PART NAME						SEE PAGE
					1	2	3	4	5	6 (PRODUCT LEVEL)	
1	1	1	190-5341	1	CLAMP						
2	1	1	465-2265	1	TUBE AS						
3	1	1	241-9264	1	CLAMP-MUFFLER						



GRAPHIC #1

<END>

g03827117

AIR INLET AND EXHAUST SYSTEM

219-0422 ELBOW GP-AIR INLET

S/N: S9X1-UP

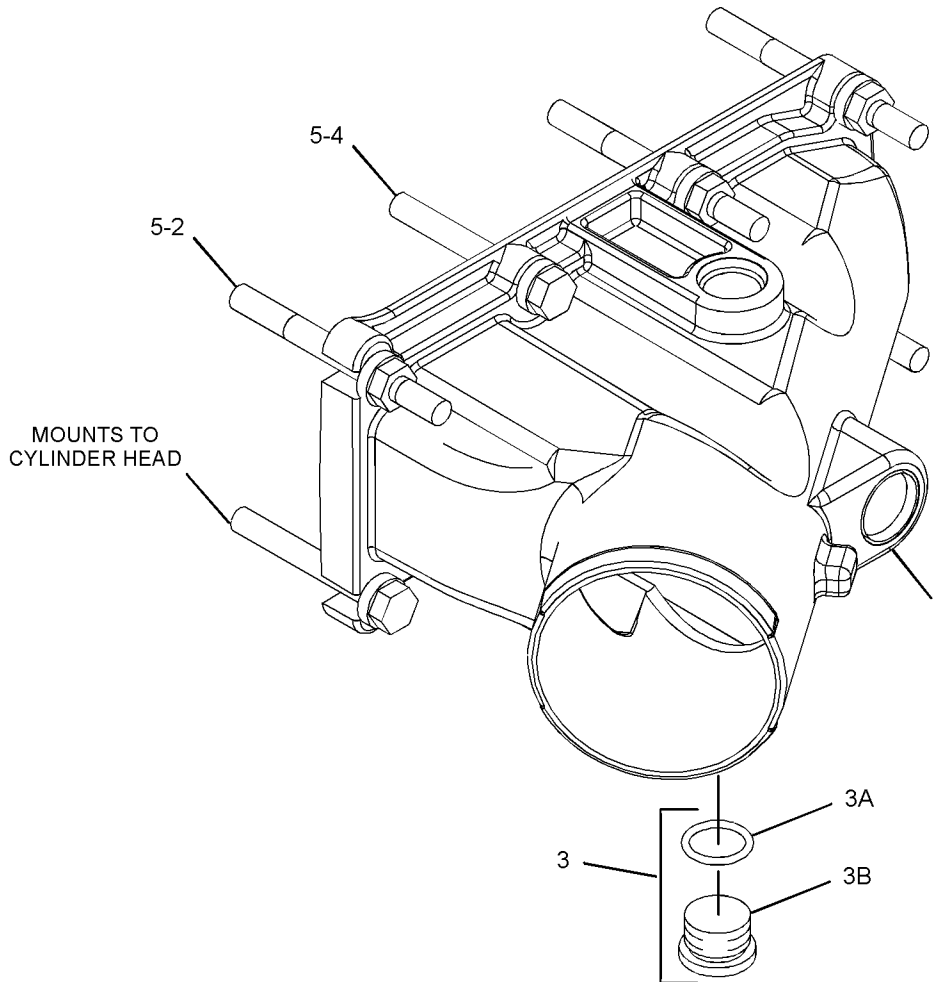
45-DEG STRAIGHT ELBOW FACING FORWARD WITH 3 SAE PORTS , REQUIRES NO. 10 STOR FITTING FOR AIR COMPRESSOR AND A NO. 8 STOR AIR TEMPERATURE SENSOR

SMCS-1087

i06098814

NOTE	REF NO	GRAPHIC REF	PART NUMBER	QTY	PART NAME						SEE PAGE
					1	2	3	4	5	6 (PRODUCT LEVEL)	
	1	1	257-8299	1	ELBOW-AIR INLET						
M	2	1	131-0353	4	STUD (M8X1.25X82.75-MM)						
	3	1	398-5596	1	PLUG AS						
	3A	1	238-5080	1	SEAL-O-RING						
	3B	1	360-3680	1	PLUG						
M	4	1	8T-0100	4	BOLT (M8X1.25X60-MM)						
	5	1	214-1048	8	SPACER (8.8X16X4-MM THK)						
BF			1U-8846		SEALANT-GASKET						

B - USE AS REQUIRED
 F - NOT SHOWN
 M - METRIC PART



GRAPHIC #1

<END>

g03322016

AIR INLET AND EXHAUST SYSTEM

470-5943 ELBOW GP-AIR INLET

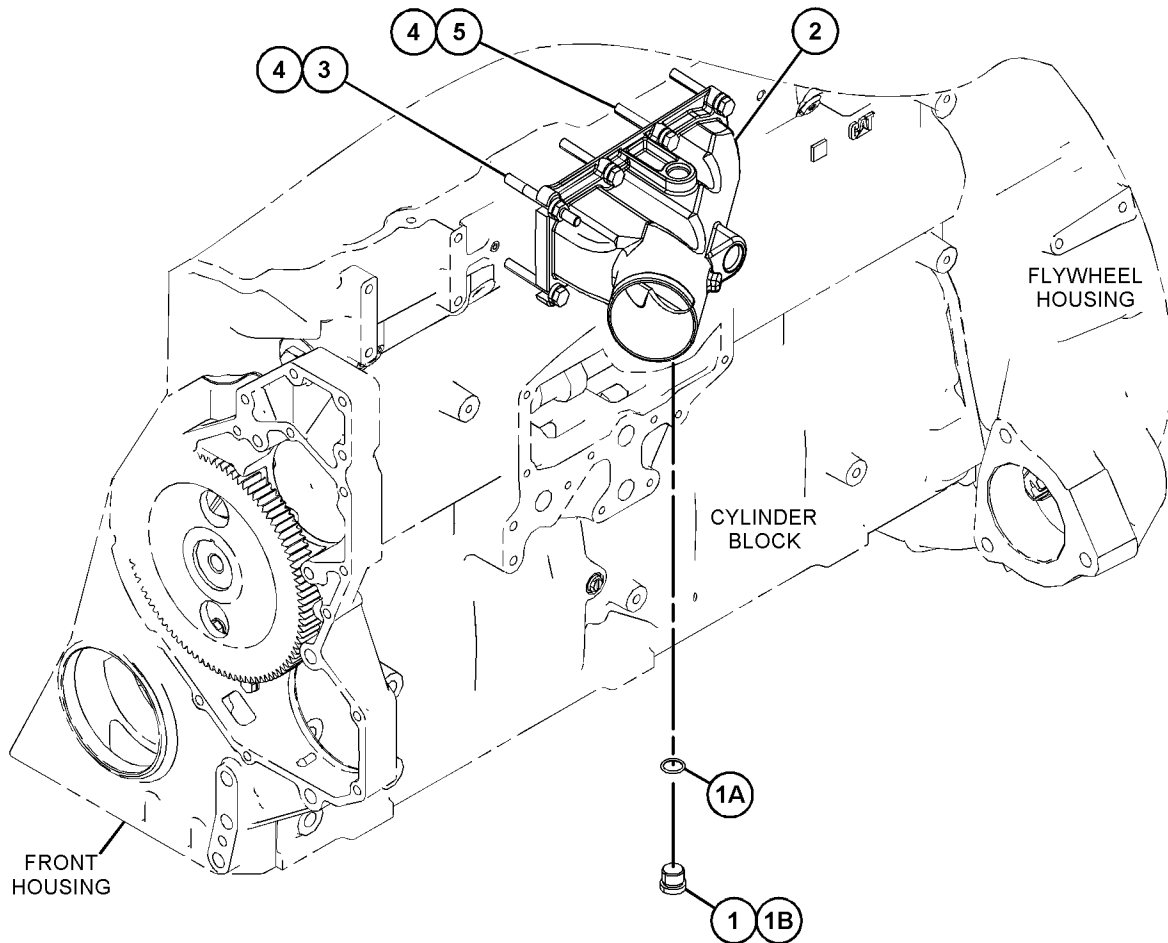
S/N: S9X1-UP

SMCS-1087

i06289012

NOTE	REF NO	GRAPHIC REF	PART NUMBER	QTY	PART NAME						SEE PAGE
					1	2	3	4	5	6 (PRODUCT LEVEL)	
	1	1	398-5596	1	PLUG AS						
	1A	1	238-5080	1	SEAL-O-RING						
	1B	1	360-3680	1	PLUG						
	2	1	480-0127	1	ELBOW-AIR INLET						
M	3	1	145-2264	1	STUD (M8X1.25X35-MM)						
	4	1	214-1048	8	SPACER (8.8X16X4-MM THK)						
M	5	1	6V-5218	7	BOLT (M8X1.25X35-MM)						
BF			8C-8422		SEALANT						

B - USE AS REQUIRED
 F - NOT SHOWN
 M - METRIC PART



GRAPHIC #1

<END>

g06024498

AIR INLET AND EXHAUST SYSTEM

459-9294 ELBOW GP-EXHAUST

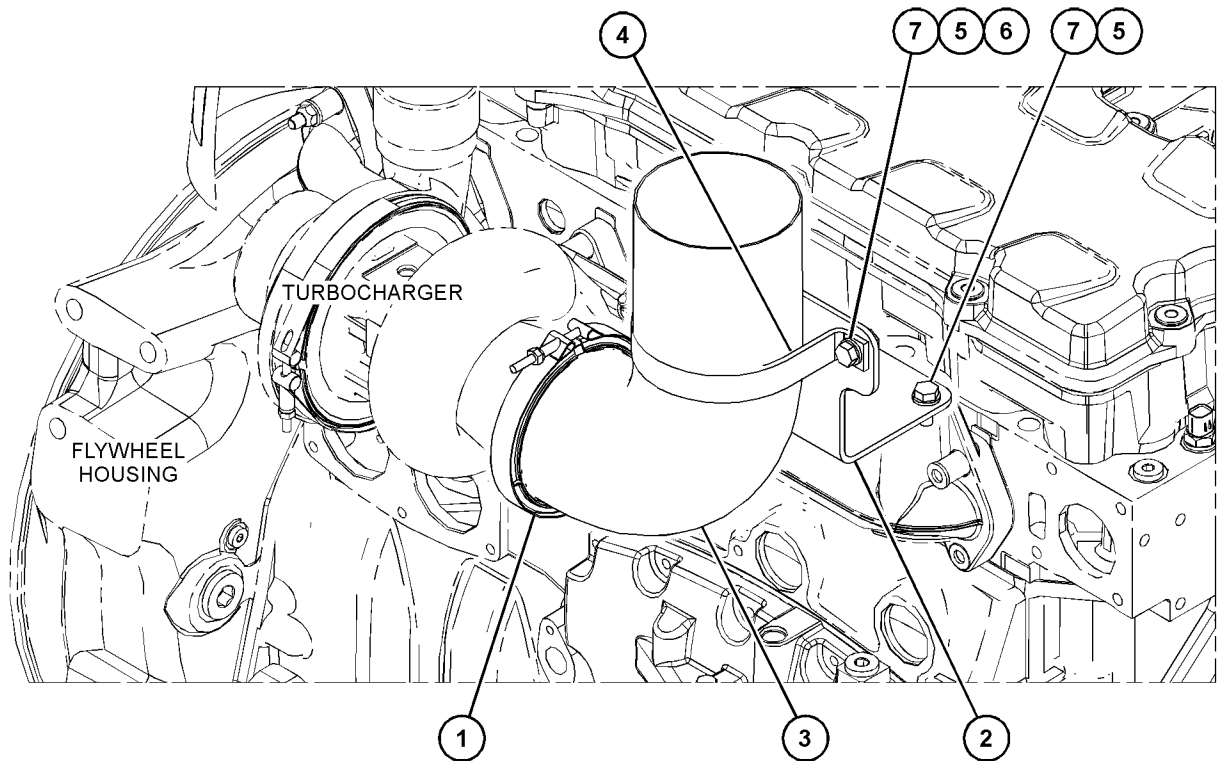
S/N: S9X1-UP

SMCS-1061

i06101255

NOTE	REF NO	GRAPHIC REF	PART NUMBER	QTY	PART NAME						SEE PAGE
					1	2	3	4	5	6 (PRODUCT LEVEL)	
	1	1	4W-9160	1	CLAMP-V BAND						
	2	1	212-6030	1	SUPPORT AS						
	3	1	461-8726	1	ELBOW-EXHAUST						
	4	1	7L-8256	1	CLAMP-TUBE						
	5	1	8T-4121	7	WASHER-HARD (11X21X2.5-MM THK)						
M	6	1	8T-4133	2	NUT (M10X1.5-THD)						
M	7	1	8T-4136	5	BOLT (M10X1.5X25-MM)						

M - METRIC PART



GRAPHIC #1

<END>

g03816965

AIR INLET AND EXHAUST SYSTEM

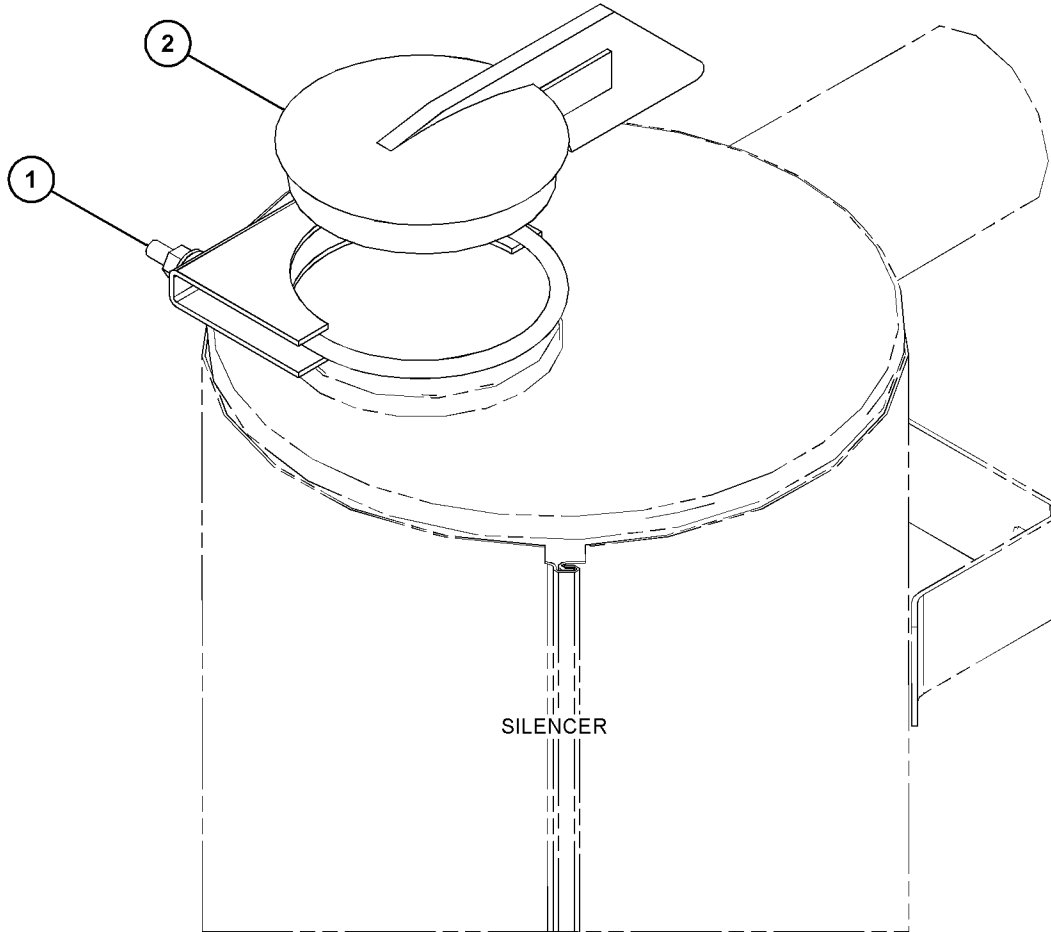
471-0774 FITTING GP-EXHAUST

S/N: LX91-UP
AN ATTACHMENT

SMCS-1061

i06110444

NOTE	REF NO	GRAPHIC REF	PART NUMBER	QTY	PART NAME						SEE PAGE
					1	2	3	4	5	6 (PRODUCT LEVEL)	
	1	1	266-2973	2	CLAMP AS-U-BOLT						
	2	1	417-9229	1	CAP-RAIN						



GRAPHIC #1

<END>

g03819377

AIR INLET AND EXHAUST SYSTEM

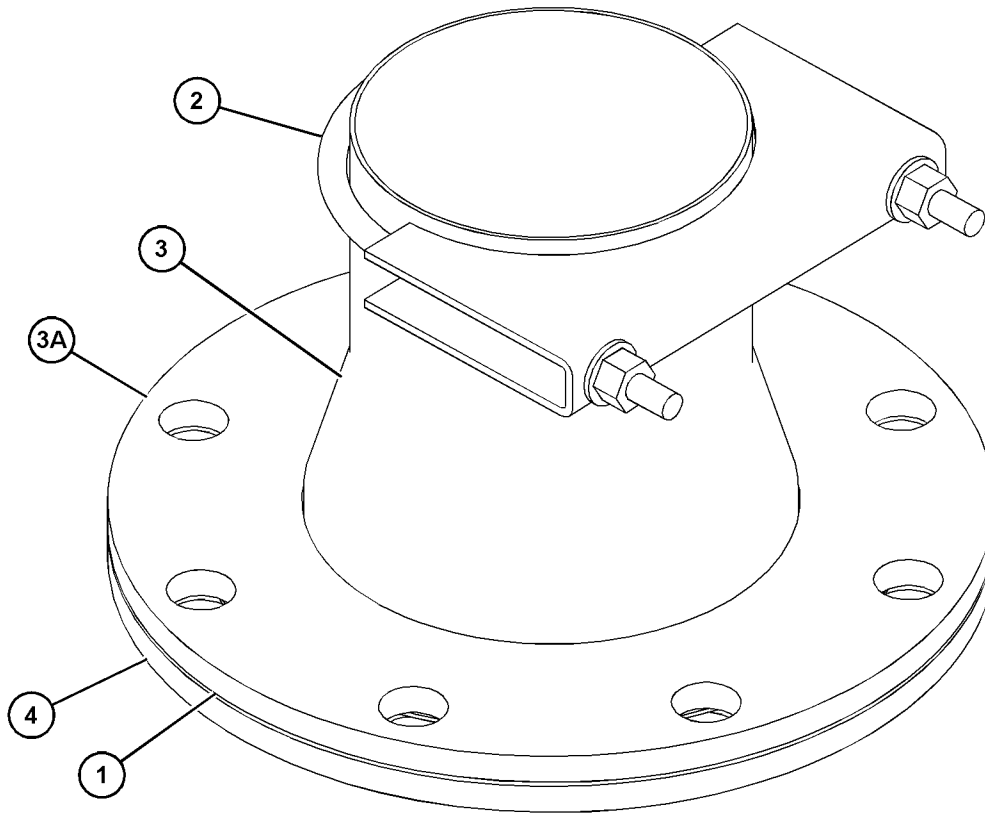
328-3860 FLANGE GP-EXHAUST

S/N: LX91-UP
AN ATTACHMENT

SMCS-1061

i06110316

NOTE	REF NO	GRAPHIC REF	PART NUMBER	QTY	PART NAME						SEE PAGE
					1	2	3	4	5	6 (PRODUCT LEVEL)	
	1	1	113-9543	1	GASKET						
	2	1	266-2973	1	CLAMP AS-U-BOLT						
	3	1	269-6288	1	REDUCER AS						
	3A	1	142-2452	1	FLANGE						
	4	1	142-2452	1	FLANGE						



GRAPHIC #1

<END>

g03893712

AIR INLET AND EXHAUST SYSTEM

470-0624 GUARD GP-TURBOCHARGER

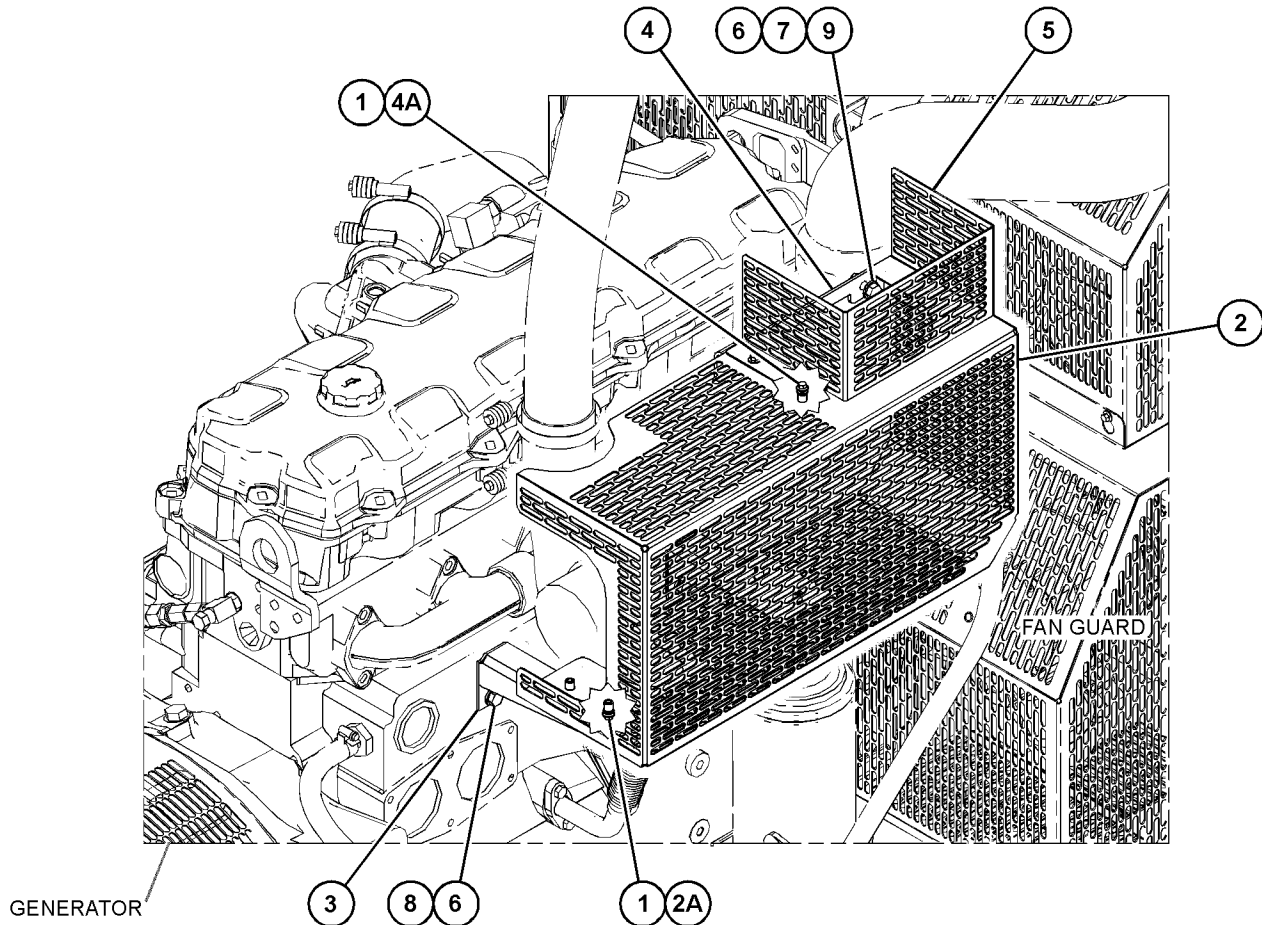
S/N: LX91-UP
AN ATTACHMENT

SMCS-1052, 7150

i06151353

NOTE	REF NO	GRAPHIC REF	PART NUMBER	QTY	PART NAME						SEE PAGE
					1	2	3	4	5	6 (PRODUCT LEVEL)	
M	1	1	235-4451	8	BOLT-FLANGE HEAD (M6X1X16-MM)						
	2	1	470-0625	1	GUARD AS						
M	2A	1	3E-4304	4	INSERT-THREADED (M6X1-THD)						
	3	1	470-0627	2	BRACKET						
	4	1	470-0628	1	BRACKET AS						
M	4A	1	3E-4304	4	INSERT-THREADED (M6X1-THD)						
	5	1	470-0630	1	GUARD						
	6	1	8T-4121	6	WASHER-HARD (11X21X2.5-MM THK)						
M	7	1	8T-4133	2	NUT (M10X1.5-THD)						
M	8	1	8T-4137	2	BOLT (M10X1.5X20-MM)						
M	9	1	8T-4195	2	BOLT (M10X1.5X30-MM)						

M - METRIC PART



GRAPHIC #1

<END>

g03832883

AIR INLET AND EXHAUST SYSTEM

465-2258 INSULATION GP-HEAT

S/N: LX91-UP

PART OF 465-2250, 471-0765 ENCLOSURE GP-GENSET
AN ATTACHMENT

SMCS-1067

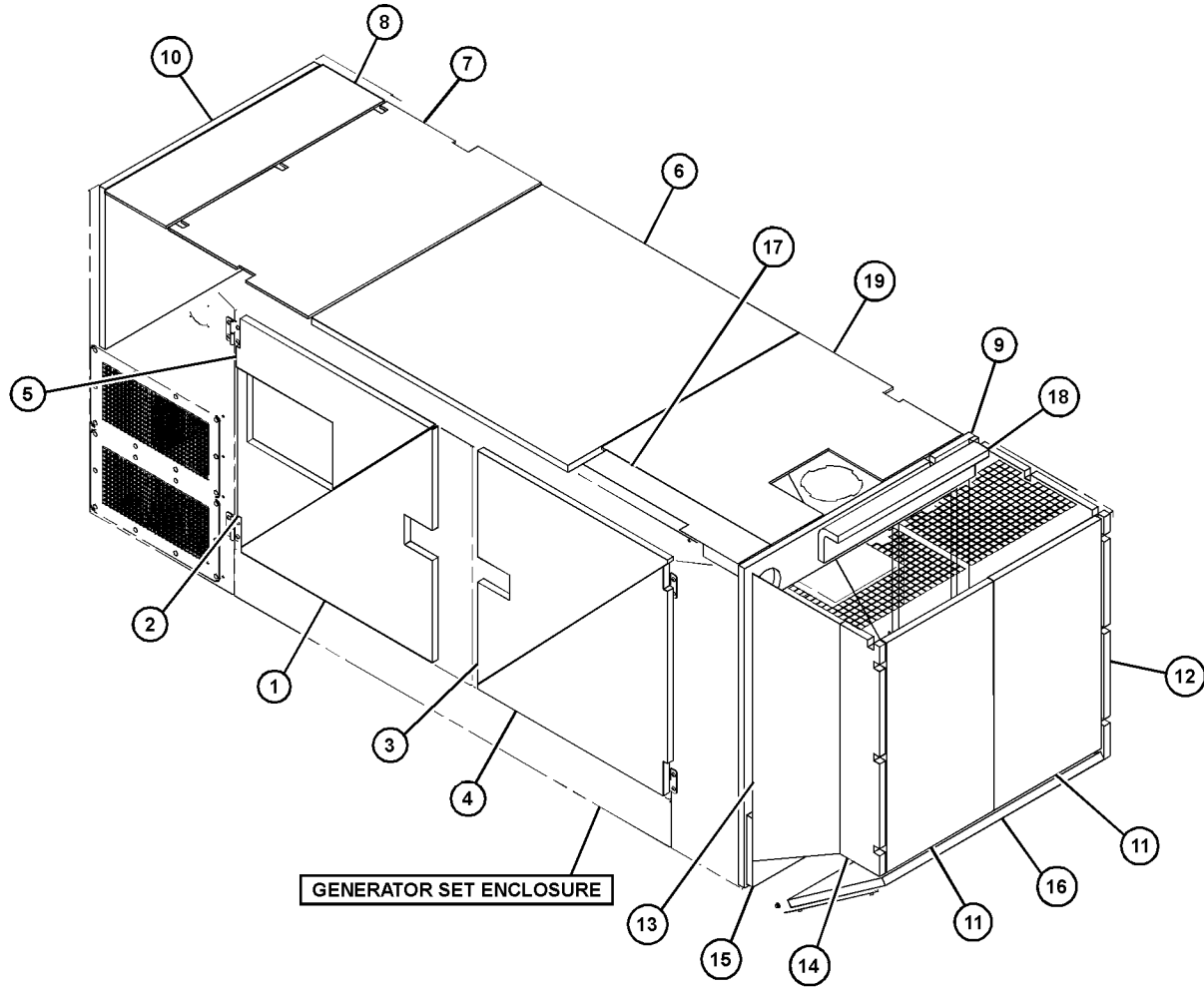
i06141270

NOTE	REF NO	GRAPHIC REF	PART NUMBER	QTY	PART NAME						SEE PAGE
					1	2	3	4	5	6 (PRODUCT LEVEL)	
1	1	1	438-9097	1	INSULATION						
2	1	1	438-9098	1	INSULATION						
3	1	1	438-9103	2	INSULATION						
4	1	1	438-9104	2	INSULATION						
5	1	1	439-1694	1	INSULATION						
6	1	1	446-0135	1	INSULATION						
7	1	1	446-0136	1	INSULATION						
8	1	1	446-0137	1	INSULATION						
9	1	1	446-9687	1	INSULATION						
10	1	1	446-9689	1	INSULATION						
11	1	1	446-9690	2	INSULATION						
12	1	1	446-9691	1	INSULATION						
13	1	1	446-9692	1	INSULATION						
14	1	1	446-9693	1	INSULATION						
15	1	1	446-9695	1	INSULATION						
16	1	1	446-9696	1	INSULATION						
17	1	1	454-2864	1	INSULATION						
18	1	1	465-2259	1	INSULATION						
19	1	1	465-2260	1	INSULATION						

AIR INLET AND EXHAUST SYSTEM

465-2258 INSULATION GP-HEAT (contd.)

i06141270



GRAPHIC #1

<END>

g03826029

AIR INLET AND EXHAUST SYSTEM

466-9308 INSULATION GP-HEAT

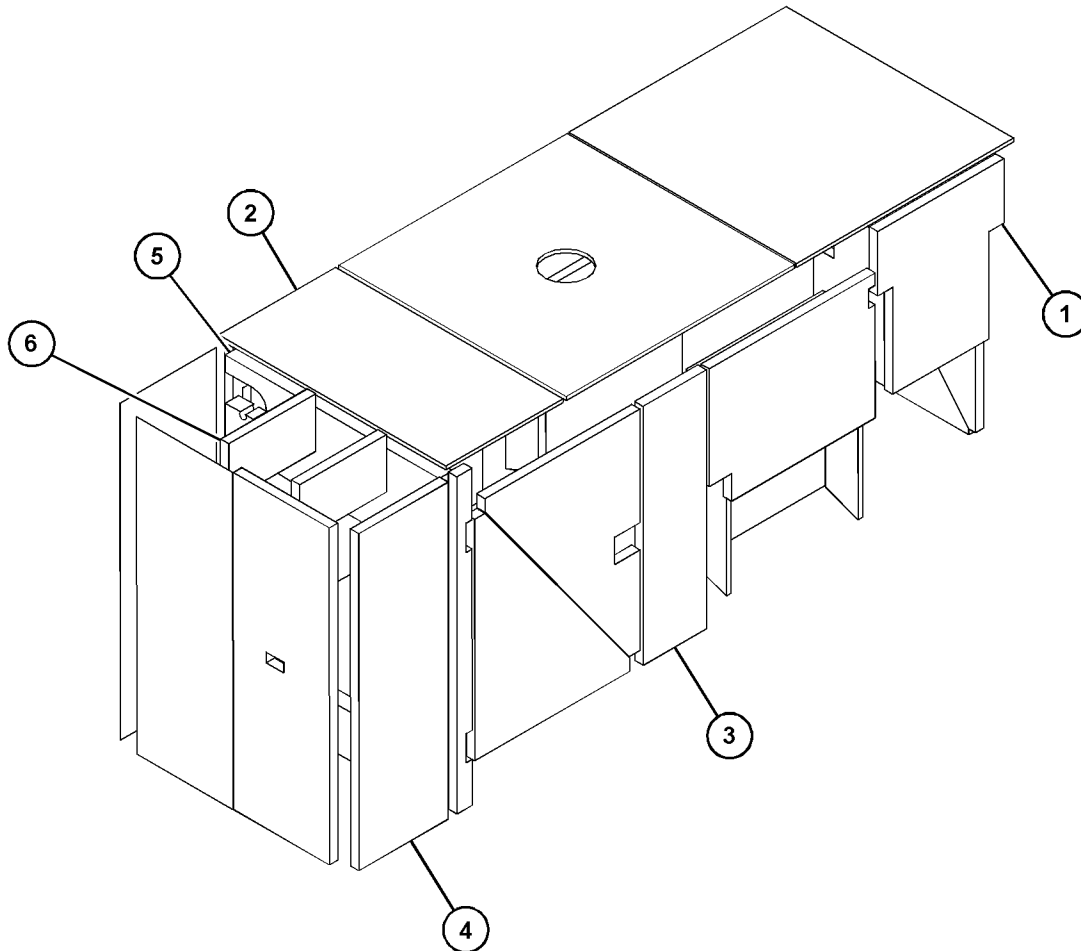
S/N: LX91-UP

PART OF 466-9306 ENCLOSURE GP-GENSET
AN ATTACHMENT

SMCS-1067

i06136717

NOTE	REF NO	GRAPHIC REF	PART NUMBER	QTY	PART NAME						SEE PAGE
					1	2	3	4	5	6 (PRODUCT LEVEL)	
1	1	1	393-1442	1	INSULATION AS-SOUND						
2	1	1	393-1468	1	INSULATION AS-SOUND						
3	1	1	393-1576	2	INSULATION						
4	1	1	393-1634	1	INSULATION AS-SOUND						
5	1	1	466-9313	1	INSULATION						
6	1	1	393-3384	2	INSULATION						



GRAPHIC #1

<END>

g03828604

AIR INLET AND EXHAUST SYSTEM

482-3763 INSULATION GP-HEAT

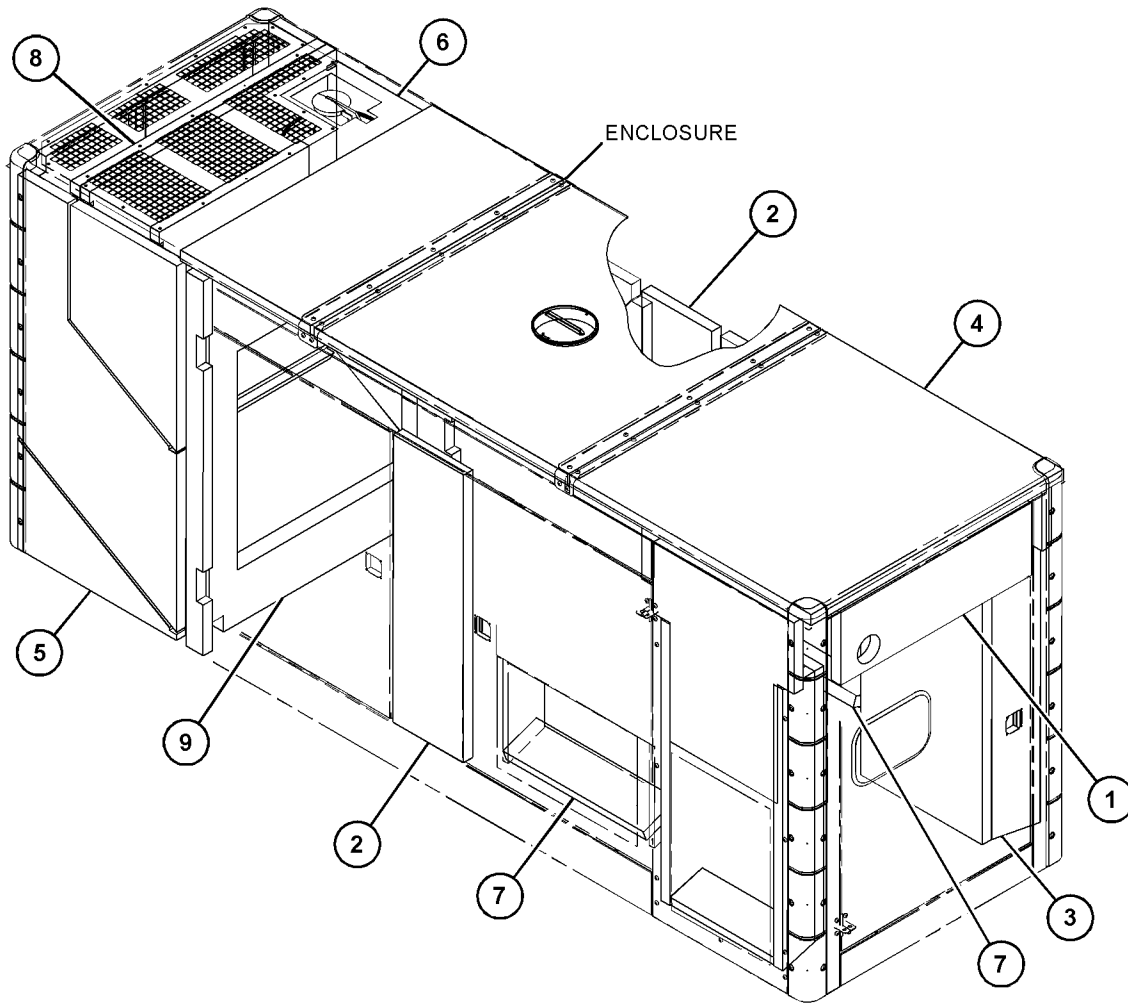
S/N: LX91-UP

PART OF 482-3759 ENCLOSURE GP-GENSET
AN ATTACHMENT

SMCS-1067

i06292692

NOTE	REF NO	GRAPHIC REF	PART NUMBER	QTY	PART NAME						SEE PAGE
					1	2	3	4	5	6 (PRODUCT LEVEL)	
	1	1	393-1442	1	INSULATION AS-SOUND						
	2	1	393-1576	2	INSULATION						
	3	1	442-5906	1	INSULATION AS						
	4	1	442-5907	1	INSULATION AS						
	5	1	442-5908	1	INSULATION AS						
	6	1	442-5909	1	SHIELD						
	7	1	442-5944	2	INSULATION						
	8	1	442-9785	1	INSULATION AS						
	9	1	466-9313	1	INSULATION						



GRAPHIC #1

<END>

g06000848

AIR INLET AND EXHAUST SYSTEM

212-6029 MANIFOLD GP-EXHAUST

S/N: S9X1-UP

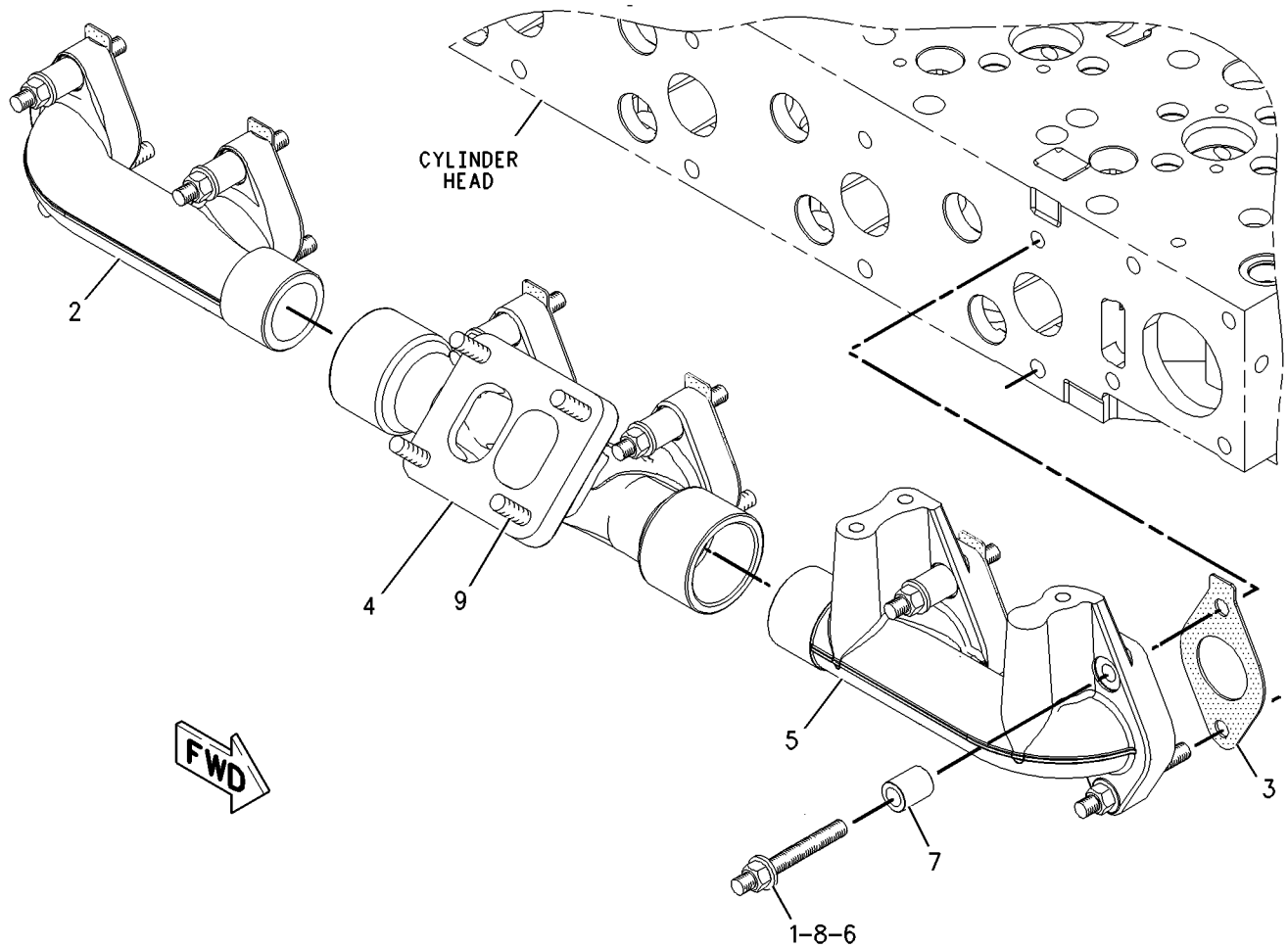
FOR USE WITH FRONT EXHAUST SYSTEM

SMCS-1059

i06101388

NOTE	REF NO	GRAPHIC REF	PART NUMBER	QTY	PART NAME						SEE PAGE
					1	2	3	4	5	6 (PRODUCT LEVEL)	
M	1	1	3E-8017	12	LOCKNUT (M10X1.5-THD)						
	2	1	161-3398	1	MANIFOLD-EXHAUST						
	3	1	161-3411	6	GASKET						
	4	1	192-4697	1	MANIFOLD-EXHAUST						
	5	1	203-7775	1	MANIFOLD-EXHAUST						
M	6	1	116-3715	12	STUD-TAPERLOCK (M10X1.5X85-MM)						
	7	1	4P-4369	6	SPACER (12X19X23.5-MM THK)						
	8	1	6V-5839	12	WASHER (11X21X2.5-MM THK)						
M	9	1	8T-7044	4	STUD-TAPERLOCK (M10X1.5X40-MM)						

M - METRIC PART



GRAPHIC #1

<END>

g00870053

AIR INLET AND EXHAUST SYSTEM

279-6624 SPACER GP-INLET MANIFOLD

S/N: S9X1-UP

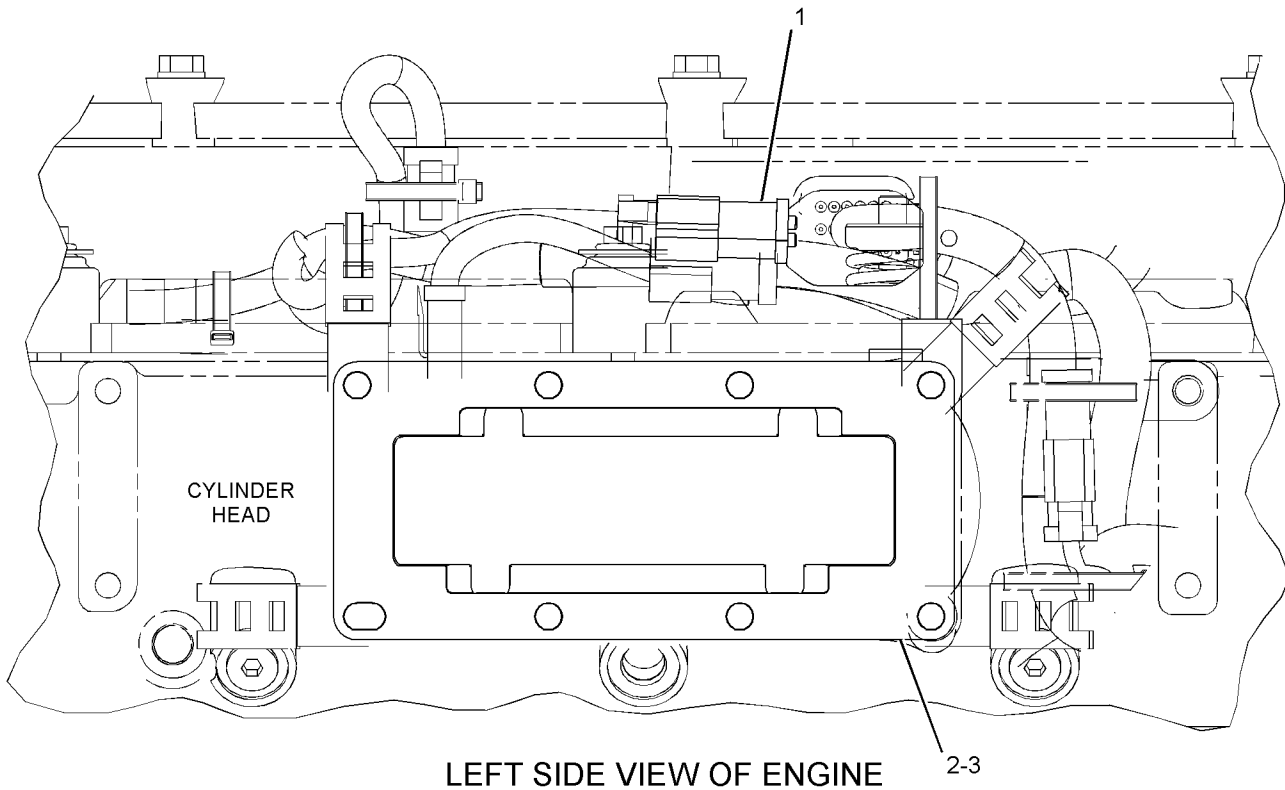
CANNOT BE USED WITH AIR INLET HEATER

SMCS-1058

i06218531

NOTE	REF NO	GRAPHIC REF	PART NUMBER	QTY	PART NAME						SEE PAGE
					1	2	3	4	5	6 (PRODUCT LEVEL)	
	1	1	160-8124	1	PLUG AS (2-PIN)						
		1	102-8802	1	KIT-RECEPTACLE (2-PIN)						
					(INCLUDES RECEPTACLE AS & WEDGE)						
		1	8T-8737	2	PLUG-SEAL						
	2	1	347-5684	1	PLATE-SPACER						
B	3	1	8C-8422		SEALANT						

B - USE AS REQUIRED



GRAPHIC #1

<END>

g03897044

AIR INLET AND EXHAUST SYSTEM

256-6018 TURBOCHARGER GP

S/N: S9X1-UP

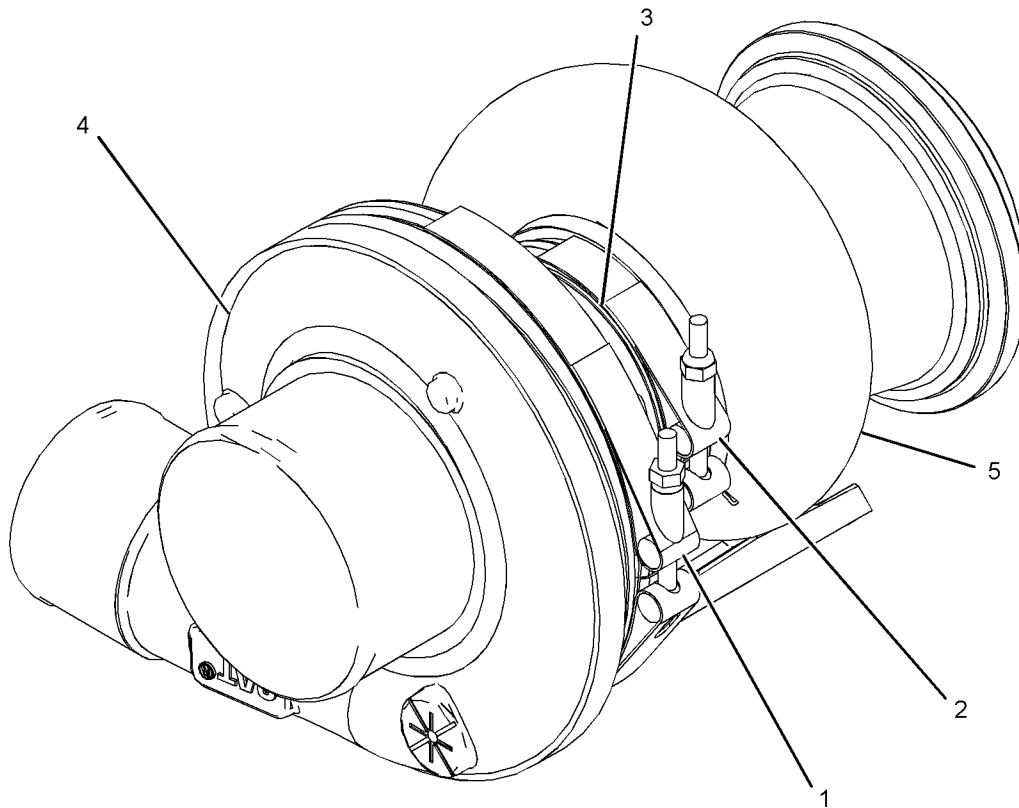
PART OF 260-3771 TURBOCHARGER GP

SMCS-1052, 1053

i05871740

NOTE	REF NO	GRAPHIC REF	PART NUMBER	QTY	PART NAME						SEE PAGE
					1	2	3	4	5	6 (PRODUCT LEVEL)	
	1	1	4P-3629	1	CLAMP AS-COMPRESSOR						
	2	1	137-1602	1	CLAMP AS (TURBINE)						
R	3	1	259-9039	1	CARTRIDGE GP-TURBOCHARGER						
	4	1	197-4981	1	COVER						
	5	1	260-5876	1	HOUSING AS-TURBOCHARGER						

R - REMANUFACTURED PART MAY BE AVAILABLE



GRAPHIC #1

<END>

g03706401

AIR INLET AND EXHAUST SYSTEM

260-3771 TURBOCHARGER GP

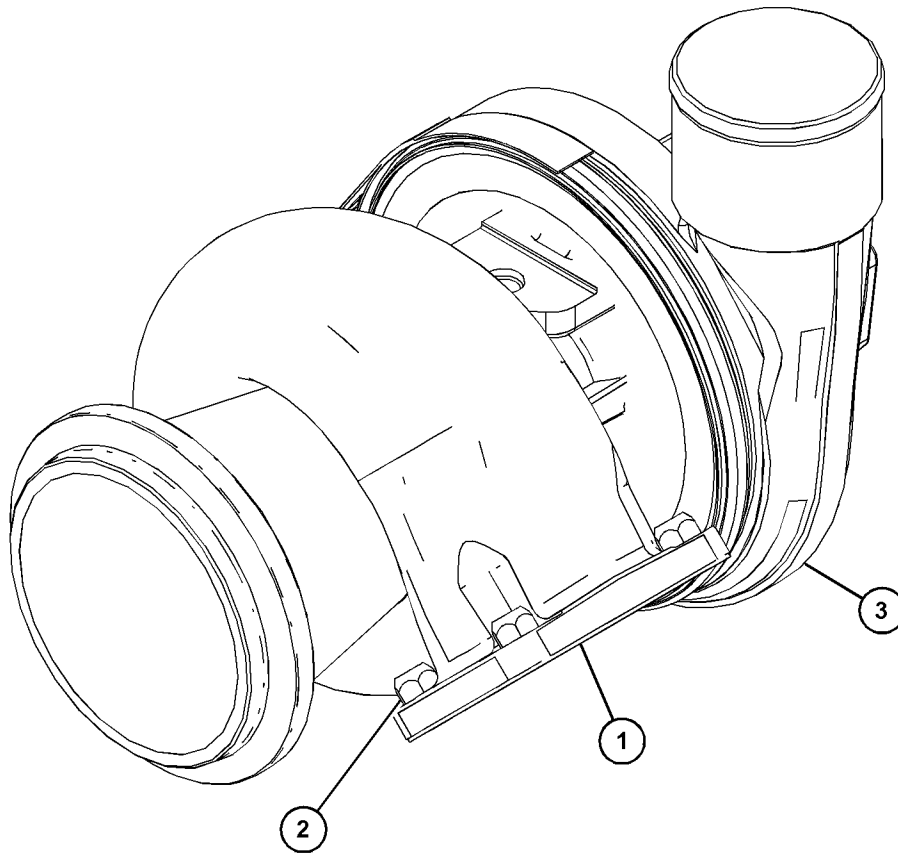
S/N: S9X1-UP

SMCS-1052, 1053

i06103457

NOTE	REF NO	GRAPHIC REF	PART NUMBER	QTY	PART NAME						SEE PAGE
					1	2	3	4	5	6	
	1	1	1P-0451	1	GASKET (TURBOCHARGER)						
M	2	1	9X-6620	4	LOCKNUT (M10X1.5-THD)						
Y	3	1	256-6018	1	TURBOCHARGER GP						107

M - METRIC PART
Y - SEPARATE ILLUSTRATION



GRAPHIC #1

<END>

g03824994

FUEL SYSTEM

466-1157 BASE GP-FUEL FILTER

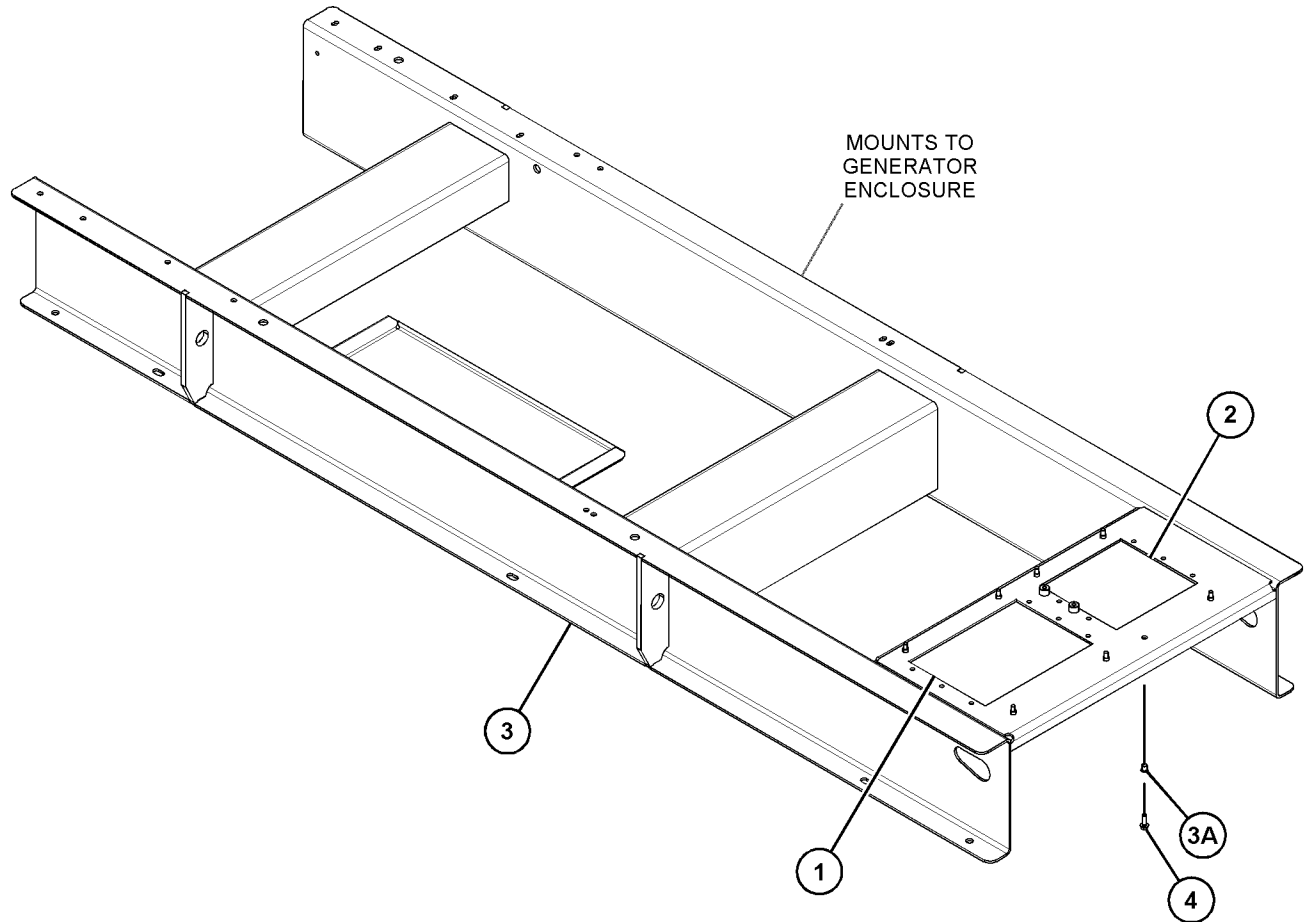
S/N: LX91-UP
AN ATTACHMENT

SMCS-1262

i06141313

NOTE	REF NO	GRAPHIC REF	PART NUMBER	QTY	PART NAME						SEE PAGE
					1	2	3	4	5	6 (PRODUCT LEVEL)	
	1	1	465-8932	1	PLATE						
	2	1	465-8933	1	PLATE						
	3	1	466-1158	1	BASE AS						
M	3A	1	224-6208	8	INSERT-THREADED (M10X1.5-THD)						
M	4	1	338-3669	8	BOLT-FLANGE HEAD (M10X1.5X30-MM)						

M - METRIC PART



GRAPHIC #1

<END>

g03827403

FUEL SYSTEM

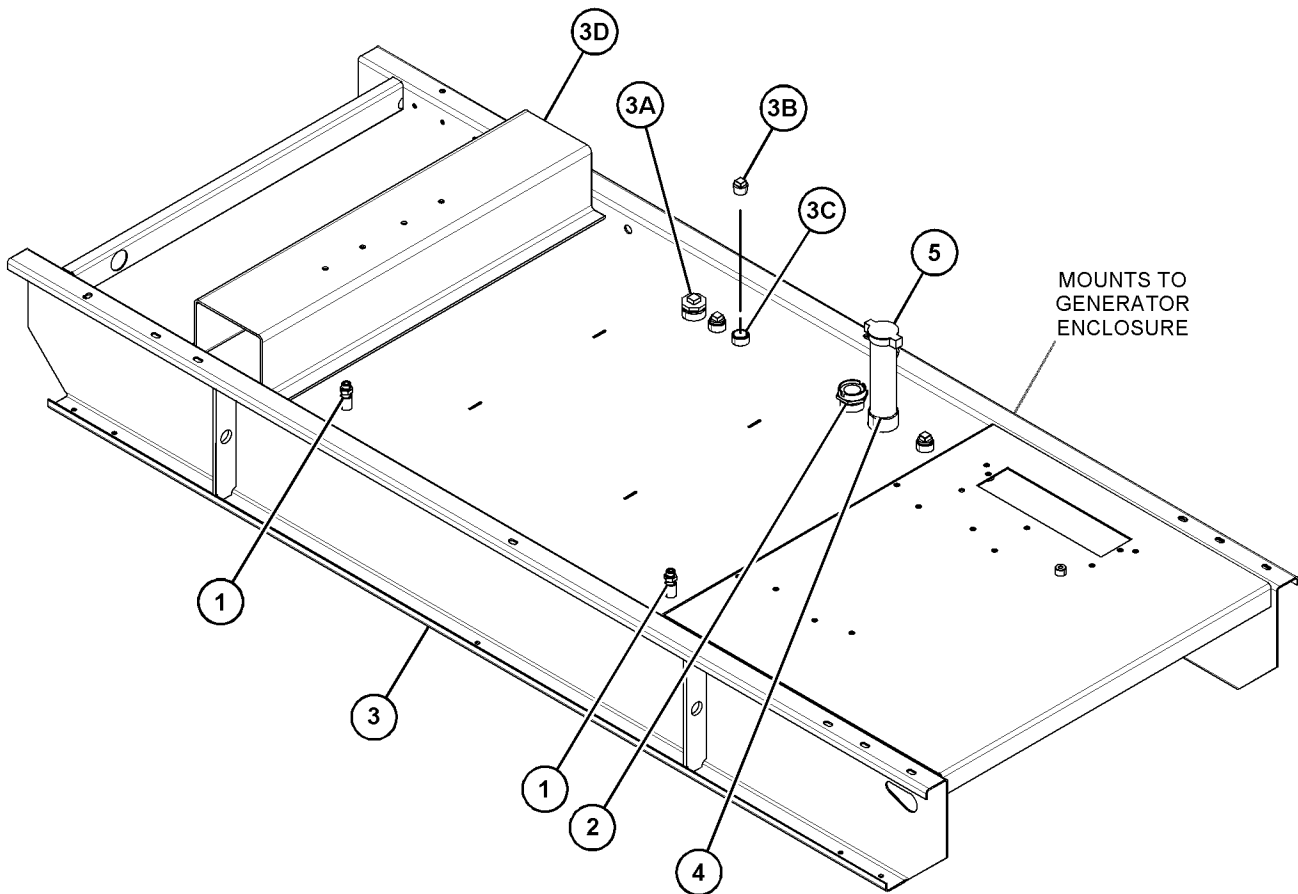
465-2237 BASE GP-FUEL TANK

S/N: LX91-UP
AN ATTACHMENT

SMCS-1273, 7060

i06145208

NOTE	REF NO	GRAPHIC REF	PART NUMBER	QTY	PART NAME						SEE PAGE
					1	2	3	4	5	6 (PRODUCT LEVEL)	
	1	1	386-7048	2	PIPE AS						
					(EACH INCLUDES)						
		1	228-7090	1	SEAL-O-RING						
		1	354-6203	1	PIPE-FUEL						
	2	1	464-3211	1	GAUGE-FUEL (LEVEL)						
	3	1	465-2236	1	BASE AS-FUEL TANK						
	3A	1	143-0855	1	PLUG						
	3B	1	143-0856	3	PLUG						
	3C	1	203-3145	3	COUPLING						
	3D	1	465-2242	1	BEAM AS-SUPPORT						
	4	1	143-0851	1	PIPE-FUEL FILLER						
	5	1	143-0853	1	CAP AS-FUEL FILLER (TANK)						



GRAPHIC #1

<END>

g03827401

FUEL SYSTEM

465-7804 BASE GP-FUEL TANK

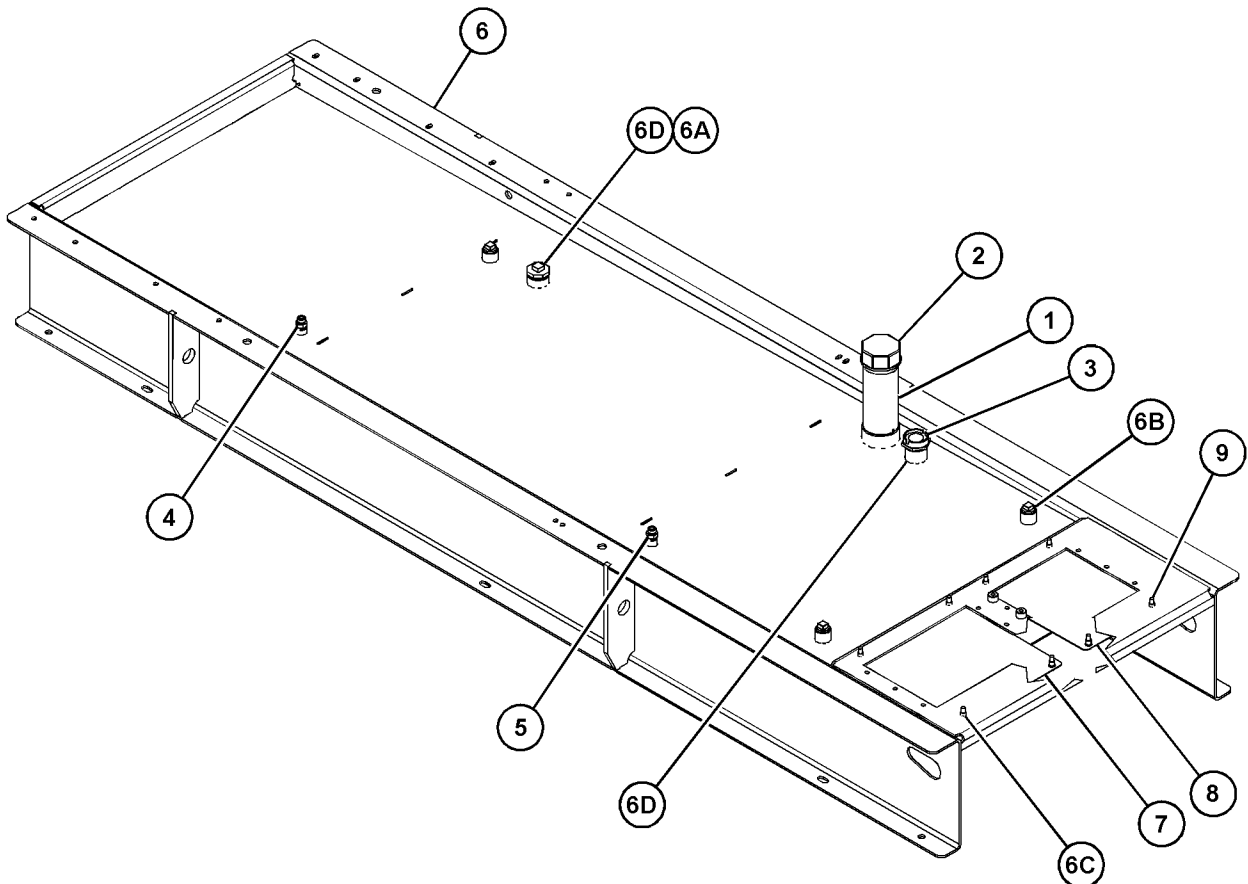
S/N: LX91-UP
AN ATTACHMENT

SMCS-1273, 7060

i06145244

NOTE	REF NO	GRAPHIC REF	PART NUMBER	QTY	PART NAME						SEE PAGE
					1	2	3	4	5	6 (PRODUCT LEVEL)	
	1	1	263-0633	1	PIPE-FILLER						
	2	1	264-6364	1	CAP-FUEL						
	3	1	386-7046	1	GAUGE-FUEL LEVEL						
	4	1	386-7047	1	PIPE AS						
		1	228-7090	1	SEAL-O-RING						
		1	354-6202	1	PIPE-FUEL						
5		1	386-7050	1	PIPE AS-FUEL						
		1	228-7090	1	SEAL-O-RING						
		1	354-6205	1	PIPE-FUEL						
	6	1	465-7805	1	BASE AS						
	6A	1	143-0855	1	PLUG						
	6B	1	143-0856	3	PLUG						
M	6C	1	224-6208	8	INSERT-THREADED (M10X1.5-THD)						
	6D	1	228-6358	2	COUPLING						
	7	1	465-8932	1	PLATE						
	8	1	465-8933	1	PLATE						
M	9	1	338-3669	8	BOLT-FLANGE HEAD (M10X1.5X30-MM)						

M - METRIC PART



GRAPHIC #1

<END>

g03828572

FUEL SYSTEM

465-8919 BASE GP-FUEL TANK

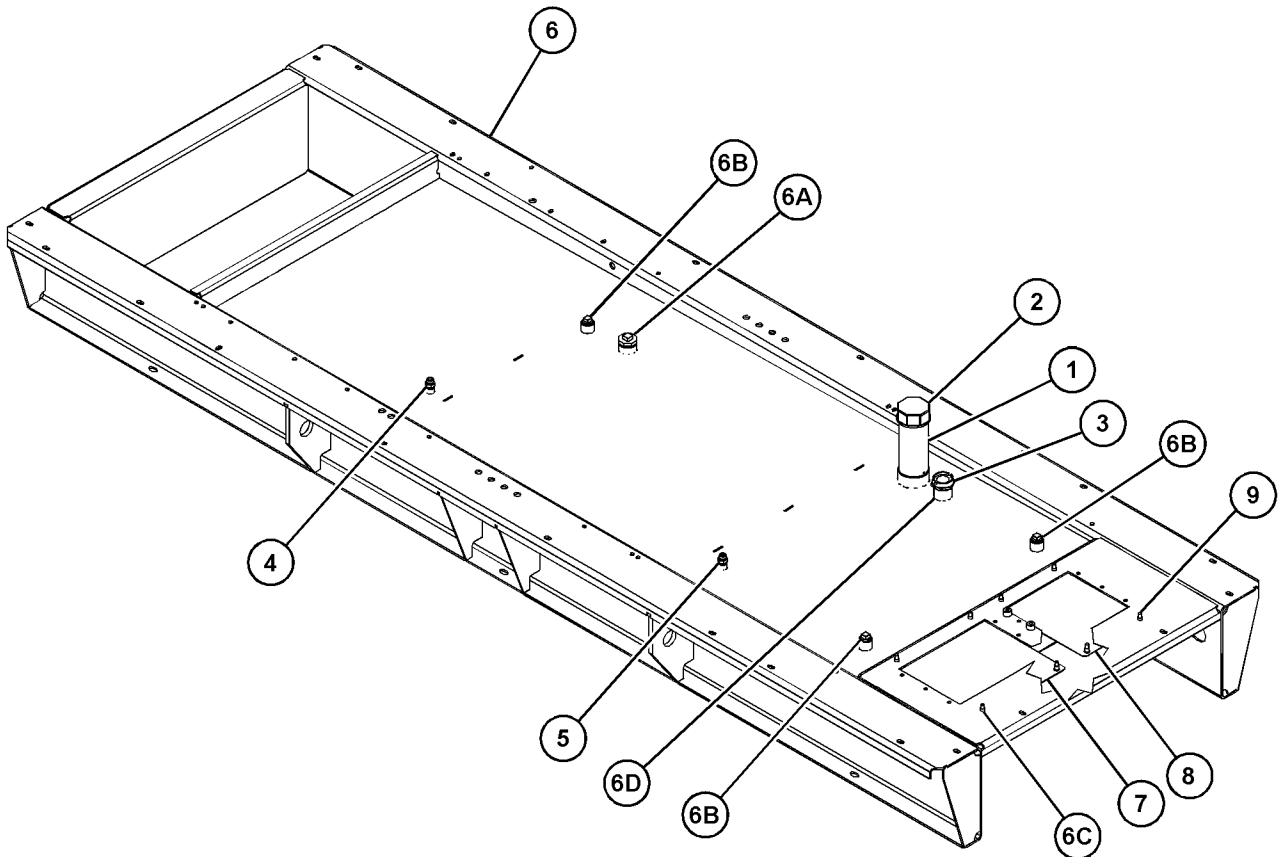
S/N: LX91-UP
AN ATTACHMENT

SMCS-1273, 7060

i06145248

NOTE	REF NO	GRAPHIC REF	PART NUMBER	QTY	PART NAME						SEE PAGE
					1	2	3	4	5	6 (PRODUCT LEVEL)	
	1	1	263-0633	1	PIPE-FILLER						
	2	1	264-6364	1	CAP-FUEL						
	3	1	386-7046	1	GAUGE-FUEL LEVEL						
	4	1	<i>386-7047</i>	1	PIPE AS						
		1	228-7090	1	SEAL-O-RING						
		1	354-6202	1	PIPE-FUEL						
5		1	<i>386-7050</i>	1	PIPE AS-FUEL						
		1	228-7090	1	SEAL-O-RING						
		1	354-6205	1	PIPE-FUEL						
6		1	465-8920	1	BASE AS						
6A		1	143-0855	1	PLUG						
6B		1	143-0856	3	PLUG						
M	6C	1	224-6208	8	INSERT-THREADED (M10X1.5-THD)						
	6D	1	228-6358	2	COUPLING						
	7	1	465-8932	1	PLATE						
	8	1	465-8933	1	PLATE						
M	9	1	338-3669	8	BOLT-FLANGE HEAD (M10X1.5X30-MM)						

M - METRIC PART



GRAPHIC #1

<END>

g03828532

FUEL SYSTEM

300-4065 FILTER GP-FUEL

S/N: S9X1-UP

SMCS-1261

i06103518

NOTE	REF NO	GRAPHIC REF	PART NUMBER	QTY	PART NAME						SEE PAGE
					1	2	3	4	5	6 (PRODUCT LEVEL)	
	1	1	1P-0436	1	GASKET (FUEL PRIMING PUMP)						
	2	1	3S-2093	1	STRAP-CABLE						
	3	1	137-5541	1	PUMP GP-FUEL PRIMING						
	3A	1	061-7539	1	SEAL-O-RING						
	3B	1	229-3218	2	VALVE AS						
Y	4	1	<i>234-5013</i>	1	SENSOR GP-TEMPERATURE (FUEL)						196
	5	1	<i>235-3596</i>	1	ADAPTER AS						
		1	214-7566	1	SEAL-O-RING						
		1	235-3595	1	ADAPTER						
		1	238-5080	1	SEAL-O-RING						
	6	1	237-9312	1	BASE AS-FUEL FILTER						
	6A	1	9S-4167	1	STUD-HOLLOW (1-14X1.47-IN)						
	7	1	274-6719	1	SENSOR GP-PRESSURE (FUEL)						
	8	1	305-6928	1	HARNESS AS-SENSOR						
		1	8T-8737	3	PLUG-SEAL						
		1	9X-3401	5	PIN-CONNECTOR (16-GA TO 18-GA)						
					-OR-						
		1	126-1767	5	PIN-CONNECTOR (14-GA TO 16-GA)						
		1	194-5226	5	WIRE AS (16-GA)						
					-OR-						
		1	194-5227	5	WIRE AS (14-GA)						
		1	230-4011	1	PLUG AS-CONNECTOR (2-PIN)						
		1	264-7029	1	SEAL-CONNECTOR						
		1	231-2300	1	RECEPTACLE AS-CONNECTOR (8-PIN)						
		1	237-0227	1	PLUG AS-CONNECTOR (3-PIN)						
		1	264-7030	1	SEAL-CONNECTOR						
Y	9	1	382-6044	1	VALVE GP-CHECK						135
	10	1	<i>389-3691</i>	1	CONNECTOR AS						
		1	8T-1715	1	ADAPTER						
		1	238-5080	1	SEAL-O-RING						
	11	1	<i>391-8662</i>	1	PLUG AS						
		1	7L-9061	1	SEAL-O-RING						
		1	123-6948	1	PLUG						
		1	228-7091	1	SEAL-O-RING						
	12	1	<i>398-5596</i>	2	PLUG AS						
					(EACH INCLUDES)						
		1	238-5080	1	SEAL-O-RING						
		1	360-3680	1	PLUG						
	13	1	<i>353-5102</i>	2	FITTING AS-ELBOW						
					(EACH INCLUDES)						
		1	005-4362	1	ELBOW						
		1	238-5080	1	SEAL-O-RING						
	14	1	1R-0762	1	FILTER-FUEL (ADVANCED EFFICIENCY)						
M	15	1	6V-1820	1	BOLT (M10X1.5X30-MM)						
M	16	1	6V-2317	1	BOLT (M8X1.25X30-MM)						
	17	1	6V-5839	2	WASHER (11X21X2.5-MM THK)						
M	18	1	6V-5842	1	BOLT (M10X1.5X40-MM)						
M	19	1	8T-0640	1	BOLT (M6X1X30-MM)						

FUEL SYSTEM

300-4065 FILTER GP-FUEL (contd.)

i06103518

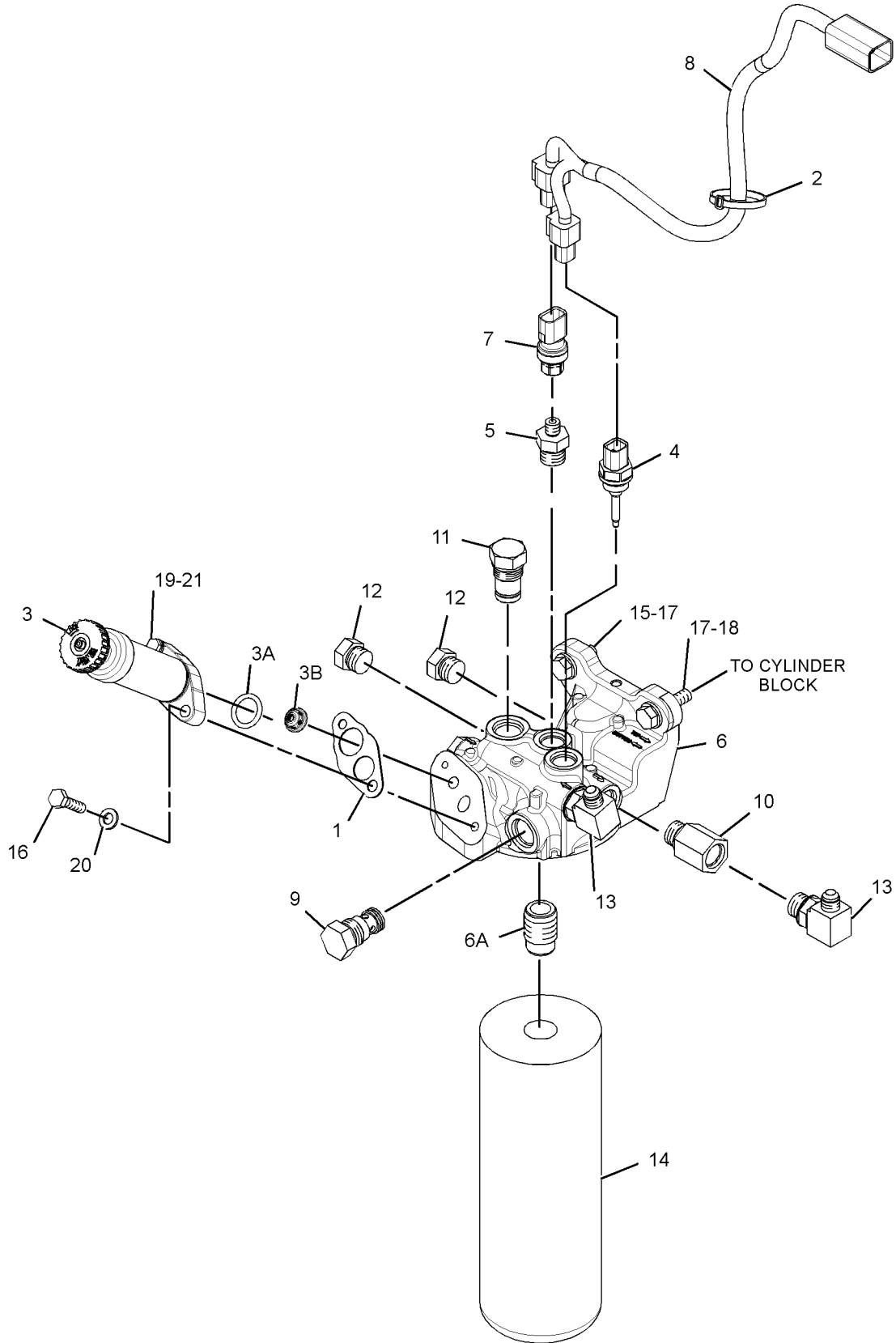
NOTE	REF NO	GRAPHIC REF	PART NUMBER	QTY	PART NAME						SEE PAGE
					1	2	3	4	5	6 (PRODUCT LEVEL)	
	20	1	9M-1974	1	WASHER-HARD (8.8X16X2-MM THK)						
	21	1	9X-8267	1	WASHER (6.6X12X2-MM THK)						

M - METRIC PART
 Y - SEPARATE ILLUSTRATION

FUEL SYSTEM

300-4065 FILTER GP-FUEL (contd.)

106103518



GRAPHIC #1

<END>

g03492219

FUEL SYSTEM

174-9570 FILTER GP-WATER SEP & FUEL

S/N: S9X1-UP

PART OF 255-3332 FILTER GP-WATER SEP & FUEL

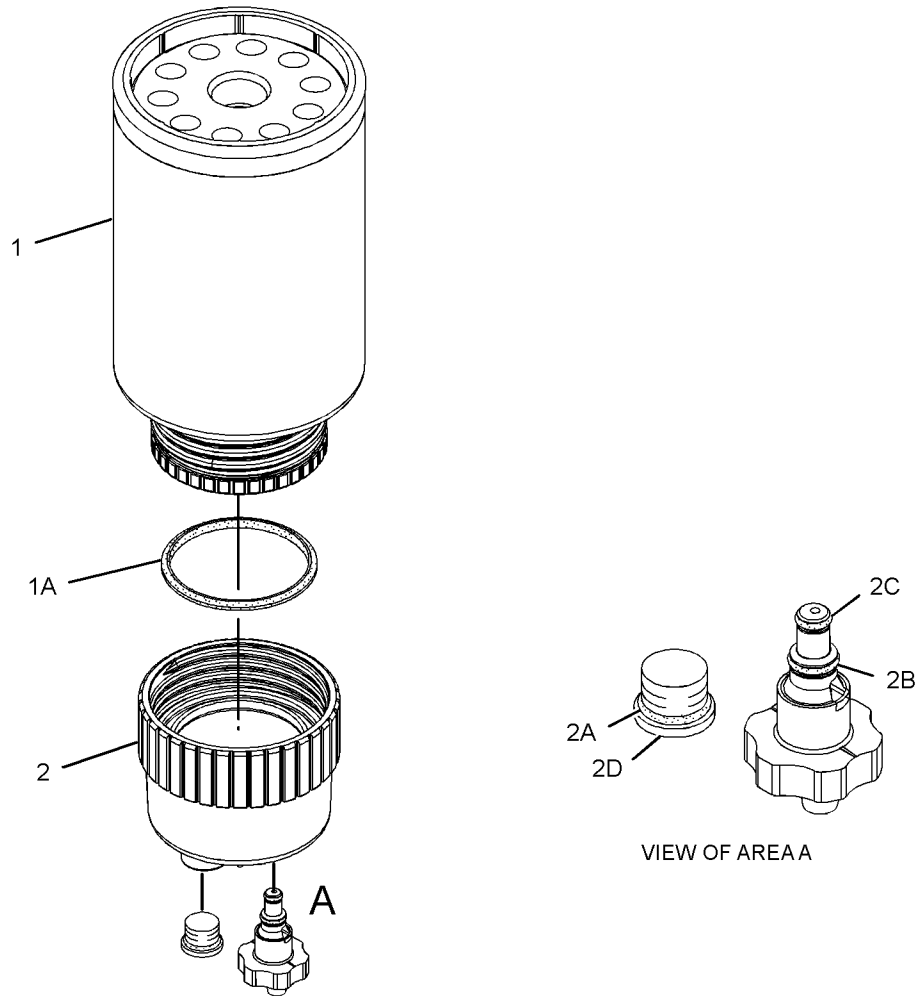
SMCS-1261, 1263

i06521430

NOTE	REF NO	GRAPHIC REF	PART NUMBER	QTY	PART NAME						SEE PAGE
					1	2	3	4	5	6 (PRODUCT LEVEL)	
	1	1	326-1644	1	FILTER AS-WATER SEP & FUEL (PRIMARY)						
	1A	1	220-8678	1	SEAL-RING (FUEL, WATER SEPARATOR)						
	2	1	343-5527	1	BOWL AS						
BJ	2A	1	3J-1907	1	SEAL-O-RING						
	2B	1	5F-9144	1	SEAL-O-RING						
	2C	1	8F-7219	1	SEAL-O-RING						
BJ	2D	1	9S-8004	1	PLUG (DRAIN)						

B - USE AS REQUIRED

J - PARTS MARKED J ARE USED WITH BOWL ASSEMBLY THAT IS NOT ONE PIECE.



GRAPHIC #1

<END>

g01960053

FUEL SYSTEM

255-3332 FILTER GP-WATER SEP & FUEL

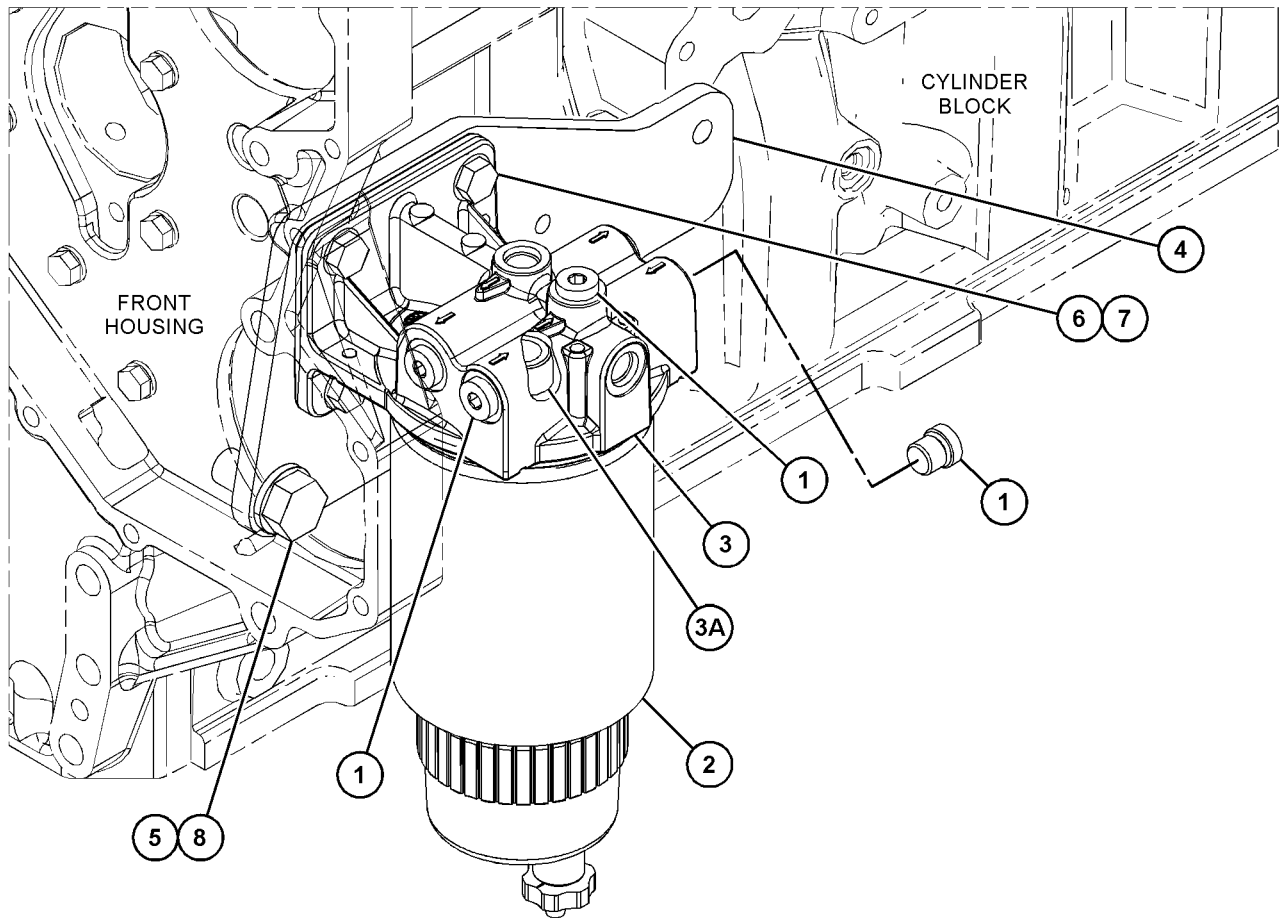
S/N: S9X1-UP

SMCS-1261, 1263

i06516311

NOTE	REF NO	GRAPHIC REF	PART NUMBER	QTY	PART NAME						SEE PAGE
					1	2	3	4	5	6	
	1	1	389-3708	5	PLUG AS						
					(EACH INCLUDES)						
		1	214-7568	1	SEAL-O-RING						
		1	360-3679	1	PLUG-CONNECTOR						
Y	2	1	174-9570	1	FILTER GP-WATER SEP & FUEL						116
	3	1	177-9778	1	BASE AS						
	3A	1	9S-4167	1	STUD-HOLLOW (1-14X1.47-IN)						
	4	1	255-3325	1	PLATE						
	5	1	9X-8257	2	WASHER (17.5X30X3.5-MM THK)						
	6	1	8T-4121	4	WASHER-HARD (11X21X2.5-MM THK)						
M	7	1	8T-4136	4	BOLT (M10X1.5X25-MM)						
M	8	1	8T-4779	2	BOLT (M16X2X35-MM)						

M - METRIC PART
Y - SEPARATE ILLUSTRATION



GRAPHIC #1

<END>

g06006561

FUEL SYSTEM

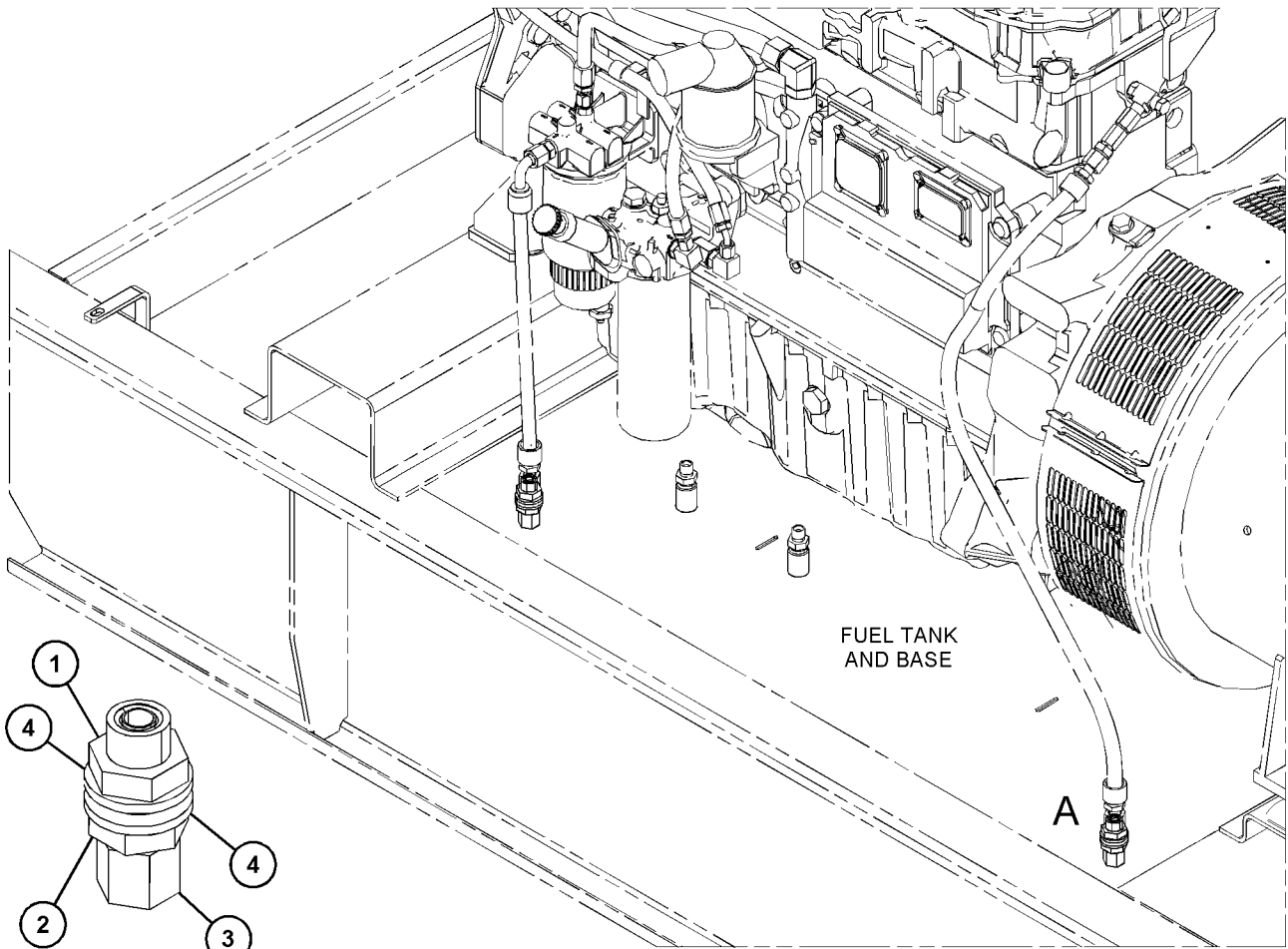
471-0786 FITTING GP-FUEL LINES

S/N: LX91-UP
AN ATTACHMENT

SMCS-1274

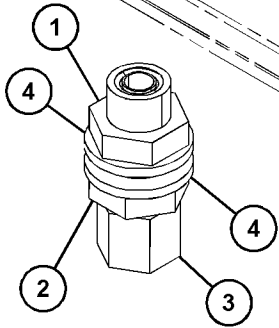
i06157595

NOTE	REF NO	GRAPHIC REF	PART NUMBER	QTY	PART NAME						SEE PAGE
					1	2	3	4	5	6 (PRODUCT LEVEL)	
	1	1	148-8457	2	UNION AS (STRAIGHT)						
					(EACH INCLUDES)						
		1	6V-8398	2	SEAL-O-RING						
		1	6V-8995	1	UNION (STRAIGHT)						
	2	1	6V-9169	2	NUT (13/16-16-THD)						
	3	1	6V-9830	2	CAP AS						
	4	1	8T-4123	4	WASHER (3.62X5.75X0.375-MM THK)						



FUEL TANK AND BASE

A



VIEW OF AREA A
GRAPHIC #1

<END>

g03835084

FUEL SYSTEM

387-9432 INJECTOR GP-FUEL*R

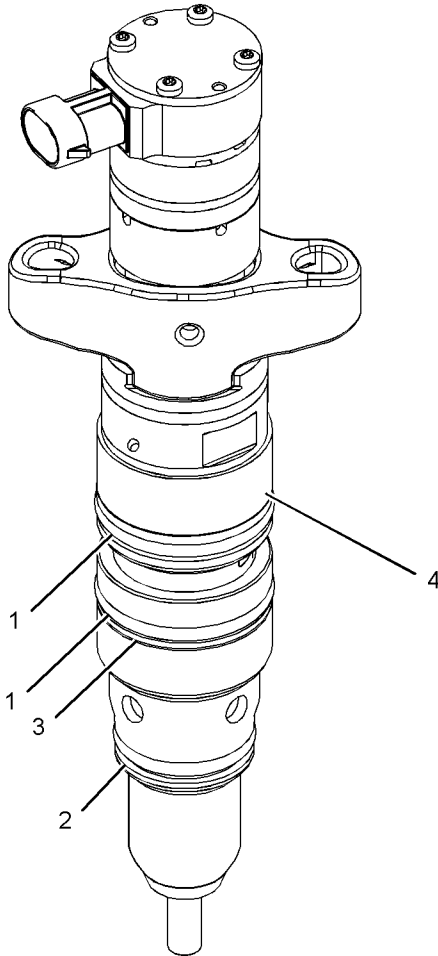
S/N: S9X1-UP

PART OF 267-9718 PUMP GP-FUEL INJECTION

SMCS-1251, 1254, 1290, 1713

i06105349

NOTE	REF NO	GRAPHIC REF	PART NUMBER	QTY	PART NAME						SEE PAGE
					1	2	3	4	5	6 (PRODUCT LEVEL)	
	1	1	148-2903	2	SEAL-O-RING						
	2	1	109-3207	1	SEAL-O-RING						
	3	1	149-5240	1	RING-BACKUP						
	4	1	293-0730	1	RING-BACKUP						



GRAPHIC #1

<END>

g03341832

FUEL SYSTEM

465-2269 LINES GP-FUEL

S/N: LX91-UP
AN ATTACHMENT

SMCS-1274

i06135121

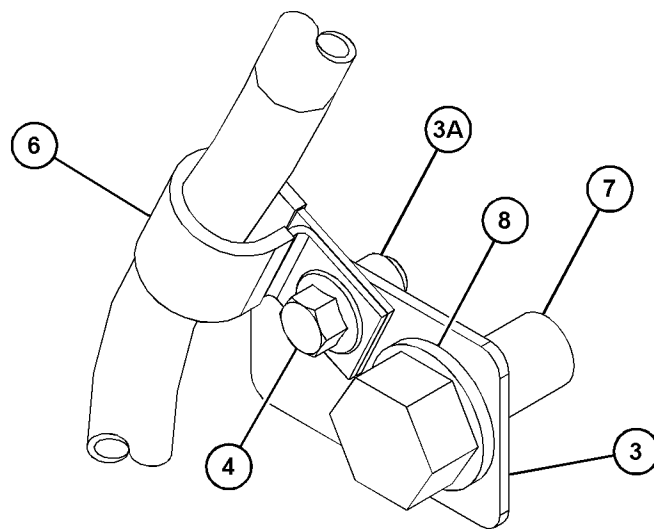
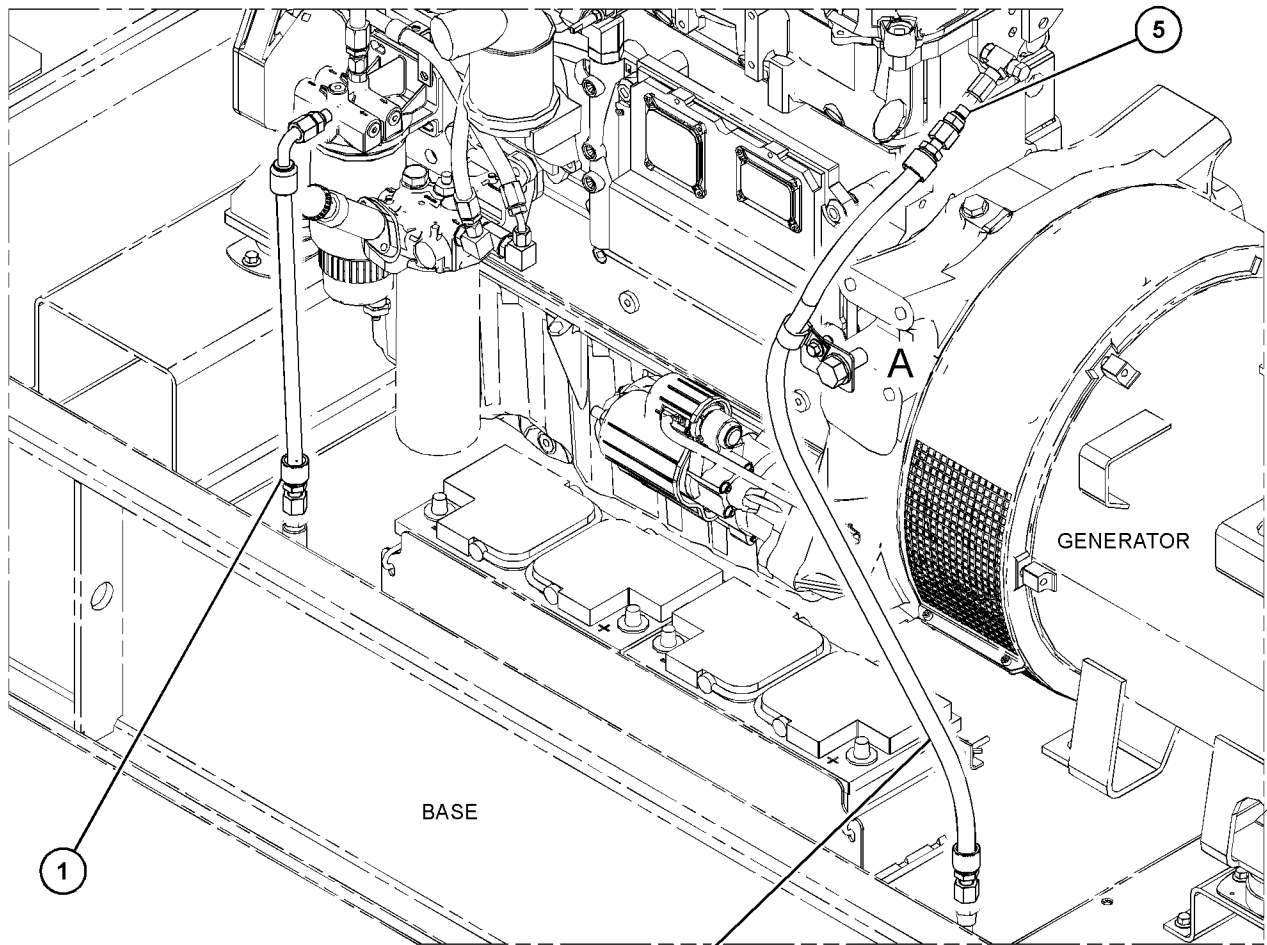
NOTE	REF NO	GRAPHIC REF	PART NUMBER	QTY	PART NAME						SEE PAGE
					1	2	3	4	5	6 (PRODUCT LEVEL)	
I	1	1	465-2270	1	HOSE AS						
I	2	1	465-2271	1	HOSE AS						
	3	1	471-0804	1	PLATE AS						
M	3A	1	238-0029	1	INSERT-THREADED (M10X1.5-THD)						
M	4	1	100-4830	1	BOLT (M10X1.5X20-MM)						
	5	1	319-6240	2	CONNECTOR AS						
					(EACH INCLUDES)						
		1	6V-9873	1	CONNECTOR						
		1	214-7568	1	SEAL-O-RING						
		1	228-7090	1	SEAL-O-RING						
	6	1	4I-0472	1	CLIP						
	7	1	7X-0365	1	BOLT (3/4-10X1.5-IN)						
	8	1	8T-4994	1	WASHER-HARD (20X36.5X3.5-MM THK)						

I - REFER TO HYDRAULIC INFORMATION SYSTEM
M - METRIC PART

FUEL SYSTEM

465-2269 LINES GP-FUEL (contd.)

106135121



VIEW OF AREA A

GRAPHIC #1

<END>

g03823800

FUEL SYSTEM

471-0789 LINES GP-FUEL

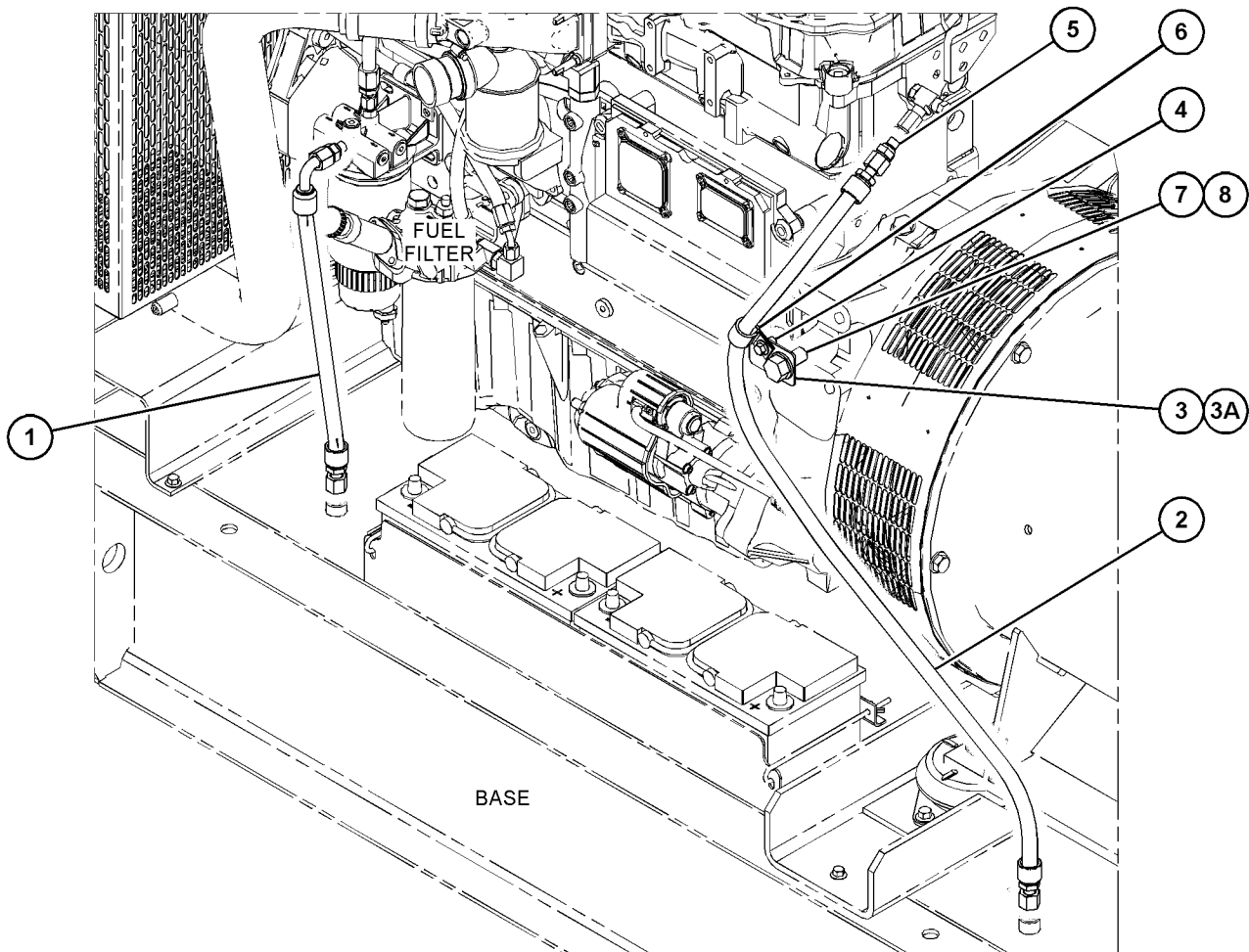
S/N: LX91-UP
AN ATTACHMENT

SMCS-1274

i06136723

NOTE	REF NO	GRAPHIC REF	PART NUMBER	QTY	PART NAME						SEE PAGE
					1	2	3	4	5	6 (PRODUCT LEVEL)	
I	1	1	465-2270	1	HOSE AS						
I	2	1	471-0792	1	HOSE AS						
	3	1	471-0804	1	PLATE AS						
M	3A	1	238-0029	1	INSERT-THREADED (M10X1.5-THD)						
M	4	1	100-4830	1	BOLT (M10X1.5X20-MM)						
	5	1	319-6240	2	CONNECTOR AS						
					(EACH INCLUDES)						
		1	6V-9873	1	CONNECTOR						
		1	214-7568	1	SEAL-O-RING						
		1	228-7090	1	SEAL-O-RING						
	6	1	4I-0472	1	CLIP						
	7	1	7X-0365	1	BOLT (3/4-10X1.5-IN)						
	8	1	8T-4994	1	WASHER-HARD (20X36.5X3.5-MM THK)						

I - REFER TO HYDRAULIC INFORMATION SYSTEM
M - METRIC PART



GRAPHIC #1

<END>

g03829037

FUEL SYSTEM

465-6977 LINES GP-FUEL FILTER

S/N: S9X1-UP

TYPE 1

SMCS-1261, 1274

i06142255

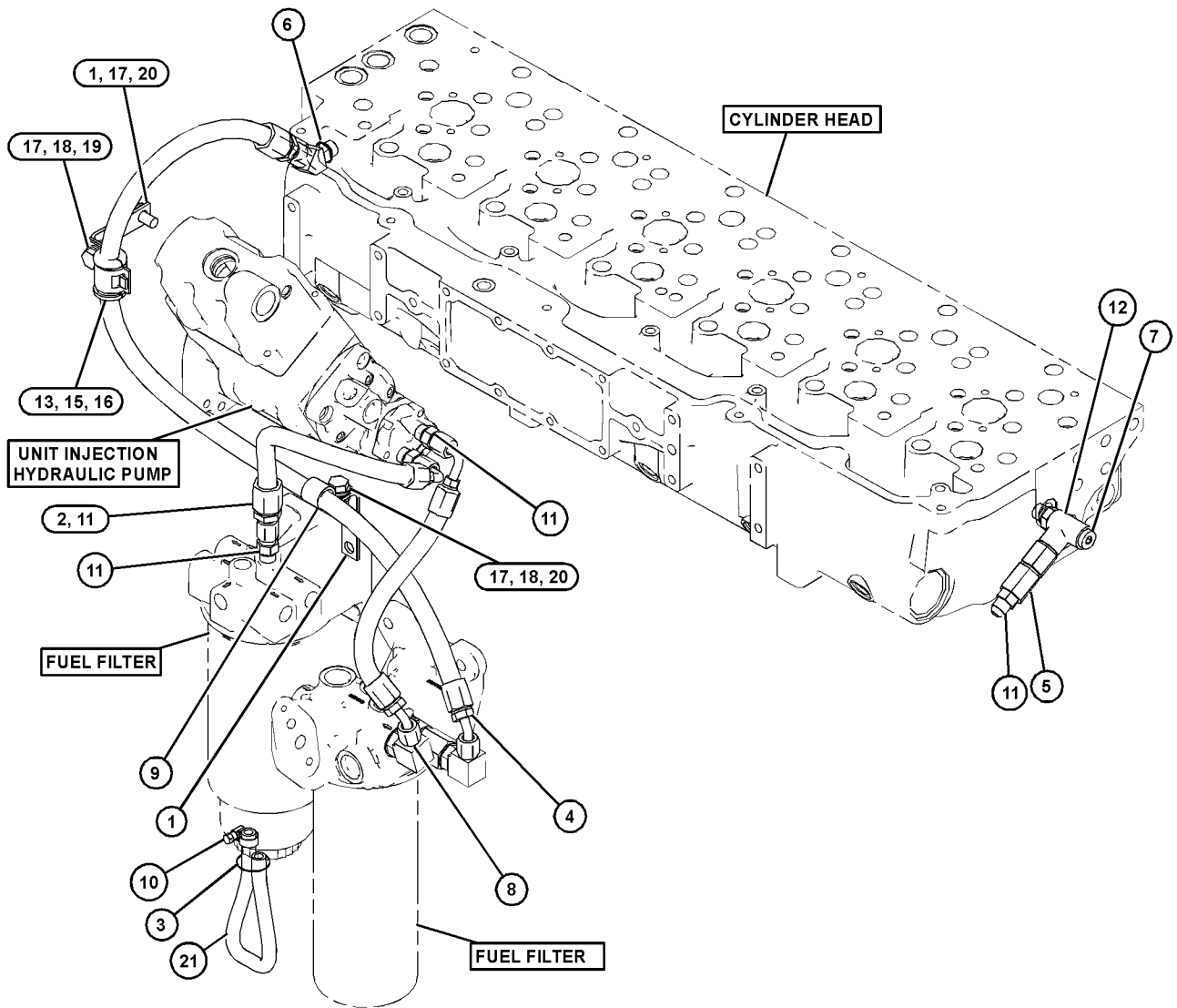
NOTE	REF NO	GRAPHIC REF	PART NUMBER	QTY	PART NAME						SEE PAGE
					1	2	3	4	5	6 (PRODUCT LEVEL)	
	1	1	3S-1784	2	BRACKET						
I	2	1	4W-5964	1	HOSE AS						
	3	1	7K-1181	1	STRAP-CABLE						
I	4	1	118-8103	1	HOSE AS						
Y	5	1	232-0343	1	REGULATOR GP-FUEL PRESSURE						133
	6	1	353-5103	1	ADAPTER AS						
		1	030-7942	1	ELBOW						
		1	214-7568	1	SEAL-O-RING						
	7	1	389-3708	1	PLUG AS						
		1	214-7568	1	SEAL-O-RING						
		1	360-3679	1	PLUG-CONNECTOR						
	8	1	424-4946	1	HOSE AS						
	9	1	067-2551	1	CLIP						
	10	1	1P-4278	1	CLAMP-HOSE						
	11	1	313-9614	4	ADAPTER AS						
					(EACH INCLUDES)						
		1	2R-6806	1	ADAPTER						
		1	214-7568	1	SEAL-O-RING						
	12	1	330-9750	1	TEE AS						
		1	3E-7410	1	TEE-O-RING						
		1	214-7568	1	SEAL-O-RING						
	13	1	7V-6571	1	GROMMET						
	15	1	8T-1889	1	CLIP (SLOT)						
	16	1	8T-1890	1	CLIP (TAB)						
	17	1	8T-4121	5	WASHER-HARD (11X21X2.5-MM THK)						
M	18	1	8T-4133	2	NUT (M10X1.5-THD)						
M	19	1	8T-4136	1	BOLT (M10X1.5X25-MM)						
M	20	1	8T-4137	2	BOLT (M10X1.5X20-MM)						
D	21	1	5P-5991		HOSE (3-M)						

D - ORDER BY THE METER
 I - REFER TO HYDRAULIC INFORMATION SYSTEM
 M - METRIC PART
 Y - SEPARATE ILLUSTRATION

FUEL SYSTEM

465-6977 LINES GP-FUEL FILTER (contd.)

i06142255



GRAPHIC #1

<END>

g03833577

FUEL SYSTEM

465-6977 LINES GP-FUEL FILTER

S/N: S9X1-UP

TYPE 2

SMCS-1261, 1274

i06271420

NOTE	PART NUMBER	QTY	PART NAME 1 2 3 4 5 6 (PRODUCT LEVEL)	SEE PAGE
	3S-1784	2	BRACKET	
CI	103-4669	1	HOSE AS	
	7K-1181	1	STRAP-CABLE	
I	118-8103	1	HOSE AS	
Y	232-0343	1	REGULATOR GP-FUEL PRESSURE	133
C	321-8657	1	ELBOW AS	
	6V-8076	1	ELBOW	
	214-7568	1	SEAL-O-RING	
C	353-5103	2	ADAPTER AS	
			(EACH INCLUDES)	
	030-7942	1	ELBOW	
	214-7568	1	SEAL-O-RING	
	424-4946	1	HOSE AS	
	1P-4278	1	CLAMP-HOSE	
CM	2Y-5829	2	NUT (M10X1.5-THD)	
	313-9614	3	ADAPTER AS	
			(EACH INCLUDES)	
	2R-6806	1	ADAPTER	
	214-7568	1	SEAL-O-RING	
CM	6V-1820	3	BOLT (M10X1.5X30-MM)	
C	6V-5839	5	WASHER (11X21X2.5-MM THK)	
C	7V-6571	2	GROMMET	
D	5P-5991		HOSE (3-M)	
C	8T-1889	2	CLIP (SLOT)	
C	8T-1890	2	CLIP (TAB)	
C - CHANGE FROM PREVIOUS TYPE				
D - ORDER BY THE METER				
I - REFER TO HYDRAULIC INFORMATION SYSTEM				
M - METRIC PART				
Y - SEPARATE ILLUSTRATION				
<END>				

FUEL SYSTEM

416-2712 PUMP & MTG GP-UNIT INJ HYD

S/N: S9X1-UP

1.61-DRIVE RATIO

SMCS-1714

i06272451

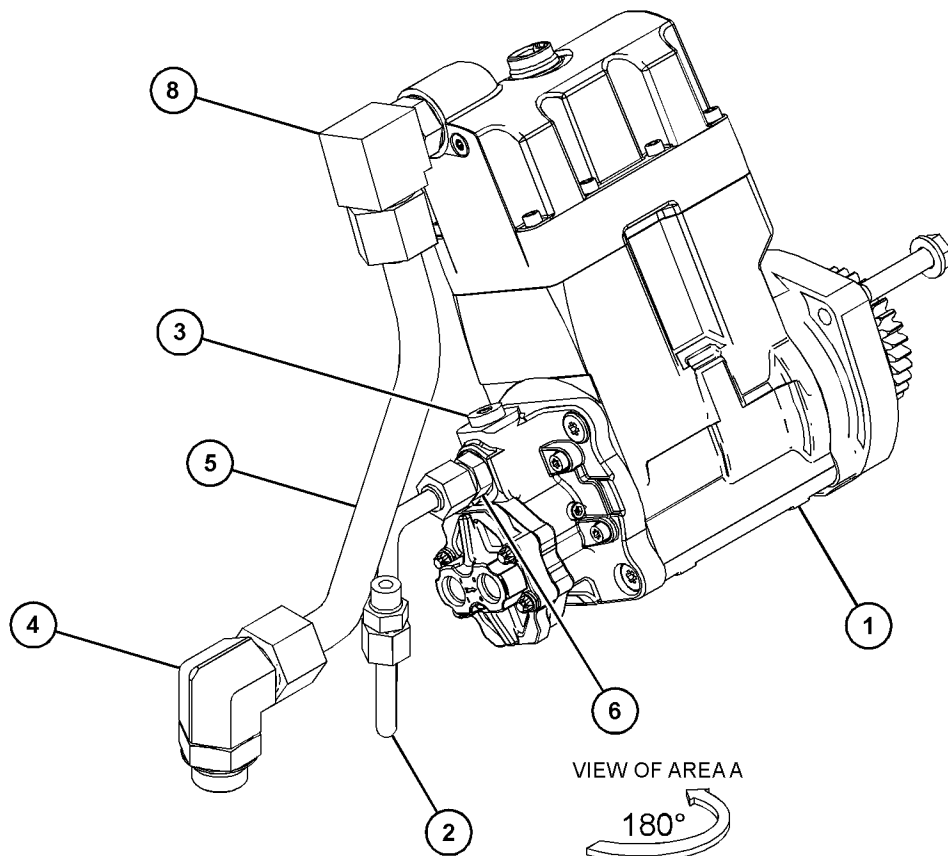
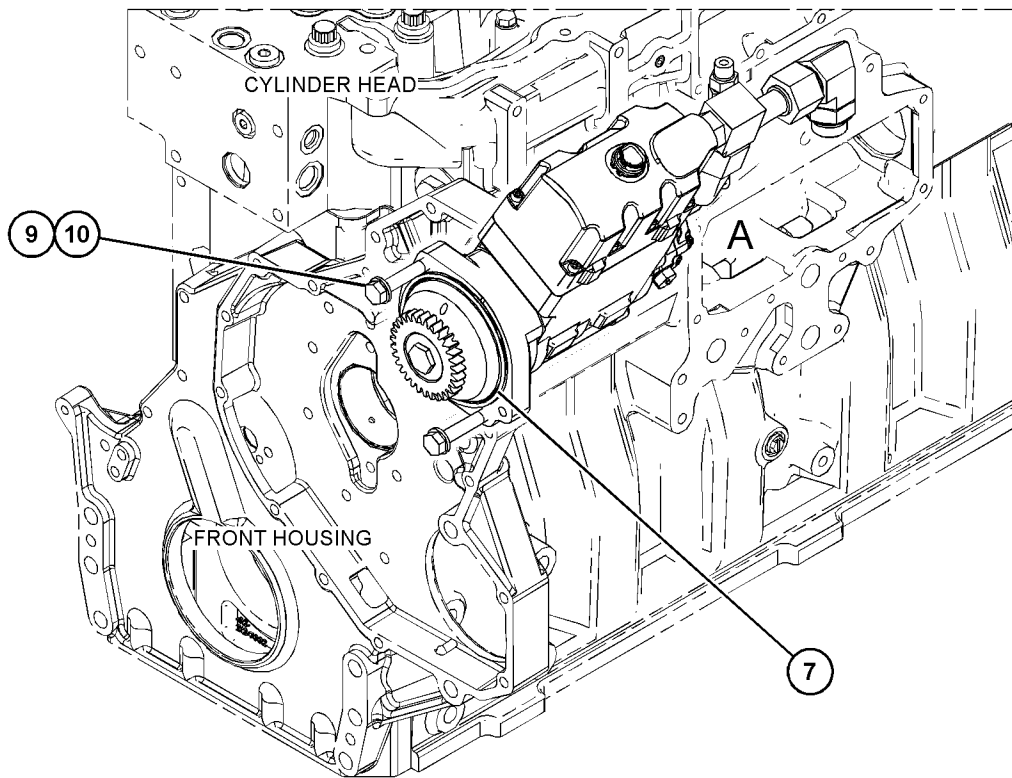
NOTE	REF NO	GRAPHIC REF	PART NUMBER	QTY	PART NAME						SEE PAGE
					1	2	3	4	5	6 (PRODUCT LEVEL)	
CYR	1	1	476-8769	1	PUMP GP-UNIT INJECTOR HYD						130
	2	1	387-7159	1	TUBE AS						
	3	1	<i>389-3708</i>	1	PLUG AS						
		1	214-7568	1	SEAL-O-RING						
		1	360-3679	1	PLUG-CONNECTOR						
	4	1	<i>396-0390</i>	1	ELBOW AS						
		1	128-6841	1	ELBOW						
		1	228-7092	1	SEAL-O-RING						
		1	238-5082	1	SEAL-O-RING						
	5	1	416-2653	1	TUBE AS						
	6	1	<i>183-3399</i>	2	CONNECTOR AS						
					(EACH INCLUDES)						
		1	6V-8636	1	CONNECTOR						
		1	214-7568	1	SEAL-O-RING						
		1	228-7089	1	SEAL-O-RING						
	7	1	227-5904	1	SEAL-O-RING						
	8	1	<i>281-5976</i>	1	ELBOW AS						
		1	6V-8629	1	ELBOW						
		1	228-7092	1	SEAL-O-RING						
		1	238-5081	1	SEAL-O-RING						
	9	1	6V-5839	2	WASHER (11X21X2.5-MM THK)						
M	10	1	6V-7981	2	BOLT (M10X1.5X70-MM)						

C - CHANGE FROM PREVIOUS TYPE
M - METRIC PART
R - REMANUFACTURED PART MAY BE AVAILABLE
Y - SEPARATE ILLUSTRATION

FUEL SYSTEM

416-2712 PUMP & MTG GP-UNIT INJ HYD (contd.)

106272451



GRAPHIC #1

<END>

g03881445

FUEL SYSTEM

267-9718 PUMP GP-FUEL INJECTION

S/N: S9X1-UP

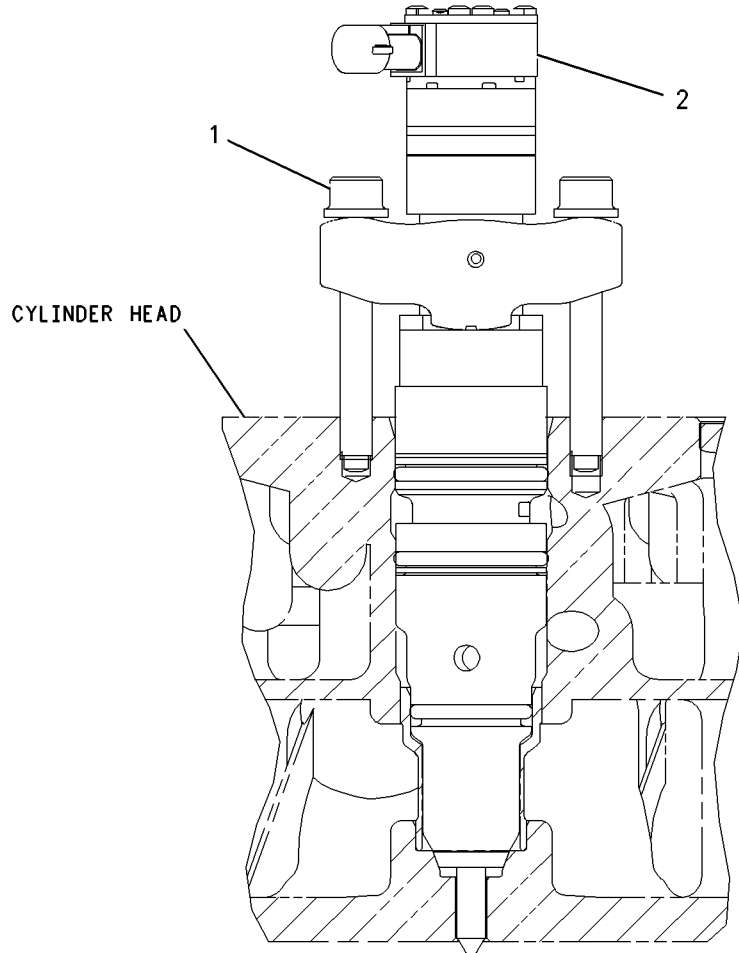
FOR USE WITH 2.2 SF INJECTOR

SMCS-1251, 1290

i06104340

NOTE	REF NO	GRAPHIC REF	PART NUMBER	QTY	PART NAME						SEE PAGE
					1	2	3	4	5	6 (PRODUCT LEVEL)	
	1	1	235-9651	2	BOLT-SOCKET HEAD (M8X1.25X65-MM)						
CYR	2	1	387-9432	1	INJECTOR GP-FUEL						119

C - CHANGE FROM PREVIOUS TYPE
 R - REMANUFACTURED PART MAY BE AVAILABLE
 Y - SEPARATE ILLUSTRATION



GRAPHIC #1

<END>

g00920949

FUEL SYSTEM

318-6357 PUMP GP-FUEL TRANSFER

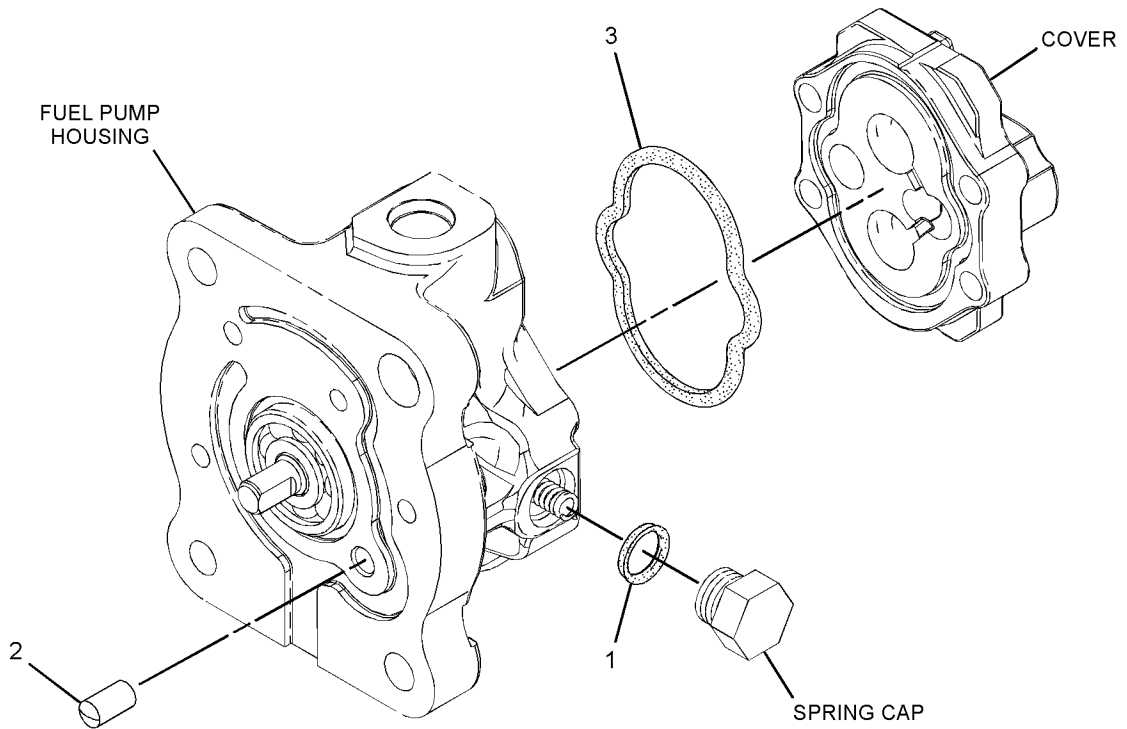
S/N: S9X1-UP

PART OF 476-8769 PUMP GP-UNIT INJECTOR HYD

SMCS-1256

i06105375

NOTE	REF NO	GRAPHIC REF	PART NUMBER	QTY	PART NAME						SEE PAGE
					1	2	3	4	5	6 (PRODUCT LEVEL)	
	1	1	214-7567	1	SEAL-O-RING						
	2	1	7S-5005	1	DOWEL						
	3	1	8C-3079	1	SEAL-O-RING						
					AVAILABLE REPAIR KIT(S):						
					326-1006	1	KIT-FUEL TRANSFER PUMP				
					(INCLUDES PUMP, BOLT, SCREW, & SEALS)						



GRAPHIC #1

<END>

g01579060

FUEL SYSTEM

476-8769 PUMP GP-UNIT INJECTOR HYD*R

S/N: S9X1-UP

PART OF 416-2712 PUMP & MTG GP-UNIT INJ HYD

SMCS-1714

i06272489

NOTE	REF NO	GRAPHIC REF	PART NUMBER	QTY	PART NAME 1 2 3 4 5 6 (PRODUCT LEVEL)	SEE PAGE
	1	2	1N-8062	1	BEARING AS-NEEDLE	
M	2	2	5C-2890	1	NUT (M6X1-THD)	
	3	1	6V-5048	3	SEAL-O-RING	
	4	2	8C-6711	1	NUT-RETAINER (1/2-20-THD)	
	5	2	9X-8267	1	WASHER (6.6X12X2-MM THK)	
	6	2	153-7036	1	SPOOL	
	7	2	179-8128	1	SEAL-O-RING	
	8	1	193-1736	1	SEAL-O-RING	
M	9	1	218-8655	8	BOLT-SOCKET HEAD (M5X0.8X42-MM)	
Y	10	2	318-6357	1	PUMP GP-FUEL TRANSFER	129
M	11	2	228-5897	4	BOLT-TORX (M8X1.25X136.7-MM)	
	12	2	239-2402	4	SEAL-O-RING	
	13	2	260-5716	1	SPOOL	
	14	2	262-0284	1	RING-RETAINING	
M	15	2	313-4620	3	SCREW-PAN HEAD (M5X0.8X25-MM)	
F			227-5904	1	SEAL-O-RING	

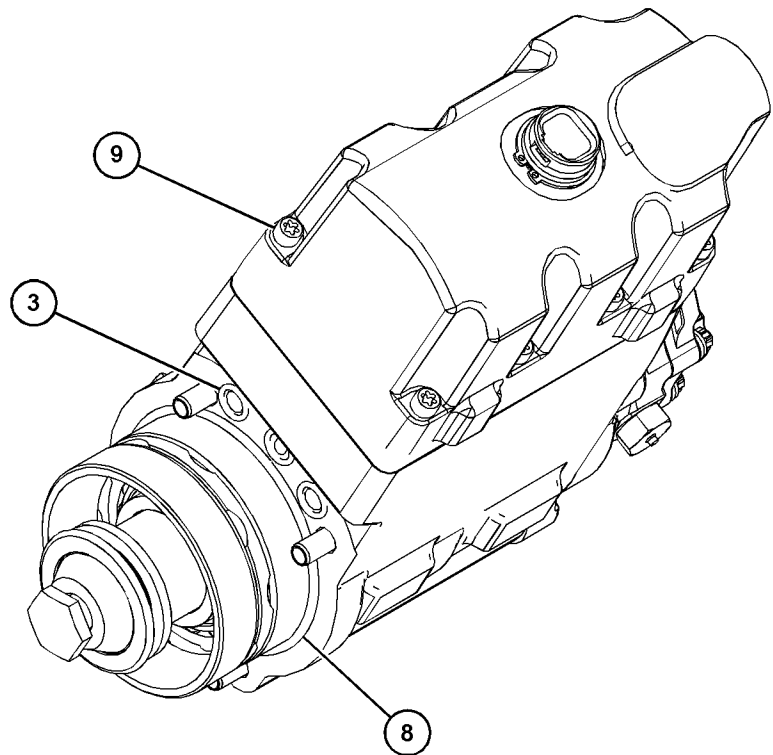
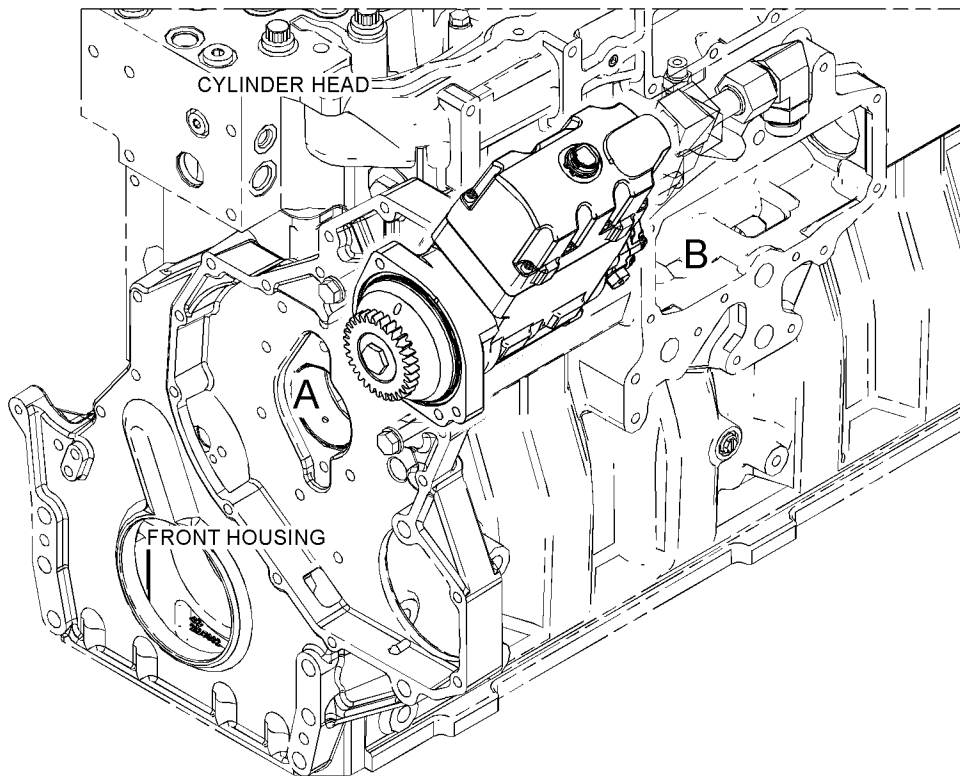
PARTS SHOWN IN GRAPHIC(S) WITHOUT A REFERENCE NUMBER ARE NOT SERVICED SEPARATELY

F - NOT SHOWN
M - METRIC PART
Y - SEPARATE ILLUSTRATION

FUEL SYSTEM

476-8769 PUMP GP-UNIT INJECTOR HYD (contd.)

106272489



VIEW OF AREA A
(PARTS REMOVED FOR CLARITY)

REFER TO ALL ILLUSTRATIONS OF
THIS GROUP FOR AUXILIARY VIEWS

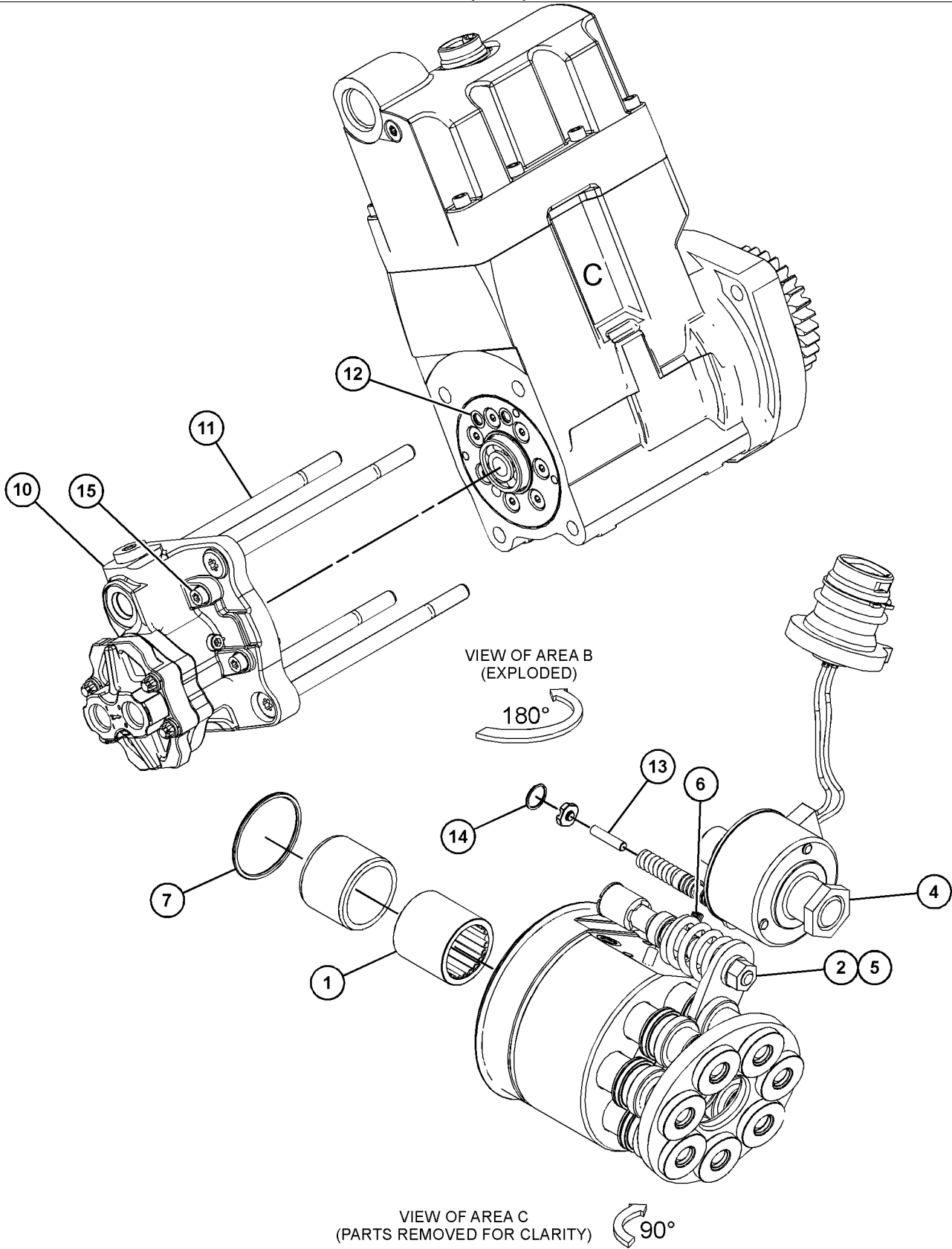
GRAPHIC #1

g03881599

FUEL SYSTEM

476-8769 PUMP GP-UNIT INJECTOR HYD (contd.)

i06272489



GRAPHIC #2

<END>

g03881600

FUEL SYSTEM

232-0343 REGULATOR GP-FUEL PRESSURE

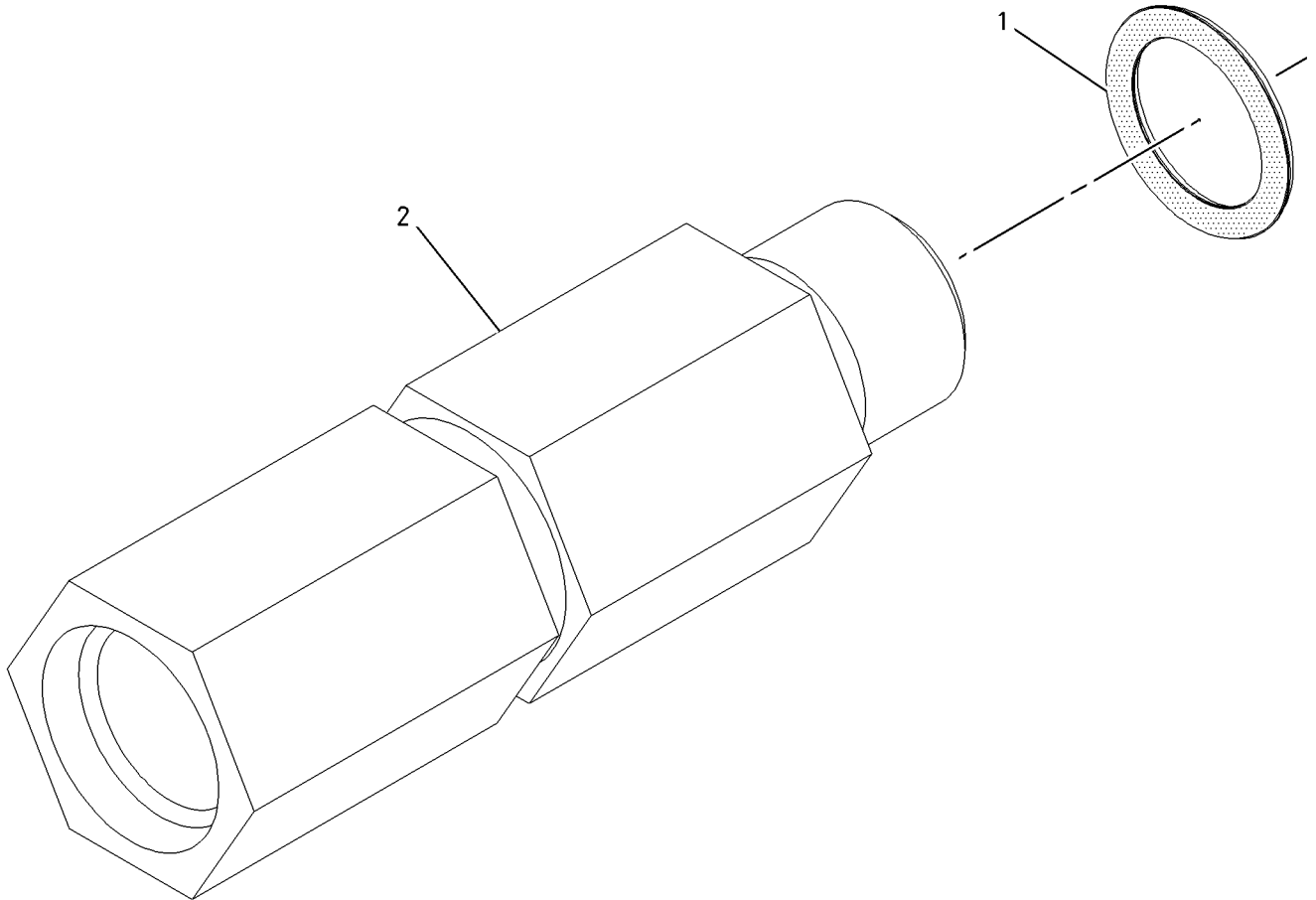
S/N: S9X1-UP

PART OF 465-6977 LINES GP-FUEL FILTER

SMCS-1715

i06142281

NOTE	REF NO	GRAPHIC REF	PART NUMBER	QTY	PART NAME						SEE PAGE
					1	2	3	4	5	6 (PRODUCT LEVEL)	
	1	1	214-7568	1	SEAL-O-RING						
	2	1	369-6662	1	REGULATOR AS (FUEL PRESSURE)						



GRAPHIC #1

<END>

g01004480

FUEL SYSTEM

465-2235 TANK & BASE GP-FUEL

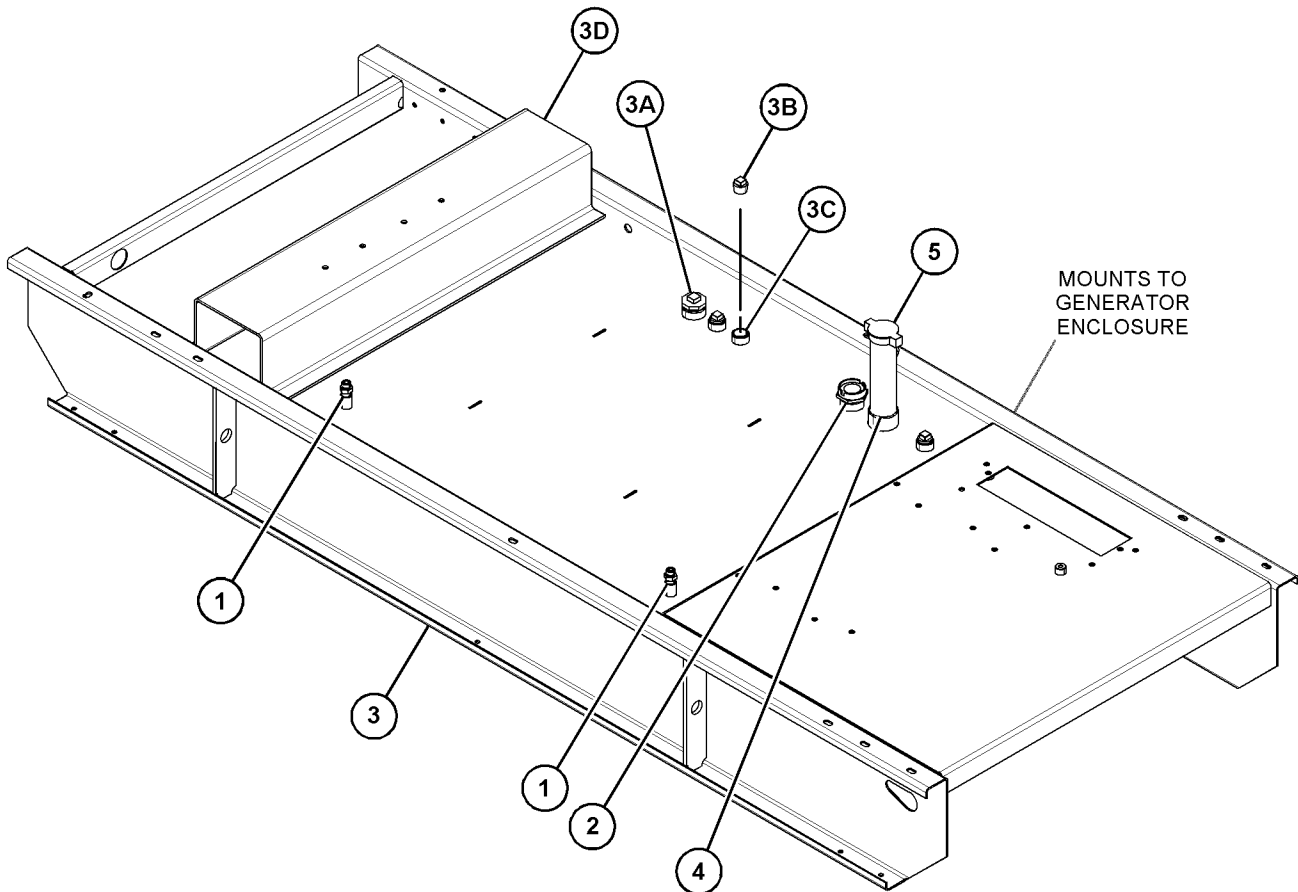
S/N: LX91-UP

AN ATTACHMENT

SMCS-1273

i06145201

NOTE	REF NO	GRAPHIC REF	PART NUMBER	QTY	PART NAME						SEE PAGE
					1	2	3	4	5	6 (PRODUCT LEVEL)	
	1	1	386-7049	2	PIPE AS-FUEL						
					(EACH INCLUDES)						
		1	228-7090	1	SEAL-O-RING						
		1	354-6204	1	PIPE-FUEL						
	2	1	457-4308	1	GAUGE-FUEL LEVEL						
	3	1	465-2234	1	BASE AS-FUEL TANK						
	3A	1	143-0855	1	PLUG						
	3B	1	143-0856	3	PLUG						
	3C	1	203-3145	3	COUPLING						
	3D	1	465-2240	1	BASE AS-FUEL TANK						
	4	1	143-0851	1	PIPE-FUEL FILLER						
	5	1	143-0853	1	CAP AS-FUEL FILLER (TANK)						



GRAPHIC #1

<END>

g03827401

FUEL SYSTEM

382-6044 VALVE GP-CHECK

S/N: S9X1-UP

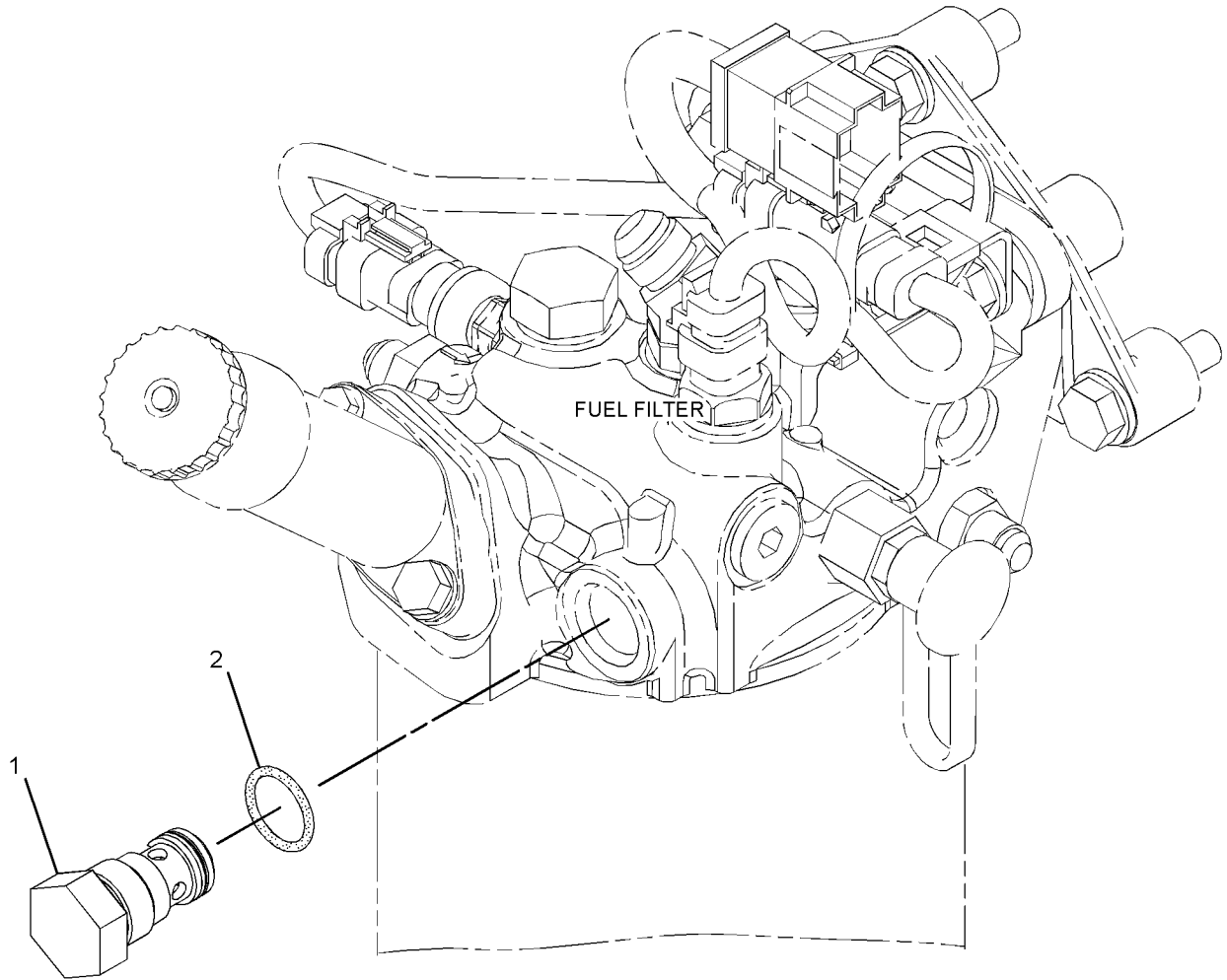
PART OF 300-4065 FILTER GP-FUEL

SMCS-1262

i06591034

NOTE	REF NO	GRAPHIC REF	PART NUMBER	QTY	PART NAME						SEE PAGE
					1	2	3	4	5	6 (PRODUCT LEVEL)	
Y	1	1	139-6873	1	VALVE GP-FUEL BYPASS (FILTER)						136
	2	1	238-5081	1	SEAL-O-RING						

Y - SEPARATE ILLUSTRATION



GRAPHIC #1

<END>

g02874397

FUEL SYSTEM

139-6873 VALVE GP-FUEL BYPASS

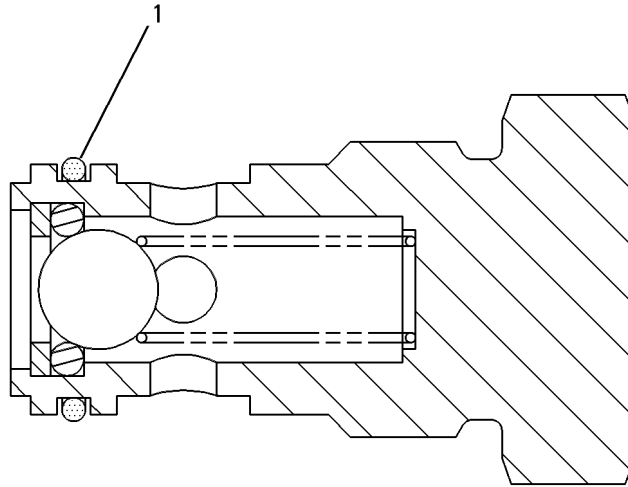
S/N: S9X1-UP

PART OF 382-6044 VALVE GP-CHECK

SMCS-1256

i02200330

NOTE	REF NO	GRAPHIC REF	PART NUMBER	QTY	PART NAME						SEE PAGE
					1	2	3	4	5	6 (PRODUCT LEVEL)	
	1	1	9X-7737	1	SEAL-O-RING						



GRAPHIC #1

<END>

g00266124

ELECTRICAL AND STARTING SYSTEM

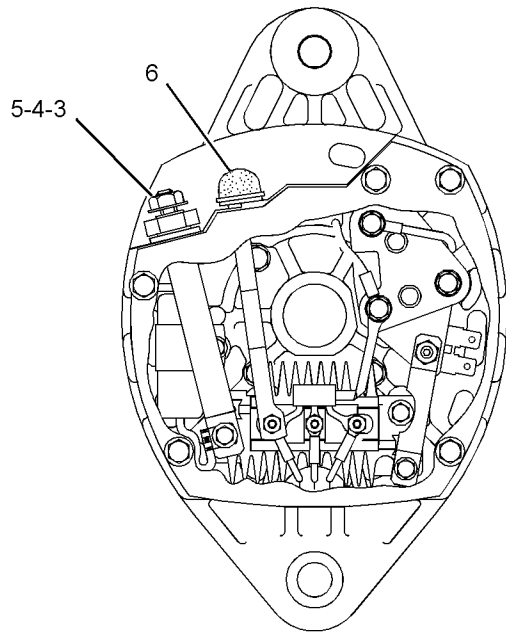
5N-5692 ALTERNATOR GP-CHARGING*R

S/N: S9X1-UP
24 VOLT, 45 AMPERE

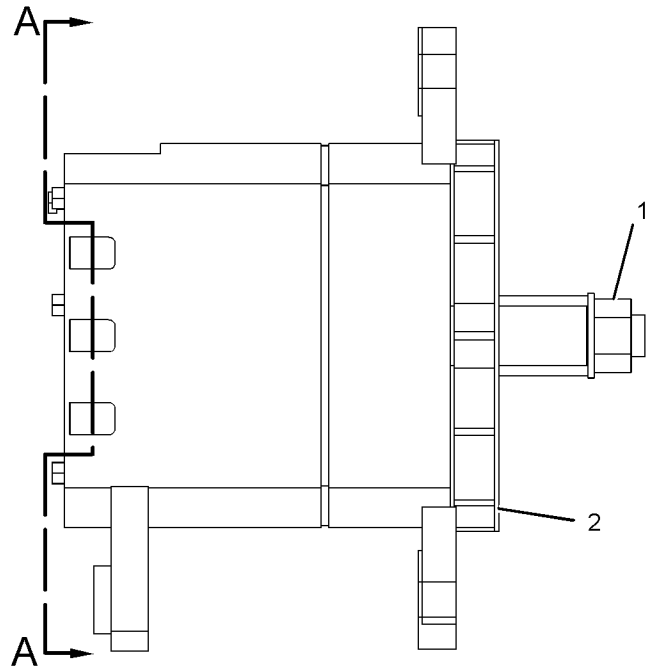
SMCS-1405

i05963157

NOTE	REF NO	GRAPHIC REF	PART NUMBER	QTY	PART NAME						SEE PAGE
					1	2	3	4	5	6 (PRODUCT LEVEL)	
	1	1	187-2034	1	NUT-FLANGE (5/8-18-THD)						
	2	1	3E-5454	1	FAN-ALTERNATOR (11-BLADE)						
	3	1	6V-8187	1	NUT (1/4-28-THD)						
	4	1	1H-3244	1	LOCKWASHER						
	5	1	8T-4205	1	WASHER-HARD (7.2X14.5X2-MM THK)						
	6	1	9L-6770	1	CAP-DUST						



SECTION A-A



GRAPHIC #1

<END>

g01947385

ELECTRICAL AND STARTING SYSTEM

475-4767 BATTERY & WIRING GP

S/N: LX91-UP
AN ATTACHMENT

SMCS-1401, 1402, 1408

i06159057

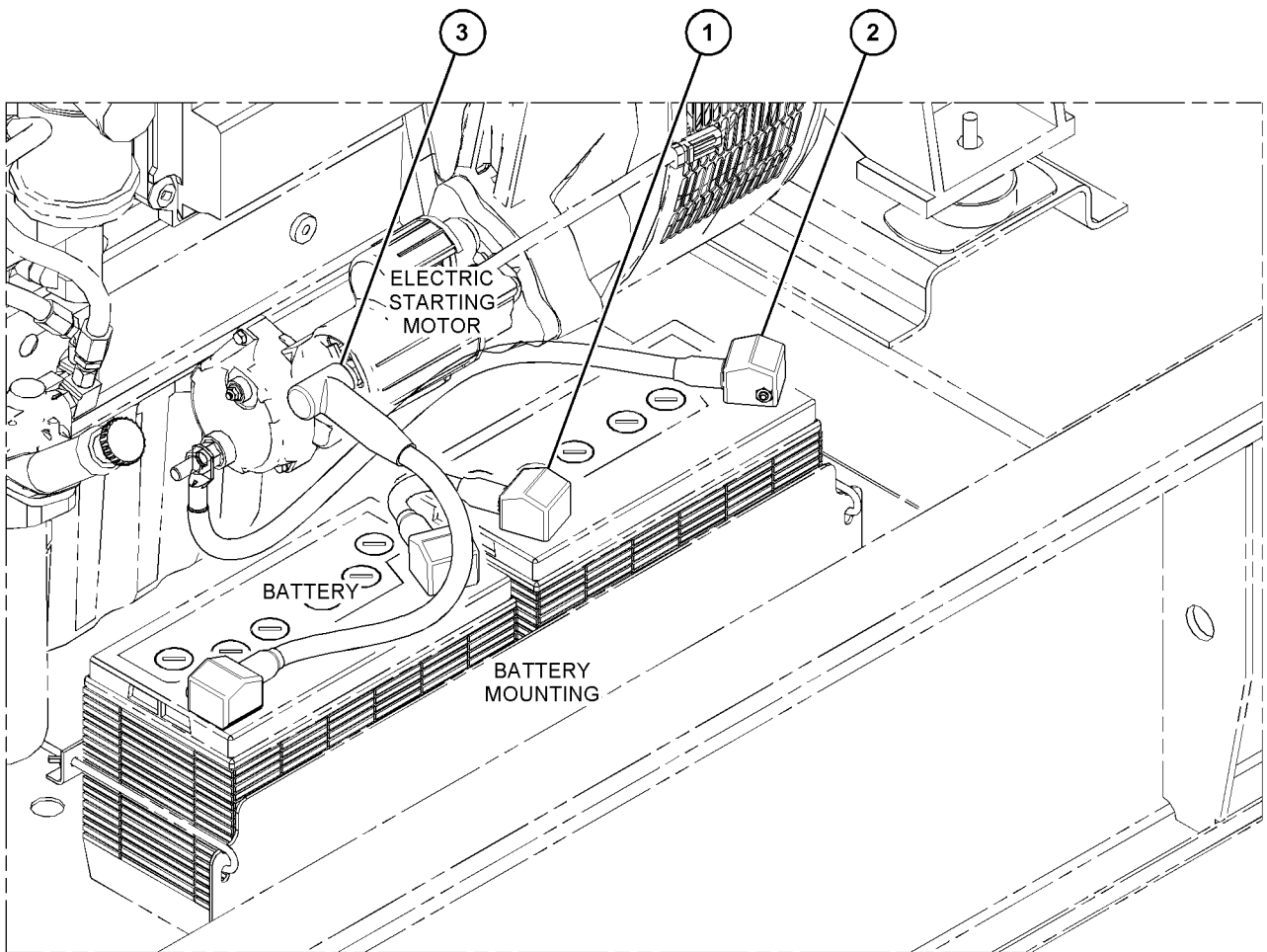
NOTE	REF NO	GRAPHIC REF	PART NUMBER	QTY	PART NAME						SEE PAGE
					1	2	3	4	5	6 (PRODUCT LEVEL)	
	1	1	240-0465	1	CABLE AS						
		1	7N-5274	1	COVER AS-TERMINAL (BLACK)						
		1	8L-8413	1	STRAP-CABLE (WHITE)						
		1	7T-9987	1	COVER AS-TERMINAL (RED)						
		1	8L-8413	1	STRAP-CABLE (WHITE)						
		1	3S-6050	1	TERMINAL AS-BATTERY (NEGATIVE)						
		1	1M-6119	1	BOLT (5/16-18X1.375-IN)						
		1	1M-6120	1	NUT (5/16-18-THD)						
		1	3S-6049	1	TERMINAL AS-BATTERY (POSITIVE)						
		1	1M-6119	1	BOLT (5/16-18X1.375-IN)						
		1	1M-6120	1	NUT (5/16-18-THD)						
E		1	159-8050		CABLE (00-GA, BLACK) (19-CM)						
	2	1	348-8561	1	CABLE AS						
		1	356-5357	1	TERMINAL AS						
		1	1M-6119	1	BOLT (5/16-18X1.375-IN)						
		1	1M-6120	1	NUT (5/16-18-THD)						
	3	1	475-4765	1	CABLE AS						
		1	1S-7251	1	TERMINAL-CABLE (00-GA, 1/2-IN SCREW)						
		1	308-3672	1	COVER						
		1	356-4955	1	TERMINAL AS						
		1	1M-6119	1	BOLT (5/16-18X1.375-IN)						
		1	1M-6120	1	NUT (5/16-18-THD)						

E - ORDER BY THE CENTIMETER

ELECTRICAL AND STARTING SYSTEM

475-4767 BATTERY & WIRING GP (contd.)

106159057



GRAPHIC #1

<END>

g03835076

ELECTRICAL AND STARTING SYSTEM

453-7017 BATTERY CHARGER GP

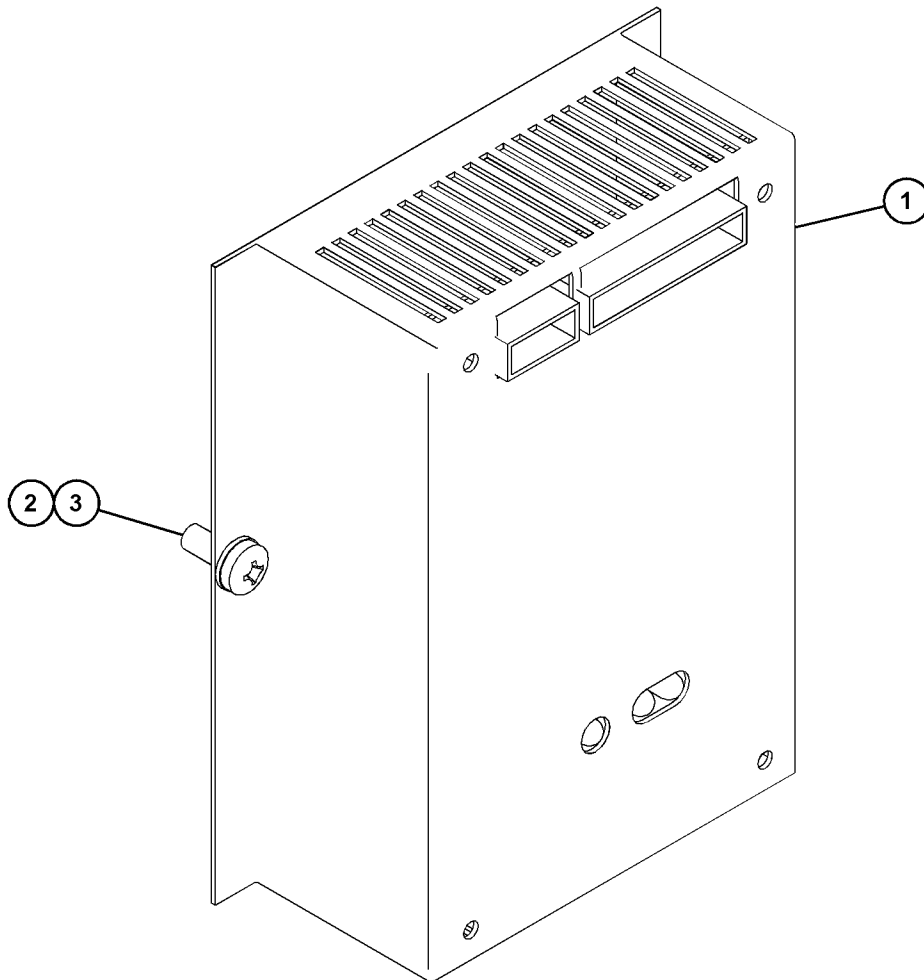
S/N: LX91-UP
AN ATTACHMENT

SMCS-1401, 1406

i06110387

NOTE	REF NO	GRAPHIC REF	PART NUMBER	QTY	PART NAME						SEE PAGE
					1	2	3	4	5	6 (PRODUCT LEVEL)	
	1	1	394-0527	1	BATTERY CHARGER						
M	2	1	6V-9673	2	SCREW-MACHINE (M5X0.8X12-MM)						
	3	1	8T-0328	2	WASHER-HARD (5.5X10X1-MM THK)						

M - METRIC PART



GRAPHIC #1

<END>

g06003654

ELECTRICAL AND STARTING SYSTEM

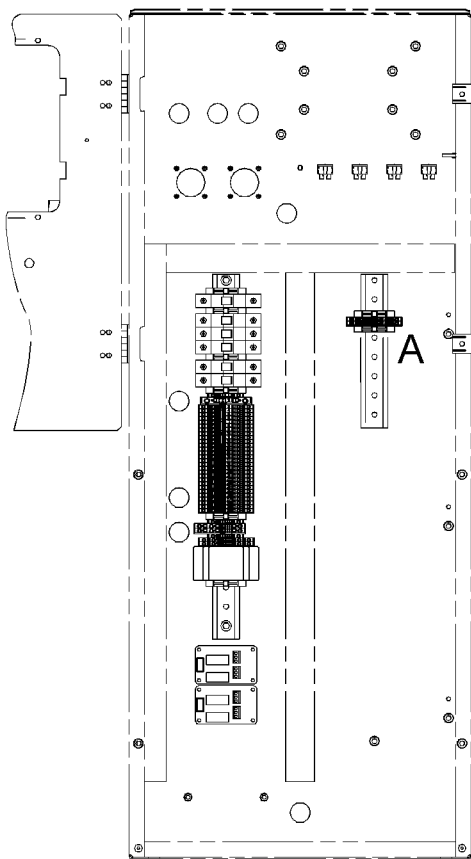
420-5291 BLOCK GP-JUNCTION

S/N: LX91-UP
AN ATTACHMENT

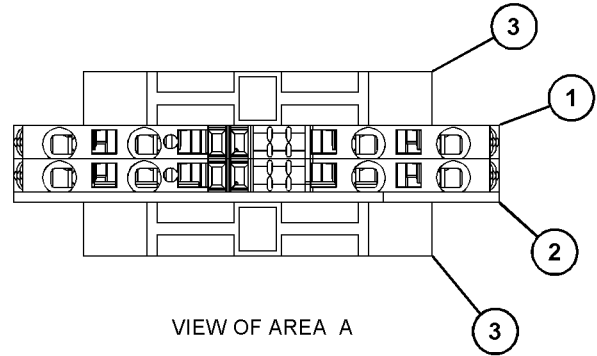
SMCS-1408, 7426

i06110332

NOTE	REF NO	GRAPHIC REF	PART NUMBER	QTY	PART NAME						SEE PAGE
					1	2	3	4	5	6 (PRODUCT LEVEL)	
	1	1	301-8313	2	BLOCK-TERMINAL (4-TERMINAL)						
	2	1	301-8316	1	COVER-END						
	3	1	345-8835	2	BLOCK-TERMINAL						



FRONT VIEW
(PANEL)



VIEW OF AREA A

ELECTRONIC PANEL

GRAPHIC #1

<END>

g06008087

ELECTRICAL AND STARTING SYSTEM

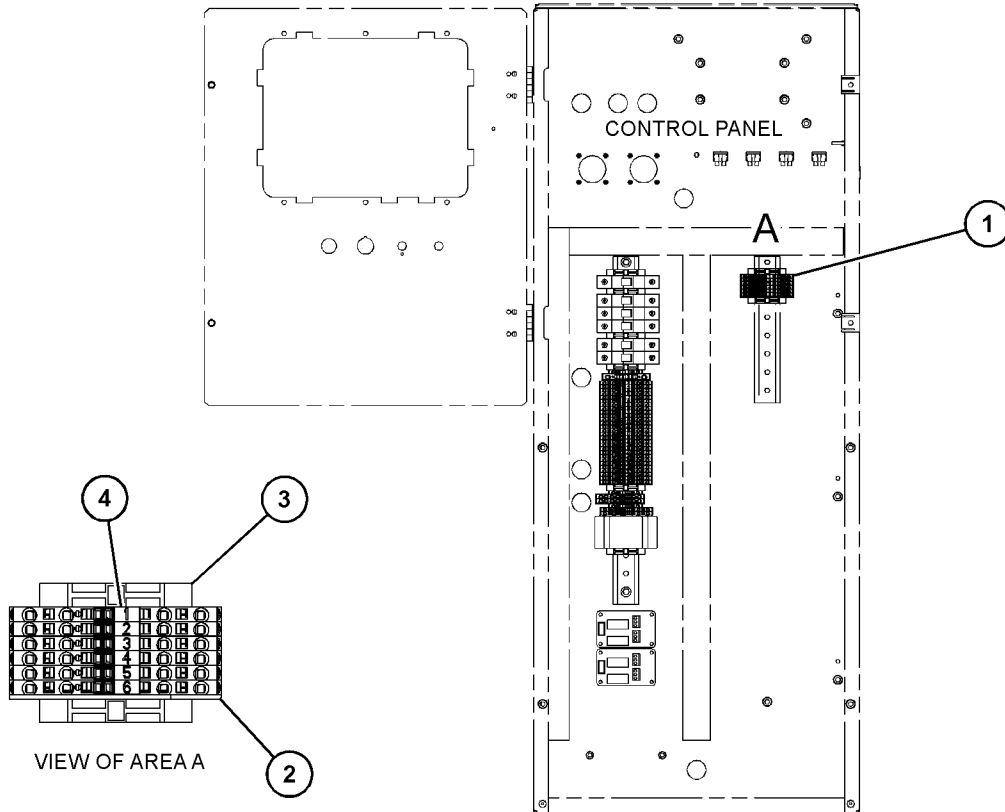
420-5292 BLOCK GP-JUNCTION

S/N: LX91-UP
AN ATTACHMENT

SMCS-1408, 7426

i06151338

NOTE	REF NO	GRAPHIC REF	PART NUMBER	QTY	PART NAME						SEE PAGE
					1	2	3	4	5	6 (PRODUCT LEVEL)	
	1	1	301-8313	6	BLOCK-TERMINAL (4-TERMINAL)						
	2	1	301-8316	1	COVER-END						
	3	1	345-8835	2	BLOCK-TERMINAL						
	4	1	430-8715	1	MARKER-TERMINAL						



GRAPHIC #1

<END>

g03832316

ELECTRICAL AND STARTING SYSTEM

393-7040 BOX GP-GENERATOR CONNECTION

S/N: F6B1-UP

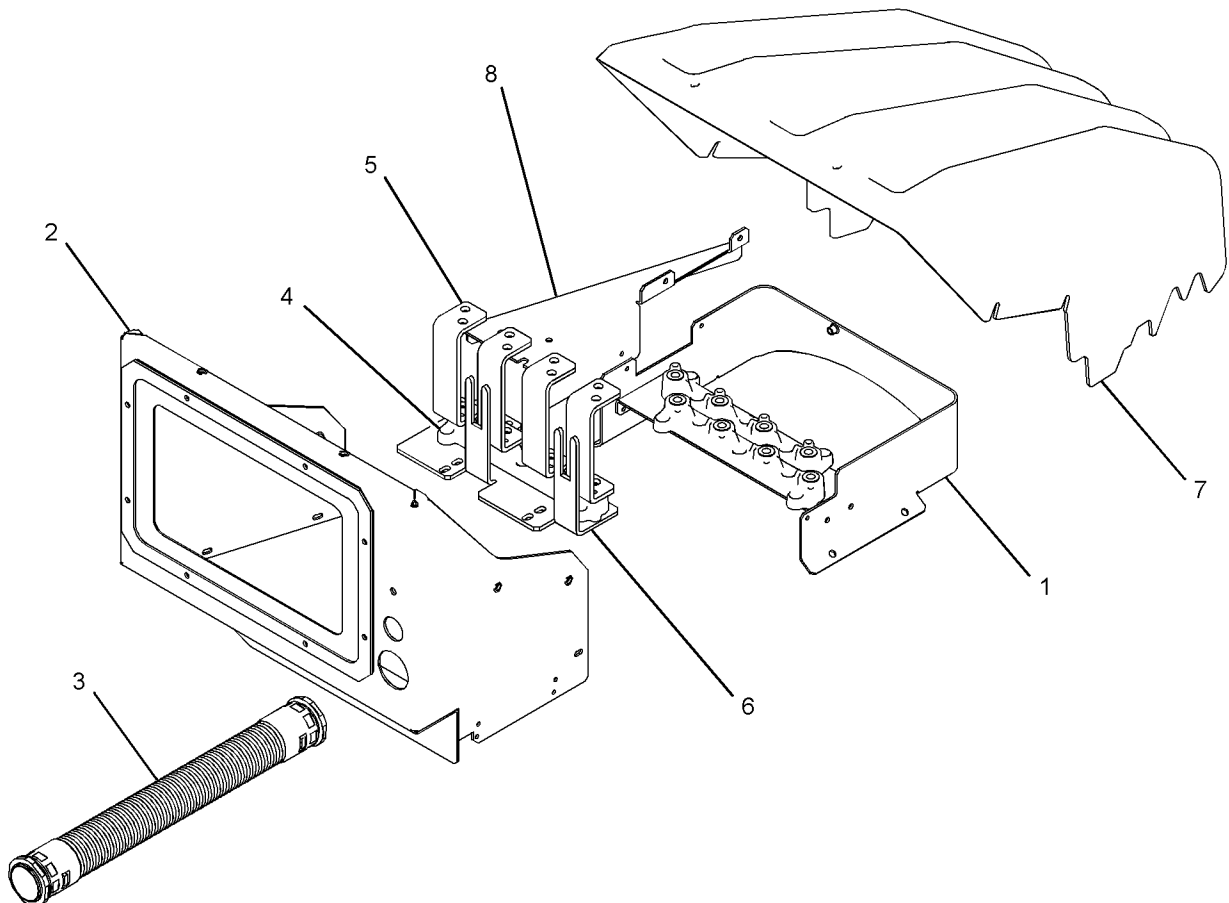
PART OF 358-4760, 374-0463, 374-0465, 389-9340, 389-9341, 389-9342, 389-9343, 389-9344, 389-9347, 389-9348, 389-9351, 389-9352, 421-5094, 421-5095, 421-5097, 421-5098, 421-5100, 421-5101, 421-5102, 421-5103, 421-5212, 421-5213, 421-5214, 421-5225 GENERATOR GP
AN ATTACHMENT

SMCS-4460

i04892139

NOTE	REF NO	GRAPHIC REF	PART NUMBER	QTY	PART NAME						SEE PAGE
					1	2	3	4	5	6	
	1	1	393-7054	1	BRACKET AS						
	2	1	393-7056	1	KIT-PANEL						
					(KIT INCLUDES SEAL & PANEL KIT)						
	3	1	393-7057	1	CONDUIT						
	4	1	393-7058	1	SUPPORT AS						
	5	1	393-7060	1	KIT-TERMINAL						
	6	1	393-7061	1	BRACKET						
	7	1	393-7062	1	LID						
	8	1	393-7064	1	BRACKET						
F			393-7066	1	SHUNT						
F			393-7070	1	KIT-LINK						
					(KIT INCLUDES LINKS)						

F - NOT SHOWN



GRAPHIC #1

<END>

g03038696

ELECTRICAL AND STARTING SYSTEM

453-7027 CABLE GP

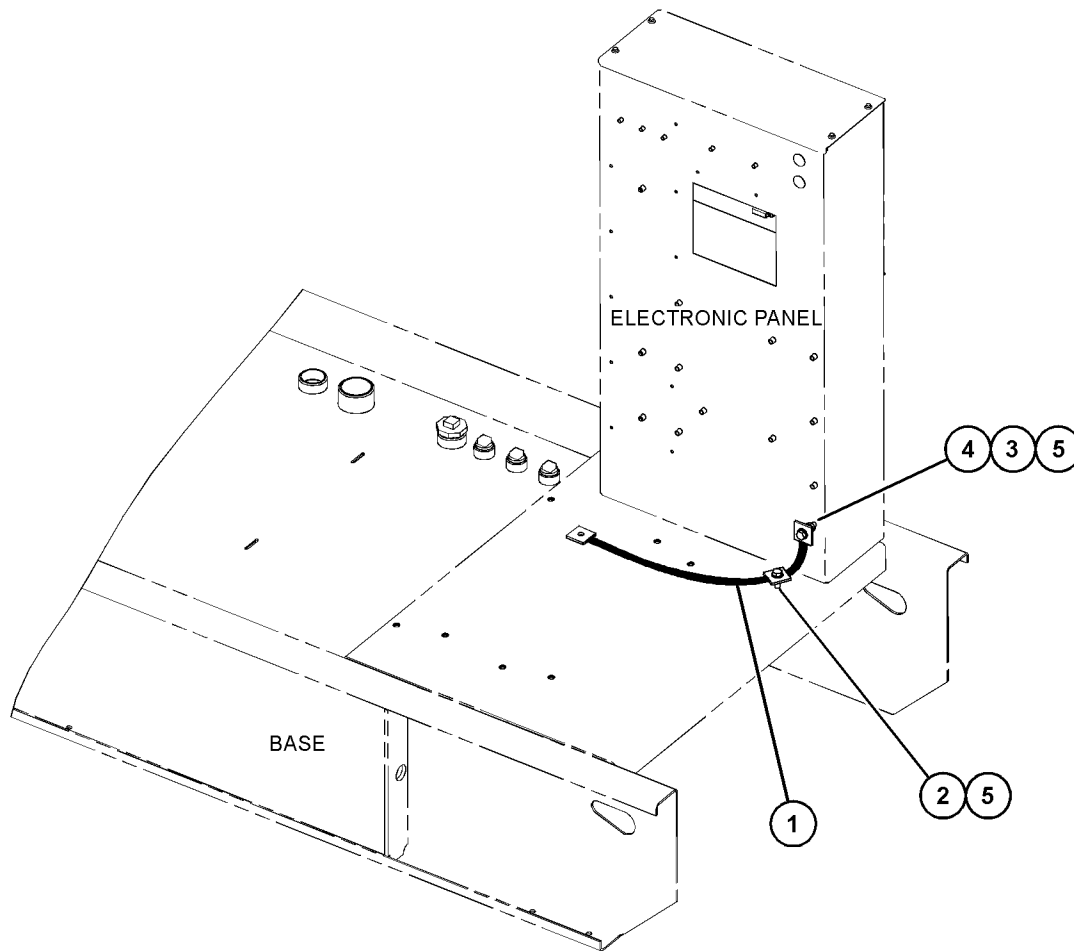
S/N: LX91-UP
AN ATTACHMENT

SMCS-1408, 4459, 4480

i06155173

NOTE	REF NO	GRAPHIC REF	PART NUMBER	QTY	PART NAME						SEE PAGE
					1	2	3	4	5	6 (PRODUCT LEVEL)	
	1	1	452-3091	1	BRAID						
	2	1	8T-4121	4	WASHER-HARD (11X21X2.5-MM THK)						
M	3	1	8T-4133	2	NUT (M10X1.5-THD)						
M	4	1	8T-4186	1	BOLT (M10X1.5X40-MM)						
M	5	1	8T-4195	1	BOLT (M10X1.5X30-MM)						

M - METRIC PART



GRAPHIC #1

<END>

g03834038

ELECTRICAL AND STARTING SYSTEM

471-0824 CABLE GP-BATTERY

S/N: LX91-UP
AN ATTACHMENT

SMCS-1402

i06110455

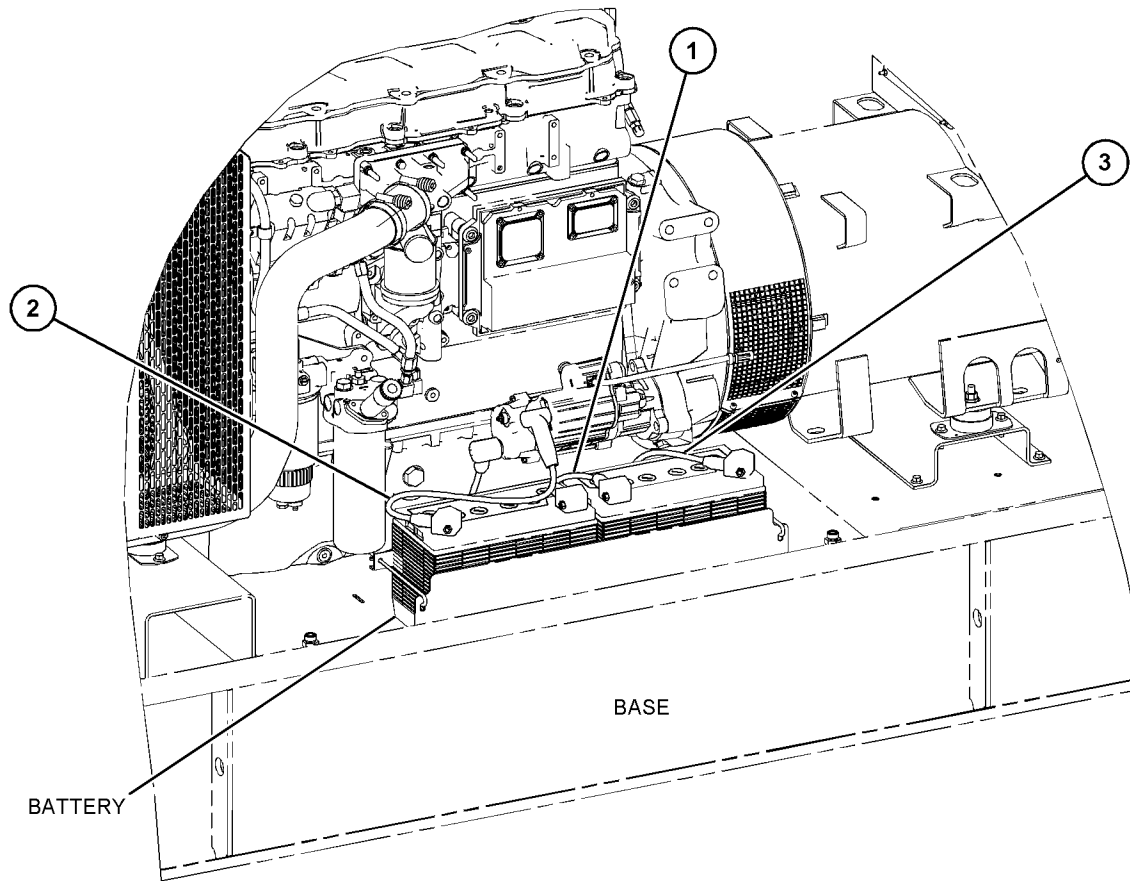
NOTE	REF NO	GRAPHIC REF	PART NUMBER	QTY	PART NAME						SEE PAGE
					1	2	3	4	5	6 (PRODUCT LEVEL)	
	1	1	240-0465	1	CABLE AS						
		1	7N-5274	1	COVER AS-TERMINAL (BLACK)						
		1	8L-8413	1	STRAP-CABLE (WHITE)						
		1	7T-9987	1	COVER AS-TERMINAL (RED)						
		1	8L-8413	1	STRAP-CABLE (WHITE)						
		1	3S-6050	1	TERMINAL AS-BATTERY (NEGATIVE)						
		1	1M-6119	1	BOLT (5/16-18X1.375-IN)						
		1	1M-6120	1	NUT (5/16-18-THD)						
		1	3S-6049	1	TERMINAL AS-BATTERY (POSITIVE)						
		1	1M-6119	1	BOLT (5/16-18X1.375-IN)						
		1	1M-6120	1	NUT (5/16-18-THD)						
E		1	159-8050		CABLE (00-GA, BLACK) (19-CM)						
	2	1	346-4039	1	CABLE AS						
		1	1M-6119	1	BOLT (5/16-18X1.375-IN)						
		1	1S-7251	1	TERMINAL-CABLE (00-GA, 1/2-IN SCREW)						
		1	6V-8189	1	NUT (5/16-18-THD)						
		1	9G-0004	1	COVER AS-TERMINAL (RED)						
		1	8L-8413	1	STRAP-CABLE (WHITE)						
		1	3S-6049	1	TERMINAL AS-BATTERY (POSITIVE)						
		1	1M-6119	1	BOLT (5/16-18X1.375-IN)						
		1	1M-6120	1	NUT (5/16-18-THD)						
E		1	159-8049		CABLE (00-GA, RED) (56-CM)						
		1	308-3672	1	COVER						
	3	1	<i>354-2560</i>	1	CABLE AS						
		1	1S-7251	1	TERMINAL-CABLE (00-GA, 1/2-IN SCREW)						
		1	9G-0003	1	COVER AS-TERMINAL (BLACK)						
		1	8L-8413	1	STRAP-CABLE (WHITE)						
		1	9G-8909	1	COVER-TERMINAL (BLACK)						
		1	3S-6050	1	TERMINAL AS-BATTERY (NEGATIVE)						
		1	1M-6119	1	BOLT (5/16-18X1.375-IN)						
		1	1M-6120	1	NUT (5/16-18-THD)						
E		1	159-8050		CABLE (00-GA, BLACK) (86-CM)						

E - ORDER BY THE CENTIMETER

ELECTRICAL AND STARTING SYSTEM

471-0824 CABLE GP-BATTERY (contd.)

i06110455



GRAPHIC #1

<END>

g06002254

ELECTRICAL AND STARTING SYSTEM

445-5763 CIRCUIT BREAKER GP

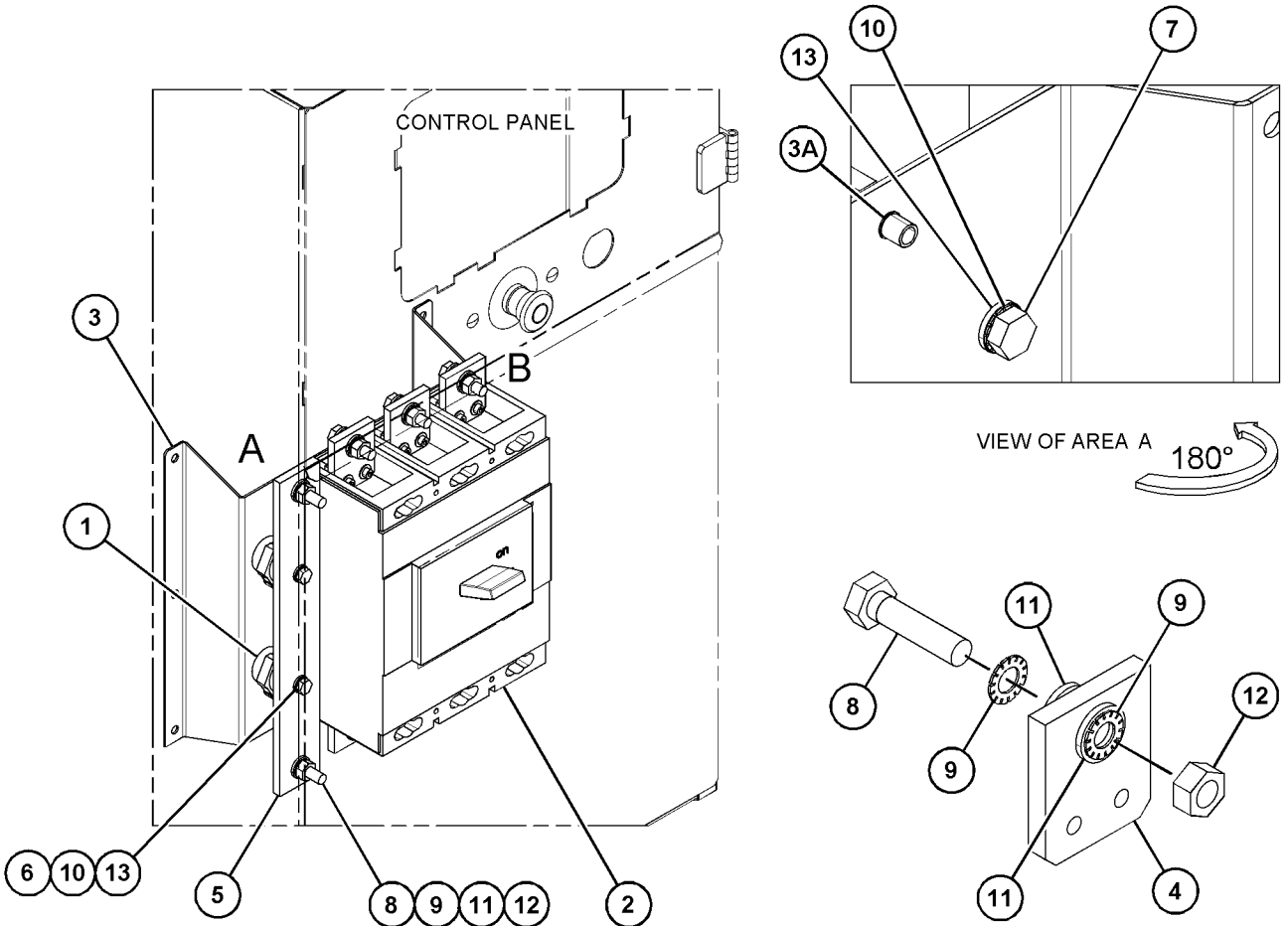
S/N: LX91-UP
690-VOLT, 800-AMPERE, 3-POLE
AN ATTACHMENT

SMCS-1420, 4461

i06141298

NOTE	REF NO	GRAPHIC REF	PART NUMBER	QTY	PART NAME						SEE PAGE
					1	2	3	4	5	6 (PRODUCT LEVEL)	
	1	1	143-4456	2	INSULATOR						
	2	1	337-0469	1	CIRCUIT BREAKER (800-AMPERE)						
		1	223-7934	1	KIT-FASTENER						
		1	347-8371	1	KIT-FASTENER						
	3	1	445-5762	1	BRACKET AS						
M	3A	1	203-5398	6	INSERT-THREADED (M5X0.8-THD)						
	4	1	446-9709	6	TERMINAL						
	5	1	448-0221	1	TERMINAL						
	6	1	260-6672	2	BOLT (M8X1.25X20-MM)						
M	7	1	8T-4199	2	BOLT (M8X1.25X12-MM)						
M	8	1	8T-4186	8	BOLT (M10X1.5X40-MM)						
	9	1	4D-1326	16	LOCKWASHER (EXTERNAL TOOTH)						
	10	1	7H-3937	4	LOCKWASHER (EXTERNAL TOOTH)						
	11	1	8T-4121	16	WASHER-HARD (11X21X2.5-MM THK)						
M	12	1	8T-4133	8	NUT (M10X1.5-THD)						
	13	1	8T-4224	4	WASHER-HARD (8.8X16X2-MM THK)						

M - METRIC PART



GRAPHIC #1

<END>

g03826472

ELECTRICAL AND STARTING SYSTEM

445-5862 CIRCUIT BREAKER GP

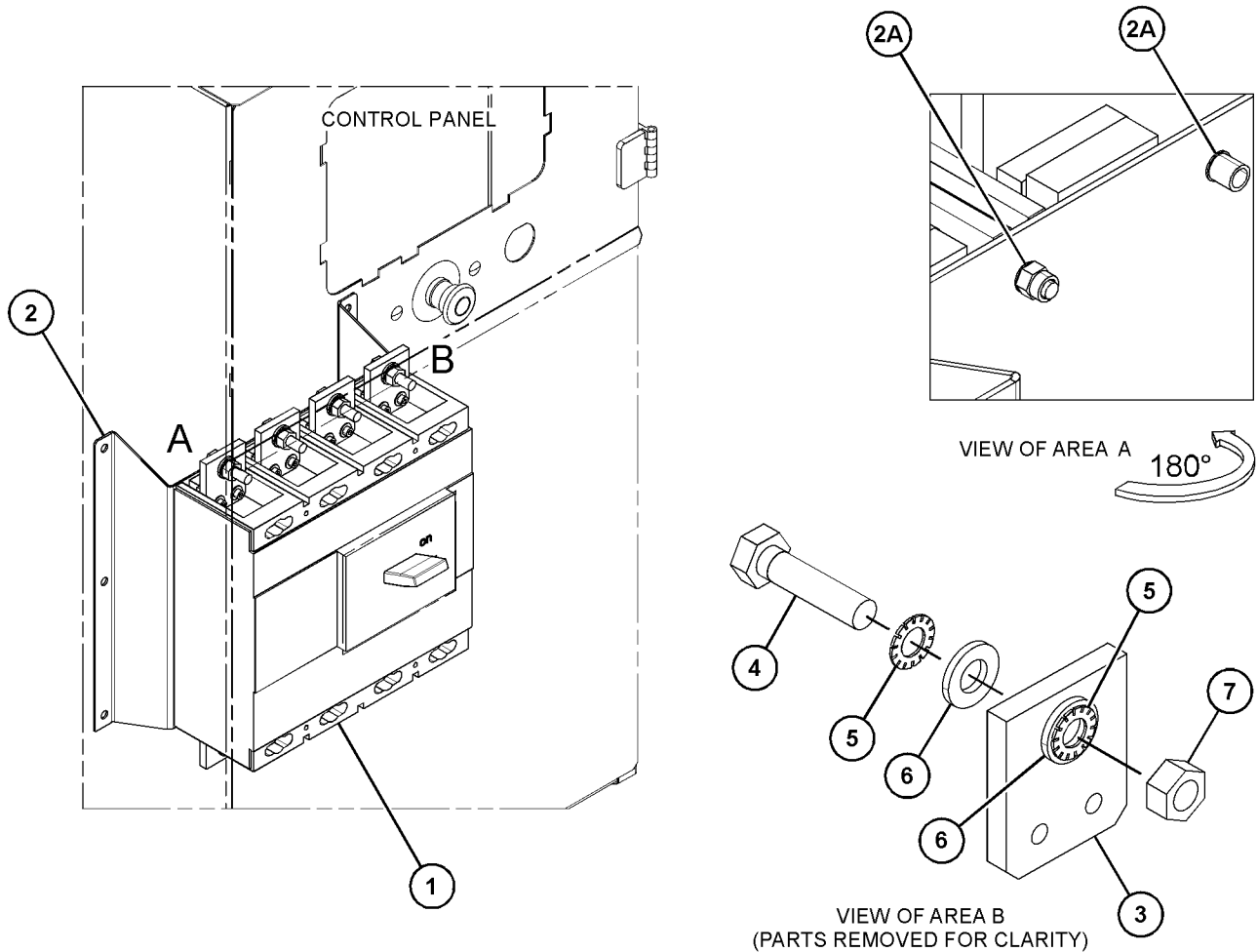
S/N: LX91-UP
690-VOLT, 800-AMPERE, 4-POLE
AN ATTACHMENT

SMCS-1420, 4461

i06141308

NOTE	REF NO	GRAPHIC REF	PART NUMBER	QTY	PART NAME						SEE PAGE
					1	2	3	4	5	6 (PRODUCT LEVEL)	
	1	1	319-0007	1	CIRCUIT BREAKER (800-AMPERE)						
		1	223-7934	1	KIT-FASTENER						
		1	347-8371	1	KIT-FASTENER						
	2	1	445-5762	1	BRACKET AS						
M	2A	1	203-5398	6	INSERT-THREADED (M5X0.8-THD)						
	3	1	446-9709	8	TERMINAL						
M	4	1	8T-4186	8	BOLT (M10X1.5X40-MM)						
	5	1	4D-1326	16	LOCKWASHER (EXTERNAL TOOTH)						
	6	1	8T-4121	16	WASHER-HARD (11X21X2.5-MM THK)						
M	7	1	8T-4133	8	NUT (M10X1.5-THD)						

M - METRIC PART



GRAPHIC #1

<END>

g03826474

ELECTRICAL AND STARTING SYSTEM

466-9156 CIRCUIT BREAKER GP

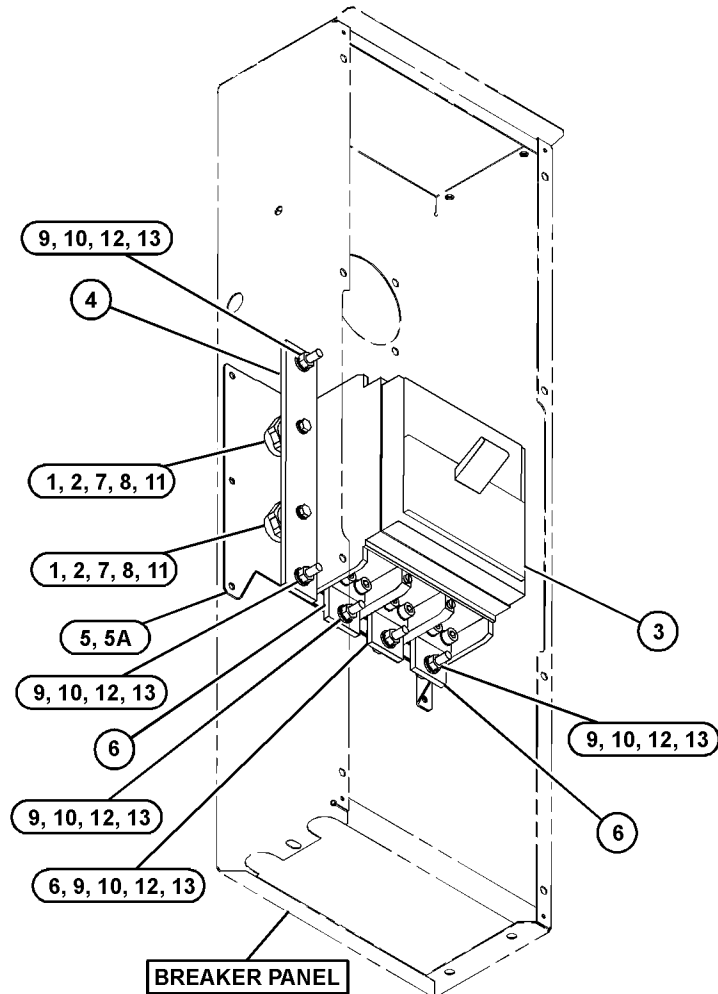
S/N: LX91-UP
1000-AMPERE, 3-POLE
AN ATTACHMENT

SMCS-1420, 4461

i06144868

NOTE	REF NO	GRAPHIC REF	PART NUMBER	QTY	PART NAME						SEE PAGE
					1	2	3	4	5	6 (PRODUCT LEVEL)	
	1	1	143-4456	2	INSULATOR						
	2	1	8T-4224	4	WASHER-HARD (8.8X16X2-MM THK)						
	3	1	417-9299	1	CIRCUIT BREAKER (1000-AMPERE, 3-POLE)						
		1	347-8373	1	KIT-FASTENER						
		1	347-8397	1	KIT-FASTENER						
	4	1	448-0221	1	TERMINAL						
	5	1	466-7262	1	BRACKET AS						
M	5A	1	203-5398	6	INSERT-THREADED (M5X0.8-THD)						
	6	1	472-5506	3	TERMINAL						
M	7	1	260-6676	2	BOLT (M8X1.25X16-MM)						
M	8	1	8T-4199	2	BOLT (M8X1.25X12-MM)						
M	9	1	8T-4186	5	BOLT (M10X1.5X40-MM)						
	10	1	4D-1326	10	LOCKWASHER (EXTERNAL TOOTH)						
	11	1	7H-3937	4	LOCKWASHER (EXTERNAL TOOTH)						
	12	1	8T-4121	10	WASHER-HARD (11X21X2.5-MM THK)						
M	13	1	8T-4133	5	NUT (M10X1.5-THD)						

M - METRIC PART



GRAPHIC #1

<END>

g03829907

ELECTRICAL AND STARTING SYSTEM

466-9157 CIRCUIT BREAKER GP

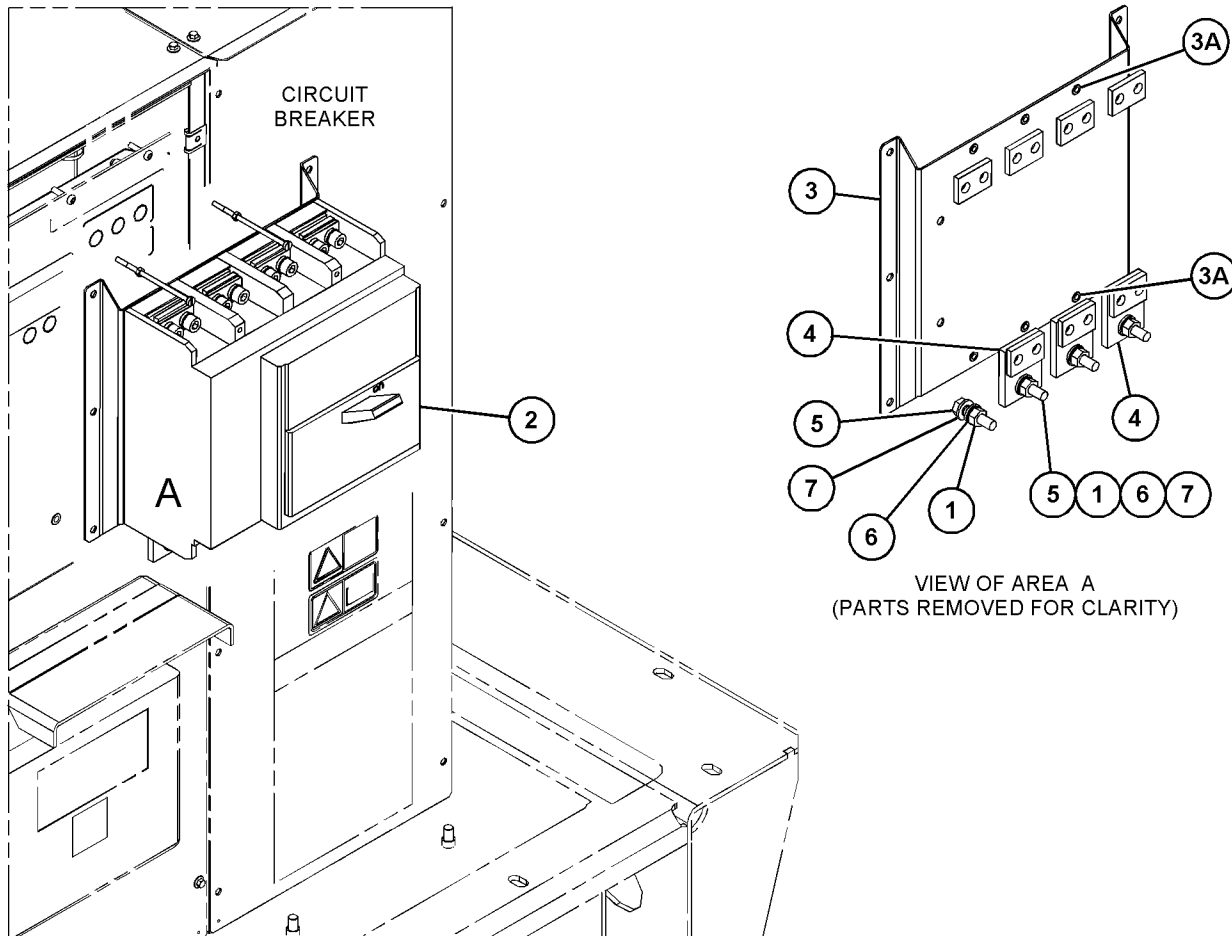
S/N: LX91-UP
1000-AMPERE, 4-POLE
AN ATTACHMENT

SMCS-1420, 4461

i06144870

NOTE	REF NO	GRAPHIC REF	PART NUMBER	QTY	PART NAME						SEE PAGE
					1	2	3	4	5	6 (PRODUCT LEVEL)	
M	1	1	8T-4133	4	NUT (M10X1.5-THD)						
	2	1	417-9300	1	CIRCUIT BREAKER (1000-AMPERE)						
		1	347-8373	1	KIT-FASTENER						
		1	347-8397	1	KIT-FASTENER						
	3	1	466-7262	1	BRACKET AS						
M	3A	1	203-5398	6	INSERT-THREADED (M5X0.8-THD)						
	4	1	472-5506	4	TERMINAL						
M	5	1	8T-4186	4	BOLT (M10X1.5X40-MM)						
	6	1	4D-1326	8	LOCKWASHER (EXTERNAL TOOTH)						
	7	1	8T-4121	8	WASHER-HARD (11X21X2.5-MM THK)						

M - METRIC PART



GRAPHIC #1

<END>

g03832920

ELECTRICAL AND STARTING SYSTEM

474-3124 CONNECTION GP-ELECTRICAL

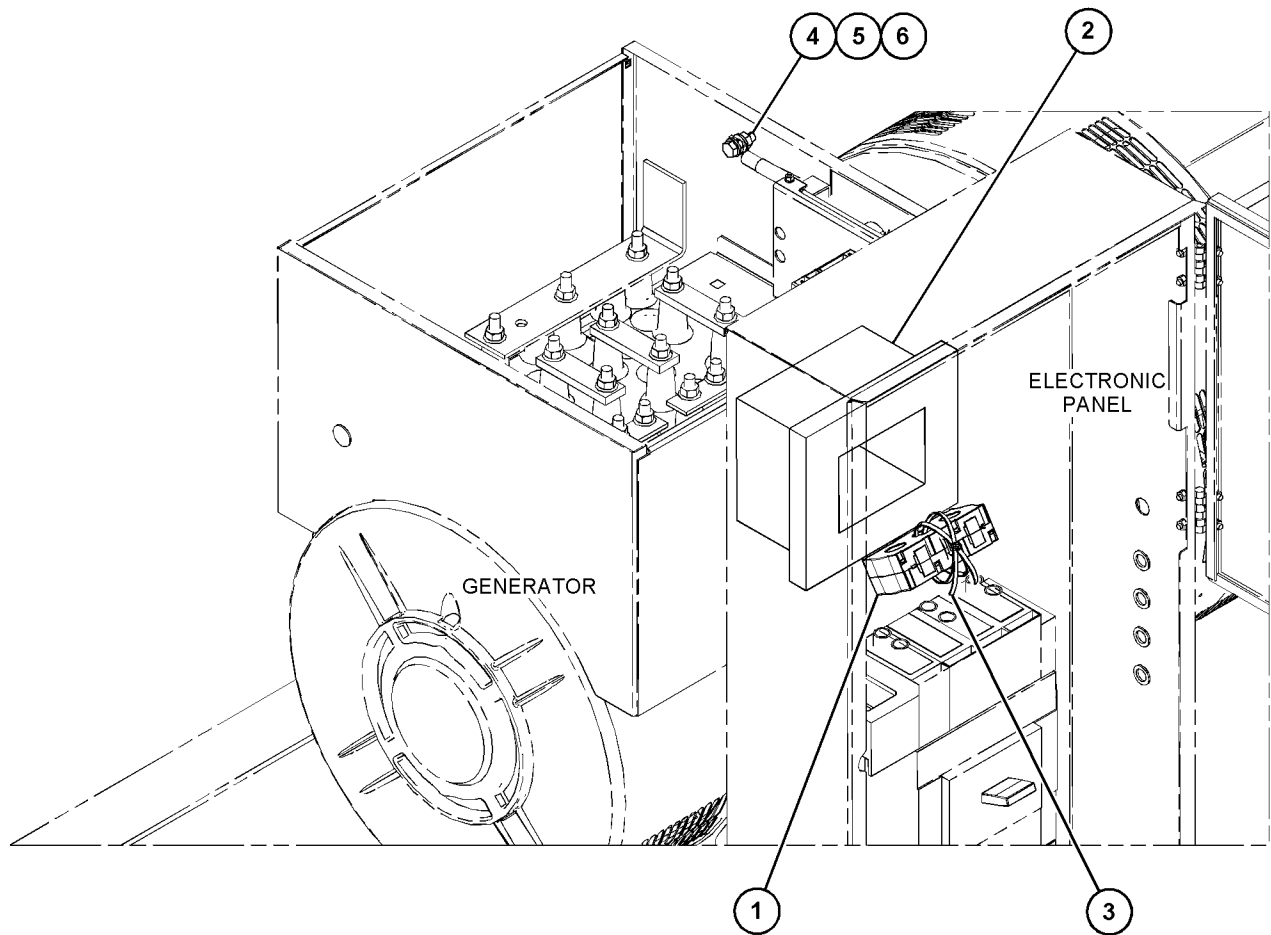
S/N: LX91-UP
400-AMPERE
AN ATTACHMENT

SMCS-1408

i06158771

NOTE	REF NO	GRAPHIC REF	PART NUMBER	QTY	PART NAME						SEE PAGE
					1	2	3	4	5	6 (PRODUCT LEVEL)	
	1	1	349-9598	1	TRANSFORMER-CURRENT (RATIO 400:5)						
	2	1	435-1842	1	DUCT						
	3	1	7K-1181	2	STRAP-CABLE						
B	4	1	8T-4121	2	WASHER-HARD (11X21X2.5-MM THK)						
BM	5	1	8T-4133	1	NUT (M10X1.5-THD)						
BM	6	1	8T-4195	1	BOLT (M10X1.5X30-MM)						

B - USE AS REQUIRED
M - METRIC PART



GRAPHIC #1

<END>

g03835075

ELECTRICAL AND STARTING SYSTEM

474-4117 CONNECTION GP-ELECTRICAL

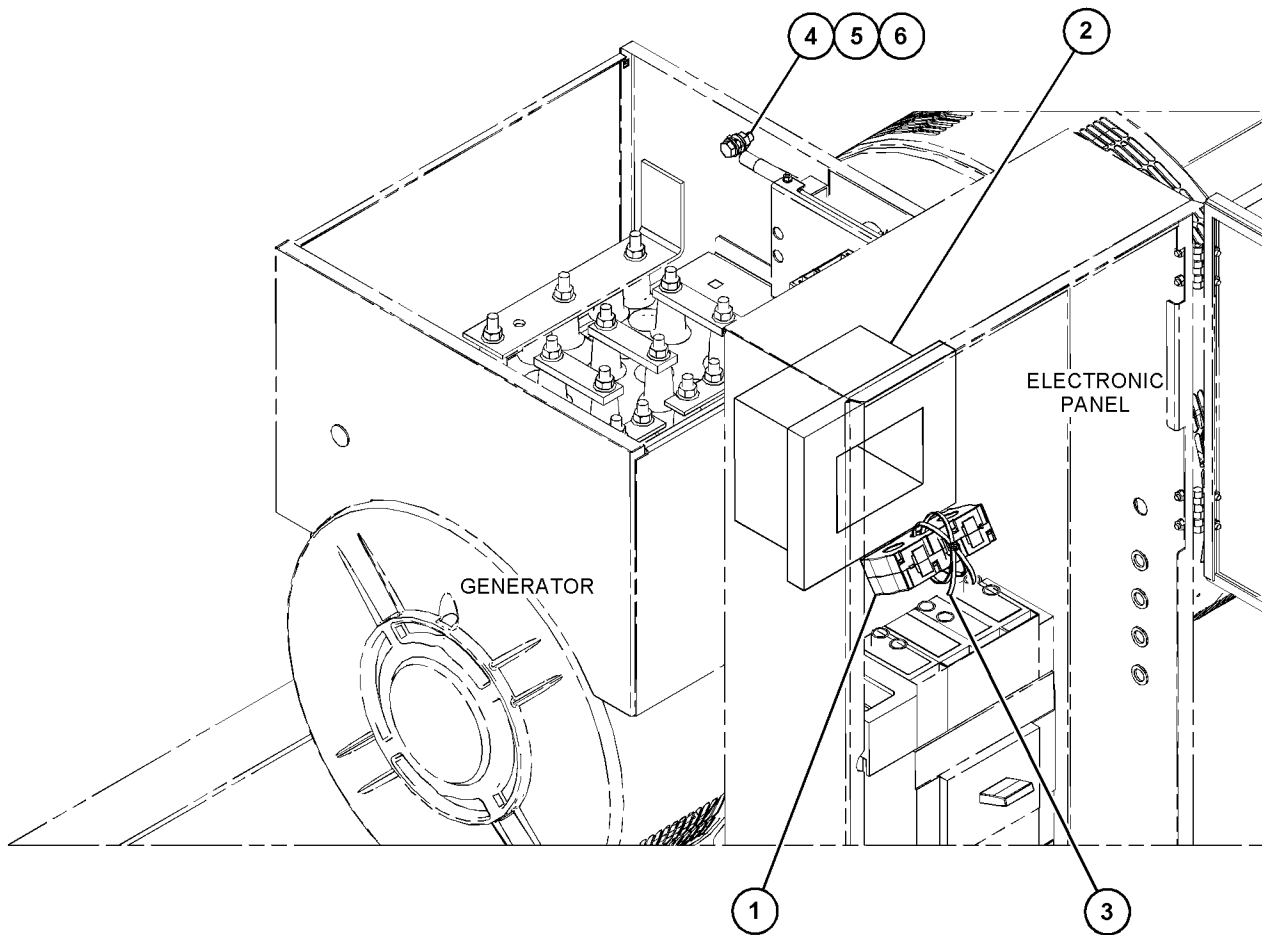
S/N: LX91-UP
630-AMPERE
AN ATTACHMENT

SMCS-1408

i06158790

NOTE	REF NO	GRAPHIC REF	PART NUMBER	QTY	PART NAME						SEE PAGE
					1	2	3	4	5	6 (PRODUCT LEVEL)	
	1	1	349-9599	1	TRANSFORMER-CURRENT (RATIO 600:5)						
	2	1	435-1842	1	DUCT						
	3	1	7K-1181	2	STRAP-CABLE						
B	4	1	8T-4121	2	WASHER-HARD (11X21X2.5-MM THK)						
BM	5	1	8T-4133	1	NUT (M10X1.5-THD)						
BM	6	1	8T-4195	1	BOLT (M10X1.5X30-MM)						

B - USE AS REQUIRED
M - METRIC PART



GRAPHIC #1

<END>

g03835075

ELECTRICAL AND STARTING SYSTEM

474-4118 CONNECTION GP-ELECTRICAL

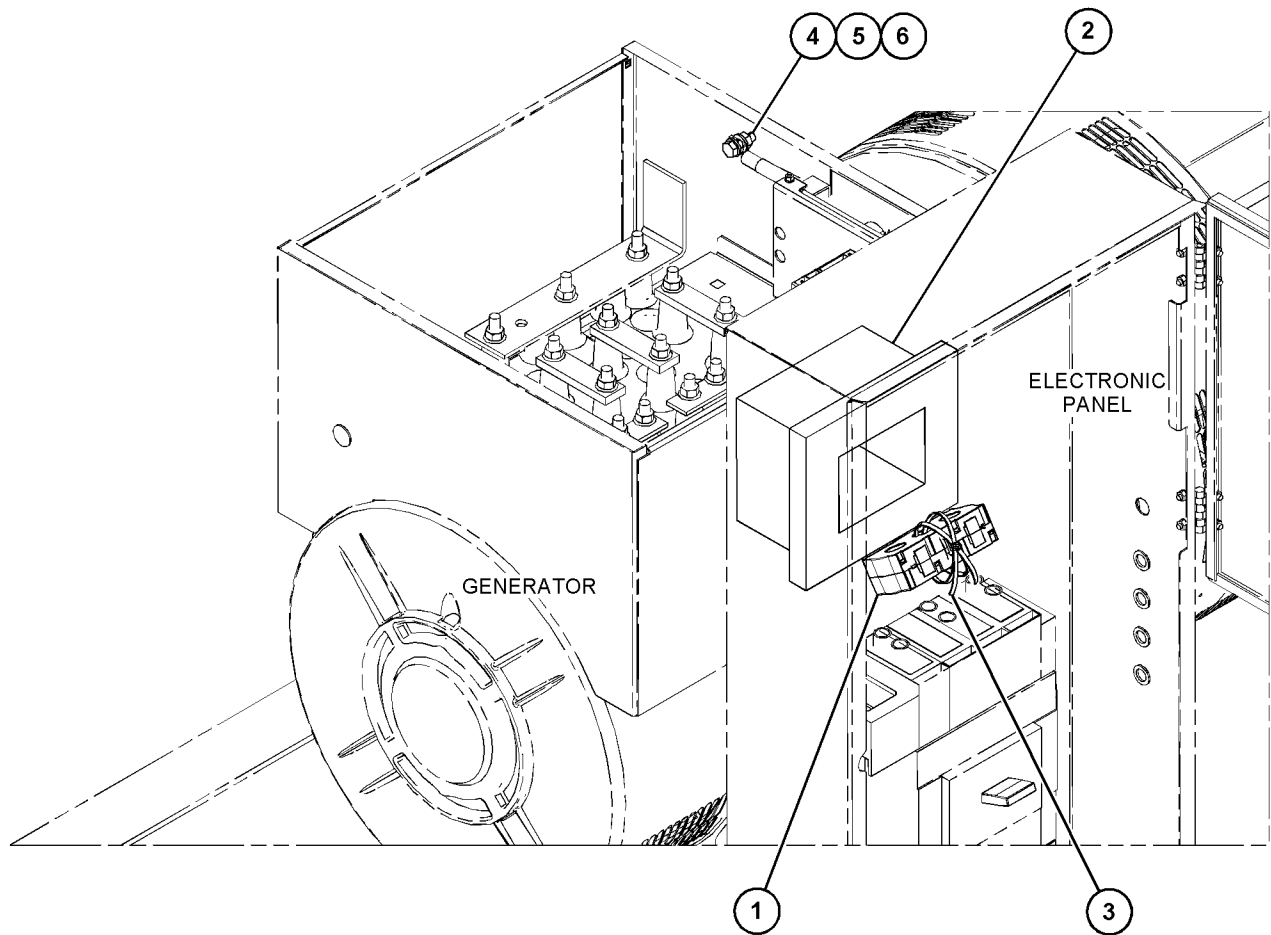
S/N: LX91-UP
630-AMPERE
AN ATTACHMENT

SMCS-1408

i06158795

NOTE	REF NO	GRAPHIC REF	PART NUMBER	QTY	PART NAME						SEE PAGE
					1	2	3	4	5	6 (PRODUCT LEVEL)	
	1	1	349-9600	1	TRANSFORMER-CURRENT (RATIO 800:5)						
	2	1	435-1842	1	DUCT						
	3	1	7K-1181	2	STRAP-CABLE						
B	4	1	8T-4121	2	WASHER-HARD (11X21X2.5-MM THK)						
BM	5	1	8T-4133	1	NUT (M10X1.5-THD)						
BM	6	1	8T-4195	1	BOLT (M10X1.5X30-MM)						

B - USE AS REQUIRED
M - METRIC PART



GRAPHIC #1

<END>

g03835075

ELECTRICAL AND STARTING SYSTEM

474-4119 CONNECTION GP-ELECTRICAL

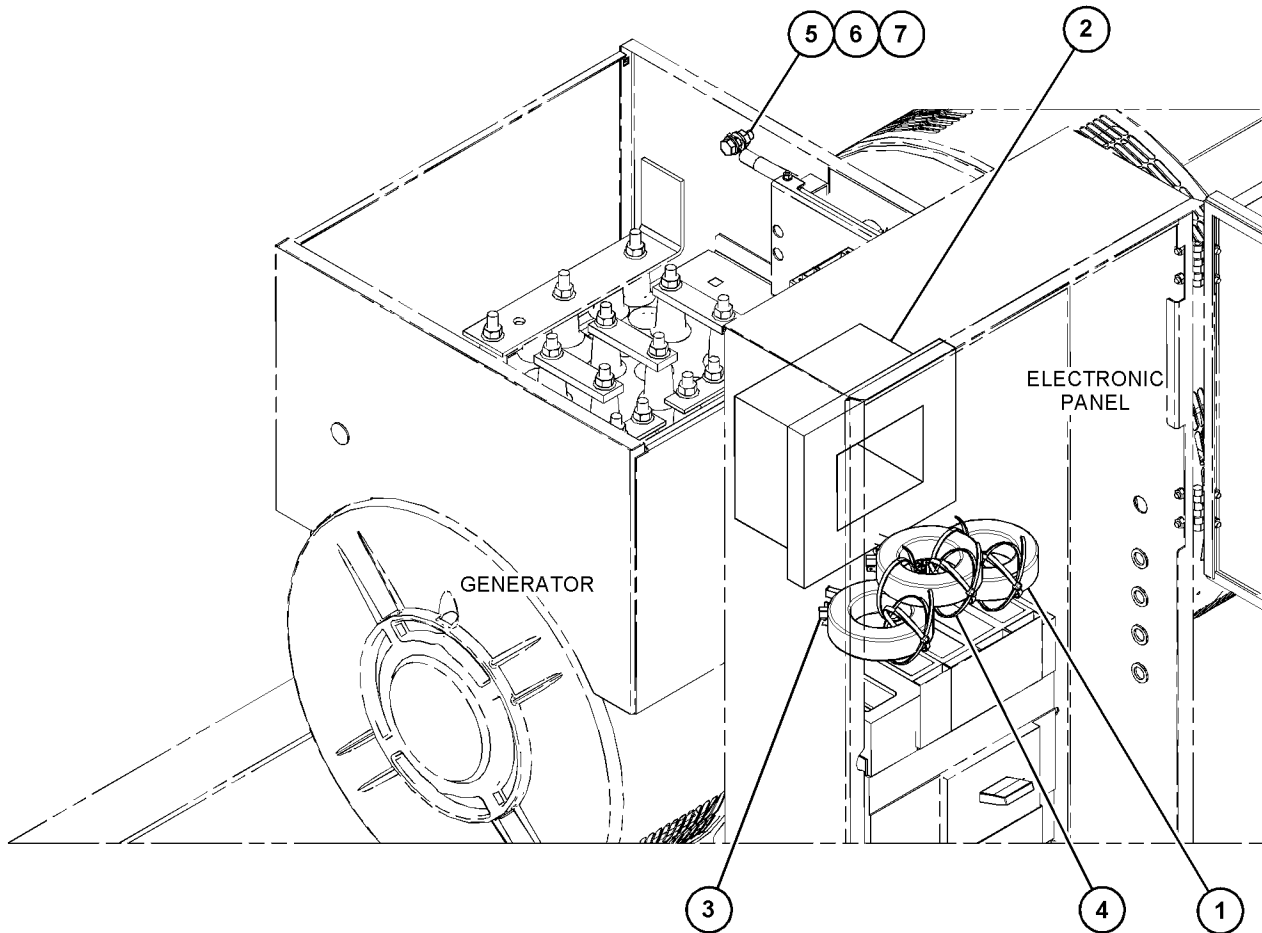
S/N: LX91-UP
800-AMPERE
AN ATTACHMENT

SMCS-1408

i06148474

NOTE	REF NO	GRAPHIC REF	PART NUMBER	QTY	PART NAME						SEE PAGE
					1	2	3	4	5	6	
	1	1	212-5883	3	TRANSFORMER-CURRENT (RATIO 800:5)						
	2	1	435-1842	1	DUCT						
	3	1	450-3719	1	HARNESS AS-ENGINE						
		1	1S-9593	4	STRAP-CABLE						
		1	246-2009	6	TERMINAL						
		1	246-2010	6	INSULATOR						
	4	1	7K-1181	8	STRAP-CABLE						
B	5	1	8T-4121	2	WASHER-HARD (11X21X2.5-MM THK)						
BM	6	1	8T-4133	1	NUT (M10X1.5-THD)						
BM	7	1	8T-4195	1	BOLT (M10X1.5X30-MM)						

B - USE AS REQUIRED
M - METRIC PART



GRAPHIC #1

<END>

g03834097

ELECTRICAL AND STARTING SYSTEM

476-5337 CONNECTION GP-ELECTRICAL

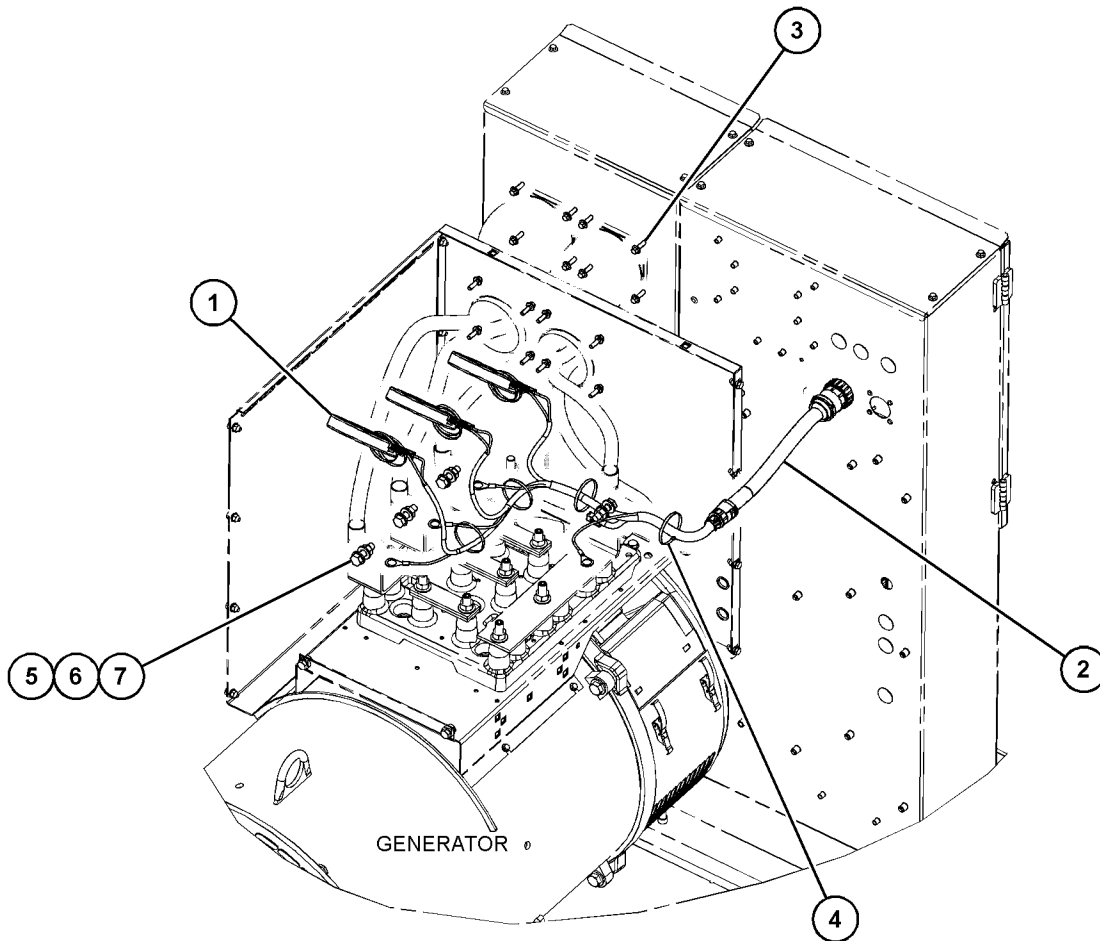
S/N: LX91-UP
630-AMPERE
AN ATTACHMENT

SMCS-1408

i06148548

NOTE	REF NO	GRAPHIC REF	PART NUMBER	QTY	PART NAME						SEE PAGE
					1	2	3	4	5	6 (PRODUCT LEVEL)	
	1	1	212-5878	3	TRANSFORMER-CURRENT (RATIO 600:5)						
Y	2	1	467-5985	1	HARNESS AS-WIRING						176
M	3	1	113-8694	16	BOLT (M6X1X20-MM)						
	4	1	3S-2093	10	STRAP-CABLE						
	5	1	8T-4121	8	WASHER-HARD (11X21X2.5-MM THK)						
M	6	1	8T-4133	4	NUT (M10X1.5-THD)						
M	7	1	8T-4196	4	BOLT (M10X1.5X35-MM)						

M - METRIC PART
Y - SEPARATE ILLUSTRATION



GRAPHIC #1

<END>

g03833799

ELECTRICAL AND STARTING SYSTEM

476-7888 CONNECTION GP-ELECTRICAL

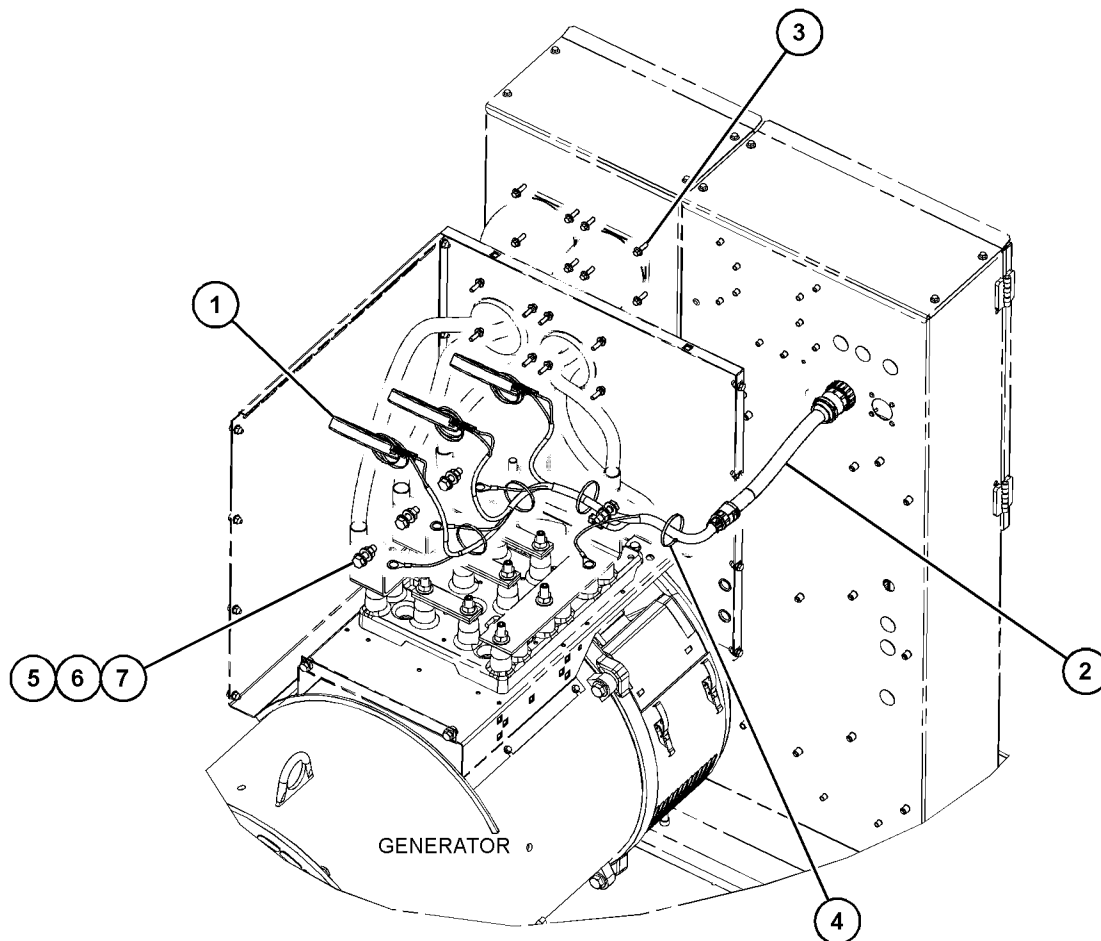
S/N: LX91-UP
800-AMPERE/1000-AMPERE
AN ATTACHMENT

SMCS-1408

i06148552

NOTE	REF NO	GRAPHIC REF	PART NUMBER	QTY	PART NAME						SEE PAGE
					1	2	3	4	5	6 (PRODUCT LEVEL)	
	1	1	212-5885	3	TRANSFORMER-CURRENT (RATIO 1000:5)						
Y	2	1	467-5985	1	HARNESS AS-WIRING						176
M	3	1	113-8694	16	BOLT (M6X1X20-MM)						
	4	1	3S-2093	10	STRAP-CABLE						
	5	1	8T-4121	8	WASHER-HARD (11X21X2.5-MM THK)						
M	6	1	8T-4133	4	NUT (M10X1.5-THD)						
M	7	1	8T-4196	4	BOLT (M10X1.5X35-MM)						

M - METRIC PART
Y - SEPARATE ILLUSTRATION



GRAPHIC #1

<END>

g03834012

ELECTRICAL AND STARTING SYSTEM

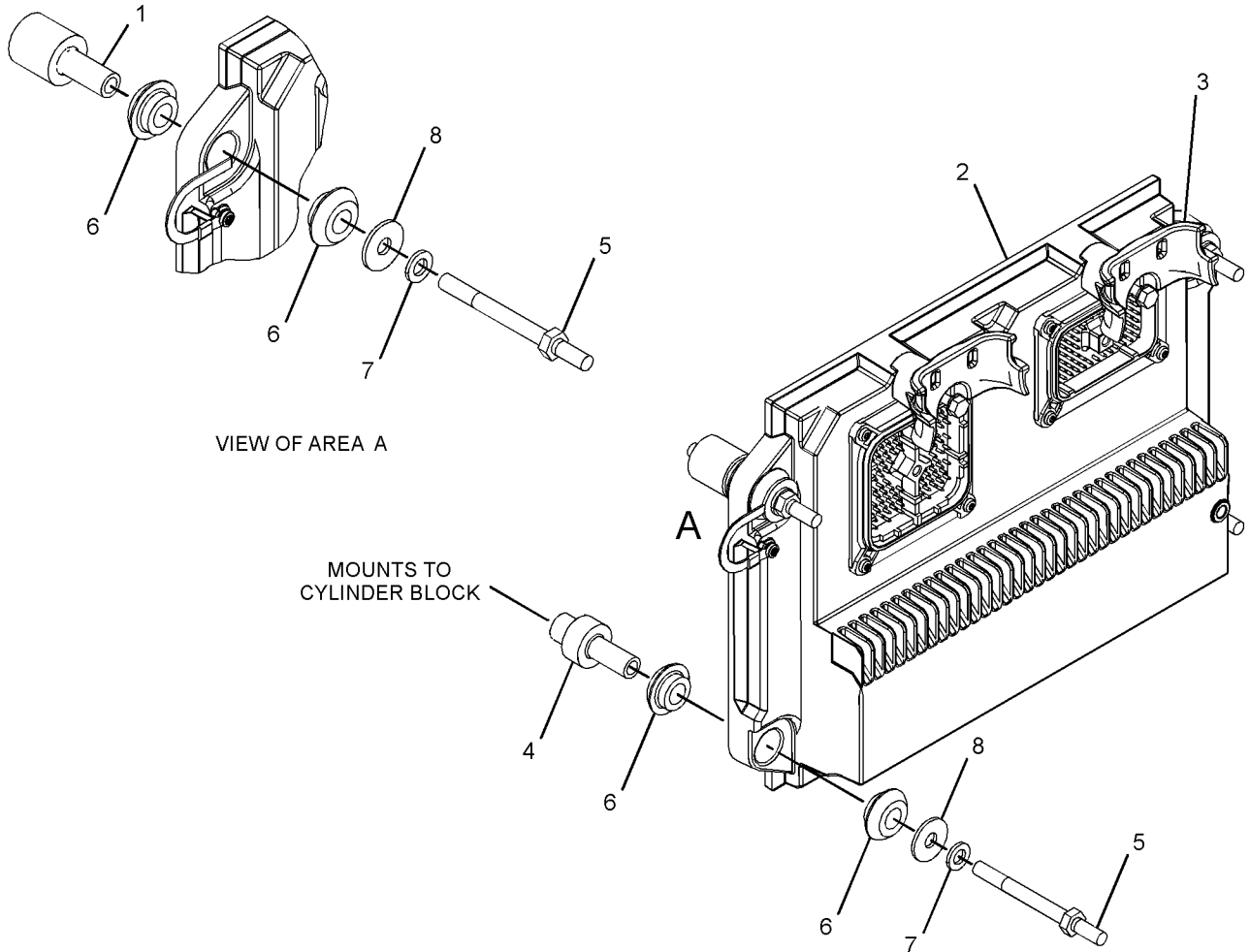
313-3624 CONTROL & MTG GP-ENGINE ELEK-ADEM IV S/N: S9X1-UP

SMCS-1900, 1901

i06102295

NOTE	REF NO	GRAPHIC REF	PART NUMBER	QTY	PART NAME						SEE PAGE
					1	2	3	4	5	6 (PRODUCT LEVEL)	
	1	1	101-3128	3	SPACER-SPECIAL						
Y	2	1	226-7473	1	CONTROL GP-ENGINE ELECTRONIC						162
	3	1	233-0891	2	BRACKET AS						
					(EACH INCLUDES)						
M		1	232-1693	1	BOLT-FLANGE HEAD (M6X1X35-MM)						
	4	1	291-2147	1	SPACER-SPECIAL						
M	5	1	143-9392	4	STUD (M8X1.25-THD)						
	6	1	8T-9655	8	MOUNT-ISOLATION (ISOLATION)						
	7	1	9M-1974	4	WASHER-HARD (8.8X16X2-MM THK)						
	8	1	9N-0869	4	WASHER-HARD (8.8X25.5X2-MM THK)						

M - METRIC PART
Y - SEPARATE ILLUSTRATION



GRAPHIC #1

<END>

g03344294

ELECTRICAL AND STARTING SYSTEM

420-5290 CONTROL GP-ELECTRONIC

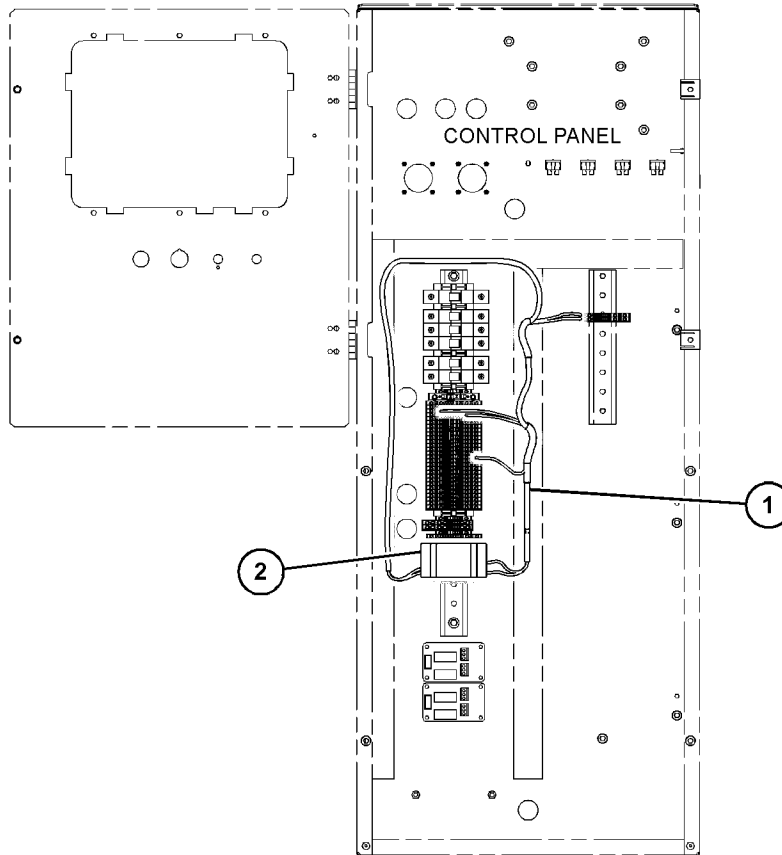
S/N: LX91-UP
AN ATTACHMENT

SMCS-1917, 1924

i06151337

NOTE	REF NO	GRAPHIC REF	PART NUMBER	QTY	PART NAME						SEE PAGE
					1	2	3	4	5	6 (PRODUCT LEVEL)	
	1	1	420-2301	1	HARNESS AS-ENGINE						
		1	8L-8413	7	STRAP-CABLE (WHITE)						
E		1	125-7874		TUBE-HEAT SHRINK (5.72-MM DIA) (15-CM)						
	2	1	317-9506	1	RELAY (GROUND FAULT, 24-VOLT, DC)						

E - ORDER BY THE CENTIMETER



GRAPHIC #1

<END>

g03832323

ELECTRICAL AND STARTING SYSTEM

448-1092 CONTROL GP-ELECTRONIC

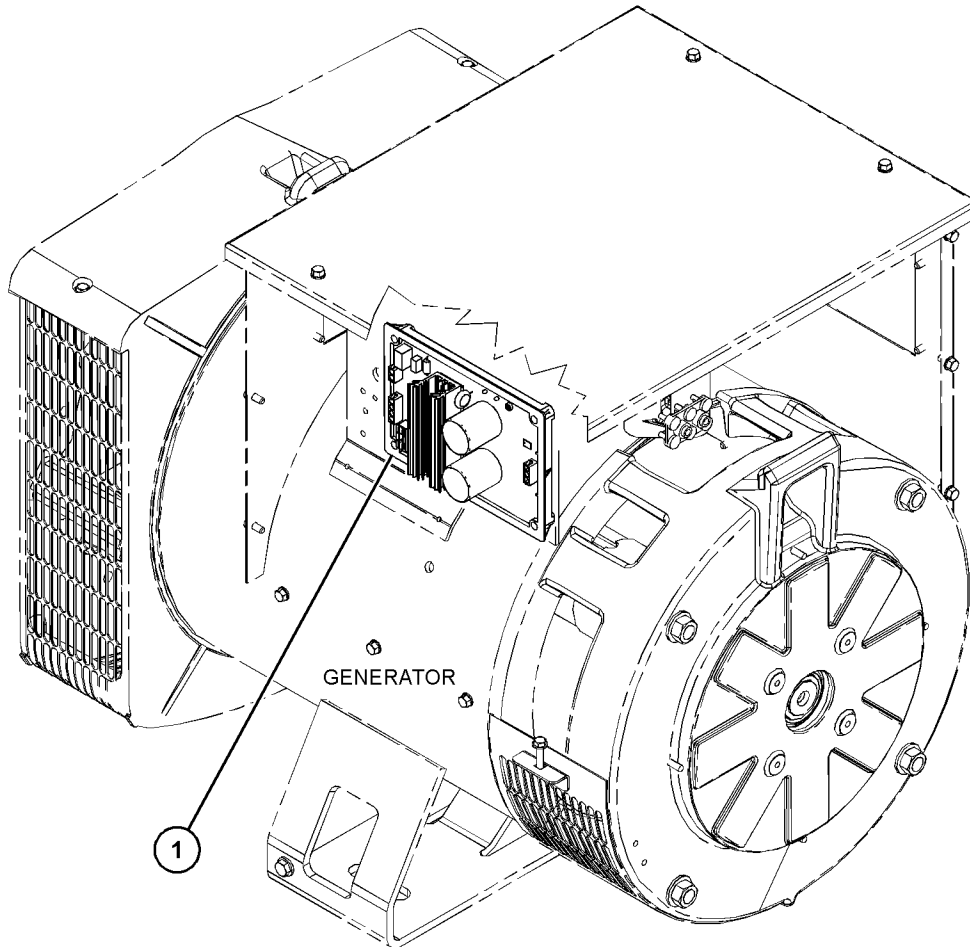
S/N: F5A1-UP

PART OF 465-2285, 465-2290, 471-0795, 471-0797 GENERATOR GP
ALSO AN ATTACHMENT

SMCS-1917, 1924

i06064161

NOTE	REF NO	GRAPHIC REF	PART NUMBER	QTY	PART NAME						SEE PAGE
					1	2	3	4	5	6 (PRODUCT LEVEL)	
	1	1	398-7247	1	REGULATOR AS-VOLTAGE						



GRAPHIC #1

<END>

g03693146

ELECTRICAL AND STARTING SYSTEM

453-7052 CONTROL GP-ELECTRONIC

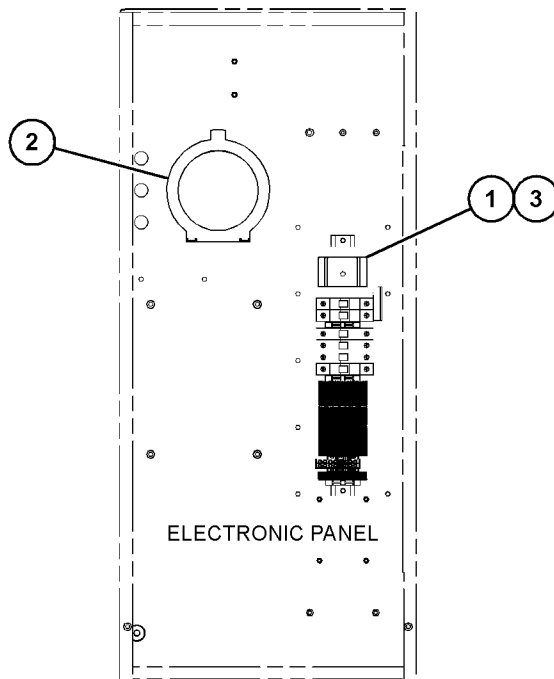
S/N: LX91-UP
AN ATTACHMENT

SMCS-1917, 1924

i06151343

NOTE	REF NO	GRAPHIC REF	PART NUMBER	QTY	PART NAME						SEE PAGE
					1	2	3	4	5	6 (PRODUCT LEVEL)	
	1	1	3S-2093	10	STRAP-CABLE						
	2	1	262-2805	1	TRANSFORMER						
	3	1	317-9506	1	RELAY (GROUND FAULT, 24-VOLT, DC)						
F			1S-9593	8	STRAP-CABLE						
F			453-7051	1	HARNESS AS-ENGINE						
			1S-9593	6	STRAP-CABLE						
E			125-7875		TUBE-HEAT SHRINK (7.44-MM DIA) (5-CM)						

E - ORDER BY THE CENTIMETER
F - NOT SHOWN



RIGHT SIDE VIEW OF ENGINE

GRAPHIC #1

<END>

g03832287

ELECTRICAL AND STARTING SYSTEM

471-0831 CONTROL GP-ELECTRONIC

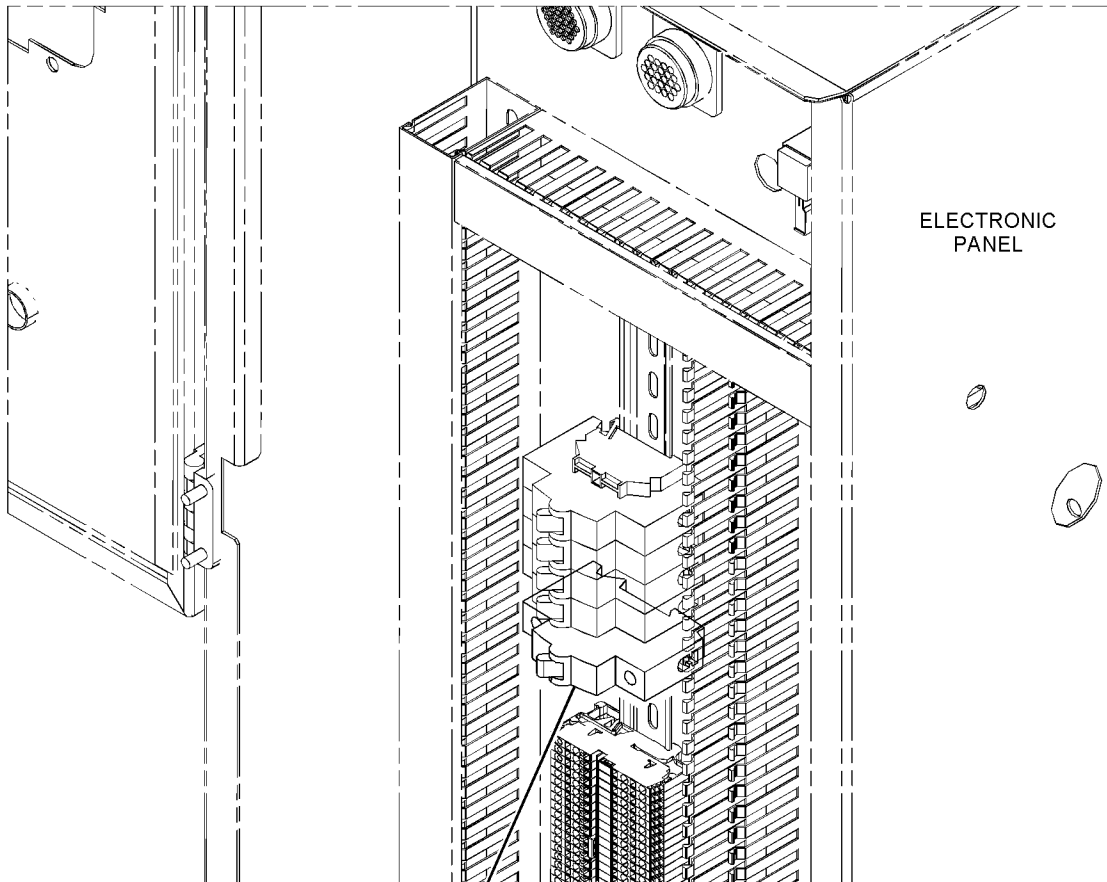
S/N: LX91-UP
AN ATTACHMENT

SMCS-1917, 1924

i06158711

NOTE	REF NO	GRAPHIC REF	PART NUMBER	QTY	PART NAME						SEE PAGE
					1	2	3	4	5	6 (PRODUCT LEVEL)	
	1	1	286-4746	1	CIRCUIT BREAKER (25-AMPERE)						
F			478-8010	1	HARNESS AS-HEATER						
			1S-9593	5	STRAP-CABLE						

F - NOT SHOWN



①

GRAPHIC #1

<END>

g03835074

ELECTRICAL AND STARTING SYSTEM

226-7473 CONTROL GP-ENGINE ELECTRONIC

S/N: S9X1-UP

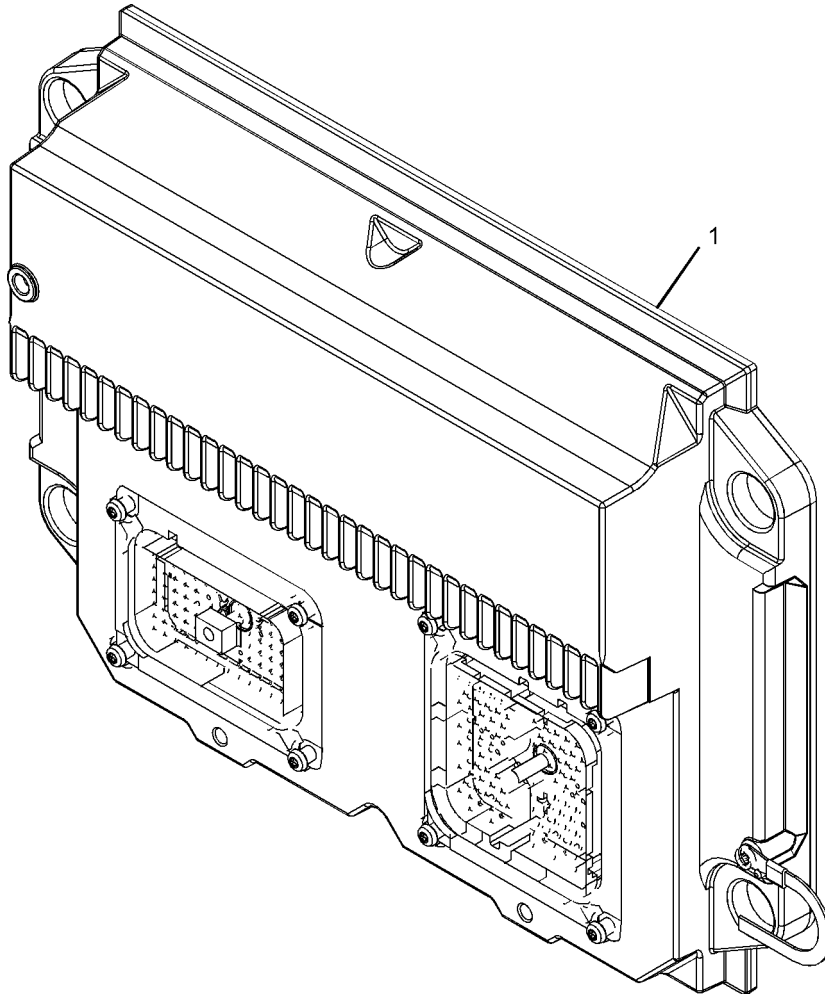
PART OF 313-3624 CONTROL & MTG GP-ENGINE ELEK

SMCS-1901

i05416911

NOTE	REF NO	GRAPHIC REF	PART NUMBER	QTY	PART NAME						SEE PAGE
					1	2	3	4	5	6 (PRODUCT LEVEL)	
R	1	1	372-2905	1	CONTROL GP-ELECTRONIC (ENGINE)						

R - REMANUFACTURED PART MAY BE AVAILABLE



GRAPHIC #1

<END>

g01101798

ELECTRICAL AND STARTING SYSTEM

465-1290 COVER GP-ACCESS

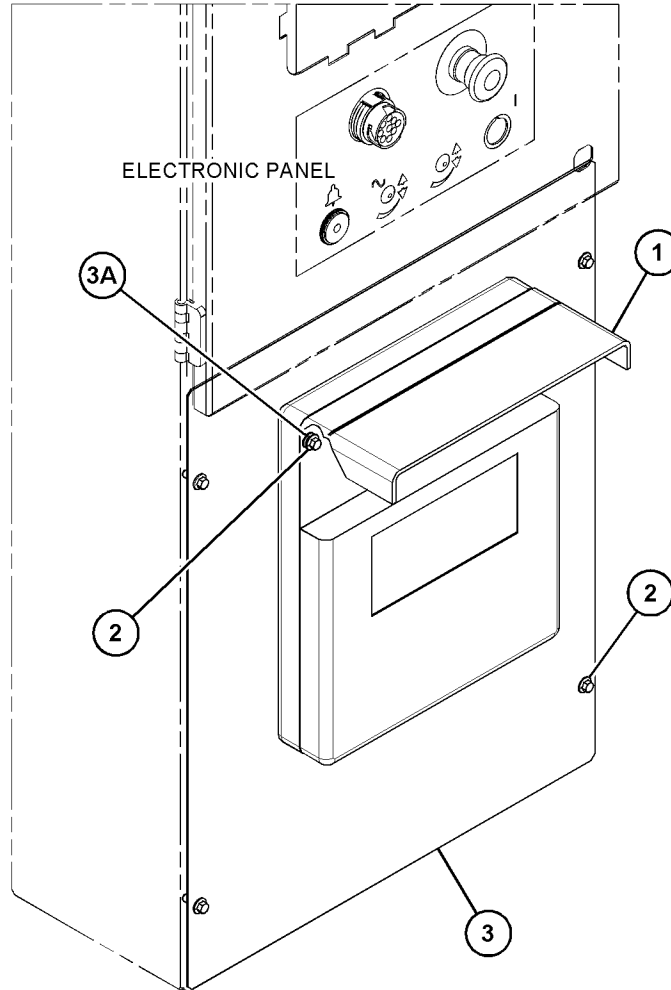
S/N: LX91-UP
AN ATTACHMENT

SMCS-726A

i06145187

NOTE	REF NO	GRAPHIC REF	PART NUMBER	QTY	PART NAME						SEE PAGE
					1	2	3	4	5	6 (PRODUCT LEVEL)	
	1	1	152-4871	1	BOX-STORAGE						
M	2	1	235-4451	8	BOLT-FLANGE HEAD (M6X1X16-MM)						
	3	1	465-1291	1	PANEL AS						
M	3A	1	3E-4304	4	INSERT-THREADED (M6X1-THD)						

M - METRIC PART



GRAPHIC #1

<END>

g03827116

ELECTRICAL AND STARTING SYSTEM

474-5181 COVER GP-CIRCUIT BREAKER

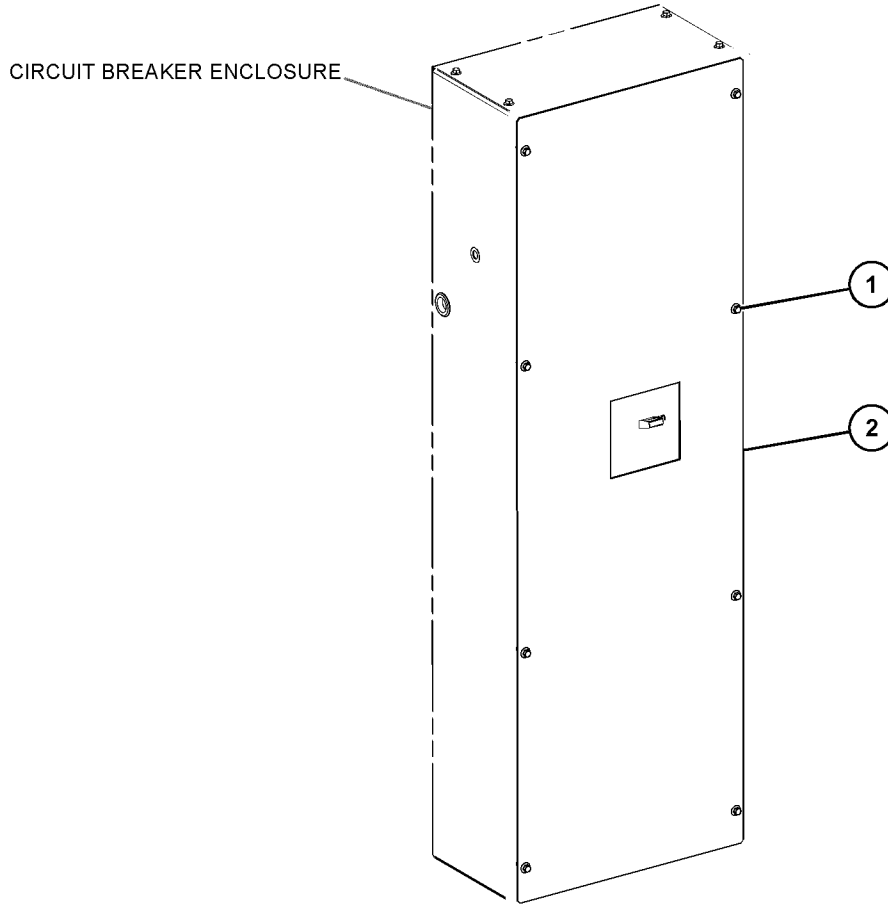
S/N: LX91-UP
T5 BREAKER
AN ATTACHMENT

SMCS-1420, 4461

i06148478

NOTE	REF NO	GRAPHIC REF	PART NUMBER	QTY	PART NAME						SEE PAGE
					1	2	3	4	5	6 (PRODUCT LEVEL)	
M	1	1	235-4451	8	BOLT-FLANGE HEAD (M6X1X16-MM)						
	2	1	466-9142	1	PANEL-COVER						

M - METRIC PART



GRAPHIC #1

<END>

g03832936

ELECTRICAL AND STARTING SYSTEM

474-5182 COVER GP-CIRCUIT BREAKER

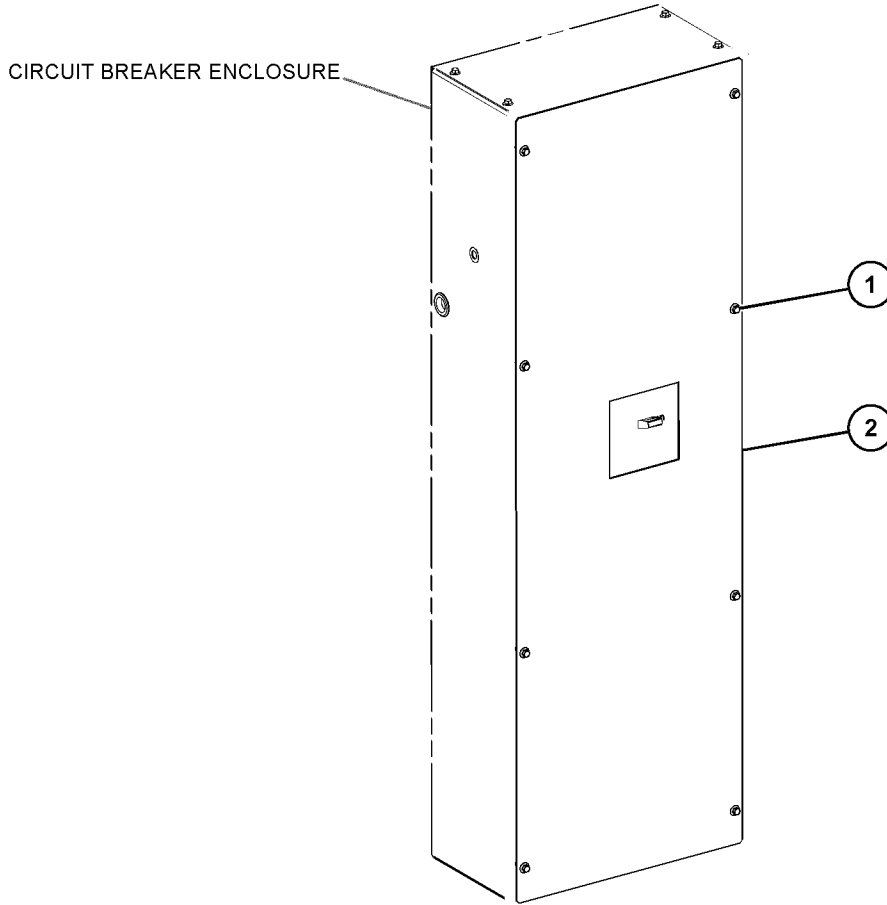
S/N: LX91-UP
T6 BREAKER
AN ATTACHMENT

SMCS-1420, 4461

i06148482

NOTE	REF NO	GRAPHIC REF	PART NUMBER	QTY	PART NAME						SEE PAGE
					1	2	3	4	5	6 (PRODUCT LEVEL)	
M	1	1	235-4451	8	BOLT-FLANGE HEAD (M6X1X16-MM)						
	2	1	472-2518	1	PANEL-COVER						

M - METRIC PART



GRAPHIC #1

<END>

g03833103

ELECTRICAL AND STARTING SYSTEM

474-5183 COVER GP-CIRCUIT BREAKER

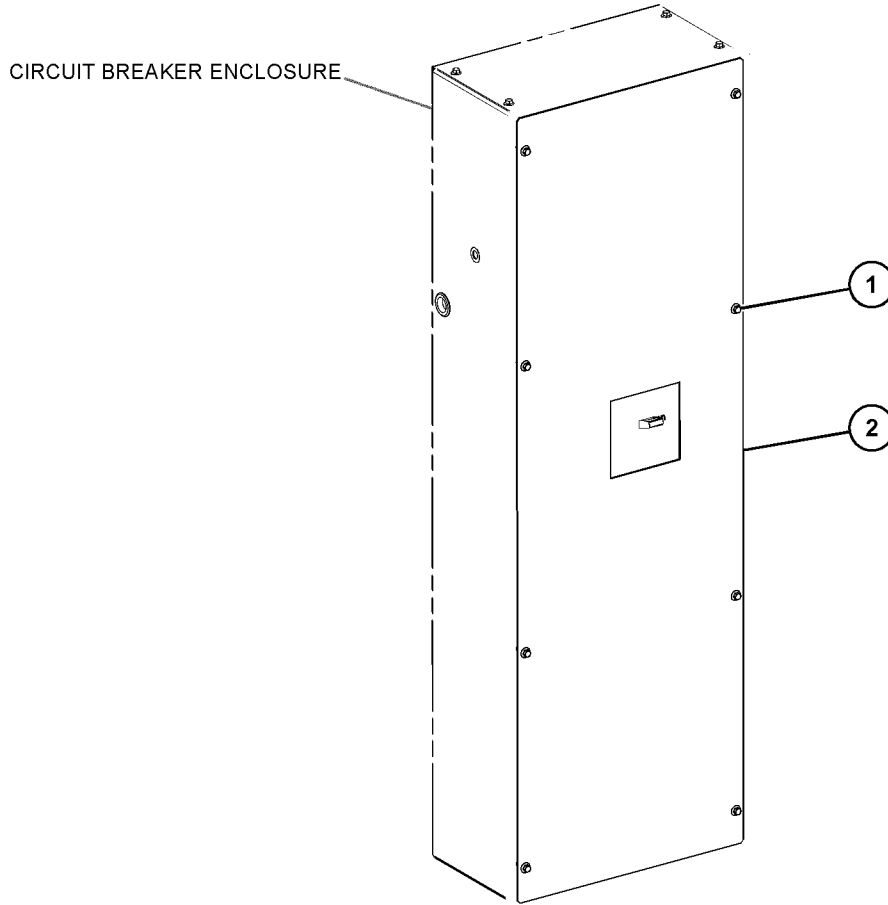
S/N: LX91-UP
T7 BREAKER
AN ATTACHMENT

SMCS-1420, 4461

i06148540

NOTE	REF NO	GRAPHIC REF	PART NUMBER	QTY	PART NAME						SEE PAGE
					1	2	3	4	5	6 (PRODUCT LEVEL)	
M	1	1	235-4451	8	BOLT-FLANGE HEAD (M6X1X16-MM)						
	2	1	466-9141	1	PANEL-COVER						

M - METRIC PART



GRAPHIC #1

<END>

g03833109

ELECTRICAL AND STARTING SYSTEM

313-6964 FASTENER GP-GROUND STUD

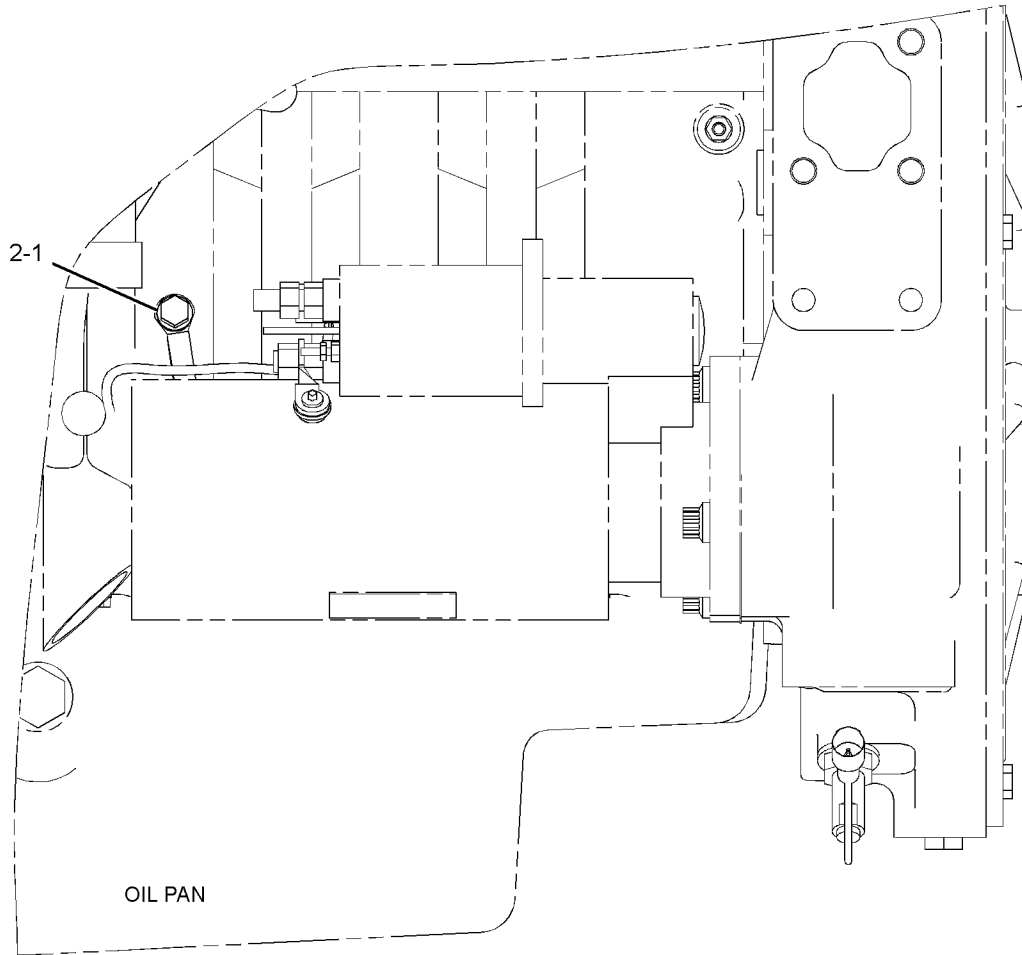
S/N: S9X1-UP

SMCS-1408

i06098859

NOTE	REF NO	GRAPHIC REF	PART NUMBER	QTY	PART NAME						SEE PAGE
					1	2	3	4	5	6 (PRODUCT LEVEL)	
	1	1	8T-4121	1	WASHER-HARD (11X21X2.5-MM THK)						
M	2	1	8T-4191	1	BOLT (M10X1.5X16-MM)						

M - METRIC PART



LEFT SIDE VIEW OF ENGINE

GRAPHIC #1

<END>

g01963461

ELECTRICAL AND STARTING SYSTEM

453-7014 FASTENER GP-WIRING HARNESS

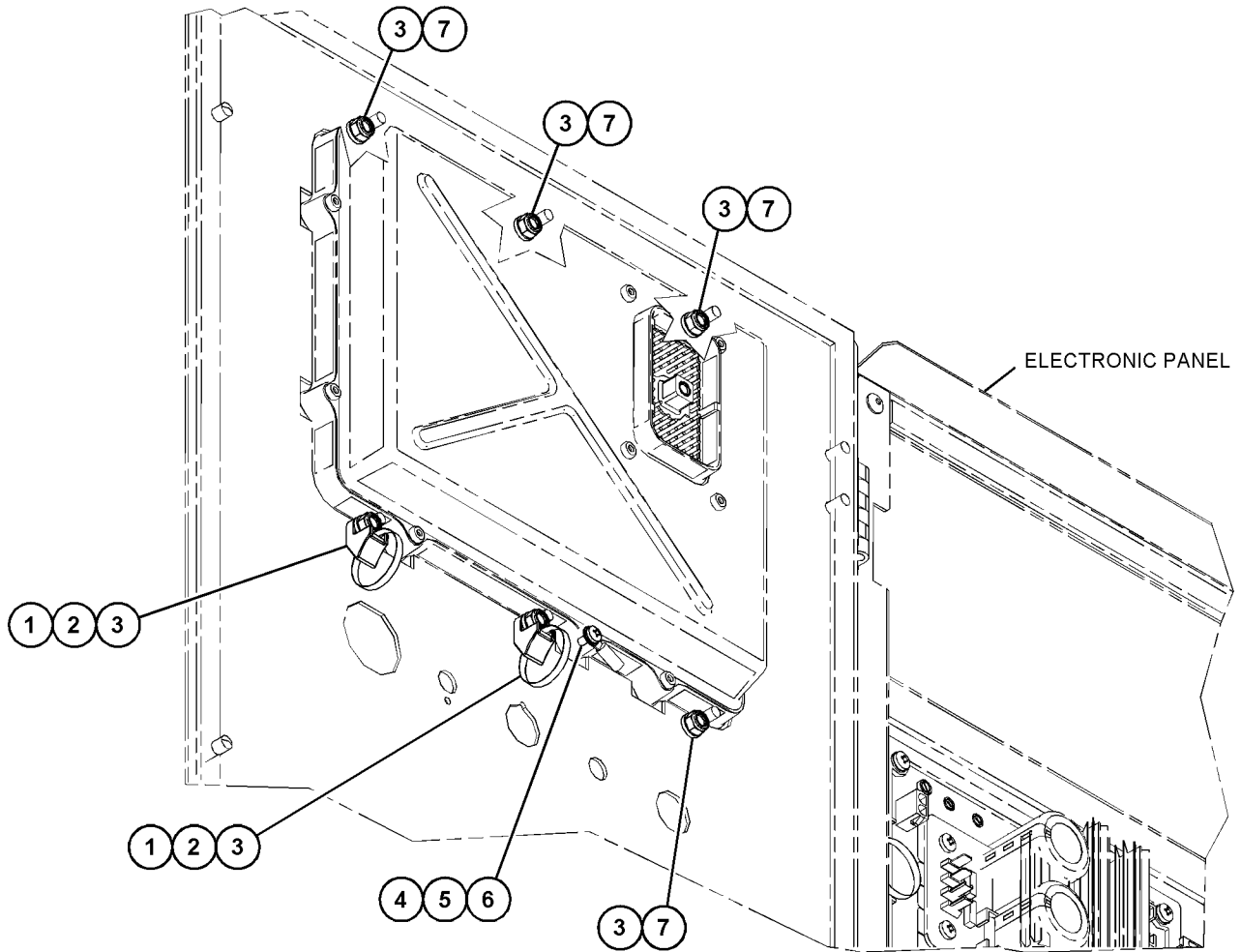
S/N: LX91-UP
AN ATTACHMENT

SMCS-1408, 7553

i06110380

NOTE	REF NO	GRAPHIC REF	PART NUMBER	QTY	PART NAME						SEE PAGE
					1	2	3	4	5	6	
	1	1	8L-8413	2	STRAP-CABLE (WHITE)						
	2	1	298-5189	2	BRACKET-TIE						
M	3	1	129-3178	6	LOCKNUT (M6X1-THD)						
	4	1	1H-4393	1	LOCKWASHER						
M	5	1	8C-7581	1	SCREW-MACHINE (M4X0.7X8-MM)						
	6	1	8C-9660	1	WASHER (4.6X7.9X0.8-MM THK)						
	7	1	9X-8256	6	WASHER (6.6X12X2-MM THK)						

M - METRIC PART



GRAPHIC #1

<END>

g06003847

ELECTRICAL AND STARTING SYSTEM

300-6790 HARNESS AS-CONTROL

S/N: S9X1-UP

PART OF 300-6791 WIRING GP-ELECTRONIC CONTROL

SMCS-1408

i06591038

NOTE	PART NUMBER	QTY	PART NAME 1 2 3 4 5 6 (PRODUCT LEVEL)	SEE PAGE
	211-6807	1	COVER-CONNECTOR	
	155-2270	3	KIT-CONNECTING PLUG (2-PIN) (EACH INCLUDES PLUG AS, WEDGE & INTERFACE SEAL)	
	102-8802	2	KIT-RECEPTACLE (2-PIN) (EACH INCLUDES RECEPTACLE AS & WEDGE)	
	100-3320	1	PLUG AS-CONNECTOR (2-PIN)	
	126-5011	1	SEAL-CONNECTOR	
	111-2416	1	PLUG AS-CONNECTOR (2-PIN)	
	126-5011	1	SEAL-CONNECTOR	
	172-6062	1	PLUG AS-CONNECTOR (18-PIN)	
	230-4011	2	PLUG AS-CONNECTOR (2-PIN)	
	264-7029	1	SEAL-CONNECTOR	
	230-4013	2	PLUG AS-CONNECTOR (3-PIN)	
	264-7030	1	SEAL-CONNECTOR	
	231-2295	1	PLUG AS-CONNECTOR (8-PIN)	
	264-7033	1	SEAL-CONNECTOR	
	237-0227	2	PLUG AS-CONNECTOR (3-PIN)	
	264-7030	1	SEAL-CONNECTOR	
	264-5732	1	PLUG AS-CONNECTOR (120-PIN)	
	288-7324	1	SEAL-CONNECTOR	
	8T-8737	97	PLUG-SEAL	
	305-5362	4	TERMINAL AS (18-GA)	
E	119-3662		TUBE-HEAT SHRINK (10.85-MM DIA) (33-CM)	
E	125-7874		TUBE-HEAT SHRINK (5.72-MM DIA) (5-CM)	
E	125-7875		TUBE-HEAT SHRINK (7.44-MM DIA) (10-CM)	

E - ORDER BY THE CENTIMETER

<END>

ELECTRICAL AND STARTING SYSTEM

464-0708 HARNESS AS-CONTROL

S/N: LX91-UP

PART OF 467-5744 WIRING GP-PANEL
AN ATTACHMENT

SMCS-1408

i06151293

NOTE	PART NUMBER	QTY	PART NAME 1 2 3 4 5 6 (PRODUCT LEVEL)	SEE PAGE
	1S-9593	39	STRAP-CABLE	
	2L-8075	1	TERMINAL-RING (14-GA TO 16-GA, NO. 8 SCREW)	
D	5P-6001		TUBE-HEAT SHRINK (4.75-MM DIA) (0.7-M)	
	5P-5592	1	TERMINAL-RING (18-GA TO 22-GA, 1/4-IN SCREW)	
	104-1995	6	TERMINAL-BLADE (14-GA TO 18-GA)	
	8T-8729	7	PIN-CONNECTOR (16-GA TO 18-GA)	
	8T-8730	50	SOCKET-CONNECTOR (16-GA TO 18-GA)	
E	125-7875		TUBE-HEAT SHRINK (7.44-MM DIA) (50-CM)	
E	125-7876		TUBE-HEAT SHRINK (17.78-MM DIA) (35-CM)	
	155-2270	1	KIT-CONNECTING PLUG (2-PIN) (INCLUDES PLUG AS, WEDGE & INTERFACE SEAL)	
	160-7689	1	PLUG AS-CONNECTOR (70-PIN)	
	159-9322	1	SEAL-O-RING	
	203-9007	1	NUT (1-1/2-18-THD)	
	240-1407	4	TERMINAL-FORK (14-GA TO 16-GA, NO. 6 SCREW)	
	244-0452	3	END-WIRE (14-GA TO 20-GA)	
	246-2009	9	TERMINAL	
	246-2010	8	INSULATOR	
	261-7902	23	PLUG-CONNECTOR	
	263-0856	1	TERMINAL	
	263-0857	1	INSULATOR-TERMINAL	
	265-4123	1	RECEPTACLE AS-CONNECTOR (9-PIN)	
	270-2679	1	LOCKWASHER	
	345-1118	1	SOCKET AS	
	366-9370	1	PLUG AS (3-WAY)	

D - ORDER BY THE METER
E - ORDER BY THE CENTIMETER

<END>

345-1116 HARNESS AS-ENGINE

S/N: LX91-UP

PART OF 471-0825 WIRING GP-ENGINE
AN ATTACHMENT

SMCS-1408

i05909345

NOTE	PART NUMBER	QTY	PART NAME 1 2 3 4 5 6 (PRODUCT LEVEL)	SEE PAGE
	102-8802	1	KIT-RECEPTACLE (2-PIN) (INCLUDES RECEPTACLE AS & WEDGE)	
	8T-8729	2	PIN-CONNECTOR (16-GA TO 18-GA)	

<END>

ELECTRICAL AND STARTING SYSTEM

419-0841 HARNESS AS-ENGINE

S/N: S9X1-UP

PART OF 300-6791 WIRING GP-ELECTRONIC CONTROL

SMCS-1408

i06591040

NOTE	PART NUMBER	QTY	PART NAME						SEE PAGE
			1	2	3	4	5	6 (PRODUCT LEVEL)	
	9X-3401	12	PIN-CONNECTOR (16-GA TO 18-GA)						
			-OR-						
	126-1767	12	PIN-CONNECTOR (14-GA TO 16-GA)						
	172-6064	1	WEDGE-RECEPTACLE LOCK						
	191-7823	1	RECEPTACLE AS						
	307-8428	1	GASKET						
			<END>						

419-1682 HARNESS AS-ENGINE

S/N: LX91-UP

AN ATTACHMENT

SMCS-1408

i06135001

NOTE	PART NUMBER	QTY	PART NAME						SEE PAGE
			1	2	3	4	5	6 (PRODUCT LEVEL)	
E	239-3811		DUCT (28-CM)						
	283-9170	2	SEAL-SQUARE						
E - ORDER BY THE CENTIMETER									
			<END>						

419-1683 HARNESS AS-ENGINE

S/N: LX91-UP

AN ATTACHMENT

SMCS-1408

i06135054

NOTE	PART NUMBER	QTY	PART NAME						SEE PAGE
			1	2	3	4	5	6 (PRODUCT LEVEL)	
E	239-3811		DUCT (27-CM)						
	277-5662	1	TERMINAL						
	283-9170	2	SEAL-SQUARE						
E - ORDER BY THE CENTIMETER									
			<END>						

419-1684 HARNESS AS-ENGINE

S/N: LX91-UP

AN ATTACHMENT

SMCS-1408

i06135079

NOTE	PART NUMBER	QTY	PART NAME						SEE PAGE
			1	2	3	4	5	6 (PRODUCT LEVEL)	
E	239-3811		DUCT (27-CM)						
	283-9170	2	SEAL-SQUARE						
E - ORDER BY THE CENTIMETER									
			<END>						

ELECTRICAL AND STARTING SYSTEM

453-7056 HARNESS AS-ENGINE

S/N: LX91-UP
AN ATTACHMENT

SMCS-1408

i06151345

NOTE	PART NUMBER	QTY	PART NAME						SEE PAGE
			1	2	3	4	5	6 (PRODUCT LEVEL)	
	8L-8413	1	STRAP-CABLE (WHITE)						
	110-8714	2	END-WIRE (18-GA)						
	240-1405	2	TERMINAL-BLADE (14-GA TO 16-GA)						
<END>									

464-0710 HARNESS AS-ENGINE

S/N: LX91-UP
PART OF 471-0825 WIRING GP-ENGINE
AN ATTACHMENT

SMCS-1408

i06136724

NOTE	PART NUMBER	QTY	PART NAME						SEE PAGE
			1	2	3	4	5	6 (PRODUCT LEVEL)	
	2L-8067	2	TERMINAL-RING (10-GA TO 12-GA, 1/4-IN SCREW)						
	2L-8081	1	TERMINAL-RING (14-GA TO 16-GA, 1/2-IN SCREW)						
	3S-2093	2	STRAP-CABLE						
D	5P-6001		TUBE-HEAT SHRINK (4.75-MM DIA) (0.5-M)						
	8T-8737	49	PLUG-SEAL						
	8T-8730	31	SOCKET-CONNECTOR (16-GA TO 18-GA)						
E	119-3662		TUBE-HEAT SHRINK (10.85-MM DIA) (7-CM)						
E	125-7874		TUBE-HEAT SHRINK (5.72-MM DIA) (5-CM)						
E	125-7876		TUBE-HEAT SHRINK (17.78-MM DIA) (38-CM)						
	126-1774	1	COVER-CONNECTOR						
	155-2270	1	KIT-CONNECTING PLUG (2-PIN)						
	155-2260	2	KIT-CONNECTING PLUG (3-PIN)						
			(EACH PLUG KIT INCLUDES PLUG AS, WEDGES & INTERFACE SEAL)						
	160-7689	1	PLUG AS-CONNECTOR (70-PIN)						
	159-9322	1	SEAL-O-RING						
	230-4011	1	PLUG AS-CONNECTOR (2-PIN)						
	455-0704	1	SEAL-CONNECTOR						
	262-4800	1	CLAMP AS						
	345-1120	1	CONNECTOR AS						
D - ORDER BY THE METER									
E - ORDER BY THE CENTIMETER									
<END>									

478-8007 HARNESS AS-ENGINE

S/N: LX91-UP
AN ATTACHMENT

SMCS-1408

i06159068

NOTE	PART NUMBER	QTY	PART NAME						SEE PAGE
			1	2	3	4	5	6 (PRODUCT LEVEL)	
	1S-9593	6	STRAP-CABLE						
	110-8714	4	END-WIRE (18-GA)						
	240-1405	3	TERMINAL-BLADE (14-GA TO 16-GA)						
<END>									

ELECTRICAL AND STARTING SYSTEM

478-8009 HARNESS AS-ENGINE

S/N: LX91-UP

AN ATTACHMENT

SMCS-1408

i06159076

NOTE	PART NUMBER	QTY	PART NAME						SEE PAGE
			1	2	3	4	5	6 (PRODUCT LEVEL)	
	1S-9593	6	STRAP-CABLE						
	110-8714	4	END-WIRE (18-GA)						
	240-1405	3	TERMINAL-BLADE (14-GA TO 16-GA)						
<END>									

ELECTRICAL AND STARTING SYSTEM

350-8586 HARNESS AS-PANEL

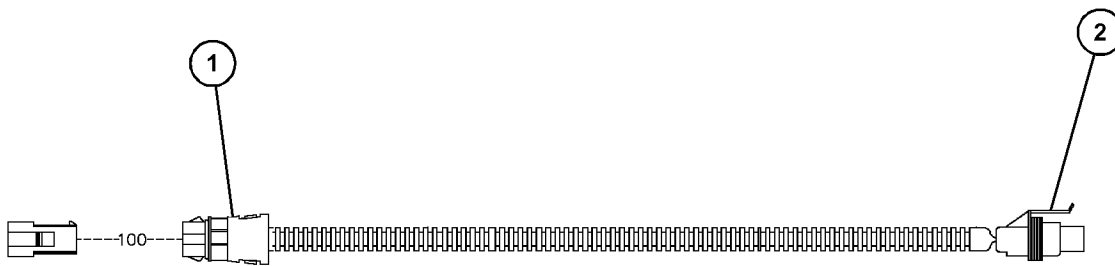
S/N: LX91-UP

PART OF 494-0261 SENSOR GP-FUEL LEVEL
AN ATTACHMENT

SMCS-1408

i05980153

NOTE	REF NO	GRAPHIC REF	PART NUMBER	QTY	PART NAME						SEE PAGE
					1	2	3	4	5	6 (PRODUCT LEVEL)	
	1	1	345-1120	1	CONNECTOR AS						
	2	1	259-5667	1	PLUG AS						



GRAPHIC #1

<END>

g03761776

ELECTRICAL AND STARTING SYSTEM

419-1681 HARNESS AS-PANEL

S/N: LX91-UP
AN ATTACHMENT

SMCS-1408

i06155129

NOTE	PART NUMBER	QTY	PART NAME 1 2 3 4 5 6 (PRODUCT LEVEL)	SEE PAGE
E	239-3811		DUCT (27-CM)	
	277-5662	2	TERMINAL	
	283-9170	2	SEAL-SQUARE	
E - ORDER BY THE CENTIMETER				
<END>				

464-0709 HARNESS AS-WIRING

S/N: LX91-UP
PART OF 465-1281 WIRING GP-PANEL
AN ATTACHMENT

SMCS-1408

i06136822

NOTE	PART NUMBER	QTY	PART NAME 1 2 3 4 5 6 (PRODUCT LEVEL)	SEE PAGE
	1S-9593	30	STRAP-CABLE	
	2L-8075	3	TERMINAL-RING (14-GA TO 16-GA, NO. 8 SCREW)	
J	5P-6001		TUBE-HEAT SHRINK (4.75-MM DIA) (0.7-M)	
	8C-6354	1	CAP-RECEPTACLE (ET CONNECTOR)	
E	114-8845		SLEEVE-PLASTIC (20-CM)	
	8T-8729	7	PIN-CONNECTOR (16-GA TO 18-GA)	
	8T-8730	50	SOCKET-CONNECTOR (16-GA TO 18-GA)	
E	119-3662		TUBE-HEAT SHRINK (10.85-MM DIA) (33-CM)	
E	125-7875		TUBE-HEAT SHRINK (7.44-MM DIA) (25-CM)	
E	125-7876		TUBE-HEAT SHRINK (17.78-MM DIA) (40-CM)	
	155-2270	1	KIT-CONNECTING PLUG (2-PIN) (INCLUDES PLUG AS, WEDGE & INTERFACE SEAL)	
	160-7689	1	PLUG AS-CONNECTOR (70-PIN)	
	159-9322	1	SEAL-O-RING	
	203-9007	1	NUT (1-1/2-18-THD)	
	240-1407	4	TERMINAL-FORK (14-GA TO 16-GA, NO. 6 SCREW)	
	244-0452	7	END-WIRE (14-GA TO 20-GA)	
	246-2009	9	TERMINAL	
	246-2010	9	INSULATOR	
	261-7902	35	PLUG-CONNECTOR	
	263-0856	1	TERMINAL	
	263-0857	1	INSULATOR-TERMINAL	
	265-4123	1	RECEPTACLE AS-CONNECTOR (9-PIN)	
	267-1337	1	PLUG AS	
	270-2679	1	LOCKWASHER	
	345-1118	1	SOCKET AS	
	351-9187	1	CONNECTOR	
	366-9370	1	PLUG AS (3-WAY)	
	416-1367	1	CONNECTOR AS	
E - ORDER BY THE CENTIMETER J - ORDER BY THE DECIMETER				
<END>				

ELECTRICAL AND STARTING SYSTEM

467-5985 HARNESS AS-WIRING

S/N: LX91-UP

PART OF 476-5337, 476-7888 CONNECTION GP-ELECTRICAL
AN ATTACHMENT

SMCS-1408

i06148464

NOTE	PART NUMBER	QTY	PART NAME						SEE PAGE
			1	2	3	4	5	6 (PRODUCT LEVEL)	
	1S-9593	20	STRAP-CABLE						
	2L-8081	4	TERMINAL-RING (14-GA TO 16-GA, 1/2-IN SCREW)						
E	125-7876		TUBE-HEAT SHRINK (17.78-MM DIA) (8-CM)						
	246-2009	6	TERMINAL						
	246-2010	6	INSULATOR						
	262-4800	1	CLAMP AS						
	269-5219	1	PLUG AS-CONNECTOR						
	345-1120	1	CONNECTOR AS						

E - ORDER BY THE CENTIMETER

<END>

ELECTRICAL AND STARTING SYSTEM

471-0781 HEATER GP-JACKET WATER

S/N: LX91-UP

120-VOLT

AN ATTACHMENT

SMCS-1383

i06155178

NOTE	REF NO	GRAPHIC REF	PART NUMBER	QTY	PART NAME						SEE PAGE
					1	2	3	4	5	6 (PRODUCT LEVEL)	
	1	1	5D-1026	4	CLAMP-BAND						
	2	1	258-6845	1	HEATER AS						
		1	7C-9008	1	THERMOSTAT						
		1	9J-5686	1	SEAL-O-RING						
	3	1	471-0783	1	BRACKET						
	4	1	471-0804	1	PLATE AS						
M	4A	1	238-0029	1	INSERT-THREADED (M10X1.5-THD)						
M	5	1	100-4830	1	BOLT (M10X1.5X20-MM)						
M	6	1	113-8694	1	BOLT (M6X1X20-MM)						
	7	1	137-6722	1	CLIP						
	8	1	<i>260-9144</i>	1	CONNECTOR AS						
		1	3K-0360	1	SEAL-O-RING						
		1	168-8806	1	CONNECTOR						
	9	1	353-5123	1	ADAPTER						
	10	1	4I-0472	2	CLIP						
M	11	1	5C-2890	4	NUT (M6X1-THD)						
	12	1	7X-0365	1	BOLT (3/4-10X1.5-IN)						
M	13	1	7X-2552	1	BOLT (M16X2X30-MM)						
	14	1	8T-4121	2	WASHER-HARD (11X21X2.5-MM THK)						
M	15	1	8T-4137	2	BOLT (M10X1.5X20-MM)						
M	16	1	8T-4138	4	BOLT (M6X1X20-MM)						
	17	1	8T-4994	1	WASHER-HARD (20X36.5X3.5-MM THK)						
	18	1	9X-8256	8	WASHER (6.6X12X2-MM THK)						
	19	1	9X-8257	1	WASHER (17.5X30X3.5-MM THK)						
E	20	1	6V-8843		HOSE (112-CM)						
E	20A	1	6V-8843		HOSE (73-CM)						

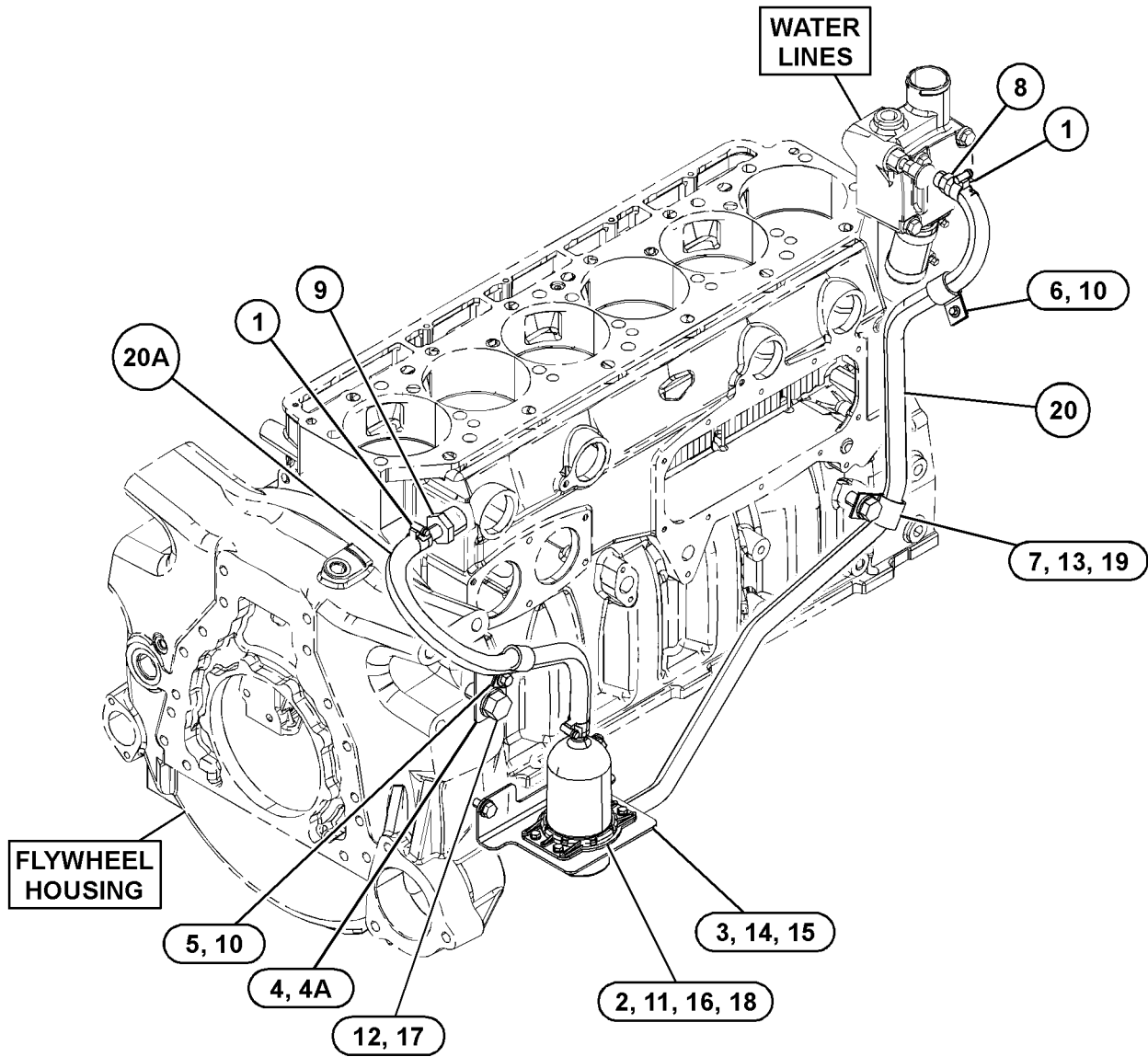
E - ORDER BY THE CENTIMETER

M - METRIC PART

ELECTRICAL AND STARTING SYSTEM

471-0781 HEATER GP-JACKET WATER (contd.)

i06155178



GRAPHIC #1

<END>

g03832073

ELECTRICAL AND STARTING SYSTEM

471-0782 HEATER GP-JACKET WATER

S/N: LX91-UP

240-VOLT

AN ATTACHMENT

SMCS-1383

i06159044

NOTE	REF NO	GRAPHIC REF	PART NUMBER	QTY	PART NAME						SEE PAGE
					1	2	3	4	5	6 (PRODUCT LEVEL)	
	1	1	5D-1026	4	CLAMP-BAND						
	2	1	471-0783	1	BRACKET						
	3	1	471-0804	1	PLATE AS						
M	3A	1	238-0029	1	INSERT-THREADED (M10X1.5-THD)						
	4	1	472-5367	1	HEATER-COOLANT (240-VOLT)						
		1	7C-9008	1	THERMOSTAT						
		1	9J-5686	1	SEAL-O-RING						
M	5	1	100-4830	1	BOLT (M10X1.5X20-MM)						
M	6	1	113-8694	1	BOLT (M6X1X20-MM)						
	7	1	137-6722	1	CLIP						
	8	1	<i>260-9144</i>	1	CONNECTOR AS						
		1	3K-0360	1	SEAL-O-RING						
		1	168-8806	1	CONNECTOR						
	9	1	353-5123	1	ADAPTER						
	10	1	4I-0472	2	CLIP						
M	11	1	5C-2890	4	NUT (M6X1-THD)						
	12	1	7X-0365	1	BOLT (3/4-10X1.5-IN)						
M	13	1	7X-2552	1	BOLT (M16X2X30-MM)						
	14	1	8T-4121	2	WASHER-HARD (11X21X2.5-MM THK)						
M	15	1	8T-4137	2	BOLT (M10X1.5X20-MM)						
M	16	1	8T-4138	4	BOLT (M6X1X20-MM)						
	17	1	8T-4994	1	WASHER-HARD (20X36.5X3.5-MM THK)						
	18	1	9X-8256	8	WASHER (6.6X12X2-MM THK)						
	19	1	9X-8257	1	WASHER (17.5X30X3.5-MM THK)						
E	20	1	6V-8843		HOSE (112-CM)						
E	20A	1	6V-8843		HOSE (73-CM)						

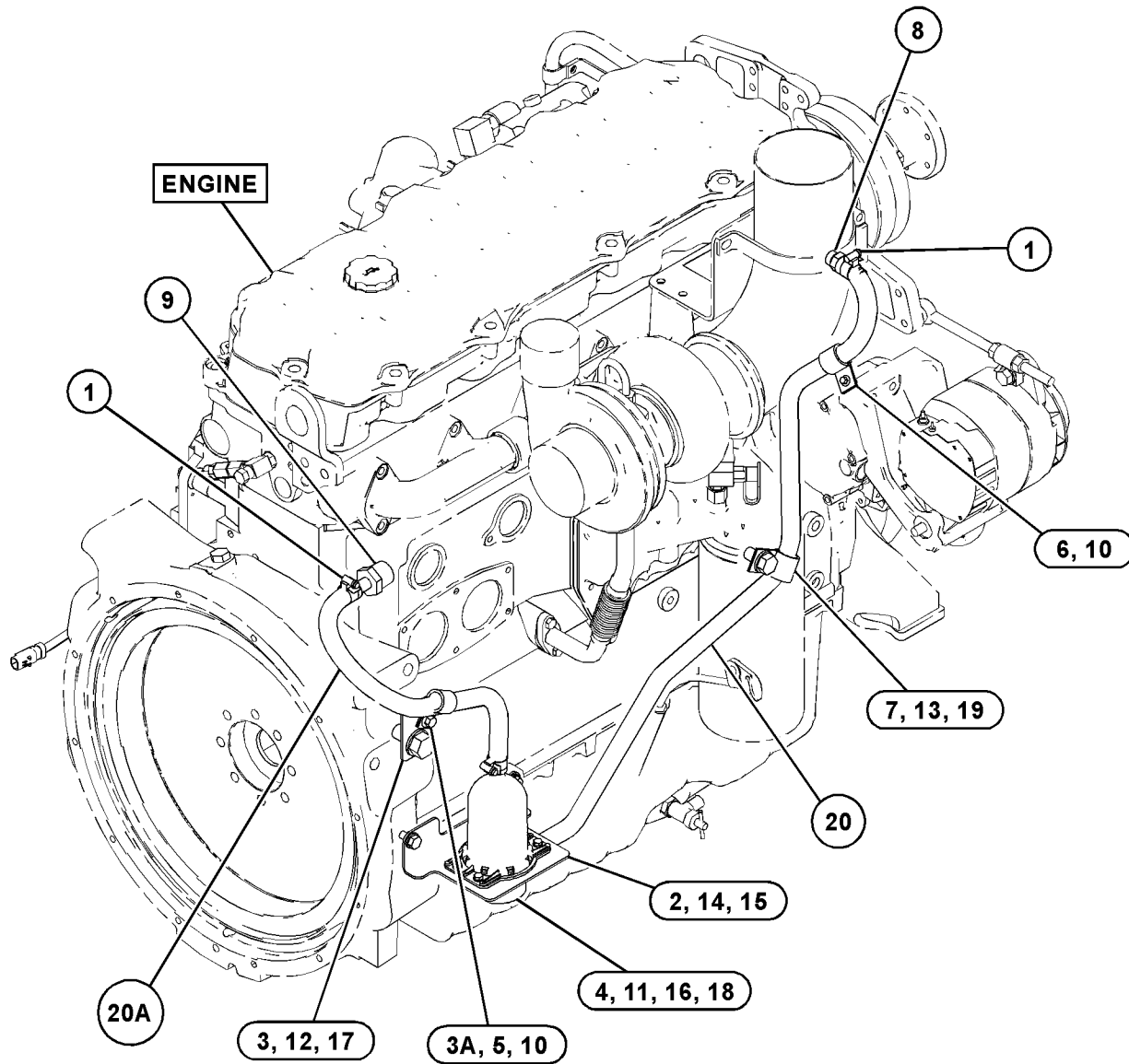
E - ORDER BY THE CENTIMETER

M - METRIC PART

ELECTRICAL AND STARTING SYSTEM

471-0782 HEATER GP-JACKET WATER (contd.)

i06159044



GRAPHIC #1

<END>

g03834633

ELECTRICAL AND STARTING SYSTEM

446-8006 MOUNTING GP-BATTERY

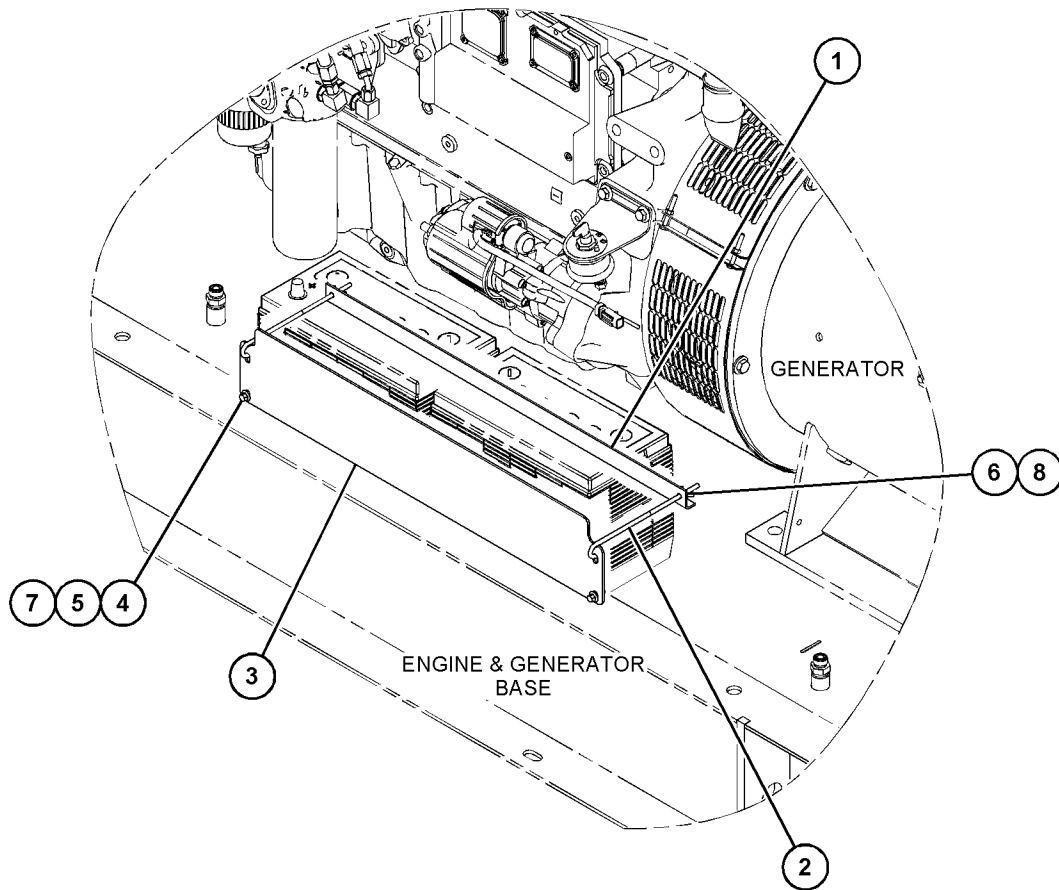
S/N: LX91-UP
AN ATTACHMENT

SMCS-1401

i06148435

NOTE	REF NO	GRAPHIC REF	PART NUMBER	QTY	PART NAME						SEE PAGE
					1	2	3	4	5	6	
	1	1	441-4750	1	PLATE						
	2	1	441-9164	2	BOLT-SPECIAL						
	3	1	452-7118	1	PLATE						
M	4	1	342-9920	2	BOLT-FLANGE HEAD (M8X1.25X20-MM)						
M	5	1	5C-7261	2	NUT (M8X1.25-THD)						
M	6	1	8T-2910	2	NUT-WING (M6X1-THD)						
	7	1	8T-4224	2	WASHER-HARD (8.8X16X2-MM THK)						
	8	1	9X-6165	2	WASHER (6.5X22X2.5-MM THK)						

M - METRIC PART



GRAPHIC #1

<END>

g03832164

ELECTRICAL AND STARTING SYSTEM

466-1165 MOUNTING GP-BATTERY

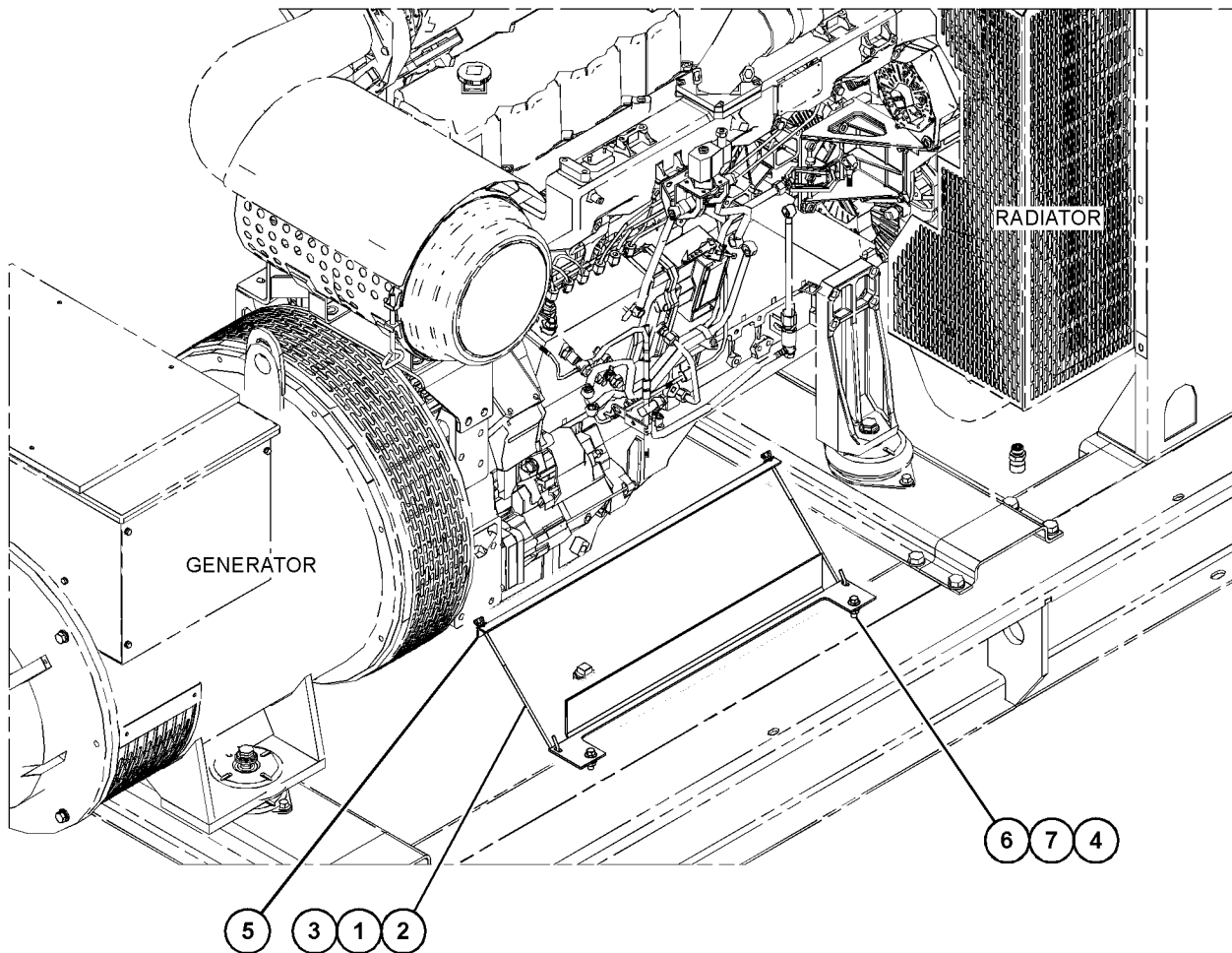
S/N: LX91-UP
AN ATTACHMENT

SMCS-1401

i06144864

NOTE	REF NO	GRAPHIC REF	PART NUMBER	QTY	PART NAME						SEE PAGE
					1	2	3	4	5	6	
	1	1	5J-9105	2	WASHER (6.4X19.8X1.9-MM THK)						
M	2	1	8T-2910	2	NUT-WING (M6X1-THD)						
	3	1	142-9459	2	BOLT (M6X1X275-MM)						
	4	1	466-1166	1	BRACKET						
	5	1	466-1167	1	ANGLE						
M	6	1	175-7141	2	NUT-HEX FLANGE (M10X1.5-THD)						
M	7	1	338-3669	2	BOLT-FLANGE HEAD (M10X1.5X30-MM)						

M - METRIC PART



GRAPHIC #1

<END>

g03827988

ELECTRICAL AND STARTING SYSTEM

420-4659 MOUNTING GP-BOX

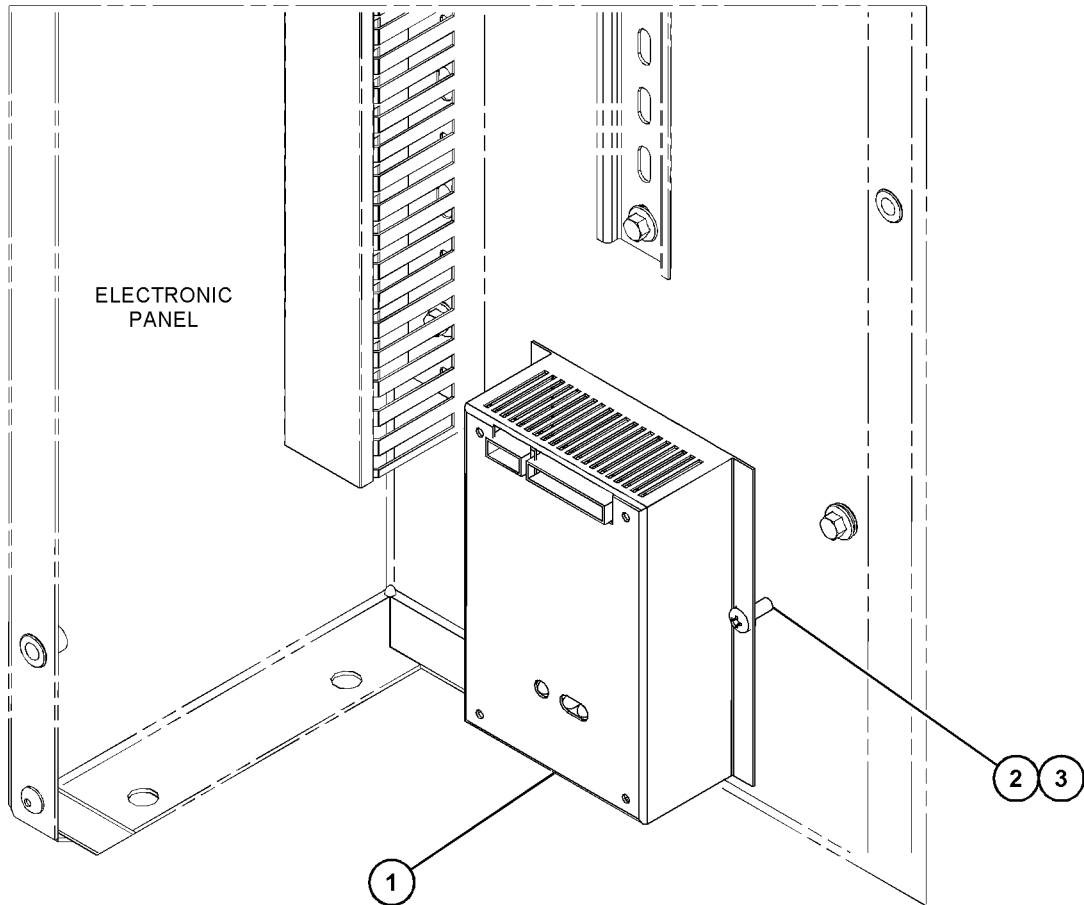
S/N: LX91-UP
AN ATTACHMENT

SMCS-7426

i06110324

NOTE	REF NO	GRAPHIC REF	PART NUMBER	QTY	PART NAME						SEE PAGE
					1	2	3	4	5	6 (PRODUCT LEVEL)	
	1	1	394-0527	1	BATTERY CHARGER						
M	2	1	6V-9673	2	SCREW-MACHINE (M5X0.8X12-MM)						
	3	1	8T-0328	2	WASHER-HARD (5.5X10X1-MM THK)						

M - METRIC PART



GRAPHIC #1

<END>

g06026967

ELECTRICAL AND STARTING SYSTEM

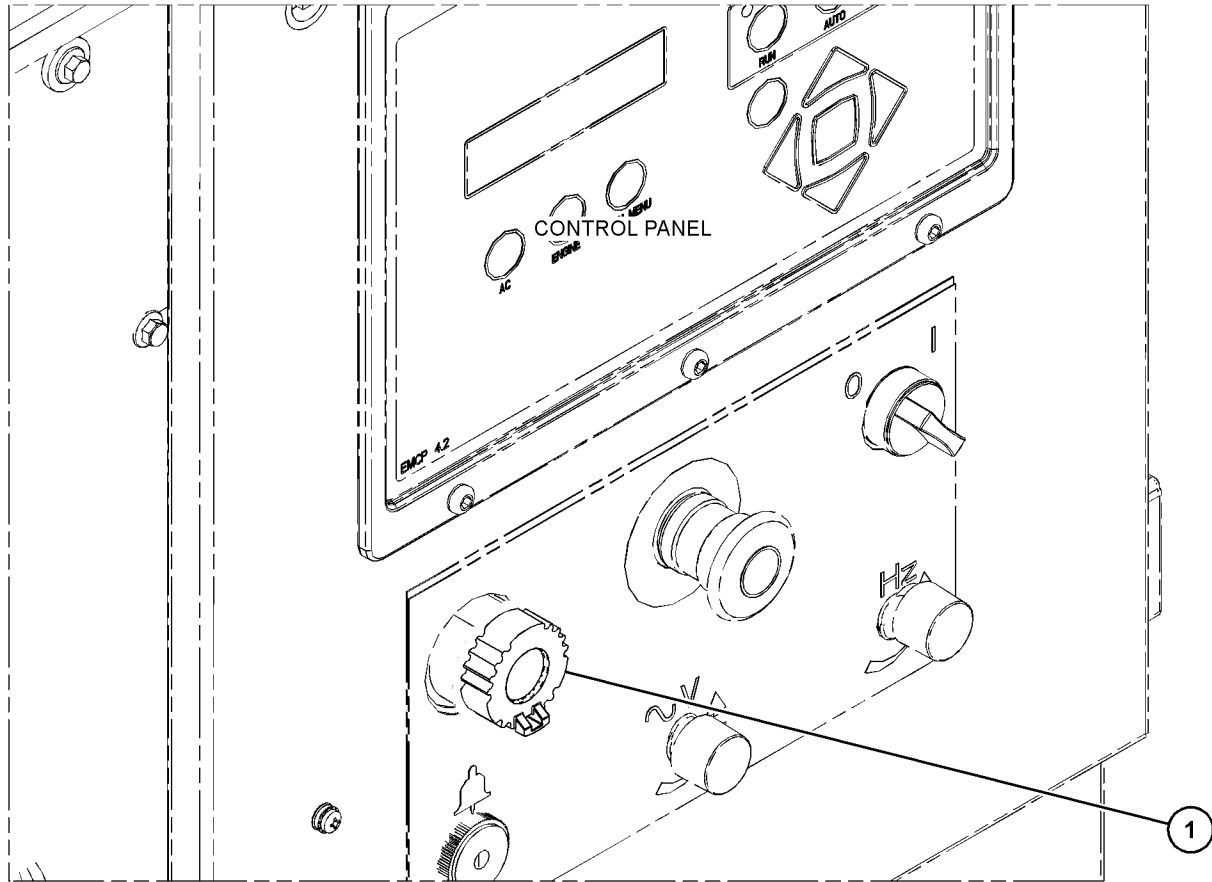
473-9531 PROTECTION GP-WIRING

S/N: LX91-UP
AN ATTACHMENT

SMCS-1408

i06151366

NOTE	REF NO	GRAPHIC REF	PART NUMBER	QTY	PART NAME						SEE PAGE
					1	2	3	4	5	6 (PRODUCT LEVEL)	
	1	1	8C-6354	1	CAP-RECEPTACLE (ET CONNECTOR)						



GRAPHIC #1

<END>

g03833901

ELECTRICAL AND STARTING SYSTEM

300-6794 SENSOR GP-ENGINE

S/N: S9X1-UP

SMCS-1000, 1050, 1718, 1906, 1907, 1912, 1917, 1923,
1924, 1925, 1928, 1929, 7400, 7422

i06110373

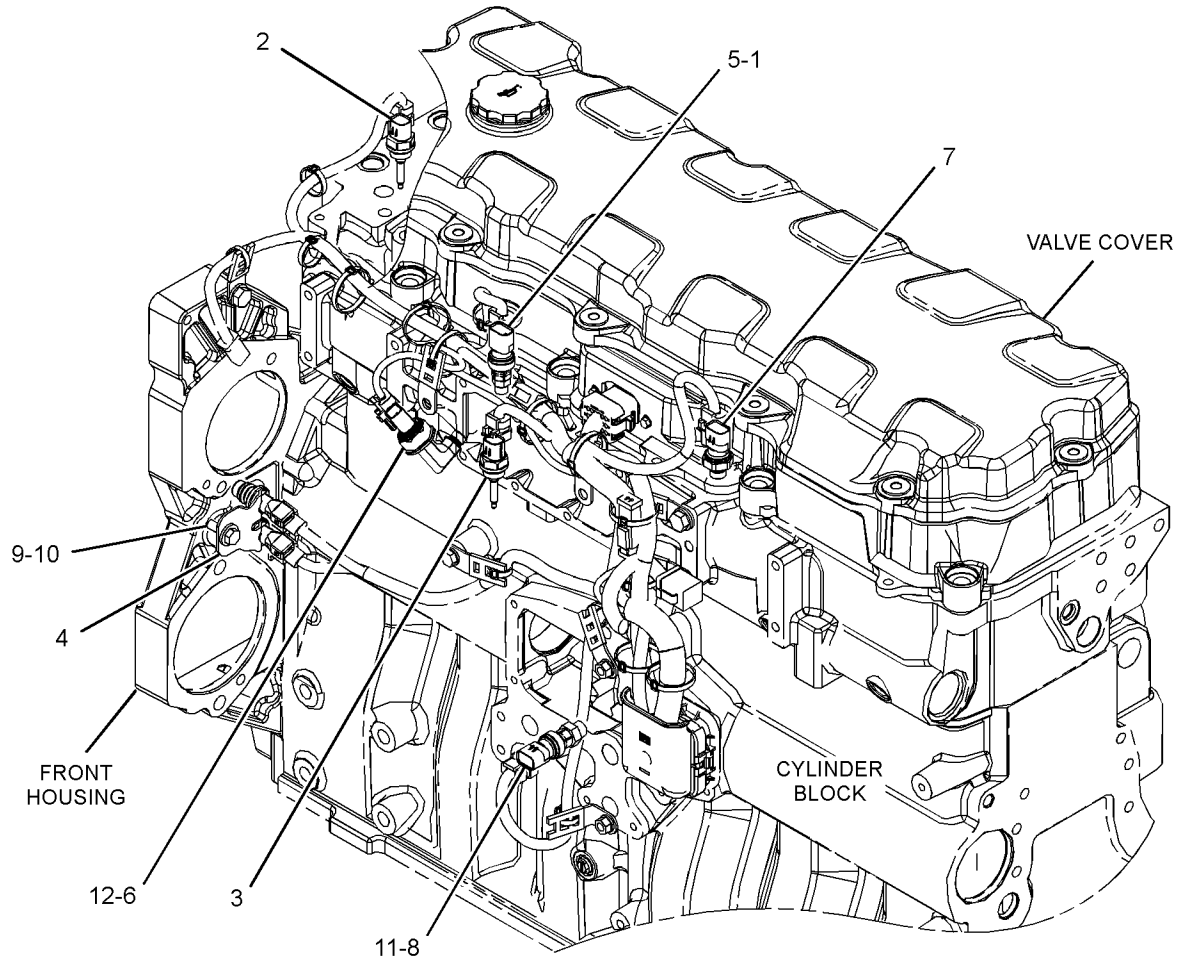
NOTE	REF NO	GRAPHIC REF	PART NUMBER	QTY	PART NAME						SEE PAGE	
					1	2	3	4	5	6 (PRODUCT LEVEL)		
C	1	1	353-5112	1	ADAPTER AS							
		1	9X-0262	1	ADAPTER							
		1	214-7566	2	SEAL-O-RING							
Y	2	1	234-5012	1	SENSOR GP-TEMPERATURE (COOLANT)						195	
Y	3	1	234-5013	1	SENSOR GP-TEMPERATURE (INTAKE AIR)						196	
Y	4	1	236-6221	1	SENSOR GP-SPEED (ENGINE TIMING)						193	
C	5	1	276-6793	1	SENSOR GP-PRESSURE (TURBOCHARGER OUTLET)							
Y	6	1	267-1402	1	SENSOR GP-PRESSURE (RAIL)						191	
Y	7	1	276-8548	1	SENSOR GP-PRESSURE (ATMOSPHERIC)						192	
C	8	1	274-6719	1	SENSOR GP-PRESSURE (ENGINE OIL)							
		1	3E-4352	1	WASHER-HARD (8.8X20.5X2.5-MM THK)							
M	10	1	6V-3940	1	BOLT (M8X1.25X25-MM)							
C	11	1	329-5451	1	ADAPTER AS							
		1	9X-0261	1	ADAPTER							
		1	214-7566	1	SEAL-O-RING							
		1	214-7568	1	SEAL-O-RING							
		12	1	396-0384	1	ELBOW AS						
		1	6V-3305	1	ADAPTER-O-RING							
		1	214-7567	1	SEAL-O-RING							

C - CHANGE FROM PREVIOUS TYPE
M - METRIC PART
Y - SEPARATE ILLUSTRATION

ELECTRICAL AND STARTING SYSTEM

300-6794 SENSOR GP-ENGINE (contd.)

i06110373



GRAPHIC #1

<END>

g03361358

ELECTRICAL AND STARTING SYSTEM

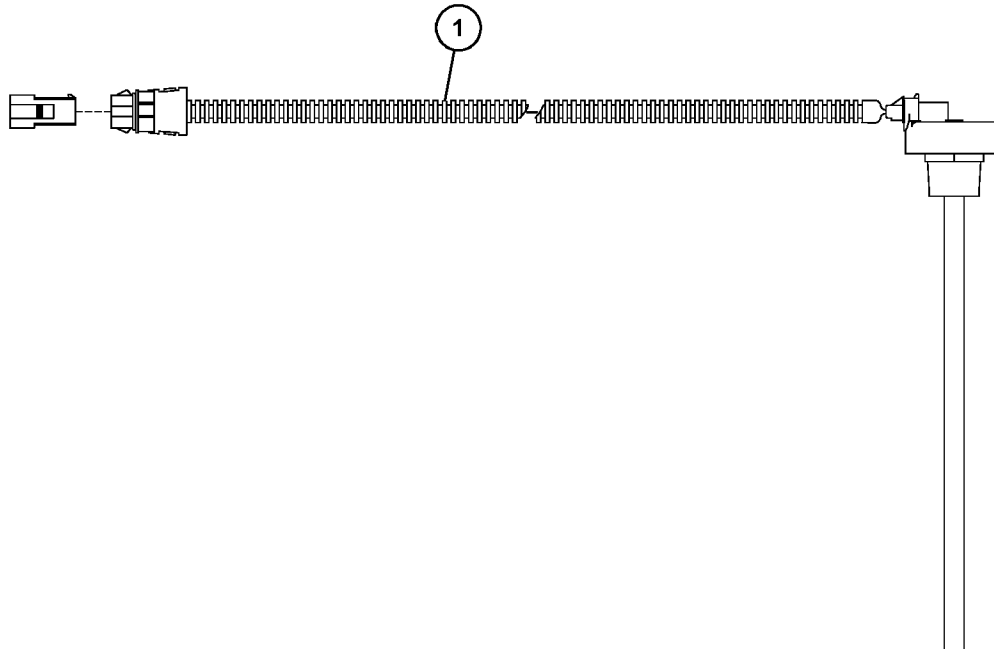
420-8986 SENSOR GP-FUEL LEVEL

S/N: LX91-UP
AN ATTACHMENT

SMCS-7400, 7481

i06148422

NOTE	REF NO	GRAPHIC REF	PART NUMBER	QTY	PART NAME						SEE PAGE
					1	2	3	4	5	6 (PRODUCT LEVEL)	
	1	1	350-8586	1	HARNES AS-PANEL						
		1	259-5667	1	PLUG AS						
		1	345-1120	1	CONNECTOR AS						



GRAPHIC #1

<END>

g03832151

ELECTRICAL AND STARTING SYSTEM

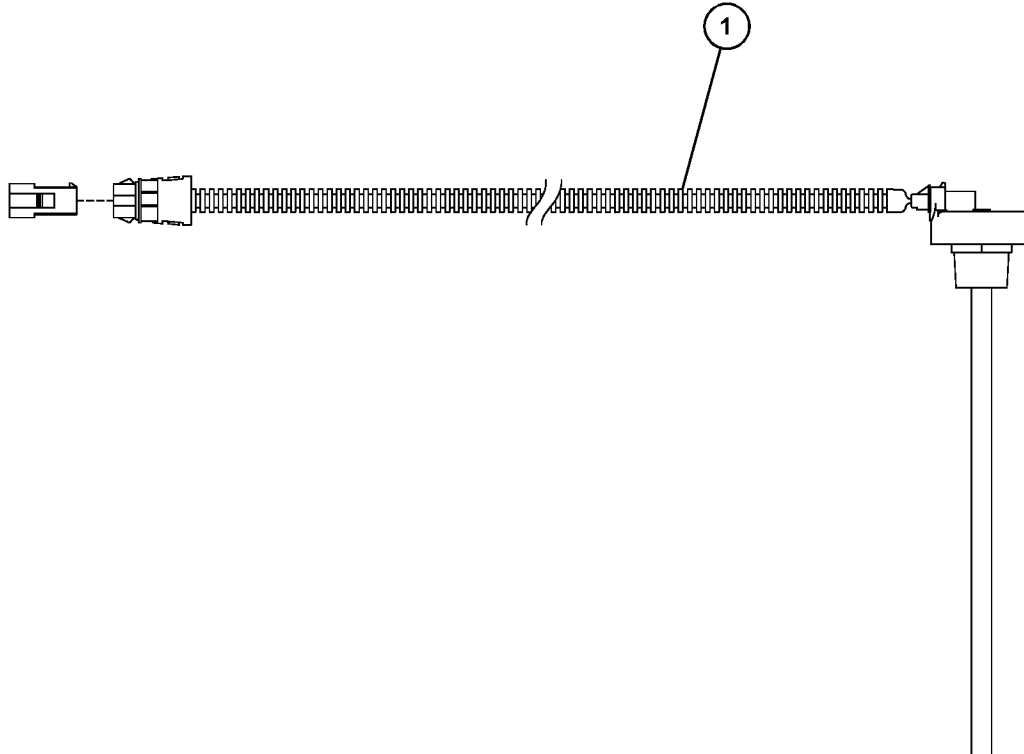
480-8254 SENSOR GP-FUEL LEVEL

S/N: LX91-UP
AN ATTACHMENT

SMCS-7400, 7481

i06148561

NOTE	REF NO	GRAPHIC REF	PART NUMBER	QTY	PART NAME						SEE PAGE
					1	2	3	4	5	6 (PRODUCT LEVEL)	
	1	1	350-8586	1	HARNES AS-PANEL						
		1	259-5667	1	PLUG AS						
		1	345-1120	1	CONNECTOR AS						



GRAPHIC #1

<END>

g03833998

ELECTRICAL AND STARTING SYSTEM

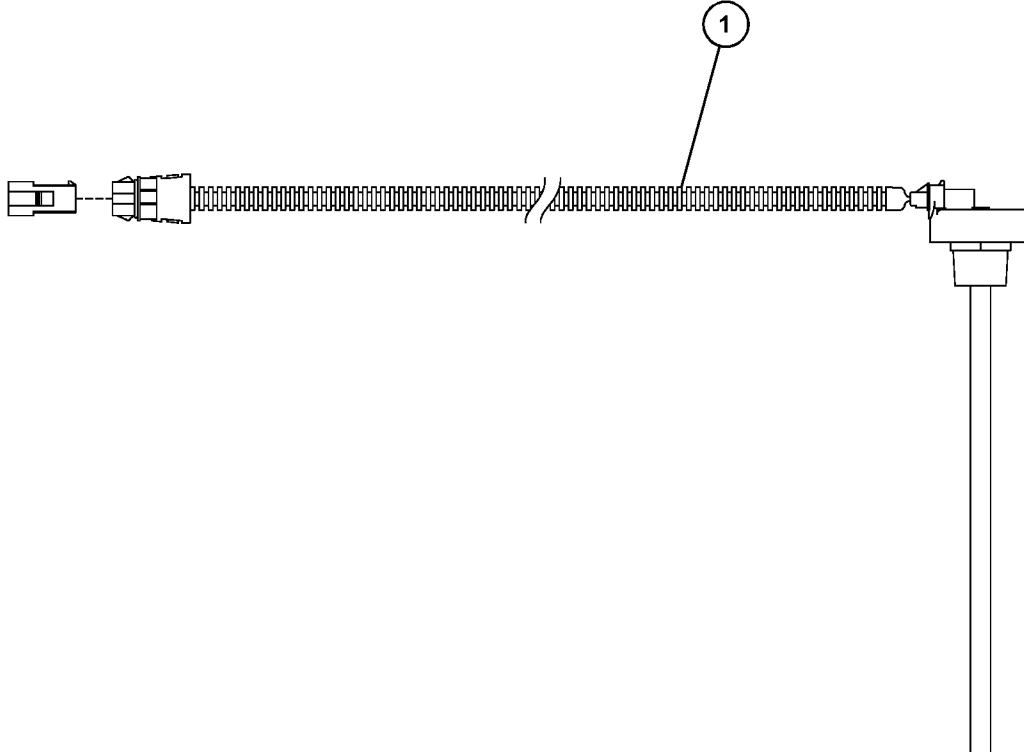
480-8255 SENSOR GP-FUEL LEVEL

S/N: LX91-UP
AN ATTACHMENT

SMCS-7400, 7481

i06148563

NOTE	REF NO	GRAPHIC REF	PART NUMBER	QTY	PART NAME						SEE PAGE
					1	2	3	4	5	6 (PRODUCT LEVEL)	
	1	1	350-8586	1	HARNES AS-PANEL						
		1	259-5667	1	PLUG AS						
		1	345-1120	1	CONNECTOR AS						



GRAPHIC #1

<END>

g03834004

ELECTRICAL AND STARTING SYSTEM

494-0261 SENSOR GP-FUEL LEVEL

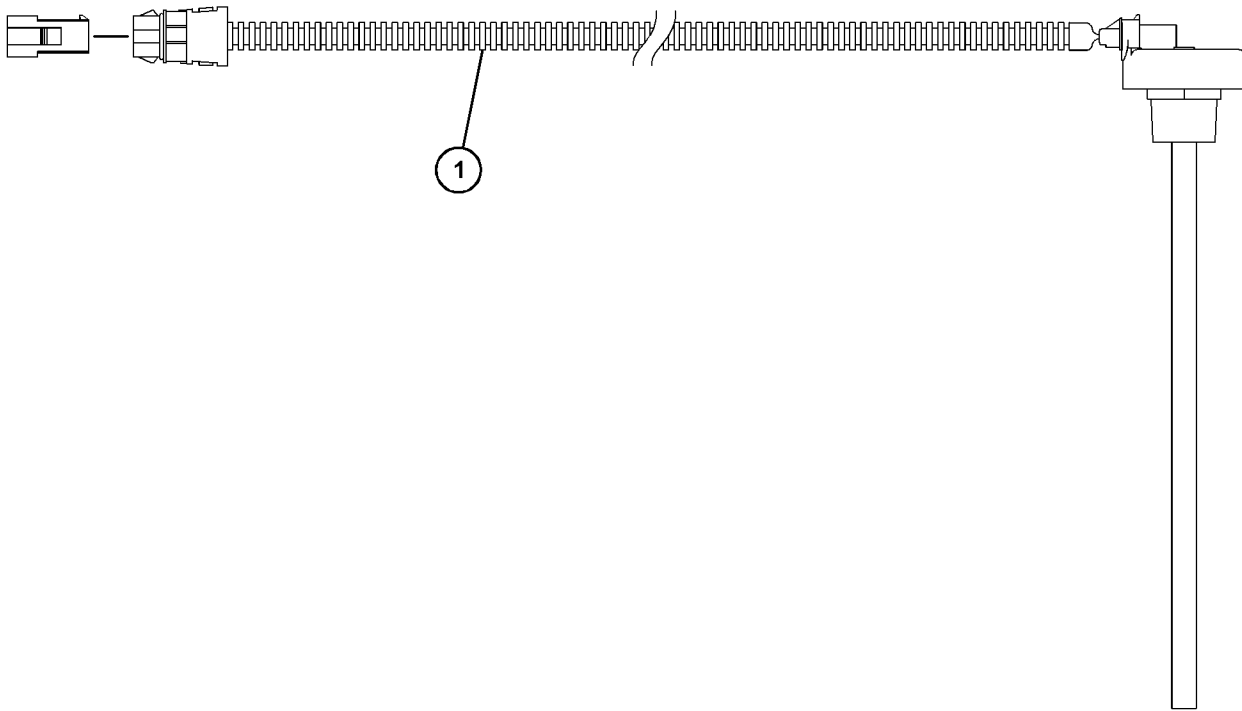
S/N: LX91-UP
AN ATTACHMENT

SMCS-7400, 7481

i06306208

NOTE	REF NO	GRAPHIC REF	PART NUMBER	QTY	PART NAME						SEE PAGE
					1	2	3	4	5	6 (PRODUCT LEVEL)	
Y	1	1	350-8586	1	HARNESS AS-PANEL						174

Y - SEPARATE ILLUSTRATION



GRAPHIC #1

<END>

g06002094

ELECTRICAL AND STARTING SYSTEM

267-1402 SENSOR GP-PRESSURE

S/N: S9X1-UP

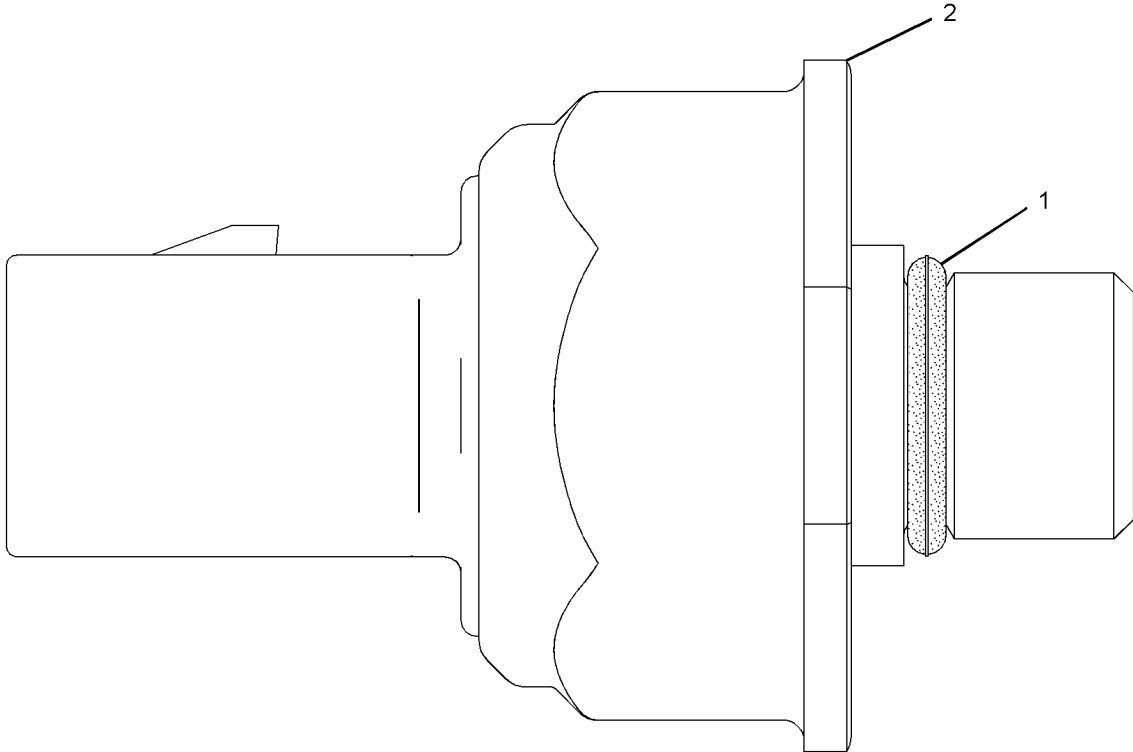
AMPSEAL CONNECTOR

PART OF 300-6794 SENSOR GP-ENGINE

SMCS-1718, 1916, 1917, 1923, 1924, 1925

i06590933

NOTE	REF NO	GRAPHIC REF	PART NUMBER	QTY	PART NAME						SEE PAGE
					1	2	3	4	5	6 (PRODUCT LEVEL)	
	1	1	214-7567	1	SEAL -O-RING						
	2	1	248-2169	1	SENSOR GP-PRESSURE						



GRAPHIC #1

<END>

g01164283

ELECTRICAL AND STARTING SYSTEM

276-8548 SENSOR GP-PRESSURE

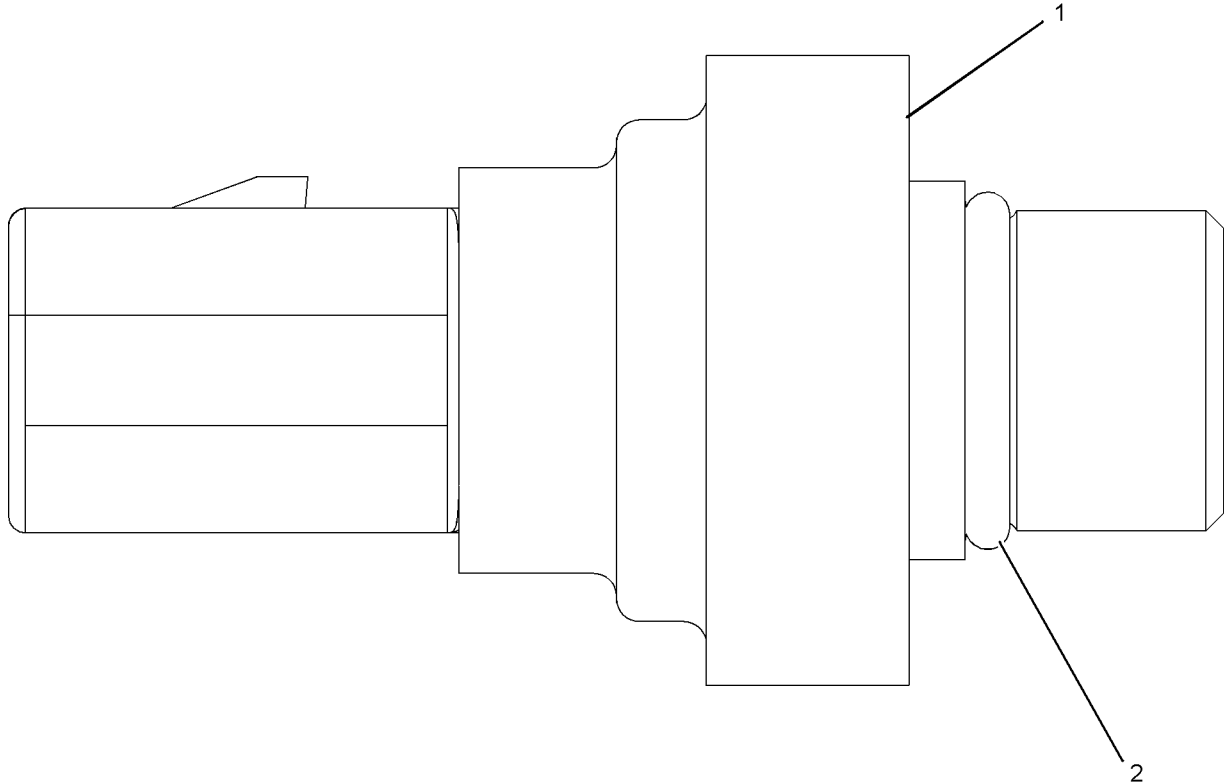
S/N: S9X1-UP

PART OF 300-6794 SENSOR GP-ENGINE

SMCS-1718, 1916, 1917, 1923, 1924, 1925

i03784731

NOTE	REF NO	GRAPHIC REF	PART NUMBER	QTY	PART NAME						SEE PAGE
					1	2	3	4	5	6 (PRODUCT LEVEL)	
	1	1	274-6717	1	SENSOR - PRESSURE						
	2	1	214-7568	1	SEAL - O-RING						



GRAPHIC #1

<END>

g01064278

ELECTRICAL AND STARTING SYSTEM

236-6221 SENSOR GP-SPEED

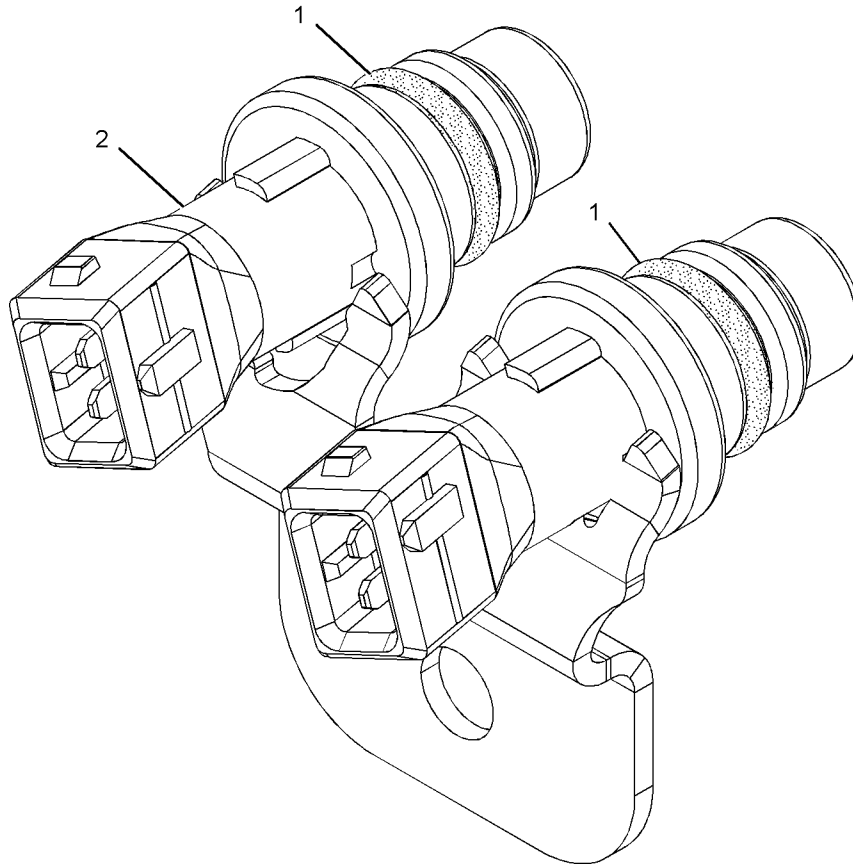
S/N: S9X1-UP

PART OF 300-6794 SENSOR GP-ENGINE

SMCS-1907

i06590938

NOTE	REF NO	GRAPHIC REF	PART NUMBER	QTY	PART NAME						SEE PAGE
					1	2	3	4	5	6	
	1	1	228-4947	2	SEAL-O-RING						
	2	1	245-4630	1	SENSOR GP-SPEED						



GRAPHIC #1

<END>

g01013894

ELECTRICAL AND STARTING SYSTEM

4P-5963 SENSOR GP-SPEED-ENGINE

S/N: LX91-UP

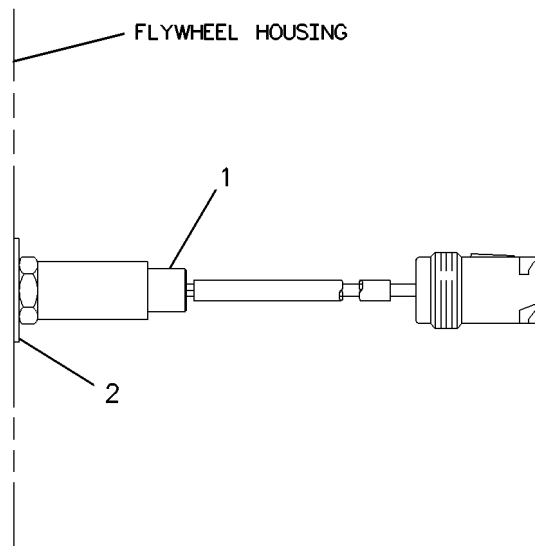
PART OF 471-0825 WIRING GP-ENGINE
AN ATTACHMENT

SMCS-1907

i03315274

NOTE	REF NO	GRAPHIC REF	PART NUMBER	QTY	PART NAME						SEE PAGE
					1	2	3	4	5	6 (PRODUCT LEVEL)	
	1	1	4P-5820	1	SENSOR GP-SPEED (ENGINE)						
		1	171-5349	1	STRAP-MARKER						
		1	102-8802	1	KIT-RECEPTACLE (2-PIN)						
					(INCLUDES RECEPTACLE AS & WEDGE)						
E		1	9X-1386		SLEEVE (14-CM)						
	2	1	5P-8248	1	WASHER-HARD (20X36.5X3.5-MM THK)						

E - ORDER BY THE CENTIMETER



GRAPHIC #1

<END>

g00218249

ELECTRICAL AND STARTING SYSTEM

234-5012 SENSOR GP-TEMPERATURE

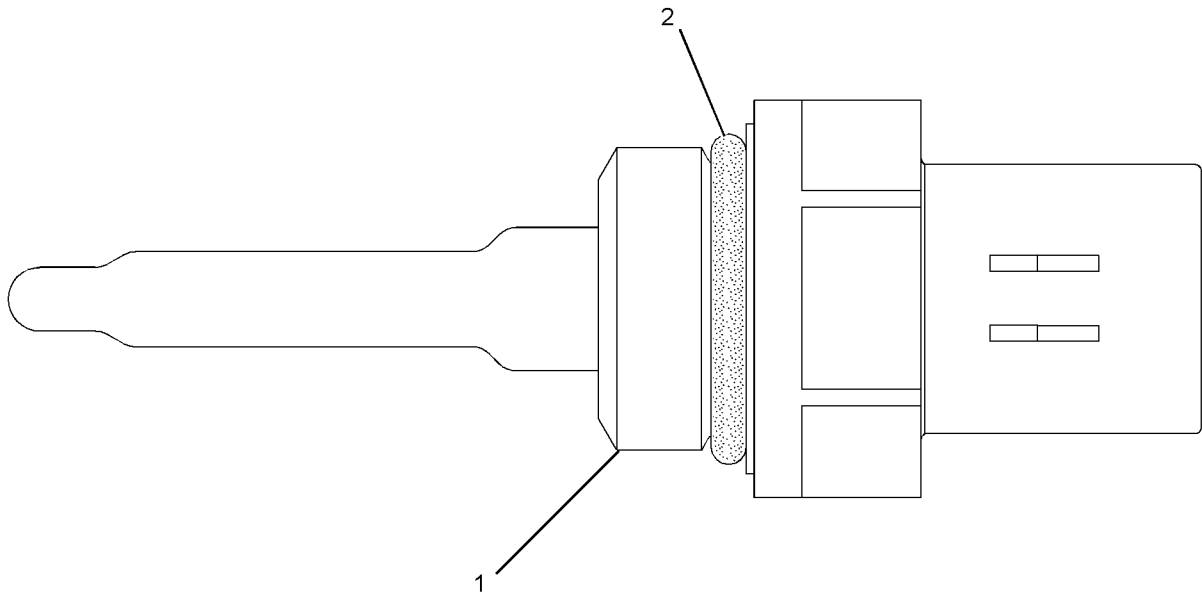
S/N: S9X1-UP

PART OF 300-6794 SENSOR GP-ENGINE

SMCS-1906, 1919, 1921, 1922, 1928, 1929

i02726218

NOTE	REF NO	GRAPHIC REF	PART NUMBER	QTY	PART NAME						SEE PAGE
					1	2	3	4	5	6 (PRODUCT LEVEL)	
	1	1	256-6453	1	SENSOR - TEMPERATURE						
	2	1	6V-6609	1	SEAL - O-RING						



GRAPHIC #1

<END>

g01164284

ELECTRICAL AND STARTING SYSTEM

234-5013 SENSOR GP-TEMPERATURE

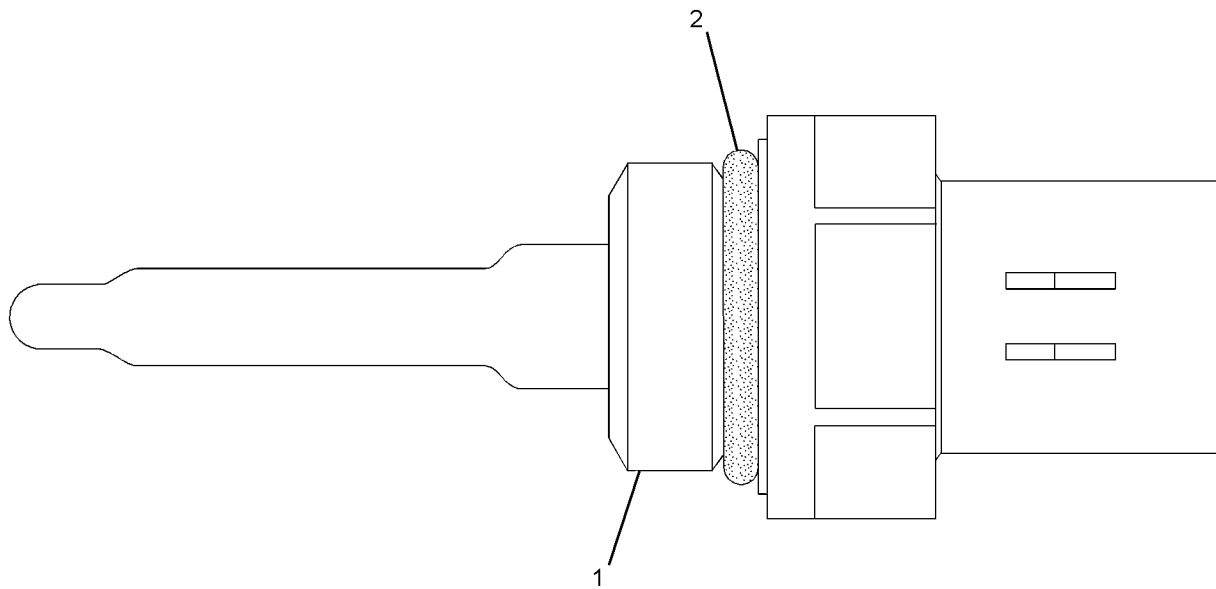
S/N: S9X1-UP

PART OF 300-4065 FILTER GP-FUEL, 300-6794 SENSOR GP-ENGINE

SMCS-1906, 1919, 1921, 1922, 1928, 1929

i03671800

NOTE	REF NO	GRAPHIC REF	PART NUMBER	QTY	PART NAME						SEE PAGE
					1	2	3	4	5	6 (PRODUCT LEVEL)	
	1	1	256-6453	1	SENSOR-TEMPERATURE						
	2	1	238-5080	1	SEAL-O-RING						



GRAPHIC #1

<END>

g01164268

ELECTRICAL AND STARTING SYSTEM

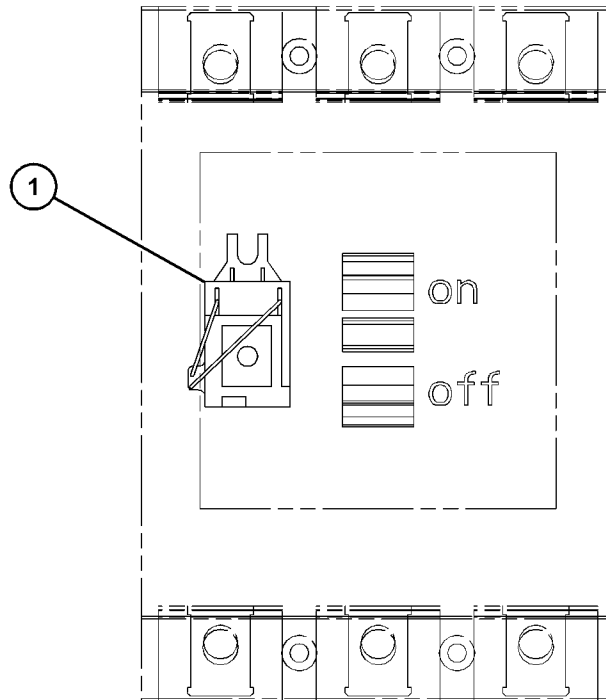
453-7050 SHUNT-TRIP

S/N: LX91-UP
AN ATTACHMENT

SMCS-1420, 4461

i06110405

NOTE	REF NO	GRAPHIC REF	PART NUMBER	QTY	PART NAME						SEE PAGE
					1	2	3	4	5	6 (PRODUCT LEVEL)	
	1	1	262-1554	1	SHUNT-TRIP						



GRAPHIC #1

<END>

g03821204

ELECTRICAL AND STARTING SYSTEM

390-0788 STARTING MOTOR GP-ELECTRIC

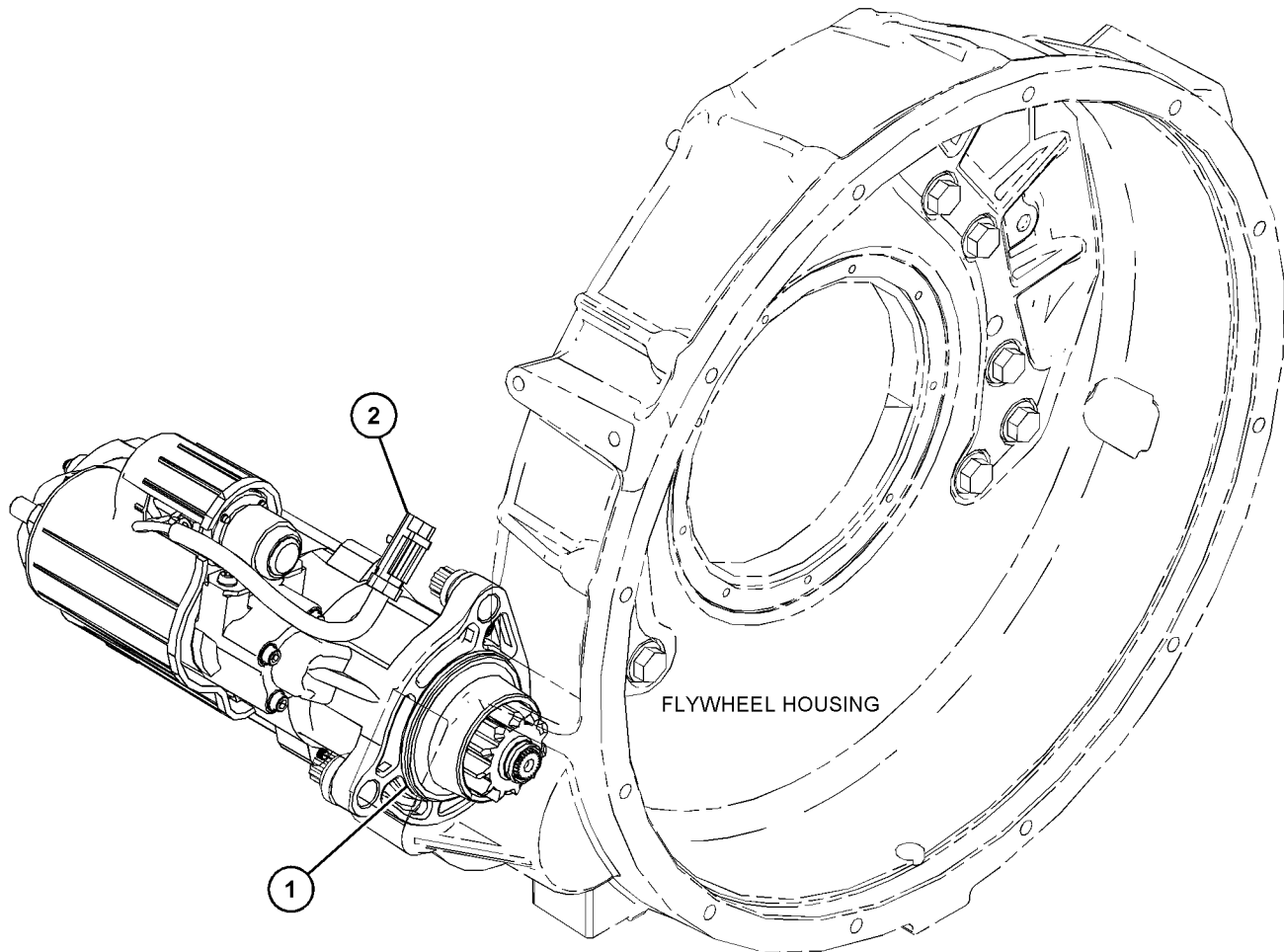
S/N: S9X1-UP

PART OF 458-8811 STARTING MOTOR GP-ELECTRIC

SMCS-1453

i06113170

NOTE	REF NO	GRAPHIC REF	PART NUMBER	QTY	PART NAME						SEE PAGE
					1	2	3	4	5	6 (PRODUCT LEVEL)	
	1	1	423-9049	1	SEAL-O-RING						
	2	1	230-4012	1	RECEPTACLE AS-CONNECTOR (2-PIN)						



GRAPHIC #1

<END>

g06001987

ELECTRICAL AND STARTING SYSTEM

458-8811 STARTING MOTOR GP-ELECTRIC

S/N: S9X1-UP

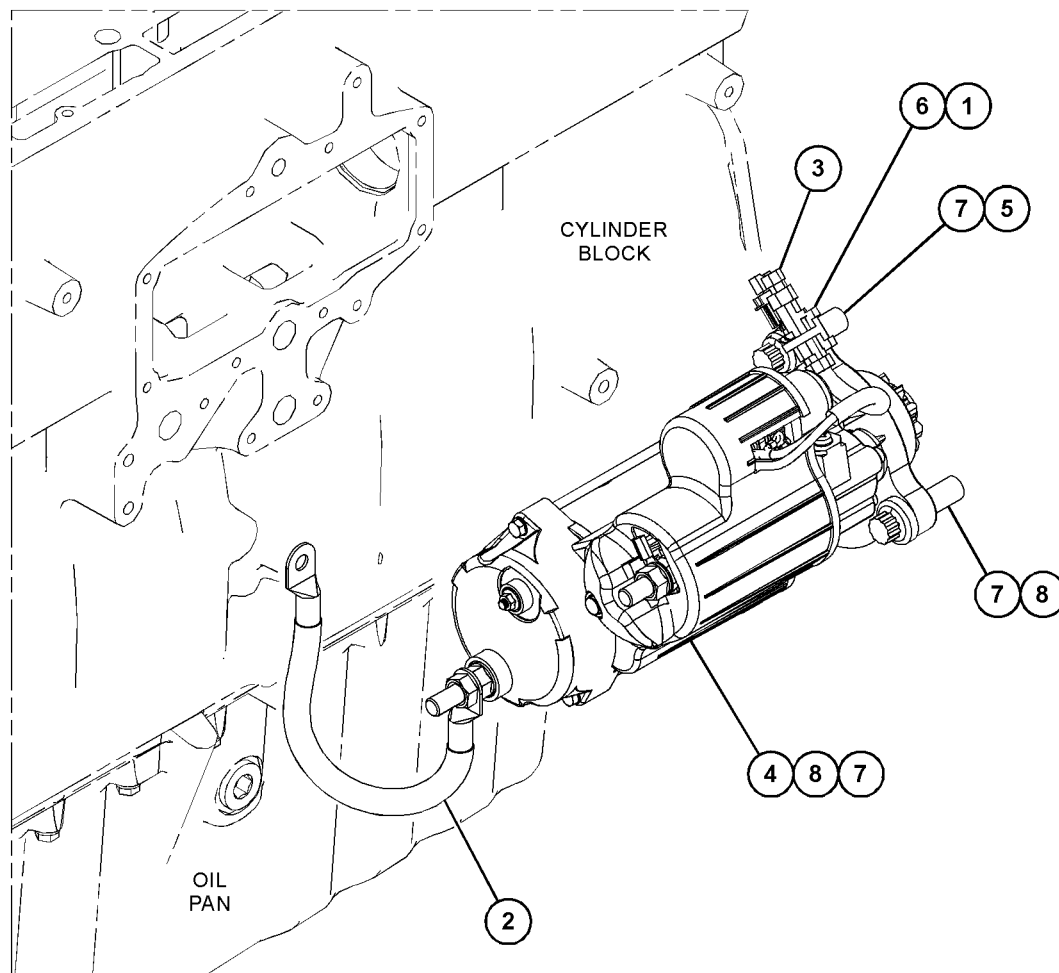
SMCS-1453

i06110195

NOTE	REF NO	GRAPHIC REF	PART NUMBER	QTY	PART NAME						SEE PAGE
					1	2	3	4	5	6 (PRODUCT LEVEL)	
	1	1	3S-2093	1	STRAP-CABLE						
	2	1	8Y-9603	1	CABLE AS-STARTING MOTOR						
		1	1S-7251	1	TERMINAL-CABLE (00-GA, 1/2-IN SCREW)						
		1	1S-7252	1	TERMINAL-CABLE (00-GA, 3/8-IN SCREW)						
E		1	159-8050		CABLE (00-GA, BLACK) (28-CM)						
	3	1	278-8844	1	PLUG AS-CONNECTOR						
		1	8T-8737	2	PLUG-SEAL						
		1	230-4011	1	PLUG AS-CONNECTOR (2-PIN)						
		1	455-0704	1	SEAL-CONNECTOR						
Y	4	1	390-0788	1	STARTING MOTOR GP-ELECTRIC						198
	5	1	2S-0736	1	WASHER-HARD (17X27X3.5-MM THK)						
	6	1	4P-7582	1	CLIP						
	7	1	8S-2331	3	BOLT-12 POINT HEAD (5/8-11X2-IN)						
	8	1	9H-1024	2	WASHER-HARD (17X30X6-MM THK)						

E - ORDER BY THE CENTIMETER

Y - SEPARATE ILLUSTRATION



GRAPHIC #1

<END>

g06004083

ELECTRICAL AND STARTING SYSTEM

471-0820 SWITCH GP-DISCONNECT

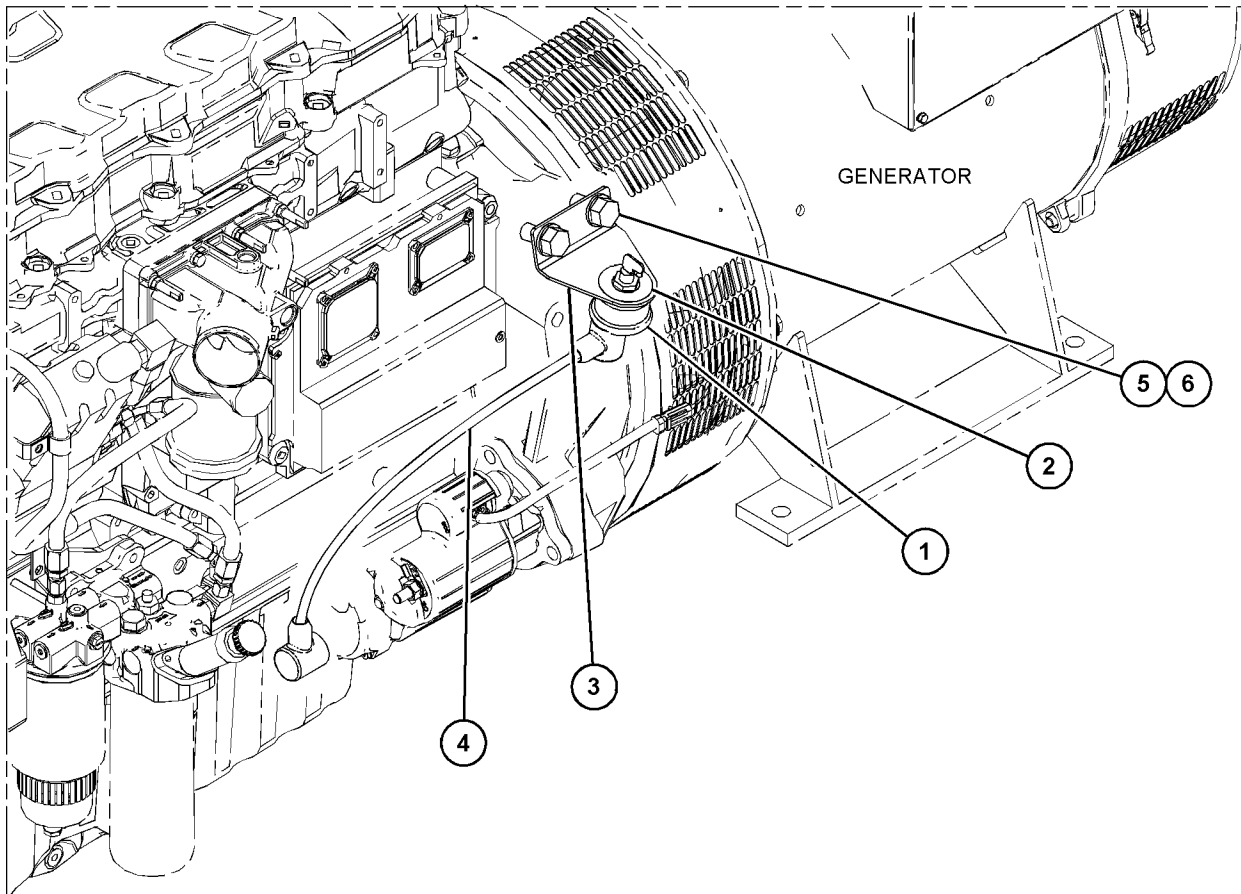
S/N: LX91-UP
AN ATTACHMENT

SMCS-1411

i06147549

NOTE	REF NO	GRAPHIC REF	PART NUMBER	QTY	PART NAME						SEE PAGE
					1	2	3	4	5	6 (PRODUCT LEVEL)	
Y	1	1	7N-0718	1	SWITCH GP-DISCONNECT (BATTERY)						201
	2	1	144-3852	1	FILM-INFORMATION (BATTERY POWER DISCONNECT)						
	3	1	471-0821	1	BRACKET						
	4	1	471-0823	1	CABLE AS						
		1	1S-7251	1	TERMINAL-CABLE (00-GA, 1/2-IN SCREW)						
		1	9G-8909	2	COVER-TERMINAL (BLACK)						
E		1	159-8050		CABLE (00-GA, BLACK) (55-CM)						
		1	277-5662	1	TERMINAL						
	5	1	7X-0365	2	BOLT (3/4-10X1.5-IN)						
	6	1	8T-4994	2	WASHER-HARD (20X36.5X3.5-MM THK)						

E - ORDER BY THE CENTIMETER
Y - SEPARATE ILLUSTRATION



GRAPHIC #1

<END>

g03832451

ELECTRICAL AND STARTING SYSTEM

7N-0718 SWITCH GP-DISCONNECT-BATTERY

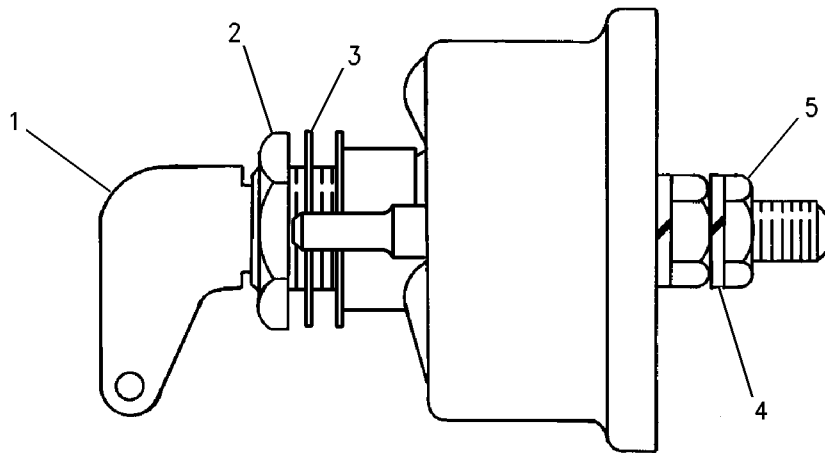
S/N: LX91-UP

PART OF 471-0820 SWITCH GP-DISCONNECT
AN ATTACHMENT

SMCS-1411

i05944275

NOTE	REF NO	GRAPHIC REF	PART NUMBER	QTY	PART NAME						SEE PAGE
					1	2	3	4	5	6 (PRODUCT LEVEL)	
	1	1	8H-5306	1	KEY (BATTERY DISCONNECT)						
	2	1	8H-5303	1	NUT (3/4-16-THD)						
	3	1	2H-3922	2	LOCKWASHER						
	4	1	9F-5644	2	LOCKWASHER						
	5	1	6F-7045	2	NUT-FULL (3/8-24-THD)						



GRAPHIC #1

<END>

g00715219

ELECTRICAL AND STARTING SYSTEM

478-0658 WIRING GP-CONTROL

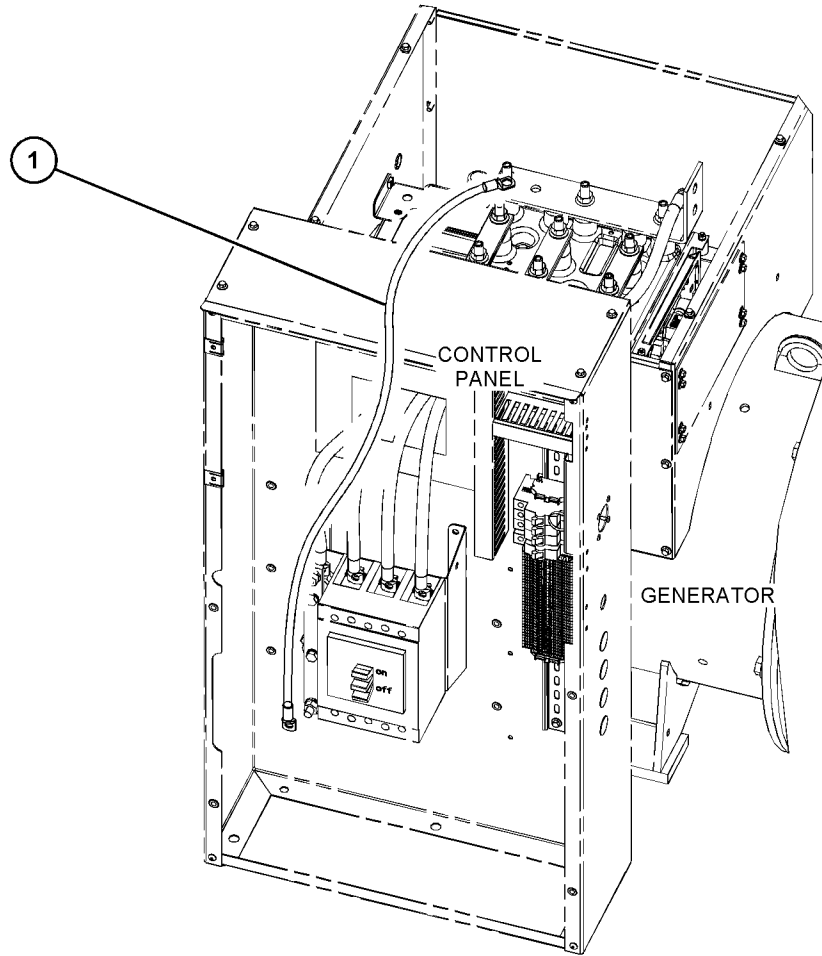
S/N: LX91-UP
AN ATTACHMENT

SMCS-1408

i06087278

NOTE	REF NO	GRAPHIC REF	PART NUMBER	QTY	PART NAME						SEE PAGE
					1	2	3	4	5	6 (PRODUCT LEVEL)	
	1	1	383-7934	1	CABLE AS						
B		1	1P-0810		TAPE-ELECTRICAL						

B - USE AS REQUIRED



GRAPHIC #1

<END>

g03815016

ELECTRICAL AND STARTING SYSTEM

300-6791 WIRING GP-ELECTRONIC CONTROL

S/N: S9X1-UP

SMCS-1408, 1900

i06101527

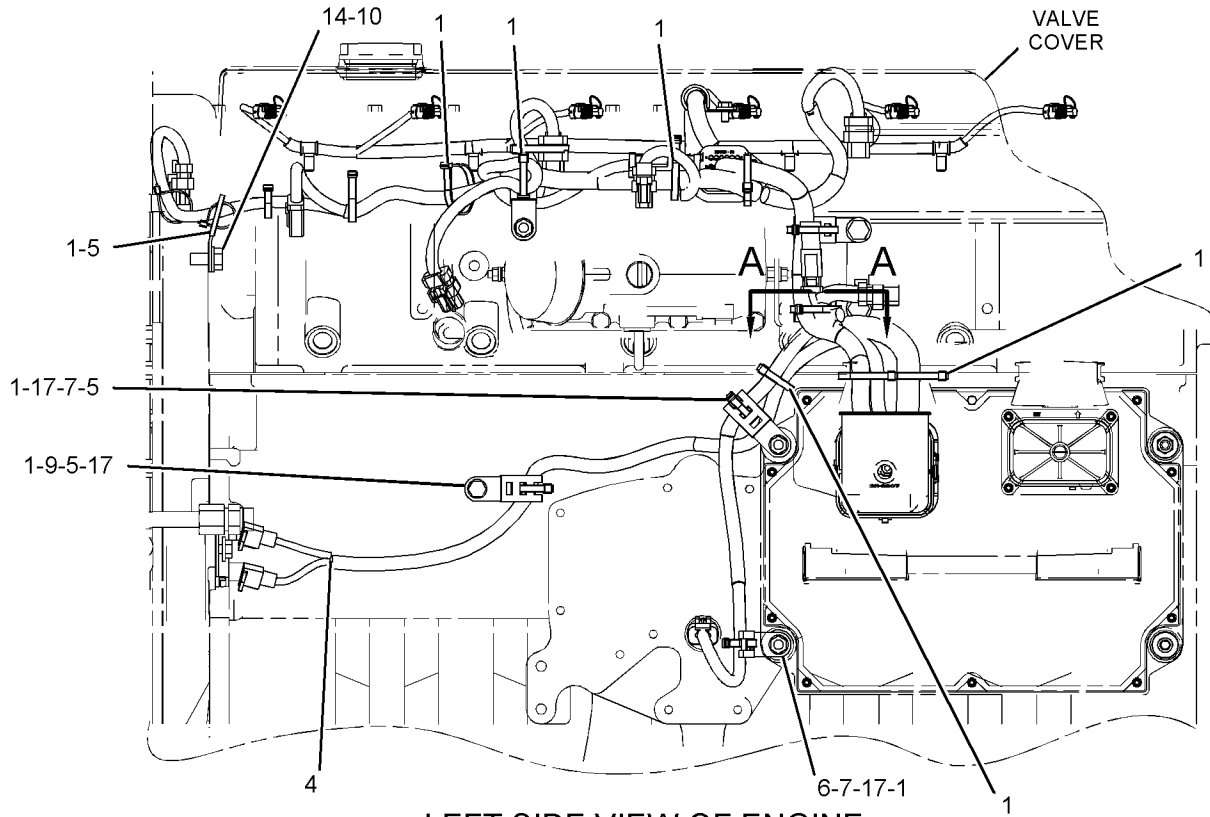
NOTE	REF NO	GRAPHIC REF	PART NUMBER	QTY	PART NAME	SEE PAGE
					1 2 3 4 5 6 (PRODUCT LEVEL)	
	1	1	3S-2093	17	STRAP-CABLE	
CY	3	1	419-0841	1	HARNESS AS-ENGINE (UNIT INJECTOR)	171
Y	4	1	300-6790	1	HARNESS AS-CONTROL	169
	5	1	4P-7581	5	CLIP	
	6	1	4P-8134	2	CLIP	
M	7	1	5P-7970	3	NUT (M8X1.25-THD)	
	8	1	6V-4369	1	CLIP	
M	9	1	6V-5217	1	BOLT (M8X1.25X20-MM)	
	10	1	6V-5839	3	WASHER (11X21X2.5-MM THK)	
M	11	1	6V-6317	2	BOLT (M10X1.5X20-MM)	
M	12	1	7I-2272	2	BOLT (M5X0.8X12-MM)	
	13	1	8T-0328	2	WASHER-HARD (5.5X10X1-MM THK)	
M	14	1	8T-4137	1	BOLT (M10X1.5X20-MM)	
	15	1	8T-4205	1	WASHER-HARD (7.2X14.5X2-MM THK)	
M	16	1	8T-5451	1	BOLT (M6X1X12-MM)	
	17	1	9M-1974	4	WASHER-HARD (8.8X16X2-MM THK)	
C	18	1	440-0881	5	BOLT-SOCKET HEAD (M8X1.25-THD)	
C	19	1	439-4571	5	CLIP	

C - CHANGE FROM PREVIOUS TYPE
M - METRIC PART
Y - SEPARATE ILLUSTRATION

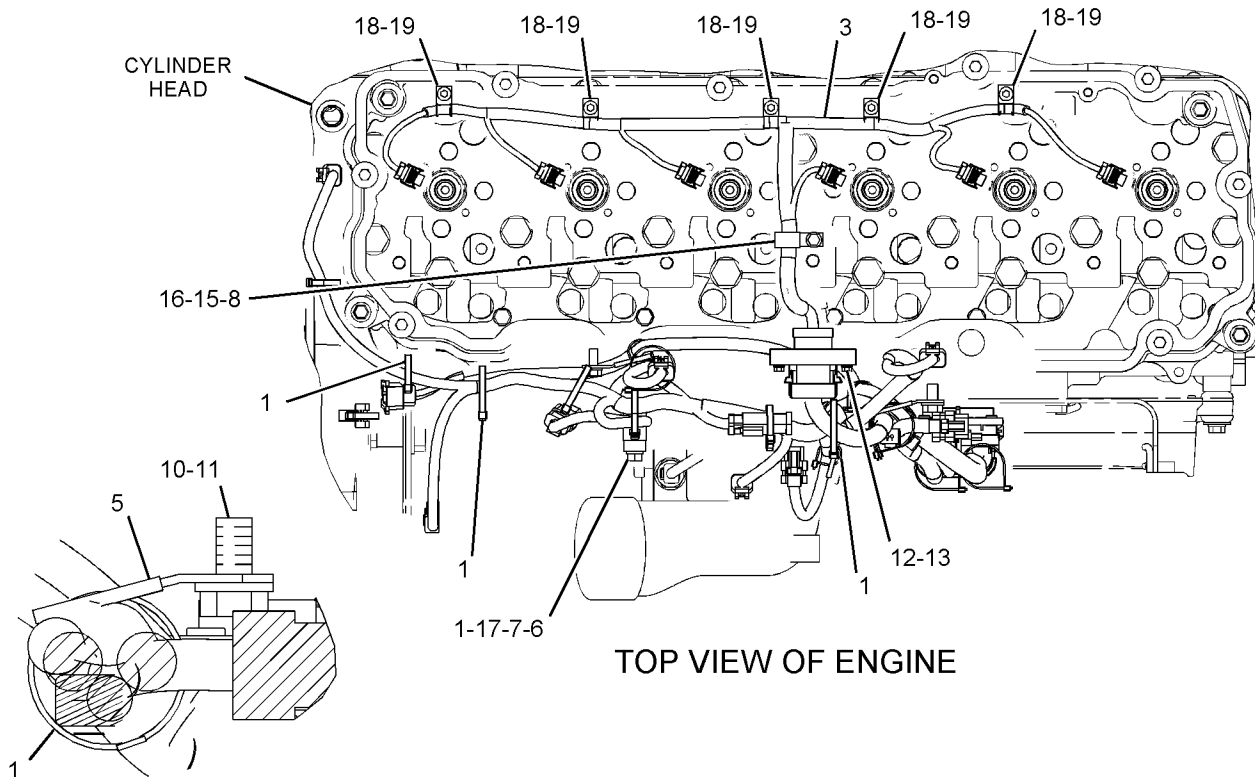
ELECTRICAL AND STARTING SYSTEM

300-6791 WIRING GP-ELECTRONIC CONTROL (contd.)

i06101527



LEFT SIDE VIEW OF ENGINE



TOP VIEW OF ENGINE

SECTION A-A

GRAPHIC #1

<END>

g03422921

ELECTRICAL AND STARTING SYSTEM

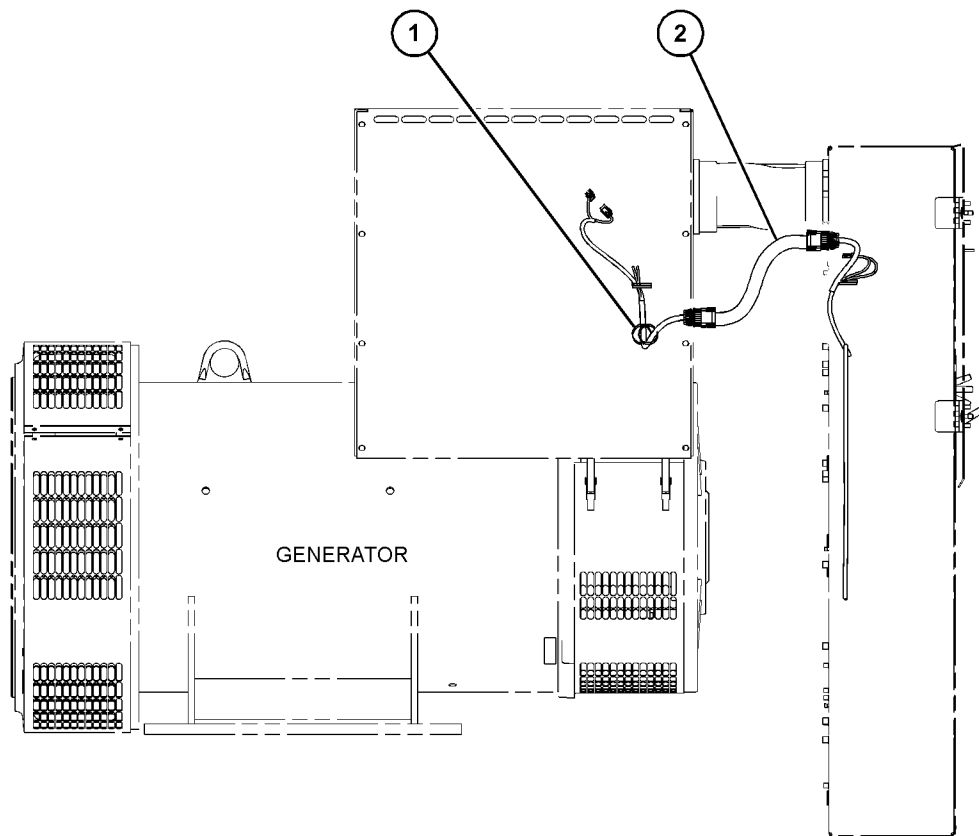
420-2305 WIRING GP-ENGINE

S/N: LX91-UP
AN ATTACHMENT

SMCS-1000, 1408

i06151334

NOTE	REF NO	GRAPHIC REF	PART NUMBER	QTY	PART NAME						SEE PAGE
					1	2	3	4	5	6 (PRODUCT LEVEL)	
	1	1	8L-8413	4	STRAP-CABLE (WHITE)						
	2	1	420-2304	1	HARNESS AS-ENGINE						
		1	8L-8413	12	STRAP-CABLE (WHITE)						
		1	246-2009	2	TERMINAL						
		1	246-2010	2	INSULATOR						
		1	345-1120	2	CONNECTOR AS						



LEFT SIDE VIEW OF ENGINE

GRAPHIC #1

<END>

g03832748

ELECTRICAL AND STARTING SYSTEM

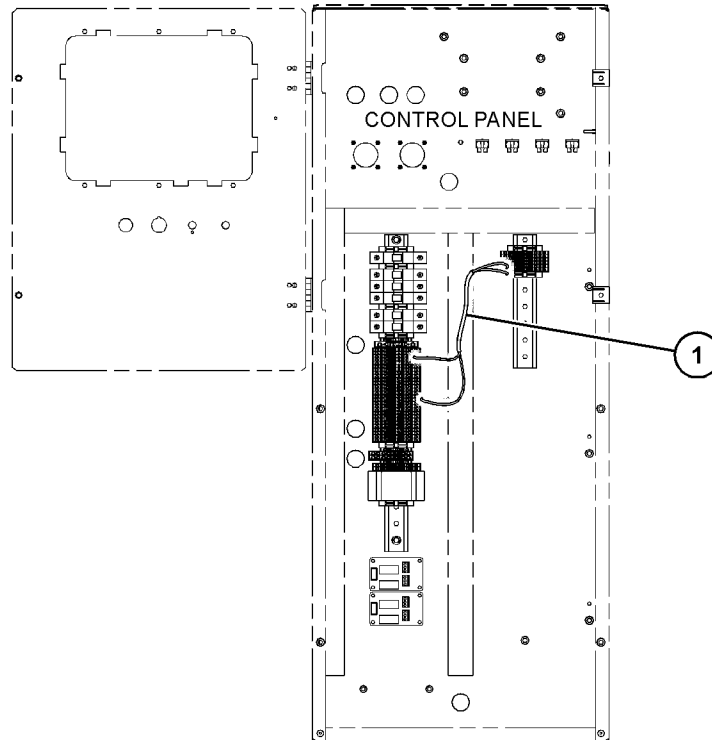
420-5293 WIRING GP-ENGINE

S/N: LX91-UP
AN ATTACHMENT

SMCS-1000, 1408

i06151340

NOTE	REF NO	GRAPHIC REF	PART NUMBER	QTY	PART NAME						SEE PAGE
					1	2	3	4	5	6 (PRODUCT LEVEL)	
	1	1	420-2302	1	HARNES AS-ENGINE						
		1	8L-8413	1	STRAP-CABLE (WHITE)						



REAR VIEW OF ENGINE

GRAPHIC #1

<END>

g03832308

ELECTRICAL AND STARTING SYSTEM

471-0825 WIRING GP-ENGINE

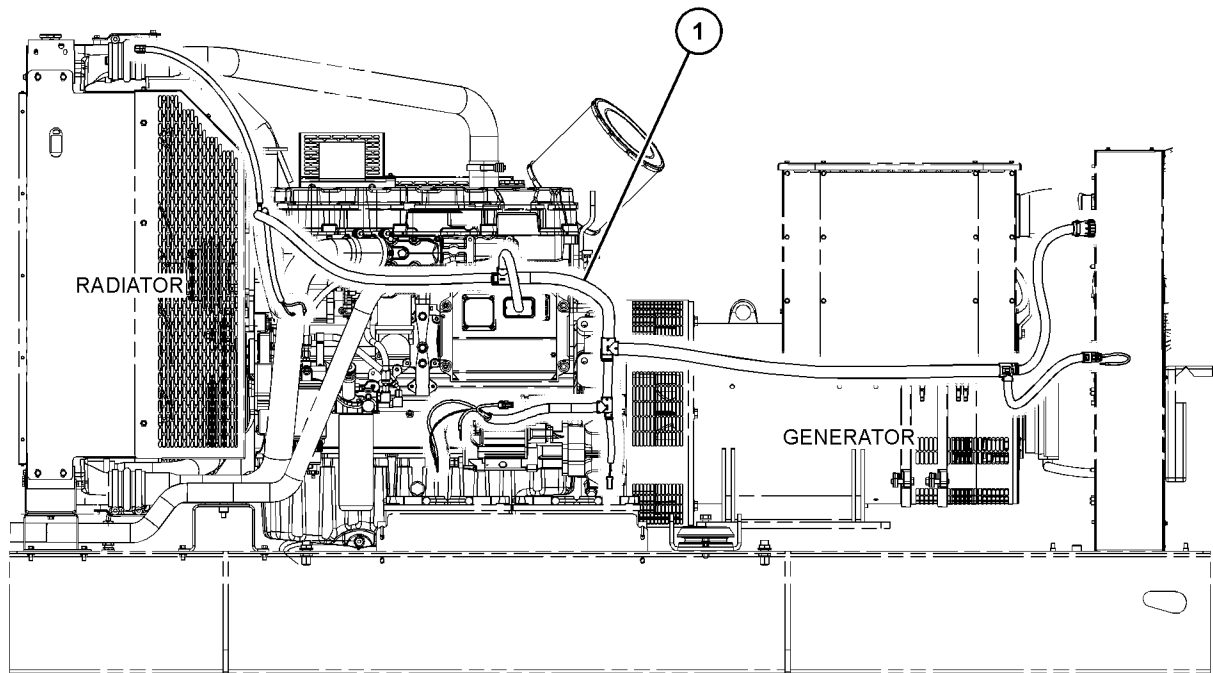
S/N: LX91-UP
AN ATTACHMENT

SMCS-1000, 1408

i06574690

NOTE	REF NO	GRAPHIC REF	PART NUMBER	QTY	PART NAME						SEE PAGE
					1	2	3	4	5	6 (PRODUCT LEVEL)	
Y	1	1	464-0710	1	HARNESS AS-ENGINE						172
FY			345-1116	1	HARNESS AS-ENGINE						170
FY			<i>4P-5963</i>	1	SENSOR GP-SPEED (ENGINE)						194

F - NOT SHOWN
Y - SEPARATE ILLUSTRATION



LEFT SIDE VIEW OF ENGINE

GRAPHIC #1

<END>

g03824012

ELECTRICAL AND STARTING SYSTEM

475-9637 WIRING GP-GENERATOR

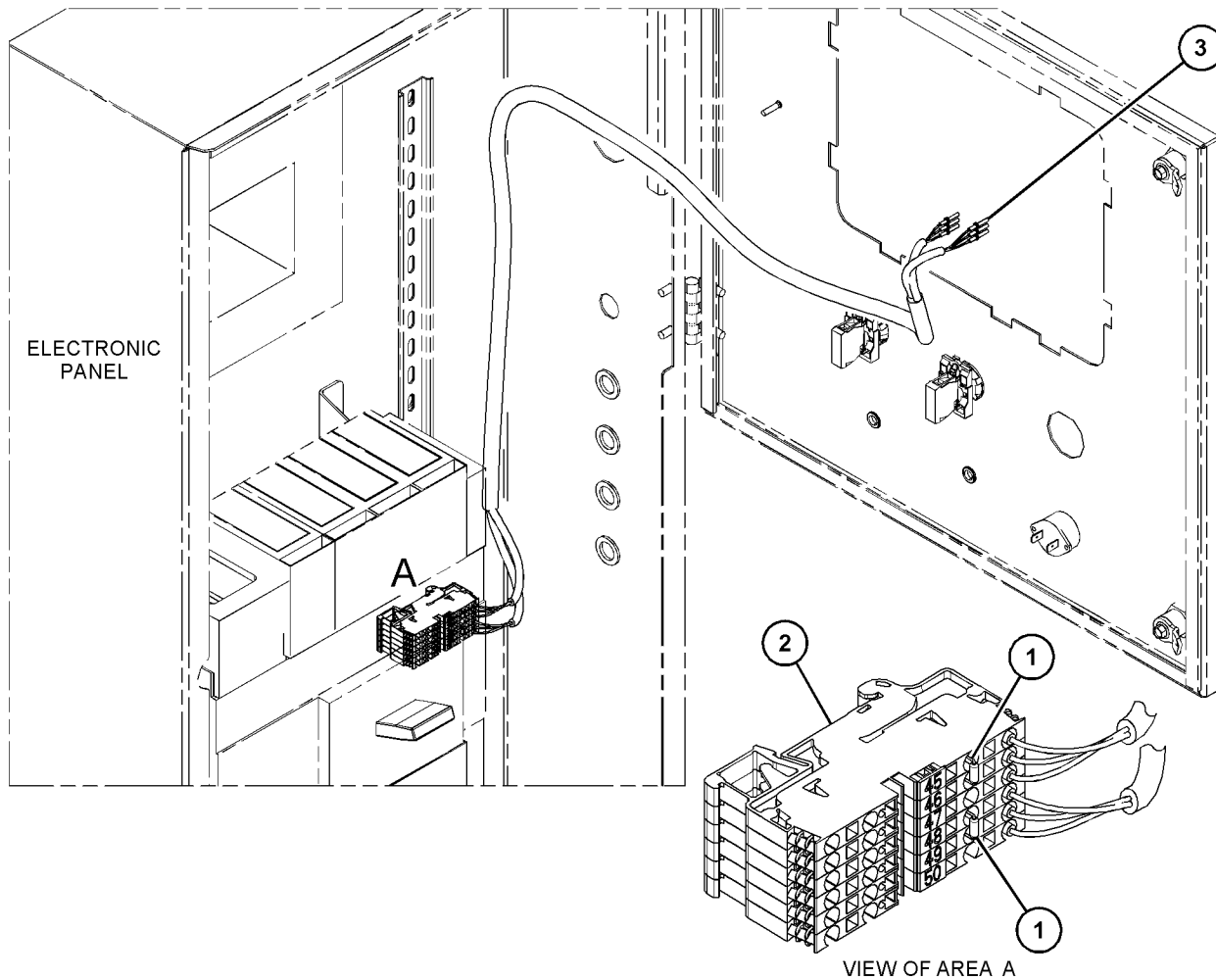
S/N: LX91-UP
EMCP 4.2
AN ATTACHMENT

SMCS-1404, 1408, 4459

i06159066

NOTE	REF NO	GRAPHIC REF	PART NUMBER	QTY	PART NAME						SEE PAGE
					1	2	3	4	5	6 (PRODUCT LEVEL)	
	1	1	9W-2275	2	RESISTOR (120-OHM)						
	2	1	301-8313	6	BLOCK-TERMINAL (4-TERMINAL)						
	3	1	475-8409	1	HARNESS AS-WIRING						
		1	1S-9593	8	STRAP-CABLE						
D		1	5P-6001		TUBE-HEAT SHRINK (4.75-MM DIA) (0.4-M)						
		1	8T-8730	6	SOCKET-CONNECTOR (16-GA TO 18-GA)						
E		1	125-7876		TUBE-HEAT SHRINK (17.78-MM DIA) (20-CM)						

D - ORDER BY THE METER
E - ORDER BY THE CENTIMETER



GRAPHIC #1

<END>

g03835077

ELECTRICAL AND STARTING SYSTEM

478-8012 WIRING GP-GENERATOR

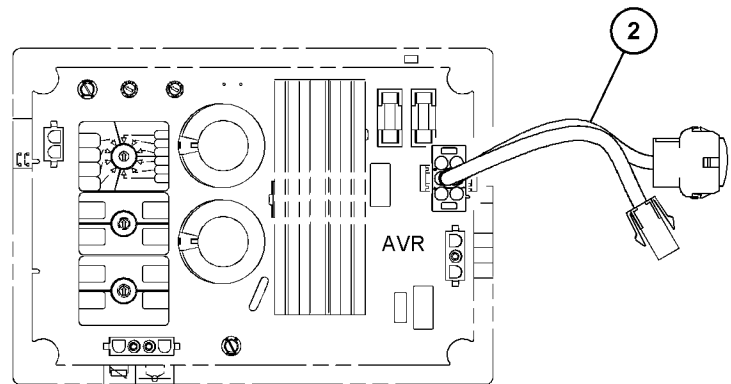
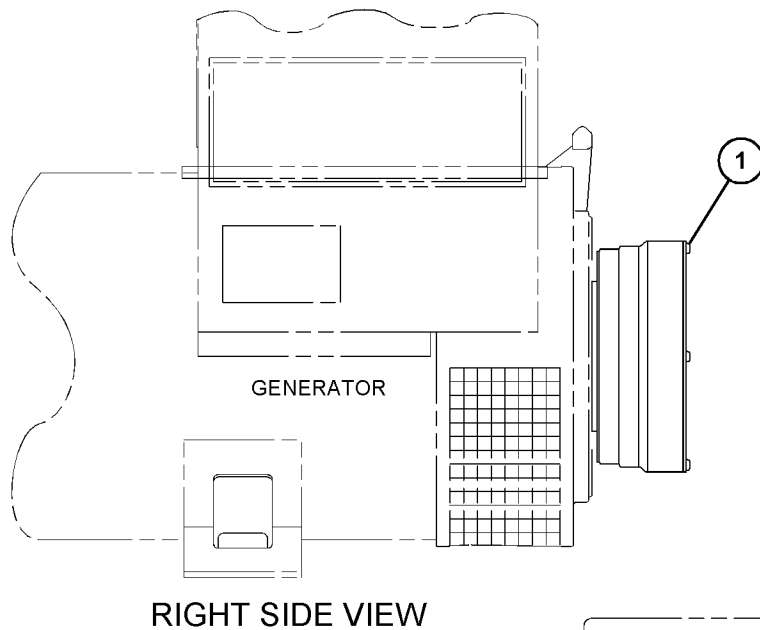
S/N: LX91-UP
AN ATTACHMENT

SMCS-1404, 1408, 4459

i06159081

NOTE	REF NO	GRAPHIC REF	PART NUMBER	QTY	PART NAME						SEE PAGE
					1	2	3	4	5	6 (PRODUCT LEVEL)	
	1	1	366-2203	1	EXCITER AS (PERMANENT MAGNET)						
	2	1	467-4496	1	HARNESS AS-POWER						
		1	244-0452	4	END-WIRE (14-GA TO 20-GA)						
		1	351-9187	1	CONNECTOR						
F			8L-8413	3	STRAP-CABLE (WHITE)						

F - NOT SHOWN



GRAPHIC #1

<END>

g03835078

ELECTRICAL AND STARTING SYSTEM

478-8013 WIRING GP-GENERATOR

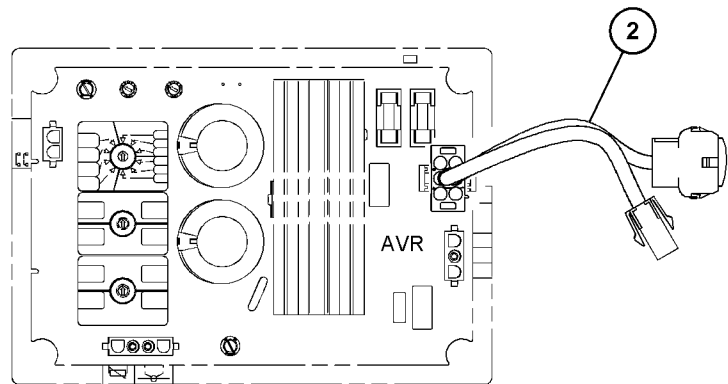
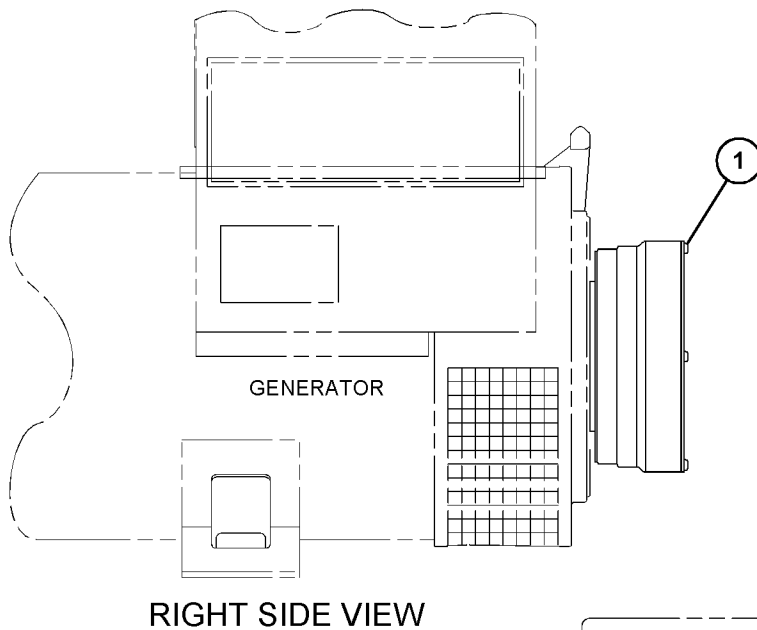
S/N: LX91-UP
AN ATTACHMENT

SMCS-1404, 1408, 4459

i06159132

NOTE	REF NO	GRAPHIC REF	PART NUMBER	QTY	PART NAME						SEE PAGE
					1	2	3	4	5	6 (PRODUCT LEVEL)	
	1	1	352-0903	1	EXCITER AS						
	2	1	467-4496	1	HARNESS AS-POWER						
		1	244-0452	4	END-WIRE (14-GA TO 20-GA)						
		1	351-9187	1	CONNECTOR						
F			8L-8413	3	STRAP-CABLE (WHITE)						

F - NOT SHOWN



GRAPHIC #1

<END>

g03835078

ELECTRICAL AND STARTING SYSTEM

465-1281 WIRING GP-PANEL

S/N: LX91-UP
AN ATTACHMENT

SMCS-4459

i06136855

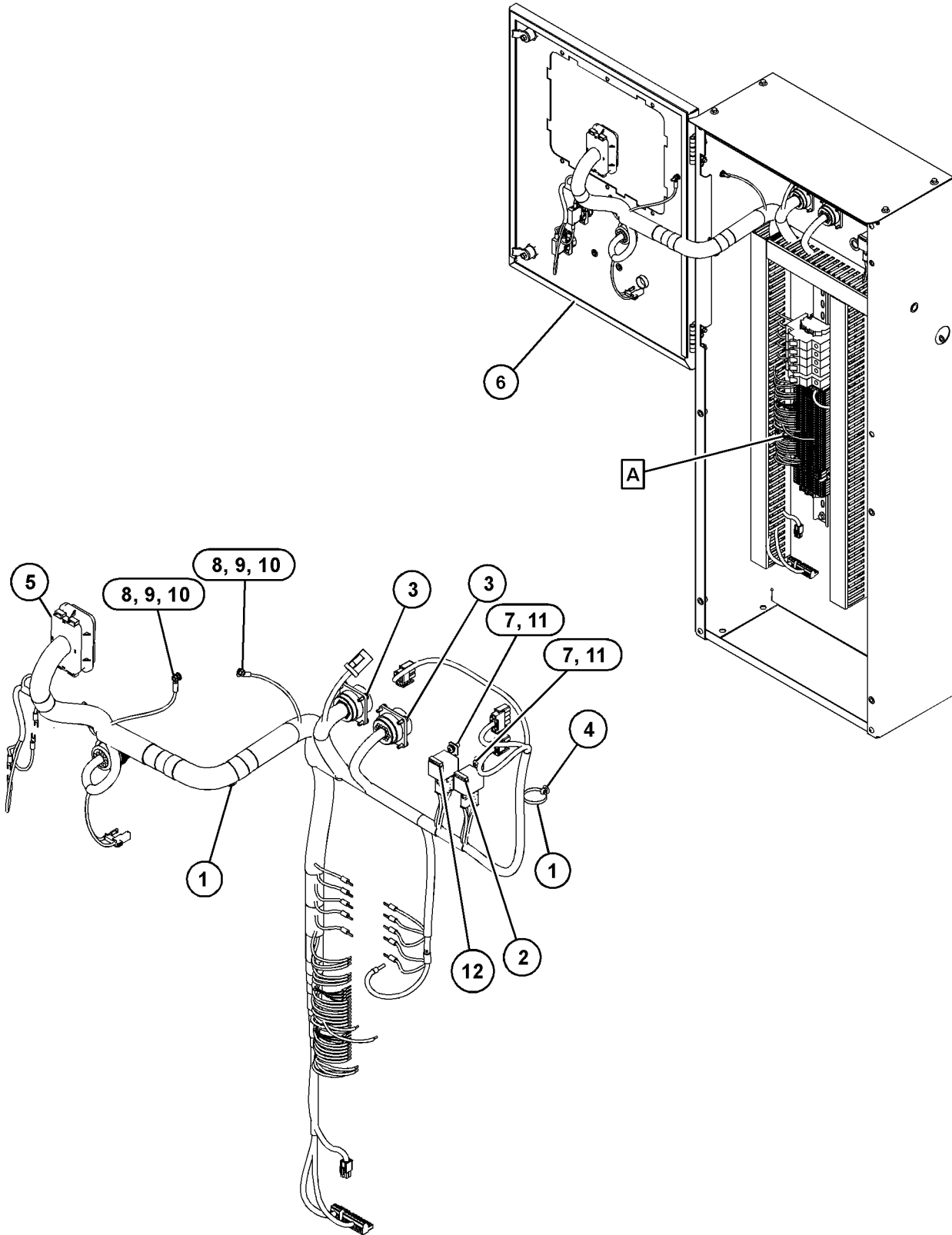
NOTE	REF NO	GRAPHIC REF	PART NUMBER	QTY	PART NAME	SEE PAGE
					1 2 3 4 5 6 (PRODUCT LEVEL)	
	1	1	8L-8413	2	STRAP-CABLE (WHITE)	
	2	1	139-5345	1	FUSE (5-AMPERE)	
	3	1	260-6682	8	RIVET	
	4	1	349-6808	1	MOUNT	
Y	5	1	464-0709	1	HARNESS AS-WIRING	175
Y	6	1	465-1282	1	PANEL GP-ELECTRONIC	482
	7	1	096-0192	2	LOCKWASHER (EXTERNAL TOOTH)	
	8	1	134-4126	2	WASHER (4.52X8.28X0.76-MM THK)	
	9	1	1H-4393	2	LOCKWASHER	
M	10	1	5C-8312	2	NUT (M4X0.7-THD)	
M	11	1	6V-9673	2	SCREW-MACHINE (M5X0.8X12-MM)	
	12	1	9W-1441	1	FUSE (15-AMPERE)	

M - METRIC PART
Y - SEPARATE ILLUSTRATION

ELECTRICAL AND STARTING SYSTEM

465-1281 WIRING GP-PANEL (contd.)

i06136855



VIEW OF AREA A
(PANEL REMOVED FOR CLARITY)

GRAPHIC #1

<END>

g03824876

ELECTRICAL AND STARTING SYSTEM

467-5744 WIRING GP-PANEL

S/N: LX91-UP
AN ATTACHMENT

SMCS-4459

i06148450

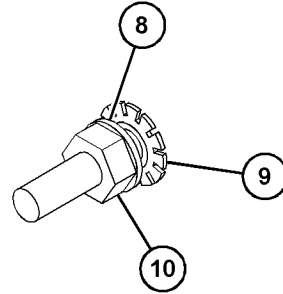
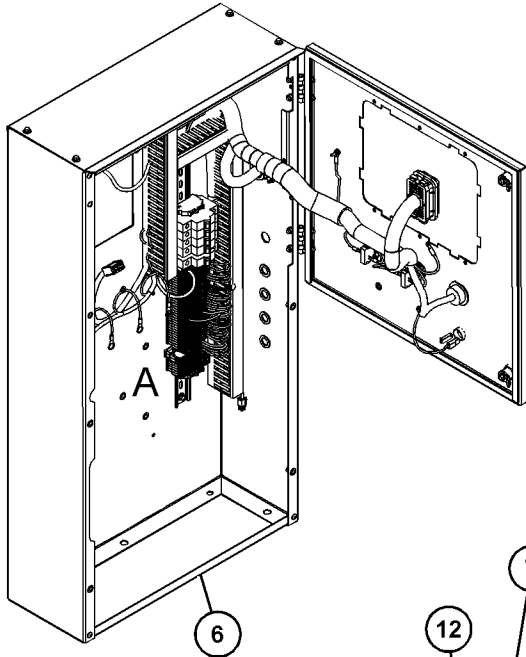
NOTE	REF NO	GRAPHIC REF	PART NUMBER	QTY	PART NAME	SEE PAGE
					1 2 3 4 5 6 (PRODUCT LEVEL)	
	1	1	8L-8413	3	STRAP-CABLE (WHITE)	
	2	1	139-5345	1	FUSE (5-AMPERE)	
	3	1	260-6682	4	RIVET	
	4	1	349-6808	2	MOUNT	
Y	5	1	464-0708	1	HARNESS AS-CONTROL	170
Y	6	1	467-5743	1	PANEL GP-ELECTRONIC	487
	7	1	096-0192	2	LOCKWASHER (EXTERNAL TOOTH)	
	8	1	134-4126	1	WASHER (4.52X8.28X0.76-MM THK)	
	9	1	1H-4393	1	LOCKWASHER	
M	10	1	5C-8312	1	NUT (M4X0.7-THD)	
M	11	1	6V-9673	2	SCREW-MACHINE (M5X0.8X12-MM)	
	12	1	9W-1441	1	FUSE (15-AMPERE)	

M - METRIC PART
Y - SEPARATE ILLUSTRATION

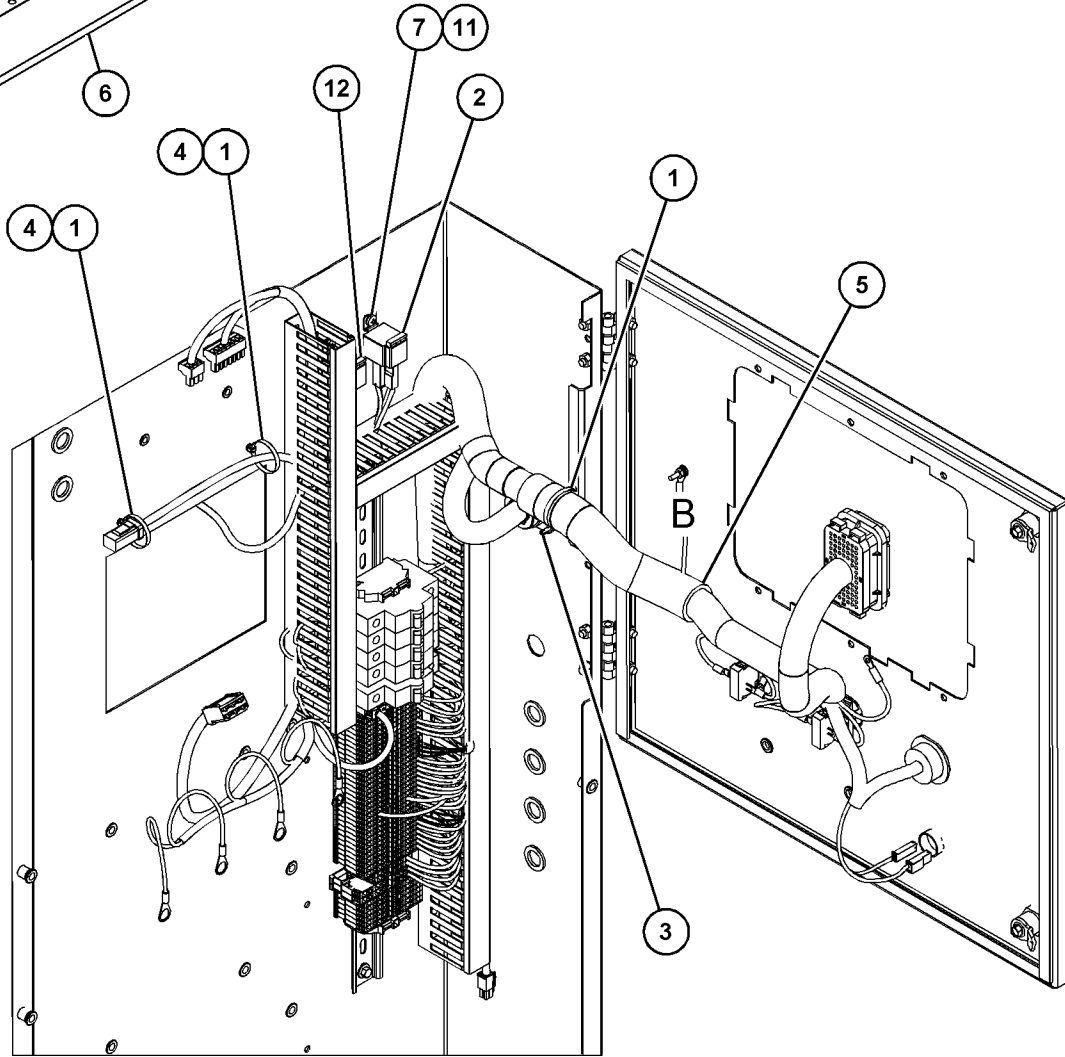
ELECTRICAL AND STARTING SYSTEM

467-5744 WIRING GP-PANEL (contd.)

i06148450



VIEW OF AREA B
(PARTS REMOVED FOR CLARITY)



VIEW OF AREA A
(PARTS REMOVED FOR CLARITY)

GRAPHIC #1

<END>

g03831971

ENCLOSURES, GUARDS AND BASES

453-7011 COVER GP-BASE

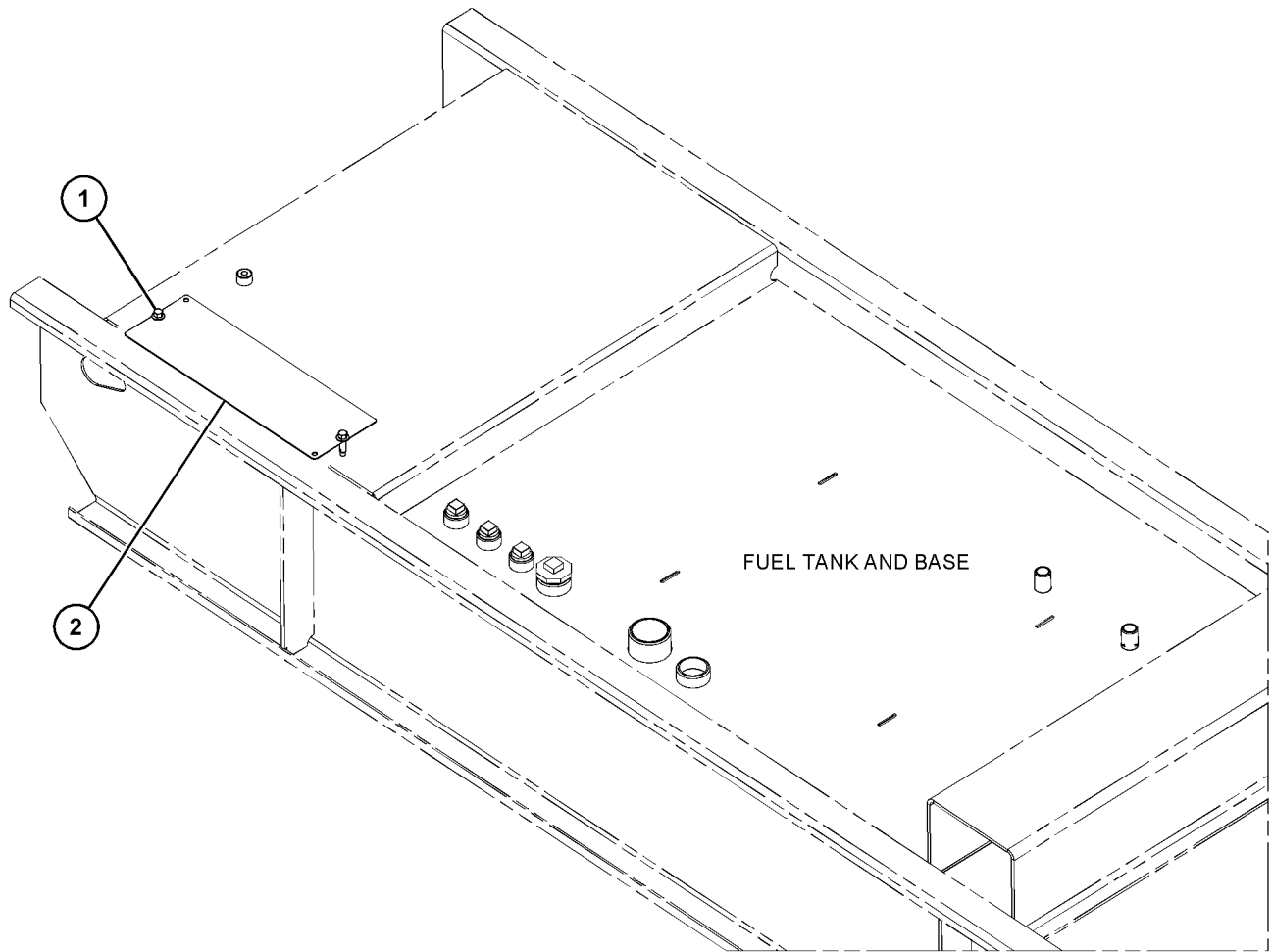
S/N: LX91-UP
AN ATTACHMENT

SMCS-7060

i06159033

NOTE	REF NO	GRAPHIC REF	PART NUMBER	QTY	PART NAME						SEE PAGE
					1	2	3	4	5	6 (PRODUCT LEVEL)	
M	1	1	356-3231	2	BOLT-FLANGE HEAD (M10X1.5X35-MM)						
	2	1	452-8930	1	COVER						

M - METRIC PART



GRAPHIC #1

<END>

g03835073

ENCLOSURES, GUARDS AND BASES

354-6214 DOOR AS

S/N: LX91-UP

PART OF 466-9307, 482-3760 ENCLOSURE GP-GENSET
AN ATTACHMENT

SMCS-7274

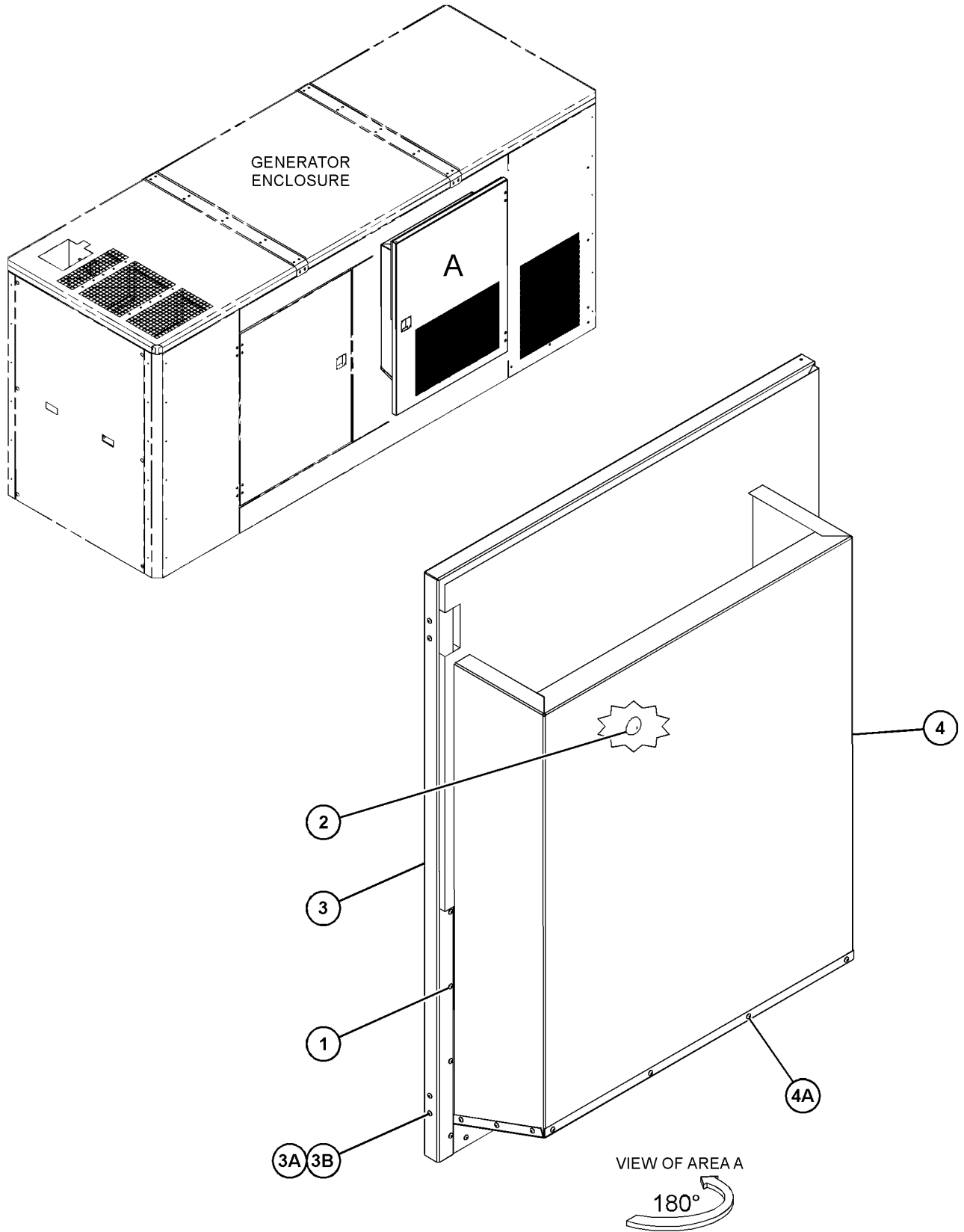
i06147108

NOTE	REF NO	GRAPHIC REF	PART NUMBER	QTY	PART NAME						SEE PAGE
					1	2	3	4	5	6 (PRODUCT LEVEL)	
	1	1	142-8194	26	RIVET						
	2	1	144-7183	3	RING-RETAINING						
	3	1	<i>354-6210</i>	1	DOOR AS						
	3A	1	142-8194	4	RIVET						
	3B	1	355-1390	2	BRACKET AS						
	4	1	<i>354-6213</i>	1	DUCT AS						
	4A	1	142-8194	10	RIVET						

ENCLOSURES, GUARDS AND BASES

354-6214 DOOR AS (contd.)

106147108



GRAPHIC #1

<END>

g03829787

ENCLOSURES, GUARDS AND BASES

354-6220 DOOR AS

S/N: LX91-UP

PART OF 466-9307, 482-3760 ENCLOSURE GP-GENSET
AN ATTACHMENT

SMCS-7274

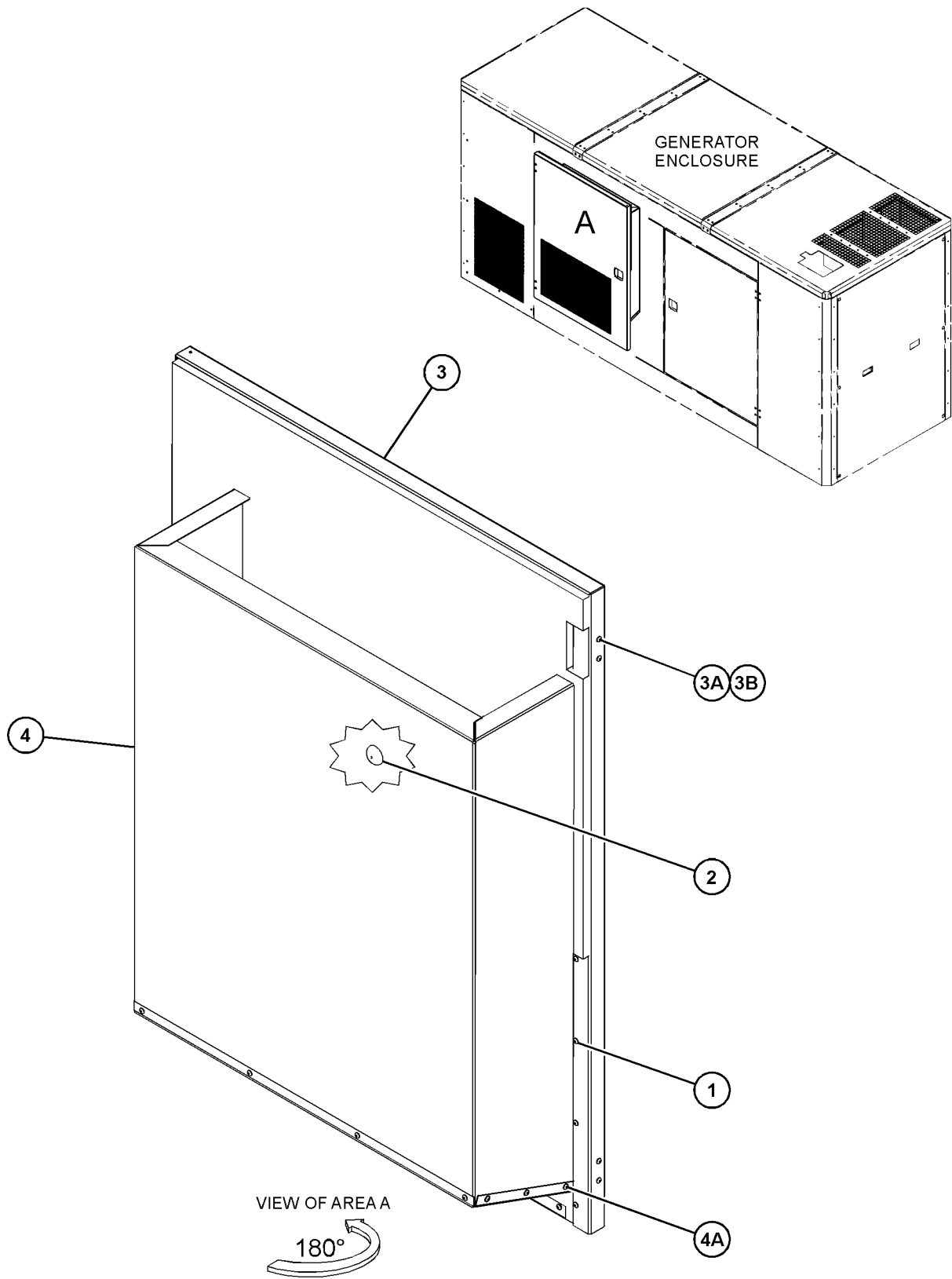
i06147146

NOTE	REF NO	GRAPHIC REF	PART NUMBER	QTY	PART NAME						SEE PAGE
					1	2	3	4	5	6 (PRODUCT LEVEL)	
	1	1	142-8194	26	RIVET						
	2	1	144-7183	3	RING-RETAINING						
	3	1	<i>354-6217</i>	1	DOOR AS						
	3A	1	142-8194	4	RIVET						
	3B	1	355-1390	2	BRACKET AS						
	4	1	<i>354-6219</i>	1	DUCT AS						
	4A	1	142-8194	10	RIVET						

ENCLOSURES, GUARDS AND BASES

354-6220 DOOR AS (contd.)

106147146



GRAPHIC #1

<END>

g03829177

ENCLOSURES, GUARDS AND BASES

446-0127 DOOR GP-ACCESS

S/N: LX91-UP

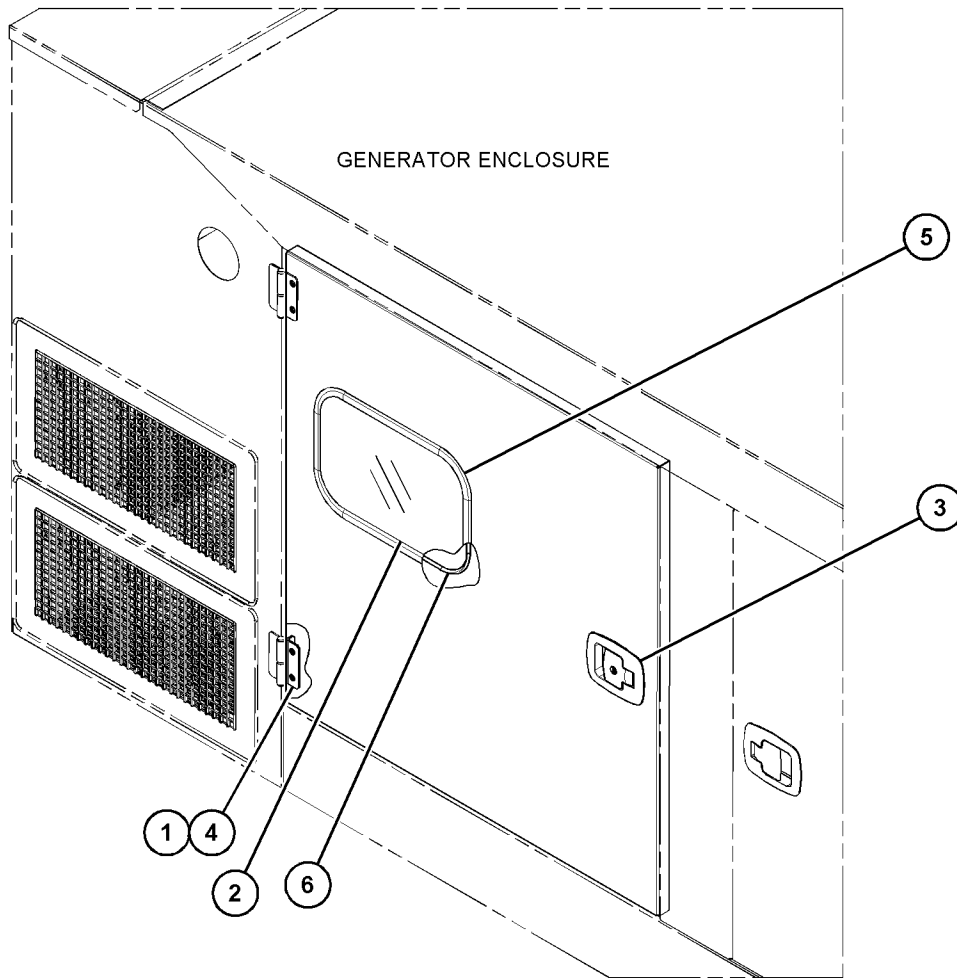
PART OF 465-2250 ENCLOSURE GP-GENSET
AN ATTACHMENT

SMCS-7274

i06141242

NOTE	REF NO	GRAPHIC REF	PART NUMBER	QTY	PART NAME						SEE PAGE
					1	2	3	4	5	6 (PRODUCT LEVEL)	
	1	1	142-8194	2	RIVET						
	2	1	331-9490	1	WINDOW						
	3	1	347-1242	1	LATCH						
	4	1	355-1390	2	BRACKET AS						
J	5	1	237-5071		SEAL (13-DM)						
J	6	1	237-5072		SEAL (13-DM)						

J - ORDER BY THE DECIMETER



GRAPHIC #1

<END>

g03826290

ENCLOSURES, GUARDS AND BASES

467-3561 ENCLOSURE AS-GENERATOR

S/N: LX91-UP

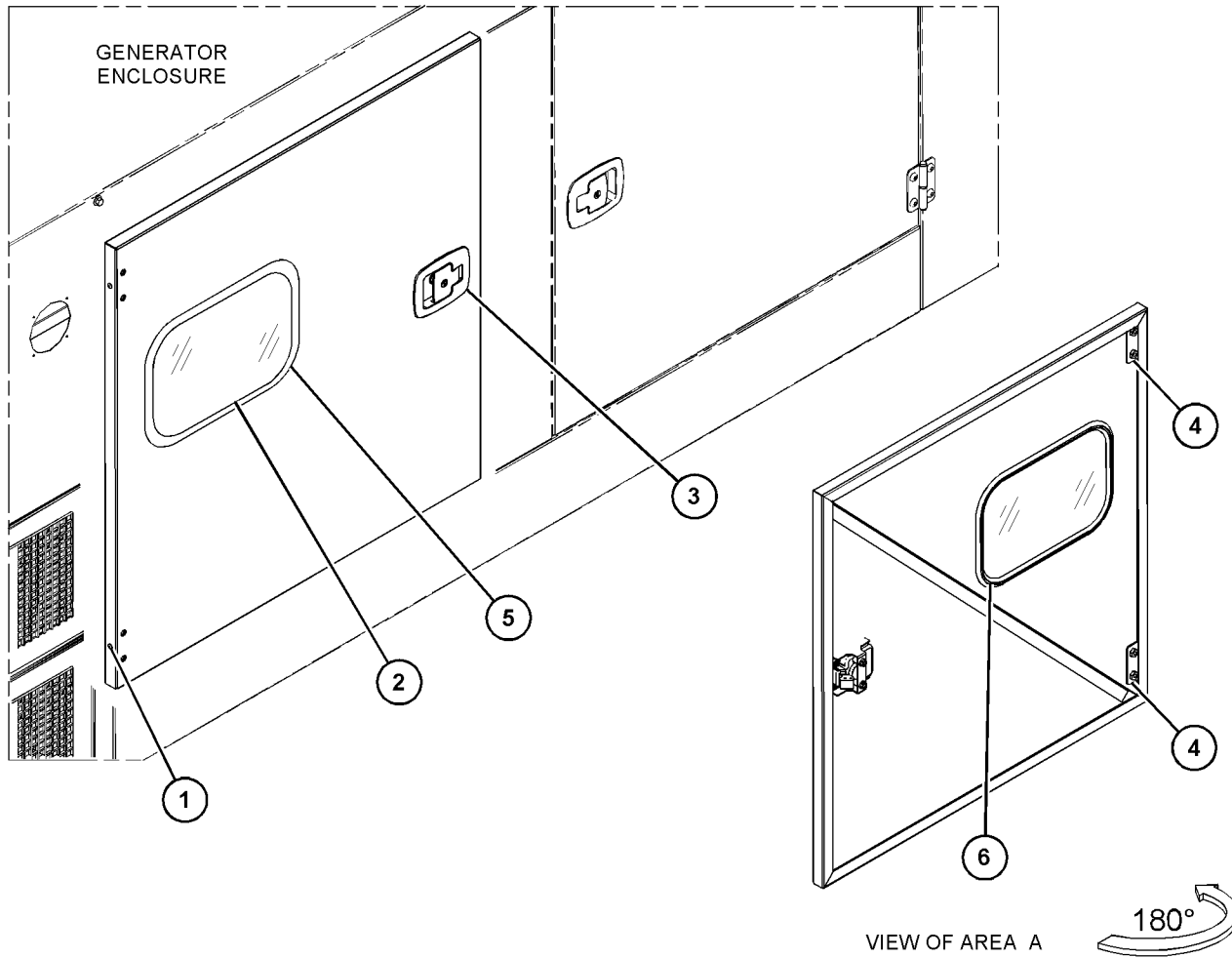
PART OF 471-0765 ENCLOSURE GP-GENSET
AN ATTACHMENT

SMCS-7274

i06143635

NOTE	REF NO	GRAPHIC REF	PART NUMBER	QTY	PART NAME						SEE PAGE
					1	2	3	4	5	6 (PRODUCT LEVEL)	
	1	1	142-8194	2	RIVET						
	2	1	331-9490	1	WINDOW						
	3	1	347-1242	1	LATCH						
	4	1	355-1390	2	BRACKET AS						
J	5	1	237-5071		SEAL (13-DM)						
J	6	1	237-5072		SEAL (13-DM)						

J - ORDER BY THE DECIMETER



GRAPHIC #1

<END>

g03833003

ENCLOSURES, GUARDS AND BASES

465-2249 ENCLOSURE GP-GENERATOR

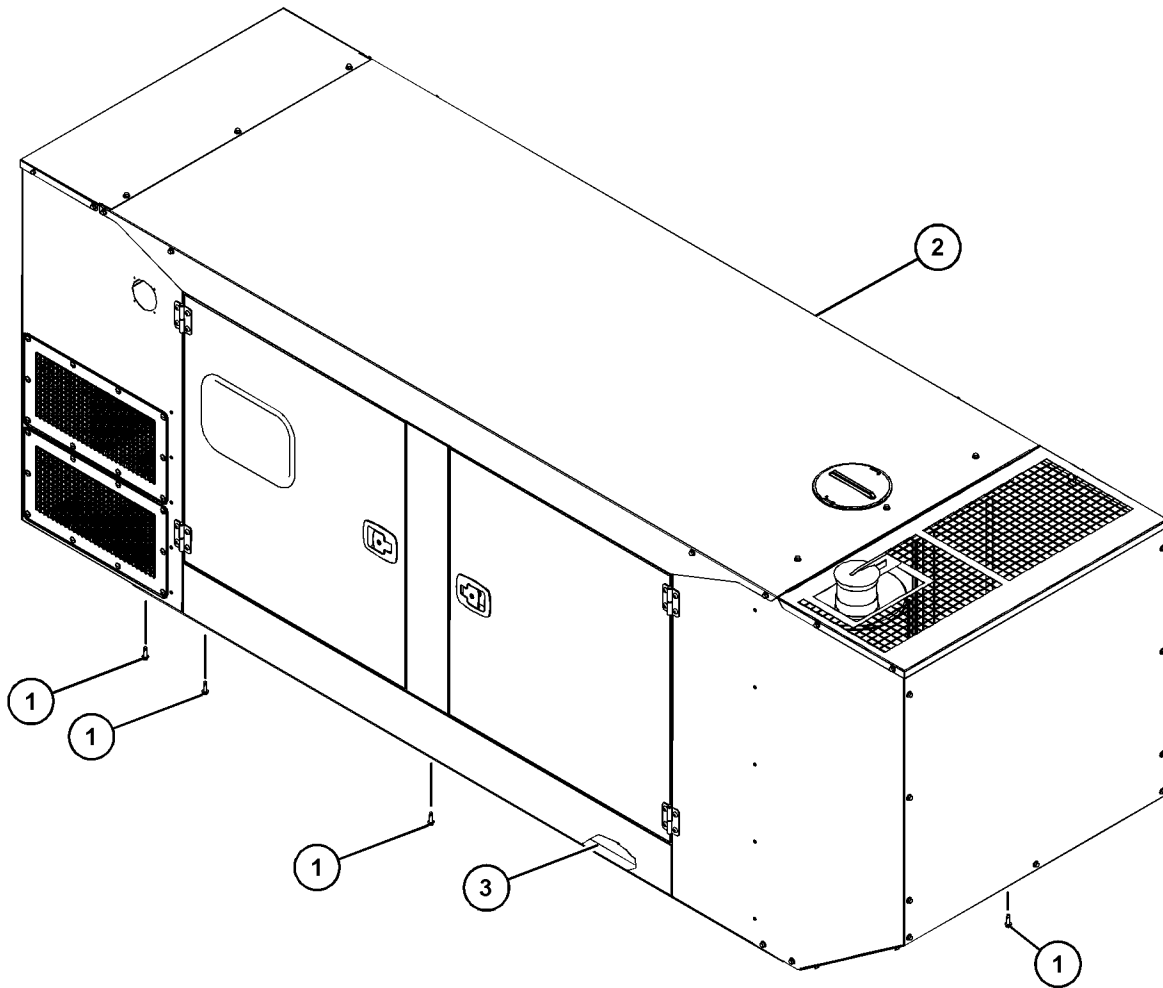
S/N: LX91-UP
AN ATTACHMENT

SMCS-7274

i06129450

NOTE	REF NO	GRAPHIC REF	PART NUMBER	QTY	PART NAME						SEE PAGE
					1	2	3	4	5	6 (PRODUCT LEVEL)	
M	1	1	356-3231	14	BOLT-FLANGE HEAD (M10X1.5X35-MM)						
Y	2	1	465-2250	1	ENCLOSURE GP-GENSET						225
D	3	1	5P-5924		SEAL (8.1-M)						
F		1	142-8240	2	KEY						

D - ORDER BY THE METER
F - NOT SHOWN
M - METRIC PART
Y - SEPARATE ILLUSTRATION



GRAPHIC #1

<END>

g06025400

ENCLOSURES, GUARDS AND BASES

471-0753 ENCLOSURE GP-GENERATOR

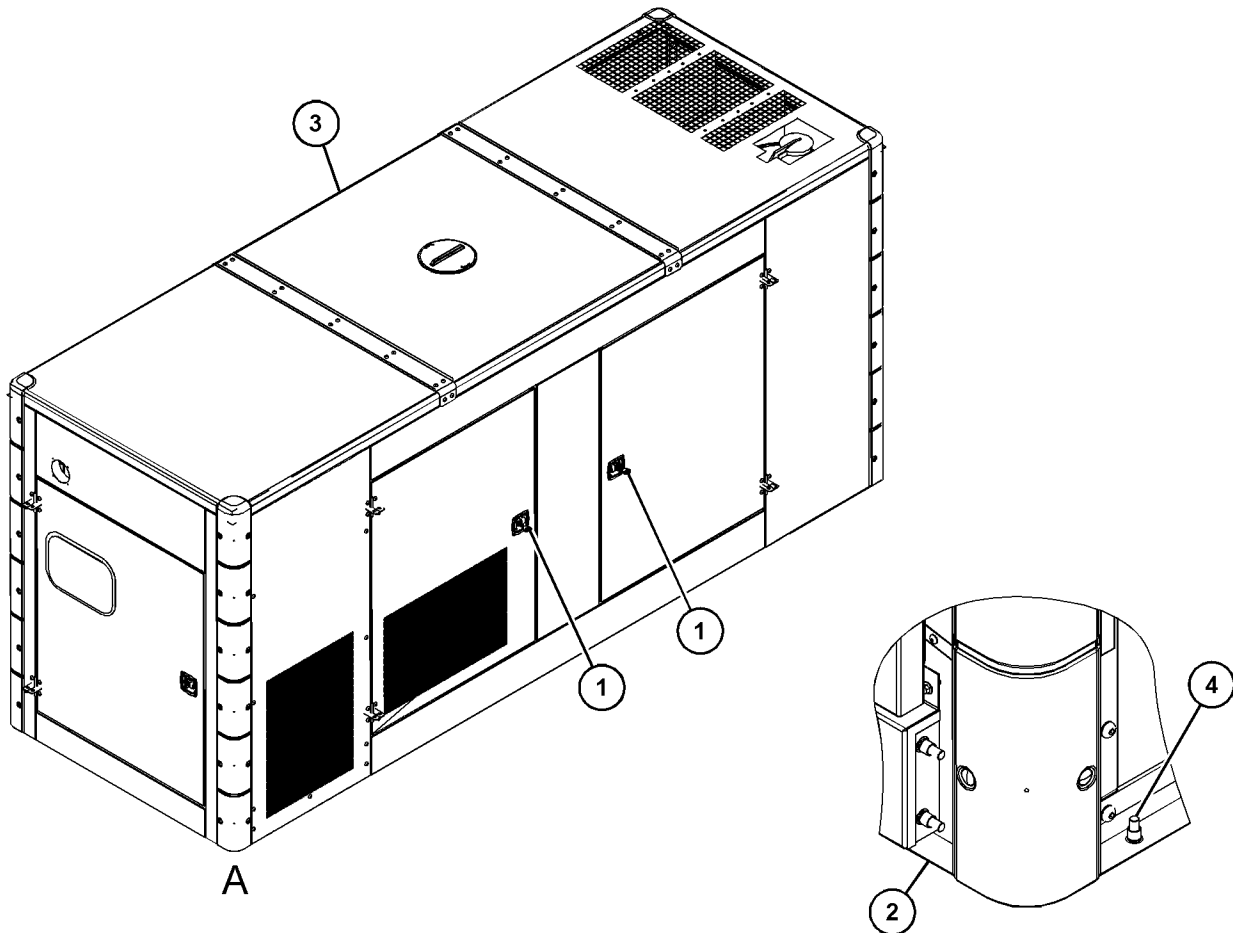
S/N: LX91-UP
AN ATTACHMENT

SMCS-7274

i06136720

NOTE	REF NO	GRAPHIC REF	PART NUMBER	QTY	PART NAME						SEE PAGE
					1	2	3	4	5	6 (PRODUCT LEVEL)	
	1	1	142-8240	2	KEY						
D	2	1	5P-5924		SEAL (11.8-M)						
Y	3	1	466-9306	1	ENCLOSURE GP-GENSET						228
M	4	1	338-3669	22	BOLT-FLANGE HEAD (M10X1.5X30-MM)						

D - ORDER BY THE METER
M - METRIC PART
Y - SEPARATE ILLUSTRATION



GRAPHIC #1

<END>

g03834521

ENCLOSURES, GUARDS AND BASES

471-0766 ENCLOSURE GP-GENERATOR

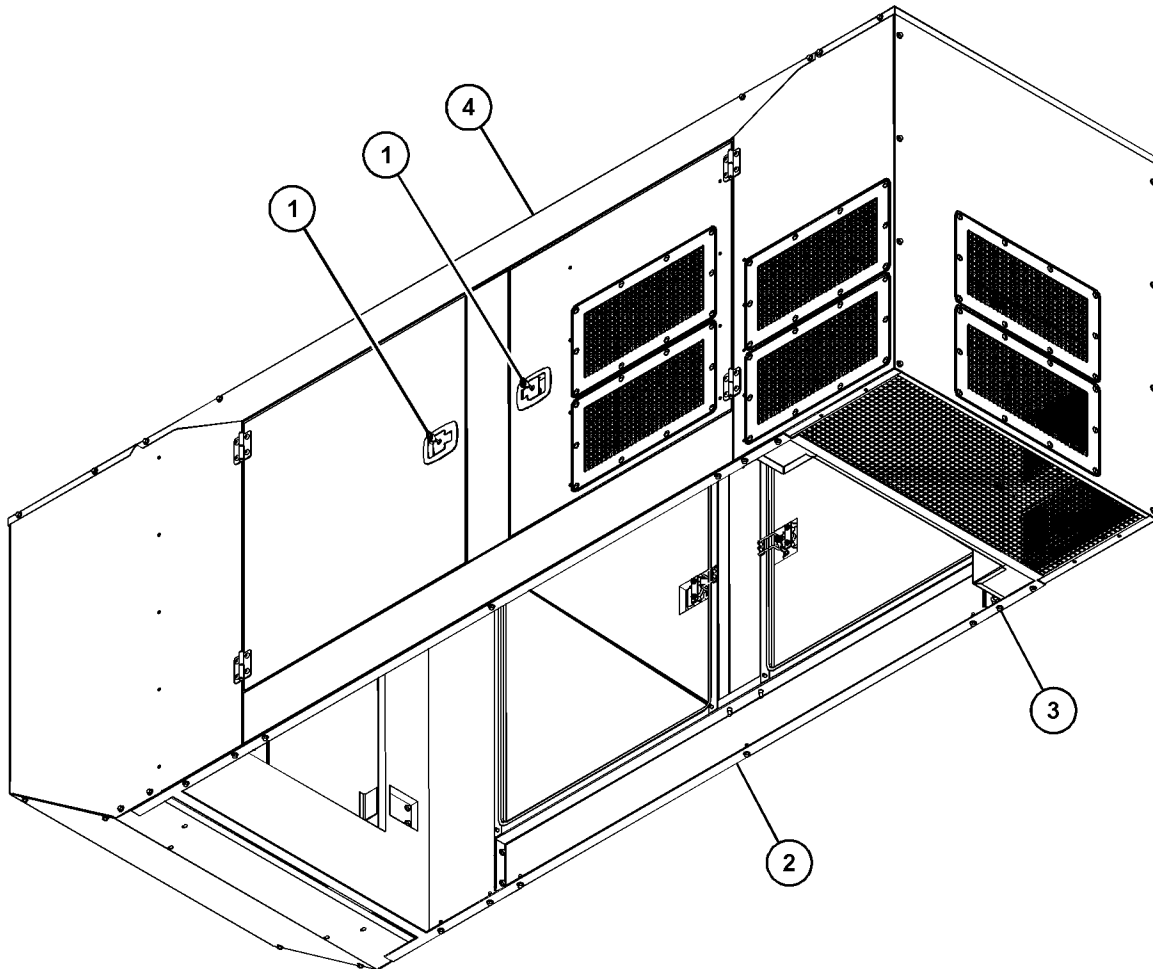
S/N: LX91-UP
AN ATTACHMENT

SMCS-7274

i06136695

NOTE	REF NO	GRAPHIC REF	PART NUMBER	QTY	PART NAME						SEE PAGE
					1	2	3	4	5	6 (PRODUCT LEVEL)	
	1	1	142-8240	2	KEY						
D	2	1	5P-5924		SEAL (8.1-M)						
M	3	1	356-3231	14	BOLT-FLANGE HEAD (M10X1.5X35-MM)						
Y	4	1	471-0765	1	ENCLOSURE GP-GENSET						235

D - ORDER BY THE METER
M - METRIC PART
Y - SEPARATE ILLUSTRATION



GRAPHIC #1

<END>

g03825032

ENCLOSURES, GUARDS AND BASES

465-2250 ENCLOSURE GP-GENSET

S/N: LX91-UP

PART OF 465-2249 ENCLOSURE GP-GENERATOR
AN ATTACHMENT

SMCS-7263, 7274

i06129459

NOTE	REF NO	GRAPHIC REF	PART NUMBER	QTY	PART NAME						SEE PAGE
					1	2	3	4	5	6 (PRODUCT LEVEL)	
M	1	1	142-4901	32	SCREW (M10X1.5X20-MM)						
	2	1	142-8238	8	PIN						
	3	1	142-8247	8	COLLAR						
	4	1	144-7183	17	RING-RETAINING						
	5	1	331-9492	4	HINGE						
	6	1	331-9493	4	HINGE						
	7	1	343-9624	1	SILENCER						
	8	1	347-4025	1	HATCH						
	9	1	417-9229	1	CAP-RAIN						
	10	1	438-2684	1	DOOR AS						
	10A	1	347-1242	1	LATCH						
		1	142-8194	2	RIVET						
		1	355-1390	2	BRACKET AS						
	11	1	441-7246	4	STRIKER AS						
	12	1	443-3479	2	PANEL AS						
					(EACH INCLUDES)						
M	12A	1	238-0029	5	INSERT-THREADED (M10X1.5-THD)						
	13	1	445-8305	1	PLATE						
	14	1	446-0110	1	PANEL AS						
	14A	1	346-5504	20	CLIP						
	15	1	446-0113	1	PANEL AS						
Y	16	1	446-0127	1	DOOR GP-ACCESS						220
	17	1	448-0406	1	PANEL						
	18	1	452-7861	1	DOOR AS						
	18A	1	347-1242	1	LATCH						
		1	142-8194	2	RIVET						
		1	355-1390	2	BRACKET AS						
Y	19	1	453-1355	1	PANEL GP-ENCLOSURE						254
	20	1	454-2841	1	DOOR AS						
	20A	1	346-5504	20	CLIP						
	20B	1	347-1242	1	LATCH						
		1	142-8194	10	RIVET						
		1	355-1390	2	BRACKET AS						
Y	21	1	465-2255	1	PANEL GP-ENCLOSURE						255
	22	1	465-2257	1	PANEL AS						
M	22A	1	238-0029	7	INSERT-THREADED (M10X1.5-THD)						
Y	23	1	465-2258	1	INSULATION GP-HEAT						101
	24	1	465-2294	2	PANEL AS						
					(EACH INCLUDES)						
M	24A	1	3E-4304	4	INSERT-THREADED (M6X1-THD)						
	25	1	235-2295	1	PLATE						
M	26	1	235-4451	16	BOLT-FLANGE HEAD (M6X1X16-MM)						
M	27	1	338-3669	60	BOLT-FLANGE HEAD (M10X1.5X30-MM)						
D	28	1	5P-5924		SEAL (1.2-M)						
J	30	1	197-8039		SEAL (38-DM EACH)						
DF			5P-5637		SEAL (0.8-M)						

ENCLOSURES, GUARDS AND BASES

465-2250 ENCLOSURE GP-GENSET (contd.)

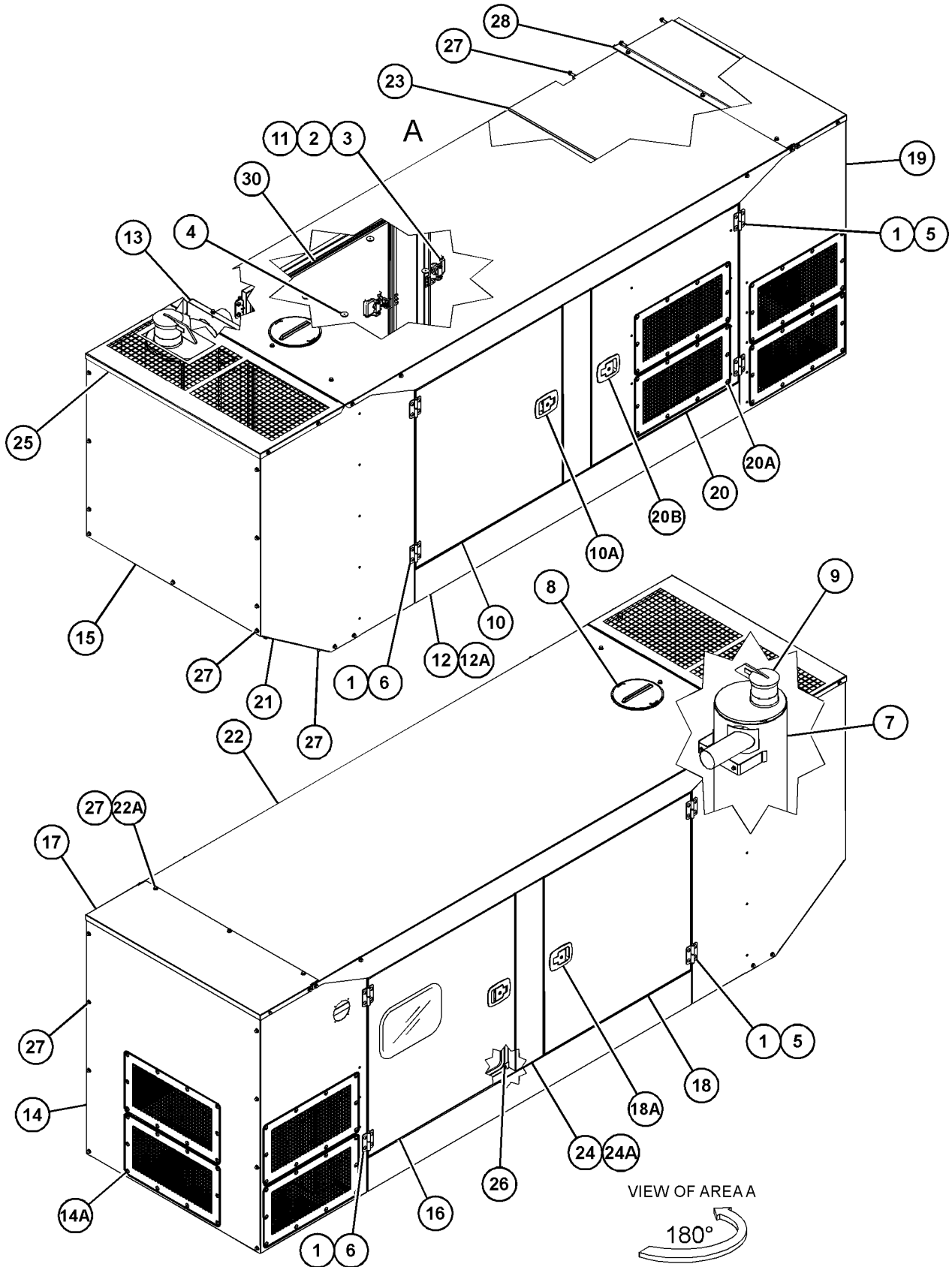
106129459

NOTE	REF	GRAPHIC	PART NUMBER	QTY	PART NAME						SEE PAGE
	NO	REF			1	2	3	4	5	6 (PRODUCT LEVEL)	
D - ORDER BY THE METER											
F - NOT SHOWN											
J - ORDER BY THE DECIMETER											
M - METRIC PART											
Y - SEPARATE ILLUSTRATION											

ENCLOSURES, GUARDS AND BASES

465-2250 ENCLOSURE GP-GENSET (contd.)

106129459



GRAPHIC #1

<END>

g03825267

ENCLOSURES, GUARDS AND BASES

466-9306 ENCLOSURE GP-GENSET

S/N: LX91-UP

PART OF 471-0753 ENCLOSURE GP-GENERATOR
AN ATTACHMENT

SMCS-7263, 7274

i06136715

NOTE	REF NO	GRAPHIC REF	PART NUMBER	QTY	PART NAME						SEE PAGE
					1	2	3	4	5	6 (PRODUCT LEVEL)	
	1	1	4P-1991	10	BUTTON						
	2	2	8C-4413	5	BALL JOINT						
	3	1	142-4899	40	LOCKWASHER						
M	4	1,2	142-4901	102	SCREW (M10X1.5X20-MM)						
	5	1	142-6950	10	HINGE AS						
	6	1	144-7183	13	RING-RETAINING						
	7	2	213-0985	6	GROMMET						
	8	2	214-3966	20	NUT (M6X1-THD)						
	9	2	219-7350	5	STAY						
	10	2	232-4944	3	GROMMET						
M	11	2	235-4451	20	BOLT-FLANGE HEAD (M6X1X16-MM)						
	12	1	329-2431	4	POST-CORNER						
	13	1	331-9490	1	WINDOW						
	14	2	331-9491	2	HANDLE						
	15	2	346-5504	48	CLIP						
	16	1	347-4025	1	HATCH						
	17	2	355-4785	6	RETAINER						
	18	2	362-0466	5	PLUG						
	19	1	366-0081	5	LATCH AS						
					(EACH INCLUDES)						
M	19A	1	8T-4244	2	NUT (M12X1.75-THD)						
	19B	1	326-0612	2	WASHER-TAB						
M	19C	1	5C-2890	4	NUT (M6X1-THD)						
	19D	1	1H-3244	4	LOCKWASHER						
A		1	142-8240	1	KEY						
	20	1	366-0082	5	PAWL						
	21	1	366-0083	5	BRACKET AS						
	22	2	366-0084	4	POST-SIDE						
	23	1	389-0802	1	SILENCER						
	24	1	417-9229	1	CAP-RAIN						
Y	25	1	466-9307	1	ENCLOSURE GP-GENSET						231
Y	26	2	466-9308	1	INSULATION GP-HEAT						103
M	27	1	338-3669	75	BOLT-FLANGE HEAD (M10X1.5X30-MM)						
M	28	2	5C-7261	5	NUT (M8X1.25-THD)						
	29	2	5P-4116	5	WASHER-HARD (8.8X20.5X2-MM THK)						
J	30	1	237-5072		SEAL (12-DM)						
J	31	1	237-5071		SEAL (13-DM)						
J	33	1,2	197-8039		SEAL (44.5-DM EACH)						
J	33A	1	197-8039		SEAL (43-DM)						

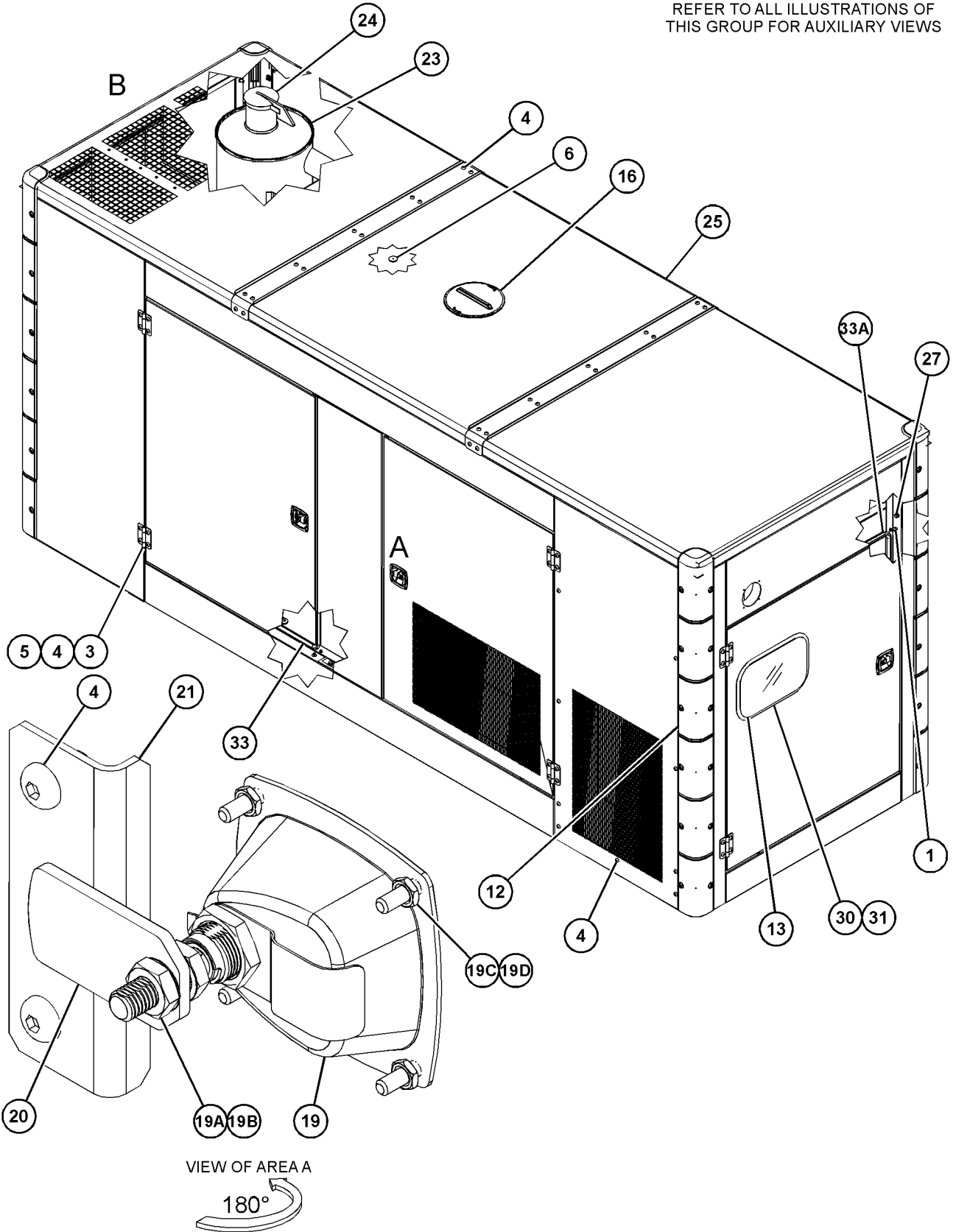
A - NOT PART OF THIS GROUP
 J - ORDER BY THE DECIMETER
 M - METRIC PART
 Y - SEPARATE ILLUSTRATION

ENCLOSURES, GUARDS AND BASES

466-9306 ENCLOSURE GP-GENSET (contd.)

106136715

REFER TO ALL ILLUSTRATIONS OF THIS GROUP FOR AUXILIARY VIEWS



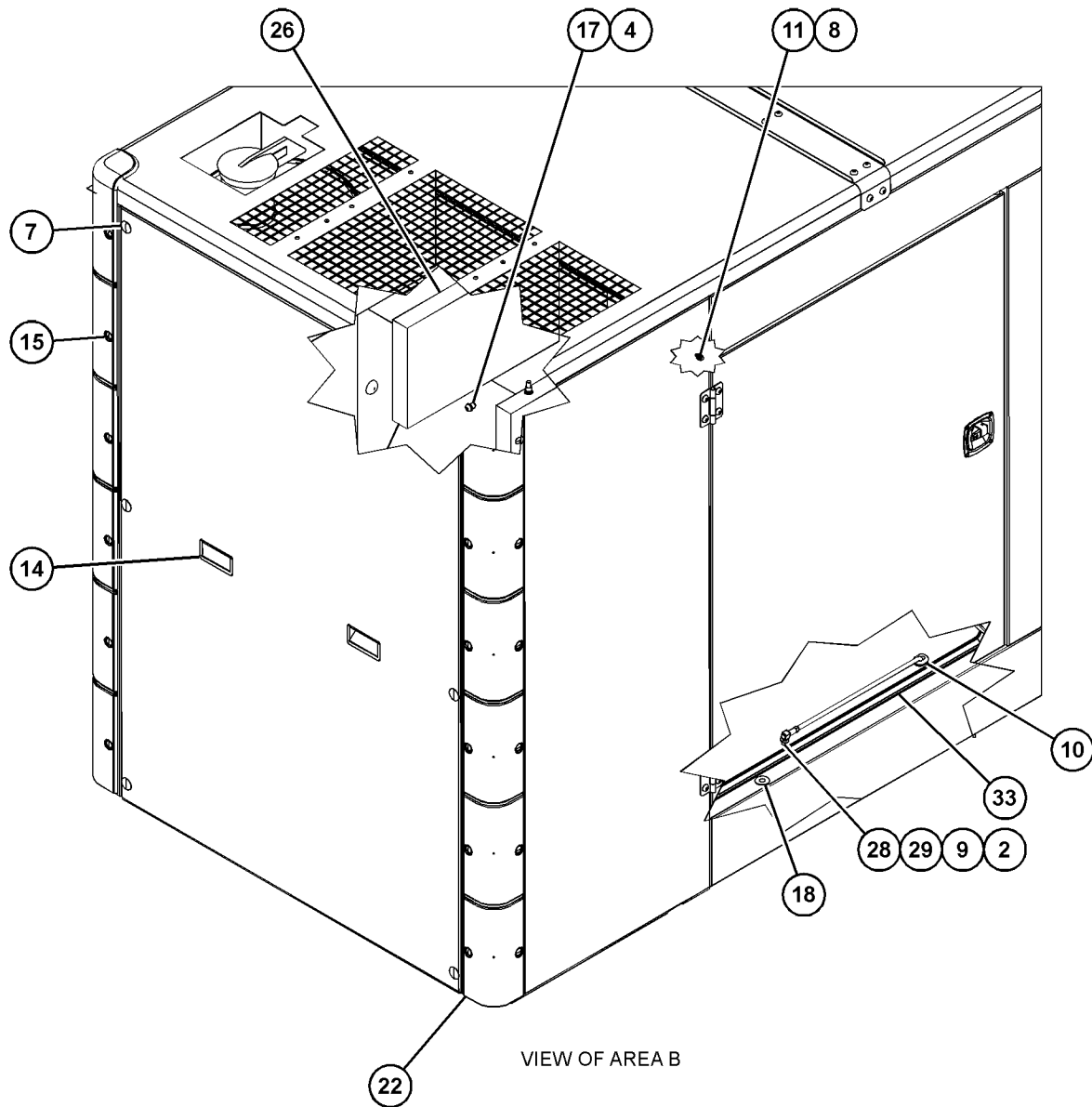
GRAPHIC #1

g03830246

ENCLOSURES, GUARDS AND BASES

466-9306 ENCLOSURE GP-GENSET (contd.)

i06136715



GRAPHIC #2

<END>

g03830247

ENCLOSURES, GUARDS AND BASES

466-9307 ENCLOSURE GP-GENSET

S/N: LX91-UP

PART OF 466-9306 ENCLOSURE GP-GENSET
AN ATTACHMENT

SMCS-7263, 7274

i06144421

NOTE	REF NO	GRAPHIC REF	PART NUMBER	QTY	PART NAME						SEE PAGE
					1	2	3	4	5	6 (PRODUCT LEVEL)	
Y	1	1	354-6214	1	DOOR AS						216
Y	2	2	354-6220	1	DOOR AS						218
	3	2	358-4166	1	DOOR AS						
	3A	2	142-8194	4	RIVET						
	3B	2	144-7183	4	RING-RETAINING						
	3C	2	355-1390	2	BRACKET AS						
	4	1	369-8845	2	PANEL AS						
					(EACH INCLUDES)						
M		1	238-0029	6	INSERT-THREADED (M10X1.5-THD)						
	5	1	369-8846	2	PANEL AS						
					(EACH INCLUDES)						
M		1	238-0029	2	INSERT-THREADED (M10X1.5-THD)						
	6	1	369-8871	1	PANEL AS						
	6A	1	142-8194	4	RIVET						
	6B	1	144-7183	4	RING-RETAINING						
	6C	1	355-1390	2	BRACKET AS						
	7	1	390-8542	1	PANEL AS						
	7A	1	142-8194	4	RIVET						
M	7B	1	238-0029	11	INSERT-THREADED (M10X1.5-THD)						
	7C	1	355-1390	4	BRACKET AS						
	8	1	391-0685	1	PANEL AS						
	8A	2	142-8194	2	RIVET						
M	8B	2	238-0029	11	INSERT-THREADED (M10X1.5-THD)						
	8C	2	355-1390	2	BRACKET AS						
	9	1	391-1273	1	PANEL						
	10	1	391-1294	1	PANEL AS						
M		1	238-0029	2	INSERT-THREADED (M10X1.5-THD)						
	11	1	391-1916	1	DOOR AS						
		1	142-8194	4	RIVET						
		1	355-1390	2	BRACKET AS						
	12	2	391-1970	1	PANEL AS						
	13	1	391-4269	1	ROOF AS						
M		1	238-0029	22	INSERT-THREADED (M10X1.5-THD)						
	14	1	391-5665	2	PLATE						
	15	1	391-5865	1	ROOF AS						
M		1	238-0029	19	INSERT-THREADED (M10X1.5-THD)						
	16	1	392-1403	1	PANEL AS						
		1	142-8194	10	RIVET						
M		1	238-0029	22	INSERT-THREADED (M10X1.5-THD)						
	17	2	392-1686	1	DUCT AS						
		2	142-8194	10	RIVET						
M		2	238-0029	9	INSERT-THREADED (M10X1.5-THD)						
	18	1	392-3426	2	PANEL						
	19	2	452-5138	1	PLATE						
	20	2	466-9309	1	PANEL AS						
		2	142-8194	2	RIVET						
M		2	238-0029	14	INSERT-THREADED (M10X1.5-THD)						

ENCLOSURES, GUARDS AND BASES

466-9307 ENCLOSURE GP-GENSET (contd.)

i06144421

NOTE	REF NO	GRAPHIC REF	PART NUMBER	QTY	PART NAME						SEE PAGE
					1	2	3	4	5	6 (PRODUCT LEVEL)	
		2	355-1390	2	BRACKET AS						
	21	1	466-9311	1	PANEL AS						
		1	142-8194	2	RIVET						
M		1	238-0029	14	INSERT - THREADED (M10X1.5-THD)						
		1	355-1390	2	BRACKET AS						
	22	2	466-9773	1	PLATE						
	23	1	470-4410	1	DUCT AS						
		1	142-8194	8	RIVET						
M		1	238-0029	9	INSERT - THREADED (M10X1.5-THD)						

M - METRIC PART

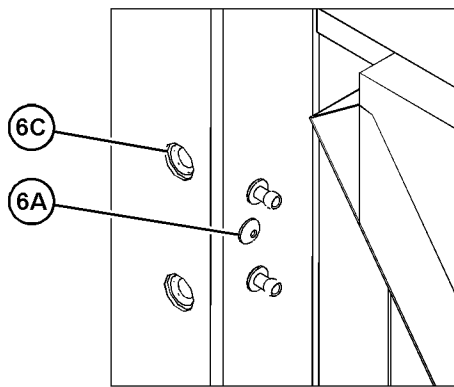
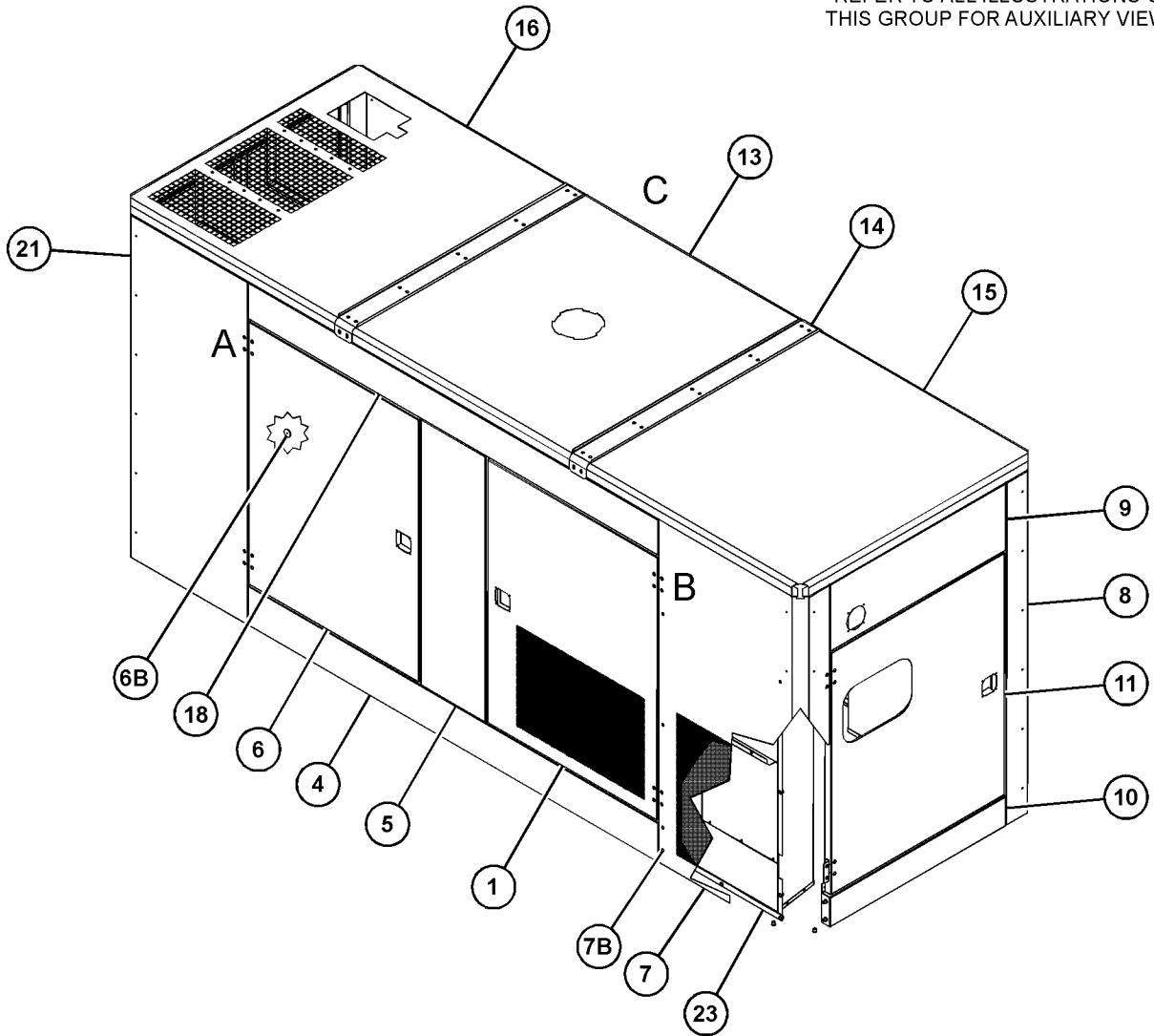
Y - SEPARATE ILLUSTRATION

ENCLOSURES, GUARDS AND BASES

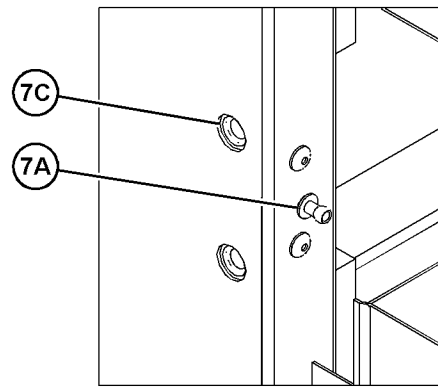
466-9307 ENCLOSURE GP-GENSET (contd.)

106144421

REFER TO ALL ILLUSTRATIONS OF THIS GROUP FOR AUXILIARY VIEWS



VIEW OF AREA A
(PARTS REMOVED FOR CLARITY)



VIEW OF AREA B
(PARTS REMOVED FOR CLARITY)

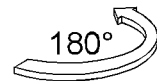
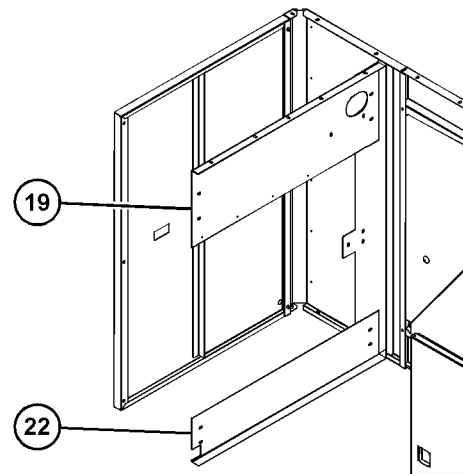
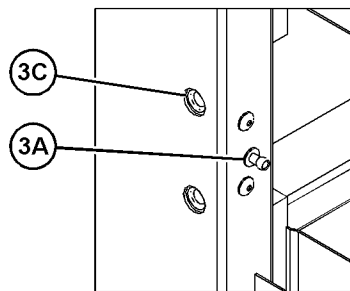
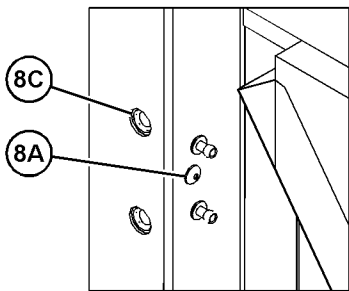
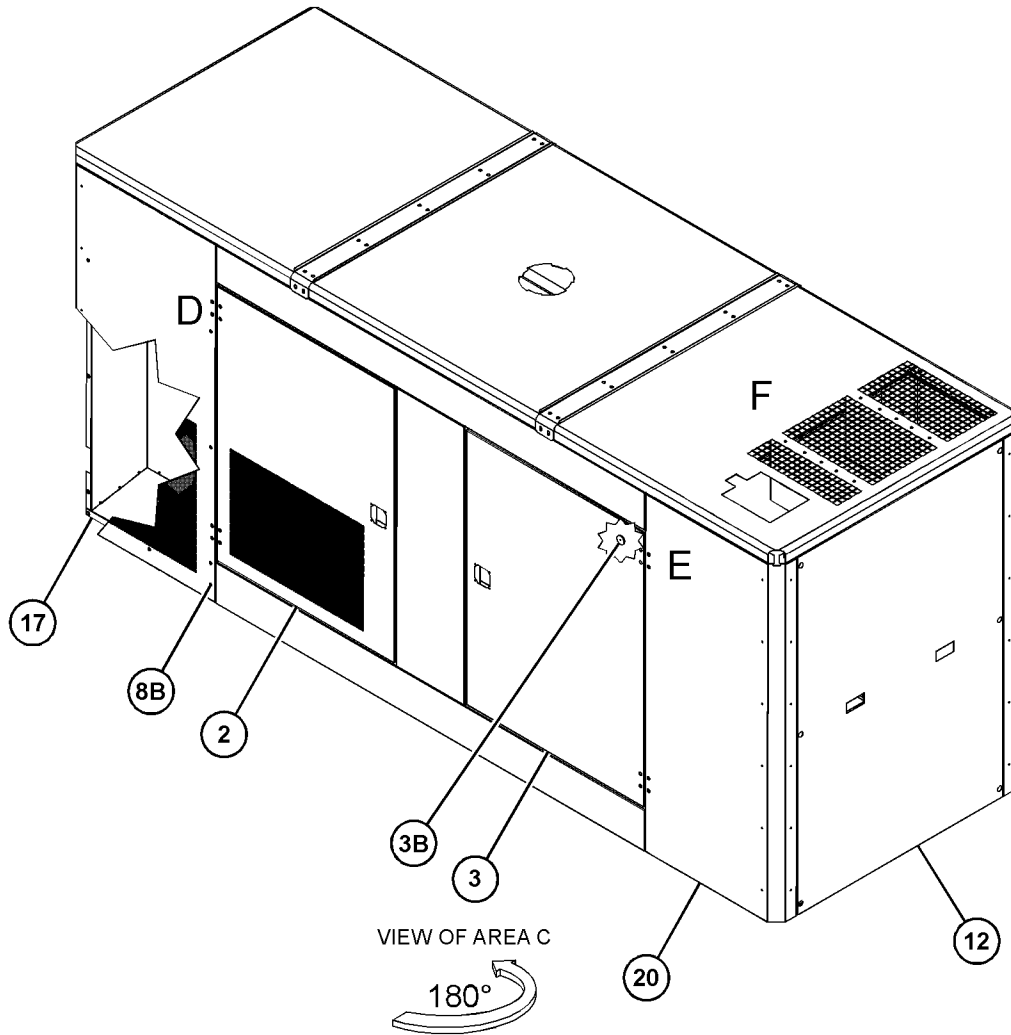
GRAPHIC #1

g03832708

ENCLOSURES, GUARDS AND BASES

466-9307 ENCLOSURE GP-GENSET (contd.)

i06144421



GRAPHIC #2

<END>

g03832707

ENCLOSURES, GUARDS AND BASES

471-0765 ENCLOSURE GP-GENSET

S/N: LX91-UP

PART OF 471-0766 ENCLOSURE GP-GENERATOR
AN ATTACHMENT

SMCS-7263, 7274

i06136690

NOTE	REF NO	GRAPHIC REF	PART NUMBER	QTY	PART NAME						SEE PAGE
					1	2	3	4	5	6 (PRODUCT LEVEL)	
M	1	1	142-4901	32	SCREW (M10X1.5X20-MM)						
	2	1	142-8238	8	PIN						
	3	1	142-8247	8	COLLAR						
	4	1	144-7183	17	RING-RETAINING						
	5	1	331-9492	4	HINGE						
	6	1	331-9493	4	HINGE						
	7	2	343-9624	1	SILENCER						
	8	2	347-4025	1	HATCH						
	9	1	417-9229	1	CAP-RAIN						
	10	1	441-7246	4	STRIKER AS						
Y	11	2	465-2258	1	INSULATION GP-HEAT						101
	12	2	466-5338	1	PLATE						
	13	2	466-5343	2	PANEL AS-ENCLOSURE (EACH INCLUDES)						
M		2	238-0029	5	INSERT-THREADED (M10X1.5-THD)						
	14	1	466-6939	1	PANEL						
Y	15	2	466-8170	1	PANEL GP-ENCLOSURE						257
Y	16	2	467-3561	1	ENCLOSURE AS-GENERATOR						221
	17	2	467-4926	1	ENCLOSURE AS-GENERATOR						
	17A	2	142-8194	2	RIVET						
	17B	2	347-1242	1	LATCH						
	17C	2	355-1390	2	BRACKET AS						
	18	1	467-4931	1	ENCLOSURE AS-GENERATOR						
	18A	1	142-8194	2	RIVET						
	18B	1	347-1242	1	LATCH						
	18C	1	355-1390	2	BRACKET AS						
	19	1	467-5016	1	PANEL AS-ENCLOSURE						
	19A	1	346-5504	20	CLIP						
	20	2	467-5020	1	PANEL AS-ENCLOSURE						
	21	1	467-5445	1	ENCLOSURE AS-GENERATOR						
	21A	1	142-8194	10	RIVET						
	21B	1	346-5504	20	CLIP						
	21C	1	347-1242	1	LATCH						
	21D	1	355-1390	2	BRACKET AS						
	22	1,2	469-7868	2	PANEL AS-ENCLOSURE (EACH INCLUDES)						
M		1,2	3E-4304	4	INSERT-THREADED (M6X1-THD)						
		1,2	469-7867	1	PANEL						
	23	2	471-0759	1	PANEL AS-ENCLOSURE						
M		2	238-0029	7	INSERT-THREADED (M10X1.5-THD)						
Y	24	1	471-0764	1	PANEL GP-ENCLOSURE						259
	25	2	471-0785	1	PANEL						
M	26	2	235-4451	16	BOLT-FLANGE HEAD (M6X1X16-MM)						
M	27	1,2	338-3669	60	BOLT-FLANGE HEAD (M10X1.5X30-MM)						
D	29	2	5P-5924		SEAL (1.2-M)						
J	30	1	197-8039		SEAL (37.8-DM EACH)						

ENCLOSURES, GUARDS AND BASES

471-0765 **ENCLOSURE GP-GENSET** (contd.)

106136690

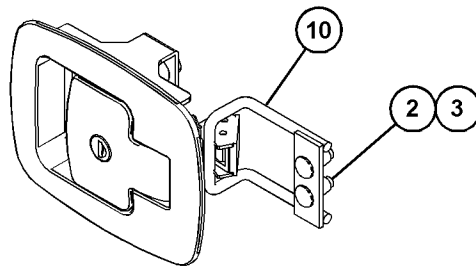
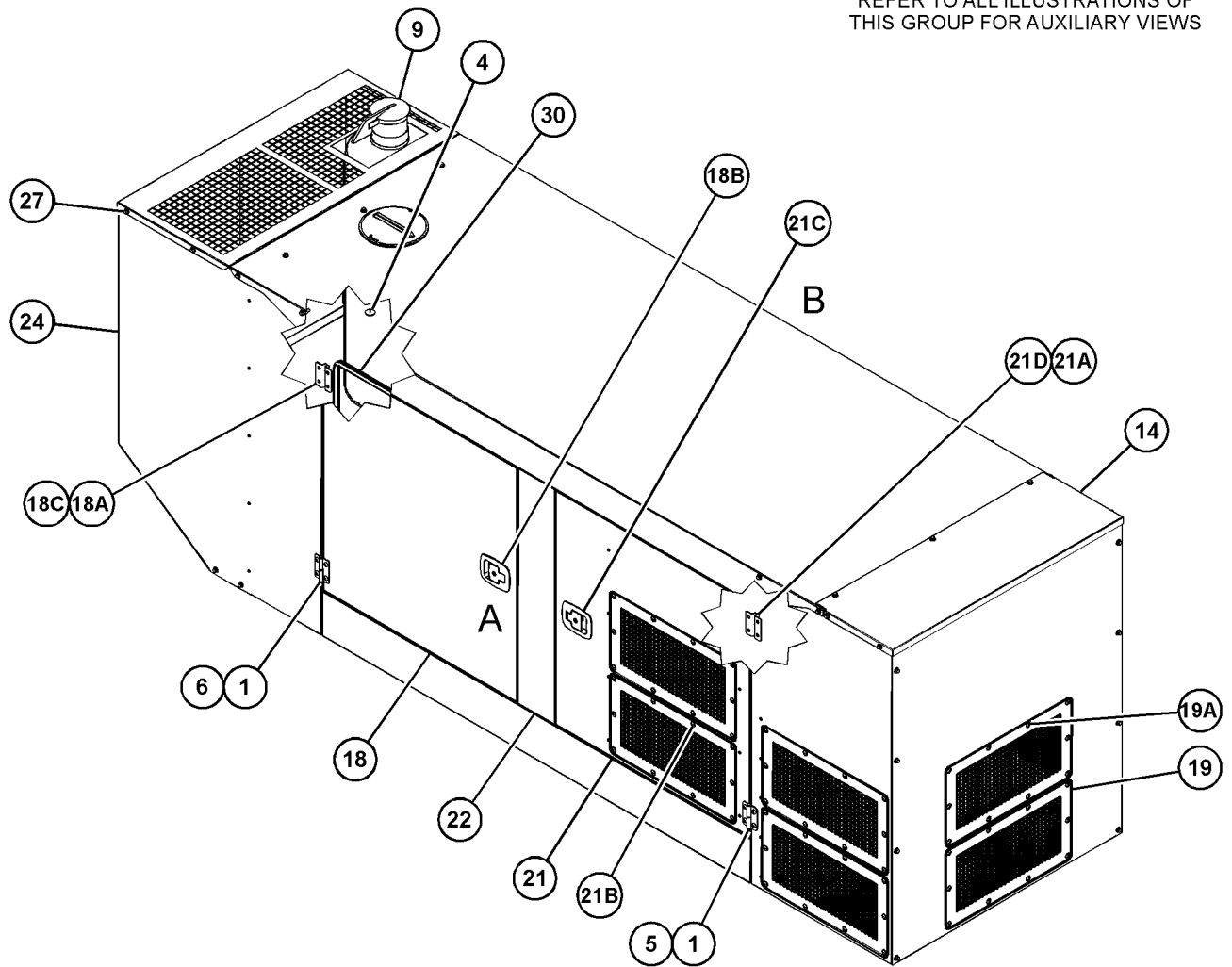
NOTE	REF NO	GRAPHIC REF	PART NUMBER	QTY	PART NAME	SEE PAGE
					1 2 3 4 5 6 (PRODUCT LEVEL)	
DF			5P-5637		SEAL (0.8-M)	
D - ORDER BY THE METER F - NOT SHOWN J - ORDER BY THE DECIMETER M - METRIC PART Y - SEPARATE ILLUSTRATION						

ENCLOSURES, GUARDS AND BASES

471-0765 ENCLOSURE GP-GENSET (contd.)

106136690

REFER TO ALL ILLUSTRATIONS OF THIS GROUP FOR AUXILIARY VIEWS



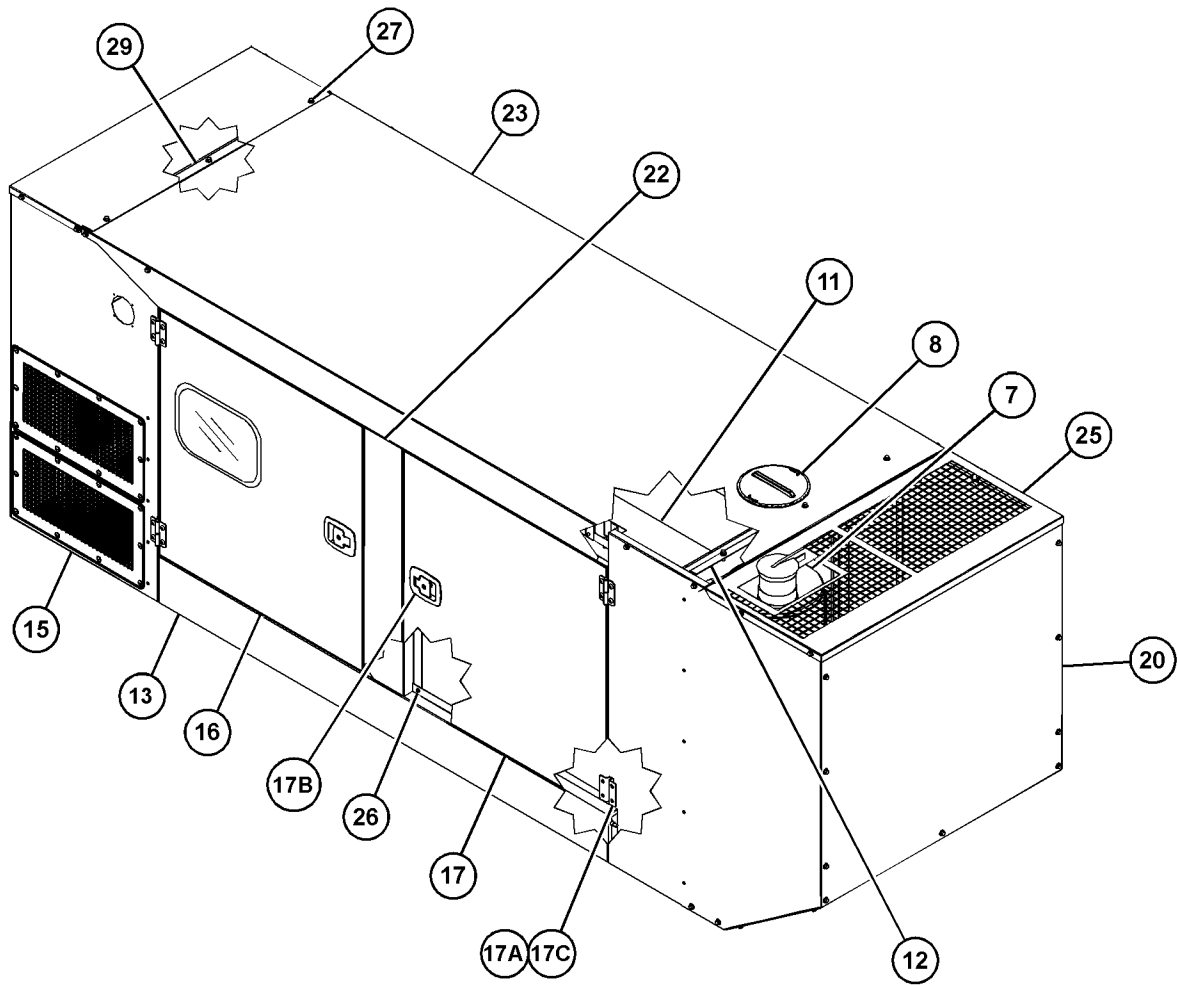
GRAPHIC #1

g03872562

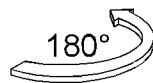
ENCLOSURES, GUARDS AND BASES

471-0765 ENCLOSURE GP-GENSET (contd.)

106136690



VIEW OF AREA B



GRAPHIC #2

<END>

g03872563

ENCLOSURES, GUARDS AND BASES

482-3758 ENCLOSURE GP-GENSET

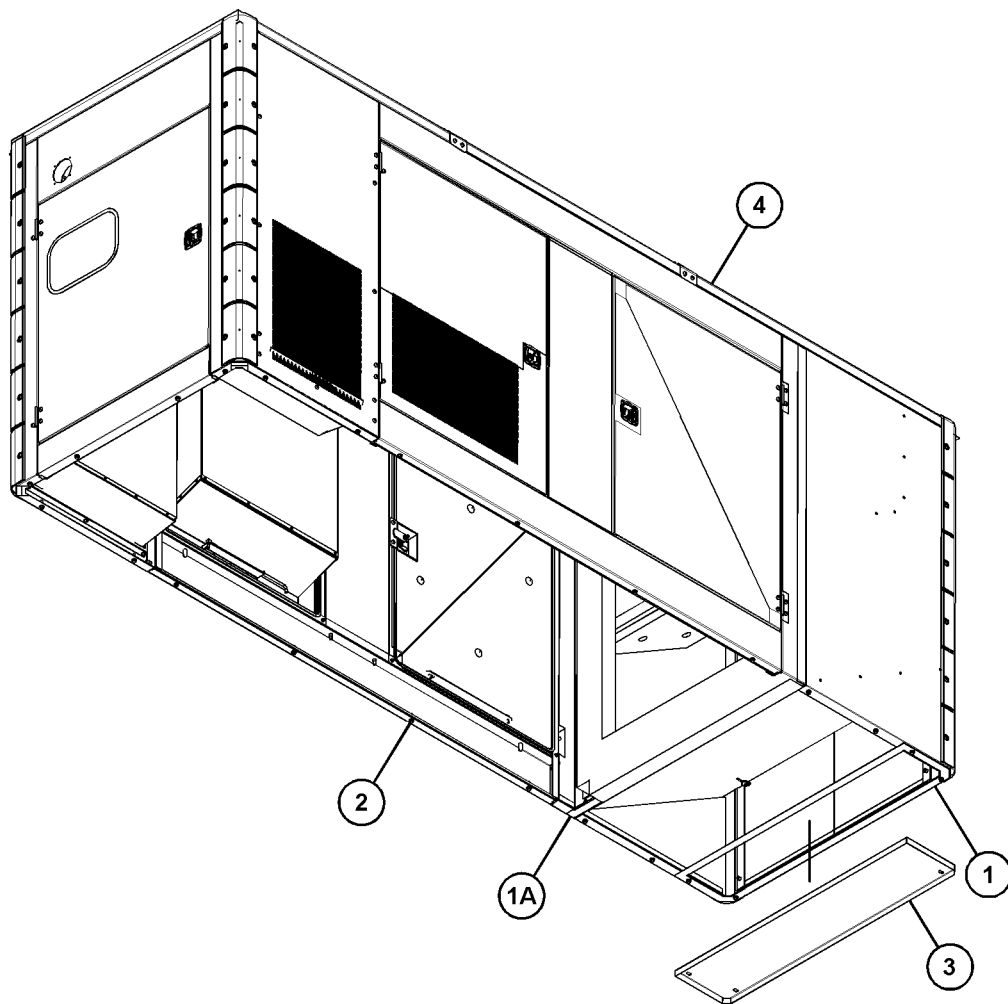
S/N: LX91-UP
AN ATTACHMENT

SMCS-7263, 7274

i06292992

NOTE	REF NO	GRAPHIC REF	PART NUMBER	QTY	PART NAME						SEE PAGE
					1	2	3	4	5	6 (PRODUCT LEVEL)	
D	1	1	5P-5924		SEAL (3.2-M)						
D	1A	1	5P-5924		SEAL (9.3-M)						
M	2	1	338-3669	24	BOLT-FLANGE HEAD (M10X1.5X30-MM)						
	3	1	443-2685	1	PLATE						
Y	4	1	482-3759	1	ENCLOSURE GP-GENSET						240
F		1	142-8240	2	KEY						

D - ORDER BY THE METER
F - NOT SHOWN
M - METRIC PART
Y - SEPARATE ILLUSTRATION



GRAPHIC #1

<END>

g06001188

ENCLOSURES, GUARDS AND BASES

482-3759 ENCLOSURE GP-GENSET

S/N: LX91-UP

PART OF 482-3758 ENCLOSURE GP-GENSET
AN ATTACHMENT

SMCS-7263, 7274

i06292997

NOTE	REF NO	GRAPHIC REF	PART NUMBER	QTY	PART NAME						SEE PAGE
					1	2	3	4	5	6 (PRODUCT LEVEL)	
	1	1	4P-1991	10	BUTTON						
	2	2	8C-4413	5	BALL JOINT						
	3	1	142-4899	40	LOCKWASHER						
M	4	1,2	142-4901	102	SCREW (M10X1.5X20-MM)						
	5	1	142-6950	10	HINGE AS						
	6	1	142-8194	28	RIVET						
	7	1	144-7183	32	RING-RETAINING						
	8	1	213-0985	6	GROMMET						
	9	1	214-3966	20	NUT (M6X1-THD)						
	10	2	219-7350	5	STAY						
	11	2	232-4944	3	GROMMET						
M	12	1	235-4451	20	BOLT-FLANGE HEAD (M6X1X16-MM)						
	13	1	329-2431	4	POST-CORNER						
	14	1	331-9490	1	WINDOW						
	15	1	331-9491	2	HANDLE						
	16	1	346-5504	48	CLIP						
	17	1	347-4025	1	HATCH						
	18	1	355-4785	6	RETAINER						
	19	2	362-0466	5	PLUG						
	20	1,2	366-0081	5	LATCH AS						
					(EACH INCLUDES)						
M		1,2	5C-2890	4	NUT (M6X1-THD)						
		1,2	1H-3244	4	LOCKWASHER						
M		1,2	8T-4244	2	NUT (M12X1.75-THD)						
		1,2	326-0612	2	WASHER-TAB						
	21	1,2	366-0082	5	PAWL						
	22	1,2	366-0083	5	BRACKET AS						
	23	1	366-0084	4	POST-SIDE						
	24	1	389-0802	1	SILENCER						
	25	1	417-9229	1	CAP-RAIN						
Y	26	1	482-3760	1	ENCLOSURE GP-GENSET						244
Y	27	1	482-3763	1	INSULATION GP-HEAT						104
M	28	1	338-3669	78	BOLT-FLANGE HEAD (M10X1.5X30-MM)						
M	29	2	5C-7261	5	NUT (M8X1.25-THD)						
	30	2	5P-4116	5	WASHER-HARD (8.8X20.5X2-MM THK)						
H	31	2	237-5071		SEAL (13-DM)						
H	32	2	237-5072		SEAL (13-DM)						
H	33	1	354-3882		SEAL (15-DM EACH)						
H	34	2	197-8039		SEAL (43.7-DM EACH)						
H	34A	2	197-8039		SEAL (42.2-DM)						
H	35	2	351-7199		SEAL-FOAM (2.2-DM EACH)						
H	35A	2	351-7199		SEAL-FOAM (15-DM)						
H	35B	2	351-7199		SEAL-FOAM (2.3-DM EACH)						
H	35C	2	351-7199		SEAL-FOAM (4.4-DM EACH)						
H	35D	2	351-7199		SEAL-FOAM (0.5-DM EACH)						
H	35E	2	351-7199		SEAL-FOAM (45-DM EACH)						

ENCLOSURES, GUARDS AND BASES

482-3759 ENCLOSURE GP-GENSET (contd.)

i06292997

NOTE	REF NO	GRAPHIC REF	PART NUMBER	QTY	PART NAME						SEE PAGE
					1	2	3	4	5	6 (PRODUCT LEVEL)	
H	35F	2	351-7199		SEAL-FOAM (1.8-DM EACH)						
H	35G	2	351-7199		SEAL-FOAM (3.7-DM EACH)						
H	35H	2	351-7199		SEAL-FOAM (13.7-DM EACH)						
H	35I	2	351-7199		SEAL-FOAM (13.5-DM)						
H	35J	2	351-7199		SEAL-FOAM (41.8-DM EACH)						

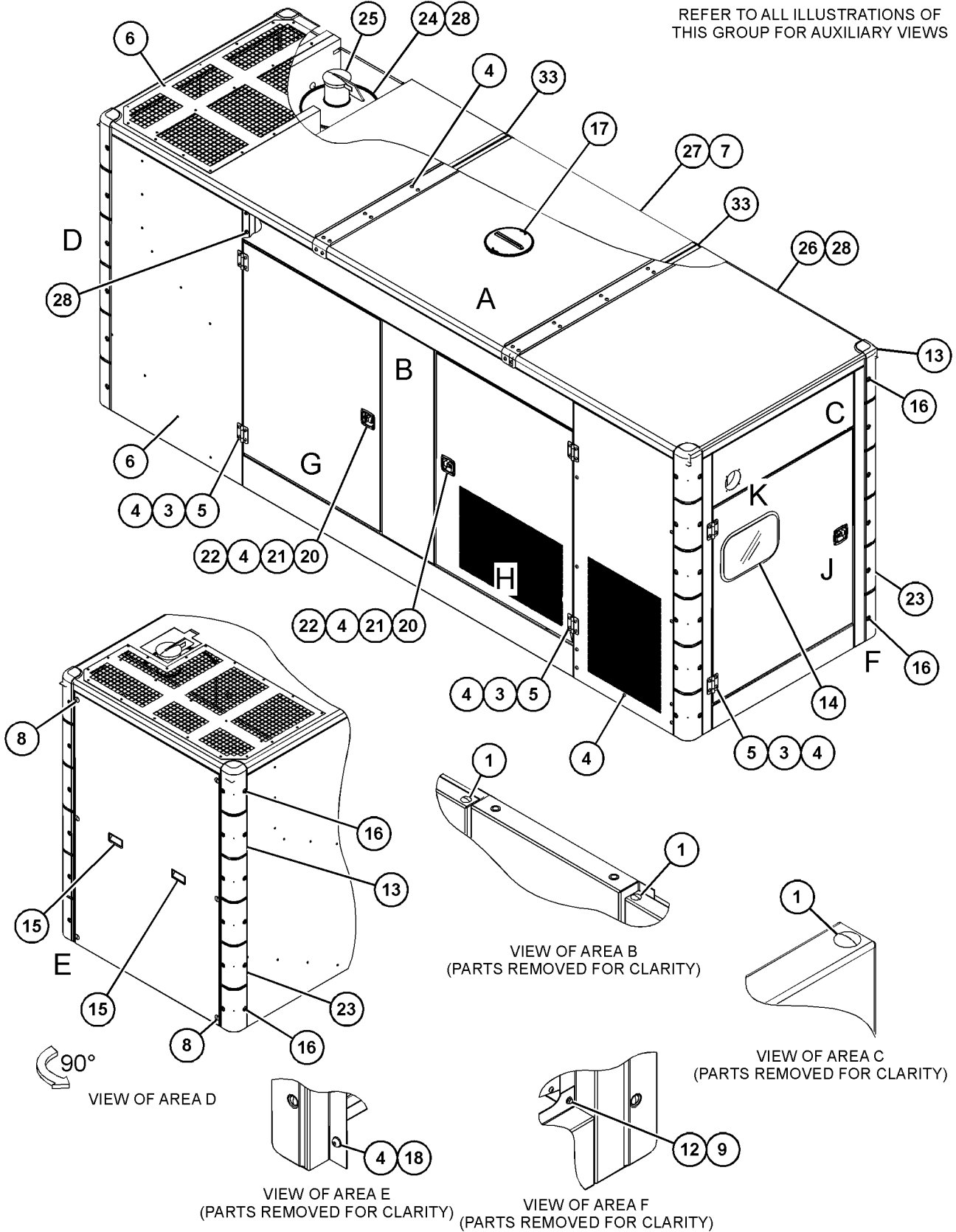
H - ORDER BY THE DECIMETER
M - METRIC PART
Y - SEPARATE ILLUSTRATION

ENCLOSURES, GUARDS AND BASES

482-3759 ENCLOSURE GP-GENSET (contd.)

106292997

REFER TO ALL ILLUSTRATIONS OF THIS GROUP FOR AUXILIARY VIEWS



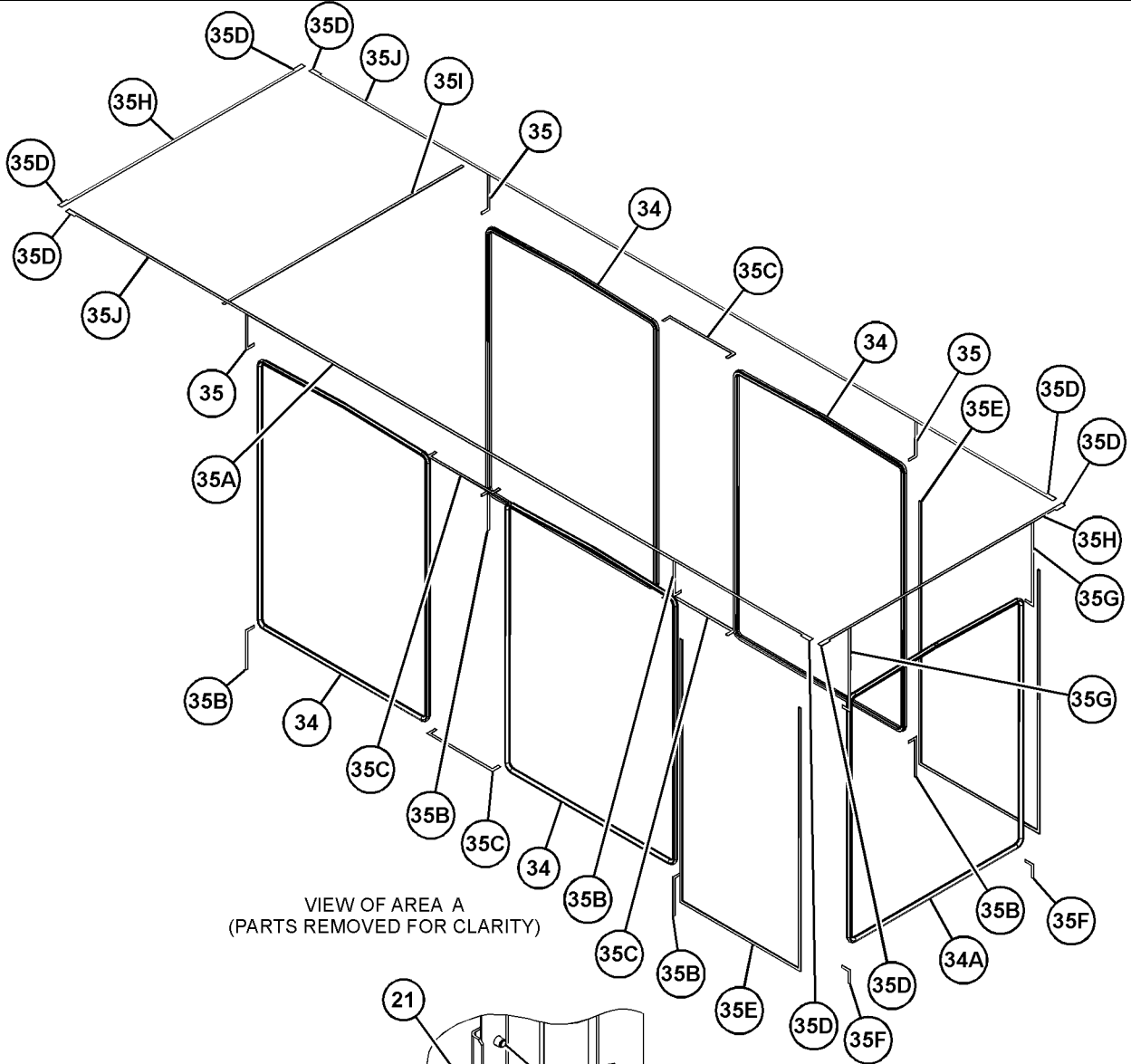
GRAPHIC #1

g06020282

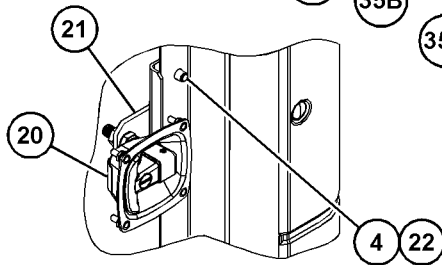
ENCLOSURES, GUARDS AND BASES

482-3759 ENCLOSURE GP-GENSET (contd.)

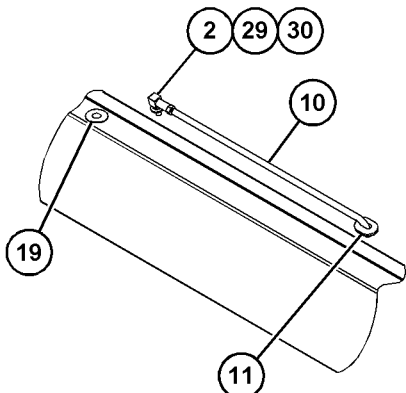
i06292997



VIEW OF AREA A
(PARTS REMOVED FOR CLARITY)

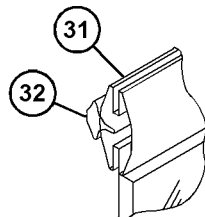


VIEW OF AREA J
(PARTS REMOVED FOR CLARITY)



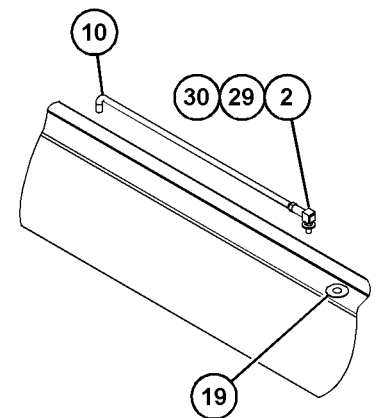
VIEW OF AREA G
(PARTS REMOVED FOR CLARITY)

GRAPHIC #2



VIEW OF AREA K
(PARTS REMOVED FOR CLARITY)

<END>



VIEW OF AREA H
(PARTS REMOVED FOR CLARITY)

g06020283

ENCLOSURES, GUARDS AND BASES

482-3760 ENCLOSURE GP-GENSET

S/N: LX91-UP

PART OF 482-3759 ENCLOSURE GP-GENSET
AN ATTACHMENT

SMCS-7263, 7274

i06293000

NOTE	REF NO	GRAPHIC REF	PART NUMBER	QTY	PART NAME						SEE PAGE
					1	2	3	4	5	6 (PRODUCT LEVEL)	
Y	1	1	354-6214	1	DOOR AS						216
Y	2	1	354-6220	1	DOOR AS						218
	3	1	358-4166	1	DOOR AS						
		1	142-8194	4	RIVET						
		1	144-7183	4	RING-RETAINING						
		1	355-1390	2	BRACKET AS						
	4	1	369-8845	2	PANEL AS						
					(EACH INCLUDES)						
M		1	238-0029	6	INSERT-THREADED (M10X1.5-THD)						
	5	1	369-8846	2	PANEL AS						
					(EACH INCLUDES)						
M		1	238-0029	2	INSERT-THREADED (M10X1.5-THD)						
	6	1	369-8871	1	PANEL AS						
		1	142-8194	4	RIVET						
		1	144-7183	4	RING-RETAINING						
		1	355-1390	2	BRACKET AS						
	7	1	390-8542	1	PANEL AS						
		1	142-8194	4	RIVET						
M		1	238-0029	11	INSERT-THREADED (M10X1.5-THD)						
		1	355-1390	4	BRACKET AS						
	8	1	391-0685	1	PANEL AS						
		1	142-8194	2	RIVET						
M		1	238-0029	11	INSERT-THREADED (M10X1.5-THD)						
		1	355-1390	2	BRACKET AS						
	9	1	391-1273	1	PANEL						
	10	1	391-1294	1	PANEL AS						
M		1	238-0029	2	INSERT-THREADED (M10X1.5-THD)						
	11	1	391-1916	1	DOOR AS						
		1	142-8194	4	RIVET						
		1	355-1390	2	BRACKET AS						
	12	1	391-1970	1	PANEL AS						
	13	1	391-4269	1	ROOF AS						
M		1	238-0029	22	INSERT-THREADED (M10X1.5-THD)						
	14	1	391-5665	2	PLATE						
	15	1	391-5865	1	ROOF AS						
M		1	238-0029	19	INSERT-THREADED (M10X1.5-THD)						
	16	1	392-1686	1	DUCT AS						
		1	142-8194	10	RIVET						
M		1	238-0029	9	INSERT-THREADED (M10X1.5-THD)						
	17	1	392-3426	2	PANEL						
	18	1	426-1695	1	PLATE						
	19	1	427-0127	1	PANEL AS						
		1	142-8194	19	RIVET						
M		1	238-0029	22	INSERT-THREADED (M10X1.5-THD)						
	20	1	443-1872	1	PLATE AS						
	21	1	443-1873	1	PLATE AS						
	22	1	452-5138	1	PLATE						

ENCLOSURES, GUARDS AND BASES

482-3760 ENCLOSURE GP-GENSET (contd.)

i06293000

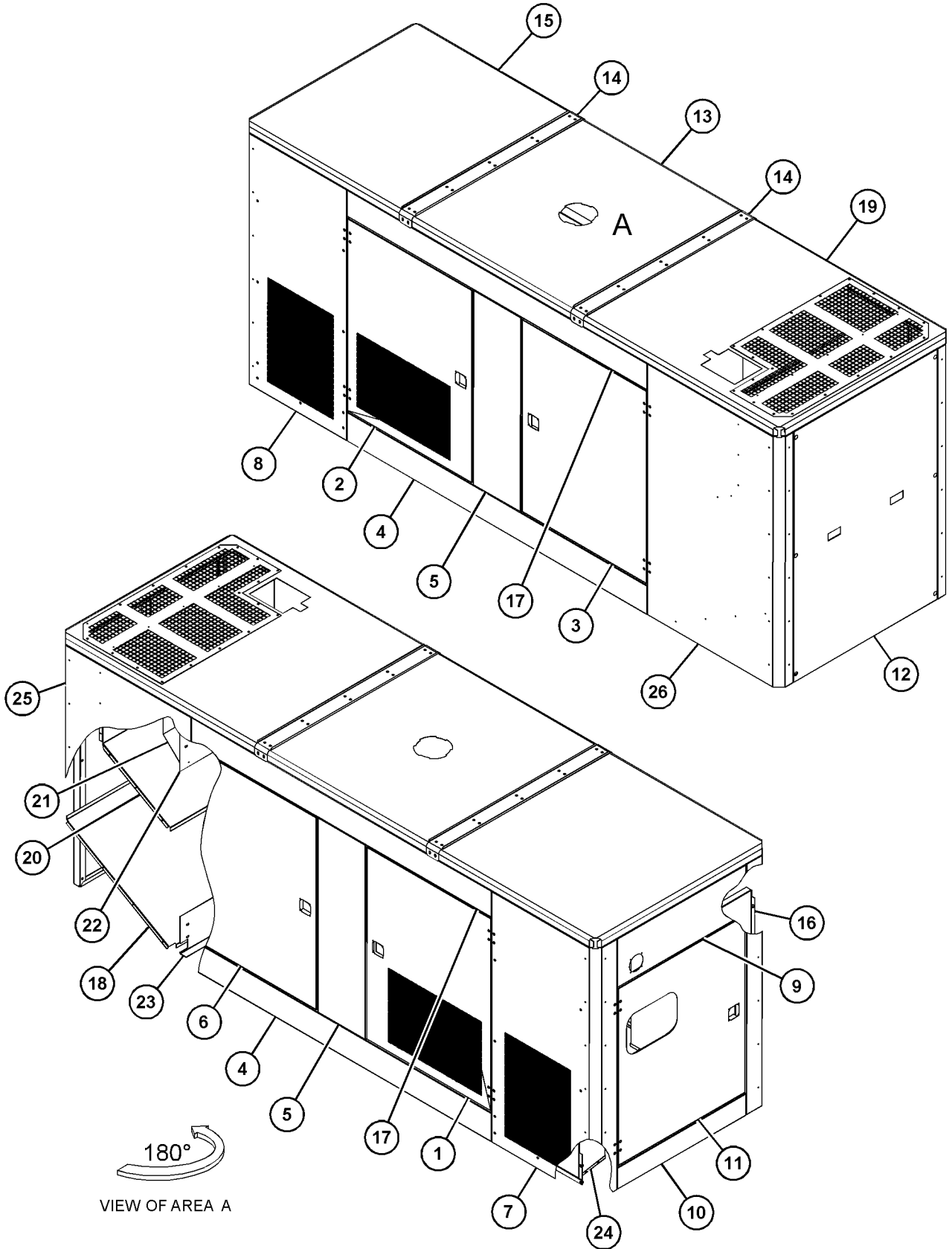
NOTE	REF NO	GRAPHIC REF	PART NUMBER	QTY	PART NAME						SEE PAGE
					1	2	3	4	5	6 (PRODUCT LEVEL)	
	23	1	466-9773	1	PLATE						
	24	1	470-4410	1	DUCT AS						
		1	142-8194	8	RIVET						
M		1	238-0029	9	INSERT - THREADED (M10X1.5-THD)						
	25	1	482-3761	1	PANEL AS						
		1	142-8194	2	RIVET						
M		1	238-0029	15	INSERT - THREADED (M10X1.5-THD)						
		1	355-1390	2	BRACKET AS						
	26	1	482-3762	1	PANEL AS						
		1	142-8194	2	RIVET						
M		1	238-0029	15	INSERT - THREADED (M10X1.5-THD)						
		1	355-1390	2	BRACKET AS						

M - METRIC PART
Y - SEPARATE ILLUSTRATION

ENCLOSURES, GUARDS AND BASES

482-3760 ENCLOSURE GP-GENSET (contd.)

i06293000



GRAPHIC #1

<END>

g06000803

ENCLOSURES, GUARDS AND BASES

443-3473 PANEL AS

S/N: LX91-UP

PART OF 453-1355 PANEL GP-ENCLOSURE
AN ATTACHMENT

SMCS-7274

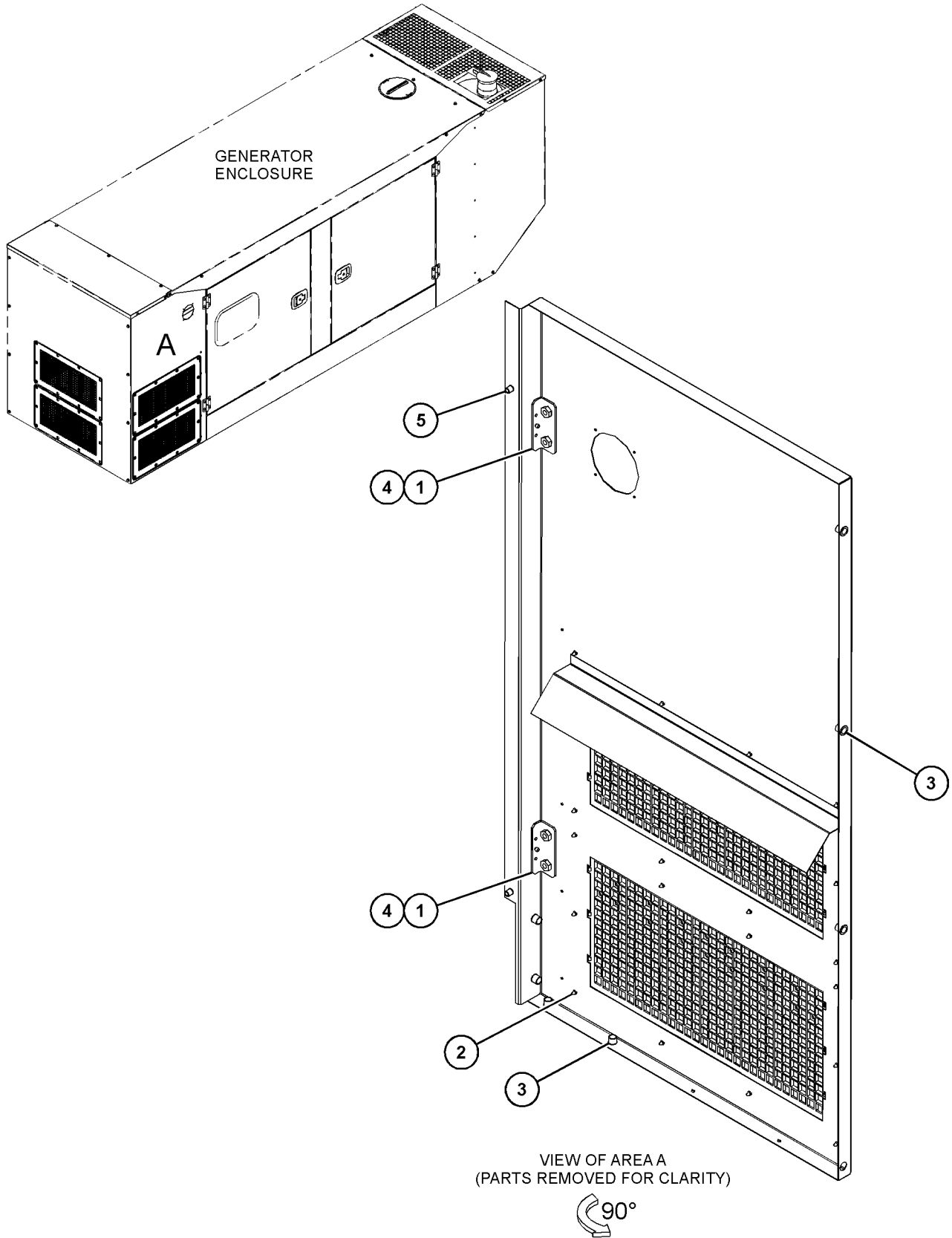
i06129375

NOTE	REF NO	GRAPHIC REF	PART NUMBER	QTY	PART NAME						SEE PAGE
					1	2	3	4	5	6 (PRODUCT LEVEL)	
	1	1	142-8194	4	RIVET						
	2	1	346-5504	20	CLIP						
M	3	1	238-0029	11	INSERT - THREADED (M10X1.5-THD)						
	4	1	355-1390	4	BRACKET AS						
M	5	1	3E-4304	4	INSERT - THREADED (M6X1-THD)						
M - METRIC PART											

ENCLOSURES, GUARDS AND BASES

443-3473 PANEL AS (contd.)

106129375



GRAPHIC #1

<END>

g03824629

ENCLOSURES, GUARDS AND BASES

446-0125 PANEL AS

S/N: LX91-UP

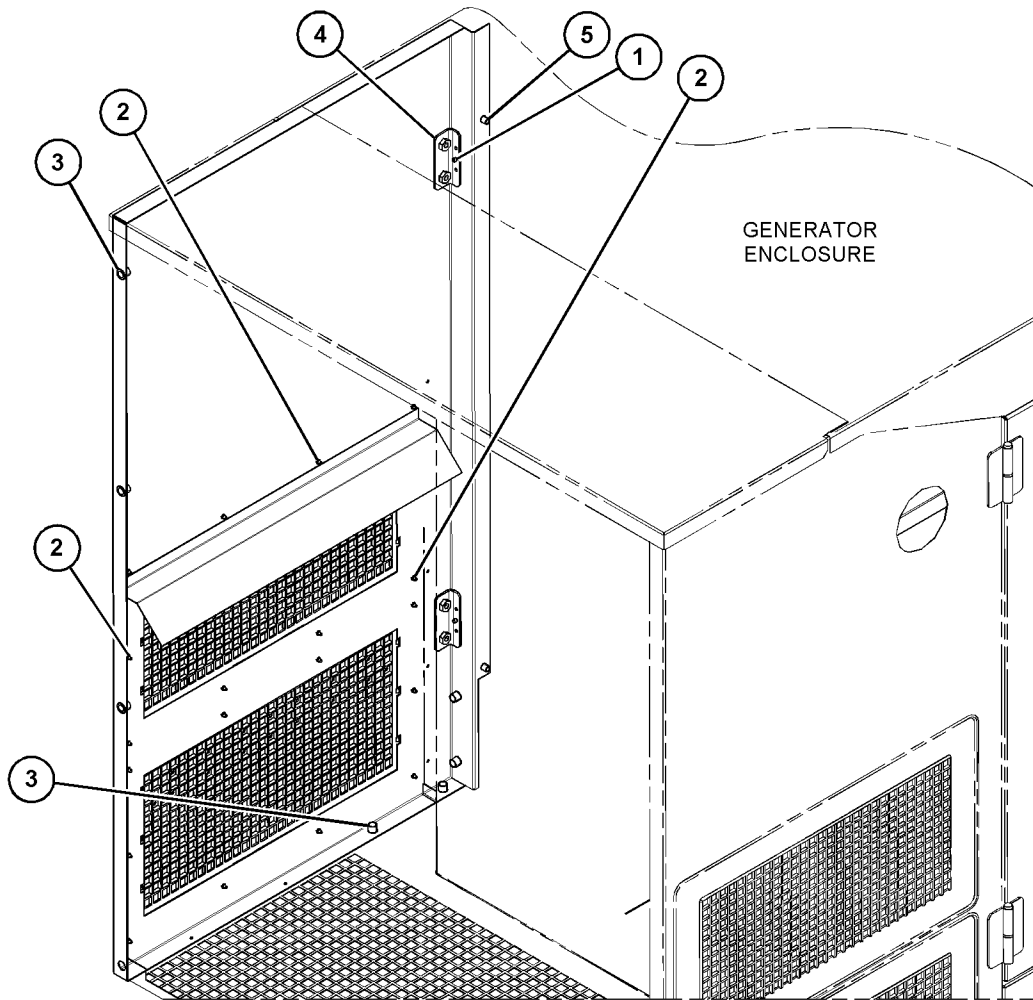
PART OF 453-1355 PANEL GP-ENCLOSURE
AN ATTACHMENT

SMCS-7274

i06129453

NOTE	REF NO	GRAPHIC REF	PART NUMBER	QTY	PART NAME						SEE PAGE
					1	2	3	4	5	6 (PRODUCT LEVEL)	
	1	1	142-8194	2	RIVET						
	2	1	346-5504	20	CLIP						
M	3	1	238-0029	11	INSERT - THREADED (M10X1.5-THD)						
	4	1	355-1390	2	BRACKET AS						
M	5	1	3E-4304	2	INSERT - THREADED (M6X1-THD)						

M - METRIC PART



GRAPHIC #1

<END>

g03840890

ENCLOSURES, GUARDS AND BASES

466-8167 PANEL AS-ENCLOSURE

S/N: LX91-UP

PART OF 466-8170 PANEL GP-ENCLOSURE
AN ATTACHMENT

SMCS-7263, 7274

i06135199

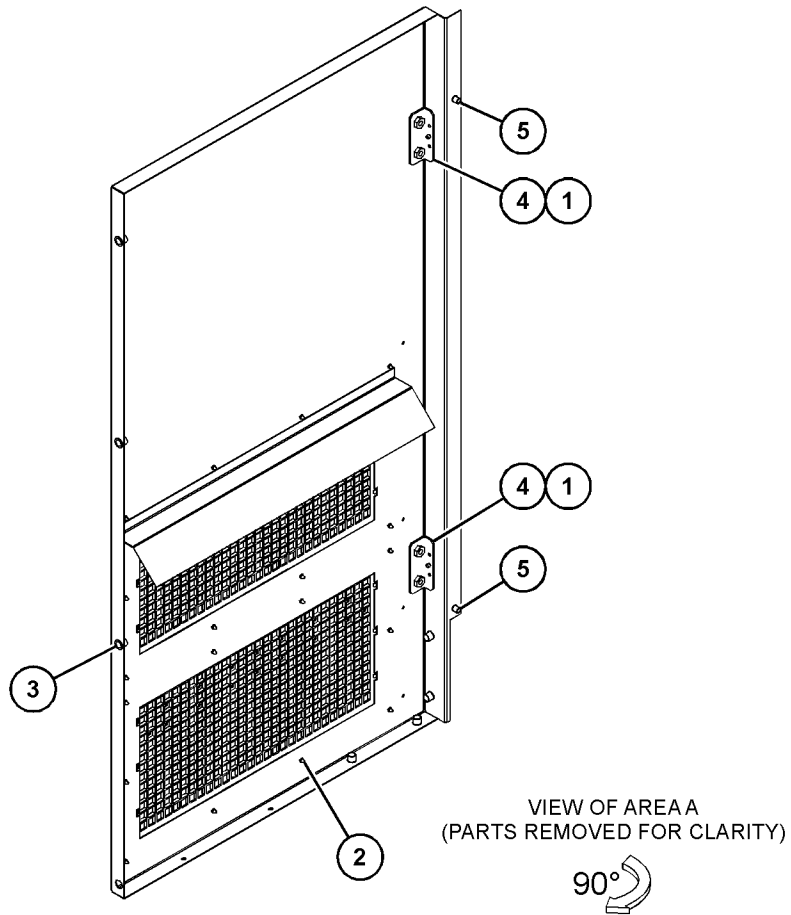
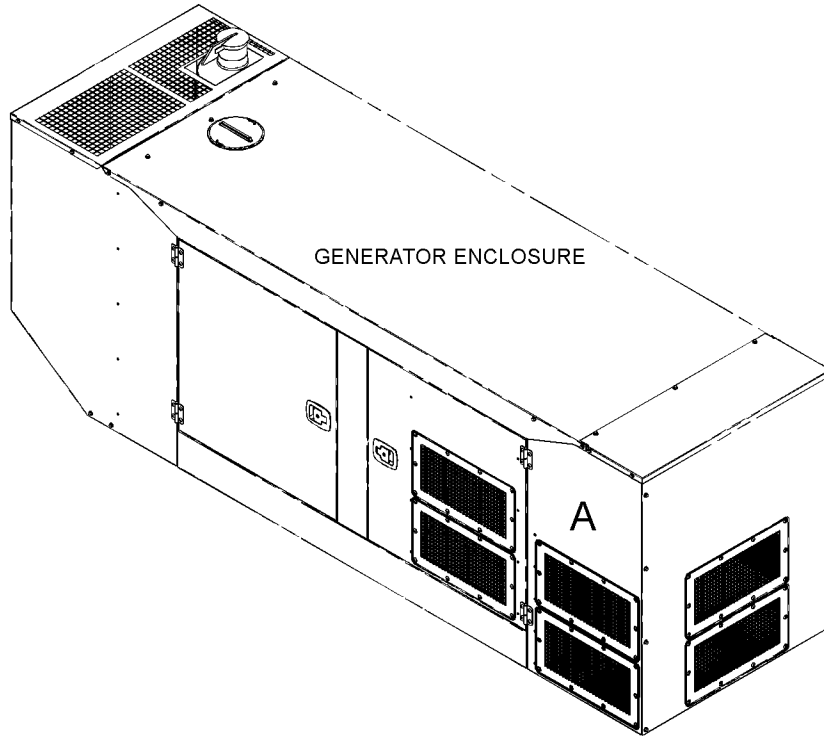
NOTE	REF NO	GRAPHIC REF	PART NUMBER	QTY	PART NAME						SEE PAGE
					1	2	3	4	5	6 (PRODUCT LEVEL)	
	1	1	142-8194	2	RIVET						
	2	1	346-5504	20	CLIP						
M	3	1	238-0029	11	INSERT - THREADED (M10X1.5-THD)						
	4	1	355-1390	2	BRACKET AS						
M	5	1	3E-4304	2	INSERT - THREADED (M6X1 - THD)						

M - METRIC PART

ENCLOSURES, GUARDS AND BASES

466-8167 PANEL AS-ENCLOSURE (contd.)

106135199



GRAPHIC #1

<END>

g03823538

ENCLOSURES, GUARDS AND BASES

466-8169 PANEL AS-ENCLOSURE

S/N: LX91-UP

PART OF 466-8170 PANEL GP-ENCLOSURE
AN ATTACHMENT

SMCS-7263, 7274

i06135309

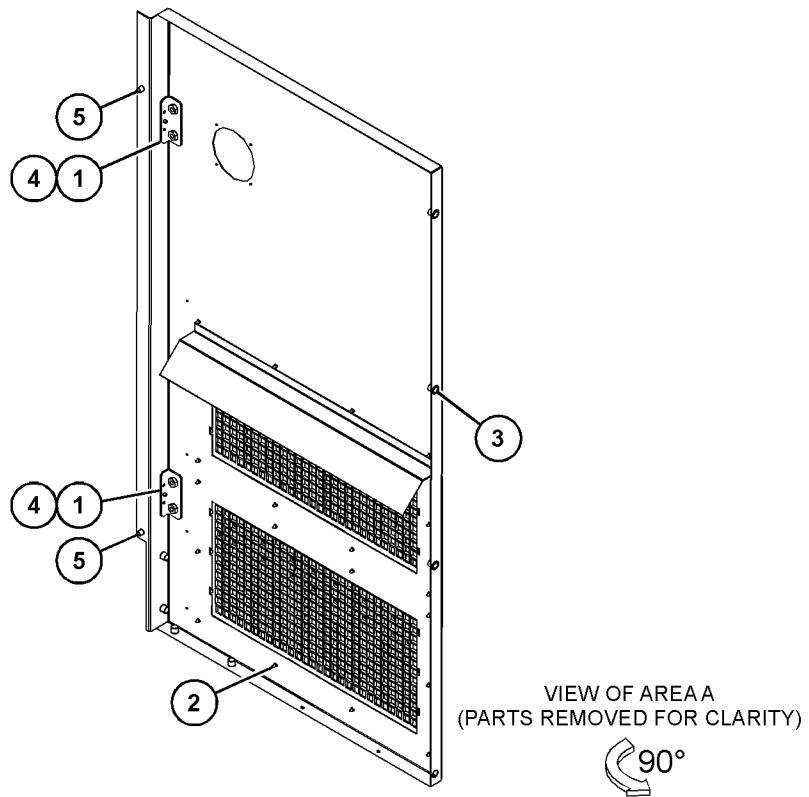
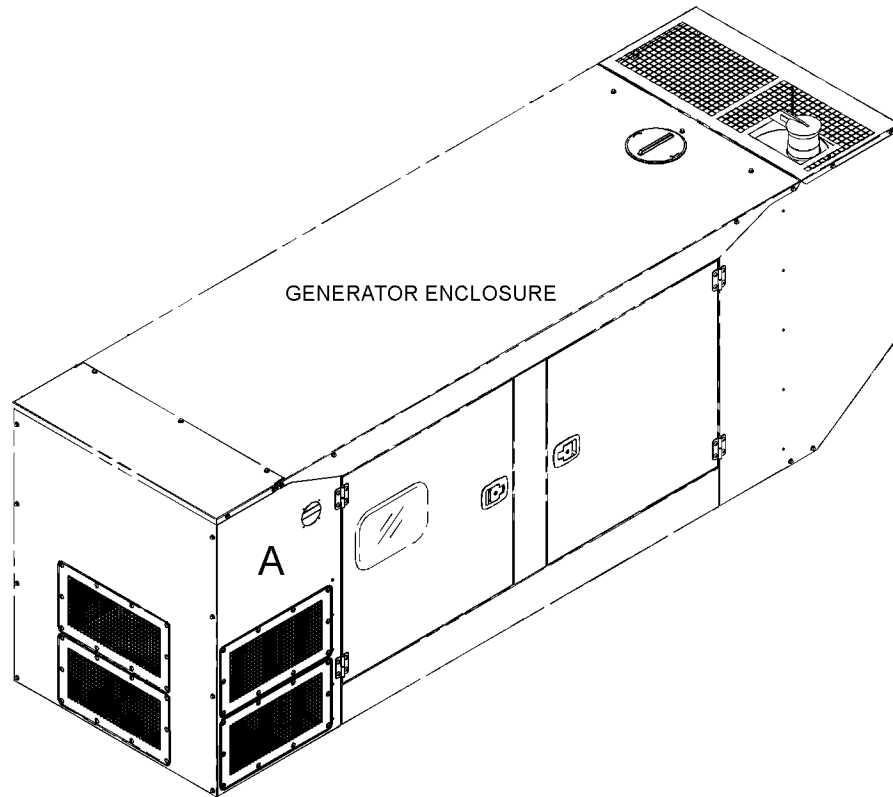
NOTE	REF NO	GRAPHIC REF	PART NUMBER	QTY	PART NAME						SEE PAGE
					1	2	3	4	5	6 (PRODUCT LEVEL)	
	1	1	142-8194	2	RIVET						
	2	1	346-5504	20	CLIP						
M	3	1	238-0029	11	INSERT - THREADED (M10X1.5-THD)						
	4	1	355-1390	2	BRACKET AS						
M	5	1	3E-4304	2	INSERT - THREADED (M6X1 - THD)						

M - METRIC PART

ENCLOSURES, GUARDS AND BASES

466-8169 PANEL AS-ENCLOSURE (contd.)

106135309



GRAPHIC #1

<END>

g03823527

ENCLOSURES, GUARDS AND BASES

453-1355 PANEL GP-ENCLOSURE

S/N: LX91-UP

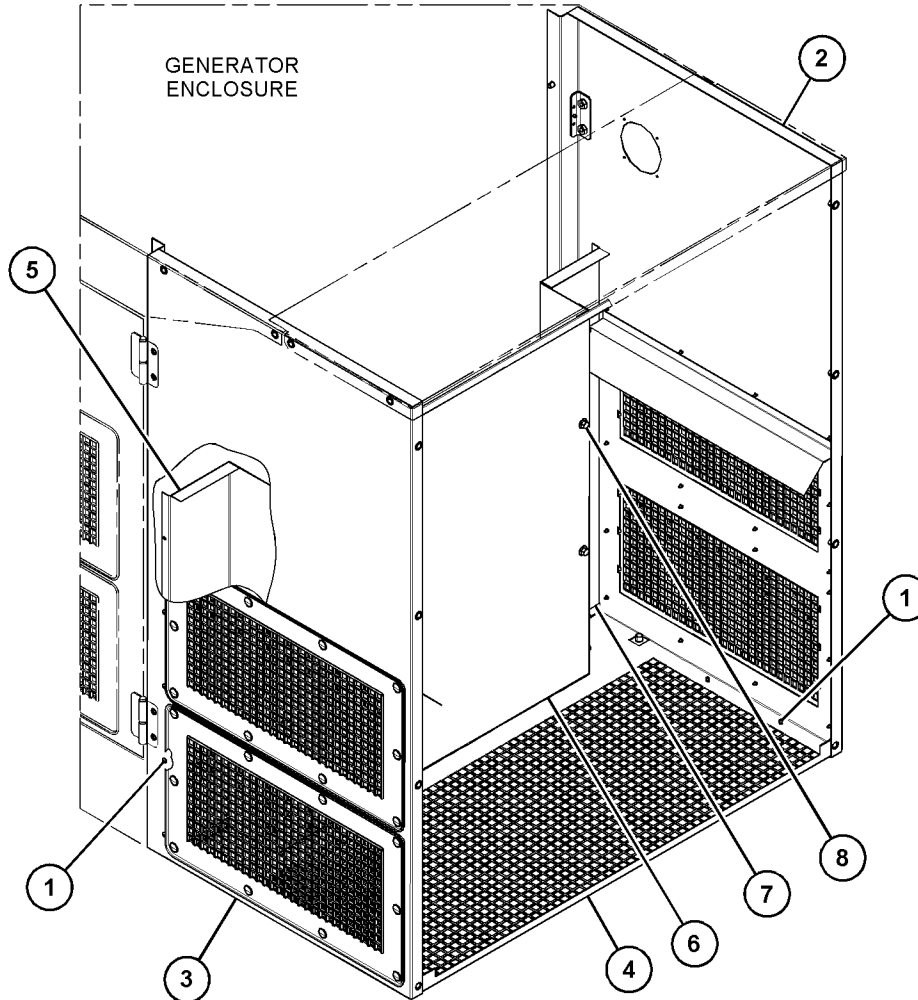
PART OF 465-2250 ENCLOSURE GP-GENSET
AN ATTACHMENT

SMCS-7274

i06129411

NOTE	REF NO	GRAPHIC REF	PART NUMBER	QTY	PART NAME						SEE PAGE
					1	2	3	4	5	6 (PRODUCT LEVEL)	
	1	1	142-8194	18	RIVET						
Y	2	1	443-3473	1	PANEL AS						247
Y	3	1	446-0125	1	PANEL AS						249
	4	1	452-9043	1	PLATE AS						
M		1	238-0029	2	INSERT-THREADED (M10X1.5-THD)						
	5	1	453-1359	1	PANEL AS						
M		1	238-0029	4	INSERT-THREADED (M10X1.5-THD)						
	6	1	453-1360	1	PANEL						
	7	1	454-5299	1	PANEL AS						
M		1	238-0029	4	INSERT-THREADED (M10X1.5-THD)						
M	8	1	338-3669	8	BOLT-FLANGE HEAD (M10X1.5X30-MM)						

M - METRIC PART
Y - SEPARATE ILLUSTRATION



GRAPHIC #1

<END>

g03840892

ENCLOSURES, GUARDS AND BASES

465-2255 PANEL GP-ENCLOSURE

S/N: LX91-UP

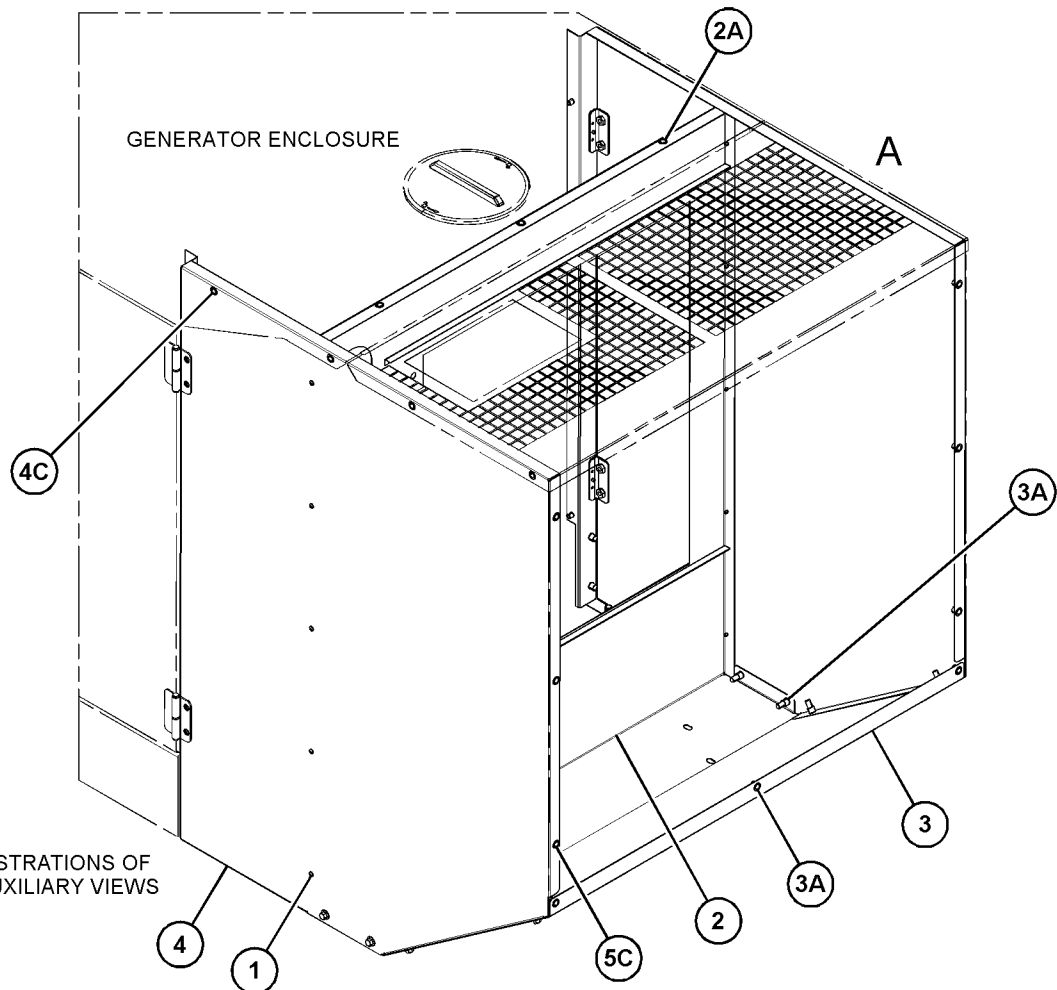
PART OF 465-2250 ENCLOSURE GP-GENSET
AN ATTACHMENT

SMCS-7274

i06141226

NOTE	REF NO	GRAPHIC REF	PART NUMBER	QTY	PART NAME						SEE PAGE
					1	2	3	4	5	6 (PRODUCT LEVEL)	
	1	1,2	142-8194	10	RIVET						
	2	1	446-0120	1	PANEL AS						
M	2A	1	238-0029	3	INSERT - THREADED (M10X1.5-THD)						
	3	1	446-0122	1	PANEL AS						
M	3A	1	238-0029	7	INSERT - THREADED (M10X1.5-THD)						
	4	1	465-2252	1	PANEL AS						
	4A	1	142-8194	2	RIVET						
	4B	1	355-1390	2	BRACKET AS						
M	4C	1	238-0029	13	INSERT - THREADED (M10X1.5-THD)						
M	4D	1	3E-4304	2	INSERT - THREADED (M6X1-THD)						
	5	2	465-2254	1	PANEL AS						
	5A	2	142-8194	2	RIVET						
	5B	2	355-1390	2	BRACKET AS						
M	5C	1,2	238-0029	13	INSERT - THREADED (M10X1.5-THD)						
M	5D	2	3E-4304	2	INSERT - THREADED (M6X1-THD)						
M	6	2	338-3669	8	BOLT - FLANGE HEAD (M10X1.5X30-MM)						

M - METRIC PART



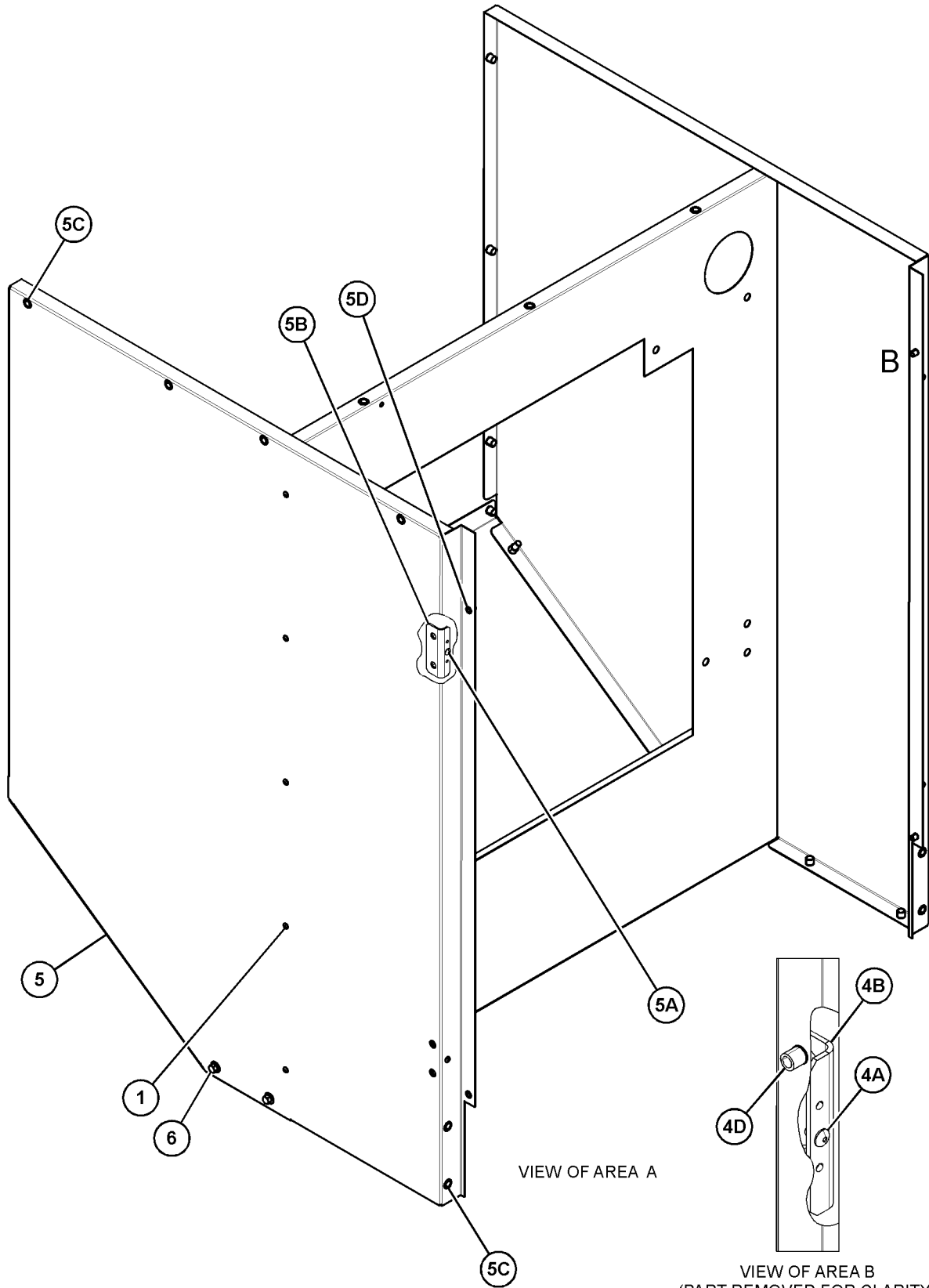
GRAPHIC #1

g03826328

ENCLOSURES, GUARDS AND BASES

465-2255 PANEL GP-ENCLOSURE (contd.)

i06141226



GRAPHIC #2

<END>

VIEW OF AREA B
(PART REMOVED FOR CLARITY)

g03826329

ENCLOSURES, GUARDS AND BASES

466-8170 PANEL GP-ENCLOSURE

S/N: LX91-UP

PART OF 471-0765 ENCLOSURE GP-GENSET
AN ATTACHMENT

SMCS-7274

i06135153

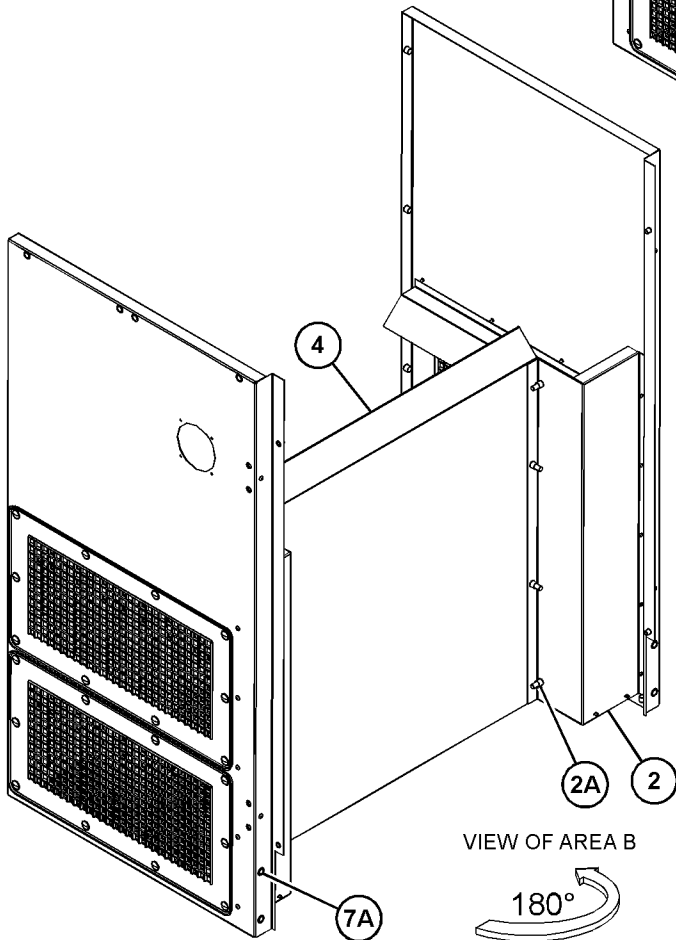
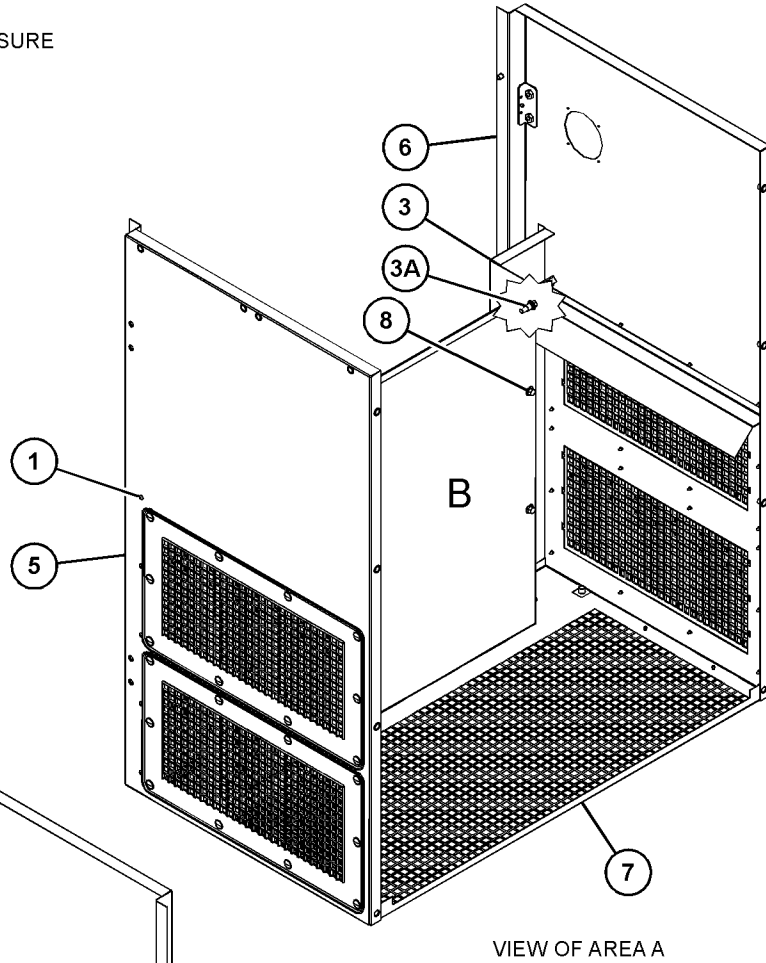
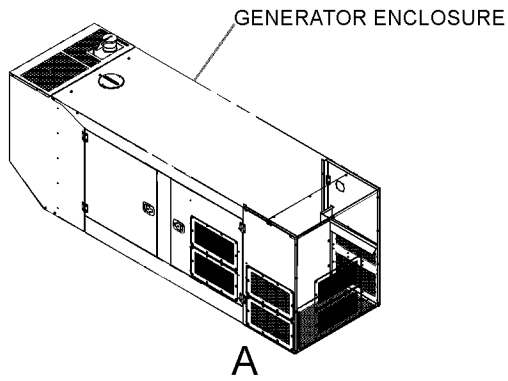
NOTE	REF NO	GRAPHIC REF	PART NUMBER	QTY	PART NAME						SEE PAGE
					1	2	3	4	5	6 (PRODUCT LEVEL)	
	1	1	142-8194	18	RIVET						
	2	1	466-8162	1	PANEL AS-ENCLOSURE						
M	2A	1	238-0029	4	INSERT-THREADED (M10X1.5-THD)						
	3	1	466-8163	1	PANEL AS-ENCLOSURE						
M	3A	1	238-0029	4	INSERT-THREADED (M10X1.5-THD)						
	4	1	466-8164	1	PANEL						
Y	5	1	466-8167	1	PANEL AS-ENCLOSURE						250
Y	6	1	466-8169	1	PANEL AS-ENCLOSURE						252
	7	1	<i>466-9598</i>	1	PLATE AS						
		1	466-8161	1	PLATE						
M	7A	1	238-0029	2	INSERT-THREADED (M10X1.5-THD)						
M	8	1	338-3669	8	BOLT-FLANGE HEAD (M10X1.5X30-MM)						

M - METRIC PART
Y - SEPARATE ILLUSTRATION

ENCLOSURES, GUARDS AND BASES

466-8170 PANEL GP-ENCLOSURE (contd.)

106135153



GRAPHIC #1

<END>

g03823352

ENCLOSURES, GUARDS AND BASES

471-0764 PANEL GP-ENCLOSURE

S/N: LX91-UP

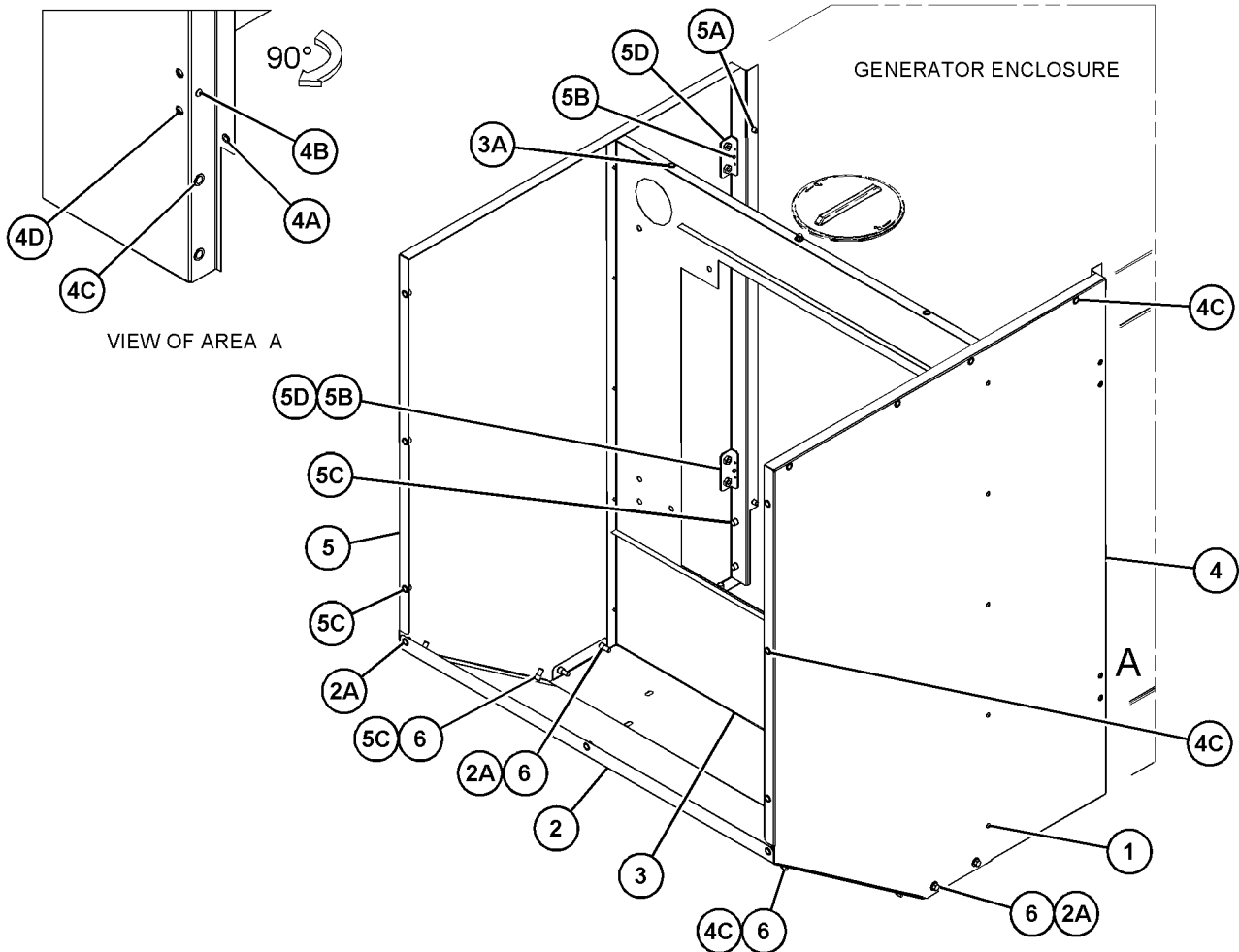
PART OF 471-0765 ENCLOSURE GP-GENSET
AN ATTACHMENT

SMCS-7274

i06143639

NOTE	REF NO	GRAPHIC REF	PART NUMBER	QTY	PART NAME						SEE PAGE
					1	2	3	4	5	6 (PRODUCT LEVEL)	
	1	1	142-8194	10	RIVET						
	2	1	466-4230	1	PANEL AS						
M	2A	1	238-0029	7	INSERT-THREADED (M10X1.5-THD)						
	3	1	466-4423	1	PANEL AS-ENCLOSURE						
M	3A	1	238-0029	3	INSERT-THREADED (M10X1.5-THD)						
	4	1	471-0761	1	PANEL AS-ENCLOSURE						
M	4A	1	3E-4304	2	INSERT-THREADED (M6X1-THD)						
	4B	1	142-8194	2	RIVET						
M	4C	1	238-0029	13	INSERT-THREADED (M10X1.5-THD)						
	4D	1	355-1390	2	BRACKET AS						
	5	1	471-0763	1	PANEL AS-ENCLOSURE						
M	5A	1	3E-4304	2	INSERT-THREADED (M6X1-THD)						
	5B	1	142-8194	2	RIVET						
M	5C	1	238-0029	13	INSERT-THREADED (M10X1.5-THD)						
	5D	1	355-1390	2	BRACKET AS						
M	6	1	338-3669	8	BOLT-FLANGE HEAD (M10X1.5X30-MM)						

M - METRIC PART



GRAPHIC #1

<END>

g03834615

GENERATORS

433-2701 CONNECTION GP-TERMINAL STRIP

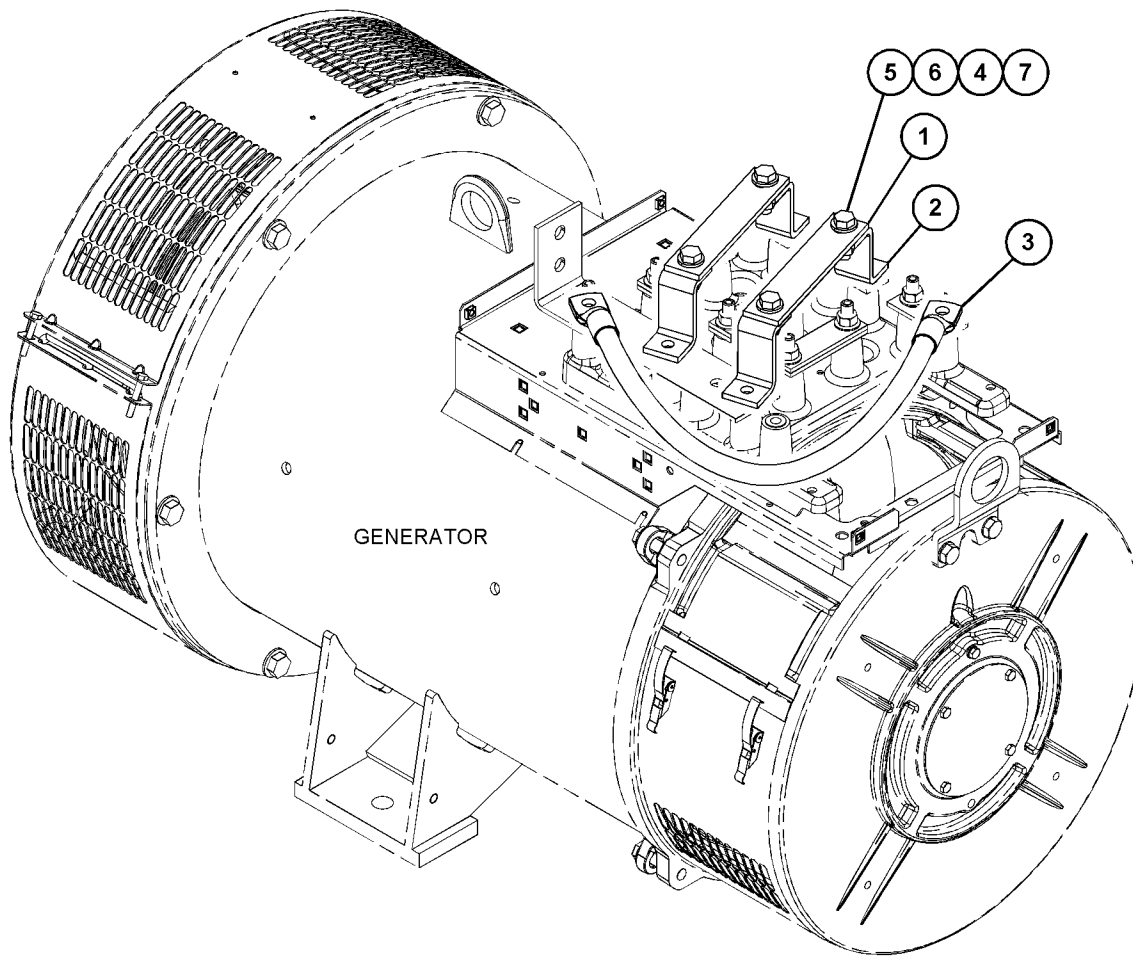
S/N: LX91-UP
AN ATTACHMENT

SMCS-4460

i06292989

NOTE	REF NO	GRAPHIC REF	PART NUMBER	QTY	PART NAME						SEE PAGE
					1	2	3	4	5	6	
	1	1	433-2702	2	TERMINAL						
	2	1	433-2703	4	TERMINAL						
	3	1	433-2711	1	CABLE AS						
	4	1	8R-8847	4	RETAINER-SPRING						
M	5	1	8T-4183	4	BOLT (M12X1.75X40-MM)						
	6	1	8T-4223	8	WASHER-HARD (13.5X25.5X3-MM THK)						
M	7	1	8T-4244	4	NUT (M12X1.75-THD)						

M - METRIC PART



GRAPHIC #1

<END>

g06000863

GENERATORS

418-6362 FASTENER GP-GENERATOR

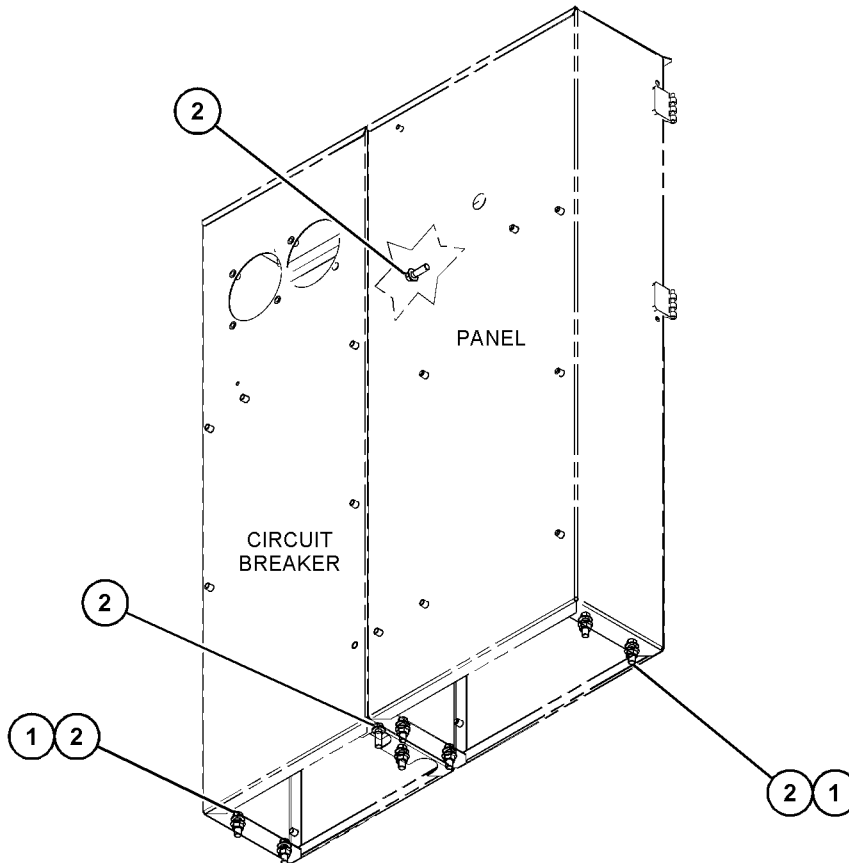
S/N: LX91-UP
AN ATTACHMENT

SMCS-4450, 7060

i06110318

NOTE	REF NO	GRAPHIC REF	PART NUMBER	QTY	PART NAME						SEE PAGE
					1	2	3	4	5	6 (PRODUCT LEVEL)	
M	1	1	175-7141	7	NUT-HEX FLANGE (M10X1.5-THD)						
M	2	1	338-3669	9	BOLT-FLANGE HEAD (M10X1.5X30-MM)						

M - METRIC PART



GRAPHIC #1

<END>

g06002684

GENERATORS

453-7010 FASTENER GP-GENERATOR

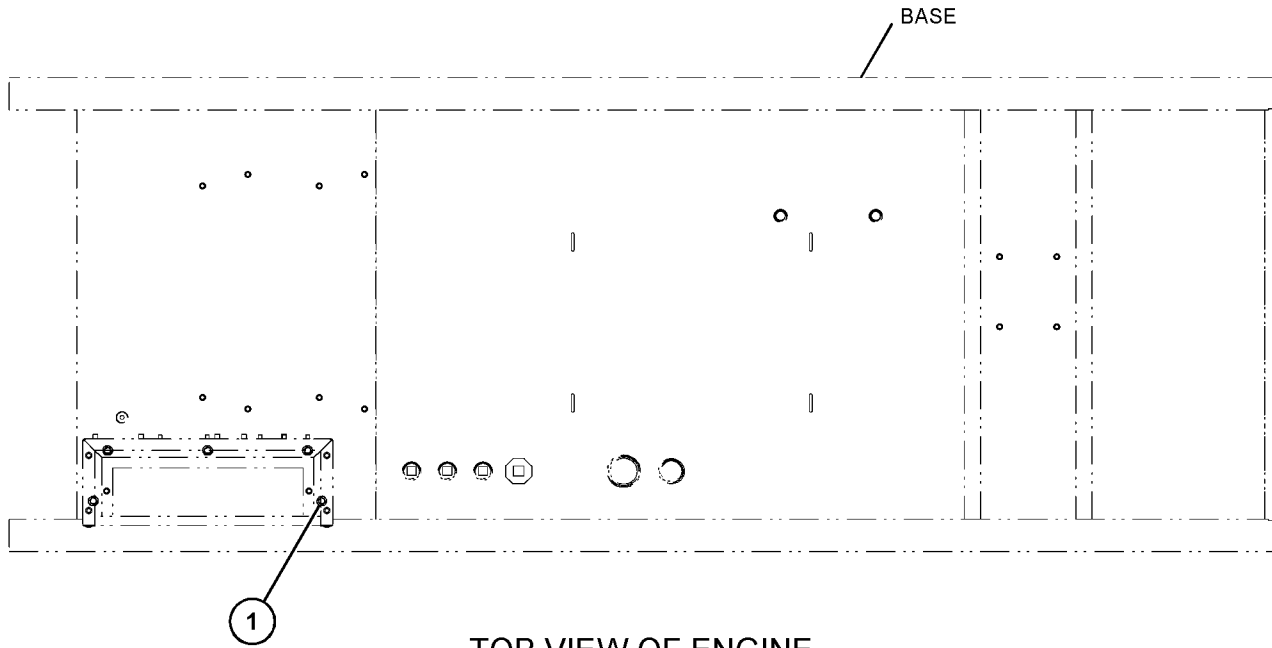
S/N: LX91-UP
AN ATTACHMENT

SMCS-4450, 7060

i06110377

NOTE	REF NO	GRAPHIC REF	PART NUMBER	QTY	PART NAME						SEE PAGE
					1	2	3	4	5	6 (PRODUCT LEVEL)	
M	1	1	356-3231	5	BOLT-FLANGE HEAD (M10X1.5X35-MM)						

M - METRIC PART



GRAPHIC #1

<END>

g06004224

GENERATORS

235-1199 GENERATOR AR

S/N: F5A1-UP
AN ATTACHMENT

SMCS-4450

i04267638

NOTE	PART NUMBER	QTY	PART NAME 1 2 3 4 5 6 (PRODUCT LEVEL)	SEE PAGE
Y	324-7673	1	GENERATOR GP	301

Y - SEPARATE ILLUSTRATION

<END>

235-1200 GENERATOR AR

S/N: F5A1-UP

SMCS-4450

i04363177

NOTE	PART NUMBER	QTY	PART NAME 1 2 3 4 5 6 (PRODUCT LEVEL)	SEE PAGE
Y	324-7674	1	GENERATOR GP	303

Y - SEPARATE ILLUSTRATION

<END>

235-1201 GENERATOR AR

S/N: F5A1-UP
AN ATTACHMENT

SMCS-4450

i03463539

NOTE	PART NUMBER	QTY	PART NAME 1 2 3 4 5 6 (PRODUCT LEVEL)	SEE PAGE
Y	241-4457	1	GENERATOR GP	288

Y - SEPARATE ILLUSTRATION

<END>

235-1202 GENERATOR AR

S/N: F5A1-UP
AN ATTACHMENT

SMCS-4450

i04512889

NOTE	PART NUMBER	QTY	PART NAME 1 2 3 4 5 6 (PRODUCT LEVEL)	SEE PAGE
Y	324-7676	1	GENERATOR GP	305

Y - SEPARATE ILLUSTRATION

<END>

235-1203 GENERATOR AR

S/N: F6B1-UP
AN ATTACHMENT

SMCS-4450

i04513452

NOTE	PART NUMBER	QTY	PART NAME 1 2 3 4 5 6 (PRODUCT LEVEL)	SEE PAGE
Y	324-7677	1	GENERATOR GP	307

Y - SEPARATE ILLUSTRATION

<END>

GENERATORS

235-1205 GENERATOR AR

S/N: F6B1-UP
AN ATTACHMENT

SMCS-4450

i02611218

NOTE	PART NUMBER	QTY	PART NAME 1 2 3 4 5 6 (PRODUCT LEVEL)	SEE PAGE
Y	241-4471	1	GENERATOR GP	290

Y - SEPARATE ILLUSTRATION

<END>

235-1207 GENERATOR AR

S/N: F6B1-UP
AN ATTACHMENT

SMCS-4450

i04516215

NOTE	PART NUMBER	QTY	PART NAME 1 2 3 4 5 6 (PRODUCT LEVEL)	SEE PAGE
Y	324-7681	1	GENERATOR GP	309

Y - SEPARATE ILLUSTRATION

<END>

235-1209 GENERATOR AR

S/N: F6B1-UP
AN ATTACHMENT

SMCS-4450

i02611381

NOTE	PART NUMBER	QTY	PART NAME 1 2 3 4 5 6 (PRODUCT LEVEL)	SEE PAGE
Y	241-4472	1	GENERATOR GP	293

Y - SEPARATE ILLUSTRATION

<END>

235-1211 GENERATOR AR

S/N: F6B1-UP
AN ATTACHMENT

SMCS-4450

i04537554

NOTE	PART NUMBER	QTY	PART NAME 1 2 3 4 5 6 (PRODUCT LEVEL)	SEE PAGE
Y	324-7685	1	GENERATOR GP	311

Y - SEPARATE ILLUSTRATION

<END>

235-1212 GENERATOR AR

S/N: F6B1-UP
AN ATTACHMENT

SMCS-4450

i04537557

NOTE	PART NUMBER	QTY	PART NAME 1 2 3 4 5 6 (PRODUCT LEVEL)	SEE PAGE
Y	324-7686	1	GENERATOR GP	313

Y - SEPARATE ILLUSTRATION

<END>

GENERATORS

235-1215 GENERATOR AR

S/N: F6B1-UP
AN ATTACHMENT

SMCS-4450

i05095370

NOTE	PART NUMBER	QTY	PART NAME 1 2 3 4 5 6 (PRODUCT LEVEL)	SEE PAGE
Y	324-7689	1	GENERATOR GP	315

Y - SEPARATE ILLUSTRATION

<END>

237-7184 GENERATOR AR

S/N: F5A1-UP
AN ATTACHMENT

SMCS-4450

i05077273

NOTE	PART NUMBER	QTY	PART NAME 1 2 3 4 5 6 (PRODUCT LEVEL)	SEE PAGE
Y	324-7695	1	GENERATOR GP (POWER)	317

Y - SEPARATE ILLUSTRATION

<END>

242-4994 GENERATOR AR

S/N: F6B1-UP

SMCS-4450

i04327501

NOTE	PART NUMBER	QTY	PART NAME 1 2 3 4 5 6 (PRODUCT LEVEL)	SEE PAGE
Y	324-7698	1	GENERATOR GP	319

Y - SEPARATE ILLUSTRATION

<END>

247-6119 GENERATOR AR

S/N: F6B1-UP
AN ATTACHMENT

SMCS-4450

i04393718

NOTE	PART NUMBER	QTY	PART NAME 1 2 3 4 5 6 (PRODUCT LEVEL)	SEE PAGE
Y	324-7707	1	GENERATOR GP	321

Y - SEPARATE ILLUSTRATION

<END>

247-6121 GENERATOR AR

S/N: F6B1-UP
AN ATTACHMENT

SMCS-4450

i05195532

NOTE	PART NUMBER	QTY	PART NAME 1 2 3 4 5 6 (PRODUCT LEVEL)	SEE PAGE
CY	324-7708	1	GENERATOR GP	323

C - CHANGE FROM PREVIOUS TYPE

Y - SEPARATE ILLUSTRATION

<END>

GENERATORS

247-6126 GENERATOR AR

S/N: F6B1-UP
AN ATTACHMENT

SMCS-4450

i02612591

NOTE	PART NUMBER	QTY	PART NAME 1 2 3 4 5 6 (PRODUCT LEVEL)	SEE PAGE
Y	247-6178	1	GENERATOR GP	296

Y - SEPARATE ILLUSTRATION

<END>

285-7039 GENERATOR AR

S/N: F5A1-UP
AN ATTACHMENT

SMCS-4450

i03547223

NOTE	PART NUMBER	QTY	PART NAME 1 2 3 4 5 6 (PRODUCT LEVEL)	SEE PAGE
Y	285-7045	1	GENERATOR GP	299

Y - SEPARATE ILLUSTRATION

<END>

330-9628 GENERATOR AR

S/N: F5A1-UP

SMCS-4450

i05181105

NOTE	PART NUMBER	QTY	PART NAME 1 2 3 4 5 6 (PRODUCT LEVEL)	SEE PAGE
Y	330-9627	1	GENERATOR GP	325

Y - SEPARATE ILLUSTRATION

<END>

338-1943 GENERATOR AR

S/N: F5A1-UP
FOR USE WITH 5000 FRAME GENERATORS

SMCS-4450

i04090691

NOTE	PART NUMBER	QTY	PART NAME 1 2 3 4 5 6 (PRODUCT LEVEL)	SEE PAGE
Y	338-1946	1	GENERATOR GP	327

Y - SEPARATE ILLUSTRATION

<END>

338-1945 GENERATOR AR

S/N: F5A1-UP
FOR USE WITH 5000 FRAME GENERATORS

SMCS-4450

i03473934

NOTE	PART NUMBER	QTY	PART NAME 1 2 3 4 5 6 (PRODUCT LEVEL)	SEE PAGE
Y	338-1946	1	GENERATOR GP	327

Y - SEPARATE ILLUSTRATION

<END>

GENERATORS

338-1947 GENERATOR AR

S/N: F5A1-UP

FOR USE WITH 5000 FRAME GENERATORS

SMCS-4450

i04090730

NOTE	PART NUMBER	QTY	PART NAME 1 2 3 4 5 6 (PRODUCT LEVEL)	SEE PAGE
Y	338-1950	1	GENERATOR GP	329

Y - SEPARATE ILLUSTRATION

<END>

338-1949 GENERATOR AR

S/N: F5A1-UP

FOR USE WITH 5000 FRAME GENERATORS

SMCS-4450

i03473914

NOTE	PART NUMBER	QTY	PART NAME 1 2 3 4 5 6 (PRODUCT LEVEL)	SEE PAGE
Y	338-1950	1	GENERATOR GP	329

Y - SEPARATE ILLUSTRATION

<END>

338-1951 GENERATOR AR

S/N: F5A1-UP

FOR USE WITH 5000 FRAME GENERATORS

SMCS-4450

i04090733

NOTE	PART NUMBER	QTY	PART NAME 1 2 3 4 5 6 (PRODUCT LEVEL)	SEE PAGE
Y	338-1954	1	GENERATOR GP	331

Y - SEPARATE ILLUSTRATION

<END>

338-1953 GENERATOR AR

S/N: F5A1-UP

FOR USE WITH 5000 FRAME GENERATORS

SMCS-4450

i03473903

NOTE	PART NUMBER	QTY	PART NAME 1 2 3 4 5 6 (PRODUCT LEVEL)	SEE PAGE
Y	338-1954	1	GENERATOR GP	331

Y - SEPARATE ILLUSTRATION

<END>

338-1966 GENERATOR AR

S/N: F5A1-UP

FOR USE WITH 5000 FRAME GENERATORS

SMCS-4450

i04090769

NOTE	PART NUMBER	QTY	PART NAME 1 2 3 4 5 6 (PRODUCT LEVEL)	SEE PAGE
Y	338-1969	1	GENERATOR GP	333

Y - SEPARATE ILLUSTRATION

<END>

GENERATORS

338-1968 GENERATOR AR

S/N: F5A1-UP

FOR USE WITH 5000 FRAME GENERATORS

SMCS-4450

i03473893

NOTE	PART NUMBER	QTY	PART NAME 1 2 3 4 5 6 (PRODUCT LEVEL)	SEE PAGE
Y	338-1969	1	GENERATOR GP	333

Y - SEPARATE ILLUSTRATION

<END>

338-1970 GENERATOR AR

S/N: F5A1-UP

FOR USE WITH 5000 FRAME GENERATORS

SMCS-4450

i04090809

NOTE	PART NUMBER	QTY	PART NAME 1 2 3 4 5 6 (PRODUCT LEVEL)	SEE PAGE
Y	338-1973	1	GENERATOR GP	335

Y - SEPARATE ILLUSTRATION

<END>

338-1972 GENERATOR AR

S/N: F5A1-UP

FOR USE WITH 5000 FRAME GENERATORS

SMCS-4450

i03473886

NOTE	PART NUMBER	QTY	PART NAME 1 2 3 4 5 6 (PRODUCT LEVEL)	SEE PAGE
Y	338-1973	1	GENERATOR GP	335

Y - SEPARATE ILLUSTRATION

<END>

338-1974 GENERATOR AR

S/N: F5A1-UP

FOR USE WITH 5000 FRAME GENERATORS

SMCS-4450

i04090930

NOTE	PART NUMBER	QTY	PART NAME 1 2 3 4 5 6 (PRODUCT LEVEL)	SEE PAGE
Y	338-1977	1	GENERATOR GP	337

Y - SEPARATE ILLUSTRATION

<END>

338-1976 GENERATOR AR

S/N: F5A1-UP

FOR USE WITH 5000 FRAME GENERATORS

SMCS-4450

i03473780

NOTE	PART NUMBER	QTY	PART NAME 1 2 3 4 5 6 (PRODUCT LEVEL)	SEE PAGE
Y	338-1977	1	GENERATOR GP	337

Y - SEPARATE ILLUSTRATION

<END>

GENERATORS

338-1978 GENERATOR AR

S/N: F5A1-UP

FOR USE WITH 5000 FRAME GENERATORS

SMCS-4450

i04090934

NOTE	PART NUMBER	QTY	PART NAME 1 2 3 4 5 6 (PRODUCT LEVEL)	SEE PAGE
Y	338-1981	1	GENERATOR GP	339

Y - SEPARATE ILLUSTRATION

<END>

338-1980 GENERATOR AR

S/N: F5A1-UP

FOR USE WITH 5000 FRAME GENERATORS

SMCS-4450

i03473771

NOTE	PART NUMBER	QTY	PART NAME 1 2 3 4 5 6 (PRODUCT LEVEL)	SEE PAGE
Y	338-1981	1	GENERATOR GP	339

Y - SEPARATE ILLUSTRATION

<END>

338-1982 GENERATOR AR

S/N: F5A1-UP

FOR USE WITH 5000 FRAME GENERATORS

SMCS-4450

i04091050

NOTE	PART NUMBER	QTY	PART NAME 1 2 3 4 5 6 (PRODUCT LEVEL)	SEE PAGE
Y	338-1985	1	GENERATOR GP	341

Y - SEPARATE ILLUSTRATION

<END>

338-1984 GENERATOR AR

S/N: F5A1-UP

FOR USE WITH 5000 FRAME GENERATORS

SMCS-4450

i03473628

NOTE	PART NUMBER	QTY	PART NAME 1 2 3 4 5 6 (PRODUCT LEVEL)	SEE PAGE
Y	338-1985	1	GENERATOR GP	341

Y - SEPARATE ILLUSTRATION

<END>

338-1986 GENERATOR AR

S/N: F5A1-UP

COASTAL INSULATION PROTECTION - SYSTEM 4

FOR USE WITH 5000 FRAME GENERATORS

SMCS-4450

i04360177

NOTE	PART NUMBER	QTY	PART NAME 1 2 3 4 5 6 (PRODUCT LEVEL)	SEE PAGE
Y	338-1989	1	GENERATOR GP	343

Y - SEPARATE ILLUSTRATION

<END>

GENERATORS

338-1988 GENERATOR AR

S/N: F5A1-UP

FOR USE WITH 5000 FRAME GENERATORS

SMCS-4450

i03473521

NOTE	PART NUMBER	QTY	PART NAME 1 2 3 4 5 6 (PRODUCT LEVEL)	SEE PAGE
Y	338-1989	1	GENERATOR GP	343

Y - SEPARATE ILLUSTRATION

<END>

338-1990 GENERATOR AR

S/N: F6B1-UP

FOR USE WITH 6000 FRAME GENERATORS

SMCS-4450

i04091110

NOTE	PART NUMBER	QTY	PART NAME 1 2 3 4 5 6 (PRODUCT LEVEL)	SEE PAGE
Y	338-1993	1	GENERATOR GP	345

Y - SEPARATE ILLUSTRATION

<END>

338-1992 GENERATOR AR

S/N: F6B1-UP

FOR USE WITH 6000 FRAME GENERATORS

SMCS-4450

i03472205

NOTE	PART NUMBER	QTY	PART NAME 1 2 3 4 5 6 (PRODUCT LEVEL)	SEE PAGE
Y	338-1993	1	GENERATOR GP	345

Y - SEPARATE ILLUSTRATION

<END>

338-1994 GENERATOR AR

S/N: F6B1-UP

FOR USE WITH 6000 FRAME GENERATORS

SMCS-4450

i04091129

NOTE	PART NUMBER	QTY	PART NAME 1 2 3 4 5 6 (PRODUCT LEVEL)	SEE PAGE
Y	338-1997	1	GENERATOR GP	347

Y - SEPARATE ILLUSTRATION

<END>

338-1996 GENERATOR AR

S/N: F6B1-UP

FOR USE WITH 6000 FRAME GENERATORS

SMCS-4450

i03496885

NOTE	PART NUMBER	QTY	PART NAME 1 2 3 4 5 6 (PRODUCT LEVEL)	SEE PAGE
Y	338-1997	1	GENERATOR GP	347

Y - SEPARATE ILLUSTRATION

<END>

GENERATORS

338-1998 GENERATOR AR

S/N: F6B1-UP

FOR USE WITH 6000 FRAME GENERATORS

SMCS-4450

i04109410

NOTE	PART NUMBER	QTY	PART NAME 1 2 3 4 5 6 (PRODUCT LEVEL)	SEE PAGE
Y	338-2001	1	GENERATOR GP	349

Y - SEPARATE ILLUSTRATION

<END>

338-2000 GENERATOR AR

S/N: F6B1-UP

FOR USE WITH 6000 FRAME GENERATORS

SMCS-4450

i03496983

NOTE	PART NUMBER	QTY	PART NAME 1 2 3 4 5 6 (PRODUCT LEVEL)	SEE PAGE
Y	338-2001	1	GENERATOR GP	349

Y - SEPARATE ILLUSTRATION

<END>

338-2003 GENERATOR AR

S/N: F6B1-UP

FOR USE WITH 6000 FRAME GENERATORS

SMCS-4450

i04109494

NOTE	PART NUMBER	QTY	PART NAME 1 2 3 4 5 6 (PRODUCT LEVEL)	SEE PAGE
Y	338-2006	1	GENERATOR GP	351

Y - SEPARATE ILLUSTRATION

<END>

338-2005 GENERATOR AR

S/N: F6B1-UP

FOR USE WITH 6000 FRAME GENERATORS

SMCS-4450

i03472363

NOTE	PART NUMBER	QTY	PART NAME 1 2 3 4 5 6 (PRODUCT LEVEL)	SEE PAGE
Y	338-2006	1	GENERATOR GP	351

Y - SEPARATE ILLUSTRATION

<END>

338-2007 GENERATOR AR

S/N: F6B1-UP

FOR USE WITH 6000 FRAME GENERATORS

SMCS-4450

i04120692

NOTE	PART NUMBER	QTY	PART NAME 1 2 3 4 5 6 (PRODUCT LEVEL)	SEE PAGE
Y	338-2010	1	GENERATOR GP	353

Y - SEPARATE ILLUSTRATION

<END>

GENERATORS

338-2009 GENERATOR AR

S/N: F6B1-UP

FOR USE WITH 6000 FRAME GENERATORS

SMCS-4450

i03497082

NOTE	PART NUMBER	QTY	PART NAME 1 2 3 4 5 6 (PRODUCT LEVEL)	SEE PAGE
Y	338-2010	1	GENERATOR GP	353

Y - SEPARATE ILLUSTRATION

<END>

338-2011 GENERATOR AR

S/N: F6B1-UP

FOR USE WITH 6000 FRAME GENERATORS

SMCS-4450

i04120709

NOTE	PART NUMBER	QTY	PART NAME 1 2 3 4 5 6 (PRODUCT LEVEL)	SEE PAGE
Y	338-2014	1	GENERATOR GP	355

Y - SEPARATE ILLUSTRATION

<END>

338-2013 GENERATOR AR

S/N: F6B1-UP

FOR USE WITH 6000 FRAME GENERATORS

SMCS-4450

i03497091

NOTE	PART NUMBER	QTY	PART NAME 1 2 3 4 5 6 (PRODUCT LEVEL)	SEE PAGE
Y	338-2014	1	GENERATOR GP	355

Y - SEPARATE ILLUSTRATION

<END>

338-2015 GENERATOR AR

S/N: F6B1-UP

FOR USE WITH 6000 FRAME GENERATORS

SMCS-4450

i04120714

NOTE	PART NUMBER	QTY	PART NAME 1 2 3 4 5 6 (PRODUCT LEVEL)	SEE PAGE
Y	338-2018	1	GENERATOR GP	357

Y - SEPARATE ILLUSTRATION

<END>

338-2017 GENERATOR AR

S/N: F6B1-UP

FOR USE WITH 6000 FRAME GENERATORS

SMCS-4450

i03472441

NOTE	PART NUMBER	QTY	PART NAME 1 2 3 4 5 6 (PRODUCT LEVEL)	SEE PAGE
Y	338-2018	1	GENERATOR GP	357

Y - SEPARATE ILLUSTRATION

<END>

GENERATORS

338-2019 GENERATOR AR

S/N: F6B1-UP

FOR USE WITH 6000 FRAME GENERATORS

SMCS-4450

i04120716

NOTE	PART NUMBER	QTY	PART NAME 1 2 3 4 5 6 (PRODUCT LEVEL)	SEE PAGE
Y	338-2022	1	GENERATOR GP	360

Y - SEPARATE ILLUSTRATION

<END>

338-2021 GENERATOR AR

S/N: F6B1-UP

FOR USE WITH 6000 FRAME GENERATORS

SMCS-4450

i03472504

NOTE	PART NUMBER	QTY	PART NAME 1 2 3 4 5 6 (PRODUCT LEVEL)	SEE PAGE
Y	338-2022	1	GENERATOR GP	360

Y - SEPARATE ILLUSTRATION

<END>

338-2023 GENERATOR AR

S/N: F6B1-UP

FOR USE WITH 6000 FRAME GENERATORS

SMCS-4450

i04473397

NOTE	PART NUMBER	QTY	PART NAME 1 2 3 4 5 6 (PRODUCT LEVEL)	SEE PAGE
Y	338-2026	1	GENERATOR GP	363

Y - SEPARATE ILLUSTRATION

<END>

338-2025 GENERATOR AR

S/N: F6B1-UP

FOR USE WITH 6000 FRAME GENERATORS

SMCS-4450

i03497220

NOTE	PART NUMBER	QTY	PART NAME 1 2 3 4 5 6 (PRODUCT LEVEL)	SEE PAGE
Y	338-2026	1	GENERATOR GP	363

Y - SEPARATE ILLUSTRATION

<END>

338-2027 GENERATOR AR

S/N: F6B1-UP

FOR USE WITH 6000 FRAME GENERATORS

SMCS-4450

i04473392

NOTE	PART NUMBER	QTY	PART NAME 1 2 3 4 5 6 (PRODUCT LEVEL)	SEE PAGE
Y	338-2030	1	GENERATOR GP	365

Y - SEPARATE ILLUSTRATION

<END>

GENERATORS

338-2029 GENERATOR AR

S/N: F6B1-UP

FOR USE WITH 6000 FRAME GENERATORS

SMCS-4450

i03497244

NOTE	PART NUMBER	QTY	PART NAME 1 2 3 4 5 6 (PRODUCT LEVEL)	SEE PAGE
Y	338-2030	1	GENERATOR GP	365

Y - SEPARATE ILLUSTRATION

<END>

338-2031 GENERATOR AR

S/N: F6B1-UP

FOR USE WITH 6000 FRAME GENERATORS

SMCS-4450

i04473394

NOTE	PART NUMBER	QTY	PART NAME 1 2 3 4 5 6 (PRODUCT LEVEL)	SEE PAGE
Y	338-2034	1	GENERATOR GP	367

Y - SEPARATE ILLUSTRATION

<END>

338-2033 GENERATOR AR

S/N: F6B1-UP

FOR USE WITH 6000 FRAME GENERATORS

SMCS-4450

i03497250

NOTE	PART NUMBER	QTY	PART NAME 1 2 3 4 5 6 (PRODUCT LEVEL)	SEE PAGE
Y	338-2034	1	GENERATOR GP	367

Y - SEPARATE ILLUSTRATION

<END>

338-2052 GENERATOR AR

S/N: F6B1-UP

FOR USE WITH 6000 FRAME GENERATORS

SMCS-4450

i04473379

NOTE	PART NUMBER	QTY	PART NAME 1 2 3 4 5 6 (PRODUCT LEVEL)	SEE PAGE
Y	338-2055	1	GENERATOR GP	369

Y - SEPARATE ILLUSTRATION

<END>

338-2054 GENERATOR AR

S/N: F6B1-UP

FOR USE WITH 6000 FRAME GENERATORS

SMCS-4450

i03497260

NOTE	PART NUMBER	QTY	PART NAME 1 2 3 4 5 6 (PRODUCT LEVEL)	SEE PAGE
Y	338-2055	1	GENERATOR GP	369

Y - SEPARATE ILLUSTRATION

<END>

GENERATORS

338-2056 GENERATOR AR

S/N: F6B1-UP

FOR USE WITH 6000 FRAME GENERATORS

SMCS-4450

i04473374

NOTE	PART NUMBER	QTY	PART NAME 1 2 3 4 5 6 (PRODUCT LEVEL)	SEE PAGE
Y	338-2059	1	GENERATOR GP	371

Y - SEPARATE ILLUSTRATION

<END>

338-2058 GENERATOR AR

S/N: F6B1-UP

FOR USE WITH 6000 FRAME GENERATIONS

SMCS-4450

i03871387

NOTE	PART NUMBER	QTY	PART NAME 1 2 3 4 5 6 (PRODUCT LEVEL)	SEE PAGE
Y	338-2059	1	GENERATOR GP	371

Y - SEPARATE ILLUSTRATION

<END>

338-2060 GENERATOR AR

S/N: F6B1-UP

FOR USE WITH 6000 FRAME GENERATORS

SMCS-4450

i04473385

NOTE	PART NUMBER	QTY	PART NAME 1 2 3 4 5 6 (PRODUCT LEVEL)	SEE PAGE
Y	338-2063	1	GENERATOR GP	374

Y - SEPARATE ILLUSTRATION

<END>

338-2062 GENERATOR AR

S/N: F6B1-UP

FOR USE WITH 6000 FRAME GENERATORS

SMCS-4450

i03497273

NOTE	PART NUMBER	QTY	PART NAME 1 2 3 4 5 6 (PRODUCT LEVEL)	SEE PAGE
Y	338-2063	1	GENERATOR GP	374

Y - SEPARATE ILLUSTRATION

<END>

338-2064 GENERATOR AR

S/N: F6B1-UP

FOR USE WITH 6000 FRAME GENERATORS

SMCS-4450

i04473382

NOTE	PART NUMBER	QTY	PART NAME 1 2 3 4 5 6 (PRODUCT LEVEL)	SEE PAGE
Y	338-2067	1	GENERATOR GP	376

Y - SEPARATE ILLUSTRATION

<END>

GENERATORS

338-2066 GENERATOR AR

S/N: F6B1-UP

FOR USE WITH 6000 FRAME GENERATORS

SMCS-4450

i03497286

NOTE	PART NUMBER	QTY	PART NAME 1 2 3 4 5 6 (PRODUCT LEVEL)	SEE PAGE
Y	338-2067	1	GENERATOR GP	376

Y - SEPARATE ILLUSTRATION

<END>

338-2068 GENERATOR AR

S/N: F6B1-UP

FOR USE WITH 6000 FRAME GENERATORS

SMCS-4450

i04461210

NOTE	PART NUMBER	QTY	PART NAME 1 2 3 4 5 6 (PRODUCT LEVEL)	SEE PAGE
Y	338-2071	1	GENERATOR GP	378

Y - SEPARATE ILLUSTRATION

<END>

338-2070 GENERATOR AR

S/N: F6B1-UP

FOR USE WITH 6000 FRAME GENERATORS

SMCS-4450

i03497299

NOTE	PART NUMBER	QTY	PART NAME 1 2 3 4 5 6 (PRODUCT LEVEL)	SEE PAGE
Y	338-2071	1	GENERATOR GP	378

Y - SEPARATE ILLUSTRATION

<END>

338-2072 GENERATOR AR

S/N: F6B1-UP

FOR USE WITH 6000 FRAME GENERATORS

SMCS-4450

i04517350

NOTE	PART NUMBER	QTY	PART NAME 1 2 3 4 5 6 (PRODUCT LEVEL)	SEE PAGE
Y	338-2075	1	GENERATOR GP	380

Y - SEPARATE ILLUSTRATION

<END>

338-2074 GENERATOR AR

S/N: F6B1-UP

FOR USE WITH 6000 FRAME GENERATORS

SMCS-4450

i03497620

NOTE	PART NUMBER	QTY	PART NAME 1 2 3 4 5 6 (PRODUCT LEVEL)	SEE PAGE
Y	338-2075	1	GENERATOR GP	380

Y - SEPARATE ILLUSTRATION

<END>

GENERATORS

338-2080 GENERATOR AR

S/N: F6B1-UP

FOR USE WITH 6000 FRAME GENERATORS

SMCS-4450

i04517291

NOTE	PART NUMBER	QTY	PART NAME 1 2 3 4 5 6 (PRODUCT LEVEL)	SEE PAGE
Y	338-2083	1	GENERATOR GP	382

Y - SEPARATE ILLUSTRATION

<END>

338-2082 GENERATOR AR

S/N: F6B1-UP

FOR USE WITH 6000 FRAME GENERATORS

SMCS-4450

i03497628

NOTE	PART NUMBER	QTY	PART NAME 1 2 3 4 5 6 (PRODUCT LEVEL)	SEE PAGE
Y	338-2083	1	GENERATOR GP	382

Y - SEPARATE ILLUSTRATION

<END>

338-2084 GENERATOR AR

S/N: F6B1-UP

FOR USE WITH 6000 FRAME GENERATORS

SMCS-4450

i04517557

NOTE	PART NUMBER	QTY	PART NAME 1 2 3 4 5 6 (PRODUCT LEVEL)	SEE PAGE
Y	338-2087	1	GENERATOR GP	384

Y - SEPARATE ILLUSTRATION

<END>

338-2086 GENERATOR AR

S/N: F6B1-UP

FOR USE WITH 6000 FRAME GENERATORS

SMCS-4450

i03497638

NOTE	PART NUMBER	QTY	PART NAME 1 2 3 4 5 6 (PRODUCT LEVEL)	SEE PAGE
Y	338-2087	1	GENERATOR GP	384

Y - SEPARATE ILLUSTRATION

<END>

392-1377 GENERATOR AR

S/N: F6B1-UP

AN ATTACHMENT

SMCS-4450

i04902671

NOTE	PART NUMBER	QTY	PART NAME 1 2 3 4 5 6 (PRODUCT LEVEL)	SEE PAGE
Y	389-9340	1	GENERATOR GP	392

Y - SEPARATE ILLUSTRATION

<END>

GENERATORS

392-1378 GENERATOR AR

S/N: F6B1-UP
AN ATTACHMENT

SMCS-4450

i04902803

NOTE	PART NUMBER	QTY	PART NAME 1 2 3 4 5 6 (PRODUCT LEVEL)	SEE PAGE
Y	374-0463	1	GENERATOR GP	388

Y - SEPARATE ILLUSTRATION

<END>

392-1379 GENERATOR AR

S/N: F6B1-UP
AN ATTACHMENT

SMCS-4450

i04903950

NOTE	PART NUMBER	QTY	PART NAME 1 2 3 4 5 6 (PRODUCT LEVEL)	SEE PAGE
Y	374-0465	1	GENERATOR GP	390

Y - SEPARATE ILLUSTRATION

<END>

392-1380 GENERATOR AR

S/N: F6B1-UP
AN ATTACHMENT

SMCS-4450

i04903968

NOTE	PART NUMBER	QTY	PART NAME 1 2 3 4 5 6 (PRODUCT LEVEL)	SEE PAGE
Y	358-4760	1	GENERATOR GP	386

Y - SEPARATE ILLUSTRATION

<END>

392-1387 GENERATOR AR

S/N: F6B1-UP
AN ATTACHMENT

SMCS-4450

i04904216

NOTE	PART NUMBER	QTY	PART NAME 1 2 3 4 5 6 (PRODUCT LEVEL)	SEE PAGE
Y	389-9341	1	GENERATOR GP	394

Y - SEPARATE ILLUSTRATION

<END>

392-1388 GENERATOR AR

S/N: F6B1-UP
AN ATTACHMENT

SMCS-4450

i04904153

NOTE	PART NUMBER	QTY	PART NAME 1 2 3 4 5 6 (PRODUCT LEVEL)	SEE PAGE
Y	389-9342	1	GENERATOR GP	396

Y - SEPARATE ILLUSTRATION

<END>

GENERATORS

392-1389 GENERATOR AR

S/N: F6B1-UP
AN ATTACHMENT

SMCS-4450

i04904199

NOTE	PART NUMBER	QTY	PART NAME 1 2 3 4 5 6 (PRODUCT LEVEL)	SEE PAGE
Y	389-9343	1	GENERATOR GP	398

Y - SEPARATE ILLUSTRATION

<END>

392-1390 GENERATOR AR

S/N: F6B1-UP
AN ATTACHMENT

SMCS-4450

i04904158

NOTE	PART NUMBER	QTY	PART NAME 1 2 3 4 5 6 (PRODUCT LEVEL)	SEE PAGE
Y	389-9344	1	GENERATOR GP	400

Y - SEPARATE ILLUSTRATION

<END>

392-1393 GENERATOR AR

S/N: F6B1-UP
AN ATTACHMENT

SMCS-4450

i04903133

NOTE	PART NUMBER	QTY	PART NAME 1 2 3 4 5 6 (PRODUCT LEVEL)	SEE PAGE
Y	389-9347	1	GENERATOR GP	402

Y - SEPARATE ILLUSTRATION

<END>

392-1394 GENERATOR AR

S/N: F6B1-UP
AN ATTACHMENT

SMCS-4450

i04903207

NOTE	PART NUMBER	QTY	PART NAME 1 2 3 4 5 6 (PRODUCT LEVEL)	SEE PAGE
Y	389-9348	1	GENERATOR GP	404

Y - SEPARATE ILLUSTRATION

<END>

392-1397 GENERATOR AR

S/N: F6B1-UP
AN ATTACHMENT

SMCS-4450

i04903957

NOTE	PART NUMBER	QTY	PART NAME 1 2 3 4 5 6 (PRODUCT LEVEL)	SEE PAGE
Y	389-9351	1	GENERATOR GP	406

Y - SEPARATE ILLUSTRATION

<END>

GENERATORS

392-1398 GENERATOR AR

S/N: F6B1-UP
AN ATTACHMENT

SMCS-4450

i04903960

NOTE	PART NUMBER	QTY	PART NAME 1 2 3 4 5 6 (PRODUCT LEVEL)	SEE PAGE
Y	389-9352	1	GENERATOR GP	408

Y - SEPARATE ILLUSTRATION

<END>

396-9606 GENERATOR AR

S/N: F6B1-UP
AN ATTACHMENT

SMCS-4450

i05289794

NOTE	PART NUMBER	QTY	PART NAME 1 2 3 4 5 6 (PRODUCT LEVEL)	SEE PAGE
Y	421-5094	1	GENERATOR GP (POWER)	415

Y - SEPARATE ILLUSTRATION

<END>

396-9607 GENERATOR AR

S/N: F6B1-UP
AN ATTACHMENT

SMCS-4450

i05289796

NOTE	PART NUMBER	QTY	PART NAME 1 2 3 4 5 6 (PRODUCT LEVEL)	SEE PAGE
Y	421-5095	1	GENERATOR GP (POWER)	417

Y - SEPARATE ILLUSTRATION

<END>

421-5087 GENERATOR AR

S/N: F6B1-UP
AN ATTACHMENT

SMCS-4450

i05289799

NOTE	PART NUMBER	QTY	PART NAME 1 2 3 4 5 6 (PRODUCT LEVEL)	SEE PAGE
Y	421-5097	1	GENERATOR GP (POWER)	419

Y - SEPARATE ILLUSTRATION

<END>

421-5088 GENERATOR AR

S/N: F6B1-UP
AN ATTACHMENT

SMCS-4450

i05289801

NOTE	PART NUMBER	QTY	PART NAME 1 2 3 4 5 6 (PRODUCT LEVEL)	SEE PAGE
Y	421-5098	1	GENERATOR GP (POWER)	421

Y - SEPARATE ILLUSTRATION

<END>

GENERATORS

421-5090 GENERATOR AR

S/N: F6B1-UP
AN ATTACHMENT

SMCS-4450

i05289806

NOTE	PART NUMBER	QTY	PART NAME 1 2 3 4 5 6 (PRODUCT LEVEL)	SEE PAGE
Y	421-5100	1	GENERATOR GP (POWER)	423

Y - SEPARATE ILLUSTRATION

<END>

421-5091 GENERATOR AR

S/N: F6B1-UP
AN ATTACHMENT

SMCS-4450

i05289810

NOTE	PART NUMBER	QTY	PART NAME 1 2 3 4 5 6 (PRODUCT LEVEL)	SEE PAGE
Y	421-5101	1	GENERATOR GP (POWER)	425

Y - SEPARATE ILLUSTRATION

<END>

421-5092 GENERATOR AR

S/N: F6B1-UP
AN ATTACHMENT

SMCS-4450

i05289813

NOTE	PART NUMBER	QTY	PART NAME 1 2 3 4 5 6 (PRODUCT LEVEL)	SEE PAGE
Y	421-5102	1	GENERATOR GP (POWER)	426

Y - SEPARATE ILLUSTRATION

<END>

421-5093 GENERATOR AR

S/N: F6B1-UP
AN ATTACHMENT

SMCS-4450

i05289818

NOTE	PART NUMBER	QTY	PART NAME 1 2 3 4 5 6 (PRODUCT LEVEL)	SEE PAGE
Y	421-5103	1	GENERATOR GP (POWER)	427

Y - SEPARATE ILLUSTRATION

<END>

421-5197 GENERATOR AR

S/N: F6B1-UP
AN ATTACHMENT

SMCS-4450

i05271148

NOTE	PART NUMBER	QTY	PART NAME 1 2 3 4 5 6 (PRODUCT LEVEL)	SEE PAGE
Y	421-5225	1	GENERATOR GP	431

Y - SEPARATE ILLUSTRATION

<END>

GENERATORS

421-5198 GENERATOR AR

S/N: F6B1-UP
AN ATTACHMENT

SMCS-4450

i05271151

NOTE	PART NUMBER	QTY	PART NAME 1 2 3 4 5 6 (PRODUCT LEVEL)	SEE PAGE
Y	421-5212	1	GENERATOR GP	428

Y - SEPARATE ILLUSTRATION

<END>

421-5199 GENERATOR AR

S/N: F6B1-UP
AN ATTACHMENT

SMCS-4450

i05271153

NOTE	PART NUMBER	QTY	PART NAME 1 2 3 4 5 6 (PRODUCT LEVEL)	SEE PAGE
Y	421-5213	1	GENERATOR GP	429

Y - SEPARATE ILLUSTRATION

<END>

421-5200 GENERATOR AR

S/N: F6B1-UP
AN ATTACHMENT

SMCS-4450

i05271159

NOTE	PART NUMBER	QTY	PART NAME 1 2 3 4 5 6 (PRODUCT LEVEL)	SEE PAGE
Y	421-5214	1	GENERATOR GP	430

Y - SEPARATE ILLUSTRATION

<END>

459-4432 GENERATOR AR

S/N: F5A1-UP
50/60-HERTZ AT 1500/1800 RPM
AN ATTACHMENT

SMCS-4450

i05939839

NOTE	PART NUMBER	QTY	PART NAME 1 2 3 4 5 6 (PRODUCT LEVEL)	SEE PAGE
Y	459-4438	1	GENERATOR GP	433

Y - SEPARATE ILLUSTRATION

<END>

459-4433 GENERATOR AR

S/N: F5A1-UP
50/60-HERTZ AT 1500/1800 RPM
AN ATTACHMENT

SMCS-4450

i05939852

NOTE	PART NUMBER	QTY	PART NAME 1 2 3 4 5 6 (PRODUCT LEVEL)	SEE PAGE
Y	459-4439	1	GENERATOR GP	435

Y - SEPARATE ILLUSTRATION

<END>

GENERATORS

459-4434 GENERATOR AR

S/N: F5A1-UP
50/60-HERTZ AT 1500/1800 RPM
AN ATTACHMENT

SMCS-4450

i05939857

NOTE	PART NUMBER	QTY	PART NAME 1 2 3 4 5 6 (PRODUCT LEVEL)	SEE PAGE
Y	459-4440	1	GENERATOR GP	437
Y - SEPARATE ILLUSTRATION				
<END>				

459-4435 GENERATOR AR

S/N: F5A1-UP
50/60-HERTZ AT 1500/1800 RPM
AN ATTACHMENT

SMCS-4450

i05939861

NOTE	PART NUMBER	QTY	PART NAME 1 2 3 4 5 6 (PRODUCT LEVEL)	SEE PAGE
Y	459-4441	1	GENERATOR GP	439
Y - SEPARATE ILLUSTRATION				
<END>				

459-4436 GENERATOR AR

S/N: F5A1-UP
60 HZ. 12 LEADS
AN ATTACHMENT

SMCS-4450

i05939863

NOTE	PART NUMBER	QTY	PART NAME 1 2 3 4 5 6 (PRODUCT LEVEL)	SEE PAGE
Y	459-4442	1	GENERATOR GP	441
Y - SEPARATE ILLUSTRATION				
<END>				

459-4437 GENERATOR AR

S/N: F5A1-UP
60 HZ. 12 LEADS
AN ATTACHMENT

SMCS-4450

i05939865

NOTE	PART NUMBER	QTY	PART NAME 1 2 3 4 5 6 (PRODUCT LEVEL)	SEE PAGE
Y	459-4443	1	GENERATOR GP	443
Y - SEPARATE ILLUSTRATION				
<END>				

GENERATORS

459-4444 GENERATOR AR

S/N: F5A1-UP
60 HZ. 12 LEADS
AN ATTACHMENT

SMCS-4450

i05939893

NOTE	PART NUMBER	QTY	PART NAME 1 2 3 4 5 6 (PRODUCT LEVEL)	SEE PAGE
Y	459-4450	1	GENERATOR GP	445
Y - SEPARATE ILLUSTRATION				
<END>				

459-4445 GENERATOR AR

S/N: F5A1-UP
50/60-HERTZ AT 1500/1800 RPM
AN ATTACHMENT

SMCS-4450

i05939896

NOTE	PART NUMBER	QTY	PART NAME 1 2 3 4 5 6 (PRODUCT LEVEL)	SEE PAGE
Y	459-4451	1	GENERATOR GP	447
Y - SEPARATE ILLUSTRATION				
<END>				

459-4446 GENERATOR AR

S/N: F5A1-UP
50/60-HERTZ AT 1500/1800 RPM
AN ATTACHMENT

SMCS-4450

i05939951

NOTE	PART NUMBER	QTY	PART NAME 1 2 3 4 5 6 (PRODUCT LEVEL)	SEE PAGE
Y	459-4452	1	GENERATOR GP	449
Y - SEPARATE ILLUSTRATION				
<END>				

459-4447 GENERATOR AR

S/N: F5A1-UP
50/60-HERTZ AT 1500/1800 RPM
AN ATTACHMENT

SMCS-4450

i05939955

NOTE	PART NUMBER	QTY	PART NAME 1 2 3 4 5 6 (PRODUCT LEVEL)	SEE PAGE
Y	459-4453	1	GENERATOR GP	451
Y - SEPARATE ILLUSTRATION				
<END>				

GENERATORS

459-4448 GENERATOR AR

S/N: F5A1-UP
50/60-HERTZ AT 1500/1800 RPM
AN ATTACHMENT

SMCS-4450

i05939958

NOTE	PART NUMBER	QTY	PART NAME 1 2 3 4 5 6 (PRODUCT LEVEL)	SEE PAGE
Y	459-4454	1	GENERATOR GP	453
Y - SEPARATE ILLUSTRATION				
<END>				

459-4449 GENERATOR AR

S/N: F5A1-UP
50/60-HERTZ AT 1500/1800 RPM
AN ATTACHMENT

SMCS-4450

i05939960

NOTE	PART NUMBER	QTY	PART NAME 1 2 3 4 5 6 (PRODUCT LEVEL)	SEE PAGE
Y	459-4455	1	GENERATOR GP	455
Y - SEPARATE ILLUSTRATION				
<END>				

465-2291 GENERATOR AR

S/N: F5A1-UP

SMCS-4450

i06035682

NOTE	PART NUMBER	QTY	PART NAME 1 2 3 4 5 6 (PRODUCT LEVEL)	SEE PAGE
Y	465-2285	1	GENERATOR GP	457
Y - SEPARATE ILLUSTRATION				
<END>				

465-2292 GENERATOR AR

S/N: F5A1-UP

SMCS-4450

i06035675

NOTE	PART NUMBER	QTY	PART NAME 1 2 3 4 5 6 (PRODUCT LEVEL)	SEE PAGE
Y	465-2290	1	GENERATOR GP	459
Y - SEPARATE ILLUSTRATION				
<END>				

GENERATORS

469-2278 GENERATOR AR

S/N: F5A1-UP

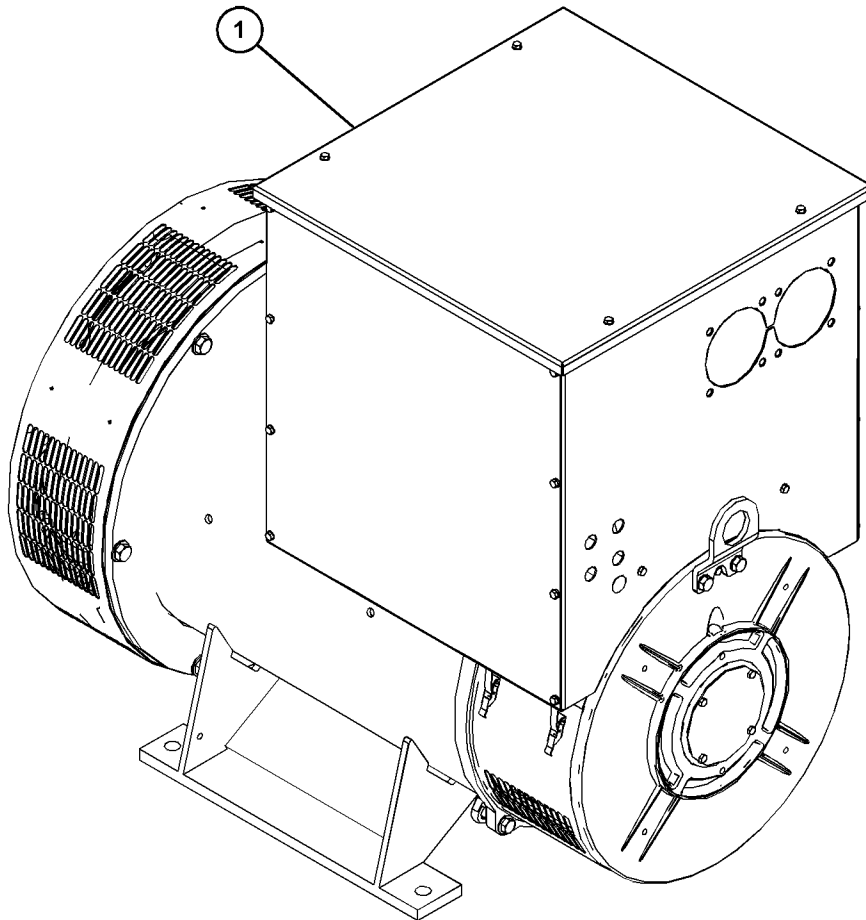
50/60-HERTZ. 1500/1800-RPM

SMCS-4450

i06090711

NOTE	REF NO	GRAPHIC REF	PART NUMBER	QTY	PART NAME						SEE PAGE
					1	2	3	4	5	6 (PRODUCT LEVEL)	
Y	1	1	392-2048	1	GENERATOR GP						410

Y - SEPARATE ILLUSTRATION



GRAPHIC #1

<END>

g03820395

GENERATORS

469-2279 GENERATOR AR

S/N: F5A1-UP
50/60 HERTZ, 1500/1800 RPM

SMCS-4450

i06293163

NOTE	PART NUMBER	QTY	PART NAME 1 2 3 4 5 6 (PRODUCT LEVEL)	SEE PAGE
Y	392-2049	1	GENERATOR GP	413

Y - SEPARATE ILLUSTRATION

<END>

471-0794 GENERATOR AR

S/N: F5A1-UP
60/50-HERTZ
AN ATTACHMENT

SMCS-4450

i06165283

NOTE	PART NUMBER	QTY	PART NAME 1 2 3 4 5 6 (PRODUCT LEVEL)	SEE PAGE
Y	471-0795	1	GENERATOR GP	462

Y - SEPARATE ILLUSTRATION

<END>

471-0796 GENERATOR AR

S/N: F5A1-UP
60/50-HERTZ
AN ATTACHMENT

SMCS-4450

i06165383

NOTE	PART NUMBER	QTY	PART NAME 1 2 3 4 5 6 (PRODUCT LEVEL)	SEE PAGE
Y	471-0797	1	GENERATOR GP	464

Y - SEPARATE ILLUSTRATION

<END>

471-0798 GENERATOR AR

S/N: F5A1-UP
60/50-HERTZ
AN ATTACHMENT

SMCS-4450

i06165456

NOTE	PART NUMBER	QTY	PART NAME 1 2 3 4 5 6 (PRODUCT LEVEL)	SEE PAGE
Y	471-0799	1	GENERATOR GP	466

Y - SEPARATE ILLUSTRATION

<END>

471-0800 GENERATOR AR

S/N: F5A1-UP
60/50-HERTZ
AN ATTACHMENT

SMCS-4450

i06165484

NOTE	PART NUMBER	QTY	PART NAME 1 2 3 4 5 6 (PRODUCT LEVEL)	SEE PAGE
Y	471-0801	1	GENERATOR GP	469

Y - SEPARATE ILLUSTRATION

<END>

GENERATORS

241-4457 GENERATOR GP

S/N: F5A1-UP

PART OF 235-1201 GENERATOR AR

AN ATTACHMENT

SMCS-4450

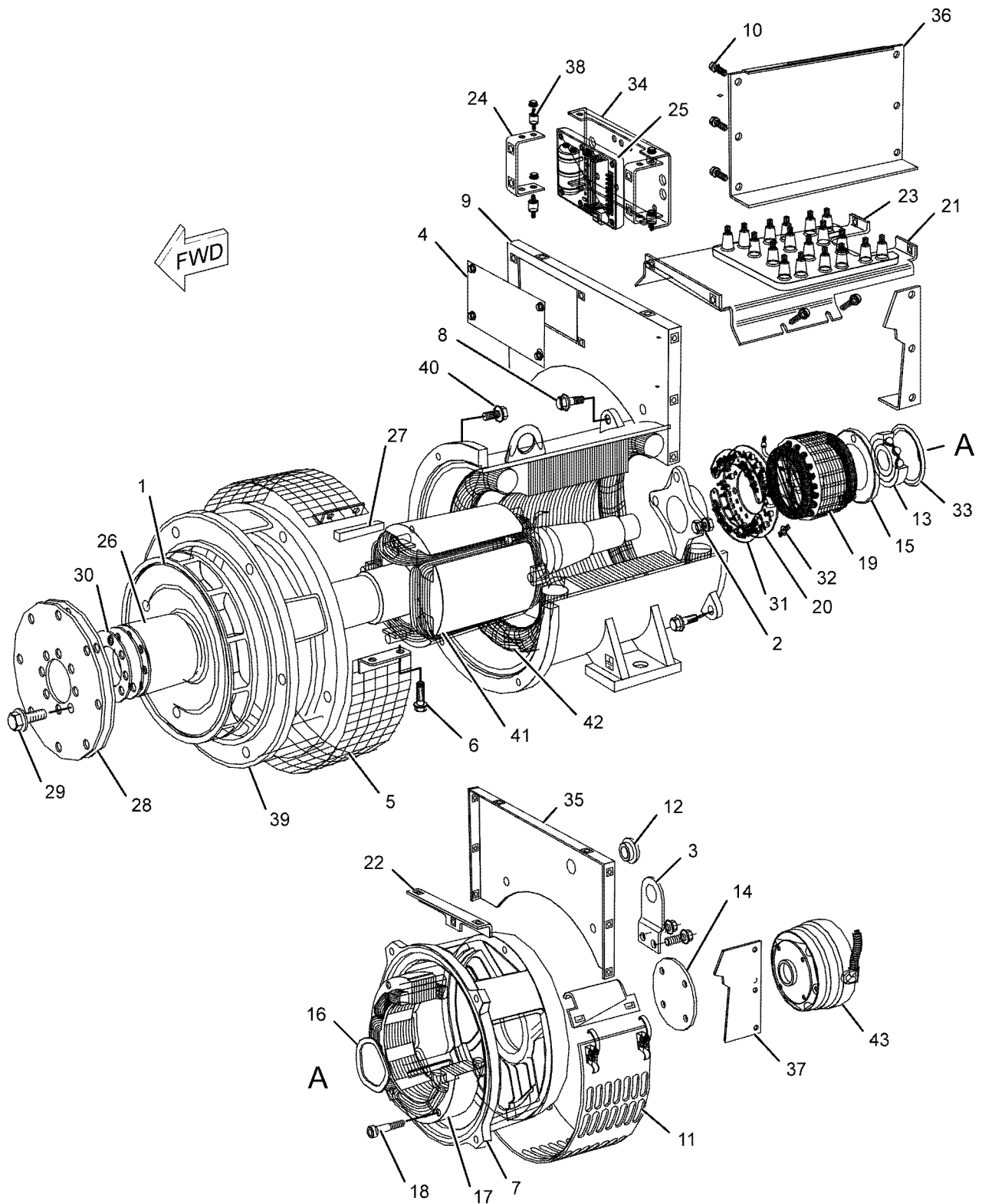
i03516643

NOTE	REF NO	GRAPHIC REF	PART NUMBER	QTY	PART NAME						SEE PAGE
					1	2	3	4	5	6 (PRODUCT LEVEL)	
	1	1	241-4574	1	FAN						
	2	1	241-4576	1	DISC (BALANCING)						
	3	1	241-4577	1	EYE-LIFTING						
	4	1	241-4630	1	PANEL-ACCESS						
	5	1	241-4579	1	SCREEN (AIR EXIT)						
	6	1	241-4580	2	SCREW						
	7	1	241-4587	1	KIT-RING (GENERATOR)						
	8	1	241-4588	4	BOLT (M12X50-MM)						
	9	1	241-4589	1	PANEL-TERMINAL BOX						
	10	1	242-3931	28	BOLT (M6X1X16-MM)						
	11	1	241-4591	1	SCREEN-AIR INLET						
	12	1	243-5380	1	CAP						
	13	1	243-5220	1	BEARING						
	14	1	241-4594	1	COVER (OUTER BEARING)						
	15	1	241-4595	1	CAP-BEARING						
	16	1	241-4597	1	RING						
	17	1	243-5221	1	EXCITER						
	18	1	241-4604	4	BOLT (M6X70-MM)						
	19	1	241-4634	1	ARMATURE						
	20	1	241-4606	1	SUPPORT-DIODE						
	21	1	241-4607	1	SUPPORT (TERMINAL)						
	22	1	241-4610	1	SUPPORT (TERMINAL BOX)						
	23	1	241-4611	1	TERMINAL AS						
	24	1	241-4612	2	SUPPORT						
	25	1	289-4769	1	REGULATOR AS-VOLTAGE (GENERATOR)						
	26	1	241-4614	1	HUB						
	27	1	241-4615	1	KEY-SQUARE						
	28	1	241-4616	3	DISC						
	29	1	241-4617	8	BOLT (M16X60-MM)						
	30	1	243-5223	1	SHIM (2-MM THK)						
	31	1	241-4619	1	DIODE AS						
	32	1	241-4620	1	VARISTOR						
	33	1	241-4622	1	SEAL-O-RING						
	34	1	241-4624	1	SUPPORT						
	35	1	241-4626	1	PANEL-TERMINAL BOX						
	36	1	241-4627	1	PANEL-ACCESS						
	37	1	241-4628	1	PANEL-ACCESS						
	38	1	241-4629	1	MOUNT AS-RESILIENT						
	39	1	242-3749	1	BRACKET						
	40	1	241-4641	6	BOLT (M14X2-THD)						
	41	1	242-8725	1	ROTOR AS						
	42	1	242-8719	1	STATOR AS						
	43	1	239-9490	1	KIT-EXCITER (PERMANENT MAGNET)						

GENERATORS

241-4457 GENERATOR GP (contd.)

i03516643



GRAPHIC #1

<END>

g01030593

GENERATORS

241-4471 GENERATOR GP

S/N: F6B1-UP

PART OF 235-1205 GENERATOR AR

AN ATTACHMENT

SMCS-4450

i05282172

NOTE	REF NO	GRAPHIC REF	PART NUMBER	QTY	PART NAME						SEE PAGE
					1	2	3	4	5	6 (PRODUCT LEVEL)	
	1	1	243-0145	1	STATOR AS						
R	2	1	338-7378	1	ROTOR AS						
	4	1	241-4577	1	EYE-LIFTING						
	5	1	242-3922	1	FLANGE						
M	6	1	160-8746	6	BOLT (M12X1.75X18-MM)						
	7	1	242-3924	1	SCREEN (AIR EXIT)						
	8	1	242-3926	2	SCREW (M11.5X50-MM)						
	9	1	242-3928	1	SHIELD						
	10	1	242-3929	5	SCREW (M22X70-THD)						
	11	1	242-3930	1	PANEL-TERMINAL BOX						
	12	1	242-3931	1	BOLT (M6X1X16-MM)						
	13	1	242-3932	1	SCREEN-AIR INLET						
	14	1	243-5380	1	CAP						
	15	1	243-5220	1	BEARING						
	16	1	241-4594	1	COVER (OUTER BEARING)						
	17	1	242-3936	2	SCREW (M15X70-MM)						
	18	1	241-4595	1	CAP-BEARING						
	19	1	241-4597	1	RING						
	20	1	242-3938	1	EXCITER						
M	21	1	102-7364	4	BOLT-SOCKET HEAD (M6X1X80-MM)						
	22	1	242-3941	1	ARMATURE						
	23	1	241-4606	1	SUPPORT-DIODE						
	24	1	242-3943	1	TERMINAL AS						
	25	1	242-3951	3	TERMINAL						
	26	1	242-3956	1	TERMINAL						
	27	1	242-3957	9	SCREW (M12X50-MM)						
	29	1	242-3959	3	DISC-COUPLING						
	30	1	242-3960	8	SCREW (27.7-MMX40-MM)						
	31	1	241-4618	1	SHIM (2-MM THK)						
	32	1	241-4619	1	DIODE AS						
	33	1	241-4620	1	VARISTOR						
	34	1	241-4622	1	SEAL-O-RING						
	35	1	242-3965	1	PANEL (TERMINAL)						
	36	1	242-3966	1	PANEL						
	37	1	242-3967	1	PANEL						
	38	1	242-3968	1	PANEL-ACCESS						
	39	1	239-9490	1	KIT-EXCITER (PERMANENT MAGNET) (GENERATOR)						
	40	2	307-6560	1	BRACKET						
	41	2	6V-8801	1	NUT (3/8-16-THD)						
M	42	2	8T-4000	1	SCREW-WASHER HEAD (M8X1.25X4.8-MM)						
	43	2	8T-9377	1	BOLT (3/8-16X2.25-IN)						
	44	2	124-7346	1	LOCKWASHER						
	45	2	8T-4896	1	WASHER-HARD (10.2X18.5X2.5-MM THK)						

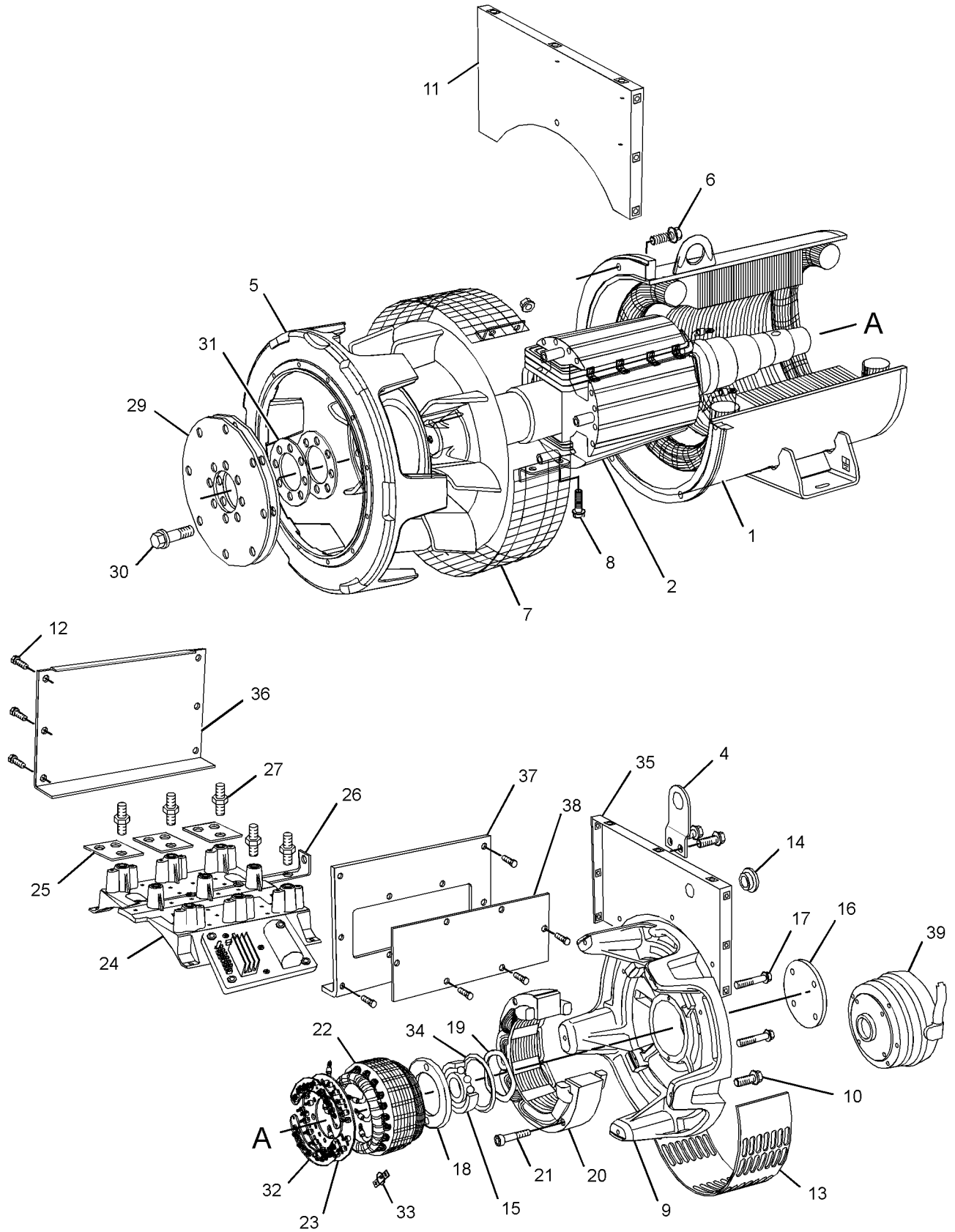
M - METRIC PART

R - REMANUFACTURED PART MAY BE AVAILABLE

GENERATORS

241-4471 GENERATOR GP (contd.)

i05282172



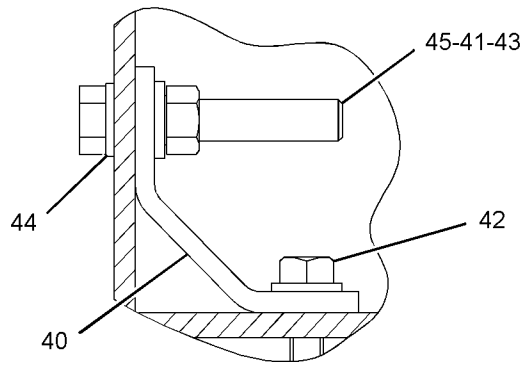
GRAPHIC #1

g03390192

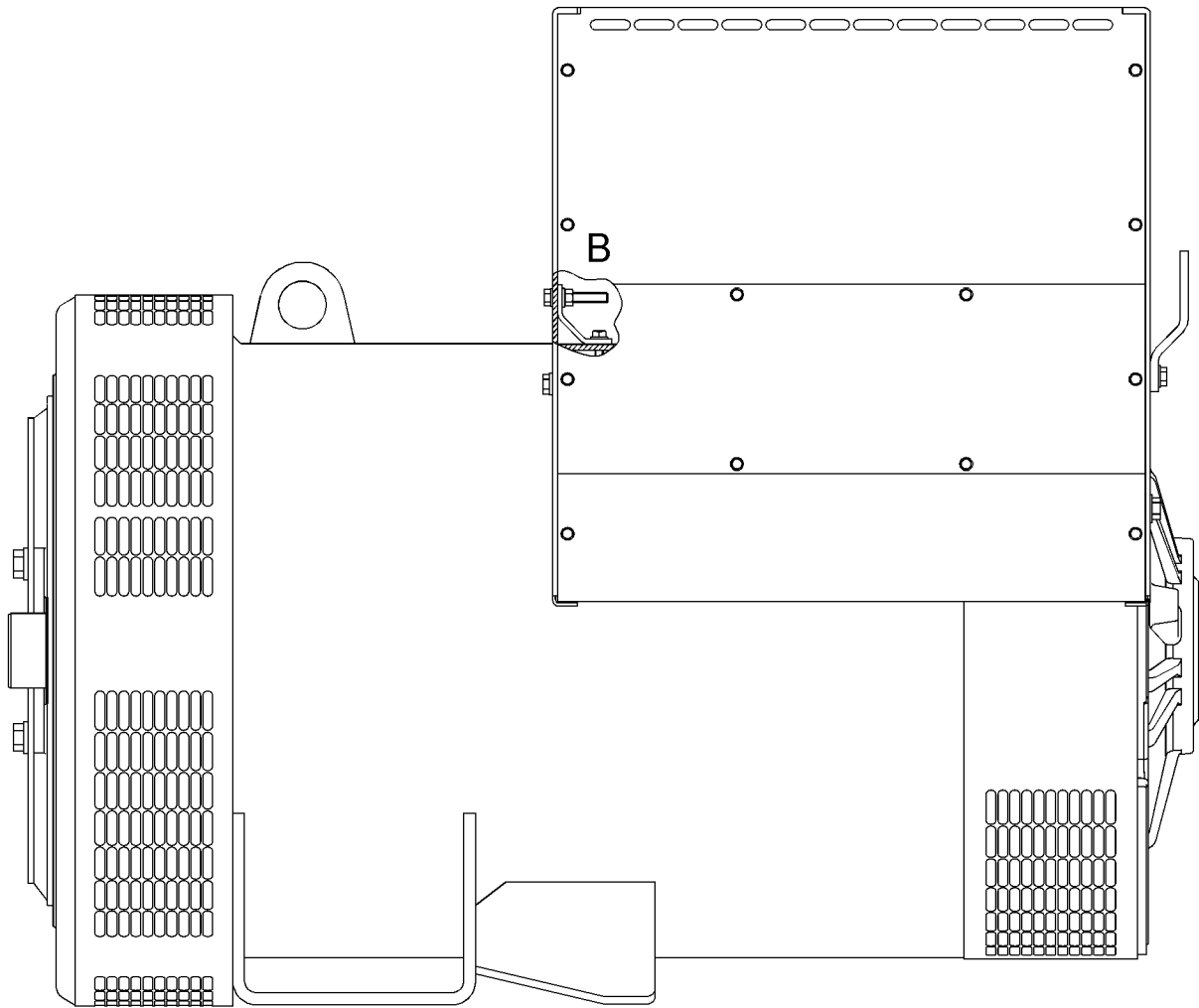
GENERATORS

241-4471 GENERATOR GP (contd.)

i05282172



VIEW OF AREA B



LEFT SIDE VIEW

GRAPHIC #2

<END>

g03390193

GENERATORS

241-4472 GENERATOR GP

S/N: F6B1-UP

PART OF 235-1209 GENERATOR AR
AN ATTACHMENT

SMCS-4450

i05282175

NOTE	REF NO	GRAPHIC REF	PART NUMBER	QTY	PART NAME						SEE PAGE
					1	2	3	4	5	6 (PRODUCT LEVEL)	
	1	1	243-0146	1	STATOR AS						
R	2	1	338-7379	1	ROTOR AS						
	4	1	241-4577	1	EYE-LIFTING						
	5	1	242-3922	1	FLANGE						
M	6	1	160-8746	6	BOLT (M12X1.75X18-MM)						
	7	1	242-3924	1	SCREEN (AIR EXIT)						
	8	1	242-3926	2	SCREW (M11.5X50-MM)						
	9	1	242-3928	1	SHIELD						
	10	1	242-3929	5	SCREW (M22X70-THD)						
	11	1	242-3930	1	PANEL-TERMINAL BOX						
	12	1	242-3931	1	BOLT (M6X1X16-MM)						
	13	1	242-3932	1	SCREEN-AIR INLET						
	14	1	243-5380	1	CAP						
	15	1	243-5220	1	BEARING						
	16	1	241-4594	1	COVER (OUTER BEARING)						
	17	1	242-3936	2	SCREW (M15X70-MM)						
	18	1	241-4595	1	CAP-BEARING						
	19	1	241-4597	1	RING						
	20	1	242-3938	1	EXCITER						
M	21	1	102-7364	4	BOLT-SOCKET HEAD (M6X1X80-MM)						
	22	1	242-3941	1	ARMATURE						
	23	1	241-4606	1	SUPPORT-DIODE						
	24	1	242-3943	1	TERMINAL AS						
	25	1	242-3951	3	TERMINAL						
	26	1	242-3956	1	TERMINAL						
	27	1	242-3957	9	SCREW (M12X50-MM)						
	29	1	242-3959	3	DISC-COUPLING						
	30	1	242-3960	8	SCREW (27.7-MMX40-MM)						
	31	1	241-4618	1	SHIM (2-MM THK)						
	32	1	241-4619	1	DIODE AS						
	33	1	241-4620	1	VARISTOR						
	34	1	241-4622	1	SEAL-O-RING						
	35	1	242-3965	1	PANEL						
	36	1	242-3966	1	PANEL						
	37	1	242-3967	1	PANEL						
	38	1	242-3968	1	PANEL-ACCESS						
	39	1	239-9490	1	KIT-EXCITER (PERMANENT MAGNET) (GENERATOR)						
	40	2	307-6560	1	BRACKET						
	41	2	6V-8801	1	NUT (3/8-16-THD)						
M	42	2	8T-4000	1	SCREW-WASHER HEAD (M8X1.25X4.8-MM)						
	43	2	8T-9377	1	BOLT (3/8-16X2.25-IN)						
	44	2	124-7346	1	LOCKWASHER						
	45	2	8T-4896	1	WASHER-HARD (10.2X18.5X2.5-MM THK)						

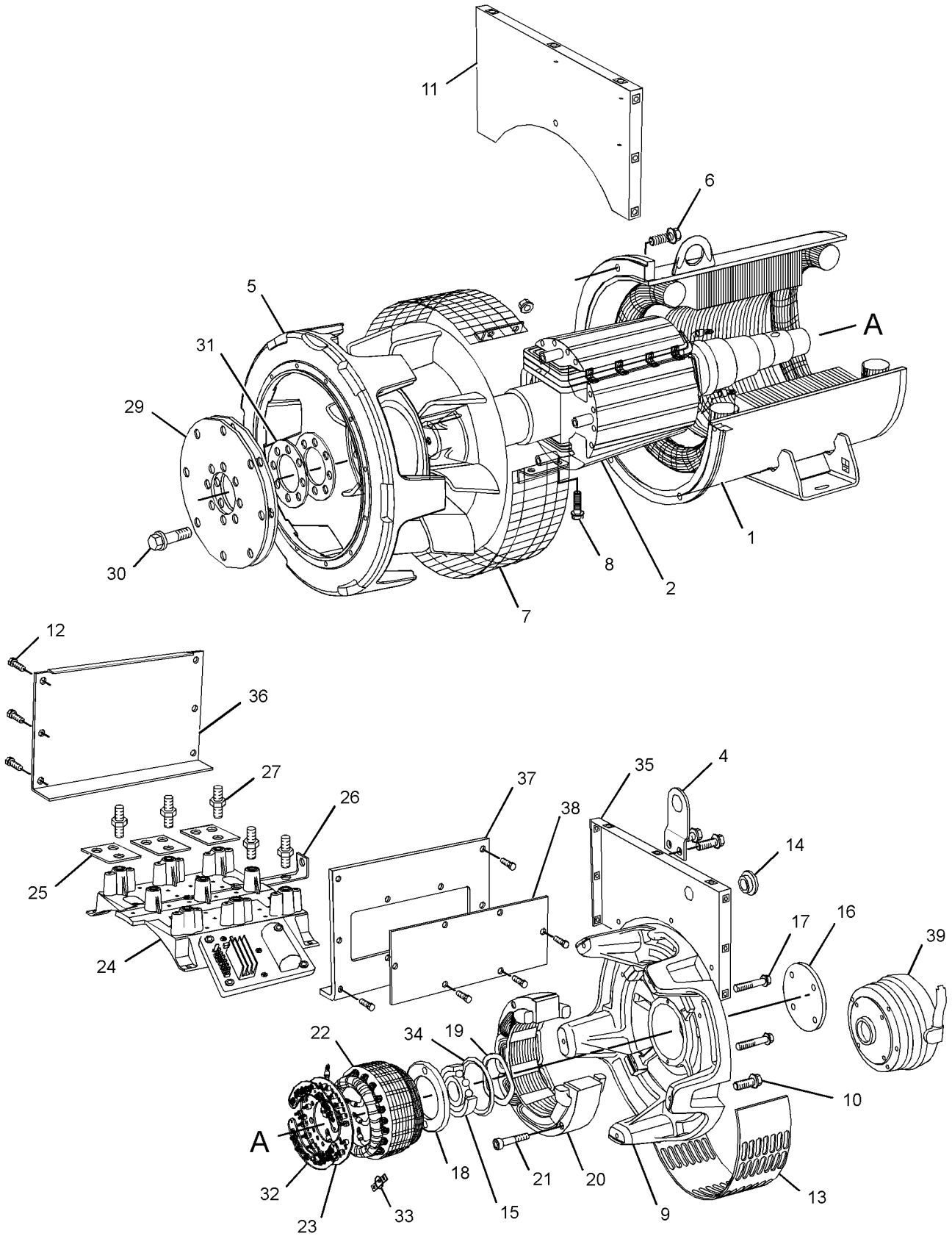
M - METRIC PART

R - REMANUFACTURED PART MAY BE AVAILABLE

GENERATORS

241-4472 GENERATOR GP (contd.)

i05282175



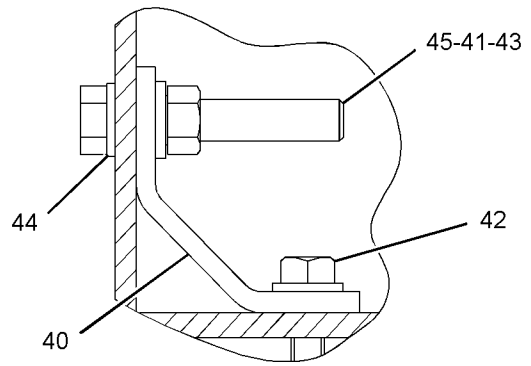
GRAPHIC #1

g03390192

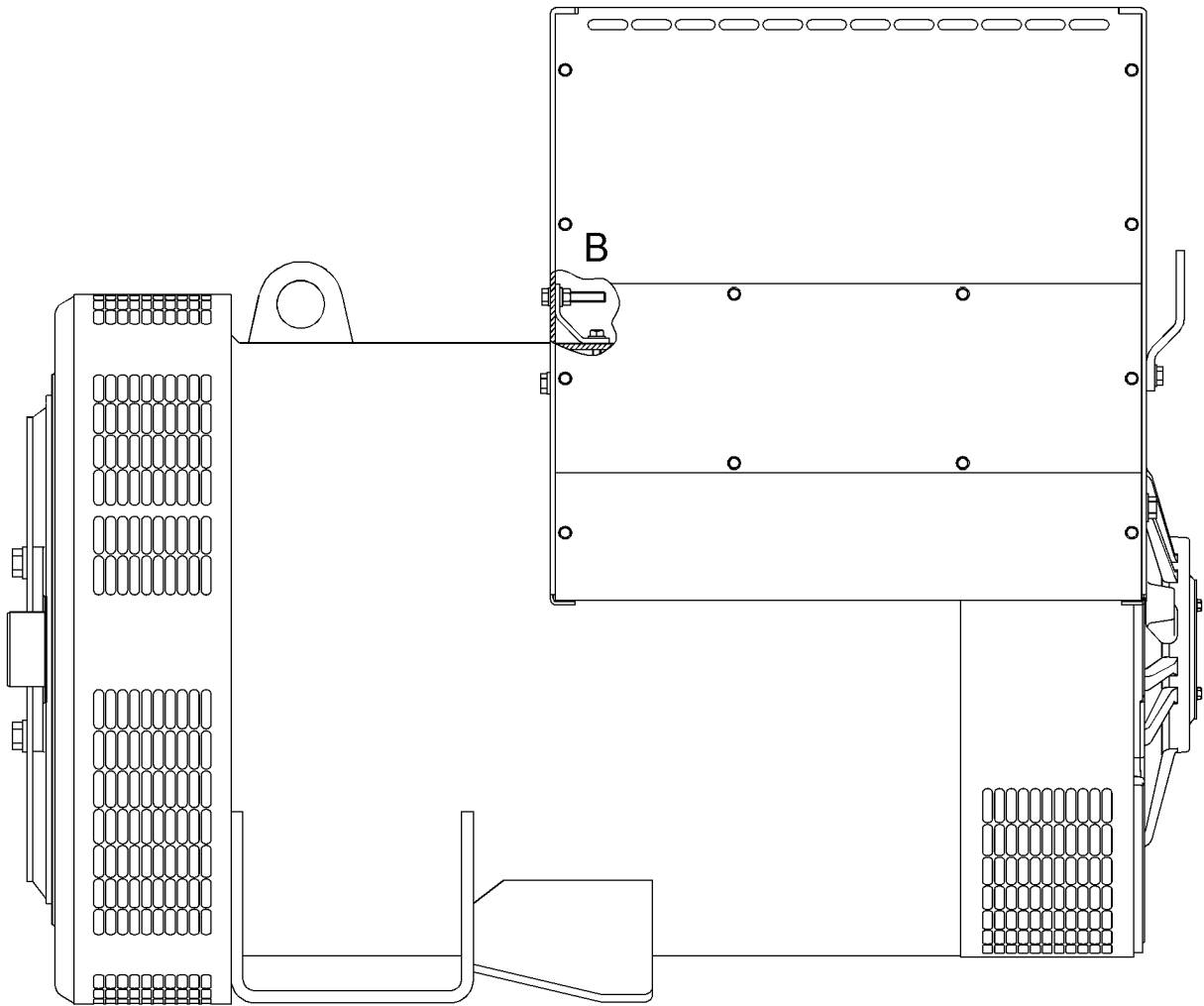
GENERATORS

241-4472 GENERATOR GP (contd.)

i05282175



VIEW OF AREA B



LEFT SIDE VIEW

GRAPHIC #2

<END>

g03390193

GENERATORS

247-6178 GENERATOR GP

S/N: F6B1-UP

PART OF 247-6126 GENERATOR AR

AN ATTACHMENT

SMCS-4450

i03903367

NOTE	REF NO	GRAPHIC REF	PART NUMBER	QTY	PART NAME						SEE PAGE
					1	2	3	4	5	6 (PRODUCT LEVEL)	
	1	1	251-3485	1	STATOR AS						
R	2	1	243-0144	1	ROTOR AS						
	3	1	242-3919	1	FAN-GENERATOR						
	4	1	241-4577	1	EYE-LIFTING						
	5	1	251-3488	1	FLANGE						
M	6	1	160-8746	6	BOLT (M12X1.75X18-MM)						
	7	1	242-3924	1	SCREEN (AIR EXIT)						
	8	1	242-3926	2	SCREW (M11.5X50-MM)						
	9	1	242-3928	1	SHIELD						
	10	1	242-3929	5	SCREW (M22X70-THD)						
	11	1	242-3930	1	PANEL-TERMINAL BOX						
	12	1	242-3931	1	BOLT (M6X1X16-MM)						
	13	1	242-3932	1	SCREEN-AIR INLET						
	14	1	243-5380	1	CAP						
	15	1	243-5220	1	BEARING						
	16	1	241-4594	1	COVER						
	17	1	242-3936	2	SCREW (M15X70-MM)						
	18	1	241-4595	1	CAP-BEARING						
	19	1	241-4597	1	RING						
	20	1	242-3938	1	EXCITER						
	21	1	241-4633	4	BOLT (M6X1X80-MM)						
	22	1	242-3941	1	ARMATURE						
	23	1	241-4606	1	SUPPORT-DIODE						
	24	1	242-3943	1	TERMINAL AS						
	25	1	242-3951	3	TERMINAL						
	26	1	242-3956	1	TERMINAL						
	27	1	242-3957	9	SCREW (M12X50-MM)						
	28	1	289-4769	1	REGULATOR AS-VOLTAGE (GENERATOR)						
	29	1	251-3489	1	DISC-COUPLING						
	30	1	242-3960	8	SCREW (27.7-MMX40-MM)						
	31	1	241-4618	1	SHIM (2-MM THK)						
	32	1	241-4619	1	DIODE AS						
	33	1	241-4620	1	VARISTOR						
	34	1	241-4622	1	SEAL-O-RING						
	35	1	242-3965	1	PANEL (TERMINAL)						
	36	1	242-3966	1	PANEL						
	37	1	242-3967	1	PANEL						
	38	1	242-3968	1	PANEL-ACCESS						
	39	1	239-9491	1	KIT-EXCITER (PERMANENT MAGNET) (GENERATOR)						
	41	1	307-6560	1	BRACKET						
	42	1	6V-8801	1	NUT (3/8-16-THD)						
M	43	1	8T-4000	1	SCREW-WASHER HEAD (M8X1.25X4.8-MM)						
	44	1	8T-0192	1	BOLT (3/8-16X2.25-IN)						
	45	1	4D-1326	1	LOCKWASHER (EXTERNAL TOOTH)						
	46	1	8T-4896	1	WASHER-HARD (10.2X18.5X2.5-MM THK)						

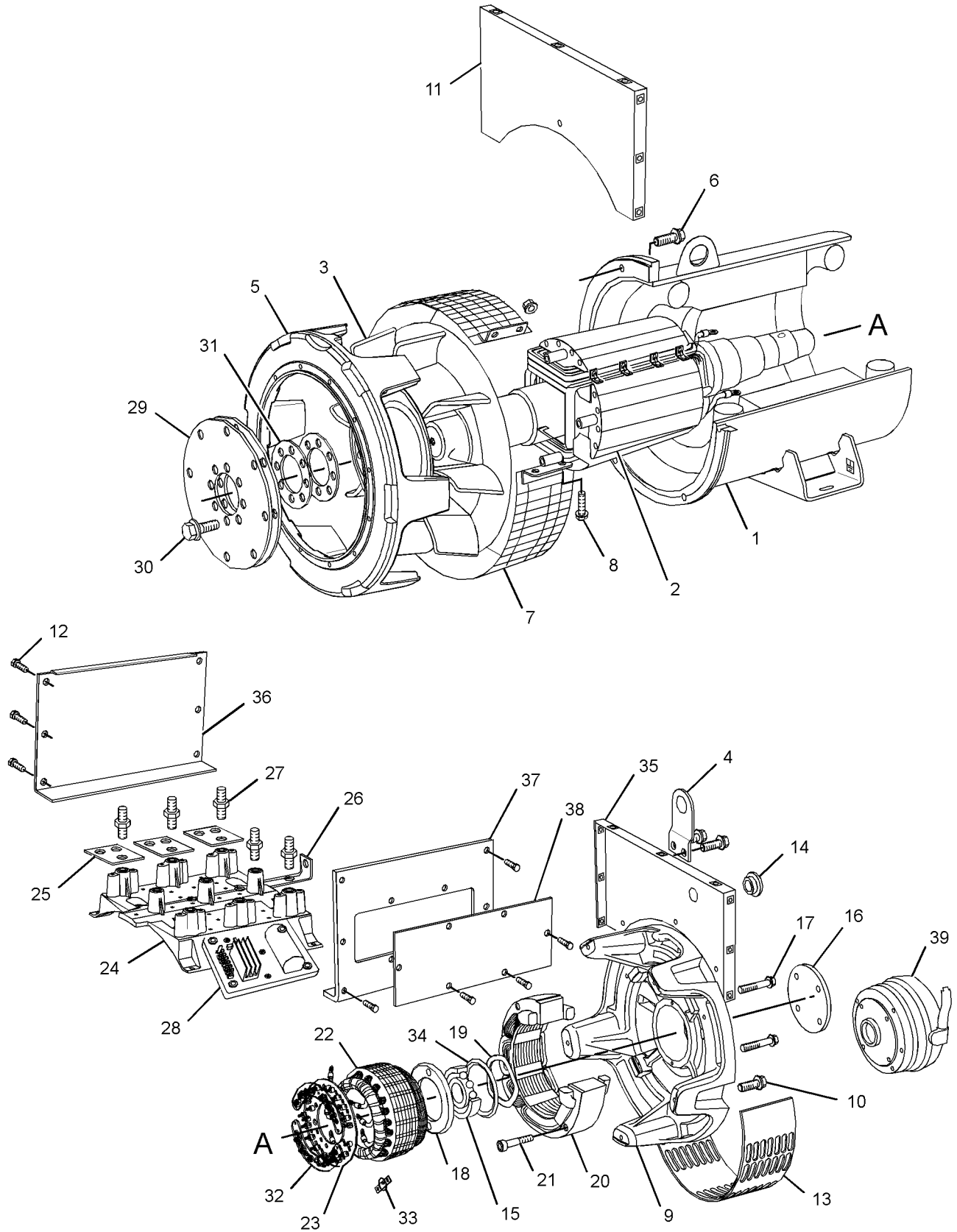
M - METRIC PART

R - REMANUFACTURED PART MAY BE AVAILABLE

GENERATORS

247-6178 GENERATOR GP (contd.)

103903367



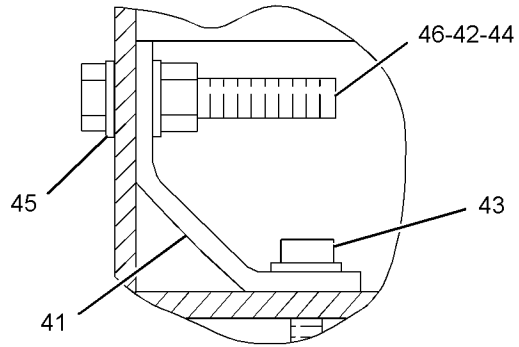
GRAPHIC #1

g01391663

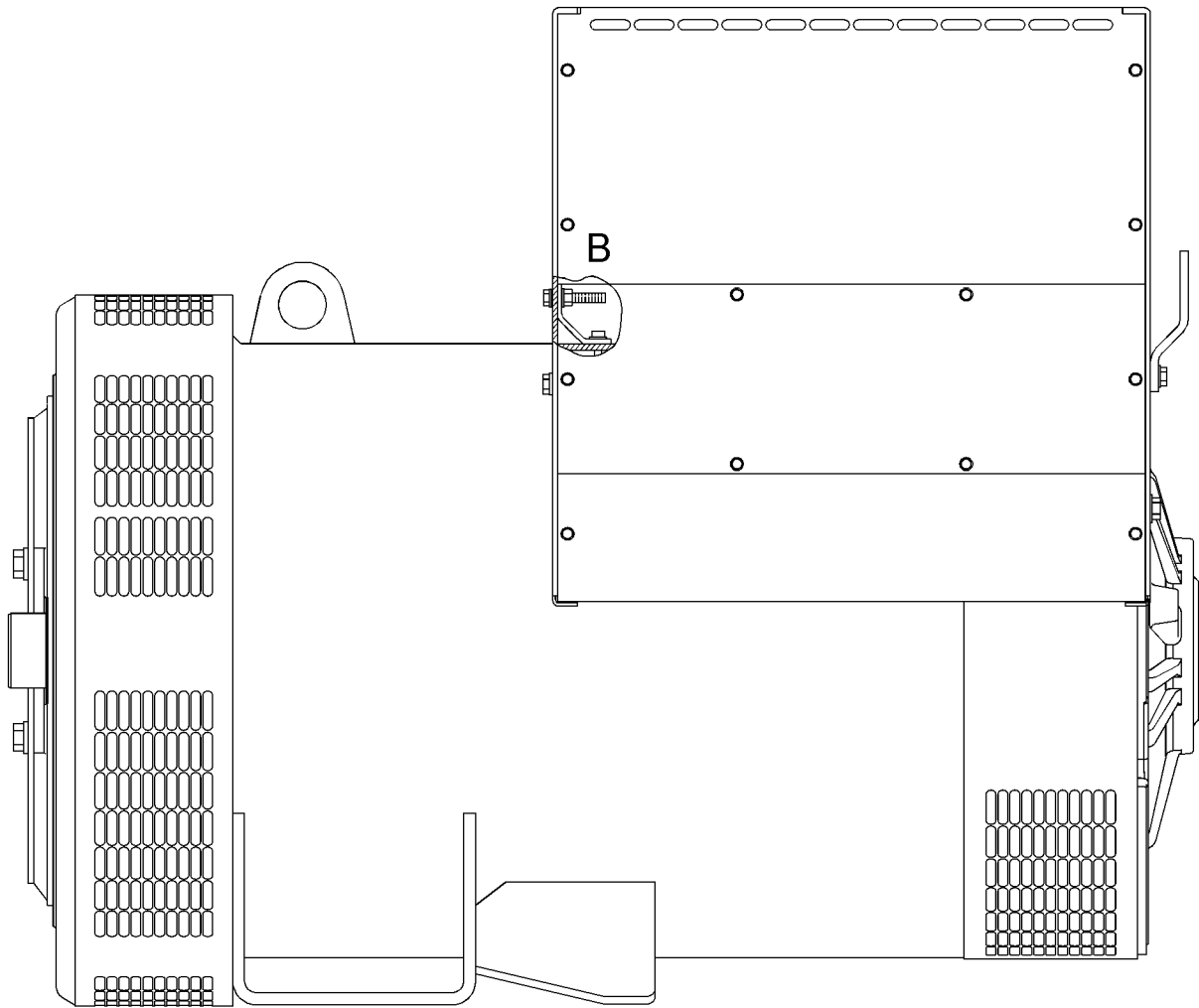
GENERATORS

247-6178 GENERATOR GP (contd.)

i03903367



VIEW OF AREA B



LEFT SIDE VIEW

GRAPHIC #2

<END>

g01391665

GENERATORS

285-7045 GENERATOR GP

S/N: F5A1-UP

PART OF 285-7039 GENERATOR AR
AN ATTACHMENT

SMCS-4450

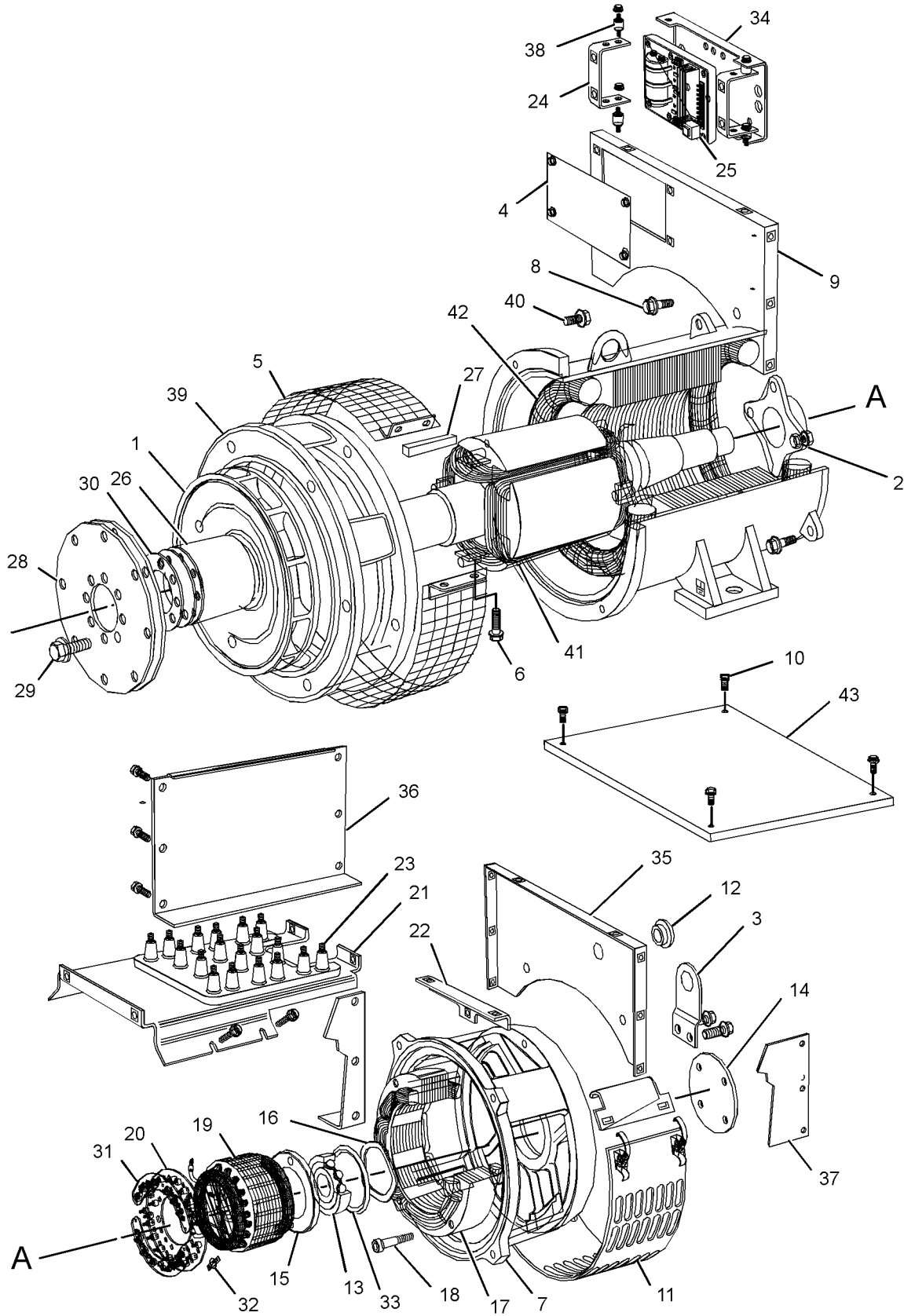
i05209315

NOTE	REF NO	GRAPHIC REF	PART NUMBER	QTY	PART NAME						SEE PAGE
					1	2	3	4	5	6 (PRODUCT LEVEL)	
	1	1	241-4574	1	FAN						
	2	1	241-4576	1	DISC (BALANCING)						
	3	1	241-4577	1	EYE-LIFTING						
	4	1	241-4630	1	PANEL-ACCESS						
	5	1	241-4579	1	SCREEN (AIR EXIT)						
	6	1	241-4580	2	SCREW						
	7	1	241-4587	1	KIT-RING (GENERATOR)						
	8	1	241-4588	4	BOLT (M12X50-MM)						
	9	1	241-4589	1	PANEL-TERMINAL BOX						
	10	1	243-5219	32	BOLT (M6X16-MM)						
	11	1	241-4591	1	SCREEN-AIR INLET						
	12	1	243-5380	1	CAP						
	13	1	243-5220	1	BEARING						
	14	1	241-4594	1	COVER (OUTER BEARING)						
	15	1	241-4595	1	CAP-BEARING						
	16	1	241-4597	1	RING						
	17	1	242-3797	1	EXCITER						
	18	1	241-4604	4	BOLT (M6X70-MM)						
	19	1	241-4605	1	ARMATURE						
	20	1	241-4606	1	SUPPORT-DIODE						
	21	1	241-4607	1	SUPPORT (TERMINAL)						
	22	1	241-4610	1	SUPPORT (TERMINAL BOX)						
	23	1	241-4611	1	TERMINAL AS						
	24	1	241-4612	2	SUPPORT						
	25	1	289-4769	1	REGULATOR AS-VOLTAGE (GENERATOR)						
	26	1	241-4614	1	HUB						
	27	1	241-4615	1	KEY-SQUARE						
	28	1	285-7158	3	DISK (COUPLING)						
	29	1	241-4617	8	BOLT (M16X60-MM)						
	30	1	243-5223	1	SHIM (2-MM THK)						
	31	1	241-4619	1	DIODE AS						
	32	1	241-4620	1	VARISTOR						
	33	1	241-4622	1	SEAL-O-RING						
	34	1	241-4624	1	SUPPORT						
	35	1	241-4626	1	PANEL-TERMINAL BOX						
	36	1	241-4627	1	PANEL-ACCESS						
	37	1	241-4628	1	PANEL-ACCESS						
	38	1	241-4629	1	MOUNT AS-RESILIENT						
	39	1	285-7159	1	BRACKET						
	40	1	241-4641	6	BOLT (M14X2-THD)						
	41	1	270-3002	1	ROTOR AS						
	42	1	285-7166	1	STATOR AS						
	43	1	285-7160	1	COVER-BOX						
	F	1	246-5895	1	TRANSFORMER						
F - NOT SHOWN											

GENERATORS

285-7045 GENERATOR GP (contd.)

i05209315



GRAPHIC #1

<END>

g01266992

GENERATORS

324-7673 GENERATOR GP

S/N: F5A1-UP

PART OF 235-1199 GENERATOR AR
AN ATTACHMENT

SMCS-4450

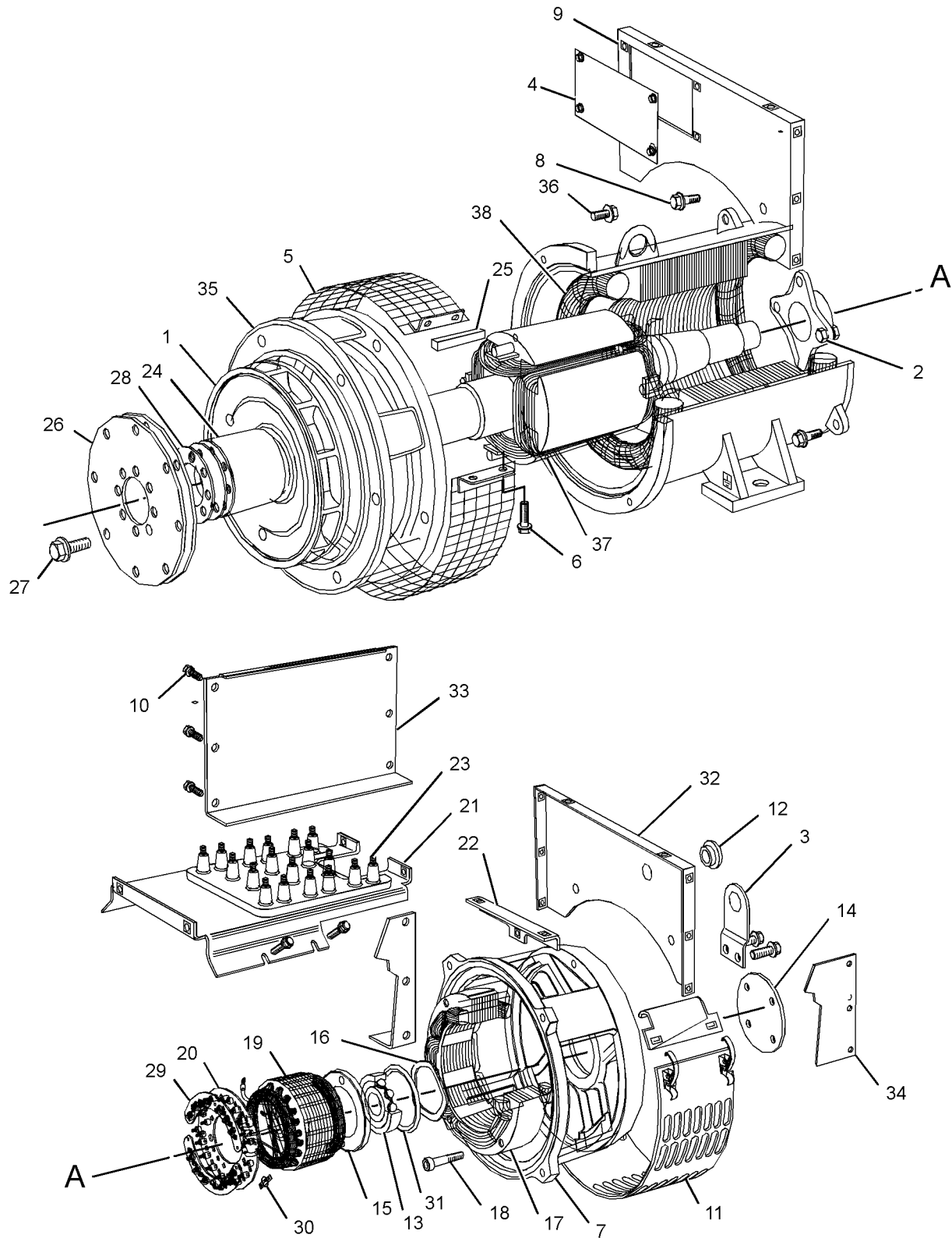
i03516641

NOTE	REF NO	GRAPHIC REF	PART NUMBER	QTY	PART NAME						SEE PAGE
					1	2	3	4	5	6 (PRODUCT LEVEL)	
	1	1	241-4574	1	FAN						
	2	1	241-4576	1	DISC						
	3	1	241-4577	1	EYE-LIFTING						
	4	1	241-4630	1	PANEL-ACCESS						
	5	1	241-4579	1	SCREEN						
	6	1	241-4580	2	SCREW						
	7	1	241-4587	1	KIT-RING						
	8	1	241-4588	4	BOLT (M12X50-MM)						
	9	1	241-4589	1	PANEL-TERMINAL BOX						
	10	1	242-3931	28	BOLT (M6X1X16-MM)						
	11	1	241-4591	1	SCREEN-AIR INLET						
	12	1	243-5380	1	CAP						
	13	1	243-5220	1	BEARING						
	14	1	241-4594	1	COVER						
	15	1	241-4595	1	CAP-BEARING						
	16	1	241-4597	1	RING						
	17	1	243-5221	1	EXCITER						
	18	1	241-4604	4	BOLT (M6X70-MM)						
	19	1	241-4634	1	ARMATURE						
	20	1	241-4606	1	SUPPORT-DIODE						
	21	1	241-4607	1	SUPPORT						
	22	1	241-4610	1	SUPPORT						
	23	1	241-4611	1	TERMINAL AS						
	24	1	241-4614	1	HUB						
	25	1	241-4615	1	KEY-SQUARE						
	26	1	241-4616	3	DISC						
	27	1	241-4617	8	BOLT (M16X60-MM)						
	28	1	243-5223	1	SHIM (2-MM THK)						
	29	1	241-4619	1	DIODE AS						
	30	1	241-4620	1	VARISTOR						
	31	1	241-4622	1	SEAL-O-RING						
	32	1	241-4626	1	PANEL-TERMINAL BOX						
	33	1	241-4627	1	PANEL-ACCESS						
	34	1	241-4628	1	PANEL-ACCESS						
	35	1	242-3749	1	BRACKET						
	36	1	241-4641	6	BOLT (M14X2-THD)						
	37	1	242-8725	1	ROTOR AS						
	38	1	242-8719	1	STATOR AS						

GENERATORS

324-7673 GENERATOR GP (contd.)

i03516641



GRAPHIC #1

<END>

g01667435

GENERATORS

324-7674 GENERATOR GP

S/N: F5A1-UP

PART OF 235-1200 GENERATOR AR

SMCS-4450

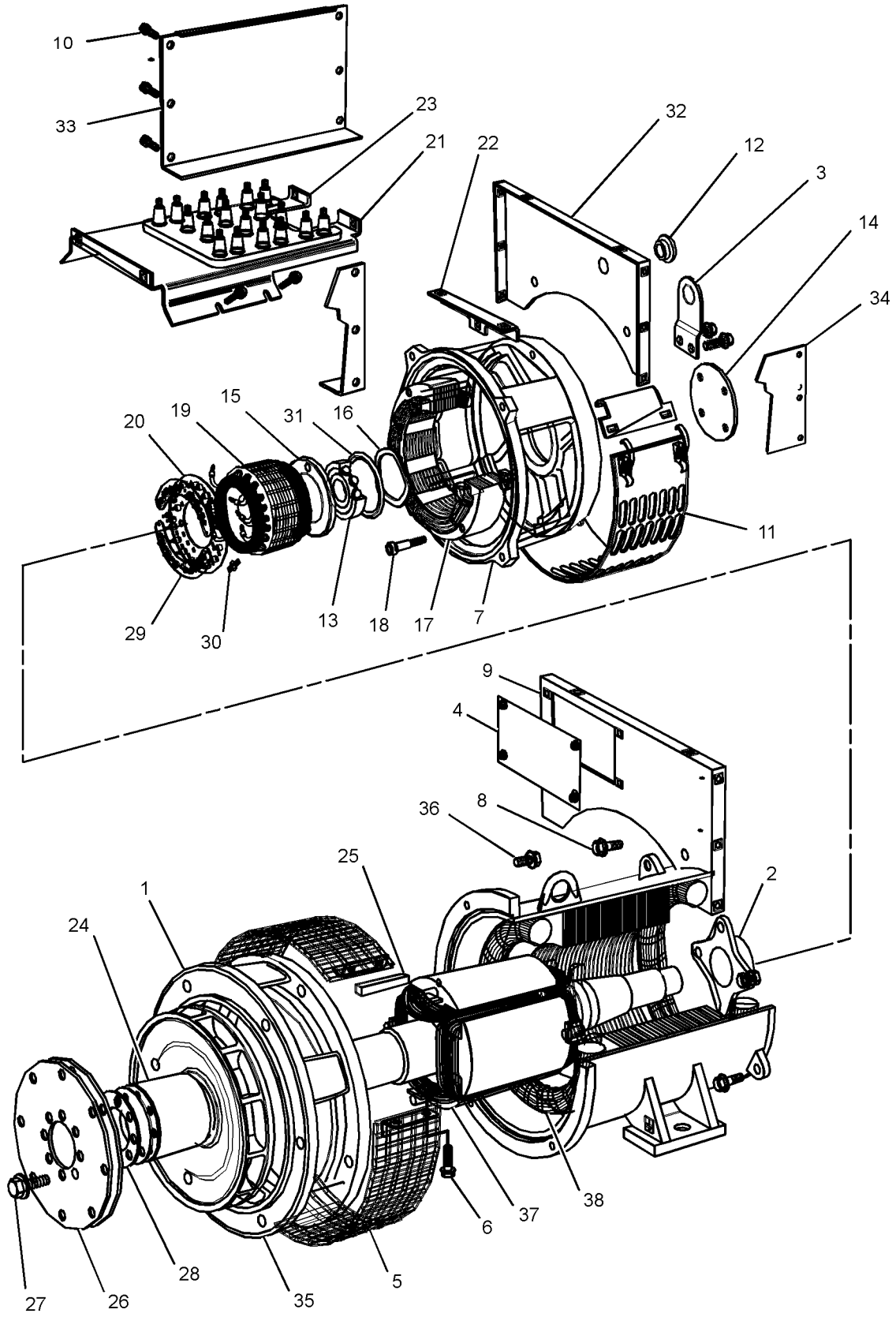
i05209753

NOTE	REF NO	GRAPHIC REF	PART NUMBER	QTY	PART NAME						SEE PAGE
					1	2	3	4	5	6	
	1	1	241-4574	1	FAN						
	2	1	241-4576	1	DISC						
	3	1	241-4577	1	EYE-LIFTING						
	4	1	241-4630	1	PANEL-ACCESS						
	5	1	241-4579	1	SCREEN						
	6	1	241-4580	2	SCREW						
	7	1	241-4587	1	KIT-RING						
	8	1	241-4588	4	BOLT (M12X50-MM)						
	9	1	241-4589	1	PANEL-TERMINAL BOX						
	10	1	242-3931	28	BOLT (M6X1X16-MM)						
	11	1	241-4591	1	SCREEN-AIR INLET						
	12	1	243-5380	1	CAP						
	13	1	243-5220	1	BEARING						
	14	1	241-4594	1	COVER						
	15	1	241-4595	1	CAP-BEARING						
	16	1	241-4597	1	RING						
	17	1	243-5221	1	EXCITER						
	18	1	241-4604	4	BOLT (M6X70-MM)						
	19	1	241-4634	1	ARMATURE						
	20	1	241-4606	1	SUPPORT-DIODE						
	21	1	241-4607	1	SUPPORT						
	22	1	241-4610	1	SUPPORT						
	23	1	241-4611	1	TERMINAL AS						
	24	1	241-4614	1	HUB						
	25	1	241-4615	1	KEY-SQUARE						
	26	1	241-4616	3	DISC						
	27	1	241-4617	8	BOLT (M16X60-MM)						
	28	1	243-5223	1	SHIM (2-MM THK)						
	29	1	241-4619	1	DIODE AS						
	30	1	241-4620	1	VARISTOR						
	31	1	241-4622	1	SEAL-O-RING						
	32	1	241-4626	1	PANEL-TERMINAL BOX						
	33	1	241-4627	1	PANEL-ACCESS						
	34	1	241-4628	1	PANEL-ACCESS						
	35	1	242-3749	1	BRACKET						
	36	1	241-4641	6	BOLT (M14X2-THD)						
	37	1	242-8725	1	ROTOR AS						
	38	1	242-8721	1	STATOR AS						

GENERATORS

324-7674 GENERATOR GP (contd.)

105209753



GRAPHIC #1

<END>

g01632015

GENERATORS

324-7676 GENERATOR GP

S/N: F5A1-UP

PART OF 235-1202 GENERATOR AR
AN ATTACHMENT

SMCS-4450

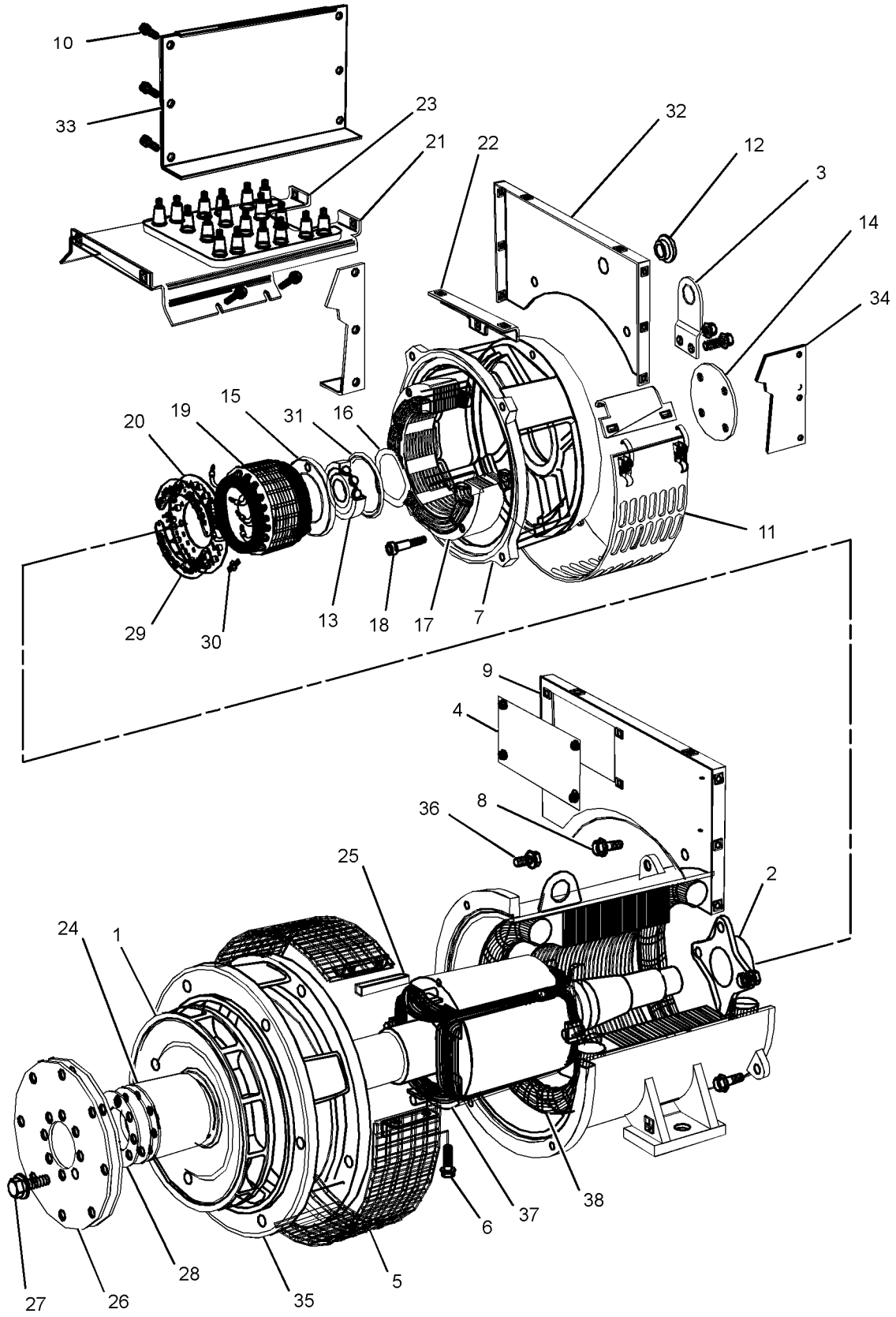
i05209763

NOTE	REF NO	GRAPHIC REF	PART NUMBER	QTY	PART NAME						SEE PAGE
					1	2	3	4	5	6 (PRODUCT LEVEL)	
	1	1	241-4574	1	FAN						
	2	1	241-4576	1	DISC						
	3	1	241-4577	1	EYE-LIFTING						
	4	1	241-4630	1	PANEL-ACCESS						
	5	1	241-4579	1	SCREEN						
	6	1	241-4580	2	SCREW						
	7	1	241-4587	1	KIT-RING (GENERATOR)						
	8	1	241-4588	4	BOLT (M12X50-MM)						
	9	1	241-4589	1	PANEL-TERMINAL BOX						
	10	1	242-3931	28	BOLT (M6X1X16-MM)						
	11	1	241-4591	1	SCREEN-AIR INLET						
	12	1	243-5380	1	CAP						
	13	1	243-5220	1	BEARING						
	14	1	241-4594	1	COVER						
	15	1	241-4595	1	CAP-BEARING						
	16	1	241-4597	1	RING						
	17	1	243-5221	1	EXCITER						
	18	1	241-4604	4	BOLT (M6X70-MM)						
	19	1	241-4634	1	ARMATURE						
	20	1	241-4606	1	SUPPORT-DIODE						
	21	1	241-4607	1	SUPPORT						
	22	1	241-4610	1	SUPPORT						
	23	1	241-4611	1	TERMINAL AS						
	24	1	241-4614	1	HUB						
	25	1	241-4615	1	KEY-SQUARE						
	26	1	241-4616	3	DISC						
	27	1	241-4617	8	BOLT (M16X60-MM)						
	28	1	243-5223	1	SHIM (2-MM THK)						
	29	1	241-4619	1	DIODE AS						
	30	1	241-4620	1	VARISTOR						
	31	1	241-4622	1	SEAL-O-RING						
	32	1	241-4626	1	PANEL-TERMINAL BOX						
	33	1	241-4627	1	PANEL-ACCESS						
	34	1	241-4628	1	PANEL-ACCESS						
	35	1	242-3749	1	BRACKET						
	36	1	241-4641	6	BOLT (M14X2-THD)						
	37	1	242-8725	1	ROTOR AS						
	38	1	242-8723	1	STATOR AS						
	F		246-5895		TRANSFORMER						
F - NOT SHOWN											

GENERATORS

324-7676 GENERATOR GP (contd.)

105209763



GRAPHIC #1

<END>

g01685294

GENERATORS

324-7677 GENERATOR GP

S/N: F6B1-UP

PART OF 235-1203 GENERATOR AR
AN ATTACHMENT

SMCS-4450

i04513271

NOTE	REF NO	GRAPHIC REF	PART NUMBER	QTY	PART NAME						SEE PAGE
					1	2	3	4	5	6 (PRODUCT LEVEL)	
	1	1	243-0145	1	STATOR AS						
R	2	1	243-0141	1	ROTOR AS						
	3	1	242-3919	1	FAN-GENERATOR						
	4	1	241-4577	1	EYE-LIFTING						
	5	1	242-3922	1	FLANGE						
M	6	1	160-8746	6	BOLT (M12X1.75X18-MM)						
	7	1	242-3924	1	SCREEN						
	8	1	242-3926	2	SCREW (M11.5X50-MM)						
	9	1	242-3928	1	SHIELD						
	10	1	242-3929	5	SCREW (M22X70-THD)						
	11	1	242-3930	1	PANEL-TERMINAL BOX						
	12	1	242-3931	1	BOLT (M6X1X16-MM)						
	13	1	242-3932	1	SCREEN-AIR INLET						
	14	1	243-5380	1	CAP						
	15	1	243-5220	1	BEARING						
	16	1	241-4594	1	COVER						
	17	1	242-3936	2	SCREW (M15X70-MM)						
	18	1	241-4595	1	CAP-BEARING						
	19	1	241-4597	1	RING						
	20	1	242-3938	1	EXCITER						
	21	1	241-4633	4	BOLT (M6X1X80-MM)						
	22	1	242-3941	1	ARMATURE						
	23	1	241-4606	1	SUPPORT-DIODE						
	24	1	242-3943	1	TERMINAL AS						
	25	1	242-3951	3	TERMINAL						
	26	1	242-3956	1	TERMINAL						
	27	1	242-3957	9	SCREW (M12X50-MM)						
	28	1	242-3959	3	DISC-COUPLING						
	29	1	242-3960	8	SCREW (27.7-MMX40-MM)						
	30	1	241-4618	1	SHIM (2-MM THK)						
	31	1	241-4619	1	DIODE AS						
	32	1	241-4620	1	VARISTOR						
	33	1	241-4622	1	SEAL-O-RING						
	34	1	242-3965	1	PANEL						
	35	1	242-3966	1	PANEL						
	36	1	242-3967	1	PANEL						
	37	1	242-3968	1	PANEL-ACCESS						
	38	1	307-6560	1	BRACKET						
	39	1	6V-8801	1	NUT (3/8-16-THD)						
M	40	1	8T-4000	1	SCREW-WASHER HEAD (M8X1.25X4.8-MM)						
	41	1	8T-0192	1	BOLT (3/8-16X2.25-IN)						
	42	1	4D-1326	1	LOCKWASHER (EXTERNAL TOOTH)						
	43	1	8T-4896	1	WASHER-HARD (10.2X18.5X2.5-MM THK)						

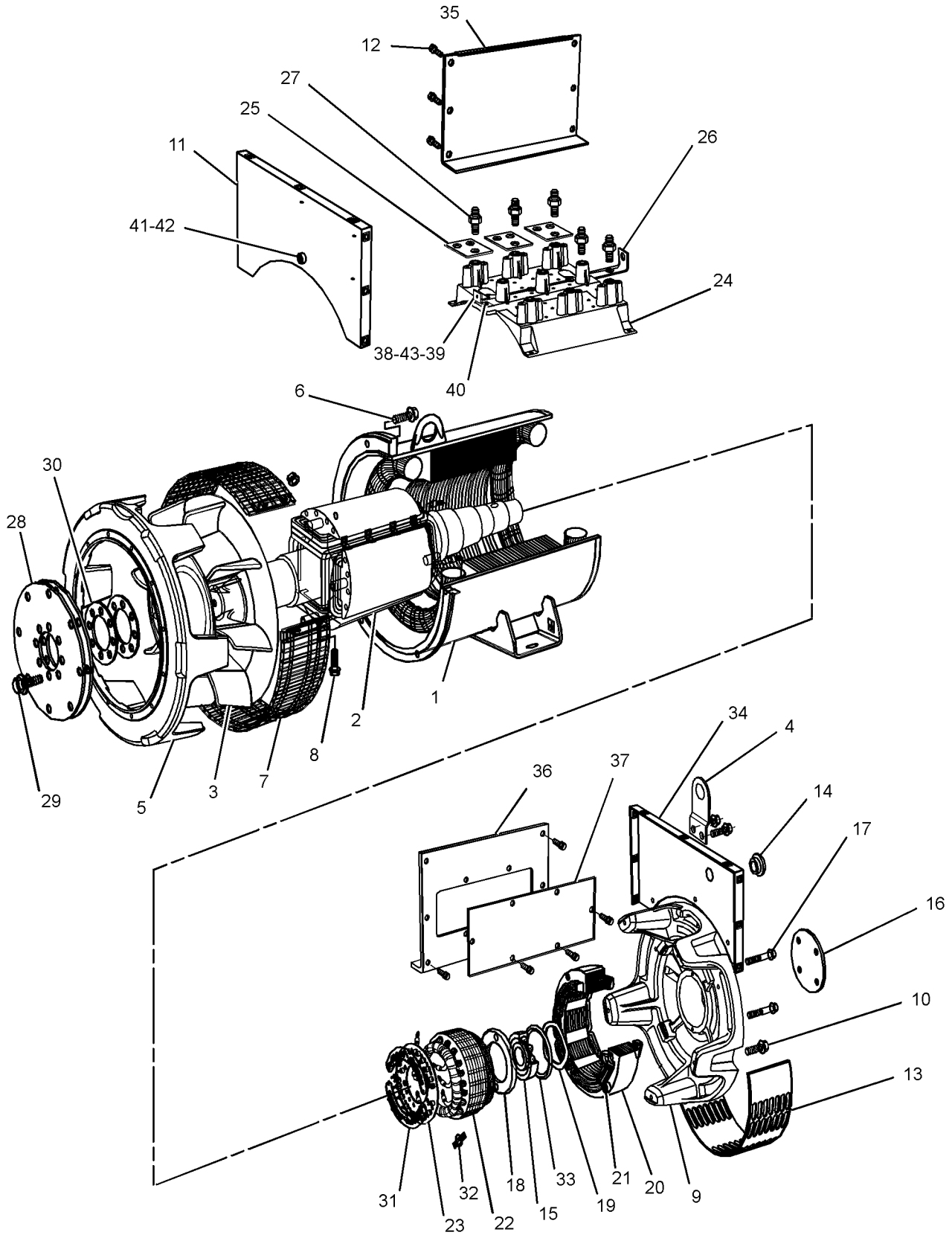
M - METRIC PART

R - REMANUFACTURED PART MAY BE AVAILABLE

GENERATORS

324-7677 GENERATOR GP (contd.)

i04513271



GRAPHIC #1

<END>

g01526926

GENERATORS

324-7681 GENERATOR GP

S/N: F6B1-UP

PART OF 235-1207 GENERATOR AR
AN ATTACHMENT

SMCS-4450

i04516151

NOTE	REF NO	GRAPHIC REF	PART NUMBER	QTY	PART NAME						SEE PAGE
					1	2	3	4	5	6 (PRODUCT LEVEL)	
	1	1	243-0146	1	STATOR AS						
R	2	1	243-0142	1	ROTOR AS						
	3	1	242-3919	1	FAN-GENERATOR						
	4	1	241-4577	1	EYE-LIFTING						
	5	1	242-3922	1	FLANGE						
M	6	1	160-8746	6	BOLT (M12X1.75X18-MM)						
	7	1	242-3924	1	SCREEN						
	8	1	242-3926	2	SCREW (M11.5X50-MM)						
	9	1	242-3928	1	SHIELD						
	10	1	242-3929	5	SCREW (M22X70-THD)						
	11	1	242-3930	1	PANEL-TERMINAL BOX						
	12	1	242-3931	1	BOLT (M6X1X16-MM)						
	13	1	242-3932	1	SCREEN-AIR INLET						
	14	1	243-5380	1	CAP						
	15	1	243-5220	1	BEARING						
	16	1	241-4594	1	COVER						
	17	1	242-3936	2	SCREW (M15X70-MM)						
	18	1	241-4595	1	CAP-BEARING						
	19	1	241-4597	1	RING						
	20	1	242-3938	1	EXCITER						
	21	1	241-4633	4	BOLT (M6X1X80-MM)						
	22	1	242-3941	1	ARMATURE						
	23	1	241-4606	1	SUPPORT-DIODE						
	24	1	242-3943	1	TERMINAL AS						
	25	1	242-3951	3	TERMINAL						
	26	1	242-3956	1	TERMINAL						
	27	1	242-3957	9	SCREW (M12X50-MM)						
	28	1	242-3959	3	DISC-COUPLING						
	29	1	242-3960	8	SCREW (27.7-MMX40-MM)						
	30	1	241-4618	1	SHIM (2-MM THK)						
	31	1	241-4619	1	DIODE AS						
	32	1	241-4620	1	VARISTOR						
	33	1	241-4622	1	SEAL-O-RING						
	34	1	242-3965	1	PANEL						
	35	1	242-3966	1	PANEL						
	36	1	242-3967	1	PANEL						
	37	1	242-3968	1	PANEL-ACCESS						
	38	1	307-6560	1	BRACKET						
	39	1	6V-8801	1	NUT (3/8-16-THD)						
M	40	1	8T-4000	1	SCREW-WASHER HEAD (M8X1.25X4.8-MM)						
	41	1	8T-0192	1	BOLT (3/8-16X2.25-IN)						
	42	1	4D-1326	1	LOCKWASHER (EXTERNAL TOOTH)						
	43	1	8T-4896	1	WASHER-HARD (10.2X18.5X2.5-MM THK)						

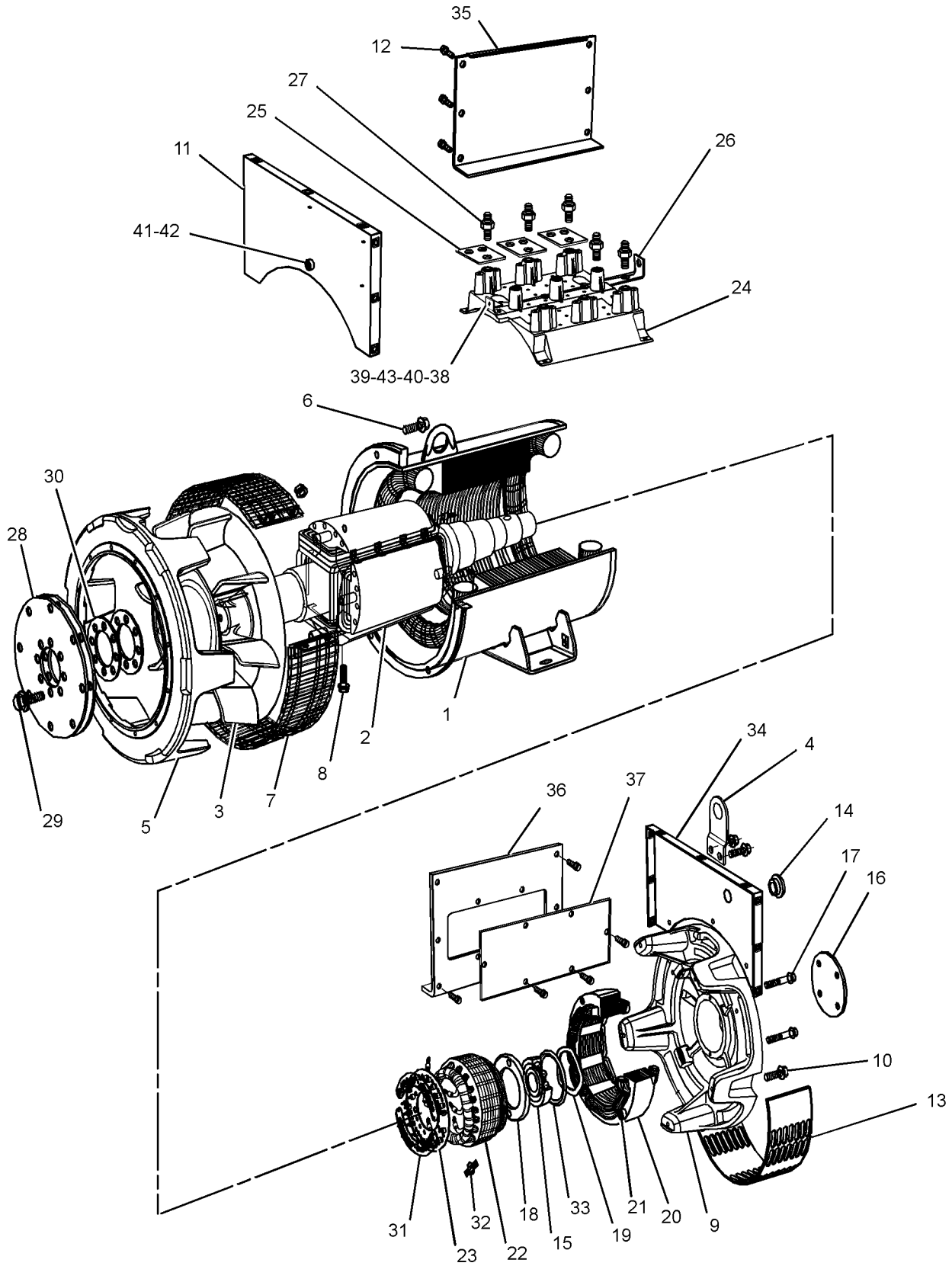
M - METRIC PART

R - REMANUFACTURED PART MAY BE AVAILABLE

GENERATORS

324-7681 GENERATOR GP (contd.)

i04516151



GRAPHIC #1

<END>

g01536554

GENERATORS

324-7685 GENERATOR GP

S/N: F6B1-UP

PART OF 235-1211 GENERATOR AR
AN ATTACHMENT

SMCS-4450

i04553710

NOTE	REF NO	GRAPHIC REF	PART NUMBER	QTY	PART NAME						SEE PAGE
					1	2	3	4	5	6 (PRODUCT LEVEL)	
	1	1	243-0147	1	STATOR AS						
R	2	1	243-0143	1	ROTOR AS						
	3	1	242-3919	1	FAN-GENERATOR						
	4	1	241-4577	1	EYE-LIFTING						
	5	1	242-3922	1	FLANGE						
M	6	1	160-8746	6	BOLT (M12X1.75X18-MM)						
	7	1	242-3924	1	SCREEN						
	8	1	242-3926	2	SCREW (M11.5X50-MM)						
	9	1	242-3928	1	SHIELD						
	10	1	242-3929	5	SCREW (M22X70-THD)						
	11	1	242-3930	1	PANEL-TERMINAL BOX						
	12	1	242-3931	1	BOLT (M6X1X16-MM)						
	13	1	242-3932	1	SCREEN-AIR INLET						
	14	1	243-5380	1	CAP						
	15	1	243-5220	1	BEARING						
	16	1	241-4594	1	COVER						
	17	1	242-3936	2	SCREW (M15X70-MM)						
	18	1	241-4595	1	CAP-BEARING						
	19	1	241-4597	1	RING						
	20	1	242-3938	1	EXCITER						
	21	1	241-4633	4	BOLT (M6X1X80-MM)						
	22	1	242-3941	1	ARMATURE						
	23	1	241-4606	1	SUPPORT-DIODE						
	24	1	242-3943	1	TERMINAL AS						
	25	1	242-3951	3	TERMINAL						
	26	1	242-3956	1	TERMINAL						
	27	1	242-3957	9	SCREW (M12X50-MM)						
	28	1	242-3959	3	DISC-COUPLING						
	29	1	242-3960	8	SCREW (27.7-MMX40-MM)						
	30	1	241-4618	1	SHIM (2-MM THK)						
	31	1	241-4619	1	DIODE AS						
	32	1	241-4620	1	VARISTOR						
	33	1	241-4622	1	SEAL-O-RING						
	34	1	242-3965	1	PANEL						
	35	1	242-3966	1	PANEL						
	36	1	242-3967	1	PANEL						
	37	1	242-3968	1	PANEL-ACCESS						
	38	1	307-6560	1	BRACKET						
	39	1	6V-8801	1	NUT (3/8-16-THD)						
M	40	1	8T-4000	1	SCREW-WASHER HEAD (M8X1.25X4.8-MM)						
	41	1	8T-0192	1	BOLT (3/8-16X2.25-IN)						
	42	1	4D-1326	1	LOCKWASHER (EXTERNAL TOOTH)						
	43	1	8T-4896	1	WASHER-HARD (10.2X18.5X2.5-MM THK)						

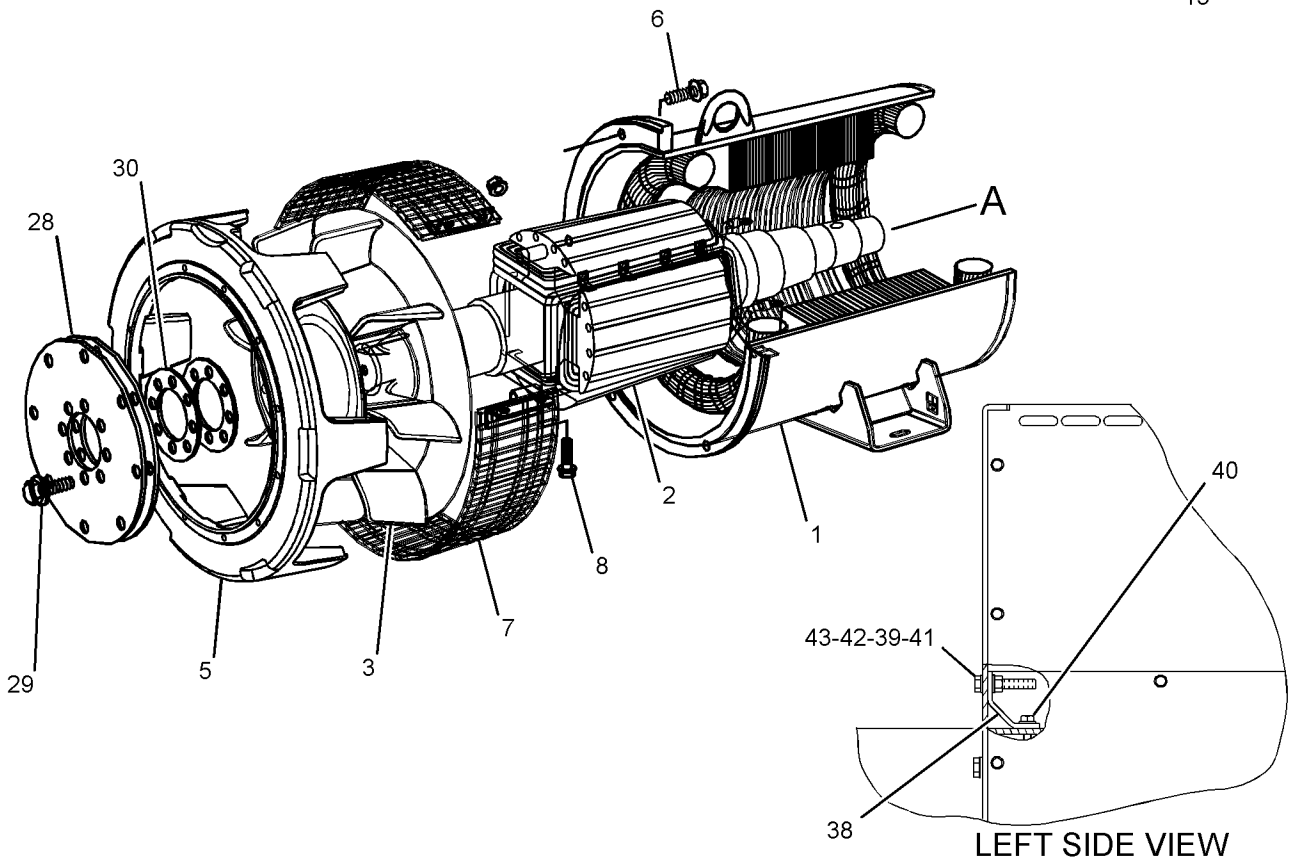
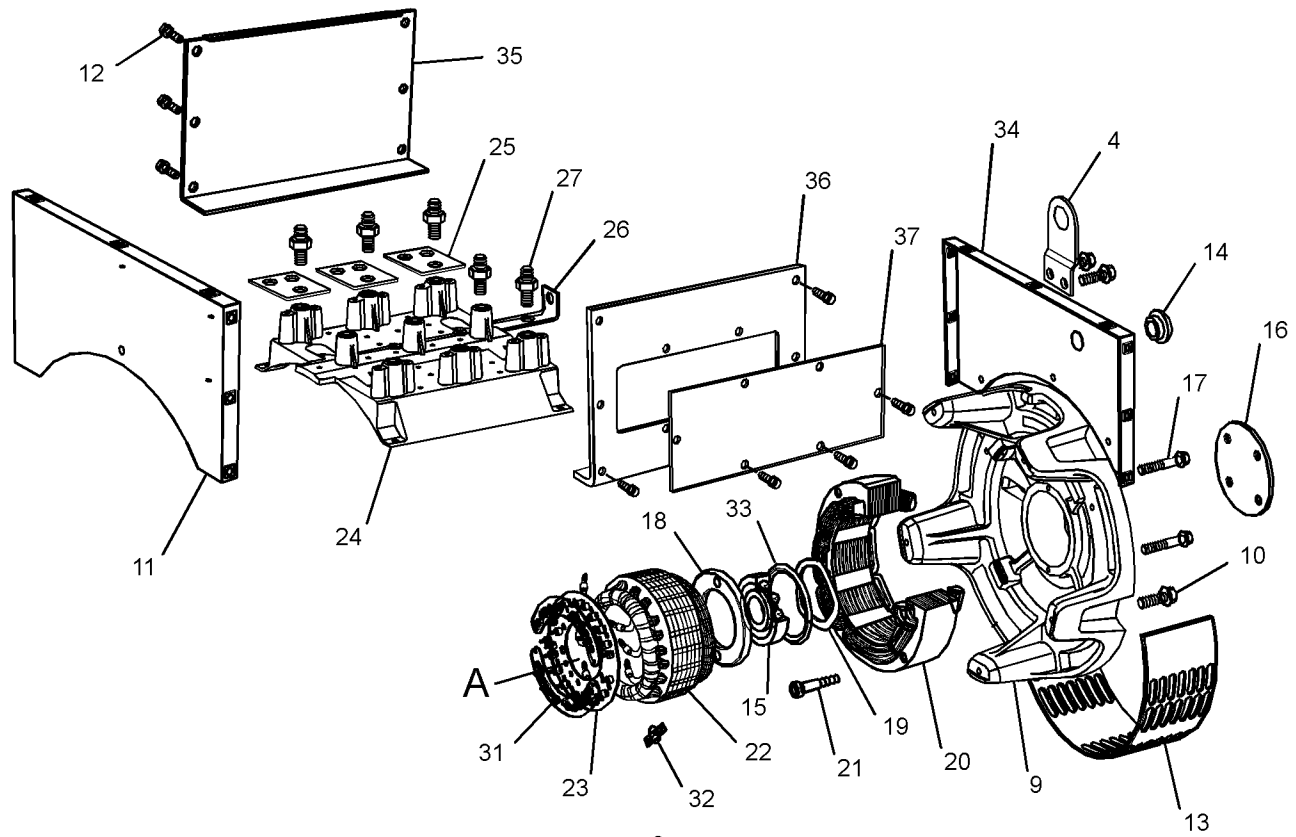
M - METRIC PART

R - REMANUFACTURED PART MAY BE AVAILABLE

GENERATORS

324-7685 GENERATOR GP (contd.)

i04553710



GRAPHIC #1

<END>

g01538353

GENERATORS

324-7686 GENERATOR GP

S/N: F6B1-UP

PART OF 235-1212 GENERATOR AR
AN ATTACHMENT

SMCS-4450

i04553712

NOTE	REF NO	GRAPHIC REF	PART NUMBER	QTY	PART NAME						SEE PAGE
					1	2	3	4	5	6 (PRODUCT LEVEL)	
	1	1	243-0151	1	STATOR AS						
R	2	1	243-0143	1	ROTOR AS						
	3	1	242-3919	1	FAN-GENERATOR						
	4	1	241-4577	1	EYE-LIFTING						
	5	1	242-3922	1	FLANGE						
M	6	1	160-8746	6	BOLT (M12X1.75X18-MM)						
	7	1	242-3924	1	SCREEN						
	8	1	242-3926	2	SCREW (M11.5X50-MM)						
	9	1	242-3928	1	SHIELD						
	10	1	242-3929	5	SCREW (M22X70-THD)						
	11	1	242-3930	1	PANEL-TERMINAL BOX						
	12	1	242-3931	1	BOLT (M6X1X16-MM)						
	13	1	242-3932	1	SCREEN-AIR INLET						
	14	1	243-5380	1	CAP						
	15	1	243-5220	1	BEARING						
	16	1	241-4594	1	COVER						
	17	1	242-3936	2	SCREW (M15X70-MM)						
	18	1	241-4595	1	CAP-BEARING						
	19	1	241-4597	1	RING						
	20	1	242-3938	1	EXCITER						
	21	1	241-4633	4	BOLT (M6X1X80-MM)						
	22	1	242-3941	1	ARMATURE						
	23	1	241-4606	1	SUPPORT-DIODE						
	24	1	242-3943	1	TERMINAL AS						
	25	1	242-3951	3	TERMINAL						
	26	1	242-3956	1	TERMINAL						
	27	1	242-3957	9	SCREW (M12X50-MM)						
	28	1	242-3959	3	DISC-COUPLING						
	29	1	242-3960	8	SCREW (27.7-MMX40-MM)						
	30	1	241-4618	1	SHIM (2-MM THK)						
	31	1	241-4619	1	DIODE AS						
	32	1	241-4620	1	VARISTOR						
	33	1	241-4622	1	SEAL-O-RING						
	34	1	242-3965	1	PANEL						
	35	1	242-3966	1	PANEL						
	36	1	242-3967	1	PANEL						
	37	1	242-3968	1	PANEL-ACCESS						
	38	1	307-6560	1	BRACKET						
	39	1	6V-8801	1	NUT (3/8-16-THD)						
M	40	1	8T-4000	1	SCREW-WASHER HEAD (M8X1.25X4.8-MM)						
	41	1	8T-0192	1	BOLT (3/8-16X2.25-IN)						
	42	1	4D-1326	1	LOCKWASHER (EXTERNAL TOOTH)						
	43	1	8T-4896	1	WASHER-HARD (10.2X18.5X2.5-MM THK)						

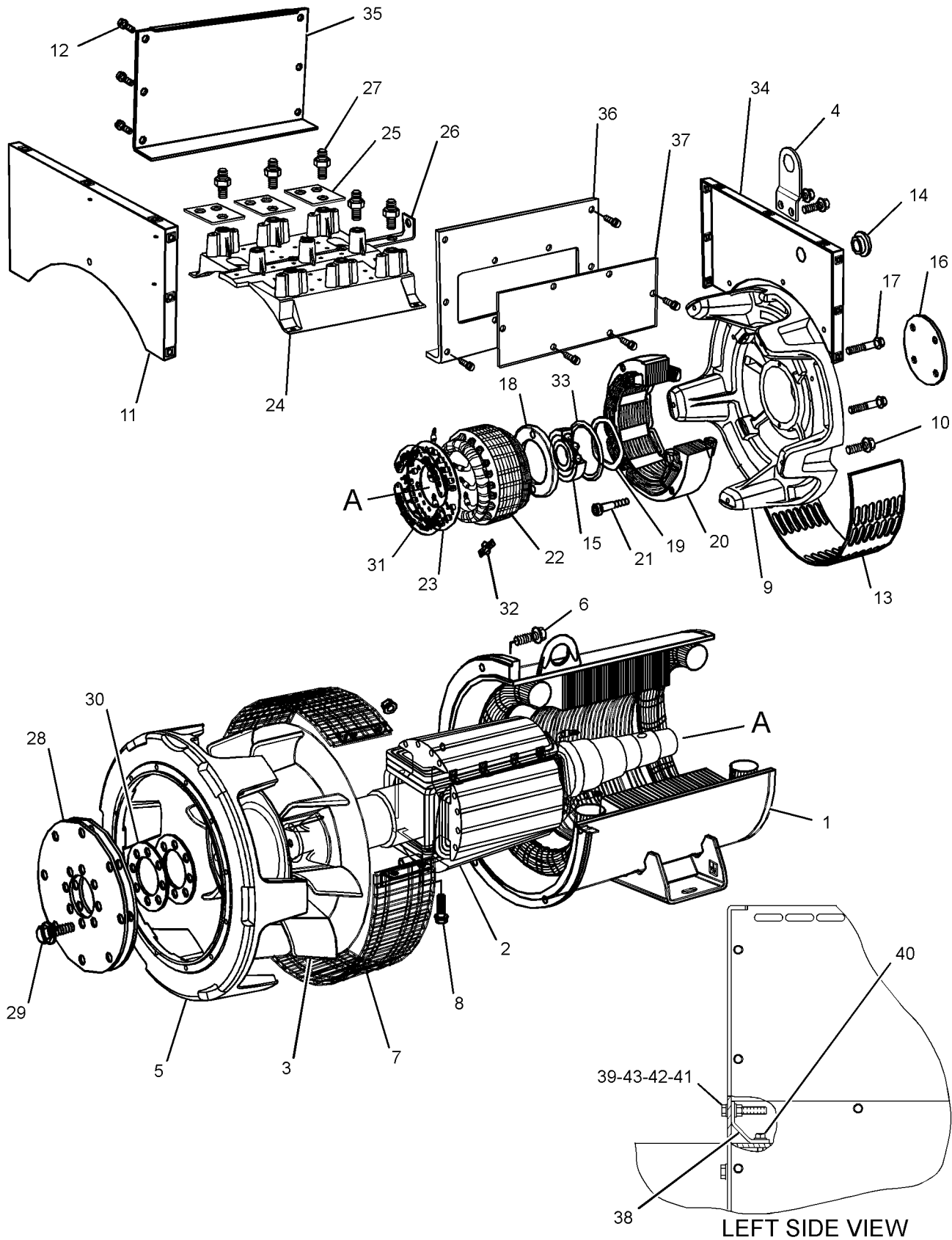
M - METRIC PART

R - REMANUFACTURED PART MAY BE AVAILABLE

GENERATORS

324-7686 GENERATOR GP (contd.)

i04553712



GRAPHIC #1

<END>

g01535294

GENERATORS

324-7689 GENERATOR GP

S/N: F6B1-UP

PART OF 235-1215 GENERATOR AR
AN ATTACHMENT

SMCS-4450

i05095770

NOTE	REF NO	GRAPHIC REF	PART NUMBER	QTY	PART NAME						SEE PAGE
					1	2	3	4	5	6 (PRODUCT LEVEL)	
	1	1	243-0148	1	STATOR AS						
R	2	1	243-0144	1	ROTOR AS						
	3	1	242-3919	1	FAN-GENERATOR						
	4	1	241-4577	1	EYE-LIFTING						
	5	1	242-3922	1	FLANGE						
M	6	1	160-8746	6	BOLT (M12X1.75X18-MM)						
	7	1	242-3924	1	SCREEN						
	8	1	242-3926	2	SCREW (M11.5X50-MM)						
	9	1	242-3928	1	SHIELD						
	10	1	242-3929	5	SCREW (M22X70-THD)						
	11	1	242-3930	1	PANEL-TERMINAL BOX						
	12	1	242-3931	1	BOLT (M6X1X16-MM)						
	13	1	242-3932	1	SCREEN-AIR INLET						
	14	1	243-5380	1	CAP						
	15	1	243-5220	1	BEARING						
	16	1	241-4594	1	COVER						
	17	1	242-3936	2	SCREW (M15X70-MM)						
	18	1	241-4595	1	CAP-BEARING						
	19	1	241-4597	1	RING						
	20	1	242-3938	1	EXCITER						
	21	1	241-4633	4	BOLT (M6X1X80-MM)						
	22	1	242-3941	1	ARMATURE						
	23	1	241-4606	1	SUPPORT-DIODE						
	24	1	242-3943	1	TERMINAL AS						
	25	1	242-3951	3	TERMINAL						
	26	1	242-3956	1	TERMINAL						
	27	1	242-3957	9	SCREW (M12X50-MM)						
	28	1	242-3959	3	DISC-COUPLING						
	29	1	242-3960	8	SCREW (27.7-MMX40-MM)						
	30	1	241-4618	1	SHIM (2-MM THK)						
	31	1	241-4619	1	DIODE AS						
	32	1	241-4620	1	VARISTOR						
	33	1	241-4622	1	SEAL-O-RING						
	34	1	242-3965	1	PANEL						
	35	1	242-3966	1	PANEL						
	36	1	242-3967	1	PANEL						
	37	1	242-3968	1	PANEL-ACCESS						
	38	1	307-6560	1	BRACKET						
	39	1	6V-8801	1	NUT (3/8-16-THD)						
M	40	1	8T-4000	1	SCREW-WASHER HEAD (M8X1.25X4.8-MM)						
	41	1	8T-0192	1	BOLT (3/8-16X2.25-IN)						
	42	1	4D-1326	1	LOCKWASHER (EXTERNAL TOOTH)						
	43	1	8T-4896	1	WASHER-HARD (10.2X18.5X2.5-MM THK)						

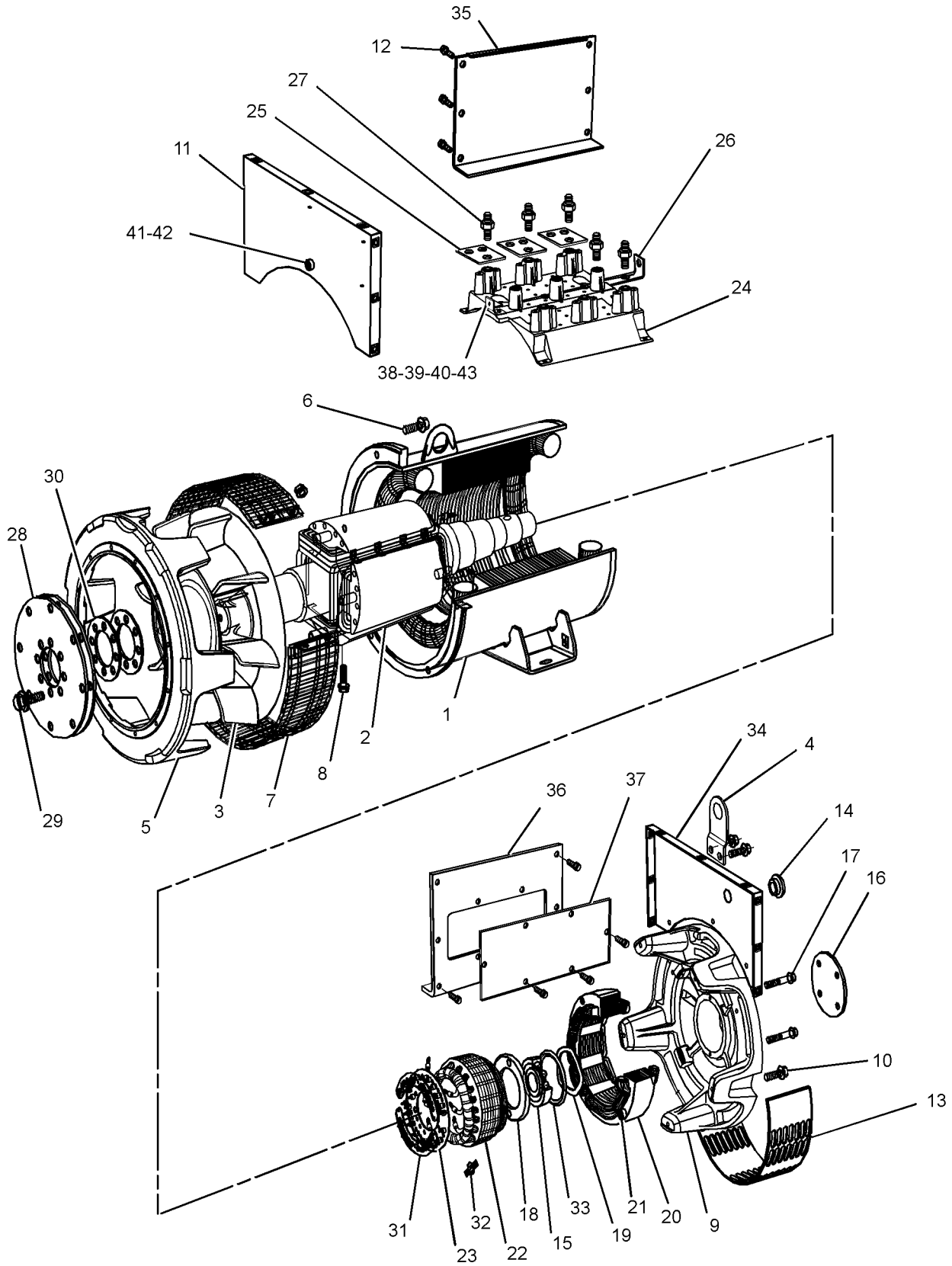
M - METRIC PART

R - REMANUFACTURED PART MAY BE AVAILABLE

GENERATORS

324-7689 GENERATOR GP (contd.)

i05095770



GRAPHIC #1

<END>

g01538157

GENERATORS

324-7695 GENERATOR GP

S/N: F5A1-UP

PART OF 237-7184 GENERATOR AR
AN ATTACHMENT

SMCS-4450

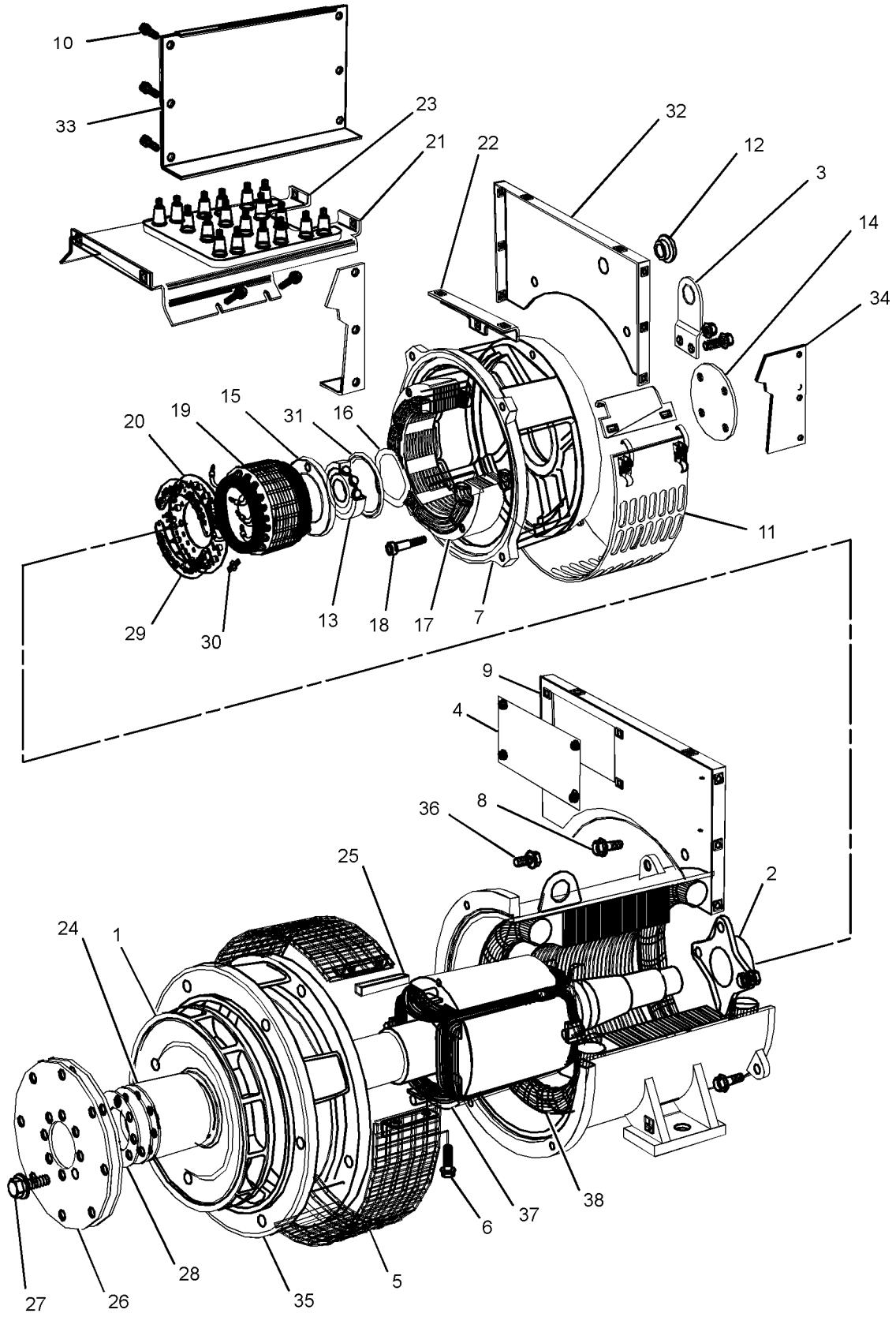
i05209778

NOTE	REF NO	GRAPHIC REF	PART NUMBER	QTY	PART NAME						SEE PAGE
					1	2	3	4	5	6 (PRODUCT LEVEL)	
	1	1	241-4574	1	FAN						
	2	1	241-4576	1	DISC						
	3	1	241-4577	1	EYE-LIFTING						
	4	1	241-4630	1	PANEL-ACCESS						
	5	1	241-4579	1	SCREEN						
	6	1	241-4580	2	SCREW						
	7	1	241-4587	1	KIT-RING (GENERATOR)						
	8	1	241-4588	4	BOLT (M12X50-MM)						
	9	1	241-4589	1	PANEL-TERMINAL BOX						
	10	1	242-3931	28	BOLT (M6X1X16-MM)						
	11	1	241-4591	1	SCREEN-AIR INLET						
	12	1	243-5380	1	CAP						
	13	1	243-5220	1	BEARING						
	14	1	241-4594	1	COVER						
	15	1	241-4595	1	CAP-BEARING						
	16	1	241-4597	1	RING						
	17	1	242-3797	1	EXCITER						
	18	1	241-4604	4	BOLT (M6X70-MM)						
	19	1	241-4605	1	ARMATURE						
	20	1	241-4606	1	SUPPORT-DIODE						
	21	1	241-4607	1	SUPPORT						
	22	1	241-4610	1	SUPPORT						
	23	1	241-4611	1	TERMINAL AS						
	24	1	241-4614	1	HUB						
	25	1	241-4615	1	KEY-SQUARE						
	26	1	241-4616	3	DISC						
	27	1	241-4617	8	BOLT (M16X60-MM)						
	28	1	243-5223	1	SHIM (2-MM THK)						
	29	1	241-4619	1	DIODE AS						
	30	1	241-4620	1	VARISTOR						
	31	1	241-4622	1	SEAL-O-RING						
	32	1	241-4626	1	PANEL-TERMINAL BOX						
	33	1	241-4627	1	PANEL-ACCESS						
	34	1	241-4628	1	PANEL-ACCESS						
	35	1	242-3749	1	BRACKET						
	36	1	241-4641	6	BOLT (M14X2-THD)						
	37	1	242-8724	1	ROTOR AS						
	38	1	242-8718	1	STATOR AS						

GENERATORS

324-7695 GENERATOR GP (contd.)

105209778



GRAPHIC #1

<END>

g01685294

GENERATORS

324-7698 GENERATOR GP

S/N: F6B1-UP

PART OF 242-4994 GENERATOR AR

SMCS-4450

i04327492

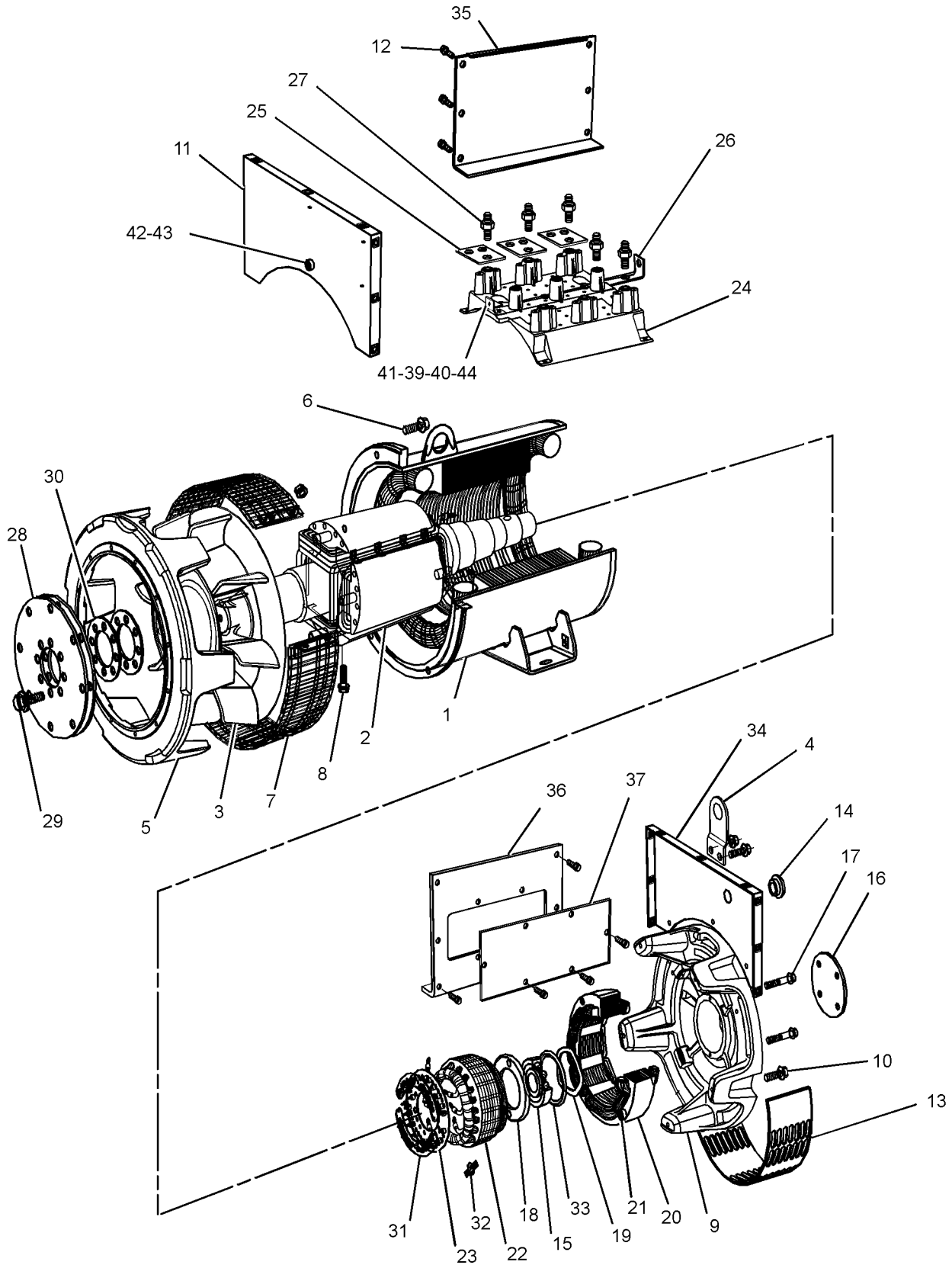
NOTE	REF NO	GRAPHIC REF	PART NUMBER	QTY	PART NAME						SEE PAGE
					1	2	3	4	5	6 (PRODUCT LEVEL)	
	1	1	251-3484	1	STATOR AS						
	2	1	251-3487	1	ROTOR AS						
	3	1	242-3919	1	FAN-GENERATOR						
	4	1	241-4577	1	EYE-LIFTING						
	5	1	251-3488	1	FLANGE						
M	6	1	160-8746	6	BOLT (M12X1.75X18-MM)						
	7	1	242-3924	1	SCREEN						
	8	1	242-3926	2	SCREW (M11.5X50-MM)						
	9	1	242-3928	1	SHIELD						
	10	1	242-3929	5	SCREW (M22X70-THD)						
	11	1	242-3930	1	PANEL-TERMINAL BOX						
	12	1	242-3931	1	BOLT (M6X1X16-MM)						
	13	1	242-3932	1	SCREEN-AIR INLET						
	14	1	243-5380	1	CAP						
	15	1	243-5220	1	BEARING						
	16	1	241-4594	1	COVER						
	17	1	242-3936	2	SCREW (M15X70-MM)						
	18	1	241-4595	1	CAP-BEARING						
	19	1	241-4597	1	RING						
	20	1	242-3938	1	EXCITER						
	21	1	241-4633	4	BOLT (M6X1X80-MM)						
	22	1	242-3941	1	ARMATURE						
	23	1	241-4606	1	SUPPORT-DIODE						
	24	1	242-3943	1	TERMINAL AS						
	25	1	242-3951	3	TERMINAL						
	26	1	242-3956	1	TERMINAL						
	27	1	242-3957	9	SCREW (M12X50-MM)						
	28	1	251-3489	1	DISC-COUPLING						
	29	1	242-3960	8	SCREW (27.7-MMX40-MM)						
	30	1	241-4618	1	SHIM (2-MM THK)						
	31	1	241-4619	1	DIODE AS						
	32	1	241-4620	1	VARISTOR						
	33	1	241-4622	1	SEAL-O-RING						
	34	1	242-3965	1	PANEL						
	35	1	242-3966	1	PANEL						
	36	1	242-3967	1	PANEL						
	37	1	242-3968	1	PANEL-ACCESS						
	39	1	307-6560	1	BRACKET						
	40	1	6V-8801	1	NUT (3/8-16-THD)						
M	41	1	8T-4000	1	SCREW-WASHER HEAD (M8X1.25X4.8-MM)						
	42	1	8T-0192	1	BOLT (3/8-16X2.25-IN)						
	43	1	4D-1326	1	LOCKWASHER (EXTERNAL TOOTH)						
	44	1	8T-4896	1	WASHER-HARD (10.2X18.5X2.5-MM THK)						
F			246-5895	1	TRANSFORMER						

F - NOT SHOWN
M - METRIC PART

GENERATORS

324-7698 GENERATOR GP (contd.)

i04327492



GRAPHIC #1

<END>

g01536633

GENERATORS

324-7707 GENERATOR GP

S/N: F6B1-UP

PART OF 247-6119 GENERATOR AR
AN ATTACHMENT

SMCS-4450

i04383604

NOTE	REF NO	GRAPHIC REF	PART NUMBER	QTY	PART NAME						SEE PAGE
					1	2	3	4	5	6 (PRODUCT LEVEL)	
	1	1	243-0147	1	STATOR AS						
R	2	1	243-0143	1	ROTOR AS						
	3	1	242-3919	1	FAN-GENERATOR						
	4	1	241-4577	1	EYE-LIFTING						
	5	1	251-3488	1	FLANGE						
M	6	1	160-8746	6	BOLT (M12X1.75X18-MM)						
	7	1	242-3924	1	SCREEN (AIR EXIT)						
	8	1	242-3926	2	SCREW (M11.5X50-MM)						
	9	1	242-3928	1	SHIELD						
	10	1	242-3929	5	SCREW (M22X70-THD)						
	11	1	242-3930	1	PANEL-TERMINAL BOX						
	12	1	242-3931	1	BOLT (M6X1X16-MM)						
	13	1	242-3932	1	SCREEN-AIR INLET						
	14	1	243-5380	1	CAP						
	15	1	243-5220	1	BEARING						
	16	1	241-4594	1	COVER						
	17	1	242-3936	2	SCREW (M15X70-MM)						
	18	1	241-4595	1	CAP-BEARING						
	19	1	241-4597	1	RING						
	20	1	242-3938	1	EXCITER						
	21	1	241-4633	4	BOLT (M6X1X80-MM)						
	22	1	242-3941	1	ARMATURE						
	23	1	241-4606	1	SUPPORT-DIODE						
	24	1	242-3943	1	TERMINAL AS						
	25	1	242-3951	3	TERMINAL						
	26	1	242-3956	1	TERMINAL (NEUTRAL)						
	27	1	242-3957	9	SCREW (M12X50-MM)						
	28	1	251-3489	1	DISC-COUPLING						
	29	1	242-3960	8	SCREW (27.7-MMX40-MM)						
	30	1	241-4618	1	SHIM (2-MM THK)						
	31	1	241-4619	1	DIODE AS						
	32	1	241-4620	1	VARISTOR						
	33	1	241-4622	1	SEAL-O-RING						
	34	1	242-3965	1	PANEL						
	35	1	242-3966	1	PANEL						
	36	1	242-3967	1	PANEL						
	37	1	242-3968	1	PANEL-ACCESS						
	38	1	307-6560	1	BRACKET						
	39	1	6V-8801	1	NUT (3/8-16-THD)						
M	40	1	8T-4000	1	SCREW-WASHER HEAD (M8X1.25X4.8-MM)						
	41	1	8T-0192	1	BOLT (3/8-16X2.25-IN)						
	42	1	3K-8909	1	LOCKWASHER						
	43	1	8T-4896	1	WASHER-HARD (10.2X18.5X2.5-MM THK)						

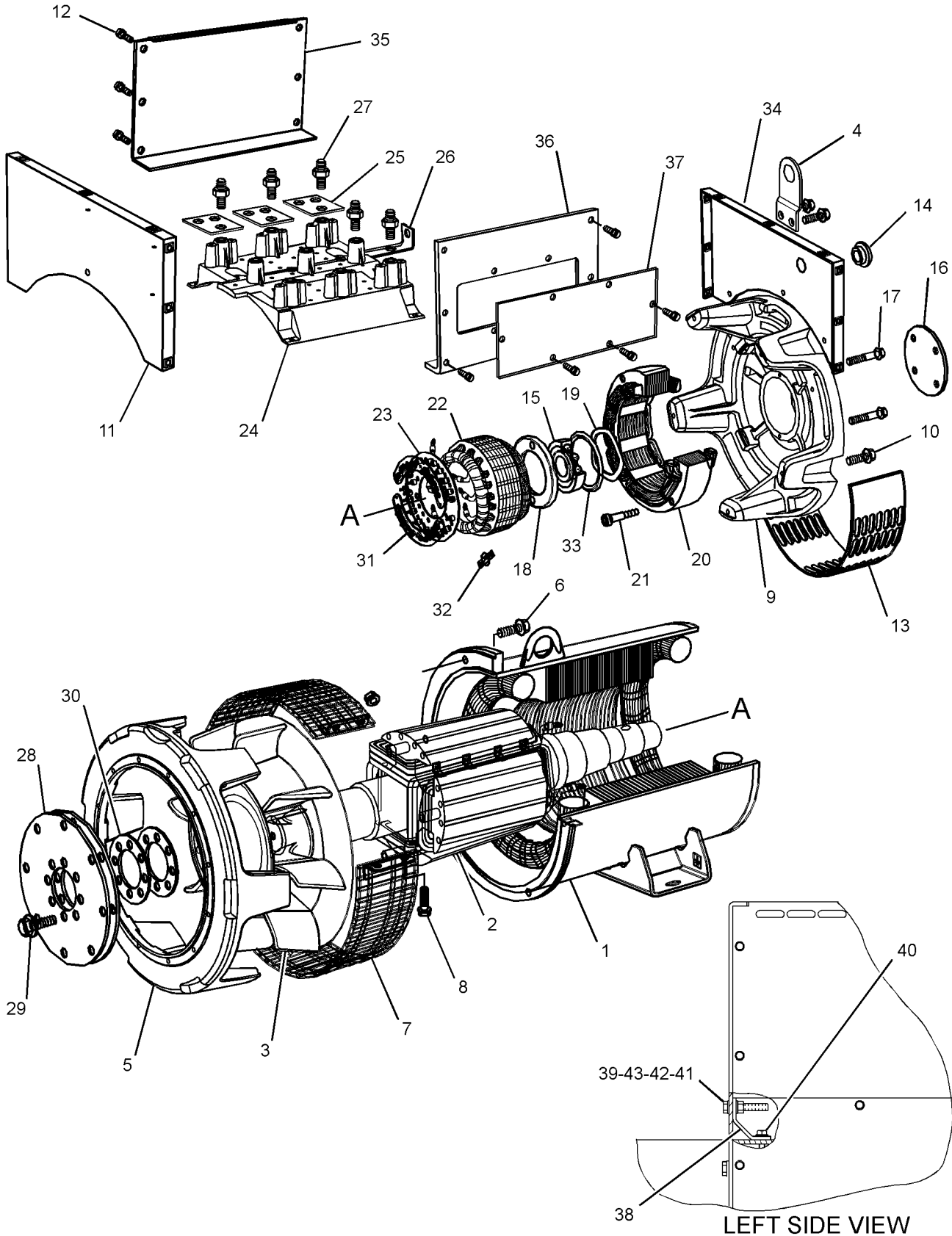
M - METRIC PART

R - REMANUFACTURED PART MAY BE AVAILABLE

GENERATORS

324-7707 GENERATOR GP (contd.)

i04383604



GRAPHIC #1

<END>

g01537273

GENERATORS

324-7708 GENERATOR GP

S/N: F6B1-UP

PART OF 247-6121 GENERATOR AR
AN ATTACHMENT

SMCS-4450

i04383678

NOTE	REF NO	GRAPHIC REF	PART NUMBER	QTY	PART NAME						SEE PAGE
					1	2	3	4	5	6 (PRODUCT LEVEL)	
	1	1	243-0148	1	STATOR AS						
R	2	1	243-0144	1	ROTOR AS						
	3	1	242-3919	1	FAN-GENERATOR						
	4	1	241-4577	1	EYE-LIFTING						
	5	1	251-3488	1	FLANGE						
M	6	1	160-8746	6	BOLT (M12X1.75X18-MM)						
	7	1	242-3924	1	SCREEN (AIR EXIT)						
	8	1	242-3926	2	SCREW (M11.5X50-MM)						
	9	1	242-3928	1	SHIELD						
	10	1	242-3929	5	SCREW (M22X70-THD)						
	11	1	242-3930	1	PANEL-TERMINAL BOX						
	12	1	242-3931	1	BOLT (M6X1X16-MM)						
	13	1	242-3932	1	SCREEN-AIR INLET						
	14	1	243-5380	1	CAP						
	15	1	243-5220	1	BEARING						
	16	1	241-4594	1	COVER						
	17	1	242-3936	2	SCREW (M15X70-MM)						
	18	1	241-4595	1	CAP-BEARING						
	19	1	241-4597	1	RING						
	20	1	242-3938	1	EXCITER						
	21	1	241-4633	4	BOLT (M6X1X80-MM)						
	22	1	242-3941	1	ARMATURE						
	23	1	241-4606	1	SUPPORT-DIODE						
	24	1	242-3943	1	TERMINAL AS						
	25	1	242-3951	3	TERMINAL						
	26	1	242-3956	1	TERMINAL (NEUTRAL)						
	27	1	242-3957	9	SCREW (M12X50-MM)						
	28	1	251-3489	1	DISC-COUPLING						
	29	1	242-3960	8	SCREW (27.7-MMX40-MM)						
	30	1	241-4618	1	SHIM (2-MM THK)						
	31	1	241-4619	1	DIODE AS						
	32	1	241-4620	1	VARISTOR						
	33	1	241-4622	1	SEAL-O-RING						
	34	1	242-3965	1	PANEL						
	35	1	242-3966	1	PANEL						
	36	1	242-3967	1	PANEL						
	37	1	242-3968	1	PANEL-ACCESS						
	38	1	307-6560	1	BRACKET						
	39	1	6V-8801	1	NUT (3/8-16-THD)						
M	40	1	8T-4000	1	SCREW-WASHER HEAD (M8X1.25X4.8-MM)						
	41	1	8T-0192	1	BOLT (3/8-16X2.25-IN)						
	42	1	3K-8909	1	LOCKWASHER						
	43	1	8T-4896	1	WASHER-HARD (10.2X18.5X2.5-MM THK)						

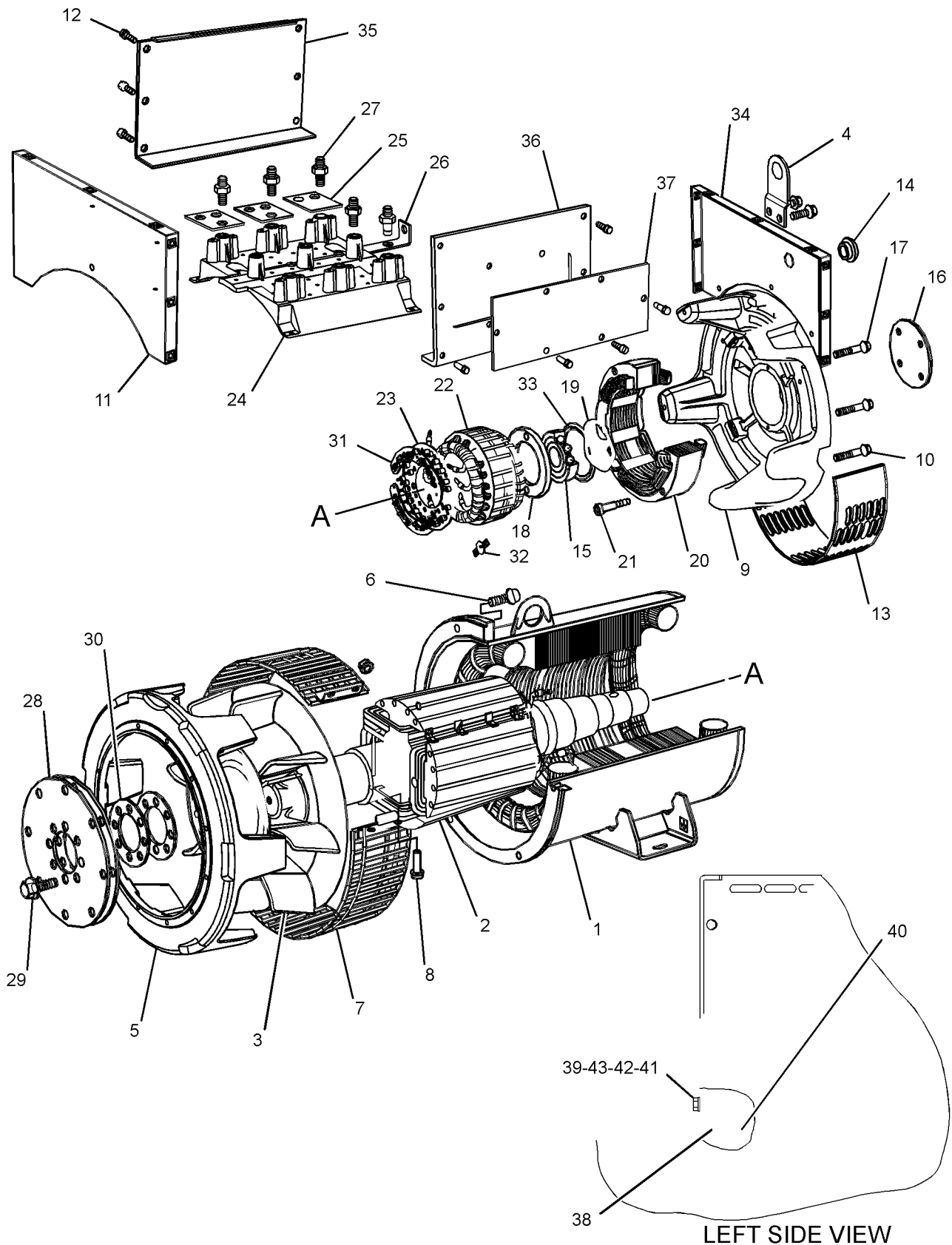
M - METRIC PART

R - REMANUFACTURED PART MAY BE AVAILABLE

GENERATORS

324-7708 GENERATOR GP (contd.)

i04383678



GRAPHIC #1

<END>

g01526925

GENERATORS

330-9627 GENERATOR GP

S/N: F5A1-UP

PART OF 330-9628 GENERATOR AR

SMCS-4450

i05383137

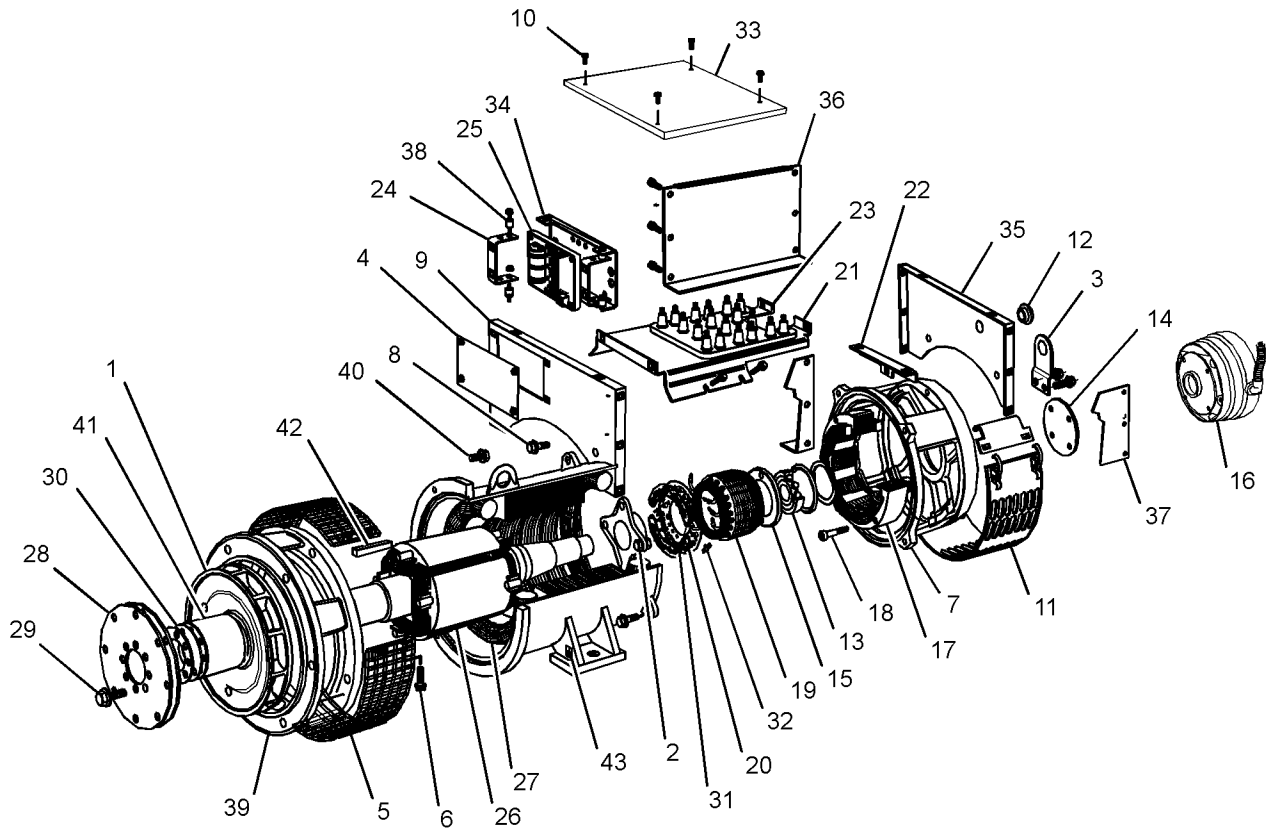
NOTE	REF NO	GRAPHIC REF	PART NUMBER	QTY	PART NAME						SEE PAGE
					1	2	3	4	5	6	
	1	1	345-0793	1	FAN						
	2	1	241-4576	1	DISC						
	3	1	241-4577	1	EYE-LIFTING						
	4	1	241-4630	1	PANEL-ACCESS						
	5	1	241-4579	1	SCREEN						
M	6	1	2W-9499	2	BOLT (M6X1X40-MM)						
	7	1	241-4587	1	KIT-RING						
M	8	1	8T-4194	4	BOLT (M12X1.75X50-MM)						
	9	1	241-4589	1	PANEL-TERMINAL BOX						
	10	1	243-5219	1	BOLT (M6X16-MM)						
	11	1	241-4591	1	SCREEN-AIR INLET						
	12	1	243-5380	1	CAP						
	13	1	243-5220	1	BEARING						
	14	1	241-4594	1	COVER						
	15	1	241-4595	1	CAP-BEARING						
	16	1	366-2203	1	EXCITER AS (PERMANENT MAGNET)						
	17	1	433-5909	1	EXCITER						
M	18	1	151-6283	4	BOLT-SOCKET HEAD (M6X1X70-MM)						
	19	1	433-5908	1	EXCITER						
	20	1	241-4606	1	SUPPORT-DIODE						
	21	1	241-4607	1	SUPPORT						
	22	1	241-4610	1	SUPPORT						
	23	1	241-4611	1	TERMINAL AS						
	24	1	241-4612	2	SUPPORT						
	25	1	352-6019	1	REGULATOR AS-VOLTAGE (R450M)						
	26	1	431-6634	1	ROTOR						
	27	1	433-5910	1	STATOR						
	28	1	241-4616	1	DISC						
M	29	1	8T-4140	8	BOLT (M16X2X60-MM)						
	30	1	243-5223	1	SHIM (2-MM THK)						
	31	1	241-4619	1	DIODE AS						
	32	1	241-4620	1	VARISTOR						
	33	1	375-8208	1	COVER-BOX						
	34	1	241-4624	1	SUPPORT						
	35	1	241-4626	1	PANEL-TERMINAL BOX						
	36	1	241-4627	1	PANEL-ACCESS						
	37	1	241-4628	1	PANEL-ACCESS						
	38	1	254-4235	4	MOUNT						
	39	1	345-0788	1	BRACKET						
M	40	1	8T-0226	6	BOLT (M14X2X45-MM)						
	41	1	241-4614	1	HUB						
	42	1	241-4615	1	KEY-SQUARE						
	43	1	261-3537	1	TERMINAL						

M - METRIC PART

GENERATORS

330-9627 GENERATOR GP (contd.)

i05383137



GRAPHIC #1

<END>

g03407456

GENERATORS

338-1946 GENERATOR GP

S/N: F5A1-UP

PART OF 338-1943, 338-1945 GENERATOR AR

SMCS-4450

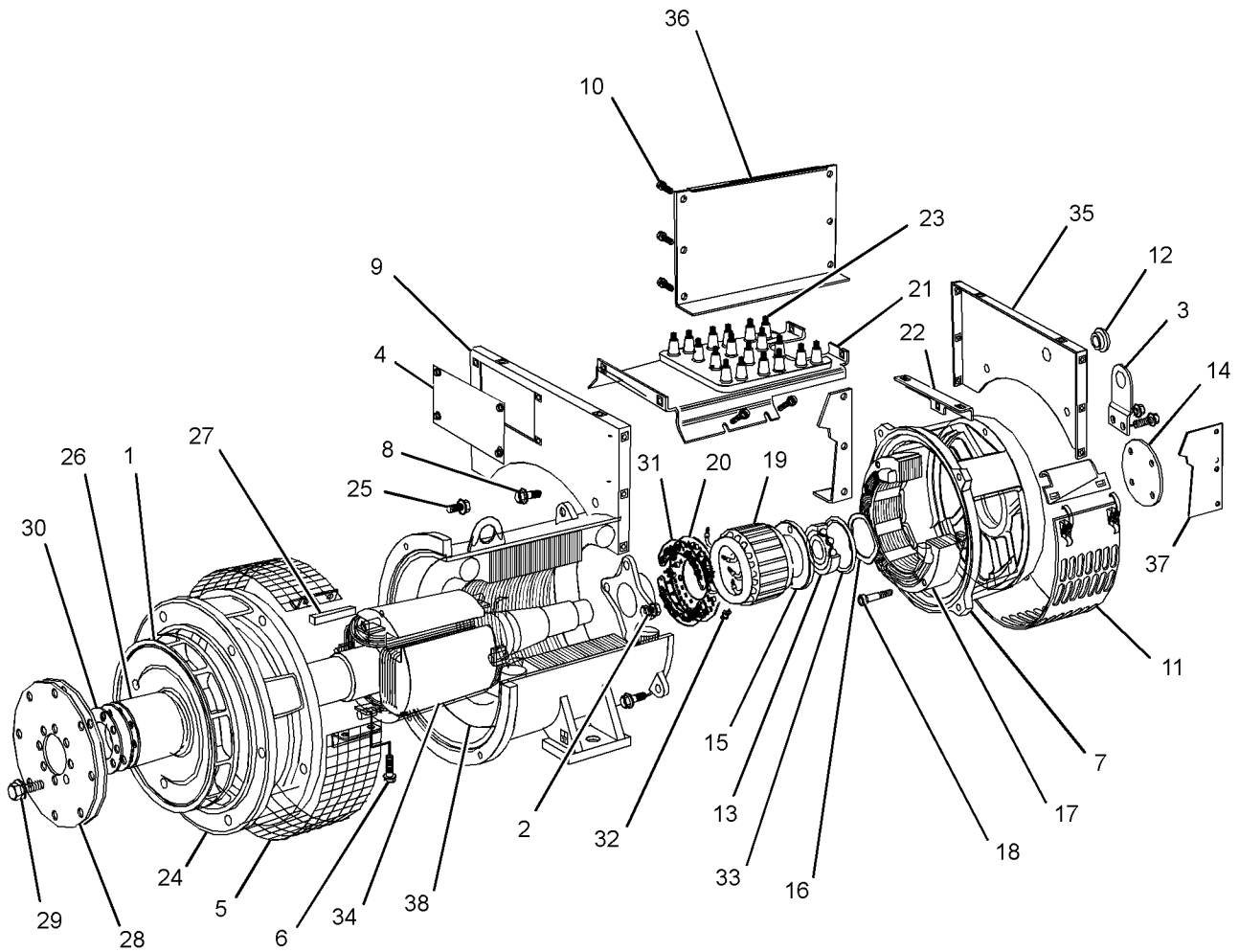
i03475763

NOTE	REF NO	GRAPHIC REF	PART NUMBER	QTY	PART NAME						SEE PAGE
					1	2	3	4	5	6 (PRODUCT LEVEL)	
	1	1	241-4574	1	FAN						
	2	1	241-4576	1	DISC						
	3	1	241-4577	1	EYE-LIFTING						
	4	1	241-4630	1	PANEL-ACCESS						
	5	1	241-4579	1	SCREEN						
	6	1	241-4580	2	SCREW						
	7	1	241-4587	1	KIT-RING						
	8	1	241-4588	4	BOLT (M12X50-MM)						
	9	1	241-4589	1	PANEL-TERMINAL BOX						
	10	1	243-5219	28	BOLT (M6X16-MM)						
	11	1	241-4591	1	SCREEN-AIR INLET						
	12	1	243-5380	1	CAP						
	13	1	243-5220	1	BEARING						
	14	1	241-4594	1	COVER						
	15	1	241-4595	1	CAP-BEARING						
	16	1	241-4597	1	RING						
	17	1	242-3797	1	EXCITER						
	18	1	241-4604	4	BOLT (M6X70-MM)						
	19	1	241-4605	1	ARMATURE						
	20	1	241-4606	1	SUPPORT-DIODE						
	21	1	241-4607	1	SUPPORT						
	22	1	241-4610	1	SUPPORT						
	23	1	241-4611	1	TERMINAL AS						
	24	1	242-3749	1	BRACKET						
	25	1	241-4641	6	BOLT (M14X2-THD)						
	26	1	241-4614	1	HUB						
	27	1	241-4615	1	KEY-SQUARE						
	28	1	241-4616	3	DISC						
	29	1	241-4617	8	BOLT (M16X60-MM)						
	30	1	243-5223	1	SHIM (2-MM THK)						
	31	1	241-4619	1	DIODE AS						
	32	1	241-4620	1	VARISTOR						
	33	1	241-4622	1	SEAL-O-RING						
	34	1	338-7375	1	ROTOR AS						
	35	1	241-4626	1	PANEL-TERMINAL BOX						
	36	1	241-4627	1	PANEL-ACCESS						
	37	1	241-4628	1	PANEL-ACCESS						
	38	1	338-7345	1	STATOR AS						

GENERATORS

338-1946 GENERATOR GP (contd.)

i03475763



GRAPHIC #1

<END>

g01819077

GENERATORS

338-1950 GENERATOR GP

S/N: F5A1-UP

PART OF 338-1947, 338-1949 GENERATOR AR

SMCS-4450

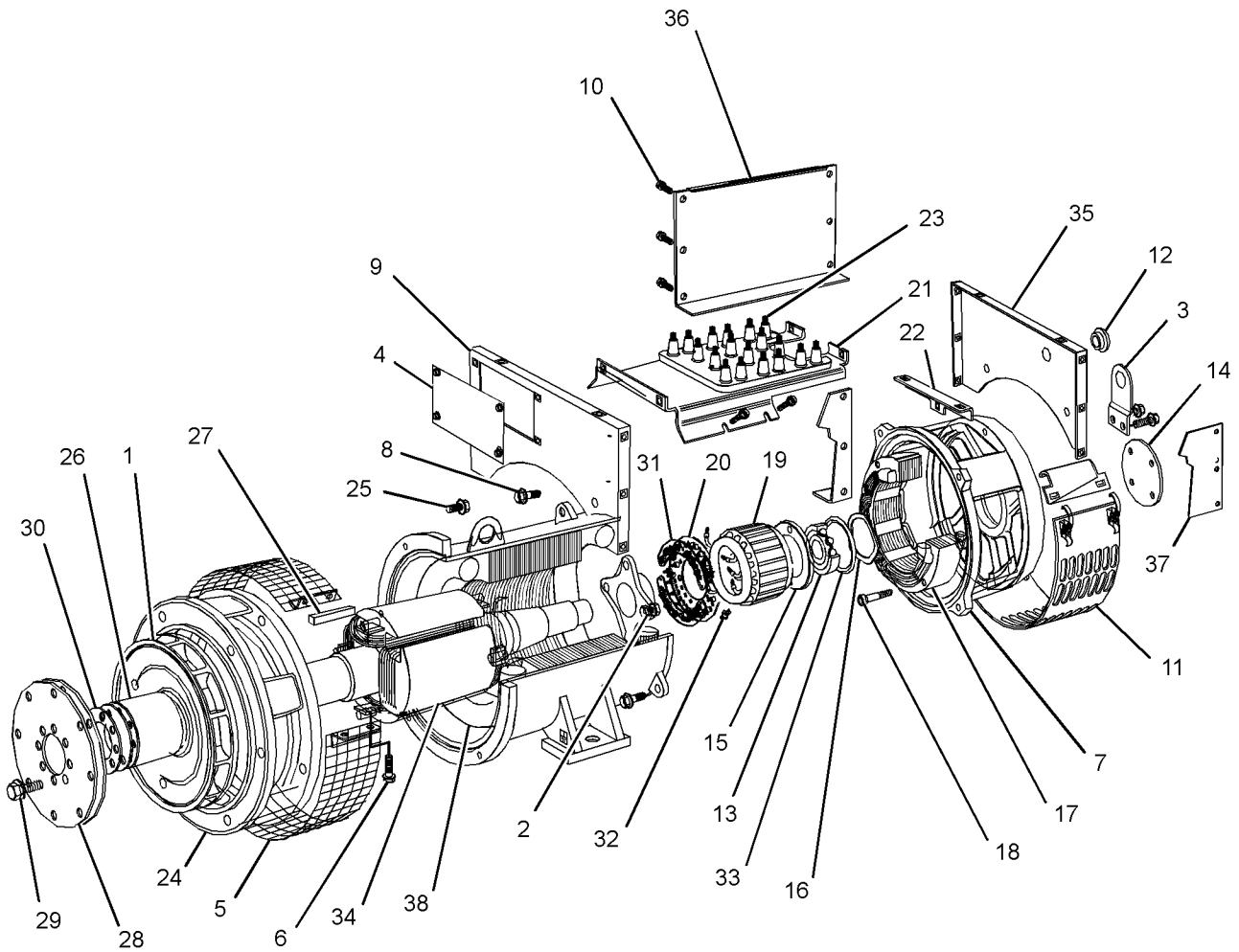
i03476044

NOTE	REF NO	GRAPHIC REF	PART NUMBER	QTY	PART NAME						SEE PAGE
					1	2	3	4	5	6 (PRODUCT LEVEL)	
	1	1	241-4574	1	FAN						
	2	1	241-4576	1	DISC						
	3	1	241-4577	1	EYE-LIFTING						
	4	1	241-4630	1	PANEL-ACCESS						
	5	1	241-4579	1	SCREEN						
	6	1	241-4580	2	SCREW						
	7	1	241-4587	1	KIT-RING						
	8	1	241-4588	4	BOLT (M12X50-MM)						
	9	1	241-4589	1	PANEL-TERMINAL BOX						
	10	1	243-5219	28	BOLT (M6X16-MM)						
	11	1	241-4591	1	SCREEN-AIR INLET						
	12	1	243-5380	1	CAP						
	13	1	243-5220	1	BEARING						
	14	1	241-4594	1	COVER						
	15	1	241-4595	1	CAP-BEARING						
	16	1	241-4597	1	RING						
	17	1	242-3797	1	EXCITER						
	18	1	241-4604	4	BOLT (M6X70-MM)						
	19	1	241-4605	1	ARMATURE						
	20	1	241-4606	1	SUPPORT-DIODE						
	21	1	241-4607	1	SUPPORT						
	22	1	241-4610	1	SUPPORT						
	23	1	241-4611	1	TERMINAL AS						
	24	1	242-3749	1	BRACKET						
	25	1	241-4641	6	BOLT (M14X2-THD)						
	26	1	241-4614	1	HUB						
	27	1	241-4615	1	KEY-SQUARE						
	28	1	241-4616	3	DISC						
	29	1	241-4617	8	BOLT (M16X60-MM)						
	30	1	243-5223	1	SHIM (2-MM THK)						
	31	1	241-4619	1	DIODE AS						
	32	1	241-4620	1	VARISTOR						
	33	1	241-4622	1	SEAL-O-RING						
	34	1	338-7375	1	ROTOR AS						
	35	1	241-4626	1	PANEL-TERMINAL BOX						
	36	1	241-4627	1	PANEL-ACCESS						
	37	1	241-4628	1	PANEL-ACCESS						
	38	1	338-7346	1	STATOR AS						

GENERATORS

338-1950 GENERATOR GP (contd.)

i03476044



GRAPHIC #1

<END>

g01819077

GENERATORS

338-1954 GENERATOR GP

S/N: F5A1-UP

PART OF 338-1951, 338-1953 GENERATOR AR

SMCS-4450

i03476944

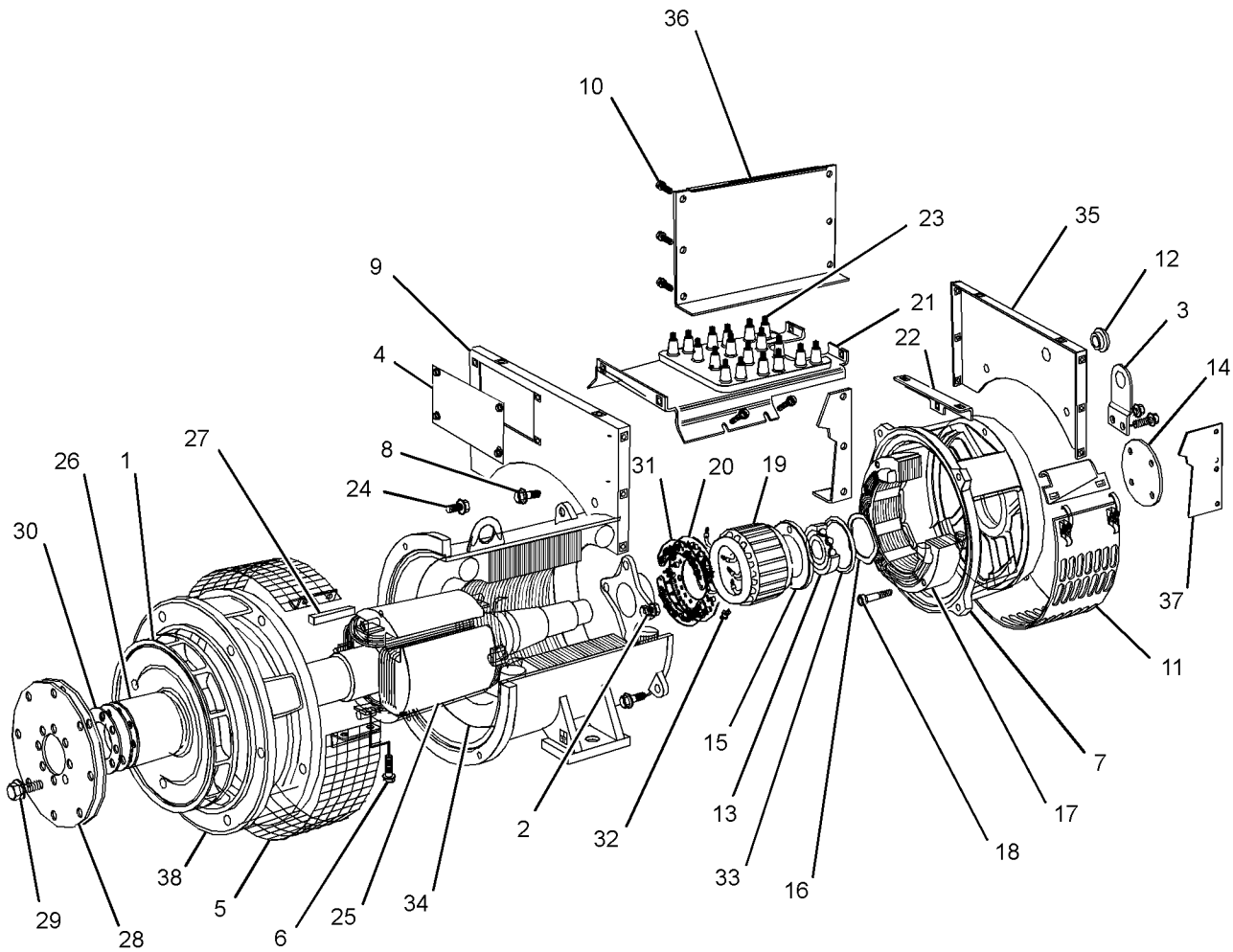
NOTE	REF NO	GRAPHIC REF	PART NUMBER	QTY	PART NAME						SEE PAGE
					1	2	3	4	5	6 (PRODUCT LEVEL)	
	1	1	241-4574	1	FAN						
	2	1	241-4576	1	DISC						
	3	1	241-4577	1	EYE-LIFTING						
	4	1	241-4630	1	PANEL-ACCESS						
	5	1	241-4579	1	SCREEN						
	6	1	241-4580	2	SCREW						
	7	1	241-4587	1	KIT-RING						
	8	1	241-4588	4	BOLT (M12X50-MM)						
	9	1	241-4589	1	PANEL-TERMINAL BOX						
	10	1	243-5219	28	BOLT (M6X16-MM)						
	11	1	241-4591	1	SCREEN-AIR INLET						
	12	1	243-5380	1	CAP						
	13	1	243-5220	1	BEARING						
	14	1	241-4594	1	COVER						
	15	1	241-4595	1	CAP-BEARING						
	16	1	241-4597	1	RING						
	17	1	242-3797	1	EXCITER						
	18	1	241-4604	4	BOLT (M6X70-MM)						
	19	1	241-4605	1	ARMATURE						
	20	1	241-4606	1	SUPPORT-DIODE						
	21	1	241-4607	1	SUPPORT						
	22	1	241-4610	1	SUPPORT						
	23	1	241-4611	1	TERMINAL AS						
	24	1	241-4641	6	BOLT (M14X2-THD)						
	25	1	338-7375	1	ROTOR AS						
	26	1	241-4614	1	HUB						
	27	1	241-4615	1	KEY-SQUARE						
	28	1	241-4616	3	DISC						
	29	1	241-4617	8	BOLT (M16X60-MM)						
	30	1	243-5223	1	SHIM (2-MM THK)						
	31	1	241-4619	1	DIODE AS						
	32	1	241-4620	1	VARISTOR						
	33	1	241-4622	1	SEAL-O-RING						
	34	1	338-7347	1	STATOR AS						
	35	1	241-4626	1	PANEL-TERMINAL BOX						
	36	1	241-4627	1	PANEL-ACCESS						
	37	1	241-4628	1	PANEL-ACCESS						
	38	1	242-3749	1	BRACKET						
	F		246-5895	1	TRANSFORMER						

F - NOT SHOWN

GENERATORS

338-1954 GENERATOR GP (contd.)

i03476944



GRAPHIC #1

<END>

g01819353

GENERATORS

338-1969 GENERATOR GP

S/N: F5A1-UP

PART OF 338-1966, 338-1968 GENERATOR AR

SMCS-4450

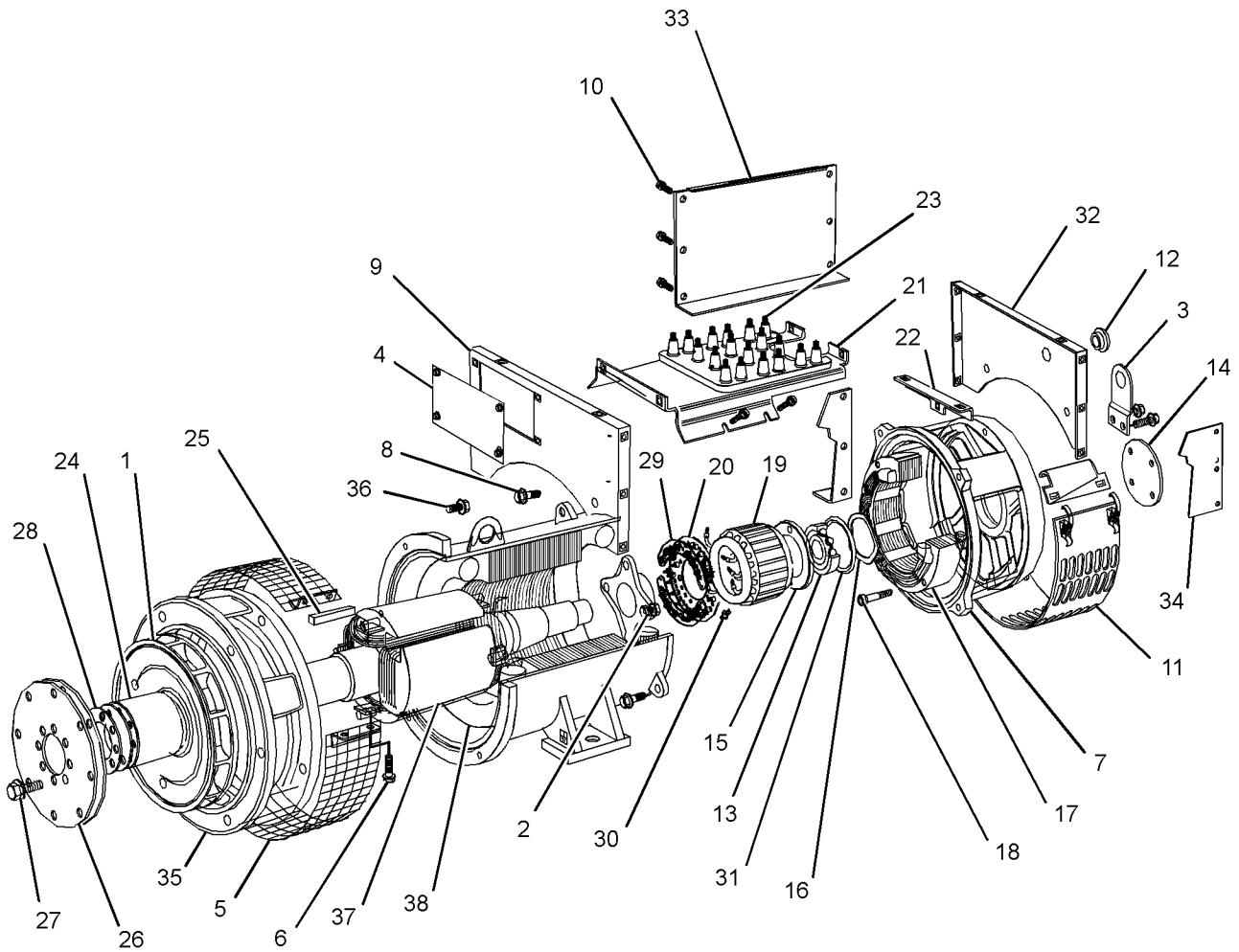
i03477348

NOTE	REF NO	GRAPHIC REF	PART NUMBER	QTY	PART NAME						SEE PAGE
					1	2	3	4	5	6 (PRODUCT LEVEL)	
	1	1	241-4574	1	FAN						
	2	1	241-4576	1	DISC						
	3	1	241-4577	1	EYE-LIFTING						
	4	1	241-4630	1	PANEL-ACCESS						
	5	1	241-4579	1	SCREEN						
	6	1	241-4580	2	SCREW						
	7	1	241-4587	1	KIT-RING						
	8	1	241-4588	4	BOLT (M12X50-MM)						
	9	1	241-4589	1	PANEL-TERMINAL BOX						
	10	1	242-3931	28	BOLT (M6X1X16-MM)						
	11	1	241-4591	1	SCREEN-AIR INLET						
	12	1	243-5380	1	CAP						
	13	1	243-5220	1	BEARING						
	14	1	241-4594	1	COVER						
	15	1	241-4595	1	CAP-BEARING						
	16	1	241-4597	1	RING						
	17	1	242-3797	1	EXCITER						
	18	1	241-4604	4	BOLT (M6X70-MM)						
	19	1	241-4605	1	ARMATURE						
	20	1	241-4606	1	SUPPORT-DIODE						
	21	1	241-4607	1	SUPPORT						
	22	1	241-4610	1	SUPPORT						
	23	1	241-4611	1	TERMINAL AS						
	24	1	241-4614	1	HUB						
	25	1	241-4615	1	KEY-SQUARE						
	26	1	241-4616	3	DISC						
	27	1	241-4617	8	BOLT (M16X60-MM)						
	28	1	243-5223	1	SHIM (2-MM THK)						
	29	1	241-4619	1	DIODE AS						
	30	1	241-4620	1	VARISTOR						
	31	1	241-4622	1	SEAL-O-RING						
	32	1	241-4626	1	PANEL-TERMINAL BOX						
	33	1	241-4627	1	PANEL-ACCESS						
	34	1	241-4628	1	PANEL-ACCESS						
	35	1	242-3749	1	BRACKET						
	36	1	241-4641	6	BOLT (M14X2-THD)						
	37	1	338-7376	1	ROTOR AS						
	38	1	338-7348	1	STATOR AS						

GENERATORS

338 - 1969 GENERATOR GP (contd.)

i03477348



GRAPHIC #1

<END>

g01819433

GENERATORS

338-1973 GENERATOR GP

S/N: F5A1-UP

PART OF 338-1970, 338-1972 GENERATOR AR

SMCS-4450

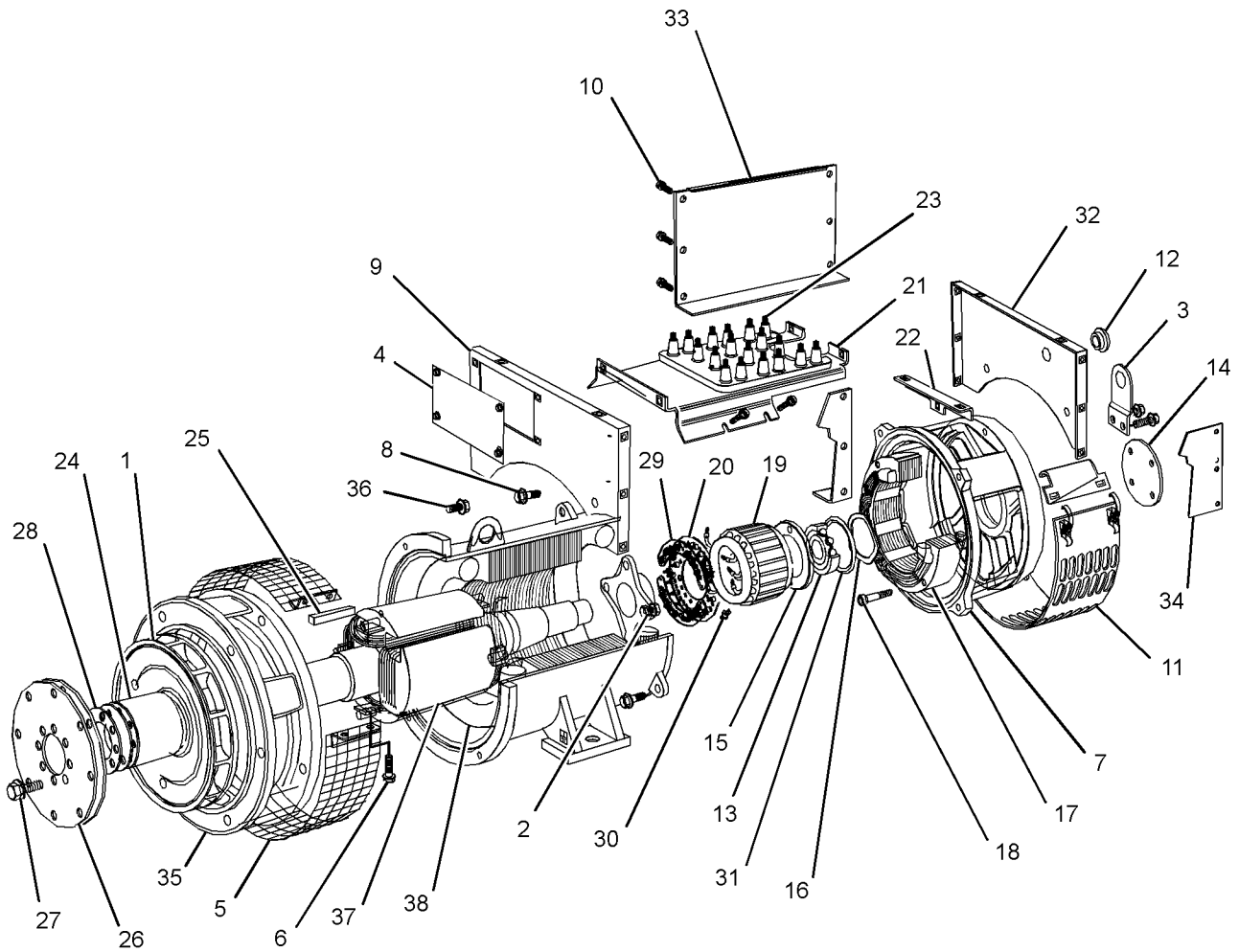
i03477524

NOTE	REF NO	GRAPHIC REF	PART NUMBER	QTY	PART NAME						SEE PAGE
					1	2	3	4	5	6 (PRODUCT LEVEL)	
	1	1	241-4574	1	FAN						
	2	1	241-4576	1	DISC						
	3	1	241-4577	1	EYE-LIFTING						
	4	1	241-4630	1	PANEL-ACCESS						
	5	1	241-4579	1	SCREEN						
	6	1	241-4580	2	SCREW						
	7	1	241-4587	1	KIT-RING						
	8	1	241-4588	4	BOLT (M12X50-MM)						
	9	1	241-4589	1	PANEL-TERMINAL BOX						
	10	1	242-3931	28	BOLT (M6X1X16-MM)						
	11	1	241-4591	1	SCREEN-AIR INLET						
	12	1	243-5380	1	CAP						
	13	1	243-5220	1	BEARING						
	14	1	241-4594	1	COVER						
	15	1	241-4595	1	CAP-BEARING						
	16	1	241-4597	1	RING						
	17	1	242-3797	1	EXCITER						
	18	1	241-4604	4	BOLT (M6X70-MM)						
	19	1	241-4605	1	ARMATURE						
	20	1	241-4606	1	SUPPORT-DIODE						
	21	1	241-4607	1	SUPPORT						
	22	1	241-4610	1	SUPPORT						
	23	1	241-4611	1	TERMINAL AS						
	24	1	241-4614	1	HUB						
	25	1	241-4615	1	KEY-SQUARE						
	26	1	241-4616	3	DISC						
	27	1	241-4617	8	BOLT (M16X60-MM)						
	28	1	243-5223	1	SHIM (2-MM THK)						
	29	1	241-4619	1	DIODE AS						
	30	1	241-4620	1	VARISTOR						
	31	1	241-4622	1	SEAL-O-RING						
	32	1	241-4626	1	PANEL-TERMINAL BOX						
	33	1	241-4627	1	PANEL-ACCESS						
	34	1	241-4628	1	PANEL-ACCESS						
	35	1	242-3749	1	BRACKET						
	36	1	241-4641	6	BOLT (M14X2-THD)						
	37	1	338-7376	1	ROTOR AS						
	38	1	338-7349	1	STATOR AS						

GENERATORS

338-1973 GENERATOR GP (contd.)

i03477524



GRAPHIC #1

<END>

g01819433

GENERATORS

338-1977 GENERATOR GP

S/N: F5A1-UP

PART OF 338-1974, 338-1976 GENERATOR AR

SMCS-4450

i03477627

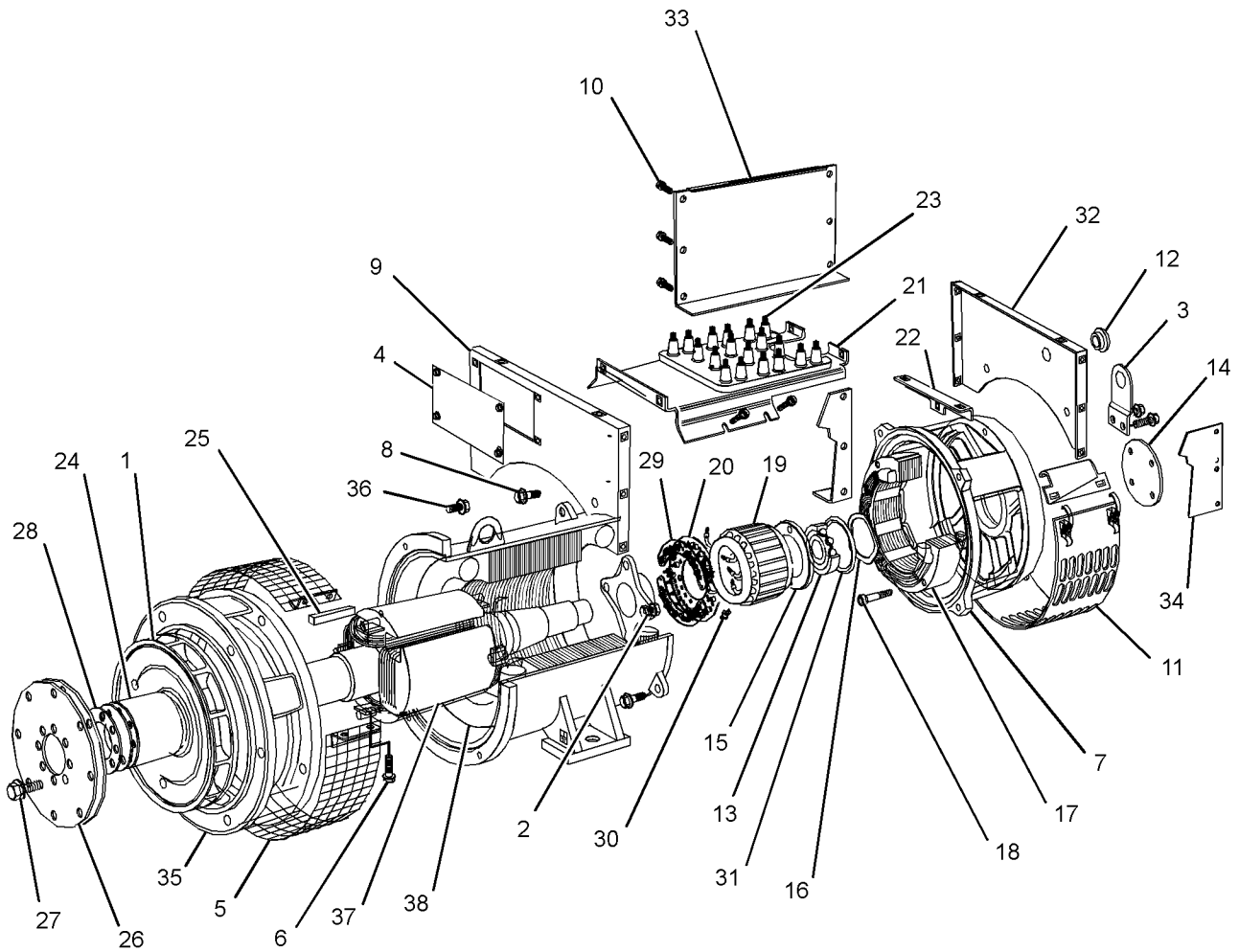
NOTE	REF NO	GRAPHIC REF	PART NUMBER	QTY	PART NAME						SEE PAGE
					1	2	3	4	5	6 (PRODUCT LEVEL)	
	1	1	241-4574	1	FAN						
	2	1	241-4576	1	DISC						
	3	1	241-4577	1	EYE-LIFTING						
	4	1	241-4630	1	PANEL-ACCESS						
	5	1	241-4579	1	SCREEN						
	6	1	241-4580	2	SCREW						
	7	1	241-4587	1	KIT-RING						
	8	1	241-4588	4	BOLT (M12X50-MM)						
	9	1	241-4589	1	PANEL-TERMINAL BOX						
	10	1	242-3931	28	BOLT (M6X1X16-MM)						
	11	1	241-4591	1	SCREEN-AIR INLET						
	12	1	243-5380	1	CAP						
	13	1	243-5220	1	BEARING						
	14	1	241-4594	1	COVER						
	15	1	241-4595	1	CAP-BEARING						
	16	1	241-4597	1	RING						
	17	1	242-3797	1	EXCITER						
	18	1	241-4604	4	BOLT (M6X70-MM)						
	19	1	241-4605	1	ARMATURE						
	20	1	241-4606	1	SUPPORT-DIODE						
	21	1	241-4607	1	SUPPORT						
	22	1	241-4610	1	SUPPORT						
	23	1	241-4611	1	TERMINAL AS						
	24	1	241-4614	1	HUB						
	25	1	241-4615	1	KEY-SQUARE						
	26	1	241-4616	3	DISC						
	27	1	241-4617	8	BOLT (M16X60-MM)						
	28	1	243-5223	1	SHIM (2-MM THK)						
	29	1	241-4619	1	DIODE AS						
	30	1	241-4620	1	VARISTOR						
	31	1	241-4622	1	SEAL-O-RING						
	32	1	241-4626	1	PANEL-TERMINAL BOX						
	33	1	241-4627	1	PANEL-ACCESS						
	34	1	241-4628	1	PANEL-ACCESS						
	35	1	242-3749	1	BRACKET						
	36	1	241-4641	6	BOLT (M14X2-THD)						
	37	1	338-7376	1	ROTOR AS						
	38	1	338-7350	1	STATOR AS						
	F		246-5895	1	TRANSFORMER						

F - NOT SHOWN

GENERATORS

338-1977 GENERATOR GP (contd.)

i03477627



GRAPHIC #1

<END>

g01819433

GENERATORS

338-1981 GENERATOR GP

S/N: F5A1-UP

PART OF 338-1978, 338-1980 GENERATOR AR

SMCS-4450

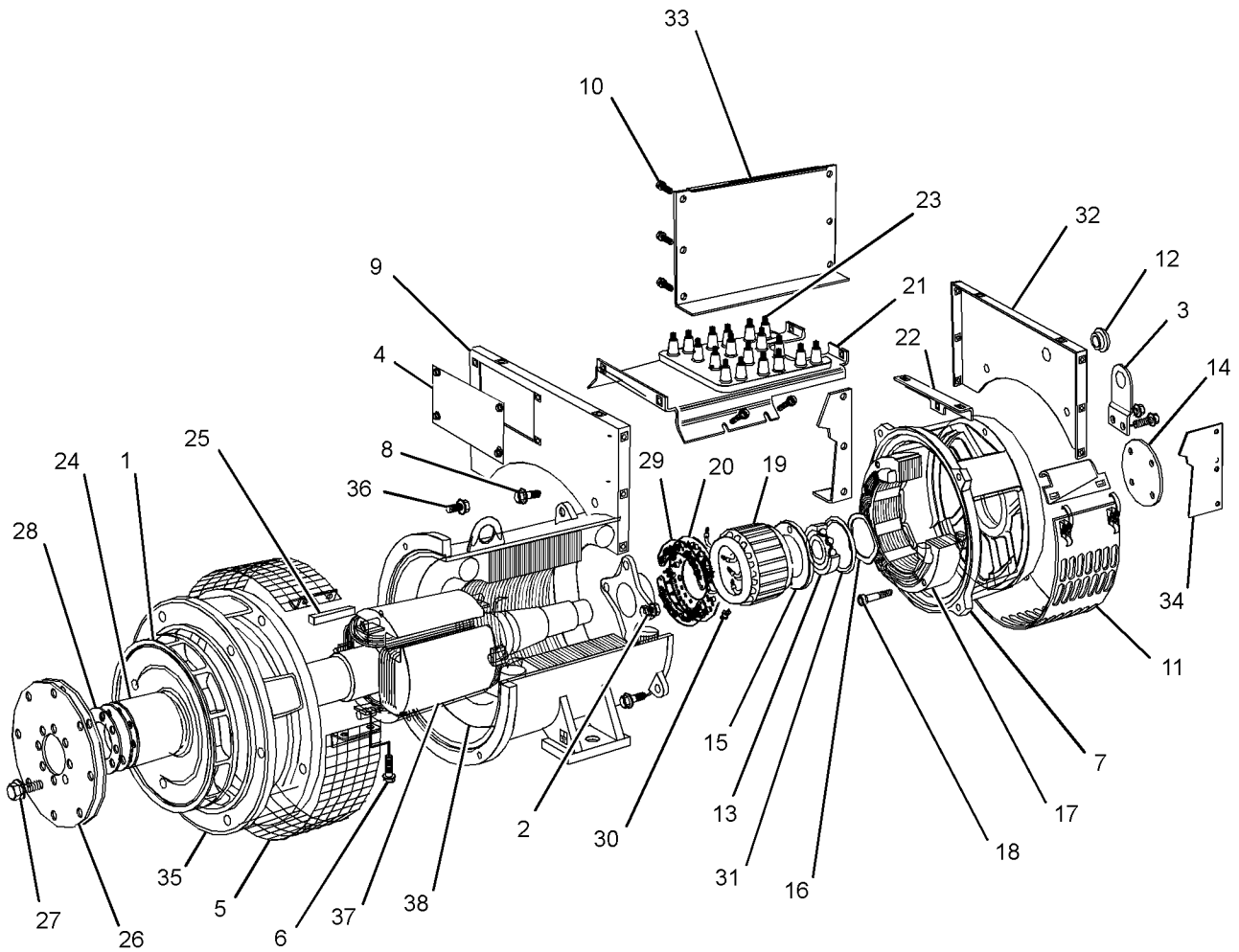
i03478164

NOTE	REF NO	GRAPHIC REF	PART NUMBER	QTY	PART NAME						SEE PAGE
					1	2	3	4	5	6 (PRODUCT LEVEL)	
	1	1	241-4574	1	FAN						
	2	1	241-4576	1	DISC						
	3	1	241-4577	1	EYE-LIFTING						
	4	1	241-4630	1	PANEL-ACCESS						
	5	1	241-4579	1	SCREEN						
	6	1	241-4580	2	SCREW						
	7	1	241-4587	1	KIT-RING						
	8	1	241-4588	4	BOLT (M12X50-MM)						
	9	1	241-4589	1	PANEL-TERMINAL BOX						
	10	1	242-3931	28	BOLT (M6X1X16-MM)						
	11	1	241-4591	1	SCREEN-AIR INLET						
	12	1	243-5380	1	CAP						
	13	1	243-5220	1	BEARING						
	14	1	241-4594	1	COVER						
	15	1	241-4595	1	CAP-BEARING						
	16	1	241-4597	1	RING						
	17	1	243-5221	1	EXCITER						
	18	1	241-4604	4	BOLT (M6X70-MM)						
	19	1	241-4634	1	ARMATURE						
	20	1	241-4606	1	SUPPORT-DIODE						
	21	1	241-4607	1	SUPPORT						
	22	1	241-4610	1	SUPPORT						
	23	1	241-4611	1	TERMINAL AS						
	24	1	241-4614	1	HUB						
	25	1	241-4615	1	KEY-SQUARE						
	26	1	241-4616	3	DISC						
	27	1	241-4617	8	BOLT (M16X60-MM)						
	28	1	243-5223	1	SHIM (2-MM THK)						
	29	1	241-4619	1	DIODE AS						
	30	1	241-4620	1	VARISTOR						
	31	1	241-4622	1	SEAL-O-RING						
	32	1	241-4626	1	PANEL-TERMINAL BOX						
	33	1	241-4627	1	PANEL-ACCESS						
	34	1	241-4628	1	PANEL-ACCESS						
	35	1	242-3749	1	BRACKET						
	36	1	241-4641	6	BOLT (M14X2-THD)						
	37	1	338-7377	1	ROTOR AS						
	38	1	338-7351	1	STATOR AS						

GENERATORS

338-1981 GENERATOR GP (contd.)

i03478164



GRAPHIC #1

<END>

g01819433

GENERATORS

338-1985 GENERATOR GP

S/N: F5A1-UP

PART OF 338-1982, 338-1984 GENERATOR AR

SMCS-4450

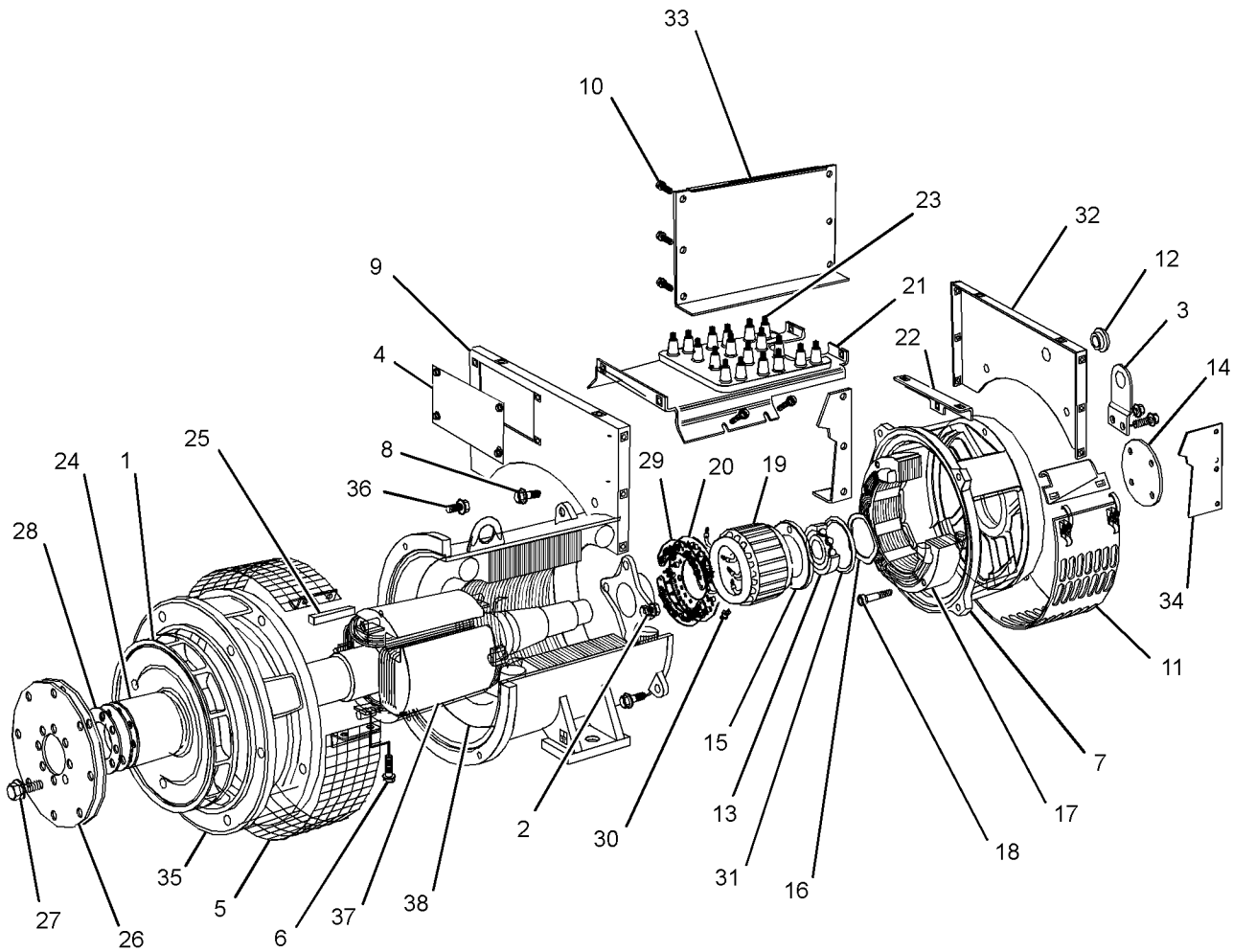
i03478422

NOTE	REF NO	GRAPHIC REF	PART NUMBER	QTY	PART NAME						SEE PAGE
					1	2	3	4	5	6 (PRODUCT LEVEL)	
	1	1	241-4574	1	FAN						
	2	1	241-4576	1	DISC						
	3	1	241-4577	1	EYE-LIFTING						
	4	1	241-4630	1	PANEL-ACCESS						
	5	1	241-4579	1	SCREEN						
	6	1	241-4580	2	SCREW						
	7	1	241-4587	1	KIT-RING						
	8	1	241-4588	4	BOLT (M12X50-MM)						
	9	1	241-4589	1	PANEL-TERMINAL BOX						
	10	1	242-3931	28	BOLT (M6X1X16-MM)						
	11	1	241-4591	1	SCREEN-AIR INLET						
	12	1	243-5380	1	CAP						
	13	1	243-5220	1	BEARING						
	14	1	241-4594	1	COVER						
	15	1	241-4595	1	CAP-BEARING						
	16	1	241-4597	1	RING						
	17	1	243-5221	1	EXCITER						
	18	1	241-4604	4	BOLT (M6X70-MM)						
	19	1	241-4634	1	ARMATURE						
	20	1	241-4606	1	SUPPORT-DIODE						
	21	1	241-4607	1	SUPPORT						
	22	1	241-4610	1	SUPPORT						
	23	1	241-4611	1	TERMINAL AS						
	24	1	241-4614	1	HUB						
	25	1	241-4615	1	KEY-SQUARE						
	26	1	241-4616	3	DISC						
	27	1	241-4617	8	BOLT (M16X60-MM)						
	28	1	243-5223	1	SHIM (2-MM THK)						
	29	1	241-4619	1	DIODE AS						
	30	1	241-4620	1	VARISTOR						
	31	1	241-4622	1	SEAL-O-RING						
	32	1	241-4626	1	PANEL-TERMINAL BOX						
	33	1	241-4627	1	PANEL-ACCESS						
	34	1	241-4628	1	PANEL-ACCESS						
	35	1	242-3749	1	BRACKET						
	36	1	241-4641	6	BOLT (M14X2-THD)						
	37	1	338-7377	1	ROTOR AS						
	38	1	338-7352	1	STATOR AS						

GENERATORS

338-1985 GENERATOR GP (contd.)

i03478422



GRAPHIC #1

<END>

g01819433

GENERATORS

338-1989 GENERATOR GP

S/N: F5A1-UP

PART OF 338-1986, 338-1988 GENERATOR AR

SMCS-4450

i03478610

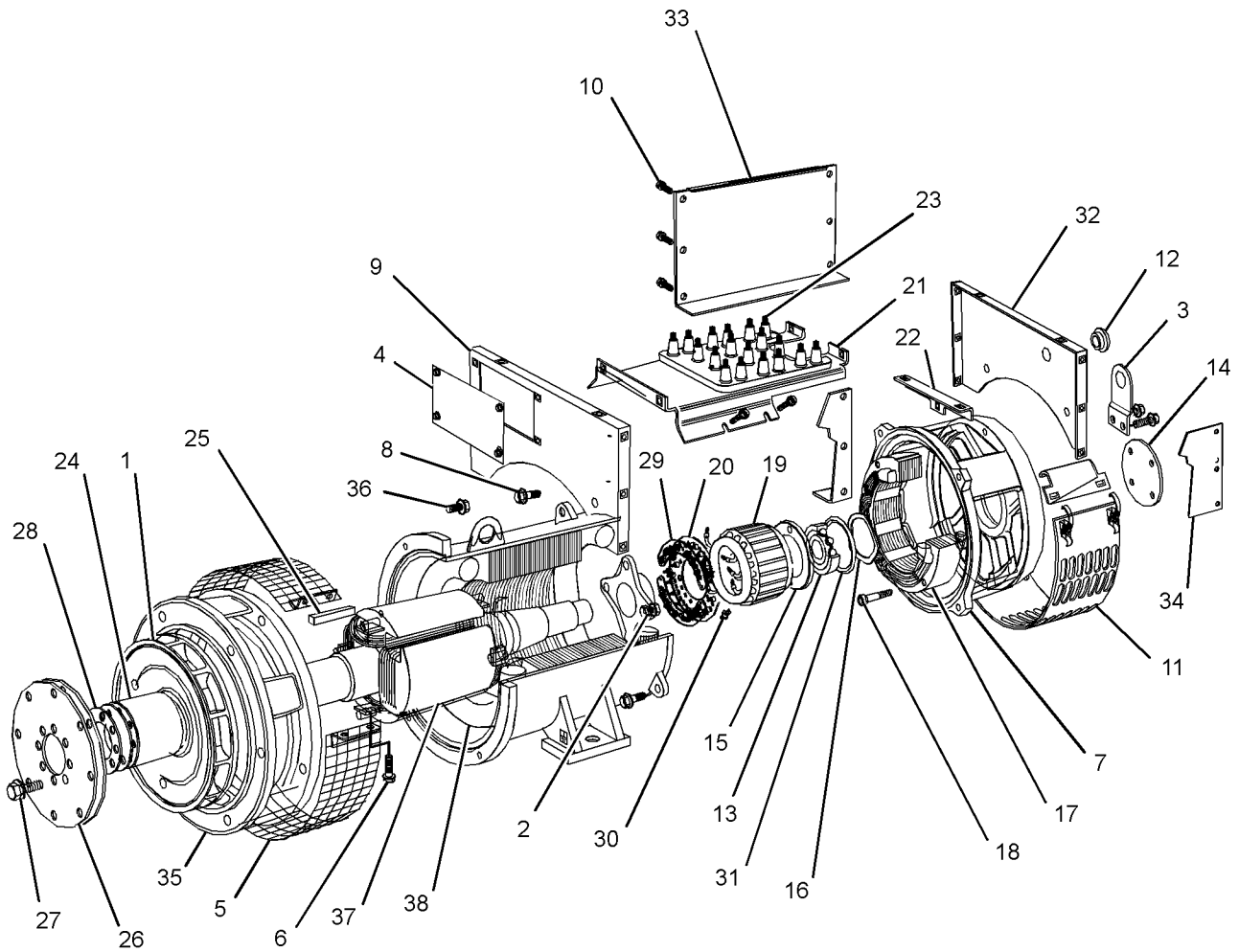
NOTE	REF NO	GRAPHIC REF	PART NUMBER	QTY	PART NAME						SEE PAGE
					1	2	3	4	5	6 (PRODUCT LEVEL)	
	1	1	241-4574	1	FAN						
	2	1	241-4576	1	DISC						
	3	1	241-4577	1	EYE-LIFTING						
	4	1	241-4630	1	PANEL-ACCESS						
	5	1	241-4579	1	SCREEN						
	6	1	241-4580	2	SCREW						
	7	1	241-4587	1	KIT-RING						
	8	1	241-4588	4	BOLT (M12X50-MM)						
	9	1	241-4589	1	PANEL-TERMINAL BOX						
	10	1	242-3931	28	BOLT (M6X1X16-MM)						
	11	1	241-4591	1	SCREEN-AIR INLET						
	12	1	243-5380	1	CAP						
	13	1	243-5220	1	BEARING						
	14	1	241-4594	1	COVER						
	15	1	241-4595	1	CAP-BEARING						
	16	1	241-4597	1	RING						
	17	1	243-5221	1	EXCITER						
	18	1	241-4604	4	BOLT (M6X70-MM)						
	19	1	241-4634	1	ARMATURE						
	20	1	241-4606	1	SUPPORT-DIODE						
	21	1	241-4607	1	SUPPORT						
	22	1	241-4610	1	SUPPORT						
	23	1	241-4611	1	TERMINAL AS						
	24	1	241-4614	1	HUB						
	25	1	241-4615	1	KEY-SQUARE						
	26	1	241-4616	3	DISC						
	27	1	241-4617	8	BOLT (M16X60-MM)						
	28	1	243-5223	1	SHIM (2-MM THK)						
	29	1	241-4619	1	DIODE AS						
	30	1	241-4620	1	VARISTOR						
	31	1	241-4622	1	SEAL-O-RING						
	32	1	241-4626	1	PANEL-TERMINAL BOX						
	33	1	241-4627	1	PANEL-ACCESS						
	34	1	241-4628	1	PANEL-ACCESS						
	35	1	242-3749	1	BRACKET						
	36	1	241-4641	6	BOLT (M14X2-THD)						
	37	1	338-7377	1	ROTOR AS						
	38	1	338-7353	1	STATOR AS						
	F		246-5895	1	TRANSFORMER						

F - NOT SHOWN

GENERATORS

338-1989 GENERATOR GP (contd.)

i03478610



GRAPHIC #1

<END>

g01819433

GENERATORS

338-1993 GENERATOR GP

S/N: F6B1-UP

PART OF 338-1990, 338-1992 GENERATOR AR

SMCS-4450

i03903035

NOTE	REF NO	GRAPHIC REF	PART NUMBER	QTY	PART NAME						SEE PAGE
					1	2	3	4	5	6 (PRODUCT LEVEL)	
	1	1	338-7354	1	STATOR AS-MAIN						
R	2	1	338-7378	1	ROTOR AS						
	3	1	242-3919	1	FAN-GENERATOR						
	4	1	241-4577	1	EYE-LIFTING						
	5	1	242-3922	1	FLANGE						
M	6	1	160-8746	6	BOLT (M12X1.75X18-MM)						
	7	1	242-3924	1	SCREEN						
	8	1	242-3926	2	SCREW (M11.5X50-MM)						
	9	1	242-3928	1	SHIELD						
	10	1	242-3929	5	SCREW (M22X70-THD)						
	11	1	242-3930	1	PANEL-TERMINAL BOX						
	12	1	242-3931	1	BOLT (M6X1X16-MM)						
	13	1	242-3932	1	SCREEN-AIR INLET						
	14	1	243-5380	1	CAP						
	15	1	243-5220	1	BEARING						
	16	1	241-4594	1	COVER						
	17	1	242-3936	2	SCREW (M15X70-MM)						
	18	1	241-4595	1	CAP-BEARING						
	19	1	241-4597	1	RING						
	20	1	242-3938	1	EXCITER						
	21	1	241-4633	4	BOLT (M6X1X80-MM)						
	22	1	242-3941	1	ARMATURE						
	23	1	241-4606	1	SUPPORT-DIODE						
	24	1	242-3943	1	TERMINAL AS						
	25	1	242-3951	3	TERMINAL						
	26	1	242-3956	1	TERMINAL						
	27	1	242-3957	9	SCREW (M12X50-MM)						
	28	1	242-3959	3	DISC-COUPLING						
	29	1	242-3960	8	SCREW (27.7-MMX40-MM)						
	30	1	241-4618	1	SHIM (2-MM THK)						
	31	1	241-4619	1	DIODE AS						
	32	1	241-4620	1	VARISTOR						
	33	1	241-4622	1	SEAL-O-RING						
	34	1	242-3965	1	PANEL						
	35	1	242-3966	1	PANEL						
	36	1	242-3967	1	PANEL						
	37	1	242-3968	1	PANEL-ACCESS						
	38	1	307-6560	1	BRACKET						
	39	1	6V-8801	1	NUT (3/8-16-THD)						
M	40	1	8T-4000	1	SCREW-WASHER HEAD (M8X1.25X4.8-MM)						
	41	1	8T-9377	1	BOLT (3/8-16X2.25-IN)						
	42	1	4D-1326	1	LOCKWASHER (EXTERNAL TOOTH)						
	43	1	8T-4896	1	WASHER-HARD (10.2X18.5X2.5-MM THK)						

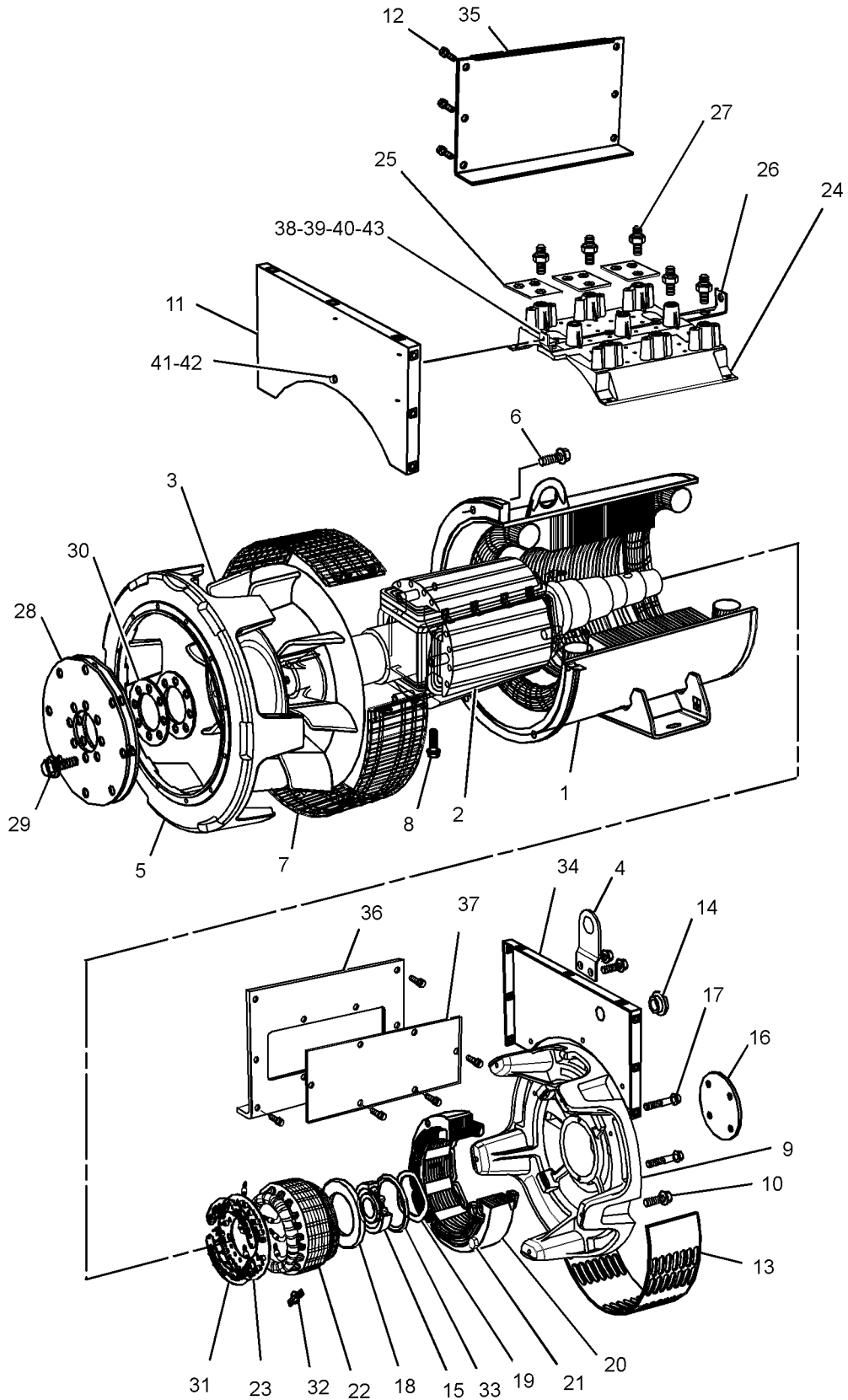
M - METRIC PART

R - REMANUFACTURED PART MAY BE AVAILABLE

GENERATORS

338-1993 GENERATOR GP (contd.)

i03903035



GRAPHIC #1

<END>

g01819216

GENERATORS

338-1997 GENERATOR GP

S/N: F6B1-UP

PART OF 338-1994, 338-1996 GENERATOR AR

SMCS-4450

i04402543

NOTE	REF NO	GRAPHIC REF	PART NUMBER	QTY	PART NAME						SEE PAGE
					1	2	3	4	5	6 (PRODUCT LEVEL)	
	1	1	338-7355	1	STATOR AS						
R	2	1	338-7378	1	ROTOR AS						
	3	1	242-3919	1	FAN-GENERATOR						
	4	1	241-4577	1	EYE-LIFTING						
	5	1	242-3922	1	FLANGE						
M	6	1	160-8746	6	BOLT (M12X1.75X18-MM)						
	7	1	242-3924	1	SCREEN (AIR EXIT)						
	8	1	242-3926	2	SCREW (M11.5X50-MM)						
	9	1	242-3928	1	SHIELD						
	10	1	242-3929	5	SCREW (M22X70-THD)						
	11	1	242-3930	1	PANEL-TERMINAL BOX						
	12	1	242-3931	1	BOLT (M6X1X16-MM)						
	13	1	242-3932	1	SCREEN-AIR INLET						
	14	1	243-5380	1	CAP						
	15	1	243-5220	1	BEARING						
	16	1	241-4594	1	COVER						
	17	1	242-3936	2	SCREW (M15X70-MM)						
	18	1	241-4595	1	CAP-BEARING						
	19	1	241-4597	1	RING						
	20	1	242-3938	1	EXCITER						
M	21	1	102-7364	4	BOLT-SOCKET HEAD (M6X1X80-MM)						
	22	1	242-3941	1	ARMATURE						
	23	1	241-4606	1	SUPPORT-DIODE						
	24	1	242-3943	1	TERMINAL AS						
	25	1	242-3951	3	TERMINAL						
	26	1	242-3956	1	TERMINAL						
	27	1	242-3957	9	SCREW (M12X50-MM)						
	28	1	242-3959	3	DISC-COUPLING						
	29	1	242-3960	8	SCREW (27.7-MMX40-MM)						
	30	1	241-4618	1	SHIM (2-MM THK)						
	31	1	241-4619	1	DIODE AS						
	32	1	241-4620	1	VARISTOR						
	33	1	241-4622	1	SEAL-O-RING						
	34	1	242-3965	1	PANEL						
	35	1	242-3966	1	PANEL						
	36	1	242-3967	1	PANEL						
	37	1	242-3968	1	PANEL-ACCESS						
	38	1	307-6560	1	BRACKET						
	39	1	6V-8801	1	NUT (3/8-16-THD)						
M	40	1	8T-4000	1	SCREW-WASHER HEAD (M8X1.25X4.8-MM)						
	41	1	8T-9377	1	BOLT (3/8-16X2.25-IN)						
	43	1	8T-4896	1	WASHER-HARD (10.2X18.5X2.5-MM THK)						

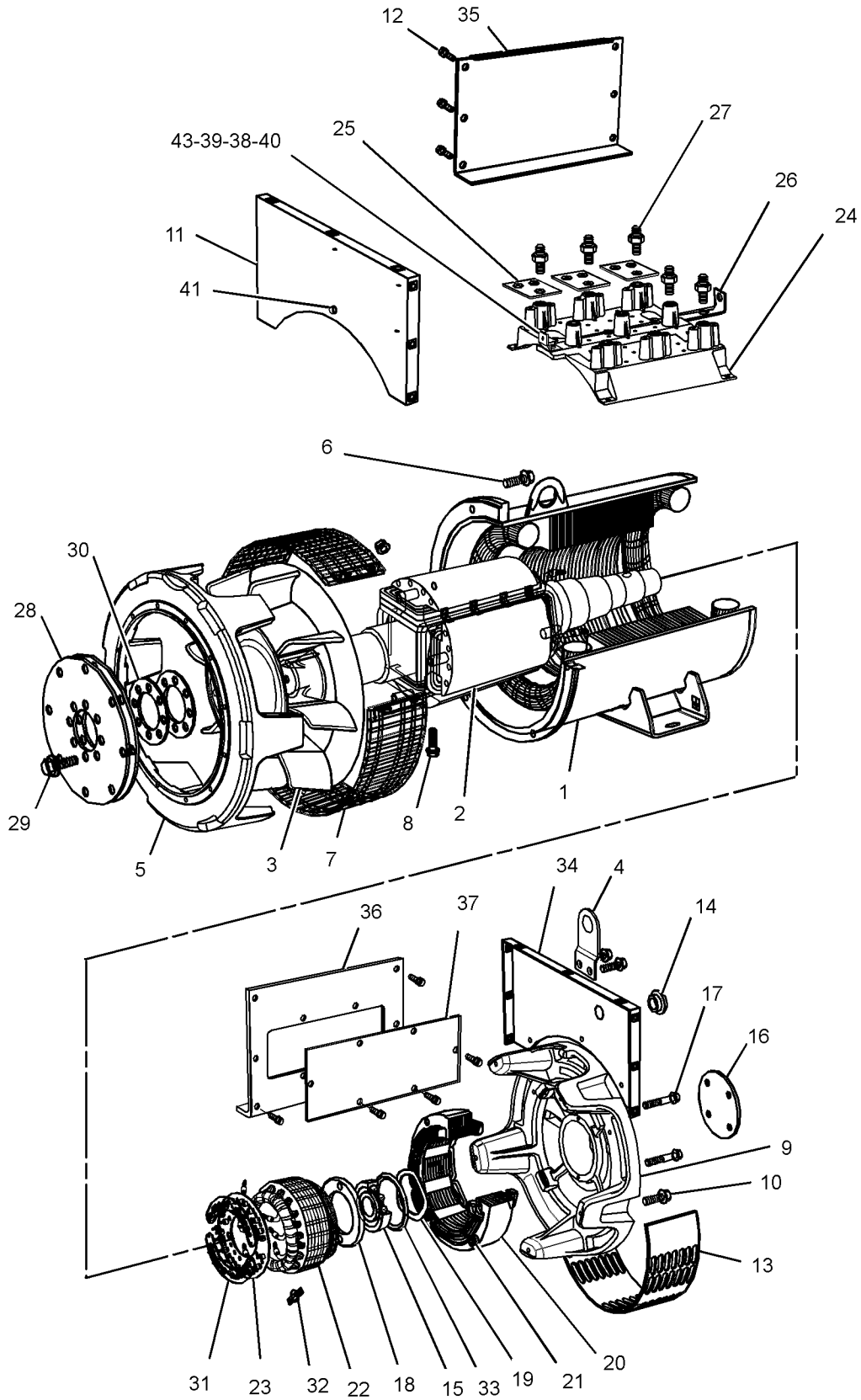
M - METRIC PART

R - REMANUFACTURED PART MAY BE AVAILABLE

GENERATORS

338-1997 GENERATOR GP (contd.)

i04402543



GRAPHIC #1

<END>

g02592456

GENERATORS

338-2001 GENERATOR GP

S/N: F6B1-UP

PART OF 338-1998, 338-2000 GENERATOR AR

SMCS-4450

i03902432

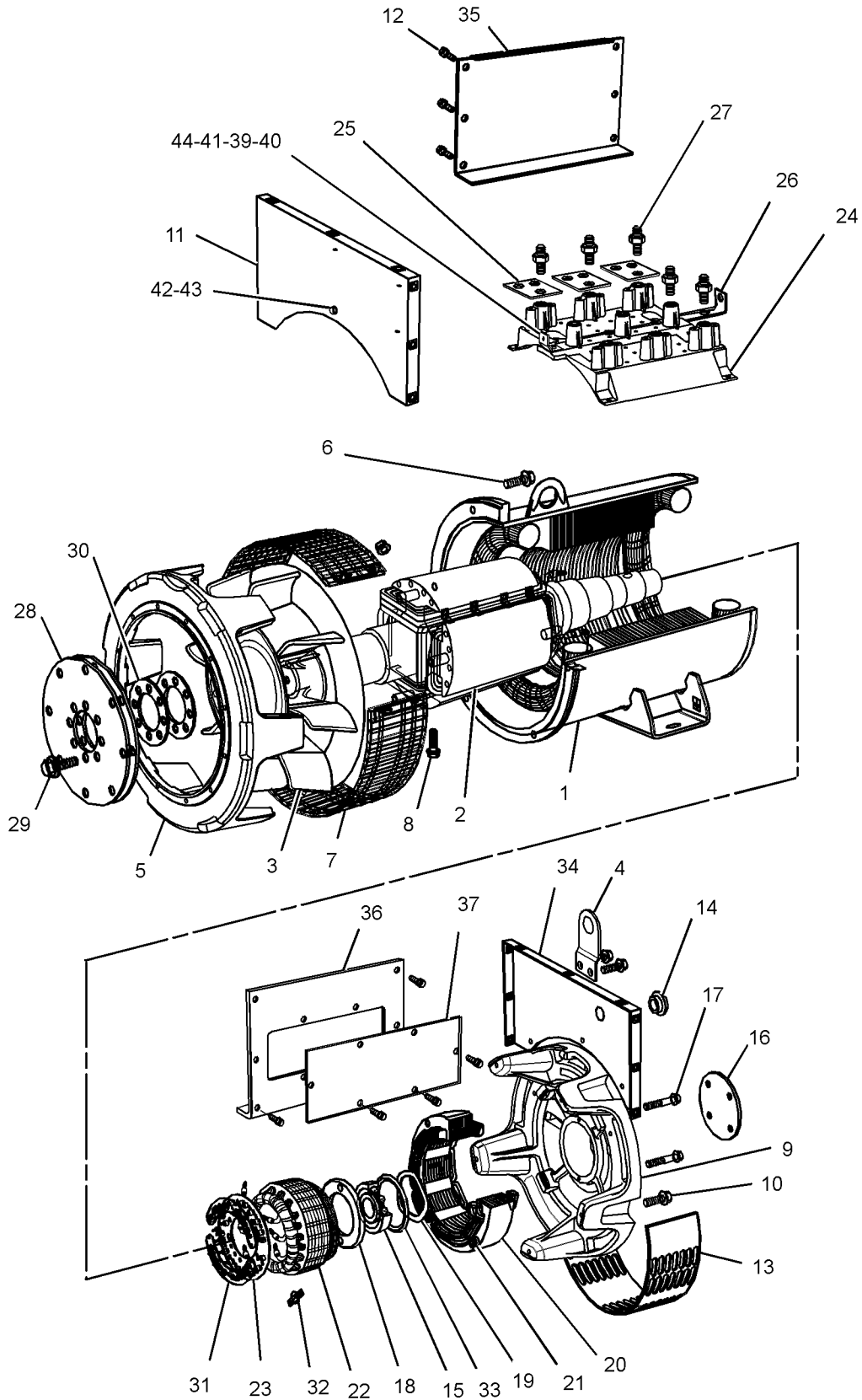
NOTE	REF NO	GRAPHIC REF	PART NUMBER	QTY	PART NAME						SEE PAGE
					1	2	3	4	5	6 (PRODUCT LEVEL)	
	1	1	338-7356	1	STATOR AS						
R	2	1	338-7378	1	ROTOR AS						
	3	1	242-3919	1	FAN-GENERATOR						
	4	1	241-4577	1	EYE-LIFTING						
	5	1	242-3922	1	FLANGE						
M	6	1	160-8746	6	BOLT (M12X1.75X18-MM)						
	7	1	242-3924	1	SCREEN						
	8	1	242-3926	2	SCREW (M11.5X50-MM)						
	9	1	242-3928	1	SHIELD						
	10	1	242-3929	5	SCREW (M22X70-THD)						
	11	1	242-3930	1	PANEL-TERMINAL BOX						
	12	1	242-3931	1	BOLT (M6X1X16-MM)						
	13	1	242-3932	1	SCREEN-AIR INLET						
	14	1	243-5380	1	CAP						
	15	1	243-5220	1	BEARING						
	16	1	241-4594	1	COVER						
	17	1	242-3936	2	SCREW (M15X70-MM)						
	18	1	241-4595	1	CAP-BEARING						
	19	1	241-4597	1	RING						
	20	1	242-3938	1	EXCITER						
	21	1	241-4633	4	BOLT (M6X1X80-MM)						
	22	1	242-3941	1	ARMATURE						
	23	1	241-4606	1	SUPPORT-DIODE						
	24	1	242-3943	1	TERMINAL AS						
	25	1	242-3951	3	TERMINAL						
	26	1	242-3956	1	TERMINAL						
	27	1	242-3957	9	SCREW (M12X50-MM)						
	28	1	242-3959	3	DISC-COUPLING						
	29	1	242-3960	8	SCREW (27.7-MMX40-MM)						
	30	1	241-4618	1	SHIM (2-MM THK)						
	31	1	241-4619	1	DIODE AS						
	32	1	241-4620	1	VARISTOR						
	33	1	241-4622	1	SEAL-O-RING						
	34	1	242-3965	1	PANEL						
	35	1	242-3966	1	PANEL						
	36	1	242-3967	1	PANEL						
	37	1	242-3968	1	PANEL-ACCESS						
	39	1	307-6560	1	BRACKET						
	40	1	6V-8801	1	NUT (3/8-16-THD)						
M	41	1	8T-4000	1	SCREW-WASHER HEAD (M8X1.25X4.8-MM)						
	42	1	8T-9377	1	BOLT (3/8-16X2.25-IN)						
	43	1	4D-1326	1	LOCKWASHER (EXTERNAL TOOTH)						
	44	1	8T-4896	1	WASHER-HARD (10.2X18.5X2.5-MM THK)						
F			246-5895	1	TRANSFORMER						

F - NOT SHOWN
M - METRIC PART
R - REMANUFACTURED PART MAY BE AVAILABLE

GENERATORS

338-2001 GENERATOR GP (contd.)

i03902432



GRAPHIC #1

<END>

g01854340

GENERATORS

338-2006 GENERATOR GP

S/N: F6B1-UP

PART OF 338-2003, 338-2005 GENERATOR AR

SMCS-4450

i03902950

NOTE	REF NO	GRAPHIC REF	PART NUMBER	QTY	PART NAME						SEE PAGE
					1	2	3	4	5	6 (PRODUCT LEVEL)	
	1	1	338-7357	1	STATOR AS-MAIN						
R	2	1	338-7379	1	ROTOR AS						
	3	1	242-3919	1	FAN-GENERATOR						
	4	1	241-4577	1	EYE-LIFTING						
	5	1	242-3922	1	FLANGE						
M	6	1	160-8746	6	BOLT (M12X1.75X18-MM)						
	7	1	242-3924	1	SCREEN						
	8	1	242-3926	2	SCREW (M11.5X50-MM)						
	9	1	242-3928	1	SHIELD						
	10	1	242-3929	5	SCREW (M22X70-THD)						
	11	1	242-3930	1	PANEL-TERMINAL BOX						
	12	1	242-3931	1	BOLT (M6X1X16-MM)						
	13	1	242-3932	1	SCREEN-AIR INLET						
	14	1	243-5380	1	CAP						
	15	1	243-5220	1	BEARING						
	16	1	241-4594	1	COVER						
	17	1	242-3936	2	SCREW (M15X70-MM)						
	18	1	241-4595	1	CAP-BEARING						
	19	1	241-4597	1	RING						
	20	1	242-3938	1	EXCITER						
	21	1	241-4633	4	BOLT (M6X1X80-MM)						
	22	1	242-3941	1	ARMATURE						
	23	1	241-4606	1	SUPPORT-DIODE						
	24	1	242-3943	1	TERMINAL AS						
	25	1	242-3951	3	TERMINAL						
	26	1	242-3956	1	TERMINAL						
	27	1	242-3957	9	SCREW (M12X50-MM)						
	28	1	242-3959	3	DISC-COUPLING						
	29	1	242-3960	8	SCREW (27.7-MMX40-MM)						
	30	1	241-4618	1	SHIM (2-MM THK)						
	31	1	241-4619	1	DIODE AS						
	32	1	241-4620	1	VARISTOR						
	33	1	241-4622	1	SEAL-O-RING						
	34	1	242-3965	1	PANEL						
	35	1	242-3966	1	PANEL						
	36	1	242-3967	1	PANEL						
	37	1	242-3968	1	PANEL-ACCESS						
	38	1	307-6560	1	BRACKET						
	39	1	6V-8801	1	NUT (3/8-16-THD)						
M	40	1	8T-4000	1	SCREW-WASHER HEAD (M8X1.25X4.8-MM)						
	41	1	8T-9377	1	BOLT (3/8-16X2.25-IN)						
	42	1	4D-1326	1	LOCKWASHER (EXTERNAL TOOTH)						
	43	1	8T-4896	1	WASHER-HARD (10.2X18.5X2.5-MM THK)						

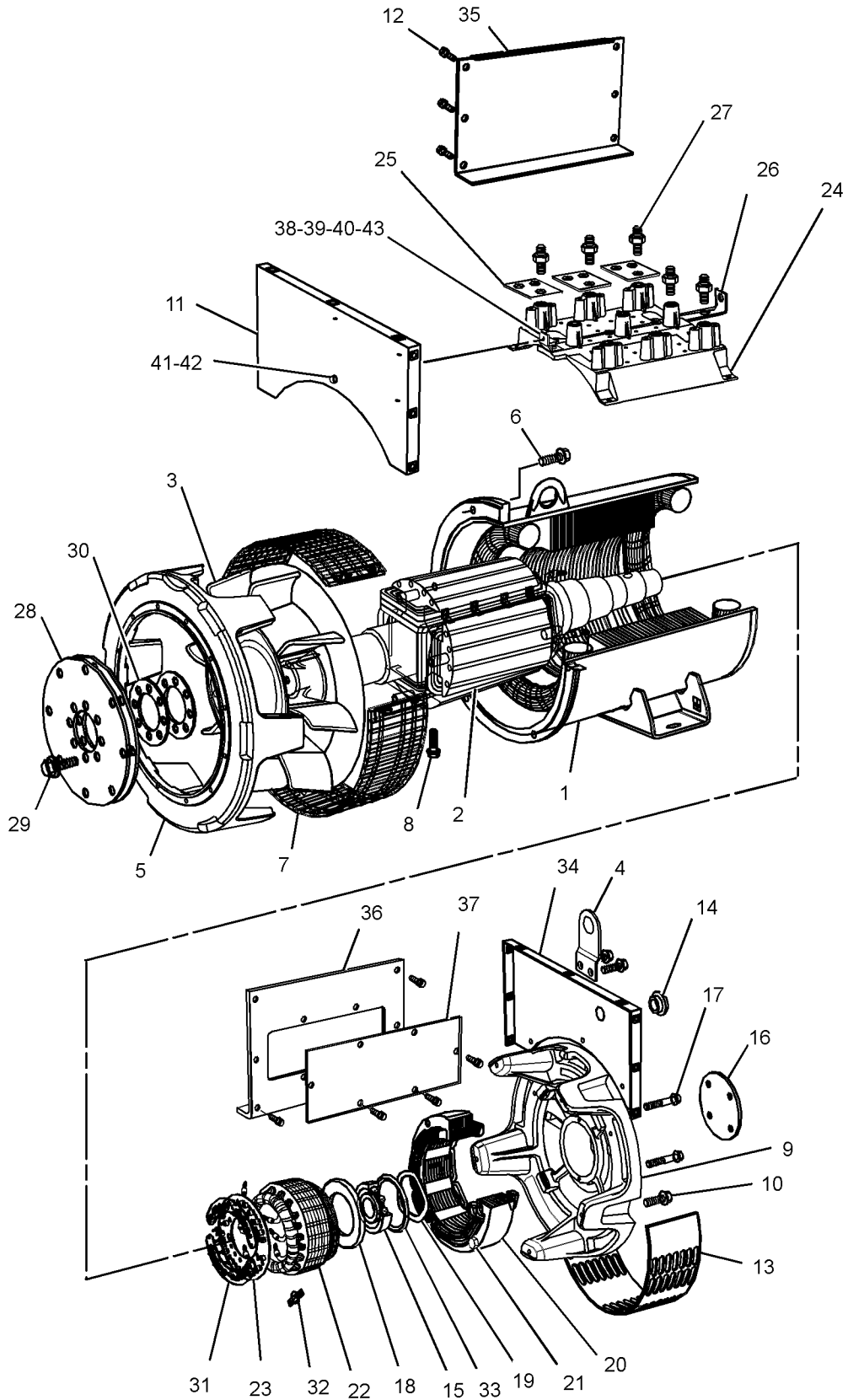
M - METRIC PART

R - REMANUFACTURED PART MAY BE AVAILABLE

GENERATORS

338-2006 GENERATOR GP (contd.)

i03902950



GRAPHIC #1

<END>

g01820294

GENERATORS

338-2010 GENERATOR GP

S/N: F6B1-UP

PART OF 338-2007, 338-2009 GENERATOR AR

SMCS-4450

i03902949

NOTE	REF NO	GRAPHIC REF	PART NUMBER	QTY	PART NAME						SEE PAGE
					1	2	3	4	5	6 (PRODUCT LEVEL)	
	1	1	338-7358	1	STATOR AS						
R	2	1	338-7379	1	ROTOR AS						
	3	1	242-3919	1	FAN-GENERATOR						
	4	1	241-4577	1	EYE-LIFTING						
	5	1	242-3922	1	FLANGE						
M	6	1	160-8746	6	BOLT (M12X1.75X18-MM)						
	7	1	242-3924	1	SCREEN						
	8	1	242-3926	2	SCREW (M11.5X50-MM)						
	9	1	242-3928	1	SHIELD						
	10	1	242-3929	5	SCREW (M22X70-THD)						
	11	1	242-3930	1	PANEL-TERMINAL BOX						
	12	1	242-3931	1	BOLT (M6X1X16-MM)						
	13	1	242-3932	1	SCREEN-AIR INLET						
	14	1	243-5380	1	CAP						
	15	1	243-5220	1	BEARING						
	16	1	241-4594	1	COVER						
	17	1	242-3936	2	SCREW (M15X70-MM)						
	18	1	241-4595	1	CAP-BEARING						
	19	1	241-4597	1	RING						
	20	1	242-3938	1	EXCITER						
	21	1	241-4633	4	BOLT (M6X1X80-MM)						
	22	1	242-3941	1	ARMATURE						
	23	1	241-4606	1	SUPPORT-DIODE						
	24	1	242-3943	1	TERMINAL AS						
	25	1	242-3951	3	TERMINAL						
	26	1	242-3956	1	TERMINAL						
	27	1	242-3957	9	SCREW (M12X50-MM)						
	28	1	242-3959	3	DISC-COUPLING						
	29	1	242-3960	8	SCREW (27.7-MMX40-MM)						
	30	1	241-4618	1	SHIM (2-MM THK)						
	31	1	241-4619	1	DIODE AS						
	32	1	241-4620	1	VARISTOR						
	33	1	241-4622	1	SEAL-O-RING						
	34	1	242-3965	1	PANEL						
	35	1	242-3966	1	PANEL						
	36	1	242-3967	1	PANEL						
	37	1	242-3968	1	PANEL-ACCESS						
	38	1	307-6560	1	BRACKET						
	39	1	6V-8801	1	NUT (3/8-16-THD)						
M	40	1	8T-4000	1	SCREW-WASHER HEAD (M8X1.25X4.8-MM)						
	41	1	8T-9377	1	BOLT (3/8-16X2.25-IN)						
	42	1	4D-1326	1	LOCKWASHER (EXTERNAL TOOTH)						
	43	1	8T-4896	1	WASHER-HARD (10.2X18.5X2.5-MM THK)						

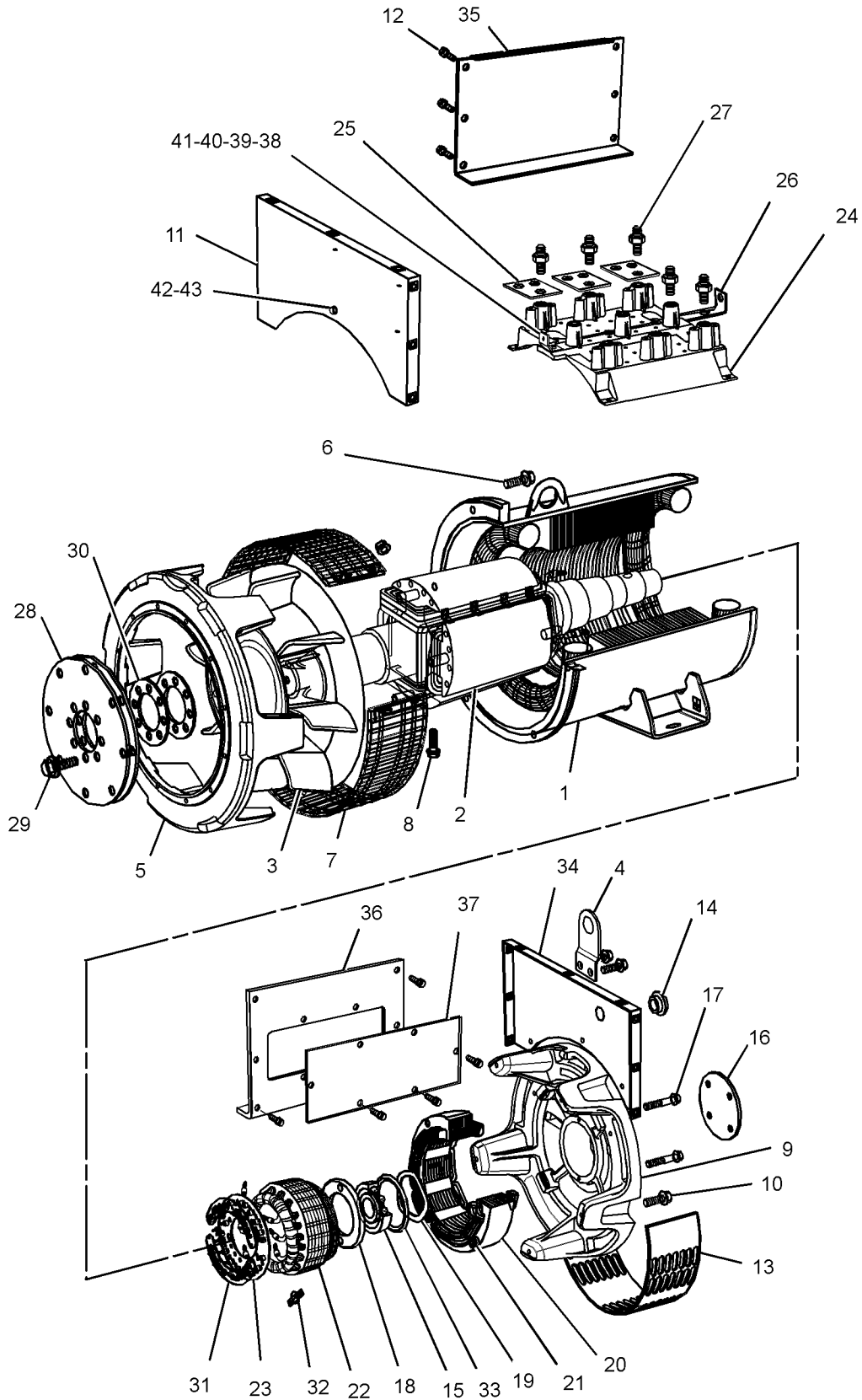
M - METRIC PART

R - REMANUFACTURED PART MAY BE AVAILABLE

GENERATORS

338-2010 GENERATOR GP (contd.)

i03902949



GRAPHIC #1

<END>

g01857098

GENERATORS

338-2014 GENERATOR GP

S/N: F6B1-UP

PART OF 338-2011, 338-2013 GENERATOR AR

SMCS-4450

i03902454

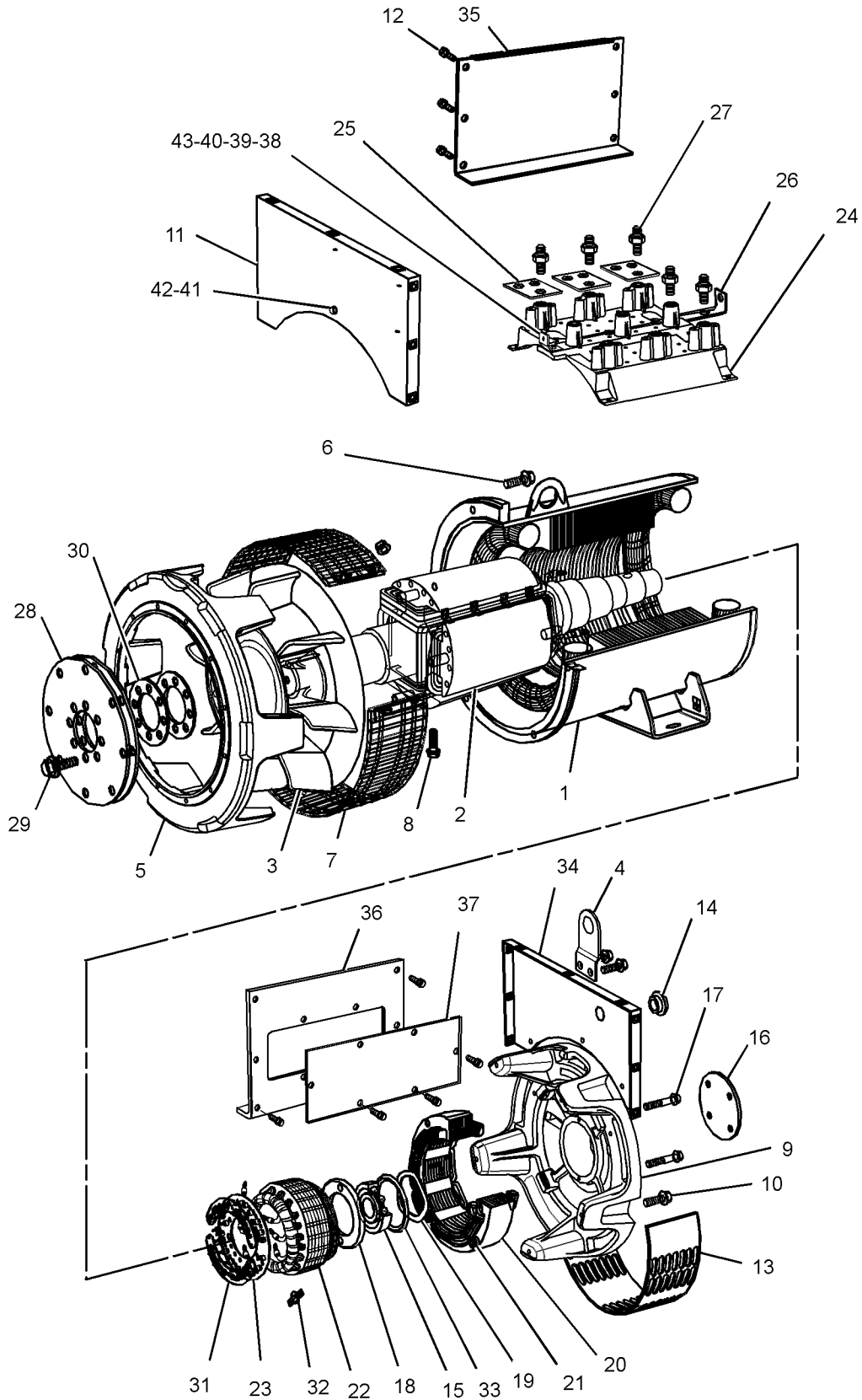
NOTE	REF NO	GRAPHIC REF	PART NUMBER	QTY	PART NAME						SEE PAGE
					1	2	3	4	5	6 (PRODUCT LEVEL)	
	1	1	338-7359	1	STATOR AS						
R	2	1	338-7379	1	ROTOR AS						
	3	1	242-3919	1	FAN-GENERATOR						
	4	1	241-4577	1	EYE-LIFTING						
	5	1	242-3922	1	FLANGE						
M	6	1	160-8746	6	BOLT (M12X1.75X18-MM)						
	7	1	242-3924	1	SCREEN						
	8	1	242-3926	2	SCREW (M11.5X50-MM)						
	9	1	242-3928	1	SHIELD						
	10	1	242-3929	5	SCREW (M22X70-THD)						
	11	1	242-3930	1	PANEL-TERMINAL BOX						
	12	1	242-3931	1	BOLT (M6X1X16-MM)						
	13	1	242-3932	1	SCREEN-AIR INLET						
	14	1	243-5380	1	CAP						
	15	1	243-5220	1	BEARING						
	16	1	241-4594	1	COVER						
	17	1	242-3936	2	SCREW (M15X70-MM)						
	18	1	241-4595	1	CAP-BEARING						
	19	1	241-4597	1	RING						
	20	1	242-3938	1	EXCITER						
	21	1	241-4633	4	BOLT (M6X1X80-MM)						
	22	1	242-3941	1	ARMATURE						
	23	1	241-4606	1	SUPPORT-DIODE						
	24	1	242-3943	1	TERMINAL AS						
	25	1	242-3951	3	TERMINAL						
	26	1	242-3956	1	TERMINAL						
	27	1	242-3957	9	SCREW (M12X50-MM)						
	28	1	242-3959	3	DISC-COUPLING						
	29	1	242-3960	8	SCREW (27.7-MMX40-MM)						
	30	1	241-4618	1	SHIM (2-MM THK)						
	31	1	241-4619	1	DIODE AS						
	32	1	241-4620	1	VARISTOR						
	33	1	241-4622	1	SEAL-O-RING						
	34	1	242-3965	1	PANEL						
	35	1	242-3966	1	PANEL						
	36	1	242-3967	1	PANEL						
	37	1	242-3968	1	PANEL-ACCESS						
	38	1	307-6560	1	BRACKET						
	39	1	6V-8801	1	NUT (3/8-16-THD)						
M	40	1	8T-4000	1	SCREW-WASHER HEAD (M8X1.25X4.8-MM)						
	41	1	8T-9377	1	BOLT (3/8-16X2.25-IN)						
	42	1	4D-1326	1	LOCKWASHER (EXTERNAL TOOTH)						
	43	1	8T-4896	1	WASHER-HARD (10.2X18.5X2.5-MM THK)						
F			246-5895	1	TRANSFORMER						

F - NOT SHOWN
M - METRIC PART
R - REMANUFACTURED PART MAY BE AVAILABLE

GENERATORS

338-2014 GENERATOR GP (contd.)

i03902454



GRAPHIC #1

<END>

g01857193

GENERATORS

338-2018 GENERATOR GP

S/N: F6B1-UP

PART OF 338-2015, 338-2017 GENERATOR AR

SMCS-4450

i03902457

NOTE	REF NO	GRAPHIC REF	PART NUMBER	QTY	PART NAME						SEE PAGE
					1	2	3	4	5	6 (PRODUCT LEVEL)	
	1	2	338-7360	1	STATOR AS-MAIN						
R	2	2	338-7380	1	ROTOR AS						
	3	2	242-3919	1	FAN-GENERATOR						
	4	2	241-4577	1	EYE-LIFTING						
	5	2	242-3922	1	FLANGE						
M	6	2	160-8746	6	BOLT (M12X1.75X18-MM)						
	7	2	242-3924	1	SCREEN (AIR EXIT)						
	8	2	242-3926	2	SCREW (M11.5X50-MM)						
	9	2	242-3928	1	SHIELD						
	10	2	242-3929	5	SCREW (M22X70-THD)						
	11	2	242-3930	1	PANEL-TERMINAL BOX						
	12	2	242-3931	1	BOLT (M6X1X16-MM)						
	13	2	242-3932	1	SCREEN-AIR INLET						
	14	2	243-5380	1	CAP						
	15	2	243-5220	1	BEARING						
	16	2	241-4594	1	COVER						
	17	2	242-3936	2	SCREW (M15X70-MM)						
	18	2	241-4595	1	CAP-BEARING						
	19	2	241-4597	1	RING						
	20	2	242-3938	1	EXCITER						
	21	2	241-4633	4	BOLT (M6X1X80-MM)						
	22	2	242-3941	1	ARMATURE						
	23	2	241-4606	1	SUPPORT-DIODE						
	24	2	242-3943	1	TERMINAL AS						
	25	2	242-3951	3	TERMINAL						
	26	2	242-3956	1	TERMINAL (NEUTRAL)						
	27	2	242-3957	9	SCREW (M12X50-MM)						
	28	2	242-3959	3	DISC-COUPLING						
	29	2	242-3960	8	SCREW (27.7-MMX40-MM)						
	30	2	241-4618	1	SHIM (2-MM THK)						
	31	2	241-4619	1	DIODE AS						
	32	2	241-4620	1	VARISTOR						
	33	2	241-4622	1	SEAL-O-RING						
	34	2	242-3965	1	PANEL (TERMINAL)						
	35	2	242-3966	1	PANEL						
	36	2	242-3967	1	PANEL						
	37	2	242-3968	1	PANEL-ACCESS						
	38	1	307-6560	1	BRACKET						
	39	1	6V-8801	1	NUT (3/8-16-THD)						
M	40	1	8T-4000	1	SCREW-WASHER HEAD (M8X1.25X4.8-MM)						
	41	1	8T-9377	1	BOLT (3/8-16X2.25-IN)						
	42	1	4D-1326	1	LOCKWASHER (EXTERNAL TOOTH)						
	43	1	8T-4896	1	WASHER-HARD (10.2X18.5X2.5-MM THK)						

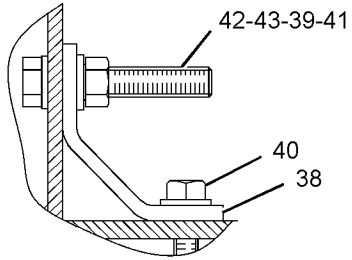
M - METRIC PART

R - REMANUFACTURED PART MAY BE AVAILABLE

GENERATORS

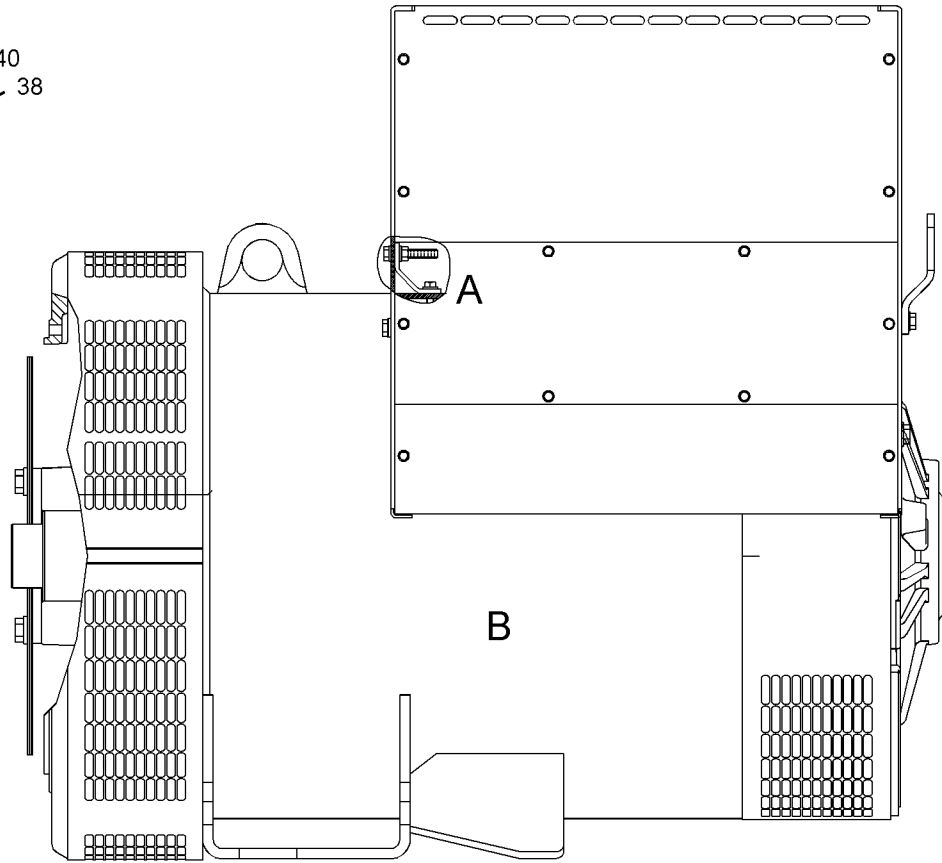
338-2018 GENERATOR GP (contd.)

i03902457



VIEW OF AREA A

REFER TO ALL ILLUSTRATIONS OF THIS GROUP FOR AUXILIARY VIEWS



LEFT SIDE VIEW

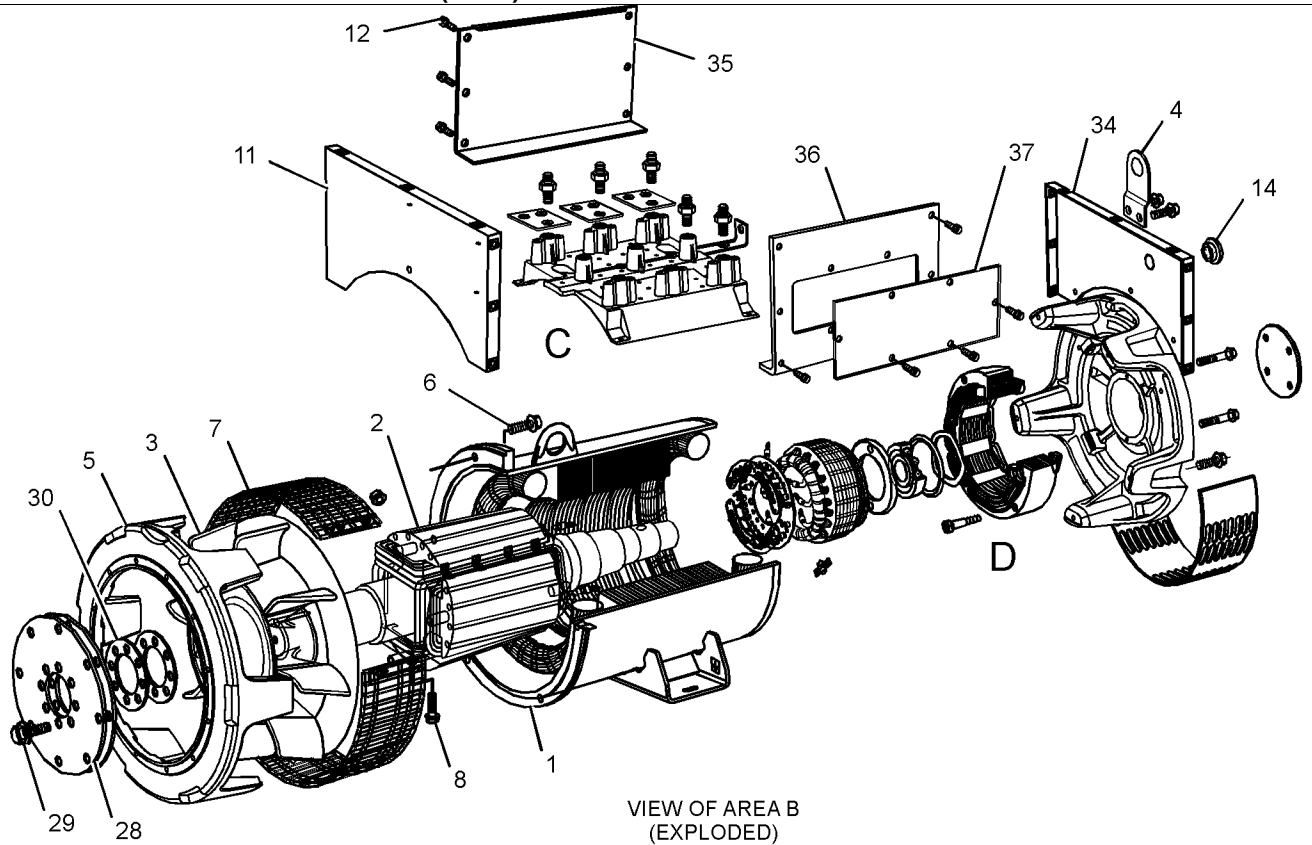
GRAPHIC #1

g01818873

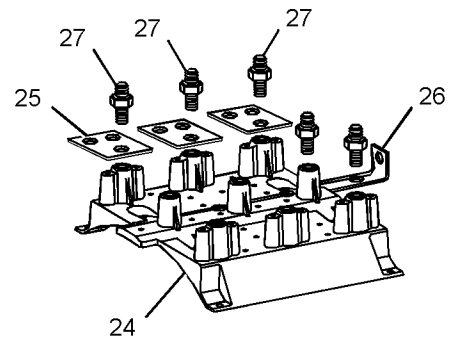
GENERATORS

338-2018 GENERATOR GP (contd.)

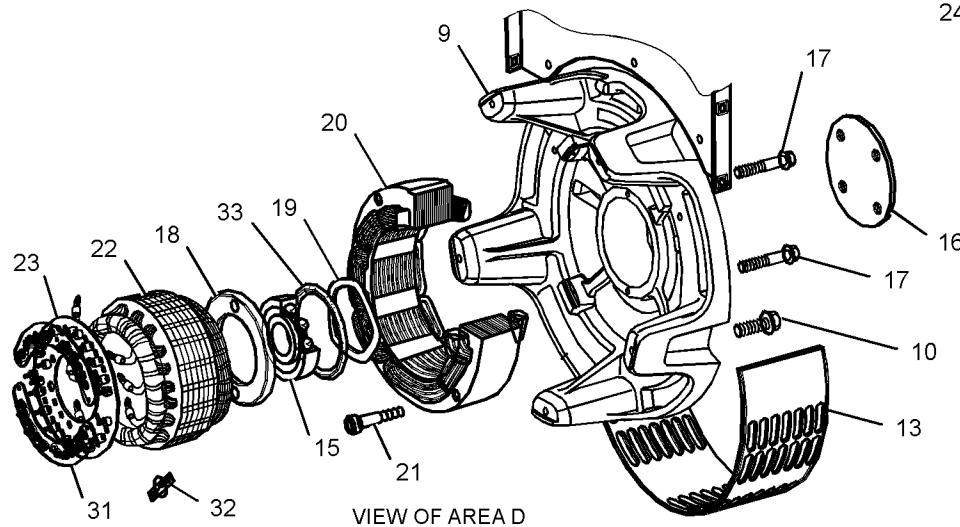
i03902457



VIEW OF AREA B
(EXPLODED)



VIEW OF AREA C



VIEW OF AREA D

GRAPHIC #2

<END>

g01818874

GENERATORS

338-2022 GENERATOR GP

S/N: F6B1-UP

PART OF 338-2019, 338-2021 GENERATOR AR

SMCS-4450

i04457279

NOTE	REF NO	GRAPHIC REF	PART NUMBER	QTY	PART NAME						SEE PAGE
					1	2	3	4	5	6 (PRODUCT LEVEL)	
	1	2	338-7360	1	STATOR AS-MAIN						
R	2	2	338-7380	1	ROTOR AS						
	3	2	242-3919	1	FAN-GENERATOR						
	4	2	241-4577	1	EYE-LIFTING						
	5	2	251-3488	1	FLANGE						
M	6	2	160-8746	6	BOLT (M12X1.75X18-MM)						
	7	2	242-3924	1	SCREEN						
	8	2	242-3926	2	SCREW (M11.5X50-MM)						
	9	2	242-3928	1	SHIELD						
	10	2	242-3929	5	SCREW (M22X70-THD)						
	11	2	242-3930	1	PANEL-TERMINAL BOX						
	12	2	242-3931	1	BOLT (M6X1X16-MM)						
	13	2	242-3932	1	SCREEN-AIR INLET						
	14	2	243-5380	1	CAP						
	15	2	243-5220	1	BEARING						
	16	2	241-4594	1	COVER						
	17	2	242-3936	2	SCREW (M15X70-MM)						
	18	2	241-4595	1	CAP-BEARING						
	19	2	241-4597	1	RING						
	20	2	242-3938	1	EXCITER						
	21	2	241-4633	4	BOLT (M6X1X80-MM)						
	22	2	242-3941	1	ARMATURE						
	23	2	241-4606	1	SUPPORT-DIODE						
	24	2	242-3943	1	TERMINAL AS						
	25	2	242-3951	3	TERMINAL						
	26	2	242-3956	1	TERMINAL						
	27	2	242-3957	9	SCREW (M12X50-MM)						
	28	2	251-3489	1	DISC-COUPLING						
	29	2	242-3960	8	SCREW (27.7-MMX40-MM)						
	30	2	241-4618	1	SHIM (2-MM THK)						
	31	2	241-4619	1	DIODE AS						
	32	2	241-4620	1	VARISTOR						
	33	2	241-4622	1	SEAL-O-RING						
	34	2	242-3965	1	PANEL						
	35	2	242-3966	1	PANEL						
	36	2	242-3967	1	PANEL						
	37	2	242-3968	1	PANEL-ACCESS						
	38	1	307-6560	1	BRACKET						
	39	1	6V-8801	1	NUT (3/8-16-THD)						
M	40	1	8T-4000	1	SCREW-WASHER HEAD (M8X1.25X4.8-MM)						
	41	1	8T-9377	1	BOLT (3/8-16X2.25-IN)						
	42	1	4D-1326	1	LOCKWASHER (EXTERNAL TOOTH)						
	43	1	8T-4896	1	WASHER-HARD (10.2X18.5X2.5-MM THK)						

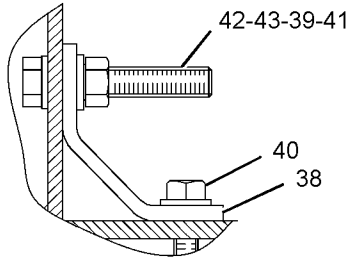
M - METRIC PART

R - REMANUFACTURED PART MAY BE AVAILABLE

GENERATORS

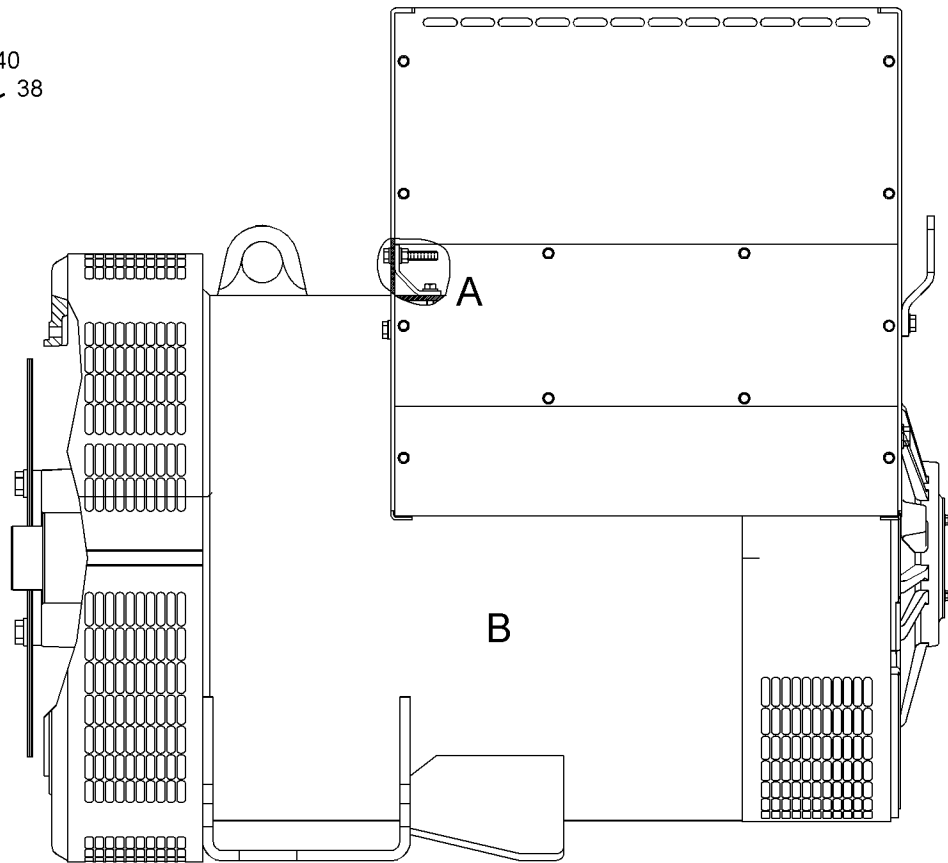
338-2022 GENERATOR GP (contd.)

i04457279



VIEW OF AREA A

REFER TO ALL ILLUSTRATIONS OF THIS GROUP FOR AUXILIARY VIEWS



LEFT SIDE VIEW

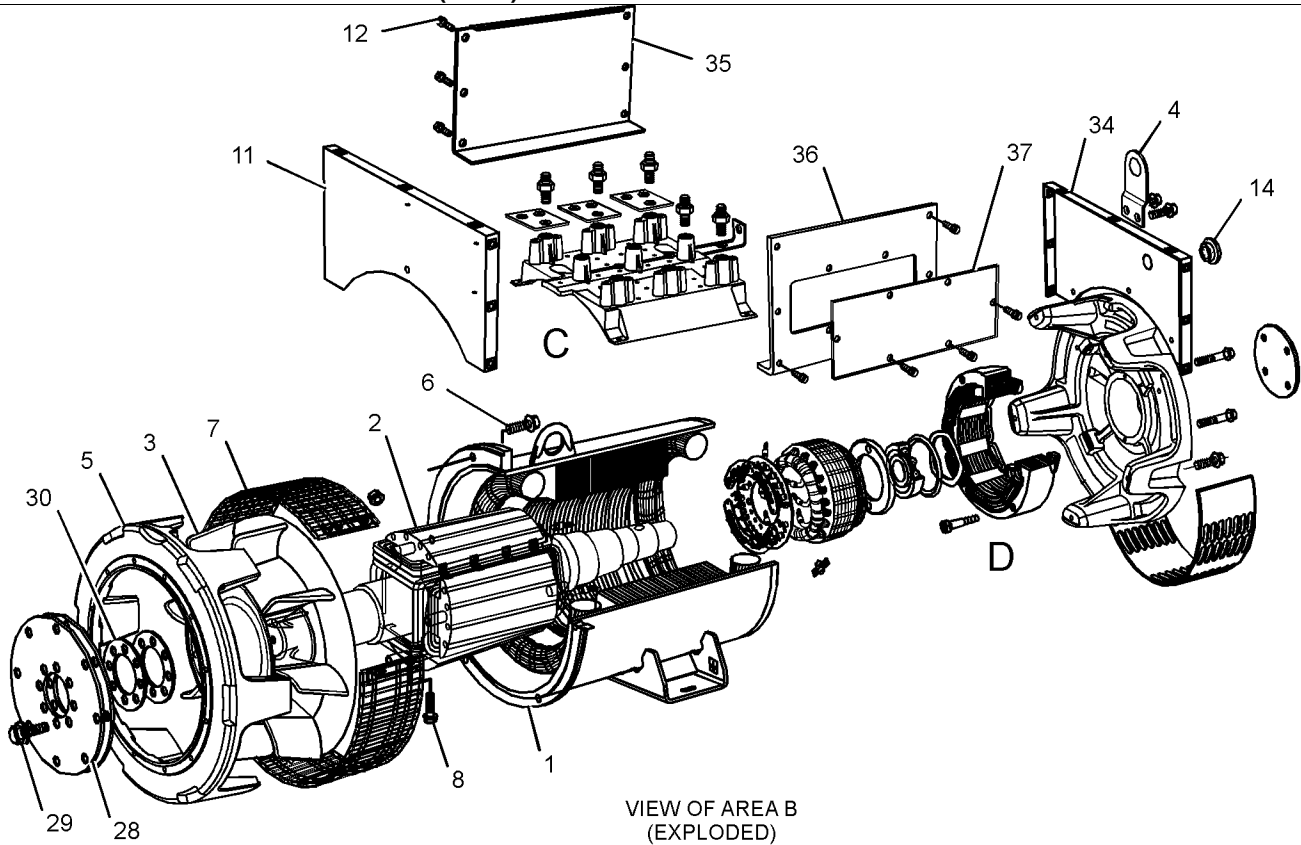
GRAPHIC #1

g01818873

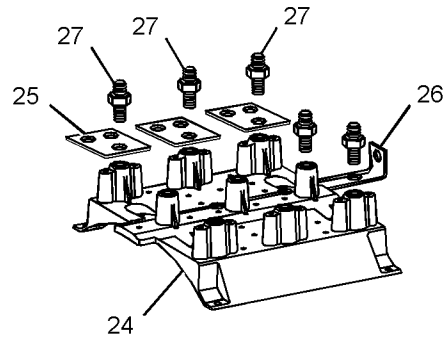
GENERATORS

338-2022 GENERATOR GP (contd.)

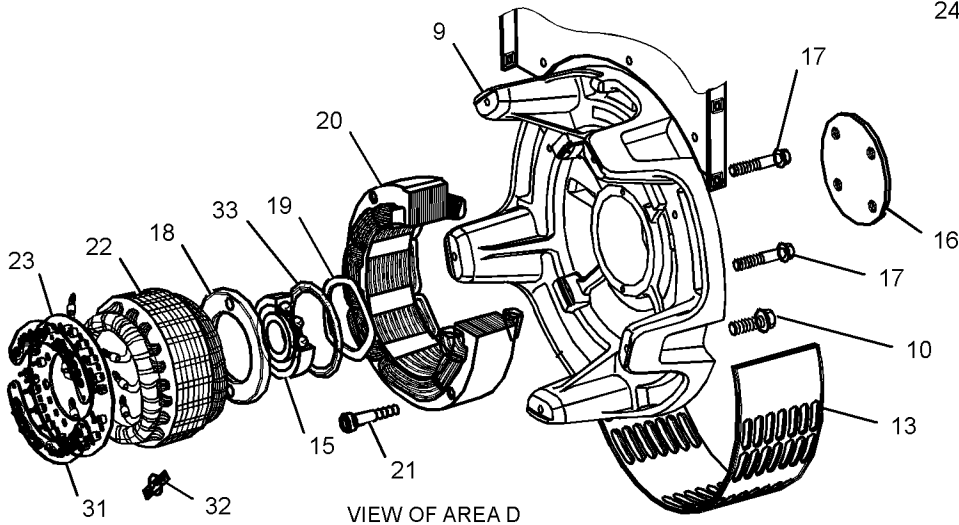
i04457279



VIEW OF AREA B
(EXPLODED)



VIEW OF AREA C



VIEW OF AREA D

GRAPHIC #2

<END>

g01818874

GENERATORS

338-2026 GENERATOR GP

S/N: F6B1-UP

PART OF 338-2023, 338-2025 GENERATOR AR

SMCS-4450

i04936510

NOTE	REF NO	GRAPHIC REF	PART NUMBER	QTY	PART NAME						SEE PAGE
					1	2	3	4	5	6 (PRODUCT LEVEL)	
	1	1	338-7361	1	STATOR AS						
R	2	1	338-7380	1	ROTOR AS						
	3	1	242-3919	1	FAN-GENERATOR						
	4	1	241-4577	1	EYE-LIFTING						
	5	1	242-3922	1	FLANGE						
M	6	1	160-8746	6	BOLT (M12X1.75X18-MM)						
	7	1	242-3924	1	SCREEN						
	8	1	242-3926	2	SCREW (M11.5X50-MM)						
	9	1	242-3928	1	SHIELD						
	10	1	242-3929	5	SCREW (M22X70-THD)						
	11	1	242-3930	1	PANEL-TERMINAL BOX						
	12	1	242-3931	1	BOLT (M6X1X16-MM)						
	13	1	242-3932	1	SCREEN-AIR INLET						
	14	1	243-5380	1	CAP						
	15	1	243-5220	1	BEARING						
	16	1	241-4594	1	COVER						
	17	1	242-3936	2	SCREW (M15X70-MM)						
	18	1	241-4595	1	CAP-BEARING						
	19	1	241-4597	1	RING						
	20	1	242-3938	1	EXCITER						
	21	1	241-4633	4	BOLT (M6X1X80-MM)						
	22	1	242-3941	1	ARMATURE						
	23	1	241-4606	1	SUPPORT-DIODE						
	24	1	242-3943	1	TERMINAL AS						
	25	1	242-3951	3	TERMINAL						
	26	1	242-3956	1	TERMINAL						
	27	1	242-3957	9	SCREW (M12X50-MM)						
	28	1	242-3959	3	DISC-COUPLING						
	29	1	242-3960	8	SCREW (27.7-MMX40-MM)						
	30	1	241-4618	1	SHIM (2-MM THK)						
	31	1	241-4619	1	DIODE AS						
	32	1	241-4620	1	VARISTOR						
	33	1	241-4622	1	SEAL-O-RING						
	34	1	242-3965	1	PANEL						
	35	1	242-3966	1	PANEL						
	36	1	242-3967	1	PANEL						
	37	1	242-3968	1	PANEL-ACCESS						
	38	1	307-6560	1	BRACKET						
	39	1	6V-8801	1	NUT (3/8-16-THD)						
M	40	1	8T-4000	1	SCREW-WASHER HEAD (M8X1.25X4.8-MM)						
	41	1	8T-9377	1	BOLT (3/8-16X2.25-IN)						
	42	1	8T-4896	1	WASHER-HARD (10.2X18.5X2.5-MM THK)						

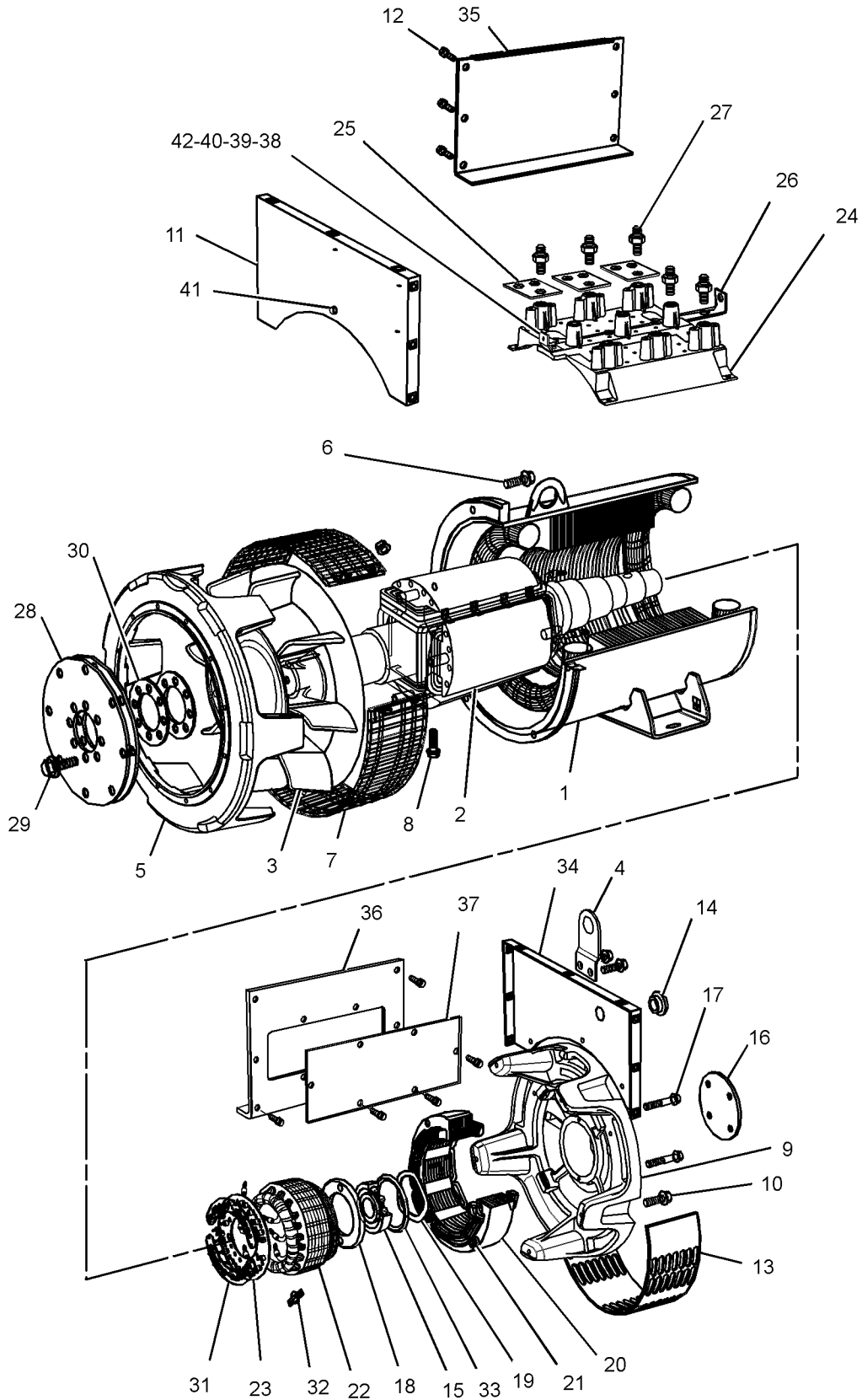
M - METRIC PART

R - REMANUFACTURED PART MAY BE AVAILABLE

GENERATORS

338-2026 GENERATOR GP (contd.)

i04936510



GRAPHIC #1

<END>

g03174377

GENERATORS

338-2030 GENERATOR GP

S/N: F6B1-UP

PART OF 338-2027, 338-2029 GENERATOR AR

SMCS-4450

i04402554

NOTE	REF NO	GRAPHIC REF	PART NUMBER	QTY	PART NAME						SEE PAGE
					1	2	3	4	5	6 (PRODUCT LEVEL)	
	1	1	338-7361	1	STATOR AS						
R	2	1	338-7380	1	ROTOR AS						
	3	1	242-3919	1	FAN-GENERATOR						
	4	1	241-4577	1	EYE-LIFTING						
	5	1	251-3488	1	FLANGE						
M	6	1	160-8746	6	BOLT (M12X1.75X18-MM)						
	7	1	242-3924	1	SCREEN (AIR EXIT)						
	8	1	242-3926	2	SCREW (M11.5X50-MM)						
	9	1	242-3928	1	SHIELD						
	10	1	242-3929	5	SCREW (M22X70-THD)						
	11	1	242-3930	1	PANEL-TERMINAL BOX						
	12	1	242-3931	1	BOLT (M6X1X16-MM)						
	13	1	242-3932	1	SCREEN-AIR INLET						
	14	1	243-5380	1	CAP						
	15	1	243-5220	1	BEARING						
	16	1	241-4594	1	COVER						
	17	1	242-3936	2	SCREW (M15X70-MM)						
	18	1	241-4595	1	CAP-BEARING						
	19	1	241-4597	1	RING						
	20	1	242-3938	1	EXCITER						
	21	1	241-4633	4	BOLT (M6X1X80-MM)						
	22	1	242-3941	1	ARMATURE						
	23	1	241-4606	1	SUPPORT-DIODE						
	24	1	242-3943	1	TERMINAL AS						
	25	1	242-3951	3	TERMINAL						
	26	1	242-3956	1	TERMINAL						
	27	1	242-3957	9	SCREW (M12X50-MM)						
	28	1	251-3489	1	DISC-COUPLING						
	29	1	242-3960	8	SCREW (27.7-MMX40-MM)						
	30	1	241-4618	1	SHIM (2-MM THK)						
	31	1	241-4619	1	DIODE AS						
	32	1	241-4620	1	VARISTOR						
	33	1	241-4622	1	SEAL-O-RING						
	34	1	242-3965	1	PANEL						
	35	1	242-3966	1	PANEL						
	36	1	242-3967	1	PANEL						
	37	1	242-3968	1	PANEL-ACCESS						
	38	1	307-6560	1	BRACKET						
	39	1	6V-8801	1	NUT (3/8-16-THD)						
M	40	1	8T-4000	1	SCREW-WASHER HEAD (M8X1.25X4.8-MM)						
	41	1	8T-9377	1	BOLT (3/8-16X2.25-IN)						
	42	1	3K-8909	1	LOCKWASHER						
	43	1	8T-4896	1	WASHER-HARD (10.2X18.5X2.5-MM THK)						

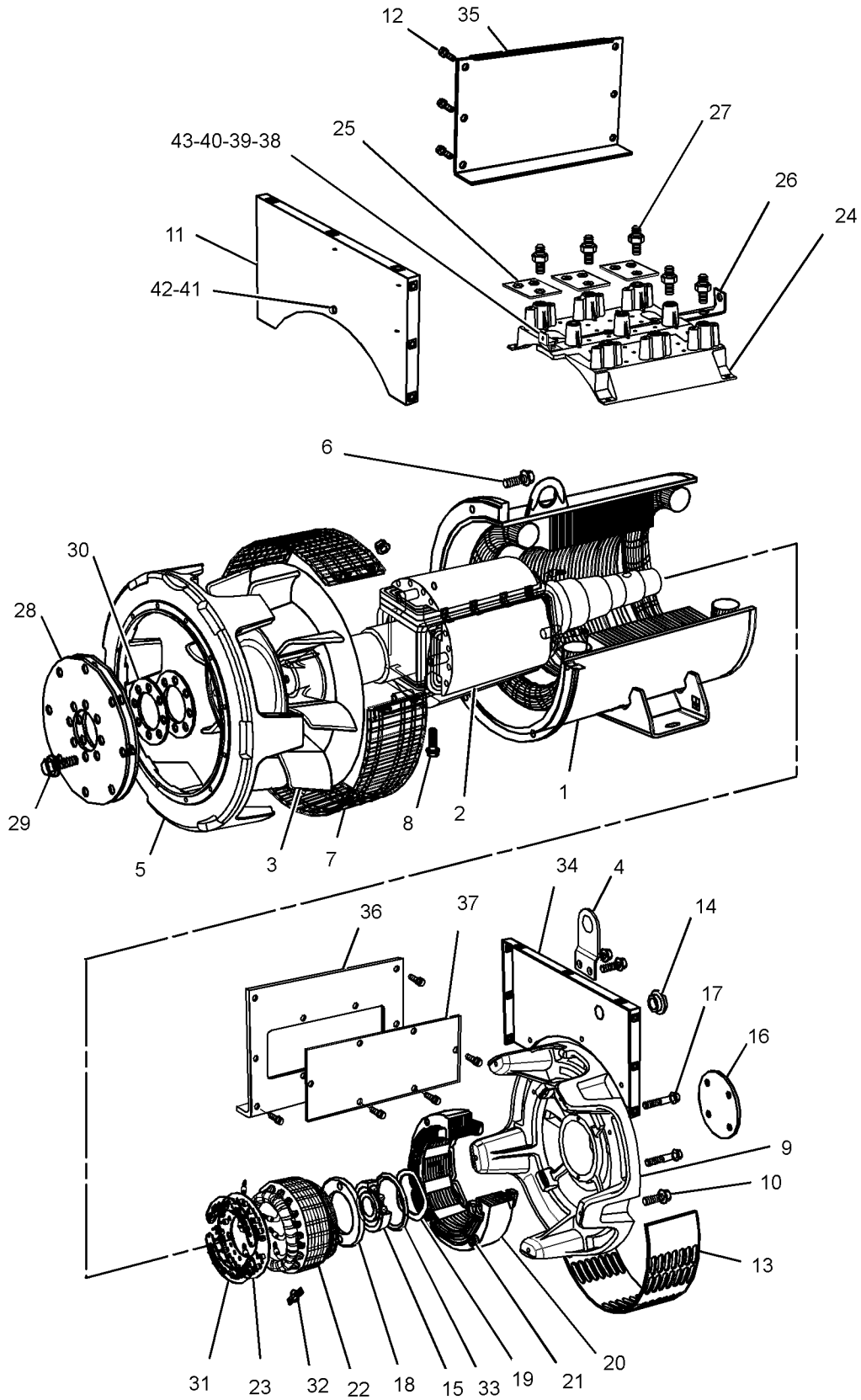
M - METRIC PART

R - REMANUFACTURED PART MAY BE AVAILABLE

GENERATORS

338-2030 GENERATOR GP (contd.)

i04402554



GRAPHIC #1

<END>

g01857494

GENERATORS

338-2034 GENERATOR GP

S/N: F6B1-UP

PART OF 338-2031, 338-2033 GENERATOR AR

SMCS-4450

i03902406

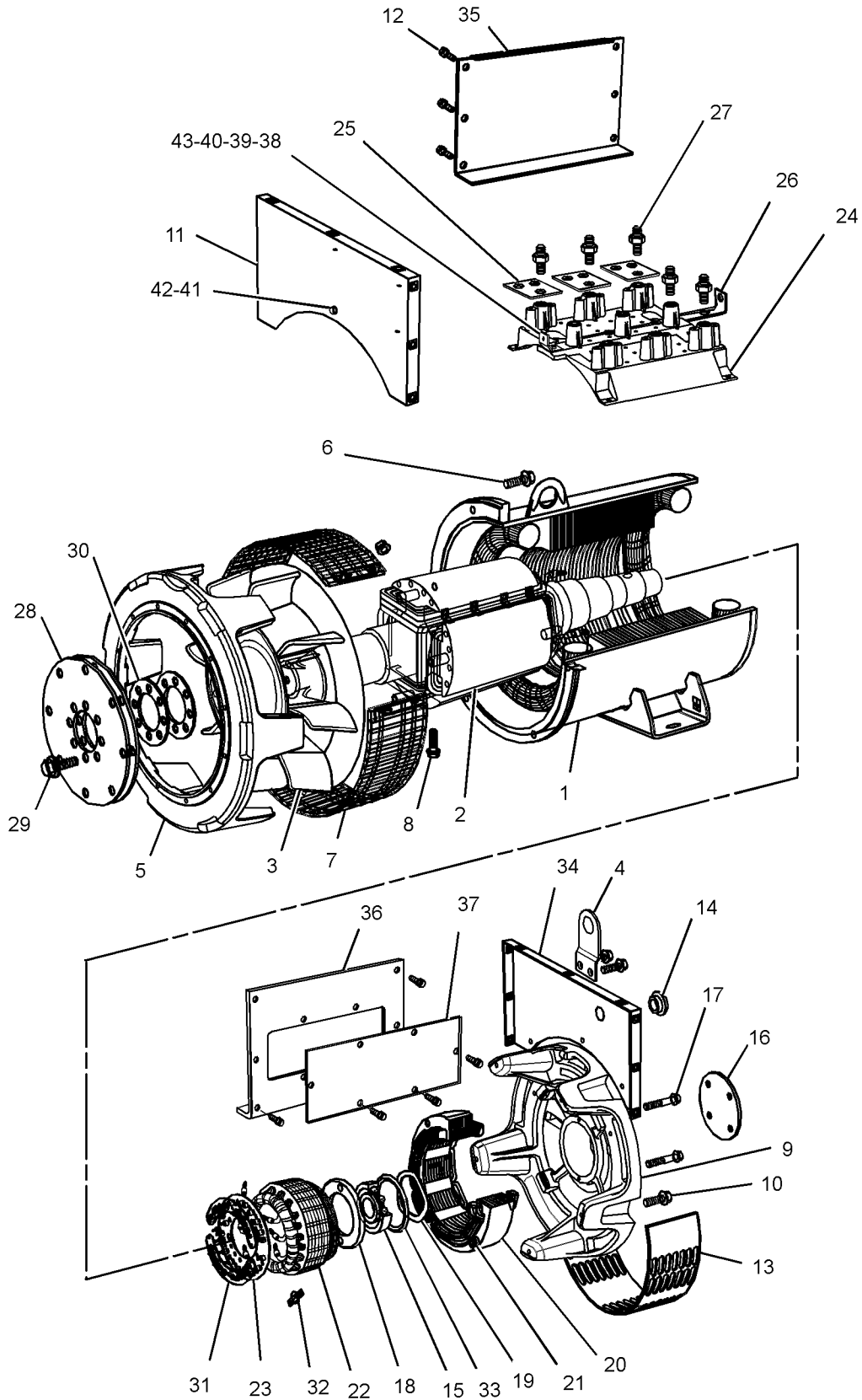
NOTE	REF NO	GRAPHIC REF	PART NUMBER	QTY	PART NAME						SEE PAGE
					1	2	3	4	5	6 (PRODUCT LEVEL)	
	1	1	338-7362	1	STATOR AS						
R	2	1	338-7380	1	ROTOR AS						
	3	1	242-3919	1	FAN-GENERATOR						
	4	1	241-4577	1	EYE-LIFTING						
	5	1	242-3922	1	FLANGE						
M	6	1	160-8746	6	BOLT (M12X1.75X18-MM)						
	7	1	242-3924	1	SCREEN						
	8	1	242-3926	2	SCREW (M11.5X50-MM)						
	9	1	242-3928	1	SHIELD						
	10	1	242-3929	5	SCREW (M22X70-THD)						
	11	1	242-3930	1	PANEL-TERMINAL BOX						
	12	1	242-3931	1	BOLT (M6X1X16-MM)						
	13	1	242-3932	1	SCREEN-AIR INLET						
	14	1	243-5380	1	CAP						
	15	1	243-5220	1	BEARING						
	16	1	241-4594	1	COVER						
	17	1	242-3936	2	SCREW (M15X70-MM)						
	18	1	241-4595	1	CAP-BEARING						
	19	1	241-4597	1	RING						
	20	1	242-3938	1	EXCITER						
	21	1	241-4633	4	BOLT (M6X1X80-MM)						
	22	1	242-3941	1	ARMATURE						
	23	1	241-4606	1	SUPPORT-DIODE						
	24	1	242-3943	1	TERMINAL AS						
	25	1	242-3951	3	TERMINAL						
	26	1	242-3956	1	TERMINAL						
	27	1	242-3957	9	SCREW (M12X50-MM)						
	28	1	242-3959	3	DISC-COUPLING						
	29	1	242-3960	8	SCREW (27.7-MMX40-MM)						
	30	1	241-4618	1	SHIM (2-MM THK)						
	31	1	241-4619	1	DIODE AS						
	32	1	241-4620	1	VARISTOR						
	33	1	241-4622	1	SEAL-O-RING						
	34	1	242-3965	1	PANEL						
	35	1	242-3966	1	PANEL						
	36	1	242-3967	1	PANEL						
	37	1	242-3968	1	PANEL-ACCESS						
	38	1	307-6560	1	BRACKET						
	39	1	6V-8801	1	NUT (3/8-16-THD)						
M	40	1	8T-4000	1	SCREW-WASHER HEAD (M8X1.25X4.8-MM)						
	41	1	8T-9377	1	BOLT (3/8-16X2.25-IN)						
	42	1	4D-1326	1	LOCKWASHER (EXTERNAL TOOTH)						
	43	1	8T-4896	1	WASHER-HARD (10.2X18.5X2.5-MM THK)						
F			246-5895	1	TRANSFORMER						

F - NOT SHOWN
M - METRIC PART
R - REMANUFACTURED PART MAY BE AVAILABLE

GENERATORS

338-2034 GENERATOR GP (contd.)

i03902406



GRAPHIC #1

<END>

g01857536

GENERATORS

338-2055 GENERATOR GP

S/N: F6B1-UP

PART OF 338-2052, 338-2054 GENERATOR AR

SMCS-4450

i03902399

NOTE	REF NO	GRAPHIC REF	PART NUMBER	QTY	PART NAME						SEE PAGE
					1	2	3	4	5	6 (PRODUCT LEVEL)	
	1	1	338-7363	1	STATOR AS-MAIN						
R	2	1	338-7381	1	ROTOR AS						
	3	1	242-3919	1	FAN-GENERATOR						
	4	1	241-4577	1	EYE-LIFTING						
	5	1	242-3922	1	FLANGE						
M	6	1	160-8746	6	BOLT (M12X1.75X18-MM)						
	7	1	242-3924	1	SCREEN						
	8	1	242-3926	2	SCREW (M11.5X50-MM)						
	9	1	242-3928	1	SHIELD						
	10	1	242-3929	5	SCREW (M22X70-THD)						
	11	1	242-3930	1	PANEL-TERMINAL BOX						
	12	1	242-3931	1	BOLT (M6X1X16-MM)						
	13	1	242-3932	1	SCREEN-AIR INLET						
	14	1	243-5380	1	CAP						
	15	1	243-5220	1	BEARING						
	16	1	241-4594	1	COVER						
	17	1	242-3936	2	SCREW (M15X70-MM)						
	18	1	241-4595	1	CAP-BEARING						
	19	1	241-4597	1	RING						
	20	1	242-3938	1	EXCITER						
	21	1	241-4633	4	BOLT (M6X1X80-MM)						
	22	1	242-3941	1	ARMATURE						
	23	1	241-4606	1	SUPPORT-DIODE						
	24	1	242-3943	1	TERMINAL AS						
	25	1	242-3951	3	TERMINAL						
	26	1	242-3956	1	TERMINAL						
	27	1	242-3957	9	SCREW (M12X50-MM)						
	28	1	242-3959	3	DISC-COUPLING						
	29	1	242-3960	8	SCREW (27.7-MMX40-MM)						
	30	1	241-4618	1	SHIM (2-MM THK)						
	31	1	241-4619	1	DIODE AS						
	32	1	241-4620	1	VARISTOR						
	33	1	241-4622	1	SEAL-O-RING						
	34	1	242-3965	1	PANEL						
	35	1	242-3966	1	PANEL						
	36	1	242-3967	1	PANEL						
	37	1	242-3968	1	PANEL-ACCESS						
	38	1	307-6560	1	BRACKET						
	39	1	6V-8801	1	NUT (3/8-16-THD)						
M	40	1	8T-4000	1	SCREW-WASHER HEAD (M8X1.25X4.8-MM)						
	41	1	8T-9377	1	BOLT (3/8-16X2.25-IN)						
	42	1	4D-1326	1	LOCKWASHER (EXTERNAL TOOTH)						
	43	1	8T-4896	1	WASHER-HARD (10.2X18.5X2.5-MM THK)						

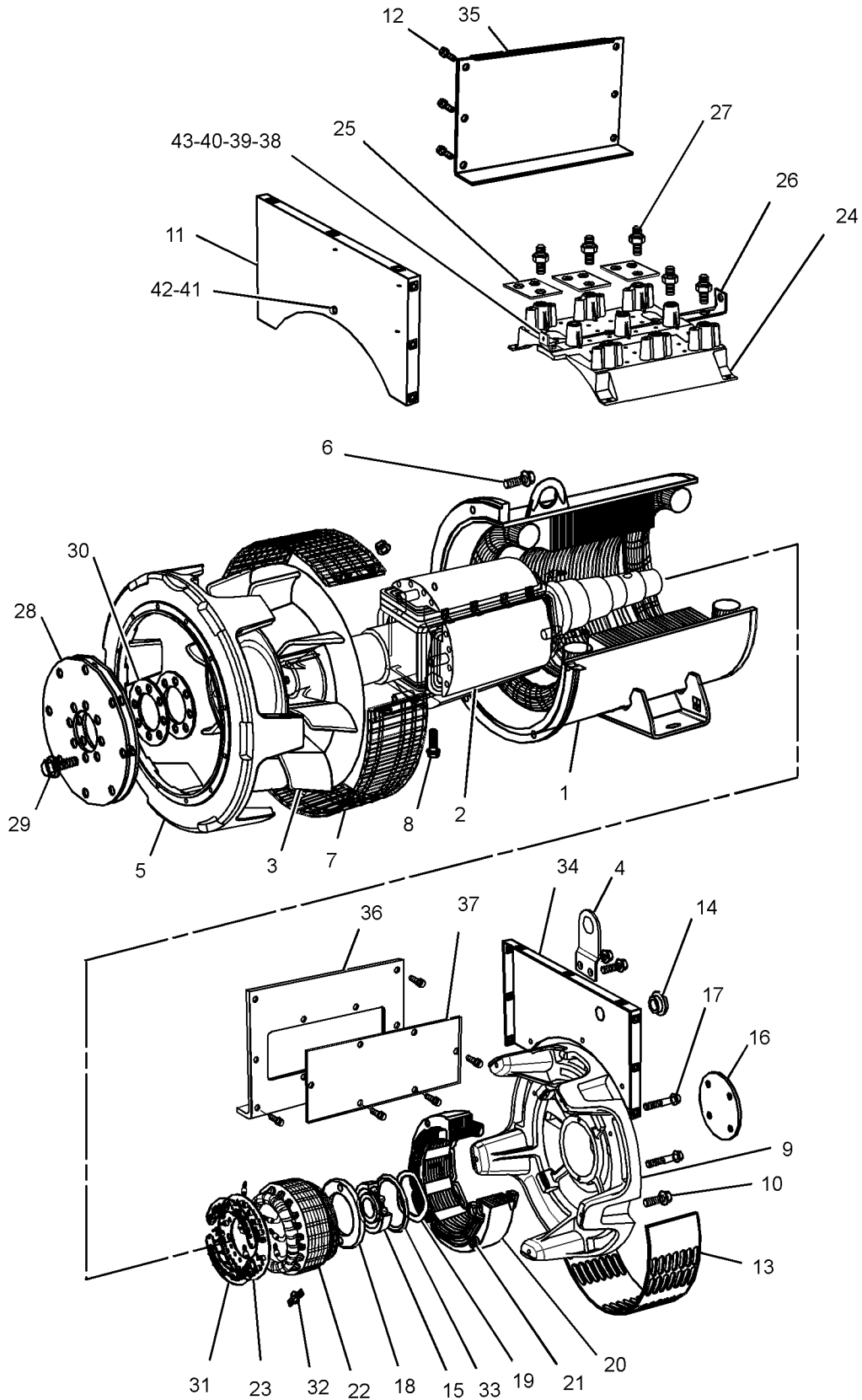
M - METRIC PART

R - REMANUFACTURED PART MAY BE AVAILABLE

GENERATORS

338-2055 GENERATOR GP (contd.)

i03902399



GRAPHIC #1

<END>

g01857613

GENERATORS

338-2059 GENERATOR GP

S/N: F6B1-UP

PART OF 338-2056, 338-2058 GENERATOR AR

SMCS-4450

i04457277

NOTE	REF NO	GRAPHIC REF	PART NUMBER	QTY	PART NAME						SEE PAGE
					1	2	3	4	5	6 (PRODUCT LEVEL)	
	1	2	338-7363	1	STATOR AS-MAIN						
R	2	2	338-7381	1	ROTOR AS						
	3	2	242-3919	1	FAN-GENERATOR						
	4	2	241-4577	1	EYE-LIFTING						
	5	2	251-3488	1	FLANGE						
M	6	2	160-8746	6	BOLT (M12X1.75X18-MM)						
	7	2	242-3924	1	SCREEN (AIR EXIT)						
	8	2	242-3926	2	SCREW (M11.5X50-MM)						
	9	2	242-3928	1	SHIELD						
	10	2	242-3929	5	SCREW (M22X70-THD)						
	11	2	242-3930	1	PANEL-TERMINAL BOX						
	12	2	242-3931	1	BOLT (M6X1X16-MM)						
	13	2	242-3932	1	SCREEN-AIR INLET						
	14	2	243-5380	1	CAP						
	15	2	243-5220	1	BEARING						
	16	2	241-4594	1	COVER						
	17	2	242-3936	2	SCREW (M15X70-MM)						
	18	2	241-4595	1	CAP-BEARING						
	19	2	241-4597	1	RING						
	20	2	242-3938	1	EXCITER						
	21	2	241-4633	4	BOLT (M6X1X80-MM)						
	22	2	242-3941	1	ARMATURE						
	23	2	241-4606	1	SUPPORT-DIODE						
	24	2	242-3943	1	TERMINAL AS						
	25	2	242-3951	3	TERMINAL						
	26	2	242-3956	1	TERMINAL (NEUTRAL)						
	27	2	242-3957	9	SCREW (M12X50-MM)						
	28	2	251-3489	1	DISC-COUPLING						
	29	2	242-3960	8	SCREW (27.7-MMX40-MM)						
	30	2	241-4618	1	SHIM (2-MM THK)						
	31	2	241-4619	1	DIODE AS						
	32	2	241-4620	1	VARISTOR						
	33	2	241-4622	1	SEAL-O-RING						
	34	2	242-3965	1	PANEL (TERMINAL)						
	35	2	242-3966	1	PANEL						
	36	2	242-3967	1	PANEL						
	37	2	242-3968	1	PANEL-ACCESS						
	38	1	307-6560	1	BRACKET						
	39	1	6V-8801	1	NUT (3/8-16-THD)						
M	40	1	8T-4000	1	SCREW-WASHER HEAD (M8X1.25X4.8-MM)						
	41	1	8T-9377	1	BOLT (3/8-16X2.25-IN)						
	42	1	4D-1326	1	LOCKWASHER (EXTERNAL TOOTH)						
	43	1	8T-4896	1	WASHER-HARD (10.2X18.5X2.5-MM THK)						

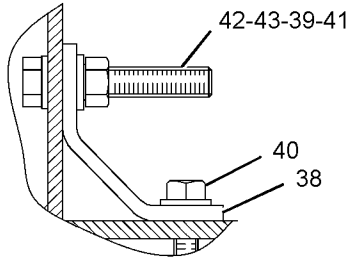
M - METRIC PART

R - REMANUFACTURED PART MAY BE AVAILABLE

GENERATORS

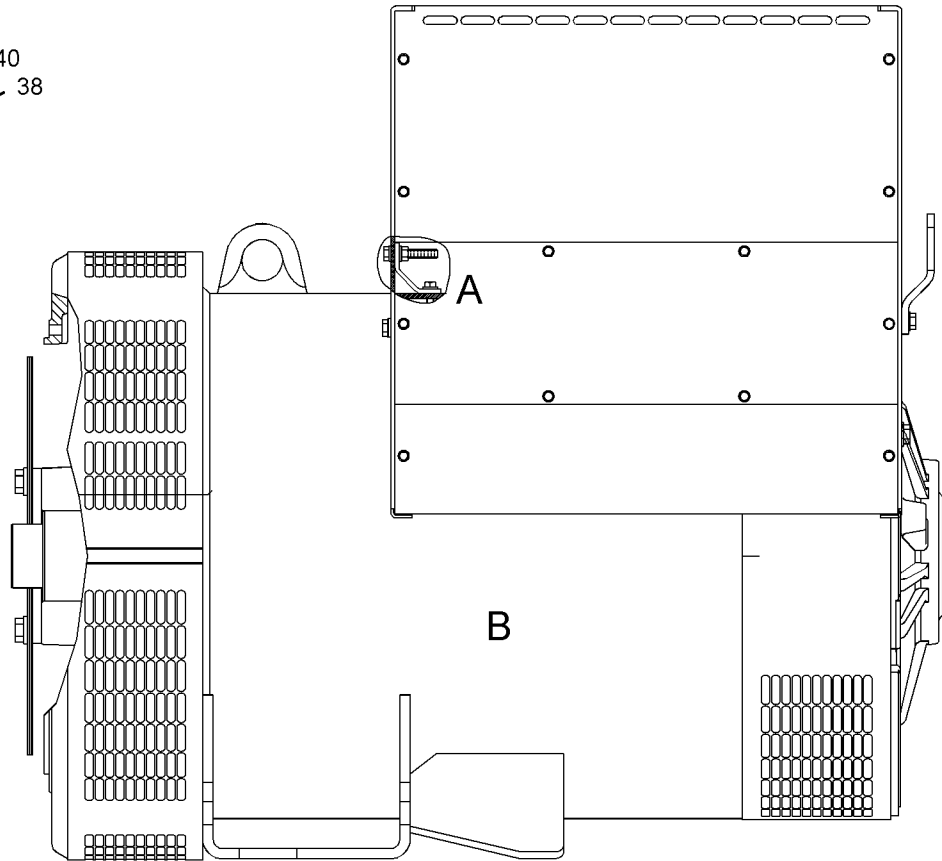
338-2059 GENERATOR GP (contd.)

i04457277



VIEW OF AREA A

REFER TO ALL ILLUSTRATIONS OF THIS GROUP FOR AUXILIARY VIEWS



LEFT SIDE VIEW

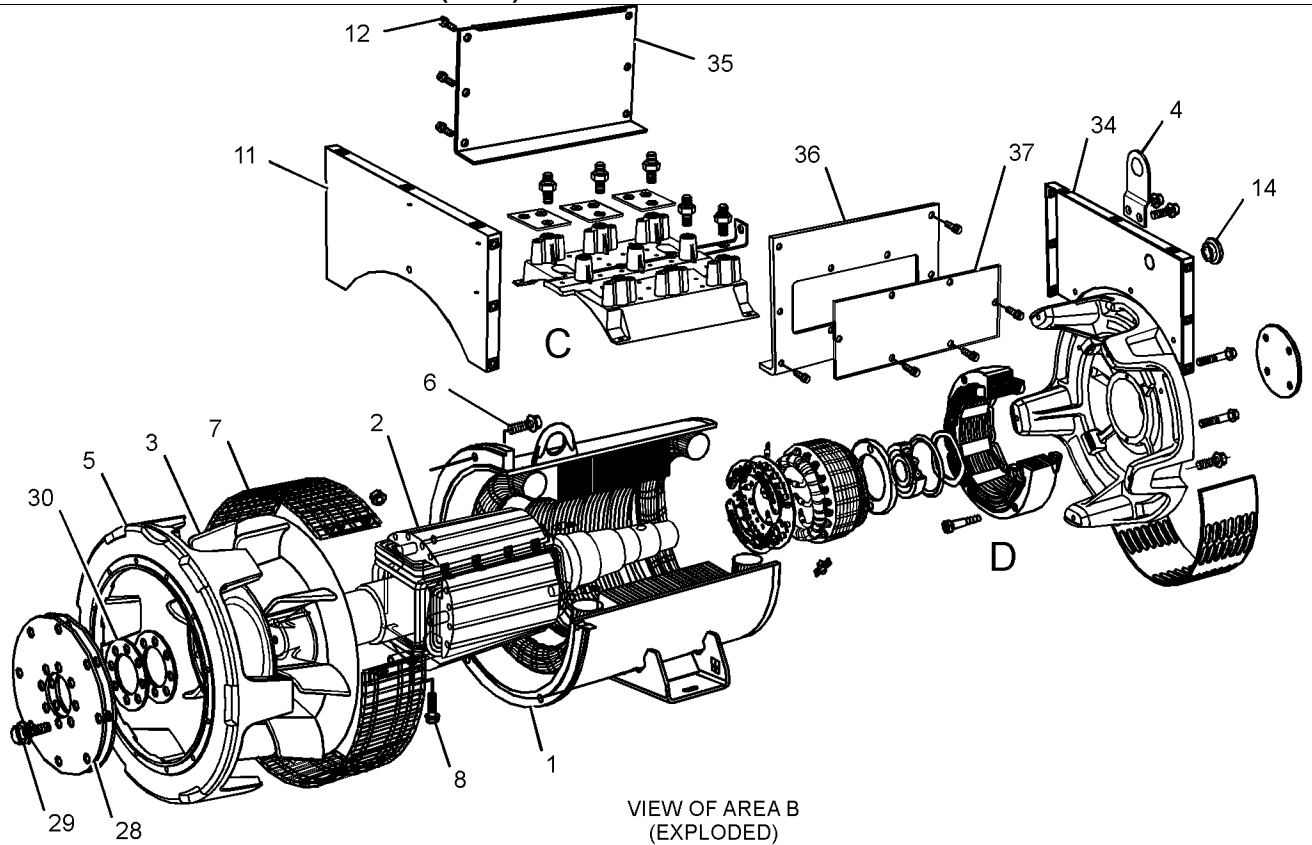
GRAPHIC #1

g01818873

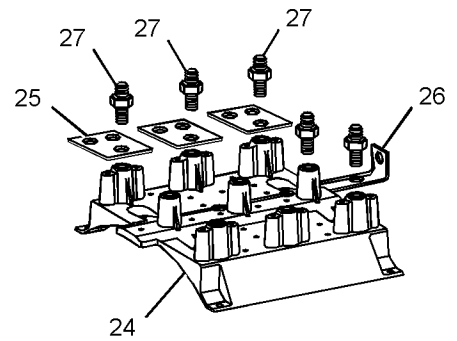
GENERATORS

338-2059 GENERATOR GP (contd.)

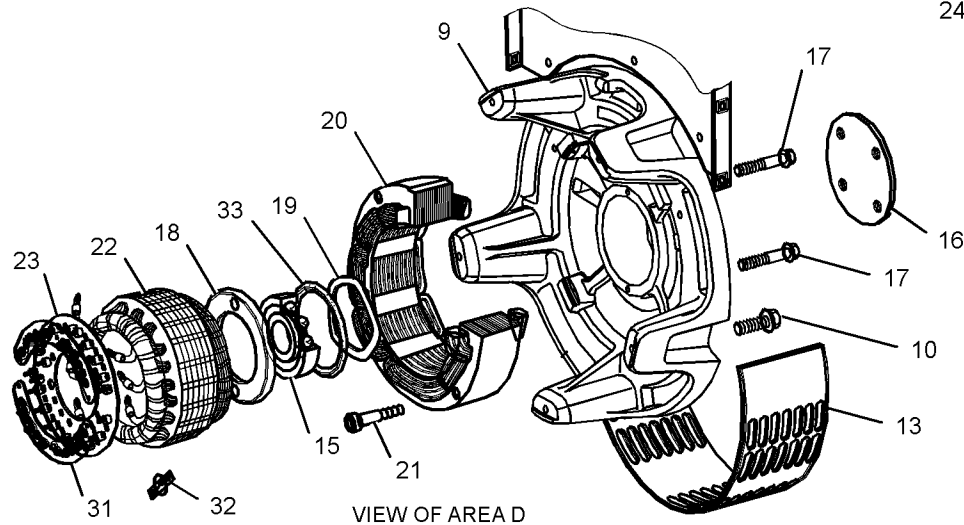
i04457277



VIEW OF AREA B
(EXPLODED)



VIEW OF AREA C



VIEW OF AREA D

GRAPHIC #2

<END>

g01818874

GENERATORS

338-2063 GENERATOR GP

S/N: F6B1-UP

PART OF 338-2060, 338-2062 GENERATOR AR

SMCS-4450

i04937817

NOTE	REF NO	GRAPHIC REF	PART NUMBER	QTY	PART NAME						SEE PAGE
					1	2	3	4	5	6 (PRODUCT LEVEL)	
	1	1	338-7364	1	STATOR AS						
R	2	1	338-7381	1	ROTOR AS						
	3	1	242-3919	1	FAN-GENERATOR						
	4	1	241-4577	1	EYE-LIFTING						
	5	1	242-3922	1	FLANGE						
M	6	1	160-8746	6	BOLT (M12X1.75X18-MM)						
	7	1	242-3924	1	SCREEN						
	8	1	242-3926	2	SCREW (M11.5X50-MM)						
	9	1	242-3928	1	SHIELD						
	10	1	242-3929	5	SCREW (M22X70-THD)						
	11	1	242-3930	1	PANEL-TERMINAL BOX						
	12	1	242-3931	1	BOLT (M6X1X16-MM)						
	13	1	242-3932	1	SCREEN-AIR INLET						
	14	1	243-5380	1	CAP						
	15	1	243-5220	1	BEARING						
	16	1	241-4594	1	COVER						
	17	1	242-3936	2	SCREW (M15X70-MM)						
	18	1	241-4595	1	CAP-BEARING						
	19	1	241-4597	1	RING						
	20	1	242-3938	1	EXCITER						
	21	1	241-4633	4	BOLT (M6X1X80-MM)						
	22	1	242-3941	1	ARMATURE						
	23	1	241-4606	1	SUPPORT-DIODE						
	24	1	242-3943	1	TERMINAL AS						
	25	1	242-3951	3	TERMINAL						
	26	1	242-3956	1	TERMINAL						
	27	1	242-3957	9	SCREW (M12X50-MM)						
	28	1	242-3959	3	DISC-COUPLING						
	29	1	242-3960	8	SCREW (27.7-MMX40-MM)						
	30	1	241-4618	1	SHIM (2-MM THK)						
	31	1	241-4619	1	DIODE AS						
	32	1	241-4620	1	VARISTOR						
	33	1	241-4622	1	SEAL-O-RING						
	34	1	242-3965	1	PANEL						
	35	1	242-3966	1	PANEL						
	36	1	242-3967	1	PANEL						
	37	1	242-3968	1	PANEL-ACCESS						
	38	1	307-6560	1	BRACKET						
	39	1	6V-8801	1	NUT (3/8-16-THD)						
M	40	1	8T-4000	1	SCREW-WASHER HEAD (M8X1.25X4.8-MM)						
	41	1	8T-9377	1	BOLT (3/8-16X2.25-IN)						
	42	1	8T-4896	1	WASHER-HARD (10.2X18.5X2.5-MM THK)						

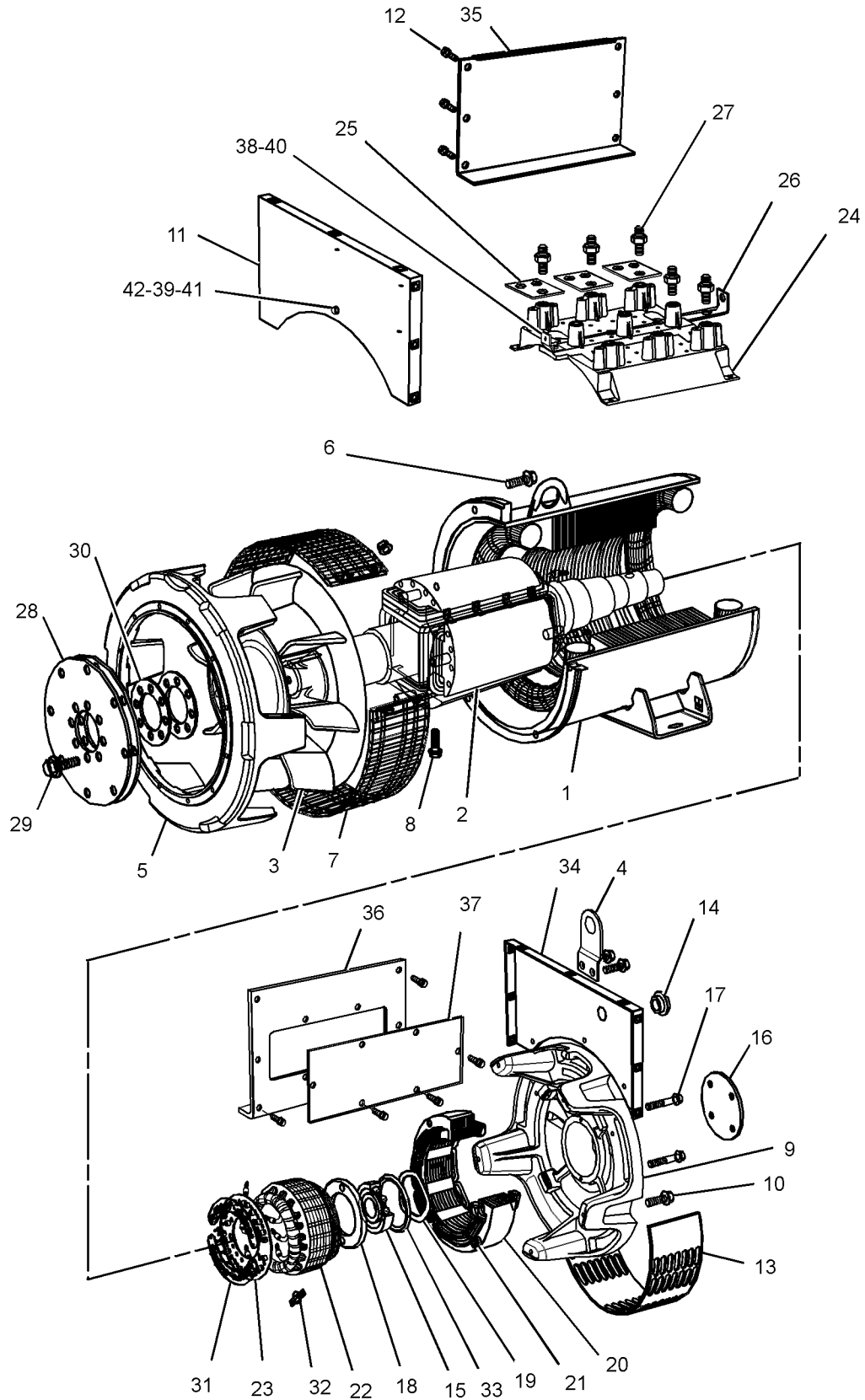
M - METRIC PART

R - REMANUFACTURED PART MAY BE AVAILABLE

GENERATORS

338-2063 GENERATOR GP (contd.)

i04937817



GRAPHIC #1

<END>

g03180356

GENERATORS

338-2067 GENERATOR GP

S/N: F6B1-UP

PART OF 338-2064, 338-2066 GENERATOR AR

SMCS-4450

i04459997

NOTE	REF NO	GRAPHIC REF	PART NUMBER	QTY	PART NAME						SEE PAGE
					1	2	3	4	5	6 (PRODUCT LEVEL)	
	1	1	338-7364	1	STATOR AS						
R	2	1	338-7381	1	ROTOR AS						
	3	1	242-3919	1	FAN-GENERATOR						
	4	1	241-4577	1	EYE-LIFTING						
	5	1	251-3488	1	FLANGE						
M	6	1	160-8746	6	BOLT (M12X1.75X18-MM)						
	7	1	242-3924	1	SCREEN						
	8	1	242-3926	2	SCREW (M11.5X50-MM)						
	9	1	242-3928	1	SHIELD						
	10	1	242-3929	5	SCREW (M22X70-THD)						
	11	1	242-3930	1	PANEL-TERMINAL BOX						
	12	1	242-3931	1	BOLT (M6X1X16-MM)						
	13	1	242-3932	1	SCREEN-AIR INLET						
	14	1	243-5380	1	CAP						
	15	1	243-5220	1	BEARING						
	16	1	241-4594	1	COVER						
	17	1	242-3936	2	SCREW (M15X70-MM)						
	18	1	241-4595	1	CAP-BEARING						
	19	1	241-4597	1	RING						
	20	1	242-3938	1	EXCITER						
	21	1	241-4633	4	BOLT (M6X1X80-MM)						
	22	1	242-3941	1	ARMATURE						
	23	1	241-4606	1	SUPPORT-DIODE						
	24	1	242-3943	1	TERMINAL AS						
	25	1	242-3951	3	TERMINAL						
	26	1	242-3956	1	TERMINAL						
	27	1	242-3957	9	SCREW (M12X50-MM)						
	28	1	251-3489	1	DISC-COUPLING						
	29	1	242-3960	8	SCREW (27.7-MMX40-MM)						
	30	1	241-4618	1	SHIM (2-MM THK)						
	31	1	241-4619	1	DIODE AS						
	32	1	241-4620	1	VARISTOR						
	33	1	241-4622	1	SEAL-O-RING						
	34	1	242-3965	1	PANEL						
	35	1	242-3966	1	PANEL						
	36	1	242-3967	1	PANEL						
	37	1	242-3968	1	PANEL-ACCESS						
	38	1	307-6560	1	BRACKET						
	39	1	6V-8801	1	NUT (3/8-16-THD)						
M	40	1	8T-4000	1	SCREW-WASHER HEAD (M8X1.25X4.8-MM)						
	41	1	8T-9377	1	BOLT (3/8-16X2.25-IN)						
	42	1	4D-1326	1	LOCKWASHER (EXTERNAL TOOTH)						
	43	1	8T-4896	1	WASHER-HARD (10.2X18.5X2.5-MM THK)						

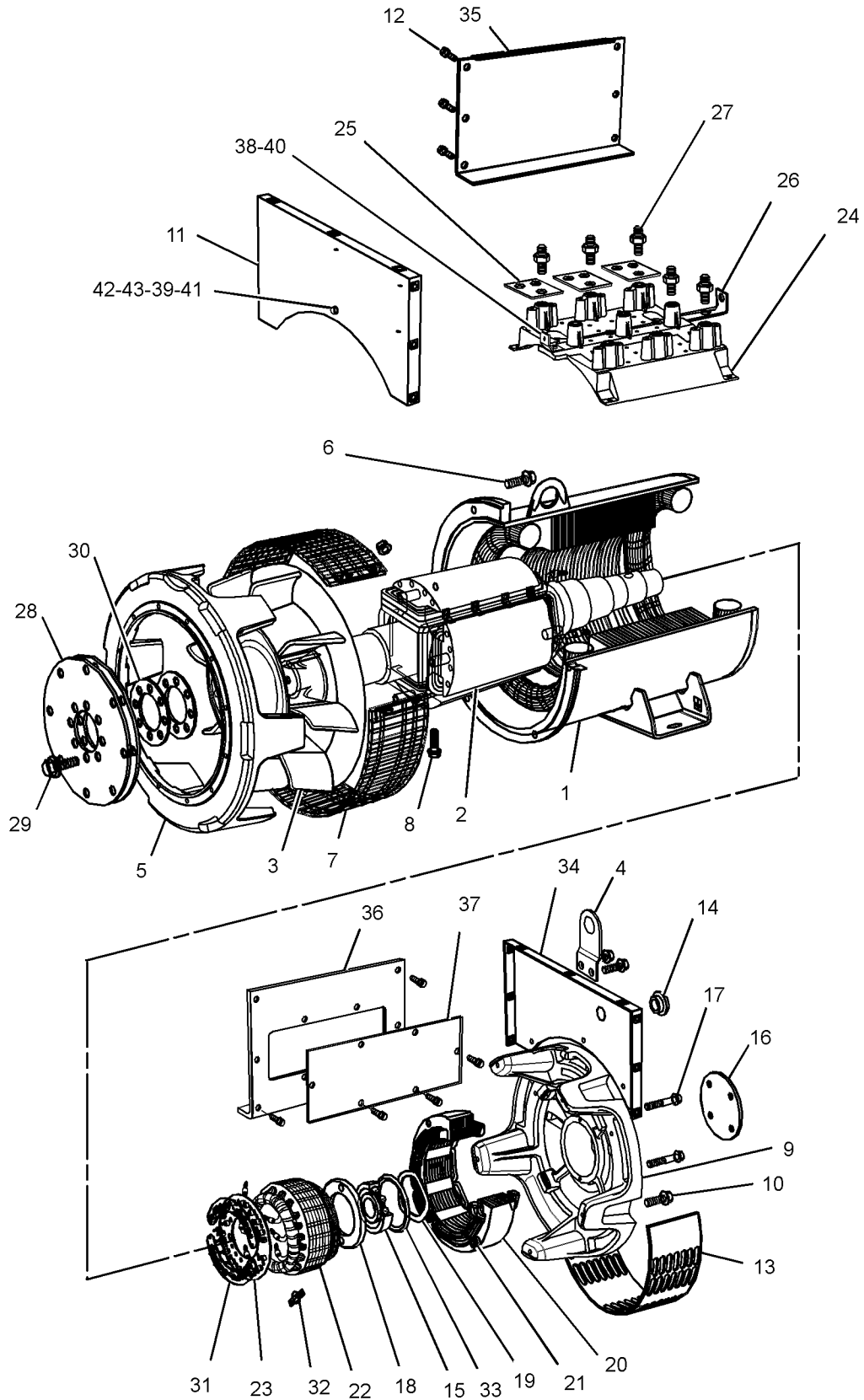
M - METRIC PART

R - REMANUFACTURED PART MAY BE AVAILABLE

GENERATORS

338-2067 GENERATOR GP (contd.)

i04459997



GRAPHIC #1

<END>

g01863357

GENERATORS

338-2071 GENERATOR GP

S/N: F6B1-UP

PART OF 338-2068, 338-2070 GENERATOR AR

SMCS-4450

i03902412

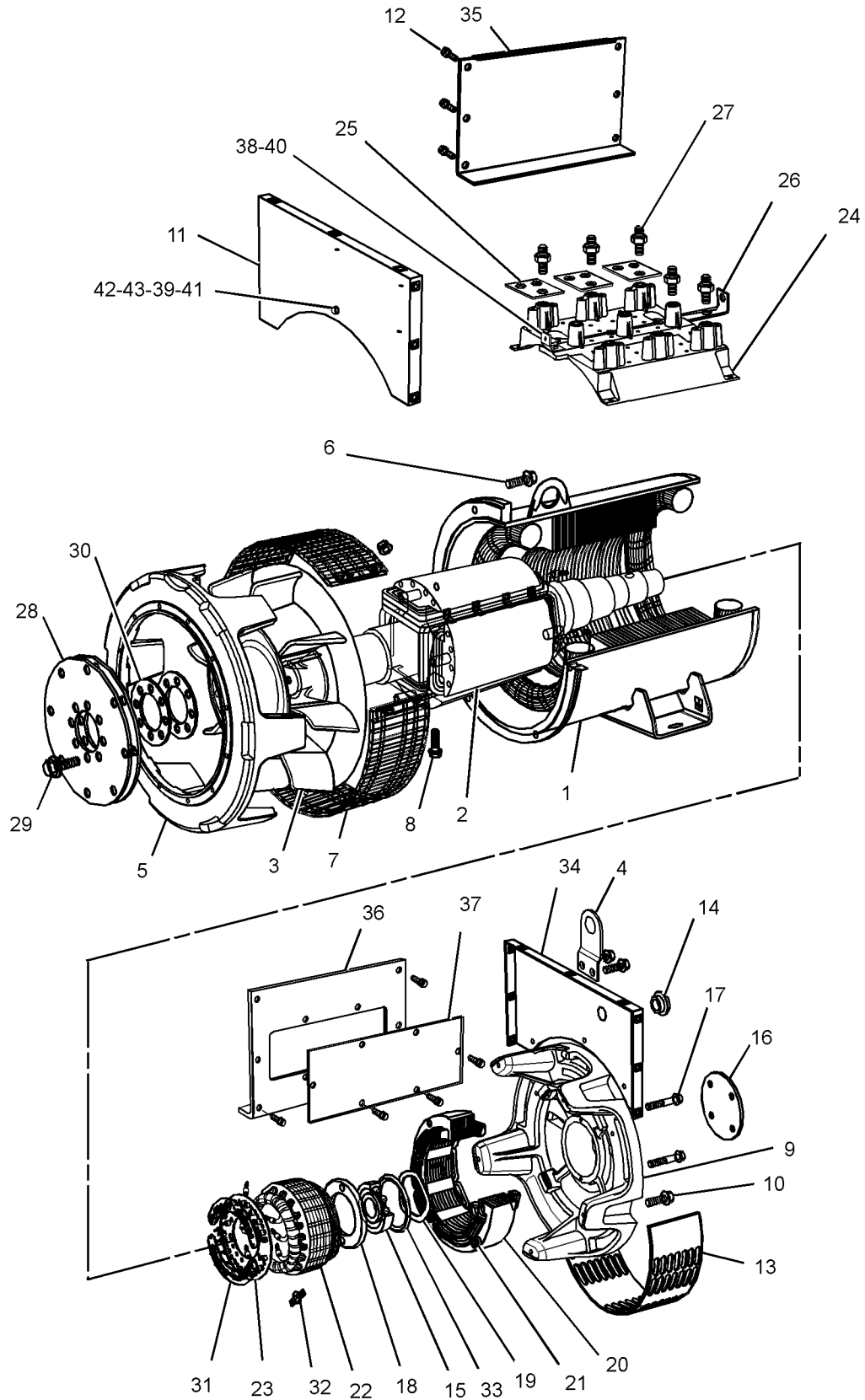
NOTE	REF NO	GRAPHIC REF	PART NUMBER	QTY	PART NAME						SEE PAGE
					1	2	3	4	5	6 (PRODUCT LEVEL)	
	1	1	338-7365	1	STATOR AS						
R	2	1	338-7381	1	ROTOR AS						
	3	1	242-3919	1	FAN-GENERATOR						
	4	1	241-4577	1	EYE-LIFTING						
	5	1	242-3922	1	FLANGE						
M	6	1	160-8746	6	BOLT (M12X1.75X18-MM)						
	7	1	242-3924	1	SCREEN						
	8	1	242-3926	2	SCREW (M11.5X50-MM)						
	9	1	242-3928	1	SHIELD						
	10	1	242-3929	5	SCREW (M22X70-THD)						
	11	1	242-3930	1	PANEL-TERMINAL BOX						
	12	1	242-3931	1	BOLT (M6X1X16-MM)						
	13	1	242-3932	1	SCREEN-AIR INLET						
	14	1	243-5380	1	CAP						
	15	1	243-5220	1	BEARING						
	16	1	241-4594	1	COVER						
	17	1	242-3936	2	SCREW (M15X70-MM)						
	18	1	241-4595	1	CAP-BEARING						
	19	1	241-4597	1	RING						
	20	1	242-3938	1	EXCITER						
	21	1	241-4633	4	BOLT (M6X1X80-MM)						
	22	1	242-3941	1	ARMATURE						
	23	1	241-4606	1	SUPPORT-DIODE						
	24	1	242-3943	1	TERMINAL AS						
	25	1	242-3951	3	TERMINAL						
	26	1	242-3956	1	TERMINAL						
	27	1	242-3957	9	SCREW (M12X50-MM)						
	28	1	242-3959	3	DISC-COUPLING						
	29	1	242-3960	8	SCREW (27.7-MMX40-MM)						
	30	1	241-4618	1	SHIM (2-MM THK)						
	31	1	241-4619	1	DIODE AS						
	32	1	241-4620	1	VARISTOR						
	33	1	241-4622	1	SEAL-O-RING						
	34	1	242-3965	1	PANEL						
	35	1	242-3966	1	PANEL						
	36	1	242-3967	1	PANEL						
	37	1	242-3968	1	PANEL-ACCESS						
	38	1	307-6560	1	BRACKET						
	39	1	6V-8801	1	NUT (3/8-16-THD)						
M	40	1	8T-4000	1	SCREW-WASHER HEAD (M8X1.25X4.8-MM)						
	41	1	8T-9377	1	BOLT (3/8-16X2.25-IN)						
	42	1	4D-1326	1	LOCKWASHER (EXTERNAL TOOTH)						
	43	1	8T-4896	1	WASHER-HARD (10.2X18.5X2.5-MM THK)						
F			246-5895	1	TRANSFORMER						

F - NOT SHOWN
M - METRIC PART
R - REMANUFACTURED PART MAY BE AVAILABLE

GENERATORS

338-2071 GENERATOR GP (contd.)

i03902412



GRAPHIC #1

<END>

g01863394

GENERATORS

338-2075 GENERATOR GP

S/N: F6B1-UP

PART OF 338-2072, 338-2074 GENERATOR AR

SMCS-4450

i04460004

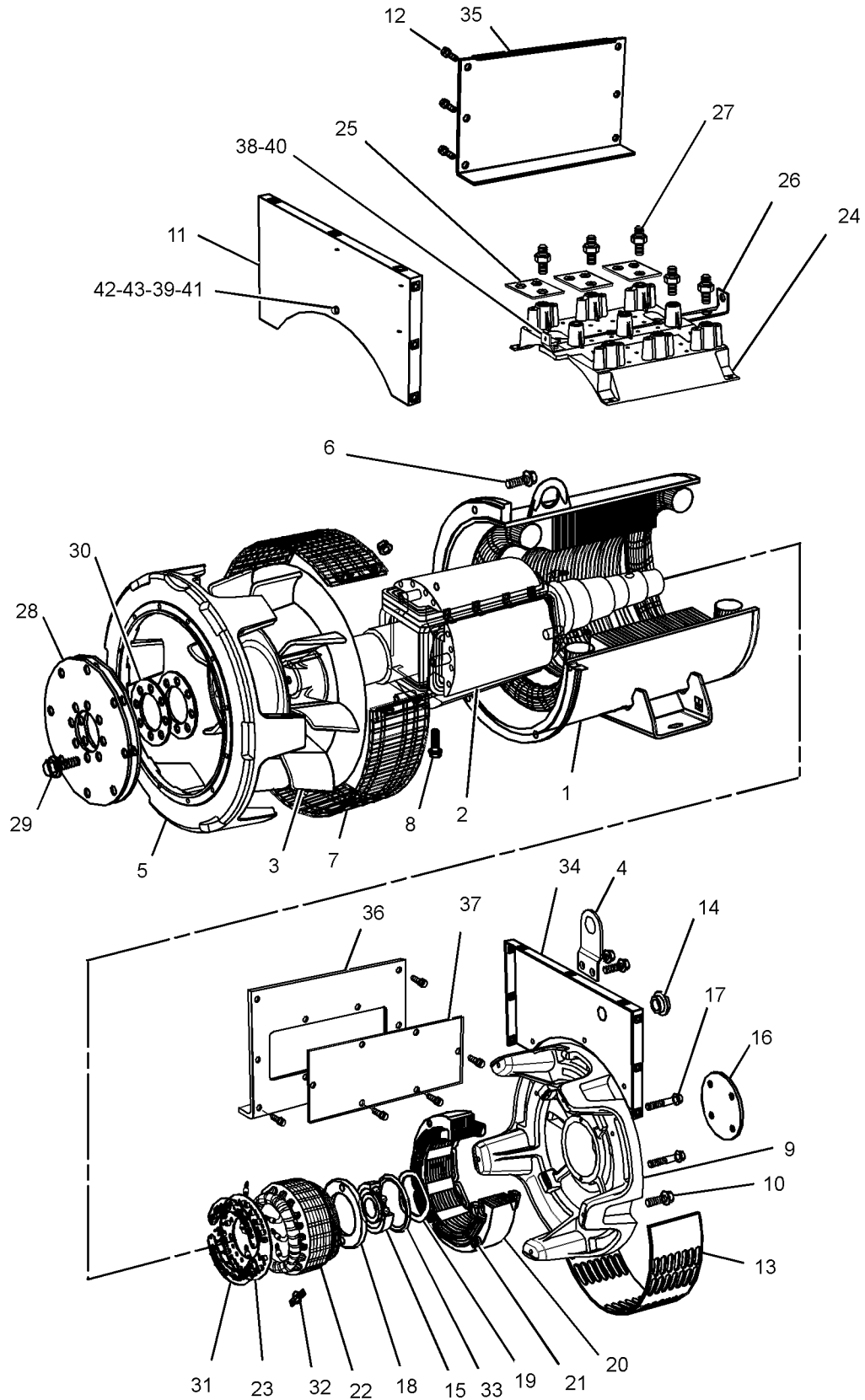
NOTE	REF NO	GRAPHIC REF	PART NUMBER	QTY	PART NAME						SEE PAGE
					1	2	3	4	5	6 (PRODUCT LEVEL)	
	1	1	338-7365	1	STATOR AS						
R	2	1	338-7381	1	ROTOR AS						
	3	1	242-3919	1	FAN-GENERATOR						
	4	1	241-4577	1	EYE-LIFTING						
	5	1	251-3488	1	FLANGE						
M	6	1	160-8746	6	BOLT (M12X1.75X18-MM)						
	7	1	242-3924	1	SCREEN						
	8	1	242-3926	2	SCREW (M11.5X50-MM)						
	9	1	242-3928	1	SHIELD						
	10	1	242-3929	5	SCREW (M22X70-THD)						
	11	1	242-3930	1	PANEL-TERMINAL BOX						
	12	1	242-3931	1	BOLT (M6X1X16-MM)						
	13	1	242-3932	1	SCREEN-AIR INLET						
	14	1	243-5380	1	CAP						
	15	1	243-5220	1	BEARING						
	16	1	241-4594	1	COVER						
	17	1	242-3936	2	SCREW (M15X70-MM)						
	18	1	241-4595	1	CAP-BEARING						
	19	1	241-4597	1	RING						
	20	1	242-3938	1	EXCITER						
	21	1	241-4633	4	BOLT (M6X1X80-MM)						
	22	1	242-3941	1	ARMATURE						
	23	1	241-4606	1	SUPPORT-DIODE						
	24	1	242-3943	1	TERMINAL AS						
	25	1	242-3951	3	TERMINAL						
	26	1	242-3956	1	TERMINAL						
	27	1	242-3957	9	SCREW (M12X50-MM)						
	28	1	251-3489	1	DISC-COUPLING						
	29	1	242-3960	8	SCREW (27.7-MMX40-MM)						
	30	1	241-4618	1	SHIM (2-MM THK)						
	31	1	241-4619	1	DIODE AS						
	32	1	241-4620	1	VARISTOR						
	33	1	241-4622	1	SEAL-O-RING						
	34	1	242-3965	1	PANEL						
	35	1	242-3966	1	PANEL						
	36	1	242-3967	1	PANEL						
	37	1	242-3968	1	PANEL-ACCESS						
	38	1	307-6560	1	BRACKET						
	39	1	6V-8801	1	NUT (3/8-16-THD)						
M	40	1	8T-4000	1	SCREW-WASHER HEAD (M8X1.25X4.8-MM)						
	41	1	8T-9377	1	BOLT (3/8-16X2.25-IN)						
	42	1	4D-1326	1	LOCKWASHER (EXTERNAL TOOTH)						
	43	1	8T-4896	1	WASHER-HARD (10.2X18.5X2.5-MM THK)						
F			246-5895	1	TRANSFORMER						

F - NOT SHOWN
M - METRIC PART
R - REMANUFACTURED PART MAY BE AVAILABLE

GENERATORS

338-2075 GENERATOR GP (contd.)

i04460004



GRAPHIC #1

<END>

g01863419

GENERATORS

338-2083 GENERATOR GP

S/N: F6B1-UP

PART OF 338-2080, 338-2082 GENERATOR AR

SMCS-4450

i03902460

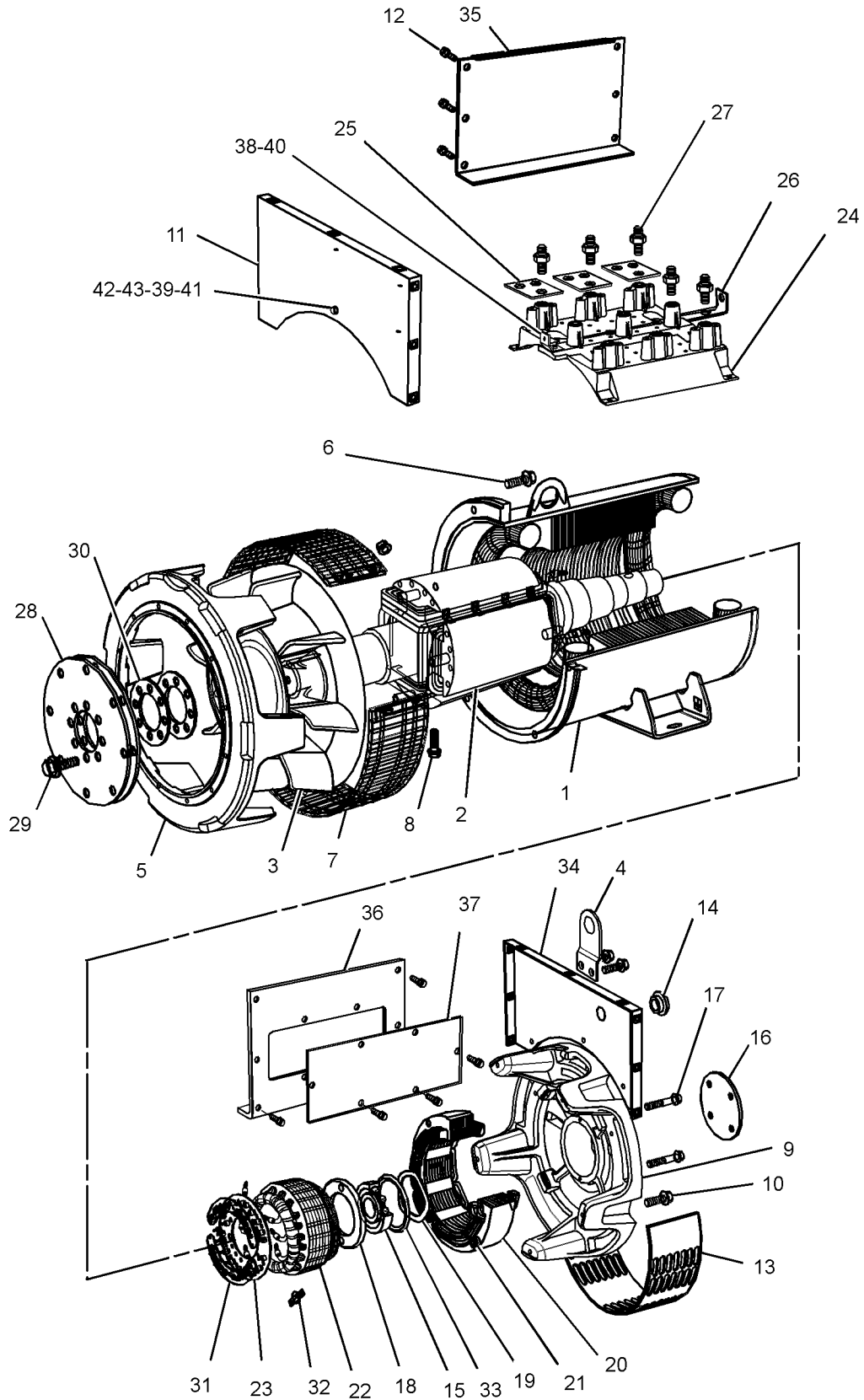
NOTE	REF NO	GRAPHIC REF	PART NUMBER	QTY	PART NAME						SEE PAGE
					1	2	3	4	5	6 (PRODUCT LEVEL)	
	1	1	338-7366	1	STATOR AS						
	2	1	338-7382	1	ROTOR AS						
	3	1	242-3919	1	FAN-GENERATOR						
	4	1	241-4577	1	EYE-LIFTING						
	5	1	242-3922	1	FLANGE						
M	6	1	160-8746	6	BOLT (M12X1.75X18-MM)						
	7	1	242-3924	1	SCREEN						
	8	1	242-3926	2	SCREW (M11.5X50-MM)						
	9	1	242-3928	1	SHIELD						
	10	1	242-3929	5	SCREW (M22X70-THD)						
	11	1	242-3930	1	PANEL-TERMINAL BOX						
	12	1	242-3931	1	BOLT (M6X1X16-MM)						
	13	1	242-3932	1	SCREEN-AIR INLET						
	14	1	243-5380	1	CAP						
	15	1	243-5220	1	BEARING						
	16	1	241-4594	1	COVER						
	17	1	242-3936	2	SCREW (M15X70-MM)						
	18	1	241-4595	1	CAP-BEARING						
	19	1	241-4597	1	RING						
	20	1	242-3938	1	EXCITER						
	21	1	241-4633	4	BOLT (M6X1X80-MM)						
	22	1	242-3941	1	ARMATURE						
	23	1	241-4606	1	SUPPORT-DIODE						
	24	1	242-3943	1	TERMINAL AS						
	25	1	242-3951	3	TERMINAL						
	26	1	242-3956	1	TERMINAL						
	27	1	242-3957	9	SCREW (M12X50-MM)						
	28	1	242-3959	3	DISC-COUPLING						
	29	1	242-3960	8	SCREW (27.7-MMX40-MM)						
	30	1	241-4618	1	SHIM (2-MM THK)						
	31	1	241-4619	1	DIODE AS						
	32	1	241-4620	1	VARISTOR						
	33	1	241-4622	1	SEAL-O-RING						
	34	1	242-3965	1	PANEL						
	35	1	242-3966	1	PANEL						
	36	1	242-3967	1	PANEL						
	37	1	242-3968	1	PANEL-ACCESS						
	38	1	307-6560	1	BRACKET						
	39	1	6V-8801	1	NUT (3/8-16-THD)						
M	40	1	8T-4000	1	SCREW-WASHER HEAD (M8X1.25X4.8-MM)						
	41	1	8T-9377	1	BOLT (3/8-16X2.25-IN)						
	42	1	4D-1326	1	LOCKWASHER (EXTERNAL TOOTH)						
	43	1	8T-4896	1	WASHER-HARD (10.2X18.5X2.5-MM THK)						
F			246-5895	1	TRANSFORMER						

F - NOT SHOWN
M - METRIC PART

GENERATORS

338-2083 GENERATOR GP (contd.)

103902460



GRAPHIC #1

<END>

g01863136

GENERATORS

338-2087 GENERATOR GP

S/N: F6B1-UP

PART OF 338-2084, 338-2086 GENERATOR AR

SMCS-4450

i04402546

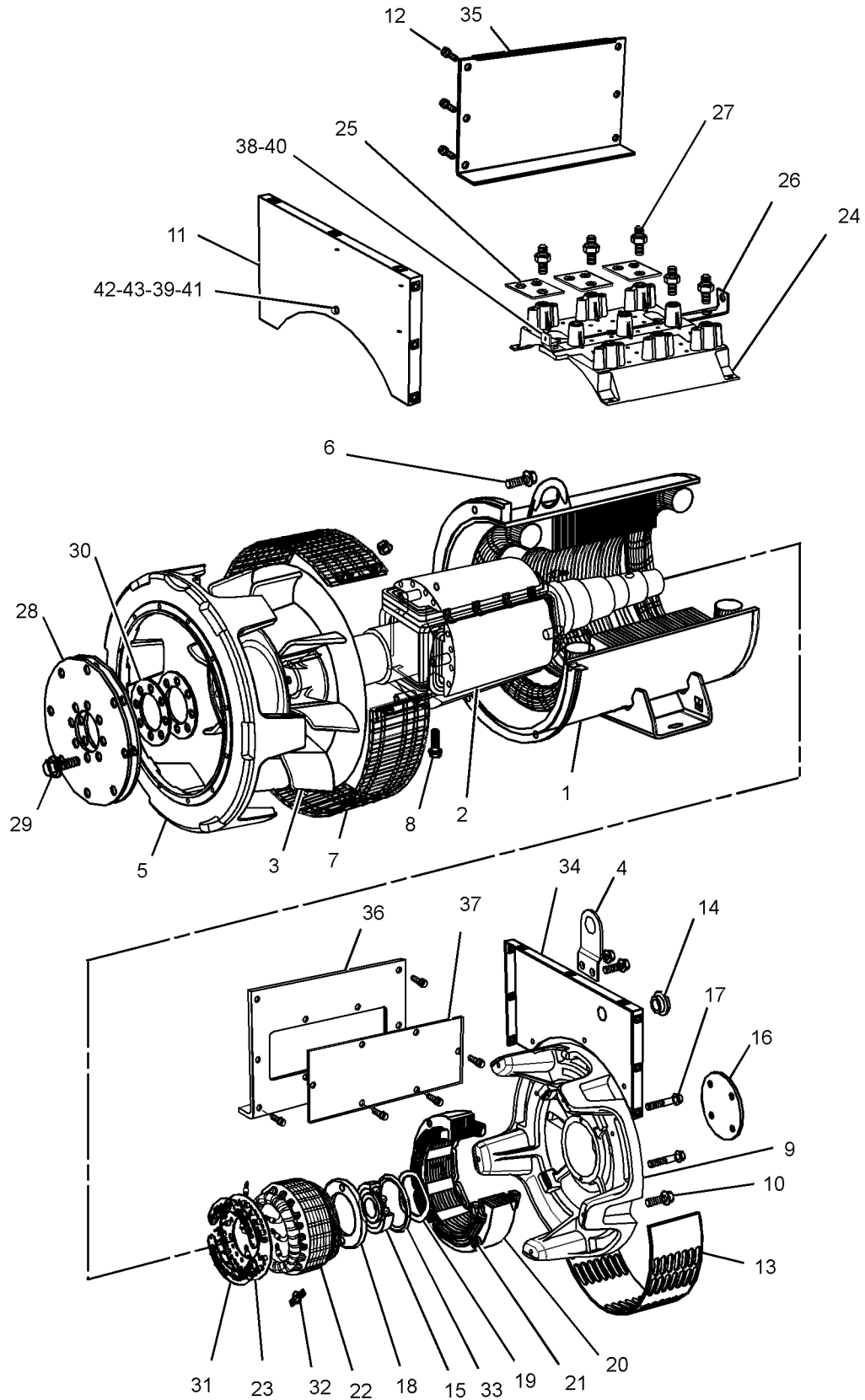
NOTE	REF NO	GRAPHIC REF	PART NUMBER	QTY	PART NAME						SEE PAGE
					1	2	3	4	5	6 (PRODUCT LEVEL)	
	1	1	338-7366	1	STATOR AS						
	2	1	338-7382	1	ROTOR AS						
	3	1	242-3919	1	FAN-GENERATOR						
	4	1	241-4577	1	EYE-LIFTING						
	5	1	251-3488	1	FLANGE						
M	6	1	160-8746	6	BOLT (M12X1.75X18-MM)						
	7	1	242-3924	1	SCREEN (AIR EXIT)						
	8	1	242-3926	2	SCREW (M11.5X50-MM)						
	9	1	242-3928	1	SHIELD						
	10	1	242-3929	5	SCREW (M22X70-THD)						
	11	1	242-3930	1	PANEL-TERMINAL BOX						
	12	1	242-3931	1	BOLT (M6X1X16-MM)						
	13	1	242-3932	1	SCREEN-AIR INLET						
	14	1	243-5380	1	CAP						
	15	1	243-5220	1	BEARING						
	16	1	241-4594	1	COVER						
	17	1	242-3936	2	SCREW (M15X70-MM)						
	18	1	241-4595	1	CAP-BEARING						
	19	1	241-4597	1	RING						
	20	1	242-3938	1	EXCITER						
	21	1	241-4633	4	BOLT (M6X1X80-MM)						
	22	1	242-3941	1	ARMATURE						
	23	1	241-4606	1	SUPPORT-DIODE						
	24	1	242-3943	1	TERMINAL AS						
	25	1	242-3951	3	TERMINAL						
	26	1	242-3956	1	TERMINAL						
	27	1	242-3957	9	SCREW (M12X50-MM)						
	28	1	251-3489	1	DISC-COUPLING						
	29	1	242-3960	8	SCREW (27.7-MMX40-MM)						
	30	1	241-4618	1	SHIM (2-MM THK)						
	31	1	241-4619	1	DIODE AS						
	32	1	241-4620	1	VARISTOR						
	33	1	241-4622	1	SEAL-O-RING						
	34	1	242-3965	1	PANEL						
	35	1	242-3966	1	PANEL						
	36	1	242-3967	1	PANEL						
	37	1	242-3968	1	PANEL-ACCESS						
	38	1	307-6560	1	BRACKET						
	39	1	6V-8801	1	NUT (3/8-16-THD)						
M	40	1	8T-4000	1	SCREW-WASHER HEAD (M8X1.25X4.8-MM)						
	41	1	8T-9377	1	BOLT (3/8-16X2.25-IN)						
	42	1	3K-8909	1	LOCKWASHER						
	43	1	8T-4896	1	WASHER-HARD (10.2X18.5X2.5-MM THK)						
F			246-5895	1	TRANSFORMER						

F - NOT SHOWN
M - METRIC PART

GENERATORS

338-2087 GENERATOR GP (contd.)

i04402546



GRAPHIC #1

<END>

g01863175

GENERATORS

358-4760 GENERATOR GP

S/N: F6B1-UP

PART OF 392-1380 GENERATOR AR

AN ATTACHMENT

SMCS-4450

i04903970

NOTE	REF NO	GRAPHIC REF	PART NUMBER	QTY	PART NAME						SEE PAGE
					1	2	3	4	5	6 (PRODUCT LEVEL)	
	1	1	243-0148	1	STATOR AS						
R	2	1	243-0144	1	ROTOR AS						
	3	1	242-3919	1	FAN-GENERATOR						
	4	1	393-7035	1	FLANGE						
M	5	1	6V-5684	6	BOLT (M12X1.75X45-MM)						
	6	1	242-3924	1	SCREEN						
	7	1	246-2207	2	BOLT (M6X1X40-MM)						
	8	1	242-3928	1	SHIELD						
M	9	1	8T-4648	5	BOLT (M12X1.75X70-MM)						
	10	1	393-7036	1	GUARD GP-ALTERNATOR						
	11	1	243-5220	1	BEARING						
	12	1	241-4594	1	COVER						
M	13	1	8T-6870	2	BOLT (M8X1.25X70-MM)						
	14	1	241-4595	1	CAP-BEARING						
	15	1	241-4597	1	RING						
	16	1	242-3938	1	EXCITER						
M	17	1	102-7364	4	BOLT-SOCKET HEAD (M6X1X80-MM)						
	18	1	242-3941	1	ARMATURE						
	19	1	241-4606	1	SUPPORT-DIODE						
	20	1	242-3959	3	DISC-COUPLING						
	21	1	242-3960	8	SCREW (27.7-MMX40-MM)						
	22	1	241-4618	1	SHIM (2-MM THK)						
	23	1	241-4619	1	DIODE AS						
	24	1	241-4620	1	VARISTOR						
	25	1	241-4622	1	SEAL-O-RING						
Y	26	1	393-7040	1	BOX GP-GENERATOR CONNECTION						143

M - METRIC PART

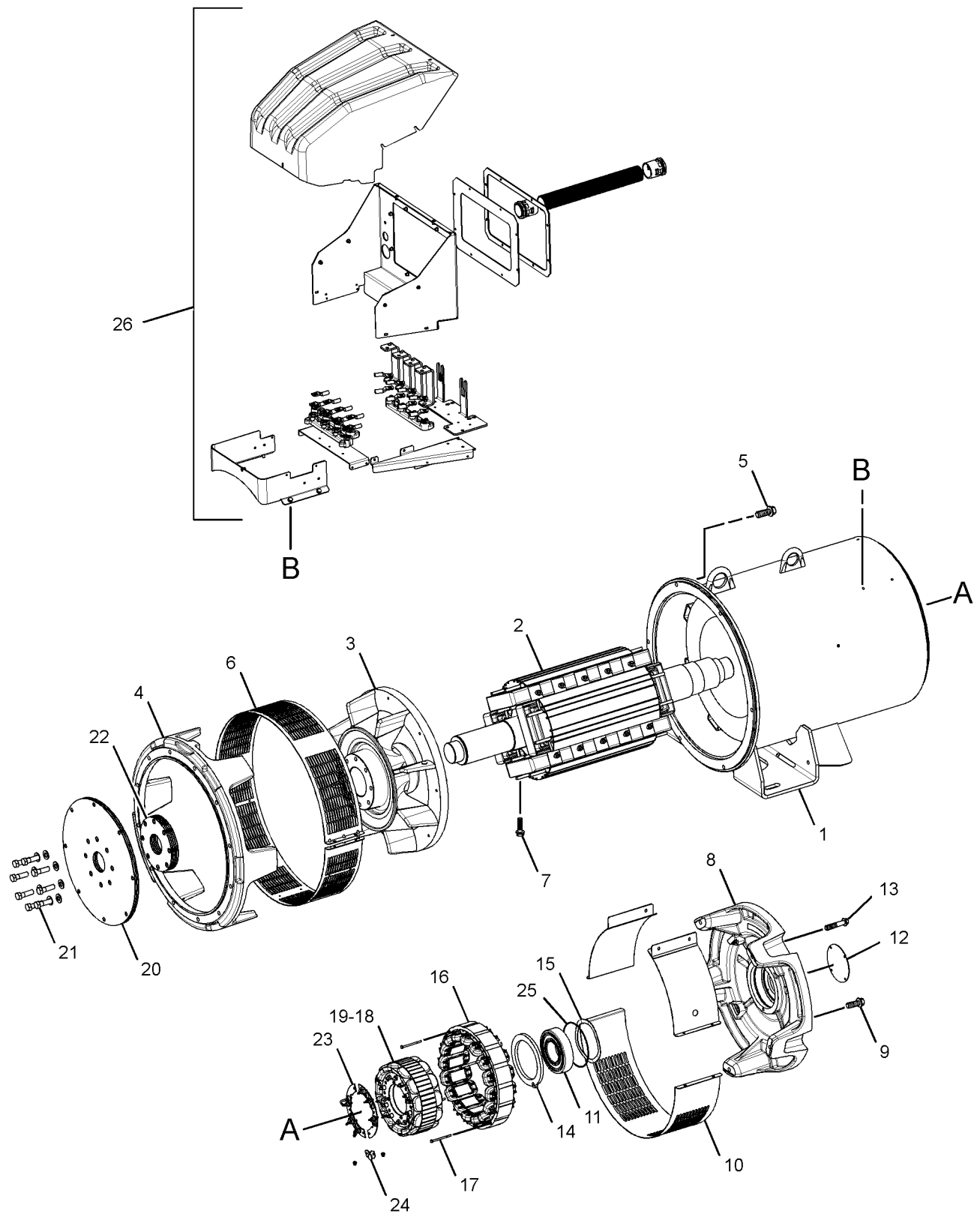
R - REMANUFACTURED PART MAY BE AVAILABLE

Y - SEPARATE ILLUSTRATION

GENERATORS

358-4760 GENERATOR GP (contd.)

i04903970



GRAPHIC #1

<END>

g03066606

GENERATORS

374-0463 GENERATOR GP

S/N: F6B1-UP

PART OF 392-1378 GENERATOR AR
AN ATTACHMENT

SMCS-4450

i04902801

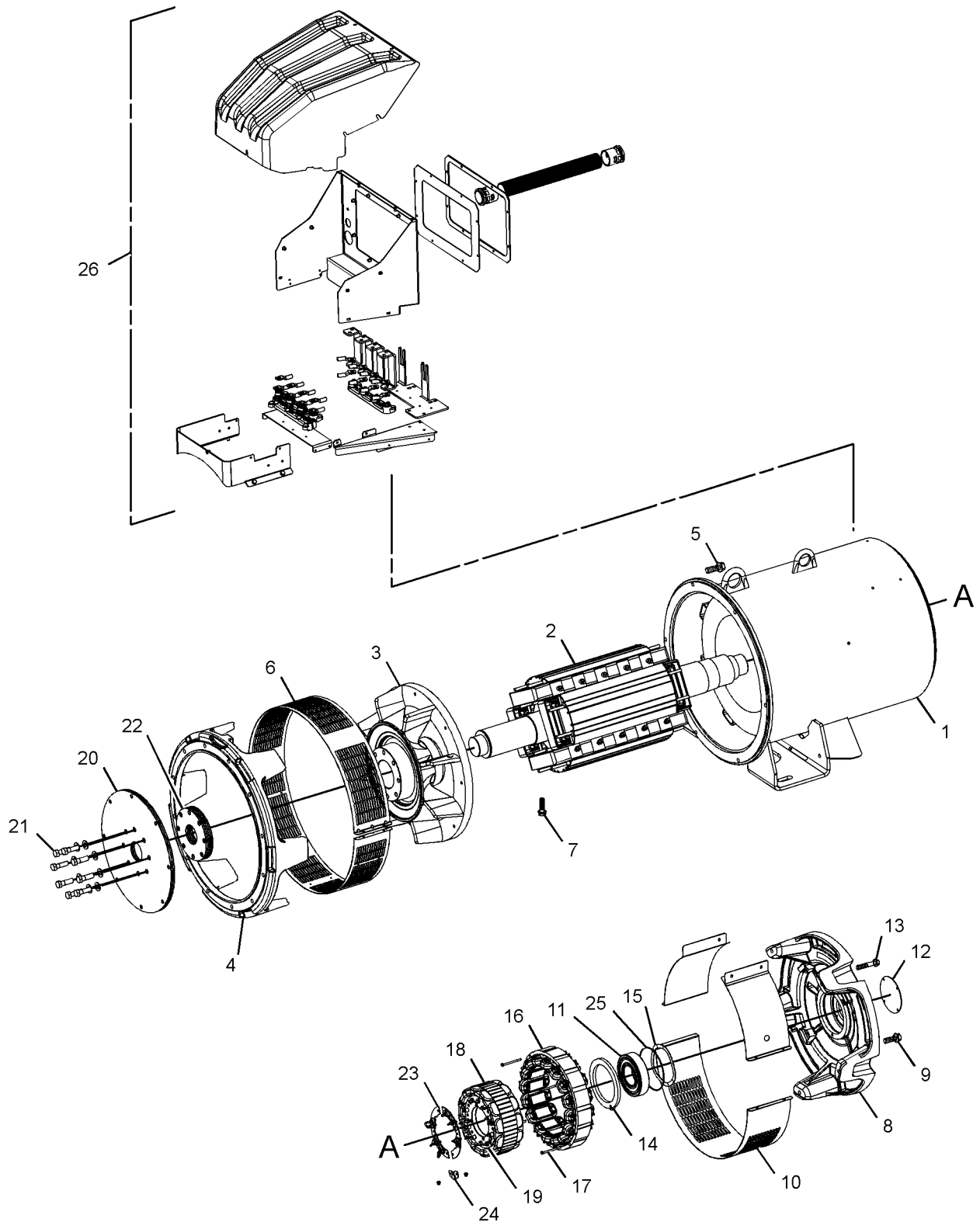
NOTE	REF NO	GRAPHIC REF	PART NUMBER	QTY	PART NAME						SEE PAGE
					1	2	3	4	5	6 (PRODUCT LEVEL)	
	1	1	243-0146	1	STATOR AS						
R	2	1	243-0142	1	ROTOR AS						
	3	1	242-3919	1	FAN-GENERATOR						
	4	1	393-7035	1	FLANGE						
M	5	1	6V-5684	6	BOLT (M12X1.75X45-MM)						
	6	1	242-3924	1	SCREEN						
	7	1	246-2207	2	BOLT (M6X1X40-MM)						
	8	1	242-3928	1	SHIELD						
M	9	1	8T-4648	5	BOLT (M12X1.75X70-MM)						
	10	1	393-7036	1	GUARD GP-ALTERNATOR						
	11	1	243-5220	1	BEARING						
	12	1	241-4594	1	COVER						
M	13	1	8T-6870	2	BOLT (M8X1.25X70-MM)						
	14	1	241-4595	1	CAP-BEARING						
	15	1	241-4597	1	RING						
	16	1	242-3938	1	EXCITER						
M	17	1	102-7364	4	BOLT-SOCKET HEAD (M6X1X80-MM)						
	18	1	242-3941	1	ARMATURE						
	19	1	241-4606	1	SUPPORT-DIODE						
	20	1	242-3959	3	DISC-COUPLING						
	21	1	242-3960	8	SCREW (27.7-MMX40-MM)						
	22	1	241-4618	1	SHIM (2-MM THK)						
	23	1	241-4619	1	DIODE AS						
	24	1	241-4620	1	VARISTOR						
	25	1	241-4622	1	SEAL-O-RING						
Y	26	1	393-7040	1	BOX GP-GENERATOR CONNECTION						143

M - METRIC PART
R - REMANUFACTURED PART MAY BE AVAILABLE
Y - SEPARATE ILLUSTRATION

GENERATORS

374-0463 GENERATOR GP (contd.)

i04902801



GRAPHIC #1

<END>

g03064347

GENERATORS

374-0465 GENERATOR GP

S/N: F6B1-UP

PART OF 392-1379 GENERATOR AR

AN ATTACHMENT

SMCS-4450

i04903953

NOTE	REF NO	GRAPHIC REF	PART NUMBER	QTY	PART NAME						SEE PAGE
					1	2	3	4	5	6 (PRODUCT LEVEL)	
	1	1	243-0147	1	STATOR AS						
R	2	1	243-0143	1	ROTOR AS						
	3	1	242-3919	1	FAN-GENERATOR						
	4	1	393-7035	1	FLANGE						
M	5	1	6V-5684	6	BOLT (M12X1.75X45-MM)						
	6	1	242-3924	1	SCREEN						
	7	1	246-2207	2	BOLT (M6X1X40-MM)						
	8	1	242-3928	1	SHIELD						
M	9	1	8T-4648	5	BOLT (M12X1.75X70-MM)						
	10	1	393-7036	1	GUARD GP-ALTERNATOR						
	11	1	243-5220	1	BEARING						
	12	1	241-4594	1	COVER						
M	13	1	8T-6870	2	BOLT (M8X1.25X70-MM)						
	14	1	241-4595	1	CAP-BEARING						
	15	1	241-4597	1	RING						
	16	1	242-3938	1	EXCITER						
M	17	1	102-7364	4	BOLT-SOCKET HEAD (M6X1X80-MM)						
	18	1	242-3941	1	ARMATURE						
	19	1	241-4606	1	SUPPORT-DIODE						
	20	1	242-3959	3	DISC-COUPLING						
	21	1	242-3960	8	SCREW (27.7-MMX40-MM)						
	22	1	241-4618	1	SHIM (2-MM THK)						
	23	1	241-4619	1	DIODE AS						
	24	1	241-4620	1	VARISTOR						
	25	1	241-4622	1	SEAL-O-RING						
Y	26	1	393-7040	1	BOX GP-GENERATOR CONNECTION						143

M - METRIC PART

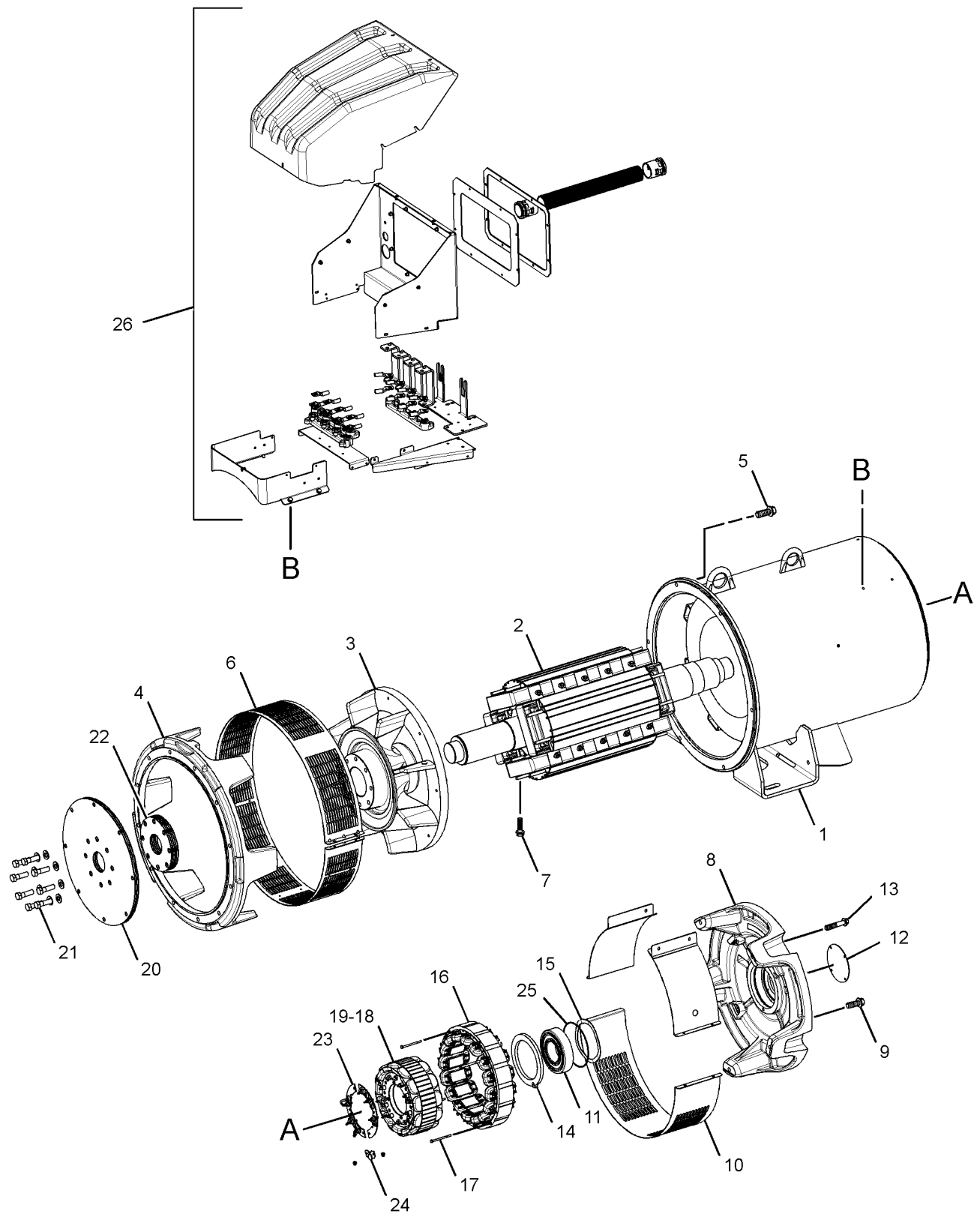
R - REMANUFACTURED PART MAY BE AVAILABLE

Y - SEPARATE ILLUSTRATION

GENERATORS

374-0465 GENERATOR GP (contd.)

i04903953



GRAPHIC #1

<END>

g03066606

GENERATORS

389-9340 GENERATOR GP

S/N: F6B1-UP

PART OF 392-1377 GENERATOR AR

AN ATTACHMENT

SMCS-4450

i04902712

NOTE	REF NO	GRAPHIC REF	PART NUMBER	QTY	PART NAME						SEE PAGE
					1	2	3	4	5	6 (PRODUCT LEVEL)	
	1	1	243-0145	1	STATOR AS						
R	2	1	243-0141	1	ROTOR AS						
	3	1	242-3919	1	FAN-GENERATOR						
	4	1	393-7035	1	FLANGE						
M	5	1	6V-5684	6	BOLT (M12X1.75X45-MM)						
	6	1	242-3924	1	SCREEN						
	7	1	246-2207	2	BOLT (M6X1X40-MM)						
	8	1	242-3928	1	SHIELD						
M	9	1	8T-4648	5	BOLT (M12X1.75X70-MM)						
	10	1	393-7036	1	GUARD GP-ALTERNATOR						
	11	1	243-5220	1	BEARING						
	12	1	241-4594	1	COVER						
M	13	1	8T-6870	2	BOLT (M8X1.25X70-MM)						
	14	1	241-4595	1	CAP-BEARING						
	15	1	241-4597	1	RING						
	16	1	242-3938	1	EXCITER						
M	17	1	102-7364	4	BOLT-SOCKET HEAD (M6X1X80-MM)						
	18	1	242-3941	1	ARMATURE						
	19	1	241-4606	1	SUPPORT-DIODE						
	20	1	242-3959	3	DISC-COUPLING						
	21	1	242-3960	8	SCREW (27.7-MMX40-MM)						
	22	1	241-4618	1	SHIM (2-MM THK)						
	23	1	241-4619	1	DIODE AS						
	24	1	241-4620	1	VARISTOR						
	25	1	241-4622	1	SEAL-O-RING						
Y	26	1	393-7040	1	BOX GP-GENERATOR CONNECTION						143

M - METRIC PART

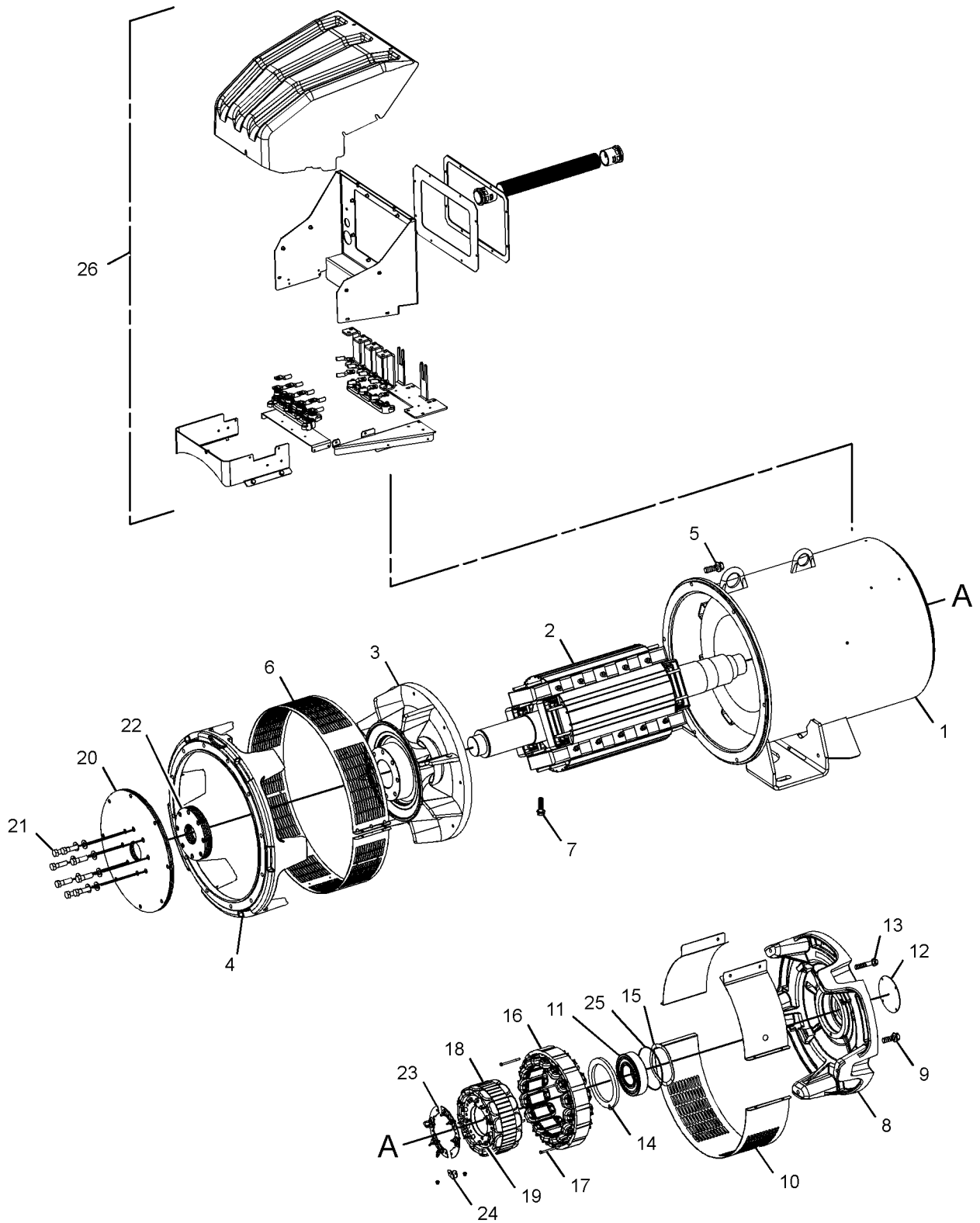
R - REMANUFACTURED PART MAY BE AVAILABLE

Y - SEPARATE ILLUSTRATION

GENERATORS

389-9340 GENERATOR GP (contd.)

i04902712



GRAPHIC #1

<END>

g03065079

GENERATORS

389-9341 GENERATOR GP

S/N: F6B1-UP

PART OF 392-1387 GENERATOR AR

AN ATTACHMENT

SMCS-4450

i04904219

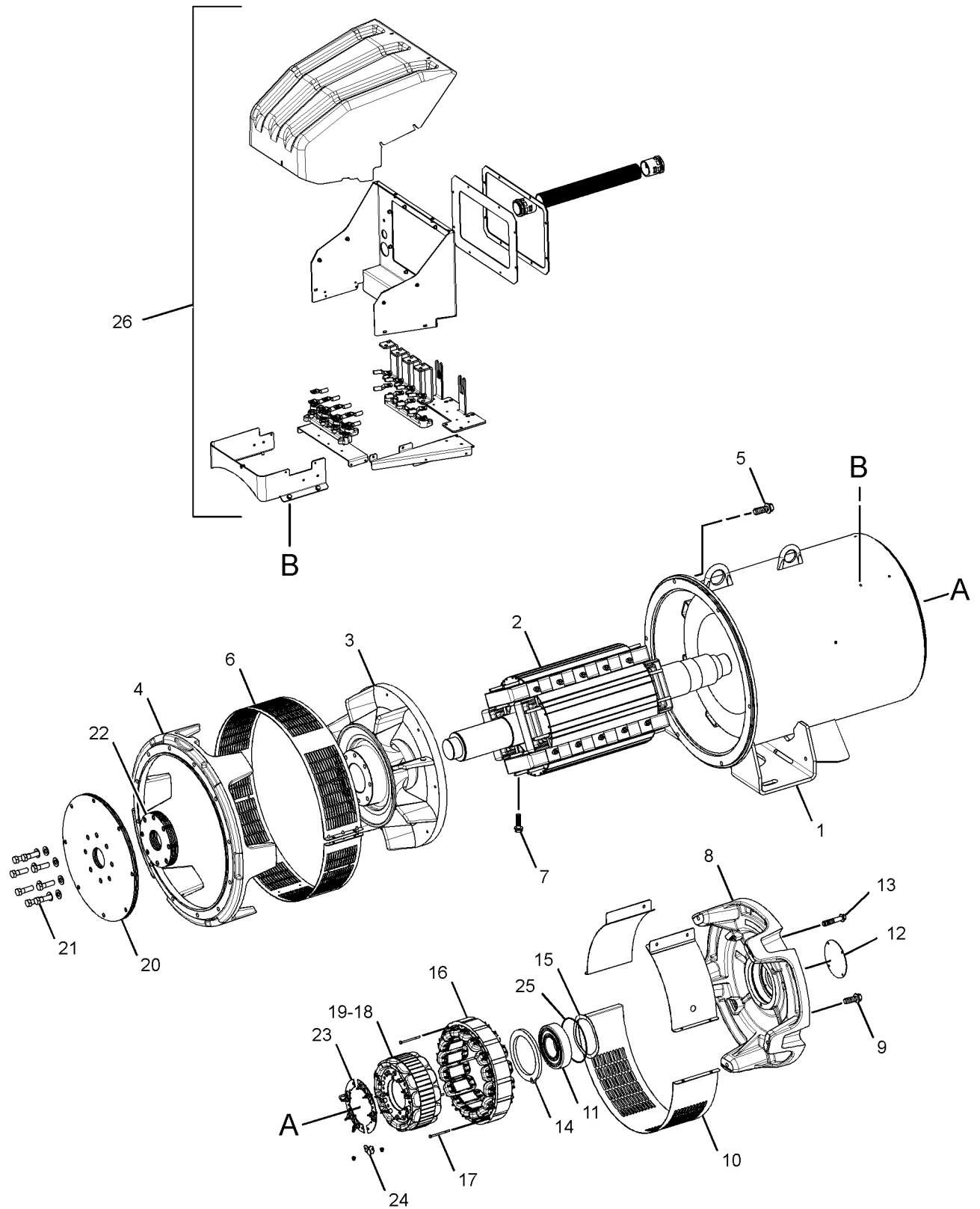
NOTE	REF NO	GRAPHIC REF	PART NUMBER	QTY	PART NAME						SEE PAGE
					1	2	3	4	5	6 (PRODUCT LEVEL)	
	1	1	243-0149	1	STATOR AS						
R	2	1	243-0141	1	ROTOR AS						
	3	1	242-3919	1	FAN-GENERATOR						
	4	1	393-7035	1	FLANGE						
M	5	1	6V-5684	6	BOLT (M12X1.75X45-MM)						
	6	1	242-3924	1	SCREEN						
	7	1	246-2207	2	BOLT (M6X1X40-MM)						
	8	1	242-3928	1	SHIELD						
M	9	1	8T-4648	5	BOLT (M12X1.75X70-MM)						
	10	1	393-7036	1	GUARD GP-ALTERNATOR						
	11	1	243-5220	1	BEARING						
	12	1	241-4594	1	COVER						
M	13	1	8T-6870	2	BOLT (M8X1.25X70-MM)						
	14	1	241-4595	1	CAP-BEARING						
	15	1	241-4597	1	RING						
	16	1	242-3938	1	EXCITER						
M	17	1	102-7364	4	BOLT-SOCKET HEAD (M6X1X80-MM)						
	18	1	242-3941	1	ARMATURE						
	19	1	241-4606	1	SUPPORT-DIODE						
	20	1	242-3959	3	DISC-COUPLING						
	21	1	242-3960	8	SCREW (27.7-MMX40-MM)						
	22	1	241-4618	1	SHIM (2-MM THK)						
	23	1	241-4619	1	DIODE AS						
	24	1	241-4620	1	VARISTOR						
	25	1	241-4622	1	SEAL-O-RING						
Y	26	1	393-7040	1	BOX GP-GENERATOR CONNECTION						143

M - METRIC PART
R - REMANUFACTURED PART MAY BE AVAILABLE
Y - SEPARATE ILLUSTRATION

GENERATORS

389-9341 GENERATOR GP (contd.)

i04904219



GRAPHIC #1

<END>

g03066606

GENERATORS

389-9342 GENERATOR GP

S/N: F6B1-UP

PART OF 392-1388 GENERATOR AR

AN ATTACHMENT

SMCS-4450

i04904156

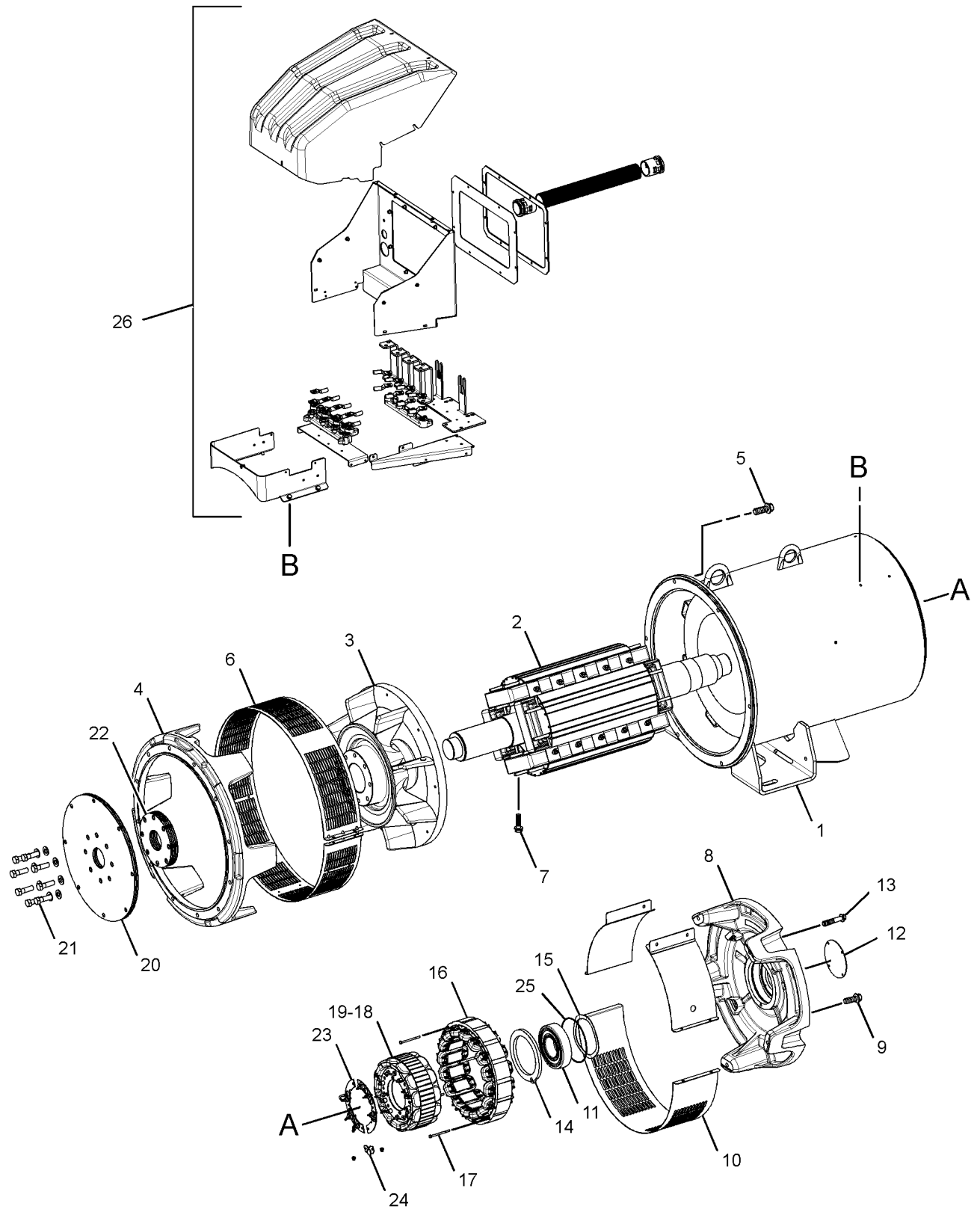
NOTE	REF NO	GRAPHIC REF	PART NUMBER	QTY	PART NAME						SEE PAGE
					1	2	3	4	5	6 (PRODUCT LEVEL)	
	1	1	243-0150	1	STATOR AS						
R	2	1	243-0142	1	ROTOR AS						
	3	1	242-3919	1	FAN-GENERATOR						
	4	1	393-7035	1	FLANGE						
M	5	1	6V-5684	6	BOLT (M12X1.75X45-MM)						
	6	1	242-3924	1	SCREEN						
	7	1	246-2207	2	BOLT (M6X1X40-MM)						
	8	1	242-3928	1	SHIELD						
M	9	1	8T-4648	5	BOLT (M12X1.75X70-MM)						
	10	1	393-7036	1	GUARD GP-ALTERNATOR						
	11	1	243-5220	1	BEARING						
	12	1	241-4594	1	COVER						
M	13	1	8T-6870	2	BOLT (M8X1.25X70-MM)						
	14	1	241-4595	1	CAP-BEARING						
	15	1	241-4597	1	RING						
	16	1	242-3938	1	EXCITER						
M	17	1	102-7364	4	BOLT-SOCKET HEAD (M6X1X80-MM)						
	18	1	242-3941	1	ARMATURE						
	19	1	241-4606	1	SUPPORT-DIODE						
	20	1	242-3959	3	DISC-COUPLING						
	21	1	242-3960	8	SCREW (27.7-MMX40-MM)						
	22	1	241-4618	1	SHIM (2-MM THK)						
	23	1	241-4619	1	DIODE AS						
	24	1	241-4620	1	VARISTOR						
	25	1	241-4622	1	SEAL-O-RING						
Y	26	1	393-7040	1	BOX GP-GENERATOR CONNECTION						143

M - METRIC PART
R - REMANUFACTURED PART MAY BE AVAILABLE
Y - SEPARATE ILLUSTRATION

GENERATORS

389-9342 GENERATOR GP (contd.)

i04904156



GRAPHIC #1

<END>

g03066606

GENERATORS

389-9343 GENERATOR GP

S/N: F6B1-UP

PART OF 392-1389 GENERATOR AR
AN ATTACHMENT

SMCS-4450

i04904202

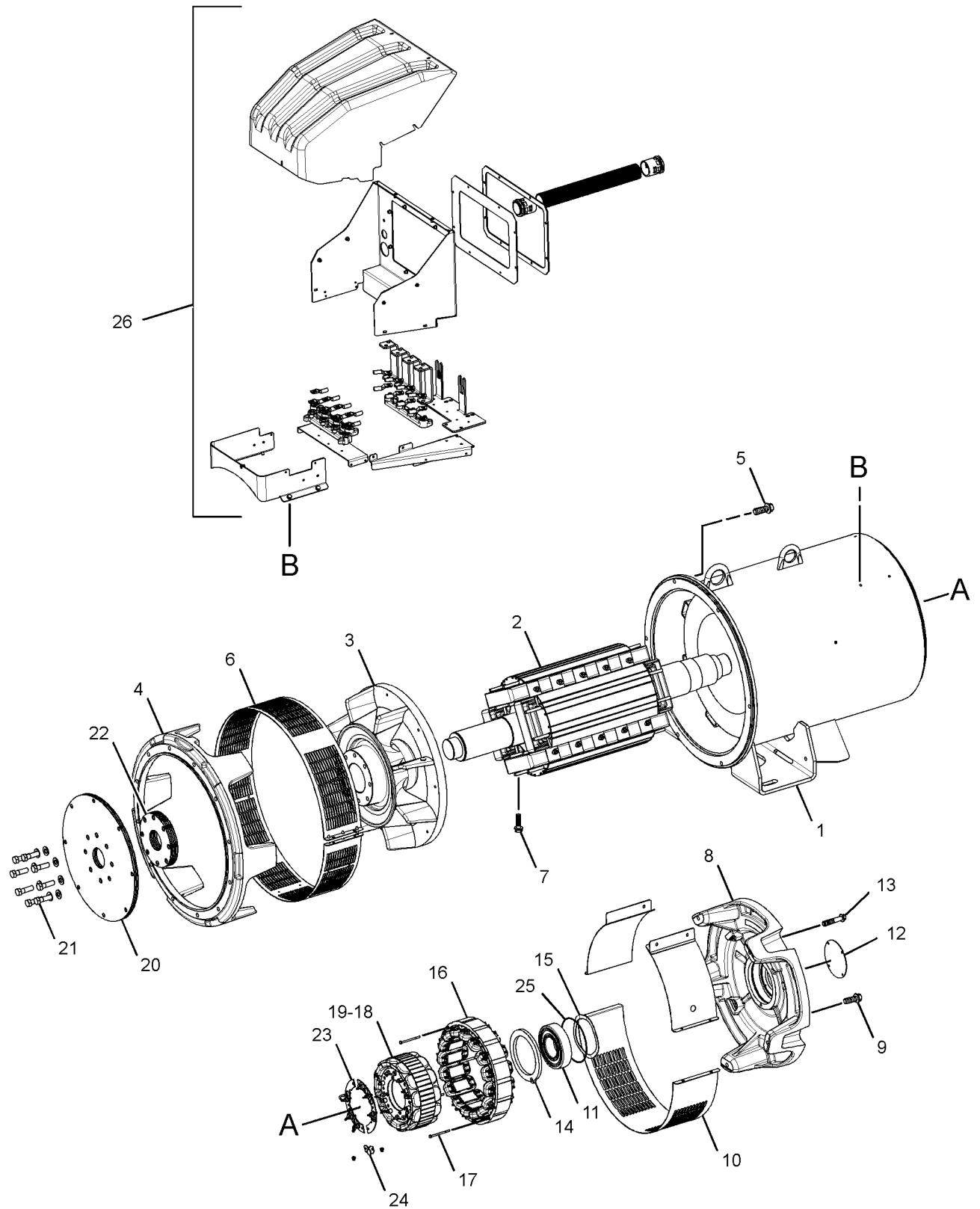
NOTE	REF NO	GRAPHIC REF	PART NUMBER	QTY	PART NAME						SEE PAGE
					1	2	3	4	5	6	
	1	1	243-0151	1	STATOR AS						
R	2	1	243-0143	1	ROTOR AS						
	3	1	242-3919	1	FAN-GENERATOR						
	4	1	393-7035	1	FLANGE						
M	5	1	6V-5684	6	BOLT (M12X1.75X45-MM)						
	6	1	242-3924	1	SCREEN						
	7	1	246-2207	2	BOLT (M6X1X40-MM)						
	8	1	242-3928	1	SHIELD						
M	9	1	8T-4648	5	BOLT (M12X1.75X70-MM)						
	10	1	393-7036	1	GUARD GP-ALTERNATOR						
	11	1	243-5220	1	BEARING						
	12	1	241-4594	1	COVER						
M	13	1	8T-6870	2	BOLT (M8X1.25X70-MM)						
	14	1	241-4595	1	CAP-BEARING						
	15	1	241-4597	1	RING						
	16	1	242-3938	1	EXCITER						
M	17	1	102-7364	4	BOLT-SOCKET HEAD (M6X1X80-MM)						
	18	1	242-3941	1	ARMATURE						
	19	1	241-4606	1	SUPPORT-DIODE						
	20	1	242-3959	3	DISC-COUPLING						
	21	1	242-3960	8	SCREW (27.7-MMX40-MM)						
	22	1	241-4618	1	SHIM (2-MM THK)						
	23	1	241-4619	1	DIODE AS						
	24	1	241-4620	1	VARISTOR						
	25	1	241-4622	1	SEAL-O-RING						
Y	26	1	393-7040	1	BOX GP-GENERATOR CONNECTION						143

M - METRIC PART
R - REMANUFACTURED PART MAY BE AVAILABLE
Y - SEPARATE ILLUSTRATION

GENERATORS

389-9343 GENERATOR GP (contd.)

i04904202



GRAPHIC #1

<END>

g0306606

GENERATORS

389-9344 GENERATOR GP

S/N: F6B1-UP

PART OF 392-1390 GENERATOR AR

AN ATTACHMENT

SMCS-4450

i04904160

NOTE	REF NO	GRAPHIC REF	PART NUMBER	QTY	PART NAME						SEE PAGE
					1	2	3	4	5	6	
	1	1	243-0152	1	STATOR AS						
R	2	1	243-0144	1	ROTOR AS						
	3	1	242-3919	1	FAN-GENERATOR						
	4	1	393-7035	1	FLANGE						
M	5	1	6V-5684	6	BOLT (M12X1.75X45-MM)						
	6	1	242-3924	1	SCREEN						
	7	1	246-2207	2	BOLT (M6X1X40-MM)						
	8	1	242-3928	1	SHIELD						
M	9	1	8T-4648	5	BOLT (M12X1.75X70-MM)						
	10	1	393-7036	1	GUARD GP-ALTERNATOR						
	11	1	243-5220	1	BEARING						
	12	1	241-4594	1	COVER						
M	13	1	8T-6870	2	BOLT (M8X1.25X70-MM)						
	14	1	241-4595	1	CAP-BEARING						
	15	1	241-4597	1	RING						
	16	1	242-3938	1	EXCITER						
M	17	1	102-7364	4	BOLT-SOCKET HEAD (M6X1X80-MM)						
	18	1	242-3941	1	ARMATURE						
	19	1	241-4606	1	SUPPORT-DIODE						
	20	1	242-3959	3	DISC-COUPLING						
	21	1	242-3960	8	SCREW (27.7-MMX40-MM)						
	22	1	241-4618	1	SHIM (2-MM THK)						
	23	1	241-4619	1	DIODE AS						
	24	1	241-4620	1	VARISTOR						
	25	1	241-4622	1	SEAL-O-RING						
Y	26	1	393-7040	1	BOX GP-GENERATOR CONNECTION						143

M - METRIC PART

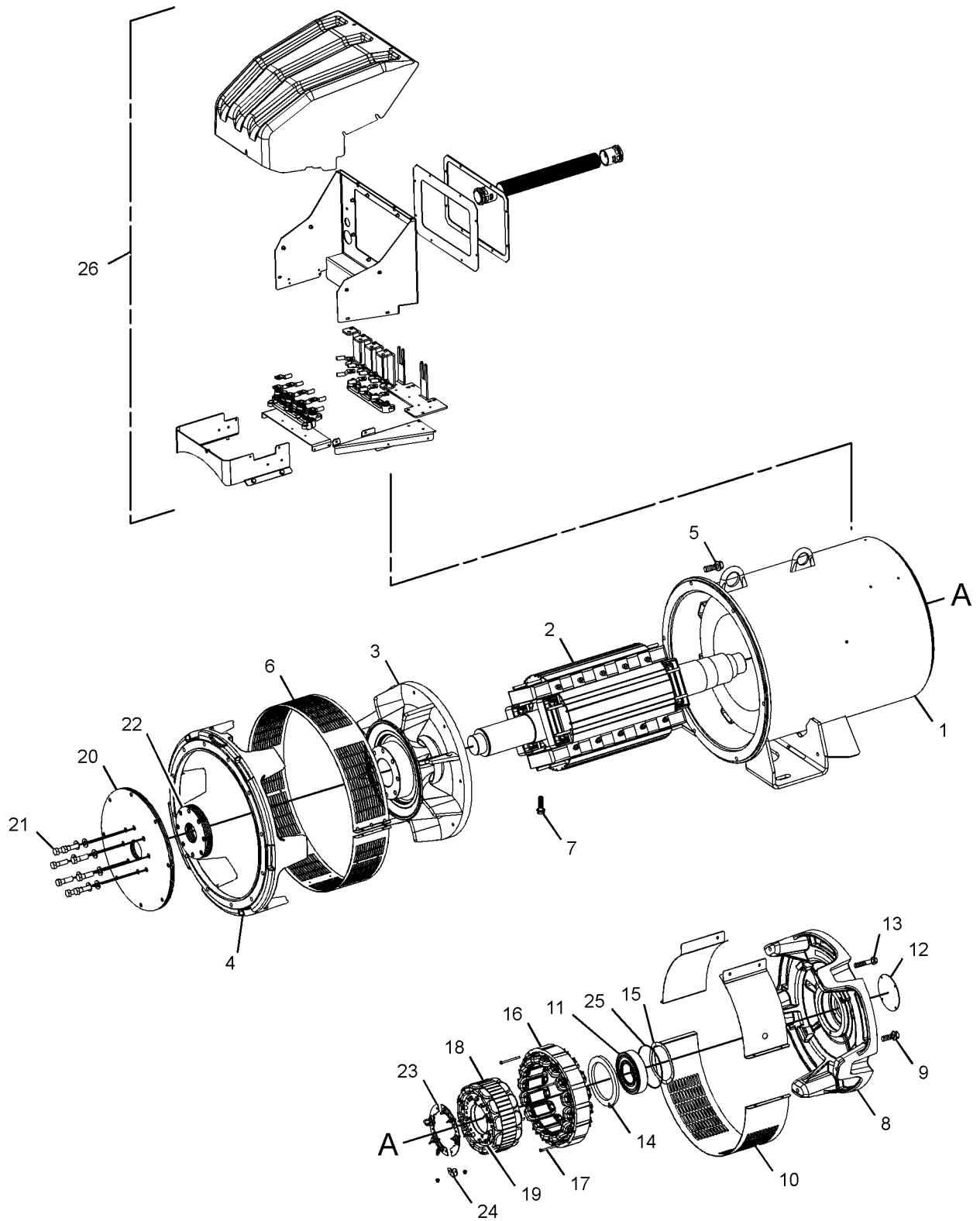
R - REMANUFACTURED PART MAY BE AVAILABLE

Y - SEPARATE ILLUSTRATION

GENERATORS

389-9344 GENERATOR GP (contd.)

i04904160



GRAPHIC #1

<END>

g03065137

GENERATORS

389-9347 GENERATOR GP

S/N: F6B1-UP

PART OF 392-1393 GENERATOR AR

AN ATTACHMENT

SMCS-4450

i04903174

NOTE	REF NO	GRAPHIC REF	PART NUMBER	QTY	PART NAME						SEE PAGE
					1	2	3	4	5	6 (PRODUCT LEVEL)	
	1	1	338-7357	1	STATOR AS-MAIN						
R	2	1	338-7379	1	ROTOR AS						
	3	1	242-3919	1	FAN-GENERATOR						
	4	1	393-7035	1	FLANGE						
M	5	1	6V-5684	6	BOLT (M12X1.75X45-MM)						
	6	1	242-3924	1	SCREEN						
	7	1	246-2207	2	BOLT (M6X1X40-MM)						
	8	1	242-3928	1	SHIELD						
M	9	1	8T-4648	5	BOLT (M12X1.75X70-MM)						
	10	1	393-7036	1	GUARD GP-ALTERNATOR						
	11	1	243-5220	1	BEARING						
	12	1	241-4594	1	COVER						
M	13	1	8T-6870	2	BOLT (M8X1.25X70-MM)						
	14	1	241-4595	1	CAP-BEARING						
	15	1	241-4597	1	RING						
	16	1	242-3938	1	EXCITER						
M	17	1	102-7364	4	BOLT-SOCKET HEAD (M6X1X80-MM)						
	18	1	242-3941	1	ARMATURE						
	19	1	241-4606	1	SUPPORT-DIODE						
	20	1	242-3959	3	DISC-COUPLING						
	21	1	242-3960	8	SCREW (27.7-MMX40-MM)						
	22	1	241-4618	1	SHIM (2-MM THK)						
	23	1	241-4619	1	DIODE AS						
	24	1	241-4620	1	VARISTOR						
	25	1	241-4622	1	SEAL-O-RING						
Y	26	1	393-7040	1	BOX GP-GENERATOR CONNECTION						143

M - METRIC PART

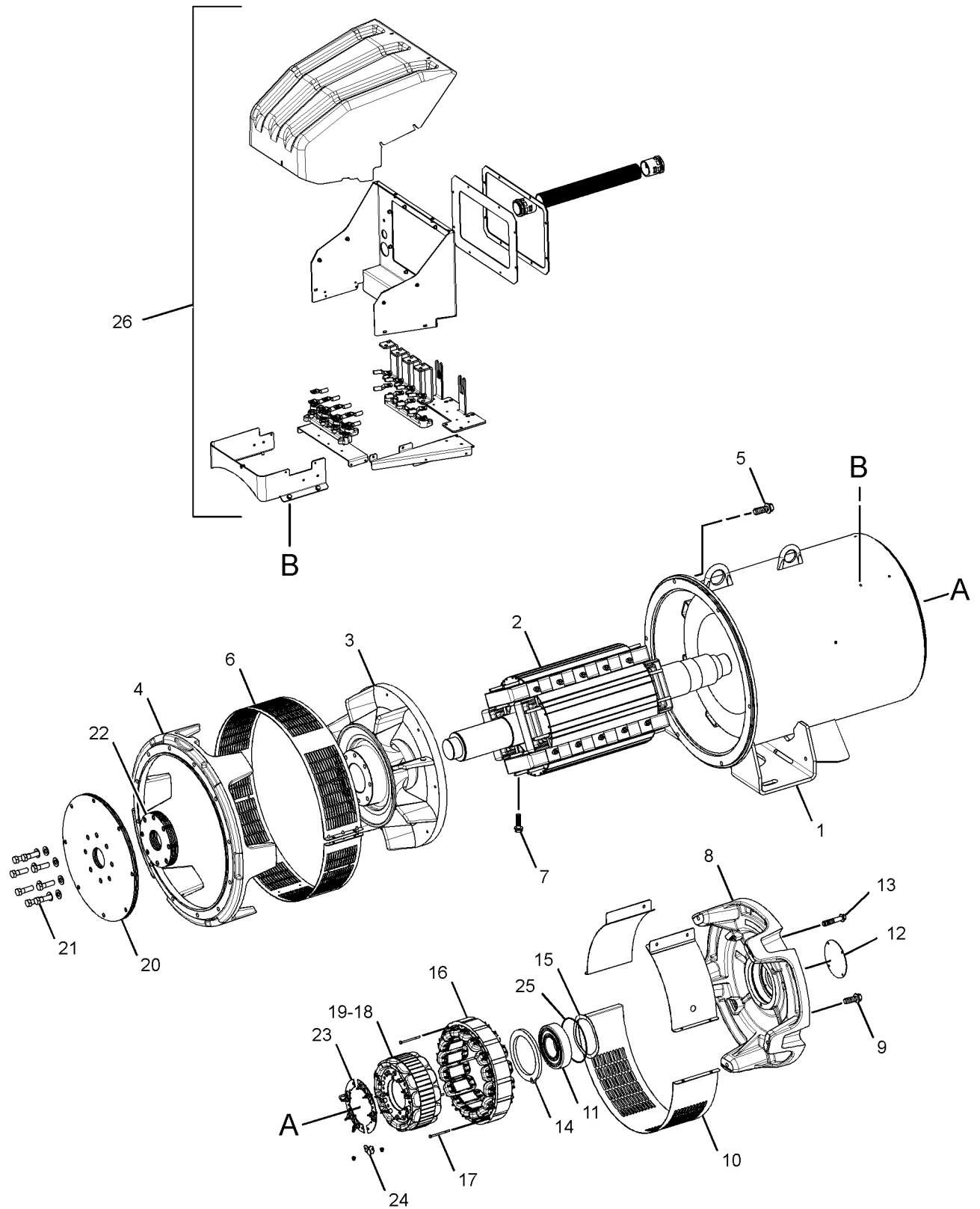
R - REMANUFACTURED PART MAY BE AVAILABLE

Y - SEPARATE ILLUSTRATION

GENERATORS

389-9347 GENERATOR GP (contd.)

i04903174



GRAPHIC #1

<END>

g03066606

GENERATORS

389-9348 GENERATOR GP

S/N: F6B1-UP

PART OF 392-1394 GENERATOR AR

AN ATTACHMENT

SMCS-4450

i04903230

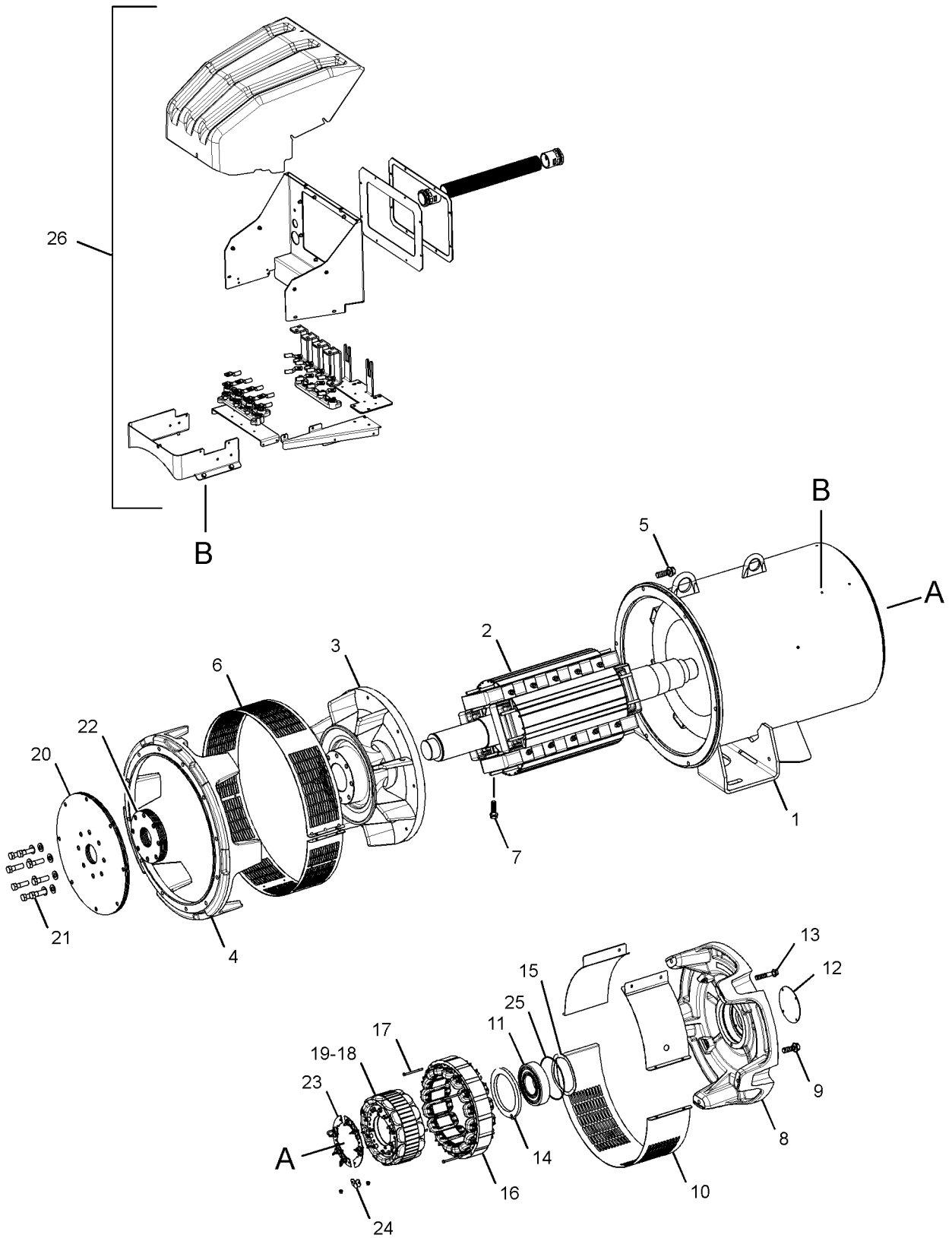
NOTE	REF NO	GRAPHIC REF	PART NUMBER	QTY	PART NAME						SEE PAGE
					1	2	3	4	5	6 (PRODUCT LEVEL)	
	1	1	338-7360	1	STATOR AS-MAIN						
R	2	1	338-7380	1	ROTOR AS						
	3	1	242-3919	1	FAN-GENERATOR						
	4	1	393-7035	1	FLANGE						
M	5	1	6V-5684	6	BOLT (M12X1.75X45-MM)						
	6	1	242-3924	1	SCREEN						
	7	1	246-2207	2	BOLT (M6X1X40-MM)						
	8	1	242-3928	1	SHIELD						
M	9	1	8T-4648	5	BOLT (M12X1.75X70-MM)						
	10	1	393-7036	1	GUARD GP-ALTERNATOR						
	11	1	243-5220	1	BEARING						
	12	1	241-4594	1	COVER						
M	13	1	8T-6870	2	BOLT (M8X1.25X70-MM)						
	14	1	241-4595	1	CAP-BEARING						
	15	1	241-4597	1	RING						
	16	1	242-3938	1	EXCITER						
M	17	1	102-7364	4	BOLT-SOCKET HEAD (M6X1X80-MM)						
	18	1	242-3941	1	ARMATURE						
	19	1	241-4606	1	SUPPORT-DIODE						
	20	1	242-3959	3	DISC-COUPLING						
	21	1	242-3960	8	SCREW (27.7-MMX40-MM)						
	22	1	241-4618	1	SHIM (2-MM THK)						
	23	1	241-4619	1	DIODE AS						
	24	1	241-4620	1	VARISTOR						
	25	1	241-4622	1	SEAL-O-RING						
Y	26	1	393-7040	1	BOX GP-GENERATOR CONNECTION						143

M - METRIC PART
R - REMANUFACTURED PART MAY BE AVAILABLE
Y - SEPARATE ILLUSTRATION

GENERATORS

389-9348 GENERATOR GP (contd.)

i04903230



GRAPHIC #1

<END>

g03028282

GENERATORS

389-9351 GENERATOR GP

S/N: F6B1-UP

PART OF 392-1397 GENERATOR AR

AN ATTACHMENT

SMCS-4450

i04903958

NOTE	REF NO	GRAPHIC REF	PART NUMBER	QTY	PART NAME						SEE PAGE
					1	2	3	4	5	6 (PRODUCT LEVEL)	
	1	1	338-7358	1	STATOR AS						
R	2	1	338-7379	1	ROTOR AS						
	3	1	242-3919	1	FAN-GENERATOR						
	4	1	393-7035	1	FLANGE						
M	5	1	6V-5684	6	BOLT (M12X1.75X45-MM)						
	6	1	242-3924	1	SCREEN						
	7	1	246-2207	2	BOLT (M6X1X40-MM)						
	8	1	242-3928	1	SHIELD						
M	9	1	8T-4648	5	BOLT (M12X1.75X70-MM)						
	10	1	393-7036	1	GUARD GP-ALTERNATOR						
	11	1	243-5220	1	BEARING						
	12	1	241-4594	1	COVER						
M	13	1	8T-6870	12	BOLT (M8X1.25X70-MM)						
	14	1	241-4595	1	CAP-BEARING						
	15	1	241-4597	1	RING						
	16	1	242-3938	1	EXCITER						
M	17	1	102-7364	4	BOLT-SOCKET HEAD (M6X1X80-MM)						
	18	1	242-3941	1	ARMATURE						
	19	1	241-4606	1	SUPPORT-DIODE						
	20	1	242-3959	3	DISC-COUPLING						
	21	1	242-3960	8	SCREW (27.7-MMX40-MM)						
	22	1	241-4618	1	SHIM (2-MM THK)						
	23	1	241-4619	1	DIODE AS						
	24	1	241-4620	1	VARISTOR						
	25	1	241-4622	1	SEAL-O-RING						
Y	26	1	393-7040	1	BOX GP-GENERATOR CONNECTION						143

M - METRIC PART

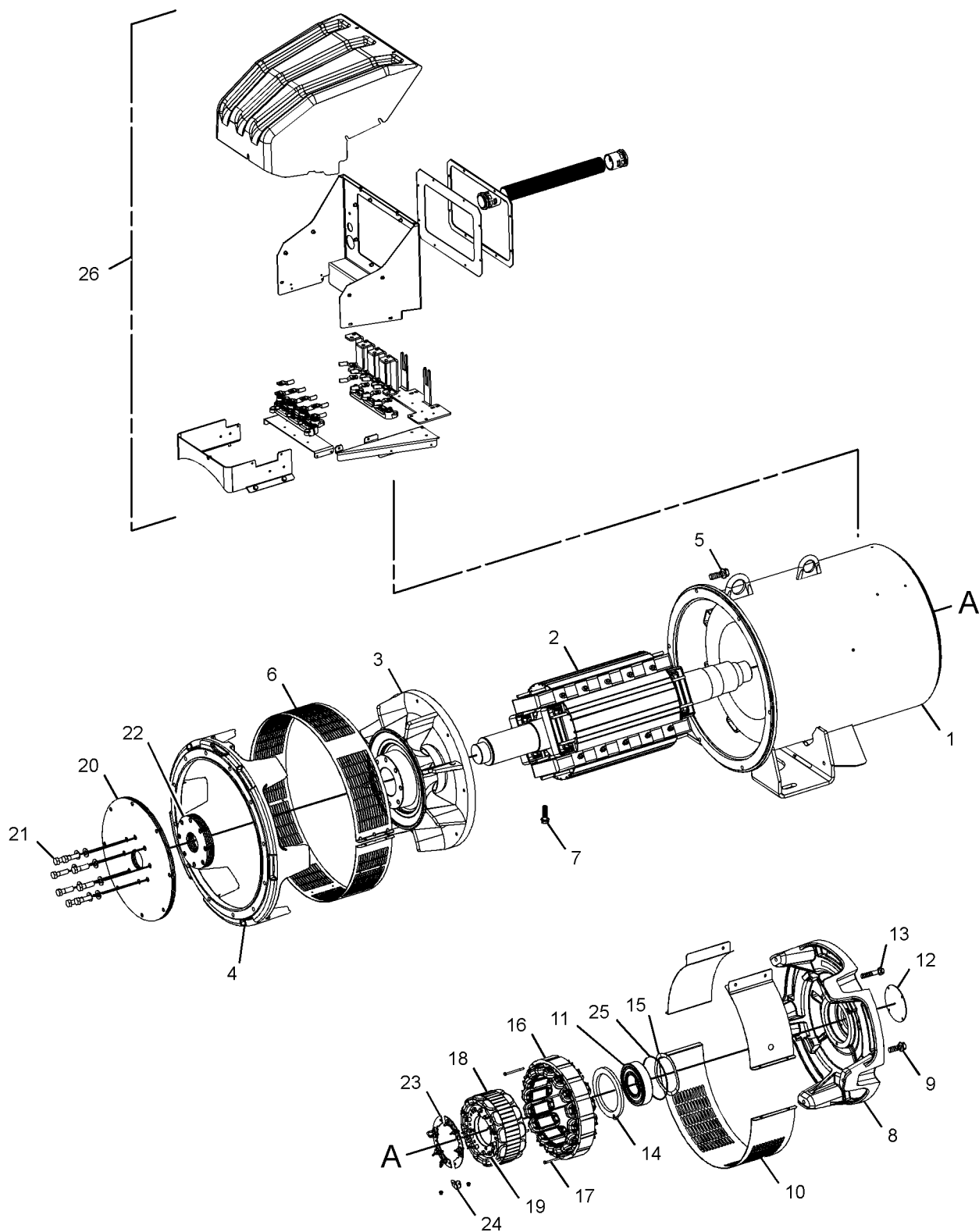
R - REMANUFACTURED PART MAY BE AVAILABLE

Y - SEPARATE ILLUSTRATION

GENERATORS

389-9351 GENERATOR GP (contd.)

i04903958



GRAPHIC #1

<END>

g03065191

GENERATORS

389-9352 GENERATOR GP

S/N: F6B1-UP

PART OF 392-1398 GENERATOR AR

AN ATTACHMENT

SMCS-4450

i04903962

NOTE	REF NO	GRAPHIC REF	PART NUMBER	QTY	PART NAME						SEE PAGE
					1	2	3	4	5	6 (PRODUCT LEVEL)	
	1	1	338-7361	1	STATOR AS						
R	2	1	338-7380	1	ROTOR AS						
	3	1	242-3919	1	FAN-GENERATOR						
	4	1	393-7035	1	FLANGE						
M	5	1	6V-5684	6	BOLT (M12X1.75X45-MM)						
	6	1	242-3924	1	SCREEN						
	7	1	246-2207	2	BOLT (M6X1X40-MM)						
	8	1	242-3928	1	SHIELD						
M	9	1	8T-4648	5	BOLT (M12X1.75X70-MM)						
	10	1	393-7036	1	GUARD GP-ALTERNATOR						
	11	1	243-5220	1	BEARING						
	12	1	241-4594	1	COVER						
M	13	1	8T-6870	2	BOLT (M8X1.25X70-MM)						
	14	1	241-4595	1	CAP-BEARING						
	15	1	241-4597	1	RING						
	16	1	242-3938	1	EXCITER						
M	17	1	102-7364	4	BOLT-SOCKET HEAD (M6X1X80-MM)						
	18	1	242-3941	1	ARMATURE						
	19	1	241-4606	1	SUPPORT-DIODE						
	20	1	242-3959	3	DISC-COUPLING						
	21	1	242-3960	8	SCREW (27.7-MMX40-MM)						
	22	1	241-4618	1	SHIM (2-MM THK)						
	23	1	241-4619	1	DIODE AS						
	24	1	241-4620	1	VARISTOR						
	25	1	241-4622	1	SEAL-O-RING						
Y	26	1	393-7040	1	BOX GP-GENERATOR CONNECTION						143

M - METRIC PART

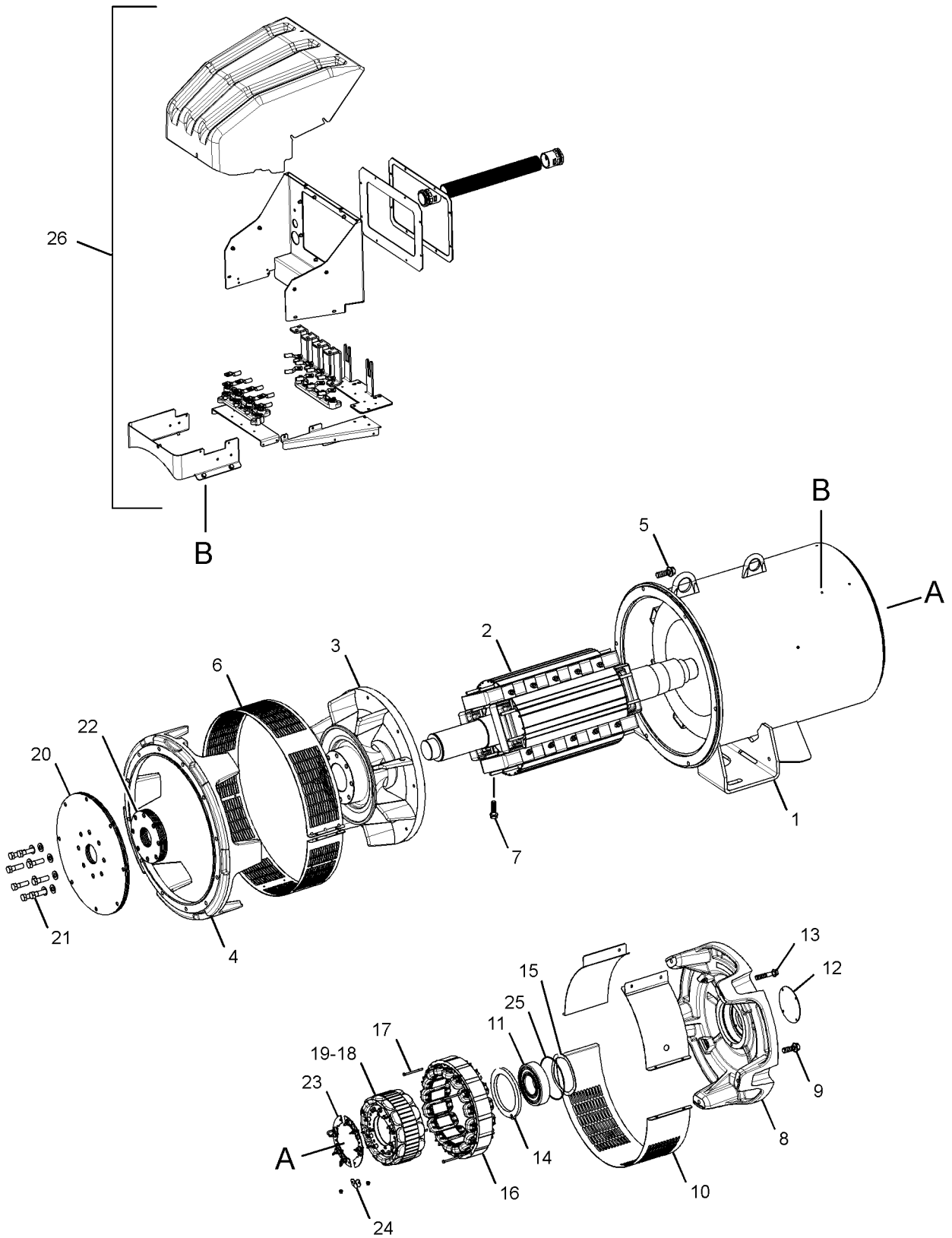
R - REMANUFACTURED PART MAY BE AVAILABLE

Y - SEPARATE ILLUSTRATION

GENERATORS

389-9352 GENERATOR GP (contd.)

i04903962



GRAPHIC #1

<END>

g03028282

GENERATORS

392-2048 GENERATOR GP

S/N: F5A1-UP

PART OF 469-2278 GENERATOR AR

SMCS-4450

i06090736

NOTE	REF NO	GRAPHIC REF	PART NUMBER	QTY	PART NAME						SEE PAGE
					1	2	3	4	5	6 (PRODUCT LEVEL)	
	1	1	241-4574	1	FAN						
	2	1	241-4576	1	DISC						
	3	2	241-4577	1	EYE-LIFTING						
	4	1	241-4579	1	SCREEN						
M	5	1	8C-8451	2	BOLT (M6X1X40-MM)						
	6	2	241-4587	1	KIT-RING						
M	7	1	8T-4194	4	BOLT (M12X1.75X50-MM)						
	8	1	471-8282	1	PANEL						
	9	2	241-4591	1	SCREEN-AIR INLET						
	10	2	241-4594	1	COVER						
	11	2	241-4595	1	CAP-BEARING						
	12	2	241-4597	1	RING						
M	13	2	151-6283	4	BOLT-SOCKET HEAD (M6X1X70-MM)						
	14	2	241-4606	1	SUPPORT-DIODE						
	15	1	241-4607	1	SUPPORT						
	16	2	241-4610	1	SUPPORT						
	17	1	345-0796	1	PLATE-TERMINAL						
	18	1	241-4614	1	HUB						
	19	1	241-4615	1	KEY-SQUARE						
	20	1	242-3959	3	DISC-COUPLING						
M	21	1	8T-4140	8	BOLT (M16X2X60-MM)						
	22	2	241-4619	1	DIODE AS						
	23	2	437-4481	1	VARISTOR						
	24	2	241-4622	1	SEAL-O-RING						
	25	1	471-8283	2	PANEL						
	26	1	471-8284	1	PANEL						
	27	2	463-1491	1	EXCITER						
M	28	1	8T-0226	6	BOLT (M14X2X45-MM)						
	29	1	242-3749	1	BRACKET						
M	30	1	184-7012	28	BOLT (M6X1X16-MM)						
	31	1	242-8718	1	STATOR AS						
	32	1	242-8724	1	ROTOR AS						
	33	2	243-5220	1	BEARING						
	34	2	242-3797	1	EXCITER						
	35	1	243-5223	1	SHIM (2-MM THK)						
	36	2	243-5380	1	CAP						
	37	1	375-8208	1	COVER-BOX						

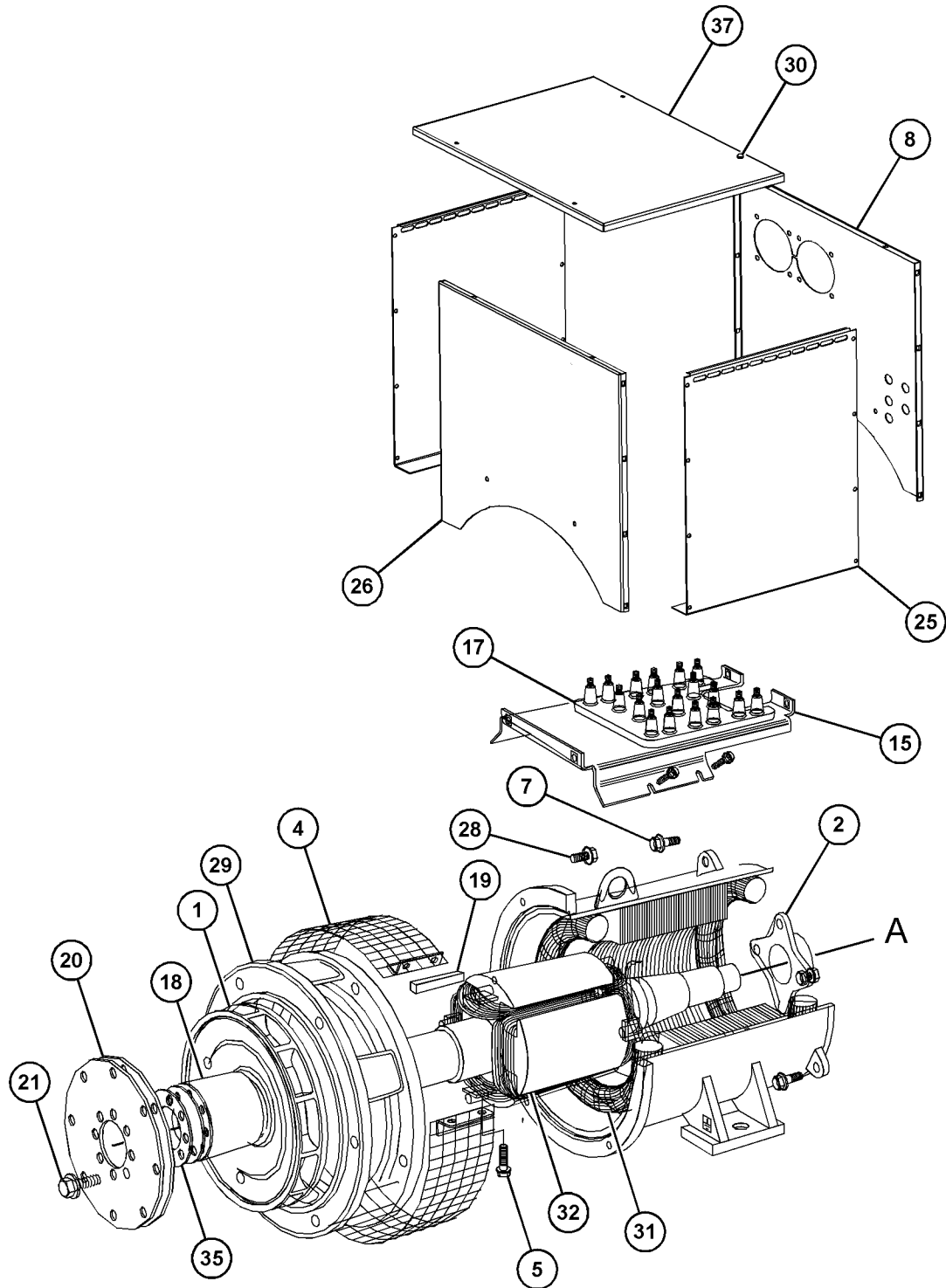
M - METRIC PART

GENERATORS

392-2048 GENERATOR GP (contd.)

i06090736

REFER TO ALL ILLUSTRATIONS OF THIS GROUP FOR AUXILIARY VIEWS



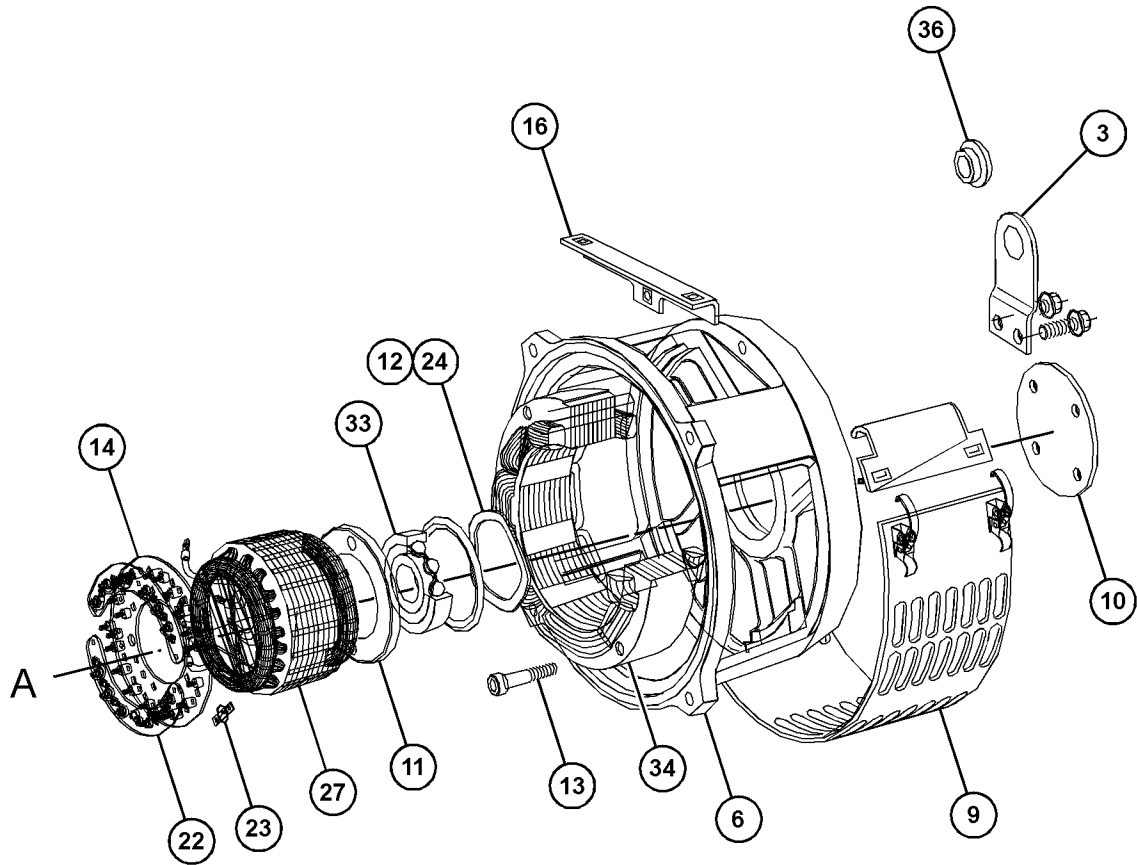
GRAPHIC #1

g03809245

GENERATORS

392-2048 GENERATOR GP (contd.)

i06090736



GRAPHIC #2

<END>

g03809206

GENERATORS

392-2049 GENERATOR GP

S/N: F5A1-UP

PART OF 469-2279 GENERATOR AR

SMCS-4450

i06177041

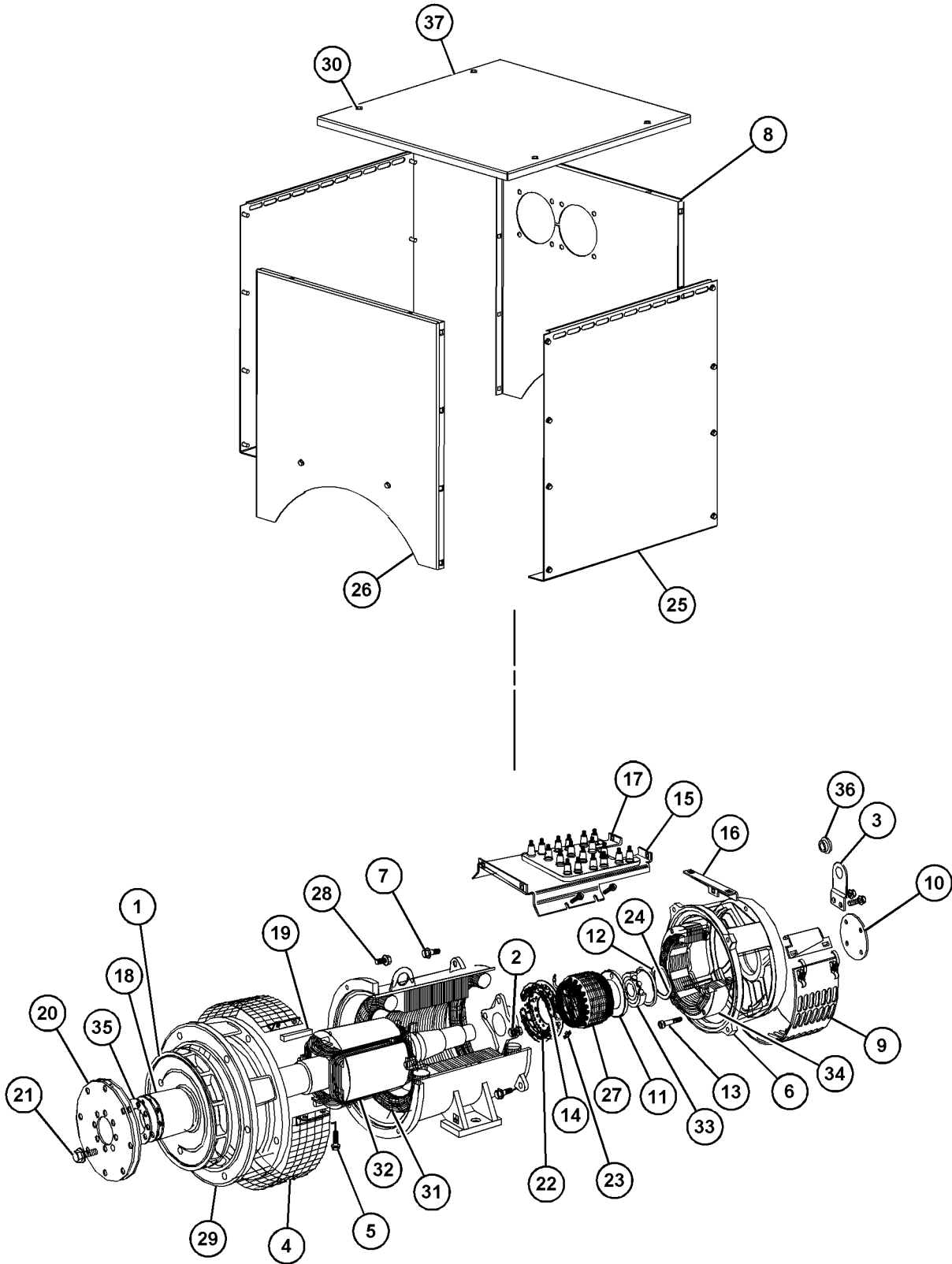
NOTE	REF NO	GRAPHIC REF	PART NUMBER	QTY	PART NAME						SEE PAGE
					1	2	3	4	5	6 (PRODUCT LEVEL)	
	1	1	241-4574	1	FAN						
	2	1	241-4576	1	DISC						
	3	1	241-4577	1	EYE-LIFTING						
	4	1	241-4579	1	SCREEN						
M	5	1	8C-8451	2	BOLT (M6X1X40-MM)						
	6	1	241-4587	1	KIT-RING						
M	7	1	8T-4194	4	BOLT (M12X1.75X50-MM)						
	8	1	471-8282	1	PANEL						
	9	1	241-4591	1	SCREEN-AIR INLET						
	10	1	241-4594	1	COVER						
	11	1	241-4595	1	CAP-BEARING						
	12	1	241-4597	1	RING						
M	13	1	151-6283	4	BOLT-SOCKET HEAD (M6X1X70-MM)						
	14	1	241-4606	1	SUPPORT-DIODE						
	15	1	241-4607	1	SUPPORT						
	16	1	241-4610	1	SUPPORT						
	17	1	345-0796	1	PLATE-TERMINAL						
	18	1	241-4614	1	HUB						
	19	1	241-4615	1	KEY-SQUARE						
	20	1	242-3959	3	DISC-COUPLING						
M	21	1	8T-4140	8	BOLT (M16X2X60-MM)						
	22	1	241-4619	1	DIODE AS						
	23	1	437-4481	1	VARISTOR						
	24	1	241-4622	1	SEAL-O-RING						
	25	1	471-8283	2	PANEL						
	26	1	471-8284	1	PANEL						
	27	1	471-8668	1	EXCITER						
M	28	1	8T-0226	6	BOLT (M14X2X45-MM)						
	29	1	242-3749	1	BRACKET						
M	30	1	184-7012	28	BOLT (M6X1X16-MM)						
	31	1	242-8719	1	STATOR AS						
	32	1	242-8725	1	ROTOR AS						
	33	1	243-5220	1	BEARING						
	34	1	243-5221	1	EXCITER						
	35	1	243-5223	1	SHIM (2-MM THK)						
	36	1	243-5380	1	CAP						
	37	1	375-8208	1	COVER-BOX						

M - METRIC PART

GENERATORS

392-2049 GENERATOR GP (contd.)

i06177041



GRAPHIC #1

<END>

g06021196

GENERATORS

421-5094 GENERATOR GP

S/N: F6B1-UP

PART OF 396-9606 GENERATOR AR
AN ATTACHMENT

SMCS-4450

i05271175

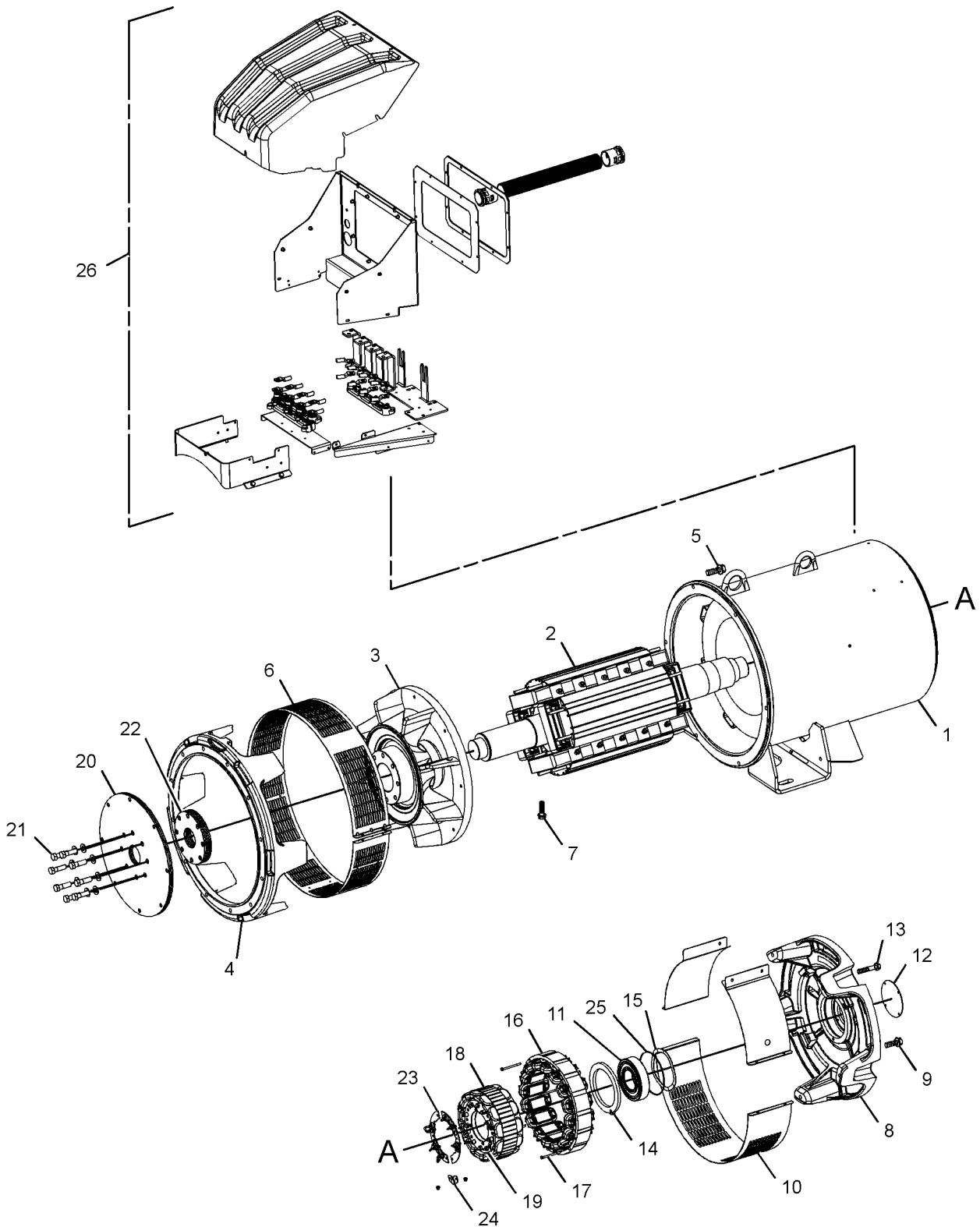
NOTE	REF NO	GRAPHIC REF	PART NUMBER	QTY	PART NAME						SEE PAGE
					1	2	3	4	5	6 (PRODUCT LEVEL)	
	1	1	243-0145	1	STATOR AS						
R	2	1	243-0141	1	ROTOR AS						
	3	1	242-3919	1	FAN-GENERATOR						
	4	1	242-3922	1	FLANGE						
M	5	1	6V-5684	6	BOLT (M12X1.75X45-MM)						
	6	1	242-3924	1	SCREEN						
	7	1	246-2207	2	BOLT (M6X1X40-MM)						
	8	1	242-3928	1	SHIELD						
M	9	1	8T-4648	5	BOLT (M12X1.75X70-MM)						
	10	1	393-7036	1	GUARD GP-ALTERNATOR						
	11	1	243-5220	1	BEARING						
	12	1	241-4594	1	COVER						
M	13	1	8T-6870	2	BOLT (M8X1.25X70-MM)						
	14	1	241-4595	1	CAP-BEARING						
	15	1	241-4597	1	RING						
	16	1	242-3938	1	EXCITER						
M	17	1	102-7364	4	BOLT-SOCKET HEAD (M6X1X80-MM)						
	18	1	242-3941	1	ARMATURE						
	19	1	241-4606	1	SUPPORT-DIODE						
	20	1	242-3959	3	DISC-COUPLING						
	21	1	242-3960	8	SCREW (27.7-MMX40-MM)						
	22	1	241-4618	1	SHIM (2-MM THK)						
	23	1	241-4619	1	DIODE AS						
	24	1	241-4620	1	VARISTOR						
	25	1	241-4622	1	SEAL-O-RING						
Y	26	1	393-7040	1	BOX GP-GENERATOR CONNECTION						143

M - METRIC PART
R - REMANUFACTURED PART MAY BE AVAILABLE
Y - SEPARATE ILLUSTRATION

GENERATORS

421-5094 GENERATOR GP (contd.)

i05271175



GRAPHIC #1

<END>

g03064347

GENERATORS

421-5095 GENERATOR GP

S/N: F6B1-UP

PART OF 396-9607 GENERATOR AR
AN ATTACHMENT

SMCS-4450

i05271180

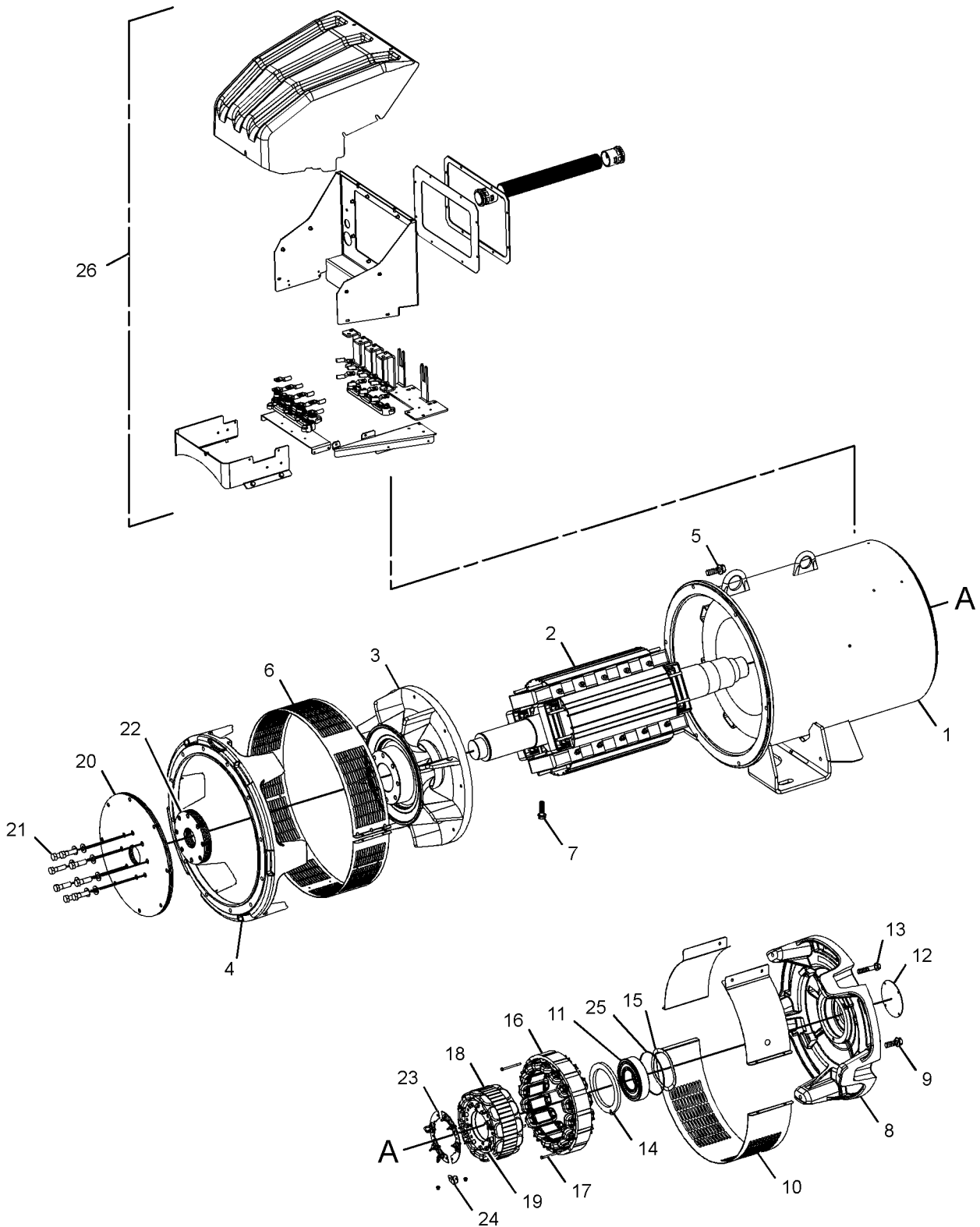
NOTE	REF NO	GRAPHIC REF	PART NUMBER	QTY	PART NAME						SEE PAGE
					1	2	3	4	5	6 (PRODUCT LEVEL)	
	1	1	243-0146	1	STATOR AS						
R	2	1	243-0142	1	ROTOR AS						
	3	1	242-3919	1	FAN-GENERATOR						
	4	1	242-3922	1	FLANGE						
M	5	1	6V-5684	6	BOLT (M12X1.75X45-MM)						
	6	1	242-3924	1	SCREEN						
	7	1	246-2207	2	BOLT (M6X1X40-MM)						
	8	1	242-3928	1	SHIELD						
M	9	1	8T-4648	5	BOLT (M12X1.75X70-MM)						
	10	1	393-7036	1	GUARD GP-ALTERNATOR						
	11	1	243-5220	1	BEARING						
	12	1	241-4594	1	COVER						
M	13	1	8T-6870	2	BOLT (M8X1.25X70-MM)						
	14	1	241-4595	1	CAP-BEARING						
	15	1	241-4597	1	RING						
	16	1	242-3938	1	EXCITER						
M	17	1	102-7364	4	BOLT-SOCKET HEAD (M6X1X80-MM)						
	18	1	242-3941	1	ARMATURE						
	19	1	241-4606	1	SUPPORT-DIODE						
	20	1	242-3959	3	DISC-COUPLING						
	21	1	242-3960	8	SCREW (27.7-MMX40-MM)						
	22	1	241-4618	1	SHIM (2-MM THK)						
	23	1	241-4619	1	DIODE AS						
	24	1	241-4620	1	VARISTOR						
	25	1	241-4622	1	SEAL-O-RING						
Y	26	1	393-7040	1	BOX GP-GENERATOR CONNECTION						143

M - METRIC PART
R - REMANUFACTURED PART MAY BE AVAILABLE
Y - SEPARATE ILLUSTRATION

GENERATORS

421-5095 GENERATOR GP (contd.)

i05271180



GRAPHIC #1

<END>

g03064347

GENERATORS

421-5097 GENERATOR GP

S/N: F6B1-UP

PART OF 421-5087 GENERATOR AR
AN ATTACHMENT

SMCS-4450

i05271182

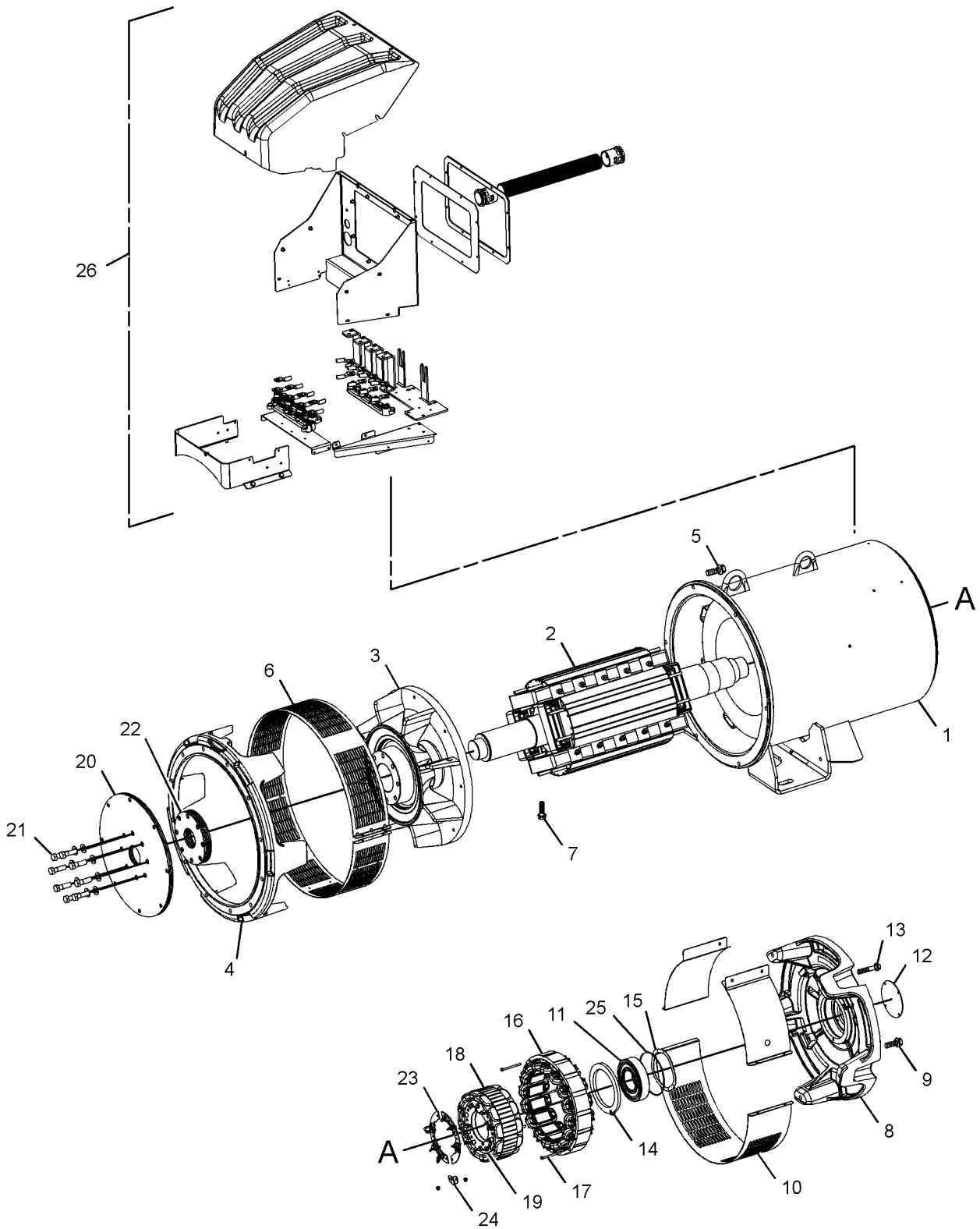
NOTE	REF NO	GRAPHIC REF	PART NUMBER	QTY	PART NAME						SEE PAGE
					1	2	3	4	5	6 (PRODUCT LEVEL)	
	1	1	243-0149	1	STATOR AS						
R	2	1	243-0141	1	ROTOR AS						
	3	1	242-3919	1	FAN-GENERATOR						
	4	1	242-3922	1	FLANGE						
M	5	1	6V-5684	6	BOLT (M12X1.75X45-MM)						
	6	1	242-3924	1	SCREEN						
	7	1	246-2207	2	BOLT (M6X1X40-MM)						
	8	1	242-3928	1	SHIELD						
M	9	1	8T-4648	5	BOLT (M12X1.75X70-MM)						
	10	1	393-7036	1	GUARD GP-ALTERNATOR						
	11	1	243-5220	1	BEARING						
	12	1	241-4594	1	COVER						
M	13	1	8T-6870	2	BOLT (M8X1.25X70-MM)						
	14	1	241-4595	1	CAP-BEARING						
	15	1	241-4597	1	RING						
	16	1	242-3938	1	EXCITER						
M	17	1	102-7364	4	BOLT-SOCKET HEAD (M6X1X80-MM)						
	18	1	242-3941	1	ARMATURE						
	19	1	241-4606	1	SUPPORT-DIODE						
	20	1	242-3959	3	DISC-COUPLING						
M	21	1	7X-2553	8	BOLT (M16X2X40-MM)						
	22	1	241-4618	1	SHIM (2-MM THK)						
	23	1	241-4619	1	DIODE AS						
	24	1	241-4620	1	VARISTOR						
	25	1	241-4622	1	SEAL-O-RING						
Y	26	1	393-7040	1	BOX GP-GENERATOR CONNECTION						143

M - METRIC PART
R - REMANUFACTURED PART MAY BE AVAILABLE
Y - SEPARATE ILLUSTRATION

GENERATORS

421-5097 GENERATOR GP (contd.)

i05271182



GRAPHIC #1

<END>

g03064347

GENERATORS

421-5098 GENERATOR GP

S/N: F6B1-UP

PART OF 421-5088 GENERATOR AR
AN ATTACHMENT

SMCS-4450

i05271184

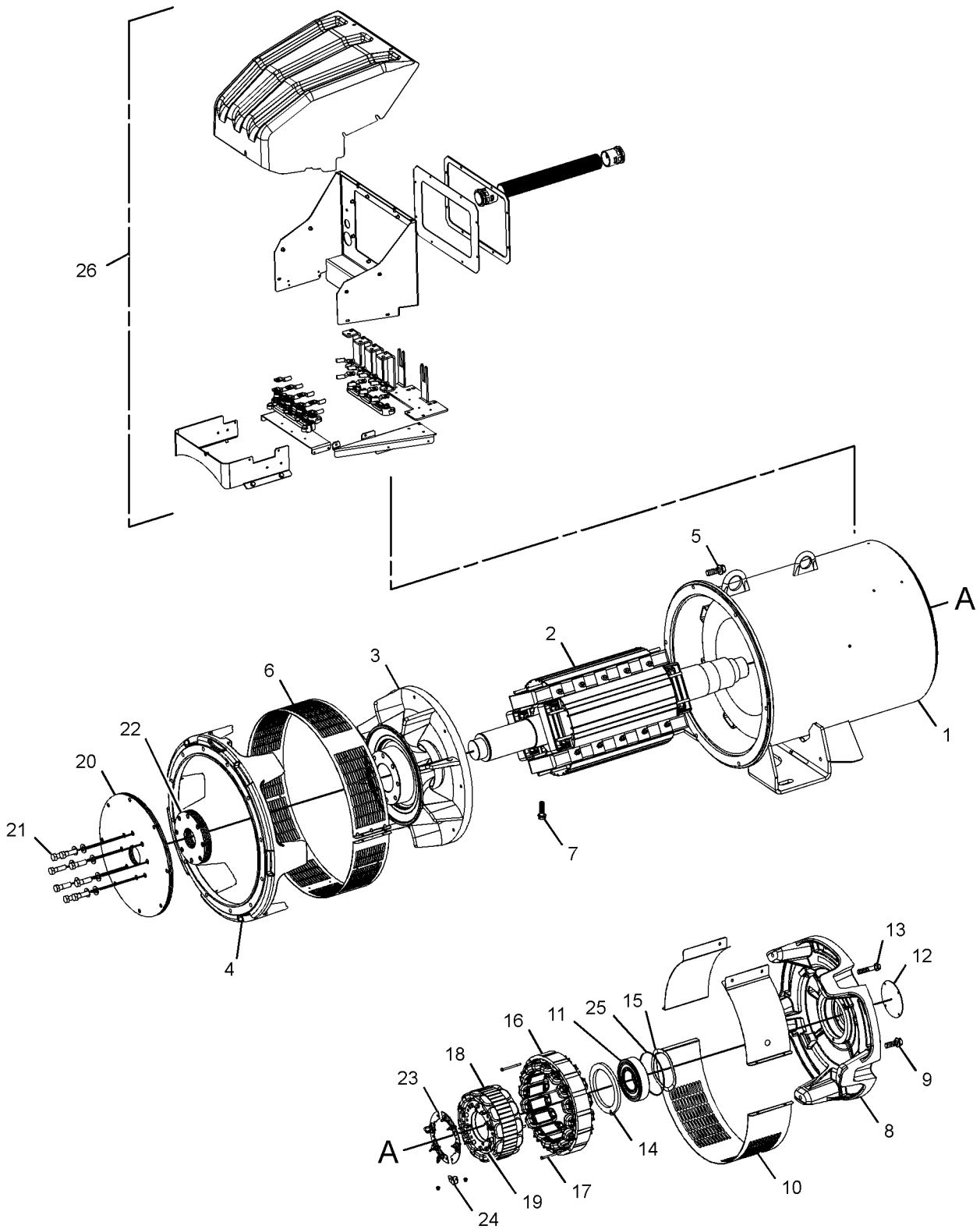
NOTE	REF NO	GRAPHIC REF	PART NUMBER	QTY	PART NAME						SEE PAGE
					1	2	3	4	5	6 (PRODUCT LEVEL)	
	1	1	243-0150	1	STATOR AS						
R	2	1	243-0142	1	ROTOR AS						
	3	1	242-3919	1	FAN-GENERATOR						
	4	1	242-3922	1	FLANGE						
M	5	1	6V-5684	6	BOLT (M12X1.75X45-MM)						
	6	1	242-3924	1	SCREEN						
	7	1	246-2207	2	BOLT (M6X1X40-MM)						
	8	1	242-3928	1	SHIELD						
M	9	1	8T-4648	5	BOLT (M12X1.75X70-MM)						
	10	1	393-7036	1	GUARD GP-ALTERNATOR						
	11	1	243-5220	1	BEARING						
	12	1	241-4594	1	COVER						
M	13	1	8T-6870	2	BOLT (M8X1.25X70-MM)						
	14	1	241-4595	1	CAP-BEARING						
	15	1	241-4597	1	RING						
	16	1	242-3938	1	EXCITER						
M	17	1	102-7364	4	BOLT-SOCKET HEAD (M6X1X80-MM)						
	18	1	242-3941	1	ARMATURE						
	19	1	241-4606	1	SUPPORT-DIODE						
	20	1	242-3959	3	DISC-COUPLING						
	21	1	242-3960	8	SCREW (27.7-MMX40-MM)						
	22	1	241-4618	1	SHIM (2-MM THK)						
	23	1	241-4619	1	DIODE AS						
	24	1	241-4620	1	VARISTOR						
	25	1	241-4622	1	SEAL-O-RING						
Y	26	1	393-7040	1	BOX GP-GENERATOR CONNECTION						143

M - METRIC PART
R - REMANUFACTURED PART MAY BE AVAILABLE
Y - SEPARATE ILLUSTRATION

GENERATORS

421-5098 GENERATOR GP (contd.)

i05271184



GRAPHIC #1

<END>

g03064347

GENERATORS

421-5100 GENERATOR GP

S/N: F6B1-UP

PART OF 421-5090 GENERATOR AR
AN ATTACHMENT

SMCS-4450

i05271192

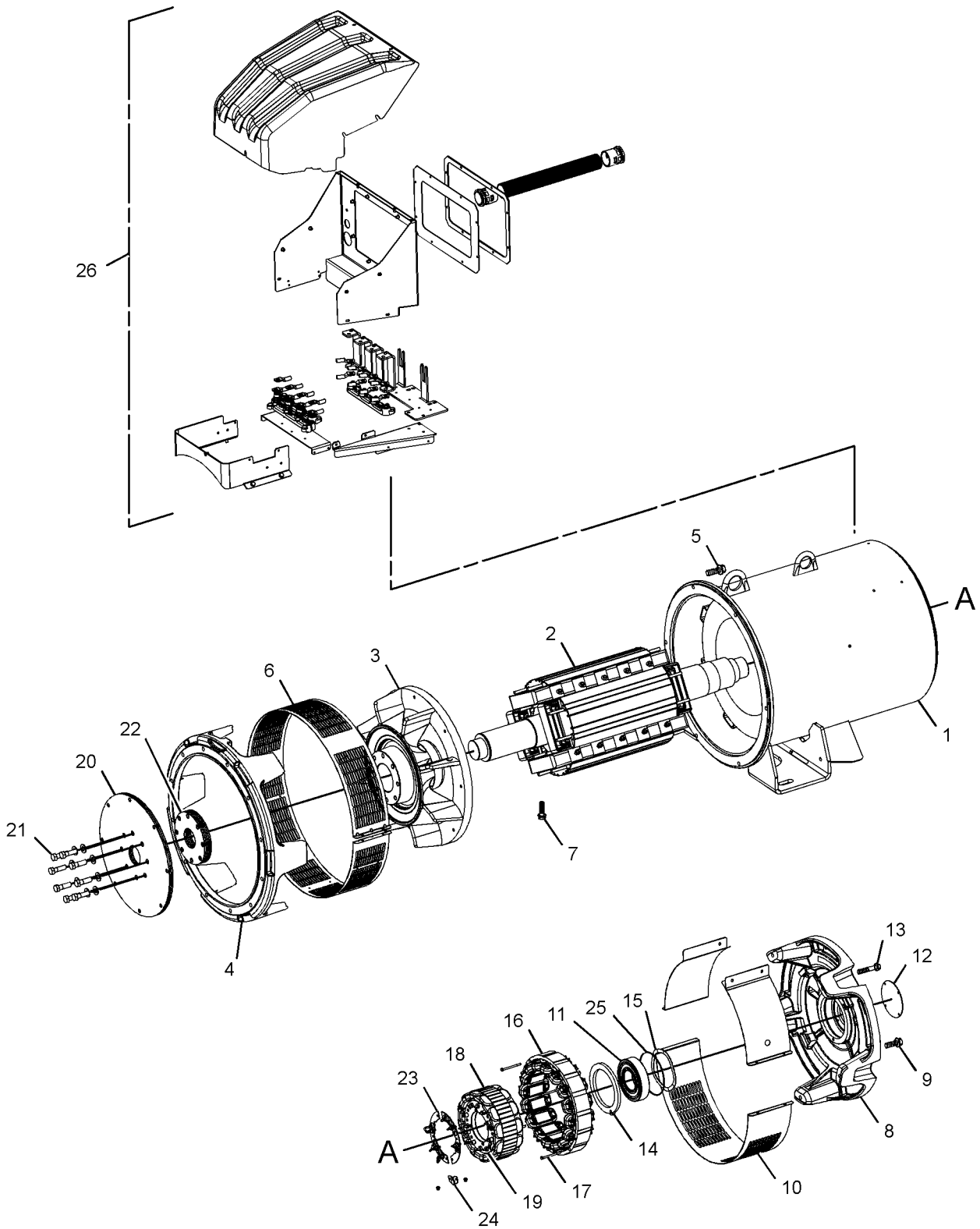
NOTE	REF NO	GRAPHIC REF	PART NUMBER	QTY	PART NAME						SEE PAGE
					1	2	3	4	5	6 (PRODUCT LEVEL)	
	1	1	338-7354	1	STATOR AS-MAIN						
R	2	1	338-7378	1	ROTOR AS						
	3	1	242-3919	1	FAN-GENERATOR						
	4	1	242-3922	1	FLANGE						
M	5	1	6V-5684	6	BOLT (M12X1.75X45-MM)						
	6	1	242-3924	1	SCREEN						
	7	1	246-2207	2	BOLT (M6X1X40-MM)						
	8	1	242-3928	1	SHIELD						
M	9	1	8T-4648	5	BOLT (M12X1.75X70-MM)						
	10	1	393-7036	1	GUARD GP-ALTERNATOR						
	11	1	243-5220	1	BEARING						
	12	1	241-4594	1	COVER						
M	13	1	8T-6870	2	BOLT (M8X1.25X70-MM)						
	14	1	241-4595	1	CAP-BEARING						
	15	1	241-4597	1	RING						
	16	1	242-3938	1	EXCITER						
M	17	1	102-7364	4	BOLT-SOCKET HEAD (M6X1X80-MM)						
	18	1	242-3941	1	ARMATURE						
	19	1	241-4606	1	SUPPORT-DIODE						
	20	1	242-3959	3	DISC-COUPLING						
M	21	1	7X-2553	8	BOLT (M16X2X40-MM)						
	22	1	241-4618	1	SHIM (2-MM THK)						
	23	1	241-4619	1	DIODE AS						
	24	1	241-4620	1	VARISTOR						
	25	1	241-4622	1	SEAL-O-RING						
Y	26	1	393-7040	1	BOX GP-GENERATOR CONNECTION						143

M - METRIC PART
R - REMANUFACTURED PART MAY BE AVAILABLE
Y - SEPARATE ILLUSTRATION

GENERATORS

421-5100 GENERATOR GP (contd.)

i05271192



GRAPHIC #1

<END>

g03064347

GENERATORS

421-5101 GENERATOR GP

S/N: F6B1-UP

PART OF 421-5091 GENERATOR AR
AN ATTACHMENT

SMCS-4450

i05275507

NOTE	PART NUMBER	QTY	PART NAME 1 2 3 4 5 6 (PRODUCT LEVEL)	SEE PAGE
Y	393-7040	1	BOX GP-GENERATOR CONNECTION	143
	393-7036	1	GUARD GP-ALTERNATOR	
	241-4619	1	DIODE AS	
R	338-7379	1	ROTOR AS	
	338-7357	1	STATOR AS-MAIN	
	242-3941	1	ARMATURE	
	243-5220	1	BEARING	
M	6V-5684	6	BOLT (M12X1.75X45-MM)	
	246-2207	2	BOLT (M6X1X40-MM)	
M	8T-4648	5	BOLT (M12X1.75X70-MM)	
M	8T-6870	2	BOLT (M8X1.25X70-MM)	
M	7X-2553	8	BOLT (M16X2X40-MM)	
M	102-7364	4	BOLT-SOCKET HEAD (M6X1X80-MM)	
	241-4595	1	CAP-BEARING	
	241-4594	1	COVER	
	242-3959	3	DISC-COUPLING	
	242-3938	1	EXCITER	
	242-3919	1	FAN-GENERATOR	
	242-3922	1	FLANGE	
	241-4597	1	RING	
	242-3924	1	SCREEN	
	241-4622	1	SEAL-O-RING	
	242-3928	1	SHIELD	
	241-4618	1	SHIM (2-MM THK)	
	241-4606	1	SUPPORT-DIODE	
	241-4620	1	VARISTOR	

M - METRIC PART
R - REMANUFACTURED PART MAY BE AVAILABLE
Y - SEPARATE ILLUSTRATION

<END>

GENERATORS

421-5102 GENERATOR GP

S/N: F6B1-UP

PART OF 421-5092 GENERATOR AR

AN ATTACHMENT

SMCS-4450

i05275512

NOTE	PART NUMBER	QTY	PART NAME 1 2 3 4 5 6 (PRODUCT LEVEL)	SEE PAGE
Y	393-7040	1	BOX GP-GENERATOR CONNECTION	143
	393-7036	1	GUARD GP-ALTERNATOR	
	241-4619	1	DIODE AS	
R	338-7378	1	ROTOR AS	
	338-7355	1	STATOR AS	
	242-3941	1	ARMATURE	
	243-5220	1	BEARING	
M	6V-5684	6	BOLT (M12X1.75X45-MM)	
	246-2207	2	BOLT (M6X1X40-MM)	
M	8T-4648	5	BOLT (M12X1.75X70-MM)	
M	8T-6870	2	BOLT (M8X1.25X70-MM)	
M	7X-2553	8	BOLT (M16X2X40-MM)	
M	102-7364	4	BOLT-SOCKET HEAD (M6X1X80-MM)	
	241-4595	1	CAP-BEARING	
	241-4594	1	COVER	
	242-3959	3	DISC-COUPLING	
	242-3938	1	EXCITER	
	242-3919	1	FAN-GENERATOR	
	242-3922	1	FLANGE	
	241-4597	1	RING	
	242-3924	1	SCREEN	
	241-4622	1	SEAL-O-RING	
	242-3928	1	SHIELD	
	241-4618	1	SHIM (2-MM THK)	
	241-4606	1	SUPPORT-DIODE	
	241-4620	1	VARISTOR	

M - METRIC PART
R - REMANUFACTURED PART MAY BE AVAILABLE
Y - SEPARATE ILLUSTRATION

<END>

GENERATORS

421-5103 GENERATOR GP

S/N: F6B1-UP

PART OF 421-5093 GENERATOR AR
AN ATTACHMENT

SMCS-4450

i05275510

NOTE	PART NUMBER	QTY	PART NAME 1 2 3 4 5 6 (PRODUCT LEVEL)	SEE PAGE
Y	393-7040	1	BOX GP-GENERATOR CONNECTION	143
	393-7036	1	GUARD GP-ALTERNATOR	
	241-4619	1	DIODE AS	
R	338-7379	1	ROTOR AS	
	338-7358	1	STATOR AS	
	242-3941	1	ARMATURE	
	243-5220	1	BEARING	
M	6V-5684	6	BOLT (M12X1.75X45-MM)	
	246-2207	2	BOLT (M6X1X40-MM)	
M	8T-4648	5	BOLT (M12X1.75X70-MM)	
M	8T-6870	2	BOLT (M8X1.25X70-MM)	
M	7X-2553	8	BOLT (M16X2X40-MM)	
M	102-7364	4	BOLT-SOCKET HEAD (M6X1X80-MM)	
	241-4595	1	CAP-BEARING	
	241-4594	1	COVER	
	242-3959	3	DISC-COUPLING	
	242-3938	1	EXCITER	
	242-3919	1	FAN-GENERATOR	
	242-3922	1	FLANGE	
	241-4597	1	RING	
	242-3924	1	SCREEN	
	241-4622	1	SEAL-O-RING	
	242-3928	1	SHIELD	
	241-4618	1	SHIM (2-MM THK)	
	241-4606	1	SUPPORT-DIODE	
	241-4620	1	VARISTOR	

M - METRIC PART
R - REMANUFACTURED PART MAY BE AVAILABLE
Y - SEPARATE ILLUSTRATION

<END>

GENERATORS

421-5212 GENERATOR GP

S/N: F6B1-UP

PART OF 421-5198 GENERATOR AR

AN ATTACHMENT

SMCS-4450

i05271160

NOTE	PART NUMBER	QTY	PART NAME 1 2 3 4 5 6 (PRODUCT LEVEL)	SEE PAGE
Y	393-7040	1	BOX GP-GENERATOR CONNECTION	143
	393-7036	1	GUARD GP-ALTERNATOR	
	241-4619	1	DIODE AS	
	421-5216	1	ROTOR AS	
	421-5217	1	STATOR AS	
	242-3941	1	ARMATURE	
	243-5220	1	BEARING	
M	6V-5684	6	BOLT (M12X1.75X45-MM)	
	246-2207	2	BOLT (M6X1X40-MM)	
M	8T-4648	5	BOLT (M12X1.75X70-MM)	
M	8T-6870	2	BOLT (M8X1.25X70-MM)	
M	7X-2553	8	BOLT (M16X2X40-MM)	
M	102-7364	4	BOLT-SOCKET HEAD (M6X1X80-MM)	
	241-4595	1	CAP-BEARING	
	241-4594	1	COVER	
	242-3959	3	DISC-COUPLING	
	242-3938	1	EXCITER	
	242-3919	1	FAN-GENERATOR	
	242-3922	1	FLANGE	
	241-4597	1	RING	
	242-3924	1	SCREEN	
	241-4622	1	SEAL-O-RING	
	242-3928	1	SHIELD	
	241-4618	1	SHIM (2-MM THK)	
	241-4606	1	SUPPORT-DIODE	
	241-4620	1	VARISTOR	

M - METRIC PART
Y - SEPARATE ILLUSTRATION

<END>

GENERATORS

421-5213 GENERATOR GP

S/N: F6B1-UP

PART OF 421-5199 GENERATOR AR
AN ATTACHMENT

SMCS-4450

i05271164

NOTE	PART NUMBER	QTY	PART NAME 1 2 3 4 5 6 (PRODUCT LEVEL)	SEE PAGE
Y	393-7040	1	BOX GP-GENERATOR CONNECTION	143
	393-7036	1	GUARD GP-ALTERNATOR	
	241-4619	1	DIODE AS	
	421-5224	1	ROTOR AS	
	421-5219	1	STATOR AS	
	242-3941	1	ARMATURE	
	243-5220	1	BEARING	
M	6V-5684	6	BOLT (M12X1.75X45-MM)	
	246-2207	2	BOLT (M6X1X40-MM)	
M	8T-4648	5	BOLT (M12X1.75X70-MM)	
M	8T-6870	2	BOLT (M8X1.25X70-MM)	
M	7X-2553	8	BOLT (M16X2X40-MM)	
M	102-7364	4	BOLT-SOCKET HEAD (M6X1X80-MM)	
	241-4595	1	CAP-BEARING	
	241-4594	1	COVER	
	242-3959	3	DISC-COUPLING	
	242-3938	1	EXCITER	
	242-3919	1	FAN-GENERATOR	
	242-3922	1	FLANGE	
	241-4597	1	RING	
	242-3924	1	SCREEN	
	241-4622	1	SEAL-O-RING	
	242-3928	1	SHIELD	
	241-4618	1	SHIM (2-MM THK)	
	241-4606	1	SUPPORT-DIODE	
	241-4620	1	VARISTOR	

M - METRIC PART
Y - SEPARATE ILLUSTRATION

<END>

GENERATORS

421-5214 GENERATOR GP

S/N: F6B1-UP

PART OF 421-5200 GENERATOR AR

AN ATTACHMENT

SMCS-4450

i05271169

NOTE	PART NUMBER	QTY	PART NAME 1 2 3 4 5 6 (PRODUCT LEVEL)	SEE PAGE
Y	393-7040	1	BOX GP-GENERATOR CONNECTION	143
	393-7036	1	GUARD GP-ALTERNATOR	
	241-4619	1	DIODE AS	
	421-5224	1	ROTOR AS	
	421-5223	1	STATOR AS	
	242-3941	1	ARMATURE	
	243-5220	1	BEARING	
M	6V-5684	6	BOLT (M12X1.75X45-MM)	
	246-2207	2	BOLT (M6X1X40-MM)	
M	8T-4648	5	BOLT (M12X1.75X70-MM)	
M	8T-6870	2	BOLT (M8X1.25X70-MM)	
M	7X-2553	8	BOLT (M16X2X40-MM)	
M	102-7364	4	BOLT-SOCKET HEAD (M6X1X80-MM)	
	241-4595	1	CAP-BEARING	
	241-4594	1	COVER	
	242-3959	3	DISC-COUPLING	
	242-3938	1	EXCITER	
	242-3919	1	FAN-GENERATOR	
	242-3922	1	FLANGE	
	241-4597	1	RING	
	242-3924	1	SCREEN	
	241-4622	1	SEAL-O-RING	
	242-3928	1	SHIELD	
	241-4618	1	SHIM (2-MM THK)	
	241-4606	1	SUPPORT-DIODE	
	241-4620	1	VARISTOR	

M - METRIC PART
Y - SEPARATE ILLUSTRATION

<END>

GENERATORS

421-5225 GENERATOR GP

S/N: F6B1-UP

PART OF 421-5197 GENERATOR AR
AN ATTACHMENT

SMCS-4450

i05271173

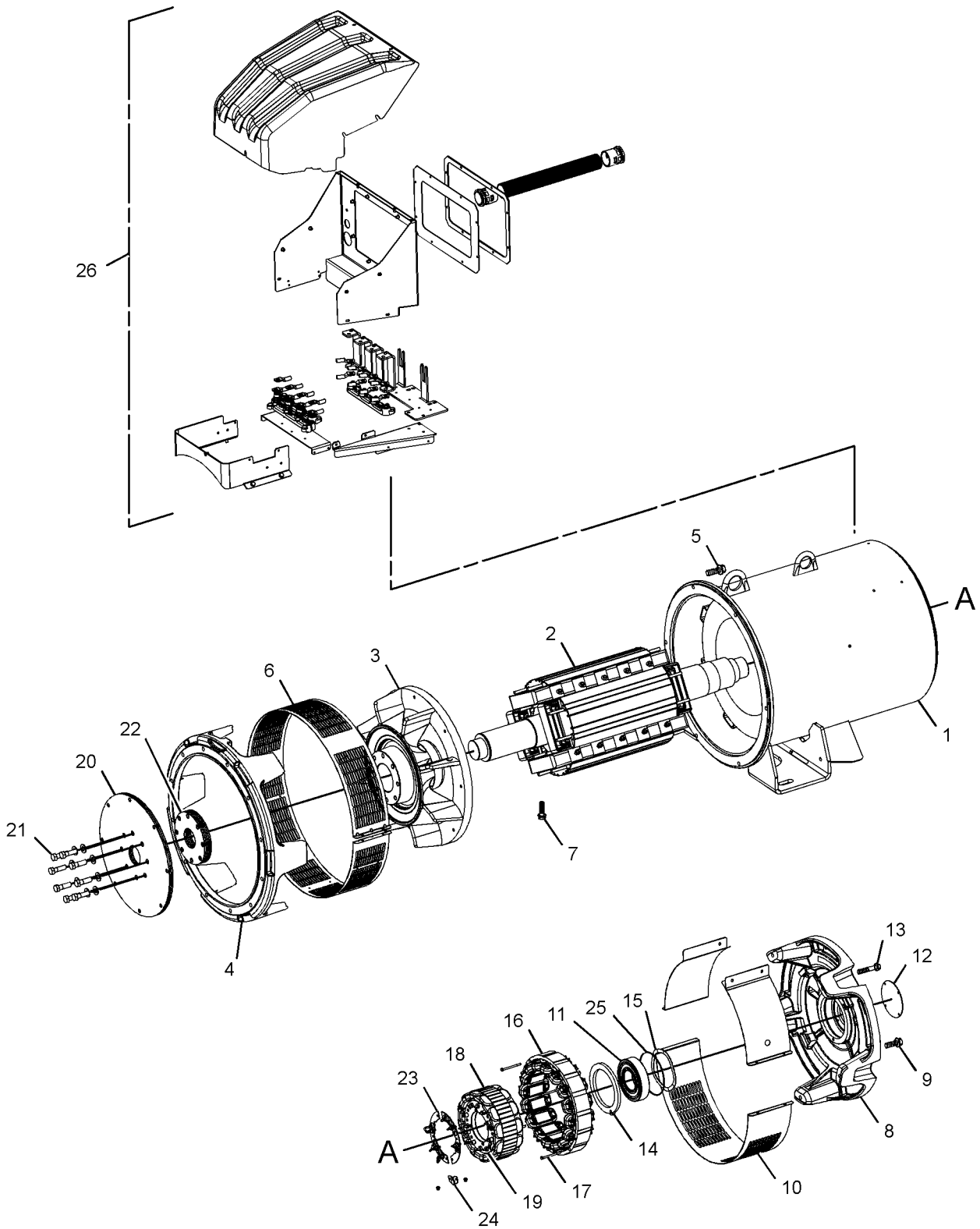
NOTE	REF NO	GRAPHIC REF	PART NUMBER	QTY	PART NAME						SEE PAGE
					1	2	3	4	5	6 (PRODUCT LEVEL)	
	1	1	421-5215	1	STATOR AS						
	2	1	421-5216	1	ROTOR AS						
	3	1	242-3919	1	FAN-GENERATOR						
	4	1	242-3922	1	FLANGE						
M	5	1	6V-5684	6	BOLT (M12X1.75X45-MM)						
	6	1	242-3924	1	SCREEN						
	7	1	246-2207	2	BOLT (M6X1X40-MM)						
	8	1	242-3928	1	SHIELD						
M	9	1	8T-4648	5	BOLT (M12X1.75X70-MM)						
	10	1	393-7036	1	GUARD GP-ALTERNATOR						
	11	1	243-5220	1	BEARING						
	12	1	241-4594	1	COVER						
M	13	1	8T-6870	2	BOLT (M8X1.25X70-MM)						
	14	1	241-4595	1	CAP-BEARING						
	15	1	241-4597	1	RING						
	16	1	242-3938	1	EXCITER						
M	17	1	102-7364	4	BOLT-SOCKET HEAD (M6X1X80-MM)						
	18	1	242-3941	1	ARMATURE						
	19	1	241-4606	1	SUPPORT-DIODE						
	20	1	242-3959	3	DISC-COUPLING						
M	21	1	7X-2553	8	BOLT (M16X2X40-MM)						
	22	1	241-4618	1	SHIM (2-MM THK)						
	23	1	241-4619	1	DIODE AS						
	24	1	241-4620	1	VARISTOR						
	25	1	241-4622	1	SEAL-O-RING						
Y	26	1	393-7040	1	BOX GP-GENERATOR CONNECTION						143

M - METRIC PART
Y - SEPARATE ILLUSTRATION

GENERATORS

421-5225 GENERATOR GP (contd.)

i05271173



GRAPHIC #1

<END>

g03064347

GENERATORS

459-4438 GENERATOR GP

S/N: F5A1-UP

60 HZ. 12 LEADS

PART OF 459-4432 GENERATOR AR
AN ATTACHMENT

SMCS-4450

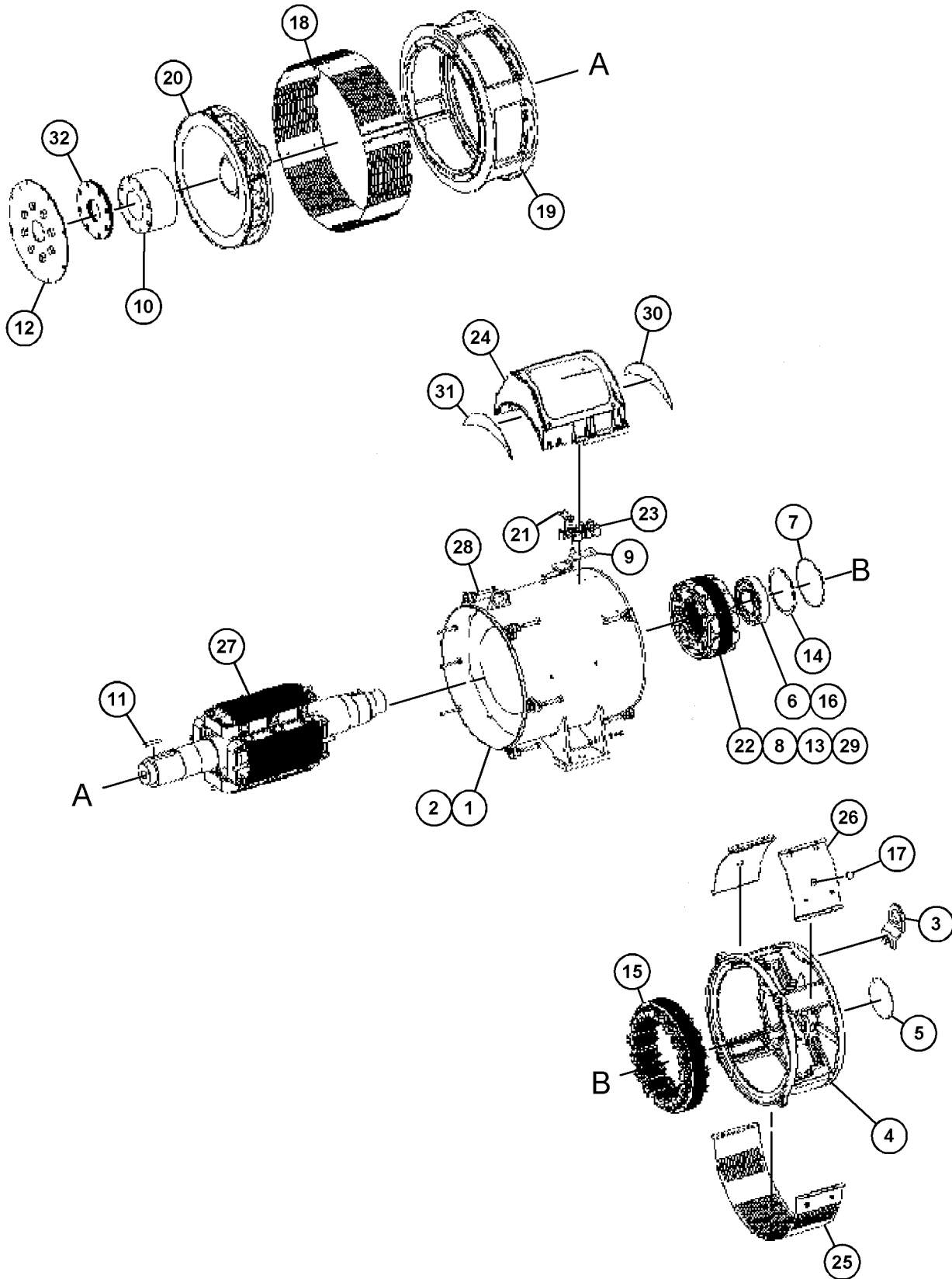
i05939870

NOTE	REF NO	GRAPHIC REF	PART NUMBER	QTY	PART NAME						SEE PAGE
					1	2	3	4	5	6 (PRODUCT LEVEL)	
1	1	1	463-1494	1	STATOR AS						
2	1	1	241-4576	1	DISC						
3	1	1	241-4577	1	EYE-LIFTING						
4	1	1	241-4587	1	KIT-RING						
5	1	1	241-4594	1	COVER						
6	1	1	241-4595	1	CAP-BEARING						
7	1	1	241-4597	1	RING						
8	1	1	241-4606	1	SUPPORT-DIODE						
9	1	1	241-4607	1	SUPPORT						
10	1	1	241-4614	1	HUB						
11	1	1	241-4615	1	KEY-SQUARE						
12	1	1	241-4616	3	DISC						
13	1	1	241-4619	1	DIODE AS						
14	1	1	241-4622	1	SEAL-O-RING						
15	1	1	242-3797	1	EXCITER						
16	1	1	243-5220	1	BEARING						
17	1	1	243-5380	1	CAP						
18	1	1	270-3027	1	BRACKET						
19	1	1	345-0788	1	BRACKET						
20	1	1	345-0793	1	FAN						
21	1	1	345-0796	1	PLATE-TERMINAL						
22	1	1	437-4481	1	VARISTOR						
23	1	1	447-9596	1	PLATE						
24	1	1	447-9599	1	BOX-TERMINAL						
25	1	1	463-1487	1	SCREEN (INLET)						
26	1	1	463-1488	1	SCREEN (EXTENSION)						
27	1	1	463-1496	1	ROTOR AS						
28	1	1	463-1490	6	BOLT-SOCKET HEAD						
29	1	1	463-1491	1	EXCITER						
30	1	1	463-1492	1	PANEL						
31	1	1	463-1493	1	PANEL						
32	1	1	463-1495	1	SPACER						

GENERATORS

459-4438 GENERATOR GP (contd.)

i05939870



GRAPHIC #1

<END>

g03743296

GENERATORS

459-4439 GENERATOR GP

S/N: F5A1-UP

60 HZ. 12 LEADS

PART OF 459-4433 GENERATOR AR
AN ATTACHMENT

SMCS-4450

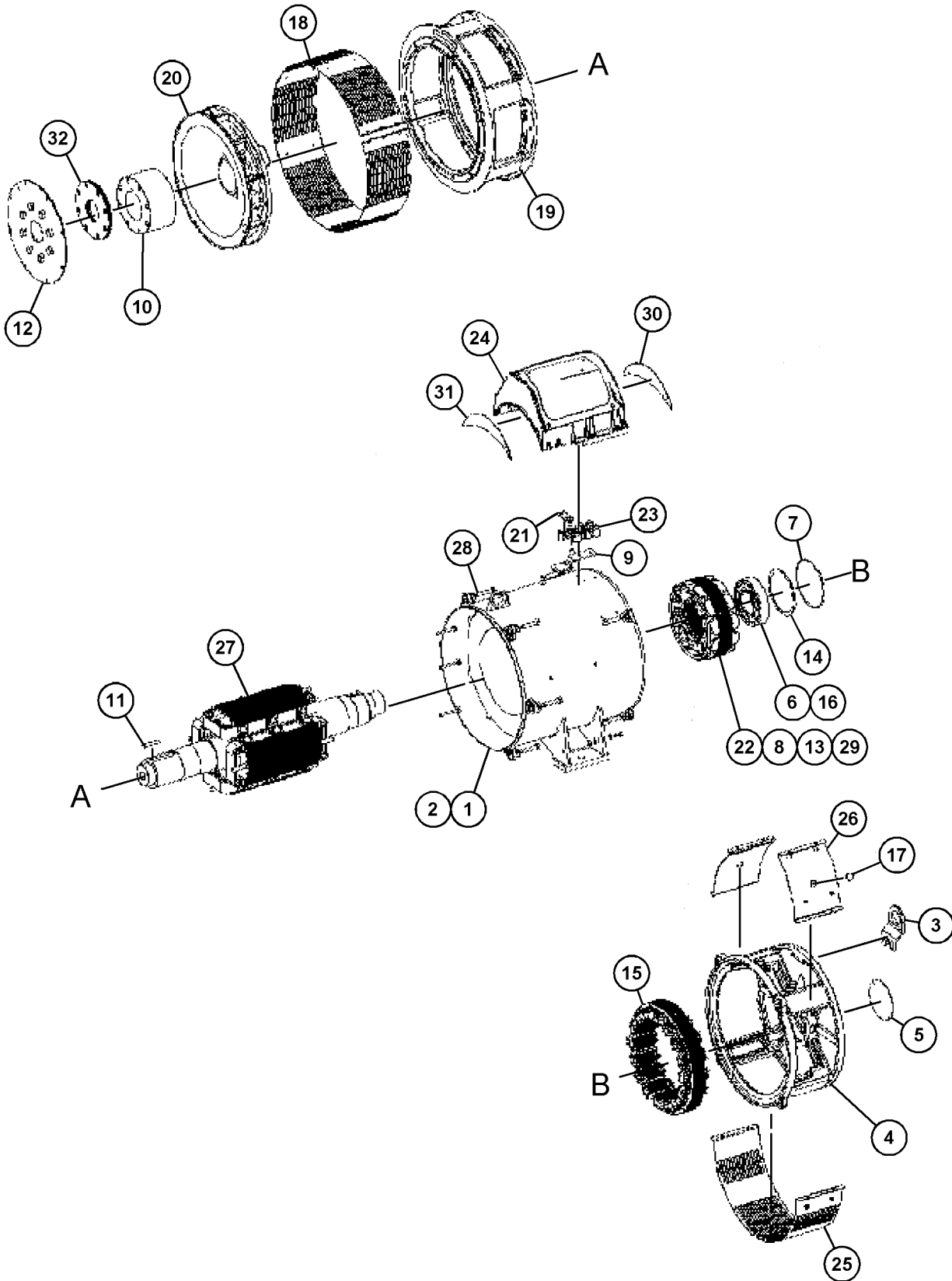
i05939872

NOTE	REF NO	GRAPHIC REF	PART NUMBER	QTY	PART NAME						SEE PAGE
					1	2	3	4	5	6 (PRODUCT LEVEL)	
	1	1	463-1494	1	STATOR AS						
	2	1	241-4576	1	DISC						
	3	1	241-4577	1	EYE-LIFTING						
	4	1	241-4587	1	KIT-RING						
	5	1	241-4594	1	COVER						
	6	1	241-4595	1	CAP-BEARING						
	7	1	241-4597	1	RING						
	8	1	241-4606	1	SUPPORT-DIODE						
	9	1	241-4607	1	SUPPORT						
	10	1	241-4614	1	HUB						
	11	1	241-4615	1	KEY-SQUARE						
	12	1	241-4616	3	DISC						
	13	1	241-4619	1	DIODE AS						
	14	1	241-4622	1	SEAL-O-RING						
	15	1	242-3797	1	EXCITER						
	16	1	243-5220	1	BEARING						
	17	1	243-5380	1	CAP						
	18	1	270-3027	1	BRACKET						
	19	1	345-0788	1	BRACKET						
	20	1	345-0793	1	FAN						
	21	1	345-0796	1	PLATE-TERMINAL						
	22	1	437-4481	1	VARISTOR						
	23	1	447-9596	1	PLATE						
	24	1	447-9599	1	BOX-TERMINAL						
	25	1	463-1487	1	SCREEN (INLET)						
	26	1	463-1488	1	SCREEN (EXTENSION)						
	27	1	463-1496	1	ROTOR AS						
	28	1	463-1490	6	BOLT-SOCKET HEAD						
	29	1	463-1491	1	EXCITER						
	30	1	463-1492	1	PANEL						
	31	1	463-1493	1	PANEL						
	32	1	463-1495	1	SPACER						

GENERATORS

459-4439 GENERATOR GP (contd.)

i05939872



GRAPHIC #1

<END>

g03743296

GENERATORS

459-4440 GENERATOR GP

S/N: F5A1-UP

60 HZ. 12 LEADS

PART OF 459-4434 GENERATOR AR
AN ATTACHMENT

SMCS-4450

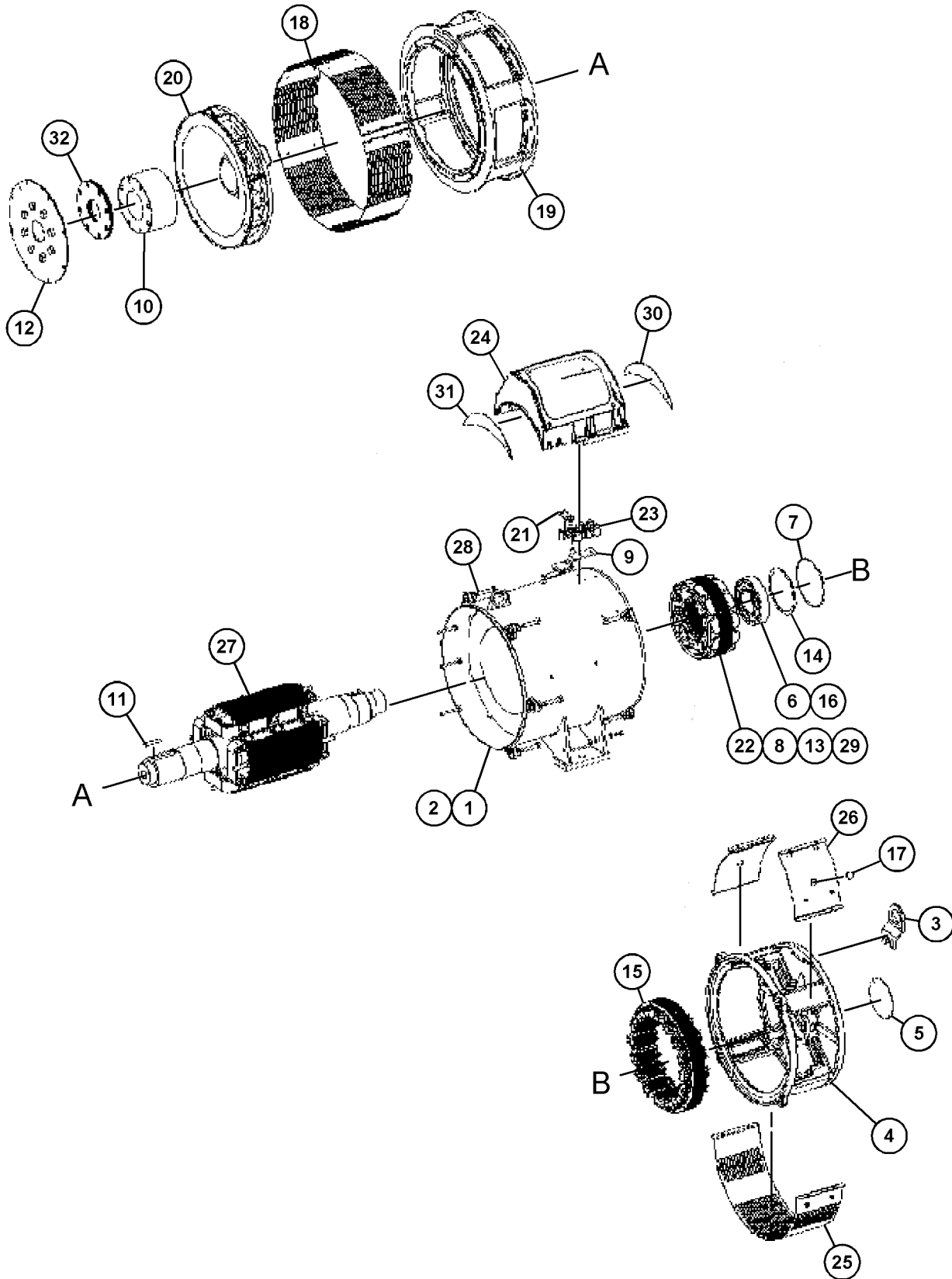
i05939874

NOTE	REF NO	GRAPHIC REF	PART NUMBER	QTY	PART NAME						SEE PAGE
					1	2	3	4	5	6 (PRODUCT LEVEL)	
	1	1	463-1494	1	STATOR AS						
	2	1	241-4576	1	DISC						
	3	1	241-4577	1	EYE-LIFTING						
	4	1	241-4587	1	KIT-RING						
	5	1	241-4594	1	COVER						
	6	1	241-4595	1	CAP-BEARING						
	7	1	241-4597	1	RING						
	8	1	241-4606	1	SUPPORT-DIODE						
	9	1	241-4607	1	SUPPORT						
	10	1	241-4614	1	HUB						
	11	1	241-4615	1	KEY-SQUARE						
	12	1	241-4616	3	DISC						
	13	1	241-4619	1	DIODE AS						
	14	1	241-4622	1	SEAL-O-RING						
	15	1	242-3797	1	EXCITER						
	16	1	243-5220	1	BEARING						
	17	1	243-5380	1	CAP						
	18	1	270-3027	1	BRACKET						
	19	1	345-0788	1	BRACKET						
	20	1	345-0793	1	FAN						
	21	1	345-0796	1	PLATE-TERMINAL						
	22	1	437-4481	1	VARISTOR						
	23	1	447-9596	1	PLATE						
	24	1	447-9599	1	BOX-TERMINAL						
	25	1	463-1487	1	SCREEN (INLET)						
	26	1	463-1488	1	SCREEN (EXTENSION)						
	27	1	463-1496	1	ROTOR AS						
	28	1	463-1490	6	BOLT-SOCKET HEAD						
	29	1	463-1491	1	EXCITER						
	30	1	463-1492	1	PANEL						
	31	1	463-1493	1	PANEL						
	32	1	463-1495	1	SPACER						

GENERATORS

459-4440 GENERATOR GP (contd.)

i05939874



GRAPHIC #1

<END>

g03743296

GENERATORS

459-4441 GENERATOR GP

S/N: F5A1-UP

60 HZ. 12 LEADS

PART OF 459-4435 GENERATOR AR

AN ATTACHMENT

SMCS-4450

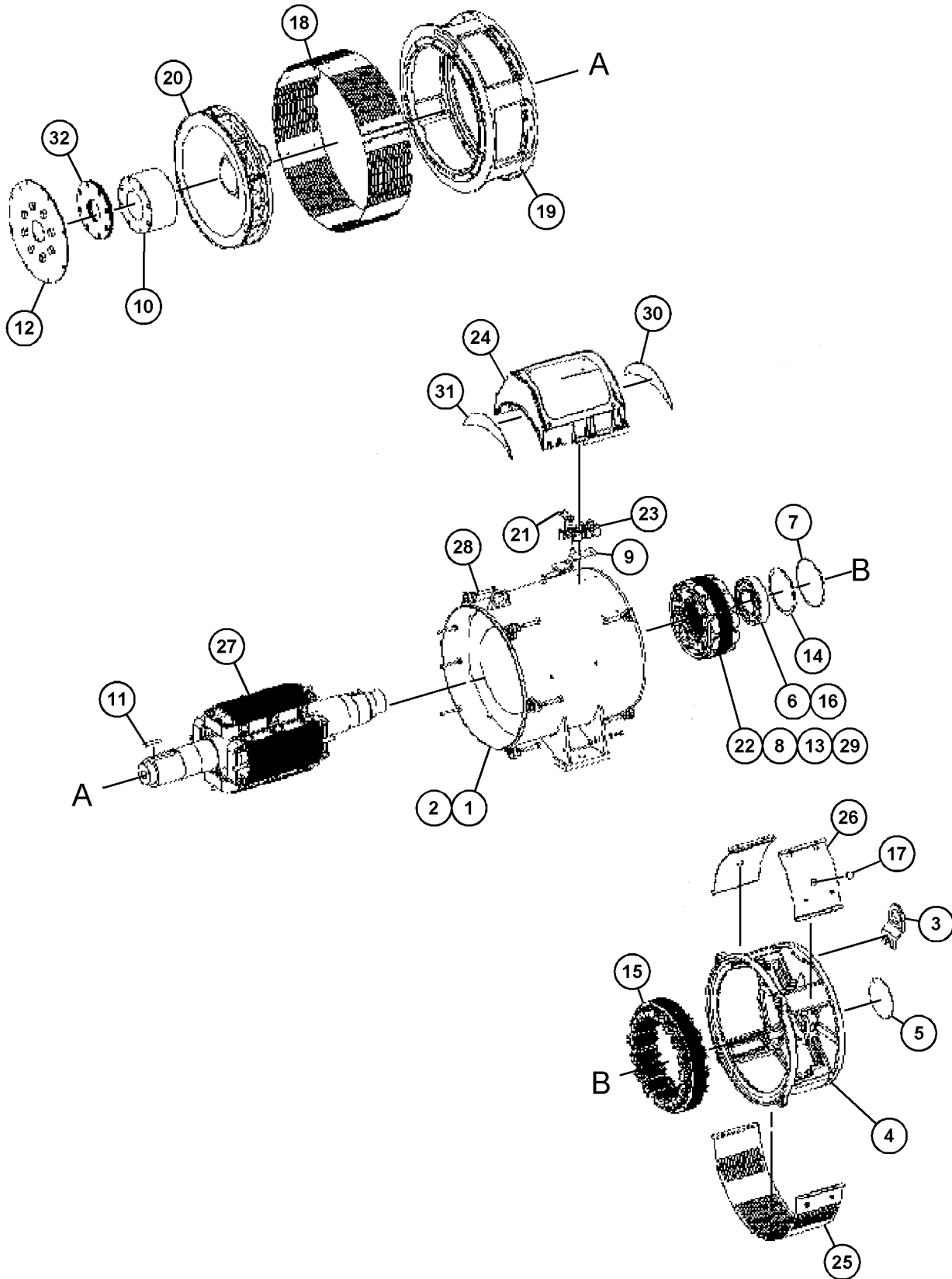
i05939877

NOTE	REF NO	GRAPHIC REF	PART NUMBER	QTY	PART NAME						SEE PAGE
					1	2	3	4	5	6 (PRODUCT LEVEL)	
	1	1	270-3001	1	STATOR AS						
	2	1	241-4576	1	DISC						
	3	1	241-4577	1	EYE-LIFTING						
	4	1	241-4587	1	KIT-RING						
	5	1	241-4594	1	COVER						
	6	1	241-4595	1	CAP-BEARING						
	7	1	241-4597	1	RING						
	8	1	241-4606	1	SUPPORT-DIODE						
	9	1	241-4607	1	SUPPORT						
	10	1	241-4614	1	HUB						
	11	1	241-4615	1	KEY-SQUARE						
	12	1	241-4616	3	DISC						
	13	1	241-4619	1	DIODE AS						
	14	1	241-4622	1	SEAL-O-RING						
	15	1	242-3797	1	EXCITER						
	16	1	243-5220	1	BEARING						
	17	1	243-5380	1	CAP						
	18	1	270-3027	1	BRACKET						
	19	1	345-0788	1	BRACKET						
	20	1	345-0793	1	FAN						
	21	1	345-0796	1	PLATE-TERMINAL						
	22	1	437-4481	1	VARISTOR						
	23	1	447-9596	1	PLATE						
	24	1	447-9599	1	BOX-TERMINAL						
	25	1	463-1487	1	SCREEN (INLET)						
	26	1	463-1488	1	SCREEN (EXTENSION)						
	27	1	463-1489	1	ROTOR AS						
	28	1	463-1490	6	BOLT-SOCKET HEAD						
	29	1	463-1491	1	EXCITER						
	30	1	463-1492	1	PANEL						
	31	1	463-1493	1	PANEL						
	32	1	463-1495	1	SPACER						

GENERATORS

459-4441 GENERATOR GP (contd.)

i05939877



GRAPHIC #1

<END>

g03743296

GENERATORS

459-4442 GENERATOR GP

S/N: F5A1-UP

60 HZ. 12 LEADS

PART OF 459-4436 GENERATOR AR
AN ATTACHMENT

SMCS-4450

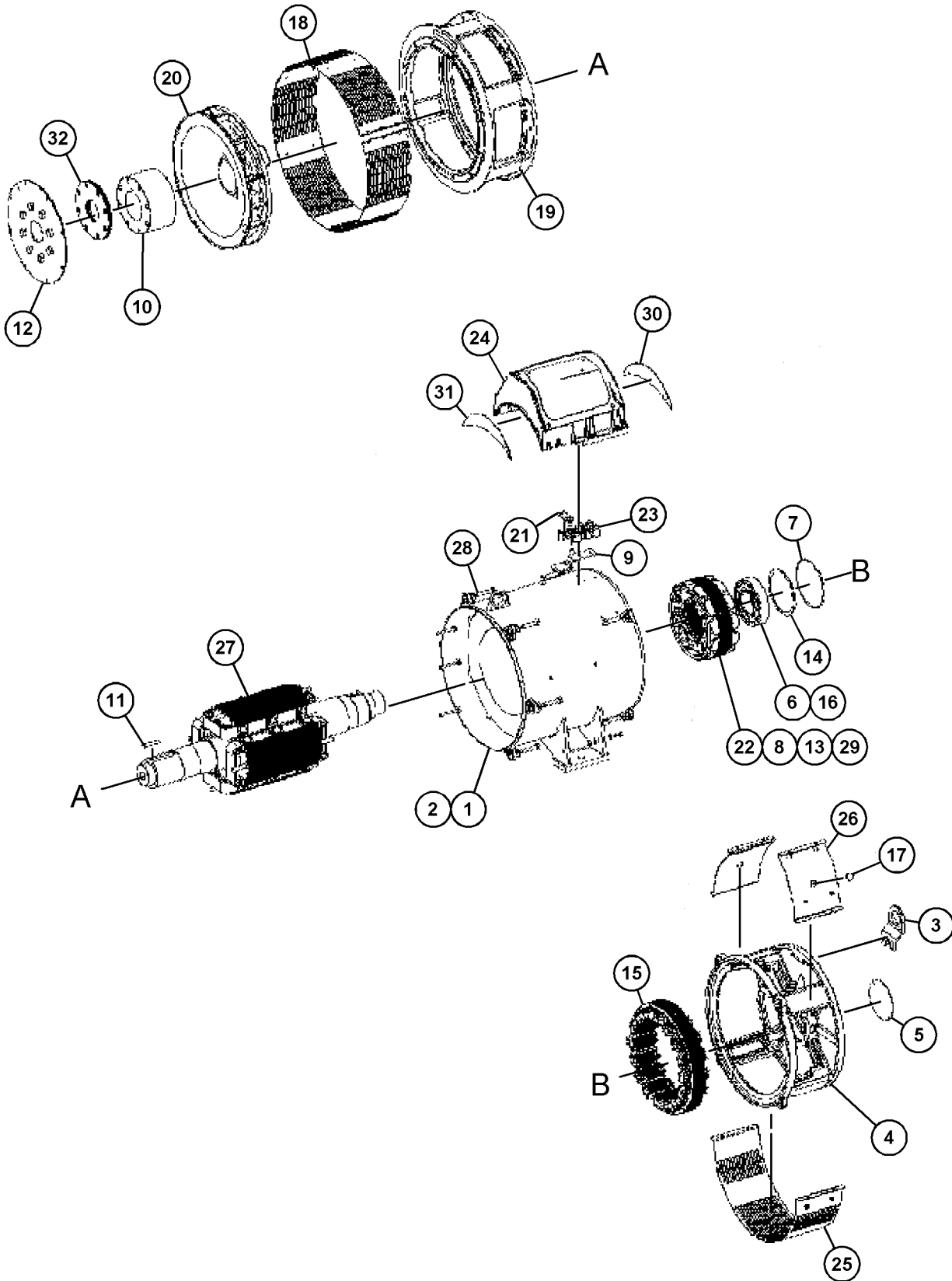
i05939880

NOTE	REF NO	GRAPHIC REF	PART NUMBER	QTY	PART NAME						SEE PAGE
					1	2	3	4	5	6 (PRODUCT LEVEL)	
	1	1	270-3001	1	STATOR AS						
	2	1	241-4576	1	DISC						
	3	1	241-4577	1	EYE-LIFTING						
	4	1	241-4587	1	KIT-RING						
	5	1	241-4594	1	COVER						
	6	1	241-4595	1	CAP-BEARING						
	7	1	241-4597	1	RING						
	8	1	241-4606	1	SUPPORT-DIODE						
	9	1	241-4607	1	SUPPORT						
	10	1	241-4614	1	HUB						
	11	1	241-4615	1	KEY-SQUARE						
	12	1	241-4616	3	DISC						
	13	1	241-4619	1	DIODE AS						
	14	1	241-4622	1	SEAL-O-RING						
	15	1	242-3797	1	EXCITER						
	16	1	243-5220	1	BEARING						
	17	1	243-5380	1	CAP						
	18	1	270-3027	1	BRACKET						
	19	1	345-0788	1	BRACKET						
	20	1	345-0793	1	FAN						
	21	1	345-0796	1	PLATE-TERMINAL						
	22	1	437-4481	1	VARISTOR						
	23	1	447-9596	1	PLATE						
	24	1	447-9599	1	BOX-TERMINAL						
	25	1	463-1487	1	SCREEN (INLET)						
	26	1	463-1488	1	SCREEN (EXTENSION)						
	27	1	463-1489	1	ROTOR AS						
	28	1	463-1490	6	BOLT-SOCKET HEAD						
	29	1	463-1491	1	EXCITER						
	30	1	463-1492	1	PANEL						
	31	1	463-1493	1	PANEL						
	32	1	463-1495	1	SPACER						

GENERATORS

459-4442 GENERATOR GP (contd.)

i05939880



GRAPHIC #1

<END>

g03743296

GENERATORS

459-4443 GENERATOR GP

S/N: F5A1-UP

60 HZ. 12 LEADS

PART OF 459-4437 GENERATOR AR
AN ATTACHMENT

SMCS-4450

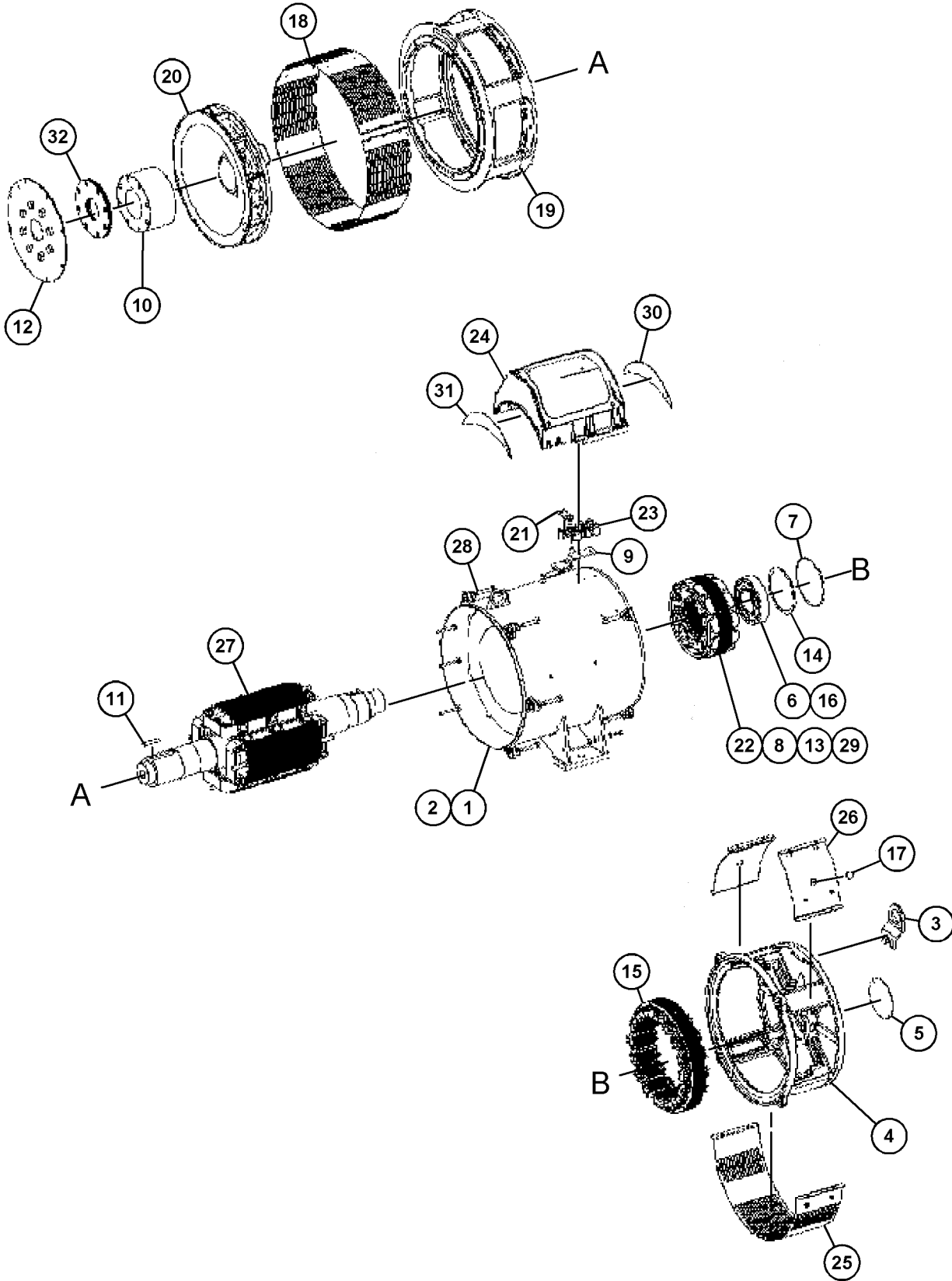
i05939884

NOTE	REF NO	GRAPHIC REF	PART NUMBER	QTY	PART NAME						SEE PAGE
					1	2	3	4	5	6 (PRODUCT LEVEL)	
1	1	1	270-3001	1	STATOR AS						
2	1	1	241-4576	1	DISC						
3	1	1	241-4577	1	EYE-LIFTING						
4	1	1	241-4587	1	KIT-RING						
5	1	1	241-4594	1	COVER						
6	1	1	241-4595	1	CAP-BEARING						
7	1	1	241-4597	1	RING						
8	1	1	241-4606	1	SUPPORT-DIODE						
9	1	1	241-4607	1	SUPPORT						
10	1	1	241-4614	1	HUB						
11	1	1	241-4615	1	KEY-SQUARE						
12	1	1	241-4616	3	DISC						
13	1	1	241-4619	1	DIODE AS						
14	1	1	241-4622	1	SEAL-O-RING						
15	1	1	242-3797	1	EXCITER						
16	1	1	243-5220	1	BEARING						
17	1	1	243-5380	1	CAP						
18	1	1	270-3027	1	BRACKET						
19	1	1	345-0788	1	BRACKET						
20	1	1	345-0793	1	FAN						
21	1	1	345-0796	1	PLATE-TERMINAL						
22	1	1	437-4481	1	VARISTOR						
23	1	1	447-9596	1	PLATE						
24	1	1	447-9599	1	BOX-TERMINAL						
25	1	1	463-1487	1	SCREEN (INLET)						
26	1	1	463-1488	1	SCREEN (EXTENSION)						
27	1	1	463-1489	1	ROTOR AS						
28	1	1	463-1490	6	BOLT-SOCKET HEAD						
29	1	1	463-1491	1	EXCITER						
30	1	1	463-1492	1	PANEL						
31	1	1	463-1493	1	PANEL						
32	1	1	463-1495	1	SPACER						

GENERATORS

459-4443 GENERATOR GP (contd.)

i05939884



GRAPHIC #1

<END>

g03743296

GENERATORS

459-4450 GENERATOR GP

S/N: F5A1-UP

60 HZ. 12 LEADS

PART OF 459-4444 GENERATOR AR

AN ATTACHMENT

SMCS-4450

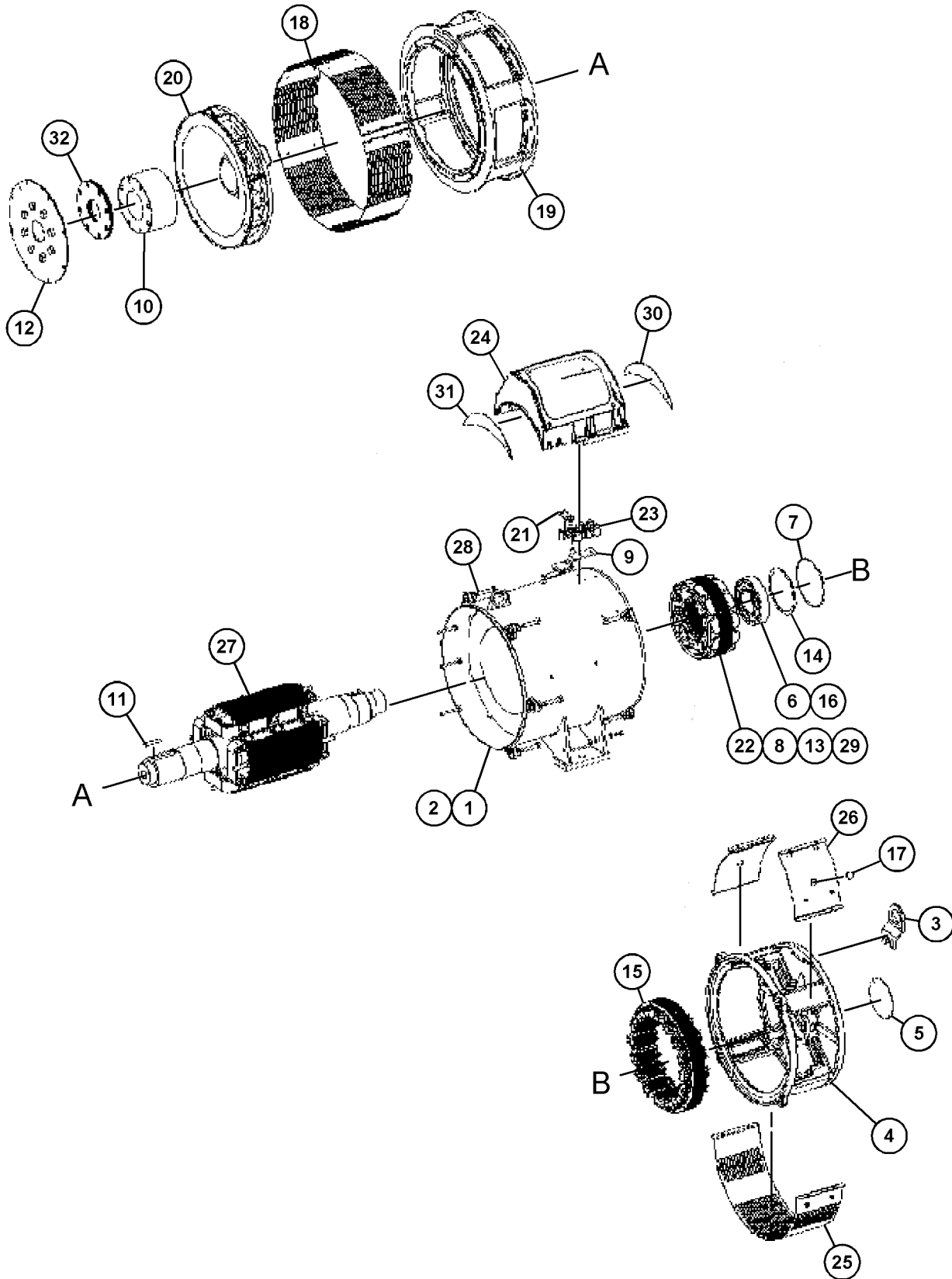
i05939966

NOTE	REF NO	GRAPHIC REF	PART NUMBER	QTY	PART NAME						SEE PAGE
					1	2	3	4	5	6 (PRODUCT LEVEL)	
	1	1	463-1494	1	STATOR AS						
	2	1	241-4576	1	DISC						
	3	1	241-4577	1	EYE-LIFTING						
	4	1	241-4587	1	KIT-RING						
	5	1	241-4594	1	COVER						
	6	1	241-4595	1	CAP-BEARING						
	7	1	241-4597	1	RING						
	8	1	241-4606	1	SUPPORT-DIODE						
	9	1	241-4607	1	SUPPORT						
	10	1	241-4614	1	HUB						
	11	1	241-4615	1	KEY-SQUARE						
	12	1	241-4616	3	DISC						
	13	1	241-4619	1	DIODE AS						
	14	1	241-4622	1	SEAL-O-RING						
	15	1	242-3797	1	EXCITER						
	16	1	243-5220	1	BEARING						
	17	1	243-5380	1	CAP						
	18	1	270-3027	1	BRACKET						
	19	1	345-0788	1	BRACKET						
	20	1	345-0793	1	FAN						
	21	1	345-0796	1	PLATE-TERMINAL						
	22	1	437-4481	1	VARISTOR						
	23	1	447-9596	1	PLATE						
	24	1	447-9599	1	BOX-TERMINAL						
	25	1	463-1487	1	SCREEN (INLET)						
	26	1	463-1488	1	SCREEN (EXTENSION)						
	27	1	463-1496	1	ROTOR AS						
	28	1	463-1490	6	BOLT-SOCKET HEAD						
	29	1	463-1491	1	EXCITER						
	30	1	463-1492	1	PANEL						
	31	1	463-1493	1	PANEL						
	32	1	463-1495	1	SPACER						

GENERATORS

459-4450 GENERATOR GP (contd.)

i05939966



GRAPHIC #1

<END>

g03743296

GENERATORS

459-4451 GENERATOR GP

S/N: F5A1-UP

60 HZ. 12 LEADS

PART OF 459-4445 GENERATOR AR
AN ATTACHMENT

SMCS-4450

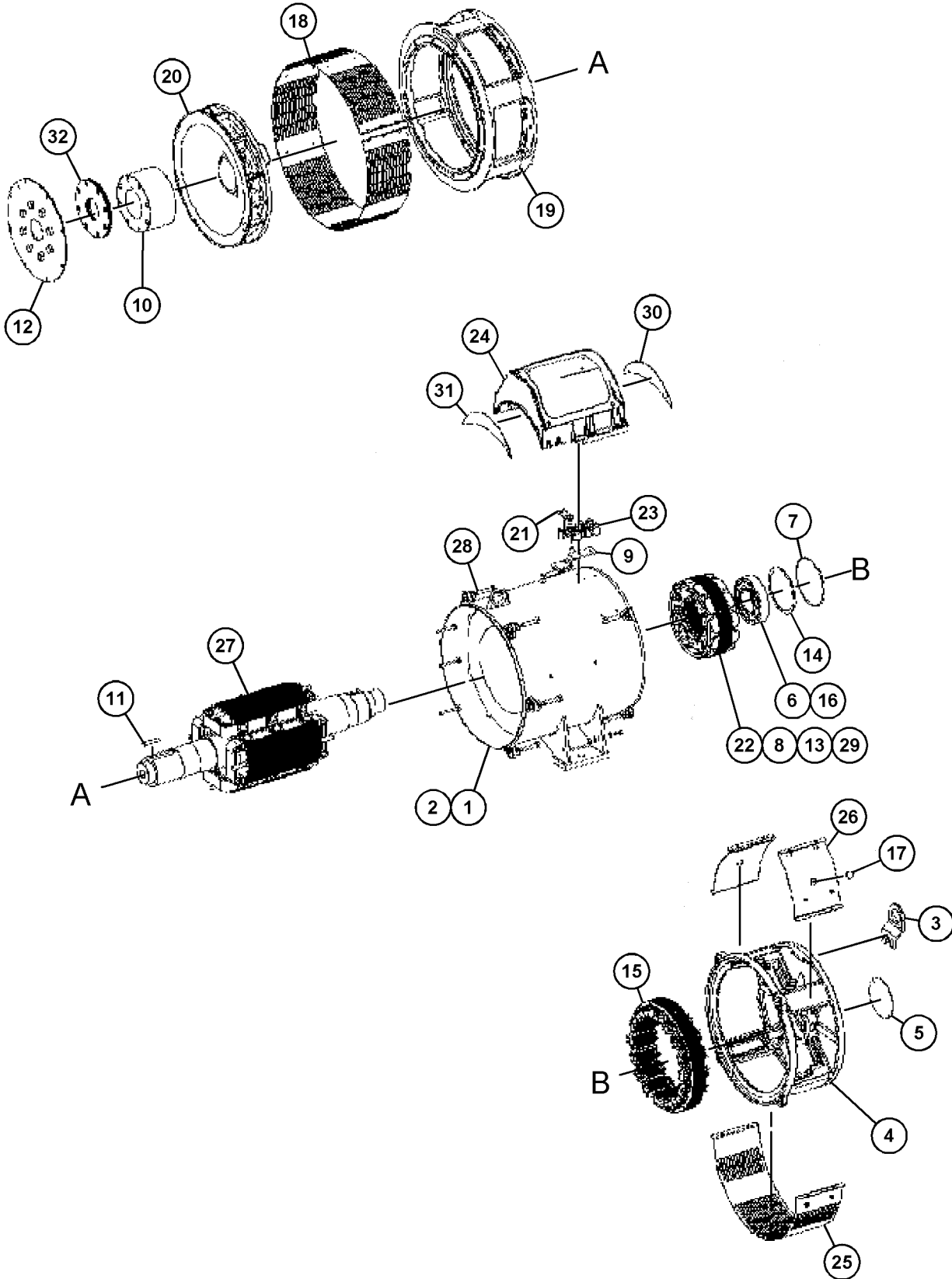
i05939970

NOTE	REF NO	GRAPHIC REF	PART NUMBER	QTY	PART NAME						SEE PAGE
					1	2	3	4	5	6 (PRODUCT LEVEL)	
1	1	1	463-1494	1	STATOR AS						
2	1	1	241-4576	1	DISC						
3	1	1	241-4577	1	EYE-LIFTING						
4	1	1	241-4587	1	KIT-RING						
5	1	1	241-4594	1	COVER						
6	1	1	241-4595	1	CAP-BEARING						
7	1	1	241-4597	1	RING						
8	1	1	241-4606	1	SUPPORT-DIODE						
9	1	1	241-4607	1	SUPPORT						
10	1	1	241-4614	1	HUB						
11	1	1	241-4615	1	KEY-SQUARE						
12	1	1	241-4616	3	DISC						
13	1	1	241-4619	1	DIODE AS						
14	1	1	241-4622	1	SEAL-O-RING						
15	1	1	242-3797	1	EXCITER						
16	1	1	243-5220	1	BEARING						
17	1	1	243-5380	1	CAP						
18	1	1	270-3027	1	BRACKET						
19	1	1	345-0788	1	BRACKET						
20	1	1	345-0793	1	FAN						
21	1	1	345-0796	1	PLATE-TERMINAL						
22	1	1	437-4481	1	VARISTOR						
23	1	1	447-9596	1	PLATE						
24	1	1	447-9599	1	BOX-TERMINAL						
25	1	1	463-1487	1	SCREEN (INLET)						
26	1	1	463-1488	1	SCREEN (EXTENSION)						
27	1	1	463-1496	1	ROTOR AS						
28	1	1	463-1490	6	BOLT-SOCKET HEAD						
29	1	1	463-1491	1	EXCITER						
30	1	1	463-1492	1	PANEL						
31	1	1	463-1493	1	PANEL						
32	1	1	463-1495	1	SPACER						

GENERATORS

459-4451 GENERATOR GP (contd.)

i05939970



GRAPHIC #1

<END>

g03743296

GENERATORS

459-4452 GENERATOR GP

S/N: F5A1-UP

60 HZ. 12 LEADS

PART OF 459-4446 GENERATOR AR

AN ATTACHMENT

SMCS-4450

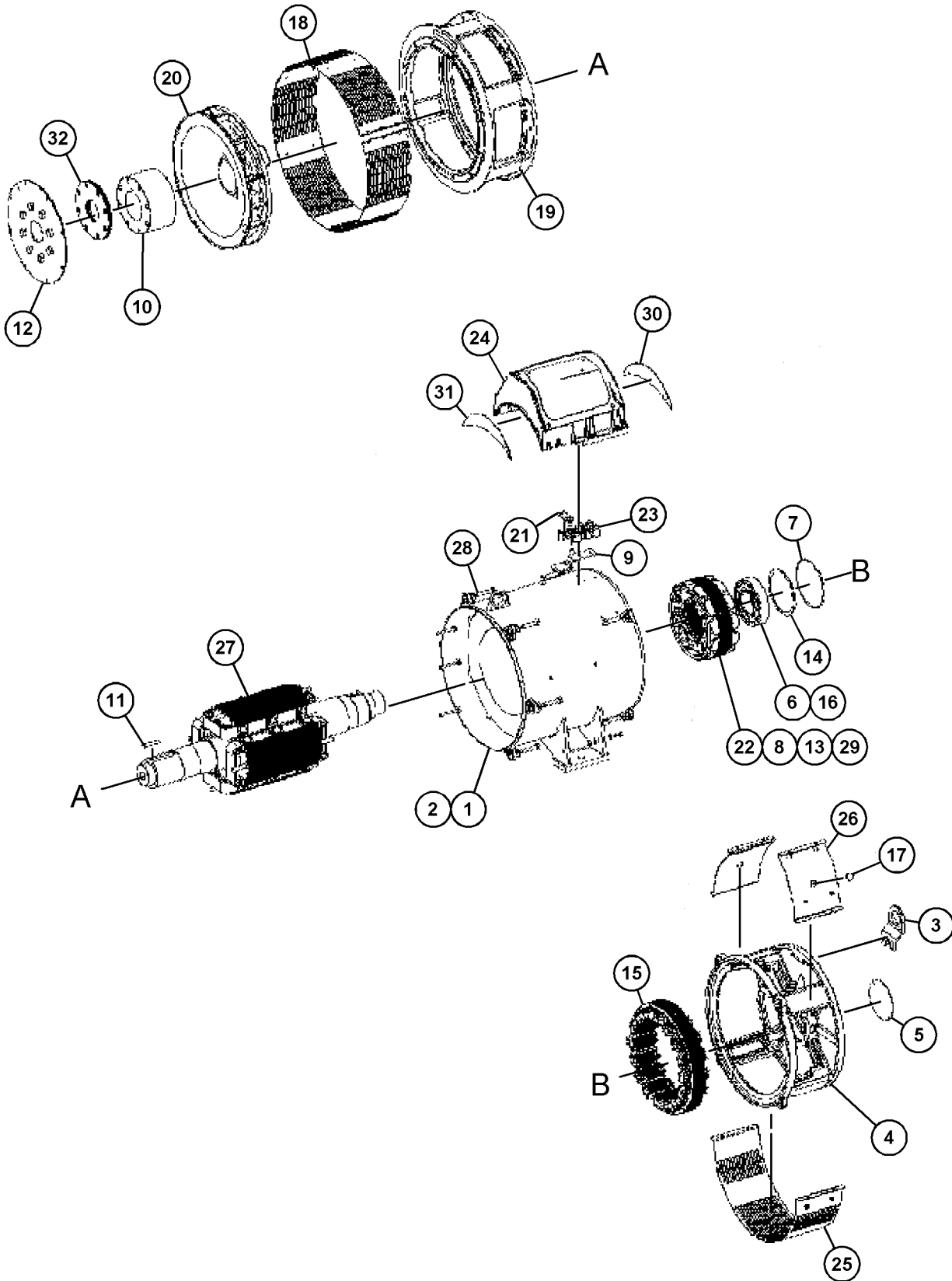
i05939972

NOTE	REF NO	GRAPHIC REF	PART NUMBER	QTY	PART NAME						SEE PAGE
					1	2	3	4	5	6 (PRODUCT LEVEL)	
	1	1	463-1494	1	STATOR AS						
	2	1	241-4576	1	DISC						
	3	1	241-4577	1	EYE-LIFTING						
	4	1	241-4587	1	KIT-RING						
	5	1	241-4594	1	COVER						
	6	1	241-4595	1	CAP-BEARING						
	7	1	241-4597	1	RING						
	8	1	241-4606	1	SUPPORT-DIODE						
	9	1	241-4607	1	SUPPORT						
	10	1	241-4614	1	HUB						
	11	1	241-4615	1	KEY-SQUARE						
	12	1	241-4616	3	DISC						
	13	1	241-4619	1	DIODE AS						
	14	1	241-4622	1	SEAL-O-RING						
	15	1	242-3797	1	EXCITER						
	16	1	243-5220	1	BEARING						
	17	1	243-5380	1	CAP						
	18	1	270-3027	1	BRACKET						
	19	1	345-0788	1	BRACKET						
	20	1	345-0793	1	FAN						
	21	1	345-0796	1	PLATE-TERMINAL						
	22	1	437-4481	1	VARISTOR						
	23	1	447-9596	1	PLATE						
	24	1	447-9599	1	BOX-TERMINAL						
	25	1	463-1487	1	SCREEN (INLET)						
	26	1	463-1488	1	SCREEN (EXTENSION)						
	27	1	463-1496	1	ROTOR AS						
	28	1	463-1490	6	BOLT-SOCKET HEAD						
	29	1	463-1491	1	EXCITER						
	30	1	463-1492	1	PANEL						
	31	1	463-1493	1	PANEL						
	32	1	463-1495	1	SPACER						

GENERATORS

459-4452 GENERATOR GP (contd.)

i05939972



GRAPHIC #1

<END>

g03743296

GENERATORS

459-4453 GENERATOR GP

S/N: F5A1-UP

60 HZ. 12 LEADS

PART OF 459-4447 GENERATOR AR

AN ATTACHMENT

SMCS-4450

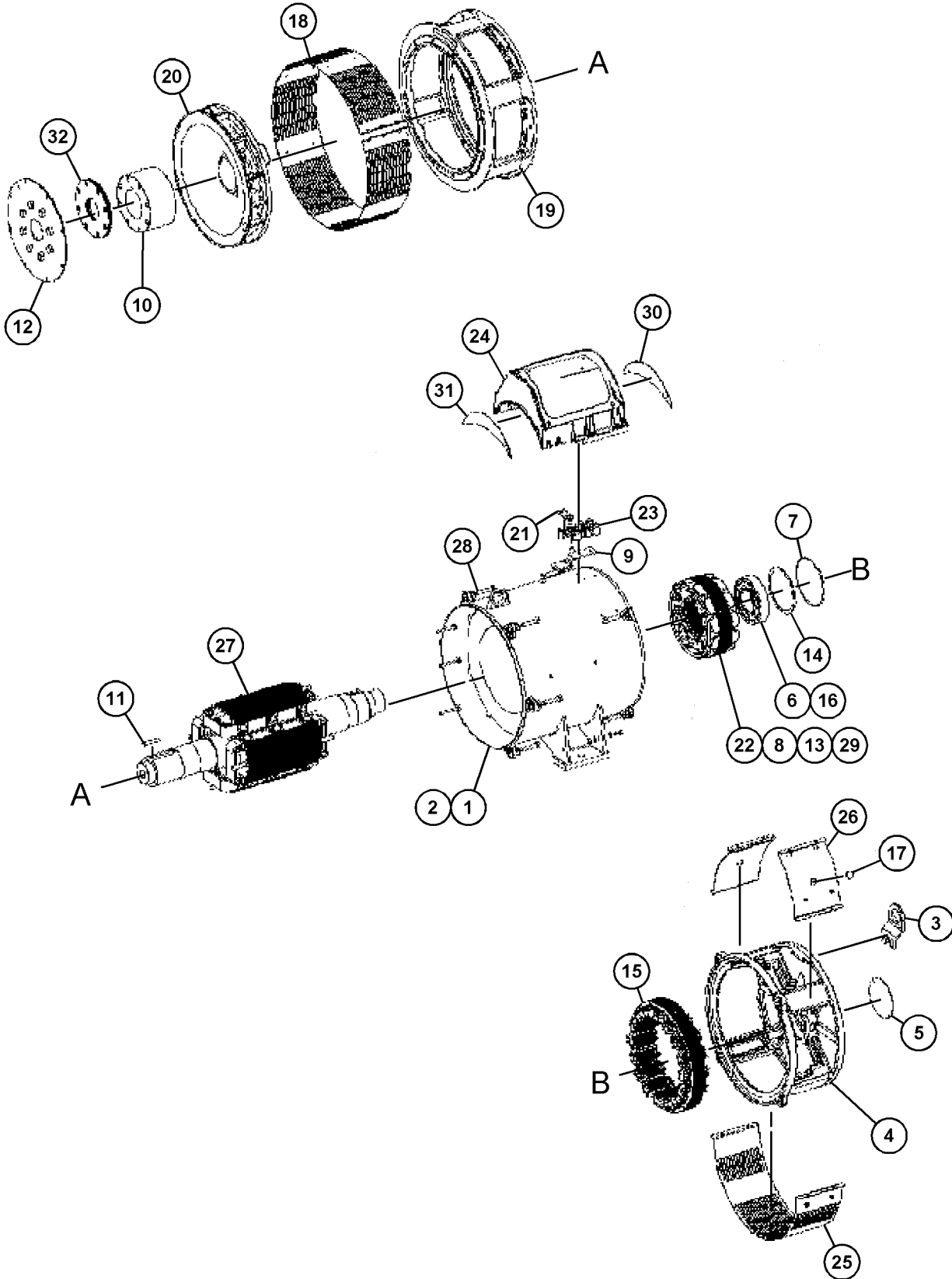
i05939975

NOTE	REF NO	GRAPHIC REF	PART NUMBER	QTY	PART NAME						SEE PAGE
					1	2	3	4	5	6 (PRODUCT LEVEL)	
	1	1	270-3001	1	STATOR AS						
	2	1	241-4576	1	DISC						
	3	1	241-4577	1	EYE-LIFTING						
	4	1	241-4587	1	KIT-RING						
	5	1	241-4594	1	COVER						
	6	1	241-4595	1	CAP-BEARING						
	7	1	241-4597	1	RING						
	8	1	241-4606	1	SUPPORT-DIODE						
	9	1	241-4607	1	SUPPORT						
	10	1	241-4614	1	HUB						
	11	1	241-4615	1	KEY-SQUARE						
	12	1	241-4616	3	DISC						
	13	1	241-4619	1	DIODE AS						
	14	1	241-4622	1	SEAL-O-RING						
	15	1	242-3797	1	EXCITER						
	16	1	243-5220	1	BEARING						
	17	1	243-5380	1	CAP						
	18	1	270-3027	1	BRACKET						
	19	1	345-0788	1	BRACKET						
	20	1	345-0793	1	FAN						
	21	1	345-0796	1	PLATE-TERMINAL						
	22	1	437-4481	1	VARISTOR						
	23	1	447-9596	1	PLATE						
	24	1	447-9599	1	BOX-TERMINAL						
	25	1	463-1487	1	SCREEN (INLET)						
	26	1	463-1488	1	SCREEN (EXTENSION)						
	27	1	463-1489	1	ROTOR AS						
	28	1	463-1490	6	BOLT-SOCKET HEAD						
	29	1	463-1491	1	EXCITER						
	30	1	463-1492	1	PANEL						
	31	1	463-1493	1	PANEL						
	32	1	463-1495	1	SPACER						

GENERATORS

459-4453 GENERATOR GP (contd.)

i05939975



GRAPHIC #1

<END>

g03743296

GENERATORS

459-4454 GENERATOR GP

S/N: F5A1-UP

60 HZ. 12 LEADS

PART OF 459-4448 GENERATOR AR
AN ATTACHMENT

SMCS-4450

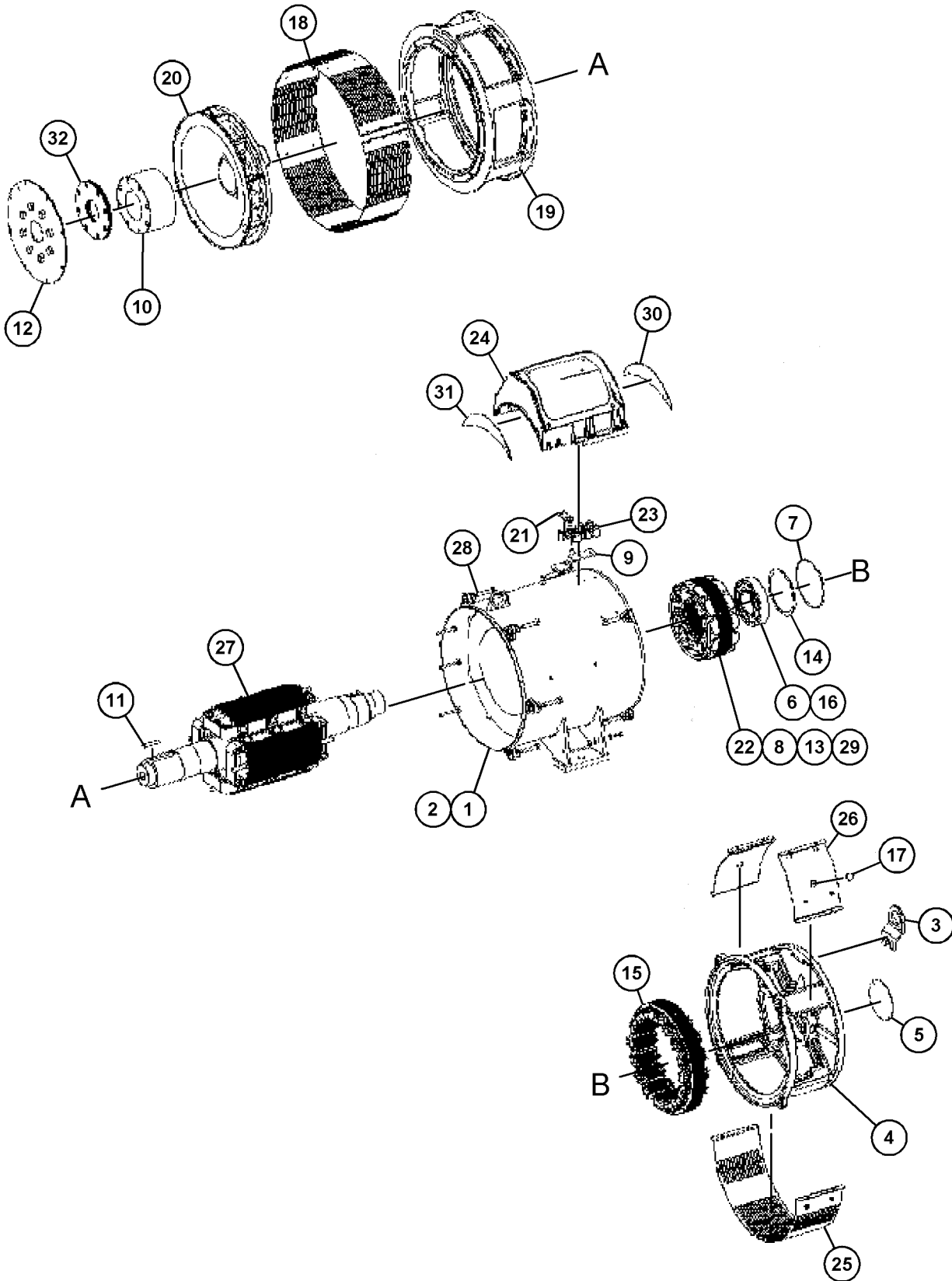
i05939979

NOTE	REF NO	GRAPHIC REF	PART NUMBER	QTY	PART NAME						SEE PAGE
					1	2	3	4	5	6 (PRODUCT LEVEL)	
	1	1	270-3001	1	STATOR AS						
	2	1	241-4576	1	DISC						
	3	1	241-4577	1	EYE-LIFTING						
	4	1	241-4587	1	KIT-RING						
	5	1	241-4594	1	COVER						
	6	1	241-4595	1	CAP-BEARING						
	7	1	241-4597	1	RING						
	8	1	241-4606	1	SUPPORT-DIODE						
	9	1	241-4607	1	SUPPORT						
	10	1	241-4614	1	HUB						
	11	1	241-4615	1	KEY-SQUARE						
	12	1	241-4616	3	DISC						
	13	1	241-4619	1	DIODE AS						
	14	1	241-4622	1	SEAL-O-RING						
	15	1	242-3797	1	EXCITER						
	16	1	243-5220	1	BEARING						
	17	1	243-5380	1	CAP						
	18	1	270-3027	1	BRACKET						
	19	1	345-0788	1	BRACKET						
	20	1	345-0793	1	FAN						
	21	1	345-0796	1	PLATE-TERMINAL						
	22	1	437-4481	1	VARISTOR						
	23	1	447-9596	1	PLATE						
	24	1	447-9599	1	BOX-TERMINAL						
	25	1	463-1487	1	SCREEN (INLET)						
	26	1	463-1488	1	SCREEN (EXTENSION)						
	27	1	463-1489	1	ROTOR AS						
	28	1	463-1490	6	BOLT-SOCKET HEAD						
	29	1	463-1491	1	EXCITER						
	30	1	463-1492	1	PANEL						
	31	1	463-1493	1	PANEL						
	32	1	463-1495	1	SPACER						

GENERATORS

459-4454 GENERATOR GP (contd.)

i05939979



GRAPHIC #1

<END>

g03743296

GENERATORS

459-4455 GENERATOR GP

S/N: F5A1-UP

60 HZ. 12 LEADS

PART OF 459-4449 GENERATOR AR
AN ATTACHMENT

SMCS-4450

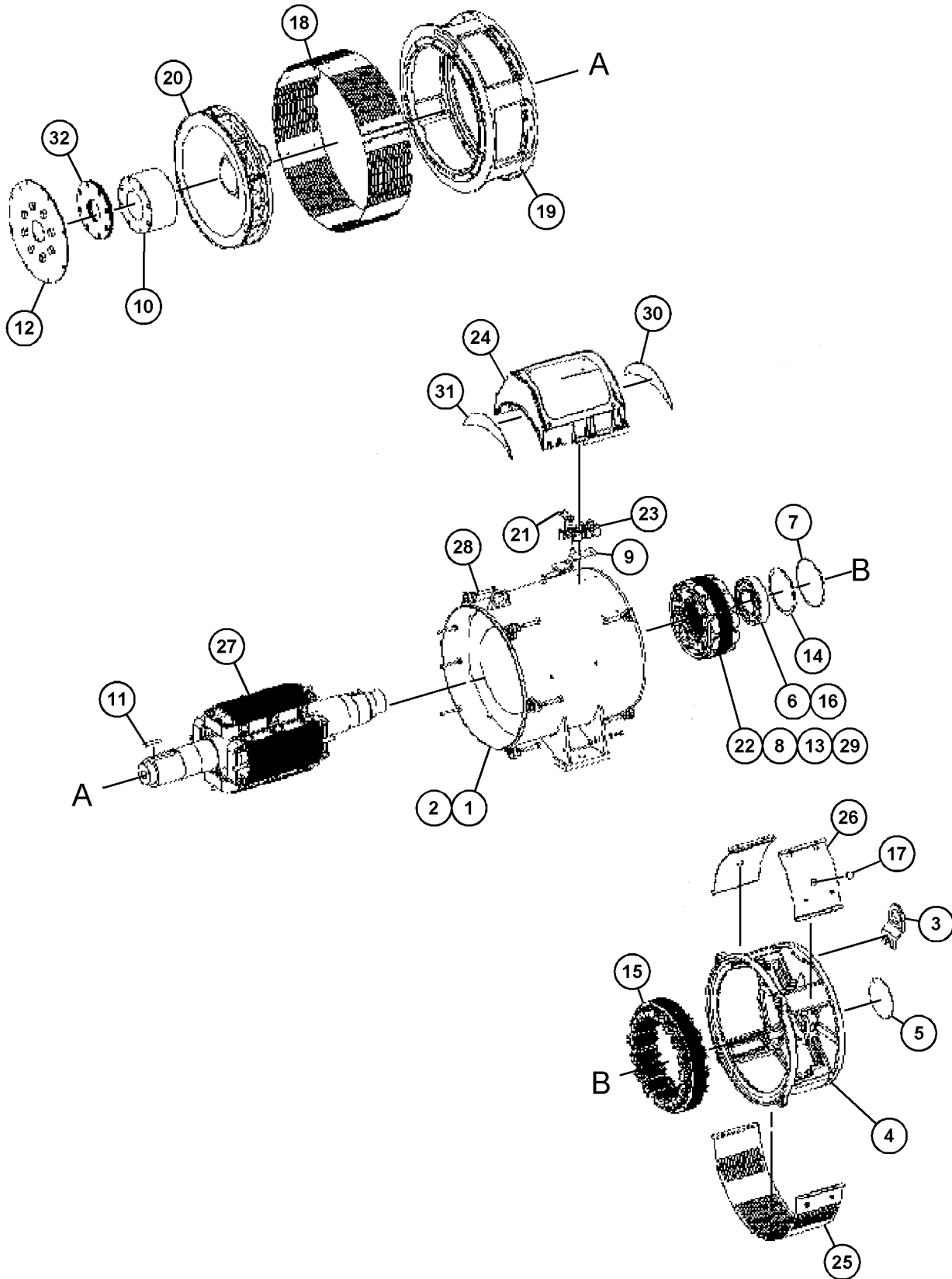
i05939983

NOTE	REF NO	GRAPHIC REF	PART NUMBER	QTY	PART NAME						SEE PAGE
					1	2	3	4	5	6 (PRODUCT LEVEL)	
	1	1	270-3001	1	STATOR AS						
	2	1	241-4576	1	DISC						
	3	1	241-4577	1	EYE-LIFTING						
	4	1	241-4587	1	KIT-RING						
	5	1	241-4594	1	COVER						
	6	1	241-4595	1	CAP-BEARING						
	7	1	241-4597	1	RING						
	8	1	241-4606	1	SUPPORT-DIODE						
	9	1	241-4607	1	SUPPORT						
	10	1	241-4614	1	HUB						
	11	1	241-4615	1	KEY-SQUARE						
	12	1	241-4616	3	DISC						
	13	1	241-4619	1	DIODE AS						
	14	1	241-4622	1	SEAL-O-RING						
	15	1	242-3797	1	EXCITER						
	16	1	243-5220	1	BEARING						
	17	1	243-5380	1	CAP						
	18	1	270-3027	1	BRACKET						
	19	1	345-0788	1	BRACKET						
	20	1	345-0793	1	FAN						
	21	1	345-0796	1	PLATE-TERMINAL						
	22	1	437-4481	1	VARISTOR						
	23	1	447-9596	1	PLATE						
	24	1	447-9599	1	BOX-TERMINAL						
	25	1	463-1487	1	SCREEN (INLET)						
	26	1	463-1488	1	SCREEN (EXTENSION)						
	27	1	463-1489	1	ROTOR AS						
	28	1	463-1490	6	BOLT-SOCKET HEAD						
	29	1	463-1491	1	EXCITER						
	30	1	463-1492	1	PANEL						
	31	1	463-1493	1	PANEL						
	32	1	463-1495	1	SPACER						

GENERATORS

459-4455 GENERATOR GP (contd.)

i05939983



GRAPHIC #1

<END>

g03743296

GENERATORS

465-2285 GENERATOR GP

S/N: F5A1-UP

PART OF 465-2291 GENERATOR AR

SMCS-4450

i06136660

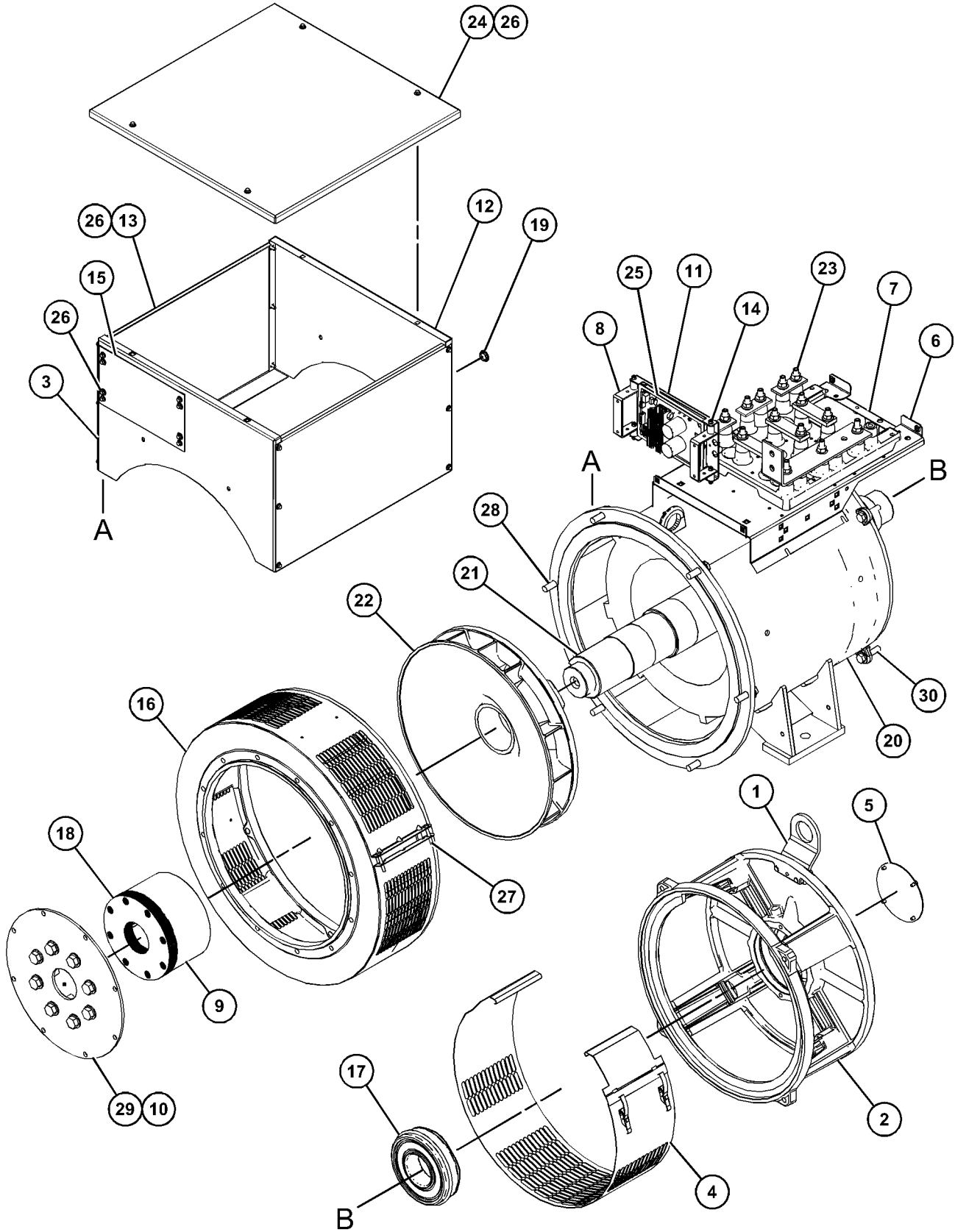
NOTE	REF NO	GRAPHIC REF	PART NUMBER	QTY	PART NAME						SEE PAGE
					1	2	3	4	5	6 (PRODUCT LEVEL)	
	1	1	241-4577	1	EYE-LIFTING						
	2	1	241-4587	1	KIT-RING						
	3	1	241-4589	1	PANEL-TERMINAL BOX						
	4	1	241-4591	1	SCREEN-AIR INLET						
	5	1	241-4594	1	COVER						
	6	1	241-4607	1	SUPPORT						
	7	1	241-4610	1	SUPPORT						
	8	1	241-4612	2	SUPPORT						
	9	1	241-4614	1	HUB						
	10	1	241-4616	3	DISC						
	11	1	241-4624	1	SUPPORT						
	12	1	241-4626	1	PANEL-TERMINAL BOX						
	13	1	241-4627	2	PANEL-ACCESS						
	14	1	241-4629	1	MOUNT AS-RESILIENT						
M		1	5C-2874	8	NUT (M5X0.8-THD)						
		1	8T-0328	8	WASHER-HARD (5.5X10X1-MM THK)						
		1	096-0192	8	LOCKWASHER (EXTERNAL TOOTH)						
		1	254-4235	4	MOUNT						
	15	1	242-2982	1	PANEL-ACCESS						
	16	1	242-3749	1	BRACKET						
	17	1	243-5220	1	BEARING						
	18	1	243-5223	12	SHIM (2-MM THK)						
	19	1	243-5380	1	CAP						
	20	1	270-3001	1	STATOR AS						
	21	1	270-3002	1	ROTOR AS						
	22	1	345-0793	1	FAN						
	23	1	345-0796	1	PLATE-TERMINAL						
	24	1	375-8208	1	COVER-BOX						
Y	25	1	448-1092	1	CONTROL GP-ELECTRONIC (EXCITATION MODULE 10)						159
M	26	1	235-4451	28	BOLT-FLANGE HEAD (M6X1X16-MM)						
M	27	1	8C-8451	2	BOLT (M6X1X40-MM)						
M	28	1	8T-0226	6	BOLT (M14X2X45-MM)						
M	29	1	8T-4140	8	BOLT (M16X2X60-MM)						
M	30	1	8T-4194	4	BOLT (M12X1.75X50-MM)						
FM			151-6283	4	BOLT-SOCKET HEAD (M6X1X70-MM)						
F			241-4576	1	DISC						
F			241-4595	1	CAP-BEARING						
F			241-4605	1	ARMATURE						
F			241-4606	1	SUPPORT-DIODE						
F			241-4615	1	KEY-SQUARE						
F			241-4619	1	DIODE AS						
F			242-3797	1	EXCITER						
F			437-4481	1	VARISTOR						

F - NOT SHOWN
M - METRIC PART
Y - SEPARATE ILLUSTRATION

GENERATORS

465-2285 GENERATOR GP (contd.)

i06136660



GRAPHIC #1

<END>

g03800578

GENERATORS

465-2290 GENERATOR GP

S/N: F5A1-UP

PART OF 465-2292 GENERATOR AR

SMCS-4450

i06035684

NOTE	REF NO	GRAPHIC REF	PART NUMBER	QTY	PART NAME						SEE PAGE
					1	2	3	4	5	6 (PRODUCT LEVEL)	
	1	1	241-4577	1	EYE-LIFTING						
	2	2	241-4587	1	KIT-RING						
	3	1	241-4589	1	PANEL-TERMINAL BOX						
	4	2	241-4591	1	SCREEN-AIR INLET						
	5	1	241-4594	1	COVER						
	6	2	241-4607	1	SUPPORT						
	7	2	241-4610	1	SUPPORT						
	8	2	241-4612	2	SUPPORT						
	9	2	241-4614	1	HUB						
	10	2	241-4616	3	DISC						
	11	2	241-4624	1	SUPPORT						
	12	1	241-4626	1	PANEL-TERMINAL BOX						
	13	1	241-4627	2	PANEL-ACCESS						
	14	2	241-4629	1	MOUNT AS-RESILIENT						
M		2	5C-2874	8	NUT (M5X0.8-THD)						
		2	8T-0328	8	WASHER-HARD (5.5X10X1-MM THK)						
		2	096-0192	8	LOCKWASHER (EXTERNAL TOOTH)						
		2	254-4235	4	MOUNT						
	15	1	242-2982	1	PANEL-ACCESS						
	16	2	242-3749	1	BRACKET						
	17	2	243-5220	1	BEARING						
	18	2	243-5223	12	SHIM (2-MM THK)						
	19	1	243-5380	1	CAP						
	20	2	263-7681	1	ROTOR AS						
	21	1	263-7683	1	STATOR AS						
	22	2	345-0793	1	FAN						
	23	2	345-0796	1	PLATE-TERMINAL						
	24	1	375-8208	1	COVER-BOX						
Y	25	2	448-1092	1	CONTROL GP-ELECTRONIC (EXCITATION MODULE 10)						159
M	26	1	235-4451	28	BOLT-FLANGE HEAD (M6X1X16-MM)						
M	27	1	8C-8451	2	BOLT (M6X1X40-MM)						
M	28	1	8T-0226	6	BOLT (M14X2X45-MM)						
M	29	1	8T-4140	8	BOLT (M16X2X60-MM)						
M	30	1	8T-4194	4	BOLT (M12X1.75X50-MM)						
FM			151-6283	4	BOLT-SOCKET HEAD (M6X1X70-MM)						
F			241-4576	1	DISC						
F			241-4595	1	CAP-BEARING						
F			241-4605	1	ARMATURE						
F			241-4606	1	SUPPORT-DIODE						
F			241-4615	1	KEY-SQUARE						
F			241-4619	1	DIODE AS						
F			242-3797	1	EXCITER						
F			437-4481	1	VARISTOR						

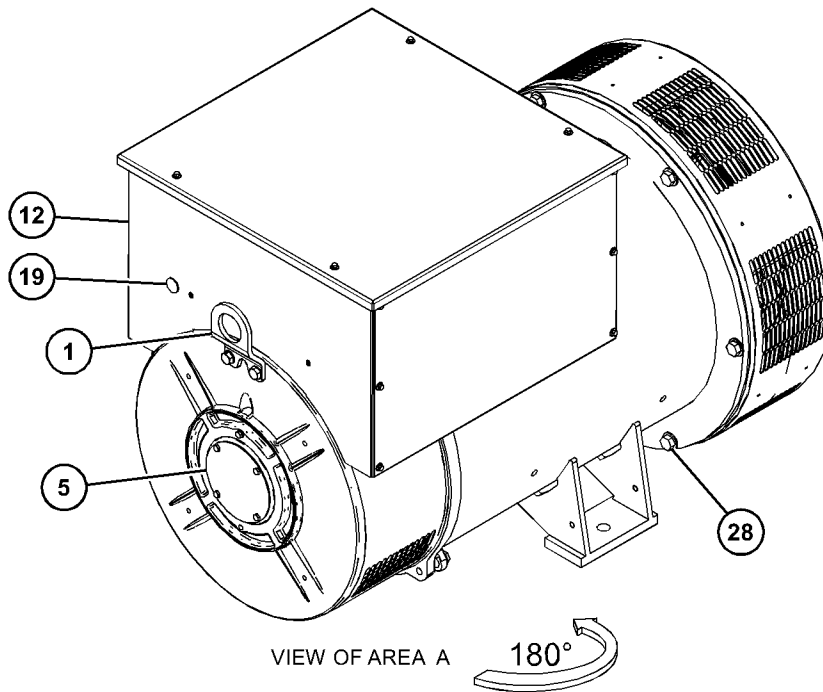
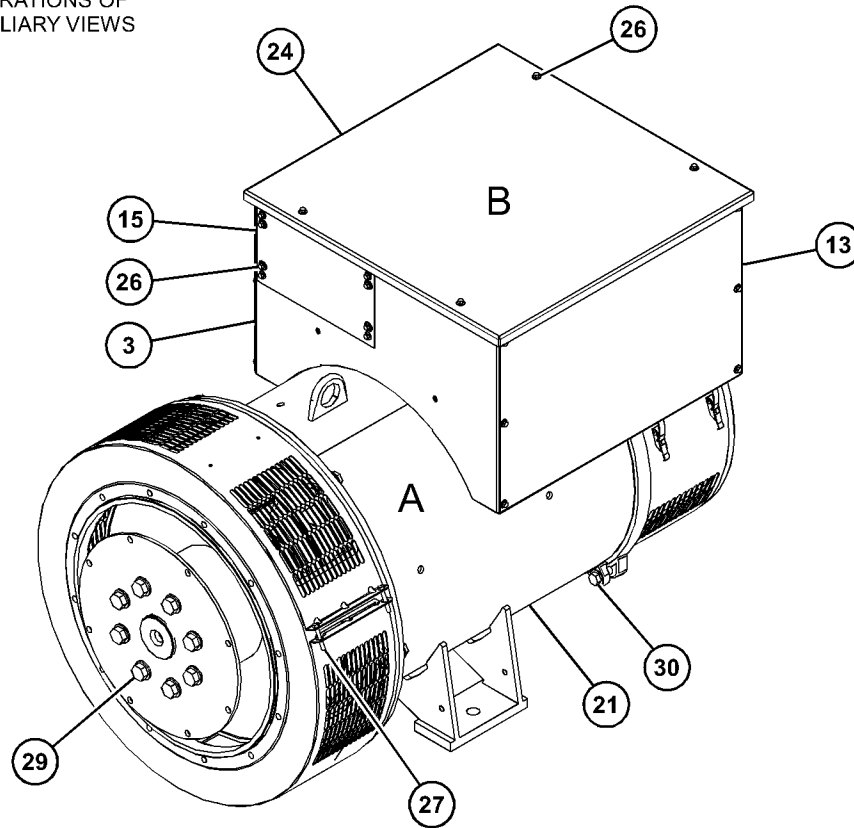
F - NOT SHOWN
M - METRIC PART
Y - SEPARATE ILLUSTRATION

GENERATORS

465 - 2290 GENERATOR GP (contd.)

i06035684

REFER TO ALL ILLUSTRATIONS OF THIS GROUP FOR AUXILIARY VIEWS



VIEW OF AREA A

180°

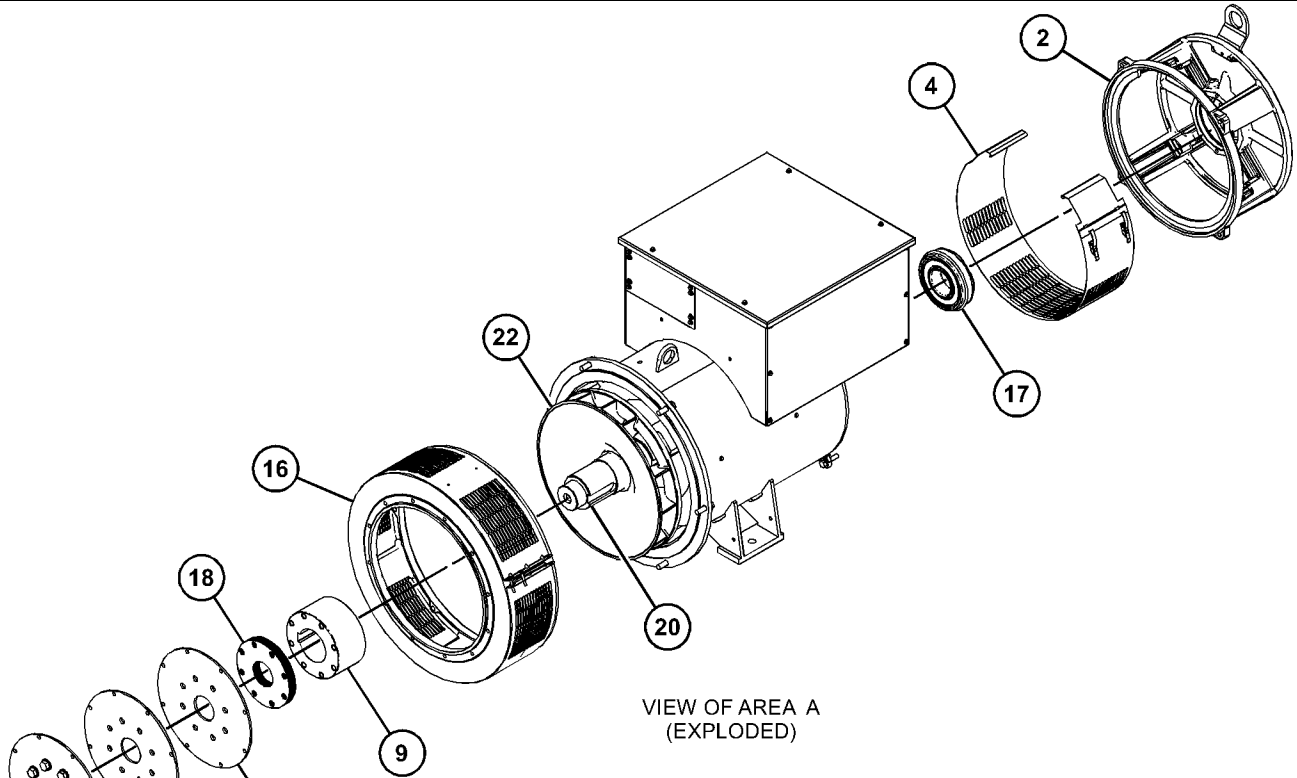
GRAPHIC #1

g03800618

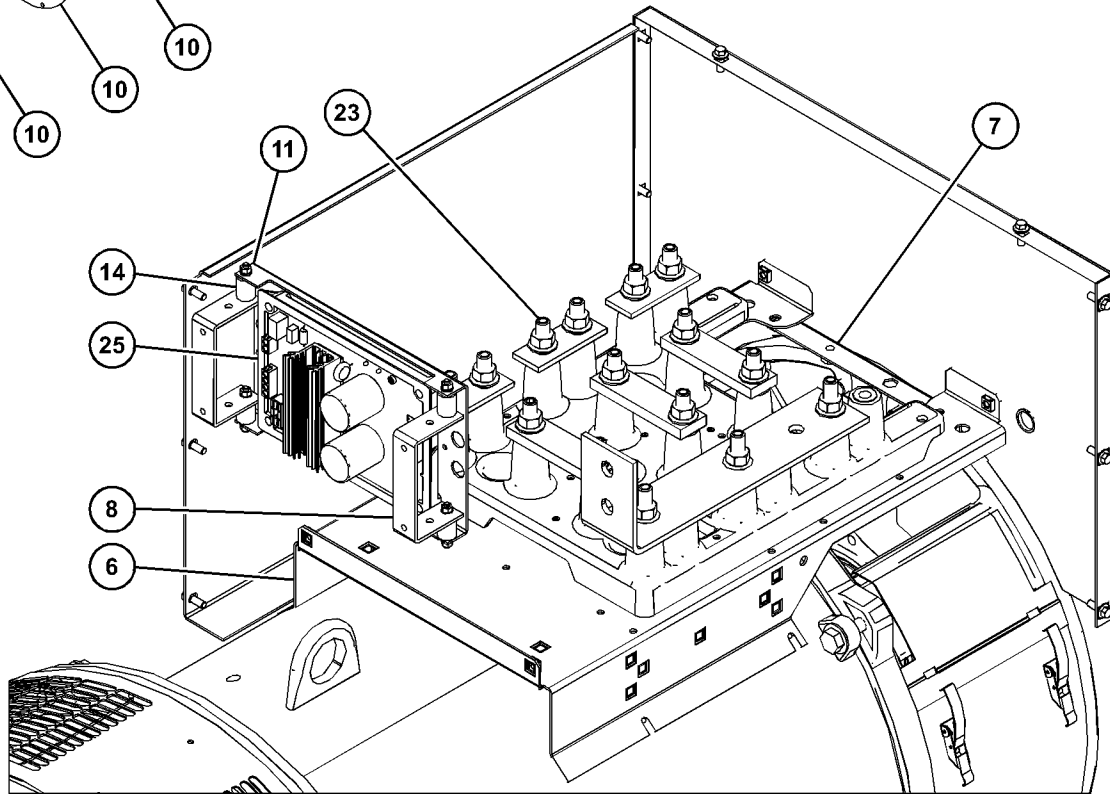
GENERATORS

465-2290 GENERATOR GP (contd.)

i06035684



VIEW OF AREA A
(EXPLODED)



VIEW OF AREA B
(PARTS REMOVED FOR CLARITY)

GRAPHIC #2

<END>

g03800858

GENERATORS

471-0795 GENERATOR GP

S/N: F5A1-UP

60/50-HERTZ. 5000 SERIES. 12-LEAD

PART OF 471-0794 GENERATOR AR

AN ATTACHMENT

SMCS-4450

i06165285

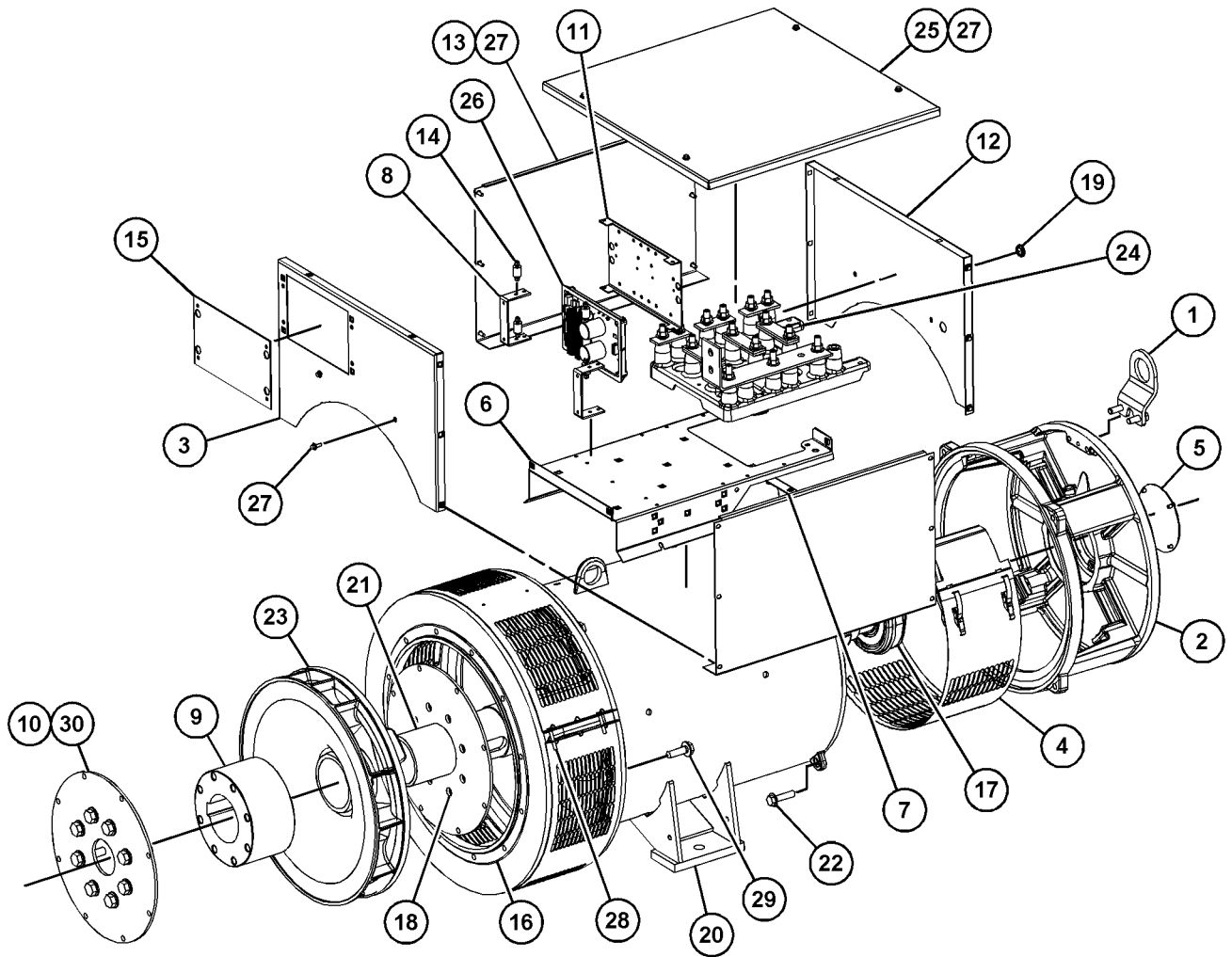
NOTE	REF NO	GRAPHIC REF	PART NUMBER	QTY	PART NAME						SEE PAGE
					1	2	3	4	5	6 (PRODUCT LEVEL)	
	1	1	241-4577	1	EYE-LIFTING						
	2	1	241-4587	1	KIT-RING						
	3	1	241-4589	1	PANEL-TERMINAL BOX						
	4	1	241-4591	1	SCREEN-AIR INLET						
	5	1	241-4594	1	COVER						
	6	1	241-4607	1	SUPPORT						
	7	1	241-4610	1	SUPPORT						
	8	1	241-4612	2	SUPPORT						
	9	1	241-4614	1	HUB						
	10	1	241-4616	3	DISC						
	11	1	241-4624	1	SUPPORT						
	12	1	241-4626	1	PANEL-TERMINAL BOX						
	13	1	241-4627	2	PANEL-ACCESS						
	14	1	241-4629	1	MOUNT AS-RESILIENT						
M		1	5C-2874	8	NUT (M5X0.8-THD)						
		1	8T-0328	8	WASHER-HARD (5.5X10X1-MM THK)						
		1	096-0192	8	LOCKWASHER (EXTERNAL TOOTH)						
		1	254-4235	4	MOUNT						
	15	1	242-2982	1	PANEL-ACCESS						
	16	1	242-3749	1	BRACKET						
	17	1	243-5220	1	BEARING						
	18	1	243-5223	12	SHIM (2-MM THK)						
	19	1	243-5380	1	CAP						
	20	1	270-3001	1	STATOR AS						
	21	1	270-3002	1	ROTOR AS						
M	22	1	8T-4194	4	BOLT (M12X1.75X50-MM)						
	23	1	345-0793	1	FAN						
	24	1	345-0796	1	PLATE-TERMINAL						
	25	1	375-8208	1	COVER-BOX						
Y	26	1	448-1092	1	CONTROL GP-ELECTRONIC (EXCITATION MODULE 10)						159
M	27	1	235-4451	28	BOLT-FLANGE HEAD (M6X1X16-MM)						
M	28	1	8C-8451	2	BOLT (M6X1X40-MM)						
M	29	1	8T-0226	6	BOLT (M14X2X45-MM)						
M	30	1	8T-4140	8	BOLT (M16X2X60-MM)						
FM		1	151-6283	4	BOLT-SOCKET HEAD (M6X1X70-MM)						
F		1	241-4576	1	DISC						
F		1	241-4595	1	CAP-BEARING						
F		1	241-4605	1	ARMATURE						
F		1	241-4606	1	SUPPORT-DIODE						
F		1	241-4615	1	KEY-SQUARE						
F		1	241-4619	1	DIODE AS						
F		1	242-3797	1	EXCITER						
F		1	437-4481	1	VARISTOR						

F - NOT SHOWN
M - METRIC PART
Y - SEPARATE ILLUSTRATION

GENERATORS

471-0795 GENERATOR GP (contd.)

106165285



GRAPHIC #1

<END>

g06029306

GENERATORS

471-0797 GENERATOR GP

S/N: F5A1-UP

60/50-HERTZ. 5000 SERIES. 12-LEAD

PART OF 471-0796 GENERATOR AR

AN ATTACHMENT

SMCS-4450

i06165415

NOTE	REF NO	GRAPHIC REF	PART NUMBER	QTY	PART NAME						SEE PAGE
					1	2	3	4	5	6 (PRODUCT LEVEL)	
	1	1	241-4577	1	EYE-LIFTING						
	2	1	241-4587	1	KIT-RING						
	3	1	241-4589	1	PANEL-TERMINAL BOX						
	4	1	241-4591	1	SCREEN-AIR INLET						
	5	1	241-4594	1	COVER						
	6	1	241-4607	1	SUPPORT						
	7	1	241-4610	1	SUPPORT						
	8	1	241-4612	2	SUPPORT						
	9	1	241-4614	1	HUB						
	10	1	241-4616	3	DISC						
	11	1	241-4624	1	SUPPORT						
	12	1	241-4626	1	PANEL-TERMINAL BOX						
	13	1	241-4627	2	PANEL-ACCESS						
	14	1	241-4629	1	MOUNT AS-RESILIENT						
M		1	5C-2874	8	NUT (M5X0.8-THD)						
		1	8T-0328	8	WASHER-HARD (5.5X10X1-MM THK)						
		1	096-0192	8	LOCKWASHER (EXTERNAL TOOTH)						
		1	254-4235	4	MOUNT						
	15	1	242-2982	1	PANEL-ACCESS						
	16	1	242-3749	1	BRACKET						
	17	1	243-5220	1	BEARING						
	18	1	243-5223	12	SHIM (2-MM THK)						
	19	1	243-5380	1	CAP						
	20	1	263-7681	1	ROTOR AS						
	21	1	263-7683	1	STATOR AS						
B	22	1	312-0080	1	REGULATOR AS-VOLTAGE						
	23	1	345-0793	1	FAN						
	24	1	345-0796	1	PLATE-TERMINAL						
	25	1	375-8208	1	COVER-BOX						
Y	26	1	448-1092	1	CONTROL GP-ELECTRONIC (EXCITATION MODULE 10)						159
M	27	1	235-4451	28	BOLT-FLANGE HEAD (M6X1X16-MM)						
M	28	1	8C-8451	2	BOLT (M6X1X40-MM)						
M	29	1	8T-0226	6	BOLT (M14X2X45-MM)						
M	30	1	8T-4140	8	BOLT (M16X2X60-MM)						
M	31	1	8T-4194	4	BOLT (M12X1.75X50-MM)						
FM		1	151-6283	4	BOLT-SOCKET HEAD (M6X1X70-MM)						
F		1	241-4576	1	DISC						
F		1	241-4595	1	CAP-BEARING						
F		1	241-4605	1	ARMATURE						
F		1	241-4606	1	SUPPORT-DIODE						
F		1	241-4615	1	KEY-SQUARE						
F		1	241-4619	1	DIODE AS						
F		1	242-3797	1	EXCITER						
F		1	437-4481	1	VARISTOR						

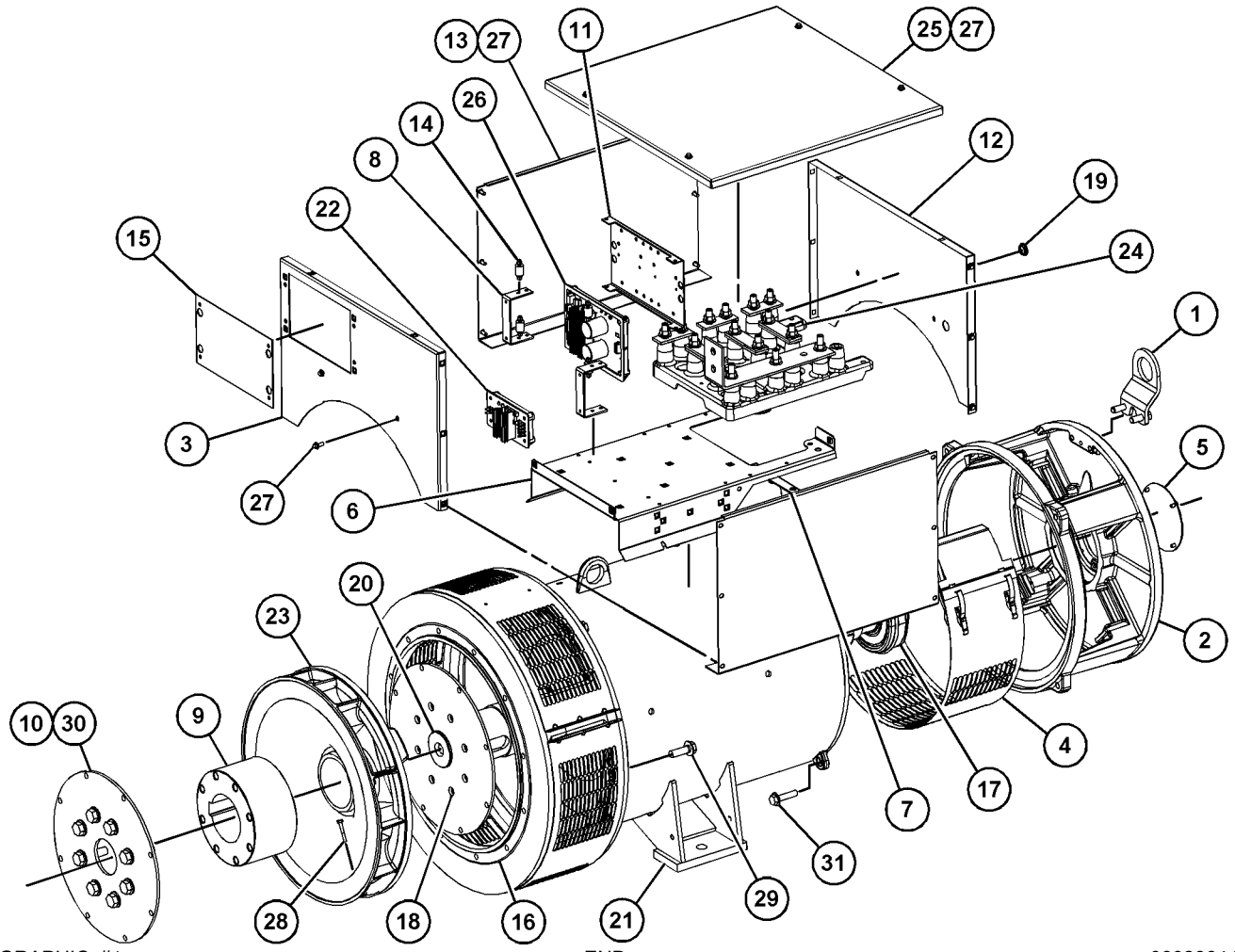
GENERATORS

471-0797 GENERATOR GP (contd.)

i06165415

NOTE	REF NO	GRAPHIC REF	PART NUMBER	QTY	PART NAME	1	2	3	4	5	6	(PRODUCT LEVEL)	SEE PAGE
------	--------	-------------	-------------	-----	-----------	---	---	---	---	---	---	-----------------	----------

B - USE AS REQUIRED
 F - NOT SHOWN
 M - METRIC PART
 Y - SEPARATE ILLUSTRATION



GRAPHIC #1

<END>

g06028644

GENERATORS

471-0799 GENERATOR GP

S/N: F5A1-UP

60/50-HERTZ. 5000 SERIES. 12-LEAD

PART OF 471-0798 GENERATOR AR

AN ATTACHMENT

SMCS-4450

i06165473

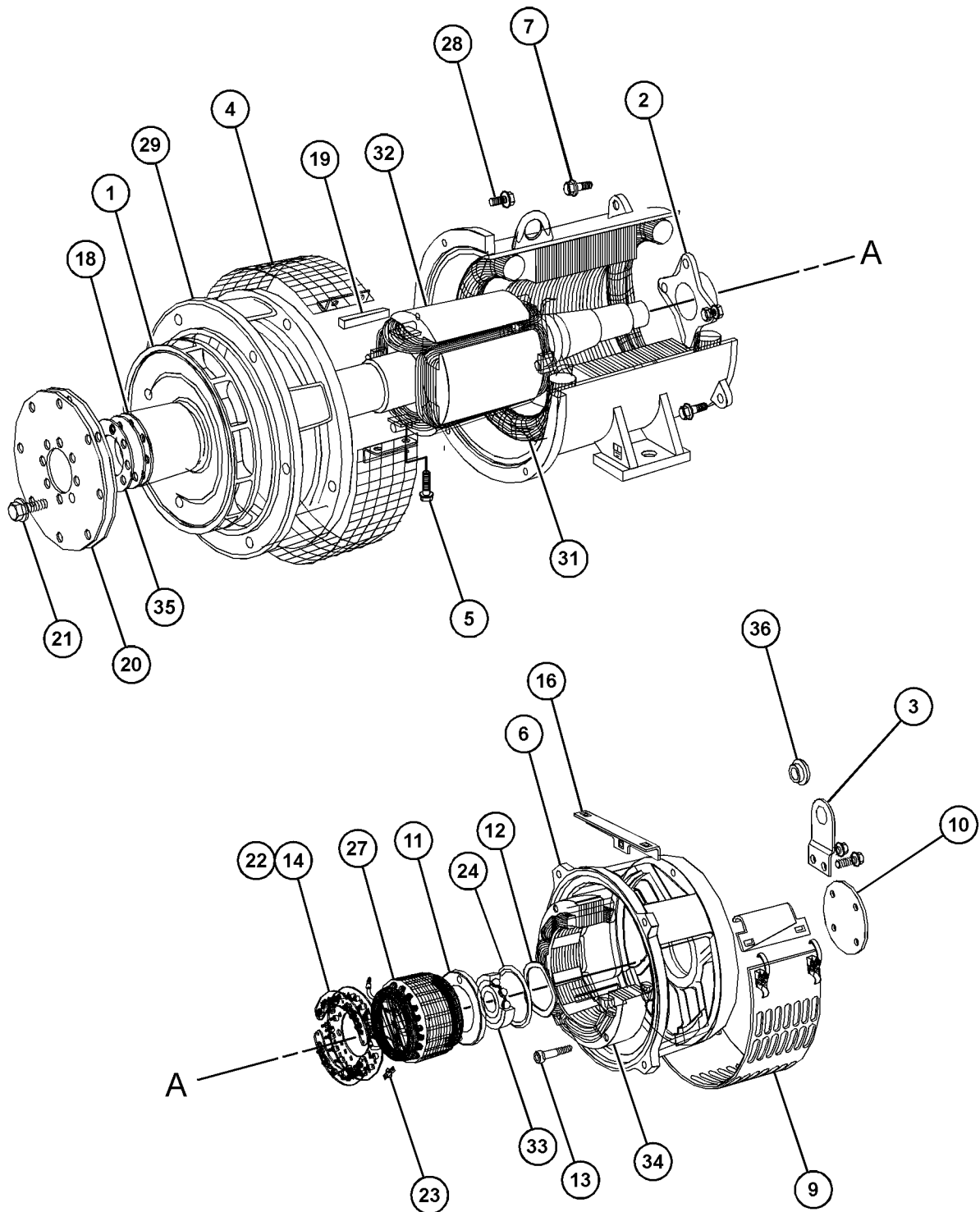
NOTE	REF NO	GRAPHIC REF	PART NUMBER	QTY	PART NAME						SEE PAGE
					1	2	3	4	5	6 (PRODUCT LEVEL)	
	1	1	241-4574	1	FAN						
	2	1	241-4576	1	DISC						
	3	1	241-4577	1	EYE-LIFTING						
	4	1	241-4579	1	SCREEN						
M	5	1	8C-8451	2	BOLT (M6X1X40-MM)						
	6	1	241-4587	1	KIT-RING						
M	7	1	8T-4194	4	BOLT (M12X1.75X50-MM)						
	8	2	471-8282	1	PANEL						
	9	1	241-4591	1	SCREEN-AIR INLET						
	10	1	241-4594	1	COVER						
	11	1	241-4595	1	CAP-BEARING						
	12	1	241-4597	1	RING						
M	13	1	151-6283	4	BOLT-SOCKET HEAD (M6X1X70-MM)						
	14	1	241-4606	1	SUPPORT-DIODE						
	15	2	241-4607	1	SUPPORT						
	16	1	241-4610	1	SUPPORT						
	17	2	345-0796	1	PLATE-TERMINAL						
	18	1	241-4614	1	HUB						
	19	1	241-4615	1	KEY-SQUARE						
	20	1	242-3959	3	DISC-COUPLING						
M	21	1	8T-4140	8	BOLT (M16X2X60-MM)						
	22	1	241-4619	1	DIODE AS						
	23	1	437-4481	1	VARISTOR						
	24	1	241-4622	1	SEAL-O-RING						
	25	2	471-8283	2	PANEL						
	26	2	471-8284	1	PANEL						
	27	1	463-1491	1	EXCITER						
M	28	1	8T-0226	6	BOLT (M14X2X45-MM)						
	29	1	242-3749	1	BRACKET						
M	30	2	184-7012	28	BOLT (M6X1X16-MM)						
	31	1	242-8718	1	STATOR AS						
	32	1	242-8724	1	ROTOR AS						
	33	1	243-5220	1	BEARING						
	34	1	242-3797	1	EXCITER						
	35	1	243-5223	1	SHIM (2-MM THK)						
	36	1	243-5380	1	CAP						
	37	2	375-8208	1	COVER-BOX						

M - METRIC PART

GENERATORS

471-0799 GENERATOR GP (contd.)

i06165473



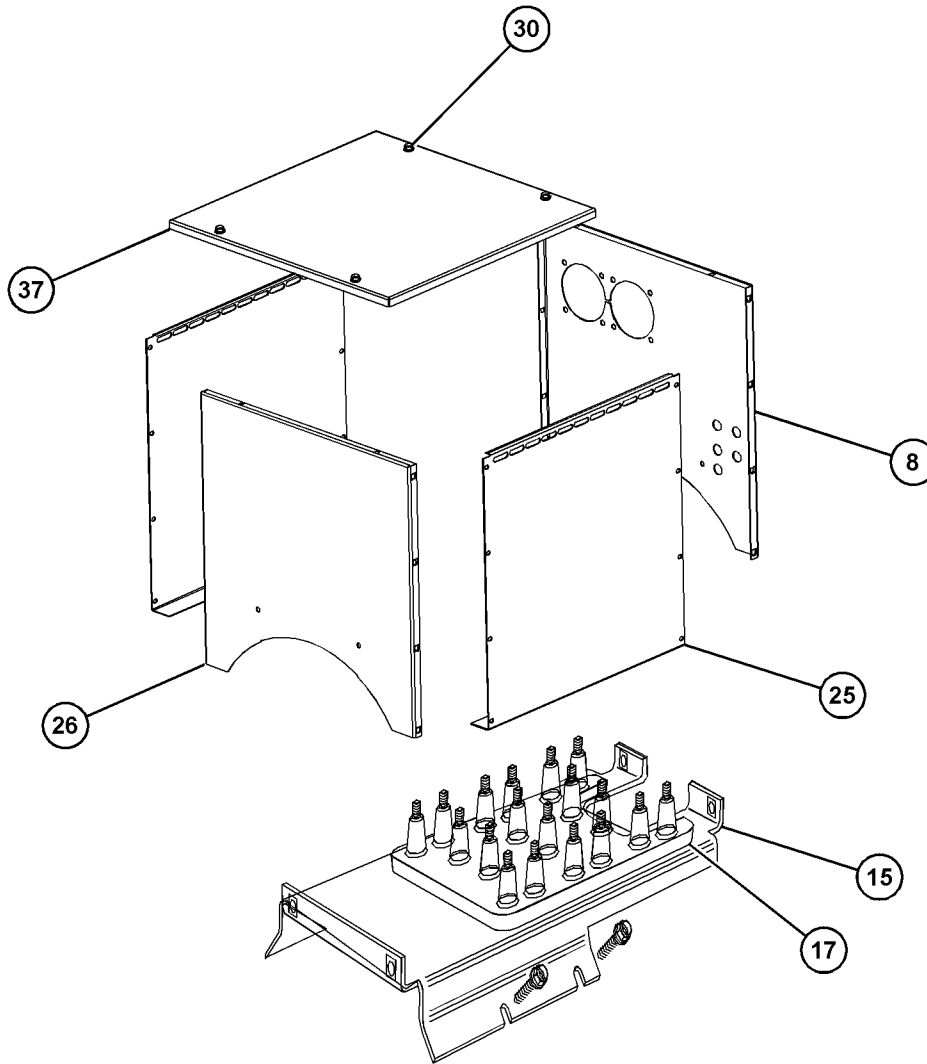
GRAPHIC #1

g03885089

GENERATORS

471-0799 GENERATOR GP (contd.)

i06165473



GRAPHIC #2

<END>

g03885091

GENERATORS

471-0801 GENERATOR GP

S/N: F5A1-UP

60/50-HERTZ. 5000 SERIES. 12-LEAD

PART OF 471-0800 GENERATOR AR

AN ATTACHMENT

SMCS-4450

i06165491

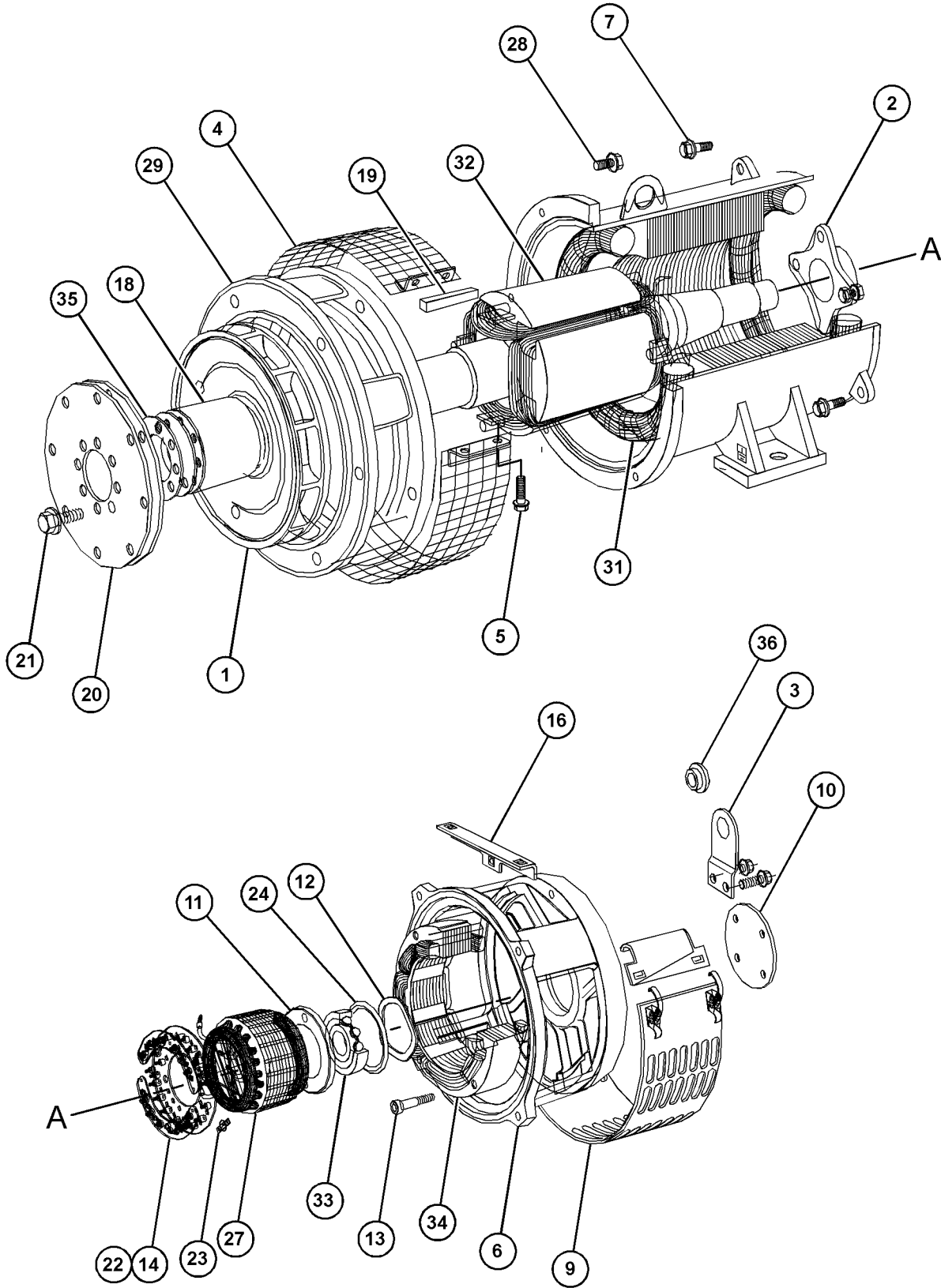
NOTE	REF NO	GRAPHIC REF	PART NUMBER	QTY	PART NAME						SEE PAGE
					1	2	3	4	5	6 (PRODUCT LEVEL)	
	1	1	241-4574	1	FAN						
	2	1	241-4576	1	DISC						
	3	1	241-4577	1	EYE-LIFTING						
	4	1	241-4579	1	SCREEN						
M	5	1	8C-8451	2	BOLT (M6X1X40-MM)						
	6	1	241-4587	1	KIT-RING						
M	7	1	8T-4194	4	BOLT (M12X1.75X50-MM)						
	8	2	471-8282	1	PANEL						
	9	1	241-4591	1	SCREEN-AIR INLET						
	10	1	241-4594	1	COVER						
	11	1	241-4595	1	CAP-BEARING						
	12	1	241-4597	1	RING						
M	13	1	151-6283	4	BOLT-SOCKET HEAD (M6X1X70-MM)						
	14	1	241-4606	1	SUPPORT-DIODE						
	15	2	241-4607	1	SUPPORT						
	16	1	241-4610	1	SUPPORT						
	17	2	345-0796	1	PLATE-TERMINAL						
	18	1	241-4614	1	HUB						
	19	1	241-4615	1	KEY-SQUARE						
	20	1	242-3959	3	DISC-COUPLING						
M	21	1	8T-4140	8	BOLT (M16X2X60-MM)						
	22	1	241-4619	1	DIODE AS						
	23	1	437-4481	1	VARISTOR						
	24	1	241-4622	1	SEAL-O-RING						
	25	2	471-8283	2	PANEL						
	26	2	471-8284	1	PANEL						
	27	1	471-8668	1	EXCITER						
M	28	1	8T-0226	6	BOLT (M14X2X45-MM)						
	29	1	242-3749	1	BRACKET						
M	30	2	184-7012	28	BOLT (M6X1X16-MM)						
	31	1	242-8719	1	STATOR AS						
	32	1	242-8725	1	ROTOR AS						
	33	1	243-5220	1	BEARING						
	34	1	243-5221	1	EXCITER						
	35	1	243-5223	1	SHIM (2-MM THK)						
	36	1	243-5380	1	CAP						
	37	2	375-8208	1	COVER-BOX						

M - METRIC PART

GENERATORS

471-0801 GENERATOR GP (contd.)

i06165491



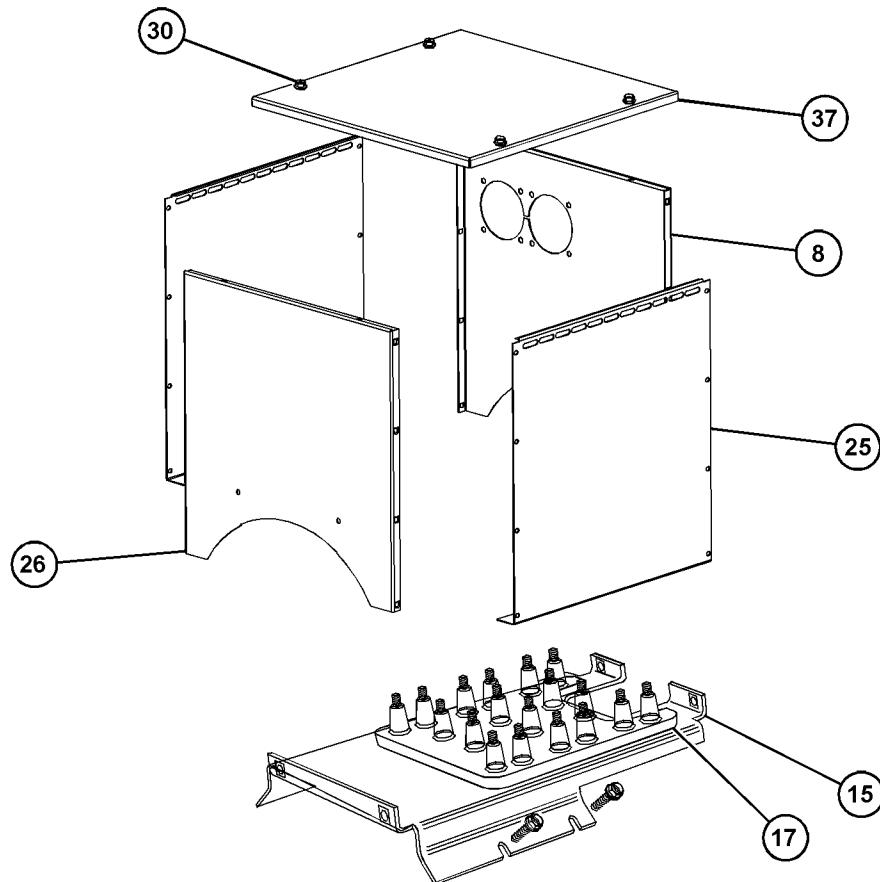
GRAPHIC #1

g03885130

GENERATORS

471-0801 GENERATOR GP (contd.)

106165491



GRAPHIC #2

<END>

g03885131

GENERATORS

420-8962 HEATER GP-SPACE

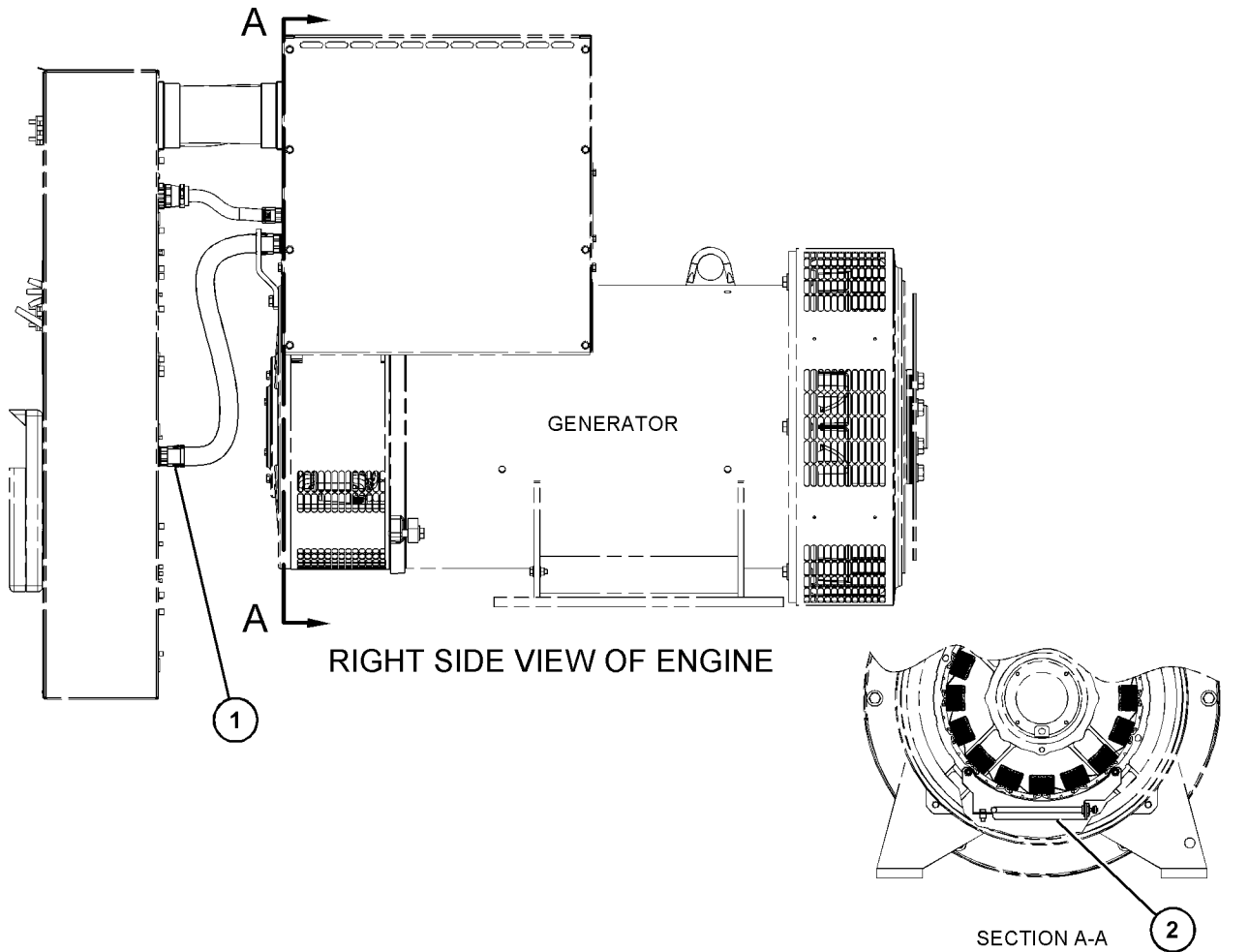
S/N: LX91-UP
230-VOLT
AN ATTACHMENT

SMCS-7274

i06110364

NOTE	REF NO	GRAPHIC REF	PART NUMBER	QTY	PART NAME						SEE PAGE
					1	2	3	4	5	6 (PRODUCT LEVEL)	
	1	1	345-1120	2	CONNECTOR AS						
	2	1	240-0238	1	HEATER AS-SPACE (230-VOLT)						
F			8L-8413	6	STRAP-CABLE (WHITE)						
F			240-1405	2	TERMINAL-BLADE (14-GA TO 16-GA)						

F - NOT SHOWN



GRAPHIC #1

<END>

g06010230

GENERATORS

453-7021 HEATER GP-SPACE

S/N: LX91-UP

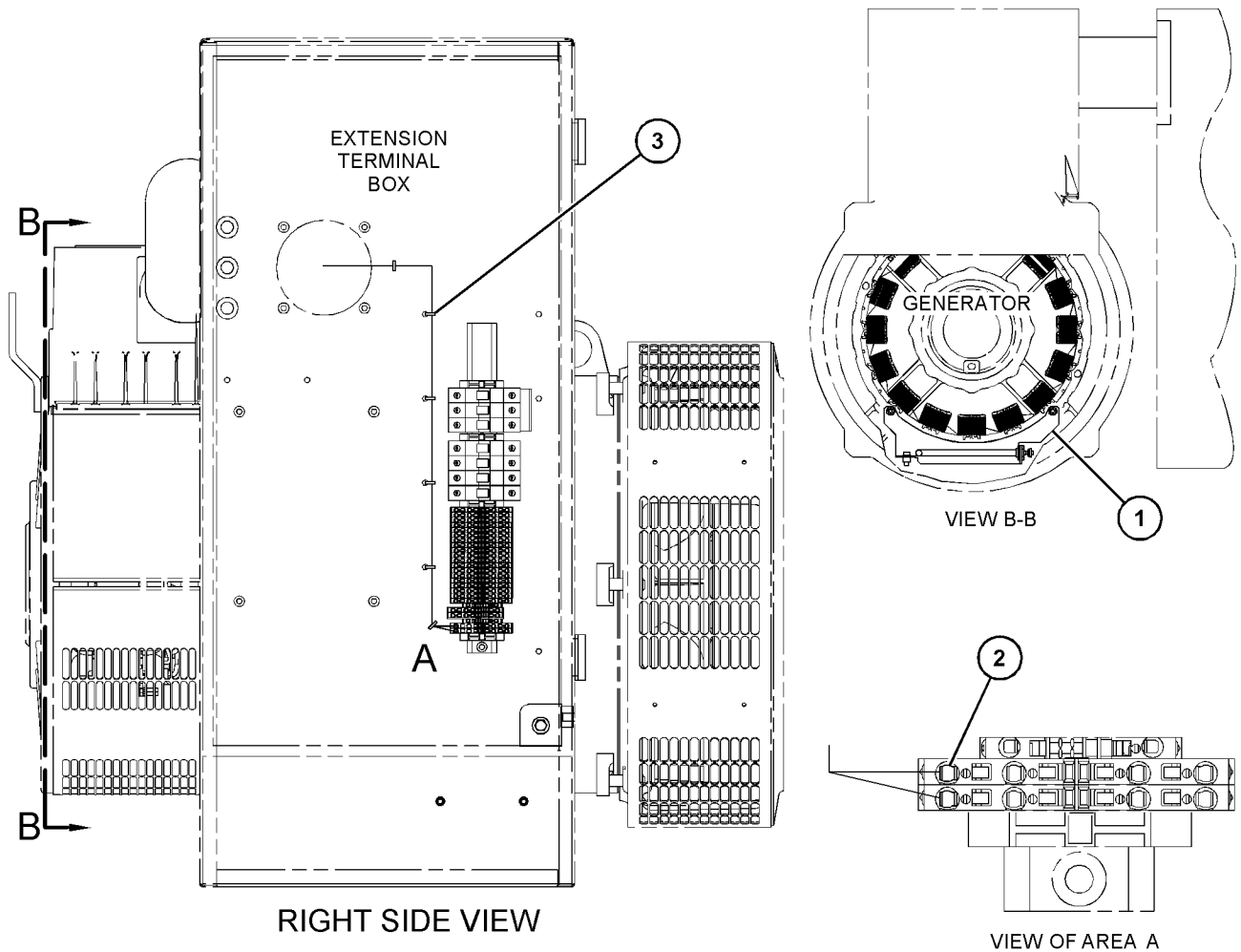
110-VOLT

AN ATTACHMENT

SMCS-7274

i06159035

NOTE	REF NO	GRAPHIC REF	PART NUMBER	QTY	PART NAME						SEE PAGE
					1	2	3	4	5	6 (PRODUCT LEVEL)	
	1	1	453-7019	1	HEATER-SPACE (110-VOLT)						
	2	1	240-1405	2	TERMINAL-BLADE (14-GA TO 16-GA)						
	3	1	8L-8413	6	STRAP-CABLE (WHITE)						



GRAPHIC #1

<END>

g03837947

GENERATORS

453-7022 HEATER GP-SPACE

S/N: LX91-UP

230-VOLT

AN ATTACHMENT

SMCS-7274

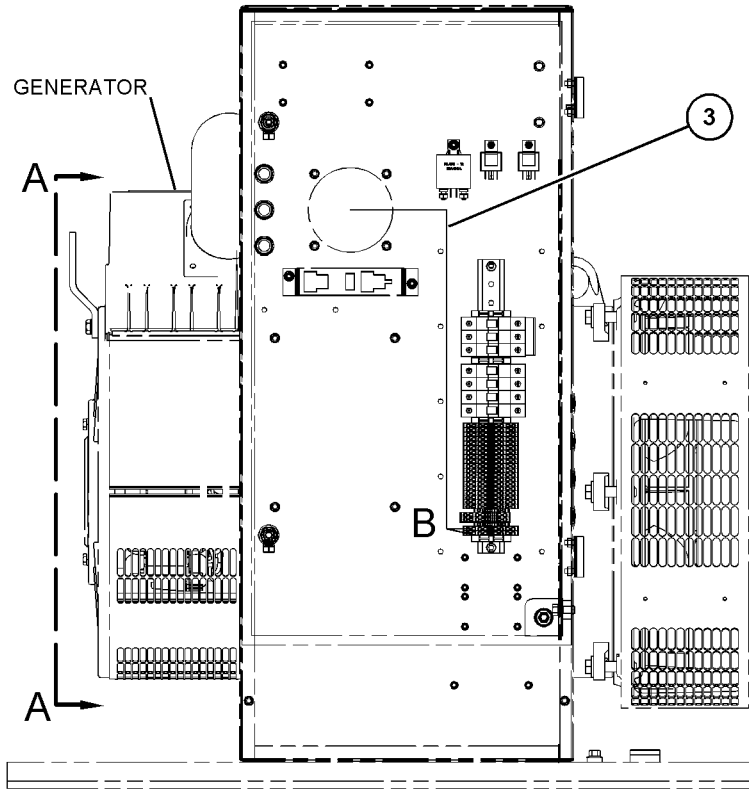
i06110400

NOTE	REF NO	GRAPHIC REF	PART NUMBER	QTY	PART NAME						SEE PAGE
					1	2	3	4	5	6	
	1	1	384-4307	1	HEATER (230-VOLT)						
	2	1	240-1405	2	TERMINAL-BLADE (14-GA TO 16-GA)						
	3	1	8L-8413	6	STRAP-CABLE (WHITE)						

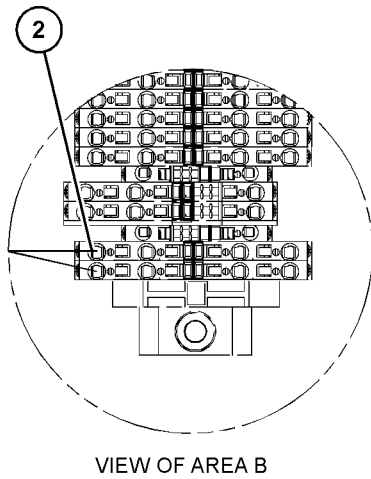
GENERATORS

453-7022 HEATER GP-SPACE (contd.)

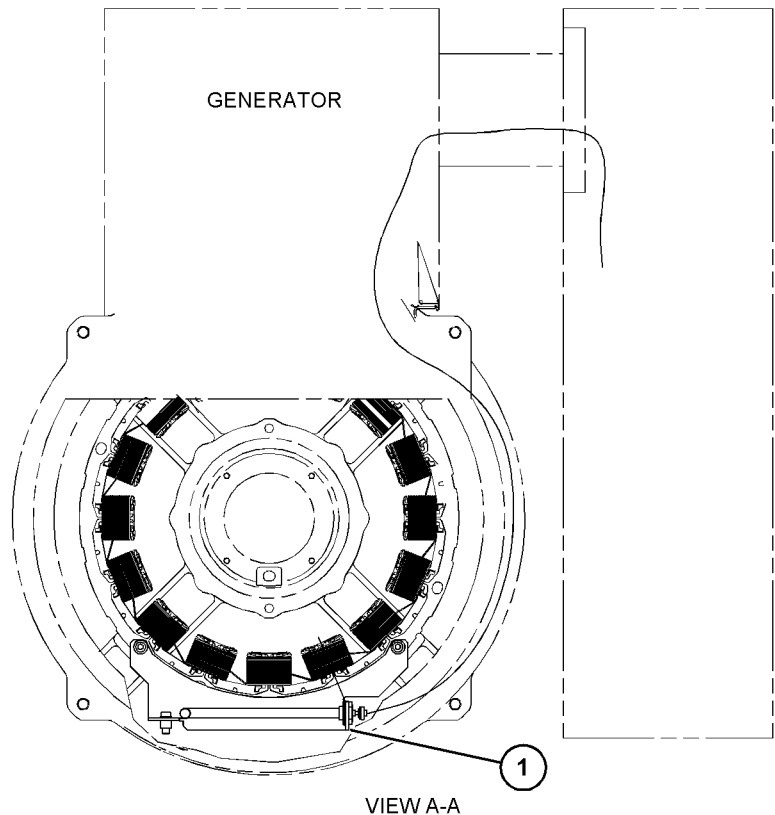
106110400



RIGHT SIDE VIEW OF GENERATOR



VIEW OF AREA B



VIEW A-A

GRAPHIC #1

<END>

g06008739

OPERATOR STATION

420-6076 ALARM GP

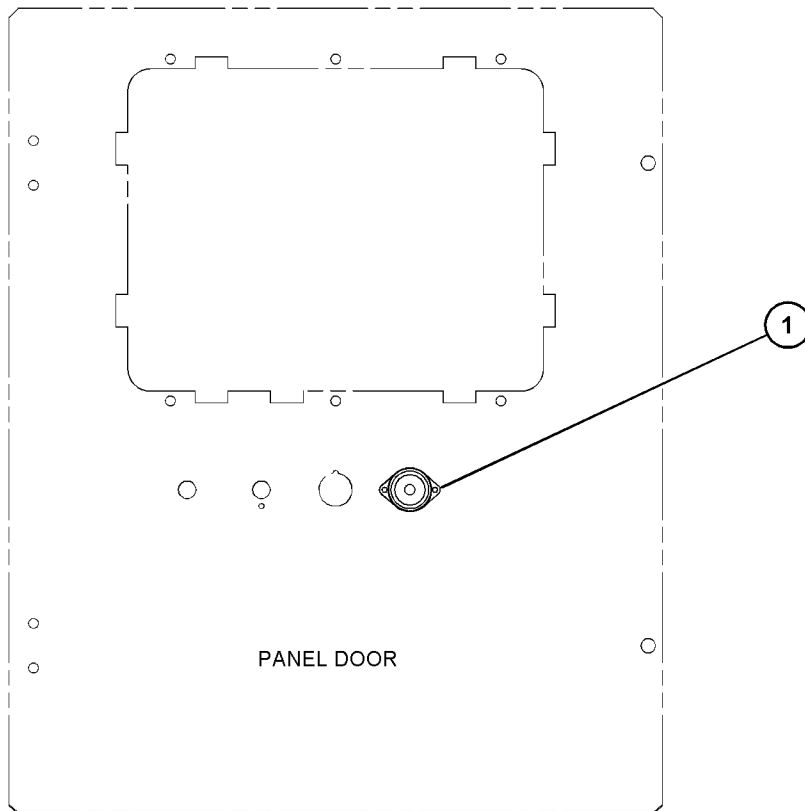
S/N: LX91-UP

AN ATTACHMENT

SMCS-7400, 7407

i06110360

NOTE	REF NO	GRAPHIC REF	PART NUMBER	QTY	PART NAME						SEE PAGE
					1	2	3	4	5	6 (PRODUCT LEVEL)	
	1	1	241-3114	1	HORN						



GRAPHIC #1

<END>

g06026898

OPERATOR STATION

467-6991 COVER GP-CONTROL PANEL

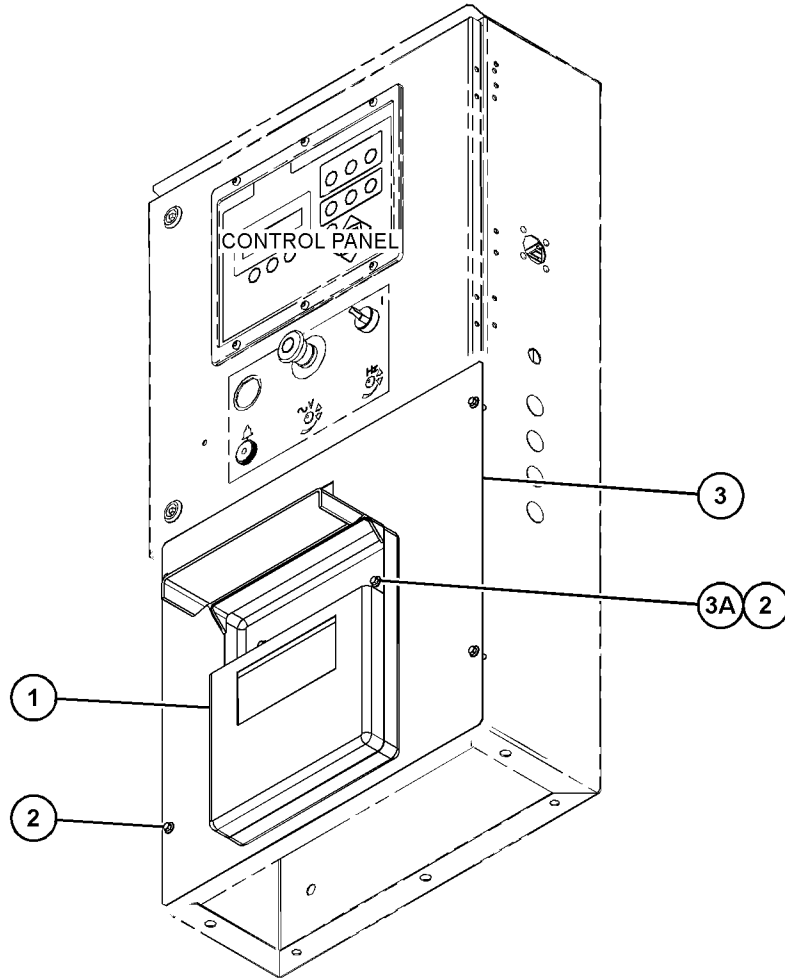
S/N: LX91-UP
AN ATTACHMENT

SMCS-7451

i06148467

NOTE	REF NO	GRAPHIC REF	PART NUMBER	QTY	PART NAME						SEE PAGE
					1	2	3	4	5	6 (PRODUCT LEVEL)	
	1	1	152-4871	1	BOX-STORAGE						
M	2	1	235-4451	8	BOLT-FLANGE HEAD (M6X1X16-MM)						
	3	1	467-6990	1	PANEL AS						
M	3A	1	3E-4304	4	INSERT-THREADED (M6X1-THD)						

M - METRIC PART



GRAPHIC #1

<END>

g03832909

OPERATOR STATION

467-6995 COVER GP-CONTROL PANEL

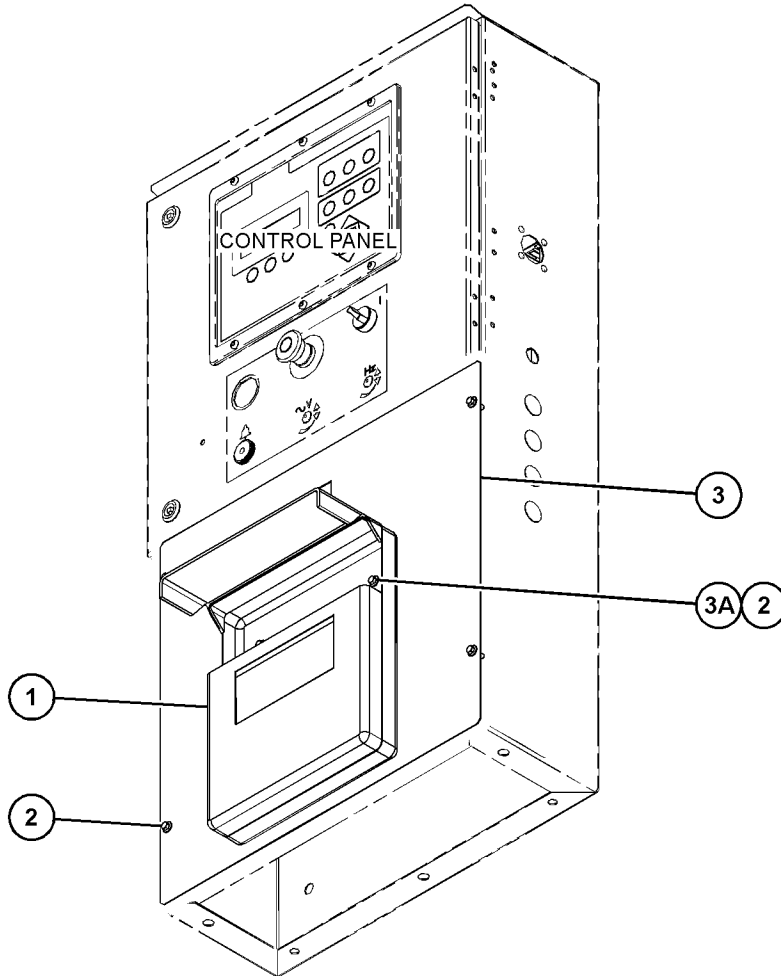
S/N: LX91-UP
AN ATTACHMENT

SMCS-7451

i06148469

NOTE	REF NO	GRAPHIC REF	PART NUMBER	QTY	PART NAME						SEE PAGE
					1	2	3	4	5	6 (PRODUCT LEVEL)	
	1	1	152-4871	1	BOX-STORAGE						
M	2	1	235-4451	7	BOLT-FLANGE HEAD (M6X1X16-MM)						
	3	1	467-6993	1	PANEL AS						
M	3A	1	3E-4304	3	INSERT-THREADED (M6X1-THD)						
		1	467-6992	1	PANEL-COVER						

M - METRIC PART



GRAPHIC #1

<END>

g03832918

OPERATOR STATION

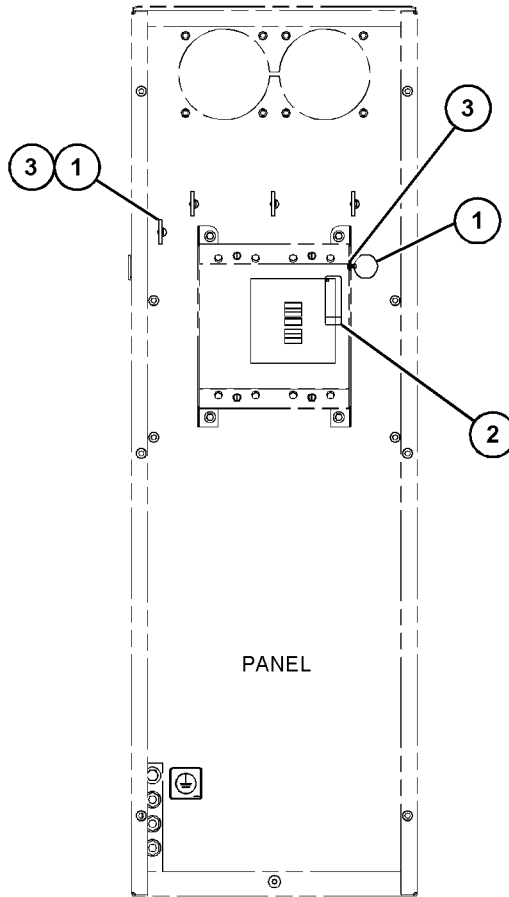
420-5227 MOUNTING GP-PANEL

S/N: LX91-UP
AN ATTACHMENT

SMCS-1609

i06110327

NOTE	REF NO	GRAPHIC REF	PART NUMBER	QTY	PART NAME						SEE PAGE
					1	2	3	4	5	6 (PRODUCT LEVEL)	
	1	1	8L-8413	5	STRAP-CABLE (WHITE)						
	2	1	262-1370	1	CONTACT AS-ELECTRICAL						
	3	1	349-6808	5	MOUNT						



FRONT VIEW

GRAPHIC #1

<END>

g06002908

OPERATOR STATION

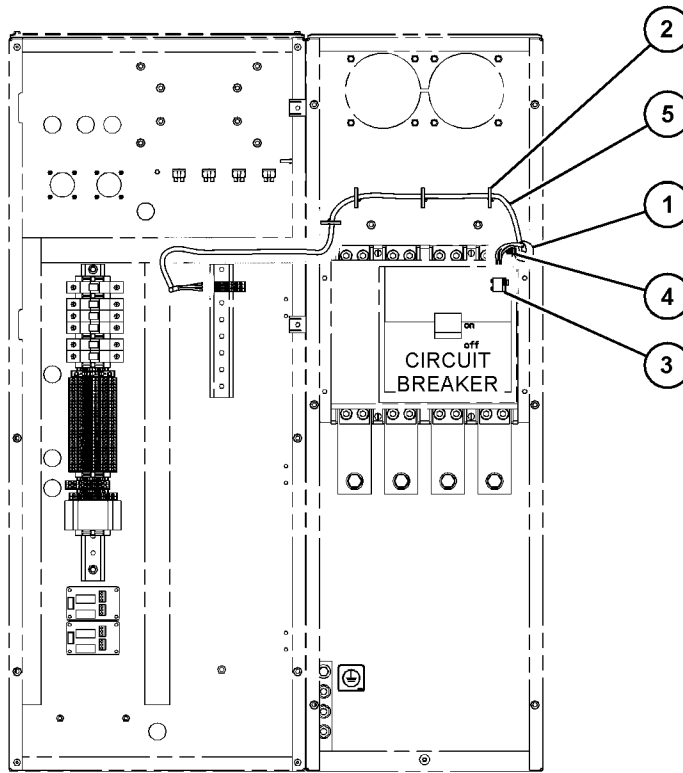
420-6078 MOUNTING GP-PANEL

S/N: LX91-UP
AN ATTACHMENT

SMCS-1609

i06155137

NOTE	REF NO	GRAPHIC REF	PART NUMBER	QTY	PART NAME						SEE PAGE
					1	2	3	4	5	6 (PRODUCT LEVEL)	
	1	1	8L-8413	5	STRAP-CABLE (WHITE)						
	2	1	349-6808	4	MOUNT						
	3	1	356-7170	1	CONTACT-ALARM						
	4	1	395-3526	1	MOUNT						
	5	1	420-5110	1	HARNESS AS-WIRING						
		1	8L-8413	7	STRAP-CABLE (WHITE)						



REAR VIEW OF ENGINE

GRAPHIC #1

<END>

g03833976

OPERATOR STATION

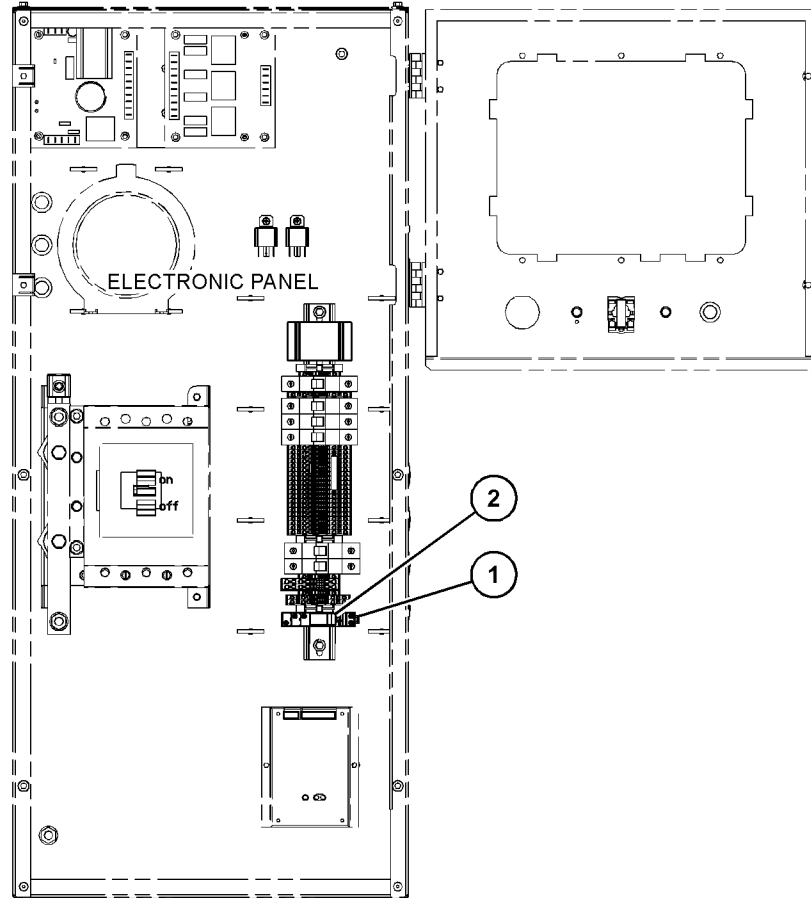
453-7054 MOUNTING GP-PANEL

S/N: LX91-UP
AN ATTACHMENT

SMCS-1609

i06110419

NOTE	REF NO	GRAPHIC REF	PART NUMBER	QTY	PART NAME						SEE PAGE
					1	2	3	4	5	6 (PRODUCT LEVEL)	
	1	1	391-8143	1	CONTACTOR						
	2	1	392-9541	1	RELAY (24-VOLT)						
F			1S-9593	6	STRAP-CABLE						
F - NOT SHOWN											



REAR VIEW OF ENGINE

GRAPHIC #1

<END>

g03821266

OPERATOR STATION

465-1282 PANEL GP-ELECTRONIC

S/N: LX91-UP

PART OF 465-1281 WIRING GP-PANEL

AN ATTACHMENT

SMCS-4490, 7490

i06138713

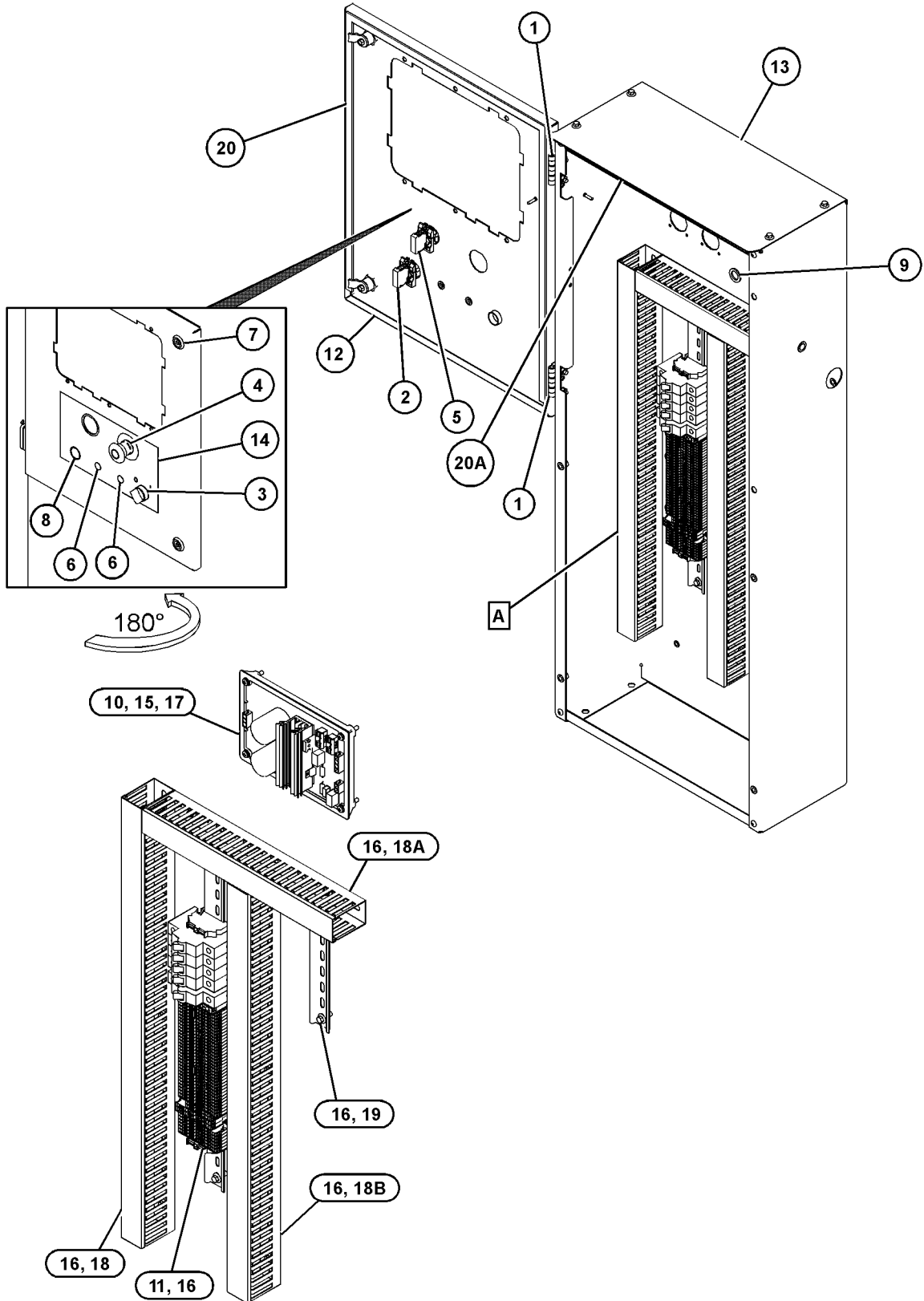
NOTE	REF NO	GRAPHIC REF	PART NUMBER	QTY	PART NAME						SEE PAGE
					1	2	3	4	5	6 (PRODUCT LEVEL)	
	1	1	169-4481	2	HINGE AS						
	2	1	206-9512	1	CONTACT						
	3	1	214-5791	1	SWITCH AS-ROTARY (REMOTE START)						
	4	1	226-6446	1	SWITCH AS-PUSH BUTTON						
		1	261-5503	1	PLATE						
	5	1	228-6935	1	BLOCK-CONTACT						
	6	1	241-6070	2	GROMMET						
	7	1	266-1571	1	LOCK AS						
		1	266-1570	2	LOCK						
	8	1	267-7280	1	GROMMET						
	9	1	350-4303	7	GROMMET						
	10	1	398-7247	1	REGULATOR AS-VOLTAGE						
Y	11	1	<i>465-1283</i>	1	PANEL GP-ELECTRONIC						484
	12	1	465-1285	1	PANEL AS						
Y	13	1	<i>465-1286</i>	1	PANEL GP-ELECTRONIC						486
	14	1	471-8658	1	FILM-PANEL						
	15	1	086-3279	4	SCREW-MACHINE						
M	16	1	235-4451	13	BOLT-FLANGE HEAD (M6X1X16-MM)						
	17	1	8T-0328	4	WASHER-HARD (5.5X10X1-MM THK)						
J	18	1	217-7164		DUCT-WIRE (700-MM)						
J	18A	1	217-7164		DUCT-WIRE (650-MM)						
J	18B	1	217-7164		DUCT-WIRE (350-MM)						
E	19	1	147-1960		RAIL (20-CM)						
D	20	1	5P-5637		SEAL (1.3-M)						
D	20A	1	5P-5637		SEAL (0.4-M)						

D - ORDER BY THE METER
 E - ORDER BY THE CENTIMETER
 J - ORDER BY THE MILLIMETER
 M - METRIC PART
 Y - SEPARATE ILLUSTRATION

OPERATOR STATION

465-1282 PANEL GP-ELECTRONIC (contd.)

106138713



VIEW OF AREA A
(PARTS REMOVED FOR CLARITY)

GRAPHIC #1

<END>

g03824667

OPERATOR STATION

465-1283 PANEL GP-ELECTRONIC

S/N: LX91-UP

PART OF 465-1282, 467-5743 PANEL GP-ELECTRONIC
AN ATTACHMENT

SMCS-4490, 7490

i06140480

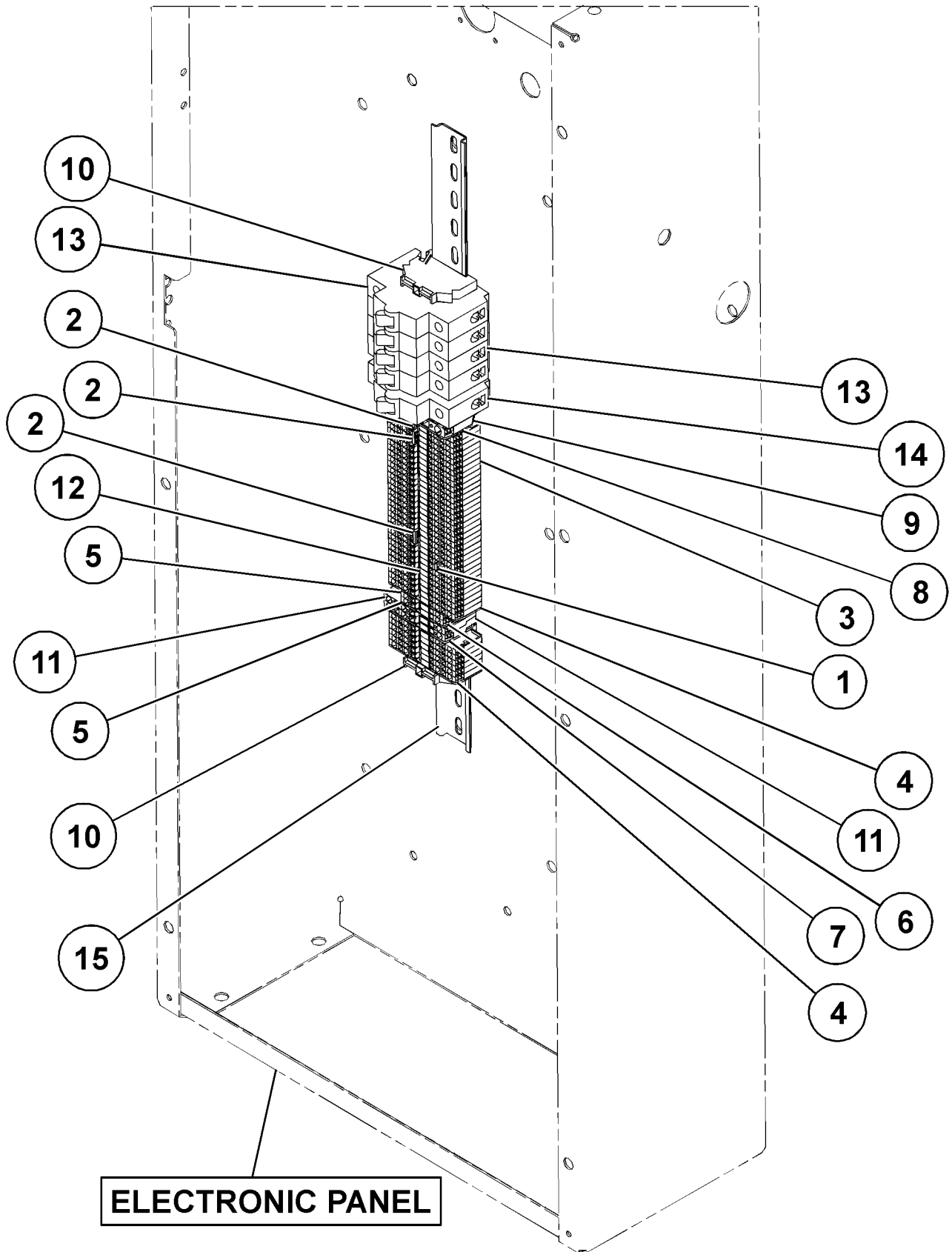
NOTE	REF NO	GRAPHIC REF	PART NUMBER	QTY	PART NAME						SEE PAGE
					1	2	3	4	5	6 (PRODUCT LEVEL)	
	1	1	9W-2275	1	RESISTOR (120-OHM)						
	2	1	234-9425	3	LINK (TERMINAL)						
	3	1	301-8313	39	BLOCK-TERMINAL (4-TERMINAL)						
	4	1	301-8316	2	COVER-END						
	5	1	301-8317	2	BLOCK-TERMINAL (800-VOLT, 24-AMPERE)						
	6	1	301-8318	1	COVER-END						
	7	1	301-8323	1	COVER-END						
	8	1	301-8325	1	COVER-END						
	9	1	301-8326	1	BLOCK-TERMINAL (800-VOLT, 41-AMPERE)						
	10	1	345-8835	4	BLOCK-TERMINAL						
	11	1	345-9841	2	BLOCK-TERMINAL (800-VOLT, 32-AMPERE)						
	12	1	450-2789	1	KIT-MARKER						
	13	1	286-4741	4	CIRCUIT BREAKER AS (2-AMPERE)						
	14	1	286-4744	1	CIRCUIT BREAKER (16-AMPERE, SINGLE POLE)						
E	15	1	147-1960		RAIL (55-CM)						

E - ORDER BY THE CENTIMETER

OPERATOR STATION

465-1283 PANEL GP-ELECTRONIC (contd.)

i06140480



GRAPHIC #1

<END>

g03824407

OPERATOR STATION

465-1286 PANEL GP-ELECTRONIC

S/N: LX91-UP

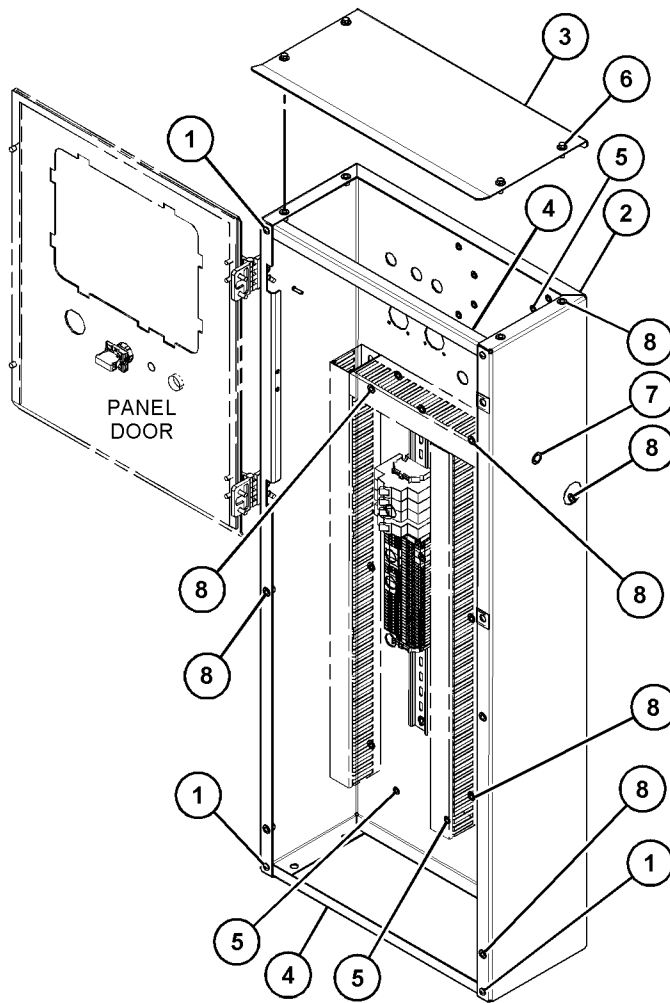
PART OF 465-1282 PANEL GP-ELECTRONIC
AN ATTACHMENT

SMCS-4490, 7490

i06140471

NOTE	REF NO	GRAPHIC REF	PART NUMBER	QTY	PART NAME						SEE PAGE
					1	2	3	4	5	6 (PRODUCT LEVEL)	
	1	1	142-8194	4	RIVET						
	2	1	465-1287	1	PANEL AS						
	3	1	465-1288	1	PLATE-COVER						
	4	1	465-1289	2	BRACE						
M	5	1	203-5398	12	INSERT - THREADED (M5X0.8-THD)						
M	6	1	235-4451	4	BOLT-FLANGE HEAD (M6X1X16-MM)						
M	7	1	238-0029	1	INSERT - THREADED (M10X1.5-THD)						
M	8	1	3E-4304	25	INSERT - THREADED (M6X1-THD)						

M - METRIC PART



GRAPHIC #1

<END>

g03824984

OPERATOR STATION

467-5743 PANEL GP-ELECTRONIC

S/N: LX91-UP

PART OF 467-5744 WIRING GP-PANEL
AN ATTACHMENT

SMCS-4490, 7490

i06148443

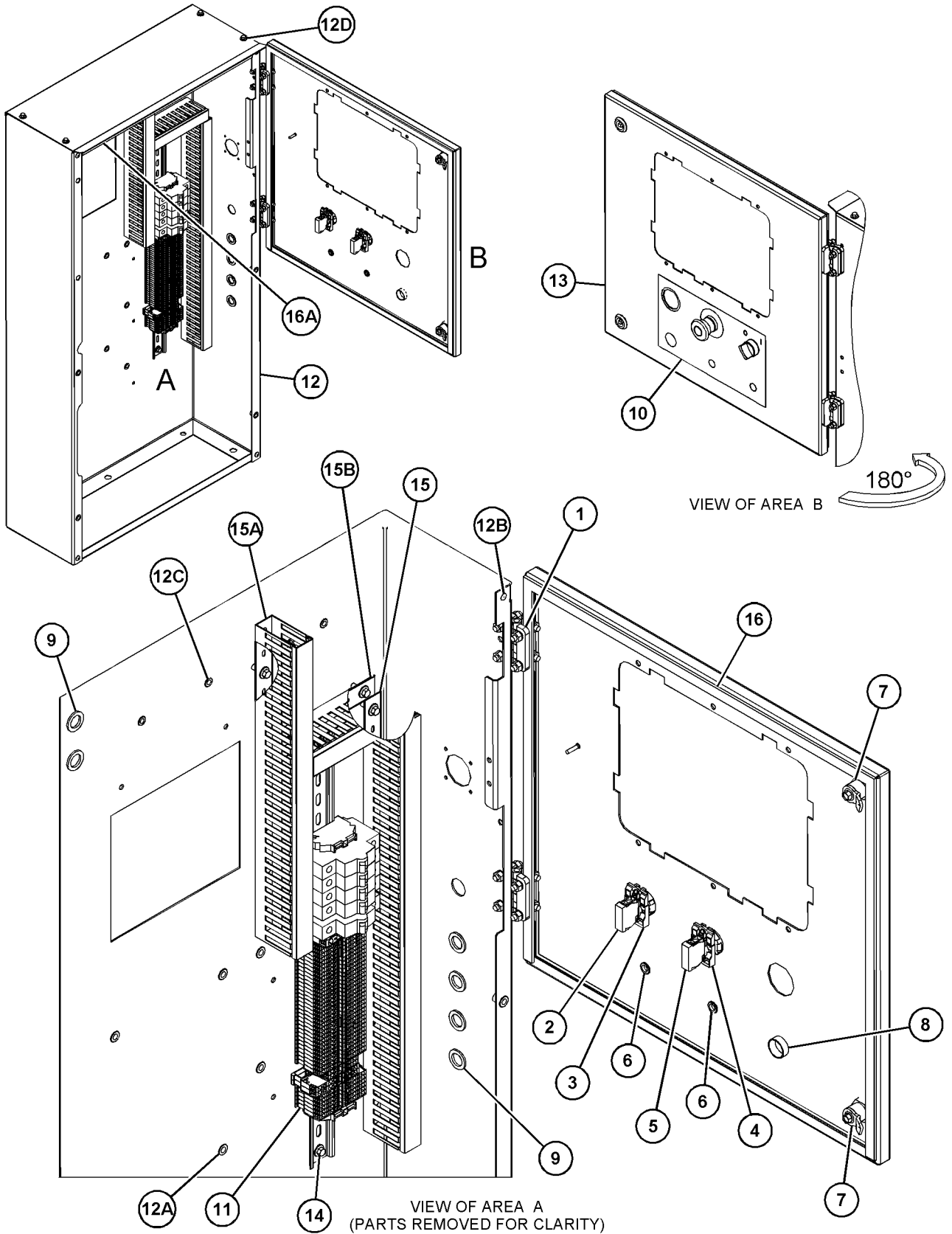
NOTE	REF NO	GRAPHIC REF	PART NUMBER	QTY	PART NAME						SEE PAGE
					1	2	3	4	5	6 (PRODUCT LEVEL)	
	1	1	169-4481	2	HINGE AS						
	2	1	206-9512	1	CONTACT						
	3	1	214-5791	1	SWITCH AS-ROTARY (REMOTE START)						
	4	1	226-6446	1	SWITCH AS-PUSH BUTTON						
		1	206-9509	1	BUTTON-STOP						
		1	261-5503	1	PLATE						
	5	1	228-6935	1	BLOCK-CONTACT						
	6	1	241-6070	2	GROMMET						
	7	1	266-1570	2	LOCK						
	8	1	267-7280	1	GROMMET						
	9	1	350-4303	6	GROMMET						
	10	1	391-4275	1	FILM-IDENTIFICATION (CONTROL PANEL)						
Y	11	1	<i>465-1283</i>	1	PANEL GP-ELECTRONIC						484
	12	1	467-5738	1	PANEL AS						
M	12A	1	3E-4304	28	INSERT-THREADED (M6X1-THD)						
	12B	1	142-8194	4	RIVET						
M	12C	1	203-5398	4	INSERT-THREADED (M5X0.8-THD)						
M	12D	1	235-4451	4	BOLT-FLANGE HEAD (M6X1X16-MM)						
	13	1	467-5741	1	PANEL AS						
M	14	1	235-4451	10	BOLT-FLANGE HEAD (M6X1X16-MM)						
J	15	1	207-8643		DUCT-WIRE (550-MM)						
J	15A	1	207-8643		DUCT-WIRE (400-MM)						
J	15B	1	207-8643		DUCT-WIRE (150-MM)						
D	16	1	5P-5637		SEAL (1.43-M)						
D	16A	1	5P-5637		SEAL (0.5-M)						

D - ORDER BY THE METER
 J - ORDER BY THE MILIMETER
 M - METRIC PART
 Y - SEPARATE ILLUSTRATION

OPERATOR STATION

467-5743 PANEL GP-ELECTRONIC (contd.)

i06148443



GRAPHIC #1

<END>

g03832134

SERVICE EQUIPMENT AND SUPPLIES

6L-4502 CHART-PLATE & FILM

S/N: F6B1-UP

SMCS-7557

i02406818

NOTE	PART NUMBER	QTY	PART NAME 1 2 3 4 5 6 (PRODUCT LEVEL)	SEE PAGE
------	-------------	-----	--	-------------

(NO SERVICED PARTS)

<END>

SERVICE EQUIPMENT AND SUPPLIES

348-3295 KIT-GASKET-SINGLE CYLINDER LINER

S/N: LX91-UP
FIELD INSTALLATION

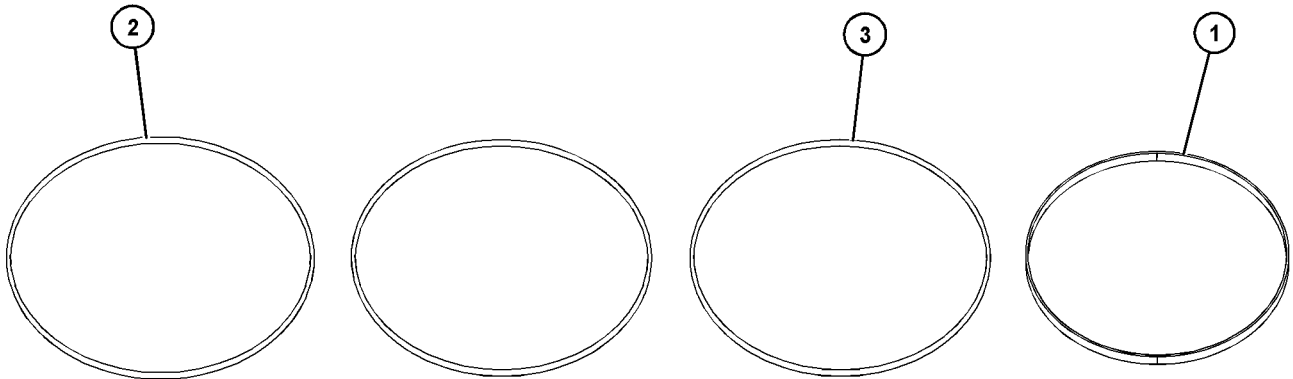
SMCS-7555

i06007421

NOTE	REF NO	GRAPHIC REF	PART NUMBER	QTY	PART NAME						SEE PAGE
					1	2	3	4	5	6 (PRODUCT LEVEL)	
	1	1	9L-5854	1	BAND-FILLER (130.2-MM ID)						
	2	1	155-0809	1	SEAL-LINER						
	3	1	155-2793	2	SEAL-LINER						

FOR A LIST OF RELATED PARTS THAT MAY BE
REQUIRED FOR THE ENGINE REBUILD TO THE KIT
CONSIST, PLEASE VISIT

[HTTP://DEALER.CAT.COM/RELATED](http://dealer.cat.com/related)



GRAPHIC #1

<END>

g03767896

SERVICE EQUIPMENT AND SUPPLIES

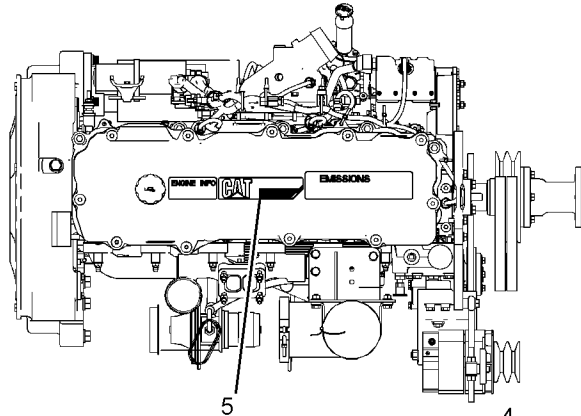
391-3786 PLATE & FILM GP

S/N: S9X1-UP

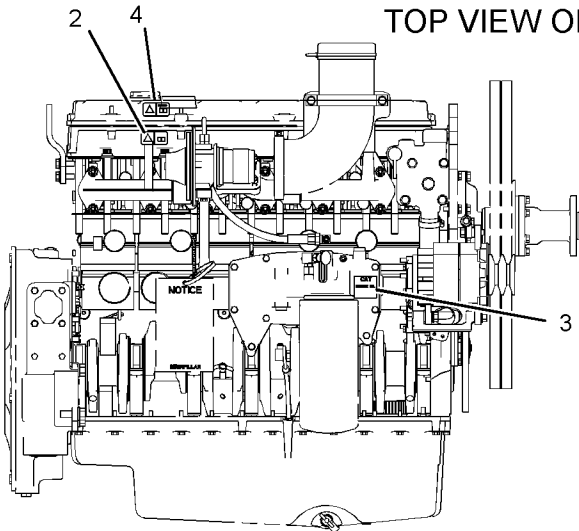
SMCS-7405, 7557

i06101347

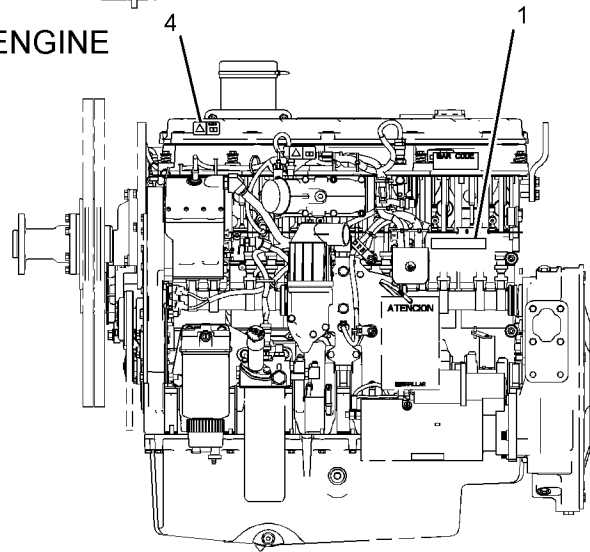
NOTE	REF NO	GRAPHIC REF	PART NUMBER	QTY	PART NAME						SEE PAGE
					1	2	3	4	5	6 (PRODUCT LEVEL)	
	1	1	4W-1413	1	PLATE-SERIAL NUMBER (ENGINE)						
	2	1	293-9659	2	FILM-WARNING (UNIVERSAL, READ OMM)						
	3	1	136-9066	1	FILM-INFORMATION (ENGINE OIL)						
	4	1	228-3581	2	FILM-WARNING (DO NOT OPERATE, READ OMM)						
	5	1	297-8989	1	PLATE-IDENTIFICATION (CAT C9)						



TOP VIEW OF ENGINE



RIGHT SIDE VIEW OF ENGINE



LEFT SIDE VIEW OF ENGINE

GRAPHIC #1

<END>

g03676745

PART NUMBER INDEX

Part	Page	Part	Page	Part	Page	Part	Page
6V-5230	41		345		177		309
6V-5684	386		347		179		311
	388		349		200		313
	390		351	7X-0618	44		315
	392		353		45		319
	394		355	7X-2552	177		321
	396		357		179		323
	398		360	7X-2553	419	8T-0226	325
	400		363		423		410
	402		365		425		413
	404		367		426		457
	406		369		427		459
	408		371		428		462
	415		374		429		464
	417		376		430		466
	419		378		431		469
	421		380	7X-2908	50	8T-0292	65
	423		382	7X-3374	41	8T-0328	140
	425		384				183
	426	6V-8843	177				203
	427		179				457
	428	6V-8995	118				459
	429	6V-9169	118				462
	430	6V-9632	76				464
	431		77				482
6V-5696	6	6V-9673	140			8T-0640	113
	56		183			8T-0644	78
6V-5839	22		211				82
	23		213	8C-4984	27	8T-0646	57
	48	6V-9748	24	8C-6354	175	8T-1715	113
	67	6V-9830	118		184	8T-1889	123
	105	6V-9873	120	8C-6711	130		125
	113		122	8C-7581	168	8T-1890	123
	125			8C-8422	96		125
	126				106	8T-2353	61
	203			8C-8451	410	8T-2910	181
6V-5842	113				413		182
6V-5843	34				457	8T-3612	76
6V-6317	203				459		77
6V-6609	19	7C-1445	7		462	8T-3666	22
	73		36		464	8T-4000	290
	78	7C-1493	61		466		293
	82	7C-9008	177		469		296
	195		179	8C-9660	168		307
6V-7238	49	7D-1649	24	8F-6575	57		309
6V-7604	17	7E-4808	24	8F-7219	116		311
6V-7673	41	7F-8268	10	8H-5303	201		313
6V-7743	76	7H-3937	147	8H-5306	201		315
	77		149	8J-7844	78		319
6V-7981	126	7I-2272	203	8L-8413	138		321
6V-8076	125	7K-1181	86		145		323
6V-8149	6		88		158		345
6V-8187	137		123		168		347
6V-8188	41		125		172		349
6V-8189	145		151		205		351
6V-8197	36		152		206		353
6V-8336	56		153		209		355
6V-8398	118	7L-8256	97		210		357
6V-8629	126	7L-9061	113		211		360
6V-8636	66	7M-4706	3		213		363
	126	7N-0718	200		472		363
6V-8675	39		201		473		365
6V-8723	66		201		474		367
6V-8801	290	7N-5274	138		474		369
	293		145		479		371
	296	7N-5683	14		480		374
	307	7S-5005	129	8M-5860	17		376
	309	7S-6369	82	8N-2807	86		378
	311	7T-9987	138	8R-8847	260		380
	313		145	8S-2331	199		382
	315	7V-6571	123	8T-0100	29		384
	319		125		32	8T-4121	97
	321	7X-0325	41		95		100
	323	7X-0365	120	8T-0162	24		117
			122	8T-0192	296		123
					307		

8

7

PART NUMBER INDEX

Part	Page	Part	Page	Part	Page	Part	Page
	144		151		369		369
	147		152		371		371
	148		153		374		374
	149		154		376		376
	150	8T-4196	155		378		378
	151		156		380		380
	152	8T-4199	147		382		382
	153		149		384		384
	154	8T-4205	137	8T-4984	88	8T-9655	157
	155		203	8T-4985	86	8Y-9603	199
	156	8T-4223	28	8T-4986	91		
	167		41	8T-4994	120		
	177		260		122		
	179	8T-4224	7		177		
8T-4123	59		30		179		
	60		31		200		
	71		147	8T-5451	203	9F-4446	5
	72		149	8T-6757	19		68
	118		181	8T-6761	81	9F-5644	201
8T-4133	97	8T-4244	44	8T-6762	78	9G-0003	145
	100		45	8T-6764	24	9G-0004	145
	123		228	8T-6870	386	9G-8909	145
	144		240		388		200
	147		260		390	9H-1024	199
	148	8T-4648	386		392	9J-5686	177
	149		388		394		179
	150		390		396	9L-4896	25
	151		392		398	9L-5854	490
	152		394		400	9L-6329	41
	153		396		402	9L-6770	137
	154		398		404	9M-0164	63
	155		400		404	9M-1974	5
	156		402		406		25
8T-4136	97		404		408		27
	117		406		415		36
	123		408		417		38
8T-4137	100		415		419		49
	123		417		421		61
	177		419		422		65
	179		421		425		66
	203		423		426		73
8T-4138	177		425		427		84
	179		426		428		114
8T-4140	40		427		429		157
	325		428		430		203
	410		429		431	9N-0869	32
	413		430	8T-6912	30		157
	457		431		31	9N-6152	61
	459	8T-4779	117	8T-7044	105	9S-4167	113
	462	8T-4896	52	8T-8729	170		117
	464		86		175	9S-8004	82
	466		88	8T-8730	170		116
	469		290		172	9W-1441	211
8T-4183	28		293		175		213
	260		296	8T-8737	208	9W-2275	208
8T-4186	144		307		106		484
	147		309		113	9X-0261	185
	148		311		169	9X-0262	185
	149		313		172	9X-1386	194
	150		315		199	9X-3401	113
8T-4191	167		319	8T-8919	41		171
8T-4193	46		321	8T-9101	52	9X-6165	181
	47		323	8T-9377	290	9X-6620	108
8T-4194	325		345		293	9X-7737	136
	410		347		345	9X-8256	168
	413		349		347		177
	457		351		349		179
	459		353		351	9X-8257	40
	462		355		353		46
	464		357		355		47
	466		360		357		117
	469		363		360		177
8T-4195	100		365		363		179
	144		367		365	9X-8267	114
					367		130

9

PART NUMBER INDEX

Part	Page	Part	Page	Part	Page	Part	Page
9X-8268	12	111-2416	169		221		466
	26	113-6069	34		225		469
9Y-0810	11	113-8694	155		231	152-4871	163
			156		232		477
			177		235		478
			179		240	153-7036	130
		113-9543	99		244	154-9025	78
		114-8845	175		245	155-0809	490
005-4362	113	115-4072	34		247	155-2260	172
030-7942	123	115-4219	34		249	155-2270	169
	125	115-4237	25		250		170
033-6034	65	116-3715	105		252		172
034-1432	63	118-1727	2		254		175
061-7539	113		►6		255	155-2793	490
061-9455	7	118-8103	123		257	156-1871	25
	36		125		259	157-0670	78
067-2551	123	119-3662	169		486	159-8049	145
086-3279	482		172		487	159-8050	138
089-7338	41		175	142-8238	225		145
096-0192	211	123-0466	2		235		199
	213		►33	142-8240	222		200
	457	123-6948	113		223	159-9322	170
	459	124-7346	290		224		172
	462		293		228		175
	464	125-7874	158		239	160-7689	170
			169	142-8247	225		172
			172		235		175
		125-7875	160	142-9459	182	160-8124	106
			169	143-0851	110	160-8194	50
			170		134	160-8197	50
100-3320	169		175	143-0853	110	160-8199	50
100-4830	120	125-7876	170		134	160-8746	290
	122		172	143-0855	110		293
	177		175		111		296
	179		176		112		307
101-3128	157		208		134		309
102-7364	290	126-1757	8	143-0856	110		311
	293	126-1767	113		111		313
	347		171		112		315
	386	126-1774	172		134		319
	388	126-5011	169	143-4456	147		321
	390	128-6841	126		149		323
	392	129-3178	168	143-9392	157		345
	394	131-0353	95	144-0367	86		347
	396	131-8828	93		88		349
	398	131-8829	93	144-3852	200		351
	400	132-3141	33	144-7183	216		353
	402	134-4126	211		218		355
	404		213		225		357
	406	135-9819	6		228		360
	408	136-0822	8		231		363
	415	136-4183	34		235		365
	417	136-9066	491		240		367
	419	137-1602	107		244		369
	421	137-5541	113	145-2264	61		371
	423	137-6722	177		96		374
	425		179	145-4114	74		376
	426	139-5345	211		75		378
	427		213	147-0182	82		380
	428	139-6873	135	147-1960	482		382
	429		►136		484		384
	430	139-8794	93	148-2903	119	161-3398	105
	431	142-2452	99	148-8457	118	161-3406	3
102-8802	106	142-4899	228	149-5240	119		►14
	169		240	149-7885	71	161-3411	105
	170	142-4901	225		72	163-2445	57
	194		228	151-2939	11	163-2447	53
103-4669	125		235	151-6283	325	163-2459	57
103-6169	33		240		410	163-2478	19
104-1995	170	142-6950	228		413	164-5669	57
106-1565	36		240		457	166-1785	39
107-7694	4	142-8194	216		459	166-3648	50
109-3207	119		218		462	167-0024	16
110-8714	172		220		464	167-0171	►26
	173						

PART NUMBER INDEX

Part	Page	Part	Page	Part	Page	Part	Page
168-8806	27 177	197-9367	68 50	213-5213	27 65	228-6358	111 112
169-3113	179 2	198-7633	2 28	213-9320	53 57	228-6935	482 487
169-4481	39 482			214-1048	95 96	228-7089	66 126
171-5349	487 194			214-3966	228 240	228-7090	110 111
172-6062	169			214-5791	482 487		112
172-6064	171	200-2257	73	214-6277	23		122
174-9194	85 86	200-2258	73	214-7566	14		134
174-9570	116 117	200-4495	34		61	228-7091	113
175-0454	12	200-5736	66		113	228-7092	126
175-7141	46 47	202-6603	2 65	214-7567	36	228-7096	19
	79				129	229-3218	113
	80	203-3145	110 134		185	230-4011	113 169
	92	203-3237	19		191		172
	182	203-3238	147	214-7568	19		199
	261	203-5398	148 149		51	230-4012	198
176-5913	57		150		61	230-4013	169
176-5914	57		486		66	231-2295	169
177-1058	83		487		117	231-2300	113
177-9778	117	203-5805	12		120	231-4545	2
178-3899	2 55	203-6090	12		122		73
	130	203-6098	83		123	232-0343	123
179-8128	66	203-7775	105		125		125
183-3399	126 26	203-9007	170 175		126		133
	410	205-1320	34		133	232-1693	157
	413	205-1321	3 34	216-5586	12	232-4944	228 240
	466	205-4013	2 81	217-0609	19	233-0423	2
	469			217-5200	78		32
187-0716	64	206-3719	55	217-7164	482	233-0891	157
187-1315	21	206-5017	41	217-8669	2	234-5012	185
187-2034	137	206-9509	487		8		195
188-3826	2 69	206-9512	482 487	218-8655	130	234-5013	113
	25	207-8643	487	219-0422	2		185
188-9644	90	208-9310	92		95		196
190-5341	94 90	209-0760	8	219-7350	228 240	234-9425	484
	49	209-0762	8 9	219-9943	2	235-1199	263
190-6114	19	209-1434	81		49	235-1200	263
190-6115	19	209-7290	61	220-1952	14	235-1201	263
190-6117	19	209-7291	61		16	235-1202	263
191-4457	78	209-7293	69	220-1998	2	235-1203	263
191-7823	171	211-2101	41		61	235-1205	264
192-4697	105	211-2134	19	220-8678	116	235-1207	264
193-1736	130	211-3445	30	221-0144	67	235-1209	264
194-1092	48	211-6574	85 86	221-9806	49	235-1211	264
194-1093	2 48			222-3991	2	235-1212	264
	113	211-6807	169		36	235-1215	265
194-5227	113	211-9118	2 29	223-7934	147 148	235-2295	225
194-9462	24				147	235-3595	113
194-9463	2 24	212-5878	155	224-3247	4	235-3596	113
	65	212-5883	154	224-6208	109	235-4451	100
195-8098	3 67	212-5885	156		111		163
	68	212-6029	2 105	226-6039	83		164
197-0650	2 66	212-6030	97	226-6051	84		165
197-2672	66 66	212-7002	12	226-6446	84 482		166
	107	212-8917	17		487		225
197-6010	2 7	212-8926	17 57	226-7473	157 162		228
	225	213-0985	58 228		157		235
197-8039	228 235		240	227-1200	17		240
	240	213-2410	5	227-4531	10		457
197-8103	2	213-2411	5	227-5904	126		459
		213-3190	50		130		462
		213-4363	21	228-3581	491		464
				228-4740	36		464
				228-4947	193		477
				228-5897	130		478
							482
							486
							487
							128

2

PART NUMBER INDEX

Part	Page	Part	Page	Part	Page	Part	Page
236-6221	185	241-4472	264		325		317
	▶193		▶293		327		327
237-0227	113	241-4574	288		329		329
	169		299		331		331
237-5071	220		301		333		333
	221		303		335		335
	228		305		337		337
	240		317		339		339
237-5072	220		327		341		341
	221		329		343		343
	228		331		345	241-4587	288
	240		333		347		299
237-7184	▶265		335		349		301
237-9312	113		337		351		303
238-0029	120		339		353		305
	122		341		355		317
	177		343		357		325
	179		410		360		327
	225		413		363		329
	231		466		365		331
	232		469		367		333
	235	241-4576	288		369		335
	244		299		371		337
	245		301		374		339
	247		303		376		341
	249		305		378		343
	250		317		380		410
	252		325		382		413
	254		327		384		433
	255		329		410		435
	257		331		413		437
	259		333		433		439
	486		335		435		441
238-5080	36		337		437		443
	49		339		439		445
	51		341		441		447
	66		343		443		449
	95		410		445		451
	96		413		447		453
	113		433		449		455
	196		435		451		457
238-5081	51		437		453		459
	61		439		455		462
	126		441		457		464
	135		443		459		466
238-5082	49		445		462		469
	51		447		464	241-4588	288
	126		449		466		299
238-5084	36		451		469		301
239-2402	130		453	241-4579	288		303
239-3311	2		455		299		305
	▶30		457		301		317
239-3811	171		459		303		327
	175		462		305		329
239-9490	288		464		317		331
	290		466		325		333
	293		469		327		335
239-9491	296	241-4577	288		329		337
240-0041	5		290		331		339
240-0238	472		293		333		341
240-0465	138		296		335		343
	145		299		337	241-4589	288
240-1405	172		301		339		299
	173		303		341		301
	472		305		343		303
	473		307		410		305
	474		309		413		317
240-1407	170		311		466		325
	175		313		469		327
241-3114	476		315	241-4580	288		329
241-4457	263		317		299		331
	▶288		319		301		333
241-4471	264		321		303		335
	▶290		323		305		337

PART NUMBER INDEX

Part	Page	Part	Page	Part	Page	Part	Page
	339		380		345		313
	341		382		347		315
	343		384		349		317
	457		386		351		319
	459		388		353		321
	462		390		355		323
	464		392		357		327
241-4591	288		394		360		329
	299		396		363		331
	301		398		365		333
	303		400		367		335
	305		402		369		337
	317		404		371		339
	325		406		374		341
	327		408		376		343
	329		410		378		345
	331		413		380		347
	333		415		382		349
	335		417		384		351
	337		419		386		353
	339		421		388		355
	341		423		390		357
	343		425		392		360
	410		426		394		363
	413		427		396		365
	457		428		398		367
	459		429		400		369
	462		430		402		371
	464		431		404		374
	466		433		406		376
	469		435		408		378
241-4594	288		437		410		380
	290		439		413		382
	293		441		415		384
	296		443		417		386
	299		445		419		388
	301		447		421		390
	303		449		423		392
	305		451		425		394
	307		453		426		396
	309		455		427		398
	311		457		428		400
	313		459		429		402
	315		462		430		404
	317		464		431		406
	319		466		433		408
	321		469		435		410
	323	241-4595	288		437		413
	325		290		439		415
	327		293		441		417
	329		296		443		419
	331		299		445		421
	333		301		447		423
	335		303		449		425
	337		305		451		426
	339		307		453		427
	341		309		455		428
	343		311		457		429
	345		313		459		430
	347		315		462		431
	349		317		464		433
	351		319		466		435
	353		321		469		437
	355		323	241-4597	288		439
	357		325		290		441
	360		327		293		443
	363		329		296		445
	365		331		299		447
	367		333		301		449
	369		335		303		451
	371		337		305		453
	374		339		307		455
	376		341		309		466
	378		343		311		469

PART NUMBER INDEX

Part	Page	Part	Page	Part	Page	Part	Page
241-4604	288		388		459		441
	299		390		462		443
	301		392		464		445
	303		394		466		447
	305		396		469		449
	317		398	241-4610	288		451
	327		400		299		453
	329		402		301		455
	331		404		303		457
	333		406		305		459
	335		408		317		462
	337		410		325		464
	339		413		327		466
	341		415		329		469
	343		417		331	241-4615	288
241-4605	299		419		333		299
	317		421		335		301
	327		423		337		303
	329		425		339		305
	331		426		341		317
	333		427		343		325
	335		428		410		327
	337		429		413		329
	457		430		457		331
	459		431		459		333
	462		433		462		335
	464		435		464		337
241-4606	288		437		466		339
	290		439		469		341
	293		441	241-4611	288		343
	296		443		299		410
	299		445		301		413
	301		447		303		433
	303		449		305		435
	305		451		317		437
	307		453		325		439
	309		455		327		441
	311		457		329		443
	313		459		331		445
	315		462		333		447
	317		464		335		449
	319		466		337		451
	321		469		339		453
	323	241-4607	288		341		455
	325		299		343		457
	327		301	241-4612	288		459
	329		303		299		462
	331		305		325		464
	333		317		457		466
	335		325		459		469
	337		327		462	241-4616	288
	339		329		464		301
	341		331	241-4614	288		303
	343		333		299		305
	345		335		301		317
	347		337		303		325
	349		339		305		327
	351		341		317		329
	353		343		325		331
	355		410		327		333
	357		413		329		335
	360		433		331		337
	363		435		333		339
	365		437		335		341
	367		439		337		343
	369		441		339		433
	371		443		341		435
	374		445		343		437
	376		447		410		439
	378		449		413		441
	380		451		433		443
	382		453		435		445
	384		455		437		447
	386		457		439		449

PART NUMBER INDEX

Part	Page	Part	Page	Part	Page	Part	Page
	451		430		433		406
	453		431		435		408
	455	241-4619	288		437		415
	457		290		439		417
	459		293		441		419
	462		296		443		421
	464		299		445		423
241-4617	288		301		447		425
	299		303		449		426
	301		305		451		427
	303		307		453		428
	305		309		455		429
	317		311		457		430
	327		313		459		431
	329		315		462	241-4622	288
	331		317		464		290
	333		319		466		293
	335		321		469		296
	337		323	241-4620	288		299
	339		325		290		301
	341		327		293		303
	343		329		296		305
241-4618	290		331		299		307
	293		333		301		309
	296		335		303		311
	307		337		305		313
	309		339		307		315
	311		341		309		317
	313		343		311		319
	315		345		313		321
	319		347		315		323
	321		349		317		327
	323		351		319		329
	345		353		321		331
	347		355		323		333
	349		357		325		335
	351		360		327		337
	353		363		329		339
	355		365		331		341
	357		367		333		343
	360		369		335		345
	363		371		337		347
	365		374		339		349
	367		376		341		351
	369		378		343		353
	371		380		345		355
	374		382		347		357
	376		384		349		360
	378		386		351		363
	380		388		353		365
	382		390		355		367
	384		392		357		369
	386		394		360		371
	388		396		363		374
	390		398		365		376
	392		400		367		378
	394		402		369		380
	396		404		371		382
	398		406		374		384
	400		408		376		386
	402		410		378		388
	404		413		380		390
	406		415		382		392
	408		417		384		394
	415		419		386		396
	417		421		388		398
	419		423		390		400
	421		425		392		402
	423		426		394		404
	425		427		396		406
	426		428		398		408
	427		429		400		410
	428		430		402		413
	429		431		404		415

PART NUMBER INDEX

Part	Page	Part	Page	Part	Page	Part	Page
	417		301		305		449
	419		303		317		451
	421		305		327		453
	423		317		329		455
	425		325		331		457
	426		327		333		459
	427		329		335		462
	428		331		337		464
	429		333		339		466
	430		335		341	242-3864	61
	431		337		343	242-3919	296
	433		339	241-6070	482		307
	435		341		487		309
	437		343	241-8382	19		311
	439	241-4629	288	241-8383	19		313
	441		299	241-8384	19		315
	443		457	241-8385	19		319
	445		459	241-8386	19		321
	447		462	241-8387	19		323
	449		464	241-8388	17		345
	451	241-4630	288	241-8390	19		347
	453		299	241-9264	90		349
	455		301		94		351
	466		303	242-0328	54		353
	469		305	242-0329	▶54		355
241-4624	288		317		57		357
	299		325	242-0447	3		360
	325		327		▶58		363
	457		329	242-0673	4		365
	459		331	242-0674	3		367
	462		333		▶4		369
	464		335	242-2982	457		371
241-4626	288		337		459		374
	299		339		462		376
	301		341		464		378
	303		343	242-3749	288		380
	305	241-4633	296		301		382
	317		307		303		384
	325		309		305		386
	327		311		317		388
	329		313		327		390
	331		315		329		392
	333		319		331		394
	335		321		333		396
	337		323		335		398
	339		345		337		400
	341		349		339		402
	343		351		341		404
	457		353		343		406
	459		355		410		408
	462		357		413		415
	464		360		457		417
241-4627	288		363		459		419
	299		365		462		421
	301		367		464		423
	303		369		466		425
	305		371		469		426
	317		374	242-3797	299		427
	325		376		317		428
	327		378		327		429
	329		380		329		430
	331		382		331		431
	333		384		333	242-3922	290
	335	241-4634	288		335		293
	337		301		337		307
	339		303		410		309
	341		305		433		311
	343		339		435		313
	457		341		437		315
	459		343		439		345
	462	241-4641	288		441		347
	464		299		443		349
241-4628	288		301		445		351
	299		303		447		353

PART NUMBER INDEX

Part	Page	Part	Page	Part	Page	Part	Page
	355	242-3926	290		419		301
	357		293		421		303
	363		296		423		305
	367		307		425		307
	369		309		426		309
	374		311		427		311
	378		313		428		313
	382		315		429		315
	415		319		430		317
	417		321		431		319
	419		323	242-3929	290		321
	421		345		293		323
	423		347		296		333
	425		349		307		335
	426		351		309		337
	427		353		311		339
	428		355		313		341
	429		357		315		343
	430		360		319		345
	431		363		321		347
242-3924	290		365		323		349
	293		367		345		351
	296		369		347		353
	307		371		349		355
	309		374		351		357
	311		376		353		360
	313		378		355		363
	315		380		357		365
	319		382		360		367
	321		384		363		369
	323	242-3928	290		365		371
	345		293		367		374
	347		296		369		376
	349		307		371		378
	351		309		374		380
	353		311		376		382
	355		313		378		384
	357		315		380	242-3932	290
	360		319		382		293
	363		321		384		296
	365		323	242-3930	290		307
	367		345		293		309
	369		347		296		311
	371		349		307		313
	374		351		309		315
	376		353		311		319
	378		355		313		321
	380		357		315		323
	382		360		319		345
	384		363		321		347
	386		365		323		349
	388		367		345		351
	390		369		347		353
	392		371		349		355
	394		374		351		357
	396		376		353		360
	398		378		355		363
	400		380		357		365
	402		382		360		367
	404		384		363		369
	406		386		365		371
	408		388		367		374
	415		390		369		376
	417		392		371		378
	419		394		374		380
	421		396		376		382
	423		398		378		384
	425		400		380	242-3936	290
	426		402		382		293
	427		404		384		296
	428		406	242-3931	288		307
	429		408		290		309
	430		415		293		311
	431		417		296		313

PART NUMBER INDEX

Part	Page	Part	Page	Part	Page	Part	Page
	315		429		357		293
	319		430		360		296
	321		431		363		307
	323	242-3941	290		365		309
	345		293		367		311
	347		296		369		313
	349		307		371		315
	351		309		374		319
	353		311		376		321
	355		313		378		323
	357		315		380		345
	360		319		382		347
	363		321		384		349
	365		323	242-3951	290		351
	367		345		293		353
	369		347		296		355
	371		349		307		357
	374		351		309		360
	376		353		311		363
	378		355		313		365
	380		357		315		367
	382		360		319		369
	384		363		321		371
242-3938	290		365		323		374
	293		367		345		376
	296		369		347		378
	307		371		349		380
	309		374		351		382
	311		376		353		384
	313		378		355	242-3959	290
	315		380		357		293
	319		382		360		307
	321		384		363		309
	323		386		365		311
	345		388		367		313
	347		390		369		315
	349		392		371		345
	351		394		374		347
	353		396		376		349
	355		398		378		351
	357		400		380		353
	360		402		382		355
	363		404		384		357
	365		406	242-3956	290		363
	367		408		293		367
	369		415		296		369
	371		417		307		374
	374		419		309		378
	376		421		311		382
	378		423		313		386
	380		425		315		388
	382		426		319		390
	384		427		321		392
	386		428		323		394
	388		429		345		396
	390		430		347		398
	392		431		349		400
	394	242-3943	290		351		402
	396		293		353		404
	398		296		355		406
	400		307		357		408
	402		309		360		410
	404		311		363		413
	406		313		365		415
	408		315		367		417
	415		319		369		419
	417		321		371		421
	419		323		374		423
	421		345		376		425
	423		347		378		426
	425		349		380		427
	426		351		382		428
	427		353		384		429
	428		355	242-3957	290		430

PART NUMBER INDEX

Part	Page	Part	Page	Part	Page	Part	Page
	431		378		323		386
	466		380		345	243-0149	394
	469		382		347		419
242-3960	290		384		349	243-0150	396
	293	242-3966	290		351		421
	296		293		353	243-0151	313
	307		296		355		398
	309		307		357	243-0152	400
	311		309		360	243-5219	299
	313		311		363		325
	315		313		365		327
	319		315		367		329
	321		319		369		331
	323		321		371	243-5220	288
	345		323		374		290
	347		345		376		293
	349		347		378		296
	351		349		380		299
	353		351		382		301
	355		353		384		303
	357		355	242-4994	▶ 265		305
	360		357	242-8718	317		307
	363		360		410		309
	365		363		466		311
	367		365	242-8719	288		313
	369		367		301		315
	371		369		413		317
	374		371		469		319
	376		374	242-8721	303		321
	378		376	242-8723	305		323
	380		378	242-8724	317		325
	382		380		410		327
	384		382		466		329
	386		384	242-8725	288		331
	388	242-3967	290		301		333
	390		293		303		335
	392		296		305		337
	394		307		413		339
	396		309		469		341
	398		311	242-9403	3		343
	400		313		▶ 11		345
	402		315	243-0141	307		347
	404		319		392		349
	406		321		394		351
	408		323		415		353
	415		345		419		355
	417		347	243-0142	309		357
	421		349		388		360
242-3965	290		351		396		363
	293		353		417		365
	296		355		421		367
	307		357	243-0143	311		369
	309		360		313		371
	311		363		321		374
	313		365		390		376
	315		367		398		378
	319		369	243-0144	296		380
	321		371		315		382
	323		374		323		384
	345		376		386		386
	347		378		400		388
	349		380	243-0145	290		390
	351		382		307		392
	353		384		392		394
	355	242-3968	290		415		396
	357		293	243-0146	293		398
	360		296		309		400
	363		307		388		402
	365		309		417		404
	367		311	243-0147	311		406
	369		313		321		408
	371		315		390		410
	374		319	243-0148	315		413
	376		321		323		415

PART NUMBER INDEX

Part	Page	Part	Page	Part	Page	Part	Page
	417		315		205		►51
	419		317	246-2207	386	254-3941	19
	421		319		388	254-3942	19
	423		321		390	254-3946	17
	425		323		392	254-3947	17
	426		325		394	254-4235	325
	427		327		396		457
	428		329		398		459
	429		331		400		462
	430		333		402		464
	431		335		404	255-3325	117
	433		337		406	255-3332	2
	435		339		408		►117
	437		341		415	255-3549	22
	439		343		417	255-8674	58
	441		345		419	256-2058	86
	443		347		421		88
	445		349		423	256-6018	►107
	447		351		425		108
	449		353		426	256-6166	2
	451		355		427		►25
	453		357		428	256-6167	25
	455		360		429	256-6168	25
	457		363		430	256-6170	25
	459		365		431	256-6453	195
	462		367	246-3150	11		196
	464		369	246-5895	299	257-8299	95
	466		371		305	258-6845	177
	469		374		319	259-5667	174
243-5221	288		376		331		187
	301		378		337		188
	303		380		343		189
	305		382		349	259-5829	19
	339		384		355	259-9039	107
	341		410		367	260-1546	3
	343		413		378		►82
	413		433		380	260-3771	3
	469		435		382		►108
243-5223	288		437		384	260-4856	19
	299		439	247-6119	►265	260-5716	130
	301		441	247-6121	►265	260-5876	107
	303		443	247-6126	►266	260-6672	147
	305		445	247-6178	266	260-6676	149
	317		447		►296	260-6682	211
	325		449	247-7133	78		213
	327		451	248-2169	191	260-7524	53
	329		453	251-3484	319		54
	331		455	251-3485	296	260-9144	177
	333		457	251-3487	319		179
	335		459	251-3488	296	261-1544	11
	337		462		319	261-3537	325
	339		464		321	261-5503	482
	341		466		323		487
	343		469		360	261-7902	170
	410	244-0452	170		365		175
	413		175		371	262-0284	130
	457		209		376	262-0490	86
	459		210		380		88
	462	244-4500	32		384	262-0494	59
	464	244-5891	58	251-3489	296		60
	466	245-3261	38		319	262-1370	479
	469	245-3262	2		321	262-1554	197
243-5380	288		►38		323	262-2705	45
	290	245-4630	193		360	262-2805	160
	293	245-7339	55		365	262-4800	172
	296	246-2009	154		371		176
	299		170		376	263-0633	111
	301		175		380		112
	303		176		384	263-0856	170
	305		205	252-7885	2		175
	307	246-2010	154		►78	263-0857	170
	309		170	252-8439	►19		175
	311		175		21	263-7681	459
	313		176	253-2320	2		464

PART NUMBER INDEX

Part	Page	Part	Page	Part	Page	Part	Page
263-7683	459	278-8844	199		307	324-7698	265
	464	279-6024	41		309		▶319
264-5732	169	279-6624	3		311	324-7707	265
264-6156	58		▶106		313		▶321
264-6364	111	280-6794	78		315	324-7708	265
	112	280-8003	2		319		▶323
264-7029	113		▶10		321	325-3915	▶12
	169	281-2210	65		323		16
264-7030	113	281-5976	126		345	326-0612	228
	169	282-1771	11		347		240
264-7033	169	282-1772	11		349	326-1006	129
264-7111	86	283-9170	171		351	326-1644	116
	88		175		353	328-3860	▶99
265-1400	3	285-4073	55		355	329-2431	228
	▶50	285-4106	10		357		240
265-4123	170	285-7039	▶266		360	329-5451	185
	175	285-7045	266		363	329-5511	66
266-1570	482		▶299		365	329-5518	61
	487	285-7158	299		367	330-9627	266
266-1571	482	285-7159	299		369		▶325
266-2815	86	285-7160	299		371	330-9628	▶266
	88	285-7166	299		374	330-9750	123
266-2973	98	286-4741	484		376	331-7320	44
	99	286-4744	484		378		45
266-3471	22	286-4746	161		380	331-9490	220
	23	287-3882	85		382		221
266-3472	2	288-7324	169		384		228
	▶52	289-2348	93	307-8428	171		240
266-3504	52	289-4769	288	308-3672	138	331-9491	228
267-1337	175		296		145		240
267-1402	185		299	310-7255	17	331-9492	225
	▶191	291-2147	157	310-7257	17		235
267-7280	482	293-0730	119	312-0080	464	331-9493	225
	487	293-9367	69	313-3624	2		235
267-9718	3	293-9659	491		▶157	332-3619	▶17
	▶128	294-2156	85	313-4620	130		19
268-3490	10	297-4883	2	313-6964	2	335-2834	70
269-5219	176		▶41		▶167	335-2842	59
269-6288	99	297-8989	491	313-9614	123		60
270-2679	170	298-5189	168		125		71
	175			315-9835	61		72
270-3001	439			317-7210	17	337-0469	147
	441			317-7211	17	338-1943	▶266
	443			317-7212	17	338-1945	▶266
	451			317-7213	17	338-1946	266
	453	300-1979	22	317-9506	158		▶327
	455		23		160	338-1947	▶267
	457	300-4064	2	318-6357	▶129	338-1949	▶267
	462		▶22		130	338-1950	267
270-3002	299	300-4065	2	319-0007	148		▶329
	457		▶113	319-6237	19	338-1951	▶267
	462	300-6790	▶169	319-6240	120	338-1953	▶267
270-3027	433		203		122	338-1954	267
	435	300-6791	3	320-2922	88		▶331
	437		▶203	321-8657	125	338-1966	▶267
	439	300-6794	3	324-7380	50	338-1968	▶268
	441		▶185	324-7673	263	338-1969	267
	443	301-8313	141		▶301		268
	445		142	324-7674	263		▶333
	447		208		▶303	338-1970	▶268
	449	301-8316	141	324-7676	263	338-1972	▶268
	451		142		▶305	338-1973	268
	453		484	324-7677	263		▶335
	455	301-8317	484		▶307	338-1974	▶268
271-7442	19	301-8318	484	324-7681	264	338-1976	▶268
274-6717	192	301-8323	484		▶309	338-1977	268
274-6719	113	301-8325	484	324-7685	264		▶337
	185	301-8326	484		▶311	338-1978	▶269
276-6793	185	305-5362	169	324-7686	264	338-1980	▶269
276-8548	185	305-6928	113		▶313	338-1981	269
	▶192	307-6560	290	324-7689	265		▶339
277-5662	171		293		▶315	338-1982	▶269
	175		296	324-7695	265	338-1984	▶269
	200				▶317	338-1985	269

3

PART NUMBER INDEX

Part	Page	Part	Page	Part	Page	Part	Page
	▶341	338-2074	▶276		341		451
338-1986	▶269	338-2075	276		343		453
338-1988	▶270		▶380	338-7378	290		455
338-1989	269	338-2080	▶277		345		457
	270	338-2082	▶277		347		459
	▶343	338-2083	277		349		462
338-1990	▶270		▶382		423		464
338-1992	▶270	338-2084	▶277		426	345-0796	410
338-1993	270	338-2086	▶277	338-7379	293		413
	▶345	338-2087	277		351		433
338-1994	▶270		▶384		353		435
338-1996	▶270	338-3669	46		355		437
338-1997	270		47		402		439
	▶347		79		406		441
338-1998	▶271		80		425		443
338-2000	▶271		92		427		445
338-2001	271		109	338-7380	357		447
	▶349		111		360		449
338-2003	▶271		112		363		451
338-2005	▶271		182		365		453
338-2006	271		223		367		455
	▶351		225		404		457
338-2007	▶271		228		408		459
338-2009	▶272		235	338-7381	369		462
338-2010	271		239		371		464
	272		240		374		466
	▶353		254		376		469
338-2011	▶272		255		378	345-1116	▶170
338-2013	▶272		257		380		207
338-2014	272		259	338-7382	382	345-1118	170
	▶355		261		384		175
338-2015	▶272	338-7345	327	339-4307	70	345-1120	172
338-2017	▶272	338-7346	329	342-6518	59		174
338-2018	272	338-7347	331		60		176
	▶357	338-7348	333	342-9913	79		187
338-2019	▶273	338-7349	335		80		188
338-2021	▶273	338-7350	337		86		189
338-2022	273	338-7351	339		88		205
	▶360	338-7352	341		92		472
338-2023	▶273	338-7353	343	342-9920	76	345-8835	141
338-2025	▶273	338-7354	345		77		142
338-2026	273		423		181		484
	▶363	338-7355	347	343-4072	76	345-9841	484
338-2027	▶273		426		77	346-4039	145
338-2029	▶274	338-7356	349	343-4074	46	346-5504	225
338-2030	273	338-7357	351		47		228
	274		402	343-5527	116		235
	▶365		425	343-9624	225		240
338-2031	▶274	338-7358	353		235		247
338-2033	▶274		406	344-5895	44		249
338-2034	274		427		45		250
	▶367	338-7359	355	345-0788	325		252
338-2052	▶274	338-7360	357		433	347-1242	220
338-2054	▶274		360		435		221
338-2055	274		404		437		225
	▶369	338-7361	363		439		235
338-2056	▶275		365		441	347-2380	50
338-2058	▶275		408		443	347-2381	50
338-2059	275	338-7362	367		445	347-2382	50
	▶371	338-7363	369		447	347-4025	225
338-2060	▶275		371		449		228
338-2062	▶275	338-7364	374		451		235
338-2063	275		376		453		240
	▶374	338-7365	378		455	347-4163	78
338-2064	▶275		380	345-0793	325	347-5684	106
338-2066	▶276	338-7366	382		433	347-8371	147
338-2067	275		384		435		148
	276	338-7375	327		437	347-8373	149
	▶376		329		439		150
338-2068	▶276		331		441	347-8397	149
338-2070	▶276	338-7376	333		443		150
338-2071	276		335		445	348-3295	▶490
	▶378		337		447	348-6974	71
338-2072	▶276	338-7377	339		449		72

PART NUMBER INDEX

Part	Page	Part	Page	Part	Page	Part	Page
348-8539	70		249		▶390	391-1273	231
348-8561	138		250	375-8208	325		244
349-6808	211		252		410	391-1294	231
	213		255		413		244
	479		259		457	391-1916	231
	480	355-4785	228		459		244
349-9598	151		240		462	391-1970	231
349-9599	152	356-3231	44		464		244
349-9600	153		45		466	391-3786	1
350-2779	64		215		469		▶491
350-4303	482		222	376-4682	74	391-3812	46
	487		224	376-4689	74		47
350-5417	83		262	376-4690	74	391-4269	231
350-8586	▶174	356-4955	138	376-4691	▶74		244
	187	356-5357	138	377-3884	86	391-4275	487
	188	356-7170	480		88	391-5665	231
	189	358-4166	231	377-9587	61		244
	190		244	377-9593	61	391-5865	231
351-0283	49	358-4760	278	382-6044	113		244
351-0898	71		▶386		▶135	391-8143	481
	72	358-7873	10	383-7934	202	391-8662	113
351-7199	240	358-7876	10	384-4307	474	391-8788	40
	241	360-3677	14	384-9992	82	392-1377	▶277
351-9187	175	360-3678	36	385-1657	50	392-1378	▶278
	209	360-3679	19	385-7276	16	392-1379	▶278
	210		51	386-0460	3	392-1380	▶278
352-0903	210		117		▶21	392-1387	▶278
352-2079	▶83		123	386-7046	111	392-1388	▶278
	84		126		112	392-1389	▶279
352-2080	82	360-3680	19	386-7047	111	392-1390	▶279
	▶84		36		112	392-1393	▶279
352-4522	23		49	386-7048	110	392-1394	▶279
352-6019	325		51	386-7049	134	392-1397	▶279
353-5102	113		73	386-7050	111	392-1398	▶280
353-5103	123		78		112	392-1403	231
	125		82	387-7159	126	392-1517	▶40
353-5112	185		95	387-9432	▶119	392-1686	231
353-5123	177		96		128		244
	179		113	389-0802	228	392-2048	286
353-5124	82	360-3681	51		240		▶410
353-6988	10	360-3682	49	389-3691	113	392-2049	287
354-2560	145		51	389-3692	78		▶413
354-3882	240	360-3684	36	389-3708	19	392-3426	231
354-6202	111	362-0466	228		51		244
	112		240		117	392-9541	481
354-6203	110	366-0081	228		123	393-1442	103
354-6204	134		240		126		104
354-6205	111	366-0082	228	389-3709	49	393-1468	103
	112		240		51	393-1576	103
354-6210	216	366-0083	228	389-3728	36		104
354-6213	216		240	389-9340	277	393-1634	103
354-6214	▶216	366-0084	228		▶392	393-3384	103
	231		240	389-9341	278	393-7035	386
	244	366-1821	74		▶394		388
354-6217	218		75	389-9342	278		390
354-6219	218	366-2203	209		▶396		392
354-6220	▶218		325	389-9343	279		394
	231	366-9370	170		▶398		396
	244		175	389-9344	279		398
354-6227	46	369-6662	133		▶400		400
	47	369-8845	231	389-9347	279		402
354-6228	46		244		▶402		404
	47	369-8846	231	389-9348	279		406
355-1390	216		244		▶404		408
	218	369-8871	231	389-9351	279	393-7036	386
	220		244		▶406		388
	221	371-6173	86	389-9352	280		390
	225		88		▶408		392
	231	371-7186	36	390-0788	▶198		394
	232	372-0379	88		199		396
	235	372-2905	162	390-8542	231		398
	244	374-0463	278		244		400
	245		▶388	391-0685	231		402
	247	374-0465	278		244		404

PART NUMBER INDEX

Part	Page	Part	Page	Part	Page	Part	Page
	406	398-7207	86		▶428	442-5908	104
	408	398-7247	159	421-5213	282	442-5909	104
	415		482		▶429	442-5944	104
	417			421-5214	282	442-9785	104
	419				▶430	443-1872	244
	421			421-5215	431	443-1873	244
	423	4		421-5216	428	443-2501	86
	425	416-1057	91		431		88
	426	416-1058	91	421-5217	428	443-2685	239
	427	416-1367	175	421-5219	429	443-3473	▶247
	428	416-2653	126	421-5223	430		254
	429	416-2712	3	421-5224	429	443-3479	225
	430				430	445-5608	45
	431		▶126	421-5225	281	445-5609	44
393-7040	▶143	417-9229	98		▶431	445-5762	147
	386		225	421-8540	▶43		148
	388		228	423-1981	86	445-5763	▶147
	390		235		88	445-5862	▶148
	392		240	423-9049	198	445-8305	225
	394	417-9299	149	424-4946	123	446-0110	225
	396	417-9300	150		125	446-0113	225
	398	418-6362	▶261	425-1132	86	446-0120	255
	400	419-0841	▶171		88	446-0122	255
	402		203	426-1695	244	446-0125	▶249
	404	419-1681	▶175	427-0127	244		254
	406	419-1682	▶171	430-8715	142	446-0127	▶220
	408	419-1683	▶171	431-6634	325		225
	415	419-1684	▶171	431-9317	▶70	446-0135	101
	417	420-2301	158	433-2701	▶260	446-0136	101
	419	420-2302	206	433-2702	260	446-0137	101
	421	420-2304	205	433-2703	260	446-8006	▶181
	423	420-2305	▶205	433-2711	260	446-9687	101
	425	420-4659	▶183	433-2713	325	446-9689	101
	426	420-5110	480	433-2709	325	446-9690	101
	427	420-5227	▶479	433-5908	325	446-9691	101
	428	420-5290	▶158	433-5909	325	446-9692	101
	429	420-5291	▶141	433-5910	325	446-9693	101
	430	420-5292	▶142	435-1842	151	446-9695	101
	431	420-5293	▶206		152	446-9696	101
393-7054	143	420-6076	▶476	437-4481	410	446-9699	101
393-7056	143	420-6078	▶480		413	446-9709	147
393-7057	143	420-8962	▶472		433		148
393-7058	143	420-8986	▶187		435	447-9596	433
393-7060	143	421-2336	▶75		437		435
393-7061	143	421-3105	75		437		437
393-7062	143	421-3106	75		439		439
393-7064	143	421-3107	75		441		441
393-7066	143	421-5087	▶280		443		443
393-7070	143	421-5088	▶280		445		445
394-0527	140	421-5090	▶281		447		447
	183	421-5091	▶281		449		449
394-6207	43	421-5092	▶281		451		451
395-3526	480	421-5093	▶281		453		453
396-0384	185	421-5094	280		455		455
396-0390	126		▶415		457	447-9599	433
396-0393	14	421-5095	280		459		435
396-0405	19		▶417		462		437
	73	421-5097	280		464		439
	78		▶419		466		441
	82	421-5098	280		469		443
396-3287	2		▶421	438-2684	225		445
	▶5	421-5100	281	438-9097	101		447
	67		▶423	438-9098	101		449
396-6022	▶280	421-5101	281	438-9103	101		451
396-9606	▶280		▶425	438-9104	101		453
396-9607	83	421-5102	281	439-0901	86		455
397-1832	36		▶426	439-1694	101	448-0221	147
398-5596	49	421-5103	281	439-4571	203		149
	51		▶427	440-0881	203	448-0406	225
	95	421-5197	▶281	441-4750	181	448-0607	84
	96	421-5198	▶282	441-7246	225		▶159
	113	421-5199	▶282		235		457
398-5601	51	421-5200	▶282	441-9164	181		459
398-5612	51	421-5212	282	442-5906	104		462
				442-5907	104		464

PART NUMBER INDEX

Part	Page	Part	Page	Part	Page	Part	Page
450-2789	484		▶455		455		487
450-3719	154	459-9294	2	463-1493	433	465-1285	482
452-3091	144		▶97		435	465-1286	482
452-5138	231	460-1452	1		437		▶486
	244	461-8726	97		439	465-1287	486
452-7118	181	462-6423	2		441	465-1288	486
452-7861	225		▶64		443	465-1289	486
452-8930	215	463-1487	433		445	465-1290	▶163
452-9043	254		435		447	465-1291	163
453-1355	225		437		449	465-2024	46
	▶254		439		451	465-2232	▶44
453-1359	254		441		453	465-2233	▶45
453-1360	254		443	463-1494	455	465-2234	134
453-5998	58		445		433	465-2235	▶134
453-7010	▶262		447		435	465-2236	110
453-7011	▶215		449		437	465-2237	▶110
453-7014	▶168		451		445	465-2240	134
453-7017	▶140		453		447	465-2242	110
453-7019	473		455		449	465-2249	▶222
453-7021	▶473	463-1488	433	463-1495	433	465-2250	222
453-7022	▶474		435		435		▶225
453-7027	▶144		437		437	465-2252	255
453-7050	▶197		439		439	465-2254	255
453-7051	160		441		441	465-2255	225
453-7052	▶160		443		443		▶255
453-7054	▶481		445		445	465-2257	225
453-7056	▶172		447		447	465-2258	▶101
454-2841	225		449		449		225
454-2864	101		451		451		235
454-5299	254		453		453	465-2259	101
455-0704	172		455		455	465-2260	101
	199	463-1489	439	463-1496	433	465-2265	94
457-4308	134		441		435	465-2266	▶94
458-8811	3		443		437	465-2267	▶63
	▶199		451		445	465-2268	63
459-2163	1		453		447	465-2269	▶120
	▶3		455		449	465-2270	120
459-2164	▶1	463-1490	433	463-3670	▶86		122
	2		435	463-3671	86	465-2271	120
459-4432	▶282		437	463-3672	86	465-2279	79
459-4433	▶282		439	463-3673	86	465-2280	▶79
459-4434	▶283		441	463-3674	86	465-2281	80
459-4435	▶283		443	463-3681	92	465-2282	▶80
459-4436	▶283		445	463-3682	92	465-2285	285
459-4437	▶283		447	463-3690	▶88		▶457
459-4438	282		449	463-3691	88	465-2290	285
	▶433		451	463-3692	88		▶459
459-4439	282		453	463-3693	88	465-2291	▶285
	▶435		455	463-3694	88	465-2292	▶285
459-4440	283	463-1491	410	463-3695	▶85	465-2294	225
	▶437		433		88	465-2530	46
459-4441	283		435	463-6057	3	465-6977	2
	▶439		437		▶56		▶123
459-4442	283		439	463-6058	56		▶125
	▶441		441	463-8165	▶76	465-6983	47
459-4443	283		443		86	465-6985	47
	▶443		445	463-8166	76	465-7783	▶46
459-4444	▶284		447	463-8168	76	465-7784	▶47
459-4445	▶284		449	464-0708	▶170	465-7804	▶111
459-4446	▶284		451		213	465-7805	111
459-4447	▶284		453	464-0709	▶175	465-8806	90
459-4448	▶285		455		211	465-8808	▶90
459-4449	▶285		466	464-0710	▶172	465-8919	▶112
459-4450	284	463-1492	433		207	465-8920	112
	▶445		435	464-3211	110	465-8932	109
459-4451	284		437	464-8046	▶77		111
	▶447		439		88		112
459-4452	284		441	464-8047	77	465-8933	109
	▶449		443	464-8049	77		111
459-4453	284		445	465-1281	▶211		112
	▶451		447	465-1282	211	466-1157	▶109
459-4454	285		449		▶482	466-1158	109
	▶453		451	465-1283	482	466-1165	▶182
459-4455	285		453		▶484	466-1166	182

PART NUMBER INDEX

Part	Page	Part	Page	Part	Page	Part	Page
466-1167	182		►96	471-8658	482		
466-4230	259	471-0753	►223	471-8668	413		
466-4423	259	471-0754	86		469		
466-5338	235	471-0755	86	472-2518	165		
466-5343	235	471-0756	86	472-5367	179		
466-6939	235	471-0759	235	472-5506	149		
466-7262	149	471-0761	259		150		
	150	471-0763	259	473-2833	85		
466-8161	257	471-0764	235	473-2836	85		
466-8162	257		►259	473-4582	46		
466-8163	257	471-0765	224	473-9531	►184		
466-8164	257		►235	474-3124	►151		
466-8167	►250	471-0766	►224	474-4117	►152		
	257	471-0767	59	474-4118	►153		
466-8169	►252	471-0768	►59	474-4119	►154		
	257	471-0769	71	474-5181	►164		
466-8170	235	471-0770	►71	474-5182	►165		
	►257	471-0771	72	474-5183	►166		
466-9141	166	471-0772	►72	475-4765	138		
466-9142	164	471-0774	►98	475-4767	►138		
466-9156	►149	471-0776	►91	475-8409	208		
466-9157	►150	471-0777	91	475-9637	►208		
466-9306	223	471-0778	►92	476-5337	►155		
	►228	471-0779	92	476-7888	►156		
466-9307	228		►93	476-8769	126		
	►231	471-0780	93		►130		
466-9308	►103	471-0781	►177	478-0658	►202		
	228	471-0782	►179	478-1296	2		
466-9309	231	471-0783	177		►31		
466-9311	232		179	478-8007	►172		
466-9313	103	471-0785	235	478-8009	►173		
	104	471-0786	►118	478-8010	161		
466-9598	257	471-0787	60	478-8012	►209		
466-9773	232	471-0788	►60	478-8013	►210		
	245	471-0789	►122	478-9865	82		
467-3561	►221	471-0791	►3	480-0127	96		
	235	471-0792	122	480-8254	►188		
467-4243	58	471-0794	►287	480-8255	►189		
467-4496	209	471-0795	287	482-3758	►239		
	210		►462	482-3759	239		
467-4926	235	471-0796	►287		►240		
467-4931	235	471-0797	287	482-3760	240		
467-5016	235		►464		►244		
467-5020	235	471-0798	►287	482-3761	245		
467-5445	235	471-0799	287	482-3762	245		
467-5738	487		►466	482-3763	►104		
467-5741	487	471-0800	►287		240		
467-5743	213	471-0801	287	483-0768	9		
	►487		►469	483-0769	2		
467-5744	►213	471-0802	47		►9		
467-5985	155	471-0804	120	483-6389	2		
	156		122		►23		
	►176		177	494-0261	►190		
	477		179				
467-6990	477	471-0820	►200				
467-6991	►477	471-0821	200				
467-6992	478	471-0823	200				
467-6993	478	471-0824	►145				
467-6995	►478	471-0825	►207				
467-7693	93	471-0831	►161				
467-7712	93	471-1384	77				
467-9194	►2	471-1385	76				
	3	471-8282	410				
469-2278	►286		413				
469-2279	►287		466				
469-7867	235		469				
469-7868	235	471-8283	410				
470-0624	►100		413				
470-0625	100		466				
470-0627	100		469				
470-0628	100	471-8284	410				
470-0630	100		413				
470-4410	232		466				
	245		469				
470-5943	2		469				



SEBP7515-00

C9 Generator Set

F5A1-UP
F6B1-UP
LX91-UP