

# Parts Manual



See "General Information"  
for New Parts Manual  
Features.

---

## **C15 Generator Set**

---

L6B1-Up (Generator)  
L7A1-Up (Generator)  
LNA1-Up (Generator Set)  
LZA1-Up (Generator Set)  
FTH1-Up (Engine)



# Product and Dealer Information

Note: For product identification plate locations, see the section "Product Identification Information" in the Operation and Maintenance Manual.

Delivery Date: \_\_\_\_\_

## Product Information

Model: \_\_\_\_\_

Product Identification Number: \_\_\_\_\_

Engine Serial Number: \_\_\_\_\_

Transmission Serial Number: \_\_\_\_\_

Generator Serial Number: \_\_\_\_\_

Attachment Serial Numbers: \_\_\_\_\_

Attachment Information: \_\_\_\_\_

Customer Equipment Number: \_\_\_\_\_

Dealer Equipment Number: \_\_\_\_\_

## Dealer Information

Name: \_\_\_\_\_ Branch: \_\_\_\_\_

Address: \_\_\_\_\_

\_\_\_\_\_

\_\_\_\_\_

Dealer Contact

Phone Number

Hours

Sales: \_\_\_\_\_

Parts: \_\_\_\_\_

Service: \_\_\_\_\_

# MEMORANDA

# TABLE OF CONTENTS

Name	Page	Name	Page
<b>GENERAL INFORMATION</b> .....	A3	PLUG GP-CYLINDER HEAD .....	68
<b>REPAIR ALTERNATIVES</b> .....	A6	PLUG GP-FLYWHEEL HOUSING .....	69
<b>SUPPLEMENTAL COOLANT ADDITIVES</b> .....	A7	ROCKER ARM GP .....	70
<b>MAINTENANCE PARTS</b> .....	A8	SEAL GP-CRANKSHAFT .....	73
<b>INDEX</b> .....	A11	SUPPORT GP-ENGINE .....	75
<b>ENGINE ARRANGEMENT</b> .....	1	V-BELT SET .....	76
ENGINE AR .....	1	<b>LUBRICATION SYSTEM</b> .....	77
ENGINE AR-COMPLETE .....	3	BASE GP-OIL FILTER .....	77
ENGINE AR-CORE .....	11	DRAIN GP-OIL .....	79
GENERAL AR-GENSET .....	12	FASTENER GP-OIL PUMP MOUNTING .....	80
<b>BASIC ENGINE</b> .....	16	FILLER GP-ENGINE OIL .....	81
ADAPTER GP-PUMP DRIVE .....	16	FILTER GP-ENGINE OIL .....	82
BASE GP-VALVE COVER & INJ HARN .....	17	FUMES DISPOSAL GP .....	83
BELT TIGHTENER GP .....	18	GAUGE GP-OIL LEVEL (DIPSTICK) .....	85
CAMSHAFT GP .....	20	LINES GP-TURBOCHARGER OIL .....	86
COUPLING GP-GENERATOR .....	21	PUMP GP-ENGINE OIL .....	87
COVER GP-ACCESS .....	22	PUMP GP-SUMP .....	88
COVER GP-AIR COMPRESSOR .....	23	<b>COOLING SYSTEM</b> .....	90
COVER GP-CYLINDER BLOCK .....	24	ADAPTER GP-FAN .....	90
COVER GP-FLYWHEEL HOUSING .....	26	COVER GP .....	91
COVER GP-FRONT HOUSING .....	27	DRAIN GP-COOLANT .....	96
COVER GP-SOUND SUPPRESSION .....	28	FAN GP-BLOWER .....	97
COVER GP-VALVE MECHANISM .....	29	GUARD GP-FAN .....	98
CRANKSHAFT GP .....	32	GUARD GP-RADIATOR .....	101
CYLINDER BLOCK AS .....	33	LINES GP-WATER .....	102
CYLINDER BLOCK GP .....	35	PUMP GP-WATER .....	105
CYLINDER HEAD AS .....	37	RADIATOR GP .....	107
CYLINDER HEAD GP .....	39	REGULATOR GP-TEMPERATURE .....	111
DAMPER GP .....	42	<b>AIR INLET AND EXHAUST SYSTEM</b> .....	112
DRIVE GP-FAN .....	43	ADAPTER GP-EXHAUST .....	112
DRIVE GP-PUMP .....	46	AIR CLEANER GP .....	113
FASTENER GP-FRONT HOUSING .....	47	CAP AS-AIR CLEANER .....	117
FASTENER GP-VALVE MECHANISM .....	48	CONNECTION GP-EXHAUST .....	118
FLYWHEEL GP .....	49	ELBOW GP-AIR INLET .....	119
GEAR GP-CAMSHAFT .....	50	ELBOW GP-EXHAUST .....	120
GEAR GP-FRONT .....	51	FITTING GP-EXHAUST .....	123
HOUSING GP-FLYWHEEL .....	53	FLANGE GP-AIR INLET .....	125
HOUSING GP-FRONT .....	54	FLANGE GP-EXHAUST .....	126
LIFTING GP-ENGINE .....	55	GUARD GP-TURBOCHARGER .....	128
MECHANISM GP-FUEL PUMP & VALVE .....	57	MANIFOLD GP-EXHAUST .....	129
MOUNTING GP-ALTERNATOR .....	58	MUFFLER GP .....	130
MOUNTING GP-ENGINE & GENERATOR .....	60	SHIELD GP-HEAT .....	132
PAN AS-OIL .....	62	SHIELD GP-MANIFOLD .....	133
PAN GP-OIL .....	63	TURBOCHARGER GP .....	134
PISTON & ROD GP .....	64	<b>FUEL SYSTEM</b> .....	138
PLATE AS-FRONT HOUSING .....	66	BASE GP-FUEL FILTER .....	138
PLUG GP-CYLINDER BLOCK .....	67	FILTER GP-FUEL .....	139
		FILTER GP-WATER SEP & FUEL .....	140
		LINES GP-FUEL .....	142
		LINES GP-FUEL FILTER .....	146
		PUMP & MTG GP-FUEL TRANSFER .....	147

# TABLE OF CONTENTS

Name	Page	Name	Page
PUMP GP-FUEL INJECTION . . . . .	148	DUCT GP-CABLE . . . . .	266
PUMP GP-FUEL PRM & SEC FILTER . . . . .	149	ENCLOSURE GP-GENERATOR . . . . .	267
TANK & BASE GP-FUEL . . . . .	151	INSULATION GP-GENERATOR . . . . .	276
VALVE GP-CHECK . . . . .	152		
VALVE GP-FUEL BYPASS . . . . .	154	<b>GENERATORS . . . . .</b>	<b>278</b>
<b>ELECTRICAL AND STARTING SYSTEM . . . . .</b>	<b>155</b>	CONNECTION GP-GENERATOR	
ALTERNATOR GP-CHARGING . . . . .	155	LEADS . . . . .	278
BATTERY CHARGER GP . . . . .	156	CONNECTION GP-TERMINAL STRIP . . . . .	282
BATTERY GP . . . . .	157	EXCITER AS . . . . .	295
BOX GP-CONNECTION . . . . .	161	GENERATOR AR . . . . .	296
BOX GP-ELECTRONIC . . . . .	165	GENERATOR GP . . . . .	321
BOX GP-GENERATOR CONNECTION . . . . .	166	HEATER GP-SPACE . . . . .	541
CIRCUIT BREAKER & MOUNTING GP . . . . .	168	REGULATOR AS-VOLTAGE . . . . .	543
CIRCUIT BREAKER GP . . . . .	171	REGULATOR GP-VOLTAGE . . . . .	544
CONNECTION GP-ELECTRICAL . . . . .	182	<b>OPERATOR STATION . . . . .</b>	<b>548</b>
CONNECTOR AS . . . . .	186	ALARM GP . . . . .	548
CONTROL & MTG GP-ENGINE ELEK . . . . .	188	CONTROL GP-GENERATOR SET . . . . .	549
CONTROL GP-CIRCUIT BREAKER . . . . .	190	FILTER GP-ELECTRONIC . . . . .	550
CONTROL GP-JACKET WATER		PANEL GP-ELECTRICAL . . . . .	551
HEATER . . . . .	192		
CONTROL GP-VOLTAGE . . . . .	193	<b>SERVICE EQUIPMENT AND SUPPLIES . . . . .</b>	<b>553</b>
FASTENER GP-WIRING HARNESS . . . . .	195	FILM GP . . . . .	553
HARNESS AS-ENGINE . . . . .	196	PLATE & FILM GP . . . . .	558
HARNESS AS-PANEL . . . . .	198		
HARNESS AS-POWER . . . . .	199	<b>PART NUMBER INDEX . . . . .</b>	<b>B1</b>
HARNESS AS-SWITCH . . . . .	199		
HARNESS AS-WIRING . . . . .	199		
HEATER GP-JACKET WATER . . . . .	204		
MOUNTING GP-BOX . . . . .	206		
MOUNTING GP-CIRCUIT BREAKER . . . . .	207		
MOUNTING GP-ELECTRONIC			
CONTROL . . . . .	214		
MOUNTING GP-SENSOR . . . . .	216		
PANEL GP-CIRCUIT BREAKER . . . . .	217		
RELAY GP . . . . .	221		
SENSOR GP-ENGINE . . . . .	224		
SENSOR GP-PRESSURE . . . . .	226		
SENSOR GP-SPEED . . . . .	229		
SENSOR GP-TEMPERATURE . . . . .	231		
STARTING MOTOR GP-ELECTRIC . . . . .	233		
STRIP GP-TERMINAL . . . . .	236		
SWITCH AS-TOGGLE . . . . .	237		
SWITCH GP-DISCONNECT . . . . .	238		
SWITCH GP-PUSH BUTTON . . . . .	240		
TRANSFORMER GP . . . . .	242		
WIRING GP-ELECTRONIC CONTROL . . . . .	247		
WIRING GP-ENGINE . . . . .	249		
WIRING GP-GENERATOR . . . . .	250		
WIRING GP-GROUND . . . . .	257		
WIRING GP-PANEL . . . . .	259		
<b>ENCLOSURES, GUARDS AND BASES . . . . .</b>	<b>260</b>		
BASE GP-GENERATOR . . . . .	260		
DOOR GP-ACCESS . . . . .	264		

# GENERAL INFORMATION

## 1. ENGINE IDENTIFICATION

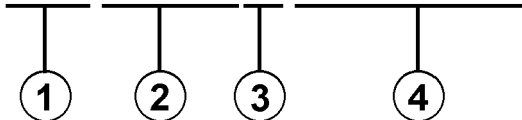
Caterpillar engines are identified with Serial Numbers and Arrangement Numbers. In some cases, Modification Numbers are also used. The serial number plate which shows these numbers is mounted on the engine.

Caterpillar dealers need this information to determine which components were included on the engine when it was assembled at the factory. This permits accurate identification of replacement part numbers.

### **New Feature**

Effective First Quarter 2001 the Caterpillar Product Identification Number (PIN) changed from 8 to 17 characters. In an effort to provide uniform equipment identification, Caterpillar and other construction equipment manufacturers are moving to comply with the latest version of the product identification numbering standard. Non-road machine PINs are defined by ISO 10261. The new PIN format will apply to all Caterpillar machines and generator sets. The PIN plates and frame marking will display the 17 character PIN. The new format will look like the following:

**\* C A T 0 7 8 9 B G 6 S L 1 2 3 4 5 \***



1      2      3      4

Where:

1. Caterpillar's World Manufacturing Code (characters 1-3)
2. Machine Descriptor (characters 4-8)
3. Check Character (character 9)
4. Machine Indicator Section (MIS) or Product Sequence Number (characters 10-17). These were previously referred to as the Serial Number.

Machines and generator sets produced before First Quarter 2001 will maintain their 8 character PIN format.

Components such as engines, transmissions, axles, etc. and work tools will continue to use an 8 character Serial Number (S/N).

## 2. ORDERING PARTS

### **WARNING**

**When replacement parts are required for this product Caterpillar recommends using Caterpillar replacement parts or parts with equivalent specifications including, but not limited to, physical dimensions, type, strength and material.**

**Failure to heed this warning can lead to premature failures, product damage, personal injury or death.**

Quality Caterpillar replacement parts are available from Caterpillar dealers throughout the world. Their parts inventories are up to date and include all parts normally required to protect your investment in Caterpillar machines. Dealers may offer repair kits or remanufactured parts to allow selection of the most effective repair alternative for a particular situation. When ordering parts, your order should specify the quantity, part number, part name, and the serial number/product identification number of the engine for which the parts are needed.

## 3. PARTS MANUAL ORGANIZATION

Product information in this manual is presented as "information elements" that represent all of the components for the specific model. Engine Arrangement and Seat Group are examples of information elements. The information elements are organized alphabetically by part name and secondarily by part number within each major section of the manual.

## 4. TABLE OF CONTENTS

A table of contents (TOC) is found at the beginning of the manual. The TOC lists each section of the manual with a complete list of all information elements organized as they appear in the manual. Page numbers are provided for quick reference to detailed parts identification illustrations and serviceable consist lists.

## 5. MAINTENANCE PARTS INDEX

The Maintenance Parts Index, located near the beginning of the manual, references most frequently used maintenance part numbers, providing description, quantity, usage and page number. This information is organized alphabetically by part description.

# GENERAL INFORMATION

## 6. INDEX

The index located near the front of the manual is an alphabetical listing of all information elements included in the manual. Page numbers are provided for quick reference to detailed parts identification illustrations and serviceable consist lists.

## 7. PART NUMBER INDEX

A numerical index listing all part numbers and the corresponding page number(s) appears at the back of the manual.

## 8. CAPTIONS

Captions located at the beginning of each information element identify the part number and part name along with additional descriptive information. S/N information found in each caption should be used to select correct information for a specific engine. Field replacement options, identification of optional attachment components, and where used ("part of") information is also provided.

The first line of a caption is shown in larger type font to indicate the beginning of an information element. Captions for additional pages that may be required to illustrate an information element will be shown in standard type font and will include the term (*contd.*).

## 9. NON-SERVICED PARTS

In some instances it is necessary to display non-serviced parts that are a link to lower level serviceable consist lists. These non-serviced part numbers are shown in *italic* type indicating that they are not available. All consist lists have not been converted to reflect this enhancement.

## 10. PARTS LIST REFERENCE NUMBERS

Numbers shown in the Ref No column correspond to numbers used in the associated graphic(s). An alphabetic suffix may be added to a reference number to identify lower level consist items. Numbers shown in the Graphic Ref column refer to the graphic number identifier displayed in the lower left corner of each illustration. The Graphic Ref number may be used in combination with the item Ref No to determine the correct part number. There may be intentional omission of a Ref No in a consist list as information is updated to reflect the latest serviceable part numbers.

## 11. INDENTED PART NAMES

When a part name is indented in a parts list, it is part of (included in) the group or assembly under which it is indented.

## 12. ILLUSTRATION REFERENCE LETTERS

When necessary, illustrations contain reference letters (A, B, C etc.) that are intended to track lines and harnesses from one point to another. They are also used to show where to reconnect illustrations that have been separated.

## 13. ABBREVIATIONS AND SYMBOLS

**O.D.** – Outside Diameter  
**I.D.** – Inside Diameter  
**A** – Not Part Of This Group  
**B** – Use As Required  
**C** – Change From Previous Type  
**D** – Order By The Meter  
**E** – Order By The Centimeter  
**F** – Not Shown  
**G** – Order By The Inch  
**I** – Refer To Hydraulic Information System  
**M** – Metric Part  
**R** – Remfg Part May Be Available  
**Y** – Separate Illustration  
**Z** – Not Serviced Separately

## 14. REPLACEMENT PARTS FOR GENERATORS

Only those generators which are sold and serviced exclusively by "Caterpillar" Dealers are illustrated on the following pages. Externally-regulated "Caterpillar" Diesel Electric Sets are equipped with generators made by other manufacturers. Parts for these generators are NOT serviced by Caterpillar Inc. Parts lists and parts should be ordered from the manufacturer whose name is shown on the Generator Name Plate, always giving the generator rating and serial number shown.

 **New Feature**

## 15. DESCRIPTION OF TYPE CHANGES

Type - A type is defined as any configuration change that requires an additional Information Element for an Arrangement, Group, or Assembly. If serial number breaks for types are not available, a type # (Type 1, Type 2, etc.) will be displayed in the caption. These "type" changes are identified with a "C" note (change from previous type) in the Parts List. Only the "types" that apply to this Parts Manual will be included. Additional types may exist causing "C" notes to appear on an Information Element when no other types are shown.



# GENERAL INFORMATION

## 16. <END>

This symbol indicates the end of an information element.

### NOTE:

Continuing improvement and advancement of product design may cause changes to your machine which may not be included in this publication. Whenever a question arises regarding your Caterpillar product or this publication, please consult your Caterpillar dealer for the latest available information.

# REPAIR ALTERNATIVES

## REMANUFACTURED COMPONENTS

As an option when making repairs consider Caterpillar Remanufactured Components. Components that are available through the Caterpillar Remanufactured Program are identified three ways in the parts book:

- with the letter R in the note field of the parts list
- with an R\* at the beginning of the first line of the caption
- with an \*R at the end of the first line of the caption

Typical components included in the Remanufacturing Program include:

ALTERNATORS  
CONNECTING RODS  
CRANKSHAFTS - UNDERSIZE  
CRANKSHAFTS - UPGRADE TO NEW  
CYLINDER HEADS  
ELECTRONIC CONTROL MODULES (ECM)  
ELECTRONIC SENSORS  
FUEL INJECTORS  
FUEL NOZZLES  
FUEL PUMPS  
GOVERNORS  
OIL PUMPS  
PISTONS  
SHORT BLOCKS  
STARTERS  
TURBOCHARGERS - COMPLETE  
TURBOCHARGER CARTRIDGES  
WATER PUMPS

Caterpillar Remanufactured engines for many engine arrangements are also available.

# SUPPLEMENTAL COOLANT ADDITIVES

## CUSTOMER BENEFITS:

Protects against cavitation, foam, erosion, corrosion, and scale buildup in cooling systems.

- Provides measured coolant conditioner.

## DESCRIPTION:

Additives deplete from the coolant with normal operation. For this reason, Supplemental Coolant Additives (SCA) must be added to all heavy duty coolants at regular intervals. In addition, when not using a fully formulated, pre-charged antifreeze, like Caterpillar's DEAC, an initial charge of SCA must be added to the cooling system. The amount of SCA added to the system is dependent on the capacity of the system.

The SCA for initial fill is provided as a liquid. SCA's for maintenance intervals are available in liquid form and as a spin-on element. (No Spin-on available for 3600 Family of Engines)

## NOTE:

The amount of SCA added at initial fill is not the same as the amount added at maintenance intervals.

The coolant additive elements can be used with any ethylene or propylene glycol type antifreeze which meets ASTM D4985 or ASTM D5345 Specifications.

## NOTE:

For use with standard heavy duty coolant only, not for use with Extended Life Coolant.

## PARTS NEEDED:

Cooling System Capacity		Liquid SCA at Initial Fill	Liquid SCA at Maintenance*	Spin-on SCA Maintenance Element*
Liters	Gallons			
22-30	(6-8)	3P-2044 (1)	6V-3542 (1)	111-2370 (1)
30-38	(8-10)	3P-2044 (1) 6V-3542 (1)	111-2372 (1)	111-2369 (1)
38-49	(10-13)	3P-2044 (1) 8T-1589 (1)	111-2372 (1)	111-2369 (1)
49-64	(13-17)	3P-2044 (2)	8T-1589 (1)	9N-3368 (1)
64-83	(17-22)	3P-2044 (2) 8T-1589 (1)	111-2372 (1) 6V-3542 (1)	111-2371 (1)
83-114	(22-30)	3P-2044 (3) 8T-1589 (1)	3P-2044 (1)	9N-3718 (1)
114-163	(30-43)	3P-2044 (5)	3P-2044 (1) 6V-3542 (1)	111-2371 (2)
163-242	(43-64)	3P-2044 (8)	3P-2044 (2)	9N-3718 (2)

\* Normal maintenance period is 250 hrs. See your Operation and Maintenance Manual for complete coolant maintenance instructions.

( ) Indicates quantity required.

# MAINTENANCE PARTS

DESCRIPTION	PART NUMBER	QTY	WHERE USED	PAGE
<b>AIR INLET AND EXHAUST SYSTEM</b>				
CAP AS-AIR CLEANER	4W-5828	1	AIR CLEANER GP	114
		1	AIR CLEANER GP	115
CAP AS-RAIN (EXHAUST)	6N-7611	1	FITTING GP-EXHAUST	124
		1	MUFFLER GP	130
		1	MUFFLER GP	131
FILTER ELEMENT AS-AIR (PRIMARY)	151-7737	1	AIR CLEANER GP	114
		1	AIR CLEANER GP	115
	7C-1571	1	AIR CLEANER GP	113
FILTER ELEMENT AS-AIR (SECONDARY)	189-0202	1	AIR CLEANER GP	115
<b>BASIC ENGINE</b>				
SEAL-INTEGRAL	160-7037	1	COVER GP-CYLINDER BLOCK	24
SEAL-VALVE COVER	242-9537	1	COVER GP-VALVE MECHANISM	29
		1	COVER GP-VALVE MECHANISM	31
V-BELT (ALTERNATOR)	4N-8216	1	MOUNTING GP-ALTERNATOR	58
<b>COOLING SYSTEM</b>				
CAP AS-RADIATOR	391-6399	1	RADIATOR GP	109
REGULATOR (WATER TEMPERATURE)	105-8405	1	REGULATOR GP-TEMPERATURE	111
REGULATOR-WATER TEMPERATURE (98-DEG C) (COOLANT)	247-7133	2	LINES GP-WATER	102
SEAL-LIP TYPE (WATER TEMPERATURE REGULATOR)	3S-9643	2	LINES GP-WATER	102

# MAINTENANCE PARTS

DESCRIPTION	PART NUMBER	QTY	WHERE USED	PAGE
<b>ELECTRICAL AND STARTING SYSTEM</b>				
CIRCUIT BREAKER (10-AMPERE)	286-4743	1	CIRCUIT BREAKER GP	171
CIRCUIT BREAKER (10-AMPERE) (10-AMPERE)	286-4743	3	STRIP GP-TERMINAL	236
CIRCUIT BREAKER (1250-AMPERE)	319-0009	1	CIRCUIT BREAKER GP	179
CIRCUIT BREAKER (16-AMPERE, SINGLE POLE)	286-4744	1	CIRCUIT BREAKER GP	171
	341-9318	1	CONTROL GP-JACKET WATER HEATER	192
		1	RELAY GP	223
CIRCUIT BREAKER (2-AMPERE) (2-AMPERE, SINGLE POLE)	341-9314	1	CONTROL GP-JACKET WATER HEATER	192
CIRCUIT BREAKER (2-AMPERE, SINGLE POLE)	341-9314	1	RELAY GP	223
CIRCUIT BREAKER (20-AMPERE)	286-4745	1	CIRCUIT BREAKER GP	171
CIRCUIT BREAKER (6-AMPERE, SINGLE POLE)	341-9316	1	BATTERY CHARGER GP	156
		1	CONTROL GP-JACKET WATER HEATER	192
CIRCUIT BREAKER (63-AMPERE)	286-4748	1	CIRCUIT BREAKER GP	171
CIRCUIT BREAKER (630-AMPERE)	259-2211	1	CIRCUIT BREAKER & MOUNTING GP	168
	259-2212	1	CIRCUIT BREAKER & MOUNTING GP	169
CIRCUIT BREAKER (800-AMPERE)	319-0007	1	CIRCUIT BREAKER & MOUNTING GP	170
	337-0469	1	CIRCUIT BREAKER GP	174
CIRCUIT BREAKER AS (1250-AMPERE)	319-0008	1	CIRCUIT BREAKER GP	181
CIRCUIT BREAKER AS (1600-AMPERE)	347-8365	1	CIRCUIT BREAKER GP	180
CIRCUIT BREAKER AS (1600-AMPERE, 3-POLE)	347-8363	1	CIRCUIT BREAKER GP	172
CIRCUIT BREAKER AS (2-AMPERE)	286-4741	3	CIRCUIT BREAKER GP	171
KEY (BATTERY DISCONNECT)	8H-5306	1	SWITCH GP-DISCONNECT	238
RELAY (24-VOLT)	392-9541	1	CONTROL GP-CIRCUIT BREAKER	191
RELAY (GROUND)	391-5531	1	WIRING GP-GENERATOR	251
		1	WIRING GP-GENERATOR	252
		1	WIRING GP-GENERATOR	255
<b>ENCLOSURES, GUARDS AND BASES</b>				
CAP-FUEL	264-6364	1	BASE GP-GENERATOR	260
		1	BASE GP-GENERATOR	262
<b>ENGINE ARRANGEMENT</b>				
V-BELT SET	352-5646	1	ENGINE AR-COMPLETE	3
		1	ENGINE AR-COMPLETE	7
	356-1072	1	ENGINE AR-COMPLETE	5
		1	ENGINE AR-COMPLETE	9
<b>FUEL SYSTEM</b>				
CAP-DUST	6V-0852	1	LINES GP-FUEL	144
CAP-FUEL	264-6364	1	TANK & BASE GP-FUEL	151
FILTER AS-WATER SEP & FUEL (PRIMARY)	326-1641	1	FILTER GP-FUEL	139
FILTER-FUEL (ADVANCED EFFICIENCY) (SECONDARY)	1R-0749	1	PUMP GP-FUEL PRM & SEC FILTER	149
GASKET (FUEL PRIMING PUMP)	1P-0436	1	PUMP GP-FUEL PRM & SEC FILTER	149

# MAINTENANCE PARTS

DESCRIPTION	PART NUMBER	QTY	WHERE USED	PAGE
<b>GENERATORS</b>				
SCREEN	241 - 4639	1	GENERATOR GP	499
		1	GENERATOR GP	501
		1	GENERATOR GP	503
		1	GENERATOR GP	533
		1	GENERATOR GP	535
		1	GENERATOR GP	539
		1	GENERATOR GP	426
SCREEN (AIR EXIT)	241 - 4639	1	GENERATOR GP	426
<b>LUBRICATION SYSTEM</b>				
CAP AS-ENGINE OIL FILLER	290 - 7550	1	FILLER GP-ENGINE OIL	81
FILTER-ENGINE OIL (ADVANCED EFFICIENCY)	1R - 1808	1	FILTER GP-ENGINE OIL	82
<b>OPERATOR STATION</b>				
FILTER-ELECTRONIC (RADIO FREQUENCY INTERFERENCE)	394 - 6207	1	FILTER GP-ELECTRONIC	550
RELAY (24-VOLT)	392 - 9541	1	CONTROL GP-GENERATOR SET	549
<b>SERVICE EQUIPMENT AND SUPPLIES</b>				
KEY	142 - 8240	2	PLATE & FILM GP	560
		2	PLATE & FILM GP	561

# INDEX

Name	Page	Name	Page
<b>A</b>			
ADAPTER GP-EXHAUST .....	112	CIRCUIT BREAKER (16-AMPERE, SINGLE POLE) .....	171
ADAPTER GP-FAN .....	90		192
ADAPTER GP-PUMP DRIVE .....	16		223
AIR CLEANER GP .....	113	CIRCUIT BREAKER (2-AMPERE) (2-AMPERE, SINGLE POLE) .....	192
	114	CIRCUIT BREAKER (2-AMPERE, SINGLE POLE) .....	223
	115	CIRCUIT BREAKER (20-AMPERE) .....	171
ALARM GP-HORN .....	548	CIRCUIT BREAKER (6-AMPERE, SINGLE POLE) .....	156
ALTERNATOR GP-CHARGING .....	155		192
<b>B</b>			
BASE GP-FUEL FILTER .....	138	CIRCUIT BREAKER (63-AMPERE) .....	171
BASE GP-GENERATOR .....	260	CIRCUIT BREAKER (630-AMPERE) .....	168
	261		169
	262	CIRCUIT BREAKER (800-AMPERE) .....	170
	263		174
BASE GP-OIL FILTER-ENGINE .....	77	CIRCUIT BREAKER AS (1250-AMPERE) .....	181
	78	CIRCUIT BREAKER AS (1600-AMPERE) .....	180
BASE GP-VALVE COVER & INJ HARN .....	17	CIRCUIT BREAKER AS (1600-AMPERE, 3-POLE) .....	172
BATTERY CHARGER GP .....	156	CIRCUIT BREAKER AS (2-AMPERE) .....	171
BATTERY GP .....	157	CIRCUIT BREAKER GP .....	171
	159		172
BELT TIGHTENER GP .....	18		173
BELT TIGHTENER GP-FAN .....	19		174
BOX GP-CONNECTION .....	161		175
	163		176
	164		177
BOX GP-ELECTRONIC .....	165		178
BOX GP-GENERATOR CONNECTION .....	166		179
	167		180
			181
<b>C</b>			
CAMSHAFT GP .....	20	CONNECTION GP-ELECTRICAL .....	182
CAP AS-AIR CLEANER .....	114		183
	115		184
	117	CONNECTION GP-EXHAUST .....	118
CAP AS-ENGINE OIL FILLER .....	81	CONNECTION GP-GENERATOR LEADS .....	278
CAP AS-RADIATOR .....	109		279
CAP AS-RAIN (EXHAUST) .....	124		280
	130		281
	131	CONNECTION GP-TERMINAL STRIP .....	282
CAP-DUST .....	144		283
CAP-FUEL .....	151		284
	260		285
	262		286
CIRCUIT BREAKER & MOUNTING GP .....	168		287
	169		288
	170		289
CIRCUIT BREAKER (10-AMPERE) .....	171		290
CIRCUIT BREAKER (10-AMPERE) (10-AMPERE) .....	236		291
CIRCUIT BREAKER (1250-AMPERE) .....	179		292
			293
			294





# INDEX

Name	Page	Name	Page
	127		352
FLYWHEEL GP .....	49		354
FUMES DISPOSAL GP .....	83		356
	84		358
			360
			363
			366
			369
			372
			375
			377
			379
			381
			383
			385
			388
			391
			394
			397
			400
			402
			404
			406
			408
			410
			412
			414
			416
			418
			420
			422
			424
			426
			428
			430
			432
			434
			436
			438
			440
			442
			444
			446
			449
			452
			454
			456
			458
			460
			463
			465
			467
			469
			471
			473

## G

GASKET (FUEL PRIMING PUMP) .....	149		369
GAUGE AS-OIL LEVEL (DIPSTICK) (ENGINE) ...	85		372
GAUGE GP-OIL LEVEL (DIPSTICK) .....	85		375
GAUGE-FUEL LEVEL .....	151		377
	260		379
	262		381
GEAR GP-CAMSHAFT .....	50		383
GEAR GP-FRONT .....	51		385
GENERAL AR-GENSET .....	12		388
	13		391
	14		394
	15		397
GENERATOR AR .....	296		400
	297		402
	298		404
	299		406
	300		408
	301		410
	302		412
	303		414
	304		416
	305		418
	306		420
	307		422
	308		424
	309		426
	310		428
	311		430
	312		432
	313		434
	314		436
	315		438
	316		440
	317		442
	318		444
	319		446
	320		449
GENERATOR GP .....	321		452
	324		454
	327		456
	330		458
	333		460
	336		463
	339		465
	342		467
	345		469
	348		471
	350		473

# INDEX

Name	Page	Name	Page
	475		202
	477		203
	479		259
	481	HARNES AS-WIRING-SPACE HEATER .....	199
	483		200
	485	HEATER GP-JACKET WATER .....	204
	487	HEATER GP-SPACE-GENERATOR .....	541
	489		542
	491	HOUSING GP-FLYWHEEL .....	53
	493	HOUSING GP-FRONT .....	54
	495		
	497	<b>I</b>	
	499		
	501	INDICATOR-AIR FILTER SERVICE .....	113
	503		114
	505		115
	507	INJECTOR GP-FUEL .....	148
	509	INSULATION GP-GENERATOR .....	276
	511		277
	513		
	515	<b>K</b>	
	517		
	519	KEY .....	560
	521		561
	523	KEY (BATTERY DISCONNECT) .....	238
	525		
	527	<b>L</b>	
	529		
	531	LIFTING GP-ENGINE .....	55
	533		56
	535	LINES GP-FUEL .....	142
	537		143
	539		144
GUARD GP-FAN .....	98	LINES GP-FUEL FILTER .....	146
	99	LINES GP-TURBOCHARGER OIL .....	86
GUARD GP-RADIATOR .....	100	LINES GP-WATER .....	102
GUARD GP-TURBOCHARGER .....	101		
	128	<b>M</b>	
<b>H</b>			
HARNES AS-ENGINE .....	197	MANIFOLD GP-EXHAUST .....	129
	198	MECHANISM GP-FUEL PUMP & VALVE .....	57
	247	MOUNTING GP-ALTERNATOR .....	58
HARNES AS-ENGINE (UNIT INJECTOR) .....	17	MOUNTING GP-BOX .....	206
HARNES AS-ENGINE-UNIT INJECTOR .....	196	MOUNTING GP-CIRCUIT BREAKER .....	207
HARNES AS-PANEL .....	198		208
	259		209
HARNES AS-POWER .....	199		210
	295		211
HARNES AS-PUMP (FUEL) .....	149	MOUNTING GP-ELECTRONIC CONTROL .....	212
HARNES AS-SENSOR .....	229		213
HARNES AS-SWITCH .....	199	MOUNTING GP-ENGINE & GENERATOR .....	60
HARNES AS-WIRING .....	200		61
	201	MOUNTING GP-SENSOR .....	216

# INDEX

Name	Page	Name	Page
MUFFLER GP .....	130		363
	131		366
			369
			372
			375
			377
			379
			381
			383
			385
			388
			391
			394
			397
			400
			402
			404
			405
			406
			407
			408
			409
			410
			411
			412
			413
			414
			415
			416
			417
			418
			419
			420
			421
			422
			423
			424
			425
			426
			427
			428
			429
			430
			431
			432
			433
			434
			435
			436
			437
			438
			439
			440
			441
			442
			443
			444
			445
			446
			447
			448
			449
			450
			451
			452
			453
			454
			455
			456
			457
			458
			459
			460
			461
			462
			463
			464
			465
			466
			467
			468
			469
			470
			471
			472
			473
			474
			475
			476
			477
			478
			479
			480
			481
			482
			483
			484
			485
			486
			487
			488
			489
			490
			491
			492
			493
			494
			495
			496
			497
			498
			499
			500
			501
			502
			503
			504
			505
			506
			507
			508
			509
			510
			511
			512
			513
			514
			515
			516
			517
			518
			519
			520
			521
			522
			523
			524
			525
			526
			527
			528
			529
			530
			531
			532
			533
			534
			535
			536
			537
			538
			539
			540
			541
			542
			543
			544
			545
			546
			547
			548
			549
			550
			551
			552
			553
			554
			555
			556
			557
			558
			559
			560
			561
			562
			563
			564
			565
			566
			567
			568
			569
			570
			571
			572
			573
			574
			575
			576
			577
			578
			579
			580
			581
			582
			583
			584
			585
			586
			587
			588
			589
			590
			591
			592
			593
			594
			595
			596
			597
			598
			599
			600
			601
			602
			603
			604
			605
			606
			607
			608
			609
			610
			611
			612
			613
			614
			615
			616
			617
			618
			619
			620
			621
			622
			623
			624
			625
			626
			627
			628
			629
			630
			631
			632
			633
			634
			635
			636
			637
			638
			639
			640
			641
			642
			643
			644
			645
			646
			647
			648
			649
			650
			651
			652
			653
			654
			655
			656
			657
			658
			659
			660
			661
			662
			663
			664
			665
			666
			667
			668
			669
			670
			671
			672
			673
			674
			675
			676
			677
			678
			679
			680
			681
			682
			683
			684
			685
			686
			687
			688
			689
			690
			691
			692
			693
			694
			695
			696
			697
			698
			699
			700
			701
			702
			703
			704
			705
			706
			707
			708
			709
			710
			711
			712
			713
			714
			715
			716



# ENGINE ARRANGEMENT

## 360-5962 ENGINE AR

S/N: FTH1-UP

PART OF 382-3732, 382-3733 ENGINE AR-COMPLETE

SMCS-1000

i04820091

NOTE	PART NUMBER	QTY	PART NAME						SEE PAGE
			1	2	3	4	5	6 (PRODUCT LEVEL)	
Y	356-2194	1	ENGINE AR-CORE						11
Y	343-1942	1	PLATE & FILM GP						558
	257-3201	1	ELECTRONICS GP-ENGINE RATINGS						
Y-SEPARATE ILLUSTRATION									

# ENGINE ARRANGEMENT

## 360-5966 ENGINE AR

S/N: FTH1-UP

PART OF 382-3734, 382-3735 ENGINE AR-COMPLETE

SMCS-1000

i04758591

NOTE	PART NUMBER	QTY	PART NAME						SEE PAGE
			1	2	3	4	5	6 (PRODUCT LEVEL)	
Y	356-2194	1	ENGINE AR-CORE						11
Y	343-1942	1	PLATE & FILM GP						558
	257-3199	1	ELECTRONICS GP-ENGINE RATINGS						
Y-SEPARATE ILLUSTRATION									

# ENGINE ARRANGEMENT

## 382-3732 ENGINE AR-COMPLETE

S/N: FTH1-UP

400-550 KVA, 50-HERTZ

PART OF 374-0482 GENERAL AR-GENSET

SMCS-1000

i04820063

NOTE	PART NUMBER	QTY	PART NAME						SEE PAGE
			1	2	3	4	5	6 (PRODUCT LEVEL)	
Y	352-2006	1	ADAPTER GP-FAN						90
YR	<b>5N-5692</b>	1	ALTERNATOR GP-CHARGING						155
Y	159-9107	1	CONNECTION GP-ELECTRICAL (CYLINDER HEAD GROUND)						182
Y	255-6092	1	CONNECTION GP-EXHAUST						118
Y	243-1560	1	CONTROL & MTG GP-ENGINE ELEK						188
Y	311-3201	1	COVER GP-AIR COMPRESSOR						23
Y	178-7074	1	COVER GP-CYLINDER BLOCK (RIGHT SIDE)						24
Y	232-6635	1	COVER GP-CYLINDER BLOCK						25
Y	127-5728	1	COVER GP-FLYWHEEL HOUSING						26
Y	159-6159	1	COVER GP-FRONT HOUSING (CAM, IDLER GEAR)						27
Y	246-5984	1	COVER GP-SOUND SUPPRESSION						28
Y	187-1328	1	COVER GP-VALVE MECHANISM						30
Y	231-5385	1	DAMPER GP						42
Y	353-9956	1	DRIVE GP-FAN						44
Y	6I-3638	1	DRIVE GP-PUMP						46
Y	245-8672	1	ELBOW GP-AIR INLET						119
Y	<b>6L-2927</b>	1	ELBOW GP-EXHAUST						120
Y	360-5962	1	ENGINE AR						1
Y	4P-6846	1	FASTENER GP-FRONT HOUSING						47
Y	4N-2481	1	FASTENER GP-OIL PUMP MOUNTING (ENGINE)						80
Y	109-1657	1	FASTENER GP-VALVE MECHANISM						48
Y	293-3625	1	FILLER GP-ENGINE OIL						81
Y	154-4325	1	FILTER GP-ENGINE OIL						82
Y	264-2467	1	FILTER GP-WATER SEP & FUEL						141
Y	215-7989	1	FLYWHEEL GP						49
Y	159-9362	1	FUMES DISPOSAL GP						83
Y	381-7979	1	GAUGE GP-OIL LEVEL (DIPSTICK)						85
Y	198-7676	1	HOUSING GP-FLYWHEEL						53
Y	383-7577	1	HOUSING GP-FRONT						54
Y	111-2088	1	LIFTING GP-ENGINE (REAR)						55
Y	127-0564	1	LIFTING GP-ENGINE (FRONT)						56
Y	384-7456	1	LINES GP-FUEL						144
Y	384-7457	1	LINES GP-FUEL FILTER						146
Y	257-3111	1	LINES GP-TURBOCHARGER OIL						86
Y	279-8770	1	LINES GP-WATER						102
Y	164-4637	1	MANIFOLD GP-EXHAUST						129
Y	232-6576	1	MOUNTING GP-ALTERNATOR						58
Y	188-7501	1	MOUNTING GP-SENSOR						216
Y	198-7678	1	PAN GP-OIL						63
Y	230-5379	1	PLUG GP-CYLINDER BLOCK						67
Y	229-6711	1	PLUG GP-CYLINDER HEAD						68
Y	220-1204	1	PLUG GP-FLYWHEEL HOUSING						69
Y	150-4279	1	PUMP & MTG GP-FUEL TRANSFER						147
Y	276-8020	1	PUMP GP-FUEL PRM & SEC FILTER						149
Y	275-3979	1	SHIELD GP-HEAT						132
Y	124-0657	1	SHIELD GP-MANIFOLD						133
Y	120-9099	1	STARTING MOTOR GP-ELECTRIC						233
Y	238-0025	1	SUPPORT GP-ENGINE						75
Y	284-2777	1	TURBOCHARGER GP						137
Y	<b>352-5646</b>	1	V-BELT SET						76
Y	293-5313	1	WIRING GP-ELECTRONIC CONTROL						247

PLEASE USE THE GASKET KIT LINK IN SIS OR  
CONTACT YOUR LOCAL DEALER FOR THE LATEST  
GASKET KIT INFORMATION

# ENGINE ARRANGEMENT

**382-3732 ENGINE AR-COMPLETE** *(contd.)*

**i04820063**

R-REMFG PART MAY BE AVAILABLE  
Y-SEPARATE ILLUSTRATION



# ENGINE ARRANGEMENT

## 382-3733 ENGINE AR-COMPLETE

S/N: FTH1-UP

400-550 KVA, 50 HERTZ, @ 1500 RPM

PART OF 374-0483 GENERAL AR-GENSET

SMCS-1000

i04820072

NOTE	PART NUMBER	QTY	PART NAME						SEE PAGE
			1	2	3	4	5	6 (PRODUCT LEVEL)	
Y	352-2006	1	ADAPTER GP-FAN						90
YR	<b>5N-5692</b>	1	ALTERNATOR GP-CHARGING						155
Y	159-9107	1	CONNECTION GP-ELECTRICAL (CYLINDER HEAD GROUND)						182
Y	255-6092	1	CONNECTION GP-EXHAUST						118
Y	243-1560	1	CONTROL & MTG GP-ENGINE ELEK						188
Y	311-3201	1	COVER GP-AIR COMPRESSOR						23
Y	178-7074	1	COVER GP-CYLINDER BLOCK (RIGHT SIDE)						24
Y	232-6635	1	COVER GP-CYLINDER BLOCK						25
Y	127-5728	1	COVER GP-FLYWHEEL HOUSING						26
Y	159-6159	1	COVER GP-FRONT HOUSING (CAM, IDLER GEAR)						27
Y	246-5984	1	COVER GP-SOUND SUPPRESSION						28
Y	187-1328	1	COVER GP-VALVE MECHANISM						30
Y	231-5385	1	DAMPER GP						42
Y	353-9957	1	DRIVE GP-FAN						45
Y	6I-3638	1	DRIVE GP-PUMP						46
Y	245-8672	1	ELBOW GP-AIR INLET						119
Y	<b>6L-2927</b>	1	ELBOW GP-EXHAUST						120
Y	360-5962	1	ENGINE AR						1
Y	4P-6846	1	FASTENER GP-FRONT HOUSING						47
Y	4N-2481	1	FASTENER GP-OIL PUMP MOUNTING (ENGINE)						80
Y	109-1657	1	FASTENER GP-VALVE MECHANISM						48
Y	293-3625	1	FILLER GP-ENGINE OIL						81
Y	154-4325	1	FILTER GP-ENGINE OIL						82
Y	264-2467	1	FILTER GP-WATER SEP & FUEL						141
Y	215-7989	1	FLYWHEEL GP						49
Y	159-9362	1	FUMES DISPOSAL GP						83
Y	381-7979	1	GAUGE GP-OIL LEVEL (DIPSTICK)						85
Y	198-7676	1	HOUSING GP-FLYWHEEL						53
Y	383-7577	1	HOUSING GP-FRONT						54
Y	111-2088	1	LIFTING GP-ENGINE (REAR)						55
Y	127-0564	1	LIFTING GP-ENGINE (FRONT)						56
Y	384-7456	1	LINES GP-FUEL						144
Y	384-7457	1	LINES GP-FUEL FILTER						146
Y	257-3111	1	LINES GP-TURBOCHARGER OIL						86
Y	279-8770	1	LINES GP-WATER						102
Y	164-4637	1	MANIFOLD GP-EXHAUST						129
Y	232-6576	1	MOUNTING GP-ALTERNATOR						58
Y	188-7501	1	MOUNTING GP-SENSOR						216
Y	198-7678	1	PAN GP-OIL						63
Y	230-5379	1	PLUG GP-CYLINDER BLOCK						67
Y	229-6711	1	PLUG GP-CYLINDER HEAD						68
Y	220-1204	1	PLUG GP-FLYWHEEL HOUSING						69
Y	150-4279	1	PUMP & MTG GP-FUEL TRANSFER						147
Y	276-8020	1	PUMP GP-FUEL PRM & SEC FILTER						149
Y	275-3979	1	SHIELD GP-HEAT						132
Y	124-0657	1	SHIELD GP-MANIFOLD						133
Y	120-9099	1	STARTING MOTOR GP-ELECTRIC						233
Y	238-0025	1	SUPPORT GP-ENGINE						75
Y	284-2777	1	TURBOCHARGER GP						137
Y	356-1072	1	V-BELT SET						76
Y	293-5313	1	WIRING GP-ELECTRONIC CONTROL						247

PLEASE USE THE GASKET KIT LINK IN SIS OR  
CONTACT YOUR LOCAL DEALER FOR THE LATEST  
GASKET KIT INFORMATION

# ENGINE ARRANGEMENT

**382-3733 ENGINE AR-COMPLETE** *(contd.)*

i04820072

R-REMFG PART MAY BE AVAILABLE  
Y-SEPARATE ILLUSTRATION

# ENGINE ARRANGEMENT

## 382-3734 ENGINE AR-COMPLETE

S/N: FTH1-UP

350-550 EKW, 60-HERTZ AT 1800 RPM

PART OF 374-0484 GENERAL AR-GENSET

SMCS-1000

i04758335

NOTE	PART NUMBER	QTY	PART NAME						SEE PAGE
			1	2	3	4	5	6 (PRODUCT LEVEL)	
Y	352-2006	1	ADAPTER GP-FAN						90
YR	<b>5N-5692</b>	1	ALTERNATOR GP-CHARGING						155
Y	159-9107	1	CONNECTION GP-ELECTRICAL (CYLINDER HEAD GROUND)						182
Y	255-6092	1	CONNECTION GP-EXHAUST						118
Y	243-1560	1	CONTROL & MTG GP-ENGINE ELEK						188
Y	311-3201	1	COVER GP-AIR COMPRESSOR						23
Y	178-7074	1	COVER GP-CYLINDER BLOCK (RIGHT SIDE)						24
Y	232-6635	1	COVER GP-CYLINDER BLOCK						25
Y	127-5728	1	COVER GP-FLYWHEEL HOUSING						26
Y	159-6159	1	COVER GP-FRONT HOUSING (CAM, IDLER GEAR)						27
Y	246-5984	1	COVER GP-SOUND SUPPRESSION						28
Y	187-1328	1	COVER GP-VALVE MECHANISM						30
Y	231-5385	1	DAMPER GP						42
Y	353-9956	1	DRIVE GP-FAN						44
Y	6I-3638	1	DRIVE GP-PUMP						46
Y	245-8672	1	ELBOW GP-AIR INLET						119
Y	<b>6L-2927</b>	1	ELBOW GP-EXHAUST						120
Y	360-5966	1	ENGINE AR						2
Y	4P-6846	1	FASTENER GP-FRONT HOUSING						47
Y	4N-2481	1	FASTENER GP-OIL PUMP MOUNTING						80
Y	109-1657	1	FASTENER GP-VALVE MECHANISM						48
Y	293-3625	1	FILLER GP-ENGINE OIL						81
Y	154-4325	1	FILTER GP-ENGINE OIL						82
Y	264-2467	1	FILTER GP-WATER SEP & FUEL						141
Y	215-7989	1	FLYWHEEL GP						49
Y	159-9362	1	FUMES DISPOSAL GP						83
Y	381-7979	1	GAUGE GP-OIL LEVEL (DIPSTICK)						85
Y	198-7676	1	HOUSING GP-FLYWHEEL						53
Y	383-7577	1	HOUSING GP-FRONT						54
Y	111-2088	1	LIFTING GP-ENGINE (REAR)						55
Y	127-0564	1	LIFTING GP-ENGINE (FRONT)						56
Y	384-7456	1	LINES GP-FUEL						144
Y	384-7457	1	LINES GP-FUEL FILTER						146
Y	257-3111	1	LINES GP-TURBOCHARGER OIL						86
Y	279-8770	1	LINES GP-WATER						102
Y	164-4637	1	MANIFOLD GP-EXHAUST						129
Y	232-6576	1	MOUNTING GP-ALTERNATOR						58
Y	188-7501	1	MOUNTING GP-SENSOR						216
Y	198-7678	1	PAN GP-OIL						63
Y	230-5379	1	PLUG GP-CYLINDER BLOCK						67
Y	229-6711	1	PLUG GP-CYLINDER HEAD						68
Y	220-1204	1	PLUG GP-FLYWHEEL HOUSING						69
Y	150-4279	1	PUMP & MTG GP-FUEL TRANSFER						147
Y	276-8020	1	PUMP GP-FUEL PRM & SEC FILTER						149
Y	275-3979	1	SHIELD GP-HEAT						132
Y	124-0657	1	SHIELD GP-MANIFOLD						133
Y	120-9099	1	STARTING MOTOR GP-ELECTRIC						233
Y	238-0025	1	SUPPORT GP-ENGINE						75
Y	284-2776	1	TURBOCHARGER GP						136
Y	<b>352-5646</b>	1	V-BELT SET						76
Y	293-5313	1	WIRING GP-ELECTRONIC CONTROL						247

PLEASE USE THE GASKET KIT LINK IN SIS OR  
CONTACT YOUR LOCAL DEALER FOR THE LATEST  
GASKET KIT INFORMATION

# ENGINE ARRANGEMENT

**382-3734 ENGINE AR-COMPLETE** *(contd.)*

**i04758335**

R-REMFG PART MAY BE AVAILABLE  
Y-SEPARATE ILLUSTRATION

# ENGINE ARRANGEMENT

## 382-3735 ENGINE AR-COMPLETE

S/N: FTH1-UP

350-550 EKW, 60-HERTZ AT 1800 RPM

PART OF 374-0485 GENERAL AR-GENSET

SMCS-1000

i04758331

NOTE	PART NUMBER	QTY	PART NAME						SEE PAGE
			1	2	3	4	5	6 (PRODUCT LEVEL)	
Y	352-2006	1	ADAPTER GP-FAN						90
YR	5N-5692	1	ALTERNATOR GP-CHARGING						155
Y	159-9107	1	CONNECTION GP-ELECTRICAL (CYLINDER HEAD GROUND)						182
Y	255-6092	1	CONNECTION GP-EXHAUST						118
Y	243-1560	1	CONTROL & MTG GP-ENGINE ELEK						188
Y	311-3201	1	COVER GP-AIR COMPRESSOR						23
Y	178-7074	1	COVER GP-CYLINDER BLOCK (RIGHT SIDE)						24
Y	232-6635	1	COVER GP-CYLINDER BLOCK						25
Y	127-5728	1	COVER GP-FLYWHEEL HOUSING						26
Y	159-6159	1	COVER GP-FRONT HOUSING (CAM, IDLER GEAR)						27
Y	246-5984	1	COVER GP-SOUND SUPPRESSION						28
Y	187-1328	1	COVER GP-VALVE MECHANISM						30
Y	231-5385	1	DAMPER GP						42
Y	353-9957	1	DRIVE GP-FAN						45
Y	6I-3638	1	DRIVE GP-PUMP						46
Y	245-8672	1	ELBOW GP-AIR INLET						119
Y	6L-2927	1	ELBOW GP-EXHAUST						120
Y	360-5966	1	ENGINE AR						2
Y	4P-6846	1	FASTENER GP-FRONT HOUSING						47
Y	4N-2481	1	FASTENER GP-OIL PUMP MOUNTING						80
Y	109-1657	1	FASTENER GP-VALVE MECHANISM						48
Y	293-3625	1	FILLER GP-ENGINE OIL						81
Y	154-4325	1	FILTER GP-ENGINE OIL						82
Y	264-2467	1	FILTER GP-WATER SEP & FUEL						141
Y	215-7989	1	FLYWHEEL GP						49
Y	159-9362	1	FUMES DISPOSAL GP						83
Y	381-7979	1	GAUGE GP-OIL LEVEL (DIPSTICK)						85
Y	198-7676	1	HOUSING GP-FLYWHEEL						53
Y	383-7577	1	HOUSING GP-FRONT						54
Y	111-2088	1	LIFTING GP-ENGINE (REAR)						55
Y	127-0564	1	LIFTING GP-ENGINE (FRONT)						56
Y	384-7456	1	LINES GP-FUEL						144
Y	384-7457	1	LINES GP-FUEL FILTER						146
Y	257-3111	1	LINES GP-TURBOCHARGER OIL						86
Y	279-8770	1	LINES GP-WATER						102
Y	164-4637	1	MANIFOLD GP-EXHAUST						129
Y	232-6576	1	MOUNTING GP-ALTERNATOR						58
Y	188-7501	1	MOUNTING GP-SENSOR						216
Y	198-7678	1	PAN GP-OIL						63
Y	230-5379	1	PLUG GP-CYLINDER BLOCK						67
Y	229-6711	1	PLUG GP-CYLINDER HEAD						68
Y	220-1204	1	PLUG GP-FLYWHEEL HOUSING						69
Y	150-4279	1	PUMP & MTG GP-FUEL TRANSFER						147
Y	276-8020	1	PUMP GP-FUEL PRM & SEC FILTER						149
Y	275-3979	1	SHIELD GP-HEAT						132
Y	124-0657	1	SHIELD GP-MANIFOLD						133
Y	120-9099	1	STARTING MOTOR GP-ELECTRIC						233
Y	238-0025	1	SUPPORT GP-ENGINE						75
Y	284-2776	1	TURBOCHARGER GP						136
Y	356-1072	1	V-BELT SET						76
Y	293-5313	1	WIRING GP-ELECTRONIC CONTROL						247

PLEASE USE THE GASKET KIT LINK IN SIS OR  
CONTACT YOUR LOCAL DEALER FOR THE LATEST  
GASKET KIT INFORMATION

# ENGINE ARRANGEMENT

**382-3735 ENGINE AR-COMPLETE** *(contd.)*

i04758331

R-REMFG PART MAY BE AVAILABLE  
Y-SEPARATE ILLUSTRATION

# ENGINE ARRANGEMENT

## 356-2194 ENGINE AR-CORE

S/N: FTH1-UP

SMCS - 1000

i04758599

NOTE	PART NUMBER	QTY	PART NAME						SEE PAGE
			1	2	3	4	5	6 (PRODUCT LEVEL)	
Y	278-5662	1	BASE GP-VALVE COVER & INJ HARN						17
Y	243-0551	1	CAMSHAFT GP						20
Y	223-9731	1	CRANKSHAFT GP						32
Y	223-9252	1	CYLINDER BLOCK GP						35
Y	314-7316	1	CYLINDER HEAD GP						40
Y	208-9490	1	GEAR GP-FRONT						51
Y	190-0009	1	MECHANISM GP-FUEL PUMP & VALVE						57
Y	252-0652	6	PISTON & ROD GP						64
YR	<b>161-4113</b>	1	PUMP GP-ENGINE OIL						87
Y	235-1403	6	PUMP GP-FUEL INJECTION						148
Y	280-8039	1	PUMP GP-WATER						105
Y	276-9769	1	SENSOR GP-ENGINE						224

R-REMG PART MAY BE AVAILABLE  
Y-SEPARATE ILLUSTRATION

# ENGINE ARRANGEMENT

## 374-0482 GENERAL AR-GENSET

S/N: LNA1-UP; LZA1-UP  
400-550 KVA, 50-HERTZ

SMCS-7002

i04818777

NOTE	PART NUMBER	QTY	PART NAME						SEE PAGE
			1	2	3	4	5	6 (PRODUCT LEVEL)	
Y	382-3732	1	ENGINE AR-COMPLETE						3
Y-SEPARATE ILLUSTRATION									



# ENGINE ARRANGEMENT

## 374-0483 GENERAL AR-GENSET

S/N: LNA1-UP; LZA1-UP  
400-550 KVA, 50-HERTZ

SMCS-7002

i04818776

NOTE	PART NUMBER	QTY	PART NAME						SEE PAGE
			1	2	3	4	5	6 (PRODUCT LEVEL)	
Y	382-3733	1	ENGINE AR-COMPLETE						5
Y-SEPARATE ILLUSTRATION									

# ENGINE ARRANGEMENT

## 374-0484 GENERAL AR-GENSET

S/N: LNA1-UP; LZA1-UP  
350-550 EKW, 60-HERTZ

SMCS-7002

i04755542

NOTE	PART NUMBER	QTY	PART NAME						SEE PAGE
			1	2	3	4	5	6 (PRODUCT LEVEL)	
Y	382-3734	1	ENGINE AR-COMPLETE						7
Y-SEPARATE ILLUSTRATION									

# ENGINE ARRANGEMENT

## 374-0485 GENERAL AR-GENSET

S/N: LNA1-UP; LZA1-UP  
350-550 EKW, 60-HERTZ

SMCS-7002

i04758125

NOTE	PART NUMBER	QTY	PART NAME						SEE PAGE
			1	2	3	4	5	6 (PRODUCT LEVEL)	
Y	382-3735	1	ENGINE AR-COMPLETE						9
Y-SEPARATE ILLUSTRATION									

# BASIC ENGINE

## 133-9907 ADAPTER GP-PUMP DRIVE

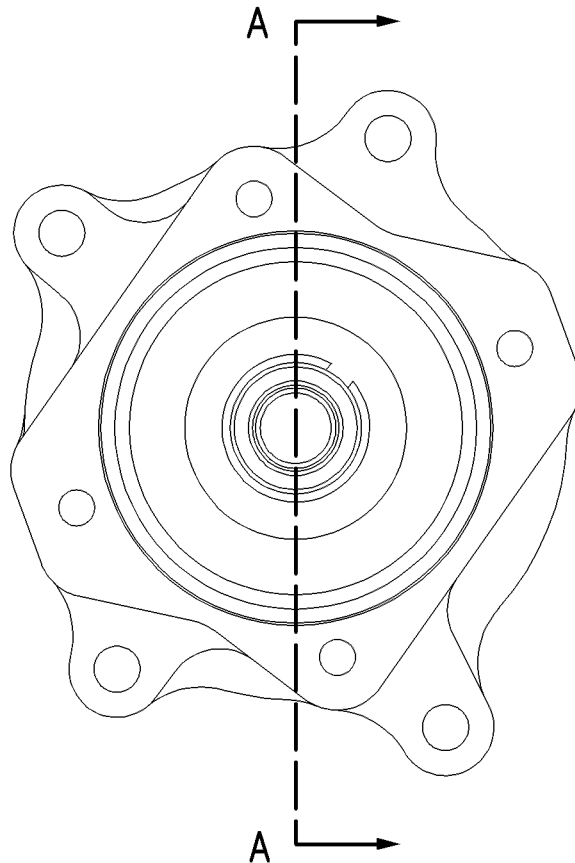
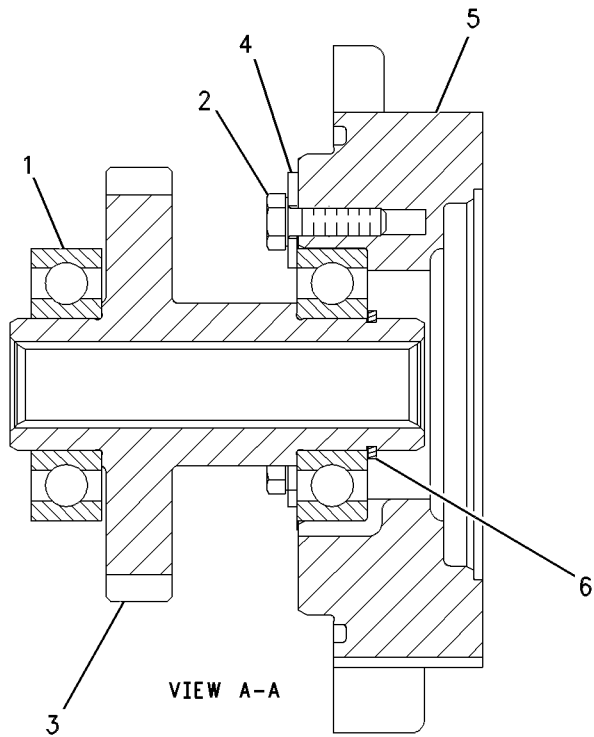
S/N: FTH1-UP

PART OF 6I-3638 DRIVE GP-PUMP

SMCS-1313, 3108

i02665195

NOTE	REF NO	GRAPHIC REF	PART NUMBER	QTY	PART NAME						SEE PAGE
					1	2	3	4	5	6 (PRODUCT LEVEL)	
	1	1	<b>1B-3867</b>	2	BALL BEARING						
	2	1	<b>4F-7957</b>	3	BOLT (1/4-20X0.875-IN)						
	3	1	<b>6I-4575</b>	1	GEAR (34 TEETH)						
	4	1	<b>9X-2038</b>	3	WASHER (7X19X2-MM THK)						
	5	1	<b>133-9906</b>	1	ADAPTER						
	6	1	<b>1H-8647</b>	1	RING-SNAP						



GRAPHIC #1

<END>

g00631645

# BASIC ENGINE

## 278-5662 BASE GP-VALVE COVER & INJ HARN

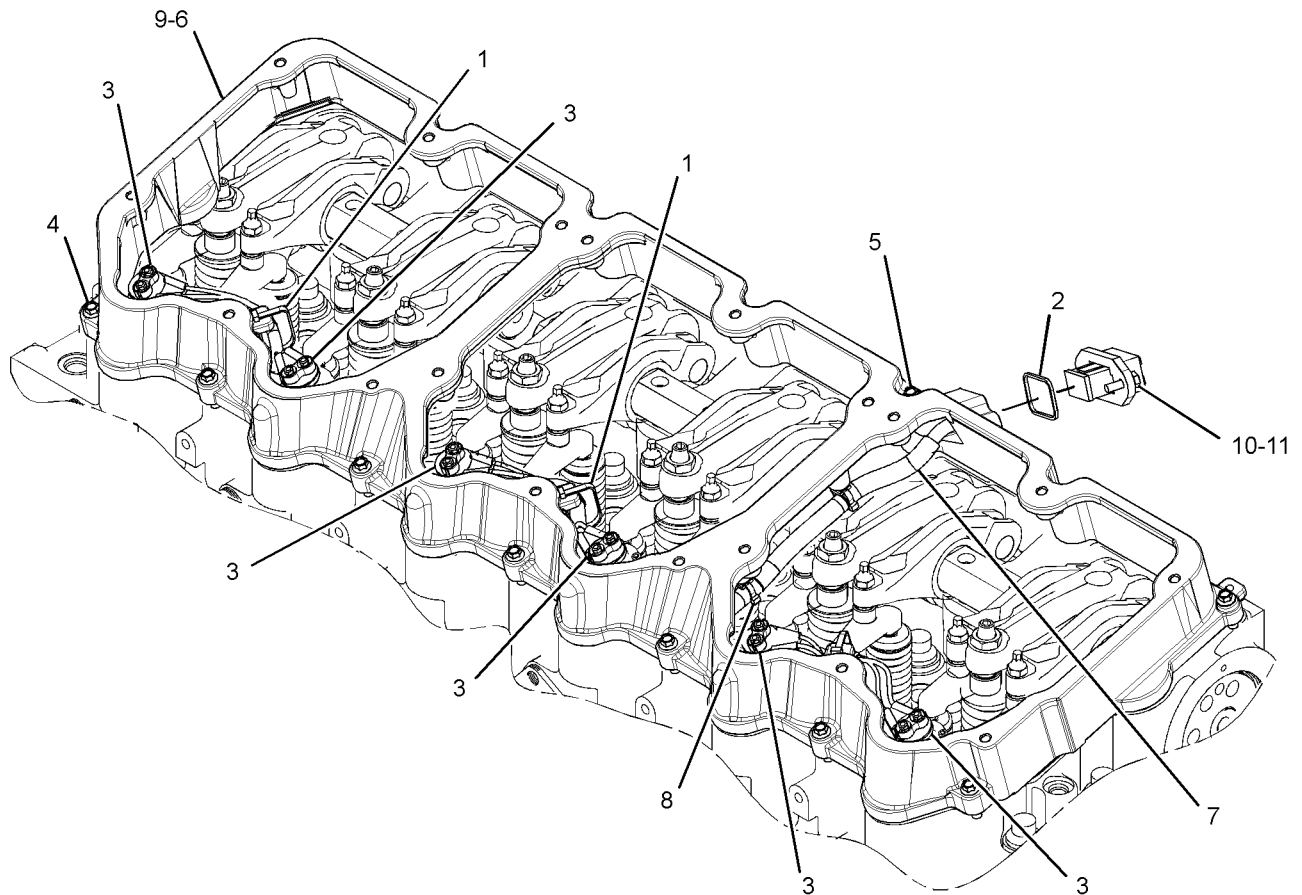
S/N: FTH1-UP

SMCS-1120, 1408

i04789790

NOTE	REF NO	GRAPHIC REF	PART NUMBER	QTY	PART NAME						SEE PAGE
					1	2	3	4	5	6 (PRODUCT LEVEL)	
	1	1	123-3202	3	STRAP-CABLE						
	2	1	6V-0128	1	SEAL-CONNECTOR						
	3	1	7E-6508	6	CAP AS						
	4	1	9L-8925	14	BOLT (5/16-18X1.25-IN)						
	5	1	122-1472	1	BOLT (5/16-18X2.36-IN)						
C	6	1	289-8215	1	BASE-VALVE MECHANISM COVER						
Y	7	1	343-9866	1	HARNESS AS-ENGINE (UNIT INJECTOR)						196
	8	1	326-4512	6	MOUNTING-CABLE TIE						
C	9	1	272-0390	1	SEAL						
	10	1	4F-7957	2	BOLT (1/4-20X0.875-IN)						
	11	1	5P-0537	2	WASHER-HARD (7.2X14.5X2-MM THK)						

C-CHANGE FROM PREVIOUS TYPE  
Y-SEPARATE ILLUSTRATION



GRAPHIC #1

<END>

g02060774

# BASIC ENGINE

## 348-8109 BELT TIGHTENER GP

S/N: FTH1-UP

FAN

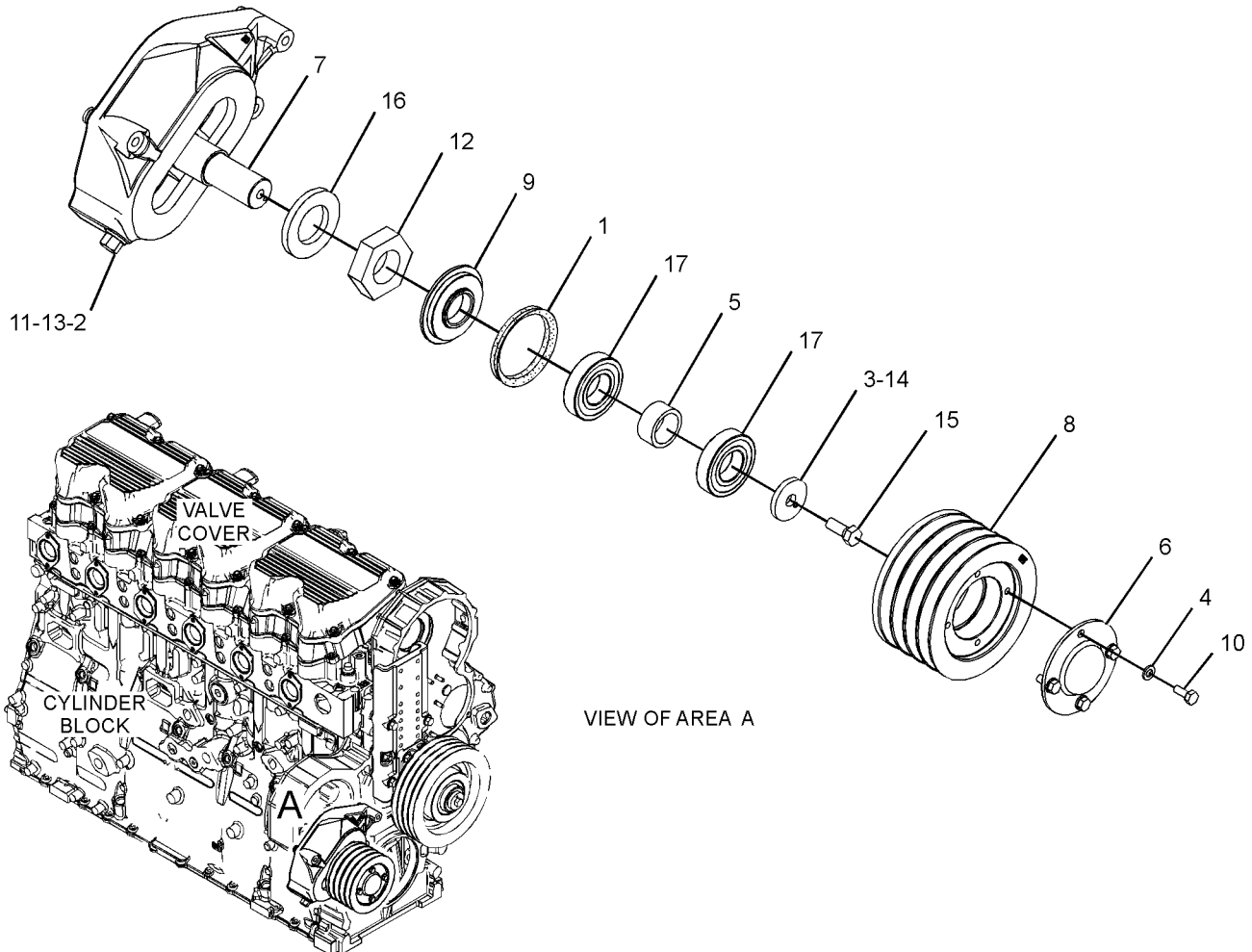
PART OF 353-9956 DRIVE GP-FAN

SMCS-1358

i04762174

NOTE	REF NO	GRAPHIC REF	PART NUMBER	QTY	PART NAME						SEE PAGE
					1	2	3	4	5	6 (PRODUCT LEVEL)	
	1	1	8C-5238	1	SEAL-V-RING						
	2	1	296-8187	1	BOLT (M12X1.75X191.5-MM)						
	3	1	347-4674	1	WASHER-RETAINING (14X47.5X6.3-MM THK)						
	4	1	9M-1974	4	WASHER-HARD (8.8X16X2-MM THK)						
	5	1	351-0502	1	SPACER-BEARING (35X44.45X20.75-MM THK)						
	6	1	351-0503	1	COVER						
	7	1	351-0505	1	SHAFT						
	8	1	351-0506	1	PULLEY-TIGHTENER (4-GROOVE)						
	9	1	351-0627	1	SPACER-SPECIAL						
M	10	1	6V-5217	4	BOLT (M8X1.25X20-MM)						
M	11	1	129-3180	1	LOCKNUT (M12X1.75-THD)						
	12	1	3B-1250	1	NUT (2.625X0.75-IN)						
	13	1	5P-8245	1	WASHER-HARD (13.5X25.5X3-MM THK)						
	14	1	6H-3956	1	PIN						
M	15	1	6V-3668	1	BOLT (M12X1.75X30-MM)						
	16	1	7X-7740	1	WASHER (45X78X8-MM THK)						
	17	1	9F-3212	2	BALL BEARING (35-MM ID)						

M-METRIC PART



GRAPHIC #1

<END>

g02253874

# BASIC ENGINE

## 369-6649 BELT TIGHTENER GP-FAN

S/N: FTH1-UP

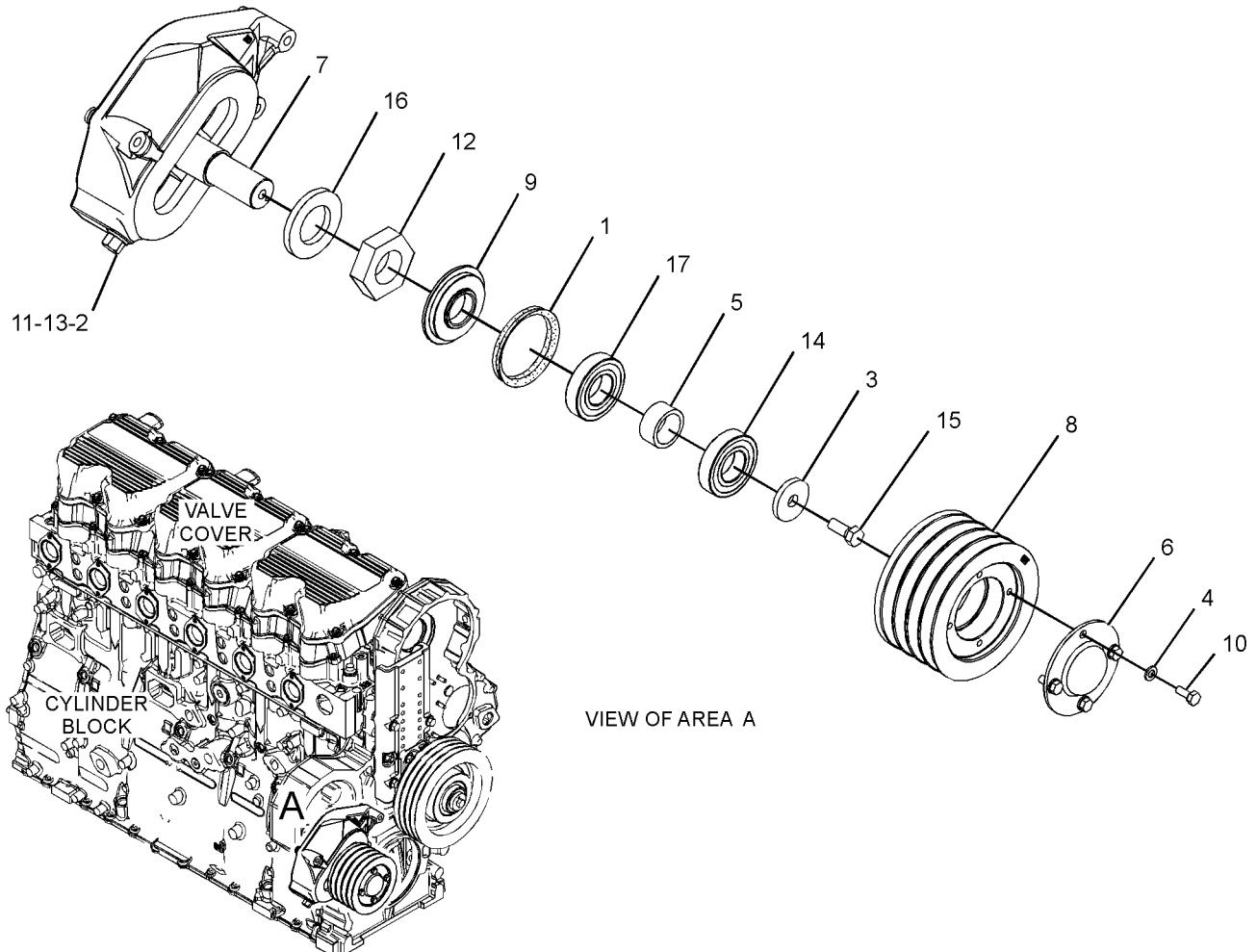
PART OF 353-9957 DRIVE GP-FAN

SMCS-1358

i04760023

NOTE	REF NO	GRAPHIC REF	PART NUMBER	QTY	PART NAME						SEE PAGE
					1	2	3	4	5	6 (PRODUCT LEVEL)	
	1	1	8C-5238	1	SEAL-V-RING						
	2	1	296-8187	1	BOLT (M12X1.75X191.5-MM)						
	3	1	214-5235	1	WASHER (14X38X6-MM THK)						
	4	1	9M-1974	4	WASHER-HARD (8.8X16X2-MM THK)						
	5	1	369-4608	1	SPACER-BEARING (25.02X34.45X20.95-MM THK)						
	6	1	351-0503	1	COVER						
	7	1	363-3527	1	SHAFT						
	8	1	369-9948	1	PULLEY-FAN DRIVE (4-GROOVE)						
	9	1	369-4570	1	SPACER-BEARING						
M	10	1	6V-5217	4	BOLT (M8X1.25X20-MM)						
M	11	1	129-3180	1	LOCKNUT (M12X1.75-THD)						
M	12	1	110-0848	1	NUT (M30X1.5-THD)						
	13	1	5P-8245	1	WASHER-HARD (13.5X25.5X3-MM THK)						
	14	1	5P-7807	2	BALL BEARING						
M	15	1	6V-3668	1	BOLT (M12X1.75X30-MM)						
	16	1	296-8178	1	WASHER (55X31X8-MM THK)						

M-METRIC PART



GRAPHIC #1

<END>

g02659737

# BASIC ENGINE

## 243-0551 CAMSHAFT GP

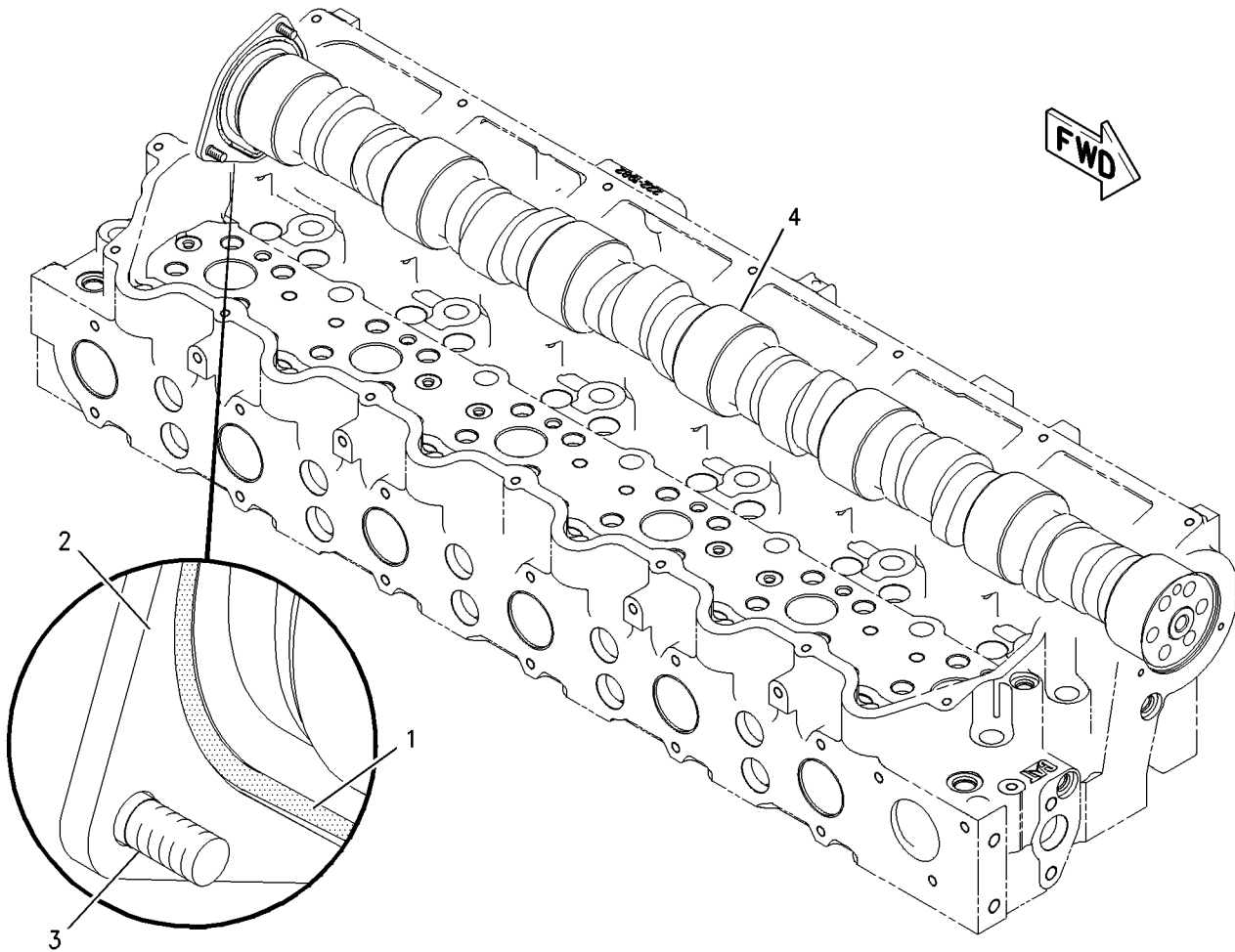
S/N: FTH1-UP

SMCS-1210

i04610638

NOTE	REF NO	GRAPHIC REF	PART NUMBER	QTY	PART NAME						SEE PAGE
					1	2	3	4	5	6 (PRODUCT LEVEL)	
	1	1	6V-1197	1	SEAL-O-RING						
	2	1	102-9089	1	COVER						
	3	1	119-0036	3	SCREW-FLAT HEAD (5/16-18X0.875-IN)						
R	4	1	332-7297	1	CAMSHAFT						

R-REMFG PART MAY BE AVAILABLE



GRAPHIC #1

<END>

g01002422



# BASIC ENGINE

## 289-3895 COUPLING GP-GENERATOR

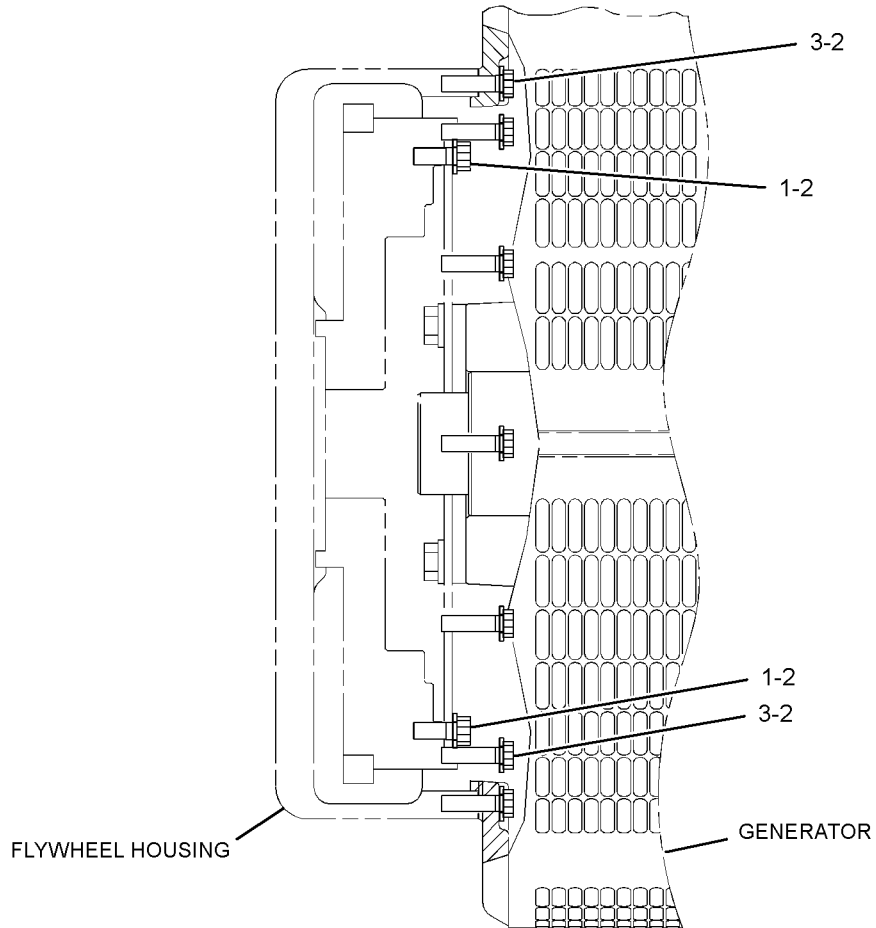
S/N: LNA1-UP; LZA1-UP  
AN ATTACHMENT

SMCS-4456

i04901007

NOTE	REF NO	GRAPHIC REF	PART NUMBER	QTY	PART NAME						SEE PAGE
					1	2	3	4	5	6 (PRODUCT LEVEL)	
	1	1	<b>0S-1595</b>	8	BOLT (1/2-13X1.25-IN)						
	2	1	<b>5P-8245</b>	20	WASHER-HARD (13.5X25.5X3-MM THK)						
M	3	1	<b>6V-5684</b>	12	BOLT (M12X1.75X45-MM)						

M-METRIC PART



LEFT SIDE VIEW OF ENGINE

<END>

GRAPHIC #1

g03059000

# BASIC ENGINE

## 388-4825 COVER GP-ACCESS

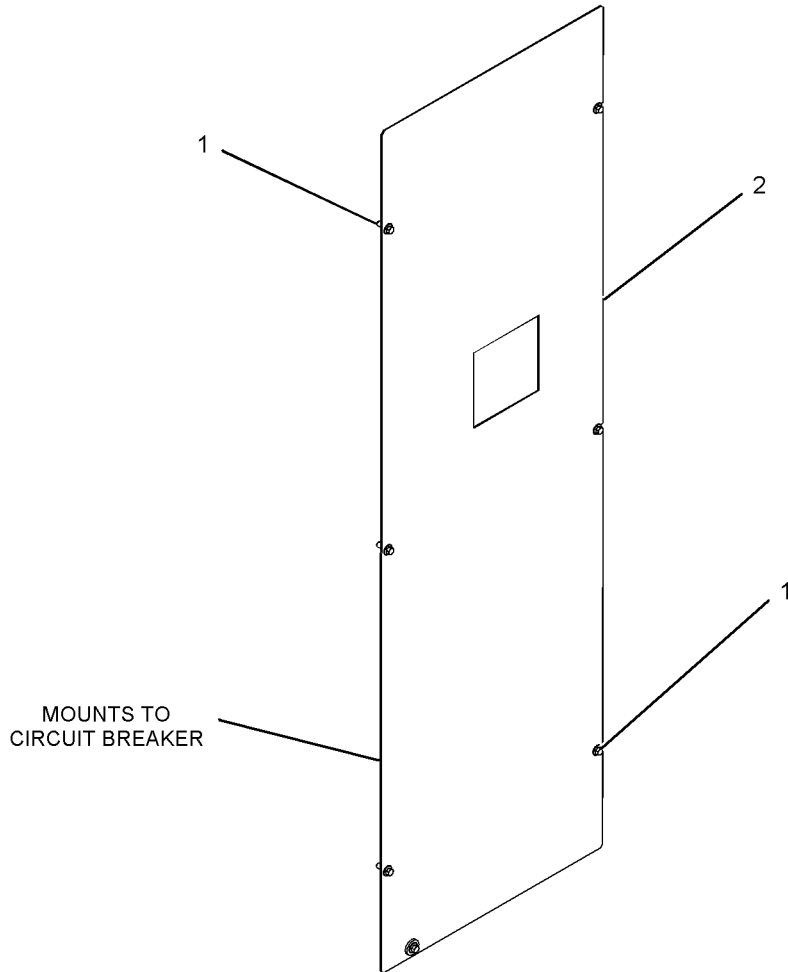
S/N: LNA1-UP; LZA1-UP  
15-LITERS. T5 BREAKER  
AN ATTACHMENT

SMCS-1122, 726A

i04735112

NOTE	REF NO	GRAPHIC REF	PART NUMBER	QTY	PART NAME						SEE PAGE
					1	2	3	4	5	6 (PRODUCT LEVEL)	
M	1	1	235-4451	7	BOLT-FLANGE HEAD (M6X1X16-MM)						
	2	1	388-4824	1	COVER AS-PANEL						

M-METRIC PART



GRAPHIC #1

<END>

g02840437

# BASIC ENGINE

## 311-3201 COVER GP-AIR COMPRESSOR

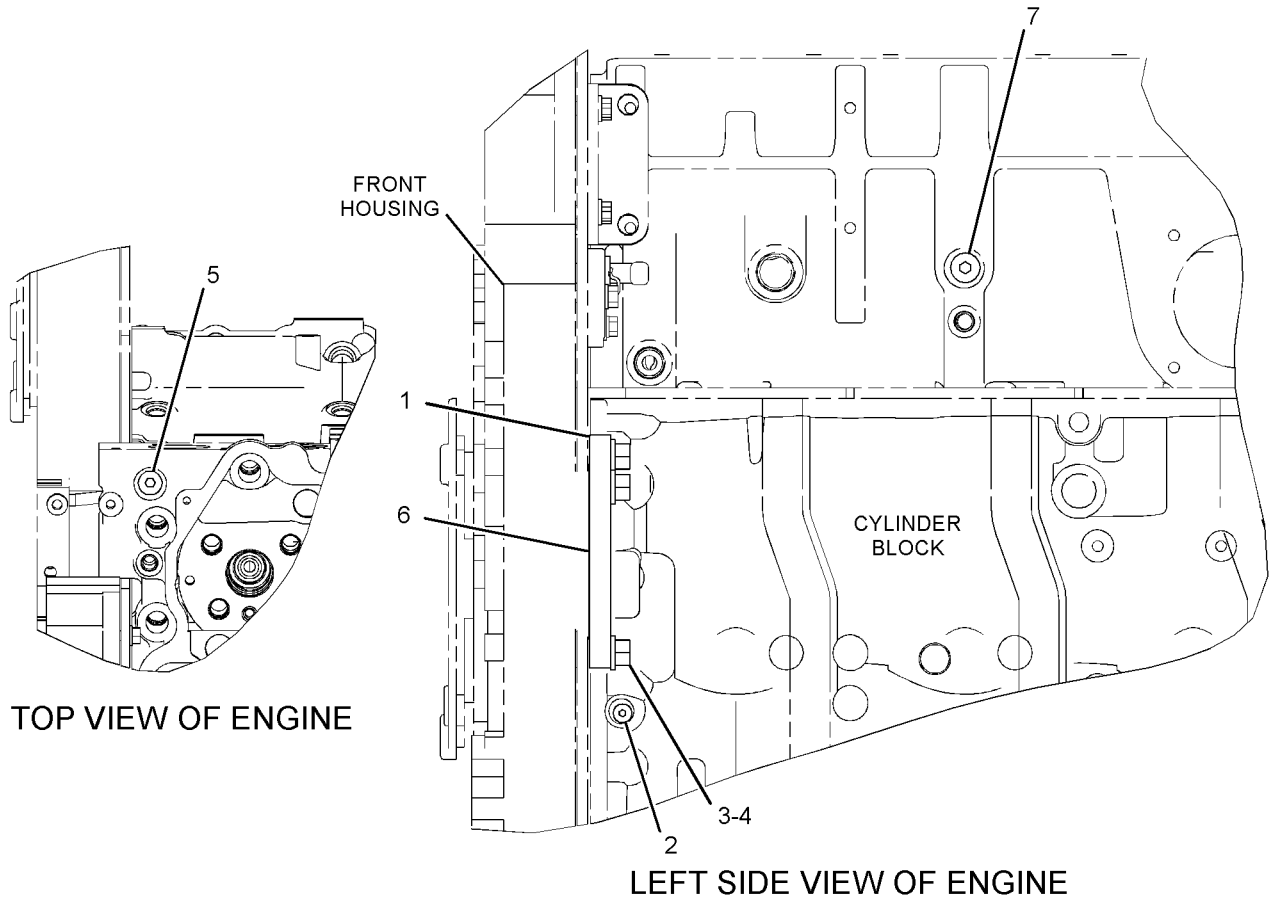
S/N: FTH1-UP

PART OF 382-3732, 382-3733, 382-3734, 382-3735 ENGINE AR-COMplete

SMCS-1803

i04759416

NOTE	REF NO	GRAPHIC REF	PART NUMBER	QTY	PART NAME						SEE PAGE
					1	2	3	4	5	6 (PRODUCT LEVEL)	
	1	1	<b>285-0823</b>	1	COVER						
	2	1	<b>307-2671</b>	1	PLUG AS						
		1	<b>9S-8002</b>	1	PLUG-O-RING						
		1	<b>214-7566</b>	1	SEAL-O-RING						
	3	1	<b>1F-7958</b>	3	NUT-FULL (1/2-13-THD)						
	4	1	<b>5P-8245</b>	3	WASHER-HARD (13.5X25.5X3-MM THK)						
	5	1	<b>353-5126</b>	1	PLUG AS						
		1	<b>6V-6609</b>	1	SEAL-O-RING						
		1	<b>9S-8005</b>	1	PLUG-O-RING						
	6	1	<b>117-8801</b>	1	SEAL-O-RING						
	7	1	<b>307-2673</b>	1	PLUG AS						
		1	<b>9S-8005</b>	1	PLUG-O-RING						
		1	<b>238-5080</b>	1	SEAL-O-RING						



GRAPHIC #1

<END>

g02251723

# BASIC ENGINE

## 178-7074 COVER GP-CYLINDER BLOCK

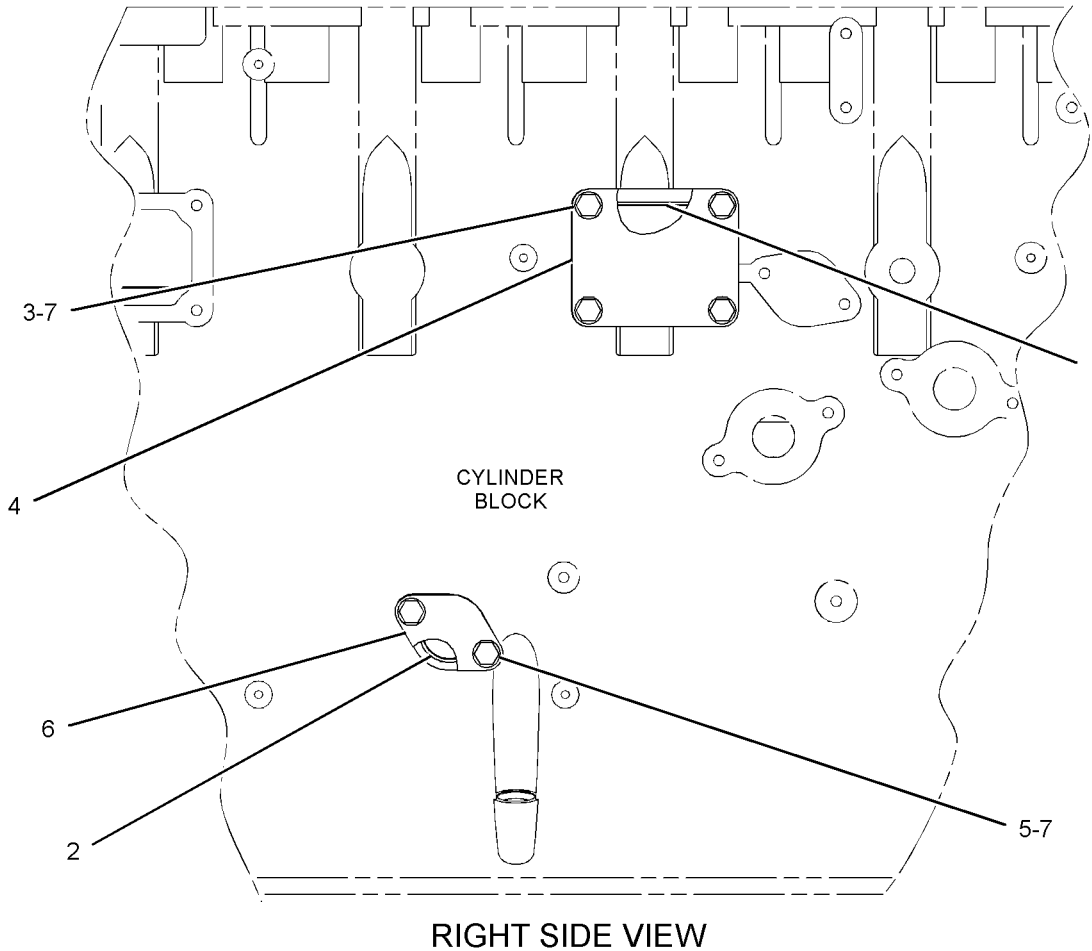
S/N: FTH1-UP

PART OF 382-3732, 382-3733, 382-3734, 382-3735 ENGINE AR-COMplete

SMCS-1201

i03544452

NOTE	REF NO	GRAPHIC REF	PART NUMBER	QTY	PART NAME						SEE PAGE
					1	2	3	4	5	6 (PRODUCT LEVEL)	
	1	1	126-4935	1	SEAL - INTEGRAL						
	2	1	160-7037	1	SEAL - INTEGRAL						
	3	1	0S-1594	4	BOLT (3/8-16X1-IN)						
	4	1	145-3849	1	COVER						
	5	1	1A-2029	2	BOLT (3/8-16X1.125-IN)						
	6	1	4W-9890	1	COVER						
	7	1	5M-2894	6	WASHER-HARD (10.2X18.5X2.5-MM THK)						



GRAPHIC #1

<END>

g01191472

# BASIC ENGINE

## 232-6635 COVER GP-CYLINDER BLOCK

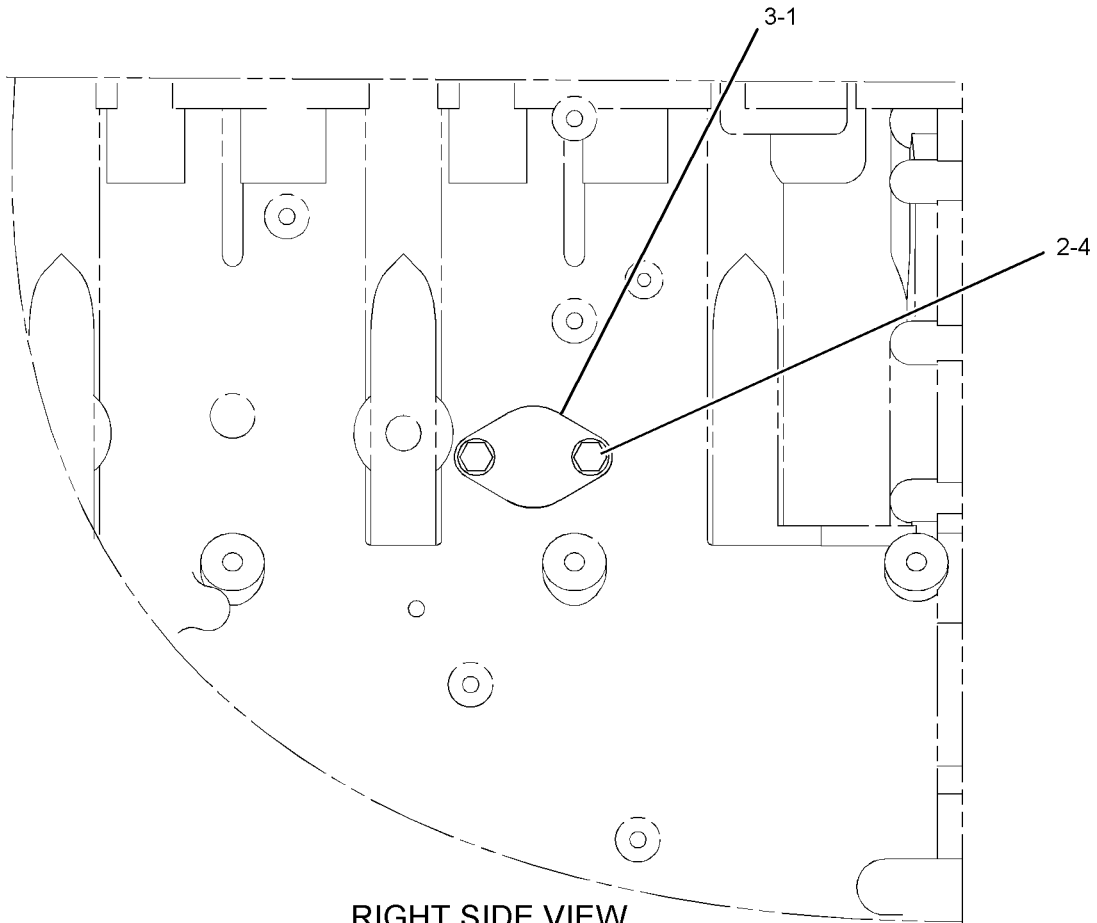
S/N: FTH1-UP

PART OF 382-3732, 382-3733, 382-3734, 382-3735 ENGINE AR-COMplete

SMCS-1201

i02655872

NOTE	REF NO	GRAPHIC REF	PART NUMBER	QTY	PART NAME						SEE PAGE
					1	2	3	4	5	6 (PRODUCT LEVEL)	
	1	1	160-7037	1	SEAL - INTEGRAL						
	2	1	1A-2029	2	BOLT (3/8-16X1.125-IN)						
	3	1	4W-9890	1	COVER						
	4	1	5M-2894	2	WASHER-HARD (10.2X18.5X2.5-MM THK)						



GRAPHIC #1

g01072658

# BASIC ENGINE

## 127-5728 COVER GP-FLYWHEEL HOUSING

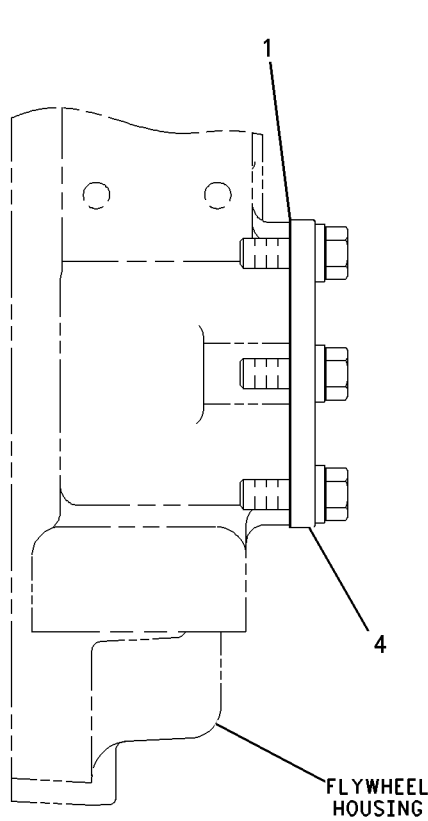
S/N: FTH1-UP

PART OF 382-3732, 382-3733, 382-3734, 382-3735 ENGINE AR-COMplete  
FOR USE WITH LH MOUNTED STARTER

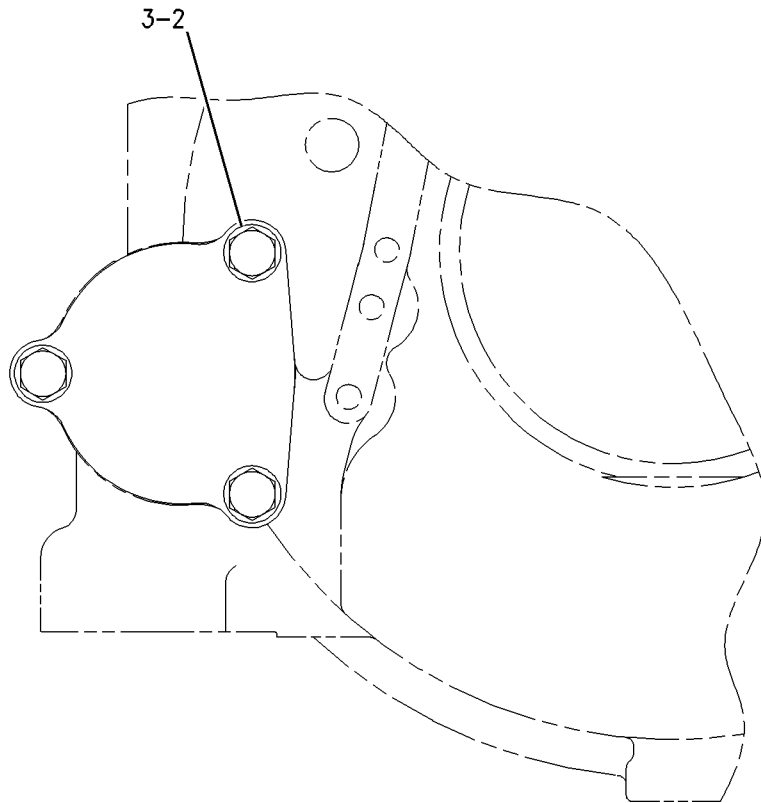
SMCS-1157

i04786080

NOTE	REF NO	GRAPHIC REF	PART NUMBER	QTY	PART NAME						SEE PAGE
					1	2	3	4	5	6 (PRODUCT LEVEL)	
	1	1	9Y-6089	1	GASKET						
	2	1	0S-1589	3	BOLT (5/8-11X1.75-IN)						
	3	1	4D-3704	3	WASHER-HARD (17X30X5-MM THK)						
	4	1	4N-1114	1	COVER						



RIGHT SIDE VIEW



FRONT VIEW

GRAPHIC #1

<END>

g00783561

# BASIC ENGINE

## 159-6159 COVER GP-FRONT HOUSING

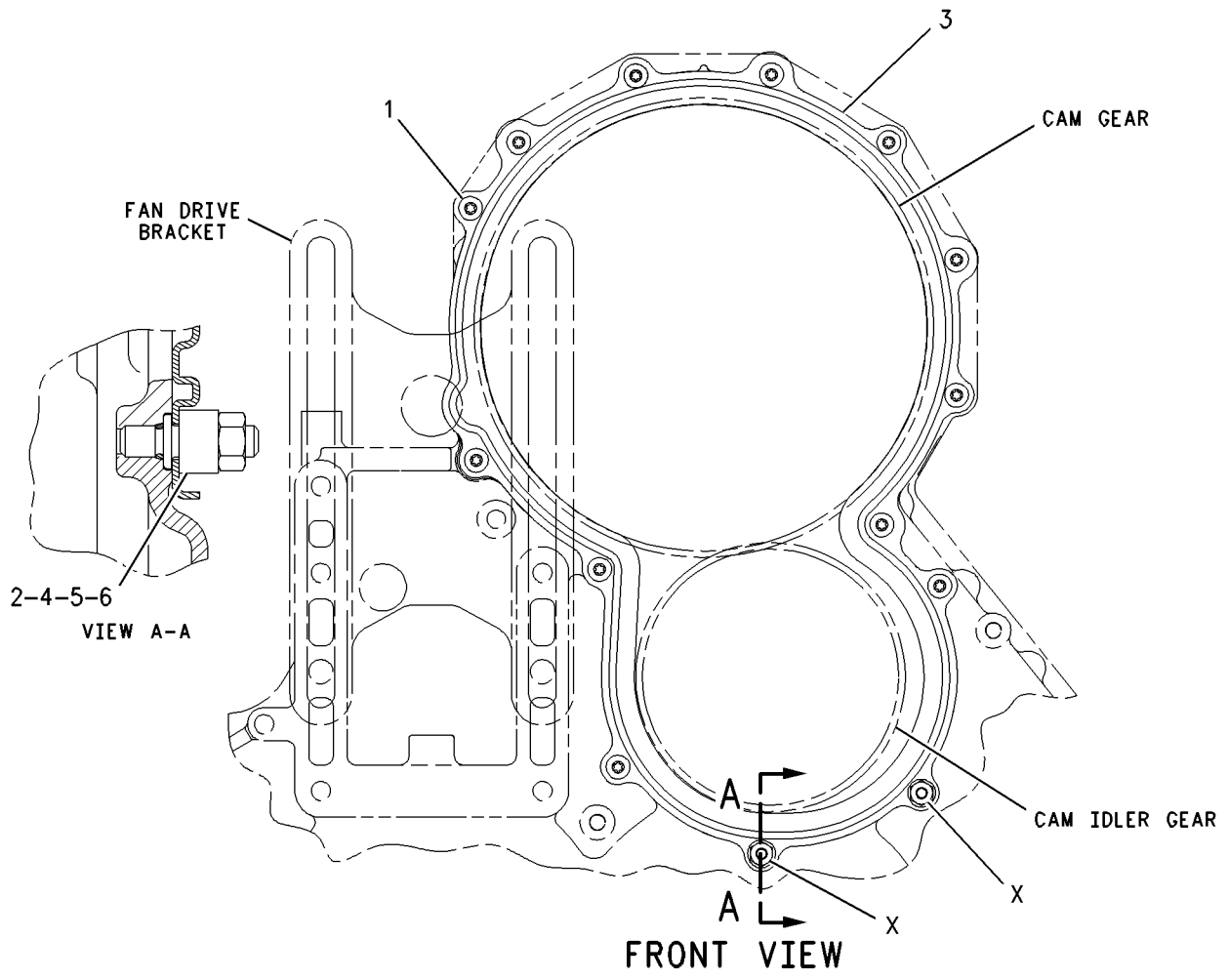
S/N: FTH1-UP

PART OF 382-3732, 382-3733, 382-3734, 382-3735 ENGINE AR-COMplete

SMCS-1151, 1166

i02592955

NOTE	REF NO	GRAPHIC REF	PART NUMBER	QTY	PART NAME						SEE PAGE
					1	2	3	4	5	6 (PRODUCT LEVEL)	
	1	1	297-1813	12	SCREW-HEAD						
	2	1	175-1367	2	SPACER (8.8X16X10-MM THK) (MARKED X)						
	3	1	209-3569	1	COVER GP-FRONT HOUSING						
		1	160-7271	1	SEAL						
	4	1	031-4155	2	LOCKNUT (5/16-18-THD) (MARKED X)						
	5	1	175-1366	2	STUD (MARKED X)						
	6	1	163-4565	2	SEAL-O-RING (MARKED X)						



GRAPHIC #1

<END>

g00631258

# BASIC ENGINE

## 246-5984 COVER GP-SOUND SUPPRESSION

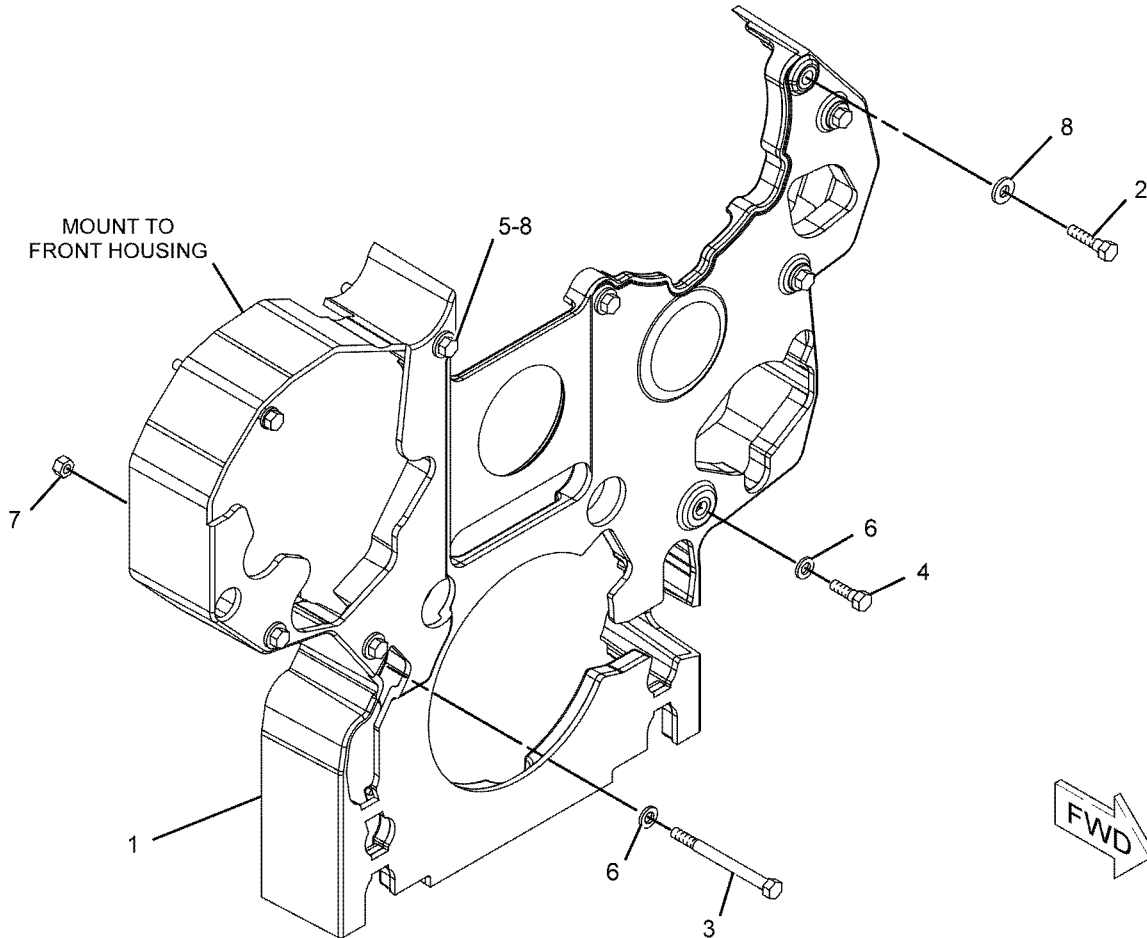
S/N: FTH1-UP

PART OF 382-3732, 382-3733, 382-3734, 382-3735 ENGINE AR-COMplete

SMCS-1801

i04759476

NOTE	REF NO	GRAPHIC REF	PART NUMBER	QTY	PART NAME						SEE PAGE
					1	2	3	4	5	6 (PRODUCT LEVEL)	
	1	1	237-4332	1	COVER AS						
	2	1	0S-1591	3	BOLT (3/8-16X1.5-IN)						
	3	1	0T-0055	3	BOLT (3/8-16X4.25-IN)						
	4	1	1A-2029	2	BOLT (3/8-16X1.125-IN)						
	5	1	1A-5964	2	BOLT (3/8-16X4.5-IN)						
	6	1	5M-2894	4	WASHER-HARD (10.2X18.5X2.5-MM THK)						
	7	1	9S-8752	1	NUT-FULL (3/8-16-THD)						
	8	1	9X-6458	7	WASHER-HARD (10.2X22.5X3-MM THK)						



GRAPHIC #1

<END>

g01126959



# BASIC ENGINE

## 150-3135 COVER GP-VALVE MECHANISM

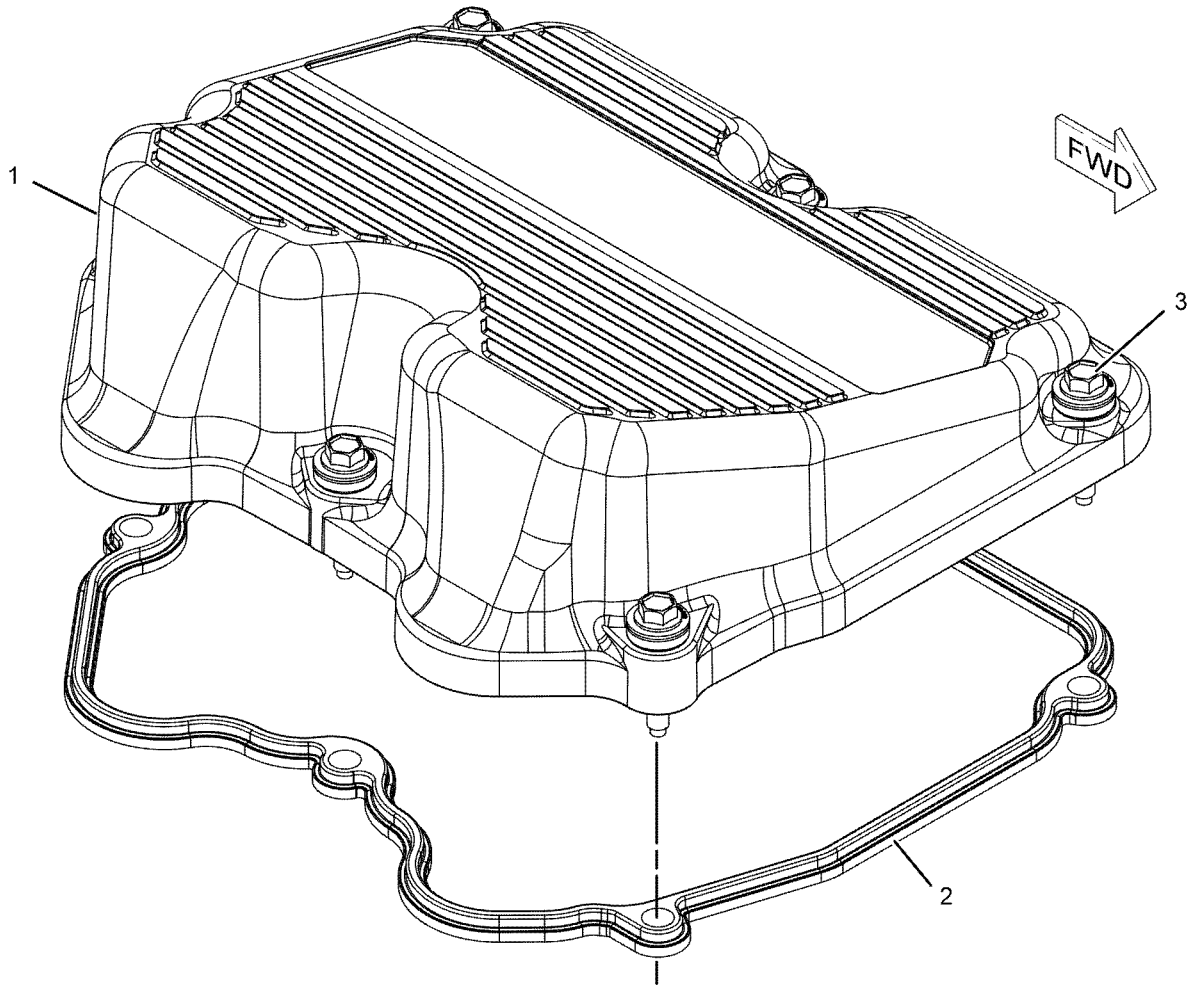
S/N: FTH1-UP

PART OF 187-1328 COVER GP-VALVE MECHANISM

SMCS-1107

i02405226

NOTE	REF NO	GRAPHIC REF	PART NUMBER	QTY	PART NAME						SEE PAGE
					1	2	3	4	5	6 (PRODUCT LEVEL)	
	1	1	150-2557	1	COVER-VALVE MECH						
	2	1	242-9537	1	SEAL-VALVE COVER						
	3	1	243-1159	6	FASTENER AS						
					(EACH INCLUDES)						
		1	149-7378	1	GROMMET						



GRAPHIC #1

<END>

g01055147

# BASIC ENGINE

## 187-1328 COVER GP-VALVE MECHANISM

S/N: FTH1-UP

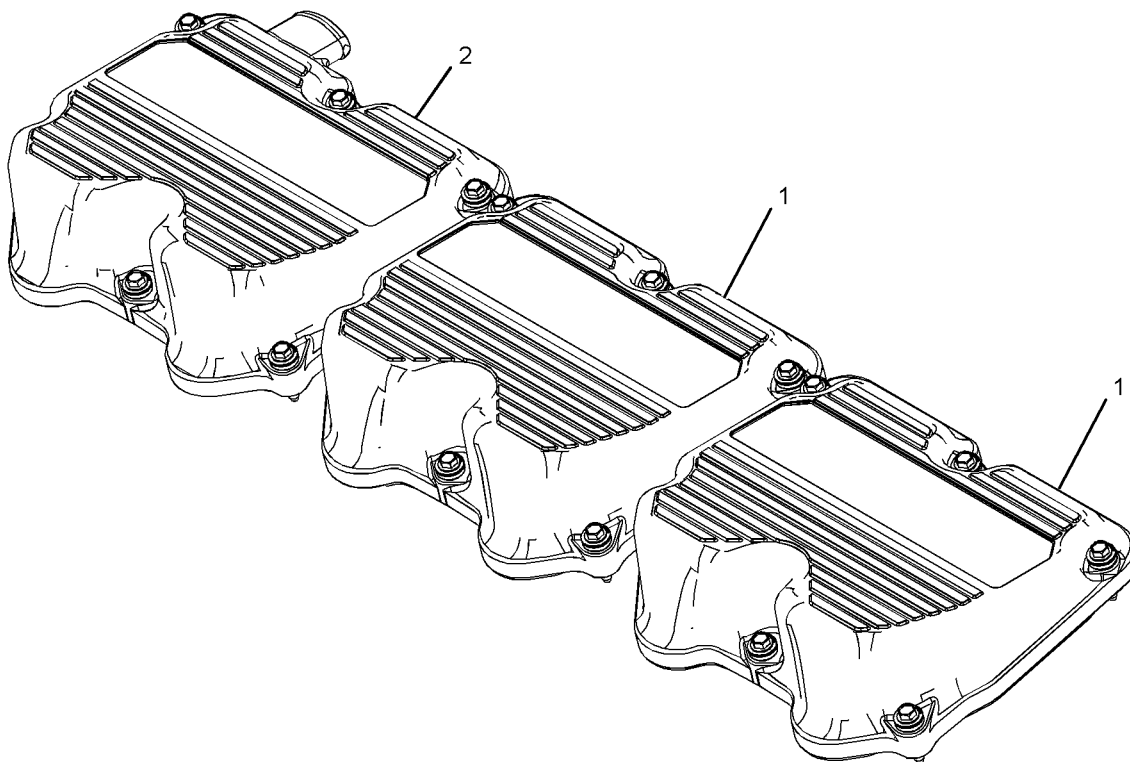
PART OF 382-3732, 382-3733, 382-3734, 382-3735 ENGINE AR-COMplete

SMCS-1107

i03636862

NOTE	REF NO	GRAPHIC REF	PART NUMBER	QTY	PART NAME						SEE PAGE
					1	2	3	4	5	6 (PRODUCT LEVEL)	
Y	1	1	150-3135	2	COVER GP-VALVE MECHANISM						29
CY	2	1	341-6804	1	COVER GP-VALVE MECHANISM						31

C-CHANGE FROM PREVIOUS TYPE  
Y-SEPARATE ILLUSTRATION



GRAPHIC #1

<END>

g01953721

# BASIC ENGINE

## 341-6804 COVER GP-VALVE MECHANISM

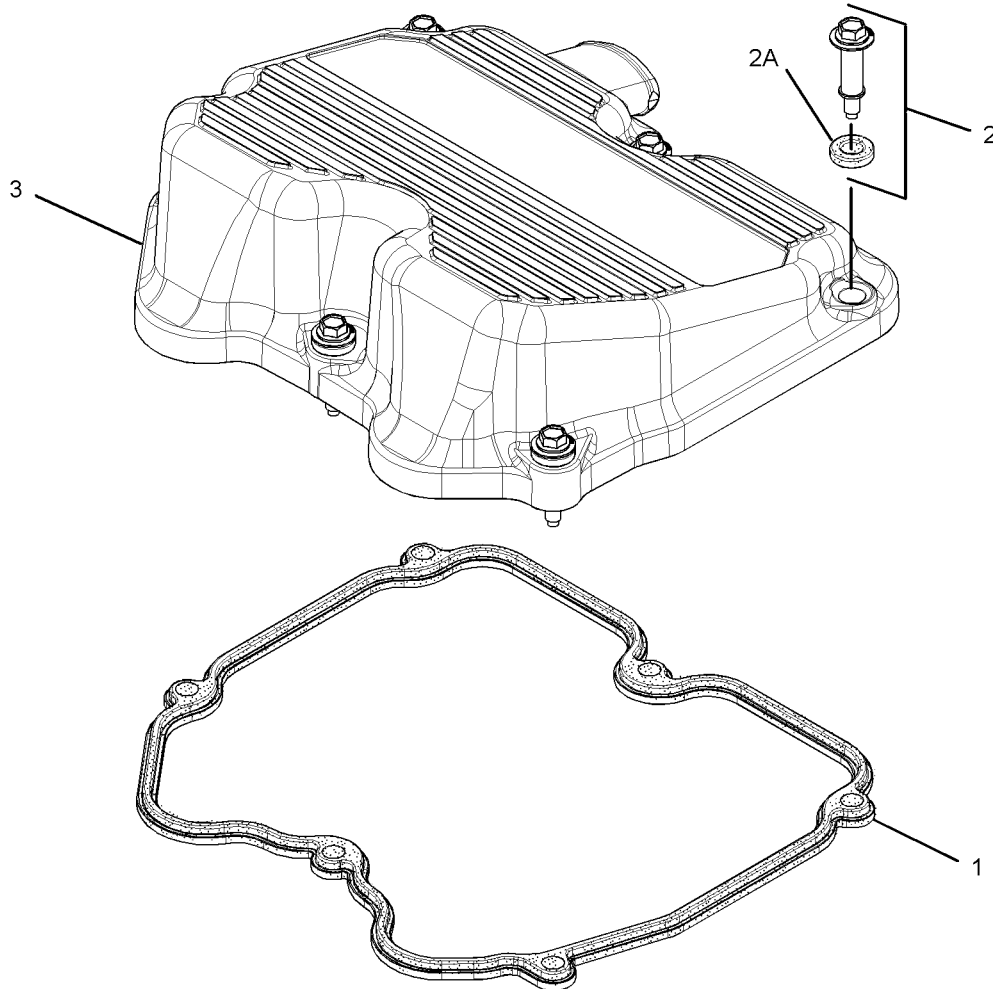
S/N: FTH1-UP

PART OF 187-1328 COVER GP-VALVE MECHANISM

SMCS-1107

i04861712

NOTE	REF NO	GRAPHIC REF	PART NUMBER	QTY	PART NAME						SEE PAGE
					1	2	3	4	5	6 (PRODUCT LEVEL)	
	1	1	242-9537	1	SEAL-VALVE COVER						
	2	1	243-1159	6	FASTENER AS						
					(EACH INCLUDES)						
	2A	1	149-7378	1	GROMMET						
	3	1	239-4106	1	COVER AS-VALVE (BREATHER)						



GRAPHIC #1

<END>

g01860954

# BASIC ENGINE

## 223-9731 CRANKSHAFT GP

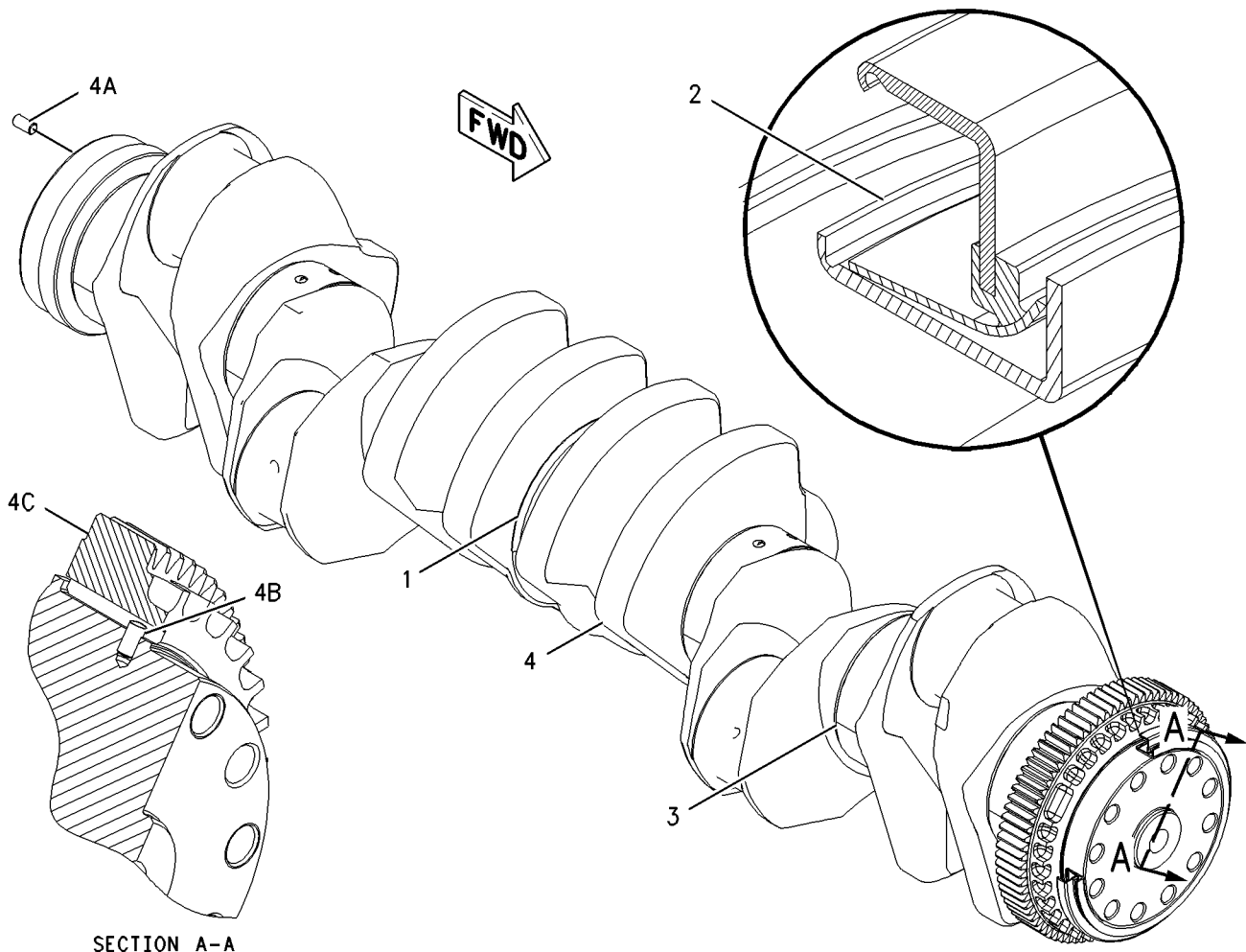
S/N: FTH1-UP

SMCS-1202

i03601424

NOTE	REF NO	GRAPHIC REF	PART NUMBER	QTY	PART NAME						SEE PAGE
					1	2	3	4	5	6 (PRODUCT LEVEL)	
J	1	1	<b>253-1752</b>	2	PLATE-THRUST						
Y	2	1	<b>319-7401</b>	1	SEAL GP-CRANKSHAFT (FRONT)						74
J	3	1	<b>317-8766</b>	7	BEARING-MAIN (STANDARD)						
AB		1	<b>4W-5698</b>		BEARING-MAIN (0.63-MM US)						
AB		1	<b>4W-5699</b>		BEARING-MAIN (1.27-MM US)						
AB		1	<b>4W-5700</b>		BEARING-MAIN (0.63-MM OS)						
AB		1	<b>4W-5701</b>		BEARING-MAIN (0.63-MM OS, 0.63-MM US)						
R	4	1	<b>221-9360</b>	1	CRANKSHAFT AS						
	4A	1	<b>4N-0684</b>	1	DOWEL						
	4B	1	<b>7S-5005</b>	1	DOWEL						
	4C	1	<b>160-5120</b>	1	GEAR-CRANKSHAFT (80-TEETH)						
					AVAILABLE REPAIR KIT(S):						
AJ			<b>243-6718</b>		KIT-CRANKSHAFT BEARING (STANDARD)						
					(INCLUDES THRUST PLATES AND MAIN BEARINGS)						

A-NOT PART OF THIS GROUP  
 B-USE AS REQUIRED  
 J-KIT MARKED J INCLUDES PARTS MARKED J  
 R-REMG PART MAY BE AVAILABLE  
 Y-SEPARATE ILLUSTRATION



SECTION A-A

GRAPHIC #1

<END>

g00955077

# BASIC ENGINE

## 357-1317 CYLINDER BLOCK AS

S/N: FTH1-UP

PART OF 223-9252 CYLINDER BLOCK GP

SMCS-1201

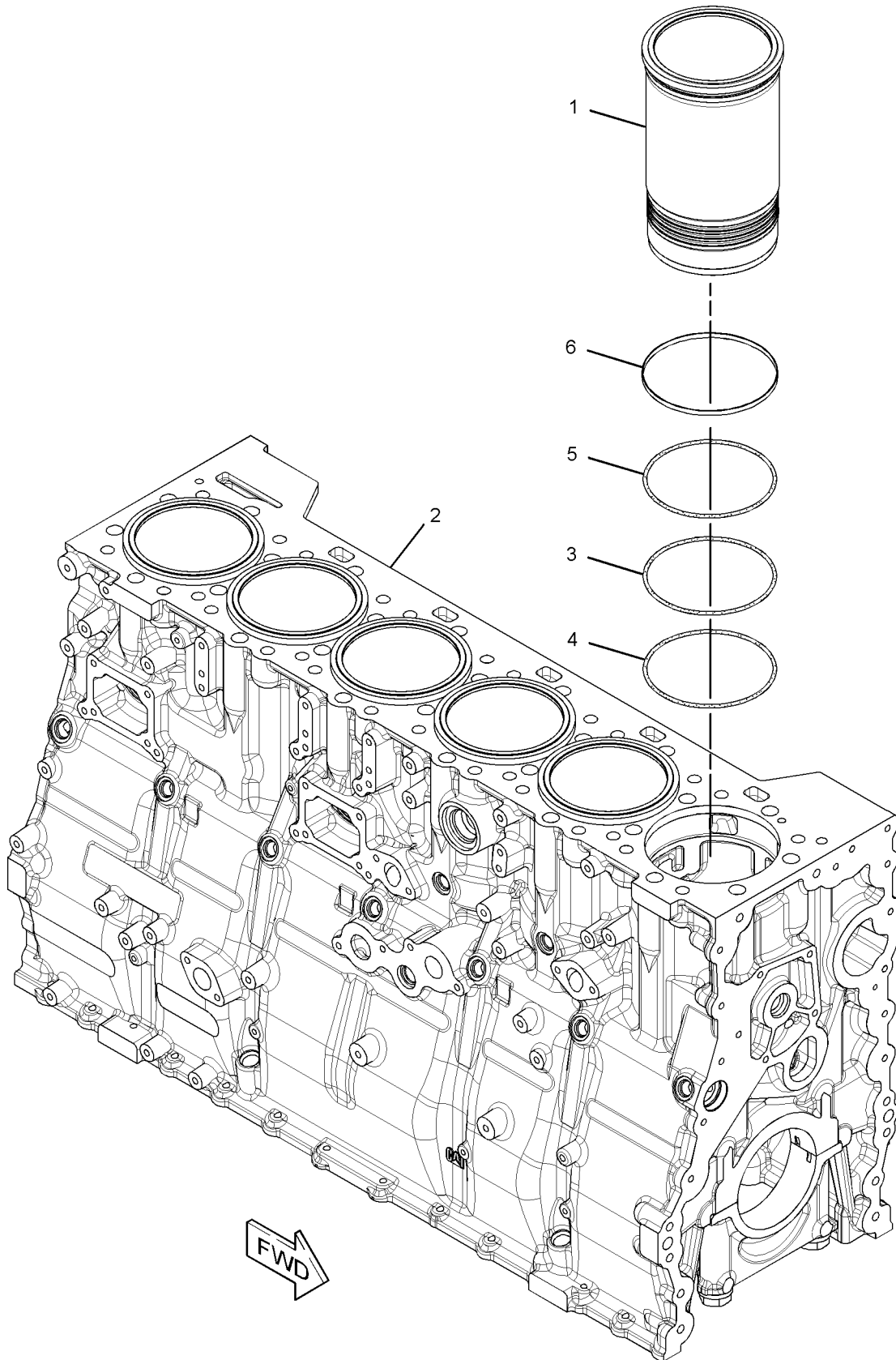
i04315514

NOTE	REF NO	GRAPHIC REF	PART NUMBER	QTY	PART NAME						SEE PAGE
					1	2	3	4	5	6 (PRODUCT LEVEL)	
	1	1	197-9322	6	LINER-CYLINDER BLOCK						
	2	1	357-1315	1	CYLINDER BLOCK AS						
		1	3P-1323	14	BOLT-BEARING CAP (7/8-14X7.75-IN)						
		1	9H-1031	14	WASHER-HARD (24X41.5X6-MM THK)						
		1	167-8081	7	CAP-CRANKSHAFT BEARING						
	3	1	110-2220	6	SEAL-LINER						
	4	1	142-6217	6	SEAL-O-RING						
	5	1	142-7072	6	SEAL-LINER						
	6	1	9L-5854	6	BAND-FILLER (130.2-MM ID)						

# BASIC ENGINE

357-1317 CYLINDER BLOCK AS (contd.)

i04315514



GRAPHIC #1

<END>

g02252373

# BASIC ENGINE

## 223-9252 CYLINDER BLOCK GP

S/N: FTH1-UP

SMCS-1201

i04315455

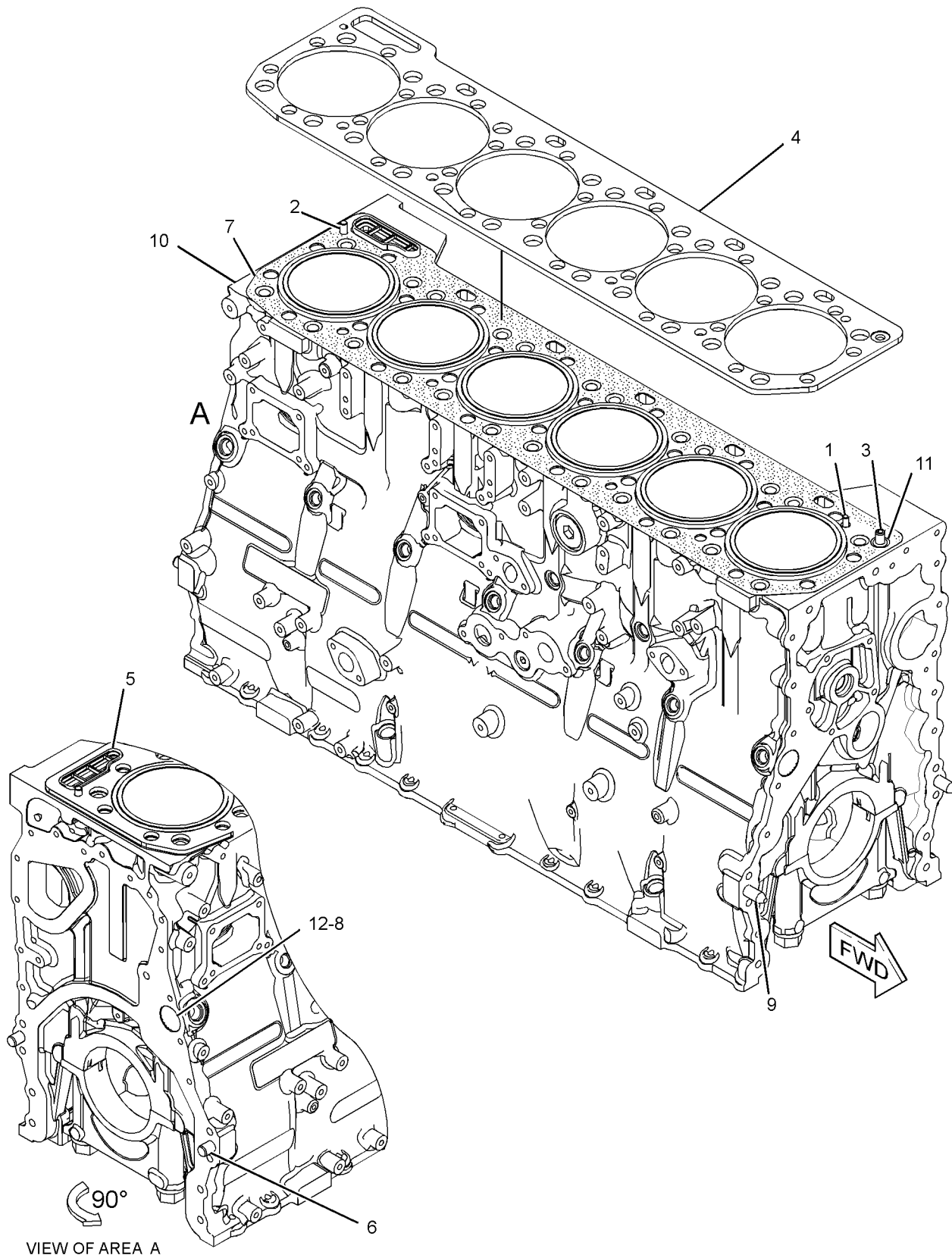
NOTE	REF NO	GRAPHIC REF	PART NUMBER	QTY	PART NAME						SEE PAGE
					1	2	3	4	5	6 (PRODUCT LEVEL)	
	1	1	<b>1S-9540</b>	1	DOWEL						
	2	1	<b>4N-1650</b>	1	DOWEL						
	3	1	<b>6I-1055</b>	1	DOWEL						
	4	1	<b>6I-4421</b>	1	PLATE-SPACER						
	5	1	<b>142-2329</b>	1	SEAL						
	6	1	<b>4N-0683</b>	2	DOWEL						
	7	1	<b>227-1204</b>	1	GASKET						
	8	1	<b>230-3728</b>	2	SEAL-O-RING						
	9	1	<b>266-6038</b>	2	DOWEL						
CY	10	1	<b>357-1317</b>	1	CYLINDER BLOCK AS						33
	11	1	<b>5P-0840</b>	1	SEAL-O-RING						
	12	1	<b>100-7399</b>	2	PLUG						

C-CHANGE FROM PREVIOUS TYPE  
Y-SEPARATE ILLUSTRATION

# BASIC ENGINE

223-9252 CYLINDER BLOCK GP (contd.)

i04315455



GRAPHIC #1

<END>

g02478680



# BASIC ENGINE

## 223-7263 CYLINDER HEAD AS

S/N: FTH1-UP

WITH PRE-FINISHED VALVE SEAT INSERTS  
PART OF 223-9250 CYLINDER HEAD GP

SMCS-1100, 1101

i02845115

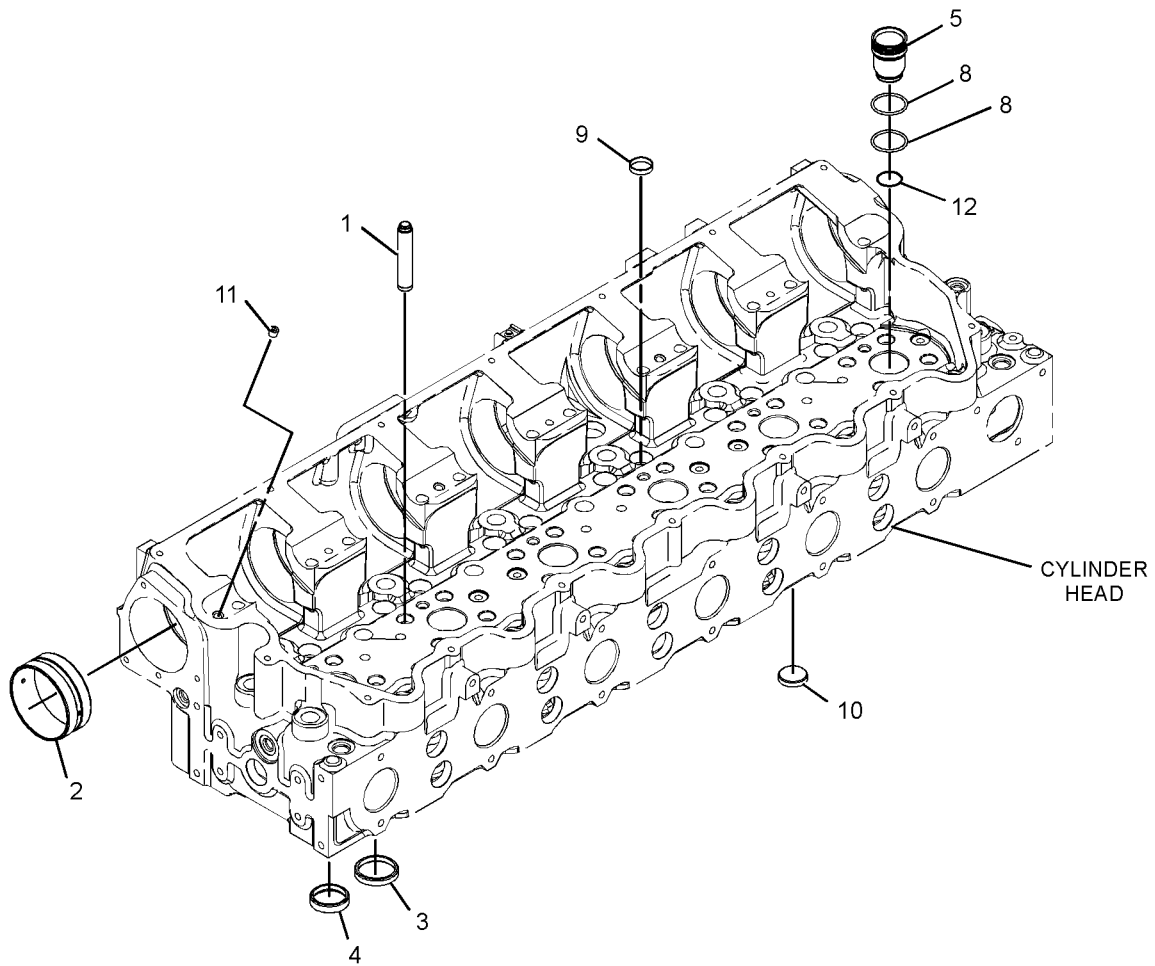
NOTE	REF NO	GRAPHIC REF	PART NUMBER	QTY	PART NAME						SEE PAGE
					1	2	3	4	5	6 (PRODUCT LEVEL)	
	1	1	122-7375	24	GUIDE-VALVE (STANDARD)						
AB		1	122-0447		GUIDE-VALVE (0.51-MM OS)						
AB		1	122-8612		GUIDE-VALVE (0.13-MM OS)						
	2	1	216-5582	7	BUSHING (STANDARD)						
AB		1	217-0751		BUSHING (0.25-MM OS)						
AB		1	217-0752		BUSHING (0.762-MM OS)						
AB		1	261-3429		BUSHING (1.778-MM OS)						
AB		1	261-3430		BUSHING (1.27-MM OS)						
	3	1	224-3983	12	INSERT-SEAT (INLET) (STANDARD)						
AB		1	314-3063		INSERT-VALVE SEAT (0.55-MM THK)						
AB		1	314-3064		INSERT-VALVE SEAT (0.13-MM OS, INLET)						
AB		1	314-3065		INSERT-VALVE SEAT (0.13-MM OS)						
AB		1	314-3066		INSERT-VALVE SEAT (0.26-MM OS, INLET)						
AB		1	314-3067		INSERT-VALVE SEAT (0.26-MM OS)						
AB		1	314-3068		INSERT-VALVE SEAT (0.51-MM OS, INLET)						
AB		1	314-3069		INSERT-VALVE SEAT (0.51-MM OS)						
	4	1	226-5561	12	INSERT-VALVE SEAT (EXHAUST) (STANDARD)						
AB		1	288-4883		INSERT-VALVE SEAT (0.51-MM OS, EXHAUST)						
AB		1	288-4884		INSERT-VALVE SEAT (0.76-MM OS, EXHAUST)						
	5	1	263-4920	6	SLEEVE-INJECTOR (INLET)						
	8	1	166-2904	12	SEAL-O-RING						
	9	1	3B-0623	17	PLUG-CUP						
	10	1	3B-0645	20	PLUG-CUP						
	11	1	8T-6757	3	PLUG-PIPE						
	12	1	9X-7430	6	SEAL-O-RING						

A-NOT PART OF THIS GROUP  
B-USE AS REQUIRED

# BASIC ENGINE

223-7263 CYLINDER HEAD AS (contd.)

i02845115



GRAPHIC #1

<END>

g01370336

# BASIC ENGINE

## 223-9250 CYLINDER HEAD GP\*R

S/N: FTH1-UP

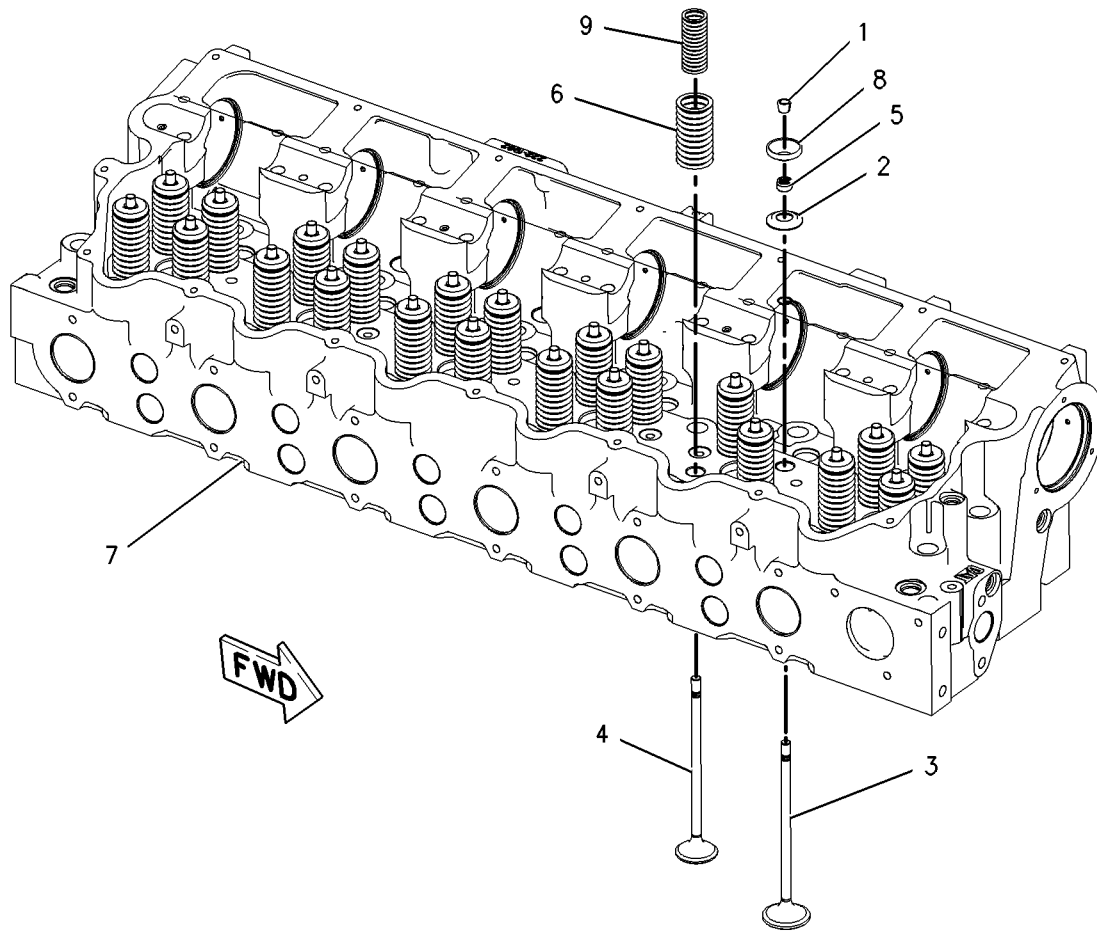
PART OF 314-7316 CYLINDER HEAD GP

SMCS-1100

i02847395

NOTE	REF NO	GRAPHIC REF	PART NUMBER	QTY	PART NAME						SEE PAGE
					1	2	3	4	5	6 (PRODUCT LEVEL)	
	1	1	2A-4429	48	LOCK-RETAINER						
	2	1	6I-0928	24	WASHER-SPECIAL						
	3	1	153-7023	12	VALVE-INLET						
	4	1	153-7024	12	VALVE-EXHAUST						
	5	1	163-2478	24	SEAL-VALVE STEM						
	6	1	247-9908	24	SPRING-VALVE (OUTER)						
Y	7	1	223-7263	1	CYLINDER HEAD AS						37
	8	1	186-2001	24	ROTOCOIL AS						
	9	1	211-3122	24	SPRING-VALVE (INNER)						

Y-SEPARATE ILLUSTRATION



GRAPHIC #1

<END>

g00955632

# BASIC ENGINE

## 314-7316 CYLINDER HEAD GP

S/N: FTH1-UP

SMCS-1100

i03819467

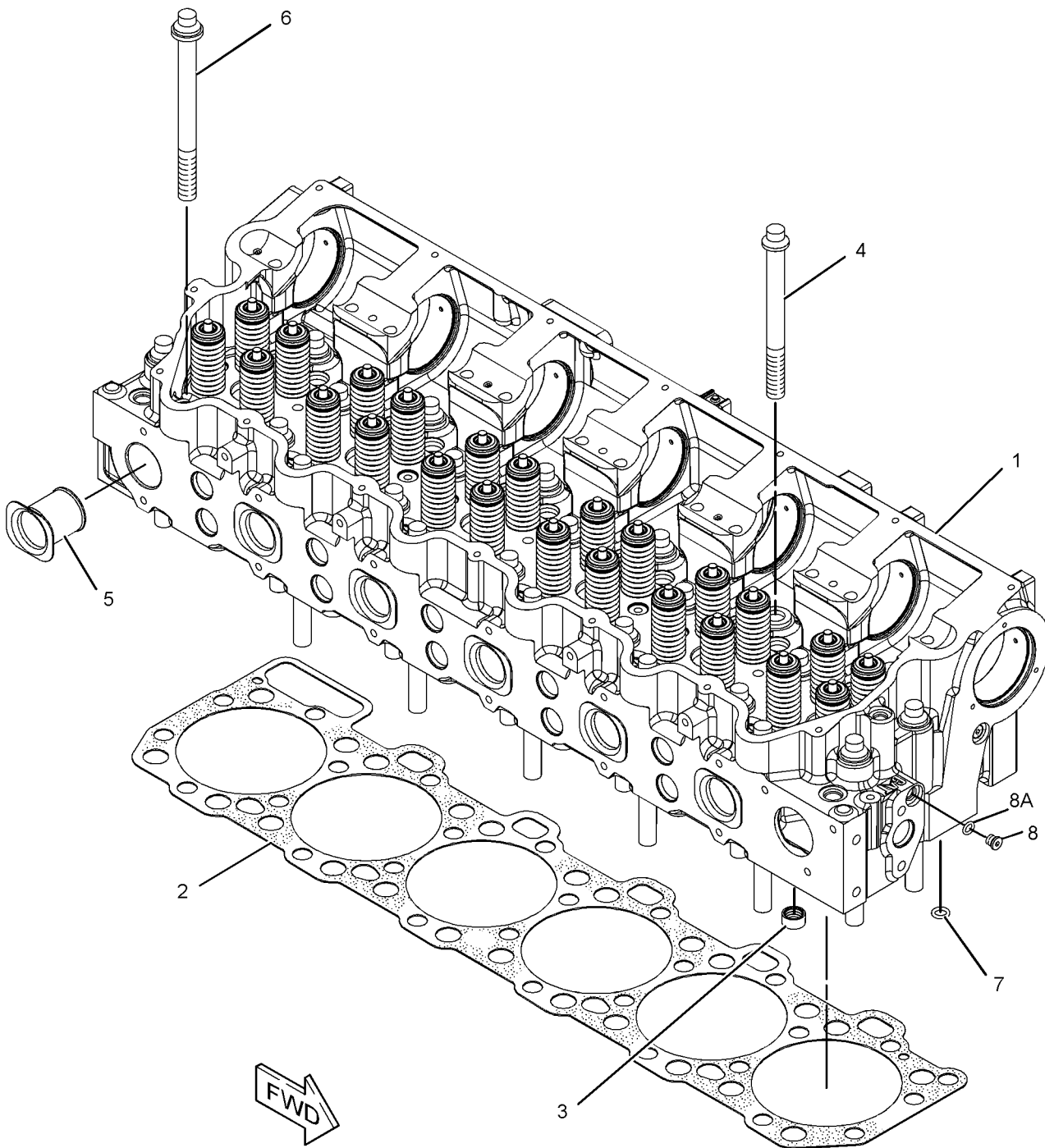
NOTE	REF NO	GRAPHIC REF	PART NUMBER	QTY	PART NAME						SEE PAGE
					1	2	3	4	5	6 (PRODUCT LEVEL)	
YR	1	1	<b>223-9250</b>	1	CYLINDER HEAD GP						39
	2	1	<b>224-5122</b>	1	GASKET (CYLINDER HEAD)						
	3	1	<b>3E-6772</b>	24	SEAL						
	4	1	<i>6I-4025</i>	16	FASTENER GP-CYLINDER HEAD						
		1	<b>5H-1504</b>	1	WASHER-HARD (20X33.5X5-MM THK)						
		1	<b>124-1855</b>	1	BOLT-12 POINT HEAD (3/4-16X7.638-IN)						
	5	1	<b>194-8124</b>	6	SLEEVE AS (EXHAUST PORT)						
	6	1	<i>106-5673</i>	10	FASTENER GP-CYLINDER HEAD						
		1	<b>5H-1504</b>	1	WASHER-HARD (20X33.5X5-MM THK)						
		1	<b>124-1854</b>	1	BOLT-12 POINT HEAD (3/4-16X8.5-IN)						
	7	1	<b>5P-0840</b>	1	SEAL-O-RING						
	8	1	<i>183-3407</i>	3	PLUG AS						
					(EACH INCLUDES)						
	8A	1	<b>214-7568</b>	1	SEAL-O-RING						
		1	<b>9S-8004</b>	1	PLUG-O-RING						

R-REMG PART MAY BE AVAILABLE  
Y-SEPARATE ILLUSTRATION

# BASIC ENGINE

314-7316 CYLINDER HEAD GP (contd.)

i03819467



GRAPHIC #1

<END>

g01418021

# BASIC ENGINE

## 231-5385 DAMPER GP

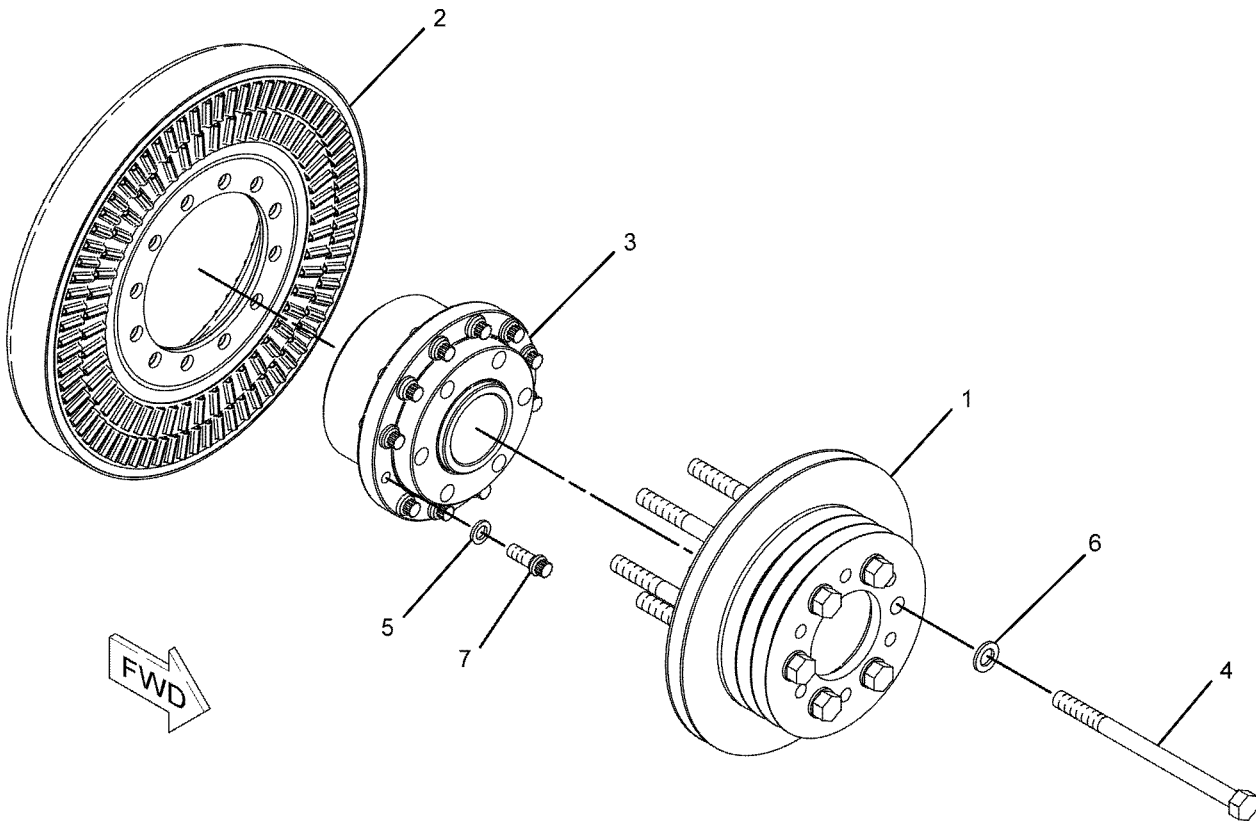
S/N: FTH1-UP

PART OF 382-3732, 382-3733, 382-3734, 382-3735 ENGINE AR-COMPLETE

SMCS-1205

i02665198

NOTE	REF NO	GRAPHIC REF	PART NUMBER	QTY	PART NAME						SEE PAGE
					1	2	3	4	5	6 (PRODUCT LEVEL)	
	1	1	6N-7378	1	PULLEY-CRANKSHAFT (4-GROOVE)						
	2	1	213-3199	1	DAMPER AS						
	3	1	232-6560	1	ADAPTER						
	4	1	148-2871	6	BOLT (5/8-18X9-IN)						
	5	1	3H-7654	12	WASHER-HARD (13.5X22.5X3.0-MM THK)						
	6	1	7X-0591	6	WASHER-HARD (17X29X3-MM THK)						
	7	1	8M-2530	12	BOLT-12 POINT HEAD (1/2-13X1.25-IN)						



GRAPHIC #1

<END>

g01060400

# BASIC ENGINE

## 348-7023 DRIVE GP-FAN-BASIC

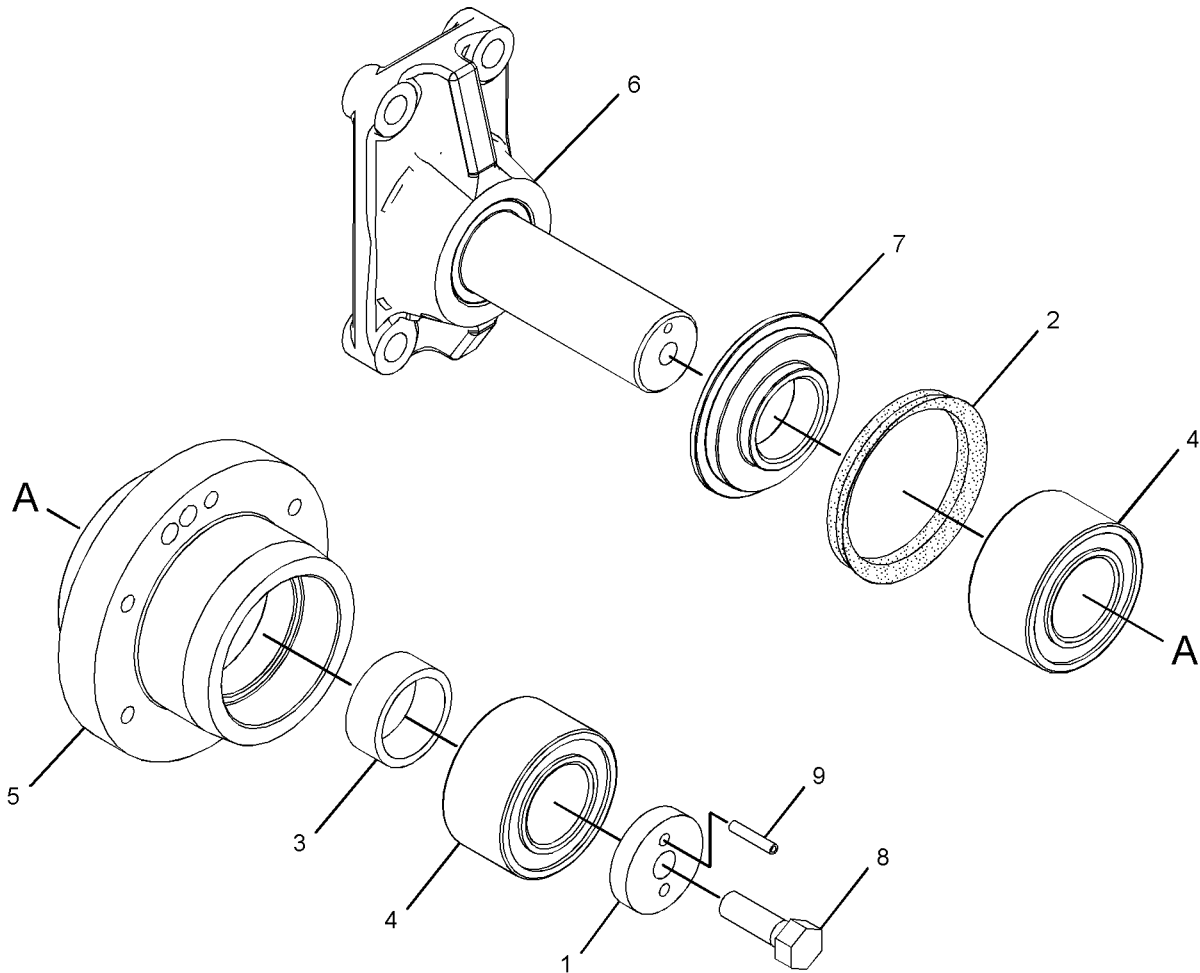
S/N: FTH1-UP

PART OF 353-9956, 353-9957 DRIVE GP-FAN

SMCS-1359

i04760020

NOTE	REF NO	GRAPHIC REF	PART NUMBER	QTY	PART NAME						SEE PAGE
					1	2	3	4	5	6 (PRODUCT LEVEL)	
	1	1	7E-4808	1	PLATE						
	2	1	8C-5238	1	SEAL-V-RING						
	3	1	333-0773	1	SPACER-SPECIAL						
	4	1	333-2408	2	BALL BEARING						
	5	1	348-7020	1	HUB-FAN PULLEY						
	6	1	348-7021	1	BRACKET AS-FAN						
		1	4N-0684	1	DOWEL						
	7	1	351-2196	1	SPACER-SPECIAL						
	8	1	5P-2566	1	BOLT (1/2-13X1.5-IN)						
	9	1	6H-3956	1	PIN						



GRAPHIC #1

<END>

g02294973

# BASIC ENGINE

## 353-9956 DRIVE GP-FAN

S/N: FTH1-UP

RATIO 0.800

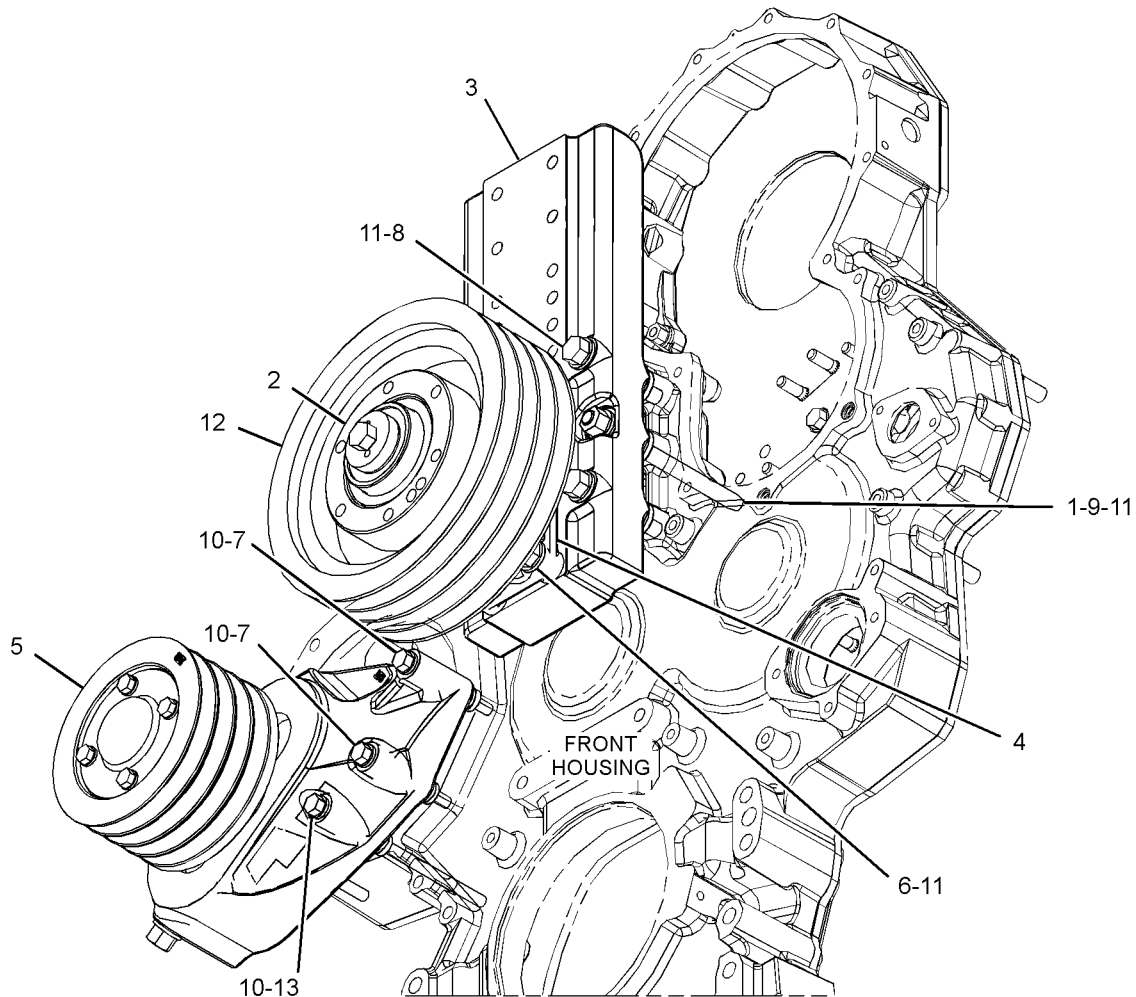
PART OF 382-3732, 382-3734 ENGINE AR-COMplete

SMCS-1359

i04762167

NOTE	REF NO	GRAPHIC REF	PART NUMBER	QTY	PART NAME						SEE PAGE
					1	2	3	4	5	6 (PRODUCT LEVEL)	
	1	1	202-4948	2	STUD-TAPERLOCK						
	2	1	333-0776	1	SPACER-SPECIAL						
	3	1	345-8404	1	BRACKET-SUPPORT						
Y	4	1	348-7023	1	DRIVE GP-FAN						43
Y	5	1	348-8109	1	BELT TIGHTENER GP						18
	6	1	0S-1587	4	BOLT (1/2-13X1.75-IN)						
	7	1	0T-0065	2	BOLT (3/8-16X3.5-IN)						
	8	1	0V-0375	4	BOLT (1/2-13X3.25-IN)						
	9	1	1F-7958	2	NUT-FULL (1/2-13-THD)						
	10	1	5M-2894	4	WASHER-HARD (10.2X18.5X2.5-MM THK)						
	11	1	5P-8245	10	WASHER-HARD (13.5X25.5X3-MM THK)						
	12	1	7N-8828	1	PULLEY-FAN DRIVE (4-GROOVE)						
	13	1	9F-8999	2	BOLT (3/8-16X7-IN)						

Y-SEPARATE ILLUSTRATION



GRAPHIC #1

<END>

g02345976



# BASIC ENGINE

## 353-9957 DRIVE GP-FAN

S/N: FTH1-UP

RATIO 0.946

PART OF 382-3733, 382-3735 ENGINE AR-COMPLETE

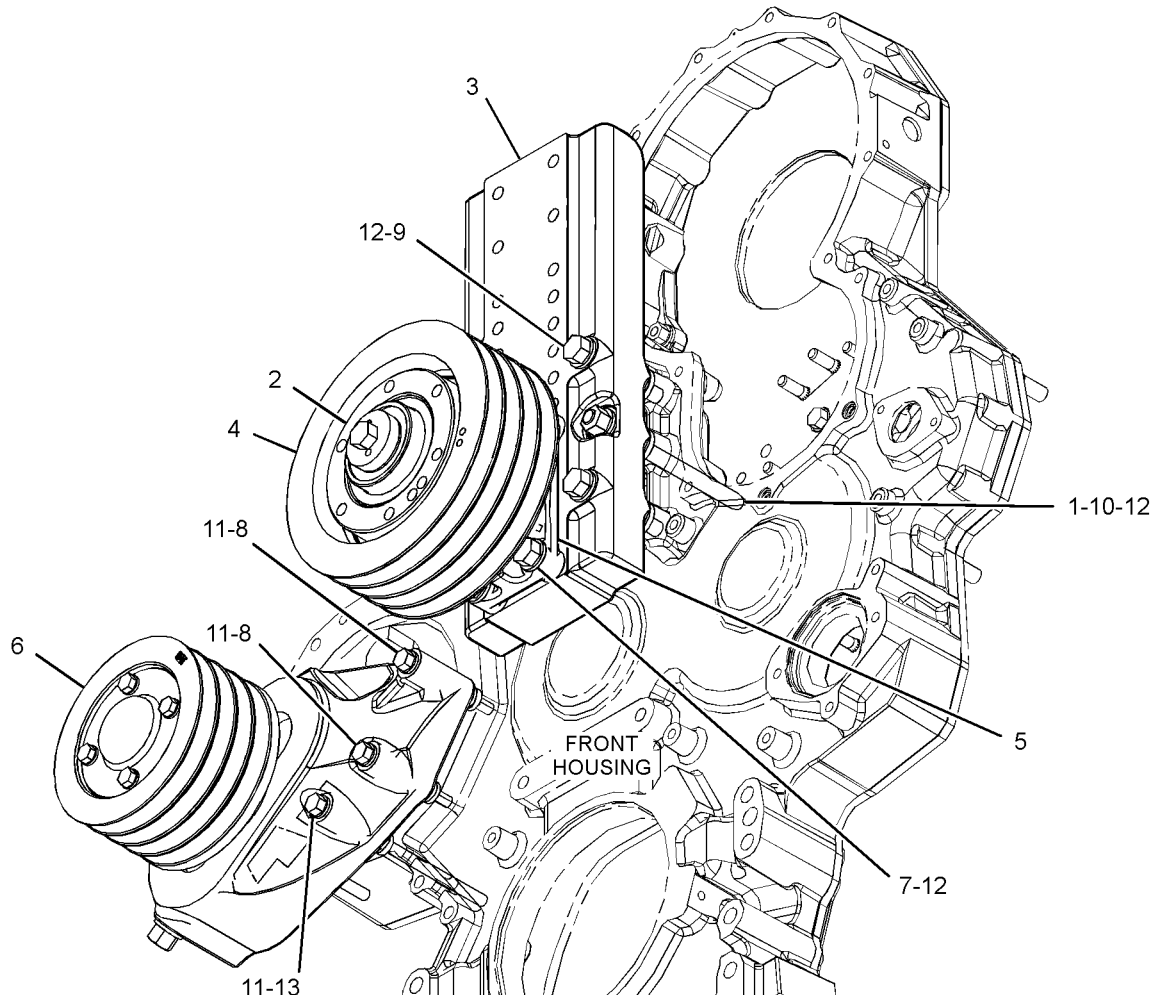
SMCS-1359

i04759490

NOTE	REF NO	GRAPHIC REF	PART NUMBER	QTY	PART NAME						SEE PAGE
					1	2	3	4	5	6 (PRODUCT LEVEL)	
	1	1	202-4948	2	STUD-TAPERLOCK						
	2	1	333-0776	1	SPACER-SPECIAL						
	3	1	345-8404	1	BRACKET-SUPPORT						
	4	1	345-8406	1	PULLEY-FAN (4-GROOVE)						
Y	5	1	348-7023	1	DRIVE GP-FAN						43
CY	6	1	369-6649	1	BELT TIGHTENER GP						19
	7	1	0S-1587	4	BOLT (1/2-13X1.75-IN)						
	8	1	0T-0065	2	BOLT (3/8-16X3.5-IN)						
	9	1	0V-0375	4	BOLT (1/2-13X3.25-IN)						
	10	1	1F-7958	2	NUT-FULL (1/2-13-THD)						
	11	1	5M-2894	4	WASHER-HARD (10.2X18.5X2.5-MM THK)						
	12	1	5P-8245	10	WASHER-HARD (13.5X25.5X3-MM THK)						
	13	1	9F-8999	2	BOLT (3/8-16X7-IN)						

C-CHANGE FROM PREVIOUS TYPE

Y-SEPARATE ILLUSTRATION



GRAPHIC #1

<END>

g02345697

# BASIC ENGINE

## 6I-3638 DRIVE GP-PUMP

S/N: FTH1-UP

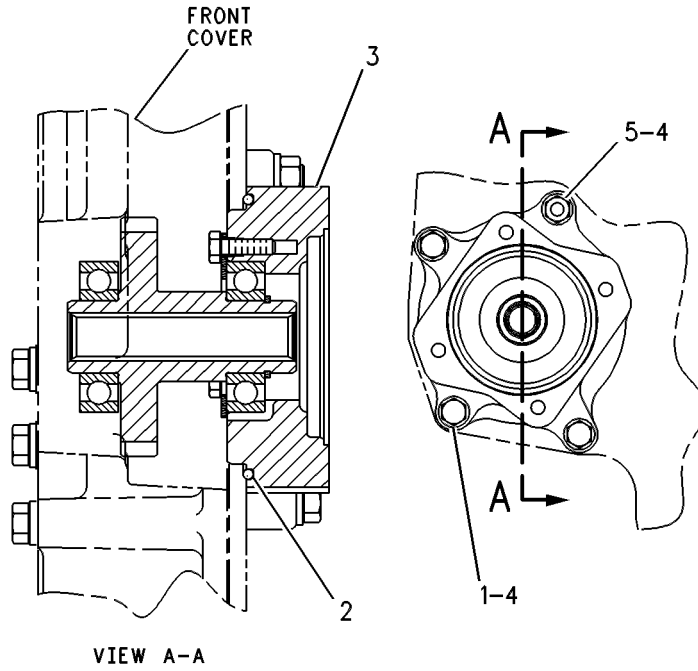
PART OF 382-3732, 382-3733, 382-3734, 382-3735 ENGINE AR-COMplete

SMCS-1017, 1207, 3108

i01173875

NOTE	REF NO	GRAPHIC REF	PART NUMBER	QTY	PART NAME						SEE PAGE
					1	2	3	4	5	6 (PRODUCT LEVEL)	
	1	1	<b>0S-1590</b>	3	BOLT (3/8-16X2-IN)						
	2	1	<b>8T-9527</b>	1	SEAL-O-RING						
YC	3	1	<b>133-9907</b>	1	ADAPTER GP-PUMP DRIVE						16
	4	1	<b>5M-2894</b>	4	WASHER-HARD (10.2X18.5X2.5-MM THK)						
	5	1	<b>9S-8752</b>	1	NUT-FULL (3/8-16-THD)						

C-CHANGE FROM PREVIOUS TYPE  
Y-SEPARATE ILLUSTRATION



GRAPHIC #1

<END>

g00263601

# BASIC ENGINE

## 4P-6846 FASTENER GP-FRONT HOUSING

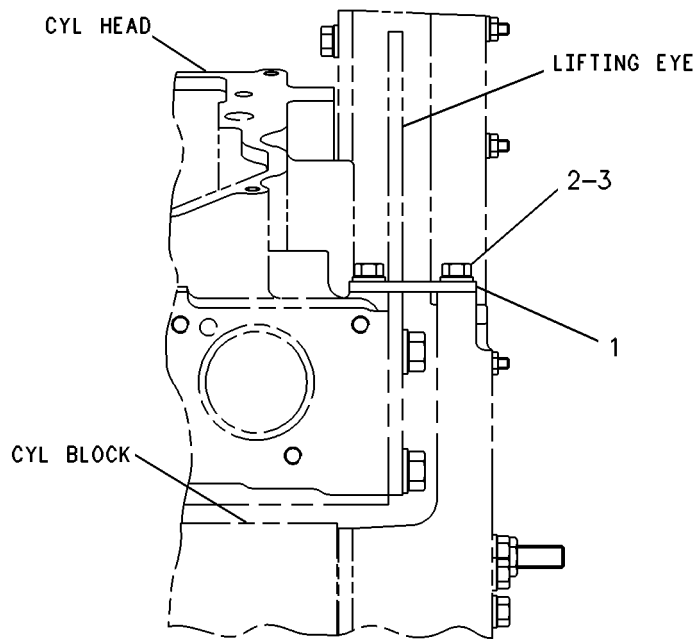
S/N: FTH1-UP

PART OF 382-3732, 382-3733, 382-3734, 382-3735 ENGINE AR-COMplete

SMCS-1151, 1162

i02826154

NOTE	REF NO	GRAPHIC REF	PART NUMBER	QTY	PART NAME						SEE PAGE
					1	2	3	4	5	6 (PRODUCT LEVEL)	
	1	1	7N-0452	1	PLATE						
	2	1	0S-1594	2	BOLT (3/8-16X1-IN)						
	3	1	5M-2894	2	WASHER-HARD (10.2X18.5X2.5-MM THK)						



RIGHT SIDE VIEW

GRAPHIC #1

<END>

g00231021

# BASIC ENGINE

## 109-1657 FASTENER GP-VALVE MECHANISM

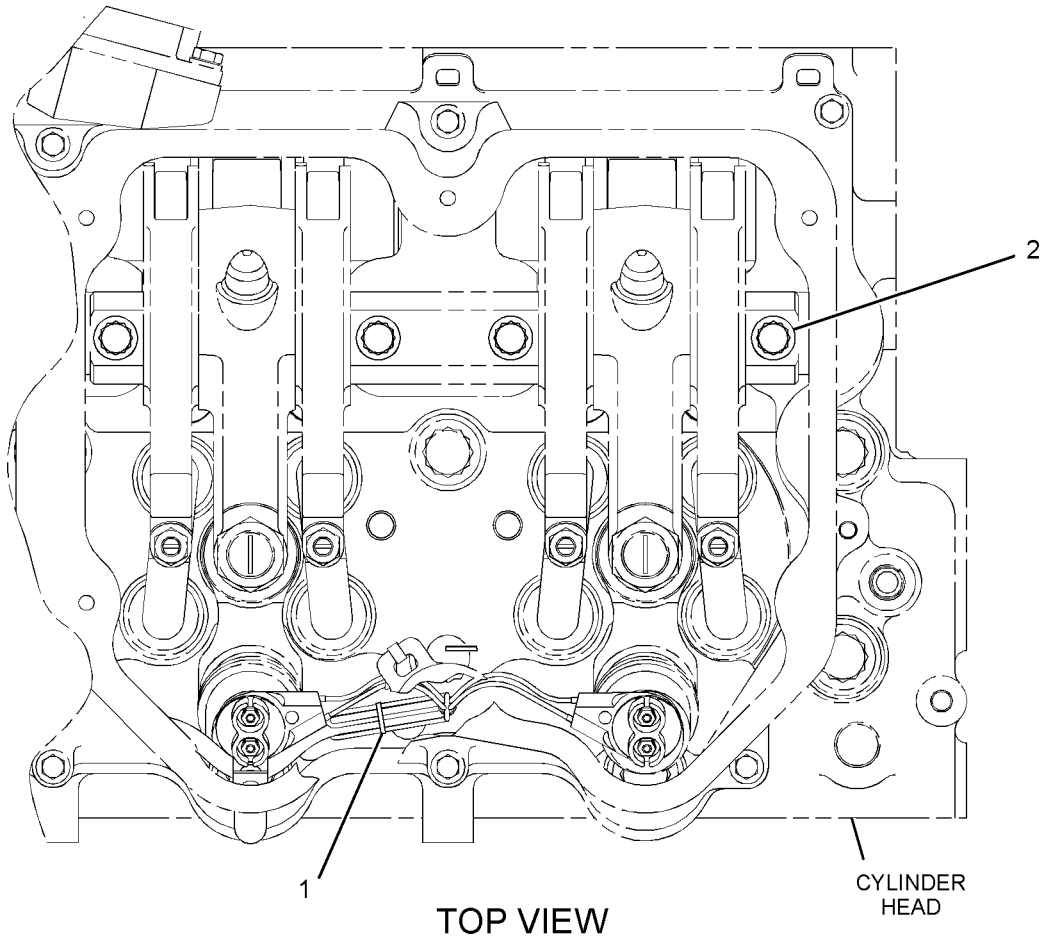
S/N: FTH1-UP

PART OF 382-3732, 382-3733, 382-3734, 382-3735 ENGINE AR-COMplete

SMCS-1102

i04042338

NOTE	REF NO	GRAPHIC REF	PART NUMBER	QTY	PART NAME						SEE PAGE
					1	2	3	4	5	6 (PRODUCT LEVEL)	
	1	1	8L-8413	6	STRAP-CABLE						
	2	1	356-5212	12	BOLT-12 POINT HEAD (1/2-13X3.5 IN)						



GRAPHIC #1

<END>

g02257193

# BASIC ENGINE

## 215-7989 FLYWHEEL GP

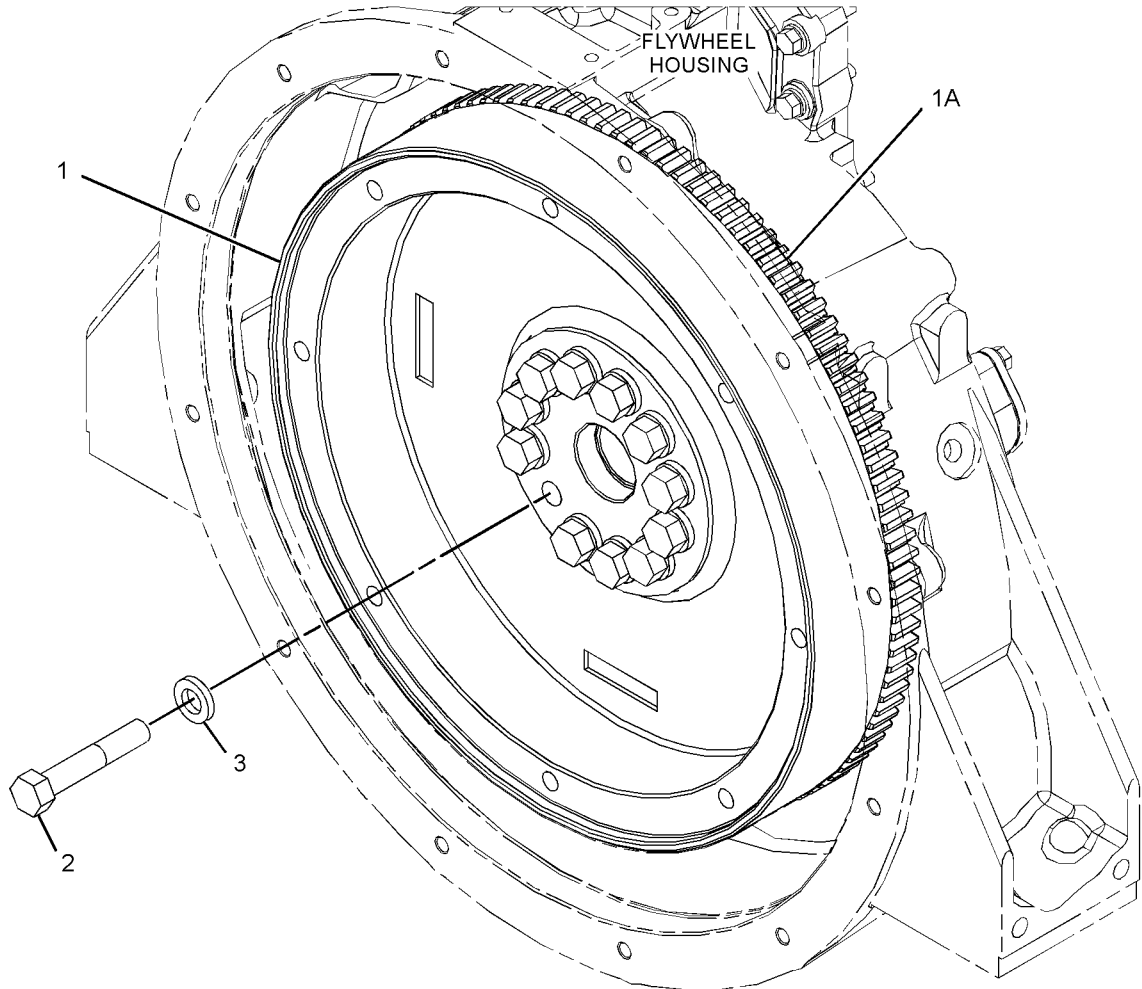
S/N: FTH1-UP

PART OF 382-3732, 382-3733, 382-3734, 382-3735 ENGINE AR-COMplete

SMCS-1156

i04759518

NOTE	REF NO	GRAPHIC REF	PART NUMBER	QTY	PART NAME						SEE PAGE
					1	2	3	4	5	6 (PRODUCT LEVEL)	
	1	1	214-6832	1	FLYWHEEL AS						
	1A	1	4N-2514	1	GEAR (113-TEETH)						
	2	1	0S-1602	12	BOLT (5/8-18X3.5-IN)						
	3	1	4D-3704	12	WASHER-HARD (17X30X5-MM THK)						



GRAPHIC #1

<END>

g02815356

# BASIC ENGINE

## 204-9316 GEAR GP-CAMSHAFT

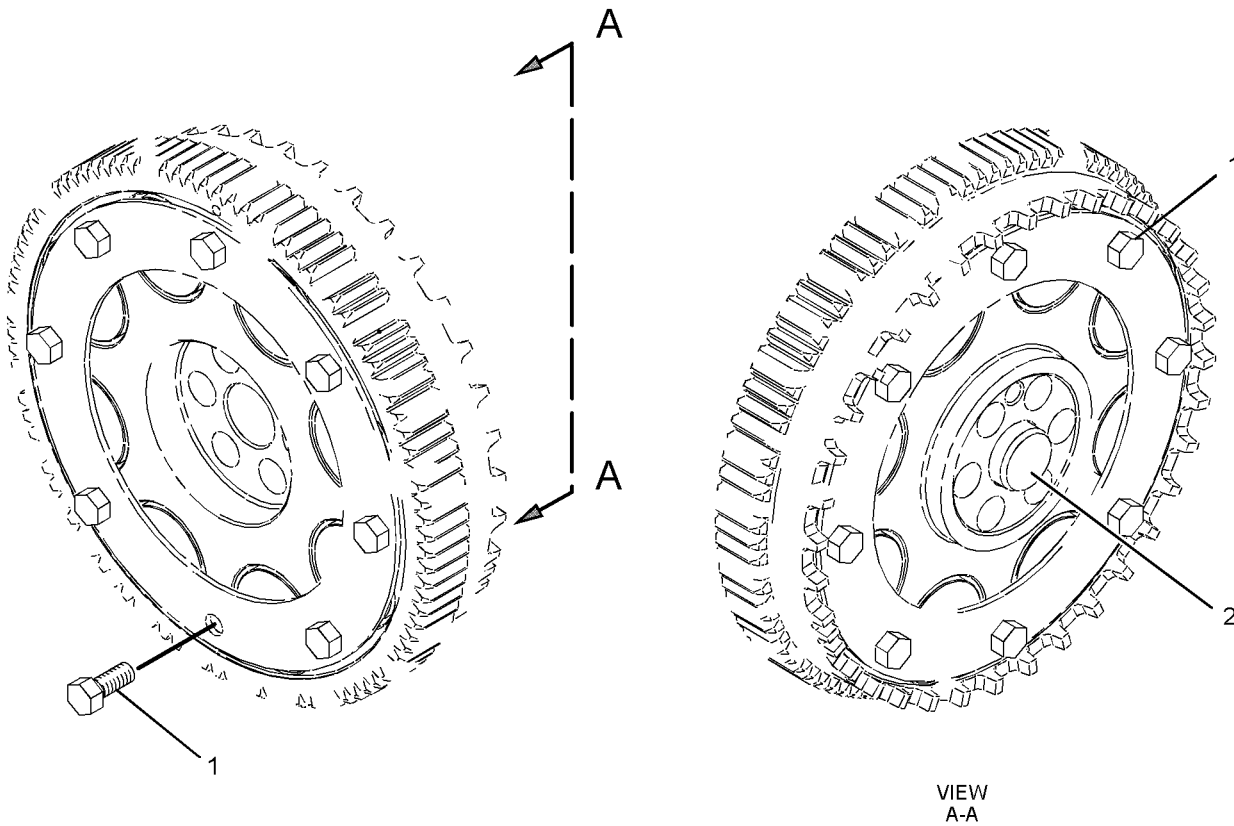
S/N: FTH1-UP

PART OF 208-9490 GEAR GP-FRONT

SMCS-1212

i02677336

NOTE	REF NO	GRAPHIC REF	PART NUMBER	QTY	PART NAME						SEE PAGE
					1	2	3	4	5	6 (PRODUCT LEVEL)	
	1	1	9X-8872	16	BOLT-LOCKING (3/8-16X0.875-IN)						
	2	1	103-0126	1	DOWEL						



GRAPHIC #1

<END>

g01345309

# BASIC ENGINE

## 208-9490 GEAR GP-FRONT

S/N: FTH1-UP

SMCS-1151, 1162, 1206

i02594770

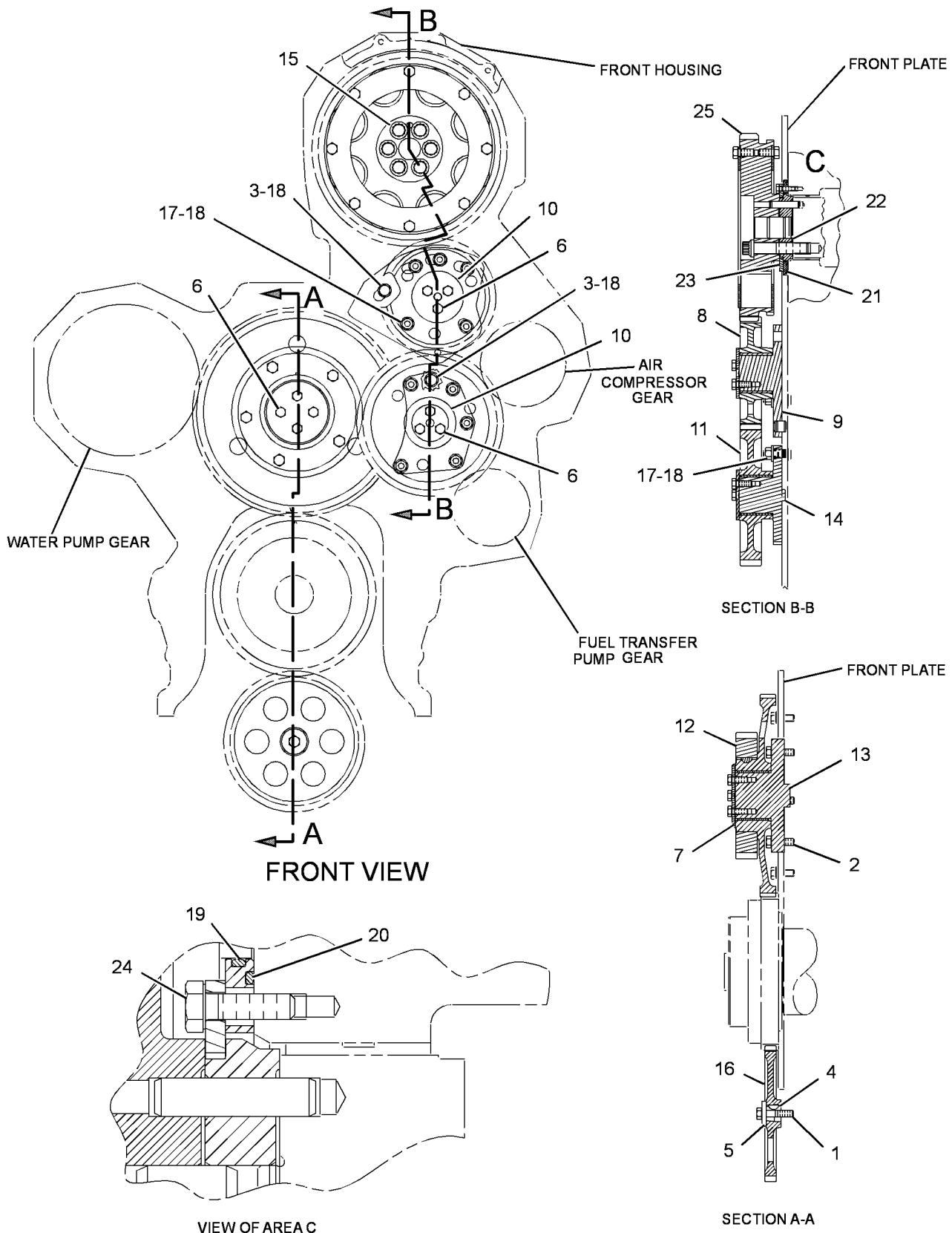
NOTE	REF NO	GRAPHIC REF	PART NUMBER	QTY	PART NAME						SEE PAGE
					1	2	3	4	5	6 (PRODUCT LEVEL)	
	1	1	0S-1571	1	BOLT (3/8-16X1.75-IN)						
	2	1	2J-3118	5	BOLT-LOCKING (3/8-16X1.25-IN)						
	3	1	5P-4142	2	BOLT-LOCKING (3/8-16X1.5-IN)						
	4	1	1B-8705	1	KEY-WOODRUFF						
	5	1	1P-7346	1	WASHER-HARD (10.2X35X6-MM THK)						
	6	1	126-1756	10	BOLT-LOCKING (5/16-18X0.875-IN)						
	7	1	112-9217	1	PLATE-THRUST						
	8	1	130-4701	1	GEAR AS (56-TEETH)						
		1	130-4698	1	BEARING-SLEEVE						
	9	1	151-5966	1	SHAFT AS-STUB						
		1	6I-3623	1	DOWEL						
	10	1	6I-3624	2	PLATE-THRUST						
	11	1	6I-3625	1	GEAR AS (71-TEETH)						
		1	101-8468	1	BEARING-SLEEVE						
	12	1	149-9107	1	GEAR AS-CLUSTER (105/63-TEETH)						
		1	1B-8705	1	KEY-WOODRUFF						
		1	6I-4582	1	GEAR (63-TEETH)						
		1	131-7123	1	BEARING-SLEEVE						
		1	149-9106	1	GEAR-CLUSTER (105-TEETH)						
	13	1	197-4971	1	SHAFT-STUB						
	14	1	158-3416	1	SHAFT-STUB						
	15	1	031-3185	6	BOLT-12 POINT HEAD (5/8-11X3-IN)						
	16	1	149-9110	1	GEAR-OIL PUMP DRIVE (69-TEETH)						
	17	1	9S-8752	10	NUT-FULL (3/8-16-THD)						
	18	1	9X-6458	12	WASHER-HARD (10.2X22.5X3-MM THK)						
	19	1	117-8801	1	SEAL-O-RING						
	20	1	5E-8771	1	SEAL-O-RING						
	21	1	159-1533	1	PLATE-SEALING						
	22	1	159-8524	1	ADAPTER AS						
		1	6V-3677	1	DOWEL						
	23	1	102-5861	1	PLATE-THRUST						
	24	1	107-0583	3	BOLT-LOCKING (1/4-20X0.87-IN)						
Y	25	1	204-9316	1	GEAR GP-CAMSHAFT (96-TEETH)						50

Y-SEPARATE ILLUSTRATION

# BASIC ENGINE

208-9490 GEAR GP-FRONT (contd.)

i02594770



GRAPHIC #1

<END>

g01302280



# BASIC ENGINE

## 198-7676 HOUSING GP-FLYWHEEL

S/N: FTH1-UP

PART OF 382-3732, 382-3733, 382-3734, 382-3735 ENGINE AR-COMplete

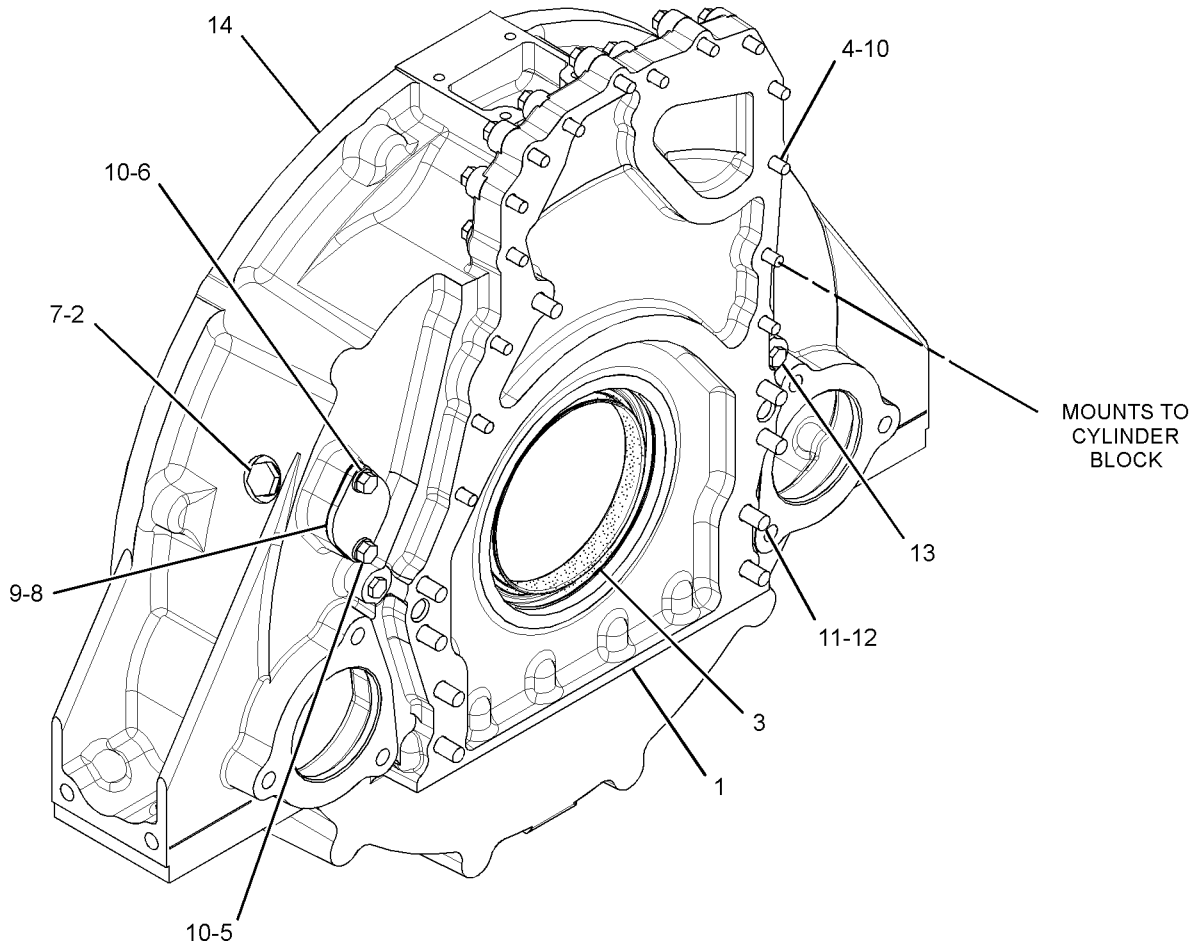
SMCS-1157

i04759521

NOTE	REF NO	GRAPHIC REF	PART NUMBER	QTY	PART NAME						SEE PAGE
					1	2	3	4	5	6 (PRODUCT LEVEL)	
B	1	1	<b>1U-8846</b>		SEALANT - GASKET						
	2	1	<b>5F-0304</b>	1	PLUG						
Y	3	1	319-0785	1	SEAL GP-CRANKSHAFT						73
	4	1	<b>0S-1590</b>	15	BOLT (3/8-16X2-IN)						
	5	1	<b>0S-1594</b>	1	BOLT (3/8-16X1-IN)						
	6	1	<b>0S-1619</b>	1	BOLT (3/8-16X3-IN)						
	7	1	<b>2A-1162</b>	1	GASKET						
	8	1	<b>2P-2772</b>	1	COVER						
	9	1	<b>4N-0933</b>	1	GASKET						
	10	1	<b>5M-2894</b>	17	WASHER-HARD (10.2X18.5X2.5-MM THK)						
	11	1	<b>5P-8245</b>	9	WASHER-HARD (13.5X25.5X3-MM THK)						
	12	1	<b>6J-2515</b>	9	BOLT-12 POINT HEAD (1/2-13X2.25-IN)						
	13	1	<b>8T-6765</b>	2	PLUG-PIPE						
	14	1	<b>202-4949</b>	1	HOUSING-FLYWEEL						

B-USE AS REQUIRED

Y-SEPARATE ILLUSTRATION



GRAPHIC #1

<END>

g02866757

# BASIC ENGINE

## 383-7577 HOUSING GP-FRONT

S/N: FTH1-UP

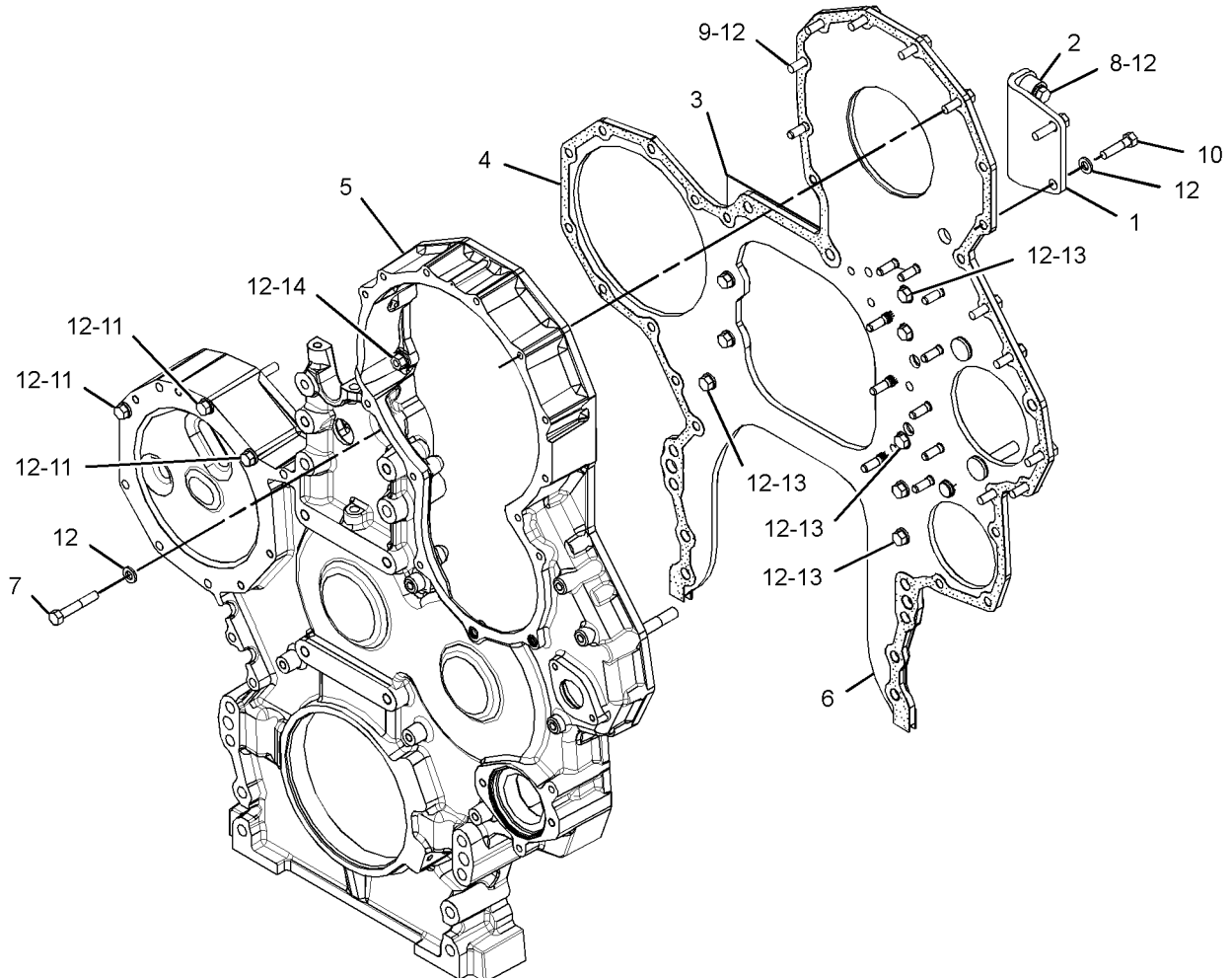
PART OF 382-3732, 382-3733, 382-3734, 382-3735 ENGINE AR-COMplete

SMCS-1151, 1162, 1206

i04759523

NOTE	REF NO	GRAPHIC REF	PART NUMBER	QTY	PART NAME						SEE PAGE
					1	2	3	4	5	6 (PRODUCT LEVEL)	
	1	1	<b>6I-3968</b>	1	BRACKET - SUPPORT						
	2	1	<b>101-3120</b>	2	SPACER (10.5X25X20-MM THK)						
	3	1	<b>155-9524</b>	1	SEAL - INTEGRAL						
	4	1	<b>166-9144</b>	1	GASKET						
	5	1	<b>175-1483</b>	1	HOUSING AS-FRONT						
		1	<b>3E-8044</b>	1	STUD (1/2-13X2.95-IN)						
		1	<b>311-3932</b>	1	HOUSING-FRONT						
Y	6	1	<b>353-9982</b>	1	PLATE AS-FRONT HOUSING						66
	7	1	<b>OL-2070</b>	1	BOLT (3/8-16X2.25-IN)						
	8	1	<b>OS-1571</b>	2	BOLT (3/8-16X1.75-IN)						
	9	1	<b>OS-1588</b>	10	BOLT (3/8-16X1.25-IN)						
	10	1	<b>OS-1591</b>	2	BOLT (3/8-16X1.5-IN)						
	11	1	<b>OT-0055</b>	3	BOLT (3/8-16X4.25-IN)						
	12	1	<b>5M-2894</b>	27	WASHER-HARD (10.2X18.5X2.5-MM THK)						
	13	1	<b>5P-4255</b>	8	BOLT-LOCKING (3/8-16X1-IN)						
	14	1	<b>9S-8752</b>	1	NUT-FULL (3/8-16-THD)						

Y-SEPARATE ILLUSTRATION



GRAPHIC #1

<END>

g02815339

# BASIC ENGINE

## 111-2088 LIFTING GP-ENGINE

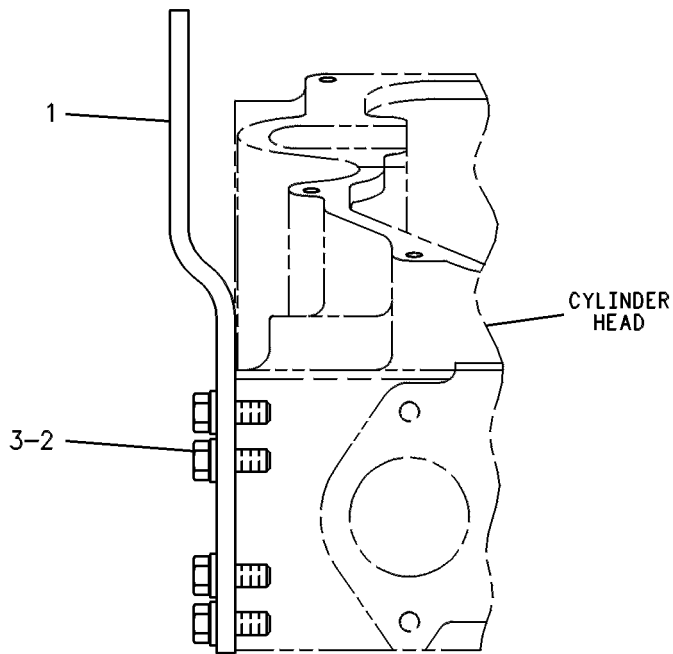
S/N: FTH1-UP

PART OF 382-3732, 382-3733, 382-3734, 382-3735 ENGINE AR-COMplete

SMCS-1122

i02665324

NOTE	REF NO	GRAPHIC REF	PART NUMBER	QTY	PART NAME						SEE PAGE
					1	2	3	4	5	6 (PRODUCT LEVEL)	
	1	1	109-9985	1	EYE-LIFTING						
	2	1	0S-1594	8	BOLT (3/8-16X1-IN)						
	3	1	5M-2894	8	WASHER-HARD (10.2X18.5X2.5-MM THK)						



GRAPHIC #1

<END>

g00238183

# BASIC ENGINE

## 127-0564 LIFTING GP-ENGINE

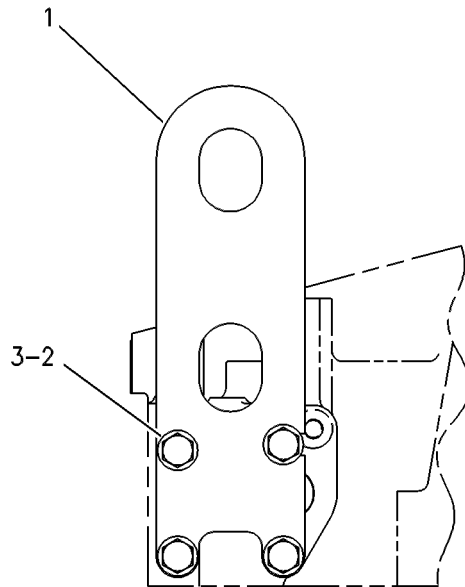
S/N: FTH1-UP

PART OF 382-3732, 382-3733, 382-3734, 382-3735 ENGINE AR-COMPLETE

SMCS-1122

i01173874

NOTE	REF NO	GRAPHIC REF	PART NUMBER	QTY	PART NAME						SEE PAGE
					1	2	3	4	5	6 (PRODUCT LEVEL)	
	1	1	127-0563	1	EYE-LIFTING						
	2	1	0S-1595	4	BOLT (1/2-13X1.25-IN)						
	3	1	5P-8245	4	WASHER-HARD (13.5X25.5X3-MM THK)						



FRONT VIEW

GRAPHIC #1

<END>

g00257294

# BASIC ENGINE

## 190-0009 MECHANISM GP-FUEL PUMP & VALVE

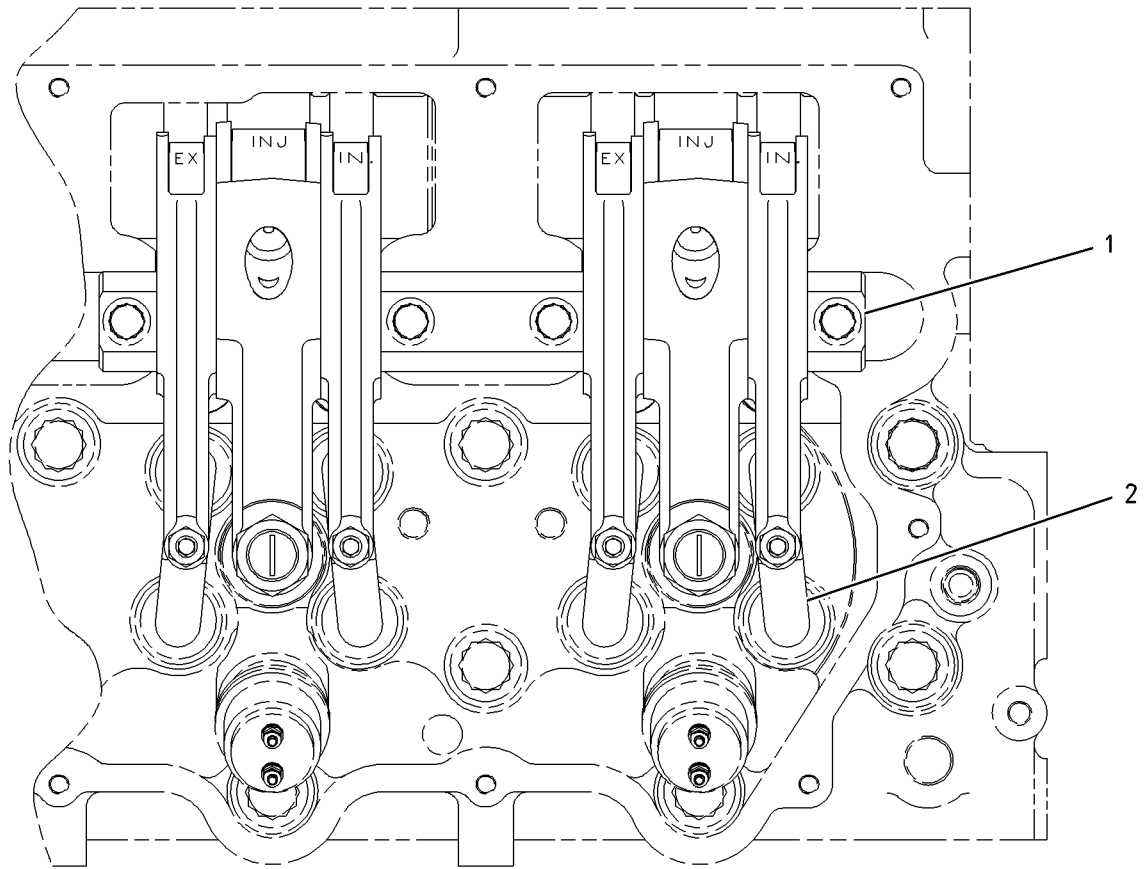
S/N: FTH1-UP

SMCS-1102, 1123

i03690832

NOTE	REF NO	GRAPHIC REF	PART NUMBER	QTY	PART NAME						SEE PAGE
					1	2	3	4	5	6 (PRODUCT LEVEL)	
CY	1	1	328-4236	3	ROCKER ARM GP						71
	2	1	348-7743	12	BRIDGE-VALVE						

C-CHANGE FROM PREVIOUS TYPE  
Y-SEPARATE ILLUSTRATION



TOP VIEW

GRAPHIC #1

<END>

g00814910

# BASIC ENGINE

## 232-6576 MOUNTING GP-ALTERNATOR

S/N: FTH1-UP

PART OF 382-3732, 382-3733, 382-3734, 382-3735 ENGINE AR-COMplete

SMCS-1154, 1405

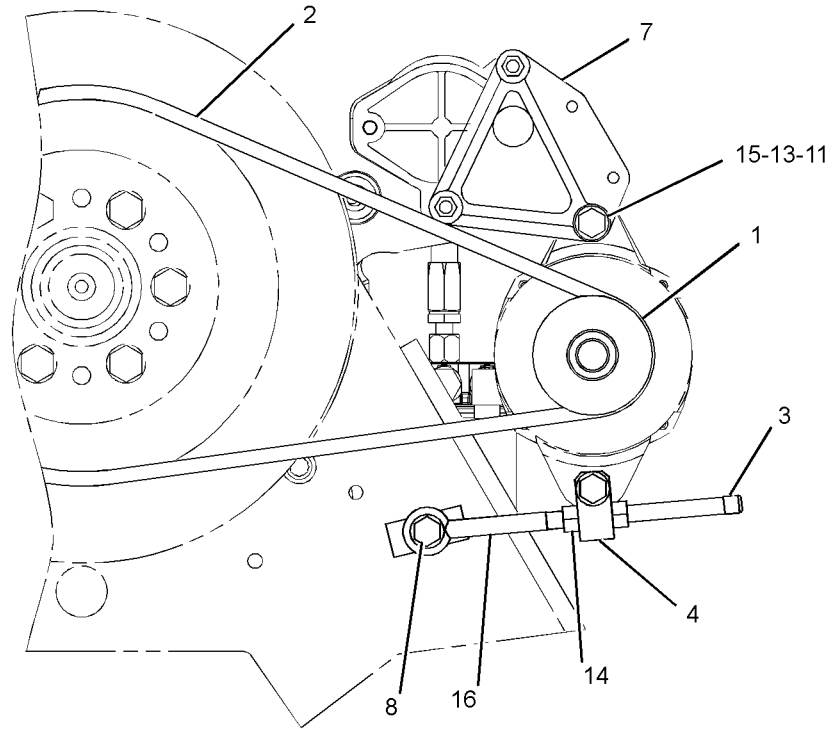
i02370595

NOTE	REF NO	GRAPHIC REF	PART NUMBER	QTY	PART NAME						SEE PAGE
					1	2	3	4	5	6 (PRODUCT LEVEL)	
	1	1	<b>1W-1456</b>	1	PULLEY-ALTERNATOR						
	2	1	<b>4N-8216</b>	1	V-BELT (ALTERNATOR)						
	3	1	<b>7W-4176</b>	1	CAP-SEALING						
	4	1	<b>8S-5383</b>	1	BLOCK						
	5	1	<b>106-1792</b>	2	STUD-TAPERLOCK (3/8-16X4-IN)						
	6	1	<b>232-6561</b>	1	BLOCK						
	7	1	<b>232-6579</b>	1	BRACKET						
	8	1	<b>0S-1585</b>	1	BOLT (1/2-13X1.5-IN)						
	9	1	<b>0S-1594</b>	2	BOLT (3/8-16X1-IN)						
	10	1	<b>1A-1460</b>	1	BOLT (1/2-13X2-IN)						
	11	1	<b>1F-7958</b>	1	NUT-FULL (1/2-13-THD)						
	12	1	<b>9X-6458</b>	2	WASHER-HARD (10.2X22.5X3-MM THK)						
	13	1	<b>5P-8245</b>	4	WASHER-HARD (13.5X25.5X3-MM THK)						
	14	1	<b>6B-6684</b>	2	NUT-FULL (1/2-20-THD)						
	15	1	<b>9H-8260</b>	1	BOLT (1/2-13X6.25-IN)						
	16	1	<b>6L-5874</b>	1	ROD-PULLEY ADJUSTMENT						
	17	1	<b>9S-8752</b>	2	NUT-FULL (3/8-16-THD)						

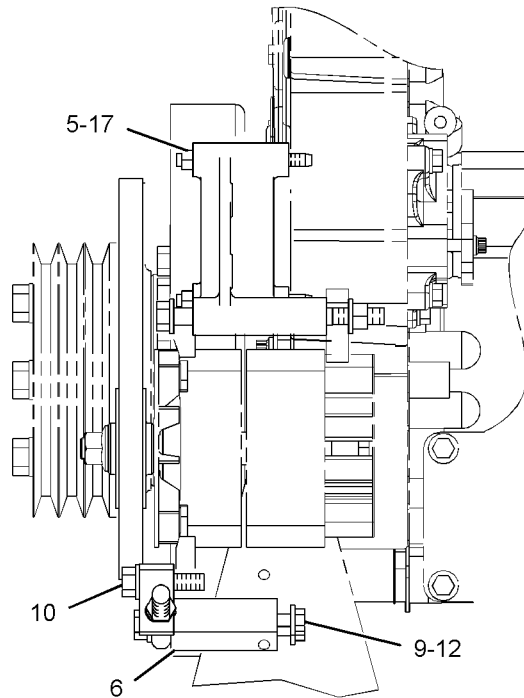
# BASIC ENGINE

232-6576 MOUNTING GP-ALTERNATOR (contd.)

i02370595



FRONT VIEW



LEFT SIDE VIEW

GRAPHIC #1

<END>

g01186925

# BASIC ENGINE

## 354-6240 MOUNTING GP-ENGINE & GENERATOR

S/N: LNA1-UP; LZA1-UP

15-LITERS

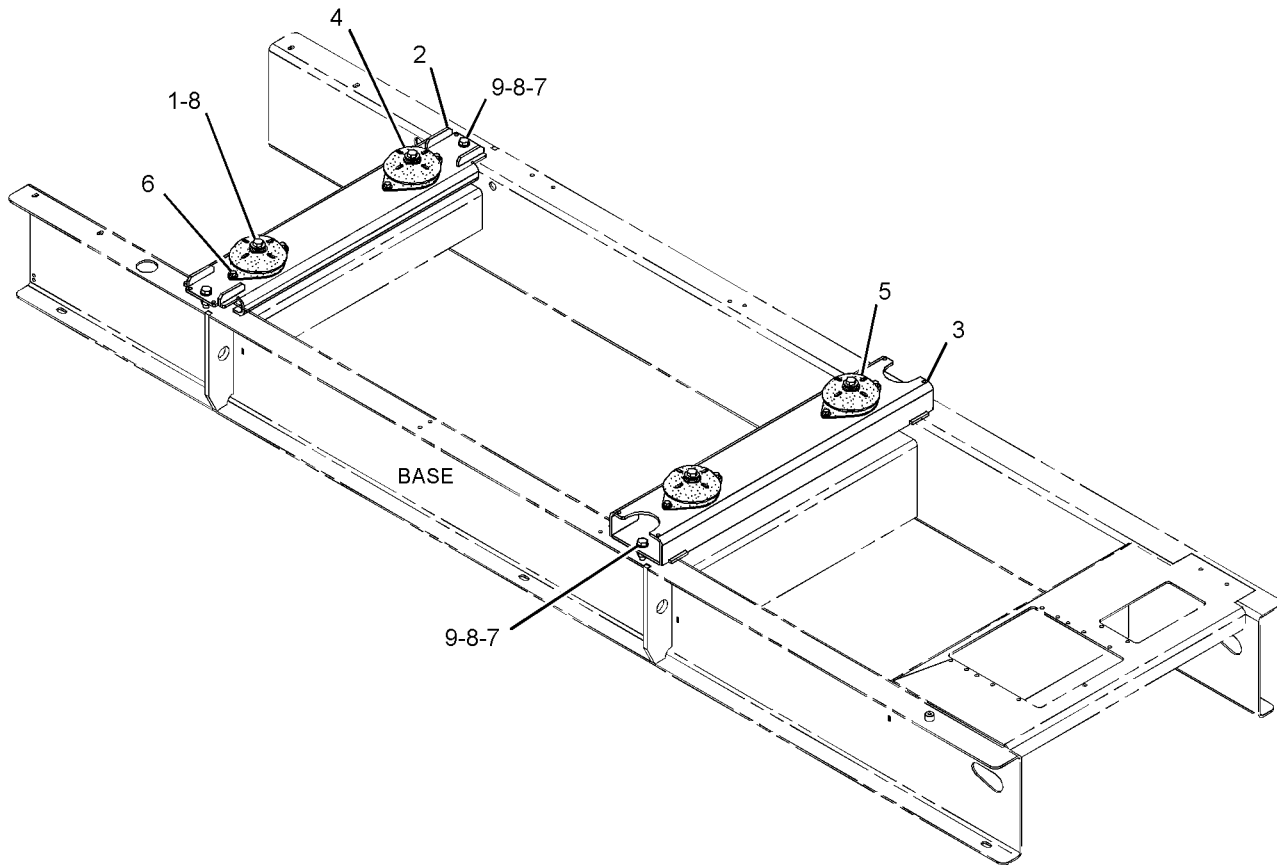
PART OF 384-3093 BASE GP-GENERATOR, 349-5035 TANK & BASE GP-FUEL  
AN ATTACHMENT

SMCS-1021, 1152

i04757073

NOTE	REF NO	GRAPHIC REF	PART NUMBER	QTY	PART NAME						SEE PAGE
					1	2	3	4	5	6 (PRODUCT LEVEL)	
	1	1	354-2521	4	WASHER - STEPPED						
	2	1	354-6141	1	BEAM AS						
	3	1	354-6148	1	BEAM AS						
	4	1	354-6226	2	MOUNT						
	5	1	354-6228	2	MOUNT						
	6	1	343-4074	8	BOLT-FLANGE HEAD (M12X1.75X40-MM)						
M	7	1	8T-4132	4	NUT (M16X2-THD)						
M	8	1	8T-4193	8	BOLT (M16X2X50-MM)						
	9	1	9X-8257	8	WASHER (17.5X30X3.5-MM THK)						

M-METRIC PART



GRAPHIC #1

<END>

g02856978



# BASIC ENGINE

## 354-6241 MOUNTING GP-ENGINE & GENERATOR

S/N: LNA1-UP; LZA1-UP

15-LITERS

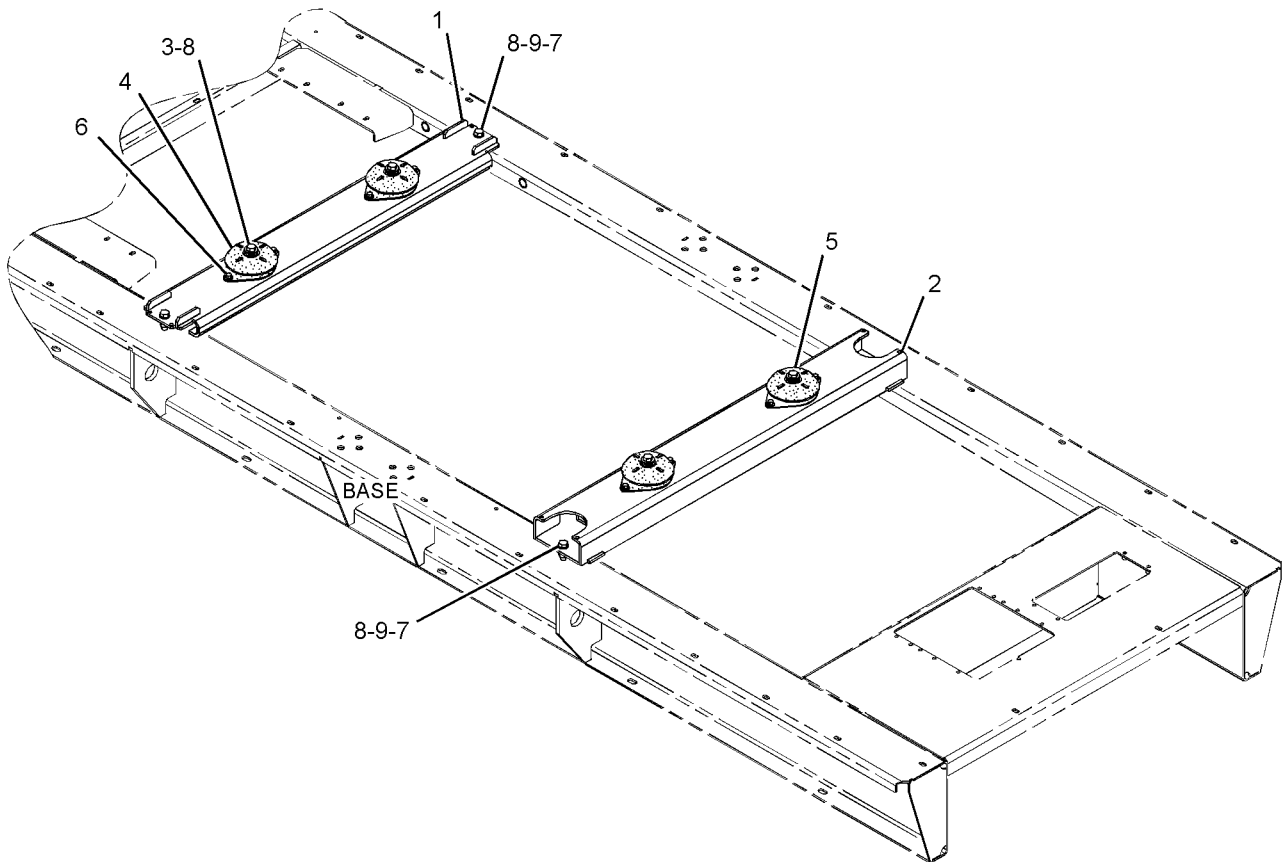
PART OF 349-5036, 384-1150 BASE GP-GENERATOR  
AN ATTACHMENT

SMCS-1021, 1152

i04768699

NOTE	REF NO	GRAPHIC REF	PART NUMBER	QTY	PART NAME						SEE PAGE
					1	2	3	4	5	6 (PRODUCT LEVEL)	
	1	1	354-2516	1	BEAM AS						
	2	1	354-2517	1	BEAM AS						
	3	1	354-2521	4	WASHER- STEPPED						
	4	1	354-6226	2	MOUNT						
	5	1	354-6228	2	MOUNT						
	6	1	343-4074	8	BOLT-FLANGE HEAD (M12X1.75X40-MM)						
M	7	1	8T-4132	4	NUT (M16X2-THD)						
M	8	1	8T-4193	8	BOLT (M16X2X50-MM)						
	9	1	9X-8257	8	WASHER (17.5X30X3.5-MM THK)						

M-METRIC PART



GRAPHIC #1

<END>

g02869076

# BASIC ENGINE

## 263-5245 PAN AS-OIL

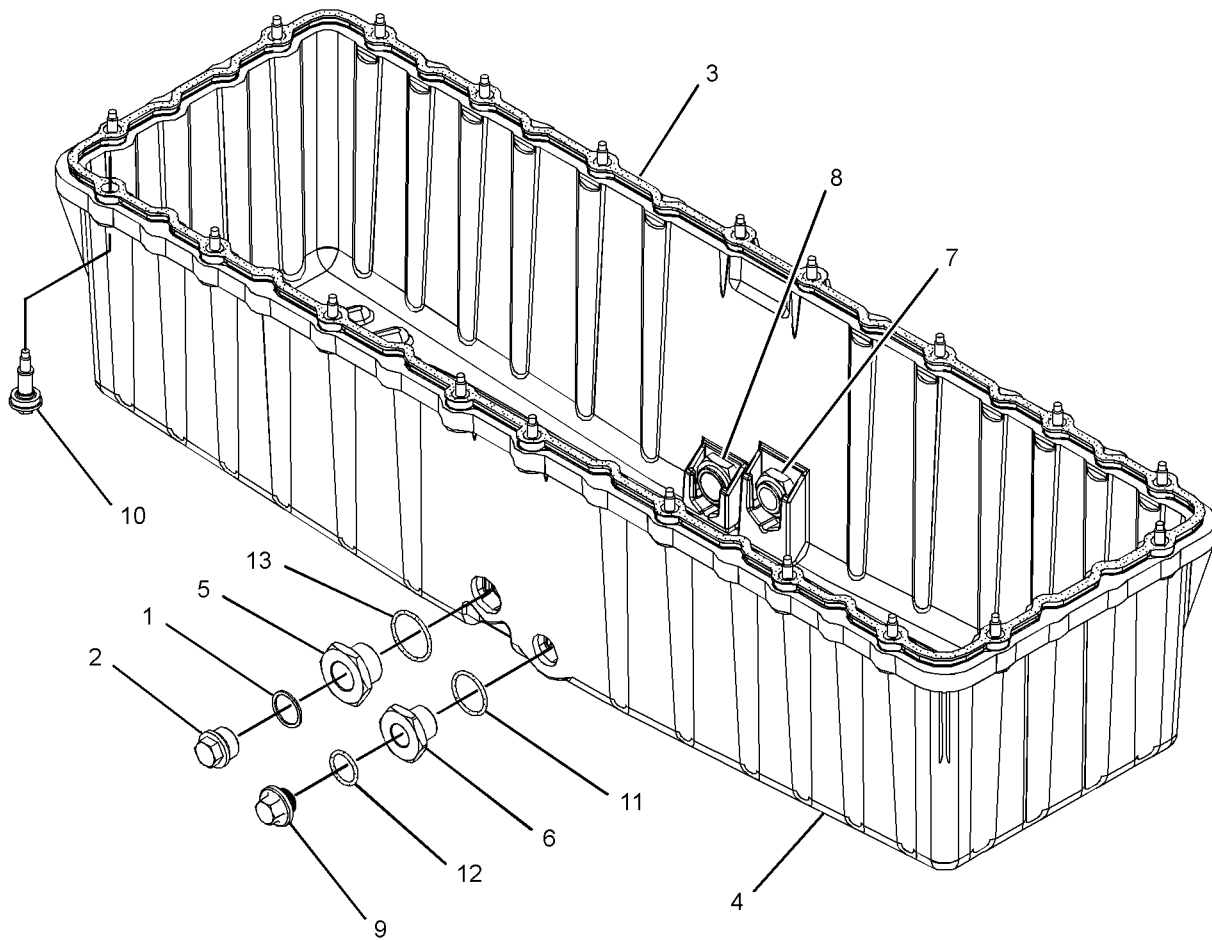
S/N: FTH1-UP

PART OF 198-7678 PAN GP-OIL

SMCS-1302

i04765665

NOTE	REF NO	GRAPHIC REF	PART NUMBER	QTY	PART NAME						SEE PAGE
					1	2	3	4	5	6 (PRODUCT LEVEL)	
	1	1	201-5281	2	WASHER						
	2	1	213-1032	2	PLUG						
	3	1	213-1049	1	SEAL						
	4	1	244-1295	1	PAN-OIL						
	5	1	250-1104	2	ADAPTER						
	6	1	250-1685	2	ADAPTER						
	7	1	250-1689	2	NUT						
	8	1	250-1690	2	NUT						
	9	1	325-8033	2	PLUG						
	10	1	356-3561	20	FASTENER AS-OIL PAN						
	11	1	061-7540	2	SEAL-O-RING						
	12	1	061-9458	2	SEAL-O-RING						
	13	1	8J-4351	2	SEAL-O-RING						



GRAPHIC #1

<END>

g02872016

# BASIC ENGINE

## 198-7678 PAN GP-OIL

S/N: FTH1-UP

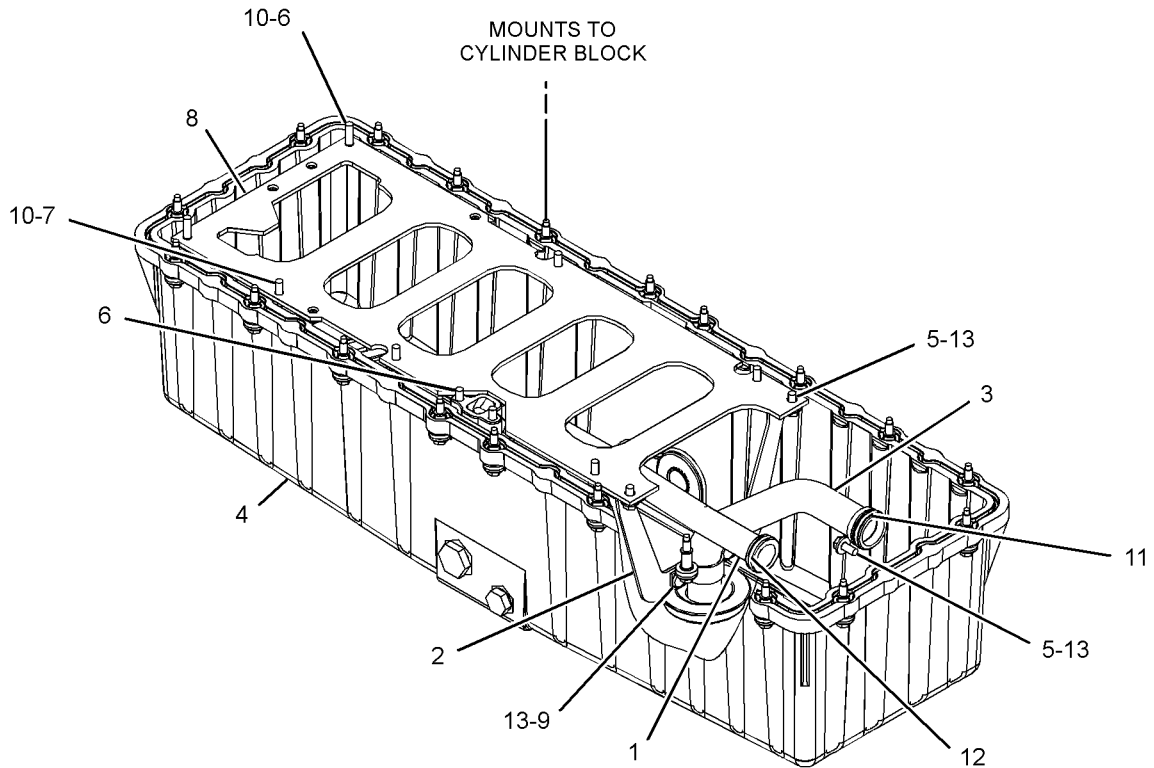
PART OF 382-3732, 382-3733, 382-3734, 382-3735 ENGINE AR-COMplete

SMCS-1302

i04760870

NOTE	REF NO	GRAPHIC REF	PART NUMBER	QTY	PART NAME						SEE PAGE
					1	2	3	4	5	6 (PRODUCT LEVEL)	
	1	1	<b>4P-7373</b>	1	TUBE AS						
	2	1	<b>115-2353</b>	1	BRACKET-TUBE						
	3	1	<b>200-2445</b>	3	TUBE AS						
Y	4	1	<b>263-5245</b>	4	PAN AS-OIL						62
	5	1	<b>0L-1351</b>	3	BOLT (3/8-16X0.875-IN)						
	6	1	<b>0S-1591</b>	4	BOLT (3/8-16X1.5-IN)						
	7	1	<b>0S-1594</b>	5	BOLT (3/8-16X1-IN)						
	8	1	<b>118-2019</b>	1	UNDERFRAME AS						
	9	1	<b>2K-4973</b>	2	LOCKNUT (3/8-16-THD)						
	10	1	<b>5M-2894</b>	7	WASHER-HARD (10.2X18.5X2.5-MM THK)						
	11	1	<b>5P-5846</b>	1	SEAL-O-RING						
	12	1	<b>5P-8068</b>	1	SEAL-O-RING						
	13	1	<b>9X-6458</b>	5	WASHER-HARD (10.2X22.5X3-MM THK)						

Y-SEPARATE ILLUSTRATION



GRAPHIC #1

<END>

g02863478

# BASIC ENGINE

## 252-0652 PISTON & ROD GP

S/N: FTH1-UP

16:1 COMPRESSION RATIO

SMCS-1225

i02376440

NOTE	REF NO	GRAPHIC REF	PART NUMBER	QTY	PART NAME						SEE PAGE
					1	2	3	4	5	6 (PRODUCT LEVEL)	
	1	1	151-5925	1	BOLT (7/16-14-2A-THD)						
	2	1	164-4187	1	RING-PISTON (INTERMEDIATE)						
	3	1	180-7350	1	PIN-PISTON						
	4	1	197-9361	1	TUBE AS-OIL JET						
R	5	1	224-3245	1	ROD AS						
	5A	1	213-3217	4	BOLT (MJ11X1.25X84-MM)						
	5B	1	219-4458	2	PIN-DOWEL						
	5C	1	229-6259	1	BEARING						
	6	1	224-3246	1	BEARING-CONNECTING ROD (STANDARD)						
AB		1	232-3235	1	BEARING-CONNECTING ROD (0.64-MM US)						
AB		1	232-3236	1	BEARING-CONNECTING ROD (1.27-MM US)						
	7	1	238-0294	1	RING-PISTON-OIL						
	8	1	247-6130	1	RING-PISTON-TOP						
	9	1	250-2940	2	RETAINER-PIN						
	10	1	252-0656	1	BODY AS-PISTON						

A-NOT PART OF THIS GROUP

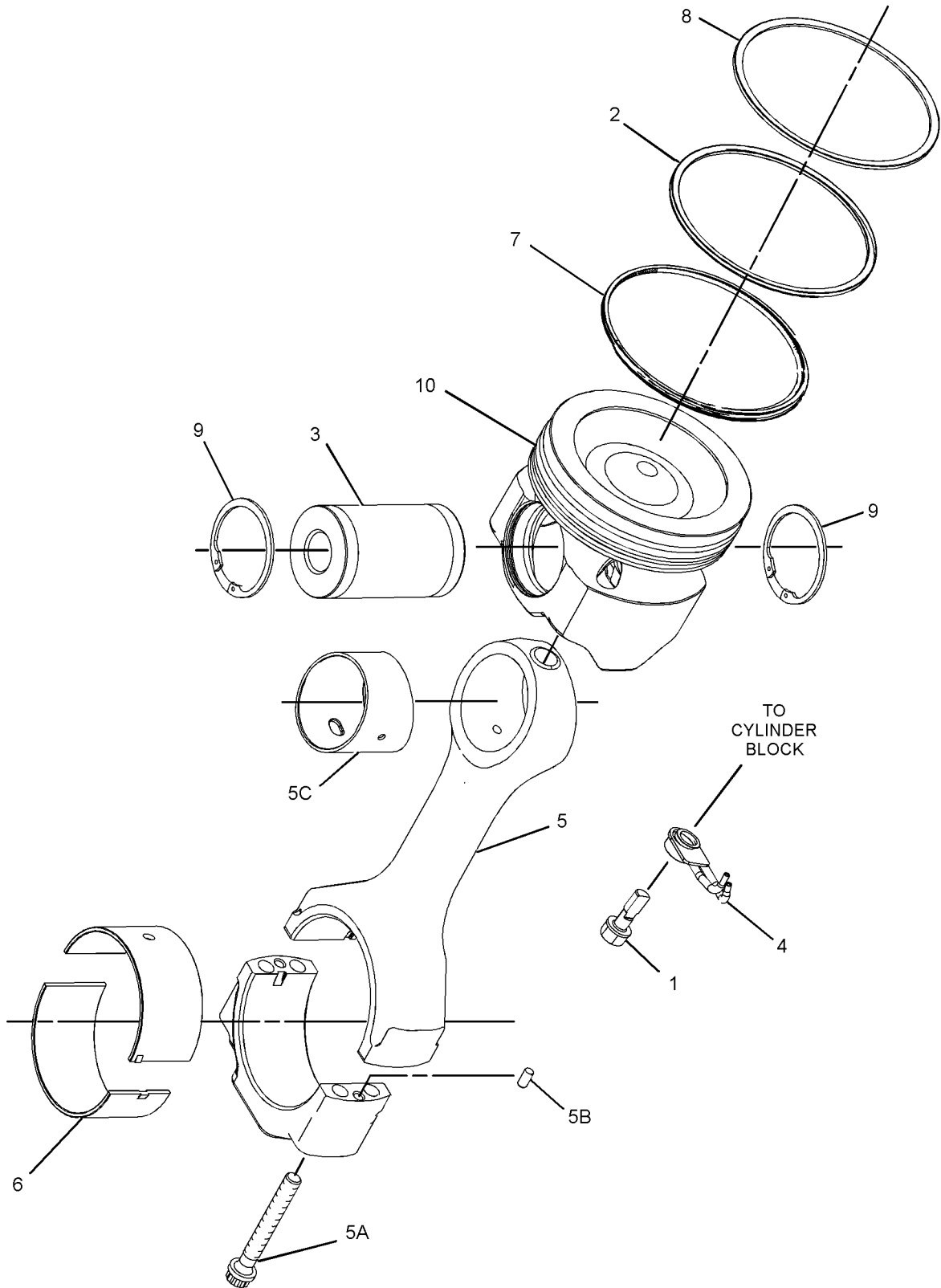
B-USE AS REQUIRED

R-REMFG PART MAY BE AVAILABLE

# BASIC ENGINE

252-0652 PISTON & ROD GP (contd.)

i02376440



GRAPHIC #1

<END>

g01188156

# BASIC ENGINE

## 353-9982 PLATE AS-FRONT HOUSING

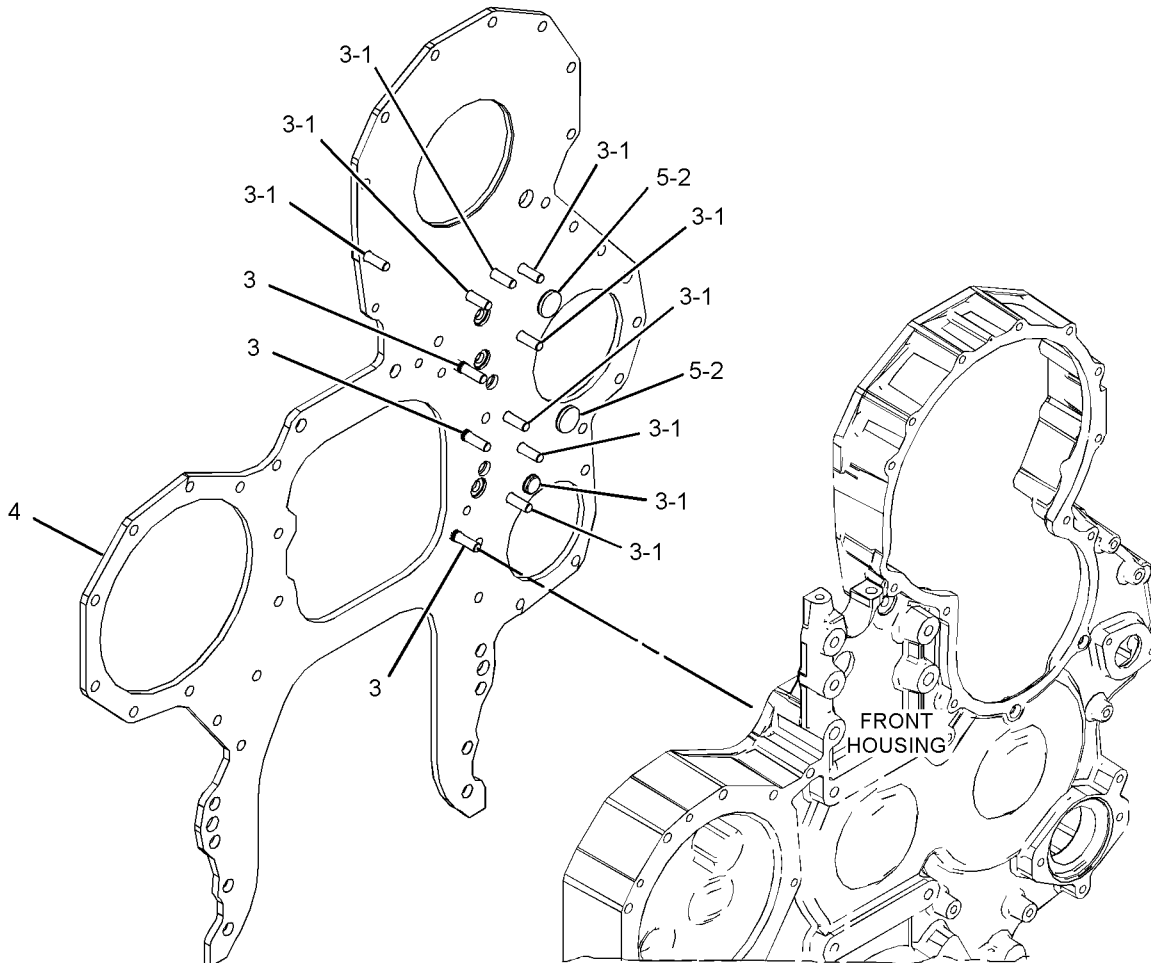
S/N: FTH1-UP

PART OF 383-7577 HOUSING GP-FRONT

SMCS-1151, 1162

i03902245

NOTE	REF NO	GRAPHIC REF	PART NUMBER	QTY	PART NAME						SEE PAGE
					1	2	3	4	5	6 (PRODUCT LEVEL)	
	1	1	126-1757	9	WASHER (10.85X19.3X1.27-MM THK)						
	2	1	129-5427	2	WASHER-SPECIAL (SEALING)						
	3	1	129-5428	12	STUD (BRAKE)						
	4	1	223-0533	1	PLATE						
	5	1	334-6832	2	STUD-SPECIAL (BRAKE)						



GRAPHIC #1

<END>

g02129274

# BASIC ENGINE

## 230-5379 PLUG GP-CYLINDER BLOCK

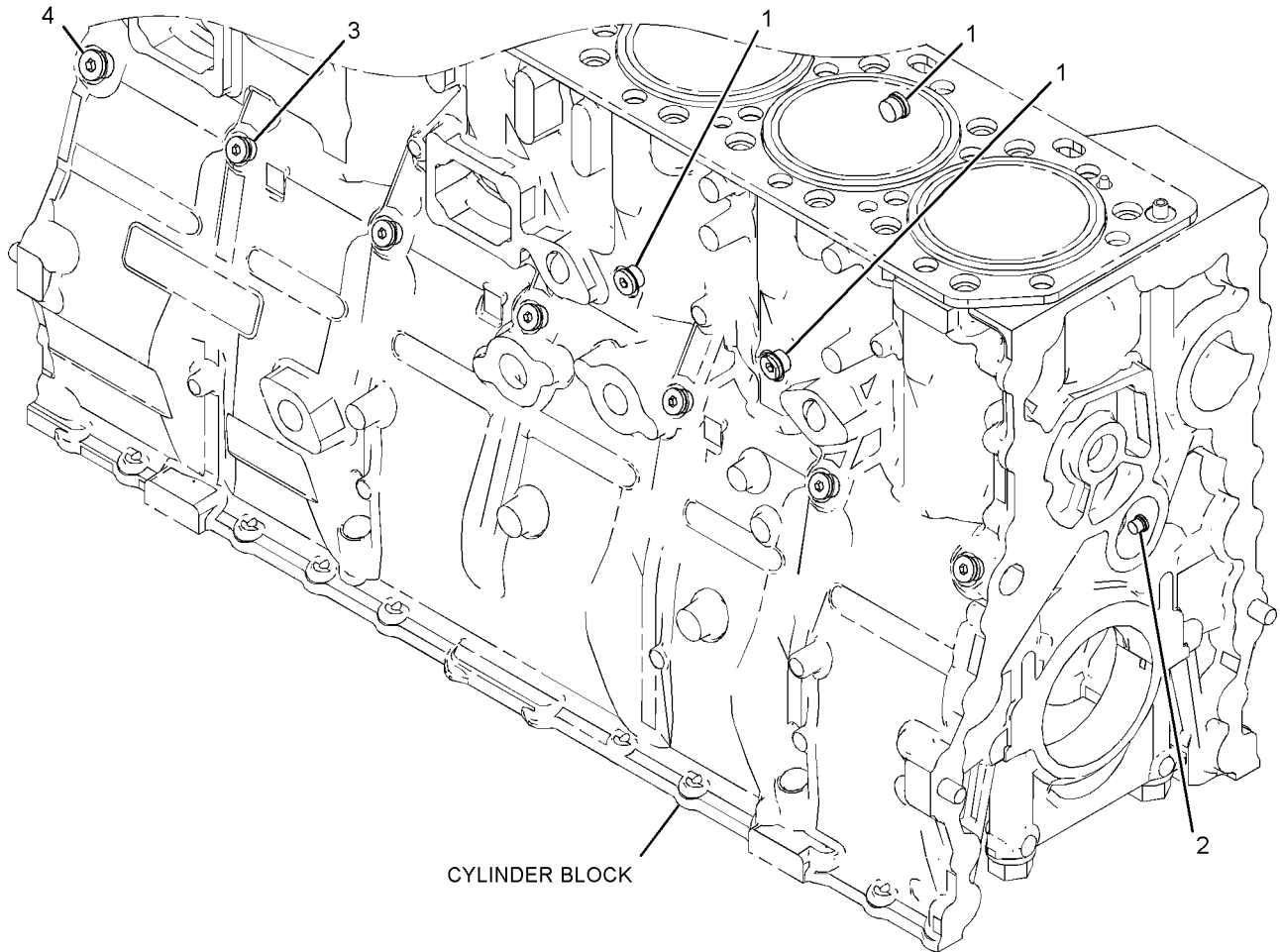
S/N: FTH1-UP

PART OF 382-3732, 382-3733, 382-3734, 382-3735 ENGINE AR-COMplete

SMCS-1201

i03760584

NOTE	REF NO	GRAPHIC REF	PART NUMBER	QTY	PART NAME						SEE PAGE
					1	2	3	4	5	6 (PRODUCT LEVEL)	
	1	1	353-5126	3	PLUG AS						
					(EACH INCLUDES)						
		1	9S-8005	1	PLUG-O-RING						
		1	6V-6609	1	SEAL-O-RING						
	2	1	307-2671	1	PLUG AS						
		1	9S-8002	1	PLUG-O-RING						
		1	214-7566	1	SEAL-O-RING						
	3	1	307-2673	6	PLUG AS						
					(EACH INCLUDES)						
		1	9S-8005	1	PLUG-O-RING						
		1	238-5080	1	SEAL-O-RING						
	4	1	309-5131	1	PLUG AS						
		1	9S-8006	1	PLUG-O-RING						
		1	238-5081	1	SEAL-O-RING						



GRAPHIC #1

<END>

g02029205

# BASIC ENGINE

## 229-6711 PLUG GP-CYLINDER HEAD

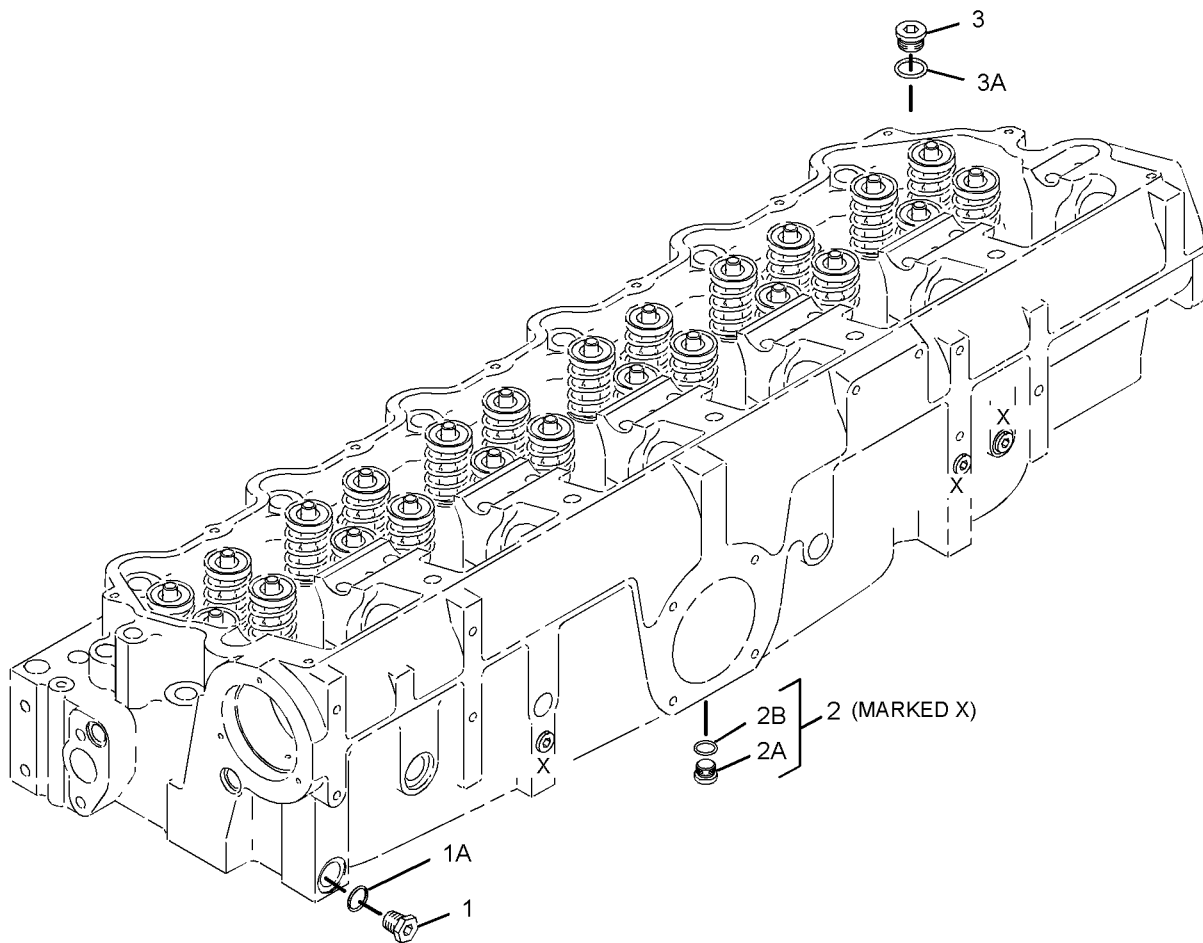
S/N: FTH1-UP

PART OF 382-3732, 382-3733, 382-3734, 382-3735 ENGINE AR-COMplete  
FOR USE WITH AIR COMPRESSOR COVER GROUP IF NO AIR COMPRESSOR

SMCS-1100

i03768518

NOTE	REF NO	GRAPHIC REF	PART NUMBER	QTY	PART NAME						SEE PAGE
					1	2	3	4	5	6 (PRODUCT LEVEL)	
	1	1	353-5125	1	PLUG AS						
	1A	1	6V-3251	1	SEAL-O-RING						
		1	9S-8006	1	PLUG-O-RING						
	2	1	183-3407	4	PLUG AS						
					(EACH INCLUDES)						
	2A	1	9S-8004	1	PLUG-O-RING						
	2B	1	214-7568	1	SEAL-O-RING						
	3	1	353-5126	1	PLUG AS						
	3A	1	6V-6609	1	SEAL-O-RING						
		1	9S-8005	71	PLUG-O-RING						



GRAPHIC #1

<END>

g02034017



# BASIC ENGINE

## 220-1204 PLUG GP-FLYWHEEL HOUSING

S/N: FTH1-UP

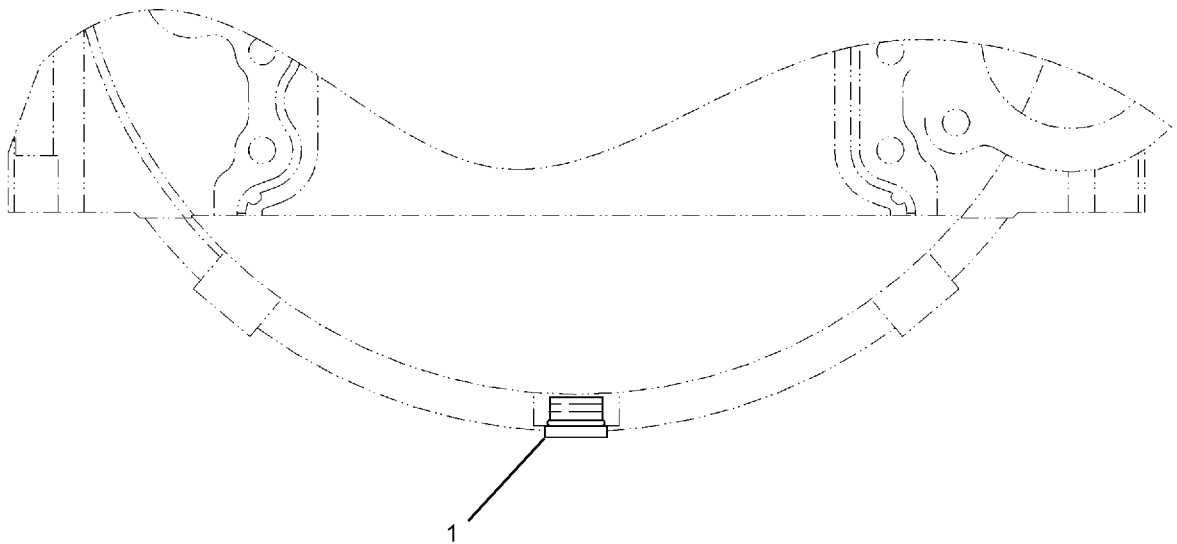
DRAIN

PART OF 382-3732, 382-3733, 382-3734, 382-3735 ENGINE AR-COMPLETE

SMCS-1157

i04089547

NOTE	REF NO	GRAPHIC REF	PART NUMBER	QTY	PART NAME						SEE PAGE
					1	2	3	4	5	6 (PRODUCT LEVEL)	
	1	1	315-9859	1	PLUG AS						
		1	9S-8008	1	PLUG-O-RING						
		1	238-5082	1	SEAL-O-RING						



FRONT VIEW

GRAPHIC #1

<END>

g02298513

# BASIC ENGINE

## 320-2796 ROCKER ARM GP\*R

S/N: FTH1-UP

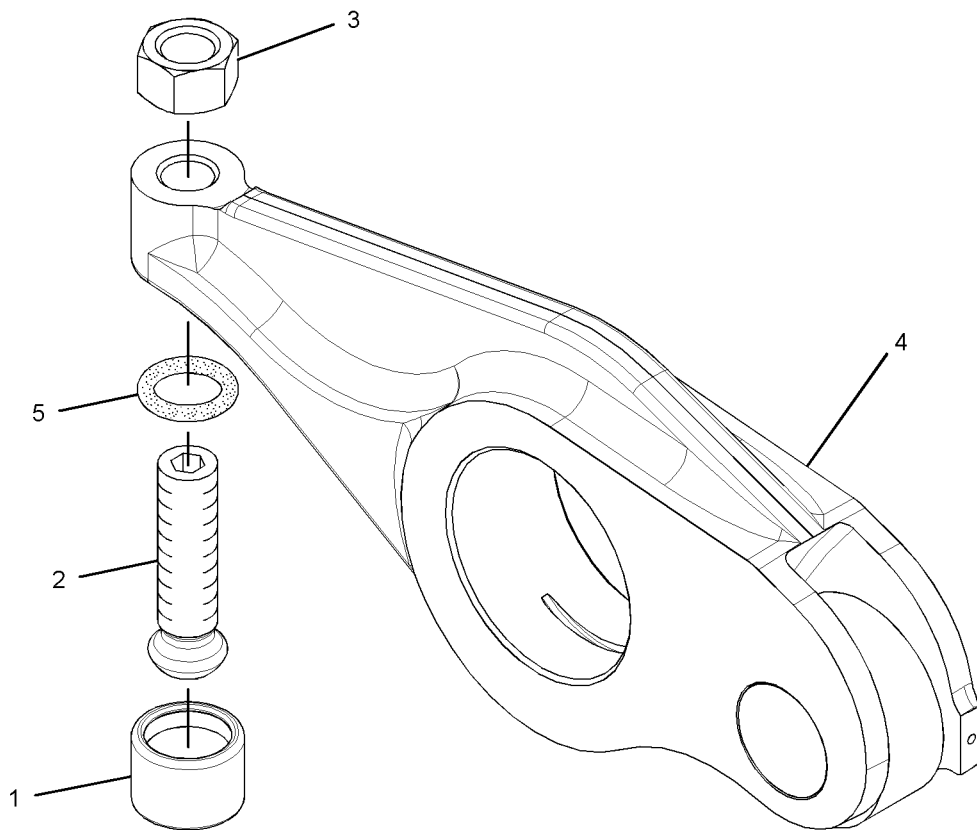
PART OF 328-4236 ROCKER ARM GP

SMCS-1123

i03326364

NOTE	REF NO	GRAPHIC REF	PART NUMBER	QTY	PART NAME						SEE PAGE
					1	2	3	4	5	6 (PRODUCT LEVEL)	
	1	1	258-8721	1	BUTTON						
	2	1	274-4491	1	SCREW-ARM ADJUSTMENT (3/8-24X1.20-IN)						
	3	1	276-5317	1	NUT (3/8-24-THD)						
R	4	1	320-2797	1	ROCKER ARM AS						
	5	1	8L-2777	1	SEAL-O-RING						

R-REMFG PART MAY BE AVAILABLE



GRAPHIC #1

<END>

g01526902

# BASIC ENGINE

## 328-4236 ROCKER ARM GP

S/N: FTH1-UP

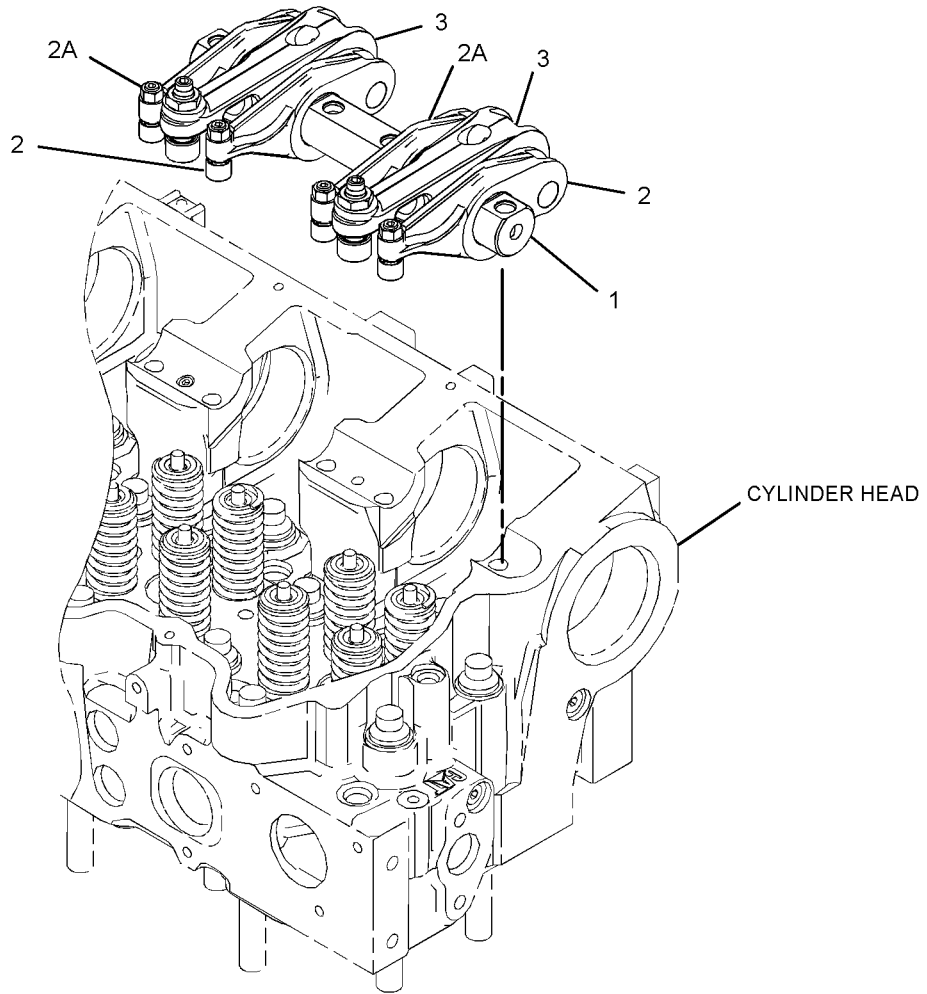
PART OF 190-0009 MECHANISM GP-FUEL PUMP & VALVE

SMCS-1123

i03837670

NOTE	REF NO	GRAPHIC REF	PART NUMBER	QTY	PART NAME						SEE PAGE
					1	2	3	4	5	6 (PRODUCT LEVEL)	
	1	1	<b>307-8322</b>	1	SHAFT AS-ROCKER ARM						
		1	<b>4B-9782</b>	2	BALL						
YR	2	1	320-2796	2	ROCKER ARM GP (INTAKE)						70
YR	2A	1	320-2796	2	ROCKER ARM GP (EXHAUST)						70
YR	3	1	328-4238	2	ROCKER ARM GP (UNIT INJECTOR)						72

R-REMFG PART MAY BE AVAILABLE  
Y-SEPARATE ILLUSTRATION



GRAPHIC #1

<END>

g02086418

# BASIC ENGINE

## 328-4238 ROCKER ARM GP\*R

S/N: FTH1-UP

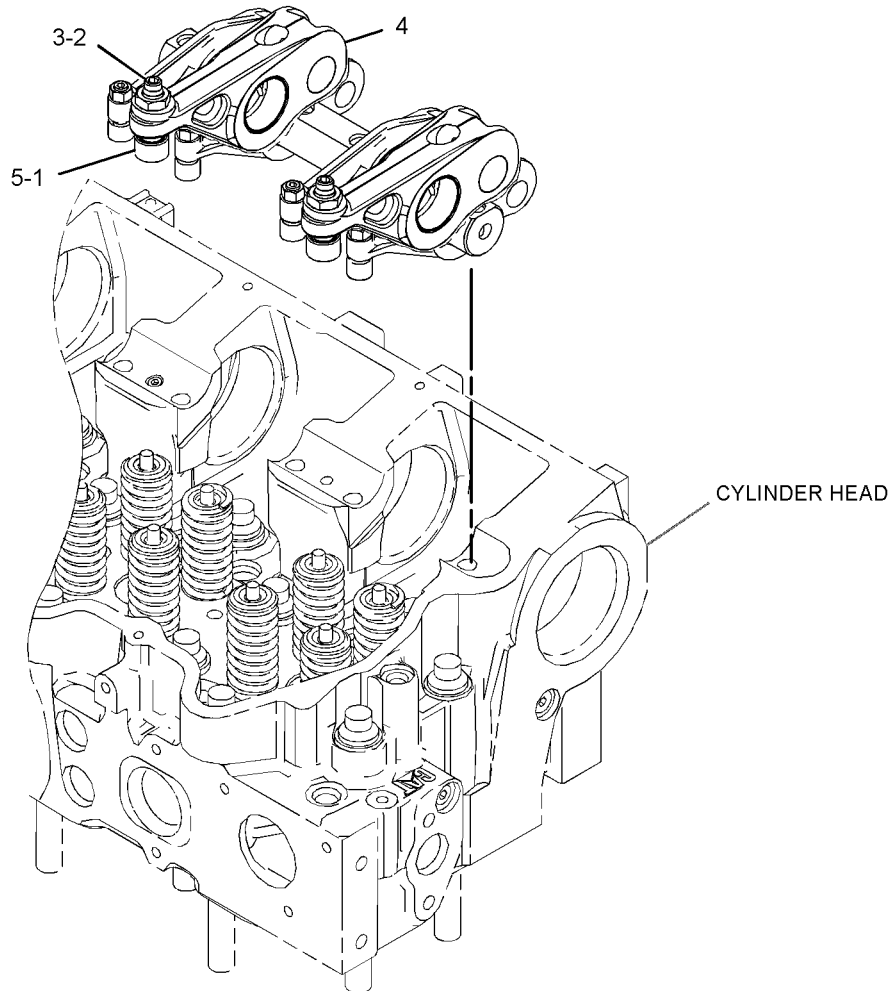
PART OF 328-4236 ROCKER ARM GP

SMCS-1123

i03326325

NOTE	REF NO	GRAPHIC REF	PART NUMBER	QTY	PART NAME						SEE PAGE
					1	2	3	4	5	6 (PRODUCT LEVEL)	
	1	1	192-4151	1	BUTTON						
	2	1	196-5069	1	SCREW-ARM ADJUSTMENT (9/16-18X2-IN)						
	3	1	196-5070	1	NUT-JAM (9/16-18-THD)						
R	4	1	278-1365	1	ROCKER ARM AS						
	5	1	061-8639	1	SEAL-O-RING						

R-REMFG PART MAY BE AVAILABLE



GRAPHIC #1

<END>

g01707153

# BASIC ENGINE

## 319-0785 SEAL GP-CRANKSHAFT-REAR

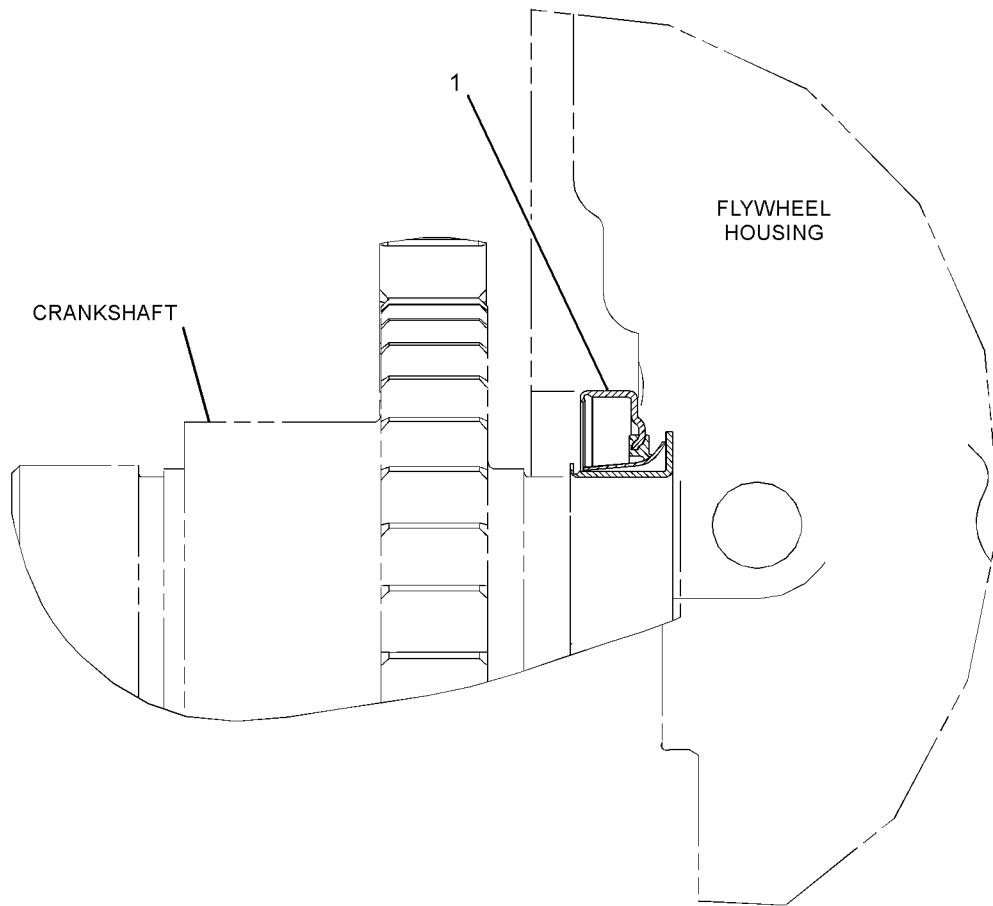
S/N: FTH1-UP

PART OF 198-7676 HOUSING GP-FLYWHEEL

SMCS-1160, 1161

i03030182

NOTE	REF NO	GRAPHIC REF	PART NUMBER	QTY	PART NAME						SEE PAGE
					1	2	3	4	5	6 (PRODUCT LEVEL)	
	1	1	142-5868	1	SEAL-CRANKSHAFT (REAR)						



RIGHT SIDE VIEW OF ENGINE

GRAPHIC #1

<END>

g01496733

# BASIC ENGINE

## 319-7401 SEAL GP-CRANKSHAFT-FRONT

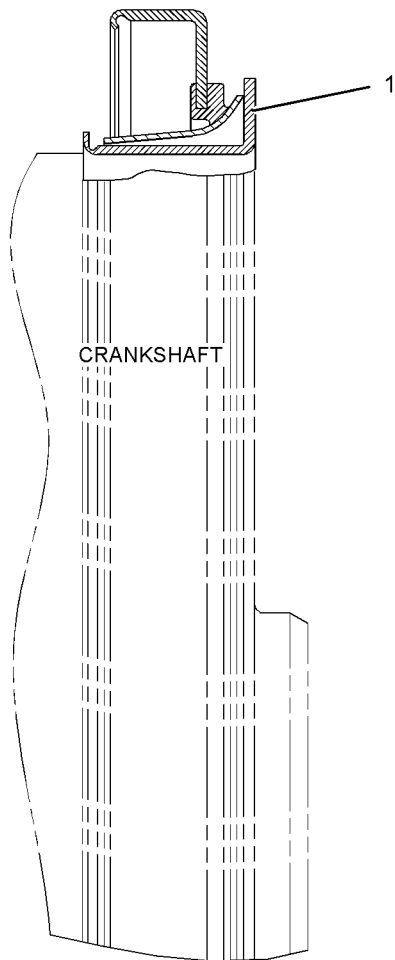
S/N: FTH1-UP

PART OF 223-9731 CRANKSHAFT GP

SMCS-1160, 1161

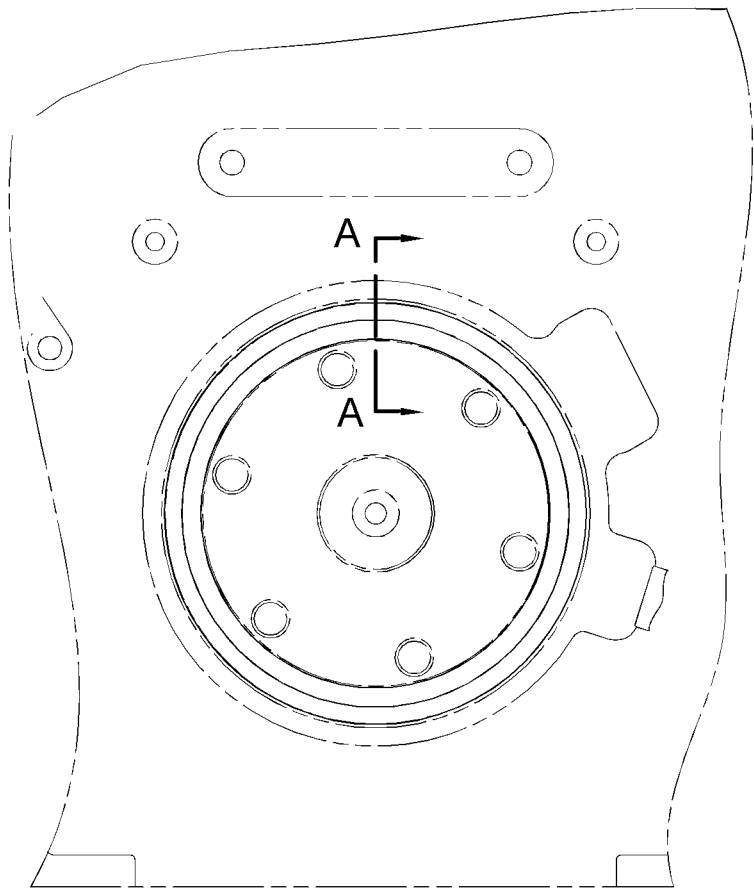
i03005319

NOTE	REF NO	GRAPHIC REF	PART NUMBER	QTY	PART NAME						SEE PAGE
					1	2	3	4	5	6 (PRODUCT LEVEL)	
	1	1	142-5867	1	SEAL-CRANKSHAFT (FRONT)						



SECTION A-A

GRAPHIC #1



FRONT VIEW OF ENGINE

<END>

g01516169

# BASIC ENGINE

## 238-0025 SUPPORT GP-ENGINE

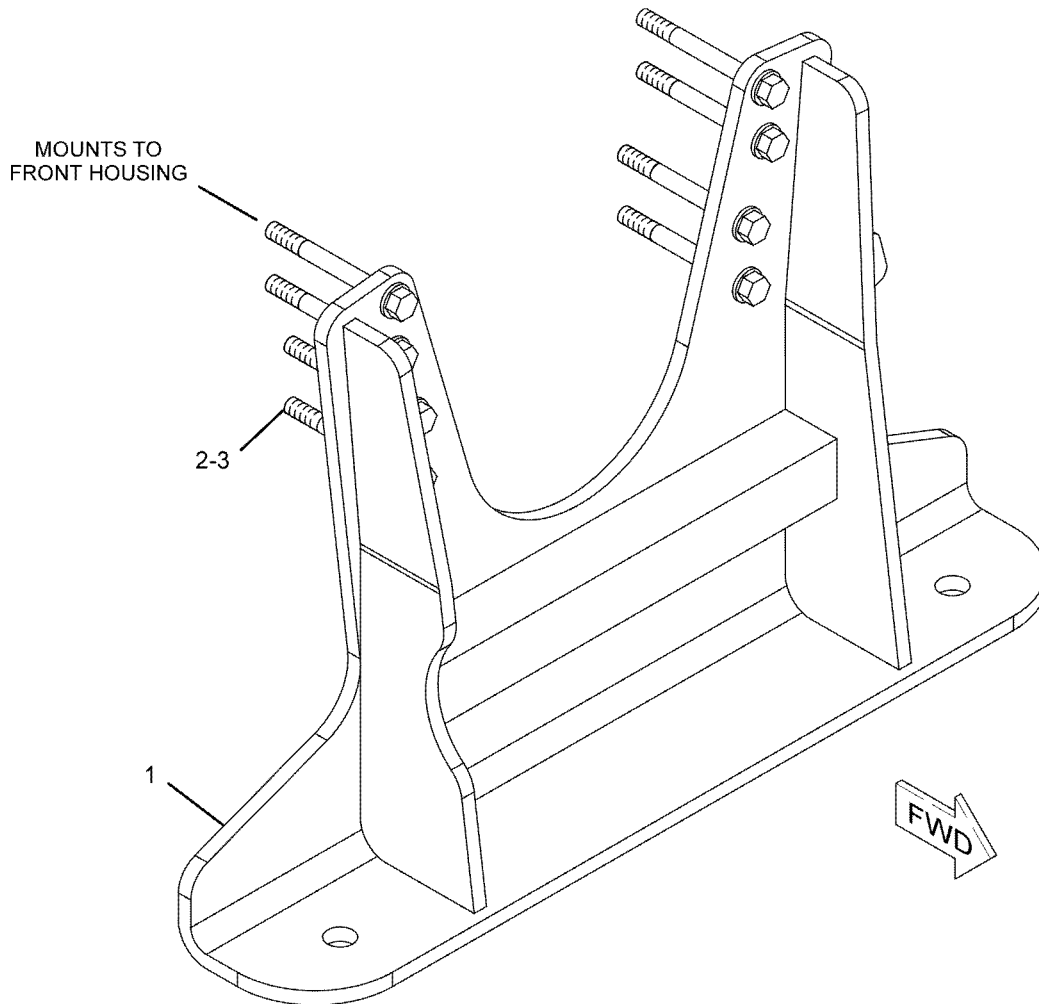
S/N: FTH1-UP

PART OF 382-3732, 382-3733, 382-3734, 382-3735 ENGINE AR-COMplete

SMCS-1152, 1153, 1154

i03993913

NOTE	REF NO	GRAPHIC REF	PART NUMBER	QTY	PART NAME						SEE PAGE
					1	2	3	4	5	6 (PRODUCT LEVEL)	
	1	1	246-4168	1	SUPPORT AS						
	2	1	5P-8245	8	WASHER-HARD (13.5X25.5X3-MM THK)						
	3	1	2B-2006	8	BOLT (1/2-13X4.75-IN)						



GRAPHIC #1

<END>

g01073878

# BASIC ENGINE

## 352-5646 V-BELT SET-FAN DRIVE

S/N: FTH1-UP

0.74 DRIVE RATIO, PROVIDES A MATCH SET OF 3 SAE 15-A (11/16-IN) V-BELTS THAT  
HAVE A NOMINAL EFFECTIVE LENGTH OF 1715-MM  
PART OF 382-3732, 382-3734 ENGINE AR-COMPLETE

SMCS-1357

i04762161

NOTE	PART NUMBER	QTY	PART NAME						SEE PAGE
			1	2	3	4	5	6 (PRODUCT LEVEL)	
			(INCLUDES 3-BELTS)						
<END>									

## 356-1072 V-BELT SET

S/N: FTH1-UP

PROVIDES A MATED SET OF 3 SAE 15-A (11/16 IN) V-BELTS THAT HAVE A NOMINAL  
EFFECTIVE LENGTH OF 1664-MM  
PART OF 382-3733, 382-3735 ENGINE AR-COMPLETE

SMCS-1357

i04760912

NOTE	PART NUMBER	QTY	PART NAME						SEE PAGE
			1	2	3	4	5	6 (PRODUCT LEVEL)	
			(INLCUDES 3-BELTS)						
<END>									



# LUBRICATION SYSTEM

## 154-4327 BASE GP-OIL FILTER-ENGINE

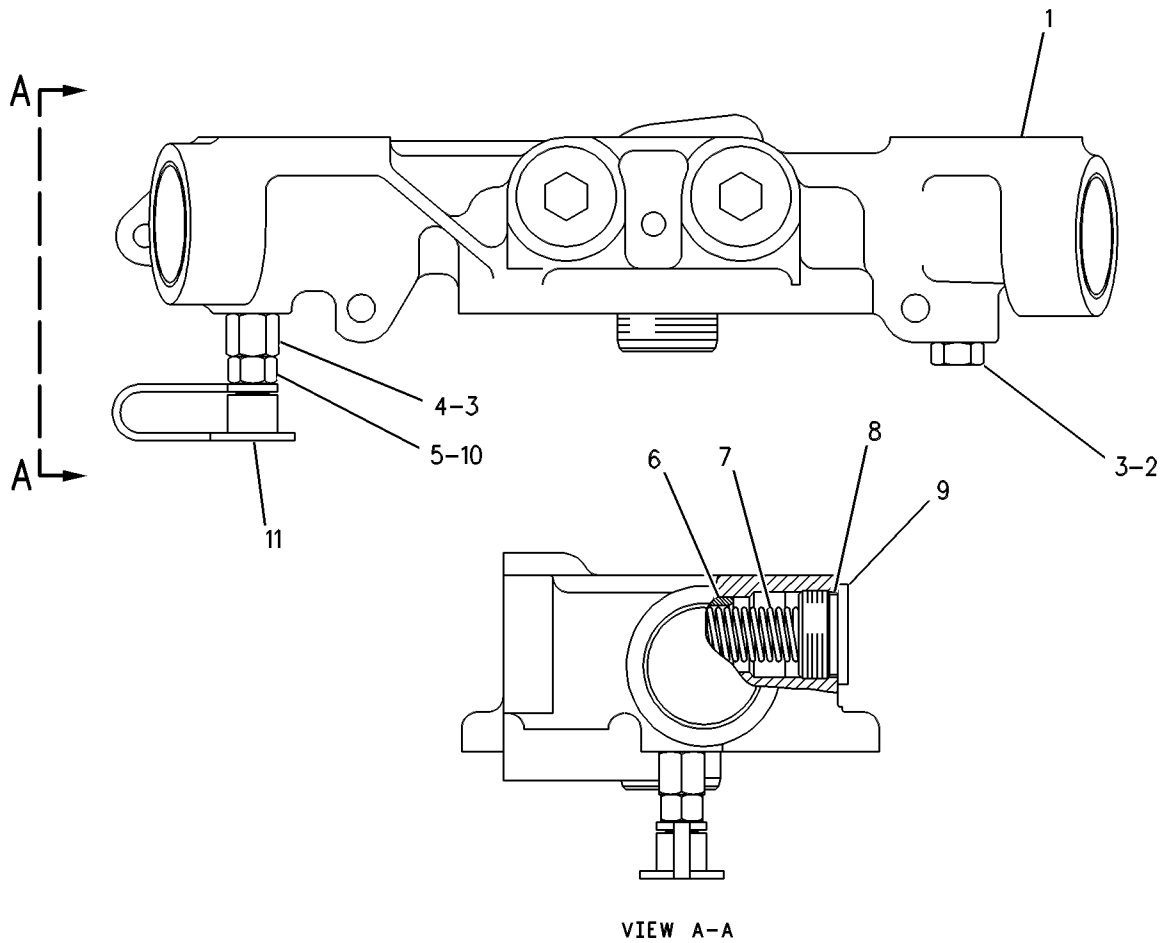
S/N: FTH1-UP

PART OF 155-5005 BASE GP-OIL FILTER

SMCS-1306

i03603360

NOTE	REF NO	GRAPHIC REF	PART NUMBER	QTY	PART NAME						SEE PAGE
					1	2	3	4	5	6 (PRODUCT LEVEL)	
	1	1	176-1363	1	BASE GP-OIL FILTER (ENGINE)						
		1	2P-4304	1	STUD-HOLLOW						
		1	9L-7657	2	PLUG-CUP						
2		1	9S-4191	1	PLUG-O-RING						
3		1	6V-5049	2	SEAL-O-RING						
4		1	5P-9617	1	ADAPTER						
5		1	8C-3446	1	VALVE-FLUID SAMPLING (ENGINE OIL)						
6		1	1P-1367	2	PLUNGER						
7		1	4N-8150	2	SPRING						
8		1	5P-7701	2	SEAL-O-RING						
9		1	9S-9334	2	PLUG-O-RING						
10		1	3J-7354	1	SEAL-O-RING						
11		1	8C-3445	1	CAP-DUST						



GRAPHIC #1

<END>

g00445963

# LUBRICATION SYSTEM

## 155-5005 BASE GP-OIL FILTER-ENGINE

S/N: FTH1-UP

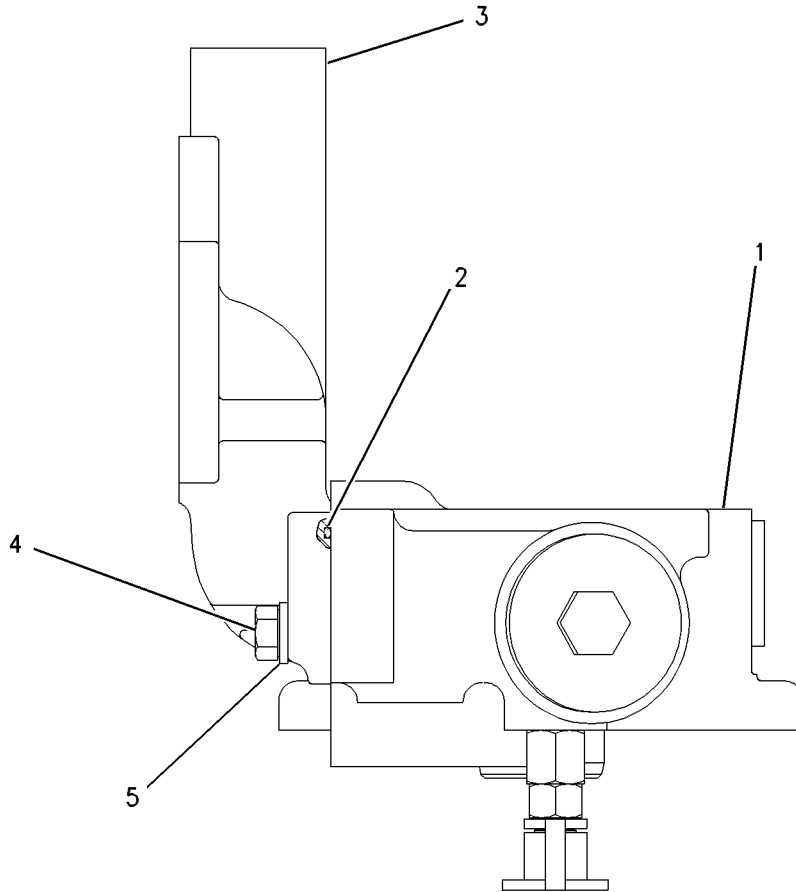
PART OF 154-4325 FILTER GP-ENGINE OIL

SMCS-1306

i03543904

NOTE	REF NO	GRAPHIC REF	PART NUMBER	QTY	PART NAME	SEE PAGE
					1 2 3 4 5 6 (PRODUCT LEVEL)	
Y	1	1	154-4327	1	BASE GP-OIL FILTER (ENGINE)	77
	2	1	061-7540	2	SEAL-O-RING	
	3	1	153-6680	1	ELBOW	
	4	1	0S-1588	4	BOLT (3/8-16X1.25-IN)	
	5	1	5M-2894	4	WASHER-HARD (10.2X18.5X2.5-MM THK)	

Y-SEPARATE ILLUSTRATION



GRAPHIC #1

<END>

g00507738

# LUBRICATION SYSTEM

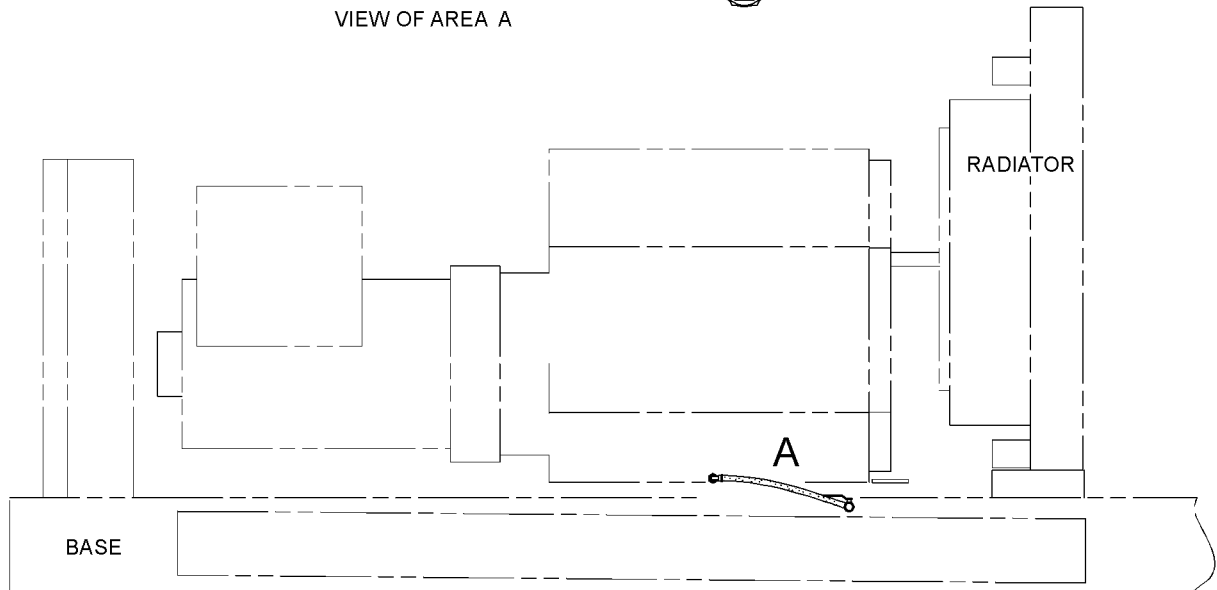
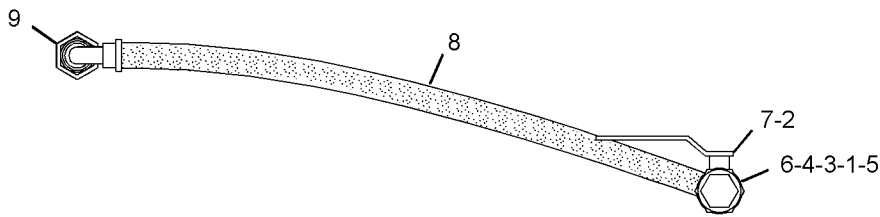
## 349-5066 DRAIN GP-OIL

S/N: LNA1-UP; LZA1-UP  
AN ATTACHMENT

SMCS-1372

i04896830

NOTE	REF NO	GRAPHIC REF	PART NUMBER	QTY	PART NAME						SEE PAGE
					1	2	3	4	5	6 (PRODUCT LEVEL)	
	1	1	8T-4123	2	WASHER (22X35X3.5-MM THK)						
	2	1	149-7885	1	ADAPTER						
	3	1	152-3504	1	ADAPTER						
	4	1	152-8850	1	NUT-BULKHEAD (1/2-IN BSP)						
	5	1	171-9952	1	WASHER (SEALING)						
	6	1	252-4878	1	CAP						
	7	1	252-4880	1	VALVE-BALL						
	8	1	268-4815	1	HOSE AS						
	9	1	286-1439	1	ADAPTER						



GRAPHIC #1

<END>

g03057258

# LUBRICATION SYSTEM

## 4N-2481 FASTENER GP-OIL PUMP MOUNTING

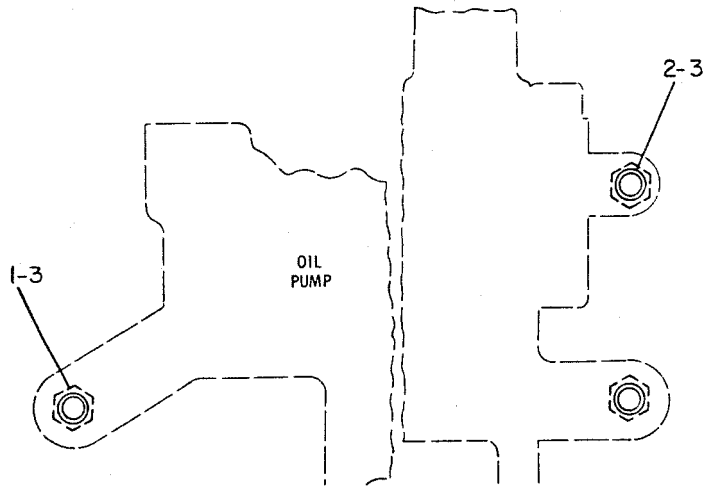
S/N: FTH1-UP

PART OF 382-3732, 382-3733, 382-3734, 382-3735 ENGINE AR-COMplete

SMCS-1304

i01585905

NOTE	REF NO	GRAPHIC REF	PART NUMBER	QTY	PART NAME						SEE PAGE
					1	2	3	4	5	6 (PRODUCT LEVEL)	
	1	1	0L-1143	2	BOLT (3/8-16X2.50 IN)						
	2	1	0S-1590	1	BOLT (3/8-16X2 IN)						
	3	1	5M-2894	3	WASHER-HARD (10.2X18.5X2.5MM THK)						



GRAPHIC #1

<END>

g00081632

# LUBRICATION SYSTEM

## 293-3625 FILLER GP-ENGINE OIL

S/N: FTH1-UP

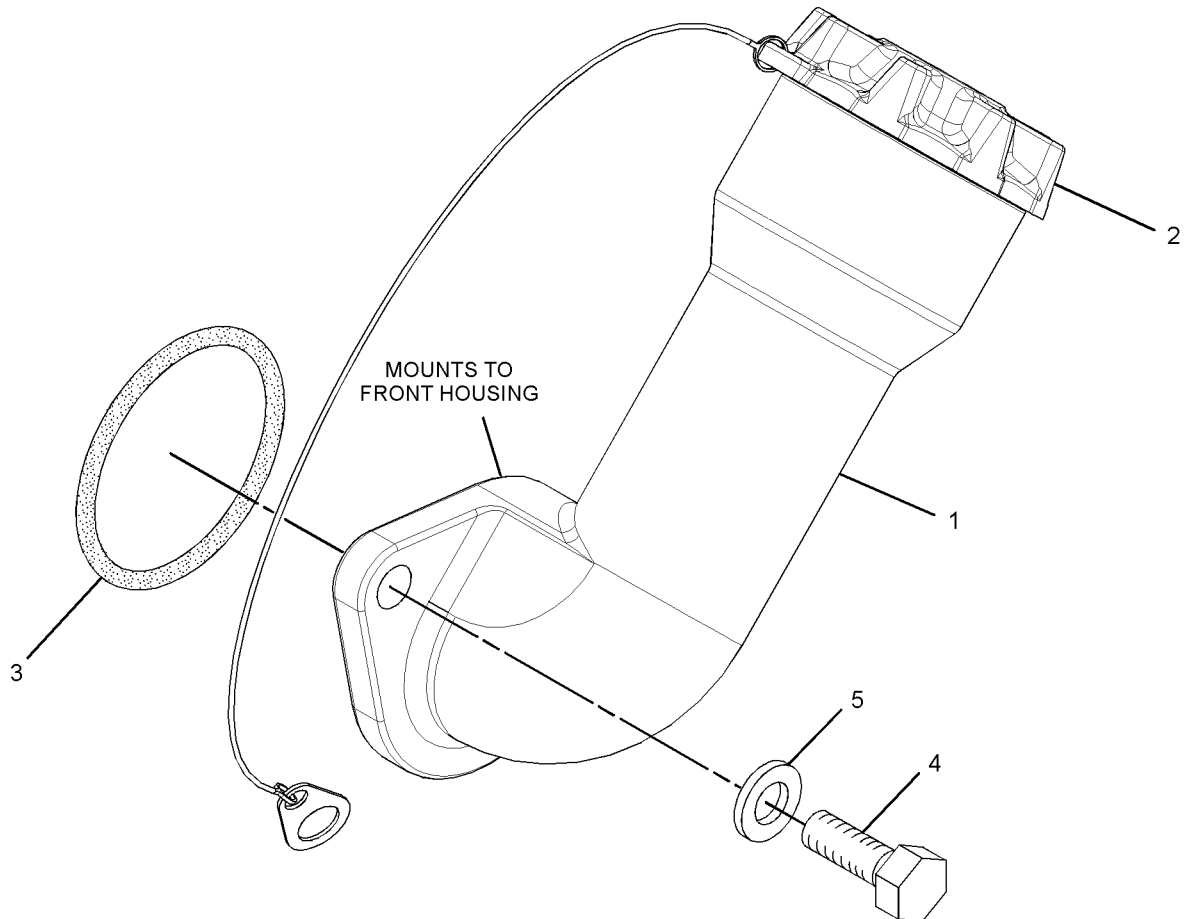
FRONT, LEFT HAND, WITH TETHER

PART OF 382-3732, 382-3733, 382-3734, 382-3735 ENGINE AR-COMLETE

SMCS-1316

i04759505

NOTE	REF NO	GRAPHIC REF	PART NUMBER	QTY	PART NAME						SEE PAGE
					1	2	3	4	5	6 (PRODUCT LEVEL)	
	1	1	309-8964	1	TUBE-OIL FILLER						
	2	1	290-7550	1	CAP AS-ENGINE OIL FILLER						
	3	1	061-9455	1	SEAL-O-RING						
	4	1	2B-2695	2	BOLT (5/16-18X0.875-IN)						
	5	1	9M-1974	2	WASHER-HARD (8.8X16X2-MM THK)						



GRAPHIC #1

<END>

g01441582

# LUBRICATION SYSTEM

## 154-4325 FILTER GP-ENGINE OIL

S/N: FTH1-UP

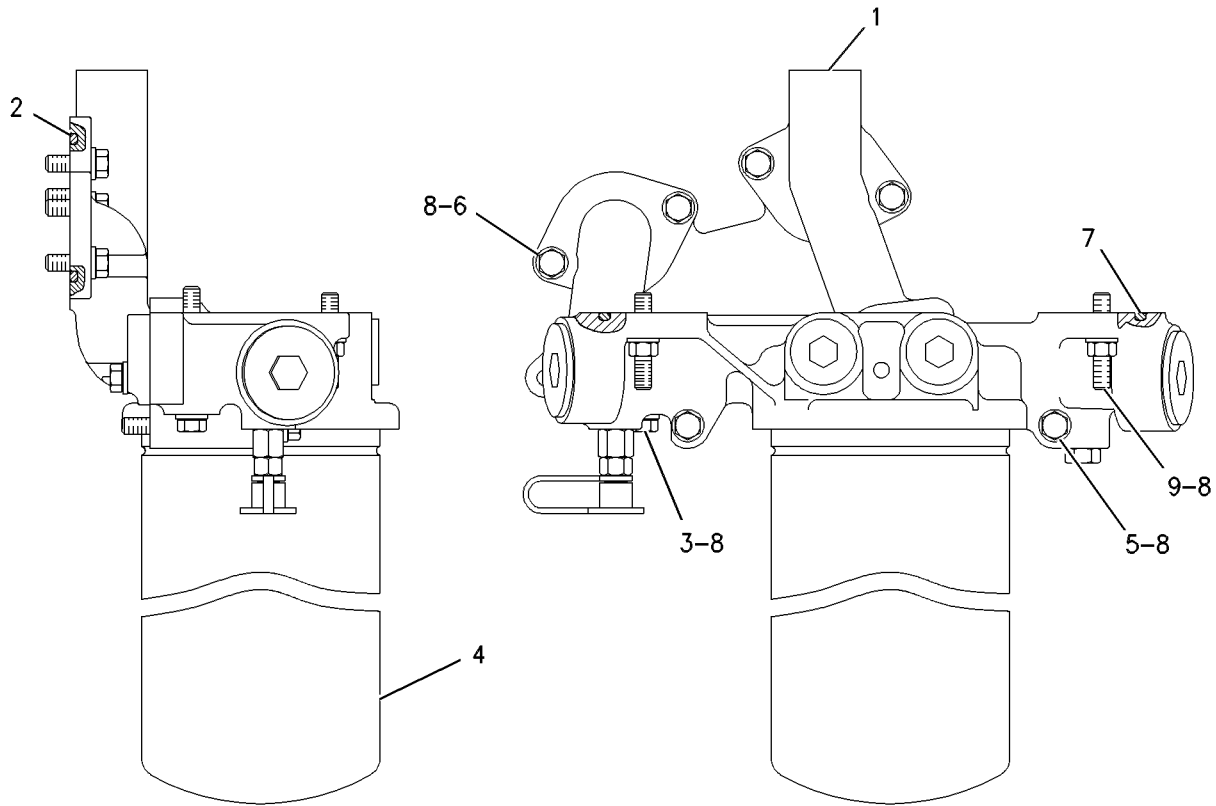
PART OF 382-3732, 382-3733, 382-3734, 382-3735 ENGINE AR-COMPLETE

SMCS-1306, 1308

i04001520

NOTE	REF NO	GRAPHIC REF	PART NUMBER	QTY	PART NAME						SEE PAGE
					1	2	3	4	5	6 (PRODUCT LEVEL)	
Y	1	1	155-5005	1	BASE GP-OIL FILTER (ENGINE)						78
	2	1	8C-5230	2	SEAL-O-RING						
	3	1	0S-1619	2	BOLT (3/8-16X3-IN)						
	4	1	1R-1808	1	FILTER-ENGINE OIL (ADVANCED EFFICIENCY)						
	5	1	0S-1608	2	BOLT (3/8-16X3.75-IN)						
	6	1	1A-2029	4	BOLT (3/8-16X1.125-IN)						
	7	1	113-5304	2	SEAL-O-RING						
	8	1	5M-2894	10	WASHER-HARD (10.2X18.5X2.5-MM THK)						
	9	1	129-3172	2	STUD-MOUNTING (3/8-16X1.564-IN)						

Y-SEPARATE ILLUSTRATION



REAR VIEW

RIGHT SIDE VIEW

GRAPHIC #1

<END>

g00434680

# LUBRICATION SYSTEM

## 159-9362 FUMES DISPOSAL GP

S/N: FTH1-UP

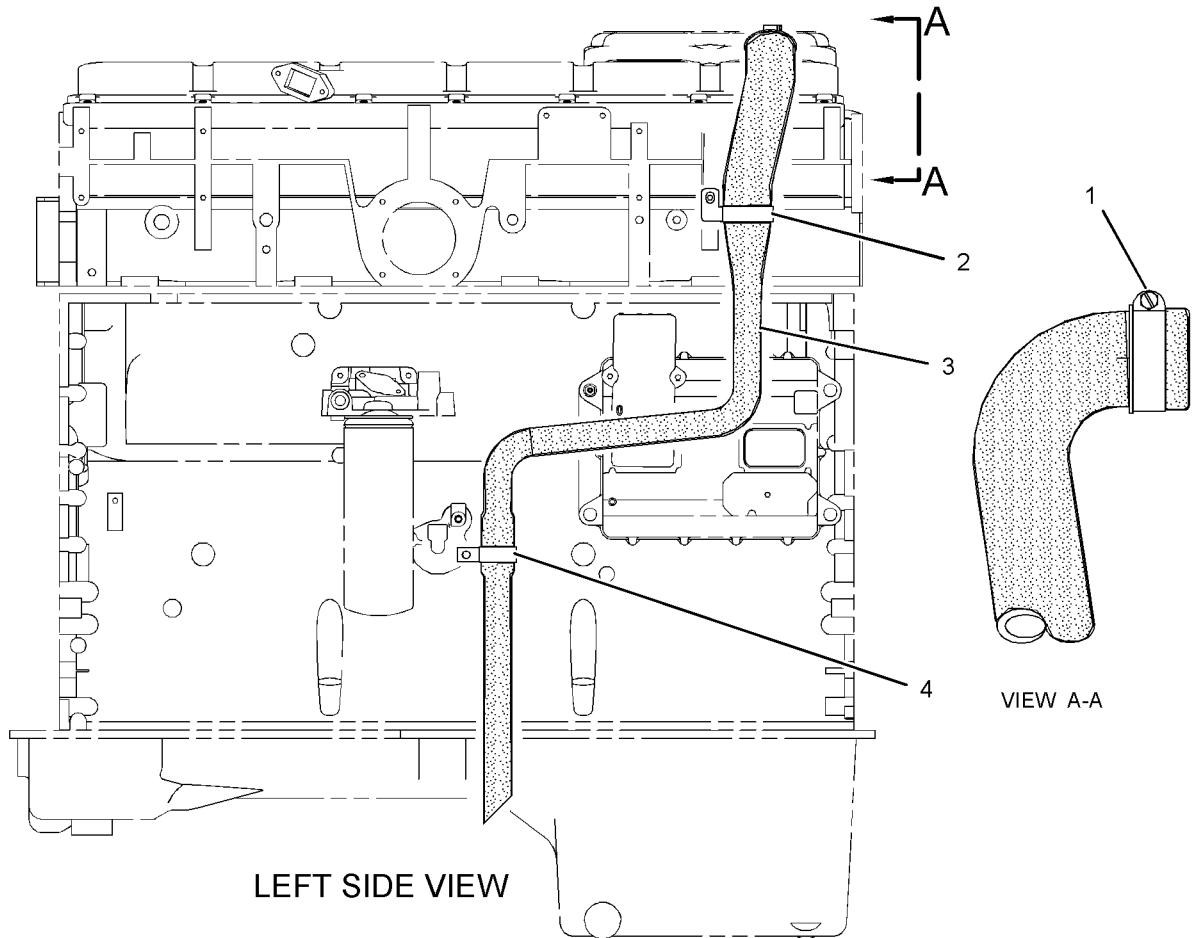
REAR VALVE COVER MOUNTED FUMES DISPOSAL

PART OF 382-3732, 382-3733, 382-3734, 382-3735 ENGINE AR-COMplete

SMCS-1074, 1317

i02837802

NOTE	REF NO	GRAPHIC REF	PART NUMBER	QTY	PART NAME						SEE PAGE
					1	2	3	4	5	6 (PRODUCT LEVEL)	
	1	1	161-6622	1	CLIP						
	2	1	207-8128	1	HOSE AS (FUMES DISPOSAL)						
	3	1	5P-2369	1	CLIP						
	4	1	9M-0164	1	CLAMP-HOSE						



GRAPHIC #1

<END>

g01185755

# LUBRICATION SYSTEM

## 380-2033 FUMES DISPOSAL GP

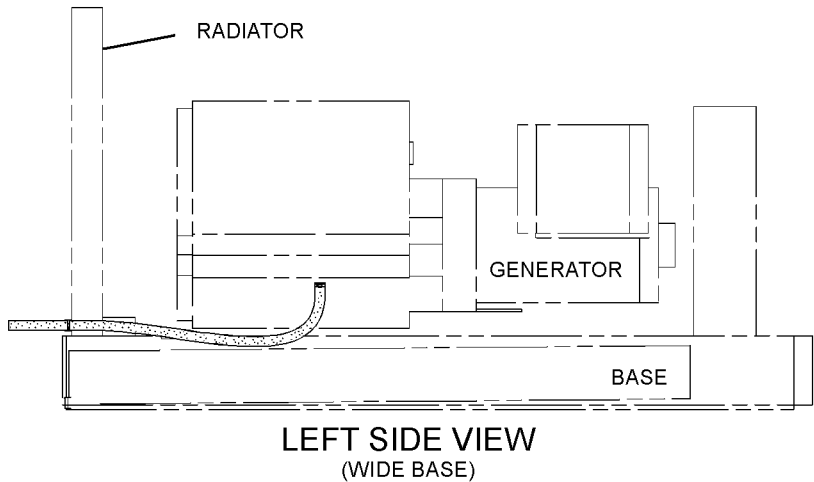
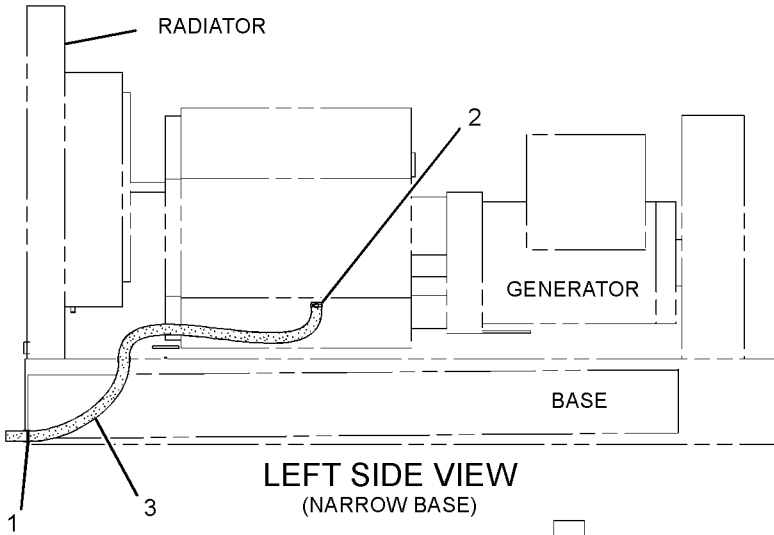
S/N: LNA1-UP; LZA1-UP  
AN ATTACHMENT

SMCS-1074, 1317

i04842629

NOTE	REF NO	GRAPHIC REF	PART NUMBER	QTY	PART NAME						SEE PAGE
					1	2	3	4	5	6 (PRODUCT LEVEL)	
	1	1	7K-1181	1	STRAP - CABLE						
	2	1	9M-0164	1	CLAMP - HOSE						
E	3	1	371-8119		HOSE (200-CM)						

E-ORDER BY THE CENTIMETER



GRAPHIC #1

<END>

g02976971



# LUBRICATION SYSTEM

## 381-7979 GAUGE GP-OIL LEVEL (DIPSTICK)

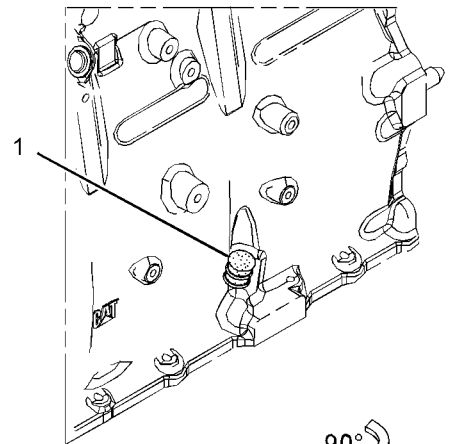
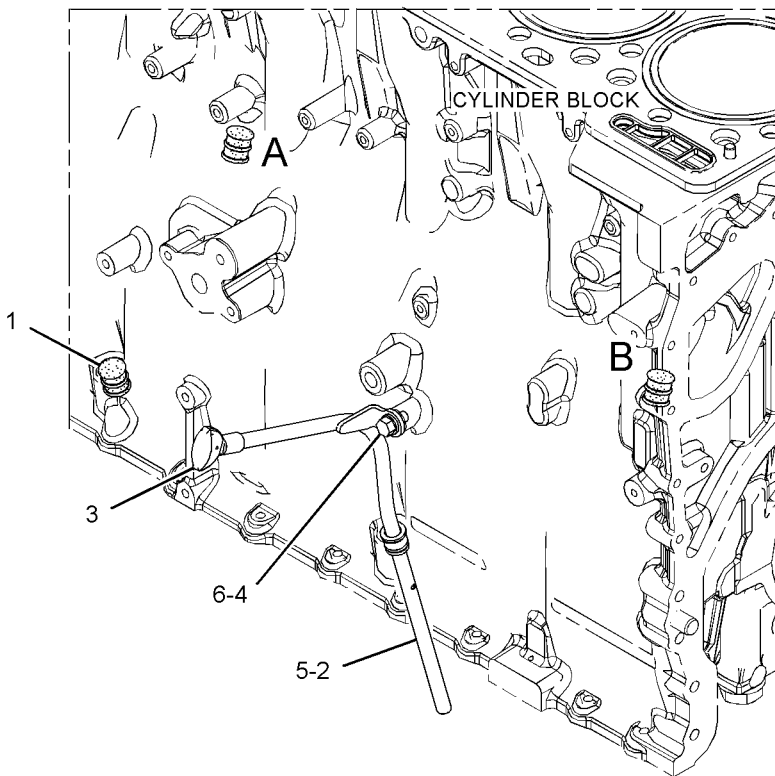
S/N: FTH1-UP

PART OF 382-3732, 382-3733, 382-3734, 382-3735 ENGINE AR-COMplete

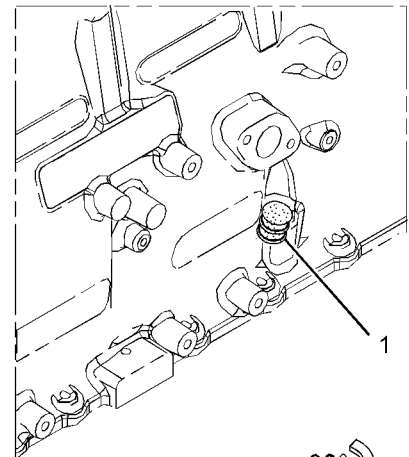
SMCS-1326

i04687902

NOTE	REF NO	GRAPHIC REF	PART NUMBER	QTY	PART NAME						SEE PAGE
					1	2	3	4	5	6 (PRODUCT LEVEL)	
	1	1	165-6170	3	PLUG						
	2	1	351-0158	1	TUBE AS-OIL						
	3	1	381-7978	1	GAUGE AS-OIL LEVEL (DIPSTICK) (ENGINE)						
	4	1	0S-0509	1	BOLT (3/8-16X0.75-IN)						
	5	1	118-5068	1	SEAL-O-RING						
	6	1	5M-2894	1	WASHER-HARD (10.2X18.5X2.5-MM THK)						



VIEW OF AREA A 90°



VIEW OF AREA B 90°

GRAPHIC #1

<END>

g02855386

# LUBRICATION SYSTEM

## 257-3111 LINES GP-TURBOCHARGER OIL

S/N: FTH1-UP

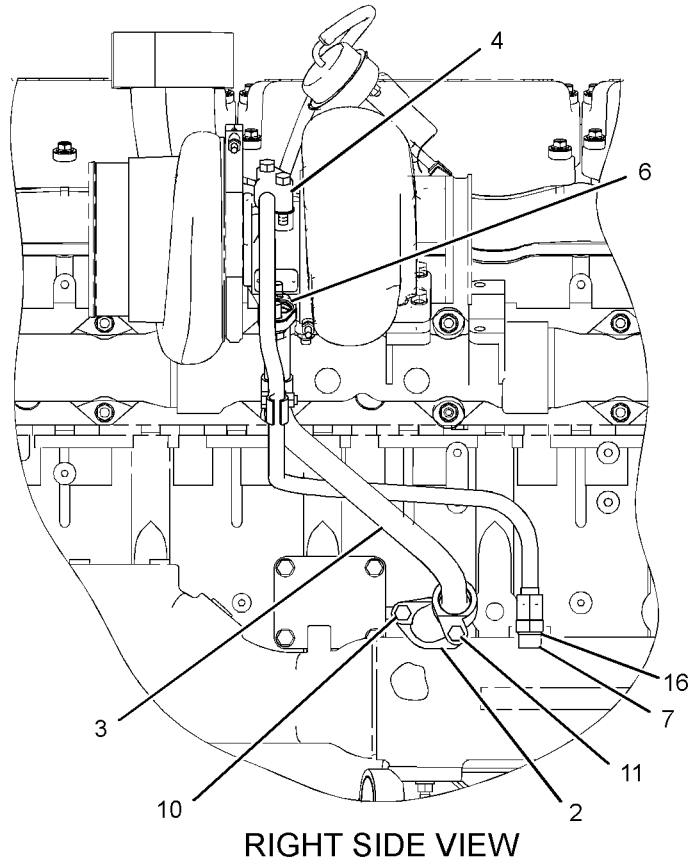
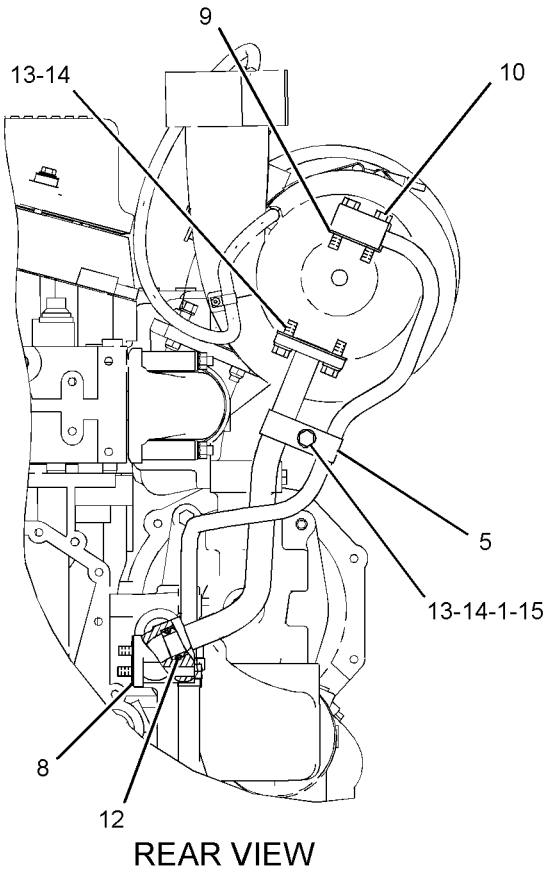
PART OF 382-3732, 382-3733, 382-3734, 382-3735 ENGINE AR-COMPLETE

SMCS-1052, 1307

i04018742

NOTE	REF NO	GRAPHIC REF	PART NUMBER	QTY	PART NAME						SEE PAGE
					1	2	3	4	5	6 (PRODUCT LEVEL)	
	1	1	3L-9689	1	WASHER (10.5X25.4X5-MM THK)						
	2	1	4N-2040	1	ELBOW-DRAIN						
	3	1	6N-1141	1	TUBE AS-OIL DRAIN						
	4	1	7N-3448	1	TUBE AS-OIL (TURBOCHARGER SUPPLY)						
	5	1	9M-7540	2	CLAMP-TUBE						
	6	1	126-2702	1	SEAL-INTEGRAL						
C	7	1	9M-4584	1	CONNECTOR						
	8	1	160-7037	1	SEAL-INTEGRAL						
	9	1	198-6068	1	SEAL-INTEGRAL						
	10	1	0S-1571	3	BOLT (3/8-16X1.75-IN)						
	11	1	0S-1619	1	BOLT (3/8-16X3-IN)						
	12	1	112-3540	1	SEAL-O-RING						
	13	1	1A-2029	3	BOLT (3/8-16X1.125-IN)						
	14	1	5M-2894	4	WASHER-HARD (10.2X18.5X2.5-MM THK)						
	15	1	9S-8752	1	NUT-FULL (3/8-16-THD)						
C	16	1	6V-4589	1	SEAL-O-RING						

C-CHANGE FROM PREVIOUS TYPE



GRAPHIC #1

<END>

g01367878

# LUBRICATION SYSTEM

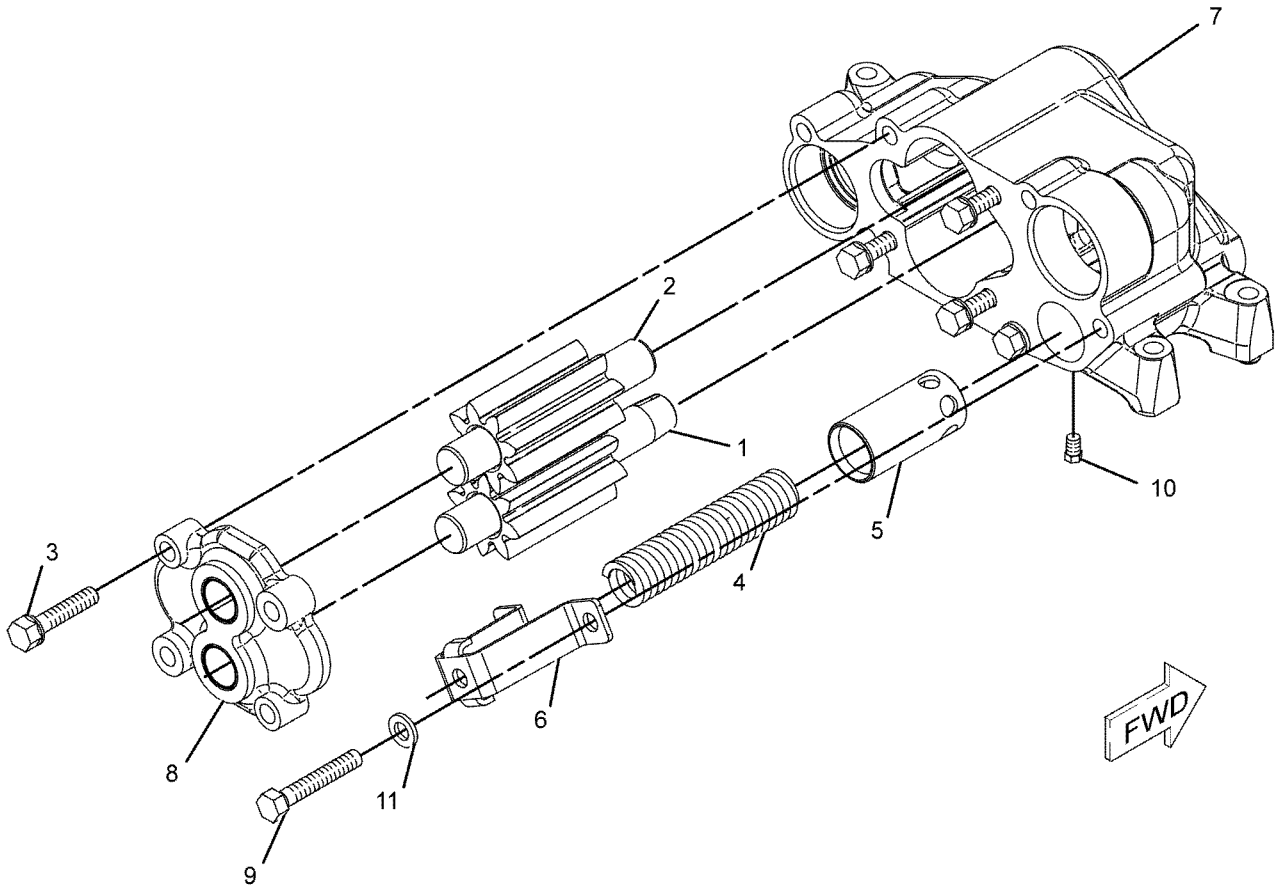
## 161-4113 PUMP GP-ENGINE OIL\*R

S/N: FTH1-UP  
ONE SECTION GEAR

SMCS-1304, 1315

i02086286

NOTE	REF NO	GRAPHIC REF	PART NUMBER	QTY	PART NAME						SEE PAGE
					1	2	3	4	5	6 (PRODUCT LEVEL)	
	1	1	1W-7238	1	SHAFT AS-PUMP DRIVE						
	2	1	1W-7239	1	SHAFT AS-IDLER						
	3	1	2P-3205	4	BOLT-WASHER HEAD (3/8-16X1.75-IN)						
	4	1	2S-2760	1	SPRING						
	5	1	6N-1931	1	PLUNGER						
	6	1	9Y-1792	1	RETAINER						
	7	1	235-1587	1	BODY AS						
		1	7N-2156	2	BEARING-SLEEVE						
		1	8M-8489	2	DOWEL						
8		1	127-6356	1	COVER AS-PUMP						
		1	8S-6511	2	BEARING-SLEEVE						
9		1	1M-0644	2	BOLT (3/8-16X2.25-IN)						
10		1	2S-7905	1	PLUG-PIPE						
11		1	5M-2894	2	WASHER-HARD (10.2X18.5X2.5-MM THK)						



GRAPHIC #1

<END>

g01066887

# LUBRICATION SYSTEM

## 349-5067 PUMP GP-SUMP

S/N: LNA1-UP; LZA1-UP  
AN ATTACHMENT

SMCS-1324

i04896582

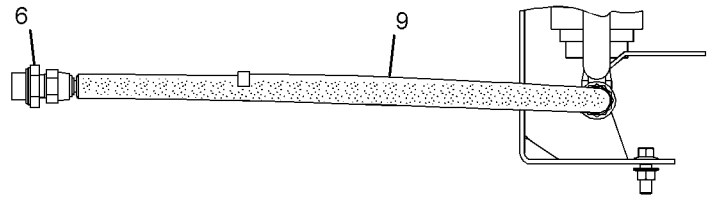
NOTE	REF NO	GRAPHIC REF	PART NUMBER	QTY	PART NAME						SEE PAGE
					1	2	3	4	5	6 (PRODUCT LEVEL)	
	1	1	7K-1181	1	STRAP-CABLE						
	2	1	149-7885	1	ADAPTER						
	3	1	153-1882	1	ELBOW						
	5	1	252-7243	1	ADAPTER						
	6	1	286-1439	1	ADAPTER						
	7	1	361-4901	1	BRACKET AS						
	8	1	361-5419	1	PUMP AS (HAND PUMP)						
I	9	1	366-0098	1	HOSE AS						
M	10	1	175-7141	2	NUT-HEX FLANGE (M10X1.5-THD)						
M	11	1	208-9282	2	BOLT (M8X1.25X25-MM)						
	12	1	252-4880	1	VALVE-BALL						
	13	1	262-0494	1	CLAMP						
	14	1	338-3669	2	BOLT-FLANGE HEAD (M10X1.5X30-MM)						
E	15	1	136-1955		HOSE (200-CM)						

E-ORDER BY THE CENTIMETER  
I-REFER TO HYDRAULIC INFORMATION SYSTEM  
M-METRIC PART

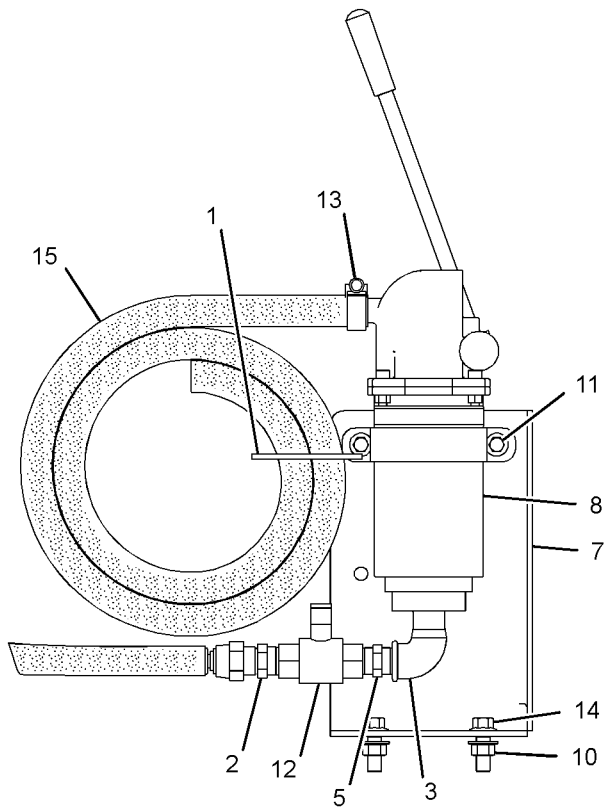
# LUBRICATION SYSTEM

349-5067 PUMP GP-SUMP (contd.)

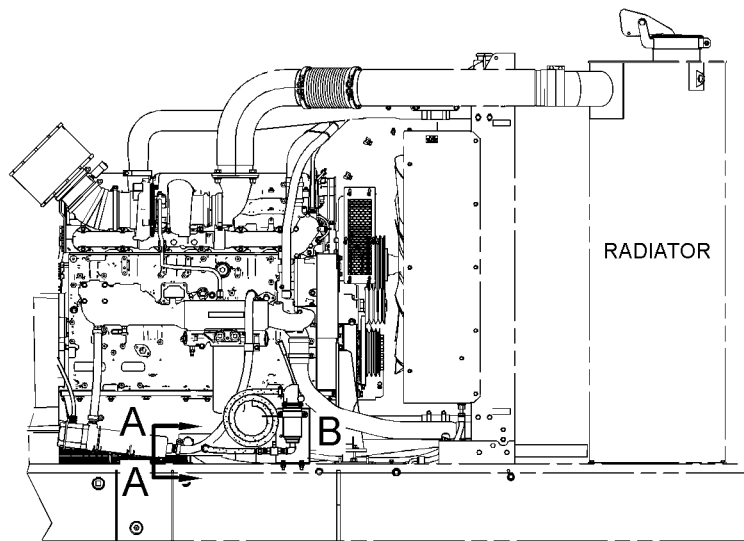
i04896582



VIEW A-A



VIEW OF AREA B



RIGHT SIDE VIEW OF ENGINE

GRAPHIC #1

<END>

g03056441

# COOLING SYSTEM

## 352-2006 ADAPTER GP-FAN

S/N: FTH1-UP

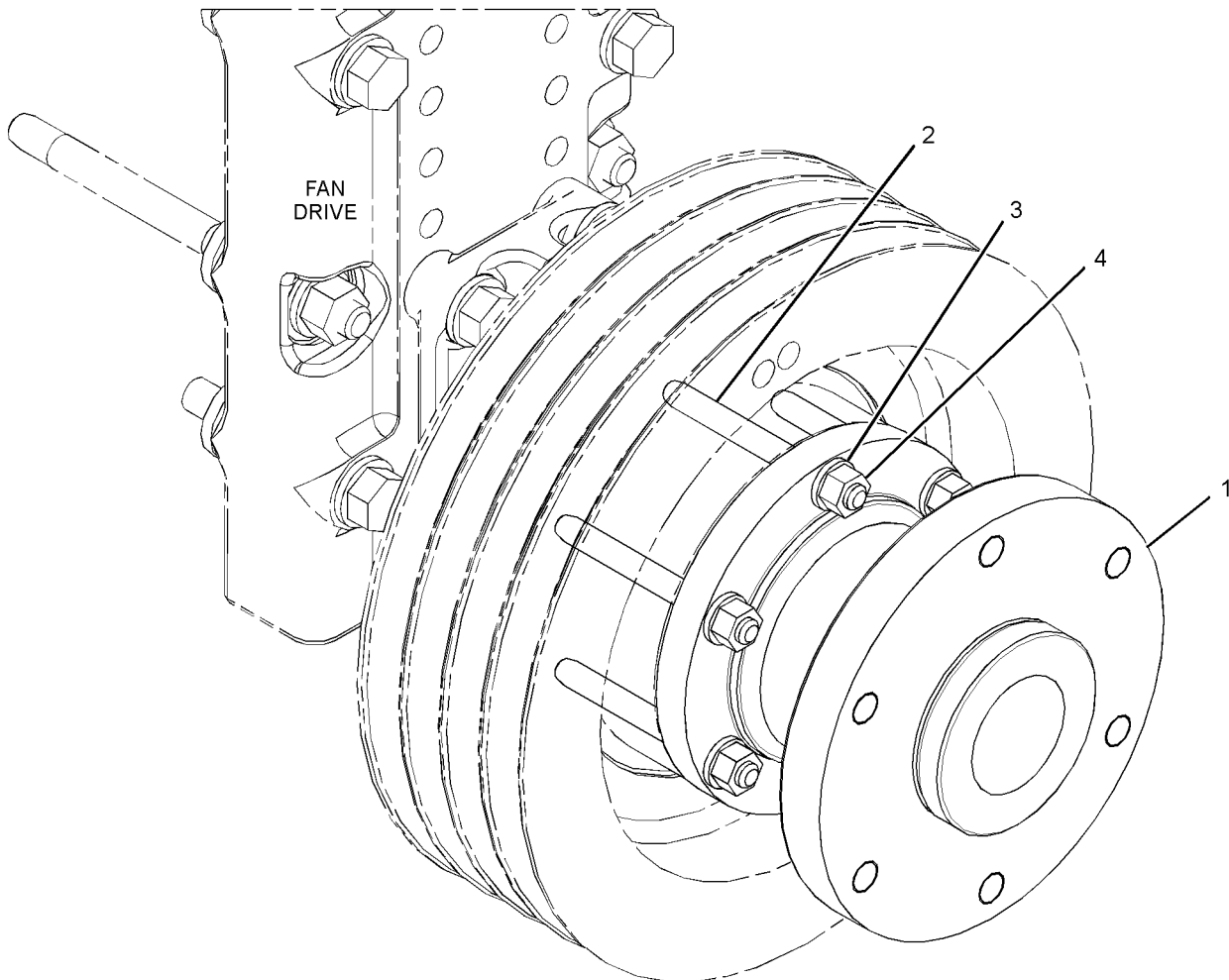
76.12-MM (3.00-IN) PILOT DIA, 139.7-MM (5.50-IN) BOLT CIRCLE DIA, 3/8-IN  
THREAD SIZE, 6 HOLES, LENGTH 90.7-MM (3.57-IN)

PART OF 382-3732, 382-3733, 382-3734, 382-3735 ENGINE AR-COMplete

SMCS-1356, 1359

i04759269

NOTE	REF NO	GRAPHIC REF	PART NUMBER	QTY	PART NAME						SEE PAGE
					1	2	3	4	5	6 (PRODUCT LEVEL)	
	1	1	<b>351-8685</b>	1	ADAPTER - FAN						
	2	1	<b>2M-2488</b>	6	STUD - TAPERLOCK (3/8-16X3.59-IN)						
	3	1	<b>5M-2894</b>	6	WASHER - HARD (10.2X18.5X2.5-MM THK)						
	4	1	<b>9S-8752</b>	6	NUT - FULL (3/8-16-THD)						



GRAPHIC #1

<END>

g02404343

# COOLING SYSTEM

## 349-5642 COVER GP

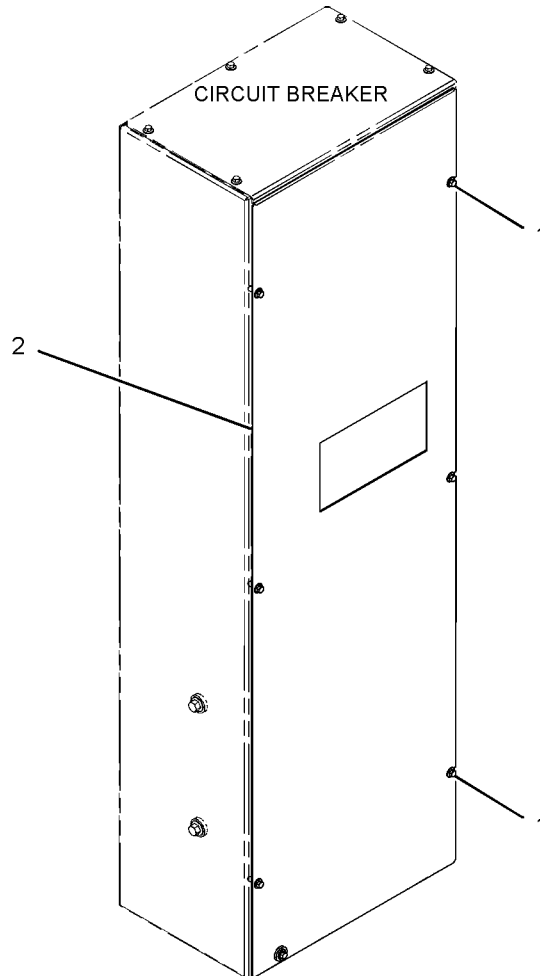
S/N: LNA1-UP; LZA1-UP  
 FOR USE WITH 1250 AND 600-AMPERE ONLY  
 AN ATTACHMENT

SMCS-1378

i04855317

NOTE	REF NO	GRAPHIC REF	PART NUMBER	QTY	PART NAME						SEE PAGE
					1	2	3	4	5	6 (PRODUCT LEVEL)	
M	1	1	235-4451	7	BOLT-FLANGE HEAD (M6X1X16-MM)						
	2	1	388-4816	1	COVER AS						

M-METRIC PART



<END>

GRAPHIC #1

g02992820

# COOLING SYSTEM

## 354-6507 COVER GP

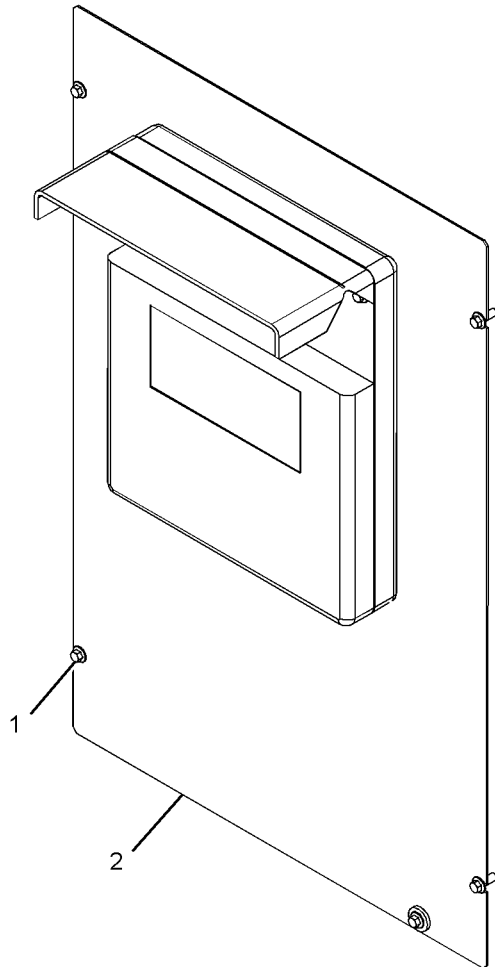
S/N: LNA1-UP; LZA1-UP  
AN ATTACHMENT

SMCS-1378

i04896575

NOTE	REF NO	GRAPHIC REF	PART NUMBER	QTY	PART NAME						SEE PAGE
					1	2	3	4	5	6 (PRODUCT LEVEL)	
M	1	1	235-4451	5	BOLT-FLANGE HEAD (M6X1X16-MM)						
Y	2	1	374-0439	1	COVER GP						93

M-METRIC PART  
Y-SEPARATE ILLUSTRATION



GRAPHIC #1

<END>

g03049476



# COOLING SYSTEM

## 374-0439 COVER GP

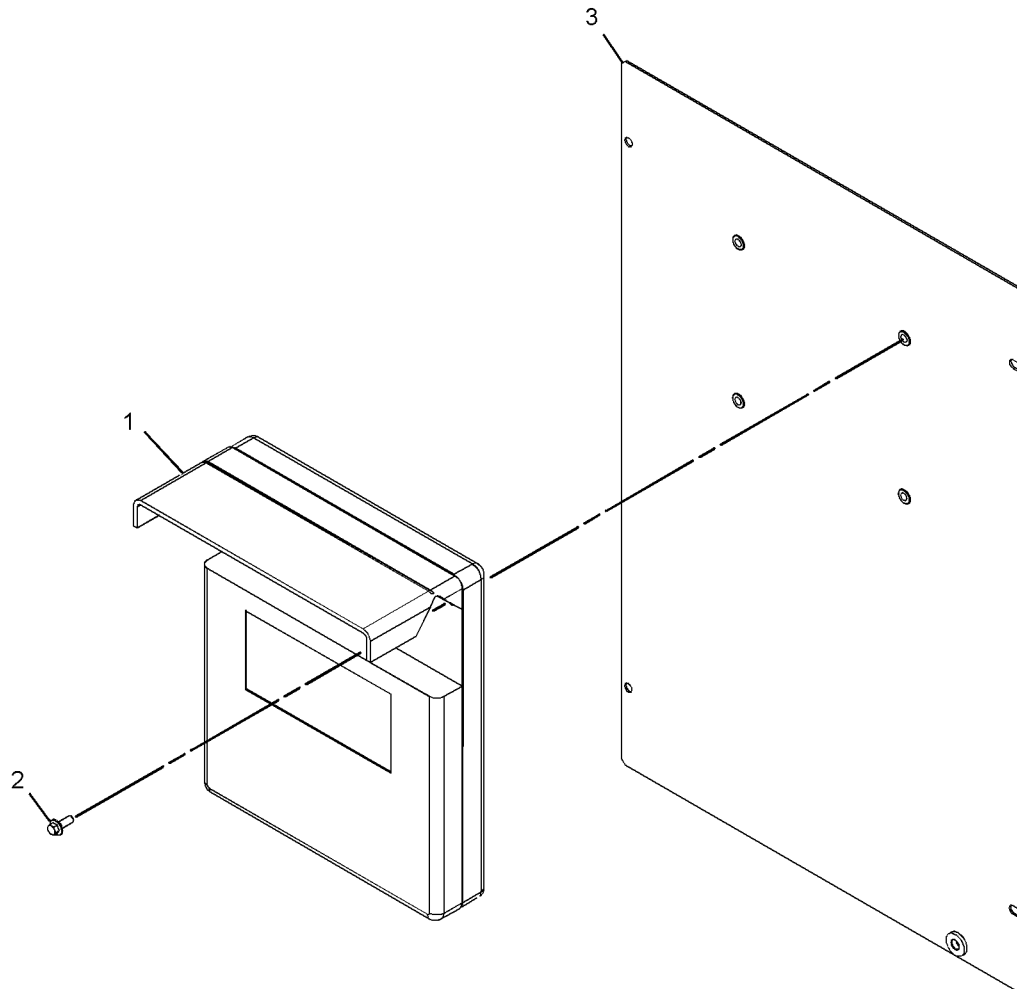
S/N: LNA1-UP; LZA1-UP  
PART OF 354-6507 COVER GP  
AN ATTACHMENT

SMCS-1378

i04896748

NOTE	REF NO	GRAPHIC REF	PART NUMBER	QTY	PART NAME						SEE PAGE
					1	2	3	4	5	6 (PRODUCT LEVEL)	
	1	1	152-4871	1	BOX-STORAGE						
M	2	1	235-4451	4	BOLT-FLANGE HEAD (M6X1X16-MM)						
	3	1	374-0446	1	COVER AS						

M-METRIC PART



GRAPHIC #1

<END>

g03048778

# COOLING SYSTEM

## 379-0917 COVER GP

S/N: LNA1-UP; LZA1-UP  
AN ATTACHMENT

SMCS-1378

i04855273

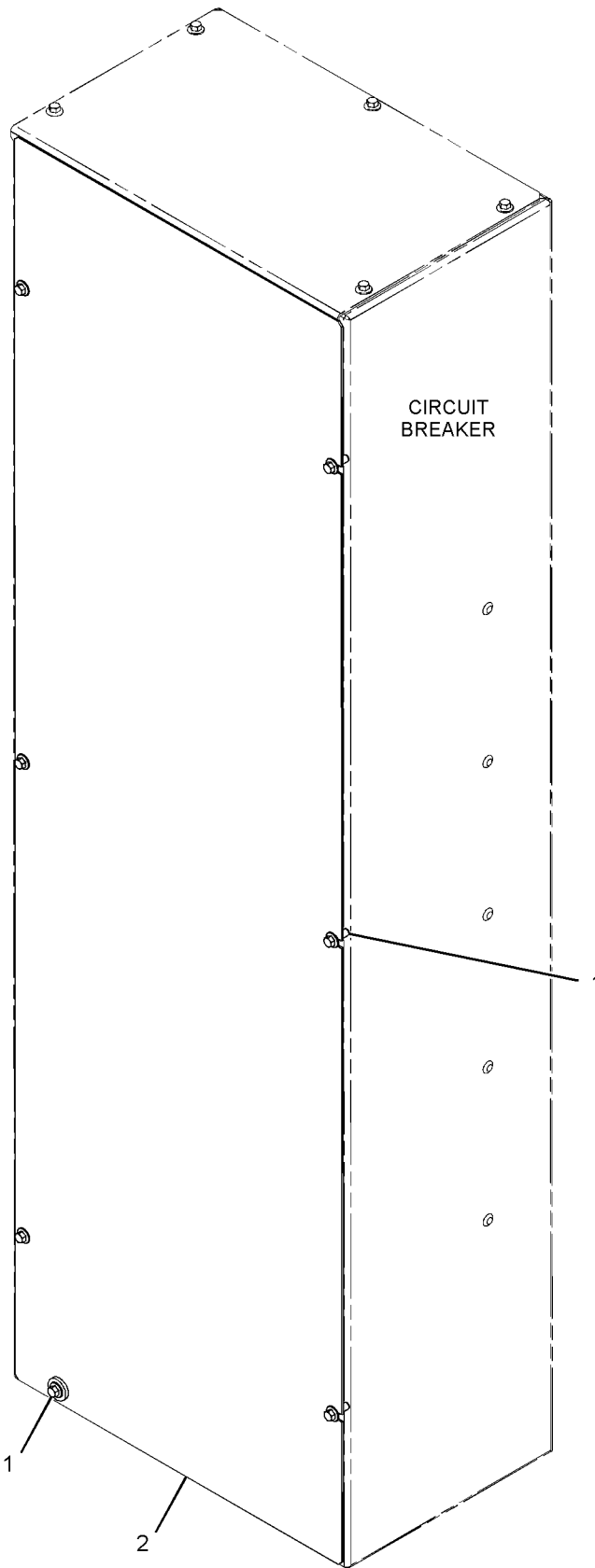
NOTE	REF NO	GRAPHIC REF	PART NUMBER	QTY	PART NAME						SEE PAGE
					1	2	3	4	5	6 (PRODUCT LEVEL)	
M	1	1	235-4451	7	BOLT-FLANGE HEAD (M6X1X16-MM)						
	2	1	388-4819	1	COVER AS						

M-METRIC PART

# COOLING SYSTEM

379-0917 COVER GP (contd.)

i04855273



GRAPHIC #1

<END>

g02992767

# COOLING SYSTEM

## 380-2030 DRAIN GP-COOLANT

S/N: LNA1-UP; LZA1-UP

15-LITERS

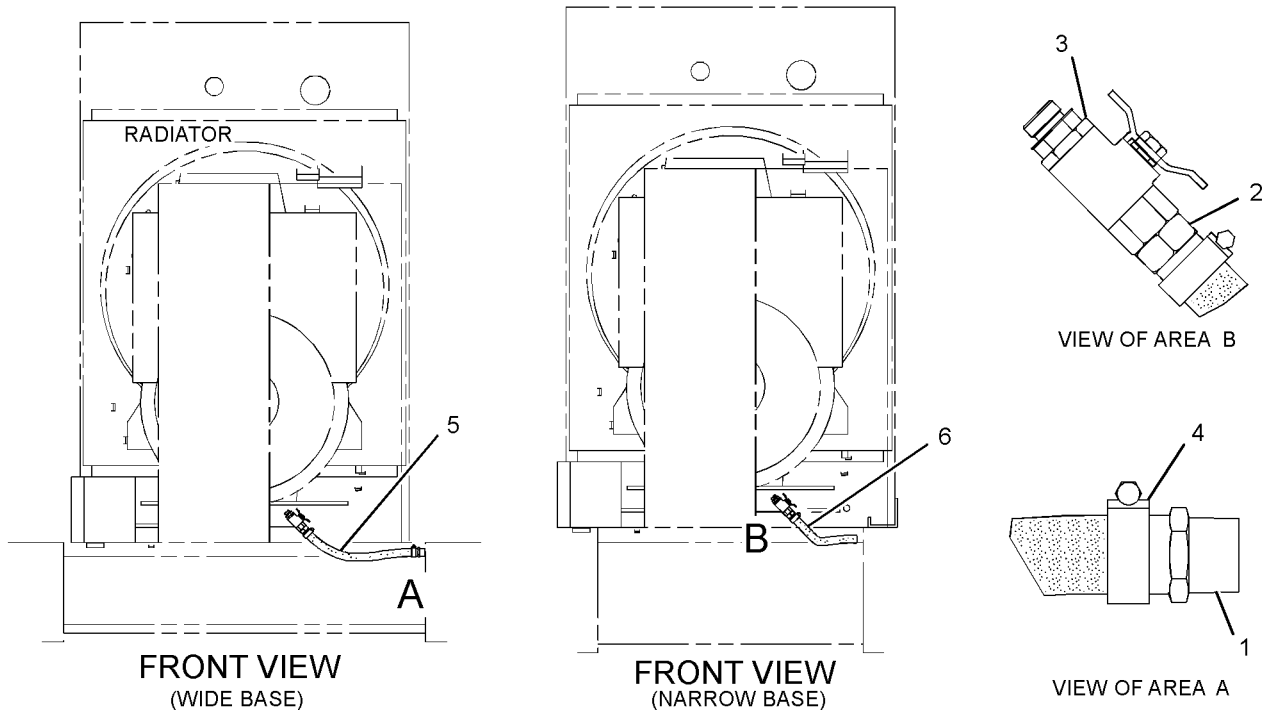
AN ATTACHMENT

SMCS-1380, 1395

i04757194

NOTE	REF NO	GRAPHIC REF	PART NUMBER	QTY	PART NAME						SEE PAGE
					1	2	3	4	5	6 (PRODUCT LEVEL)	
	1	1	142-6853	1	ADAPTER						
	2	1	163-4300	1	ADAPTER AS						
		1	3K-0360	1	SEAL-O-RING						
		1	377-9605	1	ADAPTER						
	3	1	377-9580	1	VALVE AS-BALL						
		1	3K-0360	1	SEAL-O-RING						
		1	156-2525	1	VALVE-SHUTOFF						
	4	1	159-1503	2	CLAMP-HOSE						
EJ	5	1	5P-0765		HOSE (49-CM)						
EL	6	1	5P-0765		HOSE (43-CM)						

E-ORDER BY THE CENTIMETER  
 J-TO BE USED ON WIDE BASE  
 L-TO BE USED ON NARROW BASE



GRAPHIC #1

<END>

g02858078

# COOLING SYSTEM

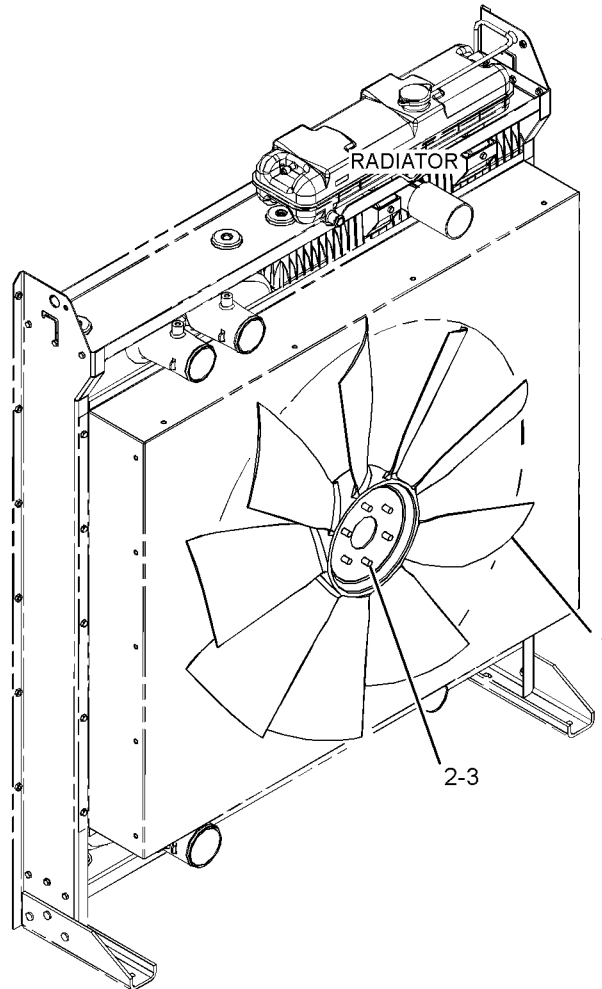
## 354-6463 FAN GP-BLOWER

S/N: LNA1-UP; LZA1-UP  
PART OF 349-5034 RADIATOR GP  
AN ATTACHMENT

SMCS-1356, 1360

i04892128

NOTE	REF NO	GRAPHIC REF	PART NUMBER	QTY	PART NAME						SEE PAGE
					1	2	3	4	5	6 (PRODUCT LEVEL)	
	1	1	354-6444	1	SPIDER AS-FAN (9-BLADE)						
	2	1	5P-2228	6	BOLT (1/2-13X1-IN)						
	3	1	8T-4223	6	WASHER-HARD (13.5X25.5X3-MM THK)						



GRAPHIC #1

<END>

g03029917

# COOLING SYSTEM

## 354-6464 GUARD GP-FAN

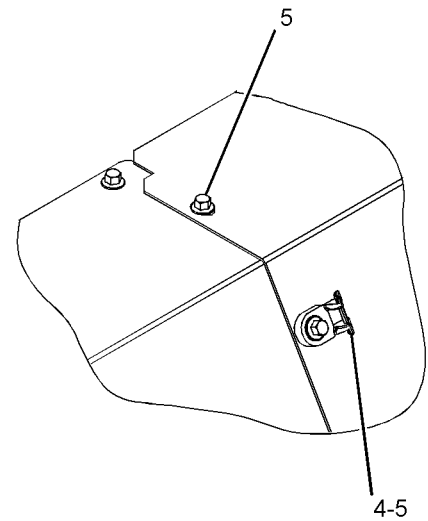
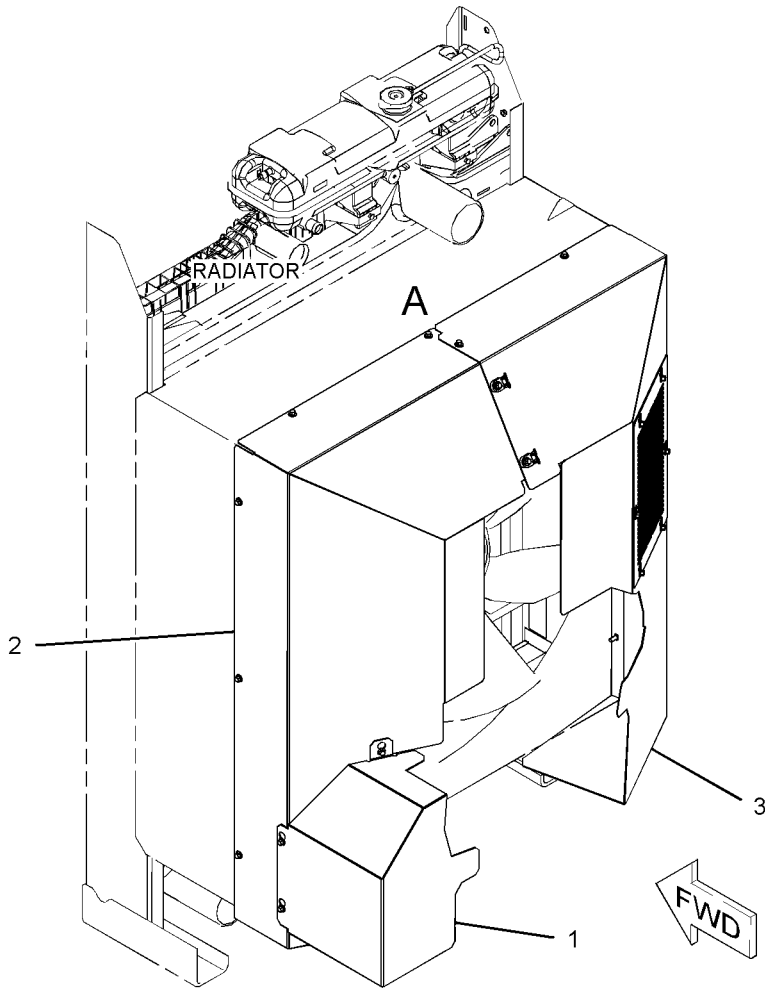
S/N: LNA1-UP; LZA1-UP  
PART OF 349-5034 RADIATOR GP  
AN ATTACHMENT

SMCS-1360

i04896626

NOTE	REF NO	GRAPHIC REF	PART NUMBER	QTY	PART NAME						SEE PAGE
					1	2	3	4	5	6 (PRODUCT LEVEL)	
	1	1	<b>354-6443</b>	1	GUARD						
Y	2	1	378-3630	1	GUARD GP-FAN						99
Y	3	1	378-3631	1	GUARD GP-FAN						100
	4	1	<b>204-8000</b>	2	MOUNTING-CABLE TIE						
	5	1	<b>342-9920</b>	12	BOLT-FLANGE HEAD (M8X1.25X20-MM)						

Y-SEPARATE ILLUSTRATION



VIEW OF AREA A

g03060661

GRAPHIC #1

<END>

# COOLING SYSTEM

## 378-3630 GUARD GP-FAN

S/N: LNA1-UP; LZA1-UP

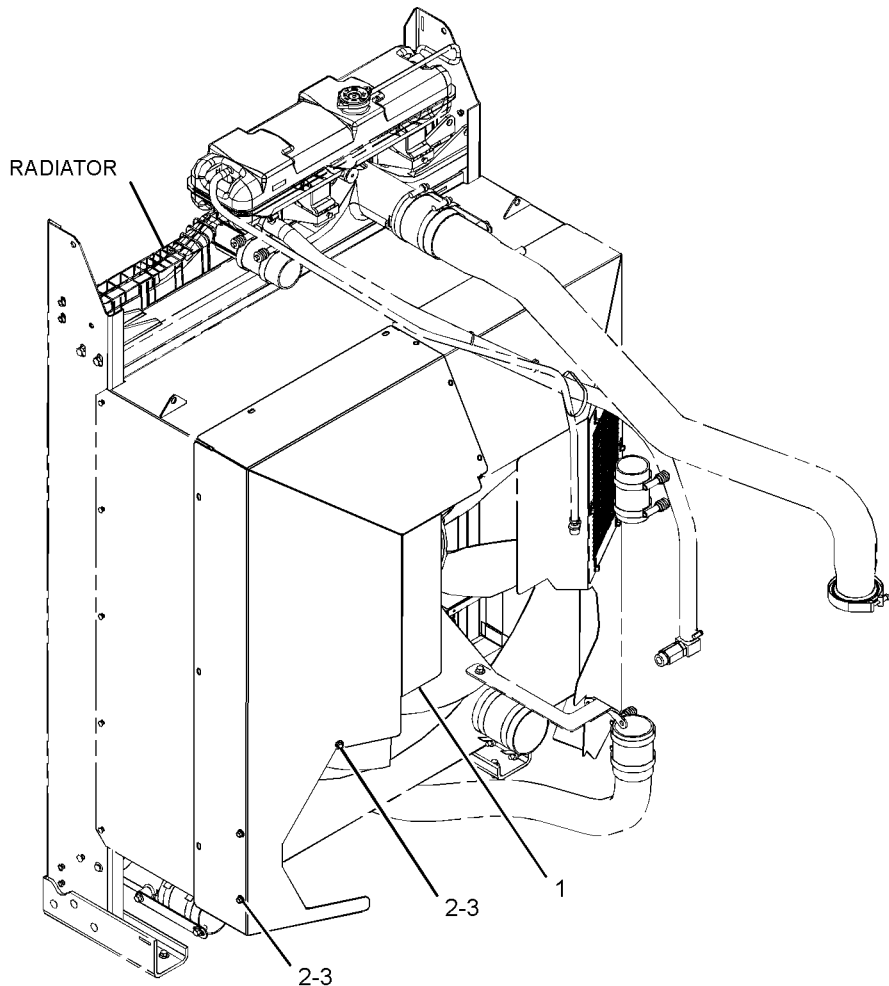
PART OF 354-6464 GUARD GP-FAN  
AN ATTACHMENT

SMCS-1360

i04896665

NOTE	REF NO	GRAPHIC REF	PART NUMBER	QTY	PART NAME						SEE PAGE
					1	2	3	4	5	6 (PRODUCT LEVEL)	
	1	1	354-6435	1	GUARD AS						
M		1	8T-3612	6	NUT-WELD (M8X1.25-THD)						
M	2	1	112-8293	3	BOLT-FLANGE HEAD (M8X1.25X30-MM)						
M	3	1	6V-9189	3	LOCKNUT (M8X1.25-THD)						

M-METRIC PART



GRAPHIC #1

<END>

g03048779

# COOLING SYSTEM

## 378-3631 GUARD GP-FAN

S/N: LNA1-UP; LZA1-UP

BASIC

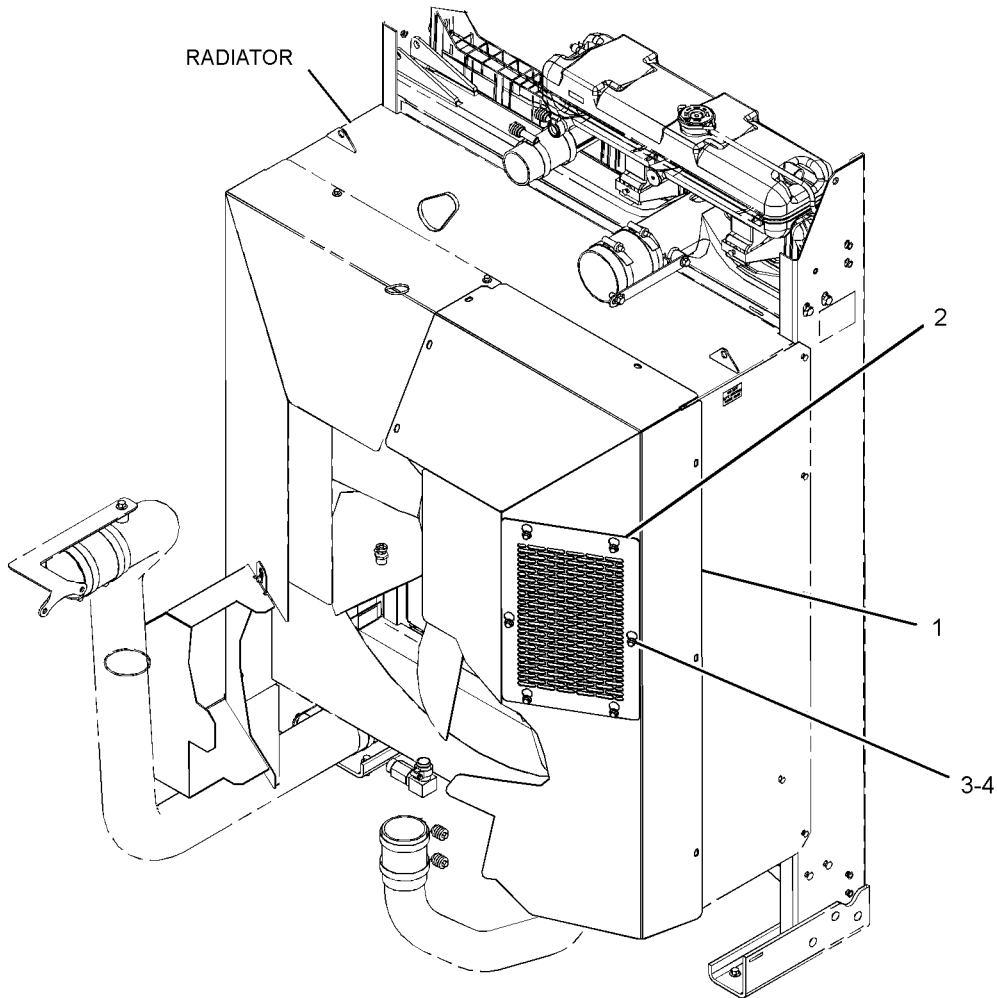
PART OF 354-6464 GUARD GP-FAN  
AN ATTACHMENT

SMCS-1360

i04941296

NOTE	REF NO	GRAPHIC REF	PART NUMBER	QTY	PART NAME						SEE PAGE
					1	2	3	4	5	6 (PRODUCT LEVEL)	
	1	1	354-6436	1	GUARD AS (RH)						
M		1	8T-3612	6	NUT-WELD (M8X1.25-THD)						
	2	1	354-6455	1	PLATE-COVER						
M	3	1	112-8293	6	BOLT-FLANGE HEAD (M8X1.25X30-MM)						
M	4	1	6V-9189	6	LOCKNUT (M8X1.25-THD)						

M-METRIC PART



GRAPHIC #1

<END>

g03048780



# COOLING SYSTEM

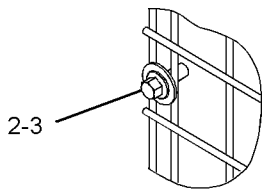
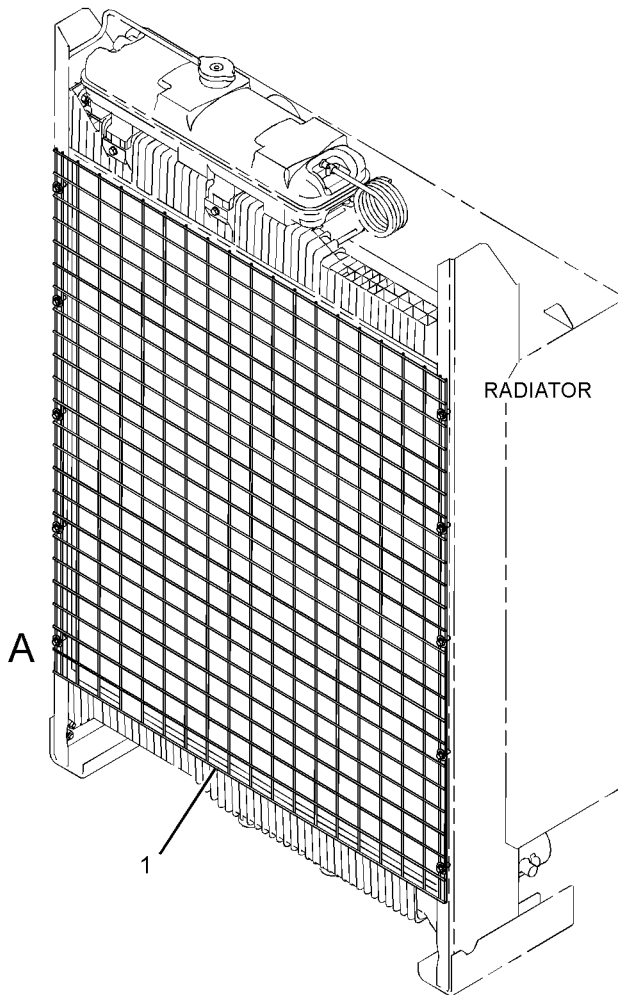
## 384-2229 GUARD GP-RADIATOR

S/N: LNA1-UP  
AN ATTACHMENT

SMCS-7155

i04747371

NOTE	REF NO	GRAPHIC REF	PART NUMBER	QTY	PART NAME						SEE PAGE
					1	2	3	4	5	6 (PRODUCT LEVEL)	
	1	1	384-2230	1	GUARD-STONE						
	2	1	260-6685	10	WASHER (9X25X1.6-MM THK)						
	3	1	342-9920	10	BOLT-FLANGE HEAD (M8X1.25X20-MM)						



VIEW OF AREA A

GRAPHIC #1

<END>



g02875120

# COOLING SYSTEM

## 279-8770 LINES GP-WATER

S/N: FTH1-UP

PART OF 382-3732, 382-3733, 382-3734, 382-3735 ENGINE AR-COMplete

SMCS-1355, 1380, 1393

i03993939

NOTE	REF NO	GRAPHIC REF	PART NUMBER	QTY	PART NAME						SEE PAGE
					1	2	3	4	5	6 (PRODUCT LEVEL)	
	1	1	<b>3S-9643</b>	2	SEAL-LIP TYPE (WATER TEMPERATURE REGULATOR)						
	2	2	<b>125-0434</b>	1	SEAL-INTEGRAL						
	3	2	<b>126-4935</b>	1	SEAL-INTEGRAL						
R	4	2	<b>133-0125</b>	1	CORE AS-ENGINE OIL COOLER						
	5	1	<b>157-0670</b>	1	CAP-DUST						
	6	2	<b>162-8682</b>	1	HOUSING-REGULATOR						
	7	2	<b>162-8697</b>	1	MANIFOLD-HOUSING						
	8	1	<b>163-9385</b>	1	BONNET-OUTLET						
	9	1	<b>166-2340</b>	1	SEAL (TEMPERATURE REGULATOR)						
	10	2	<b>166-3501</b>	1	PIPE						
	11	2	<b>170-4860</b>	1	BONNET-INLET						
	12	2	<b>196-4813</b>	1	COVER-WATER PUMP						
	13	2	<b>197-8006</b>	1	SEAL-O-RING						
	14	1	<b>247-7133</b>	2	REGULATOR-WATER TEMPERATURE (98-DEG C) (COOLANT)						
	15	1,2	<b>0L-1352</b>	6	BOLT (3/8-16X3.25-IN)						
	16	1,2	<b>0S-1594</b>	6	BOLT (3/8-16X1-IN)						
	17	1,2	<b>109-0077</b>	2	SEAL-O-RING						
	18	1	<b>154-9024</b>	1	VALVE GP-FLUID SAMPLING (ENGINE COOLANT)						
	19	1	<b>167-4407</b>	1	SEAL-O-RING						
	20	2	<b>171-4358</b>	2	SEAL-O-RING						
	21	2	<b>4F-0411</b>	3	BOLT (3/8-16X6.5-IN)						
	22	2	<b>353-5140</b>	3	PLUG AS						
					(EACH INCLUDES)						
		2	<b>6V-5063</b>	1	SEAL-O-RING						
		2	<b>9S-8008</b>	1	PLUG-O-RING						
	23	1,2	<b>7X-7731</b>	5	PLUG-PIPE						
	24	1	<b>8T-6761</b>	1	PLUG-PIPE						
	25	2	<b>8T-6762</b>	6	PLUG-PIPE (1/2-14-THD)						
	26	2	<b>8T-6767</b>	1	PLUG-PIPE						

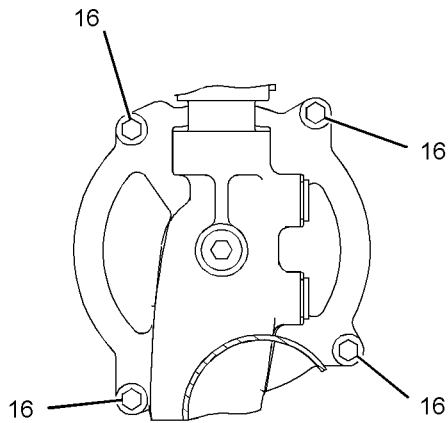
R-REMFG PART MAY BE AVAILABLE

# COOLING SYSTEM

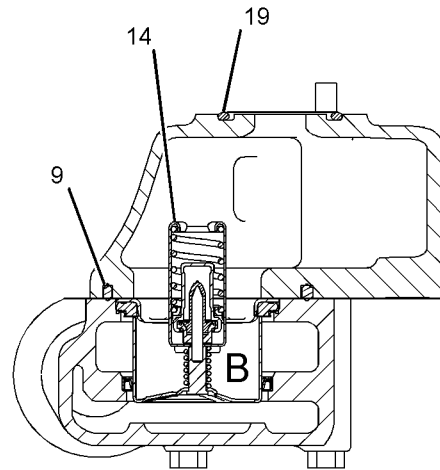
279-8770 LINES GP-WATER (contd.)

i03993939

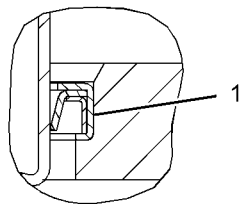
REFER TO ALL ILLUSTRATIONS OF THIS GROUP FOR AUXILIARY VIEWS.



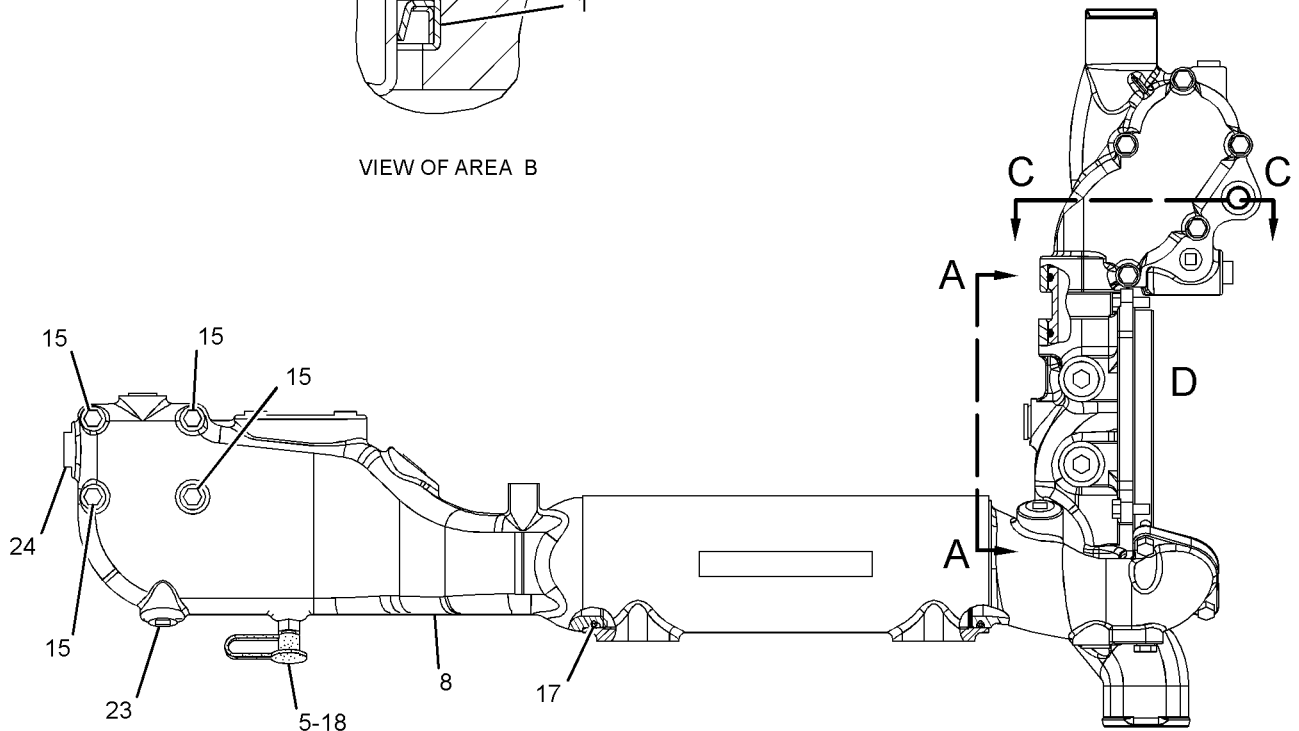
SECTION A-A



SECTION C-C



VIEW OF AREA B



RIGHT SIDE VIEW OF ENGINE

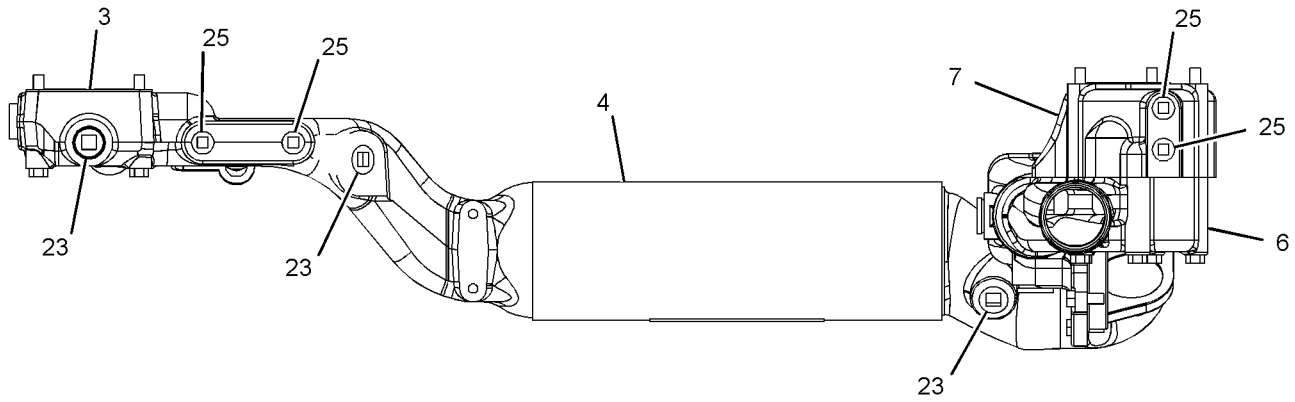
GRAPHIC #1

g02174542

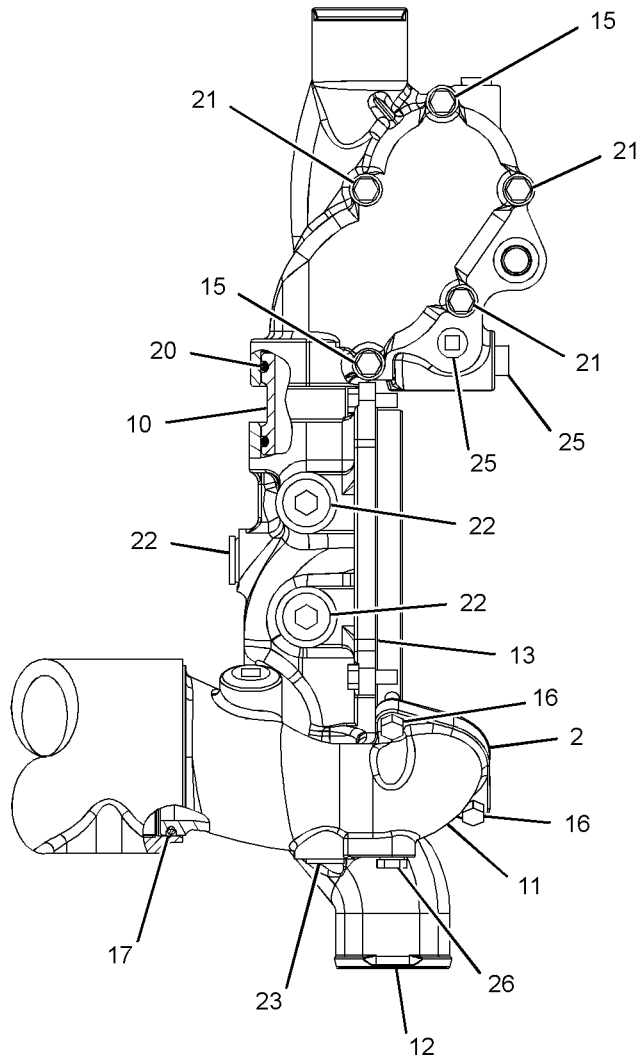
# COOLING SYSTEM

279-8770 LINES GP-WATER (contd.)

i03993939



TOP VIEW OF ENGINE



VIEW OF AREA D

<END>

GRAPHIC #2

g02174543

# COOLING SYSTEM

## 280-8039 PUMP GP-WATER

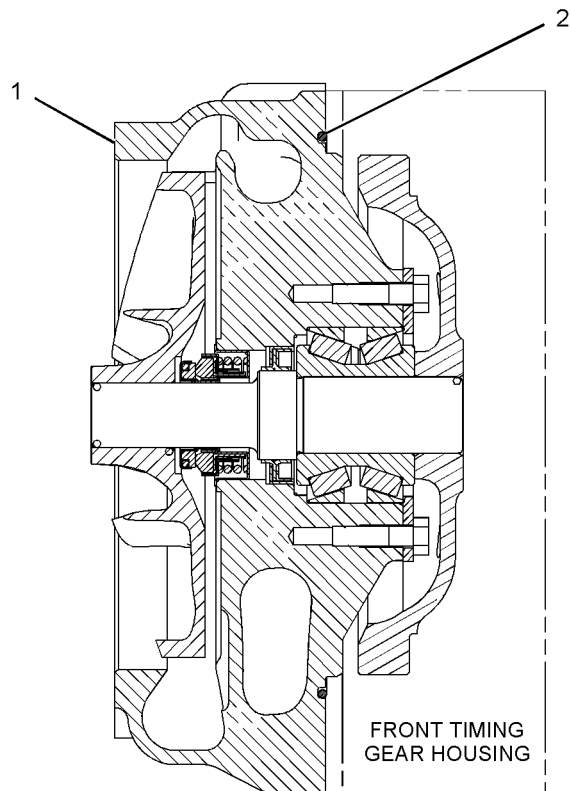
S/N: FTH1-UP

SMCS-1361

i04758607

NOTE	REF NO	GRAPHIC REF	PART NUMBER	QTY	PART NAME						SEE PAGE
					1	2	3	4	5	6 (PRODUCT LEVEL)	
Y	1	1	336-2213	1	PUMP GP-WATER						106
	2	1	122-3772	1	SEAL-O-RING (WATER PUMP)						

Y-SEPARATE ILLUSTRATION



GRAPHIC #1

<END>

g01147605

# COOLING SYSTEM

## 336-2213 PUMP GP-WATER

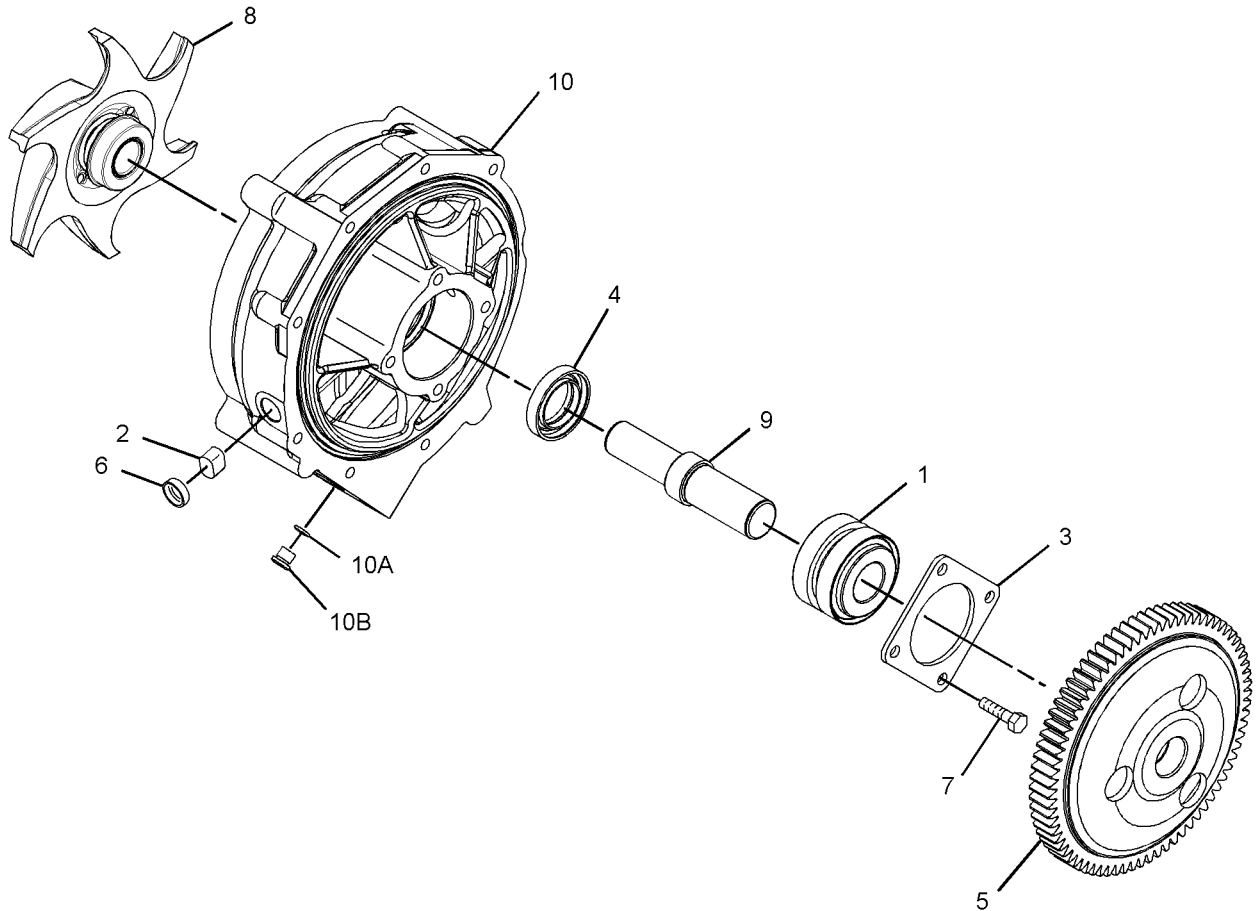
S/N: FTH1-UP

PART OF 280-8039 PUMP GP-WATER

SMCS-1361

i03812251

NOTE	REF NO	GRAPHIC REF	PART NUMBER	QTY	PART NAME						SEE PAGE
					1	2	3	4	5	6 (PRODUCT LEVEL)	
	1	1	108-7930	1	BEARING AS-ROLLER						
	2	1	315-6645	1	PLUG-FELT						
	3	1	136-1107	1	RETAINER						
	4	1	153-1256	1	SEAL-LIP TYPE						
	5	1	195-0319	1	GEAR (74-TEETH)						
	6	1	203-3831	1	PLUG-CUP						
	7	1	1B-7182	4	BOLT (5/16-18X1.25-IN)						
	8	1	246-3129	1	IMPELLER-PUMP						
	9	1	246-3130	1	SHAFT-WATER PUMP						
	10	1	303-8698	1	HOUSING AS-PUMP						
	10A	1	6V-5048	1	SEAL-O-RING						
	10B	1	9S-8002	1	PLUG-O-RING						



GRAPHIC #1

<END>

g02067794

# COOLING SYSTEM

## 349-5034 RADIATOR GP

S/N: LNA1-UP; LZA1-UP  
AN ATTACHMENT

SMCS - 1353

i04896597

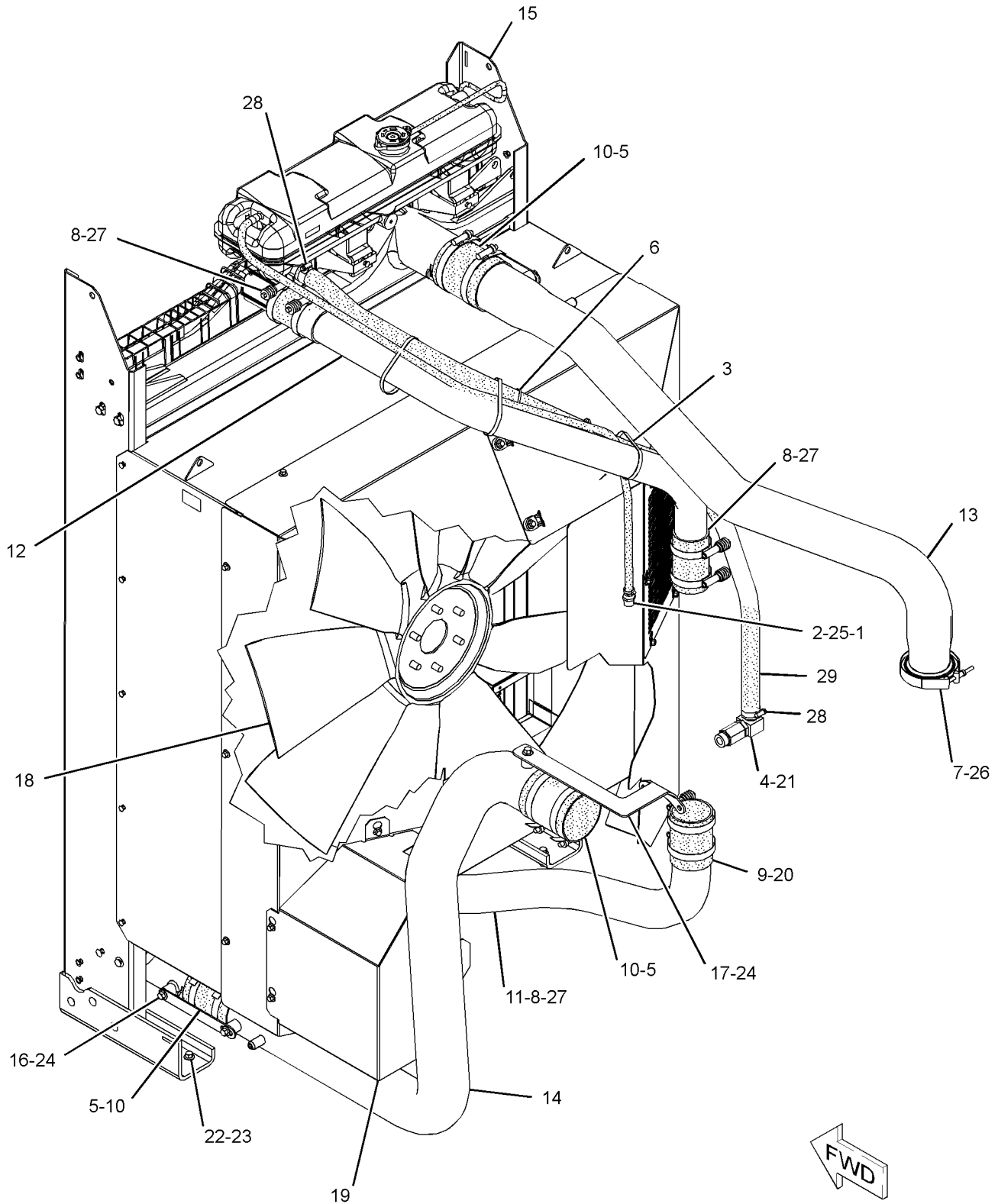
NOTE	REF NO	GRAPHIC REF	PART NUMBER	QTY	PART NAME						SEE PAGE
					1	2	3	4	5	6 (PRODUCT LEVEL)	
	1	1	<b>1P-4278</b>	1	CLAMP-HOSE						
	2	1	<b>1P-9328</b>	1	FITTING						
	3	1	<b>7K-1181</b>	3	STRAP-CABLE						
	4	1	<i>9U-6998</i>	1	FITTING GP						
		1	<b>3D-2824</b>	1	SEAL-O-RING						
		1	<b>3E-4041</b>	1	ELBOW						
	5	1	<b>9X-2201</b>	6	CLAMP-HOSE						
	6	1	<b>108-9656</b>	2	STRAP-CABLE						
	7	1	<b>127-0929</b>	1	CLAMP-V BAND						
	8	1	<b>264-7111</b>	3	HOSE						
	9	1	<b>264-7112</b>	1	HOSE						
	10	1	<b>306-5412</b>	3	HOSE						
	11	1	<b>354-6430</b>	1	TUBE AS						
	12	1	<b>354-6431</b>	1	TUBE						
	13	1	<b>354-6432</b>	1	TUBE AS						
	14	1	<b>354-6433</b>	1	TUBE AS						
Y	15	1	<i>354-6434</i>	1	RADIATOR GP						109
	16	1	<b>354-6454</b>	2	STRAP						
	17	1	<b>354-6456</b>	1	BRACKET						
Y	18	1	<i>354-6463</i>	1	FAN GP-BLOWER						97
Y	19	1	<i>354-6464</i>	1	GUARD GP-FAN						98
	20	1	<b>144-0367</b>	2	CLAMP-HOSE						
	21	1	<i>148-8312</i>	1	ADAPTER AS						
		1	<b>3D-2824</b>	1	SEAL-O-RING						
		1	<b>3T-4965</b>	1	ADAPTER-O-RING						
M	22	1	<b>175-7141</b>	4	NUT-HEX FLANGE (M10X1.5-THD)						
	23	1	<b>338-3669</b>	4	BOLT-FLANGE HEAD (M10X1.5X30-MM)						
	24	1	<b>342-9913</b>	5	BOLT-FLANGE HEAD (M10X1.5X20-MM)						
	25	1	<b>3B-7764</b>	1	BUSHING (REDUCING)						
	26	1	<b>8C-3089</b>	1	SEAL-O-RING						
	27	1	<b>8T-4984</b>	6	CLAMP-HOSE						
	28	1	<b>9M-7958</b>	2	CLAMP-HOSE						
E	29	1	<b>371-8094</b>		HOSE (157-CM)						

E-ORDER BY THE CENTIMETER  
M-METRIC PART  
Y-SEPARATE ILLUSTRATION

# COOLING SYSTEM

349-5034 RADIATOR GP (contd.)

i04896597



GRAPHIC #1

<END>

g03057040



# COOLING SYSTEM

## 354-6434 RADIATOR GP

S/N: LNA1-UP; LZA1-UP

BASIC

PART OF 349-5034 RADIATOR GP

AN ATTACHMENT

SMCS-1353

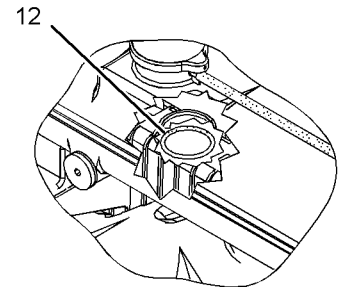
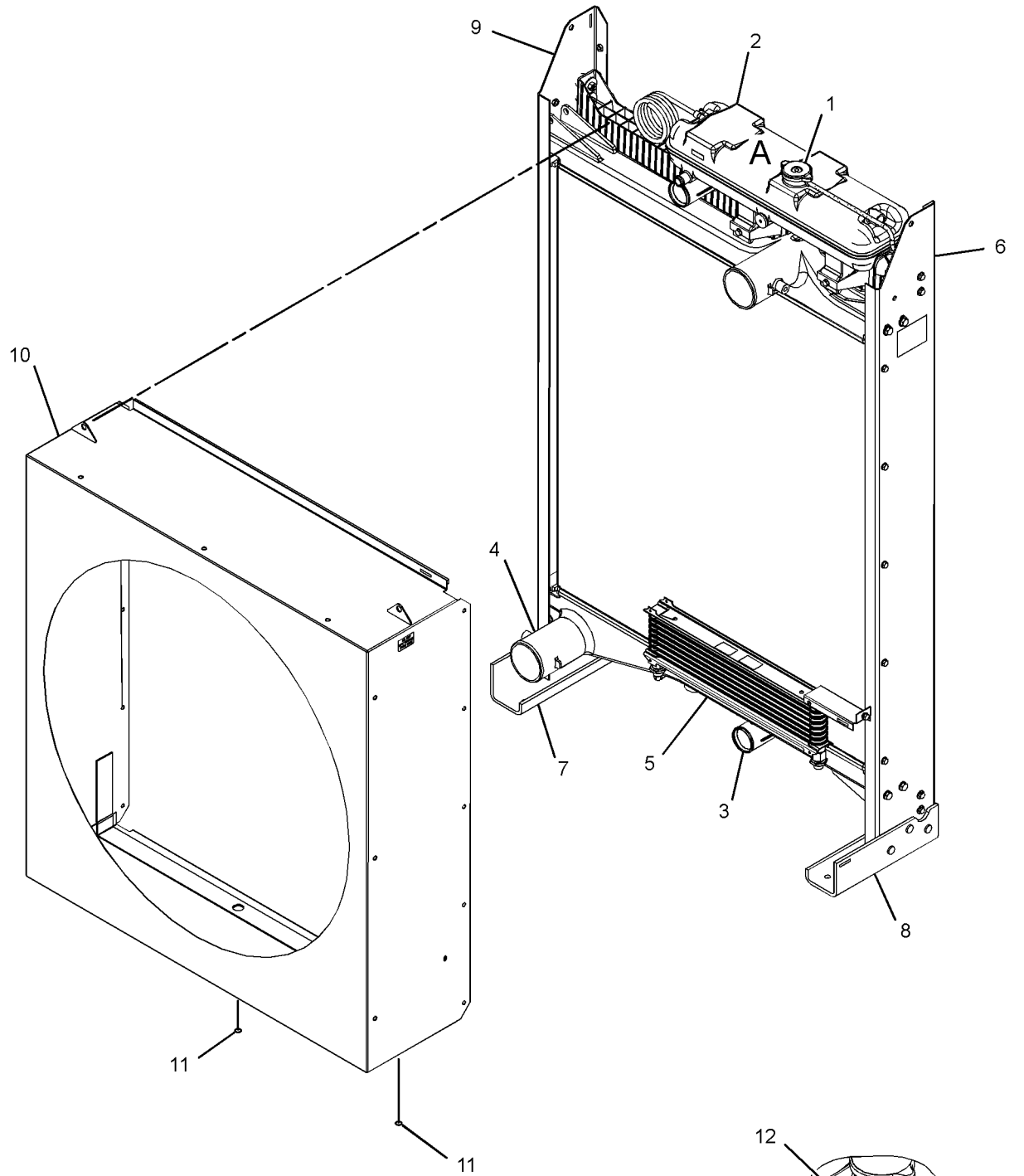
i05006493

NOTE	REF NO	GRAPHIC REF	PART NUMBER	QTY	PART NAME						SEE PAGE
					1	2	3	4	5	6 (PRODUCT LEVEL)	
	1	1	391-6399	1	CAP AS-RADIATOR						
	2	1	418-5153	1	TANK-RADIATOR						
	3	1	391-6405	1	RADIATOR AS						
	4	1	391-6408	1	AFTERCOOLER						
	5	1	391-6411	1	COOLER-FUEL						
	6	1	391-6412	1	SUPPORT						
	7	1	391-6413	1	BRACKET						
	8	1	391-6414	1	BRACKET						
	9	1	391-6415	1	SUPPORT						
	10	1	391-6416	1	SHROUD AS						
	11	1	228-7090	2	SEAL-O-RING						
	12	1	4J-5573	1	SEAL-O-RING						

# COOLING SYSTEM

354-6434 RADIATOR GP (contd.)

i05006493



GRAPHIC #1

<END>

g02874817

# COOLING SYSTEM

## 384-4305 REGULATOR GP-TEMPERATURE

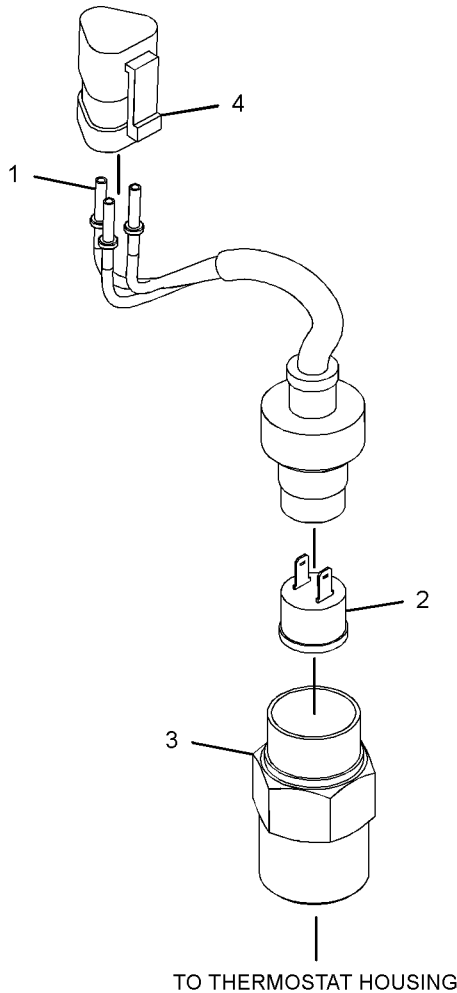
S/N: LNA1-UP; LZA1-UP

PART OF 384-4683 HEATER GP-JACKET WATER  
AN ATTACHMENT

SMCS-1355

i04826916

NOTE	REF NO	GRAPHIC REF	PART NUMBER	QTY	PART NAME						SEE PAGE
					1	2	3	4	5	6 (PRODUCT LEVEL)	
	1	1	<b>8T-8730</b>	3	SOCKET-CONNECTOR (16-GA TO 18-GA)						
	2	1	<b>105-8405</b>	1	REGULATOR (WATER TEMPERATURE)						
	3	1	<b>235-5863</b>	1	HOUSING (REGULATOR)						
	4	1	<b>155-2260</b>	1	KIT-CONNECTING PLUG (3-PIN)						
(INCLUDES PLUG AS, WEDGE, & INTERFACE SEAL)											



TO THERMOSTAT HOUSING  
<END>

GRAPHIC #1

g02962017

# AIR INLET AND EXHAUST SYSTEM

## 392-0709 ADAPTER GP-EXHAUST

S/N: LNA1-UP; LZA1-UP

6-8 INCHES

FOR USE WITH EXHAUST OPTION 15-LITERS  
AN ATTACHMENT

SMCS-1061

i04750573

NOTE	PART NUMBER	QTY	PART NAME						SEE PAGE
			1	2	3	4	5	6 (PRODUCT LEVEL)	
	244-1878	1	ADAPTER AS						
	145-4933	1	FLANGE						
	145-4933	1	FLANGE						
	113-9848	1	GASKET						

<END>

# AIR INLET AND EXHAUST SYSTEM

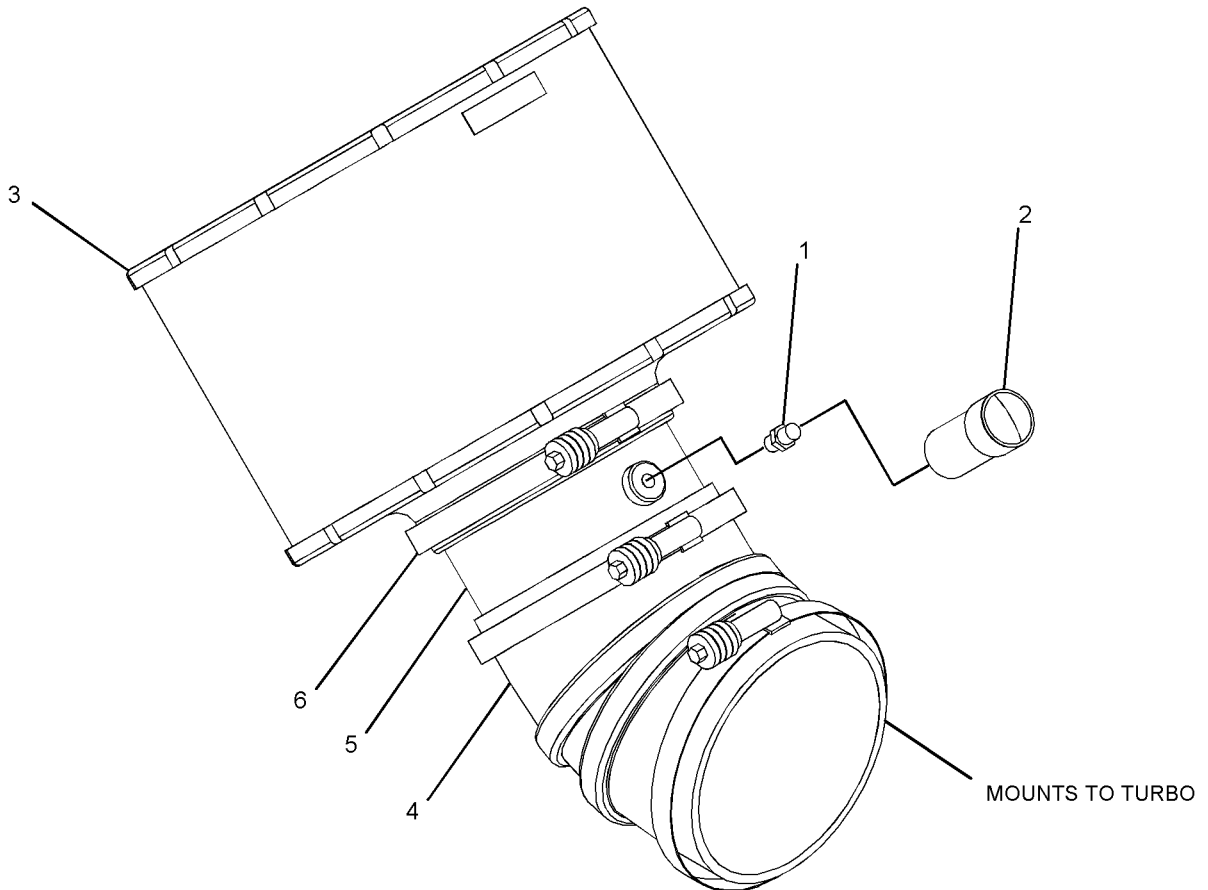
## 371-1790 AIR CLEANER GP

S/N: LNA1-UP; LZA1-UP  
15-LITERS. NON-CANISTER  
AN ATTACHMENT

SMCS-1051, 1054

i04768674

NOTE	REF NO	GRAPHIC REF	PART NUMBER	QTY	PART NAME						SEE PAGE
					1	2	3	4	5	6 (PRODUCT LEVEL)	
	1	1	5L-3233	1	FITTING-CONNECTOR						
	2	1	6I-2933	1	INDICATOR-AIR FILTER SERVICE						
	3	1	7C-1571	1	FILTER ELEMENT AS-AIR (PRIMARY)						
	4	1	9Y-6102	1	ELBOW						
	5	1	371-1787	1	TUBE AS						
	6	1	8T-4988	3	CLAMP-HOSE						



GRAPHIC #1

<END>

g02872664

# AIR INLET AND EXHAUST SYSTEM

## 371-1795 AIR CLEANER GP

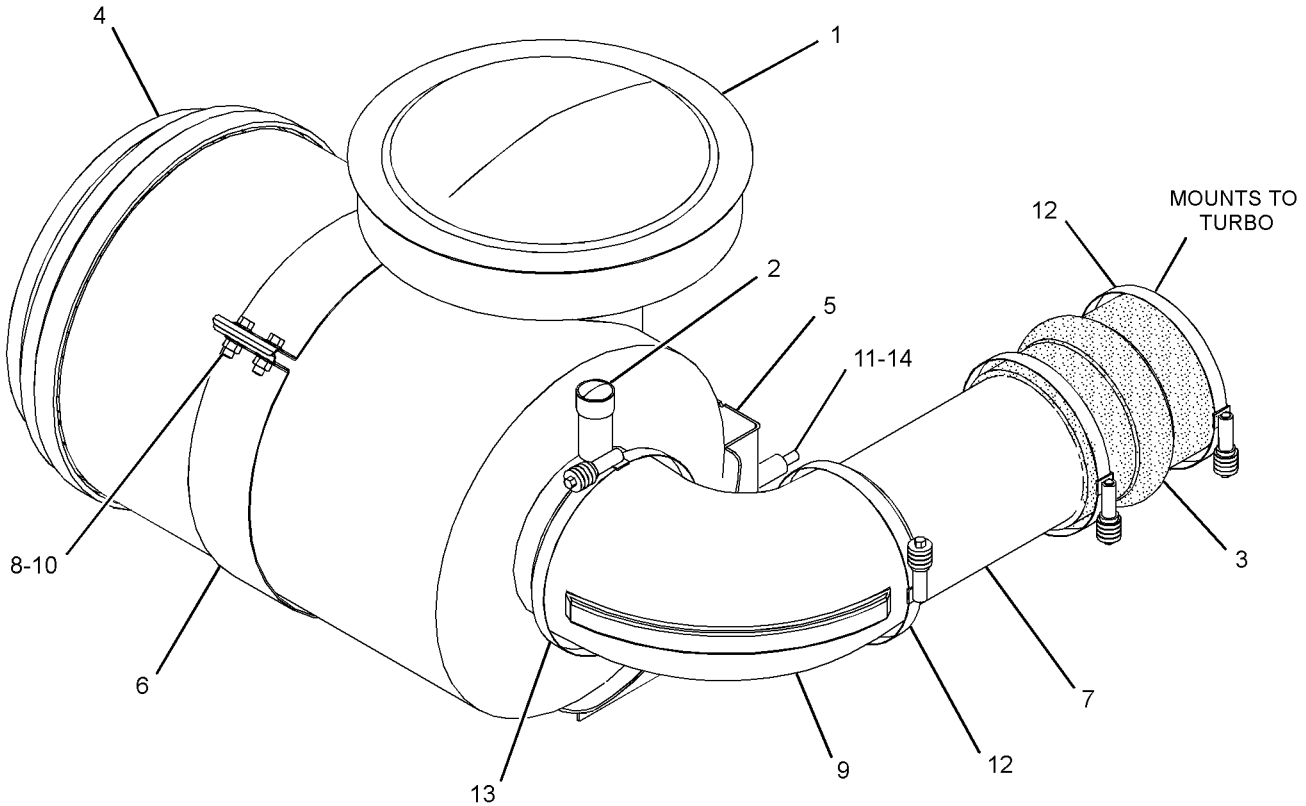
S/N: LNA1-UP; LZA1-UP  
15-LITERS. SINGLE ELEMENT  
AN ATTACHMENT

SMCS-1051, 1054

i04768643

NOTE	REF NO	GRAPHIC REF	PART NUMBER	QTY	PART NAME						SEE PAGE
					1	2	3	4	5	6 (PRODUCT LEVEL)	
	1	1	4W-5828	1	CAP AS-AIR CLEANER						
	2	1	6I-2933	1	INDICATOR-AIR FILTER SERVICE						
	3	1	7X-2153	1	HOSE						
	4	1	371-1799	1	AIR CLEANER GP						
		1	151-7737	1	FILTER ELEMENT AS-AIR (PRIMARY)						
		1	171-9893	1	COVER AS						
	5	1	387-4312	1	BRACKET AS						
	6	1	387-4313	1	STRAP						
	7	1	387-6373	1	TUBE						
M	8	1	175-7141	2	NUT-HEX FLANGE (M10X1.5-THD)						
	9	1	210-3257	1	ELBOW						
	10	1	338-3669	2	BOLT-FLANGE HEAD (M10X1.5X30-MM)						
	11	1	8T-4896	4	WASHER-HARD (10.2X18.5X2.5-MM THK)						
	12	1	8T-4988	3	CLAMP-HOSE						
	13	1	8T-4989	1	CLAMP-HOSE						
	14	1	8T-7008	4	BOLT (3/8-16X3-IN)						

M-METRIC PART



GRAPHIC #1

<END>

g02874816

# AIR INLET AND EXHAUST SYSTEM

## 371-1800 AIR CLEANER GP

S/N: LNA1-UP; LZA1-UP  
15-LITERS. DUAL ELEMENT  
AN ATTACHMENT

SMCS-1051, 1054

i04768662

NOTE	REF NO	GRAPHIC REF	PART NUMBER	QTY	PART NAME						SEE PAGE
					1	2	3	4	5	6 (PRODUCT LEVEL)	
Y	1	1	4W-5828	1	CAP AS-AIR CLEANER						117
	2	1	6I-2933	1	INDICATOR-AIR FILTER SERVICE						
	3	1	7X-2153	1	HOSE						
	4	1	189-0202	1	FILTER ELEMENT AS-AIR (SECONDARY)						
	5	1	371-1799	1	AIR CLEANER GP						
		1	151-7737	1	FILTER ELEMENT AS-AIR (PRIMARY)						
		1	171-9893	1	COVER AS						
	6	1	387-4312	1	BRACKET AS						
	7	1	387-4313	1	STRAP						
	8	1	387-6373	1	TUBE						
M	9	1	175-7141	2	NUT-HEX FLANGE (M10X1.5-THD)						
	10	1	210-3257	1	ELBOW						
	11	1	338-3669	2	BOLT-FLANGE HEAD (M10X1.5X30-MM)						
	12	1	8T-4896	4	WASHER-HARD (10.2X18.5X2.5-MM THK)						
	13	1	8T-4988	3	CLAMP-HOSE						
	14	1	8T-4989	1	CLAMP-HOSE						
	15	1	8T-7008	4	BOLT (3/8-16X3-IN)						

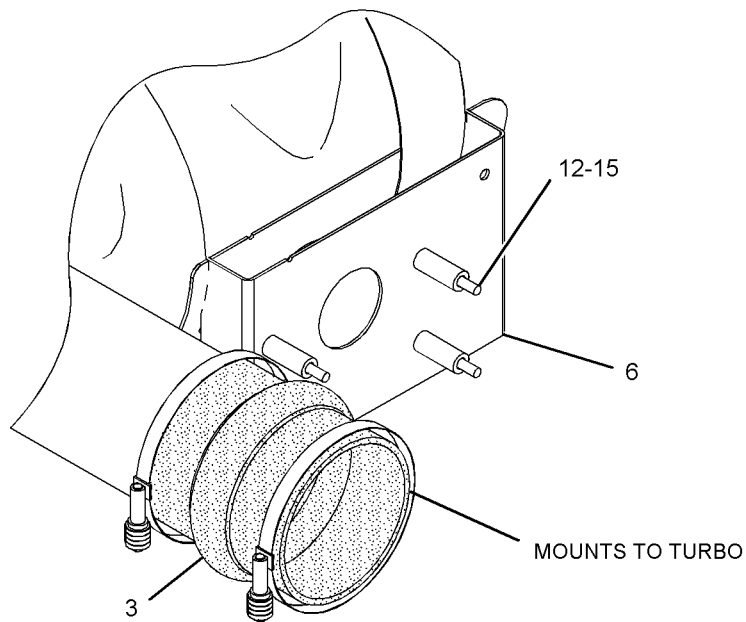
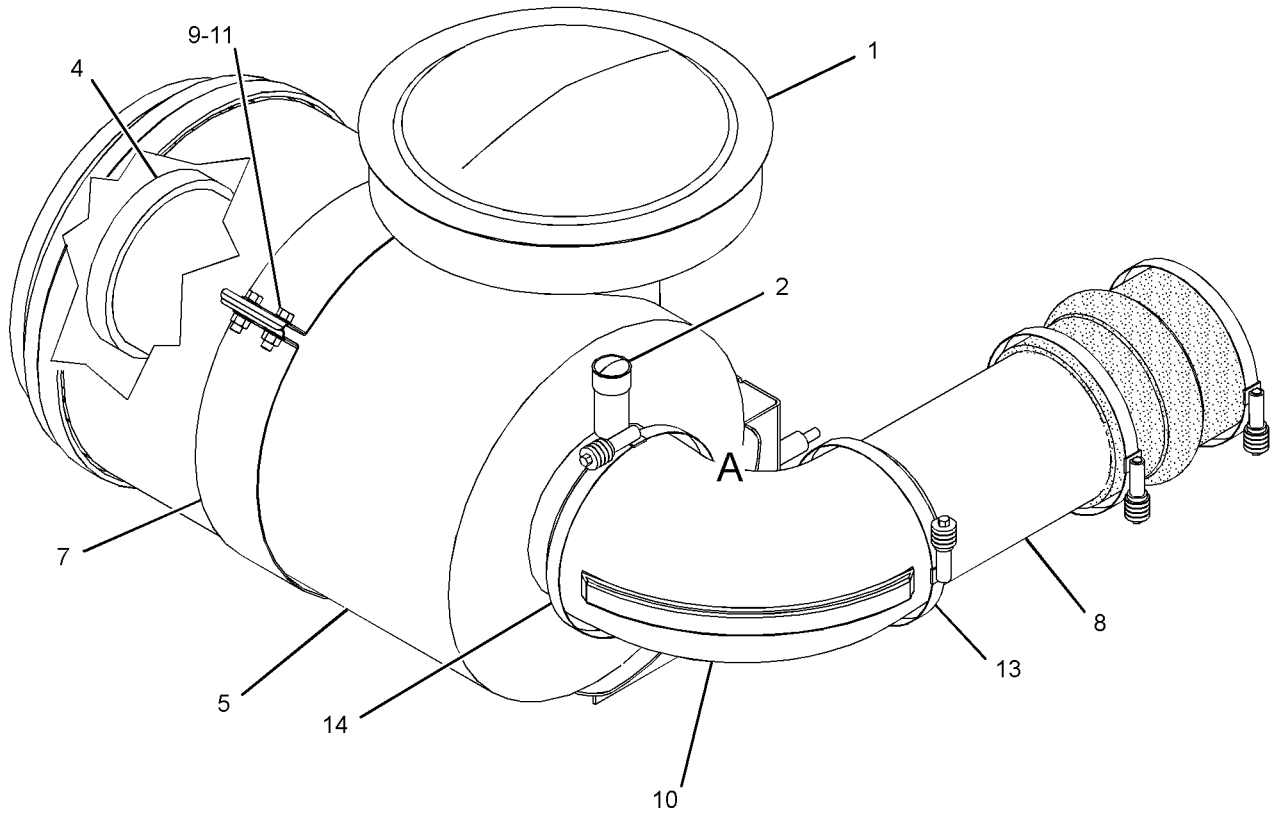
M-METRIC PART

Y-SEPARATE ILLUSTRATION

# AIR INLET AND EXHAUST SYSTEM

371-1800 AIR CLEANER GP (contd.)

i04768662



VIEW OF AREA A



GRAPHIC #1

<END>

g02872465



# AIR INLET AND EXHAUST SYSTEM

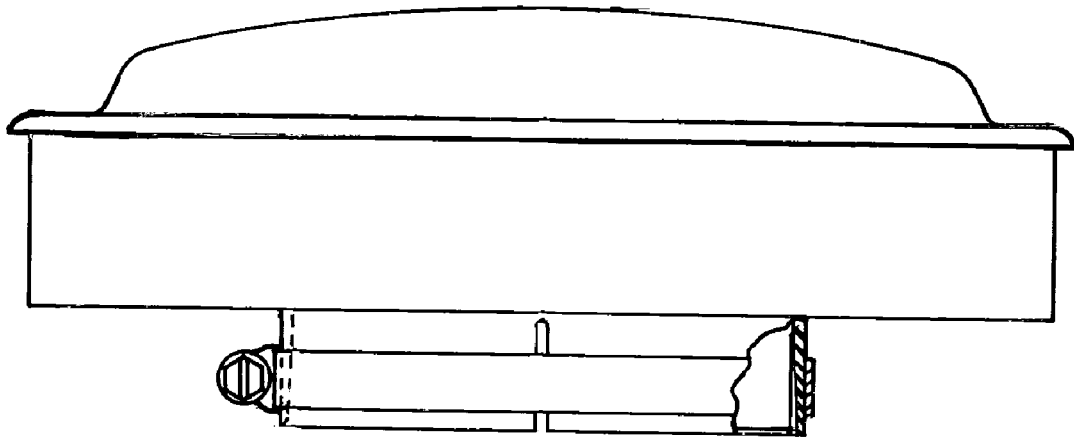
## 4W-5828 CAP AS-AIR CLEANER

S/N: LNA1-UP; LZA1-UP  
PART OF 371-1800 AIR CLEANER GP  
AN ATTACHMENT

SMCS-1051

i01795731

NOTE	REF NO	GRAPHIC REF	PART NUMBER	QTY	PART NAME						SEE PAGE
					1	2	3	4	5	6 (PRODUCT LEVEL)	
(NO SERVICED PARTS)											



GRAPHIC #1

<END>

g00728565

# AIR INLET AND EXHAUST SYSTEM

## 255-6092 CONNECTION GP-EXHAUST

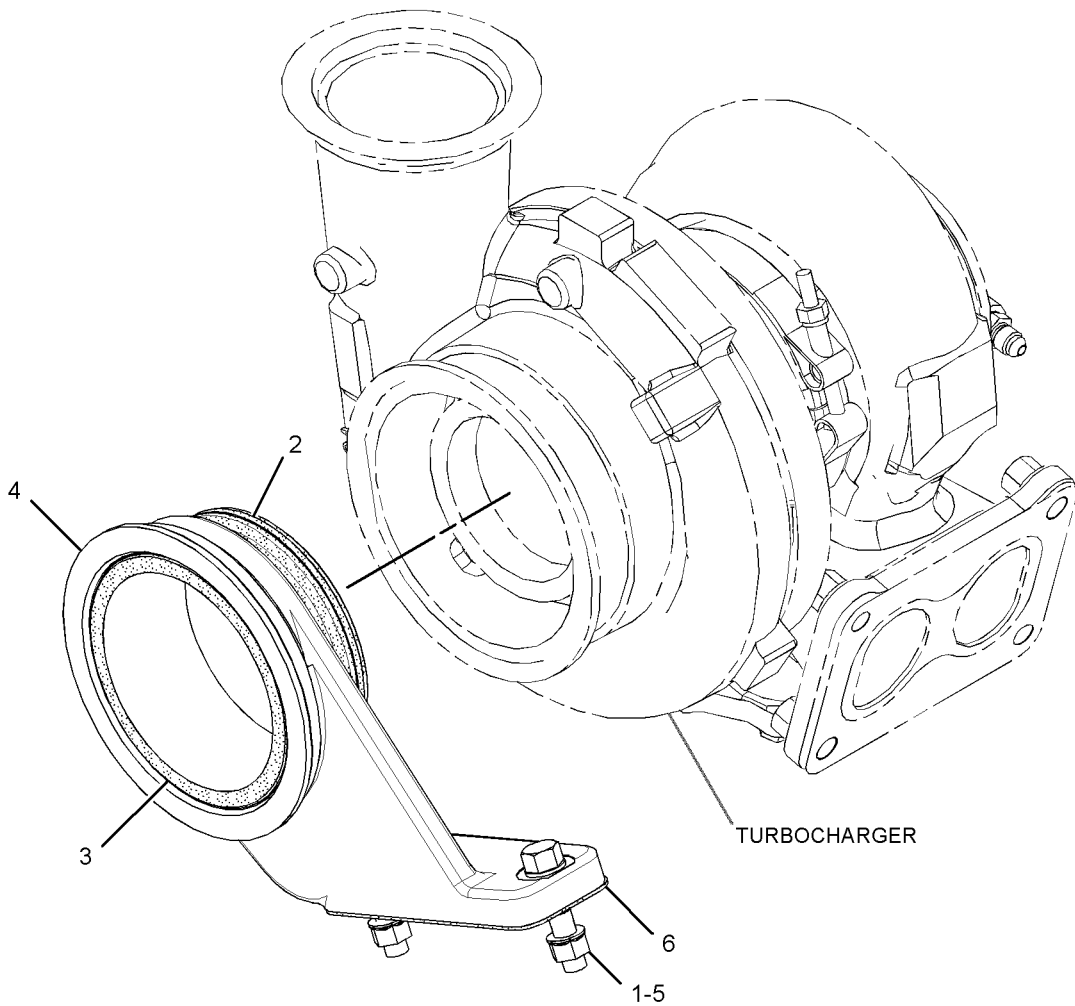
S/N: FTH1-UP

PART OF 382-3732, 382-3733, 382-3734, 382-3735 ENGINE AR-COMPLETE

SMCS-1061

i04690171

NOTE	REF NO	GRAPHIC REF	PART NUMBER	QTY	PART NAME						SEE PAGE
					1	2	3	4	5	6 (PRODUCT LEVEL)	
	1	1	2N-2765	2	BOLT-HIGH TEMPERATURE (3/8-16X1.75-IN)						
	2	1	5L-8854	2	RING-SEALING						
	3	1	9L-5839	1	COUPLING-EXHAUST						
	4	1	255-6093	1	SUPPORT-EXHAUST						
	5	1	2N-2766	2	LOCKNUT (3/8-16-THD)						
	6	1	354-2859	1	SPACER						



GRAPHIC #1

<END>

g02905720

# AIR INLET AND EXHAUST SYSTEM

## 245-8672 ELBOW GP-AIR INLET

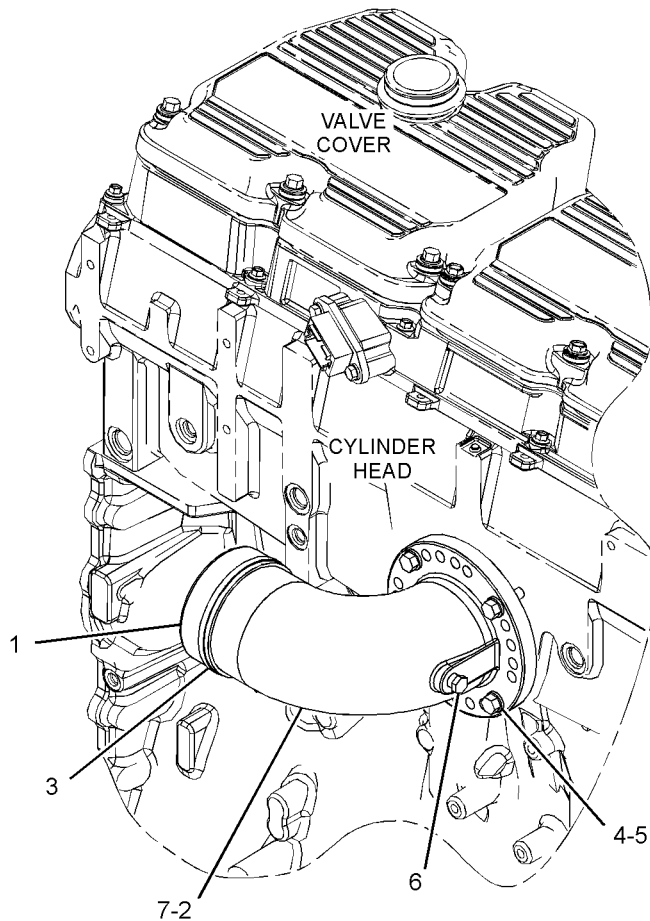
S/N: FTH1-UP

PART OF 382-3732, 382-3733, 382-3734, 382-3735 ENGINE AR-COMplete

SMCS-1087

i04759501

NOTE	REF NO	GRAPHIC REF	PART NUMBER	QTY	PART NAME						SEE PAGE
					1	2	3	4	5	6 (PRODUCT LEVEL)	
	1	1	9N-6379	1	BOOT						
	2	1	179-0672	1	ELBOW						
	3	1	034-1432	1	STRAP-CABLE						
	4	1	0S-1588	4	BOLT (3/8-16X1.25-IN)						
	5	1	5M-2894	4	WASHER-HARD (10.2X18.5X2.5-MM THK)						
	6	1	5M-6213	1	PLUG-PIPE						
	7	1	9X-7287	1	SEAL-O-RING						



GRAPHIC #1

<END>

g02860520

# AIR INLET AND EXHAUST SYSTEM

## 6L-2927 ELBOW GP-EXHAUST

S/N: FTH1-UP

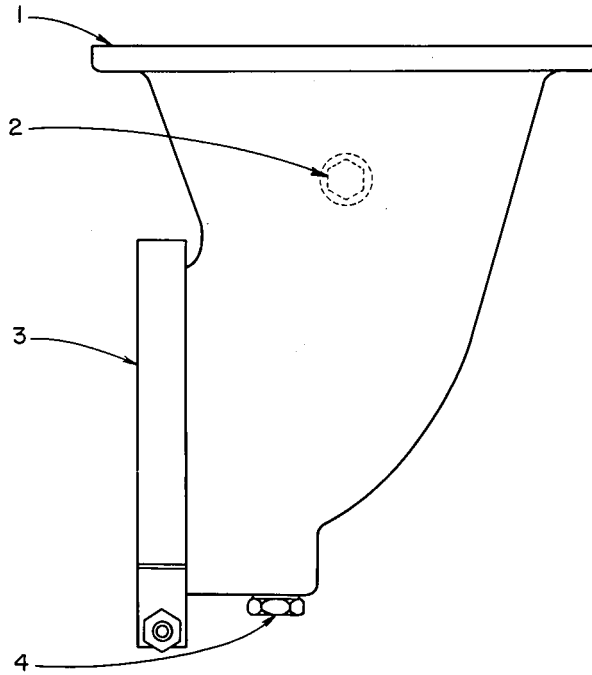
152 MM (6 INCH)

PART OF 382-3732, 382-3733, 382-3734, 382-3735 ENGINE AR-COMplete

SMCS-1061

i03883533

NOTE	REF NO	GRAPHIC REF	PART NUMBER	QTY	PART NAME						SEE PAGE
					1	2	3	4	5	6 (PRODUCT LEVEL)	
	1	1	5L-7635	1	ELBOW-EXHAUST						
	2	1	8T-6765	1	PLUG-PIPE						
	3	1	5L-7631	1	CLAMP						
	4	1	8T-6767	1	PLUG-PIPE (3/8-18 NPTF)						



GRAPHIC #1

<END>

g00205634

# AIR INLET AND EXHAUST SYSTEM

## 383-8082 ELBOW GP-EXHAUST

S/N: LNA1-UP; LZA1-UP

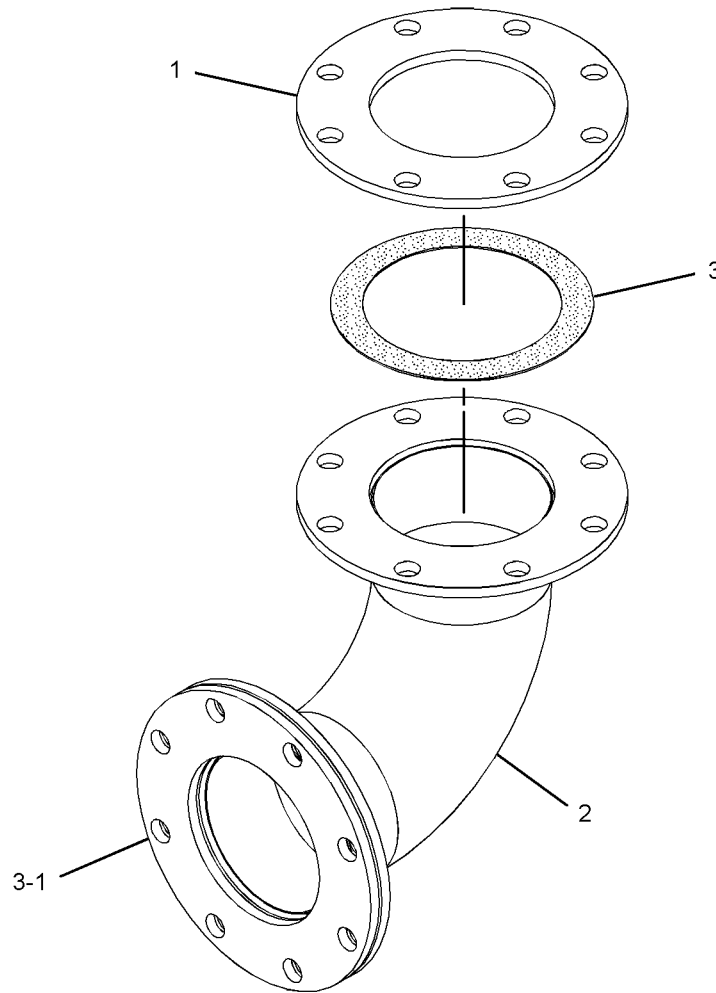
6-IN

AN ATTACHMENT

SMCS-1061

i04832130

NOTE	REF NO	GRAPHIC REF	PART NUMBER	QTY	PART NAME						SEE PAGE
					1	2	3	4	5	6 (PRODUCT LEVEL)	
	1	1	142-2452	2	FLANGE						
	2	1	243-2913	1	ELBOW AS						
		1	142-2452	2	FLANGE						
	3	1	113-9543	2	GASKET						



GRAPHIC #1

<END>

g02964596

# AIR INLET AND EXHAUST SYSTEM

## 383-8084 ELBOW GP-EXHAUST

S/N: LNA1-UP; LZA1-UP

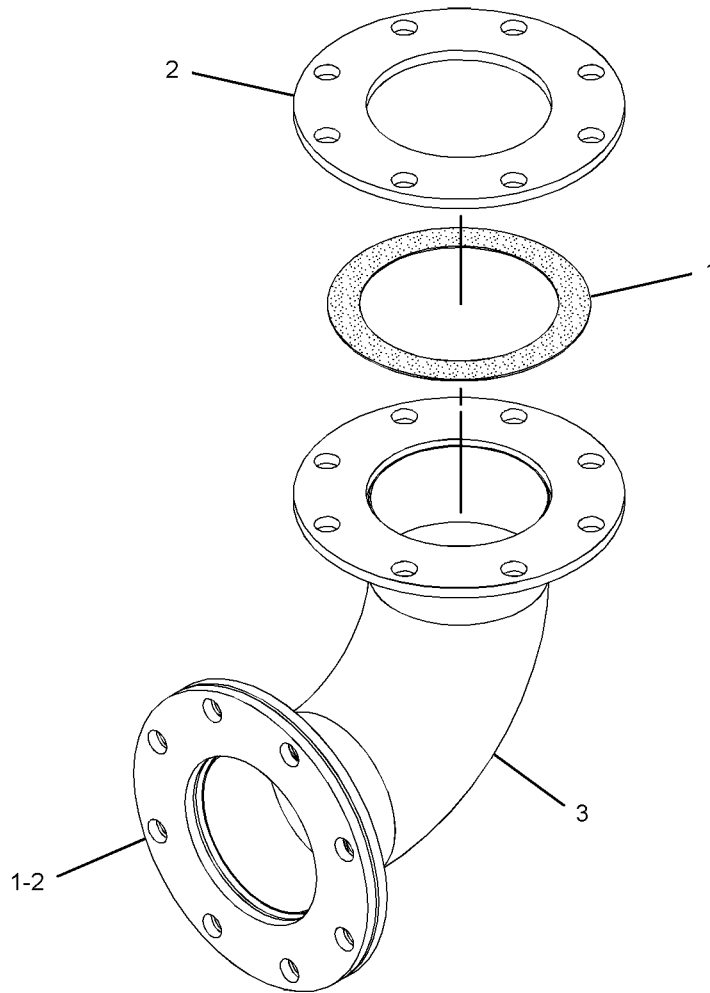
8-IN

AN ATTACHMENT

SMCS-1061

i04832599

NOTE	REF NO	GRAPHIC REF	PART NUMBER	QTY	PART NAME						SEE PAGE
					1	2	3	4	5	6 (PRODUCT LEVEL)	
	1	1	113-9848	2	GASKET						
	2	1	145-4933	2	FLANGE						
	3	1	145-4936	1	ELBOW AS-EXHAUST						
		1	145-4933	2	FLANGE						



GRAPHIC #1

<END>

g02968297

# AIR INLET AND EXHAUST SYSTEM

## 383-8081 FITTING GP-EXHAUST

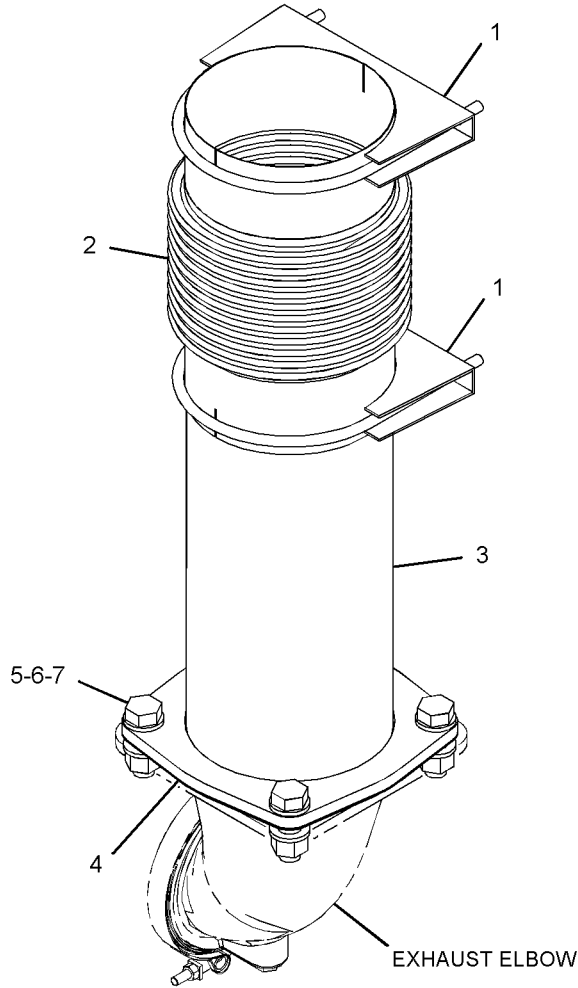
S/N: LNA1-UP; LZA1-UP  
AN ATTACHMENT

SMCS-1061

i04825189

NOTE	REF NO	GRAPHIC REF	PART NUMBER	QTY	PART NAME						SEE PAGE
					1	2	3	4	5	6 (PRODUCT LEVEL)	
	1	1	220-5619	2	CLAMP - EXHAUST						
	2	1	227-3019	1	TUBE						
	3	1	235-3330	1	TUBE AS						
	4	1	5H-8331	1	GASKET						
M	5	1	6V-5686	4	BOLT (M16X2X50-MM)						
M	6	1	8T-1757	4	NUT (M16X2-THD)						
	7	1	9X-8268	8	WASHER (17.5X30X3.5-MM THK)						

M-METRIC PART



GRAPHIC #1

<END>

g02961111

# AIR INLET AND EXHAUST SYSTEM

## 392-0611 FITTING GP-EXHAUST

S/N: LNA1-UP; LZA1-UP

6-INCH

AN ATTACHMENT

SMCS-1061

i04750533

NOTE	PART NUMBER	QTY	PART NAME						SEE PAGE
			1	2	3	4	5	6 (PRODUCT LEVEL)	
	7S-4411	1	CAP AS-RAIN (EXHAUST)						
	142-2452	2	FLANGE						
	113-9543	2	GASKET						
<b>&lt;END&gt;</b>									

## 392-0733 FITTING GP-EXHAUST

S/N: LNA1-UP; LZA1-UP

8-INCH

FOR USE WITH EXHAUST OPTION 15 AND 18-LITERS

AN ATTACHMENT

SMCS-1061

i04750556

NOTE	PART NUMBER	QTY	PART NAME						SEE PAGE
			1	2	3	4	5	6 (PRODUCT LEVEL)	
	6N-7611	1	CAP AS-RAIN (EXHAUST)						
	145-4933	2	FLANGE						
	113-9848	2	GASKET						
<b>&lt;END&gt;</b>									



# AIR INLET AND EXHAUST SYSTEM

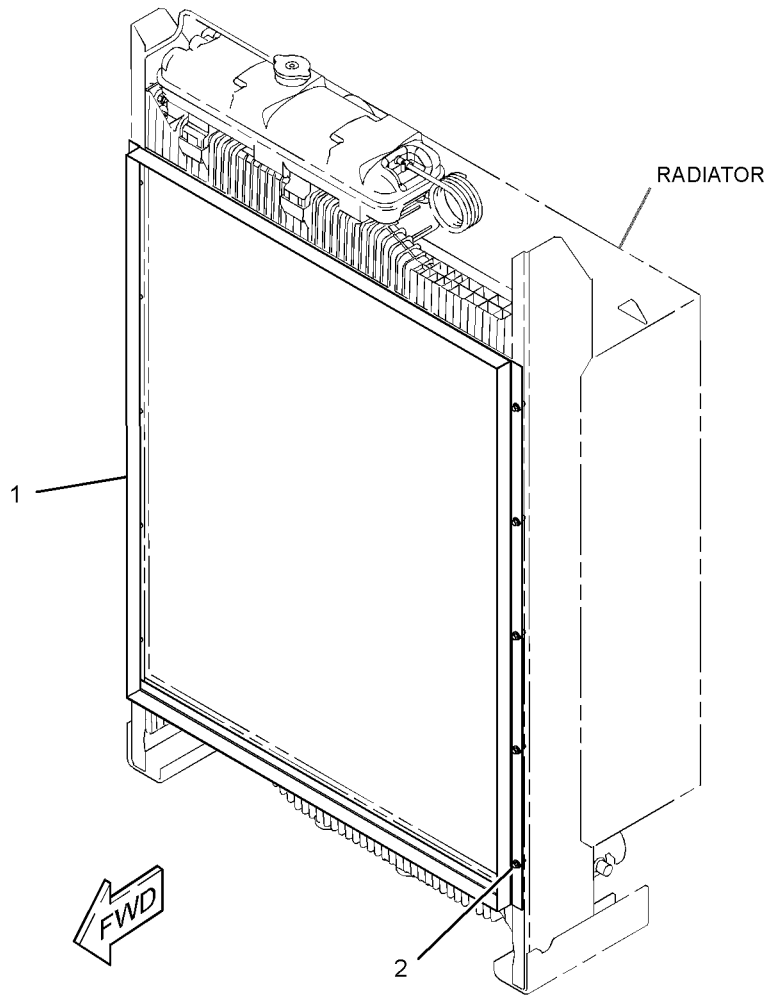
## 384-2221 FLANGE GP-AIR INLET

S/N: LNA1-UP  
15-LITERS  
AN ATTACHMENT

SMCS - 1052

i04750405

NOTE	REF NO	GRAPHIC REF	PART NUMBER	QTY	PART NAME						SEE PAGE
					1	2	3	4	5	6 (PRODUCT LEVEL)	
	1	1	384-2222	1	FLANGE AS						
	2	1	342-9920	10	BOLT-FLANGE HEAD (M8X1.25X20-MM)						



GRAPHIC #1

<END>

g02848905

# AIR INLET AND EXHAUST SYSTEM

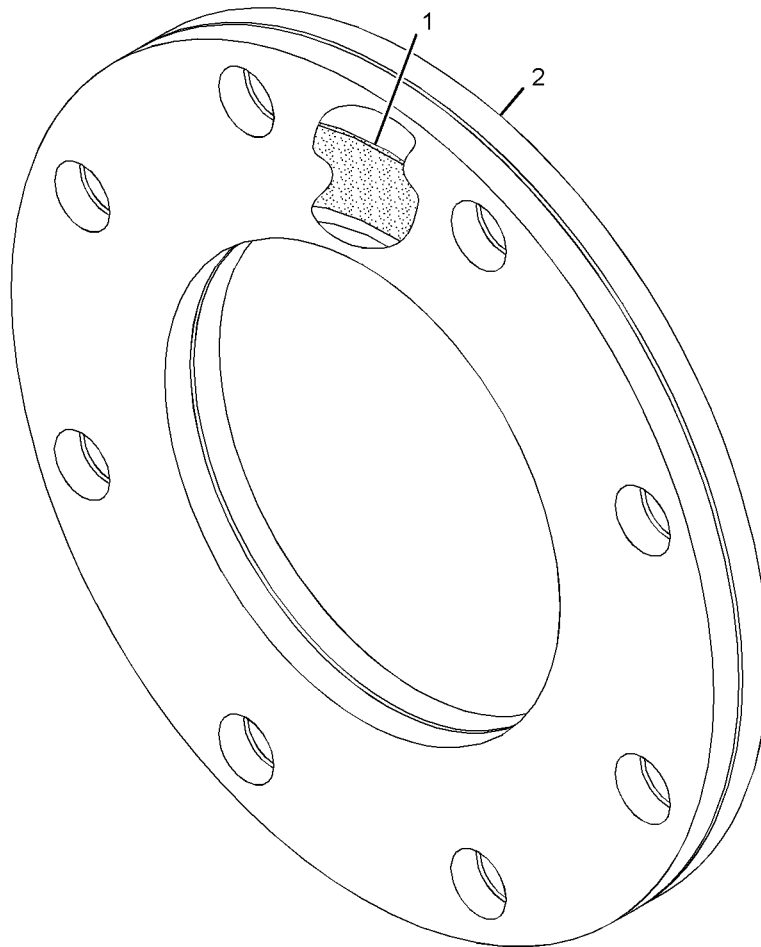
## 366-0072 FLANGE GP-EXHAUST

S/N: LNA1-UP; LZA1-UP  
15-LITERS. 6-INCH DIAMETER  
AN ATTACHMENT

SMCS-1061

i04768591

NOTE	REF NO	GRAPHIC REF	PART NUMBER	QTY	PART NAME						SEE PAGE
					1	2	3	4	5	6 (PRODUCT LEVEL)	
	1	1	113-9543	1	GASKET						
	2	1	142-2452	2	FLANGE						



GRAPHIC #1

<END>

g02868696

# AIR INLET AND EXHAUST SYSTEM

## 366-0073 FLANGE GP-EXHAUST

S/N: LNA1-UP; LZA1-UP

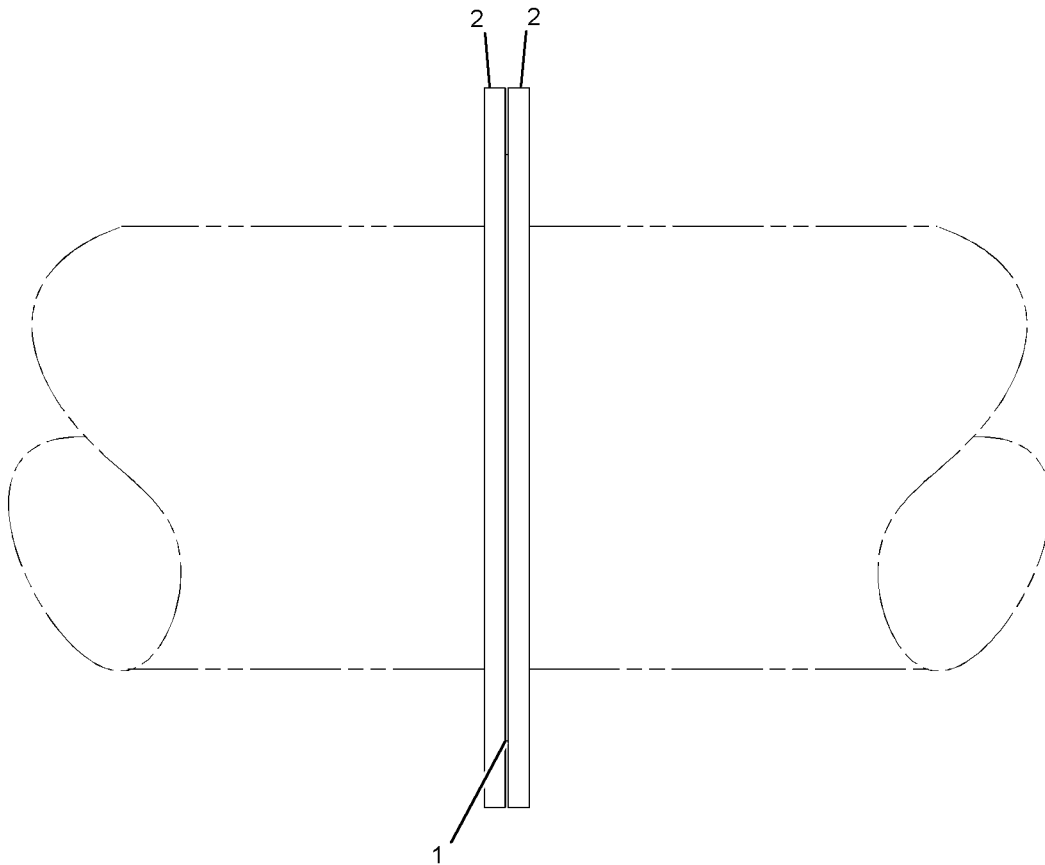
8-IN

AN ATTACHMENT

SMCS-1061

i04862192

NOTE	REF NO	GRAPHIC REF	PART NUMBER	QTY	PART NAME						SEE PAGE
					1	2	3	4	5	6 (PRODUCT LEVEL)	
	1	1	113-9848	1	GASKET						
	2	1	145-4933	2	FLANGE						



GRAPHIC #1

<END>

g02992416

# AIR INLET AND EXHAUST SYSTEM

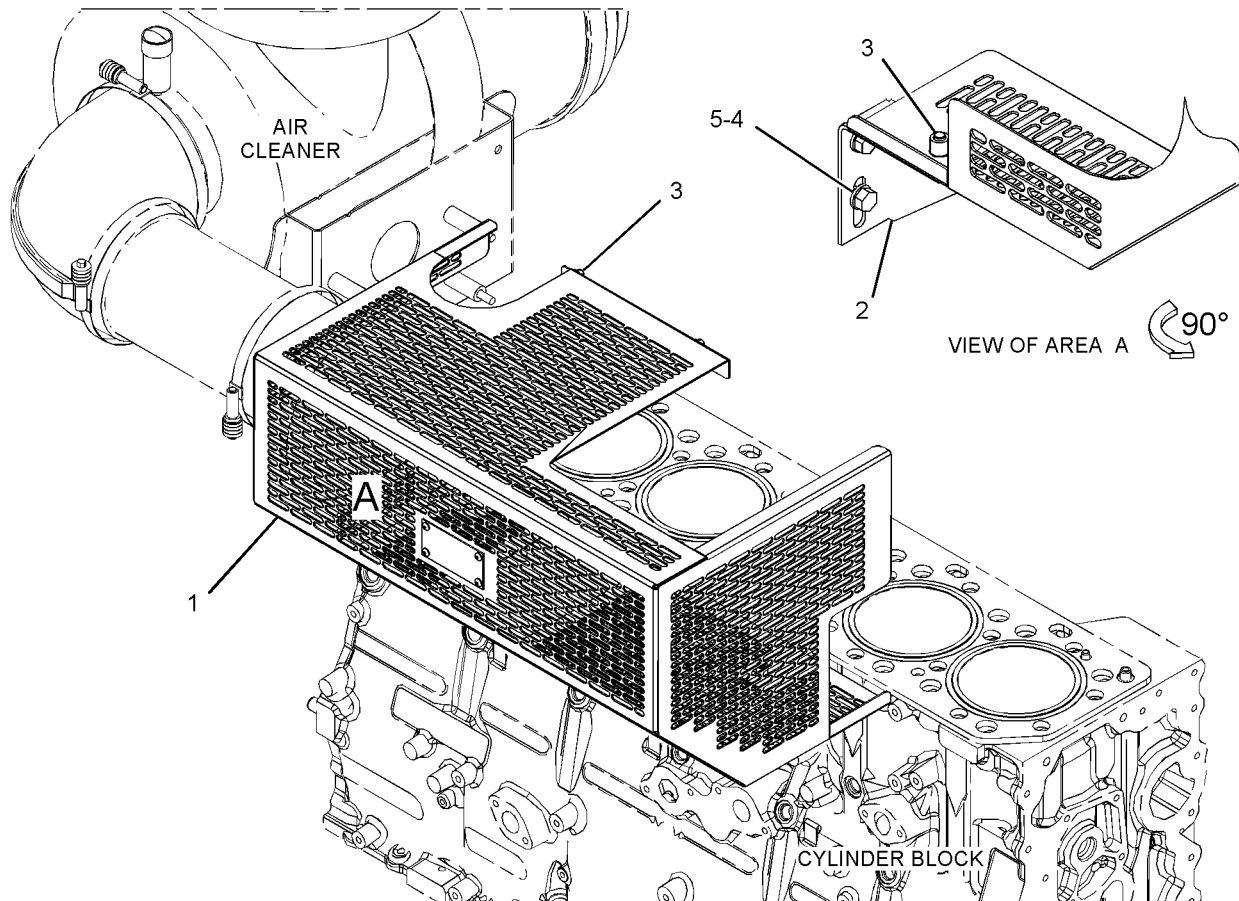
## 384-2233 GUARD GP-TURBOCHARGER

S/N: LNA1-UP  
15-LITERS  
AN ATTACHMENT

SMCS-1052, 7150

i04750551

NOTE	REF NO	GRAPHIC REF	PART NUMBER	QTY	PART NAME						SEE PAGE
					1	2	3	4	5	6 (PRODUCT LEVEL)	
	1	1	384-2234	1	GUARD AS-EXHAUST						
		1	142-8194	4	RIVET						
		1	180-3748	4	INSERT-THREADED (M8X1.25-THD)						
		1	192-4645	1	PLATE-WARNING (HOT SURFACE)						
	2	1	384-2236	2	BRACKET						
	3	1	208-9281	4	BOLT-FLANGE HEAD (M8X1.25X20-MM)						
	4	1	5M-3062	4	BOLT (3/8-16X0.75-IN)						
	5	1	8T-4896	4	WASHER-HARD (10.2X18.5X2.5-MM THK)						



GRAPHIC #1

<END>

g02858176

# AIR INLET AND EXHAUST SYSTEM

## 164-4637 MANIFOLD GP-EXHAUST

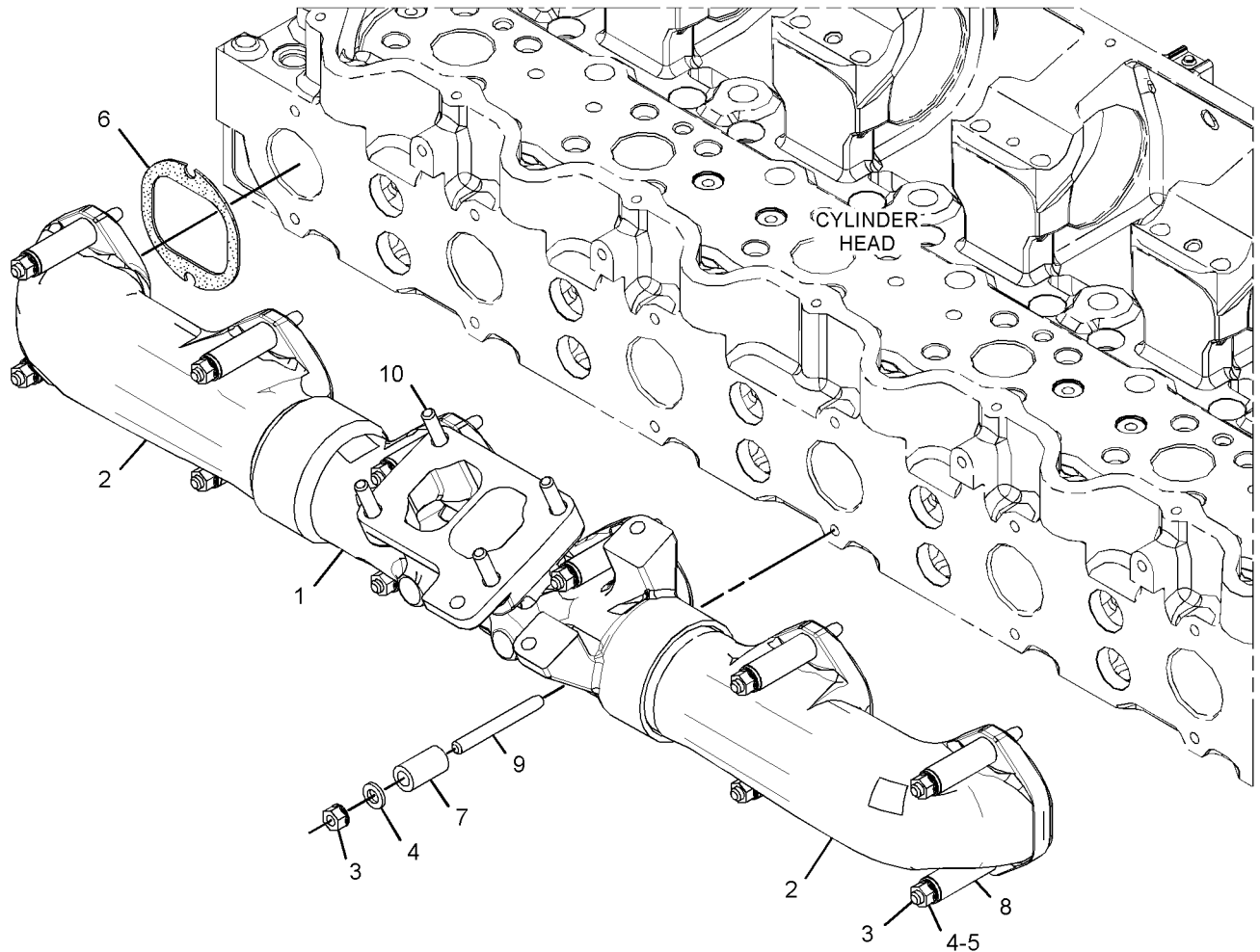
S/N: FTH1-UP

PART OF 382-3732, 382-3733, 382-3734, 382-3735 ENGINE AR-COMplete

SMCS-1059

i04561403

NOTE	REF NO	GRAPHIC REF	PART NUMBER	QTY	PART NAME						SEE PAGE
					1	2	3	4	5	6 (PRODUCT LEVEL)	
	1	1	<b>375-8480</b>	1	MANIFOLD-EXHAUST						
	2	1	<b>102-8608</b>	2	MANIFOLD-EXHAUST (END) (END)						
	3	1	<b>2N-2766</b>	12	LOCKNUT (3/8-16-THD)						
	4	1	<b>5M-2894</b>	12	WASHER-HARD (10.2X18.5X2.5-MM THK)						
	5	1	<b>108-3612</b>	11	SPACER (11.13X19.05X53-MM THK)						
	6	1	<b>129-9452</b>	6	GASKET-EXHAUST MANIFOLD						
	7	1	<b>2S-3770</b>	1	SPACER (11X19X33.5-MM THK)						
	8	1	<b>106-1792</b>	11	STUD-TAPERLOCK (3/8-16X4-IN)						
	9	1	<b>4S-6137</b>	1	STUD-TAPERLOCK (3/8-16X3.1-IN)						
	10	1	<b>313-9550</b>	4	STUD-TAPERLOCK (3/8-16X2.165-IN)						



GRAPHIC #1

<END>

g02727744

# AIR INLET AND EXHAUST SYSTEM

## 349-5055 MUFFLER GP

S/N: LNA1-UP; LZA1-UP

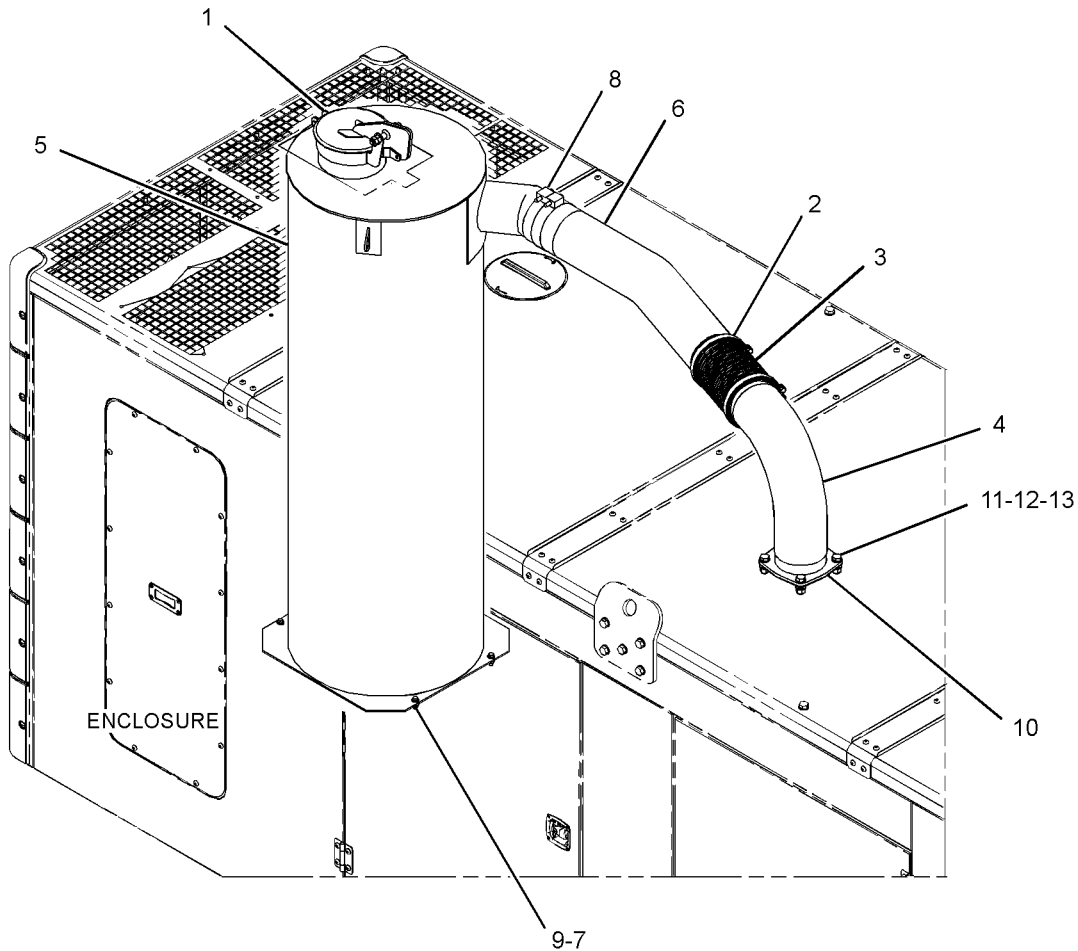
ENCLOSURE  
AN ATTACHMENT

SMCS-1062

i04768726

NOTE	REF NO	GRAPHIC REF	PART NUMBER	QTY	PART NAME						SEE PAGE
					1	2	3	4	5	6 (PRODUCT LEVEL)	
	1	1	6N-7611	1	CAP AS-RAIN (EXHAUST)						
	2	1	247-3393	2	CLAMP AS (V-BAND)						
	3	1	336-8526	1	BELLOWS						
	4	1	358-4175	1	TUBE AS						
	5	1	358-4176	1	MUFFLER						
	6	1	358-4177	1	TUBE AS						
M	7	1	175-7141	4	NUT-HEX FLANGE (M10X1.5-THD)						
	8	1	289-2492	1	CLAMP-MUFFLER						
	9	1	338-3669	4	BOLT-FLANGE HEAD (M10X1.5X30-MM)						
	10	1	5H-8331	1	GASKET						
M	11	1	6V-5686	4	BOLT (M16X2X50-MM)						
M	12	1	8T-1757	4	NUT (M16X2-THD)						
	13	1	9X-8268	8	WASHER (17.5X30X3.5-MM THK)						

M-METRIC PART



GRAPHIC #1

<END>

g02874560

# AIR INLET AND EXHAUST SYSTEM

## 366-0077 MUFFLER GP

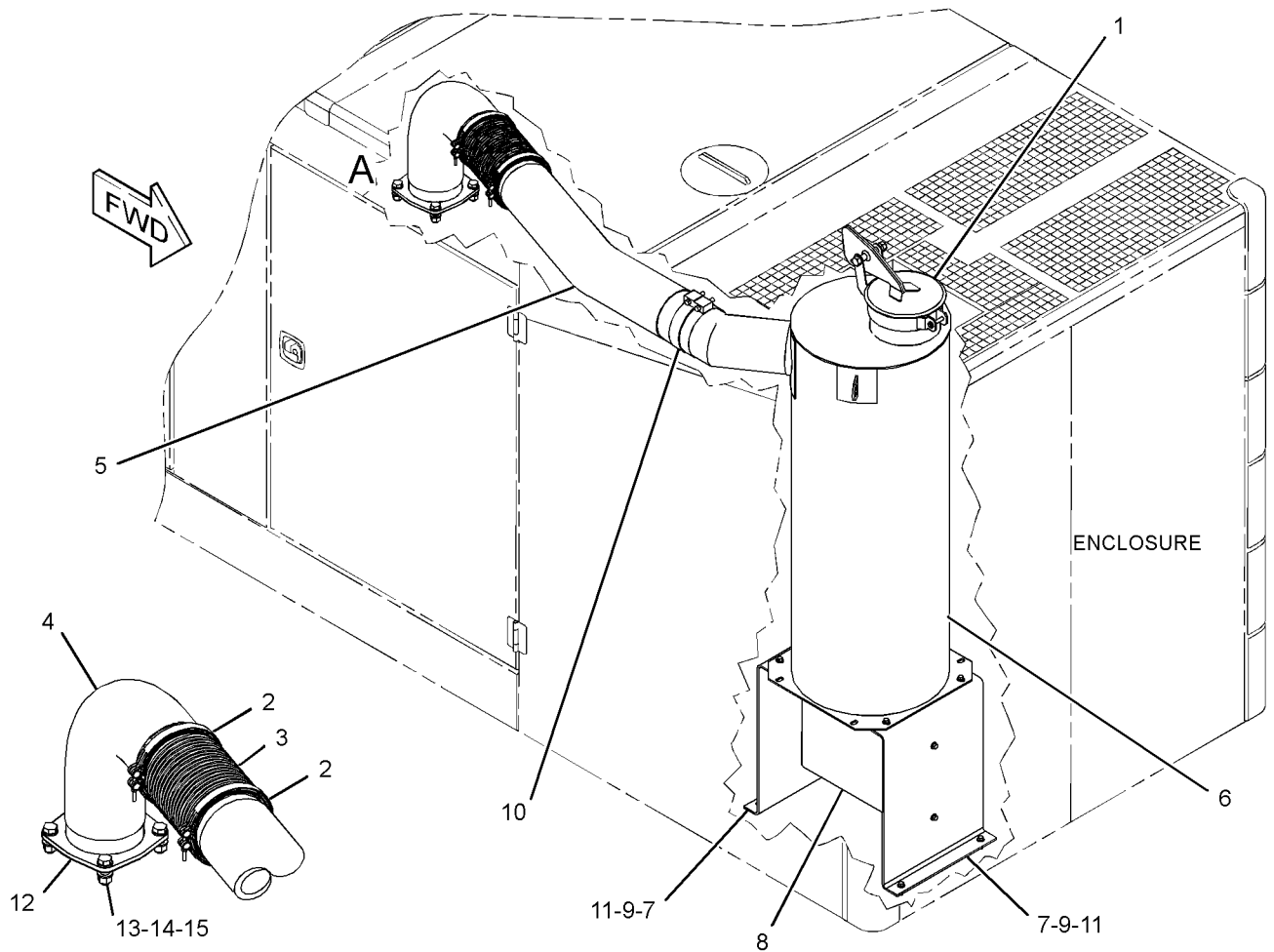
S/N: LNA1-UP; LZA1-UP  
HIGH AMBIENT TEMPERATURE  
FOR USE WITH WIDE BASES  
AN ATTACHMENT

SMCS-1062

i04899178

NOTE	REF NO	GRAPHIC REF	PART NUMBER	QTY	PART NAME						SEE PAGE
					1	2	3	4	5	6 (PRODUCT LEVEL)	
	1	1	6N-7611	1	CAP AS-RAIN (EXHAUST)						
	2	1	247-3393	2	CLAMP AS (V-BAND)						
	3	1	336-8526	1	BELLOWS						
	4	1	358-4175	1	TUBE AS						
	5	1	358-4177	1	TUBE AS						
	6	1	366-0079	1	MUFFLER AS						
	7	1	384-1259	2	PLATE						
	8	1	384-1260	1	PLATE						
M	9	1	175-7141	12	NUT-HEX FLANGE (M10X1.5-THD)						
	10	1	289-2492	1	CLAMP-MUFFLER						
	11	1	338-3669	12	BOLT-FLANGE HEAD (M10X1.5X30-MM)						
	12	1	5H-8331	1	GASKET						
M	13	1	6V-5686	4	BOLT (M16X2X50-MM)						
M	14	1	8T-1757	4	NUT (M16X2-THD)						
	15	1	9X-8268	8	WASHER (17.5X30X3.5-MM THK)						

M-METRIC PART



GRAPHIC #1

<END>

g03056338

# AIR INLET AND EXHAUST SYSTEM

## 275-3979 SHIELD GP-HEAT

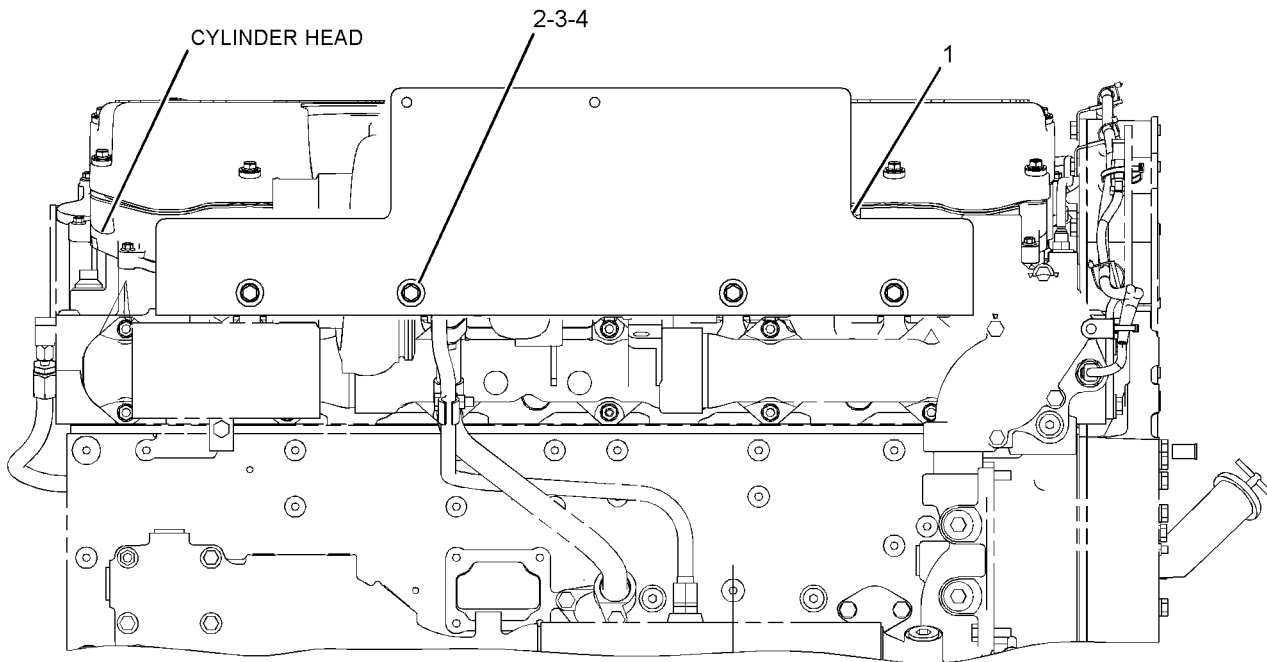
S/N: FTH1-UP

PROVIDES HEAT PROTECTION ON VALVE COVER JOINT  
 PART OF 382-3732, 382-3733, 382-3734, 382-3735 ENGINE AR-COMplete  
 FOR USE WITH FORWARD EXHAUST SETUP

SMCS-1067

i04792200

NOTE	REF NO	GRAPHIC REF	PART NUMBER	QTY	PART NAME						SEE PAGE
					1	2	3	4	5	6 (PRODUCT LEVEL)	
	1	1	<b>382-9611</b>	1	SHIELD-HEAT						
	2	1	<b>091-0081</b>	4	SPACER (10.5X20X10-MM THK)						
	3	1	<b>8T-2502</b>	4	BOLT (3/8-16X1.125-IN)						
	4	1	<b>8T-4896</b>	4	WASHER-HARD (10.2X18.5X2.5-MM THK)						



RIGHT SIDE VIEW

GRAPHIC #1

<END>

g01252591



# AIR INLET AND EXHAUST SYSTEM

## 124-0657 SHIELD GP-MANIFOLD

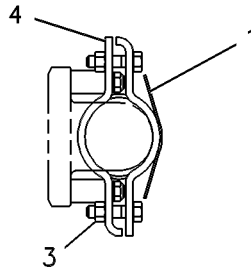
S/N: FTH1-UP

PART OF 382-3732, 382-3733, 382-3734, 382-3735 ENGINE AR-COMplete

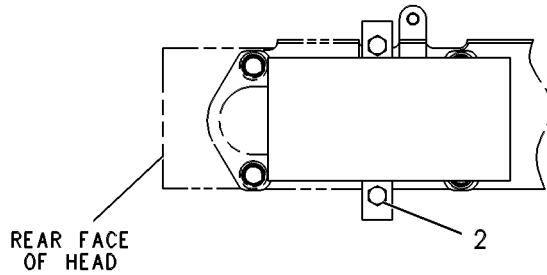
SMCS-1067

i01173869

NOTE	REF NO	GRAPHIC REF	PART NUMBER	QTY	PART NAME						SEE PAGE
					1	2	3	4	5	6 (PRODUCT LEVEL)	
	1	1	124-0658	1	SHIELD AS						
		1	1S-4577	1	CLAMP						
	2	1	0S-1591	2	BOLT (3/8-16X1.5 IN)						
	3	1	1B-5355	2	NUT-FULL (3/8-16THD)						
	4	1	1S-4577	1	CLAMP						



REAR VIEW



REAR FACE  
OF HEAD

RIGHT SIDE VIEW

GRAPHIC #1

<END>

g00255274

# AIR INLET AND EXHAUST SYSTEM

## 284-2711 TURBOCHARGER GP

S/N: FTH1-UP

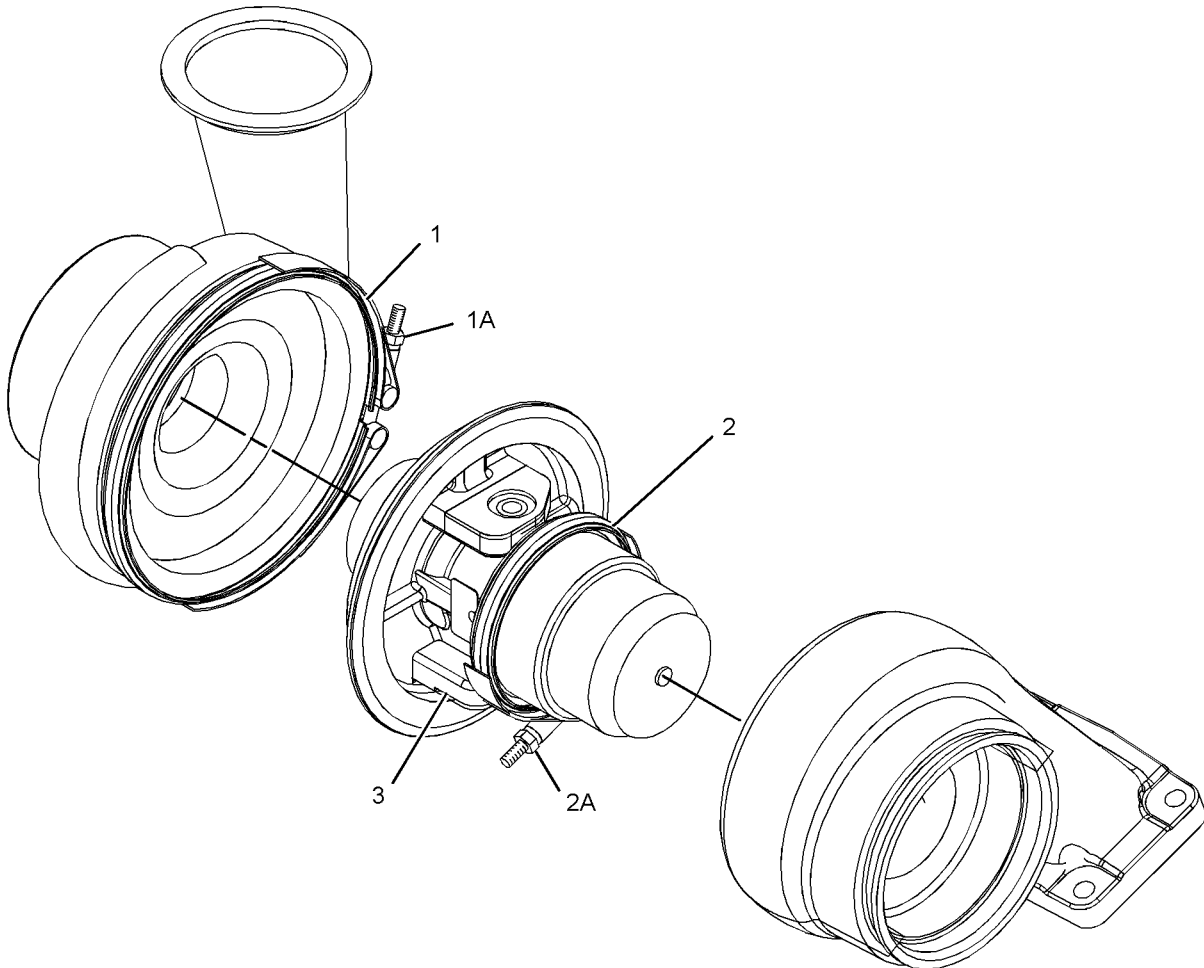
50 HERTZ

PART OF 284-2777 TURBOCHARGER GP

SMCS-1052, 1053

i02504572

NOTE	REF NO	GRAPHIC REF	PART NUMBER	QTY	PART NAME						SEE PAGE
					1	2	3	4	5	6 (PRODUCT LEVEL)	
	1	1	268-2960	1	CLAMP AS (COMPRESSOR)						
	1A	1	7M-9918	1	LOCKNUT (1/4-28-THD)						
	2	1	9N-2038	1	CLAMP AS-TURBINE						
	2A	1	7M-9918	1	LOCKNUT (1/4-28-THD)						
	3	1	255-5477	1	CARTRIDGE GP - TURBOCHARGER						



GRAPHIC #1

<END>

g01187515

# AIR INLET AND EXHAUST SYSTEM

## 284-2712 TURBOCHARGER GP\*R

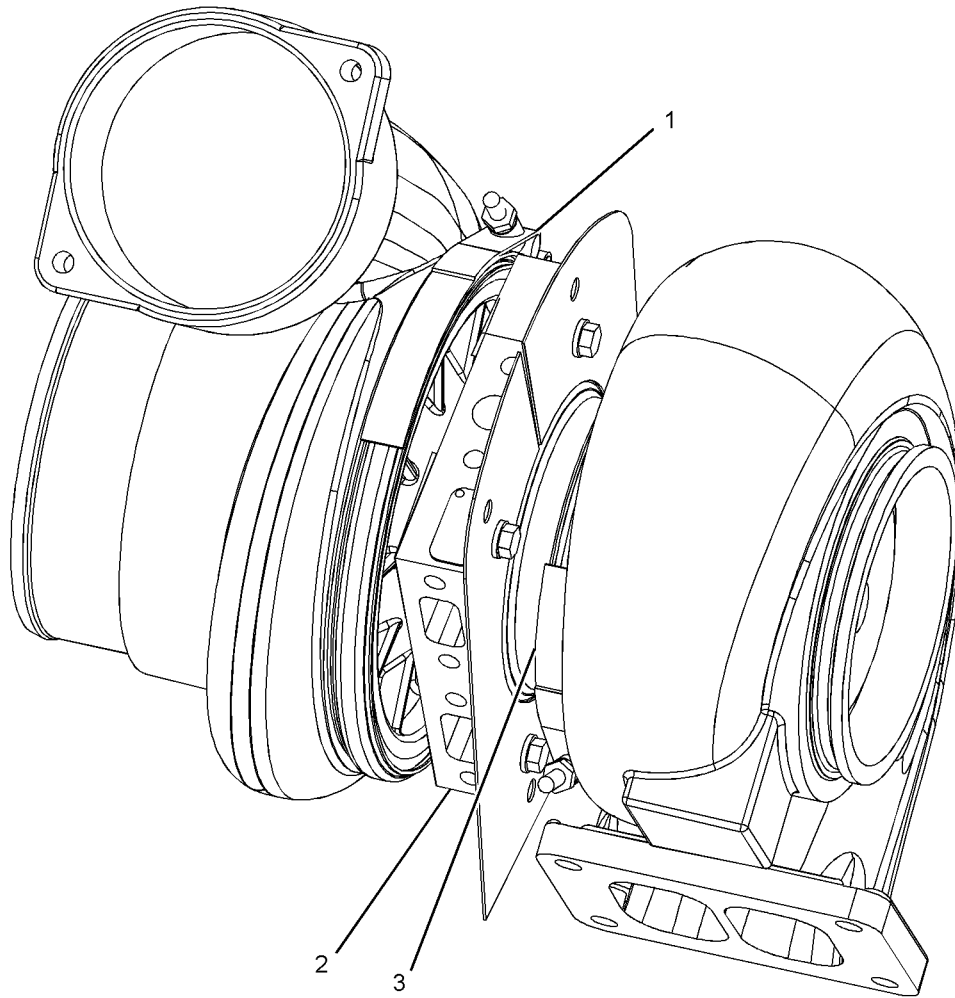
S/N: FTH1-UP

PART OF 284-2776 TURBOCHARGER GP

SMCS-1052, 1053

i02673194

NOTE	REF NO	GRAPHIC REF	PART NUMBER	QTY	PART NAME						SEE PAGE
					1	2	3	4	5	6 (PRODUCT LEVEL)	
	1	1	9N-2038	1	CLAMP AS-TURBINE						
	2	1	268-0220	1	CARTRIDGE GP-TURBOCHARGER						
	3	1	268-2960	1	CLAMP AS (COMPRESSOR)						



GRAPHIC #1

<END>

g01342560

# AIR INLET AND EXHAUST SYSTEM

## 284-2776 TURBOCHARGER GP

S/N: FTH1-UP

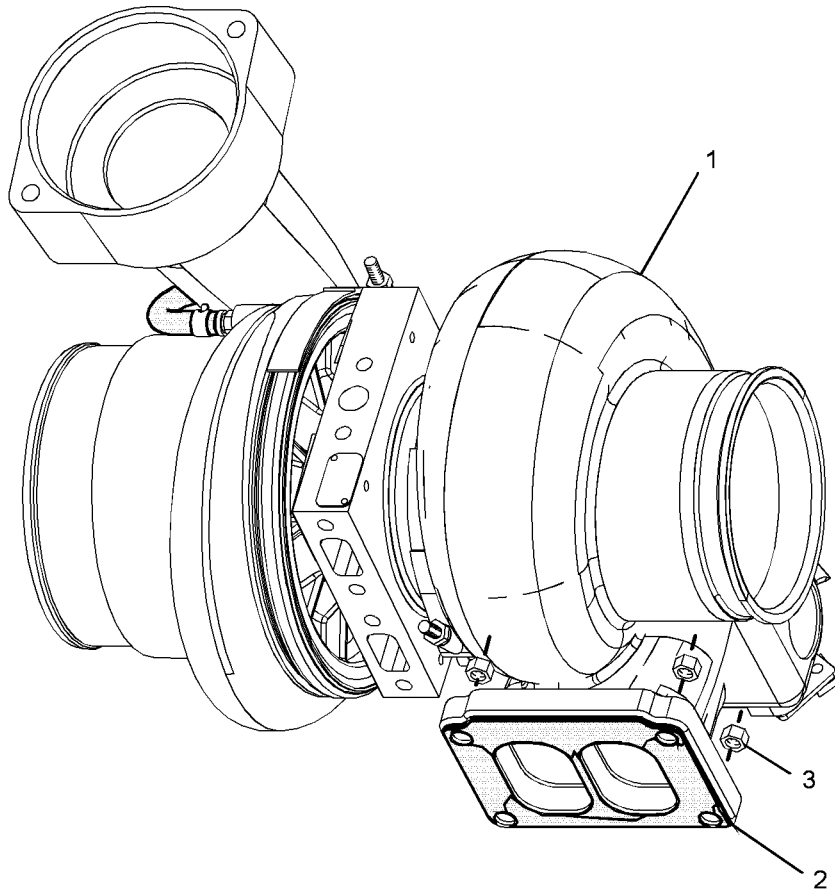
PART OF 382-3734, 382-3735 ENGINE AR-COMPLETE

SMCS-1052, 1053

i04801540

NOTE	REF NO	GRAPHIC REF	PART NUMBER	QTY	PART NAME						SEE PAGE
					1	2	3	4	5	6 (PRODUCT LEVEL)	
YR	1	1	284-2712	1	TURBOCHARGER GP						135
	2	1	1S-4295	1	GASKET (TURBOCHARGER)						
	3	1	2N-2766	4	LOCKNUT (3/8-16-THD)						

R-REMFG PART MAY BE AVAILABLE  
Y-SEPARATE ILLUSTRATION



GRAPHIC #1

<END>

g02925939

# AIR INLET AND EXHAUST SYSTEM

## 284-2777 TURBOCHARGER GP

S/N: FTH1-UP

50 HERTZ

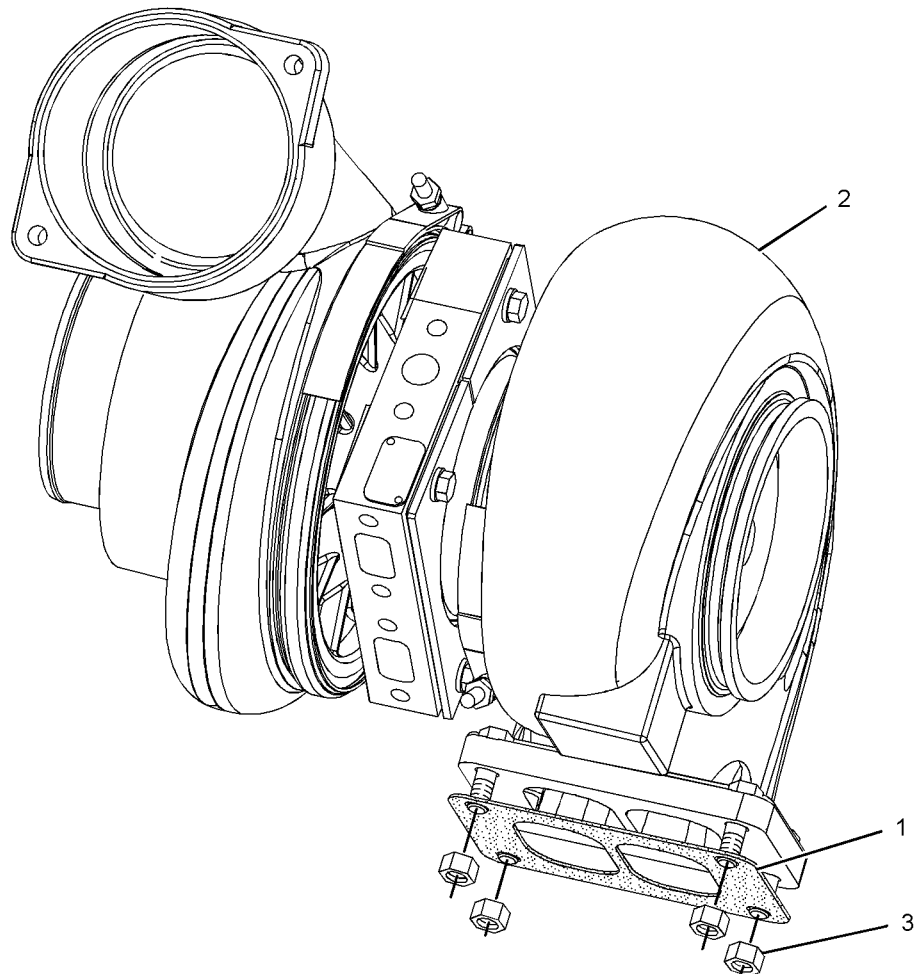
PART OF 382-3732, 382-3733 ENGINE AR-COMPLETE

SMCS-1052, 1053

i04801546

NOTE	REF NO	GRAPHIC REF	PART NUMBER	QTY	PART NAME						SEE PAGE
					1	2	3	4	5	6 (PRODUCT LEVEL)	
	1	1	1S-4295	1	GASKET (TURBOCHARGER)						
Y	2	1	284-2711	1	TURBOCHARGER GP						134
	3	1	2N-2766	4	LOCKNUT (3/8-16-THD)						

Y-SEPARATE ILLUSTRATION



GRAPHIC #1

<END>

g02925898

# FUEL SYSTEM

## 191-5055 BASE GP-FUEL FILTER

S/N: FTH1-UP

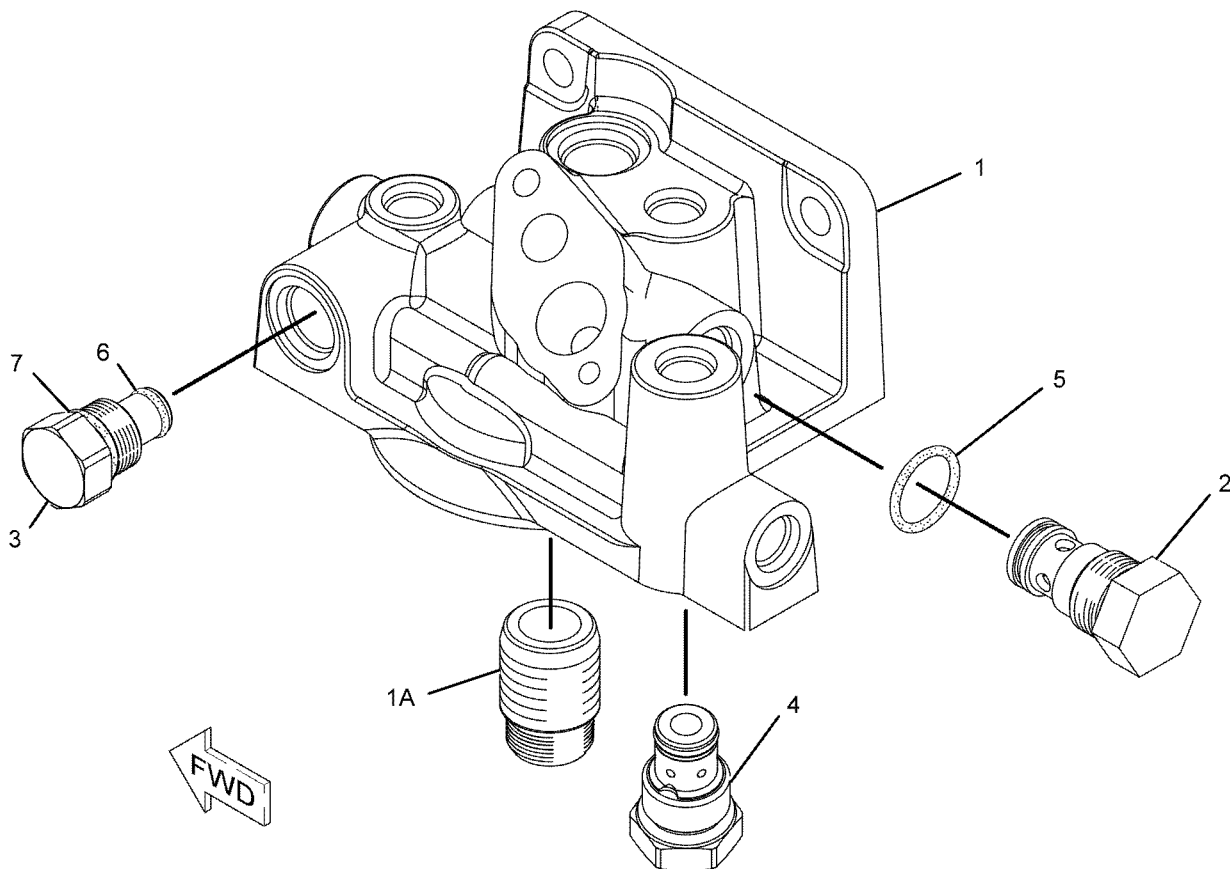
PART OF 276-8020 PUMP GP-FUEL PRM & SEC FILTER

SMCS-1262

i03874102

NOTE	REF NO	GRAPHIC REF	PART NUMBER	QTY	PART NAME	1 2 3 4 5 6 (PRODUCT LEVEL)						SEE PAGE
	1	1	136-5017	1	BASE AS-FUEL FILTER							
	1A	1	9S-4167	1	STUD-HOLLOW (1-14X1.47-IN)							
Y	2	1	139-6873	1	VALVE GP-FUEL BYPASS (FILTER) (FILTER)							154
	3	1	143-2933	1	FITTING							
Y	4	1	233-6742	1	VALVE GP-CHECK (FILTER)							152
	5	1	238-5081	1	SEAL-O-RING							
	6	1	228-7089	1	SEAL-O-RING							
	7	1	238-5080	1	SEAL-O-RING							

Y-SEPARATE ILLUSTRATION



GRAPHIC #1

<END>

g01041411

# FUEL SYSTEM

## 225-4152 FILTER GP-FUEL

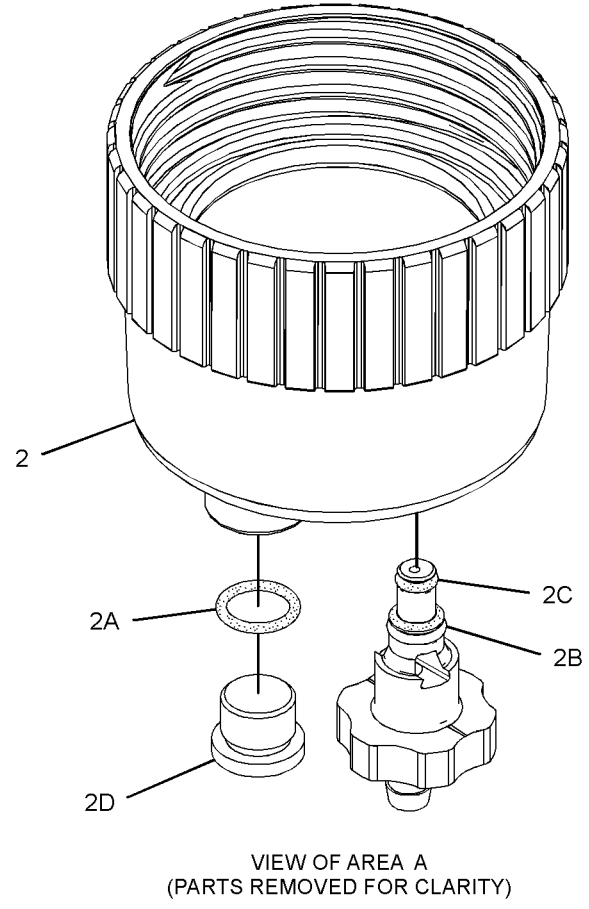
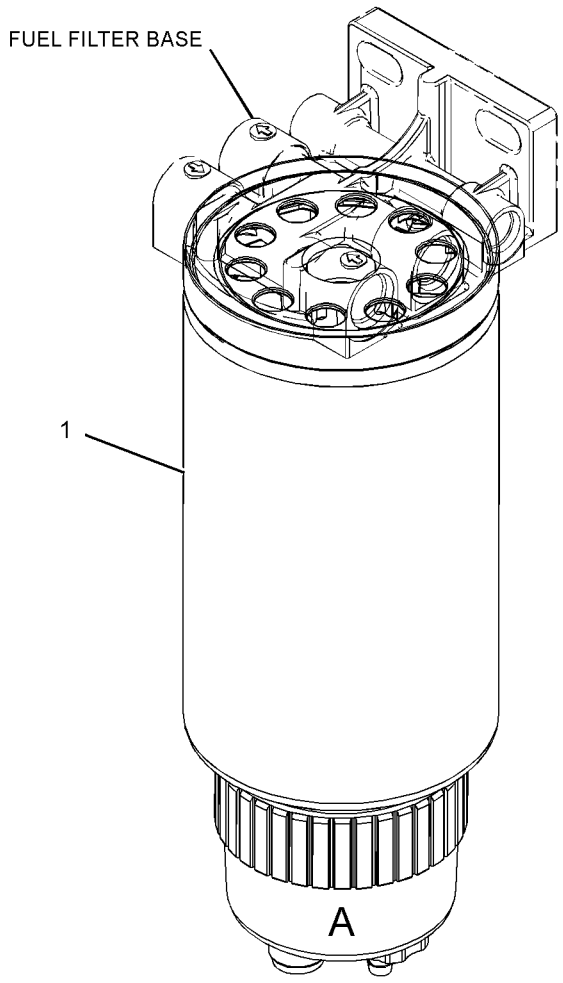
S/N: FTH1-UP

PART OF 225-4153 FILTER GP-WATER SEP & FUEL

SMCS-1261

i04177631

NOTE	REF NO	GRAPHIC REF	PART NUMBER	QTY	PART NAME						SEE PAGE
					1	2	3	4	5	6 (PRODUCT LEVEL)	
	1	1	326-1641	1	FILTER AS-WATER SEP & FUEL (PRIMARY)						
		1	220-8678	1	SEAL-RING (FUEL AND WATER SEP FILTER)						
	2	1	343-5527	1	BOWL AS						
	2A	1	3J-1907	1	SEAL-O-RING						
	2B	1	5F-9144	1	SEAL-O-RING						
	2C	1	8F-7219	1	SEAL-O-RING						
	2D	1	9S-8004	1	PLUG-O-RING						



VIEW OF AREA A  
(PARTS REMOVED FOR CLARITY)

GRAPHIC #1

<END>

g02352040

# FUEL SYSTEM

## 225-4153 FILTER GP-WATER SEP & FUEL

S/N: FTH1-UP

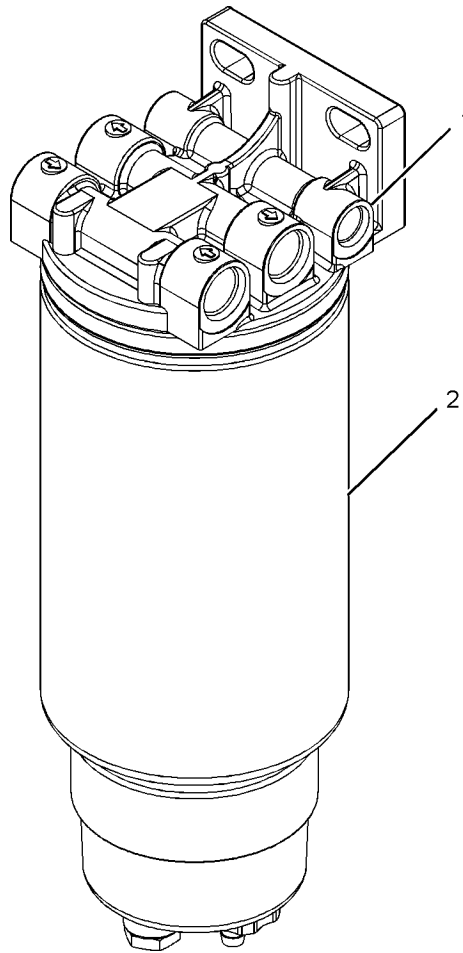
PART OF 264-2467 FILTER GP-WATER SEP & FUEL

SMCS-1261, 1263

i03149640

NOTE	REF NO	GRAPHIC REF	PART NUMBER	QTY	PART NAME						SEE PAGE
					1	2	3	4	5	6 (PRODUCT LEVEL)	
	1	1	195-1068	1	BASE AS-FUEL FILTER						
		1	9S-4167	1	STUD-HOLLOW (1-14X1.47-IN)						
Y	2	1	225-4152	1	FILTER GP-FUEL						139

Y-SEPARATE ILLUSTRATION



<END>

GRAPHIC #1

g01088831



# FUEL SYSTEM

## 264-2467 FILTER GP-WATER SEP & FUEL

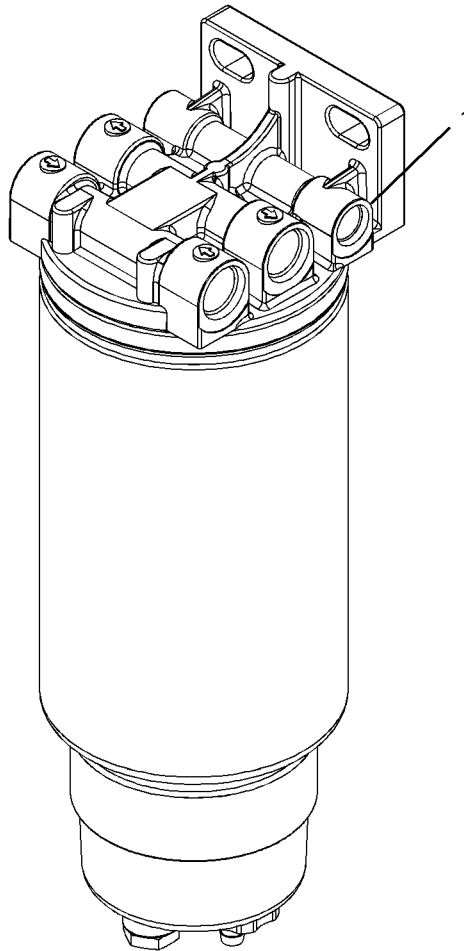
S/N: FTH1-UP

PART OF 382-3732, 382-3733, 382-3734, 382-3735 ENGINE AR-COMLETE

SMCS-1261, 1263

i03400944

NOTE	REF NO	GRAPHIC REF	PART NUMBER	QTY	PART NAME						SEE PAGE
					1	2	3	4	5	6 (PRODUCT LEVEL)	
Y	1	1	225-4153	1	FILTER GP-WATER SEP & FUEL						140
Y-SEPARATE ILLUSTRATION											



GRAPHIC #1

<END>

g01761113

# FUEL SYSTEM

## 371-1801 LINES GP-FUEL

S/N: LNA1-UP; LZA1-UP

15-LITERS

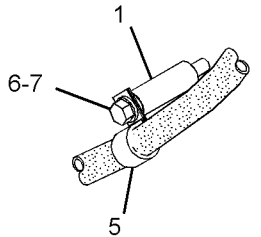
AN ATTACHMENT

SMCS-1274

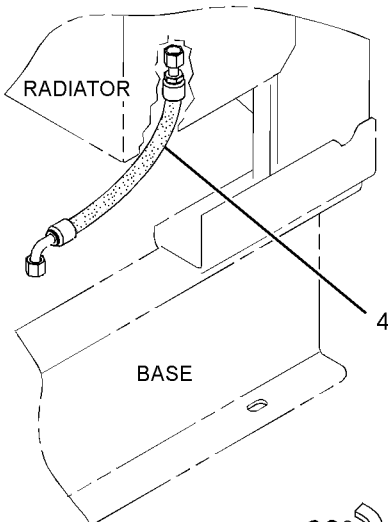
i04768536

NOTE	REF NO	GRAPHIC REF	PART NUMBER	QTY	PART NAME						SEE PAGE
					1	2	3	4	5	6 (PRODUCT LEVEL)	
	1	1	108-3612	1	SPACER (11.13X19.05X53-MM THK)						
I	2	1	371-1797	1	HOSE AS						
I	3	1	371-1798	1	HOSE AS						
I	4	1	371-1802	1	HOSE AS						
	5	1	1S-0994	1	CLIP						
	6	1	8T-4896	2	WASHER-HARD (10.2X18.5X2.5-MM THK)						
	7	1	8T-7008	1	BOLT (3/8-16X3-IN)						

I-REFER TO HYDRAULIC INFORMATION SYSTEM

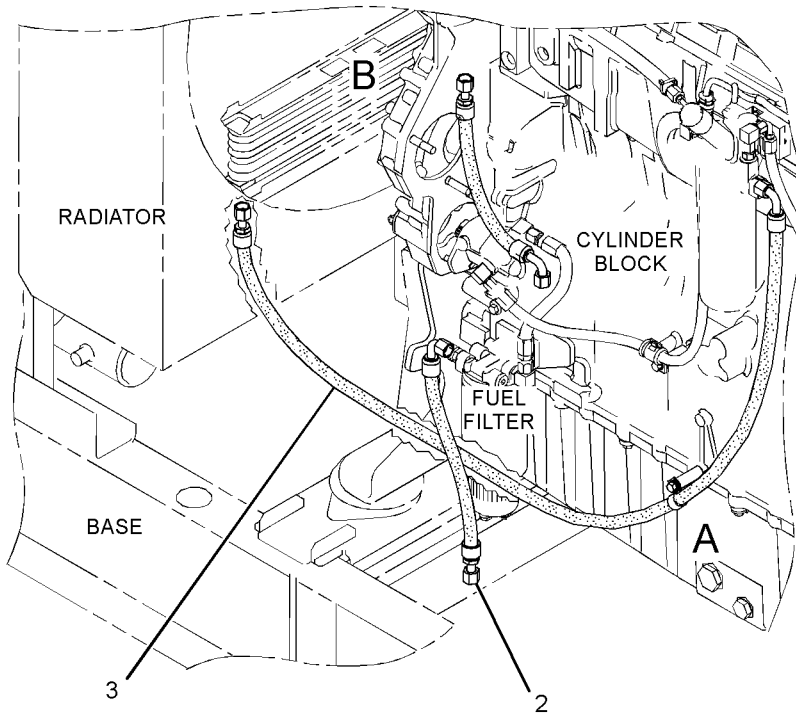


VIEW OF AREA A



VIEW OF AREA B

GRAPHIC #1



<END>

g02868600

# FUEL SYSTEM

## 384-3105 LINES GP-FUEL

S/N: LNA1-UP; LZA1-UP

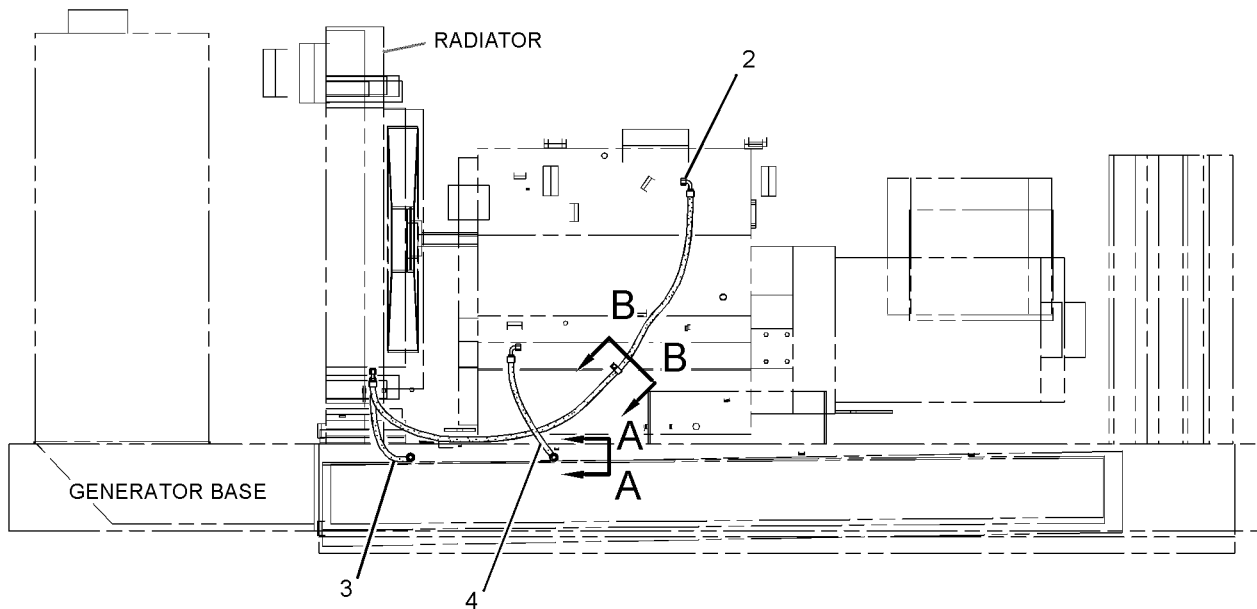
AN ATTACHMENT

SMCS-1274

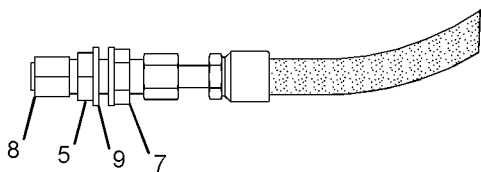
i04842951

NOTE	REF NO	GRAPHIC REF	PART NUMBER	QTY	PART NAME						SEE PAGE
					1	2	3	4	5	6 (PRODUCT LEVEL)	
	1	1	108-3612	1	SPACER (11.13X19.05X53-MM THK)						
I	2	1	371-1798	1	HOSE AS						
I	3	1	384-3107	1	HOSE AS						
I	4	1	384-3108	1	HOSE AS						
	5	1	148-8457	2	UNION AS (STRAIGHT)						
					(EACH INCLUDES)						
		1	6V-8398	2	SEAL-O-RING						
		1	6V-8995	1	UNION (STRAIGHT)						
	6	1	1S-0994	1	CLIP						
	7	1	6V-9169	2	NUT (13/16-16-THD)						
	8	1	6V-9830	2	CAP AS						
	9	1	8T-4123	4	WASHER (22X35X3.5-MM THK)						
	10	1	8T-4896	2	WASHER-HARD (10.2X18.5X2.5-MM THK)						
	11	1	8T-7008	1	BOLT (3/8-16X3-IN)						

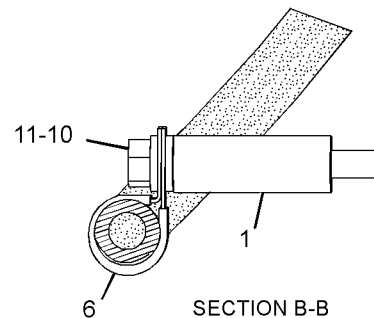
I-REFER TO HYDRAULIC INFORMATION SYSTEM



RIGHT SIDE VIEW



VIEW A-A



SECTION B-B

GRAPHIC #1

<END>

g02983136

# FUEL SYSTEM

## 384-7456 LINES GP-FUEL

S/N: FTH1-UP

HIGH MOUNT

PART OF 382-3732, 382-3733, 382-3734, 382-3735 ENGINE AR-COMplete

SMCS-1274

i04759525

NOTE	REF NO	GRAPHIC REF	PART NUMBER	QTY	PART NAME						SEE PAGE
					1	2	3	4	5	6 (PRODUCT LEVEL)	
	1	1	6V-0852	1	CAP-DUST						
	2	1	108-3612	1	SPACER (11.13X19.05X53-MM THK)						
	3	1	118-7809	1	PLATE						
	4	1	137-5110	1	BRACKET						
I	5	1	7W-6158	1	HOSE AS						
I	6	1	166-5919	2	LINE-FUEL						
	7	1	377-9611	1	CONNECTOR AS						
			030-7937	1	CONNECTOR-PORT						
			214-7568	1	SEAL-O-RING						
	8	1	191-7805	3	ELBOW AS						
					(EACH INCLUDES)						
		1	030-7947	1	ELBOW						
		1	214-7568	1	SEAL-O-RING						
	9	1	030-7962	1	ELBOW						
	10	1	7V-6571	4	GROMMET						
	11	1	0S-1591	1	BOLT (3/8-16X1.5-IN)						
	12	1	0T-0065	1	BOLT (3/8-16X3.5-IN)						
	13	1	1A-2029	2	BOLT (3/8-16X1.125-IN)						
	14	1	2A-2677	1	SPACER (10.7X17.14X19.05-MM THK)						
	15	1	1B-7182	1	BOLT (5/16-18X1.25-IN)						
	16	1	150-4043	1	CONNECTOR AS						
		1	3J-1907	1	SEAL-O-RING						
		1	6V-8398	1	SEAL-O-RING						
		1	6V-9873	1	CONNECTOR						
	17	1	3B-1915	2	BOLT (3/8-16X1.375-IN)						
	18	1	3E-4352	3	WASHER-HARD (8.8X20.5X2.5-MM THK)						
	19	1	5M-2894	6	WASHER-HARD (10.2X18.5X2.5-MM THK)						
	20	1	5S-0003	2	NUT (5/16-18-THD)						
	21	1	164-5567	1	COUPLER AS-QUICK DISCONNECT (MALE)						
		1	6V-3965	1	FITTING (QUICK DISCONNECT)						
		1	214-7568	1	SEAL-O-RING						
	23	1	8T-1889	4	CLIP (SLOT)						
	24	1	8T-1890	4	CLIP (TAB)						
	25	1	313-9614	1	ADAPTER AS						
		1	2R-6806	1	CONNECTOR-O-RING						
		1	214-7568	1	SEAL-O-RING						
	26	1	327-0377	1	VALVE-CHECK						
	27	1	6K-9194	1	ELBOW-FLARED						
	28	1	3S-2093	2	STRAP-CABLE						
	29	1	214-7568	1	SEAL-O-RING						
E	30	1	8C-5064		CONDUIT-FLEXIBLE (17.75-MM ID, SPLIT) (32-CM)						

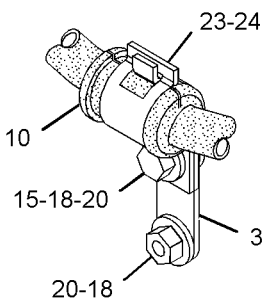
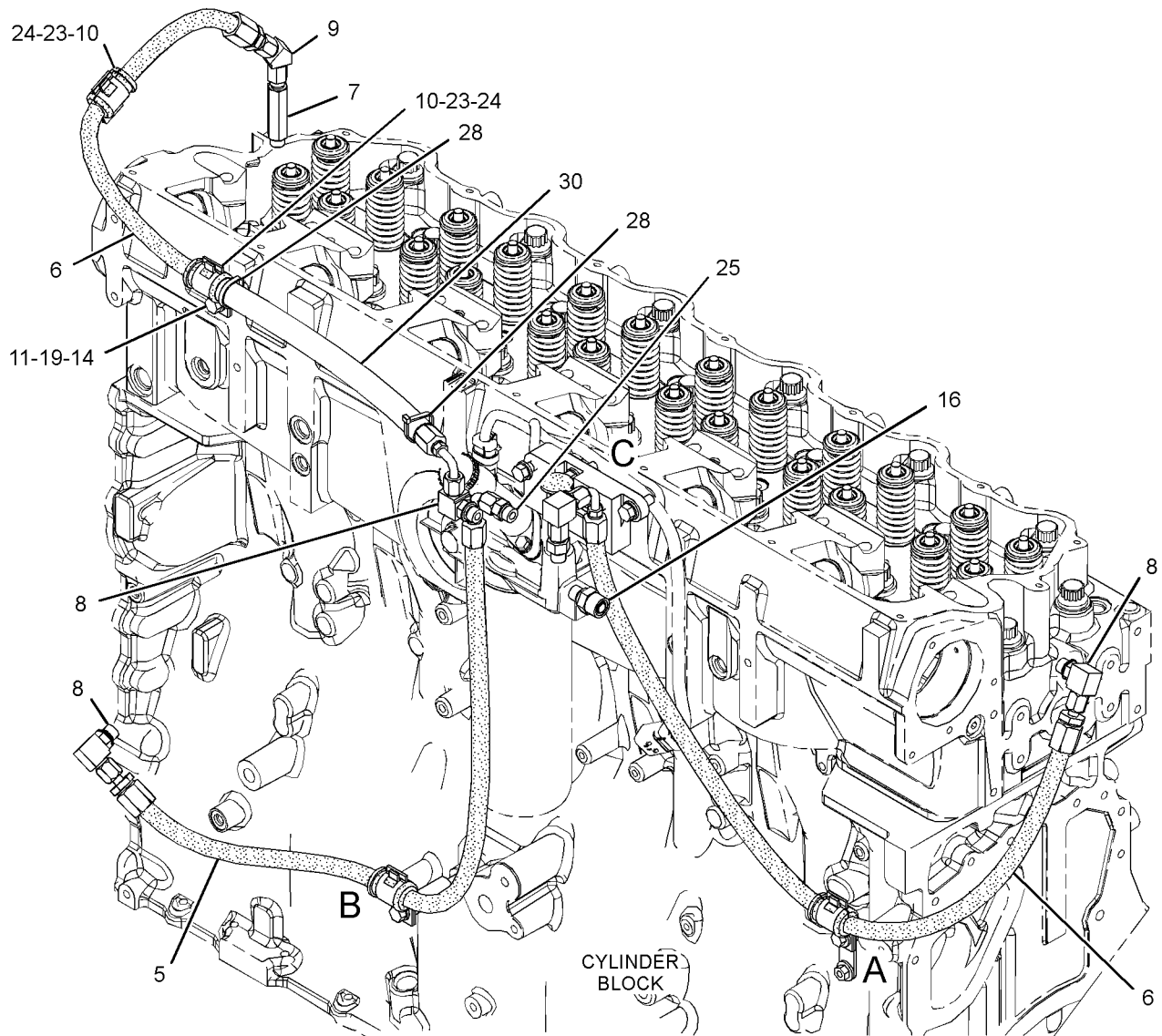
E-ORDER BY THE CENTIMETER

I-REFER TO HYDRAULIC INFORMATION SYSTEM

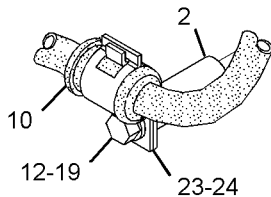
# FUEL SYSTEM

384-7456 LINES GP-FUEL (contd.)

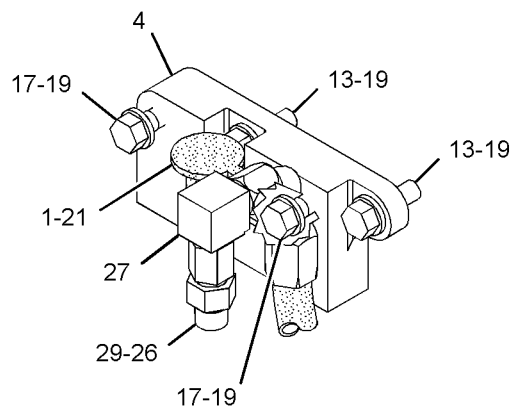
i04759525



VIEW OF AREA A



VIEW OF AREA B



VIEW OF AREA C

GRAPHIC #1

<END>

g02855381

# FUEL SYSTEM

## 384-7457 LINES GP-FUEL FILTER

S/N: FTH1-UP

PART OF 382-3732, 382-3733, 382-3734, 382-3735 ENGINE AR-COMplete

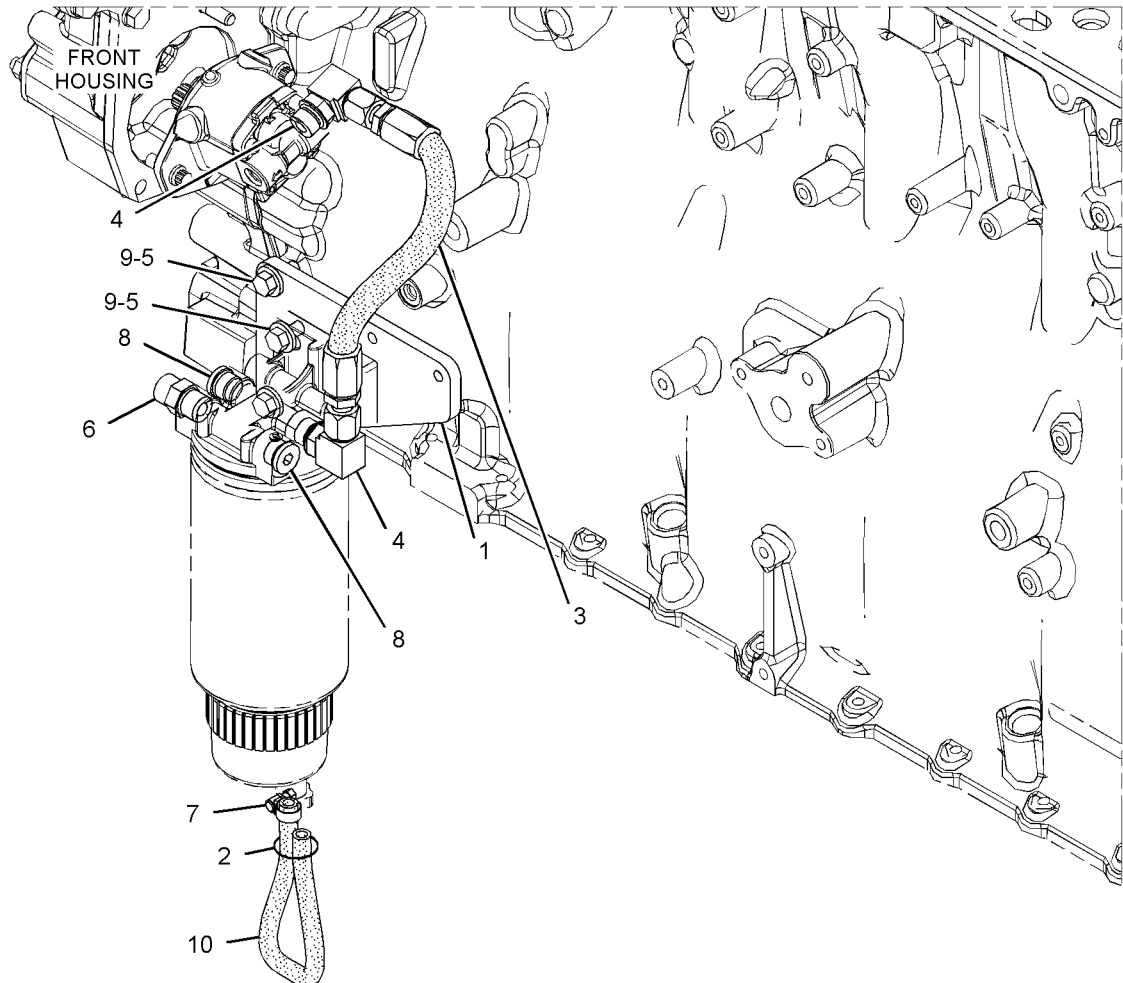
SMCS-1261, 1274

i04759531

NOTE	REF NO	GRAPHIC REF	PART NUMBER	QTY	PART NAME						SEE PAGE
					1	2	3	4	5	6 (PRODUCT LEVEL)	
	1	1	2W-3458	1	PLATE						
	2	1	7K-1181	1	STRAP-CABLE						
I	3	1	7N-4045	1	HOSE AS						
	4	1	353-5134	2	ELBOW AS						
		1	118-4728	1	ELBOW						
		1	238-5080	1	SEAL-O-RING						
	5	1	0S-1594	4	BOLT (3/8-16X1-IN)						
	6	1	148-8340	1	CONNECTOR AS						
		1	3K-0360	1	SEAL-O-RING						
		1	6V-8398	1	SEAL-O-RING						
		1	6V-8639	1	CONNECTOR						
	7	1	1P-4278	1	CLAMP-HOSE						
	8	1	307-2673	2	PLUG AS						
		1	9S-8005	1	PLUG-O-RING						
		1	238-5080	1	SEAL-O-RING						
	9	1	9X-6458	4	WASHER-HARD (10.2X22.5X3-MM THK)						
D	10	1	5P-5991		HOSE (0.3-M)						

D-ORDER BY THE METER

I-REFER TO HYDRAULIC INFORMATION SYSTEM



GRAPHIC #1

<END>

g02815300

# FUEL SYSTEM

## 150-4279 PUMP & MTG GP-FUEL TRANSFER

S/N: FTH1-UP

PART OF 382-3732, 382-3733, 382-3734, 382-3735 ENGINE AR-COMplete

SMCS-1256

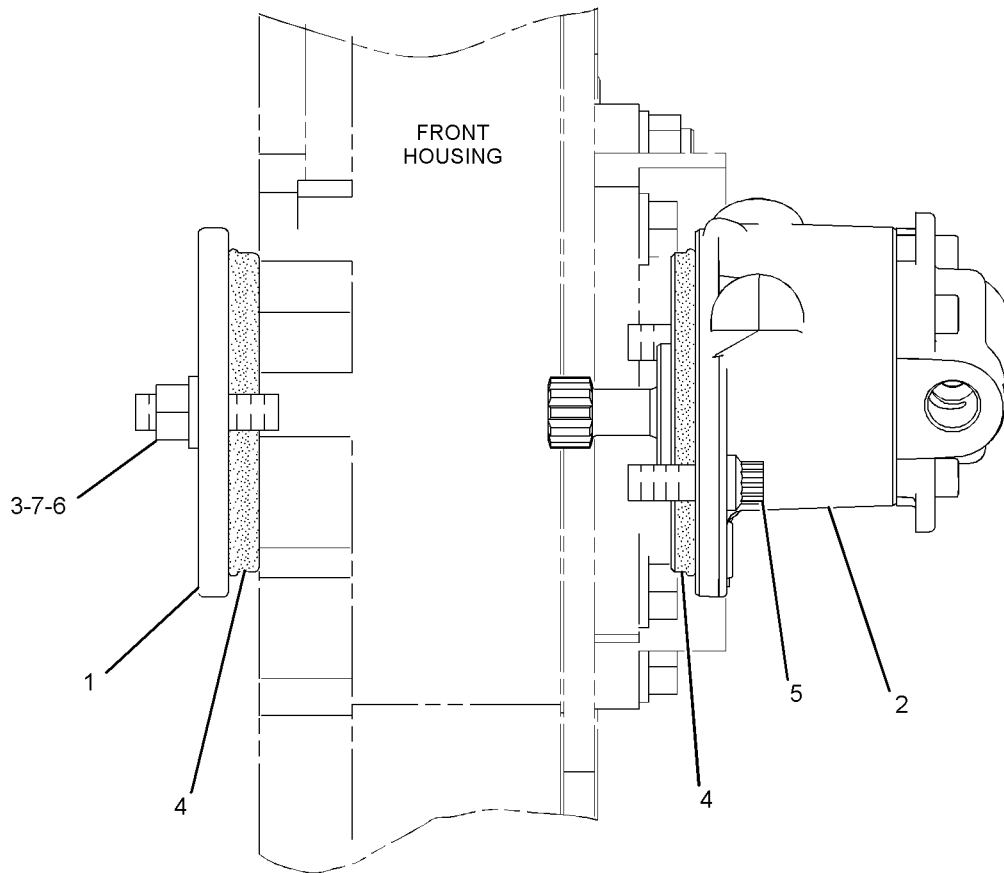
i04783142

NOTE	REF NO	GRAPHIC REF	PART NUMBER	QTY	PART NAME						SEE PAGE
					1	2	3	4	5	6 (PRODUCT LEVEL)	
	1	1	133-9116	1	COVER						
CJ	2	1	384-8612	1	PUMP GP-FUEL TRANSFER						
	3	1	0S-0699	2	STUD						
	4	1	107-5769	2	SEAL-O-RING						
	5	1	1T-0765	2	BOLT (3/8-16X1-IN)						
	6	1	5M-2894	2	WASHER-HARD (10.2X18.5X2.5-MM THK)						
	7	1	9S-8752	2	NUT-FULL (3/8-16-THD)						

AVAILABLE REPAIR KIT(S):

AJ 1 KIT-SPRING

A-NOT PART OF THIS GROUP  
 C-CHANGE FROM PREVIOUS TYPE  
 J-KIT MARKED J SERVICES PART MARKED J



LEFT SIDE VIEW OF ENGINE

GRAPHIC #1

<END>

g01364794

# FUEL SYSTEM

## 235-1403 PUMP GP-FUEL INJECTION

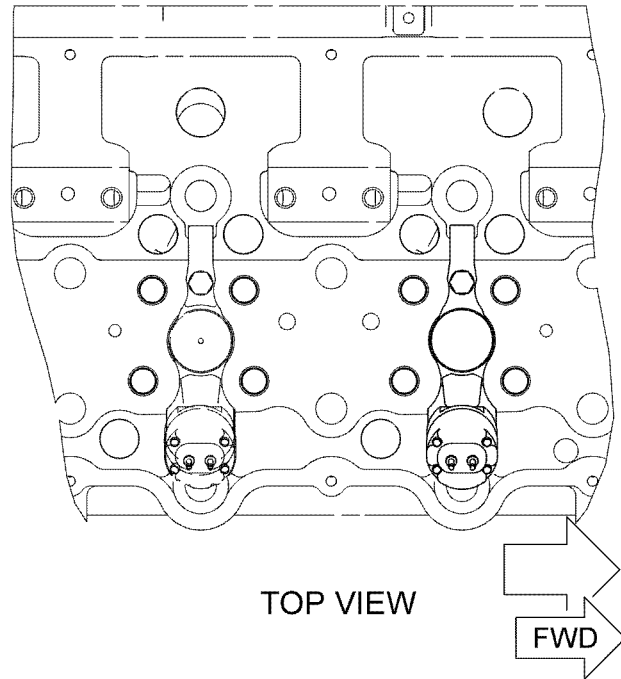
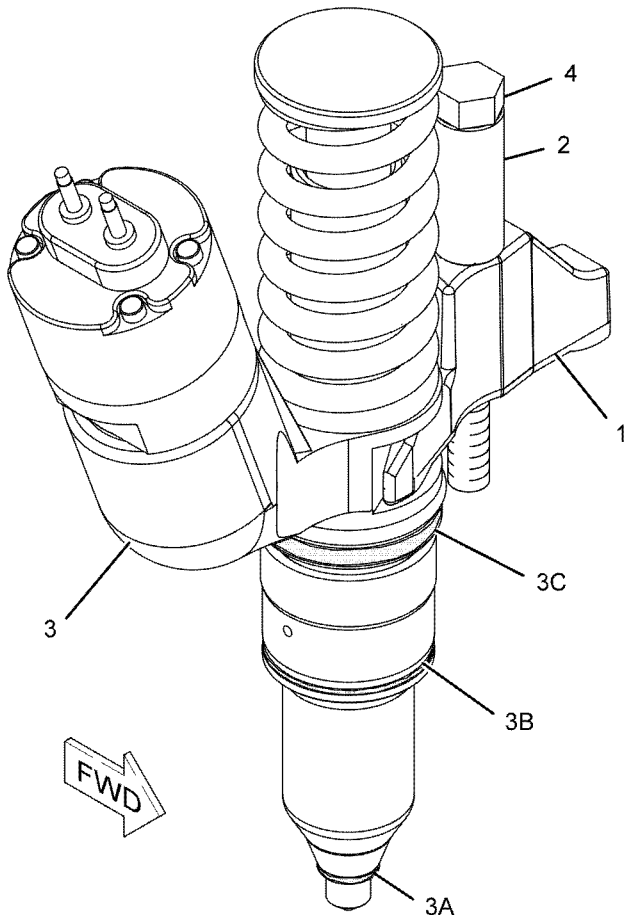
S/N: FTH1-UP

SMCS-1251, 1290

i02376437

NOTE	REF NO	GRAPHIC REF	PART NUMBER	QTY	PART NAME						SEE PAGE
					1	2	3	4	5	6 (PRODUCT LEVEL)	
	1	1	6I-0213	1	CLAMP						
	2	1	100-5072	1	SPACER (9.8X15.85X37.6-MM THK)						
R	3	1	253-0618	1	INJECTOR GP-FUEL						
	3A	1	9X-7317	1	SEAL-O-RING						
	3B	1	230-3728	1	SEAL-O-RING						
	3C	1	230-3775	1	SEAL-O-RING						
	4	1	8S-9191	1	BOLT (3/8-16X4-IN)						

R-REMFG PART MAY BE AVAILABLE



GRAPHIC #1

<END>

g01033421



# FUEL SYSTEM

## 276-8020 PUMP GP-FUEL PRM & SEC FILTER

S/N: FTH1-UP

PART OF 382-3732, 382-3733, 382-3734, 382-3735 ENGINE AR-COMplete

SMCS-1258, 1261

i03991613

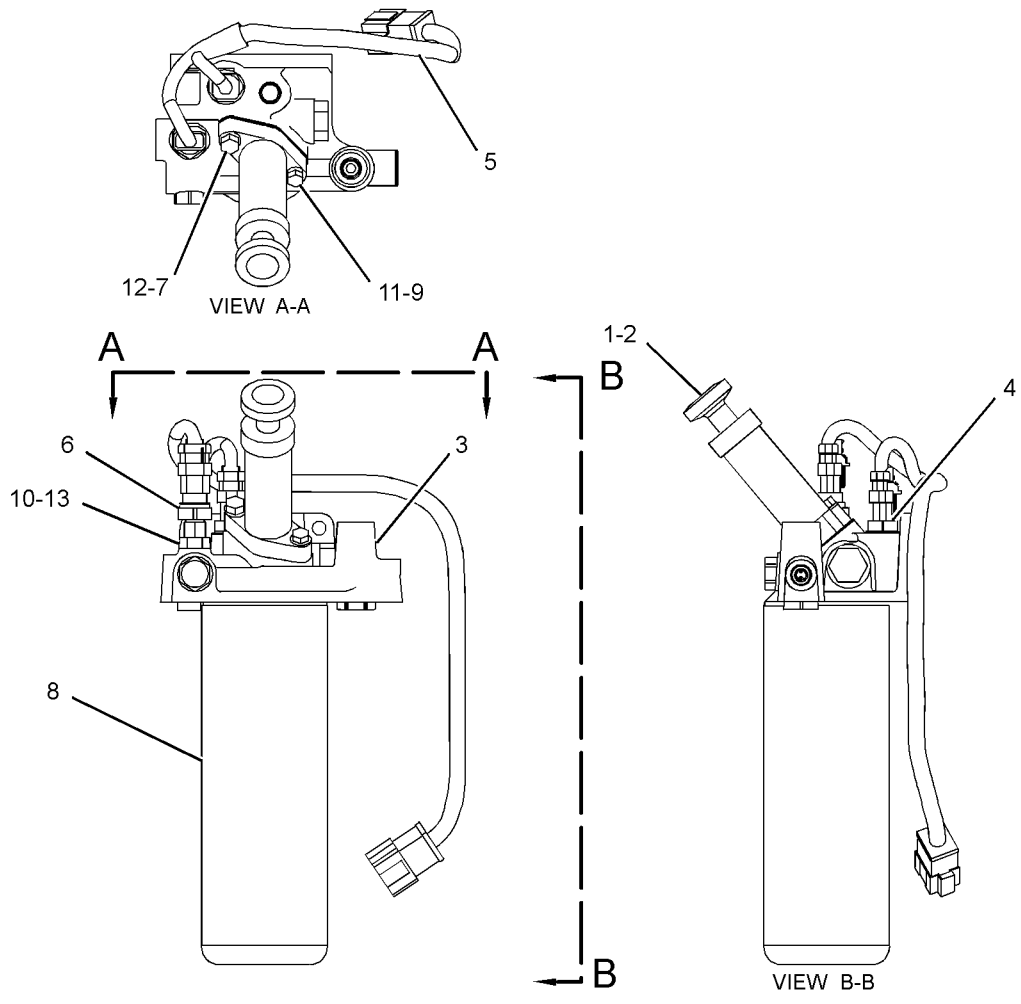
NOTE	REF NO	GRAPHIC REF	PART NUMBER	QTY	PART NAME						SEE PAGE
					1	2	3	4	5	6 (PRODUCT LEVEL)	
	1	1	<b>1P-0436</b>	1	GASKET (FUEL PRIMING PUMP)						
	2	1	<b>137-5541</b>	1	PUMP GP-FUEL PRIMING (HAND)						
Y	3	1	191-5055	1	BASE GP-FUEL FILTER						138
Y	4	1	234-5013	1	SENSOR GP-TEMPERATURE (FUEL)						232
	5	1	<b>276-4754</b>	1	HARNESS AS-PUMP (FUEL)						
		1	<b>180-9340</b>	5	SOCKET-CONNECTOR (14-GA TO 18-GA)						
		1	<b>9X-3401</b>	5	PIN-CONNECTOR (16-GA TO 18-GA)						
		1	<b>8T-8737</b>	3	PLUG-SEAL						
		1	<b>230-4011</b>	1	PLUG AS-CONNECTOR (2-PIN)						
		1	<b>264-7029</b>	1	SEAL-CONNECTOR						
		1	<b>231-2300</b>	1	RECEPTACLE AS-CONNECTOR (8-PIN)						
		1	<b>237-0227</b>	1	PLUG AS-CONNECTOR (3-PIN)						
		1	<b>264-7030</b>	1	SEAL-CONNECTOR						
Y	6	1	276-9067	1	SENSOR GP-PRESSURE (FUEL)						228
	7	1	<b>1B-7182</b>	1	BOLT (5/16-18X1.25-IN)						
	8	1	<b>1R-0749</b>	1	FILTER-FUEL (ADVANCED EFFICIENCY) (SECONDARY)						
	9	1	<b>5P-0537</b>	1	WASHER-HARD (7.2X14.5X2-MM THK)						
	10	1	<b>214-7568</b>	1	SEAL-O-RING						
	11	1	<b>7B-2742</b>	1	BOLT (1/4-20X1.25-IN)						
	12	1	<b>9M-1974</b>	1	WASHER-HARD (8.8X16X2-MM THK)						
	13	1	<b>9X-0261</b>	1	ADAPTER						

Y-SEPARATE ILLUSTRATION

# FUEL SYSTEM

276-8020 PUMP GP-FUEL PRM & SEC FILTER (contd.)

i03991613



GRAPHIC #1

<END>

g01231984

# FUEL SYSTEM

## 349-5035 TANK & BASE GP-FUEL

S/N: LNA1-UP; LZA1-UP

15-LITERS

AN ATTACHMENT

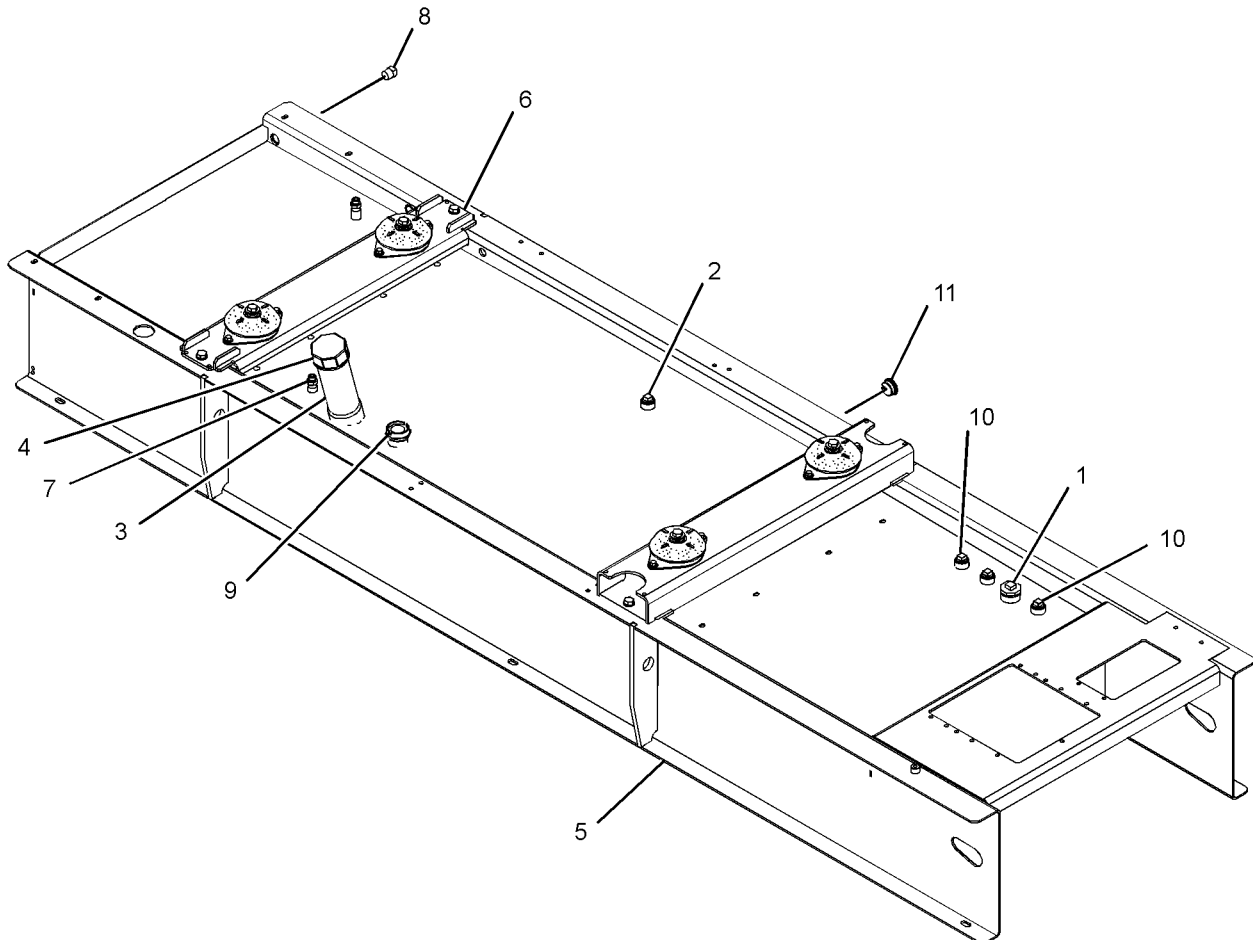
SMCS-1273

i04757014

NOTE	REF NO	GRAPHIC REF	PART NUMBER	QTY	PART NAME						SEE PAGE
					1	2	3	4	5	6 (PRODUCT LEVEL)	
	1	1	143-0855	1	PLUG						
	2	1	143-0856	2	PLUG						
	3	1	263-0633	1	PIPE-FILLER						
	4	1	264-6364	1	CAP-FUEL						
	5	1	354-6130	1	BASE AS-FUEL TANK						
		1	203-3145	4	COUPLING						
		1	213-9697	2	COUPLING						
Y	6	1	354-6240	1	MOUNTING GP-ENGINE & GENERATOR						60
	7	1	386-7048	2	PIPE AS						
		1	228-7090	1	SEAL-O-RING						
		1	354-6203	1	PIPE-FUEL						
	8	1	142-6858	2	PLUG						
	9	1	386-7045	1	GAUGE-FUEL LEVEL						
B	10	1	143-0856	2	PLUG						
	11	1	315-9824	1	PLUG AS						
		1	2S-4078	1	SEAL-O-RING						
		1	315-9821	1	PLUG						

B-USE AS REQUIRED

Y-SEPARATE ILLUSTRATION



GRAPHIC #1

<END>

g02861357

# FUEL SYSTEM

## 233-6742 VALVE GP-CHECK-FUEL

S/N: FTH1-UP

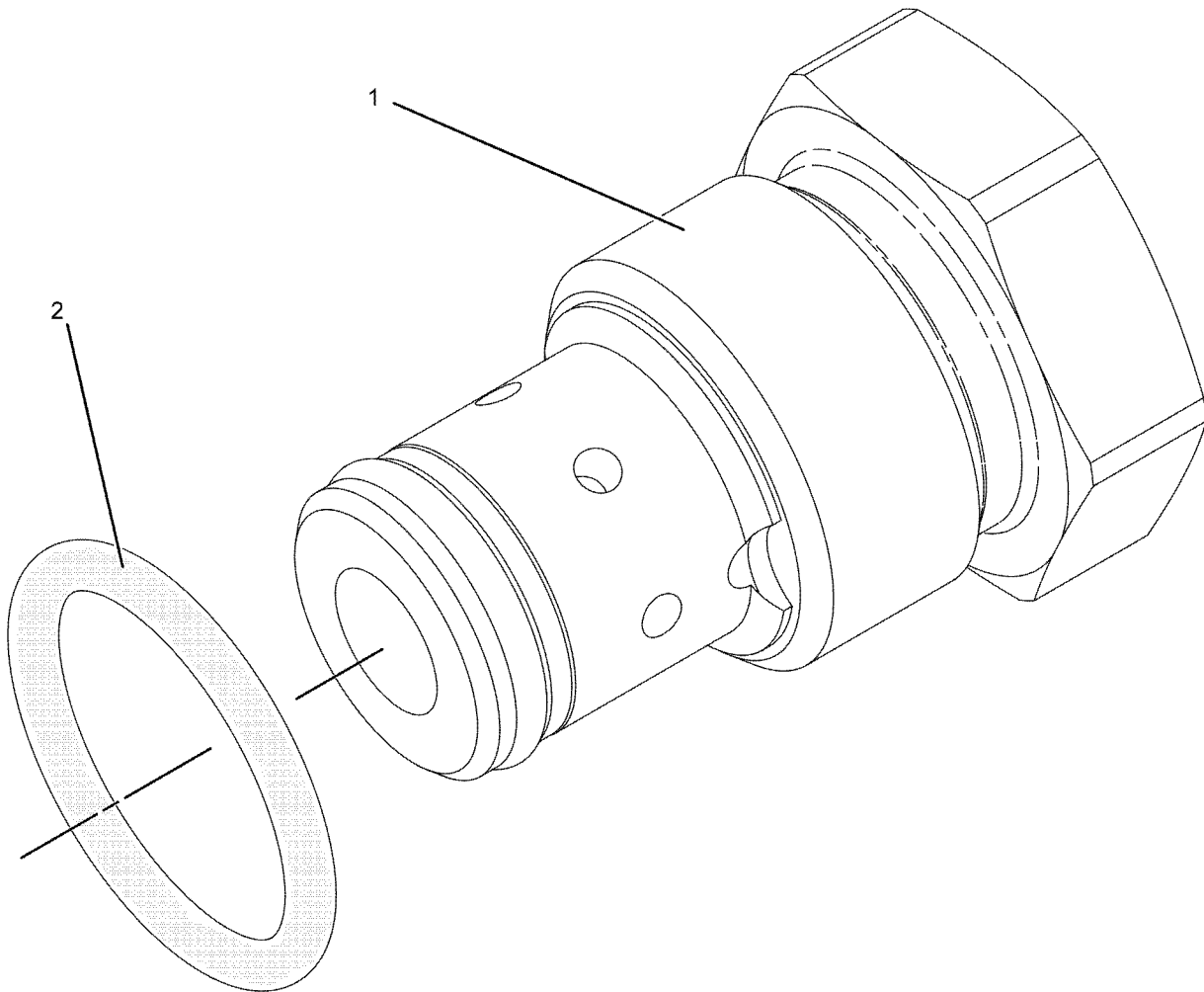
PART OF 191-5055 BASE GP-FUEL FILTER

SMCS-1262

i03808152

NOTE	REF NO	GRAPHIC REF	PART NUMBER	QTY	PART NAME						SEE PAGE
					1	2	3	4	5	6 (PRODUCT LEVEL)	
Y	1	1	281-2725	1	VALVE GP-CHECK (FUEL)						153
	2	1	238-5081	1	SEAL-O-RING						

Y-SEPARATE ILLUSTRATION



GRAPHIC #1

<END>

g01031823

# FUEL SYSTEM

## 281-2725 VALVE GP-CHECK-FUEL

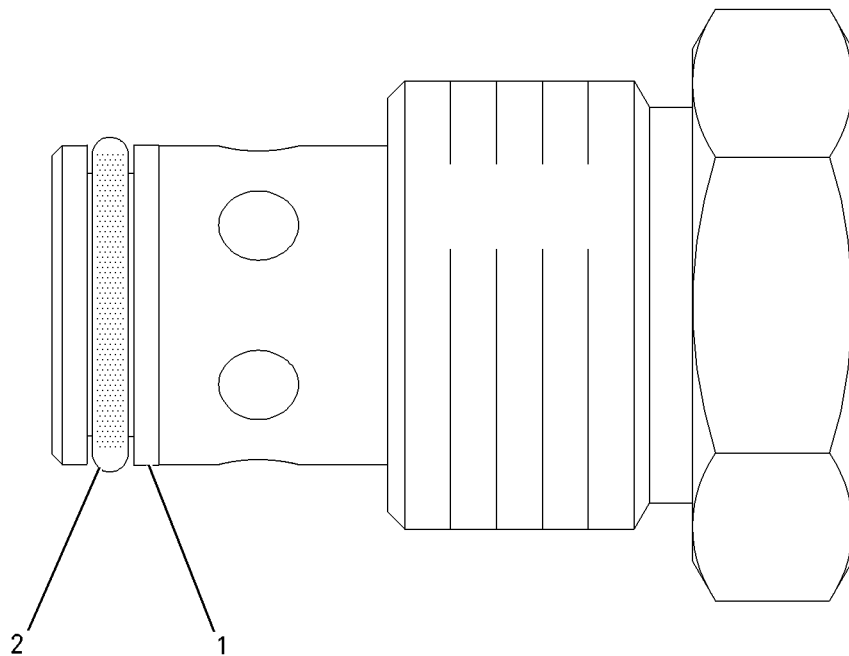
S/N: FTH1-UP

PART OF 233-6742 VALVE GP-CHECK

SMCS-1262

i02448864

NOTE	REF NO	GRAPHIC REF	PART NUMBER	QTY	PART NAME						SEE PAGE
					1	2	3	4	5	6 (PRODUCT LEVEL)	
	1	1	<b>6V-6923</b>	1	RING-BACKUP						
	2	1	<b>033-6033</b>	1	SEAL-O-RING						



GRAPHIC #1

<END>

g00864141

# FUEL SYSTEM

## 139-6873 VALVE GP-FUEL BYPASS

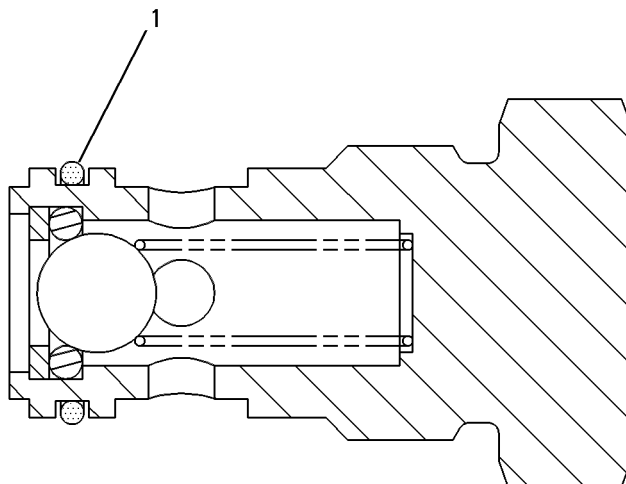
S/N: FTH1-UP

PART OF 191-5055 BASE GP-FUEL FILTER

SMCS-1256

i01986137

NOTE	REF NO	GRAPHIC REF	PART NUMBER	QTY	PART NAME						SEE PAGE
					1	2	3	4	5	6 (PRODUCT LEVEL)	
	1	1	9X-7737	1	SEAL-O-RING						



GRAPHIC #1

<END>

g00266124

# ELECTRICAL AND STARTING SYSTEM

## 5N-5692 ALTERNATOR GP-CHARGING\*R

S/N: FTH1-UP

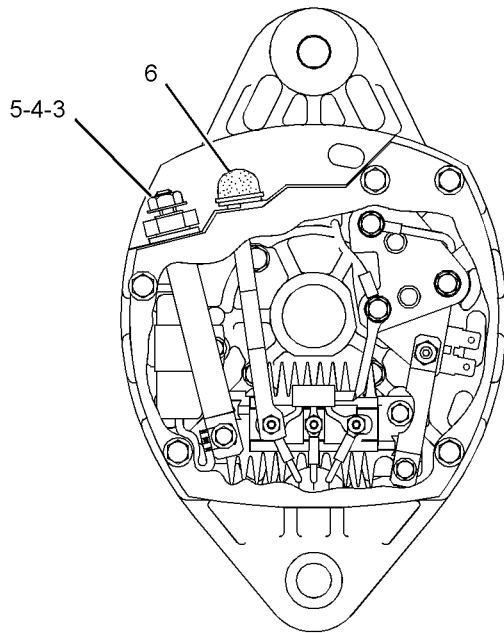
24-VOLT, 45-AMPERE

PART OF 382-3732, 382-3733, 382-3734, 382-3735 ENGINE AR-COMplete

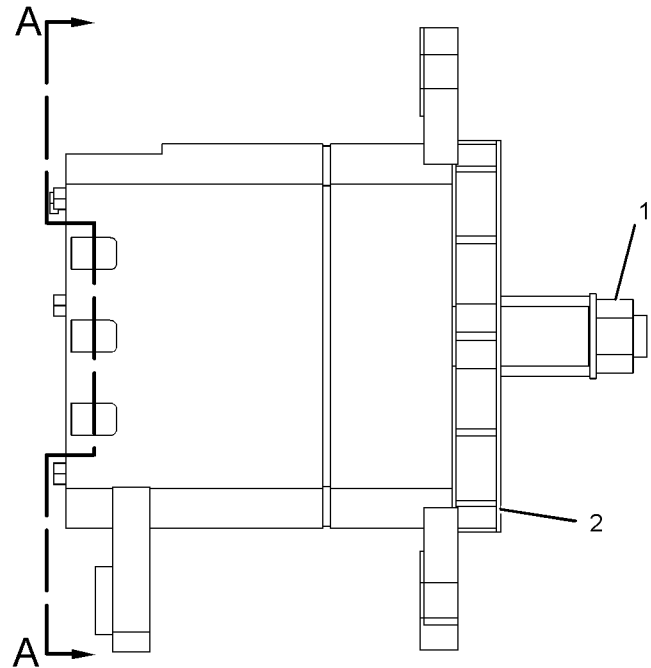
SMCS-1405

i03627030

NOTE	REF NO	GRAPHIC REF	PART NUMBER	QTY	PART NAME						SEE PAGE
					1	2	3	4	5	6 (PRODUCT LEVEL)	
	1	1	187-2034	1	NUT-FLANGE (5/8-18-THD)						
	2	1	3E-5454	1	FAN-ALTERNATOR (11-BLADE)						
	3	1	6V-8187	1	NUT (1/4-28-THD)						
	4	1	1H-3244	1	LOCKWASHER						
	5	1	8T-4205	1	WASHER-HARD (7.2X14.5X2-MM THK)						
	6	1	9L-6770	1	CAP-DUST						



SECTION A-A



GRAPHIC #1

<END>

g01947385

# ELECTRICAL AND STARTING SYSTEM

## 389-0968 BATTERY CHARGER GP

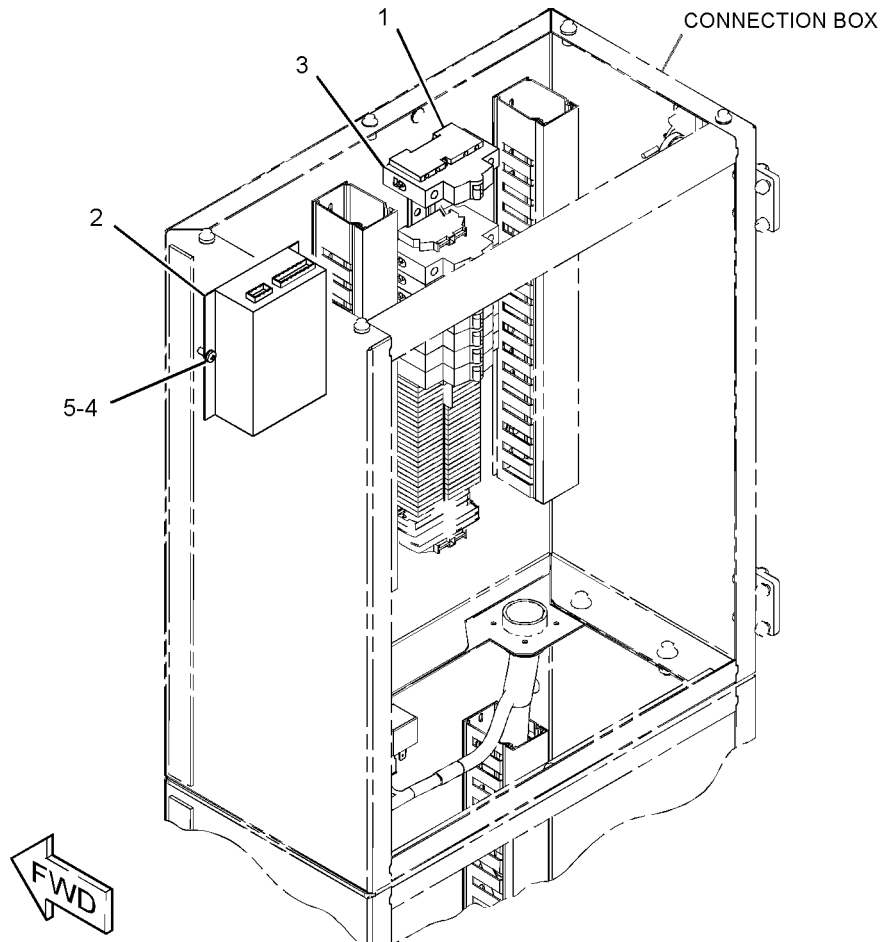
S/N: LNA1-UP; LZA1-UP  
AN ATTACHMENT

SMCS-1401, 1406

i04901011

NOTE	REF NO	GRAPHIC REF	PART NUMBER	QTY	PART NAME						SEE PAGE
					1	2	3	4	5	6 (PRODUCT LEVEL)	
	1	1	301-8313	1	BLOCK-TERMINAL (800-VOLT, 24-AMPERE)						
	2	1	394-0527	1	BATTERY CHARGER (24-VOLT)						
	3	1	341-9316	1	CIRCUIT BREAKER (6-AMPERE, SINGLE POLE)						
M	4	1	6V-9673	2	SCREW-MACHINE (M5X0.8X12-MM)						
	5	1	8T-0328	2	WASHER-HARD (5.5X10X1-MM THK)						

M-METRIC PART



GRAPHIC #1

<END>

g03057319



# ELECTRICAL AND STARTING SYSTEM

## 349-5044 BATTERY GP

S/N: LNA1-UP; LZA1-UP  
FOR USE WITH NARROW BASE  
AN ATTACHMENT

SMCS-1401

i04896139

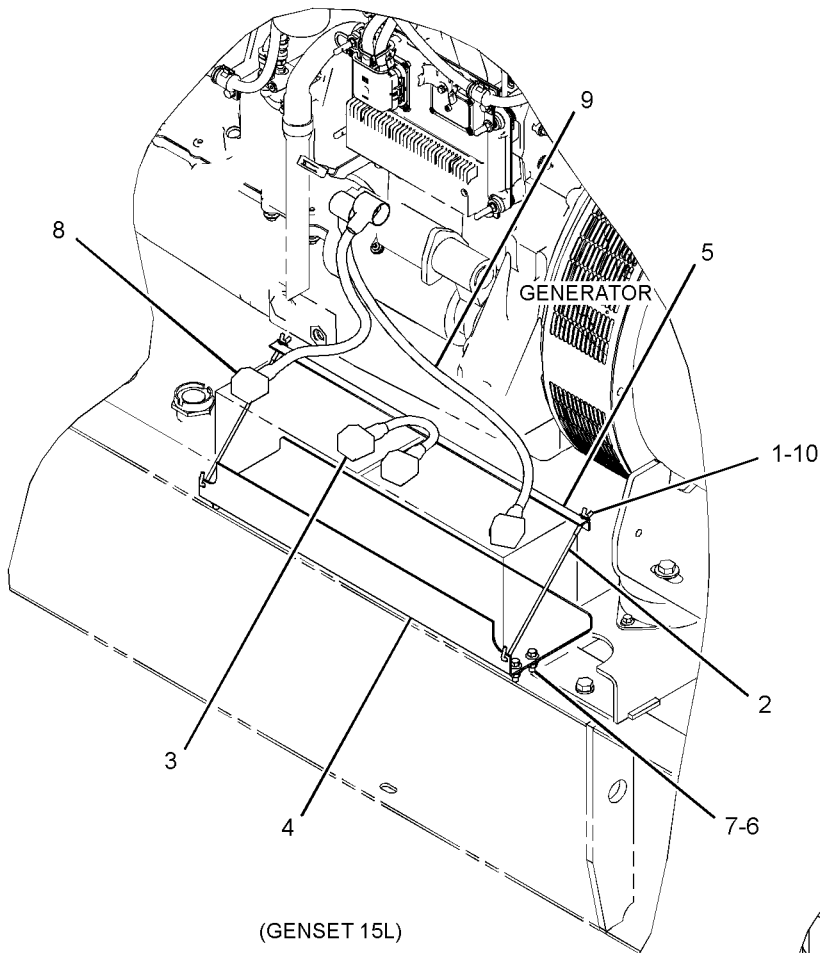
NOTE	REF NO	GRAPHIC REF	PART NUMBER	QTY	PART NAME						SEE PAGE	
					1	2	3	4	5	6 (PRODUCT LEVEL)		
M	1	1	8T-2910	2	NUT-WING (M6X1-THD)							
	2	1	142-9459	2	BOLT (M6X1X275-MM)							
	3	1	240-0465	1	CABLE AS							
			1	9G-0003	1	COVER AS-TERMINAL (BLACK)						
			1	8L-8413	1	STRAP-CABLE (WHITE)						
			1	9G-0004	1	COVER AS-TERMINAL (RED)						
			1	8L-8413	1	STRAP-CABLE (WHITE)						
			1	3S-6050	1	TERMINAL AS-BATTERY (NEGATIVE)						
			1	1M-6119	1	BOLT (5/16-18X1.375-IN)						
			1	1M-6120	1	NUT (5/16-18-THD)						
			1	3S-6049	1	TERMINAL AS-BATTERY (POSITIVE)						
			1	1M-6119	1	BOLT (5/16-18X1.375-IN)						
			1	1M-6120	1	NUT (5/16-18-THD)						
	E		1	159-8050		CABLE (00-GA, BLACK) (19-CM)						
		4	1	354-2557	1	SUPPORT-BATTERY						
5		1	354-2558	1	ANGLE							
M	6	1	175-7141	4	NUT-HEX FLANGE (M10X1.5-THD)							
	7	1	338-3669	4	BOLT-FLANGE HEAD (M10X1.5X30-MM)							
	8	1	354-2559	1	CABLE AS							
			1	1S-7251	1	TERMINAL-CABLE (00-GA, 1/2-IN SCREW)						
			1	9G-0004	1	COVER AS-TERMINAL (RED)						
			1	8L-8413	1	STRAP-CABLE (WHITE)						
			1	3S-6049	1	TERMINAL AS-BATTERY (POSITIVE)						
			1	1M-6119	1	BOLT (5/16-18X1.375-IN)						
			1	1M-6120	1	NUT (5/16-18-THD)						
E		1	159-8049		CABLE (00-GA, RED) (60-CM)							
		1	221-9050	1	COVER-TERMINAL (RED)							
	9	1	354-2560	1	CABLE AS							
			1	1S-7251	1	TERMINAL-CABLE (00-GA, 1/2-IN SCREW)						
			1	9G-0003	1	COVER AS-TERMINAL (BLACK)						
			1	8L-8413	1	STRAP-CABLE (WHITE)						
			1	9G-8909	1	COVER-TERMINAL (BLACK)						
			1	3S-6050	1	TERMINAL AS-BATTERY (NEGATIVE)						
			1	1M-6119	1	BOLT (5/16-18X1.375-IN)						
			1	1M-6120	1	NUT (5/16-18-THD)						
E		1	159-8050		CABLE (00-GA, BLACK) (86-CM)							
	10	1	5P-4115	2	WASHER-HARD (7.2X19X2-MM THK)							

E-ORDER BY THE CENTIMETER  
M-METRIC PART

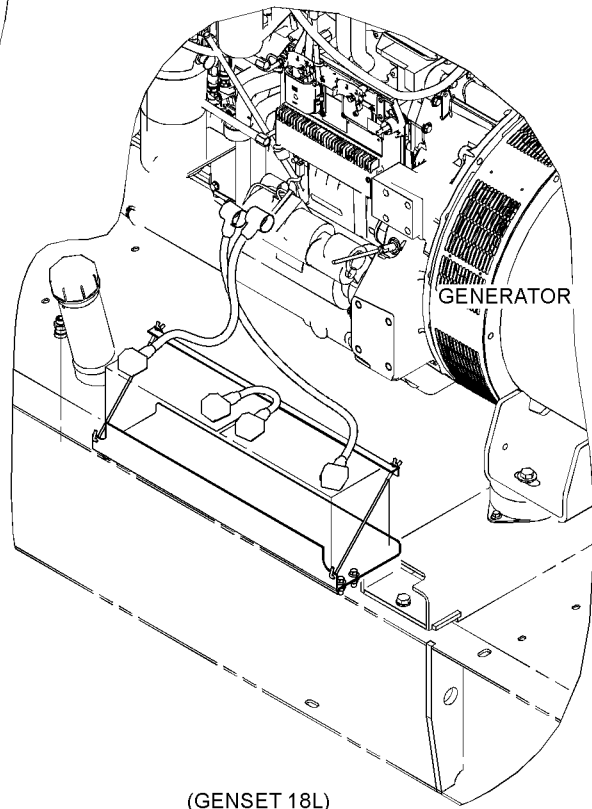
# ELECTRICAL AND STARTING SYSTEM

349-5044 BATTERY GP (contd.)

i04896139



(GENSET 15L)



(GENSET 18L)

GRAPHIC #1

<END>

g03156977

# ELECTRICAL AND STARTING SYSTEM

## 366-0037 BATTERY GP

S/N: LNA1-UP; LZA1-UP  
FOR USE WITH WIDE BASE  
AN ATTACHMENT

SMCS-1401

i04982195

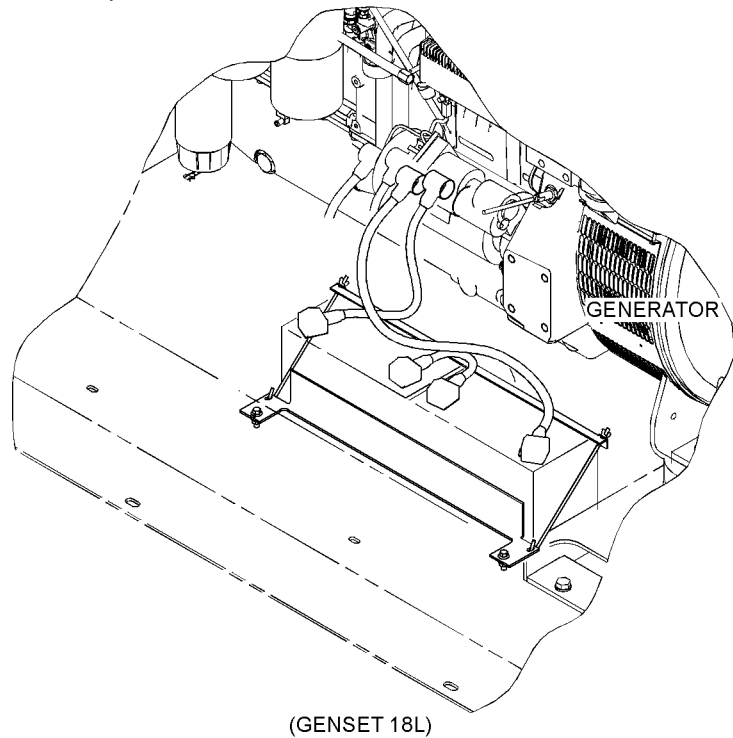
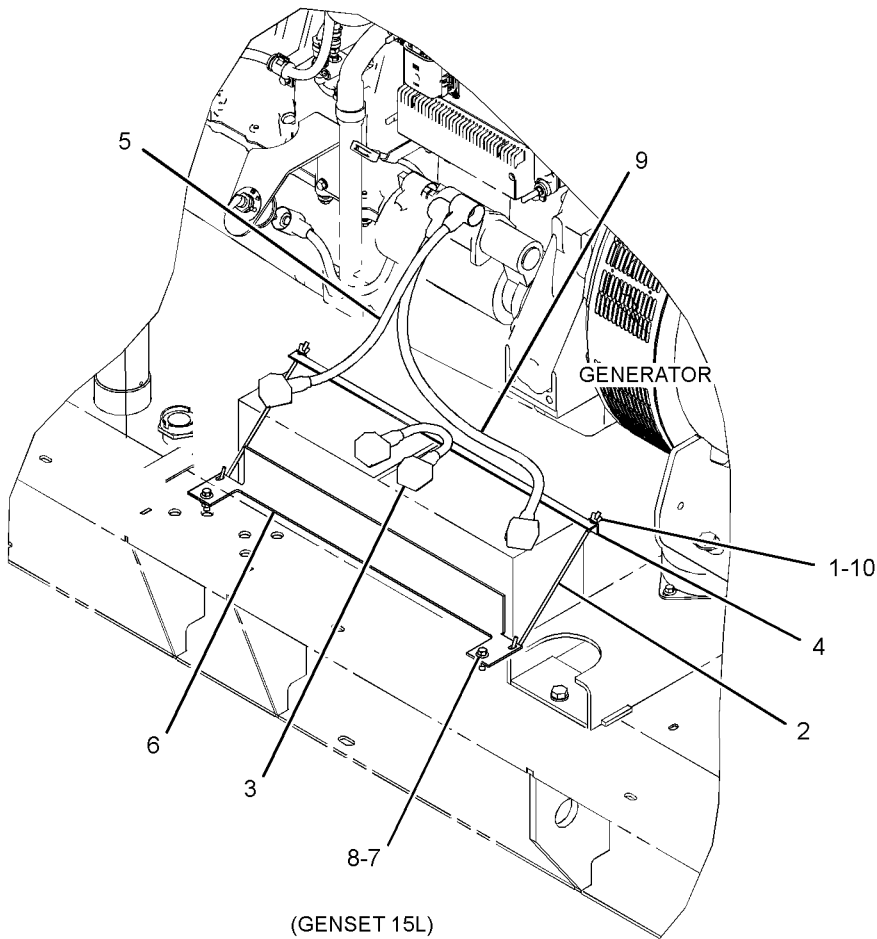
NOTE	REF NO	GRAPHIC REF	PART NUMBER	QTY	PART NAME						SEE PAGE		
					1	2	3	4	5	6 (PRODUCT LEVEL)			
M	1	1	8T-2910	2	NUT-WING (M6X1-THD)								
	2	1	142-9459	2	BOLT (M6X1X275-MM)								
	3	1	240-0465	1	CABLE AS								
			1	9G-0003	1	COVER AS-TERMINAL (BLACK)							
			1	8L-8413	1	STRAP-CABLE (WHITE)							
			1	9G-0004	1	COVER AS-TERMINAL (RED)							
			1	8L-8413	1	STRAP-CABLE (WHITE)							
			1	3S-6050	1	TERMINAL AS-BATTERY (NEGATIVE)							
			1	1M-6119	1	BOLT (5/16-18X1.375-IN)							
			1	1M-6120	1	NUT (5/16-18-THD)							
			1	3S-6049	1	TERMINAL AS-BATTERY (POSITIVE)							
			1	1M-6119	1	BOLT (5/16-18X1.375-IN)							
			1	1M-6120	1	NUT (5/16-18-THD)							
	E		1	159-8050		CABLE (00-GA, BLACK) (19-CM)							
4		1	354-2558	1	ANGLE								
5		1	354-2559	1	CABLE AS								
			1	1S-7251	1	TERMINAL-CABLE (00-GA, 1/2-IN SCREW)							
			1	9G-0004	1	COVER AS-TERMINAL (RED)							
			1	8L-8413	1	STRAP-CABLE (WHITE)							
			1	3S-6049	1	TERMINAL AS-BATTERY (POSITIVE)							
			1	1M-6119	1	BOLT (5/16-18X1.375-IN)							
			1	1M-6120	1	NUT (5/16-18-THD)							
			1	159-8049		CABLE (00-GA, RED) (60-CM)							
			1	221-9050	1	COVER-TERMINAL (RED)							
		6	1	354-6223	1	BRACKET							
M		7	1	175-7141	2	NUT-HEX FLANGE (M10X1.5-THD)							
		8	1	338-3669	2	BOLT-FLANGE HEAD (M10X1.5X30-MM)							
	9	1	354-2560	1	CABLE AS								
			1	1S-7251	1	TERMINAL-CABLE (00-GA, 1/2-IN SCREW)							
			1	9G-0003	1	COVER AS-TERMINAL (BLACK)							
			1	8L-8413	1	STRAP-CABLE (WHITE)							
			1	9G-8909	1	COVER-TERMINAL (BLACK)							
			1	3S-6050	1	TERMINAL AS-BATTERY (NEGATIVE)							
			1	1M-6119	1	BOLT (5/16-18X1.375-IN)							
			1	1M-6120	1	NUT (5/16-18-THD)							
	E		1	159-8050		CABLE (00-GA, BLACK) (86-CM)							
		10	1	5P-4115	2	WASHER-HARD (7.2X19X2-MM THK)							

E-ORDER BY THE CENTIMETER  
M-METRIC PART

# ELECTRICAL AND STARTING SYSTEM

366-0037 BATTERY GP (contd.)

i04982195



GRAPHIC #1

<END>

g03157156

# ELECTRICAL AND STARTING SYSTEM

## 354-6459 BOX GP-CONNECTION

S/N: LNA1-UP; LZA1-UP

PART OF 396-6851 MOUNTING GP-ELECTRONIC CONTROL  
AN ATTACHMENT

SMCS-4460

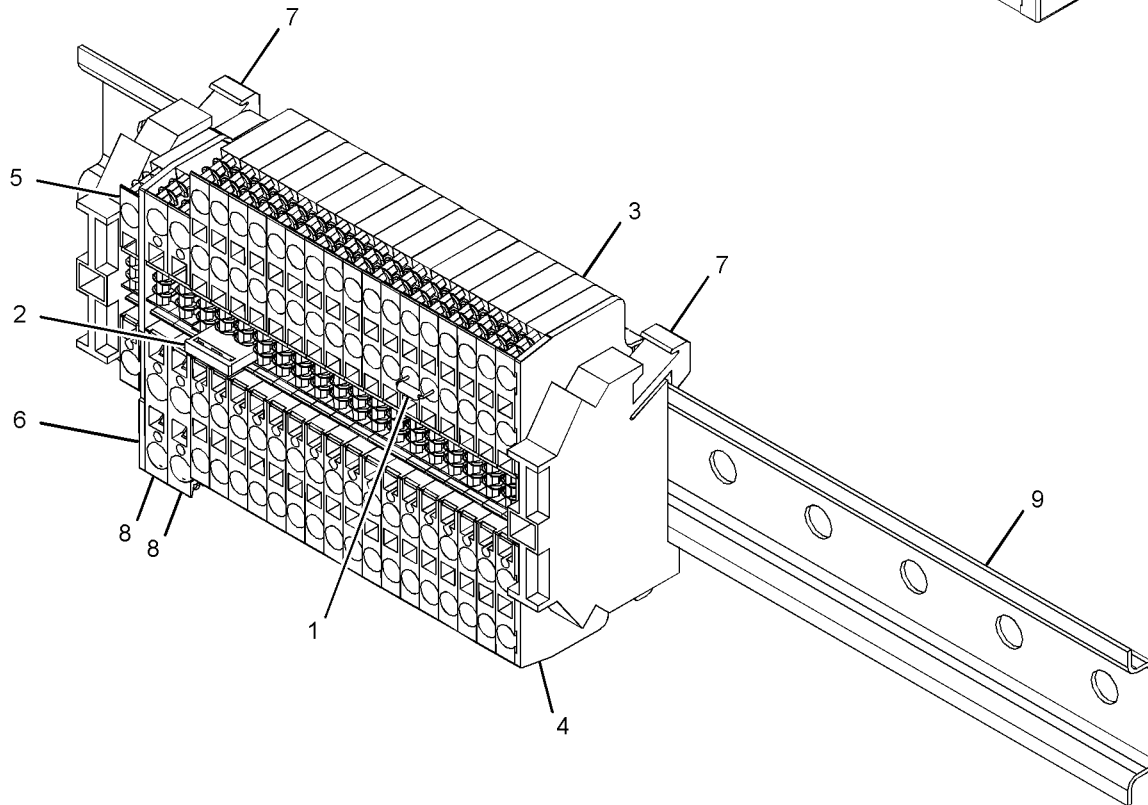
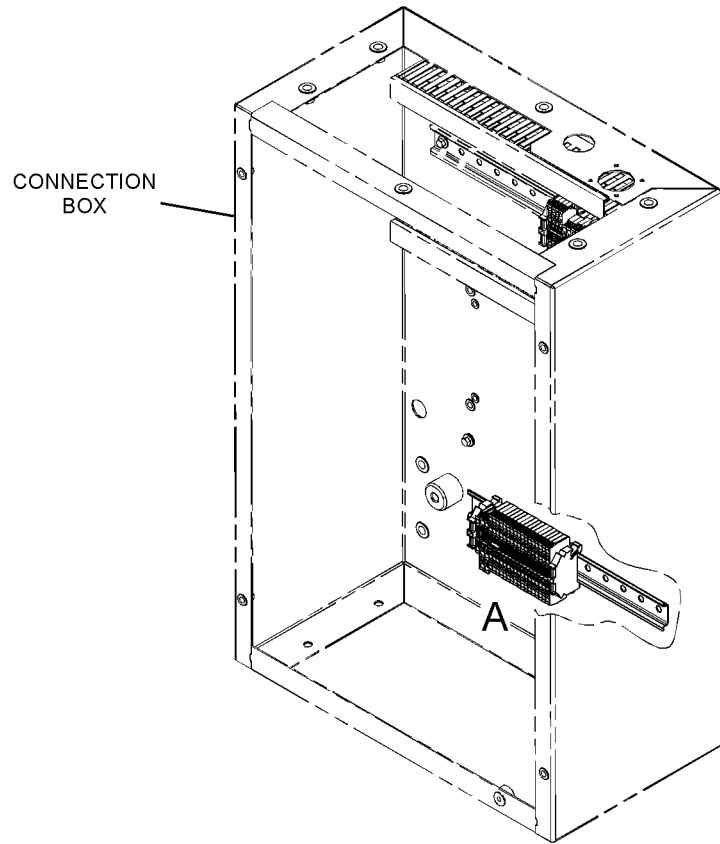
i04862188

NOTE	REF NO	GRAPHIC REF	PART NUMBER	QTY	PART NAME						SEE PAGE
					1	2	3	4	5	6 (PRODUCT LEVEL)	
	1	1	9W-2275	1	RESISTOR (120-OHM)						
	2	1	234-9425	1	LINK (TERMINAL)						
	3	1	301-8313	17	BLOCK-TERMINAL (800-VOLT, 24-AMPERE)						
	4	1	301-8316	1	COVER-END						
	5	1	301-8317	1	BLOCK-TERMINAL (800-VOLT, 24-AMPERE)						
	6	1	301-8323	1	COVER-END						
	7	1	345-8835	2	BLOCK-TERMINAL						
	8	1	345-9841	2	BLOCK-TERMINAL (800-VOLT, 32-AMPERE)						
L	9	1	204-8659		RAIL (3-DM)						
L-ORDER BY THE DECIMETER											

# ELECTRICAL AND STARTING SYSTEM

354-6459 BOX GP-CONNECTION (contd.)

i04862188



VIEW OF AREA A

GRAPHIC #1

<END>

g02992485

# ELECTRICAL AND STARTING SYSTEM

## 354-6502 BOX GP-CONNECTION

S/N: LNA1-UP; LZA1-UP

BOTTOM SECTION

PART OF 354-6510 BOX GP-CONNECTION

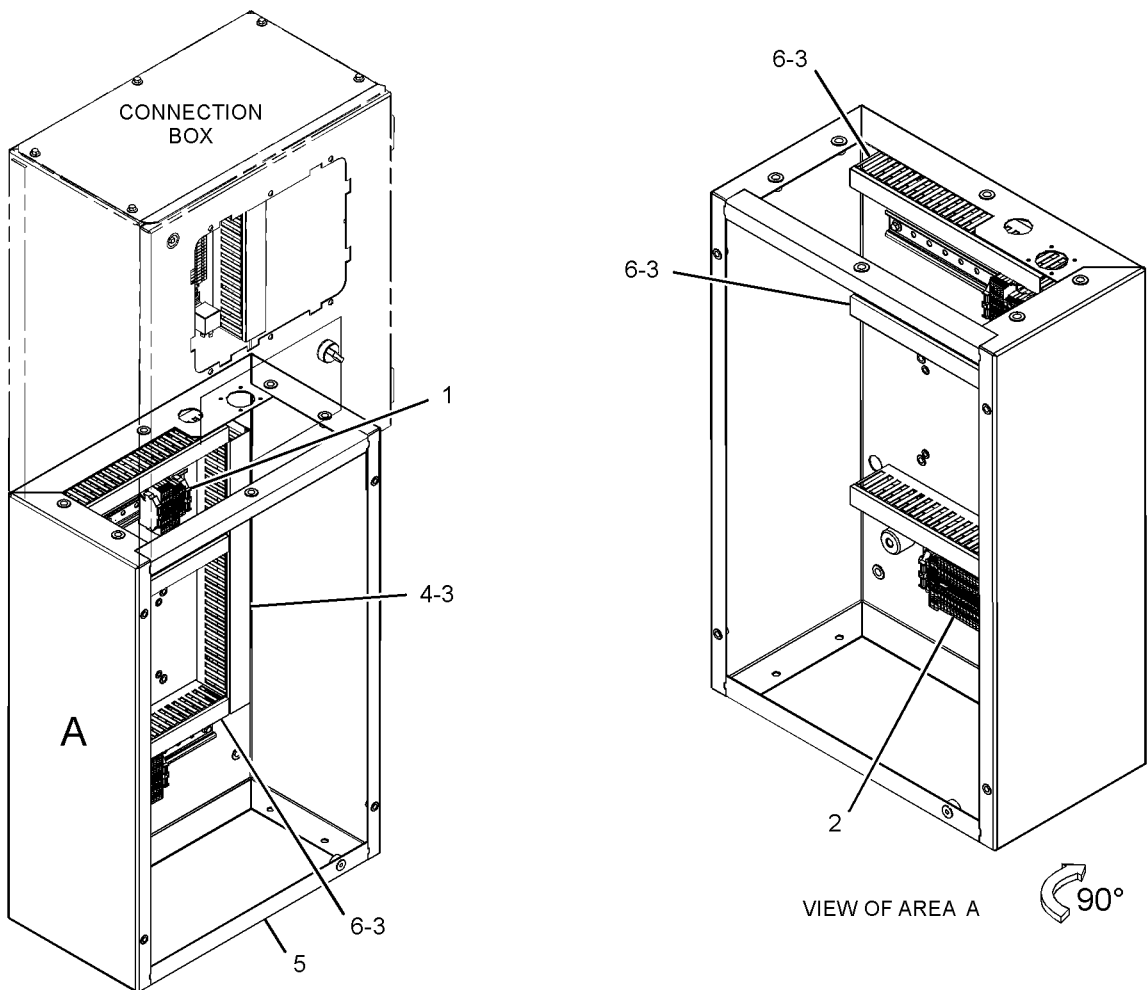
AN ATTACHMENT

SMCS-4460

i04901577

NOTE	REF NO	GRAPHIC REF	PART NUMBER	QTY	PART NAME						SEE PAGE
					1	2	3	4	5	6 (PRODUCT LEVEL)	
Y	1	1	396-6852	1	MOUNTING GP-ELECTRONIC CONTROL						215
Y	2	1	396-6851	1	MOUNTING GP-ELECTRONIC CONTROL						214
M	3	1	235-4451	8	BOLT-FLANGE HEAD (M6X1X16-MM)						
H	4	1	217-7164		DUCT-WIRE (435-MM)						
	5	1	354-6503	1	BOX AS						
M		1	3E-4304	20	INSERT-THREADED (M6X1-THD)						
		1	180-3748	10	INSERT-THREADED (M8X1.25-THD)						
H	6	1	207-8643		DUCT-WIRE (300-MM EACH)						

H-ORDER BY THE MILLIMETER  
M-METRIC PART  
Y-SEPARATE ILLUSTRATION



GRAPHIC #1

<END>

g03058899

# ELECTRICAL AND STARTING SYSTEM

## 354-6510 BOX GP-CONNECTION

S/N: LNA1-UP; LZA1-UP

STANDARD PANEL

PART OF 379-0919 WIRING GP-PANEL

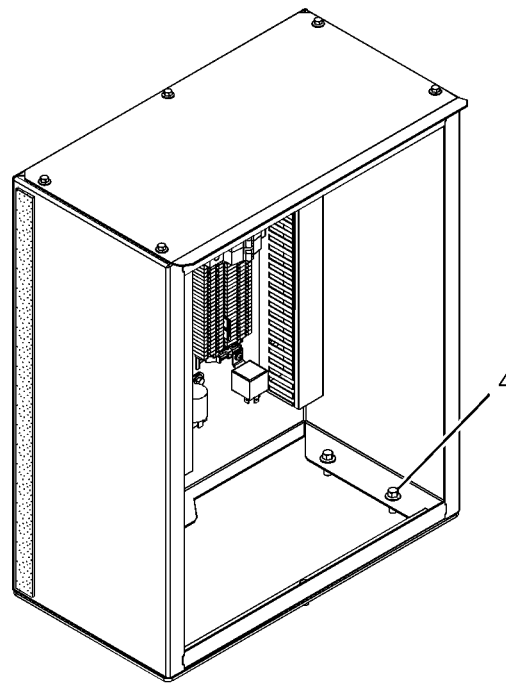
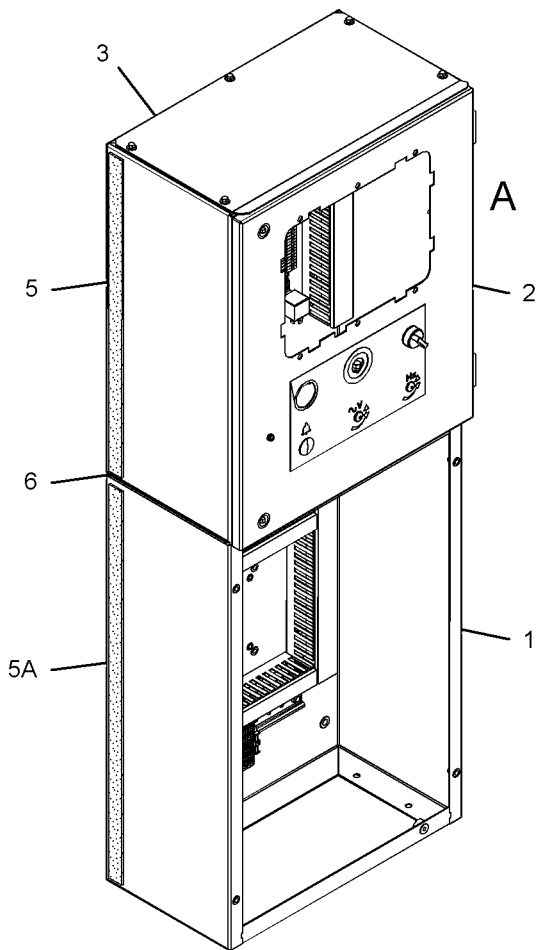
AN ATTACHMENT

SMCS-4460

i04862191

NOTE	REF NO	GRAPHIC REF	PART NUMBER	QTY	PART NAME						SEE PAGE
					1	2	3	4	5	6 (PRODUCT LEVEL)	
Y	1	1	354-6502	1	BOX GP-CONNECTION						163
Y	2	1	361-9104	1	DOOR GP-ACCESS						264
Y	3	1	361-9107	1	BOX GP-ELECTRONIC						165
	4	1	342-9920	6	BOLT-FLANGE HEAD (M8X1.25X20-MM)						
D	5	1	8T-6936		SEAL (0.53-M)						
D	5A	1	8T-6936		SEAL (0.66-M)						
D	6	1	5P-5637		SEAL (1.4-M)						

D-ORDER BY THE METER  
Y-SEPARATE ILLUSTRATION



VIEW OF AREA A  
(ACCESS DOOR REMOVED FOR CLARITY)

GRAPHIC #1

<END>

g03009360



# ELECTRICAL AND STARTING SYSTEM

## 361-9107 BOX GP-ELECTRONIC

S/N: LNA1-UP; LZA1-UP

TOP SECTION

PART OF 354-6510 BOX GP-CONNECTION

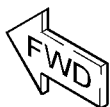
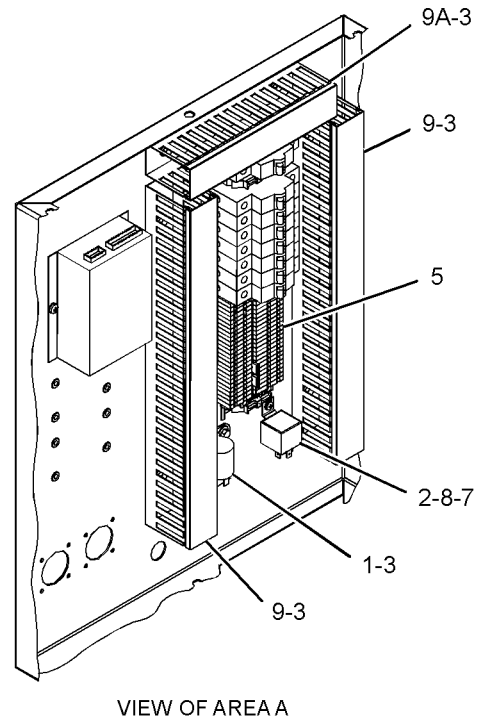
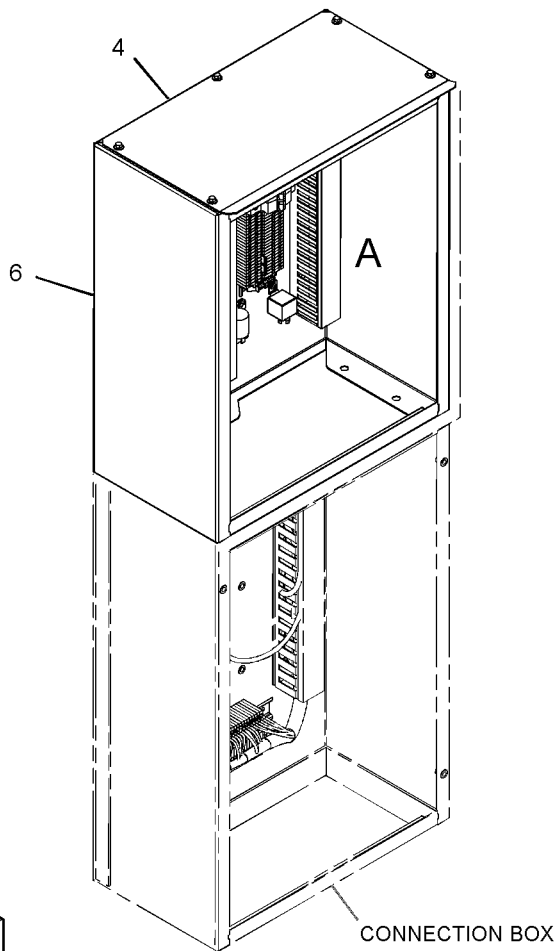
AN ATTACHMENT

SMCS-1417

i04897239

NOTE	REF NO	GRAPHIC REF	PART NUMBER	QTY	PART NAME						SEE PAGE
					1	2	3	4	5	6 (PRODUCT LEVEL)	
	1	1	9X-8124	1	SWITCH AS-MAGNETIC (24-VOLT)						
	2	1	206-9427	1	RELAY (24-VOLT)						
M	3	1	235-4451	8	BOLT-FLANGE HEAD (M6X1X16-MM)						
Y	4	1	354-6426	1	MOUNTING GP-BOX						206
Y	5	1	354-6452	1	MOUNTING GP-CIRCUIT BREAKER						207
	6	1	361-9112	1	BOX AS						
	7	1	1H-4393	1	LOCKWASHER						
M	8	1	8T-0337	1	SCREW-MACHINE (M4X0.7X12-MM)						
N	9	1	217-7164		DUCT-WIRE (400-MM EACH)						
N	9A	1	217-7164		DUCT-WIRE (200-MM)						

M-METRIC PART  
 N-ORDER BY MILLIMETER  
 Y-SEPARATE ILLUSTRATION



GRAPHIC #1

<END>

g03058179

# ELECTRICAL AND STARTING SYSTEM

## 393-7040 BOX GP-GENERATOR CONNECTION

S/N: L7A1-UP; L6B1-UP

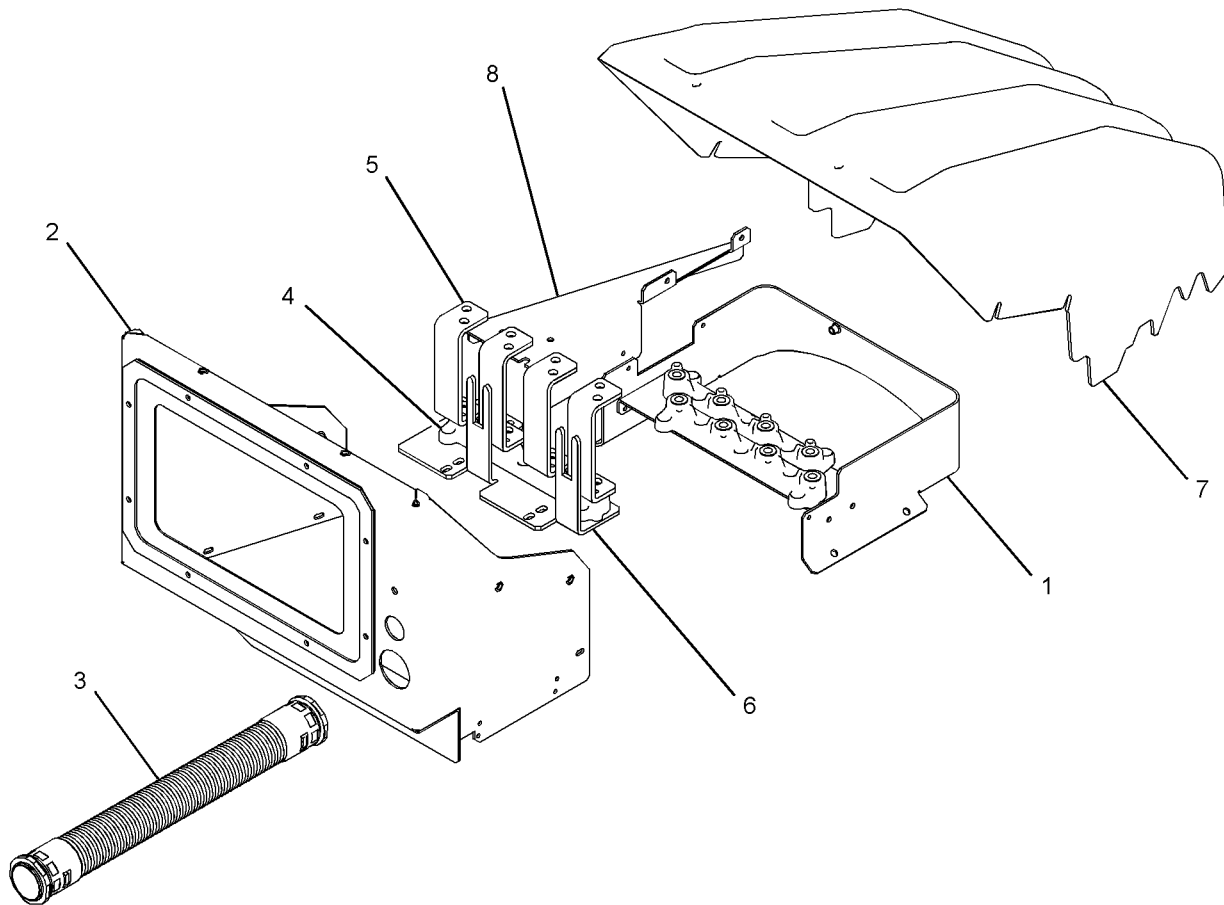
PART OF 358-4760, 374-0463, 374-0465, 374-0467, 389-9340, 389-9341,  
389-9342, 389-9343, 389-9344, 389-9345, 389-9347, 389-9348, 389-9349,  
389-9350, 389-9351, 389-9352, 389-9353, 389-9354, 389-9373 GENERATOR GP  
AN ATTACHMENT

SMCS-4460

i04892142

NOTE	REF NO	GRAPHIC REF	PART NUMBER	QTY	PART NAME						SEE PAGE
					1	2	3	4	5	6 (PRODUCT LEVEL)	
	1	1	393-7054	1	BRACKET AS						
	2	1	393-7056	1	KIT-PANEL (KIT INCLUDES SEAL & PANEL KIT)						
	3	1	393-7057	1	CONDUIT						
	4	1	393-7058	1	SUPPORT AS						
	5	1	393-7060	1	KIT-TERMINAL						
	6	1	393-7061	1	BRACKET						
	7	1	393-7062	1	LID						
	8	1	393-7064	1	BRACKET						
F			393-7066	1	SHUNT						
F			393-7070	1	KIT-LINK (KIT INCLUDES LINKS)						

F-NOT SHOWN



GRAPHIC #1

<END>

g03038696

# ELECTRICAL AND STARTING SYSTEM

## 393-7051 BOX GP-GENERATOR CONNECTION

S/N: L7A1-UP

PART OF 374-0469, 374-0470, 374-0471, 389-9356, 389-9357, 391-4277 GENERATOR  
GP

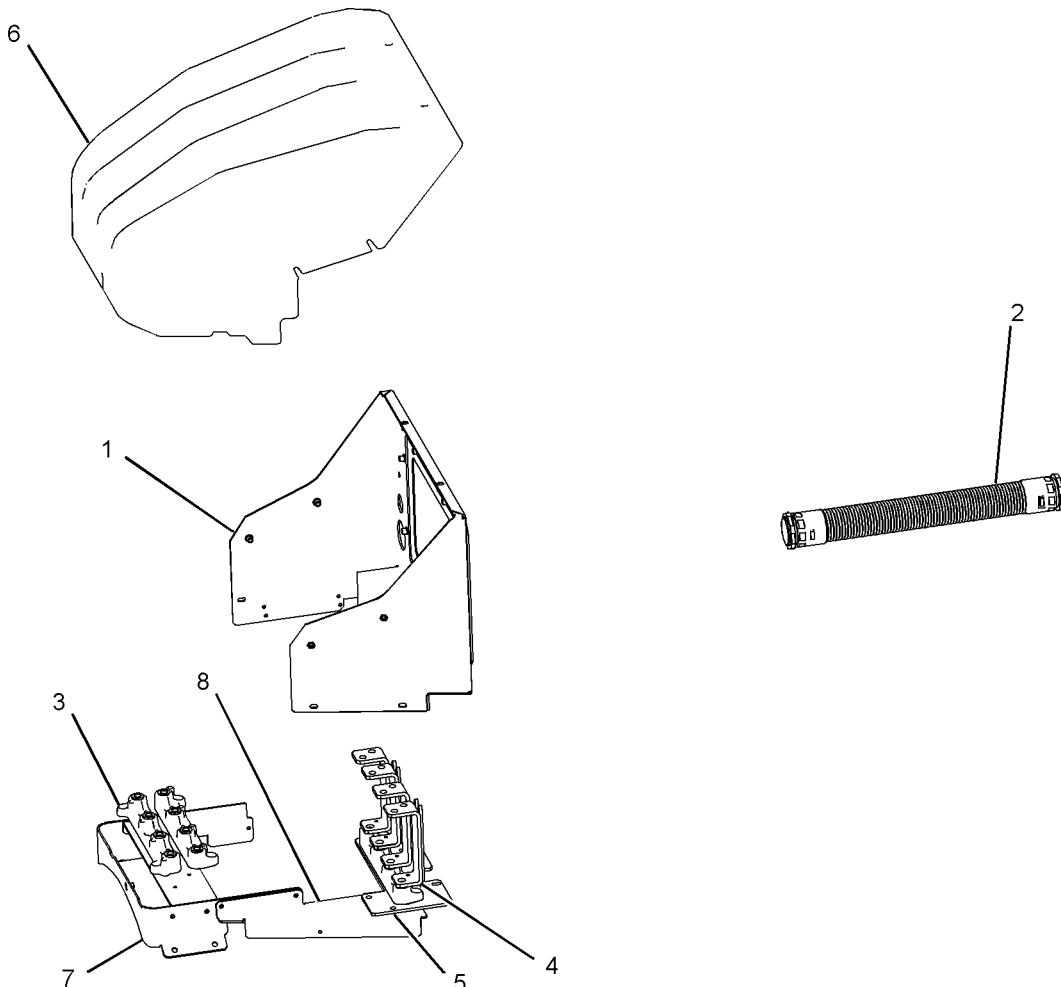
AN ATTACHMENT

SMCS-4460

i04892145

NOTE	REF NO	GRAPHIC REF	PART NUMBER	QTY	PART NAME						SEE PAGE
					1	2	3	4	5	6 (PRODUCT LEVEL)	
	1	1	393-7056	1	KIT-PANEL						
					(KIT INCLUDES SEAL & PANEL KIT)						
	2	1	393-7057	1	CONDUIT						
	3	1	393-7058	1	SUPPORT AS						
	4	1	393-7060	1	KIT-TERMINAL						
	5	1	393-7061	1	BRACKET						
	6	1	393-7062	1	LID						
	7	1	393-7065	1	BRACKET AS-SUPPORT						
	8	1	393-7075	1	BRACKET						
F			393-7066	1	SHUNT						
F			393-7070	1	KIT-LINK						
					(KIT INCLUDES LINKS)						

F - NOT SHOWN



GRAPHIC #1

<END>

g03038736

# ELECTRICAL AND STARTING SYSTEM

## 358-4739 CIRCUIT BREAKER & MOUNTING GP

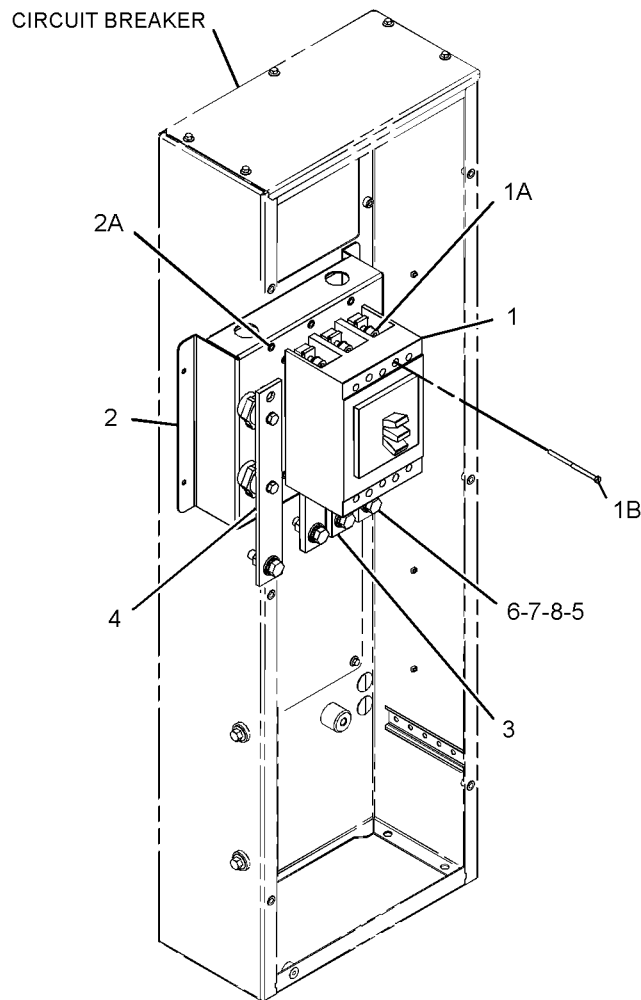
S/N: LNA1-UP; LZA1-UP  
 630-AMPERE, 3-POLE. BASIC  
 PART OF 374-0437 CIRCUIT BREAKER GP  
 AN ATTACHMENT

SMCS-1420, 4461

i04825225

NOTE	REF NO	GRAPHIC REF	PART NUMBER	QTY	PART NAME						SEE PAGE
					1	2	3	4	5	6 (PRODUCT LEVEL)	
	1	1	259-2211	1	CIRCUIT BREAKER (630-AMPERE)						
	1A	1	347-8370	1	KIT-FASTENER						
	1B	1	347-8382	1	KIT-FASTENER						
	2	1	349-5651	1	BRACKET AS						
	2A	1	203-5398	12	INSERT-THREADED (M5X0.8-THD)						
	3	1	358-4740	3	TERMINAL						
Y	4	1	358-4745	1	CONNECTION GP-TERMINAL STRIP						282
	5	1	8R-8847	8	RETAINER-SPRING						
M	6	1	8T-4183	4	BOLT (M12X1.75X40-MM)						
	7	1	8T-4223	8	WASHER-HARD (13.5X25.5X3-MM THK)						
M	8	1	8T-4244	4	NUT (M12X1.75-THD)						

M-METRIC PART  
 Y-SEPARATE ILLUSTRATION



GRAPHIC #1

<END>

g02964657

# ELECTRICAL AND STARTING SYSTEM

## 379-0927 CIRCUIT BREAKER & MOUNTING GP

S/N: LNA1-UP; LZA1-UP

630-AMPERE, 4-POLE

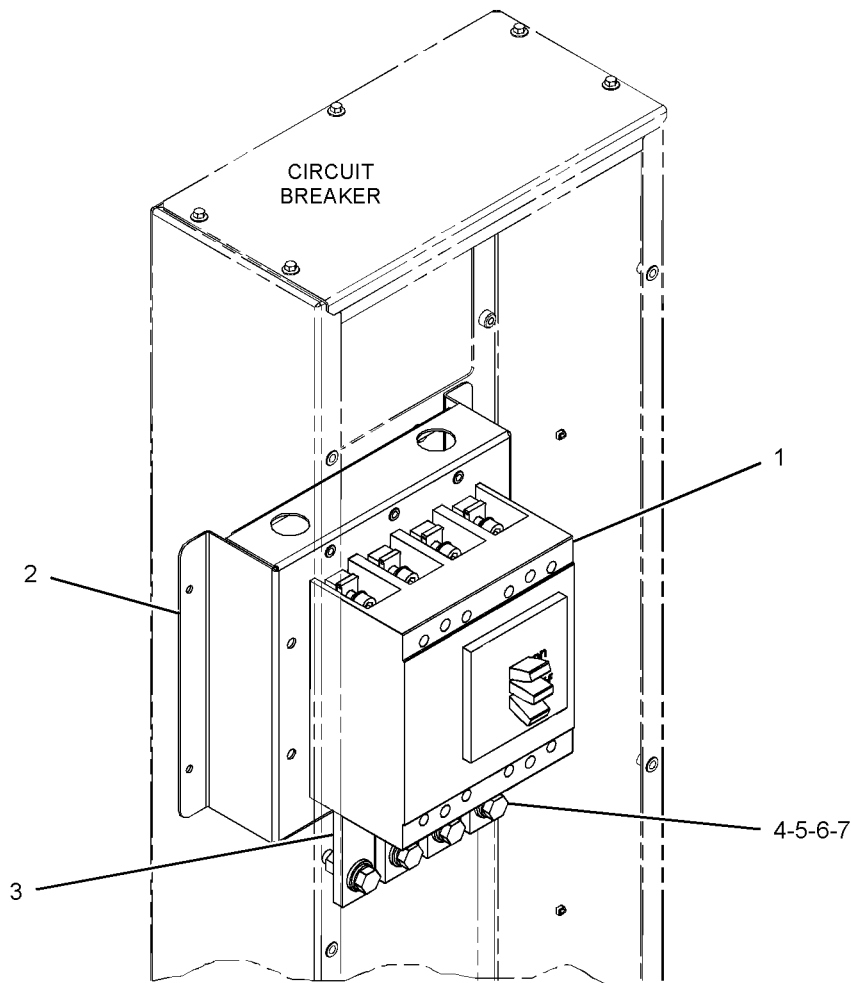
PART OF 379-0926 PANEL GP-CIRCUIT BREAKER  
AN ATTACHMENT

SMCS-1420, 4461

i04758024

NOTE	REF NO	GRAPHIC REF	PART NUMBER	QTY	PART NAME						SEE PAGE
					1	2	3	4	5	6 (PRODUCT LEVEL)	
	1	1	259-2212	1	CIRCUIT BREAKER (630-AMPERE)						
		1	347-8370	1	KIT-FASTENER						
		1	347-8382	1	KIT-FASTENER						
	2	1	349-5651	1	BRACKET AS						
		1	203-5398	12	INSERT-THREADED (M5X0.8-THD)						
	3	1	358-4740	4	TERMINAL						
	4	1	8R-8847	8	RETAINER-SPRING						
M	5	1	8T-4183	4	BOLT (M12X1.75X40-MM)						
	6	1	8T-4223	8	WASHER-HARD (13.5X25.5X3-MM THK)						
M	7	1	8T-4244	4	NUT (M12X1.75-THD)						

M-METRIC PART



GRAPHIC #1

<END>

g02863999

# ELECTRICAL AND STARTING SYSTEM

## 379-0928 CIRCUIT BREAKER & MOUNTING GP

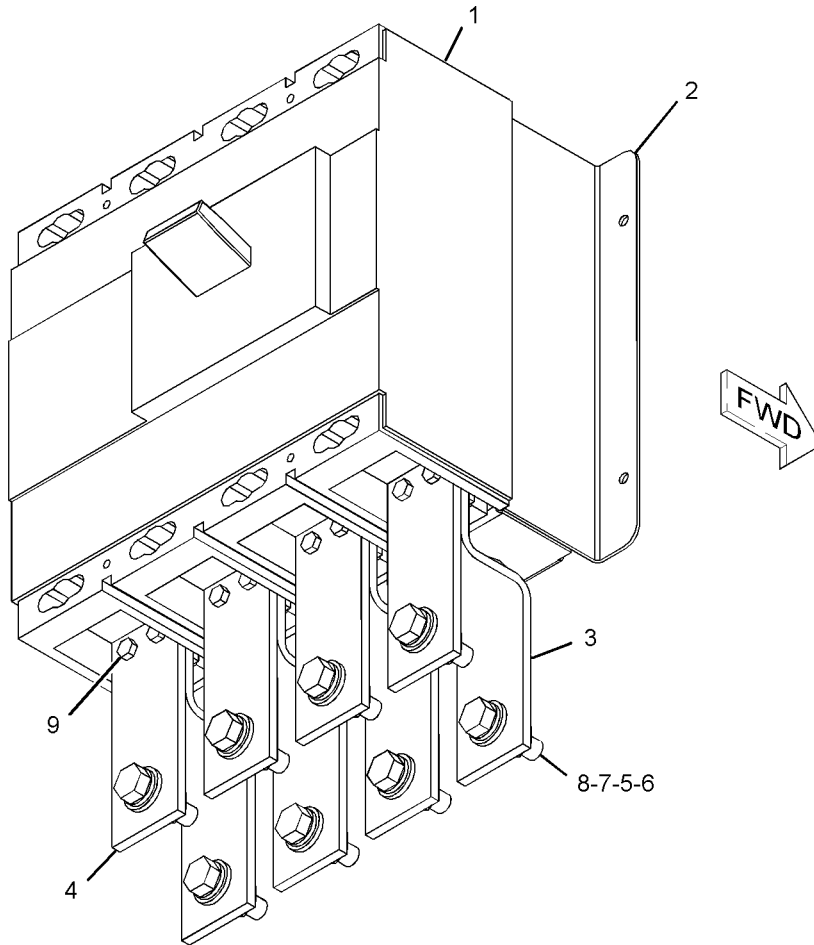
S/N: LNA1-UP; LZA1-UP  
 800-AMPERE, 4-POLE. BASIC  
 PART OF 379-0891 PANEL GP-CIRCUIT BREAKER  
 AN ATTACHMENT

SMCS-1420, 4461

i04901896

NOTE	REF NO	GRAPHIC REF	PART NUMBER	QTY	PART NAME						SEE PAGE
					1	2	3	4	5	6 (PRODUCT LEVEL)	
	1	1	319-0007	1	CIRCUIT BREAKER (800-AMPERE)						
		1	223-7934	1	KIT-FASTENER						
		1	347-8371	1	KIT-FASTENER						
	2	1	349-5651	1	BRACKET AS						
	3	1	358-4748	4	TERMINAL						
	4	1	374-0436	4	TERMINAL						
	5	1	8R-8847	16	RETAINER-SPRING						
M	6	1	8T-4183	8	BOLT (M12X1.75X40-MM)						
	7	1	8T-4223	16	WASHER-HARD (13.5X25.5X3-MM THK)						
M	8	1	8T-4244	8	NUT (M12X1.75-THD)						
M	9	1	8T-4971	8	BOLT (M6X1X30-MM)						

M-METRIC PART



GRAPHIC #1

<END>

g03066217

# ELECTRICAL AND STARTING SYSTEM

## 354-6453 CIRCUIT BREAKER GP

S/N: LNA1-UP; LZA1-UP

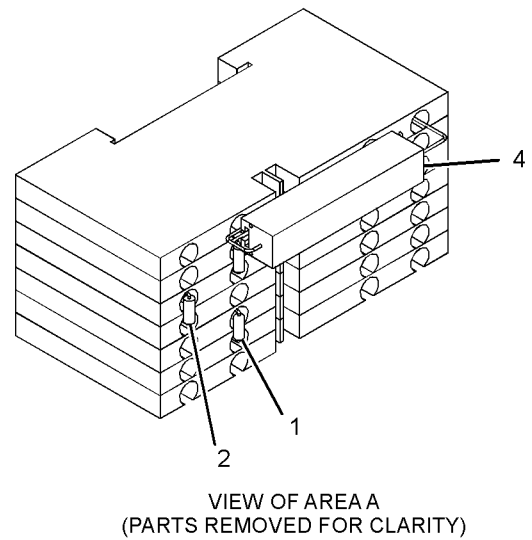
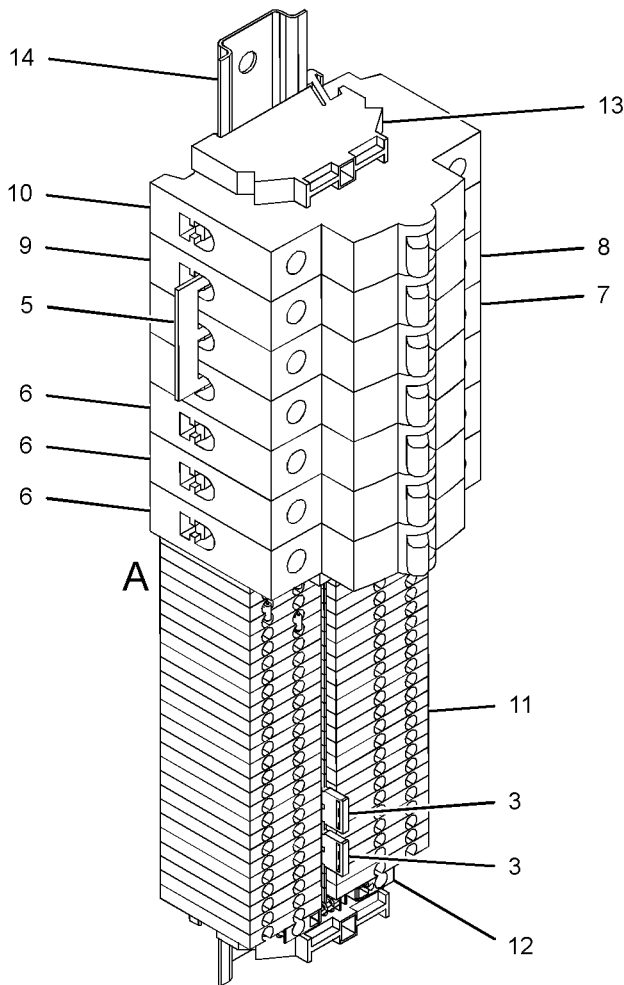
PART OF 354-6452 MOUNTING GP-CIRCUIT BREAKER  
AN ATTACHMENT

SMCS-1420, 4461

i04901892

NOTE	REF NO	GRAPHIC REF	PART NUMBER	QTY	PART NAME						SEE PAGE
					1	2	3	4	5	6 (PRODUCT LEVEL)	
	1	1	9W-2275	1	RESISTOR (120-OHM)						
	2	1	143-5090	2	DIODE AS						
	3	1	234-9425	2	LINK (TERMINAL)						
	4	1	239-1234	1	RESISTOR						
	5	1	267-1818	1	LINK (FUSE)						
	6	1	286-4741	3	CIRCUIT BREAKER AS (2-AMPERE)						
	7	1	286-4743	1	CIRCUIT BREAKER (10-AMPERE)						
	8	1	286-4744	1	CIRCUIT BREAKER (16-AMPERE, SINGLE POLE)						
	9	1	286-4745	1	CIRCUIT BREAKER (20-AMPERE)						
	10	1	286-4748	1	CIRCUIT BREAKER (63-AMPERE)						
	11	1	301-8313	26	BLOCK-TERMINAL (800-VOLT, 24-AMPERE)						
	12	1	301-8317	1	BLOCK-TERMINAL (800-VOLT, 24-AMPERE)						
	13	1	345-8835	2	BLOCK-TERMINAL						
H	14	1	204-8659		RAIL (4-DM)						

H-ORDER BY THE DECIMETER



GRAPHIC #1

<END>

g03107456

# ELECTRICAL AND STARTING SYSTEM

## 358-4736 CIRCUIT BREAKER GP

S/N: LNA1-UP; LZA1-UP

1600-AMPERE. BASIC

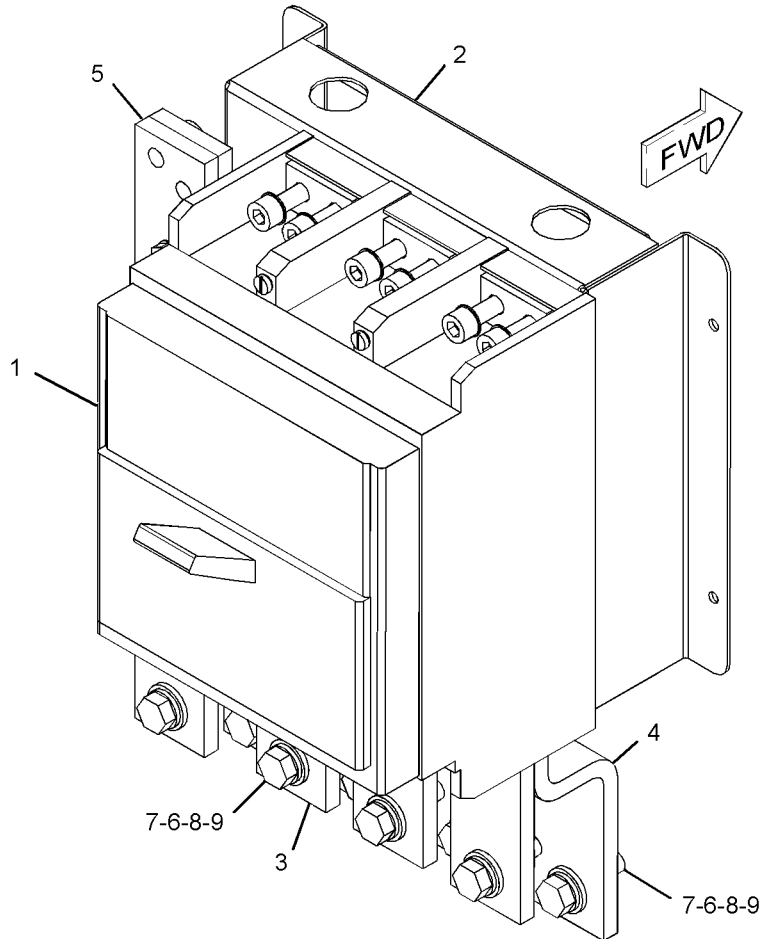
PART OF 358-4737 CIRCUIT BREAKER GP  
AN ATTACHMENT

SMCS-1420, 4461

i04901893

NOTE	REF NO	GRAPHIC REF	PART NUMBER	QTY	PART NAME						SEE PAGE
					1	2	3	4	5	6 (PRODUCT LEVEL)	
	1	1	<b>347-8363</b>	1	CIRCUIT BREAKER AS (1600-AMPERE, 3-POLE)						
		1	<b>347-8373</b>	1	KIT-FASTENER						
		1	<b>347-8397</b>	1	KIT-FASTENER						
	2	1	<b>358-4734</b>	1	BRACKET AS						
	3	1	<b>358-4753</b>	3	TERMINAL						
	4	1	<b>358-4754</b>	3	TERMINAL						
Y	5	1	<b>358-4755</b>	1	CONNECTION GP-TERMINAL STRIP						284
	6	1	<b>8R-8847</b>	16	RETAINER-SPRING						
M	7	1	<b>8T-4183</b>	8	BOLT (M12X1.75X40-MM)						
	8	1	<b>8T-4223</b>	16	WASHER-HARD (13.5X25.5X3-MM THK)						
M	9	1	<b>8T-4244</b>	8	NUT (M12X1.75-THD)						

M-METRIC PART  
Y-SEPARATE ILLUSTRATION



GRAPHIC #1

<END>

g03065957



# ELECTRICAL AND STARTING SYSTEM

## 358-4737 CIRCUIT BREAKER GP

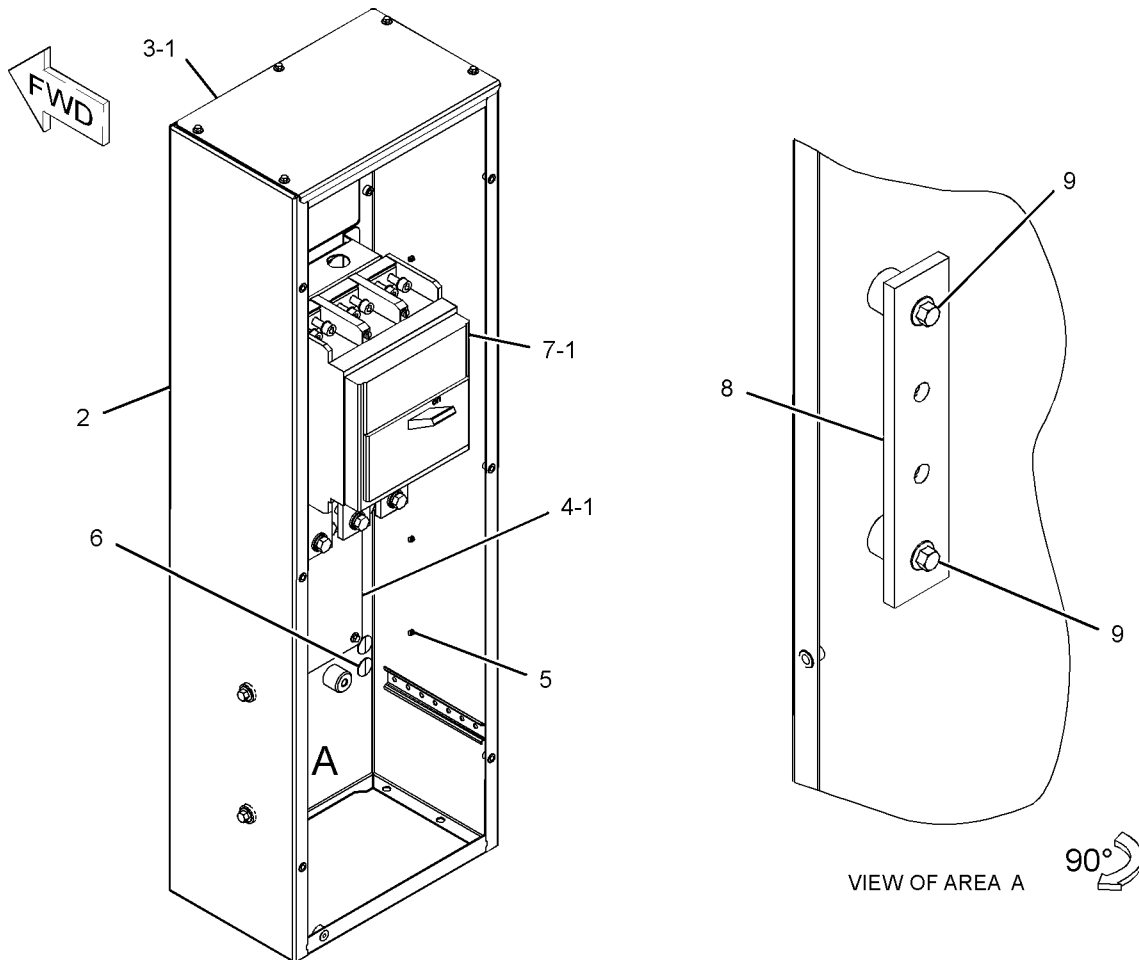
S/N: LNA1-UP; LZA1-UP  
1600-AMPERE, 3-POLE. BASIC  
AN ATTACHMENT

SMCS-1420, 4461

i04901890

NOTE	REF NO	GRAPHIC REF	PART NUMBER	QTY	PART NAME						SEE PAGE
					1	2	3	4	5	6 (PRODUCT LEVEL)	
M	1	1	235-4451	13	BOLT-FLANGE HEAD (M6X1X16-MM)						
	2	1	349-5641	1	PANEL AS-ENCLOSURE						
	3	1	349-5645	1	PANEL-CIRCUIT BREAKER						
	4	1	349-5667	1	PLATE-COVER						
	5	1	349-6808	5	MOUNT						
	6	1	350-4303	2	GROMMET						
Y	7	1	358-4736	1	CIRCUIT BREAKER GP						172
	8	1	374-0473	4	BAR AS						
	9	1	342-9913	4	BOLT-FLANGE HEAD (M10X1.5X20-MM)						

M-METRIC PART  
Y-SEPARATE ILLUSTRATION



GRAPHIC #1

<END>

g03064538

# ELECTRICAL AND STARTING SYSTEM

## 358-4738 CIRCUIT BREAKER GP

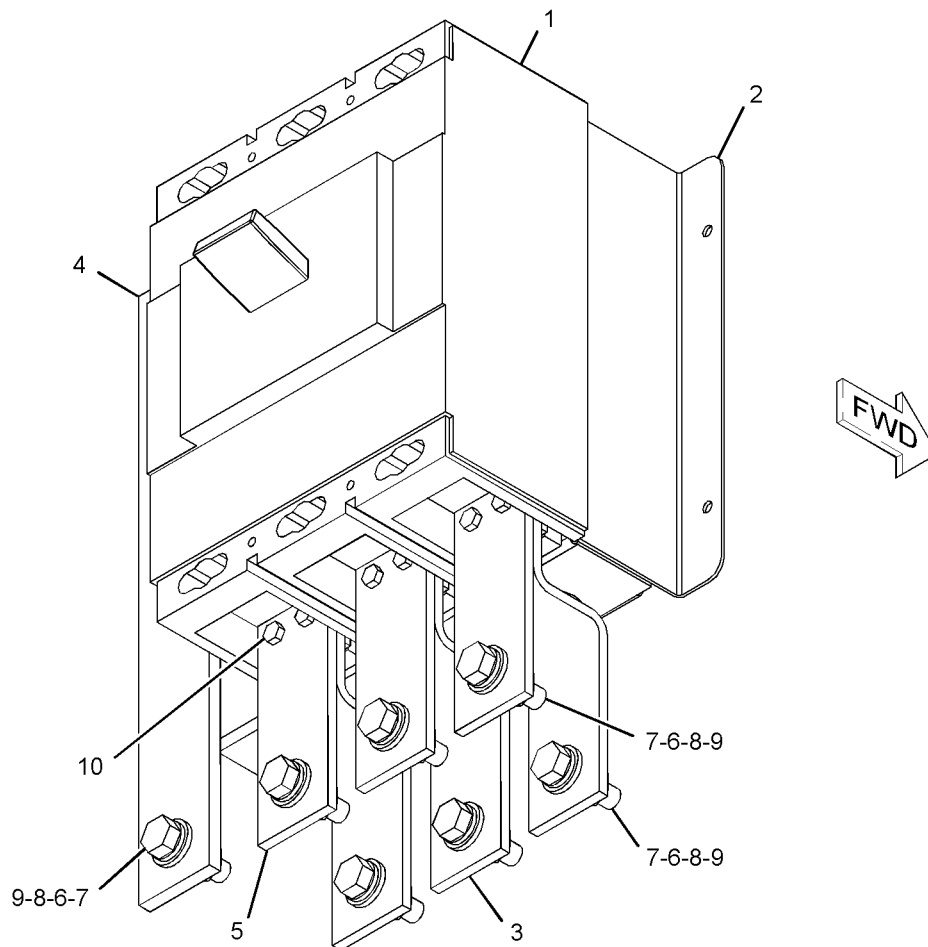
S/N: LNA1-UP; LZA1-UP  
 800-AMPERE, 3-POLE. BASIC  
 PART OF 349-5650 PANEL GP-CIRCUIT BREAKER  
 AN ATTACHMENT

SMCS-1420, 4461

i04901891

NOTE	REF NO	GRAPHIC REF	PART NUMBER	QTY	PART NAME						SEE PAGE
					1	2	3	4	5	6 (PRODUCT LEVEL)	
	1	1	<b>337-0469</b>	1	CIRCUIT BREAKER (800-AMPERE)						
		1	<b>223-7934</b>	1	KIT-FASTENER						
		1	<b>347-8371</b>	1	KIT-FASTENER						
	2	1	<b>349-5651</b>	1	BRACKET AS						
	3	1	<b>358-4748</b>	3	TERMINAL						
Y	4	1	<b>358-4750</b>	1	CONNECTION GP-TERMINAL STRIP						283
	5	1	<b>374-0436</b>	3	TERMINAL						
	6	1	<b>8R-8847</b>	14	RETAINER-SPRING						
M	7	1	<b>8T-4183</b>	7	BOLT (M12X1.75X40-MM)						
	8	1	<b>8T-4223</b>	14	WASHER-HARD (13.5X25.5X3-MM THK)						
M	9	1	<b>8T-4244</b>	7	NUT (M12X1.75-THD)						
M	10	1	<b>8T-4971</b>	6	BOLT (M6X1X30-MM)						

M-METRIC PART  
 Y-SEPARATE ILLUSTRATION



GRAPHIC #1

<END>

g03064346

# ELECTRICAL AND STARTING SYSTEM

## 374-0437 CIRCUIT BREAKER GP

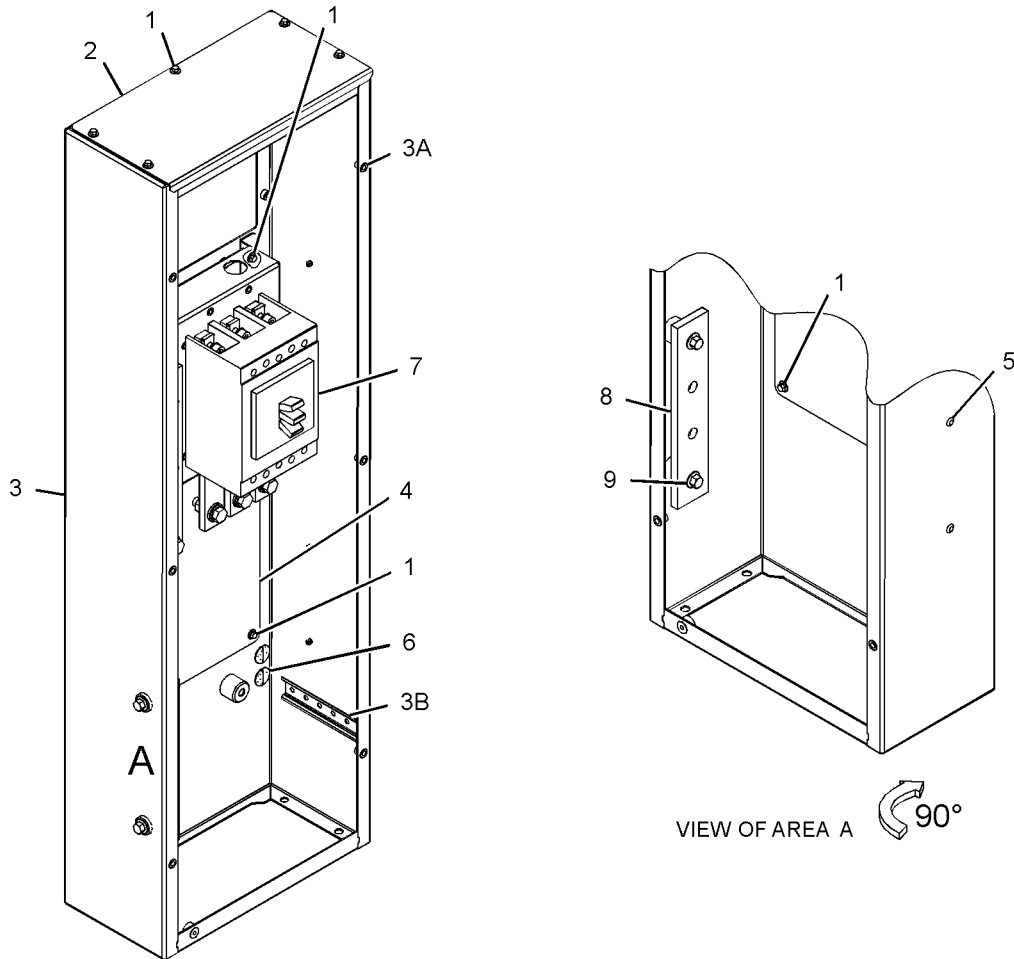
S/N: LNA1-UP; LZA1-UP  
630-AMPERE, 3-POLE. BASIC  
AN ATTACHMENT

SMCS-1420, 4461

i04825226

NOTE	REF NO	GRAPHIC REF	PART NUMBER	QTY	PART NAME						SEE PAGE
					1	2	3	4	5	6 (PRODUCT LEVEL)	
M	1	1	235-4451	13	BOLT-FLANGE HEAD (M6X1X16-MM)						
	2	1	349-5649	1	PANEL-CIRCUIT BREAKER						
	3	1	349-5656	1	PANEL AS-ENCLOSURE						
M	3A	1	3E-4304	19	INSERT-THREADED (M6X1-THD)						
L	3B	1	204-8659		RAIL (2-DM)						
	4	1	349-5667	1	PLATE-COVER						
	5	1	349-6808	5	MOUNT						
	6	1	350-4303	2	GROMMET						
Y	7	1	358-4739	1	CIRCUIT BREAKER & MOUNTING GP						168
	8	1	374-0473	1	BAR AS						
	9	1	342-9913	4	BOLT-FLANGE HEAD (M10X1.5X20-MM)						

L-ORDER BY THE DECIMETERS  
M-METRIC PART  
Y-SEPARATE ILLUSTRATION



GRAPHIC #1

<END>

g02963083

# ELECTRICAL AND STARTING SYSTEM

## 379-0892 CIRCUIT BREAKER GP

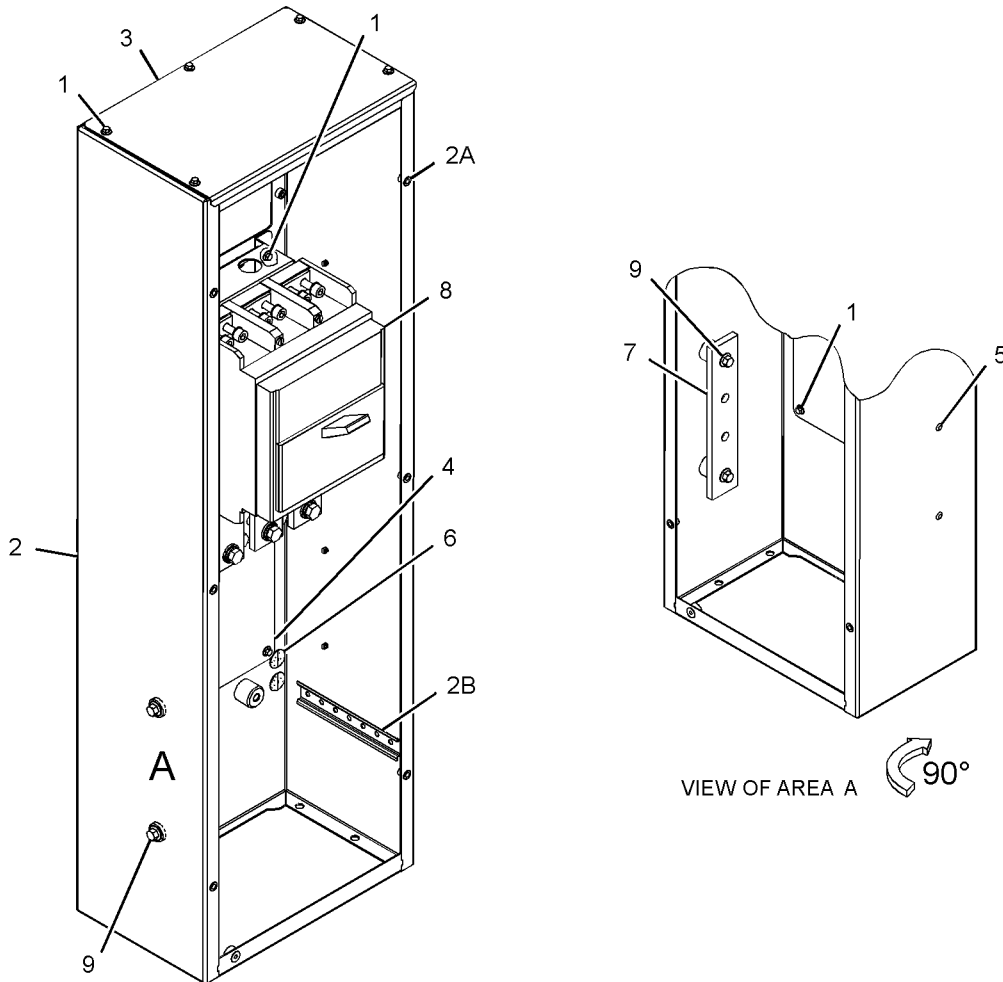
S/N: LNA1-UP; LZA1-UP  
1250-AMPERE, 3-POLE. BASIC  
AN ATTACHMENT

SMCS-1420, 4461

i04825230

NOTE	REF NO	GRAPHIC REF	PART NUMBER	QTY	PART NAME						SEE PAGE
					1	2	3	4	5	6 (PRODUCT LEVEL)	
M	1	1	235-4451	13	BOLT-FLANGE HEAD (M6X1X16-MM)						
	2	1	349-5641	1	PANEL AS-ENCLOSURE						
M	2A	1	3E-4304	19	INSERT-THREADED (M6X1-THD)						
L	2B	1	204-8659		RAIL (2-DM)						
	3	1	349-5645	1	PANEL-CIRCUIT BREAKER						
	4	1	349-5667	1	PLATE-COVER						
	5	1	349-6808	5	MOUNT						
	6	1	350-4303	2	GROMMET						
	7	1	374-0473	1	BAR AS						
Y	8	1	383-8086	1	CIRCUIT BREAKER GP						181
	9	1	342-9913	4	BOLT-FLANGE HEAD (M10X1.5X20-MM)						

L-ORDER BY THE DECIMETERS  
M-METRIC PART  
Y-SEPARATE ILLUSTRATION



GRAPHIC #1

<END>

g02965056

# ELECTRICAL AND STARTING SYSTEM

## 379-0893 CIRCUIT BREAKER GP

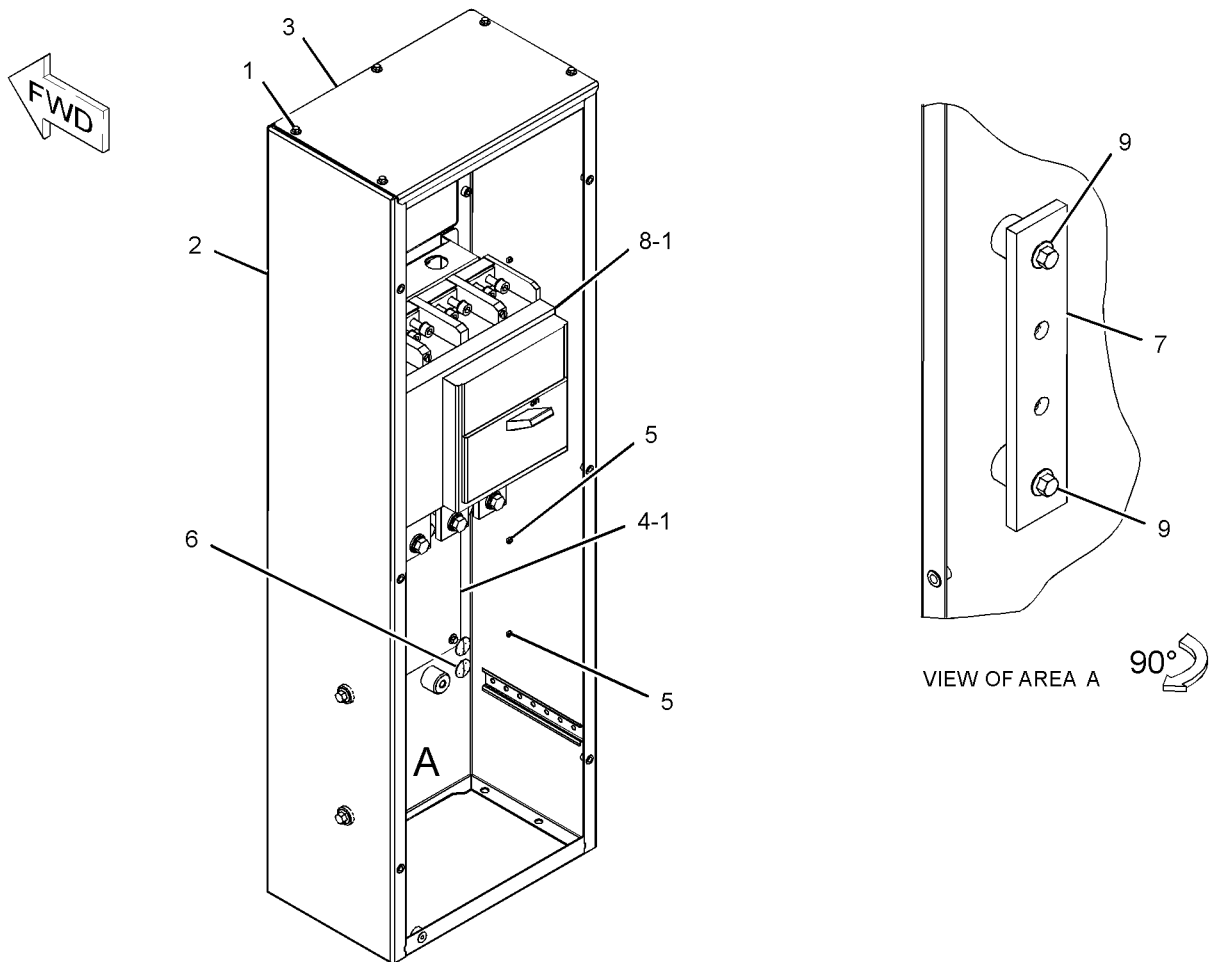
S/N: LNA1-UP; LZA1-UP  
1250-AMPERE, 4-POLE. BASIC  
AN ATTACHMENT

SMCS-1420, 4461

i04901922

NOTE	REF NO	GRAPHIC REF	PART NUMBER	QTY	PART NAME						SEE PAGE
					1	2	3	4	5	6 (PRODUCT LEVEL)	
M	1	1	235-4451	13	BOLT-FLANGE HEAD (M6X1X16-MM)						
	2	1	349-5641	1	PANEL AS-ENCLOSURE						
	3	1	349-5645	1	PANEL-CIRCUIT BREAKER						
	4	1	349-5667	1	PLATE-COVER						
	5	1	349-6808	7	MOUNT						
	6	1	350-4303	2	GROMMET						
	7	1	374-0473	1	BAR AS						
Y	8	1	379-0929	1	CIRCUIT BREAKER GP (1250-AMPERE)						179
	9	1	342-9913	4	BOLT-FLANGE HEAD (M10X1.5X20-MM)						

M-METRIC PART  
Y-SEPARATE ILLUSTRATION



GRAPHIC #1

<END>

g03064096

# ELECTRICAL AND STARTING SYSTEM

## 379-0894 CIRCUIT BREAKER GP

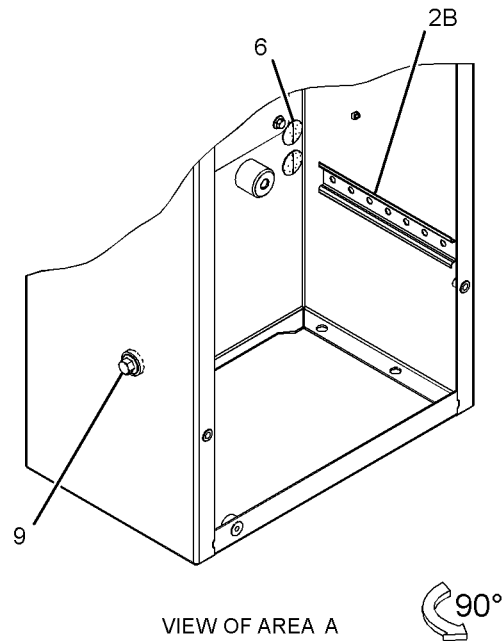
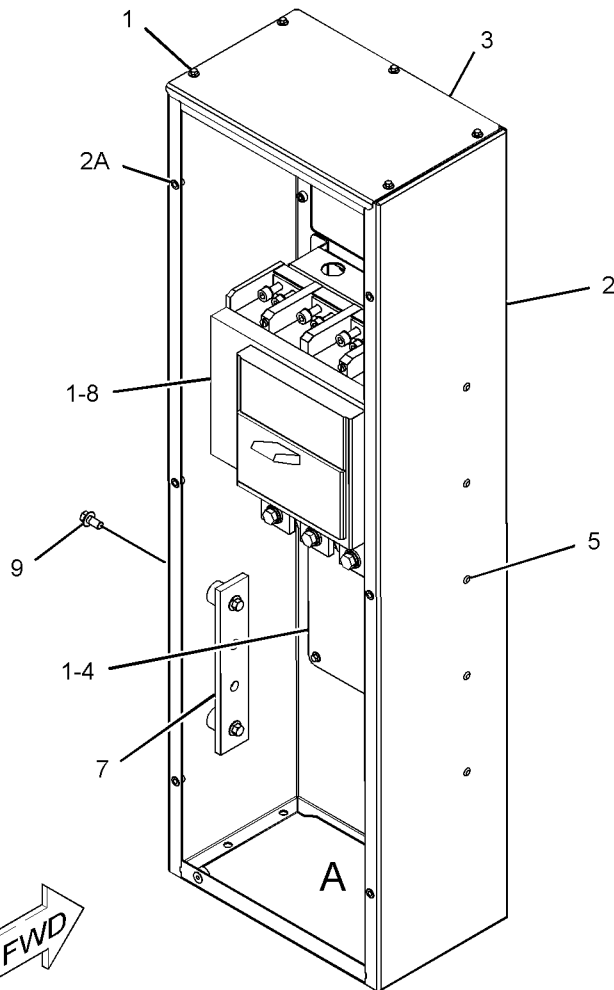
S/N: LNA1-UP; LZA1-UP  
1600-AMPERE, 4-POLE. BASIC  
AN ATTACHMENT

SMCS-1420, 4461

i04825229

NOTE	REF NO	GRAPHIC REF	PART NUMBER	QTY	PART NAME						SEE PAGE
					1	2	3	4	5	6 (PRODUCT LEVEL)	
M	1	1	235-4451	13	BOLT-FLANGE HEAD (M6X1X16-MM)						
	2	1	349-5641	1	PANEL AS-ENCLOSURE						
M	2A	1	3E-4304	19	INSERT-THREADED (M6X1-THD)						
	2B	1	204-8659	2	RAIL						
	3	1	349-5645	1	PANEL-CIRCUIT BREAKER						
	4	1	349-5667	1	PLATE-COVER						
	5	1	349-6808	7	MOUNT						
	6	1	350-4303	2	GROMMET						
	7	1	374-0473	1	BAR AS						
Y	8	1	379-0930	1	CIRCUIT BREAKER GP						180
	9	1	342-9913	4	BOLT-FLANGE HEAD (M10X1.5X20-MM)						

M-METRIC PART  
Y-SEPARATE ILLUSTRATION



GRAPHIC #1

<END>

g02958198

# ELECTRICAL AND STARTING SYSTEM

## 379-0929 CIRCUIT BREAKER GP

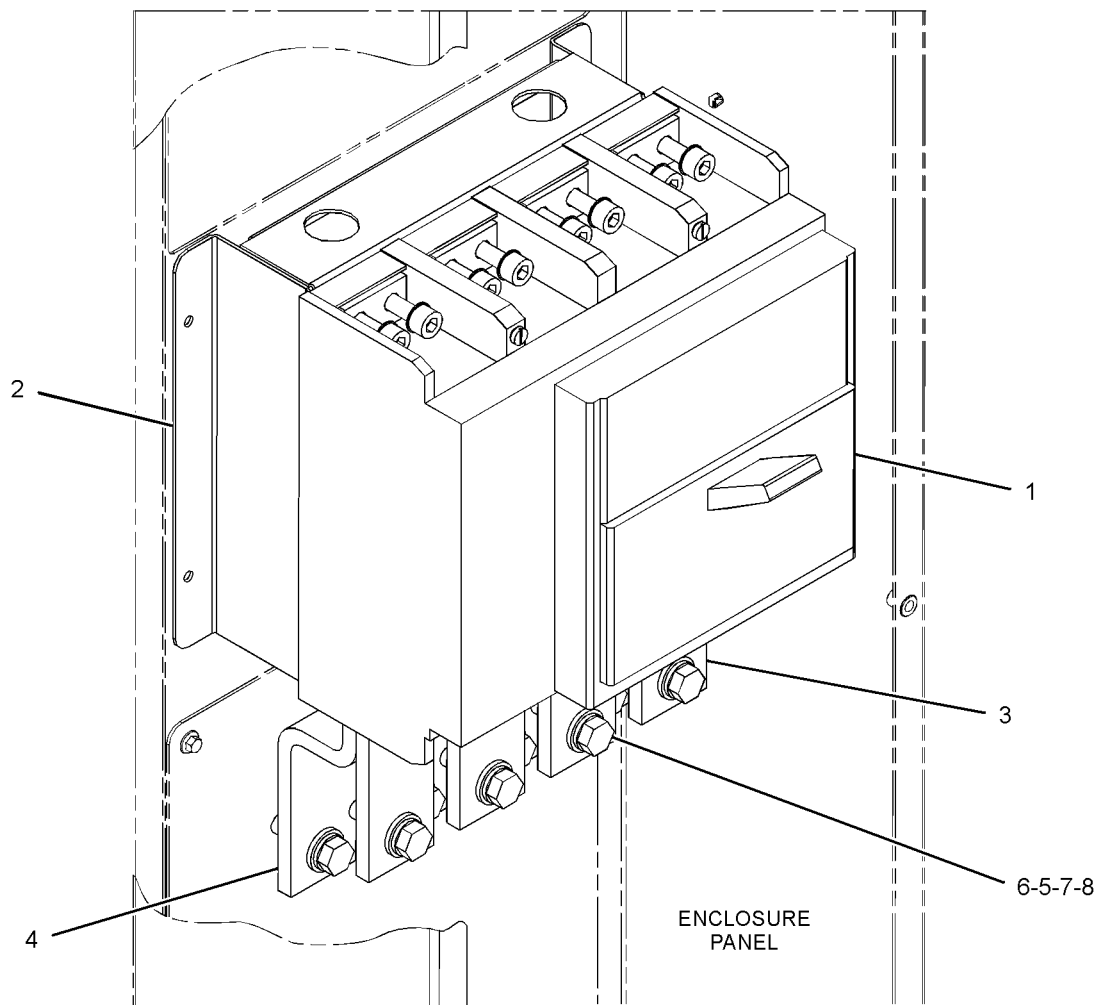
S/N: LNA1-UP; LZA1-UP  
 1250-AMPERE, 4-POLE. BASIC  
 PART OF 379-0893 CIRCUIT BREAKER GP  
 AN ATTACHMENT

SMCS-1420, 4461

i04901921

NOTE	REF NO	GRAPHIC REF	PART NUMBER	QTY	PART NAME						SEE PAGE
					1	2	3	4	5	6 (PRODUCT LEVEL)	
	1	1	319-0009	1	CIRCUIT BREAKER (1250-AMPERE)						
		1	347-8373	1	KIT-FASTENER						
		1	347-8397	1	KIT-FASTENER						
	2	1	358-4734	1	BRACKET AS						
	3	1	358-4753	4	TERMINAL						
	4	1	358-4754	4	TERMINAL						
	5	1	8R-8847	16	RETAINER-SPRING						
M	6	1	8T-4183	8	BOLT (M12X1.75X40-MM)						
	7	1	8T-4223	16	WASHER-HARD (13.5X25.5X3-MM THK)						
M	8	1	8T-4244	8	NUT (M12X1.75-THD)						

M-METRIC PART



GRAPHIC #1

<END>

g03058856

# ELECTRICAL AND STARTING SYSTEM

## 379-0930 CIRCUIT BREAKER GP

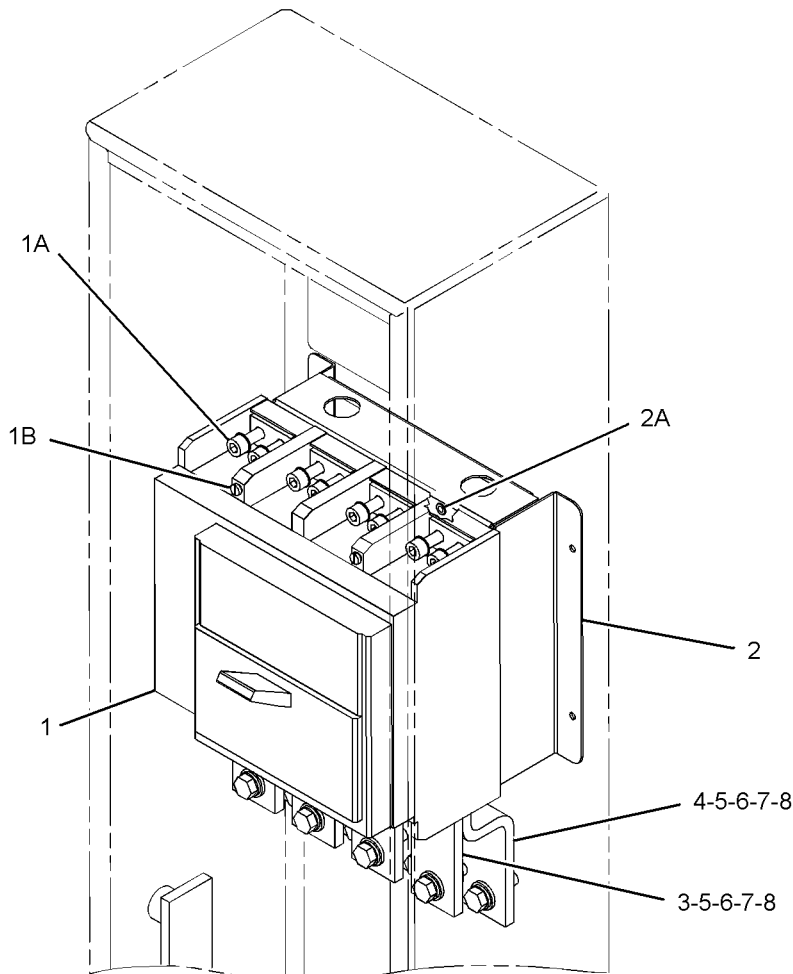
S/N: LNA1-UP; LZA1-UP  
 1600-AMPERE, 4-POLE. BASIC  
 PART OF 379-0894 CIRCUIT BREAKER GP  
 AN ATTACHMENT

SMCS-1420, 4461

i04825228

NOTE	REF NO	GRAPHIC REF	PART NUMBER	QTY	PART NAME						SEE PAGE
					1	2	3	4	5	6 (PRODUCT LEVEL)	
	1	1	<b>347-8365</b>	1	CIRCUIT BREAKER AS (1600-AMPERE)						
	1A	1	<b>347-8373</b>	1	KIT-FASTENER						
	1B	1	<b>347-8397</b>	1	KIT-FASTENER						
	2	1	<b>358-4734</b>	1	BRACKET AS						
	2A	1	<b>203-5398</b>	6	INSERT-THREADED (M5X0.8-THD)						
	3	1	<b>358-4753</b>	4	TERMINAL						
	4	1	<b>358-4754</b>	4	TERMINAL						
	5	1	<b>8R-8847</b>	16	RETAINER-SPRING						
M	6	1	<b>8T-4183</b>	8	BOLT (M12X1.75X40-MM)						
	7	1	<b>8T-4223</b>	16	WASHER-HARD (13.5X25.5X3-MM THK)						
M	8	1	<b>8T-4244</b>	8	NUT (M12X1.75-THD)						

M-METRIC PART



GRAPHIC #1

<END>

g02959277



# ELECTRICAL AND STARTING SYSTEM

## 383-8086 CIRCUIT BREAKER GP

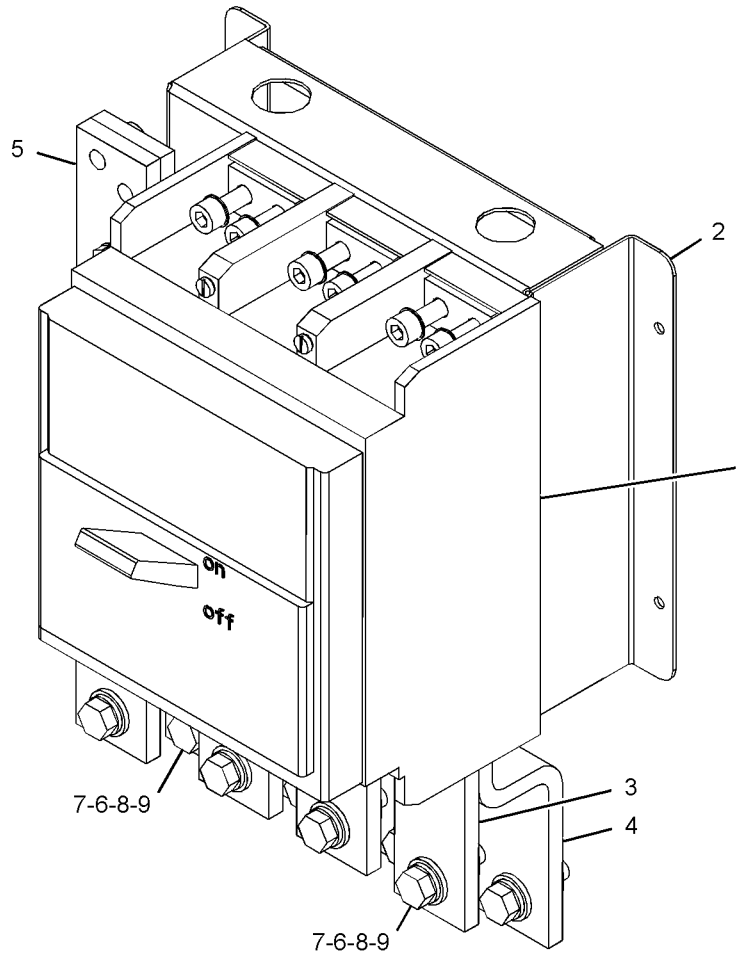
S/N: LNA1-UP; LZA1-UP  
 1250-AMPERE, 3-POLE. BASIC  
 PART OF 379-0892 CIRCUIT BREAKER GP  
 AN ATTACHMENT

SMCS-1420, 4461

i04902177

NOTE	REF NO	GRAPHIC REF	PART NUMBER	QTY	PART NAME						SEE PAGE
					1	2	3	4	5	6 (PRODUCT LEVEL)	
	1	1	319-0008	1	CIRCUIT BREAKER AS (1250-AMPERE)						
		1	347-8373	1	KIT-FASTENER						
		1	347-8397	1	KIT-FASTENER						
	2	1	358-4734	1	BRACKET AS						
	3	1	358-4753	3	TERMINAL						
	4	1	358-4754	3	TERMINAL						
Y	5	1	358-4755	1	CONNECTION GP-TERMINAL STRIP						284
	6	1	8R-8847	16	RETAINER-SPRING						
M	7	1	8T-4183	8	BOLT (M12X1.75X40-MM)						
	8	1	8T-4223	16	WASHER-HARD (13.5X25.5X3-MM THK)						
M	9	1	8T-4244	8	NUT (M12X1.75-THD)						

M-METRIC PART  
 Y-SEPARATE ILLUSTRATION



GRAPHIC #1

<END>

g03059138

# ELECTRICAL AND STARTING SYSTEM

## 159-9107 CONNECTION GP-ELECTRICAL

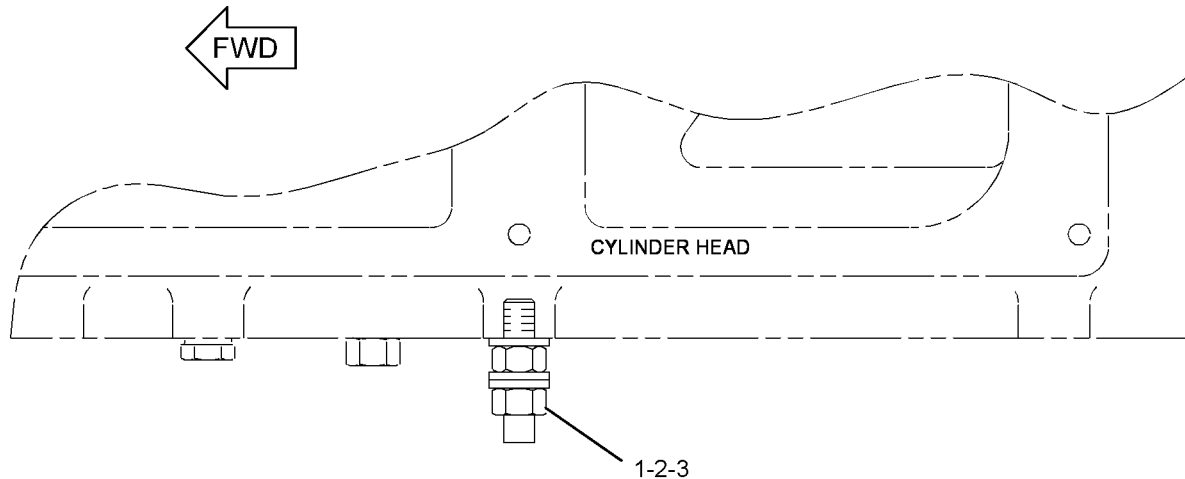
S/N: FTH1-UP

PROVIDES ALTERNATE GROUNDING LOCATION IN CYLINDER HEAD  
PART OF 382-3732, 382-3733, 382-3734, 382-3735 ENGINE AR-COMPLETE

SMCS-1408

i03238802

NOTE	REF NO	GRAPHIC REF	PART NUMBER	QTY	PART NAME						SEE PAGE
					1	2	3	4	5	6 (PRODUCT LEVEL)	
	1	1	174-9599	1	STUD (3/8-16-THD)						
	2	1	8T-4896	3	WASHER-HARD (10.2X18.5X2.5-MM THK)						
	3	1	6V-8801	1	NUT (3/8-16-THD)						



TOP VIEW

GRAPHIC #1

<END>

g01422079

# ELECTRICAL AND STARTING SYSTEM

## 378-9874 CONNECTION GP-ELECTRICAL

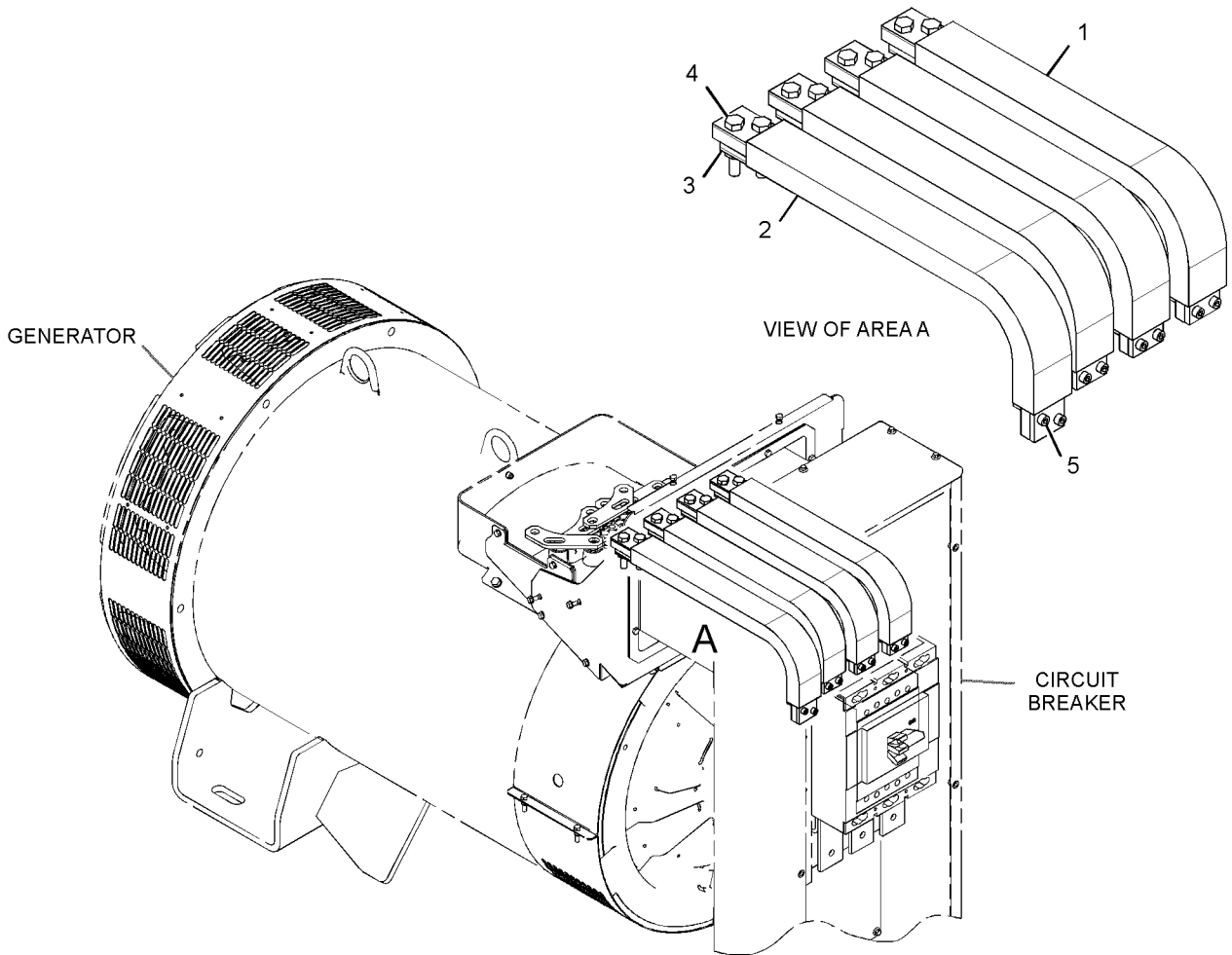
S/N: LNA1-UP; LZA1-UP  
800-AMPERE, 3-POLE, 15-LITERS  
AN ATTACHMENT

SMCS-1408

i04768632

NOTE	REF NO	GRAPHIC REF	PART NUMBER	QTY	PART NAME						SEE PAGE
					1	2	3	4	5	6 (PRODUCT LEVEL)	
	1	1	361-9067	3	CABLE AS						
	2	1	379-0888	1	CABLE AS						
	3	1	379-0920	4	BRACKET AS						
M	4	1	160-8742	8	BOLT (M10X1.5X55-MM)						
M	5	1	1R-5396	8	BOLT (M6X1X35-MM)						

M-METRIC PART



GRAPHIC #1

<END>

g02869419

# ELECTRICAL AND STARTING SYSTEM

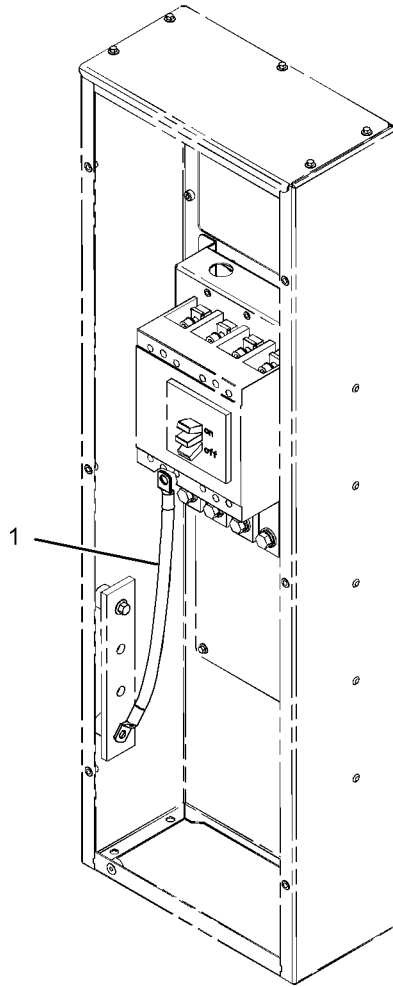
## 392-0651 CONNECTION GP-ELECTRICAL

S/N: LNA1-UP; LZA1-UP  
NEUTRAL-GROUND  
AN ATTACHMENT

SMCS-1408

i04896062

NOTE	REF NO	GRAPHIC REF	PART NUMBER	QTY	PART NAME						SEE PAGE
					1	2	3	4	5	6 (PRODUCT LEVEL)	
	1	1	389-0966	1	CABLE AS						
		1	277-5662	1	TERMINAL						



GRAPHIC #1

<END>

g03047800

# ELECTRICAL AND STARTING SYSTEM

## 396-6853 CONNECTION GP-ELECTRICAL

S/N: LNA1-UP; LZA1-UP

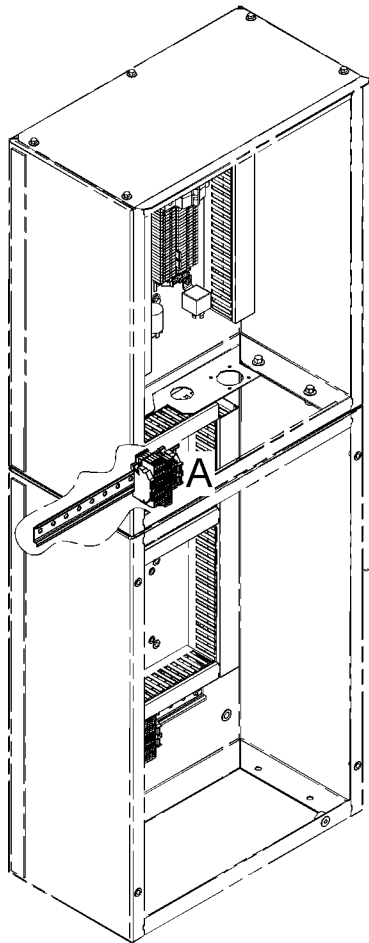
PART OF 396-6852 MOUNTING GP-ELECTRONIC CONTROL  
AN ATTACHMENT

SMCS-1408

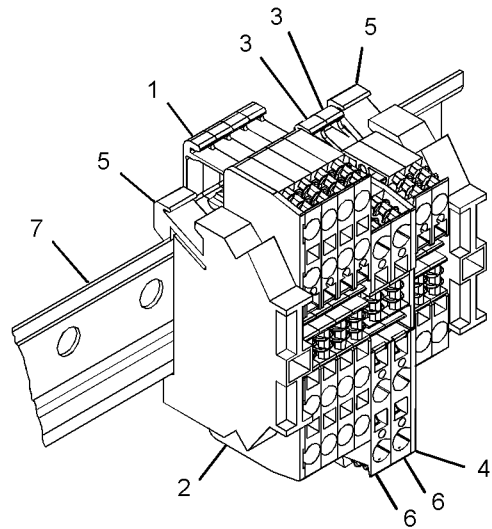
i04901687

NOTE	REF NO	GRAPHIC REF	PART NUMBER	QTY	PART NAME						SEE PAGE
					1	2	3	4	5	6 (PRODUCT LEVEL)	
	1	1	301-8313	4	BLOCK-TERMINAL (800-VOLT, 24-AMPERE)						
	2	1	301-8316	1	COVER-END						
	3	1	301-8317	2	BLOCK-TERMINAL (800-VOLT, 24-AMPERE)						
	4	1	301-8323	1	COVER-END						
	5	1	345-8835	2	BLOCK-TERMINAL						
	6	1	345-9841	2	BLOCK-TERMINAL (800-VOLT, 32-AMPERE)						
H	7	1	204-8659		RAIL (3-DM)						

H-ORDER BY DECIMETER



CONNECTION BOX



VIEW OF AREA A

GRAPHIC #1

<END>

g03060938

# ELECTRICAL AND STARTING SYSTEM

## 386-9297 CONNECTOR AS

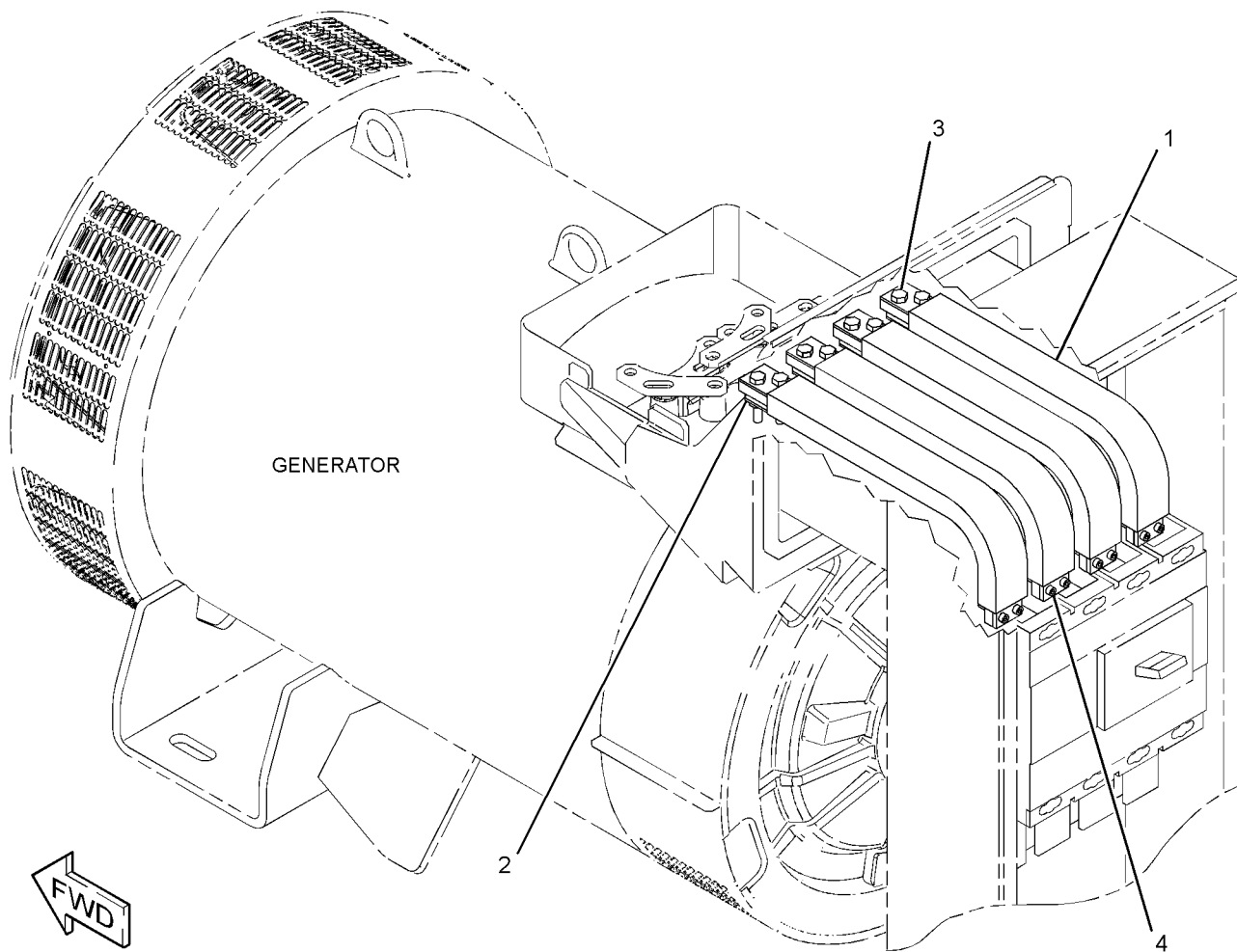
S/N: LNA1-UP; LZA1-UP  
800-AMP, 4-POLE BREAKER  
AN ATTACHMENT

SMCS-7553

i04750560

NOTE	REF NO	GRAPHIC REF	PART NUMBER	QTY	PART NAME						SEE PAGE
					1	2	3	4	5	6 (PRODUCT LEVEL)	
	1	1	361-9067	4	CABLE AS						
	2	1	379-0920	4	BRACKET AS						
M	3	1	160-8742	8	BOLT (M10X1.5X55-MM)						
M	4	1	1R-5396	8	BOLT (M6X1X35-MM)						

M-METRIC PART



GRAPHIC #1

<END>

g02848873

# ELECTRICAL AND STARTING SYSTEM

## 386-9299 CONNECTOR AS

S/N: LNA1-UP; LZA1-UP

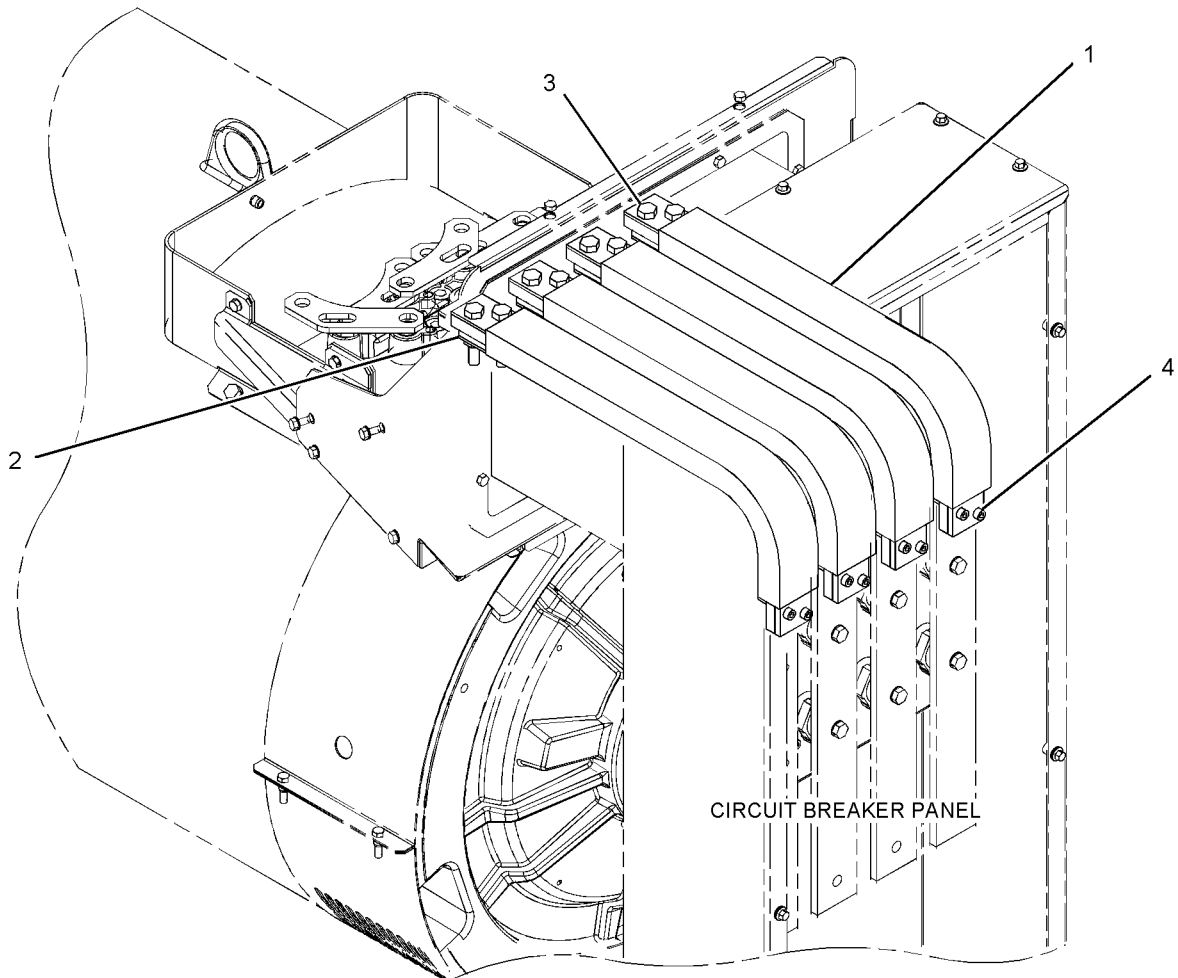
800-AMPERE  
AN ATTACHMENT

SMCS-7553

i04744991

NOTE	REF NO	GRAPHIC REF	PART NUMBER	QTY	PART NAME						SEE PAGE
					1	2	3	4	5	6 (PRODUCT LEVEL)	
	1	1	379-0888	4	CABLE AS						
	2	1	379-0920	4	BRACKET AS						
M	3	1	160-8742	8	BOLT (M10X1.5X55-MM)						
M	4	1	1R-5396	8	BOLT (M6X1X35-MM)						

M-METRIC PART



GRAPHIC #1

<END>

g02875298

# ELECTRICAL AND STARTING SYSTEM

## 243-1560 CONTROL & MTG GP-ENGINE ELEK

S/N: FTH1-UP

AIR COOLED

PART OF 382-3732, 382-3733, 382-3734, 382-3735 ENGINE AR-COMplete

SMCS-1900, 1901

i04905385

NOTE	REF NO	GRAPHIC REF	PART NUMBER	QTY	PART NAME						SEE PAGE
					1	2	3	4	5	6 (PRODUCT LEVEL)	
	1	1	<b>6I-1418</b>	4	SPACER (8.2X12.7X28.7-MM THK)						
	2	1	<b>8T-9655</b>	8	MOUNT-ISOLATION						
	5	1	<b>155-0696</b>	1	SUPPORT AS						
	5A	1	<b>5L-3708</b>	1	STUD-TAPERLOCK (5/16-18X1.28-IN)						
	6	1	<b>155-0698</b>	1	SUPPORT AS						
	6A	1	<b>5L-3708</b>	1	STUD-TAPERLOCK (5/16-18X1.28-IN)						
C	7	1	<b>161-7419</b>	4	STUD						
	8	1	<b>372-2905</b>	1	CONTROL GP-ELECTRONIC						
	9	1	<b>233-0891</b>	2	BRACKET AS						
M	9A	1	<b>232-1693</b>	1	BOLT-FLANGE HEAD (M6X1X35-MM)						
C	10	1	<b>6V-3964</b>	4	WASHER-HARD (8.8X25.5X5-MM THK)						
C	11	1	<b>9M-1974</b>	4	WASHER-HARD (8.8X16X2-MM THK)						
C	12	1	<b>9N-0869</b>	4	WASHER-HARD (8.8X25.5X2-MM THK)						

C-CHANGE FROM PREVIOUS TYPE

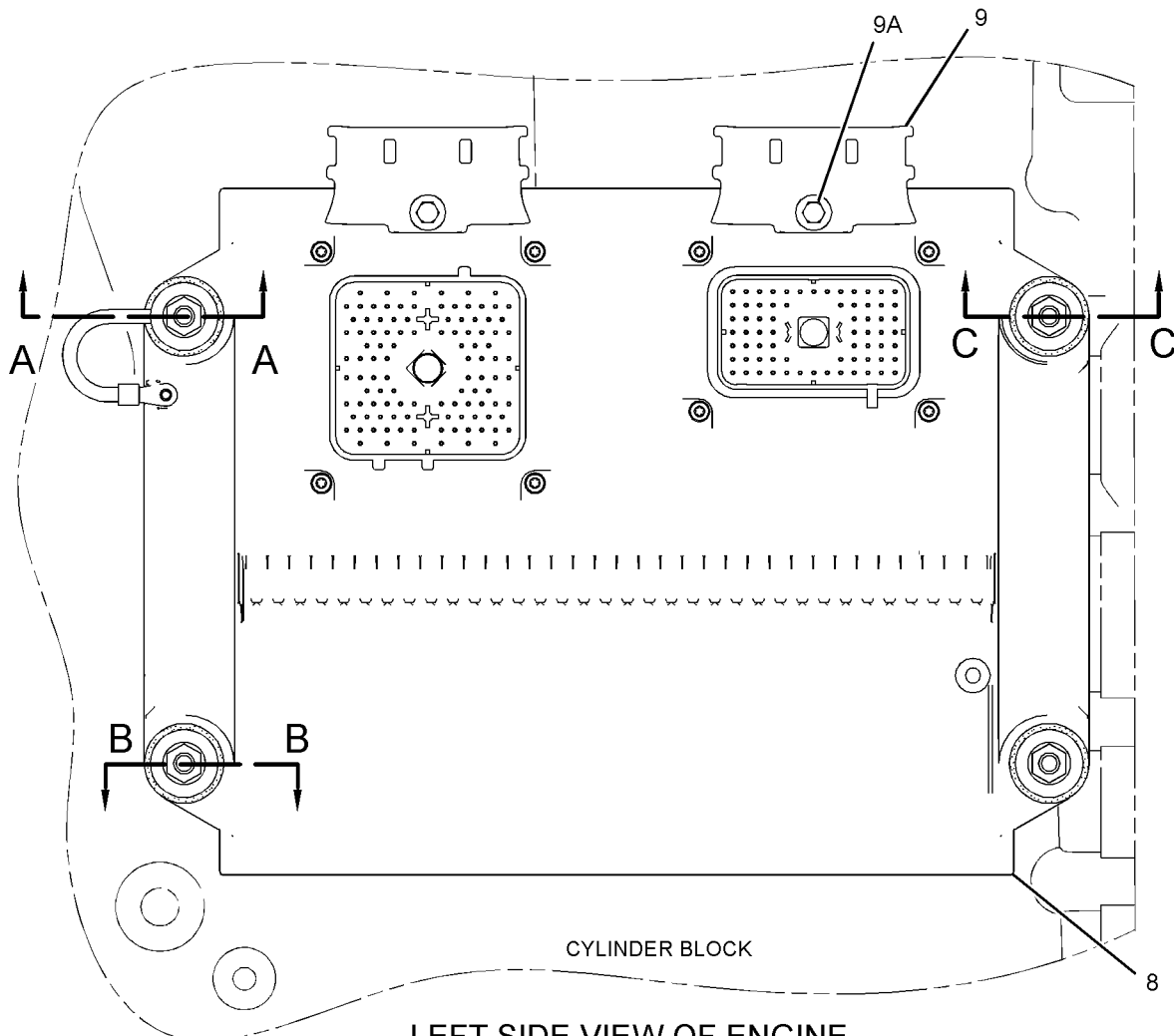
M-METRIC PART



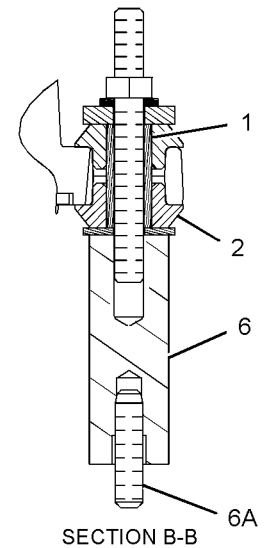
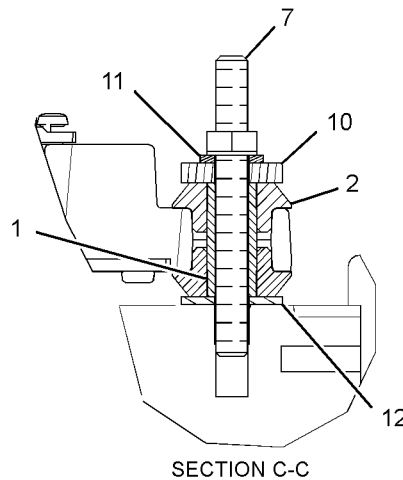
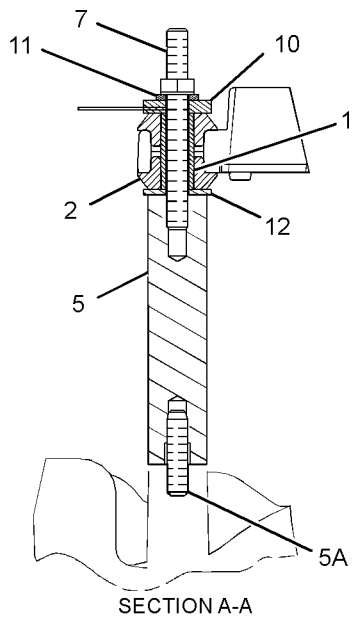
# ELECTRICAL AND STARTING SYSTEM

243-1560 CONTROL & MTG GP-ENGINE ELEK (contd.)

i04905385



LEFT SIDE VIEW OF ENGINE



GRAPHIC #1

<END>

g01325069

# ELECTRICAL AND STARTING SYSTEM

## 349-5655 CONTROL GP-CIRCUIT BREAKER

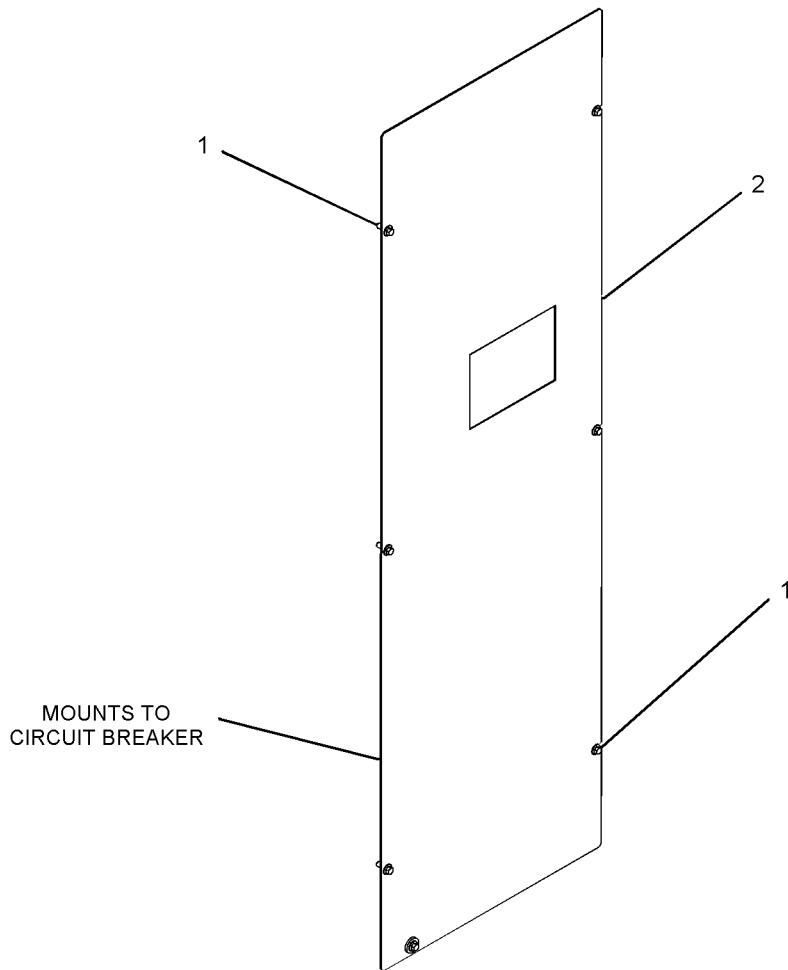
S/N: LNA1-UP; LZA1-UP  
 800-AMP. T6 BREAKER  
 FOR USE WITH 18-LITERS  
 AN ATTACHMENT

SMCS-4461

i04735110

NOTE	REF NO	GRAPHIC REF	PART NUMBER	QTY	PART NAME						SEE PAGE
					1	2	3	4	5	6 (PRODUCT LEVEL)	
M	1	1	235-4451	7	BOLT-FLANGE HEAD (M6X1X16-MM)						
	2	1	388-4815	1	COVER AS						

M-METRIC PART



GRAPHIC #1

<END>

g02840366

# ELECTRICAL AND STARTING SYSTEM

## 392-0641 CONTROL GP-CIRCUIT BREAKER

S/N: LNA1-UP; LZA1-UP

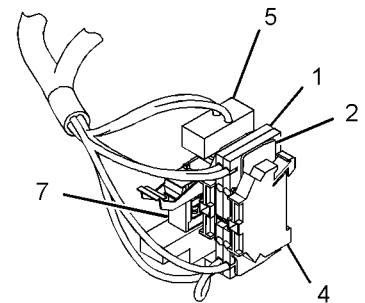
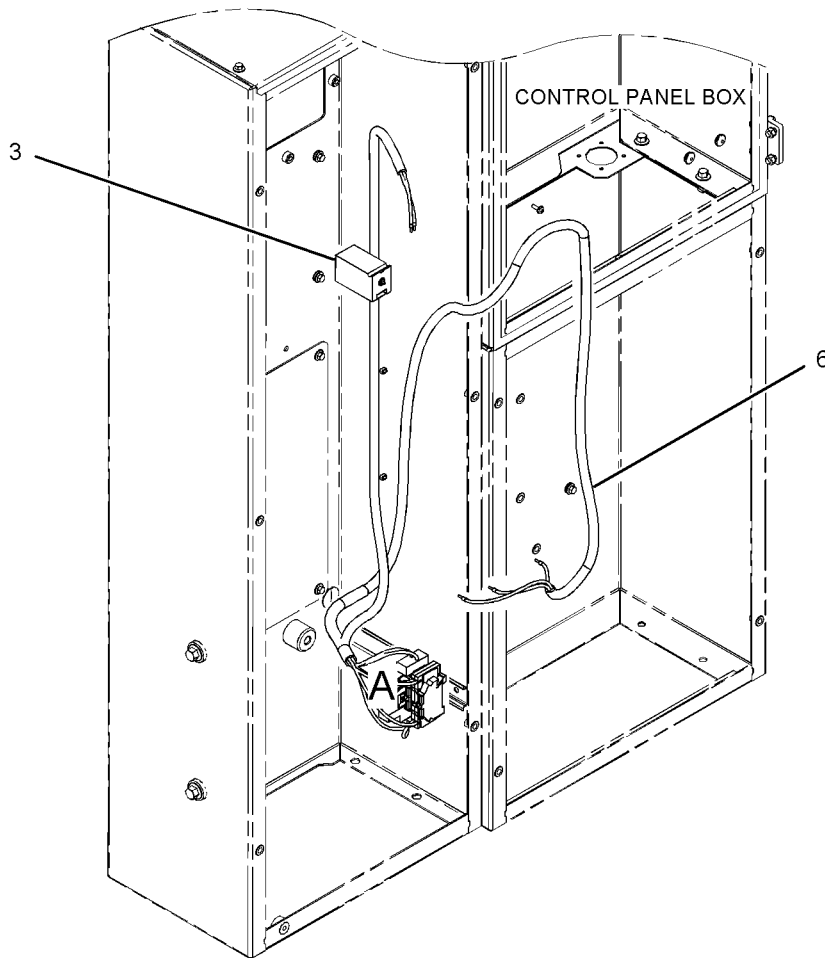
SHUNT TRIP  
AN ATTACHMENT

SMCS-4461

i04801248

NOTE	REF NO	GRAPHIC REF	PART NUMBER	QTY	PART NAME						SEE PAGE
					1	2	3	4	5	6 (PRODUCT LEVEL)	
	1	1	301-8313	2	BLOCK-TERMINAL (800-VOLT, 24-AMPERE)						
	2	1	301-8316	2	COVER-END						
	3	1	335-6484	1	SHUNT						
	4	1	345-8835	2	BLOCK-TERMINAL						
	5	1	391-8143	1	CONTACTOR						
Y	6	1	391-8920	1	HARNESS AS-WIRING						202
	7	1	392-9541	1	RELAY (24-VOLT)						

Y-SEPARATE ILLUSTRATION



VIEW OF AREA A

GRAPHIC #1

<END>

g02925164

# ELECTRICAL AND STARTING SYSTEM

## 389-0964 CONTROL GP-JACKET WATER HEATER

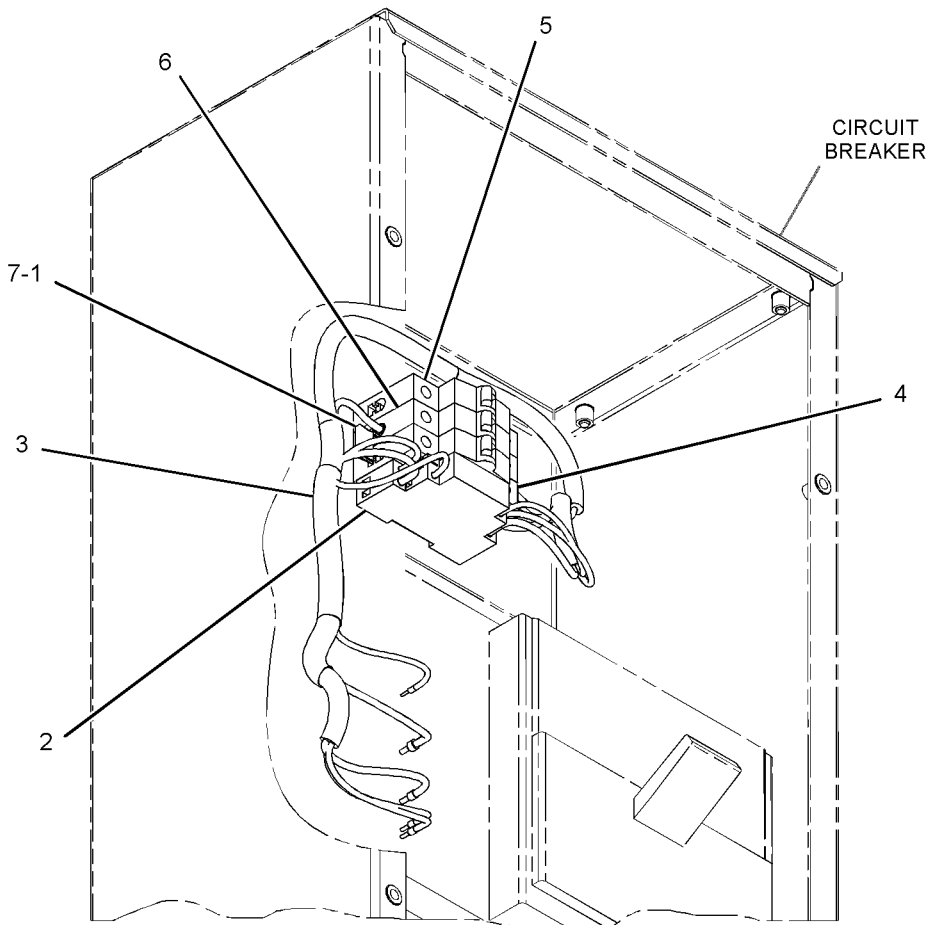
S/N: LNA1-UP; LZA1-UP  
BATTERY CHARGER  
AN ATTACHMENT

SMCS-1383

i04802900

NOTE	REF NO	GRAPHIC REF	PART NUMBER	QTY	PART NAME						SEE PAGE
					1	2	3	4	5	6 (PRODUCT LEVEL)	
	1	1	261-7255	1	LINK						
	2	1	388-2584	1	RELAY (24-VOLT)						
Y	3	1	391-1940	1	HARNESS AS-WIRING						201
	4	1	341-9314	1	CIRCUIT BREAKER (2-AMPERE) (2-AMPERE, SINGLE POLE)						
	5	1	341-9316	1	CIRCUIT BREAKER (6-AMPERE, SINGLE POLE)						
	6	1	341-9318	1	CIRCUIT BREAKER (16-AMPERE, SINGLE POLE)						
L	7	1	261-7256		SLEEVE (20-MM)						

L-ORDER BY THE MILLIMETER  
Y-SEPARATE ILLUSTRATION



GRAPHIC #1

<END>

g02927840

# ELECTRICAL AND STARTING SYSTEM

## 389-0970 CONTROL GP-VOLTAGE

S/N: LNA1-UP; LZA1-UP

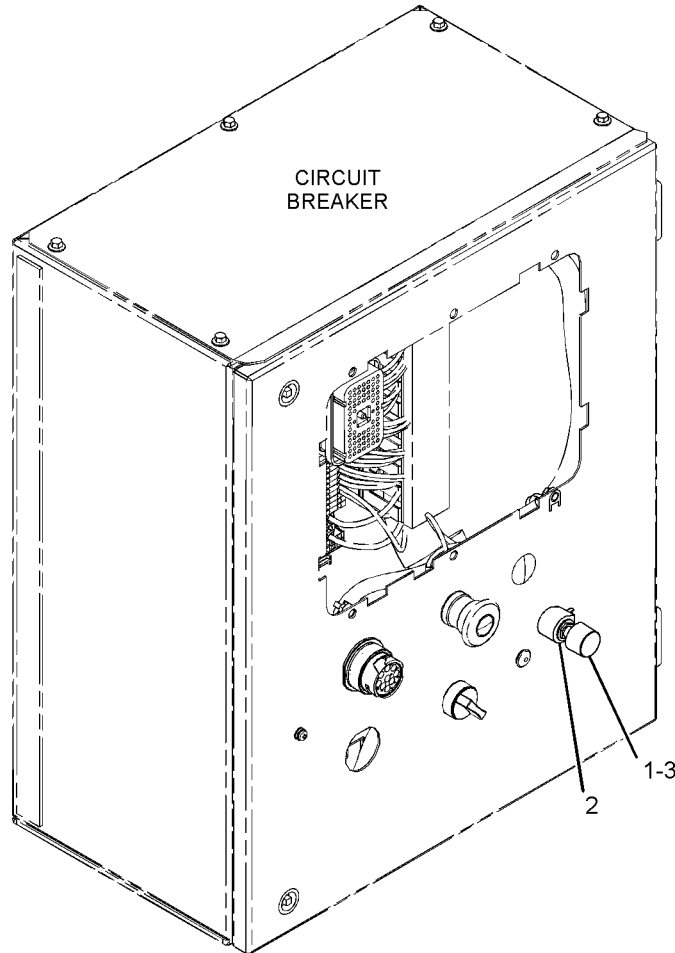
MANUAL

AN ATTACHMENT

SMCS-4467

i04842655

NOTE	REF NO	GRAPHIC REF	PART NUMBER	QTY	PART NAME						SEE PAGE
					1	2	3	4	5	6 (PRODUCT LEVEL)	
	1	1	4W-5972	1	KNOB						
	2	1	267-1821	1	POTENTIOMETER						
	3	1	7C-4550	1	SEAL						



GRAPHIC #1

<END>

g02979200

# ELECTRICAL AND STARTING SYSTEM

## 389-0971 CONTROL GP-VOLTAGE

S/N: LNA1-UP; LZA1-UP

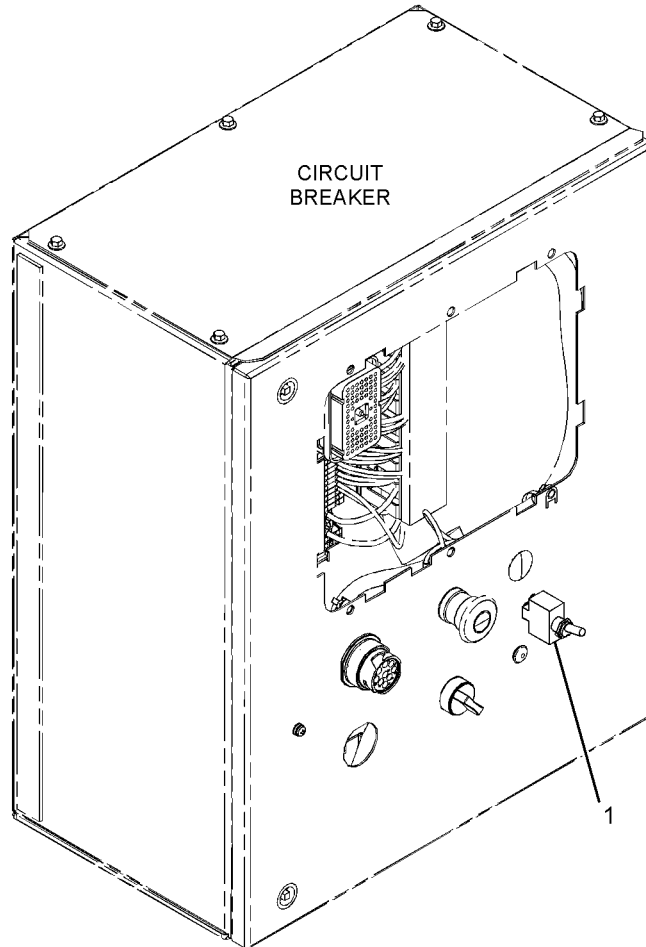
MANUAL

AN ATTACHMENT

SMCS-4467

i04842869

NOTE	REF NO	GRAPHIC REF	PART NUMBER	QTY	PART NAME						SEE PAGE
					1	2	3	4	5	6 (PRODUCT LEVEL)	
Y	1	1	110-7884	1	SWITCH AS-TOGGLE (MOMENTARY)						237
Y-SEPARATE ILLUSTRATION											



GRAPHIC #1

<END>

g02980042

# ELECTRICAL AND STARTING SYSTEM

## 288-8608 FASTENER GP-WIRING HARNESS

S/N: LNA1-UP; LZA1-UP

40-MM. P-CLIP

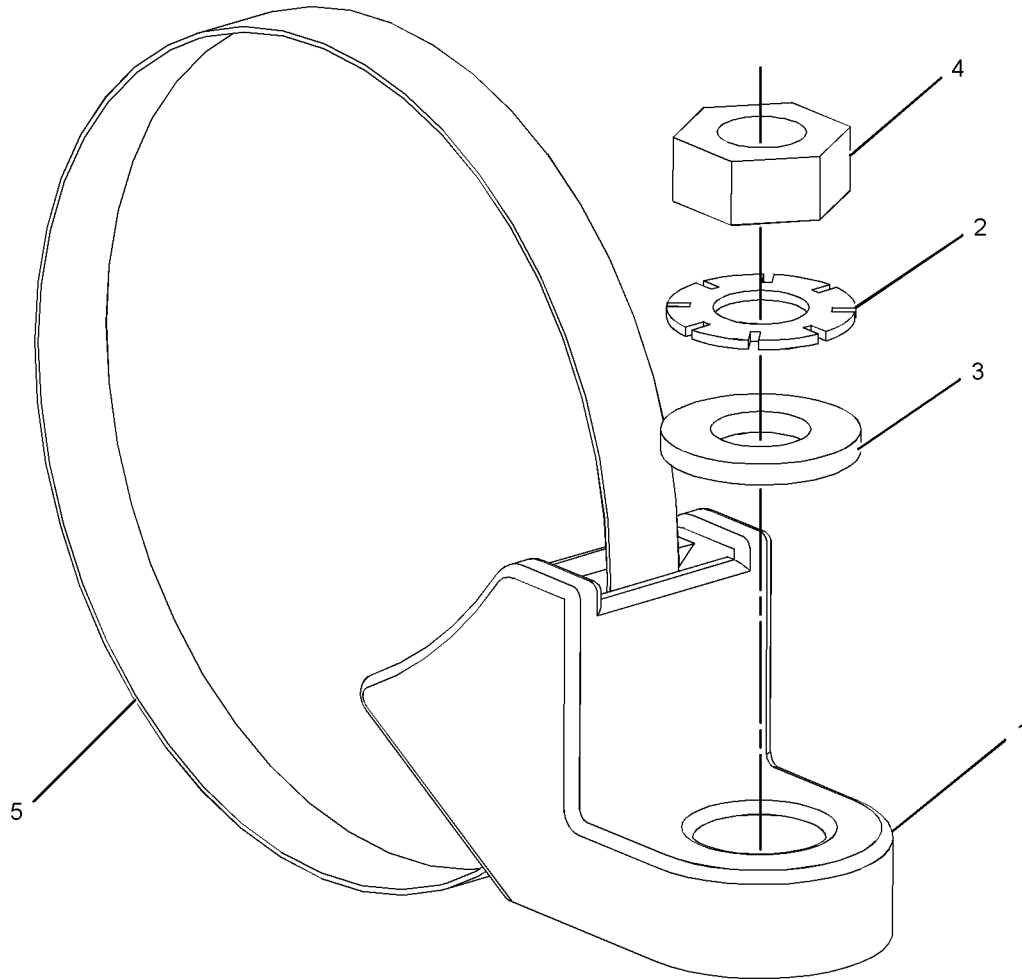
PART OF 379-0919 WIRING GP-PANEL  
AN ATTACHMENT

SMCS-1408, 7553

i02825133

NOTE	REF NO	GRAPHIC REF	PART NUMBER	QTY	PART NAME						SEE PAGE
					1	2	3	4	5	6 (PRODUCT LEVEL)	
	1	1	<b>298-5189</b>	1	BRACKET-TIE						
	2	1	<b>095-0826</b>	1	LOCKWASHER						
	3	1	<b>096-6166</b>	1	WASHER-HARD (4.5X9X1-MM THK)						
M	4	1	<b>5C-8312</b>	1	NUT (M4X0.7-THD)						
	5	1	<b>9X-6772</b>	1	STRAP-CABLE						

M-METRIC PART



GRAPHIC #1

<END>

g01331207

# ELECTRICAL AND STARTING SYSTEM

## 343-9866 HARNESS AS-ENGINE-UNIT INJECTOR

S/N: FTH1-UP

WITHOUT BRAKES

PART OF 278-5662 BASE GP-VALVE COVER & INJ HARN

SMCS-1408

i04789689

NOTE	PART NUMBER	QTY	PART NAME						SEE PAGE
			1	2	3	4	5	6 (PRODUCT LEVEL)	
	102-8801	1	KIT-RECEPTACLE (12-PIN)						
	103-8134	1	KIT-RECEPTACLE (12-PIN)						
			(EACH INCLUDES RECEPTACLE AS & WEDGE)						
	9X-3401	9	PIN-CONNECTOR (16-GA TO 18-GA)						
			-OR-						
	126-1767	9	PIN-CONNECTOR (14-GA TO 16-GA)						
	8T-8737	3	PLUG-SEAL						
			<b>&lt;END&gt;</b>						



# ELECTRICAL AND STARTING SYSTEM

## 361-9108 HARNESS AS-ENGINE

S/N: LNA1-UP; LZA1-UP

PART OF 386-9295 WIRING GP-ENGINE  
AN ATTACHMENT

SMCS-1408

i04896845

NOTE	PART NUMBER	QTY	PART NAME						SEE PAGE
			1	2	3	4	5	6 (PRODUCT LEVEL)	
	388-4820	1	BOOT						
	344-0415	1	CONNECTOR AS						
	126-1774	1	COVER-CONNECTOR						
	246-2010	5	INSULATOR						
	155-2270	2	KIT-CONNECTING PLUG (2-PIN)						
	155-2260	1	KIT-CONNECTING PLUG (3-PIN)						
			(EACH PLUG KIT INCLUDES PLUG AS, WEDGE, & INTERFACE SEAL)						
	102-8803	3	KIT-RECEPTACLE (3-PIN)						
	102-8805	1	KIT-RECEPTACLE (6-PIN)						
			(EACH RECEPTACLE KIT INCLUDES RECEPTACLE AS & WEDGE)						
	9X-3401	19	PIN-CONNECTOR (16-GA TO 18-GA)						
			-OR-						
	126-1767	19	PIN-CONNECTOR (14-GA TO 16-GA)						
	9X-4391	1	PLUG AS-CONNECTOR (70-PIN)						
	3E-4367	1	RING-RETAINING						
M	3E-8557	1	BOLT (M5X0.8X39.37-MM)						
	9X-5615	2	SEAL (INTERFACE, 70-PIN)						
	160-7689	1	PLUG AS-CONNECTOR (70-PIN)						
	159-9322	1	SEAL-O-RING						
	387-9449	1	PLUG AS						
	8T-8737	76	PLUG-SEAL						
	9X-5615	2	SEAL (INTERFACE, 70-PIN)						
	9X-3402	71	SOCKET-CONNECTOR (16-GA TO 18-GA)						
			-OR-						
	126-1768	71	SOCKET-CONNECTOR (14-GA TO 16-GA)						
	7K-1181	30	STRAP-CABLE						
	246-2009	5	TERMINAL						
	338-0276	1	TERMINAL						
	338-0277	2	TERMINAL						
D	5P-6001		TUBE-HEAT SHRINK (4.75-MM DIA) (0.6-M)						
E	119-3662		TUBE-HEAT SHRINK (10.85-MM DIA) (39-CM)						
E	125-7874		TUBE-HEAT SHRINK (5.72-MM DIA) (10-CM)						
E	125-7875		TUBE-HEAT SHRINK (7.44-MM DIA) (15-CM)						
E	125-7876		TUBE-HEAT SHRINK (17.78-MM DIA) (20-CM)						
	3E-3371	3	WEDGE-RECEPTACLE LOCK (3-PIN)						
	3E-3383	1	WEDGE-RECEPTACLE LOCK (6-PIN)						

D-ORDER BY THE METER  
E-ORDER BY THE CENTIMETER  
M-METRIC PART

<END>

# ELECTRICAL AND STARTING SYSTEM

## 385-2552 HARNESS AS-ENGINE

S/N: LNA1-UP; LZA1-UP

PART OF 354-6450 WIRING GP-GENERATOR  
AN ATTACHMENT

SMCS-1408

i04962669

NOTE	PART NUMBER	QTY	PART NAME						SEE PAGE
			1	2	3	4	5	6 (PRODUCT LEVEL)	
	244-0452	17	END-WIRE (14-GA TO 20-GA)						
	8L-8413	11	STRAP-CABLE (WHITE)						
	239-8548	6	TERMINAL-BLADE (14-GA TO 16-GA)						
<b>&lt;END&gt;</b>									

## 361-9109 HARNESS AS-PANEL

S/N: LNA1-UP; LZA1-UP

PANEL  
PART OF 379-0919 WIRING GP-PANEL  
AN ATTACHMENT

SMCS-1408

i04823606

NOTE	PART NUMBER	QTY	PART NAME						SEE PAGE
			1	2	3	4	5	6 (PRODUCT LEVEL)	
U	5P-6001		TUBE-HEAT SHRINK (4.75-MM DIA) (14-DM)						
	8C-6354	1	CAP-RECEPTACLE (ET CONNECTOR)						
	8T-8737	45	PLUG-SEAL						
	9X-6772	20	STRAP-CABLE						
	103-0213	1	RECEPTACLE AS-CONNECTOR (70-PIN)						
E	119-3662		TUBE-HEAT SHRINK (10.85-MM DIA) (39-CM)						
E	125-7874		TUBE-HEAT SHRINK (5.72-MM DIA) (45-CM)						
E	125-7875		TUBE-HEAT SHRINK (7.44-MM DIA) (25-CM)						
E	125-7876		TUBE-HEAT SHRINK (17.78-MM DIA) (45-CM)						
	9X-3402	50	SOCKET-CONNECTOR (16-GA TO 18-GA)						
			-OR-						
	126-1768	50	SOCKET-CONNECTOR (14-GA TO 16-GA)						
	9X-3401	54	PIN-CONNECTOR (16-GA TO 18-GA)						
			-OR-						
	126-1767	54	PIN-CONNECTOR (14-GA TO 16-GA)						
	160-7689	1	PLUG AS-CONNECTOR (70-PIN)						
	159-9322	1	SEAL-O-RING						
	203-9007	1	NUT (1-1/2-18-THD)						
	246-2009	2	TERMINAL						
	246-2010	2	INSULATOR						
	265-4123	1	RECEPTACLE-CONNECTOR						
E-ORDER BY THE CENTIMETER U-ORDER BY DECIMETER									
<b>&lt;END&gt;</b>									

# ELECTRICAL AND STARTING SYSTEM

## 362-0449 HARNESS AS-POWER

S/N: LNA1-UP; LZA1-UP  
PART OF 369-8861 EXCITER AS  
AN ATTACHMENT

SMCS-1408

i04818755

NOTE	PART NUMBER	QTY	PART NAME						SEE PAGE
			1	2	3	4	5	6 (PRODUCT LEVEL)	
	351-6707	1	CONNECTOR AS						
	362-0120	1	CONNECTOR-PLUG						
	362-0122	1	CONNECTOR-SOCKET						
	351-6708	3	PIN-CONNECTOR						
	362-0124	2	PIN-CONNECTOR						
	351-9188	5	SOCKET-CONNECTOR						
	1S-9593	1	STRAP-CABLE						
	355-6859	45	WIRE-ELECTRICAL						
<END>									

## 392-0652 HARNESS AS-SWITCH

S/N: LNA1-UP; LZA1-UP  
PART OF 386-3781 SWITCH GP-PUSH BUTTON  
AN ATTACHMENT

SMCS-1408

i04821018

NOTE	PART NUMBER	QTY	PART NAME						SEE PAGE
			1	2	3	4	5	6 (PRODUCT LEVEL)	
	155-2274	1	KIT-CONNECTING PLUG (6-PIN) (INCLUDES PLUG AS AND WEDGE)						
	8T-8737	2	PLUG-SEAL						
	8T-8730	4	SOCKET-CONNECTOR (16-GA TO 18-GA)						
	240-1407	4	TERMINAL-FORK (14-GA TO 16-GA, NO. 6 SCREW)						
<END>									

## 289-9728 HARNESS AS-WIRING-SPACE HEATER

S/N: L7A1-UP; L6B1-UP  
PART OF 327-0286 HEATER GP-SPACE  
AN ATTACHMENT

SMCS-1408

i04570084

NOTE	PART NUMBER	QTY	PART NAME						SEE PAGE
			1	2	3	4	5	6 (PRODUCT LEVEL)	
Y	375-3863	1	HARNESS AS-WIRING (SPACE HEATER)						200
D	6V-5818		CONDUIT-FLEXIBLE (18.62-MM ID, SPLIT) (14-M)						
D-ORDER BY THE METER Y-SEPARATE ILLUSTRATION									
<END>									

# ELECTRICAL AND STARTING SYSTEM

## 361-9110 HARNESS AS-WIRING

S/N: LNA1-UP; LZA1-UP  
PART OF 379-0919 WIRING GP-PANEL  
AN ATTACHMENT

SMCS-1408

i04823597

NOTE	PART NUMBER	QTY	PART NAME						SEE PAGE
			1	2	3	4	5	6 (PRODUCT LEVEL)	
	244-0452	3	END-WIRE (14-GA TO 20-GA)						
	246-2010	1	INSULATOR						
	7G-7917	7	PLUG-SEAL						
	9G-3695	2	PLUG-SEAL						
	345-1118	1	SOCKET AS						
	9X-6772	20	STRAP-CABLE						
	246-2009	1	TERMINAL						
U	5P-6001		TUBE-HEAT SHRINK (4.75-MM DIA) (2-DM)						
E	119-3662		TUBE-HEAT SHRINK (10.85-MM DIA) (20-CM)						
E	125-7874		TUBE-HEAT SHRINK (5.72-MM DIA) (5-CM)						
E	125-7875		TUBE-HEAT SHRINK (7.44-MM DIA) (5-CM)						
E	125-7876		TUBE-HEAT SHRINK (17.78-MM DIA) (20-CM)						
E-ORDER BY THE CENTIMETER U-(NULL)									

<END>

## 375-3863 HARNESS AS-WIRING-SPACE HEATER

S/N: L7A1-UP; L6B1-UP  
PART OF 289-9728 HARNESS AS-WIRING  
AN ATTACHMENT

SMCS-1408

i04571091

NOTE	PART NUMBER	QTY	PART NAME						SEE PAGE
			1	2	3	4	5	6 (PRODUCT LEVEL)	
D	6V-5818		CONDUIT-FLEXIBLE (18.62-MM ID, SPLIT) (1.1-M)						
	367-6698	2	CONNECTOR AS						
			(EACH INCLUDES)						
	371-8827	1	CONDUIT						
	371-8828	1	CONNECTOR						
	371-8829	1	LOCKNUT						
	240-1405	1	TERMINAL-BLADE (14-GA TO 16-GA)						
	5P-5592	2	TERMINAL-RING (18-GA TO 22-GA, 1/4-IN SCREW)						
D-ORDER BY THE METER									

<END>

## 391-1938 HARNESS AS-WIRING

S/N: LNA1-UP; LZA1-UP  
JACKET WATER HEATER, ALTERNATOR  
PART OF 389-0973 RELAY GP  
AN ATTACHMENT

SMCS-1408

i04803078

NOTE	PART NUMBER	QTY	PART NAME						SEE PAGE
			1	2	3	4	5	6 (PRODUCT LEVEL)	
	345-2184	2	TERMINAL						
	345-7524	2	TERMINAL						
	346-5519	6	TERMINAL						
	346-5521	4	TERMINAL						

<END>

# ELECTRICAL AND STARTING SYSTEM

## 391-1940 HARNESS AS-WIRING

S/N: LNA1-UP; LZA1-UP

BATTERY CHARGER, JACKET WATER HEATER

PART OF 389-0964 CONTROL GP-JACKET WATER HEATER  
AN ATTACHMENT

SMCS-1408

i04962670

NOTE	PART NUMBER	QTY	PART NAME						SEE PAGE
			1	2	3	4	5	6 (PRODUCT LEVEL)	
	345-2184	2	TERMINAL						
	345-7524	2	TERMINAL						
	346-5519	7	TERMINAL						
	346-5521	4	TERMINAL						
E	119-3662		TUBE-HEAT SHRINK (10.85-MM DIA) (7-CM)						
E-ORDER BY THE CENTIMETER									

<END>

## 391-5694 HARNESS AS-WIRING

S/N: LNA1-UP; LZA1-UP

630-AMPERE. GROUND

PART OF 389-0977 WIRING GP-GENERATOR  
AN ATTACHMENT

SMCS-1408

i04962671

NOTE	PART NUMBER	QTY	PART NAME						SEE PAGE
			1	2	3	4	5	6 (PRODUCT LEVEL)	
	2L-8079	2	TERMINAL-RING (14-GA TO 16-GA, 3/8-IN SCREW)						
E	119-3662		TUBE-HEAT SHRINK (10.85-MM DIA) (7-CM)						
E	125-7875		TUBE-HEAT SHRINK (7.44-MM DIA) (10-CM)						
E-ORDER BY THE CENTIMETER									

<END>

## 391-5695 HARNESS AS-WIRING

S/N: LNA1-UP; LZA1-UP

800-AMPERE. GROUND

PART OF 389-0976 WIRING GP-GENERATOR  
AN ATTACHMENT

SMCS-1408

i04962667

NOTE	PART NUMBER	QTY	PART NAME						SEE PAGE
			1	2	3	4	5	6 (PRODUCT LEVEL)	
	346-5519	14	TERMINAL						
	2L-8079	2	TERMINAL-RING (14-GA TO 16-GA, 3/8-IN SCREW)						
E	119-3662		TUBE-HEAT SHRINK (10.85-MM DIA) (7-CM)						
E	125-7875		TUBE-HEAT SHRINK (7.44-MM DIA) (10-CM)						
E-ORDER BY THE CENTIMETER									

<END>

# ELECTRICAL AND STARTING SYSTEM

## 391-5696 HARNESS AS-WIRING

S/N: LNA1-UP; LZA1-UP

1250/1600-AMPERE. GROUND

PART OF 392-0639 WIRING GP-GENERATOR  
AN ATTACHMENT

SMCS-1408

i04962664

NOTE	PART NUMBER	QTY	PART NAME						SEE PAGE
			1	2	3	4	5	6 (PRODUCT LEVEL)	
	346-5519	18	TERMINAL						
	2L-8079	2	TERMINAL-RING (14-GA TO 16-GA, 3/8-IN SCREW)						
E	119-3662		TUBE-HEAT SHRINK (10.85-MM DIA) (7-CM)						
E	125-7875		TUBE-HEAT SHRINK (7.44-MM DIA) (10-CM)						

E-ORDER BY THE CENTIMETER

<END>

## 391-6339 HARNESS AS-WIRING

S/N: LNA1-UP; LZA1-UP

AUXILIARY CONTACTS

PART OF 389-0978 WIRING GP-GENERATOR  
AN ATTACHMENT

SMCS-1408

i04962665

NOTE	PART NUMBER	QTY	PART NAME						SEE PAGE
			1	2	3	4	5	6 (PRODUCT LEVEL)	
	346-5519	6	TERMINAL						

<END>

## 391-8736 HARNESS AS-WIRING

S/N: LNA1-UP; LZA1-UP

PART OF 392-0638 WIRING GP-GENERATOR  
AN ATTACHMENT

SMCS-1408

i04962666

NOTE	PART NUMBER	QTY	PART NAME						SEE PAGE
			1	2	3	4	5	6 (PRODUCT LEVEL)	
	244-0452	16	END-WIRE (14-GA TO 20-GA)						
	263-0856	2	TERMINAL						
	239-8548	7	TERMINAL-BLADE (14-GA TO 16-GA)						

<END>

## 391-8920 HARNESS AS-WIRING

S/N: LNA1-UP; LZA1-UP

SHUNT TRIP

PART OF 392-0641 CONTROL GP-CIRCUIT BREAKER  
AN ATTACHMENT

SMCS-1408

i04962676

NOTE	PART NUMBER	QTY	PART NAME						SEE PAGE
			1	2	3	4	5	6 (PRODUCT LEVEL)	
E	125-7875		TUBE-HEAT SHRINK (7.44-MM DIA) (5-CM)						

E-ORDER BY THE CENTIMETER

<END>

# ELECTRICAL AND STARTING SYSTEM

## 392-0605 HARNESS AS-WIRING

S/N: LNA1-UP; LZA1-UP

SHUNT TRIP

PART OF 389-0979 CONTROL GP-GENERATOR SET

AN ATTACHMENT

SMCS-1408

i04962677

NOTE	PART NUMBER	QTY	PART NAME	SEE PAGE
E	125-7875		TUBE-HEAT SHRINK (7.44-MM DIA) (5-CM)	
E-ORDER BY THE CENTIMETER				

<END>

# ELECTRICAL AND STARTING SYSTEM

## 384-4683 HEATER GP-JACKET WATER

S/N: LNA1-UP; LZA1-UP

15-LITERS

AN ATTACHMENT

SMCS-1383

i04825625

NOTE	REF NO	GRAPHIC REF	PART NUMBER	QTY	PART NAME						SEE PAGE
					1	2	3	4	5	6 (PRODUCT LEVEL)	
	1	1	357-4580	1	ADAPTER AS						
		1	6V-6609	1	SEAL-O-RING						
		1	357-4579	1	CONNECTOR						
Y	2	1	384-4305	1	REGULATOR GP-TEMPERATURE						111
	3	1	384-4686	1	BRACKET						
	4	1	384-5289	1	HEATER AS-JACKET WATER						
		1	169-2182	1	SEAL						
		1	196-2237	1	ELEMENT AS-JACKET WATER HEATER						
		1	196-2343	1	KIT-CLAMP						
		1	347-4444	2	CONNECTOR						
M	5	1	175-7141	1	NUT-HEX FLANGE (M10X1.5-THD)						
	6	1	338-3669	1	BOLT-FLANGE HEAD (M10X1.5X30-MM)						
	7	1	4D-7388	1	CLIP						
	8	1	6V-2492	1	CONNECTOR						
	9	1	6V-8801	1	NUT (3/8-16-THD)						
	10	1	7X-7958	4	CLAMP-HOSE						
	11	1	8T-4896	1	WASHER-HARD (10.2X18.5X2.5-MM THK)						
J	12	1	384-4685	1	BRACKET						
JM	13	1	175-7141	2	NUT-HEX FLANGE (M10X1.5-THD)						
J	14	1	338-3669	2	BOLT-FLANGE HEAD (M10X1.5X30-MM)						
E	15	1	302-7411		HOSE (105-CM)						
E	15A	1	302-7411		HOSE (46-CM)						

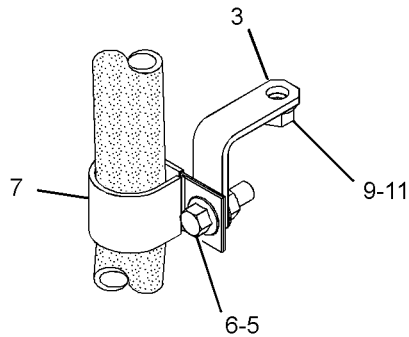
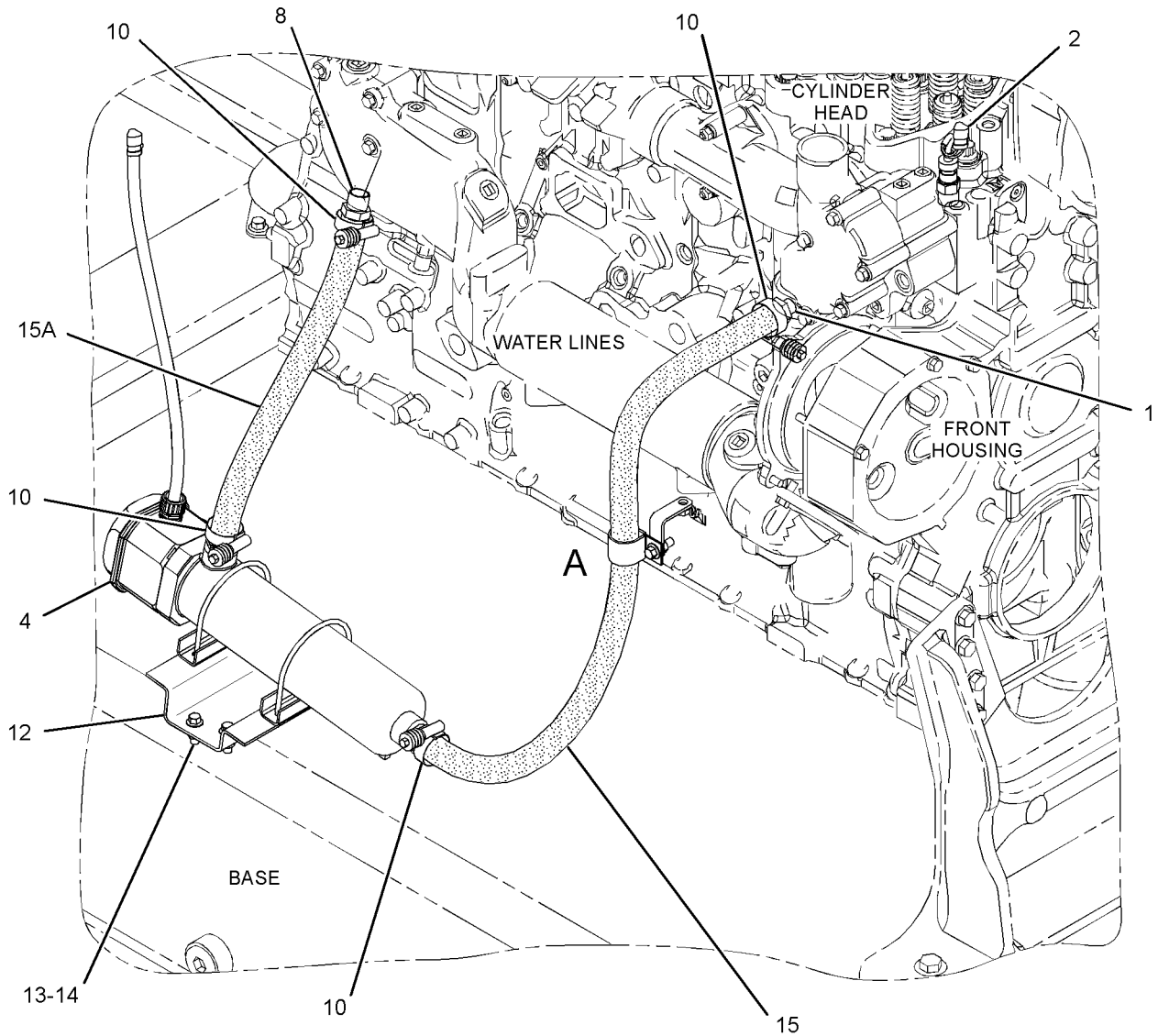
E-ORDER BY THE CENTIMETER  
 J-FOR USE WITH NARROW BASE ONLY  
 M-METRIC PART  
 Y-SEPARATE ILLUSTRATION



# ELECTRICAL AND STARTING SYSTEM

384-4683 HEATER GP-JACKET WATER (contd.)

i04825625



GRAPHIC #1

<END>

g02852538

# ELECTRICAL AND STARTING SYSTEM

## 354-6426 MOUNTING GP-BOX

S/N: LNA1-UP; LZA1-UP

TOP

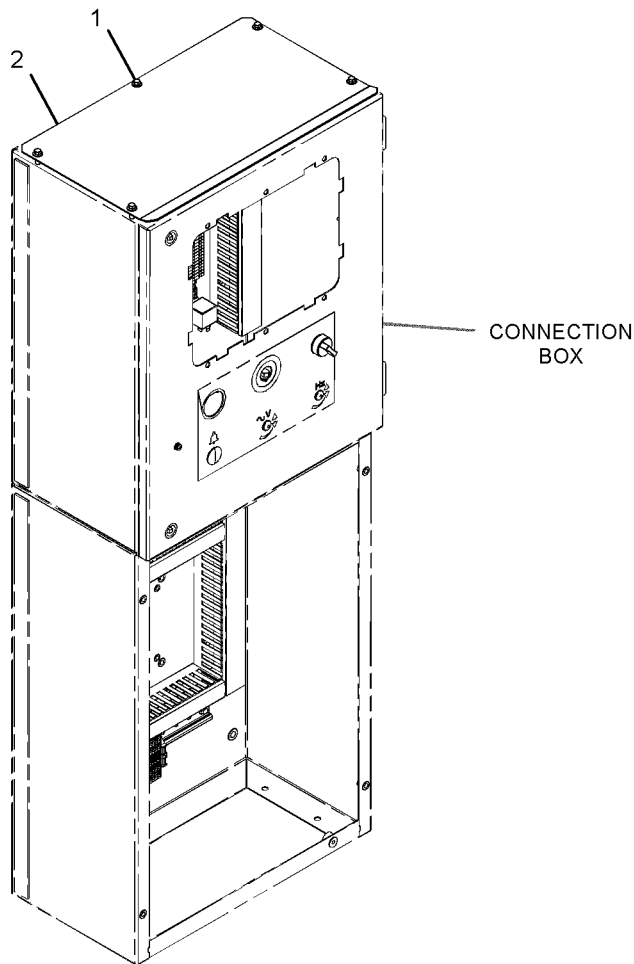
PART OF 361-9107 BOX GP-ELECTRONIC  
AN ATTACHMENT

SMCS-7426

i04902176

NOTE	REF NO	GRAPHIC REF	PART NUMBER	QTY	PART NAME						SEE PAGE
					1	2	3	4	5	6 (PRODUCT LEVEL)	
M	1	1	235-4451	5	BOLT-FLANGE HEAD (M6X1X16-MM)						
	2	1	354-6425	1	PLATE						

M-METRIC PART



GRAPHIC #1

<END>

g03060516

# ELECTRICAL AND STARTING SYSTEM

## 354-6452 MOUNTING GP-CIRCUIT BREAKER

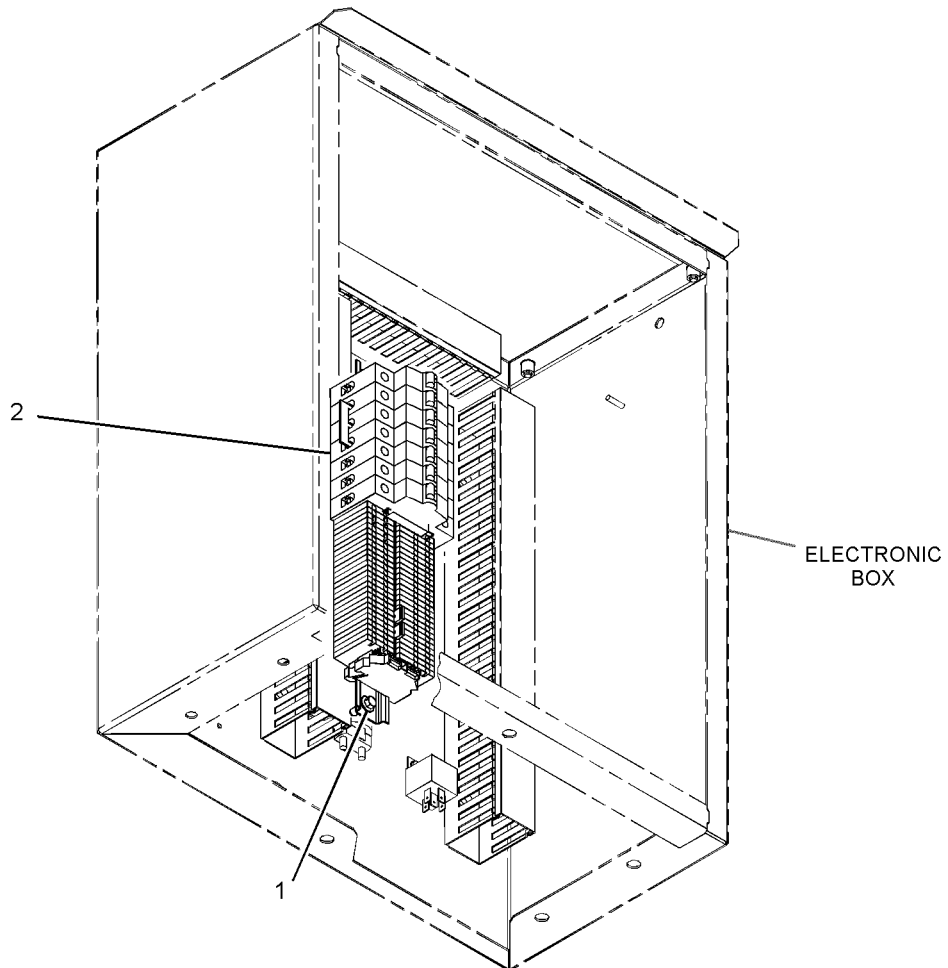
S/N: LNA1-UP; LZA1-UP  
PART OF 361-9107 BOX GP-ELECTRONIC  
AN ATTACHMENT

SMCS-1420, 4461

i04902175

NOTE	REF NO	GRAPHIC REF	PART NUMBER	QTY	PART NAME						SEE PAGE
					1	2	3	4	5	6 (PRODUCT LEVEL)	
M	1	1	235-4451	2	BOLT-FLANGE HEAD (M6X1X16-MM)						
Y	2	1	354-6453	1	CIRCUIT BREAKER GP						171

M-METRIC PART  
Y-SEPARATE ILLUSTRATION



GRAPHIC #1

<END>

g03060678

# ELECTRICAL AND STARTING SYSTEM

## 391-4278 MOUNTING GP-CIRCUIT BREAKER

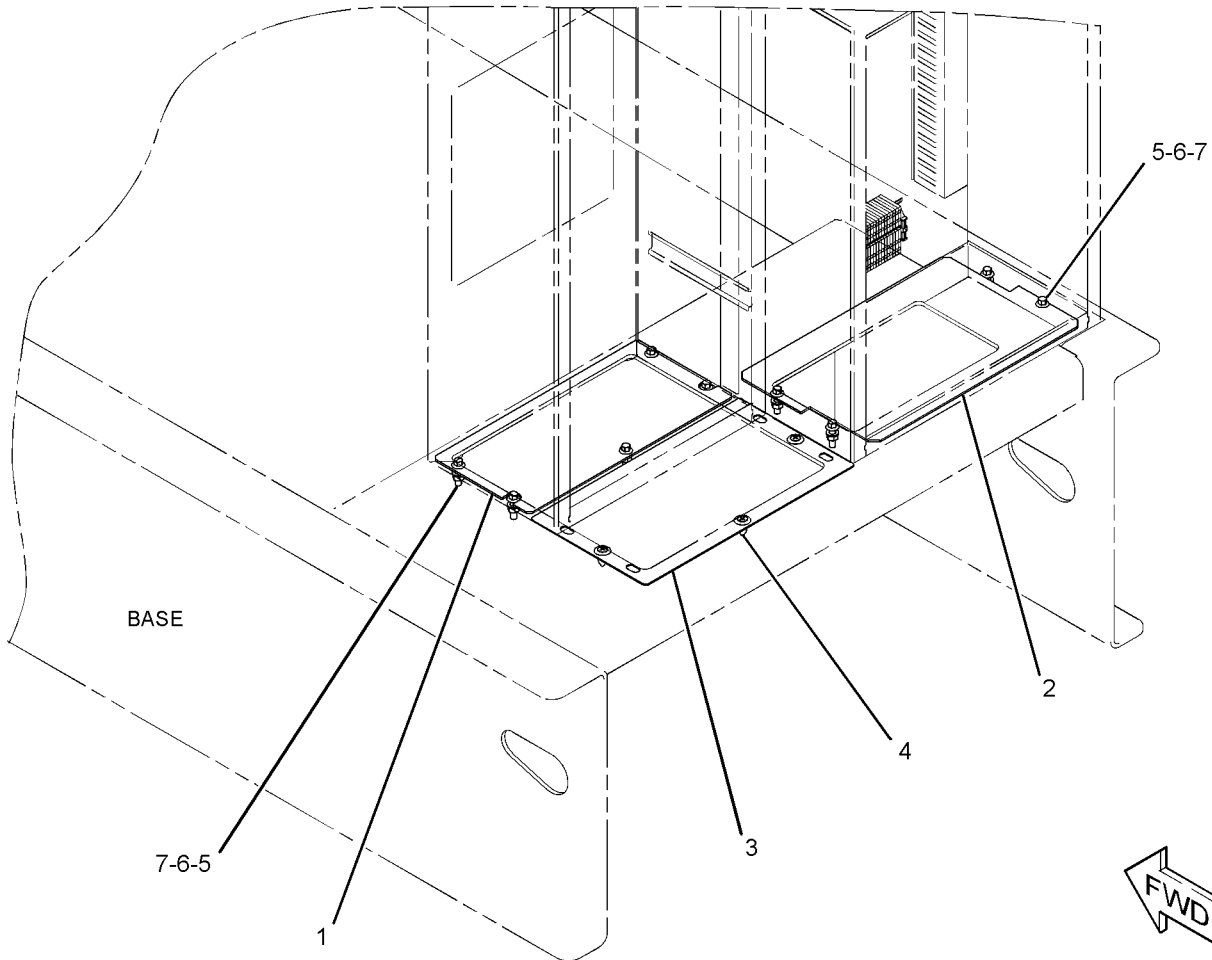
S/N: LNA1-UP; LZA1-UP  
AN ATTACHMENT

SMCS-1420, 4461

i04954805

NOTE	REF NO	GRAPHIC REF	PART NUMBER	QTY	PART NAME						SEE PAGE
					1	2	3	4	5	6 (PRODUCT LEVEL)	
	1	1	349-5654	1	PLATE						
	2	1	354-6427	1	PLATE						
	3	1	391-4272	1	PLATE						
	4	1	391-4286	3	RIVET						
M	5	1	112-8293	9	BOLT-FLANGE HEAD (M8X1.25X30-MM)						
M	6	1	5C-7261	9	NUT (M8X1.25-THD)						
	7	1	8T-4224	9	WASHER-HARD (8.8X16X2-MM THK)						

M-METRIC PART



GRAPHIC #1

<END>

g02949438

# ELECTRICAL AND STARTING SYSTEM

## 391-4279 MOUNTING GP-CIRCUIT BREAKER

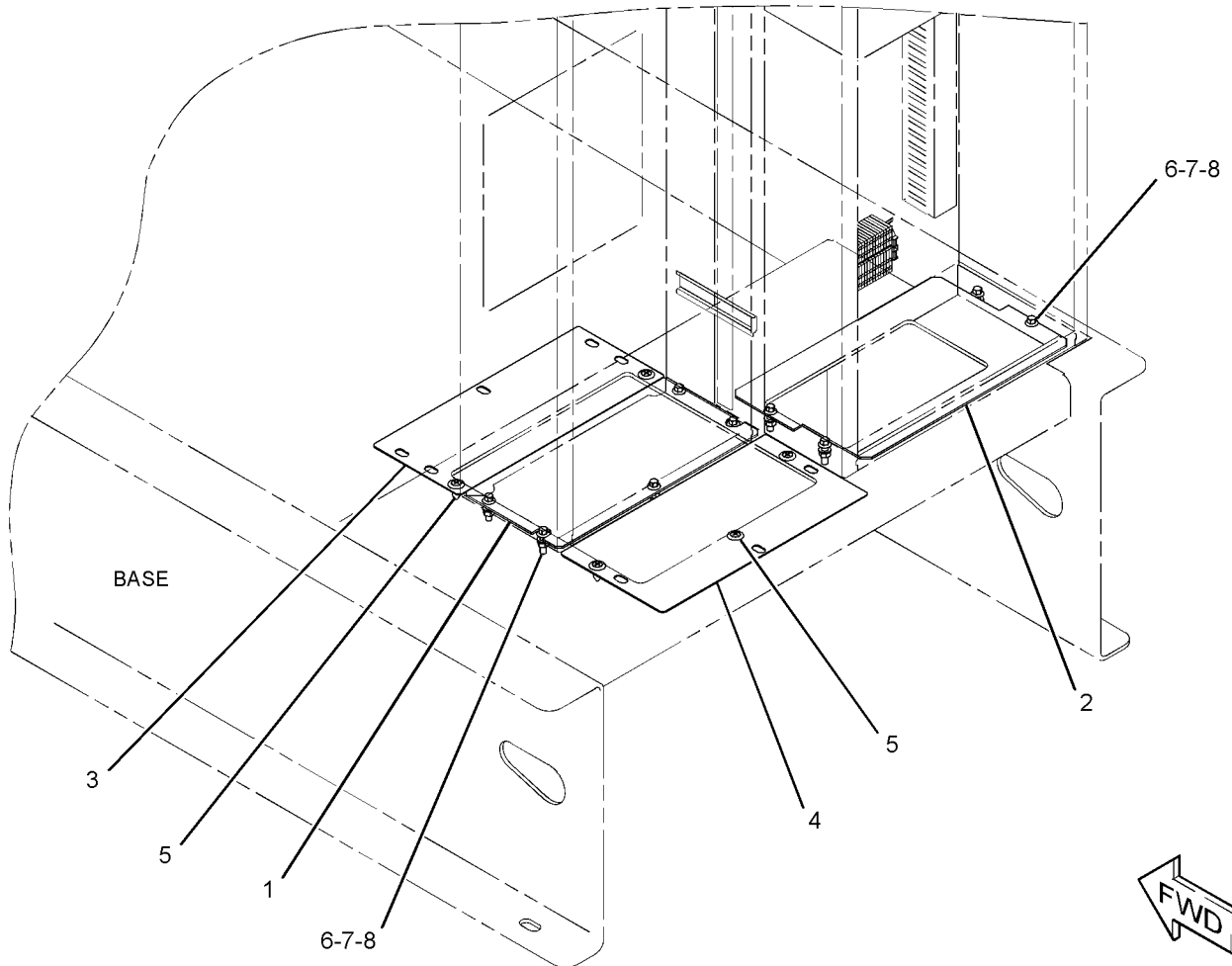
S/N: LNA1-UP; LZA1-UP  
AN ATTACHMENT

SMCS-1420, 4461

i04954804

NOTE	REF NO	GRAPHIC REF	PART NUMBER	QTY	PART NAME						SEE PAGE
					1	2	3	4	5	6 (PRODUCT LEVEL)	
	1	1	349-5654	1	PLATE						
	2	1	354-6427	1	PLATE						
	3	1	391-4271	1	PLATE						
	4	1	391-4274	1	PLATE						
	5	1	391-4286	5	RIVET						
M	6	1	112-8293	9	BOLT-FLANGE HEAD (M8X1.25X30-MM)						
M	7	1	5C-7261	9	NUT (M8X1.25-THD)						
	8	1	8T-4224	9	WASHER-HARD (8.8X16X2-MM THK)						

M-METRIC PART



GRAPHIC #1

<END>

g02949257

# ELECTRICAL AND STARTING SYSTEM

## 391-4280 MOUNTING GP-CIRCUIT BREAKER

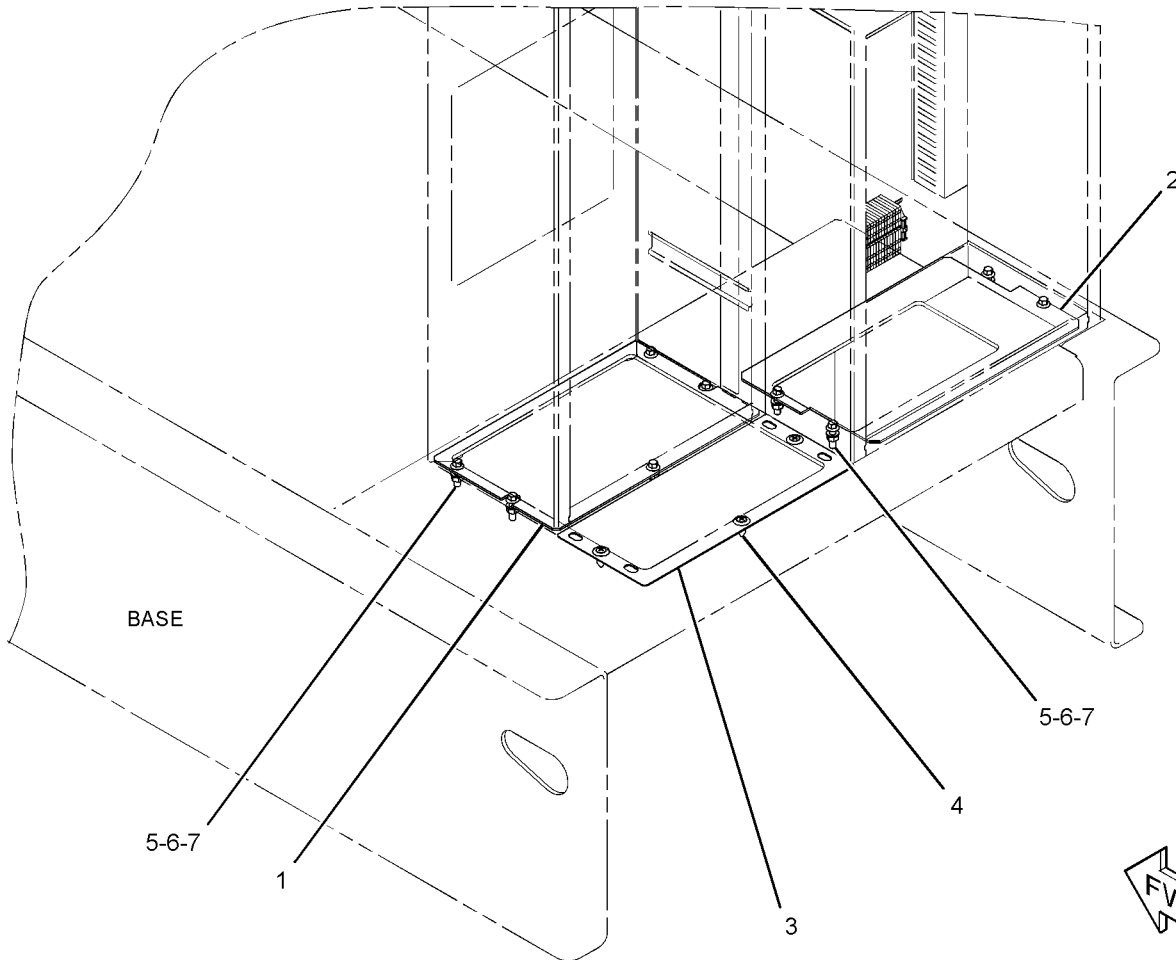
S/N: LNA1-UP; LZA1-UP  
AN ATTACHMENT

SMCS-1420, 4461

i04954803

NOTE	REF NO	GRAPHIC REF	PART NUMBER	QTY	PART NAME						SEE PAGE
					1	2	3	4	5	6 (PRODUCT LEVEL)	
	1	1	349-5647	1	PLATE						
	2	1	354-6427	1	PLATE						
	3	1	391-4271	1	PLATE						
	4	1	391-4286	3	RIVET						
M	5	1	112-8293	9	BOLT-FLANGE HEAD (M8X1.25X30-MM)						
M	6	1	5C-7261	9	NUT (M8X1.25-THD)						
	7	1	8T-4224	9	WASHER-HARD (8.8X16X2-MM THK)						

M-METRIC PART



GRAPHIC #1

<END>

g02946302

# ELECTRICAL AND STARTING SYSTEM

## 391-4281 MOUNTING GP-CIRCUIT BREAKER

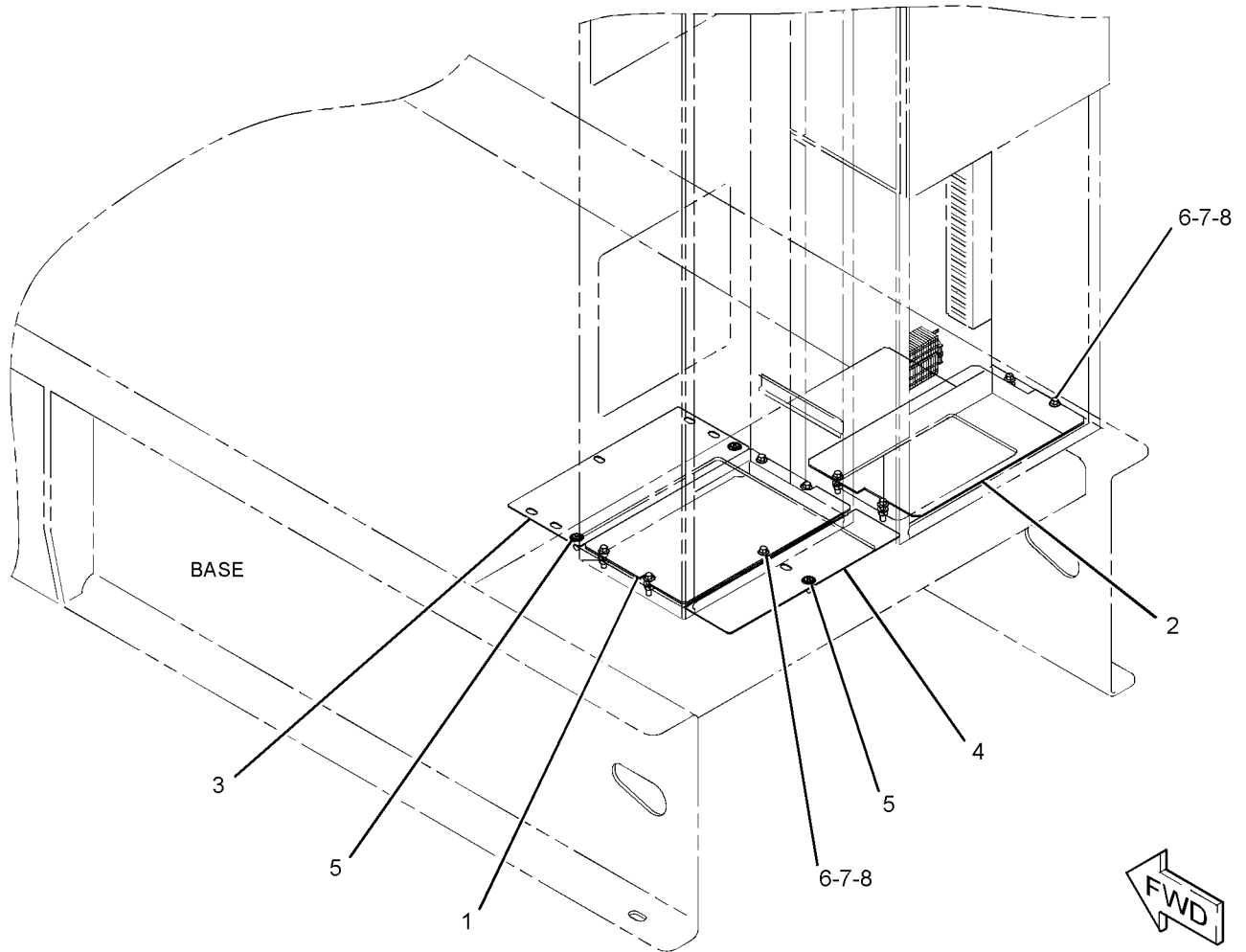
S/N: LNA1-UP; LZA1-UP  
AN ATTACHMENT

SMCS-1420, 4461

i04954807

NOTE	REF NO	GRAPHIC REF	PART NUMBER	QTY	PART NAME						SEE PAGE
					1	2	3	4	5	6 (PRODUCT LEVEL)	
	1	1	349-5647	1	PLATE						
	2	1	354-6427	1	PLATE						
	3	1	391-4271	1	PLATE						
	4	1	391-4273	1	PLATE						
	5	1	391-4286	3	RIVET						
M	6	1	112-8293	9	BOLT-FLANGE HEAD (M8X1.25X30-MM)						
M	7	1	5C-7261	9	NUT (M8X1.25-THD)						
	8	1	8T-4224	9	WASHER-HARD (8.8X16X2-MM THK)						

M-METRIC PART



GRAPHIC #1

<END>

g02946117

# ELECTRICAL AND STARTING SYSTEM

## 391-4282 MOUNTING GP-CIRCUIT BREAKER

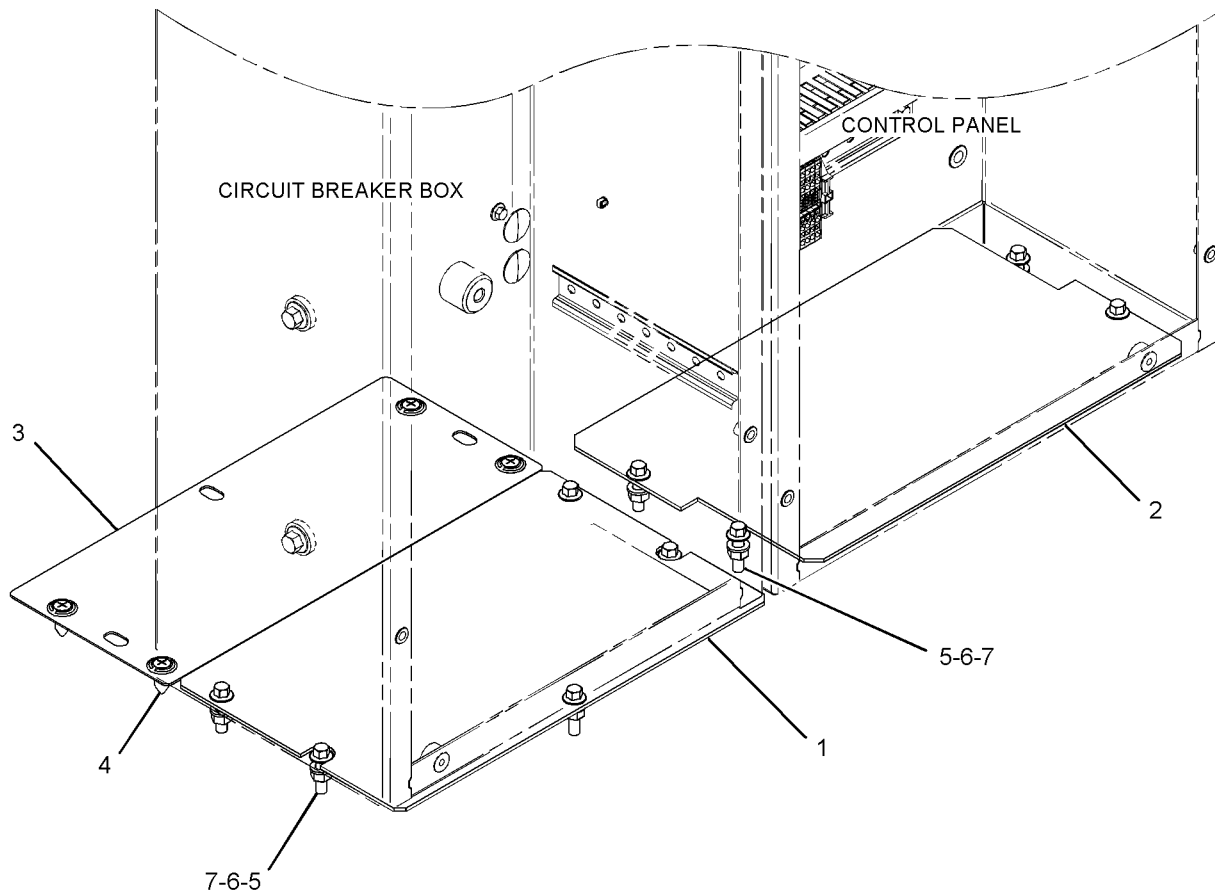
S/N: LNA1-UP; LZA1-UP  
 BREAKER  
 AN ATTACHMENT

SMCS-1420, 4461

i04954812

NOTE	REF NO	GRAPHIC REF	PART NUMBER	QTY	PART NAME						SEE PAGE
					1	2	3	4	5	6 (PRODUCT LEVEL)	
	1	1	349-5647	1	PLATE						
	2	1	354-6427	1	PLATE						
	3	1	391-4271	1	PLATE						
	4	1	391-4286	4	RIVET						
M	5	1	112-8293	9	BOLT-FLANGE HEAD (M8X1.25X30-MM)						
M	6	1	5C-7261	9	NUT (M8X1.25-THD)						
	7	1	8T-4224	9	WASHER-HARD (8.8X16X2-MM THK)						

M-METRIC PART



GRAPHIC #1

<END>

g02947119



# ELECTRICAL AND STARTING SYSTEM

## 394-2254 MOUNTING GP-CIRCUIT BREAKER

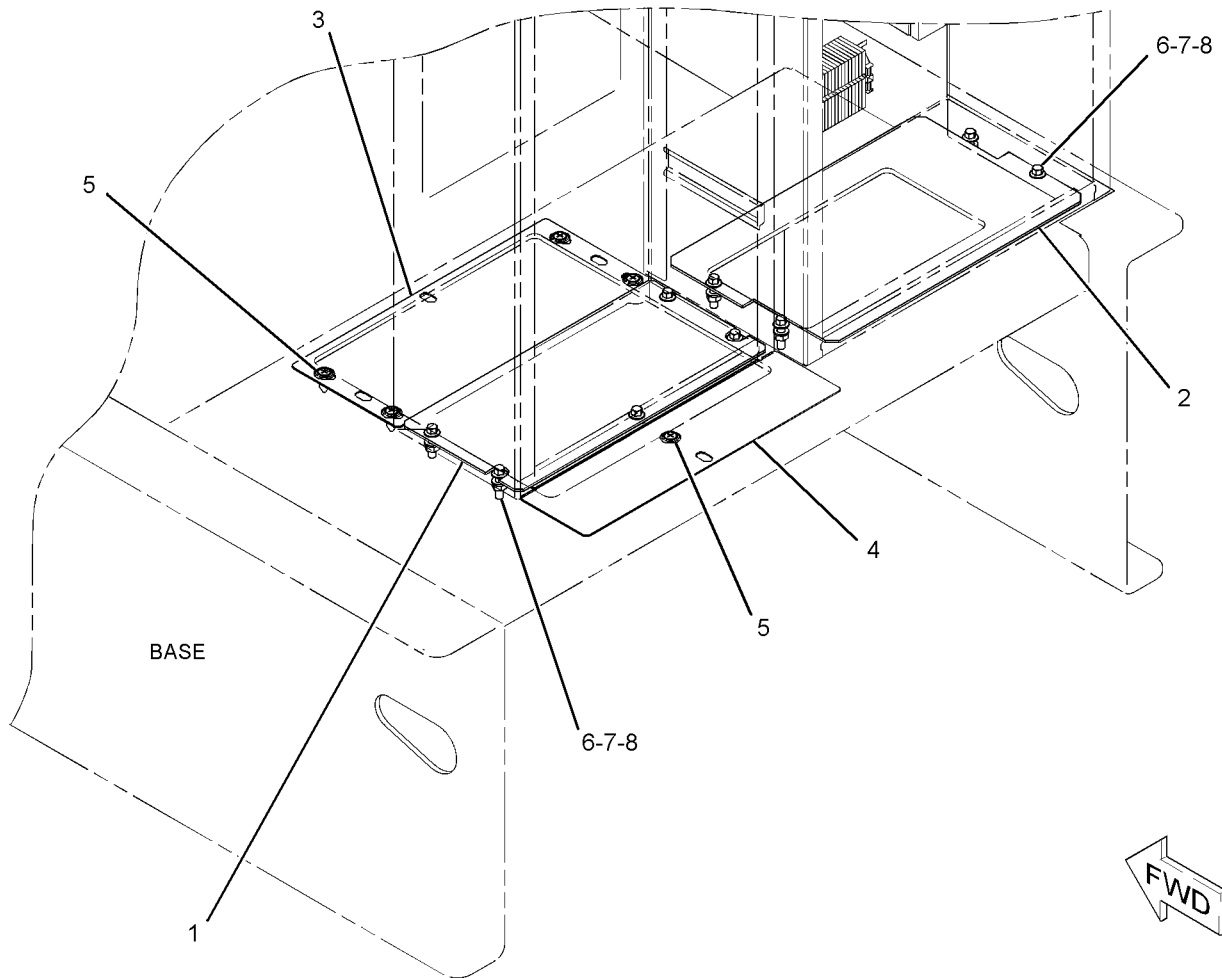
S/N: LNA1-UP; LZA1-UP  
AN ATTACHMENT

SMCS-1420, 4461

i04954796

NOTE	REF NO	GRAPHIC REF	PART NUMBER	QTY	PART NAME						SEE PAGE
					1	2	3	4	5	6 (PRODUCT LEVEL)	
	1	1	349-5654	1	PLATE						
	2	1	354-6427	1	PLATE						
	3	1	391-4271	1	PLATE						
	4	1	391-4273	1	PLATE						
	5	1	391-4286	5	RIVET						
M	6	1	112-8293	9	BOLT-FLANGE HEAD (M8X1.25X30-MM)						
M	7	1	5C-7261	9	NUT (M8X1.25-THD)						
	8	1	8T-4224	9	WASHER-HARD (8.8X16X2-MM THK)						

M-METRIC PART



GRAPHIC #1

<END>

g03049177

# ELECTRICAL AND STARTING SYSTEM

## 396-6851 MOUNTING GP-ELECTRONIC CONTROL

S/N: LNA1-UP; LZA1-UP

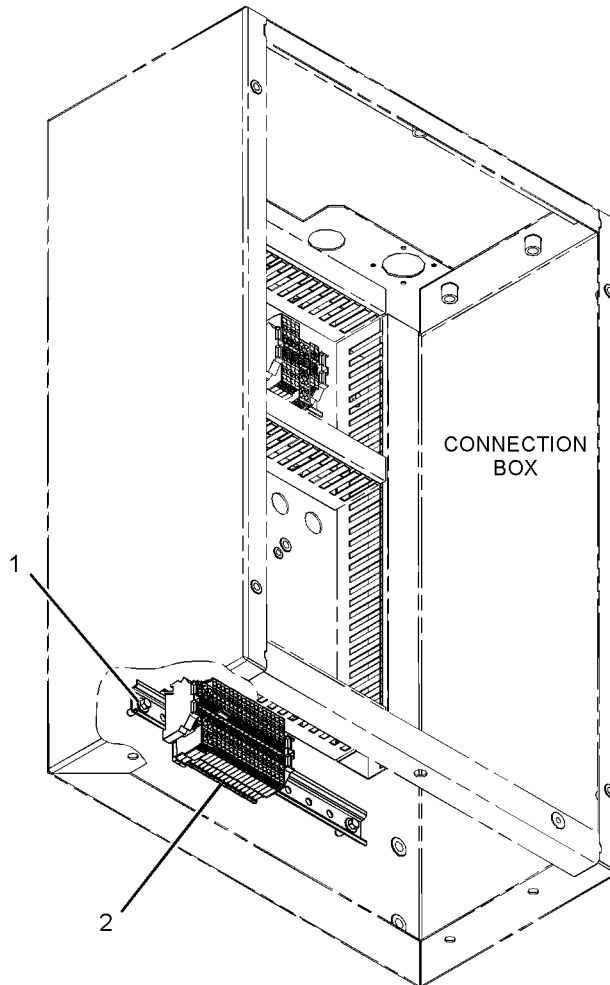
PART OF 354-6502 BOX GP-CONNECTION  
AN ATTACHMENT

SMCS-1901

i04899586

NOTE	REF NO	GRAPHIC REF	PART NUMBER	QTY	PART NAME						SEE PAGE
					1	2	3	4	5	6 (PRODUCT LEVEL)	
M	1	1	235-4451	2	BOLT-FLANGE HEAD (M6X1X16-MM)						
Y	2	1	354-6459	1	BOX GP-CONNECTION						161

M-METRIC PART  
Y-SEPARATE ILLUSTRATION



GRAPHIC #1

<END>

g03056158

# ELECTRICAL AND STARTING SYSTEM

## 396-6852 MOUNTING GP-ELECTRONIC CONTROL

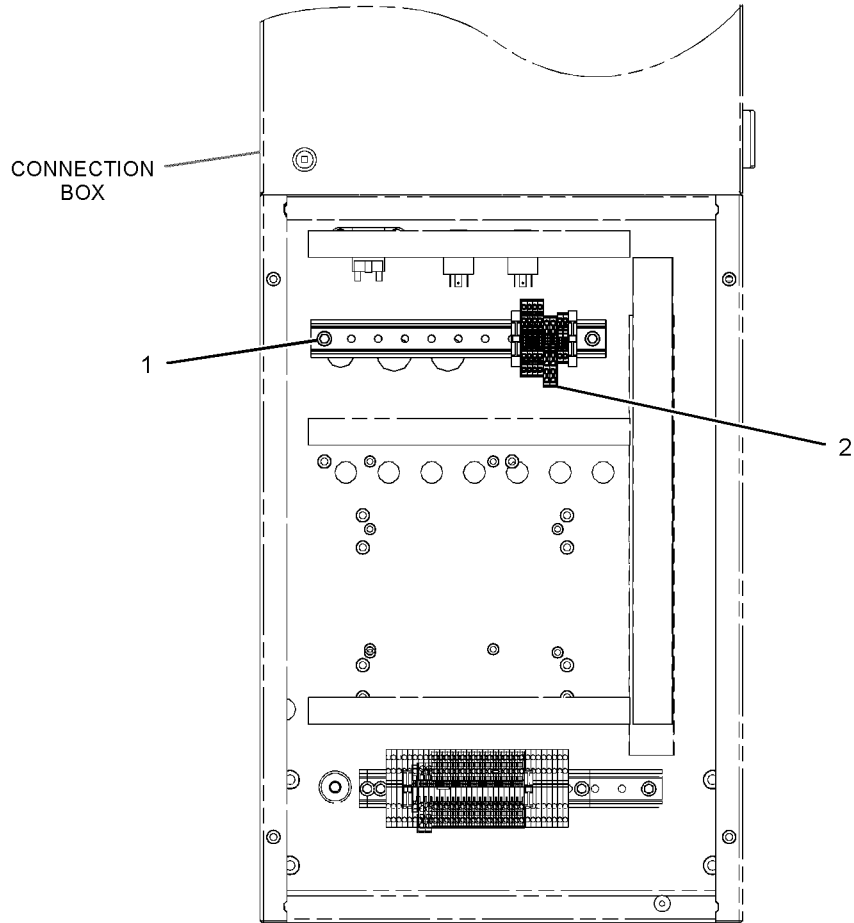
S/N: LNA1-UP; LZA1-UP  
PART OF 354-6502 BOX GP-CONNECTION  
AN ATTACHMENT

SMCS-1901

i04901676

NOTE	REF NO	GRAPHIC REF	PART NUMBER	QTY	PART NAME						SEE PAGE
					1	2	3	4	5	6 (PRODUCT LEVEL)	
M	1	1	235-4451	2	BOLT-FLANGE HEAD (M6X1X16-MM)						
Y	2	1	396-6853	1	CONNECTION GP-ELECTRICAL						185

M-METRIC PART  
Y-SEPARATE ILLUSTRATION



**REAR VIEW**  
(COVER REMOVED FOR CLARITY)

GRAPHIC #1

<END>

g03058641

# ELECTRICAL AND STARTING SYSTEM

## 188-7501 MOUNTING GP-SENSOR

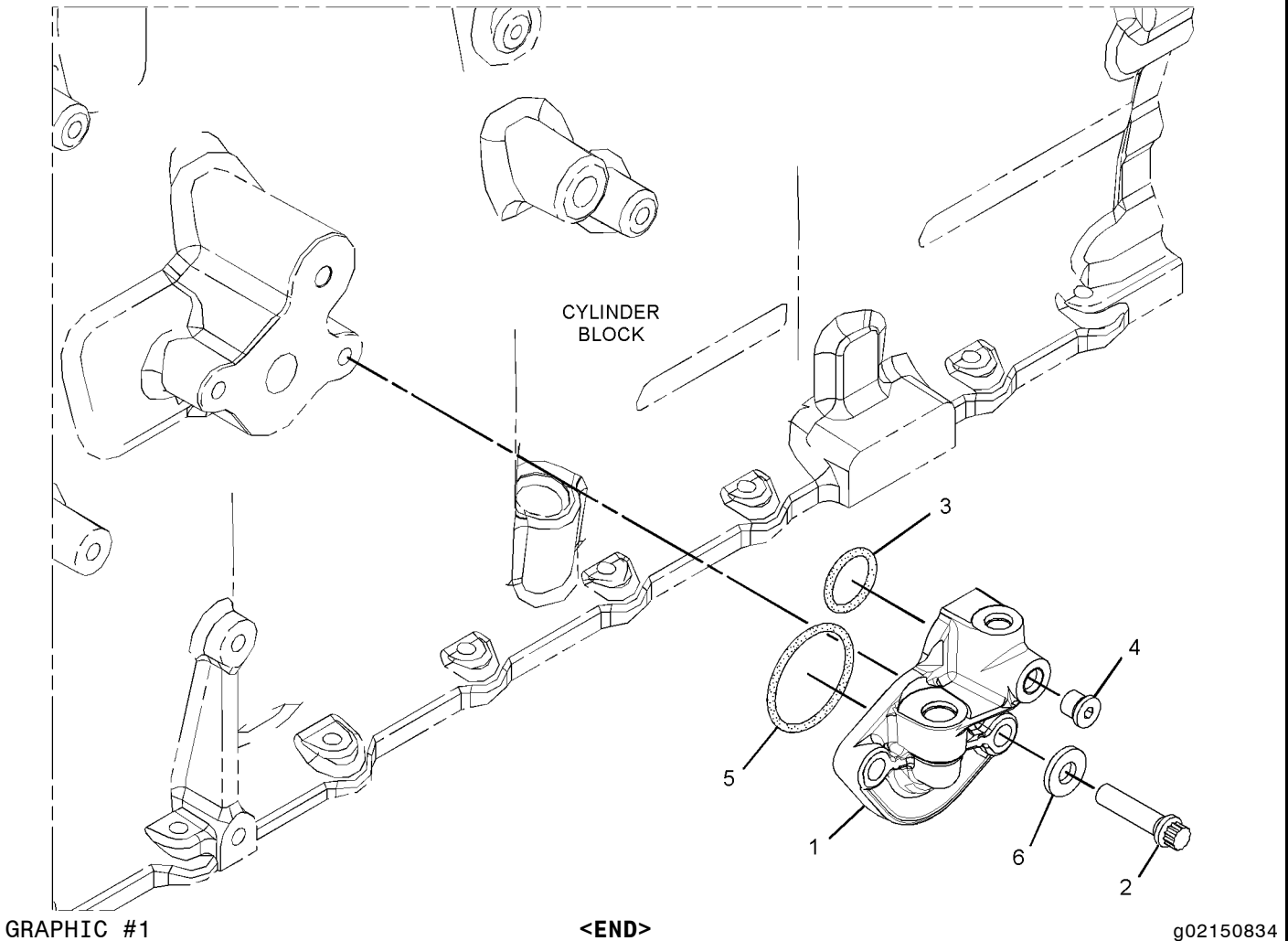
S/N: FTH1-UP

PART OF 382-3732, 382-3733, 382-3734, 382-3735 ENGINE AR-COMplete  
FOR USE WITH OIL AND ATMOSPHERIC SENSORS

SMCS-1439

i03916674

NOTE	REF NO	GRAPHIC REF	PART NUMBER	QTY	PART NAME	SEE PAGE
					1 2 3 4 5 6 (PRODUCT LEVEL)	
	1	1	166-6693	1	ADAPTER	
	2	1	5P-0076	1	BOLT-12 POINT HEAD (3/8-16X1.5-IN)	
	3	1	6V-3683	1	SEAL-O-RING	
	4	1	307-2671	1	PLUG AS	
		1	9S-8002	1	PLUG-O-RING	
		1	214-7566	1	SEAL-O-RING	
	5	1	8J-4351	1	SEAL-O-RING	
	6	1	9X-6458	1	WASHER-HARD (10.2X22.5X3-MM THK)	



# ELECTRICAL AND STARTING SYSTEM

## 349-5650 PANEL GP-CIRCUIT BREAKER

S/N: LNA1-UP; LZA1-UP  
800-AMPERE, 3-POLE. BASIC  
AN ATTACHMENT

SMCS-1417, 1420, 4461

i04825227

NOTE	REF NO	GRAPHIC REF	PART NUMBER	QTY	PART NAME						SEE PAGE
					1	2	3	4	5	6 (PRODUCT LEVEL)	
M	1	1	235-4451	13	BOLT-FLANGE HEAD (M6X1X16-MM)						
	2	1	349-5649	1	PANEL-CIRCUIT BREAKER						
	3	1	349-5656	1	PANEL AS-ENCLOSURE						
	4	1	349-5667	1	PLATE-COVER						
	5	1	349-6808	5	MOUNT						
	6	1	350-4303	2	GROMMET						
Y	7	1	358-4738	1	CIRCUIT BREAKER GP						174
	8	1	374-0473	1	BAR AS						
	9	1	342-9913	4	BOLT-FLANGE HEAD (M10X1.5X20-MM)						

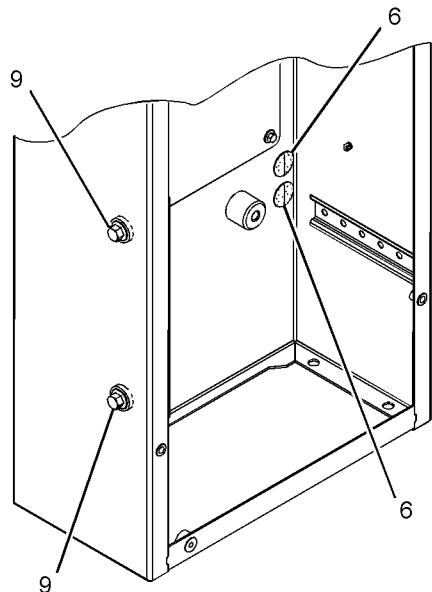
M-METRIC PART

Y-SEPARATE ILLUSTRATION

# ELECTRICAL AND STARTING SYSTEM

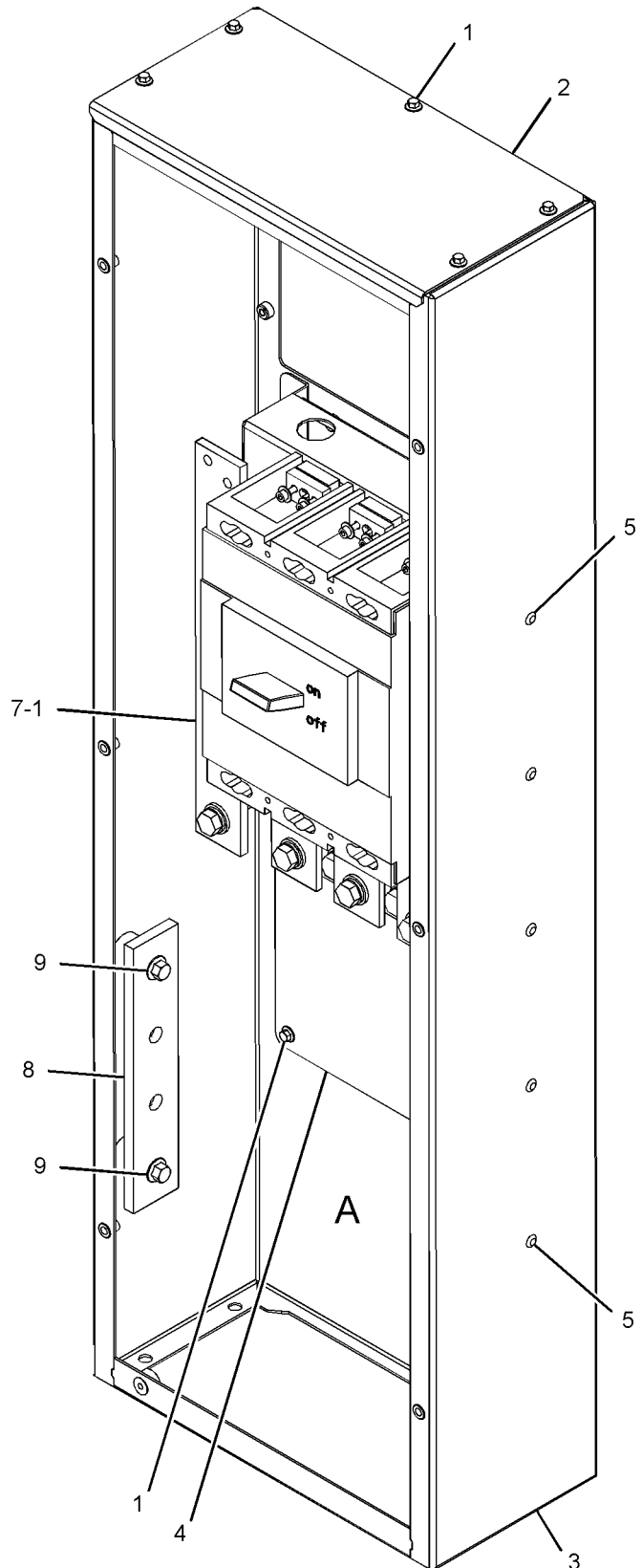
349-5650 PANEL GP-CIRCUIT BREAKER (contd.)

i04825227



90°

VIEW OF AREA A



GRAPHIC #1

<END>

g02964916

# ELECTRICAL AND STARTING SYSTEM

## 379-0891 PANEL GP-CIRCUIT BREAKER

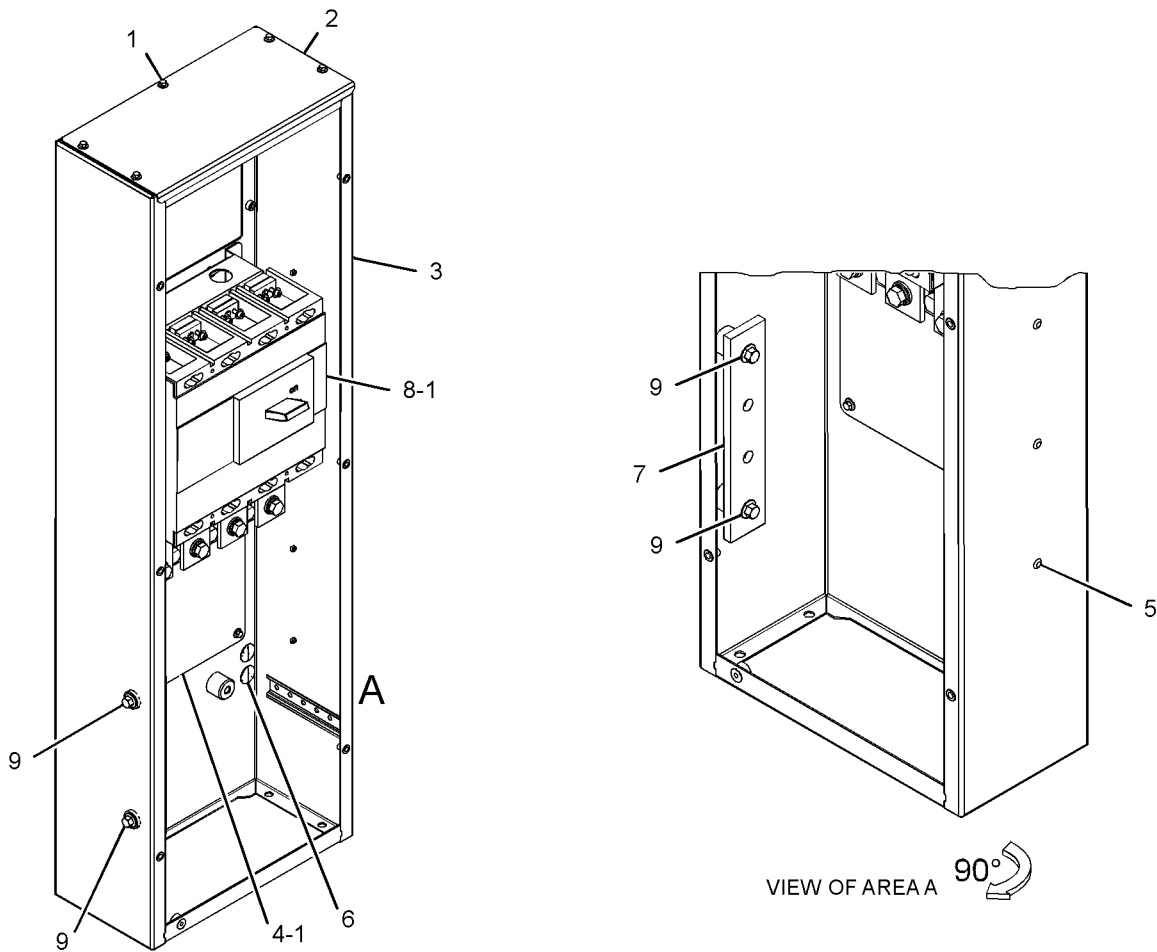
S/N: LNA1-UP; LZA1-UP  
800-AMPERE, 4-POLE. BASIC  
AN ATTACHMENT

SMCS-1417, 1420, 4461

i04902195

NOTE	REF NO	GRAPHIC REF	PART NUMBER	QTY	PART NAME						SEE PAGE
					1	2	3	4	5	6 (PRODUCT LEVEL)	
M	1	1	235-4451	13	BOLT-FLANGE HEAD (M6X1X16-MM)						
	2	1	349-5649	1	PANEL-CIRCUIT BREAKER						
	3	1	349-5656	1	PANEL AS-ENCLOSURE						
	4	1	349-5667	1	PLATE-COVER						
	5	1	349-6808	5	MOUNT						
	6	1	350-4303	2	GROMMET						
	7	1	374-0473	1	BAR AS						
Y	8	1	379-0928	1	CIRCUIT BREAKER & MOUNTING GP						170
	9	1	342-9913	4	BOLT-FLANGE HEAD (M10X1.5X20-MM)						

M-METRIC PART  
Y-SEPARATE ILLUSTRATION



GRAPHIC #1

<END>

g03059877

# ELECTRICAL AND STARTING SYSTEM

## 379-0926 PANEL GP-CIRCUIT BREAKER

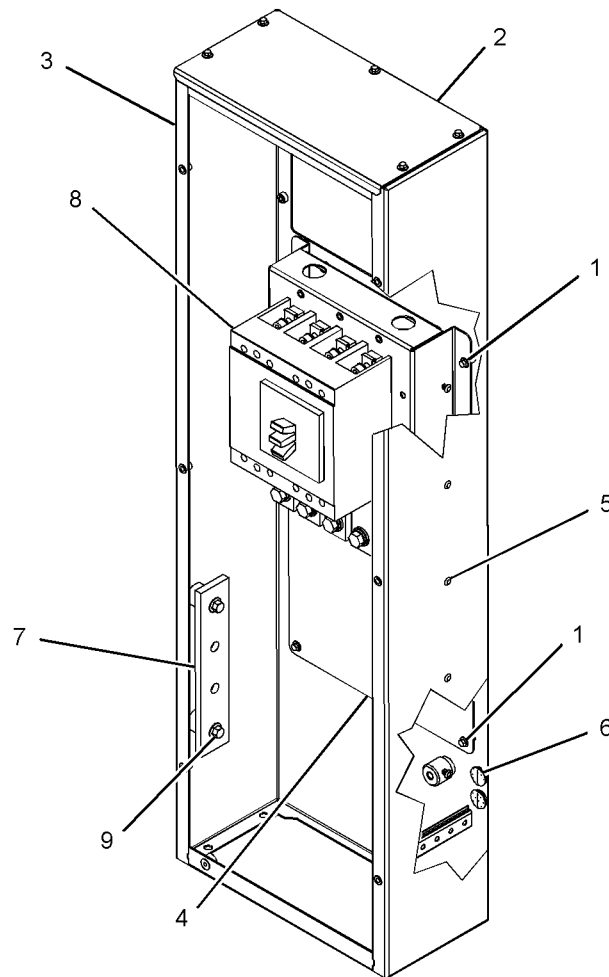
S/N: LNA1-UP; LZA1-UP  
630-AMP, 4-POLE, 15-LITERS  
AN ATTACHMENT

SMCS-1417, 1420, 4461

i04767952

NOTE	REF NO	GRAPHIC REF	PART NUMBER	QTY	PART NAME						SEE PAGE
					1	2	3	4	5	6 (PRODUCT LEVEL)	
M	1	1	235-4451	13	BOLT-FLANGE HEAD (M6X1X16-MM)						
	2	1	349-5649	1	PANEL-CIRCUIT BREAKER						
	3	1	349-5656	1	PANEL AS-ENCLOSURE						
	4	1	349-5667	1	PLATE-COVER						
	5	1	349-6808	5	MOUNT						
	6	1	350-4303	2	GROMMET						
	7	1	374-0473	1	BAR AS						
Y	8	1	379-0927	1	CIRCUIT BREAKER & MOUNTING GP (630-AMPERE)						169
	9	1	342-9913	4	BOLT-FLANGE HEAD (M10X1.5X20-MM)						

M-METRIC PART  
Y-SEPARATE ILLUSTRATION



GRAPHIC #1

<END>

g02857463



# ELECTRICAL AND STARTING SYSTEM

## 389-0965 RELAY GP

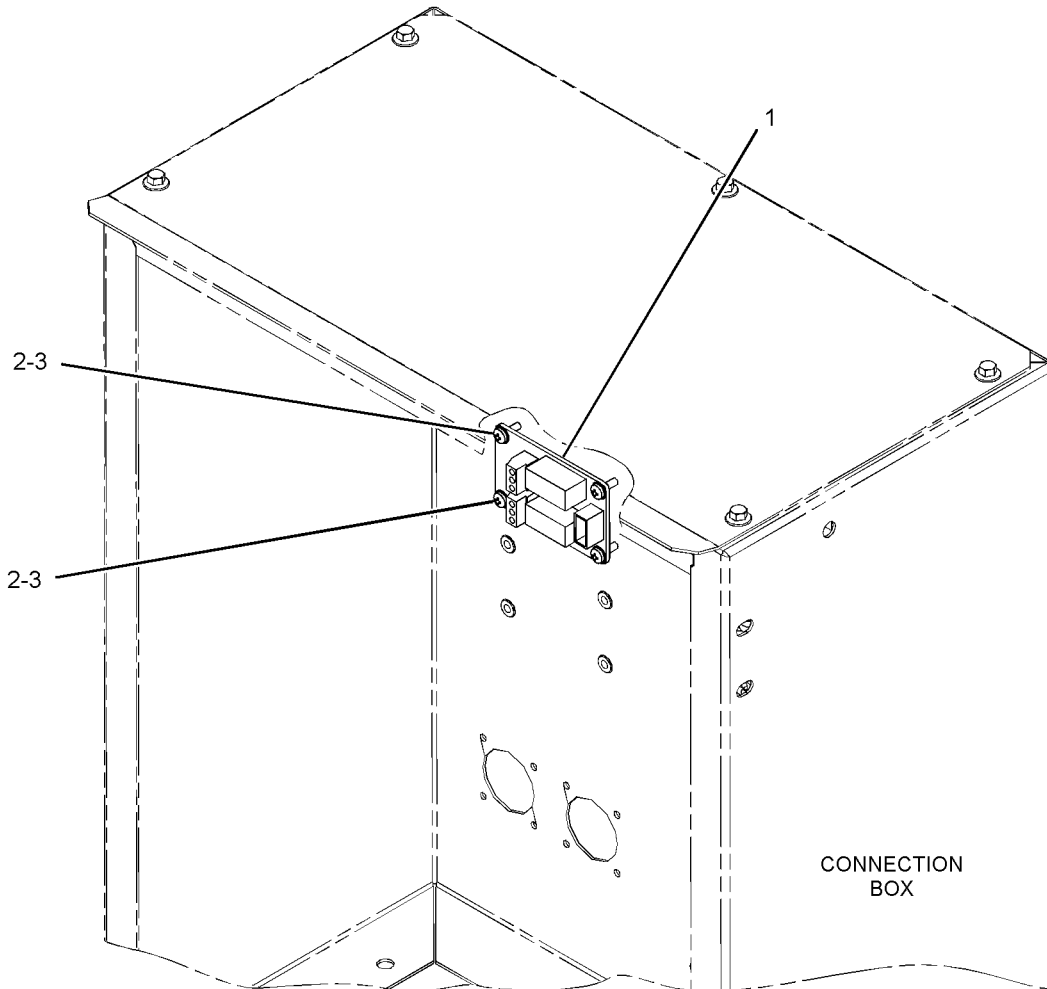
S/N: LNA1-UP; LZA1-UP  
VOLTS FREE CONTACT  
AN ATTACHMENT

SMCS-1422, 4493

i04895900

NOTE	REF NO	GRAPHIC REF	PART NUMBER	QTY	PART NAME						SEE PAGE
					1	2	3	4	5	6 (PRODUCT LEVEL)	
	1	1	391-2702	1	RELAY (24-VOLT)						
	2	1	1H-4393	4	LOCKWASHER						
M	3	1	8T-0337	4	SCREW-MACHINE (M4X0.7X12-MM)						

M-METRIC PART



GRAPHIC #1

<END>

g03048036

# ELECTRICAL AND STARTING SYSTEM

## 389-0967 RELAY GP

S/N: LNA1-UP; LZA1-UP

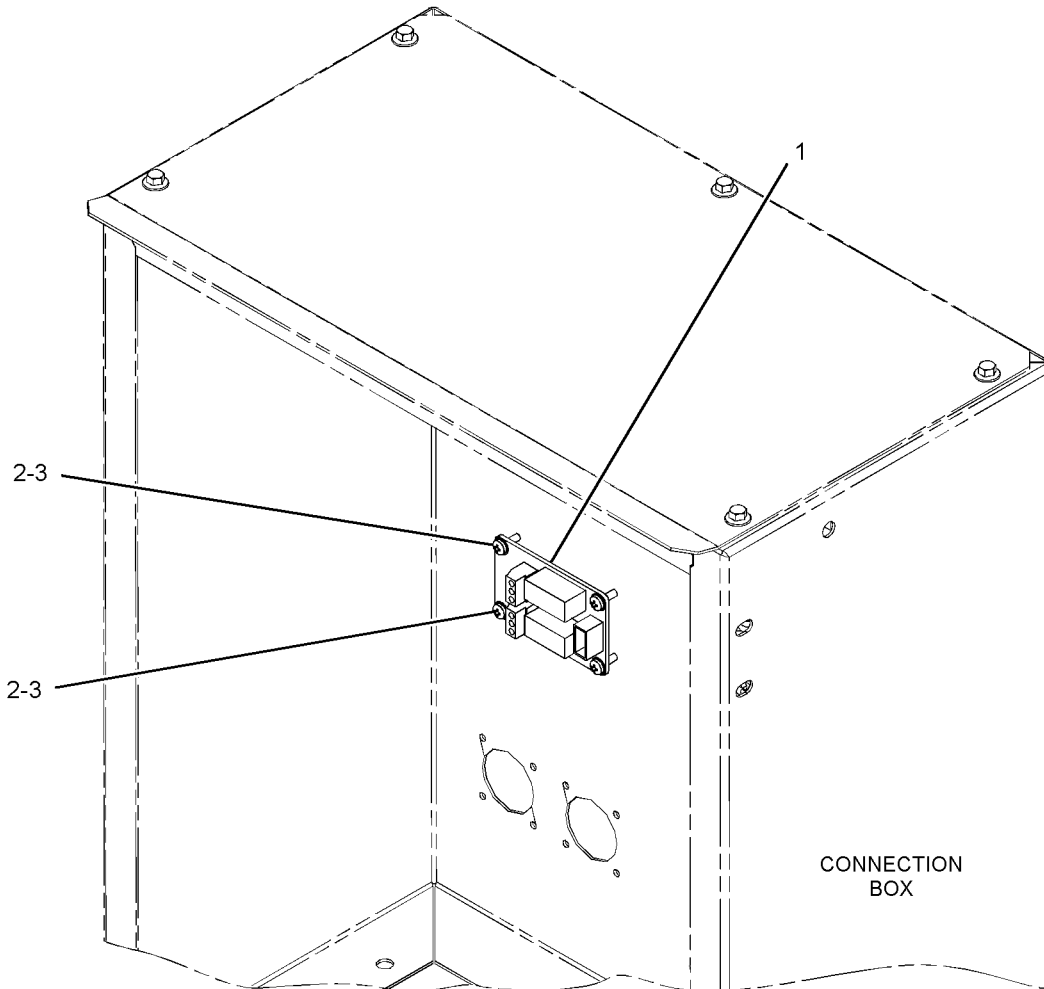
FUEL CONTROL  
AN ATTACHMENT

SMCS-1422, 4493

i04895948

NOTE	REF NO	GRAPHIC REF	PART NUMBER	QTY	PART NAME						SEE PAGE
					1	2	3	4	5	6 (PRODUCT LEVEL)	
	1	1	391-2702	1	RELAY (24-VOLT)						
	2	1	1H-4393	4	LOCKWASHER						
M	3	1	8T-0337	4	SCREW-MACHINE (M4X0.7X12-MM)						

M-METRIC PART



GRAPHIC #1

<END>

g03050356

# ELECTRICAL AND STARTING SYSTEM

## 389-0973 RELAY GP

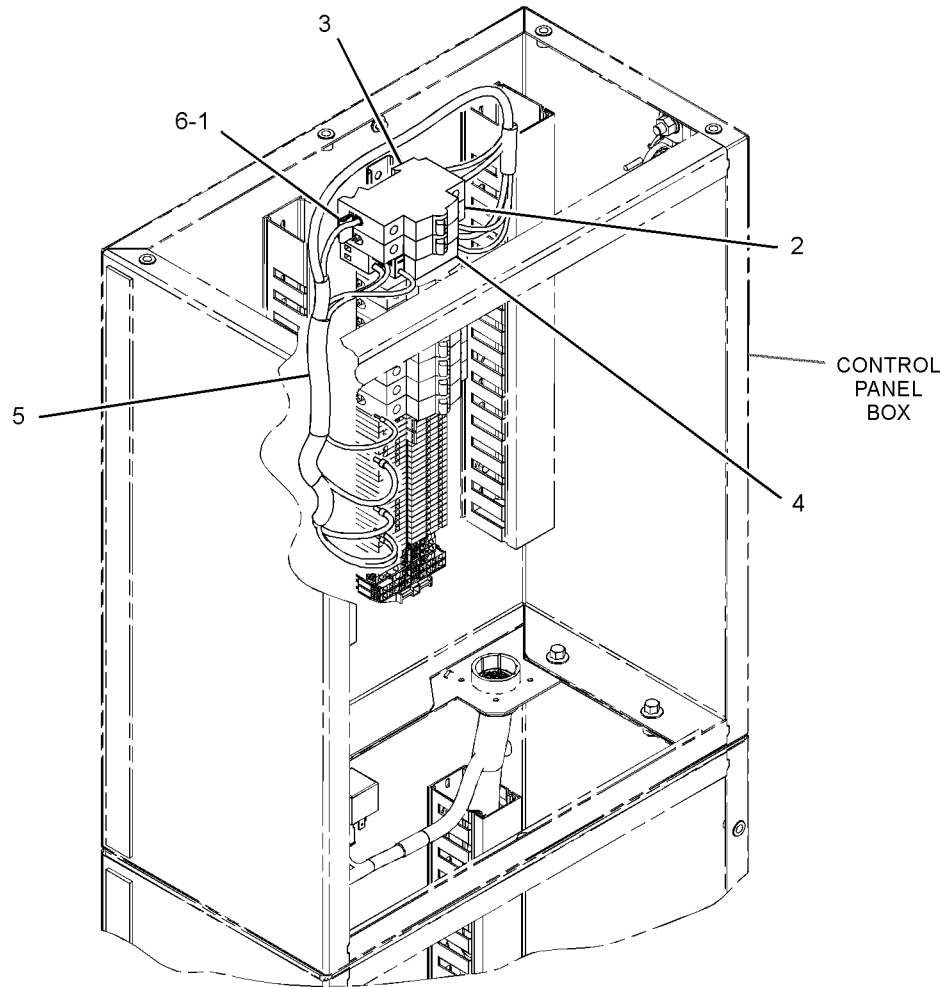
S/N: LNA1-UP; LZA1-UP  
 JACKET WATER HEATER, ALTERNATOR  
 AN ATTACHMENT

SMCS-1422, 4493

i04803073

NOTE	REF NO	GRAPHIC REF	PART NUMBER	QTY	PART NAME						SEE PAGE
					1	2	3	4	5	6 (PRODUCT LEVEL)	
	1	1	261-7255	1	LINK						
	2	1	341-9314	1	CIRCUIT BREAKER (2-AMPERE, SINGLE POLE)						
	3	1	341-9318	1	CIRCUIT BREAKER (16-AMPERE, SINGLE POLE)						
	4	1	388-2584	1	RELAY (24-VOLT)						
Y	5	1	391-1938	1	HARNESS AS-WIRING						200
L	6	1	261-7256		SLEEVE (20-MM)						

L-ORDER BY THE MILIMETER  
 Y-SEPARATE ILLUSTRATION



GRAPHIC #1

<END>

g02930918

# ELECTRICAL AND STARTING SYSTEM

## 276-9769 SENSOR GP-ENGINE

S/N: FTH1-UP

SMCS-1000, 1050, 1718, 1906, 1907, 1912, 1917, 1923,  
1924, 1925, 1928, 1929, 7400, 7422

i03883733

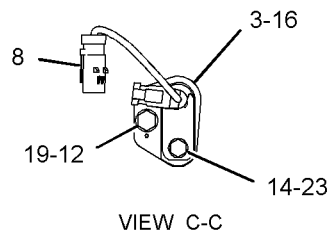
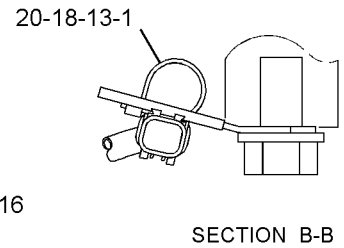
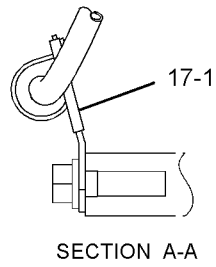
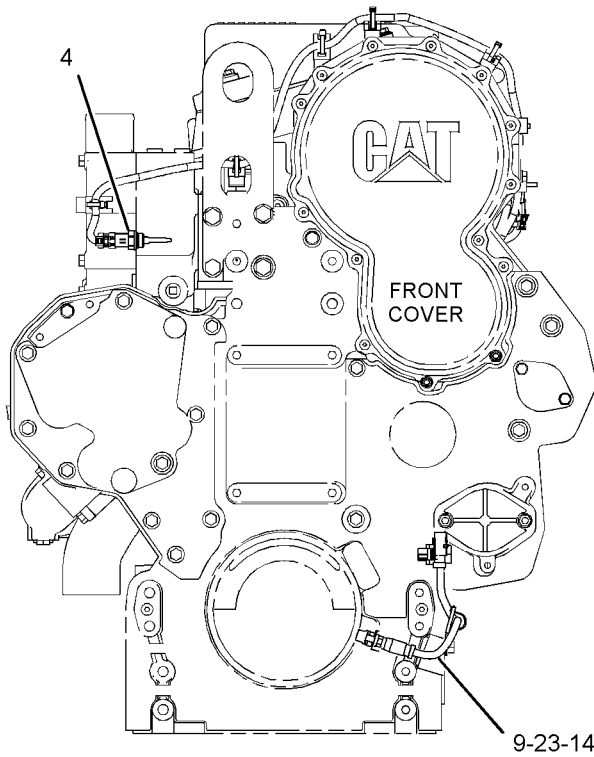
NOTE	REF NO	GRAPHIC REF	PART NUMBER	QTY	PART NAME						SEE PAGE
					1	2	3	4	5	6 (PRODUCT LEVEL)	
	1	1	<b>3S-2093</b>	2	STRAP-CABLE						
	2	1	<b>9X-0262</b>	1	ADAPTER						
	3	1	<b>132-9770</b>	1	SPACER AS						
		1	<b>1W-6448</b>	2	DOWEL						
Y	4	1	234-5012	1	SENSOR GP-TEMPERATURE (WATER, COOLANT)						231
Y	5	1	234-5013	1	SENSOR GP-TEMPERATURE (AIR INLET MANIFOLD)						232
	6	1	<b>241-6217</b>	1	ELBOW						
Y	7	1	249-0096	1	SENSOR GP-PRESSURE (AIR INLET MANIFOLD)						226
CY	8	1	300-9804	1	SENSOR GP-SPEED (TIMING, CAMSHAFT)						229
CY	9	1	300-9805	1	SENSOR GP-SPEED (TIMING, CRANKSHAFT)						230
Y	10	1	276-8548	1	SENSOR GP-PRESSURE (ATMOSPHERIC)						227
Y	11	1	276-9067	1	SENSOR GP-PRESSURE (ENGINE OIL)						228
	12	1	<b>0S-1591</b>	1	BOLT (3/8-16X1.5-IN)						
	13	1	<b>1A-4273</b>	1	BOLT (5/8-18X1.25-IN)						
	14	1	<b>2H-3755</b>	2	BOLT (5/16-18X0.43-IN)						
	16	1	<b>3P-1155</b>	1	SEAL-O-RING						
	17	1	<b>4P-7581</b>	1	CLIP						
	18	1	<b>4P-7582</b>	1	CLIP						
	19	1	<b>5M-2894</b>	1	WASHER-HARD (10.2X18.5X2.5-MM THK)						
	20	1	<b>5P-8247</b>	1	WASHER-HARD (17X32X3.5-MM THK)						
	21	1	<b>214-7566</b>	1	SEAL-O-RING						
	22	1	<b>214-7568</b>	1	SEAL-O-RING						
	23	1	<b>9M-1974</b>	2	WASHER-HARD (8.8X16X2-MM THK)						

C-CHANGE FROM PREVIOUS TYPE  
Y-SEPARATE ILLUSTRATION

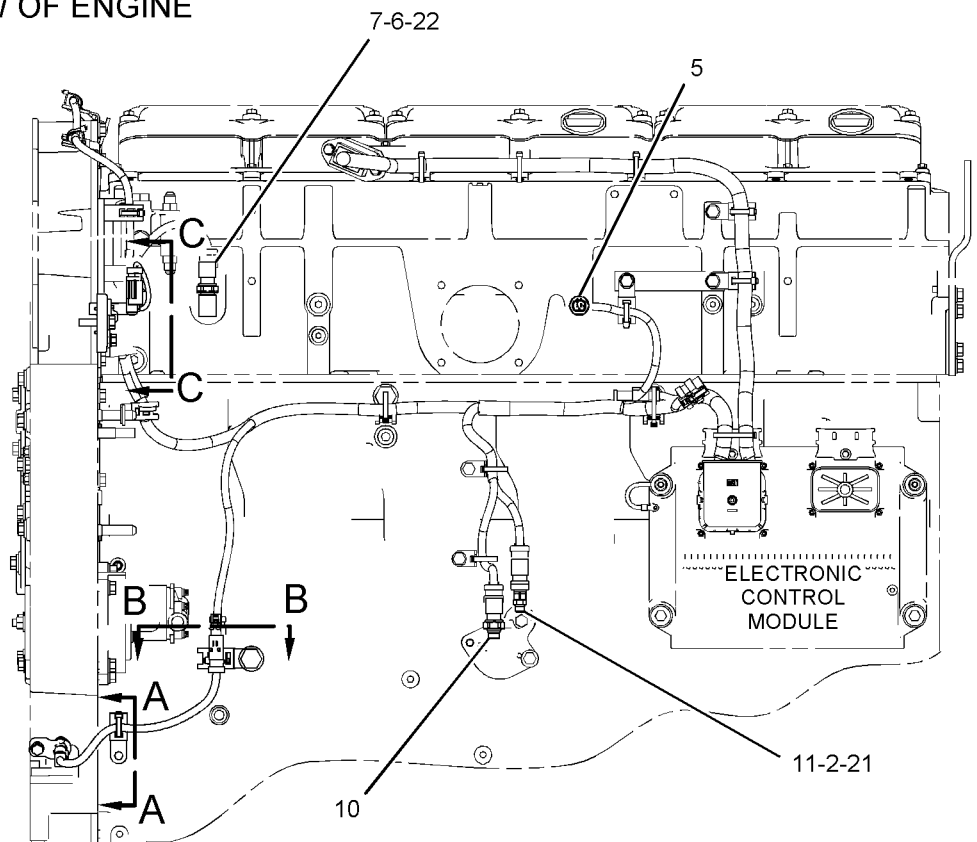
# ELECTRICAL AND STARTING SYSTEM

276-9769 SENSOR GP-ENGINE (contd.)

i03883733



FRONT VIEW OF ENGINE



LEFT SIDE VIEW OF ENGINE

GRAPHIC #1

<END>

g02133893

# ELECTRICAL AND STARTING SYSTEM

## 249-0096 SENSOR GP-PRESSURE

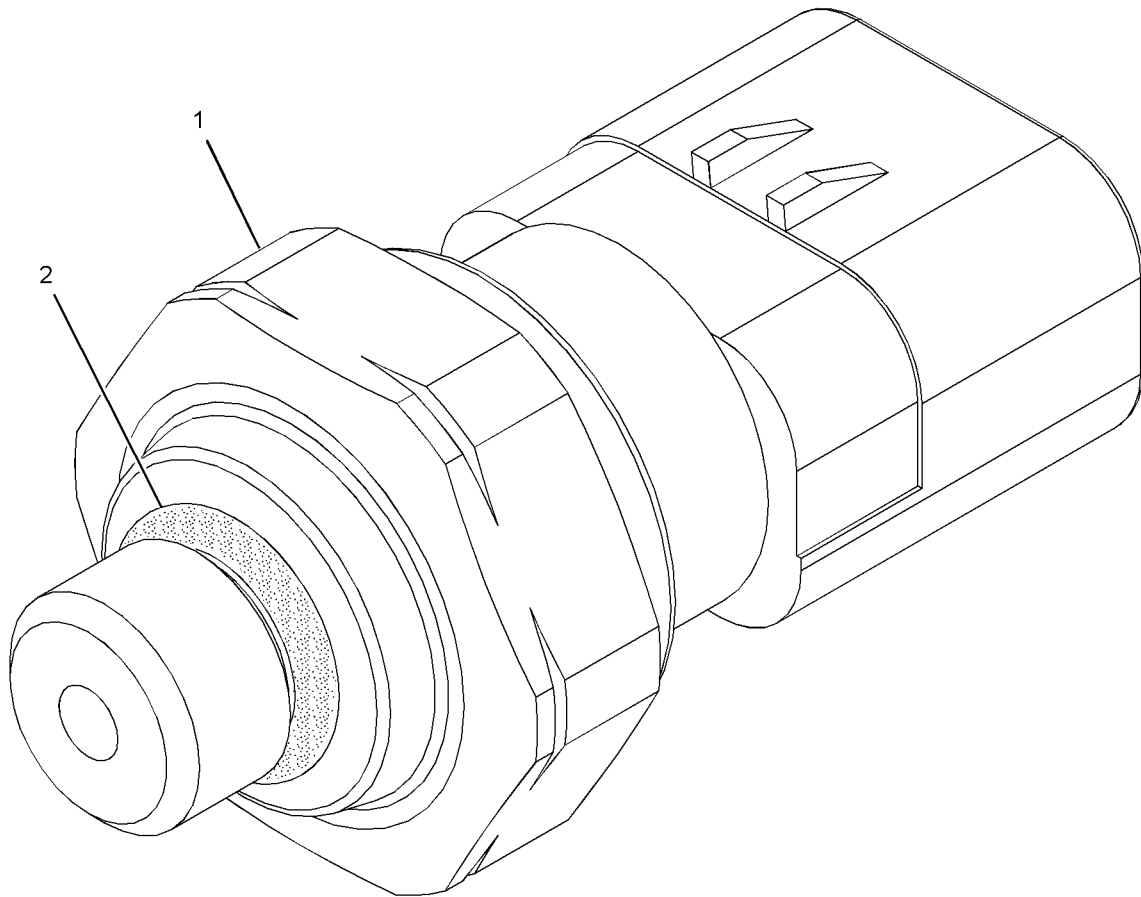
S/N: FTH1-UP

PART OF 276-9769 SENSOR GP-ENGINE

SMCS-1718, 1916, 1917, 1923, 1924, 1925

i03821356

NOTE	REF NO	GRAPHIC REF	PART NUMBER	QTY	PART NAME						SEE PAGE
					1	2	3	4	5	6 (PRODUCT LEVEL)	
	1	1	274-6718	1	SENSOR GP-PRESSURE						
	2	1	214-7566	1	SEAL-O-RING						



GRAPHIC #1

<END>

g01224445

# ELECTRICAL AND STARTING SYSTEM

## 276-8548 SENSOR GP-PRESSURE

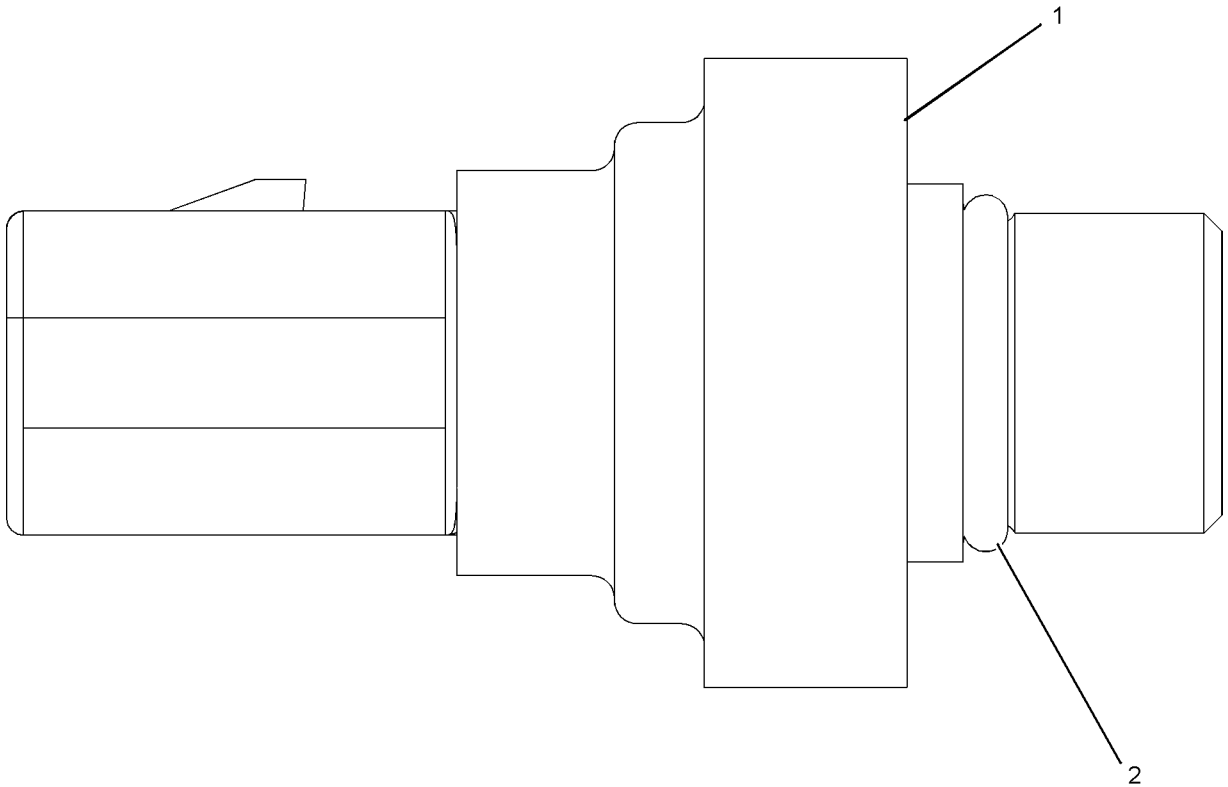
S/N: FTH1-UP

PART OF 276-9769 SENSOR GP-ENGINE

SMCS-1718, 1916, 1917, 1923, 1924, 1925

i03784730

NOTE	REF NO	GRAPHIC REF	PART NUMBER	QTY	PART NAME						SEE PAGE
					1	2	3	4	5	6 (PRODUCT LEVEL)	
	1	1	274-6717	1	SENSOR - PRESSURE						
	2	1	214-7568	1	SEAL - O-RING						



GRAPHIC #1

<END>

g01064278

# ELECTRICAL AND STARTING SYSTEM

## 276-9067 SENSOR GP-PRESSURE

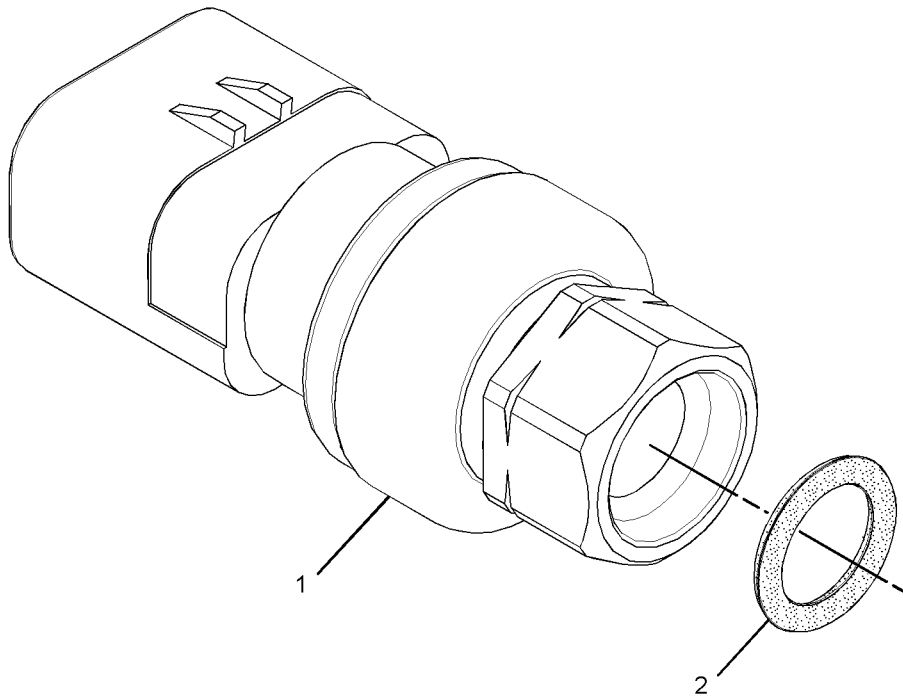
S/N: FTH1-UP

PART OF 276-8020 PUMP GP-FUEL PRM & SEC FILTER, 276-9769 SENSOR GP-ENGINE

SMCS-1718, 1916, 1917, 1923, 1924, 1925

i03920334

NOTE	REF NO	GRAPHIC REF	PART NUMBER	QTY	PART NAME						SEE PAGE
					1	2	3	4	5	6 (PRODUCT LEVEL)	
	1	1	274-6719	1	SENSOR GP-PRESSURE						
		1	3J-7354	1	SEAL-O-RING						
		1	237-0227	1	PLUG AS-CONNECTOR (3-PIN)						
	2	1	214-7566	1	SEAL-O-RING						



GRAPHIC #1

<END>

g01994176



# ELECTRICAL AND STARTING SYSTEM

## 300-9804 SENSOR GP-SPEED

S/N: FTH1-UP

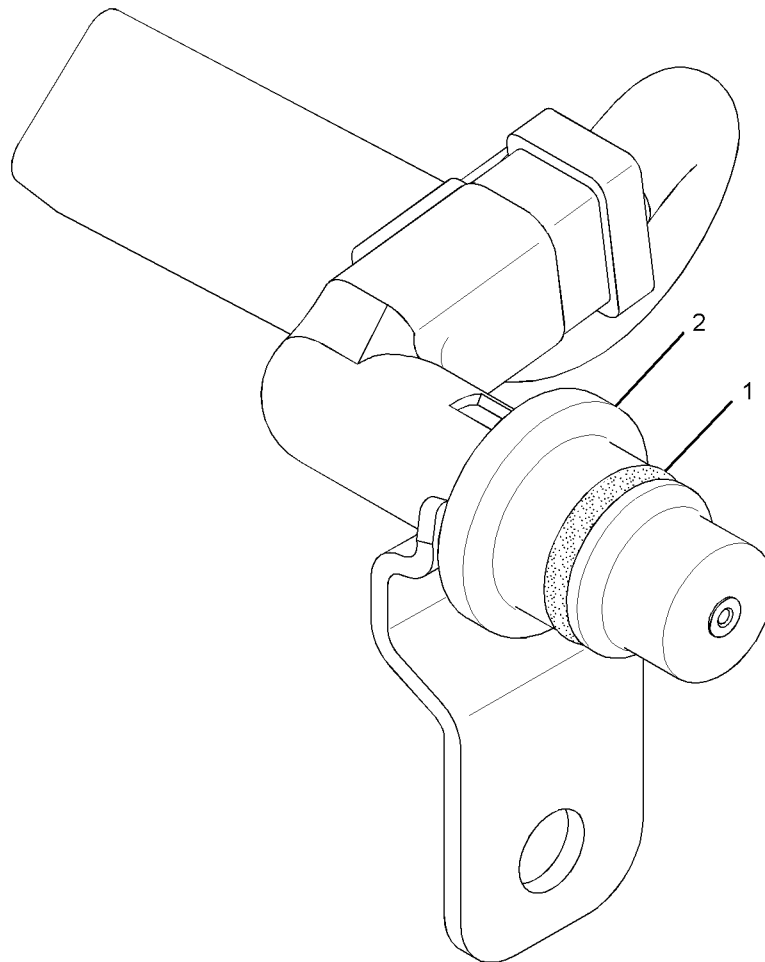
PART OF 276-9769 SENSOR GP-ENGINE

SMCS-1907

i04112890

NOTE	REF NO	GRAPHIC REF	PART NUMBER	QTY	PART NAME						SEE PAGE
					1	2	3	4	5	6 (PRODUCT LEVEL)	
	1	1	228-4947	1	SEAL-O-RING						
	2	1	279-9830	1	SENSOR GP-SPEED (TIMING, CAMSHAFT)						
		1	280-8707	1	HARNESS AS-SENSOR						
		1	9X-3401	2	PIN-CONNECTOR (16-GA TO 18-GA)						
					-OR-						
		1	126-1767	2	PIN-CONNECTOR (14-GA TO 16-GA)						
		1	155-2270	1	KIT-CONNECTING PLUG (2-PIN)						
					(INCLUDES PLUG AS, WEDGE & INTERFACE SEAL)						
		1	230-4012	1	RECEPTACLE AS-CONNECTOR (2-PIN)						
E		1	9X-1813		SLEEVE (16-CM)						
		1	180-9340	2	SOCKET-CONNECTOR (14-GA TO 18-GA)						

E-ORDER BY THE CENTIMETER



GRAPHIC #1

<END>

g01369583

# ELECTRICAL AND STARTING SYSTEM

## 300-9805 SENSOR GP-SPEED

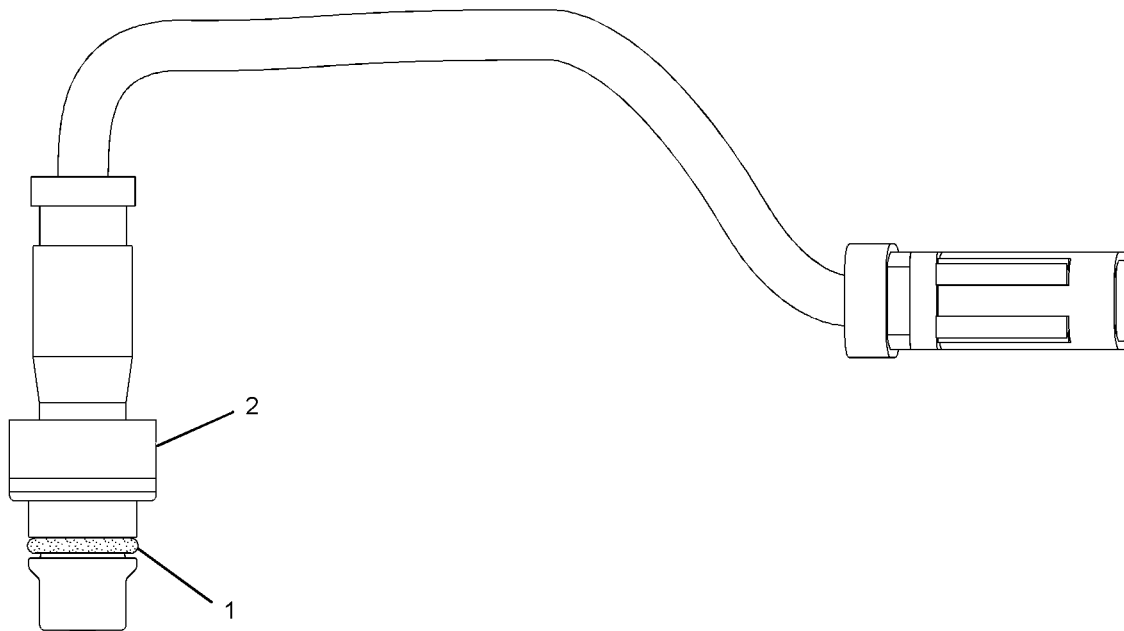
S/N: FTH1-UP

PART OF 276-9769 SENSOR GP-ENGINE

SMCS-1907

i04450499

NOTE	REF NO	GRAPHIC REF	PART NUMBER	QTY	PART NAME						SEE PAGE
					1	2	3	4	5	6 (PRODUCT LEVEL)	
	1	1	228-4947	1	SEAL-O-RING						
	2	1	279-9828	1	SENSOR GP-SPEED						



GRAPHIC #1

<END>

g02168513

# ELECTRICAL AND STARTING SYSTEM

## 234-5012 SENSOR GP-TEMPERATURE

S/N: FTH1-UP

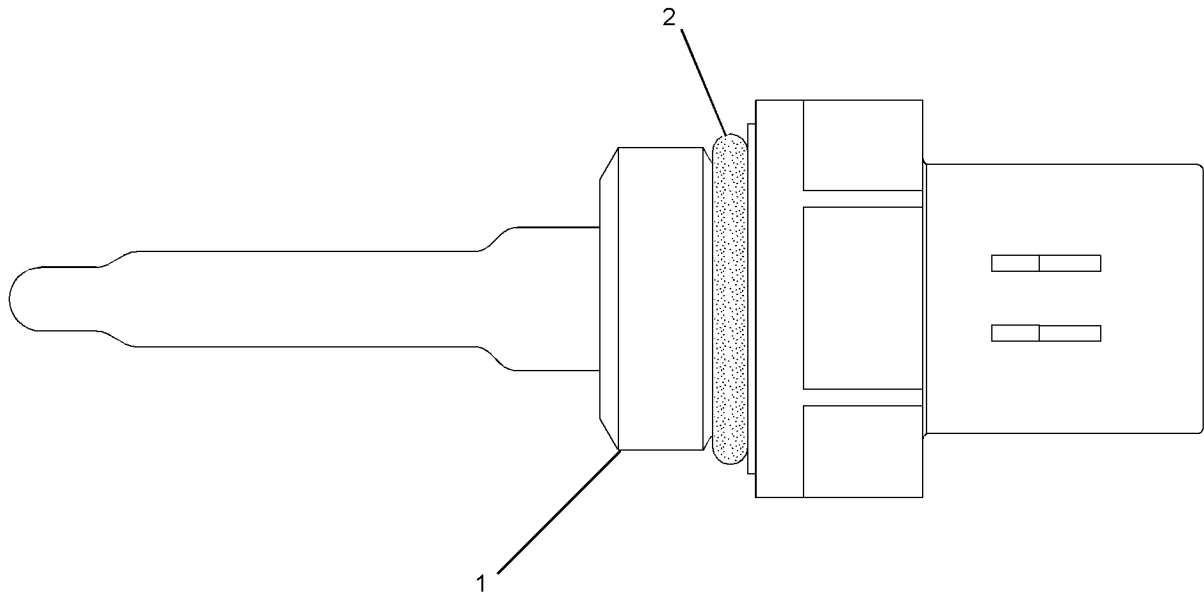
AMPSEAL CONNECTOR

PART OF 276-9769 SENSOR GP-ENGINE

SMCS-1906, 1919, 1921, 1922, 1928, 1929

i02995291

NOTE	REF NO	GRAPHIC REF	PART NUMBER	QTY	PART NAME						SEE PAGE
					1	2	3	4	5	6 (PRODUCT LEVEL)	
	1	1	256-6453	1	SENSOR-TEMPERATURE						
	2	1	6V-6609	1	SEAL-O-RING						



GRAPHIC #1

<END>

g01164284

# ELECTRICAL AND STARTING SYSTEM

## 234-5013 SENSOR GP-TEMPERATURE

S/N: FTH1-UP

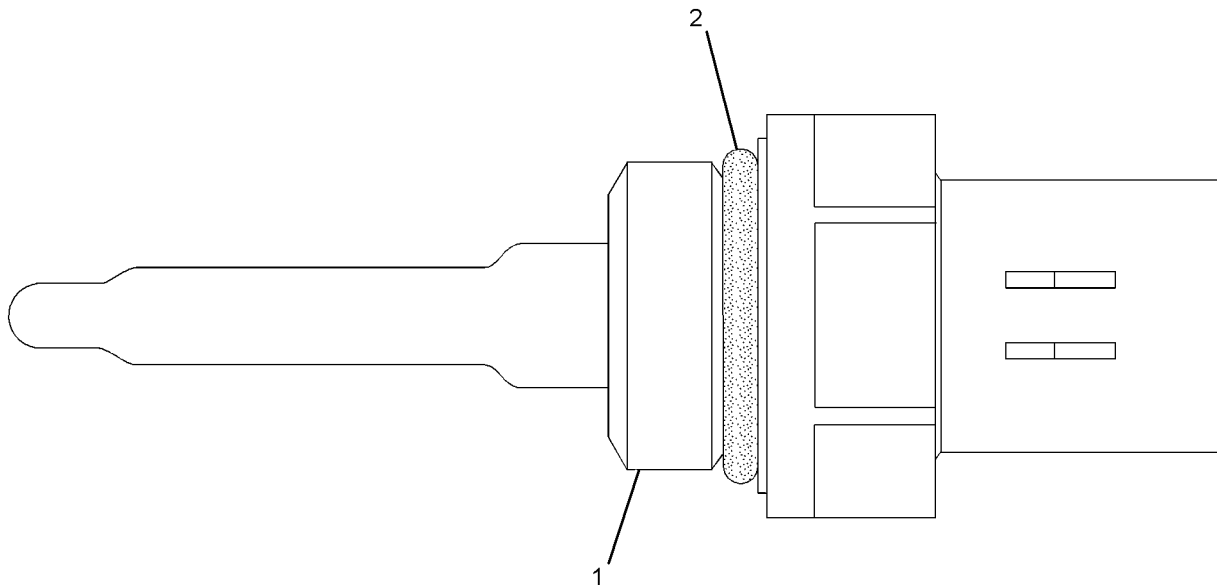
AMPSEAL CONNECTOR

PART OF 276-8020 PUMP GP-FUEL PRM & SEC FILTER, 276-9769 SENSOR GP-ENGINE

SMCS-1906, 1919, 1921, 1922, 1928, 1929

i03671801

NOTE	REF NO	GRAPHIC REF	PART NUMBER	QTY	PART NAME						SEE PAGE
					1	2	3	4	5	6 (PRODUCT LEVEL)	
	1	1	256-6453	1	SENSOR-TEMPERATURE						
	2	1	238-5080	1	SEAL-O-RING						



GRAPHIC #1

<END>

g01164268

# ELECTRICAL AND STARTING SYSTEM

## 120-9099 STARTING MOTOR GP-ELECTRIC

S/N: FTH1-UP

24 VOLT. LH MOUNTED

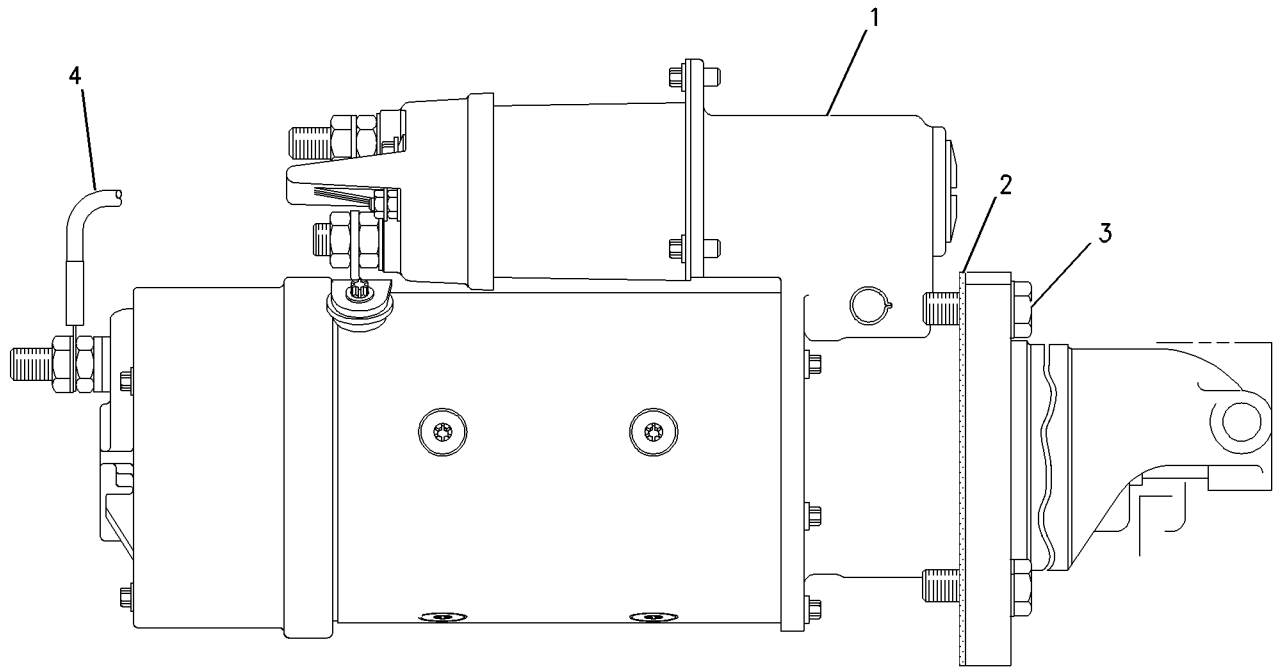
PART OF 382-3732, 382-3733, 382-3734, 382-3735 ENGINE AR-COMplete

SMCS-1453

i04923231

NOTE	REF NO	GRAPHIC REF	PART NUMBER	QTY	PART NAME						SEE PAGE
					1	2	3	4	5	6 (PRODUCT LEVEL)	
CY	1	1	207-1564	1	STARTING MOTOR GP-ELECTRIC (24-VOLT)						234
	2	1	9Y-6089	1	GASKET						
	3	1	176-2543	3	BOLT-12 POINT HEAD (5/8-11X1.75-IN)						
	4	1	9F-4337	1	WIRE AS						

C-CHANGE FROM PREVIOUS TYPE  
Y-SEPARATE ILLUSTRATION



GRAPHIC #1

<END>

g00824037

# ELECTRICAL AND STARTING SYSTEM

## 207-1564 STARTING MOTOR GP-ELECTRIC

S/N: FTH1-UP

24 VOLT

PART OF 120-9099 STARTING MOTOR GP-ELECTRIC

SMCS-1453

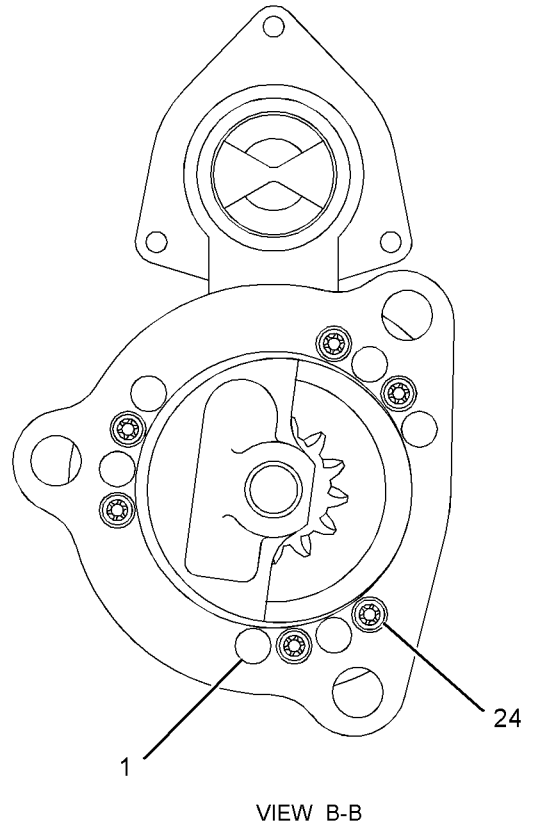
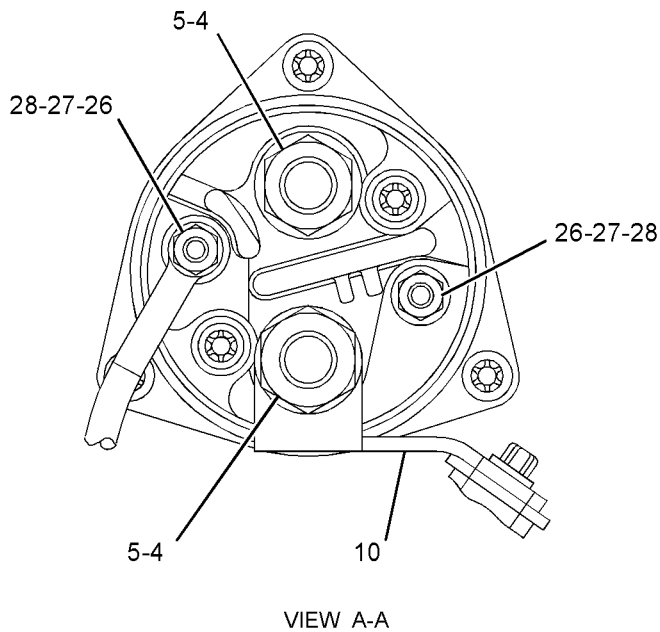
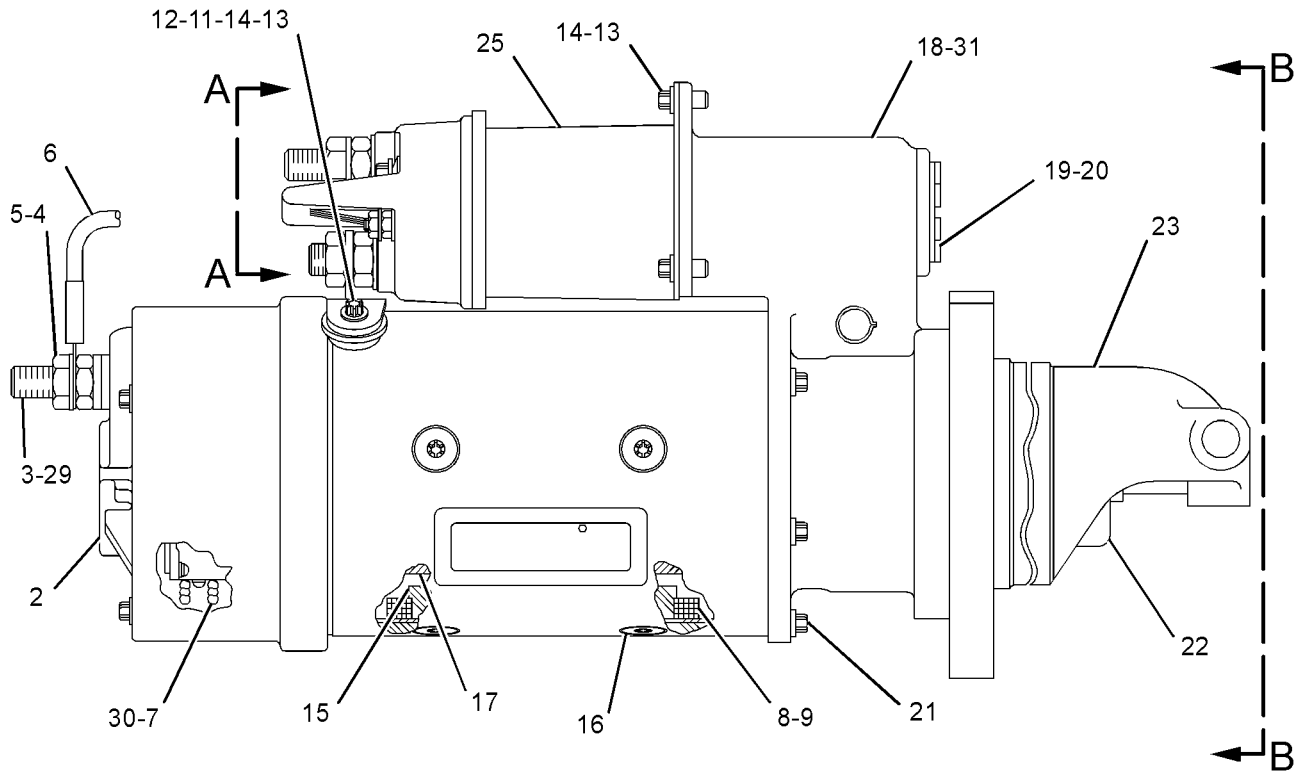
i02951371

NOTE	REF NO	GRAPHIC REF	PART NUMBER	QTY	PART NAME						SEE PAGE
					1	2	3	4	5	6 (PRODUCT LEVEL)	
	1	1	<b>3T-3434</b>	6	PLUG						
	2	1	<b>7T-3279</b>	1	HOUSING AS (STARTING MOTOR)						
	3	1	<b>8T-8566</b>	1	TERMINAL AS						
	4	1	<b>6V-8188</b>	4	NUT (1/2-13-THD)						
	5	1	<b>7X-0562</b>	4	WASHER-HARD (13.5X19X0.8-MM THK)						
	6	1	<b>3T-3422</b>	1	WIRE AS						
	7	1	<b>7T-3278</b>	1	HOLDER AS-BRUSH (STARTING MOTOR)						
	8	1	<b>7T-3277</b>	1	COIL AS-FIELD						
	9	1	<b>7T-3454</b>	1	INSULATOR						
	10	1	<b>283-1107</b>	1	KIT-CONNECTOR (STARTING MOTOR)						
	11	1	<b>7T-3451</b>	1	KIT-INSULATOR (TERMINAL)						
	12	1	<b>8T-8569</b>	1	INSULATOR-TERMINAL						
	13	1	<b>5S-7349</b>	4	BOLT (1/4-20X0.5-IN)						
	14	1	<b>8T-4205</b>	4	WASHER-HARD (7.2X14.5X2-MM THK)						
	15	1	<b>8H-1141</b>	4	SHOE-POLE						
	16	1	<b>3R-8797</b>	8	SCREW & WASHER AS (3/8-24X0.72-IN)						
	17	1	<b>7T-3276</b>	1	ARMATURE AS (24-VOLT)						
	18	1	<b>7T-3973</b>	1	HOUSING AS-LEVER						
	19	1	<b>4M-1831</b>	1	PLUG-LEVER HOUSING						
	20	1	<b>7L-2894</b>	1	GASKET						
	21	1	<b>036-9823</b>	5	BOLT (1/4-28X1-IN)						
	22	1	<b>6N-3826</b>	1	DRIVE AS-MOTOR						
	23	1	<b>7T-3974</b>	1	HOUSING AS-DRIVE						
	24	1	<b>7X-3373</b>	6	BOLT (5/16-18X0.88-IN)						
	25	1	<b>250-8279</b>	1	KIT-SOLENOID (24-VOLT)						
	26	1	<b>6V-8378</b>	2	NUT (10-32-THD)						
	27	1	<b>8F-1434</b>	2	LOCKWASHER						
	28	1	<b>8T-0328</b>	2	WASHER-HARD (5.5X10X1-MM THK)						
	29	1	<b>8T-9884</b>	1	KIT-INSULATOR (STARTING MOTOR) (INCLUDES INSULATORS & BUSHING)						
	30	1	<b>8C-3655</b>	1	KIT-BRUSH (STARTING MOTOR) (INCLUDES SEAL, BRUSHES, SPRINGS, SCREWS & SCREW ASSEMBLIES)						
	31	1	<b>7T-3268</b>	1	KIT-LEVER (STARTING MOTOR) (INCLUDES NUT, GASKET, RETAINER, SEALS & LEVER ASSEMBLIES)						
					AVAILABLE REPAIR KIT(S):						
			<b>7T-3267</b>	1	KIT-BUSHING (STARTING MOTOR) (INCLUDES BUSHINGS, WICKS, CUP, SEALS, GASKET, SCREWS, WASHERS & NUT)						

# ELECTRICAL AND STARTING SYSTEM

207-1564 STARTING MOTOR GP-ELECTRIC (contd.)

i02951371



GRAPHIC #1

<END>

g01470346

# ELECTRICAL AND STARTING SYSTEM

## 354-6451 STRIP GP-TERMINAL

S/N: LNA1-UP; LZA1-UP

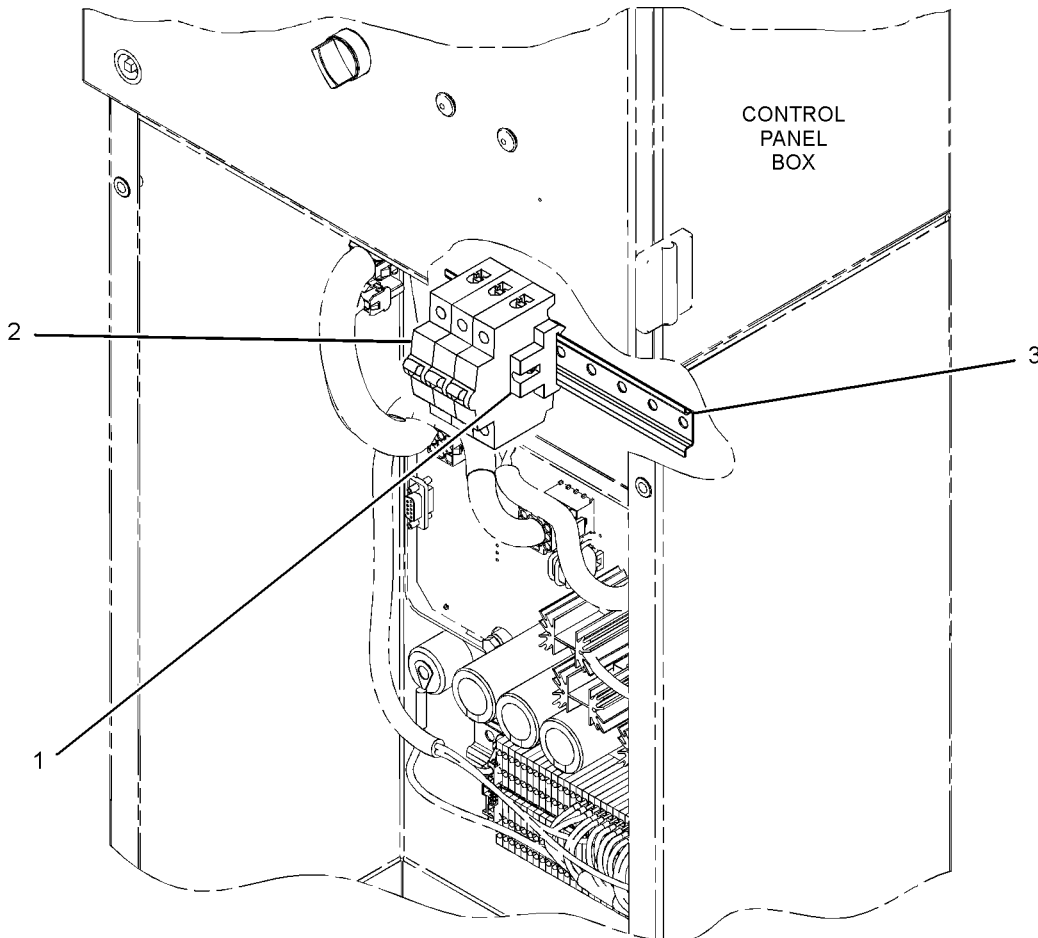
PART OF 354-6450, 392-0638 WIRING GP-GENERATOR  
AN ATTACHMENT

SMCS-4460, 7426

i04801754

NOTE	REF NO	GRAPHIC REF	PART NUMBER	QTY	PART NAME						SEE PAGE
					1	2	3	4	5	6 (PRODUCT LEVEL)	
	1	1	143-8789	2	BRACKET-END						
	2	1	286-4743	3	CIRCUIT BREAKER (10-AMPERE) (10-AMPERE)						
L	3	1	204-8659		RAIL (2-DM)						

L-ORDER BY THE DECIMETER



GRAPHIC #1

<END>

g02928816



# ELECTRICAL AND STARTING SYSTEM

## 110-7884 SWITCH AS-TOGGLE

S/N: LNA1-UP; LZA1-UP

LOW VOLTAGE

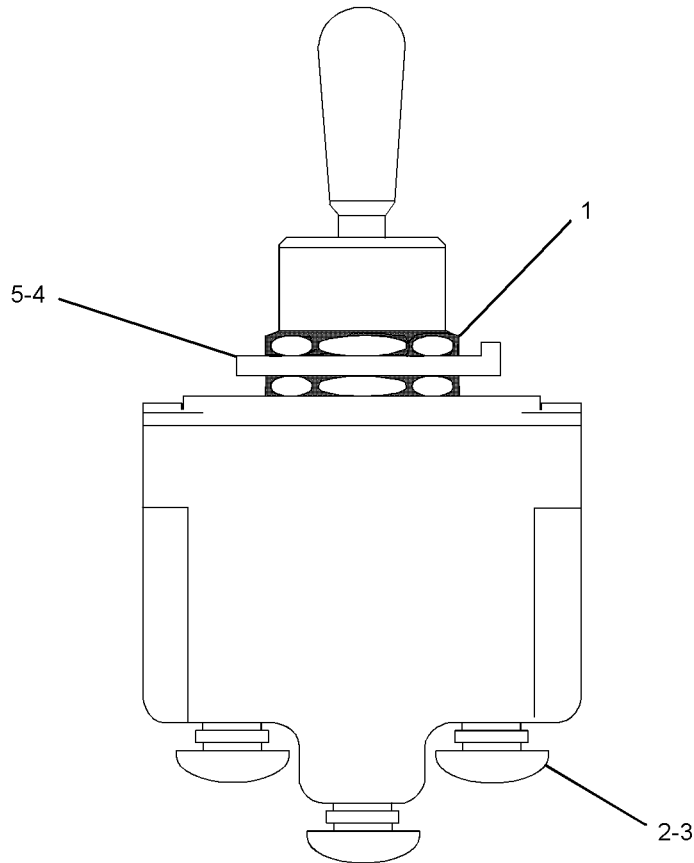
PART OF 389-0971 CONTROL GP-VOLTAGE

AN ATTACHMENT

SMCS-1435, 7332

i04847176

NOTE	REF NO	GRAPHIC REF	PART NUMBER	QTY	PART NAME						SEE PAGE
					1	2	3	4	5	6 (PRODUCT LEVEL)	
	1	1	6T-3631	2	NUT-HEX (15/32-32-THD)						
	2	1	6V-8374	3	SCREW-MACHINE (6-32X0.25-IN)						
	3	1	3L-8187	3	LOCKWASHER						
	4	1	6T-3632	1	LOCKWASHER						
	5	1	6T-3633	1	RING-LOCKING						



GRAPHIC #1

<END>

g02984838

# ELECTRICAL AND STARTING SYSTEM

## 7N-0718 SWITCH GP-DISCONNECT-BATTERY

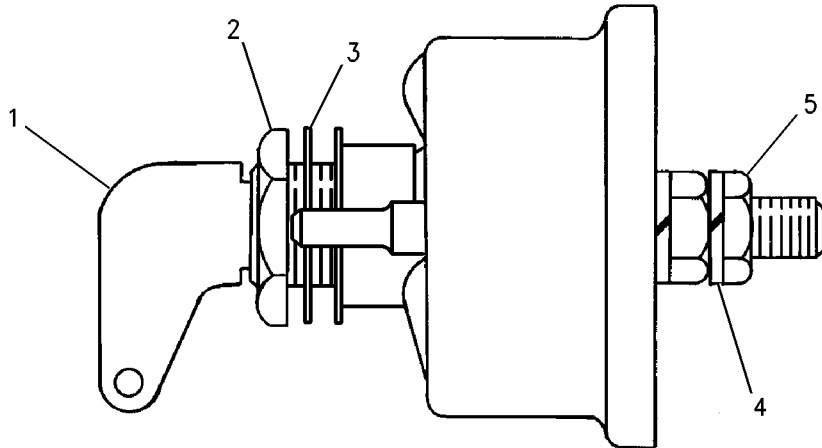
S/N: LNA1-UP; LZA1-UP

PART OF 349-5047 SWITCH GP-DISCONNECT  
AN ATTACHMENT

SMCS-1411

i02518098

NOTE	REF NO	GRAPHIC REF	PART NUMBER	QTY	PART NAME						SEE PAGE
					1	2	3	4	5	6 (PRODUCT LEVEL)	
	1	1	<b>8H-5306</b>	1	KEY (BATTERY DISCONNECT)						
	2	1	<b>8H-5303</b>	1	NUT (3/4-16-THD)						
	3	1	<b>2H-3922</b>	2	LOCKWASHER						
	4	1	<b>9F-5644</b>	2	LOCKWASHER						
	5	1	<b>6F-7045</b>	2	NUT-FULL (3/8-24-THD)						



GRAPHIC #1

<END>

g00715584

# ELECTRICAL AND STARTING SYSTEM

## 349-5047 SWITCH GP-DISCONNECT

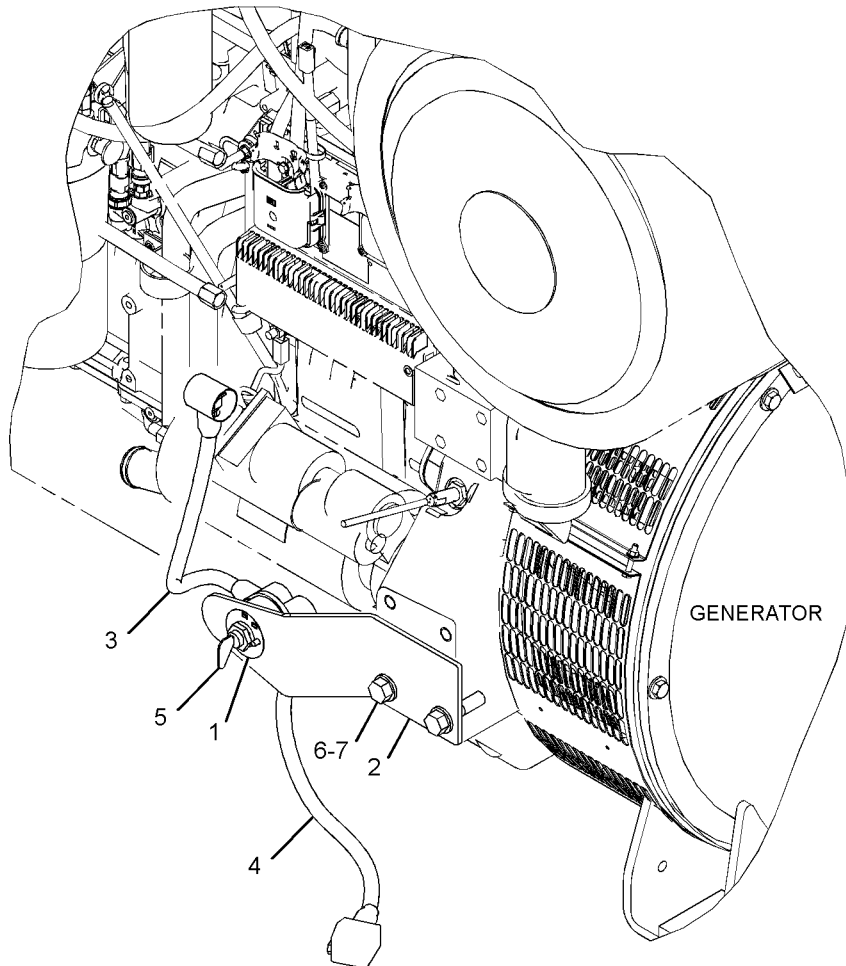
S/N: LNA1-UP; LZA1-UP  
AN ATTACHMENT

SMCS-1411

i04902196

NOTE	REF NO	GRAPHIC REF	PART NUMBER	QTY	PART NAME						SEE PAGE
					1	2	3	4	5	6 (PRODUCT LEVEL)	
	1	1	144-3852	1	FILM-INFORMATION (BATTERY POWER DISCONNECT)						
	2	1	354-6129	1	PLATE						
	3	1	354-6172	1	CABLE AS						
		1	1S-7251	1	TERMINAL-CABLE (00-GA, 1/2-IN SCREW)						
		1	1S-7252	1	TERMINAL-CABLE (00-GA, 3/8-IN SCREW)						
		1	9G-8909	2	COVER-TERMINAL (BLACK)						
E		1	159-8050		CABLE (00-GA, BLACK) (47-CM)						
	4	1	384-3123	1	CABLE AS						
		1	1S-7251	1	TERMINAL-CABLE (00-GA, 1/2-IN SCREW)						
		1	9G-0003	1	COVER AS-TERMINAL (BLACK)						
		1	9G-8909	1	COVER-TERMINAL (BLACK)						
E		1	159-8050		CABLE (00-GA, BLACK) (53-CM)						
Y	5	1	7N-0718	1	SWITCH GP-DISCONNECT (BATTERY)						238
	6	1	7X-0343	2	BOLT (5/8-11X1.25-IN)						
					-OR-						
			8T-6871	2	BOLT (5/8-11X2.5-IN)						
	7	1	8T-4122	2	WASHER-HARD (17X32X3.5-MM THK)						

E-ORDER BY THE CENTIMETER  
Y-SEPARATE ILLUSTRATION



GRAPHIC #1

<END>

g03064507

# ELECTRICAL AND STARTING SYSTEM

## 386-3781 SWITCH GP-PUSH BUTTON

S/N: LNA1-UP; LZA1-UP

PART OF 349-5060, 349-5640 ENCLOSURE GP-GENERATOR  
AN ATTACHMENT

SMCS-1435, 7332

i04820873

NOTE	PART NUMBER	QTY	PART NAME						SEE PAGE
			1	2	3	4	5	6 (PRODUCT LEVEL)	
Y	392-0652	1	HARNESS AS-SWITCH						199
	384-9888	1	BOOT						
	145-5579	1	GASKET						
	226-6450	1	PAN (RECESSED)						
	226-6446	1	SWITCH AS-PUSH BUTTON						
	261-5503	1	PLATE						

Y-SEPARATE ILLUSTRATION

<END>

# ELECTRICAL AND STARTING SYSTEM

## 389-0972 SWITCH GP-PUSH BUTTON

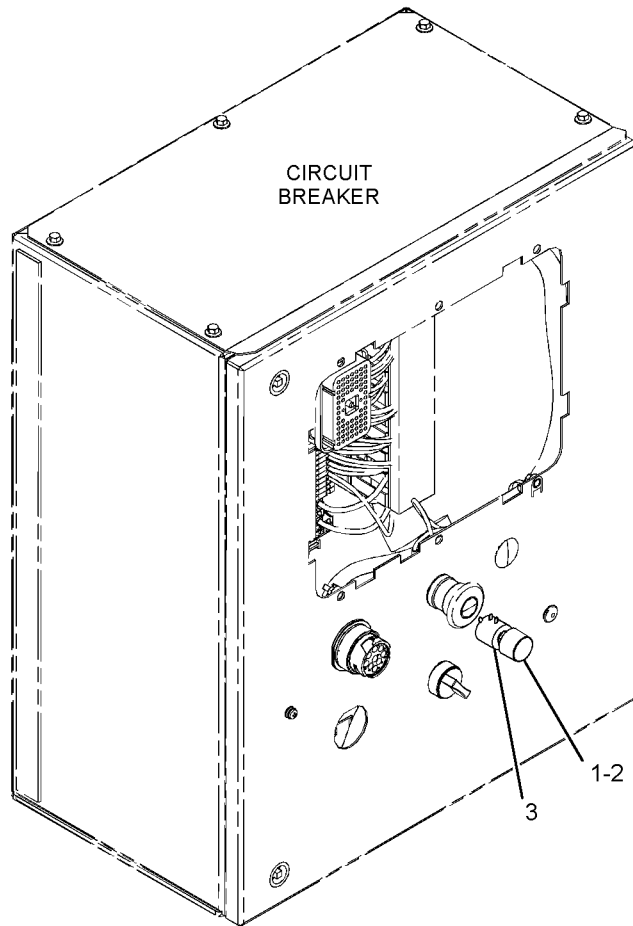
S/N: LNA1-UP; LZA1-UP

SPEED ADJUST  
AN ATTACHMENT

SMCS-1435, 7332

i04843095

NOTE	REF NO	GRAPHIC REF	PART NUMBER	QTY	PART NAME						SEE PAGE
					1	2	3	4	5	6 (PRODUCT LEVEL)	
	1	1	4W-5972	1	KNOB						
	2	1	7C-4550	1	SEAL						
	3	1	7E-1246	1	POTENTIOMETER (2000-OHM)						



GRAPHIC #1

<END>

g02981296

# ELECTRICAL AND STARTING SYSTEM

## 390-9685 TRANSFORMER GP

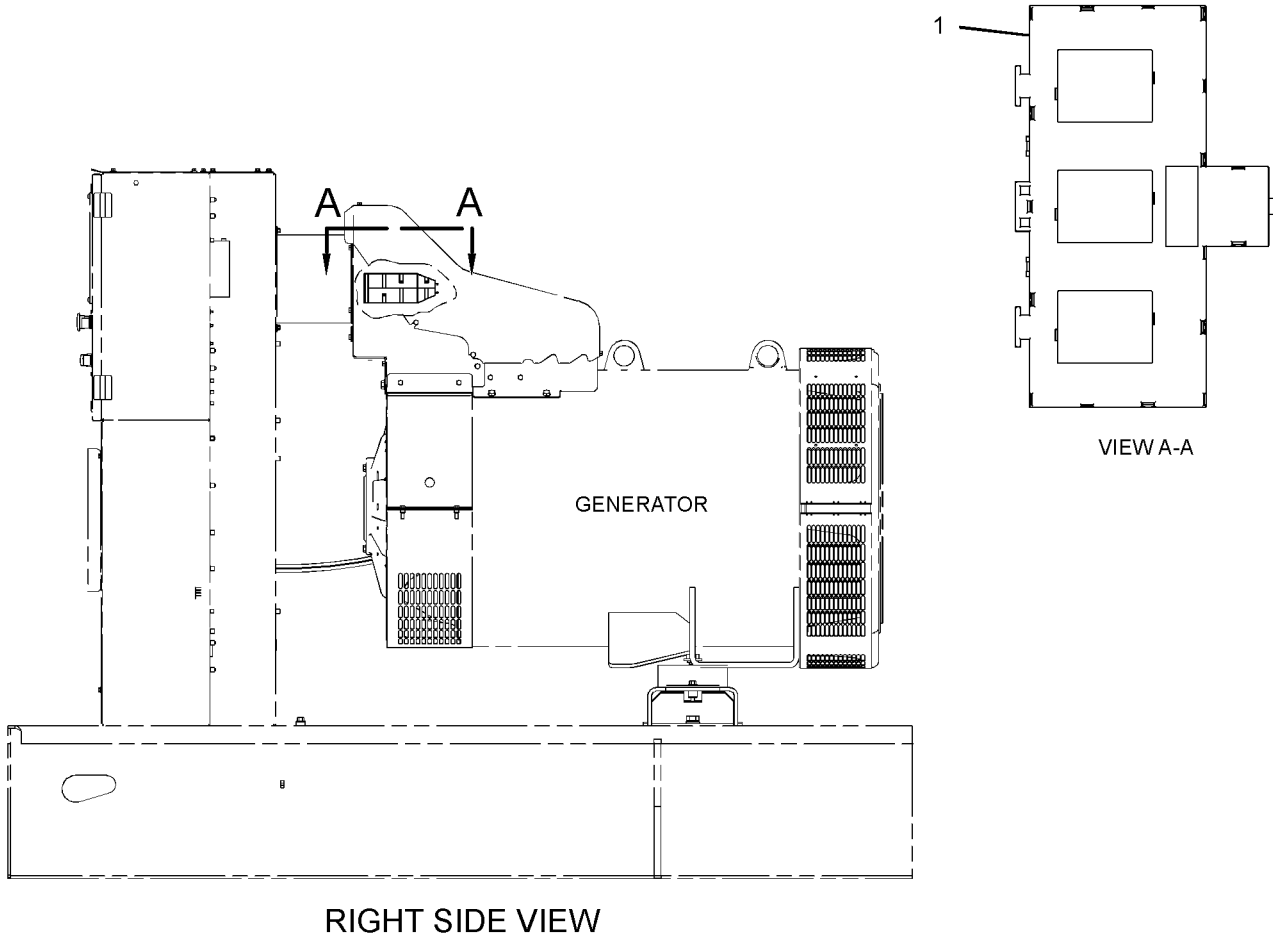
S/N: LNA1-UP; LZA1-UP

630-AMPERE  
AN ATTACHMENT

SMCS-1409

i04896134

NOTE	REF NO	GRAPHIC REF	PART NUMBER	QTY	PART NAME						SEE PAGE
					1	2	3	4	5	6 (PRODUCT LEVEL)	
	1	1	361-9094	1	TRANSFORMER						



GRAPHIC #1

<END>

g03048156

# ELECTRICAL AND STARTING SYSTEM

## 390-9686 TRANSFORMER GP

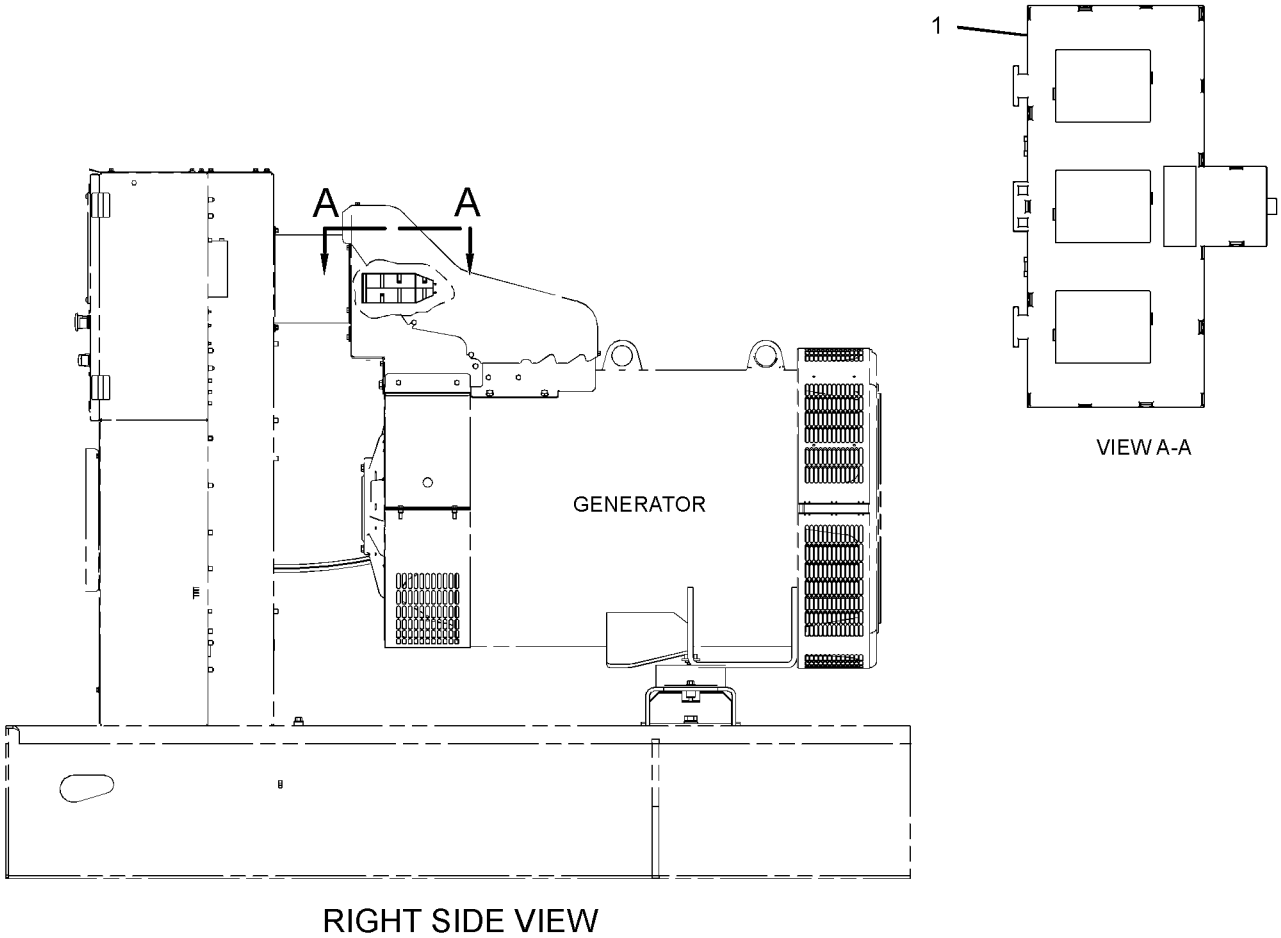
S/N: LNA1-UP; LZA1-UP

800-AMPERE  
AN ATTACHMENT

SMCS-1409

i04895867

NOTE	REF NO	GRAPHIC REF	PART NUMBER	QTY	PART NAME						SEE PAGE
					1	2	3	4	5	6 (PRODUCT LEVEL)	
	1	1	361-9095	1	TRANSFORMER						



GRAPHIC #1

<END>

g03048156

# ELECTRICAL AND STARTING SYSTEM

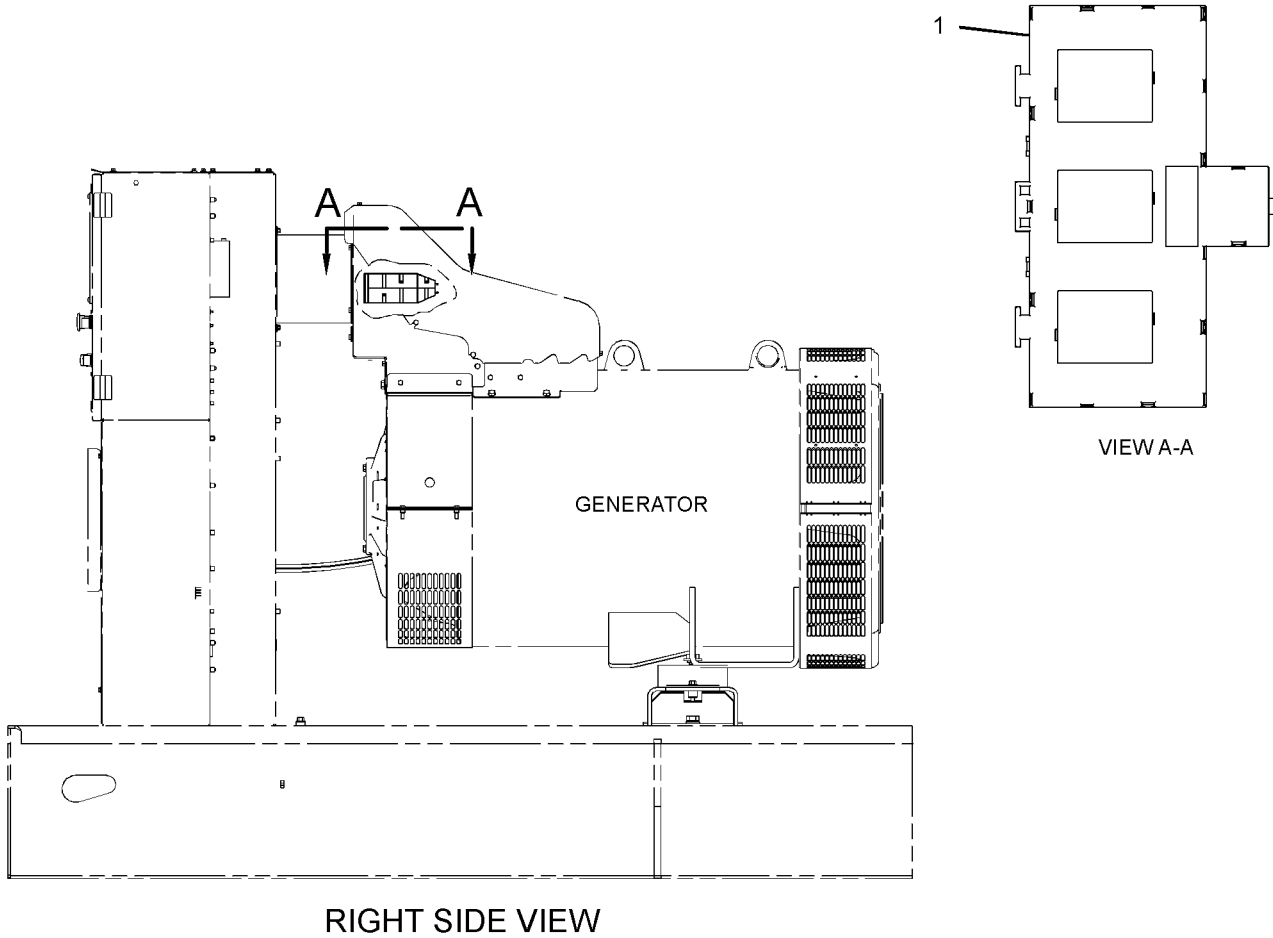
## 390-9687 TRANSFORMER GP

S/N: LNA1-UP; LZA1-UP  
1250-AMPERE  
AN ATTACHMENT

SMCS-1409

i04895964

NOTE	REF NO	GRAPHIC REF	PART NUMBER	QTY	PART NAME						SEE PAGE
					1	2	3	4	5	6 (PRODUCT LEVEL)	
	1	1	361-9096	1	TRANSFORMER						



GRAPHIC #1

<END>

g03048156



# ELECTRICAL AND STARTING SYSTEM

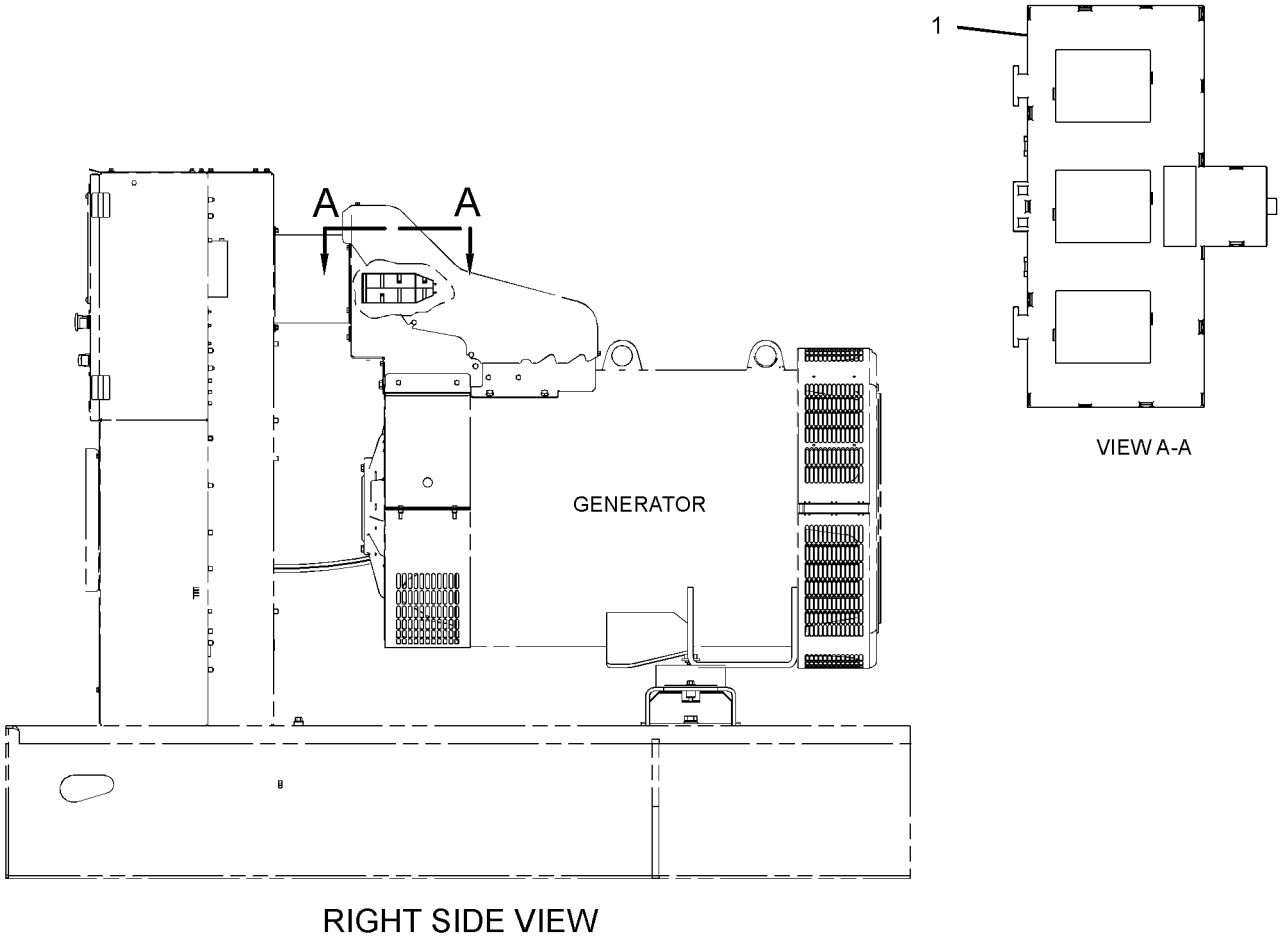
## 390-9688 TRANSFORMER GP

S/N: LNA1-UP; LZA1-UP  
1600-AMPERE  
AN ATTACHMENT

SMCS-1409

i04896005

NOTE	REF NO	GRAPHIC REF	PART NUMBER	QTY	PART NAME						SEE PAGE
					1	2	3	4	5	6 (PRODUCT LEVEL)	
	1	1	361-9097	1	TRANSFORMER						



GRAPHIC #1

<END>

g03048156

# ELECTRICAL AND STARTING SYSTEM

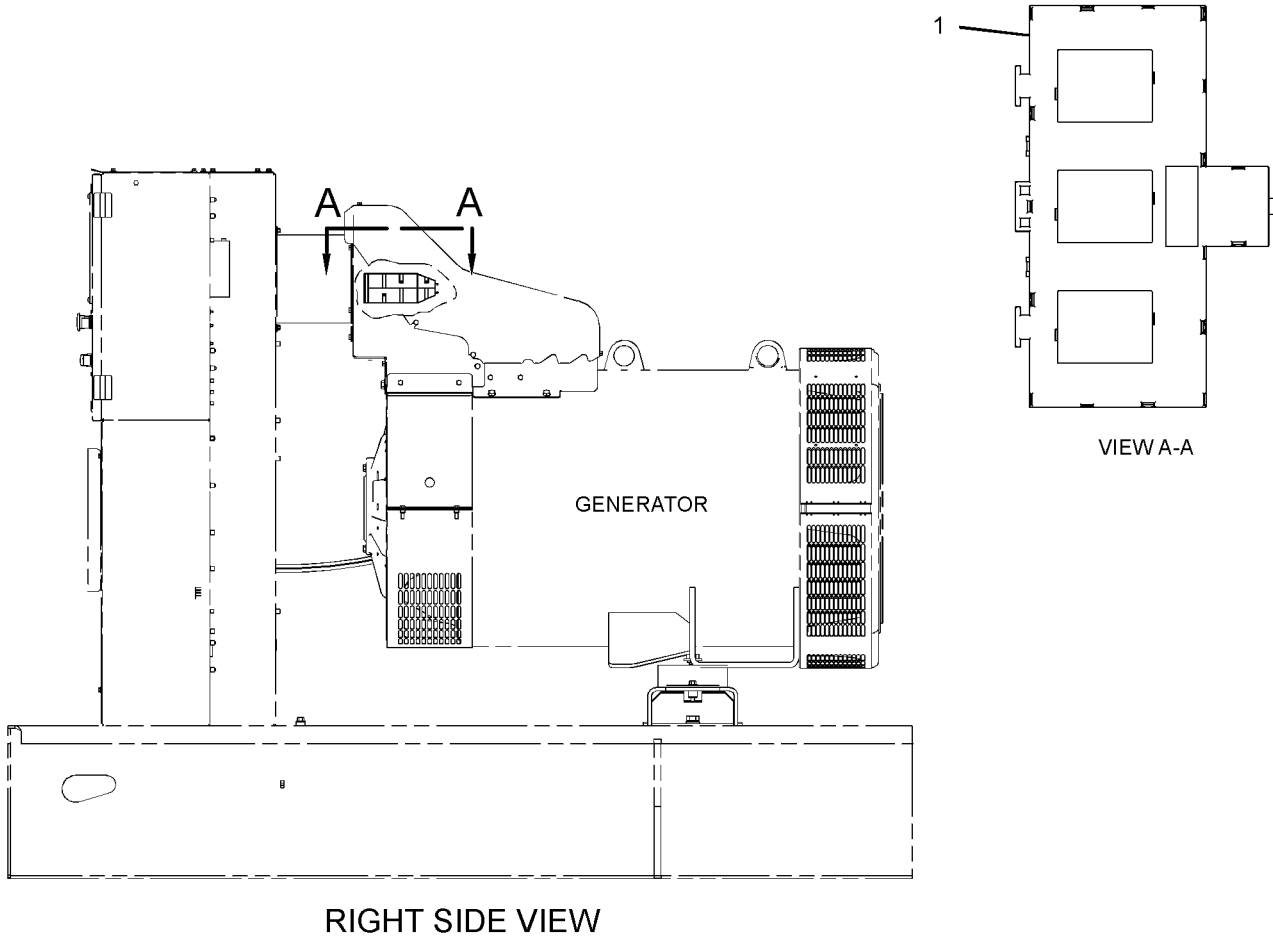
## 390-9689 TRANSFORMER GP

S/N: LNA1-UP; LZA1-UP  
2000-AMPERE  
AN ATTACHMENT

SMCS-1409

i04895929

NOTE	REF NO	GRAPHIC REF	PART NUMBER	QTY	PART NAME						SEE PAGE
					1	2	3	4	5	6 (PRODUCT LEVEL)	
	1	1	361-9098	1	TRANSFORMER						



GRAPHIC #1

<END>

g03048156

# ELECTRICAL AND STARTING SYSTEM

## 293-5313 WIRING GP-ELECTRONIC CONTROL

S/N: FTH1-UP

PART OF 382-3732, 382-3733, 382-3734, 382-3735 ENGINE AR-COMplete

SMCS-1408, 1900

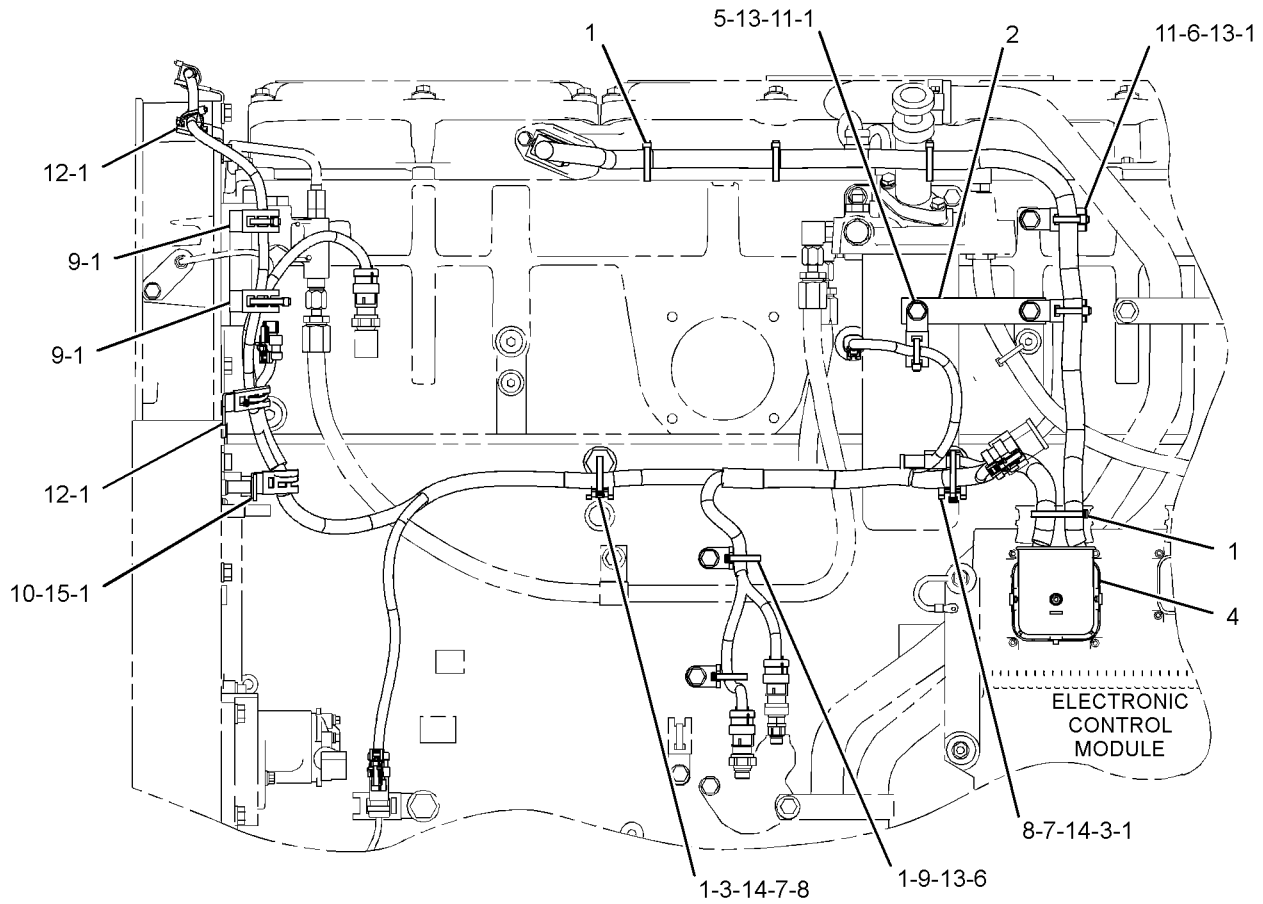
i02927727

NOTE	REF NO	GRAPHIC REF	PART NUMBER	QTY	PART NAME						SEE PAGE
					1	2	3	4	5	6 (PRODUCT LEVEL)	
	1	1	<b>3S-2093</b>	20	STRAP-CABLE						
	2	1	<b>7T-0266</b>	1	BRACKET AS						
		1	<b>1F-0750</b>	1	NUT-WELD (3/8-16-THD)						
	3	1	<b>9R-9733</b>	2	BOSS						
	4	1	<b>276-4752</b>	1	HARNESS AS-ENGINE						
		1	<b>102-8802</b>	1	KIT-RECEPTACLE (2-PIN) (INCLUDES RECEPTACLE AS AND WEDGE)						
		1	<b>155-2255</b>	1	KIT-CONNECTING PLUG (12-PIN) (INCLUDES PLUG AS AND WEDGE)						
		1	<b>155-2270</b>	1	KIT-CONNECTING PLUG (2-PIN) (INCLUDES PLUG AS AND WEDGE)						
		1	<b>230-4011</b>	4	PLUG AS-CONNECTOR (2-PIN)						
		1	<b>230-4013</b>	1	PLUG AS-CONNECTOR (3-PIN)						
		1	<b>231-2295</b>	1	PLUG AS-CONNECTOR (8-PIN)						
		1	<b>237-0227</b>	2	PLUG AS-CONNECTOR (3-PIN)						
	5	1	<b>0L-1351</b>	1	BOLT (3/8-16X0.875-IN)						
	6	1	<b>0S-0509</b>	4	BOLT (3/8-16X0.75-IN)						
	7	1	<b>0S-1576</b>	2	BOLT (5/8-18X2-IN)						
	8	1	<b>104-6202</b>	2	CLIP						
	9	1	<b>132-5789</b>	4	CLIP						
	10	1	<b>4P-7429</b>	1	CLIP						
	11	1	<b>4P-7581</b>	3	CLIP						
	12	1	<b>4P-8134</b>	6	CLIP						
	13	1	<b>5M-2894</b>	5	WASHER-HARD (10.2X18.5X2.5-MM THK)						
	14	1	<b>5P-8247</b>	2	WASHER-HARD (17X32X3.5-MM THK)						
	15	1	<b>8T-4223</b>	1	WASHER-HARD (13.5X25.5X3-MM THK)						

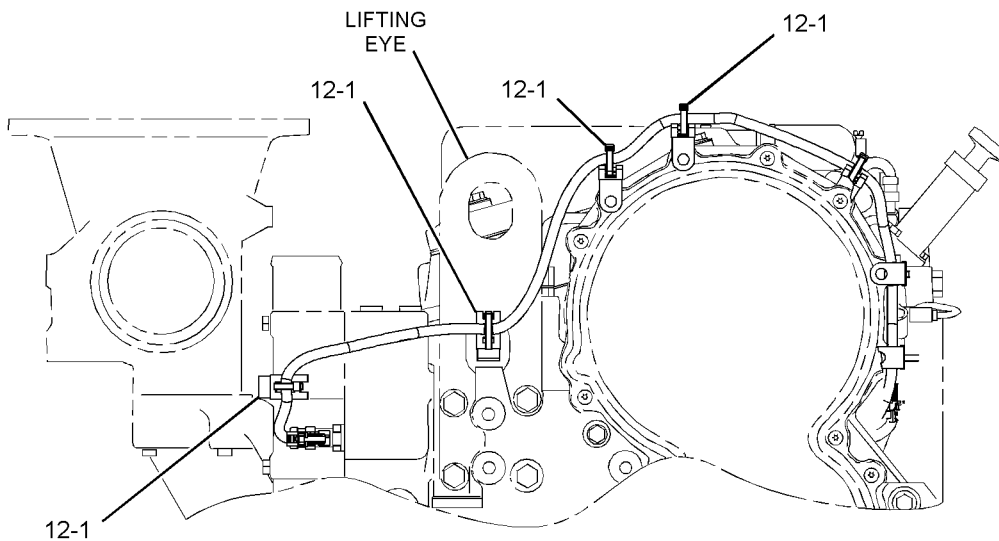
# ELECTRICAL AND STARTING SYSTEM

293-5313 WIRING GP-ELECTRONIC CONTROL (contd.)

i02927727



LEFT SIDE VIEW OF ENGINE



FRONT VIEW OF ENGINE

GRAPHIC #1

<END>

g01454926

# ELECTRICAL AND STARTING SYSTEM

## 386-9295 WIRING GP-ENGINE

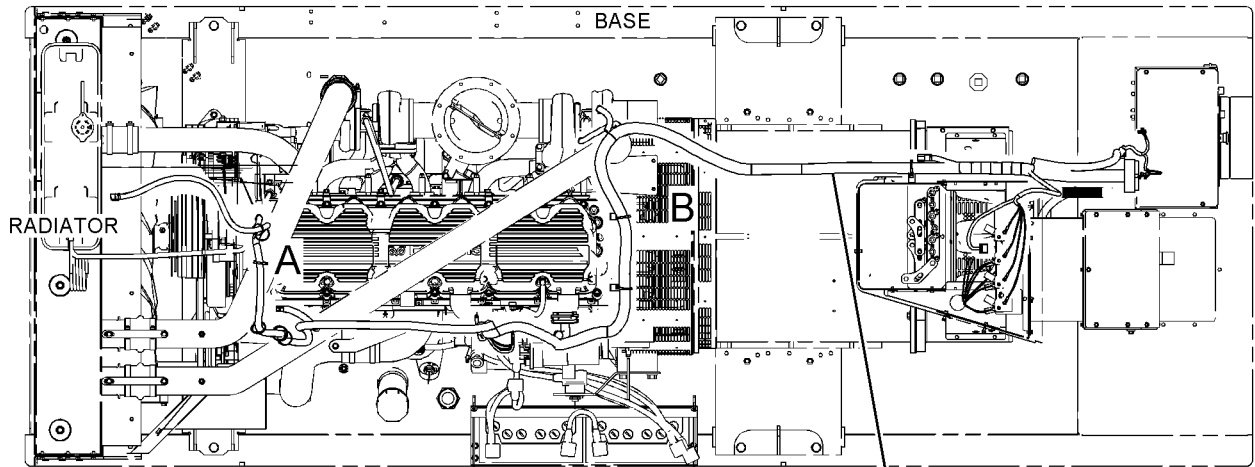
S/N: LNA1-UP; LZA1-UP  
AN ATTACHMENT

SMCS-1000, 1408

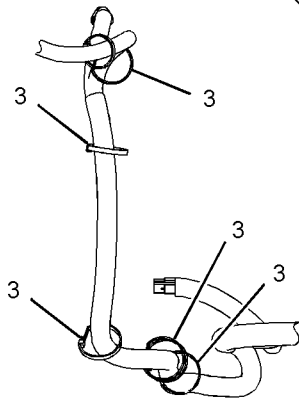
i04896838

NOTE	REF NO	GRAPHIC REF	PART NUMBER	QTY	PART NAME						SEE PAGE
					1	2	3	4	5	6 (PRODUCT LEVEL)	
Y	1	1	<b>361-9108</b>	1	HARNES AS-ENGINE						197
	2	1	<b>156-6175</b>	3	CLIP						
	3	1	<b>7K-1181</b>	10	STRAP-CABLE						

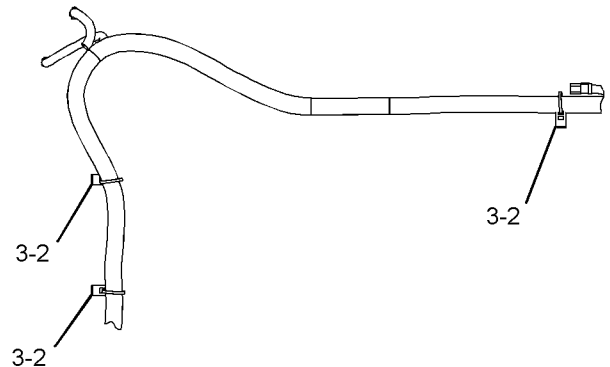
Y-SEPARATE ILLUSTRATION



← FWD TOP VIEW



VIEW OF AREA A



VIEW OF AREA B

GRAPHIC #1

<END>

g03054857

# ELECTRICAL AND STARTING SYSTEM

## 354-6450 WIRING GP-GENERATOR

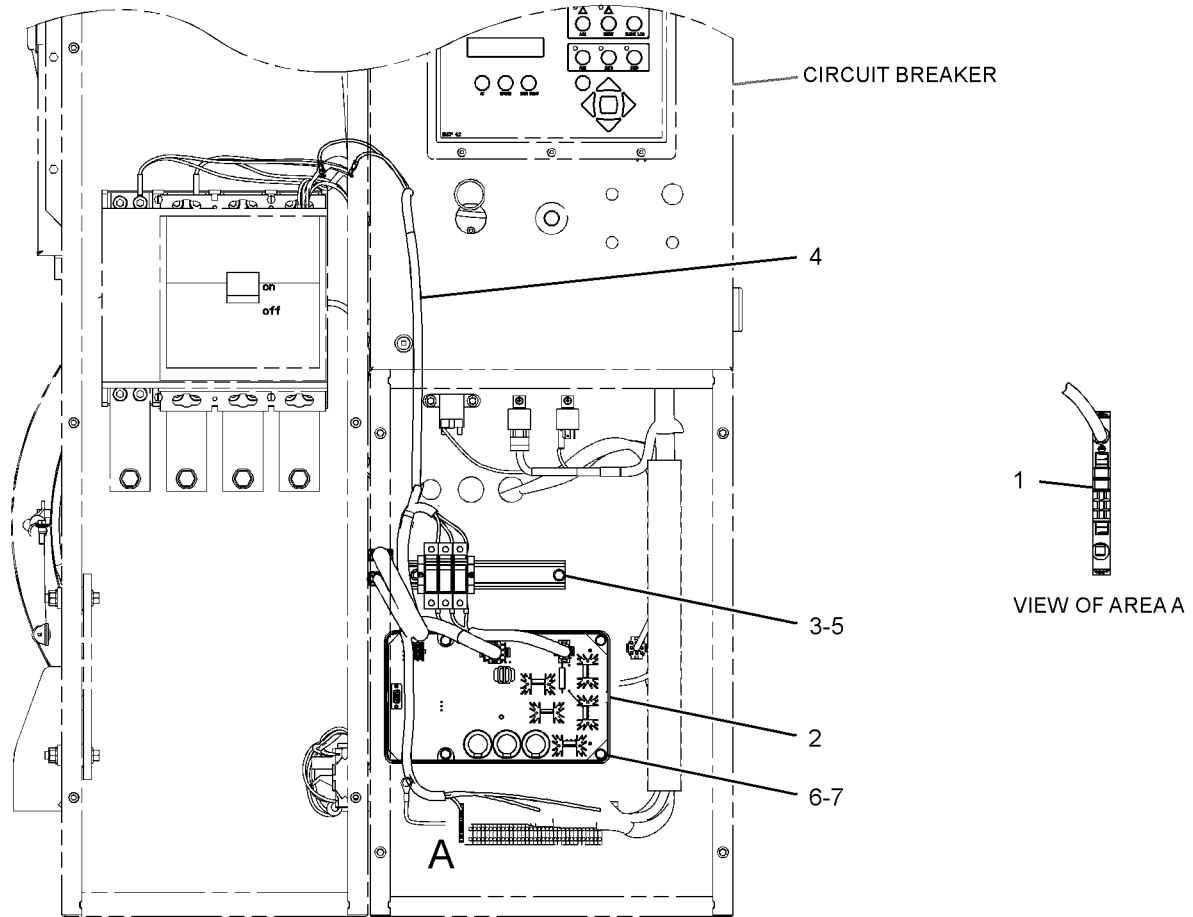
S/N: LNA1-UP; LZA1-UP  
AN ATTACHMENT

SMCS-1404, 1408, 4459

i04896166

NOTE	REF NO	GRAPHIC REF	PART NUMBER	QTY	PART NAME						SEE PAGE
					1	2	3	4	5	6 (PRODUCT LEVEL)	
	1	1	301-8317	1	BLOCK-TERMINAL (800-VOLT, 24-AMPERE)						
Y	2	1	314-7755	1	REGULATOR AS-VOLTAGE (DIGITAL)						543
Y	3	1	354-6451	1	STRIP GP-TERMINAL						236
Y	4	1	385-2552	1	HARNESS AS-ENGINE						198
	5	1	208-9275	2	BOLT-FLANGE HEAD						
M	6	1	8T-4971	4	BOLT (M6X1X30-MM)						
	7	1	9X-8256	4	WASHER (6.6X12X2-MM THK)						

M-METRIC PART  
Y-SEPARATE ILLUSTRATION



REAR VIEW

GRAPHIC #1

<END>

g03060618

# ELECTRICAL AND STARTING SYSTEM

## 389-0976 WIRING GP-GENERATOR

S/N: LNA1-UP; LZA1-UP

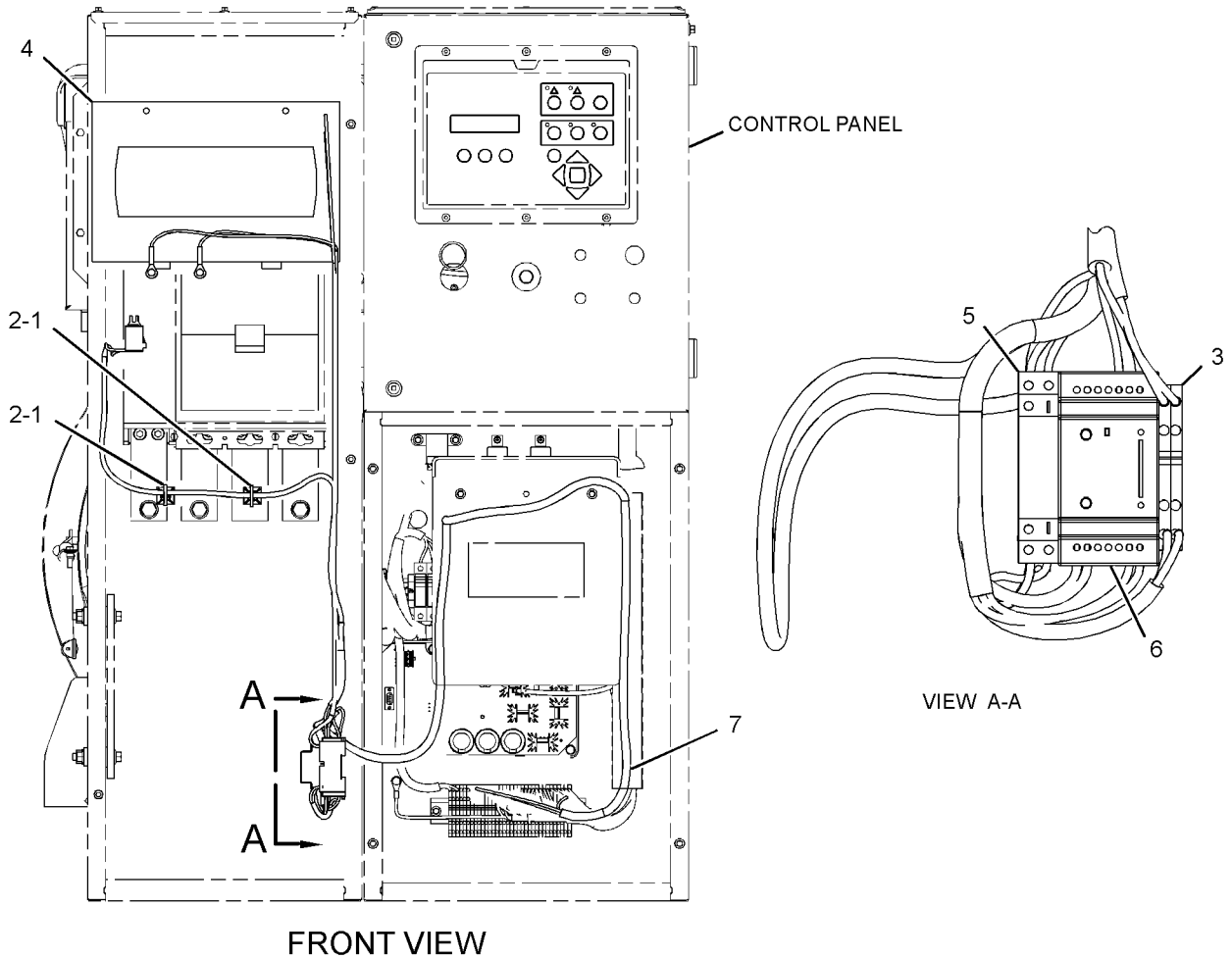
800-AMPERE  
AN ATTACHMENT

SMCS-1404, 1408, 4459

i04825046

NOTE	REF NO	GRAPHIC REF	PART NUMBER	QTY	PART NAME						SEE PAGE
					1	2	3	4	5	6 (PRODUCT LEVEL)	
	1	1	8L-8413	2	STRAP-CABLE (WHITE)						
	2	1	263-0519	2	PAD						
	3	1	301-8313	2	BLOCK-TERMINAL (800-VOLT, 24-AMPERE)						
	4	1	389-0980	1	TRANSFORMER-CURRENT						
	5	1	389-1266	1	RELAY (220/240-VOLT)						
	6	1	391-5531	1	RELAY (GROUND)						
Y	7	1	391-5695	1	HARNESS AS-WIRING						201

Y-SEPARATE ILLUSTRATION



GRAPHIC #1

<END>

g02960496

# ELECTRICAL AND STARTING SYSTEM

## 389-0977 WIRING GP-GENERATOR

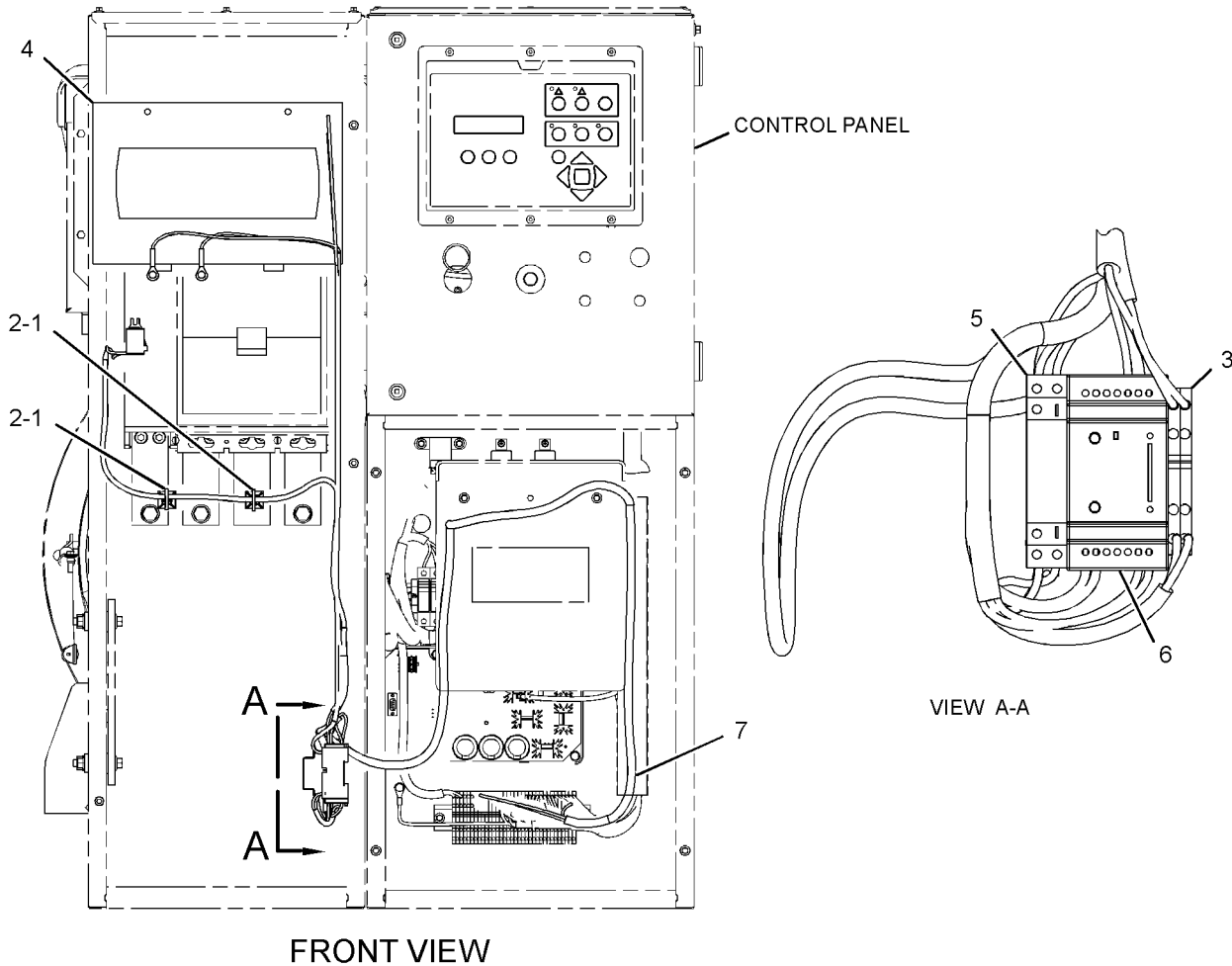
S/N: LNA1-UP; LZA1-UP  
630-AMPERE. EARTH LEAKAGE  
AN ATTACHMENT

SMCS-1404, 1408, 4459

i04825045

NOTE	REF NO	GRAPHIC REF	PART NUMBER	QTY	PART NAME						SEE PAGE
					1	2	3	4	5	6 (PRODUCT LEVEL)	
	1	1	8L-8413	2	STRAP-CABLE (WHITE)						
	2	1	263-0519	2	PAD						
	3	1	301-8313	2	BLOCK-TERMINAL (800-VOLT, 24-AMPERE)						
	4	1	389-0980	1	TRANSFORMER-CURRENT						
	5	1	389-1266	1	RELAY (220/240-VOLT)						
	6	1	391-5531	1	RELAY (GROUND)						
Y	7	1	391-5694	1	HARNESS AS-WIRING						201

Y-SEPARATE ILLUSTRATION



GRAPHIC #1

<END>

g02960496



# ELECTRICAL AND STARTING SYSTEM

## 389-0978 WIRING GP-GENERATOR

S/N: LNA1-UP; LZA1-UP

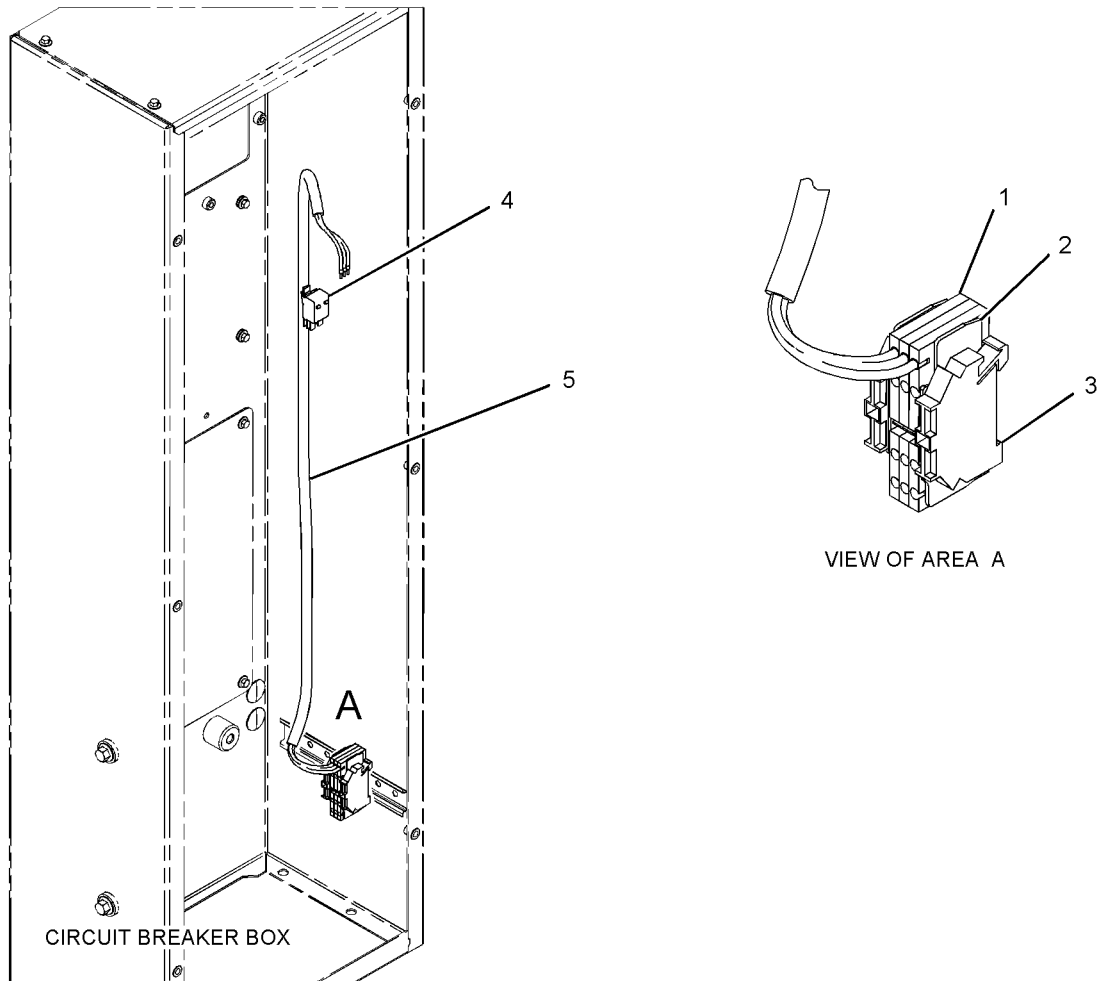
1250-1600-AMPERE. AUXILIARY CONTACTS  
AN ATTACHMENT

SMCS-1404, 1408, 4459

i04801692

NOTE	REF NO	GRAPHIC REF	PART NUMBER	QTY	PART NAME						SEE PAGE
					1	2	3	4	5	6 (PRODUCT LEVEL)	
	1	1	301-8313	3	BLOCK-TERMINAL (800-VOLT, 24-AMPERE)						
	2	1	301-8316	2	COVER-END						
	3	1	345-8835	2	BLOCK-TERMINAL						
	4	1	356-7170	1	CONTACT-ALARM						
Y	5	1	391-6339	1	HARNESS AS-WIRING						202

Y-SEPARATE ILLUSTRATION



GRAPHIC #1

<END>

g02930268

# ELECTRICAL AND STARTING SYSTEM

## 392-0638 WIRING GP-GENERATOR

S/N: LNA1-UP; LZA1-UP

1250-1600-AMPERE. AUXILIARY CONTACTS  
AN ATTACHMENT

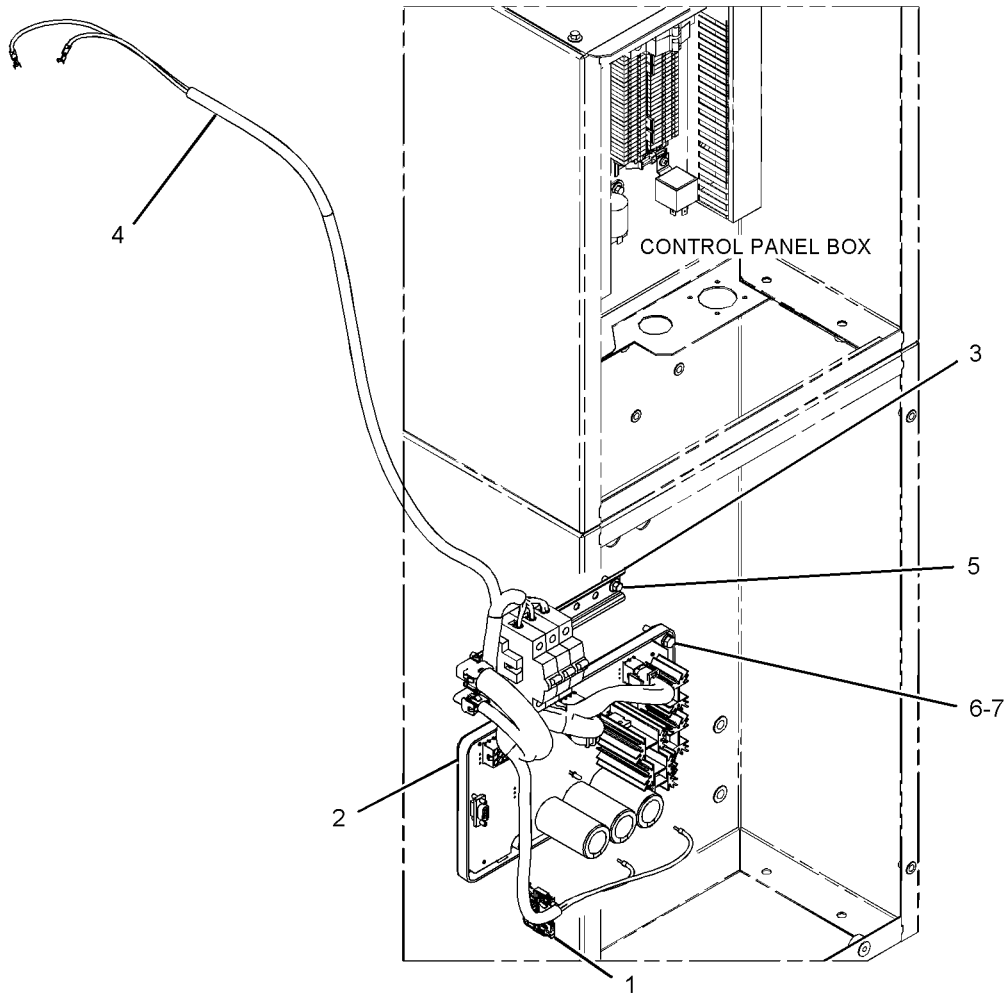
SMCS-1404, 1408, 4459

i04801480

NOTE	REF NO	GRAPHIC REF	PART NUMBER	QTY	PART NAME						SEE PAGE
					1	2	3	4	5	6 (PRODUCT LEVEL)	
	1	1	<b>301-8317</b>	1	BLOCK-TERMINAL (800-VOLT, 24-AMPERE)						
Y	2	1	<b>314-7755</b>	1	REGULATOR AS-VOLTAGE (DIGITAL)						543
Y	3	1	<b>354-6451</b>	1	STRIP GP-TERMINAL						236
Y	4	1	<b>391-8736</b>	1	HARNESS AS-WIRING						202
	5	1	<b>208-9275</b>	2	BOLT-FLANGE HEAD						
M	6	1	<b>8T-4971</b>	4	BOLT (M6X1X30-MM)						
	7	1	<b>9X-8256</b>	4	WASHER (6.6X12X2-MM THK)						

M-METRIC PART

Y-SEPARATE ILLUSTRATION



GRAPHIC #1

<END>

g02935163

# ELECTRICAL AND STARTING SYSTEM

## 392-0639 WIRING GP-GENERATOR

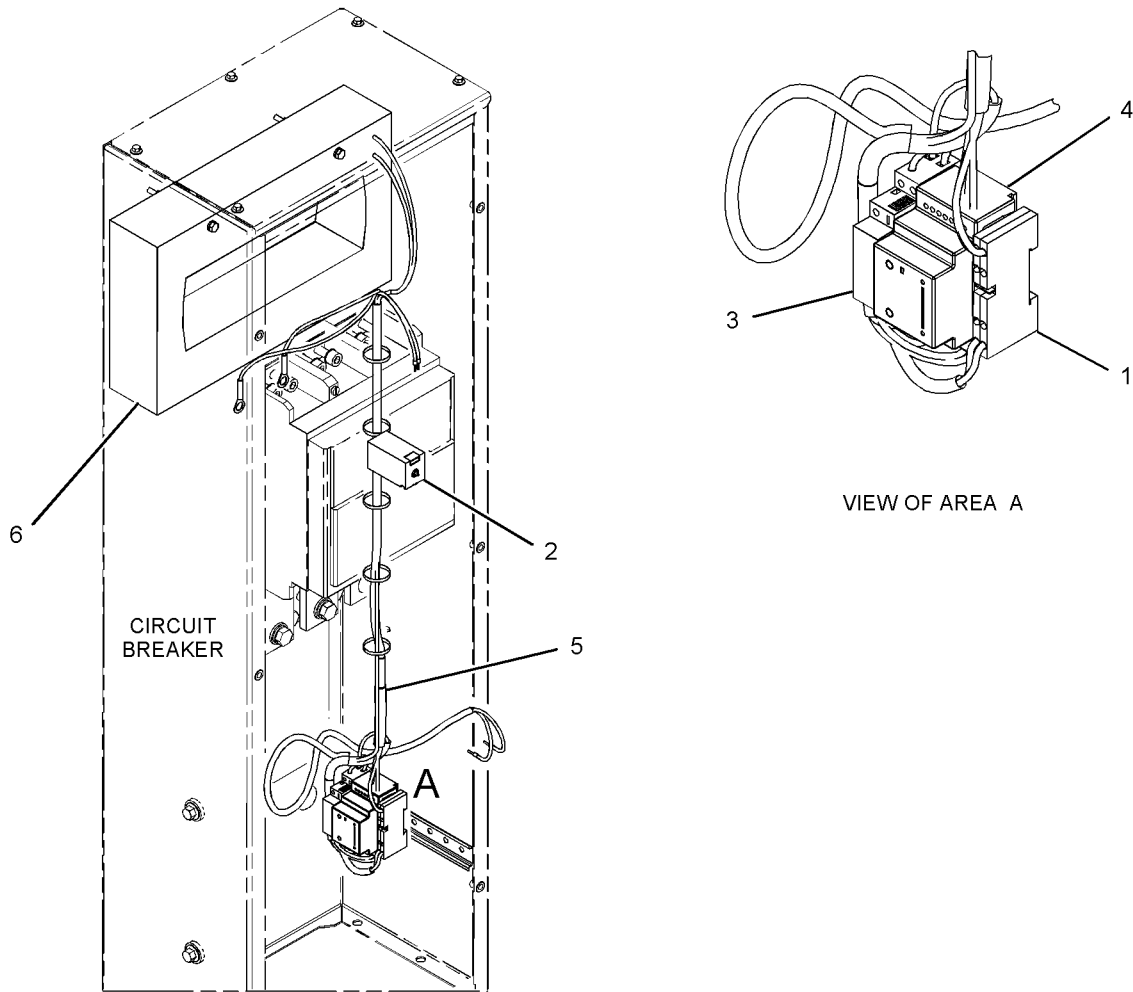
S/N: LNA1-UP; LZA1-UP  
1250-1600-AMPERE. GROUND  
AN ATTACHMENT

SMCS-1404, 1408, 4459

i04826621

NOTE	REF NO	GRAPHIC REF	PART NUMBER	QTY	PART NAME						SEE PAGE
					1	2	3	4	5	6 (PRODUCT LEVEL)	
	1	1	301-8313	2	BLOCK-TERMINAL (800-VOLT, 24-AMPERE)						
	2	1	335-6484	1	SHUNT						
	3	1	389-1266	1	RELAY (220/240-VOLT)						
	4	1	391-5531	1	RELAY (GROUND)						
Y	5	1	391-5696	1	HARNESS AS-WIRING						202
	6	1	383-8088	1	TRANSFORMER-CURRENT						

Y-SEPARATE ILLUSTRATION



GRAPHIC #1

<END>

g03085735

# ELECTRICAL AND STARTING SYSTEM

## 392-0640 WIRING GP-GENERATOR

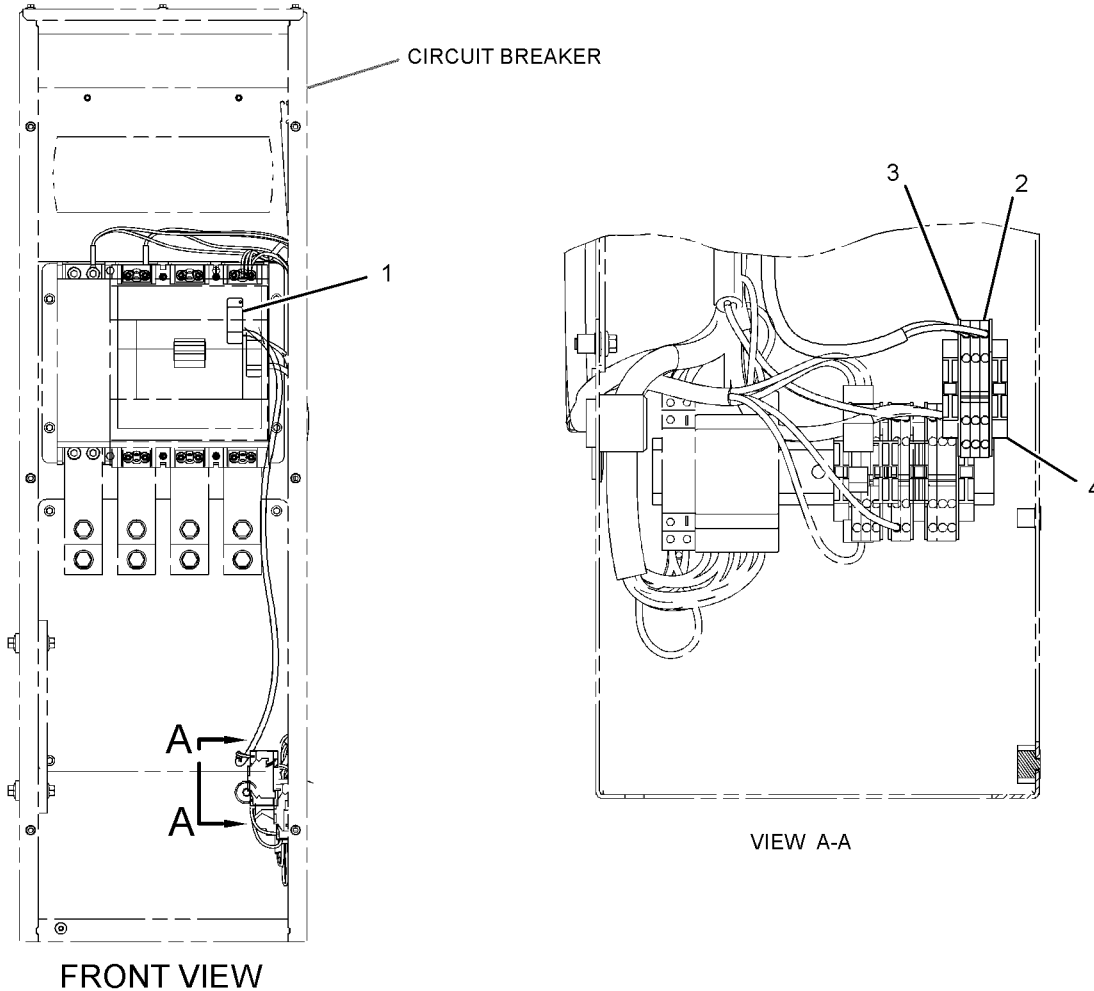
S/N: LNA1-UP; LZA1-UP

630-800-AMPERE. AUXILIARY CONTACTS  
AN ATTACHMENT

SMCS-1404, 1408, 4459

i04801669

NOTE	REF NO	GRAPHIC REF	PART NUMBER	QTY	PART NAME						SEE PAGE
					1	2	3	4	5	6 (PRODUCT LEVEL)	
	1	1	262-1370	1	CONTACT-AUXILIARY						
	2	1	301-8313	3	BLOCK-TERMINAL (800-VOLT, 24-AMPERE)						
	3	1	301-8316	2	COVER-END						
	4	1	345-8835	2	BLOCK-TERMINAL						



GRAPHIC #1

<END>

g02929536

# ELECTRICAL AND STARTING SYSTEM

## 349-5052 WIRING GP-GROUND

S/N: LNA1-UP; LZA1-UP

EARTH

AN ATTACHMENT

SMCS-1408

i04896770

NOTE	REF NO	GRAPHIC REF	PART NUMBER	QTY	PART NAME						SEE PAGE
					1	2	3	4	5	6 (PRODUCT LEVEL)	
	1	1	<b>332-6334</b>	2	CABLE AS						
					(EACH INCLUDES)						
		1	<b>277-5662</b>	1	TERMINAL						
	2	1	<b>389-0966</b>	2	CABLE AS						
					(EACH INCLUDES)						
		1	<b>277-5662</b>	1	TERMINAL						
	3	1	<b>392-0649</b>	1	WIRE AS						
	4	1	<b>342-9913</b>	2	BOLT-FLANGE HEAD (M10X1.5X20-MM)						
H	5	1	<b>8T-4121</b>	2	WASHER-HARD (11X21X2.5-MM THK)						
HM	6	1	<b>8T-4136</b>	2	BOLT (M10X1.5X25-MM)						
PM	7	1	<b>8T-4192</b>	1	BOLT (M12X1.75X25-MM)						
P	8	1	<b>8T-4223</b>	1	WASHER-HARD (13.5X25.5X3-MM THK)						

H-FOR USE WITH 6100 SERIES ALTERNATORS

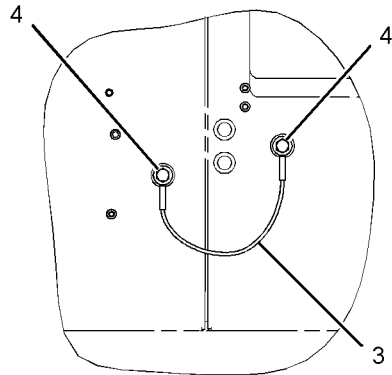
M-METRIC PART

P-FOR USE WITH 7000 SERIES ALTERNATORS

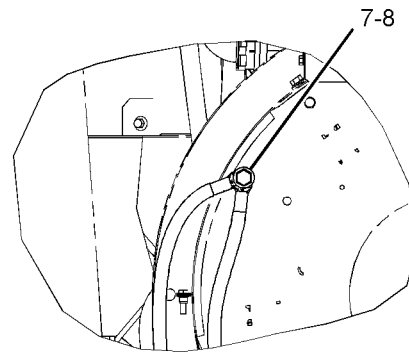
# ELECTRICAL AND STARTING SYSTEM

349-5052 WIRING GP-GROUND (contd.)

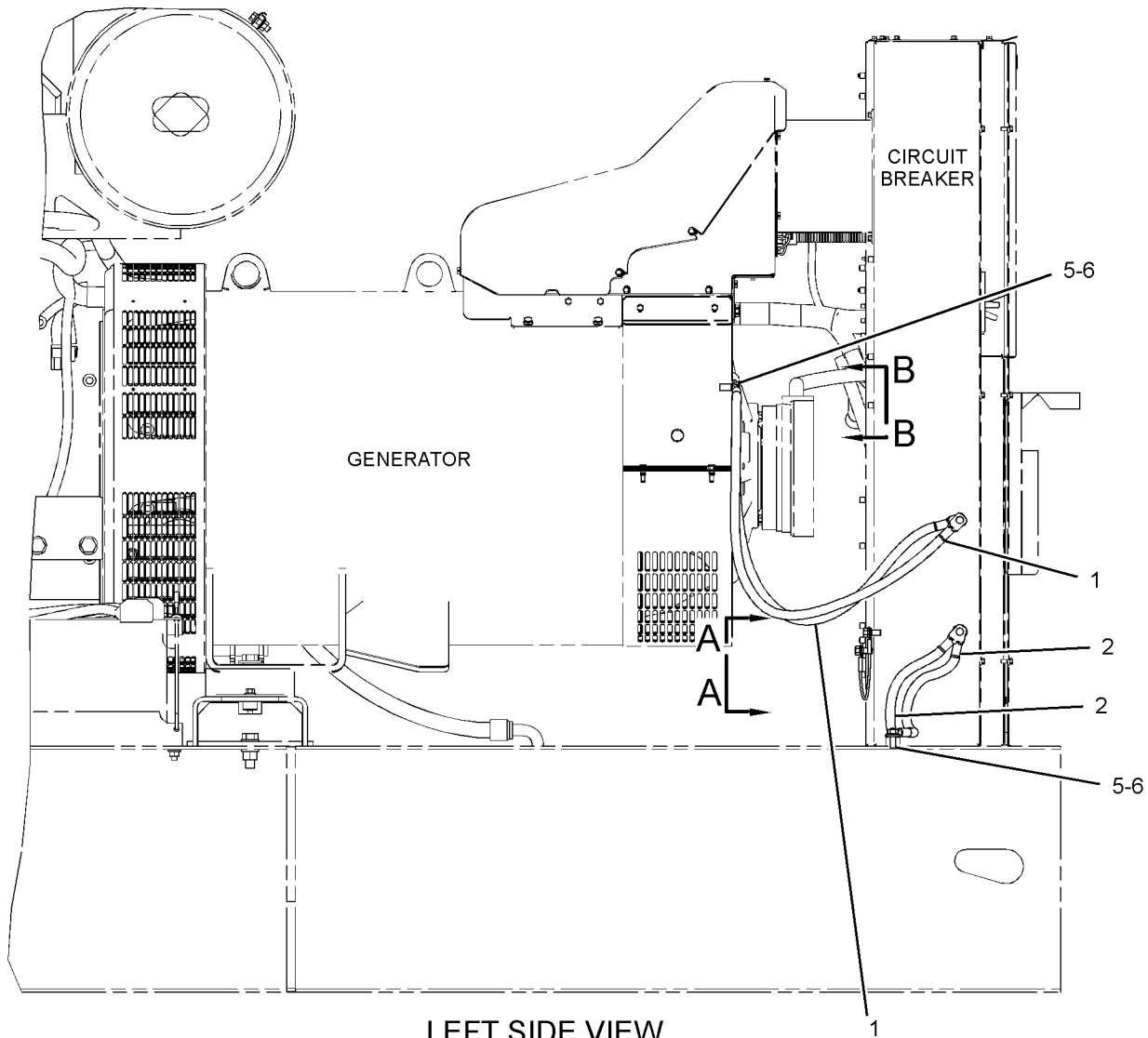
i04896770



VIEW A-A



VIEW B-B  
(OPTIONAL VIEW)



LEFT SIDE VIEW

GRAPHIC #1

<END>

g03058256

# ELECTRICAL AND STARTING SYSTEM

## 379-0919 WIRING GP-PANEL

S/N: LNA1-UP; LZA1-UP

PANEL

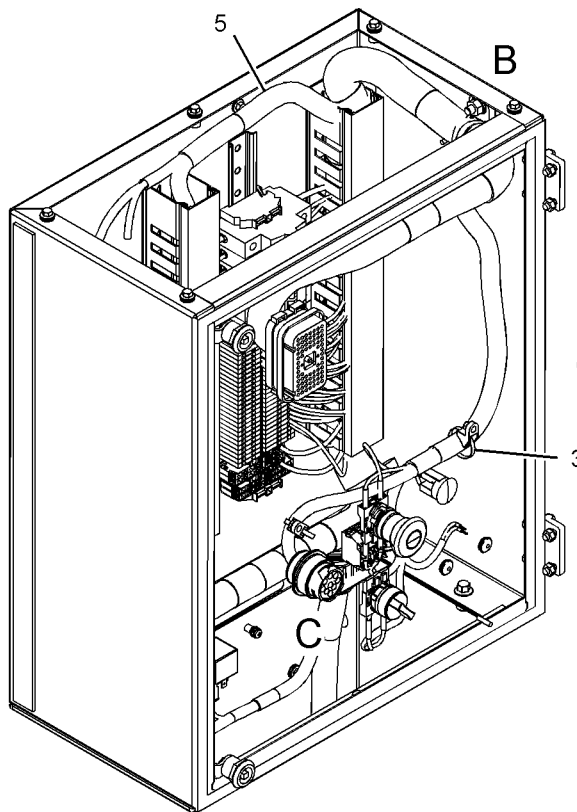
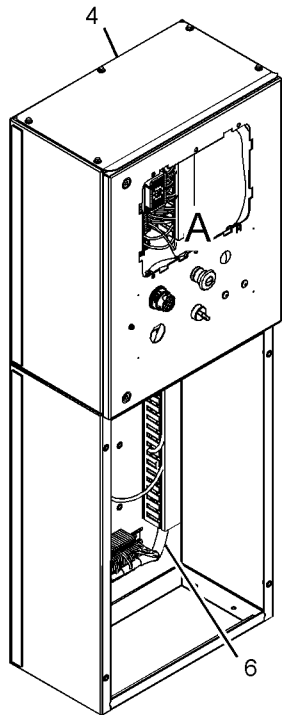
AN ATTACHMENT

SMCS-4459

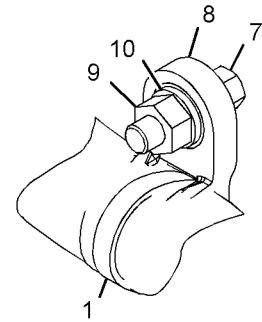
i04825288

NOTE	REF NO	GRAPHIC REF	PART NUMBER	QTY	PART NAME						SEE PAGE
					1	2	3	4	5	6 (PRODUCT LEVEL)	
	1	1	7K-1181	1	STRAP-CABLE						
	2	1	9W-2275	1	RESISTOR (120-OHM)						
Y	3	1	288-8608	2	FASTENER GP-WIRING HARNESS						195
Y	4	1	354-6510	1	BOX GP-CONNECTION						164
Y	5	1	361-9109	1	HARNESS AS-PANEL						198
Y	6	1	361-9110	1	HARNESS AS-WIRING						200
M	7	1	208-9282	1	BOLT (M8X1.25X25-MM)						
	8	1	293-9452	1	MOUNTING-CABLE TIE						
M	9	1	5C-7261	1	NUT (M8X1.25-THD)						
	10	1	8T-4224	1	WASHER-HARD (8.8X16X2-MM THK)						

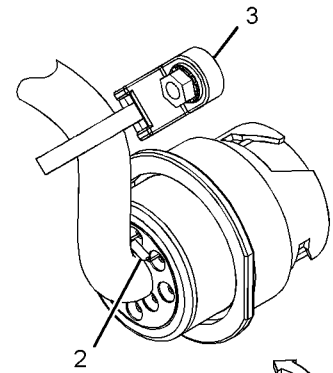
M-METRIC PART  
Y-SEPARATE ILLUSTRATION



VIEW OF AREA A  
(PARTS REMOVED FOR CLARITY)



VIEW OF AREA B  
(PARTS REMOVED FOR CLARITY)



VIEW OF AREA C 90°

GRAPHIC #1

<END>

g02959678

# ENCLOSURES, GUARDS AND BASES

## 349-5036 BASE GP-GENERATOR

S/N: LNA1-UP; LZA1-UP

15-LITERS

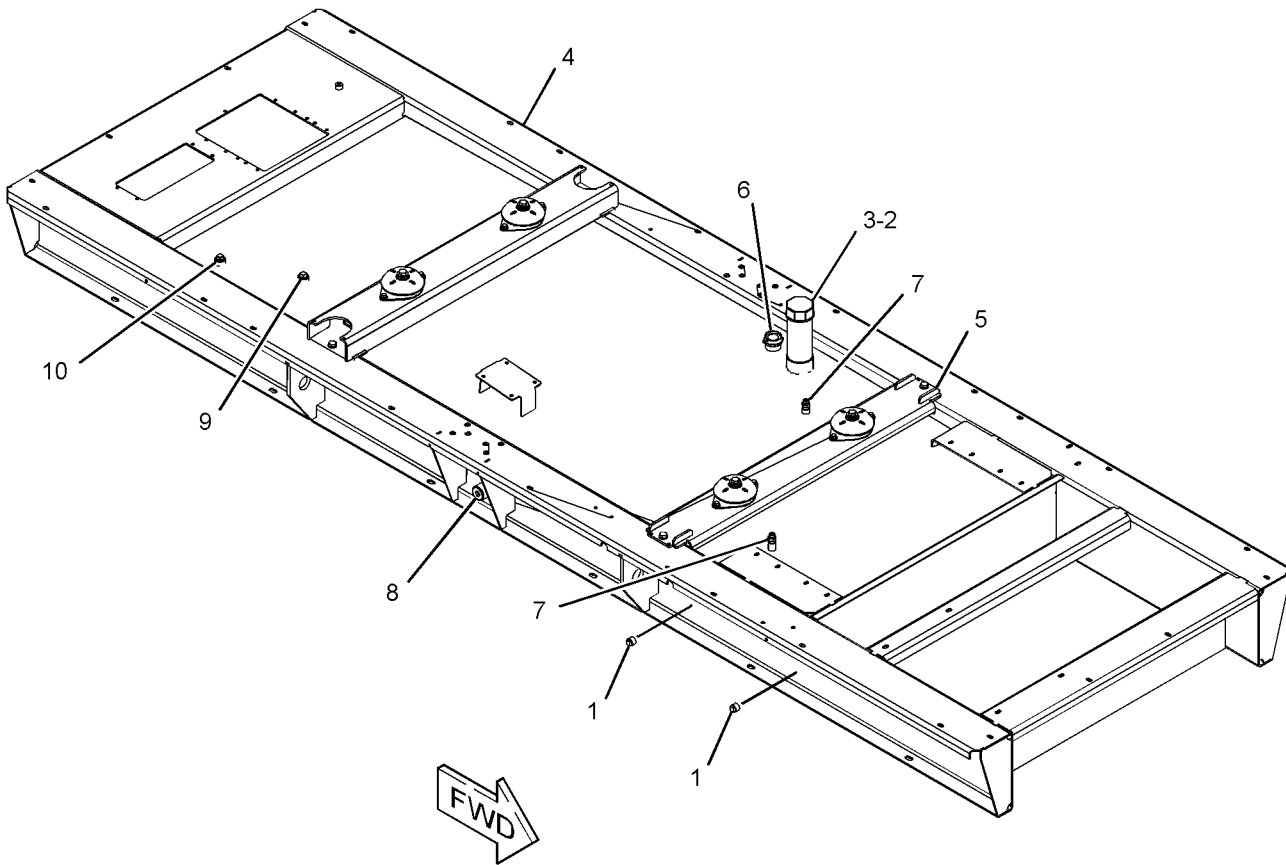
AN ATTACHMENT

SMCS-7060

i04768622

NOTE	REF NO	GRAPHIC REF	PART NUMBER	QTY	PART NAME						SEE PAGE
					1	2	3	4	5	6 (PRODUCT LEVEL)	
	1	1	166-5002	2	PLUG						
	2	1	263-0633	1	PIPE-FILLER						
	3	1	264-6364	1	CAP-FUEL						
	4	1	354-2497	1	BASE AS						
Y	5	1	354-6241	1	MOUNTING GP-ENGINE & GENERATOR						61
	6	1	386-7043	1	GAUGE-FUEL LEVEL						
	7	1	386-7047	2	PIPE AS						
					(EACH INCLUDES)						
		1	228-7090	1	SEAL-O-RING						
		1	354-6202	1	PIPE-FUEL						
	8	1	315-9824	1	PLUG AS						
		1	2S-4078	1	SEAL-O-RING						
		1	315-9821	1	PLUG						
B	9	1	143-0856	1	PLUG						
B	10	1	143-0856	1	PLUG						

B-USE AS REQUIRED  
Y-SEPARATE ILLUSTRATION



GRAPHIC #1

<END>

g02869201



# ENCLOSURES, GUARDS AND BASES

## 384-0180 BASE GP-GENERATOR

S/N: LNA1-UP; LZA1-UP

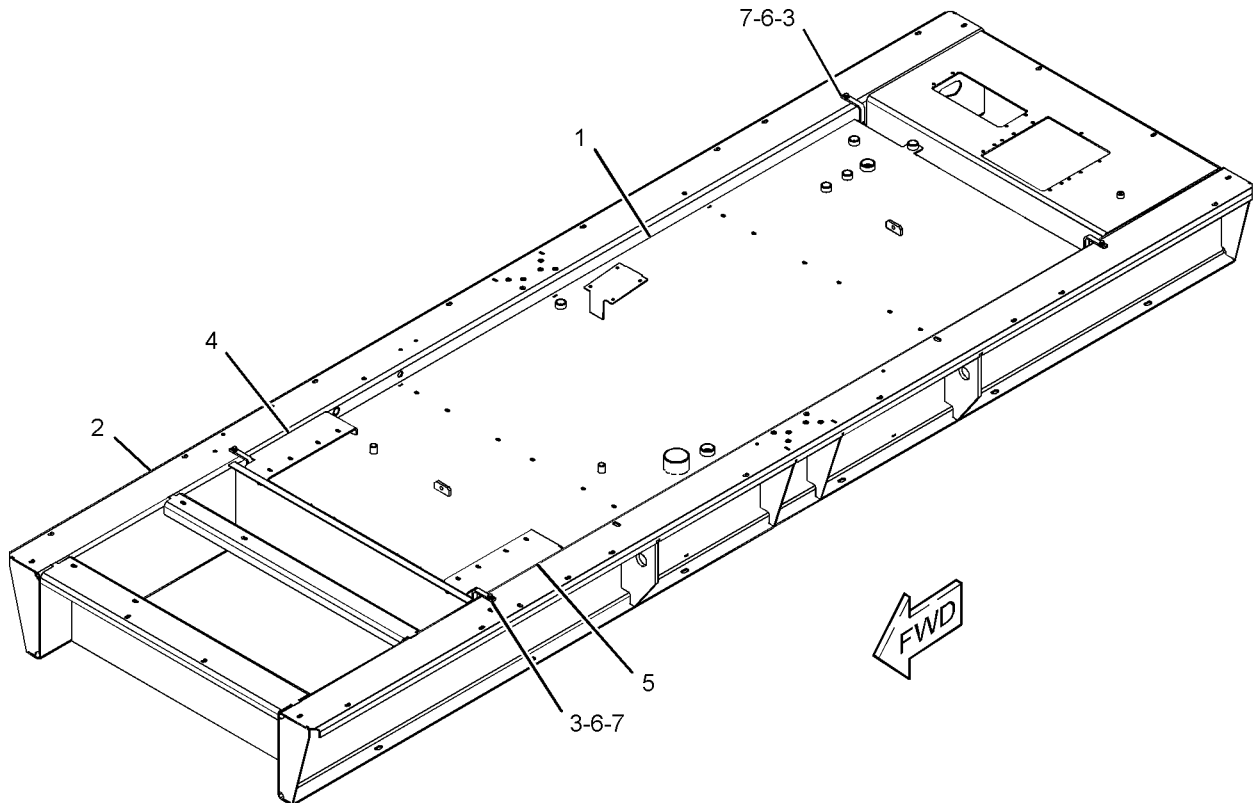
PART OF 384-1150 BASE GP-GENERATOR  
AN ATTACHMENT

SMCS-7060

i04901090

NOTE	REF NO	GRAPHIC REF	PART NUMBER	QTY	PART NAME						SEE PAGE
					1	2	3	4	5	6 (PRODUCT LEVEL)	
	1	1	384-0148	1	BASE AS						
	2	1	384-0170	1	BASE AS						
	3	1	384-1140	4	BRACKET						
	4	1	384-3120	1	PLATE AS-RADIATOR						
	5	1	386-7040	1	PLATE AS-RADIATOR						
M	6	1	175-7141	8	NUT-HEX FLANGE (M10X1.5-THD)						
	7	1	338-3669	14	BOLT-FLANGE HEAD (M10X1.5X30-MM)						

M-METRIC PART



GRAPHIC #1

<END>

g03056980

# ENCLOSURES, GUARDS AND BASES

## 384-1150 BASE GP-GENERATOR

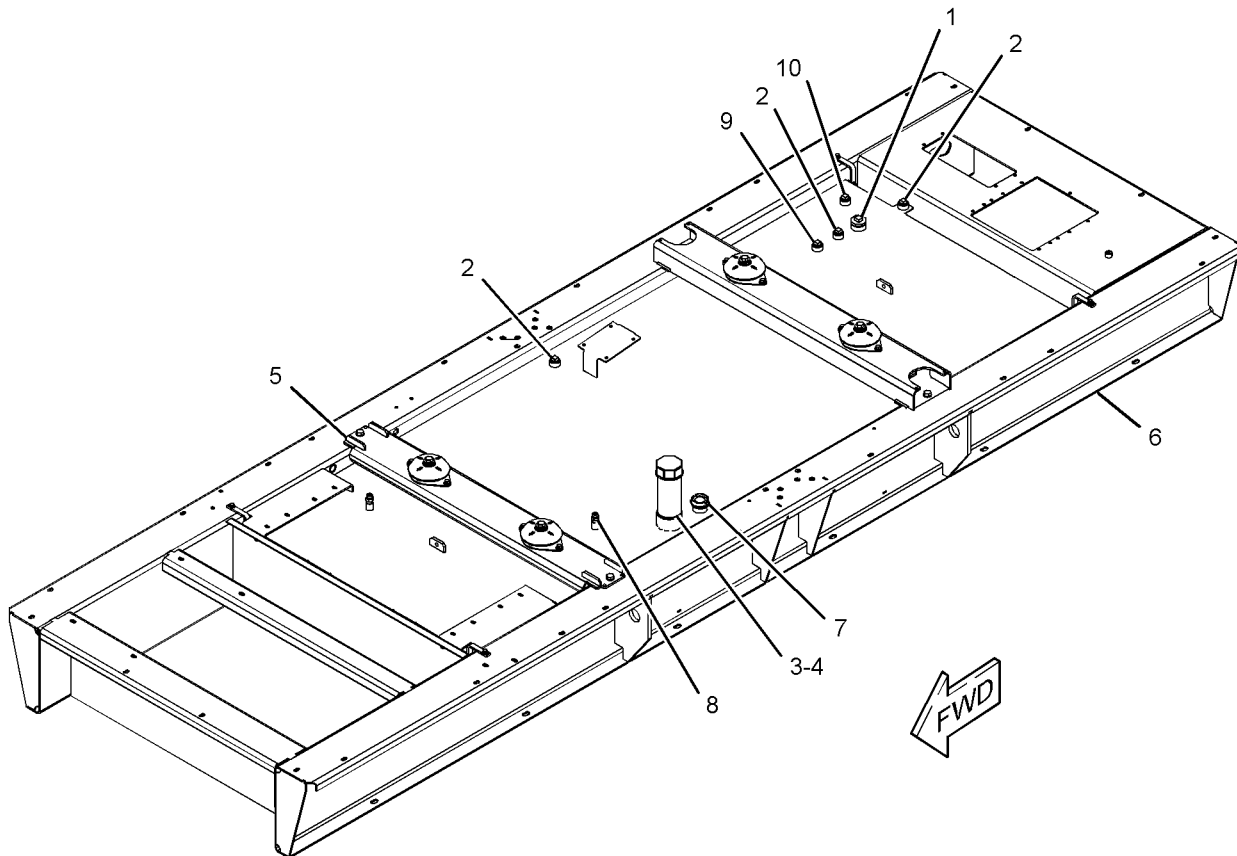
S/N: LNA1-UP; LZA1-UP  
AN ATTACHMENT

SMCS-7060

i04901069

NOTE	REF NO	GRAPHIC REF	PART NUMBER	QTY	PART NAME						SEE PAGE
					1	2	3	4	5	6 (PRODUCT LEVEL)	
	1	1	143-0855	1	PLUG						
	2	1	143-0856	3	PLUG						
	3	1	263-0633	1	PIPE-FILLER						
	4	1	264-6364	1	CAP-FUEL						
Y	5	1	354-6241	1	MOUNTING GP-ENGINE & GENERATOR						61
Y	6	1	384-0180	1	BASE GP-GENERATOR						261
	7	1	386-7044	1	GAUGE-FUEL LEVEL						
	8	1	386-7049	2	PIPE AS-FUEL						
					(EACH INCLUDES)						
		1	228-7090	1	SEAL-O-RING						
		1	354-6204	1	PIPE-FUEL						
H	9	1	143-0856	1	PLUG						
J	10	1	143-0856	1	PLUG						

H-REMOVE QTY OF 1 FOR MANUAL FUEL TRANSFER OPTION  
 J-REMOVE QTY OF 1 FOR FUEL LEVEL SENDER OPTION  
 Y-SEPARATE ILLUSTRATION



GRAPHIC #1

<END>

g03056816

# ENCLOSURES, GUARDS AND BASES

## 384-3093 BASE GP-GENERATOR

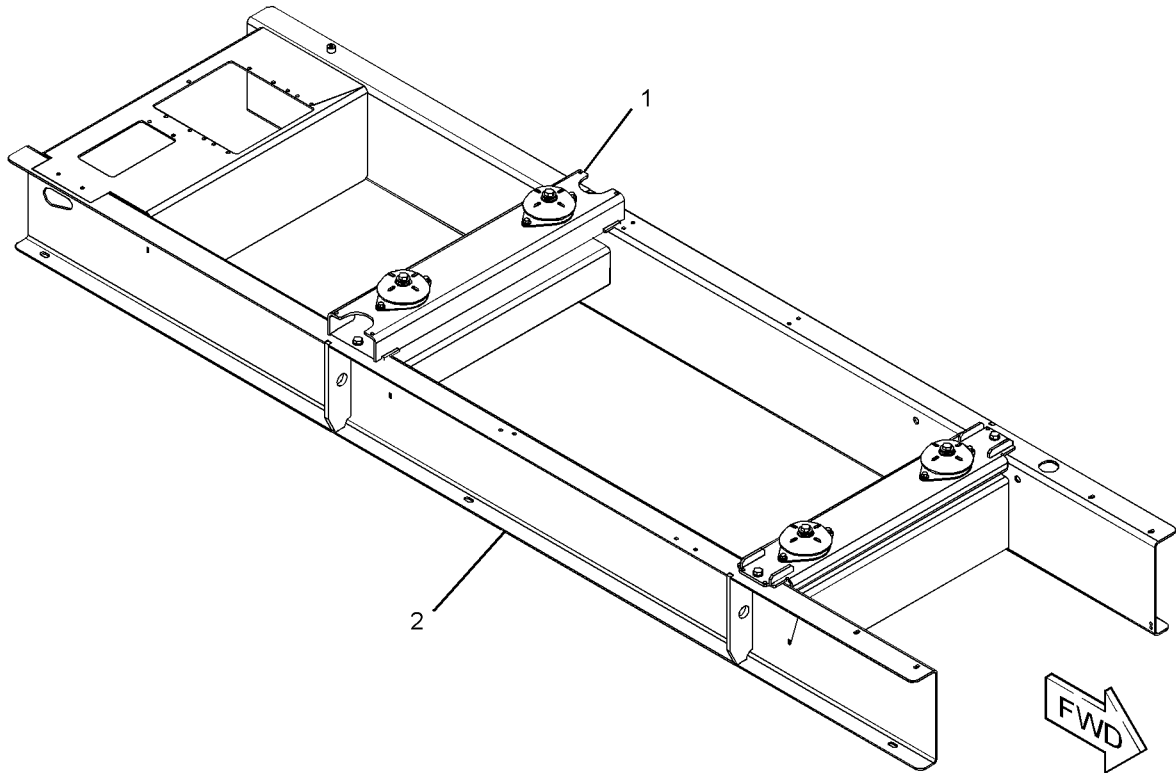
S/N: LNA1-UP; LZA1-UP  
15-LITERS. NARROW SKID  
AN ATTACHMENT

SMCS-7060

i04750571

NOTE	REF NO	GRAPHIC REF	PART NUMBER	QTY	PART NAME						SEE PAGE
					1	2	3	4	5	6 (PRODUCT LEVEL)	
Y	1	1	354-6240	1	MOUNTING GP-ENGINE & GENERATOR						60
	2	1	384-3090	1	BASE AS						
			1	213-9697	1	COUPLING					

Y-SEPARATE ILLUSTRATION



GRAPHIC #1

<END>

g02852317

# ENCLOSURES, GUARDS AND BASES

## 361-9104 DOOR GP-ACCESS

S/N: LNA1-UP; LZA1-UP

PART OF 354-6510 BOX GP-CONNECTION  
AN ATTACHMENT

SMCS-7274

i04902348

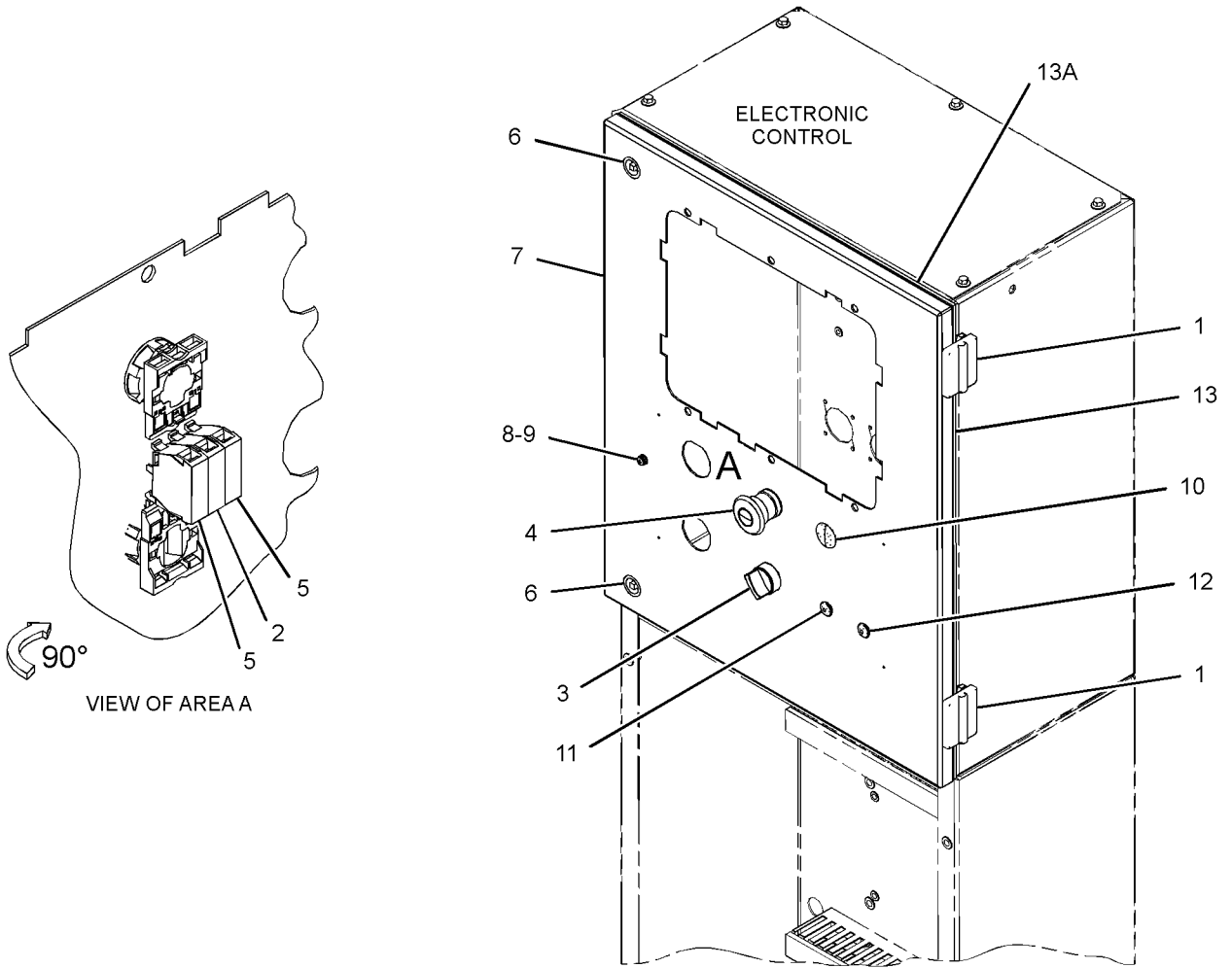
NOTE	REF NO	GRAPHIC REF	PART NUMBER	QTY	PART NAME						SEE PAGE
					1	2	3	4	5	6 (PRODUCT LEVEL)	
	1	1	169-4481	2	HINGE AS						
	2	1	206-9512	1	CONTACT						
	3	1	214-5791	1	SWITCH AS-ROTARY						
	4	1	226-6446	1	SWITCH AS-PUSH BUTTON						
		1	261-5503	1	PLATE						
	5	1	228-6935	2	BLOCK-CONTACT						
	6	1	266-1571	1	LOCK AS						
		1	266-1570	2	LOCK						
	7	1	361-9105	1	PANEL AS-CONTROL						
	8	1	1H-4393	1	LOCKWASHER						
M	9	1	8T-0337	1	SCREW-MACHINE (M4X0.7X12-MM)						
H	10	1	267-7280	1	GROMMET						
J	11	1	241-6070	1	GROMMET						
L	12	1	241-6070	1	GROMMET						
D	13	1	5P-5637		SEAL (0.6-M EACH)						
D	13A	1	5P-5637		SEAL (0.4-M EACH)						

D-ORDER BY THE METER  
H-REMOVE QTY OF ONE FOR AUDIBALE ALARM OPTION  
J-REMOVE QTY OF ONE FOR SPEED ADJUST OPTION  
L-REMOVE QTY OF 1 FOR VOLTS ADJUST OPTION  
M-METRIC PART

# ENCLOSURES, GUARDS AND BASES

361-9104 DOOR GP-ACCESS (contd.)

i04902348



90°

VIEW OF AREA A

<END>

g03063097

GRAPHIC #1

# ENCLOSURES, GUARDS AND BASES

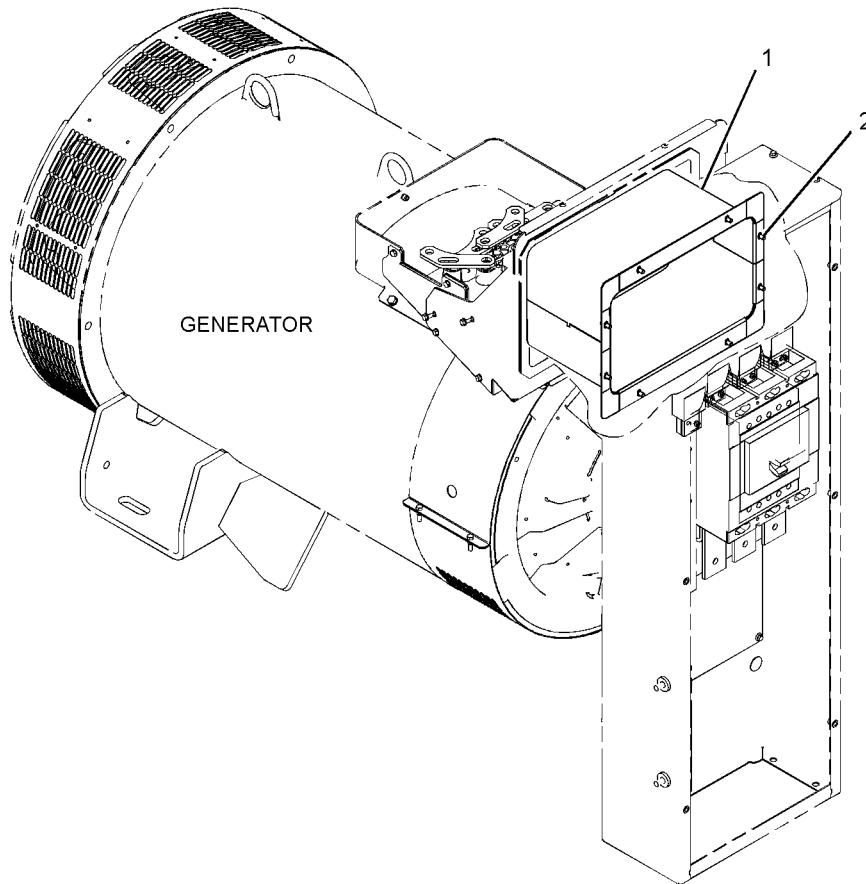
## 369-8857 DUCT GP-CABLE

S/N: LNA1-UP; LZA1-UP  
AN ATTACHMENT

SMCS-7274

i04896818

NOTE	REF NO	GRAPHIC REF	PART NUMBER	QTY	PART NAME						SEE PAGE
					1	2	3	4	5	6 (PRODUCT LEVEL)	
	1	1	260-6671	8	BOLT (M6X1X12-MM)						
	2	1	369-8860	1	DUCT AS						



GRAPHIC #1

<END>

g03048777

# ENCLOSURES, GUARDS AND BASES

## 349-5059 ENCLOSURE GP-GENERATOR

S/N: LNA1-UP; LZA1-UP

BASIC

PART OF 349-5060 ENCLOSURE GP-GENERATOR

AN ATTACHMENT

SMCS-7274

i04896985

NOTE	REF NO	GRAPHIC REF	PART NUMBER	QTY	PART NAME						SEE PAGE
					1	2	3	4	5	6 (PRODUCT LEVEL)	
	1	1	4P-1991	10	BUTTON						
	2	1	8C-4413	5	BALL JOINT						
	3	1	142-4899	40	LOCKWASHER						
	4	1	142-6950	10	HINGE AS						
	5	1	142-8194	37	RIVET						
	6	1	144-7183	64	RING-RETAINING						
	7	1	204-1116	1	HANDLE						
M	8	1	260-6695	4	SCREW-FLAT HEAD (M6X1X25-MM)						
	9	1	214-3966	24	NUT (M6X1-THD)						
	10	1	219-7350	5	STAY						
	11	1	232-4944	3	GROMMET						
M	12	1	235-4451	20	BOLT-FLANGE HEAD (M6X1X16-MM)						
	13	1	265-7111	1	WINDOW						
	14	1	329-2431	4	POST-CORNER						
	15	1	346-5504	48	CLIP						
	16	1	347-4025	1	HATCH						
Y	17	1	358-4182	1	INSULATION GP-GENERATOR						276
Y	18	1	358-4200	1	ENCLOSURE GP-GENERATOR						271
	19	1	358-4210	1	LIFT AS						
		1	358-4107	2	PLATE						
	20	1	362-0466	5	PLUG						
	21	1	366-0081	5	LATCH AS						
					(EACH INCLUDES)						
M		1	5C-2890	4	NUT (M6X1-THD)						
		1	8C-3398	4	LOCKWASHER						
M		1	8T-4244	2	NUT (M12X1.75-THD)						
		1	326-0612	2	WASHER-TAB						
	22	1	366-0082	5	PAWL						
	23	1	366-0083	5	BRACKET AS						
	24	1	366-0084	4	POST-SIDE						
M	25	1	142-4901	116	SCREW (M10X1.5X20-MM)						
	26	1	338-3669	77	BOLT-FLANGE HEAD (M10X1.5X30-MM)						
M	27	1	5C-7261	10	NUT (M8X1.25-THD)						
	28	1	5P-4116	10	WASHER-HARD (8.8X20.5X2-MM THK)						
M	29	1	7X-2552	4	BOLT (M16X2X30-MM)						
M	30	1	8T-4193	18	BOLT (M16X2X50-MM)						
	31	1	9X-8257	22	WASHER (17.5X30X3.5-MM THK)						
L	32	1	237-5071		SEAL (19-DM)						
L	33	1	237-5072		SEAL (19-DM)						
L	35	1	197-8039		SEAL (45-DM EACH)						
L	35A	1	197-8039		SEAL (47-DM)						

L-ORDER BY THE DECIMETERS

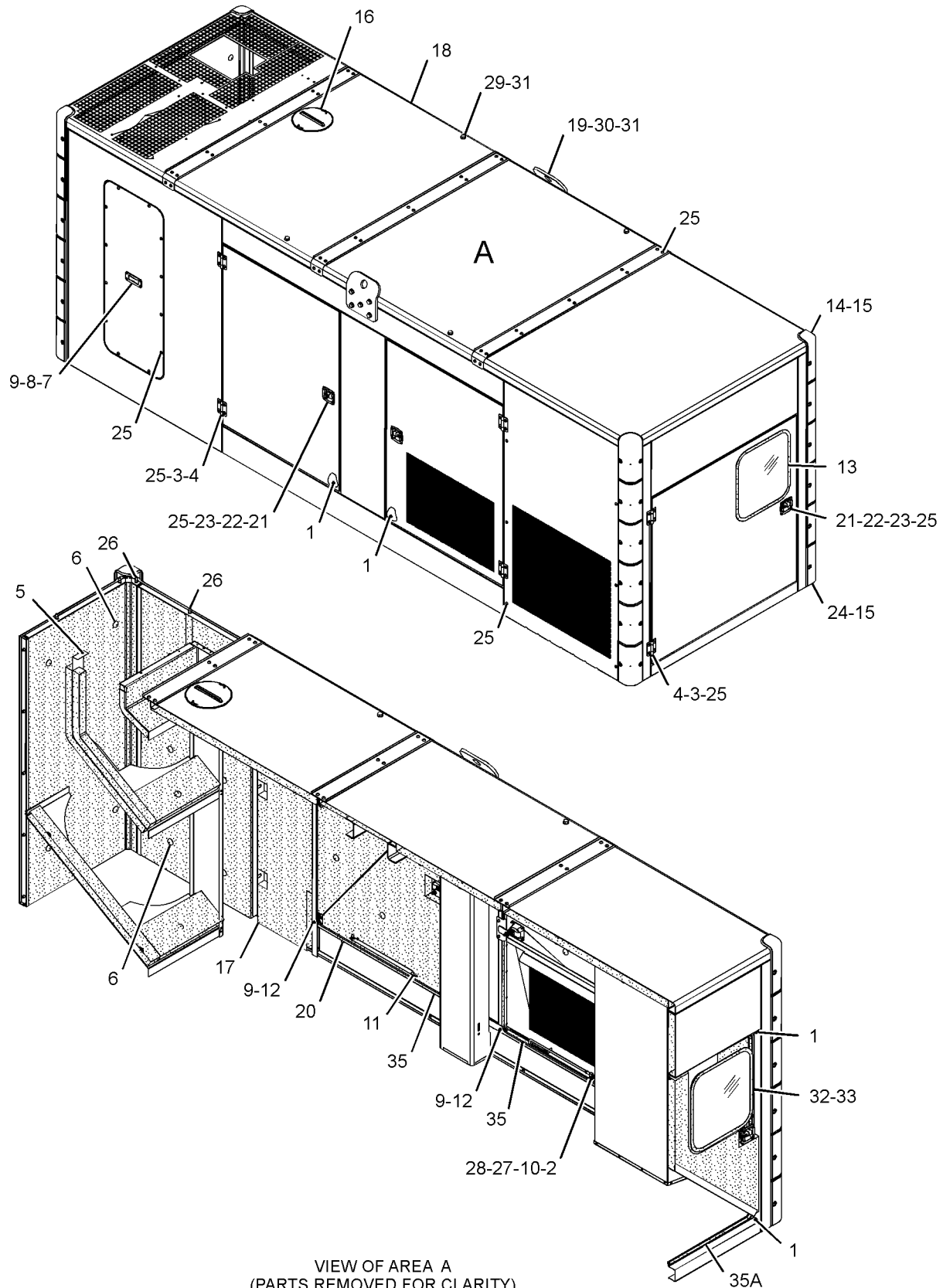
M-METRIC PART

Y-SEPARATE ILLUSTRATION

# ENCLOSURES, GUARDS AND BASES

349-5059 ENCLOSURE GP-GENERATOR (contd.)

i04896985



GRAPHIC #1

<END>

g03066236



# ENCLOSURES, GUARDS AND BASES

## 349-5060 ENCLOSURE GP-GENERATOR

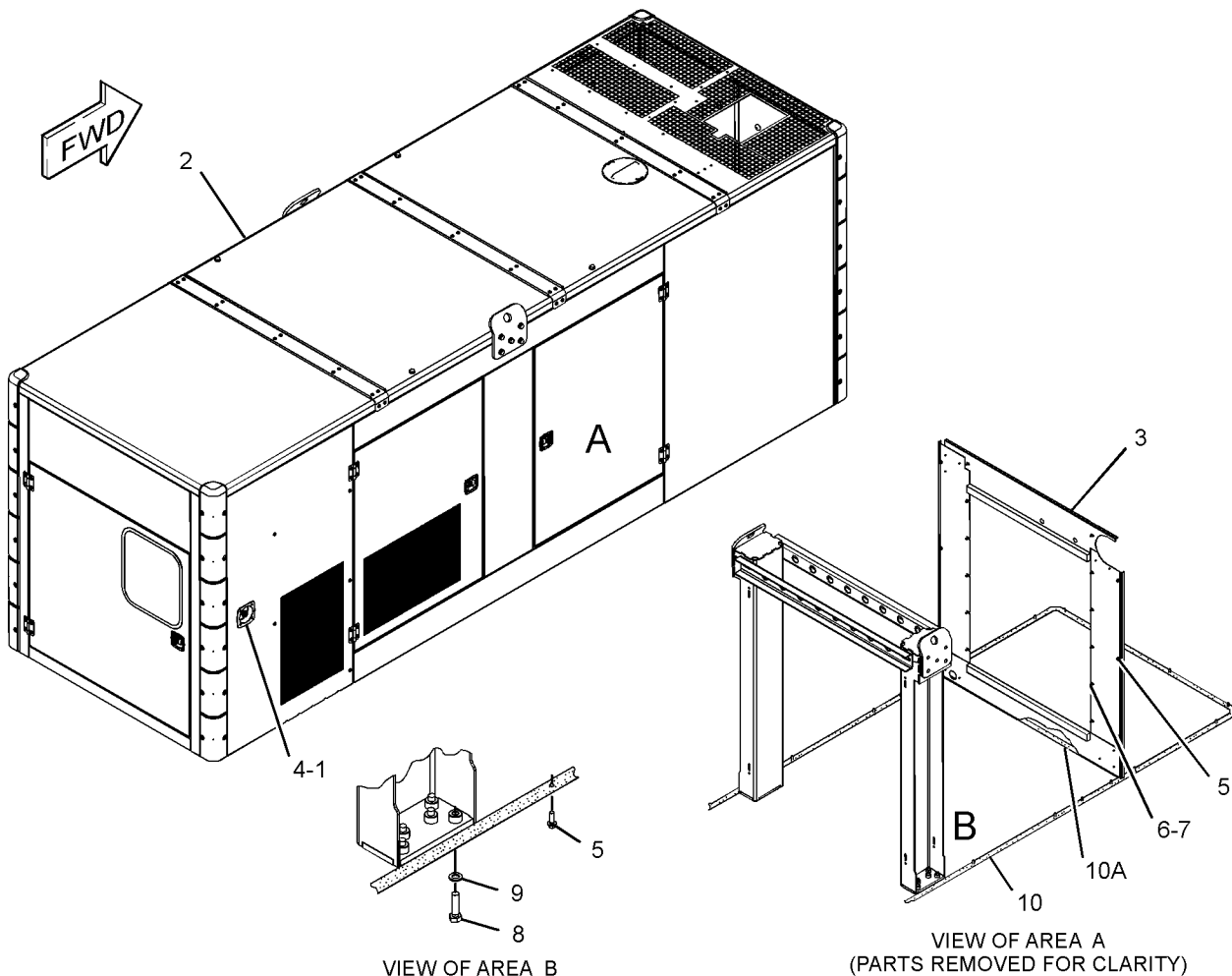
S/N: LNA1-UP; LZA1-UP  
FOR USE WITH WIDE BASES  
AN ATTACHMENT

SMCS-7274

i04896977

NOTE	REF NO	GRAPHIC REF	PART NUMBER	QTY	PART NAME						SEE PAGE
					1	2	3	4	5	6 (PRODUCT LEVEL)	
	1	1	142-8194	4	RIVET						
Y	2	1	349-5059	1	ENCLOSURE GP-GENERATOR						267
	3	1	358-4137	1	PLATE AS						
Y	4	1	386-3781	1	SWITCH GP-PUSH BUTTON						240
	5	1	338-3669	36	BOLT-FLANGE HEAD (M10X1.5X30-MM)						
	6	1	342-9920	12	BOLT-FLANGE HEAD (M8X1.25X20-MM)						
	7	1	5P-4116	12	WASHER-HARD (8.8X20.5X2-MM THK)						
M	8	1	8T-4140	12	BOLT (M16X2X60-MM)						
	9	1	9X-8257	12	WASHER (17.5X30X3.5-MM THK)						
D	10	1	5P-5924		SEAL (12.8-M)						
D	10A	1	5P-5924		SEAL (1.5-M)						

D-ORDER BY THE METER  
M-METRIC PART  
Y-SEPARATE ILLUSTRATION



GRAPHIC #1

<END>

g03058566

# ENCLOSURES, GUARDS AND BASES

## 349-5640 ENCLOSURE GP-GENERATOR

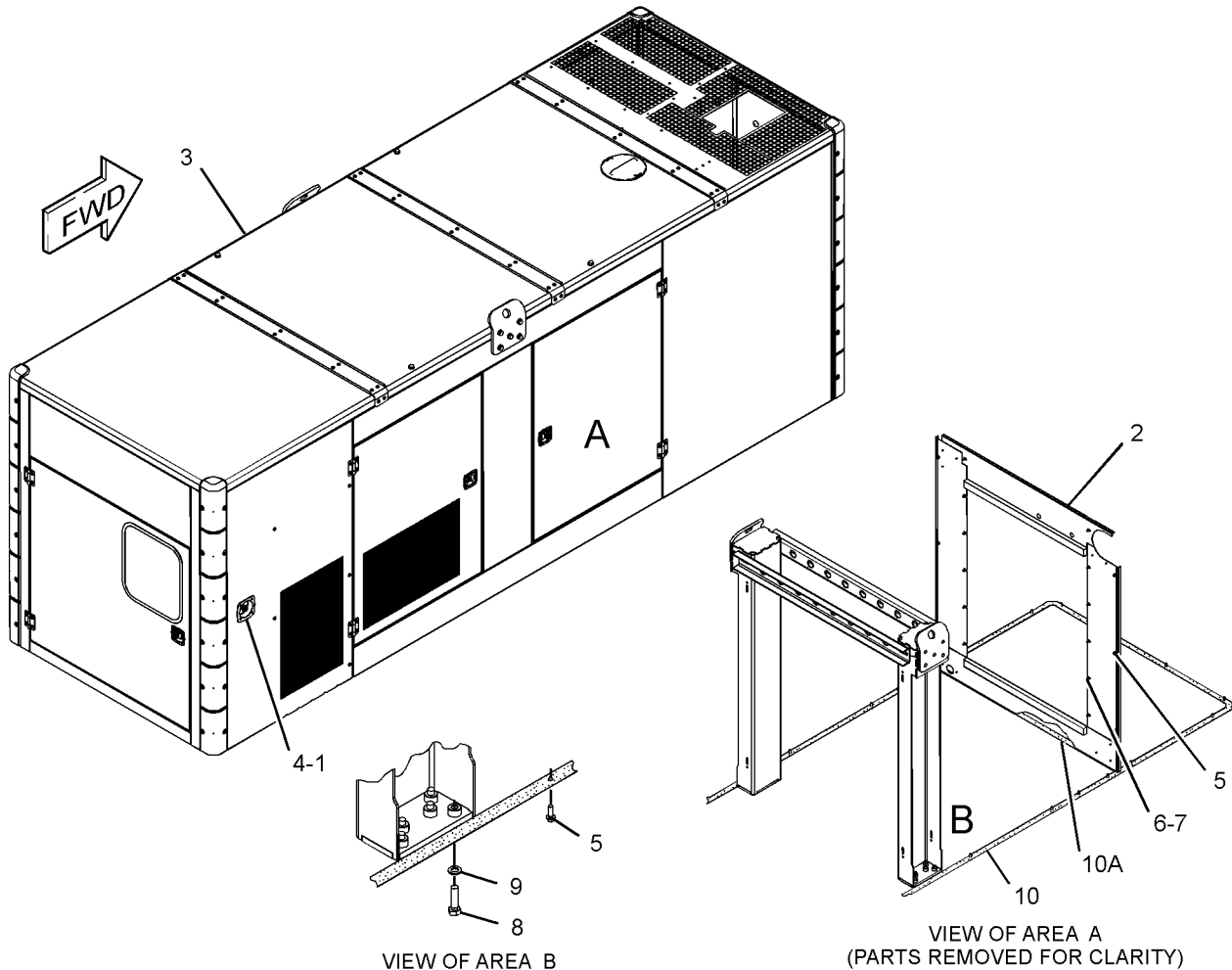
S/N: LNA1-UP; LZA1-UP  
 HIGH AMBIENT TEMPERATURE  
 FOR USE WITH WIDE BASES  
 AN ATTACHMENT

SMCS-7274

i04897064

NOTE	REF NO	GRAPHIC REF	PART NUMBER	QTY	PART NAME						SEE PAGE
					1	2	3	4	5	6 (PRODUCT LEVEL)	
	1	1	142-8194	4	RIVET						
	2	1	358-4137	1	PLATE AS						
Y	3	1	366-0100	1	ENCLOSURE GP-GENERATOR						273
Y	4	1	386-3781	1	SWITCH GP-PUSH BUTTON						240
	5	1	338-3669	36	BOLT-FLANGE HEAD (M10X1.5X30-MM)						
	6	1	342-9920	12	BOLT-FLANGE HEAD (M8X1.25X20-MM)						
	7	1	5P-4116	12	WASHER-HARD (8.8X20.5X2-MM THK)						
M	8	1	8T-4140	12	BOLT (M16X2X60-MM)						
	9	1	9X-8257	12	WASHER (17.5X30X3.5-MM THK)						
D	10	1	5P-5924		SEAL (12.8-M)						
D	10A	1	5P-5924		SEAL (1.5-M)						

D-ORDER BY THE METER  
 M-METRIC PART  
 Y-SEPARATE ILLUSTRATION



GRAPHIC #1

<END>

g03057036

# ENCLOSURES, GUARDS AND BASES

## 358-4200 ENCLOSURE GP-GENERATOR

S/N: LNA1-UP; LZA1-UP

BASIC

PART OF 349-5059, 366-0100 ENCLOSURE GP-GENERATOR  
AN ATTACHMENT

SMCS-7274

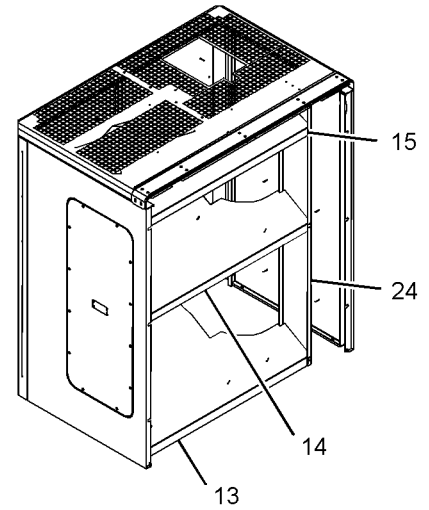
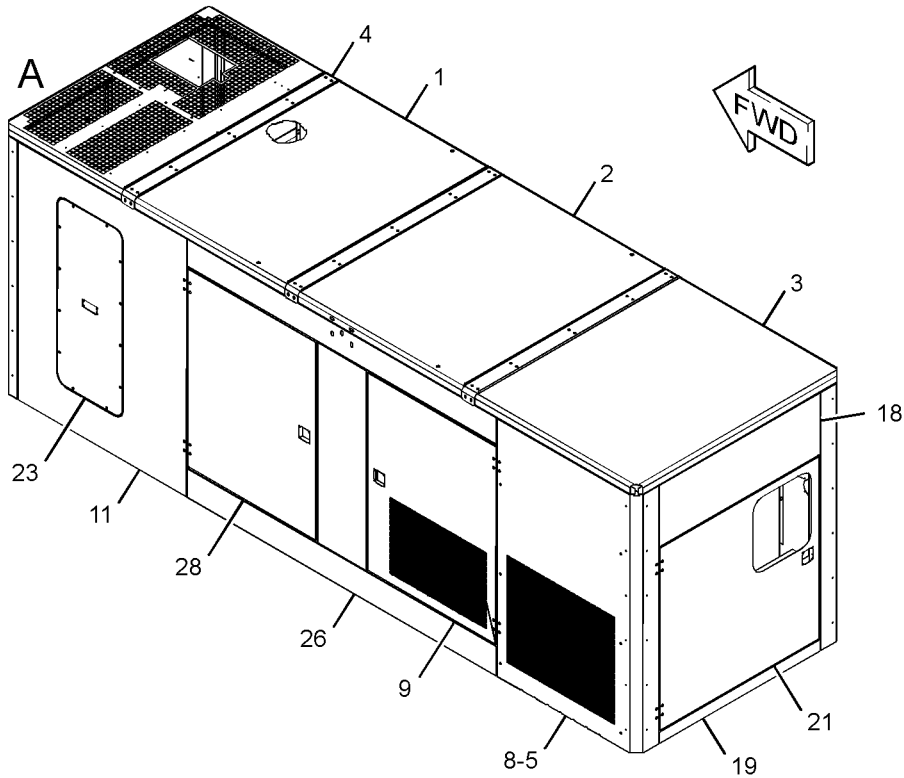
i04897022

NOTE	REF NO	GRAPHIC REF	PART NUMBER	QTY	PART NAME						SEE PAGE	
					1	2	3	4	5	6 (PRODUCT LEVEL)		
	1	1	354-2563	1	PANEL	AS	-	ROOF				
	2	1	354-2565	1	PANEL	AS	-	ROOF				
	3	1	354-2567	1	PANEL	AS	-	ROOF				
	4	1	354-2568	3	PLATE							
	5	1	354-2590	1	PANEL	AS						
	6	1	354-2592	1	PANEL	AS						
	7	1	354-2595	1	DUCT	AS						
	8	1	354-2598	1	DUCT	AS						
	9	1	354-6214	1	DOOR	AS						
	10	1	354-6220	1	DOOR	AS						
	11	1	358-4125	1	PANEL	AS						
	12	1	358-4127	1	PANEL	AS						
	13	1	358-4130	1	PLATE	AS						
	14	1	358-4133	1	PLATE	AS						
	15	1	358-4135	1	PLATE	AS						
	16	1	358-4136	1	PANEL	AS						
	17	1	358-4151	1	PANEL	AS						
	18	1	358-4162	1	PANEL							
	19	1	358-4163	1	PANEL	AS						
	20	1	358-4166	1	DOOR	AS						
	21	1	358-4169	1	PANEL	AS						
	22	1	358-4173	1	PANEL	AS						
	23	1	358-4203	1	PANEL	AS						
	24	1	369-8836	1	PANEL							
	25	1	369-8844	2	PANEL							
	26	1	369-8845	2	PANEL	AS						
	27	1	369-8846	2	PANEL	AS						
	28	1	369-8871	1	PANEL	AS						

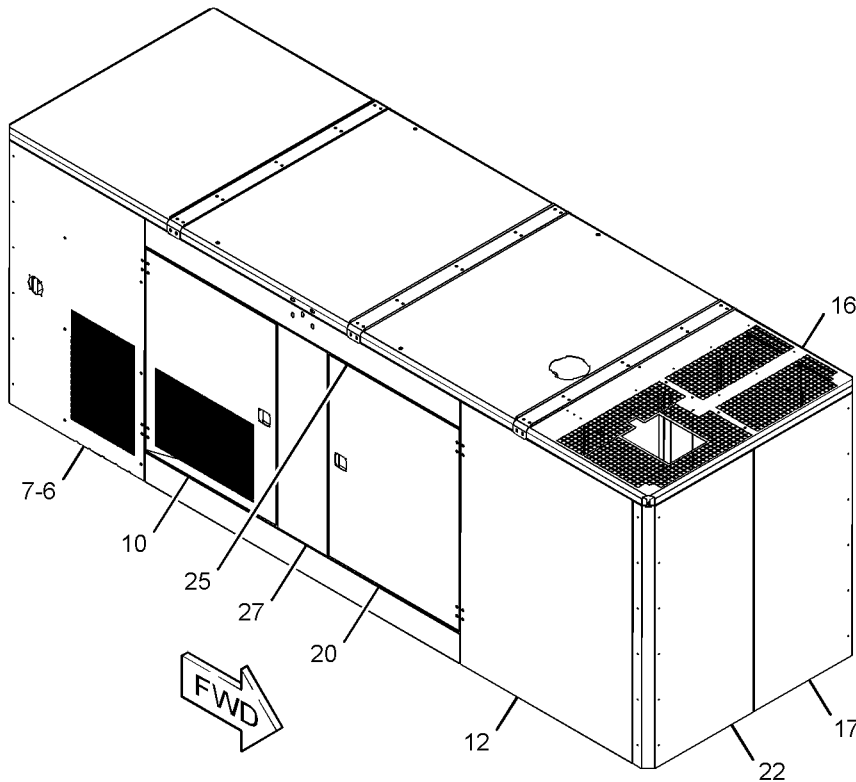
# ENCLOSURES, GUARDS AND BASES

358-4200 ENCLOSURE GP-GENERATOR (contd.)

i04897022



VIEW OF AREA A  
(PARTS REMOVED FOR CLARITY)



GRAPHIC #1

<END>

g03057510

# ENCLOSURES, GUARDS AND BASES

## 366-0100 ENCLOSURE GP-GENERATOR

S/N: LNA1-UP; LZA1-UP

BASIC, HIGH AMBIENT TEMPERATURE

PART OF 349-5640 ENCLOSURE GP-GENERATOR

AN ATTACHMENT

SMCS-7274

i04897069

NOTE	REF NO	GRAPHIC REF	PART NUMBER	QTY	PART NAME						SEE PAGE
					1	2	3	4	5	6 (PRODUCT LEVEL)	
	1	1,2	4P-1991	10	BUTTON						
	2	1,2	8C-4413	5	BALL JOINT						
	3	1,2	142-4899	40	LOCKWASHER						
	4	1,2	142-6950	10	HINGE AS						
	5	2	142-8194	37	RIVET						
	6	1	144-7183	42	RING-RETAINING						
	7	2	204-1116	1	HANDLE						
M	8	2	260-6695	4	SCREW-FLAT HEAD (M6X1X25-MM)						
	9	1,2	214-3966	24	NUT (M6X1-THD)						
	10	1,2	219-7350	5	STAY						
	11	2	232-4944	3	GROMMET						
M	12	1,2	235-4451	20	BOLT-FLANGE HEAD (M6X1X16-MM)						
	13	1	265-7111	1	WINDOW						
	14	1	329-2431	4	POST-CORNER						
	15	1	346-5504	48	CLIP						
	16	2	347-4025	1	HATCH						
Y	17	1	358-4200	1	ENCLOSURE GP-GENERATOR						271
	18	1	358-4210	1	LIFT AS						
			358-4107	2	PLATE						
			358-4111	1	LIFT AS						
			358-4108	2	ANGLE						
			358-4174	2	BEAM AS						
	19	1,2	362-0466	5	PLUG						
Y	20	1	366-0075	1	INSULATION GP-GENERATOR						277
	21	1,2	366-0081	5	LATCH AS						
M		1,2	5C-2890	4	NUT (M6X1-THD)						
		1,2	8C-3398	4	LOCKWASHER						
M		1,2	8T-4244	2	NUT (M12X1.75-THD)						
		1,2	326-0612	2	WASHER-TAB						
	22	1,2	366-0082	5	PAWL						
	23	1,2	366-0083	5	BRACKET AS						
	24	1	366-0084	4	POST-SIDE						
M	25	1,2	142-4901	116	SCREW (M10X1.5X20-MM)						
	26	1,2	338-3669	77	BOLT-FLANGE HEAD (M10X1.5X30-MM)						
M	27	1,2	5C-7261	10	NUT (M8X1.25-THD)						
	28	1,2	5P-4116	10	WASHER-HARD (8.8X20.5X2-MM THK)						
M	29	2	7X-2552	4	BOLT (M16X2X30-MM)						
M	30	1,2	8T-4193	18	BOLT (M16X2X50-MM)						
	31	1,2	9X-8257	22	WASHER (17.5X30X3.5-MM THK)						
L	32	1	237-5071		SEAL (19-DM)						
L	33	1	237-5072		SEAL (19-DM)						
L	35	1,2	197-8039		SEAL (45-DM EACH)						
L	35A	1	197-8039		SEAL (48-DM)						

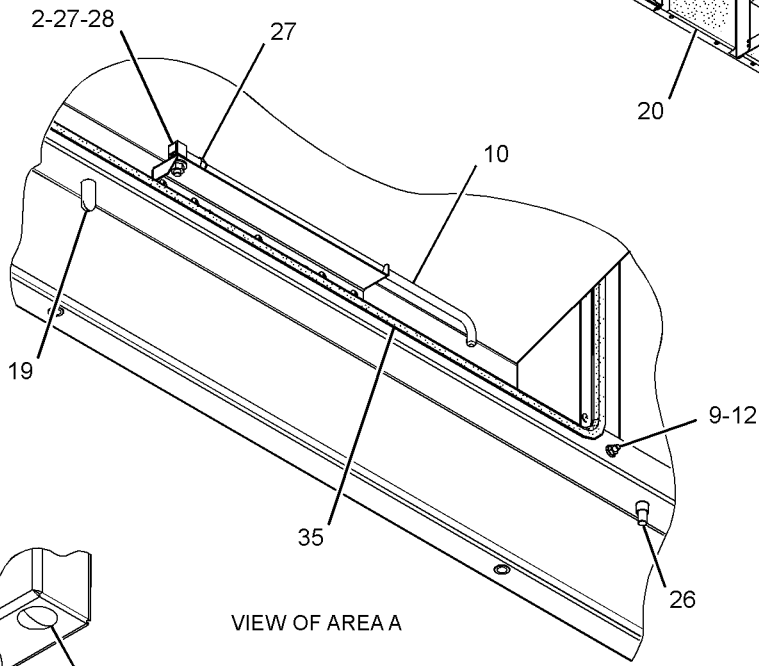
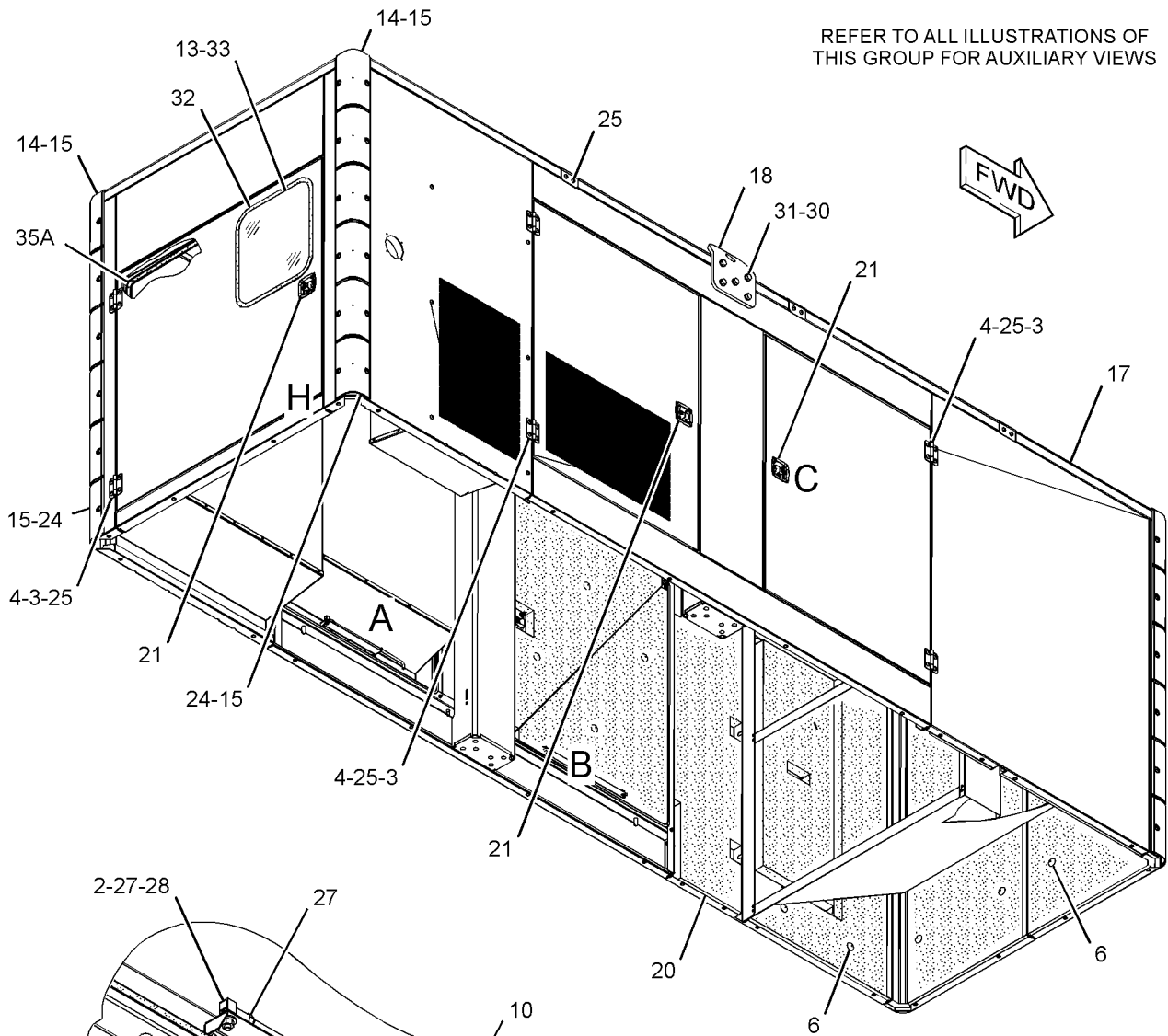
L-ORDER BY THE DECIMETER  
M-METRIC PART  
Y-SEPARATE ILLUSTRATION

# ENCLOSURES, GUARDS AND BASES

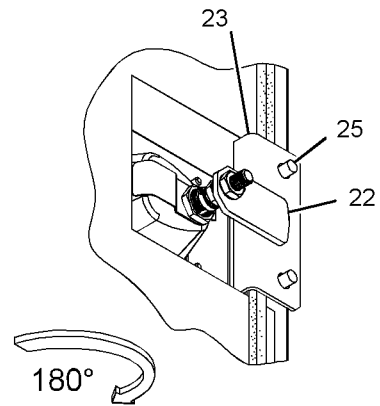
366-0100 ENCLOSURE GP-GENERATOR (contd.)

i04897069

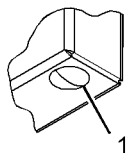
REFER TO ALL ILLUSTRATIONS OF THIS GROUP FOR AUXILIARY VIEWS



VIEW OF AREA A



VIEW OF AREA C



VIEW OF AREA H

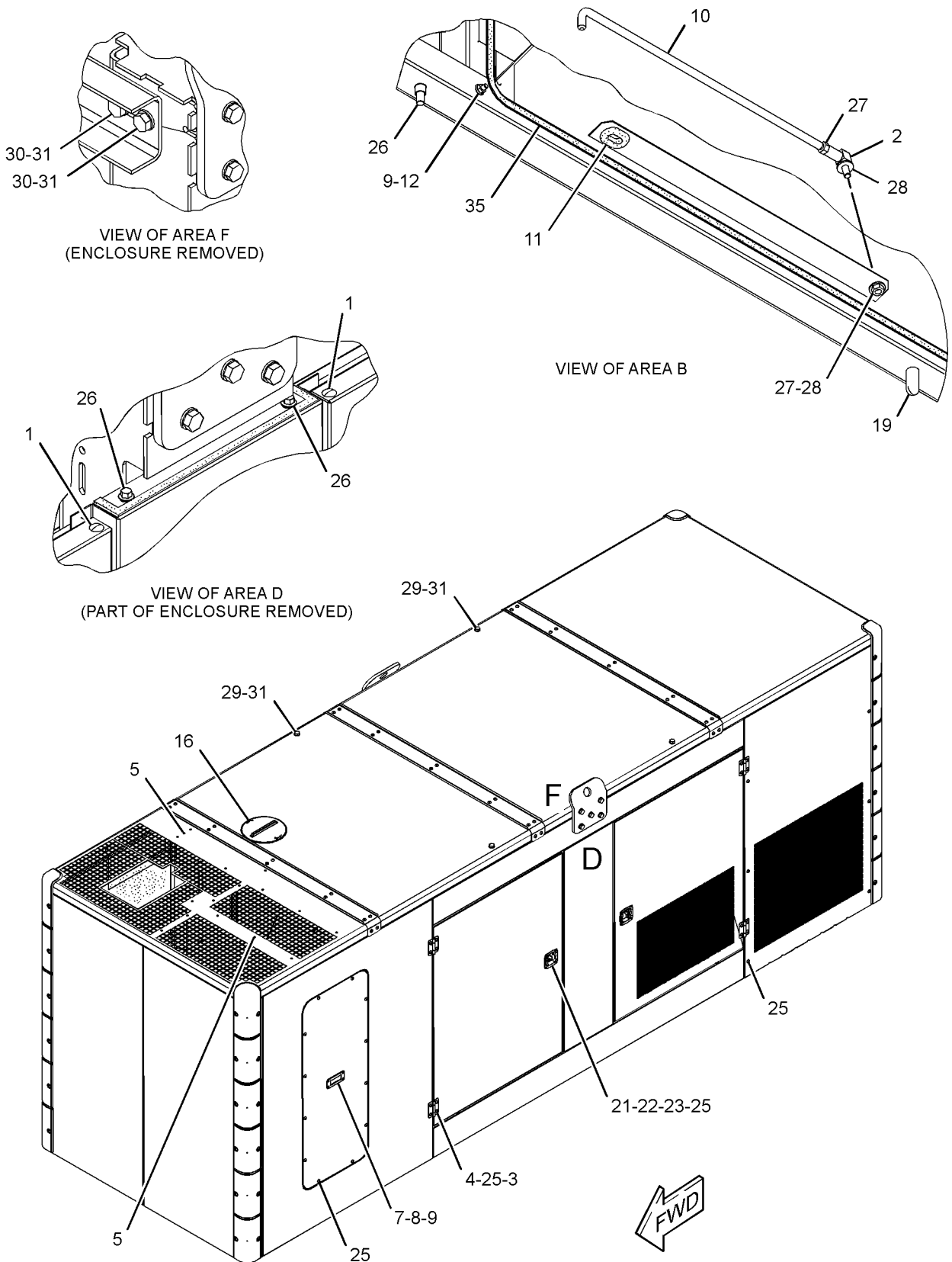
GRAPHIC #1

g03060156

# ENCLOSURES, GUARDS AND BASES

366-0100 ENCLOSURE GP-GENERATOR (contd.)

i04897069



GRAPHIC #2

<END>

g03060638

# ENCLOSURES, GUARDS AND BASES

## 358-4182 INSULATION GP-GENERATOR

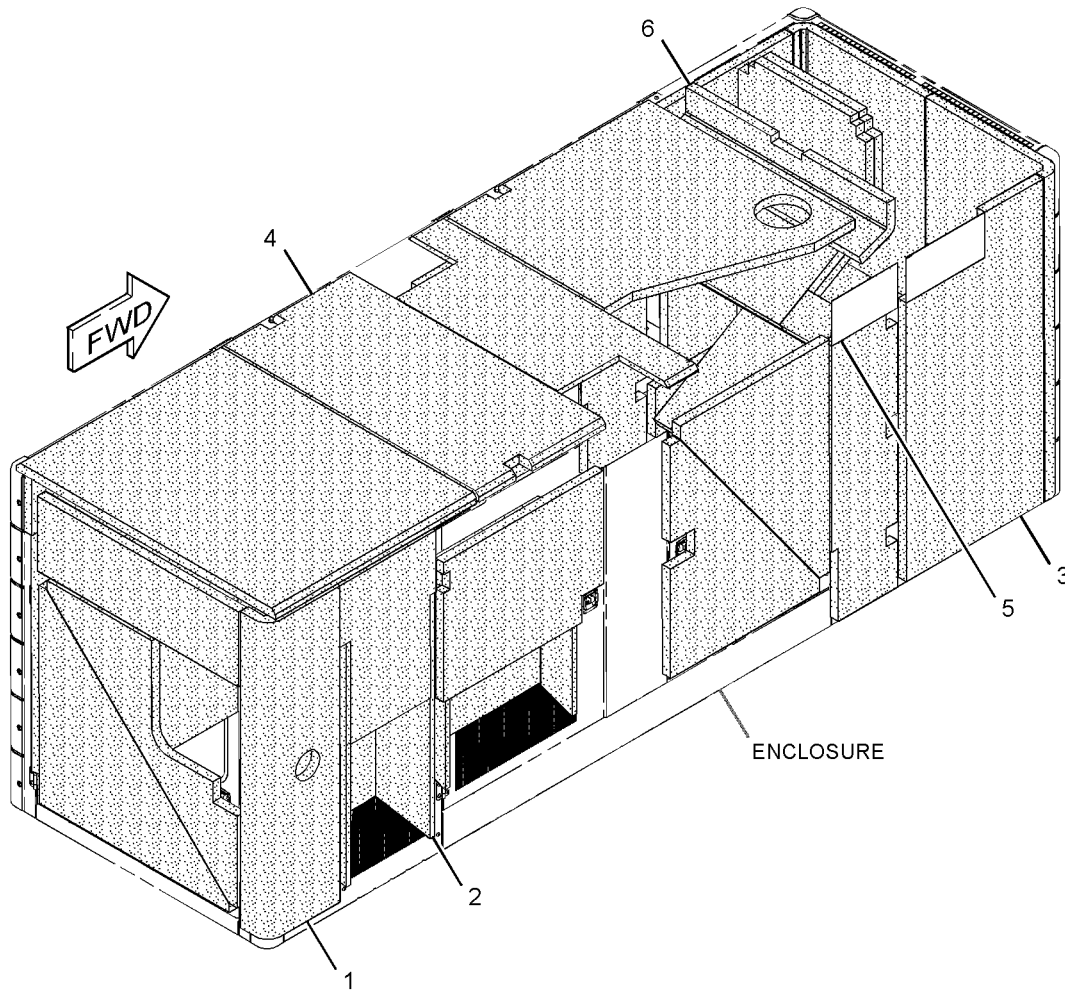
S/N: LNA1-UP; LZA1-UP

PART OF 349-5059 ENCLOSURE GP-GENERATOR  
AN ATTACHMENT

SMCS-7274

i04897015

NOTE	REF NO	GRAPHIC REF	PART NUMBER	QTY	PART NAME						SEE PAGE
					1	2	3	4	5	6 (PRODUCT LEVEL)	
	1	1	354-2575	1	INSULATION AS						
	2	1	358-4113	1	INSULATION AS						
	3	1	358-4178	1	INSULATION AS						
	4	1	358-4179	1	INSULATION AS						
	5	1	358-4180	1	SHIELD AS						
	6	1	369-8841	1	INSULATION AS						



GRAPHIC #1

<END>

g03056857



# ENCLOSURES, GUARDS AND BASES

## 366-0075 INSULATION GP-GENERATOR

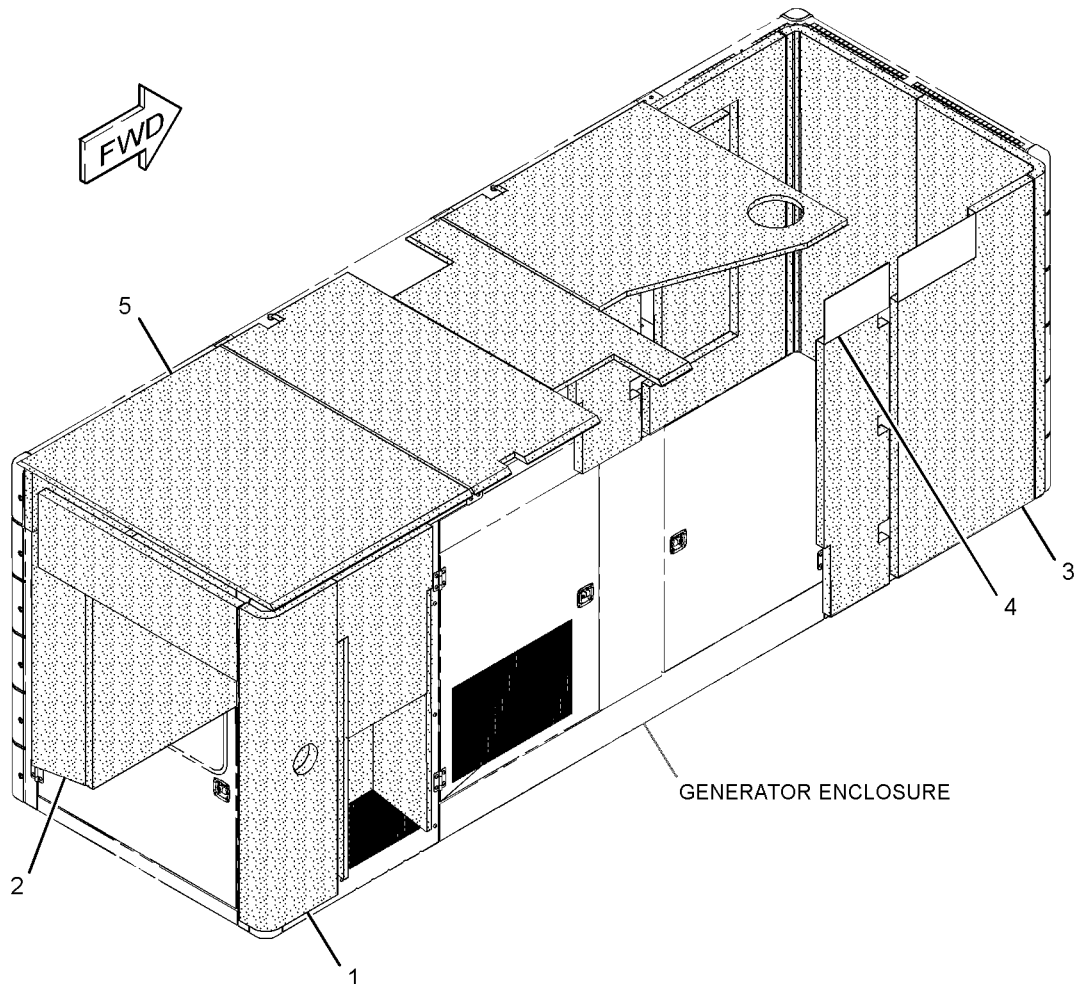
S/N: LNA1-UP; LZA1-UP

PART OF 366-0100 ENCLOSURE GP-GENERATOR  
AN ATTACHMENT

SMCS-7274

i04897073

NOTE	REF NO	GRAPHIC REF	PART NUMBER	QTY	PART NAME						SEE PAGE
					1	2	3	4	5	6 (PRODUCT LEVEL)	
	1	1	354-2575	1	INSULATION AS						
	2	1	358-4113	1	INSULATION AS						
	3	1	358-4178	1	INSULATION AS						
	4	1	358-4180	1	SHIELD AS						
	5	1	366-0076	1	INSULATION AS						



GRAPHIC #1

<END>

g03055236

# GENERATORS

## 392-0642 CONNECTION GP-GENERATOR LEADS

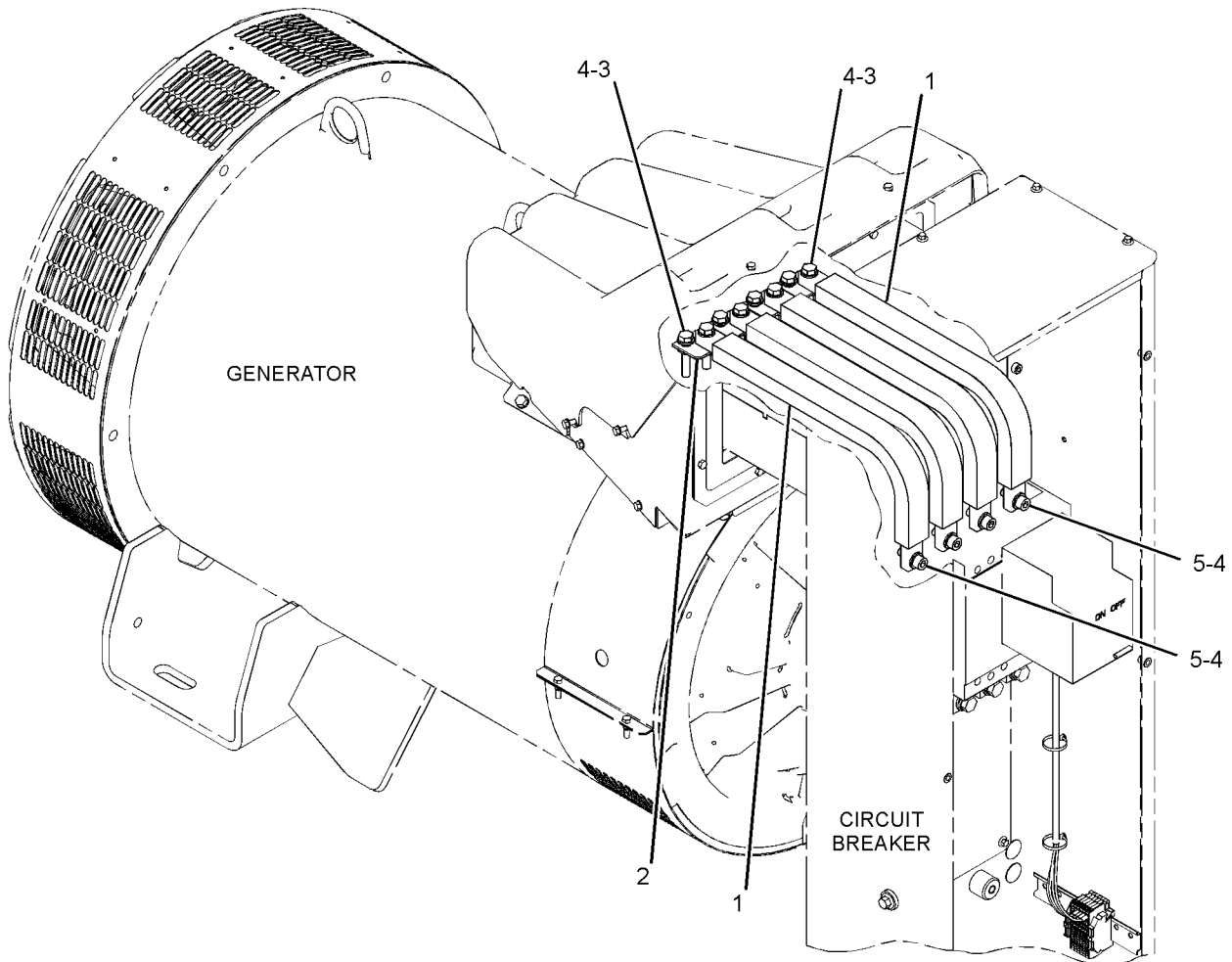
S/N: LNA1-UP; LZA1-UP  
630-AMPERE. 4-POLE BREAKER  
AN ATTACHMENT

SMCS-4460

i04801143

NOTE	REF NO	GRAPHIC REF	PART NUMBER	QTY	PART NAME						SEE PAGE
					1	2	3	4	5	6 (PRODUCT LEVEL)	
	1	1	361-9099	4	CABLE AS						
	2	1	379-0920	4	BRACKET AS						
M	3	1	160-8742	8	BOLT (M10X1.5X55-MM)						
	4	1	8T-4121	12	WASHER-HARD (11X21X2.5-MM THK)						
M	5	1	9X-6032	4	BOLT-SOCKET HEAD (M10X1.5X30-MM)						

M-METRIC PART



GRAPHIC #1

<END>

g02924197

# GENERATORS

## 392-0643 CONNECTION GP-GENERATOR LEADS

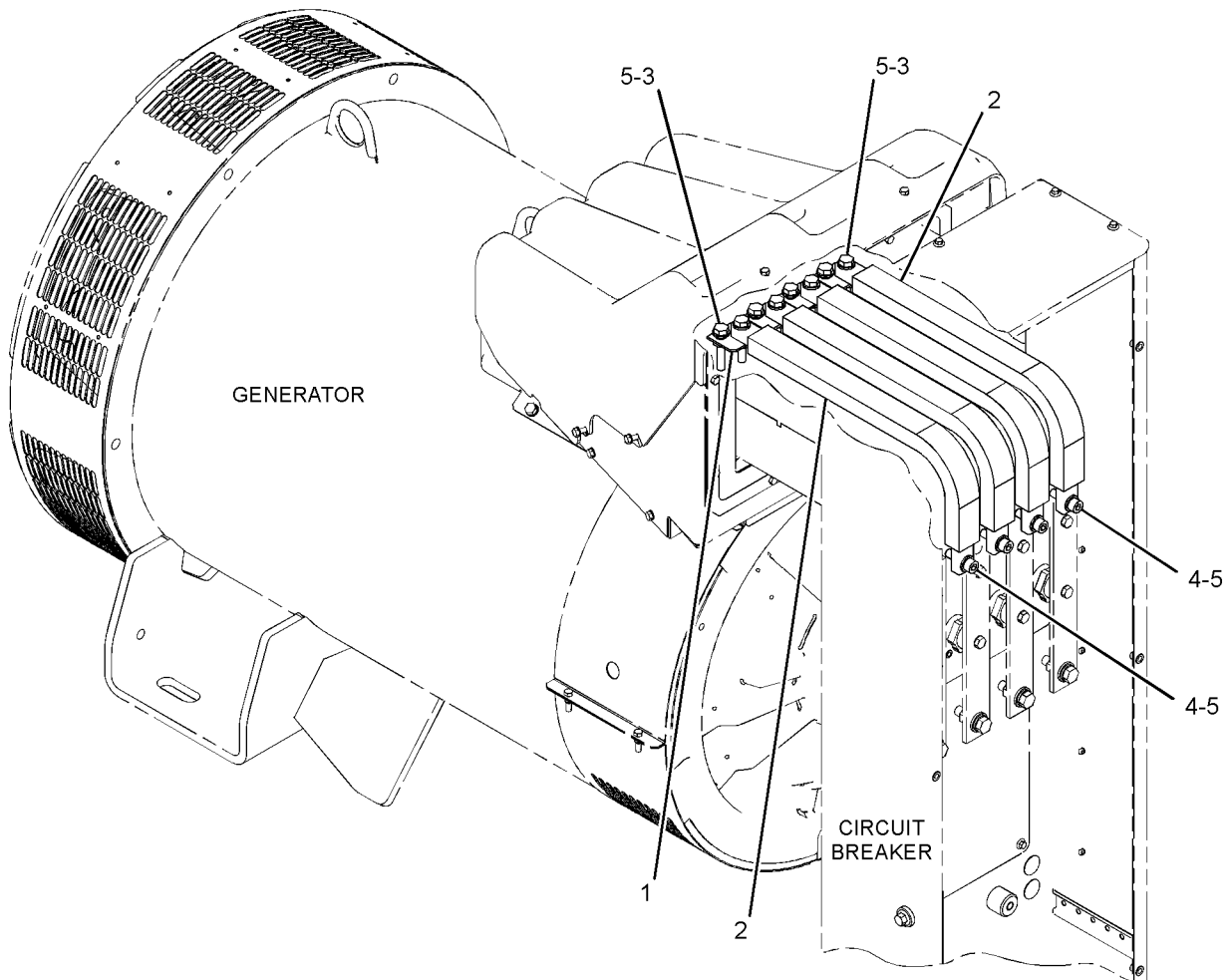
S/N: LNA1-UP; LZA1-UP  
630-AMPERE  
AN ATTACHMENT

SMCS-4460

i04801136

NOTE	REF NO	GRAPHIC REF	PART NUMBER	QTY	PART NAME						SEE PAGE
					1	2	3	4	5	6 (PRODUCT LEVEL)	
	1	1	379-0920	4	BRACKET AS						
	2	1	392-0645	4	CABLE AS						
M	3	1	160-8742	8	BOLT (M10X1.5X55-MM)						
M	4	1	8T-0271	4	BOLT-SOCKET HEAD (M10X1.5X35-MM)						
	5	1	8T-4121	12	WASHER-HARD (11X21X2.5-MM THK)						

M-METRIC PART



GRAPHIC #1

<END>

g02924196

# GENERATORS

## 392-0644 CONNECTION GP-GENERATOR LEADS

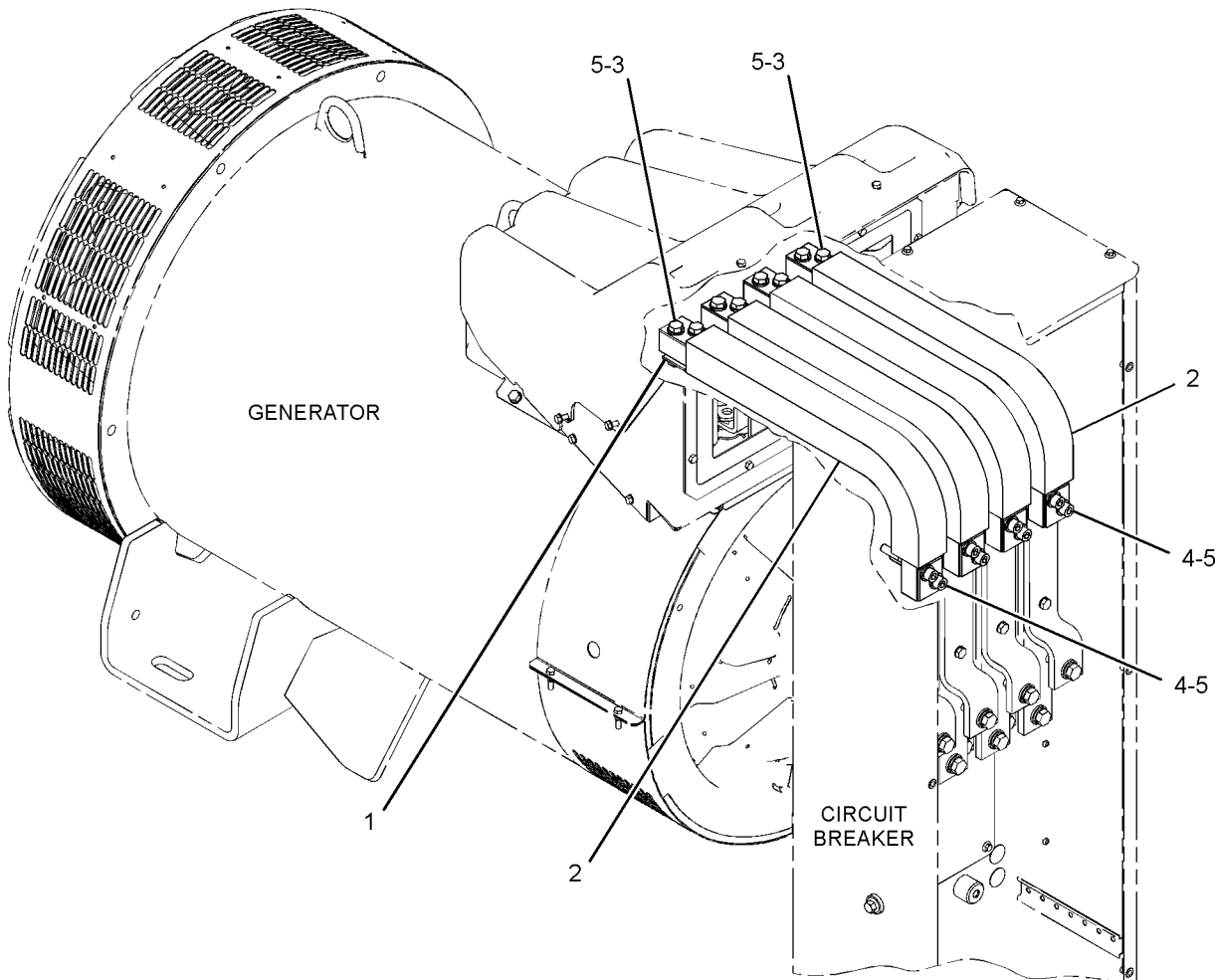
S/N: LNA1-UP; LZA1-UP  
2000-AMPERE  
AN ATTACHMENT

SMCS-4460

i04896125

NOTE	REF NO	GRAPHIC REF	PART NUMBER	QTY	PART NAME						SEE PAGE
					1	2	3	4	5	6 (PRODUCT LEVEL)	
	1	1	379-0920	4	BRACKET AS						
	2	1	392-0647	4	CABLE AS						
M	3	1	160-8742	8	BOLT (M10X1.5X55-MM)						
M	4	1	8T-0342	8	BOLT-SOCKET HEAD (M10X1.5X80-MM)						
	5	1	8T-4121	16	WASHER-HARD (11X21X2.5-MM THK)						

M-METRIC PART



GRAPHIC #1

<END>

g03047676

# GENERATORS

## 392-0646 CONNECTION GP-GENERATOR LEADS

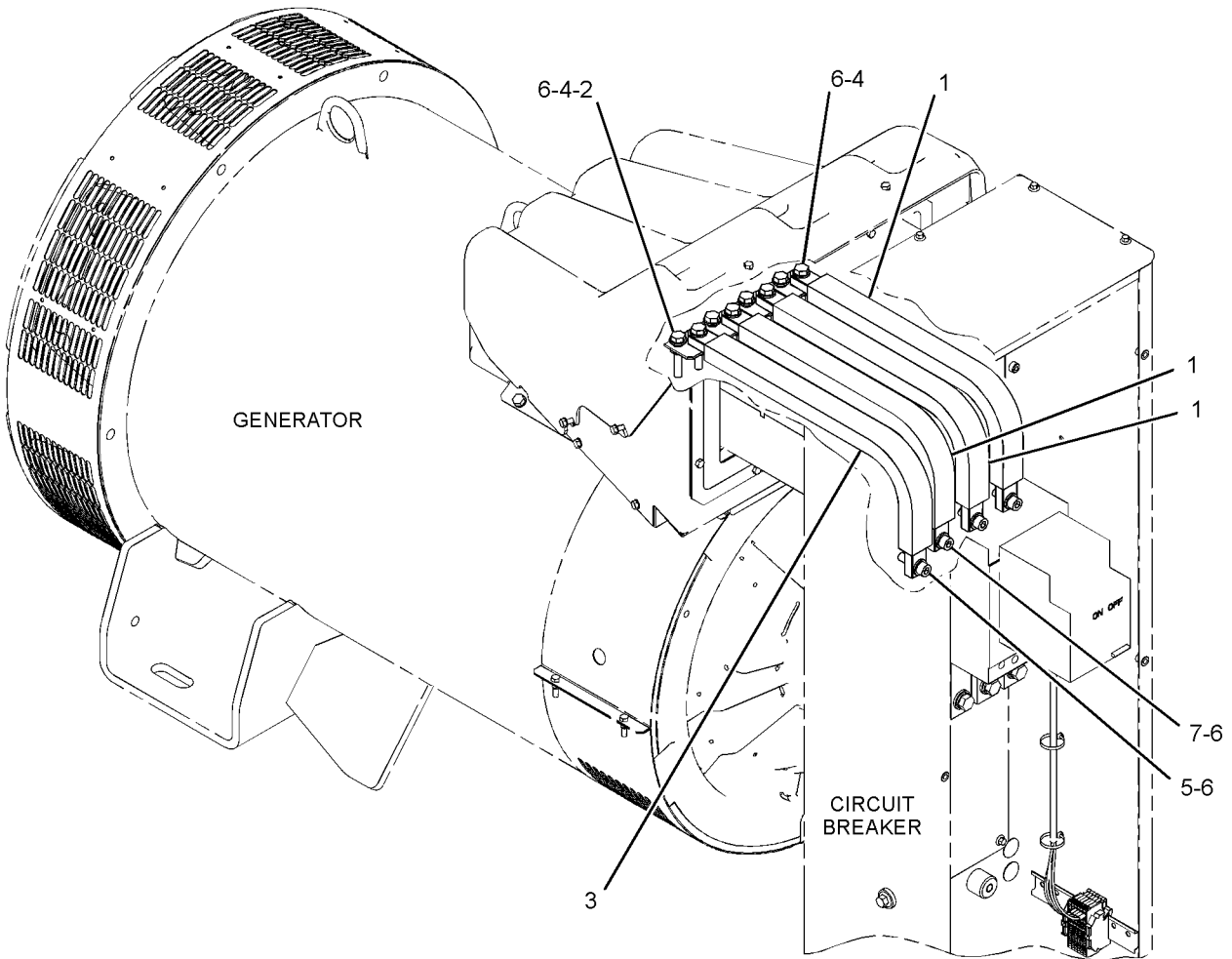
S/N: LNA1-UP; LZA1-UP  
630-AMPERE. 3-POLE BREAKER  
AN ATTACHMENT

SMCS-4460

i04801177

NOTE	REF NO	GRAPHIC REF	PART NUMBER	QTY	PART NAME						SEE PAGE
					1	2	3	4	5	6 (PRODUCT LEVEL)	
	1	1	361-9099	3	CABLE AS						
	2	1	379-0920	4	BRACKET AS						
	3	1	392-0645	1	CABLE AS						
M	4	1	160-8742	8	BOLT (M10X1.5X55-MM)						
M	5	1	8T-0271	1	BOLT-SOCKET HEAD (M10X1.5X35-MM)						
	6	1	8T-4121	12	WASHER-HARD (11X21X2.5-MM THK)						
M	7	1	9X-6032	3	BOLT-SOCKET HEAD (M10X1.5X30-MM)						

M-METRIC PART



GRAPHIC #1

<END>

g02924099

# GENERATORS

## 358-4745 CONNECTION GP-TERMINAL STRIP

S/N: LNA1-UP; LZA1-UP

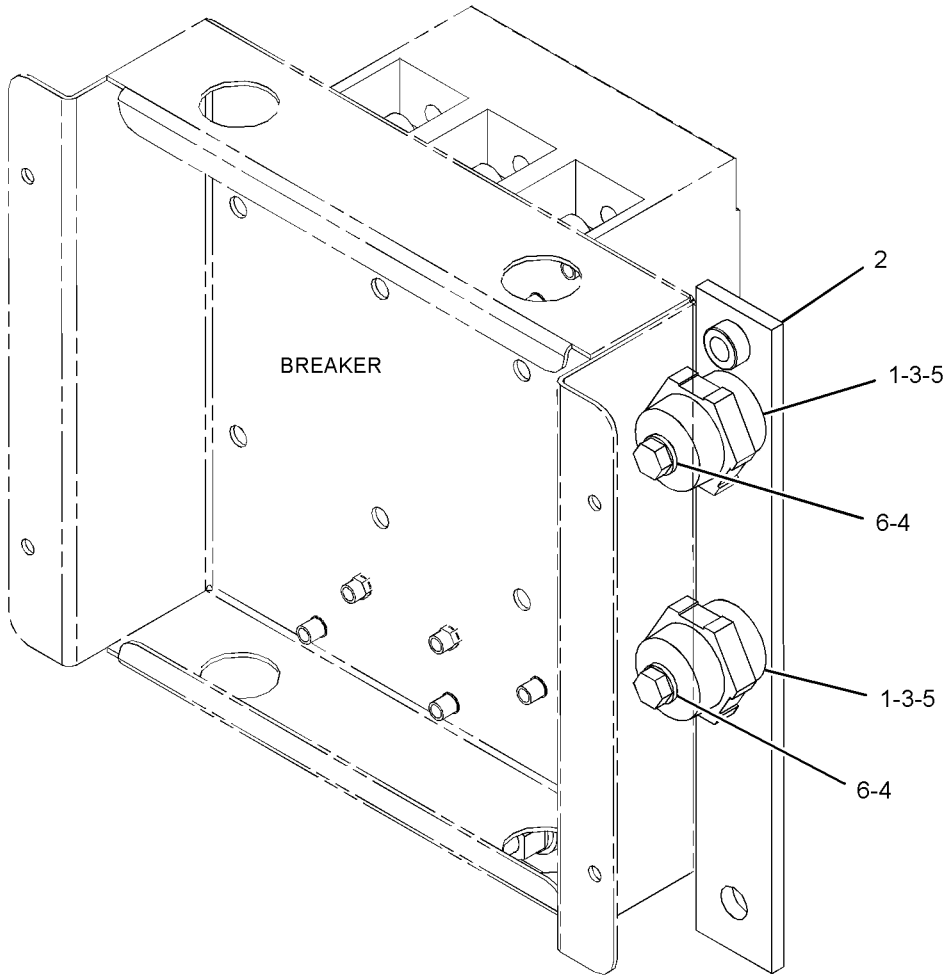
PART OF 358-4739 CIRCUIT BREAKER & MOUNTING GP, 379-0931 CONNECTION  
GP-TERMINAL STRIP  
AN ATTACHMENT

SMCS-4460

i04762037

NOTE	REF NO	GRAPHIC REF	PART NUMBER	QTY	PART NAME						SEE PAGE
					1	2	3	4	5	6 (PRODUCT LEVEL)	
	1	1	143-4456	2	INSULATOR						
	2	1	358-4744	1	TERMINAL AS						
	3	1	3F-9556	2	LOCKWASHER						
M	4	1	8T-4199	2	BOLT (M8X1.25X12-MM)						
M	5	1	8T-4200	2	BOLT (M8X1.25X16-MM)						
	6	1	8T-4224	2	WASHER-HARD (8.8X16X2-MM THK)						

M-METRIC PART



GRAPHIC #1

<END>

g02858236

# GENERATORS

## 358-4750 CONNECTION GP-TERMINAL STRIP

S/N: LNA1-UP; LZA1-UP

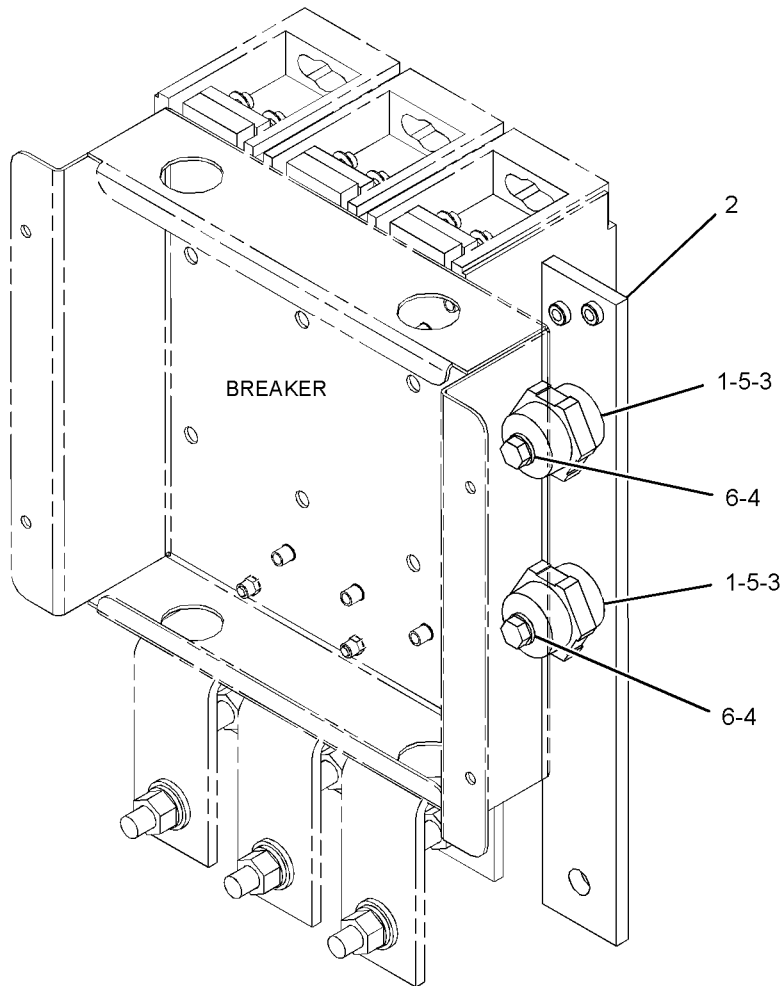
PART OF 358-4738 CIRCUIT BREAKER GP, 379-0932 CONNECTION GP-TERMINAL STRIP  
AN ATTACHMENT

SMCS-4460

i04762035

NOTE	REF NO	GRAPHIC REF	PART NUMBER	QTY	PART NAME						SEE PAGE
					1	2	3	4	5	6 (PRODUCT LEVEL)	
	1	1	143-4456	2	INSULATOR						
	2	1	361-9066	1	TERMINAL AS						
	3	1	3F-9556	2	LOCKWASHER						
M	4	1	8T-4199	2	BOLT (M8X1.25X12-MM)						
M	5	1	8T-4200	2	BOLT (M8X1.25X16-MM)						
	6	1	8T-4224	2	WASHER-HARD (8.8X16X2-MM THK)						

M-METRIC PART



GRAPHIC #1

<END>

g02858305

# GENERATORS

## 358-4755 CONNECTION GP-TERMINAL STRIP

S/N: LNA1-UP; LZA1-UP

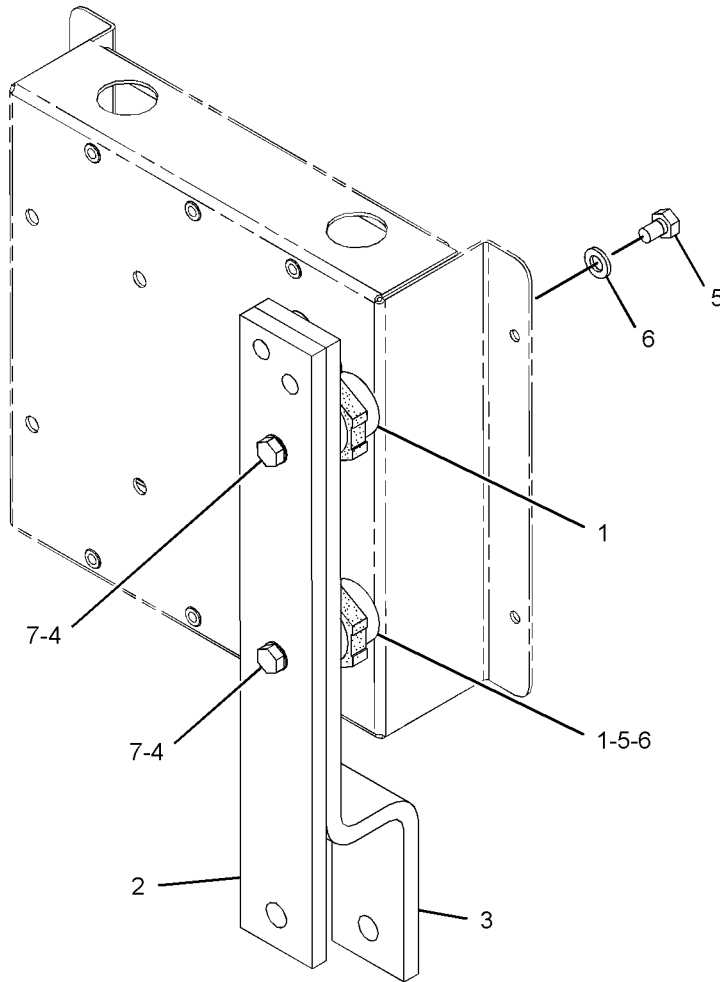
PART OF 358-4736, 383-8086 CIRCUIT BREAKER GP, 379-0933 CONNECTION  
GP-TERMINAL STRIP  
AN ATTACHMENT

SMCS-4460

i04902236

NOTE	REF NO	GRAPHIC REF	PART NUMBER	QTY	PART NAME						SEE PAGE
					1	2	3	4	5	6 (PRODUCT LEVEL)	
	1	1	143-4456	2	INSULATOR						
	2	1	358-4751	1	TERMINAL						
	3	1	358-4752	1	TERMINAL AS						
	4	1	3F-9556	2	LOCKWASHER						
M	5	1	8T-4199	2	BOLT (M8X1.25X12-MM)						
	6	1	8T-4224	2	WASHER-HARD (8.8X16X2-MM THK)						
M	7	1	8T-7547	2	BOLT (M8X1.25X30-MM)						

M-METRIC PART



GRAPHIC #1

<END>

g03062817



# GENERATORS

## 378-9875 CONNECTION GP-TERMINAL STRIP

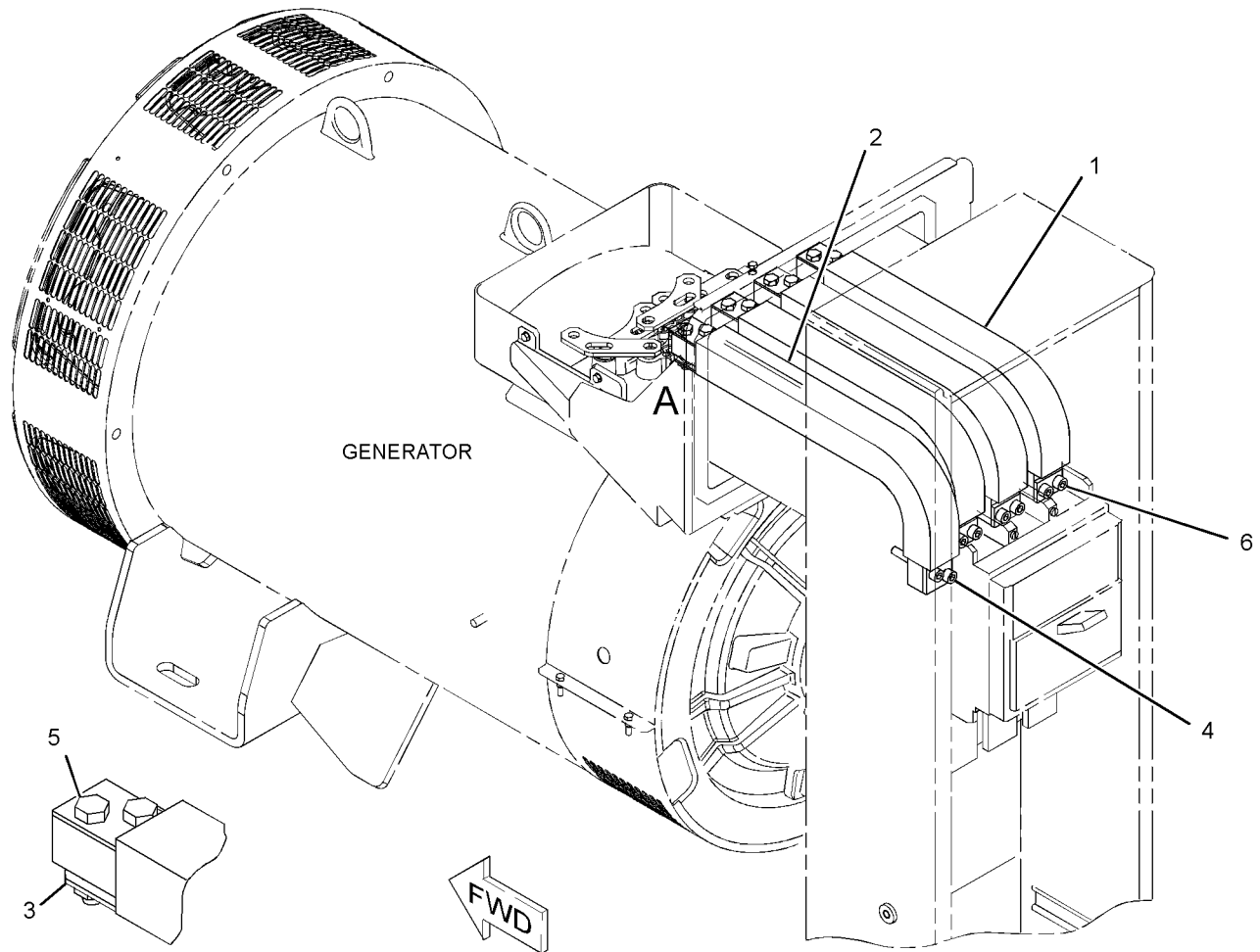
S/N: LNA1-UP; LZA1-UP  
1250-AMPERE, 1600-AMPERE, 3-POLE  
AN ATTACHMENT

SMCS-4460

i04843131

NOTE	REF NO	GRAPHIC REF	PART NUMBER	QTY	PART NAME						SEE PAGE
					1	2	3	4	5	6 (PRODUCT LEVEL)	
	1	1	361-9101	3	CABLE AS						
	2	1	379-0889	1	CABLE AS						
	3	1	379-0920	4	BRACKET AS						
M	4	1	105-3483	2	BOLT-SOCKET HEAD (M10X1.5X70-MM)						
M	5	1	160-8742	8	BOLT (M10X1.5X55-MM)						
M	6	1	8T-1160	6	BOLT-SOCKET HEAD (M10X1.5X50-MM)						

M-METRIC PART



VIEW OF AREA A

GRAPHIC #1

<END>

g02977117

# GENERATORS

## 379-0905 CONNECTION GP-TERMINAL STRIP

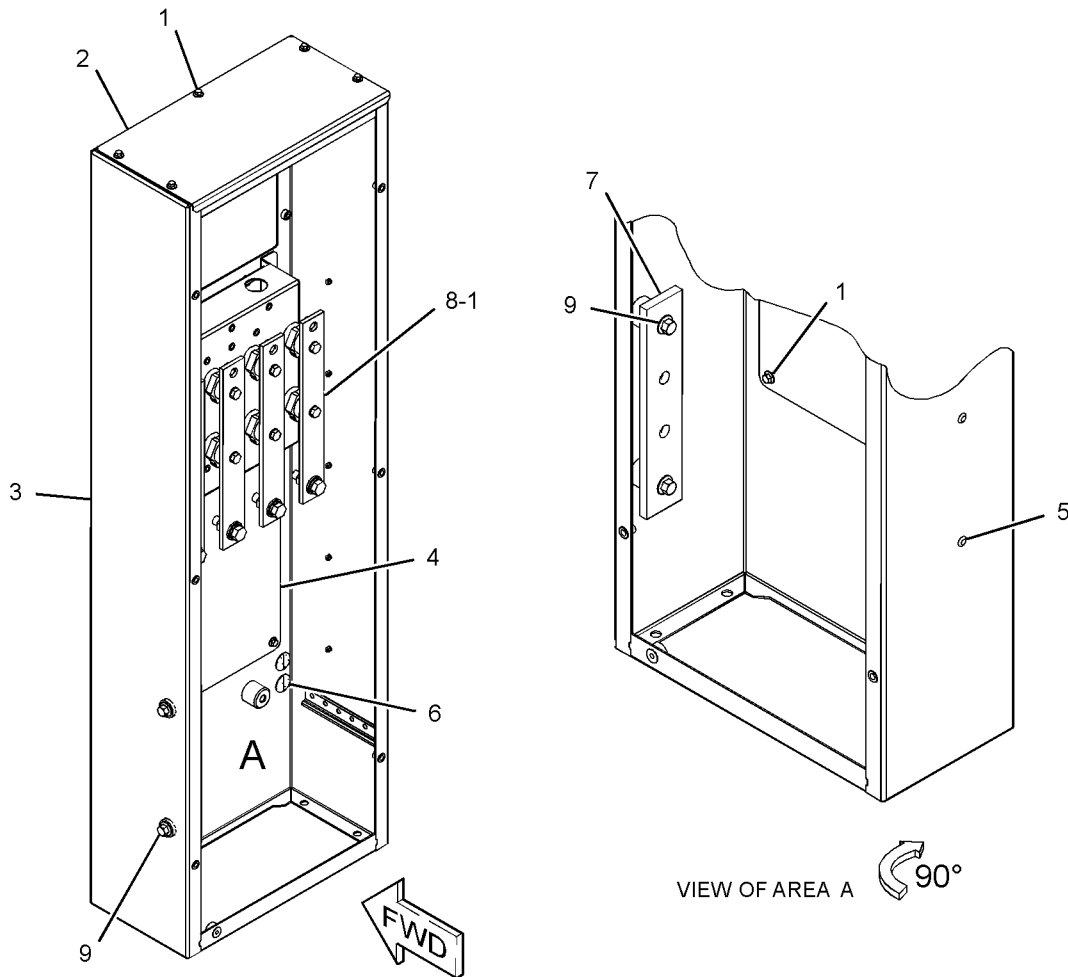
S/N: LNA1-UP; LZA1-UP  
630-AMP  
AN ATTACHMENT

SMCS-4460

i04757178

NOTE	REF NO	GRAPHIC REF	PART NUMBER	QTY	PART NAME						SEE PAGE
					1	2	3	4	5	6 (PRODUCT LEVEL)	
M	1	1	235-4451	13	BOLT-FLANGE HEAD (M6X1X16-MM)						
	2	1	349-5649	1	PANEL-CIRCUIT BREAKER						
	3	1	349-5656	1	PANEL AS-ENCLOSURE						
	4	1	349-5667	1	PLATE-COVER						
	5	1	349-6808	5	MOUNT						
	6	1	350-4303	2	GROMMET						
	7	1	374-0473	1	BAR AS						
Y	8	1	379-0931	1	CONNECTION GP-TERMINAL STRIP						288
	9	1	342-9913	4	BOLT-FLANGE HEAD (M10X1.5X20-MM)						

M-METRIC PART  
Y-SEPARATE ILLUSTRATION



GRAPHIC #1

<END>

g02857418

# GENERATORS

## 379-0906 CONNECTION GP-TERMINAL STRIP

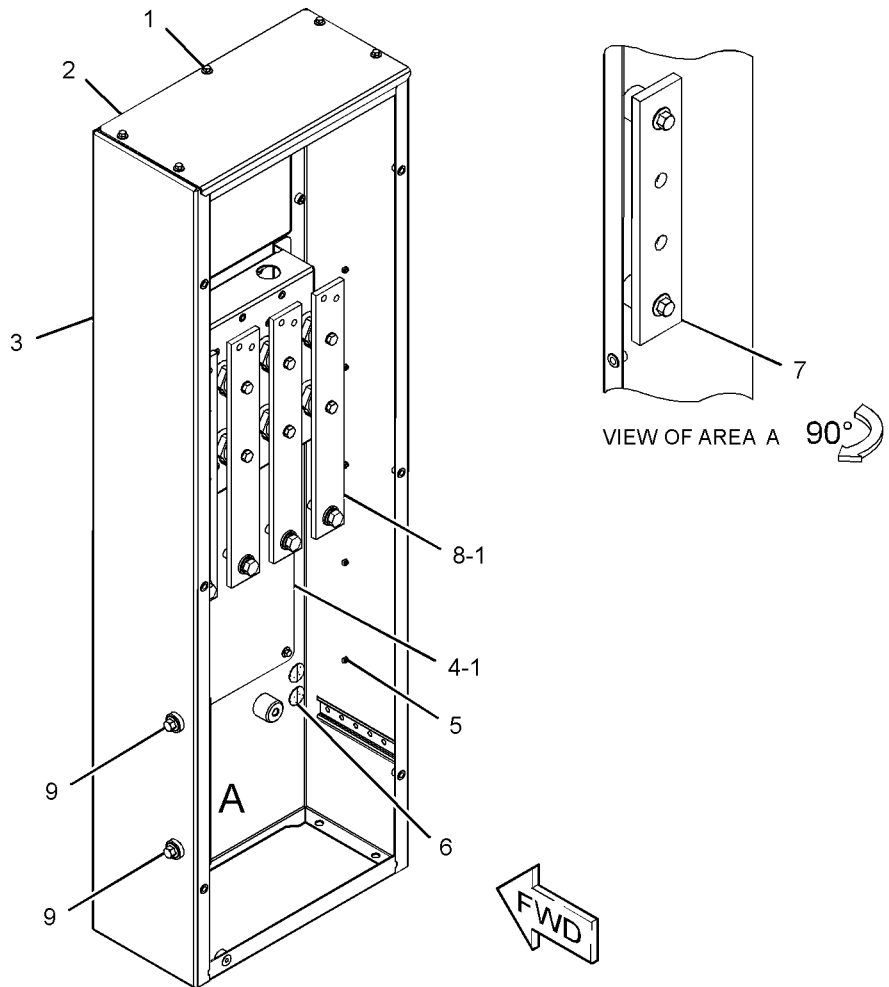
S/N: LNA1-UP; LZA1-UP  
800-AMP  
AN ATTACHMENT

SMCS-4460

i04757183

NOTE	REF NO	GRAPHIC REF	PART NUMBER	QTY	PART NAME						SEE PAGE
					1	2	3	4	5	6 (PRODUCT LEVEL)	
M	1	1	235-4451	13	BOLT-FLANGE HEAD (M6X1X16-MM)						
	2	1	349-5649	1	PANEL-CIRCUIT BREAKER						
	3	1	349-5656	1	PANEL AS-ENCLOSURE						
	4	1	349-5667	1	PLATE-COVER						
	5	1	349-6808	5	MOUNT						
	6	1	350-4303	2	GROMMET						
	7	1	374-0473	1	BAR AS						
Y	8	1	379-0932	1	CONNECTION GP-TERMINAL STRIP						289
	9	1	342-9913	4	BOLT-FLANGE HEAD (M10X1.5X20-MM)						

M-METRIC PART  
Y-SEPARATE ILLUSTRATION



GRAPHIC #1

<END>

g02857323

# GENERATORS

## 379-0931 CONNECTION GP-TERMINAL STRIP

S/N: LNA1-UP; LZA1-UP

630-AMP, 15-LITERS

PART OF 379-0905 CONNECTION GP-TERMINAL STRIP  
AN ATTACHMENT

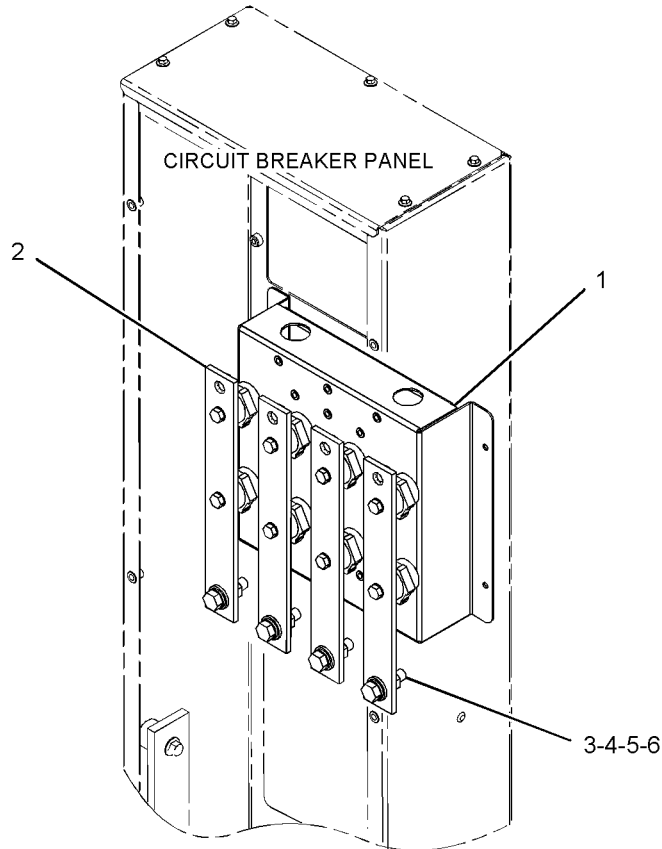
SMCS-4460

i04757193

NOTE	REF NO	GRAPHIC REF	PART NUMBER	QTY	PART NAME						SEE PAGE
					1	2	3	4	5	6 (PRODUCT LEVEL)	
	1	1	<b>349-5651</b>	1	BRACKET AS						
		1	<b>203-5398</b>	12	INSERT-THREADED (M5X0.8-THD)						
Y	2	1	<b>358-4745</b>	4	CONNECTION GP-TERMINAL STRIP						282
	3	1	<b>8R-8847</b>	8	RETAINER-SPRING						
M	4	1	<b>8T-4183</b>	4	BOLT (M12X1.75X40-MM)						
	5	1	<b>8T-4223</b>	8	WASHER-HARD (13.5X25.5X3-MM THK)						
M	6	1	<b>8T-4244</b>	4	NUT (M12X1.75-THD)						

M-METRIC PART

Y-SEPARATE ILLUSTRATION



GRAPHIC #1

<END>

g02858499

# GENERATORS

## 379-0932 CONNECTION GP-TERMINAL STRIP

S/N: LNA1-UP; LZA1-UP

800-AMP, 18-LITERS

PART OF 379-0906 CONNECTION GP-TERMINAL STRIP  
AN ATTACHMENT

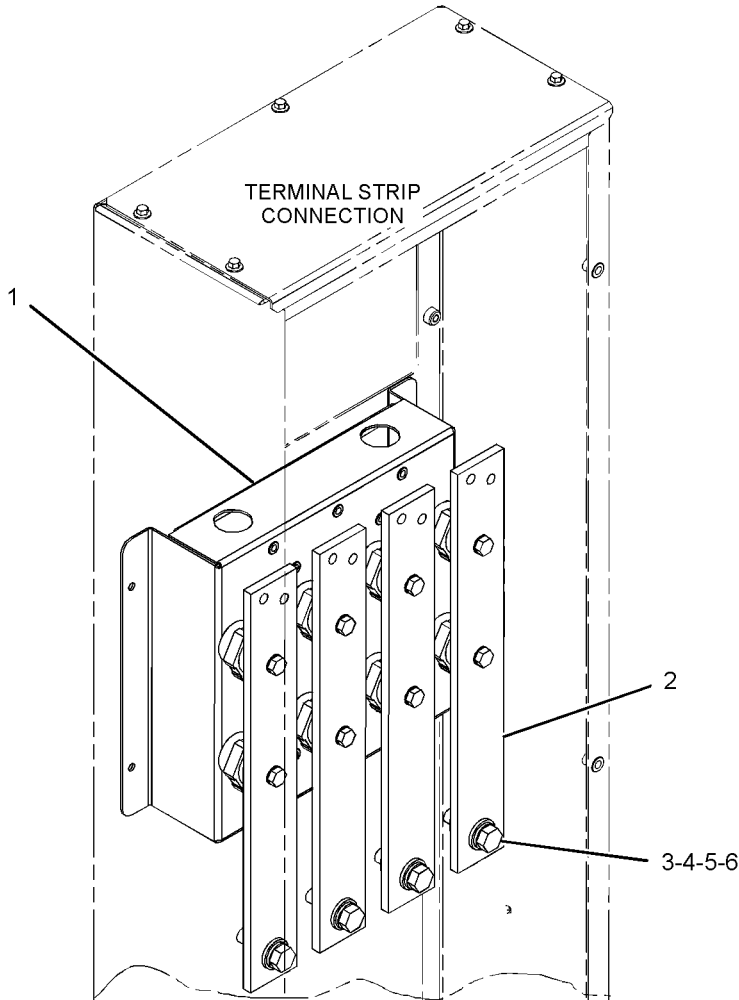
SMCS-4460

i04757188

NOTE	REF NO	GRAPHIC REF	PART NUMBER	QTY	PART NAME						SEE PAGE
					1	2	3	4	5	6 (PRODUCT LEVEL)	
	1	1	<b>349-5651</b>	1	BRACKET AS						
		1	<b>203-5398</b>	12	INSERT-THREADED (M5X0.8-THD)						
Y	2	1	<b>358-4750</b>	4	CONNECTION GP-TERMINAL STRIP						283
	3	1	<b>8R-8847</b>	8	RETAINER-SPRING						
M	4	1	<b>8T-4183</b>	4	BOLT (M12X1.75X40-MM)						
	5	1	<b>8T-4223</b>	8	WASHER-HARD (13.5X25.5X3-MM THK)						
M	6	1	<b>8T-4244</b>	4	NUT (M12X1.75-THD)						

M-METRIC PART

Y-SEPARATE ILLUSTRATION



GRAPHIC #1

<END>

g02858317

# GENERATORS

## 379-0933 CONNECTION GP-TERMINAL STRIP

S/N: LNA1-UP; LZA1-UP

1250 AND 1600-AMPERE ONLY

PART OF 379-0907 PANEL GP-ELECTRICAL  
AN ATTACHMENT

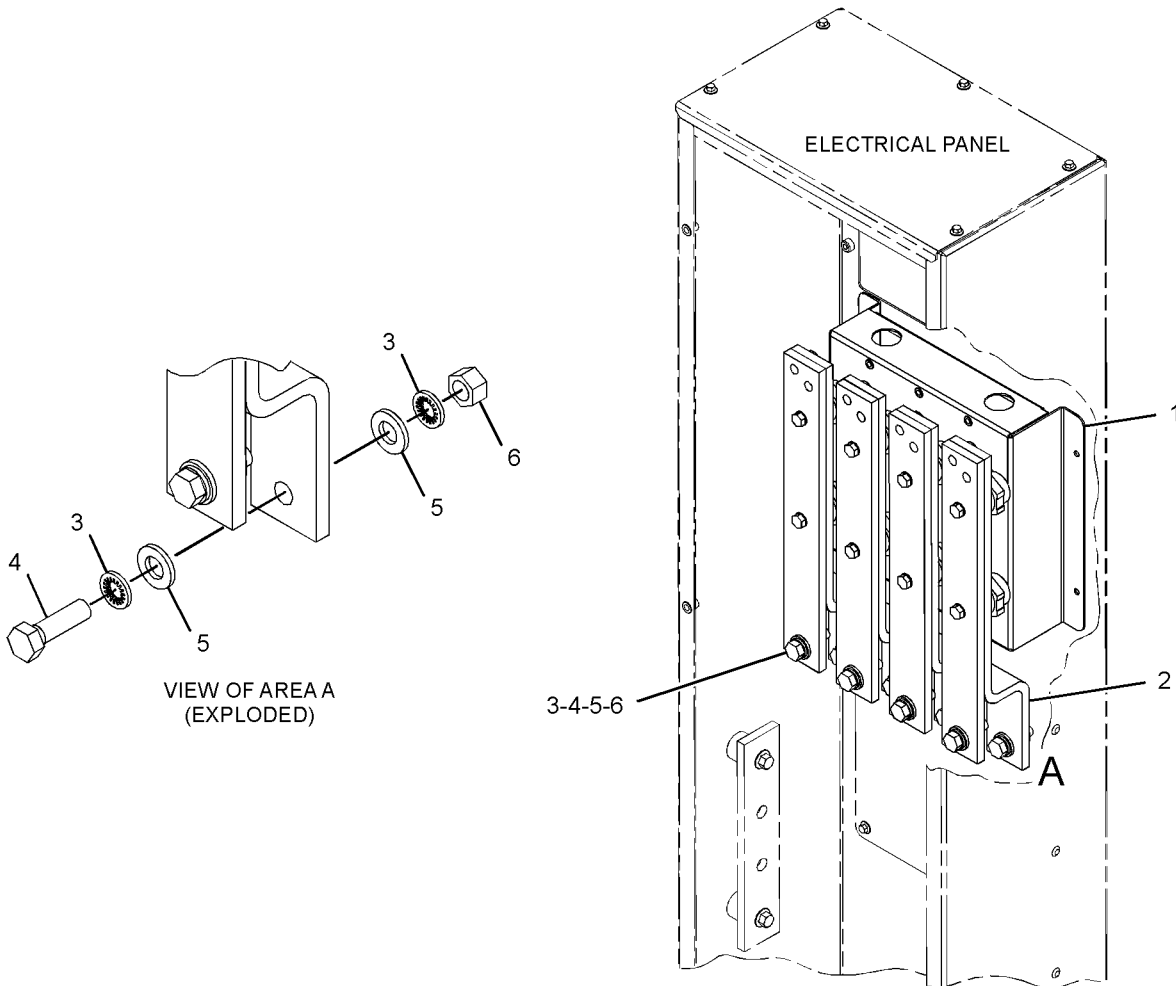
SMCS-4460

i04902231

NOTE	REF NO	GRAPHIC REF	PART NUMBER	QTY	PART NAME						SEE PAGE
					1	2	3	4	5	6 (PRODUCT LEVEL)	
	1	1	<b>358-4734</b>	1	BRACKET AS						
Y	2	1	<b>358-4755</b>	4	CONNECTION GP-TERMINAL STRIP						284
	3	1	<b>8R-8847</b>	16	RETAINER-SPRING						
M	4	1	<b>8T-4183</b>	8	BOLT (M12X1.75X40-MM)						
	5	1	<b>8T-4223</b>	16	WASHER-HARD (13.5X25.5X3-MM THK)						
M	6	1	<b>8T-4244</b>	8	NUT (M12X1.75-THD)						

M-METRIC PART

Y-SEPARATE ILLUSTRATION



GRAPHIC #1

<END>

g03062356

# GENERATORS

## 386-9298 CONNECTION GP-TERMINAL STRIP

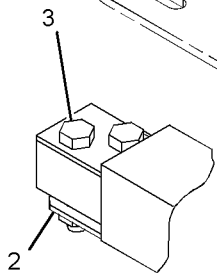
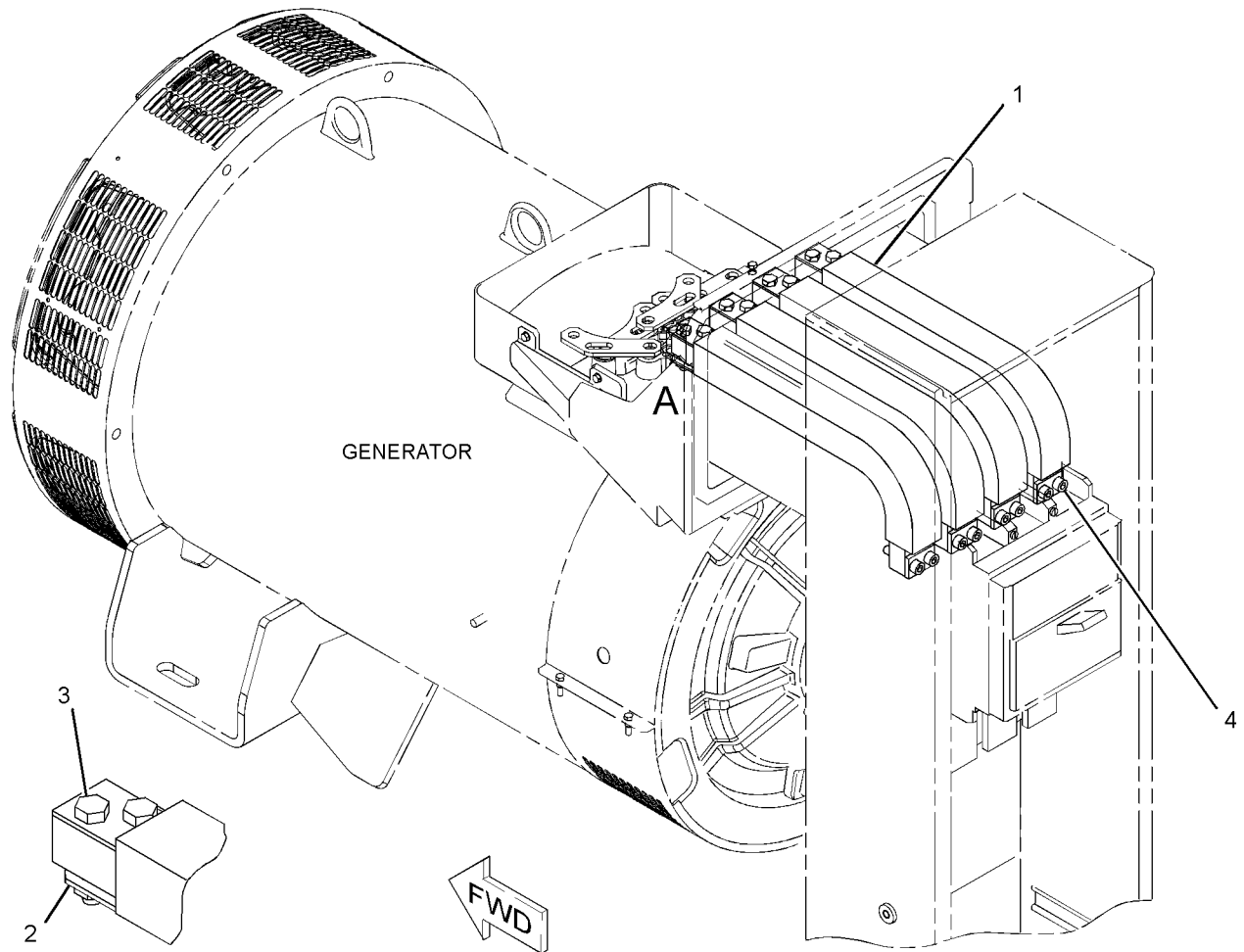
S/N: LNA1-UP; LZA1-UP  
1250-AMPERE, 1600-AMPERE, 4-POLE  
AN ATTACHMENT

SMCS-4460

i04841549

NOTE	REF NO	GRAPHIC REF	PART NUMBER	QTY	PART NAME						SEE PAGE
					1	2	3	4	5	6 (PRODUCT LEVEL)	
	1	1	361-9101	4	CABLE AS						
	2	1	379-0920	4	BRACKET AS						
M	3	1	160-8742	8	BOLT (M10X1.5X55-MM)						
M	4	1	8T-1160	8	BOLT-SOCKET HEAD (M10X1.5X50-MM)						

M-METRIC PART



VIEW OF AREA A

GRAPHIC #1

<END>

g02977297

# GENERATORS

## 386-9300 CONNECTION GP-TERMINAL STRIP

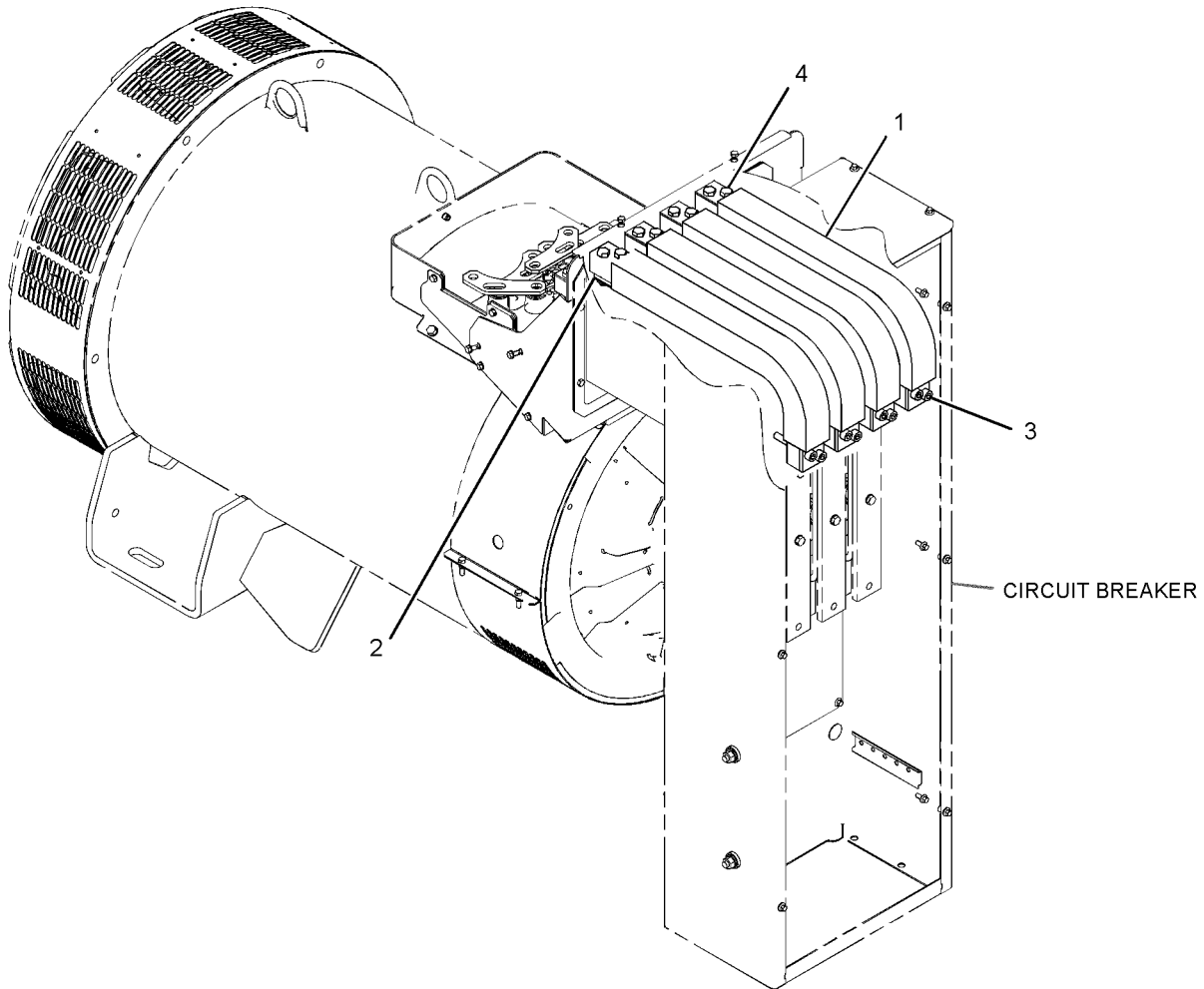
S/N: LNA1-UP; LZA1-UP  
1250-AMPERE, 1600-AMPERE  
AN ATTACHMENT

SMCS-4460

i04842970

NOTE	REF NO	GRAPHIC REF	PART NUMBER	QTY	PART NAME						SEE PAGE
					1	2	3	4	5	6 (PRODUCT LEVEL)	
	1	1	379-0889	4	CABLE AS						
	2	1	379-0920	4	BRACKET AS						
M	3	1	105-3483	8	BOLT-SOCKET HEAD (M10X1.5X70-MM)						
M	4	1	160-8742	8	BOLT (M10X1.5X55-MM)						

M-METRIC PART



GRAPHIC #1

<END>

g02981773



# GENERATORS

## 393-0346 CONNECTION GP-TERMINAL STRIP

S/N: LNA1-UP; LZA1-UP

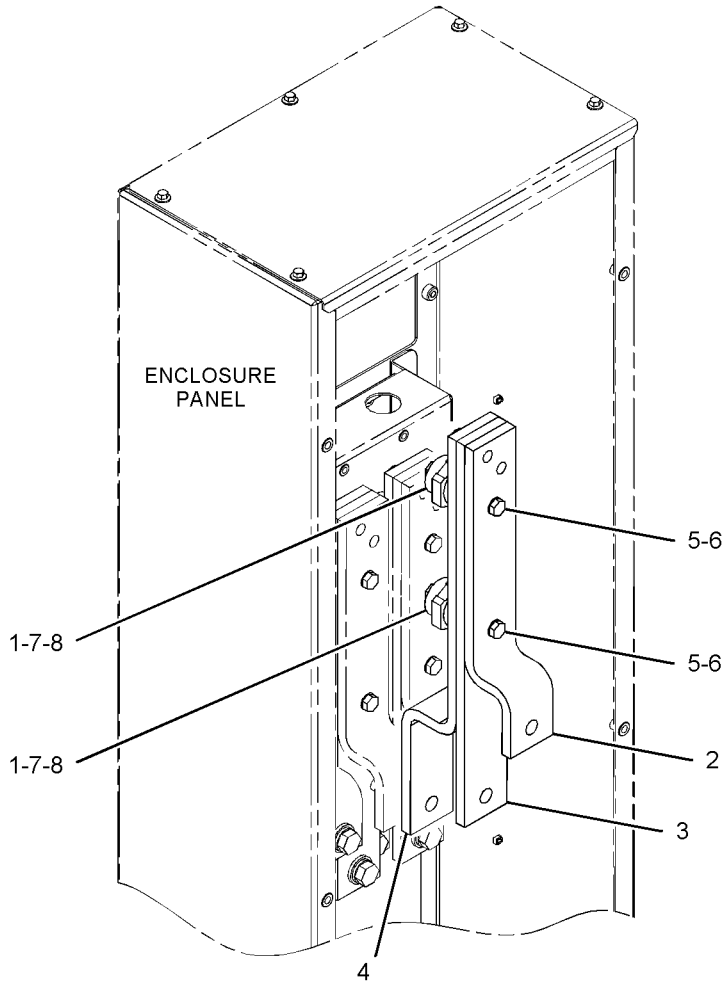
PART OF 393-0347 CONNECTION GP-TERMINAL STRIP  
AN ATTACHMENT

SMCS-4460

i04831913

NOTE	REF NO	GRAPHIC REF	PART NUMBER	QTY	PART NAME						SEE PAGE
					1	2	3	4	5	6 (PRODUCT LEVEL)	
	1	1	143-4456	2	INSULATOR						
	2	1	393-0343	1	TERMINAL						
	3	1	393-0344	1	TERMINAL						
	4	1	393-0345	1	TERMINAL AS						
M	5	1	099-3649	2	BOLT (M8X1.25X40-MM)						
	6	1	3F-9556	2	LOCKWASHER						
M	7	1	8T-4199	2	BOLT (M8X1.25X12-MM)						
	8	1	8T-4224	2	WASHER-HARD (8.8X16X2-MM THK)						

M-METRIC PART



GRAPHIC #1

<END>

g02968044

# GENERATORS

## 393-0347 CONNECTION GP-TERMINAL STRIP

S/N: LNA1-UP; LZA1-UP

2000-AMPERE

PART OF 379-0909 PANEL GP-ELECTRICAL  
AN ATTACHMENT

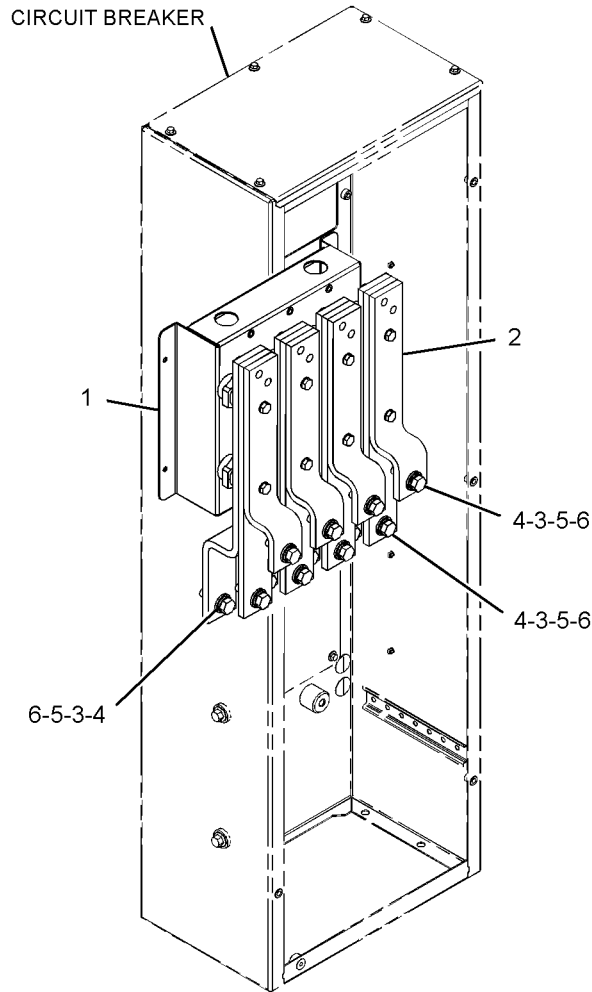
SMCS-4460

i04831912

NOTE	REF NO	GRAPHIC REF	PART NUMBER	QTY	PART NAME						SEE PAGE
					1	2	3	4	5	6 (PRODUCT LEVEL)	
	1	1	<b>358-4734</b>	1	BRACKET AS						
		1	<b>203-5398</b>	6	INSERT-THREADED (M5X0.8-THD)						
Y	2	1	<b>393-0346</b>	4	CONNECTION GP-TERMINAL STRIP						293
	3	1	<b>8R-8847</b>	24	RETAINER-SPRING						
M	4	1	<b>8T-4183</b>	12	BOLT (M12X1.75X40-MM)						
	5	1	<b>8T-4223</b>	24	WASHER-HARD (13.5X25.5X3-MM THK)						
M	6	1	<b>8T-4244</b>	12	NUT (M12X1.75-THD)						

M-METRIC PART

Y-SEPARATE ILLUSTRATION



GRAPHIC #1

<END>

g02965490

# GENERATORS

## 369-8861 EXCITER AS

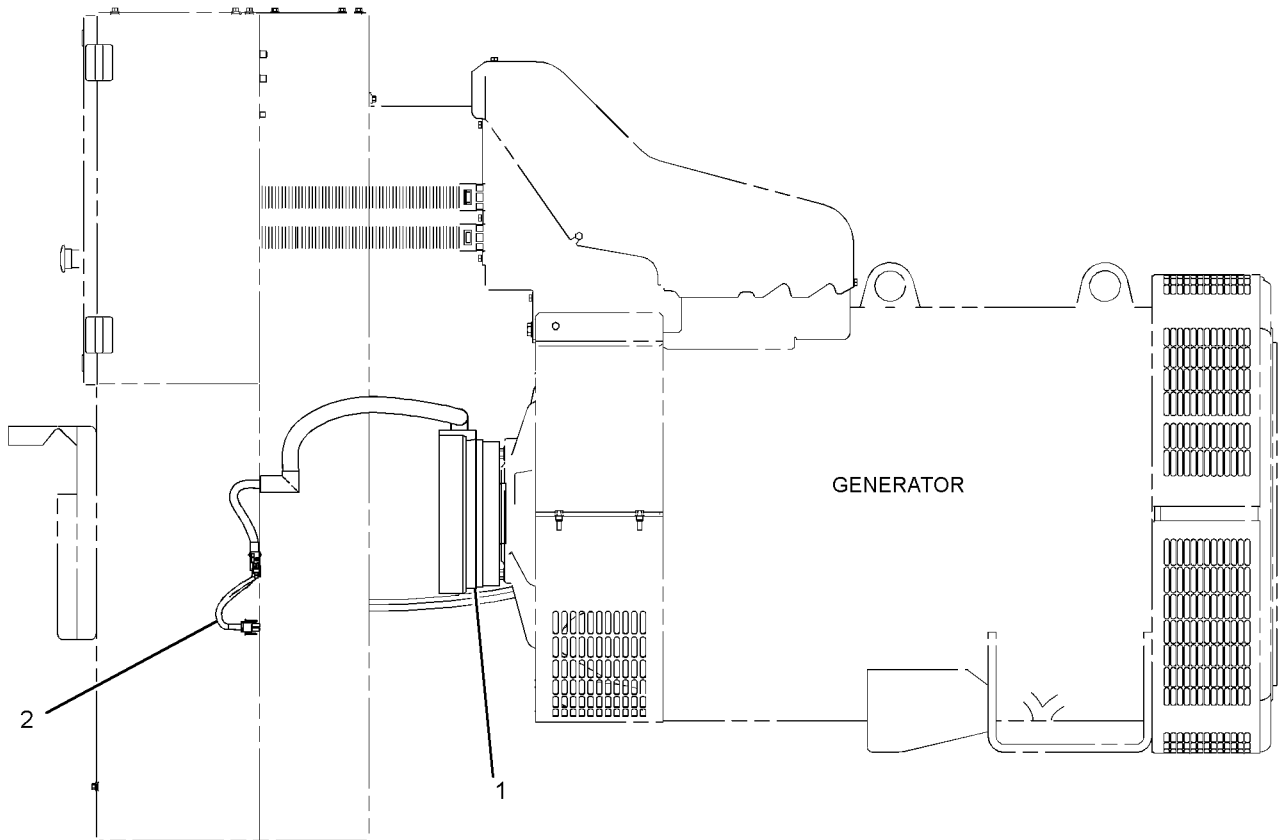
S/N: LNA1-UP; LZA1-UP  
AN ATTACHMENT

SMCS-4454, 4470

i04899541

NOTE	REF NO	GRAPHIC REF	PART NUMBER	QTY	PART NAME						SEE PAGE
					1	2	3	4	5	6 (PRODUCT LEVEL)	
	1	1	349-5079	1	EXCITER AS (PERMANENT MAGNET)						
Y	2	1	362-0449	1	HARNESS AS-POWER						199

Y-SEPARATE ILLUSTRATION



RIGHT SIDE VIEW

GRAPHIC #1

<END>

g03055916

# GENERATORS

## 235-1203 GENERATOR AR

S/N: L6B1-UP

SMCS-4450

i04513453

NOTE	PART NUMBER	QTY	PART NAME						SEE PAGE
			1	2	3	4	5	6 (PRODUCT LEVEL)	
Y	324-7677	1	GENERATOR GP						404
Y-SEPARATE ILLUSTRATION									
<END>									

## 235-1204 GENERATOR AR

S/N: L6B1-UP

SMCS-4450

i04514113

NOTE	PART NUMBER	QTY	PART NAME						SEE PAGE
			1	2	3	4	5	6 (PRODUCT LEVEL)	
Y	324-7678	1	GENERATOR GP						406
Y-SEPARATE ILLUSTRATION									
<END>									

## 235-1205 GENERATOR AR

S/N: L6B1-UP

SMCS-4450

i01985850

NOTE	PART NUMBER	QTY	PART NAME						SEE PAGE
			1	2	3	4	5	6 (PRODUCT LEVEL)	
Y	241-4471	1	GENERATOR GP						333
Y-SEPARATE ILLUSTRATION									
<END>									

## 235-1206 GENERATOR AR

S/N: L6B1-UP

SMCS-4450

i04514392

NOTE	PART NUMBER	QTY	PART NAME						SEE PAGE
			1	2	3	4	5	6 (PRODUCT LEVEL)	
Y	324-7680	1	GENERATOR GP						408
Y-SEPARATE ILLUSTRATION									
<END>									

## 235-1207 GENERATOR AR

S/N: L6B1-UP

SMCS-4450

i04516229

NOTE	PART NUMBER	QTY	PART NAME						SEE PAGE
			1	2	3	4	5	6 (PRODUCT LEVEL)	
Y	324-7681	1	GENERATOR GP						410
Y-SEPARATE ILLUSTRATION									
<END>									

# GENERATORS

## 235-1208 GENERATOR AR

S/N: L6B1-UP

SMCS-4450

i04516471

NOTE	PART NUMBER	QTY	PART NAME						SEE PAGE
			1	2	3	4	5	6 (PRODUCT LEVEL)	
Y	324-7682	1	GENERATOR GP						412

Y-SEPARATE ILLUSTRATION

<END>

## 235-1209 GENERATOR AR

S/N: L6B1-UP

SMCS-4450

i01985858

NOTE	PART NUMBER	QTY	PART NAME						SEE PAGE
			1	2	3	4	5	6 (PRODUCT LEVEL)	
Y	241-4472	1	GENERATOR GP						336

Y-SEPARATE ILLUSTRATION

<END>

## 235-1210 GENERATOR AR

S/N: L6B1-UP

SMCS-4450

i04516611

NOTE	PART NUMBER	QTY	PART NAME						SEE PAGE
			1	2	3	4	5	6 (PRODUCT LEVEL)	
Y	324-7684	1	GENERATOR GP						414

Y-SEPARATE ILLUSTRATION

<END>

## 235-1211 GENERATOR AR

S/N: L6B1-UP

SMCS-4450

i04537552

NOTE	PART NUMBER	QTY	PART NAME						SEE PAGE
			1	2	3	4	5	6 (PRODUCT LEVEL)	
Y	324-7685	1	GENERATOR GP						416

Y-SEPARATE ILLUSTRATION

<END>

## 235-1212 GENERATOR AR

S/N: L6B1-UP

SMCS-4450

i04537558

NOTE	PART NUMBER	QTY	PART NAME						SEE PAGE
			1	2	3	4	5	6 (PRODUCT LEVEL)	
Y	324-7686	1	GENERATOR GP						418

Y-SEPARATE ILLUSTRATION

<END>

# GENERATORS

## 235-1213 GENERATOR AR

S/N: L6B1-UP

SMCS-4450

i01985866

NOTE	PART NUMBER	QTY	PART NAME						SEE PAGE
			1	2	3	4	5	6 (PRODUCT LEVEL)	
Y	241-4473	1	GENERATOR GP						339
Y-SEPARATE ILLUSTRATION									
<END>									

## 235-1214 GENERATOR AR

S/N: L6B1-UP

SMCS-4450

i01985868

NOTE	PART NUMBER	QTY	PART NAME						SEE PAGE
			1	2	3	4	5	6 (PRODUCT LEVEL)	
Y	241-4467	1	GENERATOR GP						324
Y-SEPARATE ILLUSTRATION									
<END>									

## 235-1215 GENERATOR AR

S/N: L6B1-UP

SMCS-4450

i01985870

NOTE	PART NUMBER	QTY	PART NAME						SEE PAGE
			1	2	3	4	5	6 (PRODUCT LEVEL)	
Y	241-4461	1	GENERATOR GP						321
Y-SEPARATE ILLUSTRATION									
<END>									

## 235-1216 GENERATOR AR

S/N: L6B1-UP

SMCS-4450

i01985873

NOTE	PART NUMBER	QTY	PART NAME						SEE PAGE
			1	2	3	4	5	6 (PRODUCT LEVEL)	
Y	241-4468	1	GENERATOR GP						327
Y-SEPARATE ILLUSTRATION									
<END>									

## 235-1217 GENERATOR AR

S/N: L6B1-UP

SMCS-4450

i01985875

NOTE	PART NUMBER	QTY	PART NAME						SEE PAGE
			1	2	3	4	5	6 (PRODUCT LEVEL)	
Y	241-4474	1	GENERATOR GP						342
Y-SEPARATE ILLUSTRATION									
<END>									

# GENERATORS

## 235-1218 GENERATOR AR

S/N: L6B1-UP

SMCS-4450

i01985877

NOTE	PART NUMBER	QTY	PART NAME						SEE PAGE
			1	2	3	4	5	6 (PRODUCT LEVEL)	
Y	241-4469	1	GENERATOR GP						330

Y-SEPARATE ILLUSTRATION

<END>

## 235-1220 GENERATOR AR

S/N: L7A1-UP

SMCS-4450

i04439733

NOTE	PART NUMBER	QTY	PART NAME						SEE PAGE
			1	2	3	4	5	6 (PRODUCT LEVEL)	
Y	324-7693	1	GENERATOR GP						420

Y-SEPARATE ILLUSTRATION

<END>

## 235-1237 GENERATOR AR

S/N: L7A1-UP

SMCS-4450

i04393622

NOTE	PART NUMBER	QTY	PART NAME						SEE PAGE
			1	2	3	4	5	6 (PRODUCT LEVEL)	
Y	324-7694	1	GENERATOR GP						422

Y-SEPARATE ILLUSTRATION

<END>

## 242-4994 GENERATOR AR

S/N: L6B1-UP

SMCS-4450

i04327499

NOTE	PART NUMBER	QTY	PART NAME						SEE PAGE
			1	2	3	4	5	6 (PRODUCT LEVEL)	
Y	324-7698	1	GENERATOR GP						424

Y-SEPARATE ILLUSTRATION

<END>

## 247-1705 GENERATOR AR

S/N: L6B1-UP

SMCS-4450

i02071535

NOTE	PART NUMBER	QTY	PART NAME						SEE PAGE
			1	2	3	4	5	6 (PRODUCT LEVEL)	
Y	247-1815	1	GENERATOR GP						345

Y-SEPARATE ILLUSTRATION

<END>

# GENERATORS

## 247-1706 GENERATOR AR

S/N: L7A1-UP

SMCS-4450

i04327649

NOTE	PART NUMBER	QTY	PART NAME						SEE PAGE
			1	2	3	4	5	6 (PRODUCT LEVEL)	
Y	324-7700	1	GENERATOR GP						426
Y-SEPARATE ILLUSTRATION									
<END>									

## 247-1707 GENERATOR AR

S/N: L7A1-UP

SMCS-4450

i04395042

NOTE	PART NUMBER	QTY	PART NAME						SEE PAGE
			1	2	3	4	5	6 (PRODUCT LEVEL)	
Y	324-7701	1	GENERATOR GP						428
Y-SEPARATE ILLUSTRATION									
<END>									

## 247-1708 GENERATOR AR

S/N: L7A1-UP

SMCS-4450

i04393976

NOTE	PART NUMBER	QTY	PART NAME						SEE PAGE
			1	2	3	4	5	6 (PRODUCT LEVEL)	
Y	324-7702	1	GENERATOR GP						430
Y-SEPARATE ILLUSTRATION									
<END>									

## 247-1709 GENERATOR AR

S/N: L7A1-UP

SMCS-4450

i02068633

NOTE	PART NUMBER	QTY	PART NAME						SEE PAGE
			1	2	3	4	5	6 (PRODUCT LEVEL)	
Y	247-1824	1	GENERATOR GP						348
Y-SEPARATE ILLUSTRATION									
<END>									

## 247-1710 GENERATOR AR

S/N: L7A1-UP

SMCS-4450

i02068621

NOTE	PART NUMBER	QTY	PART NAME						SEE PAGE
			1	2	3	4	5	6 (PRODUCT LEVEL)	
Y	247-1825	1	GENERATOR GP						350
Y-SEPARATE ILLUSTRATION									
<END>									



# GENERATORS

## 247-1711 GENERATOR AR

S/N: L7A1-UP

SMCS-4450

i02068613

NOTE	PART NUMBER	QTY	PART NAME						SEE PAGE
			1	2	3	4	5	6 (PRODUCT LEVEL)	
Y	247-1826	1	GENERATOR GP						352

Y-SEPARATE ILLUSTRATION

<END>

## 247-1712 GENERATOR AR

S/N: L7A1-UP

SMCS-4450

i02068564

NOTE	PART NUMBER	QTY	PART NAME						SEE PAGE
			1	2	3	4	5	6 (PRODUCT LEVEL)	
Y	247-1827	1	GENERATOR GP						354

Y-SEPARATE ILLUSTRATION

<END>

## 247-1713 GENERATOR AR

S/N: L7A1-UP

SMCS-4450

i02069556

NOTE	PART NUMBER	QTY	PART NAME						SEE PAGE
			1	2	3	4	5	6 (PRODUCT LEVEL)	
Y	247-1829	1	GENERATOR GP						356

Y-SEPARATE ILLUSTRATION

<END>

## 247-1714 GENERATOR AR

S/N: L7A1-UP

SMCS-4450

i02068555

NOTE	PART NUMBER	QTY	PART NAME						SEE PAGE
			1	2	3	4	5	6 (PRODUCT LEVEL)	
Y	247-1830	1	GENERATOR GP						358

Y-SEPARATE ILLUSTRATION

<END>

## 247-6119 GENERATOR AR

S/N: L6B1-UP

SMCS-4450

i04393719

NOTE	PART NUMBER	QTY	PART NAME						SEE PAGE
			1	2	3	4	5	6 (PRODUCT LEVEL)	
Y	324-7707	1	GENERATOR GP						432

Y-SEPARATE ILLUSTRATION

<END>

# GENERATORS

## 247-6121 GENERATOR AR

S/N: L6B1-UP

SMCS-4450

i02071543

NOTE	PART NUMBER	QTY	PART NAME						SEE PAGE
			1	2	3	4	5	6 (PRODUCT LEVEL)	
Y	247-6166	1	GENERATOR GP						360
Y-SEPARATE ILLUSTRATION									
<END>									

## 247-6122 GENERATOR AR

S/N: L6B1-UP

SMCS-4450

i02071416

NOTE	PART NUMBER	QTY	PART NAME						SEE PAGE
			1	2	3	4	5	6 (PRODUCT LEVEL)	
Y	247-6169	1	GENERATOR GP						363
Y-SEPARATE ILLUSTRATION									
<END>									

## 247-6124 GENERATOR AR

S/N: L6B1-UP

SMCS-4450

i02071491

NOTE	PART NUMBER	QTY	PART NAME						SEE PAGE
			1	2	3	4	5	6 (PRODUCT LEVEL)	
Y	247-6172	1	GENERATOR GP						366
Y-SEPARATE ILLUSTRATION									
<END>									

## 247-6125 GENERATOR AR

S/N: L6B1-UP

SMCS-4450

i02071549

NOTE	PART NUMBER	QTY	PART NAME						SEE PAGE
			1	2	3	4	5	6 (PRODUCT LEVEL)	
Y	247-6174	1	GENERATOR GP						369
Y-SEPARATE ILLUSTRATION									
<END>									

## 247-6126 GENERATOR AR

S/N: L6B1-UP

SMCS-4450

i02071607

NOTE	PART NUMBER	QTY	PART NAME						SEE PAGE
			1	2	3	4	5	6 (PRODUCT LEVEL)	
Y	247-6178	1	GENERATOR GP						372
Y-SEPARATE ILLUSTRATION									
<END>									

# GENERATORS

## 247-6127 GENERATOR AR

S/N: L7A1-UP

SMCS-4450

i02068658

NOTE	PART NUMBER	QTY	PART NAME						SEE PAGE
			1	2	3	4	5	6 (PRODUCT LEVEL)	
Y	247-6180	1	GENERATOR GP						375

Y-SEPARATE ILLUSTRATION

<END>

## 247-6128 GENERATOR AR

S/N: L7A1-UP

SMCS-4450

i02071601

NOTE	PART NUMBER	QTY	PART NAME						SEE PAGE
			1	2	3	4	5	6 (PRODUCT LEVEL)	
Y	247-6181	1	GENERATOR GP						377

Y-SEPARATE ILLUSTRATION

<END>

## 247-6129 GENERATOR AR

S/N: L7A1-UP

SMCS-4450

i02068652

NOTE	PART NUMBER	QTY	PART NAME						SEE PAGE
			1	2	3	4	5	6 (PRODUCT LEVEL)	
Y	247-6183	1	GENERATOR GP						379

Y-SEPARATE ILLUSTRATION

<END>

## 266-7103 GENERATOR AR

S/N: L7A1-UP

SMCS-4450

i02369908

NOTE	PART NUMBER	QTY	PART NAME						SEE PAGE
			1	2	3	4	5	6 (PRODUCT LEVEL)	
Y	267-2499	1	GENERATOR GP						381

Y-SEPARATE ILLUSTRATION

<END>

## 266-7104 GENERATOR AR

S/N: L7A1-UP

AN ATTACHMENT

SMCS-4450

i02364872

NOTE	PART NUMBER	QTY	PART NAME						SEE PAGE
			1	2	3	4	5	6 (PRODUCT LEVEL)	
Y	267-2500	1	GENERATOR GP						383

Y-SEPARATE ILLUSTRATION

<END>

# GENERATORS

## 266-7105 GENERATOR AR

S/N: L6B1-UP  
AN ATTACHMENT

SMCS-4450

i02399756

NOTE	PART NUMBER	QTY	PART NAME	SEE PAGE
Y	267-2501	1	1 2 3 4 5 6 (PRODUCT LEVEL) GENERATOR GP	385
Y-SEPARATE ILLUSTRATION				
<END>				

## 266-7106 GENERATOR AR

S/N: L6B1-UP  
AN ATTACHMENT

SMCS-4450

i02373170

NOTE	PART NUMBER	QTY	PART NAME	SEE PAGE
Y	267-2502	1	1 2 3 4 5 6 (PRODUCT LEVEL) GENERATOR GP	388
Y-SEPARATE ILLUSTRATION				
<END>				

## 266-7107 GENERATOR AR

S/N: L6B1-UP  
AN ATTACHMENT

SMCS-4450

i02373171

NOTE	PART NUMBER	QTY	PART NAME	SEE PAGE
Y	267-2503	1	1 2 3 4 5 6 (PRODUCT LEVEL) GENERATOR GP	391
Y-SEPARATE ILLUSTRATION				
<END>				

## 266-7108 GENERATOR AR

S/N: L6B1-UP  
AN ATTACHMENT

SMCS-4450

i02373172

NOTE	PART NUMBER	QTY	PART NAME	SEE PAGE
Y	267-2504	1	1 2 3 4 5 6 (PRODUCT LEVEL) GENERATOR GP	394
Y-SEPARATE ILLUSTRATION				
<END>				

## 266-7109 GENERATOR AR

S/N: L6B1-UP  
AN ATTACHMENT

SMCS-4450

i02373174

NOTE	PART NUMBER	QTY	PART NAME	SEE PAGE
Y	267-2505	1	1 2 3 4 5 6 (PRODUCT LEVEL) GENERATOR GP	397
Y-SEPARATE ILLUSTRATION				
<END>				

# GENERATORS

## 297-2362 GENERATOR AR

S/N: L7A1-UP  
AN ATTACHMENT

SMCS-4450

i02706889

NOTE	PART NUMBER	QTY	PART NAME						SEE PAGE
			1	2	3	4	5	6 (PRODUCT LEVEL)	
Y	247-6181	1	GENERATOR GP						377

Y-SEPARATE ILLUSTRATION

<END>

## 322-8927 GENERATOR AR

S/N: L6B1-UP  
AN ATTACHMENT

SMCS-4450

i02992837

NOTE	PART NUMBER	QTY	PART NAME						SEE PAGE
			1	2	3	4	5	6 (PRODUCT LEVEL)	
Y	322-8926	1	GENERATOR GP						400

Y-SEPARATE ILLUSTRATION

<END>

## 323-6297 GENERATOR AR

S/N: L6B1-UP  
AN ATTACHMENT

SMCS-4450

i02992829

NOTE	PART NUMBER	QTY	PART NAME						SEE PAGE
			1	2	3	4	5	6 (PRODUCT LEVEL)	
Y	323-6296	1	GENERATOR GP						402

Y-SEPARATE ILLUSTRATION

<END>

## 338-1990 GENERATOR AR

S/N: L6B1-UP  
FOR USE WITH 6000 FRAME GENERATORS

SMCS-4450

i04091112

NOTE	PART NUMBER	QTY	PART NAME						SEE PAGE
			1	2	3	4	5	6 (PRODUCT LEVEL)	
Y	338-1993	1	GENERATOR GP						434

Y-SEPARATE ILLUSTRATION

<END>

## 338-1992 GENERATOR AR

S/N: L6B1-UP  
FOR USE WITH 6000 FRAME GENERATORS

SMCS-4450

i03472204

NOTE	PART NUMBER	QTY	PART NAME						SEE PAGE
			1	2	3	4	5	6 (PRODUCT LEVEL)	
Y	338-1993	1	GENERATOR GP						434

Y-SEPARATE ILLUSTRATION

<END>

# GENERATORS

## 338-1994 GENERATOR AR

S/N: L6B1-UP

FOR USE WITH 6000 FRAME GENERATORS

SMCS-4450

i04091131

NOTE	PART NUMBER	QTY	PART NAME	SEE PAGE
Y	338-1997	1	1 2 3 4 5 6 (PRODUCT LEVEL) GENERATOR GP	436

Y-SEPARATE ILLUSTRATION

<END>

## 338-1996 GENERATOR AR

S/N: L6B1-UP

FOR USE WITH 6000 FRAME GENERATORS

SMCS-4450

i03496887

NOTE	PART NUMBER	QTY	PART NAME	SEE PAGE
Y	338-1997	1	1 2 3 4 5 6 (PRODUCT LEVEL) GENERATOR GP	436

Y-SEPARATE ILLUSTRATION

<END>

## 338-1998 GENERATOR AR

S/N: L6B1-UP

FOR USE WITH 6000 FRAME GENERATORS

SMCS-4450

i04109467

NOTE	PART NUMBER	QTY	PART NAME	SEE PAGE
Y	338-2001	1	1 2 3 4 5 6 (PRODUCT LEVEL) GENERATOR GP	438

Y-SEPARATE ILLUSTRATION

<END>

## 338-2000 GENERATOR AR

S/N: L6B1-UP

FOR USE WITH 6000 FRAME GENERATORS

SMCS-4450

i03496984

NOTE	PART NUMBER	QTY	PART NAME	SEE PAGE
Y	338-2001	1	1 2 3 4 5 6 (PRODUCT LEVEL) GENERATOR GP	438

Y-SEPARATE ILLUSTRATION

<END>

## 338-2003 GENERATOR AR

S/N: L6B1-UP

FOR USE WITH 6000 FRAME GENERATORS

SMCS-4450

i04109501

NOTE	PART NUMBER	QTY	PART NAME	SEE PAGE
Y	338-2006	1	1 2 3 4 5 6 (PRODUCT LEVEL) GENERATOR GP	440

Y-SEPARATE ILLUSTRATION

<END>

# GENERATORS

## 338-2005 GENERATOR AR

S/N: L6B1-UP

FOR USE WITH 6000 FRAME GENERATORS

SMCS-4450

i03472364

NOTE	PART NUMBER	QTY	PART NAME	SEE PAGE
Y	338-2006	1	1 2 3 4 5 6 (PRODUCT LEVEL) GENERATOR GP	440

Y-SEPARATE ILLUSTRATION

<END>

## 338-2007 GENERATOR AR

S/N: L6B1-UP

FOR USE WITH 6000 FRAME GENERATORS

SMCS-4450

i04120689

NOTE	PART NUMBER	QTY	PART NAME	SEE PAGE
Y	338-2010	1	1 2 3 4 5 6 (PRODUCT LEVEL) GENERATOR GP	442

Y-SEPARATE ILLUSTRATION

<END>

## 338-2009 GENERATOR AR

S/N: L6B1-UP

FOR USE WITH 6000 FRAME GENERATORS

SMCS-4450

i03497085

NOTE	PART NUMBER	QTY	PART NAME	SEE PAGE
Y	338-2010	1	1 2 3 4 5 6 (PRODUCT LEVEL) GENERATOR GP	442

Y-SEPARATE ILLUSTRATION

<END>

## 338-2011 GENERATOR AR

S/N: L6B1-UP

FOR USE WITH 6000 FRAME GENERATORS

SMCS-4450

i04120711

NOTE	PART NUMBER	QTY	PART NAME	SEE PAGE
Y	338-2014	1	1 2 3 4 5 6 (PRODUCT LEVEL) GENERATOR GP	444

Y-SEPARATE ILLUSTRATION

<END>

## 338-2013 GENERATOR AR

S/N: L6B1-UP

FOR USE WITH 6000 FRAME GENERATORS

SMCS-4450

i03497100

NOTE	PART NUMBER	QTY	PART NAME	SEE PAGE
Y	338-2014	1	1 2 3 4 5 6 (PRODUCT LEVEL) GENERATOR GP	444

Y-SEPARATE ILLUSTRATION

<END>

# GENERATORS

## 338-2015 GENERATOR AR

S/N: L6B1-UP

FOR USE WITH 6000 FRAME GENERATORS

SMCS-4450

i04120713

NOTE	PART NUMBER	QTY	PART NAME						SEE PAGE
			1	2	3	4	5	6 (PRODUCT LEVEL)	
Y	338-2018	1	GENERATOR GP						446
Y-SEPARATE ILLUSTRATION									
<END>									

## 338-2017 GENERATOR AR

S/N: L6B1-UP

FOR USE WITH 6000 FRAME GENERATORS

SMCS-4450

i03472444

NOTE	PART NUMBER	QTY	PART NAME						SEE PAGE
			1	2	3	4	5	6 (PRODUCT LEVEL)	
Y	338-2018	1	GENERATOR GP						446
Y-SEPARATE ILLUSTRATION									
<END>									

## 338-2019 GENERATOR AR

S/N: L6B1-UP

FOR USE WITH 6000 FRAME GENERATORS

SMCS-4450

i04120717

NOTE	PART NUMBER	QTY	PART NAME						SEE PAGE
			1	2	3	4	5	6 (PRODUCT LEVEL)	
Y	338-2022	1	GENERATOR GP						449
Y-SEPARATE ILLUSTRATION									
<END>									

## 338-2021 GENERATOR AR

S/N: L6B1-UP

FOR USE WITH 6000 FRAME GENERATORS

SMCS-4450

i03472583

NOTE	PART NUMBER	QTY	PART NAME						SEE PAGE
			1	2	3	4	5	6 (PRODUCT LEVEL)	
Y	338-2022	1	GENERATOR GP						449
Y-SEPARATE ILLUSTRATION									
<END>									

## 338-2023 GENERATOR AR

S/N: L6B1-UP

FOR USE WITH 6000 FRAME GENERATORS

SMCS-4450

i04473396

NOTE	PART NUMBER	QTY	PART NAME						SEE PAGE
			1	2	3	4	5	6 (PRODUCT LEVEL)	
Y	338-2026	1	GENERATOR GP						452
Y-SEPARATE ILLUSTRATION									
<END>									



# GENERATORS

## 338-2025 GENERATOR AR

S/N: L6B1-UP

FOR USE WITH 6000 FRAME GENERATORS

SMCS-4450

i03497224

NOTE	PART NUMBER	QTY	PART NAME	SEE PAGE
Y	338-2026	1	GENERATOR GP	452

Y-SEPARATE ILLUSTRATION

<END>

## 338-2027 GENERATOR AR

S/N: L6B1-UP

FOR USE WITH 6000 FRAME GENERATORS

SMCS-4450

i04473388

NOTE	PART NUMBER	QTY	PART NAME	SEE PAGE
Y	338-2030	1	GENERATOR GP	454

Y-SEPARATE ILLUSTRATION

<END>

## 338-2029 GENERATOR AR

S/N: L6B1-UP

FOR USE WITH 6000 FRAME GENERATORS

SMCS-4450

i03497245

NOTE	PART NUMBER	QTY	PART NAME	SEE PAGE
Y	338-2030	1	GENERATOR GP	454

Y-SEPARATE ILLUSTRATION

<END>

## 338-2031 GENERATOR AR

S/N: L6B1-UP

FOR USE WITH 6000 FRAME GENERATORS

SMCS-4450

i04473393

NOTE	PART NUMBER	QTY	PART NAME	SEE PAGE
Y	338-2034	1	GENERATOR GP	456

Y-SEPARATE ILLUSTRATION

<END>

## 338-2033 GENERATOR AR

S/N: L6B1-UP

FOR USE WITH 6000 FRAME GENERATORS

SMCS-4450

i03497251

NOTE	PART NUMBER	QTY	PART NAME	SEE PAGE
Y	338-2034	1	GENERATOR GP	456

Y-SEPARATE ILLUSTRATION

<END>

# GENERATORS

## 338-2052 GENERATOR AR

S/N: L6B1-UP

FOR USE WITH 6000 FRAME GENERATORS

SMCS-4450

i04473376

NOTE	PART NUMBER	QTY	PART NAME	SEE PAGE
Y	338-2055	1	GENERATOR GP	458

Y-SEPARATE ILLUSTRATION

<END>

## 338-2054 GENERATOR AR

S/N: L6B1-UP

FOR USE WITH 6000 FRAME GENERATORS

SMCS-4450

i03497264

NOTE	PART NUMBER	QTY	PART NAME	SEE PAGE
Y	338-2055	1	GENERATOR GP	458

Y-SEPARATE ILLUSTRATION

<END>

## 338-2056 GENERATOR AR

S/N: L6B1-UP

FOR USE WITH 6000 FRAME GENERATORS

SMCS-4450

i04473373

NOTE	PART NUMBER	QTY	PART NAME	SEE PAGE
Y	338-2059	1	GENERATOR GP	460

Y-SEPARATE ILLUSTRATION

<END>

## 338-2058 GENERATOR AR

S/N: L6B1-UP

FOR USE WITH 6000 FRAME GENERATORS

SMCS-4450

i03871388

NOTE	PART NUMBER	QTY	PART NAME	SEE PAGE
Y	338-2059	1	GENERATOR GP	460

Y-SEPARATE ILLUSTRATION

<END>

## 338-2060 GENERATOR AR

S/N: L6B1-UP

FOR USE WITH 6000 FRAME GENERATORS

SMCS-4450

i04473384

NOTE	PART NUMBER	QTY	PART NAME	SEE PAGE
Y	338-2063	1	GENERATOR GP	463

Y-SEPARATE ILLUSTRATION

<END>

# GENERATORS

## 338-2062 GENERATOR AR

S/N: L6B1-UP

FOR USE WITH 6000 FRAME GENERATORS

SMCS-4450

i03497276

NOTE	PART NUMBER	QTY	PART NAME	SEE PAGE
Y	338-2063	1	GENERATOR GP	463

Y-SEPARATE ILLUSTRATION

<END>

## 338-2064 GENERATOR AR

S/N: L6B1-UP

FOR USE WITH 6000 FRAME GENERATORS

SMCS-4450

i04473381

NOTE	PART NUMBER	QTY	PART NAME	SEE PAGE
Y	338-2067	1	GENERATOR GP	465

Y-SEPARATE ILLUSTRATION

<END>

## 338-2066 GENERATOR AR

S/N: L6B1-UP

FOR USE WITH 6000 FRAME GENERATORS

SMCS-4450

i03497292

NOTE	PART NUMBER	QTY	PART NAME	SEE PAGE
Y	338-2067	1	GENERATOR GP	465

Y-SEPARATE ILLUSTRATION

<END>

## 338-2068 GENERATOR AR

S/N: L6B1-UP

FOR USE WITH 6000 FRAME GENERATORS

SMCS-4450

i04461208

NOTE	PART NUMBER	QTY	PART NAME	SEE PAGE
Y	338-2071	1	GENERATOR GP	467

Y-SEPARATE ILLUSTRATION

<END>

## 338-2070 GENERATOR AR

S/N: L6B1-UP

FOR USE WITH 6000 FRAME GENERATORS

SMCS-4450

i03497300

NOTE	PART NUMBER	QTY	PART NAME	SEE PAGE
Y	338-2071	1	GENERATOR GP	467

Y-SEPARATE ILLUSTRATION

<END>

# GENERATORS

## 338-2072 GENERATOR AR

S/N: L6B1-UP

FOR USE WITH 6000 FRAME GENERATORS

SMCS-4450

i04517351

NOTE	PART NUMBER	QTY	PART NAME	SEE PAGE
Y	338-2075	1	1 2 3 4 5 6 (PRODUCT LEVEL) GENERATOR GP	469

Y-SEPARATE ILLUSTRATION

<END>

## 338-2074 GENERATOR AR

S/N: L6B1-UP

FOR USE WITH 6000 FRAME GENERATORS

SMCS-4450

i03497622

NOTE	PART NUMBER	QTY	PART NAME	SEE PAGE
Y	338-2075	1	1 2 3 4 5 6 (PRODUCT LEVEL) GENERATOR GP	469

Y-SEPARATE ILLUSTRATION

<END>

## 338-2080 GENERATOR AR

S/N: L6B1-UP

FOR USE WITH 6000 FRAME GENERATORS

SMCS-4450

i04517290

NOTE	PART NUMBER	QTY	PART NAME	SEE PAGE
Y	338-2083	1	1 2 3 4 5 6 (PRODUCT LEVEL) GENERATOR GP	471

Y-SEPARATE ILLUSTRATION

<END>

## 338-2082 GENERATOR AR

S/N: L6B1-UP

FOR USE WITH 6000 FRAME GENERATORS

SMCS-4450

i03497629

NOTE	PART NUMBER	QTY	PART NAME	SEE PAGE
Y	338-2083	1	1 2 3 4 5 6 (PRODUCT LEVEL) GENERATOR GP	471

Y-SEPARATE ILLUSTRATION

<END>

## 338-2084 GENERATOR AR

S/N: L6B1-UP

FOR USE WITH 6000 FRAME GENERATORS

SMCS-4450

i04517560

NOTE	PART NUMBER	QTY	PART NAME	SEE PAGE
Y	338-2087	1	1 2 3 4 5 6 (PRODUCT LEVEL) GENERATOR GP	473

Y-SEPARATE ILLUSTRATION

<END>

# GENERATORS

## 338-2086 GENERATOR AR

S/N: L6B1-UP

FOR USE WITH 6000 FRAME GENERATORS

SMCS-4450

i03497639

NOTE	PART NUMBER	QTY	PART NAME	SEE PAGE
Y	338-2087	1	GENERATOR GP	473

Y-SEPARATE ILLUSTRATION

<END>

## 338-2088 GENERATOR AR

S/N: L7A1-UP

FOR USE WITH 7000 FRAME GENERATORS

SMCS-4450

i04402580

NOTE	PART NUMBER	QTY	PART NAME	SEE PAGE
Y	338-2091	1	GENERATOR GP	475

Y-SEPARATE ILLUSTRATION

<END>

## 338-2090 GENERATOR AR

S/N: L7A1-UP

FOR USE WITH 7000 FRAME GENERATORS

SMCS-4450

i03472940

NOTE	PART NUMBER	QTY	PART NAME	SEE PAGE
Y	338-2091	1	GENERATOR GP	475

Y-SEPARATE ILLUSTRATION

<END>

## 338-2092 GENERATOR AR

S/N: L7A1-UP

FOR USE WITH 7000 FRAME GENERATORS

SMCS-4450

i04518097

NOTE	PART NUMBER	QTY	PART NAME	SEE PAGE
Y	338-2095	1	GENERATOR GP	477

Y-SEPARATE ILLUSTRATION

<END>

## 338-2094 GENERATOR AR

S/N: L7A1-UP

FOR USE WITH 7000 FRAME GENERATORS

SMCS-4450

i03499705

NOTE	PART NUMBER	QTY	PART NAME	SEE PAGE
Y	338-2095	1	GENERATOR GP	477

Y-SEPARATE ILLUSTRATION

<END>

# GENERATORS

## 338-2096 GENERATOR AR

S/N: L7A1-UP

FOR USE WITH 7000 FRAME GENERATORS

SMCS-4450

i04517963

NOTE	PART NUMBER	QTY	PART NAME						SEE PAGE
			1	2	3	4	5	6 (PRODUCT LEVEL)	
Y	338-2099	1	GENERATOR GP						479
Y-SEPARATE ILLUSTRATION									
<END>									

## 338-2098 GENERATOR AR

S/N: L7A1-UP

FOR USE WITH 7000 FRAME GENERATORS

SMCS-4450

i03475242

NOTE	PART NUMBER	QTY	PART NAME						SEE PAGE
			1	2	3	4	5	6 (PRODUCT LEVEL)	
Y	338-2099	1	GENERATOR GP						479
Y-SEPARATE ILLUSTRATION									
<END>									

## 338-2100 GENERATOR AR

S/N: L7A1-UP

FOR USE WITH 7000 FRAME GENERATORS

SMCS-4450

i04517869

NOTE	PART NUMBER	QTY	PART NAME						SEE PAGE
			1	2	3	4	5	6 (PRODUCT LEVEL)	
Y	338-2103	1	GENERATOR GP						481
Y-SEPARATE ILLUSTRATION									
<END>									

## 338-2102 GENERATOR AR

S/N: L7A1-UP

FOR USE WITH 7000 FRAME GENERATORS

SMCS-4450

i03499580

NOTE	PART NUMBER	QTY	PART NAME						SEE PAGE
			1	2	3	4	5	6 (PRODUCT LEVEL)	
Y	338-2103	1	GENERATOR GP						481
Y-SEPARATE ILLUSTRATION									
<END>									

## 338-2104 GENERATOR AR

S/N: L7A1-UP

FOR USE WITH 7000 FRAME GENERATORS

SMCS-4450

i04517832

NOTE	PART NUMBER	QTY	PART NAME						SEE PAGE
			1	2	3	4	5	6 (PRODUCT LEVEL)	
Y	338-2107	1	GENERATOR GP						483
Y-SEPARATE ILLUSTRATION									
<END>									

# GENERATORS

## 338-2106 GENERATOR AR

S/N: L7A1-UP

FOR USE WITH 7000 FRAME GENERATORS

SMCS-4450

i03499420

NOTE	PART NUMBER	QTY	PART NAME	SEE PAGE
Y	338-2107	1	GENERATOR GP	483

Y-SEPARATE ILLUSTRATION

<END>

## 338-2108 GENERATOR AR

S/N: L7A1-UP

FOR USE WITH 7000 FRAME GENERATORS

SMCS-4450

i04518040

NOTE	PART NUMBER	QTY	PART NAME	SEE PAGE
Y	338-2111	1	GENERATOR GP	485

Y-SEPARATE ILLUSTRATION

<END>

## 338-2110 GENERATOR AR

S/N: L7A1-UP

FOR USE WITH 7000 FRAME GENERATORS

SMCS-4450

i03499235

NOTE	PART NUMBER	QTY	PART NAME	SEE PAGE
Y	338-2111	1	GENERATOR GP	485

Y-SEPARATE ILLUSTRATION

<END>

## 338-2112 GENERATOR AR

S/N: L7A1-UP

FOR USE WITH 7000 FRAME GENERATORS

SMCS-4450

i03499062

NOTE	PART NUMBER	QTY	PART NAME	SEE PAGE
Y	338-2113	1	GENERATOR GP	487

Y-SEPARATE ILLUSTRATION

<END>

## 338-2129 GENERATOR AR

S/N: L7A1-UP

FOR USE WITH 7000 FRAME GENERATORS

SMCS-4450

i04518212

NOTE	PART NUMBER	QTY	PART NAME	SEE PAGE
Y	338-2132	1	GENERATOR GP	489

Y-SEPARATE ILLUSTRATION

<END>

# GENERATORS

## 392-1377 GENERATOR AR

S/N: L6B1-UP  
AN ATTACHMENT

SMCS-4450

i04902665

NOTE	PART NUMBER	QTY	PART NAME						SEE PAGE
			1	2	3	4	5	6 (PRODUCT LEVEL)	
Y	389-9340	1	GENERATOR GP						505
Y-SEPARATE ILLUSTRATION									
<END>									

## 392-1378 GENERATOR AR

S/N: L6B1-UP  
AN ATTACHMENT

SMCS-4450

i04902683

NOTE	PART NUMBER	QTY	PART NAME						SEE PAGE
			1	2	3	4	5	6 (PRODUCT LEVEL)	
Y	374-0463	1	GENERATOR GP						493
Y-SEPARATE ILLUSTRATION									
<END>									

## 392-1379 GENERATOR AR

S/N: L6B1-UP  
AN ATTACHMENT

SMCS-4450

i04903949

NOTE	PART NUMBER	QTY	PART NAME						SEE PAGE
			1	2	3	4	5	6 (PRODUCT LEVEL)	
Y	374-0465	1	GENERATOR GP						495
Y-SEPARATE ILLUSTRATION									
<END>									

## 392-1380 GENERATOR AR

S/N: L6B1-UP  
AN ATTACHMENT

SMCS-4450

i04903969

NOTE	PART NUMBER	QTY	PART NAME						SEE PAGE
			1	2	3	4	5	6 (PRODUCT LEVEL)	
Y	358-4760	1	GENERATOR GP						491
Y-SEPARATE ILLUSTRATION									
<END>									

## 392-1381 GENERATOR AR

S/N: L7A1-UP  
AN ATTACHMENT

SMCS-4450

i04889665

NOTE	PART NUMBER	QTY	PART NAME						SEE PAGE
			1	2	3	4	5	6 (PRODUCT LEVEL)	
Y	374-0467	1	GENERATOR GP						497
Y-SEPARATE ILLUSTRATION									
<END>									



# GENERATORS

## 392-1382 GENERATOR AR

S/N: L7A1-UP  
AN ATTACHMENT

SMCS-4450

i04889807

NOTE	PART NUMBER	QTY	PART NAME	SEE PAGE
Y	389-9373	1	1 2 3 4 5 6 (PRODUCT LEVEL) GENERATOR GP	537

Y-SEPARATE ILLUSTRATION

<END>

## 392-1383 GENERATOR AR

S/N: L7A1-UP  
AN ATTACHMENT

SMCS-4450

i04889791

NOTE	PART NUMBER	QTY	PART NAME	SEE PAGE
Y	374-0469	1	1 2 3 4 5 6 (PRODUCT LEVEL) GENERATOR GP	499

Y-SEPARATE ILLUSTRATION

<END>

## 392-1384 GENERATOR AR

S/N: L7A1-UP  
AN ATTACHMENT

SMCS-4450

i04889822

NOTE	PART NUMBER	QTY	PART NAME	SEE PAGE
Y	374-0470	1	1 2 3 4 5 6 (PRODUCT LEVEL) GENERATOR GP	501

Y-SEPARATE ILLUSTRATION

<END>

## 392-1385 GENERATOR AR

S/N: L7A1-UP  
AN ATTACHMENT

SMCS-4450

i04889828

NOTE	PART NUMBER	QTY	PART NAME	SEE PAGE
Y	374-0471	1	1 2 3 4 5 6 (PRODUCT LEVEL) GENERATOR GP	503

Y-SEPARATE ILLUSTRATION

<END>

## 392-1386 GENERATOR AR

S/N: L7A1-UP  
AN ATTACHMENT

SMCS-4450

i04889817

NOTE	PART NUMBER	QTY	PART NAME	SEE PAGE
Y	391-4277	1	1 2 3 4 5 6 (PRODUCT LEVEL) GENERATOR GP	539

Y-SEPARATE ILLUSTRATION

<END>

# GENERATORS

## 392-1387 GENERATOR AR

S/N: L6B1-UP  
AN ATTACHMENT

SMCS-4450

i04904217

NOTE	PART NUMBER	QTY	PART NAME	SEE PAGE
Y	389-9341	1	1 2 3 4 5 6 (PRODUCT LEVEL) GENERATOR GP	507
Y-SEPARATE ILLUSTRATION				
<END>				

## 392-1388 GENERATOR AR

S/N: L6B1-UP  
AN ATTACHMENT

SMCS-4450

i04904154

NOTE	PART NUMBER	QTY	PART NAME	SEE PAGE
Y	389-9342	1	1 2 3 4 5 6 (PRODUCT LEVEL) GENERATOR GP	509
Y-SEPARATE ILLUSTRATION				
<END>				

## 392-1389 GENERATOR AR

S/N: L6B1-UP  
AN ATTACHMENT

SMCS-4450

i04904197

NOTE	PART NUMBER	QTY	PART NAME	SEE PAGE
Y	389-9343	1	1 2 3 4 5 6 (PRODUCT LEVEL) GENERATOR GP	511
Y-SEPARATE ILLUSTRATION				
<END>				

## 392-1390 GENERATOR AR

S/N: L6B1-UP  
AN ATTACHMENT

SMCS-4450

i04904159

NOTE	PART NUMBER	QTY	PART NAME	SEE PAGE
Y	389-9344	1	1 2 3 4 5 6 (PRODUCT LEVEL) GENERATOR GP	513
Y-SEPARATE ILLUSTRATION				
<END>				

## 392-1391 GENERATOR AR

S/N: L7A1-UP  
AN ATTACHMENT

SMCS-4450

i04889662

NOTE	PART NUMBER	QTY	PART NAME	SEE PAGE
Y	389-9345	1	1 2 3 4 5 6 (PRODUCT LEVEL) GENERATOR GP	515
Y-SEPARATE ILLUSTRATION				
<END>				

# GENERATORS

## 392-1393 GENERATOR AR

S/N: L6B1-UP  
AN ATTACHMENT

SMCS-4450

i04903139

NOTE	PART NUMBER	QTY	PART NAME	SEE PAGE
Y	389-9347	1	GENERATOR GP	517

Y-SEPARATE ILLUSTRATION

<END>

## 392-1394 GENERATOR AR

S/N: L6B1-UP  
AN ATTACHMENT

SMCS-4450

i04903202

NOTE	PART NUMBER	QTY	PART NAME	SEE PAGE
Y	389-9348	1	GENERATOR GP	519

Y-SEPARATE ILLUSTRATION

<END>

## 392-1395 GENERATOR AR

S/N: L7A1-UP  
AN ATTACHMENT

SMCS-4450

i04889651

NOTE	PART NUMBER	QTY	PART NAME	SEE PAGE
Y	389-9349	1	GENERATOR GP	521

Y-SEPARATE ILLUSTRATION

<END>

## 392-1396 GENERATOR AR

S/N: L7A1-UP  
AN ATTACHMENT

SMCS-4450

i04889774

NOTE	PART NUMBER	QTY	PART NAME	SEE PAGE
Y	389-9350	1	GENERATOR GP	523

Y-SEPARATE ILLUSTRATION

<END>

## 392-1397 GENERATOR AR

S/N: L6B1-UP  
AN ATTACHMENT

SMCS-4450

i04903956

NOTE	PART NUMBER	QTY	PART NAME	SEE PAGE
Y	389-9351	1	GENERATOR GP	525

Y-SEPARATE ILLUSTRATION

<END>

# GENERATORS

## 392-1398 GENERATOR AR

S/N: L6B1-UP  
AN ATTACHMENT

SMCS-4450

i04903961

NOTE	PART NUMBER	QTY	PART NAME	SEE PAGE
Y	389-9352	1	1 2 3 4 5 6 (PRODUCT LEVEL) GENERATOR GP	527
Y-SEPARATE ILLUSTRATION				
<END>				

## 392-1399 GENERATOR AR

S/N: L7A1-UP  
AN ATTACHMENT

SMCS-4450

i04889679

NOTE	PART NUMBER	QTY	PART NAME	SEE PAGE
Y	389-9353	1	1 2 3 4 5 6 (PRODUCT LEVEL) GENERATOR GP	529
Y-SEPARATE ILLUSTRATION				
<END>				

## 392-1400 GENERATOR AR

S/N: L7A1-UP  
AN ATTACHMENT

SMCS-4450

i04889782

NOTE	PART NUMBER	QTY	PART NAME	SEE PAGE
Y	389-9354	1	1 2 3 4 5 6 (PRODUCT LEVEL) GENERATOR GP	531
Y-SEPARATE ILLUSTRATION				
<END>				

## 392-1401 GENERATOR AR

S/N: L7A1-UP  
AN ATTACHMENT

SMCS-4450

i04889671

NOTE	PART NUMBER	QTY	PART NAME	SEE PAGE
Y	389-9356	1	1 2 3 4 5 6 (PRODUCT LEVEL) GENERATOR GP	533
Y-SEPARATE ILLUSTRATION				
<END>				

## 392-1523 GENERATOR AR

S/N: L7A1-UP  
AN ATTACHMENT

SMCS-4450

i04889816

NOTE	PART NUMBER	QTY	PART NAME	SEE PAGE
Y	389-9357	1	1 2 3 4 5 6 (PRODUCT LEVEL) GENERATOR GP	535
Y-SEPARATE ILLUSTRATION				
<END>				

# GENERATORS

## 241-4461 GENERATOR GP

S/N: L6B1-UP

PART OF 235-1215 GENERATOR AR

SMCS-4450

i03904927

NOTE	REF NO	GRAPHIC REF	PART NUMBER	QTY	PART NAME						SEE PAGE
					1	2	3	4	5	6 (PRODUCT LEVEL)	
	1	1	243-0148	1	STATOR AS						
R	2	1	243-0144	1	ROTOR AS						
	3	1	242-3919	1	FAN-GENERATOR						
	4	1	241-4577	1	EYE-LIFTING						
	5	1	242-3922	1	FLANGE						
M	6	1	160-8746	6	BOLT (M12X1.75X18-MM)						
	7	1	242-3924	1	SCREEN (AIR EXIT)						
	8	1	242-3926	2	SCREW (M11.5X50-MM)						
	9	1	242-3928	1	SHIELD						
	10	1	242-3929	5	SCREW (M22X70-THD)						
	11	1	242-3930	1	PANEL-TERMINAL BOX						
	12	1	242-3931	1	BOLT (M6X1X16-MM)						
	13	1	242-3932	1	SCREEN-AIR INLET						
	14	1	243-5380	1	CAP						
	15	1	243-5220	1	BEARING						
	16	1	241-4594	1	COVER						
	17	1	242-3936	2	SCREW (M15X70-MM)						
	18	1	241-4595	1	CAP-BEARING						
	19	1	241-4597	1	RING						
	20	1	242-3938	1	EXCITER						
	21	1	241-4633	4	BOLT (M6X1X80-MM)						
	22	1	242-3941	1	ARMATURE						
	23	1	241-4606	1	SUPPORT-DIODE						
	24	1	242-3943	1	TERMINAL AS						
	25	1	242-3951	3	TERMINAL						
	26	1	242-3956	1	TERMINAL						
	27	1	242-3957	9	SCREW (M12X50-MM)						
	28	1	289-4769	1	REGULATOR AS-VOLTAGE (GENERATOR)						
	29	1	242-3959	3	DISC-COUPLING						
	30	1	242-3960	8	SCREW (27.7-MMX40-MM)						
	31	1	241-4618	1	SHIM (2-MM THK)						
	32	1	241-4619	1	DIODE AS						
	33	1	241-4620	1	VARISTOR						
	34	1	241-4622	1	SEAL-O-RING						
	35	1	242-3965	1	PANEL						
	36	1	242-3966	1	PANEL						
	37	1	242-3967	1	PANEL						
	38	1	242-3968	1	PANEL-ACCESS						
	39	2	307-6560	1	BRACKET						
	40	2	6V-8801	1	NUT (3/8-16-THD)						
M	41	2	8T-4000	1	SCREW-WASHER HEAD (M8X1.25X4.8-MM)						
	42	2	8T-0192	1	BOLT (3/8-16X2.25-IN)						
	43	2	4D-1326	1	LOCKWASHER						
	44	2	8T-4896	1	WASHER-HARD (10.2X18.5X2.5-MM THK)						

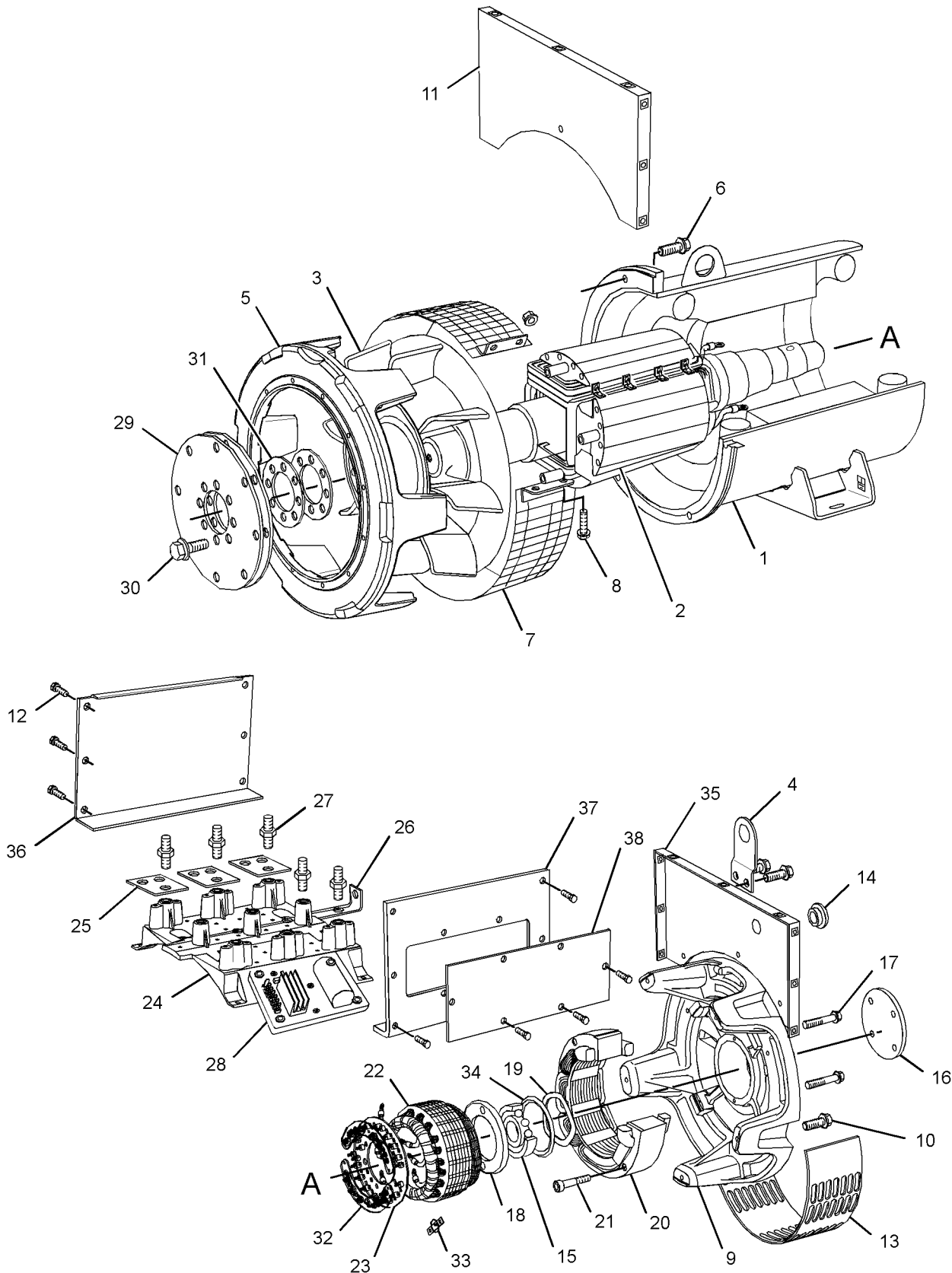
M-METRIC PART

R-REMFG PART MAY BE AVAILABLE

# GENERATORS

241-4461 GENERATOR GP (contd.)

i03904927



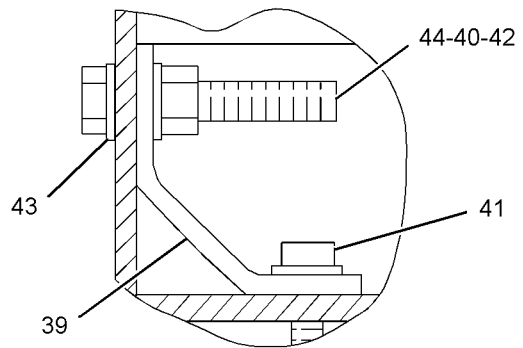
GRAPHIC #1

g01391521

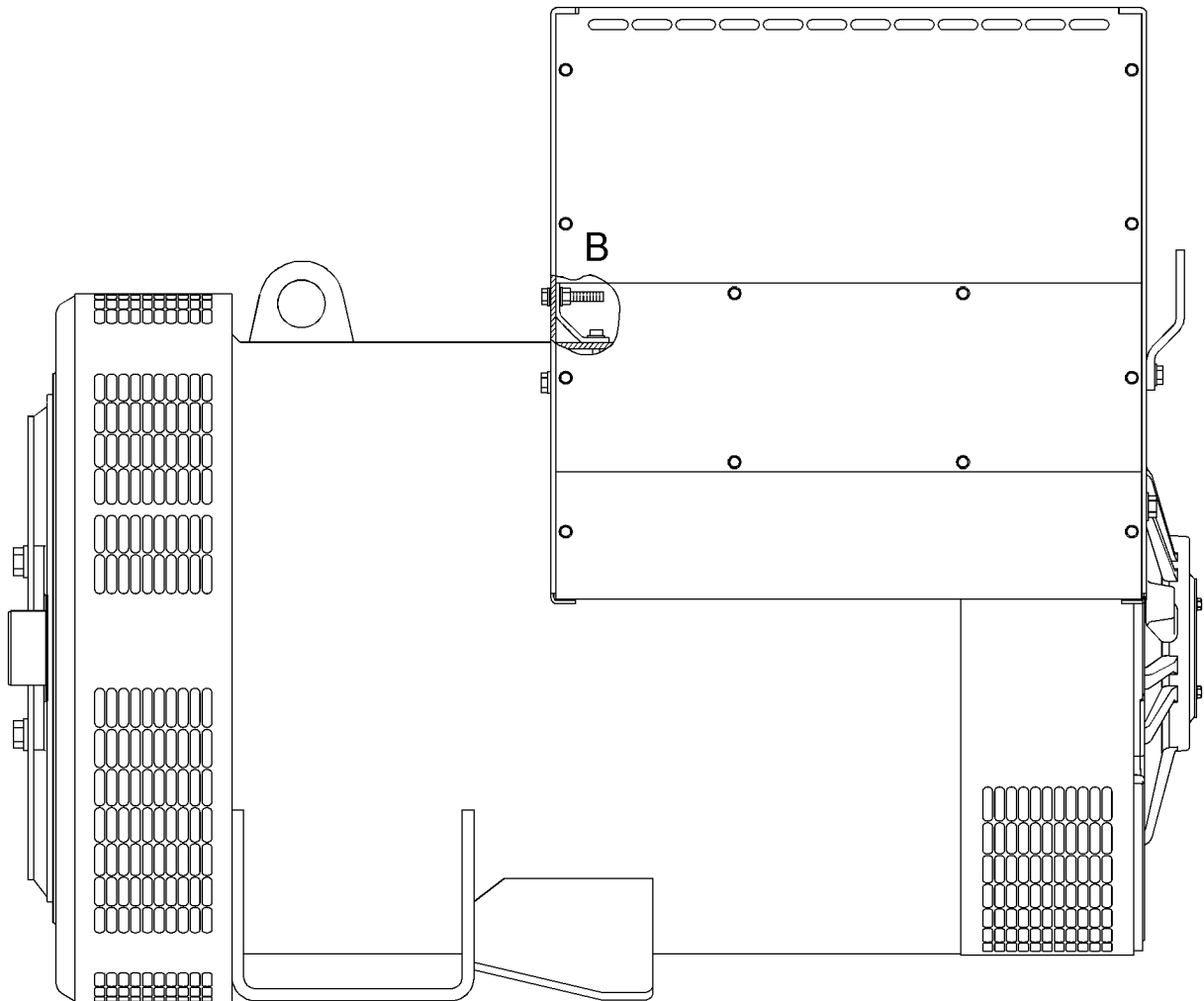
# GENERATORS

241-4461 GENERATOR GP (contd.)

i03904927



VIEW OF AREA B



LEFT SIDE VIEW

GRAPHIC #2

<END>

g01383848

# GENERATORS

## 241-4467 GENERATOR GP

S/N: L6B1-UP

PART OF 235-1214 GENERATOR AR

SMCS-4450

i03904912

NOTE	REF NO	GRAPHIC REF	PART NUMBER	QTY	PART NAME						SEE PAGE
					1	2	3	4	5	6 (PRODUCT LEVEL)	
	1	1	243-0155	1	STATOR AS						
R	2	1	243-0143	1	ROTOR AS						
	3	1	242-3919	1	FAN-GENERATOR						
	4	1	241-4577	1	EYE-LIFTING						
	5	1	242-3922	1	FLANGE						
M	6	1	160-8746	6	BOLT (M12X1.75X18-MM)						
	7	1	242-3924	1	SCREEN (AIR EXIT)						
	8	1	242-3926	2	SCREW (M11.5X50-MM)						
	9	1	242-3928	1	SHIELD						
	10	1	242-3929	5	SCREW (M22X70-THD)						
	11	1	242-3930	1	PANEL-TERMINAL BOX						
	12	1	242-3931	1	BOLT (M6X1X16-MM)						
	13	1	242-3932	1	SCREEN-AIR INLET						
	14	1	243-5380	1	CAP						
	15	1	243-5220	1	BEARING						
	16	1	241-4594	1	COVER (OUTER BEARING)						
	17	1	242-3936	2	SCREW (M15X70-MM)						
	18	1	241-4595	1	CAP-BEARING						
	19	1	241-4597	1	RING						
	20	1	242-3938	1	EXCITER						
	21	1	241-4633	4	BOLT (M6X1X80-MM)						
	22	1	242-3941	1	ARMATURE						
	23	1	241-4606	1	SUPPORT-DIODE						
	24	1	242-3943	1	TERMINAL AS						
	25	1	242-3951	3	TERMINAL						
	26	1	242-3956	1	TERMINAL						
	27	1	242-3957	9	SCREW (M12X50-MM)						
	28	1	289-4769	1	REGULATOR AS-VOLTAGE (GENERATOR)						
	29	1	242-3959	3	DISC-COUPLING						
	30	1	242-3960	8	SCREW (27.7-MMX40-MM)						
	31	1	241-4618	1	SHIM (2-MM THK)						
	32	1	241-4619	1	DIODE AS						
	33	1	241-4620	1	VARISTOR						
	34	1	241-4622	1	SEAL-O-RING						
	35	1	242-3965	1	PANEL (TERMINAL)						
	36	1	242-3966	1	PANEL						
	37	1	242-3967	1	PANEL						
	38	1	242-3968	1	PANEL-ACCESS						
	39	2	307-6560	1	BRACKET						
	40	2	6V-8801	1	NUT (3/8-16-THD)						
M	41	2	8T-4000	1	SCREW-WASHER HEAD (M8X1.25X4.8-MM)						
	42	2	8T-0192	1	BOLT (3/8-16X2.25-IN)						
	43	2	4D-1326	1	LOCKWASHER						
	44	2	8T-4896	1	WASHER-HARD (10.2X18.5X2.5-MM THK)						
F			246-5895	1	TRANSFORMER						

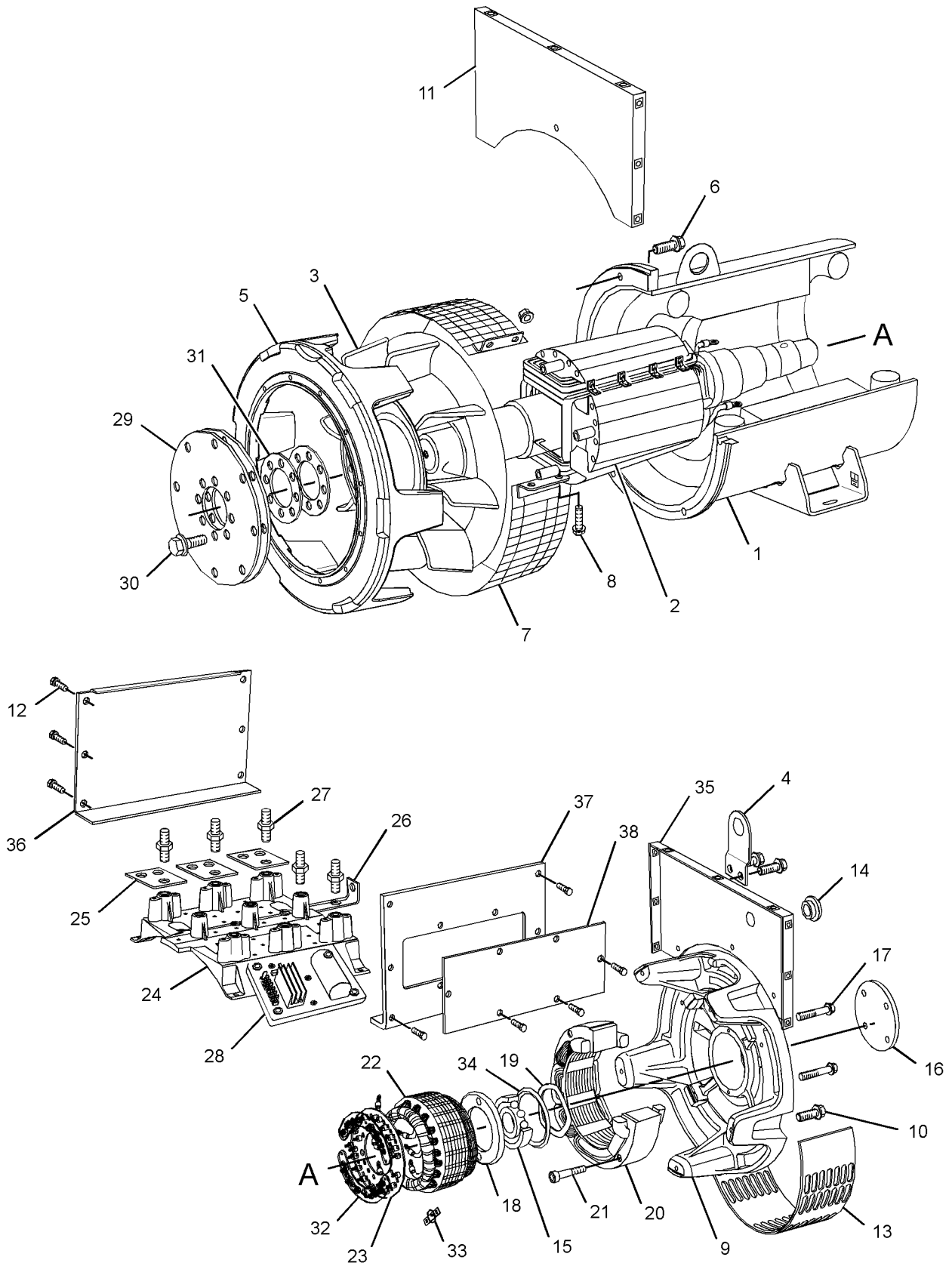
F-NOT SHOWN  
M-METRIC PART  
R-REMFG PART MAY BE AVAILABLE



# GENERATORS

241-4467 GENERATOR GP (contd.)

i03904912



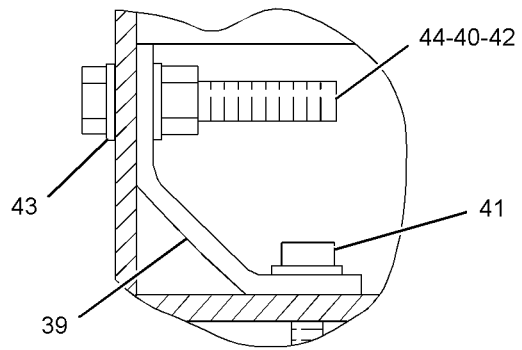
GRAPHIC #1

g01391521

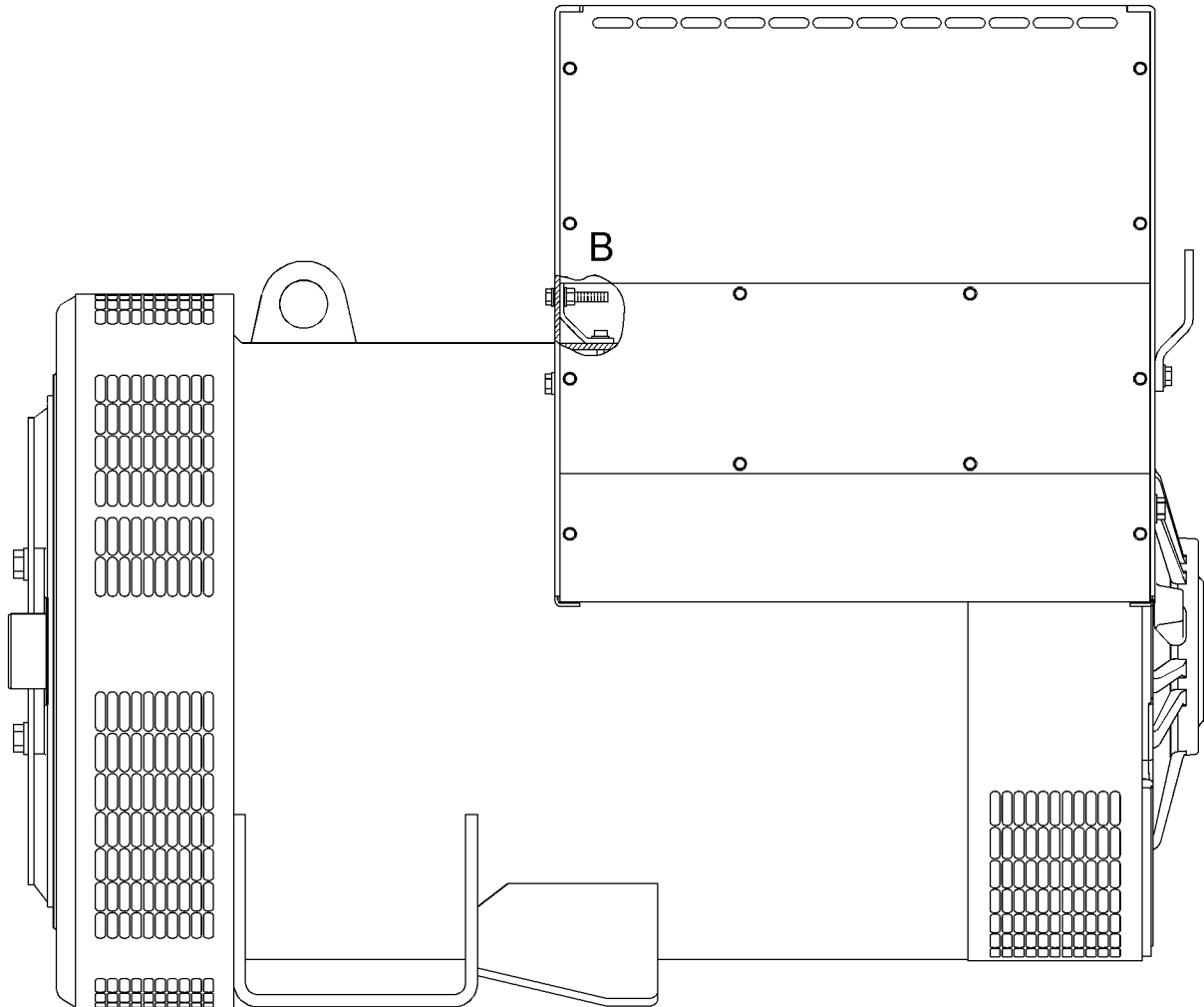
# GENERATORS

241-4467 GENERATOR GP (contd.)

i03904912



VIEW OF AREA B



LEFT SIDE VIEW

GRAPHIC #2

<END>

g01383848

# GENERATORS

## 241-4468 GENERATOR GP

S/N: L6B1-UP

PART OF 235-1216 GENERATOR AR

SMCS-4450

i03904909

NOTE	REF NO	GRAPHIC REF	PART NUMBER	QTY	PART NAME						SEE PAGE	
					1	2	3	4	5	6 (PRODUCT LEVEL)		
		1	243-0152	1	STATOR AS							
R		2	243-0144	1	ROTOR AS							
		3	242-3919	1	FAN-GENERATOR							
		4	241-4577	1	EYE-LIFTING							
		5	242-3922	1	FLANGE							
M		6	160-8746	6	BOLT (M12X1.75X18-MM)							
		7	242-3924	1	SCREEN (AIR EXIT)							
		8	242-3926	2	SCREW (M11.5X50-MM)							
		9	242-3928	1	SHIELD							
		10	242-3929	5	SCREW (M22X70-THD)							
		11	242-3930	1	PANEL-TERMINAL BOX							
		12	242-3931	1	BOLT (M6X1X16-MM)							
		13	242-3932	1	SCREEN-AIR INLET							
		14	243-4380	1	PLATE							
		15	243-5220	1	BEARING							
		16	241-4594	1	COVER (OUTER BEARING)							
		17	242-3936	2	SCREW (M15X70-MM)							
		18	241-4595	1	CAP-BEARING							
		19	241-4597	1	RING							
		20	242-3938	1	EXCITER							
		21	241-4633	4	BOLT (M6X1X80-MM)							
		22	242-3941	1	ARMATURE							
		23	241-4606	1	SUPPORT-DIODE							
		24	242-3943	1	TERMINAL AS							
		25	242-3951	3	TERMINAL							
		26	242-3956	1	TERMINAL							
		27	242-3957	9	SCREW (M12X50-MM)							
		28	289-4769	1	REGULATOR AS-VOLTAGE (GENERATOR)							
		29	242-3959	3	DISC-COUPLING							
		30	242-3960	8	SCREW (27.7-MMX40-MM)							
		31	241-4618	1	SHIM (2-MM THK)							
		32	241-4619	1	DIODE AS							
		33	241-4620	1	VARISTOR							
		34	241-4622	1	SEAL-O-RING							
		35	242-3965	1	PANEL (TERMINAL)							
		36	242-3966	1	PANEL							
		37	242-3967	1	PANEL							
		38	242-3968	1	PANEL-ACCESS							
		39	2	307-6560	1	BRACKET						
		40	2	6V-8801	1	NUT (3/8-16-THD)						
M		41	2	8T-4000	1	SCREW-WASHER HEAD (M8X1.25X4.8-MM)						
		42	2	8T-0192	1	BOLT (3/8-16X2.25-IN)						
		43	2	4D-1326	1	LOCKWASHER						
		44	2	8T-4896	1	WASHER-HARD (10.2X18.5X2.5-MM THK)						

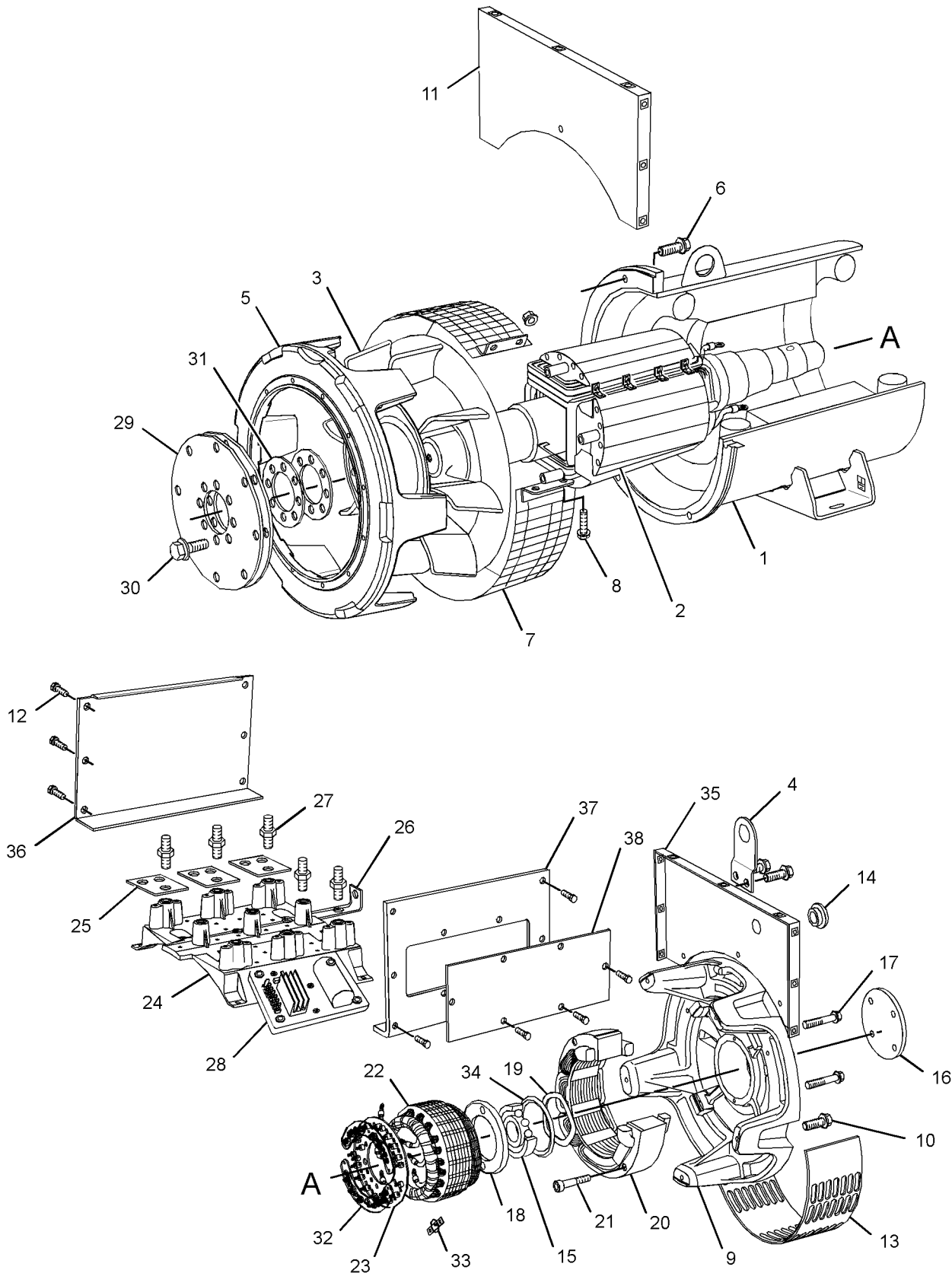
M-METRIC PART

R-REMFG PART MAY BE AVAILABLE

# GENERATORS

241-4468 GENERATOR GP (contd.)

i03904909



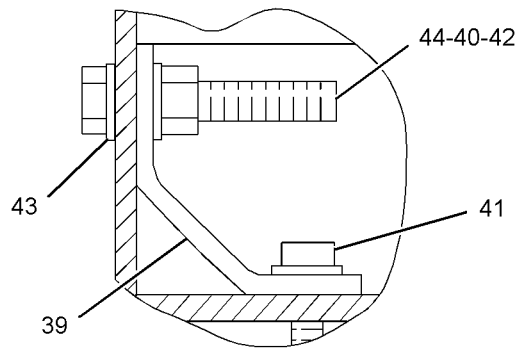
GRAPHIC #1

g01391521

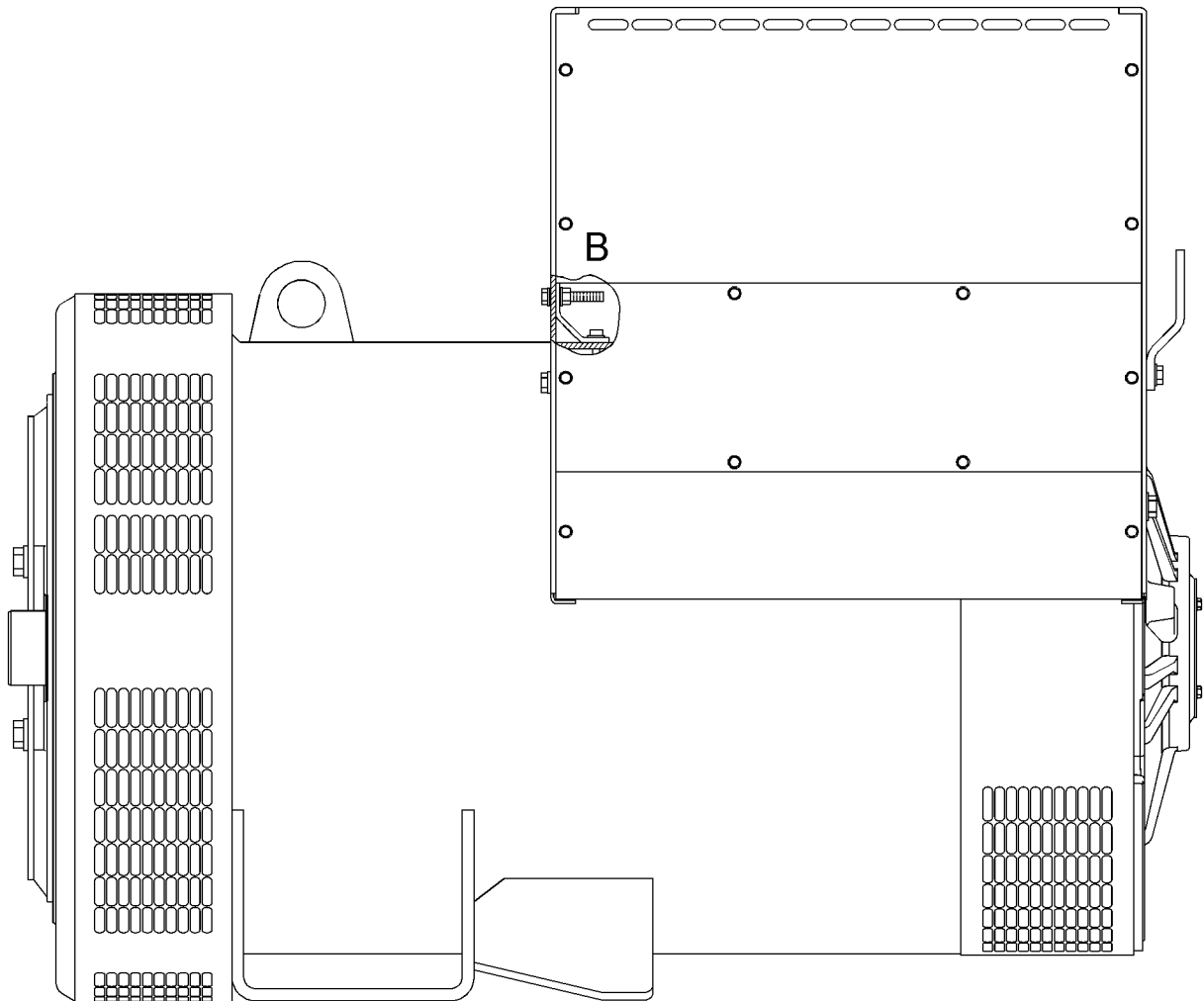
# GENERATORS

241-4468 GENERATOR GP (contd.)

i03904909



VIEW OF AREA B



LEFT SIDE VIEW

GRAPHIC #2

<END>

g01383848

# GENERATORS

## 241-4469 GENERATOR GP

S/N: L6B1-UP

PART OF 235-1218 GENERATOR AR

SMCS-4450

i03904905

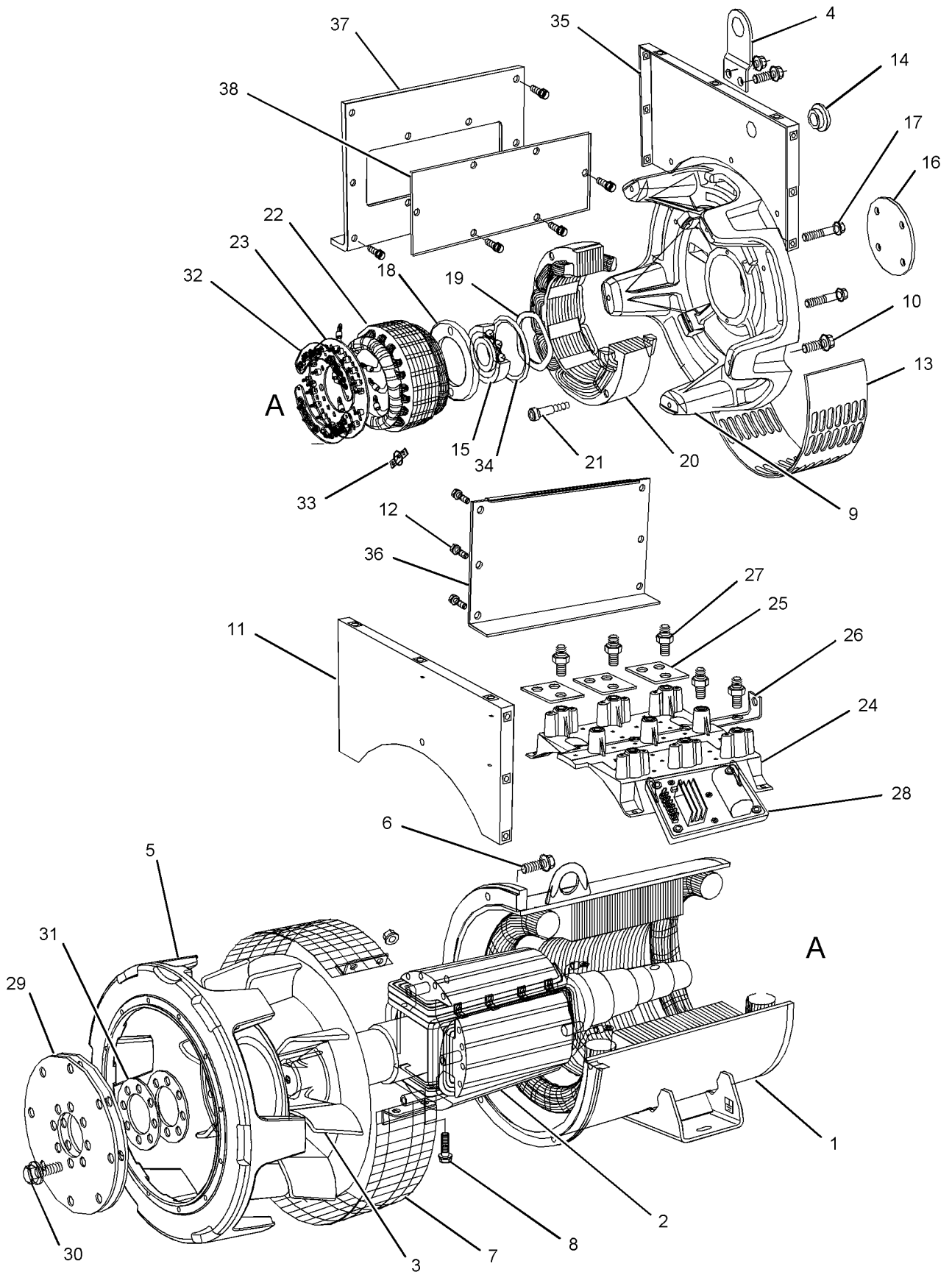
NOTE	REF NO	GRAPHIC REF	PART NUMBER	QTY	PART NAME						SEE PAGE
					1	2	3	4	5	6 (PRODUCT LEVEL)	
	1	1	243-0156	1	STATOR AS						
R	2	1	243-0144	1	ROTOR AS						
	3	1	242-3919	1	FAN-GENERATOR						
	4	1	241-4577	1	EYE-LIFTING						
	5	1	242-3922	1	FLANGE						
M	6	1	160-8746	6	BOLT (M12X1.75X18-MM)						
	7	1	242-3924	1	SCREEN						
	8	1	242-3926	2	SCREW (M11.5X50-MM)						
	9	1	242-3928	1	SHIELD						
	10	1	242-3929	5	SCREW (M22X70-THD)						
	11	1	242-3930	1	PANEL-TERMINAL BOX						
	12	1	242-3931	1	BOLT (M6X1X16-MM)						
	13	1	242-3932	1	SCREEN-AIR INLET						
	14	1	243-5380	1	CAP						
	15	1	243-5220	1	BEARING						
	16	1	241-4594	1	COVER (OUTER BEARING)						
	17	1	242-3936	2	SCREW (M15X70-MM)						
	18	1	241-4595	1	CAP-BEARING						
	19	1	241-4597	1	RING						
	20	1	242-3938	1	EXCITER						
	21	1	241-4633	4	BOLT (M6X1X80-MM)						
	22	1	242-3941	1	ARMATURE						
	23	1	241-4606	1	SUPPORT-DIODE						
	24	1	242-3943	1	TERMINAL AS						
	25	1	242-3951	3	TERMINAL						
	26	1	242-3956	1	TERMINAL						
	27	1	242-3957	9	SCREW (M12X50-MM)						
	28	1	289-4769	1	REGULATOR AS-VOLTAGE (GENERATOR)						
	29	1	242-3959	3	DISC-COUPLING						
	30	1	242-3960	8	SCREW (27.7-MMX40-MM)						
	31	1	241-4618	1	SHIM (2-MM THK)						
	32	1	241-4619	1	DIODE AS						
	33	1	241-4620	1	VARISTOR						
	34	1	241-4622	1	SEAL-O-RING						
	35	1	242-3965	1	PANEL (TERMINAL)						
	36	1	242-3966	1	PANEL						
	37	1	242-3967	1	PANEL						
	38	1	242-3968	1	PANEL-ACCESS						
	39	2	307-6560	1	BRACKET						
	40	2	6V-8801	1	NUT (3/8-16-THD)						
M	41	2	8T-4000	1	SCREW-WASHER HEAD (M8X1.25X4.8-MM)						
	42	2	8T-0192	1	BOLT (3/8-16X2.25-IN)						
	43	2	4D-1326	1	LOCKWASHER						
	44	2	8T-4896	1	WASHER-HARD (10.2X18.5X2.5-MM THK)						
F			246-5895	1	TRANSFORMER						

F-NOT SHOWN  
M-METRIC PART  
R-REMG PART MAY BE AVAILABLE

# GENERATORS

241-4469 GENERATOR GP (contd.)

i03904905



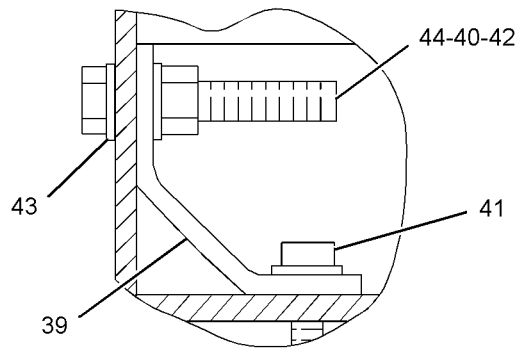
GRAPHIC #1

g01033581

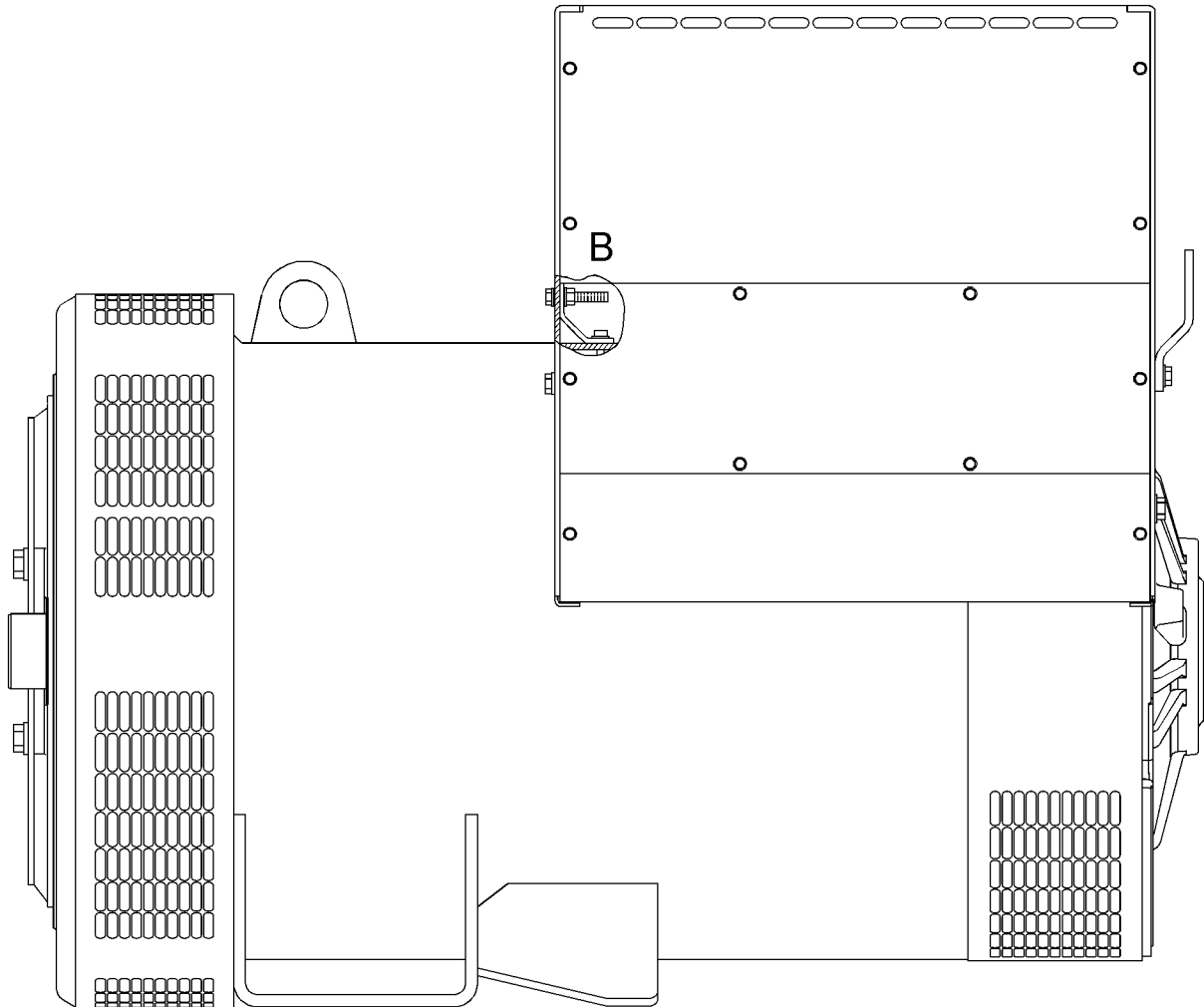
# GENERATORS

241-4469 GENERATOR GP (contd.)

i03904905



VIEW OF AREA B



LEFT SIDE VIEW

GRAPHIC #2

<END>

g01383848



# GENERATORS

## 241-4471 GENERATOR GP

S/N: L6B1-UP

PART OF 235-1205 GENERATOR AR

SMCS-4450

i03904923

NOTE	REF NO	GRAPHIC REF	PART NUMBER	QTY	PART NAME						SEE PAGE
					1	2	3	4	5	6 (PRODUCT LEVEL)	
		1	243-0145	1	STATOR AS						
R		2	243-0141	1	ROTOR AS						
		3	242-3919	1	FAN-GENERATOR						
		4	241-4577	1	EYE-LIFTING						
		5	242-3922	1	FLANGE						
M		6	160-8746	6	BOLT (M12X1.75X18-MM)						
		7	242-3924	1	SCREEN (AIR EXIT)						
		8	242-3926	2	SCREW (M11.5X50-MM)						
		9	242-3928	1	SHIELD						
		10	242-3929	5	SCREW (M22X70-THD)						
		11	242-3930	1	PANEL-TERMINAL BOX						
		12	242-3931	1	BOLT (M6X1X16-MM)						
		13	242-3932	1	SCREEN-AIR INLET						
		14	243-5380	1	CAP						
		15	243-5220	1	BEARING						
		16	241-4594	1	COVER (OUTER BEARING)						
		17	242-3936	2	SCREW (M15X70-MM)						
		18	241-4595	1	CAP-BEARING						
		19	241-4597	1	RING						
		20	242-3938	1	EXCITER						
		21	241-4633	4	BOLT (M6X1X80-MM)						
		22	242-3941	1	ARMATURE						
		23	241-4606	1	SUPPORT-DIODE						
		24	242-3943	1	TERMINAL AS						
		25	242-3951	3	TERMINAL						
		26	242-3956	1	TERMINAL						
		27	242-3957	9	SCREW (M12X50-MM)						
		28	289-4769	1	REGULATOR AS-VOLTAGE (GENERATOR)						
		29	242-3959	3	DISC-COUPLING						
		30	242-3960	8	SCREW (27.7-MMX40-MM)						
		31	241-4618	1	SHIM (2-MM THK)						
		32	241-4619	1	DIODE AS						
		33	241-4620	1	VARISTOR						
		34	241-4622	1	SEAL-O-RING						
		35	242-3965	1	PANEL (TERMINAL)						
		36	242-3966	1	PANEL						
		37	242-3967	1	PANEL						
		38	242-3968	1	PANEL-ACCESS						
		39	239-9490	1	KIT-EXCITER (PERMANENT MAGNET) (GENERATOR)						
		40	307-6560	1	BRACKET						
		41	6V-8801	1	NUT (3/8-16-THD)						
M		42	8T-4000	1	SCREW-WASHER HEAD (M8X1.25X4.8-MM)						
		43	8T-0192	1	BOLT (3/8-16X2.25-IN)						
		44	4D-1326	1	LOCKWASHER						
		45	8T-4896	1	WASHER-HARD (10.2X18.5X2.5-MM THK)						

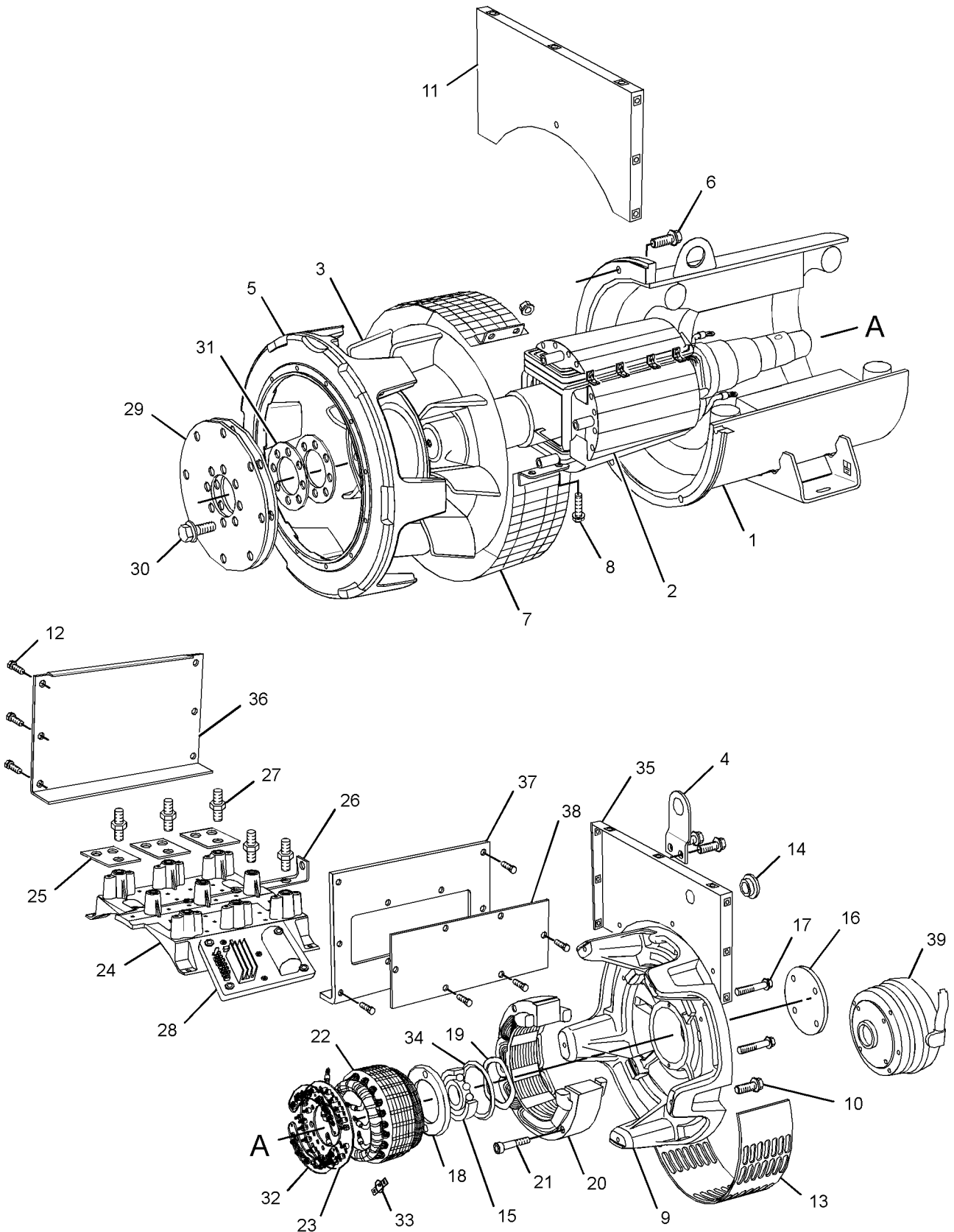
M-METRIC PART

R-REMFG PART MAY BE AVAILABLE

# GENERATORS

241-4471 GENERATOR GP (contd.)

i03904923



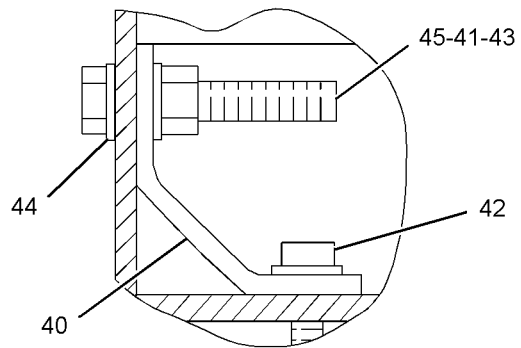
GRAPHIC #1

g01391636

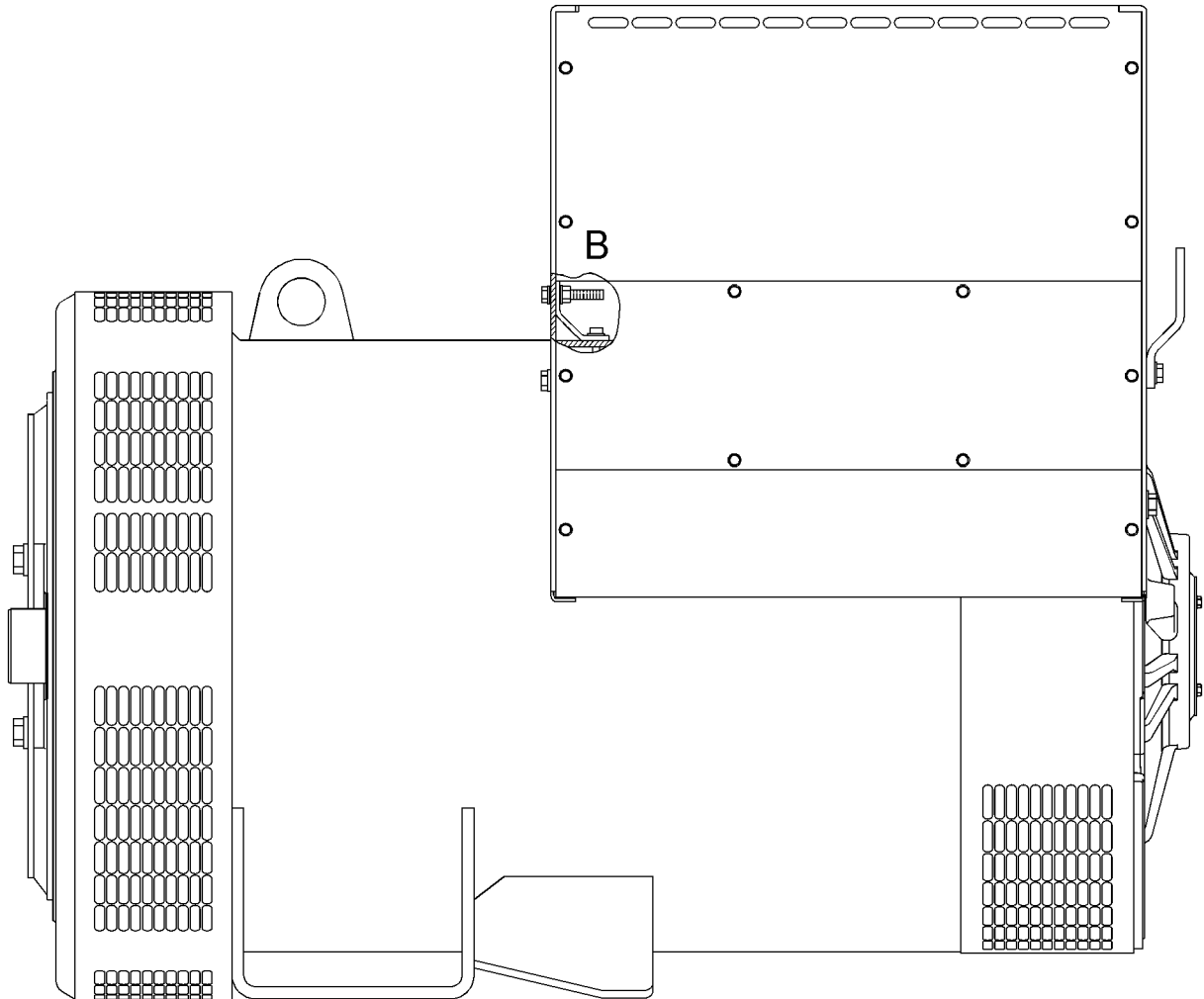
# GENERATORS

241-4471 GENERATOR GP (contd.)

i03904923



VIEW OF AREA B



LEFT SIDE VIEW

GRAPHIC #2

<END>

g01391638

# GENERATORS

## 241-4472 GENERATOR GP

S/N: L6B1-UP

PART OF 235-1209 GENERATOR AR

SMCS-4450

i03904926

NOTE	REF NO	GRAPHIC REF	PART NUMBER	QTY	PART NAME						SEE PAGE
					1	2	3	4	5	6 (PRODUCT LEVEL)	
	1	1	243-0146	1	STATOR AS						
R	2	1	243-0142	1	ROTOR AS						
	3	1	242-3919	1	FAN-GENERATOR						
	4	1	241-4577	1	EYE-LIFTING						
	5	1	242-3922	1	FLANGE						
M	6	1	160-8746	6	BOLT (M12X1.75X18-MM)						
	7	1	242-3924	1	SCREEN (AIR EXIT)						
	8	1	242-3926	2	SCREW (M11.5X50-MM)						
	9	1	242-3928	1	SHIELD						
	10	1	242-3929	5	SCREW (M22X70-THD)						
	11	1	242-3930	1	PANEL-TERMINAL BOX						
	12	1	242-3931	1	BOLT (M6X1X16-MM)						
	13	1	242-3932	1	SCREEN-AIR INLET						
	14	1	243-5380	1	CAP						
	15	1	243-5220	1	BEARING						
	16	1	241-4594	1	COVER (OUTER BEARING)						
	17	1	242-3936	2	SCREW (M15X70-MM)						
	18	1	241-4595	1	CAP-BEARING						
	19	1	241-4597	1	RING						
	20	1	242-3938	1	EXCITER						
	21	1	241-4633	4	BOLT (M6X1X80-MM)						
	22	1	242-3941	1	ARMATURE						
	23	1	241-4606	1	SUPPORT-DIODE						
	24	1	242-3943	1	TERMINAL AS						
	25	1	242-3951	3	TERMINAL						
	26	1	242-3956	1	TERMINAL						
	27	1	242-3957	9	SCREW (M12X50-MM)						
	28	1	289-4769	1	REGULATOR AS-VOLTAGE (GENERATOR)						
	29	1	242-3959	3	DISC-COUPLING						
	30	1	242-3960	8	SCREW (27.7-MMX40-MM)						
	31	1	241-4618	1	SHIM (2-MM THK)						
	32	1	241-4619	1	DIODE AS						
	33	1	241-4620	1	VARISTOR						
	34	1	241-4622	1	SEAL-O-RING						
	35	1	242-3965	1	PANEL						
	36	1	242-3966	1	PANEL						
	37	1	242-3967	1	PANEL						
	38	1	242-3968	1	PANEL-ACCESS						
	39	1	239-9490	1	KIT-EXCITER (PERMANENT MAGNET) (GENERATOR)						
	40	2	307-6560	1	BRACKET						
	41	2	6V-8801	1	NUT (3/8-16-THD)						
M	42	2	8T-4000	1	SCREW-WASHER HEAD (M8X1.25X4.8-MM)						
	43	2	8T-0192	1	BOLT (3/8-16X2.25-IN)						
	44	2	4D-1326	1	LOCKWASHER						
	45	2	8T-4896	1	WASHER-HARD (10.2X18.5X2.5-MM THK)						

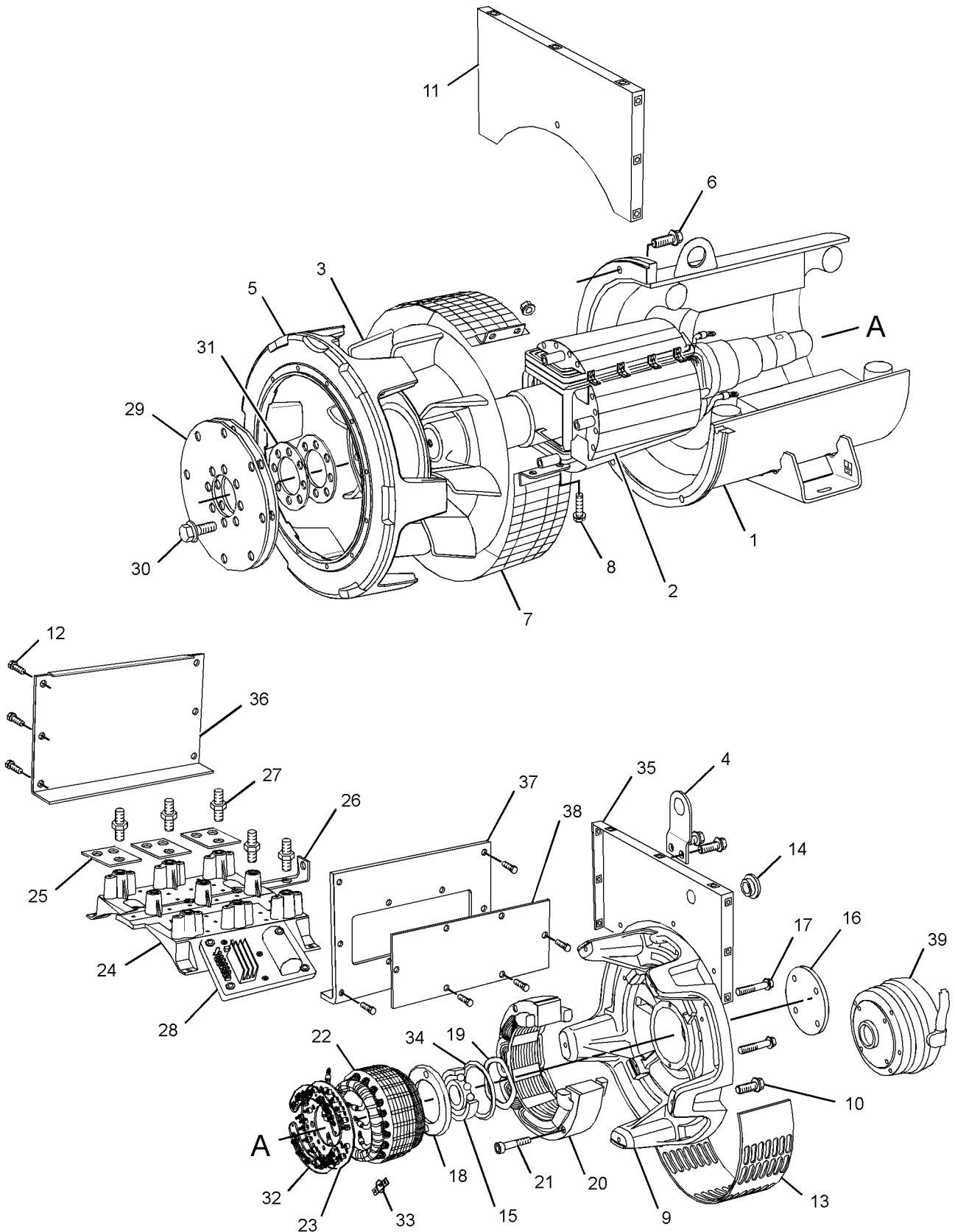
M-METRIC PART

R-REMFG PART MAY BE AVAILABLE

# GENERATORS

241-4472 GENERATOR GP (contd.)

i03904926



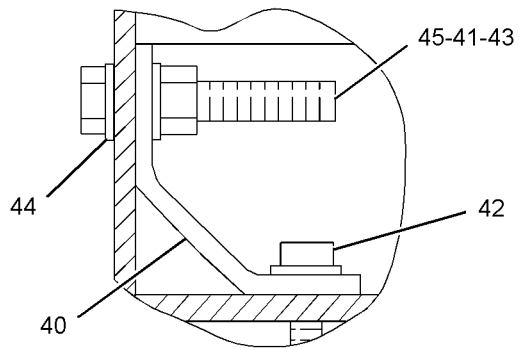
GRAPHIC #1

g01391636

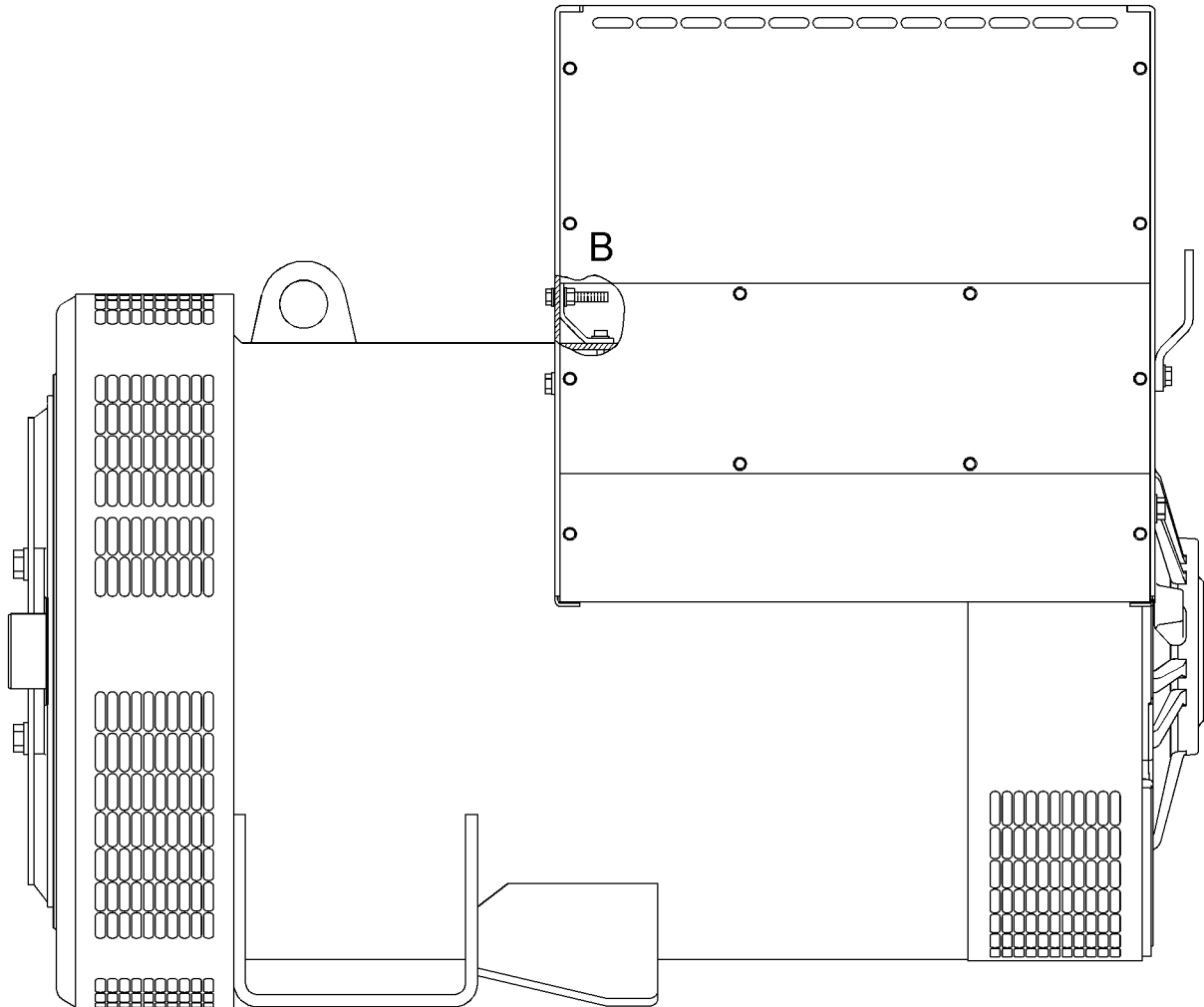
# GENERATORS

241-4472 GENERATOR GP (contd.)

i03904926



VIEW OF AREA B



LEFT SIDE VIEW

GRAPHIC #2

<END>

g01391638

# GENERATORS

## 241-4473 GENERATOR GP

S/N: L6B1-UP

PART OF 235-1213 GENERATOR AR

SMCS-4450

i03904916

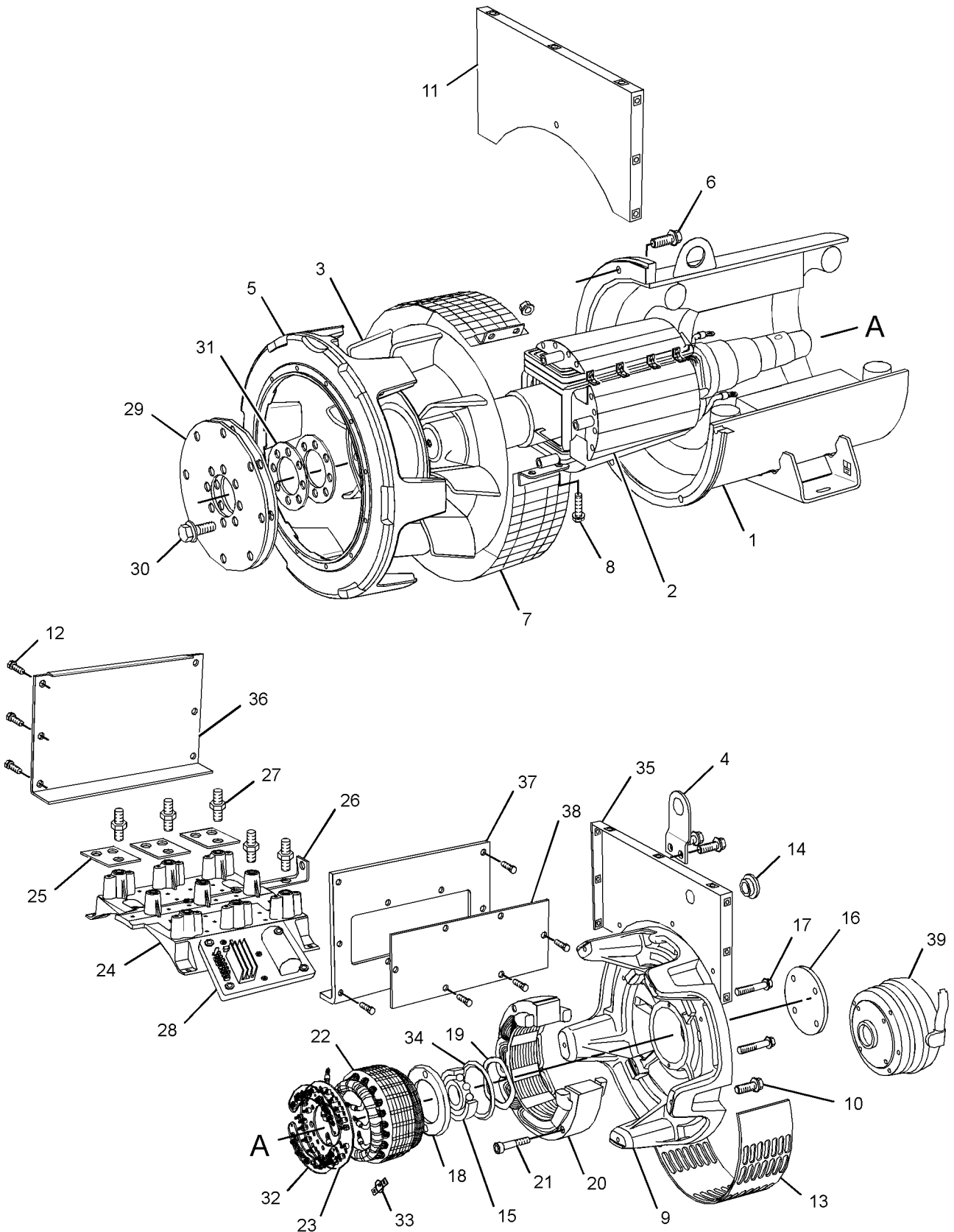
NOTE	REF NO	GRAPHIC REF	PART NUMBER	QTY	PART NAME						SEE PAGE
					1	2	3	4	5	6 (PRODUCT LEVEL)	
	1	1	243-0147	1	STATOR AS						
R	2	1	243-0143	1	ROTOR AS						
	3	1	242-3919	1	FAN-GENERATOR						
	4	1	241-4577	1	EYE-LIFTING						
	5	1	242-3922	1	FLANGE						
M	6	1	160-8746	6	BOLT (M12X1.75X18-MM)						
	7	1	242-3924	1	SCREEN (AIR EXIT)						
	8	1	242-3926	2	SCREW (M11.5X50-MM)						
	9	1	242-3928	1	SHIELD						
	10	1	242-3929	5	SCREW (M22X70-THD)						
	11	1	242-3930	1	PANEL-TERMINAL BOX						
	12	1	242-3931	1	BOLT (M6X1X16-MM)						
	13	1	242-3932	1	SCREEN-AIR INLET						
	14	1	243-5380	1	CAP						
	15	1	243-5220	1	BEARING						
	16	1	241-4594	1	COVER (OUTER BEARING)						
	17	1	242-3936	2	SCREW (M15X70-MM)						
	18	1	241-4595	1	CAP-BEARING						
	19	1	241-4597	1	RING						
	20	1	242-3938	1	EXCITER						
	21	1	241-4633	4	BOLT (M6X1X80-MM)						
	22	1	242-3941	1	ARMATURE						
	23	1	241-4606	1	SUPPORT-DIODE						
	24	1	242-3943	1	TERMINAL AS						
	25	1	242-3951	3	TERMINAL						
	26	1	242-3956	1	TERMINAL						
	27	1	242-3957	9	SCREW (M12X50-MM)						
	28	1	289-4769	1	REGULATOR AS-VOLTAGE (GENERATOR)						
	29	1	242-3959	3	DISC-COUPLING						
	30	1	242-3960	8	SCREW (27.7-MMX40-MM)						
	31	1	241-4618	1	SHIM (2-MM THK)						
	32	1	241-4619	1	DIODE AS						
	33	1	241-4620	1	VARISTOR						
	34	1	241-4622	1	SEAL-O-RING						
	35	1	242-3965	1	PANEL (TERMINAL)						
	36	1	242-3966	1	PANEL						
	37	1	242-3967	1	PANEL						
	38	1	242-3968	1	PANEL-ACCESS						
	39	1	239-9490	1	KIT-EXCITER (PERMANENT MAGNET) (GENERATOR)						
	40	2	307-6560	1	BRACKET						
	41	2	6V-8801	1	NUT (3/8-16-THD)						
M	42	2	8T-4000	1	SCREW-WASHER HEAD (M8X1.25X4.8-MM)						
	43	2	8T-0192	1	BOLT (3/8-16X2.25-IN)						
	44	2	4D-1326	1	LOCKWASHER						
	45	2	8T-4896	1	WASHER-HARD (10.2X18.5X2.5-MM THK)						

M-METRIC PART  
R-REMFG PART MAY BE AVAILABLE

# GENERATORS

241-4473 GENERATOR GP (contd.)

i03904916



GRAPHIC #1

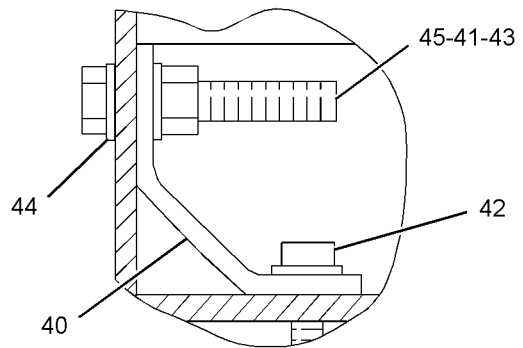
g01391636



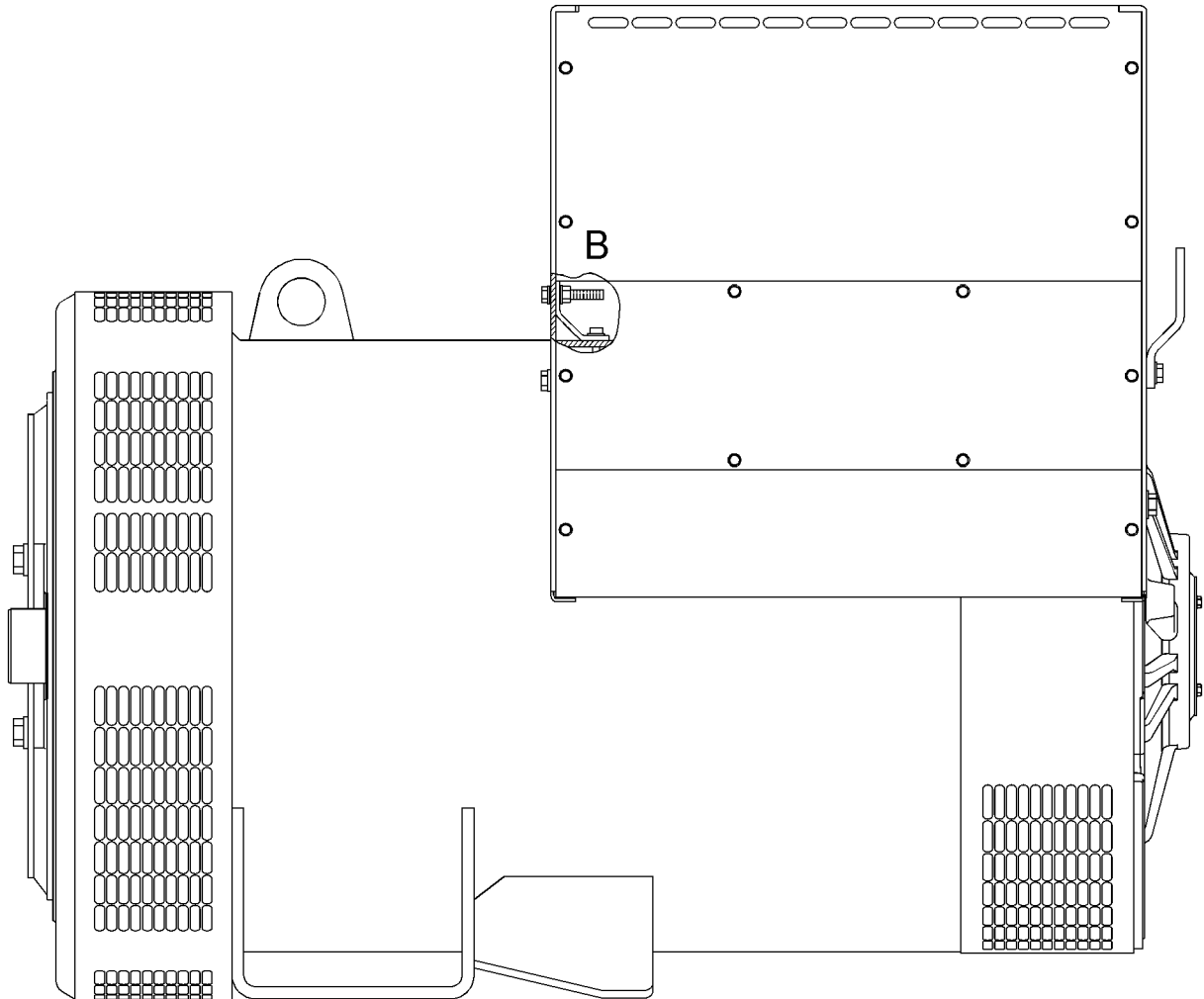
# GENERATORS

241-4473 GENERATOR GP (contd.)

i03904916



VIEW OF AREA B



LEFT SIDE VIEW

GRAPHIC #2

<END>

g01391638

# GENERATORS

## 241-4474 GENERATOR GP

S/N: L6B1-UP

PART OF 235-1217 GENERATOR AR

SMCS-4450

i03904919

NOTE	REF NO	GRAPHIC REF	PART NUMBER	QTY	PART NAME						SEE PAGE
					1	2	3	4	5	6 (PRODUCT LEVEL)	
	1	1	243-0148	1	STATOR AS						
R	2	1	243-0144	1	ROTOR AS						
	3	1	242-3919	1	FAN-GENERATOR						
	4	1	241-4577	1	EYE-LIFTING						
	5	1	242-3922	1	FLANGE						
M	6	1	160-8746	6	BOLT (M12X1.75X18-MM)						
	7	1	242-3924	1	SCREEN (AIR EXIT)						
	8	1	242-3926	2	SCREW (M11.5X50-MM)						
	9	1	242-3928	1	SHIELD						
	10	1	242-3929	5	SCREW (M22X70-THD)						
	11	1	242-3930	1	PANEL-TERMINAL BOX						
	12	1	242-3931	1	BOLT (M6X1X16-MM)						
	13	1	242-3932	1	SCREEN-AIR INLET						
	14	1	243-5380	1	CAP						
	15	1	243-5220	1	BEARING						
	16	1	241-4594	1	COVER (OUTER BEARING)						
	17	1	242-3936	2	SCREW (M15X70-MM)						
	18	1	241-4595	1	CAP-BEARING						
	19	1	241-4597	1	RING						
	20	1	242-3938	1	EXCITER						
	21	1	241-4633	4	BOLT (M6X1X80-MM)						
	22	1	242-3941	1	ARMATURE						
	23	1	241-4606	1	SUPPORT-DIODE						
	24	1	242-3943	1	TERMINAL AS						
	25	1	242-3951	3	TERMINAL						
	26	1	242-3956	1	TERMINAL						
	27	1	242-3957	9	SCREW (M12X50-MM)						
	28	1	289-4769	1	REGULATOR AS-VOLTAGE (GENERATOR)						
	29	1	242-3959	3	DISC-COUPLING						
	30	1	242-3960	8	SCREW (27.7-MMX40-MM)						
	31	1	241-4618	1	SHIM (2-MM THK)						
	32	1	241-4619	1	DIODE AS						
	33	1	241-4620	1	VARISTOR						
	34	1	241-4622	1	SEAL-O-RING						
	35	1	242-3965	1	PANEL (TERMINAL)						
	36	1	242-3966	1	PANEL						
	37	1	242-3967	1	PANEL						
	38	1	242-3968	1	PANEL-ACCESS						
	39	1	239-9490	1	KIT-EXCITER (PERMANENT MAGNET) (GENERATOR)						
	40	2	307-6560	1	BRACKET						
	41	2	6V-8801	1	NUT (3/8-16-THD)						
M	42	2	8T-4000	1	SCREW-WASHER HEAD (M8X1.25X4.8-MM)						
	43	2	8T-0192	1	BOLT (3/8-16X2.25-IN)						
	44	2	4D-1326	1	LOCKWASHER						
	45	2	8T-4896	1	WASHER-HARD (10.2X18.5X2.5-MM THK)						

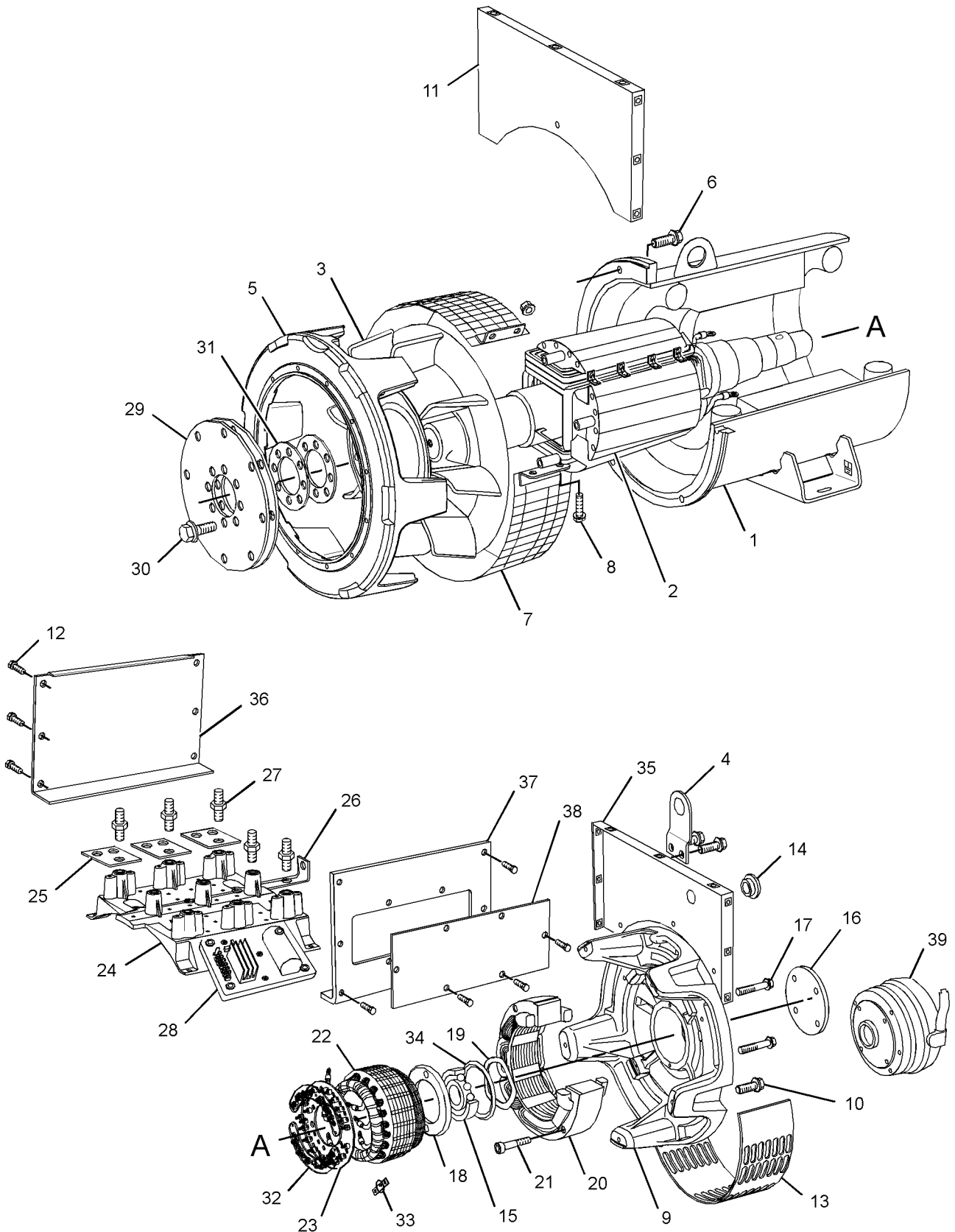
M-METRIC PART

R-REMFG PART MAY BE AVAILABLE

# GENERATORS

241-4474 GENERATOR GP (contd.)

i03904919



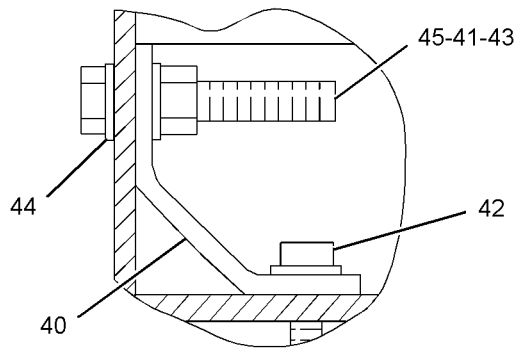
GRAPHIC #1

g01391636

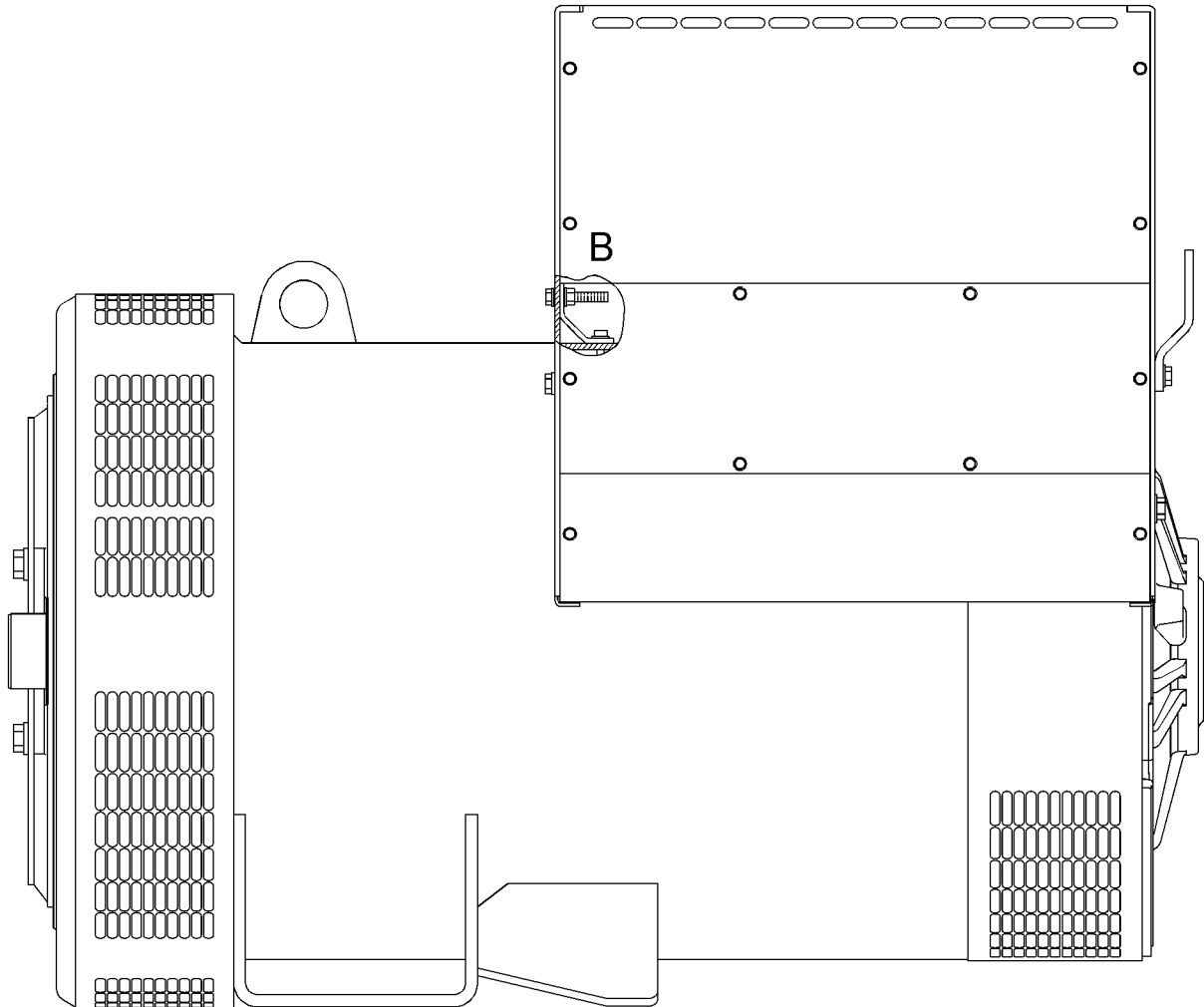
# GENERATORS

241-4474 GENERATOR GP (contd.)

i03904919



VIEW OF AREA B



LEFT SIDE VIEW

GRAPHIC #2

<END>

g01391638

# GENERATORS

## 247-1815 GENERATOR GP

S/N: L6B1-UP

PART OF 247-1705 GENERATOR AR

SMCS-4450

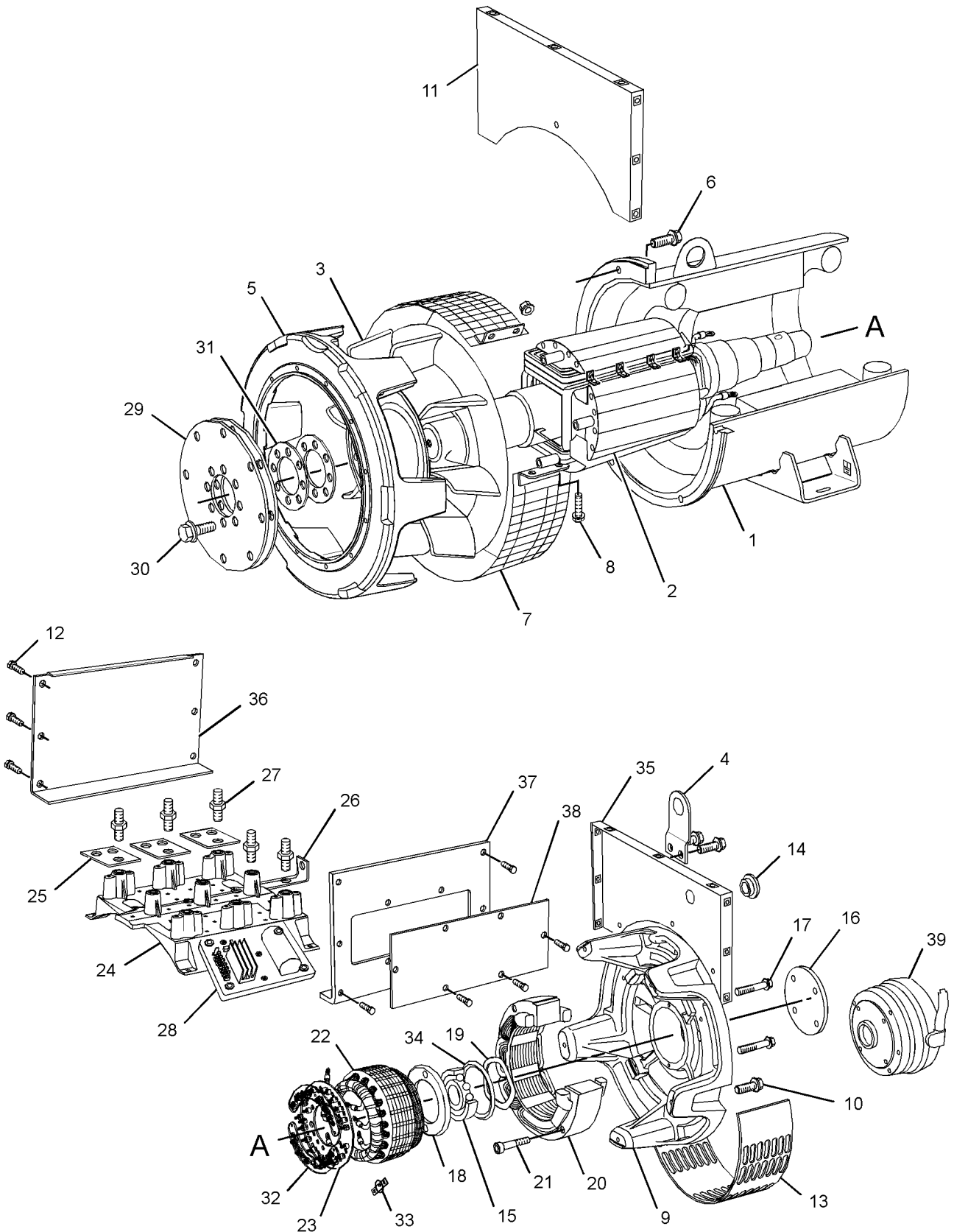
i03903377

NOTE	REF NO	GRAPHIC REF	PART NUMBER	QTY	PART NAME						SEE PAGE
					1	2	3	4	5	6 (PRODUCT LEVEL)	
	1	1	251-3486	1	STATOR AS						
	2	1	251-3487	1	ROTOR AS						
	3	1	242-3919	1	FAN-GENERATOR						
	4	1	241-4577	1	EYE-LIFTING						
	5	1	251-3488	1	FLANGE						
M	6	1	160-8746	6	BOLT (M12X1.75X18-MM)						
	7	1	242-3924	1	SCREEN (AIR EXIT)						
	8	1	242-3926	2	SCREW (M11.5X50-MM)						
	9	1	242-3928	1	SHIELD						
	10	1	242-3929	5	SCREW (M22X70-THD)						
	11	1	242-3930	1	PANEL-TERMINAL BOX						
	12	1	242-3931	1	BOLT (M6X1X16-MM)						
	13	1	242-3932	1	SCREEN-AIR INLET						
	14	1	243-5380	1	CAP						
	15	1	243-5220	1	BEARING						
	16	1	241-4594	1	COVER						
	17	1	242-3936	2	SCREW (M15X70-MM)						
	18	1	241-4595	1	CAP-BEARING						
	19	1	241-4597	1	RING						
	20	1	242-3938	1	EXCITER						
	21	1	241-4633	4	BOLT (M6X1X80-MM)						
	22	1	242-3941	1	ARMATURE						
	23	1	241-4606	1	SUPPORT-DIODE						
	24	1	242-3943	1	TERMINAL AS						
	25	1	242-3951	3	TERMINAL						
	26	1	242-3956	1	TERMINAL						
	27	1	242-3957	9	SCREW (M12X50-MM)						
	28	1	289-4769	1	REGULATOR AS-VOLTAGE (GENERATOR)						
	29	1	251-3489	1	DISC-COUPLING						
	30	1	242-3960	8	SCREW (27.7-MMX40-MM)						
	31	1	241-4618	1	SHIM (2-MM THK)						
	32	1	241-4619	1	DIODE AS						
	33	1	241-4620	1	VARISTOR						
	34	1	241-4622	1	SEAL-O-RING						
	35	1	242-3965	1	PANEL (TERMINAL)						
	36	1	242-3966	1	PANEL						
	37	1	242-3967	1	PANEL						
	38	1	242-3968	1	PANEL-ACCESS						
	39	1	239-9491	1	KIT-EXCITER (PERMANENT MAGNET) (GENERATOR)						
	41	1	307-6560	1	BRACKET						
	42	1	6V-8801	1	NUT (3/8-16-THD)						
M	43	1	8T-4000	1	SCREW-WASHER HEAD (M8X1.25X4.8-MM)						
	44	1	8T-0192	1	BOLT (3/8-16X2.25-IN)						
	45	1	4D-1326	1	LOCKWASHER						
	46	1	8T-4896	1	WASHER-HARD (10.2X18.5X2.5-MM THK)						
F			246-5895	1	TRANSFORMER						
F-NOT SHOWN											
M-METRIC PART											

# GENERATORS

247-1815 GENERATOR GP (contd.)

i03903377



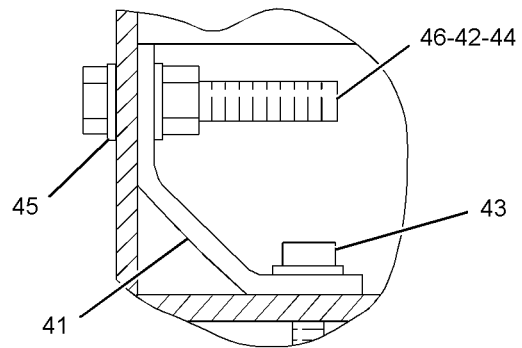
GRAPHIC #1

g01391663

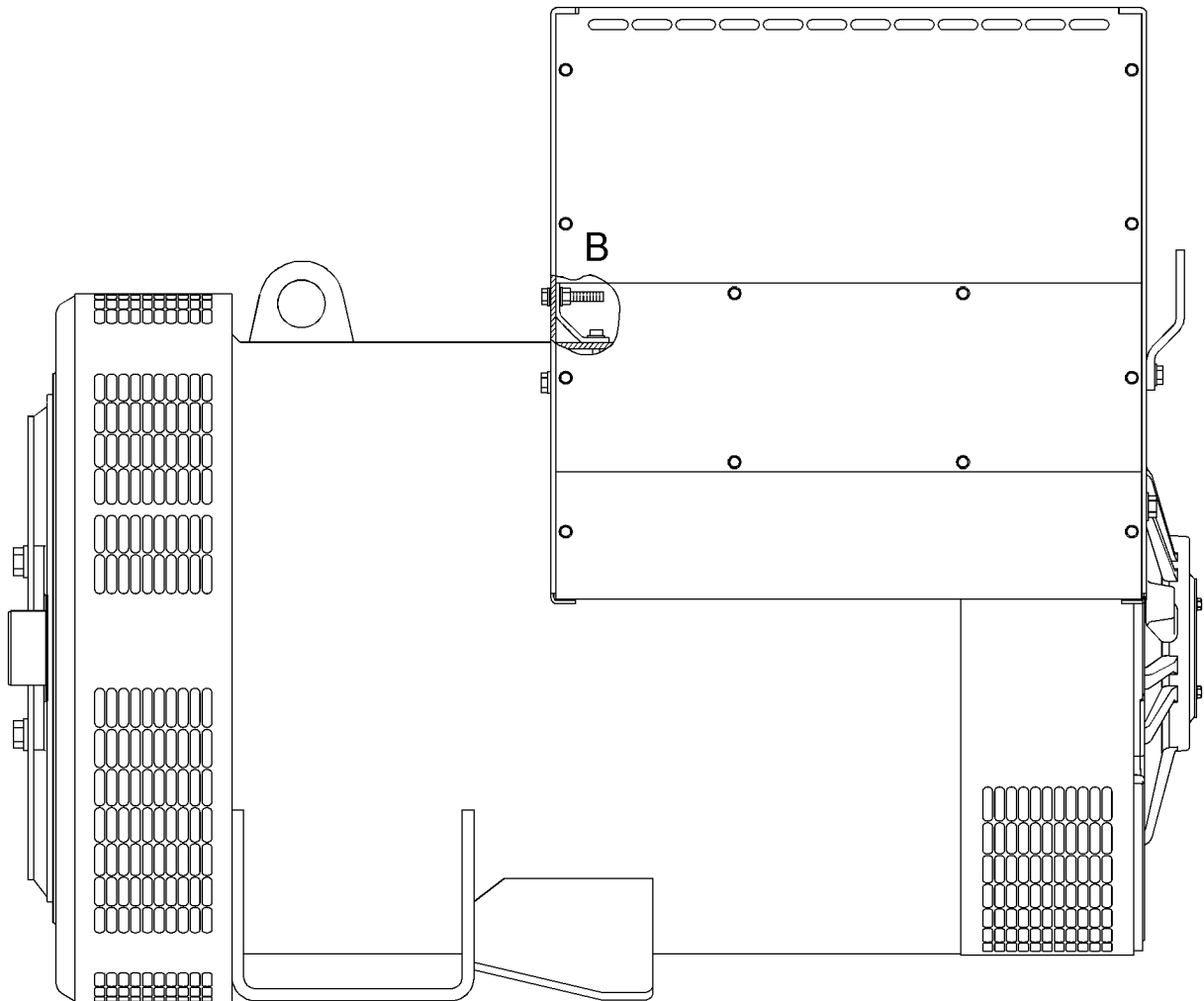
# GENERATORS

247-1815 GENERATOR GP (contd.)

i03903377



VIEW OF AREA B



LEFT SIDE VIEW

GRAPHIC #2

<END>

g01391665

# GENERATORS

## 247-1824 GENERATOR GP

S/N: L7A1-UP

PART OF 247-1709 GENERATOR AR

SMCS-4450

i02530342

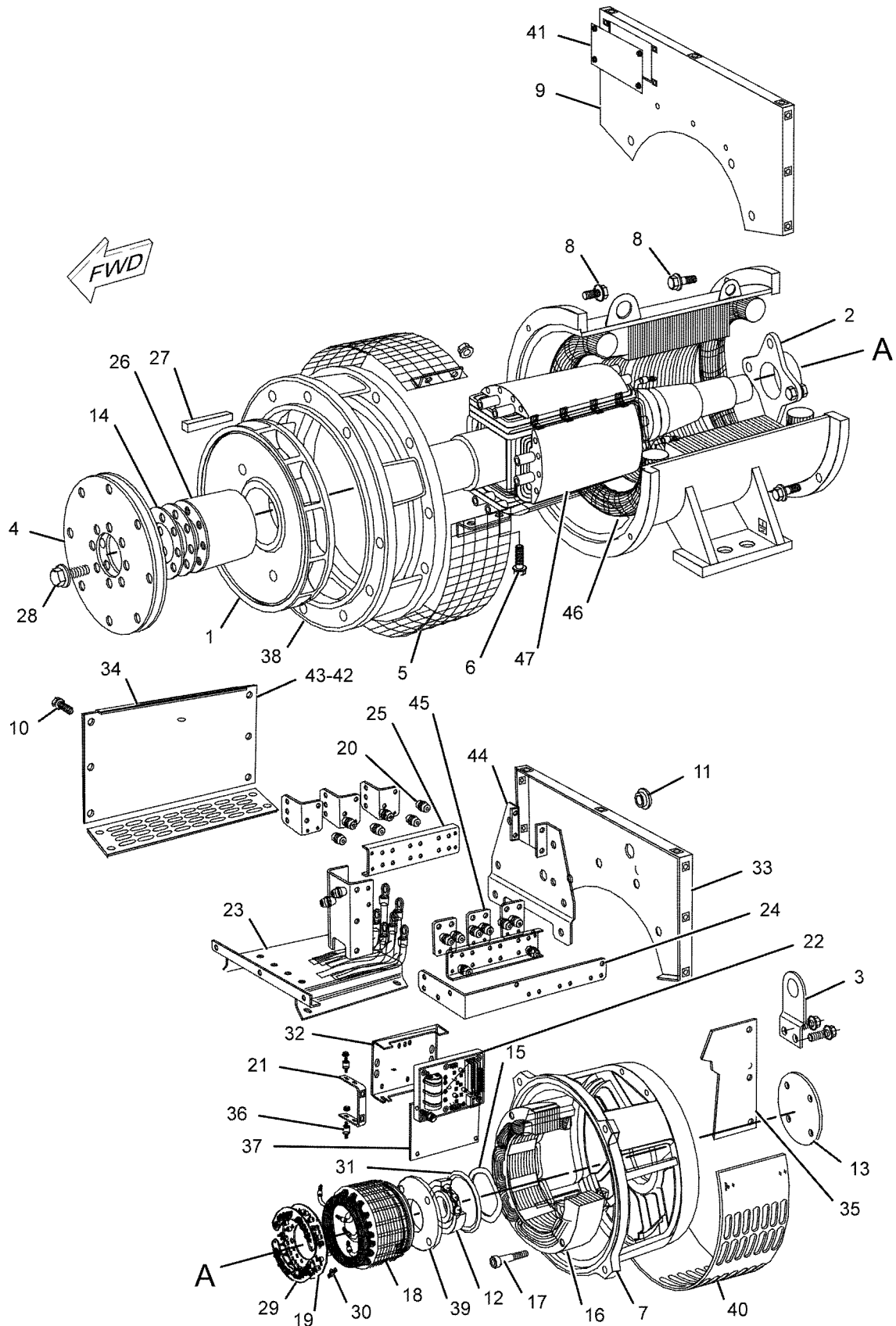
NOTE	REF NO	GRAPHIC REF	PART NUMBER	QTY	PART NAME						SEE PAGE
					1	2	3	4	5	6 (PRODUCT LEVEL)	
	1	1	241-4635	1	FAN						
	2	1	241-4636	1	DISC (BALANCING)						
	3	1	241-4637	1	EYE-LIFTING						
	4	1	250-7869	3	DISC-COUPLING						
	5	1	241-4639	1	SCREEN (AIR EXIT)						
	6	1	241-4580	2	SCREW						
	7	1	241-4640	1	KIT-RING (GENERATOR)						
	8	1	241-4641	10	BOLT (M14X2-THD)						
	9	1	241-4642	1	PANEL-TERMINAL BOX						
	10	1	241-4590	34	BOLT (M6X16-MM)						
	11	1	243-5380	1	CAP						
	12	1	241-4644	1	BEARING						
	13	1	241-4645	1	COVER						
	14	1	242-2991	1	SHIM (2-MM THK)						
	15	1	241-4647	1	RING						
	16	1	241-4603	1	EXCITER						
	17	1	241-4648	4	BOLT						
	18	1	241-4649	1	ARMATURE						
	19	1	241-4650	1	SUPPORT-DIODE						
	20	1	241-4651	16	INSULATOR-TERMINAL						
	21	1	241-4612	2	SUPPORT						
	22	1	289-4769	1	REGULATOR AS-VOLTAGE (GENERATOR)						
	23	1	241-4652	1	BEAM						
	24	1	241-4653	1	PLATE-COUPLING						
	25	1	241-4654	2	SUPPORT						
	26	1	241-4656	1	HUB						
	27	1	241-4657	1	KEY-WOODRUFF						
	28	1	241-4658	8	BOLT						
	29	1	241-4660	1	DIODE AS						
	30	1	241-4662	1	VARISTOR						
	31	1	241-4663	1	SEAL-O-RING						
	32	1	241-4624	1	SUPPORT						
	33	1	241-4664	1	PANEL						
	34	1	241-4665	1	PANEL-ACCESS						
	35	1	241-4666	1	PANEL-ACCESS						
	36	1	241-4629	1	MOUNT AS-RESILIENT						
	37	1	241-4630	1	PANEL-ACCESS						
	38	1	250-7868	1	BRACKET						
	39	1	241-4646	1	CAP-BEARING						
	40	1	242-2981	1	SCREEN-AIR INLET						
	41	1	242-2982	1	PANEL-ACCESS						
	42	1	242-2986	1	SCREEN-AIR INLET						
	43	1	242-2987	1	SCREEN-AIR INLET						
	44	1	242-2988	1	SUPPORT						
	45	1	242-2989	3	PLATE-CONNECTION						
	46	1	250-7852	1	STATOR AS						
	47	1	250-7856	1	ROTOR AS						



# GENERATORS

247-1824 GENERATOR GP (contd.)

i02530342



GRAPHIC #1

<END>

g01064997

# GENERATORS

## 247-1825 GENERATOR GP

S/N: L7A1-UP

PART OF 247-1710 GENERATOR AR

SMCS-4450

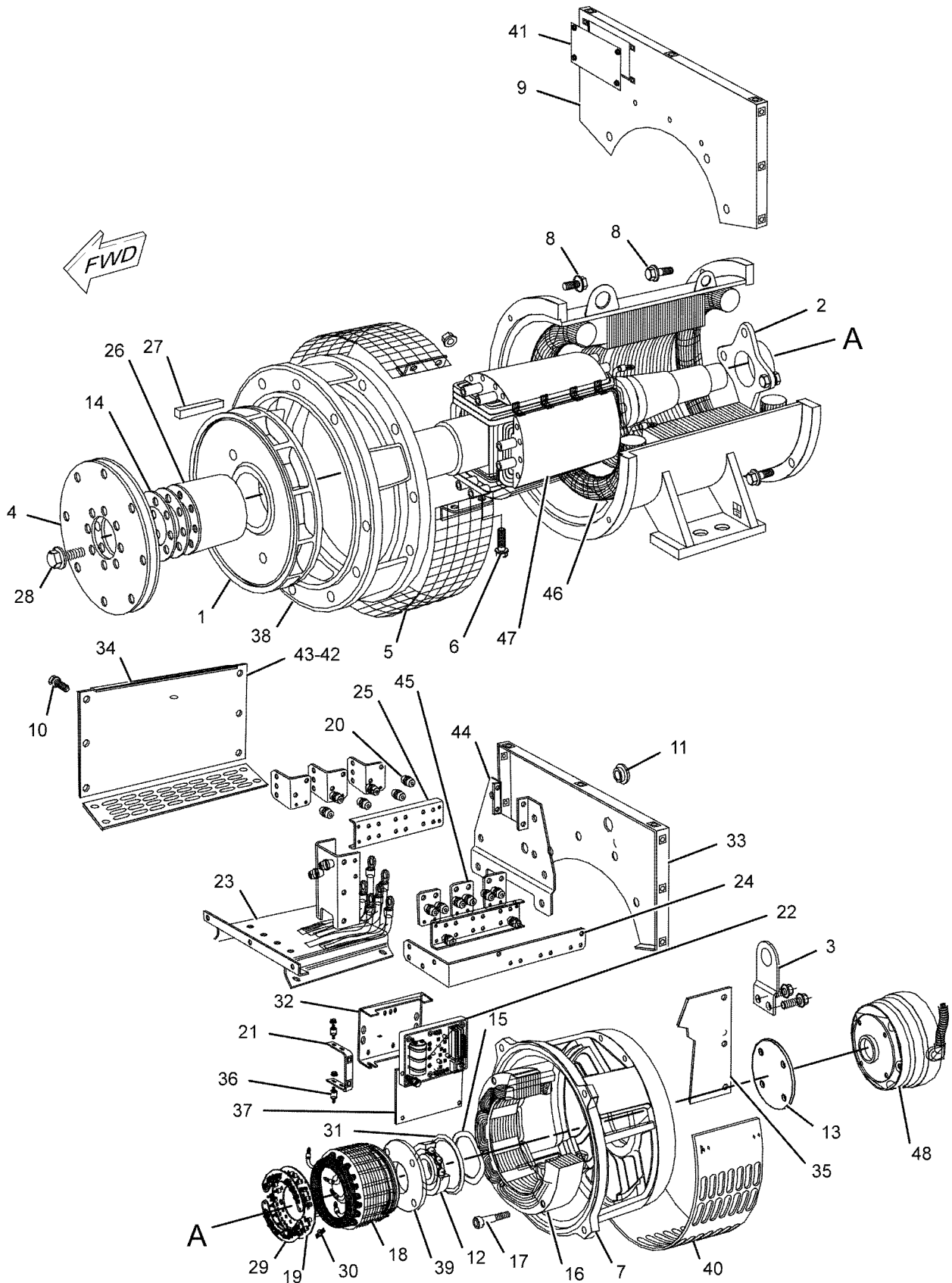
i02530344

NOTE	REF NO	GRAPHIC REF	PART NUMBER	QTY	PART NAME						SEE PAGE
					1	2	3	4	5	6 (PRODUCT LEVEL)	
	1	1	241-4635	1	FAN						
	2	1	241-4636	1	DISC (BALANCING)						
	3	1	241-4637	1	EYE-LIFTING						
	4	1	250-7869	3	DISC-COUPLING						
	5	1	241-4639	1	SCREEN (AIR EXIT)						
	6	1	241-4580	2	SCREW						
	7	1	241-4640	1	KIT-RING (GENERATOR)						
	8	1	241-4641	10	BOLT (M14X2-THD)						
	9	1	241-4642	1	PANEL-TERMINAL BOX						
	10	1	241-4590	34	BOLT (M6X16-MM)						
	11	1	243-5380	1	CAP						
	12	1	241-4644	1	BEARING						
	13	1	241-4645	1	COVER (OUTER BEARING)						
	14	1	242-2991	1	SHIM (2-MM THK)						
	15	1	241-4647	1	RING						
	16	1	241-4603	1	EXCITER						
	17	1	241-4648	4	BOLT						
	18	1	241-4649	1	ARMATURE						
	19	1	241-4650	1	SUPPORT-DIODE						
	20	1	241-4651	16	INSULATOR-TERMINAL						
	21	1	241-4612	2	SUPPORT						
	22	1	289-4769	1	REGULATOR AS-VOLTAGE (GENERATOR)						
	23	1	241-4652	1	BEAM						
	24	1	241-4653	1	PLATE-COUPLING						
	25	1	241-4654	2	SUPPORT						
	26	1	241-4656	1	HUB						
	27	1	241-4657	1	KEY-WOODRUFF						
	28	1	241-4658	8	BOLT						
	29	1	241-4660	1	DIODE AS						
	30	1	241-4662	1	VARISTOR						
	31	1	241-4663	1	SEAL-O-RING						
	32	1	241-4624	1	SUPPORT						
	33	1	241-4664	1	PANEL						
	34	1	241-4665	1	PANEL-ACCESS						
	35	1	241-4666	1	PANEL-ACCESS						
	36	1	241-4629	1	MOUNT AS-RESILIENT						
	37	1	241-4630	1	PANEL-ACCESS						
	38	1	250-7868	1	BRACKET						
	39	1	241-4646	1	CAP-BEARING						
	40	1	242-2981	1	SCREEN-AIR INLET						
	41	1	242-2982	1	PANEL-ACCESS						
	42	1	242-2986	1	SCREEN-AIR INLET						
	43	1	242-2987	1	SCREEN-AIR INLET						
	44	1	242-2988	1	SUPPORT						
	45	1	242-2989	3	PLATE-CONNECTION						
	46	1	250-7843	1	STATOR AS						
	47	1	250-7853	1	ROTOR AS						
	48	1	239-9491	1	KIT-EXCITER (PERMANENT MAGNET) (GENERATOR)						

# GENERATORS

247-1825 GENERATOR GP (contd.)

i02530344



GRAPHIC #1

<END>

g01066062

# GENERATORS

## 247-1826 GENERATOR GP

S/N: L7A1-UP

PART OF 247-1711 GENERATOR AR

SMCS-4450

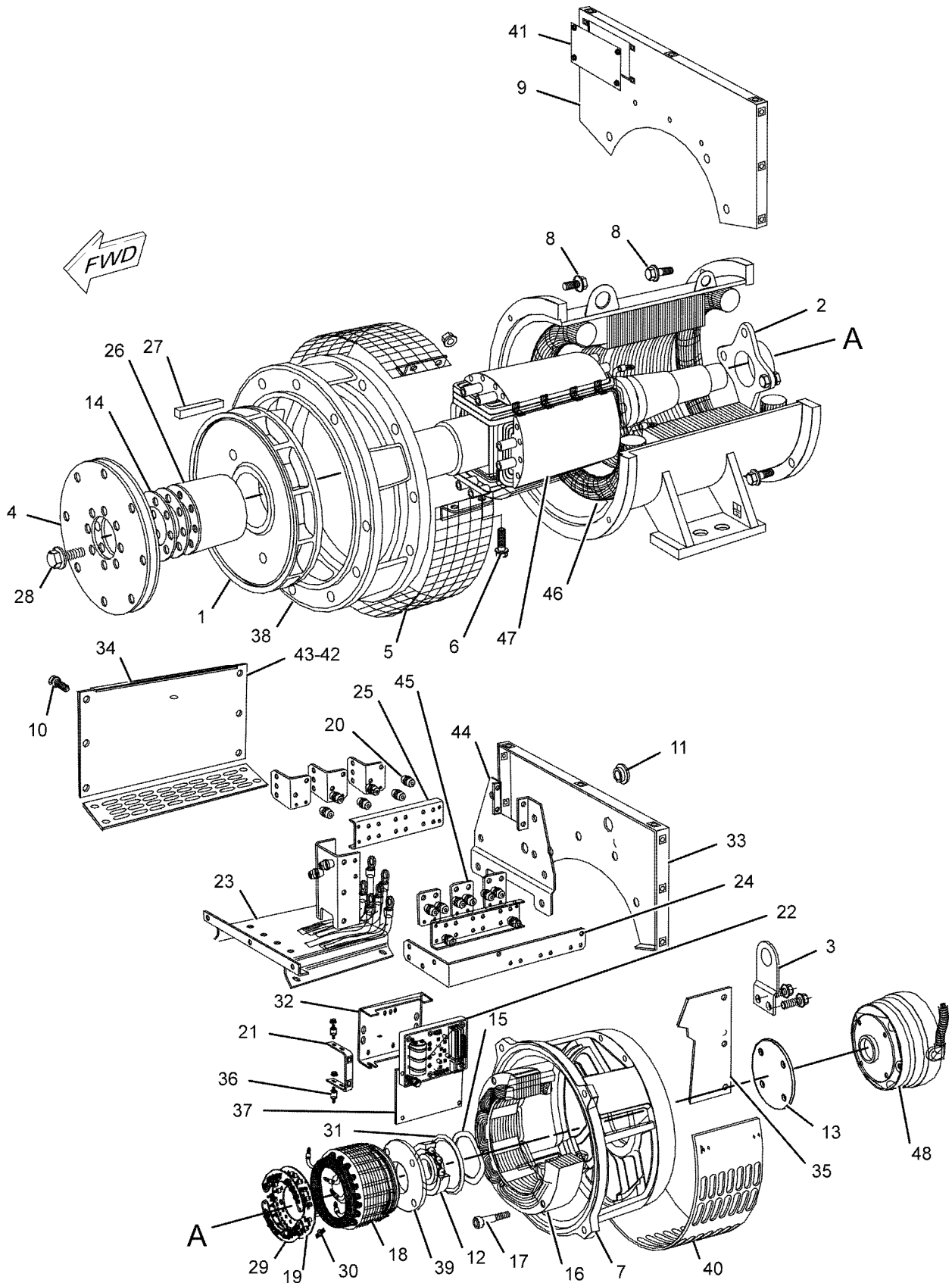
i02505278

NOTE	REF NO	GRAPHIC REF	PART NUMBER	QTY	PART NAME						SEE PAGE
					1	2	3	4	5	6 (PRODUCT LEVEL)	
	1	1	241-4635	1	FAN						
	2	1	241-4636	1	DISC (BALANCING)						
	3	1	241-4637	1	EYE-LIFTING						
	4	1	250-7869	3	DISC-COUPLING						
	5	1	241-4639	1	SCREEN (AIR EXIT)						
	6	1	241-4580	2	SCREW						
	7	1	241-4640	1	KIT-RING (GENERATOR)						
	8	1	241-4641	10	BOLT (M14X2-THD)						
	9	1	241-4642	1	PANEL-TERMINAL BOX						
	10	1	241-4590	34	BOLT (M6X16-MM)						
	11	1	243-5380	1	CAP						
	12	1	241-4644	1	BEARING						
	13	1	241-4645	1	COVER						
	14	1	242-2991	1	SHIM (2-MM THK)						
	15	1	241-4647	1	RING						
	16	1	241-4603	1	EXCITER						
	17	1	241-4648	4	BOLT						
	18	1	241-4649	1	ARMATURE						
	19	1	241-4650	1	SUPPORT-DIODE						
	20	1	241-4651	16	INSULATOR-TERMINAL						
	21	1	241-4612	2	SUPPORT						
	22	1	289-4769	1	REGULATOR AS-VOLTAGE (GENERATOR)						
	23	1	241-4652	1	BEAM						
	24	1	241-4653	1	PLATE-COUPLING						
	25	1	241-4654	2	SUPPORT						
	26	1	241-4656	1	HUB						
	27	1	241-4657	1	KEY-WOODRUFF						
	28	1	241-4658	8	BOLT						
	29	1	241-4660	1	DIODE AS						
	30	1	241-4662	1	VARISTOR						
	31	1	241-4663	1	SEAL-O-RING						
	32	1	241-4624	1	SUPPORT						
	33	1	241-4664	1	PANEL						
	34	1	241-4665	1	PANEL-ACCESS						
	35	1	241-4666	1	PANEL-ACCESS						
	36	1	241-4629	1	MOUNT AS-RESILIENT						
	37	1	241-4630	1	PANEL-ACCESS						
	38	1	250-7868	1	BRACKET						
	39	1	241-4646	1	CAP-BEARING						
	40	1	242-2981	1	SCREEN-AIR INLET						
	41	1	242-2982	1	PANEL-ACCESS						
	42	1	242-2986	1	SCREEN-AIR INLET						
	43	1	242-2987	1	SCREEN-AIR INLET						
	44	1	242-2988	1	SUPPORT						
	45	1	242-2989	3	PLATE-CONNECTION						
	46	1	250-7845	1	STATOR AS						
	47	1	250-7854	1	ROTOR AS						
	48	1	239-9491	1	KIT-EXCITER (PERMANENT MAGNET) (GENERATOR)						
	F	1	246-5895	1	TRANSFORMER						
F - NOT SHOWN											

# GENERATORS

247-1826 GENERATOR GP (contd.)

i02505278



GRAPHIC #1

<END>

g01066062

# GENERATORS

## 247-1827 GENERATOR GP

S/N: L7A1-UP

PART OF 247-1712 GENERATOR AR

SMCS-4450

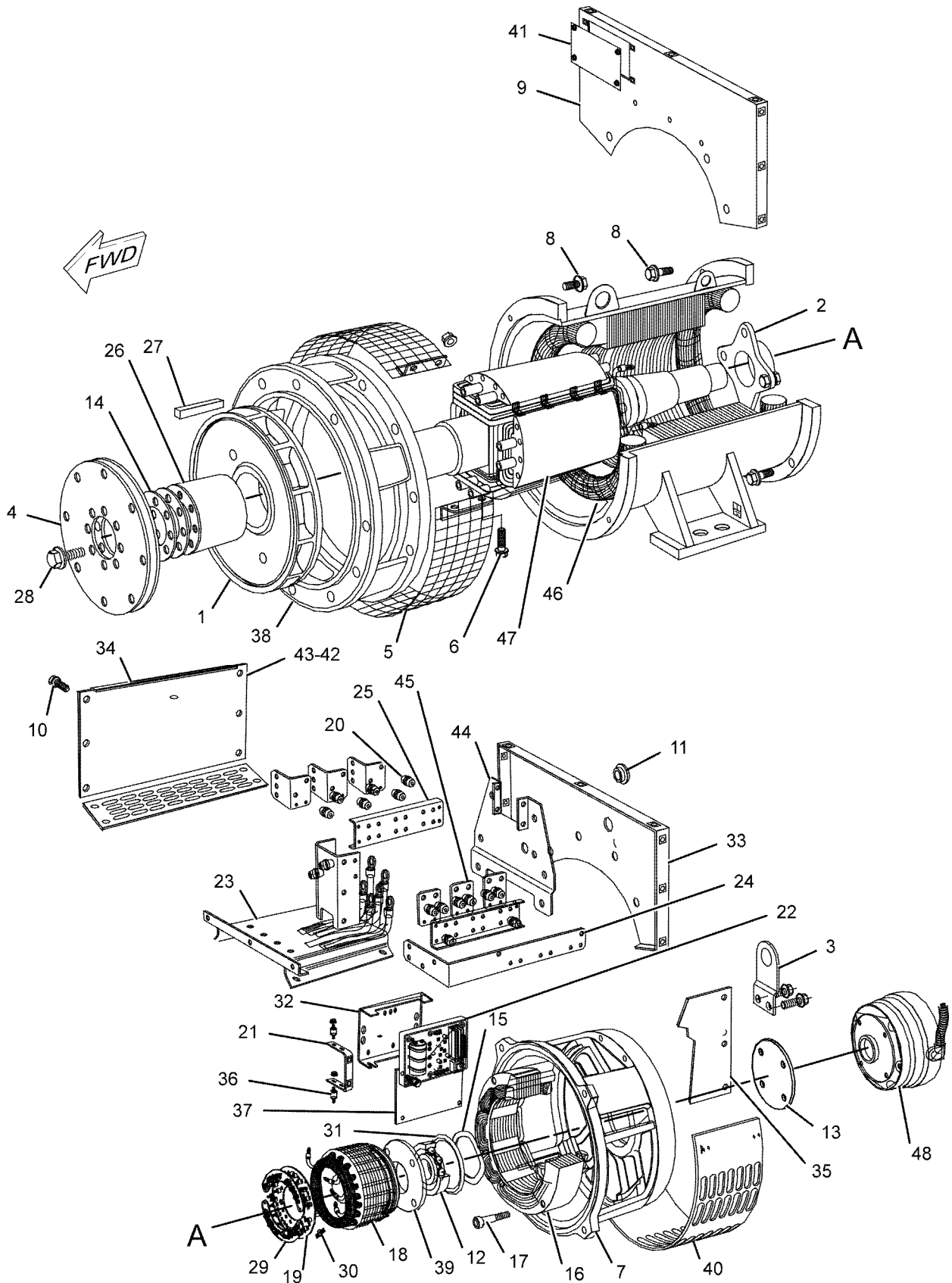
i02530352

NOTE	REF NO	GRAPHIC REF	PART NUMBER	QTY	PART NAME						SEE PAGE
					1	2	3	4	5	6 (PRODUCT LEVEL)	
	1	1	241-4635	1	FAN						
	2	1	241-4636	1	DISC (BALANCING)						
	3	1	241-4637	1	EYE-LIFTING						
	4	1	250-7869	3	DISC-COUPLING						
	5	1	241-4639	1	SCREEN (AIR EXIT)						
	6	1	241-4580	2	SCREW						
	7	1	241-4640	1	KIT-RING (GENERATOR)						
	8	1	241-4641	10	BOLT (M14X2-THD)						
	9	1	241-4642	1	PANEL-TERMINAL BOX						
	10	1	241-4590	34	BOLT (M6X16-MM)						
	11	1	243-5380	1	CAP						
	12	1	241-4644	1	BEARING						
	13	1	241-4645	1	COVER						
	14	1	242-2991	1	SHIM (2-MM THK)						
	15	1	241-4647	1	RING						
	16	1	241-4603	1	EXCITER						
	17	1	241-4648	4	BOLT						
	18	1	241-4649	1	ARMATURE						
	19	1	241-4650	1	SUPPORT-DIODE						
	20	1	241-4651	16	INSULATOR-TERMINAL						
	21	1	241-4612	2	SUPPORT						
	22	1	289-4769	1	REGULATOR AS-VOLTAGE (GENERATOR)						
	23	1	241-4652	1	BEAM						
	24	1	241-4653	1	PLATE-COUPLING						
	25	1	241-4654	2	SUPPORT						
	26	1	241-4656	1	HUB						
	27	1	241-4657	1	KEY-WOODRUFF						
	28	1	241-4658	8	BOLT						
	29	1	241-4660	1	DIODE AS						
	30	1	241-4662	1	VARISTOR						
	31	1	241-4663	1	SEAL-O-RING						
	32	1	241-4624	1	SUPPORT						
	33	1	241-4664	1	PANEL						
	34	1	241-4665	1	PANEL-ACCESS						
	35	1	241-4666	1	PANEL-ACCESS						
	36	1	241-4629	1	MOUNT AS-RESILIENT						
	37	1	241-4630	1	PANEL-ACCESS						
	38	1	250-7868	1	BRACKET						
	39	1	241-4646	1	CAP-BEARING						
	40	1	242-2981	1	SCREEN-AIR INLET						
	41	1	242-2982	1	PANEL-ACCESS						
	42	1	242-2986	1	SCREEN-AIR INLET						
	43	1	242-2987	1	SCREEN-AIR INLET						
	44	1	242-2988	1	SUPPORT						
	45	1	242-2989	3	PLATE-CONNECTION						
	46	1	250-7849	1	STATOR AS						
	47	1	250-7855	1	ROTOR AS						
	48	1	239-9491	1	KIT-EXCITER (PERMANENT MAGNET) (GENERATOR)						

# GENERATORS

247-1827 GENERATOR GP (contd.)

i02530352



GRAPHIC #1

<END>

g01066062

# GENERATORS

## 247-1829 GENERATOR GP

S/N: L7A1-UP

PART OF 247-1713 GENERATOR AR

SMCS-4450

i02530353

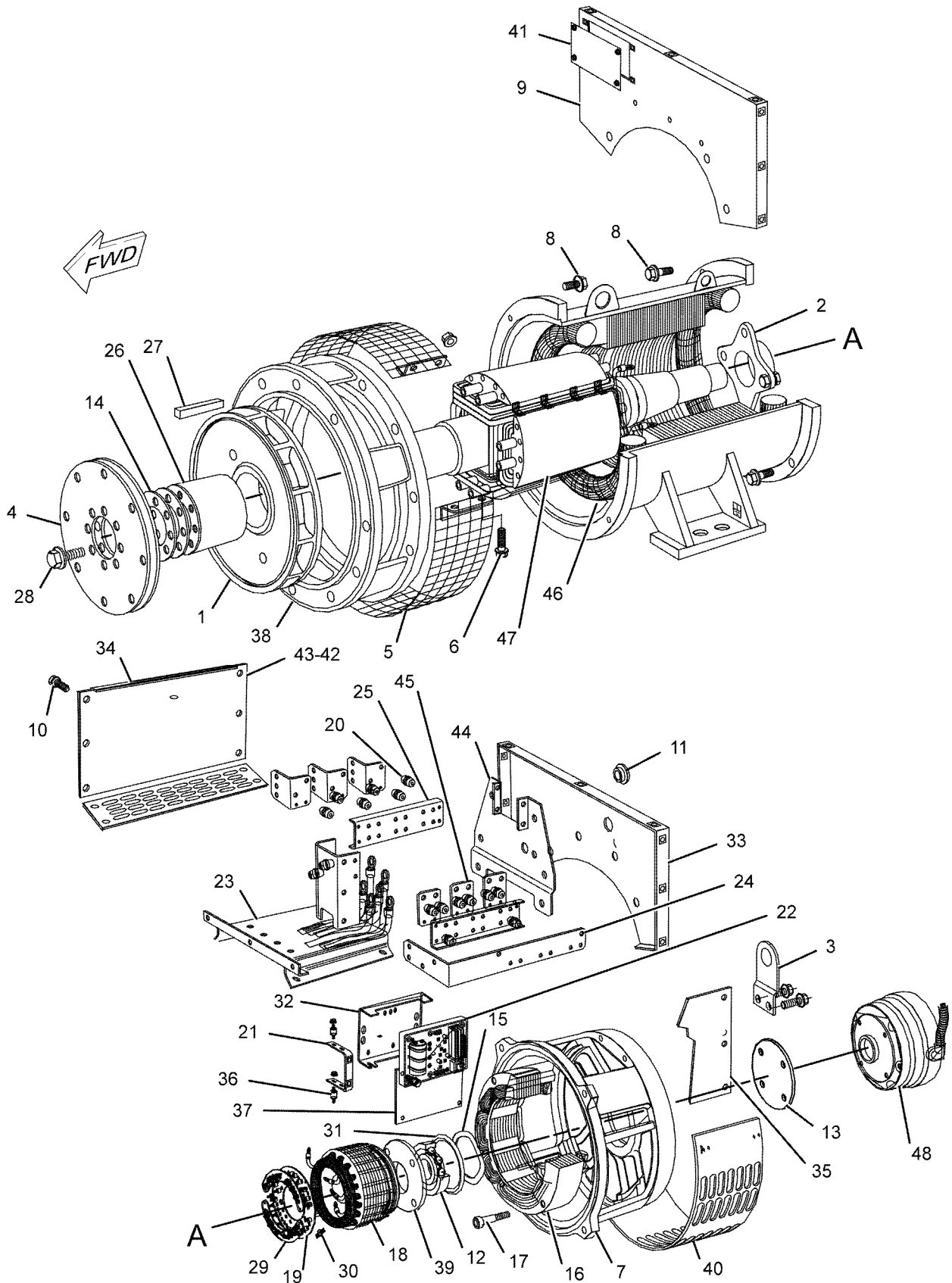
NOTE	REF NO	GRAPHIC REF	PART NUMBER	QTY	PART NAME						SEE PAGE
					1	2	3	4	5	6 (PRODUCT LEVEL)	
	1	1	241-4635	1	FAN						
	2	1	241-4636	1	DISC (BALANCING)						
	3	1	241-4637	1	EYE-LIFTING						
	4	1	250-7869	3	DISC-COUPLING						
	5	1	241-4639	1	SCREEN						
	6	1	241-4580	2	SCREW						
	7	1	241-4640	1	KIT-RING (GENERATOR)						
	8	1	241-4641	10	BOLT (M14X2-THD)						
	9	1	241-4642	1	PANEL-TERMINAL BOX						
	10	1	241-4590	34	BOLT (M6X16-MM)						
	11	1	243-5380	1	CAP						
	12	1	241-4644	1	BEARING						
	13	1	241-4645	1	COVER						
	14	1	242-2991	1	SHIM (2-MM THK)						
	15	1	241-4647	1	RING						
	16	1	241-4603	1	EXCITER						
	17	1	241-4648	4	BOLT						
	18	1	241-4649	1	ARMATURE						
	19	1	241-4650	1	SUPPORT-DIODE						
	20	1	241-4651	16	INSULATOR-TERMINAL						
	21	1	241-4612	2	SUPPORT						
	22	1	289-4769	1	REGULATOR AS-VOLTAGE (GENERATOR)						
	23	1	241-4652	1	BEAM						
	24	1	241-4653	1	PLATE-COUPLING						
	25	1	241-4654	2	SUPPORT						
	26	1	241-4656	1	HUB						
	27	1	241-4657	1	KEY-WOODRUFF						
	28	1	241-4658	8	BOLT						
	29	1	241-4660	1	DIODE AS						
	30	1	241-4662	1	VARISTOR						
	31	1	241-4663	1	SEAL-O-RING						
	32	1	241-4624	1	SUPPORT						
	33	1	241-4664	1	PANEL						
	34	1	241-4665	1	PANEL-ACCESS						
	35	1	241-4666	1	PANEL-ACCESS						
	36	1	241-4629	1	MOUNT AS-RESILIENT						
	37	1	241-4630	1	PANEL-ACCESS						
	38	1	250-7868	1	BRACKET						
	39	1	241-4646	1	CAP-BEARING						
	40	1	242-2981	1	SCREEN-AIR INLET						
	41	1	242-2982	1	PANEL-ACCESS						
	42	1	242-2986	1	SCREEN-AIR INLET						
	43	1	242-2987	1	SCREEN-AIR INLET						
	44	1	242-2988	1	SUPPORT						
	45	1	242-2989	3	PLATE-CONNECTION						
	46	1	250-7850	1	STATOR AS						
	47	1	250-7855	1	ROTOR AS						
	48	1	239-9491	1	KIT-EXCITER (PERMANENT MAGNET) (GENERATOR)						



# GENERATORS

247-1829 GENERATOR GP (contd.)

i02530353



GRAPHIC #1

<END>

g01066062

# GENERATORS

## 247-1830 GENERATOR GP

S/N: L7A1-UP

PART OF 247-1714 GENERATOR AR

SMCS-4450

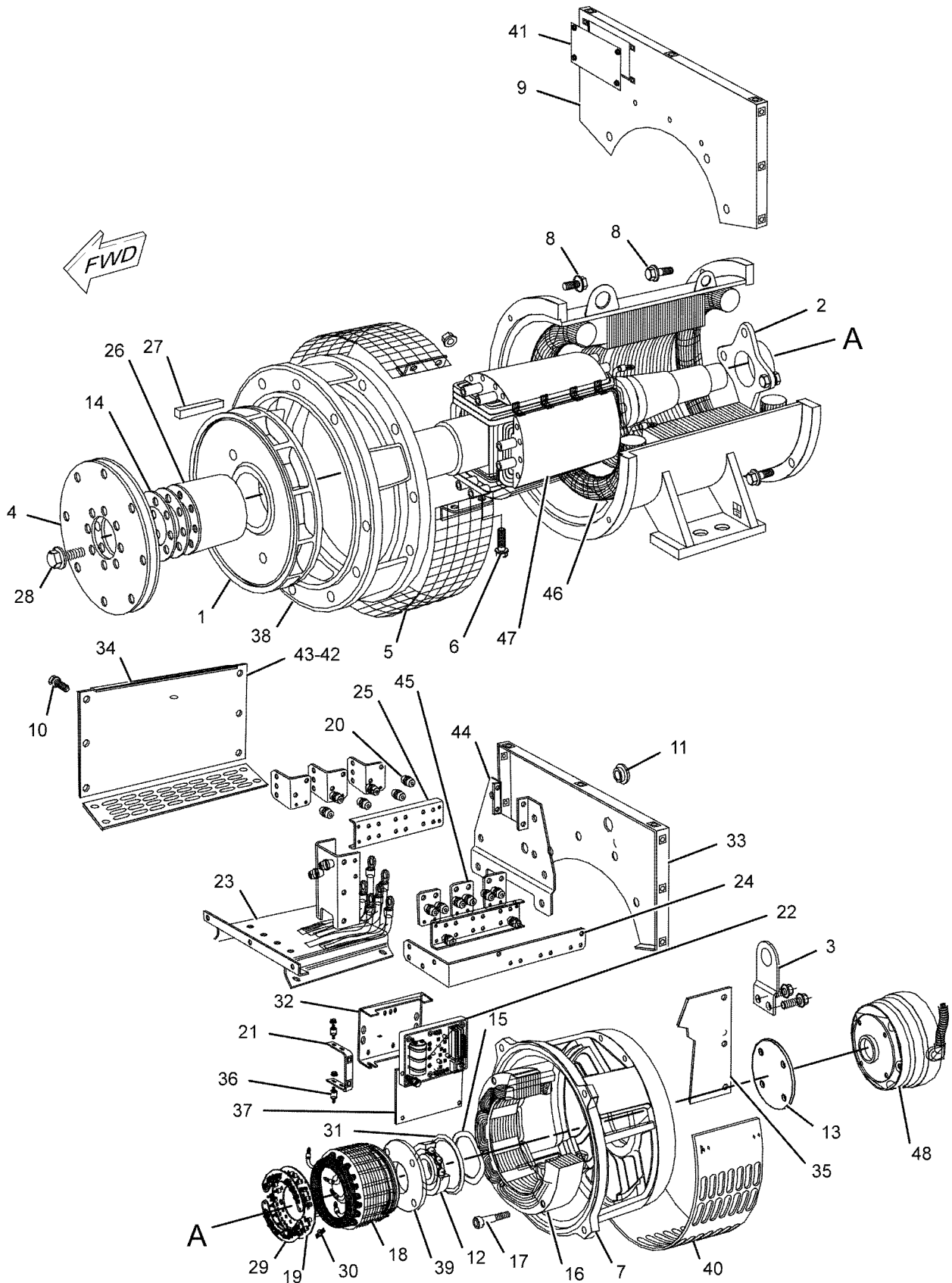
i02530366

NOTE	REF NO	GRAPHIC REF	PART NUMBER	QTY	PART NAME						SEE PAGE
					1	2	3	4	5	6 (PRODUCT LEVEL)	
	1	1	241-4635	1	FAN						
	2	1	241-4636	1	DISC (BALANCING)						
	3	1	241-4637	1	EYE-LIFTING						
	4	1	250-7869	3	DISC-COUPLING						
	5	1	241-4639	1	SCREEN (AIR EXIT)						
	6	1	241-4580	2	SCREW						
	7	1	241-4640	1	KIT-RING (GENERATOR)						
	8	1	241-4641	10	BOLT (M14X2-THD)						
	9	1	241-4642	1	PANEL-TERMINAL BOX						
	10	1	241-4590	34	BOLT (M6X16-MM)						
	11	1	243-5380	1	CAP						
	12	1	241-4644	1	BEARING						
	13	1	241-4645	1	COVER						
	14	1	242-2991	1	SHIM (2-MM THK)						
	15	1	241-4647	1	RING						
	16	1	241-4603	1	EXCITER						
	17	1	241-4648	4	BOLT						
	18	1	241-4649	1	ARMATURE						
	19	1	241-4650	1	SUPPORT-DIODE						
	20	1	241-4651	16	INSULATOR-TERMINAL						
	21	1	241-4612	2	SUPPORT						
	22	1	289-4769	1	REGULATOR AS-VOLTAGE (GENERATOR)						
	23	1	241-4652	1	BEAM						
	24	1	241-4653	1	PLATE-COUPLING						
	25	1	241-4654	2	SUPPORT						
	26	1	241-4656	1	HUB						
	27	1	241-4657	1	KEY-WOODRUFF						
	28	1	241-4658	8	BOLT						
	29	1	241-4660	1	DIODE AS						
	30	1	241-4662	1	VARISTOR						
	31	1	241-4663	1	SEAL-O-RING						
	32	1	241-4624	1	SUPPORT						
	33	1	241-4664	1	PANEL						
	34	1	241-4665	1	PANEL-ACCESS						
	35	1	241-4666	1	PANEL-ACCESS						
	36	1	241-4629	1	MOUNT AS-RESILIENT						
	37	1	241-4630	1	PANEL-ACCESS						
	38	1	250-7868	1	BRACKET						
	39	1	241-4646	1	CAP-BEARING						
	40	1	242-2981	1	SCREEN-AIR INLET						
	41	1	242-2982	1	PANEL-ACCESS						
	42	1	242-2986	1	SCREEN-AIR INLET						
	43	1	242-2987	1	SCREEN-AIR INLET						
	44	1	242-2988	1	SUPPORT						
	45	1	242-2989	3	PLATE-CONNECTION						
	46	1	251-1455	1	STATOR AS						
	47	1	250-7856	1	ROTOR AS						
	48	1	239-9491	1	KIT-EXCITER (PERMANENT MAGNET) (GENERATOR)						

# GENERATORS

247-1830 GENERATOR GP (contd.)

i02530366



GRAPHIC #1

<END>

g01066062

# GENERATORS

## 247-6166 GENERATOR GP

S/N: L6B1-UP

PART OF 247-6121 GENERATOR AR

SMCS-4450

i03903387

NOTE	REF NO	GRAPHIC REF	PART NUMBER	QTY	PART NAME						SEE PAGE
					1	2	3	4	5	6 (PRODUCT LEVEL)	
	1	1	243-0148	1	STATOR AS						
R	2	1	243-0144	1	ROTOR AS						
	3	1	242-3919	1	FAN-GENERATOR						
	4	1	241-4577	1	EYE-LIFTING						
	5	1	251-3488	1	FLANGE						
M	6	1	160-8746	6	BOLT (M12X1.75X18-MM)						
	7	1	242-3924	1	SCREEN (AIR EXIT)						
	8	1	242-3926	2	SCREW (M11.5X50-MM)						
	9	1	242-3928	1	SHIELD						
	10	1	242-3929	5	SCREW (M22X70-THD)						
	11	1	242-3930	1	PANEL-TERMINAL BOX						
	12	1	242-3931	1	BOLT (M6X1X16-MM)						
	13	1	242-3932	1	SCREEN-AIR INLET						
	14	1	243-5380	1	CAP						
	15	1	243-5220	1	BEARING						
	16	1	241-4594	1	COVER						
	17	1	242-3936	2	SCREW (M15X70-MM)						
	18	1	241-4595	1	CAP-BEARING						
	19	1	241-4597	1	RING						
	20	1	242-3938	1	EXCITER						
	21	1	241-4633	4	BOLT (M6X1X80-MM)						
	22	1	242-3941	1	ARMATURE						
	23	1	241-4606	1	SUPPORT-DIODE						
	24	1	242-3943	1	TERMINAL AS						
	25	1	242-3951	3	TERMINAL						
	26	1	242-3956	1	TERMINAL						
	27	1	242-3957	9	SCREW (M12X50-MM)						
	28	1	289-4769	1	REGULATOR AS-VOLTAGE (GENERATOR)						
	29	1	251-3489	1	DISC-COUPLING						
	30	1	242-3960	8	SCREW (27.7-MMX40-MM)						
	31	1	241-4618	1	SHIM (2-MM THK)						
	32	1	241-4619	1	DIODE AS						
	33	1	241-4620	1	VARISTOR						
	34	1	241-4622	1	SEAL-O-RING						
	35	1	242-3965	1	PANEL (TERMINAL)						
	36	1	242-3966	1	PANEL						
	37	1	242-3967	1	PANEL						
	38	1	242-3968	1	PANEL-ACCESS						
	39	1	307-6560	1	BRACKET						
	40	1	6V-8801	1	NUT (3/8-16-THD)						
	41	1	8T-0400	1	STEM AS-COLLET						
	42	1	8T-0192	1	BOLT (3/8-16X2.25-IN)						
	43	1	4D-1326	1	LOCKWASHER						
	44	1	8T-4896	1	WASHER-HARD (10.2X18.5X2.5-MM THK)						

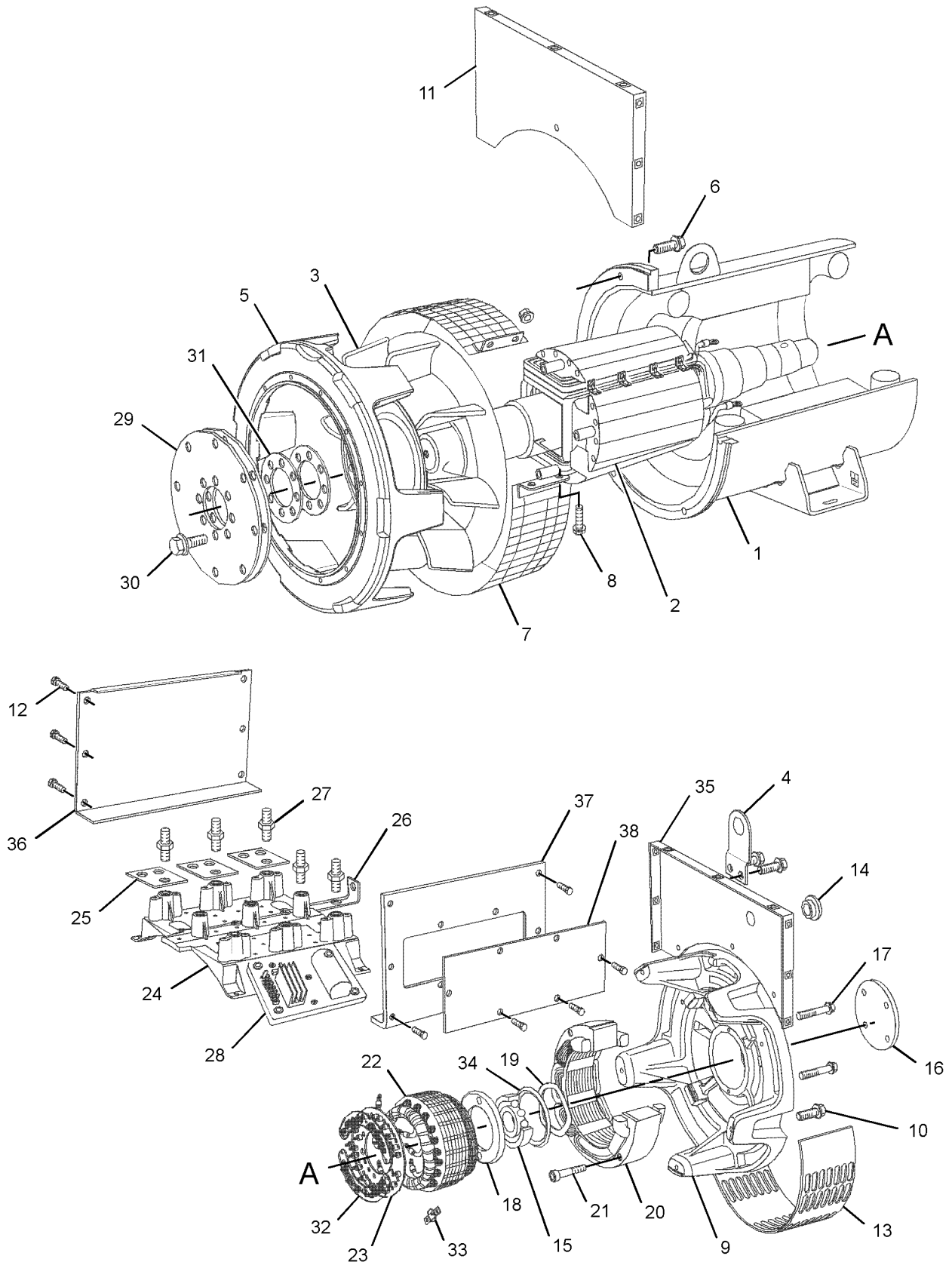
M-METRIC PART

R-REMFG PART MAY BE AVAILABLE

# GENERATORS

247-6166 GENERATOR GP (contd.)

i03903387



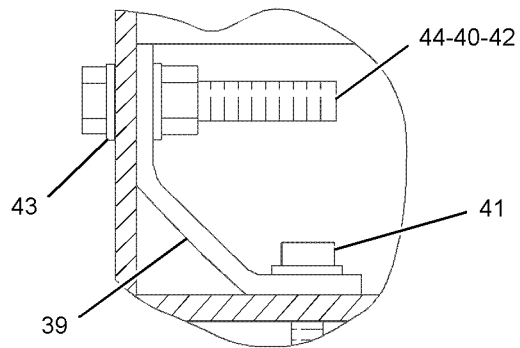
GRAPHIC #1

g01383059

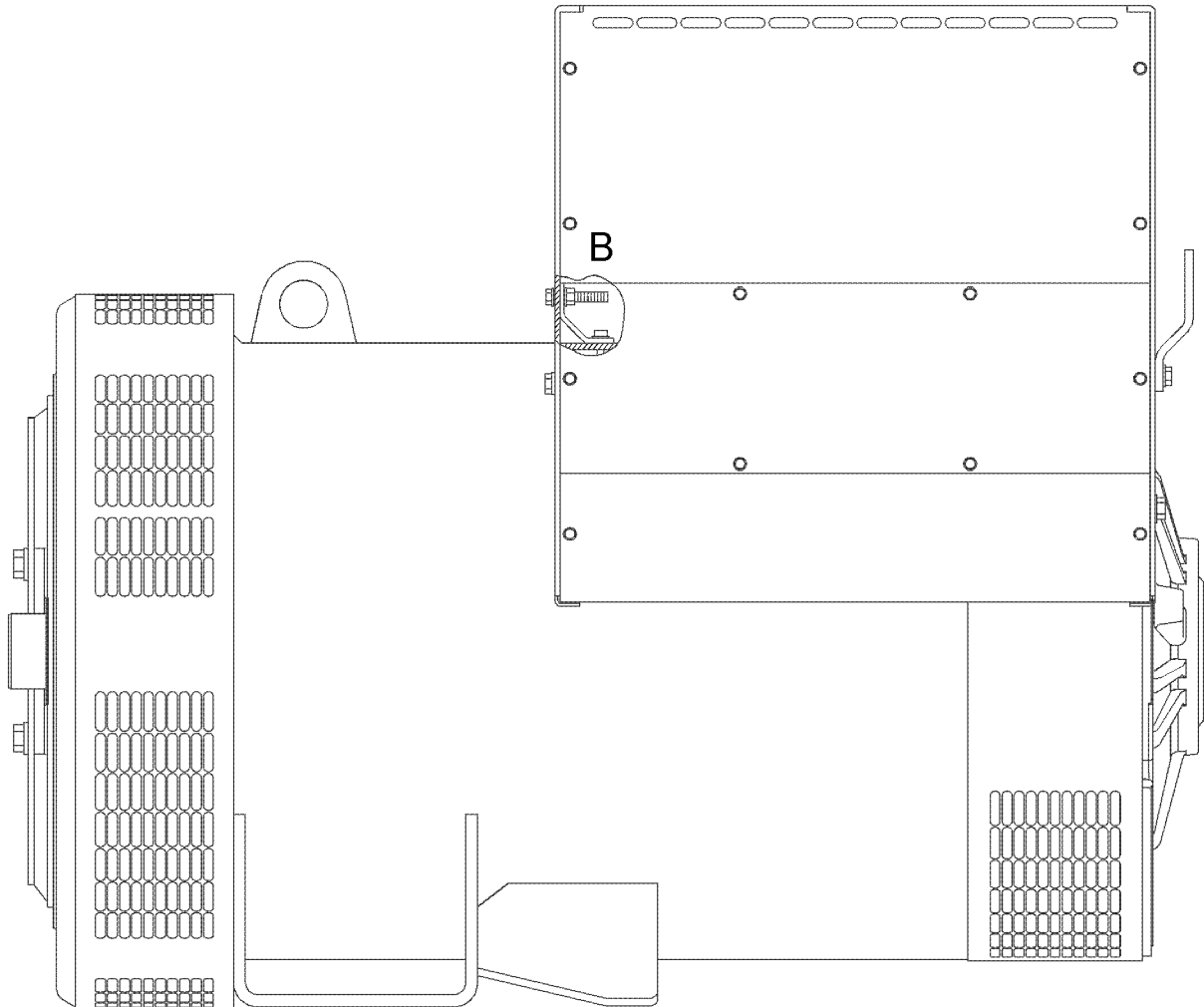
# GENERATORS

247-6166 GENERATOR GP (contd.)

i03903387



VIEW OF AREA B



LEFT SIDE VIEW

GRAPHIC #2

<END>

g01383060

# GENERATORS

## 247-6169 GENERATOR GP

S/N: L6B1-UP

PART OF 247-6122 GENERATOR AR

SMCS-4450

i03903384

NOTE	REF NO	GRAPHIC REF	PART NUMBER	QTY	PART NAME						SEE PAGE
					1	2	3	4	5	6 (PRODUCT LEVEL)	
		1	243-0151	1	STATOR AS						
R	2	1	243-0143	1	ROTOR AS						
	3	1	242-3919	1	FAN-GENERATOR						
	4	1	241-4577	1	EYE-LIFTING						
	5	1	251-3488	1	FLANGE						
M	6	1	160-8746	6	BOLT (M12X1.75X18-MM)						
	7	1	242-3924	1	SCREEN (AIR EXIT)						
	8	1	242-3926	2	SCREW (M11.5X50-MM)						
	9	1	242-3928	1	SHIELD						
	10	1	242-3929	5	SCREW (M22X70-THD)						
	11	1	242-3930	1	PANEL-TERMINAL BOX						
	12	1	242-3931	1	BOLT (M6X1X16-MM)						
	13	1	242-3932	1	SCREEN-AIR INLET						
	14	1	243-5380	1	CAP						
	15	1	243-5220	1	BEARING						
	16	1	241-4594	1	COVER						
	17	1	242-3936	2	SCREW (M15X70-MM)						
	18	1	241-4595	1	CAP-BEARING						
	19	1	241-4597	1	RING						
	20	1	242-3938	1	EXCITER						
	21	1	241-4633	4	BOLT (M6X1X80-MM)						
	22	1	242-3941	1	ARMATURE						
	23	1	241-4606	1	SUPPORT-DIODE						
	24	1	242-3943	1	TERMINAL AS						
	25	1	242-3951	3	TERMINAL						
	26	1	242-3956	1	TERMINAL						
	27	1	242-3957	9	SCREW (M12X50-MM)						
	28	1	289-4769	1	REGULATOR AS-VOLTAGE (GENERATOR)						
	29	1	251-3489	1	DISC-COUPLING						
	30	1	242-3960	8	SCREW (27.7-MMX40-MM)						
	31	1	241-4618	1	SHIM (2-MM THK)						
	32	1	241-4619	1	DIODE AS						
	33	1	241-4620	1	VARISTOR						
	34	1	241-4622	1	SEAL-O-RING						
	35	1	242-3965	1	PANEL (TERMINAL)						
	36	1	242-3966	1	PANEL						
	37	1	242-3967	1	PANEL						
	38	1	242-3968	1	PANEL-ACCESS						
	39	1	307-6560	1	BRACKET						
	40	1	6V-8801	1	NUT (3/8-16-THD)						
M	41	1	8T-4000	1	SCREW-WASHER HEAD (M8X1.25X4.8-MM)						
	42	1	8T-0192	1	BOLT (3/8-16X2.25-IN)						
	43	1	4D-1326	1	LOCKWASHER						
	44	1	8T-4896	1	WASHER-HARD (10.2X18.5X2.5-MM THK)						

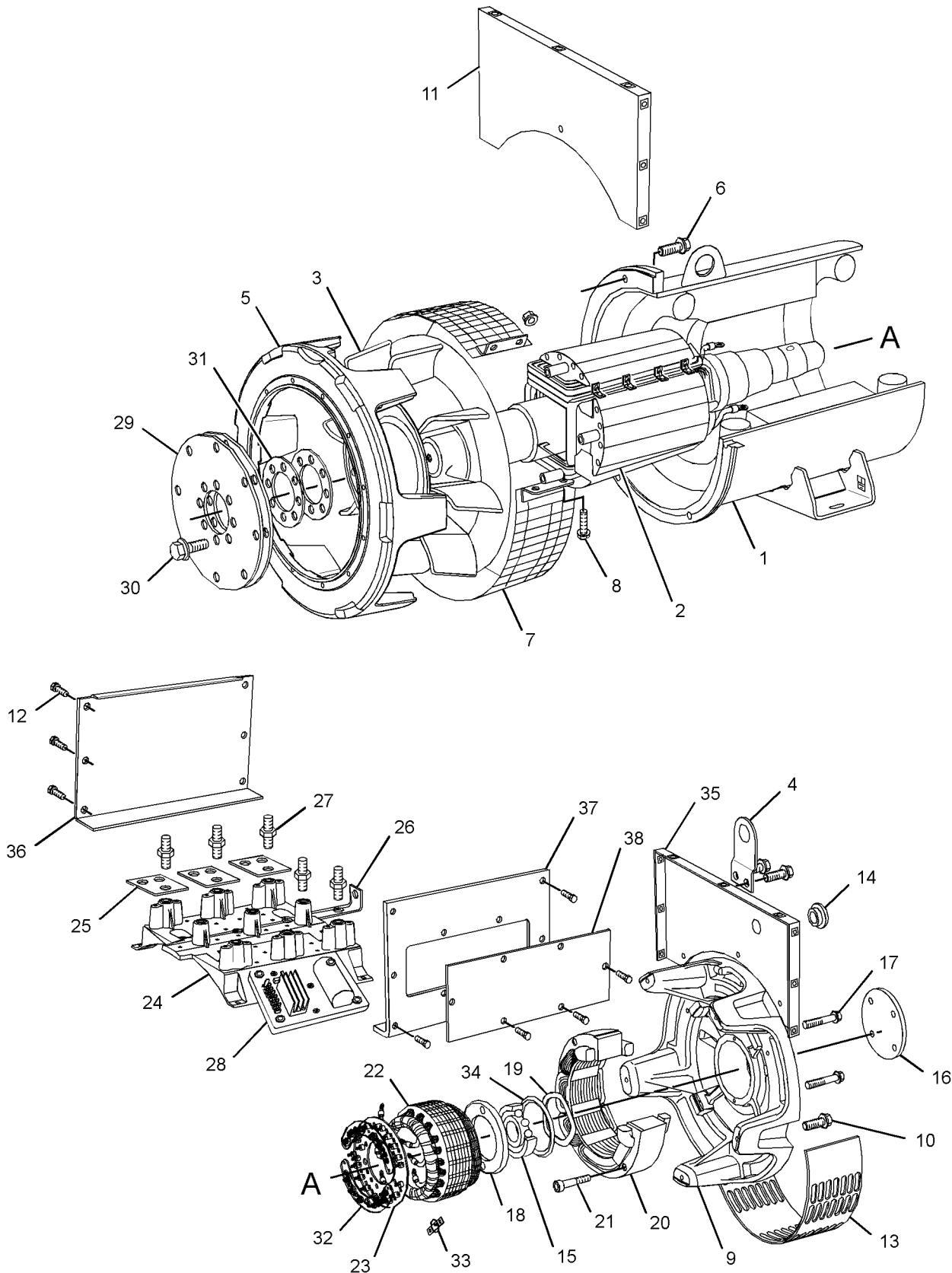
M-METRIC PART

R-REMG PART MAY BE AVAILABLE

# GENERATORS

247-6169 GENERATOR GP (contd.)

i03903384



GRAPHIC #1

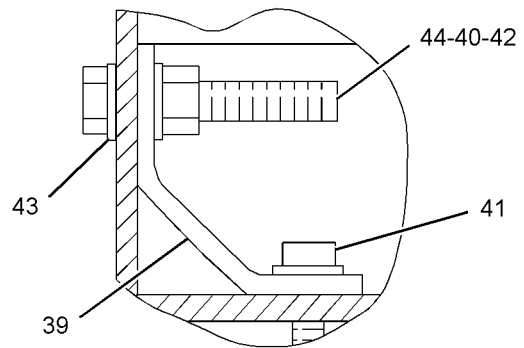
g01391482



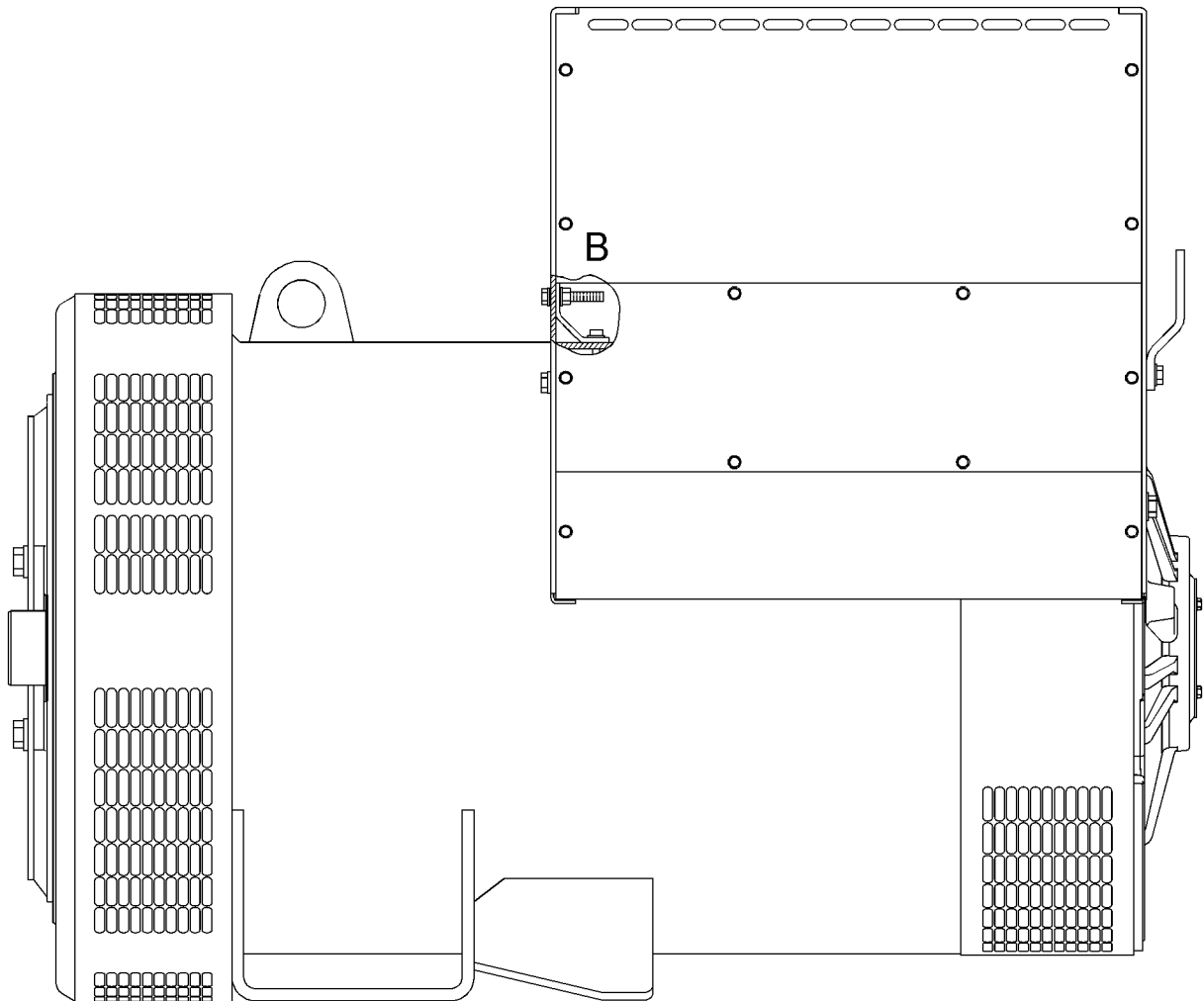
# GENERATORS

247-6169 GENERATOR GP (contd.)

i03903384



VIEW OF AREA B



LEFT SIDE VIEW

GRAPHIC #2

<END>

g01391494

# GENERATORS

## 247-6172 GENERATOR GP

S/N: L6B1-UP

PART OF 247-6124 GENERATOR AR

SMCS-4450

i03903368

NOTE	REF NO	GRAPHIC REF	PART NUMBER	QTY	PART NAME						SEE PAGE
					1	2	3	4	5	6 (PRODUCT LEVEL)	
	1	1	243-0147	1	STATOR AS						
R	2	1	243-0143	1	ROTOR AS						
	3	1	242-3919	1	FAN-GENERATOR						
	4	1	241-4577	1	EYE-LIFTING						
	5	1	251-3488	1	FLANGE						
M	6	1	160-8746	6	BOLT (M12X1.75X18-MM)						
	7	1	242-3924	1	SCREEN (AIR EXIT)						
	8	1	242-3926	2	SCREW (M11.5X50-MM)						
	9	1	242-3928	1	SHIELD						
	10	1	242-3929	5	SCREW (M22X70-THD)						
	11	1	242-3930	1	PANEL-TERMINAL BOX						
	12	1	242-3931	1	BOLT (M6X1X16-MM)						
	13	1	242-3932	1	SCREEN-AIR INLET						
	14	1	243-5380	1	CAP						
	15	1	243-5220	1	BEARING						
	16	1	241-4594	1	COVER						
	17	1	242-3936	2	SCREW (M15X70-MM)						
	18	1	241-4595	1	CAP-BEARING						
	19	1	241-4597	1	RING						
	20	1	242-3938	1	EXCITER						
	21	1	241-4633	4	BOLT (M6X1X80-MM)						
	22	1	242-3941	1	ARMATURE						
	23	1	241-4606	1	SUPPORT-DIODE						
	24	1	242-3943	1	TERMINAL AS						
	25	1	242-3951	3	TERMINAL						
	26	1	242-3956	1	TERMINAL						
	27	1	242-3957	9	SCREW (M12X50-MM)						
	28	1	289-4769	1	REGULATOR AS-VOLTAGE (GENERATOR)						
	29	1	251-3489	1	DISC-COUPLING						
	30	1	242-3960	8	SCREW (27.7-MMX40-MM)						
	31	1	241-4618	1	SHIM (2-MM THK)						
	32	1	241-4619	1	DIODE AS						
	33	1	241-4620	1	VARISTOR						
	34	1	241-4622	1	SEAL-O-RING						
	35	1	242-3965	1	PANEL (TERMINAL)						
	36	1	242-3966	1	PANEL						
	37	1	242-3967	1	PANEL						
	38	1	242-3968	1	PANEL-ACCESS						
	39	1	307-6560	1	BRACKET						
	40	1	6V-8801	1	NUT (3/8-16-THD)						
M	41	1	8T-4000	1	SCREW-WASHER HEAD (M8X1.25X4.8-MM)						
	42	1	8T-0192	1	BOLT (3/8-16X2.25-IN)						
	43	1	4D-1326	1	LOCKWASHER						
	44	1	8T-4896	1	WASHER-HARD (10.2X18.5X2.5-MM THK)						

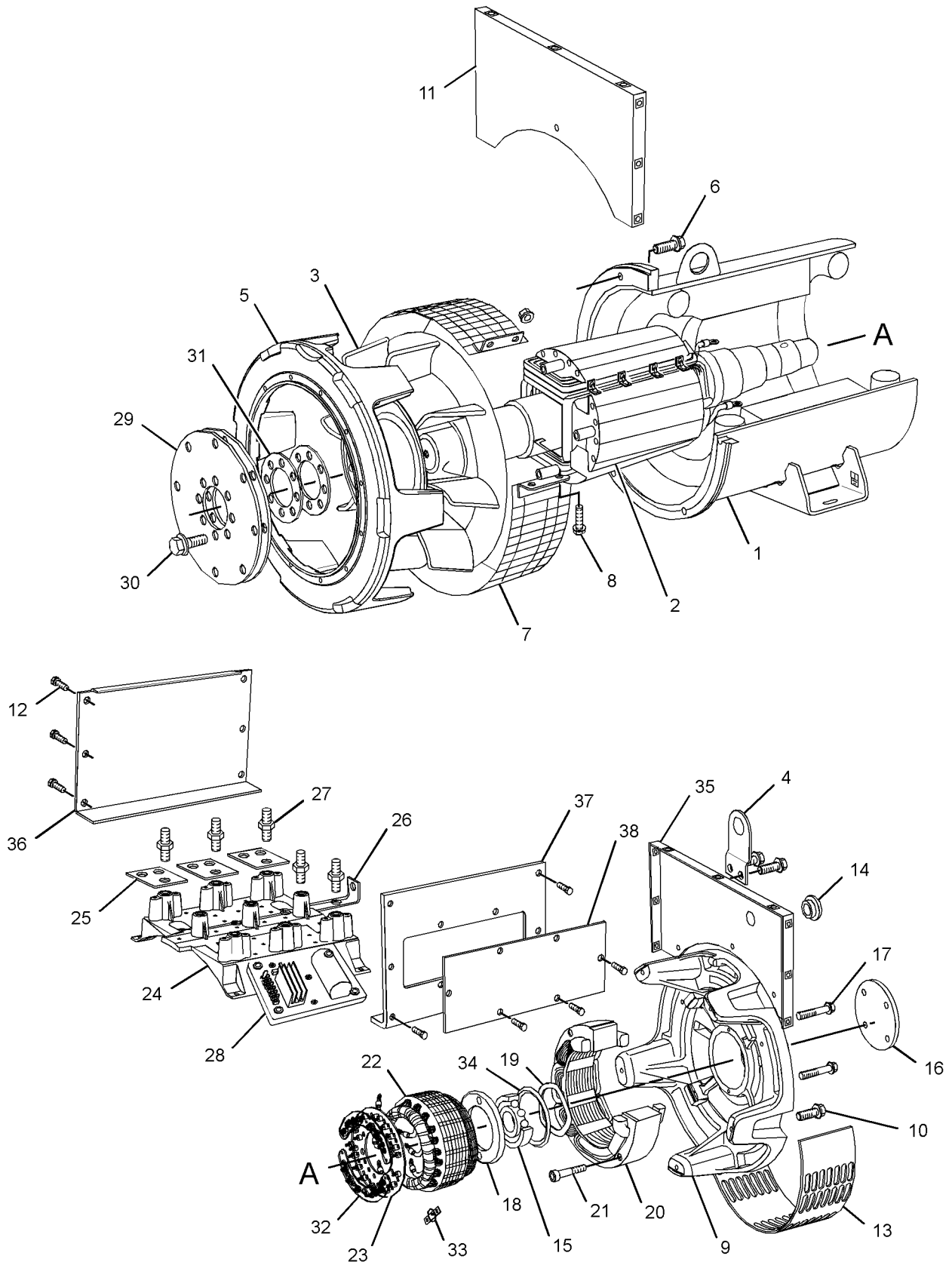
M-METRIC PART

R-REMFG PART MAY BE AVAILABLE

# GENERATORS

247-6172 GENERATOR GP (contd.)

i03903368



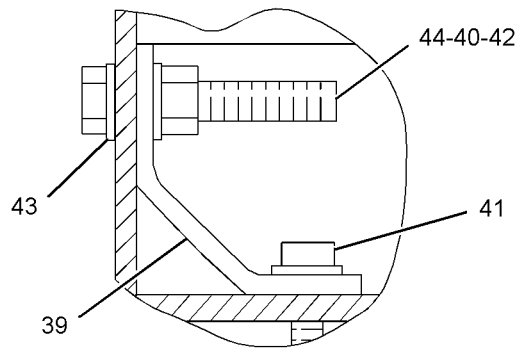
GRAPHIC #1

g01391482

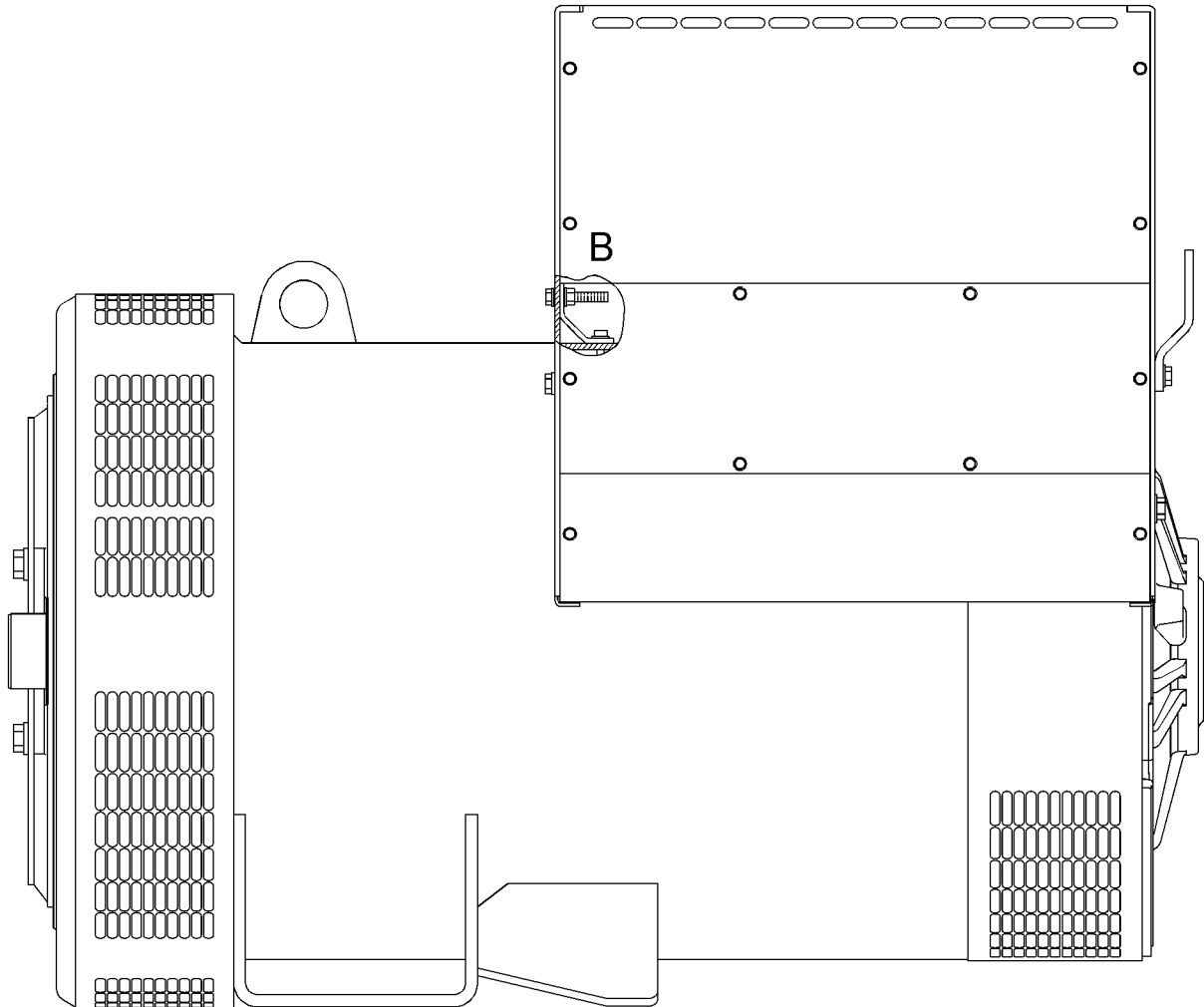
# GENERATORS

247-6172 GENERATOR GP (contd.)

i03903368



VIEW OF AREA B



LEFT SIDE VIEW

GRAPHIC #2

<END>

g01391494

# GENERATORS

## 247-6174 GENERATOR GP

S/N: L6B1-UP

PART OF 247-6125 GENERATOR AR

SMCS-4450

i03903399

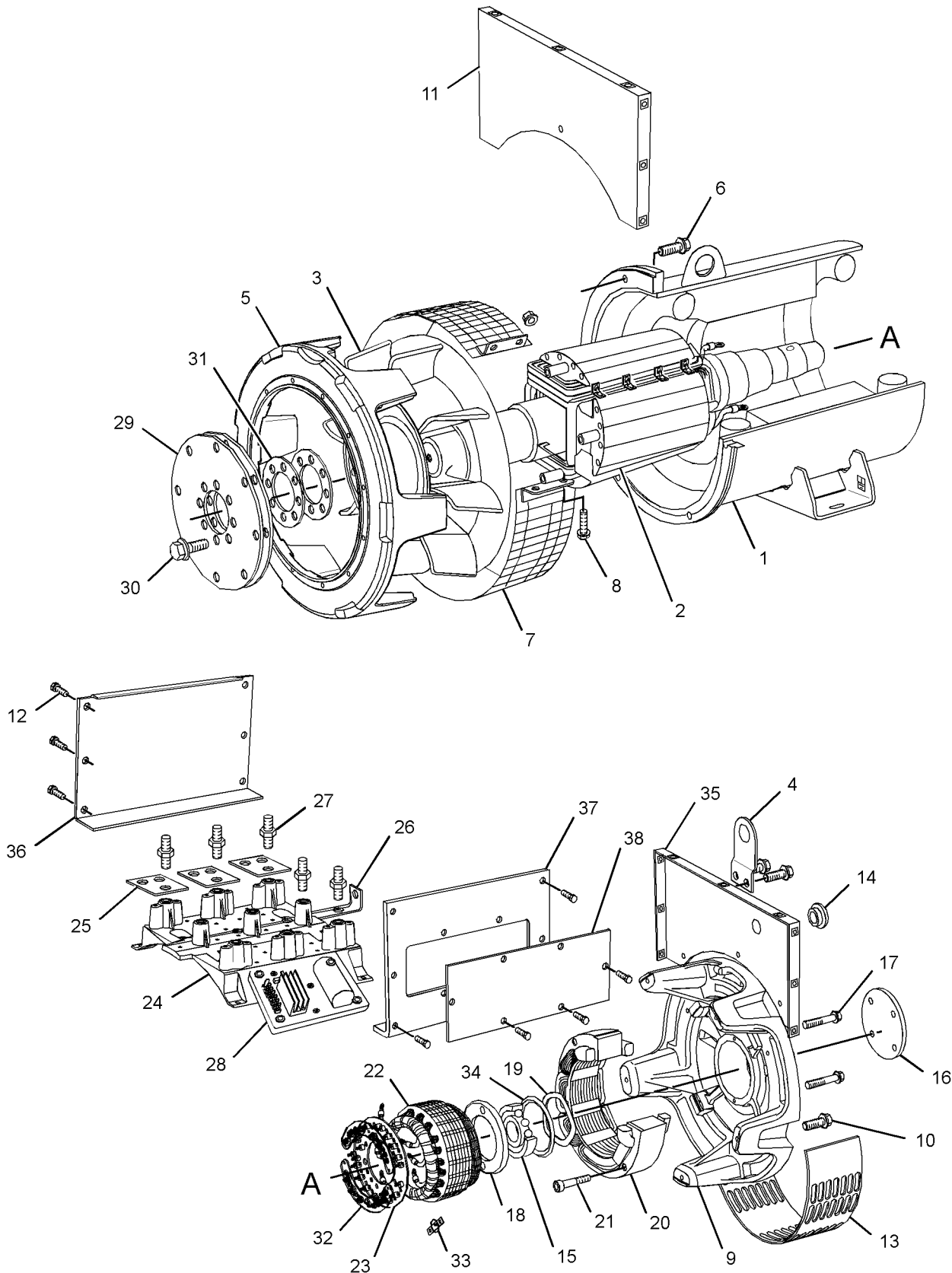
NOTE	REF NO	GRAPHIC REF	PART NUMBER	QTY	PART NAME						SEE PAGE
					1	2	3	4	5	6 (PRODUCT LEVEL)	
	1	1	243-0156	1	STATOR AS						
R	2	1	243-0144	1	ROTOR AS						
	3	1	242-3919	1	FAN-GENERATOR						
	4	1	241-4577	1	EYE-LIFTING						
	5	1	251-3488	1	FLANGE						
M	6	1	160-8746	6	BOLT (M12X1.75X18-MM)						
	7	1	242-3924	1	SCREEN (AIR EXIT)						
	8	1	242-3926	2	SCREW (M11.5X50-MM)						
	9	1	242-3928	1	SHIELD						
	10	1	242-3929	5	SCREW (M22X70-THD)						
	11	1	242-3930	1	PANEL-TERMINAL BOX						
	12	1	242-3931	1	BOLT (M6X1X16-MM)						
	13	1	242-3932	1	SCREEN-AIR INLET						
	14	1	243-5380	1	CAP						
	15	1	243-5220	1	BEARING						
	16	1	241-4594	1	COVER						
	17	1	242-3936	2	SCREW (M15X70-MM)						
	18	1	241-4595	1	CAP-BEARING						
	19	1	241-4597	1	RING						
	20	1	242-3938	1	EXCITER						
	21	1	241-4633	4	BOLT (M6X1X80-MM)						
	22	1	242-3941	1	ARMATURE						
	23	1	241-4606	1	SUPPORT-DIODE						
	24	1	242-3943	1	TERMINAL AS						
	25	1	242-3951	3	TERMINAL						
	26	1	242-3956	1	TERMINAL						
	27	1	242-3957	9	SCREW (M12X50-MM)						
	28	1	289-4769	1	REGULATOR AS-VOLTAGE (GENERATOR)						
	29	1	251-3489	1	DISC-COUPLING						
	30	1	242-3960	8	SCREW (27.7-MMX40-MM)						
	31	1	241-4618	1	SHIM (2-MM THK)						
	32	1	241-4619	1	DIODE AS						
	33	1	241-4620	1	VARISTOR						
	34	1	241-4622	1	SEAL-O-RING						
	35	1	242-3965	1	PANEL (TERMINAL)						
	36	1	242-3966	1	PANEL						
	37	1	242-3967	1	PANEL						
	38	1	242-3968	1	PANEL-ACCESS						
	39	1	307-6560	1	BRACKET						
	40	1	6V-8801	1	NUT (3/8-16-THD)						
M	41	1	8T-4000	1	SCREW-WASHER HEAD (M8X1.25X4.8-MM)						
	42	1	8T-0192	1	BOLT (3/8-16X2.25-IN)						
	43	1	4D-1326	1	LOCKWASHER						
	44	1	8T-4896	1	WASHER-HARD (10.2X18.5X2.5-MM THK)						
			246-5895	1	TRANSFORMER						

F-NOT SHOWN  
M-METRIC PART  
R-REMFG PART MAY BE AVAILABLE

# GENERATORS

247-6174 GENERATOR GP (contd.)

i03903399



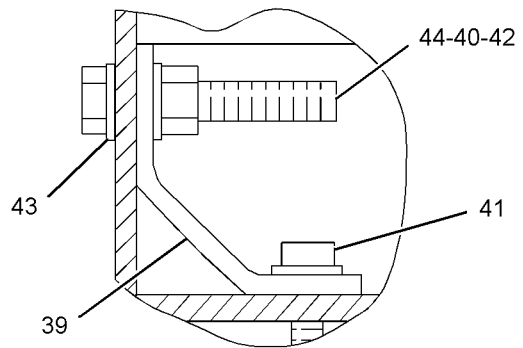
GRAPHIC #1

g01391482

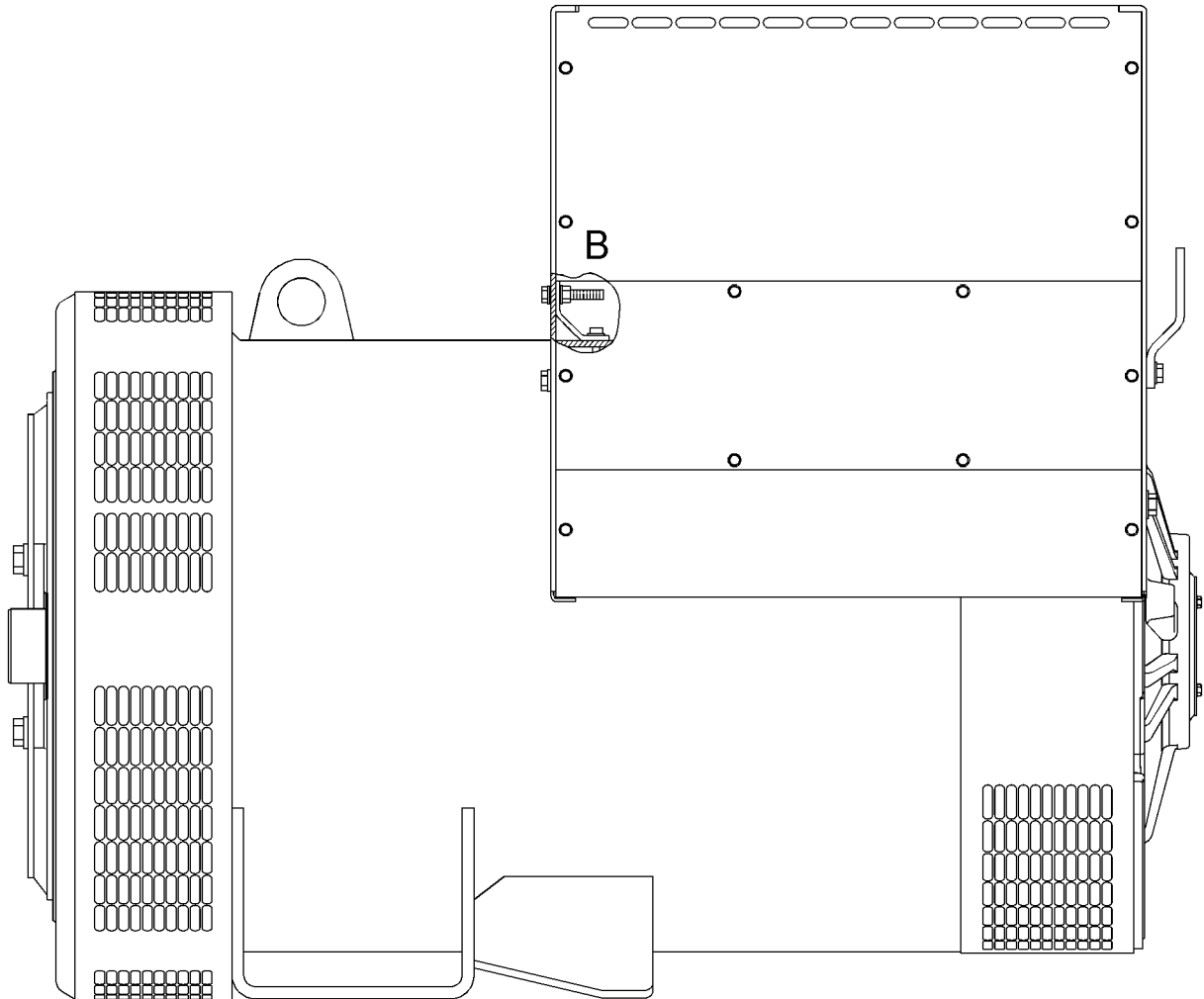
# GENERATORS

247-6174 GENERATOR GP (contd.)

i03903399



VIEW OF AREA B



LEFT SIDE VIEW

GRAPHIC #2

<END>

g01391494

# GENERATORS

## 247-6178 GENERATOR GP

S/N: L6B1-UP

PART OF 247-6126 GENERATOR AR

SMCS-4450

i03903366

NOTE	REF NO	GRAPHIC REF	PART NUMBER	QTY	PART NAME						SEE PAGE
					1	2	3	4	5	6 (PRODUCT LEVEL)	
	1	1	251-3485	1	STATOR AS						
R	2	1	243-0144	1	ROTOR AS						
	3	1	242-3919	1	FAN-GENERATOR						
	4	1	241-4577	1	EYE-LIFTING						
	5	1	251-3488	1	FLANGE						
M	6	1	160-8746	6	BOLT (M12X1.75X18-MM)						
	7	1	242-3924	1	SCREEN (AIR EXIT)						
	8	1	242-3926	2	SCREW (M11.5X50-MM)						
	9	1	242-3928	1	SHIELD						
	10	1	242-3929	5	SCREW (M22X70-THD)						
	11	1	242-3930	1	PANEL-TERMINAL BOX						
	12	1	242-3931	1	BOLT (M6X1X16-MM)						
	13	1	242-3932	1	SCREEN-AIR INLET						
	14	1	243-5380	1	CAP						
	15	1	243-5220	1	BEARING						
	16	1	241-4594	1	COVER						
	17	1	242-3936	2	SCREW (M15X70-MM)						
	18	1	241-4595	1	CAP-BEARING						
	19	1	241-4597	1	RING						
	20	1	242-3938	1	EXCITER						
	21	1	241-4633	4	BOLT (M6X1X80-MM)						
	22	1	242-3941	1	ARMATURE						
	23	1	241-4606	1	SUPPORT-DIODE						
	24	1	242-3943	1	TERMINAL AS						
	25	1	242-3951	3	TERMINAL						
	26	1	242-3956	1	TERMINAL						
	27	1	242-3957	9	SCREW (M12X50-MM)						
	28	1	289-4769	1	REGULATOR AS-VOLTAGE (GENERATOR)						
	29	1	251-3489	1	DISC-COUPLING						
	30	1	242-3960	8	SCREW (27.7-MMX40-MM)						
	31	1	241-4618	1	SHIM (2-MM THK)						
	32	1	241-4619	1	DIODE AS						
	33	1	241-4620	1	VARISTOR						
	34	1	241-4622	1	SEAL-O-RING						
	35	1	242-3965	1	PANEL (TERMINAL)						
	36	1	242-3966	1	PANEL						
	37	1	242-3967	1	PANEL						
	38	1	242-3968	1	PANEL-ACCESS						
	39	1	239-9491	1	KIT-EXCITER (PERMANENT MAGNET) (GENERATOR)						
	41	1	307-6560	1	BRACKET						
	42	1	6V-8801	1	NUT (3/8-16-THD)						
M	43	1	8T-4000	1	SCREW-WASHER HEAD (M8X1.25X4.8-MM)						
	44	1	8T-0192	1	BOLT (3/8-16X2.25-IN)						
	45	1	4D-1326	1	LOCKWASHER						
	46	1	8T-4896	1	WASHER-HARD (10.2X18.5X2.5-MM THK)						

M-METRIC PART

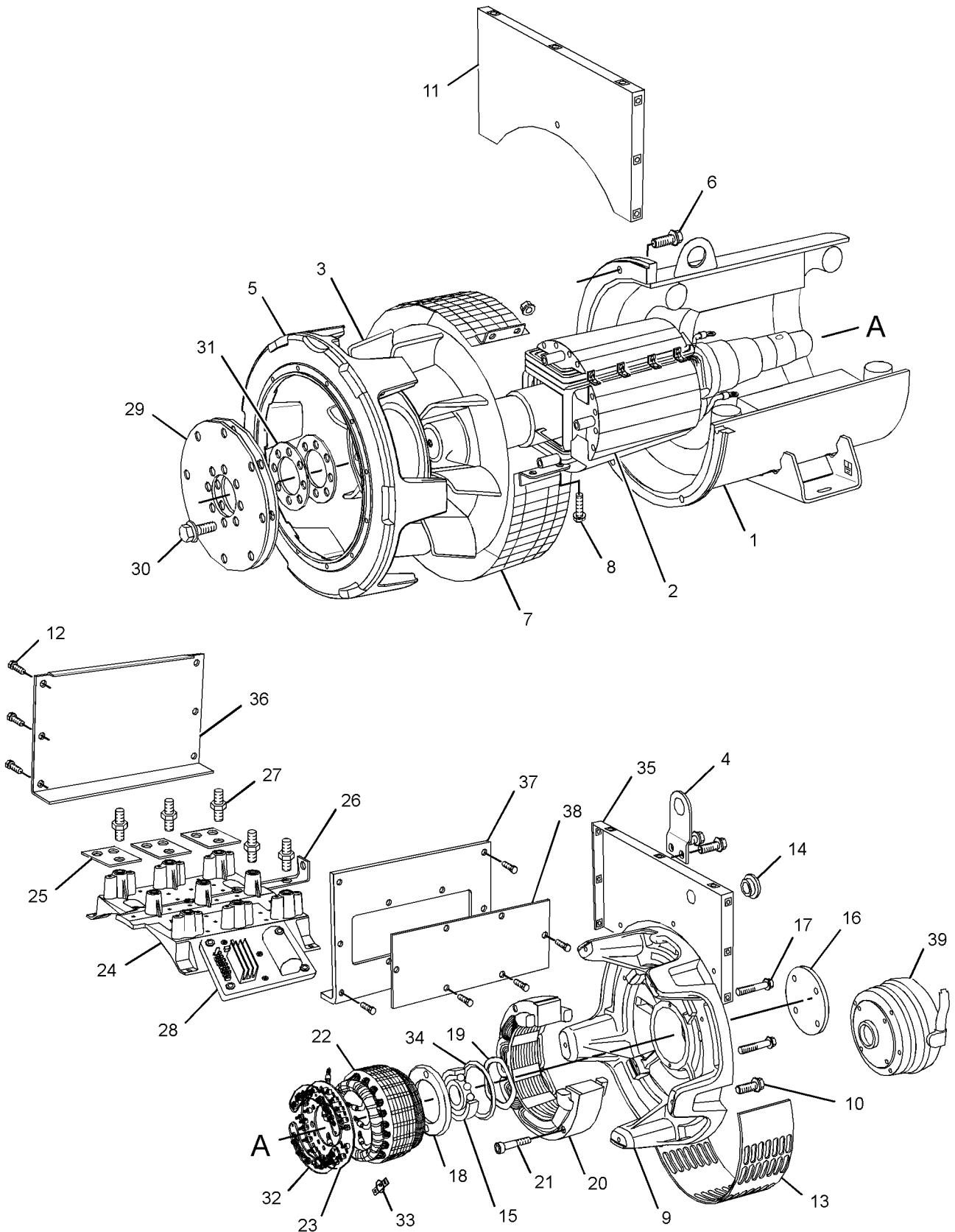
R-REMFG PART MAY BE AVAILABLE



# GENERATORS

247-6178 GENERATOR GP (contd.)

i03903366



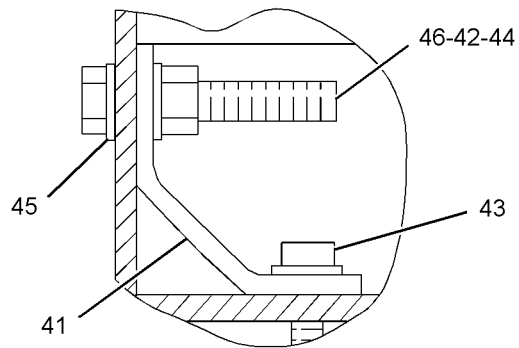
GRAPHIC #1

g01391663

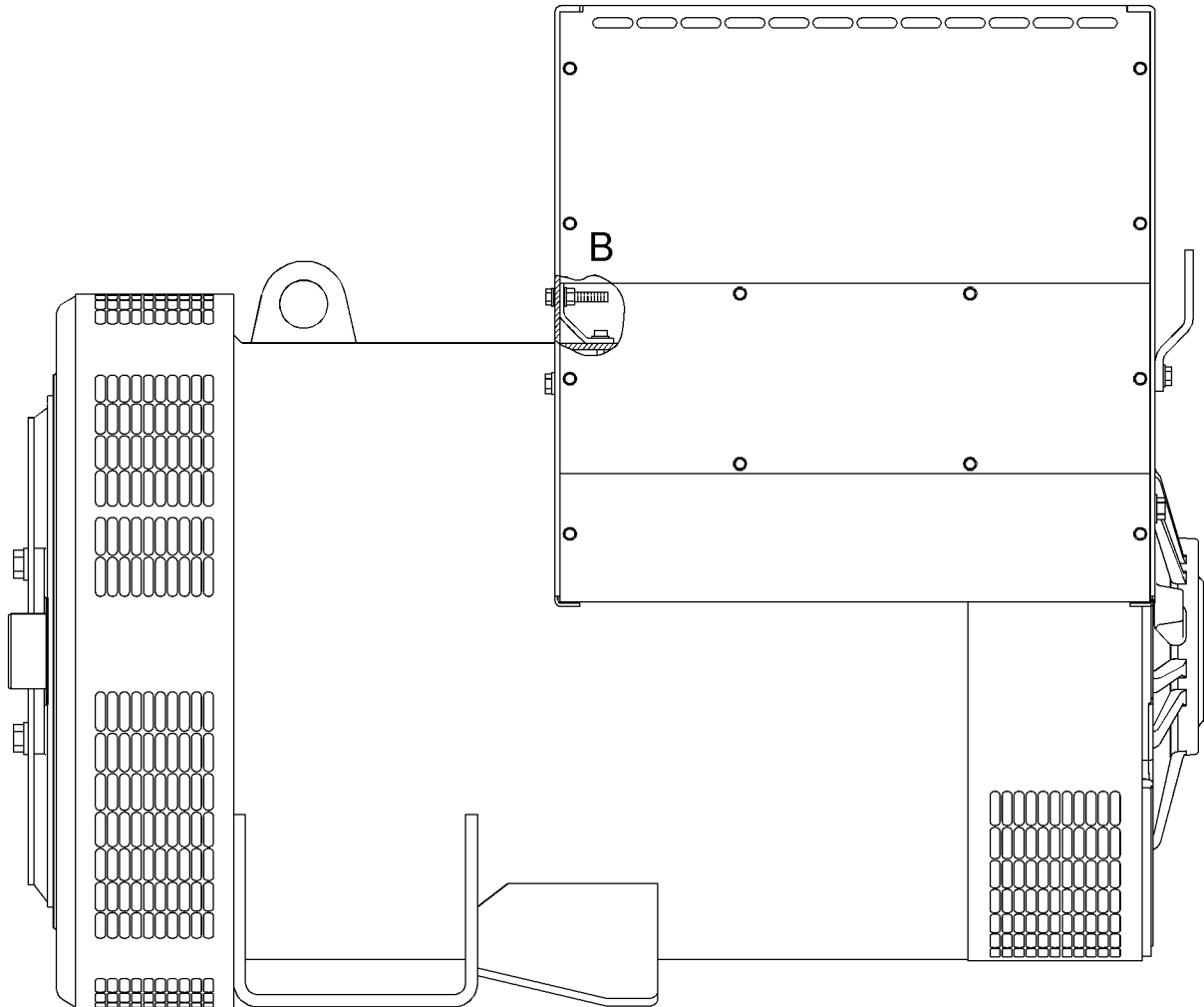
# GENERATORS

247-6178 GENERATOR GP (contd.)

i03903366



VIEW OF AREA B



LEFT SIDE VIEW

GRAPHIC #2

<END>

g01391665

# GENERATORS

## 247-6180 GENERATOR GP

S/N: L7A1-UP

PART OF 247-6127 GENERATOR AR

SMCS-4450

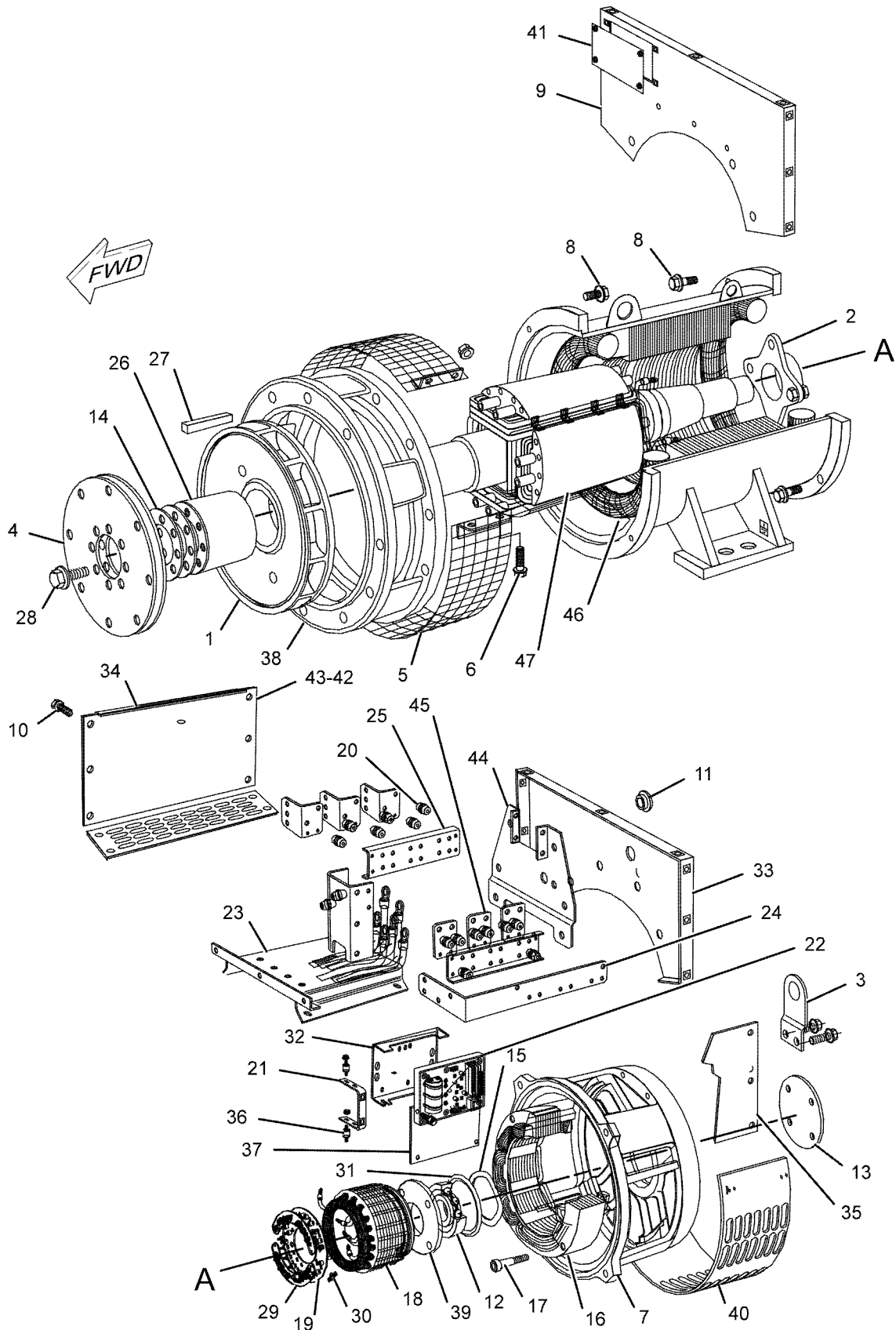
i02530838

NOTE	REF NO	GRAPHIC REF	PART NUMBER	QTY	PART NAME						SEE PAGE
					1	2	3	4	5	6 (PRODUCT LEVEL)	
	1	1	241-4635	1	FAN						
	2	1	241-4636	1	DISC (BALANCING)						
	3	1	241-4637	1	EYE-LIFTING						
	4	1	250-7869	3	DISC-COUPLING						
	5	1	241-4639	1	SCREEN (AIR EXIT)						
	6	1	241-4580	2	SCREW						
	7	1	241-4640	1	KIT-RING (GENERATOR)						
	8	1	241-4641	10	BOLT (M14X2-THD)						
	9	1	241-4642	1	PANEL-TERMINAL BOX						
	10	1	241-4590	34	BOLT (M6X16-MM)						
	11	1	243-5380	1	CAP						
	12	1	241-4644	1	BEARING						
	13	1	241-4645	1	COVER						
	14	1	242-2991	1	SHIM (2-MM THK)						
	15	1	241-4647	1	RING						
	16	1	241-4603	1	EXCITER						
	17	1	241-4648	4	BOLT						
	18	1	241-4649	1	ARMATURE						
	19	1	241-4650	1	SUPPORT-DIODE						
	20	1	241-4651	16	INSULATOR-TERMINAL						
	21	1	241-4612	2	SUPPORT						
	22	1	289-4769	1	REGULATOR AS-VOLTAGE (GENERATOR)						
	23	1	241-4652	1	BEAM						
	24	1	241-4653	1	PLATE-COUPLING						
	25	1	241-4654	2	SUPPORT						
	26	1	241-4656	1	HUB						
	27	1	241-4657	1	KEY-WOODRUFF						
	28	1	241-4658	8	BOLT						
	29	1	241-4660	1	DIODE AS						
	30	1	241-4662	1	VARISTOR						
	31	1	241-4663	1	SEAL-O-RING						
	32	1	241-4624	1	SUPPORT						
	33	1	241-4664	1	PANEL						
	34	1	241-4665	1	PANEL-ACCESS						
	35	1	241-4666	1	PANEL-ACCESS						
	36	1	241-4629	1	MOUNT AS-RESILIENT						
	37	1	241-4630	1	PANEL-ACCESS						
	38	1	250-7868	1	BRACKET						
	39	1	241-4646	1	CAP-BEARING						
	40	1	242-2981	1	SCREEN-AIR INLET						
	41	1	242-2982	1	PANEL-ACCESS						
	42	1	242-2986	1	SCREEN-AIR INLET						
	43	1	242-2987	1	SCREEN-AIR INLET						
	44	1	242-2988	1	SUPPORT						
	45	1	242-2989	3	PLATE-CONNECTION						
	46	1	250-7842	1	STATOR AS						
	47	1	250-7853	1	ROTOR AS						

# GENERATORS

247-6180 GENERATOR GP (contd.)

i02530838



GRAPHIC #1

<END>

g01064997

# GENERATORS

## 247-6181 GENERATOR GP

S/N: L7A1-UP

PART OF 247-6128, 297-2362 GENERATOR AR  
ALSO AN ATTACHMENT

SMCS-4450

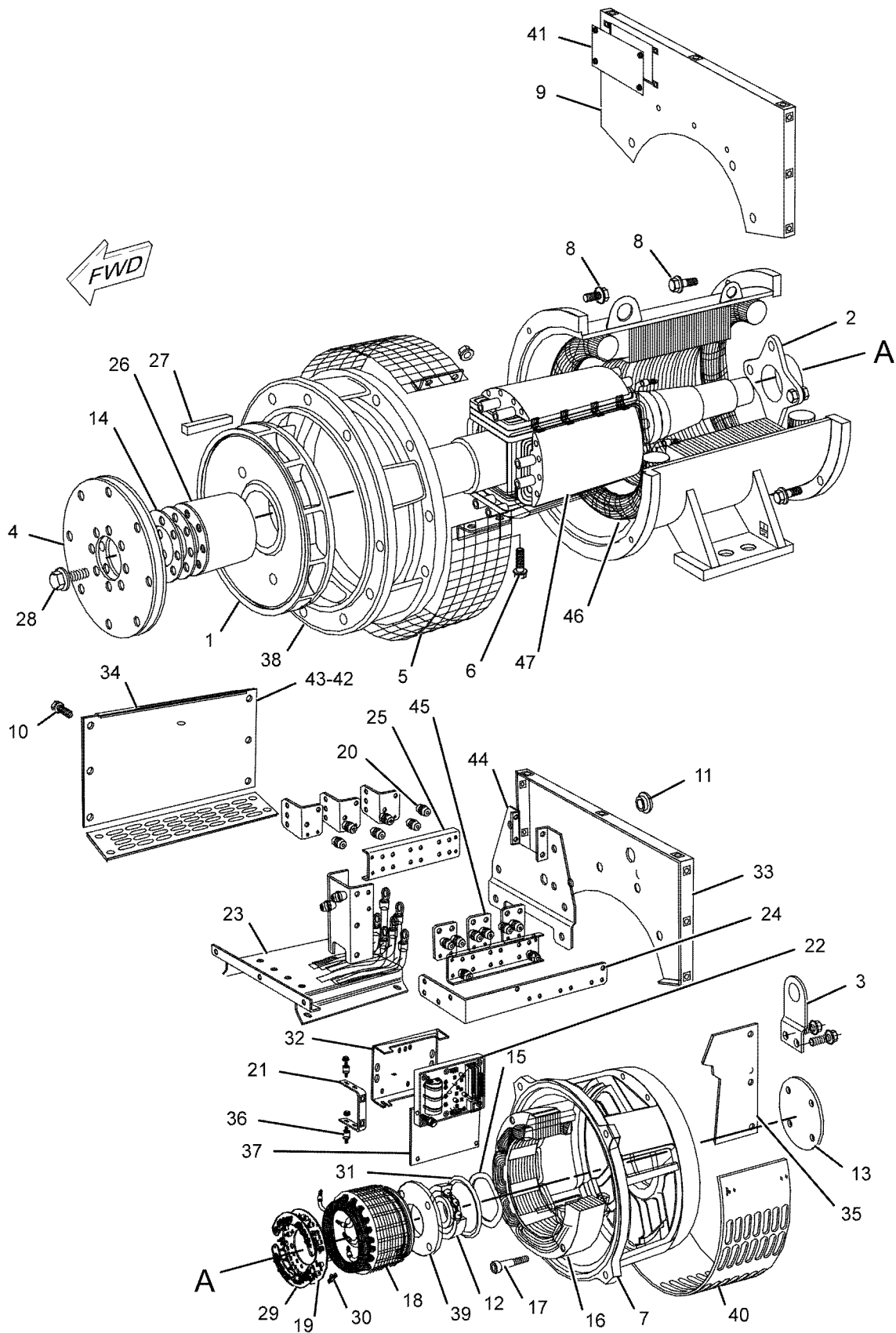
i02530846

NOTE	REF NO	GRAPHIC REF	PART NUMBER	QTY	PART NAME						SEE PAGE
					1	2	3	4	5	6 (PRODUCT LEVEL)	
	1	1	241-4635	1	FAN						
	2	1	241-4636	1	DISC (BALANCING)						
	3	1	241-4637	1	EYE-LIFTING						
	4	1	250-7869	3	DISC-COUPLING						
	5	1	241-4639	1	SCREEN (AIR EXIT)						
	6	1	241-4580	2	SCREW						
	7	1	241-4640	1	KIT-RING (GENERATOR)						
	8	1	241-4641	10	BOLT (M14X2-THD)						
	9	1	241-4642	1	PANEL-TERMINAL BOX						
	10	1	241-4590	34	BOLT (M6X16-MM)						
	11	1	243-5380	1	CAP						
	12	1	241-4644	1	BEARING						
	13	1	241-4645	1	COVER						
	14	1	242-2991	1	SHIM (2-MM THK)						
	15	1	241-4647	1	RING						
	16	1	241-4603	1	EXCITER						
	17	1	241-4648	4	BOLT						
	18	1	241-4649	1	ARMATURE						
	19	1	241-4650	1	SUPPORT-DIODE						
	20	1	241-4651	16	INSULATOR-TERMINAL						
	21	1	241-4612	2	SUPPORT						
	22	1	289-4769	1	REGULATOR AS-VOLTAGE (GENERATOR)						
	23	1	241-4652	1	BEAM						
	24	1	241-4653	1	PLATE-COUPLING						
	25	1	241-4654	2	SUPPORT						
	26	1	241-4656	1	HUB						
	27	1	241-4657	1	KEY-WOODRUFF						
	28	1	241-4658	8	BOLT						
	29	1	241-4660	1	DIODE AS						
	30	1	241-4662	1	VARISTOR						
	31	1	241-4663	1	SEAL-O-RING						
	32	1	241-4624	1	SUPPORT						
	33	1	241-4664	1	PANEL						
	34	1	241-4665	1	PANEL-ACCESS						
	35	1	241-4666	1	PANEL-ACCESS						
	36	1	241-4629	1	MOUNT AS-RESILIENT						
	37	1	241-4630	1	PANEL-ACCESS						
	38	1	250-7868	1	BRACKET						
	39	1	241-4646	1	CAP-BEARING						
	40	1	242-2981	1	SCREEN-AIR INLET						
	41	1	242-2982	1	PANEL-ACCESS						
	42	1	242-2986	1	SCREEN-AIR INLET						
	43	1	242-2987	1	SCREEN-AIR INLET						
	44	1	242-2988	1	SUPPORT						
	45	1	242-2989	3	PLATE-CONNECTION						
	46	1	242-9328	1	STATOR AS						
	47	1	242-9332	1	ROTOR AS						

# GENERATORS

247-6181 GENERATOR GP (contd.)

i02530846



GRAPHIC #1

<END>

g01064997

# GENERATORS

## 247-6183 GENERATOR GP

S/N: L7A1-UP

PART OF 247-6129 GENERATOR AR

SMCS-4450

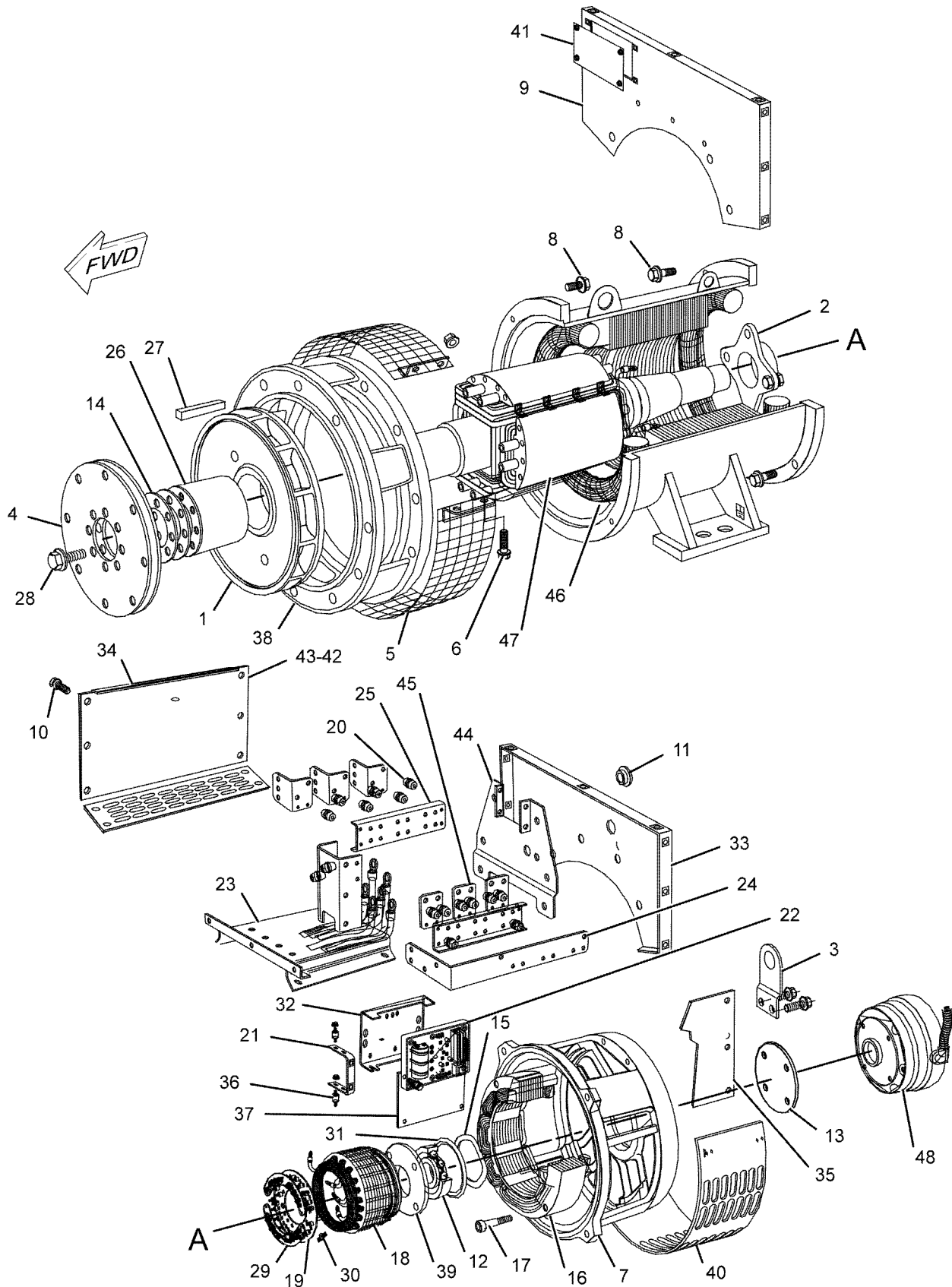
i02530848

NOTE	REF NO	GRAPHIC REF	PART NUMBER	QTY	PART NAME						SEE PAGE
					1	2	3	4	5	6 (PRODUCT LEVEL)	
	1	1	241-4635	1	FAN						
	2	1	241-4636	1	DISC (BALANCING)						
	3	1	241-4637	1	EYE-LIFTING						
	4	1	250-7869	3	DISC-COUPLING						
	5	1	241-4639	1	SCREEN (AIR EXIT)						
	6	1	241-4580	2	SCREW						
	7	1	241-4640	1	KIT-RING (GENERATOR)						
	8	1	241-4641	10	BOLT (M14X2-THD)						
	9	1	241-4642	1	PANEL-TERMINAL BOX						
	10	1	241-4590	34	BOLT (M6X16-MM)						
	11	1	243-5380	1	CAP						
	12	1	241-4644	1	BEARING						
	13	1	241-4645	1	COVER						
	14	1	242-2991	1	SHIM (2-MM THK)						
	15	1	241-4647	1	RING						
	16	1	241-4603	1	EXCITER						
	17	1	241-4648	4	BOLT						
	18	1	241-4649	1	ARMATURE						
	19	1	241-4650	1	SUPPORT-DIODE						
	20	1	241-4651	16	INSULATOR-TERMINAL						
	21	1	241-4612	2	SUPPORT						
	22	1	289-4769	1	REGULATOR AS-VOLTAGE (GENERATOR)						
	23	1	241-4652	1	BEAM						
	24	1	241-4653	1	PLATE-COUPLING						
	25	1	241-4654	2	SUPPORT						
	26	1	241-4656	1	HUB						
	27	1	241-4657	1	KEY-WOODRUFF						
	28	1	241-4658	8	BOLT						
	29	1	241-4660	1	DIODE AS						
	30	1	241-4662	1	VARISTOR						
	31	1	241-4663	1	SEAL-O-RING						
	32	1	241-4624	1	SUPPORT						
	33	1	241-4664	1	PANEL						
	34	1	241-4665	1	PANEL-ACCESS						
	35	1	241-4666	1	PANEL-ACCESS						
	36	1	241-4629	1	MOUNT AS-RESILIENT						
	37	1	241-4630	1	PANEL-ACCESS						
	38	1	250-7868	1	BRACKET						
	39	1	241-4646	1	CAP-BEARING						
	40	1	242-2981	1	SCREEN-AIR INLET						
	41	1	242-2982	1	PANEL-ACCESS						
	42	1	242-2986	1	SCREEN-AIR INLET						
	43	1	242-2987	1	SCREEN-AIR INLET						
	44	1	242-2988	1	SUPPORT						
	45	1	242-2989	3	PLATE-CONNECTION						
	46	1	250-7846	1	STATOR AS						
	47	1	242-9332	1	ROTOR AS						
	48	1	239-9491	1	KIT-EXCITER (PERMANENT MAGNET) (GENERATOR)						

# GENERATORS

247-6183 GENERATOR GP (contd.)

i02530848



GRAPHIC #1

<END>

g01066062



# GENERATORS

## 267-2499 GENERATOR GP

S/N: L7A1-UP

PART OF 266-7103 GENERATOR AR

SMCS-4450

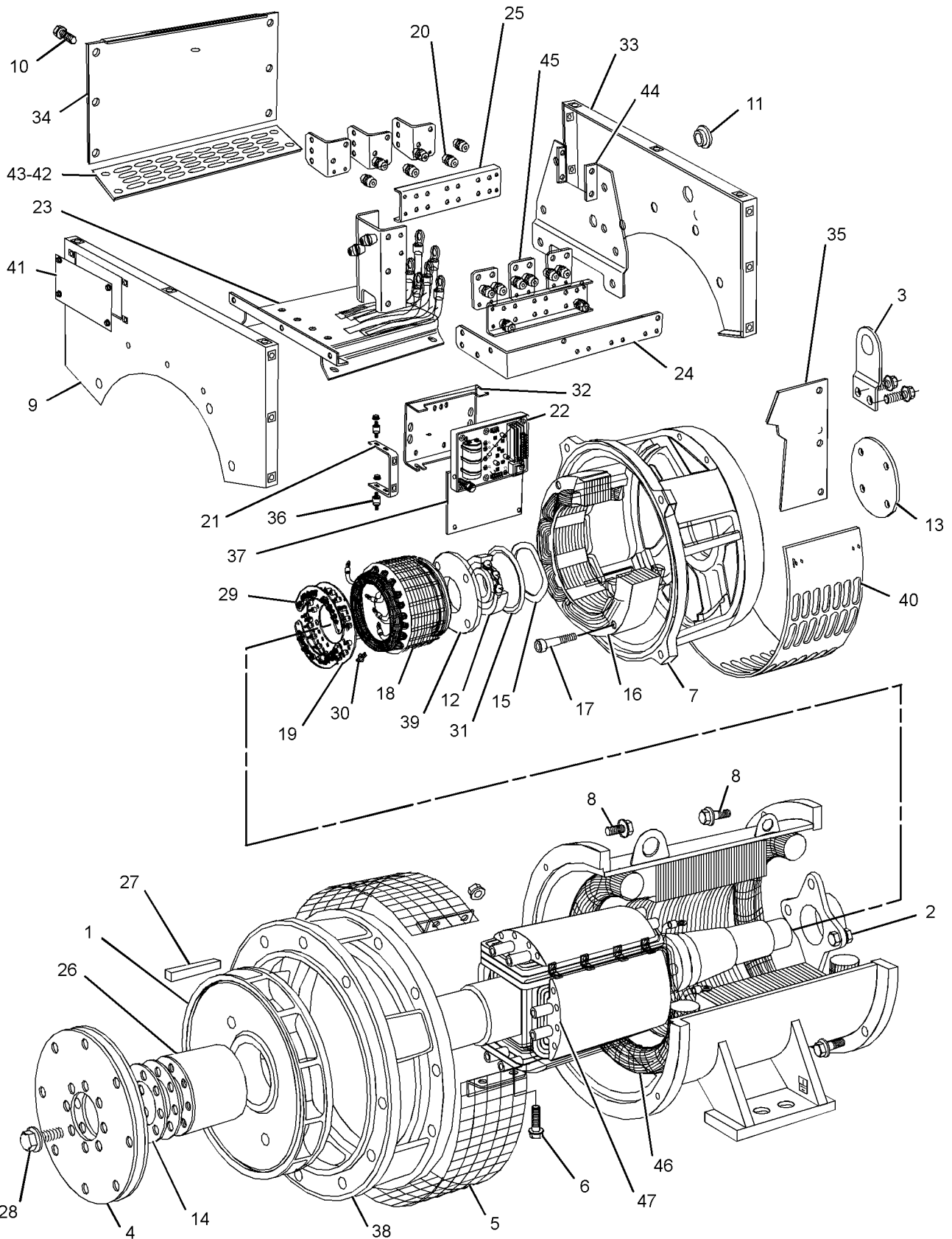
i02551501

NOTE	REF NO	GRAPHIC REF	PART NUMBER	QTY	PART NAME						SEE PAGE
					1	2	3	4	5	6 (PRODUCT LEVEL)	
	1	1	241-4635	1	FAN						
	2	1	241-4636	1	DISC (BALANCING)						
	3	1	241-4637	1	EYE-LIFTING						
	4	1	250-7869	3	DISC-COUPLING						
	5	1	241-4639	1	SCREEN						
	6	1	241-4580	2	SCREW						
	7	1	241-4640	1	KIT-RING (GENERATOR)						
	8	1	241-4641	10	BOLT (M14X2-THD)						
	9	1	241-4642	1	PANEL-TERMINAL BOX						
	10	1	241-4590	34	BOLT (M6X16-MM)						
	11	1	243-5380	1	CAP						
	12	1	241-4644	1	BEARING						
	13	1	241-4645	1	COVER						
	14	1	242-2991	1	SHIM (2-MM THK)						
	15	1	241-4647	1	RING						
	16	1	241-4603	1	EXCITER						
	17	1	241-4648	4	BOLT						
	18	1	241-4649	1	ARMATURE						
	19	1	241-4650	1	SUPPORT-DIODE						
	20	1	241-4651	16	INSULATOR-TERMINAL						
	21	1	241-4612	2	SUPPORT						
	22	1	289-4769	1	REGULATOR AS-VOLTAGE (GENERATOR)						
	23	1	241-4652	1	BEAM						
	24	1	241-4653	1	PLATE-COUPLING						
	25	1	241-4654	2	SUPPORT						
	26	1	241-4656	1	HUB						
	27	1	241-4657	1	KEY-WOODRUFF						
	28	1	241-4658	8	BOLT						
	29	1	241-4660	1	DIODE AS						
	30	1	241-4662	1	VARISTOR						
	31	1	241-4663	1	SEAL-O-RING						
	32	1	241-4624	1	SUPPORT						
	33	1	241-4664	1	PANEL						
	34	1	241-4665	1	PANEL-ACCESS						
	35	1	241-4666	1	PANEL-ACCESS						
	36	1	241-4629	1	MOUNT AS-RESILIENT						
	37	1	241-4630	1	PANEL-ACCESS						
	38	1	250-7868	1	BRACKET						
	39	1	241-4646	1	CAP-BEARING						
	40	1	242-2981	1	SCREEN-AIR INLET						
	41	1	242-2982	1	PANEL-ACCESS						
	42	1	242-2986	1	SCREEN-AIR INLET						
	43	1	242-2987	1	SCREEN-AIR INLET						
	44	1	242-2988	1	SUPPORT						
	45	1	242-2989	3	PLATE-CONNECTION						
	46	1	250-7842	1	STATOR AS						
	47	1	250-7853	1	ROTOR AS						

# GENERATORS

267-2499 GENERATOR GP (contd.)

i02551501



GRAPHIC #1

<END>

g01185519

# GENERATORS

## 267-2500 GENERATOR GP

S/N: L7A1-UP

PART OF 266-7104 GENERATOR AR  
AN ATTACHMENT

SMCS-4450

i02551504

NOTE	REF NO	GRAPHIC REF	PART NUMBER	QTY	PART NAME						SEE PAGE
					1	2	3	4	5	6 (PRODUCT LEVEL)	
	1	1	241-4635	1	FAN						
	2	1	241-4636	1	DISC (BALANCING)						
	3	1	241-4637	1	EYE-LIFTING						
	4	1	242-2990	3	DISC (COUPLING)						
	5	1	241-4639	1	SCREEN						
	6	1	241-4580	2	SCREW						
	7	1	241-4640	1	KIT-RING (GENERATOR)						
	8	1	241-4641	10	BOLT (M14X2-THD)						
	9	1	241-4642	1	PANEL-TERMINAL BOX						
	10	1	241-4590	34	BOLT (M6X16-MM)						
	11	1	243-5380	1	CAP						
	12	1	241-4644	1	BEARING						
	13	1	241-4645	1	COVER						
	14	1	242-2991	1	SHIM (2-MM THK)						
	15	1	241-4647	1	RING						
	16	1	241-4603	1	EXCITER						
	17	1	241-4648	4	BOLT						
	18	1	241-4649	1	ARMATURE						
	19	1	241-4650	1	SUPPORT-DIODE						
	20	1	241-4651	16	INSULATOR-TERMINAL						
	21	1	241-4612	2	SUPPORT						
	22	1	289-4769	1	REGULATOR AS-VOLTAGE (GENERATOR)						
	23	1	241-4652	1	BEAM						
	24	1	241-4653	1	PLATE-COUPLING						
	25	1	241-4654	2	SUPPORT						
	26	1	241-4656	1	HUB						
	27	1	241-4657	1	KEY-WOODRUFF						
	28	1	241-4658	8	BOLT						
	29	1	241-4660	1	DIODE AS						
	30	1	241-4662	1	VARISTOR						
	31	1	241-4663	1	SEAL-O-RING						
	32	1	241-4624	1	SUPPORT						
	33	1	241-4664	1	PANEL						
	34	1	241-4665	1	PANEL-ACCESS						
	35	1	241-4666	1	PANEL-ACCESS						
	36	1	241-4629	1	MOUNT AS-RESILIENT						
	37	1	241-4630	1	PANEL-ACCESS						
	38	1	242-2980	1	BRACKET						
	39	1	241-4646	1	CAP-BEARING						
	40	1	242-2981	1	SCREEN-AIR INLET						
	41	1	242-2982	1	PANEL-ACCESS						
	42	1	242-2986	1	SCREEN-AIR INLET						
	43	1	242-2987	1	SCREEN-AIR INLET						
	44	1	242-2988	1	SUPPORT						
	45	1	242-2989	3	PLATE-CONNECTION						
	46	1	250-7846	1	STATOR AS						
	47	1	242-9332	1	ROTOR AS						
	48	1	239-9491	1	KIT-EXCITER (PERMANENT MAGNET) (GENERATOR)						

F

268-9992

3

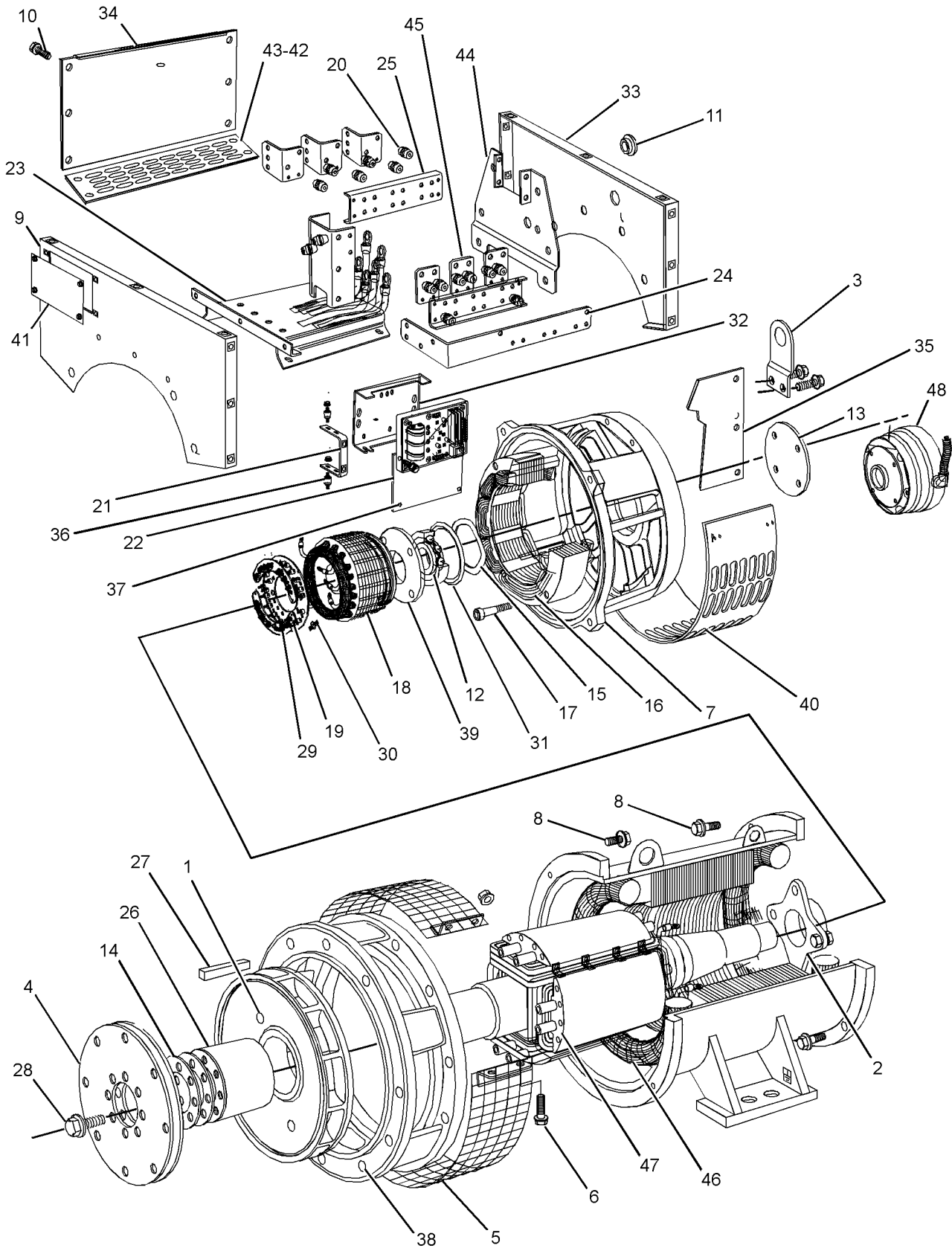
DISC-COUPLING

F - NOT SHOWN

# GENERATORS

267-2500 GENERATOR GP (contd.)

i02551504



GRAPHIC #1

<END>

g01187409

# GENERATORS

## 267-2501 GENERATOR GP

S/N: L6B1-UP

PART OF 266-7105 GENERATOR AR  
AN ATTACHMENT

SMCS-4450

i03903375

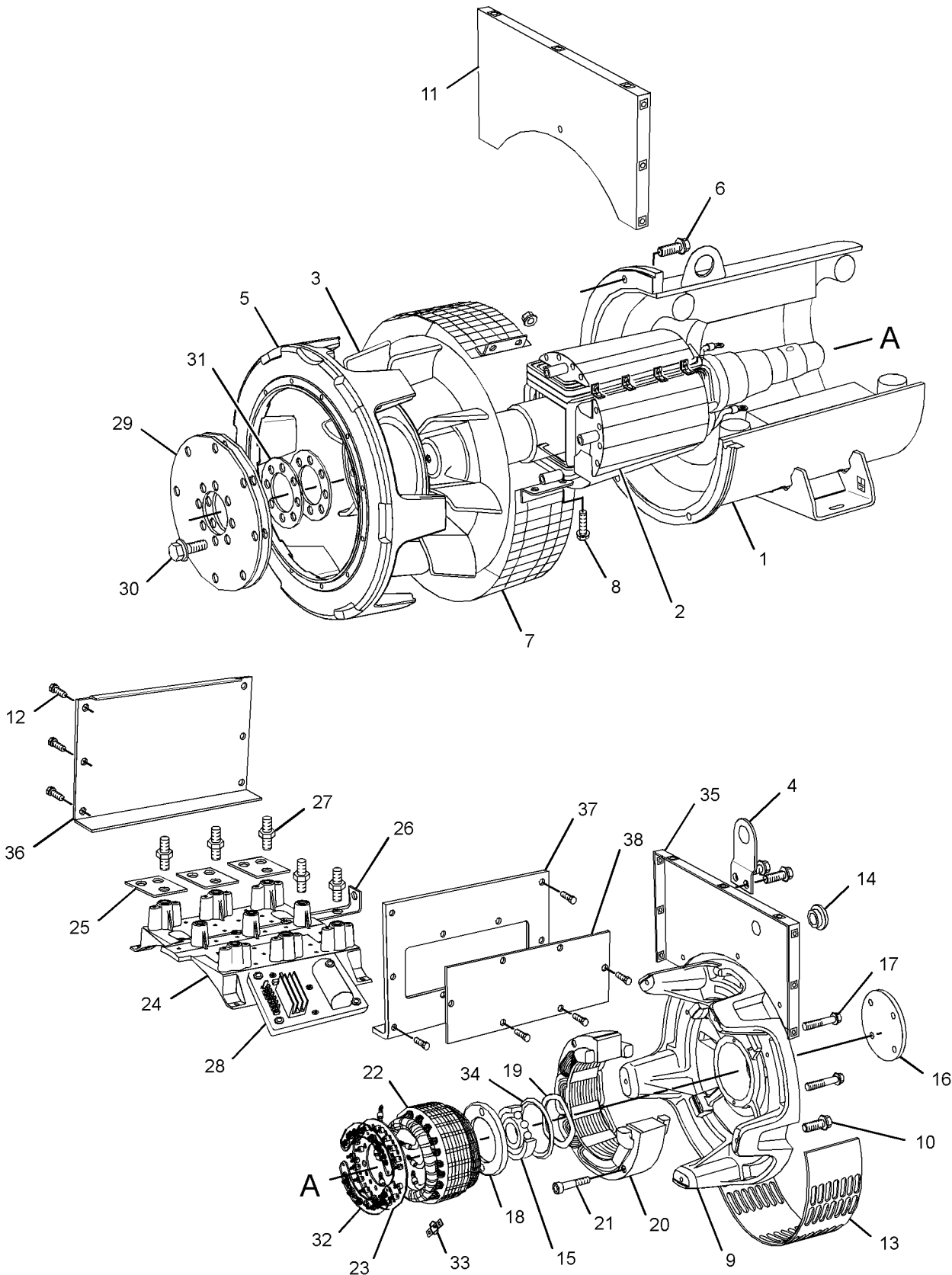
NOTE	REF NO	GRAPHIC REF	PART NUMBER	QTY	PART NAME						SEE PAGE
					1	2	3	4	5	6 (PRODUCT LEVEL)	
	1	1	251-3484	1	STATOR AS						
	2	1	251-3487	1	ROTOR AS						
	3	1	242-3919	1	FAN-GENERATOR						
	4	1	241-4577	1	EYE-LIFTING						
	5	1	242-3922	1	FLANGE						
M	6	1	160-8746	6	BOLT (M12X1.75X18-MM)						
	7	1	242-3924	1	SCREEN (AIR EXIT)						
	8	1	242-3926	2	SCREW (M11.5X50-MM)						
	9	1	242-3928	1	SHIELD						
	10	1	242-3929	5	SCREW (M22X70-THD)						
	11	1	242-3930	1	PANEL-TERMINAL BOX						
	12	1	242-3931	1	BOLT (M6X1X16-MM)						
	13	1	242-3932	1	SCREEN-AIR INLET						
	14	1	243-5380	1	CAP						
	15	1	243-5220	1	BEARING						
	16	1	241-4594	1	COVER						
	17	1	242-3936	2	SCREW (M15X70-MM)						
	18	1	241-4595	1	CAP-BEARING						
	19	1	241-4597	1	RING						
	20	1	242-3938	1	EXCITER						
	21	1	241-4633	4	BOLT (M6X1X80-MM)						
	22	1	242-3941	1	ARMATURE						
	23	1	241-4606	1	SUPPORT-DIODE						
	24	1	242-3943	1	TERMINAL AS						
	25	1	242-3951	3	TERMINAL						
	26	1	242-3956	1	TERMINAL						
	27	1	242-3957	9	SCREW (M12X50-MM)						
	28	1	289-4769	1	REGULATOR AS-VOLTAGE (GENERATOR)						
	29	1	242-3959	3	DISC-COUPLING						
	30	1	242-3960	8	SCREW (27.7-MMX40-MM)						
	31	1	241-4618	1	SHIM (2-MM THK)						
	32	1	241-4619	1	DIODE AS						
	33	1	241-4620	1	VARISTOR						
	34	1	241-4622	1	SEAL-O-RING						
	35	1	242-3965	1	PANEL						
	36	1	242-3966	1	PANEL						
	37	1	242-3967	1	PANEL						
	38	1	242-3968	1	PANEL-ACCESS						
	39	2	307-6560	1	BRACKET						
	40	2	6V-8801	1	NUT (3/8-16-THD)						
M	41	2	8T-4000	1	SCREW-WASHER HEAD (M8X1.25X4.8-MM)						
	42	2	8T-0192	1	BOLT (3/8-16X2.25-IN)						
	43	2	4D-1326	1	LOCKWASHER						
	44	2	8T-4896	1	WASHER-HARD (10.2X18.5X2.5-MM THK)						
F			246-5895	1	TRANSFORMER						

F - NOT SHOWN  
M - METRIC PART

# GENERATORS

267-2501 GENERATOR GP (contd.)

i03903375



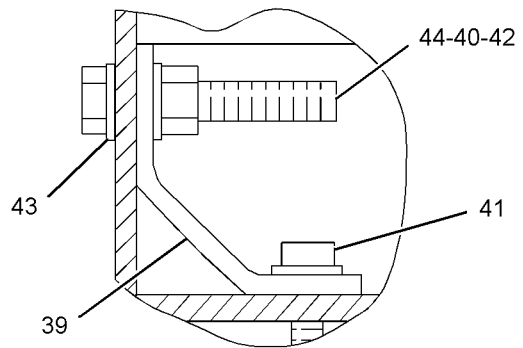
GRAPHIC #1

g01391482

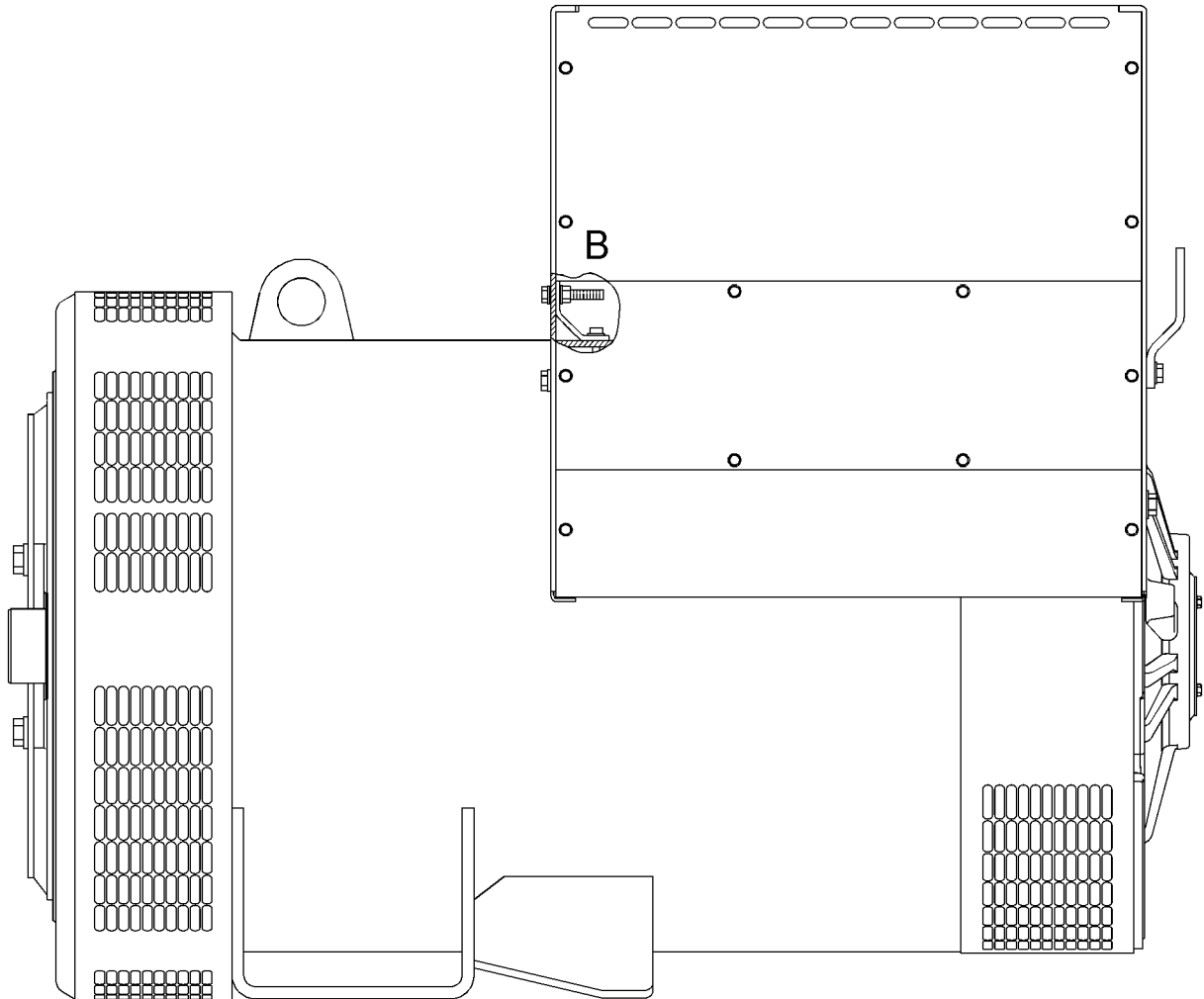
# GENERATORS

267-2501 GENERATOR GP (contd.)

i03903375



VIEW OF AREA B



LEFT SIDE VIEW

GRAPHIC #2

<END>

g01391494

# GENERATORS

## 267-2502 GENERATOR GP

S/N: L6B1-UP

PART OF 266-7106 GENERATOR AR  
AN ATTACHMENT

SMCS-4450

i03903370

NOTE	REF NO	GRAPHIC REF	PART NUMBER	QTY	PART NAME						SEE PAGE
					1	2	3	4	5	6 (PRODUCT LEVEL)	
	1	1	243-0153	1	STATOR AS						
R	2	1	243-0141	1	ROTOR AS						
	3	1	242-3919	1	FAN-GENERATOR						
	4	1	241-4577	1	EYE-LIFTING						
	5	1	242-3922	1	FLANGE						
M	6	1	160-8746	6	BOLT (M12X1.75X18-MM)						
	7	1	242-3924	1	SCREEN (AIR EXIT)						
	8	1	242-3926	2	SCREW (M11.5X50-MM)						
	9	1	242-3928	1	SHIELD						
	10	1	242-3929	5	SCREW (M22X70-THD)						
	11	1	242-3930	1	PANEL-TERMINAL BOX						
	12	1	242-3931	1	BOLT (M6X1X16-MM)						
	13	1	242-3932	1	SCREEN-AIR INLET						
	14	1	243-5380	1	CAP						
	15	1	243-5220	1	BEARING						
	16	1	241-4594	1	COVER						
	17	1	242-3936	2	SCREW (M15X70-MM)						
	18	1	241-4595	1	CAP-BEARING						
	19	1	241-4597	1	RING						
	20	1	242-3938	1	EXCITER						
	21	1	241-4633	4	BOLT (M6X1X80-MM)						
	22	1	242-3941	1	ARMATURE						
	23	1	241-4606	1	SUPPORT-DIODE						
	24	1	242-3943	1	TERMINAL AS						
	25	1	242-3951	3	TERMINAL						
	26	1	242-3956	1	TERMINAL						
	27	1	242-3957	9	SCREW (M12X50-MM)						
	28	1	289-4769	1	REGULATOR AS-VOLTAGE (GENERATOR)						
	29	1	242-3959	3	DISC-COUPLING						
	30	1	242-3960	8	SCREW (27.7-MMX40-MM)						
	31	1	241-4618	1	SHIM (2-MM THK)						
	32	1	241-4619	1	DIODE AS						
	33	1	241-4620	1	VARISTOR						
	34	1	241-4622	1	SEAL-O-RING						
	35	1	242-3965	1	PANEL						
	36	1	242-3966	1	PANEL						
	37	1	242-3967	1	PANEL						
	38	1	242-3968	1	PANEL-ACCESS						
	39	1	239-9490	1	KIT-EXCITER (PERMANENT MAGNET) (GENERATOR)						
	41	2	307-6560	1	BRACKET						
	42	2	6V-8801	1	NUT (3/8-16-THD)						
M	43	2	8T-4000	1	SCREW-WASHER HEAD (M8X1.25X4.8-MM)						
	44	2	8T-0192	1	BOLT (3/8-16X2.25-IN)						
	45	2	4D-1326	1	LOCKWASHER						
	46	2	8T-4896	1	WASHER-HARD (10.2X18.5X2.5-MM THK)						
F			246-5895	1	TRANSFORMER						

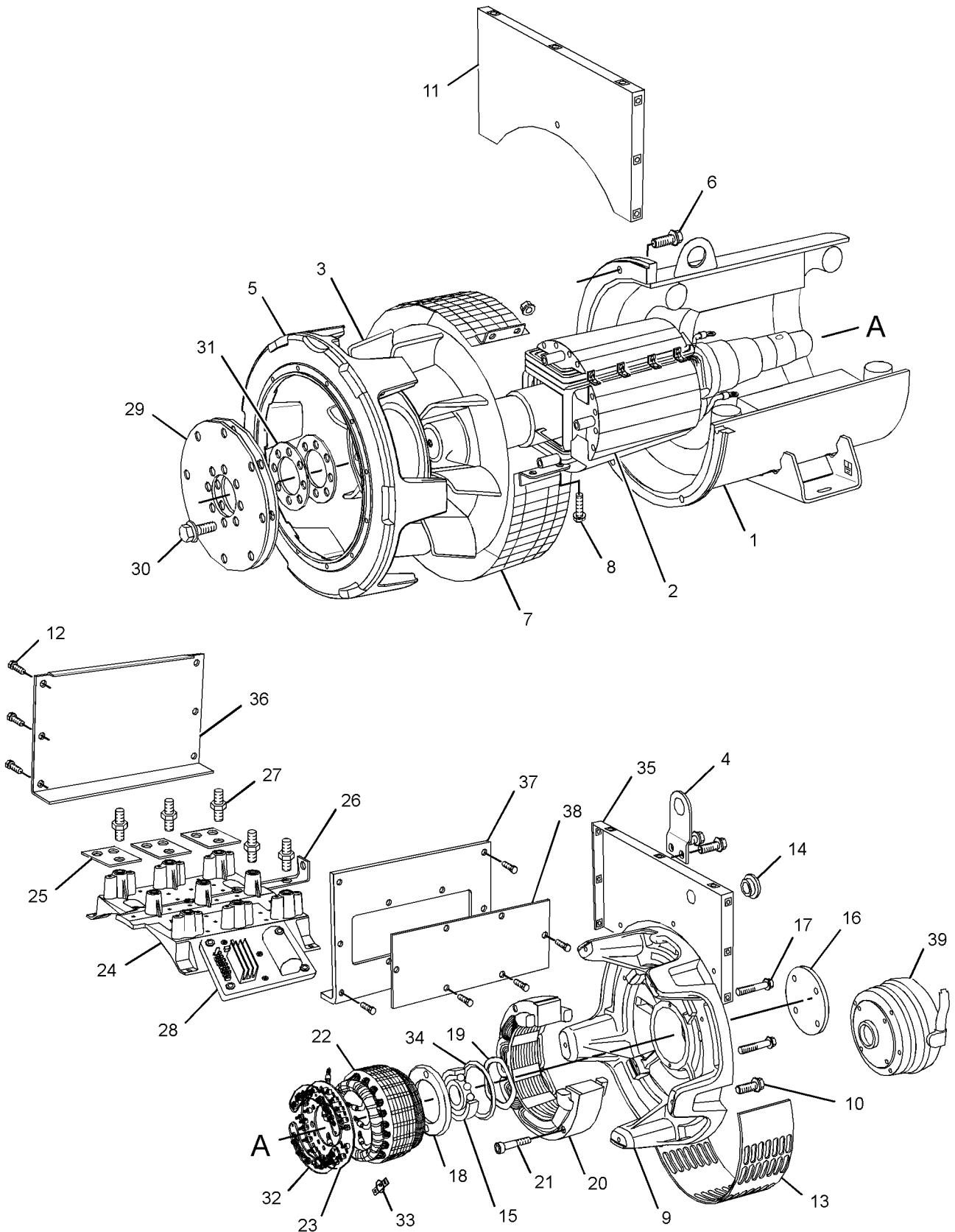
F-NOT SHOWN  
M-METRIC PART  
R-REMFG PART MAY BE AVAILABLE



# GENERATORS

267-2502 GENERATOR GP (contd.)

i03903370



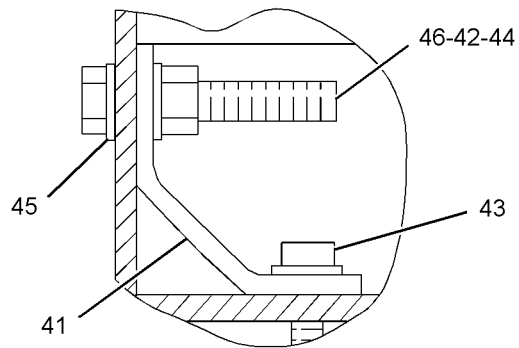
GRAPHIC #1

g01386403

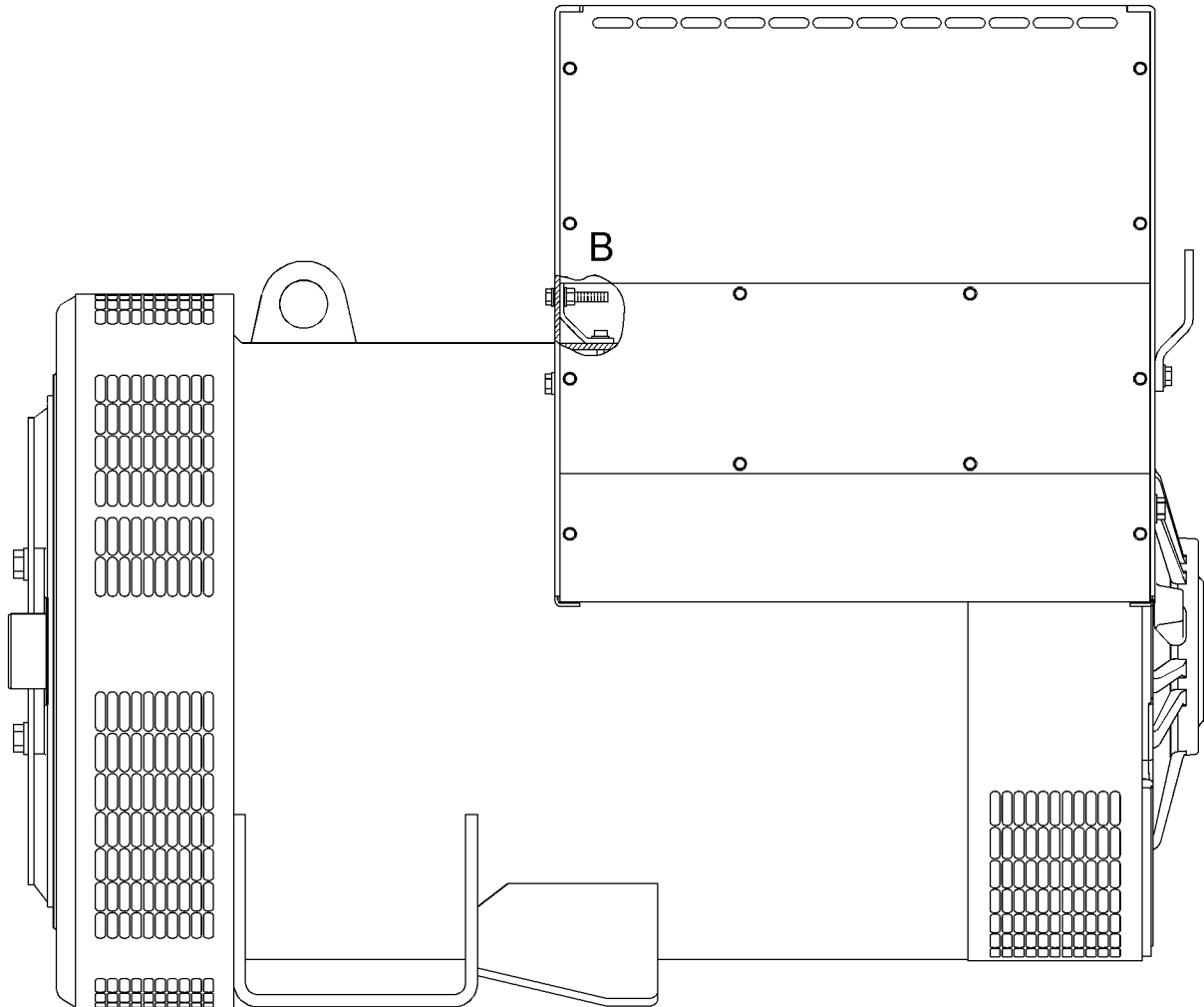
# GENERATORS

267-2502 GENERATOR GP (contd.)

i03903370



VIEW OF AREA B



LEFT SIDE VIEW

GRAPHIC #2

<END>

g01386404

# GENERATORS

## 267-2503 GENERATOR GP

S/N: L6B1-UP

PART OF 266-7107 GENERATOR AR  
AN ATTACHMENT

SMCS-4450

i02785851

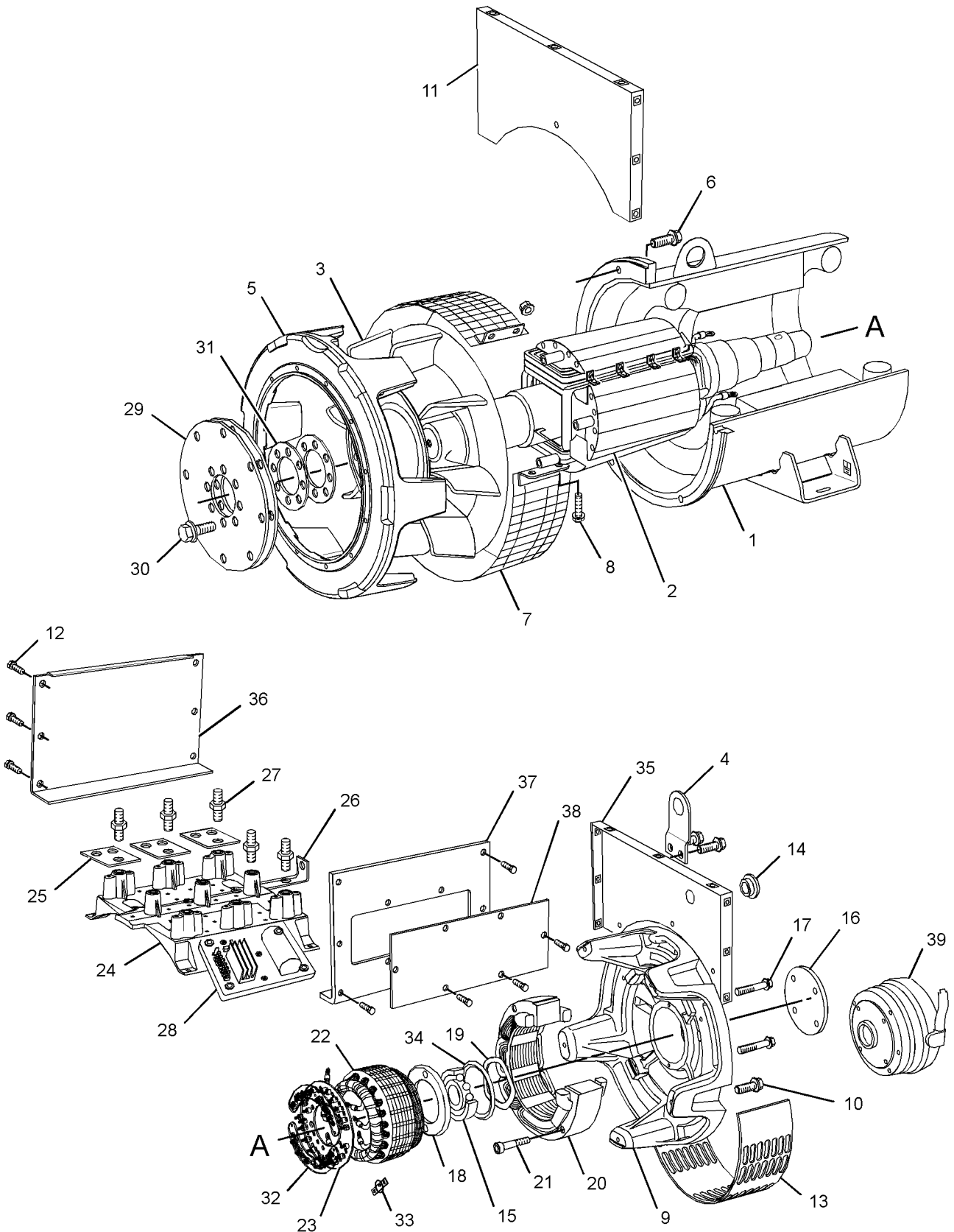
NOTE	REF NO	GRAPHIC REF	PART NUMBER	QTY	PART NAME						SEE PAGE
					1	2	3	4	5	6 (PRODUCT LEVEL)	
	1	1	243-0154	1	STATOR AS						
R	2	1	243-0142	1	ROTOR AS						
	3	1	242-3919	1	FAN-GENERATOR						
	4	1	241-4577	1	EYE-LIFTING						
	5	1	242-3922	1	FLANGE						
M	6	1	160-8746	6	BOLT (M12X1.75X18-MM)						
	7	1	242-3924	1	SCREEN (AIR EXIT)						
	8	1	242-3926	2	SCREW (M11.5X50-MM)						
	9	1	242-3928	1	SHIELD						
	10	1	242-3929	5	SCREW (M22X70-THD)						
	11	1	242-3930	1	PANEL-TERMINAL BOX						
	12	1	242-3931	1	BOLT (M6X1X16-MM)						
	13	1	242-3932	1	SCREEN-AIR INLET						
	14	1	243-5380	1	CAP						
	15	1	243-5220	1	BEARING						
	16	1	241-4594	1	COVER						
	17	1	242-3936	2	SCREW (M15X70-MM)						
	18	1	241-4595	1	CAP-BEARING						
	19	1	241-4597	1	RING						
	20	1	242-3938	1	EXCITER						
	21	1	241-4633	4	BOLT (M6X1X80-MM)						
	22	1	242-3941	1	ARMATURE						
	23	1	242-3942	1	SUPPORT-DIODE						
	24	1	242-3943	1	TERMINAL AS						
	25	1	242-3951	3	TERMINAL						
	26	1	242-3956	1	TERMINAL (NEUTRAL)						
	27	1	242-3957	9	SCREW (M12X50-MM)						
	28	1	289-4769	1	REGULATOR AS-VOLTAGE (GENERATOR)						
	29	1	242-3959	3	DISC-COUPLING						
	30	1	242-3960	8	SCREW (27.7-MMX40-MM)						
	31	1	241-4618	1	SHIM (2-MM THK)						
	32	1	241-4619	1	DIODE AS						
	33	1	241-4620	1	VARISTOR						
	34	1	241-4622	1	SEAL-O-RING						
	35	1	242-3965	1	PANEL (TERMINAL)						
	36	1	242-3966	1	PANEL						
	37	1	242-3967	1	PANEL						
	38	1	242-3968	1	PANEL-ACCESS						
	39	1	239-9490	1	KIT-EXCITER (PERMANENT MAGNET) (GENERATOR)						
	40	2	307-6560	1	BRACKET						
	41	2	6V-8801	1	NUT (3/8-16-THD)						
M	42	2	8T-4000	1	SCREW-WASHER HEAD (M8X1.25X4.8-MM)						
	43	2	8T-0192	1	BOLT (3/8-16X2.25-IN)						
	44	2	4D-1326	1	LOCKWASHER						
	45	2	8T-4896	1	WASHER-HARD (10.2X18.5X2.5-MM THK)						
F			246-5895	1	TRANSFORMER						

F-NOT SHOWN  
M-METRIC PART  
R-REMFG PART MAY BE AVAILABLE

# GENERATORS

267-2503 GENERATOR GP (contd.)

i02785851



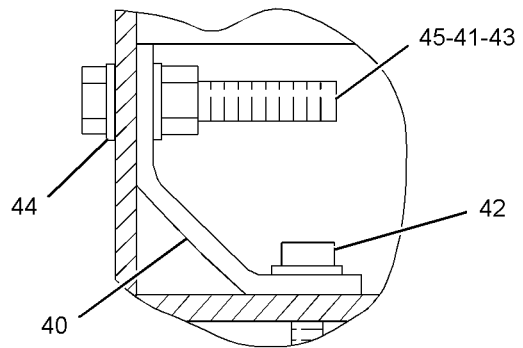
GRAPHIC #1

g01391636

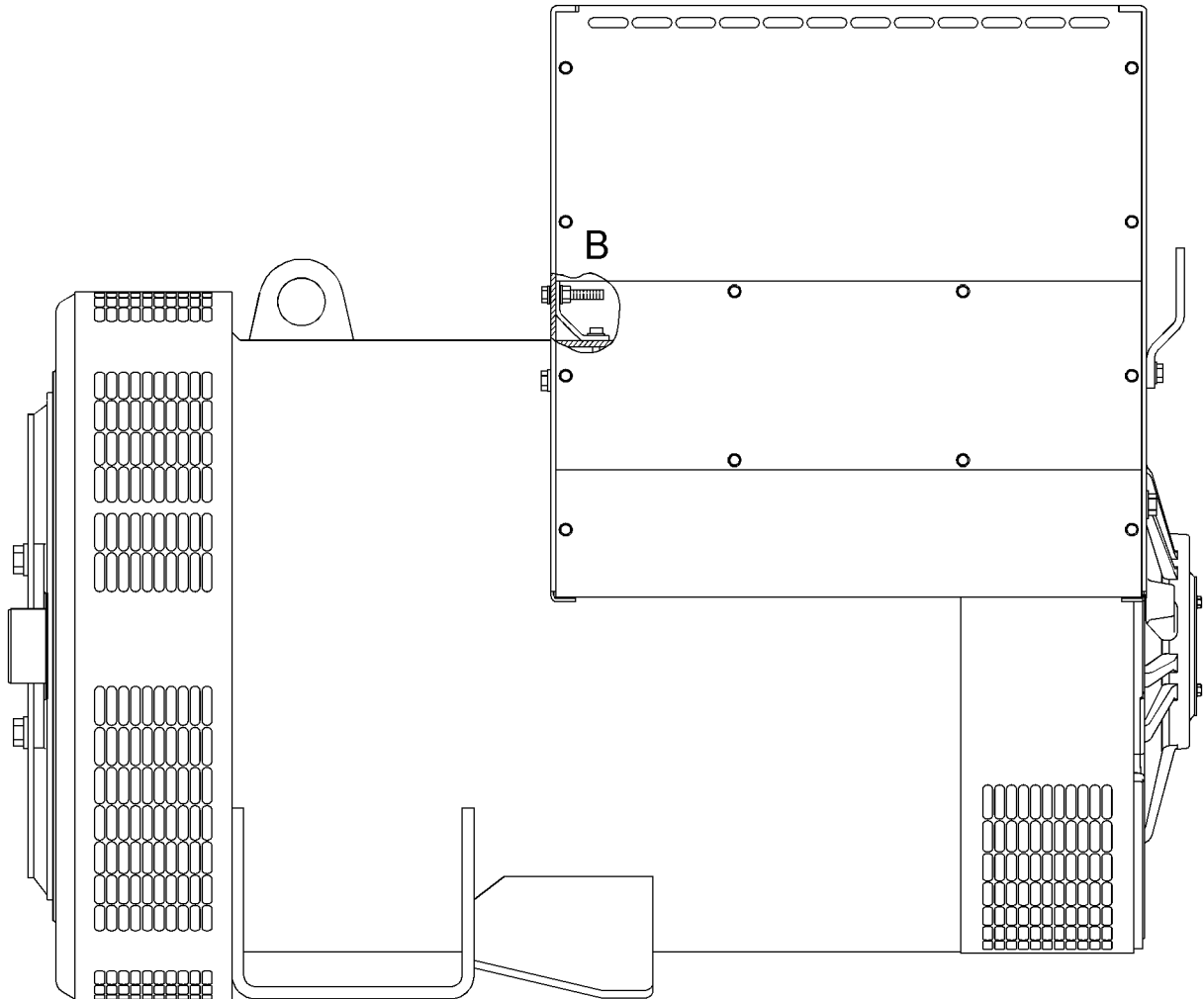
# GENERATORS

267-2503 GENERATOR GP (contd.)

i02785851



VIEW OF AREA B



LEFT SIDE VIEW

GRAPHIC #2

<END>

g01391638

# GENERATORS

## 267-2504 GENERATOR GP

S/N: L6B1-UP

PART OF 266-7108 GENERATOR AR  
AN ATTACHMENT

SMCS-4450

i02785864

NOTE	REF NO	GRAPHIC REF	PART NUMBER	QTY	PART NAME						SEE PAGE
					1	2	3	4	5	6 (PRODUCT LEVEL)	
	1	1	243-0155	1	STATOR AS						
R	2	1	243-0143	1	ROTOR AS						
	3	1	242-3919	1	FAN-GENERATOR						
	4	1	241-4577	1	EYE-LIFTING						
	5	1	242-3922	1	FLANGE						
M	6	1	160-8746	6	BOLT (M12X1.75X18-MM)						
	7	1	242-3924	1	SCREEN (AIR EXIT)						
	8	1	242-3926	2	SCREW (M11.5X50-MM)						
	9	1	242-3928	1	SHIELD						
	10	1	242-3929	5	SCREW (M22X70-THD)						
	11	1	242-3930	1	PANEL-TERMINAL BOX						
	12	1	242-3931	1	BOLT (M6X1X16-MM)						
	13	1	242-3932	1	SCREEN-AIR INLET						
	14	1	243-5380	1	CAP						
	15	1	243-5220	1	BEARING						
	16	1	241-4594	1	COVER						
	17	1	242-3936	2	SCREW (M15X70-MM)						
	18	1	241-4595	1	CAP-BEARING						
	19	1	241-4597	1	RING						
	20	1	242-3938	1	EXCITER						
	21	1	241-4633	4	BOLT (M6X1X80-MM)						
	22	1	242-3941	1	ARMATURE						
	23	1	242-3942	1	SUPPORT-DIODE						
	24	1	242-3943	1	TERMINAL AS						
	25	1	242-3951	3	TERMINAL						
	26	1	242-3956	1	TERMINAL (NEUTRAL)						
	27	1	242-3957	9	SCREW (M12X50-MM)						
	28	1	289-4769	1	REGULATOR AS-VOLTAGE (GENERATOR)						
	29	1	242-3959	3	DISC-COUPLING						
	30	1	242-3960	8	SCREW (27.7-MMX40-MM)						
	31	1	241-4618	1	SHIM (2-MM THK)						
	32	1	241-4619	1	DIODE AS						
	33	1	241-4620	1	VARISTOR						
	34	1	241-4622	1	SEAL-O-RING						
	35	1	242-3965	1	PANEL (TERMINAL)						
	36	1	242-3966	1	PANEL						
	37	1	242-3967	1	PANEL						
	38	1	242-3968	1	PANEL-ACCESS						
	39	1	239-9490	1	KIT-EXCITER (PERMANENT MAGNET) (GENERATOR)						
	40	2	307-6560	1	BRACKET						
	41	2	6V-8801	1	NUT (3/8-16-THD)						
M	42	2	8T-4000	1	SCREW-WASHER HEAD (M8X1.25X4.8-MM)						
	43	2	8T-0192	1	BOLT (3/8-16X2.25-IN)						
	44	2	4D-1326	1	LOCKWASHER						
	45	2	8T-4896	1	WASHER-HARD (10.2X18.5X2.5-MM THK)						
F			246-5895	1	TRANSFORMER						

F-NOT SHOWN

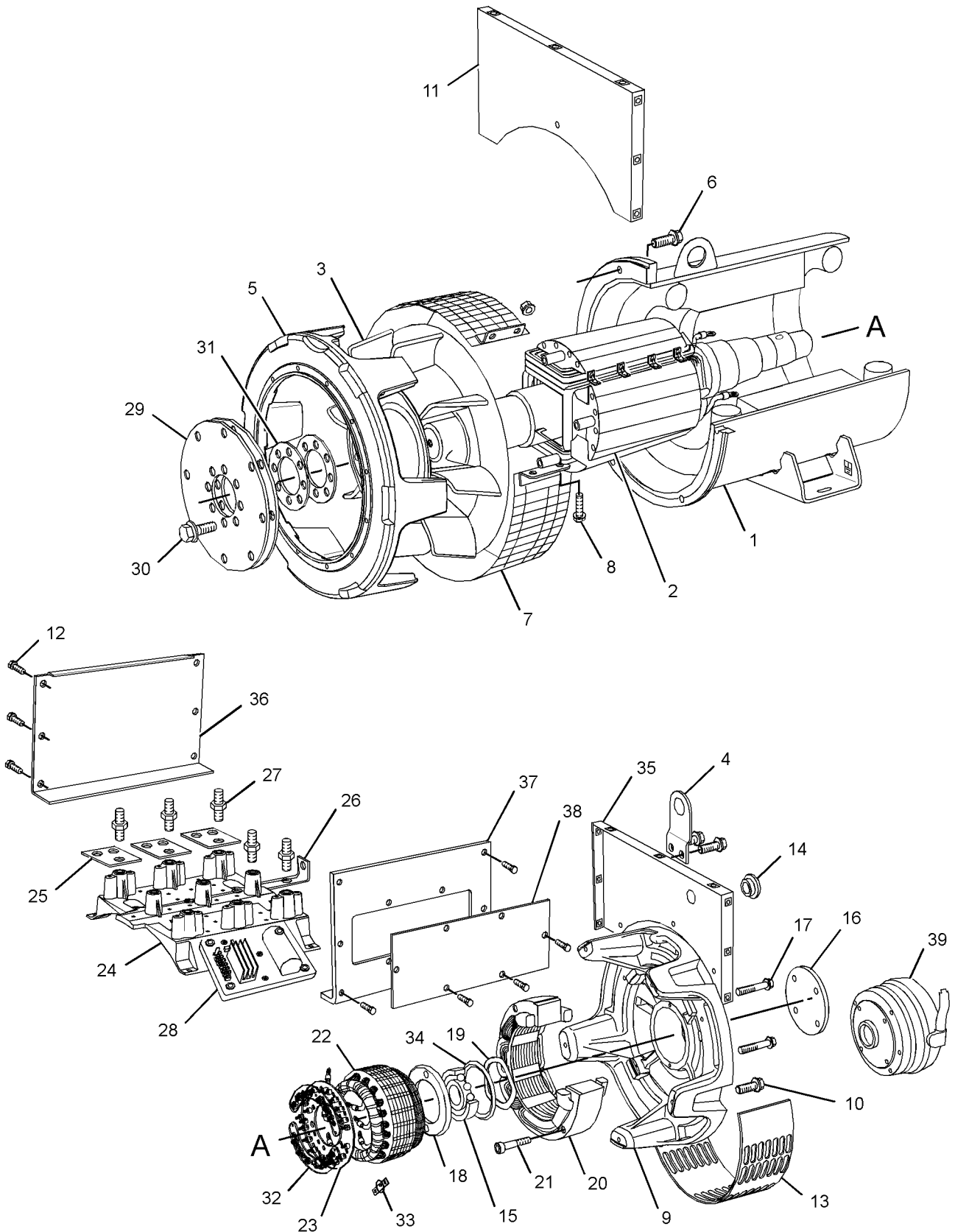
M-METRIC PART

R-REMFG PART MAY BE AVAILABLE

# GENERATORS

267-2504 GENERATOR GP (contd.)

i02785864



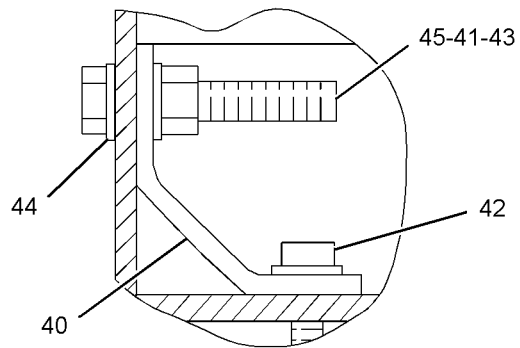
GRAPHIC #1

g01391636

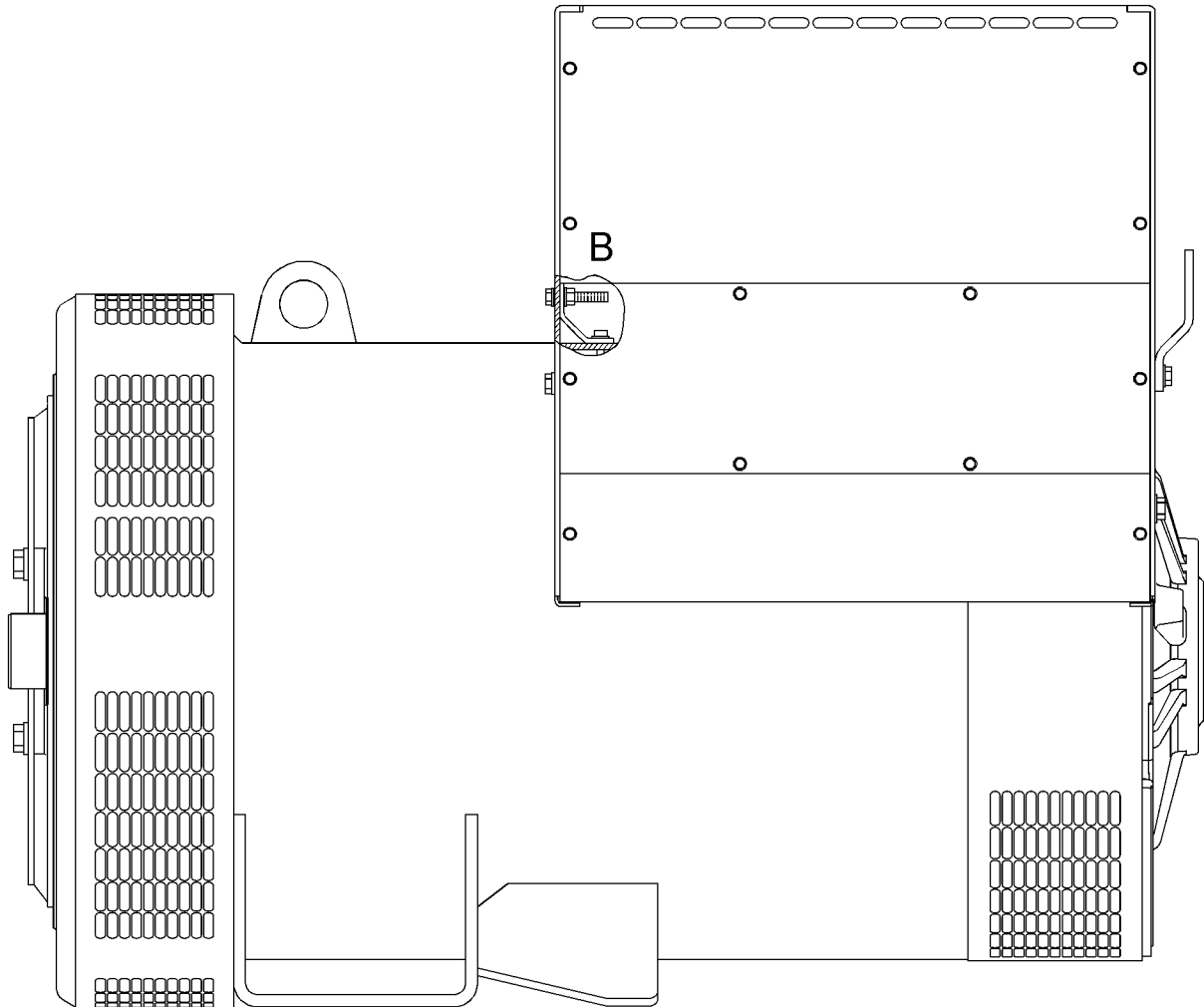
# GENERATORS

267-2504 GENERATOR GP (contd.)

i02785864



VIEW OF AREA B



LEFT SIDE VIEW

GRAPHIC #2

<END>

g01391638



# GENERATORS

## 267-2505 GENERATOR GP

S/N: L6B1-UP

PART OF 266-7109 GENERATOR AR  
AN ATTACHMENT

SMCS-4450

i03903372

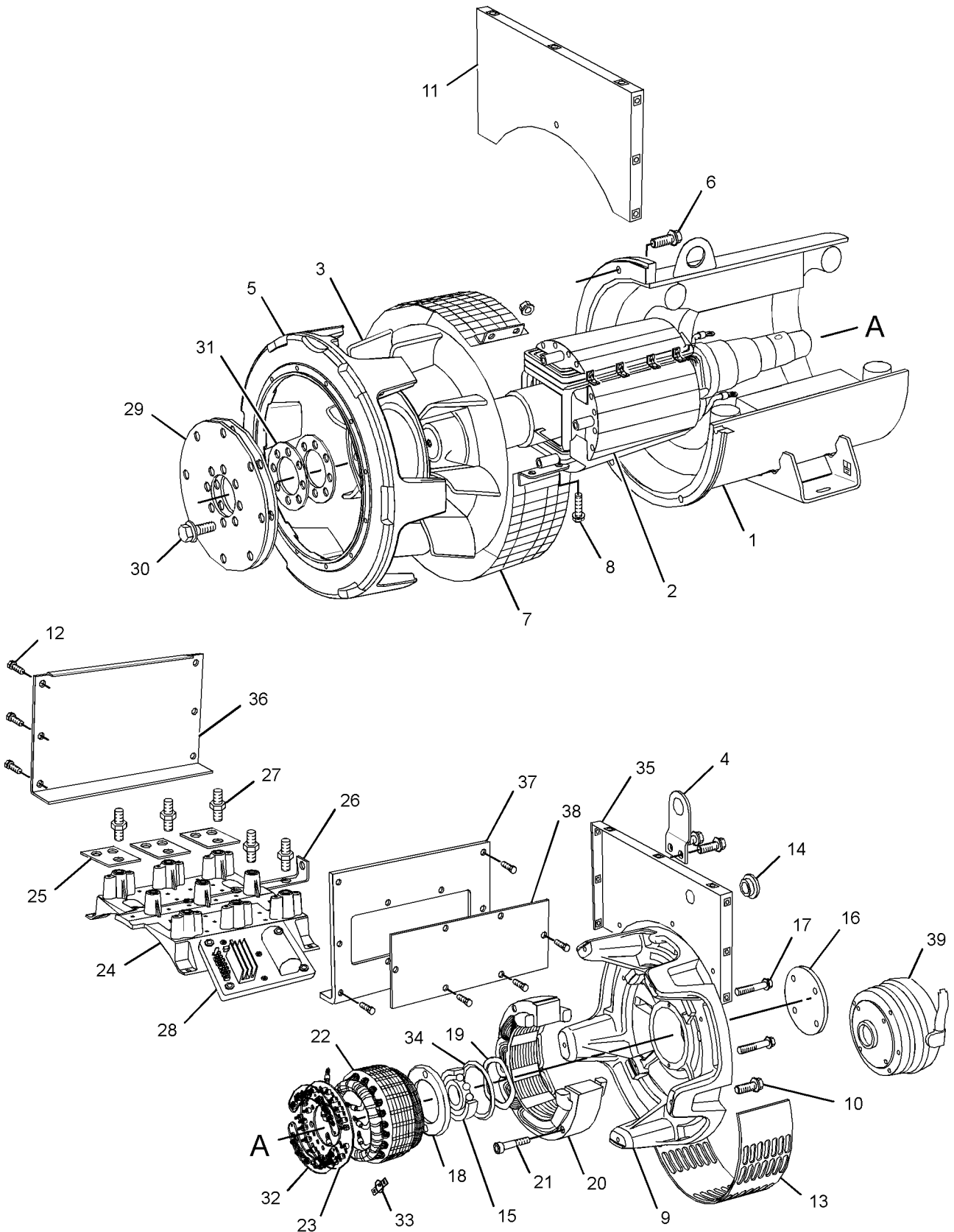
NOTE	REF NO	GRAPHIC REF	PART NUMBER	QTY	PART NAME						SEE PAGE
					1	2	3	4	5	6 (PRODUCT LEVEL)	
	1	1	243-0156	1	STATOR AS						
R	2	1	243-0144	1	ROTOR AS						
	3	1	242-3919	1	FAN-GENERATOR						
	4	1	241-4577	1	EYE-LIFTING						
	5	1	242-3922	1	FLANGE						
M	6	1	160-8746	6	BOLT (M12X1.75X18-MM)						
	7	1	242-3924	1	SCREEN (AIR EXIT)						
	8	1	242-3926	2	SCREW (M11.5X50-MM)						
	9	1	242-3928	1	SHIELD						
	10	1	242-3929	5	SCREW (M22X70-THD)						
	11	1	242-3930	1	PANEL-TERMINAL BOX						
	12	1	242-3931	1	BOLT (M6X1X16-MM)						
	13	1	242-3932	1	SCREEN-AIR INLET						
	14	1	243-5380	1	CAP						
	15	1	243-5220	1	BEARING						
	16	1	241-4594	1	COVER						
	17	1	242-3936	2	SCREW (M15X70-MM)						
	18	1	241-4595	1	CAP-BEARING						
	19	1	241-4597	1	RING						
	20	1	242-3938	1	EXCITER						
	21	1	241-4633	4	BOLT (M6X1X80-MM)						
	22	1	242-3941	1	ARMATURE						
	23	1	241-4606	1	SUPPORT-DIODE						
	24	1	242-3943	1	TERMINAL AS						
	25	1	242-3951	3	TERMINAL						
	26	1	242-3956	1	TERMINAL (NEUTRAL)						
	27	1	242-3957	9	SCREW (M12X50-MM)						
	28	1	289-4769	1	REGULATOR AS-VOLTAGE (GENERATOR)						
	29	1	242-3959	3	DISC-COUPLING						
	30	1	242-3960	8	SCREW (27.7-MMX40-MM)						
	31	1	241-4618	1	SHIM (2-MM THK)						
	32	1	241-4619	1	DIODE AS						
	33	1	241-4620	1	VARISTOR						
	34	1	241-4622	1	SEAL-O-RING						
	35	1	242-3965	1	PANEL (TERMINAL)						
	36	1	242-3966	1	PANEL						
	37	1	242-3967	1	PANEL						
	38	1	242-3968	1	PANEL-ACCESS						
	39	1	239-9490	1	KIT-EXCITER (PERMANENT MAGNET) (GENERATOR)						
	40	2	307-6560	1	BRACKET						
	41	2	6V-8801	1	NUT (3/8-16-THD)						
M	42	2	8T-4000	1	SCREW-WASHER HEAD (M8X1.25X4.8-MM)						
	43	2	8T-0192	1	BOLT (3/8-16X2.25-IN)						
	44	2	4D-1326	1	LOCKWASHER						
	45	2	8T-4896	1	WASHER-HARD (10.2X18.5X2.5-MM THK)						
F			246-5895	1	TRANSFORMER						

F-NOT SHOWN  
M-METRIC PART  
R-REMFG PART MAY BE AVAILABLE

# GENERATORS

267-2505 GENERATOR GP (contd.)

i03903372



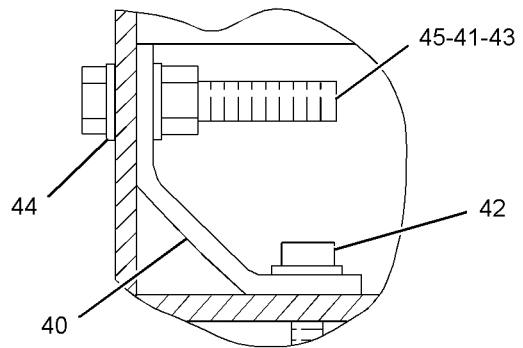
GRAPHIC #1

g01391636

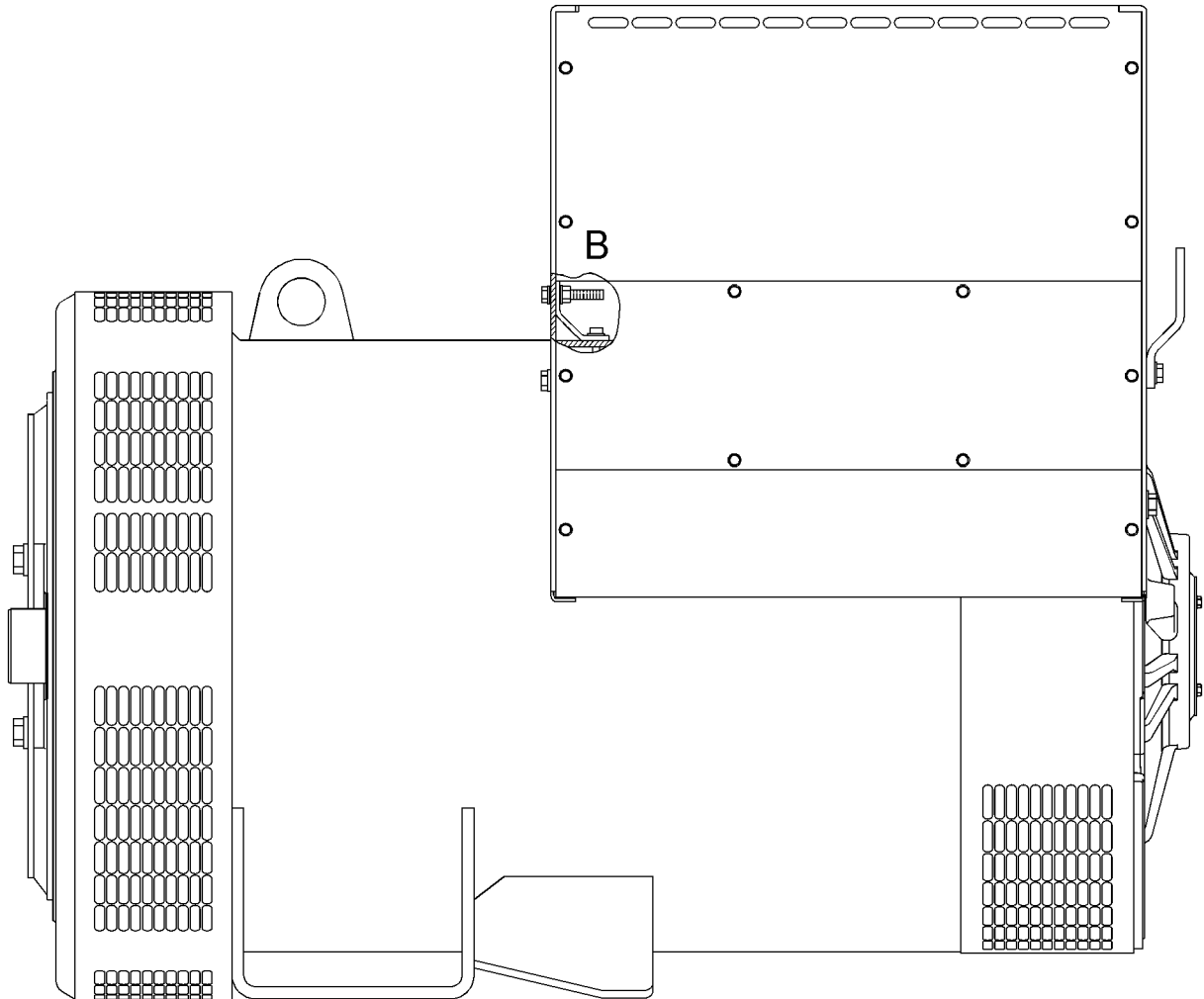
# GENERATORS

267-2505 GENERATOR GP (contd.)

i03903372



VIEW OF AREA B



LEFT SIDE VIEW

GRAPHIC #2

<END>

g01391638

# GENERATORS

## 322-8926 GENERATOR GP

S/N: L6B1-UP

PART OF 322-8927 GENERATOR AR  
AN ATTACHMENT

SMCS-4450

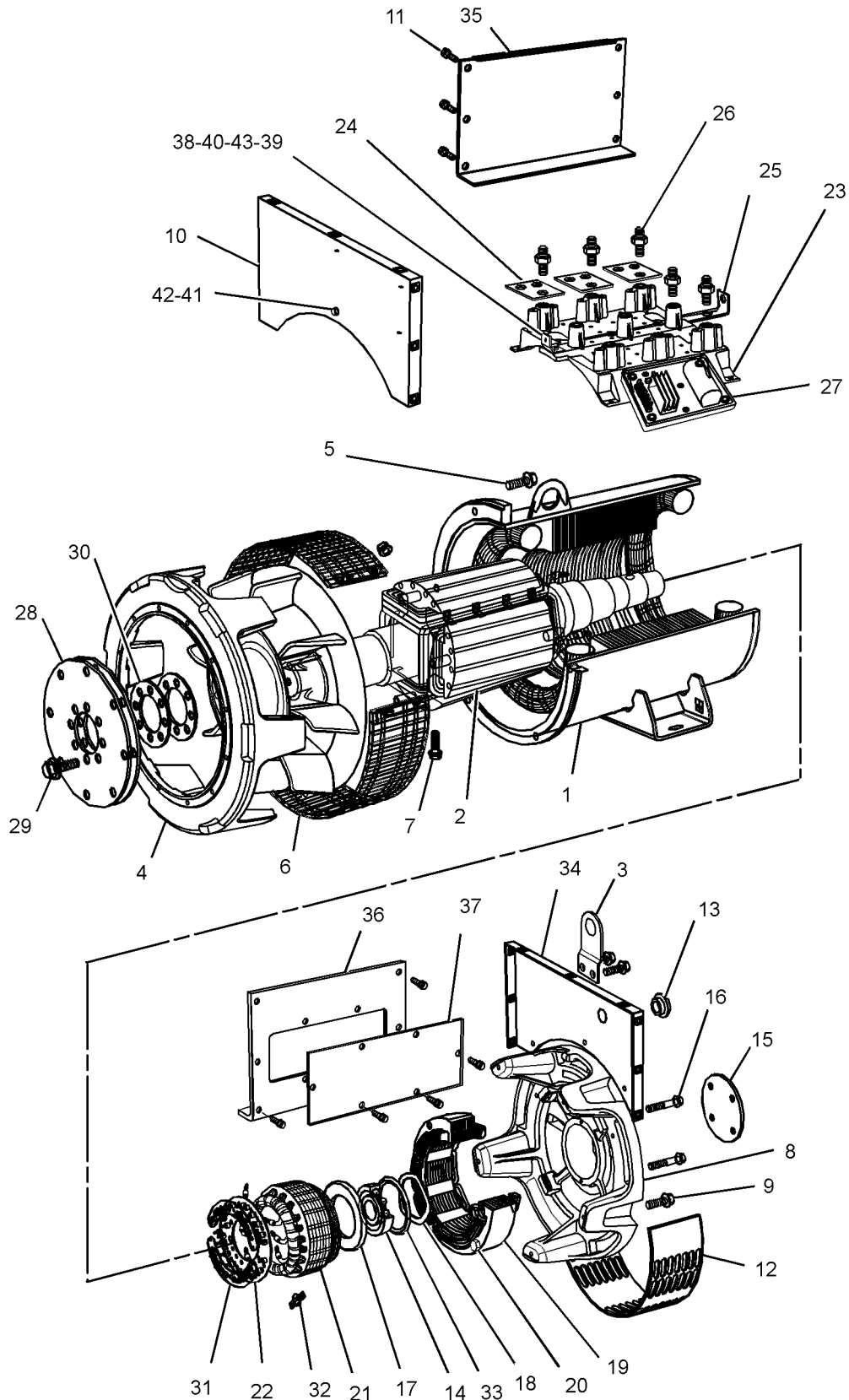
i03903271

NOTE	REF NO	GRAPHIC REF	PART NUMBER	QTY	PART NAME						SEE PAGE
					1	2	3	4	5	6 (PRODUCT LEVEL)	
	1	1	243-0148	1	STATOR AS						
	2	1	322-8928	1	ROTOR AS						
	3	1	241-4577	1	EYE-LIFTING						
	4	1	242-3922	1	FLANGE						
M	5	1	160-8746	6	BOLT (M12X1.75X18-MM)						
	6	1	242-3924	1	SCREEN						
	7	1	242-3926	2	SCREW (M11.5X50-MM)						
	8	1	242-3928	1	SHIELD						
	9	1	242-3929	5	SCREW (M22X70-THD)						
	10	1	242-3930	1	PANEL-TERMINAL BOX						
	11	1	242-3931	1	BOLT (M6X1X16-MM)						
	12	1	242-3932	1	SCREEN-AIR INLET						
	13	1	243-5380	1	CAP						
	14	1	243-5220	1	BEARING						
	15	1	241-4594	1	COVER						
	16	1	242-3936	2	SCREW (M15X70-MM)						
	17	1	241-4595	1	CAP-BEARING						
	18	1	241-4597	1	RING						
	19	1	242-3938	1	EXCITER						
	20	1	241-4633	4	BOLT (M6X1X80-MM)						
	21	1	242-3941	1	ARMATURE						
	22	1	241-4606	1	SUPPORT-DIODE						
	23	1	242-3943	1	TERMINAL AS						
	24	1	242-3951	3	TERMINAL						
	25	1	242-3956	1	TERMINAL						
	26	1	242-3957	9	SCREW (M12X50-MM)						
	27	1	289-4769	1	REGULATOR AS-VOLTAGE (GENERATOR)						
	28	1	242-3959	3	DISC-COUPLING						
	29	1	242-3960	8	SCREW (27.7-MMX40-MM)						
	30	1	241-4618	1	SHIM (2-MM THK)						
	31	1	241-4619	1	DIODE AS						
	32	1	241-4620	1	VARISTOR						
	33	1	241-4622	1	SEAL-O-RING						
	34	1	242-3965	1	PANEL						
	35	1	242-3966	1	PANEL						
	36	1	242-3967	1	PANEL						
	37	1	242-3968	1	PANEL-ACCESS						
	38	1	307-6560	1	BRACKET						
	39	1	6V-8801	1	NUT (3/8-16-THD)						
M	40	1	8T-4000	1	SCREW-WASHER HEAD (M8X1.25X4.8-MM)						
	41	1	8T-0192	1	BOLT (3/8-16X2.25-IN)						
	42	1	4D-1326	1	LOCKWASHER						
	43	1	8T-4896	1	WASHER-HARD (10.2X18.5X2.5-MM THK)						
M-METRIC PART											

# GENERATORS

322-8926 GENERATOR GP (contd.)

i03903271



GRAPHIC #1

<END>

g01521808

# GENERATORS

## 323-6296 GENERATOR GP

S/N: L6B1-UP

PART OF 323-6297 GENERATOR AR  
AN ATTACHMENT

SMCS-4450

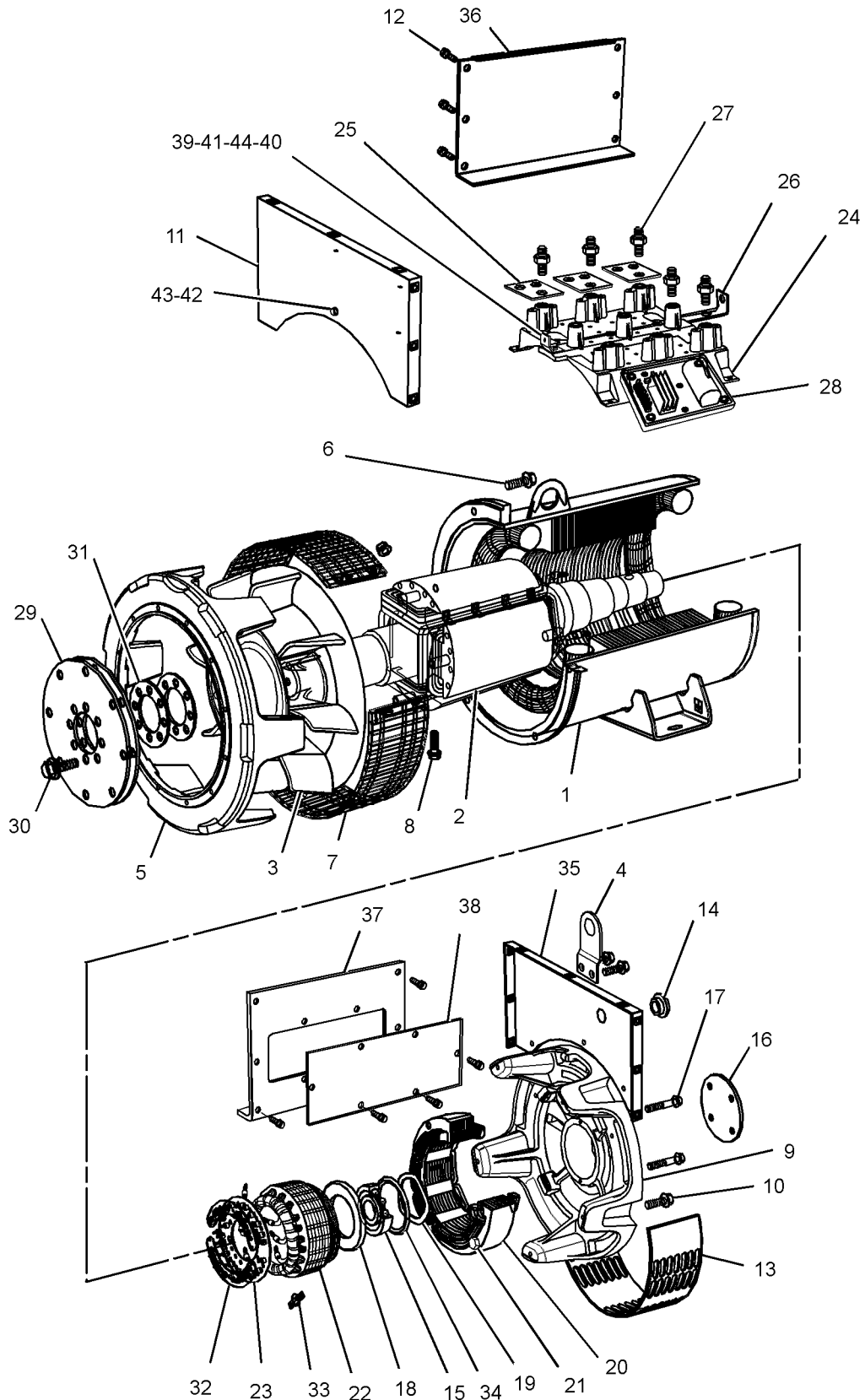
i03903267

NOTE	REF NO	GRAPHIC REF	PART NUMBER	QTY	PART NAME						SEE PAGE
					1	2	3	4	5	6 (PRODUCT LEVEL)	
	1	1	243-0147	1	STATOR AS						
	2	1	323-6298	1	ROTOR AS						
	3	1	242-3919	1	FAN-GENERATOR						
	4	1	241-4577	1	EYE-LIFTING						
	5	1	242-3922	1	FLANGE						
M	6	1	160-8746	6	BOLT (M12X1.75X18-MM)						
	7	1	242-3924	1	SCREEN						
	8	1	242-3926	2	SCREW (M11.5X50-MM)						
	9	1	242-3928	1	SHIELD						
	10	1	242-3929	5	SCREW (M22X70-THD)						
	11	1	242-3930	1	PANEL-TERMINAL BOX						
	12	1	242-3931	1	BOLT (M6X1X16-MM)						
	13	1	242-3932	1	SCREEN-AIR INLET						
	14	1	243-5380	1	CAP						
	15	1	243-5220	1	BEARING						
	16	1	241-4594	1	COVER						
	17	1	242-3936	2	SCREW (M15X70-MM)						
	18	1	241-4595	1	CAP-BEARING						
	19	1	241-4597	1	RING						
	20	1	242-3938	1	EXCITER						
	21	1	241-4633	4	BOLT (M6X1X80-MM)						
	22	1	242-3941	1	ARMATURE						
	23	1	241-4606	1	SUPPORT-DIODE						
	24	1	242-3943	1	TERMINAL AS						
	25	1	242-3951	3	TERMINAL						
	26	1	242-3956	1	TERMINAL						
	27	1	242-3957	9	SCREW (M12X50-MM)						
	28	1	289-4769	1	REGULATOR AS-VOLTAGE (GENERATOR)						
	29	1	242-3959	3	DISC-COUPLING						
	30	1	242-3960	8	SCREW (27.7-MMX40-MM)						
	31	1	241-4618	1	SHIM (2-MM THK)						
	32	1	241-4619	1	DIODE AS						
	33	1	241-4620	1	VARISTOR						
	34	1	241-4622	1	SEAL-O-RING						
	35	1	242-3965	1	PANEL						
	36	1	242-3966	1	PANEL						
	37	1	242-3967	1	PANEL						
	38	1	242-3968	1	PANEL-ACCESS						
	39	1	307-6560	1	BRACKET						
	40	1	6V-8801	1	NUT (3/8-16-THD)						
M	41	1	8T-4000	1	SCREW-WASHER HEAD (M8X1.25X4.8-MM)						
	42	1	8T-0192	1	BOLT (3/8-16X2.25-IN)						
	43	1	4D-1326	1	LOCKWASHER						
	44	1	8T-4896	1	WASHER-HARD (10.2X18.5X2.5-MM THK)						
M-METRIC PART											

# GENERATORS

323-6296 GENERATOR GP (contd.)

i03903267



GRAPHIC #1

<END>

g01521848

# GENERATORS

## 324-7677 GENERATOR GP

S/N: L6B1-UP

PART OF 235-1203 GENERATOR AR

SMCS-4450

i04513269

NOTE	REF NO	GRAPHIC REF	PART NUMBER	QTY	PART NAME						SEE PAGE
					1	2	3	4	5	6 (PRODUCT LEVEL)	
	1	1	243-0145	1	STATOR AS						
R	2	1	243-0141	1	ROTOR AS						
	3	1	242-3919	1	FAN-GENERATOR						
	4	1	241-4577	1	EYE-LIFTING						
	5	1	242-3922	1	FLANGE						
M	6	1	160-8746	6	BOLT (M12X1.75X18-MM)						
	7	1	242-3924	1	SCREEN						
	8	1	242-3926	2	SCREW (M11.5X50-MM)						
	9	1	242-3928	1	SHIELD						
	10	1	242-3929	5	SCREW (M22X70-THD)						
	11	1	242-3930	1	PANEL-TERMINAL BOX						
	12	1	242-3931	1	BOLT (M6X1X16-MM)						
	13	1	242-3932	1	SCREEN-AIR INLET						
	14	1	243-5380	1	CAP						
	15	1	243-5220	1	BEARING						
	16	1	241-4594	1	COVER						
	17	1	242-3936	2	SCREW (M15X70-MM)						
	18	1	241-4595	1	CAP-BEARING						
	19	1	241-4597	1	RING						
	20	1	242-3938	1	EXCITER						
	21	1	241-4633	4	BOLT (M6X1X80-MM)						
	22	1	242-3941	1	ARMATURE						
	23	1	241-4606	1	SUPPORT-DIODE						
	24	1	242-3943	1	TERMINAL AS						
	25	1	242-3951	3	TERMINAL						
	26	1	242-3956	1	TERMINAL						
	27	1	242-3957	9	SCREW (M12X50-MM)						
	28	1	242-3959	3	DISC-COUPLING						
	29	1	242-3960	8	SCREW (27.7-MMX40-MM)						
	30	1	241-4618	1	SHIM (2-MM THK)						
	31	1	241-4619	1	DIODE AS						
	32	1	241-4620	1	VARISTOR						
	33	1	241-4622	1	SEAL-O-RING						
	34	1	242-3965	1	PANEL						
	35	1	242-3966	1	PANEL						
	36	1	242-3967	1	PANEL						
	37	1	242-3968	1	PANEL-ACCESS						
	38	1	307-6560	1	BRACKET						
	39	1	6V-8801	1	NUT (3/8-16-THD)						
M	40	1	8T-4000	1	SCREW-WASHER HEAD (M8X1.25X4.8-MM)						
	41	1	8T-0192	1	BOLT (3/8-16X2.25-IN)						
	42	1	4D-1326	1	LOCKWASHER						
	43	1	8T-4896	1	WASHER-HARD (10.2X18.5X2.5-MM THK)						

M-METRIC PART

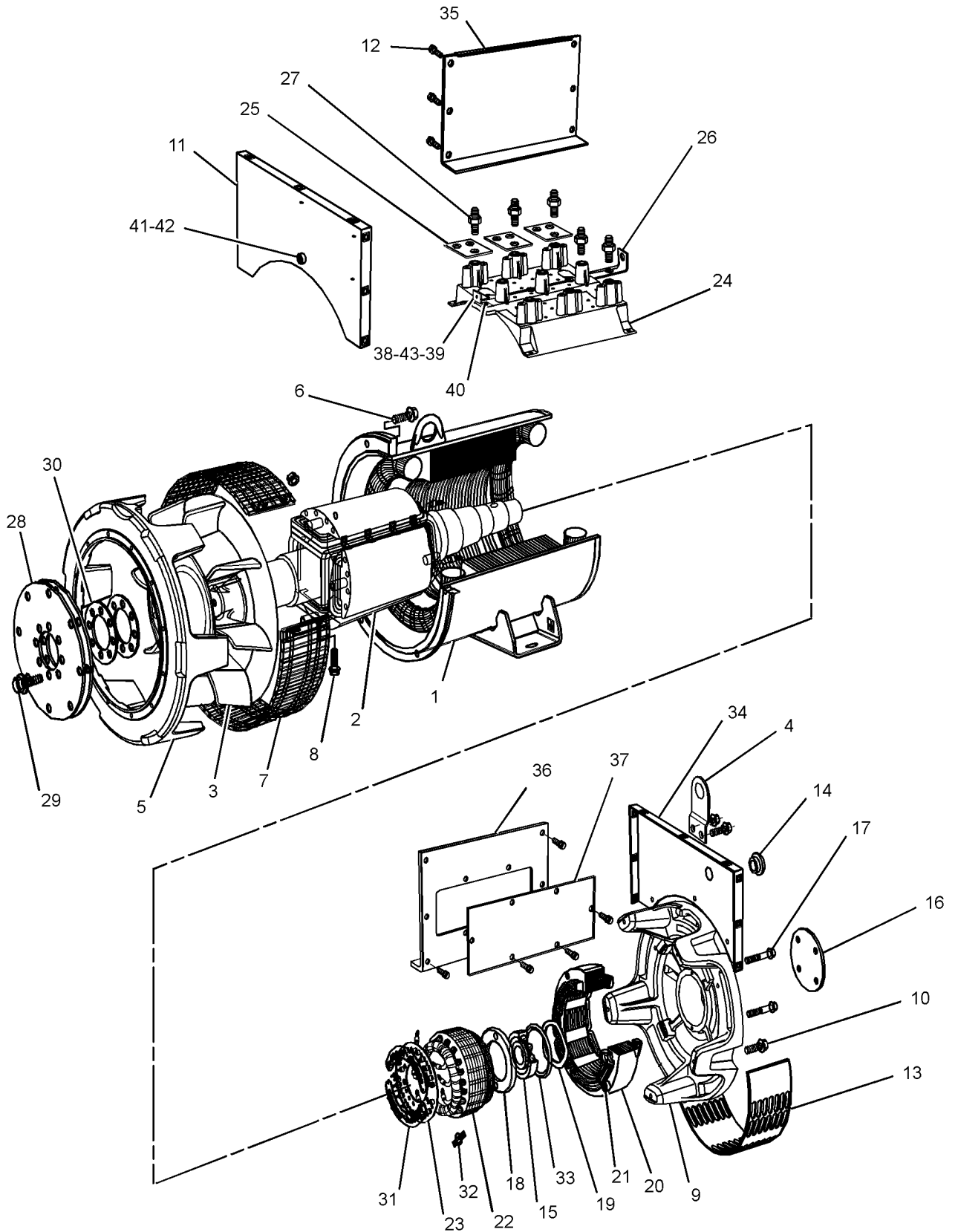
R-REMG PART MAY BE AVAILABLE



# GENERATORS

324-7677 GENERATOR GP (contd.)

i04513269



GRAPHIC #1

<END>

g01526926

# GENERATORS

## 324-7678 GENERATOR GP

S/N: L6B1-UP

PART OF 235-1204 GENERATOR AR

SMCS-4450

i04514010

NOTE	REF NO	GRAPHIC REF	PART NUMBER	QTY	PART NAME						SEE PAGE
					1	2	3	4	5	6 (PRODUCT LEVEL)	
	1	1	243-0149	1	STATOR AS						
R	2	1	243-0141	1	ROTOR AS						
	3	1	242-3919	1	FAN-GENERATOR						
	4	1	241-4577	1	EYE-LIFTING						
	5	1	242-3922	1	FLANGE						
M	6	1	160-8746	6	BOLT (M12X1.75X18-MM)						
	7	1	242-3924	1	SCREEN						
	8	1	242-3926	2	SCREW (M11.5X50-MM)						
	9	1	242-3928	1	SHIELD						
	10	1	242-3929	5	SCREW (M22X70-THD)						
	11	1	242-3930	1	PANEL-TERMINAL BOX						
	12	1	242-3931	1	BOLT (M6X1X16-MM)						
	13	1	242-3932	1	SCREEN-AIR INLET						
	14	1	243-5380	1	CAP						
	15	1	243-5220	1	BEARING						
	16	1	241-4594	1	COVER						
	17	1	242-3936	2	SCREW (M15X70-MM)						
	18	1	241-4595	1	CAP-BEARING						
	19	1	241-4597	1	RING						
	20	1	242-3938	1	EXCITER						
	21	1	241-4633	4	BOLT (M6X1X80-MM)						
	22	1	242-3941	1	ARMATURE						
	23	1	241-4606	1	SUPPORT-DIODE						
	24	1	242-3943	1	TERMINAL AS						
	25	1	242-3951	3	TERMINAL						
	26	1	242-3956	1	TERMINAL						
	27	1	242-3957	9	SCREW (M12X50-MM)						
	28	1	242-3959	3	DISC-COUPLING						
	29	1	242-3960	8	SCREW (27.7-MMX40-MM)						
	30	1	241-4618	1	SHIM (2-MM THK)						
	31	1	241-4619	1	DIODE AS						
	32	1	241-4620	1	VARISTOR						
	33	1	241-4622	1	SEAL-O-RING						
	34	1	242-3965	1	PANEL						
	35	1	242-3966	1	PANEL						
	36	1	242-3967	1	PANEL						
	37	1	242-3968	1	PANEL-ACCESS						
	38	1	307-6560	1	BRACKET						
	39	1	6V-8801	1	NUT (3/8-16-THD)						
M	40	1	8T-4000	1	SCREW-WASHER HEAD (M8X1.25X4.8-MM)						
	41	1	8T-0192	1	BOLT (3/8-16X2.25-IN)						
	42	1	4D-1326	1	LOCKWASHER						
	43	1	8T-4896	1	WASHER-HARD (10.2X18.5X2.5-MM THK)						

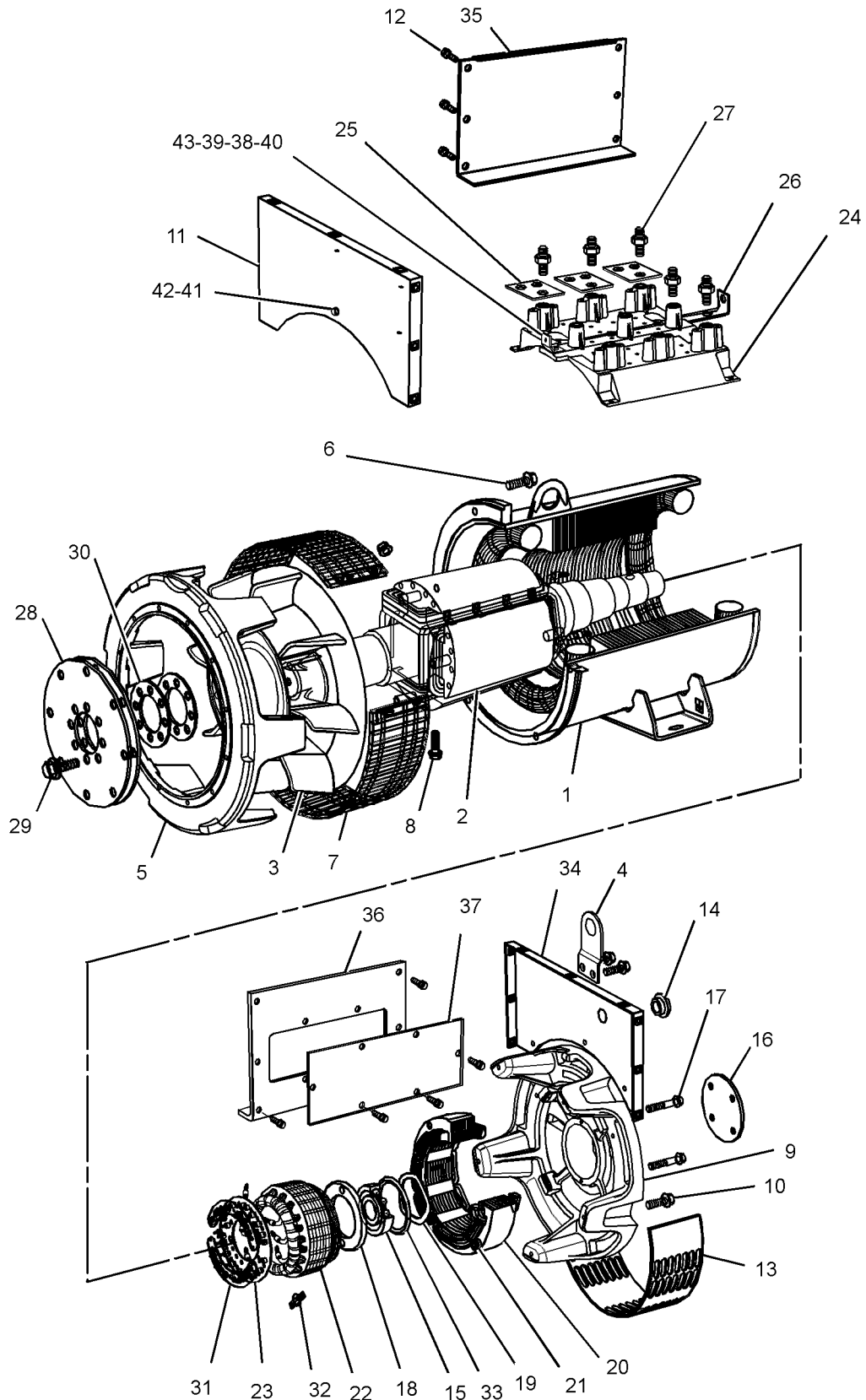
M-METRIC PART

R-REMG PART MAY BE AVAILABLE

# GENERATORS

324-7678 GENERATOR GP (contd.)

i04514010



GRAPHIC #1

<END>

g01537313

# GENERATORS

## 324-7680 GENERATOR GP

S/N: L6B1-UP

PART OF 235-1206 GENERATOR AR

SMCS-4450

i04514309

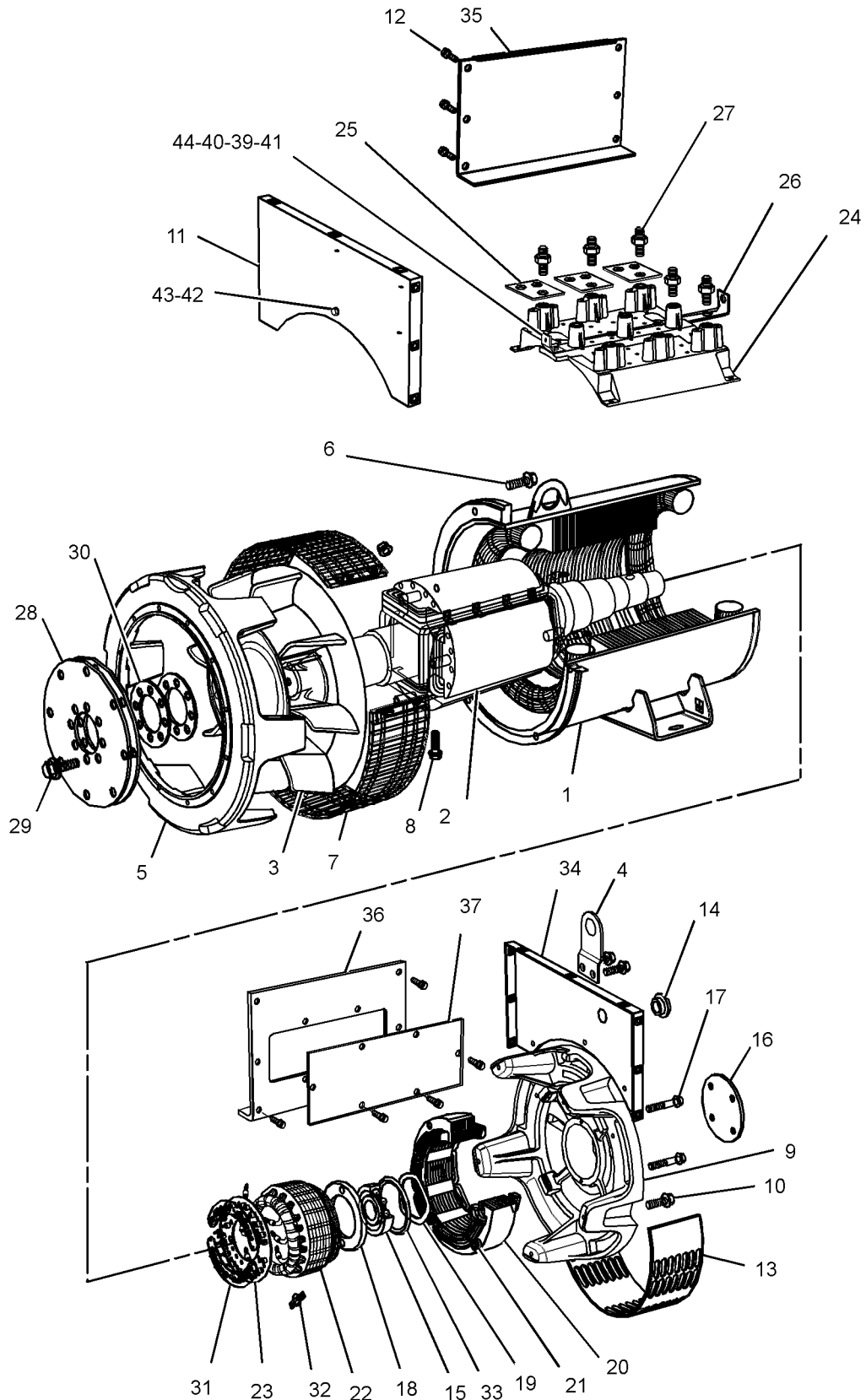
NOTE	REF NO	GRAPHIC REF	PART NUMBER	QTY	PART NAME						SEE PAGE
					1	2	3	4	5	6 (PRODUCT LEVEL)	
	1	1	243-0153	1	STATOR AS						
R	2	1	243-0141	1	ROTOR AS						
	3	1	242-3919	1	FAN-GENERATOR						
	4	1	241-4577	1	EYE-LIFTING						
	5	1	242-3922	1	FLANGE						
M	6	1	160-8746	6	BOLT (M12X1.75X18-MM)						
	7	1	242-3924	1	SCREEN						
	8	1	242-3926	2	SCREW (M11.5X50-MM)						
	9	1	242-3928	1	SHIELD						
	10	1	242-3929	5	SCREW (M22X70-THD)						
	11	1	242-3930	1	PANEL-TERMINAL BOX						
	12	1	242-3931	1	BOLT (M6X1X16-MM)						
	13	1	242-3932	1	SCREEN-AIR INLET						
	14	1	243-5380	1	CAP						
	15	1	243-5220	1	BEARING						
	16	1	241-4594	1	COVER						
	17	1	242-3936	2	SCREW (M15X70-MM)						
	18	1	241-4595	1	CAP-BEARING						
	19	1	241-4597	1	RING						
	20	1	242-3938	1	EXCITER						
	21	1	241-4633	4	BOLT (M6X1X80-MM)						
	22	1	242-3941	1	ARMATURE						
	23	1	241-4606	1	SUPPORT-DIODE						
	24	1	242-3943	1	TERMINAL AS						
	25	1	242-3951	3	TERMINAL						
	26	1	242-3956	1	TERMINAL						
	27	1	242-3957	9	SCREW (M12X50-MM)						
	28	1	242-3959	3	DISC-COUPLING						
	29	1	242-3960	8	SCREW (27.7-MMX40-MM)						
	30	1	241-4618	1	SHIM (2-MM THK)						
	31	1	241-4619	1	DIODE AS						
	32	1	241-4620	1	VARISTOR						
	33	1	241-4622	1	SEAL-O-RING						
	34	1	242-3965	1	PANEL						
	35	1	242-3966	1	PANEL						
	36	1	242-3967	1	PANEL						
	37	1	242-3968	1	PANEL-ACCESS						
	39	1	307-6560	1	BRACKET						
	40	1	6V-8801	1	NUT (3/8-16-THD)						
M	41	1	8T-4000	1	SCREW-WASHER HEAD (M8X1.25X4.8-MM)						
	42	1	8T-0192	1	BOLT (3/8-16X2.25-IN)						
	43	1	4D-1326	1	LOCKWASHER						
	44	1	8T-4896	1	WASHER-HARD (10.2X18.5X2.5-MM THK)						
F			246-5895	1	TRANSFORMER						

F-NOT SHOWN  
M-METRIC PART  
R-REMGF PART MAY BE AVAILABLE

# GENERATORS

324-7680 GENERATOR GP (contd.)

i04514309



GRAPHIC #1

<END>

g01536493

# GENERATORS

## 324-7681 GENERATOR GP

S/N: L6B1-UP

PART OF 235-1207 GENERATOR AR

SMCS-4450

i04516149

NOTE	REF NO	GRAPHIC REF	PART NUMBER	QTY	PART NAME						SEE PAGE
					1	2	3	4	5	6 (PRODUCT LEVEL)	
	1	1	243-0146	1	STATOR AS						
R	2	1	243-0142	1	ROTOR AS						
	3	1	242-3919	1	FAN-GENERATOR						
	4	1	241-4577	1	EYE-LIFTING						
	5	1	242-3922	1	FLANGE						
M	6	1	160-8746	6	BOLT (M12X1.75X18-MM)						
	7	1	242-3924	1	SCREEN						
	8	1	242-3926	2	SCREW (M11.5X50-MM)						
	9	1	242-3928	1	SHIELD						
	10	1	242-3929	5	SCREW (M22X70-THD)						
	11	1	242-3930	1	PANEL-TERMINAL BOX						
	12	1	242-3931	1	BOLT (M6X1X16-MM)						
	13	1	242-3932	1	SCREEN-AIR INLET						
	14	1	243-5380	1	CAP						
	15	1	243-5220	1	BEARING						
	16	1	241-4594	1	COVER						
	17	1	242-3936	2	SCREW (M15X70-MM)						
	18	1	241-4595	1	CAP-BEARING						
	19	1	241-4597	1	RING						
	20	1	242-3938	1	EXCITER						
	21	1	241-4633	4	BOLT (M6X1X80-MM)						
	22	1	242-3941	1	ARMATURE						
	23	1	241-4606	1	SUPPORT-DIODE						
	24	1	242-3943	1	TERMINAL AS						
	25	1	242-3951	3	TERMINAL						
	26	1	242-3956	1	TERMINAL						
	27	1	242-3957	9	SCREW (M12X50-MM)						
	28	1	242-3959	3	DISC-COUPLING						
	29	1	242-3960	8	SCREW (27.7-MMX40-MM)						
	30	1	241-4618	1	SHIM (2-MM THK)						
	31	1	241-4619	1	DIODE AS						
	32	1	241-4620	1	VARISTOR						
	33	1	241-4622	1	SEAL-O-RING						
	34	1	242-3965	1	PANEL						
	35	1	242-3966	1	PANEL						
	36	1	242-3967	1	PANEL						
	37	1	242-3968	1	PANEL-ACCESS						
	38	1	307-6560	1	BRACKET						
	39	1	6V-8801	1	NUT (3/8-16-THD)						
M	40	1	8T-4000	1	SCREW-WASHER HEAD (M8X1.25X4.8-MM)						
	41	1	8T-0192	1	BOLT (3/8-16X2.25-IN)						
	42	1	4D-1326	1	LOCKWASHER						
	43	1	8T-4896	1	WASHER-HARD (10.2X18.5X2.5-MM THK)						

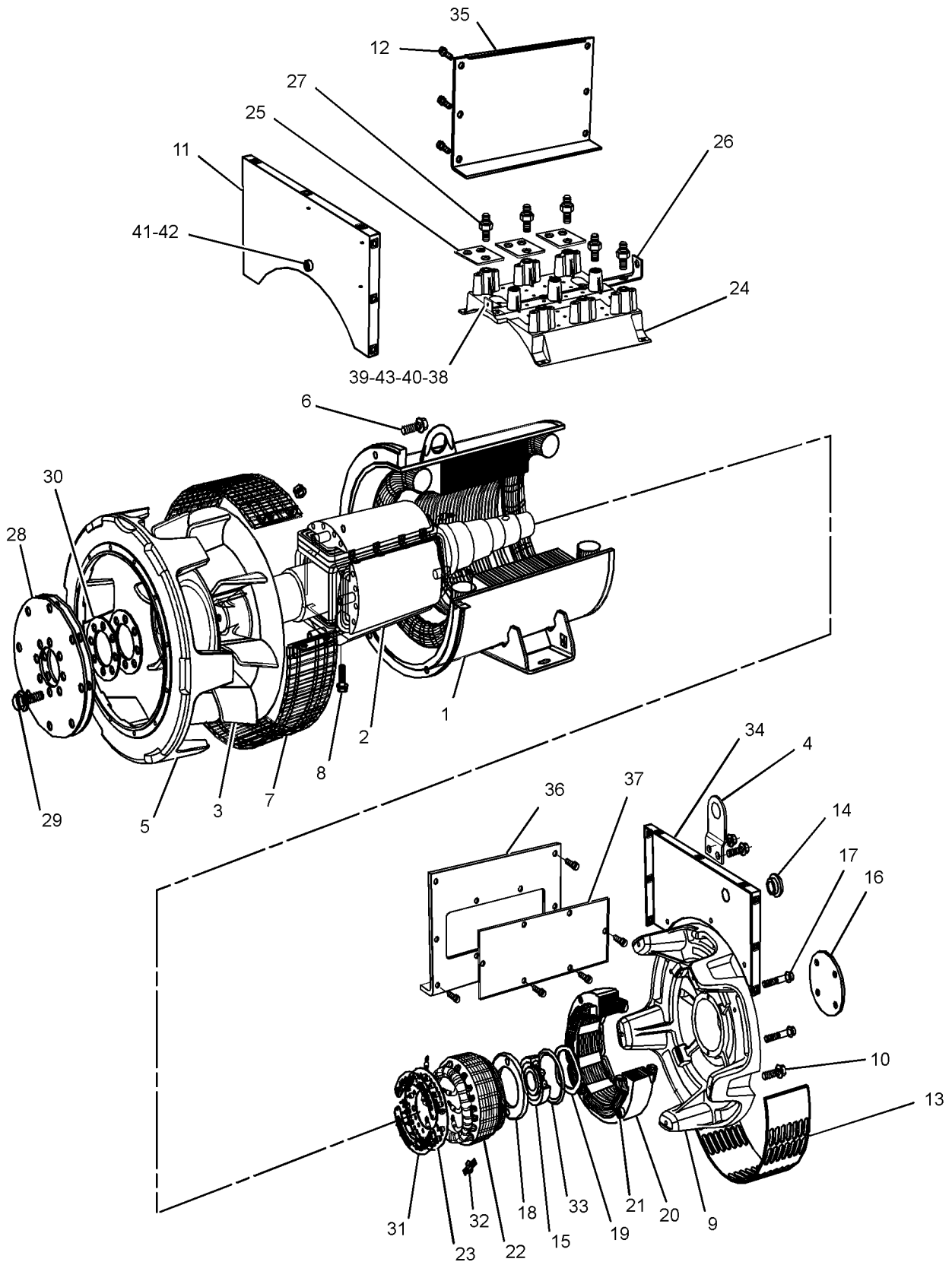
M-METRIC PART

R-REMG PART MAY BE AVAILABLE

# GENERATORS

324-7681 GENERATOR GP (contd.)

i04516149



GRAPHIC #1

<END>

g01536554

# GENERATORS

## 324-7682 GENERATOR GP

S/N: L6B1-UP

PART OF 235-1208 GENERATOR AR

SMCS-4450

i04516274

NOTE	REF NO	GRAPHIC REF	PART NUMBER	QTY	PART NAME						SEE PAGE
					1	2	3	4	5	6 (PRODUCT LEVEL)	
	1	1	243-0150	1	STATOR AS						
R	2	1	243-0142	1	ROTOR AS						
	3	1	242-3919	1	FAN-GENERATOR						
	4	1	241-4577	1	EYE-LIFTING						
	5	1	242-3922	1	FLANGE						
M	6	1	160-8746	6	BOLT (M12X1.75X18-MM)						
	7	1	242-3924	1	SCREEN						
	8	1	242-3926	2	SCREW (M11.5X50-MM)						
	9	1	242-3928	1	SHIELD						
	10	1	242-3929	5	SCREW (M22X70-THD)						
	11	1	242-3930	1	PANEL-TERMINAL BOX						
	12	1	242-3931	1	BOLT (M6X1X16-MM)						
	13	1	242-3932	1	SCREEN-AIR INLET						
	14	1	243-5380	1	CAP						
	15	1	243-5220	1	BEARING						
	16	1	241-4594	1	COVER						
	17	1	242-3936	2	SCREW (M15X70-MM)						
	18	1	241-4595	1	CAP-BEARING						
	19	1	241-4597	1	RING						
	20	1	242-3938	1	EXCITER						
	21	1	241-4633	4	BOLT (M6X1X80-MM)						
	22	1	242-3941	1	ARMATURE						
	23	1	241-4606	1	SUPPORT-DIODE						
	24	1	242-3943	1	TERMINAL AS						
	25	1	242-3951	3	TERMINAL						
	26	1	242-3956	1	TERMINAL						
	27	1	242-3957	9	SCREW (M12X50-MM)						
	28	1	242-3959	3	DISC-COUPLING						
	29	1	242-3960	8	SCREW (27.7-MMX40-MM)						
	30	1	241-4618	1	SHIM (2-MM THK)						
	31	1	241-4619	1	DIODE AS						
	32	1	241-4620	1	VARISTOR						
	33	1	241-4622	1	SEAL-O-RING						
	34	1	242-3965	1	PANEL						
	35	1	242-3966	1	PANEL						
	36	1	242-3967	1	PANEL						
	37	1	242-3968	1	PANEL-ACCESS						
	38	1	307-6560	1	BRACKET						
	39	1	6V-8801	1	NUT (3/8-16-THD)						
M	40	1	8T-4000	1	SCREW-WASHER HEAD (M8X1.25X4.8-MM)						
	41	1	8T-0192	1	BOLT (3/8-16X2.25-IN)						
	42	1	4D-1326	1	LOCKWASHER						
	43	1	8T-4896	1	WASHER-HARD (10.2X18.5X2.5-MM THK)						

M-METRIC PART

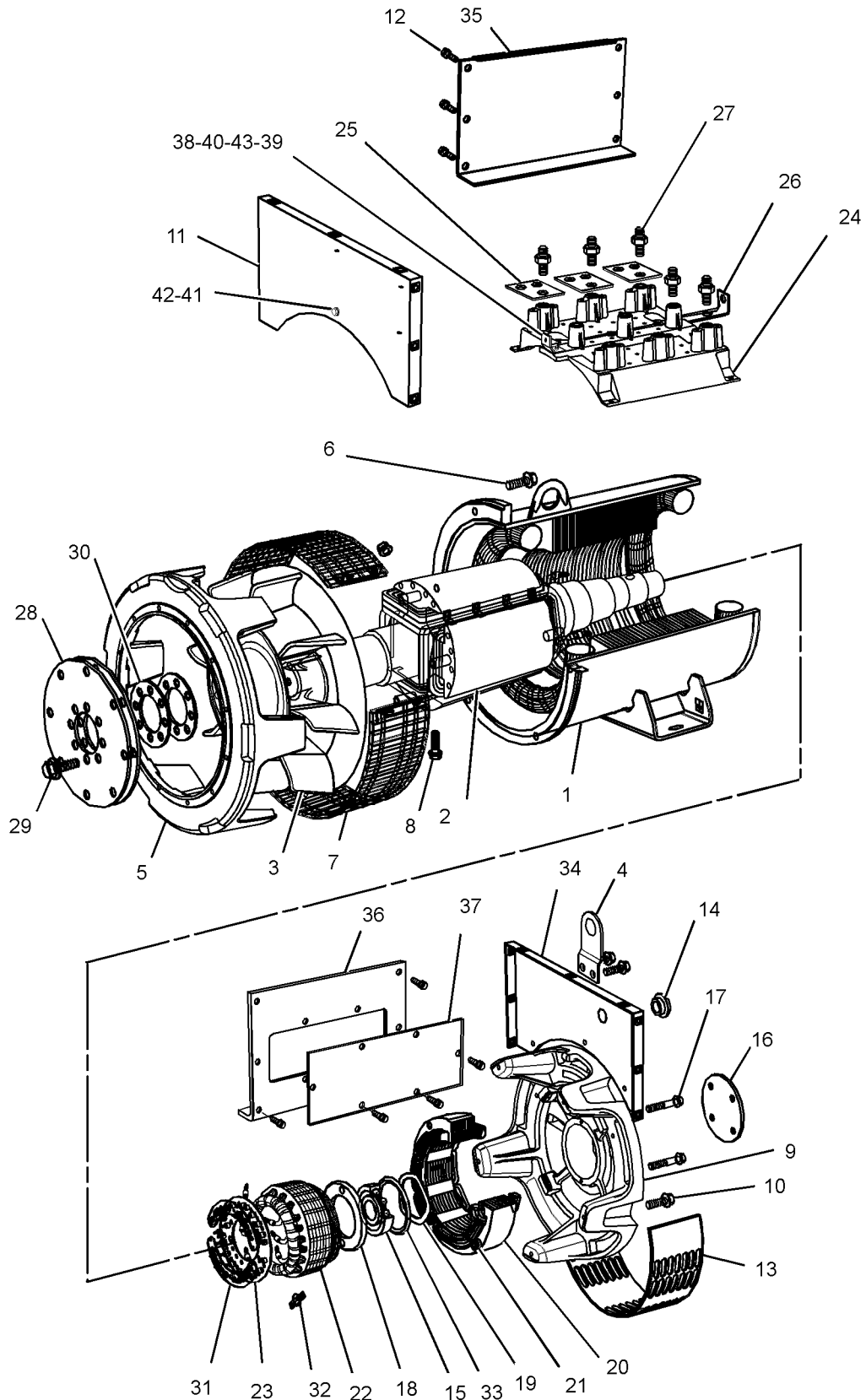
R-REMG PART MAY BE AVAILABLE



# GENERATORS

324-7682 GENERATOR GP (contd.)

i04516274



GRAPHIC #1

<END>

g01536893

# GENERATORS

## 324-7684 GENERATOR GP

S/N: L6B1-UP

PART OF 235-1210 GENERATOR AR

SMCS-4450

i04516531

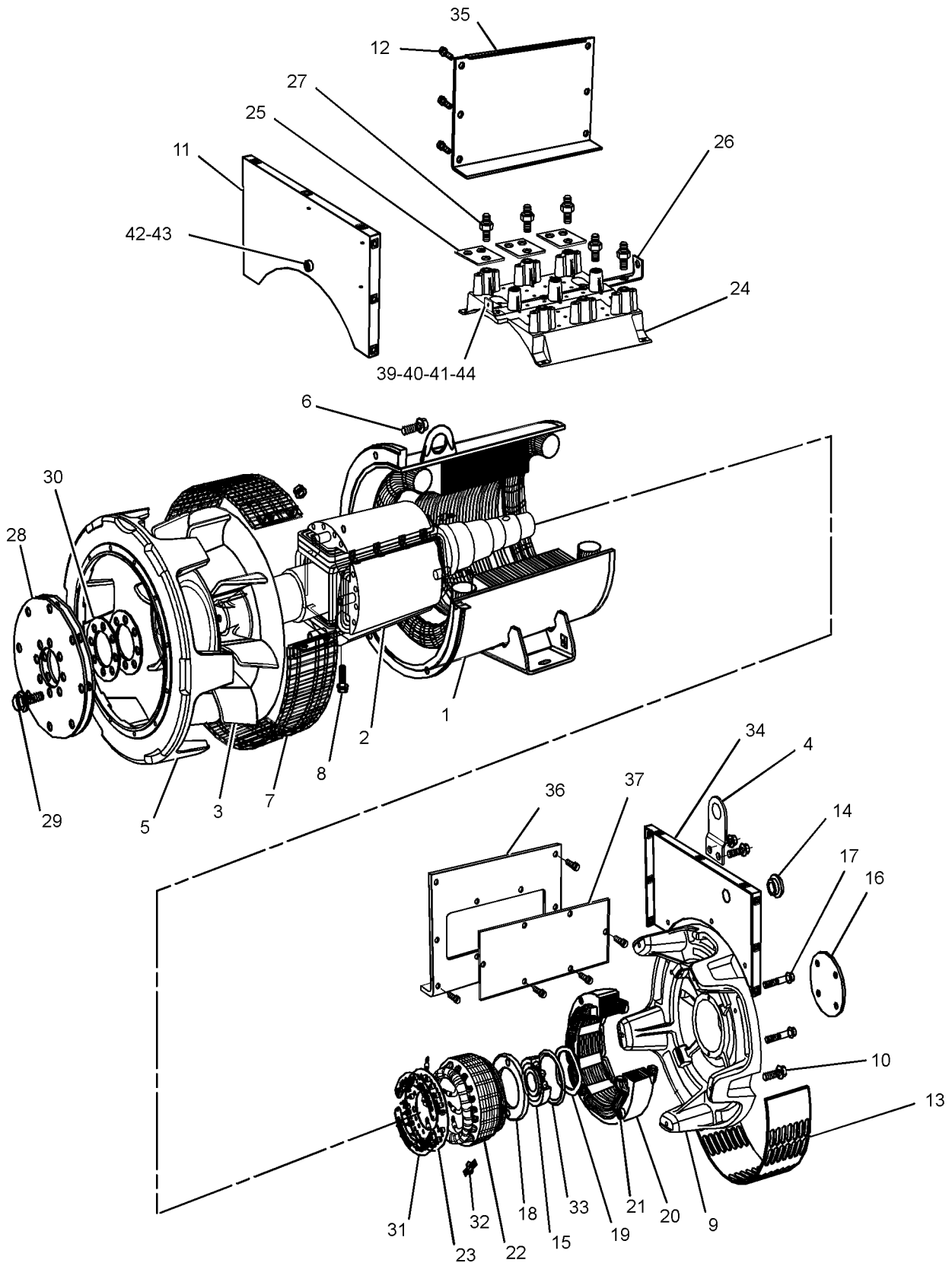
NOTE	REF NO	GRAPHIC REF	PART NUMBER	QTY	PART NAME						SEE PAGE
					1	2	3	4	5	6 (PRODUCT LEVEL)	
	1	1	243-0154	1	STATOR AS						
R	2	1	243-0142	1	ROTOR AS						
	3	1	242-3919	1	FAN-GENERATOR						
	4	1	241-4577	1	EYE-LIFTING						
	5	1	242-3922	1	FLANGE						
M	6	1	160-8746	6	BOLT (M12X1.75X18-MM)						
	7	1	242-3924	1	SCREEN						
	8	1	242-3926	2	SCREW (M11.5X50-MM)						
	9	1	242-3928	1	SHIELD						
	10	1	242-3929	5	SCREW (M22X70-THD)						
	11	1	242-3930	1	PANEL-TERMINAL BOX						
	12	1	242-3931	1	BOLT (M6X1X16-MM)						
	13	1	242-3932	1	SCREEN-AIR INLET						
	14	1	243-5380	1	CAP						
	15	1	243-5220	1	BEARING						
	16	1	241-4594	1	COVER						
	17	1	242-3936	2	SCREW (M15X70-MM)						
	18	1	241-4595	1	CAP-BEARING						
	19	1	241-4597	1	RING						
	20	1	242-3938	1	EXCITER						
	21	1	241-4633	4	BOLT (M6X1X80-MM)						
	22	1	242-3941	1	ARMATURE						
	23	1	241-4606	1	SUPPORT-DIODE						
	24	1	242-3943	1	TERMINAL AS						
	25	1	242-3951	3	TERMINAL						
	26	1	242-3956	1	TERMINAL						
	27	1	242-3957	9	SCREW (M12X50-MM)						
	28	1	242-3959	3	DISC-COUPLING						
	29	1	242-3960	8	SCREW (27.7-MMX40-MM)						
	30	1	241-4618	1	SHIM (2-MM THK)						
	31	1	241-4619	1	DIODE AS						
	32	1	241-4620	1	VARISTOR						
	33	1	241-4622	1	SEAL-O-RING						
	34	1	242-3965	1	PANEL						
	35	1	242-3966	1	PANEL						
	36	1	242-3967	1	PANEL						
	37	1	242-3968	1	PANEL-ACCESS						
	39	1	307-6560	1	BRACKET						
	40	1	6V-8801	1	NUT (3/8-16-THD)						
M	41	1	8T-4000	1	SCREW-WASHER HEAD (M8X1.25X4.8-MM)						
	42	1	8T-0192	1	BOLT (3/8-16X2.25-IN)						
	43	1	4D-1326	1	LOCKWASHER						
	44	1	8T-4896	1	WASHER-HARD (10.2X18.5X2.5-MM THK)						
F			246-5895	1	TRANSFORMER						

F-NOT SHOWN  
M-METRIC PART  
R-REMG PART MAY BE AVAILABLE

# GENERATORS

324-7684 GENERATOR GP (contd.)

i04516531



GRAPHIC #1

<END>

g01538257

# GENERATORS

## 324-7685 GENERATOR GP

S/N: L6B1-UP

PART OF 235-1211 GENERATOR AR

SMCS-4450

i04553707

NOTE	REF NO	GRAPHIC REF	PART NUMBER	QTY	PART NAME						SEE PAGE
					1	2	3	4	5	6 (PRODUCT LEVEL)	
	1	1	243-0147	1	STATOR AS						
R	2	1	243-0143	1	ROTOR AS						
	3	1	242-3919	1	FAN-GENERATOR						
	4	1	241-4577	1	EYE-LIFTING						
	5	1	242-3922	1	FLANGE						
M	6	1	160-8746	6	BOLT (M12X1.75X18-MM)						
	7	1	242-3924	1	SCREEN						
	8	1	242-3926	2	SCREW (M11.5X50-MM)						
	9	1	242-3928	1	SHIELD						
	10	1	242-3929	5	SCREW (M22X70-THD)						
	11	1	242-3930	1	PANEL-TERMINAL BOX						
	12	1	242-3931	1	BOLT (M6X1X16-MM)						
	13	1	242-3932	1	SCREEN-AIR INLET						
	14	1	243-5380	1	CAP						
	15	1	243-5220	1	BEARING						
	16	1	241-4594	1	COVER						
	17	1	242-3936	2	SCREW (M15X70-MM)						
	18	1	241-4595	1	CAP-BEARING						
	19	1	241-4597	1	RING						
	20	1	242-3938	1	EXCITER						
	21	1	241-4633	4	BOLT (M6X1X80-MM)						
	22	1	242-3941	1	ARMATURE						
	23	1	241-4606	1	SUPPORT-DIODE						
	24	1	242-3943	1	TERMINAL AS						
	25	1	242-3951	3	TERMINAL						
	26	1	242-3956	1	TERMINAL						
	27	1	242-3957	9	SCREW (M12X50-MM)						
	28	1	242-3959	3	DISC-COUPLING						
	29	1	242-3960	8	SCREW (27.7-MMX40-MM)						
	30	1	241-4618	1	SHIM (2-MM THK)						
	31	1	241-4619	1	DIODE AS						
	32	1	241-4620	1	VARISTOR						
	33	1	241-4622	1	SEAL-O-RING						
	34	1	242-3965	1	PANEL						
	35	1	242-3966	1	PANEL						
	36	1	242-3967	1	PANEL						
	37	1	242-3968	1	PANEL-ACCESS						
	38	1	307-6560	1	BRACKET						
	39	1	6V-8801	1	NUT (3/8-16-THD)						
M	40	1	8T-4000	1	SCREW-WASHER HEAD (M8X1.25X4.8-MM)						
	41	1	8T-0192	1	BOLT (3/8-16X2.25-IN)						
	42	1	4D-1326	1	LOCKWASHER						
	43	1	8T-4896	1	WASHER-HARD (10.2X18.5X2.5-MM THK)						

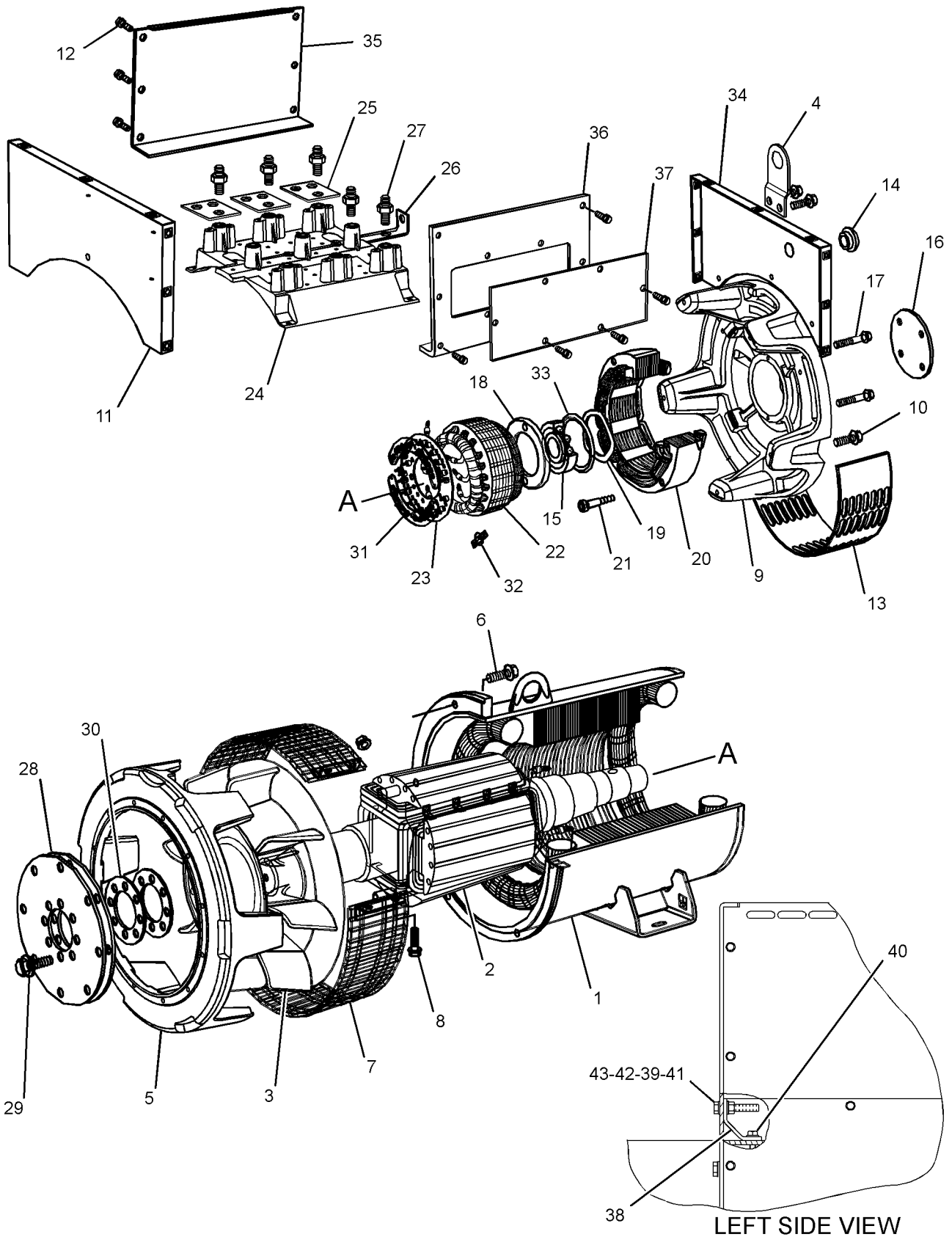
M-METRIC PART

R-REMG PART MAY BE AVAILABLE

# GENERATORS

324-7685 GENERATOR GP (contd.)

i04553707



GRAPHIC #1

<END>

g01538353

# GENERATORS

## 324-7686 GENERATOR GP

S/N: L6B1-UP

PART OF 235-1212 GENERATOR AR

SMCS-4450

i04553711

NOTE	REF NO	GRAPHIC REF	PART NUMBER	QTY	PART NAME						SEE PAGE
					1	2	3	4	5	6 (PRODUCT LEVEL)	
	1	1	243-0151	1	STATOR AS						
R	2	1	243-0143	1	ROTOR AS						
	3	1	242-3919	1	FAN-GENERATOR						
	4	1	241-4577	1	EYE-LIFTING						
	5	1	242-3922	1	FLANGE						
M	6	1	160-8746	6	BOLT (M12X1.75X18-MM)						
	7	1	242-3924	1	SCREEN						
	8	1	242-3926	2	SCREW (M11.5X50-MM)						
	9	1	242-3928	1	SHIELD						
	10	1	242-3929	5	SCREW (M22X70-THD)						
	11	1	242-3930	1	PANEL-TERMINAL BOX						
	12	1	242-3931	1	BOLT (M6X1X16-MM)						
	13	1	242-3932	1	SCREEN-AIR INLET						
	14	1	243-5380	1	CAP						
	15	1	243-5220	1	BEARING						
	16	1	241-4594	1	COVER						
	17	1	242-3936	2	SCREW (M15X70-MM)						
	18	1	241-4595	1	CAP-BEARING						
	19	1	241-4597	1	RING						
	20	1	242-3938	1	EXCITER						
	21	1	241-4633	4	BOLT (M6X1X80-MM)						
	22	1	242-3941	1	ARMATURE						
	23	1	241-4606	1	SUPPORT-DIODE						
	24	1	242-3943	1	TERMINAL AS						
	25	1	242-3951	3	TERMINAL						
	26	1	242-3956	1	TERMINAL						
	27	1	242-3957	9	SCREW (M12X50-MM)						
	28	1	242-3959	3	DISC-COUPLING						
	29	1	242-3960	8	SCREW (27.7-MMX40-MM)						
	30	1	241-4618	1	SHIM (2-MM THK)						
	31	1	241-4619	1	DIODE AS						
	32	1	241-4620	1	VARISTOR						
	33	1	241-4622	1	SEAL-O-RING						
	34	1	242-3965	1	PANEL						
	35	1	242-3966	1	PANEL						
	36	1	242-3967	1	PANEL						
	37	1	242-3968	1	PANEL-ACCESS						
	38	1	307-6560	1	BRACKET						
	39	1	6V-8801	1	NUT (3/8-16-THD)						
M	40	1	8T-4000	1	SCREW-WASHER HEAD (M8X1.25X4.8-MM)						
	41	1	8T-0192	1	BOLT (3/8-16X2.25-IN)						
	42	1	4D-1326	1	LOCKWASHER						
	43	1	8T-4896	1	WASHER-HARD (10.2X18.5X2.5-MM THK)						

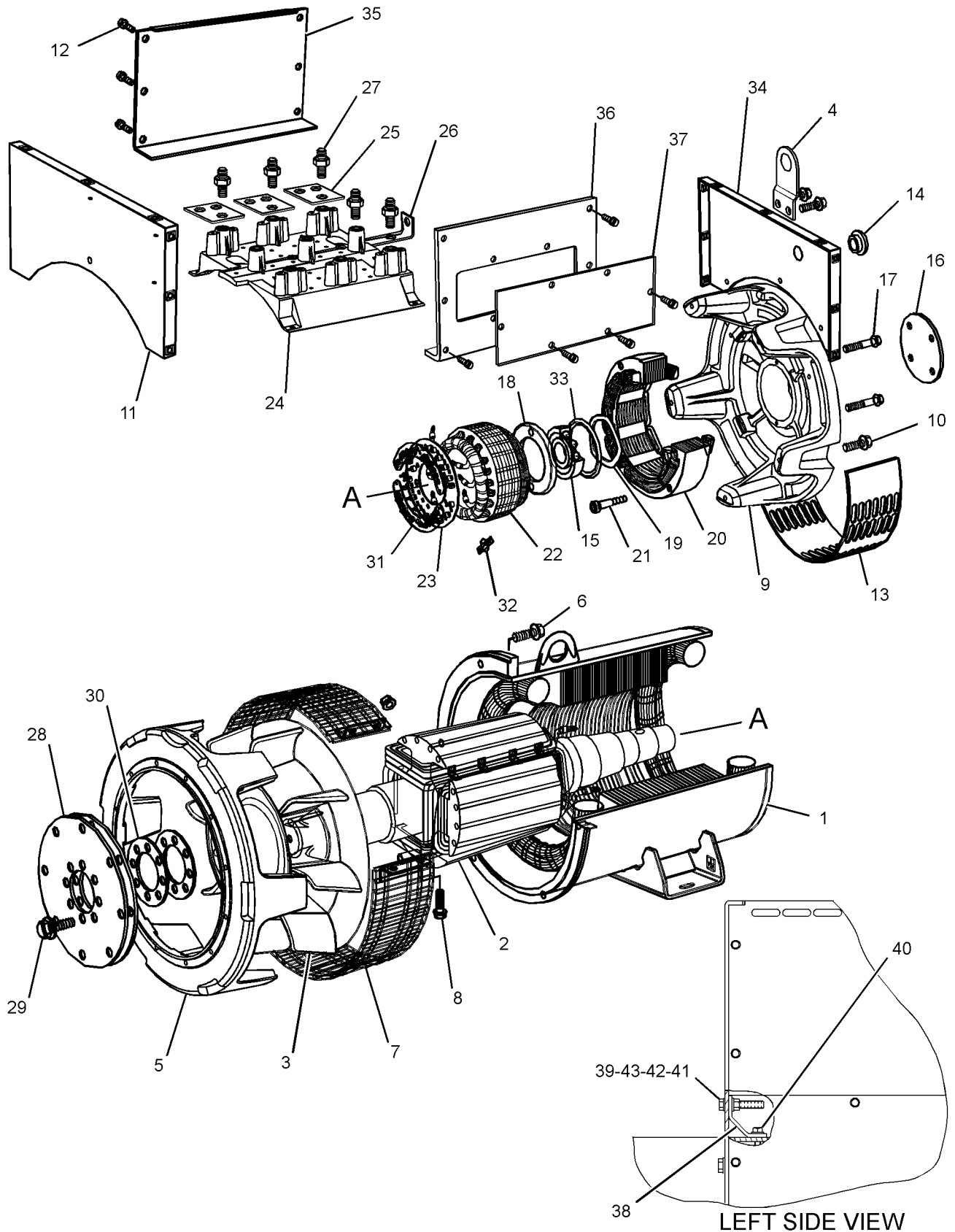
M-METRIC PART

R-REMG PART MAY BE AVAILABLE

# GENERATORS

324-7686 GENERATOR GP (contd.)

i04553711



GRAPHIC #1

<END>

g01535294

# GENERATORS

## 324-7693 GENERATOR GP

S/N: L7A1-UP

PART OF 235-1220 GENERATOR AR

SMCS-4450

i04439713

NOTE	REF NO	GRAPHIC REF	PART NUMBER	QTY	PART NAME						SEE PAGE
					1	2	3	4	5	6 (PRODUCT LEVEL)	
	1	1	241-4635	1	FAN						
	2	1	241-4636	1	DISC (BALANCING)						
	3	1	241-4637	1	EYE-LIFTING						
	4	1	242-2990	3	DISC (COUPLING)						
	5	1	241-4639	1	SCREEN (AIR EXIT)						
	6	1	6C-9129	2	BOLT (M6X1-THD)						
	7	1	241-4640	1	KIT-RING (GENERATOR)						
					(INCLUDES BRACKET & O-RING)						
M	8	1	8C-6855	10	BOLT (M14X2X45-MM)						
	9	1	241-4642	1	PANEL-TERMINAL BOX						
M	10	1	235-4451	34	BOLT-FLANGE HEAD (M6X1X16-MM)						
	11	1	243-5380	1	CAP						
	12	1	241-4644	1	BEARING						
	13	1	241-4645	1	COVER						
	14	1	242-2991	1	SHIM (2-MM THK)						
	15	1	241-4647	1	RING						
	16	1	241-4603	1	EXCITER						
	17	1	241-4648	4	BOLT						
	18	1	241-4649	1	ARMATURE						
	19	1	241-4650	1	SUPPORT-DIODE						
	20	1	241-4651	16	INSULATOR-TERMINAL						
	21	1	241-4652	1	BEAM						
	22	1	241-4653	1	PLATE-COUPLING						
	23	1	241-4654	2	SUPPORT						
	24	1	241-4656	1	HUB						
	25	1	241-4657	1	KEY-WOODRUFF						
M	26	1	8C-8478	8	BOLT (M20X2.5X140-MM)						
	27	1	241-4660	1	DIODE AS						
	28	1	241-4662	1	VARISTOR						
	29	1	241-4663	1	SEAL-O-RING						
	30	1	241-4664	1	PANEL						
	31	1	241-4665	1	PANEL-ACCESS						
	32	1	254-4231	1	PLATE						
	33	1	366-1930	1	PLATE						
	34	1	242-2980	1	BRACKET						
	35	1	241-4646	1	CAP-BEARING						
	36	1	242-2981	1	SCREEN-AIR INLET						
	37	1	241-4630	1	PANEL-ACCESS						
	38	1	242-2986	1	SCREEN-AIR INLET						
	39	1	242-2987	1	SCREEN-AIR INLET						
	40	1	242-2988	1	SUPPORT						
	41	1	242-2989	3	PLATE-CONNECTION						
	42	1	242-9328	1	STATOR AS						
	43	1	242-9332	1	ROTOR AS						
	44	1	289-2813	3	TERMINAL						
	45	1	319-3523	6	NUT-CAGED						

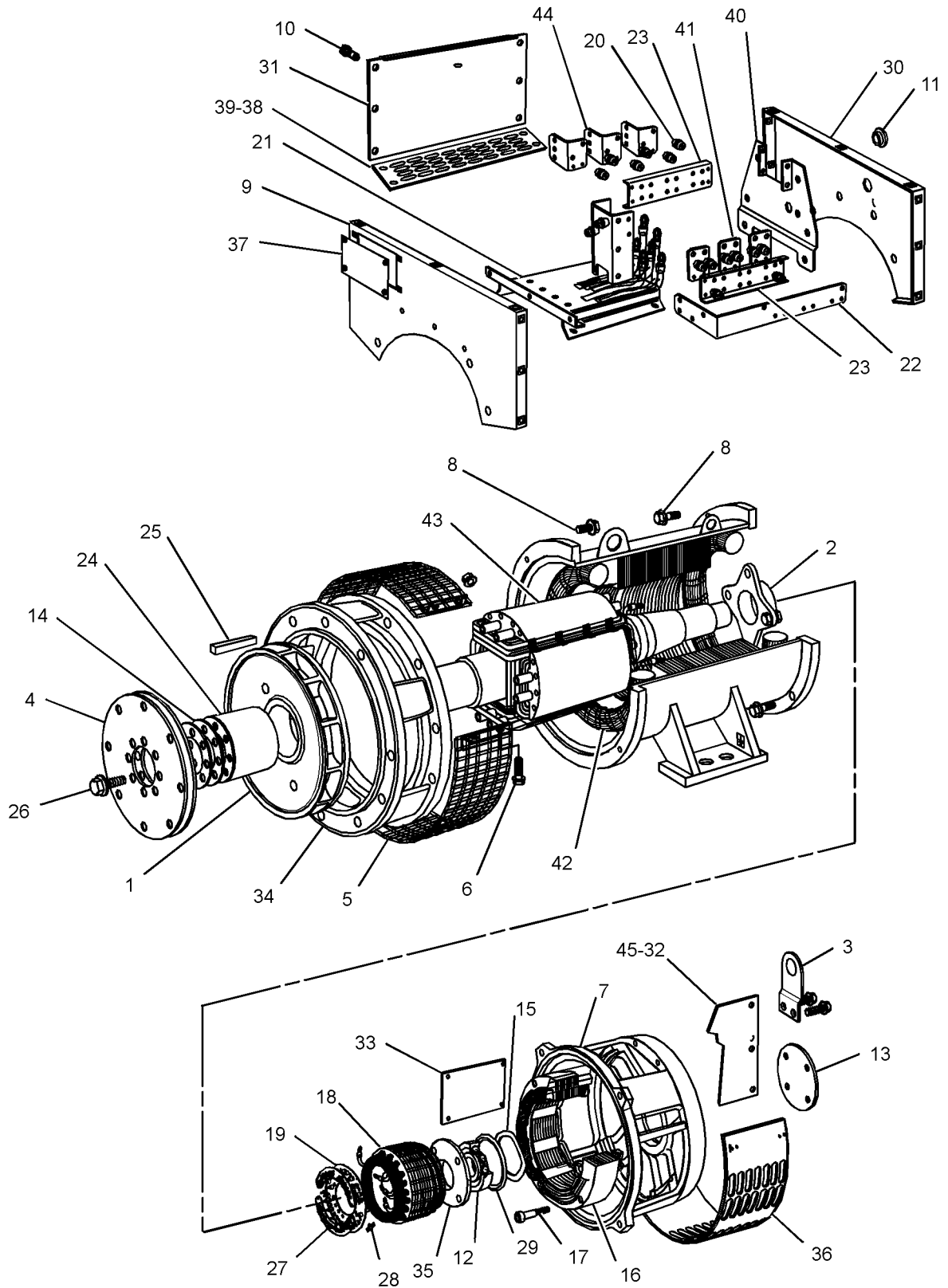
M-METRIC PART



# GENERATORS

324-7693 GENERATOR GP (contd.)

i04439713



GRAPHIC #1

<END>

g02663476

# GENERATORS

## 324-7694 GENERATOR GP

S/N: L7A1-UP

PART OF 235-1237 GENERATOR AR

SMCS-4450

i04439725

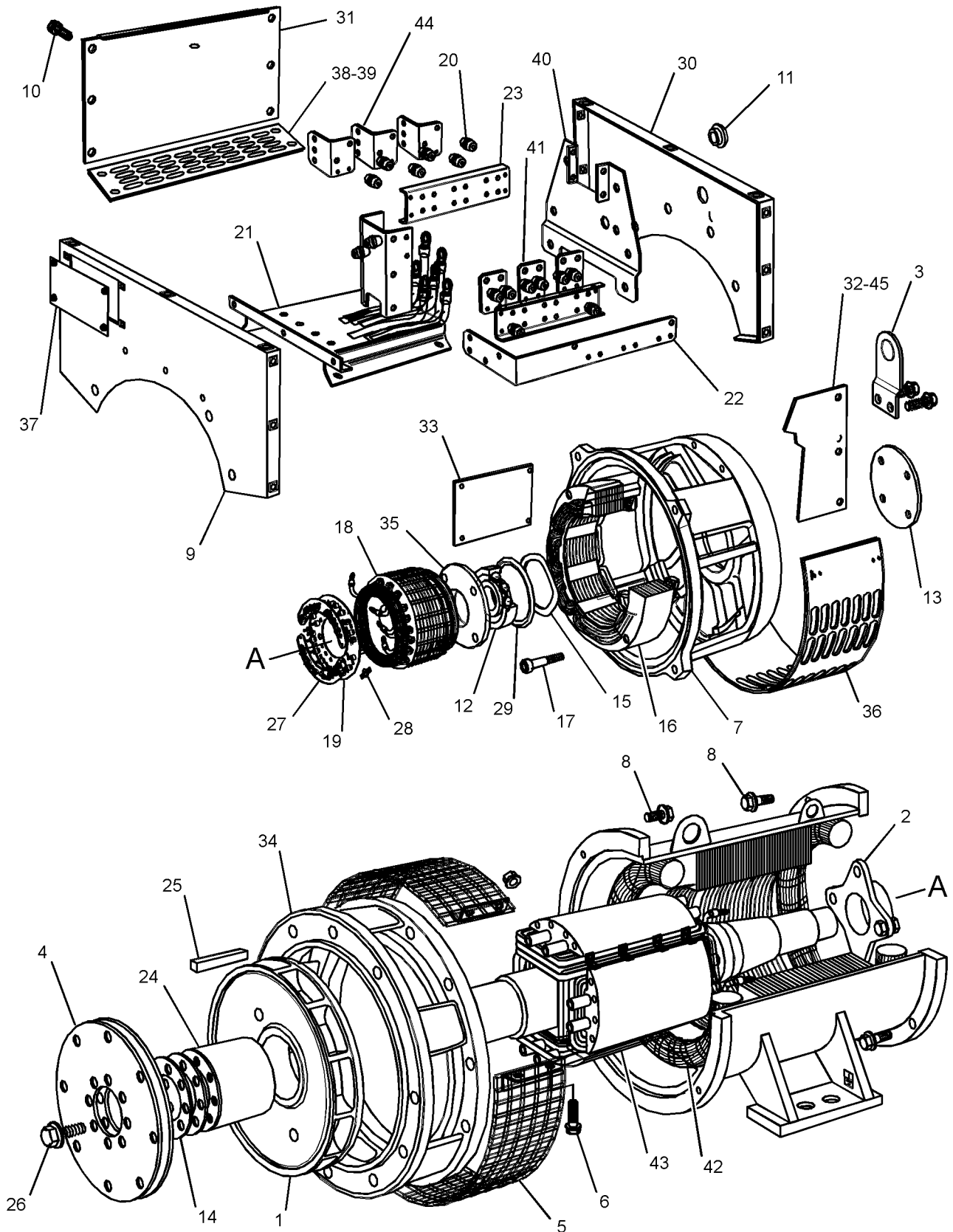
NOTE	REF NO	GRAPHIC REF	PART NUMBER	QTY	PART NAME						SEE PAGE
					1	2	3	4	5	6 (PRODUCT LEVEL)	
	1	1	241-4635	1	FAN						
	2	1	241-4636	1	DISC (BALANCING)						
	3	1	241-4637	1	EYE-LIFTING						
	4	1	250-7869	3	DISC-COUPLING						
	5	1	241-4639	1	SCREEN (AIR EXIT)						
	6	1	6C-9129	2	BOLT (M6X1-THD)						
	7	1	241-4640	1	KIT-RING (GENERATOR)						
					(INCLUDES BRACKET & O-RING)						
M	8	1	8C-6855	10	BOLT (M14X2X45-MM)						
	9	1	241-4642	1	PANEL-TERMINAL BOX						
M	10	1	235-4451	34	BOLT-FLANGE HEAD (M6X1X16-MM)						
	11	1	243-5380	1	CAP						
	12	1	241-4644	1	BEARING						
	13	1	241-4645	1	COVER						
	14	1	242-2991	1	SHIM (2-MM THK)						
	15	1	241-4647	1	RING						
	16	1	241-4603	1	EXCITER						
	17	1	241-4648	4	BOLT						
	18	1	241-4649	1	ARMATURE						
	19	1	241-4650	1	SUPPORT-DIODE						
	20	1	241-4651	16	INSULATOR-TERMINAL						
	21	1	241-4652	1	BEAM						
	22	1	241-4653	1	PLATE-COUPLING						
	23	1	241-4654	2	SUPPORT						
	24	1	241-4656	1	HUB						
	25	1	241-4657	1	KEY-WOODRUFF						
M	26	1	8C-8478	8	BOLT (M20X2.5X140-MM)						
	27	1	241-4660	1	DIODE AS						
	28	1	241-4662	1	VARISTOR						
	29	1	241-4663	1	SEAL-O-RING						
	30	1	241-4664	1	PANEL						
	31	1	241-4665	1	PANEL-ACCESS						
	32	1	254-4231	1	PLATE						
	33	1	366-1930	1	PLATE						
	34	1	250-7868	1	BRACKET						
	35	1	241-4646	1	CAP-BEARING						
	36	1	242-2981	1	SCREEN-AIR INLET						
	37	1	241-4630	1	PANEL-ACCESS						
	38	1	242-2986	1	SCREEN-AIR INLET						
	39	1	242-2987	1	SCREEN-AIR INLET						
	40	1	242-2988	1	SUPPORT						
	41	1	242-2989	3	PLATE-CONNECTION						
	42	1	250-7847	1	STATOR AS						
	43	1	250-7855	1	ROTOR AS						
	44	1	289-2813	3	TERMINAL						
	45	1	319-3523	6	NUT-CAGED						

M-METRIC PART

# GENERATORS

324-7694 GENERATOR GP (contd.)

i04439725



GRAPHIC #1

<END>

g02475298

# GENERATORS

## 324-7698 GENERATOR GP

S/N: L6B1-UP

PART OF 242-4994 GENERATOR AR

SMCS-4450

i04327473

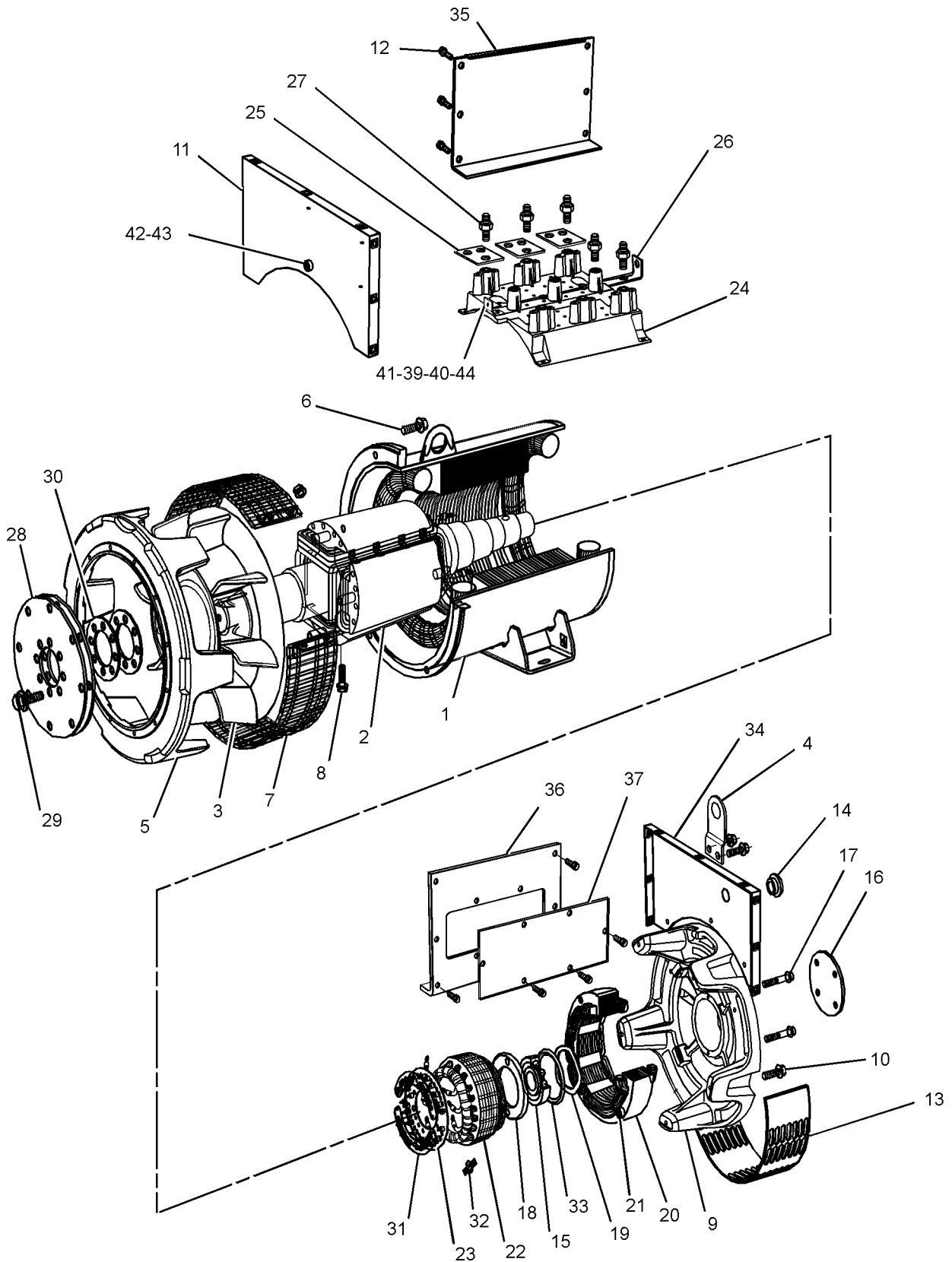
NOTE	REF NO	GRAPHIC REF	PART NUMBER	QTY	PART NAME						SEE PAGE
					1	2	3	4	5	6 (PRODUCT LEVEL)	
	1	1	251-3484	1	STATOR AS						
	2	1	251-3487	1	ROTOR AS						
	3	1	242-3919	1	FAN-GENERATOR						
	4	1	241-4577	1	EYE-LIFTING						
	5	1	251-3488	1	FLANGE						
M	6	1	160-8746	6	BOLT (M12X1.75X18-MM)						
	7	1	242-3924	1	SCREEN						
	8	1	242-3926	2	SCREW (M11.5X50-MM)						
	9	1	242-3928	1	SHIELD						
	10	1	242-3929	5	SCREW (M22X70-THD)						
	11	1	242-3930	1	PANEL-TERMINAL BOX						
	12	1	242-3931	1	BOLT (M6X1X16-MM)						
	13	1	242-3932	1	SCREEN-AIR INLET						
	14	1	243-5380	1	CAP						
	15	1	243-5220	1	BEARING						
	16	1	241-4594	1	COVER						
	17	1	242-3936	2	SCREW (M15X70-MM)						
	18	1	241-4595	1	CAP-BEARING						
	19	1	241-4597	1	RING						
	20	1	242-3938	1	EXCITER						
	21	1	241-4633	4	BOLT (M6X1X80-MM)						
	22	1	242-3941	1	ARMATURE						
	23	1	241-4606	1	SUPPORT-DIODE						
	24	1	242-3943	1	TERMINAL AS						
	25	1	242-3951	3	TERMINAL						
	26	1	242-3956	1	TERMINAL						
	27	1	242-3957	9	SCREW (M12X50-MM)						
	28	1	251-3489	1	DISC-COUPLING						
	29	1	242-3960	8	SCREW (27.7-MMX40-MM)						
	30	1	241-4618	1	SHIM (2-MM THK)						
	31	1	241-4619	1	DIODE AS						
	32	1	241-4620	1	VARISTOR						
	33	1	241-4622	1	SEAL-O-RING						
	34	1	242-3965	1	PANEL						
	35	1	242-3966	1	PANEL						
	36	1	242-3967	1	PANEL						
	37	1	242-3968	1	PANEL-ACCESS						
	39	1	307-6560	1	BRACKET						
	40	1	6V-8801	1	NUT (3/8-16-THD)						
M	41	1	8T-4000	1	SCREW-WASHER HEAD (M8X1.25X4.8-MM)						
	42	1	8T-0192	1	BOLT (3/8-16X2.25-IN)						
	43	1	4D-1326	1	LOCKWASHER						
	44	1	8T-4896	1	WASHER-HARD (10.2X18.5X2.5-MM THK)						
F			246-5895	1	TRANSFORMER						

F - NOT SHOWN  
M - METRIC PART

# GENERATORS

324-7698 GENERATOR GP (contd.)

i04327473



GRAPHIC #1

<END>

g01536633

# GENERATORS

## 324-7700 GENERATOR GP

S/N: L7A1-UP

PART OF 247-1706 GENERATOR AR

SMCS-4450

i04939431

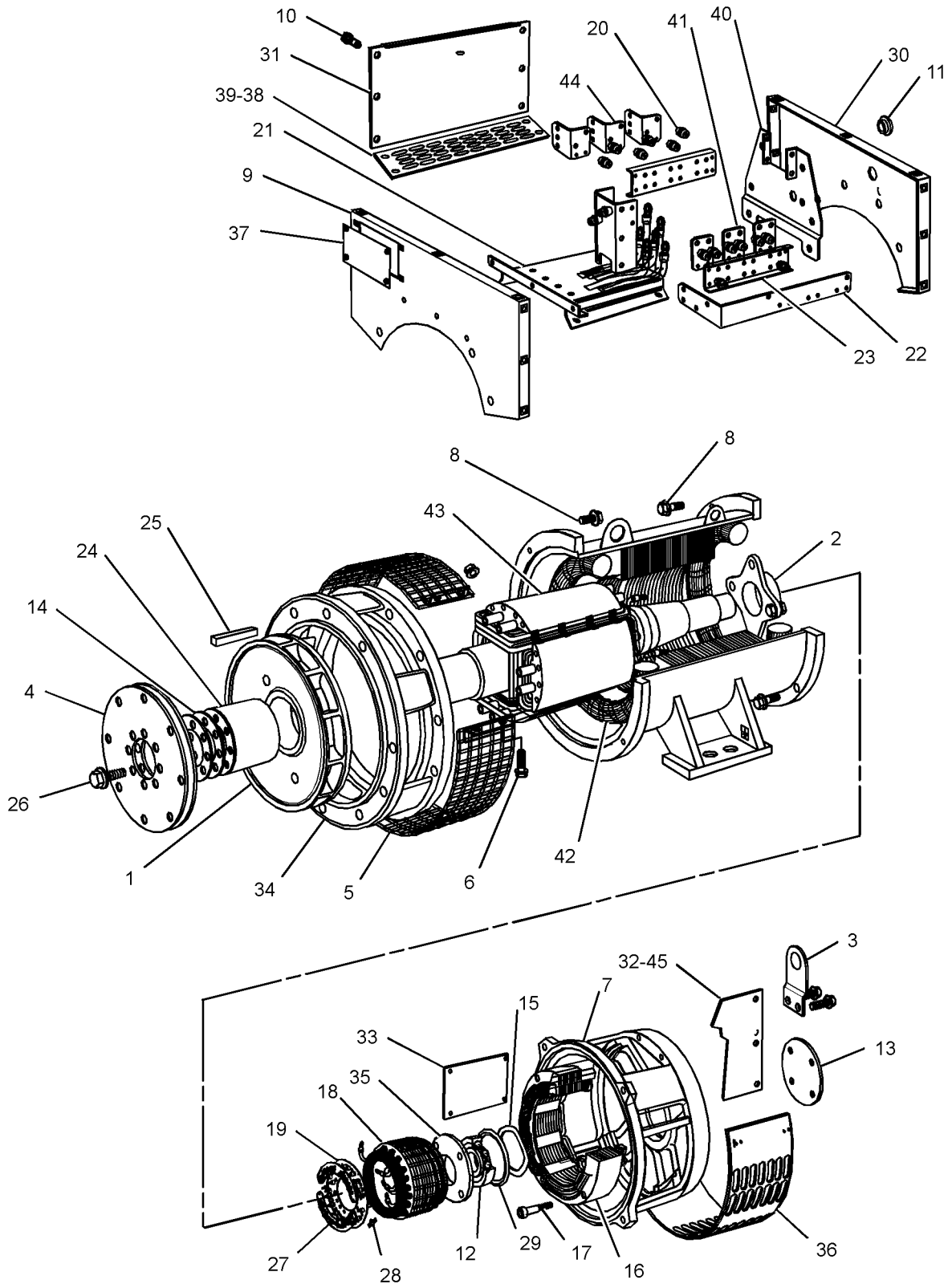
NOTE	REF NO	GRAPHIC REF	PART NUMBER	QTY	PART NAME						SEE PAGE
					1	2	3	4	5	6 (PRODUCT LEVEL)	
	1	1	241-4635	1	FAN						
	2	1	241-4636	1	DISC (BALANCING)						
	3	1	241-4637	1	EYE-LIFTING						
	4	1	250-7869	3	DISC-COUPLING						
	5	1	241-4639	1	SCREEN (AIR EXIT)						
	6	1	6C-9129	2	BOLT (M6X1-THD)						
	7	1	241-4640	1	KIT-RING (GENERATOR)						
					(INCLUDES BRACKET & O-RING)						
M	8	1	8C-6855	10	BOLT (M14X2X45-MM)						
	9	1	241-4642	1	PANEL-TERMINAL BOX						
M	10	1	235-4451	34	BOLT-FLANGE HEAD (M6X1X16-MM)						
	11	1	243-5380	1	CAP						
	12	1	241-4644	1	BEARING						
	13	1	241-4645	1	COVER						
	14	1	242-2991	1	SHIM (2-MM THK)						
	15	1	241-4647	1	RING						
	16	1	241-4603	1	EXCITER						
	17	1	241-4648	4	BOLT						
	18	1	241-4649	1	ARMATURE						
	19	1	241-4650	1	SUPPORT-DIODE						
	20	1	241-4651	16	INSULATOR-TERMINAL						
	21	1	241-4652	1	BEAM						
	22	1	241-4653	1	PLATE-COUPLING						
	23	1	241-4654	2	SUPPORT						
	24	1	241-4656	1	HUB						
	25	1	241-4657	1	KEY-WOODRUFF						
M	26	1	8C-8478	8	BOLT (M20X2.5X140-MM)						
	27	1	241-4660	1	DIODE AS						
	28	1	241-4662	1	VARISTOR						
	29	1	241-4663	1	SEAL-O-RING						
	30	1	241-4664	1	PANEL						
	31	1	241-4665	1	PANEL-ACCESS						
	32	1	254-4231	1	PLATE						
	33	1	366-1930	1	PLATE						
	34	1	250-7868	1	BRACKET						
	35	1	241-4646	1	CAP-BEARING						
	36	1	242-2981	1	SCREEN-AIR INLET						
	37	1	241-4630	1	PANEL-ACCESS						
	38	1	242-2986	1	SCREEN-AIR INLET						
	39	1	242-2987	1	SCREEN-AIR INLET						
	40	1	242-2988	1	SUPPORT						
	41	1	242-2989	3	PLATE-CONNECTION						
	42	1	250-7844	1	STATOR AS						
	43	1	250-7854	1	ROTOR AS						
	44	1	289-2813	3	TERMINAL						
	45	1	319-3523	6	NUT-CAGED						

M-METRIC PART

# GENERATORS

324-7700 GENERATOR GP (contd.)

i04939431



GRAPHIC #1

<END>

g02475263

# GENERATORS

## 324-7701 GENERATOR GP

S/N: L7A1-UP

PART OF 247-1707 GENERATOR AR

SMCS-4450

i04940090

NOTE	REF NO	GRAPHIC REF	PART NUMBER	QTY	PART NAME						SEE PAGE
					1	2	3	4	5	6 (PRODUCT LEVEL)	
	1	1	241-4635	1	FAN						
	2	1	241-4636	1	DISC (BALANCING)						
	3	1	241-4637	1	EYE-LIFTING						
	4	1	250-7869	3	DISC-COUPLING						
	5	1	241-4639	1	SCREEN (AIR EXIT)						
	6	1	6C-9129	2	BOLT (M6X1-THD)						
	7	1	241-4640	1	KIT-RING (GENERATOR)						
					(INCLUDES BRACKET & O-RING)						
M	8	1	8C-6855	10	BOLT (M14X2X45-MM)						
	9	1	241-4642	1	PANEL-TERMINAL BOX						
M	10	1	235-4451	34	BOLT-FLANGE HEAD (M6X1X16-MM)						
	11	1	243-5380	1	CAP						
	12	1	241-4644	1	BEARING						
	13	1	241-4645	1	COVER						
	14	1	242-2991	1	SHIM (2-MM THK)						
	15	1	241-4647	1	RING						
	16	1	241-4603	1	EXCITER						
	17	1	241-4648	4	BOLT						
	18	1	241-4649	1	ARMATURE						
	19	1	241-4650	1	SUPPORT-DIODE						
	20	1	241-4651	16	INSULATOR-TERMINAL						
	21	1	241-4652	1	BEAM						
	22	1	241-4653	1	PLATE-COUPLING						
	23	1	241-4654	2	SUPPORT						
	24	1	241-4656	1	HUB						
	25	1	241-4657	1	KEY-WOODRUFF						
M	26	1	8C-8478	8	BOLT (M20X2.5X140-MM)						
	27	1	241-4660	1	DIODE AS						
	28	1	241-4662	1	VARISTOR						
	29	1	241-4663	1	SEAL-O-RING						
	30	1	241-4664	1	PANEL						
	31	1	241-4665	1	PANEL-ACCESS						
	32	1	254-4231	1	PLATE						
	33	1	366-1930	1	PLATE						
	34	1	250-7868	1	BRACKET						
	35	1	241-4646	1	CAP-BEARING						
	36	1	242-2981	1	SCREEN-AIR INLET						
	37	1	241-4630	1	PANEL-ACCESS						
	38	1	242-2986	1	SCREEN-AIR INLET						
	39	1	242-2987	1	SCREEN-AIR INLET						
	40	1	242-2988	1	SUPPORT						
	41	1	242-2989	3	PLATE-CONNECTION						
	42	1	250-7848	1	STATOR AS						
	43	1	250-7855	1	ROTOR AS						
	44	1	289-2813	3	TERMINAL						
	45	1	319-3523	6	NUT-CAGED						

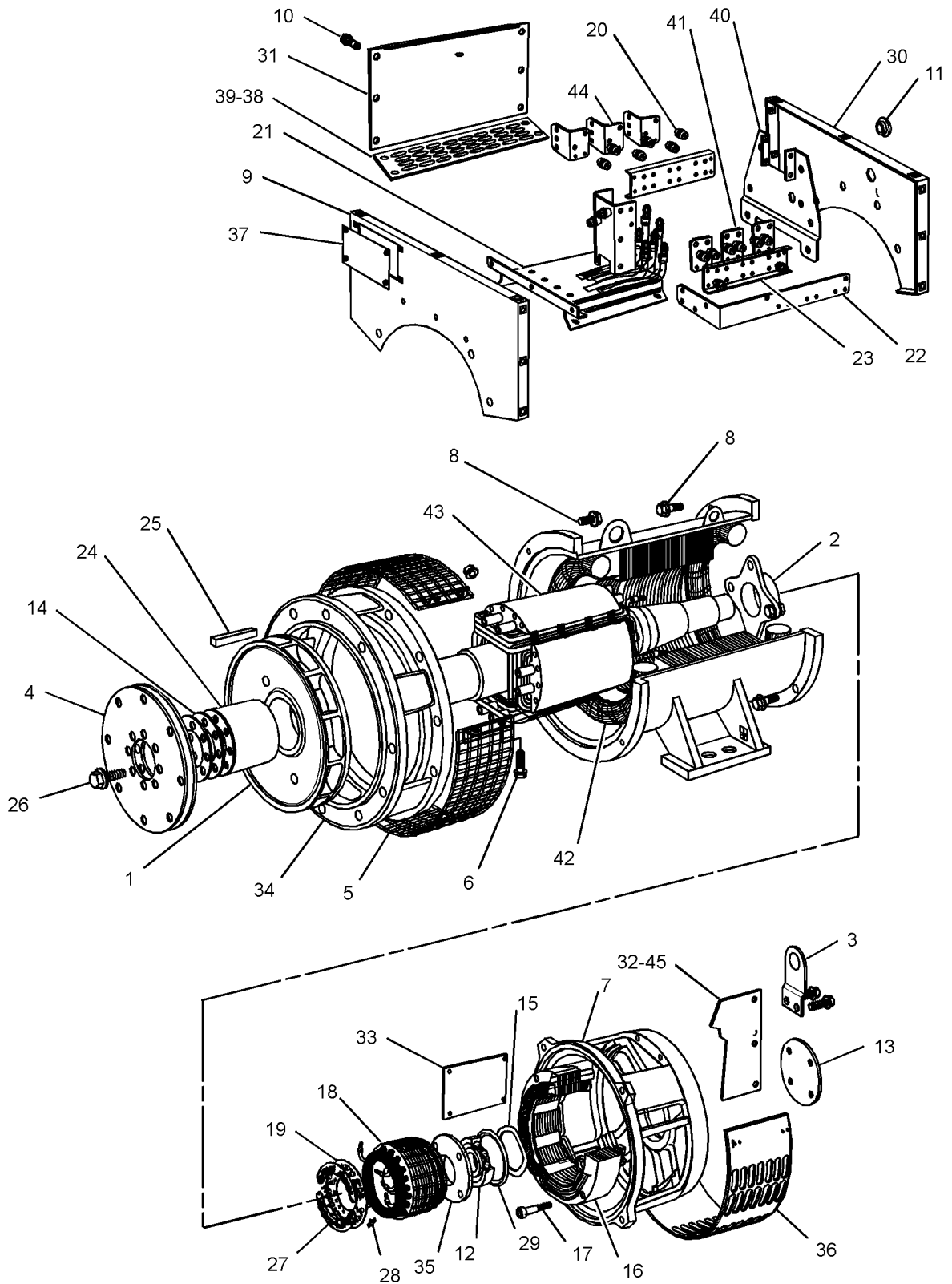
M-METRIC PART



# GENERATORS

324-7701 GENERATOR GP (contd.)

i04940090



GRAPHIC #1

<END>

g02475343

# GENERATORS

## 324-7702 GENERATOR GP

S/N: L7A1-UP

PART OF 247-1708 GENERATOR AR

SMCS-4450

i04940091

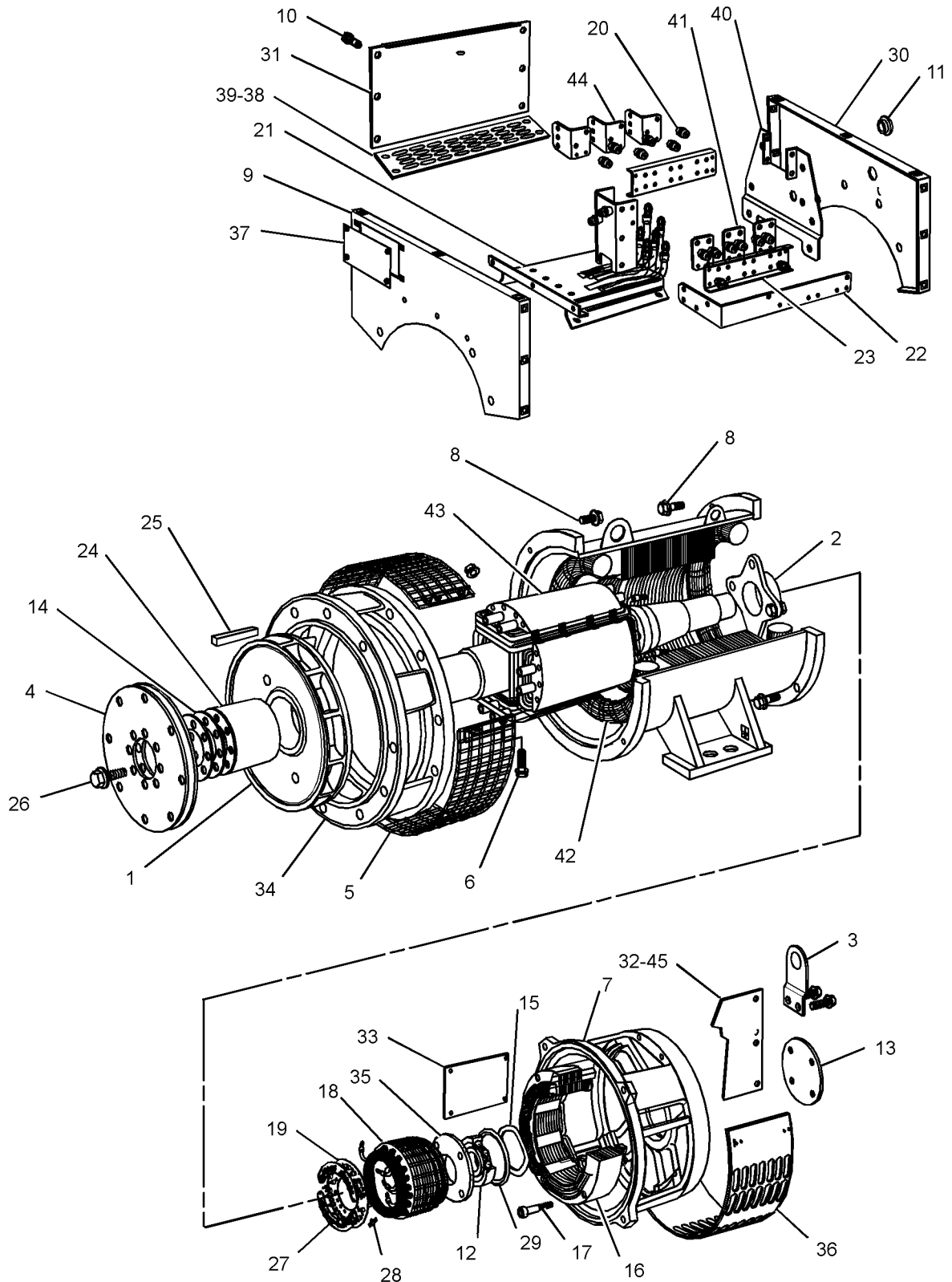
NOTE	REF NO	GRAPHIC REF	PART NUMBER	QTY	PART NAME						SEE PAGE
					1	2	3	4	5	6 (PRODUCT LEVEL)	
	1	1	241-4635	1	FAN						
	2	1	241-4636	1	DISC (BALANCING)						
	3	1	241-4637	1	EYE-LIFTING						
	4	1	250-7869	3	DISC-COUPLING						
	5	1	241-4639	1	SCREEN (AIR EXIT)						
	6	1	6C-9129	2	BOLT (M6X1-THD)						
	7	1	241-4640	1	KIT-RING (GENERATOR)						
					(INCLUDES BRACKET & O-RING)						
M	8	1	8C-6855	10	BOLT (M14X2X45-MM)						
	9	1	241-4642	1	PANEL-TERMINAL BOX						
M	10	1	235-4451	34	BOLT-FLANGE HEAD (M6X1X16-MM)						
	11	1	243-5380	1	CAP						
	12	1	241-4644	1	BEARING						
	13	1	241-4645	1	COVER						
	14	1	242-2991	1	SHIM (2-MM THK)						
	15	1	241-4647	1	RING						
	16	1	241-4603	1	EXCITER						
	17	1	241-4648	4	BOLT						
	18	1	241-4649	1	ARMATURE						
	19	1	241-4650	1	SUPPORT-DIODE						
	20	1	241-4651	16	INSULATOR-TERMINAL						
	21	1	241-4652	1	BEAM						
	22	1	241-4653	1	PLATE-COUPLING						
	23	1	241-4654	2	SUPPORT						
	24	1	241-4656	1	HUB						
	25	1	241-4657	1	KEY-WOODRUFF						
M	26	1	8C-8478	8	BOLT (M20X2.5X140-MM)						
	27	1	241-4660	1	DIODE AS						
	28	1	241-4662	1	VARISTOR						
	29	1	241-4663	1	SEAL-O-RING						
	30	1	241-4664	1	PANEL						
	31	1	241-4665	1	PANEL-ACCESS						
	32	1	254-4231	1	PLATE						
	33	1	366-1930	1	PLATE						
	34	1	250-7868	1	BRACKET						
	35	1	241-4646	1	CAP-BEARING						
	36	1	242-2981	1	SCREEN-AIR INLET						
	37	1	241-4630	1	PANEL-ACCESS						
	38	1	242-2986	1	SCREEN-AIR INLET						
	39	1	242-2987	1	SCREEN-AIR INLET						
	40	1	242-2988	1	SUPPORT						
	41	1	242-2989	3	PLATE-CONNECTION						
	42	1	250-7851	1	STATOR AS						
	43	1	250-7856	1	ROTOR AS						
	44	1	289-2813	3	TERMINAL						
	45	1	319-3523	6	NUT-CAGED						

M-METRIC PART

# GENERATORS

324-7702 GENERATOR GP (contd.)

i04940091



GRAPHIC #1

<END>

g02475365

# GENERATORS

## 324-7707 GENERATOR GP

S/N: L6B1-UP

PART OF 247-6119 GENERATOR AR

SMCS-4450

i04383605

NOTE	REF NO	GRAPHIC REF	PART NUMBER	QTY	PART NAME						SEE PAGE
					1	2	3	4	5	6 (PRODUCT LEVEL)	
	1	1	243-0147	1	STATOR AS						
R	2	1	243-0143	1	ROTOR AS						
	3	1	242-3919	1	FAN-GENERATOR						
	4	1	241-4577	1	EYE-LIFTING						
	5	1	251-3488	1	FLANGE						
M	6	1	160-8746	6	BOLT (M12X1.75X18-MM)						
	7	1	242-3924	1	SCREEN (AIR EXIT)						
	8	1	242-3926	2	SCREW (M11.5X50-MM)						
	9	1	242-3928	1	SHIELD						
	10	1	242-3929	5	SCREW (M22X70-THD)						
	11	1	242-3930	1	PANEL-TERMINAL BOX						
	12	1	242-3931	1	BOLT (M6X1X16-MM)						
	13	1	242-3932	1	SCREEN-AIR INLET						
	14	1	243-5380	1	CAP						
	15	1	243-5220	1	BEARING						
	16	1	241-4594	1	COVER						
	17	1	242-3936	2	SCREW (M15X70-MM)						
	18	1	241-4595	1	CAP-BEARING						
	19	1	241-4597	1	RING						
	20	1	242-3938	1	EXCITER						
	21	1	241-4633	4	BOLT (M6X1X80-MM)						
	22	1	242-3941	1	ARMATURE						
	23	1	241-4606	1	SUPPORT-DIODE						
	24	1	242-3943	1	TERMINAL AS						
	25	1	242-3951	3	TERMINAL						
	26	1	242-3956	1	TERMINAL (NEUTRAL)						
	27	1	242-3957	9	SCREW (M12X50-MM)						
	28	1	251-3489	1	DISC-COUPLING						
	29	1	242-3960	8	SCREW (27.7-MMX40-MM)						
	30	1	241-4618	1	SHIM (2-MM THK)						
	31	1	241-4619	1	DIODE AS						
	32	1	241-4620	1	VARISTOR						
	33	1	241-4622	1	SEAL-O-RING						
	34	1	242-3965	1	PANEL						
	35	1	242-3966	1	PANEL						
	36	1	242-3967	1	PANEL						
	37	1	242-3968	1	PANEL-ACCESS						
	38	1	307-6560	1	BRACKET						
	39	1	6V-8801	1	NUT (3/8-16-THD)						
M	40	1	8T-4000	1	SCREW-WASHER HEAD (M8X1.25X4.8-MM)						
	41	1	8T-0192	1	BOLT (3/8-16X2.25-IN)						
	42	1	3K-8909	1	LOCKWASHER						
	43	1	8T-4896	1	WASHER-HARD (10.2X18.5X2.5-MM THK)						

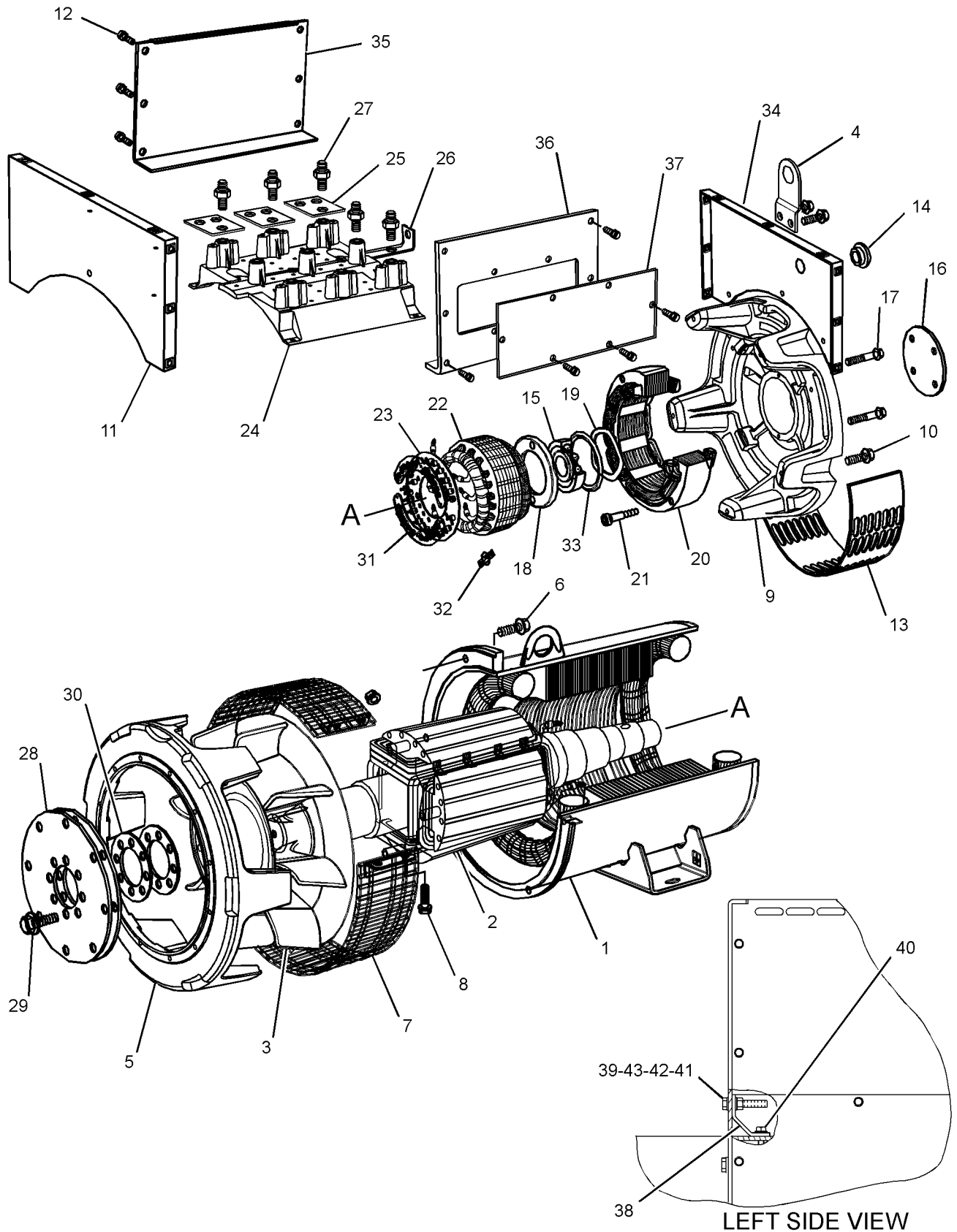
M-METRIC PART

R-REMG PART MAY BE AVAILABLE

# GENERATORS

324-7707 GENERATOR GP (contd.)

i04383605



GRAPHIC #1

<END>

g01537273

# GENERATORS

## 338-1993 GENERATOR GP

S/N: L6B1-UP

PART OF 338-1990, 338-1992 GENERATOR AR

SMCS-4450

i03903036

NOTE	REF NO	GRAPHIC REF	PART NUMBER	QTY	PART NAME						SEE PAGE
					1	2	3	4	5	6 (PRODUCT LEVEL)	
	1	1	338-7354	1	STATOR AS-MAIN						
R	2	1	338-7378	1	ROTOR AS						
	3	1	242-3919	1	FAN-GENERATOR						
	4	1	241-4577	1	EYE-LIFTING						
	5	1	242-3922	1	FLANGE						
M	6	1	160-8746	6	BOLT (M12X1.75X18-MM)						
	7	1	242-3924	1	SCREEN						
	8	1	242-3926	2	SCREW (M11.5X50-MM)						
	9	1	242-3928	1	SHIELD						
	10	1	242-3929	5	SCREW (M22X70-THD)						
	11	1	242-3930	1	PANEL-TERMINAL BOX						
	12	1	242-3931	1	BOLT (M6X1X16-MM)						
	13	1	242-3932	1	SCREEN-AIR INLET						
	14	1	243-5380	1	CAP						
	15	1	243-5220	1	BEARING						
	16	1	241-4594	1	COVER						
	17	1	242-3936	2	SCREW (M15X70-MM)						
	18	1	241-4595	1	CAP-BEARING						
	19	1	241-4597	1	RING						
	20	1	242-3938	1	EXCITER						
	21	1	241-4633	4	BOLT (M6X1X80-MM)						
	22	1	242-3941	1	ARMATURE						
	23	1	241-4606	1	SUPPORT-DIODE						
	24	1	242-3943	1	TERMINAL AS						
	25	1	242-3951	3	TERMINAL						
	26	1	242-3956	1	TERMINAL						
	27	1	242-3957	9	SCREW (M12X50-MM)						
	28	1	242-3959	3	DISC-COUPLING						
	29	1	242-3960	8	SCREW (27.7-MMX40-MM)						
	30	1	241-4618	1	SHIM (2-MM THK)						
	31	1	241-4619	1	DIODE AS						
	32	1	241-4620	1	VARISTOR						
	33	1	241-4622	1	SEAL-O-RING						
	34	1	242-3965	1	PANEL						
	35	1	242-3966	1	PANEL						
	36	1	242-3967	1	PANEL						
	37	1	242-3968	1	PANEL-ACCESS						
	38	1	307-6560	1	BRACKET						
	39	1	6V-8801	1	NUT (3/8-16-THD)						
M	40	1	8T-4000	1	SCREW-WASHER HEAD (M8X1.25X4.8-MM)						
	41	1	8T-9377	1	BOLT (3/8-16X2.25-IN)						
	42	1	4D-1326	1	LOCKWASHER						
	43	1	8T-4896	1	WASHER-HARD (10.2X18.5X2.5-MM THK)						

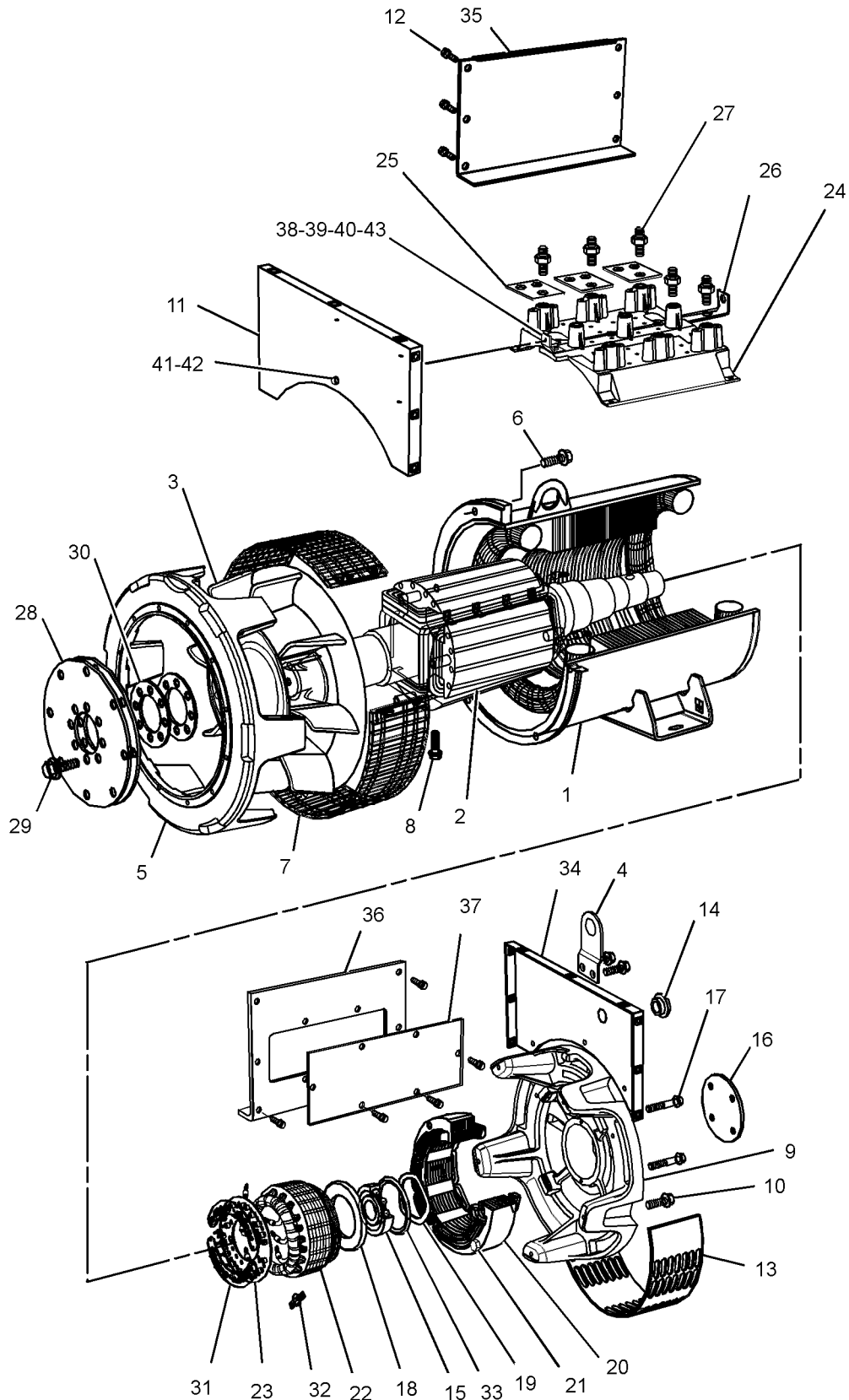
M-METRIC PART

R-REMG PART MAY BE AVAILABLE

# GENERATORS

338 - 1993 GENERATOR GP (contd.)

i03903036



GRAPHIC #1

<END>

g01819216

# GENERATORS

## 338-1997 GENERATOR GP

S/N: L6B1-UP

PART OF 338-1994, 338-1996 GENERATOR AR

SMCS-4450

i04492727

NOTE	REF NO	GRAPHIC REF	PART NUMBER	QTY	PART NAME						SEE PAGE
					1	2	3	4	5	6 (PRODUCT LEVEL)	
	1	1	338-7355	1	STATOR AS						
R	2	1	338-7378	1	ROTOR AS						
	3	1	242-3919	1	FAN-GENERATOR						
	4	1	241-4577	1	EYE-LIFTING						
	5	1	242-3922	1	FLANGE						
M	6	1	160-8746	6	BOLT (M12X1.75X18-MM)						
	7	1	242-3924	1	SCREEN (AIR EXIT)						
	8	1	242-3926	2	SCREW (M11.5X50-MM)						
	9	1	242-3928	1	SHIELD						
	10	1	242-3929	5	SCREW (M22X70-THD)						
	11	1	242-3930	1	PANEL-TERMINAL BOX						
	12	1	242-3931	1	BOLT (M6X1X16-MM)						
	13	1	242-3932	1	SCREEN-AIR INLET						
	14	1	243-5380	1	CAP						
	15	1	243-5220	1	BEARING						
	16	1	241-4594	1	COVER						
	17	1	242-3936	2	SCREW (M15X70-MM)						
	18	1	241-4595	1	CAP-BEARING						
	19	1	241-4597	1	RING						
	20	1	242-3938	1	EXCITER						
M	21	1	102-7364	4	BOLT-SOCKET HEAD (M6X1X80-MM)						
	22	1	242-3941	1	ARMATURE						
	23	1	241-4606	1	SUPPORT-DIODE						
	24	1	242-3943	1	TERMINAL AS						
	25	1	242-3951	3	TERMINAL						
	26	1	242-3956	1	TERMINAL						
	27	1	242-3957	9	SCREW (M12X50-MM)						
	28	1	242-3959	3	DISC-COUPLING						
	29	1	242-3960	8	SCREW (27.7-MMX40-MM)						
	30	1	241-4618	1	SHIM (2-MM THK)						
	31	1	241-4619	1	DIODE AS						
	32	1	241-4620	1	VARISTOR						
	33	1	241-4622	1	SEAL-O-RING						
	34	1	242-3965	1	PANEL						
	35	1	242-3966	1	PANEL						
	36	1	242-3967	1	PANEL						
	37	1	242-3968	1	PANEL-ACCESS						
	38	1	307-6560	1	BRACKET						
	39	1	6V-8801	1	NUT (3/8-16-THD)						
M	40	1	8T-4000	1	SCREW-WASHER HEAD (M8X1.25X4.8-MM)						
	41	1	8T-9377	1	BOLT (3/8-16X2.25-IN)						
	43	1	8T-4896	1	WASHER-HARD (10.2X18.5X2.5-MM THK)						

M-METRIC PART

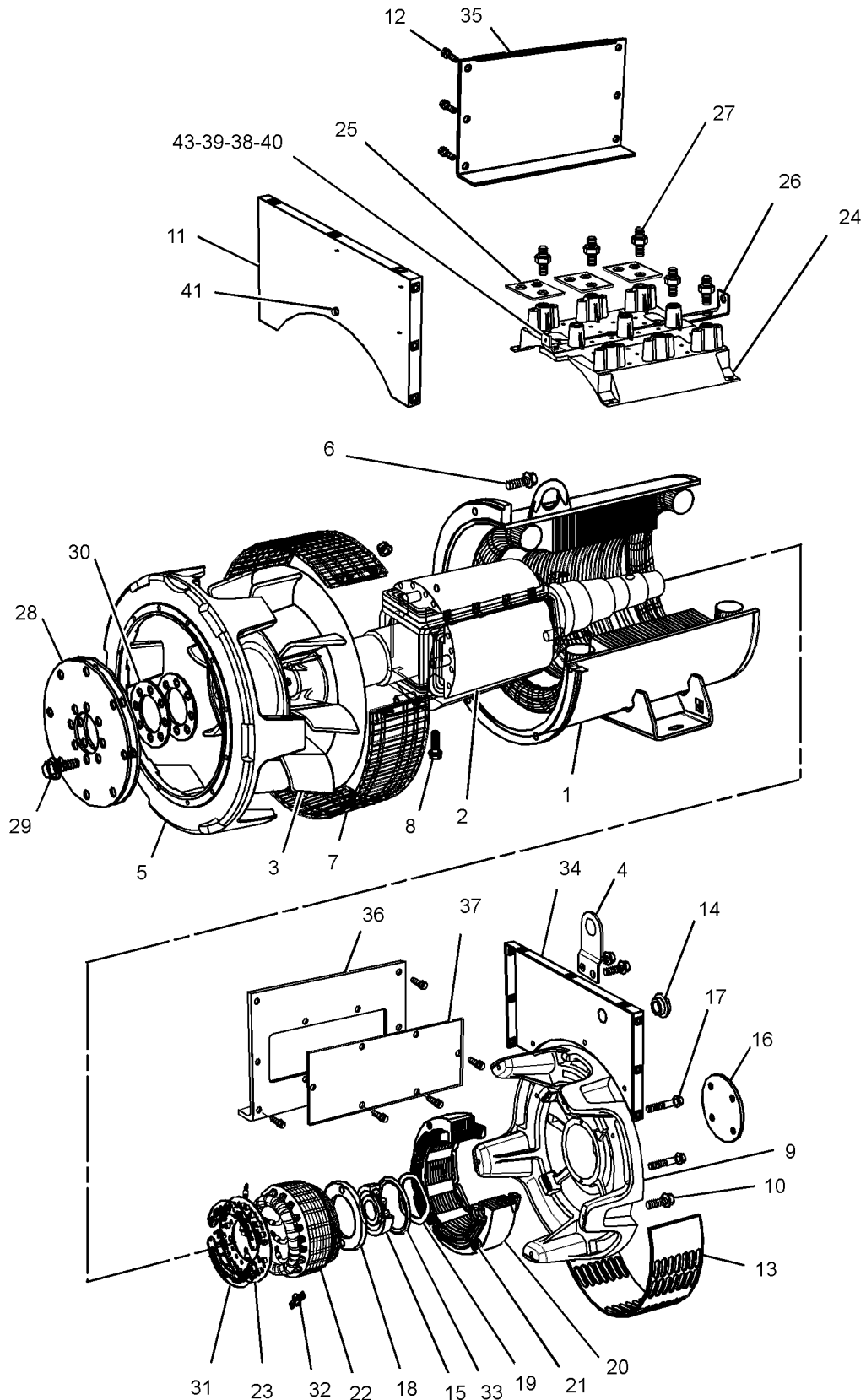
R-REMFG PART MAY BE AVAILABLE



# GENERATORS

338-1997 GENERATOR GP (contd.)

i04492727



GRAPHIC #1

<END>

g02592456

# GENERATORS

## 338-2001 GENERATOR GP

S/N: L6B1-UP

PART OF 338-1998, 338-2000 GENERATOR AR

SMCS-4450

i03902433

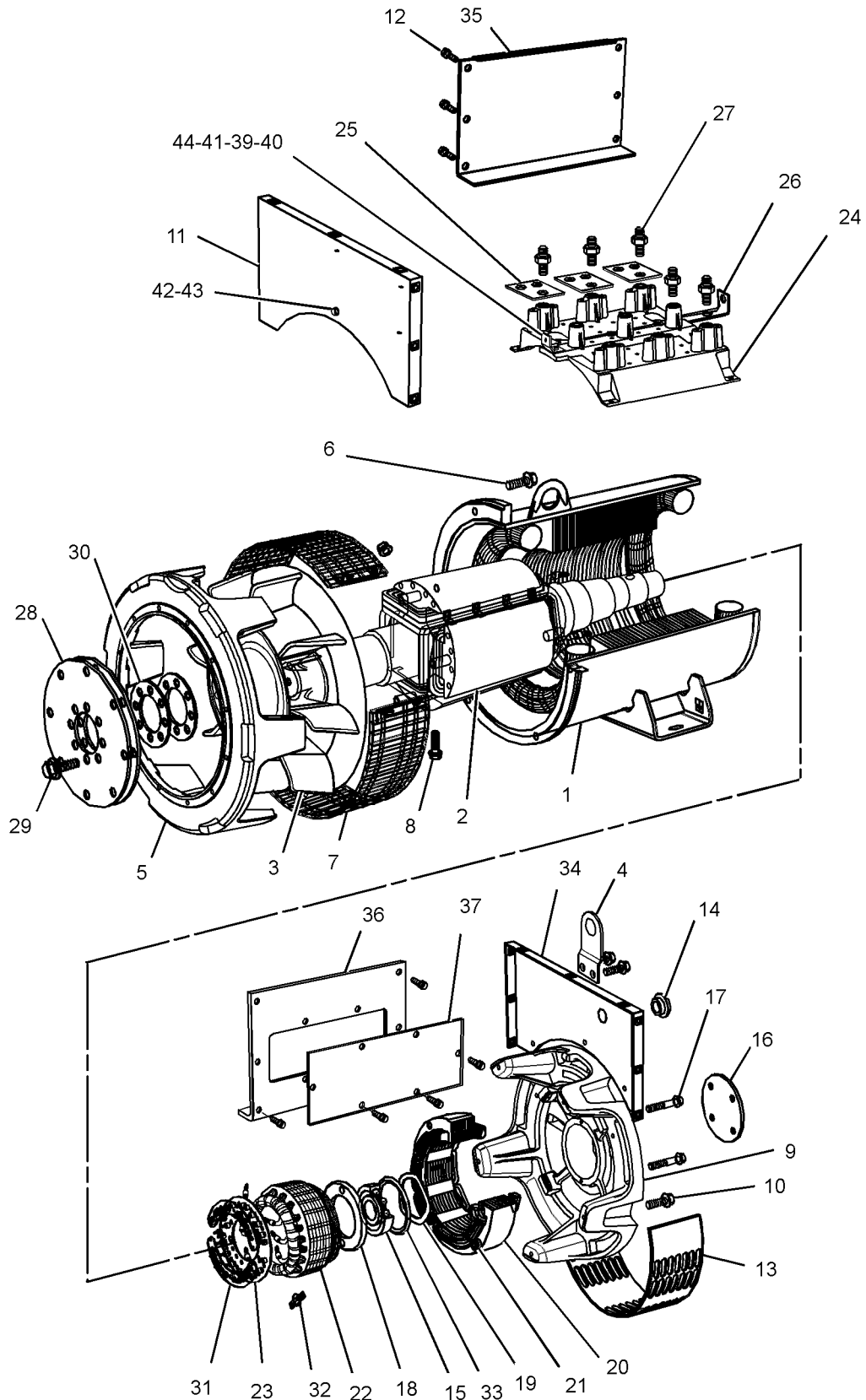
NOTE	REF NO	GRAPHIC REF	PART NUMBER	QTY	PART NAME						SEE PAGE
					1	2	3	4	5	6 (PRODUCT LEVEL)	
	1	1	338-7356	1	STATOR AS						
R	2	1	338-7378	1	ROTOR AS						
	3	1	242-3919	1	FAN-GENERATOR						
	4	1	241-4577	1	EYE-LIFTING						
	5	1	242-3922	1	FLANGE						
M	6	1	160-8746	6	BOLT (M12X1.75X18-MM)						
	7	1	242-3924	1	SCREEN						
	8	1	242-3926	2	SCREW (M11.5X50-MM)						
	9	1	242-3928	1	SHIELD						
	10	1	242-3929	5	SCREW (M22X70-THD)						
	11	1	242-3930	1	PANEL-TERMINAL BOX						
	12	1	242-3931	1	BOLT (M6X1X16-MM)						
	13	1	242-3932	1	SCREEN-AIR INLET						
	14	1	243-5380	1	CAP						
	15	1	243-5220	1	BEARING						
	16	1	241-4594	1	COVER						
	17	1	242-3936	2	SCREW (M15X70-MM)						
	18	1	241-4595	1	CAP-BEARING						
	19	1	241-4597	1	RING						
	20	1	242-3938	1	EXCITER						
	21	1	241-4633	4	BOLT (M6X1X80-MM)						
	22	1	242-3941	1	ARMATURE						
	23	1	241-4606	1	SUPPORT-DIODE						
	24	1	242-3943	1	TERMINAL AS						
	25	1	242-3951	3	TERMINAL						
	26	1	242-3956	1	TERMINAL						
	27	1	242-3957	9	SCREW (M12X50-MM)						
	28	1	242-3959	3	DISC-COUPLING						
	29	1	242-3960	8	SCREW (27.7-MMX40-MM)						
	30	1	241-4618	1	SHIM (2-MM THK)						
	31	1	241-4619	1	DIODE AS						
	32	1	241-4620	1	VARISTOR						
	33	1	241-4622	1	SEAL-O-RING						
	34	1	242-3965	1	PANEL						
	35	1	242-3966	1	PANEL						
	36	1	242-3967	1	PANEL						
	37	1	242-3968	1	PANEL-ACCESS						
	39	1	307-6560	1	BRACKET						
	40	1	6V-8801	1	NUT (3/8-16-THD)						
M	41	1	8T-4000	1	SCREW-WASHER HEAD (M8X1.25X4.8-MM)						
	42	1	8T-9377	1	BOLT (3/8-16X2.25-IN)						
	43	1	4D-1326	1	LOCKWASHER						
	44	1	8T-4896	1	WASHER-HARD (10.2X18.5X2.5-MM THK)						
F			246-5895	1	TRANSFORMER						

F-NOT SHOWN  
M-METRIC PART  
R-REMG PART MAY BE AVAILABLE

# GENERATORS

338-2001 GENERATOR GP (contd.)

i03902433



GRAPHIC #1

<END>

g01854340

# GENERATORS

## 338-2006 GENERATOR GP

S/N: L6B1-UP

PART OF 338-2003, 338-2005 GENERATOR AR

SMCS-4450

i03902458

NOTE	REF NO	GRAPHIC REF	PART NUMBER	QTY	PART NAME						SEE PAGE
					1	2	3	4	5	6 (PRODUCT LEVEL)	
	1	1	338-7357	1	STATOR AS-MAIN						
R	2	1	338-7379	1	ROTOR AS						
	3	1	242-3919	1	FAN-GENERATOR						
	4	1	241-4577	1	EYE-LIFTING						
	5	1	242-3922	1	FLANGE						
M	6	1	160-8746	6	BOLT (M12X1.75X18-MM)						
	7	1	242-3924	1	SCREEN						
	8	1	242-3926	2	SCREW (M11.5X50-MM)						
	9	1	242-3928	1	SHIELD						
	10	1	242-3929	5	SCREW (M22X70-THD)						
	11	1	242-3930	1	PANEL-TERMINAL BOX						
	12	1	242-3931	1	BOLT (M6X1X16-MM)						
	13	1	242-3932	1	SCREEN-AIR INLET						
	14	1	243-5380	1	CAP						
	15	1	243-5220	1	BEARING						
	16	1	241-4594	1	COVER						
	17	1	242-3936	2	SCREW (M15X70-MM)						
	18	1	241-4595	1	CAP-BEARING						
	19	1	241-4597	1	RING						
	20	1	242-3938	1	EXCITER						
	21	1	241-4633	4	BOLT (M6X1X80-MM)						
	22	1	242-3941	1	ARMATURE						
	23	1	241-4606	1	SUPPORT-DIODE						
	24	1	242-3943	1	TERMINAL AS						
	25	1	242-3951	3	TERMINAL						
	26	1	242-3956	1	TERMINAL						
	27	1	242-3957	9	SCREW (M12X50-MM)						
	28	1	242-3959	3	DISC-COUPLING						
	29	1	242-3960	8	SCREW (27.7-MMX40-MM)						
	30	1	241-4618	1	SHIM (2-MM THK)						
	31	1	241-4619	1	DIODE AS						
	32	1	241-4620	1	VARISTOR						
	33	1	241-4622	1	SEAL-O-RING						
	34	1	242-3965	1	PANEL						
	35	1	242-3966	1	PANEL						
	36	1	242-3967	1	PANEL						
	37	1	242-3968	1	PANEL-ACCESS						
	38	1	307-6560	1	BRACKET						
	39	1	6V-8801	1	NUT (3/8-16-THD)						
M	40	1	8T-4000	1	SCREW-WASHER HEAD (M8X1.25X4.8-MM)						
	41	1	8T-9377	1	BOLT (3/8-16X2.25-IN)						
	42	1	4D-1326	1	LOCKWASHER						
	43	1	8T-4896	1	WASHER-HARD (10.2X18.5X2.5-MM THK)						

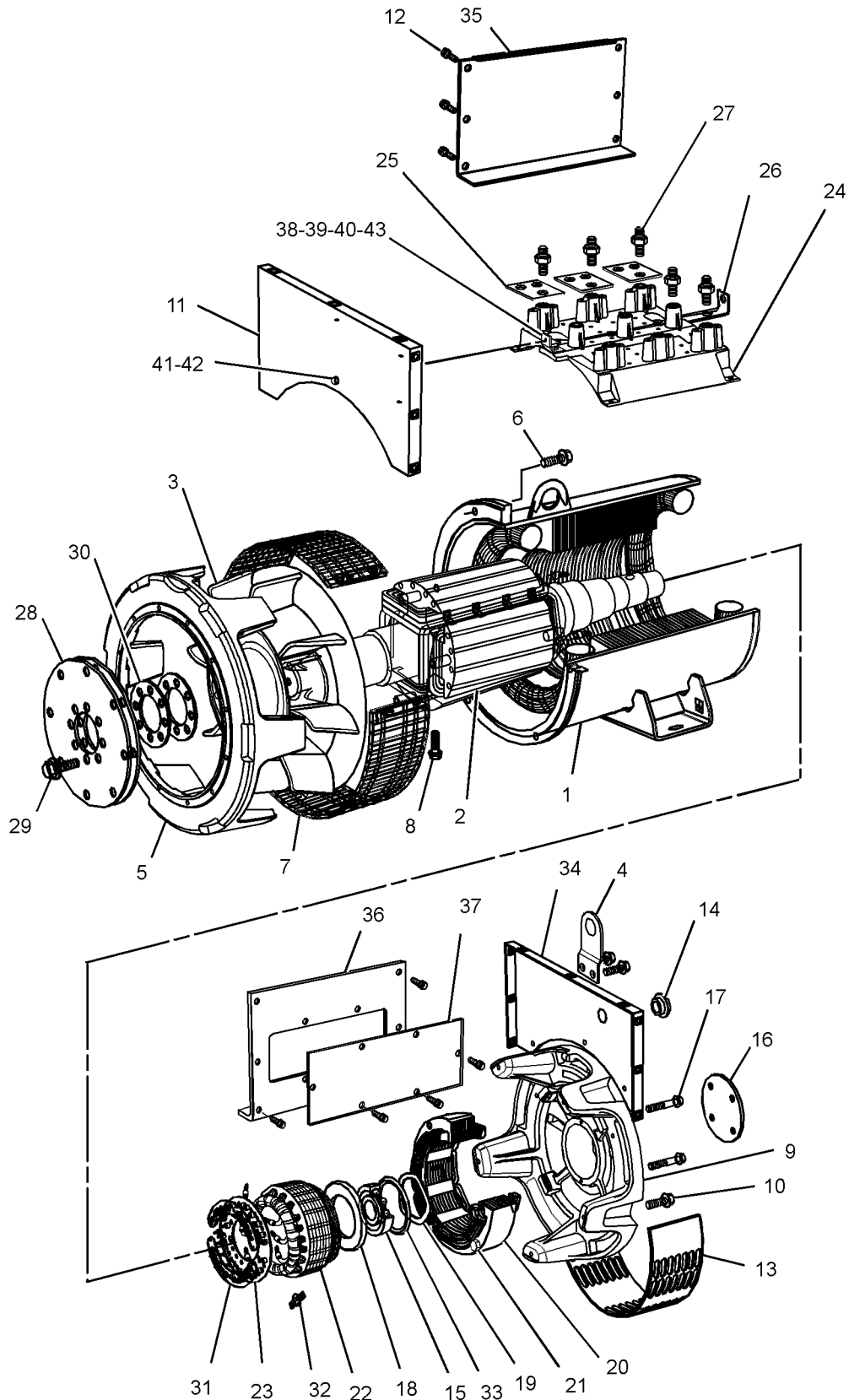
M-METRIC PART

R-REMG PART MAY BE AVAILABLE

# GENERATORS

338-2006 GENERATOR GP (contd.)

i03902458



GRAPHIC #1

<END>

g01820294

# GENERATORS

## 338-2010 GENERATOR GP

S/N: L6B1-UP

PART OF 338-2007, 338-2009 GENERATOR AR

SMCS-4450

i03902947

NOTE	REF NO	GRAPHIC REF	PART NUMBER	QTY	PART NAME						SEE PAGE
					1	2	3	4	5	6 (PRODUCT LEVEL)	
	1	1	338-7358	1	STATOR AS						
R	2	1	338-7379	1	ROTOR AS						
	3	1	242-3919	1	FAN-GENERATOR						
	4	1	241-4577	1	EYE-LIFTING						
	5	1	242-3922	1	FLANGE						
M	6	1	160-8746	6	BOLT (M12X1.75X18-MM)						
	7	1	242-3924	1	SCREEN						
	8	1	242-3926	2	SCREW (M11.5X50-MM)						
	9	1	242-3928	1	SHIELD						
	10	1	242-3929	5	SCREW (M22X70-THD)						
	11	1	242-3930	1	PANEL-TERMINAL BOX						
	12	1	242-3931	1	BOLT (M6X1X16-MM)						
	13	1	242-3932	1	SCREEN-AIR INLET						
	14	1	243-5380	1	CAP						
	15	1	243-5220	1	BEARING						
	16	1	241-4594	1	COVER						
	17	1	242-3936	2	SCREW (M15X70-MM)						
	18	1	241-4595	1	CAP-BEARING						
	19	1	241-4597	1	RING						
	20	1	242-3938	1	EXCITER						
	21	1	241-4633	4	BOLT (M6X1X80-MM)						
	22	1	242-3941	1	ARMATURE						
	23	1	241-4606	1	SUPPORT-DIODE						
	24	1	242-3943	1	TERMINAL AS						
	25	1	242-3951	3	TERMINAL						
	26	1	242-3956	1	TERMINAL						
	27	1	242-3957	9	SCREW (M12X50-MM)						
	28	1	242-3959	3	DISC-COUPLING						
	29	1	242-3960	8	SCREW (27.7-MMX40-MM)						
	30	1	241-4618	1	SHIM (2-MM THK)						
	31	1	241-4619	1	DIODE AS						
	32	1	241-4620	1	VARISTOR						
	33	1	241-4622	1	SEAL-O-RING						
	34	1	242-3965	1	PANEL						
	35	1	242-3966	1	PANEL						
	36	1	242-3967	1	PANEL						
	37	1	242-3968	1	PANEL-ACCESS						
	38	1	307-6560	1	BRACKET						
	39	1	6V-8801	1	NUT (3/8-16-THD)						
M	40	1	8T-4000	1	SCREW-WASHER HEAD (M8X1.25X4.8-MM)						
	41	1	8T-9377	1	BOLT (3/8-16X2.25-IN)						
	42	1	4D-1326	1	LOCKWASHER						
	43	1	8T-4896	1	WASHER-HARD (10.2X18.5X2.5-MM THK)						

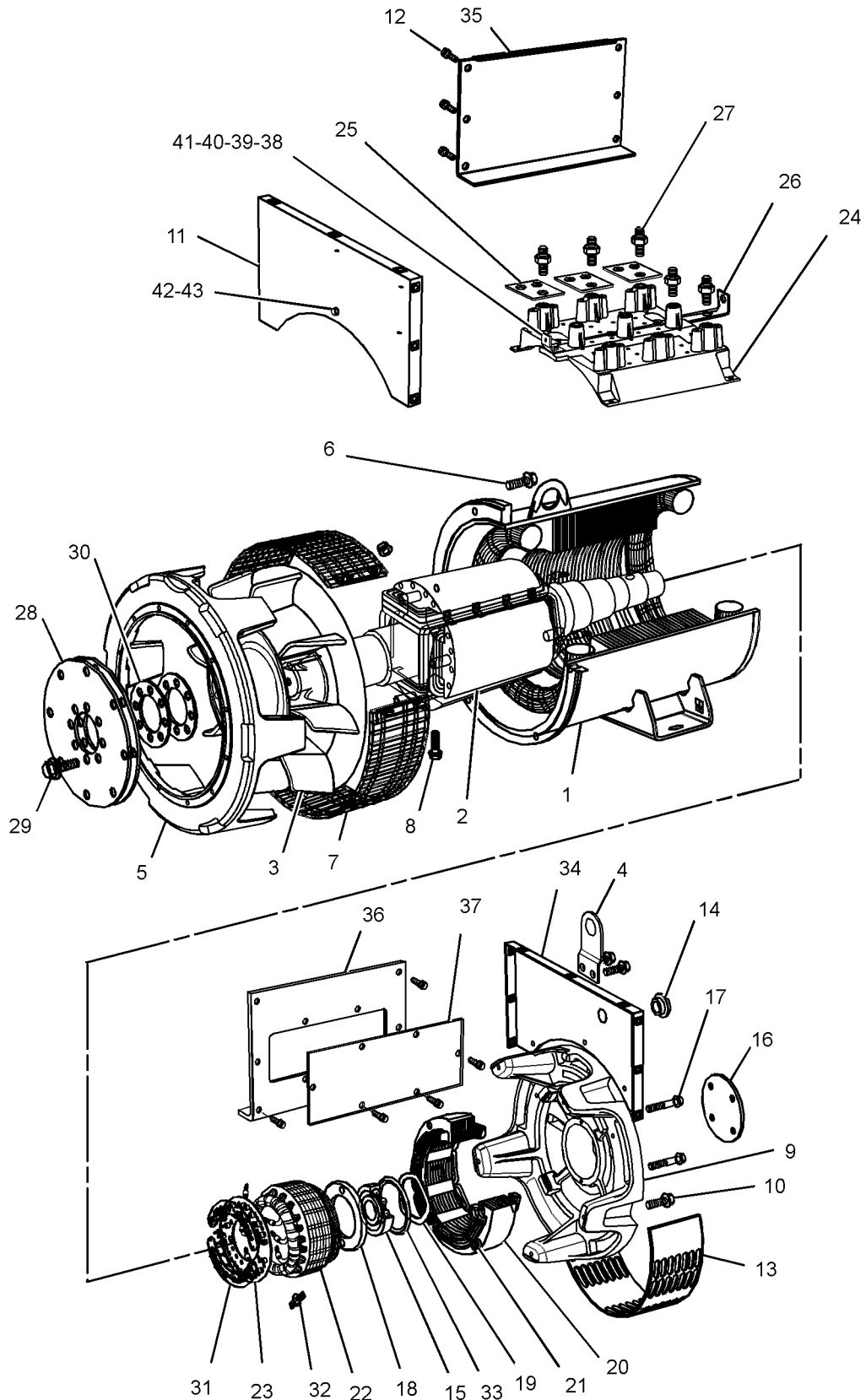
M-METRIC PART

R-REMG PART MAY BE AVAILABLE

# GENERATORS

338-2010 GENERATOR GP (contd.)

i03902947



GRAPHIC #1

<END>

g01857098

# GENERATORS

## 338-2014 GENERATOR GP

S/N: L6B1-UP

PART OF 338-2011, 338-2013 GENERATOR AR

SMCS-4450

i03902451

NOTE	REF NO	GRAPHIC REF	PART NUMBER	QTY	PART NAME						SEE PAGE
					1	2	3	4	5	6 (PRODUCT LEVEL)	
	1	1	338-7359	1	STATOR AS						
R	2	1	338-7379	1	ROTOR AS						
	3	1	242-3919	1	FAN-GENERATOR						
	4	1	241-4577	1	EYE-LIFTING						
	5	1	242-3922	1	FLANGE						
M	6	1	160-8746	6	BOLT (M12X1.75X18-MM)						
	7	1	242-3924	1	SCREEN						
	8	1	242-3926	2	SCREW (M11.5X50-MM)						
	9	1	242-3928	1	SHIELD						
	10	1	242-3929	5	SCREW (M22X70-THD)						
	11	1	242-3930	1	PANEL-TERMINAL BOX						
	12	1	242-3931	1	BOLT (M6X1X16-MM)						
	13	1	242-3932	1	SCREEN-AIR INLET						
	14	1	243-5380	1	CAP						
	15	1	243-5220	1	BEARING						
	16	1	241-4594	1	COVER						
	17	1	242-3936	2	SCREW (M15X70-MM)						
	18	1	241-4595	1	CAP-BEARING						
	19	1	241-4597	1	RING						
	20	1	242-3938	1	EXCITER						
	21	1	241-4633	4	BOLT (M6X1X80-MM)						
	22	1	242-3941	1	ARMATURE						
	23	1	241-4606	1	SUPPORT-DIODE						
	24	1	242-3943	1	TERMINAL AS						
	25	1	242-3951	3	TERMINAL						
	26	1	242-3956	1	TERMINAL						
	27	1	242-3957	9	SCREW (M12X50-MM)						
	28	1	242-3959	3	DISC-COUPLING						
	29	1	242-3960	8	SCREW (27.7-MMX40-MM)						
	30	1	241-4618	1	SHIM (2-MM THK)						
	31	1	241-4619	1	DIODE AS						
	32	1	241-4620	1	VARISTOR						
	33	1	241-4622	1	SEAL-O-RING						
	34	1	242-3965	1	PANEL						
	35	1	242-3966	1	PANEL						
	36	1	242-3967	1	PANEL						
	37	1	242-3968	1	PANEL-ACCESS						
	38	1	307-6560	1	BRACKET						
	39	1	6V-8801	1	NUT (3/8-16-THD)						
M	40	1	8T-4000	1	SCREW-WASHER HEAD (M8X1.25X4.8-MM)						
	41	1	8T-9377	1	BOLT (3/8-16X2.25-IN)						
	42	1	4D-1326	1	LOCKWASHER						
	43	1	8T-4896	1	WASHER-HARD (10.2X18.5X2.5-MM THK)						
F			246-5895	1	TRANSFORMER						

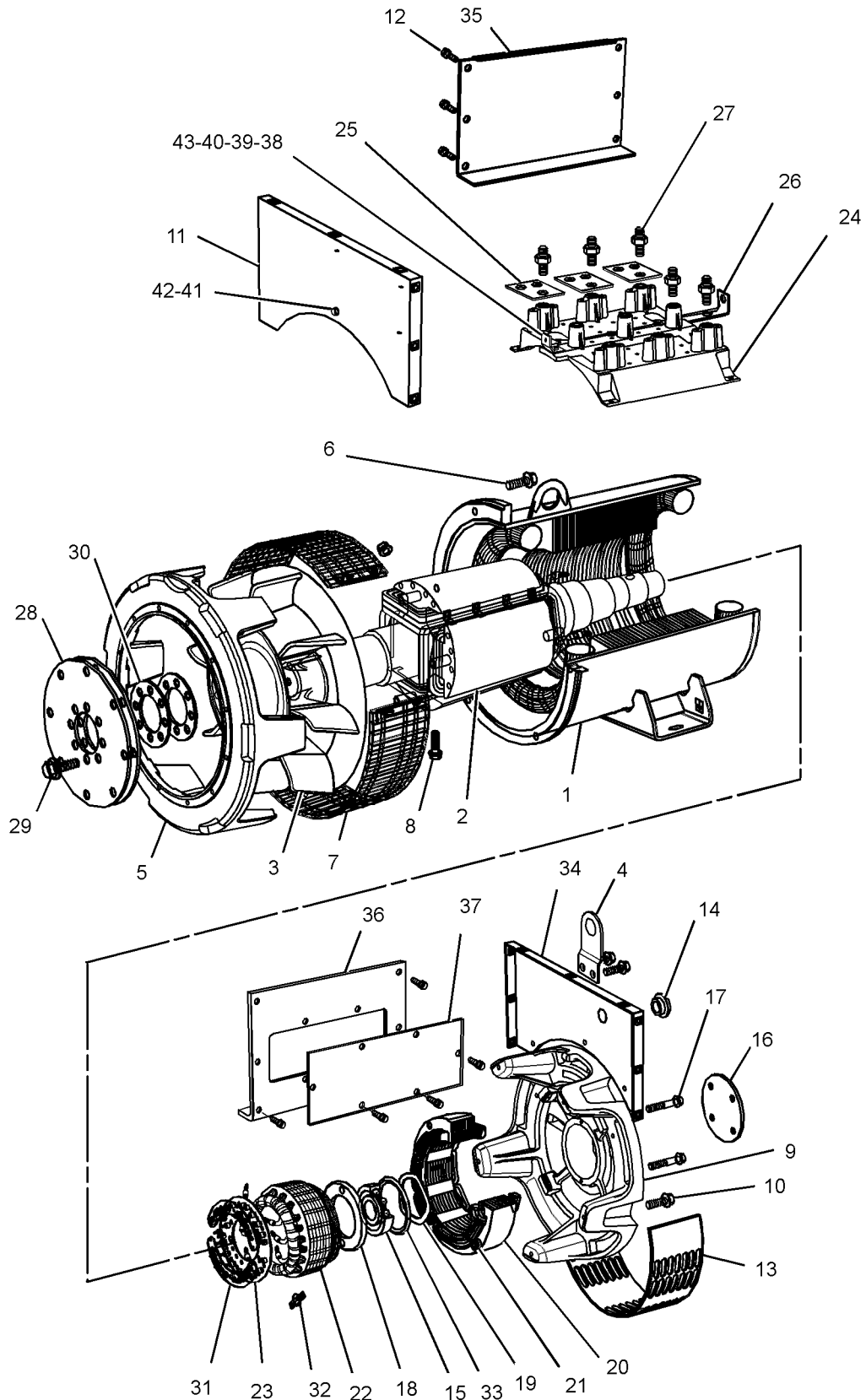
F-NOT SHOWN  
M-METRIC PART  
R-REMGF PART MAY BE AVAILABLE



# GENERATORS

338-2014 GENERATOR GP (contd.)

i03902451



GRAPHIC #1

<END>

g01857193

# GENERATORS

## 338-2018 GENERATOR GP

S/N: L6B1-UP

PART OF 338-2015, 338-2017 GENERATOR AR

SMCS-4450

i03902676

NOTE	REF NO	GRAPHIC REF	PART NUMBER	QTY	PART NAME						SEE PAGE
					1	2	3	4	5	6 (PRODUCT LEVEL)	
	1	2	338-7360	1	STATOR AS-MAIN						
R	2	2	338-7380	1	ROTOR AS						
	3	2	242-3919	1	FAN-GENERATOR						
	4	2	241-4577	1	EYE-LIFTING						
	5	2	242-3922	1	FLANGE						
M	6	2	160-8746	6	BOLT (M12X1.75X18-MM)						
	7	2	242-3924	1	SCREEN (AIR EXIT)						
	8	2	242-3926	2	SCREW (M11.5X50-MM)						
	9	2	242-3928	1	SHIELD						
	10	2	242-3929	5	SCREW (M22X70-THD)						
	11	2	242-3930	1	PANEL-TERMINAL BOX						
	12	2	242-3931	1	BOLT (M6X1X16-MM)						
	13	2	242-3932	1	SCREEN-AIR INLET						
	14	2	243-5380	1	CAP						
	15	2	243-5220	1	BEARING						
	16	2	241-4594	1	COVER						
	17	2	242-3936	2	SCREW (M15X70-MM)						
	18	2	241-4595	1	CAP-BEARING						
	19	2	241-4597	1	RING						
	20	2	242-3938	1	EXCITER						
	21	2	241-4633	4	BOLT (M6X1X80-MM)						
	22	2	242-3941	1	ARMATURE						
	23	2	241-4606	1	SUPPORT-DIODE						
	24	2	242-3943	1	TERMINAL AS						
	25	2	242-3951	3	TERMINAL						
	26	2	242-3956	1	TERMINAL (NEUTRAL)						
	27	2	242-3957	9	SCREW (M12X50-MM)						
	28	2	242-3959	3	DISC-COUPLING						
	29	2	242-3960	8	SCREW (27.7-MMX40-MM)						
	30	2	241-4618	1	SHIM (2-MM THK)						
	31	2	241-4619	1	DIODE AS						
	32	2	241-4620	1	VARISTOR						
	33	2	241-4622	1	SEAL-O-RING						
	34	2	242-3965	1	PANEL (TERMINAL)						
	35	2	242-3966	1	PANEL						
	36	2	242-3967	1	PANEL						
	37	2	242-3968	1	PANEL-ACCESS						
	38	1	307-6560	1	BRACKET						
	39	1	6V-8801	1	NUT (3/8-16-THD)						
M	40	1	8T-4000	1	SCREW-WASHER HEAD (M8X1.25X4.8-MM)						
	41	1	8T-9377	1	BOLT (3/8-16X2.25-IN)						
	42	1	4D-1326	1	LOCKWASHER						
	43	1	8T-4896	1	WASHER-HARD (10.2X18.5X2.5-MM THK)						

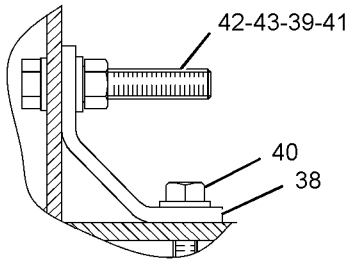
M-METRIC PART

R-REMFG PART MAY BE AVAILABLE

# GENERATORS

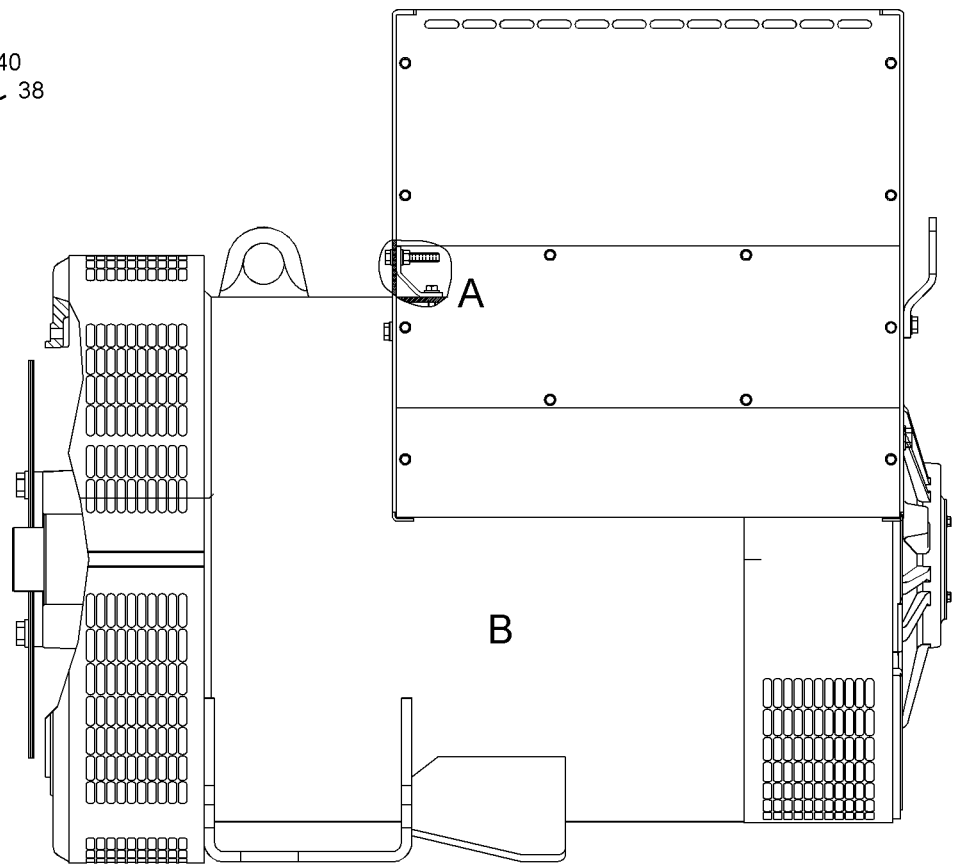
338-2018 GENERATOR GP (contd.)

i03902676



VIEW OF AREA A

REFER TO ALL ILLUSTRATIONS OF THIS GROUP FOR AUXILIARY VIEWS



LEFT SIDE VIEW

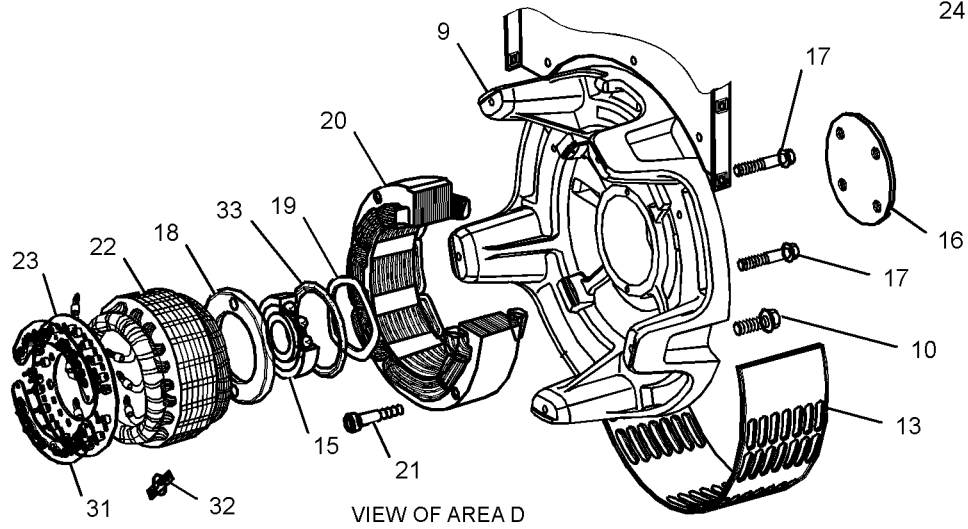
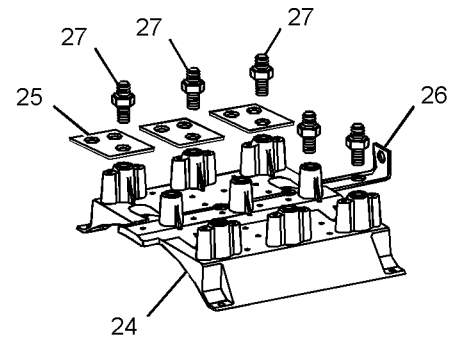
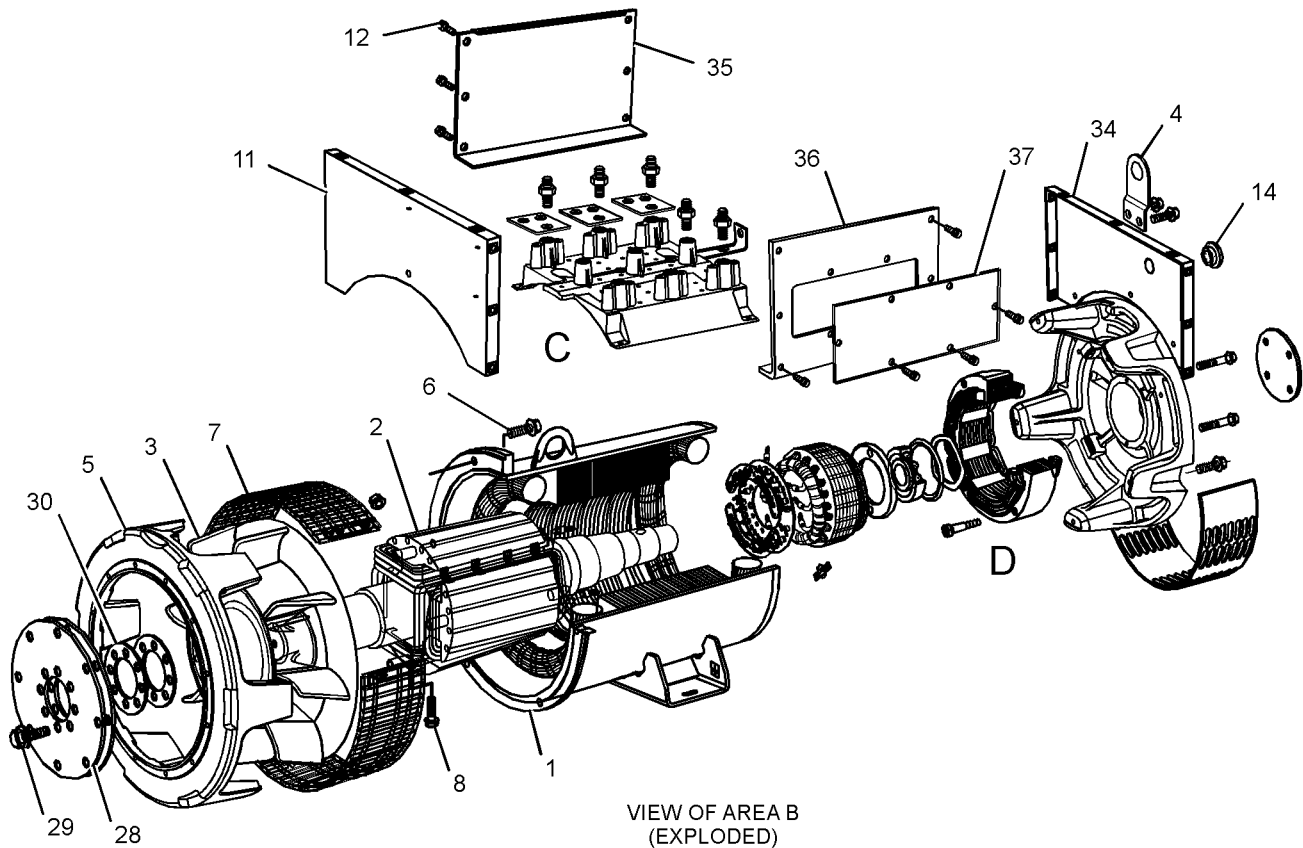
GRAPHIC #1

g01818873

# GENERATORS

338-2018 GENERATOR GP (contd.)

i03902676



GRAPHIC #2

<END>

g01818874

# GENERATORS

## 338-2022 GENERATOR GP

S/N: L6B1-UP

PART OF 338-2019, 338-2021 GENERATOR AR

SMCS-4450

i05022212

NOTE	REF NO	GRAPHIC REF	PART NUMBER	QTY	PART NAME						SEE PAGE
					1	2	3	4	5	6 (PRODUCT LEVEL)	
	1	2	338-7360	1	STATOR AS-MAIN						
R	2	2	338-7380	1	ROTOR AS						
	3	2	242-3919	1	FAN-GENERATOR						
	4	2	241-4577	1	EYE-LIFTING						
	5	2	251-3488	1	FLANGE						
M	6	2	160-8746	6	BOLT (M12X1.75X18-MM)						
	7	2	242-3924	1	SCREEN						
	8	2	242-3926	2	SCREW (M11.5X50-MM)						
	9	2	242-3928	1	SHIELD						
	10	2	242-3929	5	SCREW (M22X70-THD)						
	11	2	242-3930	1	PANEL-TERMINAL BOX						
	12	2	242-3931	1	BOLT (M6X1X16-MM)						
	13	2	242-3932	1	SCREEN-AIR INLET						
	14	2	243-5380	1	CAP						
	15	2	243-5220	1	BEARING						
	16	2	241-4594	1	COVER						
	17	2	242-3936	2	SCREW (M15X70-MM)						
	18	2	241-4595	1	CAP-BEARING						
	19	2	241-4597	1	RING						
	20	2	242-3938	1	EXCITER						
	21	2	241-4633	4	BOLT (M6X1X80-MM)						
	22	2	242-3941	1	ARMATURE						
	23	2	241-4606	1	SUPPORT-DIODE						
	24	2	242-3943	1	TERMINAL AS						
	25	2	242-3951	3	TERMINAL						
	26	2	242-3956	1	TERMINAL						
	27	2	242-3957	9	SCREW (M12X50-MM)						
	28	2	251-3489	1	DISC-COUPLING						
	29	2	242-3960	8	SCREW (27.7-MMX40-MM)						
	30	2	241-4618	1	SHIM (2-MM THK)						
	31	2	241-4619	1	DIODE AS						
	32	2	241-4620	1	VARISTOR						
	33	2	241-4622	1	SEAL-O-RING						
	34	2	242-3965	1	PANEL						
	35	2	242-3966	1	PANEL						
	36	2	242-3967	1	PANEL						
	37	2	242-3968	1	PANEL-ACCESS						
	38	1	307-6560	1	BRACKET						
	39	1	6V-8801	1	NUT (3/8-16-THD)						
M	40	1	8T-4000	1	SCREW-WASHER HEAD (M8X1.25X4.8-MM)						
	41	1	8T-9377	1	BOLT (3/8-16X2.25-IN)						
	42	1	4D-1326	1	LOCKWASHER						
	43	1	8T-4896	1	WASHER-HARD (10.2X18.5X2.5-MM THK)						

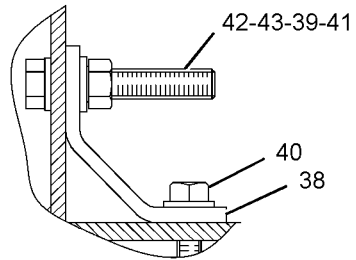
M-METRIC PART

R-REMFG PART MAY BE AVAILABLE

# GENERATORS

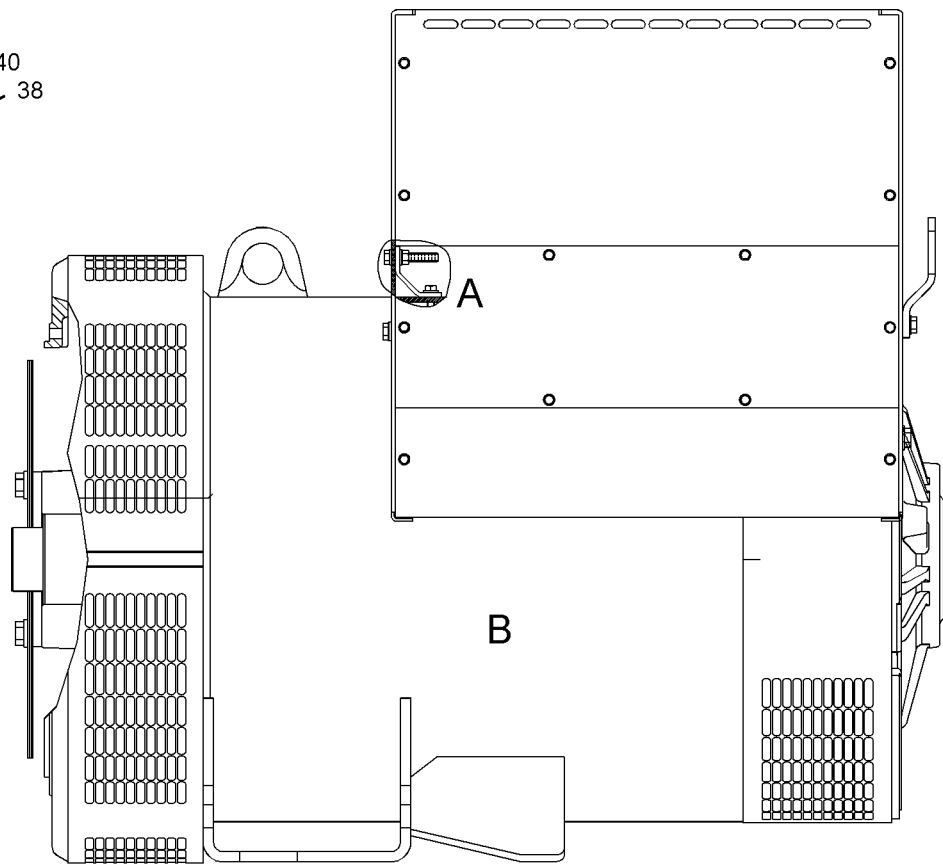
338-2022 GENERATOR GP (contd.)

i05022212



VIEW OF AREA A

REFER TO ALL ILLUSTRATIONS OF THIS GROUP FOR AUXILIARY VIEWS



LEFT SIDE VIEW

GRAPHIC #1

g01818873



# GENERATORS

## 338-2026 GENERATOR GP

S/N: L6B1-UP

PART OF 338-2023, 338-2025 GENERATOR AR

SMCS-4450

i04936508

NOTE	REF NO	GRAPHIC REF	PART NUMBER	QTY	PART NAME						SEE PAGE
					1	2	3	4	5	6 (PRODUCT LEVEL)	
	1	1	338-7361	1	STATOR AS						
R	2	1	338-7380	1	ROTOR AS						
	3	1	242-3919	1	FAN-GENERATOR						
	4	1	241-4577	1	EYE-LIFTING						
	5	1	242-3922	1	FLANGE						
M	6	1	160-8746	6	BOLT (M12X1.75X18-MM)						
	7	1	242-3924	1	SCREEN						
	8	1	242-3926	2	SCREW (M11.5X50-MM)						
	9	1	242-3928	1	SHIELD						
	10	1	242-3929	5	SCREW (M22X70-THD)						
	11	1	242-3930	1	PANEL-TERMINAL BOX						
	12	1	242-3931	1	BOLT (M6X1X16-MM)						
	13	1	242-3932	1	SCREEN-AIR INLET						
	14	1	243-5380	1	CAP						
	15	1	243-5220	1	BEARING						
	16	1	241-4594	1	COVER						
	17	1	242-3936	2	SCREW (M15X70-MM)						
	18	1	241-4595	1	CAP-BEARING						
	19	1	241-4597	1	RING						
	20	1	242-3938	1	EXCITER						
	21	1	241-4633	4	BOLT (M6X1X80-MM)						
	22	1	242-3941	1	ARMATURE						
	23	1	241-4606	1	SUPPORT-DIODE						
	24	1	242-3943	1	TERMINAL AS						
	25	1	242-3951	3	TERMINAL						
	26	1	242-3956	1	TERMINAL						
	27	1	242-3957	9	SCREW (M12X50-MM)						
	28	1	242-3959	3	DISC-COUPLING						
	29	1	242-3960	8	SCREW (27.7-MMX40-MM)						
	30	1	241-4618	1	SHIM (2-MM THK)						
	31	1	241-4619	1	DIODE AS						
	32	1	241-4620	1	VARISTOR						
	33	1	241-4622	1	SEAL-O-RING						
	34	1	242-3965	1	PANEL						
	35	1	242-3966	1	PANEL						
	36	1	242-3967	1	PANEL						
	37	1	242-3968	1	PANEL-ACCESS						
	38	1	307-6560	1	BRACKET						
	39	1	6V-8801	1	NUT (3/8-16-THD)						
M	40	1	8T-4000	1	SCREW-WASHER HEAD (M8X1.25X4.8-MM)						
	41	1	8T-9377	1	BOLT (3/8-16X2.25-IN)						
	42	1	8T-4896	1	WASHER-HARD (10.2X18.5X2.5-MM THK)						

M-METRIC PART

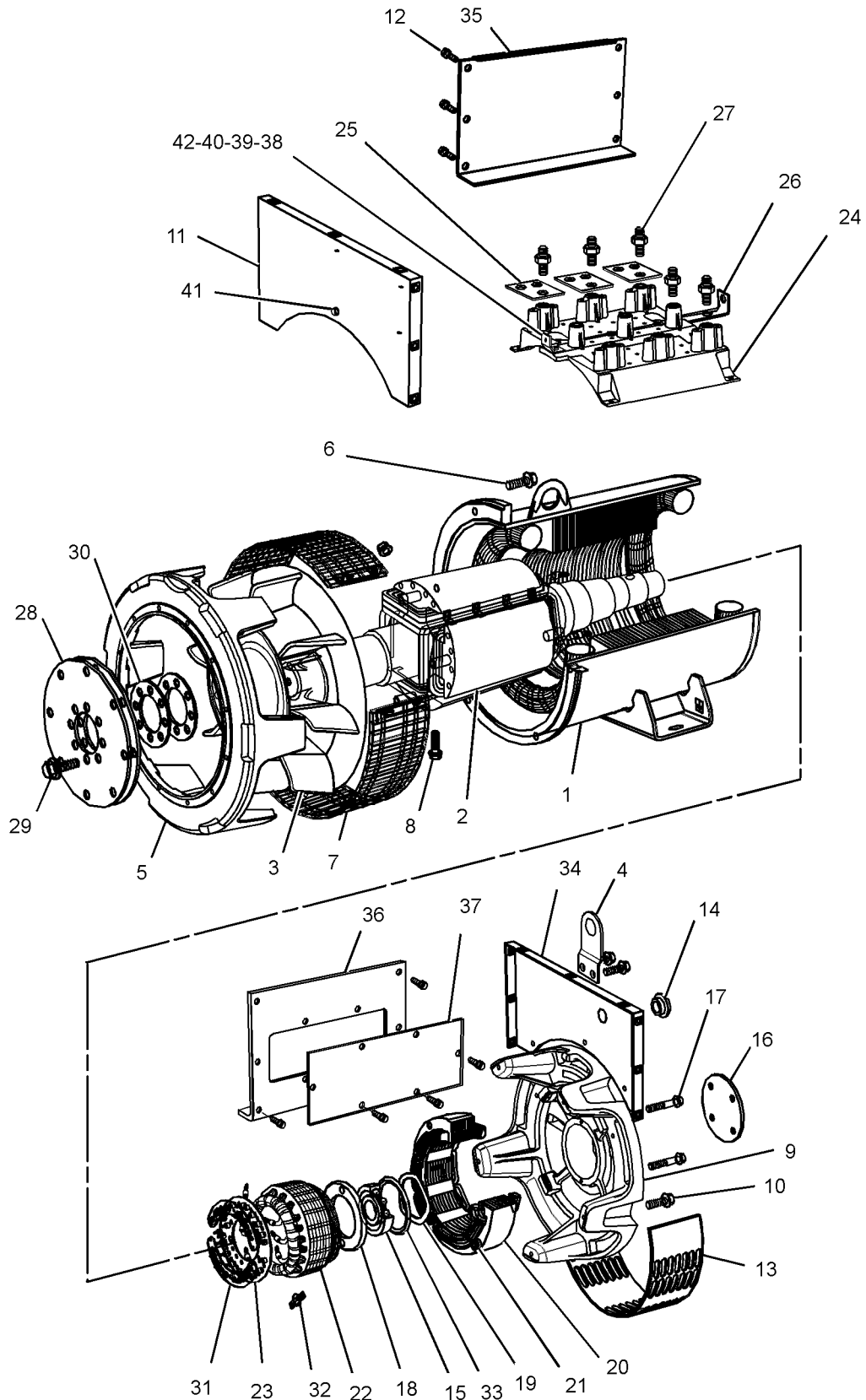
R-REMFG PART MAY BE AVAILABLE



# GENERATORS

338-2026 GENERATOR GP (contd.)

i04936508



GRAPHIC #1

<END>

g03174377

# GENERATORS

## 338-2030 GENERATOR GP

S/N: L6B1-UP

PART OF 338-2027, 338-2029 GENERATOR AR

SMCS-4450

i04492706

NOTE	REF NO	GRAPHIC REF	PART NUMBER	QTY	PART NAME						SEE PAGE
					1	2	3	4	5	6 (PRODUCT LEVEL)	
	1	1	338-7361	1	STATOR AS						
R	2	1	338-7380	1	ROTOR AS						
	3	1	242-3919	1	FAN-GENERATOR						
	4	1	241-4577	1	EYE-LIFTING						
	5	1	251-3488	1	FLANGE						
M	6	1	160-8746	6	BOLT (M12X1.75X18-MM)						
	7	1	242-3924	1	SCREEN (AIR EXIT)						
	8	1	242-3926	2	SCREW (M11.5X50-MM)						
	9	1	242-3928	1	SHIELD						
	10	1	242-3929	5	SCREW (M22X70-THD)						
	11	1	242-3930	1	PANEL-TERMINAL BOX						
	12	1	242-3931	1	BOLT (M6X1X16-MM)						
	13	1	242-3932	1	SCREEN-AIR INLET						
	14	1	243-5380	1	CAP						
	15	1	243-5220	1	BEARING						
	16	1	241-4594	1	COVER						
	17	1	242-3936	2	SCREW (M15X70-MM)						
	18	1	241-4595	1	CAP-BEARING						
	19	1	241-4597	1	RING						
	20	1	242-3938	1	EXCITER						
	21	1	241-4633	4	BOLT (M6X1X80-MM)						
	22	1	242-3941	1	ARMATURE						
	23	1	241-4606	1	SUPPORT-DIODE						
	24	1	242-3943	1	TERMINAL AS						
	25	1	242-3951	3	TERMINAL						
	26	1	242-3956	1	TERMINAL						
	27	1	242-3957	9	SCREW (M12X50-MM)						
	28	1	251-3489	1	DISC-COUPLING						
	29	1	242-3960	8	SCREW (27.7-MMX40-MM)						
	30	1	241-4618	1	SHIM (2-MM THK)						
	31	1	241-4619	1	DIODE AS						
	32	1	241-4620	1	VARISTOR						
	33	1	241-4622	1	SEAL-O-RING						
	34	1	242-3965	1	PANEL						
	35	1	242-3966	1	PANEL						
	36	1	242-3967	1	PANEL						
	37	1	242-3968	1	PANEL-ACCESS						
	38	1	307-6560	1	BRACKET						
	39	1	6V-8801	1	NUT (3/8-16-THD)						
M	40	1	8T-4000	1	SCREW-WASHER HEAD (M8X1.25X4.8-MM)						
	41	1	8T-9377	1	BOLT (3/8-16X2.25-IN)						
	42	1	3K-8909	1	LOCKWASHER						
	43	1	8T-4896	1	WASHER-HARD (10.2X18.5X2.5-MM THK)						

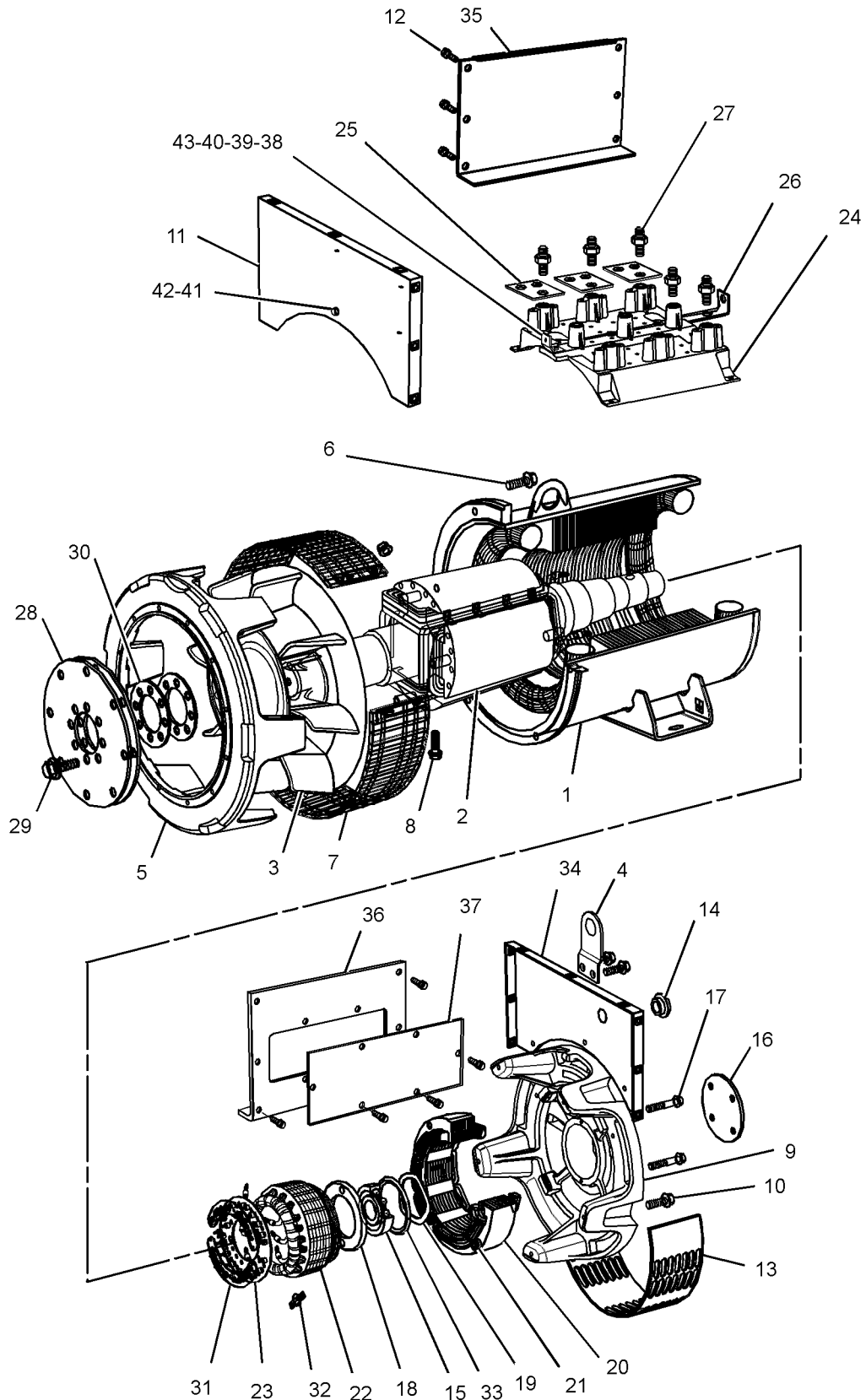
M-METRIC PART

R-REMG PART MAY BE AVAILABLE

# GENERATORS

338-2030 GENERATOR GP (contd.)

i04492706



GRAPHIC #1

<END>

g01857494

# GENERATORS

## 338-2034 GENERATOR GP

S/N: L6B1-UP

PART OF 338-2031, 338-2033 GENERATOR AR

SMCS-4450

i03902407

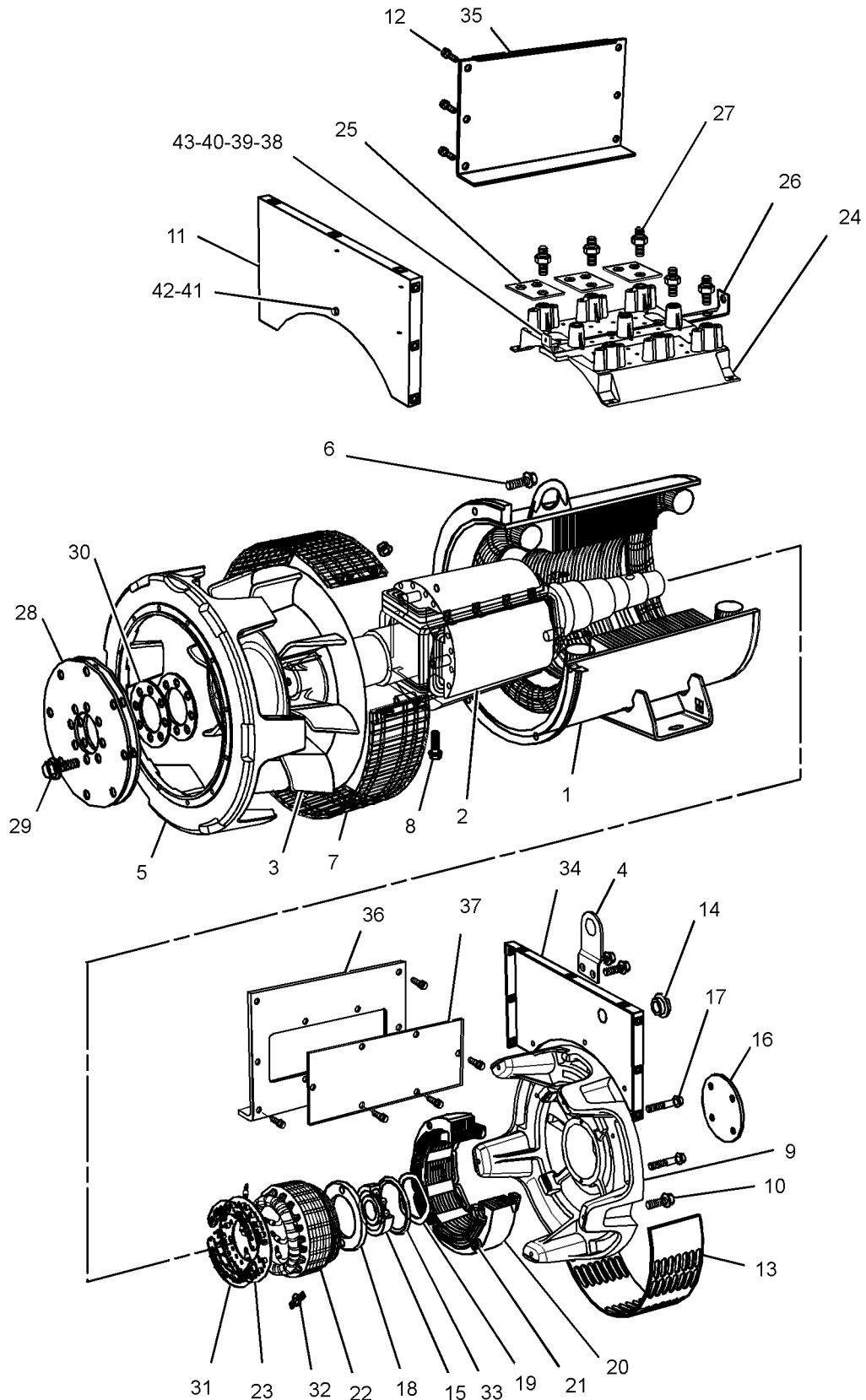
NOTE	REF NO	GRAPHIC REF	PART NUMBER	QTY	PART NAME						SEE PAGE
					1	2	3	4	5	6 (PRODUCT LEVEL)	
	1	1	338-7362	1	STATOR AS						
R	2	1	338-7380	1	ROTOR AS						
	3	1	242-3919	1	FAN-GENERATOR						
	4	1	241-4577	1	EYE-LIFTING						
	5	1	242-3922	1	FLANGE						
M	6	1	160-8746	6	BOLT (M12X1.75X18-MM)						
	7	1	242-3924	1	SCREEN						
	8	1	242-3926	2	SCREW (M11.5X50-MM)						
	9	1	242-3928	1	SHIELD						
	10	1	242-3929	5	SCREW (M22X70-THD)						
	11	1	242-3930	1	PANEL-TERMINAL BOX						
	12	1	242-3931	1	BOLT (M6X1X16-MM)						
	13	1	242-3932	1	SCREEN-AIR INLET						
	14	1	243-5380	1	CAP						
	15	1	243-5220	1	BEARING						
	16	1	241-4594	1	COVER						
	17	1	242-3936	2	SCREW (M15X70-MM)						
	18	1	241-4595	1	CAP-BEARING						
	19	1	241-4597	1	RING						
	20	1	242-3938	1	EXCITER						
	21	1	241-4633	4	BOLT (M6X1X80-MM)						
	22	1	242-3941	1	ARMATURE						
	23	1	241-4606	1	SUPPORT-DIODE						
	24	1	242-3943	1	TERMINAL AS						
	25	1	242-3951	3	TERMINAL						
	26	1	242-3956	1	TERMINAL						
	27	1	242-3957	9	SCREW (M12X50-MM)						
	28	1	242-3959	3	DISC-COUPLING						
	29	1	242-3960	8	SCREW (27.7-MMX40-MM)						
	30	1	241-4618	1	SHIM (2-MM THK)						
	31	1	241-4619	1	DIODE AS						
	32	1	241-4620	1	VARISTOR						
	33	1	241-4622	1	SEAL-O-RING						
	34	1	242-3965	1	PANEL						
	35	1	242-3966	1	PANEL						
	36	1	242-3967	1	PANEL						
	37	1	242-3968	1	PANEL-ACCESS						
	38	1	307-6560	1	BRACKET						
	39	1	6V-8801	1	NUT (3/8-16-THD)						
M	40	1	8T-4000	1	SCREW-WASHER HEAD (M8X1.25X4.8-MM)						
	41	1	8T-9377	1	BOLT (3/8-16X2.25-IN)						
	42	1	4D-1326	1	LOCKWASHER						
	43	1	8T-4896	1	WASHER-HARD (10.2X18.5X2.5-MM THK)						
F			246-5895	1	TRANSFORMER						

F-NOT SHOWN  
M-METRIC PART  
R-REMG PART MAY BE AVAILABLE

# GENERATORS

338-2034 GENERATOR GP (contd.)

i03902407



GRAPHIC #1

<END>

g01857536

# GENERATORS

## 338-2055 GENERATOR GP

S/N: L6B1-UP

PART OF 338-2052, 338-2054 GENERATOR AR

SMCS-4450

i03902396

NOTE	REF NO	GRAPHIC REF	PART NUMBER	QTY	PART NAME						SEE PAGE
					1	2	3	4	5	6 (PRODUCT LEVEL)	
	1	1	338-7363	1	STATOR AS-MAIN						
R	2	1	338-7381	1	ROTOR AS						
	3	1	242-3919	1	FAN-GENERATOR						
	4	1	241-4577	1	EYE-LIFTING						
	5	1	242-3922	1	FLANGE						
M	6	1	160-8746	6	BOLT (M12X1.75X18-MM)						
	7	1	242-3924	1	SCREEN						
	8	1	242-3926	2	SCREW (M11.5X50-MM)						
	9	1	242-3928	1	SHIELD						
	10	1	242-3929	5	SCREW (M22X70-THD)						
	11	1	242-3930	1	PANEL-TERMINAL BOX						
	12	1	242-3931	1	BOLT (M6X1X16-MM)						
	13	1	242-3932	1	SCREEN-AIR INLET						
	14	1	243-5380	1	CAP						
	15	1	243-5220	1	BEARING						
	16	1	241-4594	1	COVER						
	17	1	242-3936	2	SCREW (M15X70-MM)						
	18	1	241-4595	1	CAP-BEARING						
	19	1	241-4597	1	RING						
	20	1	242-3938	1	EXCITER						
	21	1	241-4633	4	BOLT (M6X1X80-MM)						
	22	1	242-3941	1	ARMATURE						
	23	1	241-4606	1	SUPPORT-DIODE						
	24	1	242-3943	1	TERMINAL AS						
	25	1	242-3951	3	TERMINAL						
	26	1	242-3956	1	TERMINAL						
	27	1	242-3957	9	SCREW (M12X50-MM)						
	28	1	242-3959	3	DISC-COUPLING						
	29	1	242-3960	8	SCREW (27.7-MMX40-MM)						
	30	1	241-4618	1	SHIM (2-MM THK)						
	31	1	241-4619	1	DIODE AS						
	32	1	241-4620	1	VARISTOR						
	33	1	241-4622	1	SEAL-O-RING						
	34	1	242-3965	1	PANEL						
	35	1	242-3966	1	PANEL						
	36	1	242-3967	1	PANEL						
	37	1	242-3968	1	PANEL-ACCESS						
	38	1	307-6560	1	BRACKET						
	39	1	6V-8801	1	NUT (3/8-16-THD)						
M	40	1	8T-4000	1	SCREW-WASHER HEAD (M8X1.25X4.8-MM)						
	41	1	8T-9377	1	BOLT (3/8-16X2.25-IN)						
	42	1	4D-1326	1	LOCKWASHER						
	43	1	8T-4896	1	WASHER-HARD (10.2X18.5X2.5-MM THK)						

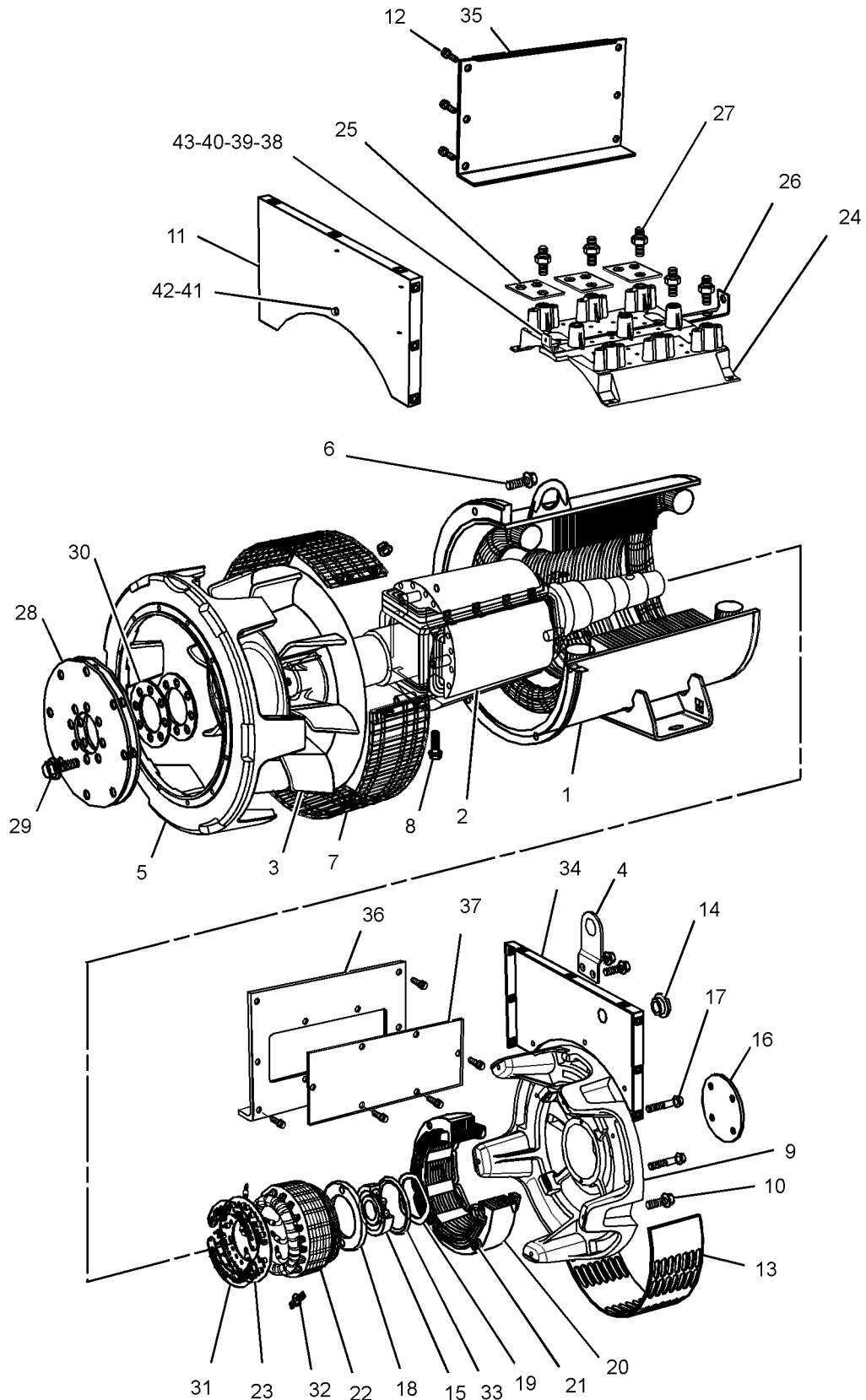
M-METRIC PART

R-REMG PART MAY BE AVAILABLE

# GENERATORS

338-2055 GENERATOR GP (contd.)

i03902396



GRAPHIC #1

<END>

g01857613

# GENERATORS

## 338-2059 GENERATOR GP

S/N: L6B1-UP

PART OF 338-2056, 338-2058 GENERATOR AR

SMCS-4450

i04492710

NOTE	REF NO	GRAPHIC REF	PART NUMBER	QTY	PART NAME						SEE PAGE
					1	2	3	4	5	6 (PRODUCT LEVEL)	
	1	2	338-7363	1	STATOR AS-MAIN						
R	2	2	338-7381	1	ROTOR AS						
	3	2	242-3919	1	FAN-GENERATOR						
	4	2	241-4577	1	EYE-LIFTING						
	5	2	251-3488	1	FLANGE						
M	6	2	160-8746	6	BOLT (M12X1.75X18-MM)						
	7	2	242-3924	1	SCREEN (AIR EXIT)						
	8	2	242-3926	2	SCREW (M11.5X50-MM)						
	9	2	242-3928	1	SHIELD						
	10	2	242-3929	5	SCREW (M22X70-THD)						
	11	2	242-3930	1	PANEL-TERMINAL BOX						
	12	2	242-3931	1	BOLT (M6X1X16-MM)						
	13	2	242-3932	1	SCREEN-AIR INLET						
	14	2	243-5380	1	CAP						
	15	2	243-5220	1	BEARING						
	16	2	241-4594	1	COVER						
	17	2	242-3936	2	SCREW (M15X70-MM)						
	18	2	241-4595	1	CAP-BEARING						
	19	2	241-4597	1	RING						
	20	2	242-3938	1	EXCITER						
	21	2	241-4633	4	BOLT (M6X1X80-MM)						
	22	2	242-3941	1	ARMATURE						
	23	2	241-4606	1	SUPPORT-DIODE						
	24	2	242-3943	1	TERMINAL AS						
	25	2	242-3951	3	TERMINAL						
	26	2	242-3956	1	TERMINAL (NEUTRAL)						
	27	2	242-3957	9	SCREW (M12X50-MM)						
	28	2	251-3489	1	DISC-COUPLING						
	29	2	242-3960	8	SCREW (27.7-MMX40-MM)						
	30	2	241-4618	1	SHIM (2-MM THK)						
	31	2	241-4619	1	DIODE AS						
	32	2	241-4620	1	VARISTOR						
	33	2	241-4622	1	SEAL-O-RING						
	34	2	242-3965	1	PANEL (TERMINAL)						
	35	2	242-3966	1	PANEL						
	36	2	242-3967	1	PANEL						
	37	2	242-3968	1	PANEL-ACCESS						
	38	1	307-6560	1	BRACKET						
	39	1	6V-8801	1	NUT (3/8-16-THD)						
M	40	1	8T-4000	1	SCREW-WASHER HEAD (M8X1.25X4.8-MM)						
	41	1	8T-9377	1	BOLT (3/8-16X2.25-IN)						
	42	1	4D-1326	1	LOCKWASHER						
	43	1	8T-4896	1	WASHER-HARD (10.2X18.5X2.5-MM THK)						

M-METRIC PART

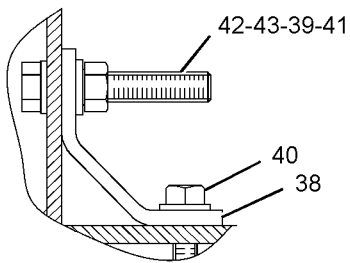
R-REMFG PART MAY BE AVAILABLE



# GENERATORS

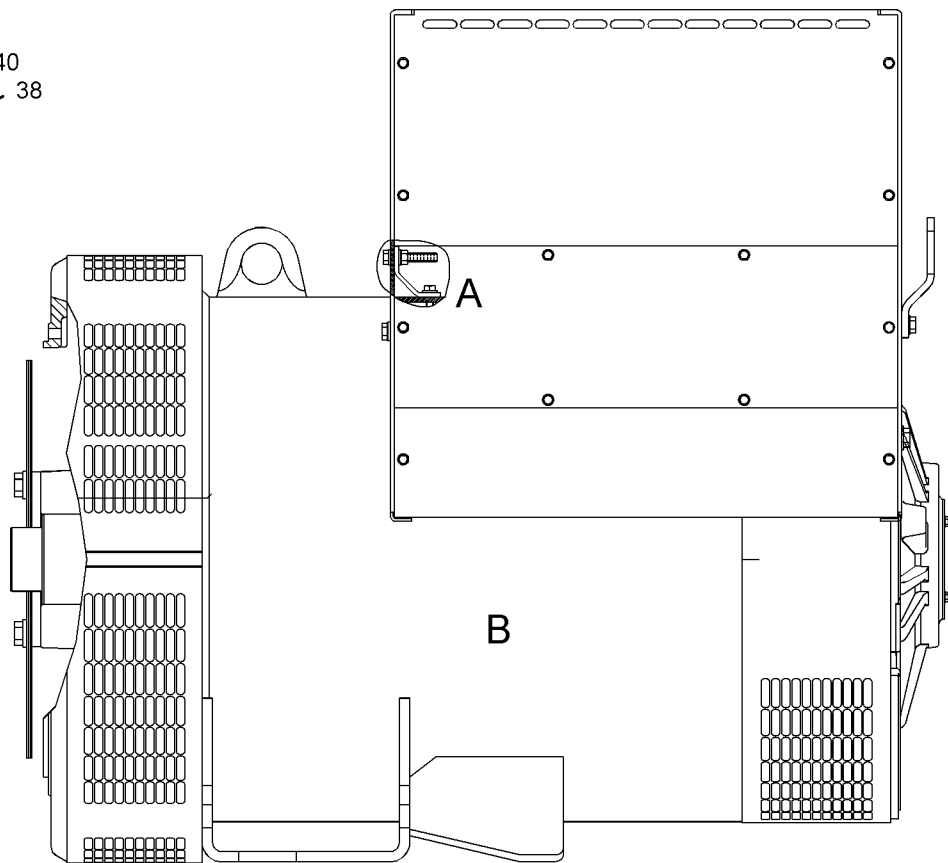
338-2059 GENERATOR GP (contd.)

i04492710



VIEW OF AREA A

REFER TO ALL ILLUSTRATIONS OF THIS GROUP FOR AUXILIARY VIEWS



LEFT SIDE VIEW

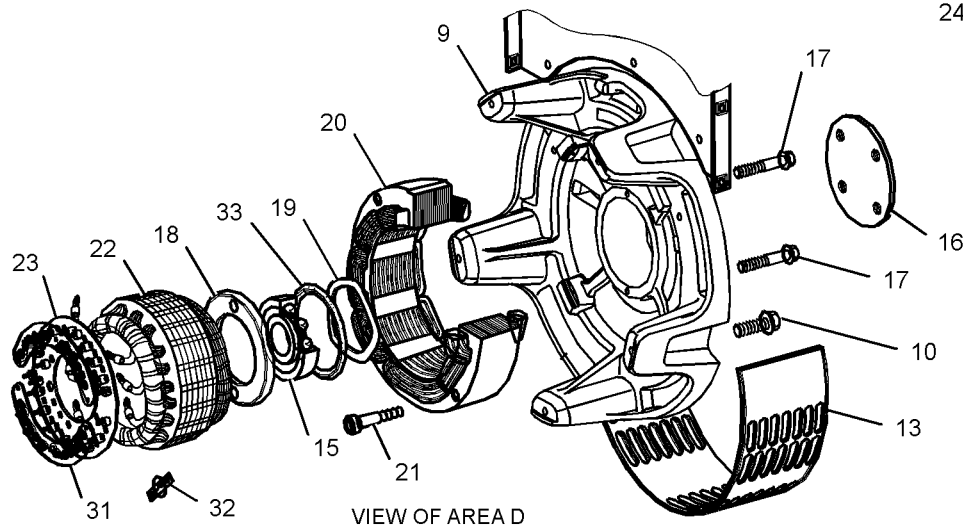
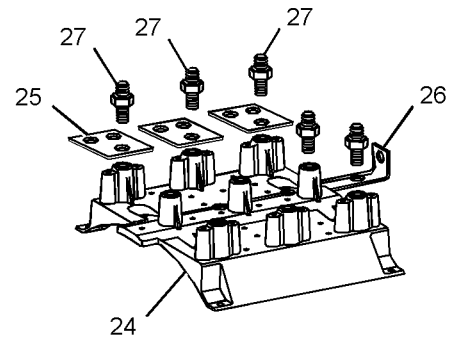
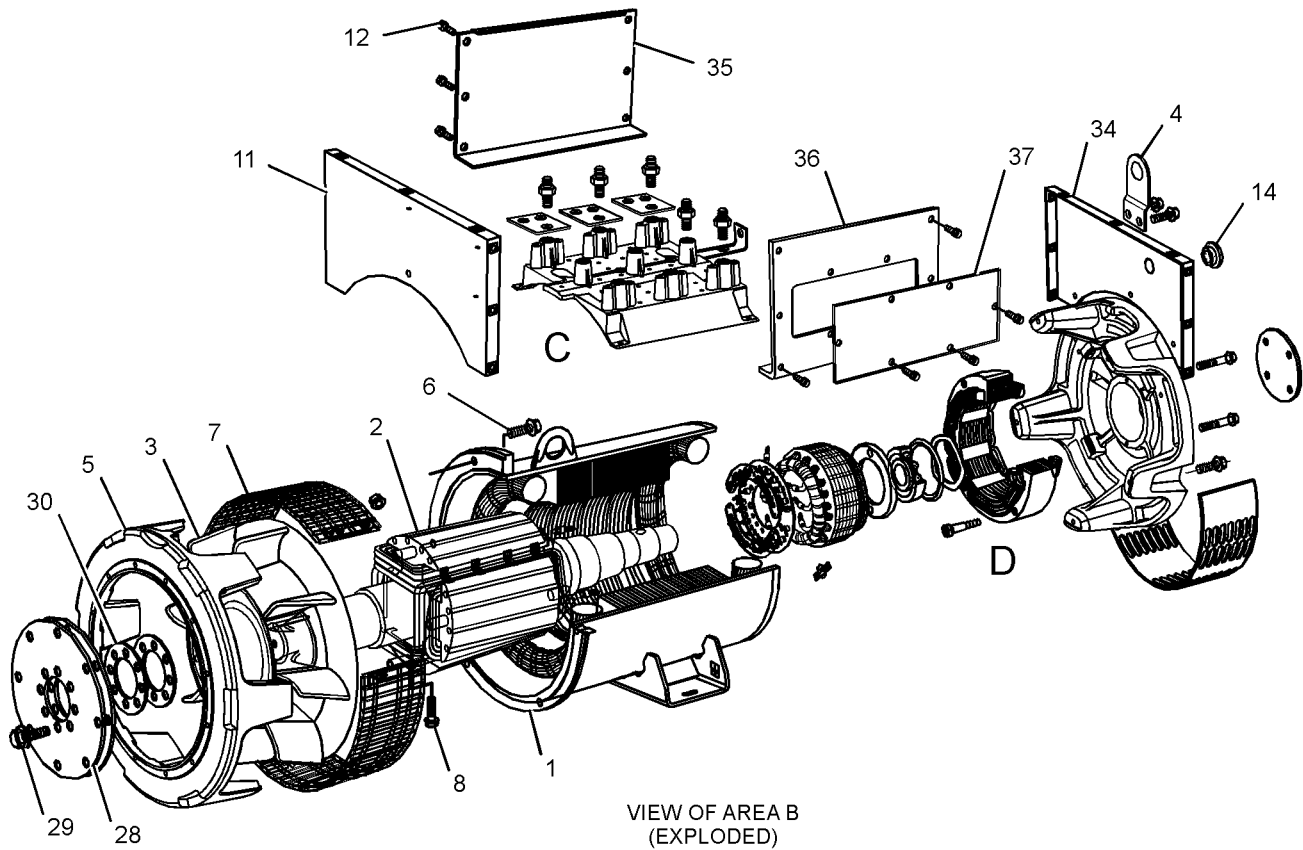
GRAPHIC #1

g01818873

# GENERATORS

338-2059 GENERATOR GP (contd.)

i04492710



GRAPHIC #2

<END>

g01818874

# GENERATORS

## 338-2063 GENERATOR GP

S/N: L6B1-UP

PART OF 338-2060, 338-2062 GENERATOR AR

SMCS-4450

i04937818

NOTE	REF NO	GRAPHIC REF	PART NUMBER	QTY	PART NAME						SEE PAGE
					1	2	3	4	5	6 (PRODUCT LEVEL)	
	1	1	338-7364	1	STATOR AS						
R	2	1	338-7381	1	ROTOR AS						
	3	1	242-3919	1	FAN-GENERATOR						
	4	1	241-4577	1	EYE-LIFTING						
	5	1	242-3922	1	FLANGE						
M	6	1	160-8746	6	BOLT (M12X1.75X18-MM)						
	7	1	242-3924	1	SCREEN						
	8	1	242-3926	2	SCREW (M11.5X50-MM)						
	9	1	242-3928	1	SHIELD						
	10	1	242-3929	5	SCREW (M22X70-THD)						
	11	1	242-3930	1	PANEL-TERMINAL BOX						
	12	1	242-3931	1	BOLT (M6X1X16-MM)						
	13	1	242-3932	1	SCREEN-AIR INLET						
	14	1	243-5380	1	CAP						
	15	1	243-5220	1	BEARING						
	16	1	241-4594	1	COVER						
	17	1	242-3936	2	SCREW (M15X70-MM)						
	18	1	241-4595	1	CAP-BEARING						
	19	1	241-4597	1	RING						
	20	1	242-3938	1	EXCITER						
	21	1	241-4633	4	BOLT (M6X1X80-MM)						
	22	1	242-3941	1	ARMATURE						
	23	1	241-4606	1	SUPPORT-DIODE						
	24	1	242-3943	1	TERMINAL AS						
	25	1	242-3951	3	TERMINAL						
	26	1	242-3956	1	TERMINAL						
	27	1	242-3957	9	SCREW (M12X50-MM)						
	28	1	242-3959	3	DISC-COUPLING						
	29	1	242-3960	8	SCREW (27.7-MMX40-MM)						
	30	1	241-4618	1	SHIM (2-MM THK)						
	31	1	241-4619	1	DIODE AS						
	32	1	241-4620	1	VARISTOR						
	33	1	241-4622	1	SEAL-O-RING						
	34	1	242-3965	1	PANEL						
	35	1	242-3966	1	PANEL						
	36	1	242-3967	1	PANEL						
	37	1	242-3968	1	PANEL-ACCESS						
	38	1	307-6560	1	BRACKET						
	39	1	6V-8801	1	NUT (3/8-16-THD)						
M	40	1	8T-4000	1	SCREW-WASHER HEAD (M8X1.25X4.8-MM)						
	41	1	8T-9377	1	BOLT (3/8-16X2.25-IN)						
	42	1	8T-4896	1	WASHER-HARD (10.2X18.5X2.5-MM THK)						

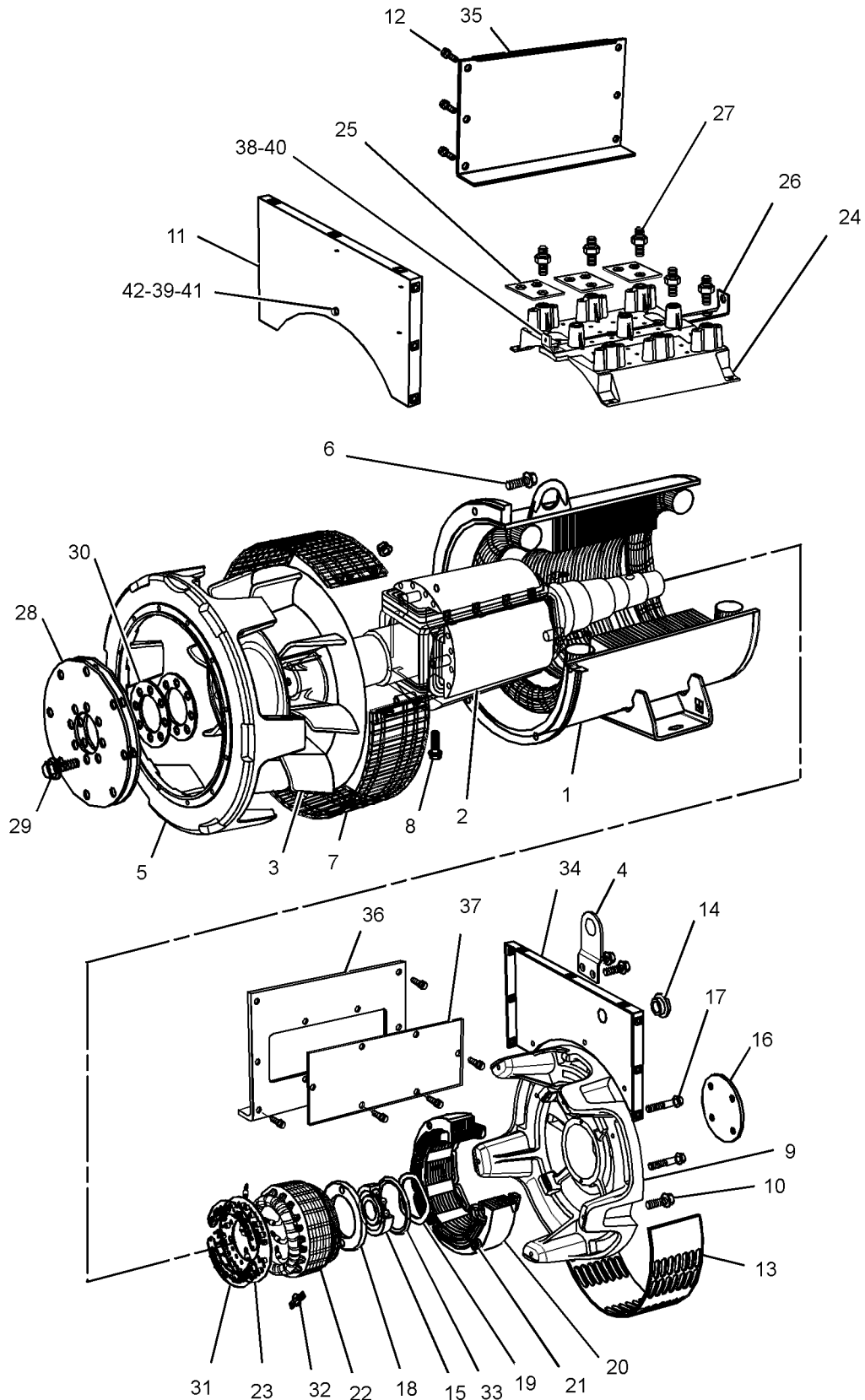
M-METRIC PART

R-REMFG PART MAY BE AVAILABLE

# GENERATORS

338-2063 GENERATOR GP (contd.)

i04937818



GRAPHIC #1

<END>

g03180356

# GENERATORS

## 338-2067 GENERATOR GP

S/N: L6B1-UP

PART OF 338-2064, 338-2066 GENERATOR AR

SMCS-4450

i04492713

NOTE	REF NO	GRAPHIC REF	PART NUMBER	QTY	PART NAME						SEE PAGE
					1	2	3	4	5	6 (PRODUCT LEVEL)	
	1	1	338-7364	1	STATOR AS						
R	2	1	338-7381	1	ROTOR AS						
	3	1	242-3919	1	FAN-GENERATOR						
	4	1	241-4577	1	EYE-LIFTING						
	5	1	251-3488	1	FLANGE						
M	6	1	160-8746	6	BOLT (M12X1.75X18-MM)						
	7	1	242-3924	1	SCREEN						
	8	1	242-3926	2	SCREW (M11.5X50-MM)						
	9	1	242-3928	1	SHIELD						
	10	1	242-3929	5	SCREW (M22X70-THD)						
	11	1	242-3930	1	PANEL-TERMINAL BOX						
	12	1	242-3931	1	BOLT (M6X1X16-MM)						
	13	1	242-3932	1	SCREEN-AIR INLET						
	14	1	243-5380	1	CAP						
	15	1	243-5220	1	BEARING						
	16	1	241-4594	1	COVER						
	17	1	242-3936	2	SCREW (M15X70-MM)						
	18	1	241-4595	1	CAP-BEARING						
	19	1	241-4597	1	RING						
	20	1	242-3938	1	EXCITER						
	21	1	241-4633	4	BOLT (M6X1X80-MM)						
	22	1	242-3941	1	ARMATURE						
	23	1	241-4606	1	SUPPORT-DIODE						
	24	1	242-3943	1	TERMINAL AS						
	25	1	242-3951	3	TERMINAL						
	26	1	242-3956	1	TERMINAL						
	27	1	242-3957	9	SCREW (M12X50-MM)						
	28	1	251-3489	1	DISC-COUPLING						
	29	1	242-3960	8	SCREW (27.7-MMX40-MM)						
	30	1	241-4618	1	SHIM (2-MM THK)						
	31	1	241-4619	1	DIODE AS						
	32	1	241-4620	1	VARISTOR						
	33	1	241-4622	1	SEAL-O-RING						
	34	1	242-3965	1	PANEL						
	35	1	242-3966	1	PANEL						
	36	1	242-3967	1	PANEL						
	37	1	242-3968	1	PANEL-ACCESS						
	38	1	307-6560	1	BRACKET						
	39	1	6V-8801	1	NUT (3/8-16-THD)						
M	40	1	8T-4000	1	SCREW-WASHER HEAD (M8X1.25X4.8-MM)						
	41	1	8T-9377	1	BOLT (3/8-16X2.25-IN)						
	42	1	4D-1326	1	LOCKWASHER						
	43	1	8T-4896	1	WASHER-HARD (10.2X18.5X2.5-MM THK)						

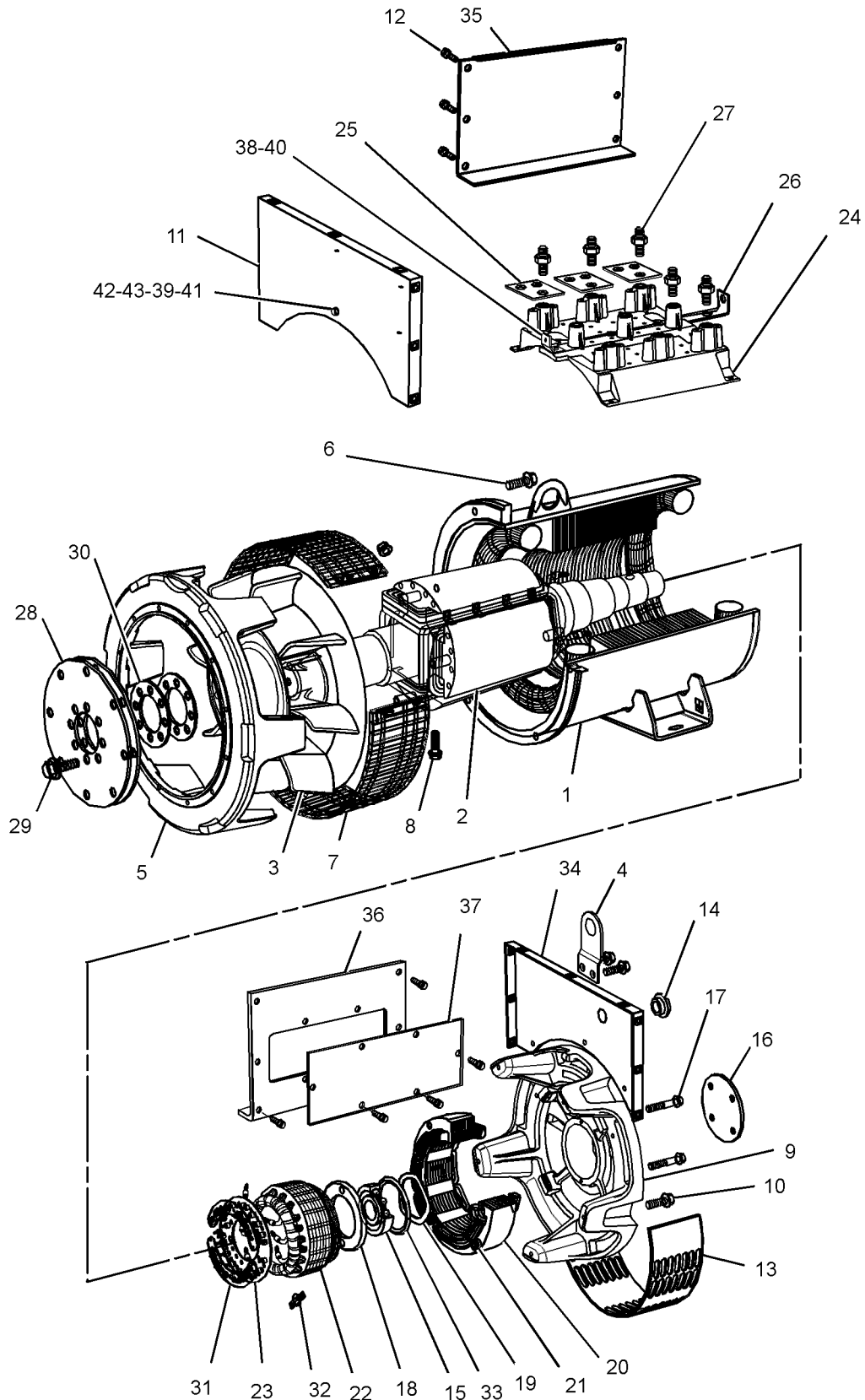
M-METRIC PART

R-REMFG PART MAY BE AVAILABLE

# GENERATORS

338-2067 GENERATOR GP (contd.)

i04492713



GRAPHIC #1

<END>

g01863357

# GENERATORS

## 338-2071 GENERATOR GP

S/N: L6B1-UP

PART OF 338-2068, 338-2070 GENERATOR AR

SMCS-4450

i03902462

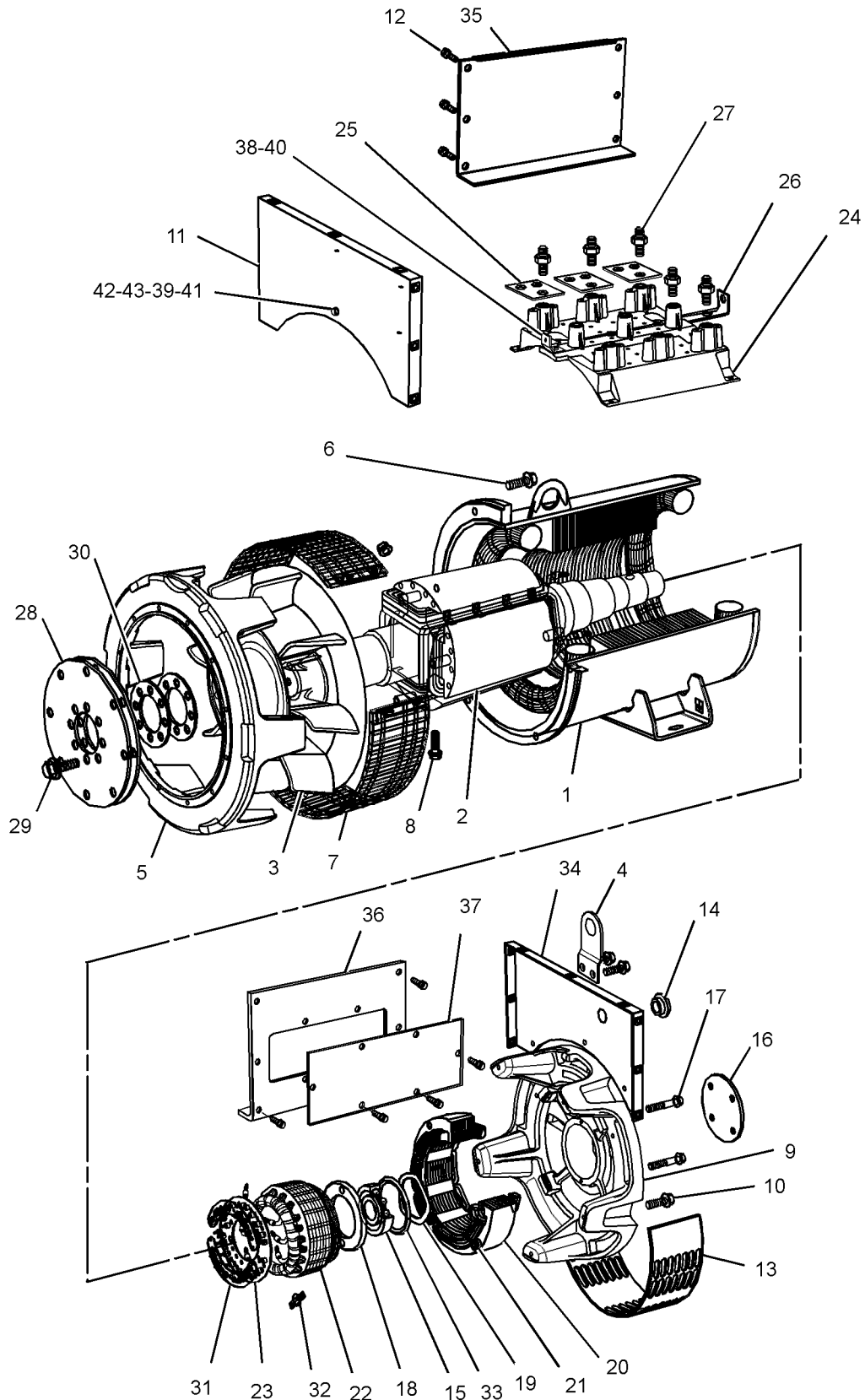
NOTE	REF NO	GRAPHIC REF	PART NUMBER	QTY	PART NAME						SEE PAGE
					1	2	3	4	5	6 (PRODUCT LEVEL)	
	1	1	<b>338-7365</b>	1	STATOR AS						
R	2	1	<b>338-7381</b>	1	ROTOR AS						
	3	1	<b>242-3919</b>	1	FAN-GENERATOR						
	4	1	<b>241-4577</b>	1	EYE-LIFTING						
	5	1	<b>242-3922</b>	1	FLANGE						
M	6	1	<b>160-8746</b>	6	BOLT (M12X1.75X18-MM)						
	7	1	<b>242-3924</b>	1	SCREEN						
	8	1	<b>242-3926</b>	2	SCREW (M11.5X50-MM)						
	9	1	<b>242-3928</b>	1	SHIELD						
	10	1	<b>242-3929</b>	5	SCREW (M22X70-THD)						
	11	1	<b>242-3930</b>	1	PANEL-TERMINAL BOX						
	12	1	<b>242-3931</b>	1	BOLT (M6X1X16-MM)						
	13	1	<b>242-3932</b>	1	SCREEN-AIR INLET						
	14	1	<b>243-5380</b>	1	CAP						
	15	1	<b>243-5220</b>	1	BEARING						
	16	1	<b>241-4594</b>	1	COVER						
	17	1	<b>242-3936</b>	2	SCREW (M15X70-MM)						
	18	1	<b>241-4595</b>	1	CAP-BEARING						
	19	1	<b>241-4597</b>	1	RING						
	20	1	<b>242-3938</b>	1	EXCITER						
	21	1	<b>241-4633</b>	4	BOLT (M6X1X80-MM)						
	22	1	<b>242-3941</b>	1	ARMATURE						
	23	1	<b>241-4606</b>	1	SUPPORT-DIODE						
	24	1	<b>242-3943</b>	1	TERMINAL AS						
	25	1	<b>242-3951</b>	3	TERMINAL						
	26	1	<b>242-3956</b>	1	TERMINAL						
	27	1	<b>242-3957</b>	9	SCREW (M12X50-MM)						
	28	1	<b>242-3959</b>	3	DISC-COUPLING						
	29	1	<b>242-3960</b>	8	SCREW (27.7-MMX40-MM)						
	30	1	<b>241-4618</b>	1	SHIM (2-MM THK)						
	31	1	<b>241-4619</b>	1	DIODE AS						
	32	1	<b>241-4620</b>	1	VARISTOR						
	33	1	<b>241-4622</b>	1	SEAL-O-RING						
	34	1	<b>242-3965</b>	1	PANEL						
	35	1	<b>242-3966</b>	1	PANEL						
	36	1	<b>242-3967</b>	1	PANEL						
	37	1	<b>242-3968</b>	1	PANEL-ACCESS						
	38	1	<b>307-6560</b>	1	BRACKET						
	39	1	<b>6V-8801</b>	1	NUT (3/8-16-THD)						
M	40	1	<b>8T-4000</b>	1	SCREW-WASHER HEAD (M8X1.25X4.8-MM)						
	41	1	<b>8T-9377</b>	1	BOLT (3/8-16X2.25-IN)						
	42	1	<b>4D-1326</b>	1	LOCKWASHER						
	43	1	<b>8T-4896</b>	1	WASHER-HARD (10.2X18.5X2.5-MM THK)						
F			<b>246-5895</b>	1	TRANSFORMER						

F-NOT SHOWN  
M-METRIC PART  
R-REMG PART MAY BE AVAILABLE

# GENERATORS

338-2071 GENERATOR GP (contd.)

i03902462



GRAPHIC #1

<END>

g01863394



# GENERATORS

## 338-2075 GENERATOR GP

S/N: L6B1-UP

PART OF 338-2072, 338-2074 GENERATOR AR

SMCS-4450

i04492717

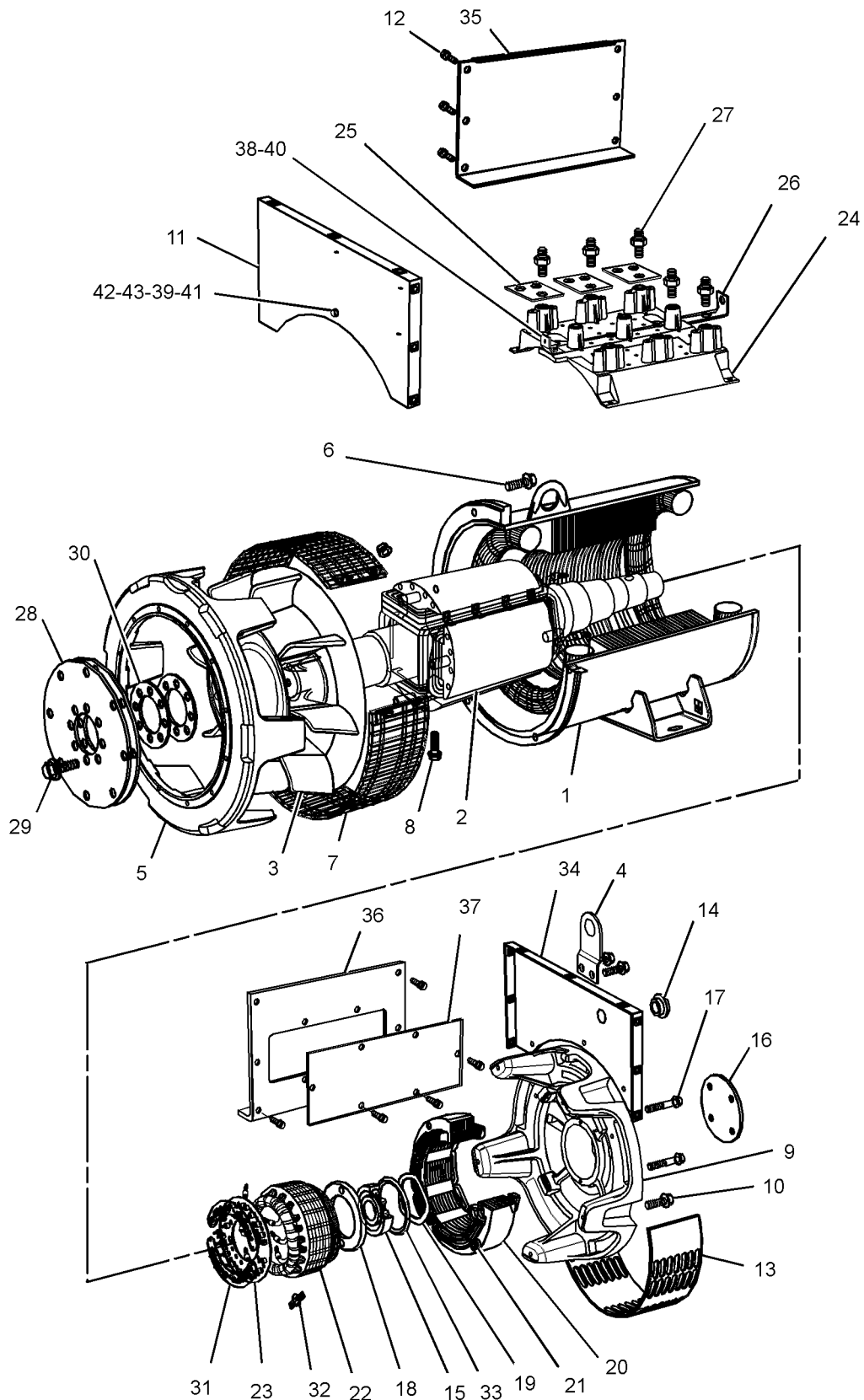
NOTE	REF NO	GRAPHIC REF	PART NUMBER	QTY	PART NAME						SEE PAGE
					1	2	3	4	5	6 (PRODUCT LEVEL)	
	1	1	<b>338-7365</b>	1	STATOR AS						
R	2	1	<b>338-7381</b>	1	ROTOR AS						
	3	1	<b>242-3919</b>	1	FAN-GENERATOR						
	4	1	<b>241-4577</b>	1	EYE-LIFTING						
	5	1	<b>251-3488</b>	1	FLANGE						
M	6	1	<b>160-8746</b>	6	BOLT (M12X1.75X18-MM)						
	7	1	<b>242-3924</b>	1	SCREEN						
	8	1	<b>242-3926</b>	2	SCREW (M11.5X50-MM)						
	9	1	<b>242-3928</b>	1	SHIELD						
	10	1	<b>242-3929</b>	5	SCREW (M22X70-THD)						
	11	1	<b>242-3930</b>	1	PANEL-TERMINAL BOX						
	12	1	<b>242-3931</b>	1	BOLT (M6X1X16-MM)						
	13	1	<b>242-3932</b>	1	SCREEN-AIR INLET						
	14	1	<b>243-5380</b>	1	CAP						
	15	1	<b>243-5220</b>	1	BEARING						
	16	1	<b>241-4594</b>	1	COVER						
	17	1	<b>242-3936</b>	2	SCREW (M15X70-MM)						
	18	1	<b>241-4595</b>	1	CAP-BEARING						
	19	1	<b>241-4597</b>	1	RING						
	20	1	<b>242-3938</b>	1	EXCITER						
	21	1	<b>241-4633</b>	4	BOLT (M6X1X80-MM)						
	22	1	<b>242-3941</b>	1	ARMATURE						
	23	1	<b>241-4606</b>	1	SUPPORT-DIODE						
	24	1	<b>242-3943</b>	1	TERMINAL AS						
	25	1	<b>242-3951</b>	3	TERMINAL						
	26	1	<b>242-3956</b>	1	TERMINAL						
	27	1	<b>242-3957</b>	9	SCREW (M12X50-MM)						
	28	1	<b>251-3489</b>	1	DISC-COUPLING						
	29	1	<b>242-3960</b>	8	SCREW (27.7-MMX40-MM)						
	30	1	<b>241-4618</b>	1	SHIM (2-MM THK)						
	31	1	<b>241-4619</b>	1	DIODE AS						
	32	1	<b>241-4620</b>	1	VARISTOR						
	33	1	<b>241-4622</b>	1	SEAL-O-RING						
	34	1	<b>242-3965</b>	1	PANEL						
	35	1	<b>242-3966</b>	1	PANEL						
	36	1	<b>242-3967</b>	1	PANEL						
	37	1	<b>242-3968</b>	1	PANEL-ACCESS						
	38	1	<b>307-6560</b>	1	BRACKET						
	39	1	<b>6V-8801</b>	1	NUT (3/8-16-THD)						
M	40	1	<b>8T-4000</b>	1	SCREW-WASHER HEAD (M8X1.25X4.8-MM)						
	41	1	<b>8T-9377</b>	1	BOLT (3/8-16X2.25-IN)						
	42	1	<b>4D-1326</b>	1	LOCKWASHER						
	43	1	<b>8T-4896</b>	1	WASHER-HARD (10.2X18.5X2.5-MM THK)						
F			<b>246-5895</b>	1	TRANSFORMER						

F-NOT SHOWN  
M-METRIC PART  
R-REMG PART MAY BE AVAILABLE

# GENERATORS

338-2075 GENERATOR GP (contd.)

i04492717



GRAPHIC #1

<END>

g01863419

# GENERATORS

## 338-2083 GENERATOR GP

S/N: L6B1-UP

PART OF 338-2080, 338-2082 GENERATOR AR

SMCS-4450

i03902461

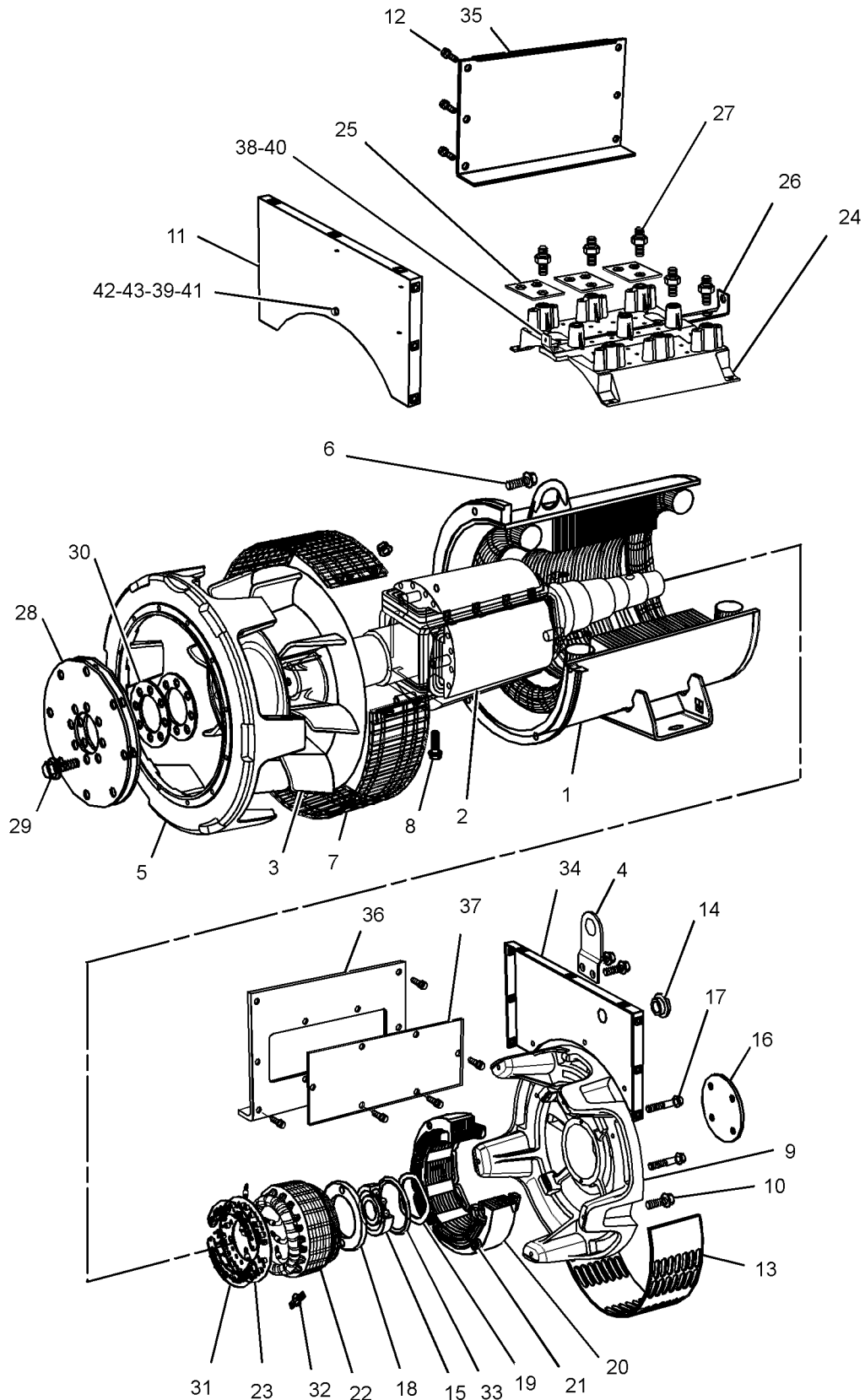
NOTE	REF NO	GRAPHIC REF	PART NUMBER	QTY	PART NAME						SEE PAGE
					1	2	3	4	5	6 (PRODUCT LEVEL)	
	1	1	338-7366	1	STATOR AS						
	2	1	338-7382	1	ROTOR AS						
	3	1	242-3919	1	FAN-GENERATOR						
	4	1	241-4577	1	EYE-LIFTING						
	5	1	242-3922	1	FLANGE						
M	6	1	160-8746	6	BOLT (M12X1.75X18-MM)						
	7	1	242-3924	1	SCREEN						
	8	1	242-3926	2	SCREW (M11.5X50-MM)						
	9	1	242-3928	1	SHIELD						
	10	1	242-3929	5	SCREW (M22X70-THD)						
	11	1	242-3930	1	PANEL-TERMINAL BOX						
	12	1	242-3931	1	BOLT (M6X1X16-MM)						
	13	1	242-3932	1	SCREEN-AIR INLET						
	14	1	243-5380	1	CAP						
	15	1	243-5220	1	BEARING						
	16	1	241-4594	1	COVER						
	17	1	242-3936	2	SCREW (M15X70-MM)						
	18	1	241-4595	1	CAP-BEARING						
	19	1	241-4597	1	RING						
	20	1	242-3938	1	EXCITER						
	21	1	241-4633	4	BOLT (M6X1X80-MM)						
	22	1	242-3941	1	ARMATURE						
	23	1	241-4606	1	SUPPORT-DIODE						
	24	1	242-3943	1	TERMINAL AS						
	25	1	242-3951	3	TERMINAL						
	26	1	242-3956	1	TERMINAL						
	27	1	242-3957	9	SCREW (M12X50-MM)						
	28	1	242-3959	3	DISC-COUPLING						
	29	1	242-3960	8	SCREW (27.7-MMX40-MM)						
	30	1	241-4618	1	SHIM (2-MM THK)						
	31	1	241-4619	1	DIODE AS						
	32	1	241-4620	1	VARISTOR						
	33	1	241-4622	1	SEAL-O-RING						
	34	1	242-3965	1	PANEL						
	35	1	242-3966	1	PANEL						
	36	1	242-3967	1	PANEL						
	37	1	242-3968	1	PANEL-ACCESS						
	38	1	307-6560	1	BRACKET						
	39	1	6V-8801	1	NUT (3/8-16-THD)						
M	40	1	8T-4000	1	SCREW-WASHER HEAD (M8X1.25X4.8-MM)						
	41	1	8T-9377	1	BOLT (3/8-16X2.25-IN)						
	42	1	4D-1326	1	LOCKWASHER						
	43	1	8T-4896	1	WASHER-HARD (10.2X18.5X2.5-MM THK)						
F			246-5895	1	TRANSFORMER						

F - NOT SHOWN  
M - METRIC PART

# GENERATORS

338-2083 GENERATOR GP (contd.)

i03902461



GRAPHIC #1

<END>

g01863136

# GENERATORS

## 338-2087 GENERATOR GP

S/N: L6B1-UP

PART OF 338-2084, 338-2086 GENERATOR AR

SMCS-4450

i04492721

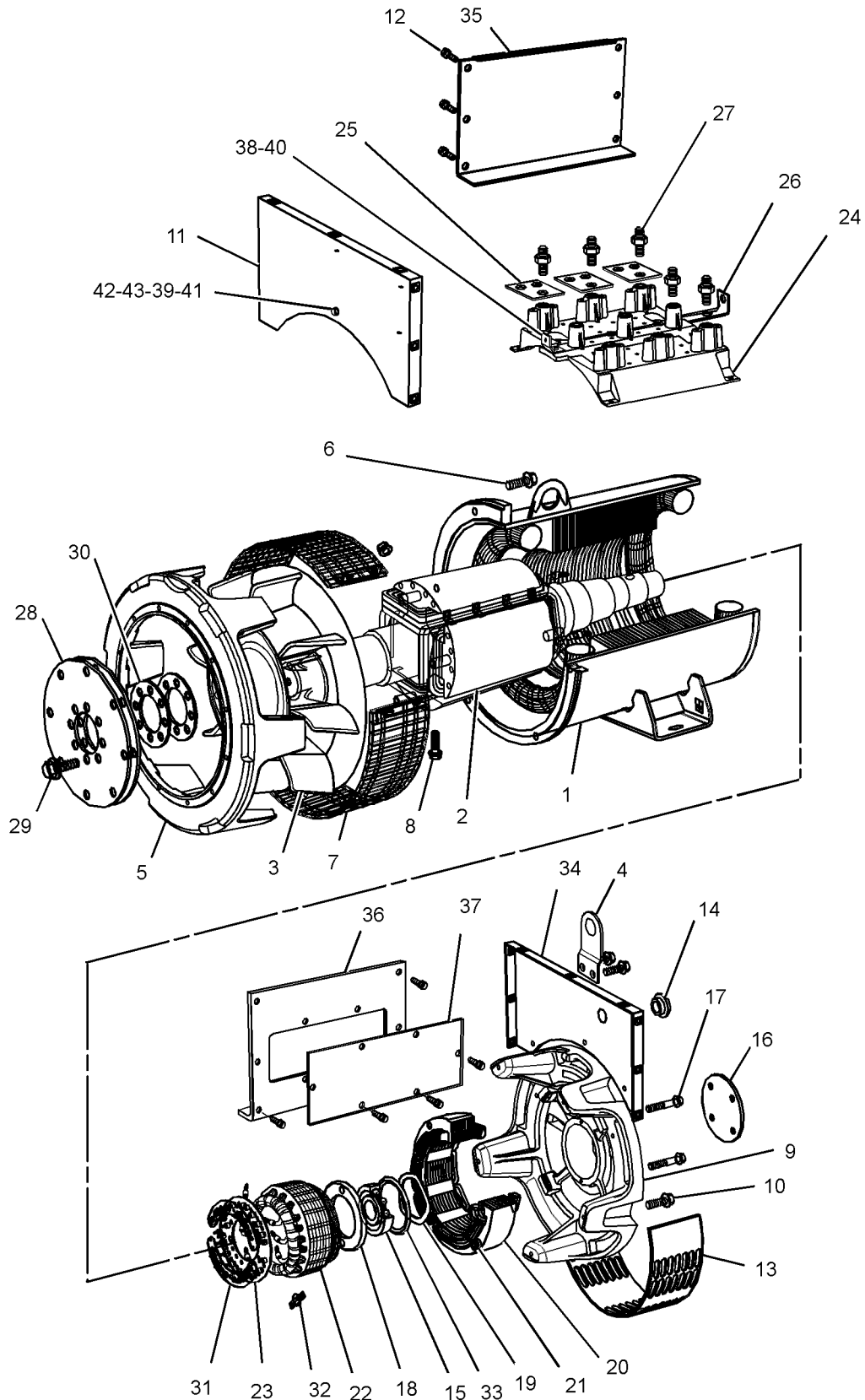
NOTE	REF NO	GRAPHIC REF	PART NUMBER	QTY	PART NAME						SEE PAGE
					1	2	3	4	5	6 (PRODUCT LEVEL)	
	1	1	338-7366	1	STATOR AS						
	2	1	338-7382	1	ROTOR AS						
	3	1	242-3919	1	FAN-GENERATOR						
	4	1	241-4577	1	EYE-LIFTING						
	5	1	251-3488	1	FLANGE						
M	6	1	160-8746	6	BOLT (M12X1.75X18-MM)						
	7	1	242-3924	1	SCREEN (AIR EXIT)						
	8	1	242-3926	2	SCREW (M11.5X50-MM)						
	9	1	242-3928	1	SHIELD						
	10	1	242-3929	5	SCREW (M22X70-THD)						
	11	1	242-3930	1	PANEL-TERMINAL BOX						
	12	1	242-3931	1	BOLT (M6X1X16-MM)						
	13	1	242-3932	1	SCREEN-AIR INLET						
	14	1	243-5380	1	CAP						
	15	1	243-5220	1	BEARING						
	16	1	241-4594	1	COVER						
	17	1	242-3936	2	SCREW (M15X70-MM)						
	18	1	241-4595	1	CAP-BEARING						
	19	1	241-4597	1	RING						
	20	1	242-3938	1	EXCITER						
	21	1	241-4633	4	BOLT (M6X1X80-MM)						
	22	1	242-3941	1	ARMATURE						
	23	1	241-4606	1	SUPPORT-DIODE						
	24	1	242-3943	1	TERMINAL AS						
	25	1	242-3951	3	TERMINAL						
	26	1	242-3956	1	TERMINAL						
	27	1	242-3957	9	SCREW (M12X50-MM)						
	28	1	251-3489	1	DISC-COUPLING						
	29	1	242-3960	8	SCREW (27.7-MMX40-MM)						
	30	1	241-4618	1	SHIM (2-MM THK)						
	31	1	241-4619	1	DIODE AS						
	32	1	241-4620	1	VARISTOR						
	33	1	241-4622	1	SEAL-O-RING						
	34	1	242-3965	1	PANEL						
	35	1	242-3966	1	PANEL						
	36	1	242-3967	1	PANEL						
	37	1	242-3968	1	PANEL-ACCESS						
	38	1	307-6560	1	BRACKET						
	39	1	6V-8801	1	NUT (3/8-16-THD)						
M	40	1	8T-4000	1	SCREW-WASHER HEAD (M8X1.25X4.8-MM)						
	41	1	8T-9377	1	BOLT (3/8-16X2.25-IN)						
	42	1	3K-8909	1	LOCKWASHER						
	43	1	8T-4896	1	WASHER-HARD (10.2X18.5X2.5-MM THK)						
F			246-5895	1	TRANSFORMER						

F - NOT SHOWN  
M - METRIC PART

# GENERATORS

338-2087 GENERATOR GP (contd.)

i04492721



GRAPHIC #1

<END>

g01863175

# GENERATORS

## 338-2091 GENERATOR GP

S/N: L7A1-UP

PART OF 338-2088, 338-2090 GENERATOR AR

SMCS-4450

i04439624

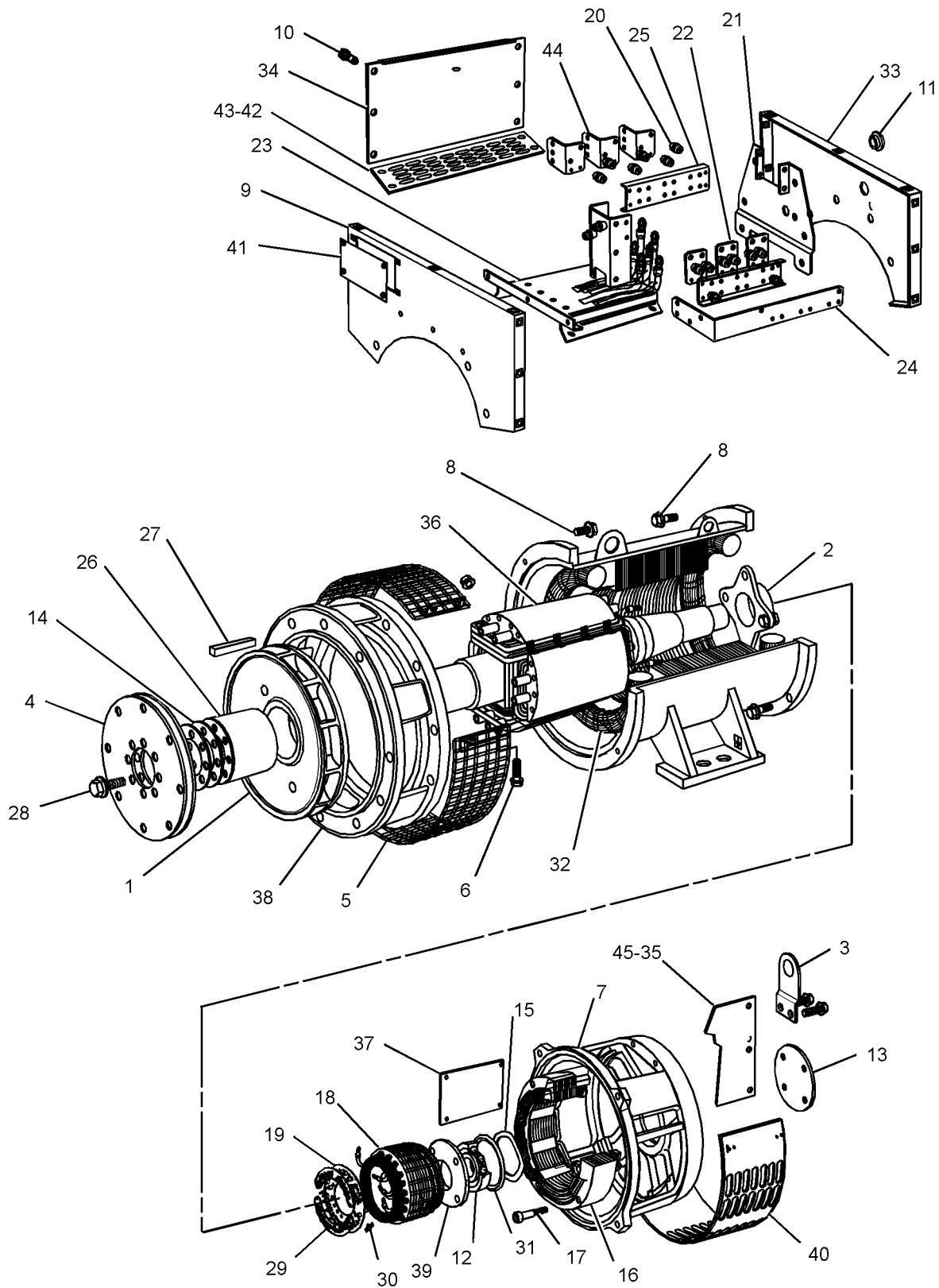
NOTE	REF NO	GRAPHIC REF	PART NUMBER	QTY	PART NAME						SEE PAGE
					1	2	3	4	5	6 (PRODUCT LEVEL)	
	1	1	241-4635	1	FAN						
	2	1	241-4636	1	DISC (BALANCING)						
	3	1	241-4637	1	EYE-LIFTING						
	4	1	250-7869	3	DISC-COUPLING						
	5	1	241-4639	1	SCREEN (AIR EXIT)						
	6	1	6C-9129	2	BOLT (M6X1-THD)						
	7	1	241-4640	1	KIT-RING (GENERATOR)						
					(INCLUDES BRACKET & O-RING)						
M	8	1	8C-6855	10	BOLT (M14X2X45-MM)						
	9	1	241-4642	1	PANEL-TERMINAL BOX						
M	10	1	235-4451	34	BOLT-FLANGE HEAD (M6X1X16-MM)						
	11	1	243-5380	1	CAP						
	12	1	241-4644	1	BEARING						
	13	1	241-4645	1	COVER						
	14	1	242-2991	1	SHIM (2-MM THK)						
	15	1	241-4647	1	RING						
	16	1	241-4603	1	EXCITER						
	17	1	241-4648	4	BOLT						
	18	1	241-4649	1	ARMATURE						
	19	1	241-4650	1	SUPPORT-DIODE						
	20	1	241-4651	16	INSULATOR-TERMINAL						
	21	1	242-2988	1	SUPPORT						
	22	1	242-2989	3	PLATE-CONNECTION						
	23	1	241-4652	1	BEAM						
	24	1	241-4653	1	PLATE-COUPLING						
	25	1	241-4654	2	SUPPORT						
	26	1	241-4656	1	HUB						
	27	1	241-4657	1	KEY-WOODRUFF						
M	28	1	8C-8478	8	BOLT (M20X2.5X140-MM)						
	29	1	241-4660	1	DIODE AS						
	30	1	241-4662	1	VARISTOR						
	31	1	241-4663	1	SEAL-O-RING						
	32	1	338-7367	1	STATOR AS						
	33	1	241-4664	1	PANEL						
	34	1	241-4665	1	PANEL-ACCESS						
	35	1	254-4231	1	PLATE						
	36	1	338-7383	1	ROTOR AS						
	37	1	366-1930	1	PLATE						
	38	1	250-7868	1	BRACKET						
	39	1	241-4646	1	CAP-BEARING						
	40	1	242-2981	1	SCREEN-AIR INLET						
	41	1	241-4630	1	PANEL-ACCESS						
	42	1	242-2986	1	SCREEN-AIR INLET						
	43	1	242-2987	1	SCREEN-AIR INLET						
	44	1	289-2813	3	TERMINAL						
	45	1	319-3523	6	NUT-CAGED						

M-METRIC PART

# GENERATORS

338-2091 GENERATOR GP (contd.)

i04439624



GRAPHIC #1

<END>

g02577756



# GENERATORS

## 338-2095 GENERATOR GP

S/N: L7A1-UP

PART OF 338-2092, 338-2094 GENERATOR AR

SMCS-4450

i04543602

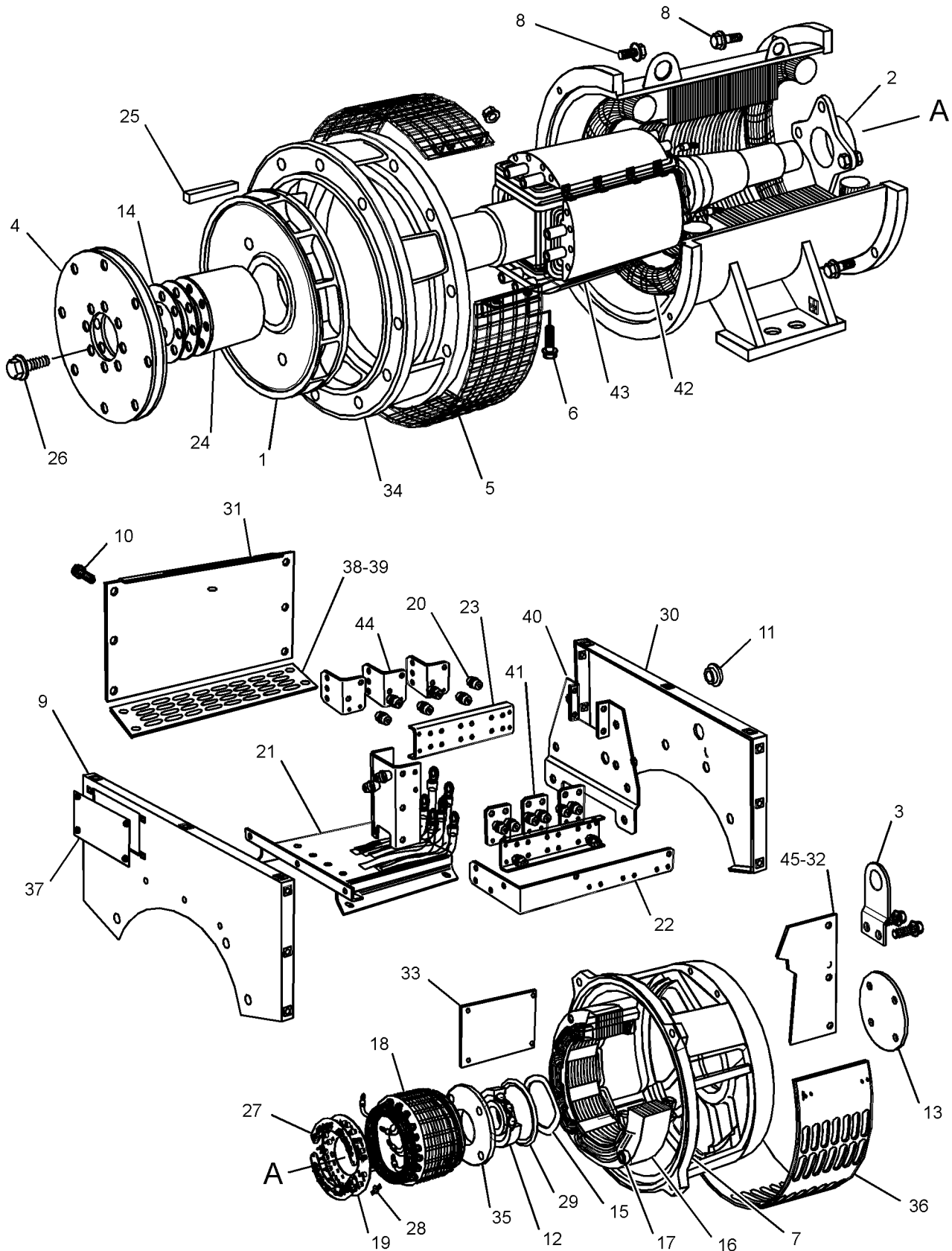
NOTE	REF NO	GRAPHIC REF	PART NUMBER	QTY	PART NAME						SEE PAGE
					1	2	3	4	5	6 (PRODUCT LEVEL)	
	1	1	241-4635	1	FAN						
	2	1	241-4636	1	DISC (BALANCING)						
	3	1	241-4637	1	EYE-LIFTING						
	4	1	242-2990	3	DISC (COUPLING)						
	5	1	241-4639	1	SCREEN (AIR EXIT)						
	6	1	6C-9129	2	BOLT (M6X1-THD)						
	7	1	241-4640	1	KIT-RING (GENERATOR)						
					(INCLUDES BRACKET & O-RING)						
M	8	1	8C-6855	10	BOLT (M14X2X45-MM)						
	9	1	241-4642	1	PANEL-TERMINAL BOX						
M	10	1	235-4451	34	BOLT-FLANGE HEAD (M6X1X16-MM)						
	11	1	243-5380	1	CAP						
	12	1	241-4644	1	BEARING						
	13	1	241-4645	1	COVER						
	14	1	242-2991	1	SHIM (2-MM THK)						
	15	1	241-4647	1	RING						
	16	1	241-4603	1	EXCITER						
	17	1	241-4648	4	BOLT						
	18	1	241-4649	1	ARMATURE						
	19	1	241-4650	1	SUPPORT-DIODE						
	20	1	241-4651	16	INSULATOR-TERMINAL						
	21	1	241-4652	1	BEAM						
	22	1	241-4653	1	PLATE-COUPLING						
	23	1	241-4654	2	SUPPORT						
	24	1	241-4656	1	HUB						
	25	1	241-4657	1	KEY-WOODRUFF						
M	26	1	8C-8478	8	BOLT (M20X2.5X140-MM)						
	27	1	241-4660	1	DIODE AS						
	28	1	241-4662	1	VARISTOR						
	29	1	241-4663	1	SEAL-O-RING						
	30	1	241-4664	1	PANEL						
	31	1	241-4665	1	PANEL-ACCESS						
	32	1	254-4231	1	PLATE						
	33	1	366-1930	1	PLATE						
	34	1	242-2980	1	BRACKET						
	35	1	241-4646	1	CAP-BEARING						
	36	1	242-2981	1	SCREEN-AIR INLET						
	37	1	241-4630	1	PANEL-ACCESS						
	38	1	242-2986	1	SCREEN-AIR INLET						
	39	1	242-2987	1	SCREEN-AIR INLET						
	40	1	242-2988	1	SUPPORT						
	41	1	242-2989	3	PLATE-CONNECTION						
	42	1	338-7369	1	STATOR AS						
	43	1	338-7386	1	ROTOR AS						
	44	1	289-2813	3	TERMINAL						
	45	1	319-3523	6	NUT-CAGED						

M-METRIC PART

# GENERATORS

338-2095 GENERATOR GP (contd.)

i04543602



GRAPHIC #1

<END>

g02582156

# GENERATORS

## 338-2099 GENERATOR GP

S/N: L7A1-UP

PART OF 338-2096, 338-2098 GENERATOR AR

SMCS-4450

i04543605

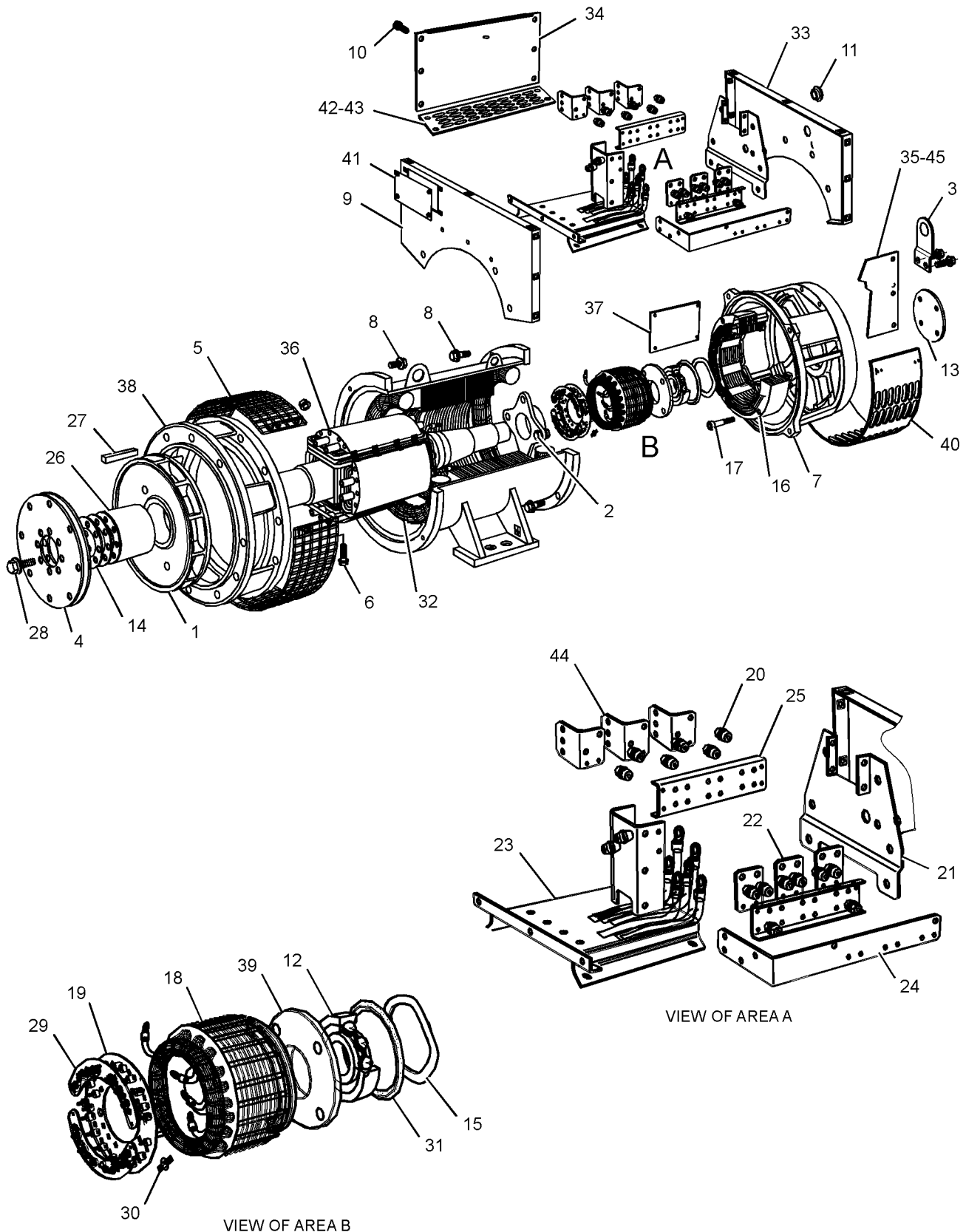
NOTE	REF NO	GRAPHIC REF	PART NUMBER	QTY	PART NAME						SEE PAGE
					1	2	3	4	5	6 (PRODUCT LEVEL)	
	1	1	241-4635	1	FAN						
	2	1	241-4636	1	DISC (BALANCING)						
	3	1	241-4637	1	EYE-LIFTING						
	4	1	250-7869	3	DISC-COUPLING						
	5	1	241-4639	1	SCREEN (AIR EXIT)						
	6	1	6C-9129	2	BOLT (M6X1-THD)						
	7	1	241-4640	1	KIT-RING (GENERATOR)						
					(INCLUDES BRACKET & O-RING)						
M	8	1	8C-6855	10	BOLT (M14X2X45-MM)						
	9	1	241-4642	1	PANEL-TERMINAL BOX						
M	10	1	235-4451	34	BOLT-FLANGE HEAD (M6X1X16-MM)						
	11	1	243-5380	1	CAP						
	12	1	241-4644	1	BEARING						
	13	1	241-4645	1	COVER						
	14	1	242-2991	1	SHIM (2-MM THK)						
	15	1	241-4647	1	RING						
	16	1	241-4603	1	EXCITER						
	17	1	241-4648	4	BOLT						
	18	1	241-4649	1	ARMATURE						
	19	1	241-4650	1	SUPPORT-DIODE						
	20	1	241-4651	16	INSULATOR-TERMINAL						
	21	1	242-2988	1	SUPPORT						
	22	1	242-2989	3	PLATE-CONNECTION						
	23	1	241-4652	1	BEAM						
	24	1	241-4653	1	PLATE-COUPLING						
	25	1	241-4654	2	SUPPORT						
	26	1	241-4656	1	HUB						
	27	1	241-4657	1	KEY-WOODRUFF						
M	28	1	8C-8478	8	BOLT (M20X2.5X140-MM)						
	29	1	241-4660	1	DIODE AS						
	30	1	241-4662	1	VARISTOR						
	31	1	241-4663	1	SEAL-O-RING						
	32	1	338-7369	1	STATOR AS						
	33	1	241-4664	1	PANEL						
	34	1	241-4665	1	PANEL-ACCESS						
	35	1	254-4231	1	PLATE						
	36	1	338-7386	1	ROTOR AS						
	37	1	366-1930	1	PLATE						
	38	1	250-7868	1	BRACKET						
	39	1	241-4646	1	CAP-BEARING						
	40	1	242-2981	1	SCREEN-AIR INLET						
	41	1	241-4630	1	PANEL-ACCESS						
	42	1	242-2986	1	SCREEN-AIR INLET						
	43	1	242-2987	1	SCREEN-AIR INLET						
	44	1	289-2813	3	TERMINAL						
	45	1	319-3523	6	NUT-CAGED						

M-METRIC PART

# GENERATORS

338-2099 GENERATOR GP (contd.)

i04543605



GRAPHIC #1

<END>

g02577816

# GENERATORS

## 338-2103 GENERATOR GP

S/N: L7A1-UP

PART OF 338-2100, 338-2102 GENERATOR AR

SMCS-4450

i04543595

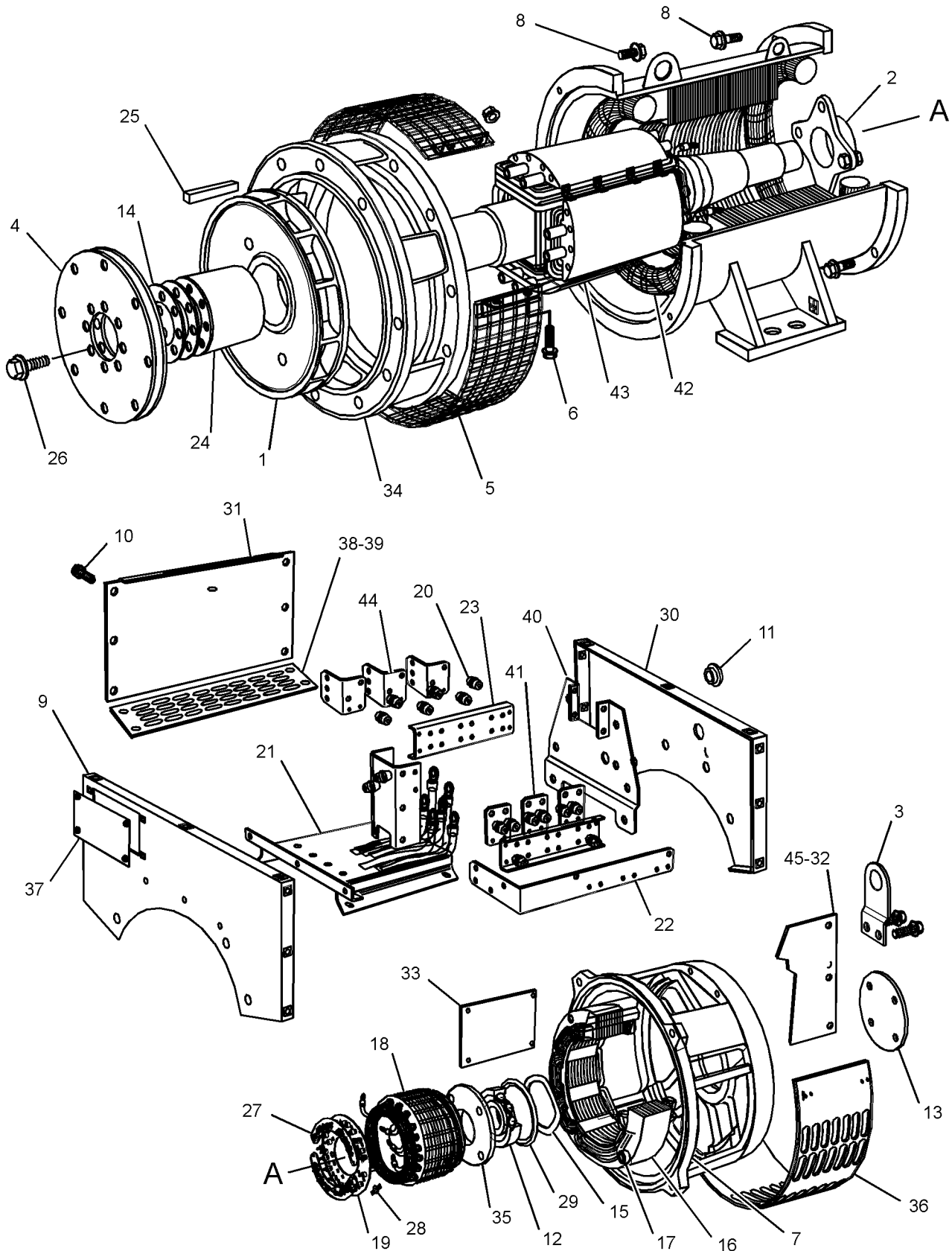
NOTE	REF NO	GRAPHIC REF	PART NUMBER	QTY	PART NAME						SEE PAGE
					1	2	3	4	5	6 (PRODUCT LEVEL)	
	1	1	241-4635	1	FAN						
	2	1	241-4636	1	DISC (BALANCING)						
	3	1	241-4637	1	EYE-LIFTING						
	4	1	250-7869	3	DISC-COUPLING						
	5	1	241-4639	1	SCREEN (AIR EXIT)						
	6	1	6C-9129	2	BOLT (M6X1-THD)						
	7	1	241-4640	1	KIT-RING (GENERATOR)						
					(INCLUDES BRACKET & O-RING)						
M	8	1	8C-6855	10	BOLT (M14X2X45-MM)						
	9	1	241-4642	1	PANEL-TERMINAL BOX						
M	10	1	235-4451	34	BOLT-FLANGE HEAD (M6X1X16-MM)						
	11	1	243-5380	1	CAP						
	12	1	241-4644	1	BEARING						
	13	1	241-4645	1	COVER						
	14	1	242-2991	1	SHIM (2-MM THK)						
	15	1	241-4647	1	RING						
	16	1	241-4603	1	EXCITER						
	17	1	241-4648	4	BOLT						
	18	1	241-4649	1	ARMATURE						
	19	1	241-4650	1	SUPPORT-DIODE						
	20	1	241-4651	16	INSULATOR-TERMINAL						
	21	1	241-4652	1	BEAM						
	22	1	241-4653	1	PLATE-COUPLING						
	23	1	241-4654	2	SUPPORT						
	24	1	241-4656	1	HUB						
	25	1	241-4657	1	KEY-WOODRUFF						
M	26	1	8C-8478	8	BOLT (M20X2.5X140-MM)						
	27	1	241-4660	1	DIODE AS						
	28	1	241-4662	1	VARISTOR						
	29	1	241-4663	1	SEAL-O-RING						
	30	1	241-4664	1	PANEL						
	31	1	241-4665	1	PANEL-ACCESS						
	32	1	254-4231	1	PLATE						
	33	1	366-1930	1	PLATE						
	34	1	250-7868	1	BRACKET						
	35	1	241-4646	1	CAP-BEARING						
	36	1	242-2981	1	SCREEN-AIR INLET						
	37	1	241-4630	1	PANEL-ACCESS						
	38	1	242-2986	1	SCREEN-AIR INLET						
	39	1	242-2987	1	SCREEN-AIR INLET						
	40	1	242-2988	1	SUPPORT						
	41	1	242-2989	3	PLATE-CONNECTION						
	42	1	338-7370	1	STATOR AS						
	43	1	338-7387	1	ROTOR AS						
	44	1	289-2813	3	TERMINAL						
	45	1	319-3523	6	NUT-CAGED						

M-METRIC PART

# GENERATORS

338-2103 GENERATOR GP (contd.)

i04543595



GRAPHIC #1

<END>

g02577736

# GENERATORS

## 338-2107 GENERATOR GP

S/N: L7A1-UP

PART OF 338-2104, 338-2106 GENERATOR AR

SMCS-4450

i04439627

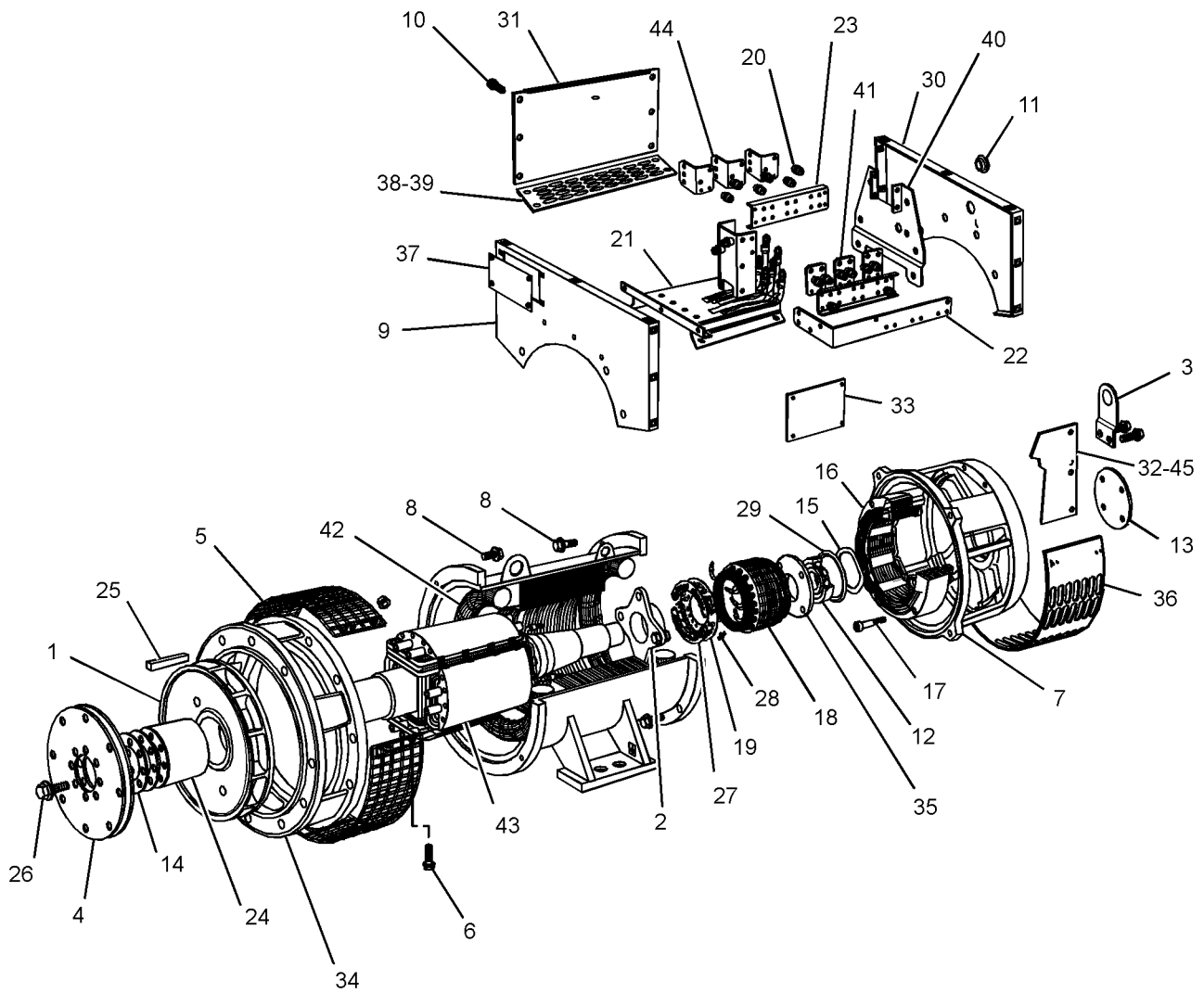
NOTE	REF NO	GRAPHIC REF	PART NUMBER	QTY	PART NAME						SEE PAGE
					1	2	3	4	5	6 (PRODUCT LEVEL)	
	1	1	241-4635	1	FAN						
	2	1	241-4636	1	DISC (BALANCING)						
	3	1	241-4637	1	EYE-LIFTING						
	4	1	250-7869	3	DISC-COUPLING						
	5	1	241-4639	1	SCREEN (AIR EXIT)						
	6	1	6C-9129	2	BOLT (M6X1-THD)						
	7	1	241-4640	1	KIT-RING (GENERATOR)						
					(INCLUDES BRACKET & O-RING)						
M	8	1	8C-6855	10	BOLT (M14X2X45-MM)						
	9	1	241-4642	1	PANEL-TERMINAL BOX						
M	10	1	235-4451	34	BOLT-FLANGE HEAD (M6X1X16-MM)						
	11	1	243-5380	1	CAP						
	12	1	241-4644	1	BEARING						
	13	1	241-4645	1	COVER						
	14	1	242-2991	1	SHIM (2-MM THK)						
	15	1	241-4647	1	RING						
	16	1	241-4603	1	EXCITER						
	17	1	241-4648	4	BOLT						
	18	1	241-4649	1	ARMATURE						
	19	1	241-4650	1	SUPPORT-DIODE						
	20	1	241-4651	16	INSULATOR-TERMINAL						
	21	1	241-4652	1	BEAM						
	22	1	241-4653	1	PLATE-COUPLING						
	23	1	241-4654	2	SUPPORT						
	24	1	241-4656	1	HUB						
	25	1	241-4657	1	KEY-WOODRUFF						
M	26	1	8C-8478	8	BOLT (M20X2.5X140-MM)						
	27	1	241-4660	1	DIODE AS						
	28	1	241-4662	1	VARISTOR						
	29	1	241-4663	1	SEAL-O-RING						
	30	1	241-4664	1	PANEL						
	31	1	241-4665	1	PANEL-ACCESS						
	32	1	254-4231	1	PLATE						
	33	1	366-1930	1	PLATE						
	34	1	250-7868	1	BRACKET						
	35	1	241-4646	1	CAP-BEARING						
	36	1	242-2981	1	SCREEN-AIR INLET						
	37	1	241-4630	1	PANEL-ACCESS						
	38	1	242-2986	1	SCREEN-AIR INLET						
	39	1	242-2987	1	SCREEN-AIR INLET						
	40	1	242-2988	1	SUPPORT						
	41	1	242-2989	3	PLATE-CONNECTION						
	42	1	338-7371	1	STATOR AS						
	43	1	338-7387	1	ROTOR AS						
	44	1	289-2813	3	TERMINAL						
	45	1	319-3523	6	NUT-CAGED						

M-METRIC PART

# GENERATORS

338-2107 GENERATOR GP (contd.)

i04439627



GRAPHIC #1

<END>

g02577857



# GENERATORS

## 338-2111 GENERATOR GP

S/N: L7A1-UP

PART OF 338-2108, 338-2110 GENERATOR AR

SMCS-4450

i04543637

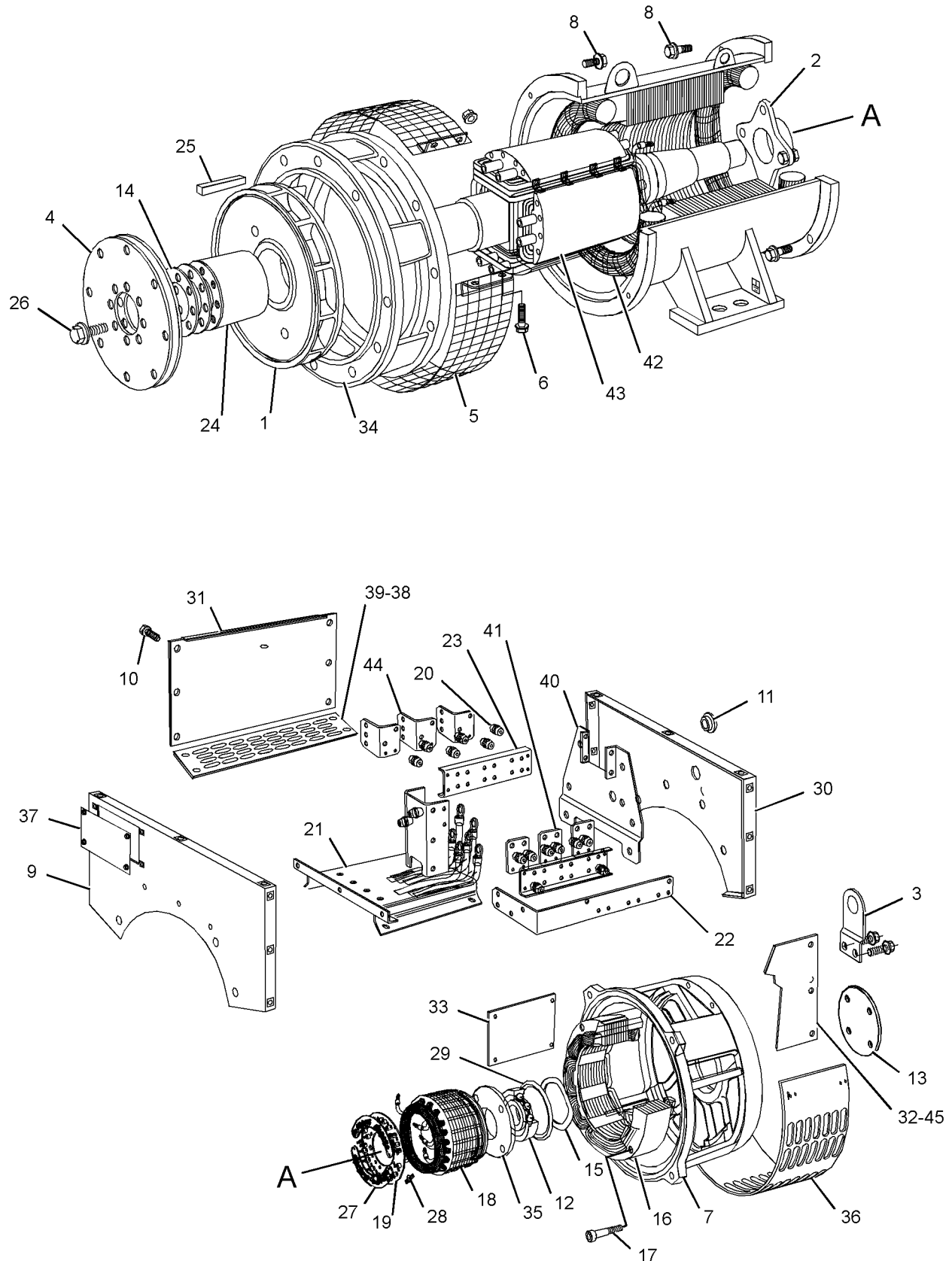
NOTE	REF NO	GRAPHIC REF	PART NUMBER	QTY	PART NAME						SEE PAGE
					1	2	3	4	5	6 (PRODUCT LEVEL)	
	1	1	241-4635	1	FAN						
	2	1	241-4636	1	DISC (BALANCING)						
	3	1	241-4637	1	EYE-LIFTING						
	4	1	250-7869	3	DISC-COUPLING						
	5	1	241-4639	1	SCREEN (AIR EXIT)						
	6	1	6C-9129	2	BOLT (M6X1-THD)						
	7	1	241-4640	1	KIT-RING (GENERATOR)						
					(INCLUDES BRACKET & O-RING)						
M	8	1	8C-6855	10	BOLT (M14X2X45-MM)						
	9	1	241-4642	1	PANEL-TERMINAL BOX						
M	10	1	235-4451	34	BOLT-FLANGE HEAD (M6X1X16-MM)						
	11	1	243-5380	1	CAP						
	12	1	241-4644	1	BEARING						
	13	1	241-4645	1	COVER						
	14	1	242-2991	1	SHIM (2-MM THK)						
	15	1	241-4647	1	RING						
	16	1	241-4603	1	EXCITER						
	17	1	241-4648	4	BOLT						
	18	1	241-4649	1	ARMATURE						
	19	1	241-4650	1	SUPPORT-DIODE						
	20	1	241-4651	16	INSULATOR-TERMINAL						
	21	1	241-4652	1	BEAM						
	22	1	241-4653	1	PLATE-COUPLING						
	23	1	241-4654	2	SUPPORT						
	24	1	241-4656	1	HUB						
	25	1	241-4657	1	KEY-WOODRUFF						
M	26	1	8C-8478	8	BOLT (M20X2.5X140-MM)						
	27	1	241-4660	1	DIODE AS						
	28	1	241-4662	1	VARISTOR						
	29	1	241-4663	1	SEAL-O-RING						
	30	1	241-4664	1	PANEL						
	31	1	241-4665	1	PANEL-ACCESS						
	32	1	254-4231	1	PLATE						
	33	1	366-1930	1	PLATE						
	34	1	250-7868	1	BRACKET						
	35	1	241-4646	1	CAP-BEARING						
	36	1	242-2981	1	SCREEN-AIR INLET						
	37	1	241-4630	1	PANEL-ACCESS						
	38	1	242-2986	1	SCREEN-AIR INLET						
	39	1	242-2987	1	SCREEN-AIR INLET						
	40	1	242-2988	1	SUPPORT						
	41	1	242-2989	3	PLATE-CONNECTION						
	42	1	338-7372	1	STATOR AS						
	43	1	338-7388	1	ROTOR AS						
	44	1	289-2813	3	TERMINAL						
	45	1	319-3523	6	NUT-CAGED						

M-METRIC PART

# GENERATORS

338-2111 GENERATOR GP (contd.)

i04543637



GRAPHIC #1

<END>

g02582176

# GENERATORS

## 338-2113 GENERATOR GP

S/N: L7A1-UP

PART OF 338-2112 GENERATOR AR

SMCS-4450

i04543598

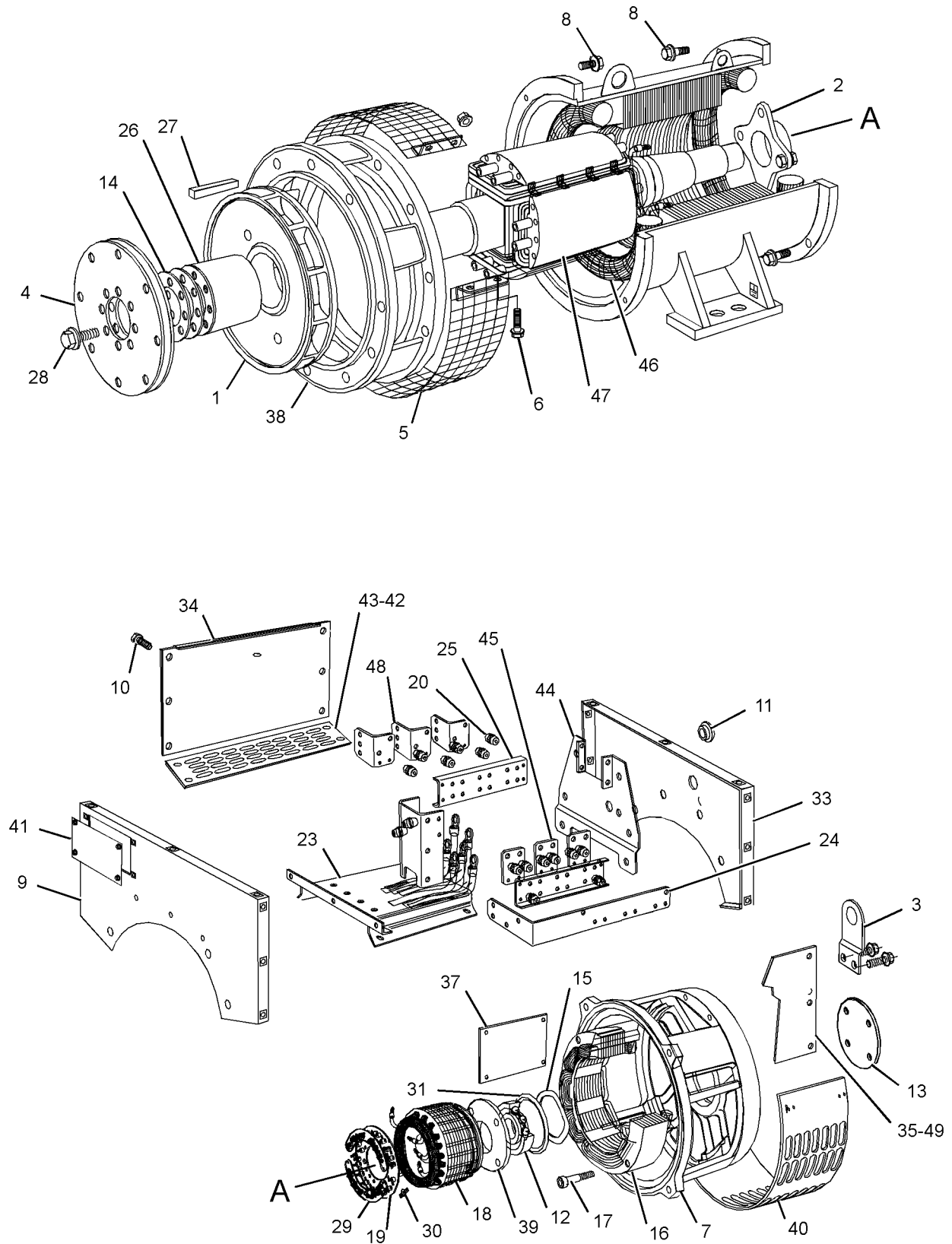
NOTE	REF NO	GRAPHIC REF	PART NUMBER	QTY	PART NAME						SEE PAGE
					1	2	3	4	5	6 (PRODUCT LEVEL)	
	1	1	241-4635	1	FAN						
	2	1	241-4636	1	DISC (BALANCING)						
	3	1	241-4637	1	EYE-LIFTING						
	4	1	250-7869	3	DISC-COUPLING						
	5	1	241-4639	1	SCREEN (AIR EXIT)						
	6	1	6C-9129	2	BOLT (M6X1-THD)						
	7	1	241-4640	1	KIT-RING (GENERATOR)						
					(INCLUDES BRACKET & O-RING)						
M	8	1	8C-6855	10	BOLT (M14X2X45-MM)						
	9	1	241-4642	1	PANEL-TERMINAL BOX						
M	10	1	235-4451	34	BOLT-FLANGE HEAD (M6X1X16-MM)						
	11	1	243-5380	1	CAP						
	12	1	241-4644	1	BEARING						
	13	1	241-4645	1	COVER						
	14	1	242-2991	1	SHIM (2-MM THK)						
	15	1	241-4647	1	RING						
	16	1	241-4603	1	EXCITER						
	17	1	241-4648	4	BOLT						
	18	1	241-4649	1	ARMATURE						
	19	1	241-4650	1	SUPPORT-DIODE						
	20	1	241-4651	16	INSULATOR-TERMINAL						
	23	1	241-4652	1	BEAM						
	24	1	241-4653	1	PLATE-COUPLING						
	25	1	241-4654	2	SUPPORT						
	26	1	241-4656	1	HUB						
	27	1	241-4657	1	KEY-WOODRUFF						
M	28	1	8C-8478	8	BOLT (M20X2.5X140-MM)						
	29	1	241-4660	1	DIODE AS						
	30	1	241-4662	1	VARISTOR						
	31	1	241-4663	1	SEAL-O-RING						
	33	1	241-4664	1	PANEL						
	34	1	241-4665	1	PANEL-ACCESS						
	35	1	254-4231	1	PLATE						
	37	1	366-1930	1	PLATE						
	38	1	250-7868	1	BRACKET						
	39	1	241-4646	1	CAP-BEARING						
	40	1	242-2981	1	SCREEN-AIR INLET						
	41	1	241-4630	1	PANEL-ACCESS						
	42	1	242-2986	1	SCREEN-AIR INLET						
	43	1	242-2987	1	SCREEN-AIR INLET						
	44	1	242-2988	1	SUPPORT						
	45	1	242-2989	3	PLATE-CONNECTION						
	46	1	338-7373	1	STATOR AS						
	47	1	338-7388	1	ROTOR AS						
	48	1	289-2813	3	TERMINAL						
	49	1	319-3523	6	NUT-CAGED						

M-METRIC PART

# GENERATORS

338-2113 GENERATOR GP (contd.)

i04543598



GRAPHIC #1

<END>

g02577900

# GENERATORS

## 338-2132 GENERATOR GP

S/N: L7A1-UP

PART OF 338-2129 GENERATOR AR

SMCS-4450

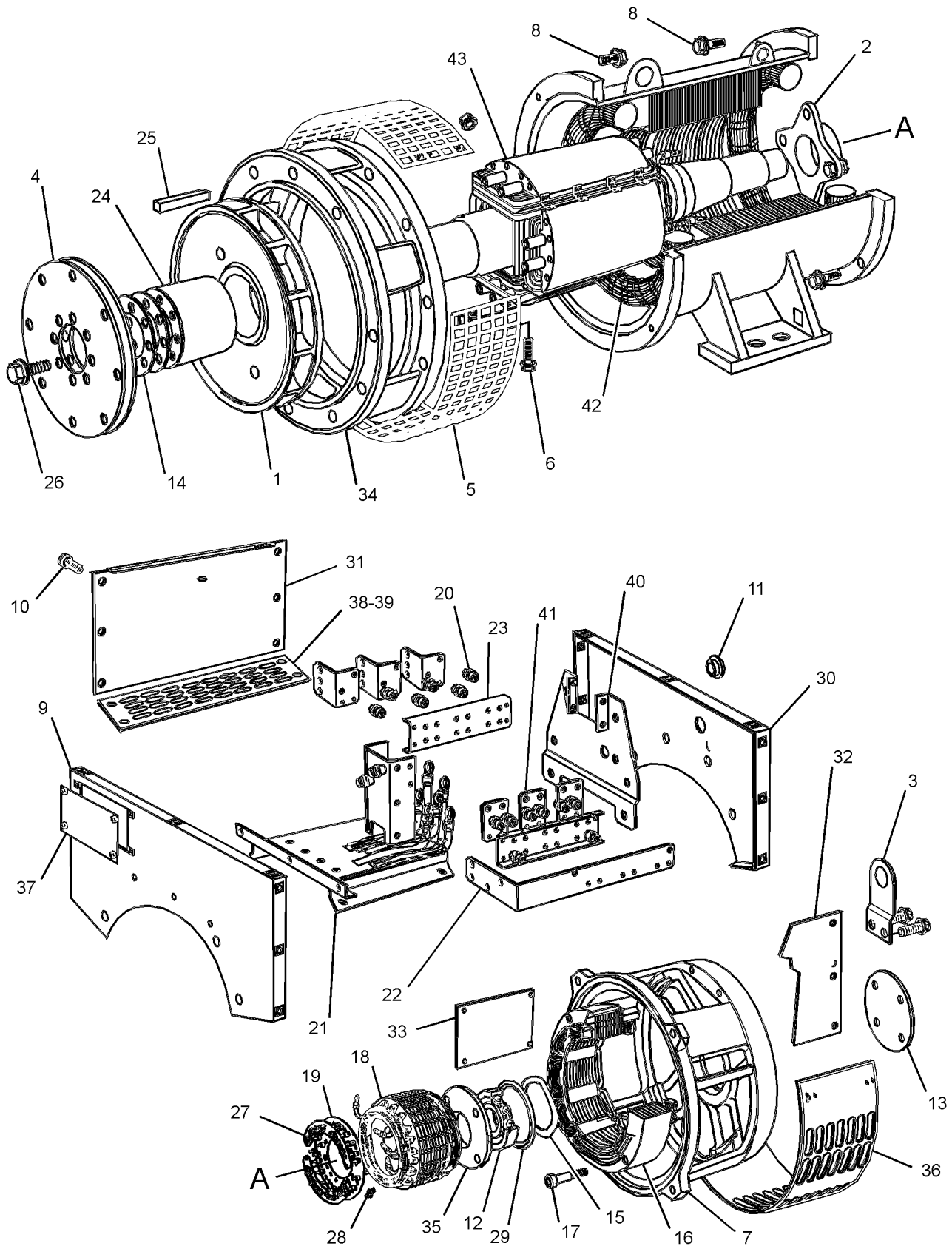
i04518272

NOTE	REF NO	GRAPHIC REF	PART NUMBER	QTY	PART NAME						SEE PAGE
					1	2	3	4	5	6 (PRODUCT LEVEL)	
	1	1	241-4635	1	FAN						
	2	1	241-4636	1	DISC (BALANCING)						
	3	1	241-4637	1	EYE-LIFTING						
	4	1	250-7869	3	DISC-COUPLING						
	5	1	241-4639	1	SCREEN						
	6	1	241-4580	2	SCREW						
	7	1	241-4640	1	KIT-RING (GENERATOR)						
	8	1	241-4641	10	BOLT (M14X2-THD)						
	9	1	241-4642	1	PANEL-TERMINAL BOX						
M	10	1	235-4451	34	BOLT-FLANGE HEAD (M6X1X16-MM)						
	11	1	243-5380	1	CAP						
	12	1	241-4644	1	BEARING						
	13	1	241-4645	1	COVER						
	14	1	242-2991	1	SHIM (2-MM THK)						
	15	1	241-4647	1	RING						
	16	1	241-4603	1	EXCITER						
	17	1	241-4648	4	BOLT						
	18	1	241-4649	1	ARMATURE						
	19	1	241-4650	1	SUPPORT-DIODE						
	20	1	241-4651	16	INSULATOR-TERMINAL						
	21	1	241-4652	1	BEAM						
	22	1	241-4653	1	PLATE-COUPLING						
	23	1	241-4654	2	SUPPORT						
	24	1	241-4656	1	HUB						
	25	1	241-4657	1	KEY-WOODRUFF						
	26	1	241-4658	8	BOLT						
	27	1	241-4660	1	DIODE AS						
	28	1	241-4662	1	VARISTOR						
	29	1	241-4663	1	SEAL-O-RING						
	30	1	241-4664	1	PANEL						
	31	1	241-4665	1	PANEL-ACCESS						
	32	1	241-4666	1	PANEL-ACCESS						
	33	1	241-4630	1	PANEL-ACCESS						
	34	1	250-7868	1	BRACKET						
	35	1	241-4646	1	CAP-BEARING						
	36	1	242-2981	1	SCREEN-AIR INLET						
	37	1	242-2982	1	PANEL-ACCESS						
	38	1	242-2986	1	SCREEN-AIR INLET						
	39	1	242-2987	1	SCREEN-AIR INLET						
	40	1	242-2988	1	SUPPORT						
	41	1	242-2989	3	PLATE-CONNECTION						
	42	1	338-7368	1	STATOR AS						
	43	1	338-7384	1	ROTOR AS						
M-METRIC PART											

# GENERATORS

338-2132 GENERATOR GP (contd.)

i04518272



GRAPHIC #1

<END>

g02142065

# GENERATORS

## 358-4760 GENERATOR GP

S/N: L6B1-UP

PART OF 392-1380 GENERATOR AR  
AN ATTACHMENT

SMCS-4450

i04903971

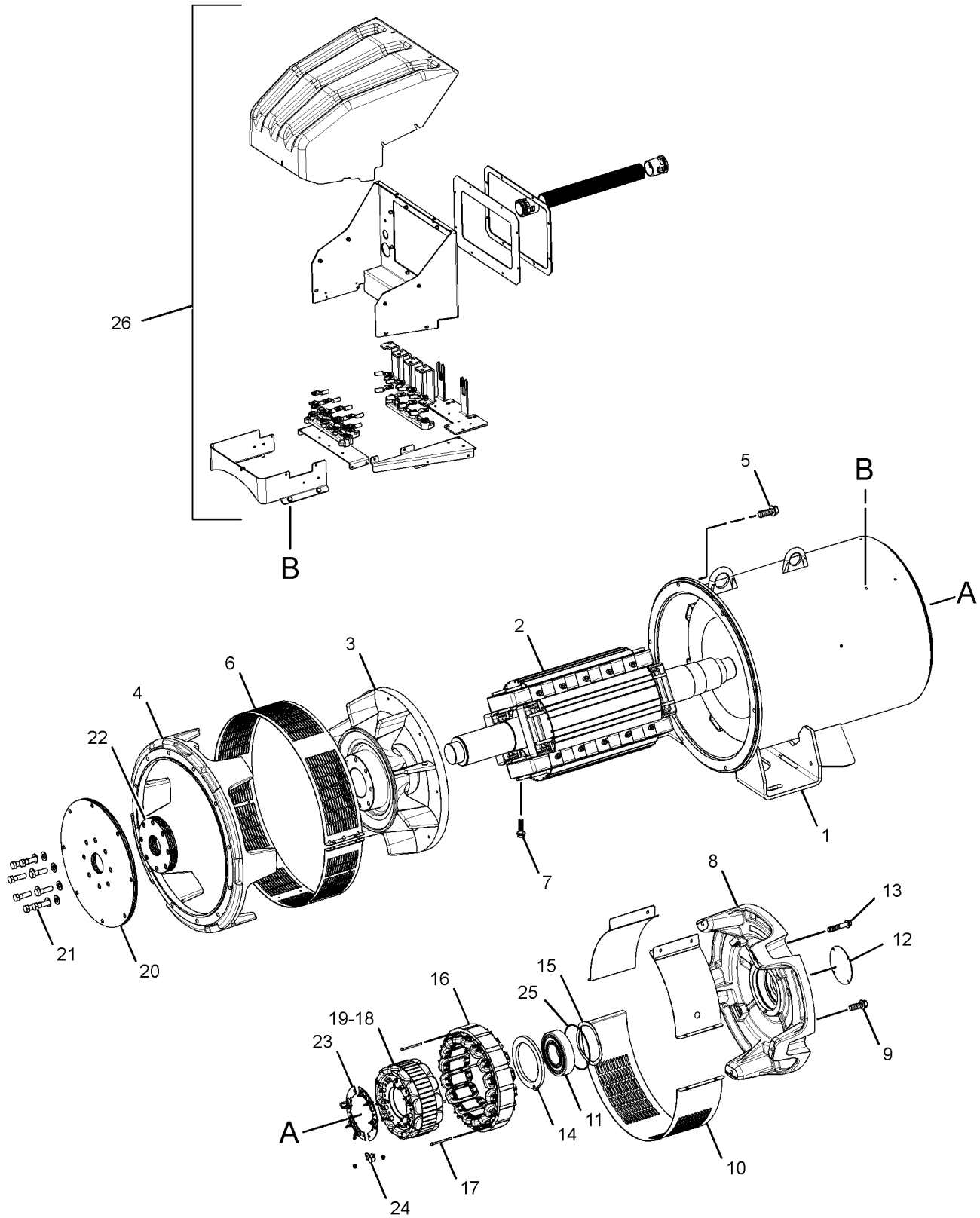
NOTE	REF NO	GRAPHIC REF	PART NUMBER	QTY	PART NAME						SEE PAGE
					1	2	3	4	5	6 (PRODUCT LEVEL)	
	1	1	243-0148	1	STATOR AS						
R	2	1	243-0144	1	ROTOR AS						
	3	1	242-3919	1	FAN-GENERATOR						
	4	1	393-7035	1	FLANGE						
M	5	1	6V-5684	6	BOLT (M12X1.75X45-MM)						
	6	1	242-3924	1	SCREEN						
	7	1	246-2207	2	BOLT (M6X1X40-MM)						
	8	1	242-3928	1	SHIELD						
M	9	1	8T-4648	5	BOLT (M12X1.75X70-MM)						
	10	1	393-7036	1	GUARD GP-ALTERNATOR						
	11	1	243-5220	1	BEARING						
	12	1	241-4594	1	COVER						
M	13	1	8T-6870	2	BOLT (M8X1.25X70-MM)						
	14	1	241-4595	1	CAP-BEARING						
	15	1	241-4597	1	RING						
	16	1	242-3938	1	EXCITER						
M	17	1	102-7364	4	BOLT-SOCKET HEAD (M6X1X80-MM)						
	18	1	242-3941	1	ARMATURE						
	19	1	241-4606	1	SUPPORT-DIODE						
	20	1	242-3959	3	DISC-COUPLING						
	21	1	242-3960	8	SCREW (27.7-MMX40-MM)						
	22	1	241-4618	1	SHIM (2-MM THK)						
	23	1	241-4619	1	DIODE AS						
	24	1	241-4620	1	VARISTOR						
	25	1	241-4622	1	SEAL-O-RING						
Y	26	1	393-7040	1	BOX GP-GENERATOR CONNECTION						166

M-METRIC PART  
R-REMFG PART MAY BE AVAILABLE  
Y-SEPARATE ILLUSTRATION

# GENERATORS

358-4760 GENERATOR GP (contd.)

i04903971



GRAPHIC #1

<END>

g03066606



# GENERATORS

## 374-0463 GENERATOR GP

S/N: L6B1-UP

PART OF 392-1378 GENERATOR AR  
AN ATTACHMENT

SMCS-4450

i04902809

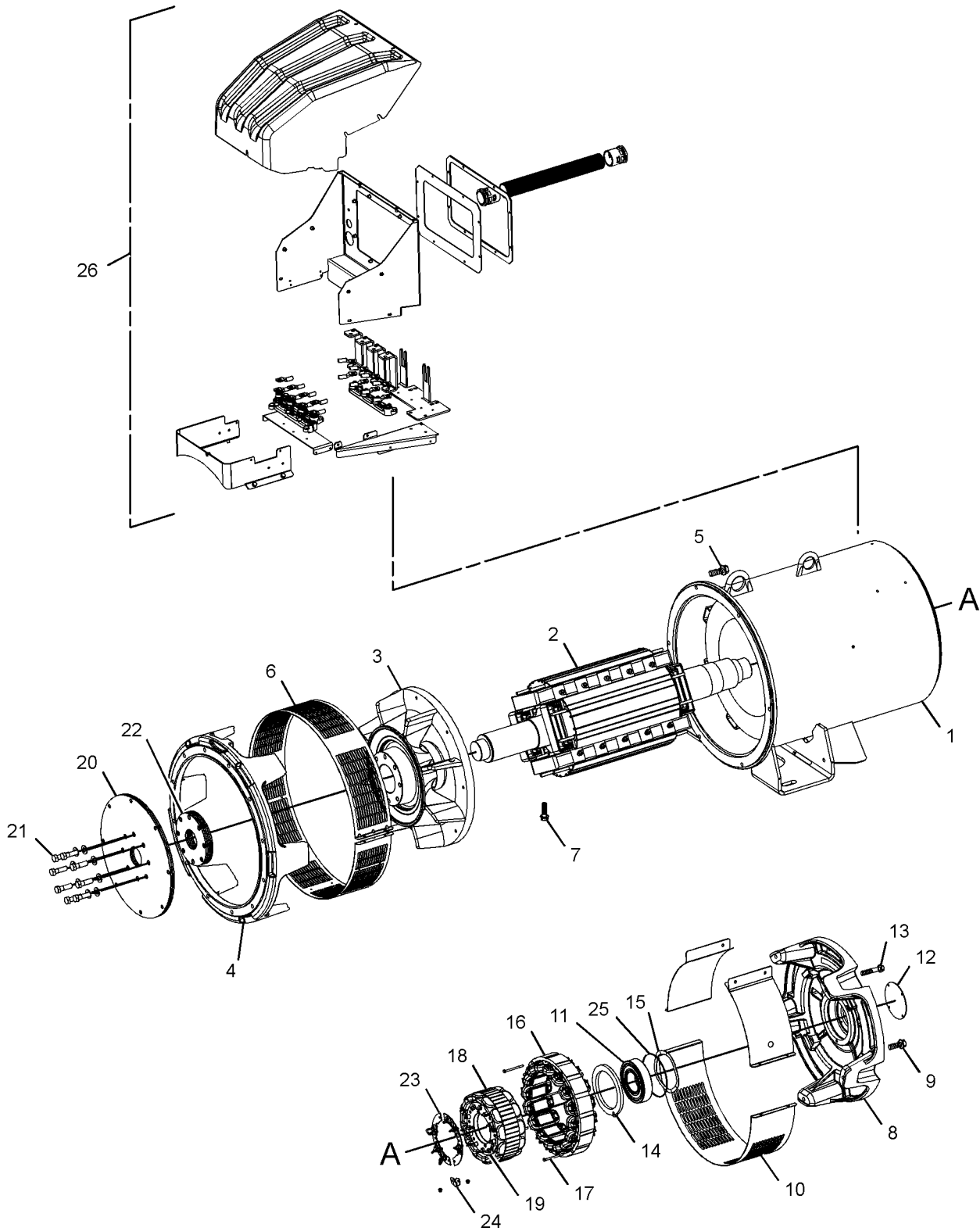
NOTE	REF NO	GRAPHIC REF	PART NUMBER	QTY	PART NAME						SEE PAGE
					1	2	3	4	5	6 (PRODUCT LEVEL)	
	1	1	243-0146	1	STATOR AS						
R	2	1	243-0142	1	ROTOR AS						
	3	1	242-3919	1	FAN-GENERATOR						
	4	1	393-7035	1	FLANGE						
M	5	1	6V-5684	6	BOLT (M12X1.75X45-MM)						
	6	1	242-3924	1	SCREEN						
	7	1	246-2207	2	BOLT (M6X1X40-MM)						
	8	1	242-3928	1	SHIELD						
M	9	1	8T-4648	5	BOLT (M12X1.75X70-MM)						
	10	1	393-7036	1	GUARD GP-ALTERNATOR						
	11	1	243-5220	1	BEARING						
	12	1	241-4594	1	COVER						
M	13	1	8T-6870	2	BOLT (M8X1.25X70-MM)						
	14	1	241-4595	1	CAP-BEARING						
	15	1	241-4597	1	RING						
	16	1	242-3938	1	EXCITER						
M	17	1	102-7364	4	BOLT-SOCKET HEAD (M6X1X80-MM)						
	18	1	242-3941	1	ARMATURE						
	19	1	241-4606	1	SUPPORT-DIODE						
	20	1	242-3959	3	DISC-COUPLING						
	21	1	242-3960	8	SCREW (27.7-MMX40-MM)						
	22	1	241-4618	1	SHIM (2-MM THK)						
	23	1	241-4619	1	DIODE AS						
	24	1	241-4620	1	VARISTOR						
	25	1	241-4622	1	SEAL-O-RING						
Y	26	1	393-7040	1	BOX GP-GENERATOR CONNECTION						166

M-METRIC PART  
R-REMFG PART MAY BE AVAILABLE  
Y-SEPARATE ILLUSTRATION

# GENERATORS

374-0463 GENERATOR GP (contd.)

i04902809



GRAPHIC #1

<END>

g03064347

# GENERATORS

## 374-0465 GENERATOR GP

S/N: L6B1-UP

PART OF 392-1379 GENERATOR AR  
AN ATTACHMENT

SMCS-4450

i04903952

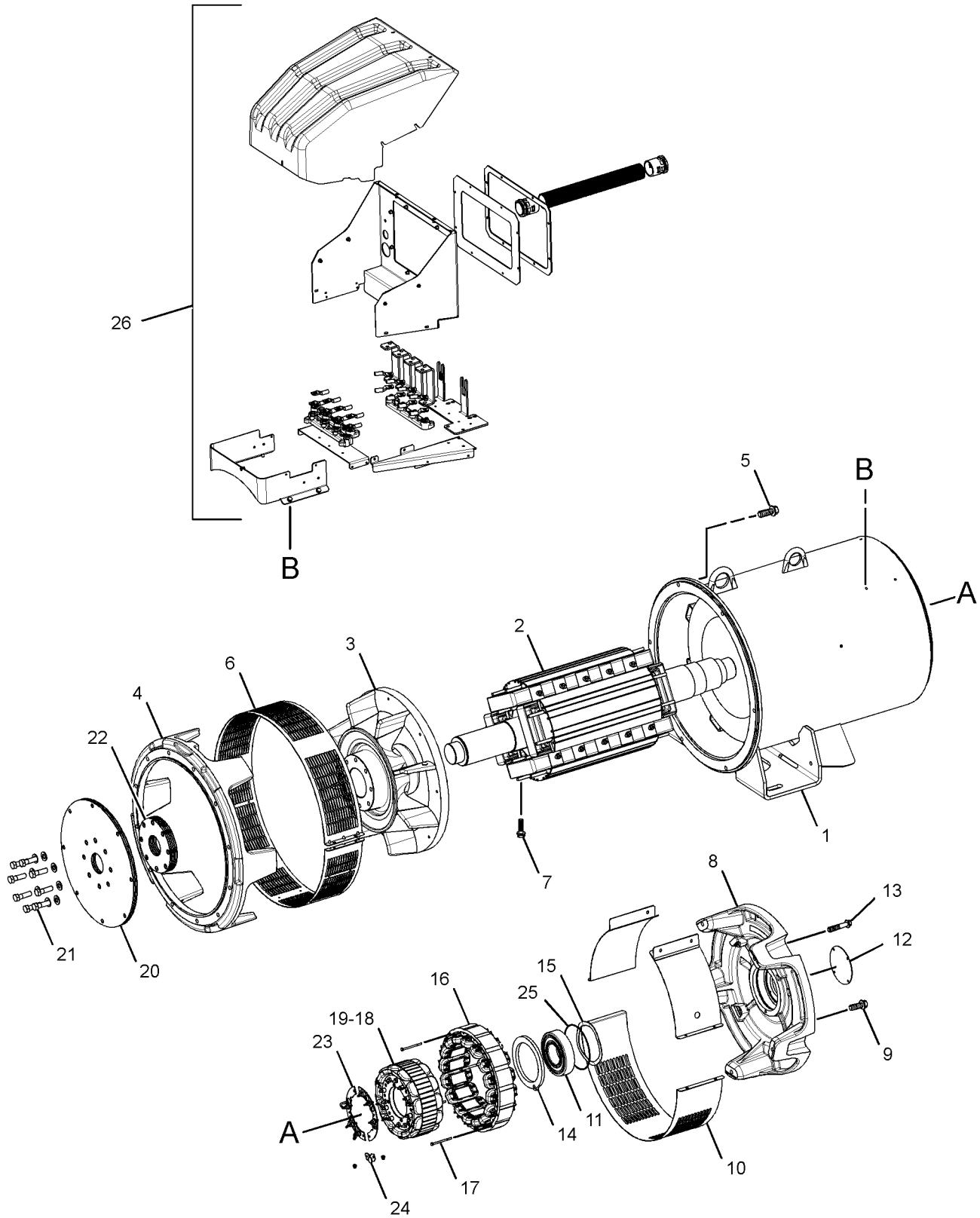
NOTE	REF NO	GRAPHIC REF	PART NUMBER	QTY	PART NAME						SEE PAGE
					1	2	3	4	5	6 (PRODUCT LEVEL)	
	1	1	243-0147	1	STATOR AS						
R	2	1	243-0143	1	ROTOR AS						
	3	1	242-3919	1	FAN-GENERATOR						
	4	1	393-7035	1	FLANGE						
M	5	1	6V-5684	6	BOLT (M12X1.75X45-MM)						
	6	1	242-3924	1	SCREEN						
	7	1	246-2207	2	BOLT (M6X1X40-MM)						
	8	1	242-3928	1	SHIELD						
M	9	1	8T-4648	5	BOLT (M12X1.75X70-MM)						
	10	1	393-7036	1	GUARD GP-ALTERNATOR						
	11	1	243-5220	1	BEARING						
	12	1	241-4594	1	COVER						
M	13	1	8T-6870	2	BOLT (M8X1.25X70-MM)						
	14	1	241-4595	1	CAP-BEARING						
	15	1	241-4597	1	RING						
	16	1	242-3938	1	EXCITER						
M	17	1	102-7364	4	BOLT-SOCKET HEAD (M6X1X80-MM)						
	18	1	242-3941	1	ARMATURE						
	19	1	241-4606	1	SUPPORT-DIODE						
	20	1	242-3959	3	DISC-COUPLING						
	21	1	242-3960	8	SCREW (27.7-MMX40-MM)						
	22	1	241-4618	1	SHIM (2-MM THK)						
	23	1	241-4619	1	DIODE AS						
	24	1	241-4620	1	VARISTOR						
	25	1	241-4622	1	SEAL-O-RING						
Y	26	1	393-7040	1	BOX GP-GENERATOR CONNECTION						166

M-METRIC PART  
R-REMFG PART MAY BE AVAILABLE  
Y-SEPARATE ILLUSTRATION

# GENERATORS

374-0465 GENERATOR GP (contd.)

i04903952



GRAPHIC #1

<END>

g03066606

# GENERATORS

## 374-0467 GENERATOR GP

S/N: L7A1-UP

PART OF 392-1381 GENERATOR AR  
AN ATTACHMENT

SMCS-4450

i04889949

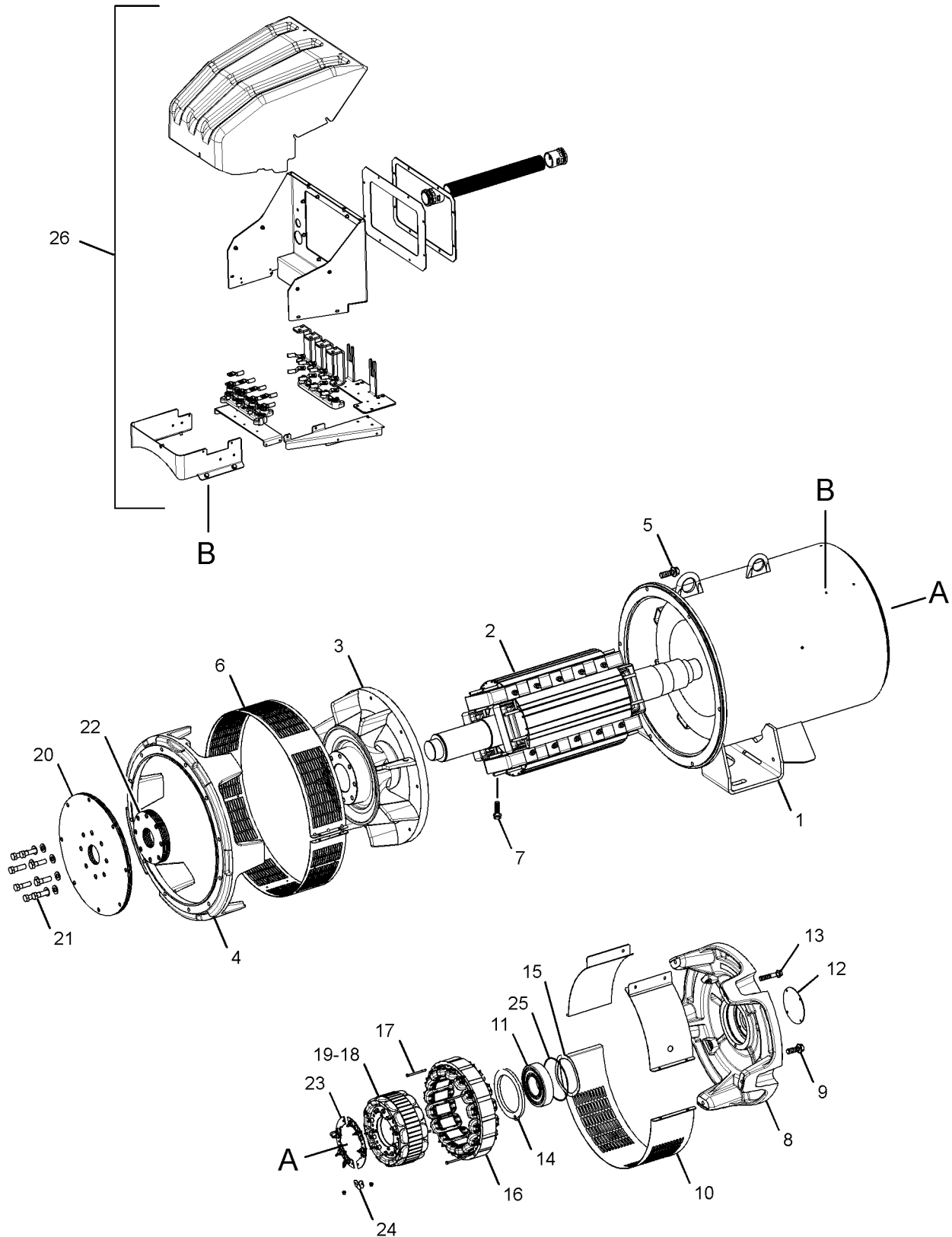
NOTE	REF NO	GRAPHIC REF	PART NUMBER	QTY	PART NAME						SEE PAGE
					1	2	3	4	5	6 (PRODUCT LEVEL)	
	1	1	243-0148	1	STATOR AS						
R	2	1	243-0144	1	ROTOR AS						
	3	1	242-3919	1	FAN-GENERATOR						
	4	1	251-3488	1	FLANGE						
M	5	1	6V-5684	6	BOLT (M12X1.75X45-MM)						
	6	1	242-3924	1	SCREEN						
	7	1	246-2207	2	BOLT (M6X1X40-MM)						
	8	1	242-3928	1	SHIELD						
M	9	1	8T-4648	5	BOLT (M12X1.75X70-MM)						
	10	1	393-7050	1	GUARD GP-ALTERNATOR						
	11	1	243-5220	1	BEARING						
	12	1	241-4594	1	COVER						
M	13	1	8T-6870	2	BOLT (M8X1.25X70-MM)						
	14	1	241-4595	1	CAP-BEARING						
	15	1	241-4597	1	RING						
	16	1	242-3938	1	EXCITER						
M	17	1	102-7364	4	BOLT-SOCKET HEAD (M6X1X80-MM)						
	18	1	242-3941	1	ARMATURE						
	19	1	241-4606	1	SUPPORT-DIODE						
	20	1	251-3489	3	DISC-COUPLING						
	21	1	242-3960	8	SCREW (27.7-MMX40-MM)						
	22	1	241-4618	1	SHIM (2-MM THK)						
	23	1	241-4619	1	DIODE AS						
	24	1	241-4620	1	VARISTOR						
	25	1	241-4622	1	SEAL-O-RING						
Y	26	1	393-7040	1	BOX GP-GENERATOR CONNECTION						166

M-METRIC PART  
R-REMFG PART MAY BE AVAILABLE  
Y-SEPARATE ILLUSTRATION

# GENERATORS

374-0467 GENERATOR GP (contd.)

i04889949



GRAPHIC #1

<END>

g03028282

# GENERATORS

## 374-0469 GENERATOR GP

S/N: L7A1-UP

PART OF 392-1383 GENERATOR AR  
AN ATTACHMENT

SMCS-4450

i04889927

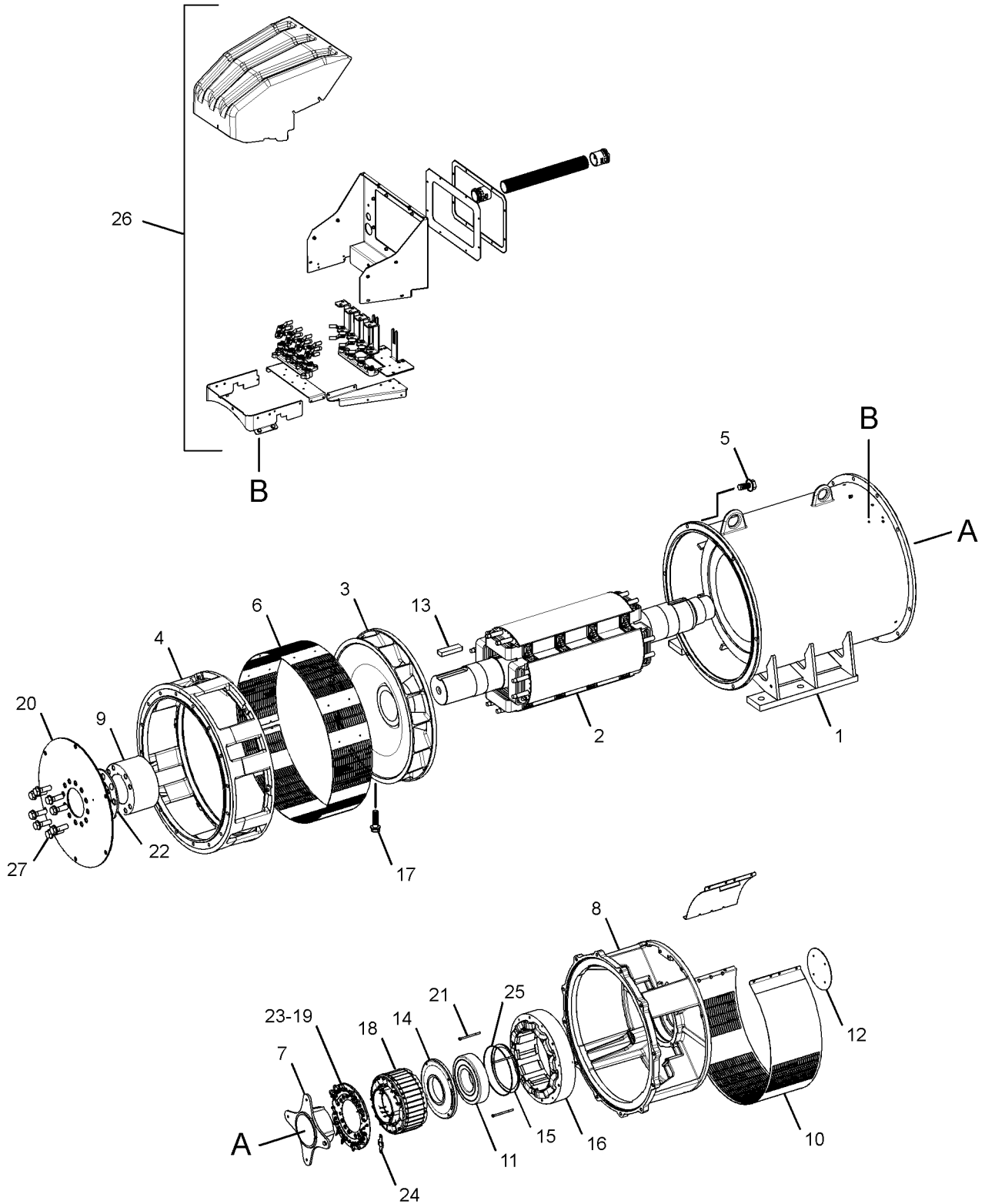
NOTE	REF NO	GRAPHIC REF	PART NUMBER	QTY	PART NAME						SEE PAGE
					1	2	3	4	5	6 (PRODUCT LEVEL)	
	1	1	250-7842	1	STATOR AS						
	2	1	250-7853	1	ROTOR AS						
	3	1	241-4635	1	FAN						
	4	1	250-7868	1	BRACKET						
M	5	1	8C-6855	6	BOLT (M14X2X45-MM)						
	6	1	241-4639	1	SCREEN						
	7	1	241-4636	2	DISC (BALANCING)						
	8	1	241-4640	1	KIT-RING (GENERATOR)						
					( KIT INCLUDES BRACKET & RUBBER O-RING )						
	9	1	241-4656	5	HUB						
	10	1	393-7050	1	GUARD GP-ALTERNATOR						
	11		241-4644	1	BEARING						
	12	1	241-4645	1	COVER						
	13	1	241-4657	2	KEY-WOODRUFF						
	14	1	241-4646	1	CAP-BEARING						
	15	1	241-4647	1	RING						
	16	1	241-4603	1	EXCITER						
M	17	1	8C-8451	4	BOLT (M6X1X40-MM)						
	18	1	241-4649	1	ARMATURE						
	19	1	241-4650	1	SUPPORT-DIODE						
	20	1	250-7869	3	DISC-COUPLING						
	21	1	334-1673	8	BOLT-SOCKET HEAD (M6X1X100-MM)						
	22	1	242-2991	1	SHIM (2-MM THK)						
	23	1	241-4660	1	DIODE AS						
	24	1	241-4662	1	VARISTOR						
	25	1	241-4663	1	SEAL-O-RING						
Y	26	1	393-7051	1	BOX GP-GENERATOR CONNECTION						167
M	27	1	8C-8478	1	BOLT (M20X2.5X140-MM)						

M-METRIC PART  
Y-SEPARATE ILLUSTRATION

# GENERATORS

374-0469 GENERATOR GP (contd.)

i04889927



GRAPHIC #1

<END>

g03027996



# GENERATORS

## 374-0470 GENERATOR GP

S/N: L7A1-UP

PART OF 392-1384 GENERATOR AR  
AN ATTACHMENT

SMCS-4450

i04889923

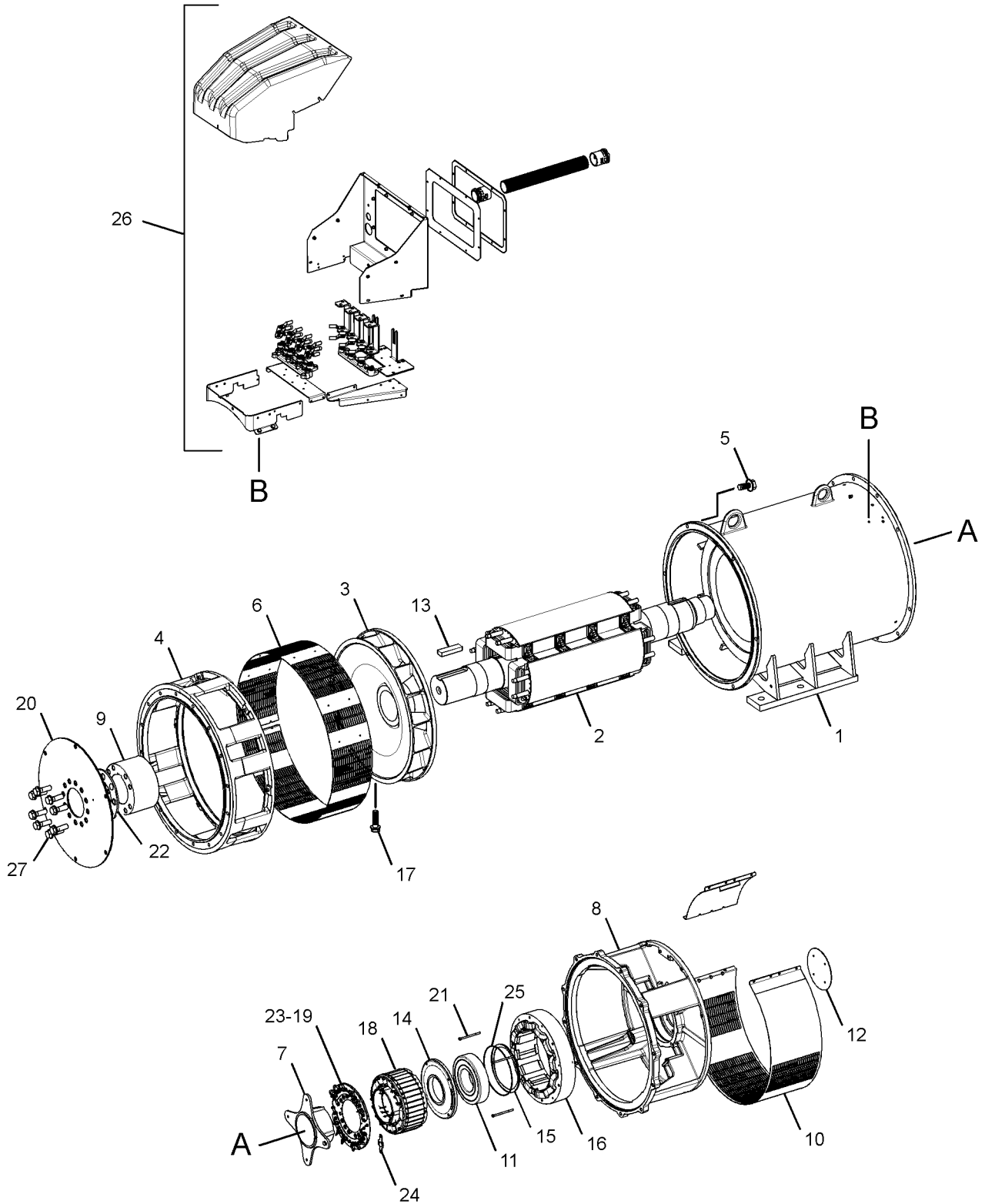
NOTE	REF NO	GRAPHIC REF	PART NUMBER	QTY	PART NAME						SEE PAGE
					1	2	3	4	5	6 (PRODUCT LEVEL)	
	1	1	<b>393-7039</b>	1	STATOR AS						
	2	1	<b>393-7041</b>	1	ROTOR AS						
	3	1	<b>241-4635</b>	1	FAN						
	4	1	<b>250-7868</b>	1	BRACKET						
M	5	1	<b>8C-6855</b>	6	BOLT (M14X2X45-MM)						
	6	1	<b>241-4639</b>	1	SCREEN						
	7	1	<b>241-4636</b>	2	DISC (BALANCING)						
	8	1	<b>241-4640</b>	1	KIT-RING (GENERATOR)						
					( KIT INCLUDES BRACKET & RUBBER O-RING )						
	9	1	<b>241-4656</b>	5	HUB						
	10	1	<b>393-7050</b>	1	GUARD GP-ALTERNATOR						
	11	1	<b>241-4644</b>	1	BEARING						
	12	1	<b>241-4645</b>	1	COVER						
	13	1	<b>241-4657</b>	2	KEY-WOODRUFF						
	14	1	<b>241-4646</b>	1	CAP-BEARING						
	15	1	<b>241-4647</b>	1	RING						
	16	1	<b>241-4603</b>	1	EXCITER						
M	17	1	<b>8C-8451</b>	4	BOLT (M6X1X40-MM)						
	18	1	<b>241-4649</b>	1	ARMATURE						
	19	1	<b>241-4650</b>	1	SUPPORT-DIODE						
	20	1	<b>250-7869</b>	3	DISC-COUPLING						
	21	1	<b>334-1673</b>	8	BOLT-SOCKET HEAD (M6X1X100-MM)						
	22	1	<b>242-2991</b>	1	SHIM (2-MM THK)						
	23	1	<b>241-4660</b>	1	DIODE AS						
	24	1	<b>241-4662</b>	1	VARISTOR						
	25	1	<b>241-4663</b>	1	SEAL-O-RING						
Y	26	1	<b>393-7051</b>	1	BOX GP-GENERATOR CONNECTION						167
M	27	1	<b>8C-8478</b>	1	BOLT (M20X2.5X140-MM)						

M-METRIC PART  
Y-SEPARATE ILLUSTRATION

# GENERATORS

374-0470 GENERATOR GP (contd.)

i04889923



GRAPHIC #1

<END>

g03028039

# GENERATORS

## 374-0471 GENERATOR GP

S/N: L7A1-UP

PART OF 392-1385 GENERATOR AR  
AN ATTACHMENT

SMCS-4450

i04889919

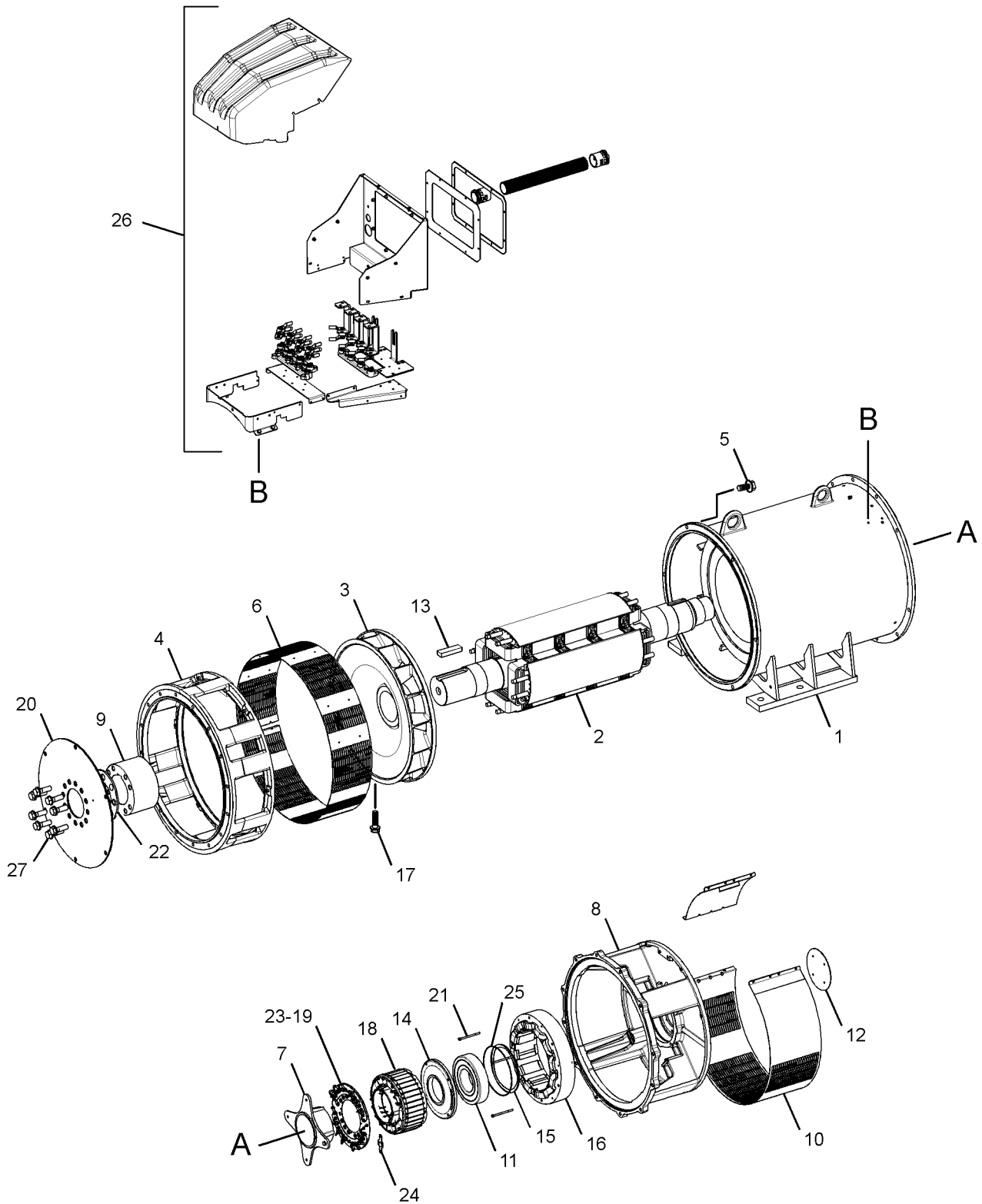
NOTE	REF NO	GRAPHIC REF	PART NUMBER	QTY	PART NAME						SEE PAGE
					1	2	3	4	5	6 (PRODUCT LEVEL)	
	1	1	242-9328	1	STATOR AS						
	2	1	242-9332	1	ROTOR AS						
	3	1	241-4635	1	FAN						
	4	1	250-7868	1	BRACKET						
M	5	1	8C-6855	6	BOLT (M14X2X45-MM)						
	6	1	241-4639	1	SCREEN						
	7	1	241-4636	2	DISC (BALANCING)						
	8	1	241-4640	1	KIT-RING (GENERATOR)						
	9	1	241-4656	5	HUB						
	10	1	393-7050	1	GUARD GP-ALTERNATOR						
	11	1	241-4644	1	BEARING						
	12	1	241-4645	1	COVER						
	13	1	241-4657	2	KEY-WOODRUFF						
	14	1	241-4646	1	CAP-BEARING						
	15	1	241-4647	1	RING						
	16	1	241-4603	1	EXCITER						
M	17	1	8C-8451	4	BOLT (M6X1X40-MM)						
	18	1	241-4649	1	ARMATURE						
	19	1	241-4650	1	SUPPORT-DIODE						
	20	1	250-7869	3	DISC-COUPLING						
	21	1	334-1673	8	BOLT-SOCKET HEAD (M6X1X100-MM)						
	22	1	242-2991	1	SHIM (2-MM THK)						
	23	1	241-4660	1	DIODE AS						
	24	1	241-4662	1	VARISTOR						
	25	1	241-4663	1	SEAL-O-RING						
Y	26	1	393-7051	1	BOX GP-GENERATOR CONNECTION						167
M	27	1	8C-8478	1	BOLT (M20X2.5X140-MM)						

M-METRIC PART  
Y-SEPARATE ILLUSTRATION

# GENERATORS

374-0471 GENERATOR GP (contd.)

i04889919



GRAPHIC #1

<END>

g03028077

# GENERATORS

## 389-9340 GENERATOR GP

S/N: L6B1-UP

PART OF 392-1377 GENERATOR AR  
AN ATTACHMENT

SMCS-4450

i04902791

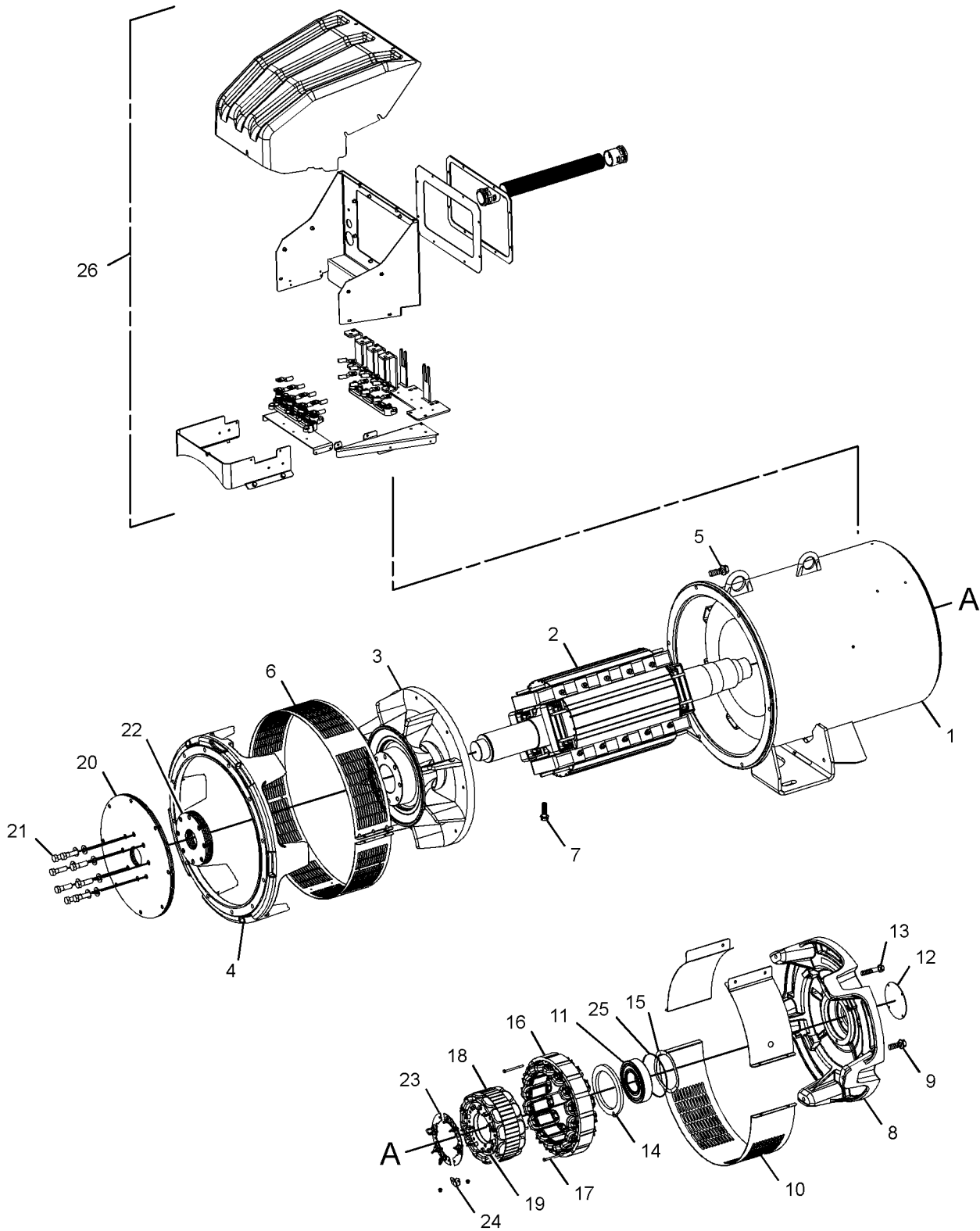
NOTE	REF NO	GRAPHIC REF	PART NUMBER	QTY	PART NAME						SEE PAGE
					1	2	3	4	5	6 (PRODUCT LEVEL)	
	1	1	243-0145	1	STATOR AS						
R	2	1	243-0141	1	ROTOR AS						
	3	1	242-3919	1	FAN-GENERATOR						
	4	1	393-7035	1	FLANGE						
M	5	1	6V-5684	6	BOLT (M12X1.75X45-MM)						
	6	1	242-3924	1	SCREEN						
	7	1	246-2207	2	BOLT (M6X1X40-MM)						
	8	1	242-3928	1	SHIELD						
M	9	1	8T-4648	5	BOLT (M12X1.75X70-MM)						
	10	1	393-7036	1	GUARD GP-ALTERNATOR						
	11	1	243-5220	1	BEARING						
	12	1	241-4594	1	COVER						
M	13	1	8T-6870	2	BOLT (M8X1.25X70-MM)						
	14	1	241-4595	1	CAP-BEARING						
	15	1	241-4597	1	RING						
	16	1	242-3938	1	EXCITER						
M	17	1	102-7364	4	BOLT-SOCKET HEAD (M6X1X80-MM)						
	18	1	242-3941	1	ARMATURE						
	19	1	241-4606	1	SUPPORT-DIODE						
	20	1	242-3959	3	DISC-COUPLING						
	21	1	242-3960	8	SCREW (27.7-MMX40-MM)						
	22	1	241-4618	1	SHIM (2-MM THK)						
	23	1	241-4619	1	DIODE AS						
	24	1	241-4620	1	VARISTOR						
	25	1	241-4622	1	SEAL-O-RING						
Y	26	1	393-7040	1	BOX GP-GENERATOR CONNECTION						166

M-METRIC PART  
R-REMFG PART MAY BE AVAILABLE  
Y-SEPARATE ILLUSTRATION

# GENERATORS

389-9340 GENERATOR GP (contd.)

i04902791



GRAPHIC #1

<END>

g03065079

# GENERATORS

## 389-9341 GENERATOR GP

S/N: L6B1-UP

PART OF 392-1387 GENERATOR AR  
AN ATTACHMENT

SMCS-4450

i04904218

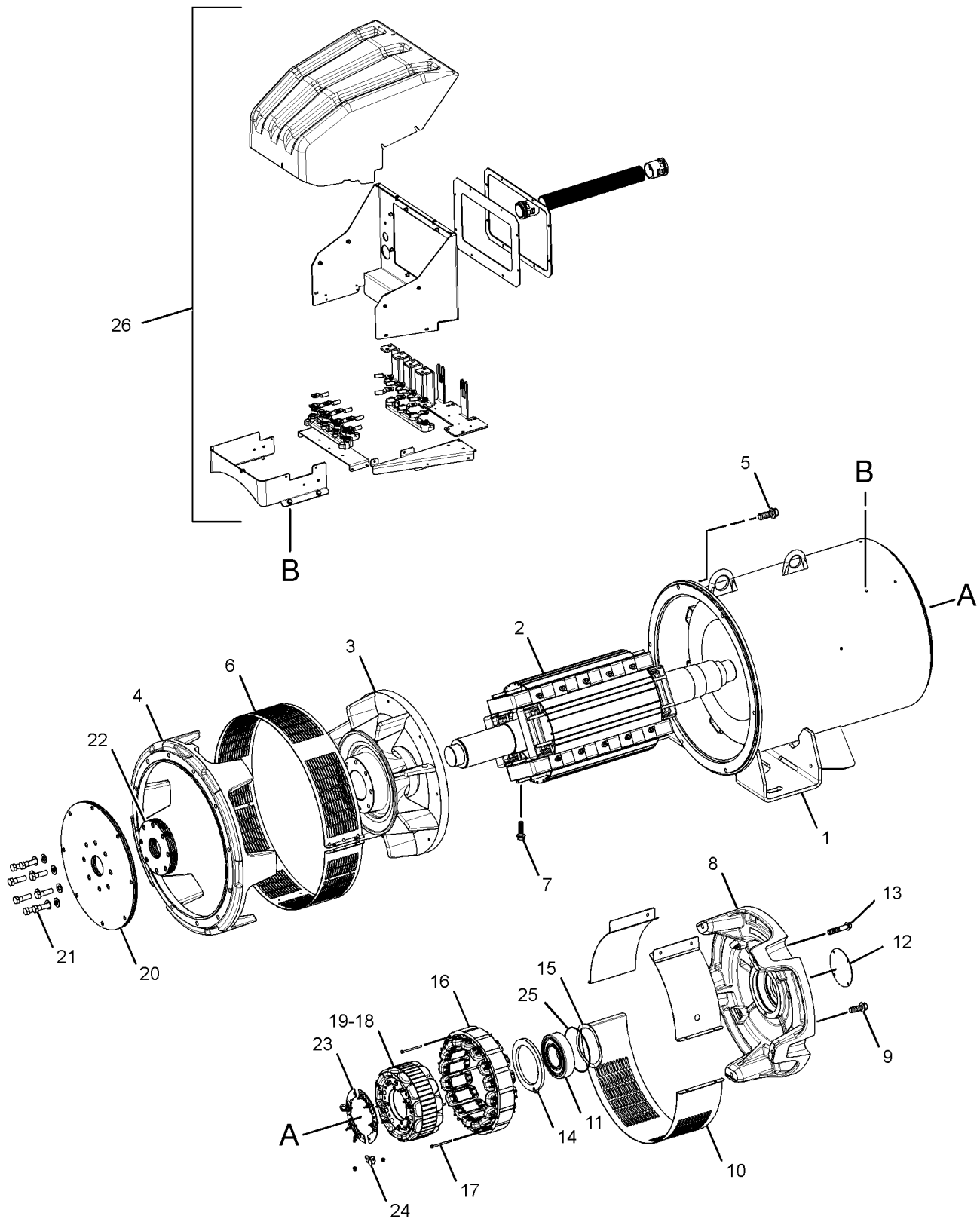
NOTE	REF NO	GRAPHIC REF	PART NUMBER	QTY	PART NAME						SEE PAGE
					1	2	3	4	5	6 (PRODUCT LEVEL)	
	1	1	243-0149	1	STATOR AS						
R	2	1	243-0141	1	ROTOR AS						
	3	1	242-3919	1	FAN-GENERATOR						
	4	1	393-7035	1	FLANGE						
M	5	1	6V-5684	6	BOLT (M12X1.75X45-MM)						
	6	1	242-3924	1	SCREEN						
	7	1	246-2207	2	BOLT (M6X1X40-MM)						
	8	1	242-3928	1	SHIELD						
M	9	1	8T-4648	5	BOLT (M12X1.75X70-MM)						
	10	1	393-7036	1	GUARD GP-ALTERNATOR						
	11	1	243-5220	1	BEARING						
	12	1	241-4594	1	COVER						
M	13	1	8T-6870	2	BOLT (M8X1.25X70-MM)						
	14	1	241-4595	1	CAP-BEARING						
	15	1	241-4597	1	RING						
	16	1	242-3938	1	EXCITER						
M	17	1	102-7364	4	BOLT-SOCKET HEAD (M6X1X80-MM)						
	18	1	242-3941	1	ARMATURE						
	19	1	241-4606	1	SUPPORT-DIODE						
	20	1	242-3959	3	DISC-COUPLING						
	21	1	242-3960	8	SCREW (27.7-MMX40-MM)						
	22	1	241-4618	1	SHIM (2-MM THK)						
	23	1	241-4619	1	DIODE AS						
	24	1	241-4620	1	VARISTOR						
	25	1	241-4622	1	SEAL-O-RING						
Y	26	1	393-7040	1	BOX GP-GENERATOR CONNECTION						166

M-METRIC PART  
R-REMFG PART MAY BE AVAILABLE  
Y-SEPARATE ILLUSTRATION

# GENERATORS

389-9341 GENERATOR GP (contd.)

i04904218



GRAPHIC #1

<END>

g03066606



# GENERATORS

## 389-9342 GENERATOR GP

S/N: L6B1-UP

PART OF 392-1388 GENERATOR AR  
AN ATTACHMENT

SMCS-4450

i04904155

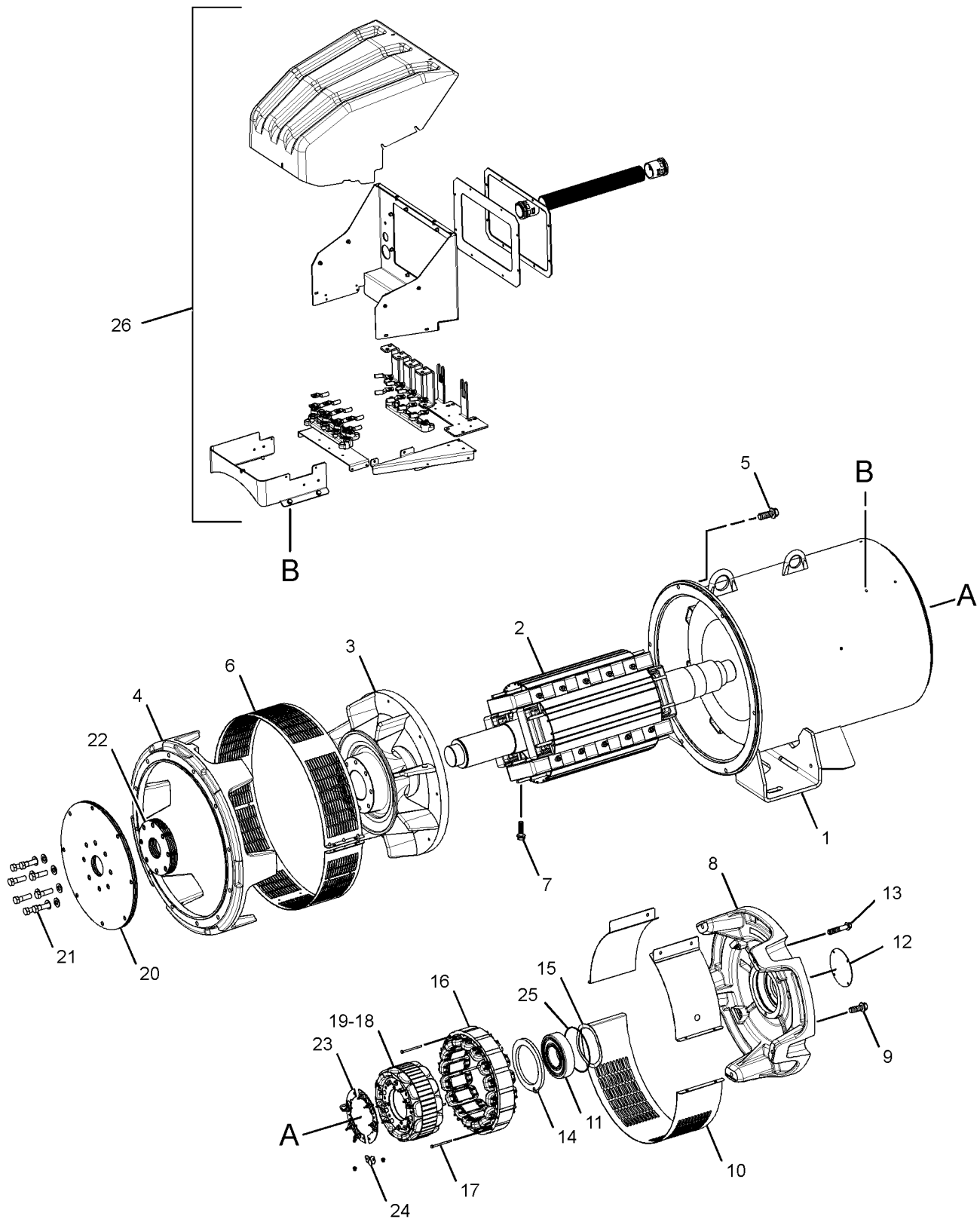
NOTE	REF NO	GRAPHIC REF	PART NUMBER	QTY	PART NAME						SEE PAGE
					1	2	3	4	5	6 (PRODUCT LEVEL)	
	1	1	243-0150	1	STATOR AS						
R	2	1	243-0142	1	ROTOR AS						
	3	1	242-3919	1	FAN-GENERATOR						
	4	1	393-7035	1	FLANGE						
M	5	1	6V-5684	6	BOLT (M12X1.75X45-MM)						
	6	1	242-3924	1	SCREEN						
	7	1	246-2207	2	BOLT (M6X1X40-MM)						
	8	1	242-3928	1	SHIELD						
M	9	1	8T-4648	5	BOLT (M12X1.75X70-MM)						
	10	1	393-7036	1	GUARD GP-ALTERNATOR						
	11	1	243-5220	1	BEARING						
	12	1	241-4594	1	COVER						
M	13	1	8T-6870	2	BOLT (M8X1.25X70-MM)						
	14	1	241-4595	1	CAP-BEARING						
	15	1	241-4597	1	RING						
	16	1	242-3938	1	EXCITER						
M	17	1	102-7364	4	BOLT-SOCKET HEAD (M6X1X80-MM)						
	18	1	242-3941	1	ARMATURE						
	19	1	241-4606	1	SUPPORT-DIODE						
	20	1	242-3959	3	DISC-COUPLING						
	21	1	242-3960	8	SCREW (27.7-MMX40-MM)						
	22	1	241-4618	1	SHIM (2-MM THK)						
	23	1	241-4619	1	DIODE AS						
	24	1	241-4620	1	VARISTOR						
	25	1	241-4622	1	SEAL-O-RING						
Y	26	1	393-7040	1	BOX GP-GENERATOR CONNECTION						166

M-METRIC PART  
R-REMFG PART MAY BE AVAILABLE  
Y-SEPARATE ILLUSTRATION

# GENERATORS

389-9342 GENERATOR GP (contd.)

i04904155



GRAPHIC #1

<END>

g03066606

# GENERATORS

## 389-9343 GENERATOR GP

S/N: L6B1-UP

PART OF 392-1389 GENERATOR AR  
AN ATTACHMENT

SMCS-4450

i04904201

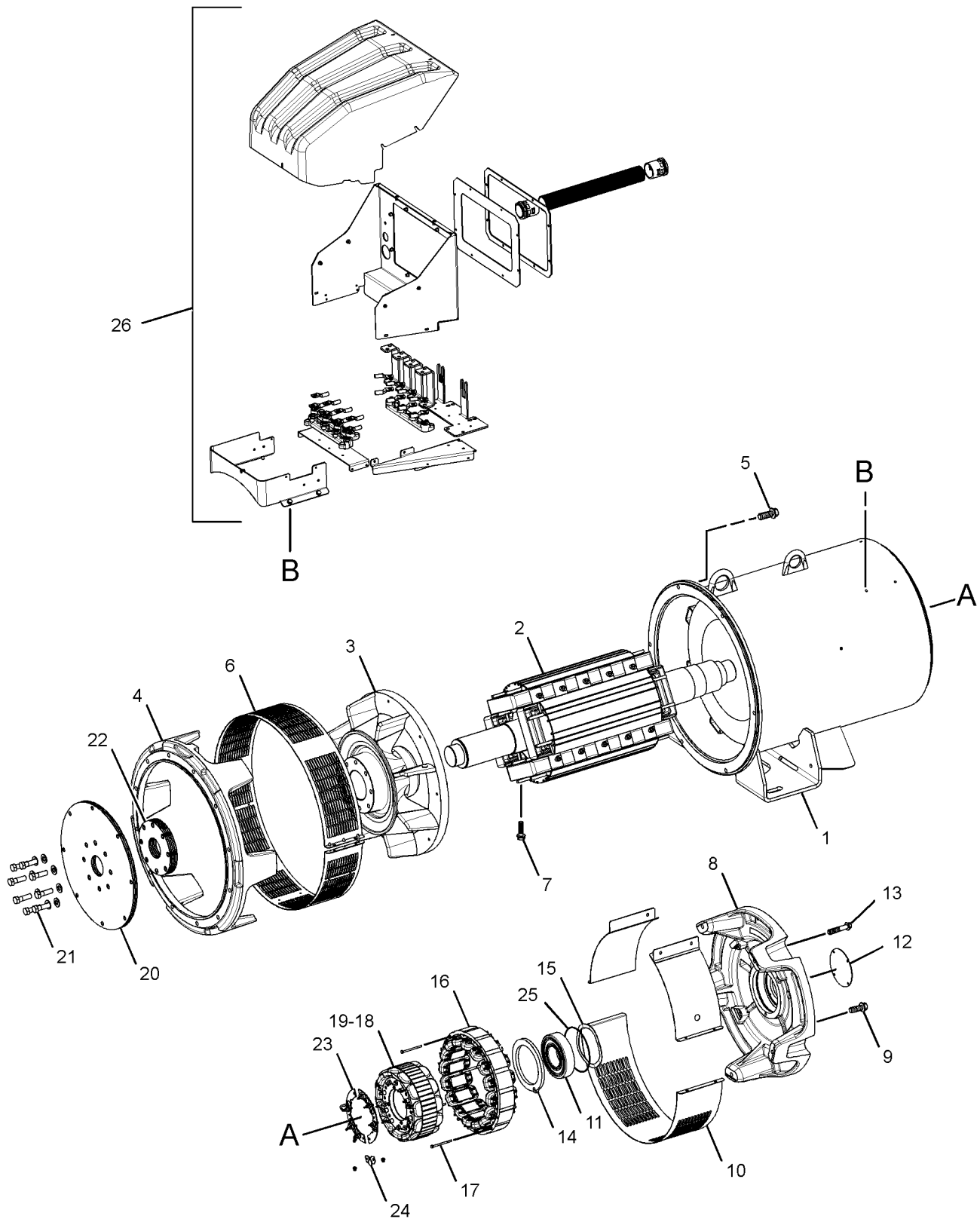
NOTE	REF NO	GRAPHIC REF	PART NUMBER	QTY	PART NAME						SEE PAGE
					1	2	3	4	5	6 (PRODUCT LEVEL)	
	1	1	243-0151	1	STATOR AS						
R	2	1	243-0143	1	ROTOR AS						
	3	1	242-3919	1	FAN-GENERATOR						
	4	1	393-7035	1	FLANGE						
M	5	1	6V-5684	6	BOLT (M12X1.75X45-MM)						
	6	1	242-3924	1	SCREEN						
	7	1	246-2207	2	BOLT (M6X1X40-MM)						
	8	1	242-3928	1	SHIELD						
M	9	1	8T-4648	5	BOLT (M12X1.75X70-MM)						
	10	1	393-7036	1	GUARD GP-ALTERNATOR						
	11	1	243-5220	1	BEARING						
	12	1	241-4594	1	COVER						
M	13	1	8T-6870	2	BOLT (M8X1.25X70-MM)						
	14	1	241-4595	1	CAP-BEARING						
	15	1	241-4597	1	RING						
	16	1	242-3938	1	EXCITER						
M	17	1	102-7364	4	BOLT-SOCKET HEAD (M6X1X80-MM)						
	18	1	242-3941	1	ARMATURE						
	19	1	241-4606	1	SUPPORT-DIODE						
	20	1	242-3959	3	DISC-COUPLING						
	21	1	242-3960	8	SCREW (27.7-MMX40-MM)						
	22	1	241-4618	1	SHIM (2-MM THK)						
	23	1	241-4619	1	DIODE AS						
	24	1	241-4620	1	VARISTOR						
	25	1	241-4622	1	SEAL-O-RING						
Y	26	1	393-7040	1	BOX GP-GENERATOR CONNECTION						166

M-METRIC PART  
R-REMFG PART MAY BE AVAILABLE  
Y-SEPARATE ILLUSTRATION

# GENERATORS

389-9343 GENERATOR GP (contd.)

i04904201



GRAPHIC #1

<END>

g03066606

# GENERATORS

## 389-9344 GENERATOR GP

S/N: L6B1-UP

PART OF 392-1390 GENERATOR AR  
AN ATTACHMENT

SMCS-4450

i04904163

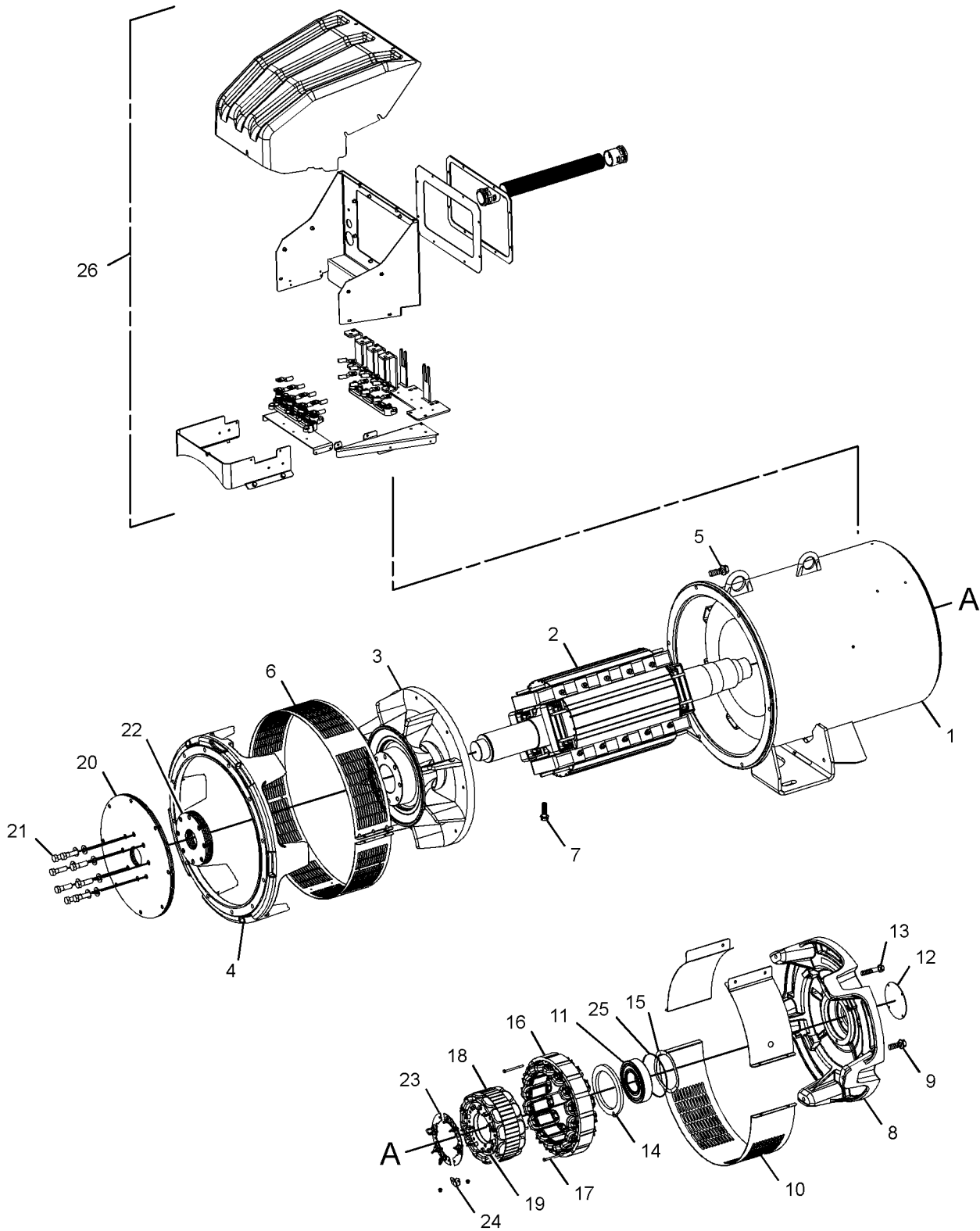
NOTE	REF NO	GRAPHIC REF	PART NUMBER	QTY	PART NAME						SEE PAGE
					1	2	3	4	5	6 (PRODUCT LEVEL)	
	1	1	243-0152	1	STATOR AS						
R	2	1	243-0144	1	ROTOR AS						
	3	1	242-3919	1	FAN-GENERATOR						
	4	1	393-7035	1	FLANGE						
M	5	1	6V-5684	6	BOLT (M12X1.75X45-MM)						
	6	1	242-3924	1	SCREEN						
	7	1	246-2207	2	BOLT (M6X1X40-MM)						
	8	1	242-3928	1	SHIELD						
M	9	1	8T-4648	5	BOLT (M12X1.75X70-MM)						
	10	1	393-7036	1	GUARD GP-ALTERNATOR						
	11	1	243-5220	1	BEARING						
	12	1	241-4594	1	COVER						
M	13	1	8T-6870	2	BOLT (M8X1.25X70-MM)						
	14	1	241-4595	1	CAP-BEARING						
	15	1	241-4597	1	RING						
	16	1	242-3938	1	EXCITER						
M	17	1	102-7364	4	BOLT-SOCKET HEAD (M6X1X80-MM)						
	18	1	242-3941	1	ARMATURE						
	19	1	241-4606	1	SUPPORT-DIODE						
	20	1	242-3959	3	DISC-COUPLING						
	21	1	242-3960	8	SCREW (27.7-MMX40-MM)						
	22	1	241-4618	1	SHIM (2-MM THK)						
	23	1	241-4619	1	DIODE AS						
	24	1	241-4620	1	VARISTOR						
	25	1	241-4622	1	SEAL-O-RING						
Y	26	1	393-7040	1	BOX GP-GENERATOR CONNECTION						166

M-METRIC PART  
R-REMFG PART MAY BE AVAILABLE  
Y-SEPARATE ILLUSTRATION

# GENERATORS

389-9344 GENERATOR GP (contd.)

i04904163



GRAPHIC #1

<END>

g03065137

# GENERATORS

## 389-9345 GENERATOR GP

S/N: L7A1-UP

PART OF 392-1391 GENERATOR AR  
AN ATTACHMENT

SMCS-4450

i04889950

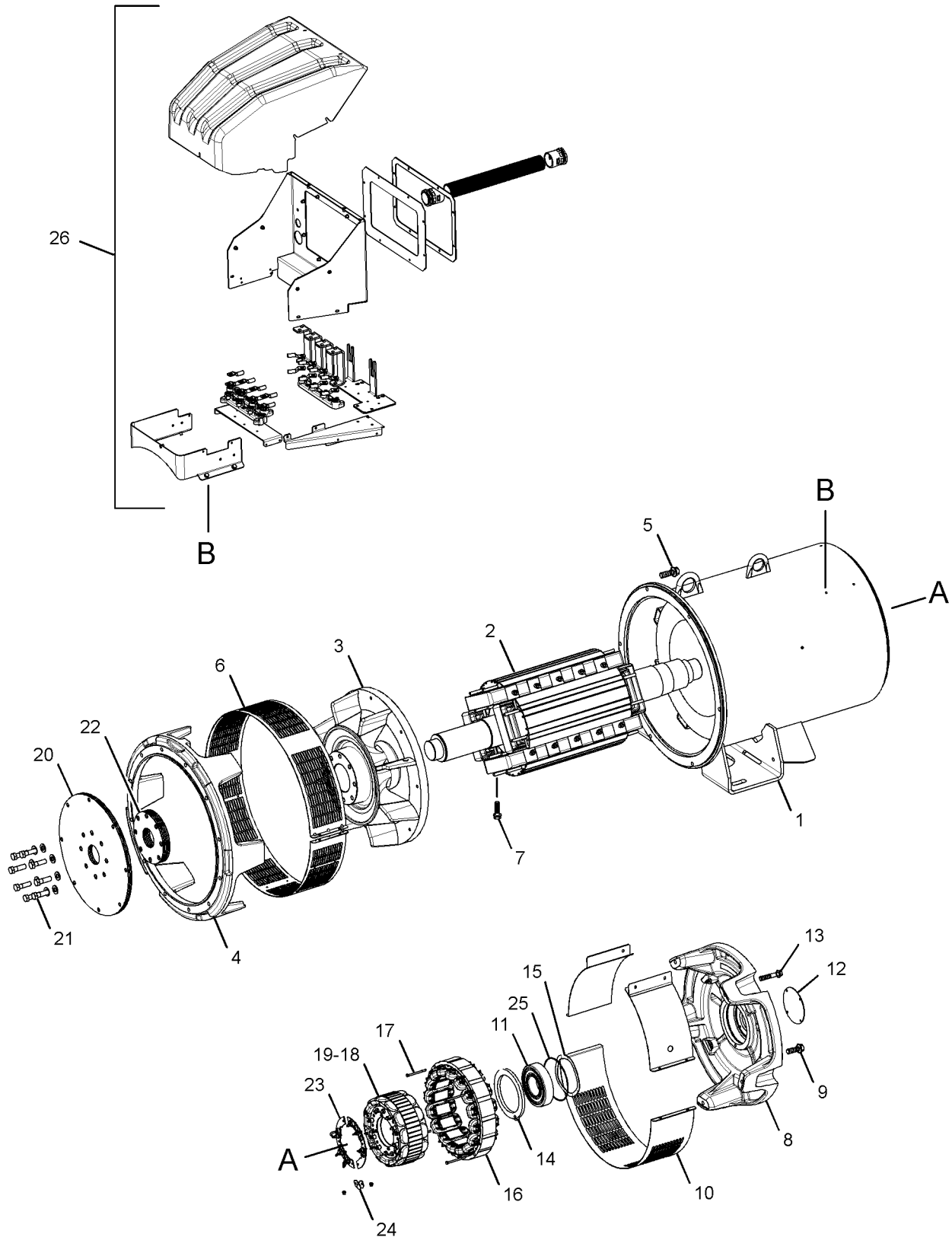
NOTE	REF NO	GRAPHIC REF	PART NUMBER	QTY	PART NAME						SEE PAGE
					1	2	3	4	5	6 (PRODUCT LEVEL)	
	1	1	243-0147	1	STATOR AS						
R	2	1	243-0143	1	ROTOR AS						
	3	1	242-3919	1	FAN-GENERATOR						
	4	1	251-3488	1	FLANGE						
M	5	1	6V-5684	6	BOLT (M12X1.75X45-MM)						
	6	1	242-3924	1	SCREEN						
	7	1	246-2207	2	BOLT (M6X1X40-MM)						
	8	1	242-3928	1	SHIELD						
M	9	1	8T-4648	5	BOLT (M12X1.75X70-MM)						
	10	1	393-7050	1	GUARD GP-ALTERNATOR						
	11	1	243-5220	1	BEARING						
	12	1	241-4594	1	COVER						
M	13	1	8T-6870	2	BOLT (M8X1.25X70-MM)						
	14	1	241-4595	1	CAP-BEARING						
	15	1	241-4597	1	RING						
	16	1	242-3938	1	EXCITER						
M	17	1	102-7364	4	BOLT-SOCKET HEAD (M6X1X80-MM)						
	18	1	242-3941	1	ARMATURE						
	19	1	241-4606	1	SUPPORT-DIODE						
	20	1	251-3489	3	DISC-COUPLING						
	21	1	242-3960	8	SCREW (27.7-MMX40-MM)						
	22	1	241-4618	1	SHIM (2-MM THK)						
	23	1	241-4619	1	DIODE AS						
	24	1	241-4620	1	VARISTOR						
	25	1	241-4622	1	SEAL-O-RING						
Y	26	1	393-7040	1	BOX GP-GENERATOR CONNECTION						166

M-METRIC PART  
R-REMFG PART MAY BE AVAILABLE  
Y-SEPARATE ILLUSTRATION

# GENERATORS

389-9345 GENERATOR GP (contd.)

i04889950



GRAPHIC #1

<END>

g03028304



# GENERATORS

## 389-9347 GENERATOR GP

S/N: L6B1-UP

PART OF 392-1393 GENERATOR AR  
AN ATTACHMENT

SMCS-4450

i04903162

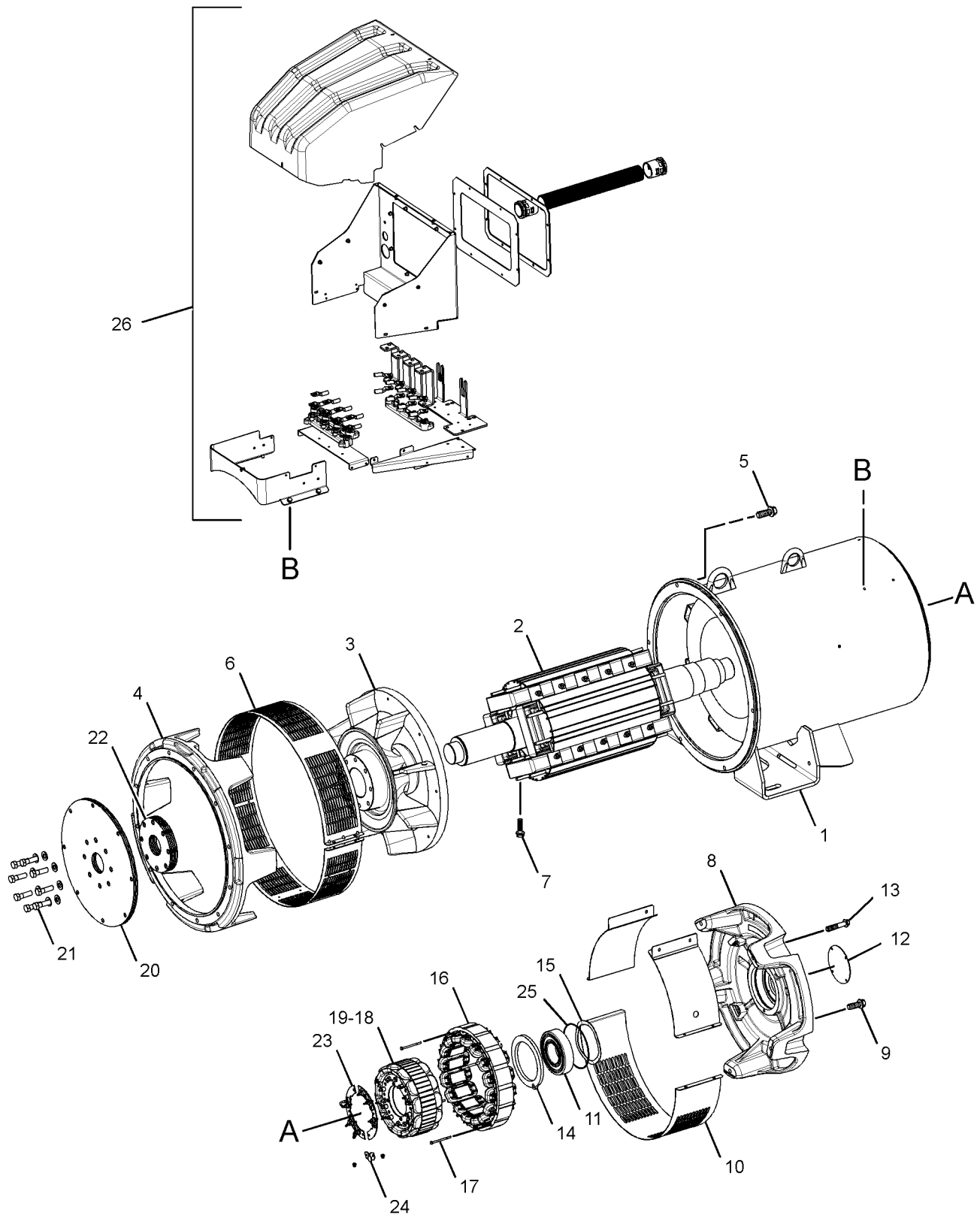
NOTE	REF NO	GRAPHIC REF	PART NUMBER	QTY	PART NAME						SEE PAGE
					1	2	3	4	5	6 (PRODUCT LEVEL)	
	1	1	338-7357	1	STATOR AS-MAIN						
R	2	1	338-7379	1	ROTOR AS						
	3	1	242-3919	1	FAN-GENERATOR						
	4	1	393-7035	1	FLANGE						
M	5	1	6V-5684	6	BOLT (M12X1.75X45-MM)						
	6	1	242-3924	1	SCREEN						
	7	1	246-2207	2	BOLT (M6X1X40-MM)						
	8	1	242-3928	1	SHIELD						
M	9	1	8T-4648	5	BOLT (M12X1.75X70-MM)						
	10	1	393-7036	1	GUARD GP-ALTERNATOR						
	11	1	243-5220	1	BEARING						
	12	1	241-4594	1	COVER						
M	13	1	8T-6870	2	BOLT (M8X1.25X70-MM)						
	14	1	241-4595	1	CAP-BEARING						
	15	1	241-4597	1	RING						
	16	1	242-3938	1	EXCITER						
M	17	1	102-7364	4	BOLT-SOCKET HEAD (M6X1X80-MM)						
	18	1	242-3941	1	ARMATURE						
	19	1	241-4606	1	SUPPORT-DIODE						
	20	1	242-3959	3	DISC-COUPLING						
	21	1	242-3960	8	SCREW (27.7-MMX40-MM)						
	22	1	241-4618	1	SHIM (2-MM THK)						
	23	1	241-4619	1	DIODE AS						
	24	1	241-4620	1	VARISTOR						
	25	1	241-4622	1	SEAL-O-RING						
Y	26	1	393-7040	1	BOX GP-GENERATOR CONNECTION						166

M-METRIC PART  
R-REMFG PART MAY BE AVAILABLE  
Y-SEPARATE ILLUSTRATION

# GENERATORS

389-9347 GENERATOR GP (contd.)

i04903162



GRAPHIC #1

<END>

g03066606

# GENERATORS

## 389-9348 GENERATOR GP

S/N: L6B1-UP

PART OF 392-1394 GENERATOR AR  
AN ATTACHMENT

SMCS-4450

i04903224

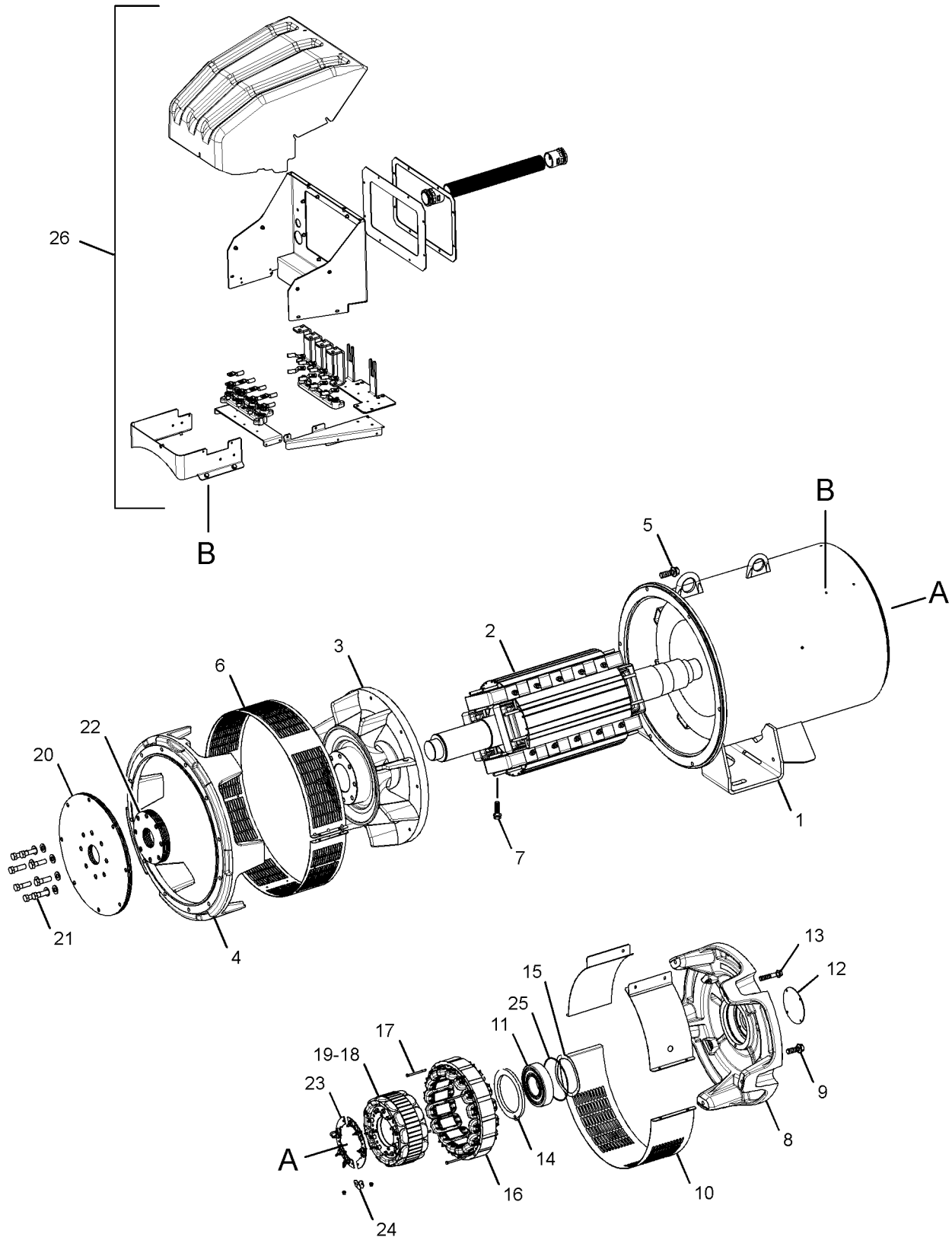
NOTE	REF NO	GRAPHIC REF	PART NUMBER	QTY	PART NAME						SEE PAGE
					1	2	3	4	5	6 (PRODUCT LEVEL)	
	1	1	338-7360	1	STATOR AS-MAIN						
R	2	1	338-7380	1	ROTOR AS						
	3	1	242-3919	1	FAN-GENERATOR						
	4	1	393-7035	1	FLANGE						
M	5	1	6V-5684	6	BOLT (M12X1.75X45-MM)						
	6	1	242-3924	1	SCREEN						
	7	1	246-2207	2	BOLT (M6X1X40-MM)						
	8	1	242-3928	1	SHIELD						
M	9	1	8T-4648	5	BOLT (M12X1.75X70-MM)						
	10	1	393-7036	1	GUARD GP-ALTERNATOR						
	11	1	243-5220	1	BEARING						
	12	1	241-4594	1	COVER						
M	13	1	8T-6870	2	BOLT (M8X1.25X70-MM)						
	14	1	241-4595	1	CAP-BEARING						
	15	1	241-4597	1	RING						
	16	1	242-3938	1	EXCITER						
M	17	1	102-7364	4	BOLT-SOCKET HEAD (M6X1X80-MM)						
	18	1	242-3941	1	ARMATURE						
	19	1	241-4606	1	SUPPORT-DIODE						
	20	1	242-3959	3	DISC-COUPLING						
	21	1	242-3960	8	SCREW (27.7-MMX40-MM)						
	22	1	241-4618	1	SHIM (2-MM THK)						
	23	1	241-4619	1	DIODE AS						
	24	1	241-4620	1	VARISTOR						
	25	1	241-4622	1	SEAL-O-RING						
Y	26	1	393-7040	1	BOX GP-GENERATOR CONNECTION						166

M-METRIC PART  
R-REMFG PART MAY BE AVAILABLE  
Y-SEPARATE ILLUSTRATION

# GENERATORS

389-9348 GENERATOR GP (contd.)

i04903224



GRAPHIC #1

<END>

g03028282

# GENERATORS

## 389-9349 GENERATOR GP

S/N: L7A1-UP

PART OF 392-1395 GENERATOR AR  
AN ATTACHMENT

SMCS-4450

i04889953

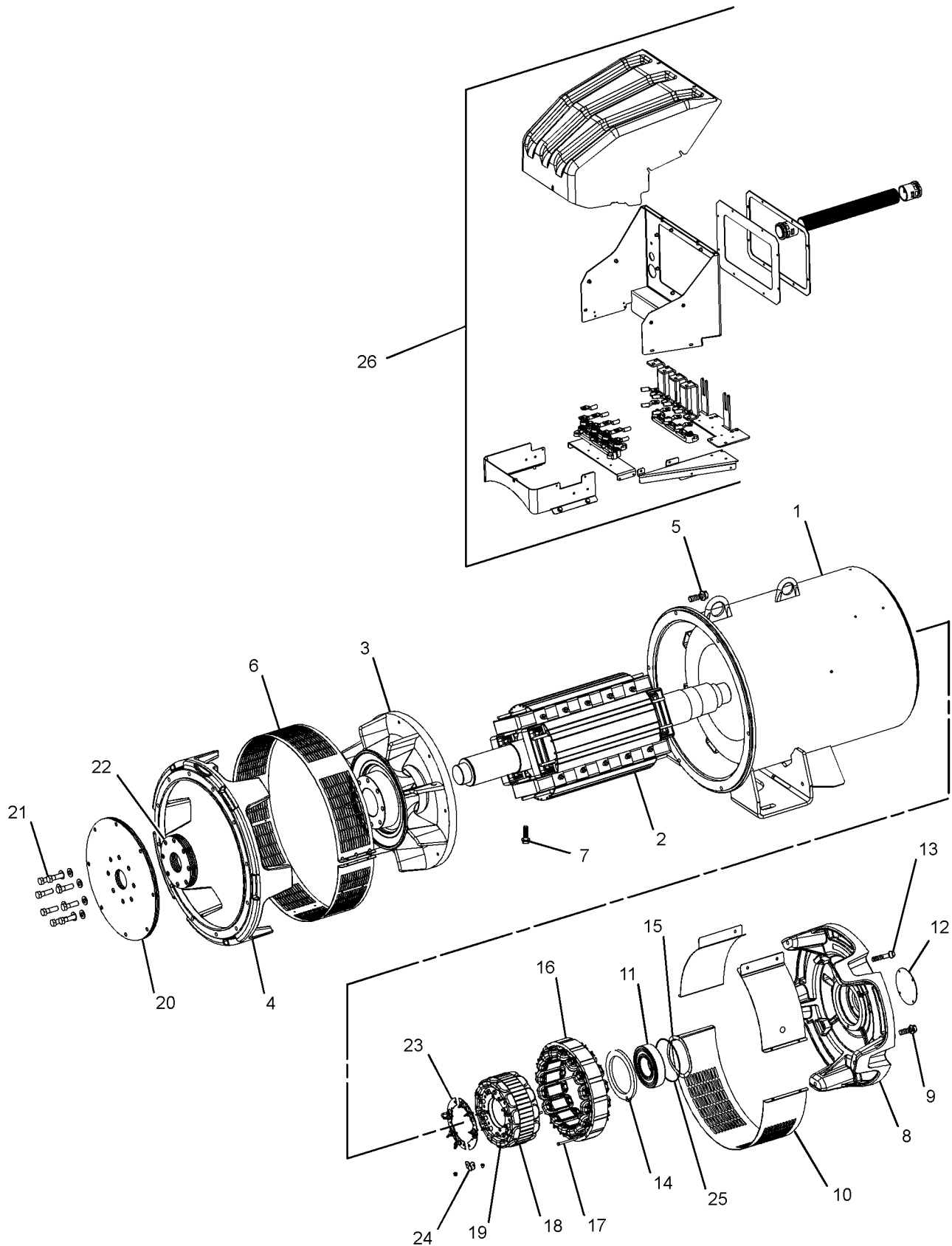
NOTE	REF NO	GRAPHIC REF	PART NUMBER	QTY	PART NAME						SEE PAGE
					1	2	3	4	5	6 (PRODUCT LEVEL)	
	1	1	338-7363	1	STATOR AS-MAIN						
R	2	1	338-7381	1	ROTOR AS						
	3	1	242-3919	1	FAN-GENERATOR						
	4	1	251-3488	1	FLANGE						
M	5	1	6V-5684	6	BOLT (M12X1.75X45-MM)						
	6	1	242-3924	1	SCREEN						
	7	1	246-2207	2	BOLT (M6X1X40-MM)						
	8	1	242-3928	1	SHIELD						
M	9	1	8T-4648	5	BOLT (M12X1.75X70-MM)						
	10	1	393-7050	1	GUARD GP-ALTERNATOR						
	11	1	243-5220	1	BEARING						
	12	1	241-4594	1	COVER						
M	13	1	8T-6870	2	BOLT (M8X1.25X70-MM)						
	14	1	241-4595	1	CAP-BEARING						
	15	1	241-4597	1	RING						
	16	1	242-3938	1	EXCITER						
M	17	1	102-7364	4	BOLT-SOCKET HEAD (M6X1X80-MM)						
	18	1	242-3941	1	ARMATURE						
	19	1	241-4606	1	SUPPORT-DIODE						
	20	1	251-3489	3	DISC-COUPLING						
	21	1	242-3960	8	SCREW (27.7-MMX40-MM)						
	22	1	241-4618	1	SHIM (2-MM THK)						
	23	1	241-4619	1	DIODE AS						
	24	1	241-4620	1	VARISTOR						
	25	1	241-4622	1	SEAL-O-RING						
Y	26	1	393-7040	1	BOX GP-GENERATOR CONNECTION						166

M-METRIC PART  
R-REMFG PART MAY BE AVAILABLE  
Y-SEPARATE ILLUSTRATION

# GENERATORS

389-9349 GENERATOR GP (contd.)

i04889953



GRAPHIC #1

<END>

g03029899

# GENERATORS

## 389-9350 GENERATOR GP

S/N: L7A1-UP

PART OF 392-1396 GENERATOR AR  
AN ATTACHMENT

SMCS-4450

i04889884

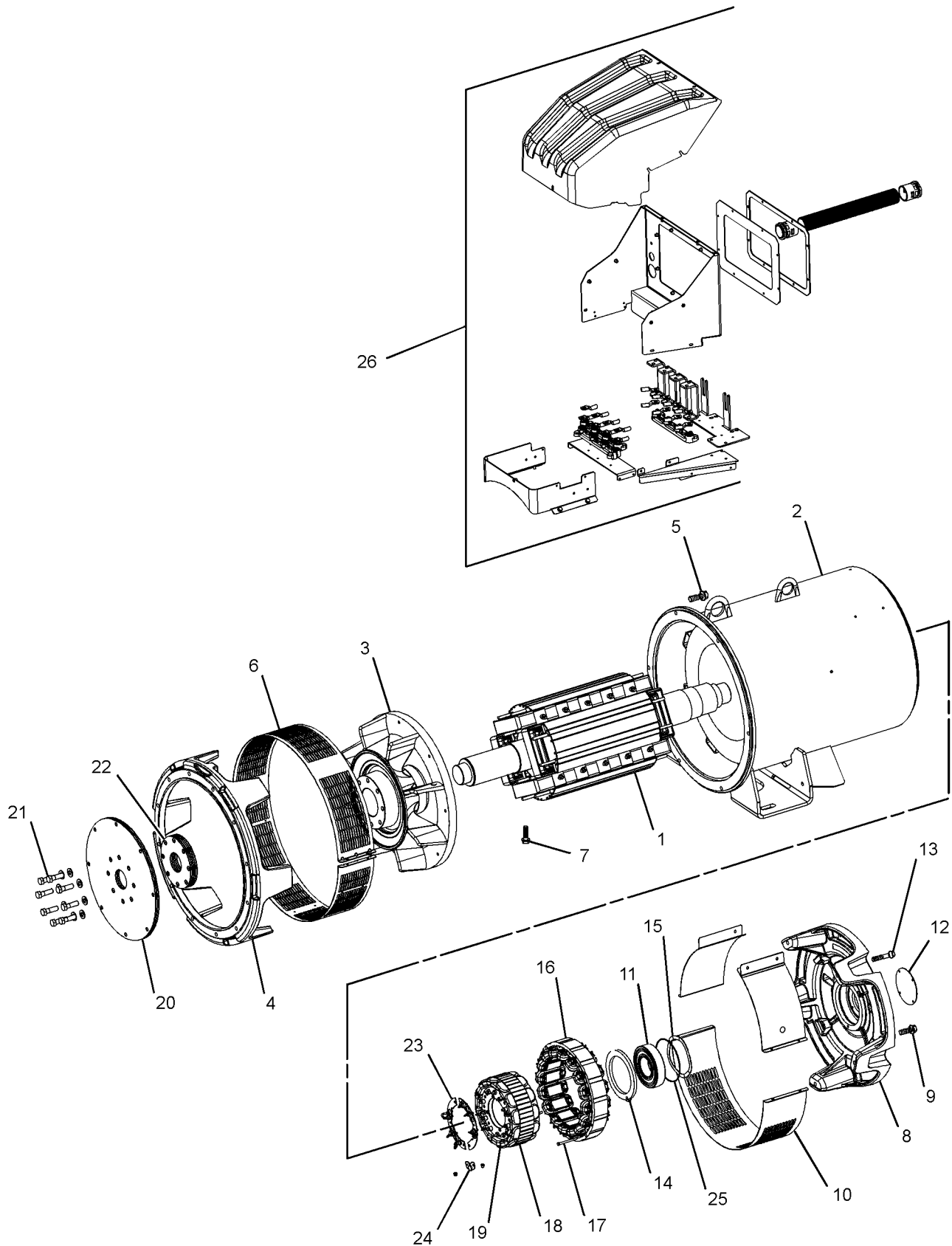
NOTE	REF NO	GRAPHIC REF	PART NUMBER	QTY	PART NAME						SEE PAGE
					1	2	3	4	5	6 (PRODUCT LEVEL)	
	1	1	393-7042	1	ROTOR AS						
	2	1	393-7043	1	STATOR AS						
	3	1	242-3919	1	FAN-GENERATOR						
	4	1	251-3488	1	FLANGE						
M	5	1	6V-5684	6	BOLT (M12X1.75X45-MM)						
	6	1	242-3924	1	SCREEN						
	7	1	246-2207	2	BOLT (M6X1X40-MM)						
	8	1	242-3928	1	SHIELD						
M	9	1	8T-4648	5	BOLT (M12X1.75X70-MM)						
	10	1	393-7050	1	GUARD GP-ALTERNATOR						
	11	1	243-5220	1	BEARING						
	12	1	241-4594	1	COVER						
M	13	1	8T-6870	2	BOLT (M8X1.25X70-MM)						
	14	1	241-4595	1	CAP-BEARING						
	15	1	241-4597	1	RING						
	16	1	242-3938	1	EXCITER						
M	17	1	102-7364	4	BOLT-SOCKET HEAD (M6X1X80-MM)						
	18	1	242-3941	1	ARMATURE						
	19	1	241-4606	1	SUPPORT-DIODE						
	20	1	251-3489	3	DISC-COUPLING						
	21	1	242-3960	8	SCREW (27.7-MMX40-MM)						
	22	1	241-4618	1	SHIM (2-MM THK)						
	23	1	241-4619	1	DIODE AS						
	24	1	241-4620	1	VARISTOR						
	25	1	241-4622	1	SEAL-O-RING						
Y	26	1	393-7040	1	BOX GP-GENERATOR CONNECTION						166

M-METRIC PART  
Y-SEPARATE ILLUSTRATION

# GENERATORS

389-9350 GENERATOR GP (contd.)

i04889884



GRAPHIC #1

<END>

g03030116



# GENERATORS

## 389-9351 GENERATOR GP

S/N: L6B1-UP

PART OF 392-1397 GENERATOR AR  
AN ATTACHMENT

SMCS-4450

i04903959

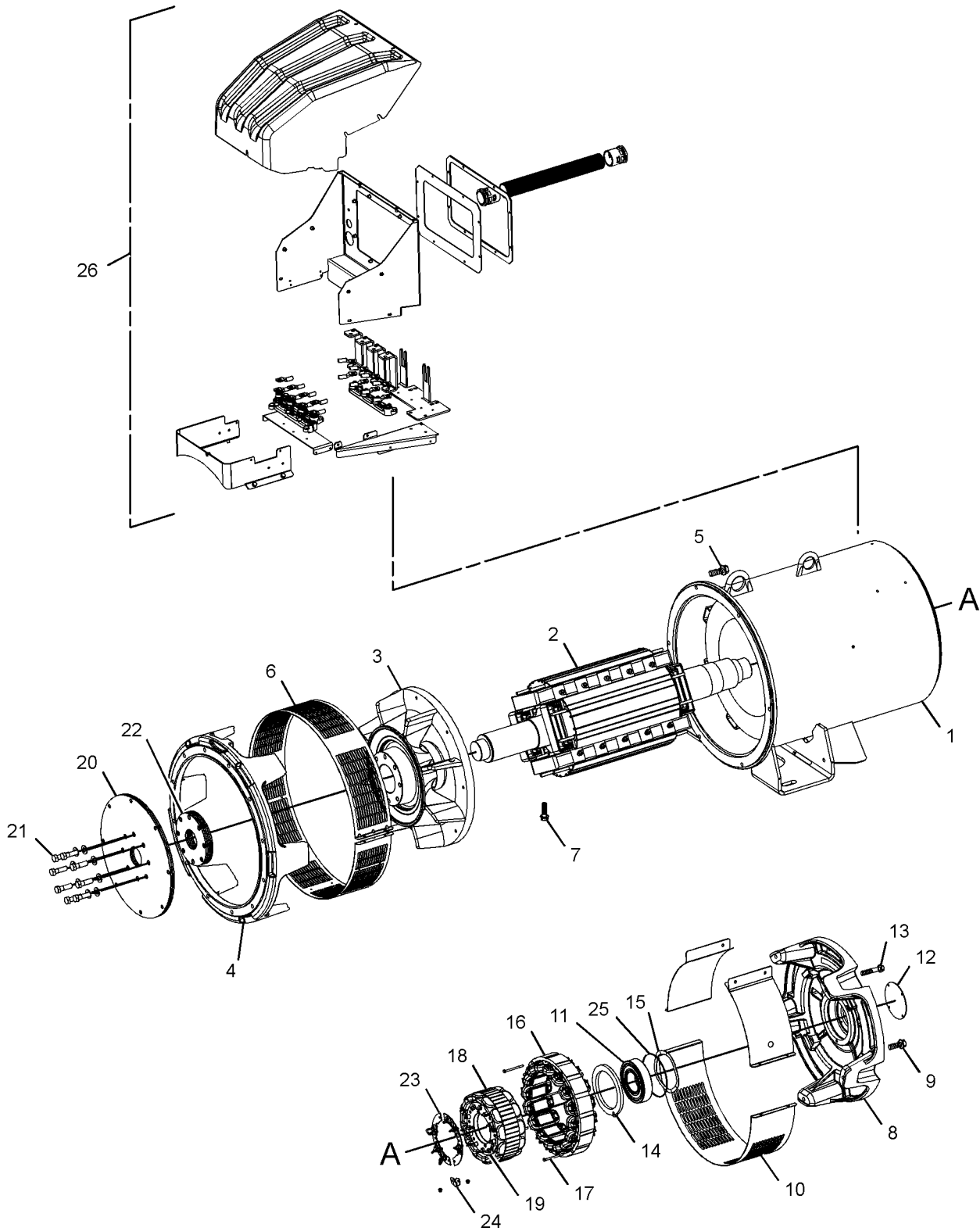
NOTE	REF NO	GRAPHIC REF	PART NUMBER	QTY	PART NAME						SEE PAGE
					1	2	3	4	5	6 (PRODUCT LEVEL)	
	1	1	338-7358	1	STATOR AS						
R	2	1	338-7379	1	ROTOR AS						
	3	1	242-3919	1	FAN-GENERATOR						
	4	1	393-7035	1	FLANGE						
M	5	1	6V-5684	6	BOLT (M12X1.75X45-MM)						
	6	1	242-3924	1	SCREEN						
	7	1	246-2207	2	BOLT (M6X1X40-MM)						
	8	1	242-3928	1	SHIELD						
M	9	1	8T-4648	5	BOLT (M12X1.75X70-MM)						
	10	1	393-7036	1	GUARD GP-ALTERNATOR						
	11	1	243-5220	1	BEARING						
	12	1	241-4594	1	COVER						
M	13	1	8T-6870	12	BOLT (M8X1.25X70-MM)						
	14	1	241-4595	1	CAP-BEARING						
	15	1	241-4597	1	RING						
	16	1	242-3938	1	EXCITER						
M	17	1	102-7364	4	BOLT-SOCKET HEAD (M6X1X80-MM)						
	18	1	242-3941	1	ARMATURE						
	19	1	241-4606	1	SUPPORT-DIODE						
	20	1	242-3959	3	DISC-COUPLING						
	21	1	242-3960	8	SCREW (27.7-MMX40-MM)						
	22	1	241-4618	1	SHIM (2-MM THK)						
	23	1	241-4619	1	DIODE AS						
	24	1	241-4620	1	VARISTOR						
	25	1	241-4622	1	SEAL-O-RING						
Y	26	1	393-7040	1	BOX GP-GENERATOR CONNECTION						166

M-METRIC PART  
R-REMFG PART MAY BE AVAILABLE  
Y-SEPARATE ILLUSTRATION

# GENERATORS

389-9351 GENERATOR GP (contd.)

i04903959



GRAPHIC #1

<END>

g03065191

# GENERATORS

## 389-9352 GENERATOR GP

S/N: L6B1-UP

PART OF 392-1398 GENERATOR AR  
AN ATTACHMENT

SMCS-4450

i04903963

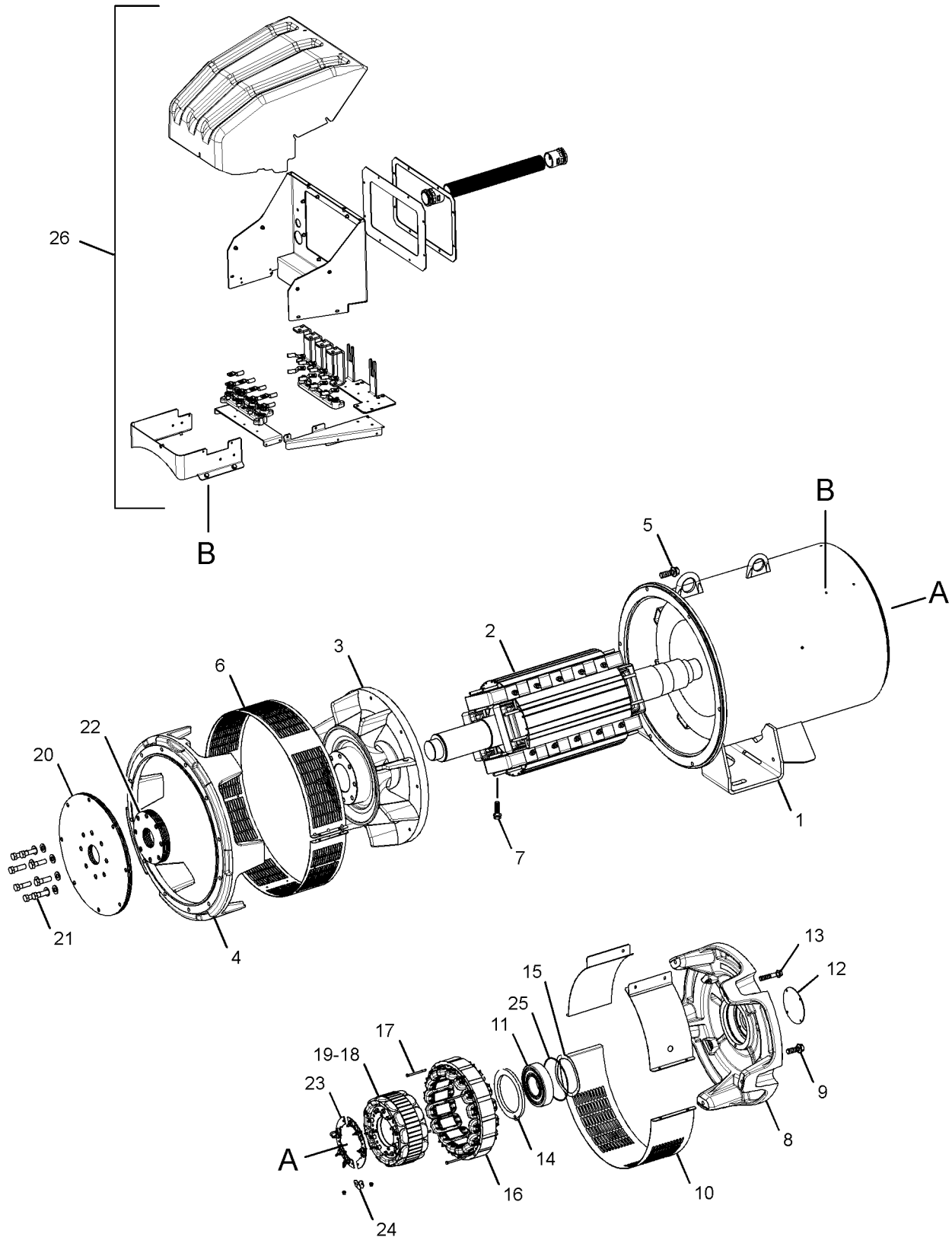
NOTE	REF NO	GRAPHIC REF	PART NUMBER	QTY	PART NAME						SEE PAGE
					1	2	3	4	5	6 (PRODUCT LEVEL)	
	1	1	338-7361	1	STATOR AS						
R	2	1	338-7380	1	ROTOR AS						
	3	1	242-3919	1	FAN-GENERATOR						
	4	1	393-7035	1	FLANGE						
M	5	1	6V-5684	6	BOLT (M12X1.75X45-MM)						
	6	1	242-3924	1	SCREEN						
	7	1	246-2207	2	BOLT (M6X1X40-MM)						
	8	1	242-3928	1	SHIELD						
M	9	1	8T-4648	5	BOLT (M12X1.75X70-MM)						
	10	1	393-7036	1	GUARD GP-ALTERNATOR						
	11	1	243-5220	1	BEARING						
	12	1	241-4594	1	COVER						
M	13	1	8T-6870	2	BOLT (M8X1.25X70-MM)						
	14	1	241-4595	1	CAP-BEARING						
	15	1	241-4597	1	RING						
	16	1	242-3938	1	EXCITER						
M	17	1	102-7364	4	BOLT-SOCKET HEAD (M6X1X80-MM)						
	18	1	242-3941	1	ARMATURE						
	19	1	241-4606	1	SUPPORT-DIODE						
	20	1	242-3959	3	DISC-COUPLING						
	21	1	242-3960	8	SCREW (27.7-MMX40-MM)						
	22	1	241-4618	1	SHIM (2-MM THK)						
	23	1	241-4619	1	DIODE AS						
	24	1	241-4620	1	VARISTOR						
	25	1	241-4622	1	SEAL-O-RING						
Y	26	1	393-7040	1	BOX GP-GENERATOR CONNECTION						166

M-METRIC PART  
R-REMFG PART MAY BE AVAILABLE  
Y-SEPARATE ILLUSTRATION

# GENERATORS

389-9352 GENERATOR GP (contd.)

i04903963



GRAPHIC #1

<END>

g03028282

# GENERATORS

## 389-9353 GENERATOR GP

S/N: L7A1-UP

PART OF 392-1399 GENERATOR AR  
AN ATTACHMENT

SMCS-4450

i04889880

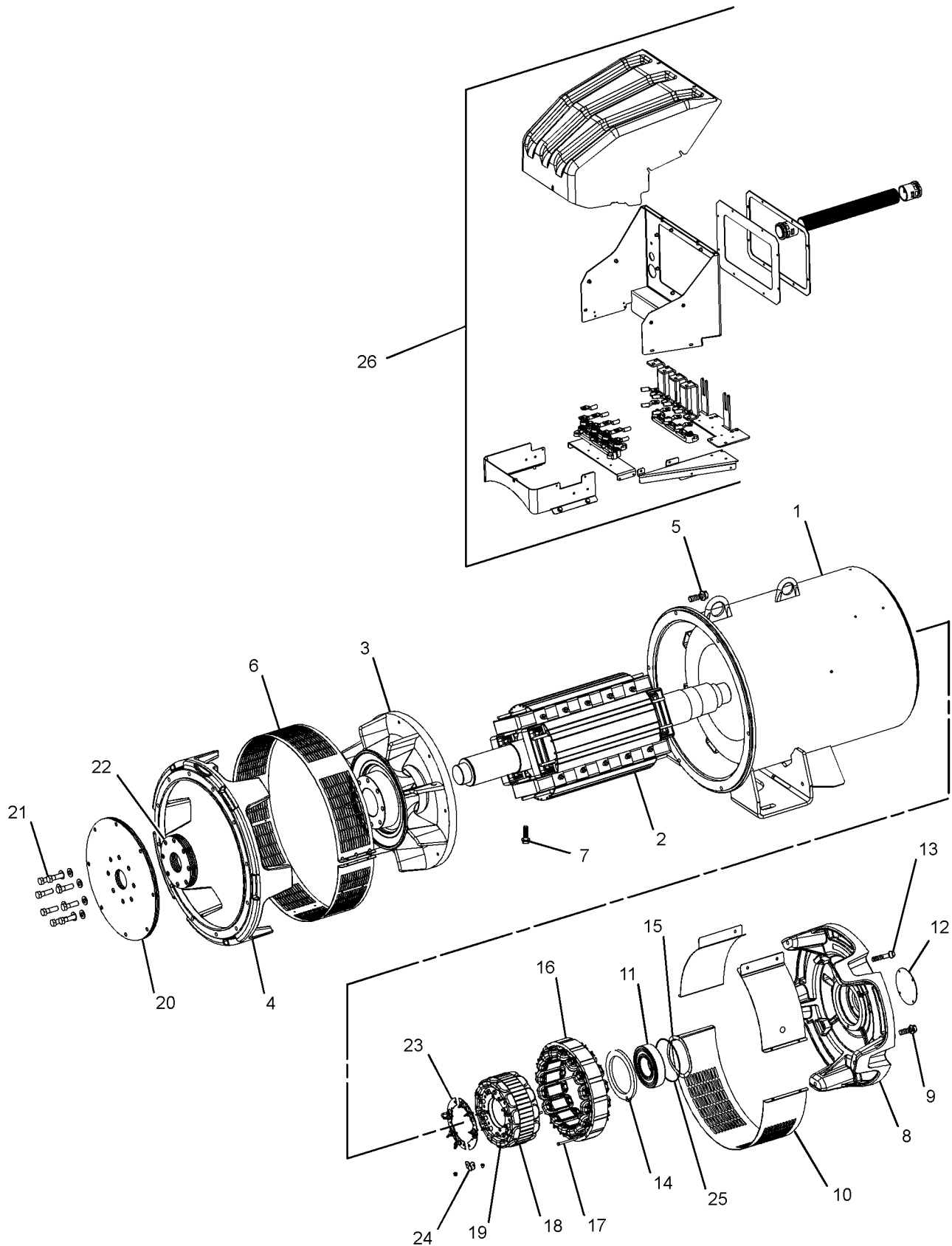
NOTE	REF NO	GRAPHIC REF	PART NUMBER	QTY	PART NAME						SEE PAGE
					1	2	3	4	5	6 (PRODUCT LEVEL)	
	1	1	338-7364	1	STATOR AS						
R	2	1	338-7381	1	ROTOR AS						
	3	1	242-3919	1	FAN-GENERATOR						
	4	1	251-3488	1	FLANGE						
M	5	1	6V-5684	6	BOLT (M12X1.75X45-MM)						
	6	1	242-3924	1	SCREEN						
	7	1	246-2207	2	BOLT (M6X1X40-MM)						
	8	1	242-3928	1	SHIELD						
M	9	1	8T-4648	5	BOLT (M12X1.75X70-MM)						
	10	1	393-7050	1	GUARD GP-ALTERNATOR						
	11	1	243-5220	1	BEARING						
	12	1	241-4594	1	COVER						
M	13	1	8T-6870	2	BOLT (M8X1.25X70-MM)						
	14	1	241-4595	1	CAP-BEARING						
	15	1	241-4597	1	RING						
	16	1	242-3938	1	EXCITER						
M	17	1	102-7364	4	BOLT-SOCKET HEAD (M6X1X80-MM)						
	18	1	242-3941	1	ARMATURE						
	19	1	241-4606	1	SUPPORT-DIODE						
	20	1	251-3489	3	DISC-COUPLING						
	21	1	242-3960	8	SCREW (27.7-MMX40-MM)						
	22	1	241-4618	1	SHIM (2-MM THK)						
	23	1	241-4619	1	DIODE AS						
	24	1	241-4620	1	VARISTOR						
	25	1	241-4622	1	SEAL-O-RING						
Y	26	1	393-7040	1	BOX GP-GENERATOR CONNECTION						166

M-METRIC PART  
R-REMFG PART MAY BE AVAILABLE  
Y-SEPARATE ILLUSTRATION

# GENERATORS

389-9353 GENERATOR GP (contd.)

i04889880



GRAPHIC #1

<END>

g03030397

# GENERATORS

## 389-9354 GENERATOR GP

S/N: L7A1-UP

PART OF 392-1400 GENERATOR AR  
AN ATTACHMENT

SMCS-4450

i04889938

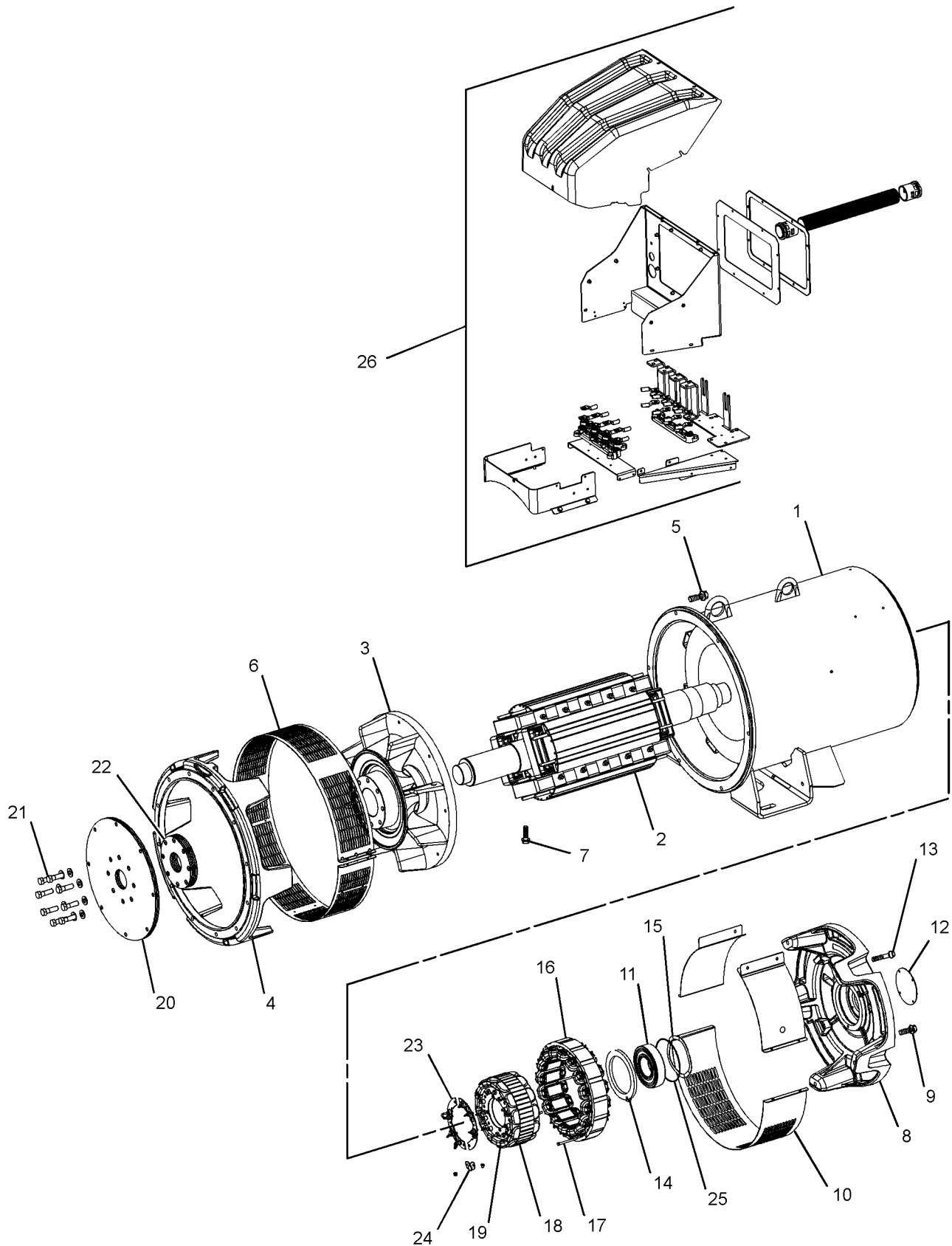
NOTE	REF NO	GRAPHIC REF	PART NUMBER	QTY	PART NAME						SEE PAGE
					1	2	3	4	5	6 (PRODUCT LEVEL)	
	1	1	393-7049	1	STATOR AS						
	2	1	393-7048	1	ROTOR AS						
	3	1	242-3919	1	FAN-GENERATOR						
	4	1	251-3488	1	FLANGE						
M	5	1	6V-5684	6	BOLT (M12X1.75X45-MM)						
	6	1	242-3924	1	SCREEN						
	7	1	246-2207	2	BOLT (M6X1X40-MM)						
	8	1	242-3928	1	SHIELD						
M	9	1	8T-4648	5	BOLT (M12X1.75X70-MM)						
	10	1	393-7050	1	GUARD GP-ALTERNATOR						
	11	1	243-5220	1	BEARING						
	12	1	241-4594	1	COVER						
M	13	1	8T-6870	2	BOLT (M8X1.25X70-MM)						
	14	1	241-4595	1	CAP-BEARING						
	15	1	241-4597	1	RING						
	16	1	242-3938	1	EXCITER						
M	17	1	102-7364	4	BOLT-SOCKET HEAD (M6X1X80-MM)						
	18	1	242-3941	1	ARMATURE						
	19	1	241-4606	1	SUPPORT-DIODE						
	20	1	251-3489	3	DISC-COUPLING						
	21	1	242-3960	8	SCREW (27.7-MMX40-MM)						
	22	1	241-4618	1	SHIM (2-MM THK)						
	23	1	241-4619	1	DIODE AS						
	24	1	241-4620	1	VARISTOR						
	25	1	241-4622	1	SEAL-O-RING						
Y	26	1	393-7040	1	BOX GP-GENERATOR CONNECTION						166

M-METRIC PART  
Y-SEPARATE ILLUSTRATION

# GENERATORS

389-9354 GENERATOR GP (contd.)

i04889938



GRAPHIC #1

<END>

g03030397



# GENERATORS

## 389-9356 GENERATOR GP

S/N: L7A1-UP

PART OF 392-1401 GENERATOR AR  
AN ATTACHMENT

SMCS-4450

i04889911

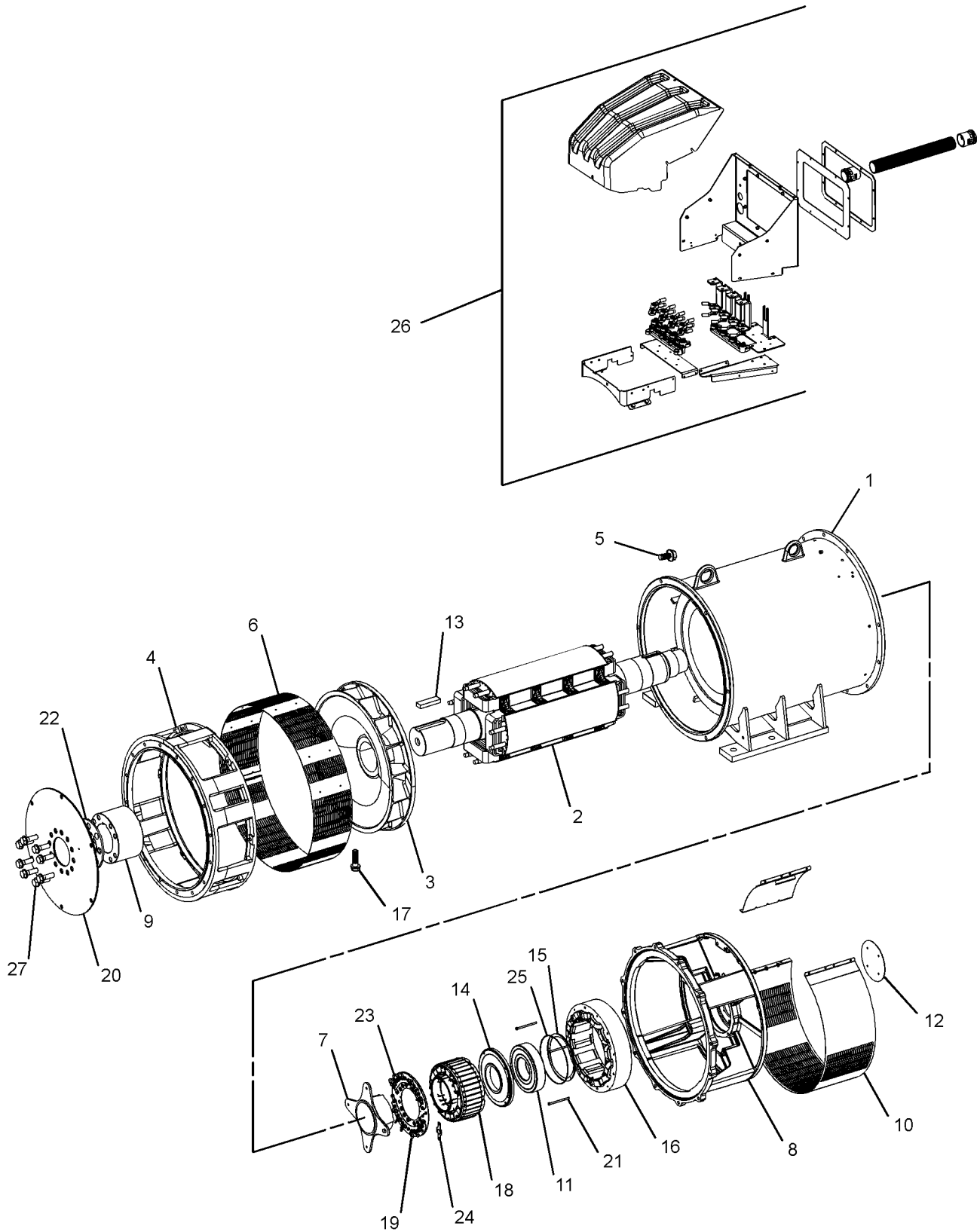
NOTE	REF NO	GRAPHIC REF	PART NUMBER	QTY	PART NAME						SEE PAGE
					1	2	3	4	5	6 (PRODUCT LEVEL)	
	1	1	<b>393-7045</b>	1	STATOR AS						
	2	1	<b>393-7044</b>	1	ROTOR AS						
	3	1	<b>241-4635</b>	1	FAN						
	4	1	<b>250-7868</b>	1	BRACKET						
M	5	1	<b>8C-6855</b>	6	BOLT (M14X2X45-MM)						
	6	1	<b>241-4639</b>	1	SCREEN						
	7	1	<b>241-4636</b>	2	DISC (BALANCING)						
	8	1	<b>241-4640</b>	1	KIT-RING (GENERATOR)						
					( KIT INCLUDES BRACKET & RUBBER O-RING )						
	9	1	<b>241-4656</b>	5	HUB						
	10	1	<b>393-7050</b>	1	GUARD GP-ALTERNATOR						
	11	1	<b>241-4644</b>	1	BEARING						
	12	1	<b>241-4645</b>	1	COVER						
	13	1	<b>241-4657</b>	2	KEY-WOODRUFF						
	14	1	<b>241-4646</b>	1	CAP-BEARING						
	15	1	<b>241-4647</b>	1	RING						
	16	1	<b>241-4603</b>	1	EXCITER						
M	17	1	<b>8C-8451</b>	4	BOLT (M6X1X40-MM)						
	18	1	<b>241-4649</b>	1	ARMATURE						
	19	1	<b>241-4650</b>	1	SUPPORT-DIODE						
	20	1	<b>250-7869</b>	3	DISC-COUPLING						
	21	1	<b>334-1673</b>	8	BOLT-SOCKET HEAD (M6X1X100-MM)						
	22	1	<b>242-2991</b>	1	SHIM (2-MM THK)						
	23	1	<b>241-4660</b>	1	DIODE AS						
	24	1	<b>241-4662</b>	1	VARISTOR						
	25	1	<b>241-4663</b>	1	SEAL-O-RING						
Y	26	1	<b>393-7051</b>	1	BOX GP-GENERATOR CONNECTION						167
M	27	1	<b>8C-8478</b>	1	BOLT (M20X2.5X140-MM)						

M-METRIC PART  
Y-SEPARATE ILLUSTRATION

# GENERATORS

389-9356 GENERATOR GP (contd.)

i04889911



GRAPHIC #1

<END>

g03029196

# GENERATORS

## 389-9357 GENERATOR GP

S/N: L7A1-UP

PART OF 392-1523 GENERATOR AR  
AN ATTACHMENT

SMCS-4450

i04889916

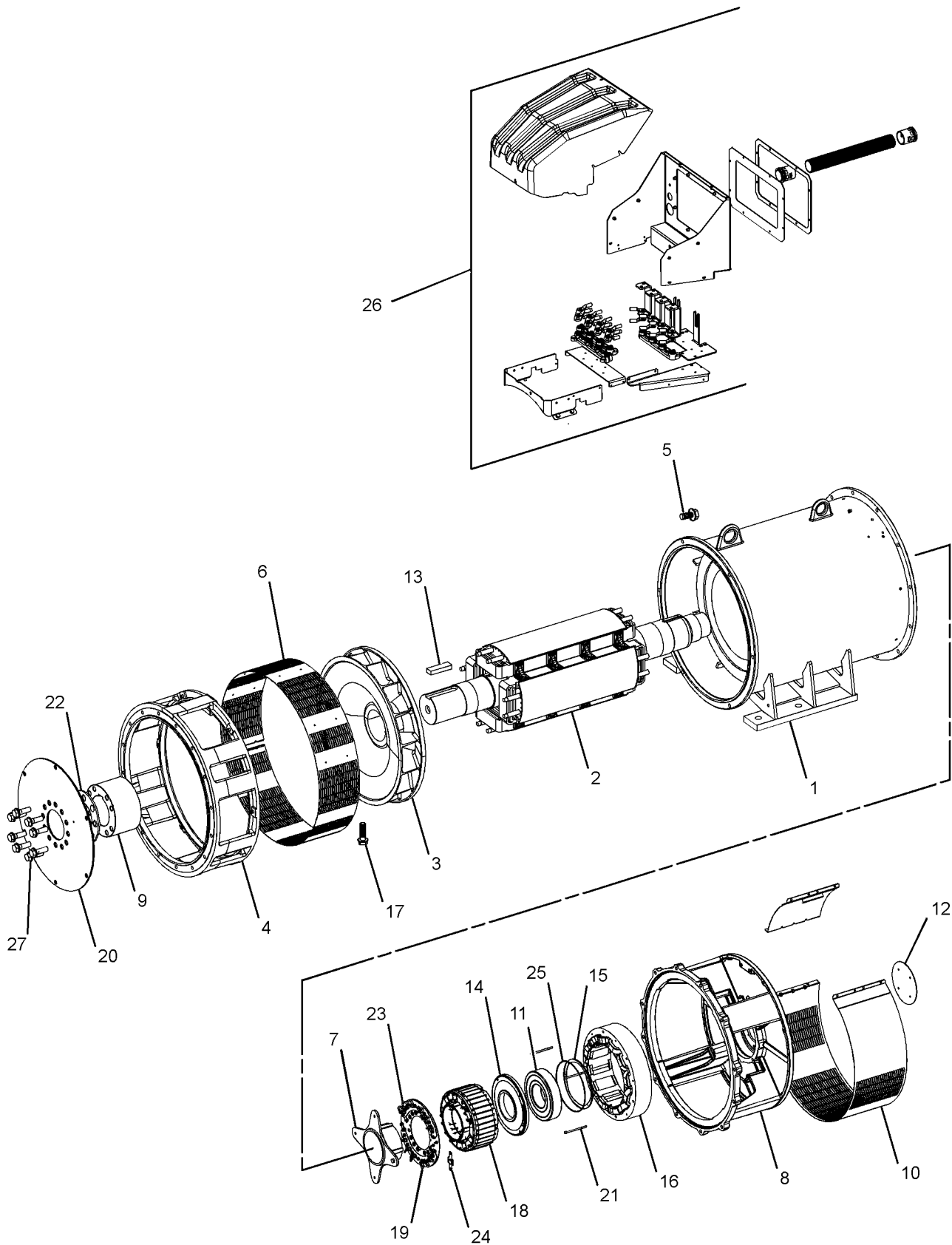
NOTE	REF NO	GRAPHIC REF	PART NUMBER	QTY	PART NAME						SEE PAGE
					1	2	3	4	5	6 (PRODUCT LEVEL)	
	1	1	242-9328	1	STATOR AS						
	2	1	242-9332	1	ROTOR AS						
	3	1	241-4635	1	FAN						
	4	1	250-7868	1	BRACKET						
M	5	1	8C-6855	6	BOLT (M14X2X45-MM)						
	6	1	241-4639	1	SCREEN						
	7	1	241-4636	2	DISC (BALANCING)						
	8	1	241-4640	1	KIT-RING (GENERATOR)						
					(KIT INCLUDES BRACKET & RUBBER O-RING)						
	9	1	241-4656	5	HUB						
	10	1	393-7050	1	GUARD GP-ALTERNATOR						
	11	1	241-4644	1	BEARING						
	12	1	241-4645	1	COVER						
	13	1	241-4657	2	KEY-WOODRUFF						
	14	1	241-4646	1	CAP-BEARING						
	15	1	241-4647	1	RING						
	16	1	241-4603	1	EXCITER						
M	17	1	8C-8451	4	BOLT (M6X1X40-MM)						
	18	1	241-4649	1	ARMATURE						
	19	1	241-4650	1	SUPPORT-DIODE						
	20	1	250-7869	3	DISC-COUPLING						
	21	1	334-1673	8	BOLT-SOCKET HEAD (M6X1X100-MM)						
	22	1	242-2991	1	SHIM (2-MM THK)						
	23	1	241-4660	1	DIODE AS						
	24	1	241-4662	1	VARISTOR						
	25	1	241-4663	1	SEAL-O-RING						
Y	26	1	393-7051	1	BOX GP-GENERATOR CONNECTION						167
M	27	1	8C-8478	1	BOLT (M20X2.5X140-MM)						

M-METRIC PART  
Y-SEPARATE ILLUSTRATION

# GENERATORS

389-9357 GENERATOR GP (contd.)

i04889916



GRAPHIC #1

<END>

g03029397

# GENERATORS

## 389-9373 GENERATOR GP

S/N: L7A1-UP

PART OF 392-1382 GENERATOR AR  
AN ATTACHMENT

SMCS-4450

i04889895

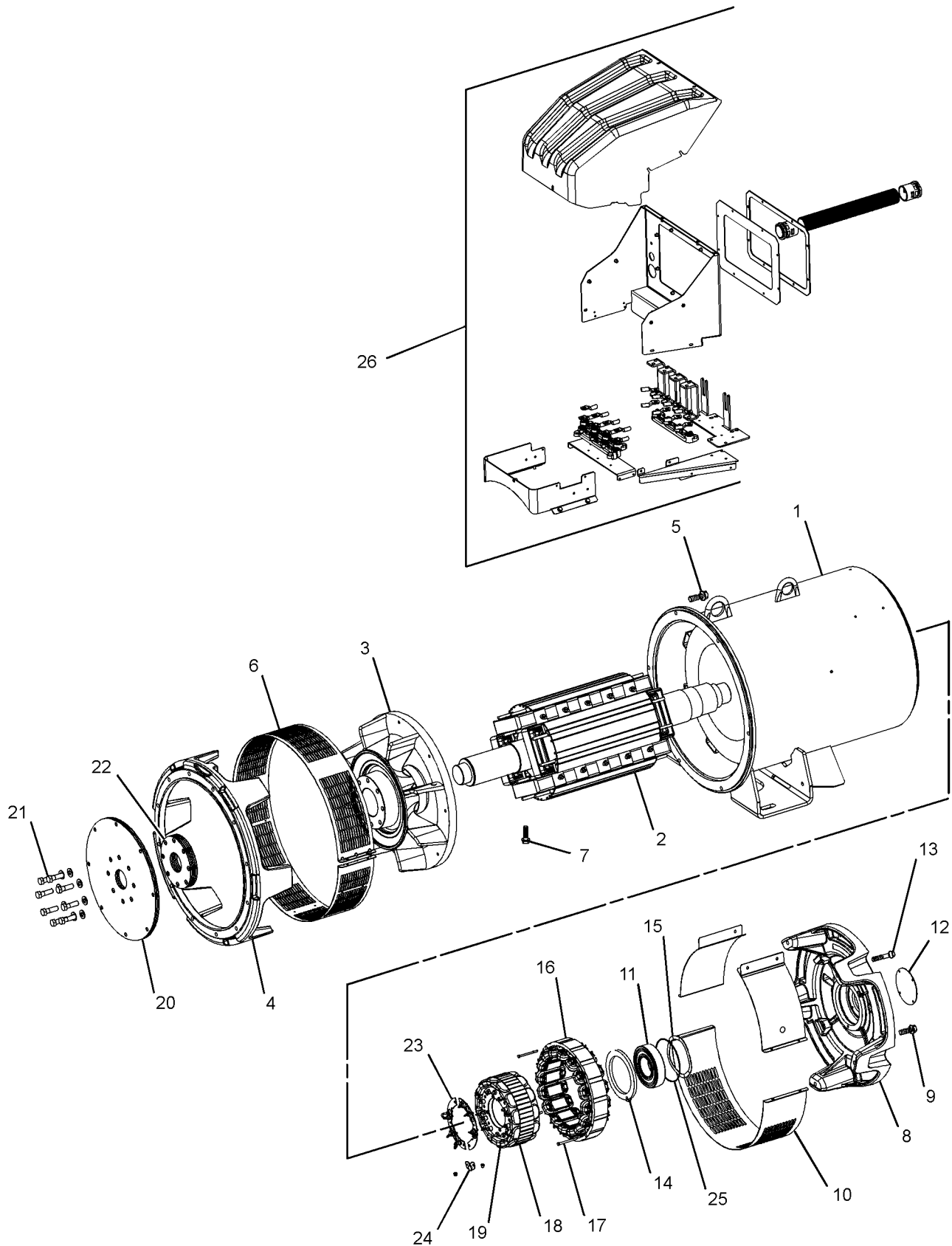
NOTE	REF NO	GRAPHIC REF	PART NUMBER	QTY	PART NAME						SEE PAGE
					1	2	3	4	5	6 (PRODUCT LEVEL)	
	1	1	393-7038	1	STATOR AS						
	2	1	393-7037	1	ROTOR AS						
	3	1	242-3919	1	FAN-GENERATOR						
	4	1	251-3488	1	FLANGE						
M	5	1	6V-5684	6	BOLT (M12X1.75X45-MM)						
	6	1	242-3924	1	SCREEN						
	7	1	246-2207	2	BOLT (M6X1X40-MM)						
	8	1	242-3928	1	SHIELD						
M	9	1	8T-4648	5	BOLT (M12X1.75X70-MM)						
	10	1	393-7050	1	GUARD GP-ALTERNATOR						
	11	1	243-5220	1	BEARING						
	12	1	241-4594	1	COVER						
M	13	1	8T-6870	2	BOLT (M8X1.25X70-MM)						
	14	1	241-4595	1	CAP-BEARING						
	15	1	241-4597	1	RING						
	16	1	242-3938	1	EXCITER						
M	17	1	102-7364	4	BOLT-SOCKET HEAD (M6X1X80-MM)						
	18	1	242-3941	1	ARMATURE						
	19	1	241-4606	1	SUPPORT-DIODE						
	20	1	251-3489	3	DISC-COUPLING						
	21	1	242-3960	8	SCREW (27.7-MMX40-MM)						
	22	1	241-4618	1	SHIM (2-MM THK)						
	23	1	241-4619	1	DIODE AS						
	24	1	241-4620	1	VARISTOR						
	25	1	241-4622	1	SEAL-O-RING						
Y	26	1	393-7040	1	BOX GP-GENERATOR CONNECTION						166

M-METRIC PART  
Y-SEPARATE ILLUSTRATION

# GENERATORS

389-9373 GENERATOR GP (contd.)

i04889895



GRAPHIC #1

<END>

g03029242

# GENERATORS

## 391-4277 GENERATOR GP

S/N: L7A1-UP

PART OF 392-1386 GENERATOR AR  
AN ATTACHMENT

SMCS-4450

i04889908

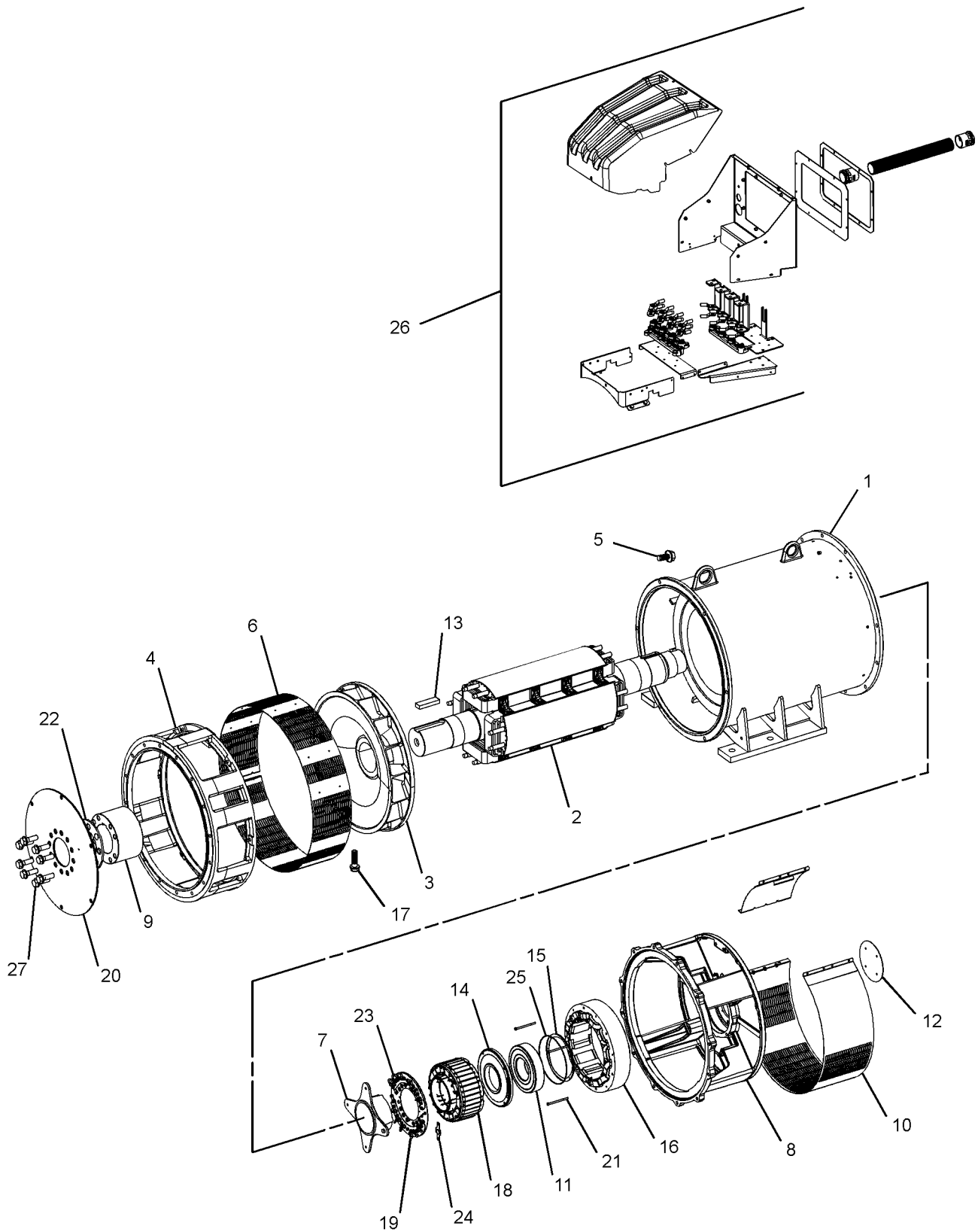
NOTE	REF NO	GRAPHIC REF	PART NUMBER	QTY	PART NAME						SEE PAGE
					1	2	3	4	5	6 (PRODUCT LEVEL)	
	1	1	250-7847	1	STATOR AS						
	2	1	250-7855	1	ROTOR AS						
	3	1	241-4635	1	FAN						
	4	1	250-7868	1	BRACKET						
M	5	1	8C-6855	6	BOLT (M14X2X45-MM)						
	6	1	241-4639	1	SCREEN						
	7	1	241-4636	2	DISC (BALANCING)						
	8	1	241-4640	1	KIT-RING (GENERATOR)						
					(KIT INCLUDES BRACKET & RUBBER O-RING)						
	9	1	241-4656	5	HUB						
	10	1	393-7050	1	GUARD GP-ALTERNATOR						
	11	1	241-4644	1	BEARING						
	12	1	241-4645	1	COVER						
	13	1	241-4657	2	KEY-WOODRUFF						
	14	1	241-4646	1	CAP-BEARING						
	15	1	241-4647	1	RING						
	16	1	241-4603	1	EXCITER						
M	17	1	8C-8451	4	BOLT (M6X1X40-MM)						
	18	1	241-4649	1	ARMATURE						
	19	1	241-4650	1	SUPPORT-DIODE						
	20	1	250-7869	3	DISC-COUPLING						
	21	1	334-1673	8	BOLT-SOCKET HEAD (M6X1X100-MM)						
	22	1	242-2991	1	SHIM (2-MM THK)						
	23	1	241-4660	1	DIODE AS						
	24	1	241-4662	1	VARISTOR						
	25	1	241-4663	1	SEAL-O-RING						
Y	26	1	393-7051	1	BOX GP-GENERATOR CONNECTION						167
M	27	1	8C-8478	1	BOLT (M20X2.5X140-MM)						

M-METRIC PART  
Y-SEPARATE ILLUSTRATION

# GENERATORS

391-4277 GENERATOR GP (contd.)

i04889908



GRAPHIC #1

<END>

g03029196



# GENERATORS

## 239-9949 HEATER GP-SPACE-GENERATOR

S/N: L7A1-UP; L6B1-UP

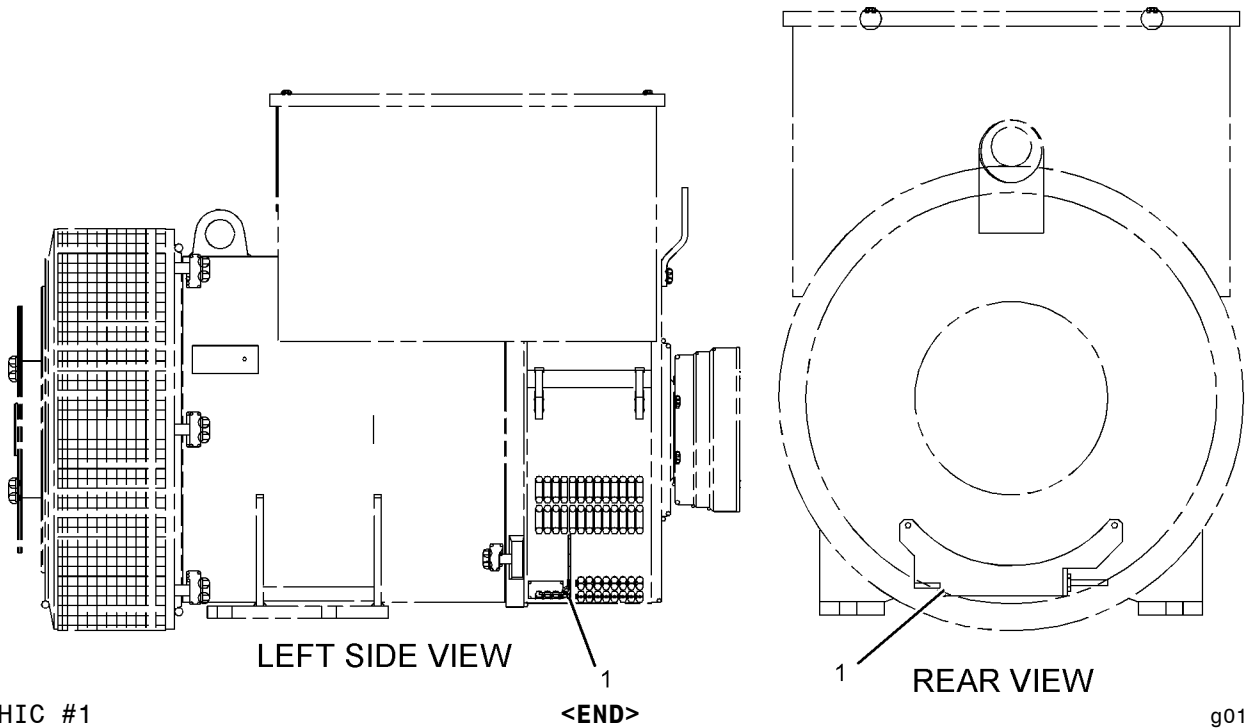
230 VOLT

PART OF 327-0286 HEATER GP-SPACE  
AN ATTACHMENT

SMCS-7274

i01999137

NOTE	REF NO	GRAPHIC REF	PART NUMBER	QTY	PART NAME						SEE PAGE
					1	2	3	4	5	6 (PRODUCT LEVEL)	
	1	1	240-0238	1	HEATER AS-SPACE						



GRAPHIC #1

g01043079

# GENERATORS

## 327-0286 HEATER GP-SPACE-GENERATOR

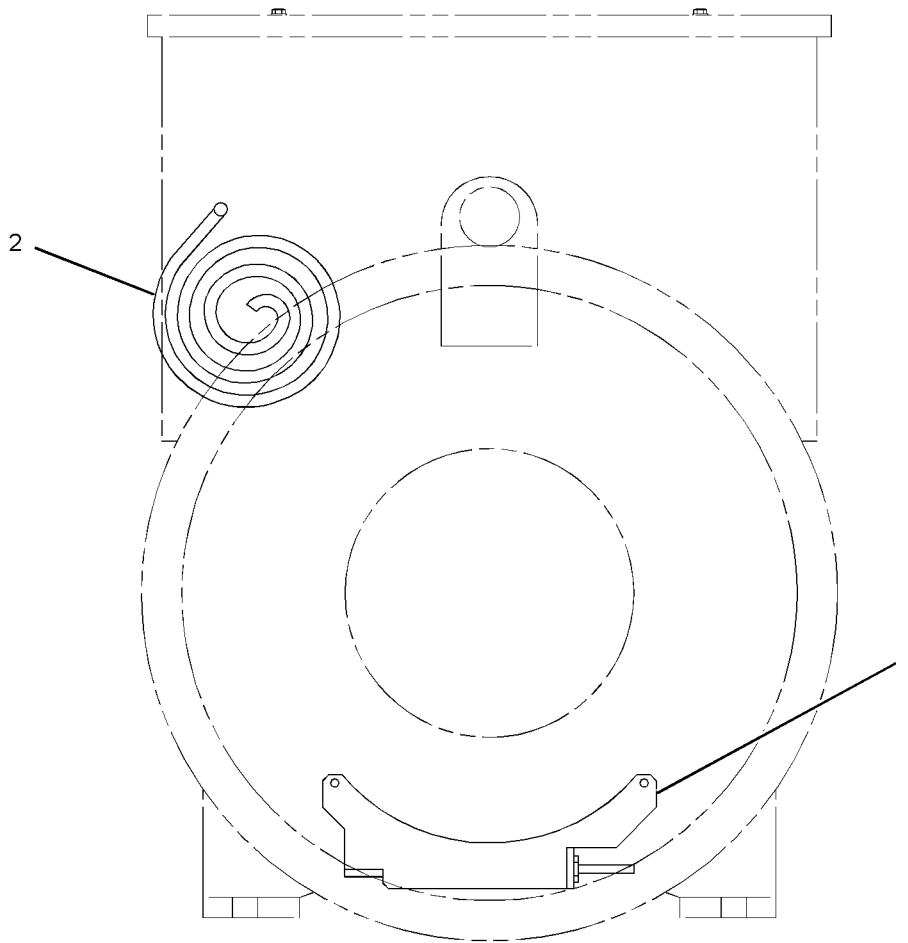
S/N: L7A1-UP; L6B1-UP  
AN ATTACHMENT

SMCS-7274

i03144504

NOTE	REF NO	GRAPHIC REF	PART NUMBER	QTY	PART NAME						SEE PAGE
					1	2	3	4	5	6 (PRODUCT LEVEL)	
Y	1	1	239-9949	1	HEATER GP-SPACE						541
Y	2	1	289-9728	1	HARNESS AS-WIRING (SPACE HEATER)						199

Y-SEPARATE ILLUSTRATION



REAR VIEW

<END>

GRAPHIC #1

g01681973

# GENERATORS

## 314-7755 REGULATOR AS-VOLTAGE-GENERATOR

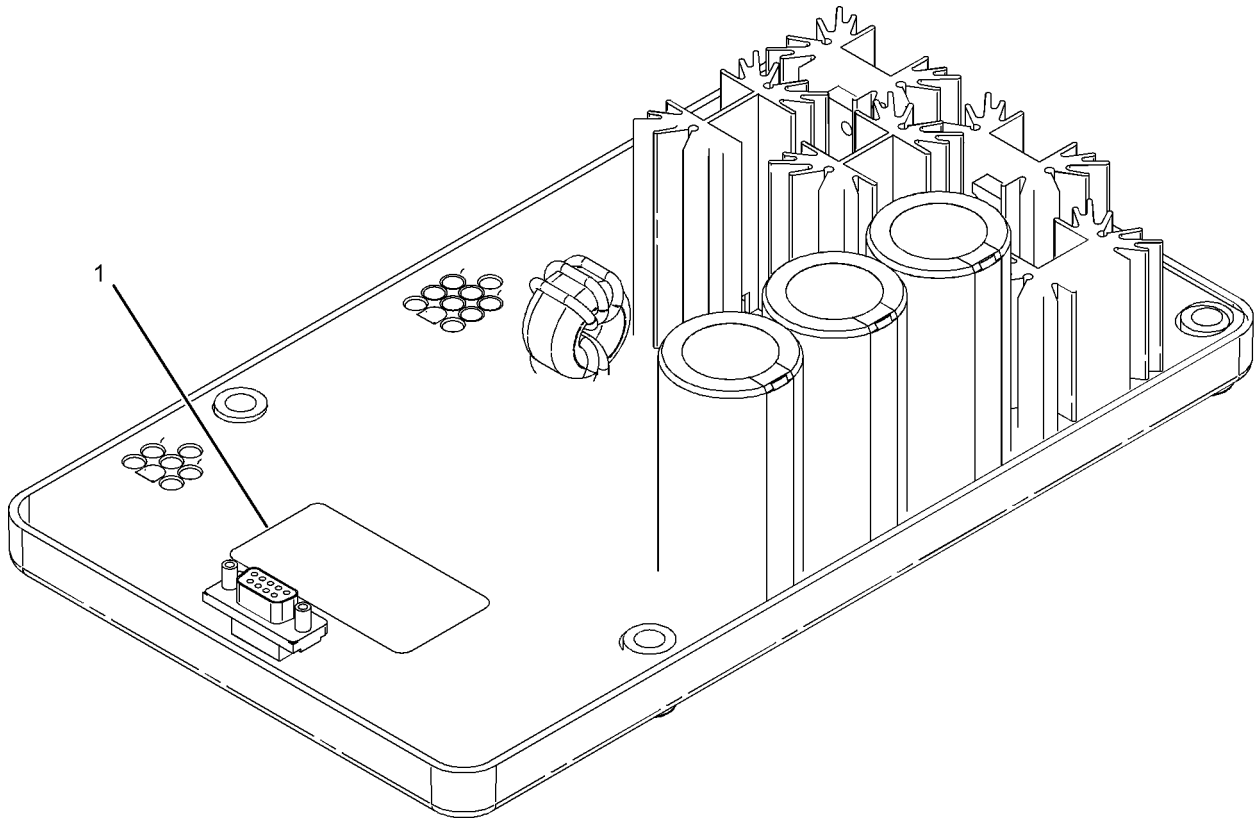
S/N: LNA1-UP; LZA1-UP

PART OF 354-6450, 392-0638 WIRING GP-GENERATOR  
AN ATTACHMENT

SMCS-4467

i04908317

NOTE	REF NO	GRAPHIC REF	PART NUMBER	QTY	PART NAME						SEE PAGE
					1	2	3	4	5	6 (PRODUCT LEVEL)	
	1	1	241-0158	1	FILM-WARNING (SHOCK, ELECTROCUTION HAZARD)						



GRAPHIC #1

<END>

g01035161

# GENERATORS

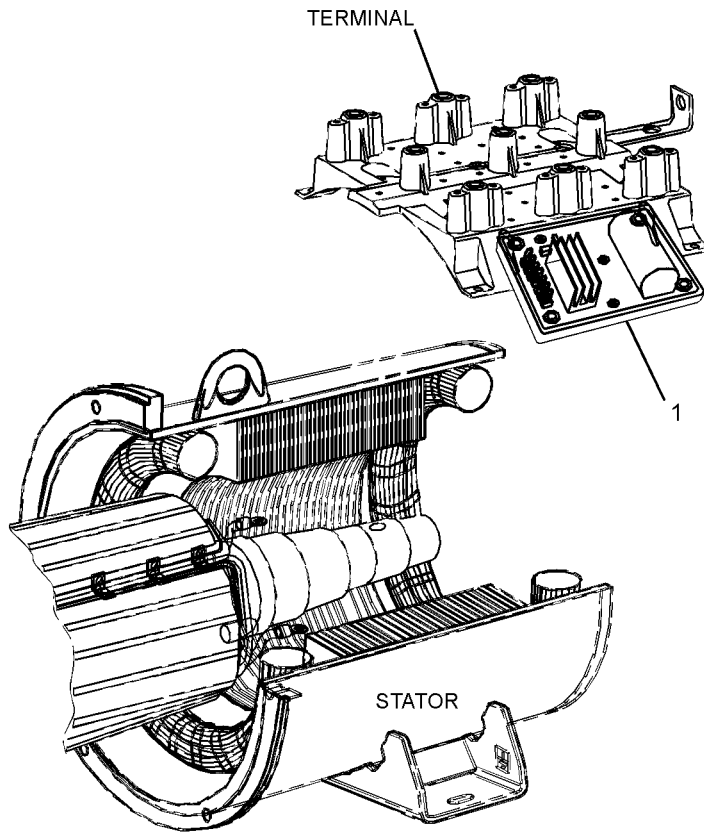
## 327-0284 REGULATOR GP-VOLTAGE-GENERATOR

S/N: L7A1-UP; L6B1-UP  
AN ATTACHMENT

SMCS-4467

i03544381

NOTE	REF NO	GRAPHIC REF	PART NUMBER	QTY	PART NAME						SEE PAGE
					1	2	3	4	5	6 (PRODUCT LEVEL)	
	1	1	289-4769	1	REGULATOR AS-VOLTAGE (GENERATOR)						



GRAPHIC #1

<END>

g01650093

# GENERATORS

## 327-0285 REGULATOR GP-VOLTAGE-GENERATOR

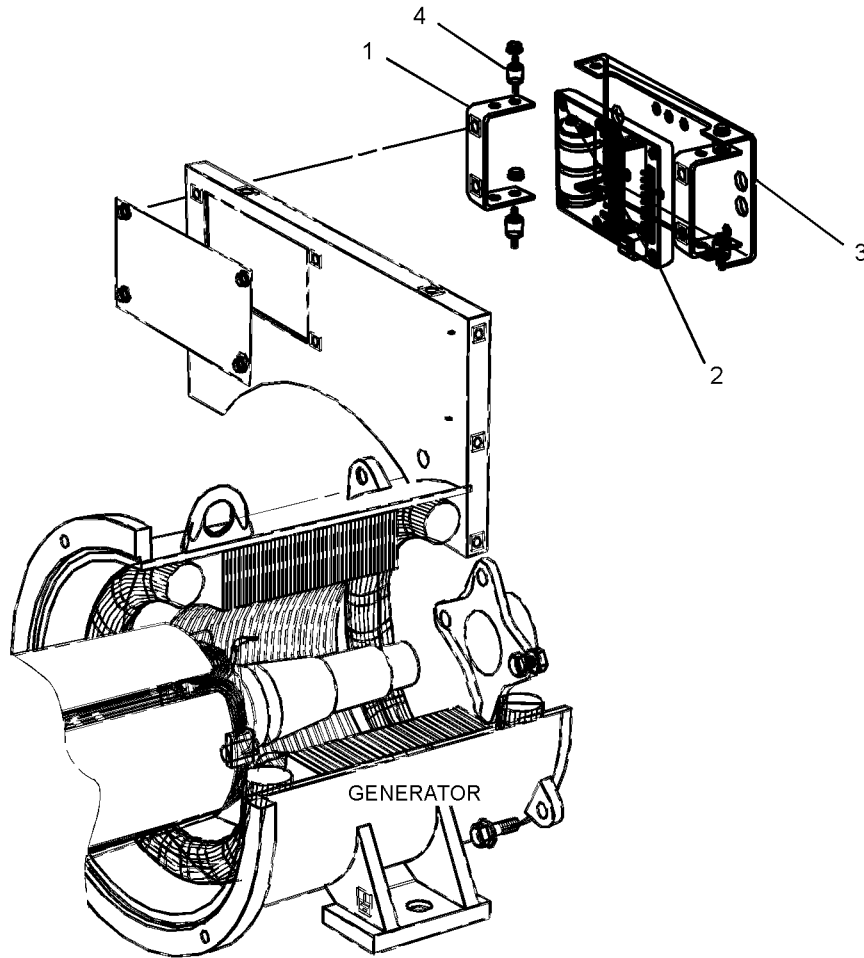
S/N: L7A1-UP; L6B1-UP  
AN ATTACHMENT

SMCS-4467

i03544382

NOTE	REF NO	GRAPHIC REF	PART NUMBER	QTY	PART NAME						SEE PAGE
					1	2	3	4	5	6 (PRODUCT LEVEL)	
	1	1	241-4612	2	SUPPORT						
	2	1	289-4769	1	REGULATOR AS-VOLTAGE (GENERATOR)						
	3	1	241-4624	1	SUPPORT						
	4	1	241-4629	1	MOUNT AS-RESILIENT						
M		1	7Y-5226	8	NUT (M5X0.8-THD)						
		1	8T-0328	8	WASHER-HARD (5.5X10X1-MM THK)						
		1	096-0192	8	LOCKWASHER						
		1	254-4235	4	MOUNT						

M-METRIC PART



GRAPHIC #1

<END>

g01637140

# GENERATORS

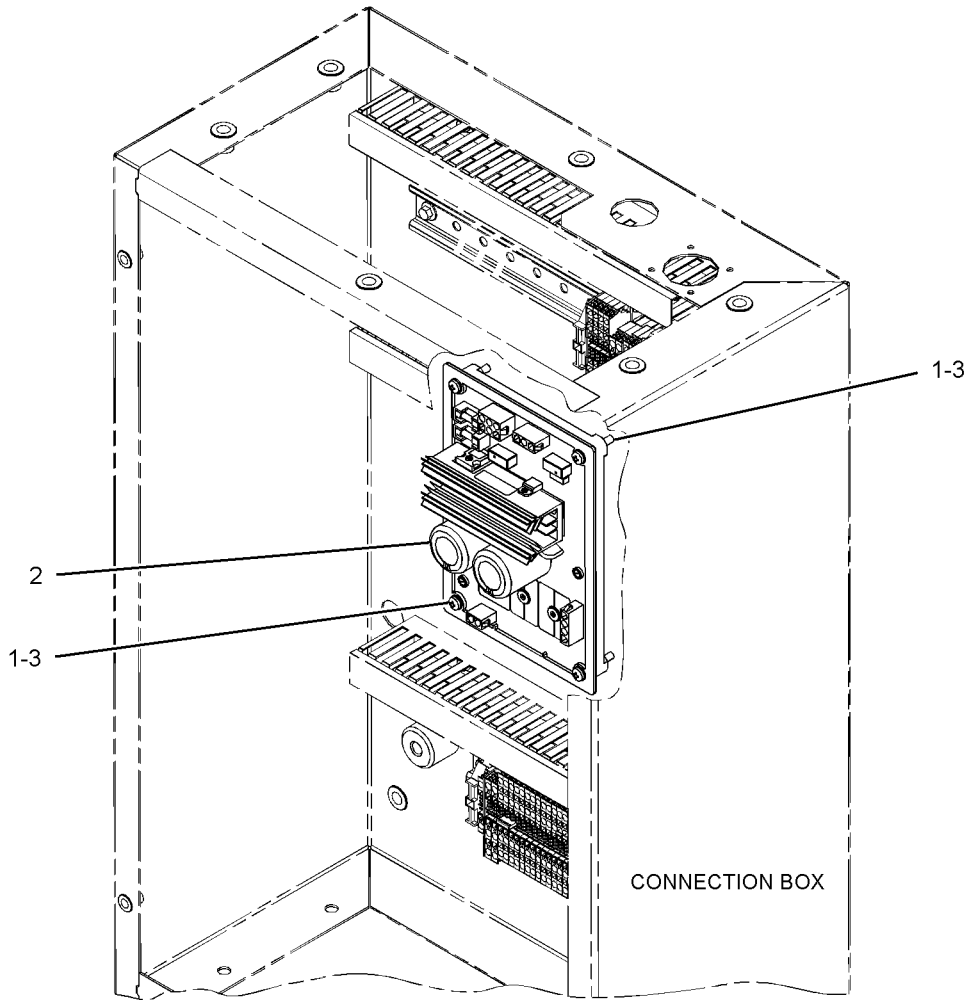
## 389-0974 REGULATOR GP-VOLTAGE

S/N: LNA1-UP; LZA1-UP  
AN ATTACHMENT

SMCS-4467

i04896853

NOTE	REF NO	GRAPHIC REF	PART NUMBER	QTY	PART NAME						SEE PAGE
					1	2	3	4	5	6 (PRODUCT LEVEL)	
	1	1	086-3279	4	SCREW-MACHINE						
	2	1	352-6019	1	REGULATOR-VOLTAGE						
	3	1	8T-0328	4	WASHER-HARD (5.5X10X1-MM THK)						



GRAPHIC #1

<END>

g03050440

# GENERATORS

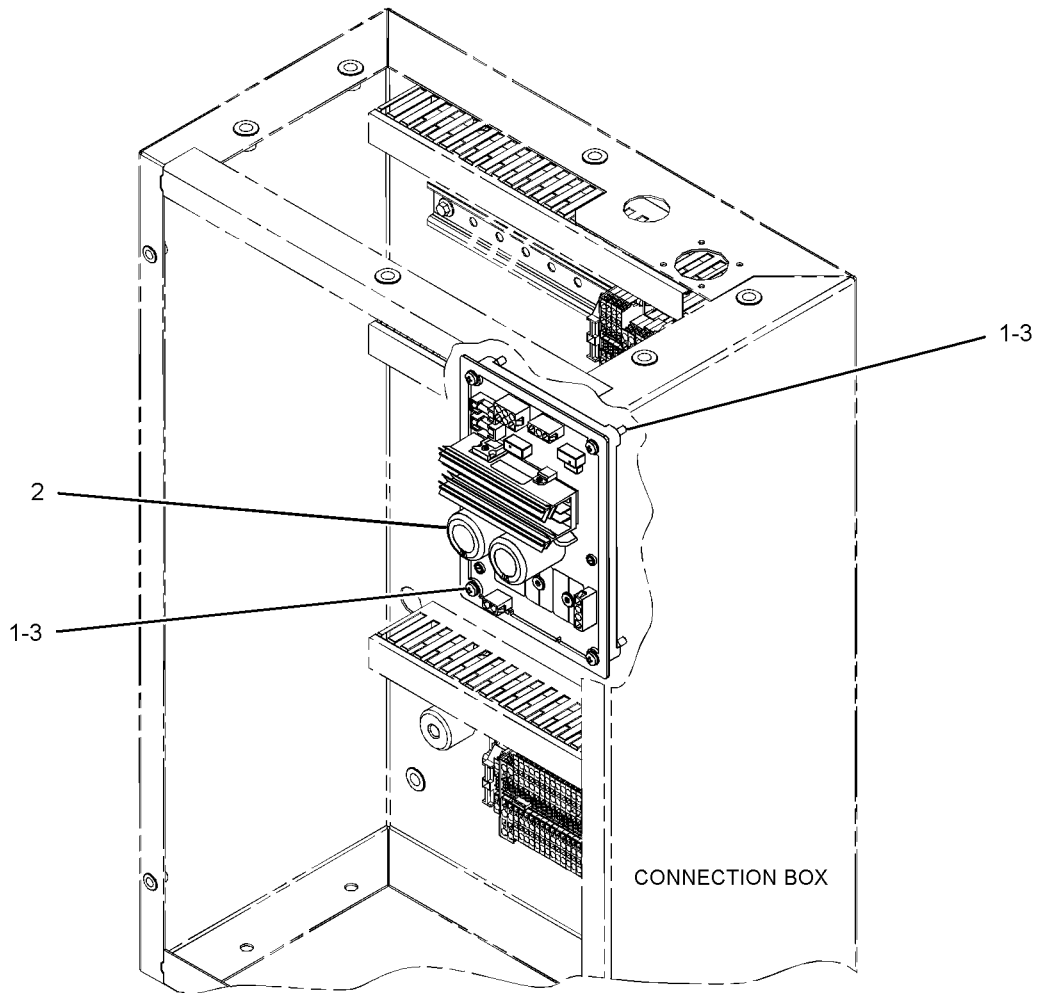
## 389-0975 REGULATOR GP-VOLTAGE

S/N: LNA1-UP; LZA1-UP  
AN ATTACHMENT

SMCS-4467

i04896968

NOTE	REF NO	GRAPHIC REF	PART NUMBER	QTY	PART NAME						SEE PAGE
					1	2	3	4	5	6 (PRODUCT LEVEL)	
	1	1	086-3279	4	SCREW-MACHINE						
	2	1	352-5636	1	REGULATOR-VOLTAGE						
	3	1	8T-0328	4	WASHER-HARD (5.5X10X1-MM THK)						



GRAPHIC #1

<END>

g03050499

# OPERATOR STATION

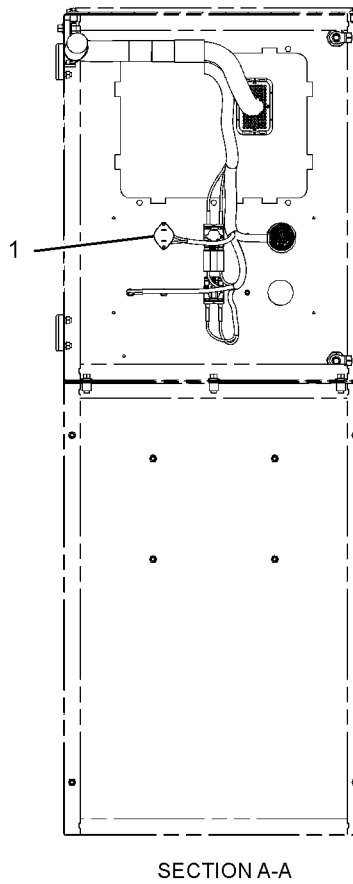
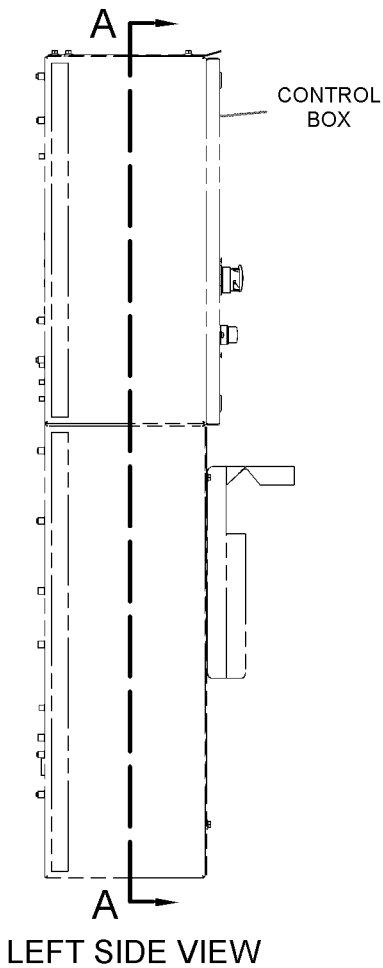
## 389-0969 ALARM GP-HORN

S/N: LNA1-UP; LZA1-UP  
AN ATTACHMENT

SMCS-7400, 7407

i04843192

NOTE	REF NO	GRAPHIC REF	PART NUMBER	QTY	PART NAME						SEE PAGE
					1	2	3	4	5	6 (PRODUCT LEVEL)	
	1	1	241-3114	1	HORN						



GRAPHIC #1

<END>

g02981756



# OPERATOR STATION

## 389-0979 CONTROL GP-GENERATOR SET

S/N: LNA1-UP; LZA1-UP

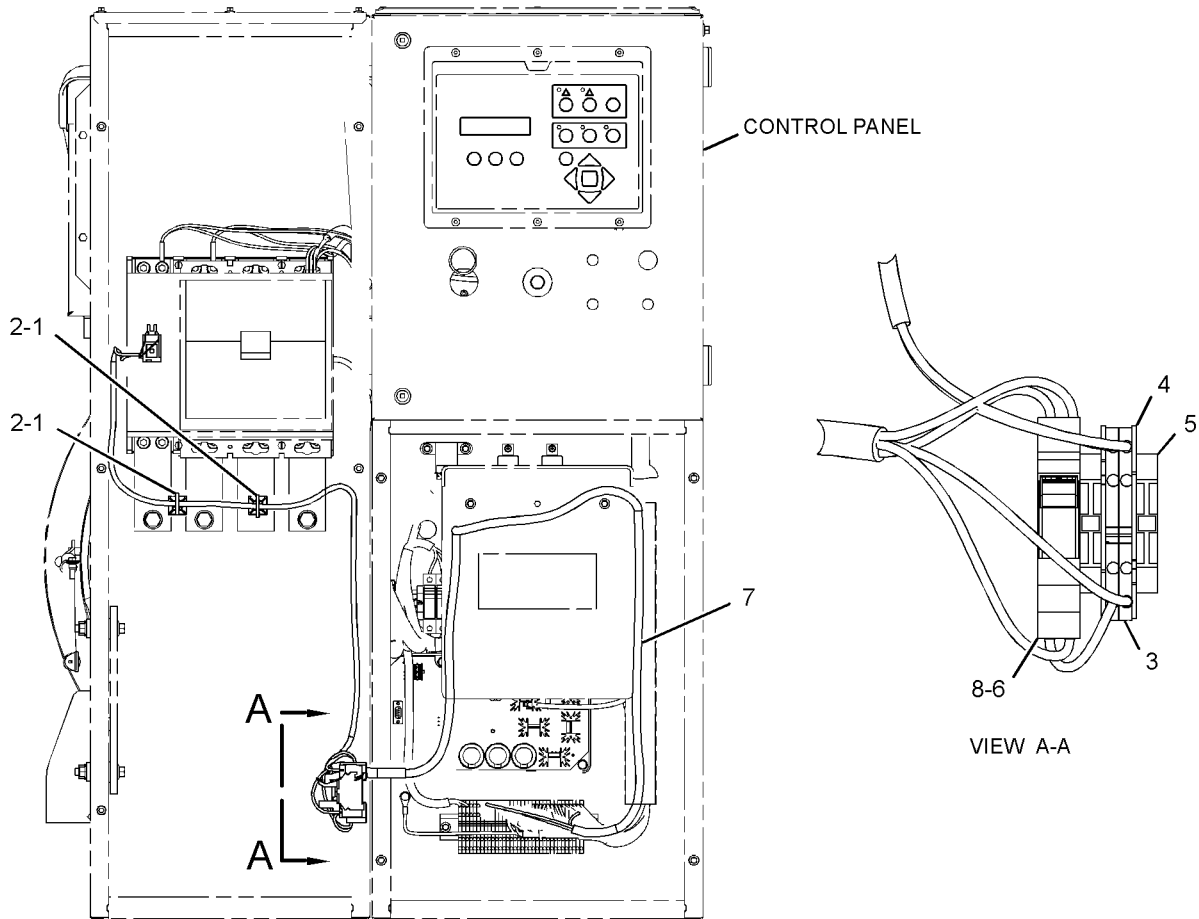
SHUNT TRIP  
AN ATTACHMENT

SMCS-4490

i04818188

NOTE	REF NO	GRAPHIC REF	PART NUMBER	QTY	PART NAME						SEE PAGE
					1	2	3	4	5	6 (PRODUCT LEVEL)	
	1	1	8L-8413	2	STRAP-CABLE (WHITE)						
	2	1	263-0519	2	PAD						
	3	1	301-8313	2	BLOCK-TERMINAL (800-VOLT, 24-AMPERE)						
	4	1	301-8316	2	COVER-END						
	5	1	345-8835	2	BLOCK-TERMINAL						
	6	1	391-8143	1	CONTACTOR						
Y	7	1	392-0605	1	HARNESS AS-WIRING						203
	8	1	392-9541	1	RELAY (24-VOLT)						

Y-SEPARATE ILLUSTRATION



FRONT VIEW

VIEW A-A

GRAPHIC #1

<END>

g02946025

# OPERATOR STATION

## 349-5670 FILTER GP-ELECTRONIC

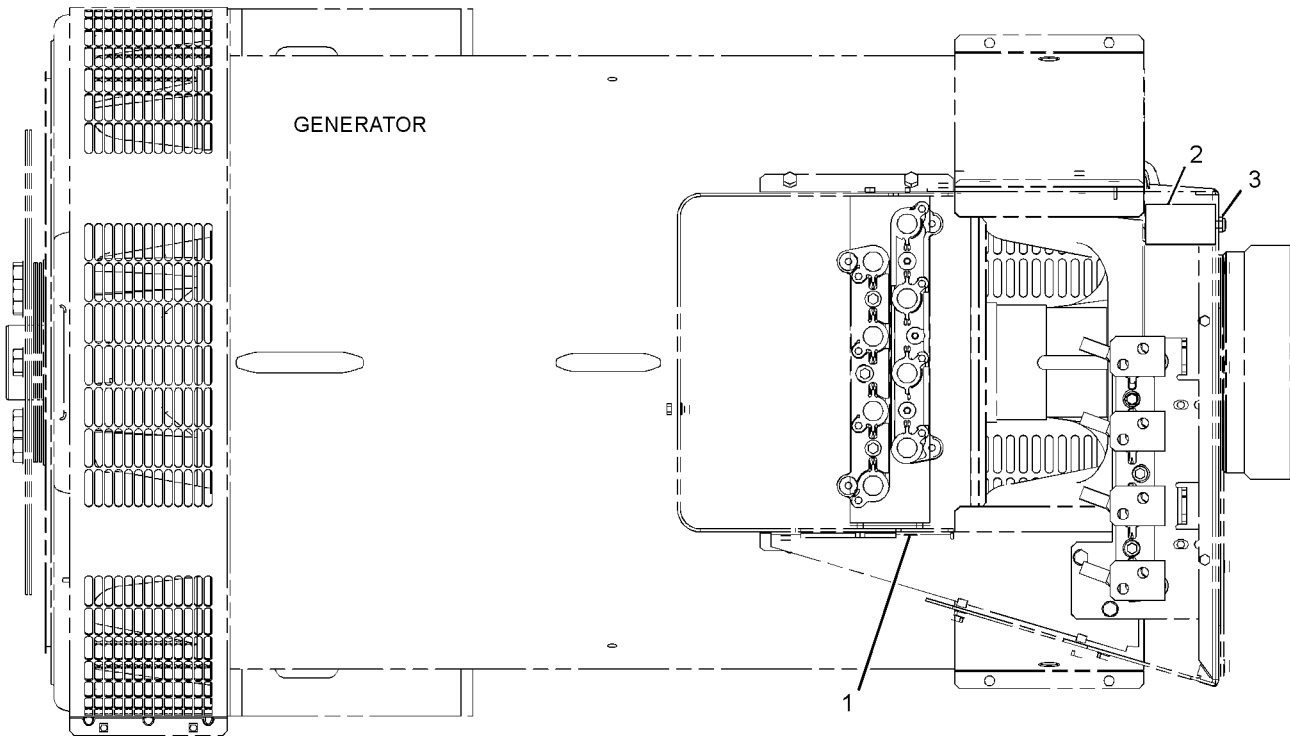
S/N: LNA1-UP; LZA1-UP  
AN ATTACHMENT

SMCS-4479

i04899482

NOTE	REF NO	GRAPHIC REF	PART NUMBER	QTY	PART NAME						SEE PAGE
					1	2	3	4	5	6 (PRODUCT LEVEL)	
	1	1	1H-3338	1	LOCKWASHER (EXTERNAL TOOTH)						
	2	1	394-6207	1	FILTER-ELECTRONIC (RADIO FREQUENCY INTERFERENCE)						
M	3	1	131-3540	1	LOCKNUT (M8X1.25-THD)						

M-METRIC PART



← FWD    TOP VIEW

GRAPHIC #1

<END>

g03056937

# OPERATOR STATION

## 379-0907 PANEL GP-ELECTRICAL

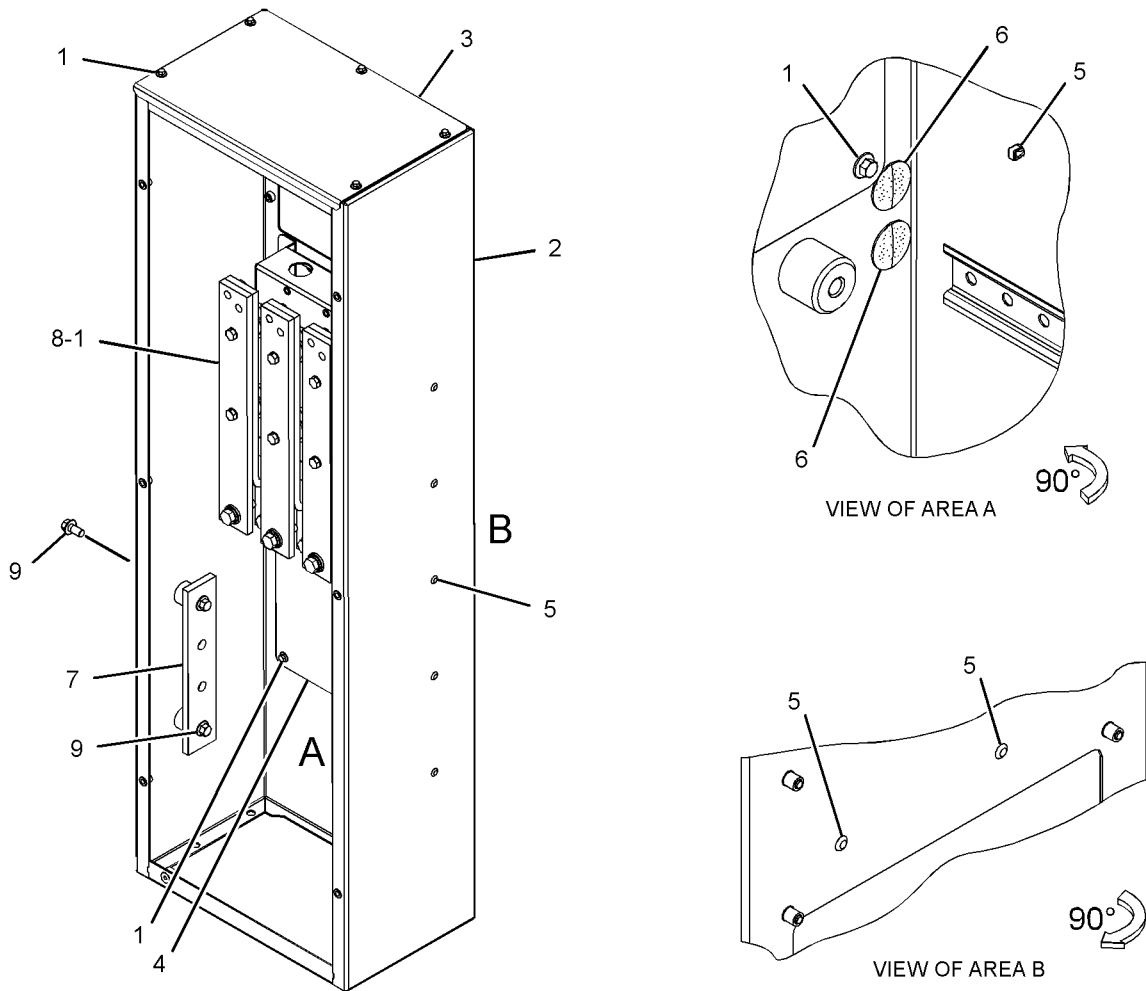
S/N: LNA1-UP; LZA1-UP  
1250 AND 1600-AMPERE ONLY  
AN ATTACHMENT

SMCS-1417

i04902347

NOTE	REF NO	GRAPHIC REF	PART NUMBER	QTY	PART NAME	1 2 3 4 5 6 (PRODUCT LEVEL)						SEE PAGE
M	1	1	235-4451	13	BOLT-FLANGE HEAD (M6X1X16-MM)							
	2	1	349-5641	1	PANEL AS-ENCLOSURE							
	3	1	349-5645	1	PANEL-CIRCUIT BREAKER							
	4	1	349-5667	1	PLATE-COVER							
	5	1	349-6808	7	MOUNT							
	6	1	350-4303	2	GROMMET							
	7	1	374-0473	1	BAR AS							
Y	8	1	379-0933	1	CONNECTION GP-TERMINAL STRIP							290
	9	1	342-9913	4	BOLT-FLANGE HEAD (M10X1.5X20-MM)							

M-METRIC PART  
Y-SEPARATE ILLUSTRATION



GRAPHIC #1

<END>

g03061076

# OPERATOR STATION

## 379-0909 PANEL GP-ELECTRICAL

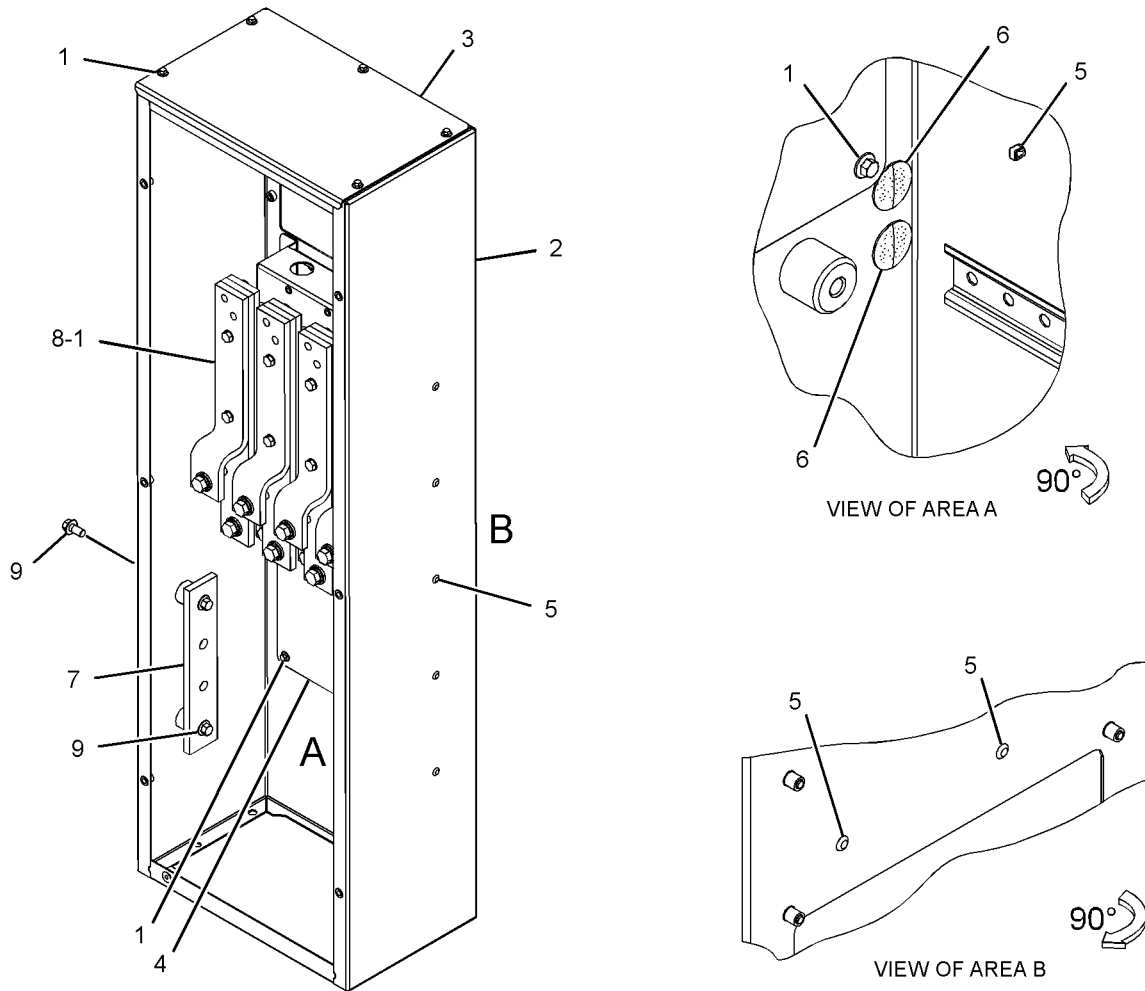
S/N: LNA1-UP; LZA1-UP  
2000-AMPERE  
AN ATTACHMENT

SMCS-1417

i04902349

NOTE	REF NO	GRAPHIC REF	PART NUMBER	QTY	PART NAME	SEE PAGE
M	1	1	235-4451	13	BOLT-FLANGE HEAD (M6X1X16-MM)	
	2	1	349-5641	1	PANEL AS-ENCLOSURE	
	3	1	349-5645	1	PANEL-CIRCUIT BREAKER	
	4	1	349-5667	1	PLATE-COVER	
	5	1	349-6808	7	MOUNT	
	6	1	350-4303	2	GROMMET	
	7	1	374-0473	1	BAR AS	
Y	8	1	393-0347	1	CONNECTION GP-TERMINAL STRIP	294
	9	1	342-9913	4	BOLT-FLANGE HEAD (M10X1.5X20-MM)	

M-METRIC PART  
Y-SEPARATE ILLUSTRATION



GRAPHIC #1

<END>

g03062017

# SERVICE EQUIPMENT AND SUPPLIES

## 392-0936 FILM GP

S/N: LNA1-UP; LZA1-UP

NARROW

AN ATTACHMENT

SMCS-7405, 7557

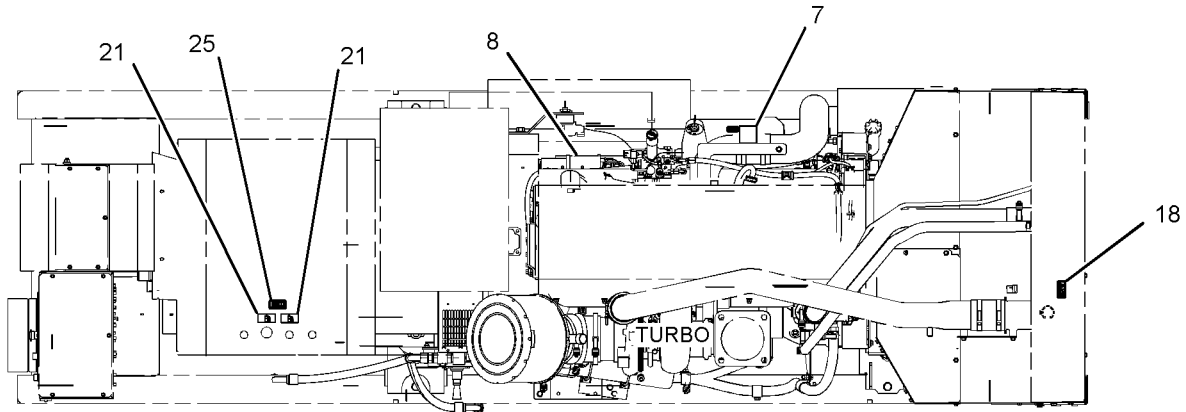
i04765984

NOTE	REF NO	GRAPHIC REF	PART NUMBER	QTY	PART NAME						SEE PAGE
					1	2	3	4	5	6 (PRODUCT LEVEL)	
	1	1	1P-2807	6	FILM-INFORMATION (LIFT EYE LOCATION)						
	2	1	3N-8591	4	FILM-INFORMATION (DO NOT LIFT)						
	3	1	3N-9344	2	FILM-INFORMATION (CENTER OF GRAVITY)						
	7	1	142-7543	1	FILM-INFORMATION (DIESEL FUEL FILL)						
	8	1	142-7548	1	FILM-INFORMATION (POSITIVE, NEGATIVE)						
	9	1	144-0875	1	FILM-INFORMATION (OIL DRAIN)						
	10	1	144-0876	1	FILM-INFORMATION (COOLANT DRAIN)						
	11	1	155-3593	1	FILM-INFORMATION (DIESEL FUEL RETURN)						
	12	1	157-2853	1	FILM-INFORMATION (READ OMM)						
	13	1	224-0554	2	FILM-WARNING (UNIVERSAL, READ OMM)						
	14	1	224-6818	3	FILM-WARNING (AUTO ENGINE START)						
	15	1	224-6820	2	FILM-WARNING (HOT SURFACE)						
	16	1	224-6821	4	FILM-WARNING (HOT SURFACE)						
	17	1	225-3233	2	FILM-WARNING (FALLING OBJECT)						
	18	1	225-4257	1	FILM-WARNING (HOT FLUID UNDER PRESS)						
	19	1	228-4798	1	FILM-IDENTIFICATION (GROUND)						
	20	1	229-5048	1	FILM-WARNING (SHOCK HAZARD, READ OMM)						
	21	1	263-5804	1	FILM-IDENTIFICATION (FUEL)						
	22	1	267-1458	1	FILM-INFORMATION (GENSET RATING)						
	23	1	272-1730	2	FILM-LIFTING						
	24	1	272-1731	2	FILM-INFORMATION (LIFT CAPACITY, READ OMM)						
	25	1	367-0844	1	FILM-INSTRUCTION (FUEL, READ OMM)						

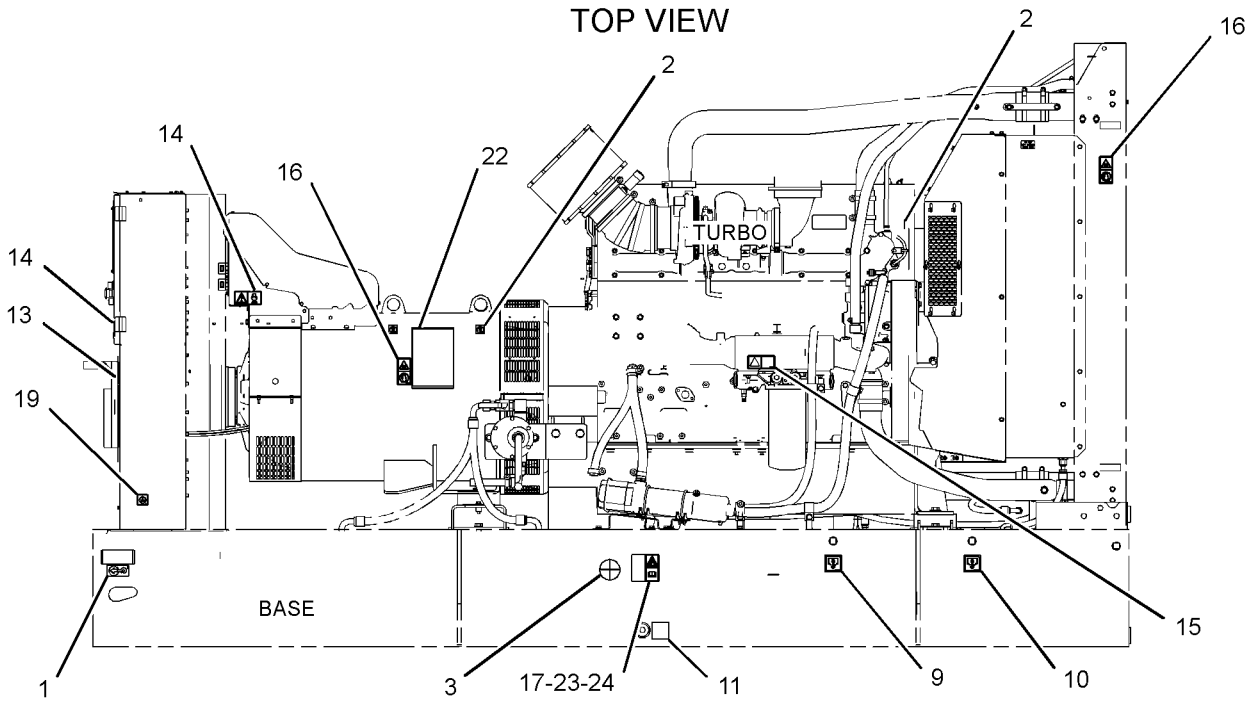
# SERVICE EQUIPMENT AND SUPPLIES

392-0936 FILM GP (contd.)

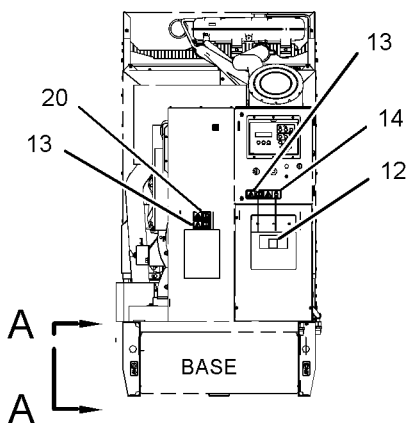
i04765984



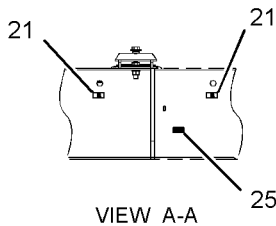
TOP VIEW



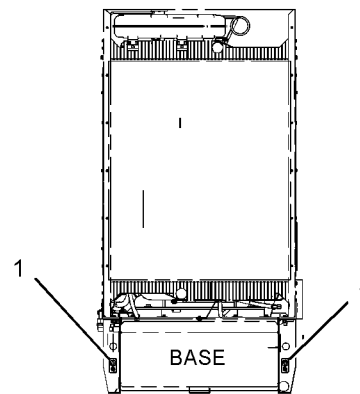
RIGHT SIDE VIEW



REAR VIEW



VIEW A-A



FRONT VIEW

GRAPHIC #1

<END>

g02887698

# SERVICE EQUIPMENT AND SUPPLIES

## 392-0937 FILM GP-ENCLOSURE

S/N: LNA1-UP; LZA1-UP

AN ATTACHMENT

SMCS-7405, 7557

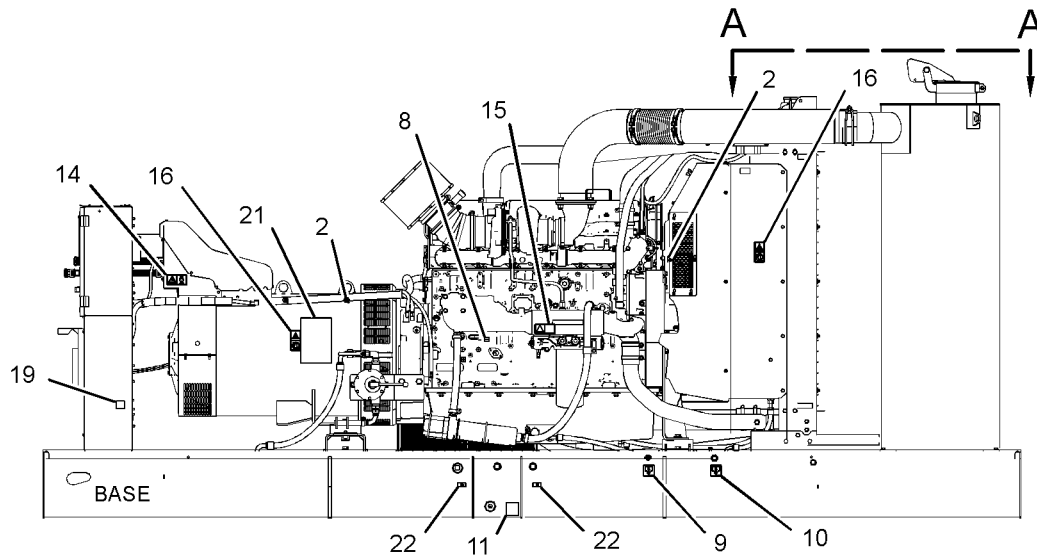
i04901023

NOTE	REF NO	GRAPHIC REF	PART NUMBER	QTY	PART NAME						SEE PAGE
					1	2	3	4	5	6 (PRODUCT LEVEL)	
	1	1	1P-2807	6	FILM-INFORMATION (LIFT EYE LOCATION)						
	2	1	3N-8591	4	FILM-INFORMATION (DO NOT LIFT)						
	3	1	3N-9344	2	FILM-INFORMATION (CENTER OF GRAVITY)						
	4	1	367-0844	1	FILM-INSTRUCTION (FUEL, READ OMM)						
	5	1	272-2645	2	FILM-INSTRUCTION (LIFT EYE, TIE-DOWN LOCATION)						
	6	1	272-1732	2	FILM-LIFTING						
	7	1	142-7543	1	FILM-INFORMATION (DIESEL FUEL FILL)						
	8	1	142-7548	1	FILM-INFORMATION (POSITIVE, NEGATIVE)						
	9	1	144-0875	1	FILM-INFORMATION (OIL DRAIN)						
	10	1	144-0876	1	FILM-INFORMATION (COOLANT DRAIN)						
	11	1	155-3593	1	FILM-INFORMATION (DIESEL FUEL RETURN)						
	12	1	157-2853	2	FILM-INFORMATION (READ OMM)						
	13	1	224-0554	3	FILM-WARNING (UNIVERSAL, READ OMM)						
	14	1	224-6818	5	FILM-WARNING (AUTO ENGINE START)						
	15	1	224-6820	3	FILM-WARNING (HOT SURFACE)						
	16	1	224-6821	4	FILM-WARNING (HOT SURFACE)						
	17	1	225-3233	2	FILM-WARNING (FALLING OBJECT)						
	18	1	225-4257	1	FILM-WARNING (HOT FLUID UNDER PRESS)						
	19	1	228-4798	1	FILM-IDENTIFICATION (GROUND)						
	20	1	229-5048	1	FILM-WARNING (SHOCK HAZARD, READ OMM)						
	21	1	267-1458	1	FILM-INFORMATION (GENSET RATING)						
	22	1	263-5804	2	FILM-IDENTIFICATION (FUEL)						

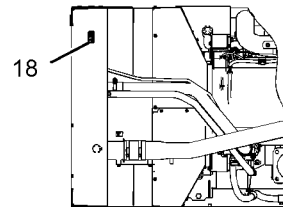
# SERVICE EQUIPMENT AND SUPPLIES

392-0937 FILM GP (contd.)

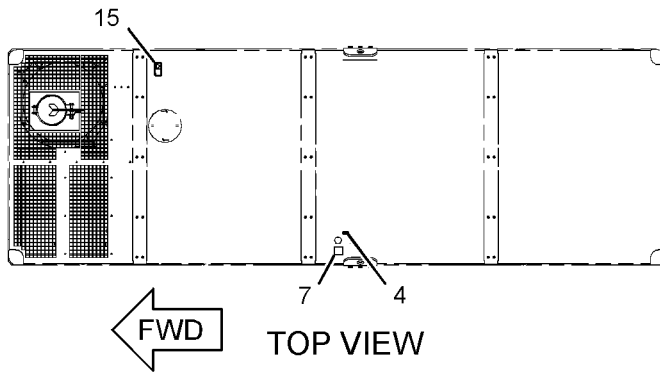
i04901023



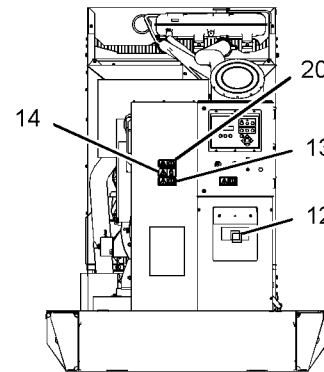
**RIGHT SIDE VIEW**  
(ENCLOSURE REMOVED)



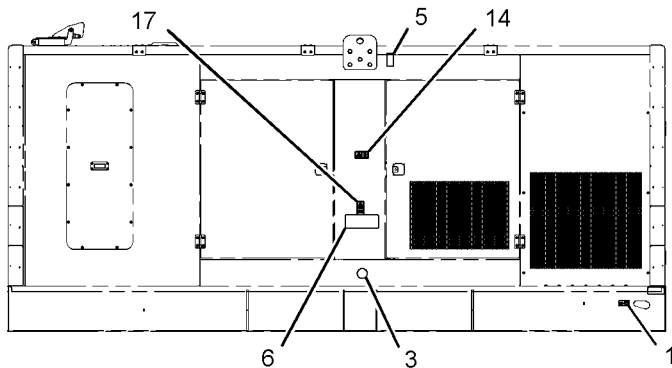
VIEW A-A



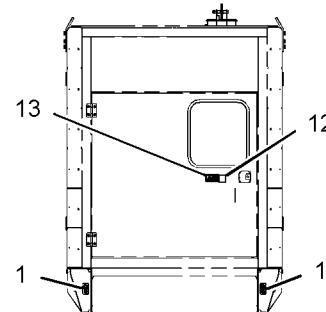
**TOP VIEW**



**REAR VIEW**  
(ENCLOSURE REMOVED)



**LEFT SIDE VIEW**



**REAR VIEW**

GRAPHIC #1

<END>

g03070557



# SERVICE EQUIPMENT AND SUPPLIES

## 392-3570 FILM GP

S/N: LNA1-UP; LZA1-UP

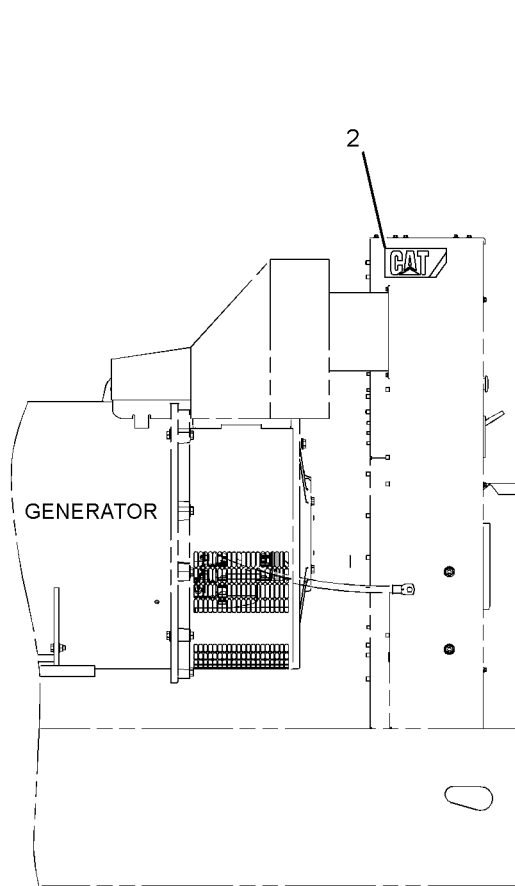
NARROW

AN ATTACHMENT

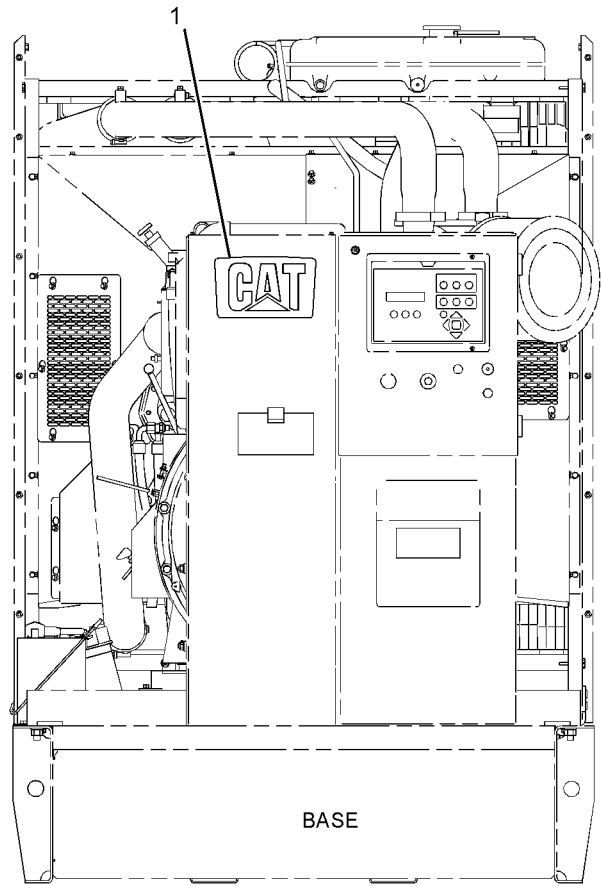
SMCS-7405, 7557

i04766132

NOTE	REF NO	GRAPHIC REF	PART NUMBER	QTY	PART NAME						SEE PAGE
					1	2	3	4	5	6 (PRODUCT LEVEL)	
	1	1	303-3427	1	FILM-IDENTIFICATION (CAT)						
	2	1	303-3435	2	FILM-IDENTIFICATION (CAT)						



LEFT SIDE VIEW



REAR VIEW

GRAPHIC #1

<END>

g02865840

# SERVICE EQUIPMENT AND SUPPLIES

## 343-1942 PLATE & FILM GP

S/N: FTH1-UP

SMCS-7405, 7557

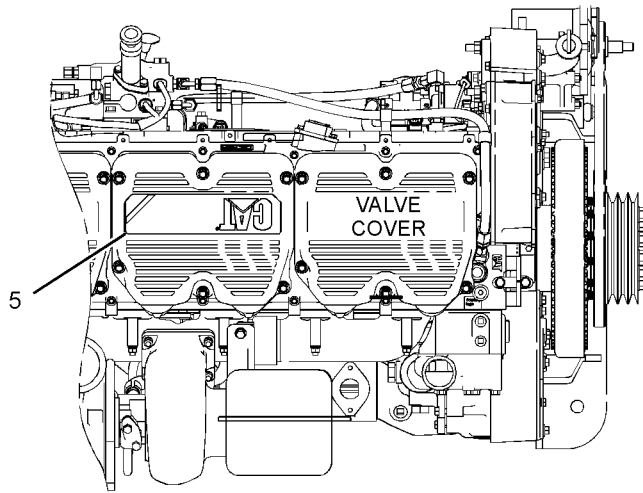
i04758601

NOTE	REF NO	GRAPHIC REF	PART NUMBER	QTY	PART NAME						SEE PAGE
					1	2	3	4	5	6 (PRODUCT LEVEL)	
	1	1	<b>3N-3469</b>	1	TAG-INSTRUCTION (ENGINE PRESTART)						
	2	1	<b>3N-3790</b>	1	PLATE-SERIAL NUMBER (ENGINE)						
	3	1	<b>8L-8413</b>	1	STRAP-CABLE (WHITE)						
	4	1	<b>228-3581</b>	2	FILM-WARNING (DO NOT OPERATE, READ OMM)						
	5	1	<b>305-3045</b>	1	PLATE-IDENTIFICATION (CAT C15 ACERT)						

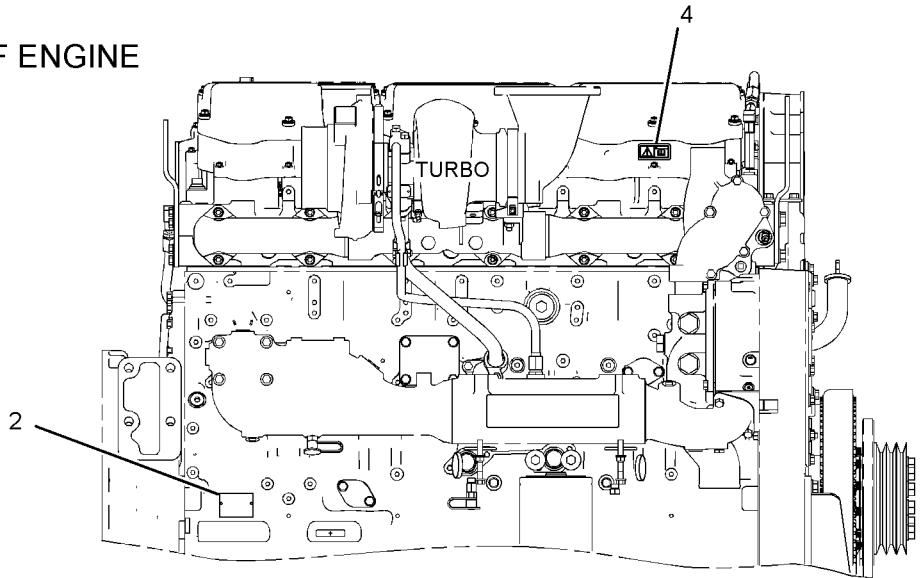
# SERVICE EQUIPMENT AND SUPPLIES

343-1942 PLATE & FILM GP (contd.)

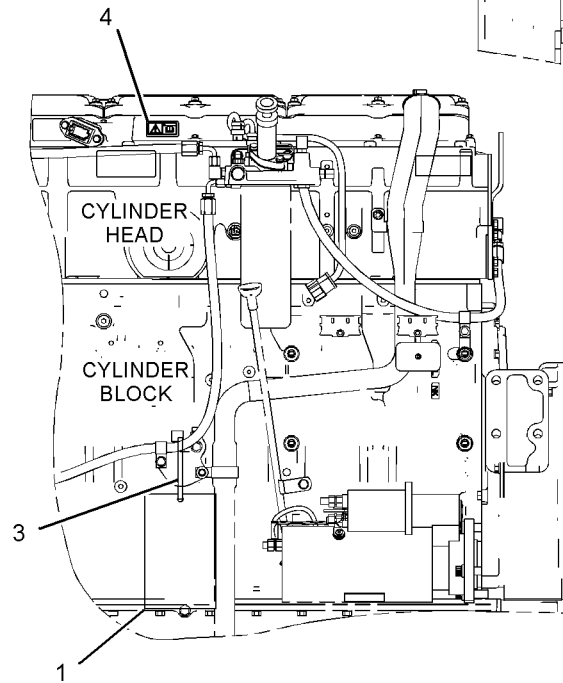
i04758601



TOP VIEW OF ENGINE



RIGHT SIDE VIEW OF ENGINE



LEFT SIDE VIEW OF ENGINE

GRAPHIC #1

<END>

g02855341

# SERVICE EQUIPMENT AND SUPPLIES

## 392-3569 PLATE & FILM GP

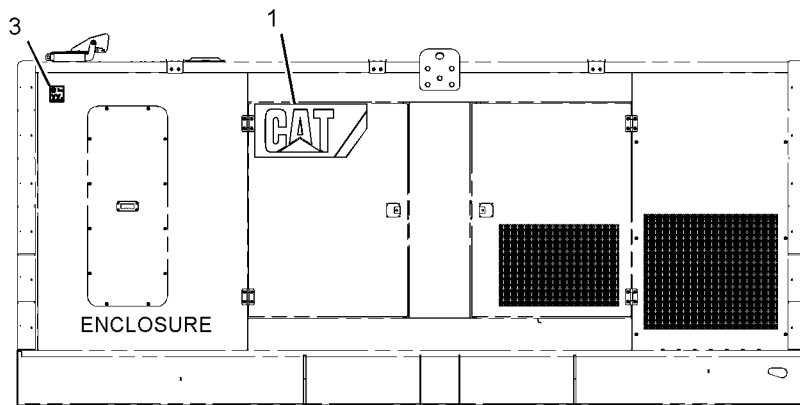
S/N: LNA1-UP; LZA1-UP

ENCLOSURE  
AN ATTACHMENT

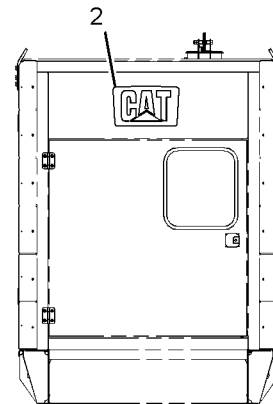
SMCS-7405, 7557

i04765989

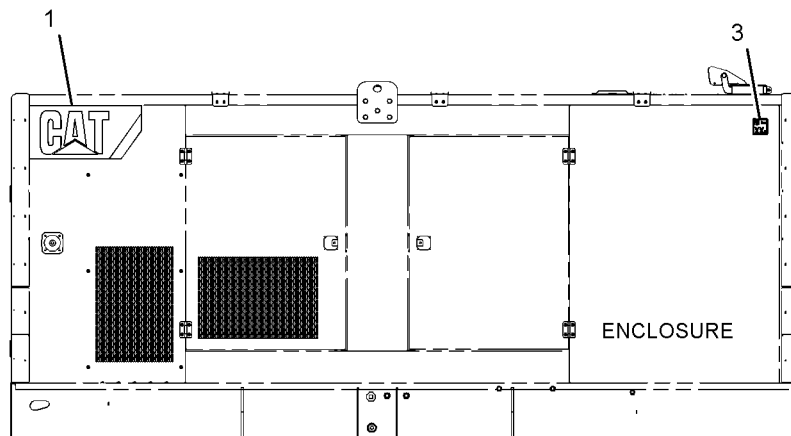
NOTE	REF NO	GRAPHIC REF	PART NUMBER	QTY	PART NAME						SEE PAGE
					1	2	3	4	5	6 (PRODUCT LEVEL)	
	1	1	299-8145	2	FILM-IDENTIFICATION (CAT)						
	2	1	303-3429	2	FILM-IDENTIFICATION (CAT)						
	3	1	8C-8932	2	PLATE-SOUND SUPPRESSION (100-DB)						
F			142-8240	2	KEY						
F - NOT SHOWN											



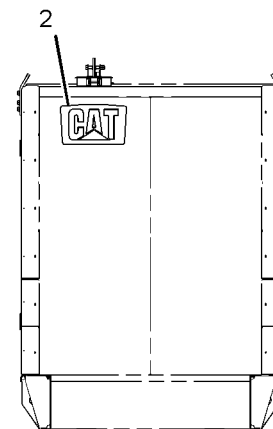
LEFT SIDE VIEW



REAR VIEW



RIGHT SIDE VIEW



FRONT VIEW

GRAPHIC #1

<END>

g02867716

# SERVICE EQUIPMENT AND SUPPLIES

## 394-9056 PLATE & FILM GP

S/N: LNA1-UP; LZA1-UP

50-HERTZ

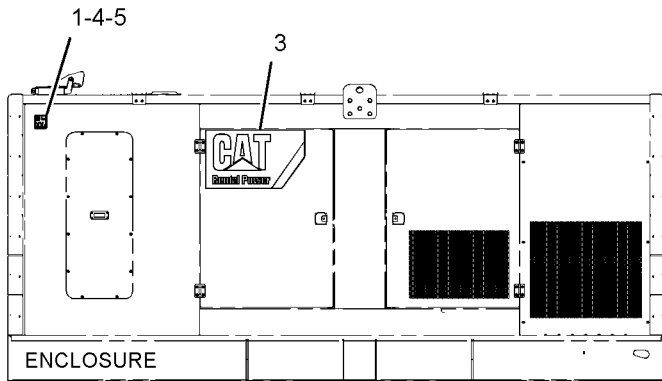
AN ATTACHMENT

SMCS-7405, 7557

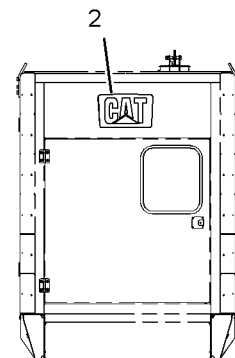
i04901490

NOTE	REF NO	GRAPHIC REF	PART NUMBER	QTY	PART NAME						SEE PAGE
					1	2	3	4	5	6 (PRODUCT LEVEL)	
	1	1	8C-8932	2	PLATE-SOUND SUPPRESSION (100-DB)						
	2	1	303-3429	2	FILM-IDENTIFICATION (CAT)						
	3	1	303-3443	2	FILM (CAT RENTAL POWER)						
	4	1	3E-3856	2	PLATE-SOUND SUPPRESSION (EXTERIOR SOUND, 98-DB)						
	5	1	3E-3857	2	PLATE-SOUND SUPPRESSION						
F			142-8240	2	KEY						

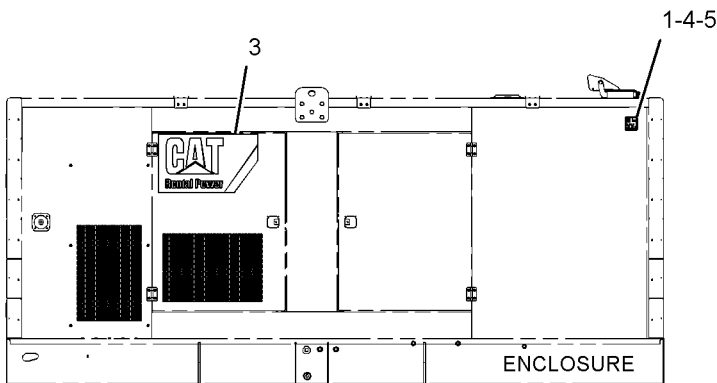
F - NOT SHOWN



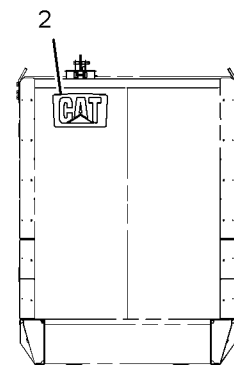
LEFT SIDE VIEW



REAR VIEW



RIGHT SIDE VIEW



FRONT VIEW

GRAPHIC #1

<END>

g03069177

# MEMORANDA



# PART NUMBER INDEX

Part	Page	Part	Page	Part	Page	Part	Page
	49	5F-9144 . . . . .	139	5P-6001 . . . . .	197		7
4D-7388 . . . . .	204	5H-1504 . . . . .	40		198		9
4F-0411 . . . . .	102	5H-8331 . . . . .	123		200		▶120
4F-7957 . . . . .	16		130	5P-7701 . . . . .	77	6L-5874 . . . . .	58
	17		131	5P-7807 . . . . .	19	6N-1141 . . . . .	86
4J-5573 . . . . .	109	5L-3233 . . . . .	113	5P-8068 . . . . .	63	6N-1931 . . . . .	87
4M-1831 . . . . .	234	5L-3708 . . . . .	188	5P-8245 . . . . .	18	6N-3826 . . . . .	234
4N-0683 . . . . .	35	5L-7631 . . . . .	120		19	6N-7378 . . . . .	42
4N-0684 . . . . .	32	5L-7635 . . . . .	120		21	6N-7611 . . . . .	124
	43	5L-8854 . . . . .	118		23		130
4N-0933 . . . . .	53	5M-2894 . . . . .	24		44		131
4N-1114 . . . . .	26		25		45	6T-3631 . . . . .	237
4N-1650 . . . . .	35		28		53	6T-3632 . . . . .	237
4N-2040 . . . . .	86		44		56	6T-3633 . . . . .	237
4N-2481 . . . . .	3		45		58	6V-0128 . . . . .	17
	5		46		75	6V-0852 . . . . .	144
	7		47	5P-8247 . . . . .	224	6V-1197 . . . . .	20
	9		53		247	6V-2492 . . . . .	204
	▶80		54	5P-9617 . . . . .	77	6V-3251 . . . . .	68
4N-2514 . . . . .	49		55	5S-0003 . . . . .	144	6V-3668 . . . . .	18
4N-8150 . . . . .	77		63	5S-7349 . . . . .	234		19
4N-8216 . . . . .	58		78			6V-3677 . . . . .	51
4P-1991 . . . . .	267		80			6V-3683 . . . . .	216
	273		82			6V-3964 . . . . .	188
4P-6846 . . . . .	3		85			6V-3965 . . . . .	144
	5		86	6B-6684 . . . . .	58	6V-4589 . . . . .	86
	7		87	6C-9129 . . . . .	420	6V-5048 . . . . .	106
	9		90		422	6V-5049 . . . . .	77
	▶47		119		426	6V-5063 . . . . .	102
4P-7373 . . . . .	63		129		428	6V-5217 . . . . .	18
4P-7429 . . . . .	247		144		430		19
4P-7581 . . . . .	224		147		475	6V-5684 . . . . .	21
	247		224		477		491
4P-7582 . . . . .	224		247		479		493
4P-8134 . . . . .	247	5M-3062 . . . . .	128		481		495
4S-6137 . . . . .	129	5M-6213 . . . . .	119		483		497
4W-5698 . . . . .	32	5N-5692 . . . . .	3		485		505
4W-5699 . . . . .	32		5		487		507
4W-5700 . . . . .	32		7	6F-7045 . . . . .	238		509
4W-5701 . . . . .	32		9	6H-3956 . . . . .	18		511
4W-5828 . . . . .	114		▶155		43		513
	115	5P-0076 . . . . .	216	6I-0213 . . . . .	148		515
	▶117	5P-0537 . . . . .	17	6I-0928 . . . . .	39		517
4W-5972 . . . . .	193		149	6I-1055 . . . . .	35		519
	241	5P-0765 . . . . .	96	6I-1418 . . . . .	188		521
4W-9890 . . . . .	24	5P-0840 . . . . .	35	6I-2933 . . . . .	113		523
	25		40		114		525
		5P-2228 . . . . .	97		115		527
		5P-2369 . . . . .	83	6I-3623 . . . . .	51		529
		5P-2566 . . . . .	43	6I-3624 . . . . .	51		531
		5P-4115 . . . . .	157	6I-3625 . . . . .	51		537
5C-2890 . . . . .	267		159	6I-3638 . . . . .	3	6V-5686 . . . . .	123
	273	5P-4116 . . . . .	267		5		130
5C-7261 . . . . .	208		269		7		131
	209		270		9	6V-5818 . . . . .	199
	210		273		▶46		200
	211	5P-4142 . . . . .	51	6I-3968 . . . . .	54	6V-6609 . . . . .	23
	212	5P-4255 . . . . .	54	6I-4025 . . . . .	40		67
	213	5P-5592 . . . . .	200	6I-4421 . . . . .	35		68
	259	5P-5637 . . . . .	164	6I-4575 . . . . .	16		204
	267		264	6I-4582 . . . . .	51		231
	273	5P-5846 . . . . .	63	6J-2515 . . . . .	53	6V-6923 . . . . .	153
5C-8312 . . . . .	195	5P-5924 . . . . .	269	6K-9194 . . . . .	144	6V-8187 . . . . .	155
5E-8771 . . . . .	51		270	6L-2927 . . . . .	3	6V-8188 . . . . .	234
5F-0304 . . . . .	53	5P-5991 . . . . .	146		5	6V-8374 . . . . .	237

**6**

**5**



# PART NUMBER INDEX

Part	Page	Part	Page	Part	Page	Part	Page
<b>7</b>							
6V-8378 . . . . .	234				273		549
6V-8398 . . . . .	143			8C-5064 . . . . .	144		558
	144	7B-2742 . . . . .	149	8C-5230 . . . . .	82	8M-2530 . . . . .	42
	146	7C-1571 . . . . .	113	8C-5238 . . . . .	18	8M-8489 . . . . .	87
6V-8639 . . . . .	146	7C-4550 . . . . .	193		19	8R-8847 . . . . .	168
6V-8801 . . . . .	182		241		43		169
	204	7E-1246 . . . . .	241	8C-6354 . . . . .	198		170
	321	7E-4808 . . . . .	43	8C-6855 . . . . .	420		172
	324	7E-6508 . . . . .	17		422		174
	327	7G-7917 . . . . .	200		426		179
	330	7K-1181 . . . . .	84		428		180
	333		88		430		181
	336		107		475		288
	339		146		477		289
	342		197		479		290
	345		249		481		294
	360		259		483	8S-5383 . . . . .	58
	363	7L-2894 . . . . .	234		485	8S-6511 . . . . .	87
	366	7M-9918 . . . . .	134		487	8S-9191 . . . . .	148
	369	7N-0452 . . . . .	47		499	8T-0192 . . . . .	321
	372	7N-0718 . . . . .	▶238		501		324
	385		239		503		327
	388	7N-2156 . . . . .	87		533		330
	391	7N-3448 . . . . .	86		535		333
	394	7N-4045 . . . . .	146		539		336
	397	7N-8828 . . . . .	44	8C-8451 . . . . .	499		339
	400	7S-4411 . . . . .	124		501		342
	402	7S-5005 . . . . .	32		503		345
	404	7T-0266 . . . . .	247		533		360
	406	7T-3267 . . . . .	234		535		363
	408	7T-3268 . . . . .	234		539		366
	410	7T-3276 . . . . .	234	8C-8478 . . . . .	420		369
	412	7T-3277 . . . . .	234		422		372
	414	7T-3278 . . . . .	234		426		385
	416	7T-3279 . . . . .	234		428		388
	418	7T-3451 . . . . .	234		430		391
	424	7T-3454 . . . . .	234		475		394
	432	7T-3973 . . . . .	234		477		397
	434	7T-3974 . . . . .	234		479		400
	436	7V-6571 . . . . .	144		481		402
	438	7W-4176 . . . . .	58		483		404
	440	7W-6158 . . . . .	144		485		406
	442	7X-0343 . . . . .	239		487		408
	444	7X-0562 . . . . .	234		499		410
	446	7X-0591 . . . . .	42		501		412
	449	7X-2153 . . . . .	114		503		414
	452		115		533		416
	454	7X-2552 . . . . .	267		535		418
	456		273		539		424
	458	7X-3373 . . . . .	234	8C-8932 . . . . .	560		432
	460	7X-7731 . . . . .	102		561	8T-0271 . . . . .	279
	463	7X-7740 . . . . .	18	8F-1434 . . . . .	234		281
	465	7X-7958 . . . . .	204	8F-7219 . . . . .	139	8T-0328 . . . . .	156
	467	7Y-5226 . . . . .	545	8H-1141 . . . . .	234		234
	469			8H-5303 . . . . .	238		545
	471			8H-5306 . . . . .	238		546
	473			8J-4351 . . . . .	62		547
6V-8995 . . . . .	143				216	8T-0337 . . . . .	165
6V-9169 . . . . .	143	8C-3089 . . . . .	107	8L-2777 . . . . .	70		221
6V-9189 . . . . .	99	8C-3398 . . . . .	267	8L-8413 . . . . .	48		222
	100		273		157		264
6V-9673 . . . . .	156	8C-3445 . . . . .	77		159	8T-0342 . . . . .	280
6V-9830 . . . . .	143	8C-3446 . . . . .	77		198	8T-0400 . . . . .	360
6V-9873 . . . . .	144	8C-3655 . . . . .	234		251	8T-1160 . . . . .	285
		8C-4413 . . . . .	267		252		291

# PART NUMBER INDEX

Part	Page	Part	Page	Part	Page	Part	Page
8T-1757 . . . . .	123	8T-4123 . . . . .	79		181		434
	130		143		267		436
	131	8T-4132 . . . . .	60		273		438
8T-1889 . . . . .	144		61		288		440
8T-1890 . . . . .	144	8T-4136 . . . . .	257		289		442
8T-2502 . . . . .	132	8T-4140 . . . . .	269		290		444
8T-2910 . . . . .	157		270		294		446
	159	8T-4183 . . . . .	168	8T-4648 . . . . .	491		449
8T-3612 . . . . .	99		169		493		452
	100		170		495		454
8T-4000 . . . . .	321		172		497		456
	324		174		505		458
	327		179		507		460
	330		180		509		463
	333		181		511		465
	336		288		513		467
	339		289		515		469
	342		290		517		471
	345		294		519		473
	363	8T-4192 . . . . .	257		521	8T-4971 . . . . .	170
	366	8T-4193 . . . . .	60		523		174
	369		61		525		250
	372		267		527		254
	385		273		529	8T-4984 . . . . .	107
	388	8T-4199 . . . . .	282		531	8T-4988 . . . . .	113
	391		283		537		114
	394		284	8T-4896 . . . . .	114		115
	397		293		115	8T-4989 . . . . .	114
	400	8T-4200 . . . . .	282		128		115
	402		283		132	8T-6757 . . . . .	37
	404	8T-4205 . . . . .	155		142	8T-6761 . . . . .	102
	406		234		143	8T-6762 . . . . .	102
	408	8T-4223 . . . . .	97		182	8T-6765 . . . . .	53
	410		168		204		120
	412		169		321	8T-6767 . . . . .	102
	414		170		324		120
	416		172		327	8T-6870 . . . . .	491
	418		174		330		493
	424		179		333		495
	432		180		336		497
	434		181		339		505
	436		247		342		507
	438		257		345		509
	440		288		360		511
	442		289		363		513
	444		290		366		515
	446		294		369		517
	449	8T-4224 . . . . .	208		372		519
	452		209		385		521
	454		210		388		523
	456		211		391		525
	458		212		394		527
	460		213		397		529
	463		259		400		531
	465		282		402		537
	467		283		404	8T-6871 . . . . .	239
	469		284		406	8T-6936 . . . . .	164
	471		293		408	8T-7008 . . . . .	114
	473	8T-4244 . . . . .	168		410		115
8T-4121 . . . . .	257		169		412		142
	278		170		414		143
	279		172		416	8T-7547 . . . . .	284
	280		174		418	8T-8566 . . . . .	234
	281		179		424	8T-8569 . . . . .	234
8T-4122 . . . . .	239		180		432	8T-8730 . . . . .	111

# PART NUMBER INDEX

Part	Page	Part	Page	Part	Page	Part	Page
	199	9N-2038 . . . . .	134	9X-8256 . . . . .	250		527
8T-8737 . . . . .	149		135		254		529
	196	9N-6379 . . . . .	119	9X-8257 . . . . .	60		531
	197	9R-9733 . . . . .	247		61		537
	198	9S-4167 . . . . .	138		267	102-8608 . . . . .	129
	199		140		269	102-8801 . . . . .	196
8T-9377 . . . . .	434	9S-4191 . . . . .	77		270	102-8802 . . . . .	247
	436	9S-8002 . . . . .	23		273	102-8803 . . . . .	197
	438		67	9X-8268 . . . . .	123	102-8805 . . . . .	197
	440		106		130	102-9089 . . . . .	20
	442		216		131	103-0126 . . . . .	50
	444	9S-8004 . . . . .	40	9X-8872 . . . . .	50	103-0213 . . . . .	198
	446		68	9Y-1792 . . . . .	87	103-8134 . . . . .	196
	449		139	9Y-6089 . . . . .	26	104-6202 . . . . .	247
	452	9S-8005 . . . . .	23		233	105-3483 . . . . .	285
	454		67	9Y-6102 . . . . .	113		292
	456		68			105-8405 . . . . .	111
	458		146			106-1792 . . . . .	58
	460	9S-8006 . . . . .	67				129
	463		68			106-5673 . . . . .	40
	465	9S-8008 . . . . .	69			107-0583 . . . . .	51
	467		102	030-7937 . . . . .	144	107-5769 . . . . .	147
	469	9S-8752 . . . . .	28	030-7962 . . . . .	144	108-3612 . . . . .	129
	471		46	031-3185 . . . . .	51		142
	473		51	031-4155 . . . . .	27		143
8T-9527 . . . . .	46		54	033-6033 . . . . .	153		144
8T-9655 . . . . .	188		58	034-1432 . . . . .	119	108-7930 . . . . .	106
8T-9884 . . . . .	234		86	036-9823 . . . . .	234	108-9656 . . . . .	107
			90	061-7540 . . . . .	62	109-0077 . . . . .	102
			147		78	109-1657 . . . . .	3
		9S-9334 . . . . .	77	061-8639 . . . . .	72		5
		9U-6998 . . . . .	107	061-9455 . . . . .	81		7
		9W-2275 . . . . .	161	061-9458 . . . . .	62		9
			171	086-3279 . . . . .	546		▶48
9F-3212 . . . . .	18		259		547	109-9985 . . . . .	55
9F-4337 . . . . .	233	9X-0261 . . . . .	149	091-0081 . . . . .	132	110-0848 . . . . .	19
9F-5644 . . . . .	238	9X-0262 . . . . .	224	095-0826 . . . . .	195	110-2220 . . . . .	33
9F-8999 . . . . .	44	9X-1813 . . . . .	229	096-0192 . . . . .	545	110-7884 . . . . .	▶194
	45	9X-2038 . . . . .	16	096-6166 . . . . .	195		▶237
9G-0003 . . . . .	157	9X-2201 . . . . .	107	099-3649 . . . . .	293	111-2088 . . . . .	3
	159	9X-3401 . . . . .	149				5
9G-0004 . . . . .	157		196				7
	159		197				9
9G-3695 . . . . .	200		198				▶55
9G-8909 . . . . .	157		229	100-5072 . . . . .	148	112-3540 . . . . .	86
	159		197	100-7399 . . . . .	35	112-8293 . . . . .	99
	239	9X-3402 . . . . .	198	101-3120 . . . . .	54		100
	33		197	101-8468 . . . . .	51		208
9H-1031 . . . . .	58	9X-4391 . . . . .	197	102-5861 . . . . .	51		209
9H-8260 . . . . .	118	9X-5615 . . . . .	278	102-7364 . . . . .	436		210
9L-5839 . . . . .	33	9X-6032 . . . . .	281		491		211
9L-5854 . . . . .	155		28		493		212
9L-6770 . . . . .	77	9X-6458 . . . . .	51		495		213
9L-7657 . . . . .	17		58		497	112-9217 . . . . .	51
9L-8925 . . . . .	83		63		505	113-5304 . . . . .	82
9M-0164 . . . . .	84		146		507	113-9543 . . . . .	121
	18		216		509		124
9M-1974 . . . . .	19		195		511		126
	81	9X-6772 . . . . .	198		513	113-9848 . . . . .	112
	149		200		515		122
	188		119		517		124
	224	9X-7287 . . . . .	148		519		127
	86	9X-7317 . . . . .	37		521	115-2353 . . . . .	63
9M-4584 . . . . .	86	9X-7430 . . . . .	154		523	117-8801 . . . . .	23
9M-7540 . . . . .	107	9X-7737 . . . . .	165		525		51
9M-7958 . . . . .	188	9X-8124 . . . . .					
9N-0869 . . . . .							

## 9

## 0

## 1

# PART NUMBER INDEX

Part	Page	Part	Page	Part	Page	Part	Page
118-2019	63		▶26	143-5090	171	155-2274	199
118-4728	146	127-6356	87	143-8789	236	155-3593	553
118-5068	85	129-3172	82	144-0367	107		555
118-7809	144	129-3180	18	144-0875	553	155-5005	▶78
119-0036	20		19		555		82
119-3662	197	129-5427	66	144-0876	553	155-9524	54
	198	129-5428	66		555	156-2525	96
	200	129-9452	129	144-3852	239	156-6175	249
	201	130-4698	51	144-7183	267	157-0670	102
	202	130-4701	51		273	157-2853	553
120-9099	3	131-3540	550	145-3849	24		555
	5	131-7123	51	145-4933	112	158-3416	51
	7	132-5789	247		122	159-1503	96
	9	132-9770	224		124	159-1533	51
	▶233	133-0125	102		127	159-6159	3
122-0447	37	133-9116	147	145-4936	122		5
122-1472	17	133-9906	16	145-5579	240		7
122-3772	105	133-9907	▶16	148-2871	42		9
122-7375	37		46	148-8312	107		▶27
122-8612	37	136-1107	106	148-8340	146	159-8049	157
123-3202	17	136-1955	88	148-8457	143		159
124-0657	3	136-5017	138	149-7378	29	159-8050	157
	5	137-5110	144		31		159
	7	137-5541	149	149-7885	79		239
	9	139-6873	138		88	159-8524	51
	▶133		▶154	149-9106	51	159-9107	3
124-0658	133	142-2329	35	149-9107	51		5
124-1854	40	142-2452	121	149-9110	51		7
124-1855	40		124	150-2557	29		9
125-0434	102		126	150-3135	▶29		▶182
125-7874	197	142-4899	267		30	159-9322	197
	198		273	150-4043	144		198
	200	142-4901	267	150-4279	3	159-9362	3
125-7875	197		273		5		5
	198	142-5867	74		7		7
	200	142-5868	73		9		9
	201	142-6217	33		▶147		▶83
	202	142-6853	96	151-5925	64	160-5120	32
	203	142-6858	151	151-5966	51	160-7037	24
125-7876	197	142-6950	267	151-7737	114		25
	198		273		115		86
	200	142-7072	33	152-3504	79	160-7271	27
126-1756	51	142-7543	553	152-4871	93	160-7689	197
126-1757	66		555	152-8850	79		198
126-1767	196	142-7548	553	153-1256	106	160-8742	183
	197		555	153-1882	88		186
	198	142-8194	128	153-6680	78		187
	229		267	153-7023	39		278
126-1768	197		269	153-7024	39		279
	198		270	154-4325	3		280
	197		273		5		281
126-1774	197		560		7		285
126-2702	86	142-8240	561		9		291
126-4935	24		561		▶82		292
	102	142-9459	157		▶77	160-8746	321
127-0563	56		159	154-4327	78		324
127-0564	3	143-0855	151		102		327
	5		262	154-9024	188		330
	7	143-0856	151	155-0696	188		333
	9		260	155-0698	247		336
	▶56		262	155-2255	111		339
127-0929	107	143-2933	138	155-2260	197		342
127-5728	3	143-4456	282		197		345
	5		283	155-2270	229		360
	7		284		247		363
	9		293				

# PART NUMBER INDEX

Part	Page	Part	Page	Part	Page	Part	Page
	366	167-8081 . . . . .	33	197-4971 . . . . .	51	213-1049 . . . . .	62
	369	169-2182 . . . . .	204	197-8006 . . . . .	102	213-3199 . . . . .	42
	372	169-4481 . . . . .	264	197-8039 . . . . .	267	213-3217 . . . . .	64
	385	170-4860 . . . . .	102		273	213-9697 . . . . .	151
	388	171-4358 . . . . .	102	197-9322 . . . . .	33		263
	391	171-9893 . . . . .	114	197-9361 . . . . .	64	214-3966 . . . . .	267
	394		115	198-6068 . . . . .	86		273
	397	171-9952 . . . . .	79	198-7676 . . . . .	3	214-5235 . . . . .	19
	400	174-9599 . . . . .	182		5	214-5791 . . . . .	264
	402	175-1366 . . . . .	27		7	214-6832 . . . . .	49
	404	175-1367 . . . . .	27		9	214-7566 . . . . .	23
	406	175-1483 . . . . .	54		►53		67
	408	175-7141 . . . . .	88	198-7678 . . . . .	3		216
	410		107		5		224
	412		114		7		226
	414		115		9		228
	416		130		►63	214-7568 . . . . .	40
	418		131				68
	424		157				144
	432		159				149
	434		204				224
	436		261	200-2445 . . . . .	63		227
	438	176-1363 . . . . .	77	201-5281 . . . . .	62	215-7989 . . . . .	3
	440	176-2543 . . . . .	233	202-4948 . . . . .	44		5
	442	178-7074 . . . . .	3		45		7
	444		5	202-4949 . . . . .	53		9
	446		7	203-3145 . . . . .	151		►49
	449		9	203-3831 . . . . .	106	216-5582 . . . . .	37
	452		►24	203-5398 . . . . .	168	217-0751 . . . . .	37
	454	179-0672 . . . . .	119		169	217-0752 . . . . .	37
	456	180-3748 . . . . .	128		180	217-7164 . . . . .	163
	458		163		288		165
	460	180-7350 . . . . .	64		289	219-4458 . . . . .	64
	463	180-9340 . . . . .	149		294	219-7350 . . . . .	267
	465		229	203-9007 . . . . .	198		273
	467	183-3407 . . . . .	40	204-1116 . . . . .	267	220-1204 . . . . .	3
	469		68		273		5
	471	186-2001 . . . . .	39	204-8000 . . . . .	98		7
	473	187-1328 . . . . .	3	204-8659 . . . . .	161		9
161-4113 . . . . .	11		5		171		►69
	►87		7		175	220-5619 . . . . .	123
161-6622 . . . . .	83		9		176	220-8678 . . . . .	139
161-7419 . . . . .	188		►30		178	221-9050 . . . . .	157
162-8682 . . . . .	102	187-2034 . . . . .	155		185		159
162-8697 . . . . .	102	188-7501 . . . . .	3		236	221-9360 . . . . .	32
163-2478 . . . . .	39		5	204-9316 . . . . .	►50	223-0533 . . . . .	66
163-4300 . . . . .	96		7		51	223-7263 . . . . .	►37
163-4565 . . . . .	27		9	206-9427 . . . . .	165		39
163-9385 . . . . .	102		►216	206-9512 . . . . .	264	223-7934 . . . . .	170
164-4187 . . . . .	64	189-0202 . . . . .	115	207-1564 . . . . .	233		174
164-4637 . . . . .	3	190-0009 . . . . .	11		►234	223-9250 . . . . .	►39
	5		►57	207-8128 . . . . .	83		40
	7	191-5055 . . . . .	►138	207-8643 . . . . .	163	223-9252 . . . . .	11
	9		149	208-9275 . . . . .	250		►35
	►129	191-7805 . . . . .	144		254	223-9731 . . . . .	11
164-5567 . . . . .	144	192-4151 . . . . .	72	208-9281 . . . . .	128		►32
165-6170 . . . . .	85	192-4645 . . . . .	128	208-9282 . . . . .	88	224-0554 . . . . .	553
166-2340 . . . . .	102	194-8124 . . . . .	40		259		555
166-2904 . . . . .	37	195-0319 . . . . .	106	208-9490 . . . . .	11	224-3245 . . . . .	64
166-3501 . . . . .	102	195-1068 . . . . .	140		►51	224-3246 . . . . .	64
166-5002 . . . . .	260	196-2237 . . . . .	204	209-3569 . . . . .	27	224-3983 . . . . .	37
166-5919 . . . . .	144	196-2343 . . . . .	204	210-3257 . . . . .	114	224-5122 . . . . .	40
166-6693 . . . . .	216	196-4813 . . . . .	102		115	224-6818 . . . . .	553
166-9144 . . . . .	54	196-5069 . . . . .	72	211-3122 . . . . .	39		555
167-4407 . . . . .	102	196-5070 . . . . .	72	213-1032 . . . . .	62	224-6820 . . . . .	553

2

# PART NUMBER INDEX

Part	Page	Part	Page	Part	Page	Part	Page
	555		9		422	240-1407 . . . . .	199
224-6821 . . . . .	553		►58		426	241-0158 . . . . .	543
	555	232-6579 . . . . .	58		428	241-3114 . . . . .	548
225-3233 . . . . .	553	232-6635 . . . . .	3		430	241-4461 . . . . .	298
	555		5		475		►321
225-4152 . . . . .	►139		7		477	241-4467 . . . . .	298
	140		9		479		►324
225-4153 . . . . .	►140		►25		481	241-4468 . . . . .	298
	141	233-0891 . . . . .	188		483		►327
225-4257 . . . . .	553	233-6742 . . . . .	138		485	241-4469 . . . . .	299
	555		►152		487		►330
226-5561 . . . . .	37	234-5012 . . . . .	224		489	241-4471 . . . . .	296
226-6446 . . . . .	240		►231		551		►333
	264	234-5013 . . . . .	149		552	241-4472 . . . . .	297
226-6450 . . . . .	240		224	235-5863 . . . . .	111		►336
227-1204 . . . . .	35		►232	237-0227 . . . . .	149	241-4473 . . . . .	298
227-3019 . . . . .	123	234-9425 . . . . .	161		228		►339
228-3581 . . . . .	558		171		247	241-4474 . . . . .	298
228-4798 . . . . .	553	235-1203 . . . . .	►296	237-4332 . . . . .	28		►342
	555	235-1204 . . . . .	►296	237-5071 . . . . .	267	241-4577 . . . . .	321
228-4947 . . . . .	229	235-1205 . . . . .	►296		273		324
	230	235-1206 . . . . .	►296	237-5072 . . . . .	267		327
228-6935 . . . . .	264	235-1207 . . . . .	►296		273		330
228-7089 . . . . .	138	235-1208 . . . . .	►297	238-0025 . . . . .	3		333
228-7090 . . . . .	109	235-1209 . . . . .	►297		5		336
	151	235-1210 . . . . .	►297		7		339
	260	235-1211 . . . . .	►297		9		342
	262	235-1212 . . . . .	►297		►75		345
229-5048 . . . . .	553	235-1213 . . . . .	►298	238-0294 . . . . .	64		360
	555	235-1214 . . . . .	►298	238-5080 . . . . .	23		363
229-6259 . . . . .	64	235-1215 . . . . .	►298		67		366
229-6711 . . . . .	3	235-1216 . . . . .	►298		138		369
	5	235-1217 . . . . .	►298		146		372
	7	235-1218 . . . . .	►299		232		385
	9	235-1220 . . . . .	►299	238-5081 . . . . .	67		388
	►68	235-1237 . . . . .	►299		138		391
230-3728 . . . . .	35	235-1403 . . . . .	11		152		394
	148		►148	238-5082 . . . . .	69		397
230-3775 . . . . .	148	235-1587 . . . . .	87	239-1234 . . . . .	171		400
230-4011 . . . . .	149	235-3330 . . . . .	123	239-4106 . . . . .	31		402
	247	235-4451 . . . . .	22	239-8548 . . . . .	198		404
230-4012 . . . . .	229		91		202		406
230-4013 . . . . .	247		92	239-9490 . . . . .	333		408
230-5379 . . . . .	3		93		336		410
	5		94		339		412
	7		163		342		414
	9		165		388		416
	►67		173		391		418
231-2295 . . . . .	247		175		394		424
231-2300 . . . . .	149		176		397		432
231-5385 . . . . .	3		177	239-9491 . . . . .	345		434
	5		178		350		436
	7		190		352		438
	9		206		354		440
	►42		207		356		442
232-1693 . . . . .	188		214		358		444
232-3235 . . . . .	64		215		372		446
232-3236 . . . . .	64		217		379		449
232-4944 . . . . .	267		219		383		452
	273		220	239-9949 . . . . .	►541		454
232-6560 . . . . .	42		267		542		456
232-6561 . . . . .	58		273	240-0238 . . . . .	541		458
232-6576 . . . . .	3		286	240-0465 . . . . .	157		460
	5		287		159		463
	7		420	240-1405 . . . . .	200		465

# PART NUMBER INDEX

Part	Page	Part	Page	Part	Page	Part	Page
	467		449		440		432
	469		452		442		434
	471		454		444		436
	473		456		446		438
241-4580 . . . . .	348		458		449		440
	350		460		452		442
	352		463		454		444
	354		465		456		446
	356		467		458		449
	358		469		460		452
	375		471		463		454
	377		473		465		456
	379		491		467		458
	381		493		469		460
	383		495		471		463
	489		497		473		465
241-4590 . . . . .	348		505		491		467
	350		507		493		469
	352		509		495		471
	354		511		497		473
	356		513		505		491
	358		515		507		493
	375		517		509		495
	377		519		511		497
	379		521		513		505
	381		523		515		507
	383		525		517		509
241-4594 . . . . .	321		527		519		511
	324		529		521		513
	327		531		523		515
	330		537		525		517
	333	241-4595 . . . . .	321		527		519
	336		324		529		521
	339		327		531		523
	342		330		537		525
	345		333	241-4597 . . . . .	321		527
	360		336		324		529
	363		339		327		531
	366		342		330		537
	369		345		333	241-4603 . . . . .	348
	372		360		336		350
	385		363		339		352
	388		366		342		354
	391		369		345		356
	394		372		360		358
	397		385		363		375
	400		388		366		377
	402		391		369		379
	404		394		372		381
	406		397		385		383
	408		400		388		420
	410		402		391		422
	412		404		394		426
	414		406		397		428
	416		408		400		430
	418		410		402		475
	424		412		404		477
	432		414		406		479
	434		416		408		481
	436		418		410		483
	438		424		412		485
	440		432		414		487
	442		434		416		489
	444		436		418		499
	446		438		424		501

# PART NUMBER INDEX

Part	Page	Part	Page	Part	Page	Part	Page
	503		523		469		460
	533		525		471		463
	535		527		473		465
	539		529		491		467
241-4606 . . . . .	321		531		493		469
	324		537		495		471
	327	241-4612 . . . . .	348		497		473
	330		350		505		491
	333		352		507		493
	336		354		509		495
	339		356		511		497
	342		358		513		505
	345		375		515		507
	360		377		517		509
	363		379		519		511
	366		381		521		513
	369		383		523		515
	372		545		525		517
	385	241-4618 . . . . .	321		527		519
	388		324		529		521
	397		327		531		523
	400		330		537		525
	402		333	241-4619 . . . . .	321		527
	404		336		324		529
	406		339		327		531
	408		342		330		537
	410		345		333	241-4620 . . . . .	321
	412		360		336		324
	414		363		339		327
	416		366		342		330
	418		369		345		333
	424		372		360		336
	432		385		363		339
	434		388		366		342
	436		391		369		345
	438		394		372		360
	440		397		385		363
	442		400		388		366
	444		402		391		369
	446		404		394		372
	449		406		397		385
	452		408		400		388
	454		410		402		391
	456		412		404		394
	458		414		406		397
	460		416		408		400
	463		418		410		402
	465		424		412		404
	467		432		414		406
	469		434		416		408
	471		436		418		410
	473		438		424		412
	491		440		432		414
	493		442		434		416
	495		444		436		418
	497		446		438		424
	505		449		440		432
	507		452		442		434
	509		454		444		436
	511		456		446		438
	513		458		449		440
	515		460		452		442
	517		463		454		444
	519		465		456		446
	521		467		458		449



# PART NUMBER INDEX

Part	Page	Part	Page	Part	Page	Part	Page
	452		442		377		473
	454		444		379	241-4635 . . . . .	348
	456		446		381		350
	458		449		383		352
	460		452		420		354
	463		454		422		356
	465		456		426		358
	467		458		428		375
	469		460		430		377
	471		463		475		379
	473		465		477		381
	491		467		479		383
	493		469		481		420
	495		471		483		422
	497		473		485		426
	505		491		487		428
	507		493		489		430
	509		495	241-4633 . . . . .	321		475
	511		497		324		477
	513		505		327		479
	515		507		330		481
	517		509		333		483
	519		511		336		485
	521		513		339		487
	523		515		342		489
	525		517		345		499
	527		519		360		501
	529		521		363		503
	531		523		366		533
	537		525		369		535
241-4622 . . . . .	321		527		372		539
	324		529		385	241-4636 . . . . .	348
	327		531		388		350
	330		537		391		352
	333	241-4624 . . . . .	348		394		354
	336		350		397		356
	339		352		400		358
	342		354		402		375
	345		356		404		377
	360		358		406		379
	363		375		408		381
	366		377		410		383
	369		379		412		420
	372		381		414		422
	385		383		416		426
	388		545		418		428
	391	241-4629 . . . . .	348		424		430
	394		350		432		475
	397		352		434		477
	400		354		438		479
	402		356		440		481
	404		358		442		483
	406		375		444		485
	408		377		446		487
	410		379		449		489
	412		381		452		499
	414		383		454		501
	416		545		456		503
	418	241-4630 . . . . .	348		458		533
	424		350		460		535
	432		352		463		539
	434		354		465	241-4637 . . . . .	348
	436		356		467		350
	438		358		469		352
	440		375		471		354

# PART NUMBER INDEX

Part	Page	Part	Page	Part	Page	Part	Page
	356		430		428		481
	358		475		430		483
	375		477		475		485
	377		479		477		487
	379		481		479		489
	381		483		481		499
	383		485		483		501
	420		487		485		503
	422		489		487		533
	426		499		489		535
	428		501		499		539
	430		503		501	241-4647 . . . . .	348
	475		533		503		350
	477		535		533		352
	479		539		535		354
	481	241-4641 . . . . .	348		539		356
	483		350	241-4645 . . . . .	348		358
	485		352		350		375
	487		354		352		377
	489		356		354		379
241-4639 . . . . .	348		358		356		381
	350		375		358		383
	352		377		375		420
	354		379		377		422
	356		381		379		426
	358		383		381		428
	375		489		383		430
	377	241-4642 . . . . .	348		420		475
	379		350		422		477
	381		352		426		479
	383		354		428		481
	420		356		430		483
	422		358		475		485
	426		375		477		487
	428		377		479		489
	430		379		481		499
	475		381		483		501
	477		383		485		503
	479		420		487		533
	481		422		489		535
	483		426		499		539
	485		428		501	241-4648 . . . . .	348
	487		430		503		350
	489		475		533		352
	499		477		535		354
	501		479		539		356
	503		481	241-4646 . . . . .	348		358
	533		483		350		375
	535		485		352		377
	539		487		354		379
241-4640 . . . . .	348		489		356		381
	350	241-4644 . . . . .	348		358		383
	352		350		375		420
	354		352		377		422
	356		354		379		426
	358		356		381		428
	375		358		383		430
	377		375		420		475
	379		377		422		477
	381		379		426		479
	383		381		428		481
	420		383		430		483
	422		420		475		485
	426		422		477		487
	428		426		479		489

# PART NUMBER INDEX

Part	Page	Part	Page	Part	Page	Part	Page
241-4649 . . . . .	348		358		487		381
	350		375		489		383
	352		377	241-4654 . . . . .	348		420
	354		379		350		422
	356		381		352		426
	358		383		354		428
	375		420		356		430
	377		422		358		475
	379		426		375		477
	381		428		377		479
	383		430		379		481
	420		475		381		483
	422		477		383		485
	426		479		420		487
	428		481		422		489
	430		483		426		499
	475		485		428		501
	477		487		430		503
	479		489		475		533
	481	241-4652 . . . . .	348		477		535
	483		350		479		539
	485		352		481	241-4658 . . . . .	348
	487		354		483		350
	489		356		485		352
	499		358		487		354
	501		375		489		356
	503		377	241-4656 . . . . .	348		358
	533		379		350		375
	535		381		352		377
	539		383		354		379
241-4650 . . . . .	348		420		356		381
	350		422		358		383
	352		426		375		489
	354		428		377	241-4660 . . . . .	348
	356		430		379		350
	358		475		381		352
	375		477		383		354
	377		479		420		356
	379		481		422		358
	381		483		426		375
	383		485		428		377
	420		487		430		379
	422		489		475		381
	426	241-4653 . . . . .	348		477		383
	428		350		479		420
	430		352		481		422
	475		354		483		426
	477		356		485		428
	479		358		487		430
	481		375		489		475
	483		377		499		477
	485		379		501		479
	487		381		503		481
	489		383		533		483
	499		420		535		485
	501		422		539		487
	503		426	241-4657 . . . . .	348		489
	533		428		350		499
	535		430		352		501
	539		475		354		503
241-4651 . . . . .	348		477		356		533
	350		479		358		535
	352		481		375		539
	354		483		377	241-4662 . . . . .	348
	356		485		379		350

# PART NUMBER INDEX

Part	Page	Part	Page	Part	Page	Part	Page
	352		377		377		422
	354		379		379		426
	356		381		381		428
	358		383		383		430
	375		420		420		475
	377		422		422		477
	379		426		426		479
	381		428		428		481
	383		430		430		483
	420		475		475		485
	422		477		477		487
	426		479		479		489
	428		481		481	242-2988 . . . . .	348
	430		483		483		350
	475		485		485		352
	477		487		487		354
	479		489		489		356
	481	241-4665 . . . . .	348	242-2982 . . . . .	348		358
	483		350		350		375
	485		352		352		377
	487		354		354		379
	489		356		356		381
	499		358		358		383
	501		375		375		420
	503		377		377		422
	533		379		379		426
	535		381		381		428
	539		383		383		430
241-4663 . . . . .	348		420		489		475
	350		422	242-2986 . . . . .	348		477
	352		426		350		479
	354		428		352		481
	356		430		354		483
	358		475		356		485
	375		477		358		487
	377		479		375		489
	379		481		377	242-2989 . . . . .	348
	381		483		379		350
	383		485		381		352
	420		487		383		354
	422		489		420		356
	426	241-4666 . . . . .	348		422		358
	428		350		426		375
	430		352		428		377
	475		354		430		379
	477		356		475		381
	479		358		477		383
	481		375		479		420
	483		377		481		422
	485		379		483		426
	487		381		485		428
	489		383		487		430
	499		489		489		475
	501	241-6070 . . . . .	264	242-2987 . . . . .	348		477
	503	241-6217 . . . . .	224		350		479
	533	242-2980 . . . . .	383		352		481
	535		420		354		483
	539		477		356		485
241-4664 . . . . .	348	242-2981 . . . . .	348		358		487
	350		350		375		489
	352		352		377	242-2990 . . . . .	383
	354		354		379		420
	356		356		381		477
	358		358		383	242-2991 . . . . .	348
	375		375		420		350

# PART NUMBER INDEX

Part	Page	Part	Page	Part	Page	Part	Page
	352		449		467		523
	354		452		471		525
	356		454	242-3924 . . . . .	321		527
	358		456		324		529
	375		458		327		531
	377		460		330		537
	379		463		333	242-3926 . . . . .	321
	381		465		336		324
	383		467		339		327
	420		469		342		330
	422		471		345		333
	426		473		360		336
	428		491		363		339
	430		493		366		342
	475		495		369		345
	477		497		372		360
	479		505		385		363
	481		507		388		366
	483		509		391		369
	485		511		394		372
	487		513		397		385
	489		515		400		388
	499		517		402		391
	501		519		404		394
	503		521		406		397
	533		523		408		400
	535		525		410		402
	539		527		412		404
242-3919 . . . . .	321		529		414		406
	324		531		416		408
	327		537		418		410
	330	242-3922 . . . . .	321		424		412
	333		324		432		414
	336		327		434		416
	339		330		436		418
	342		333		438		424
	345		336		440		432
	360		339		442		434
	363		342		444		436
	366		385		446		438
	369		388		449		440
	372		391		452		442
	385		394		454		444
	388		397		456		446
	391		400		458		449
	394		402		460		452
	397		404		463		454
	402		406		465		456
	404		408		467		458
	406		410		469		460
	408		412		471		463
	410		414		473		465
	412		416		491		467
	414		418		493		469
	416		434		495		471
	418		436		497		473
	424		438		505	242-3928 . . . . .	321
	432		440		507		324
	434		442		509		327
	436		444		511		330
	438		446		513		333
	440		452		515		336
	442		456		517		339
	444		458		519		342
	446		463		521		345

# PART NUMBER INDEX

Part	Page	Part	Page	Part	Page	Part	Page
	360		336		402		442
	363		339		404		444
	366		342		406		446
	369		345		408		449
	372		360		410		452
	385		363		412		454
	388		366		414		456
	391		369		416		458
	394		372		418		460
	397		385		424		463
	400		388		432		465
	402		391		434		467
	404		394		436		469
	406		397		438		471
	408		400		440		473
	410		402		442	242-3932 . . . . .	321
	412		404		444		324
	414		406		446		327
	416		408		449		330
	418		410		452		333
	424		412		454		336
	432		414		456		339
	434		416		458		342
	436		418		460		345
	438		424		463		360
	440		432		465		363
	442		434		467		366
	444		436		469		369
	446		438		471		372
	449		440		473		385
	452		442	242-3931 . . . . .	321		388
	454		444		324		391
	456		446		327		394
	458		449		330		397
	460		452		333		400
	463		454		336		402
	465		456		339		404
	467		458		342		406
	469		460		345		408
	471		463		360		410
	473		465		363		412
	491		467		366		414
	493		469		369		416
	495		471		372		418
	497		473		385		424
	505	242-3930 . . . . .	321		388		432
	507		324		391		434
	509		327		394		436
	511		330		397		438
	513		333		400		440
	515		336		402		442
	517		339		404		444
	519		342		406		446
	521		345		408		449
	523		360		410		452
	525		363		412		454
	527		366		414		456
	529		369		416		458
	531		372		418		460
	537		385		424		463
242-3929 . . . . .	321		388		432		465
	324		391		434		467
	327		394		436		469
	330		397		438		471
	333		400		440		473

# PART NUMBER INDEX

Part	Page	Part	Page	Part	Page	Part	Page
242-3936 . . . . .	321		388		366		336
	324		391		369		339
	327		394		372		342
	330		397		385		345
	333		400		388		360
	336		402		391		363
	339		404		394		366
	342		406		397		369
	345		408		400		372
	360		410		402		385
	363		412		404		388
	366		414		406		391
	369		416		408		394
	372		418		410		397
	385		424		412		400
	388		432		414		402
	391		434		416		404
	394		436		418		406
	397		438		424		408
	400		440		432		410
	402		442		434		412
	404		444		436		414
	406		446		438		416
	408		449		440		418
	410		452		442		424
	412		454		444		432
	414		456		446		434
	416		458		449		436
	418		460		452		438
	424		463		454		440
	432		465		456		442
	434		467		458		444
	436		469		460		446
	438		471		463		449
	440		473		465		452
	442		491		467		454
	444		493		469		456
	446		495		471		458
	449		497		473		460
	452		505		491		463
	454		507		493		465
	456		509		495		467
	458		511		497		469
	460		513		505		471
	463		515		507		473
	465		517		509	242-3951 . . . . .	321
	467		519		511		324
	469		521		513		327
	471		523		515		330
	473		525		517		333
242-3938 . . . . .	321		527		519		336
	324		529		521		339
	327		531		523		342
	330		537		525		345
	333	242-3941 . . . . .	321		527		360
	336		324		529		363
	339		327		531		366
	342		330		537		369
	345		333	242-3942 . . . . .	391		372
	360		336		394		385
	363		339	242-3943 . . . . .	321		388
	366		342		324		391
	369		345		327		394
	372		360		330		397
	385		363		333		400

# PART NUMBER INDEX

Part	Page	Part	Page	Part	Page	Part	Page
	402		442	242-3959 . . . . .	321		394
	404		444		324		397
	406		446		327		400
	408		449		330		402
	410		452		333		404
	412		454		336		406
	414		456		339		408
	416		458		342		410
	418		460		385		412
	424		463		388		414
	432		465		391		416
	434		467		394		418
	436		469		397		424
	438		471		400		432
	440		473		402		434
	442	242-3957 . . . . .	321		404		436
	444		324		406		438
	446		327		408		440
	449		330		410		442
	452		333		412		444
	454		336		414		446
	456		339		416		449
	458		342		418		452
	460		345		434		454
	463		360		436		456
	465		363		438		458
	467		366		440		460
	469		369		442		463
	471		372		444		465
	473		385		446		467
242-3956 . . . . .	321		388		452		469
	324		391		456		471
	327		394		458		473
	330		397		463		491
	333		400		467		493
	336		402		471		495
	339		404		491		497
	342		406		493		505
	345		408		495		507
	360		410		505		509
	363		412		507		511
	366		414		509		513
	369		416		511		515
	372		418		513		517
	385		424		517		519
	388		432		519		521
	391		434		525		523
	394		436		527		525
	397		438	242-3960 . . . . .	321		527
	400		440		324		529
	402		442		327		531
	404		444		330		537
	406		446		333	242-3965 . . . . .	321
	408		449		336		324
	410		452		339		327
	412		454		342		330
	414		456		345		333
	416		458		360		336
	418		460		363		339
	424		463		366		342
	432		465		369		345
	434		467		372		360
	436		469		385		363
	438		471		388		366
	440		473		391		369



# PART NUMBER INDEX

Part	Page	Part	Page	Part	Page	Part	Page
	372		418		460		420
	385		424		463		503
	388		432		465		535
	391		434		467	242-9537 . . . . .	29
	394		436		469		31
	397		438		471	243-0141 . . . . .	333
	400		440		473		388
	402		442	242-3968 . . . . .	321		404
	404		444		324		406
	406		446		327		408
	408		449		330		505
	410		452		333		507
	412		454		336	243-0142 . . . . .	336
	414		456		339		391
	416		458		342		410
	418		460		345		412
	424		463		360		414
	432		465		363		493
	434		467		366		509
	436		469		369	243-0143 . . . . .	324
	438		471		372		339
	440		473		385		363
	442	242-3967 . . . . .	321		388		366
	444		324		391		394
	446		327		394		416
	449		330		397		418
	452		333		400		432
	454		336		402		495
	456		339		404		511
	458		342		406		515
	460		345		408	243-0144 . . . . .	321
	463		360		410		327
	465		363		412		330
	467		366		414		342
	469		369		416		360
	471		372		418		369
	473		385		424		372
242-3966 . . . . .	321		388		432		397
	324		391		434		491
	327		394		436		497
	330		397		438		513
	333		400		440	243-0145 . . . . .	333
	336		402		442		404
	339		404		444		505
	342		406		446	243-0146 . . . . .	336
	345		408		449		410
	360		410		452		493
	363		412		454	243-0147 . . . . .	339
	366		414		456		366
	369		416		458		402
	372		418		460		416
	385		424		463		432
	388		432		465		495
	391		434		467		515
	394		436		469	243-0148 . . . . .	321
	397		438		471		342
	400		440		473		360
	402		442	242-4994 . . . . .	▶299		400
	404		444	242-9328 . . . . .	377		491
	406		446		420		497
	408		449		503	243-0149 . . . . .	406
	410		452		535		507
	412		454	242-9332 . . . . .	377	243-0150 . . . . .	412
	414		456		379		509
	416		458		383	243-0151 . . . . .	363

# PART NUMBER INDEX

Part	Page	Part	Page	Part	Page	Part	Page
	418		456		416		521
	511		458		418		523
243-0152 . . . . .	327		460		420		525
	513		463		422		527
243-0153 . . . . .	388		465		424		529
	408		467		426		531
243-0154 . . . . .	391		469		428		537
	414		471		430	246-3129 . . . . .	106
243-0155 . . . . .	324		473		432	246-3130 . . . . .	106
	394		491		434	246-4168 . . . . .	75
243-0156 . . . . .	330		493		436	246-5895 . . . . .	324
	369		495		438		330
	397		497		440		345
243-0551 . . . . .	11		505		442		352
	▶20		507		444		369
243-1159 . . . . .	29		509		446		385
	31		511		449		388
243-1560 . . . . .	3		513		452		391
	5		515		454		394
	7		517		456		397
	9		519		458		408
	▶188		521		460		414
243-2913 . . . . .	121		523		463		424
243-4380 . . . . .	327		525		465		438
243-5220 . . . . .	321		527		467		444
	324		529		469		456
	327		531		471		467
	330		537		473		469
	333	243-5380 . . . . .	321		475		471
	336		324		477		473
	339		330		479	246-5984 . . . . .	3
	342		333		481		5
	345		336		483		7
	360		339		485		9
	363		342		487		▶28
	366		345		489	247-1705 . . . . .	▶299
	369		348	243-6718 . . . . .	32	247-1706 . . . . .	▶300
	372		350	244-0452 . . . . .	198	247-1707 . . . . .	▶300
	385		352		200	247-1708 . . . . .	▶300
	388		354		202	247-1709 . . . . .	▶300
	391		356	244-1295 . . . . .	62	247-1710 . . . . .	▶300
	394		358	244-1878 . . . . .	112	247-1711 . . . . .	▶301
	397		360	245-8672 . . . . .	3	247-1712 . . . . .	▶301
	400		363		5	247-1713 . . . . .	▶301
	402		366		7	247-1714 . . . . .	▶301
	404		369		9	247-1815 . . . . .	299
	406		372		▶119		▶345
	408		375	246-2009 . . . . .	197	247-1824 . . . . .	300
	410		377		198		▶348
	412		379		200	247-1825 . . . . .	300
	414		381	246-2010 . . . . .	197		▶350
	416		383		198	247-1826 . . . . .	301
	418		385		200		▶352
	424		388	246-2207 . . . . .	491	247-1827 . . . . .	301
	432		391		493		▶354
	434		394		495	247-1829 . . . . .	301
	436		397		497		▶356
	438		400		505	247-1830 . . . . .	301
	440		402		507		▶358
	442		404		509	247-3393 . . . . .	130
	444		406		511		131
	446		408		513	247-6119 . . . . .	▶301
	449		410		515	247-6121 . . . . .	▶302
	452		412		517	247-6122 . . . . .	▶302
	454		414		519	247-6124 . . . . .	▶302

# PART NUMBER INDEX

Part	Page	Part	Page	Part	Page	Part	Page
247-6125	▶302		356		424	256-6453	231
247-6126	▶302		358		432		232
247-6127	▶303		375		449	257-3111	3
247-6128	▶303		377		454		5
247-6129	▶303		379		460		7
247-6130	64		381		465		9
247-6166	302		422		469		▶86
	▶360		426		473	257-3199	2
247-6169	302		428		497	257-3201	1
	▶363		430		515	258-8721	70
247-6172	302		475		521	259-2211	168
	▶366		479		523	259-2212	169
247-6174	302		481		529	260-6671	266
	▶369		483		531	260-6685	101
247-6178	302		485		537	260-6695	267
	▶372		487	251-3489	345		273
247-6180	303		489		360	261-3429	37
	▶375		499		363	261-3430	37
247-6181	303		501		366	261-5503	240
	305		503		369		264
	▶377		533		372	261-7255	192
247-6183	303		535		424		223
	▶379		539		432	261-7256	192
247-7133	102	250-7869	348		449		223
247-9908	39		350		454	262-0494	88
249-0096	224		352		460	262-1370	256
	▶226		354		465	263-0519	251
250-1104	62		356		469		252
250-1685	62		358		473		549
250-1689	62		375		497	263-0633	151
250-1690	62		377		515		260
250-2940	64		379		521		262
250-7842	375		381		523	263-0856	202
	381		422		529	263-4920	37
	499		426		531	263-5245	▶62
250-7843	350		428		537		63
250-7844	426		430	252-0652	11	263-5804	553
250-7845	352		475		▶64		555
250-7846	379		479	252-0656	64	264-2467	3
	383		481	252-4878	79		5
250-7847	422		483	252-4880	79		7
	539		485		88		9
250-7848	428		487	252-7243	88		▶141
250-7849	354		489	253-0618	148	264-6364	151
250-7850	356		499	253-1752	32		260
250-7851	430		501	254-4231	420		262
250-7852	348		503		422	264-7029	149
250-7853	350		533		426	264-7030	149
	375		535		428	264-7111	107
	381		539		430	264-7112	107
	499	250-8279	234		475	265-4123	198
250-7854	352	251-1455	358		477	265-7111	267
	426	251-3484	385		479		273
250-7855	354		424		481	266-1570	264
	356	251-3485	372		483	266-1571	264
	422	251-3486	345		485	266-6038	35
	428	251-3487	345		487	266-7103	▶303
	539		385	254-4235	545	266-7104	▶303
250-7856	348		424	255-5477	134	266-7105	▶304
	358	251-3488	345	255-6092	3	266-7106	▶304
	430		360		5	266-7107	▶304
250-7868	348		363		7	266-7108	▶304
	350		366		9	266-7109	▶304
	352		369		▶118	267-1458	553
	354		372	255-6093	118		555

# PART NUMBER INDEX

Part	Page	Part	Page	Part	Page	Part	Page
267-1818	171	280-8707	229		381	302-7411	204
267-1821	193	281-2725	152		383	303-3427	557
267-2499	303		▶153		385	303-3429	560
	▶381	283-1107	234		388		561
267-2500	303	284-2711	▶134		391	303-3435	557
	▶383		137		394	303-3443	561
267-2501	304	284-2712	▶135		397	303-8698	106
	▶385		136		400	305-3045	558
267-2502	304	284-2776	7		402	306-5412	107
	▶388		9		544	307-2671	23
267-2503	304		▶136		545		67
	▶391	284-2777	3	289-8215	17		216
267-2504	304		5	289-9728	▶199	307-2673	23
	▶394		▶137		542		67
267-2505	304	285-0823	23	290-7550	81		146
	▶397	286-1439	79	293-3625	3	307-6560	321
267-7280	264		88		5		324
268-0220	135	286-4741	171		7		327
268-2960	134	286-4743	171		9		330
	135		236		▶81		333
268-4815	79	286-4744	171	293-5313	3		336
268-9992	383	286-4745	171		5		339
272-0390	17	286-4748	171		7		342
272-1730	553	288-4883	37		9		345
272-1731	553	288-4884	37		▶247		360
272-1732	555	288-8608	▶195	293-9452	259		363
272-2645	555		259	296-8178	19		366
274-4491	70	289-2492	130	296-8187	18		369
274-6717	227		131		19		372
274-6718	226	289-2813	420	297-1813	27		385
274-6719	228		422	297-2362	▶305		388
275-3979	3		426	298-5189	195		391
	5		428	299-8145	560		394
	7		430				397
	9		475				400
	▶132		477				402
276-4752	247		479				404
276-4754	149		481	300-9804	224		406
276-5317	70		483		▶229		408
276-8020	3		485	300-9805	224		410
	5		487		▶230		412
	7	289-3895	▶21	301-8313	156		414
	9	289-4769	321		161		416
	▶149		324		171		418
276-8548	224		327		185		424
	▶227		330		191		432
276-9067	149		333		251		434
	224		336		252		436
	▶228		339		253		438
276-9769	11		342		255		440
	▶224		345		256		442
277-5662	184		348		549		444
	257		350	301-8316	161		446
278-1365	72		352		185		449
278-5662	11		354		191		452
	▶17		356		253		454
279-8770	3		358		256		456
	5		360		549		458
	7		363	301-8317	161		460
	9		366		171		463
	▶102		369		185		465
279-9828	230		372		250		467
279-9830	229		375		254		469
280-8039	11		377	301-8323	161		471
	▶105		379		185		473

**3**

# PART NUMBER INDEX

Part	Page	Part	Page	Part	Page	Part	Page
307-8322	71		▶408		▶434	338-2074	▶312
309-5131	67	324-7681	296	338-1994	▶306	338-2075	312
309-8964	81		▶410	338-1996	▶306		▶469
311-3201	3	324-7682	297	338-1997	306	338-2080	▶312
	5		▶412		▶436	338-2082	▶312
	7	324-7684	297	338-1998	▶306	338-2083	312
	9		▶414	338-2000	▶306		▶471
	▶23	324-7685	297	338-2001	306	338-2084	▶312
311-3932	54		▶416		▶438	338-2086	▶313
313-9550	129	324-7686	297	338-2003	▶306	338-2087	312
313-9614	144		▶418	338-2005	▶307		313
314-3063	37	324-7693	299	338-2006	306		▶473
314-3064	37		▶420		307	338-2088	▶313
314-3065	37	324-7694	299		▶440	338-2090	▶313
314-3066	37		▶422	338-2007	▶307	338-2091	313
314-3067	37	324-7698	299	338-2009	▶307		▶475
314-3068	37		▶424	338-2010	307	338-2092	▶313
314-3069	37	324-7700	300		▶442	338-2094	▶313
314-7316	11		▶426	338-2011	▶307	338-2095	313
	▶40	324-7701	300	338-2013	▶307		▶477
314-7755	250		▶428	338-2014	307	338-2096	▶314
	254	324-7702	300		▶444	338-2098	▶314
	▶543		▶430	338-2015	▶308	338-2099	314
315-6645	106	324-7707	301	338-2017	▶308		▶479
315-9821	151		▶432	338-2018	308	338-2100	▶314
	260	325-8033	62		▶446	338-2102	▶314
315-9824	151	326-0612	267	338-2019	▶308	338-2103	314
	260		273	338-2021	▶308		▶481
315-9859	69	326-1641	139	338-2022	308	338-2104	▶314
317-8766	32	326-4512	17		▶449	338-2106	▶315
319-0007	170	327-0284	▶544	338-2023	▶308	338-2107	314
319-0008	181	327-0285	▶545	338-2025	▶309		315
319-0009	179	327-0286	▶542	338-2026	308		▶483
319-0785	53	327-0377	144		309	338-2108	▶315
	▶73	328-4236	57		▶452	338-2110	▶315
319-3523	420		▶71	338-2027	▶309	338-2111	315
	422	328-4238	71	338-2029	▶309		▶485
	426		▶72	338-2030	309	338-2112	▶315
	428	329-2431	267		▶454	338-2113	315
	430		273	338-2031	▶309		▶487
	475	332-6334	257	338-2033	▶309	338-2129	▶315
	477	332-7297	20	338-2034	309	338-2132	315
	479	333-0773	43		▶456		▶489
	481	333-0776	44	338-2052	▶310	338-3669	88
	483		45	338-2054	▶310		107
	485	333-2408	43	338-2055	310		114
	487	334-1673	499		▶458		115
319-7401	32		501	338-2056	▶310		130
	▶74		503	338-2058	▶310		131
320-2796	▶70		533	338-2059	310		157
	71		535		▶460		159
320-2797	70		539	338-2060	▶310		204
322-8926	305	334-6832	66	338-2062	▶311		261
	▶400	335-6484	191	338-2063	310		267
322-8927	▶305		255		311		269
322-8928	400	336-2213	105		▶463		270
323-6296	305		▶106	338-2064	▶311		273
	▶402	336-8526	130	338-2066	▶311	338-7354	434
323-6297	▶305		131	338-2067	311	338-7355	436
323-6298	402	337-0469	174		▶465	338-7356	438
324-7677	296	338-0276	197	338-2068	▶311	338-7357	440
	▶404	338-0277	197	338-2070	▶311		517
324-7678	296	338-1990	▶305	338-2071	311	338-7358	442
	▶406	338-1992	▶305		▶467		525
324-7680	296	338-1993	305	338-2072	▶312	338-7359	444

# PART NUMBER INDEX

Part	Page	Part	Page	Part	Page	Part	Page
338-7360 . . . . .	446		223		179		217
	449	342-9913 . . . . .	107		180		219
	519		173		181		220
338-7361 . . . . .	452		175	347-8382 . . . . .	168		286
	454		176		169		287
	527		177	347-8397 . . . . .	172	349-5667 . . . . .	173
338-7362 . . . . .	456		178		179		175
338-7363 . . . . .	458		217		180		176
	460		219		181		177
	521		220	348-7020 . . . . .	43		178
338-7364 . . . . .	463		257	348-7021 . . . . .	43		217
	465		286	348-7023 . . . . .	▶43		219
	529		287		44		220
338-7365 . . . . .	467		551		45		286
	469		552	348-7743 . . . . .	57		287
338-7366 . . . . .	471	342-9920 . . . . .	98	348-8109 . . . . .	▶18		551
	473		101		44		552
	475		125	349-5034 . . . . .	▶107	349-5670 . . . . .	▶550
338-7367 . . . . .	475		164	349-5035 . . . . .	▶151	349-6808 . . . . .	173
338-7368 . . . . .	489		269	349-5036 . . . . .	▶260		175
338-7369 . . . . .	477		270	349-5044 . . . . .	▶157		176
	479		1	349-5047 . . . . .	▶239		177
338-7370 . . . . .	481	343-1942 . . . . .	2	349-5052 . . . . .	▶257		178
338-7371 . . . . .	483		▶558	349-5055 . . . . .	▶130		217
338-7372 . . . . .	485		60	349-5059 . . . . .	▶267		219
338-7373 . . . . .	487	343-4074 . . . . .	61		269		220
338-7378 . . . . .	434		139	349-5060 . . . . .	▶269		286
	436	343-5527 . . . . .	17	349-5066 . . . . .	▶79		287
	438	343-9866 . . . . .	▶196	349-5067 . . . . .	▶88		551
338-7379 . . . . .	440		197	349-5079 . . . . .	295		552
	442	344-0415 . . . . .	200	349-5640 . . . . .	▶270	350-4303 . . . . .	173
	444	345-1118 . . . . .	200	349-5641 . . . . .	173		175
	517	345-2184 . . . . .	201		176		176
	525		200		177		177
338-7380 . . . . .	446	345-7524 . . . . .	201		178		178
	449		44		551		217
	452	345-8404 . . . . .	45		552		219
	454		45	349-5642 . . . . .	▶91		220
	456	345-8406 . . . . .	161	349-5645 . . . . .	173		286
	519	345-8835 . . . . .	171		176		287
	527		185		177		551
338-7381 . . . . .	458		191		178		552
	460		253		551	351-0158 . . . . .	85
	463		256		552	351-0502 . . . . .	18
	465		549	349-5647 . . . . .	210	351-0503 . . . . .	18
	467		161		211		19
	469	345-9841 . . . . .	185		212	351-0505 . . . . .	18
	521		267	349-5649 . . . . .	175	351-0506 . . . . .	18
	529	346-5504 . . . . .	273		217	351-0627 . . . . .	18
338-7382 . . . . .	471		200		219	351-2196 . . . . .	43
	473	346-5519 . . . . .	201		220	351-6707 . . . . .	199
	475		202		286	351-6708 . . . . .	199
338-7383 . . . . .	475		200		287	351-8685 . . . . .	90
338-7384 . . . . .	489	346-5521 . . . . .	201	349-5650 . . . . .	▶217	351-9188 . . . . .	199
338-7386 . . . . .	477		267	349-5651 . . . . .	168	352-2006 . . . . .	3
	479		273		169		5
338-7387 . . . . .	481	347-4025 . . . . .	204		170		7
	483		18		174		9
338-7388 . . . . .	485	347-4444 . . . . .	172		288		▶90
	487	347-4674 . . . . .	180		289	352-5636 . . . . .	547
341-6804 . . . . .	30	347-8363 . . . . .	168	349-5654 . . . . .	208	352-5646 . . . . .	3
	▶31	347-8365 . . . . .	169		209		7
341-9314 . . . . .	192	347-8370 . . . . .	170		213		▶76
	223		174	349-5655 . . . . .	▶190	352-6019 . . . . .	546
341-9316 . . . . .	156	347-8371 . . . . .	172	349-5656 . . . . .	175	353-5125 . . . . .	68
341-9318 . . . . .	192	347-8373 . . . . .					

# PART NUMBER INDEX

Part	Page	Part	Page	Part	Page	Part	Page
353-5126	23		213	358-4163	271		5
	67	354-6430	107	358-4166	271	360-5966	▶2
	68	354-6431	107	358-4169	271		7
353-5134	146	354-6432	107	358-4173	271		9
353-5140	102	354-6433	107	358-4174	273	361-4901	88
353-9956	3	354-6434	107	358-4175	130	361-5419	88
	7		▶109		131	361-9066	283
	▶44	354-6435	99	358-4176	130	361-9067	183
353-9957	5	354-6436	100	358-4177	130		186
	9	354-6443	98		131	361-9094	242
	▶45	354-6444	97	358-4178	276	361-9095	243
353-9982	54	354-6450	▶250		277	361-9096	244
	▶66	354-6451	▶236	358-4179	276	361-9097	245
			250	358-4180	276	361-9098	246
354-2497	260		254		277	361-9099	278
354-2516	61	354-6452	165	358-4182	267		281
354-2517	61		▶207		▶276	361-9101	285
354-2521	60	354-6453	▶171	358-4200	267		291
	61		207		▶271	361-9104	164
354-2557	157	354-6454	107		273		▶264
354-2558	157	354-6455	100	358-4203	271	361-9105	264
	159	354-6456	107	358-4210	267	361-9107	164
354-2559	157	354-6459	▶161		273		▶165
	159		214	358-4734	172	361-9108	▶197
354-2560	157	354-6463	▶97		179		249
	159		107		180	361-9109	▶198
354-2563	271		▶98		181		259
354-2565	271	354-6464	107		290	361-9110	▶200
354-2567	271		▶163		294		259
354-2568	271	354-6502	164	358-4736	▶172	361-9112	165
354-2575	276		163		173	362-0120	199
	277	354-6503	▶92	358-4737	▶173	362-0122	199
354-2590	271	354-6507	▶164	358-4738	▶174	362-0124	199
354-2592	271	354-6510	259		217	362-0449	▶199
354-2595	271		199	358-4739	▶168		295
354-2598	271	355-6859	5		175	362-0466	267
354-2859	118	356-1072	9	358-4740	168		273
354-6129	239		▶76		169	363-3527	19
354-6130	151		1	358-4744	282	366-0037	▶159
354-6141	60	356-2194	2	358-4745	168	366-0072	▶126
354-6148	60		▶11		▶282	366-0073	▶127
354-6172	239		62		288	366-0075	273
354-6202	260	356-3561	48	358-4748	170		▶277
354-6203	151	356-5212	253		174	366-0076	277
354-6204	262	356-7170	33	358-4750	174	366-0077	▶131
354-6214	271	357-1315	▶33		▶283	366-0079	131
354-6220	271	357-1317	35		289	366-0081	267
354-6223	159		204	358-4751	284		273
354-6226	60	357-4579	204	358-4752	284	366-0082	267
	61	357-4580	267	358-4753	172		273
354-6228	60	358-4107	273		179	366-0083	267
	61		273		180		273
354-6240	▶60	358-4108	273		181	366-0084	267
	151	358-4111	273		172		273
	263	358-4113	277	358-4754	179	366-0098	88
354-6241	▶61		271		180	366-0100	270
	260	358-4125	271		181		▶273
	262	358-4127	271	358-4755	172	366-1930	420
354-6425	206	358-4130	271		181		422
354-6426	165	358-4133	271		▶284		426
	▶206	358-4135	271		290		428
354-6427	208	358-4136	271	358-4760	316		430
	209	358-4137	269		▶491		475
	210		270				477
	211	358-4151	271	360-5962	▶1		479
	212	358-4162	271		3		

# PART NUMBER INDEX

Part	Page	Part	Page	Part	Page	Part	Page
	481		287		▶85		270
	483		551	382-3732 . . . . .	▶3	386-7040 . . . . .	261
	485		552		12	386-7043 . . . . .	260
	487	374-0482 . . . . .	▶12	382-3733 . . . . .	▶5	386-7044 . . . . .	262
367-0844 . . . . .	553	374-0483 . . . . .	▶13		13	386-7045 . . . . .	151
	555	374-0484 . . . . .	▶14	382-3734 . . . . .	▶7	386-7047 . . . . .	260
367-6698 . . . . .	200	374-0485 . . . . .	▶15		14	386-7048 . . . . .	151
369-4570 . . . . .	19	375-3863 . . . . .	199	382-3735 . . . . .	▶9	386-7049 . . . . .	262
369-4608 . . . . .	19		▶200		15	386-9295 . . . . .	▶249
369-6649 . . . . .	▶19	375-8480 . . . . .	129	382-9611 . . . . .	132	386-9297 . . . . .	▶186
	45	377-9580 . . . . .	96	383-7577 . . . . .	3	386-9298 . . . . .	▶291
369-8836 . . . . .	271	377-9605 . . . . .	96		5	386-9299 . . . . .	▶187
369-8841 . . . . .	276	377-9611 . . . . .	144		7	386-9300 . . . . .	▶292
369-8844 . . . . .	271	378-3630 . . . . .	98		9	387-4312 . . . . .	114
369-8845 . . . . .	271		▶99		▶54		115
369-8846 . . . . .	271	378-3631 . . . . .	98	383-8081 . . . . .	▶123	387-4313 . . . . .	114
369-8857 . . . . .	▶266		▶100	383-8082 . . . . .	▶121		115
369-8860 . . . . .	266	378-9874 . . . . .	▶183	383-8084 . . . . .	▶122	387-6373 . . . . .	114
369-8861 . . . . .	▶295	378-9875 . . . . .	▶285	383-8086 . . . . .	176		115
369-8871 . . . . .	271	379-0888 . . . . .	183		▶181	387-9449 . . . . .	197
369-9948 . . . . .	19		187	383-8088 . . . . .	255	388-2584 . . . . .	192
371-1787 . . . . .	113	379-0889 . . . . .	285	384-0148 . . . . .	261		223
371-1790 . . . . .	▶113		292	384-0170 . . . . .	261	388-4815 . . . . .	190
371-1795 . . . . .	▶114	379-0891 . . . . .	▶219	384-0180 . . . . .	▶261	388-4816 . . . . .	91
371-1797 . . . . .	142	379-0892 . . . . .	▶176		262	388-4819 . . . . .	94
371-1798 . . . . .	142	379-0893 . . . . .	▶177	384-1140 . . . . .	261	388-4820 . . . . .	197
	143	379-0894 . . . . .	▶178	384-1150 . . . . .	▶262	388-4824 . . . . .	22
371-1799 . . . . .	114	379-0905 . . . . .	▶286	384-1259 . . . . .	131	388-4825 . . . . .	▶22
	115	379-0906 . . . . .	▶287	384-1260 . . . . .	131	389-0964 . . . . .	▶192
371-1800 . . . . .	▶115	379-0907 . . . . .	▶551	384-2221 . . . . .	▶125	389-0965 . . . . .	▶221
371-1801 . . . . .	▶142	379-0909 . . . . .	▶552	384-2222 . . . . .	125	389-0966 . . . . .	184
371-1802 . . . . .	142	379-0917 . . . . .	▶94	384-2229 . . . . .	▶101		257
371-8094 . . . . .	107	379-0919 . . . . .	▶259	384-2230 . . . . .	101	389-0967 . . . . .	▶222
371-8119 . . . . .	84	379-0920 . . . . .	183	384-2233 . . . . .	▶128	389-0968 . . . . .	▶156
371-8827 . . . . .	200		186	384-2234 . . . . .	128	389-0969 . . . . .	▶548
371-8828 . . . . .	200		187	384-2236 . . . . .	128	389-0970 . . . . .	▶193
371-8829 . . . . .	200		278	384-3090 . . . . .	263	389-0971 . . . . .	▶194
372-2905 . . . . .	188		279	384-3093 . . . . .	▶263	389-0972 . . . . .	▶241
374-0436 . . . . .	170		280	384-3105 . . . . .	▶143	389-0973 . . . . .	▶223
	174		281	384-3107 . . . . .	143	389-0974 . . . . .	▶546
374-0437 . . . . .	▶175		285	384-3108 . . . . .	143	389-0975 . . . . .	▶547
374-0439 . . . . .	92		291	384-3120 . . . . .	261	389-0976 . . . . .	▶251
	▶93		292	384-3123 . . . . .	239	389-0977 . . . . .	▶252
374-0446 . . . . .	93	379-0926 . . . . .	▶220	384-4305 . . . . .	▶111	389-0978 . . . . .	▶253
374-0463 . . . . .	316	379-0927 . . . . .	▶169		204	389-0979 . . . . .	▶549
	▶493		220	384-4683 . . . . .	▶204	389-0980 . . . . .	251
374-0465 . . . . .	316	379-0928 . . . . .	▶170	384-4685 . . . . .	204		252
	▶495		219	384-4686 . . . . .	204	389-1266 . . . . .	251
374-0467 . . . . .	316	379-0929 . . . . .	177	384-5289 . . . . .	204		252
	▶497		▶179	384-7456 . . . . .	3		255
374-0469 . . . . .	317	379-0930 . . . . .	178		5	389-9340 . . . . .	316
	▶499		▶180		7		▶505
374-0470 . . . . .	317	379-0931 . . . . .	286		9	389-9341 . . . . .	318
	▶501		▶288		▶144		▶507
374-0471 . . . . .	317	379-0932 . . . . .	287	384-7457 . . . . .	3	389-9342 . . . . .	318
	▶503		▶289		5		▶509
374-0473 . . . . .	173	379-0933 . . . . .	▶290		7	389-9343 . . . . .	318
	175		551		9		▶511
	176	380-2030 . . . . .	▶96		▶146	389-9344 . . . . .	318
	177	380-2033 . . . . .	▶84	384-8612 . . . . .	147		▶513
	178	381-7978 . . . . .	85	384-9888 . . . . .	240	389-9345 . . . . .	318
	217	381-7979 . . . . .	3	385-2552 . . . . .	▶198		▶515
	219		5		250	389-9347 . . . . .	319
	220		7	386-3781 . . . . .	▶240		▶517
	286		9		269	389-9348 . . . . .	319



# PART NUMBER INDEX

Part	Page	Part	Page	Part	Page	Part	Page
	▶519	391-6408 . . . . .	109	393-0344 . . . . .	293		521
389-9349 . . . . .	319	391-6411 . . . . .	109	393-0345 . . . . .	293		523
	▶521	391-6412 . . . . .	109	393-0346 . . . . .	▶293		529
389-9350 . . . . .	319	391-6413 . . . . .	109		294		531
	▶523	391-6414 . . . . .	109	393-0347 . . . . .	▶294		533
389-9351 . . . . .	319	391-6415 . . . . .	109		552		535
	▶525	391-6416 . . . . .	109	393-7035 . . . . .	491		537
389-9352 . . . . .	320	391-8143 . . . . .	191		493		539
	▶527		549		495	393-7051 . . . . .	▶167
389-9353 . . . . .	320	391-8736 . . . . .	▶202		505		499
	▶529		254		507		501
389-9354 . . . . .	320	391-8920 . . . . .	191		509		503
	▶531		▶202		511		533
389-9356 . . . . .	320	392-0605 . . . . .	▶203		513		535
	▶533		549		517		539
389-9357 . . . . .	320	392-0611 . . . . .	▶124		519	393-7054 . . . . .	166
	▶535	392-0638 . . . . .	▶254		525	393-7056 . . . . .	166
389-9373 . . . . .	317	392-0639 . . . . .	▶255		527		167
	▶537	392-0640 . . . . .	▶256	393-7036 . . . . .	491	393-7057 . . . . .	166
390-9685 . . . . .	▶242	392-0641 . . . . .	▶191		493		167
390-9686 . . . . .	▶243	392-0642 . . . . .	▶278		495	393-7058 . . . . .	166
390-9687 . . . . .	▶244	392-0643 . . . . .	▶279		505		167
390-9688 . . . . .	▶245	392-0644 . . . . .	▶280		507	393-7060 . . . . .	166
390-9689 . . . . .	▶246	392-0645 . . . . .	279		509		167
391-1938 . . . . .	▶200		281		511	393-7061 . . . . .	166
	223	392-0646 . . . . .	▶281		513		167
391-1940 . . . . .	192	392-0647 . . . . .	280		517	393-7062 . . . . .	166
	▶201	392-0649 . . . . .	257		519		167
391-2702 . . . . .	221	392-0651 . . . . .	▶184		525	393-7064 . . . . .	166
	222	392-0652 . . . . .	▶199		527	393-7065 . . . . .	167
391-4271 . . . . .	209		240	393-7037 . . . . .	537	393-7066 . . . . .	166
	210	392-0709 . . . . .	▶112		537		167
	211	392-0733 . . . . .	▶124	393-7038 . . . . .	537		167
	212	392-0936 . . . . .	▶553	393-7039 . . . . .	501	393-7070 . . . . .	166
	213	392-0937 . . . . .	▶555	393-7040 . . . . .	▶166		167
391-4272 . . . . .	208	392-1377 . . . . .	▶316		491	393-7075 . . . . .	167
391-4273 . . . . .	211	392-1378 . . . . .	▶316		493	394-0527 . . . . .	156
	213	392-1379 . . . . .	▶316		495	394-2254 . . . . .	▶213
391-4274 . . . . .	209	392-1380 . . . . .	▶316		497	394-6207 . . . . .	550
391-4277 . . . . .	317	392-1381 . . . . .	▶316		505	394-9056 . . . . .	▶561
	▶539	392-1382 . . . . .	▶317		507	396-6851 . . . . .	163
391-4278 . . . . .	▶208	392-1383 . . . . .	▶317		509		▶214
391-4279 . . . . .	▶209	392-1384 . . . . .	▶317		511	396-6852 . . . . .	163
391-4280 . . . . .	▶210	392-1385 . . . . .	▶317		513		▶215
391-4281 . . . . .	▶211	392-1386 . . . . .	▶317		515	396-6853 . . . . .	▶185
391-4282 . . . . .	▶212	392-1387 . . . . .	▶318		517		215
391-4286 . . . . .	208	392-1388 . . . . .	▶318		519		
	209	392-1389 . . . . .	▶318		521		
	210	392-1390 . . . . .	▶318		523		
	211	392-1391 . . . . .	▶318		525		
	212	392-1393 . . . . .	▶319		527	418-5153 . . . . .	109
	213	392-1394 . . . . .	▶319		529		
391-5531 . . . . .	251	392-1395 . . . . .	▶319		531		
	252	392-1396 . . . . .	▶319	393-7041 . . . . .	537		
	255	392-1397 . . . . .	▶319		501		
391-5694 . . . . .	▶201	392-1398 . . . . .	▶320	393-7042 . . . . .	523		
	252	392-1399 . . . . .	▶320	393-7043 . . . . .	523		
391-5695 . . . . .	▶201	392-1400 . . . . .	▶320	393-7044 . . . . .	533		
	251	392-1401 . . . . .	▶320	393-7045 . . . . .	533		
391-5696 . . . . .	▶202	392-1523 . . . . .	▶320	393-7048 . . . . .	531		
	255	392-3569 . . . . .	▶560	393-7049 . . . . .	531		
391-6339 . . . . .	▶202	392-3570 . . . . .	▶557	393-7050 . . . . .	497		
	253	392-9541 . . . . .	191		499		
391-6399 . . . . .	109		549		501		
391-6405 . . . . .	109	393-0343 . . . . .	293		503		
					515		

# MEMORANDA





**SEBP6160-01**

**C15 Generator Set**

**L6B1-Up**