

# Parts Manual



See "General Information"  
for New Parts Manual  
Features.

---

## **C15 Industrial Engine**

---

JRE1-Up (Engine)



# Product and Dealer Information

Note: For product identification plate locations, see the section "Product Identification Information" in the Operation and Maintenance Manual.

Delivery Date: \_\_\_\_\_

## Product Information

Model: \_\_\_\_\_

Product Identification Number: \_\_\_\_\_

Engine Serial Number: \_\_\_\_\_

Transmission Serial Number: \_\_\_\_\_

Generator Serial Number: \_\_\_\_\_

Attachment Serial Numbers: \_\_\_\_\_

Attachment Information: \_\_\_\_\_

Customer Equipment Number: \_\_\_\_\_

Dealer Equipment Number: \_\_\_\_\_

## Dealer Information

Name: \_\_\_\_\_ Branch: \_\_\_\_\_

Address: \_\_\_\_\_

\_\_\_\_\_

\_\_\_\_\_

Dealer Contact

Phone Number

Hours

Sales: \_\_\_\_\_

Parts: \_\_\_\_\_

Service: \_\_\_\_\_

# MEMORANDA

# TABLE OF CONTENTS

Name	Page	Name	Page
<b>GENERAL INFORMATION</b> .....	A4	GEAR GP-FRONT .....	244
<b>REPAIR ALTERNATIVES</b> .....	A6	GEAR GP-REAR .....	246
<b>SUPPLEMENTAL COOLANT ADDITIVES</b> .....	A7	GOVERNOR GP-AIR COMPRESSOR .....	249
<b>MAINTENANCE PARTS</b> .....	A8	GUARD GP-BELT .....	251
<b>INDEX</b> .....	A12	GUARD GP-DAMPER .....	254
<b>ENGINE ARRANGEMENT</b> .....	1	HOUSING GP-FLYWHEEL .....	261
ENGINE AR-CORE .....	1	HOUSING GP-FRONT .....	276
<b>BASIC ENGINE</b> .....	15	KIT-CRANKSHAFT BEARING .....	281
ACTUATOR GP-VALVE .....	15	LIFTING GP-ENGINE .....	282
ADAPTER GP-ENGINE TO TMSN .....	28	LINES GP-AIR COMPRESSOR .....	288
ADAPTER GP-FLYWHEEL .....	29	MECHANISM GP-FUEL PUMP & VALVE .....	293
ADAPTER GP-OIL PAN DRAIN .....	31	MOUNTING GP-AIR COMPRESSOR .....	300
ADAPTER GP-PUMP DRIVE .....	32	MOUNTING GP-ALTERNATOR .....	302
AIR COMPRESSOR GP .....	33	MOUNTING GP-ALTERNATOR & COMPR .....	325
BASE GP-VALVE COVER & INJ HARN .....	59	MOUNTING GP-REFRIGERANT COMPR .....	327
BELT TENSIONER GP .....	68	PAN GP-OIL .....	328
BELT TIGHTENER GP .....	69	PISTON & ROD GP .....	347
CAMSHAFT GP .....	71	PLATE AS-FRONT HOUSING .....	365
CLUTCH GP .....	74	PLUG GP-AIR COMPRESSOR .....	366
COVER GP-CYLINDER BLOCK .....	81	PLUG GP-CYLINDER BLOCK .....	368
COVER GP-FLYWHEEL HOUSING .....	88	PLUG GP-CYLINDER HEAD .....	373
COVER GP-FRONT HOUSING .....	96	PLUG GP-ENGINE .....	375
COVER GP-VALVE MECHANISM .....	98	PLUG GP-FLYWHEEL HOUSING .....	379
CRANKSHAFT GP .....	119	PLUG GP-OIL PAN .....	381
CYLINDER BLOCK AS .....	120	POWER TAKE-OFF GP .....	385
CYLINDER BLOCK GP .....	124	PULLEY GP .....	389
CYLINDER HEAD AS .....	134	PULLEY GP-AUXILIARY DRIVE .....	390
CYLINDER HEAD GP .....	142	PULLEY GP-CRANKSHAFT .....	392
DAMPER & PULLEY GP .....	152	PULLEY GP-ENGINE .....	394
DAMPER GP .....	155	PUMP GP-GEAR .....	395
DRAIN GP-ENGINE OIL .....	158	ROCKER ARM GP .....	398
DRIVE GP-ACCESSORY .....	159	SEAL GP-CRANKSHAFT .....	410
DRIVE GP-FAN .....	165	SHAFT GP-STUB .....	413
DRIVE GP-POWER TAKE-OFF .....	185	SPACER GP-BLOCK .....	415
DRIVE GP-PUMP .....	189	SUPPORT GP-ENGINE .....	416
ENGINE BRAKE GP .....	190	SUPPORT GP-POWER TAKE-OFF .....	427
FASTENER GP-ALTERNATOR .....	196	TRUNNION GP-ENGINE .....	429
FASTENER GP-ENGINE .....	197	V-BELT SET .....	430
FASTENER GP-FLYWHEEL HOUSING .....	199	<b>LUBRICATION SYSTEM</b> .....	439
FASTENER GP-FRONT COVER .....	201	BASE GP-OIL FILTER .....	439
FASTENER GP .....	205	FASTENER GP-OIL PUMP MOUNTING .....	442
FASTENER GP-FRONT HOUSING .....	206	FILLER GP-ENGINE OIL .....	443
FASTENER GP-OIL PAN .....	211	FILTER GP-ENGINE OIL .....	451
FASTENER GP-SOUND SUPPRESSION .....	214	FUMES DISPOSAL GP .....	464
FASTENER GP-VALVE MECHANISM .....	216	GAUGE GP-OIL LEVEL (DIPSTICK) .....	467
FLYWHEEL GP .....	218	GUIDE GP-OIL LEVEL GAUGE .....	478
GEAR GP-CAMSHAFT .....	243	LINES GP-ENGINE OIL .....	485
		LINES GP-OIL .....	492
		LINES GP-TURBOCHARGER OIL .....	493
		MOUNTING GP-OIL LEVEL GAUGE .....	497
		PUMP GP-ENGINE OIL .....	498

# TABLE OF CONTENTS

Name	Page	Name	Page
<b>COOLING SYSTEM</b> .....	499	FITTING GP-QUICK DISCONNECT .....	773
ADAPTER GP-FAN .....	499	LINES GP-FLEXIBLE FUEL .....	774
COOLANT CONDITIONER GP .....	503	LINES GP-FUEL .....	775
CORE GP-OIL COOLER .....	521	LINES GP-FUEL FILTER .....	788
FAN GP-BLOWER .....	522	MANIFOLD GP-FUEL .....	853
FAN GP-SUCTION .....	525	PUMP & MTG GP-FUEL TRANSFER .....	855
FASTENER GP-OIL COOLER .....	529	PUMP GP-FUEL INJECTION .....	857
FASTENER GP-WATER LINES .....	531	PUMP GP-FUEL PRM & PRIM FILTER .....	863
FASTENER GP-WATER PUMP .....	532	PUMP GP-FUEL PRM & SEC FILTER .....	865
FILTER AS-COOLANT CONDITIONER .....	536	PUMP GP-FUEL PRM & WATER SEP .....	878
FITTING GP-WATER LINES .....	538	SHUTOFF GP-MANUAL .....	880
FLANGE GP-TMSN OIL COOLER .....	540	VALVE GP-CHECK .....	881
HEAT EXCHANGER GP-SEA WATER .....	541	VALVE GP-FUEL BYPASS .....	885
LINES GP-WATER .....	543	VALVE GP-RELIEF .....	886
PLUG GP-WATER LINES .....	568		
PUMP GP-WATER .....	576	<b>ELECTRICAL AND STARTING SYSTEM</b> .....	887
RADIATOR GP .....	580	ALTERNATOR GP-CHARGING .....	887
VALVE-MANUAL .....	636	BATTERY GP .....	922
		CABLE GP-BATTERY .....	926
<b>AIR INLET AND EXHAUST SYSTEM</b> .....	637	CONNECTION GP-ELECTRICAL .....	928
ADAPTER GP-AIR CLEANER .....	637	CONTROL & MTG GP-ENGINE ELEK .....	932
ADAPTER GP-TURBOCHARGER AIR .....	638	CONTROL GP-AUTO START/STOP .....	936
AIR CLEANER GP .....	639	CONTROL GP-ENGINE SPEED .....	940
CAP AS-RAIN .....	654	CONTROL GP-REMOTE SPEED .....	943
CONNECTION GP-EXHAUST .....	657	CONVERTER GP-ELECTRICAL .....	944
COVER GP-AIR INLET .....	662	FASTENER GP-WIRING HARNESS .....	946
ELBOW GP-AIR INLET .....	663	FASTENER GP-ENGINE WIRING .....	947
ELBOW GP-EXHAUST .....	668	FASTENER GP-WIRING HARNESS .....	949
ELBOW-EXHAUST .....	672	HARNESS AS-PANEL .....	950
FITTING GP-EXHAUST .....	675	HARNESS AS-SENSOR .....	951
FLANGE GP-EXHAUST .....	678	HARNESS AS-WIRING .....	953
HOSE-AIR INLET .....	681	HEATER GP-JACKET WATER .....	954
KIT-EXHAUST PARTS .....	682	LUBRICATOR GP-AIR MOTOR .....	956
LINES GP-AIR .....	683	MODULE GP-INTERFACE .....	957
LINES GP-TURBOCHARGER .....	702	MOUNTING GP-CIRCUIT BREAKER .....	959
MANIFOLD GP-EXHAUST .....	704	MOUNTING GP-JACKET WTR	
MUFFLER .....	707	HEATER .....	966
MUFFLER GP .....	708	MOUNTING GP-SENSOR .....	970
MUFFLER GP-SPARK ARRESTOR .....	710	PLATE AS-BRUSH .....	972
PIPE GP-EXHAUST .....	711	SENSOR GP-COOLANT LEVEL .....	973
PRECLEANER GP .....	714	SENSOR GP-ENGINE .....	974
SHIELD GP-HEAT .....	718	SENSOR GP-LIQUID LEVEL .....	978
SHIELD GP-MANIFOLD .....	720	SENSOR GP-POSITION .....	981
SHUTOFF GP-AIR .....	722	SENSOR GP-PRESSURE .....	983
TURBOCHARGER GP .....	738	SENSOR GP-SPEED .....	990
		SENSOR GP-TEMPERATURE .....	998
<b>FUEL SYSTEM</b> .....	756	SILENCER-AIR STARTING .....	1005
BASE GP-FUEL FILTER .....	756	STARTING AID GP-ETHER .....	1006
COOLER GP-FUEL .....	757	STARTING MOTOR GP-AIR .....	1009
CORE AS-FUEL COOLER .....	760	STARTING MOTOR GP-ELECTRIC .....	1021
COVER GP-FUEL FILTER BASE .....	761	SUPPORT GP-BATTERY .....	1055
FASTENER GP-FUEL LINES .....	762	SWITCH GP-MAGNETIC .....	1056
FILTER GP-FUEL .....	764	SWITCH GP-REMOTE STARTING .....	1059
FILTER GP-WATER SEP & FUEL .....	767	SWITCH GP-START .....	1060
FITTING GP-FUEL LINES .....	771	SWITCH GP-TOGGLE .....	1061

# TABLE OF CONTENTS

Name	Page	Name	Page
VALVE GP-AIR STARTING . . . . .	1062		
VALVE GP-ETHER STARTING . . . . .	1064		
WIRING GP-ALTERNATOR . . . . .	1066		
WIRING GP-ELECTRONIC CONTROL . . . . .	1070		
WIRING GP-ENGINE . . . . .	1076		
WIRING GP-ENGINE ELECTRONIC . . . . .	1090		
WIRING GP-SENSOR . . . . .	1093		
WIRING GP-UNIT INJECTOR . . . . .	1094		
<b>HYDRAULIC SYSTEM . . . . .</b>	<b>1095</b>		
ACTUATOR GP-PUMP . . . . .	1095		
MOUNTING GP-PUMP . . . . .	1096		
PUMP & MTG GP-HYDRAULIC . . . . .	1099		
PUMP GP-HYDRAULIC . . . . .	1109		
PUMP GP-PISTON . . . . .	1122		
ROTATING GP-PUMP . . . . .	1128		
VALVE GP-PUMP CONTROL . . . . .	1132		
<b>ENCLOSURES, GUARDS AND BASES . . . . .</b>	<b>1134</b>		
BASE GP-ENGINE . . . . .	1134		
MOUNTING AS-VIBRATION ISOLATOR . . . . .	1135		
PANEL GP-SOUND SUPPRESSION . . . . .	1136		
<b>TRANSMISSION . . . . .</b>	<b>1139</b>		
PUMP GP-CHARGE . . . . .	1139		
<b>OPERATOR STATION . . . . .</b>	<b>1141</b>		
AMMETER GP . . . . .	1141		
BOX GP-INSTRUMENT PANEL . . . . .	1142		
CONTROL GP-ENGINE MONITORING . . . . .	1144		
CONTROL GP-UNPRGMED MONITOR . . . . .	1145		
GAUGE GP-COOLANT TEMPERATURE . . . . .	1146		
GAUGE GP-ENGINE OIL PRESSURE . . . . .	1148		
GAUGE GP-FUEL PRESSURE . . . . .	1150		
MODULE GP-DISPLAY . . . . .	1151		
MOUNTING GP-INSTRUMENT PANEL . . . . .	1152		
MOUNTING GP-TACHOMETER . . . . .	1159		
PANEL GP-INSTRUMENT . . . . .	1160		
PLUG GP-INSTRUMENT PANEL . . . . .	1189		
TACHOMETER GP-ELECTRIC . . . . .	1192		
VOLTMETER GP . . . . .	1195		
<b>SERVICE EQUIPMENT AND SUPPLIES . . . . .</b>	<b>1200</b>		
CHART-PLATE & FILM . . . . .	1200		
KIT-FUEL PRIMING PUMP . . . . .	1201		
KIT-GASKET . . . . .	1202		
PLATE & FILM GP . . . . .	1203		
PLATE GP-IDENTIFICATION . . . . .	1204		
<b>PART NUMBER INDEX . . . . .</b>	<b>B1</b>		

# GENERAL INFORMATION

## 1. ENGINE IDENTIFICATION

Caterpillar engines are identified with Serial Numbers and Arrangement Numbers. In some cases, Modification Numbers are also used. The serial number plate which shows these numbers is mounted on the engine.

Caterpillar dealers need this information to determine which components were included on the engine when it was assembled at the factory. This permits accurate identification of replacement part numbers.

## 2. ORDERING PARTS

### **WARNING**

**When replacement parts are required for this product Caterpillar recommends using Caterpillar replacement parts or parts with equivalent specifications including, but not limited to, physical dimensions, type, strength and material.**

**Failure to heed this warning can lead to premature failures, product damage, personal injury or death.**

Quality Caterpillar replacement parts are available from Caterpillar dealers throughout the world. Their parts inventories are up to date and include all parts normally required to protect your investment in Caterpillar Engines. Dealers may offer repair kits or remanufactured parts to allow selection of the most effective repair alternative for a particular situation. When ordering parts, your order should specify the quantity, part number, part name, and the serial number/product identification number of the engine for which the parts are needed.

## 3. PARTS MANUAL ORGANIZATION

Product information in this manual is presented as "information elements" that represent all of the components for the specific model. An Engine Arrangement is an example of an information element. The information elements are organized alphabetically by part name and secondarily by part number within each major section of the manual.

## 4. TABLE OF CONTENTS

A table of contents (TOC) is found at the beginning of the manual. The TOC lists each section of the manual with a complete list of all information elements organized as they appear in the manual. Page numbers are provided for quick reference to detailed parts identification illustrations and serviceable consist lists.

## 5. MAINTENANCE PARTS INDEX

The Maintenance Parts Index, located near the beginning of the manual, references most frequently used maintenance part numbers, providing description, quantity, usage and page number. This information is organized alphabetically by part description.

## 6. INDEX

The index located near the front of the manual is an alphabetical listing of all information elements included in the manual. Page numbers are provided for quick reference to detailed parts identification illustrations and serviceable consist lists.

## 7. PART NUMBER INDEX

A numerical index listing all part numbers and the corresponding page number(s) appears at the back of the manual.

## 8. CAPTIONS

Captions located at the beginning each information element identify the part number and part name along with additional descriptive information. S/N information found in each caption should be used to select correct information for a specific engine. Field replacement options, identification of optional attachment components, and where used ("part of") information is also provided.

The first line of a caption is shown in larger type font to indicate the beginning of an information element. Captions for additional pages that may be required to illustrate an information element will be shown in standard type font and will include the term (*contd.*) .

## 9. NON-SERVICED PARTS

In some instances it is necessary to display non-serviced parts that are a link to lower level serviceable consist lists. These non-serviced part numbers are shown in *italic* type indicating that they are not available. All consist lists have not been converted to reflect this enhancement.



# GENERAL INFORMATION

## 10. PARTS LIST REFERENCE NUMBERS

Numbers shown in the Ref No column correspond to numbers used in the associated graphic(s). An alphabetic suffix may be added to a reference number to identify lower level consist items. Numbers shown in the Graphic Ref column refer to the graphic number identifier displayed in the lower left corner of each illustration. The Graphic Ref number may be used in combination with the item Ref No to determine the correct part number. There may be intentional omission of a Ref No in a consist list as information is updated to reflect the latest serviceable part numbers.

## 11. INDENTED PART NAMES

When a part name is indented in a parts list, it is part of (included in) the group or assembly under which it is indented.

## 12. ILLUSTRATION REFERENCE LETTERS

When necessary, illustrations contain reference letters (A, B, C etc.) that are intended to track lines and harnesses from one point to another. They are also used to show where to reconnect illustrations that have been separated.

## 13. ABBREVIATIONS AND SYMBOLS

**O.D.** – Outside Diameter  
**I.D.** – Inside Diameter  
**A** – Not Part Of This Group  
**B** – Use As Required  
**C** – Change From Previous Type  
**D** – Order By The Meter  
**E** – Order By The Centimeter  
**F** – Not Shown  
**G** – Order By The Inch  
**I** – Refer To Hydraulic Information System  
**M** – Metric Part  
**R** – Remfg Part May Be Available  
**Y** – Separate Illustration  
**Z** – Not Serviced Separately



## 14. DESCRIPTION OF TYPE CHANGES

Type - A type is defined as any configuration change that requires an additional Information Element for an Arrangement, Group, or Assembly. If serial number breaks for types are not available, a type # ( Type 1, Type 2, etc.) will be displayed in the caption. These "type" changes are identified with a "C" note (change from previous type) in the Parts List. Only the "types" that apply to this Parts Manual will be included. Additional types may exist causing "C" notes to appear on an Information Element when no other types are shown.

## 15. <END>

This symbol indicates the end of an information element.

### NOTE:

**Continuing improvement and advancement of product design may cause changes to your engine which may not be included in this publication. Whenever a question arises regarding your Caterpillar product or this publication, please consult your Caterpillar dealer for the latest available information.**

# REPAIR ALTERNATIVES

## REMANUFACTURED COMPONENTS

As an option when making repairs consider Caterpillar Remanufactured Components. Components that are available through the Caterpillar Remanufactured Program are identified three ways in the parts book:

- with the letter R in the note field of the parts list
- with an R\* at the beginning of the first line of the caption
- with an \*R at the end of the first line of the caption

Typical components included in the Remanufacturing Program include:

ALTERNATORS  
CONNECTING RODS  
CRANKSHAFTS - UNDERSIZE  
CRANKSHAFTS - UPGRADE TO NEW  
CYLINDER HEADS  
ELECTRONIC CONTROL MODULES (ECM)  
ELECTRONIC SENSORS  
FUEL INJECTORS  
FUEL NOZZLES  
FUEL PUMPS  
GOVERNORS  
OIL PUMPS  
PISTONS  
SHORT BLOCKS  
STARTERS  
TURBOCHARGERS - COMPLETE  
TURBOCHARGER CARTRIDGES  
WATER PUMPS

Caterpillar Remanufactured engines for many engine arrangements are also available.

# SUPPLEMENTAL COOLANT ADDITIVES

## CUSTOMER BENEFITS:

Protects against cavitation, foam, erosion, corrosion, and scale buildup in cooling systems.

- Provides measured coolant conditioner.

## DESCRIPTION:

Additives deplete from the coolant with normal operation. For this reason, Supplemental Coolant Additives (SCA) must be added to all heavy duty coolants at regular intervals. In addition, when not using a fully formulated, pre-charged antifreeze, like Caterpillar's DEAC, an initial charge of SCA must be added to the cooling system. The amount of SCA added to the system is dependent on the capacity of the system.

The SCA for initial fill is provided as a liquid. SCA's for maintenance intervals are available in liquid form and as a spin-on element. (No Spin-on available for 3600 Family of Engines)

## NOTE:

The amount of SCA added at initial fill is not the same as the amount added at maintenance intervals.

The coolant additive elements can be used with any ethylene or propylene glycol type antifreeze which meets ASTM D4985 or ASTM D5345 Specifications.

## NOTE:

For use with standard heavy duty coolant only, not for use with Extended Life Coolant.

## PARTS NEEDED:

Cooling System Capacity		Liquid SCA at Initial Fill	Liquid SCA at Maintenance*	Spin-on SCA Maintenance Element*
Liters	Gallons			
22-30	(6-8)	3P-2044 (1)	6V-3542 (1)	111-2370 (1)
30-38	(8-10)	3P-2044 (1) 6V-3542 (1)	111-2372 (1)	111-2369 (1)
38-49	(10-13)	3P-2044 (1) 8T-1589 (1)	111-2372 (1)	111-2369 (1)
49-64	(13-17)	3P-2044 (2)	8T-1589 (1)	9N-3368 (1)
64-83	(17-22)	3P-2044 (2) 8T-1589 (1)	111-2372 (1) 6V-3542 (1)	111-2371 (1)
83-114	(22-30)	3P-2044 (3) 8T-1589 (1)	3P-2044 (1)	9N-3718 (1)
114-163	(30-43)	3P-2044 (5)	3P-2044 (1) 6V-3542 (1)	111-2371 (2)
163-242	(43-64)	3P-2044 (8)	3P-2044 (2)	9N-3718 (2)

\* Normal maintenance period is 250 hrs. See your Operation and Maintenance Manual for complete coolant maintenance instructions.

( ) Indicates quantity required.

# MAINTENANCE PARTS

DESCRIPTION	PART NUMBER	QTY	WHERE USED	PAGE
<b>AIR INLET AND EXHAUST SYSTEM</b>				
FILTER ELEMENT AS-AIR (PRIMARY)	106-3969	1	AIR CLEANER GP	646
	6I-2509	1	AIR CLEANER GP	643
FILTER ELEMENT AS-AIR (SECONDARY)	106-3973	1	AIR CLEANER GP	646
	6I-2510	1	AIR CLEANER GP	643
<b>BASIC ENGINE</b>				
BELT-SERPENTINE	197-4567	1	PULLEY GP-ENGINE	394
CAP AS-FILLER (ENGINE OIL)	113-5253	1	COVER GP-VALVE MECHANISM	112
CAP AS-OIL FILLER (ENGINE)	2W-6225	1	COVER GP-VALVE MECHANISM	99
PLUG-DRAIN (ENGINE OIL PAN)	109-5839	1	PAN GP-OIL	338
		1	PAN GP-OIL	340
		1	PAN GP-OIL	344
	9X-6451	1	PAN GP-OIL	328
		3	PAN GP-OIL	329
		3	PAN GP-OIL	332
		3	PAN GP-OIL	334
		3	PAN GP-OIL	336
		3	PAN GP-OIL	342
		2	PLUG GP-OIL PAN	382
		1	PLUG GP-OIL PAN	383
		1	PLUG GP-OIL PAN	384
PLUG-DRAIN (MAGNETIC) (ENGINE OIL PAN)	206-7331	1	PAN GP-OIL	331
SEAL-VALVE COVER	242-9537	1	COVER GP-VALVE MECHANISM	98
		1	COVER GP-VALVE MECHANISM	99
		1	COVER GP-VALVE MECHANISM	100
		1	COVER GP-VALVE MECHANISM	102
		1	COVER GP-VALVE MECHANISM	103
		1	COVER GP-VALVE MECHANISM	111
		1	COVER GP-VALVE MECHANISM	112
		1	COVER GP-VALVE MECHANISM	113
		1	COVER GP-VALVE MECHANISM	118
V-BELT (ALTERNATOR)	4N-8216	1	MOUNTING GP-ALTERNATOR	303
		1	MOUNTING GP-ALTERNATOR	305
		1	MOUNTING GP-ALTERNATOR	309
		1	MOUNTING GP-ALTERNATOR	315
	6N-0341	1	MOUNTING GP-ALTERNATOR	302
	6N-7135	1	MOUNTING GP-ALTERNATOR	306
		1	MOUNTING GP-ALTERNATOR	308
		1	MOUNTING GP-ALTERNATOR	310
		1	MOUNTING GP-ALTERNATOR	312
	9L-6639	1	MOUNTING GP-ALTERNATOR	324
	9L-6641	1	MOUNTING GP-ALTERNATOR	317
		1	MOUNTING GP-ALTERNATOR	319
V-BELT (FAN DRIVE)	6N-6650	3	V-BELT SET	432
	9L-6641	3	V-BELT SET	437
		4	V-BELT SET	438
V-BELT (INCLUDES 4-BELTS)	6N-6650	4	V-BELT SET	436
V-BELT SET (INCLUDES 2-BELTS) (ALTERNATOR)	5L-5012	1	MOUNTING GP-ALTERNATOR	322
	7N-3949	1	MOUNTING GP-ALTERNATOR	316
		1	MOUNTING GP-ALTERNATOR	320

# MAINTENANCE PARTS

DESCRIPTION	PART NUMBER	QTY	WHERE USED	PAGE
V-BELT SET (INCLUDES 3-BELTS) (FAN DRIVE)	6N-6651	1	DRIVE GP-FAN	175
	6N-7053	1	DRIVE GP-FAN	173
V-BELT SET (INCLUDES 4-BELTS) (FAN DRIVE)	5N-2346	1	DRIVE GP-FAN	177
<b>COOLING SYSTEM</b>				
CAP-PRESSURE (7-PSI)	6L-8617	1	RADIATOR GP	618
CAP-PRESSURE (7-PSI) (RADIATOR)	6L-8617	1	RADIATOR GP	580
		1	RADIATOR GP	621
FILTER-COOLANT CONDITIONER	9N-3717		COOLANT CONDITIONER GP	505
		1	FILTER AS-COOLANT CONDITIONER	536
	9N-3718	1	FILTER AS-COOLANT CONDITIONER	536
		1	FILTER AS-COOLANT CONDITIONER	537
	9N-6123	1	COOLANT CONDITIONER GP	505
		1	FILTER AS-COOLANT CONDITIONER	536
		1	FILTER AS-COOLANT CONDITIONER	537
FILTER-COOLANT CONDITIONER (PRECHARGE)	9N-3367	1	COOLANT CONDITIONER GP	516
PLUG-DRAIN (HEAT EXCHANGER)	5B-9169	3	HEAT EXCHANGER GP-SEA WATER	541
REGULATOR-WATER TEMPERATURE (98-DEG C)	247-7133	2	LINES GP-WATER	545
		2	LINES GP-WATER	547
		2	LINES GP-WATER	549
		2	LINES GP-WATER	551
		2	LINES GP-WATER	553
		2	LINES GP-WATER	555
		2	LINES GP-WATER	557
		2	LINES GP-WATER	566
REGULATOR-WATER TEMPERATURE (98-DEG C) (COOLANT)	247-7133	2	LINES GP-WATER	543
		2	LINES GP-WATER	559
		2	LINES GP-WATER	561
		2	LINES GP-WATER	563
ROD AS-ZINC (HEAT EXCHANGER)	8L-4521	2	HEAT EXCHANGER GP-SEA WATER	541
<b>ELECTRICAL AND STARTING SYSTEM</b>				
BATTERY (12-VOLT) (DRY)	9X-9720	2	BATTERY GP	922
BATTERY GP (12-VOLT, MAINTENANCE FREE, DRY)	115-2421	2	BATTERY GP	925
CAP AS-FILLER (BATTERY)	123-1373	6	BATTERY GP	925
CIRCUIT BREAKER AS (105-AMPERE)	171-2212	1	MOUNTING GP-CIRCUIT BREAKER	960
		1	MOUNTING GP-CIRCUIT BREAKER	962
		1	MOUNTING GP-CIRCUIT BREAKER	964
CIRCUIT BREAKER AS (15-AMPERE)	6T-3643	2	CONTROL GP-AUTO START/STOP	936
		2	CONTROL GP-AUTO START/STOP	938
CIRCUIT BREAKER AS (60-AMPERE)	171-2208	1	MOUNTING GP-CIRCUIT BREAKER	959
		1	MOUNTING GP-CIRCUIT BREAKER	961
		1	MOUNTING GP-CIRCUIT BREAKER	963
CIRCUIT BREAKER AS (80-AMPERE)	171-2210	1	MOUNTING GP-CIRCUIT BREAKER	965
FILTER (ETHER START)	358-4889	1	VALVE GP-ETHER STARTING	1064
LAMP (12-VOLT)	2N-2372	2	CONTROL GP-AUTO START/STOP	938
LAMP (24-VOLT, 0.2-AMPERE)	7N-5876	2	CONTROL GP-AUTO START/STOP	936

# MAINTENANCE PARTS

DESCRIPTION	PART NUMBER	QTY	WHERE USED	PAGE
<b>FUEL SYSTEM</b>				
FILTER AS-WATER SEP & FUEL (PRIMARY)	326-1643	1	FILTER GP-WATER SEP & FUEL	769
	326-1644	1	FILTER GP-WATER SEP & FUEL	767
FILTER ELEMENT-FUEL (PRIMARY)	9M-2342	1	FILTER GP-FUEL	764
FILTER-FUEL (ADVANCED EFFICIENCY)	1R-0749	1	FILTER GP-FUEL	765
		1	FILTER GP-FUEL	766
FILTER-FUEL (ADVANCED EFFICIENCY) (SECONDARY)	1R-0749	1	PUMP GP-FUEL PRM & SEC FILTER	865
		1	PUMP GP-FUEL PRM & SEC FILTER	866
		1	PUMP GP-FUEL PRM & SEC FILTER	873
GASKET (FUEL PRIMING PUMP)	1P-0436	1	COVER GP-FUEL FILTER BASE	761
		1	FILTER GP-FUEL	765
		1	FILTER GP-FUEL	766
		1	PUMP GP-FUEL PRM & SEC FILTER	865
		2	PUMP GP-FUEL PRM & SEC FILTER	866
		2	PUMP GP-FUEL PRM & SEC FILTER	873
<b>LUBRICATION SYSTEM</b>				
CAP AS-ENGINE OIL FILLER	241-5645	1	FILLER GP-ENGINE OIL	447
CAP AS-FILLER (ENGINE OIL)	5L-2952	1	FILLER GP-ENGINE OIL	448
		1	FILLER GP-ENGINE OIL	450
	6N-2985	1	FILLER GP-ENGINE OIL	444
CAP-OIL FILLER (ENGINE)	068-4497	1	FILLER GP-ENGINE OIL	443
		1	FILLER GP-ENGINE OIL	446
		1	FILLER GP-ENGINE OIL	449
	9L-8439	1	FILLER GP-ENGINE OIL	445
FILTER AS-ENGINE OIL (STANDARD EFFICIENCY)	1R-0716	1	FILTER GP-ENGINE OIL	451
FILTER-ENGINE OIL (ADVANCED EFFICIENCY)	1R-1808	1	FILTER GP-ENGINE OIL	453
		1	FILTER GP-ENGINE OIL	455
		1	FILTER GP-ENGINE OIL	456
		1	FILTER GP-ENGINE OIL	457
		2	FILTER GP-ENGINE OIL	459
		1	FILTER GP-ENGINE OIL	461
		1	FILTER GP-ENGINE OIL	462
<b>OPERATOR STATION</b>				
CIRCUIT BREAKER AS (15-AMPERE)	6T-3643	1	PANEL GP-INSTRUMENT	1174
		1	PANEL GP-INSTRUMENT	1186
CIRCUIT BREAKER AS (15-AMPERE) (PANEL)	6T-3643	1	PANEL GP-INSTRUMENT	1166
LAMP (12-VOLT)	8L-9801	3	PANEL GP-INSTRUMENT	1186
LAMP (24-VOLT, 0.2-AMPERE)	7N-5876	3	PANEL GP-INSTRUMENT	1173
LAMP (24-VOLT, 0.2-AMPERE) (DIAGNOSTIC)	7N-5876	3	PANEL GP-INSTRUMENT	1165
LAMP AS (INDICATOR)	141-9228	1	PANEL GP-INSTRUMENT	1165
LAMP AS-INDICATOR (RED) (MAINTENANCE)	2N-2371	2	PANEL GP-INSTRUMENT	1165

# MAINTENANCE PARTS

DESCRIPTION	PART NUMBER	QTY	WHERE USED	PAGE
<b>SERVICE EQUIPMENT AND SUPPLIES</b> FUSE (5-AMPERE)	2S-6024	1	KIT-FUEL PRIMING PUMP	1201

# INDEX

Name	Page	Name	Page
<b>A</b>			
ACTUATOR GP-PUMP .....	1095	ALTERNATOR GP-CHARGING .....	887
ACTUATOR GP-VALVE .....	15		890
	16		893
	17		896
	18		897
	19		900
	20		902
	21		904
	22		906
	23		908
	24		910
	25		912
	26		914
	27		915
ADAPTER GP-AIR CLEANER .....	637		916
ADAPTER GP-ENGINE TO TMSN .....	28		918
ADAPTER GP-FAN .....	499	AMMETER GP .....	1141
	500		
	501	<b>B</b>	
	502	BASE GP-ENGINE .....	1134
ADAPTER GP-FLYWHEEL .....	29	BASE GP-FUEL FILTER .....	756
	30	BASE GP-OIL FILTER .....	459
ADAPTER GP-OIL PAN DRAIN .....	31	BASE GP-OIL FILTER-ENGINE .....	439
ADAPTER GP-PUMP DRIVE .....	32		440
ADAPTER GP-TURBOCHARGER AIR-			441
OUTLET .....	638	BASE GP-VALVE COVER & INJ HARN .....	59
AIR CLEANER GP .....	639		61
	640		62
	642		63
	643		64
	644		65
	646		66
	647	BATTERY (12-VOLT) (DRY) .....	922
	648	BATTERY GP .....	922
	649		923
	650		925
	651	BATTERY GP (12-VOLT) (DRY) .....	923
	652	BATTERY GP	
	653	(12-VOLT, MAINTENANCE FREE, DRY) .....	925
AIR COMPRESSOR GP .....	33	BATTERY GP-DRY .....	924
	35	BELT TENSIONER GP .....	68
	37	BELT TIGHTENER GP .....	69
	39	BELT-SERPENTINE .....	394
	41	BOX GP-INSTRUMENT PANEL .....	1142
	42		1143
	43	<b>C</b>	
	45	CABLE GP-BATTERY .....	926
	47		927
	49	CAMSHAFT GP .....	71
	51		72
	53		
	54		
	56		



# INDEX

Name	Page	Name	Page
	73		942
CAP AS-ENGINE OIL FILLER . . . . .	447	CONTROL GP-REMOTE SPEED . . . . .	943
CAP AS-FILLER (BATTERY) . . . . .	925	CONTROL GP-UNPRGMED MONITOR- MESSENGER . . . . .	1145
CAP AS-FILLER (ENGINE OIL) . . . . .	112	CONTROL GP-UNPROGRAMMED (ENGINE) . . .	932
	444		934
	448		935
	450	CONVERTER GP-ELECTRICAL . . . . .	944
CAP AS-OIL FILLER (ENGINE) . . . . .	99		945
CAP AS-RAIN-EXHAUST . . . . .	655	COOLANT CONDITIONER GP . . . . .	503
CAP AS-RAIN-EXHAUST PIPE . . . . .	654		504
	656		505
CAP-OIL FILLER (ENGINE) . . . . .	443		507
	445		510
	446		512
	449		514
CAP-PRESSURE (7-PSI) . . . . .	618		516
CAP-PRESSURE (7-PSI) (RADIATOR) . . . . .	580		517
	621		519
CARTRIDGE GP-TURBOCHARGER . . . . .	752	COOLER GP-FUEL . . . . .	757
CHART-PLATE & FILM . . . . .	1200		758
CIRCUIT BREAKER AS (105-AMPERE) . . . . .	960		759
	962	CORE AS . . . . .	566
	964	CORE AS (ENGINE OIL COOLER) . . . . .	547
CIRCUIT BREAKER AS (15-AMPERE) . . . . .	936		549
	938		551
	1174		553
	1186		555
CIRCUIT BREAKER AS (15-AMPERE) (PANEL) . . . . .	1166		557
CIRCUIT BREAKER AS (60-AMPERE) . . . . .	959		559
	961	CORE AS (HEAT EXCHANGER) . . . . .	541
	963	CORE AS-ENGINE OIL COOLER . . . . .	543
CIRCUIT BREAKER AS (80-AMPERE) . . . . .	965		545
CLUTCH GP . . . . .	74		563
	77	CORE AS-FUEL COOLER . . . . .	757
	79		758
CONNECTION GP-ELECTRICAL . . . . .	929		759
	930		760
	931	CORE AS-OIL COOLER (ENGINE) . . . . .	561
CONNECTION GP-ELECTRICAL- CYLINDER HEAD GROUND . . . . .	928	CORE AS-RADIATOR . . . . .	580
CONNECTION GP-EXHAUST . . . . .	657		621
	658	CORE GP-OIL COOLER-TRANSMISSION . . . . .	521
	659	COVER GP-AIR INLET . . . . .	662
	660	COVER GP-CYLINDER BLOCK . . . . .	81
	661		82
CONTROL & MTG GP-ENGINE ELEK . . . . .	932		83
	934		84
	935		85
CONTROL GP-AUTO START/STOP . . . . .	936		86
	938		87
CONTROL GP-ENGINE MONITORING- DISCRETE INPUT/OUTPUT . . . . .	1144	COVER GP-FLYWHEEL HOUSING . . . . .	88
CONTROL GP-ENGINE SPEED . . . . .	940		89
	941		90
			91
			92

# INDEX

Name	Page	Name	Page
	93		157
	94	DRAIN GP-ENGINE OIL .....	158
	95	DRIVE GP-ACCESSORY .....	159
COVER GP-FRONT HOUSING .....	96		160
	97		161
COVER GP-FUEL FILTER BASE .....	761		162
COVER GP-VALVE MECHANISM .....	98		163
	99	DRIVE GP-FAN .....	165
	100		167
	101		169
	102		171
	103		173
	104		175
	105		177
	106		179
	107		181
	108		183
	109	DRIVE GP-POWER TAKE-OFF .....	185
	110		187
	111	DRIVE GP-PUMP .....	189
	112		
	113		
	114		
	115	<b>E</b>	
	116	ELBOW GP-AIR INLET .....	663
	117		665
	118		666
CRANKSHAFT GP .....	119		667
CYLINDER BLOCK AS .....	120	ELBOW GP-EXHAUST .....	668
	121		669
	122		670
CYLINDER BLOCK GP .....	124		671
	126	ELBOW-EXHAUST .....	672
	128		673
	130		674
	132	ENGINE AR-CORE .....	1
CYLINDER HEAD AS .....	134		2
	136		3
	137		4
	140		5
CYLINDER HEAD GP .....	142		6
	143		7
	144		8
	146		9
	148		10
	150		11
			12
			13
			14
<b>D</b>		ENGINE BRAKE GP .....	190
DAMPER & PULLEY GP .....	152		191
	153		192
	154		193
DAMPER GP .....	155		194
	156		195

# INDEX

Name	Page	Name	Page
<b>F</b>			447
FAN GP-BLOWER .....	522		448
	523		449
	524	FILM (INSTRUMENT PANEL) .....	450
FAN GP-SUCTION .....	525	FILM-CONTROL PANEL .....	1166
	526		936
	527		938
	528	FILM-GAUGE IDENTIFICATION (AMMETER) . . .	1141
FASTENER GP .....	205	FILM-GAUGE IDENTIFICATION (VOLTMETER) .....	1196
FASTENER GP-ALTERNATOR .....	196		1197
FASTENER GP-CYLINDER HEAD .....	144	FILM-IDENTIFICATION (CATERPILLAR) .....	944
	146	FILM-IDENTIFICATION (ENGINE OIL PRESSURE) .....	1160
	150		1162
FASTENER GP-ENGINE .....	197	FILM-IDENTIFICATION (ENGINE OIL TEMPERATURE) .....	1160
	198		1162
FASTENER GP-ENGINE WIRING .....	947	FILM-IDENTIFICATION (FUEL PRESSURE) .....	1160
	948		1162
FASTENER GP-FLYWHEEL HOUSING .....	199	FILM-IDENTIFICATION (JACKET WATER TEMPERATURE) .....	1160
	200		1162
FASTENER GP-FRONT COVER .....	201	FILM-IDENTIFICATION (AIR CLEANER) .....	643
	202	FILM-INSTRUMENT .....	1186
	203	FILM-INSTRUMENT (PANEL) .....	1173
	204	FILTER (ETHER START) .....	1064
FASTENER GP-FRONT HOUSING .....	206	FILTER AS-COOLANT CONDITIONER .....	536
	207		537
	208	FILTER AS-ENGINE OIL (STANDARD EFFICIENCY) .....	451
FASTENER GP-FRONT HOUSING- WITH AND WITHOUT SOUND PANEL .....	209	FILTER AS-WATER SEP & FUEL (PRIMARY) . . .	767
FASTENER GP-FRONT HOUSING- WITHOUT SOUND PANEL .....	210		769
FASTENER GP-FUEL LINES .....	762	FILTER ELEMENT AS-AIR (PRIMARY) .....	643
	763		646
FASTENER GP-OIL COOLER-ENGINE .....	529	FILTER ELEMENT AS-AIR (SECONDARY) .....	643
	530		646
FASTENER GP-OIL PAN .....	211	FILTER ELEMENT-FUEL (PRIMARY) .....	764
	212	FILTER GP-ENGINE OIL .....	451
	213		453
FASTENER GP-OIL PUMP MOUNTING- ENGINE .....	442		455
FASTENER GP-SOUND SUPPRESSION .....	214		456
	215		457
FASTENER GP-VALVE MECHANISM .....	216		459
	217		461
FASTENER GP-WATER LINES .....	531		462
FASTENER GP-WATER PUMP .....	532	FILTER GP-FUEL .....	764
	533		765
	534		766
	535	FILTER GP-WATER SEP & FUEL .....	767
FASTENER GP-WIRING HARNESS .....	946		768
	949		769
FILLER GP-ENGINE OIL .....	443		770
	444	FILTER-COOLANT CONDITIONER .....	505
	445		536
	446		

# INDEX

Name	Page	Name	Page
	537		238
FILTER-COOLANT CONDITIONER (PRECHARGE) .....	516		239
FILTER-ENGINE OIL (ADVANCED EFFICIENCY) .....	453		240
	455		241
	456		242
	457	FUMES DISPOSAL GP .....	464
	459		465
	461		466
	462	FUSE (5-AMPERE) .....	1201
FILTER-FUEL (ADVANCED EFFICIENCY) .....	765		
	766		
FILTER-FUEL (ADVANCED EFFICIENCY) (SECONDARY) .....	865		
	866		
	873		
FILTER-SECONDARY .....	865		
	866		
	867		
	869		
	873		
	874		
FITTING GP-EXHAUST .....	677		
FITTING GP-EXHAUST-FLEXIBLE .....	675		
	676		
FITTING GP-FUEL LINES .....	771		
	772		
FITTING GP-QUICK DISCONNECT .....	773		
FITTING GP-WATER LINES .....	538		
	539		
FLANGE GP-EXHAUST .....	678		
	679		
	680		
FLANGE GP-TMSN OIL COOLER .....	540		
FLYWHEEL GP .....	218		
	219		
	220		
	221		
	222		
	223		
	224		
	225		
	226		
	227		
	228		
	229		
	230		
	231		
	232		
	233		
	234		
	235		
	236		
	237		
		<b>G</b>	
		GASKET (FUEL PRIMING PUMP) .....	761
			765
			766
			865
			866
			873
		GAUGE AS-OIL LEVEL (DIPSTICK) (ENGINE) . . .	467
			471
			472
			473
			474
			477
			478
			482
		GAUGE AS-OIL LEVEL (DIPSTICK) (LEFT REAR) (ENGINE) .....	484
		GAUGE AS-OIL LEVEL (DIPSTICK) (RIGHT REAR) (ENGINE) .....	484
		GAUGE AS-PRESSURE (ENGINE OIL) .....	1160
			1162
		GAUGE AS-PRESSURE (FUEL) .....	1160
			1162
		GAUGE GP-COOLANT TEMPERATURE (WATER) .....	1163
		GAUGE GP-COOLANT TEMPERATURE- ENGINE .....	1146
			1147
		GAUGE GP-ENGINE OIL PRESSURE .....	1148
			1149
		GAUGE GP-FUEL PRESSURE .....	1150
			1151
		GAUGE GP-OIL LEVEL (DIPSTICK)-ENGINE . . .	467
			468
			469
			470
			471
			472
			473
			474
			476
			477
		GAUGE GP-TEMPERATURE (ENGINE OIL) . . . .	1160
			1162

# INDEX

Name	Page	Name	Page
GAUGE GP-TEMPERATURE (JACKET WATER) .....	1160		1068
	1162		1090
GEAR GP-CAMSHAFT .....	243	HARNES AS-PUMP (FUEL PRIMING) .....	863
GEAR GP-FRONT .....	244	HARNES AS-SENSOR .....	789
GEAR GP-REAR .....	246		791
	248		793
GOVERNOR GP-AIR COMPRESSOR .....	249		802
GUARD GP-BELT .....	251		804
	252		808
GUARD GP-DAMPER .....	254		810
	255		812
	256		815
	258		817
	260		821
GUIDE GP-OIL LEVEL GAUGE-ENGINE .....	478		867
	479		951
	481	HARNES AS-SENSOR (FUEL FILTER) .....	775
	482		777
	483	HARNES AS-SENSOR (FUEL SENSOR) .....	796
	484		806
		HARNES AS-SENSOR (FUEL) .....	799
			828
			831
		HARNES AS-SENSOR (JUMPER) .....	819
			824
			869
		HARNES AS-WIRING (ALTERNATOR, STARTING MOTOR) .....	1076
		HARNES AS-WIRING (AUTO START/STOP CONTROL) .....	936
			938
		HARNES AS-WIRING (BATTERY) .....	1068
			1089
		HARNES AS-WIRING (CONTROL PANEL) .....	1078
			1093
		HARNES AS-WIRING (DATA LINK) .....	1165
		HARNES AS-WIRING (SPEED SENSOR) .....	994
		HARNES AS-WIRING (START RELAY) .....	1068
		HARNES AS-WIRING-DATA LINK GAUGES .....	953
		HARNES AS-WIRING- MARINE ANALOG POWER DISPLAY .....	953
		HEAT EXCHANGER GP-SEA WATER .....	541
			542
		HEATER GP-JACKET WATER .....	954
			955
		HOSE-AIR INLET .....	681
		HOUSING GP-FLYWHEEL .....	261
			262
			263
			264
			266
			268
HARNES AS-CONTROL .....	779		270
	782		272
	785		
	833		
	837		
	840		
	843		
	846		
	850		
	874		
HARNES AS-CONTROL (ENGINE) .....	1070		
HARNES AS-CONTROL (INSTRUMENT PANEL) .....	1152		
HARNES AS-ENGINE .....	62		
	1072		
	1074		
	1080		
	1083		
	1086		
HARNES AS-ENGINE (INJECTOR, VARIABLE VALVE) .....	59		
	61		
HARNES AS-ENGINE (UNIT INJECTOR) .....	63		
	64		
	65		
HARNES AS-PANEL .....	950		
	1165		
	1173		
	1186		
HARNES AS-POWER .....	1066		
	1067		

## H

# INDEX

Name	Page	Name	Page
	274		284
HOUSING GP-FRONT .....	276		285
	277		286
	279		287
<b>I</b>		LINES GP-AIR .....	687
			690
INDICATOR (AIR SHUTOFF) .....	726		692
	729		695
INDICATOR AS (ENGINE OIL PRESSURE) .....	1163		697
INDICATOR AS (FUEL PRESSURE) .....	1163		699
INDICATOR AS (VOLTMETER) .....	1196	LINES GP-AIR-AFTERCOOLER .....	686
	1197	LINES GP-AIR COMPRESSOR .....	288
INDICATOR-AIR FILTER CHANGE .....	640		289
	642		290
	644		291
	648	LINES GP-AIR-TURBOCHARGER OUTLET .....	683
	649		684
	650		685
	651	LINES GP-ENGINE OIL .....	485
	652		486
	653		487
INDICATOR-AIR FILTER CHANGE (ENGINE) .....	639		489
INJECTOR GP-FUEL .....	857		491
	858	LINES GP-ENGINE OIL-OIL PAN .....	488
	859		490
	862	LINES GP-FLEXIBLE FUEL .....	774
<b>K</b>		LINES GP-FUEL .....	775
			777
KIT-CRANKSHAFT BEARING .....	281		779
KIT-EXHAUST PARTS .....	682		782
KIT-FUEL PRIMING PUMP .....	1201		785
KIT-GASKET (AIR COMPRESSOR HEAD) .....	42	LINES GP-FUEL FILTER .....	788
KIT-GASKET (AIR COMPRESSOR) .....	39		789
KIT-GASKET-AIR INLET MANIFOLD .....	1202		791
KIT-RECEPTACLE (2-PIN) .....	1169		793
KIT-SEAL (AIR COMPRESSOR) .....	39		796
	42		799
KIT-UNLOADER (AIR COMPRESSOR) .....	39		802
	42		804
			806
			808
			810
<b>L</b>			812
LAMP (12-VOLT) .....	938		815
	1186		817
LAMP (24-VOLT, 0.2-AMPERE) .....	936		819
	1173		821
LAMP (24-VOLT, 0.2-AMPERE)			824
(DIAGNOSTIC) .....	1165		833
LAMP AS (INDICATOR) .....	1165		837
LAMP AS-INDICATOR (RED)			840
(MAINTENANCE) .....	1165		843
LIFTING GP-ENGINE .....	282		846
	283		850

# INDEX

Name	Page	Name	Page
LINES GP-FUEL FILTER-HIGH MOUNT	831		319
LINES GP-FUEL FILTER-LOW MOUNT	828		320
LINES GP-OIL-ENGINE	492		322
LINES GP-TURBOCHARGER	702		324
LINES GP-TURBOCHARGER OIL	493		325
	494	MOUNTING GP-ALTERNATOR & COMPR	959
	495	MOUNTING GP-CIRCUIT BREAKER	960
LINES GP-WATER	543		961
	545		962
	547		963
	549		964
	551		965
	553	MOUNTING GP-INSTRUMENT PANEL	1152
	555		1154
	557		1156
	559		1158
	561	MOUNTING GP-JACKET WTR HEATER	966
	563		968
	566	MOUNTING GP-OIL LEVEL GAUGE	497
LUBRICATOR GP-AIR MOTOR	956	MOUNTING GP-PUMP	1096
			1097
			1098
		MOUNTING GP-REFRIGERANT COMPR	327
		MOUNTING GP-SENSOR	970
			971
		MOUNTING GP-TACHOMETER	1159
		MUFFLER	707
		MUFFLER GP	708
			709
		MUFFLER GP-SPARK ARRESTOR	710
<b>M</b>			
MANIFOLD GP-EXHAUST	704		
	705		
	706		
MANIFOLD GP-FUEL	853		
	854		
MECHANISM GP-FUEL PUMP & VALVE	293		
	294		
	295		
	296		
	297		
	298		
	299		
MODULE GP-DISPLAY-MESSENGER	1151		
MODULE GP-INTERFACE	957		
	958		
	1165		
MOUNTING AS-VIBRATION ISOLATOR- HYDRAULIC TANK	1135		
MOUNTING GP-AIR COMPRESSOR	300		
	301		
MOUNTING GP-ALTERNATOR	302		
	303		
	305		
	306		
	308		
	309		
	310		
	312		
	313		
	315		
	316		
	317		
			328
			329
			331
			332
			334
			336
			338
			340
			344
			346
		PAN GP-OIL-ENGINE	342
		PANEL GP-INSTRUMENT	1160
			1162
			1163
			1165
			1169
			1171
			1173
			1176
			1178
			1181
			1184
<b>P</b>			
			328
			329
			331
			332
			334
			336
			338
			340
			344
			346
		PAN GP-OIL-REAR SUMP	342
		PANEL GP-INSTRUMENT	1160
			1162
			1163
			1165
			1169
			1171
			1173
			1176
			1178
			1181
			1184

# INDEX

Name	Page	Name	Page
	1186		334
PANEL GP-SOUND SUPPRESSION .....	1136		336
PANEL GP-SOUND SUPPRESSION- FRONT HOUSING .....	1138		338
PIPE GP-EXHAUST .....	711		340
	712		342
	713		344
PISTON & ROD GP .....	347		382
	349		383
	351	PLUG-DRAIN (HEAT EXCHANGER) .....	384
	353	PLUG-DRAIN (MAGNETIC) (ENGINE OIL PAN) .....	541
	355		331
	357	POWER TAKE-OFF GP .....	385
	359		386
	361		387
	363	POWER TAKE-OFF GP-REAR .....	388
PLATE & FILM GP .....	1203	PRECLEANER GP .....	715
PLATE AS-BRUSH .....	972		717
PLATE AS-FRONT HOUSING .....	365	PRECLEANER GP-AIR CLEANER .....	714
PLATE GP-IDENTIFICATION .....	1204		716
	1205	PULLEY GP-FAN DRIVE .....	389
PLATE-IDENTIFICATION (CAT C15 ACERT) . . .	1204	PULLEY GP-AUXILIARY DRIVE .....	390
PLUG GP-AIR COMPRESSOR .....	366		391
	367	PULLEY GP-CRANKSHAFT .....	392
PLUG GP-CYLINDER BLOCK .....	368		393
	369	PULLEY GP-ENGINE .....	394
	370	PUMP & MTG GP-FUEL TRANSFER-REAR . . .	855
	371		856
	372	PUMP & MTG GP-HYDRAULIC .....	1099
PLUG GP-CYLINDER HEAD .....	373		1100
	374		1101
PLUG GP-ENGINE .....	375		1102
	376		1103
	377		1104
	378		1105
PLUG GP-FLYWHEEL HOUSING .....	379		1106
	380		1107
PLUG GP-INSTRUMENT PANEL .....	1189		1108
	1190	PUMP GP-CHARGE .....	1139
	1191		1140
PLUG GP-OIL PAN-ENGINE .....	381	PUMP GP-ENGINE OIL .....	498
	382	PUMP GP-FUEL INJECTION .....	857
	383		858
	384		859
PLUG GP-WATER LINES .....	568		861
	569		862
	570	PUMP GP-FUEL PRIMING .....	873
	571		879
	572	PUMP GP-FUEL PRM & PRIM FILTER .....	863
	573	PUMP GP-FUEL PRM & SEC FILTER .....	865
	574		866
	575		867
PLUG-DRAIN (ENGINE OIL PAN) .....	328		869
	329		873
	332		874



# INDEX

Name	Page	Name	Page
PUMP GP-FUEL PRM & WATER SEP . . . . .	878		918
	879	REGULATOR-WATER TEMPERATURE	
PUMP GP-FUEL TRANSFER . . . . .	855	(98-DEG C) . . . . .	545
	856		547
PUMP GP-GEAR . . . . .	395		549
	396		551
	397		553
PUMP GP-GEROTOR (CHARGE) . . . . .	1111		555
	1122		557
PUMP GP-HYDRAULIC . . . . .	1109		566
	1111	REGULATOR-WATER TEMPERATURE	
	1116	(98-DEG C) (COOLANT) . . . . .	543
	1119		559
PUMP GP-PISTON-SLIPPER . . . . .	1122		561
	1126		563
PUMP GP-WATER . . . . .	576	RELAY AS (24-VOLT) (STARTING AID) . . . . .	1006
	577	ROCKER ARM GP . . . . .	398
	578		400
	579		401
			402
			403
			406
			408
			409
		ROCKER ARM GP-EXHAUST . . . . .	405
		ROCKER ARM GP-NON-BRAKE . . . . .	407
		ROCKER ARM GP-UNIT INJECTOR . . . . .	404
		ROD AS-ZINC (HEAT EXCHANGER) . . . . .	541
		ROTATING GP-PUMP . . . . .	1128
			1129
			1130
			1131
			408
			409
			405
			407
			404
			541
			1128
			1129
			1130
			1131
			100
			102
			103
			111
			112
			113
			118
			1002
			973
			1
			2
			3
			4
			5

## R

RADIATOR GP . . . . .	580
	582
	585
	586
	587
	589
	591
	594
	598
	602
	606
	609
	612
	615
	618
	621
	623
	626
	629
	632
REGULATOR AS-VOLTAGE (12-VOLT)	
(ALTERNATOR) . . . . .	897
	904
REGULATOR AS-VOLTAGE (24-VOLT)	
(ALTERNATOR) . . . . .	887
	890
	893
	900
	906
	908
	910
	912
	916

## S

SEAL GP-CRANKSHAFT-FRONT . . . . .	412
SEAL GP-CRANKSHAFT-REAR . . . . .	410
	411
SEAL-CRANKSHAFT (REAR) . . . . .	411
SEAL-VALVE COVER . . . . .	98
	99
	100
	102
	103
	111
	112
	113
	118
SENSOR AS-TEMPERATURE . . . . .	1002
SENSOR GP-COOLANT LEVEL . . . . .	973
SENSOR GP-ENGINE . . . . .	1
	2
	3
	4
	5

# INDEX

Name	Page	Name	Page
	6		812
	7		815
	8		817
	9		819
	10		821
	11		824
	12		828
	13		831
	14		867
	974		869
	976	SENSOR GP-PRESSURE–	
	978	ENGINE OIL, FUEL .....	983
SENSOR GP-LIQUID LEVEL .....	979	SENSOR GP-SPEED .....	991
	980		992
SENSOR GP-LIQUID LEVEL–ENGINE OIL .....	981		993
SENSOR GP-POSITION .....	982		994
	941		995
SENSOR GP-POSITION (ENGINE SPEED) .....	942		996
	940		997
SENSOR GP-POSITION (ROTARY)		SENSOR GP-SPEED (FLYWHEEL) .....	997
(ENGINE SPEED) .....	779	SENSOR GP-SPEED (TIMING, CAMSHAFT) .....	974
SENSOR GP-PRESSURE .....	782		976
	785	SENSOR GP-SPEED	
	837	(TIMING, CRANKSHAFT) .....	974
	840		976
	850	SENSOR GP-SPEED–ENGINE .....	990
	874	SENSOR GP-TEMPERATURE .....	779
	984		782
	985		785
	986		837
	987		840
	988		850
	989		874
SENSOR GP-PRESSURE			998
(AIR INLET MANIFOLD) .....	974		999
	976		1000
SENSOR GP-PRESSURE			1001
(ATMOSPHERIC AIR) .....	974		1002
	976		1003
SENSOR GP-PRESSURE (ATMOSPHERIC) .....	986		1004
SENSOR GP-PRESSURE (FUEL FILTER) .....	833	SENSOR GP-TEMPERATURE (FUEL) .....	775
	843		777
	846		789
SENSOR GP-PRESSURE (FUEL) .....	775		791
	777		793
	789		796
	791		799
	793		802
	796		804
	799		806
	802		808
	804		810
	806		815
	808		819
	810		824

# INDEX

Name	Page	Name	Page
	828		1015
	831		1017
	833		1019
	843	STARTING MOTOR GP-ELECTRIC .....	1021
	846		1022
	867		1025
	869		1026
SENSOR GP-TEMPERATURE (INTAKE AIR MANIFOLD) .....	812		1027
	817		1028
	821		1029
	974		1030
SENSOR GP-TEMPERATURE (WATER COOLANT) .....	974		1031
SHAFT GP-STUB .....	413		1032
	414		1033
SHIELD GP-HEAT .....	718		1034
	719		1037
SHIELD GP-MANIFOLD .....	720		1039
	721		1041
SHUTOFF GP-AIR .....	722		1044
	727		1047
	728	SUPPORT GP-BATTERY .....	1048
	731	SUPPORT GP-ENGINE .....	1051
	733		1054
	735		1055
SHUTOFF GP-AIR-12-VOLT .....	724		418
SHUTOFF GP-AIR-INTAKE MANIFOLD .....	726		419
	729		420
	737		421
SHUTOFF GP-MANUAL .....	880		422
SILENCER-AIR STARTING .....	1005		423
SOLENOID (12-VOLT) (AIR SHUTOFF) .....	726		424
SOLENOID AS .....	1126		425
SOLENOID AS (24-VOLT) (AIR INLET SHUTOFF) .....	722		426
	731	SUPPORT GP-ENGINE-FRONT .....	417
	735	SUPPORT GP-ENGINE-REAR .....	416
SOLENOID AS (PUMP CONTROL VALVE) .....	1116	SUPPORT GP-POWER TAKE-OFF .....	427
SOLENOID AS-STARTING MOTOR (24-VOLT) ...	1023		428
	1034	SWITCH (PUSH BUTTON) (MAINTENANCE CLEAR) .....	1165
	1042	SWITCH AS-LIQUID LEVEL (ENGINE OIL) .....	344
	1045		980
	1048	SWITCH AS-PUSH BUTTON (EMERGENCY STOP) .....	1186
	1052	SWITCH AS-PUSH BUTTON (ENGINE SHUTDOWN) .....	1173
SOLENOID-SHUTOFF (12-VOLT) (AIR INLET) ...	724	SWITCH AS-PUSH BUTTON (MAINTENANCE CLEAR) .....	1173
	733		1186
SOLENOID-SHUTOFF (24-VOLT) (AIR) .....	729	SWITCH AS-PUSH BUTTON (SECONDARY STOP) .....	936
SPACER GP-BLOCK .....	415		938
STARTING AID GP-ETHER .....	1006	SWITCH AS-PUSH BUTTON (SHUTDOWN) ...	1165
	1007	SWITCH AS-TOGGLE (IDLE, HIGH, LOW) .....	1173
	1008		1186
STARTING MOTOR GP-AIR .....	1009	SWITCH AS-TOGGLE (MOMENTARY) (HI/LOW IDLE) .....	1166
	1011		
	1013		

# INDEX

Name	Page	Name	Page
SWITCH AS-TOGGLE (MOMENTARY) (SPEED CONTROL) .....	936		315
	938		317
			319
SWITCH AS-TOGGLE (PRIMING PUMP)(ON/OFF) .....	1201	V-BELT (FAN DRIVE) .....	432
SWITCH GP-MAGNETIC .....	1057		437
	1058		438
SWITCH GP-MAGNETIC (12-VOLT) (AIR SHUTOFF) .....	724	V-BELT (INCLUDES 4-BELTS) .....	436
	733	V-BELT SET .....	434
			436
SWITCH GP-MAGNETIC-AIR SHUTOFF .....	1056	V-BELT SET (INCLUDES 2-BELTS) (ALTERNATOR) .....	316
SWITCH GP-REMOTE STARTING .....	1059		320
SWITCH GP-START .....	1186		322
SWITCH GP-START (IGNITION) .....	936	V-BELT SET (INCLUDES 3-BELTS) (FAN DRIVE) .....	173
	938		175
	1166		
SWITCH GP-START (KEY) .....	1174	V-BELT SET (INCLUDES 4-BELTS) (FAN DRIVE) .....	177
SWITCH GP-START-REMOTE .....	1060	V-BELT SET-2 BELTS .....	431
SWITCH GP-TOGGLE .....	1061	V-BELT SET- INCLUDES 3-BELTS, FAN DRIVE .....	430
			432
			433
			437
		V-BELT SET-INCLUDES 4-BELTS .....	435
			438
		V-BELT SET- INCLUDES 4-BELTS, FAN DRIVE .....	430
			432
			433
			437
			438
			439
			49
			53
			54
		VALVE AS-SOLENOID (HYDRAULIC PUMP CONTROL) .....	1132
		VALVE GP-AIR STARTING .....	1062
		VALVE GP-CHECK .....	191
			192
		VALVE GP-CHECK-FUEL .....	881
			882
			883
			884
		VALVE GP-ETHER STARTING .....	1064
		VALVE GP-ETHER STARTING-12-VOLT .....	1065
		VALVE GP-FLUID SAMPLING (ENGINE COOLANT) .....	563
		VALVE GP-FUEL BYPASS-FILTER .....	885
		VALVE GP-PUMP CONTROL (HYDRAULIC) .....	1116

## T

## V

# INDEX

Name	Page	Name	Page
	1126		
VALVE GP-PUMP CONTROL (PRESSURE COMPENSATOR) .....	1119		
VALVE GP-PUMP CONTROL- PRESSURE, FLOW COMPENSATOR .....	1133		
VALVE GP-PUMP CONTROL-PROPEL .....	1132		
VALVE GP-RELIEF (PUMP HEAD) .....	1119		
VALVE GP-RELIEF-CHARGE PRESSURE .....	886		
VALVE MECHANISM .....	295		
VALVE-MANUAL .....	636		
VOLTMETER GP .....	1195		
	1196		
	1197		
	1198		
	1199		
<b>W</b>			
WATER SEP & FUEL PRM PUMP GP .....	878		
	879		
WIRING GP-ALTERNATOR .....	1066		
	1067		
	1068		
WIRING GP-ELECTRONIC CONTROL .....	1070		
	1072		
	1074		
WIRING GP-ENGINE .....	1076		
	1079		
	1080		
	1083		
	1086		
	1089		
WIRING GP-ENGINE ELECTRONIC .....	1090		
	1091		
WIRING GP-ENGINE- REMOTE MOUNTED ECM .....	1078		
WIRING GP-SENSOR-CONTROL PANEL .....	1093		
WIRING GP-UNIT INJECTOR .....	1094		

# MEMORANDA

# ENGINE ARRANGEMENT

## 241-0020 ENGINE AR-CORE

S/N: JRE106-UP

403 BRAKE KW (540 BHP) AT 2100 RPM. ADEM-4, REAR EXHAUST

SMCS-1000

i03453584

NOTE	PART NUMBER	QTY	PART NAME						SEE PAGE
			1	2	3	4	5	6 (PRODUCT LEVEL)	
Y	234-5005	1	BASE GP-VALVE COVER & INJ HARN						59
			S/N: JRE106-878, 2682-4360						
Y	278-5662	1	BASE GP-VALVE COVER & INJ HARN						64
			S/N: JRE879-2681, 4361-UP						
Y	234-7935	1	CAMSHAFT GP						71
			S/N: JRE106-7498						
Y	314-9614	1	CAMSHAFT GP						73
			S/N: JRE7499-UP						
Y	223-9731	1	CRANKSHAFT GP						119
Y	223-9252	1	CYLINDER BLOCK GP						126
Y	234-9185	1	CYLINDER HEAD GP						144
Y	6I-3638	1	DRIVE GP-PUMP						189
Y	4P-6846	1	FASTENER GP-FRONT HOUSING						206
Y	4N-2481	1	FASTENER GP-OIL PUMP MOUNTING						442
Y	208-9490	1	GEAR GP-FRONT						244
Y	148-7482	1	MECHANISM GP-FUEL PUMP & VALVE						293
			S/N: JRE106-1268						
Y	266-3699	1	MECHANISM GP-FUEL PUMP & VALVE						298
			S/N: JRE2682-4360						
Y	190-0009	1	MECHANISM GP-FUEL PUMP & VALVE						295
			S/N: JRE1269-2681, 4361-UP						
Y	229-2863	6	PISTON & ROD GP						347
YR	161-4113	1	PUMP GP-ENGINE OIL						498
Y	235-1401	6	PUMP GP-FUEL INJECTION						857
Y	174-5986	1	PUMP GP-WATER						577
Y	231-1973	1	SENSOR GP-ENGINE						974
	339-0022	1	ELECTRONICS GP-ENGINE RATINGS						

R-REMG PART MAY BE AVAILABLE  
Y-SEPARATE ILLUSTRATION

# ENGINE ARRANGEMENT

## 254-3832 ENGINE AR-CORE\*R

S/N: JRE151-UP

328 BRAKE KW (440 BHP) AT 2100 RPM. ADEM-4, REAR EXHAUST

SMCS-1000

i03568148

NOTE	PART NUMBER	QTY	PART NAME						SEE PAGE
			1	2	3	4	5	6 (PRODUCT LEVEL)	
Y	234-5005	1	BASE GP-VALVE COVER & INJ HARN						59
			S/N: JRE151-875, 2682-4360						
Y	278-5662	1	BASE GP-VALVE COVER & INJ HARN						64
			S/N: JRE876-2681, 4361-UP						
Y	234-7935	1	CAMSHAFT GP						71
			S/N: JRE151-7500						
Y	314-9614	1	CAMSHAFT GP						73
			S/N: JRE7501-UP						
Y	223-9731	1	CRANKSHAFT GP						119
Y	223-9252	1	CYLINDER BLOCK GP						126
Y	234-9185	1	CYLINDER HEAD GP						144
Y	6I-3638	1	DRIVE GP-PUMP						189
Y	4P-6846	1	FASTENER GP-FRONT HOUSING						206
Y	4N-2481	1	FASTENER GP-OIL PUMP MOUNTING						442
Y	208-9490	1	GEAR GP-FRONT						244
Y	148-7482	1	MECHANISM GP-FUEL PUMP & VALVE						293
			S/N: JRE151-1268						
Y	266-3699	1	MECHANISM GP-FUEL PUMP & VALVE						298
			S/N: JRE2682-4360						
Y	190-0009	1	MECHANISM GP-FUEL PUMP & VALVE						295
			S/N: JRE1269-2681, 4361-UP						
Y	229-2863	6	PISTON & ROD GP						347
YR	161-4113	1	PUMP GP-ENGINE OIL						498
Y	235-1401	6	PUMP GP-FUEL INJECTION						857
Y	174-5986	1	PUMP GP-WATER						577
Y	231-1973	1	SENSOR GP-ENGINE						974
	341-3883	1	ELECTRONICS GP-ENGINE RATINGS						

R-REMG PART MAY BE AVAILABLE  
Y-SEPARATE ILLUSTRATION



# ENGINE ARRANGEMENT

## 254-3835 ENGINE AR-CORE\*R

S/N: JRE109-UP

403/433/444 BRAKE KW (540/580/595 BHP) AT 2100 RPM

SMCS-1000

i03627115

NOTE	PART NUMBER	QTY	PART NAME						SEE PAGE
			1	2	3	4	5	6 (PRODUCT LEVEL)	
Y	234-5005	1	BASE GP-VALVE COVER & INJ HARN						59
			S/N: JRE109-876						
Y	278-5662	1	BASE GP-VALVE COVER & INJ HARN						64
			S/N: JRE877-UP						
Y	243-0551	1	CAMSHAFT GP						72
Y	223-9731	1	CRANKSHAFT GP						119
Y	223-9252	1	CYLINDER BLOCK GP						126
Y	234-9185	1	CYLINDER HEAD GP						144
			S/N: JRE109-7659						
Y	314-7316	1	CYLINDER HEAD GP						150
			S/N: JRE7660-UP						
Y	6I-3638	1	DRIVE GP-PUMP						189
Y	4P-6846	1	FASTENER GP-FRONT HOUSING						206
Y	4N-2481	1	FASTENER GP-OIL PUMP MOUNTING						442
Y	208-9490	1	GEAR GP-FRONT						244
Y	148-7482	1	MECHANISM GP-FUEL PUMP & VALVE						293
			S/N: JRE109-1269						
Y	190-0009	1	MECHANISM GP-FUEL PUMP & VALVE						295
			S/N: JRE1270-UP						
Y	229-2863	6	PISTON & ROD GP						347
YR	161-4113	1	PUMP GP-ENGINE OIL						498
Y	235-1402	6	PUMP GP-FUEL INJECTION						859
Y	174-5986	1	PUMP GP-WATER						577
Y	231-1973	1	SENSOR GP-ENGINE						974
	240-9682	1	ELECTRONICS GP-ENGINE RATINGS						

R-REMFG PART MAY BE AVAILABLE  
Y-SEPARATE ILLUSTRATION

# ENGINE ARRANGEMENT

## 254-3838 ENGINE AR-CORE

S/N: JRE518-522

395 BRAKE KW (529 BHP) AT 2100 RPM. NEW HOLLAND FORAGER HARVESTER

SMCS-1000

i02118993

NOTE	PART NUMBER	QTY	PART NAME						SEE PAGE
			1	2	3	4	5	6 (PRODUCT LEVEL)	
Y	234-5005	1	BASE GP-VALVE COVER & INJ HARN						59
Y	234-7935	1	CAMSHAFT GP						71
Y	223-9731	1	CRANKSHAFT GP						119
Y	223-9252	1	CYLINDER BLOCK GP						126
Y	234-9185	1	CYLINDER HEAD GP						144
Y	6I-3638	1	DRIVE GP-PUMP						189
Y	4P-6846	1	FASTENER GP-FRONT HOUSING						206
Y	4N-2481	1	FASTENER GP-OIL PUMP MOUNTING						442
Y	208-9490	1	GEAR GP-FRONT						244
Y	229-2863	6	PISTON & ROD GP						347
YR	161-4113	1	PUMP GP-ENGINE OIL						498
Y	235-1401	6	PUMP GP-FUEL INJECTION						857
Y	174-5986	1	PUMP GP-WATER						577
Y	231-1973	1	SENSOR GP-ENGINE						974
Y	148-7482	1	MECHANISM GP-FUEL PUMP & VALVE						293
	254-7439	1	ELECTRONICS GP-ENGINE RATINGS						

R-REMG PART MAY BE AVAILABLE

Y-SEPARATE ILLUSTRATION

# ENGINE ARRANGEMENT

## 300-4940 ENGINE AR-CORE\*R

S/N: JRE4361-UP

354 BRAKE KW (475 BHP) AT 2100 RPM  
AN ATTACHMENT

SMCS - 1000

i04150036

NOTE	PART NUMBER	QTY	PART NAME						SEE PAGE
			1	2	3	4	5	6 (PRODUCT LEVEL)	
Y	234-5005	1	BASE GP-VALVE COVER & INJ HARN						59
Y	234-7935	1	CAMSHAFT GP						71
			S/N: JRE4361-7508						
Y	314-9614	1	CAMSHAFT GP						73
			S/N: JRE7509-UP						
Y	223-9731	1	CRANKSHAFT GP						119
Y	223-9252	1	CYLINDER BLOCK GP						126
Y	234-9185	1	CYLINDER HEAD GP						144
Y	6I-3638	1	DRIVE GP-PUMP						189
Y	4P-6846	1	FASTENER GP-FRONT HOUSING						206
Y	4N-2481	1	FASTENER GP-OIL PUMP MOUNTING						442
Y	208-9490	1	GEAR GP-FRONT						244
Y	266-3699	1	MECHANISM GP-FUEL PUMP & VALVE						298
Y	229-2863	6	PISTON & ROD GP						347
YR	<b>161-4113</b>	1	PUMP GP-ENGINE OIL						498
Y	235-1401	6	PUMP GP-FUEL INJECTION						857
Y	174-5986	1	PUMP GP-WATER						577
Y	231-1973	1	SENSOR GP-ENGINE						974
	367-4112	1	ELECTRONICS GP-ENGINE RATINGS						

R-REMFG PART MAY BE AVAILABLE  
Y-SEPARATE ILLUSTRATION

# ENGINE ARRANGEMENT

## 300-4941 ENGINE AR-CORE

S/N: JRE4361-UP

328 BRAKE KW (440 BHP) AT 2100 RPM  
AN ATTACHMENT

SMCS - 1000

i03041942

NOTE	PART NUMBER	QTY	PART NAME						SEE PAGE
			1	2	3	4	5	6 (PRODUCT LEVEL)	
Y	234-5005	1	BASE GP-VALVE COVER & INJ HARN						59
Y	234-7935	1	CAMSHAFT GP						71
			S/N: JRE4361-7494						
Y	314-9614	1	CAMSHAFT GP						73
			S/N: JRE7495-UP						
Y	223-9731	1	CRANKSHAFT GP						119
Y	223-9252	1	CYLINDER BLOCK GP						126
Y	234-9185	1	CYLINDER HEAD GP						144
Y	6I-3638	1	DRIVE GP-PUMP						189
Y	4P-6846	1	FASTENER GP-FRONT HOUSING						206
Y	4N-2481	1	FASTENER GP-OIL PUMP MOUNTING						442
Y	208-9490	1	GEAR GP-FRONT						244
Y	266-3699	1	MECHANISM GP-FUEL PUMP & VALVE						298
Y	229-2863	6	PISTON & ROD GP						347
YR	<b>161-4113</b>	1	PUMP GP-ENGINE OIL						498
Y	235-1401	6	PUMP GP-FUEL INJECTION						857
Y	174-5986	1	PUMP GP-WATER						577
Y	231-1973	1	SENSOR GP-ENGINE						974
	254-7435	1	ELECTRONICS GP-ENGINE RATINGS						

R-REMFG PART MAY BE AVAILABLE  
Y-SEPARATE ILLUSTRATION

# ENGINE ARRANGEMENT

## 304-9463 ENGINE AR-CORE

403 BRAKE KW (540 BHP) AT 1400 RPM  
AN ATTACHMENT

SMCS - 1000

i02728674

NOTE	PART NUMBER	QTY	PART NAME						SEE PAGE
			1	2	3	4	5	6 (PRODUCT LEVEL)	
Y	278-5662	1	BASE GP-VALVE COVER & INJ HARN						64
Y	243-0551	1	CAMSHAFT GP						72
Y	223-9731	1	CRANKSHAFT GP						119
Y	223-9252	1	CYLINDER BLOCK GP						126
Y	234-9185	1	CYLINDER HEAD GP						144
Y	6I-3638	1	DRIVE GP-PUMP						189
Y	4P-6846	1	FASTENER GP-FRONT HOUSING						206
Y	4N-2481	1	FASTENER GP-OIL PUMP MOUNTING						442
Y	208-9490	1	GEAR GP-FRONT						244
Y	190-0009	1	MECHANISM GP-FUEL PUMP & VALVE						295
Y	229-2863	6	PISTON & ROD GP						347
YR	161-4113	1	PUMP GP-ENGINE OIL						498
Y	235-1402	6	PUMP GP-FUEL INJECTION						859
Y	174-5986	1	PUMP GP-WATER						577
Y	231-1973	1	SENSOR GP-ENGINE						974
Y	242-3492	1	TURBOCHARGER GP						743
	<b>309-1860</b>	1	<b>ELECTRONICS GP-ENGINE RATINGS</b>						

R-REMFG PART MAY BE AVAILABLE  
Y-SEPARATE ILLUSTRATION

# ENGINE ARRANGEMENT

## 309-8628 ENGINE AR-CORE

424 BRAKE KW (348 BHP) AT 1800 RPM, 479 BRAKE KW (393 BHP) AT 1800 RPM,  
532 BRAKE KW (438 BHP) AT 1800 RPM

SMCS-1000

i03905588

NOTE	PART NUMBER	QTY	PART NAME						SEE PAGE
			1	2	3	4	5	6 (PRODUCT LEVEL)	
Y	278-5662	1	BASE GP-VALVE COVER & INJ HARN						64
Y	243-0551	1	CAMSHAFT GP						72
Y	223-9731	1	CRANKSHAFT GP						119
Y	223-9252	1	CYLINDER BLOCK GP						126
Y	314-7316	1	CYLINDER HEAD GP						150
Y	6I-3638	1	DRIVE GP-PUMP						189
Y	4P-6846	1	FASTENER GP-FRONT HOUSING						206
Y	4N-2481	1	FASTENER GP-OIL PUMP MOUNTING						442
Y	109-1657	1	FASTENER GP-VALVE MECHANISM						216
			S/N: JRE1-10573						
Y	335-2317	1	FASTENER GP-VALVE MECHANISM						217
			S/N: JRE10574-UP						
Y	208-9490	1	GEAR GP-FRONT						244
Y	190-0009	1	MECHANISM GP-FUEL PUMP & VALVE						295
Y	252-0652	6	PISTON & ROD GP						363
YR	<b>161-4113</b>	1	PUMP GP-ENGINE OIL						498
Y	235-1403	6	PUMP GP-FUEL INJECTION						862
Y	174-5986	1	PUMP GP-WATER						577
			S/N: JRE1-10787						
Y	280-8039	1	PUMP GP-WATER						578
			S/N: JRE10788-UP						
Y	231-1973	1	SENSOR GP-ENGINE						974
Y	284-2776	1	TURBOCHARGER GP						751
			S/N: JRE1-11355						
	318-1900	1	ELECTRONICS GP-ENGINE RATINGS						

R-REMFG PART MAY BE AVAILABLE  
Y-SEPARATE ILLUSTRATION

# ENGINE ARRANGEMENT

## 309-8629 ENGINE AR-CORE

587 BRAKE KW (787 BHP) AT 1800 RPM

SMCS - 1000

i03905605

NOTE	PART NUMBER	QTY	PART NAME						SEE PAGE
			1	2	3	4	5	6 (PRODUCT LEVEL)	
Y	278-5662	1	BASE GP-VALVE COVER & INJ HARN						64
Y	243-0551	1	CAMSHAFT GP						72
Y	223-9731	1	CRANKSHAFT GP						119
Y	223-9252	1	CYLINDER BLOCK GP						126
Y	314-7316	1	CYLINDER HEAD GP						150
Y	6I-3638	1	DRIVE GP-PUMP						189
Y	4P-6846	1	FASTENER GP-FRONT HOUSING						206
Y	4N-2481	1	FASTENER GP-OIL PUMP MOUNTING						442
Y	109-1657	1	FASTENER GP-VALVE MECHANISM						216
Y	208-9490	1	GEAR GP-FRONT						244
Y	190-0009	1	MECHANISM GP-FUEL PUMP & VALVE						295
Y	252-0652	6	PISTON & ROD GP						363
YR	161-4113	1	PUMP GP-ENGINE OIL						498
Y	235-1403	6	PUMP GP-FUEL INJECTION						862
Y	174-5986	1	PUMP GP-WATER						577
			S/N: JRE1-11355						
Y	280-8039	1	PUMP GP-WATER						578
			S/N: JRE11356-UP						
Y	231-1973	1	SENSOR GP-ENGINE						974
Y	284-2776	1	TURBOCHARGER GP						751
			S/N: JRE1-11355						
	318-1902	1	ELECTRONICS GP-ENGINE RATINGS						

R-REMG PART MAY BE AVAILABLE  
Y-SEPARATE ILLUSTRATION

# ENGINE ARRANGEMENT

## 327-1013 ENGINE AR-CORE

S/N: JRE8106-UP

354 BRAKE KW (475 BHP) AT 2100 RPM. ADEM-4, WITHOUT BRAKE

SMCS-1000

i03453586

NOTE	PART NUMBER	QTY	PART NAME						SEE PAGE
			1	2	3	4	5	6 (PRODUCT LEVEL)	
Y	278-5662	1	BASE GP-VALVE COVER & INJ HARN						64
Y	314-9614	1	CAMSHAFT GP						73
Y	223-9731	1	CRANKSHAFT GP						119
Y	223-9252	1	CYLINDER BLOCK GP						126
Y	234-9185	1	CYLINDER HEAD GP						144
Y	6I-3638	1	DRIVE GP-PUMP						189
Y	4P-6846	1	FASTENER GP-FRONT HOUSING						206
Y	4N-2481	1	FASTENER GP-OIL PUMP MOUNTING						442
Y	208-9490	1	GEAR GP-FRONT						244
Y	190-0009	1	MECHANISM GP-FUEL PUMP & VALVE						295
Y	229-2863	6	PISTON & ROD GP						347
YR	161-4113	1	PUMP GP-ENGINE OIL						498
Y	235-1401	6	PUMP GP-FUEL INJECTION						857
Y	174-5986	1	PUMP GP-WATER						577
Y	231-1973	1	SENSOR GP-ENGINE						974
	339-0022	1	ELECTRONICS GP-ENGINE RATINGS						

PLEASE USE THE GASKET KIT LINK IN SIS OR CONTACT YOUR LOCAL DEALER FOR THE LATEST GASKET KIT INFORMATION

R-REMFG PART MAY BE AVAILABLE  
Y-SEPARATE ILLUSTRATION



# ENGINE ARRANGEMENT

## 327-1014 ENGINE AR-CORE\*R

403/433/444 BRAKE KW (540/580/595 BHP) AT 2100 RPM

SMCS - 1000

i03553340

NOTE	PART NUMBER	QTY	PART NAME						SEE PAGE
			1	2	3	4	5	6 (PRODUCT LEVEL)	
Y	278-5662	1	BASE GP-VALVE COVER & INJ HARN						64
Y	243-0551	1	CAMSHAFT GP						72
Y	223-9731	1	CRANKSHAFT GP						119
Y	223-9252	1	CYLINDER BLOCK GP						126
Y	314-7316	1	CYLINDER HEAD GP						150
Y	6I-3638	1	DRIVE GP-PUMP						189
Y	4P-6846	1	FASTENER GP-FRONT HOUSING						206
Y	4N-2481	1	FASTENER GP-OIL PUMP MOUNTING						442
Y	208-9490	1	GEAR GP-FRONT						244
Y	190-0009	1	MECHANISM GP-FUEL PUMP & VALVE						295
Y	229-2863	6	PISTON & ROD GP						347
YR	161-4113	1	PUMP GP-ENGINE OIL						498
Y	235-1402	6	PUMP GP-FUEL INJECTION						859
Y	174-5986	1	PUMP GP-WATER						577
Y	231-1973	1	SENSOR GP-ENGINE						974
	240-9682	1	ELECTRONICS GP-ENGINE RATINGS						

R-REMG PART MAY BE AVAILABLE  
Y-SEPARATE ILLUSTRATION

# ENGINE ARRANGEMENT

## 327-2107 ENGINE AR-CORE

S/N: JRE9895-UP

354 BRAKE KW (475 BHP) AT 2100 RPM

SMCS - 1000

i03559800

NOTE	PART NUMBER	QTY	PART NAME						SEE PAGE
			1	2	3	4	5	6 (PRODUCT LEVEL)	
Y	234-5005	1	BASE GP-VALVE COVER & INJ HARN						59
Y	314-9614	1	CAMSHAFT GP						73
Y	223-9731	1	CRANKSHAFT GP						119
Y	223-9252	1	CYLINDER BLOCK GP						126
Y	234-9185	1	CYLINDER HEAD GP						144
Y	6I-3638	1	DRIVE GP-PUMP						189
Y	4P-6846	1	FASTENER GP-FRONT HOUSING						206
Y	4N-2481	1	FASTENER GP-OIL PUMP MOUNTING						442
Y	208-9490	1	GEAR GP-FRONT						244
Y	266-3699	1	MECHANISM GP-FUEL PUMP & VALVE						298
Y	229-2863	6	PISTON & ROD GP						347
YR	161-4113	1	PUMP GP-ENGINE OIL						498
Y	235-1401	6	PUMP GP-FUEL INJECTION						857
Y	174-5986	1	PUMP GP-WATER						577
Y	231-1973	1	SENSOR GP-ENGINE						974
	339-0022	1	ELECTRONICS GP-ENGINE RATINGS						

R-REMG PART MAY BE AVAILABLE

Y-SEPARATE ILLUSTRATION

# ENGINE ARRANGEMENT

## 344-2359 ENGINE AR-CORE

S/N: JRE10661-UP

328 BRAKE KW (440 BHP) AT 2100 RPM

SMCS-1000

i03644409

NOTE	PART NUMBER	QTY	PART NAME						SEE PAGE
			1	2	3	4	5	6 (PRODUCT LEVEL)	
Y	278-5662	1	BASE GP-VALVE COVER & INJ HARN						64
Y	314-9614	1	CAMSHAFT GP						73
Y	223-9731	1	CRANKSHAFT GP						119
Y	223-9252	1	CYLINDER BLOCK GP						126
Y	234-9185	1	CYLINDER HEAD GP						144
Y	6I-3638	1	DRIVE GP-PUMP						189
Y	4P-6846	1	FASTENER GP-FRONT HOUSING						206
Y	4N-2481	1	FASTENER GP-OIL PUMP MOUNTING						442
Y	208-9490	1	GEAR GP-FRONT						244
Y	190-0009	1	MECHANISM GP-FUEL PUMP & VALVE						295
Y	229-2863	6	PISTON & ROD GP						347
YR	161-4113	1	PUMP GP-ENGINE OIL						498
Y	235-1401	6	PUMP GP-FUEL INJECTION						857
Y	174-5986	1	PUMP GP-WATER						577
Y	231-1973	1	SENSOR GP-ENGINE						974
	341-3883	1	ELECTRONICS GP-ENGINE RATINGS						

R-REMG PART MAY BE AVAILABLE

Y-SEPARATE ILLUSTRATION

# ENGINE ARRANGEMENT

## 346-1612 ENGINE AR-CORE

403 BRAKE KW (540 BHP) AT 2100 RPM, C TIER,  
 433 BRAKE KW (580 BHP) AT 2100 RPM, D TIER,  
 444 BRAKE KW (595 BHP) AT 2100 RPM, E TIER

SMCS-1000

i03627542

NOTE	PART NUMBER	QTY	PART NAME						SEE PAGE
			1	2	3	4	5	6 (PRODUCT LEVEL)	
Y	344-6077	1	BASE GP-VALVE COVER & INJ HARN						66
Y	243-0551	1	CAMSHAFT GP						72
Y	223-9731	1	CRANKSHAFT GP						119
Y	223-9252	1	CYLINDER BLOCK GP						126
Y	314-7316	1	CYLINDER HEAD GP						150
Y	6I-3638	1	DRIVE GP-PUMP						189
Y	4P-6846	1	FASTENER GP-FRONT HOUSING						206
Y	4N-2481	1	FASTENER GP-OIL PUMP MOUNTING						442
Y	208-9490	1	GEAR GP-FRONT						244
Y	266-3699	1	MECHANISM GP-FUEL PUMP & VALVE						298
Y	229-2863	6	PISTON & ROD GP						347
YR	161-4113	1	PUMP GP-ENGINE OIL						498
Y	235-1402	6	PUMP GP-FUEL INJECTION						859
Y	174-5986	1	PUMP GP-WATER						577
Y	231-1973	1	SENSOR GP-ENGINE						974
	240-9682	1	ELECTRONICS GP-ENGINE RATINGS						

R-REMFG PART MAY BE AVAILABLE  
 Y-SEPARATE ILLUSTRATION

# BASIC ENGINE

## 233-7245 ACTUATOR GP-VALVE

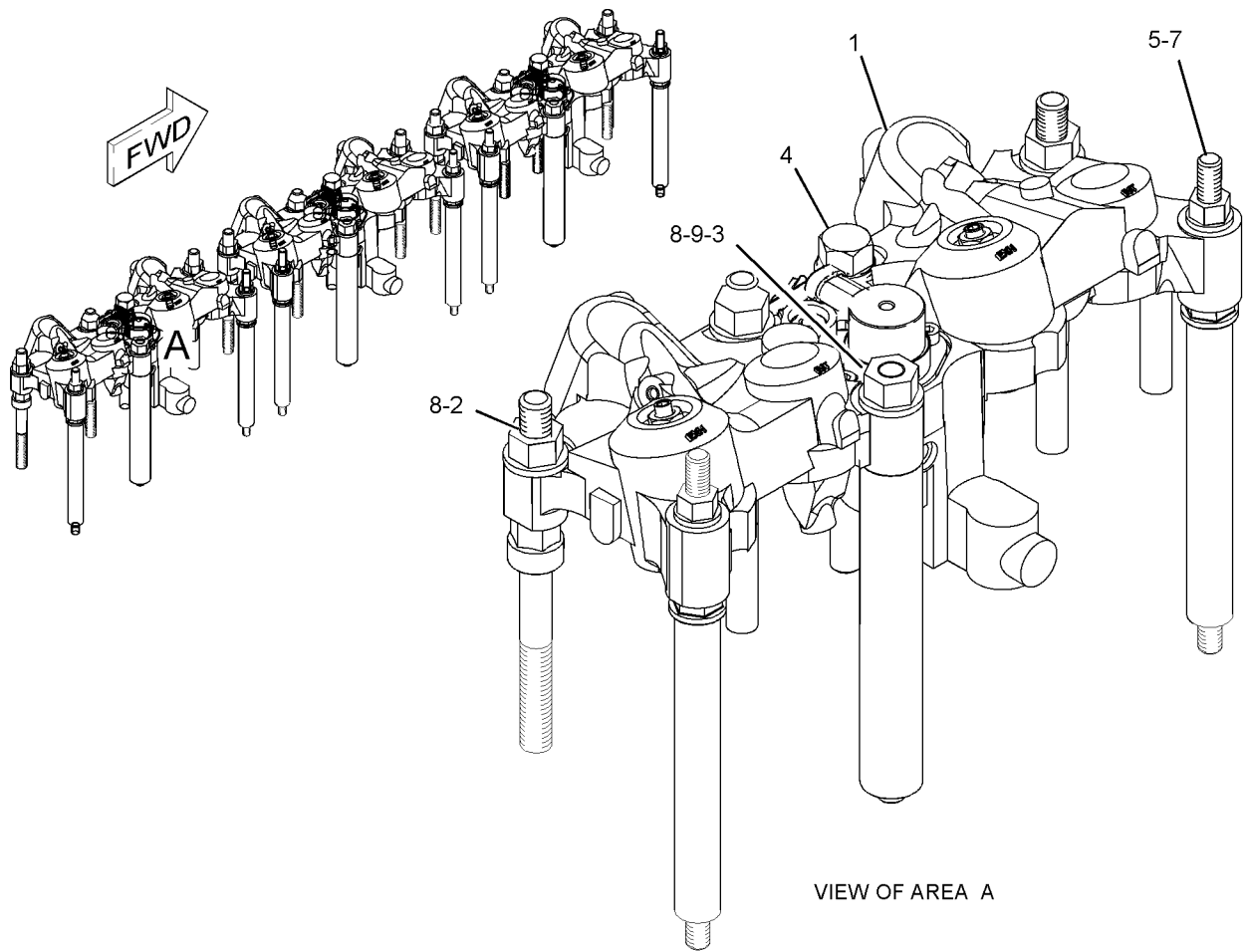
S/N: JRE1-3942  
24-VOLT. EXHAUST  
AN ATTACHMENT

SMCS-1130

i02796707

NOTE	REF NO	GRAPHIC REF	PART NUMBER	QTY	PART NAME						SEE PAGE
					1	2	3	4	5	6 (PRODUCT LEVEL)	
YR	1	1	239-9624	3	ENGINE BRAKE GP						190
	2	1	288-4109	9	STUD-SPECIAL (COMPRESSION BRAKE)						
	3	1	234-9505	3	SUPPORT						
	4	1	234-9508	3	BOLT (1/2-13X5.65-IN)						
	5	1	235-0658	6	STUD						
	7	1	235-1088	6	NUT (3/8-16-THD)						
	8	1	235-1089	12	NUT-FLANGE (1/2-13-THD)						
	9	1	8T-7062	3	STUD-TAPERLOCK (1/2-13X55, 1/2-13X21-MM)						

R-REMFG PART MAY BE AVAILABLE  
Y-SEPARATE ILLUSTRATION



GRAPHIC #1

<END>

g01089483

# BASIC ENGINE

## 233-7245 ACTUATOR GP-VALVE

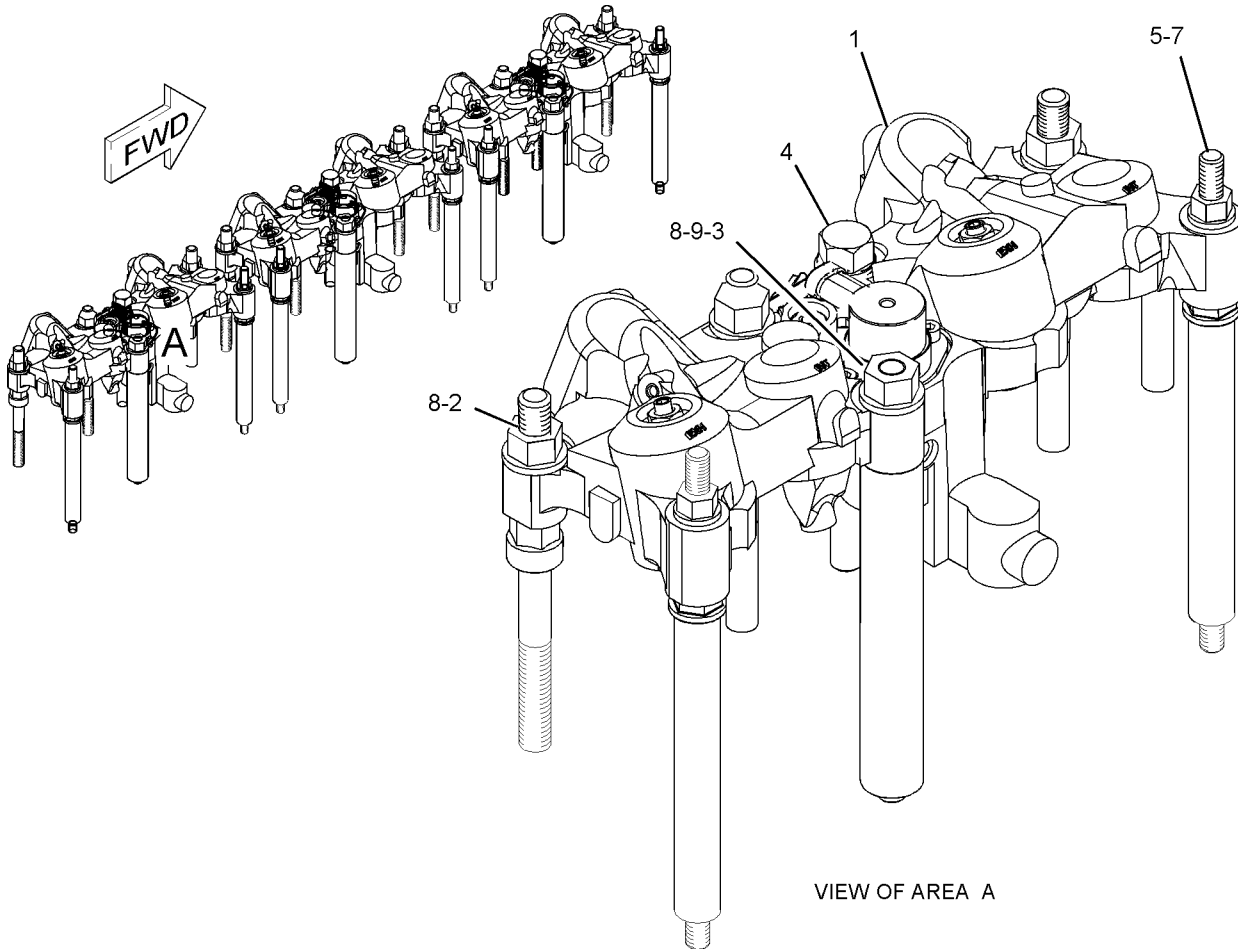
S/N: JRE3943-UP  
24-VOLT. EXHAUST  
AN ATTACHMENT  
TYPE 1

SMCS-1130

i03362408

NOTE	REF NO	GRAPHIC REF	PART NUMBER	QTY	PART NAME						SEE PAGE
					1	2	3	4	5	6 (PRODUCT LEVEL)	
YR	1	1	239-9624	3	ENGINE BRAKE GP						190
C	2	1	304-9553	9	STUD (1/2-12X166.5-MM)						
	3	1	234-9505	3	SUPPORT						
	4	1	234-9508	3	BOLT (1/2-13X5.65-IN)						
C	5	1	282-3731	6	SPACER AS						
					(EACH INCLUDES)						
		1	294-3075	1	STUD-TAPERLOCK (3/8-16X1.79-IN)						
		1	294-3076	1	STUD-TAPERLOCK (3/8-16X3.1-IN)						
	7	1	235-1088	6	NUT (3/8-16-THD)						
	8	1	235-1089	12	NUT-FLANGE (1/2-13-THD)						
	9	1	8T-7062	3	STUD-TAPERLOCK (1/2-13X55, 1/2-13X21-MM)						

C-CHANGE FROM PREVIOUS TYPE  
R-REMG PART MAY BE AVAILABLE  
Y-SEPARATE ILLUSTRATION



GRAPHIC #1

<END>

g01089483

# BASIC ENGINE

## 233-7245 ACTUATOR GP-VALVE

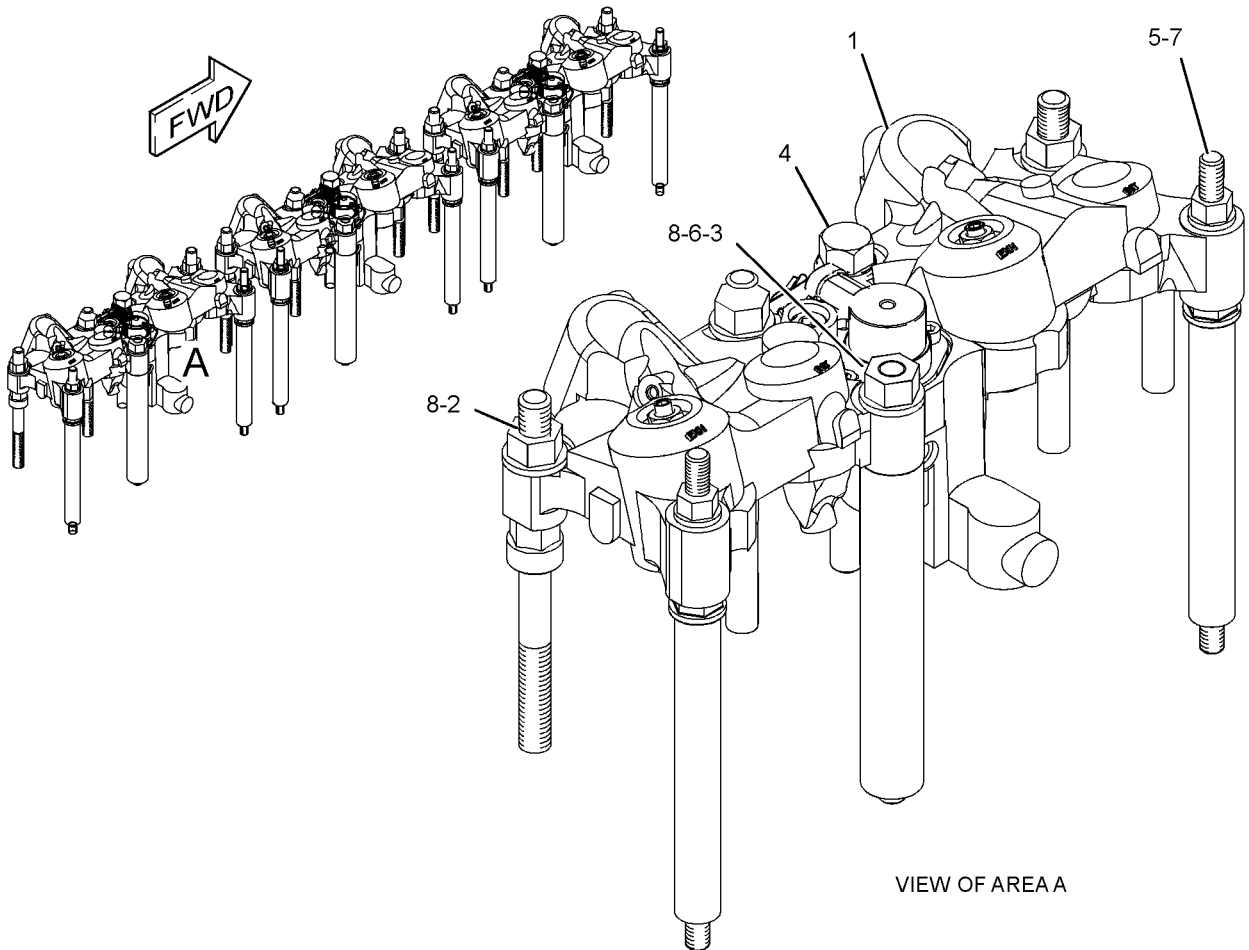
S/N: JRE3943-UP  
24-VOLT. EXHAUST  
AN ATTACHMENT  
TYPE 2

SMCS-1130

i04063149

NOTE	REF NO	GRAPHIC REF	PART NUMBER	QTY	PART NAME						SEE PAGE
					1	2	3	4	5	6 (PRODUCT LEVEL)	
CYR	1	1	347-0428	3	ENGINE BRAKE GP						194
	2	1	304-9553	9	STUD (1/2-12X166.5-MM)						
	3	1	234-9505	3	SUPPORT						
	4	1	234-9508	3	BOLT (1/2-13X5.65-IN)						
	5	1	282-3731	6	SPACER AS						
	6	1	8T-7062	3	STUD-TAPERLOCK (1/2-13X55, 1/2-13X21-MM)						
	7	1	235-1088	6	NUT (3/8-16-THD)						
	8	1	235-1089	12	NUT-FLANGE (1/2-13-THD)						

C-CHANGE FROM PREVIOUS TYPE  
R-REMG PART MAY BE AVAILABLE  
Y-SEPARATE ILLUSTRATION



VIEW OF AREA A

GRAPHIC #1

<END>

g02306893

# BASIC ENGINE

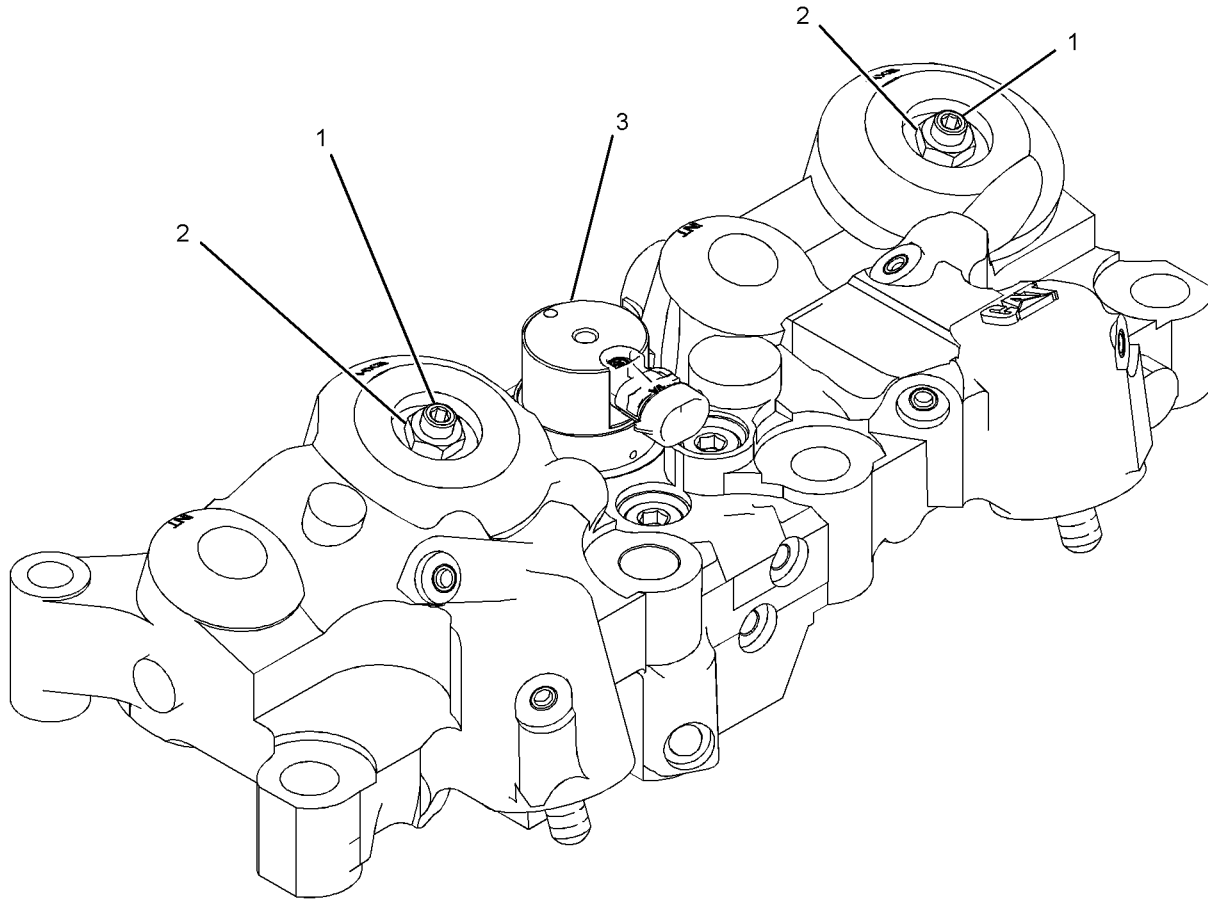
## 269-6798 ACTUATOR GP-VALVE

PART OF 276-0034 ACTUATOR GP-VALVE  
AN ATTACHMENT

SMCS-1130

i02496668

NOTE	REF NO	GRAPHIC REF	PART NUMBER	QTY	PART NAME						SEE PAGE
					1	2	3	4	5	6 (PRODUCT LEVEL)	
	1	1	230-9446	2	SCREW-ADJUSTMENT						
	2	1	230-9447	2	NUT-JAM						
	3	1	250-9377	1	VALVE AS						



GRAPHIC #1

<END>

g01249718



# BASIC ENGINE

## 276-0034 ACTUATOR GP-VALVE

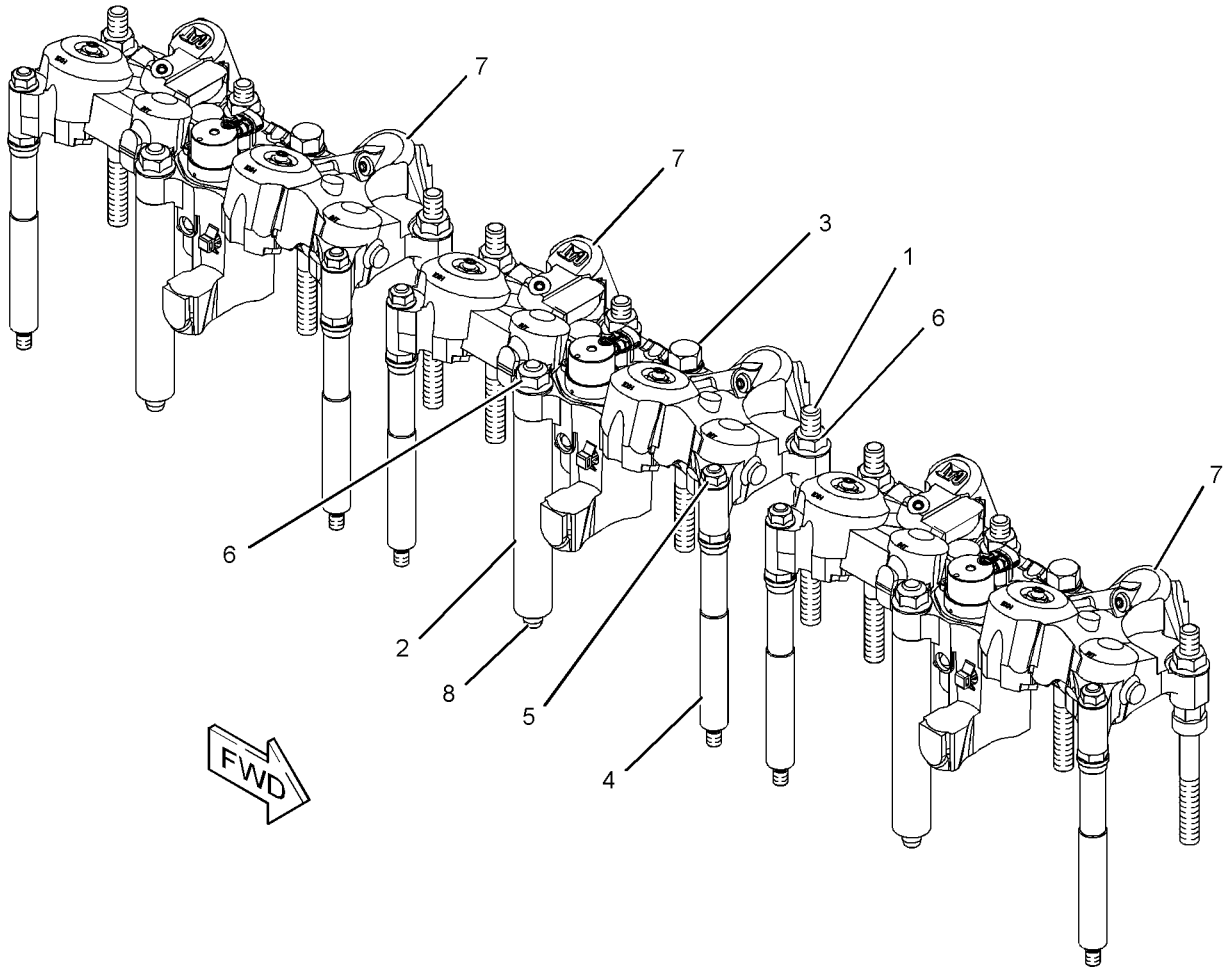
S/N: JRE1-3942  
12-VOLT. EXHAUST  
AN ATTACHMENT

SMCS-1130

i02496667

NOTE	REF NO	GRAPHIC REF	PART NUMBER	QTY	PART NAME						SEE PAGE
					1	2	3	4	5	6 (PRODUCT LEVEL)	
	1	1	288-4109	9	STUD-SPECIAL (COMPRESSION BRAKE)						
	2	1	234-9505	3	SUPPORT						
	3	1	234-9508	3	BOLT (1/2-13X5.65-IN)						
	4	1	235-0658	6	STUD						
	5	1	235-1088	6	NUT (3/8-16-THD)						
	6	1	235-1089	12	NUT-FLANGE (1/2-13-THD)						
Y	7	1	269-6798	3	ACTUATOR GP-VALVE						18
	8	1	8T-7062	3	STUD-TAPERLOCK (1/2-13X55, 1/2-13X21-MM)						

Y-SEPARATE ILLUSTRATION



GRAPHIC #1

<END>

g01211274

# BASIC ENGINE

## 276-0034 ACTUATOR GP-VALVE

S/N: JRE3943-5233

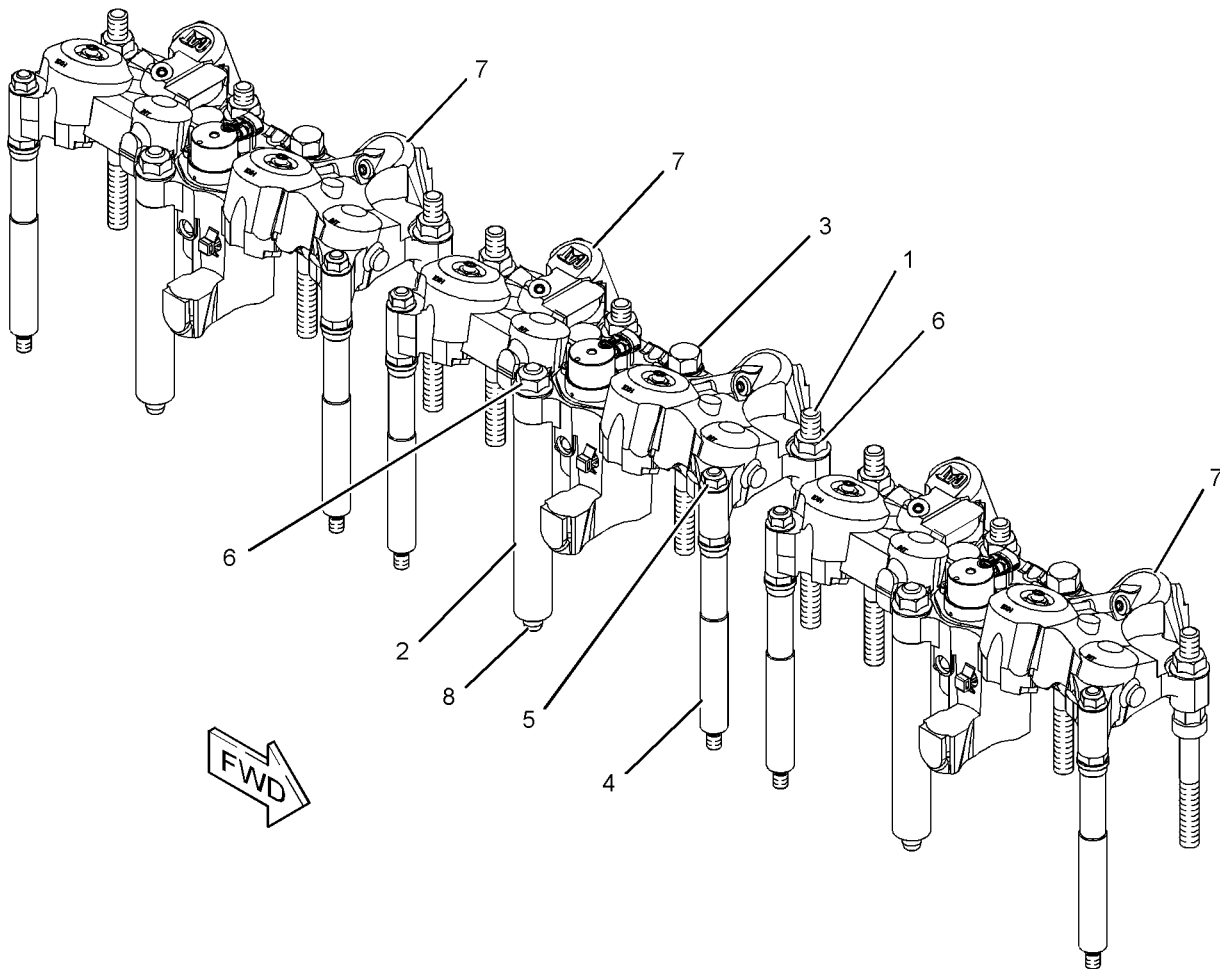
12-VOLT. EXHAUST  
AN ATTACHMENT

SMCS-1130

i02822139

NOTE	REF NO	GRAPHIC REF	PART NUMBER	QTY	PART NAME						SEE PAGE
					1	2	3	4	5	6 (PRODUCT LEVEL)	
	1	1	288-4109	9	STUD-SPECIAL (COMPRESSION BRAKE)						
	2	1	234-9505	3	SUPPORT						
	3	1	234-9508	3	BOLT (1/2-13X5.65-IN)						
C	4	1	282-3731	6	SPACER AS						
	5	1	235-1088	6	NUT (3/8-16-THD)						
	6	1	235-1089	12	NUT-FLANGE (1/2-13-THD)						
YR	7	1	269-6798	3	ACTUATOR GP-VALVE						18
	8	1	8T-7062	3	STUD-TAPERLOCK (1/2-13X55, 1/2-13X21-MM)						

C-CHANGE FROM PREVIOUS TYPE  
R-REMG PART MAY BE AVAILABLE  
Y-SEPARATE ILLUSTRATION



GRAPHIC #1

<END>

g01211274

# BASIC ENGINE

## 276-0034 ACTUATOR GP-VALVE

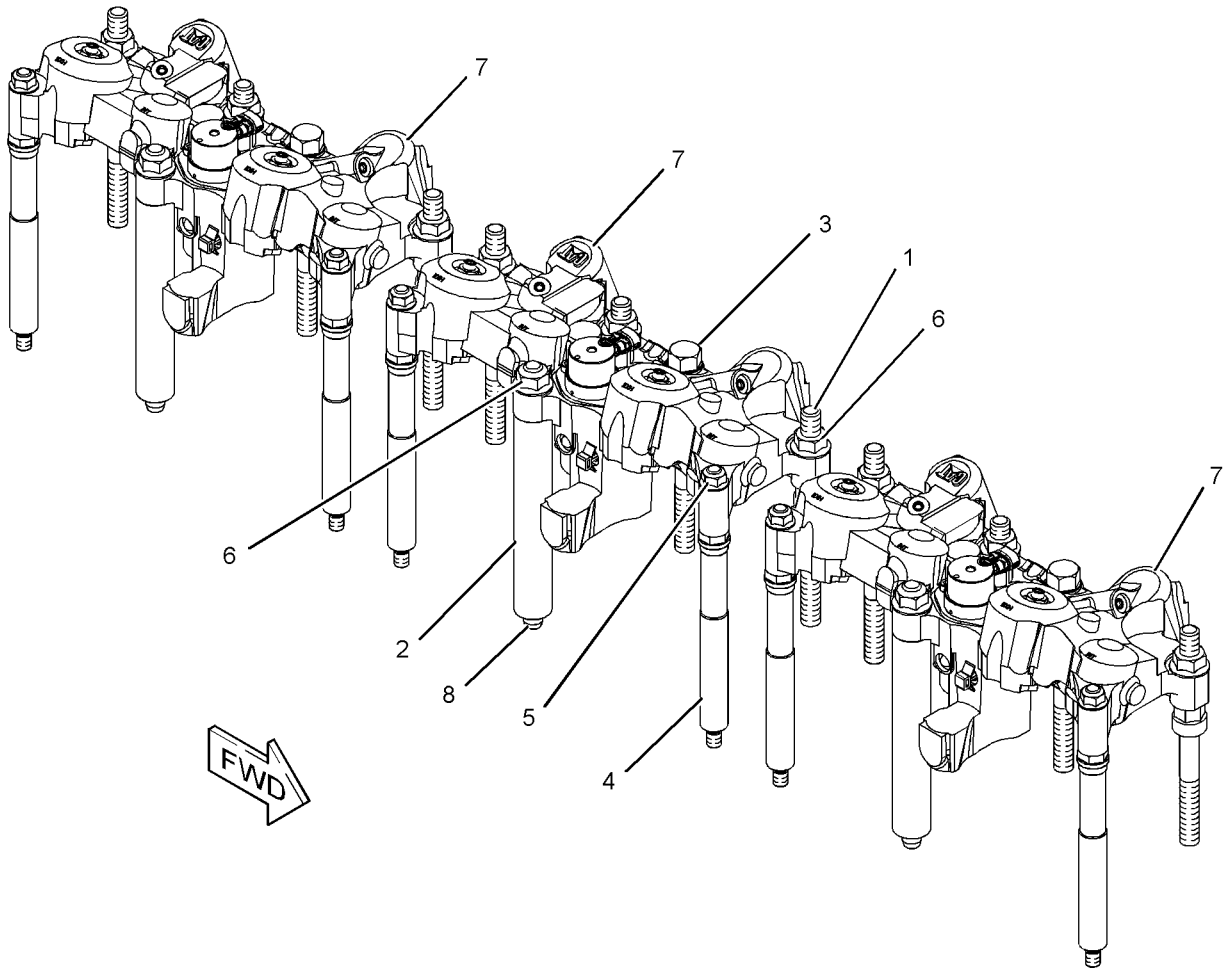
S/N: JRE5234-UP  
12-VOLT. EXHAUST  
AN ATTACHMENT

SMCS-1130

i03362409

NOTE	REF NO	GRAPHIC REF	PART NUMBER	QTY	PART NAME						SEE PAGE	
					1	2	3	4	5	6 (PRODUCT LEVEL)		
C	1	1	304-9553	9	STUD (1/2-12X166.5-MM)							
	2	1	234-9505	3	SUPPORT							
	3	1	234-9508	3	BOLT (1/2-13X5.65-IN)							
	4	1	282-3731	6	SPACER AS							
	(EACH INCLUDES)											
			1	294-3075	1	STUD-TAPERLOCK (3/8-16X1.79-IN)						
			1	294-3076	1	STUD-TAPERLOCK (3/8-16X3.1-IN)						
		5	1	235-1088	6	NUT (3/8-16-THD)						
	6	1	235-1089	12	NUT-FLANGE (1/2-13-THD)							
YR	7	1	269-6798	3	ACTUATOR GP-VALVE						18	
	8	1	8T-7062	3	STUD-TAPERLOCK (1/2-13X55, 1/2-13X21-MM)							

C-CHANGE FROM PREVIOUS TYPE  
R-REMFG PART MAY BE AVAILABLE  
Y-SEPARATE ILLUSTRATION



GRAPHIC #1

<END>

g01211274

# BASIC ENGINE

## 322-8542 ACTUATOR GP-VALVE

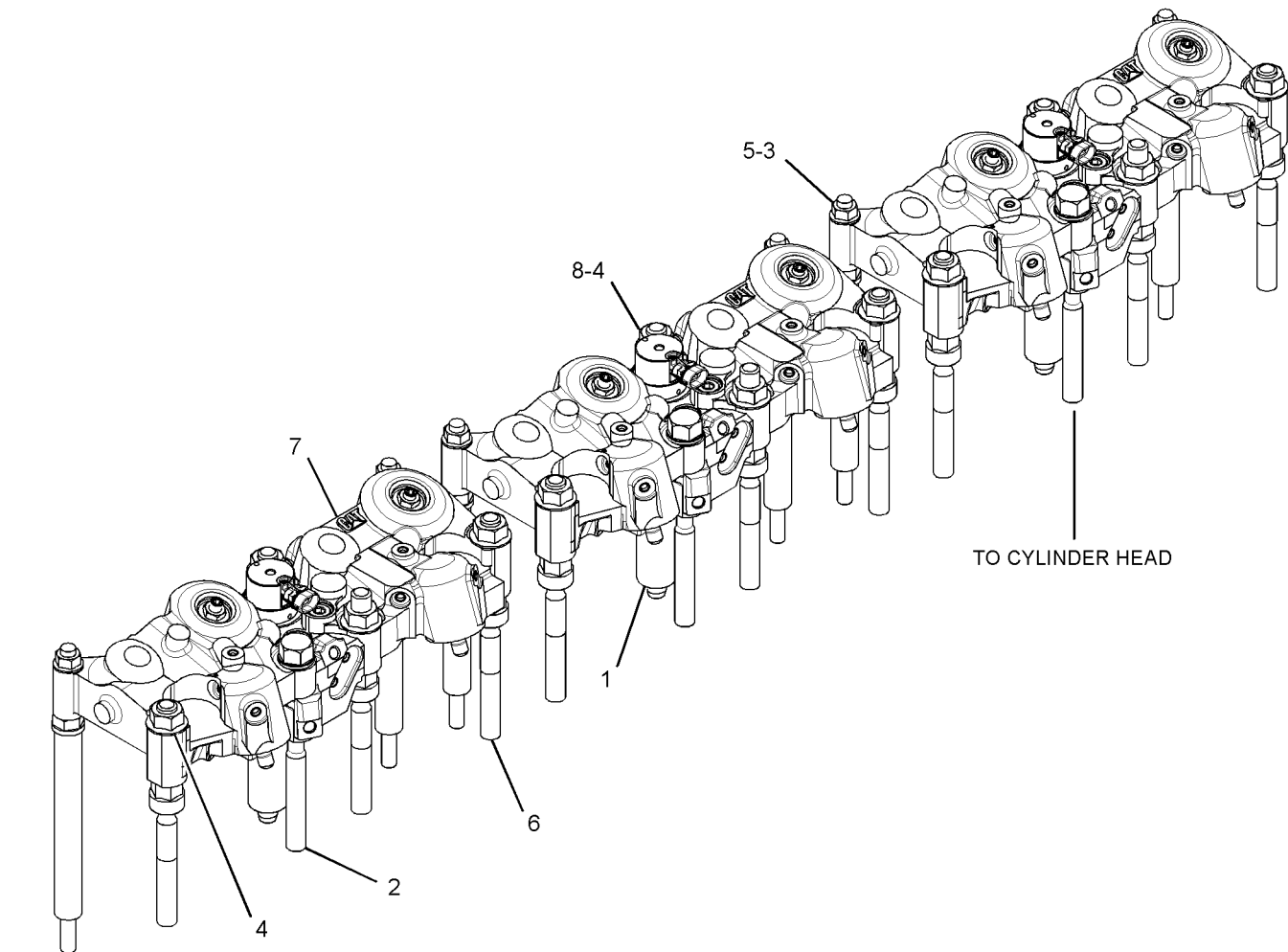
24-VOLT. CAT BRAKE  
AN ATTACHMENT

SMCS-1130

i03951518

NOTE	REF NO	GRAPHIC REF	PART NUMBER	QTY	PART NAME						SEE PAGE
					1	2	3	4	5	6 (PRODUCT LEVEL)	
	1	1	234-9505	3	SUPPORT						
	2	1	234-9508	3	BOLT (1/2-13X5.65-IN)						
	3	1	235-1088	6	NUT (3/8-16-THD)						
	4	1	235-1089	12	NUT-FLANGE (1/2-13-THD)						
	5	1	282-3731	6	SPACER AS						
					(EACH INCLUDES)						
		1	294-3075	1	STUD-TAPERLOCK (3/8-16X1.79-IN)						
		1	294-3076	1	STUD-TAPERLOCK (3/8-16X3.1-IN)						
	6	1	304-9553	9	STUD (1/2-12X166.5-MM)						
Y	7	1	330-1919	3	ENGINE BRAKE GP						193
	8	1	8T-7062	3	STUD-TAPERLOCK (1/2-13X55, 1/2-13X21-MM)						

Y-SEPARATE ILLUSTRATION



<END>

g02161879

# BASIC ENGINE

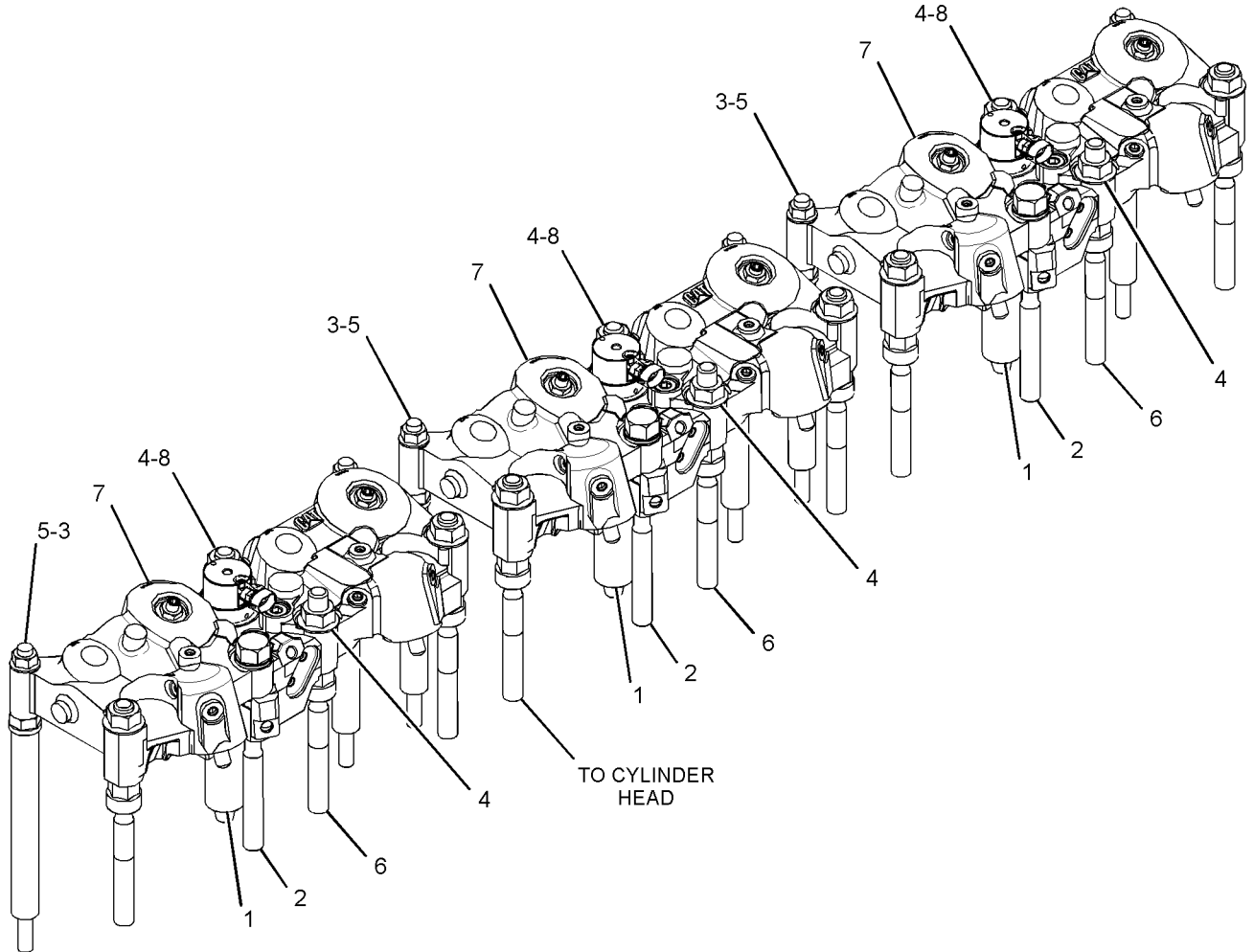
## 322-8543 ACTUATOR GP-VALVE AN ATTACHMENT

SMCS-1130

i04148211

NOTE	REF NO	GRAPHIC REF	PART NUMBER	QTY	PART NAME						SEE PAGE
					1	2	3	4	5	6 (PRODUCT LEVEL)	
	1	1	234-9505	3	SUPPORT						
	2	1	234-9508	3	BOLT (1/2-13X5.65-IN)						
	3	1	235-1088	6	NUT (3/8-16-THD)						
	4	1	235-1089	12	NUT-FLANGE (1/2-13-THD)						
	5	1	282-3731	6	SPACER AS						
	6	1	304-9553	9	STUD (1/2-12X166.5-MM)						
Y	7	1	352-1610	3	ENGINE BRAKE GP						195
	8	1	8T-7062	3	STUD-TAPERLOCK (1/2-13X55, 1/2-13X21-MM)						

Y-SEPARATE ILLUSTRATION



GRAPHIC #1

<END>

g02347061

# BASIC ENGINE

## 345-4072 ACTUATOR GP-VALVE

S/N: JRE1-12013

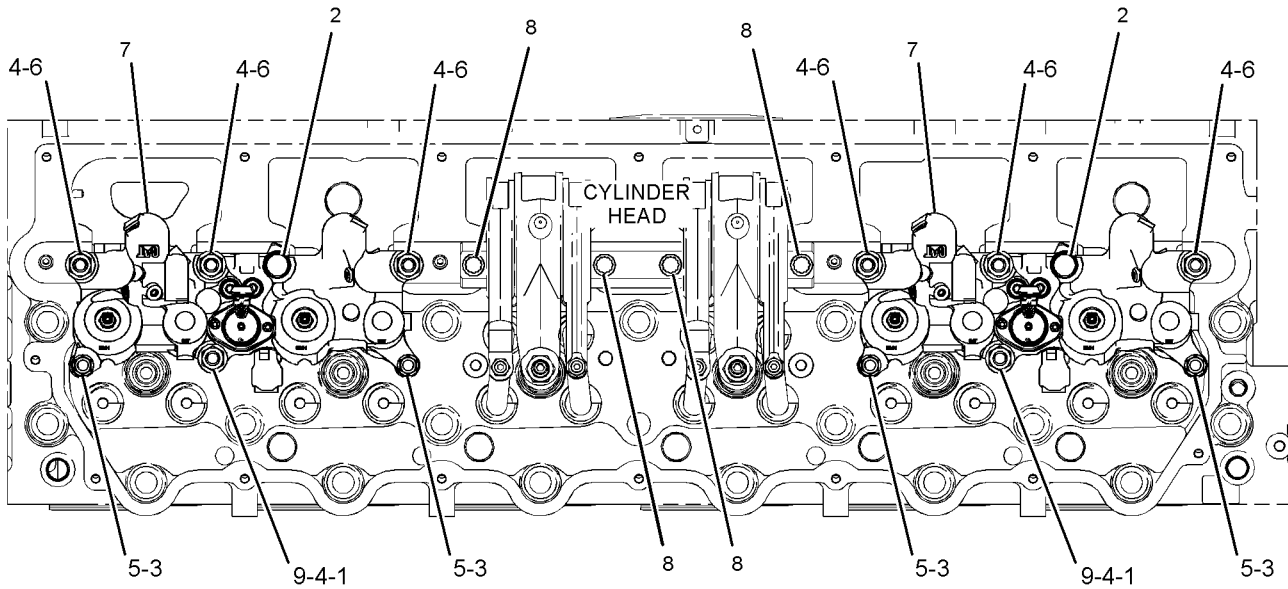
AN ATTACHMENT

SMCS-1130

i04014495

NOTE	REF NO	GRAPHIC REF	PART NUMBER	QTY	PART NAME						SEE PAGE
					1	2	3	4	5	6 (PRODUCT LEVEL)	
	1	1	234-9505	2	SUPPORT						
	2	1	234-9508	2	BOLT (1/2-13X5.65-IN)						
	3	1	235-1088	4	NUT (3/8-16-THD)						
	4	1	235-1089	8	NUT-FLANGE (1/2-13-THD)						
	5	1	282-3731	4	SPACER AS						
					(EACH INCLUDES)						
		1	294-3075	1	STUD-TAPERLOCK (3/8-16X1.79-IN)						
		1	294-3076	1	STUD-TAPERLOCK (3/8-16X3.1-IN)						
	6	1	304-9553	6	STUD (1/2-12X166.5-MM)						
Y	7	1	313-6361	2	ENGINE BRAKE GP						191
	8	1	5J-5794	4	BOLT (1/2-13X3.5-IN)						
	9	1	8T-7062	2	STUD-TAPERLOCK (1/2-13X55, 1/2-13X21-MM)						

Y- SEPARATE ILLUSTRATION



TOP VIEW OF ENGINE

GRAPHIC #1

<END>

g01948138

# BASIC ENGINE

## 345-4072 ACTUATOR GP-VALVE

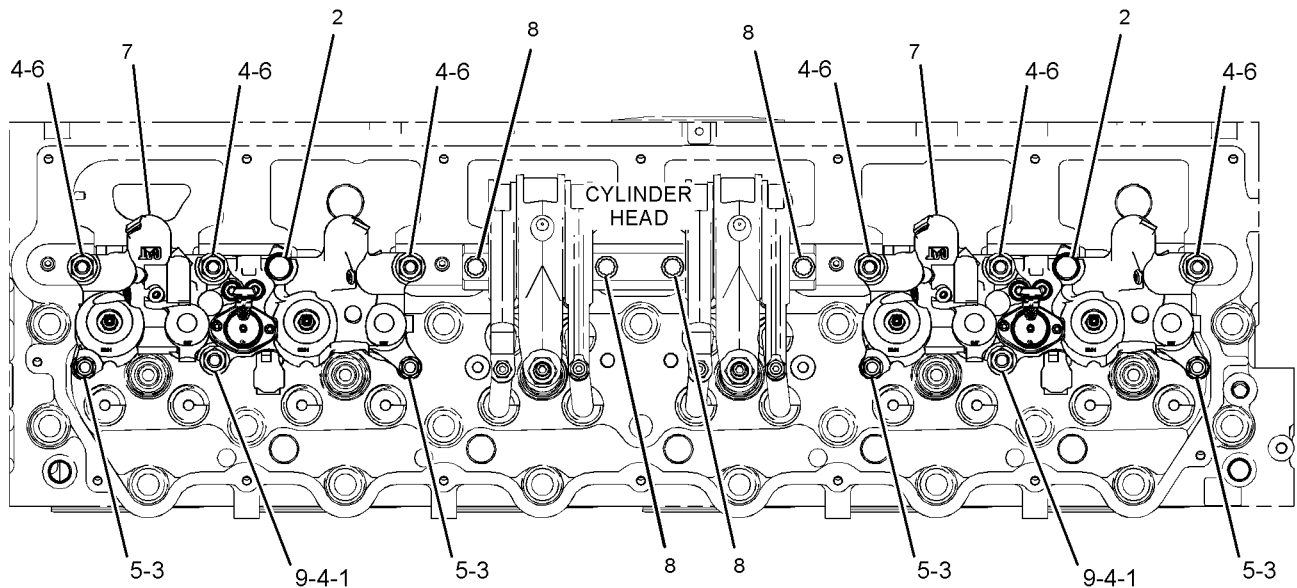
S/N: JRE12014-UP  
AN ATTACHMENT

SMCS-1130

i04047811

NOTE	REF NO	GRAPHIC REF	PART NUMBER	QTY	PART NAME						SEE PAGE
					1	2	3	4	5	6 (PRODUCT LEVEL)	
	1	1	234-9505	2	SUPPORT						
	2	1	234-9508	2	BOLT (1/2-13X5.65-IN)						
	3	1	235-1088	4	NUT (3/8-16-THD)						
	4	1	235-1089	8	NUT-FLANGE (1/2-13-THD)						
	5	1	282-3731	4	SPACER AS						
					(EACH INCLUDES)						
		1	294-3075	1	STUD-TAPERLOCK (3/8-16X1.79-IN)						
		1	294-3076	1	STUD-TAPERLOCK (3/8-16X3.1-IN)						
	6	1	304-9553	6	STUD (1/2-12X166.5-MM)						
CY	7	1	330-1919	2	ENGINE BRAKE GP						193
	8	1	356-5212	4	BOLT-12 POINT HEAD						
	9	1	8T-7062	2	STUD-TAPERLOCK (1/2-13X55, 1/2-13X21-MM)						

C-CHANGE FROM PREVIOUS TYPE  
Y-SEPARATE ILLUSTRATION



TOP VIEW OF ENGINE

GRAPHIC #1

<END>

g01948138

# BASIC ENGINE

## 345-4073 ACTUATOR GP-VALVE

S/N: JRE1-12013

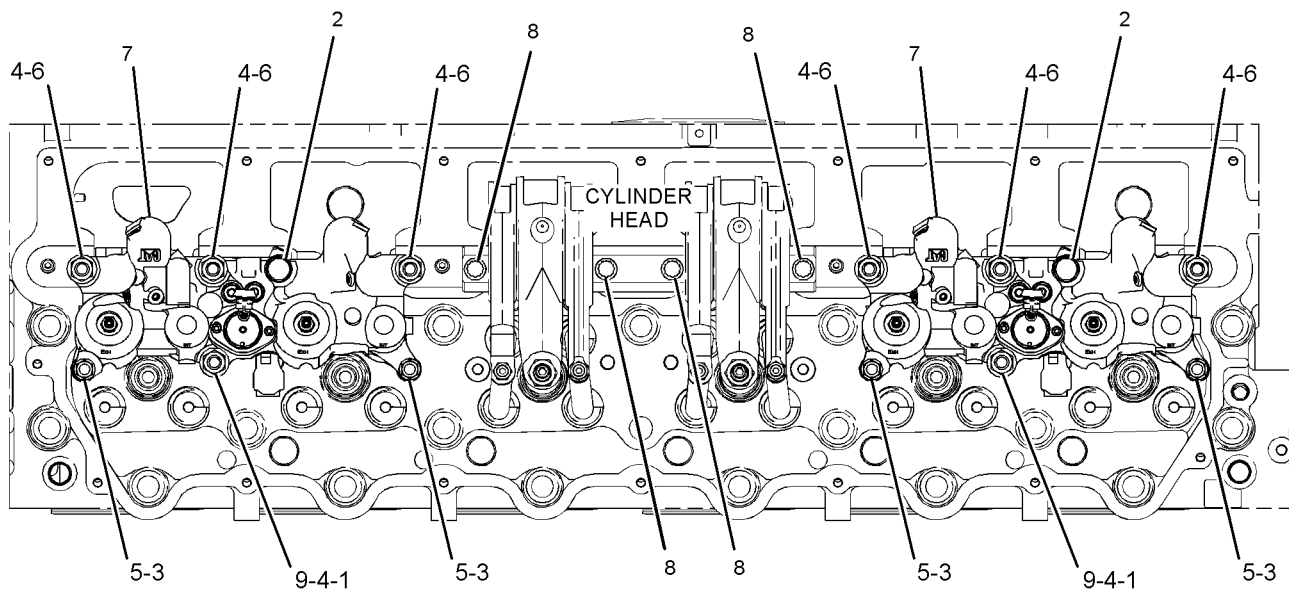
AN ATTACHMENT

SMCS-1130

i04014497

NOTE	REF NO	GRAPHIC REF	PART NUMBER	QTY	PART NAME						SEE PAGE
					1	2	3	4	5	6 (PRODUCT LEVEL)	
	1	1	234-9505	2	SUPPORT						
	2	1	234-9508	2	BOLT (1/2-13X5.65-IN)						
	3	1	235-1088	4	NUT (3/8-16-THD)						
	4	1	235-1089	8	NUT-FLANGE (1/2-13-THD)						
	5	1	282-3731	4	SPACER AS						
					(EACH INCLUDES)						
		1	294-3075	1	STUD-TAPERLOCK (3/8-16X1.79-IN)						
		1	294-3076	1	STUD-TAPERLOCK (3/8-16X3.1-IN)						
	6	1	304-9553	6	STUD (1/2-12X166.5-MM)						
Y	7	1	313-6363	2	ENGINE BRAKE GP						192
	8	1	5J-5794	4	BOLT (1/2-13X3.5-IN)						
	9	1	8T-7062	2	STUD-TAPERLOCK (1/2-13X55, 1/2-13X21-MM)						

Y-SEPARATE ILLUSTRATION



TOP VIEW OF ENGINE

GRAPHIC #1

<END>

g01948095



# BASIC ENGINE

## 345-4073 ACTUATOR GP-VALVE

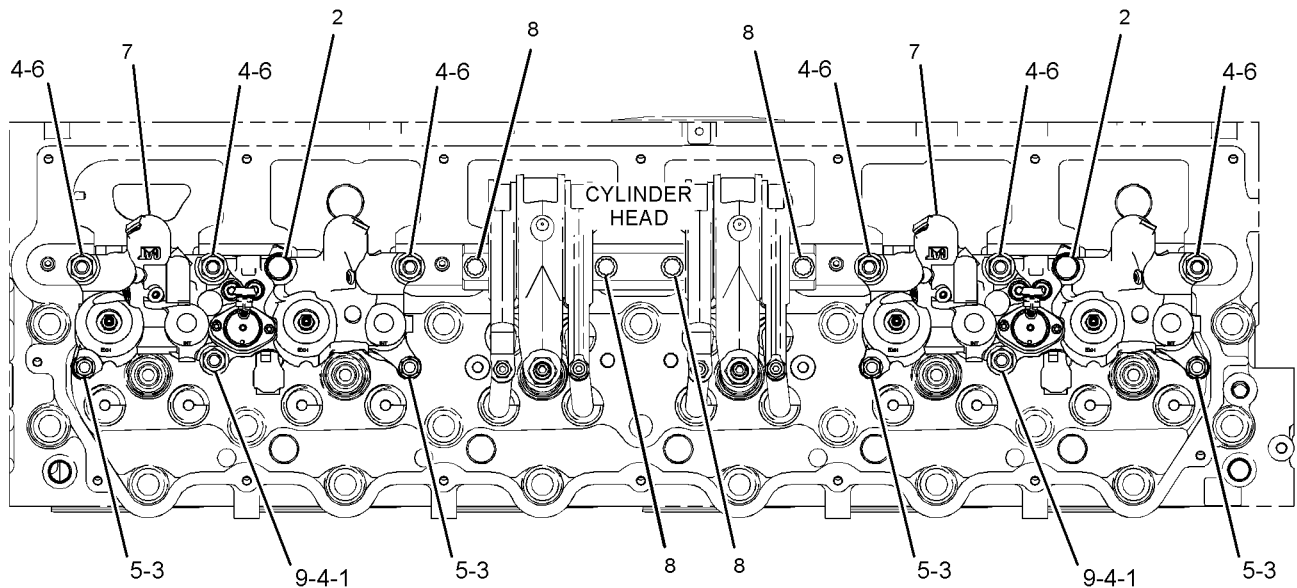
S/N: JRE12014-UP  
AN ATTACHMENT

SMCS-1130

i04047829

NOTE	REF NO	GRAPHIC REF	PART NUMBER	QTY	PART NAME						SEE PAGE
					1	2	3	4	5	6 (PRODUCT LEVEL)	
	1	1	234-9505	2	SUPPORT						
	2	1	234-9508	2	BOLT (1/2-13X5.65-IN)						
	3	1	235-1088	4	NUT (3/8-16-THD)						
	4	1	235-1089	8	NUT-FLANGE (1/2-13-THD)						
	5	1	282-3731	4	SPACER AS						
					(EACH INCLUDES)						
		1	294-3075	1	STUD-TAPERLOCK (3/8-16X1.79-IN)						
		1	294-3076	1	STUD-TAPERLOCK (3/8-16X3.1-IN)						
	6	1	304-9553	6	STUD (1/2-12X166.5-MM)						
CY	7	1	352-1610	2	ENGINE BRAKE GP (12-VOLT)						195
	8	1	356-5212	4	BOLT-12 POINT HEAD						
	9	1	8T-7062	2	STUD-TAPERLOCK (1/2-13X55, 1/2-13X21-MM)						

C-CHANGE FROM PREVIOUS TYPE  
Y-SEPARATE ILLUSTRATION



TOP VIEW OF ENGINE

GRAPHIC #1

<END>

g01948095

# BASIC ENGINE

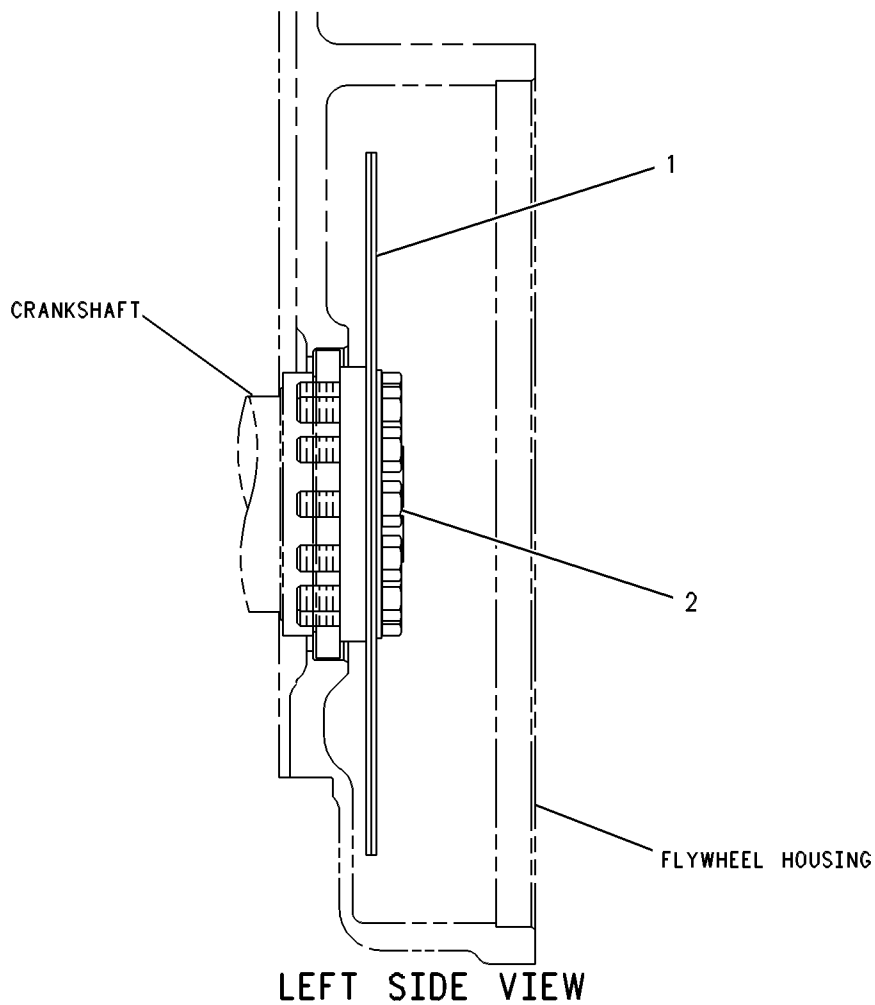
## 133-1860 ADAPTER GP-ENGINE TO TMSN

FOR USE WITH ALLISON HD TRANSMISSION  
AN ATTACHMENT

SMCS-1004, 1157

i00840949

NOTE	REF NO	GRAPHIC REF	PART NUMBER	QTY	PART NAME						SEE PAGE
					1	2	3	4	5	6 (PRODUCT LEVEL)	
	1	1	133-1859	1	ADAPTER GP-ENGINE TO TMSN						
	2	1	0S-1576	12	BOLT (5/8-18X2IN)						



GRAPHIC #1

<END>

g00263337

# BASIC ENGINE

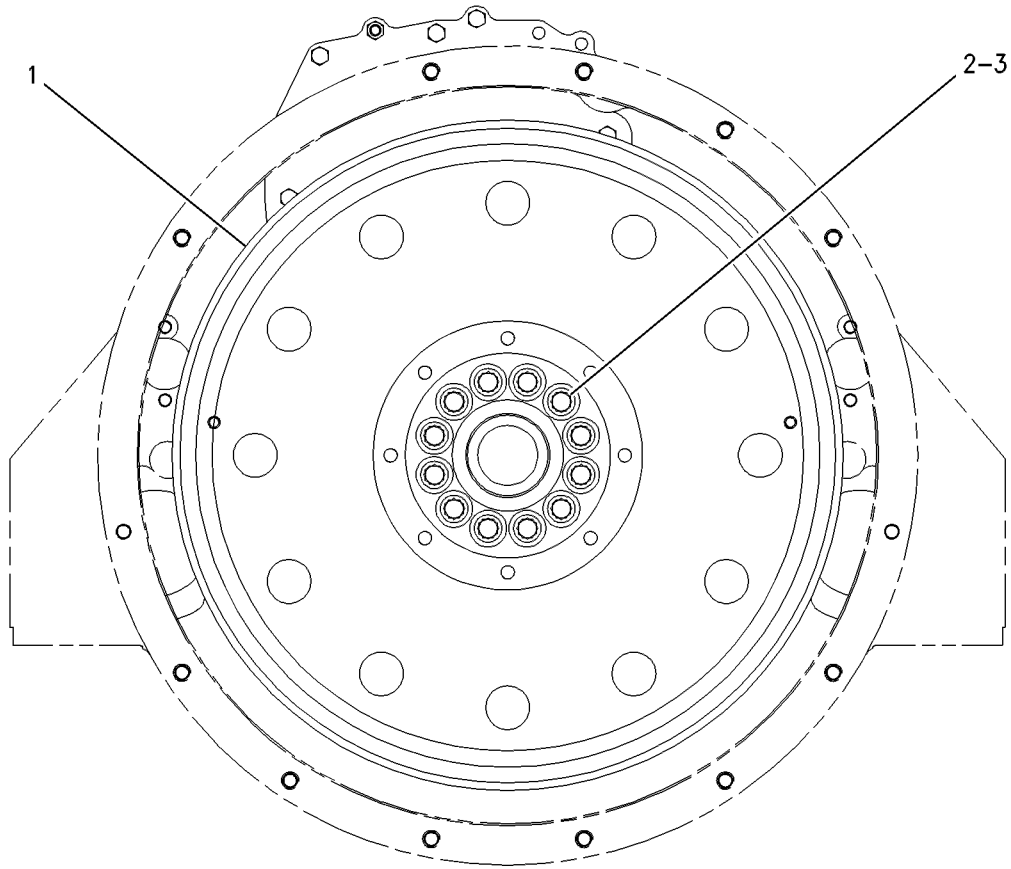
## 147-6650 ADAPTER GP-FLYWHEEL

FOR USE WITH SAE NO. 1 FLYWHEEL HOUSING  
AN ATTACHMENT

SMCS-1156

i00703061

NOTE	REF NO	GRAPHIC REF	PART NUMBER	QTY	PART NAME						SEE PAGE
					1	2	3	4	5	6 (PRODUCT LEVEL)	
	1	1	7N-6249	1	FLYWHEEL AS						
		1	8M-6755	1	GEAR-FLYWHEEL (136-TEETH)						
	2	1	2P-1956	12	BOLT-12 POINT HEAD (5/8-18X3-IN)						
	3	1	5P-8247	12	WASHER-HARD (17X32X3.5-MM THK)						



REAR VIEW

GRAPHIC #1

<END>

g00289336

# BASIC ENGINE

## 148-8808 ADAPTER GP-FLYWHEEL

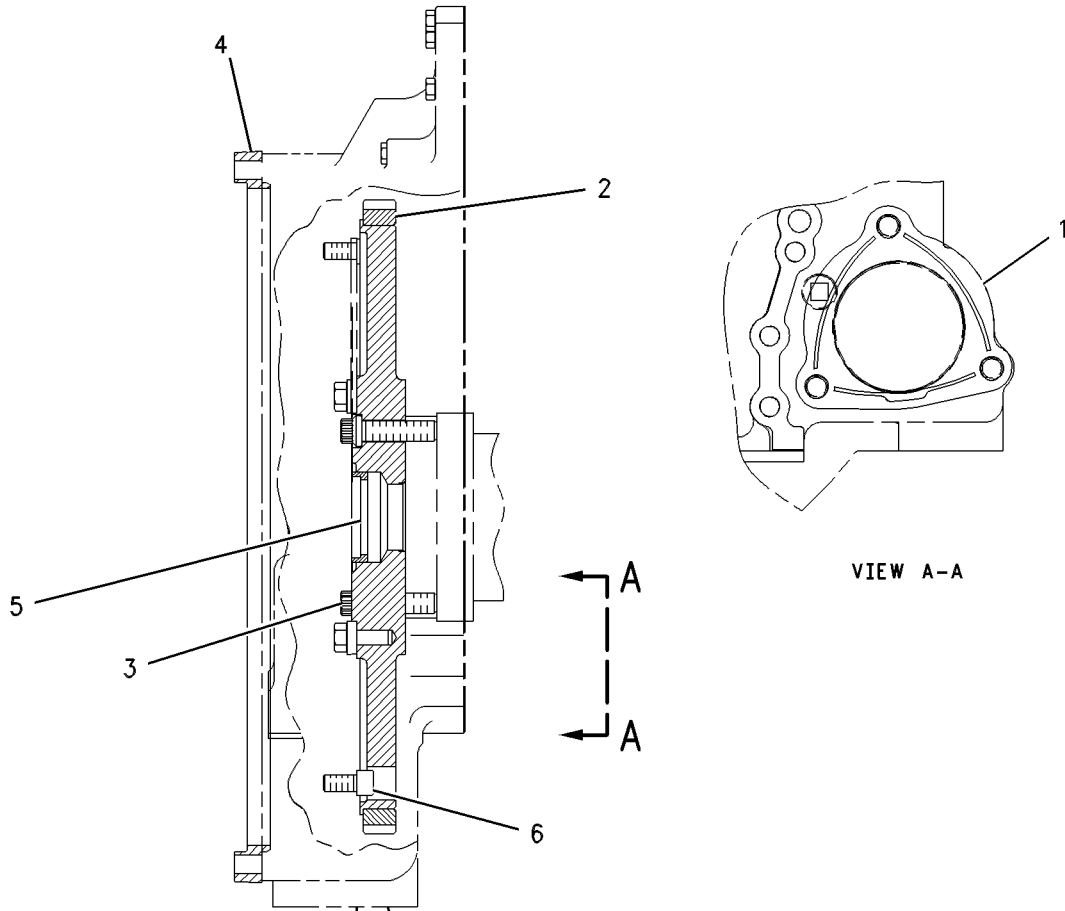
FOR USE WITH SAE NO. 1 FLYWHEEL HOUSING  
AN ATTACHMENT

SMCS-1156

i03660722

NOTE	REF NO	GRAPHIC REF	PART NUMBER	QTY	PART NAME						SEE PAGE
					1	2	3	4	5	6 (PRODUCT LEVEL)	
	1	1	9Y-6089	1	GASKET						
	2	1	6N-9667	1	FLYWHEEL AS						
		1	4N-2514	1	GEAR (113-TEETH)						
	3	1	5P-7033	12	BOLT-12 POINT HEAD (5/8-18X2.25-IN)						
	4	1	4W-0229	1	ADAPTER-FLYWHEEL HOUSING						
	5	1	7N-6114	1	BUSHING-PILOT						
	6	1	013-8307	12	BOLT-SOCKET HEAD (1/2-20X1-IN)						
ABF		1	7E-3478	2	GASKET						
(INSTALL BETWEEN THE FLYWHEEL HOUSING AND ADAPTER AND BETWEEN THE ADAPTER AND TRANSMISSION)											

A-NOT PART OF THIS GROUP  
B-USE AS REQUIRED  
F-NOT SHOWN



GRAPHIC #1

<END>

g00289841

# BASIC ENGINE

## 9Y-5438 ADAPTER GP-OIL PAN DRAIN

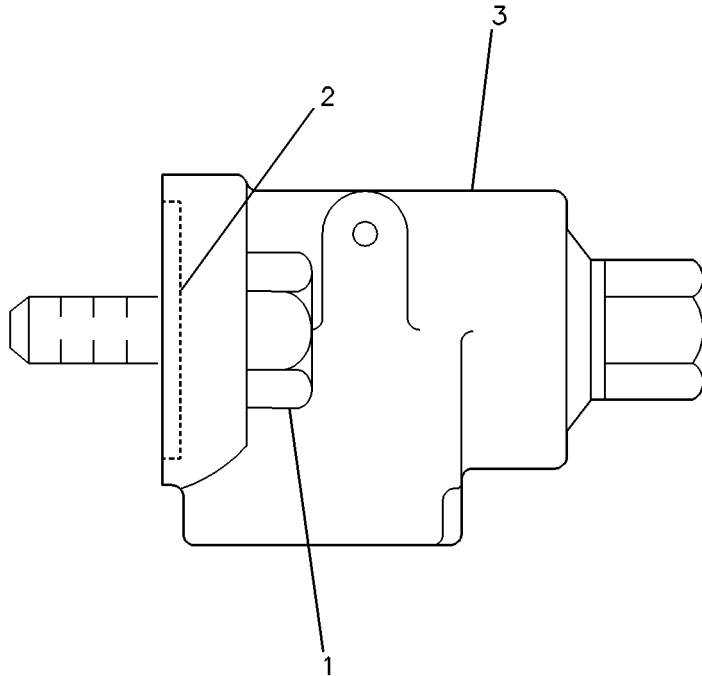
FOR USE WITH OIL PANS WITH TWO BOLT FLANGE  
AN ATTACHMENT

SMCS-1302

i02726326

NOTE	REF NO	GRAPHIC REF	PART NUMBER	QTY	PART NAME						SEE PAGE
					1	2	3	4	5	6 (PRODUCT LEVEL)	
	1	1	<b>0S-1587</b>	2	BOLT (1/2-13X1.75-IN)						
C	2	1	<b>6V-3830</b>	1	SEAL-O-RING						
C	3	1	<b>4P-0519</b>	1	ADAPTER AS-DRAIN						

C-CHANGE FROM PREVIOUS TYPE



GRAPHIC #1

<END>

g00220400

# BASIC ENGINE

## 133-9907 ADAPTER GP-PUMP DRIVE

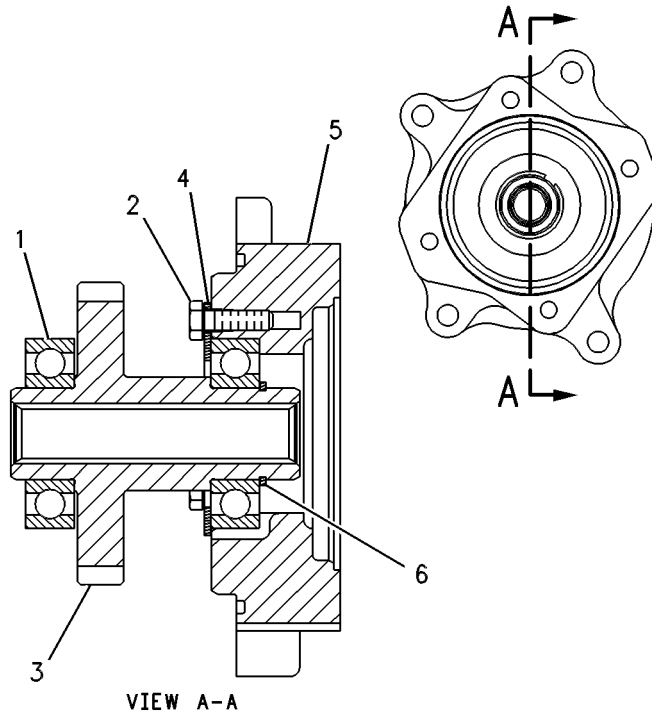
S/N: JRE106-UP

PART OF 6I-3638 DRIVE GP-PUMP  
ALSO AN ATTACHMENT

SMCS-1313, 3108

i03260721

NOTE	REF NO	GRAPHIC REF	PART NUMBER	QTY	PART NAME						SEE PAGE
					1	2	3	4	5	6 (PRODUCT LEVEL)	
	1	1	<b>1B-3867</b>	2	BALL BEARING						
	2	1	<b>4F-7957</b>	3	BOLT (1/4-20X0.875-IN)						
	3	1	<b>6I-4575</b>	1	GEAR (34-TEETH)						
	4	1	<b>9X-2038</b>	3	WASHER (7X19X2-MM THK)						
	5	1	<b>133-9906</b>	1	ADAPTER						
	6	1	<b>1H-8647</b>	1	RING-SNAP						



GRAPHIC #1

<END>

g00263602

# BASIC ENGINE

## 222-2879 AIR COMPRESSOR GP

S/N: JRE1-6108

FOR USE WITH AIR INLET FITTING GROUP  
AN ATTACHMENT

SMCS-1803

i02994775

NOTE	REF NO	GRAPHIC REF	PART NUMBER	QTY	PART NAME						SEE PAGE
					1	2	3	4	5	6 (PRODUCT LEVEL)	
	1	1	270-6916	1	HOSE AS						
	2	1	6V-1438	2	CONNECTOR						
	3	1	172-3450	1	TUBE AS						
	4	1	172-4702	2	CLAMP						
	5	1	276-9507	1	HOSE						
I	6	1	220-1206	1	HOSE AS						
	7	1	223-3505	1	SEAL						
YR	8	1	223-3637	1	AIR COMPRESSOR GP						37
	9	1	030-7946	1	ELBOW						
	10	1	1F-7958	3	NUT-FULL (1/2-13-THD)						
	11	1	3J-7352	1	CONNECTOR						
	12	1	6V-5048	2	SEAL-O-RING						
	13	1	5P-8245	3	WASHER-HARD (13.5X25.5X3-MM THK)						
	14	1	6V-6609	4	SEAL-O-RING						
	15	1	8M-0505	2	CONNECTOR						

I-REFER TO HYDRAULIC INFORMATION SYSTEM

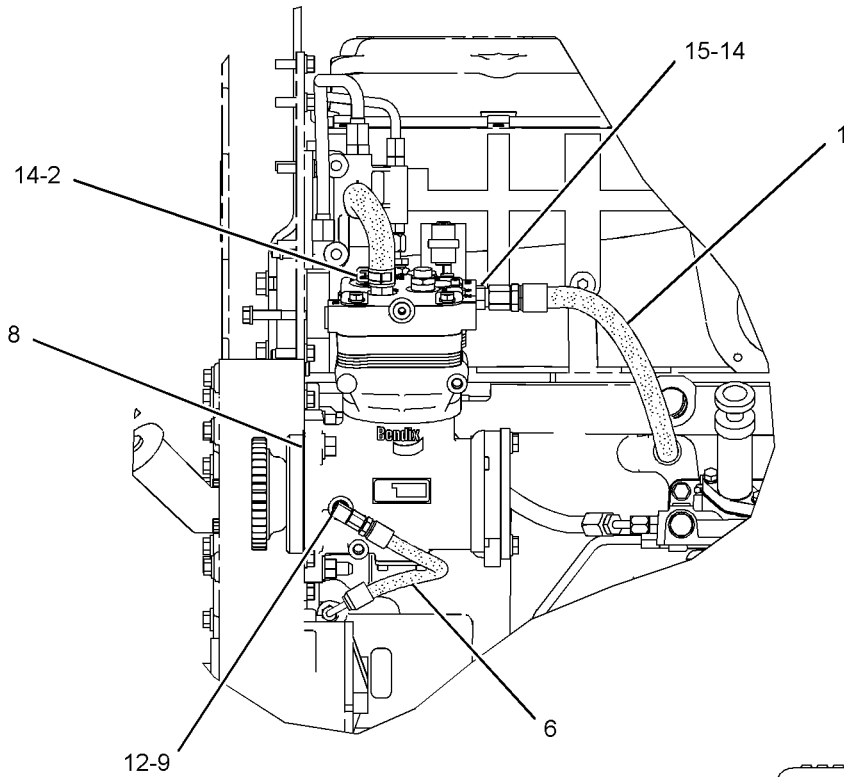
R-REMFG PART MAY BE AVAILABLE

Y-SEPARATE ILLUSTRATION

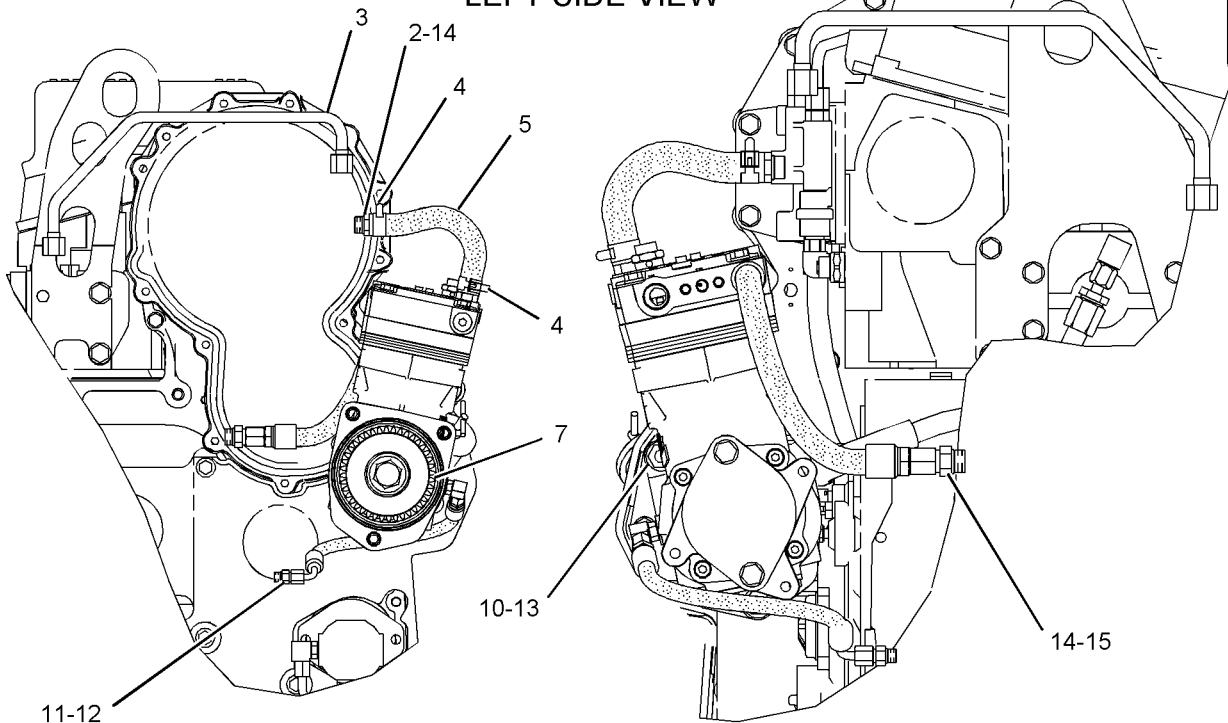
# BASIC ENGINE

222-2879 AIR COMPRESSOR GP (contd.)

i02994775



LEFT SIDE VIEW



FRONT VIEW

REAR VIEW

GRAPHIC #1

<END>

g01020291



# BASIC ENGINE

## 222-2879 AIR COMPRESSOR GP

S/N: JRE6109-UP

FOR USE WITH AIR INLET FITTING GROUP  
AN ATTACHMENT

SMCS-1803

i04000342

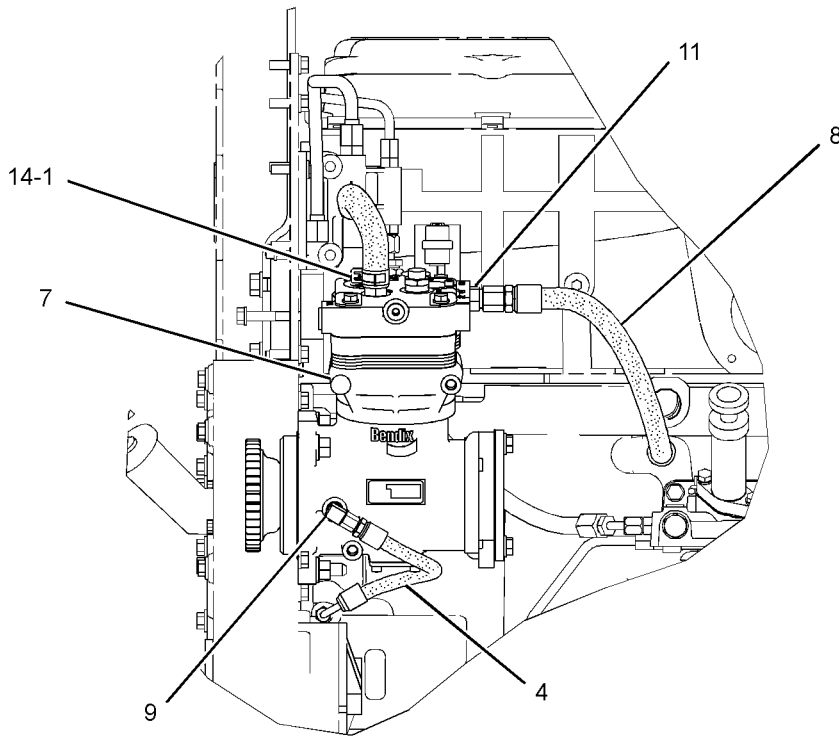
NOTE	REF NO	GRAPHIC REF	PART NUMBER	QTY	PART NAME						SEE PAGE
					1	2	3	4	5	6 (PRODUCT LEVEL)	
	1	1	6V-1438	2	CONNECTOR						
	2	1	172-3450	1	TUBE AS						
	3	1	172-4702	2	CLAMP						
I	4	1	220-1206	1	HOSE AS						
	5	1	223-3505	1	SEAL						
	6	1	276-9507	1	HOSE						
CYR	7	1	304-9991	1	AIR COMPRESSOR GP						54
I	8	1	321-7384	1	HOSE AS						
	9	1	343-8115	1	ELBOW AS						
		1	030-7946	1	ELBOW						
		1	214-7566	1	SEAL-O-RING						
10	1	1	343-8121	1	CONNECTOR AS						
		1	3J-7352	1	CONNECTOR						
		1	214-7566	1	SEAL-O-RING						
11	1	1	353-5130	2	ADAPTER AS						
					(EACH INCLUDES)						
		1	6V-6609	1	SEAL-O-RING						
		1	8M-0505	1	CONNECTOR						
12	1	1	1F-7958	3	NUT-FULL (1/2-13-THD)						
13	1	1	5P-8245	3	WASHER-HARD (13.5X25.5X3-MM THK)						
14	1	1	6V-6609	2	SEAL-O-RING						

C-CHANGE FROM PREVIOUS TYPE  
I-REFER TO HYDRAULIC INFORMATION SYSTEM  
R-REMG PART MAY BE AVAILABLE  
Y-SEPARATE ILLUSTRATION

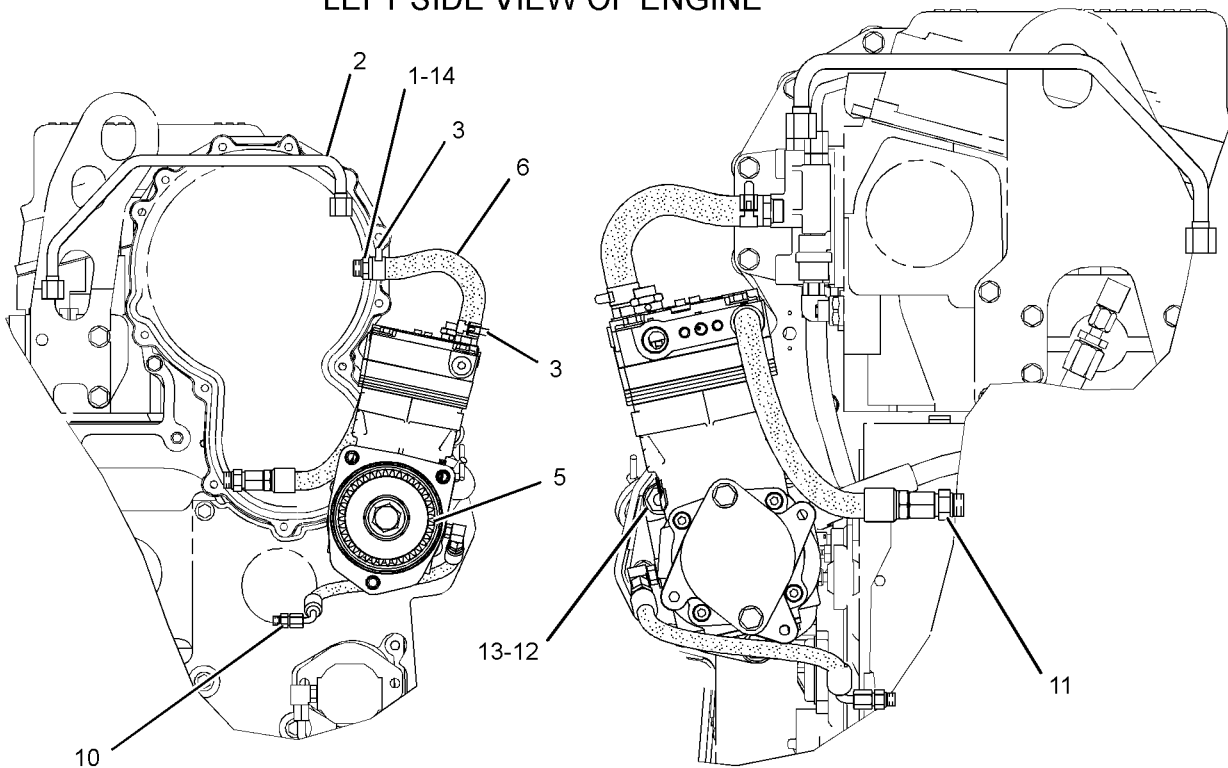
# BASIC ENGINE

222-2879 AIR COMPRESSOR GP (contd.)

i04000342



LEFT SIDE VIEW OF ENGINE



FRONT VIEW OF ENGINE

REAR VIEW OF ENGINE

GRAPHIC #1

<END>

g02177619

# BASIC ENGINE

## 223-3637 AIR COMPRESSOR GP\*R

S/N: JRE1-1022

15.7 CFM

PART OF 222-2879 AIR COMPRESSOR GP  
FIELD REPLACEMENT ORDER 304-9991-PAGE 54  
AN ATTACHMENT

SMCS-1803

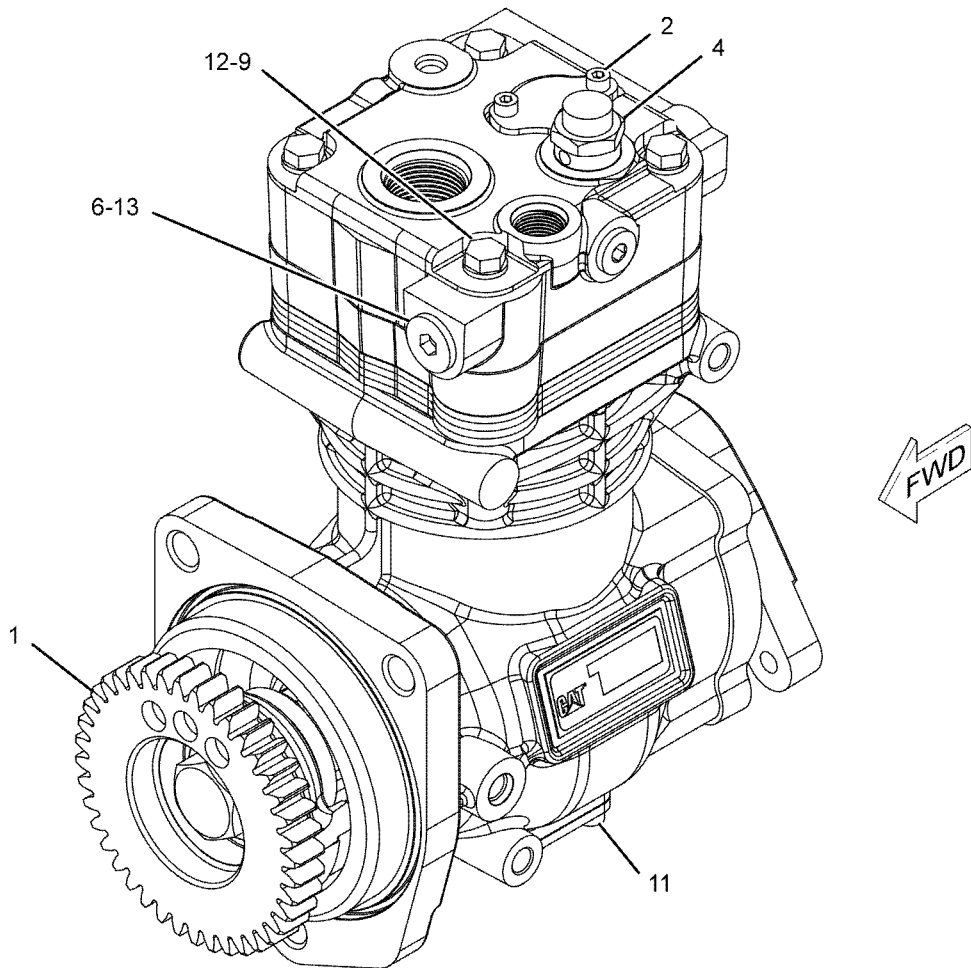
i02585815

NOTE	REF NO	GRAPHIC REF	PART NUMBER	QTY	PART NAME						SEE PAGE
					1	2	3	4	5	6 (PRODUCT LEVEL)	
Z	1	1		1	GEAR-AIR COMPRESSOR						
M	2	1	<b>099-2374</b>	2	BOLT-SOCKET HEAD (M5X0.8X12-MM)						
	4	1	<b>225-5222</b>	1	VALVE AS-PRESSURE RELIEF (AIR COMPRESSOR)						
		1	<b>2M-9780</b>	1	SEAL-O-RING (19.18-MM ID)						
	6	1	<b>3K-0360</b>	1	SEAL-O-RING						
M	9	1	<b>6V-5221</b>	4	BOLT (M8X1.25X80-MM)						
M	11	1	<b>8T-0267</b>	4	BOLT-SOCKET HEAD (M6X1X12-MM)						
	12	1	<b>9M-1974</b>	4	WASHER-HARD (8.8X16X2-MM THK)						
	13	1	<b>9S-8005</b>	1	PLUG-O-RING						
					AVAILABLE REPAIR KIT(S):						
			<b>217-5232</b>	1	KIT-GASKET (AIR COMPRESSOR) (INCLUDES INLET REED VALVE/GASKET AND CYLINDER HEAD GASKETS)						
			<b>217-5240</b>	1	KIT-SEAL (AIR COMPRESSOR) (INCLUDES O-RING (END COVER), CRANKCASE COVER GASKETS, REAR COVER GASKET, AND INSTRUCTION SHEET)						
			<b>217-5237</b>	1	KIT-UNLOADER (AIR COMPRESSOR) (INCLUDES UNLOADER CAP GASKET, ESS BALANCE PISTON, ESS SPRING, ESS PISTON, AND TOP, MIDDLE, AND BOTTOM O-RINGS)						
M-METRIC PART Z-NOT SERVICED SEPARATELY											

# BASIC ENGINE

223-3637 AIR COMPRESSOR GP (contd.)

i02585815



GRAPHIC #1

<END>

g01138990

# BASIC ENGINE

## 223-3637 AIR COMPRESSOR GP\*R

S/N: JRE1023-6108

15.7 CFM

PART OF 222-2879 AIR COMPRESSOR GP  
FIELD REPLACEMENT ORDER 304-9991-PAGE 54  
AN ATTACHMENT

SMCS-1803

i02585829

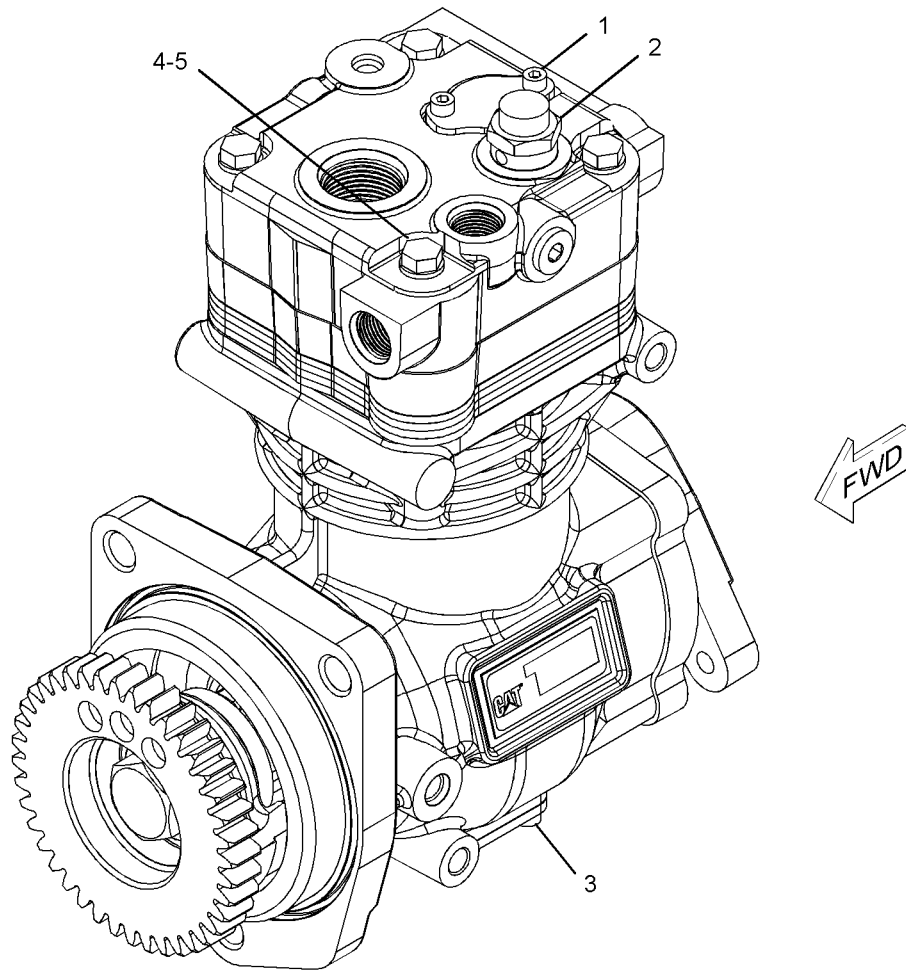
NOTE	REF NO	GRAPHIC REF	PART NUMBER	QTY	PART NAME						SEE PAGE
					1	2	3	4	5	6 (PRODUCT LEVEL)	
M	1	1	<b>099-2374</b>	2	BOLT-SOCKET HEAD (M5X0.8X12-MM)						
	2	1	<b>225-5222</b>	1	VALVE AS-PRESSURE RELIEF (AIR COMPRESSOR)						
		1	<b>2M-9780</b>	1	SEAL-O-RING (19.18-MM ID)						
M	3	1	<b>6V-5221</b>	4	BOLT (M8X1.25X80-MM)						
M	4	1	<b>8T-0267</b>	4	BOLT-SOCKET HEAD (M6X1X12-MM)						
	5	1	<b>9M-1974</b>	4	WASHER-HARD (8.8X16X2-MM THK)						
					AVAILABLE REPAIR KIT(S):						
			<b>217-5232</b>	1	KIT-GASKET (AIR COMPRESSOR)						
					(INCLUDES INLET REED VALVE/GASKET AND CYLINDER HEAD GASKETS)						
			<b>217-5240</b>	1	KIT-SEAL (AIR COMPRESSOR)						
					(INCLUDES O-RING (END COVER), CRANKCASE COVER GASKETS, REAR COVER GASKET, AND INSTRUCTION SHEET)						
			<b>217-5237</b>	1	KIT-UNLOADER (AIR COMPRESSOR)						
					(INCLUDES UNLOADER CAP GASKET, ESS BALANCE PISTON, ESS SPRING, ESS PISTON, AND TOP, MIDDLE, AND BOTTOM O-RINGS)						

M-METRIC PART

# BASIC ENGINE

223-3637 AIR COMPRESSOR GP (contd.)

i02585829



GRAPHIC #1

<END>

g01259507

# BASIC ENGINE

## 226-9580 AIR COMPRESSOR GP\*R

S/N: JRE1-122

31.4 CFM

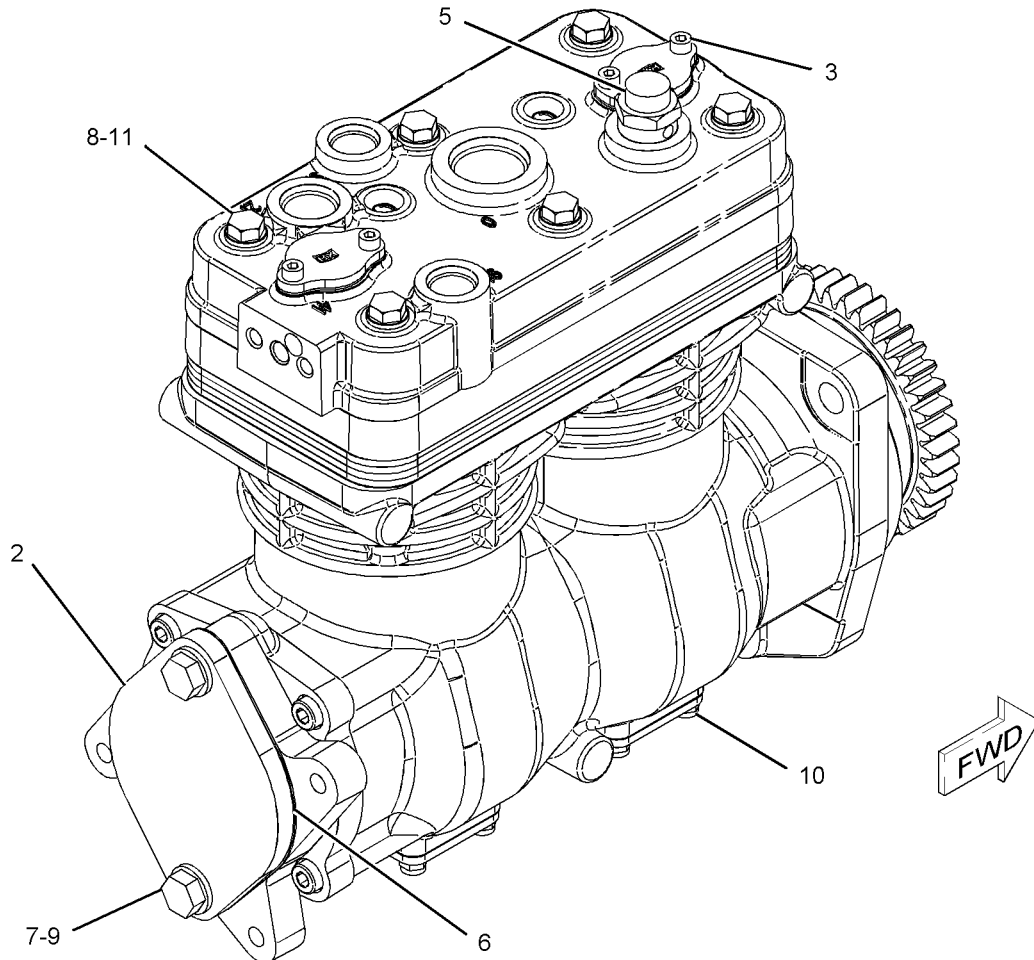
PART OF 232-5187 AIR COMPRESSOR GP  
AN ATTACHMENT

SMCS-1803

i02318133

NOTE	REF NO	GRAPHIC REF	PART NUMBER	QTY	PART NAME						SEE PAGE
					1	2	3	4	5	6 (PRODUCT LEVEL)	
	2	1	<b>2P-4358</b>	1	FLANGE						
M	3	1	<b>099-2374</b>	4	BOLT-SOCKET HEAD (M5X0.8X12-MM)						
	5	1	<b>225-5222</b>	1	VALVE AS-PRESSURE RELIEF (AIR COMPRESSOR)						
		1	<b>2M-9780</b>	1	SEAL-O-RING						
	6	1	<b>6D-1004</b>	1	GASKET						
M	7	1	<b>6V-4248</b>	2	BOLT (M10X1.5X25-MM)						
M	8	1	<b>6V-5221</b>	6	BOLT (M8X1.25X80-MM)						
	9	1	<b>6V-5839</b>	2	WASHER (11X21X2.5-MM THK)						
M	10	1	<b>8T-0267</b>	8	BOLT-SOCKET HEAD (M6X1X12-MM)						
	11	1	<b>9M-1974</b>	6	WASHER-HARD (8.8X16X2-MM THK)						
					AVAILABLE REPAIR KIT(S):						
			<b>231-7753</b>	1	KIT-GASKET (AIR COMPRESSOR HEAD) INCLUDES VALVE-INLET AND GASKET-HEAD						
			<b>217-5237</b>	2	KIT-UNLOADER (AIR COMPRESSOR) INCLUDES UNLOADER GAP GASKET, ESS BALANCE PISTON, ESS SPRING, AND O-RINGS						
			<b>217-5240</b>	1	KIT-SEAL (AIR COMPRESSOR) INCLUDES O-RINGS, AND CRANKCASE COVER GASKET						

M-METRIC PART



GRAPHIC #1

<END>

g01059518

# BASIC ENGINE

## 226-9580 AIR COMPRESSOR GP\*R

S/N: JRE123-5437

31.4 CFM

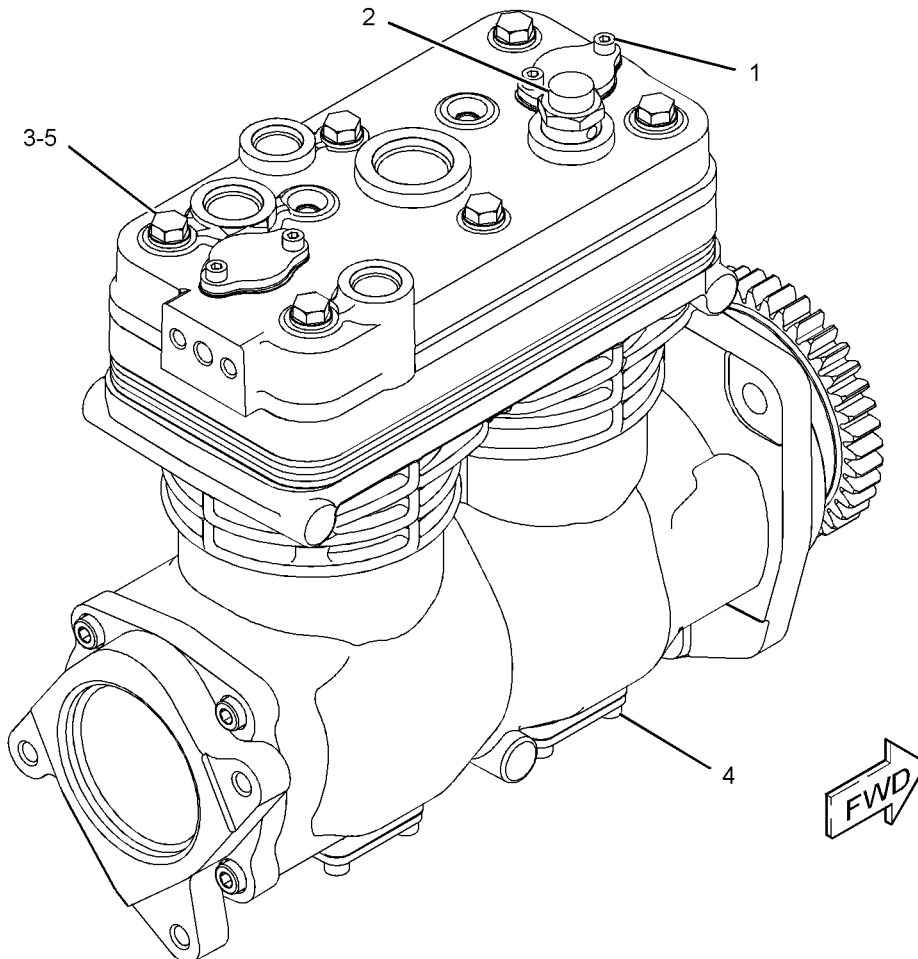
PART OF 232-5187 AIR COMPRESSOR GP  
AN ATTACHMENT

SMCS-1803

i02318134

NOTE	REF NO	GRAPHIC REF	PART NUMBER	QTY	PART NAME						SEE PAGE
					1	2	3	4	5	6 (PRODUCT LEVEL)	
M	1	1	099-2374	4	BOLT-SOCKET HEAD (M5X0.8X12-MM)						
	2	1	225-5222	1	VALVE AS-PRESSURE RELIEF (AIR COMPRESSOR)						
		1	2M-9780	1	SEAL-O-RING						
M	3	1	6V-5221	6	BOLT (M8X1.25X80-MM)						
M	4	1	8T-0267	8	BOLT-SOCKET HEAD (M6X1X12-MM)						
	5	1	9M-1974	6	WASHER-HARD (8.8X16X2-MM THK)						
					AVAILABLE REPAIR KIT(S):						
			231-7753	1	KIT-GASKET (AIR COMPRESSOR HEAD) INCLUDES VALVE-INLET AND GASKET-HEAD						
			217-5237	2	KIT-UNLOADER (AIR COMPRESSOR) INCLUDES UNLOADER GAP GASKET, ESS BALANCE PISTON, ESS SPRING, AND O-RINGS						
			217-5240	1	KIT-SEAL (AIR COMPRESSOR) INCLUDES O-RINGS, AND CRANKCASE COVER GASKET						

M-METRIC PART



GRAPHIC #1

<END>

g01156295



# BASIC ENGINE

## 232-5187 AIR COMPRESSOR GP

S/N: JRE1-5437

FOR USE WITH AIR LINES GROUP  
AN ATTACHMENT

SMCS-1803

i02940878

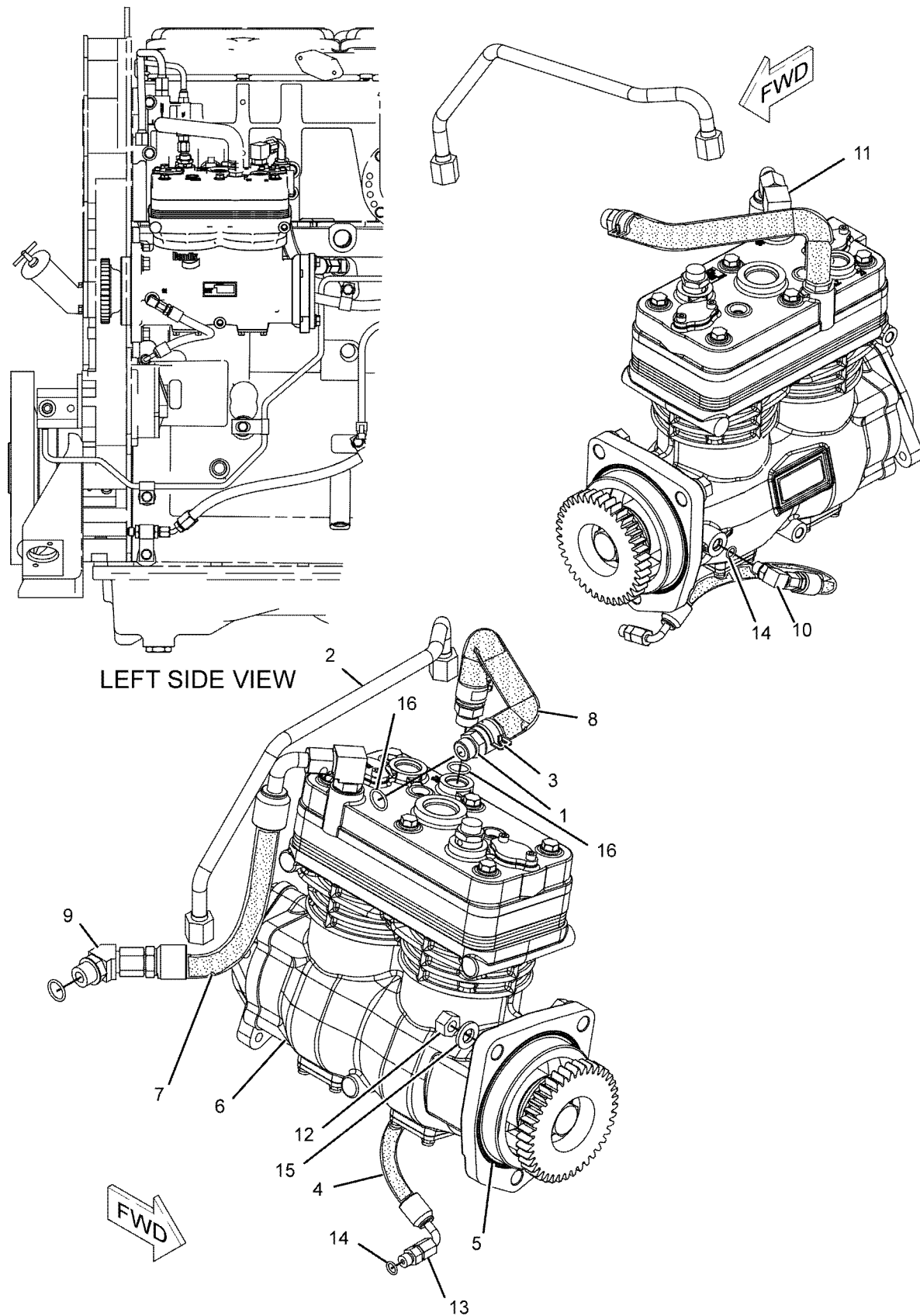
NOTE	REF NO	GRAPHIC REF	PART NUMBER	QTY	PART NAME						SEE PAGE
					1	2	3	4	5	6 (PRODUCT LEVEL)	
	1	1	168-8806	2	CONNECTOR						
	2	1	172-3450	1	TUBE AS						
	3	1	172-4702	2	CLAMP						
I	4	1	220-1206	1	HOSE AS						
	5	1	223-3505	1	SEAL (AIR COMPRESSOR)						
YR	6	1	226-9580	1	AIR COMPRESSOR GP						41
I	7	1	235-0183	1	HOSE AS						
	8	1	235-0313	1	HOSE						
	9	1	030-7943	1	ELBOW						
	10	1	030-7946	1	ELBOW						
	11	1	118-4728	1	ELBOW						
	12	1	1F-7958	3	NUT-FULL (1/2-13-THD)						
	13	1	3J-7352	1	CONNECTOR						
	14	1	3J-7354	2	SEAL-O-RING						
	15	1	5P-8245	3	WASHER-HARD (13.5X25.5X3-MM THK)						
	16	1	6V-6609	4	SEAL-O-RING						

I-REFER TO HYDRAULIC INFORMATION SYSTEM  
R-REMFG PART MAY BE AVAILABLE  
Y-SEPARATE ILLUSTRATION

# BASIC ENGINE

232-5187 AIR COMPRESSOR GP (contd.)

i02940878



LEFT SIDE VIEW

# BASIC ENGINE

## 232-5187 AIR COMPRESSOR GP

S/N: JRE5438-UP

FOR USE WITH AIR LINES GROUP  
AN ATTACHMENT

SMCS-1803

i04000346

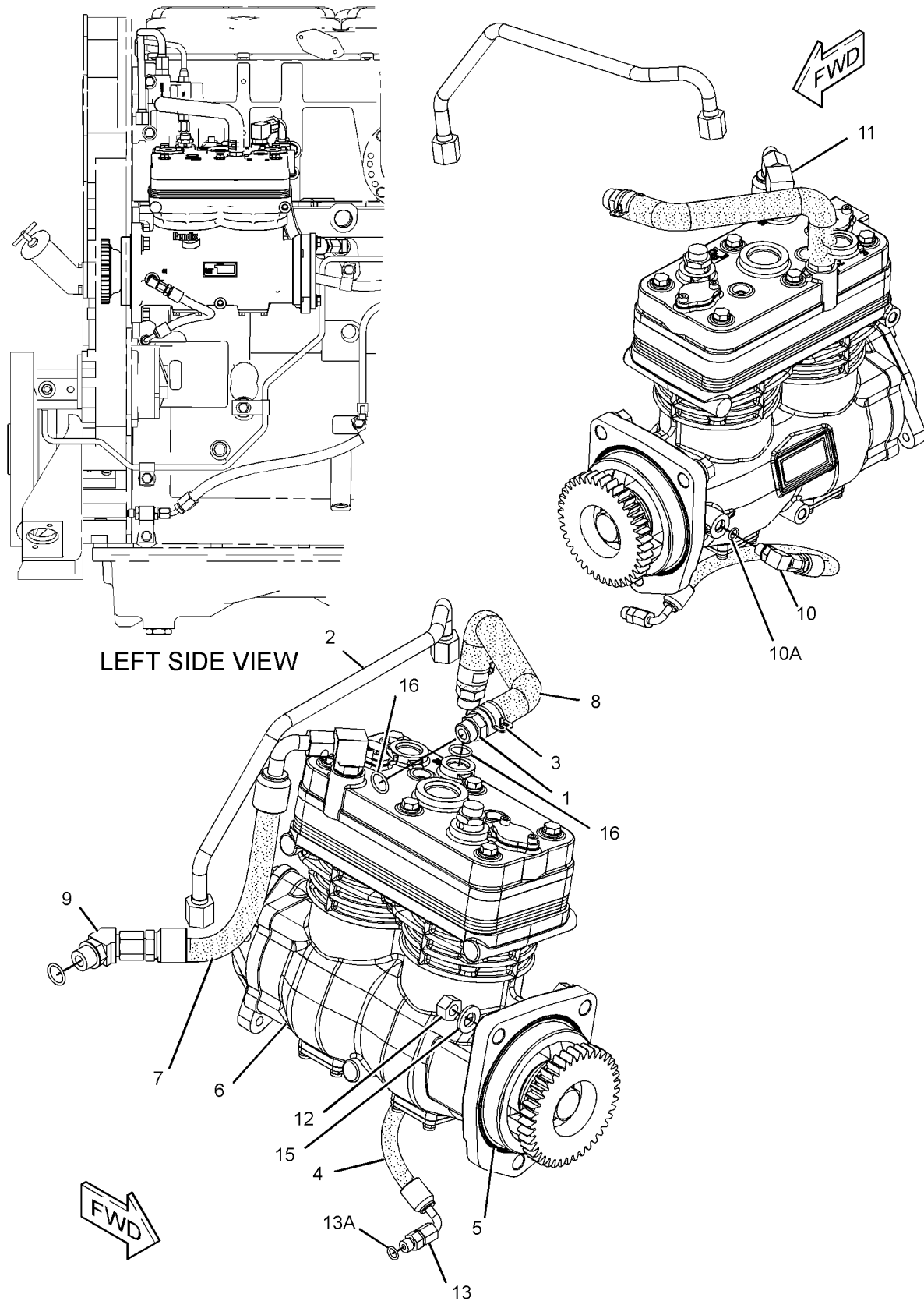
NOTE	REF NO	GRAPHIC REF	PART NUMBER	QTY	PART NAME						SEE PAGE
					1	2	3	4	5	6 (PRODUCT LEVEL)	
	1	1	168-8806	2	CONNECTOR						
	2	1	172-3450	1	TUBE AS						
	3	1	172-4702	2	CLAMP						
I	4	1	220-1206	1	HOSE AS						
	5	1	223-3505	1	SEAL						
CYR	6	1	304-2693	1	AIR COMPRESSOR GP						53
I	7	1	235-0183	1	HOSE AS						
	8	1	235-0313	1	HOSE						
	9	1	030-7943	1	ELBOW						
	10	1	343-8115	1	ELBOW AS						
	10A	1	214-7566	1	SEAL-O-RING						
		1	030-7946	1	ELBOW						
	11	1	118-4728	1	ELBOW						
	12	1	1F-7958	3	NUT-FULL (1/2-13-THD)						
	13	1	343-8121	1	CONNECTOR AS						
	13A	1	214-7566	1	SEAL-O-RING						
		1	3J-7352	1	CONNECTOR						
	15	1	5P-8245	3	WASHER-HARD (13.5X25.5X3-MM THK)						
	16	1	6V-6609	4	SEAL-O-RING						

C-CHANGE FROM PREVIOUS TYPE  
 I-REFER TO HYDRAULIC INFORMATION SYSTEM  
 R-REMG PART MAY BE AVAILABLE  
 Y-SEPARATE ILLUSTRATION

# BASIC ENGINE

232-5187 AIR COMPRESSOR GP (contd.)

i04000346



LEFT SIDE VIEW

GRAPHIC #1

<END>

g02177995

# BASIC ENGINE

## 269-5347 AIR COMPRESSOR GP

S/N: JRE1-4904

FOR USE WITH 270-6924-PAGE 288  
AN ATTACHMENT

SMCS-1803

i02729020

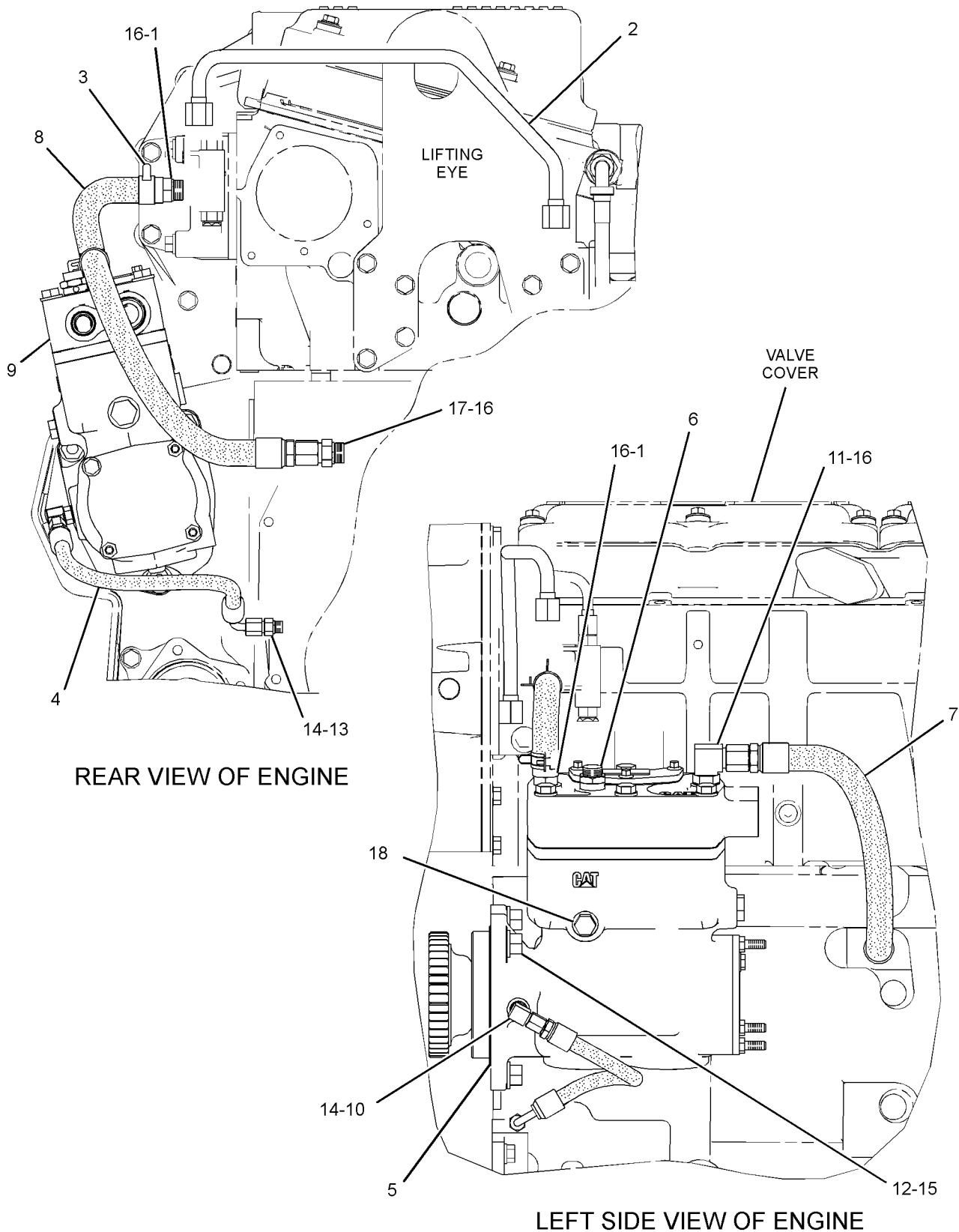
NOTE	REF NO	GRAPHIC REF	PART NUMBER	QTY	PART NAME						SEE PAGE
					1	2	3	4	5	6 (PRODUCT LEVEL)	
	1	1	6V-1438	2	CONNECTOR						
	2	1	172-3450	1	TUBE AS						
	3	1	172-4702	2	CLAMP						
I	4	1	220-1206	1	HOSE AS						
	5	1	223-3505	1	SEAL						
	6	1	225-5222	1	VALVE AS-PRESSURE RELIEF (AIR COMPRESSOR)						
		1	2M-9780	1	SEAL-O-RING						
	7	1	270-6916	1	HOSE AS						
	8	1	270-6917	1	HOSE						
YR	9	1	286-0474	1	AIR COMPRESSOR GP						51
	10	1	030-7946	1	ELBOW						
	11	1	118-4728	1	ELBOW						
	12	1	1F-7958	3	NUT-FULL (1/2-13-THD)						
	13	1	3J-7352	1	CONNECTOR						
	14	1	3J-7354	2	SEAL-O-RING						
	15	1	5P-8245	3	WASHER-HARD (13.5X25.5X3-MM THK)						
	16	1	6V-6609	4	SEAL-O-RING						
	17	1	8M-0505	1	CONNECTOR						
	18	1	9S-4191	1	PLUG-O-RING						

I-REFER TO HYDRAULIC INFORMATION SYSTEM  
R-REMG PART MAY BE AVAILABLE  
Y-SEPARATE ILLUSTRATION

# BASIC ENGINE

269-5347 AIR COMPRESSOR GP (contd.)

i02729020



REAR VIEW OF ENGINE

LEFT SIDE VIEW OF ENGINE

GRAPHIC #1

<END>

g01372449

# BASIC ENGINE

## 269-5347 AIR COMPRESSOR GP

S/N: JRE4905-UP

FOR USE WITH 270-6924-PAGE 288  
AN ATTACHMENT

SMCS-1803

i03690502

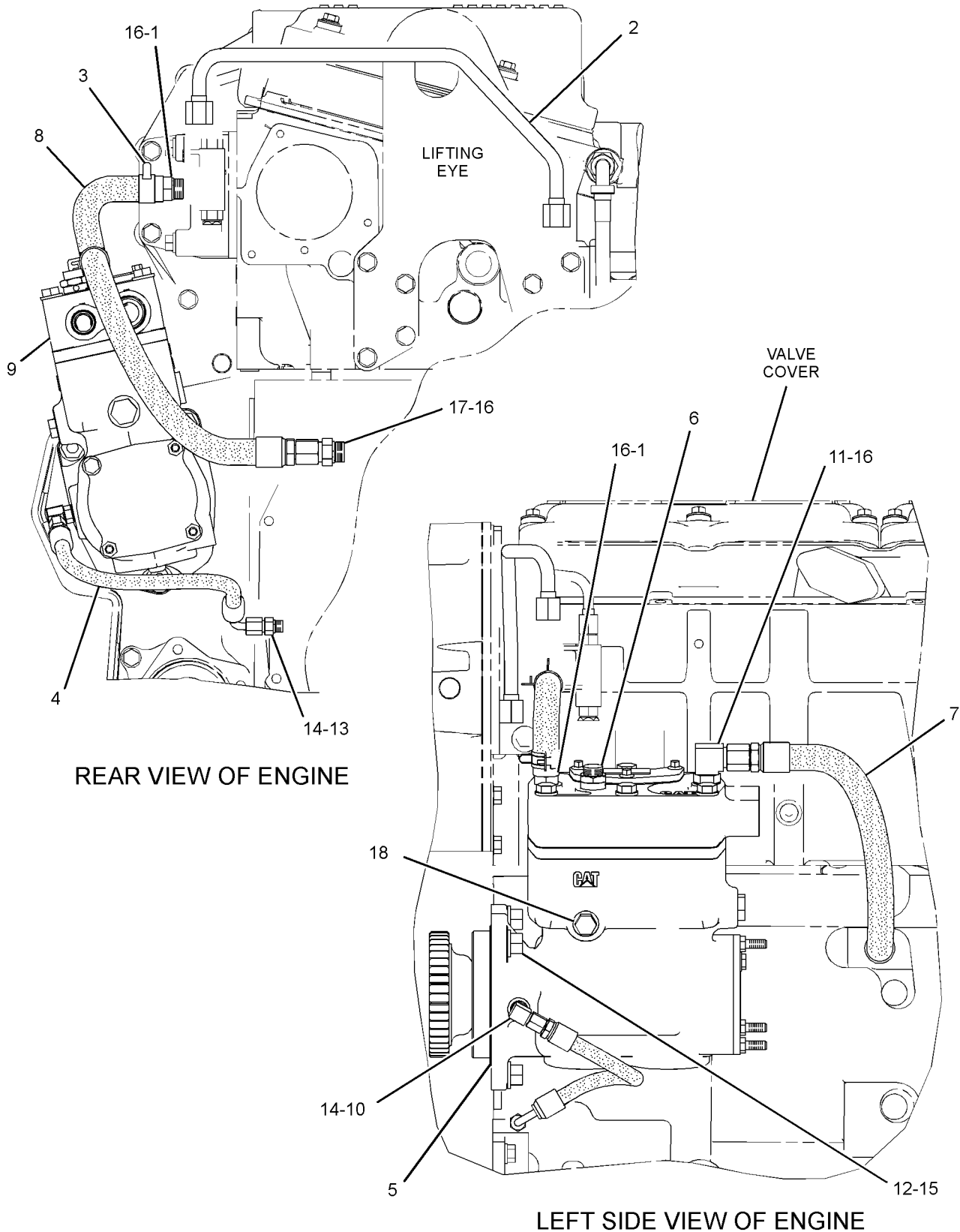
NOTE	REF NO	GRAPHIC REF	PART NUMBER	QTY	PART NAME						SEE PAGE
					1	2	3	4	5	6 (PRODUCT LEVEL)	
	1	1	6V-1438	2	CONNECTOR						
	2	1	172-3450	1	TUBE AS						
	3	1	172-4702	2	CLAMP						
I	4	1	220-1206	1	HOSE AS						
	5	1	223-3505	1	SEAL						
	6	1	225-5222	1	VALVE AS-PRESSURE RELIEF (AIR COMPRESSOR)						
		1	2M-9780	1	SEAL-O-RING						
	7	1	321-7384	1	HOSE AS						
	8	1	270-6917	1	HOSE						
CYR	9	1	346-3674	1	AIR COMPRESSOR GP						57
	10	1	030-7946	1	ELBOW						
	11	1	118-4728	1	ELBOW						
	12	1	1F-7958	3	NUT-FULL (1/2-13-THD)						
	13	1	3J-7352	1	CONNECTOR						
	14	1	3J-7354	2	SEAL-O-RING						
	15	1	5P-8245	3	WASHER-HARD (13.5X25.5X3-MM THK)						
	16	1	6V-6609	4	SEAL-O-RING						
	17	1	8M-0505	1	CONNECTOR						
	18	1	9S-4191	1	PLUG-O-RING						

C-CHANGE FROM PREVIOUS TYPE  
I-REFER TO HYDRAULIC INFORMATION SYSTEM  
R-REMG PART MAY BE AVAILABLE  
Y-SEPARATE ILLUSTRATION

# BASIC ENGINE

269-5347 AIR COMPRESSOR GP (contd.)

i03690502



REAR VIEW OF ENGINE

LEFT SIDE VIEW OF ENGINE

GRAPHIC #1

<END>

g01372449



# BASIC ENGINE

## 286-0474 AIR COMPRESSOR GP\*R

S/N: JRE1-4904

PART OF 269-5347 AIR COMPRESSOR GP  
AN ATTACHMENT

SMCS-1803

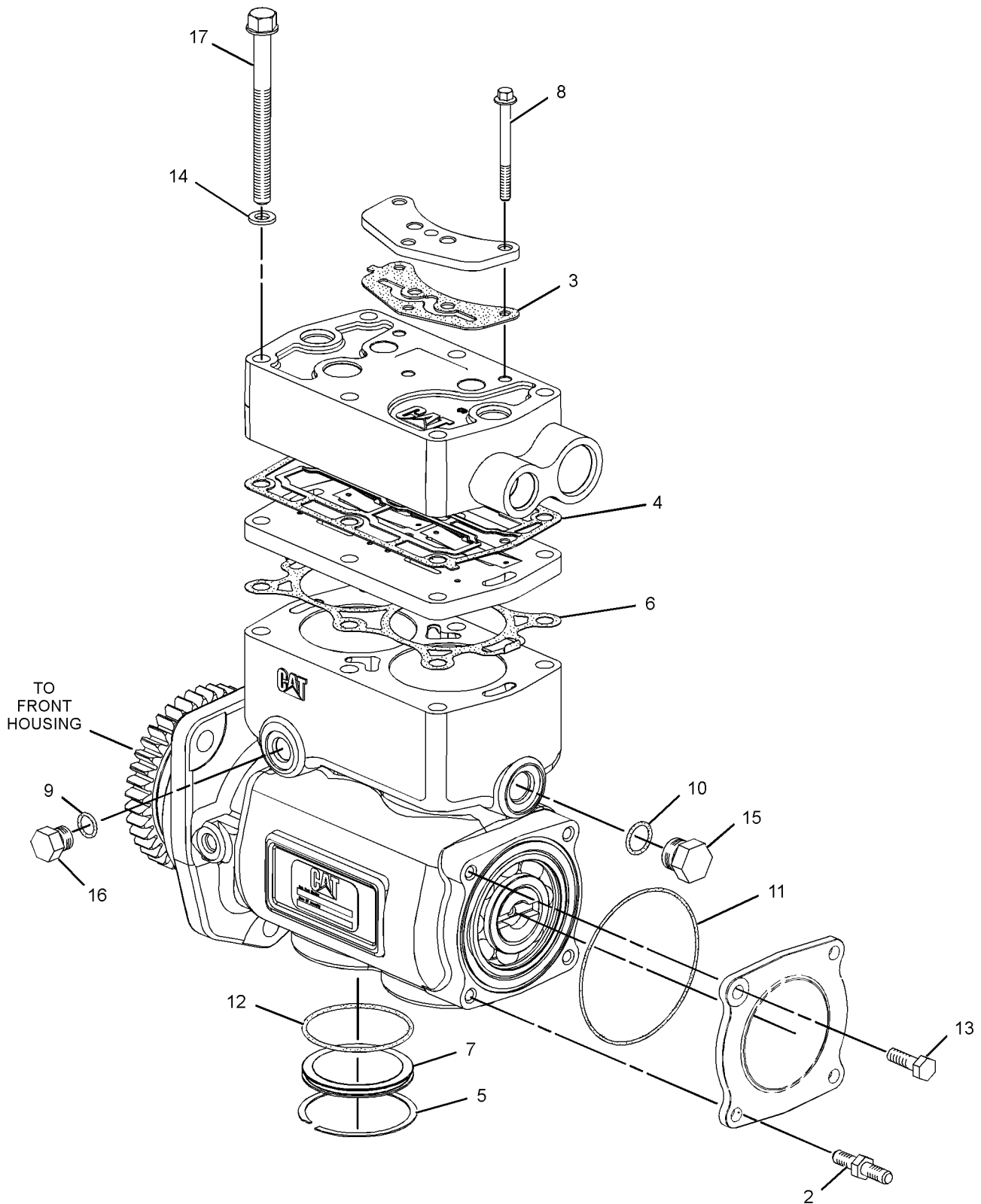
i03652719

NOTE	REF NO	GRAPHIC REF	PART NUMBER	QTY	PART NAME						SEE PAGE
					1	2	3	4	5	6 (PRODUCT LEVEL)	
M	2	1	<b>9X-2097</b>	3	STUD (M8X1.25-THD)						
J	3	1	<b>267-3443</b>	1	GASKET						
	4	1	<b>267-3444</b>	1	GASKET						
	5	1	<b>267-5212</b>	2	RING-RETAINING						
L	6	1	<b>287-1690</b>	1	GASKET						
	7	1	<b>288-1347</b>	2	PLUG						
JM	8	1	<b>271-8090</b>	3	BOLT-FLANGE HEAD (M6X1X65-MM)						
	9	1	<b>3J-1907</b>	1	SEAL-O-RING						
	10	1	<b>3K-0360</b>	1	SEAL-O-RING						
	11	1	<b>5E-8769</b>	1	SEAL-O-RING						
	12	1	<b>6D-7889</b>	2	SEAL-O-RING						
M	13	1	<b>6V-3940</b>	1	BOLT (M8X1.25X25-MM)						
	14	1	<b>8T-4224</b>	6	WASHER-HARD (8.8X16X2-MM THK)						
	15	1	<b>9S-4185</b>	1	PLUG-O-RING						
	16	1	<b>9S-4191</b>	1	PLUG-O-RING						
	17	1	<b>199-4317</b>	6	BOLT (M10X1.5X115-MM)						
AVAILABLE REPAIR KIT(S):											
J			<b>267-6575</b>	1	KIT-UNLOADER (AIR COMPRESSOR) (INCLUDES UNLOADER PIN SEAL-O-RINGS, UNLOADER PIN SPRINGS, UNLOADER COVER BOLTS, GASKET, AND A TUBE OF GREASE-O-RING)						
L			<b>267-6576</b>	1	KIT-CYLINDER HEAD (AIR COMPRESSOR) (INCLUDES CYLINDER HEAD AS, HEAD TO CRANKCASE BOLTS, AND A HEAD TO CRANKCASE GASKET)						
J-KIT MARKED J INCLUDES PARTS MARKED J L-KIT MARKED L INCLUDES PARTS MARKED L M-METRIC PART											

# BASIC ENGINE

286-0474 AIR COMPRESSOR GP (contd.)

i03652719



GRAPHIC #1

<END>

g01255540

# BASIC ENGINE

## 304-2693 AIR COMPRESSOR GP\*R

31 CFM

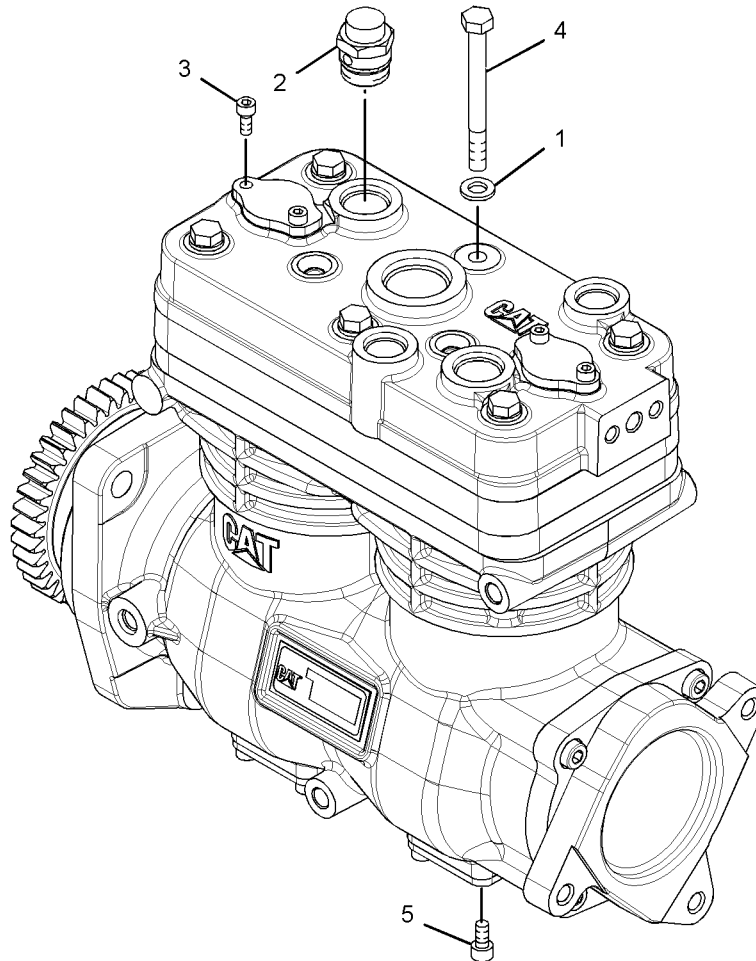
PART OF 232-5187, 340-5704 AIR COMPRESSOR GP  
AN ATTACHMENT

SMCS-1803

i03754256

NOTE	REF NO	GRAPHIC REF	PART NUMBER	QTY	PART NAME						SEE PAGE
					1	2	3	4	5	6 (PRODUCT LEVEL)	
	1	1	9M-1974	6	WASHER-HARD (8.8X16X2-MM THK)						
	2	1	225-5222	1	VALVE AS-PRESSURE RELIEF (AIR COMPRESSOR)						
		1	2M-9780	1	SEAL-O-RING						
M	3	1	099-2374	4	BOLT-SOCKET HEAD (M5X0.8X12-MM)						
M	4	1	6V-5221	6	BOLT (M8X1.25X80-MM)						
M	5	1	8T-0267	8	BOLT-SOCKET HEAD (M6X1X12-MM)						
PARTS SHOWN IN GRAPHIC(S) WITHOUT A REFERENCE NUMBER ARE NOT SERVICED SEPARATELY											
AVAILABLE REPAIR KIT(S):											
			335-6328	1	KIT-UNLOADER (AIR COMPRESSOR) (INCLUDES O-RING, COVER GASKETS & INSTRUCTION SHEET)						
			260-6822	2	KIT-UNLOADER (AIR COMPRESSOR) (EACH INCLUDES UNLOADER CAP GASKET, SPRING, PISTONS & O-RINGS)						
			260-6823	1	KIT-GASKET (AIR COMPRESSOR) (INCLUDES VALVE & GASKETS)						

M-METRIC PART



GRAPHIC #1

<END>

g01383780

# BASIC ENGINE

## 304-9991 AIR COMPRESSOR GP\*R

15.7 CFM

PART OF 222-2879 AIR COMPRESSOR GP  
FIELD REPLACEMENT FOR 223-3637-PAGE 37  
AN ATTACHMENT

SMCS-1803

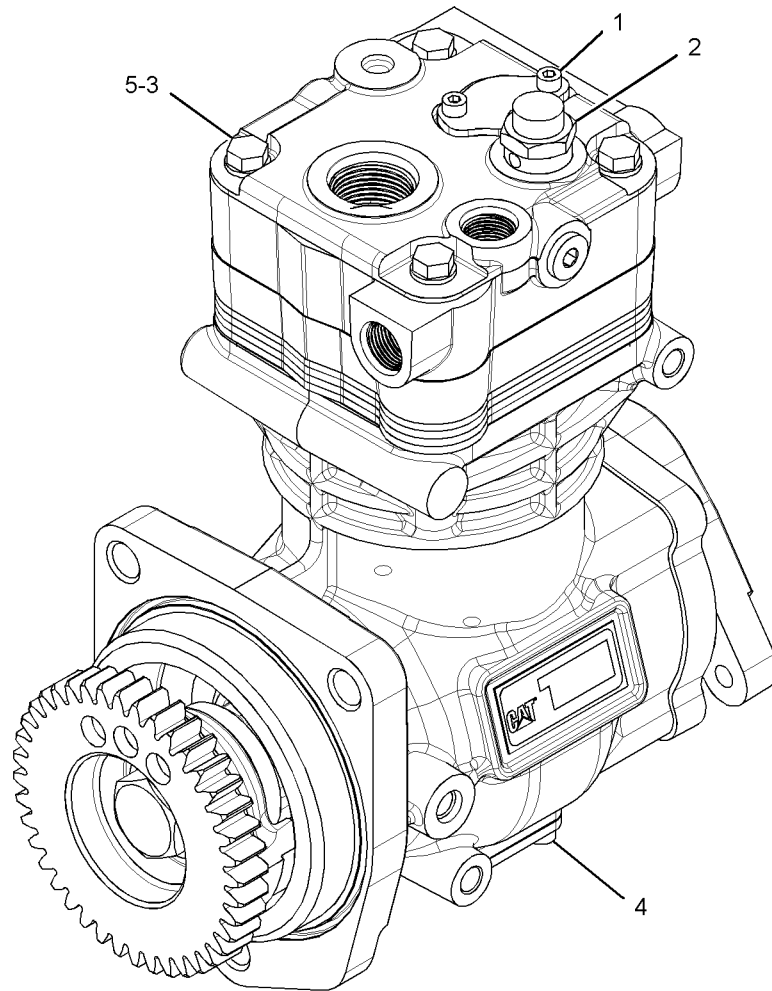
i03640761

NOTE	REF NO	GRAPHIC REF	PART NUMBER	QTY	PART NAME						SEE PAGE
					1	2	3	4	5	6 (PRODUCT LEVEL)	
M	1	1	<b>099-2374</b>	2	BOLT-SOCKET HEAD (M5X0.8X12-MM)						
	2	1	<b>225-5222</b>	1	VALVE AS-PRESSURE RELIEF (AIR COMPRESSOR)						
		1	<b>2M-9780</b>	1	SEAL-O-RING (19.18-MM ID)						
M	3	1	<b>6V-5221</b>	4	BOLT (M8X1.25X80-MM)						
M	4	1	<b>8T-0267</b>	4	BOLT-SOCKET HEAD (M6X1X12-MM)						
	5	1	<b>9M-1974</b>	4	WASHER-HARD (8.8X16X2-MM THK)						
					AVAILABLE REPAIR KIT(S):						
			<b>217-5232</b>	1	KIT-GASKET (AIR COMPRESSOR) (INCLUDES INLET REED VALVE/GASKET & CYLINDER HEAD GASKETS)						
			<b>260-6821</b>	1	KIT-SEAL (AIR COMPRESSOR) (INCLUDES O-RING (END COVER), CRANKCASE COVER GASKETS, REAR COVER GASKET, & INSTRUCTION SHEET)						
			<b>335-6328</b>	1	KIT-UNLOADER (AIR COMPRESSOR) (INCLUDES UNLOADER CAP GASKET, ESS BALANCE PISTON, ESS SPRING, ESS PISTON, & TOP, MIDDLE, & BOTTOM O-RINGS)						
			<b>329-0223</b>	1	KIT-HEAD (AIR COMPRESSOR) (INCLUDES CYLINDER HEAD AS, INLET REED/GASKET, CYLINDER HEAD BOLTS, & INSTRUCTION SHEET)						
M-METRIC PART											

# BASIC ENGINE

304-9991 AIR COMPRESSOR GP (contd.)

i03640761



GRAPHIC #1

<END>

g01702873

# BASIC ENGINE

## 340-5704 AIR COMPRESSOR GP

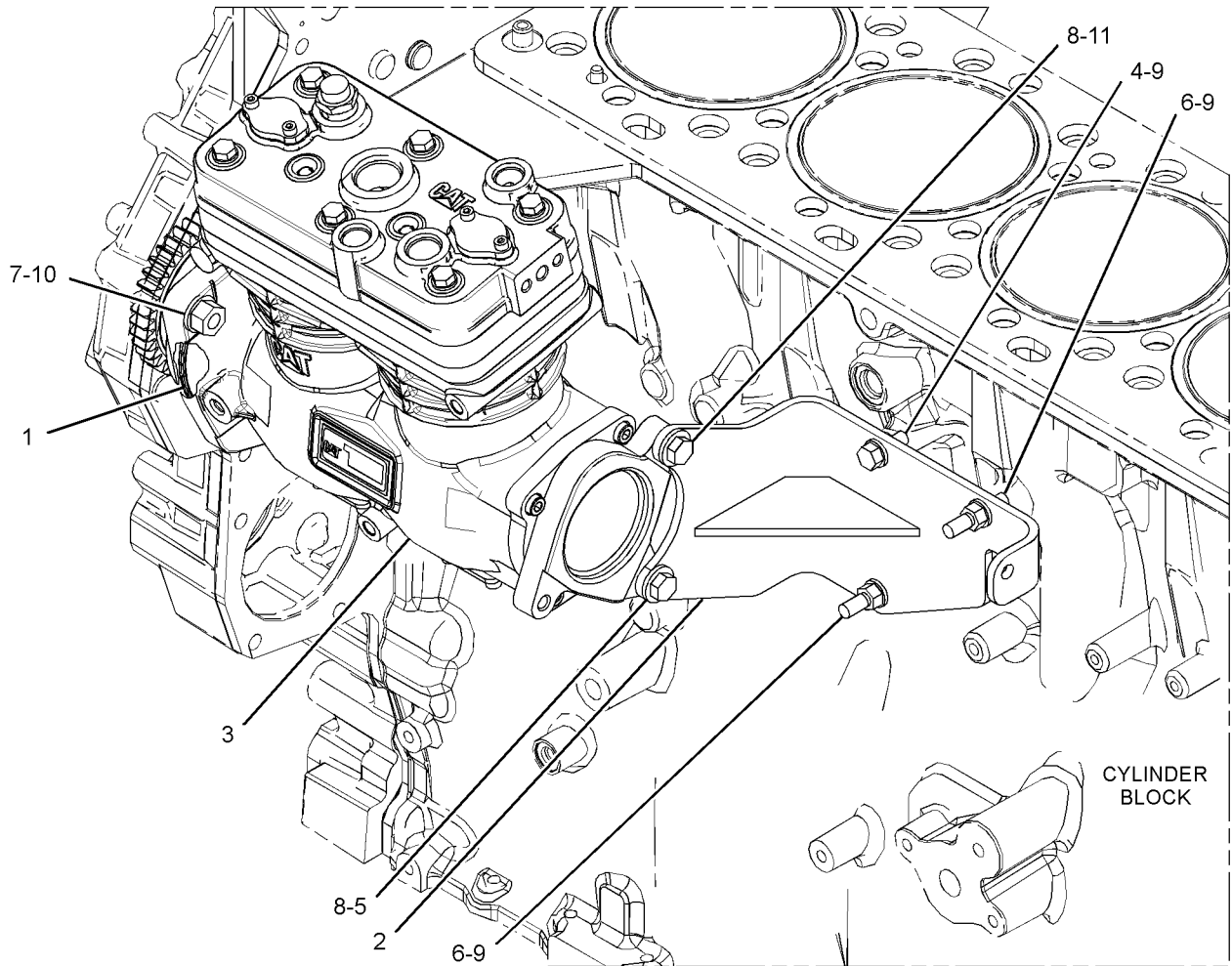
FOR USE WITH NATURALLY ASPIRATED AIR SUPPLY LINE ONLY. CANNOT BE USED WITH  
MID MOUNT FUEL FILTER  
AN ATTACHMENT

SMCS-1803

i03988952

NOTE	REF NO	GRAPHIC REF	PART NUMBER	QTY	PART NAME						SEE PAGE
					1	2	3	4	5	6 (PRODUCT LEVEL)	
	1	1	223-3505	1	SEAL						
	2	1	247-5712	1	BRACKET AS						
YR	3	1	304-2693	1	AIR COMPRESSOR GP						53
	4	1	0S-1594	1	BOLT (3/8-16X1-IN)						
M	5	1	160-8741	1	BOLT (M10X1.5X50-MM)						
	6	1	174-9599	2	STUD (3/8-16-THD)						
	7	1	1F-7958	3	NUT-FULL (1/2-13-THD)						
	8	1	3E-4353	2	WASHER-HARD (11X25X3-MM THK)						
	9	1	5M-2894	3	WASHER-HARD (10.2X18.5X2.5-MM THK)						
	10	1	5P-8245	3	WASHER-HARD (13.5X25.5X3-MM THK)						
M	11	1	6V-1820	1	BOLT (M10X1.5X30-MM)						

M-METRIC PART  
R-REMG PART MAY BE AVAILABLE  
Y-SEPARATE ILLUSTRATION



GRAPHIC #1

<END>

g02317956

# BASIC ENGINE

## 346-3674 AIR COMPRESSOR GP\*R

S/N: JRE4905-UP

PART OF 269-5347 AIR COMPRESSOR GP  
AN ATTACHMENT

SMCS-1803

i03690501

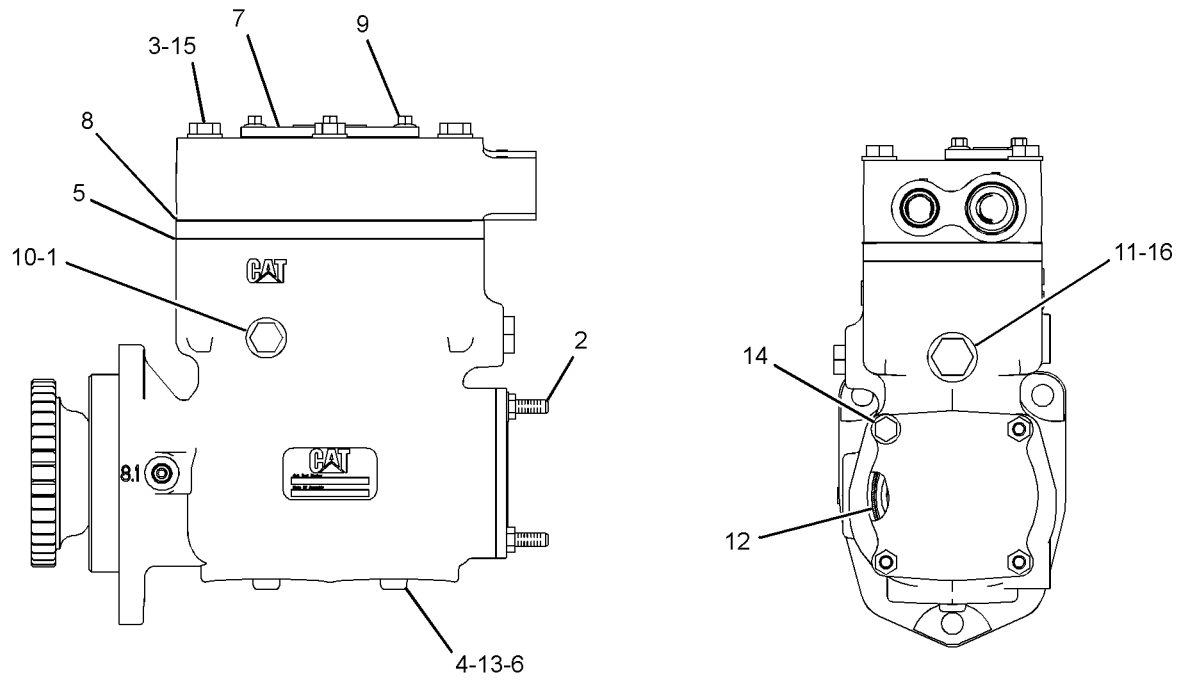
NOTE	REF NO	GRAPHIC REF	PART NUMBER	QTY	PART NAME						SEE PAGE
					1	2	3	4	5	6 (PRODUCT LEVEL)	
	1	1	<b>9S-4191</b>	1	PLUG-O-RING						
M	2	1	<b>9X-2097</b>	3	STUD (M8X1.25-THD)						
	3	1	<b>199-4317</b>	6	BOLT (M10X1.5X115-MM)						
	4	1	<b>267-5212</b>	2	RING-RETAINING						
	5	1	<b>287-1690</b>	1	GASKET						
	6	1	<b>288-1347</b>	2	PLUG						
	7	1	<b>307-6192</b>	1	GASKET						
	8	1	<b>307-6200</b>	1	GASKET						
M	9	1	<b>271-8090</b>	3	BOLT-FLANGE HEAD (M6X1X65-MM)						
	10	1	<b>3J-1907</b>	1	SEAL-O-RING						
	11	1	<b>3K-0360</b>	1	SEAL-O-RING						
	12	1	<b>5E-8769</b>	1	SEAL-O-RING						
	13	1	<b>6D-7889</b>	2	SEAL-O-RING						
M	14	1	<b>6V-3940</b>	1	BOLT (M8X1.25X25-MM)						
	15	1	<b>6V-5839</b>	6	WASHER (11X21X2.5-MM THK)						
	16	1	<b>9S-4185</b>	1	PLUG-O-RING						
					AVAILABLE REPAIR KIT(S):						
				<b>307-6205</b>	1	KIT-UNLOADER (AIR COMPRESSOR)					
				<b>307-6209</b>	1	KIT-CYLINDER HEAD (AIR COMPRESSOR)					

M-METRIC PART

# BASIC ENGINE

346-3674 AIR COMPRESSOR GP (contd.)

i03690501



GRAPHIC #1

<END>

g01471873



# BASIC ENGINE

## 234-5005 BASE GP-VALVE COVER & INJ HARN

S/N: JRE106-878, 2682-4360

ALSO AN ATTACHMENT

SMCS-1120, 1408

i03622540

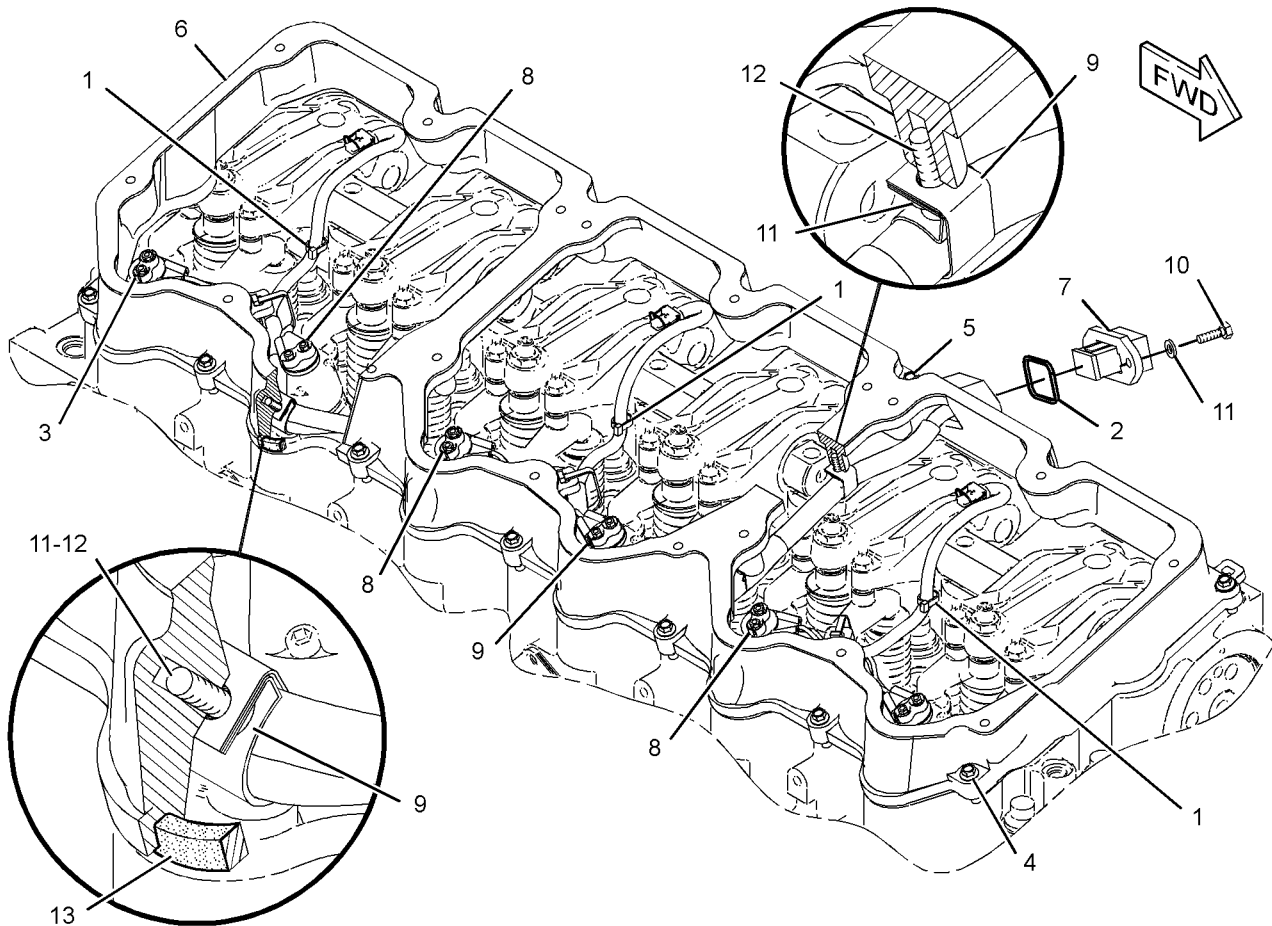
NOTE	REF NO	GRAPHIC REF	PART NUMBER	QTY	PART NAME						SEE PAGE
					1	2	3	4	5	6 (PRODUCT LEVEL)	
	1	1	123-3202	3	STRAP-CABLE						
	2	1	6V-0128	1	SEAL-CONNECTOR						
	3	1	7E-6508	6	CAP AS						
	4	1	9L-8925	14	BOLT (5/16-18X1.25-IN)						
	5	1	122-1472	1	BOLT (5/16-18X2.36-IN)						
	6	1	177-4152	1	BASE-VALVE MECHANISM COVER						
	7	1	234-5002	1	HARNES AS-ENGINE (INJECTOR, VARIABLE VALVE)						
		1	102-8801	1	KIT-RECEPTACLE (12-PIN) (INCLUDES RECEPTACLE AS & WEDGE)						
		1	103-8134	1	KIT-RECEPTACLE (12-PIN) (INCLUDES RECEPTACLE AS & WEDGE)						
		1	3S-2093	6	STRAP-CABLE						
E		1	119-3662		TUBE-HEAT SHRINK (10.85-MM DIA) (13-CM)						
E		1	125-7875		TUBE-HEAT SHRINK (7.44-MM DIA) (15-CM)						
		1	9X-3401	12	PIN-CONNECTOR (16-GA TO 18-GA)						
					-OR-						
		1	126-1767	12	PIN-CONNECTOR (14-GA TO 16-GA)						
	8	1	100-5218	3	CLIP						
	9	1	100-5219	3	CLIP						
	10	1	4F-7957	2	BOLT (1/4-20X0.875-IN)						
	11	1	5P-0537	8	WASHER-HARD (7.2X14.5X2-MM THK)						
	12	1	8H-3127	6	BOLT (1/4-20X0.75-IN)						
	13	1	5P-5678	1	SEAL						

E-ORDER BY THE CENTIMETER

# BASIC ENGINE

234-5005 BASE GP-VALVE COVER & INJ HARN (contd.)

i03622540



GRAPHIC #1

<END>

g01677199

# BASIC ENGINE

## 234-5005 BASE GP-VALVE COVER & INJ HARN

S/N: JRE5232-6199

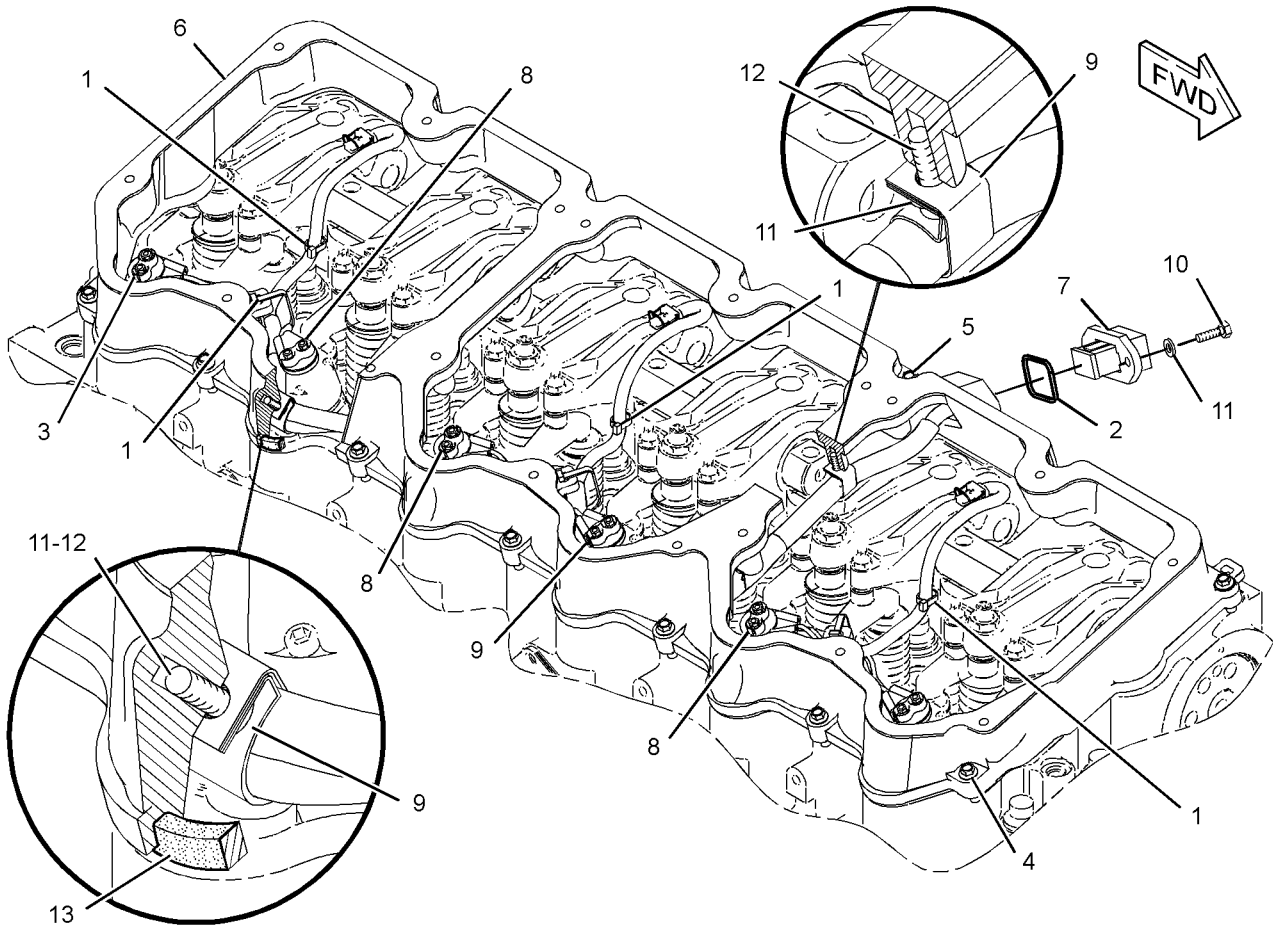
AN ATTACHMENT

SMCS-1120, 1408

i03372400

NOTE	REF NO	GRAPHIC REF	PART NUMBER	QTY	PART NAME						SEE PAGE
					1	2	3	4	5	6 (PRODUCT LEVEL)	
C	1	1	123-3202	6	STRAP - CABLE						
	2	1	6V-0128	1	SEAL - CONNECTOR						
	3	1	7E-6508	6	CAP AS						
	4	1	9L-8925	14	BOLT (5/16-18X1.25-IN)						
	5	1	122-1472	1	BOLT (5/16-18X2.36-IN)						
C	6	1	289-8215	1	BASE-VALVE MECHANISM COVER						
	7	1	234-5002	1	HARNES AS-ENGINE (INJECTOR, VARIABLE VALVE)						
	8	1	100-5218	3	CLIP						
	9	1	100-5219	3	CLIP						
	10	1	4F-7957	2	BOLT (1/4-20X0.875-IN)						
	11	1	5P-0537	8	WASHER-HARD (7.2X14.5X2-MM THK)						
	12	1	8H-3127	6	BOLT (1/4-20X0.75-IN)						
C	13	1	272-0390	1	SEAL						

C-CHANGE FROM PREVIOUS TYPE



GRAPHIC #1

<END>

g01418424

# BASIC ENGINE

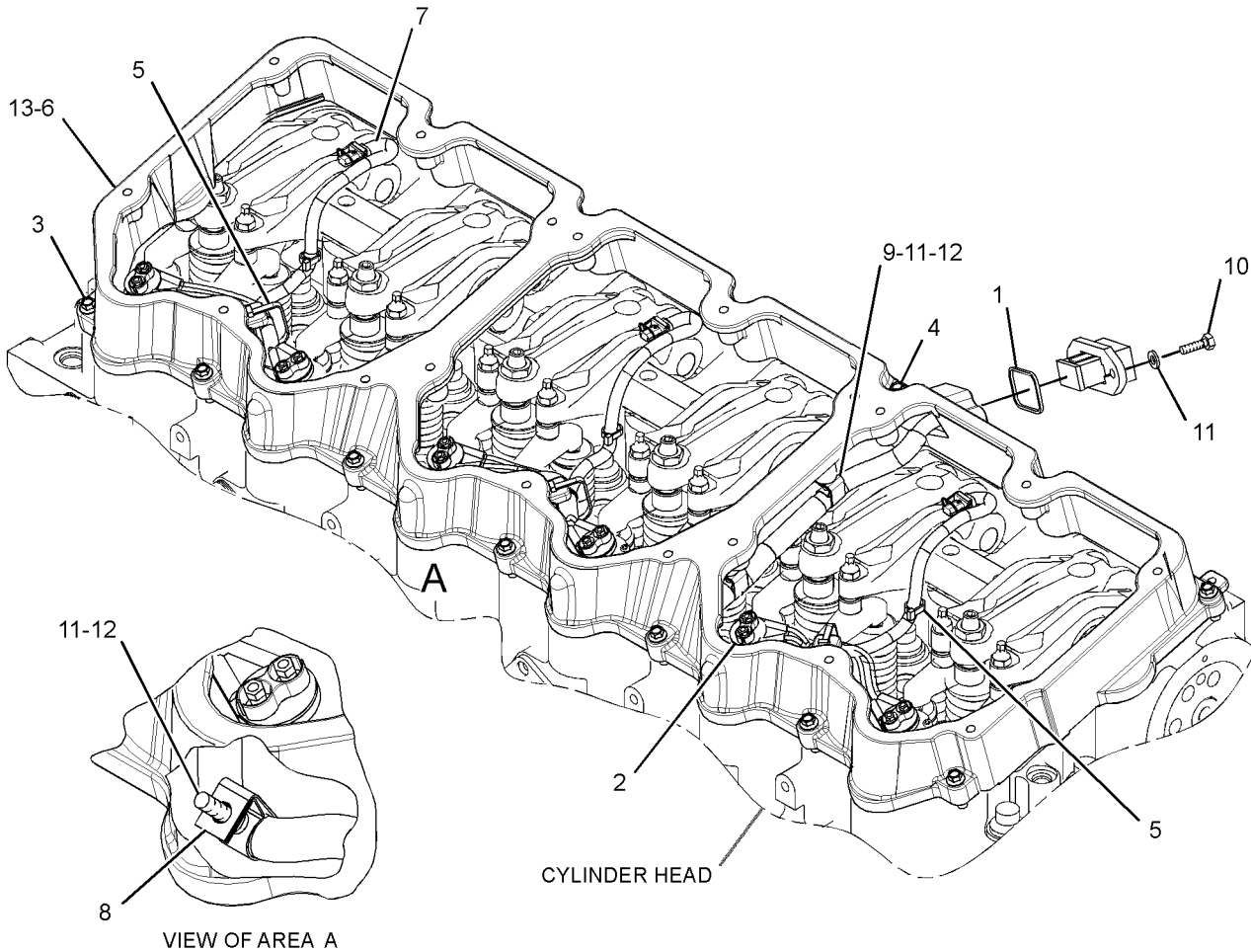
## 234-5005 BASE GP-VALVE COVER & INJ HARN

S/N: JRE9895-10842  
ALSO AN ATTACHMENT

SMCS-1120, 1408

i03640766

NOTE	REF NO	GRAPHIC REF	PART NUMBER	QTY	PART NAME	1 2 3 4 5 6 (PRODUCT LEVEL)						SEE PAGE
	1	1	6V-0128	1	SEAL-CONNECTOR							
	2	1	7E-6508	6	CAP AS							
	3	1	9L-8925	14	BOLT (5/16-18X1.25-IN)							
	4	1	122-1472	1	BOLT (5/16-18X2.36-IN)							
	5	1	123-3202	6	STRAP-CABLE							
	6	1	289-8215	1	BASE-VALVE MECHANISM COVER							
	7	1	307-1610	1	HARNESS AS-ENGINE							
		1	3S-2093	6	STRAP-CABLE							
		1	103-8134		KIT-RECEPTACLE (12-PIN)							
					(INCLUDES RECEPTACLE AS & WEDGE)							
	8	1	100-5218	3	CLIP							
	9	1	100-5219	3	CLIP							
	10	1	4F-7957	2	BOLT (1/4-20X0.875-IN)							
	11	1	5P-0537	8	WASHER-HARD (7.2X14.5X2-MM THK)							
	12	1	8H-3127	6	BOLT (1/4-20X0.75-IN)							
	13	1	272-0390	1	SEAL							



GRAPHIC #1

<END>

g01745775

# BASIC ENGINE

## 234-5005 BASE GP-VALVE COVER & INJ HARN

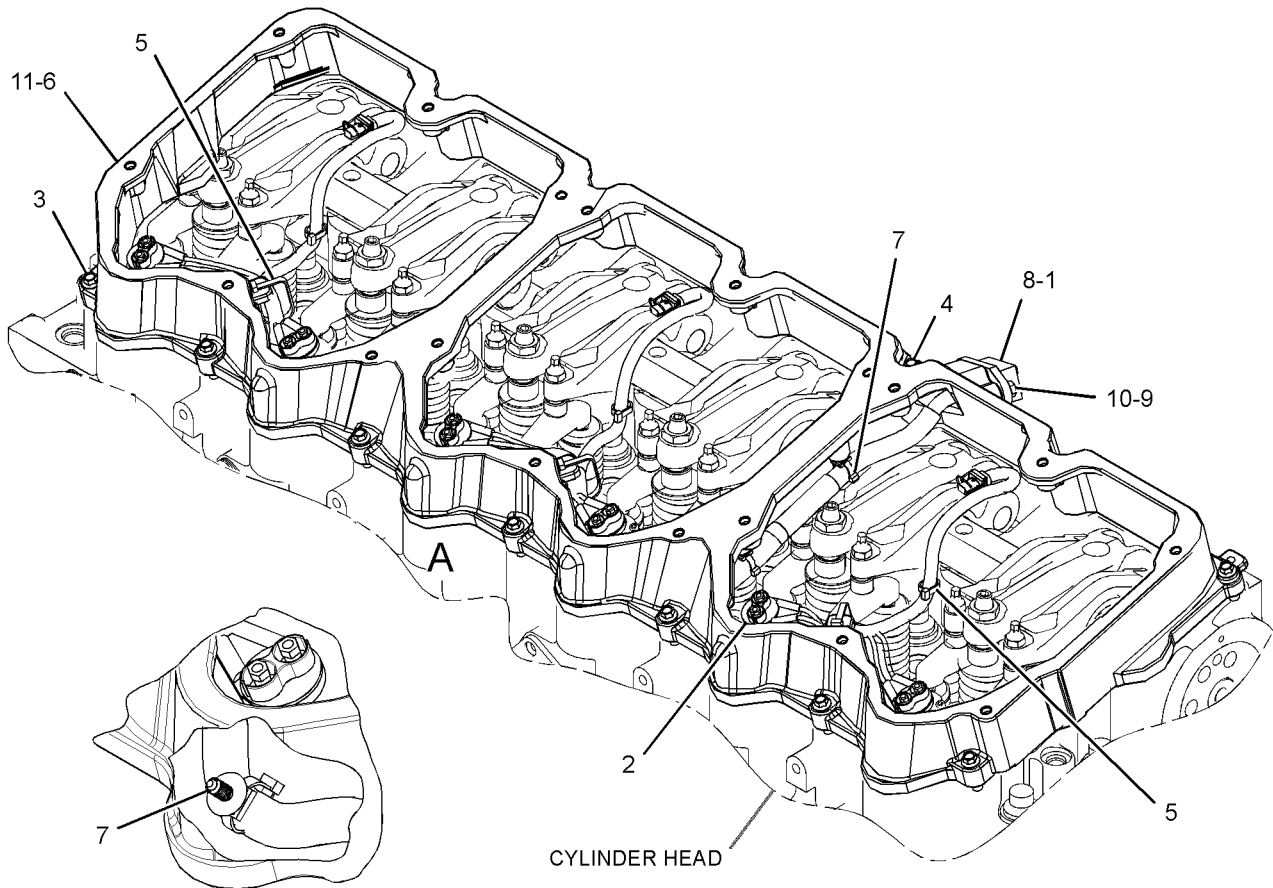
S/N: JRE10843-UP  
ALSO AN ATTACHMENT

SMCS-1120, 1408

i03854905

NOTE	REF NO	GRAPHIC REF	PART NUMBER	QTY	PART NAME						SEE PAGE
					1	2	3	4	5	6 (PRODUCT LEVEL)	
	1	1	6V-0128	1	SEAL-CONNECTOR						
	2	1	7E-6508	6	CAP AS						
	3	1	9L-8925	14	BOLT (5/16-18X1.25-IN)						
	4	1	122-1472	1	BOLT (5/16-18X2.36-IN)						
	5	1	123-3202	6	STRAP-CABLE						
	6	1	289-8215	1	BASE-VALVE MECHANISM COVER						
C	7	1	326-4512	6	MOUNTING-CABLE TIE						
C	8	1	352-2826	1	HARNESS AS-ENGINE (UNIT INJECTOR)						
		1	103-8134	1	KIT-RECEPTACLE (12-PIN)						
		1	102-8801	1	KIT-RECEPTACLE (12-PIN)						
					(EACH INCLUDES RECEPTACLE AS & WEDGE)						
		1	3S-2093	6	STRAP-CABLE						
E		1	125-7874		TUBE-HEAT SHRINK (5.72-MM DIA) (20-CM)						
E		1	125-7875		TUBE-HEAT SHRINK (7.44-MM DIA) (5-CM)						
		1	180-9339	12	PIN-CONNECTOR (14-GA TO 18-GA)						
	9	1	4F-7957	2	BOLT (1/4-20X0.875-IN)						
C	10	1	5P-0537	2	WASHER-HARD (7.2X14.5X2-MM THK)						
	11	1	272-0390	1	SEAL						

C-CHANGE FROM PREVIOUS TYPE  
E-ORDER BY THE CENTIMETER



VIEW OF AREA A

GRAPHIC #1

<END>

g02102176

# BASIC ENGINE

## 278-5662 BASE GP-VALVE COVER & INJ HARN

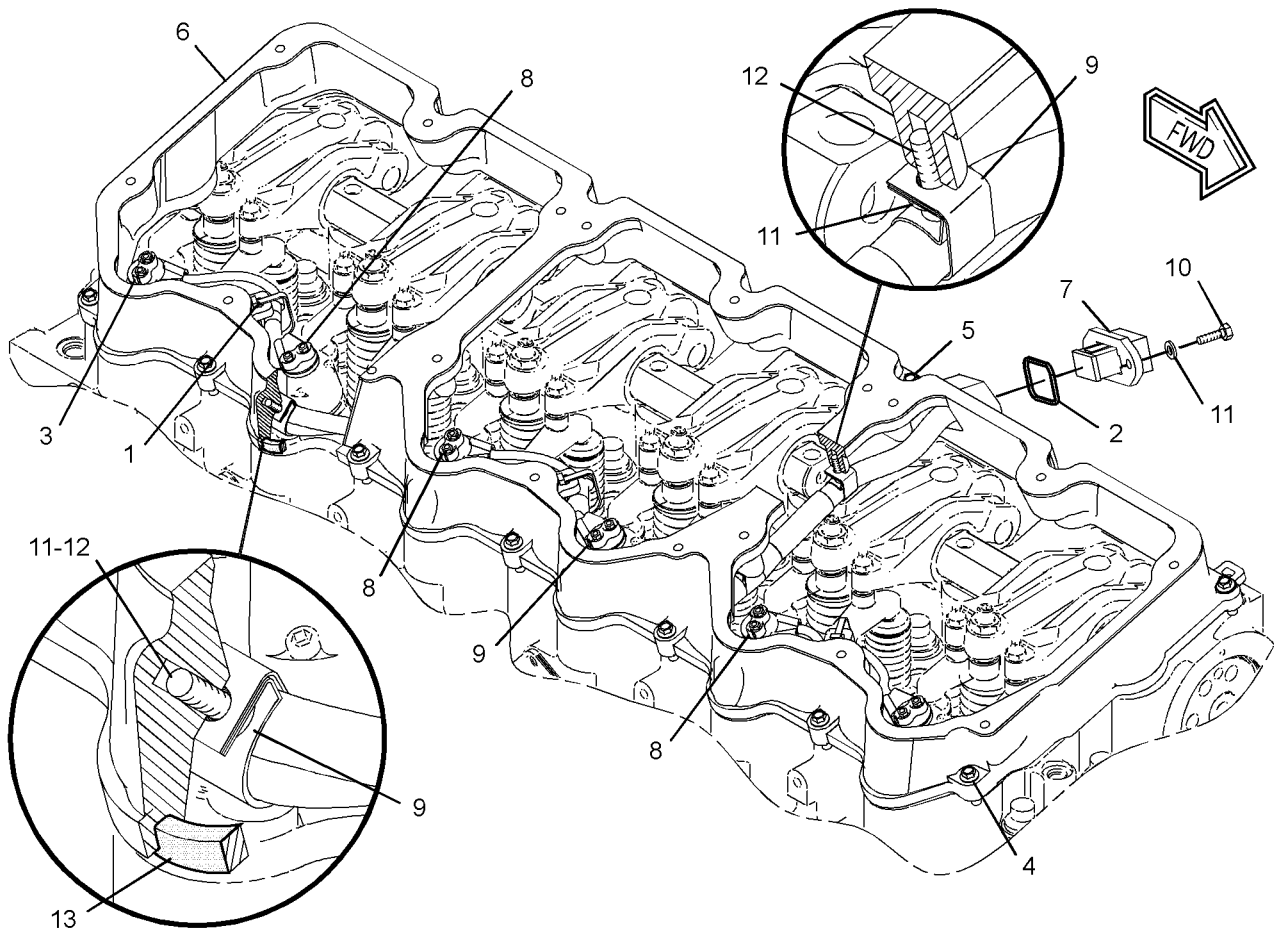
S/N: JRE876-5231  
ALSO AN ATTACHMENT

SMCS-1120, 1408

i02673384

NOTE	REF NO	GRAPHIC REF	PART NUMBER	QTY	PART NAME						SEE PAGE
					1	2	3	4	5	6 (PRODUCT LEVEL)	
	1	1	123-3202	3	STRAP - CABLE						
	2	1	6V-0128	1	SEAL - CONNECTOR						
	3	1	7E-6508	6	CAP AS						
	4	1	9L-8925	14	BOLT (5/16-18X1.25-IN)						
	5	1	122-1472	1	BOLT (5/16-18X2.36-IN)						
	6	1	177-4152	1	BASE-VALVE MECHANISM COVER						
	7	1	278-5657	1	HARNES AS-ENGINE (UNIT INJECTOR)						
		1	103-8134	1	KIT-RECEPTACLE (12-PIN) (INCLUDES RECEPTACLE AS & WEDGE)						
	8	1	100-5218	3	CLIP						
	9	1	100-5219	3	CLIP						
	10	1	4F-7957	2	BOLT (1/4-20X0.875-IN)						
	11	1	5P-0537	8	WASHER-HARD (7.2X14.5X2-MM THK)						
	12	1	8H-3127	6	BOLT (1/4-20X0.75-IN)						
D	13	1	5P-5678		SEAL (2.9-M)						

D-ORDER BY THE METER



GRAPHIC #1

<END>

g01213201

# BASIC ENGINE

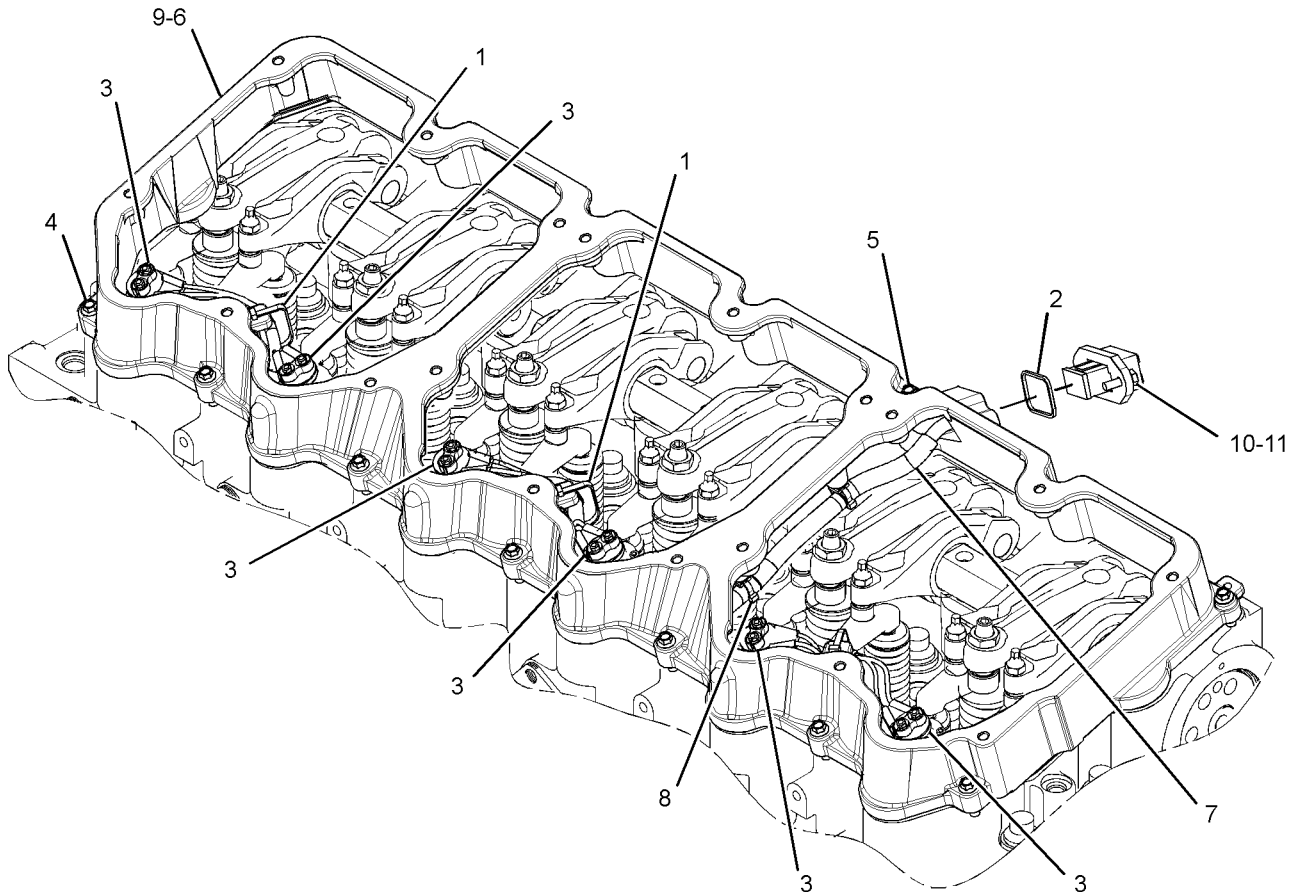
## 278-5662 BASE GP-VALVE COVER & INJ HARN ALSO AN ATTACHMENT

SMCS-1120, 1408

i03858037

NOTE	REF NO	GRAPHIC REF	PART NUMBER	QTY	PART NAME						SEE PAGE
					1	2	3	4	5	6 (PRODUCT LEVEL)	
	1	1	123-3202	3	STRAP-CABLE						
	2	1	6V-0128	1	SEAL-CONNECTOR						
	3	1	7E-6508	6	CAP AS						
	4	1	9L-8925	14	BOLT (5/16-18X1.25-IN)						
	5	1	122-1472	1	BOLT (5/16-18X2.36-IN)						
C	6	1	289-8215	1	BASE-VALVE MECHANISM COVER						
	7	1	343-9866	1	HARNES AS-ENGINE (UNIT INJECTOR)						
		1	103-8134	1	KIT-RECEPTACLE (12-PIN)						
		1	102-8801	1	KIT-RECEPTACLE (12-PIN)						
					(EACH KIT INCLUDES RECEPTACLE AS & WEDGE)						
		1	7E-6513	6	CONNECTOR AS						
		1	8T-8737	3	PLUG-SEAL						
		1	180-9339	9	PIN-CONNECTOR (14-GA TO 18-GA)						
	8	1	326-4512	6	MOUNTING-CABLE TIE						
C	9	1	272-0390	1	SEAL						
	10	1	4F-7957	2	BOLT (1/4-20X0.875-IN)						
	11	1	5P-0537	2	WASHER-HARD (7.2X14.5X2-MM THK)						

C-CHANGE FROM PREVIOUS TYPE



GRAPHIC #1

<END>

g02060774

# BASIC ENGINE

## 344-6077 BASE GP-VALVE COVER & INJ HARN

SMCS-1120, 1408

i03627546

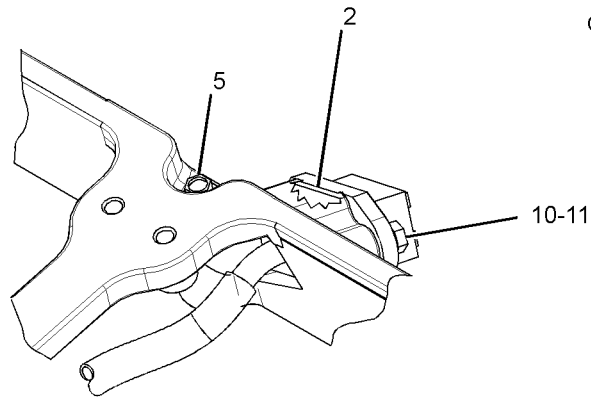
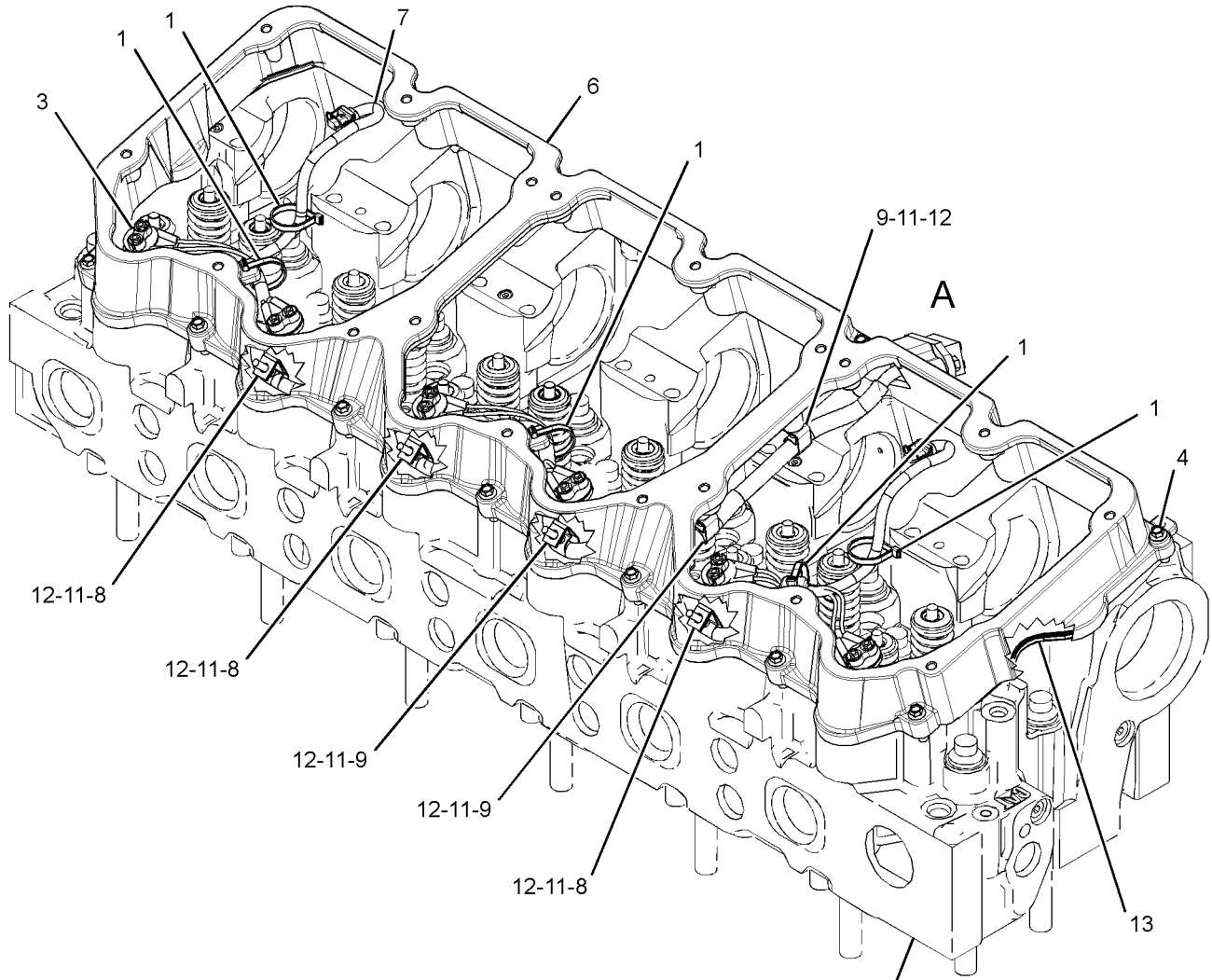
NOTE	REF NO	GRAPHIC REF	PART NUMBER	QTY	PART NAME						SEE PAGE
					1	2	3	4	5	6 (PRODUCT LEVEL)	
	1	1	<b>3S-2093</b>	5	STRAP-CABLE						
	2	1	<b>6V-0128</b>	1	SEAL-CONNECTOR						
	3	1	<b>7E-6508</b>	6	CAP AS						
	4	1	<b>9L-8925</b>	14	BOLT (5/16-18X1.25-IN)						
	5	1	<b>122-1472</b>	1	BOLT (5/16-18X2.36-IN)						
	6	1	<b>289-8215</b>	1	BASE-VALVE MECHANISM COVER						
	7	1	<b>344-6076</b>	1	HARNESS AS-ENGINE						
		1	<b>103-8134</b>	1	KIT-RECEPTACLE (12-PIN) (INCLUDES RECEPTACLE AS & WEDGE)						
	8	1	<b>100-5218</b>	3	CLIP						
	9	1	<b>100-5219</b>	3	CLIP						
	10	1	<b>4F-7957</b>	2	BOLT (1/4-20X0.875-IN)						
	11	1	<b>5P-0537</b>	8	WASHER-HARD (7.2X14.5X2-MM THK)						
	12	1	<b>8H-3127</b>	6	BOLT (1/4-20X0.75-IN)						
	13	1	<b>272-0390</b>	1	SEAL						



# BASIC ENGINE

344-6077 BASE GP-VALVE COVER & INJ HARN (contd.)

i03627546



VIEW OF AREA A

GRAPHIC #1

<END>

g01947573

# BASIC ENGINE

## 240-8213 BELT TENSIONER GP

PROVIDES ALTERNATOR MOUNTING BRACKET, TENSIONERS, AND IDLERS FOR A 12 GROOVE  
POLY-RIB FAN/ALTERNATOR DRIVE, REQUIRED FOR SPECIALTY HIGH HORSEPOWER FANS  
OR FAN RATIOS: 1.2:1

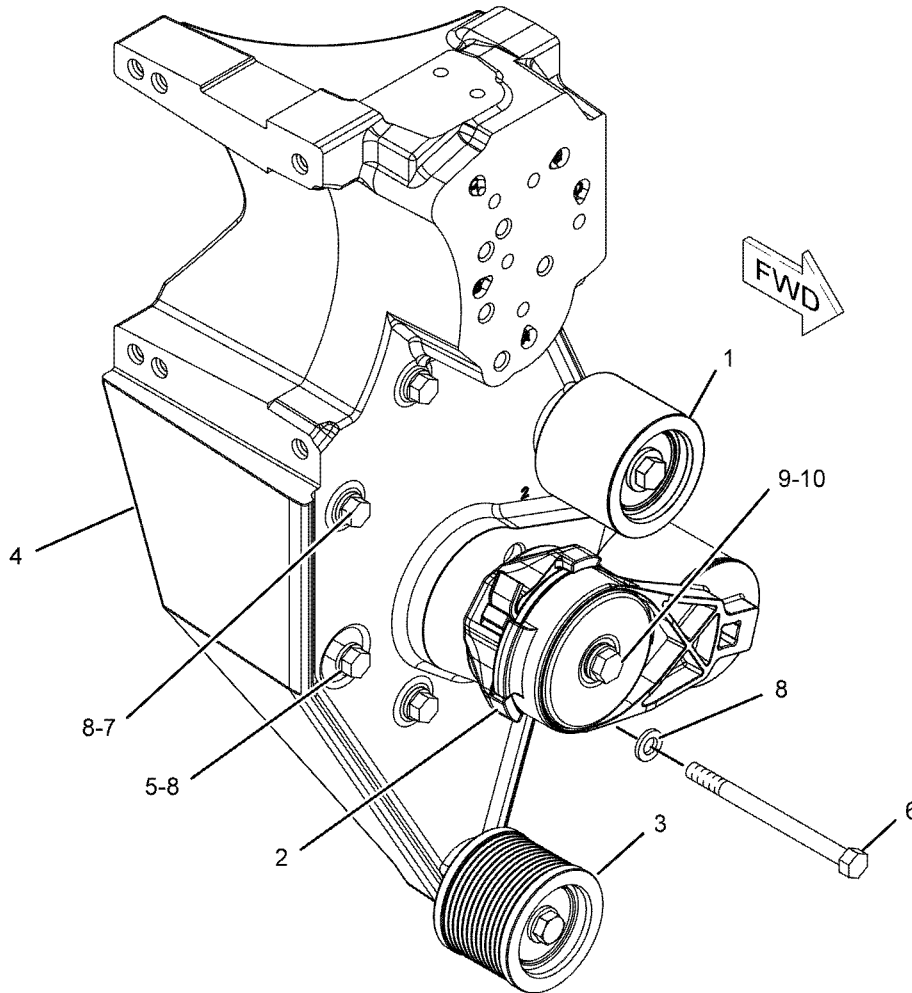
FOR USE WITH 240-8214—PAGE 327, PAD MOUNTED ALTERNATORS AND FAN CENTERS  
DISTANCES FROM 11 INCH TO 19 INCH, 240-8658—PAGE 393  
AN ATTACHMENT

SMCS-1358

i03555762

NOTE	REF NO	GRAPHIC REF	PART NUMBER	QTY	PART NAME						SEE PAGE
					1	2	3	4	5	6 (PRODUCT LEVEL)	
	1	1	224-9775	1	PULLEY AS-IDLER						
	2	1	336-8955	1	BELT TENSIONER (ALTERNATOR BELT MOUNTING)						
	3	1	236-2314	1	PULLEY AS-IDLER (12-GROOVE)						
	4	1	239-0582	1	SUPPORT						
	5	1	0T-0055	1	BOLT (3/8-16X4.25-IN)						
	6	1	1A-5183	1	BOLT (3/8-16X4.75-IN)						
	7	1	5B-2638	4	BOLT (3/8-16X5.25-IN)						
	8	1	5M-2894	6	WASHER-HARD (10.2X18.5X2.5-MM THK)						
	9	1	6V-5839	1	WASHER (11X21X2.5-MM THK)						
M	10	1	8T-0644	1	BOLT (M10X1.5X90-MM)						

M-METRIC PART



GRAPHIC #1

<END>

g01045354

# BASIC ENGINE

## 118-4914 BELT TIGHTENER GP

FOR USE WITH FIXED CENTER DRIVES  
AN ATTACHMENT

SMCS-1358

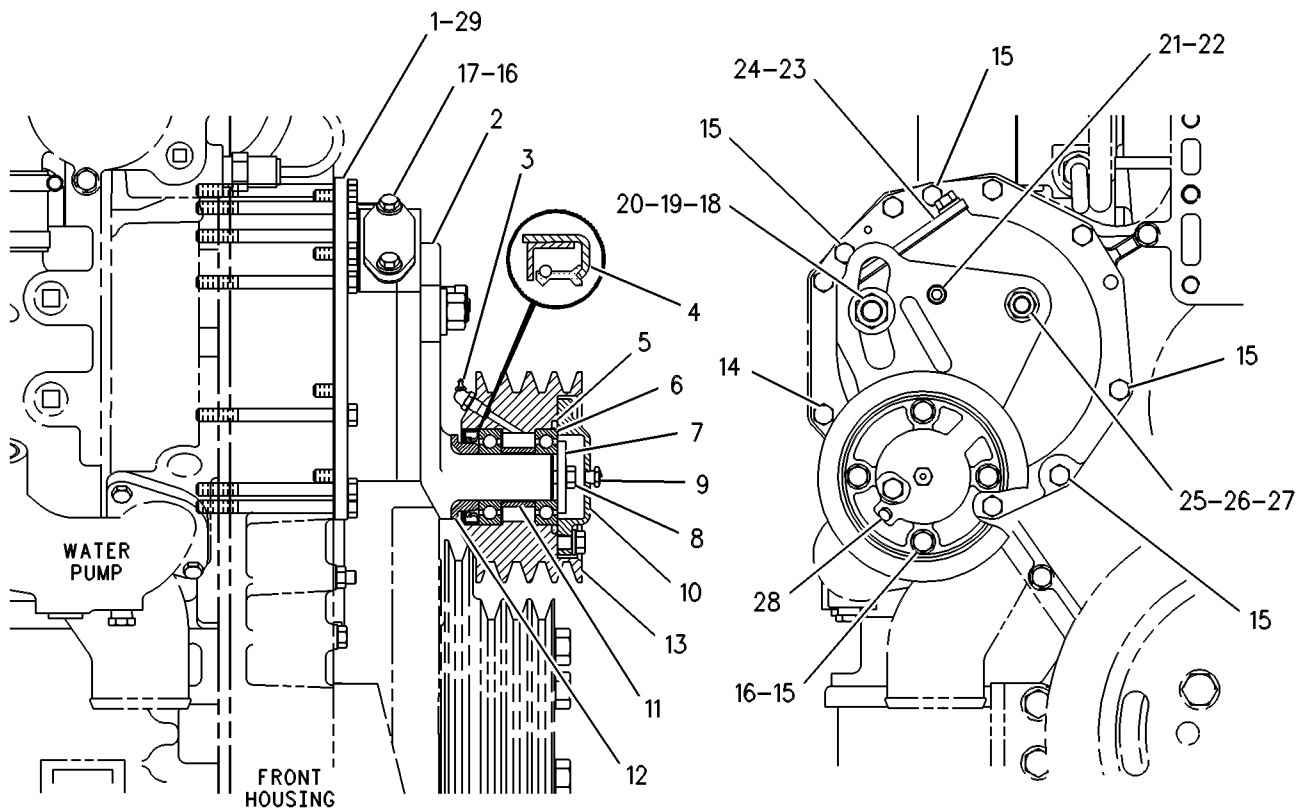
i03999052

NOTE	REF NO	GRAPHIC REF	PART NUMBER	QTY	PART NAME						SEE PAGE
					1	2	3	4	5	6 (PRODUCT LEVEL)	
	1	1	7N-6821	1	COVER						
	2	1	9N-0316	1	BRACKET-PULLEY						
	3	1	3B-8485	1	FITTING-GREASE (BELT TIGHTENER)						
	4	1	5S-2106	1	SEAL-LIP TYPE						
	5	1	110-7753	1	SEAL-O-RING						
	6	1	8H-9789	2	BEARING AS-BALL						
	7	1	2F-6262	1	WASHER						
	8	1	0S-1590	2	BOLT (3/8-16X2-IN)						
	9	1	4B-4550	1	FITTING-PRESSURE RELIEF (1/8-27 PTF) (BELT TIGHTENER)						
	10	1	1W-6134	1	COVER						
	11	1	9N-1012	1	SPACER-BEARING (1.438X1.75X1-IN THK)						
	12	1	9N-0311	1	SPACER-BEARING						
	13	1	3N-9583	1	PULLEY-TIGHTENER (4-GROOVE)						
	14	1	1A-5964	7	BOLT (3/8-16X4.5-IN)						
	15	1	0S-1594	8	BOLT (3/8-16X1-IN)						
	16	1	5M-2894	6	WASHER-HARD (10.2X18.5X2.5-MM THK)						
	17	1	0L-1351	2	BOLT (3/8-16X0.875-IN)						
	18	1	2D-8822	1	STUD-TAPERLOCK (5/8-11X2.36-IN)						
	19	1	2S-7593	1	WASHER-HARD (17X35X5-MM THK)						
	20	1	4K-0367	1	NUT-FULL (5/8-11-THD)						
	21	1	034-9362	1	TUBE						
	22	1	2D-4534	1	BOLT-SOCKET HEAD (3/8-16X1-IN)						
	23	1	4N-4526	1	COVER						
	24	1	2P-2720	1	GASKET						
	25	1	5M-1932	1	STUD-TAPERLOCK (1/2-13X2.17-IN)						
	26	1	2M-0849	1	WASHER-HARD (13.5X25.5X5-MM THK)						
	27	1	1F-7958	1	NUT-FULL (1/2-13-THD)						
	28	1	8L-2655	1	PLUG-PIPE						
	29	1	7W-5733	1	GASKET						

# BASIC ENGINE

118-4914 BELT TIGHTENER GP (contd.)

i03999052



RIGHT SIDE VIEW

FRONT VIEW

GRAPHIC #1

<END>

g00252230

# BASIC ENGINE

## 234-7935 CAMSHAFT GP

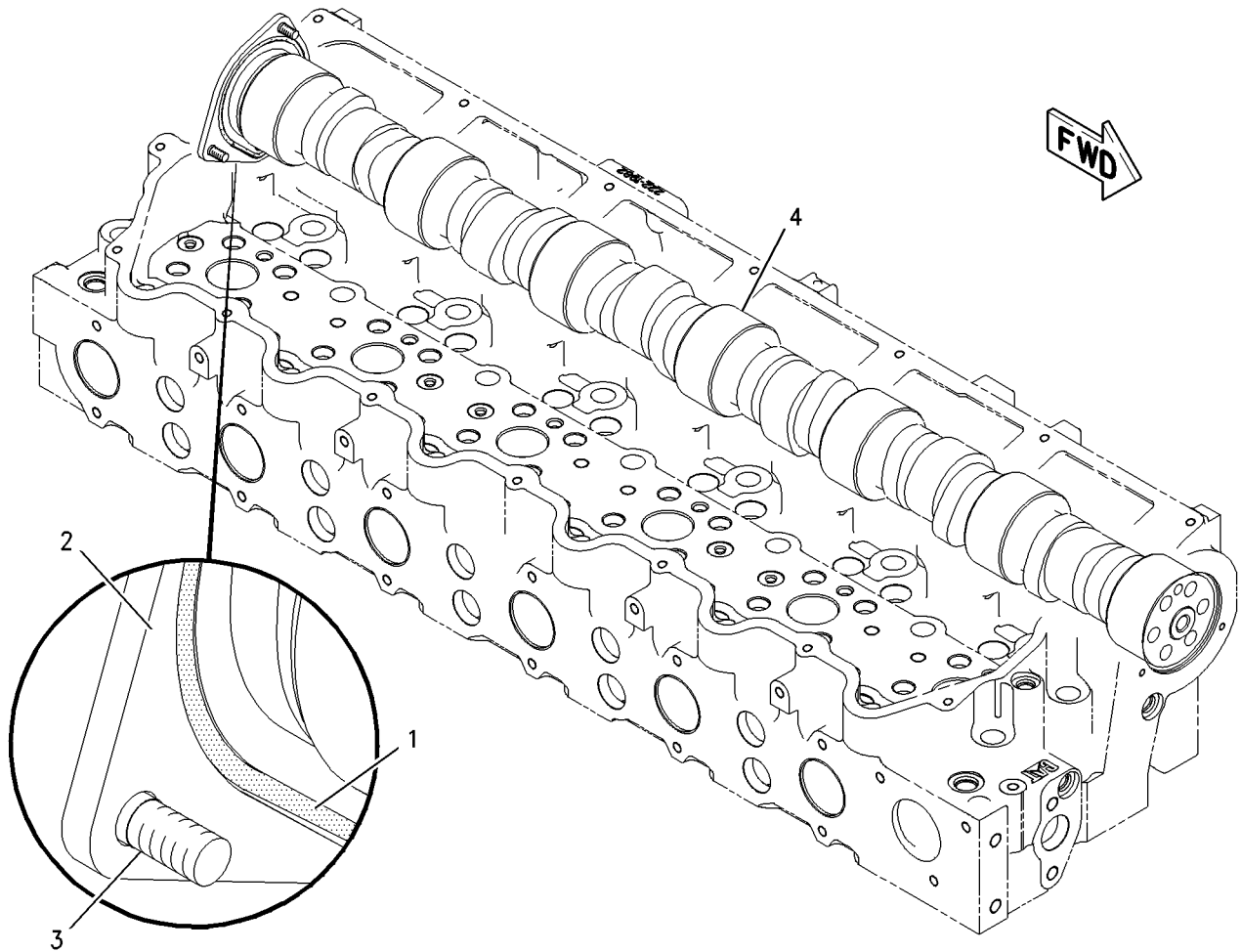
S/N: JRE106-7500

ALSO AN ATTACHMENT

SMCS-1210

i03482504

NOTE	REF NO	GRAPHIC REF	PART NUMBER	QTY	PART NAME						SEE PAGE
					1	2	3	4	5	6 (PRODUCT LEVEL)	
	1	1	6V-1197	1	SEAL-O-RING						
	2	1	102-9089	1	COVER						
	3	1	119-0036	3	SCREW-FLAT HEAD (5/16-18X0.875-IN)						
	4	1	332-7298	1	CAMSHAFT						



GRAPHIC #1

<END>

g01002422

# BASIC ENGINE

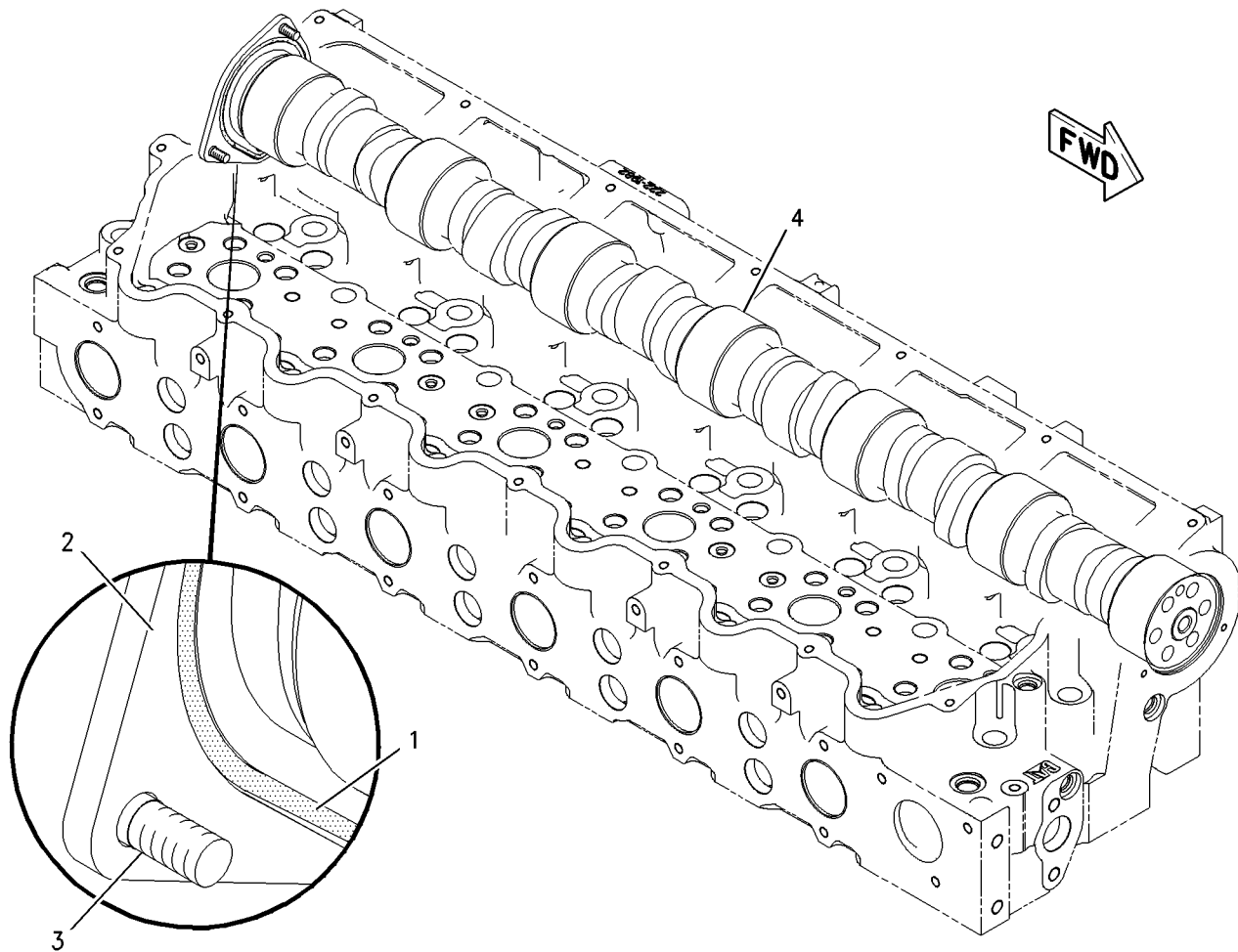
## 243-0551 CAMSHAFT GP

ALSO AN ATTACHMENT

SMCS-1210

i03531784

NOTE	REF NO	GRAPHIC REF	PART NUMBER	QTY	PART NAME						SEE PAGE
					1	2	3	4	5	6 (PRODUCT LEVEL)	
	1	1	<b>6V-1197</b>	1	SEAL-O-RING						
	2	1	<b>102-9089</b>	1	COVER						
	3	1	<b>119-0036</b>	3	SCREW-FLAT HEAD (5/16-18X0.875-IN)						
	4	1	<b>332-7297</b>	1	CAMSHAFT						



GRAPHIC #1

<END>

g01002422

# BASIC ENGINE

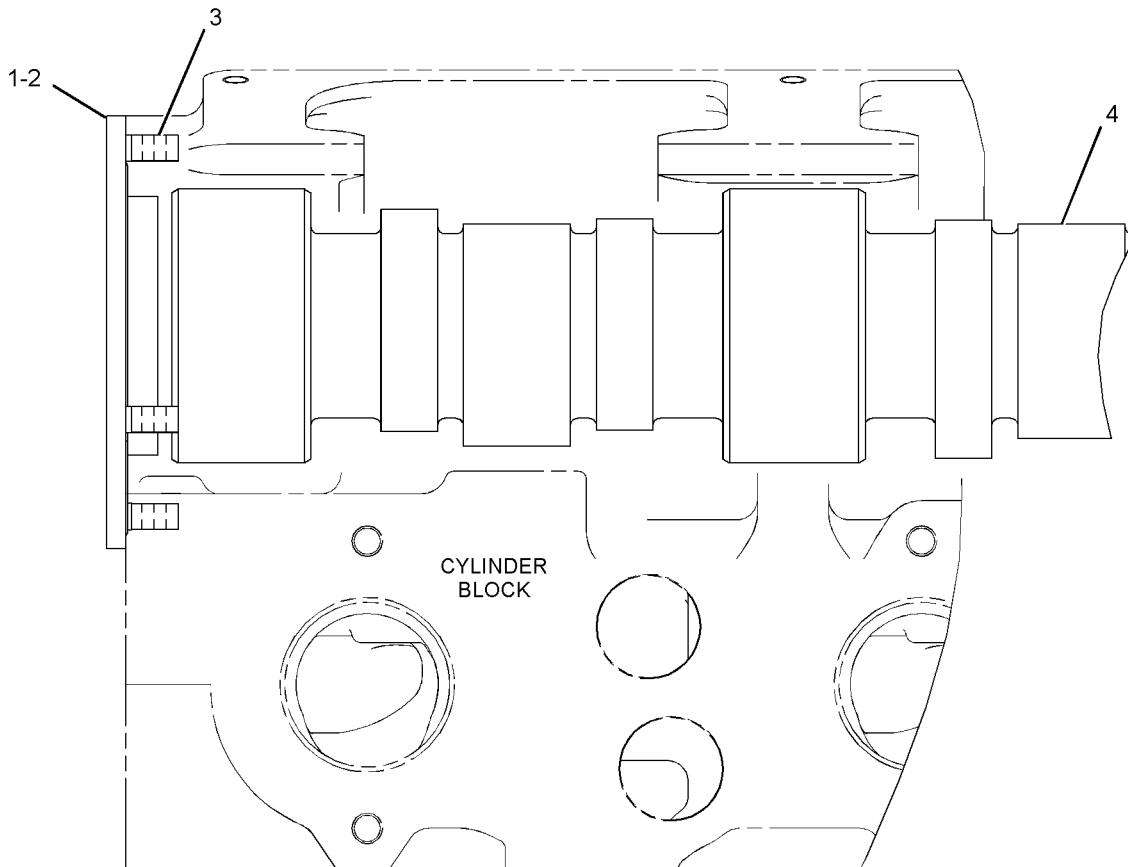
## 314-9614 CAMSHAFT GP

S/N: JRE7499-UP  
ALSO AN ATTACHMENT

SMCS-1210

i02973255

NOTE	REF NO	GRAPHIC REF	PART NUMBER	QTY	PART NAME						SEE PAGE
					1	2	3	4	5	6 (PRODUCT LEVEL)	
	1	1	6V-1197	1	SEAL-O-RING						
	2	1	102-9089	1	COVER						
	3	1	119-0036	3	SCREW-FLAT HEAD (5/16-18X0.875-IN)						
	4	1	310-7612	1	CAMSHAFT						



RIGHT SIDE VIEW OF ENGINE

GRAPHIC #1

<END>

g01503366

# BASIC ENGINE

## 2W-4908 CLUTCH GP PART OF 2W-4909 POWER TAKE-OFF GP AN ATTACHMENT

SMCS-1007

i02543976

NOTE	REF NO	GRAPHIC REF	PART NUMBER	QTY	PART NAME						SEE PAGE
					1	2	3	4	5	6 (PRODUCT LEVEL)	
	1	1	4B-4810	1	LEVER AS-HAND						
		1	0S-1587	1	BOLT (1/2-13X1.75-IN)						
	2	1	6L-3969	4	PIN						
		1	6L-3964	8	PIN-COTTER						
	3	1	6L-3970	4	PIN						
	4	1	3N-8427	1	CARRIER AS-BEARING						
		1	9F-2247	1	PLUG-PIPE						
	5	1	2W-4904	2	RING-SEAL						
	6	1	5L-3495	8	LINK-LEVER						
	7	1	2L-6010	2	PLUG-PIPE						
	8	1	5L-1545	2	CUP-BEARING						
		1	7L-6551	2	CONE-BEARING						
B	9	1	5L-3556	1	SHIM (0.0200-IN THK)						
B		1	5L-3557	1	SHIM (0.010-IN THK)						
B		1	5L-3558	1	SHIM (0.007-IN THK)						
B		1	5L-3559	1	SHIM (0.005-IN THK)						
	10	1	5L-3613	1	RETAINER-BEARING						
	11	1	0S-1594	6	BOLT (3/8-16X1-IN)						
		1	5L-3560	3	PLATE-LOCK						
	12	1	5L-3553	1	YOKE-OPERATING						
	13	1	5L-3485	1	SHAFT-CLUTCH LEVER						
		1	6L-5151	2	KEY-WOODRUFF						
	14	1	0S-1591	2	BOLT (3/8-16X1.5-IN)						
	15	1	3N-1462	1	PIN AS						
	16	1	3N-1461	1	SPRING						
	17	1	5L-3602	1	PLATE-PRESSURE						
	18	1	4P-3020	3	PLATE-DRIVE						
	19	1	3N-9175	1	RING-DRIVE						
	20	1	4B-4773	1	LOCK						
	21	1	4B-4764	1	NUT						
	22	1	3N-9176	1	KEY						
	23	1	3N-9178	1	PLATE-HUB & BACK						
	24	1	5L-3603	2	PLATE AS-CENTER						
	25	1	6L-4016	4	PIN						
	26	1	6L-3961	4	PIN-COTTER						
	27	1	5L-3493	4	LEVER						
	28	1	5L-3492	1	YOKE-ADJUSTMENT						
	29	2	5L-3496	1	SLEEVE-SLIDING						
	30	2	0S-1625	8	BOLT (5/8-11X2.5-IN)						
	31	2	5L-3487	1	COLLAR AS						
B	31A	2	5L-3561	2	SHIM (0.06-IN THK)						
	31B	2	2L-6267	2	LOCKNUT (3/8-24-THD)						
	31C	2	0L-1648	2	BOLT (3/8-24X2.5-IN)						
	32	2	5B-2410	1	HOSE AS						
	33	2	3B-8489	2	FITTING-GREASE (CLUTCH)						
		2	9S-1354	1	NUT (5/8-18-THD)						
		2	6F-0253	1	LOCKWASHER						
	34	2	1L-6931	2	SCREW AS-MACHINE (1/4-20X0.5-IN)						
	35	2	108-3561	1	PLATE-INSTRUCTION (POWER TAKE-OFF)						
	36	2	5L-3617	1	SEAL-RUBBER						
	37	2	3N-9179	1	HOUSING-CLUTCH						
		2	8B-7121	2	FITTING-HYDRAULIC (CLUTCH)						
	38	2	4B-9782	1	BALL						
	39	2	3N-9180	1	SHAFT-CLUTCH						
	40	1	5P-3499	1	BALL BEARING						

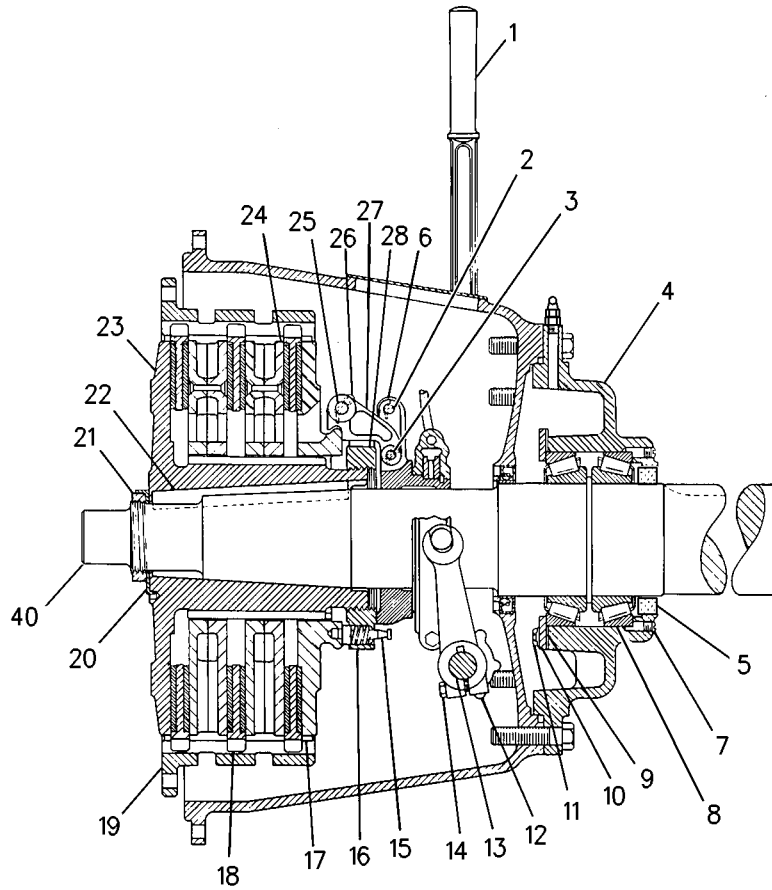
B-USE AS REQUIRED



# BASIC ENGINE

2W-4908 CLUTCH GP (contd.)

i02543976



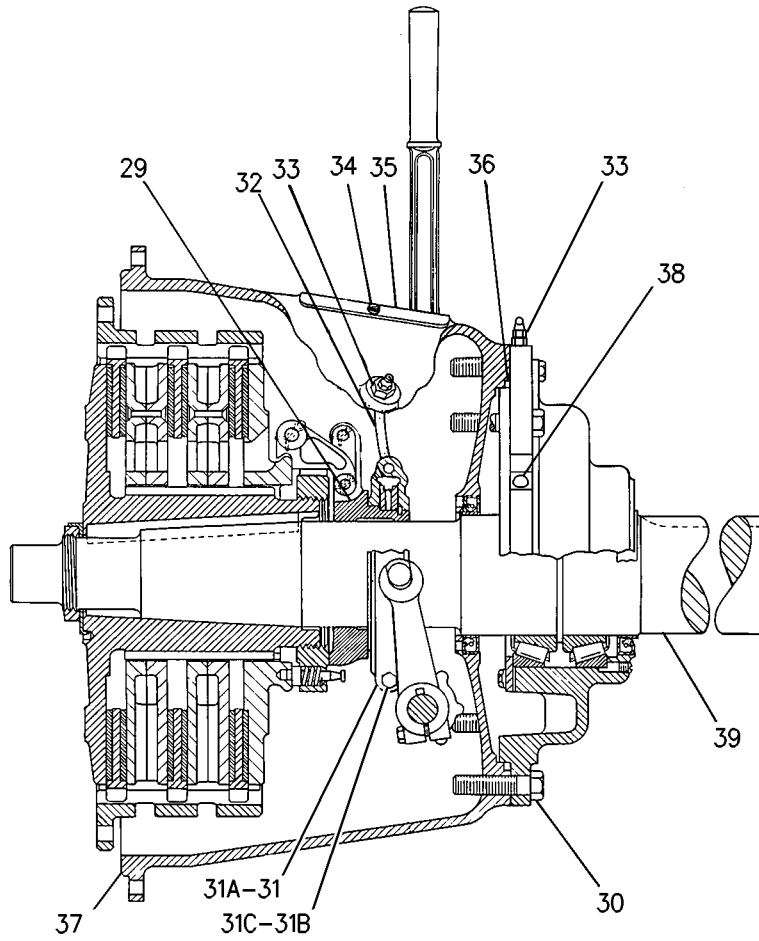
GRAPHIC #1

g00895113

# BASIC ENGINE

2W-4908 CLUTCH GP (contd.)

i02543976



GRAPHIC #2

<END>

g00895112

# BASIC ENGINE

## 2W-4912 CLUTCH GP

PART OF 291-5541, 2W-4913 POWER TAKE-OFF GP  
AN ATTACHMENT

SMCS - 1007

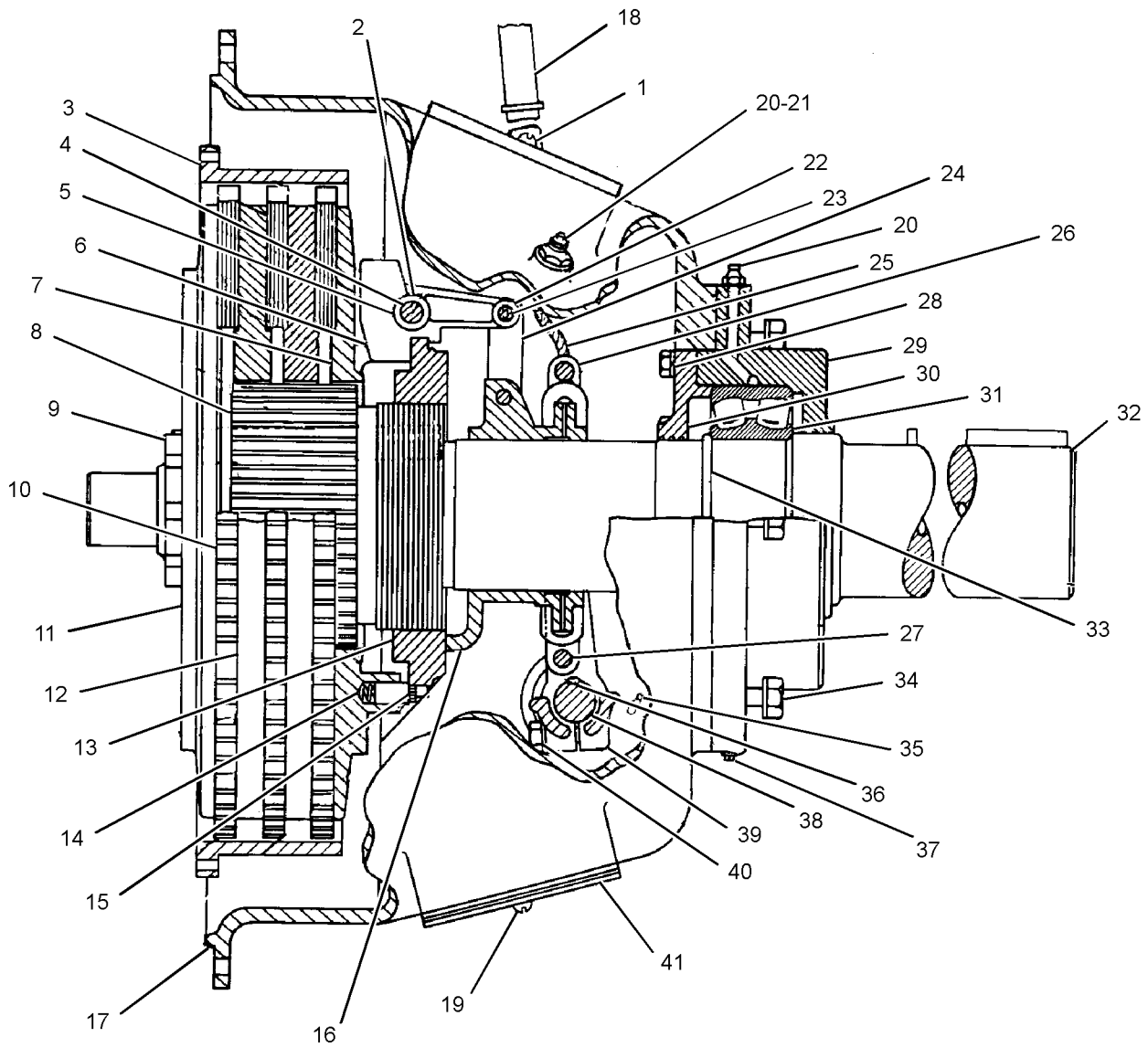
i02757038

NOTE	REF NO	GRAPHIC REF	PART NUMBER	QTY	PART NAME						SEE PAGE
					1	2	3	4	5	6 (PRODUCT LEVEL)	
	1	1	1L-6931	2	SCREW AS-MACHINE (1/4-20X0.5-IN)						
	2	1	6L-3963	4	PIN-COTTER						
	3	1	5N-8132	1	RING-DRIVE						
	4	1	6L-3973	4	PIN						
	5	1	2L-4441	8	WASHER						
	6	1	2L-4437	4	LEVER						
	7	1	2L-7156	1	PLATE						
	8	1	2L-7153	1	KEY						
	9	1	2L-7151	1	NUT						
			2L-7152	1	LOCK						
	10	1	4L-6105	3	PLATE-DRIVE						
	11	1	2L-7154	1	PLATE						
	12	1	2L-7162	2	PLATE						
	13	1	2L-7161	1	RING						
	14	1	5F-0229	1	SPRING						
	15	1	3H-9575	1	LOCK PIN						
	16	1	2L-7160	1	SLEEVE						
	17	1	2L-7155	1	HOUSING-CLUTCH						
	18	1	4W-2655	1	LEVER-HAND CONTROL						
			9X-8873	1	BOLT (1/2-13X2.25-IN)						
			1F-7958	1	NUT-FULL (1/2-13-THD)						
	19	1	1L-6931	2	SCREW AS-MACHINE (1/4-20X0.5-IN)						
	20	1	3B-8489	2	FITTING-GREASE (CLUTCH)						
	21	1	9S-1354	1	NUT (5/8-18-THD)						
			6F-0253	1	LOCKWASHER						
	22	1	6L-3962	8	PIN-COTTER						
	23	1	6L-3971	8	PIN						
	24	1	4B-4760	8	LINK						
	25	1	4B-4775	1	HOSE AS						
	26	1	6F-6580	1	COLLAR AS-CONE						
	27	1	0L-1558	2	BOLT (1/2-20X3.25-IN)						
		1	2K-0564	2	LOCKNUT (1/2-20-THD)						
B		1	4B-4723	2	SHIM						
	28	1	0S-1588	6	BOLT (3/8-16X1.25-IN)						
			3B-4506	6	LOCKWASHER						
	29	1	2L-7158	1	RETAINER						
	30	1	2L-7157	1	RETAINER						
	31	1	2L-7246	1	BEARING-ROLLER						
	32	1	5N-1934	1	SHAFT-CLUTCH						
	33	1	2L-7159	1	RING						
	34	1	9X-8882	6	BOLT (5/8-11X2.5-IN)						
			3B-4510	6	LOCKWASHER						
	35	1	8B-7121	2	FITTING-HYDRAULIC (CLUTCH)						
	36	1	1B-8737	2	KEY-WOODRUFF						
	37	1	2B-7408	1	PLUG-PIPE						
	38	1	6F-6582	1	SHAFT-OPERATING						
	39	1	6F-6581	1	YOKE-CLUTCH						
	40	1	1A-1460	2	BOLT (1/2-13X2-IN)						
			9B-0453	2	LOCKWASHER						
	41	1	5L-9423	1	PLATE-COVER						
B-USE AS REQUIRED											

# BASIC ENGINE

2W-4912 CLUTCH GP (contd.)

i02757038



GRAPHIC #1

<END>

g01380682

# BASIC ENGINE

## 5N-3334 CLUTCH GP PART OF 5N-3335 POWER TAKE-OFF GP AN ATTACHMENT

SMCS-1007

i02547545

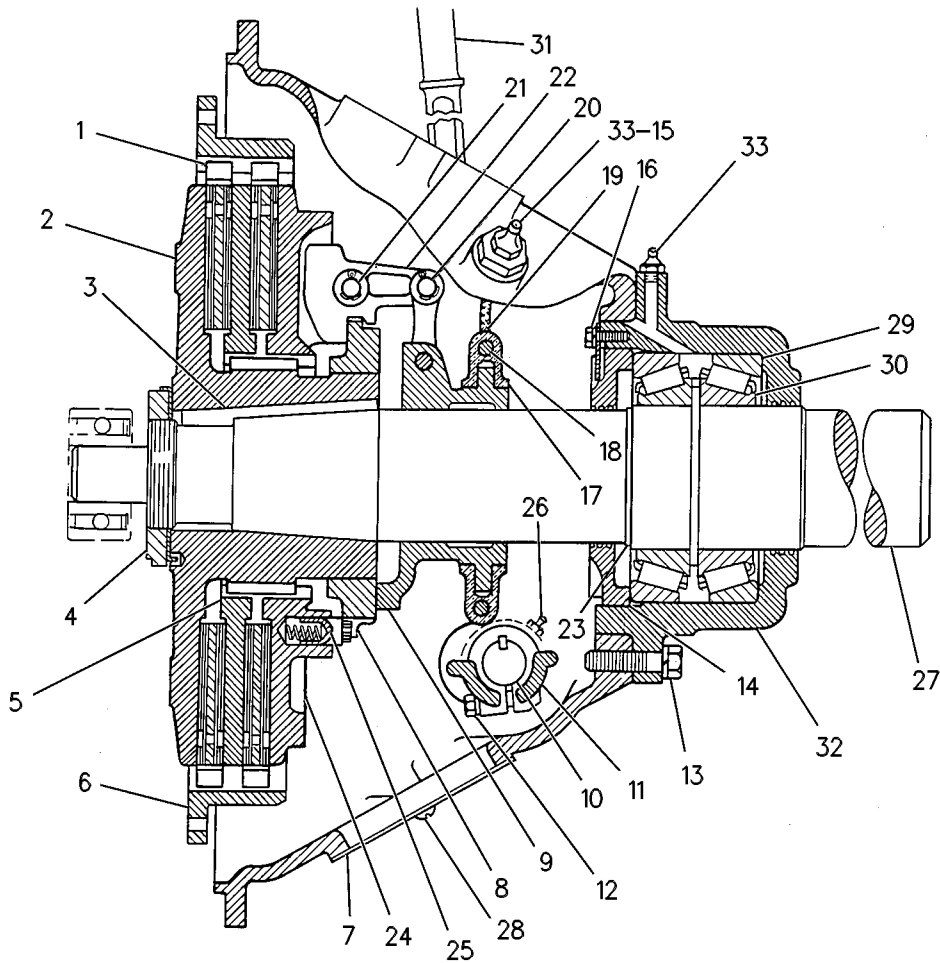
NOTE	REF NO	GRAPHIC REF	PART NUMBER	QTY	PART NAME						SEE PAGE
					1	2	3	4	5	6 (PRODUCT LEVEL)	
	1	1	4L-3527	1	PLATE-CLUTCH DRIVING						
	2	1	5L-9652	1	HUB						
	3	1	8B-7987	1	KEY-WOODRUFF						
	4	1	5L-9653	1	NUT						
		1	5L-9654	1	LOCK						
	5	1	3H-9571	1	PLATE-CENTER						
	6	1	5N-9317	1	RING-DRIVE						
	7	1	7F-8897	1	PLATE						
	8	1	3H-9572	1	RING-ADJUSTMENT						
	9	1	3H-9574	9	SLEEVE						
	10	1	4B-4754	1	SHAFT						
		1	6L-5151	2	KEY-WOODRUFF						
	11	1	4B-4792	1	YOKE AS						
	12	1	0S-1591	2	BOLT (3/8-16X1.5-IN)						
		1	3B-4506	2	LOCKWASHER						
	13	1	1A-1460	6	BOLT (1/2-13X2-IN)						
		1	3B-4508	6	LOCKWASHER						
	14	1	5B-2404	1	RETAINER-BEARING						
	15	1	9S-1354	1	NUT (5/8-18-THD)						
		1	6F-0253	1	LOCKWASHER						
	16	1	0S-1617	1	BOLT (5/16-18X0.75-IN)						
		1	3F-9556	1	LOCKWASHER						
		1	5B-2407	1	LOCK						
	17	1	4B-4716	1	COLLAR AS-SLEEVE						
	18	1	0L-0639	2	BOLT (3/8-24X2.25-IN)						
		1	2L-6267	2	LOCKNUT (3/8-24-THD)						
B		1	4B-4758	2	SHIM (0.06-IN THK)						
	19	1	5B-2410	1	HOSE AS						
	20	1	4B-4721	8	LINK						
		1	6L-3967	8	PIN						
		1	6L-3964	8	PIN-COTTER						
	21	1	6L-3972	4	PIN						
		1	6L-3961	4	PIN-COTTER						
		1	1L-4863	8	WASHER-SPRING						
	22	1	4H-0002	4	LEVER						
	23	1	3F-3728	1	RING-SNAP						
	24	1	3N-8125	1	PLATE AS-PRESSURE						
	25	1	3N-8124	1	SPRING						
		1	3N-8123	1	LOCK PIN						
	26	1	8B-7121	2	FITTING-HYDRAULIC (CLUTCH)						
	27	1	3N-4899	1	SHAFT-CLUTCH						
	28	1	1L-6931	2	SCREW AS-MACHINE (1/4-20X0.5-IN)						
	29	1	6B-3223	2	CUP-BEARING						
	30	1	4B-7270	2	CONE-BEARING						
	31	1	4B-4810	1	LEVER AS-HAND						
	32	1	5B-2406	1	CARRIER						
	33	1	3B-8489	2	FITTING-GREASE (CLUTCH) (1/8-27 THD)						

B-USE AS REQUIRED

# BASIC ENGINE

5N-3334 CLUTCH GP (contd.)

i02547545



GRAPHIC #1

<END>

g00254067

# BASIC ENGINE

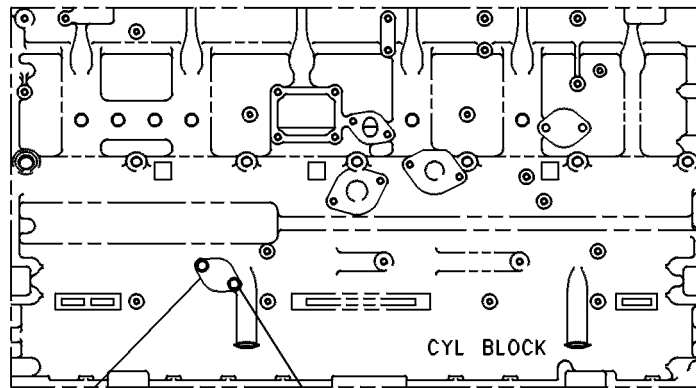
## 107-6736 COVER GP-CYLINDER BLOCK

FOR USE WITH MID MOUNTED TURBO AND/OR RH OIL FILL  
AN ATTACHMENT

SMCS-1201

i02763877

NOTE	REF NO	GRAPHIC REF	PART NUMBER	QTY	PART NAME						SEE PAGE
					1	2	3	4	5	6 (PRODUCT LEVEL)	
	1	1	0S-1594	2	BOLT (3/8-16X1-IN)						
	2	1	5M-2894	2	WASHER-HARD (10.2X18.5X2.5-MM THK)						
	3	1	4W-9890	1	COVER						
	4	1	4N-0699	1	GASKET						



4-3 1-2

### LEFT SIDE VIEW

GRAPHIC #1

<END>

g00244599

# BASIC ENGINE

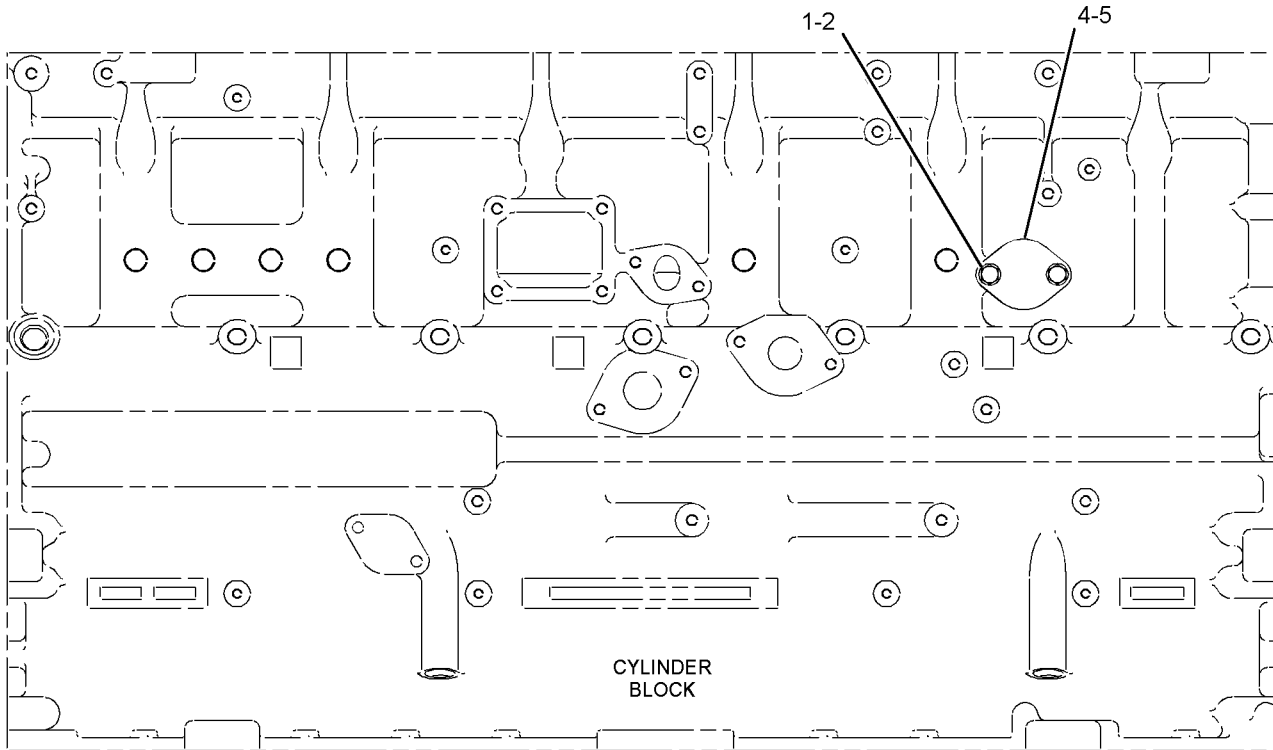
## 107-6737 COVER GP-CYLINDER BLOCK

CANNOT BE USED WITH RIGHT SIDE OIL FILLER  
AN ATTACHMENT

SMCS-1201

i04122373

NOTE	REF NO	GRAPHIC REF	PART NUMBER	QTY	PART NAME	1 2 3 4 5 6 (PRODUCT LEVEL)						SEE PAGE
	1	1	<b>0S-1594</b>	2	BOLT (3/8-16X1-IN)							
	2	1	<b>5M-2894</b>	2	WASHER-HARD (10.2X18.5X2.5-MM THK)							
	4	1	<b>4N-0699</b>	1	GASKET							
	5	1	<b>4W-9890</b>	1	COVER							



RIGHT SIDE VIEW

GRAPHIC #1

<END>

g02320595



# BASIC ENGINE

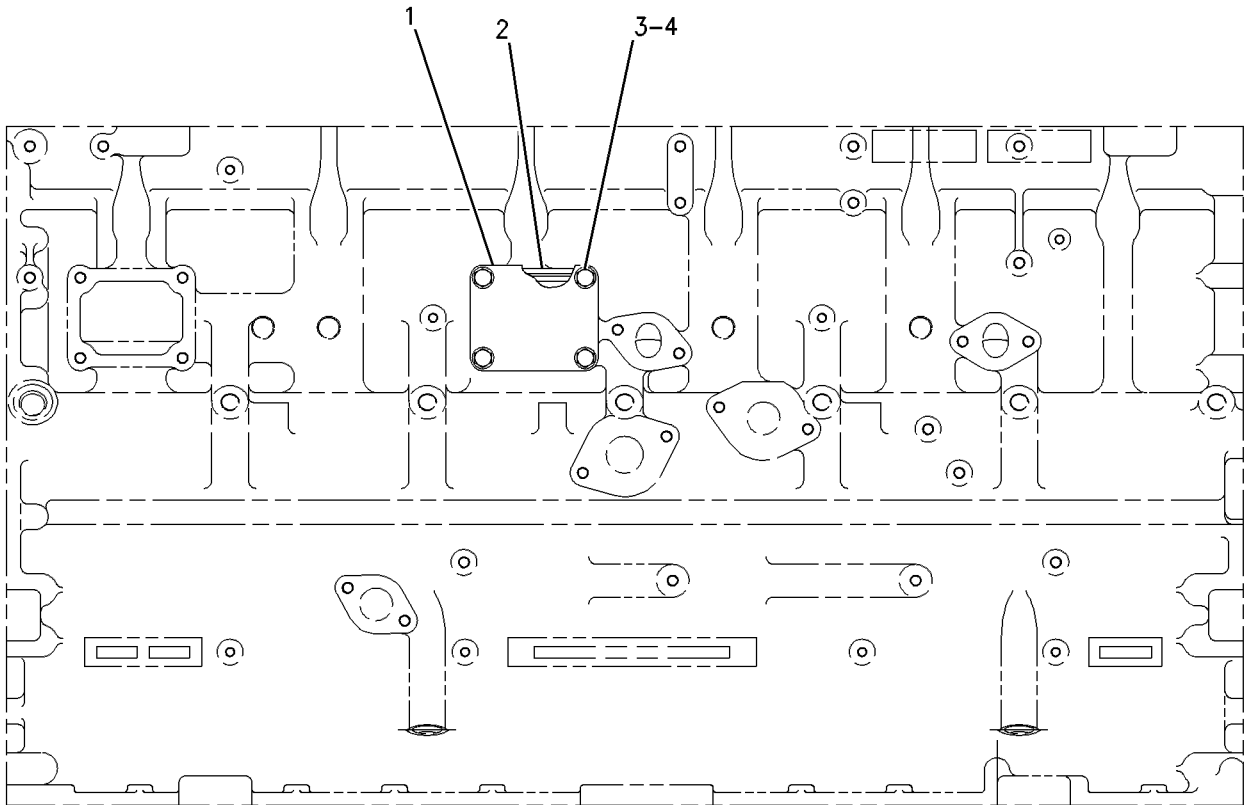
## 140-9746 COVER GP-CYLINDER BLOCK

NO. 4 CYLINDER WATER OPENING  
AN ATTACHMENT

SMCS-1201

i02668546

NOTE	REF NO	GRAPHIC REF	PART NUMBER	QTY	PART NAME						SEE PAGE
					1	2	3	4	5	6 (PRODUCT LEVEL)	
	1	1	145-3849	1	COVER						
	2	1	126-4935	1	SEAL - INTEGRAL						
	3	1	0S-1594	4	BOLT (3/8-16X1-IN)						
	4	1	5M-2894	4	WASHER-HARD (10.2X18.5X2.5-MM THK)						



GRAPHIC #1

<END>

g00506684

# BASIC ENGINE

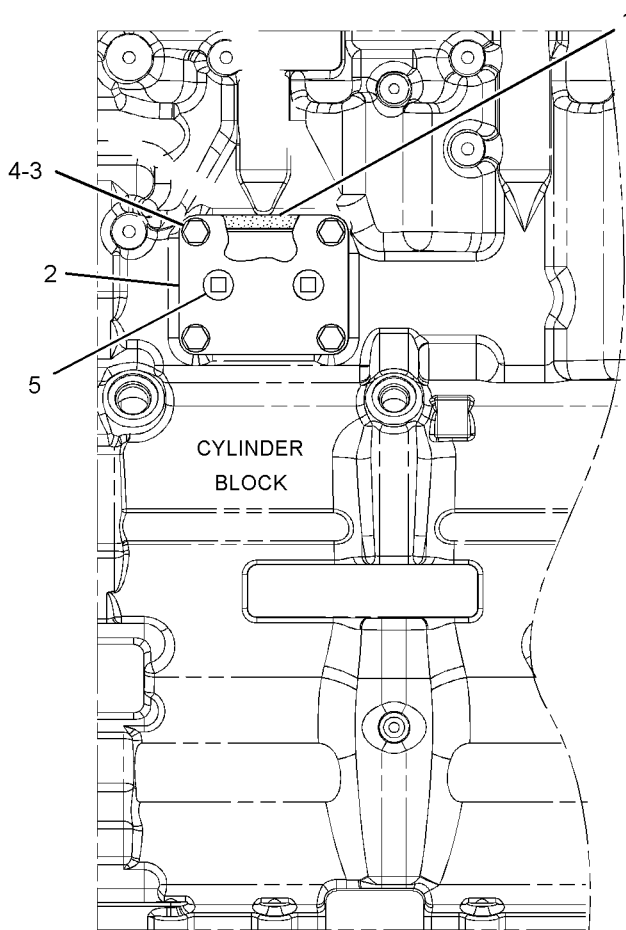
## 145-9276 COVER GP-CYLINDER BLOCK

NO. 6 CYLINDER WATER OPENING  
AN ATTACHMENT

SMCS-1201

i03149289

NOTE	REF NO	GRAPHIC REF	PART NUMBER	QTY	PART NAME						SEE PAGE
					1	2	3	4	5	6 (PRODUCT LEVEL)	
	1	1	126-4935	1	SEAL - INTEGRAL						
	2	1	145-9277	1	COVER						
	3	1	0S-1588	4	BOLT (3/8-16X1.25-IN)						
	4	1	5M-2894	4	WASHER-HARD (10.2X18.5X2.5-MM THK)						
	5	1	8T-6762	2	PLUG-PIPE						



RIGHT SIDE VIEW OF ENGINE

<END>

GRAPHIC #1

g01625242

# BASIC ENGINE

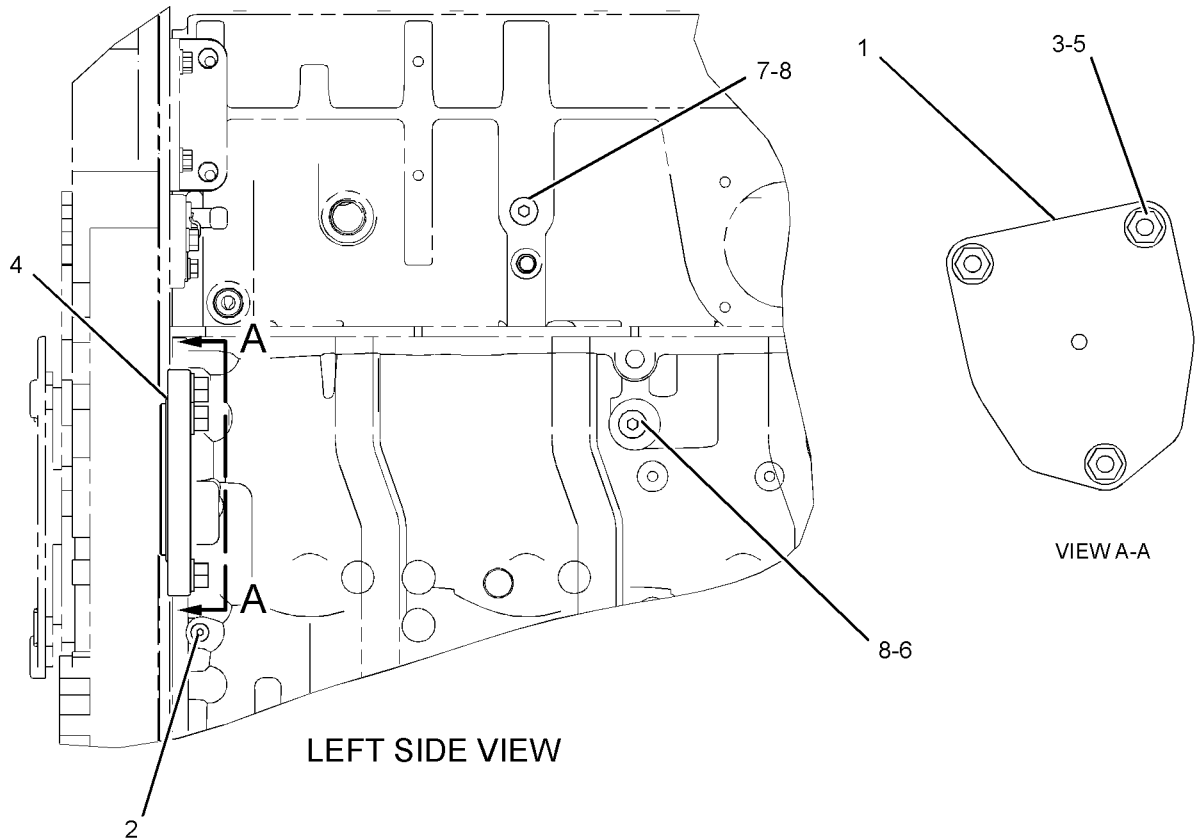
## 229-5519 COVER GP-CYLINDER BLOCK

S/N: JRE1-136  
AN ATTACHMENT

SMCS-1201

i02312074

NOTE	REF NO	GRAPHIC REF	PART NUMBER	QTY	PART NAME						SEE PAGE
					1	2	3	4	5	6 (PRODUCT LEVEL)	
	1	1	230-1117	1	COVER						
	2	1	183-3409	1	PLUG AS						
		1	9S-8002	1	PLUG-O-RING						
		1	033-5853	1	SEAL-O-RING						
3		1	1F-7958	3	NUT-FULL (1/2-13-THD)						
4		1	5F-3999	1	SEAL-O-RING						
5		1	5P-8245	3	WASHER-HARD (13.5X25.5X3-MM THK)						
6		1	6V-6609	1	SEAL-O-RING						
7		1	8L-2786	1	SEAL-O-RING						
8		1	9S-8005	2	PLUG-O-RING						



GRAPHIC #1

<END>

g01157977

# BASIC ENGINE

## 229-5519 COVER GP-CYLINDER BLOCK

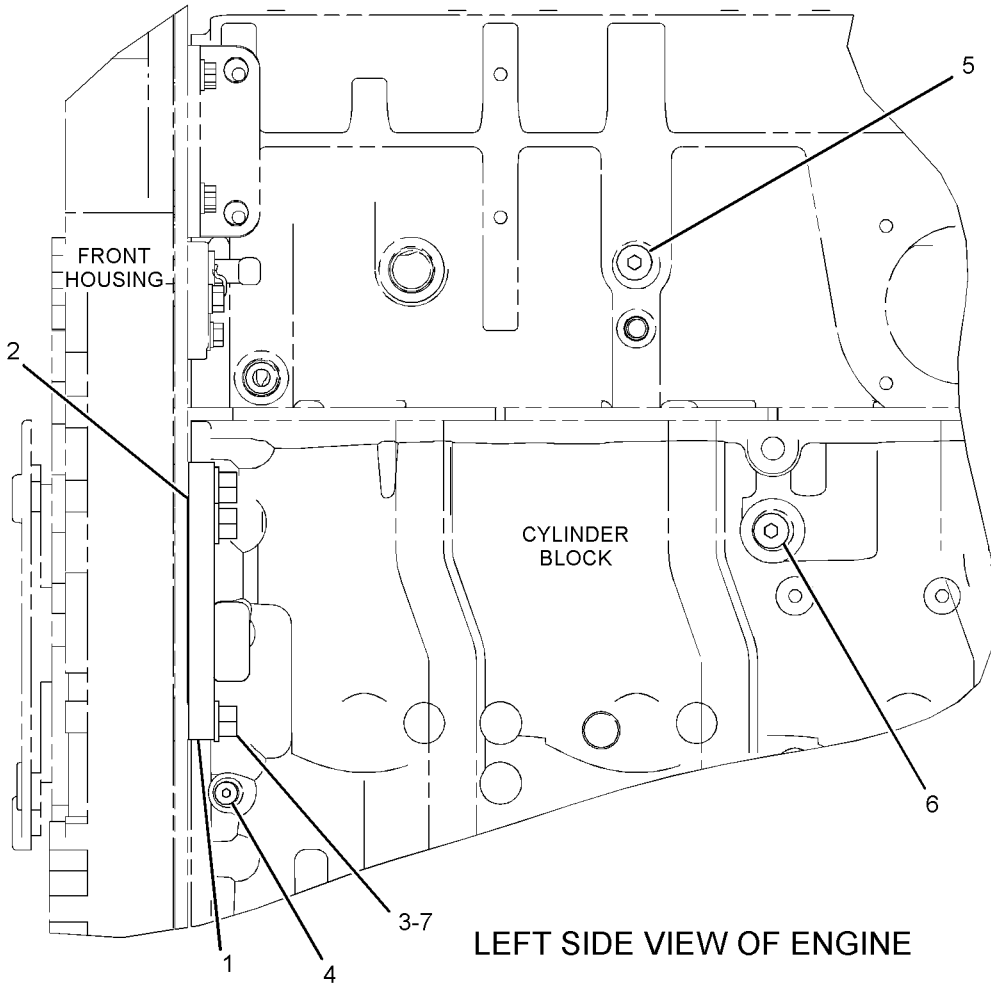
S/N: JRE137-UP  
AN ATTACHMENT

SMCS-1201

i03892713

NOTE	REF NO	GRAPHIC REF	PART NUMBER	QTY	PART NAME						SEE PAGE
					1	2	3	4	5	6 (PRODUCT LEVEL)	
C	1	1	<b>285-0823</b>	1	COVER						
C	2	1	<b>117-8801</b>	1	SEAL-O-RING						
	3	1	<b>1F-7958</b>	3	NUT-FULL (1/2-13-THD)						
	4	1	<b>307-2671</b>	1	PLUG AS						
		1	<b>9S-8002</b>	1	PLUG-O-RING						
		1	<b>214-7566</b>	1	SEAL-O-RING						
	5	1	<b>307-2673</b>	1	PLUG AS						
		1	<b>9S-8005</b>	1	PLUG-O-RING						
		1	<b>238-5080</b>	1	SEAL-O-RING						
	6	1	<b>353-5126</b>	1	PLUG AS						
		1	<b>6V-6609</b>	1	SEAL-O-RING						
		1	<b>9S-8005</b>	1	PLUG-O-RING						
	7	1	<b>5P-8245</b>	3	WASHER-HARD (13.5X25.5X3-MM THK)						

C-CHANGE FROM PREVIOUS TYPE



GRAPHIC #1

<END>

g02139704

# BASIC ENGINE

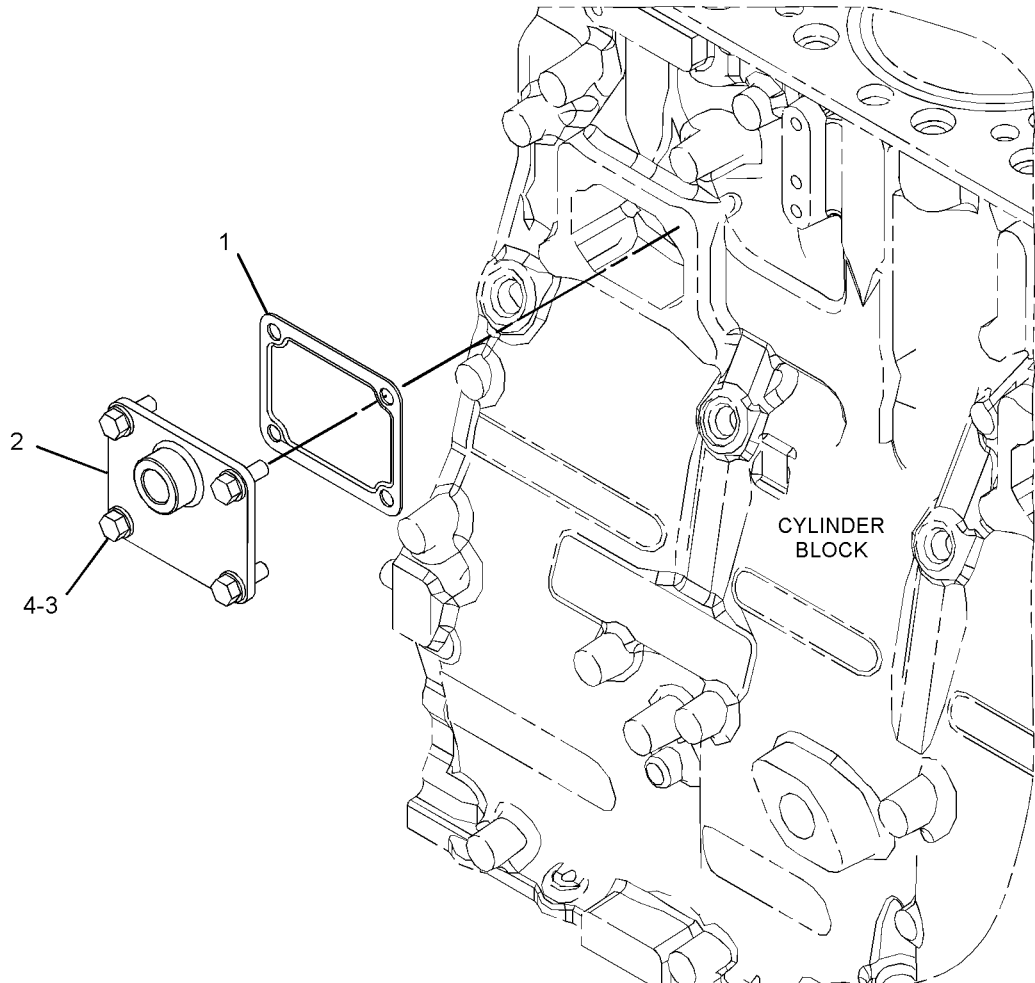
## 351-7075 COVER GP-CYLINDER BLOCK

PART OF 351-6672 MOUNTING GP-JACKET WTR HEATER  
AN ATTACHMENT

SMCS-1201

i04038206

NOTE	REF NO	GRAPHIC REF	PART NUMBER	QTY	PART NAME						SEE PAGE
					1	2	3	4	5	6 (PRODUCT LEVEL)	
	1	1	126-4935	1	SEAL - INTEGRAL						
	2	1	351-6673	1	COVER						
	3	1	0S-1594	4	BOLT (3/8-16X1-IN)						
	4	1	5M-2894	4	WASHER-HARD (10.2X18.5X2.5-MM THK)						



GRAPHIC #1

<END>

g02252253

# BASIC ENGINE

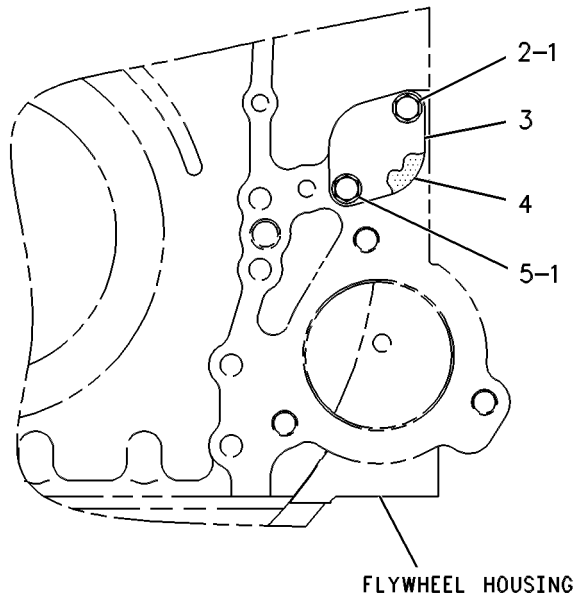
## 9N-3889 COVER GP-FLYWHEEL HOUSING

FOR USE WITH SAE NO. 1 FLYWHEEL HOUSING  
AN ATTACHMENT

SMCS-1157

i03460022

NOTE	REF NO	GRAPHIC REF	PART NUMBER	QTY	PART NAME						SEE PAGE
					1	2	3	4	5	6 (PRODUCT LEVEL)	
	1	1	<b>5M-2894</b>	2	WASHER-HARD (10.2X18.5X2.5-MM THK)						
	2	1	<b>0S-1619</b>	1	BOLT (3/8-16X3-IN)						
	3	1	<b>2P-2772</b>	1	COVER						
	4	1	<b>234-8937</b>	1	SEAL-INTEGRAL						
	5	1	<b>0S-1594</b>	1	BOLT (3/8-16X1-IN)						



GRAPHIC #1

<END>

g00109207

# BASIC ENGINE

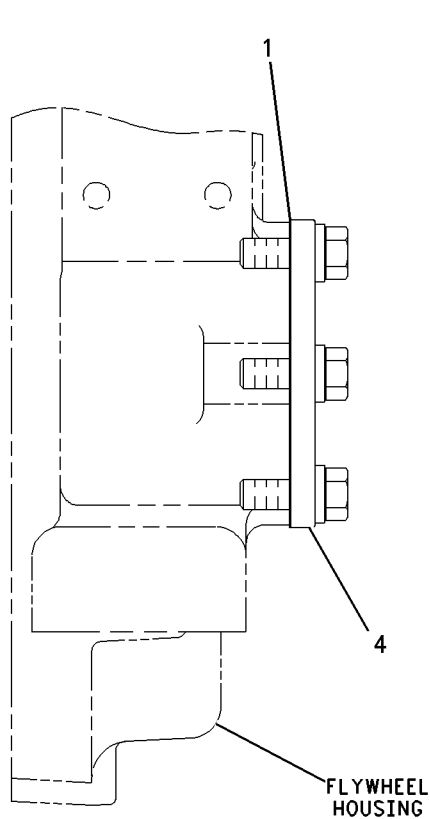
## 127-5728 COVER GP-FLYWHEEL HOUSING

FOR USE WITH LH MOUNTED STARTER  
AN ATTACHMENT

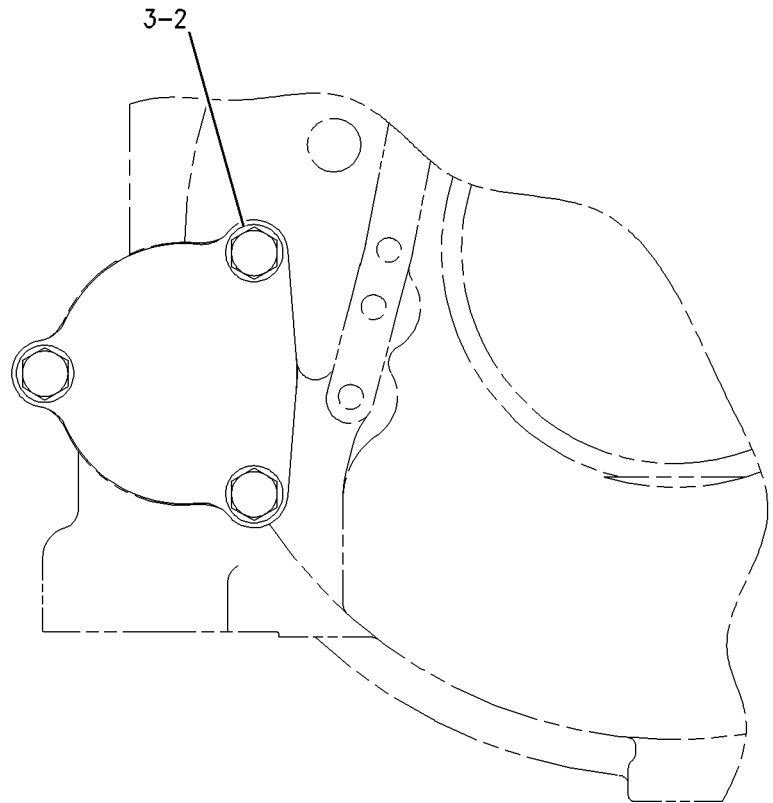
SMCS-1157

i02426209

NOTE	REF NO	GRAPHIC REF	PART NUMBER	QTY	PART NAME						SEE PAGE
					1	2	3	4	5	6 (PRODUCT LEVEL)	
	1	1	9Y-6089	1	GASKET						
	2	1	OS-1589	3	BOLT (5/8-11X1.75-IN)						
	3	1	4D-3704	3	WASHER-HARD (17X30X5-MM THK)						
	4	1	4N-1114	1	COVER						



RIGHT SIDE VIEW



FRONT VIEW

GRAPHIC #1

<END>

g00783561

# BASIC ENGINE

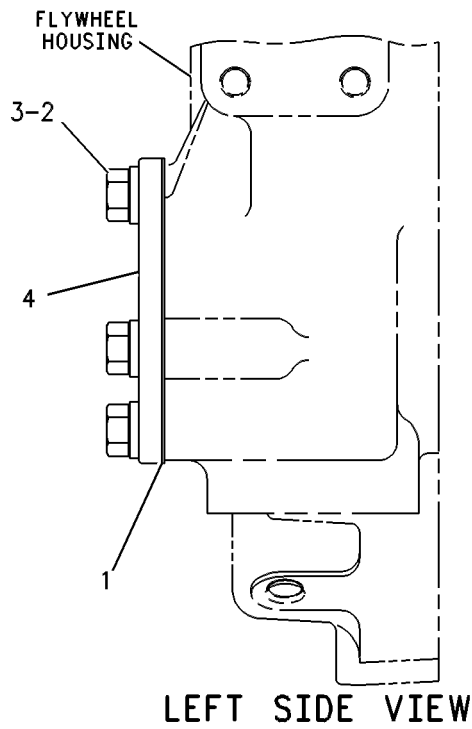
## 133-3089 COVER GP-FLYWHEEL HOUSING

FOR USE WITH RH MOUNTED STARTER  
AN ATTACHMENT

SMCS-1157

i02202316

NOTE	REF NO	GRAPHIC REF	PART NUMBER	QTY	PART NAME						SEE PAGE
					1	2	3	4	5	6 (PRODUCT LEVEL)	
	1	1	9Y-6089	1	GASKET						
	2	1	0S-1589	3	BOLT (5/8-11X1.75-IN)						
	3	1	4D-3704	3	WASHER-HARD (17X30X5-MM THK)						
	4	1	4N-1114	1	COVER						



GRAPHIC #1

<END>

g00263620



# BASIC ENGINE

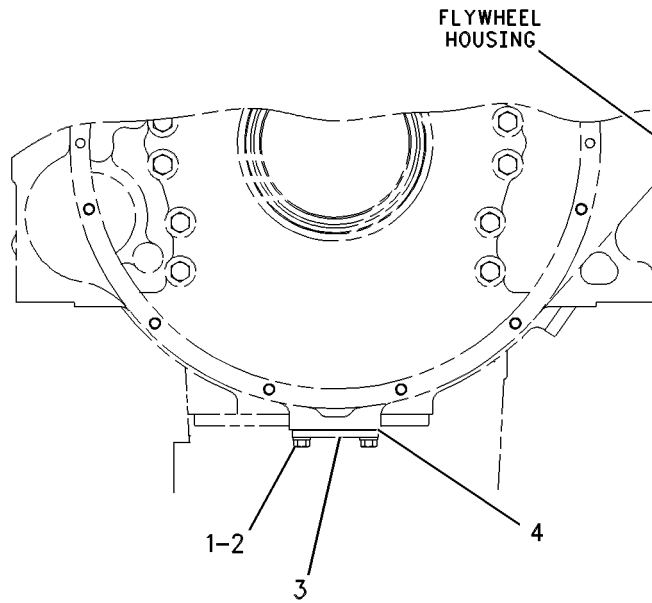
## 147-6195 COVER GP-FLYWHEEL HOUSING

FOR USE WITH FLYWHEEL HOUSING GP  
AN ATTACHMENT

SMCS-1157

i00703057

NOTE	REF NO	GRAPHIC REF	PART NUMBER	QTY	PART NAME						SEE PAGE
					1	2	3	4	5	6 (PRODUCT LEVEL)	
	1	1	<b>0S-1594</b>	2	BOLT (3/8-16X1IN)						
	2	1	<b>5M-2894</b>	2	WASHER (2.5MM THK)						
	3	1	<b>1M-0130</b>	1	COVER						
	4	1	<b>4M-6480</b>	1	GASKET						



REAR VIEW

<END>

GRAPHIC #1

g00289535

# BASIC ENGINE

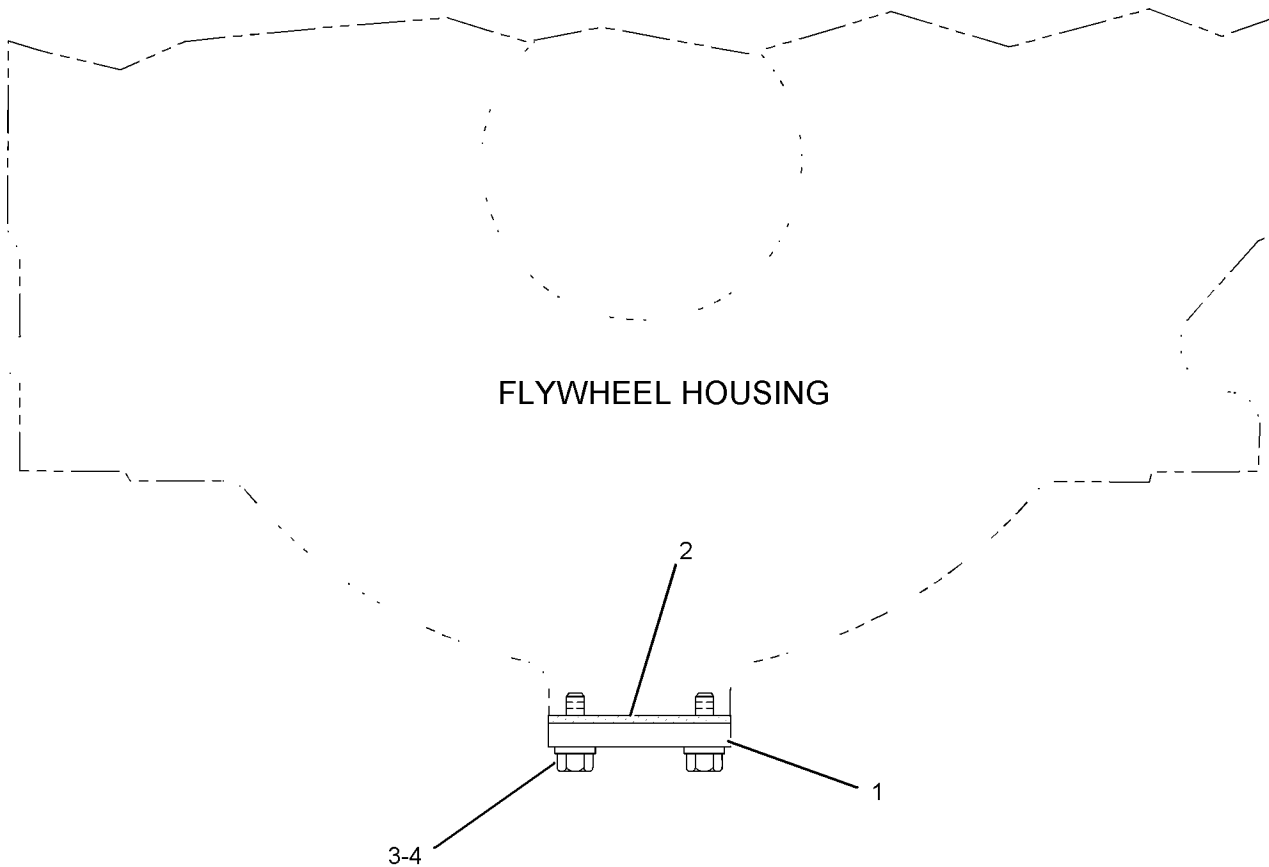
## 216-5540 COVER GP-FLYWHEEL HOUSING AN ATTACHMENT

SMCS-1157

i01963594

NOTE	REF NO	GRAPHIC REF	PART NUMBER	QTY	PART NAME						SEE PAGE
					1	2	3	4	5	6 (PRODUCT LEVEL)	
	1	1	217-5900	1	COVER						
	2	1	4M-6480	1	GASKET						
M	3	1	6V-4248	2	BOLT (M10X1.5X25-MM)						
	4	1	6V-5839	2	WASHER (11X21X2.5-MM THK)						

M-METRIC PART



GRAPHIC #1

<END>

g01020213

# BASIC ENGINE

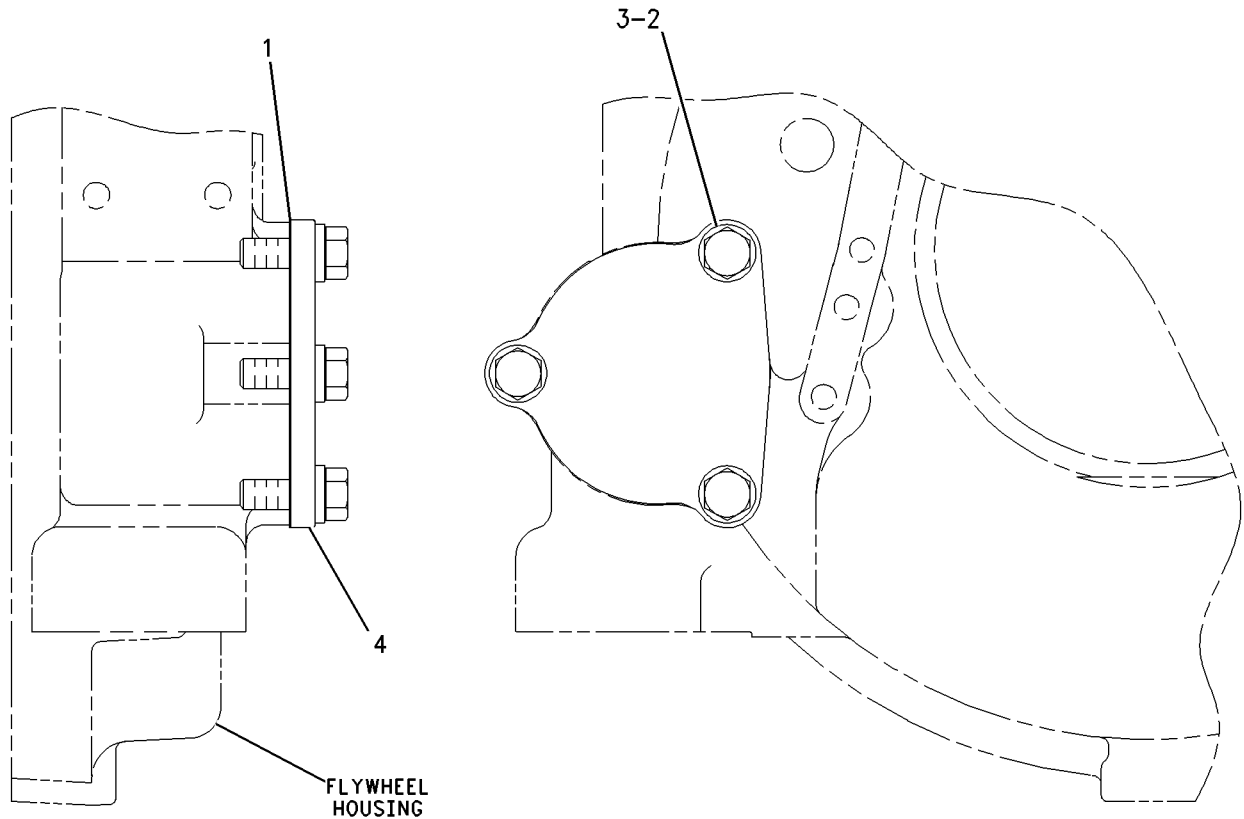
## 220-6390 COVER GP-FLYWHEEL HOUSING AN ATTACHMENT

SMCS-1157

i01964481

NOTE	REF NO	GRAPHIC REF	PART NUMBER	QTY	PART NAME						SEE PAGE
					1	2	3	4	5	6 (PRODUCT LEVEL)	
	1	1	<b>9Y-6089</b>	1	GASKET						
M	2	1	<b>6V-4429</b>	3	BOLT (M16X2X40-MM)						
	3	1	<b>9X-8268</b>	3	WASHER (17.5X30X3.5-MM THK)						
	4	1	<b>4N-1114</b>	1	COVER						

M-METRIC PART



**RIGHT SIDE VIEW**

**FRONT VIEW**

GRAPHIC #1

<END>

g00783561

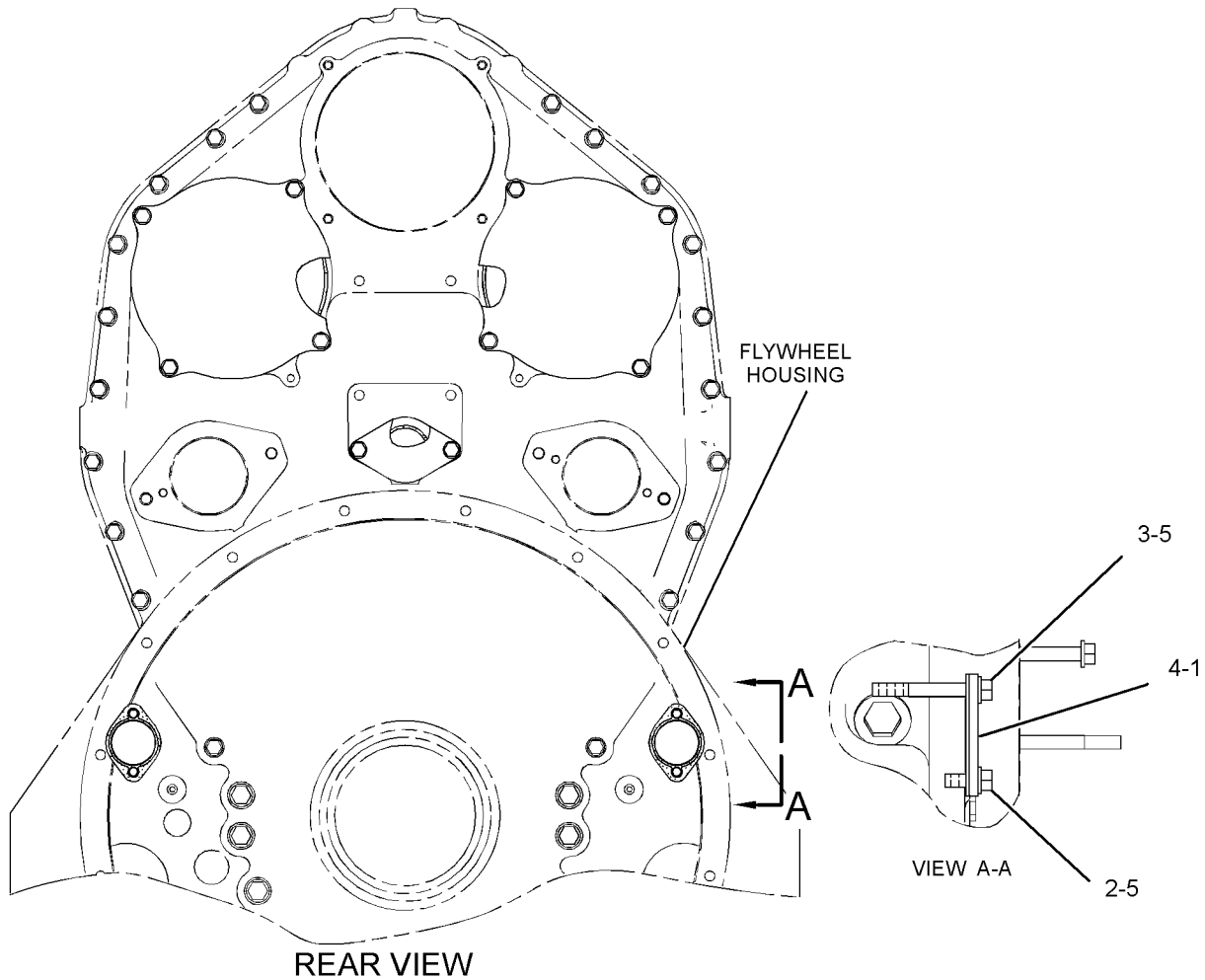
# BASIC ENGINE

## 285-5866 COVER GP-FLYWHEEL HOUSING AN ATTACHMENT

SMCS-1157

i02769736

NOTE	REF NO	GRAPHIC REF	PART NUMBER	QTY	PART NAME						SEE PAGE
					1	2	3	4	5	6 (PRODUCT LEVEL)	
	1	1	<b>234-8937</b>	2	SEAL - INTEGRAL						
	2	1	<b>0S-1594</b>	2	BOLT (3/8-16X1-IN)						
	3	1	<b>0S-1619</b>	2	BOLT (3/8-16X3-IN)						
	4	1	<b>2P-2772</b>	2	COVER						
	5	1	<b>5M-2894</b>	4	WASHER-HARD (10.2X18.5X2.5-MM THK)						



GRAPHIC #1

g01281798

# BASIC ENGINE

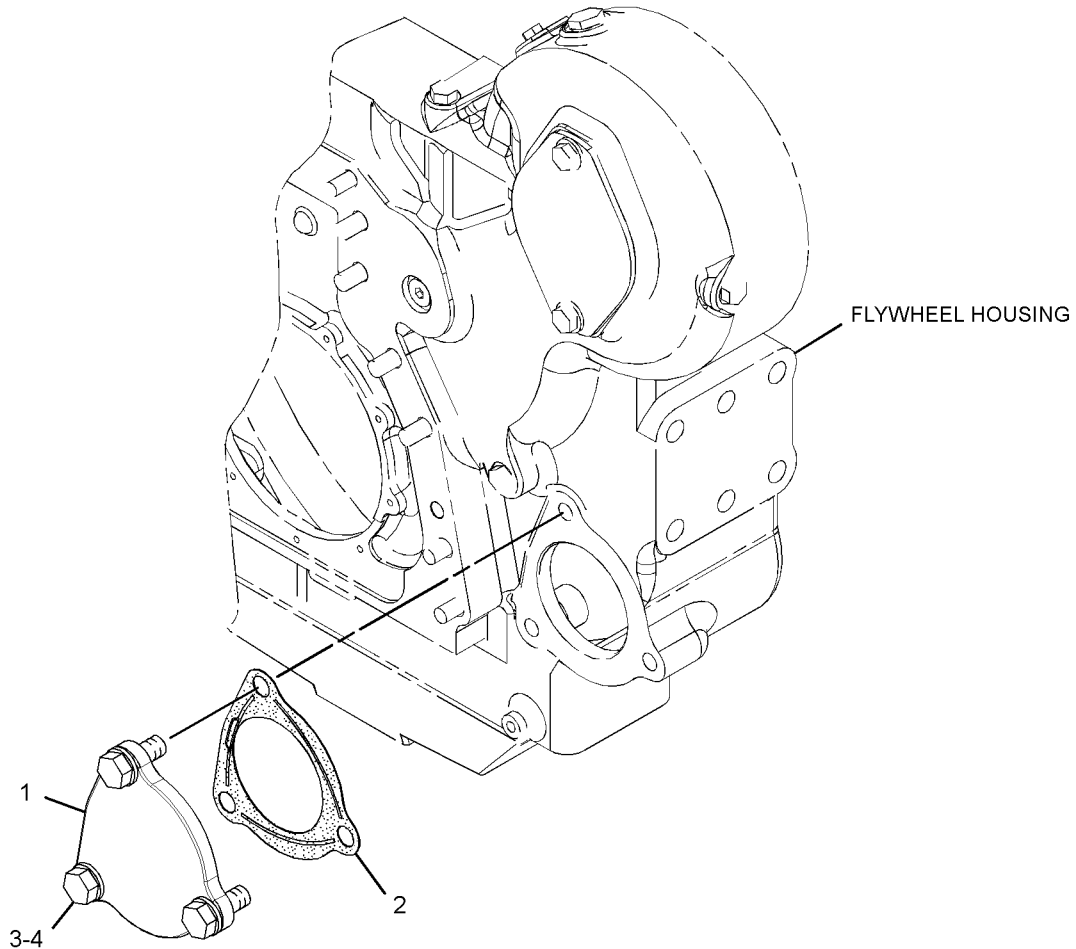
## 323-1682 COVER GP-FLYWHEEL HOUSING AN ATTACHMENT

SMCS-1157

i02987004

NOTE	REF NO	GRAPHIC REF	PART NUMBER	QTY	PART NAME						SEE PAGE
					1	2	3	4	5	6 (PRODUCT LEVEL)	
	1	1	4N-1114	1	COVER						
	2	1	9Y-6089	1	GASKET						
M	3	1	6V-4429	3	BOLT (M16X2X40-MM)						
	4	1	9X-8268	3	WASHER (17.5X30X3.5-MM THK)						

M-METRIC PART



GRAPHIC #1

<END>

g01519751

# BASIC ENGINE

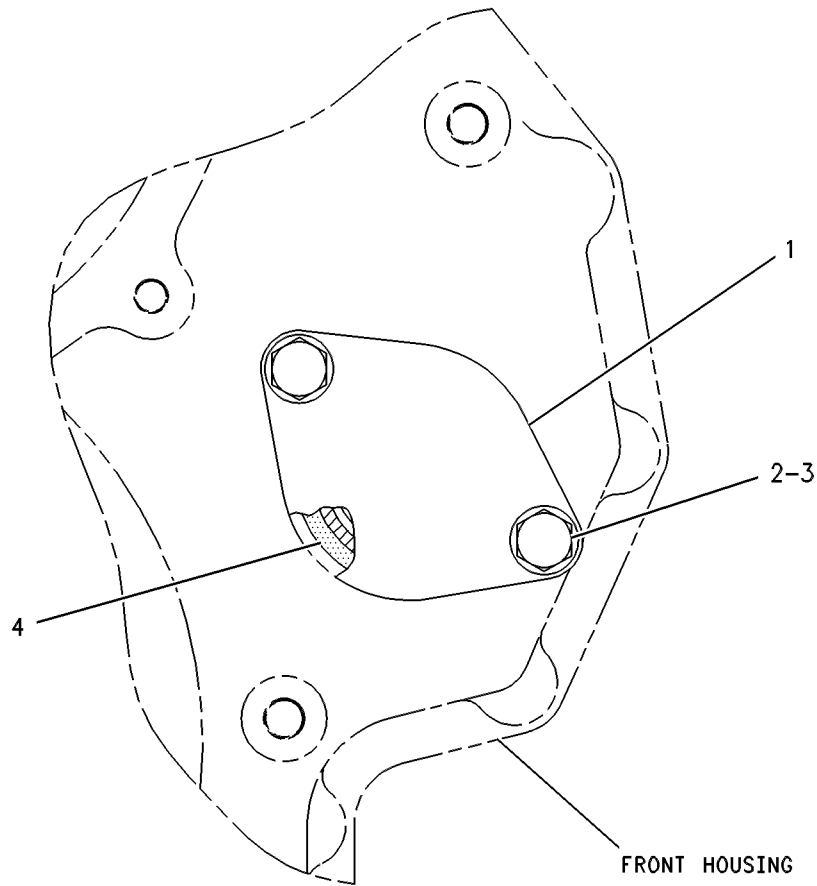
## 120-9847 COVER GP-FRONT HOUSING

PROVIDES COVER FOR OIL FILLER OPENING ON FRONT HOUSING  
AN ATTACHMENT

SMCS-1151, 1166

i00670788

NOTE	REF NO	GRAPHIC REF	PART NUMBER	QTY	PART NAME						SEE PAGE
					1	2	3	4	5	6 (PRODUCT LEVEL)	
	1	1	7C-1445	1	COVER						
	2	1	2B-2695	2	BOLT (5/16-18X0.875-IN)						
	3	1	9M-1974	2	WASHER-HARD (8.8X16X2-MM THK)						
	4	1	061-9455	1	SEAL-O-RING						



GRAPHIC #1

<END>

g00252251

# BASIC ENGINE

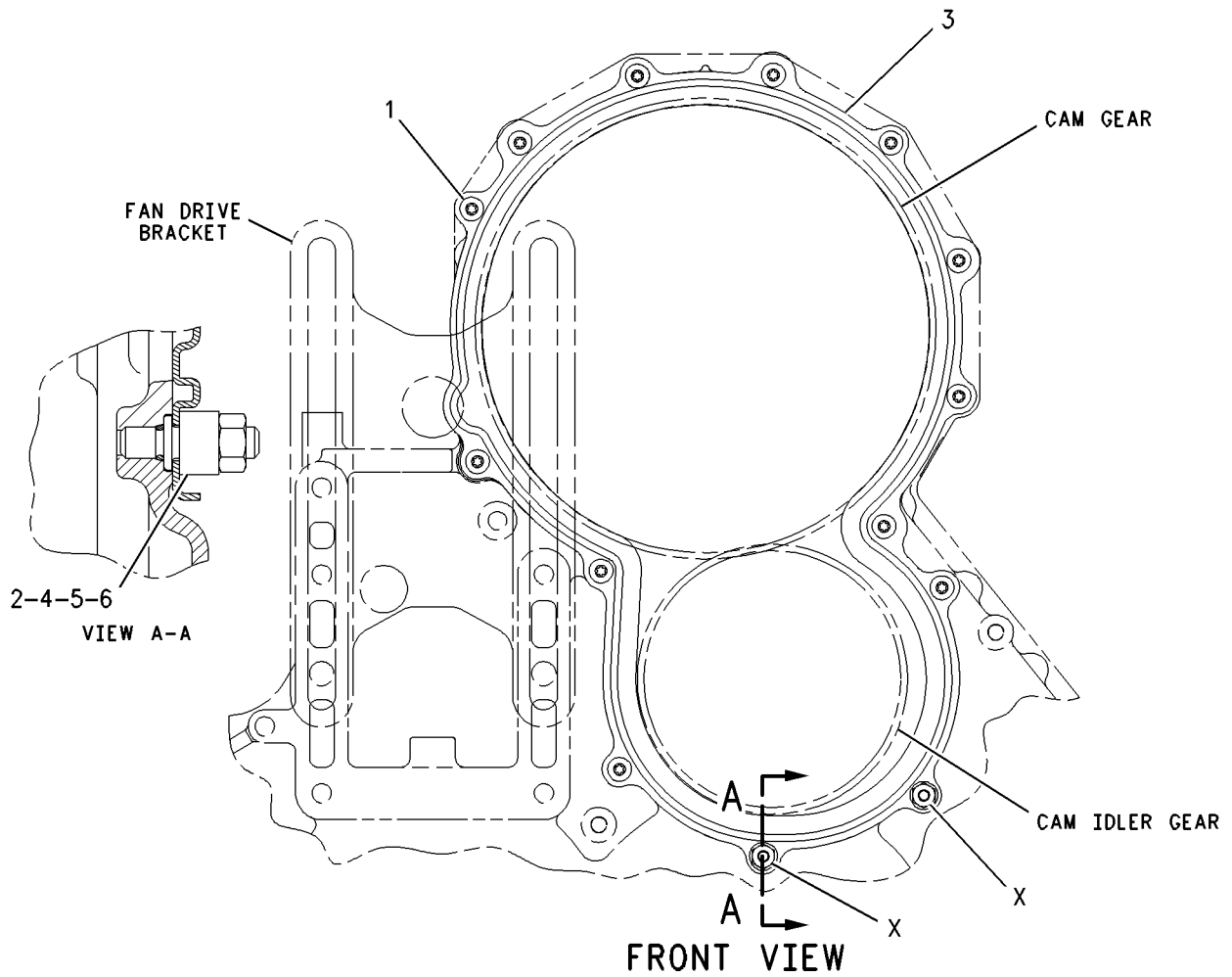
## 159-6159 COVER GP-FRONT HOUSING

CAM AND IDLER GEAR ACCESS  
AN ATTACHMENT

SMCS-1151, 1166

i03784814

NOTE	REF NO	GRAPHIC REF	PART NUMBER	QTY	PART NAME						SEE PAGE
					1	2	3	4	5	6 (PRODUCT LEVEL)	
	1	1	297-1813	12	SCREW-HEAD (5/16-18X1-IN)						
	2	1	175-1367	2	SPACER (8.8X16X10-MM THK) (MARKED X)						
	3	1	209-3569	1	COVER GP-FRONT HOUSING						
		1	160-7271	1	SEAL						
	4	1	031-4155	2	LOCKNUT (5/16-18-THD) (MARKED X)						
	5	1	175-1366	2	STUD (MARKED X)						
	6	1	238-5078	2	SEAL-O-RING (MARKED X)						



GRAPHIC #1

<END>

g00631258

# BASIC ENGINE

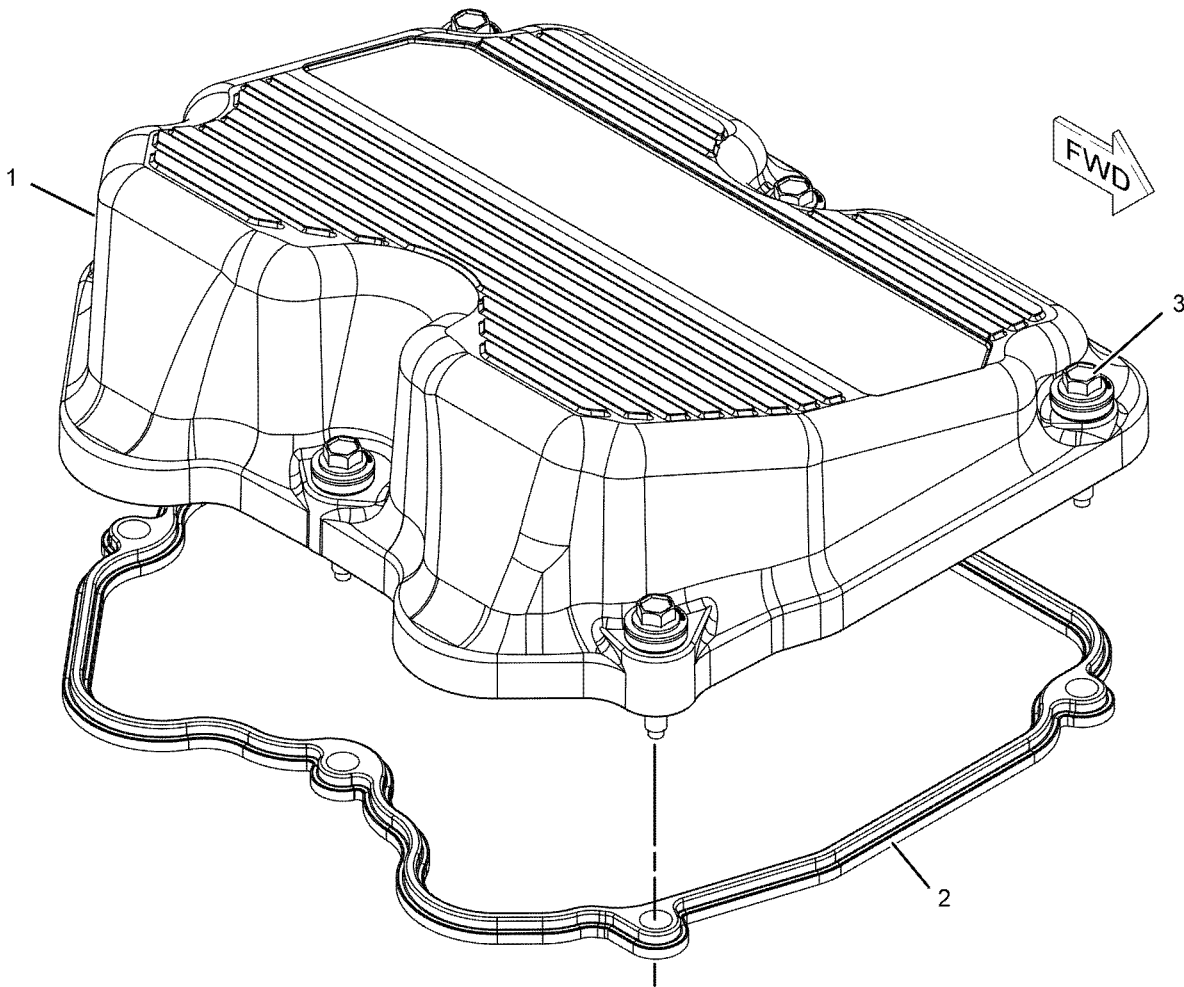
## 150-3135 COVER GP-VALVE MECHANISM

PART OF 187-1327, 187-1328, 187-2701 COVER GP-VALVE MECHANISM  
AN ATTACHMENT

SMCS-1107

i02207417

NOTE	REF NO	GRAPHIC REF	PART NUMBER	QTY	PART NAME						SEE PAGE
					1	2	3	4	5	6 (PRODUCT LEVEL)	
	1	1	150-2557	1	COVER-VALVE MECH						
	2	1	242-9537	1	SEAL-VALVE COVER						
	3	1	243-1159	6	FASTENER AS						
					(EACH INCLUDES)						
		1	149-7378	1	GROMMET						



GRAPHIC #1

<END>

g01055147



# BASIC ENGINE

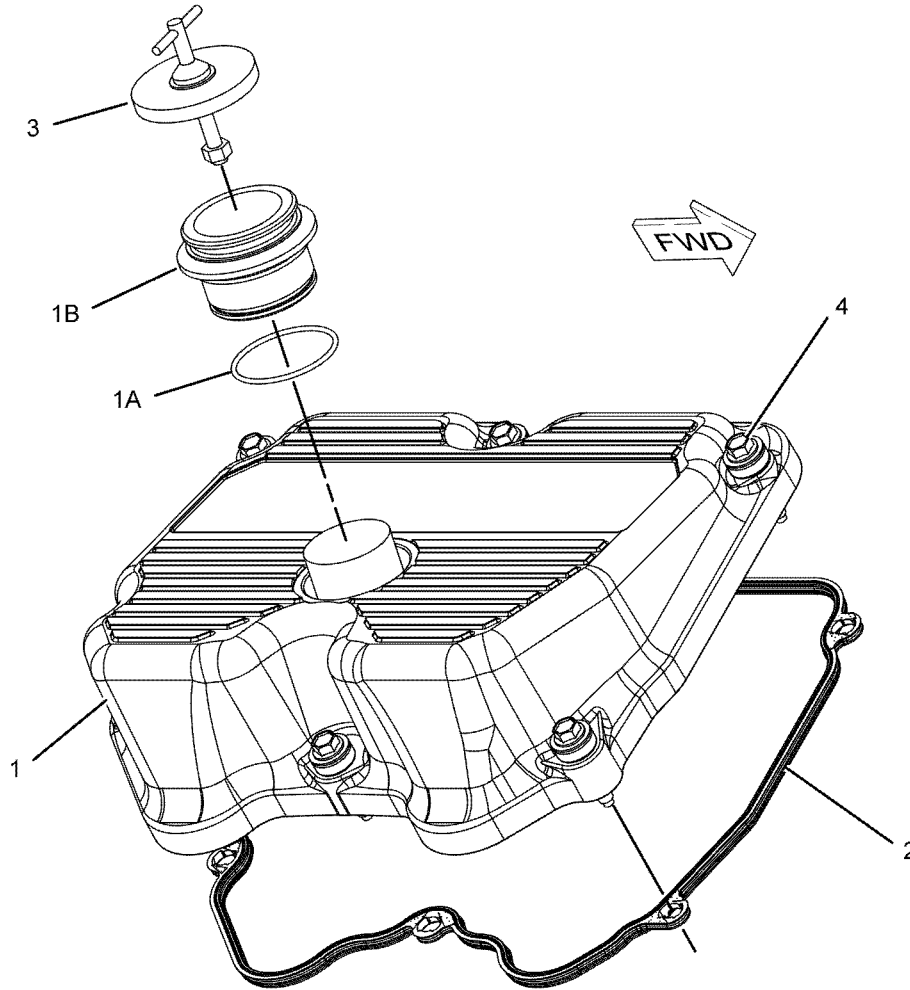
## 150-3139 COVER GP-VALVE MECHANISM

PART OF 187-2701 COVER GP-VALVE MECHANISM  
AN ATTACHMENT

SMCS-1107

i02207419

NOTE	REF NO	GRAPHIC REF	PART NUMBER	QTY	PART NAME						SEE PAGE
					1	2	3	4	5	6 (PRODUCT LEVEL)	
	1	1	150-3136	1	COVER AS-VALVE MECHANISM						
	1A	1	6V-5100	1	SEAL-O-RING						
	1B	1	7C-6514	1	ADAPTER						
	2	1	242-9537	1	SEAL-VALVE COVER						
	3	1	2W-6225	1	CAP AS-OIL FILLER (ENGINE)						
	4	1	243-1159	6	FASTENER AS						
					(EACH INCLUDES)						
		1	149-7378	1	GROMMET						



GRAPHIC #1

<END>

g01055126

# BASIC ENGINE

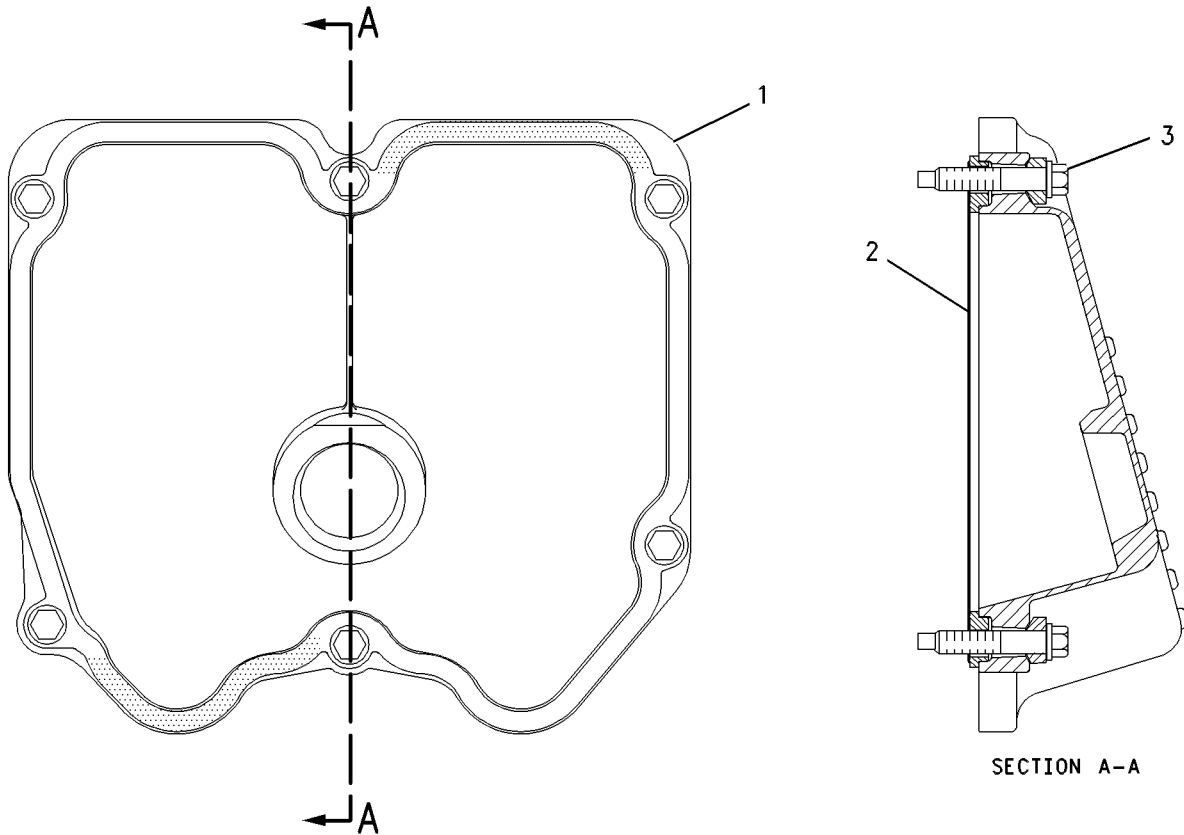
## 150-3141 COVER GP-VALVE MECHANISM

PART OF 159-9339 COVER GP-VALVE MECHANISM  
AN ATTACHMENT

SMCS-1107

i02207391

NOTE	REF NO	GRAPHIC REF	PART NUMBER	QTY	PART NAME						SEE PAGE
					1	2	3	4	5	6 (PRODUCT LEVEL)	
	1	1	149-7376	1	COVER-VALVE MECHANISM						
	2	1	242-9537	1	SEAL-VALVE COVER						
	3	1	243-1159	6	FASTENER AS						
					(EACH INCLUDES)						
		1	149-7378	1	GROMMET						



GRAPHIC #1

<END>

g00299930

# BASIC ENGINE

## 159-9339 COVER GP-VALVE MECHANISM

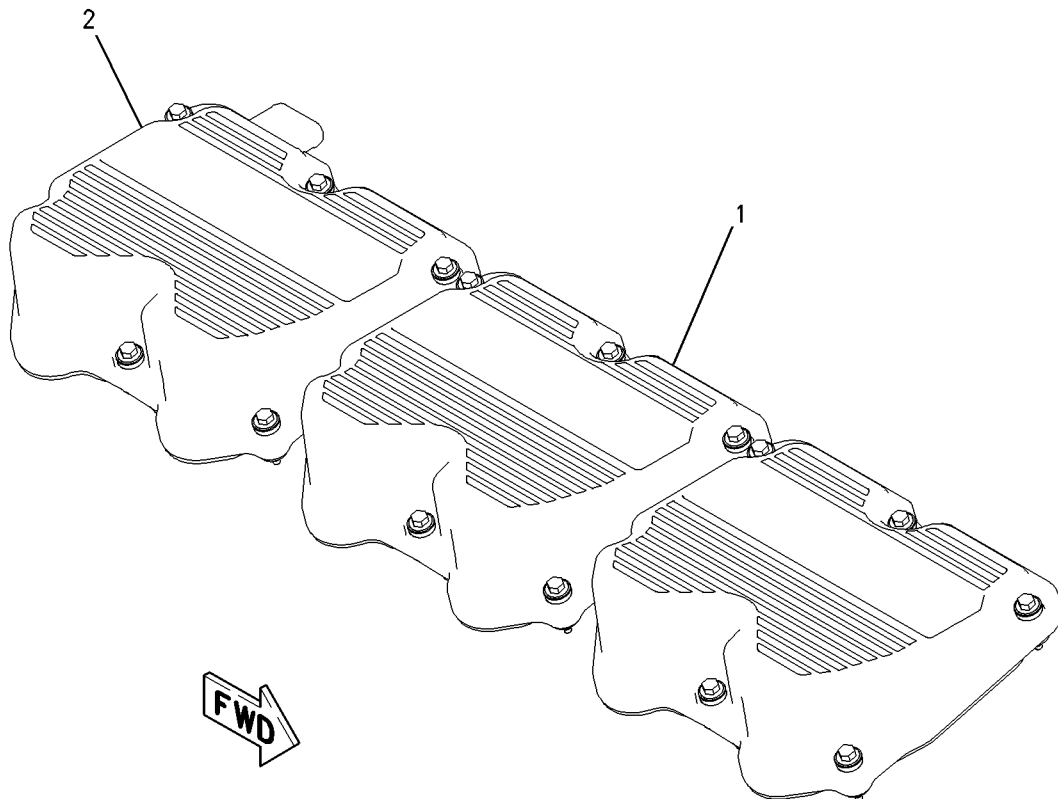
NO OIL FILL, REAR MOUNTED BREATHER  
FOR USE WITH REAR FUMES DISPOSAL  
AN ATTACHMENT

SMCS-1107

i01606627

NOTE	REF NO	GRAPHIC REF	PART NUMBER	QTY	PART NAME						SEE PAGE
					1	2	3	4	5	6 (PRODUCT LEVEL)	
Y	1	1	150-3141	2	COVER GP-VALVE MECHANISM						100
Y	2	1	159-9343	1	COVER GP-VALVE MECHANISM						102

Y-SEPARATE ILLUSTRATION



GRAPHIC #1

<END>

g00832451

# BASIC ENGINE

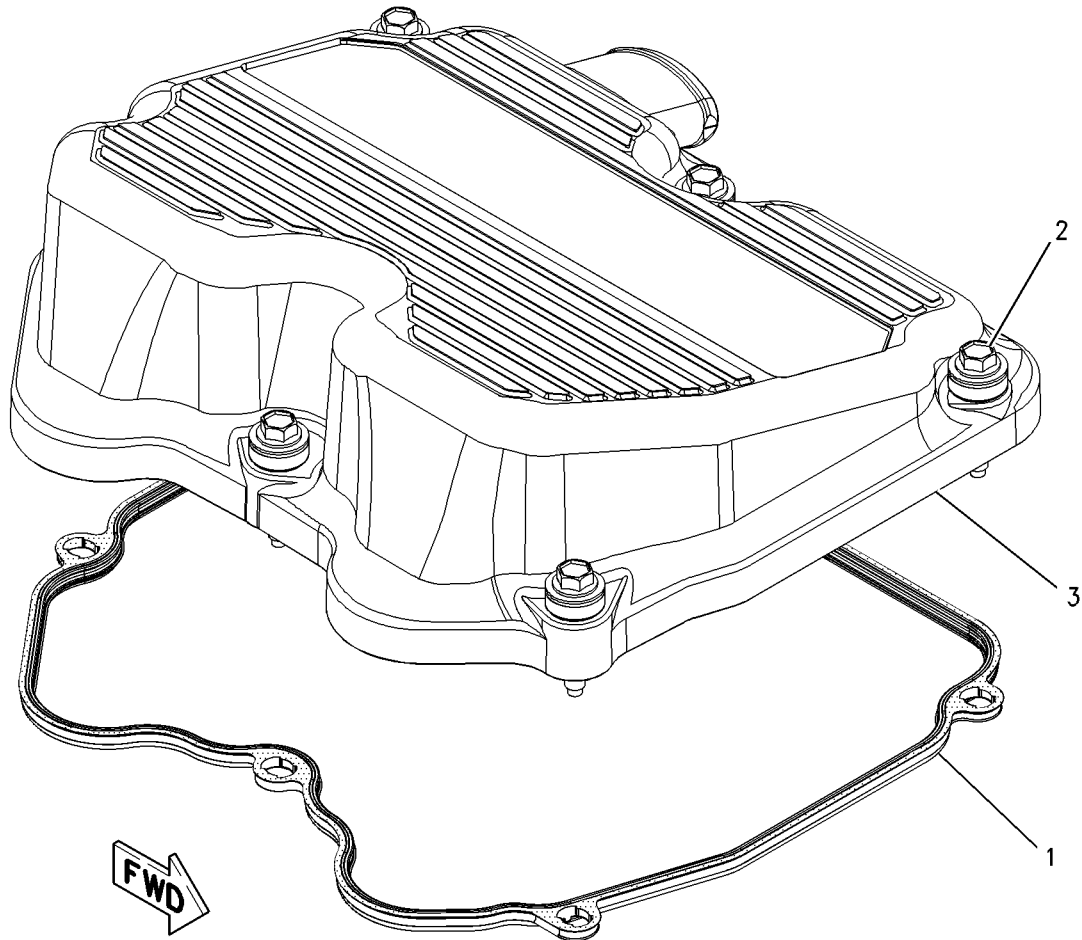
## 159-9343 COVER GP-VALVE MECHANISM

PART OF 159-9339 COVER GP-VALVE MECHANISM  
AN ATTACHMENT

SMCS-1107

i02649910

NOTE	REF NO	GRAPHIC REF	PART NUMBER	QTY	PART NAME						SEE PAGE
					1	2	3	4	5	6 (PRODUCT LEVEL)	
	1	1	242-9537	1	SEAL-VALVE COVER						
	2	1	243-1159	6	FASTENER AS (VALVE COVER)						
					(EACH INCLUDES)						
		1	149-7378	1	GROMMET						
	3	1	177-4639	1	COVER AS-VALVE (BREATHER)						



GRAPHIC #1

<END>

g00832454

# BASIC ENGINE

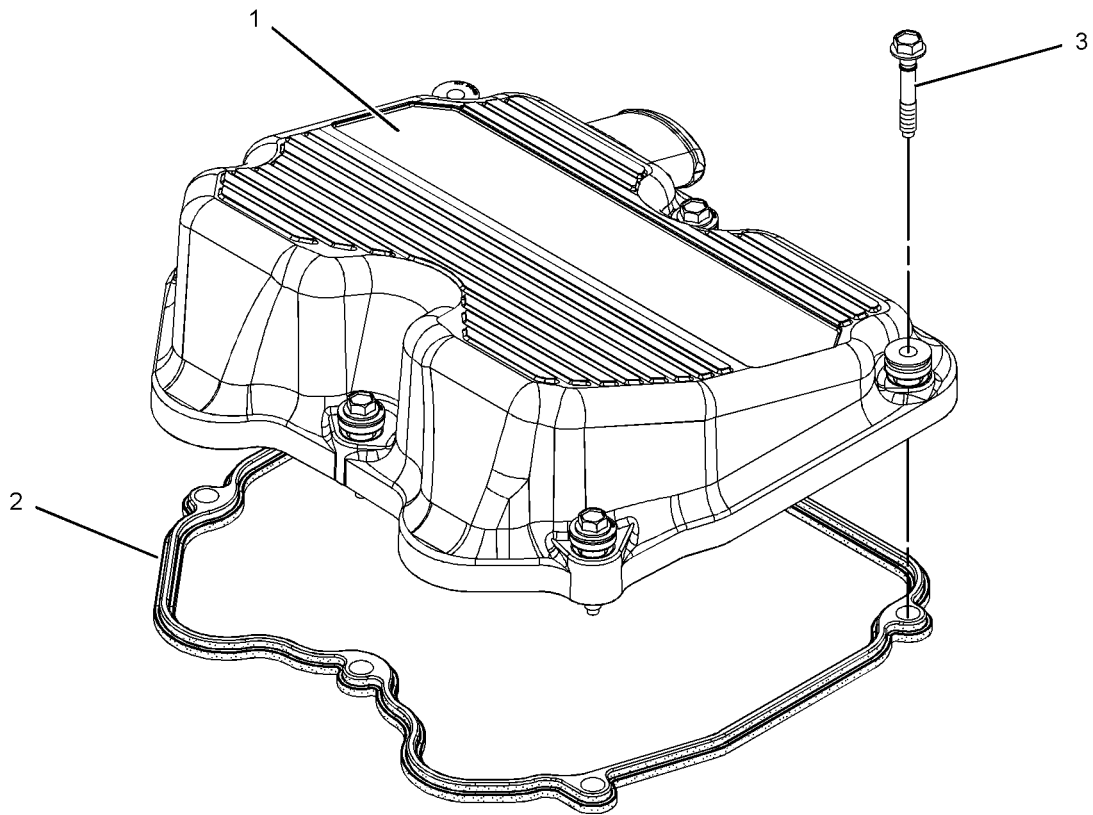
## 187-1326 COVER GP-VALVE MECHANISM

PART OF 187-1327, 187-1328, 187-2701 COVER GP-VALVE MECHANISM  
AN ATTACHMENT

SMCS-1107

i02207393

NOTE	REF NO	GRAPHIC REF	PART NUMBER	QTY	PART NAME						SEE PAGE
					1	2	3	4	5	6 (PRODUCT LEVEL)	
	1	1	187-1325	1	COVER AS-VALVE						
	2	1	242-9537	1	SEAL-VALVE COVER						
	3	1	243-1159	6	FASTENER AS						
					(EACH INCLUDES)						
		1	149-7378	1	GROMMET						



GRAPHIC #1

<END>

g01055197

# BASIC ENGINE

## 187-1327 COVER GP-VALVE MECHANISM

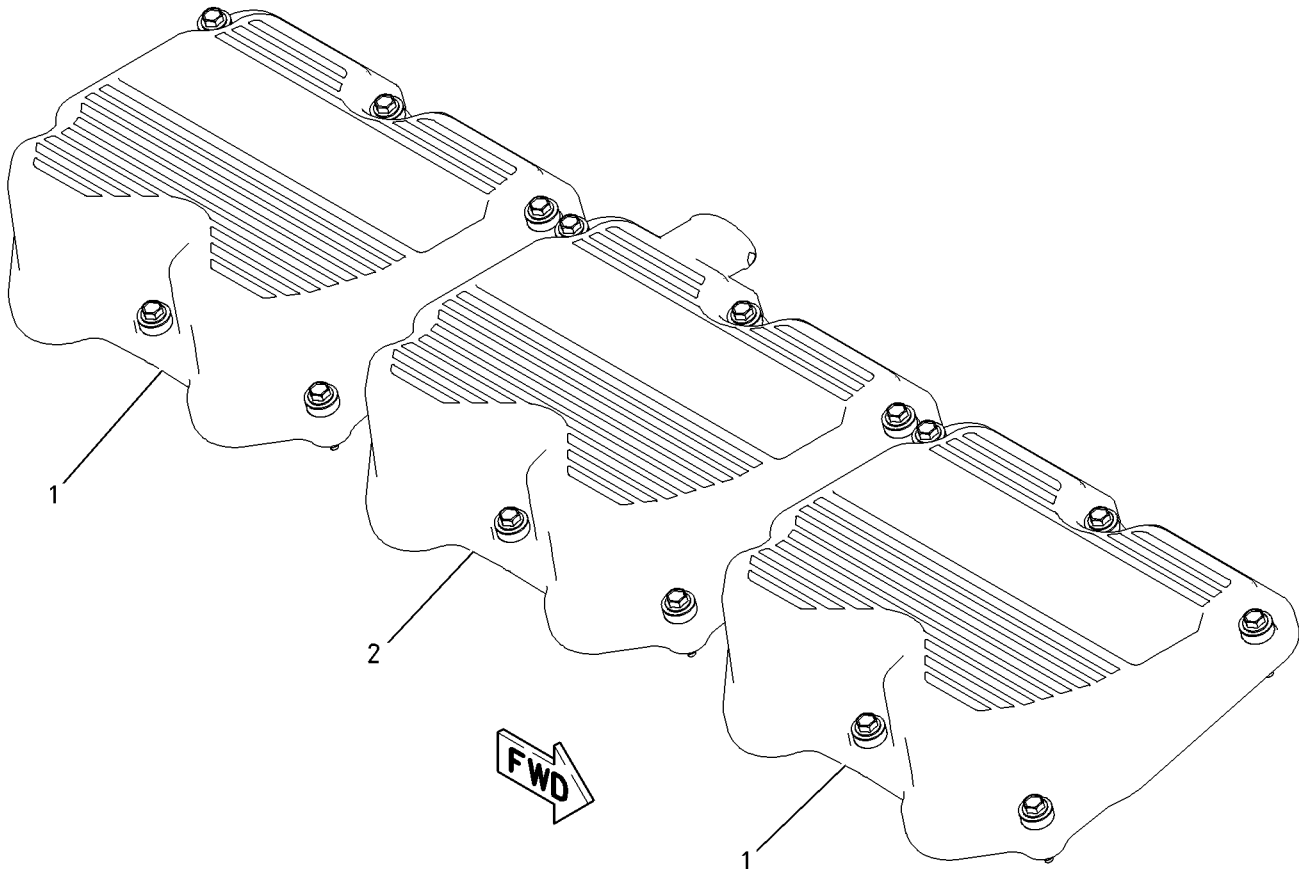
NO OIL FILL, MID MOUNTED BREATHER COVER  
AN ATTACHMENT  
TYPE 1

SMCS-1107

i01391604

NOTE	REF NO	GRAPHIC REF	PART NUMBER	QTY	PART NAME						SEE PAGE
					1	2	3	4	5	6 (PRODUCT LEVEL)	
Y	1	1	150-3135	2	COVER GP-VALVE MECHANISM						98
Y	2	1	187-1326	1	COVER GP-VALVE MECHANISM						103

Y-SEPARATE ILLUSTRATION



GRAPHIC #1

<END>

g00740178

# BASIC ENGINE

## 187-1327 COVER GP-VALVE MECHANISM

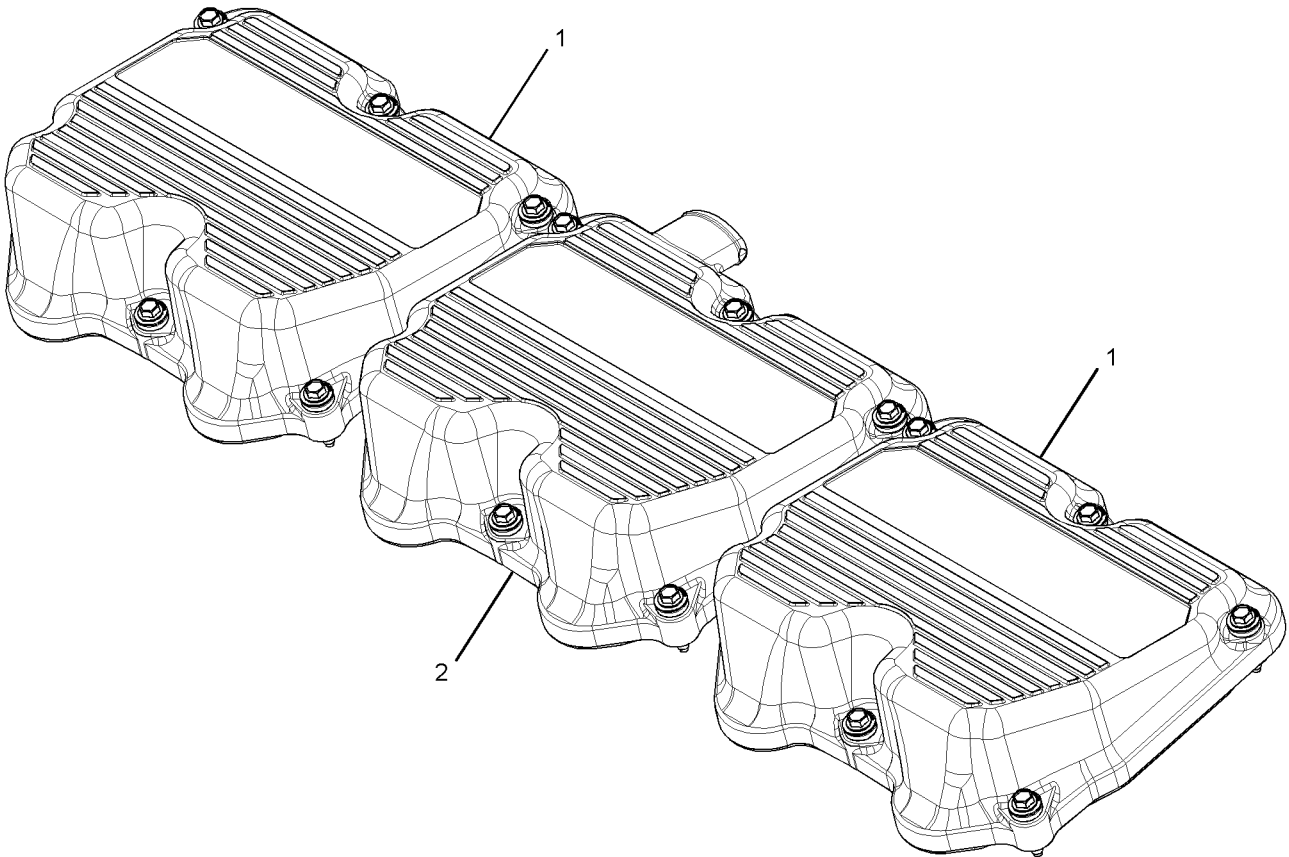
NO OIL FILL, MID MOUNTED BREATHER COVER  
AN ATTACHMENT  
TYPE 2

SMCS-1107

i03796329

NOTE	REF NO	GRAPHIC REF	PART NUMBER	QTY	PART NAME						SEE PAGE
					1	2	3	4	5	6 (PRODUCT LEVEL)	
Y	1	1	150-3135	2	COVER GP-VALVE MECHANISM						98
CY	2	1	341-6804	1	COVER GP-VALVE MECHANISM						118

C-CHANGE FROM PREVIOUS TYPE  
Y-SEPARATE ILLUSTRATION



GRAPHIC #1

<END>

g02053834

# BASIC ENGINE

## 187-1328 COVER GP-VALVE MECHANISM

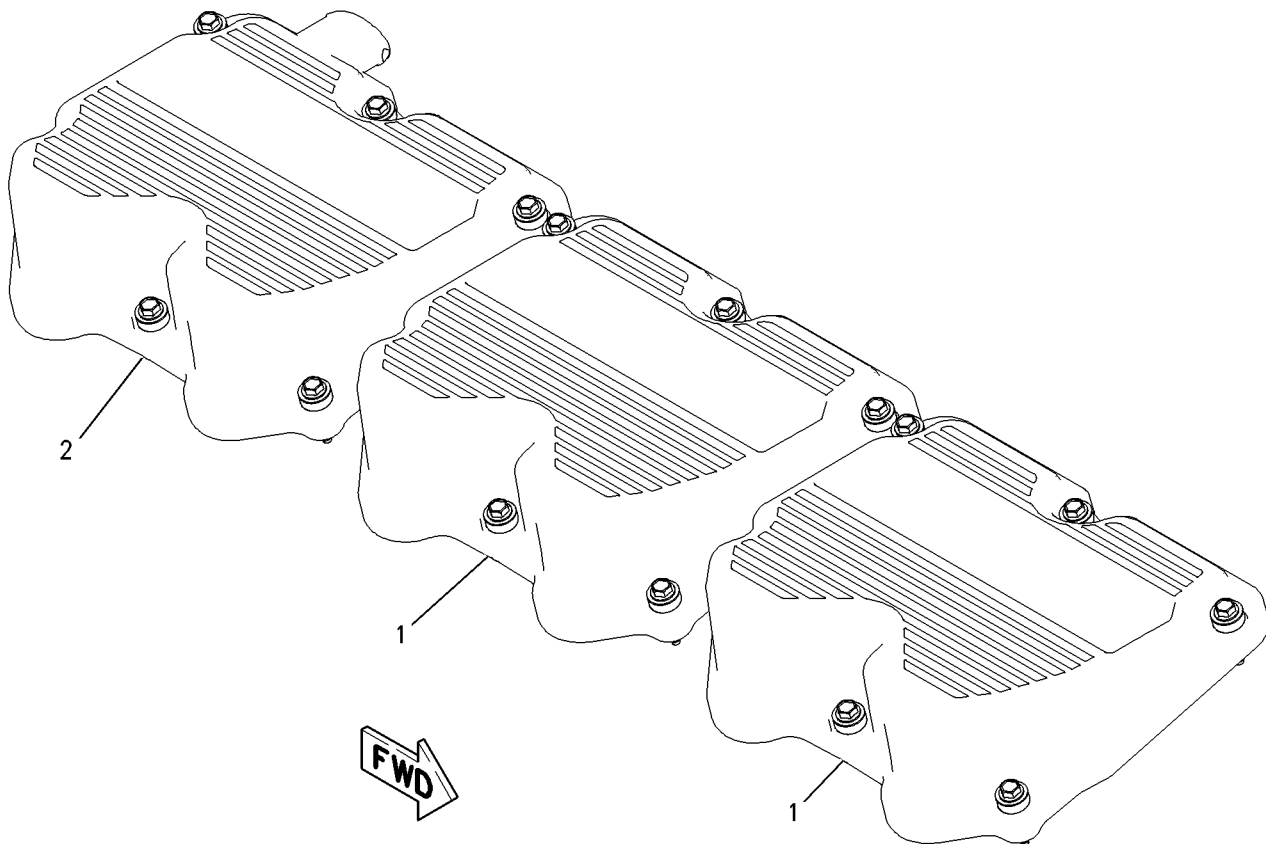
S/N: JRE1-6648  
 REAR MOUNTED BREATHER, NO OIL FILL  
 AN ATTACHMENT

SMCS-1107

i01391600

NOTE	REF NO	GRAPHIC REF	PART NUMBER	QTY	PART NAME						SEE PAGE
					1	2	3	4	5	6 (PRODUCT LEVEL)	
Y	1	1	150-3135	2	COVER GP-VALVE MECHANISM						98
Y	2	1	187-1326	1	COVER GP-VALVE MECHANISM						103

Y-SEPARATE ILLUSTRATION



GRAPHIC #1

<END>

g00740203



# BASIC ENGINE

## 187-1328 COVER GP-VALVE MECHANISM

S/N: JRE6649-UP

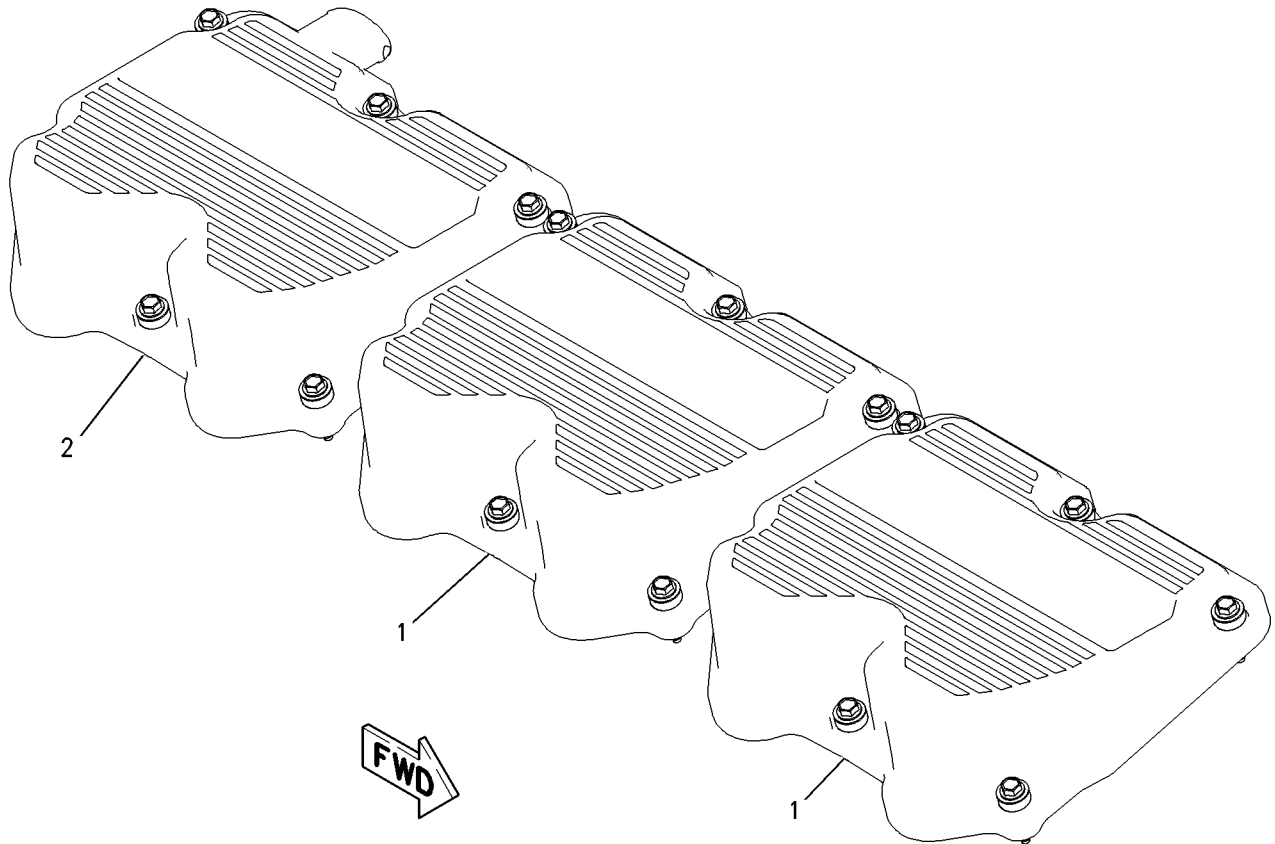
REAR MOUNTED BREATHER, NO OIL FILL  
AN ATTACHMENT

SMCS-1107

i03636768

NOTE	REF NO	GRAPHIC REF	PART NUMBER	QTY	PART NAME						SEE PAGE
					1	2	3	4	5	6 (PRODUCT LEVEL)	
Y	1	1	150-3135	2	COVER GP-VALVE MECHANISM						98
CY	2	1	341-6804	1	COVER GP-VALVE MECHANISM						118

C-CHANGE FROM PREVIOUS TYPE  
Y-SEPARATE ILLUSTRATION



GRAPHIC #1

<END>

g00740203

# BASIC ENGINE

## 187-2701 COVER GP-VALVE MECHANISM

S/N: JRE1-10501

REAR MOUNTED BREATHER, FRONT MOUNTED OIL FILL

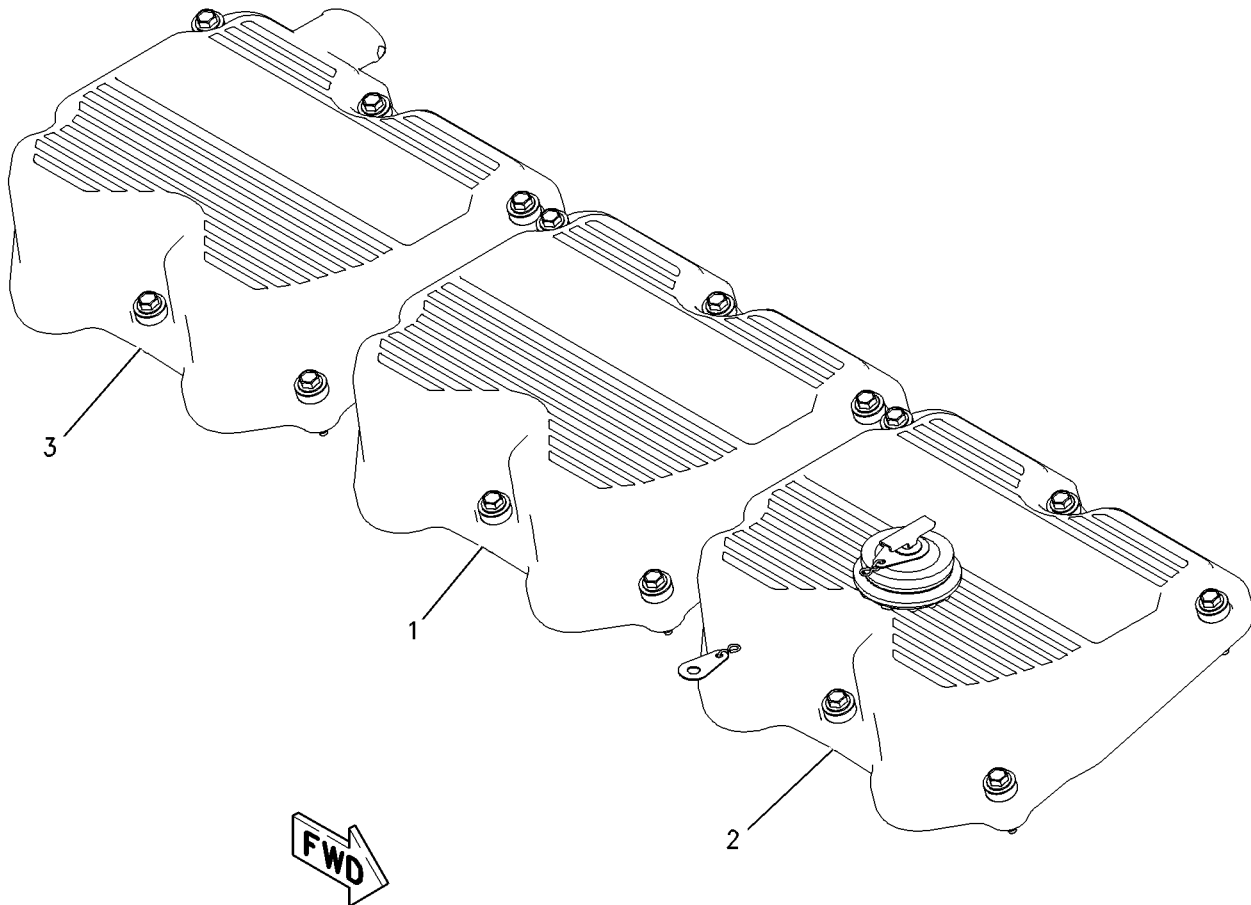
CANNOT BE USED WITH APPLICATIONS THAT REQUIRE ADDING OIL WHILE THE ENGINE IS  
RUNNING AT RATED SPEED  
AN ATTACHMENT

SMCS-1107

i01391601

NOTE	REF NO	GRAPHIC REF	PART NUMBER	QTY	PART NAME						SEE PAGE
					1	2	3	4	5	6 (PRODUCT LEVEL)	
Y	1	1	150-3135	1	COVER GP-VALVE MECHANISM						98
Y	2	1	150-3139	1	COVER GP-VALVE MECHANISM						99
Y	3	1	187-1326	1	COVER GP-VALVE MECHANISM						103

Y-SEPARATE ILLUSTRATION



GRAPHIC #1

<END>

g00740368

# BASIC ENGINE

## 187-2701 COVER GP-VALVE MECHANISM

S/N: JRE10502-UP

REAR MOUNTED BREATHER, FRONT MOUNTED OIL FILL

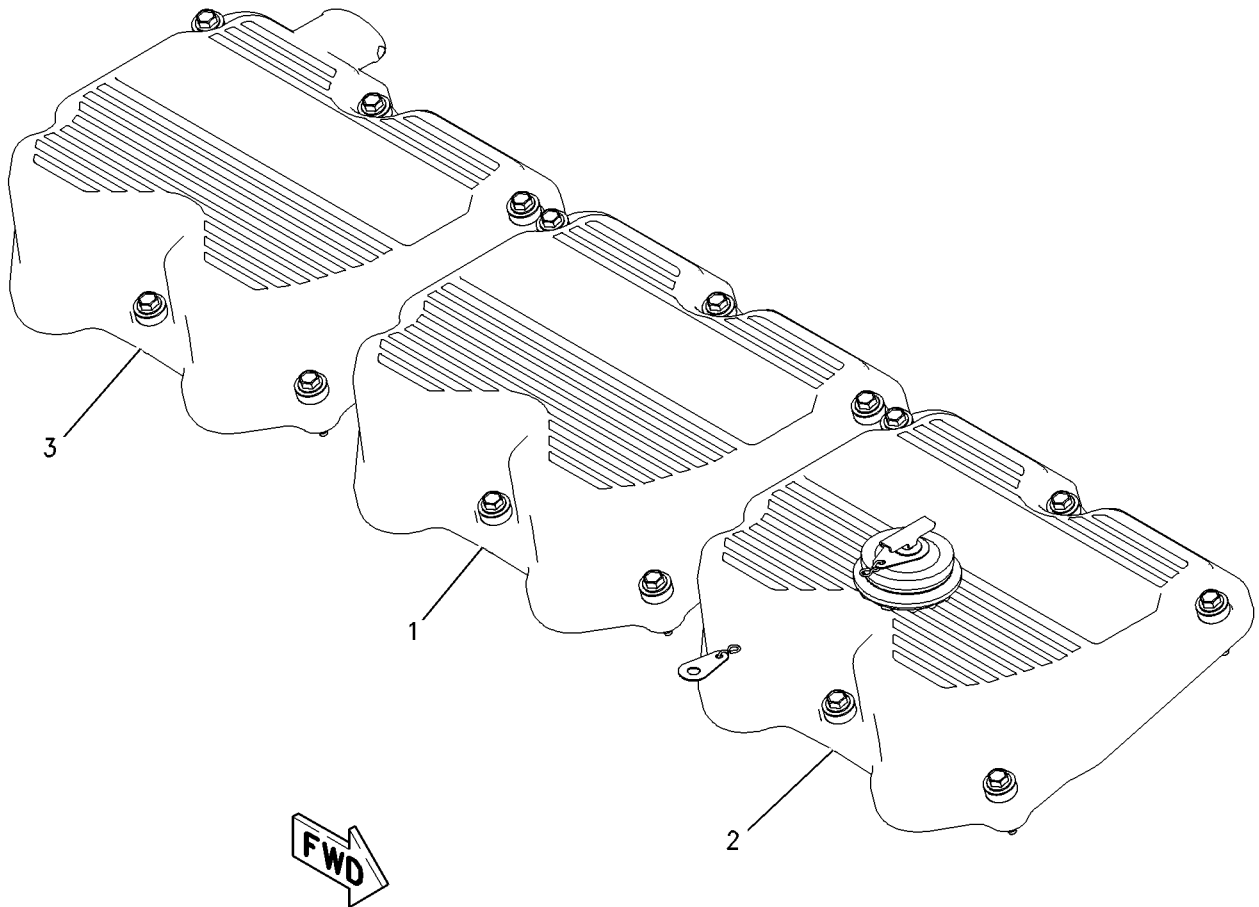
CANNOT BE USED WITH APPLICATIONS THAT REQUIRE ADDING OIL WHILE THE ENGINE IS  
RUNNING AT RATED SPEED  
AN ATTACHMENT

SMCS-1107

i03580145

NOTE	REF NO	GRAPHIC REF	PART NUMBER	QTY	PART NAME						SEE PAGE	
					1	2	3	4	5	6 (PRODUCT LEVEL)		
Y	1	1	150-3135	1	COVER	GP-	VALVE	MECHANISM				98
Y	2	1	150-3139	1	COVER	GP-	VALVE	MECHANISM				99
CY	3	1	341-6804	1	COVER	GP-	VALVE	MECHANISM				118

C- CHANGE FROM PREVIOUS TYPE  
Y- SEPARATE ILLUSTRATION



GRAPHIC #1

<END>

g00740368

# BASIC ENGINE

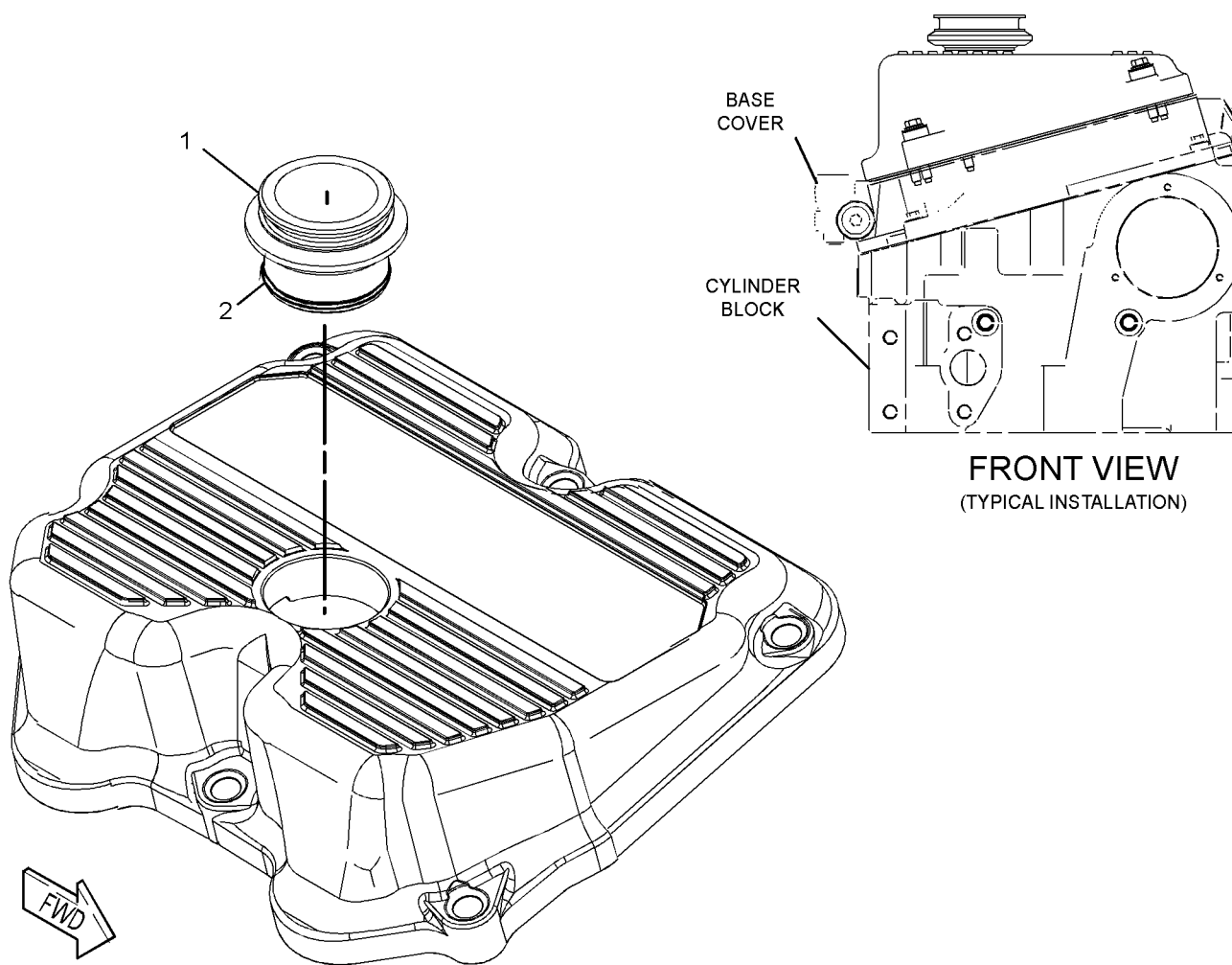
## 225-1147 COVER GP-VALVE MECHANISM

PART OF 225-1149 COVER GP-VALVE MECHANISM  
AN ATTACHMENT

SMCS-1107

i02487153

NOTE	REF NO	GRAPHIC REF	PART NUMBER	QTY	PART NAME						SEE PAGE
					1	2	3	4	5	6 (PRODUCT LEVEL)	
	1	1	7C-6514	1	ADAPTER						
	2	1	272-2583	1	SEAL-O-RING						



GRAPHIC #1

<END>

g01242213

# BASIC ENGINE

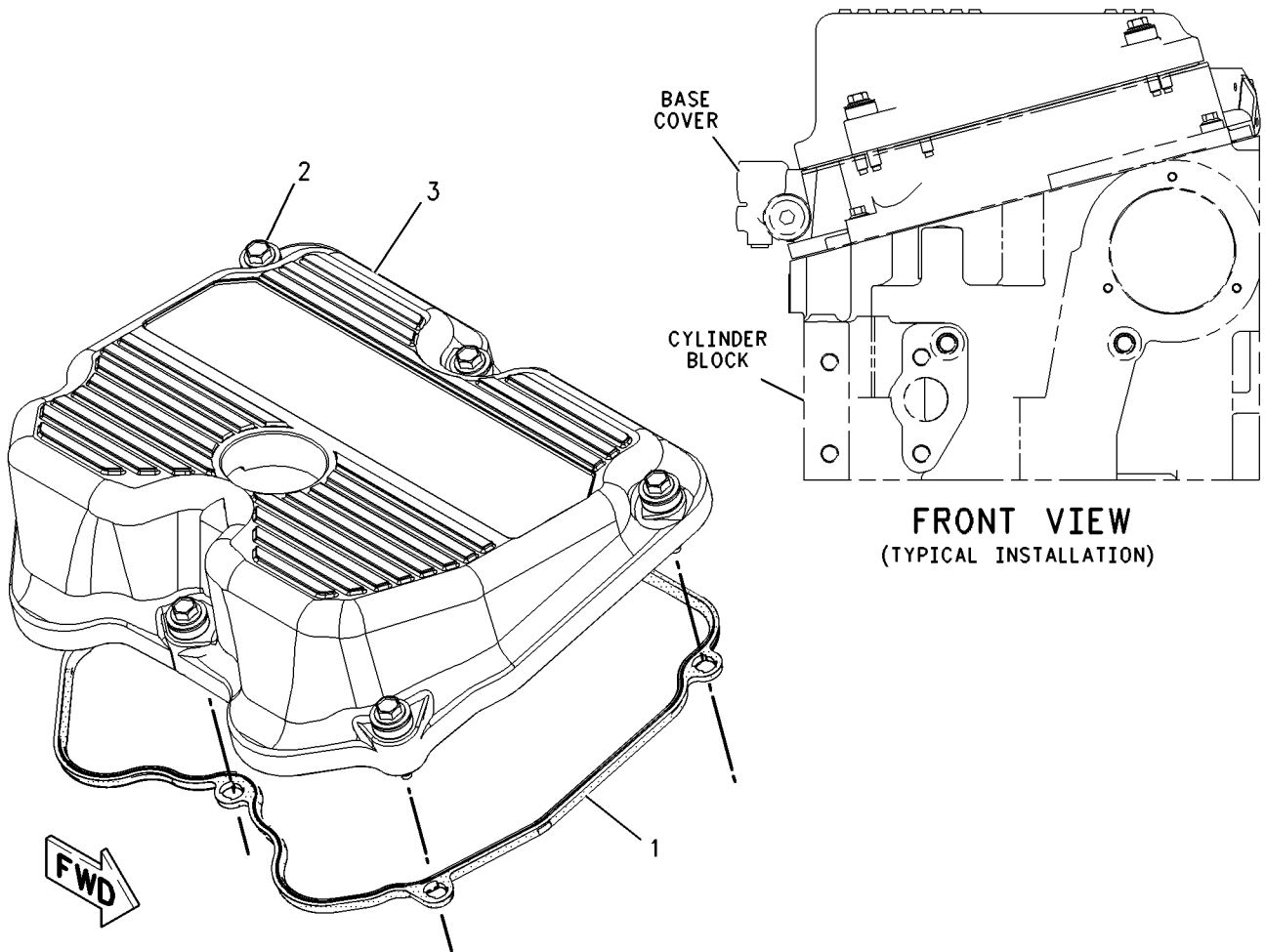
## 225-1148 COVER GP-VALVE MECHANISM

PART OF 239-4112, 248-5588, 248-5590, 255-4649 COVER GP-VALVE MECHANISM  
AN ATTACHMENT

SMCS-1107

i02810054

NOTE	REF NO	GRAPHIC REF	PART NUMBER	QTY	PART NAME						SEE PAGE
					1	2	3	4	5	6 (PRODUCT LEVEL)	
	1	1	242-9537	1	SEAL-VALVE COVER						
	2	1	243-1159	6	FASTENER AS						
					(EACH INCLUDES)						
		1	149-7378	1	GROMMET						
	3	1	225-1144	1	COVER-VALVE						



GRAPHIC #1

<END>

g00991113

# BASIC ENGINE

## 225-1149 COVER GP-VALVE MECHANISM

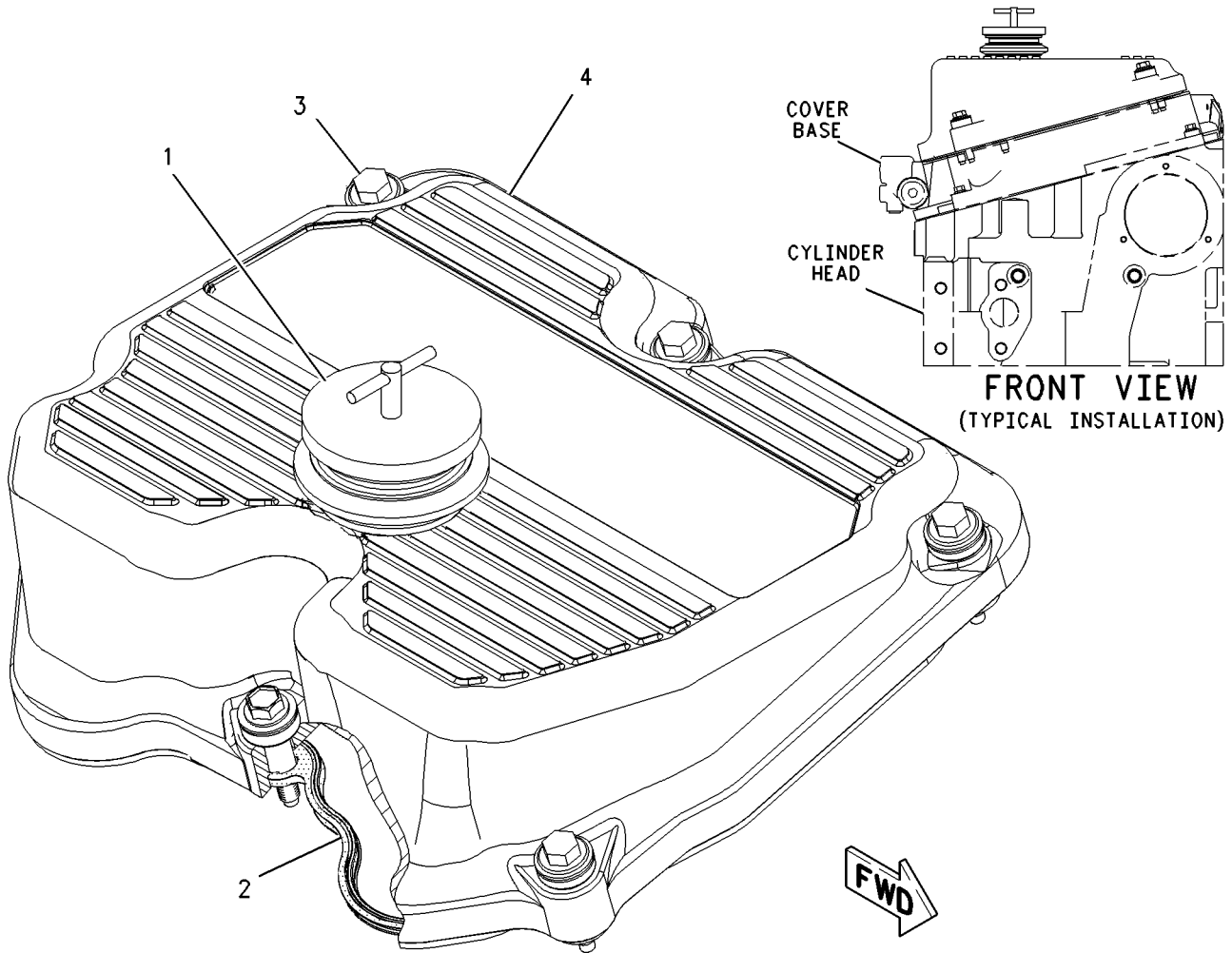
PART OF 239-4112, 248-5588 COVER GP-VALVE MECHANISM  
AN ATTACHMENT

SMCS-1107

i02434277

NOTE	REF NO	GRAPHIC REF	PART NUMBER	QTY	PART NAME						SEE PAGE
					1	2	3	4	5	6 (PRODUCT LEVEL)	
	1	1	113-5253	1	CAP AS-FILLER (ENGINE OIL)						
	2	1	242-9537	1	SEAL-VALVE COVER						
	3	1	243-1159	6	FASTENER AS						
					(EACH INCLUDES)						
		1	149-7378	1	GROMMET						
Y	4	1	225-1147	1	COVER GP-VALVE MECHANISM						110

Y-SEPARATE ILLUSTRATION



GRAPHIC #1

<END>

g00991081

# BASIC ENGINE

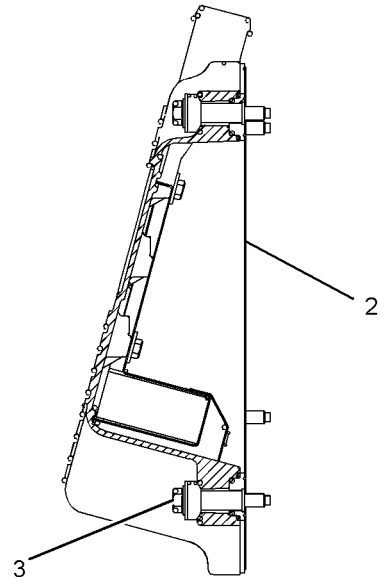
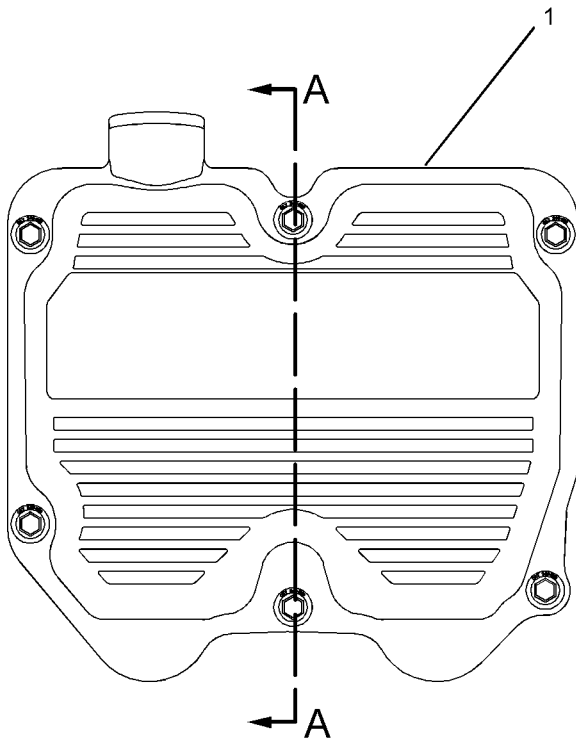
## 239-4111 COVER GP-VALVE MECHANISM

PART OF 239-4112, 248-5588, 248-5590, 255-4649 COVER GP-VALVE MECHANISM  
AN ATTACHMENT

SMCS-1107

i02305859

NOTE	REF NO	GRAPHIC REF	PART NUMBER	QTY	PART NAME						SEE PAGE
					1	2	3	4	5	6 (PRODUCT LEVEL)	
	1	1	<b>269-6348</b>	1	COVER AS-VALVE						
	2	1	<b>242-9537</b>	1	SEAL-VALVE COVER						
	3	1	<b>243-1159</b>	6	FASTENER AS						
					(EACH INCLUDES)						
		1	<b>149-7378</b>	1	GROMMET						



SECTION A-A

GRAPHIC #1

<END>

g01052702

# BASIC ENGINE

## 239-4112 COVER GP-VALVE MECHANISM

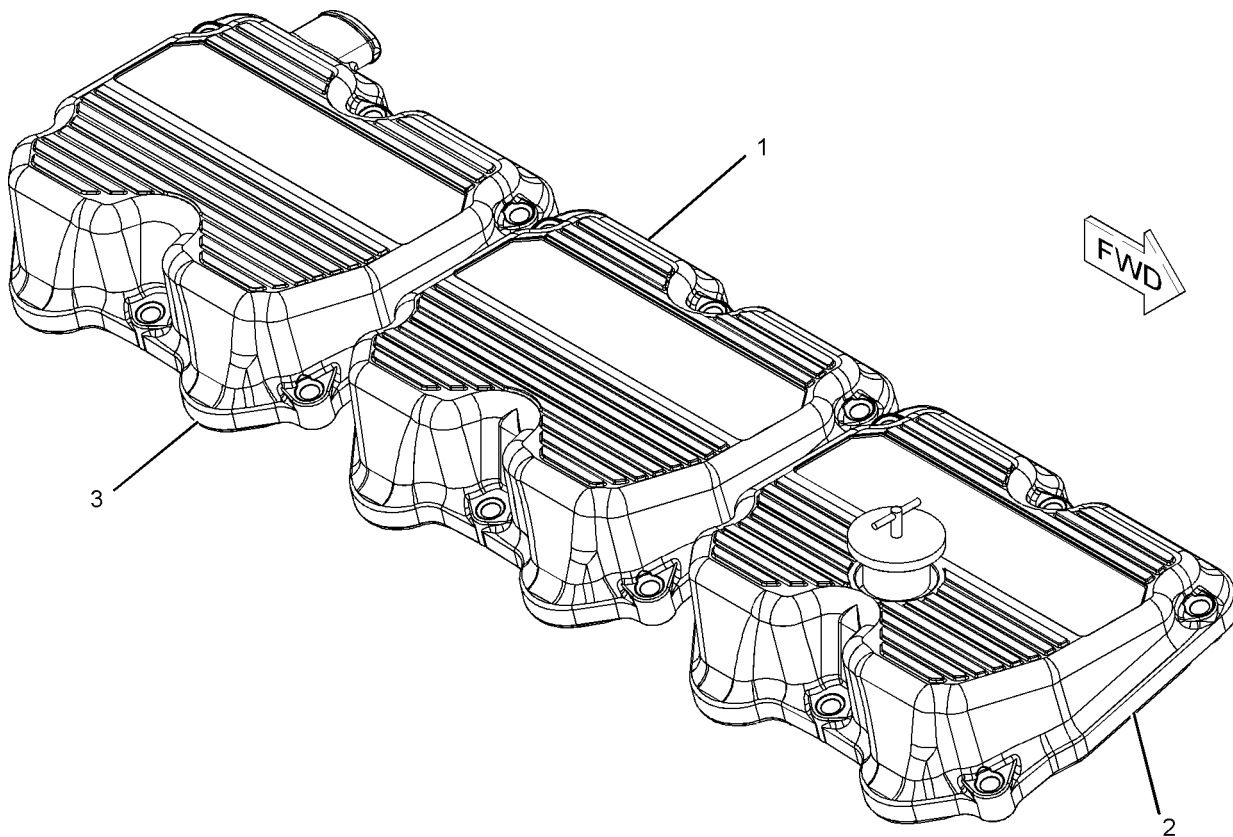
FRONT OIL FILL AND REAR BREATHER  
AN ATTACHMENT

SMCS-1107

i02050922

NOTE	REF NO	GRAPHIC REF	PART NUMBER	QTY	PART NAME						SEE PAGE
					1	2	3	4	5	6 (PRODUCT LEVEL)	
Y	1	1	225-1148	1	COVER GP-VALVE MECHANISM						111
Y	2	1	225-1149	1	COVER GP-VALVE MECHANISM						112
Y	3	1	239-4111	1	COVER GP-VALVE MECHANISM						113

Y-SEPARATE ILLUSTRATION



TOP VIEW  
<END>

GRAPHIC #1

g01060802



# BASIC ENGINE

## 248-5588 COVER GP-VALVE MECHANISM

S/N: JRE1-10631

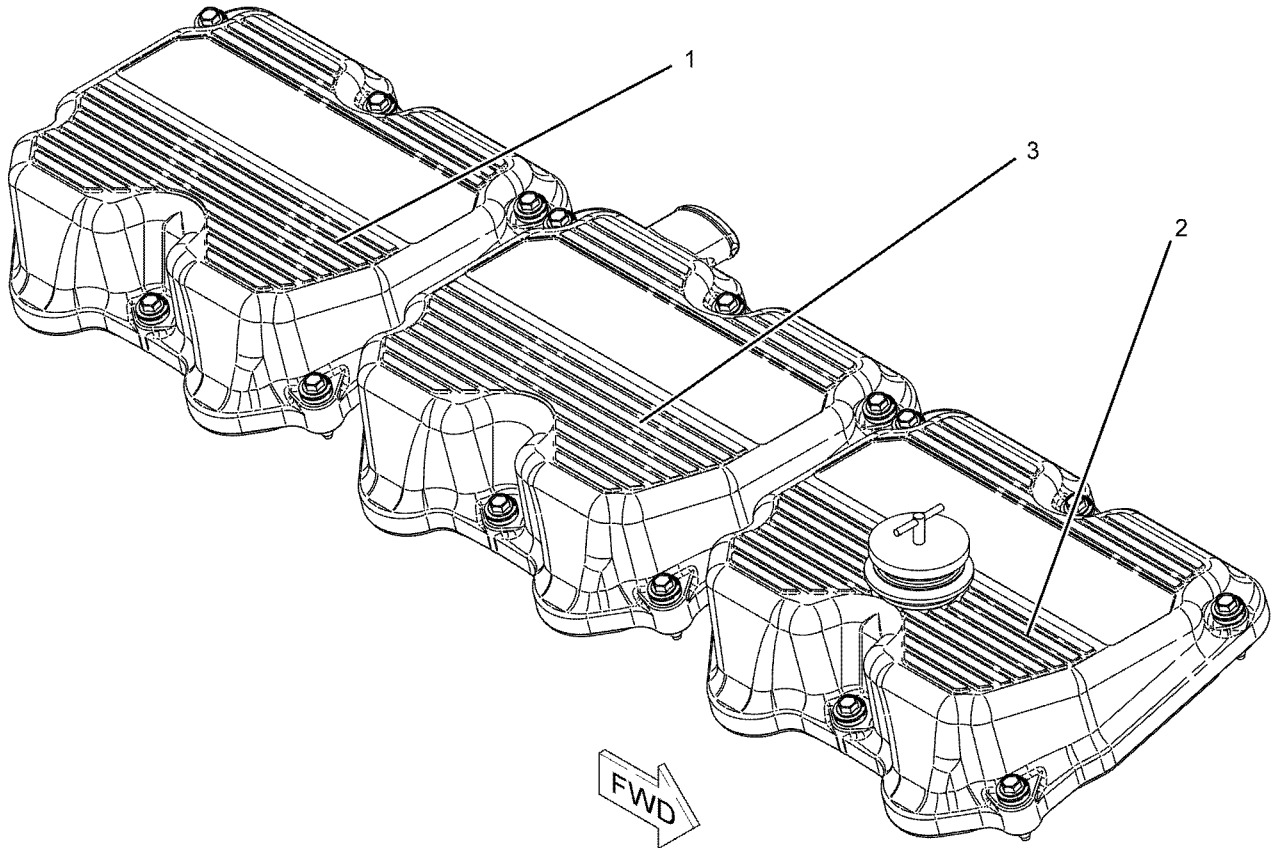
BLACK ISOLATED VALVE COVERS, FRONT OIL FILL  
 FOR USE WITH MIDDLE VALVE COVER FUMES DISPOSAL. CANNOT BE USED WITH HIGH  
 MOUNTED FUEL FILTER  
 AN ATTACHMENT

SMCS-1107

i02072661

NOTE	REF NO	GRAPHIC REF	PART NUMBER	QTY	PART NAME						SEE PAGE	
					1	2	3	4	5	6 (PRODUCT LEVEL)		
Y	1	1	225-1148	1	COVER	GP-	VALVE	MECHANISM				111
Y	2	1	225-1149	1	COVER	GP-	VALVE	MECHANISM				112
Y	3	1	239-4111	1	COVER	GP-	VALVE	MECHANISM				113

Y-SEPARATE ILLUSTRATION



GRAPHIC #1

<END>

g01064273

# BASIC ENGINE

## 248-5590 COVER GP-VALVE MECHANISM

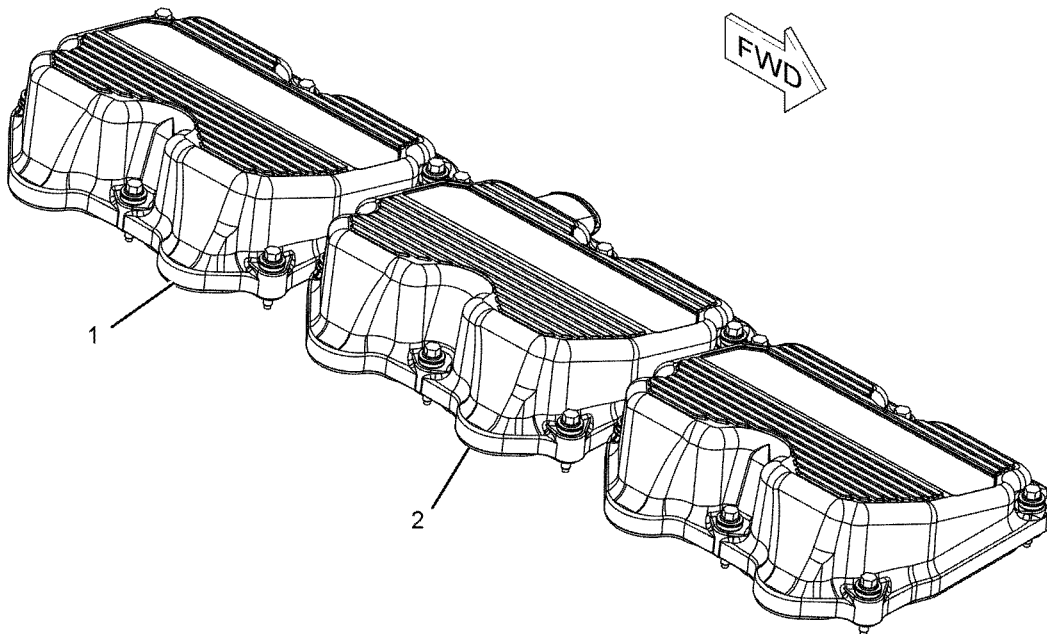
NO OIL FILL AND A MID MOUNTED BREATHER  
 FOR USE WITH MIDDLE VALVE COVER FUMES DISPOSAL GROUP. CANNOT BE USED WITH  
 HIGH MOUNTED FUEL FILTER  
 AN ATTACHMENT

SMCS-1107

i02117197

NOTE	REF NO	GRAPHIC REF	PART NUMBER	QTY	PART NAME						SEE PAGE	
					1	2	3	4	5	6 (PRODUCT LEVEL)		
Y	1	1	225-1148	2	COVER	GP-VALVE	MECHANISM					111
Y	2	1	239-4111	1	COVER	GP-VALVE	MECHANISM					113

Y-SEPARATE ILLUSTRATION



GRAPHIC #1

<END>

g01078718

# BASIC ENGINE

## 255-4649 COVER GP-VALVE MECHANISM

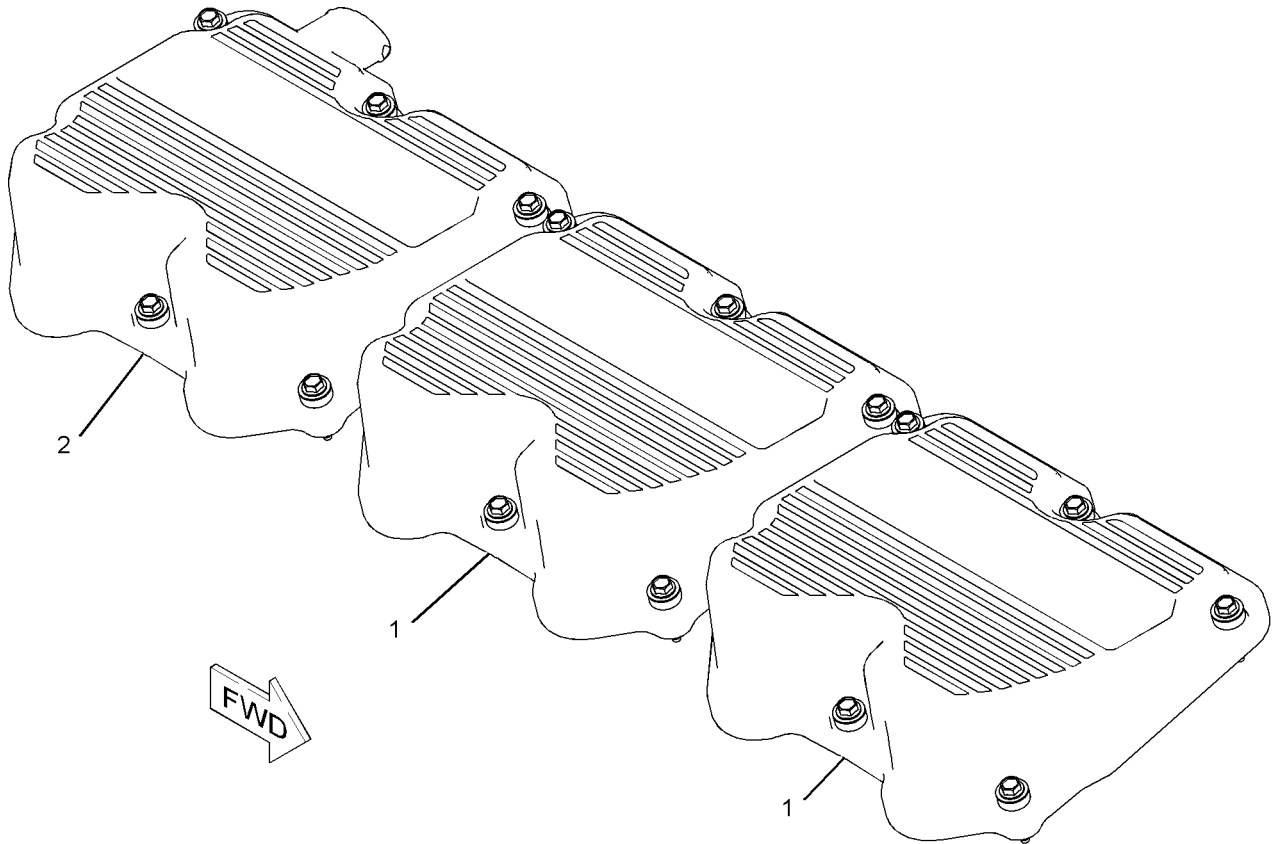
NO OIL FILL AND A REAR MOUNTED BREATHER  
FOR USE WITH REAR DISPOSAL GROUP FUMES SINGLE  
AN ATTACHMENT

SMCS-1107

i02116581

NOTE	REF NO	GRAPHIC REF	PART NUMBER	QTY	PART NAME						SEE PAGE
					1	2	3	4	5	6 (PRODUCT LEVEL)	
Y	1	1	225-1148	2	COVER GP-VALVE MECHANISM						111
Y	2	1	239-4111	1	COVER GP-VALVE MECHANISM						113

Y-SEPARATE ILLUSTRATION



GRAPHIC #1

<END>

g01078445

# BASIC ENGINE

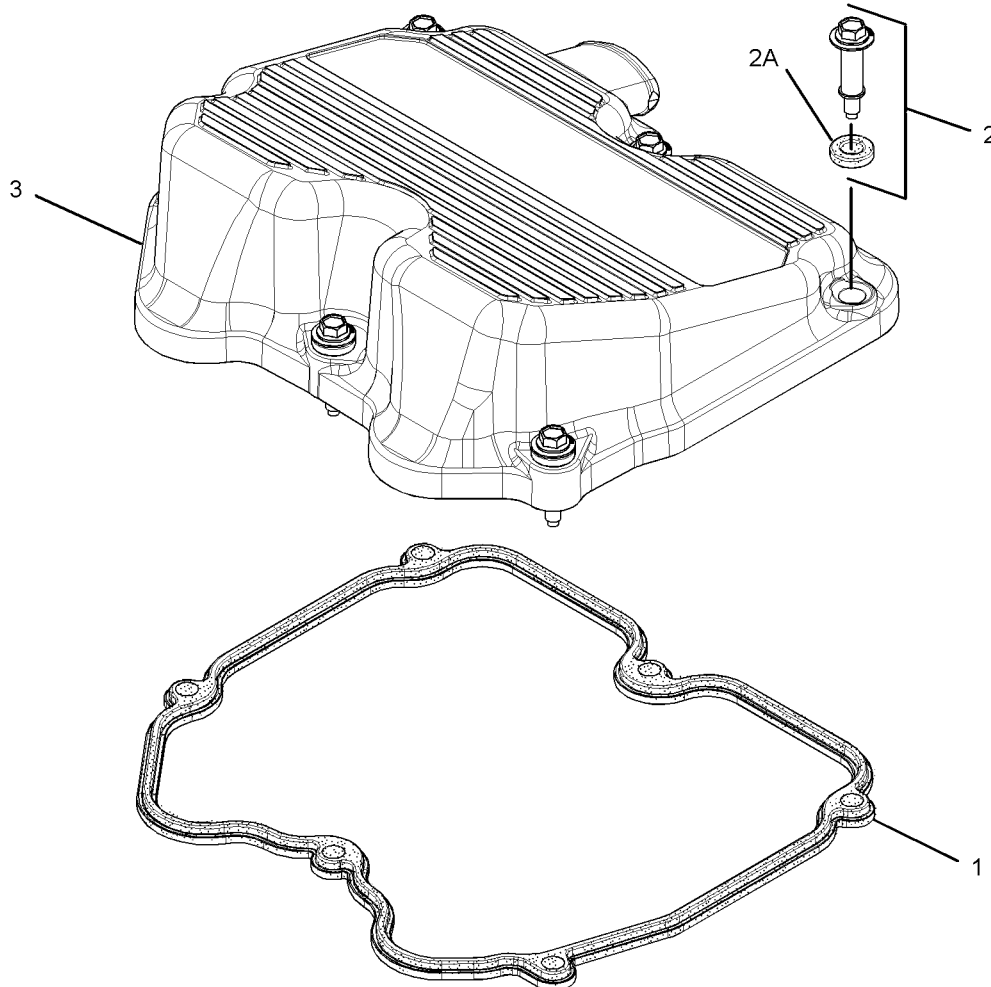
## 341-6804 COVER GP-VALVE MECHANISM

PART OF 187-1327, 187-1328, 187-2701 COVER GP-VALVE MECHANISM  
AN ATTACHMENT

SMCS-1107

i03531580

NOTE	REF NO	GRAPHIC REF	PART NUMBER	QTY	PART NAME						SEE PAGE
					1	2	3	4	5	6 (PRODUCT LEVEL)	
	1	1	242-9537	1	SEAL-VALVE COVER						
	2	1	243-1159	6	FASTENER AS						
					(EACH INCLUDES)						
	2A	1	149-7378	1	GROMMET						
	3	1	239-4106	1	COVER AS-VALVE						



GRAPHIC #1

<END>

g01860954

# BASIC ENGINE

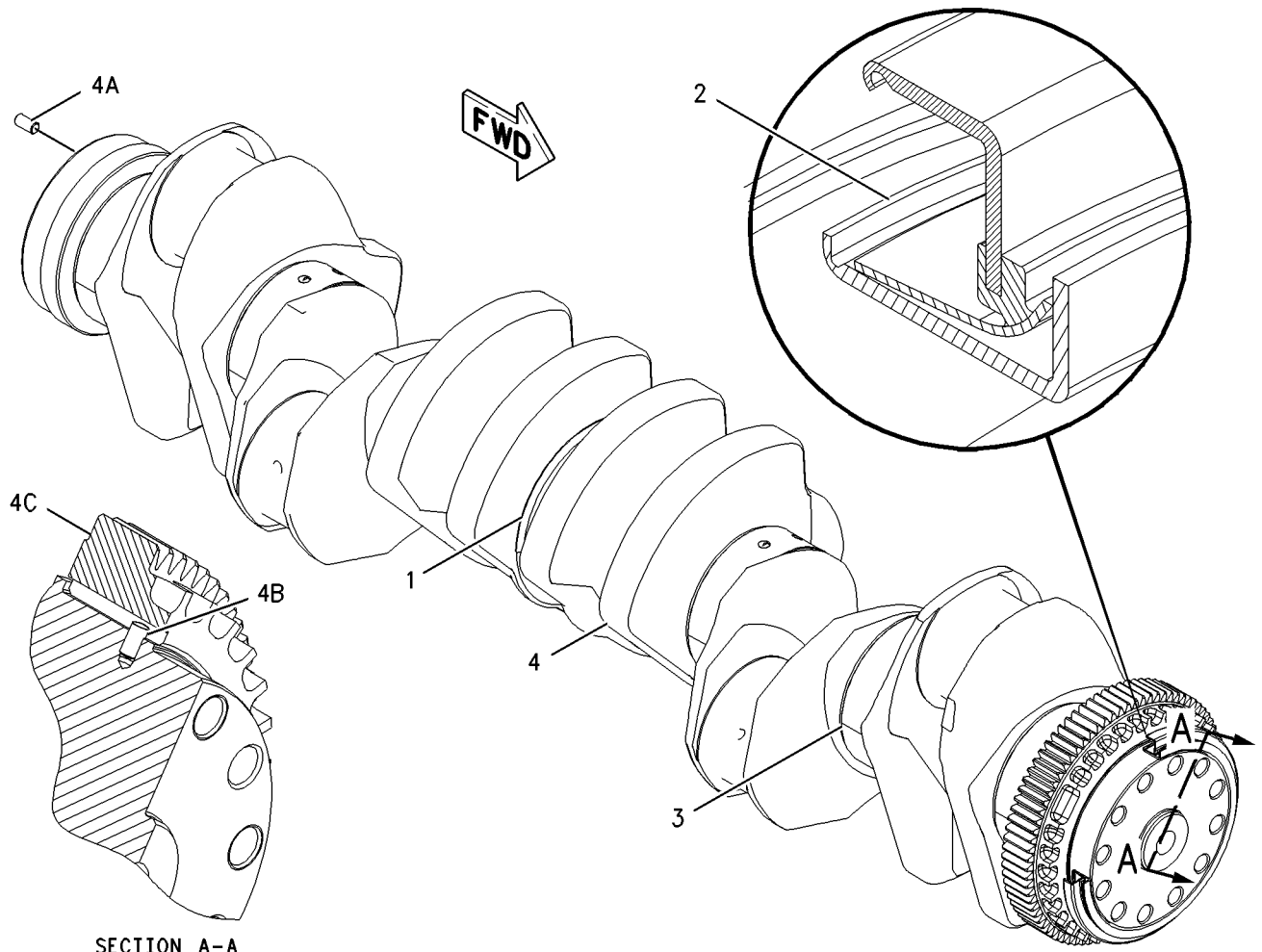
## 223-9731 CRANKSHAFT GP ALSO AN ATTACHMENT

SMCS-1202

i03804490

NOTE	REF NO	GRAPHIC REF	PART NUMBER	QTY	PART NAME						SEE PAGE
					1	2	3	4	5	6 (PRODUCT LEVEL)	
J	1	1	253-1752	2	PLATE-THRUST						
Y	2	1	319-7401	1	SEAL GP-CRANKSHAFT (FRONT)						412
J	3	1	317-8766	7	BEARING-MAIN (STANDARD)						
AB		1	4W-5698		BEARING-MAIN (0.63-MM US)						
AB		1	4W-5699		BEARING-MAIN (1.27-MM US)						
AB		1	4W-5700		BEARING-MAIN (0.63-MM OS)						
AB		1	4W-5701		BEARING-MAIN (0.63-MM OS, 0.63-MM US)						
R	4	1	221-9360	1	CRANKSHAFT AS						
	4A	1	4N-0684	1	DOWEL						
	4B	1	7S-5005	1	DOWEL						
	4C	1	160-5120	1	GEAR-CRANKSHAFT (80-TEETH)						
					AVAILABLE REPAIR KIT(S):						
AJ			243-6718		KIT-CRANKSHAFT BEARING (STANDARD) (INCLUDES A COMPLETE SET OF THRUST PLATES AND MAIN BEARINGS)						

A-NOT PART OF THIS GROUP  
 B-USE AS REQUIRED  
 J-KIT MARKED J INCLUDES PARTS MARKED J  
 R-REMGF PART MAY BE AVAILABLE  
 Y-SEPARATE ILLUSTRATION



SECTION A-A

GRAPHIC #1

<END>

g00955077

# BASIC ENGINE

## 229-8568 CYLINDER BLOCK AS

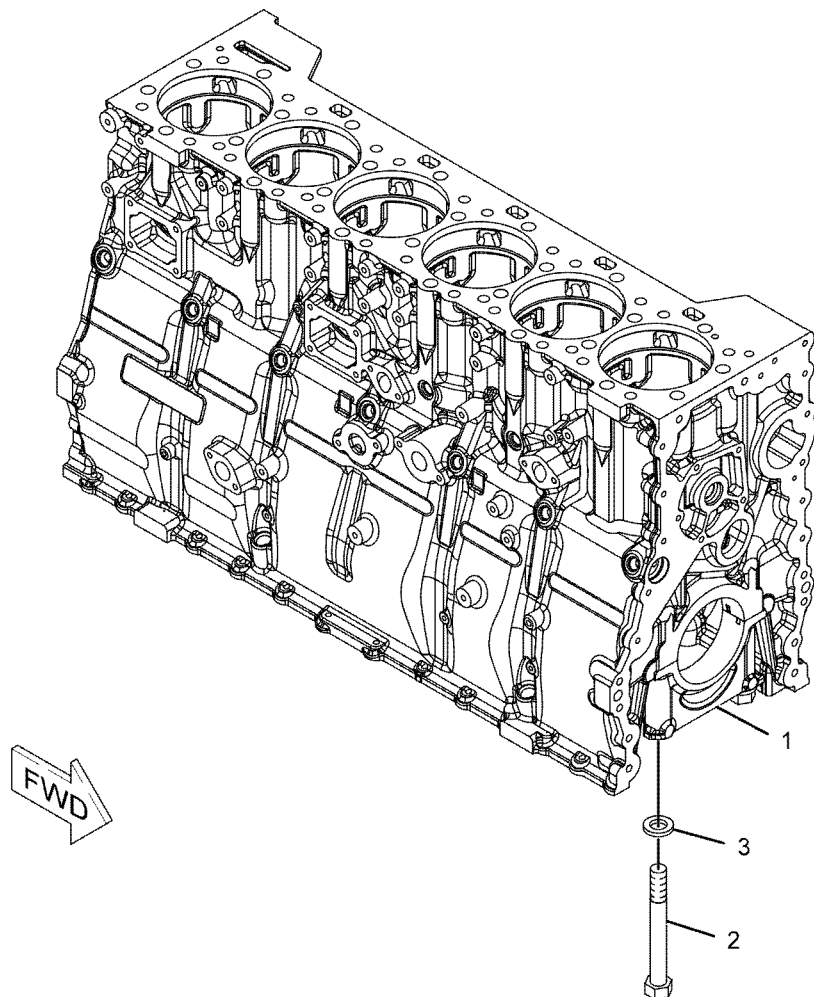
S/N: JRE106-1162

PART OF 222-1976 CYLINDER BLOCK GP  
ALSO AN ATTACHMENT

SMCS-1201

i02228404

NOTE	REF NO	GRAPHIC REF	PART NUMBER	QTY	PART NAME						SEE PAGE
					1	2	3	4	5	6 (PRODUCT LEVEL)	
	1	1	167-8081	7	CAP-CRANKSHAFT BEARING						
	2	1	167-8083	14	BOLT (7/8-14X7.5-IN)						
	3	1	9H-1031	14	WASHER-HARD (24X41.5X6-MM THK)						



GRAPHIC #1

<END>

g01122669

# BASIC ENGINE

## 267-4631 CYLINDER BLOCK AS\*R

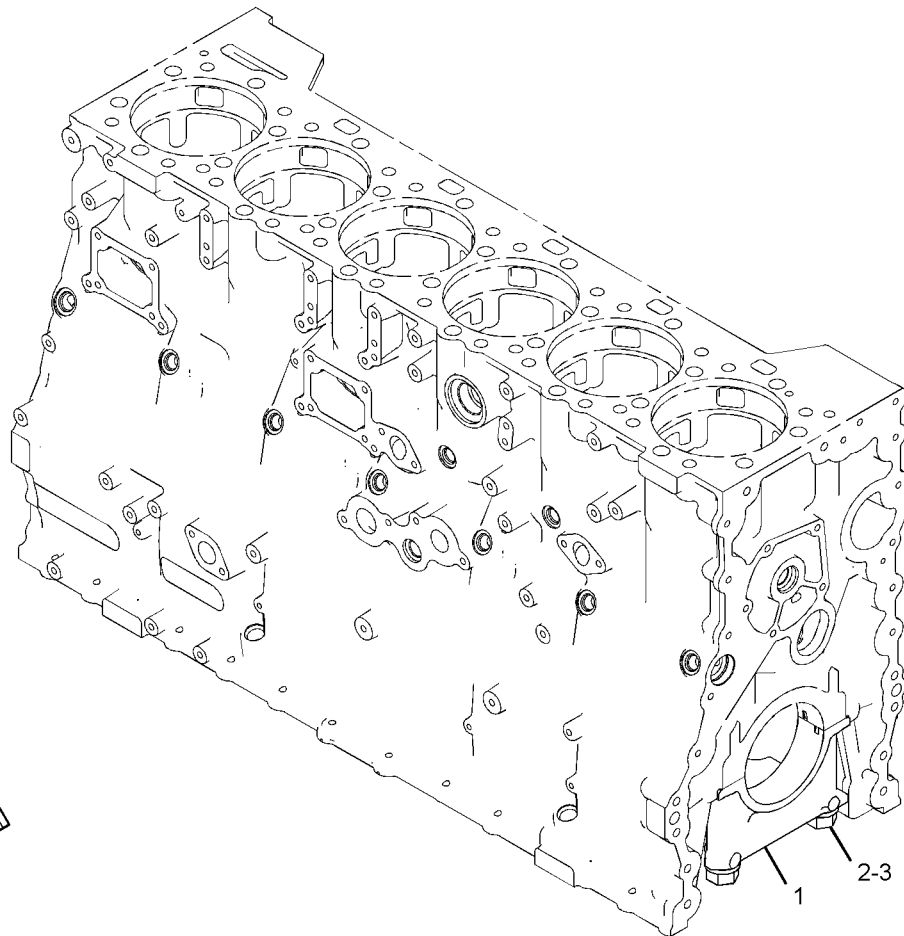
S/N: JRE3478-UP

PART OF 267-4632 CYLINDER BLOCK AS  
ALSO AN ATTACHMENT

SMCS-1201

i03853517

NOTE	REF NO	GRAPHIC REF	PART NUMBER	QTY	PART NAME						SEE PAGE
					1	2	3	4	5	6 (PRODUCT LEVEL)	
	1	1	167-8081	7	CAP-CRANKSHAFT BEARING						
	2	1	3P-1323	14	BOLT-BEARING CAP (7/8-14X7.75-IN)						
	3	1	9H-1031	14	WASHER-HARD (24X41.5X6-MM THK)						



GRAPHIC #1

<END>

g01177294

# BASIC ENGINE

## 267-4632 CYLINDER BLOCK AS

S/N: JRE3478-UP

PART OF 223-9252 CYLINDER BLOCK GP  
ALSO AN ATTACHMENT

SMCS-1201

i04170150

NOTE	REF NO	GRAPHIC REF	PART NUMBER	QTY	PART NAME	SEE PAGE
					1 2 3 4 5 6 (PRODUCT LEVEL)	
	1	1	197-9322	6	LINER-CYLINDER BLOCK	
	2	1	110-2220	6	SEAL-LINER	
	3	1	142-6217	6	SEAL-O-RING	
	4	1	142-7072	6	SEAL-LINER	
YR	5	1	267-4631	1	CYLINDER BLOCK AS	121
	6	1	9L-5854	6	BAND-FILLER (130.2-MM ID)	
ABFN			6I-4361		INSERT-LINER SEAT (0.772-MM THK)	
ABFN			9Y-3368		INSERT-LINER SEAT (0.822-MM THK)	
ABFN			6I-4362		INSERT-LINER SEAT (0.872-MM THK)	
ABFN			6I-4363		INSERT-LINER SEAT (1.555-MM THK)	
ABFN			2W-3815		INSERT-LINER SEAT (1.605-MM THK)	
ABFN			6I-4364		INSERT-LINER SEAT (1.655-MM THK)	
ABFN			6I-4365		INSERT-LINER SEAT (2.66-MM THK)	
ABFN			5N-0093		INSERT-LINER SEAT (2.71-MM THK)	
ABFN			6I-4366		INSERT-LINER SEAT (2.76-MM THK)	
ABFN			101-0524		INSERT-LINER SEAT (5.16-MM THK)	
ABFN			101-0523		INSERT-LINER SEAT (5.21-MM THK)	
ABFN			101-0525		INSERT-LINER SEAT (5.26-MM THK)	

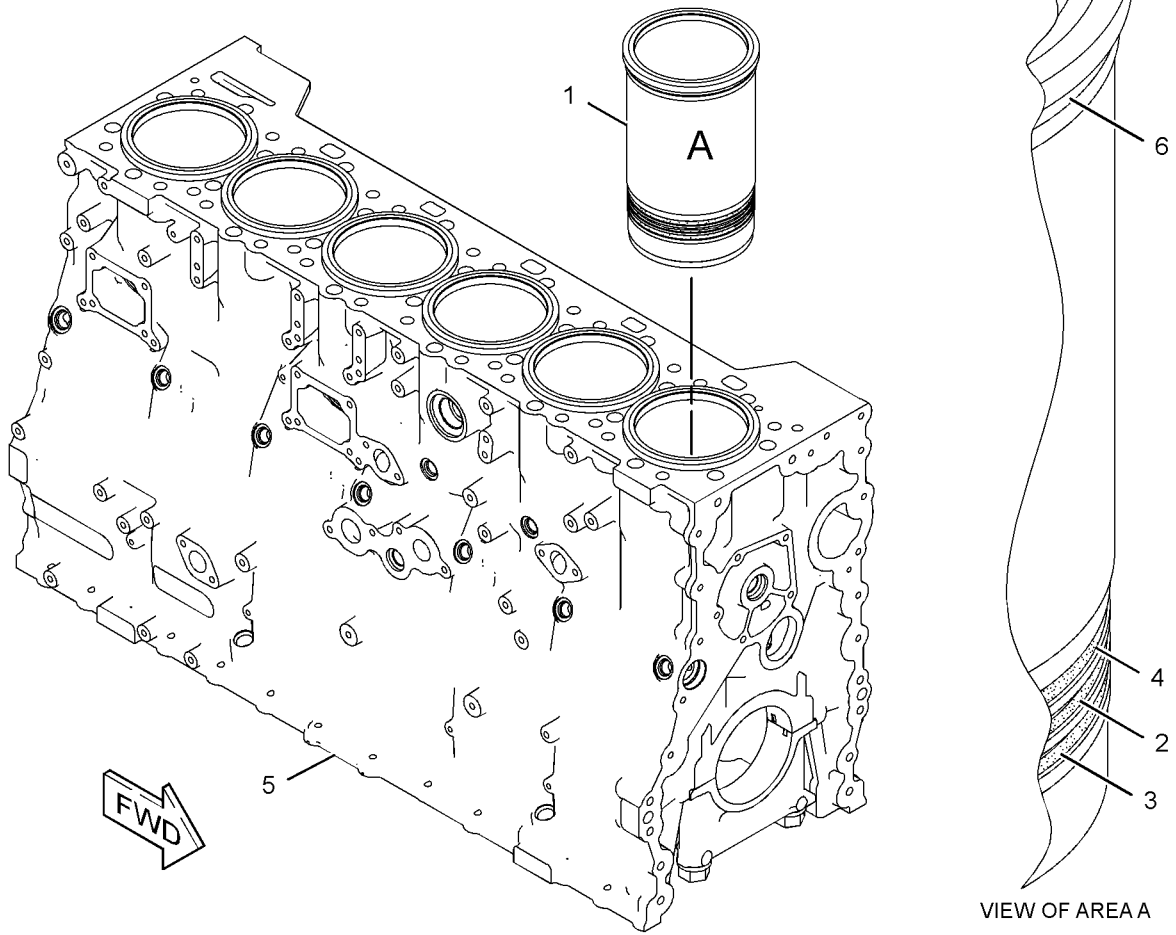
A-NOT PART OF THIS GROUP  
 B-USE AS REQUIRED  
 F-NOT SHOWN  
 N-FOR SALVAGE OF DAMAGED LIFTER BORES IN CYLINDER BLOCK  
 R-REMG PART MAY BE AVAILABLE  
 Y-SEPARATE ILLUSTRATION



# BASIC ENGINE

267-4632 CYLINDER BLOCK AS (contd.)

i04170150



GRAPHIC #1

<END>

g01177148

# BASIC ENGINE

## 222-1976 CYLINDER BLOCK GP

S/N: JRE106-1162

PART OF 223-9252 CYLINDER BLOCK GP  
ALSO AN ATTACHMENT

SMCS-1201

i04170149

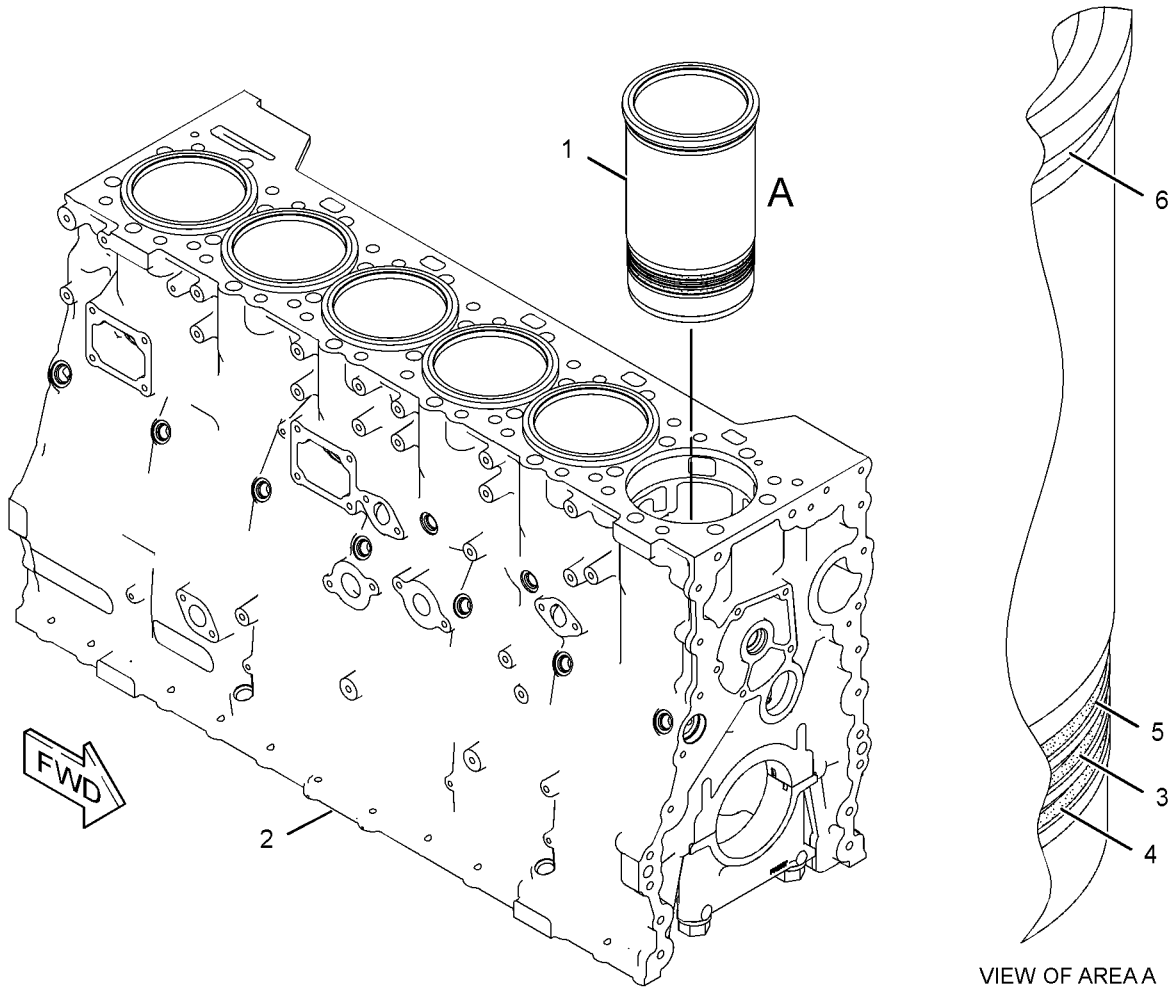
NOTE	REF NO	GRAPHIC REF	PART NUMBER	QTY	PART NAME	SEE PAGE
					1 2 3 4 5 6 (PRODUCT LEVEL)	
	1	1	<b>238-2700</b>	6	LINER-CYLINDER BLOCK	
YR	2	1	<b>229-8568</b>	1	CYLINDER BLOCK AS	120
	3	1	<b>110-2220</b>	6	SEAL-LINER	
	4	1	<b>142-6217</b>	6	SEAL-O-RING	
	5	1	<b>142-7072</b>	6	SEAL-LINER	
	6	1	<b>9L-5854</b>	6	BAND-FILLER (130.2-MM ID)	
ABFN			<b>6I-4361</b>		INSERT-LINER SEAT (0.772-MM THK)	
ABFN			<b>9Y-3368</b>		INSERT-LINER SEAT (0.822-MM THK)	
ABFN			<b>6I-4362</b>		INSERT-LINER SEAT (0.872-MM THK)	
ABFN			<b>6I-4363</b>		INSERT-LINER SEAT (1.555-MM THK)	
ABFN			<b>2W-3815</b>		INSERT-LINER SEAT (1.605-MM THK)	
ABFN			<b>6I-4364</b>		INSERT-LINER SEAT (1.655-MM THK)	
ABFN			<b>6I-4365</b>		INSERT-LINER SEAT (2.66-MM THK)	
ABFN			<b>5N-0093</b>		INSERT-LINER SEAT (2.71-MM THK)	
ABFN			<b>6I-4366</b>		INSERT-LINER SEAT (2.76-MM THK)	
ABFN			<b>101-0524</b>		INSERT-LINER SEAT (5.16-MM THK)	
ABFN			<b>101-0523</b>		INSERT-LINER SEAT (5.21-MM THK)	
ABFN			<b>101-0525</b>		INSERT-LINER SEAT (5.26-MM THK)	

A-NOT PART OF THIS GROUP  
 B-USE AS REQUIRED  
 F-NOT SHOWN  
 N-FOR SALVAGE OF DAMAGED LIFTER BORES IN CYLINDER BLOCK  
 R-REMG PART MAY BE AVAILABLE  
 Y-SEPARATE ILLUSTRATION

# BASIC ENGINE

222-1976 CYLINDER BLOCK GP (contd.)

i04170149



GRAPHIC #1

<END>

g01888233

# BASIC ENGINE

## 223-9252 CYLINDER BLOCK GP

S/N: JRE106-1162  
ALSO AN ATTACHMENT

SMCS-1201

i02940646

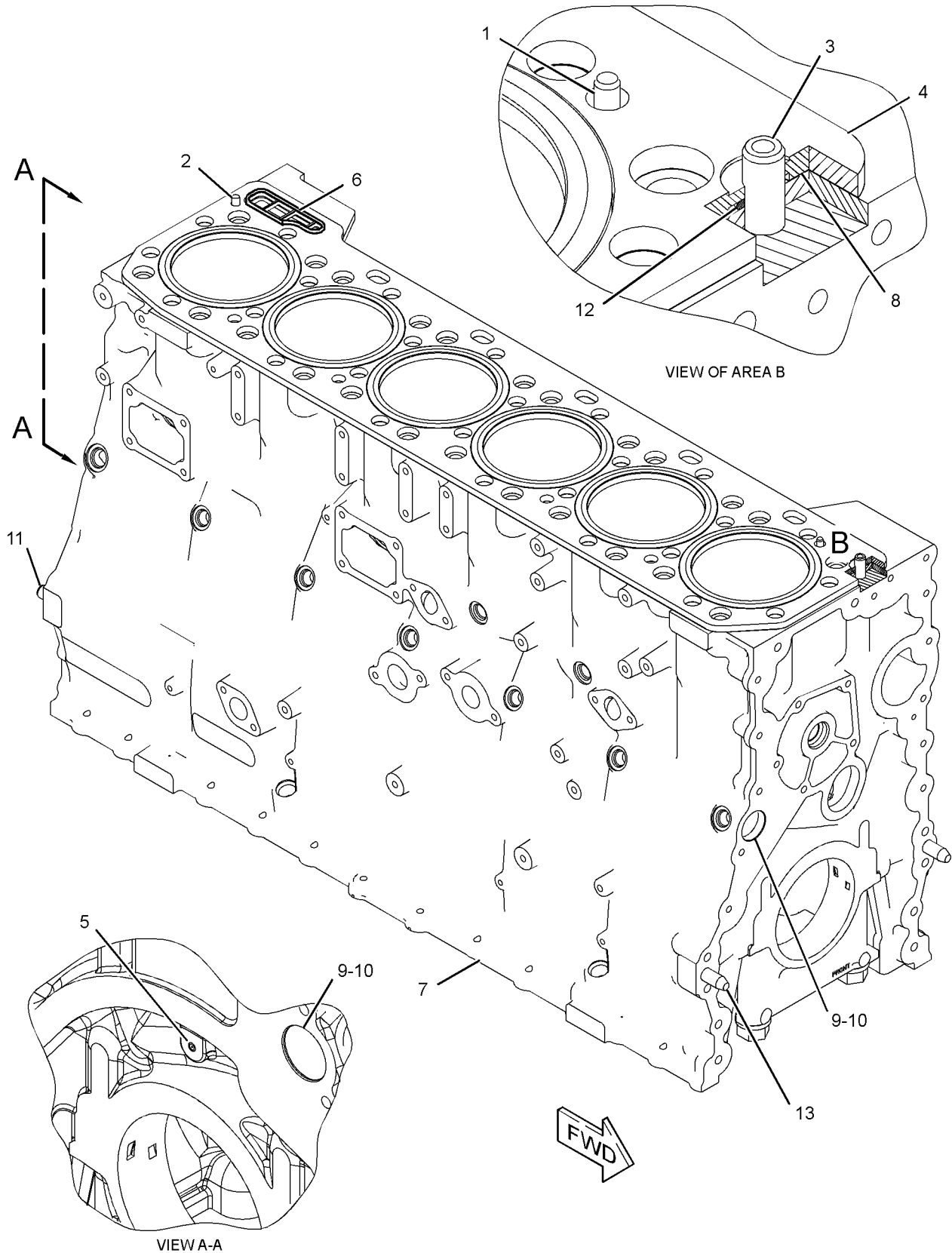
NOTE	REF NO	GRAPHIC REF	PART NUMBER	QTY	PART NAME						SEE PAGE
					1	2	3	4	5	6 (PRODUCT LEVEL)	
	1	1	1S-9540	1	DOWEL						
	2	1	4N-1650	1	DOWEL						
	3	1	6I-1055	1	DOWEL						
	4	1	6I-4421	1	PLATE-SPACER						
	5	1	8S-9094	1	PLUG-ORIFICE						
	6	1	142-2329	1	SEAL						
Y	7	1	222-1976	1	CYLINDER BLOCK GP						124
	8	1	227-1204	1	GASKET						
	9	1	100-7399	2	PLUG						
	10	1	250-0466	2	SEAL-O-RING						
	11	1	4N-0683	2	DOWEL						
	12	1	5P-0840	1	SEAL-O-RING						
	13	1	266-6038	2	DOWEL						

Y-SEPARATE ILLUSTRATION

# BASIC ENGINE

223-9252 CYLINDER BLOCK GP (contd.)

i02940646



GRAPHIC #1

<END>

g01381152

# BASIC ENGINE

## 223-9252 CYLINDER BLOCK GP

S/N: JRE1163-3477

ALSO AN ATTACHMENT

SMCS-1201

i04066411

NOTE	REF NO	GRAPHIC REF	PART NUMBER	QTY	PART NAME						SEE PAGE
					1	2	3	4	5	6 (PRODUCT LEVEL)	
	1	1	<b>1S-9540</b>	1	DOWEL						
	2	1	<b>4N-1650</b>	1	DOWEL						
	3	1	<b>6I-1055</b>	1	DOWEL						
	4	1	<b>6I-4421</b>	1	PLATE-SPACER						
	5	1	<b>8S-9094</b>	1	PLUG-ORIFICE						
	6	1	<b>142-2329</b>	1	SEAL						
CY	7	1	<b>234-5997</b>	1	CYLINDER BLOCK GP						132
	8	1	<b>227-1204</b>	1	GASKET						
	9	1	<b>100-7399</b>	2	PLUG						
	10	1	<b>250-0466</b>	2	SEAL-O-RING						
	11	1	<b>4N-0683</b>	2	DOWEL						
	12	1	<b>5P-0840</b>	1	SEAL-O-RING						
	13	1	<b>266-6038</b>	2	DOWEL						
ABFN		1	<b>6I-4361</b>		INSERT-LINER SEAT (0.772-MM THK)						
ABFN		1	<b>9Y-3368</b>		INSERT-LINER SEAT (0.822-MM THK)						
ABFN		1	<b>6I-4362</b>		INSERT-LINER SEAT (0.872-MM THK)						
ABFN		1	<b>6I-4363</b>		INSERT-LINER SEAT (1.555-MM THK)						
ABFN		1	<b>2W-3815</b>		INSERT-LINER SEAT (1.605-MM THK)						
ABFN		1	<b>6I-4364</b>		INSERT-LINER SEAT (1.655-MM THK)						
ABFN		1	<b>6I-4365</b>		INSERT-LINER SEAT (2.66-MM THK)						
ABFN		1	<b>5N-0093</b>		INSERT-LINER SEAT (2.71-MM THK)						
ABFN		1	<b>6I-4366</b>		INSERT-LINER SEAT (2.76-MM THK)						
ABFN		1	<b>101-0524</b>		INSERT-LINER SEAT (5.16-MM THK)						
ABFN		1	<b>101-0523</b>		INSERT-LINER SEAT (5.21-MM THK)						
ABFN		1	<b>101-0525</b>		INSERT-LINER SEAT (5.26-MM THK)						

A-NOT PART OF THIS GROUP

B-USE AS REQUIRED

C-CHANGE FROM PREVIOUS TYPE

F-NOT SHOWN

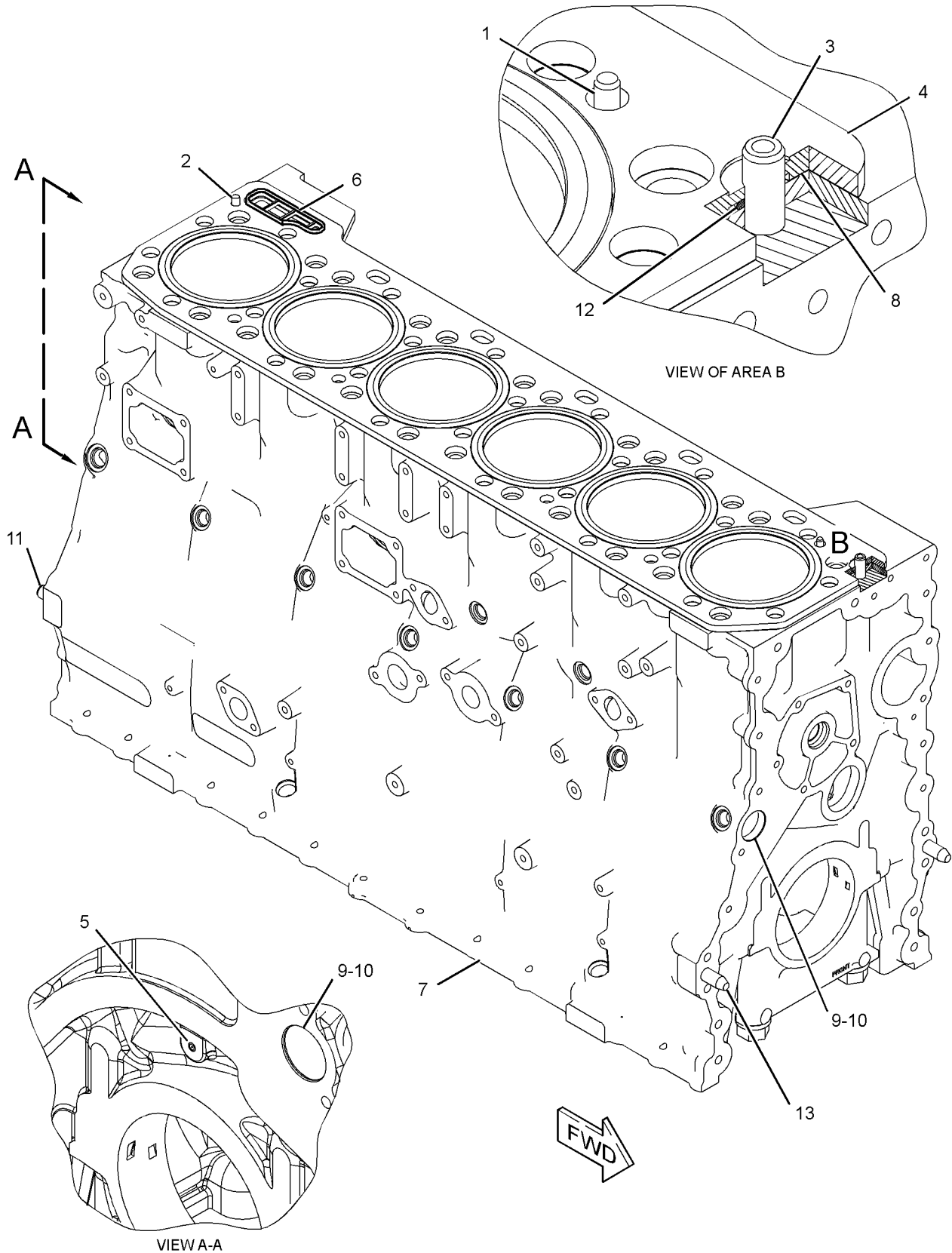
N-FOR SALVAGE OF DAMAGED LIFTER BORES IN CYLINDER BLOCK

Y-SEPARATE ILLUSTRATION

# BASIC ENGINE

223-9252 CYLINDER BLOCK GP (contd.)

i04066411



GRAPHIC #1

<END>

g01381152

# BASIC ENGINE

## 223-9252 CYLINDER BLOCK GP ALSO AN ATTACHMENT

SMCS-1201

i04066412

NOTE	REF NO	GRAPHIC REF	PART NUMBER	QTY	PART NAME						SEE PAGE
					1	2	3	4	5	6 (PRODUCT LEVEL)	
	1	1	<b>1S-9540</b>	1	DOWEL						
	2	1	<b>4N-1650</b>	1	DOWEL						
	3	1	<b>6I-1055</b>	1	DOWEL						
	4	1	<b>6I-4421</b>	1	PLATE-SPACER						
	5	1	<b>142-2329</b>	1	SEAL						
C	6	1	<b>309-5131</b>	1	PLUG AS						
	6A	1	<b>238-5081</b>	1	SEAL-O-RING						
	6B	1	<b>9S-8006</b>	1	PLUG-O-RING						
	7	1	<b>227-1204</b>	1	GASKET						
	8	1	<b>230-3728</b>	2	SEAL-O-RING						
	9	1	<b>266-6038</b>	2	DOWEL						
CY	10	1	<b>267-4632</b>	1	CYLINDER BLOCK AS						122
CY	11	1	<b>305-9196</b>	1	PLUG GP-CYLINDER BLOCK						372
	12	1	<b>100-7399</b>	2	PLUG						
	13	1	<b>4N-0683</b>	2	DOWEL						
	14	1	<b>5P-0840</b>	1	SEAL-O-RING						
ABFN		1	<b>6I-4361</b>		INSERT-LINER SEAT (0.772-MM THK)						
ABFN		1	<b>9Y-3368</b>		INSERT-LINER SEAT (0.822-MM THK)						
ABFN		1	<b>6I-4362</b>		INSERT-LINER SEAT (0.872-MM THK)						
ABFN		1	<b>6I-4363</b>		INSERT-LINER SEAT (1.555-MM THK)						
ABFN		1	<b>2W-3815</b>		INSERT-LINER SEAT (1.605-MM THK)						
ABFN		1	<b>6I-4364</b>		INSERT-LINER SEAT (1.655-MM THK)						
ABFN		1	<b>6I-4365</b>		INSERT-LINER SEAT (2.66-MM THK)						
ABFN		1	<b>5N-0093</b>		INSERT-LINER SEAT (2.71-MM THK)						
ABFN		1	<b>6I-4366</b>		INSERT-LINER SEAT (2.76-MM THK)						
ABFN		1	<b>101-0524</b>		INSERT-LINER SEAT (5.16-MM THK)						
ABFN		1	<b>101-0523</b>		INSERT-LINER SEAT (5.21-MM THK)						
ABFN		1	<b>101-0525</b>		INSERT-LINER SEAT (5.26-MM THK)						

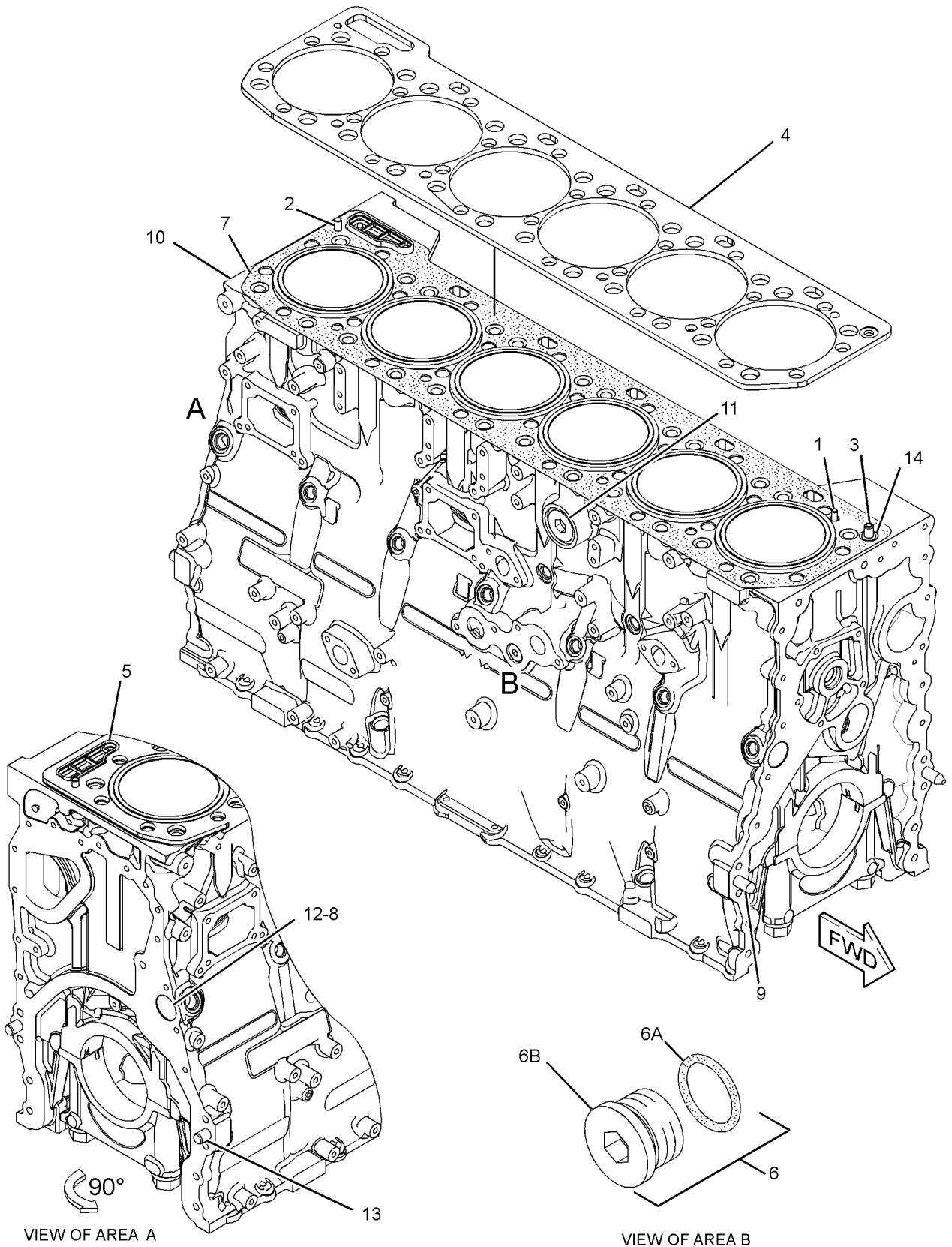
A-NOT PART OF THIS GROUP  
 B-USE AS REQUIRED  
 C-CHANGE FROM PREVIOUS TYPE  
 F-NOT SHOWN  
 N-FOR SALVAGE OF DAMAGED LIFTER BORES IN CYLINDER BLOCK  
 Y-SEPARATE ILLUSTRATION



# BASIC ENGINE

223-9252 CYLINDER BLOCK GP (contd.)

i04066412



GRAPHIC #1

<END>

g01513093

# BASIC ENGINE

## 234-5997 CYLINDER BLOCK GP

S/N: JRE1163-3477

ACERT, 14.6 LITER

PART OF 223-9252 CYLINDER BLOCK GP

ALSO AN ATTACHMENT

SMCS-1201

i04136810

NOTE	REF NO	GRAPHIC REF	PART NUMBER	QTY	PART NAME						SEE PAGE
					1	2	3	4	5	6 (PRODUCT LEVEL)	
	1	1	<b>197-9322</b>	6	LINER-CYLINDER BLOCK						
R	2	1	<b>229-8568</b>	1	CYLINDER BLOCK AS						
	2A	1	<b>167-8083</b>	14	BOLT (7/8-14X7.5-IN)						
	2B	1	<b>9H-1031</b>	14	WASHER-HARD (24X41.5X6-MM THK)						
	2C	1	<b>167-8081</b>	7	CAP-CRANKSHAFT BEARING						
	3	1	<b>110-2220</b>	6	SEAL-LINER (MIDDLE)						
	4	1	<b>142-6217</b>	6	SEAL-O-RING (OIL)						
	5	1	<b>142-7072</b>	6	SEAL-LINER (COOLANT)						
	6	1	<b>9L-5854</b>	6	BAND-FILLER (130.2-MM ID)						
ABFN			<b>6I-4361</b>		INSERT-LINER SEAT (0.772-MM THK)						
ABFN			<b>9Y-3368</b>		INSERT-LINER SEAT (0.822-MM THK)						
ABFN			<b>6I-4362</b>		INSERT-LINER SEAT (0.872-MM THK)						
ABFN			<b>6I-4363</b>		INSERT-LINER SEAT (1.555-MM THK)						
ABFN			<b>2W-3815</b>		INSERT-LINER SEAT (1.605-MM THK)						
ABFN			<b>6I-4364</b>		INSERT-LINER SEAT (1.655-MM THK)						
ABFN			<b>6I-4365</b>		INSERT-LINER SEAT (2.66-MM THK)						
ABFN			<b>5N-0093</b>		INSERT-LINER SEAT (2.71-MM THK)						
ABFN			<b>6I-4366</b>		INSERT-LINER SEAT (2.76-MM THK)						
ABFN			<b>101-0524</b>		INSERT-LINER SEAT (5.16-MM THK)						
ABFN			<b>101-0523</b>		INSERT-LINER SEAT (5.21-MM THK)						
ABFN			<b>101-0525</b>		INSERT-LINER SEAT (5.26-MM THK)						

A-NOT PART OF THIS GROUP

B-USE AS REQUIRED

F-NOT SHOWN

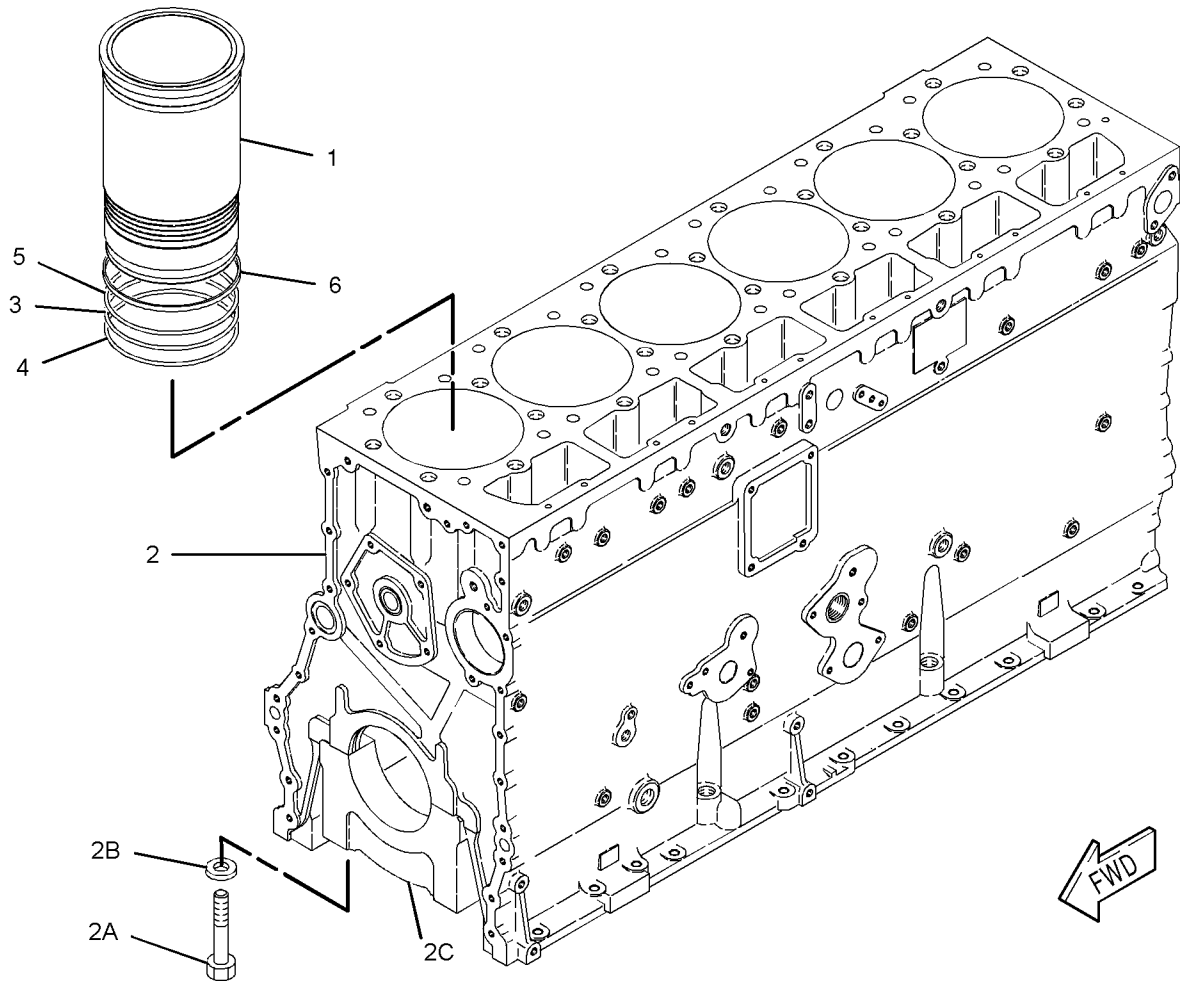
N-FOR SALVAGE OF DAMAGED LIFTER BORES IN CYLINDER BLOCK

R-REMG PART MAY BE AVAILABLE

# BASIC ENGINE

234-5997 CYLINDER BLOCK GP (contd.)

i04136810



GRAPHIC #1

<END>

g01053564

# BASIC ENGINE

## 223-7263 CYLINDER HEAD AS

S/N: JRE106-UP

WITH PRE-FINISHED VALVE SEAT INSERTS

PART OF 243-6741 CYLINDER HEAD AS, 223-9250 CYLINDER HEAD GP

ALSO AN ATTACHMENT

SMCS-1100, 1101

i02844808

NOTE	REF NO	GRAPHIC REF	PART NUMBER	QTY	PART NAME						SEE PAGE
					1	2	3	4	5	6 (PRODUCT LEVEL)	
	1	1	122-7375	24	GUIDE-VALVE (STANDARD)						
AB		1	122-0447		GUIDE-VALVE (0.51-MM OS)						
AB		1	122-8612		GUIDE-VALVE (0.13-MM OS)						
	2	1	216-5582	7	BUSHING (STANDARD)						
AB		1	217-0751		BUSHING (0.25-MM OS)						
AB		1	217-0752		BUSHING (0.762-MM OS)						
AB		1	261-3429		BUSHING (1.778-MM OS)						
AB		1	261-3430		BUSHING (1.27-MM OS)						
	3	1	224-3983	12	INSERT-SEAT (INLET) (STANDARD)						
AB		1	314-3063		INSERT-VALVE SEAT (0.55-MM THK)						
AB		1	314-3064		INSERT-VALVE SEAT (0.13-MM OS, INLET)						
AB		1	314-3065		INSERT-VALVE SEAT (0.13-MM OS)						
AB		1	314-3066		INSERT-VALVE SEAT (0.26-MM OS, INLET)						
AB		1	314-3067		INSERT-VALVE SEAT (0.26-MM OS)						
AB		1	314-3068		INSERT-VALVE SEAT (0.51-MM OS, INLET)						
AB		1	314-3069		INSERT-VALVE SEAT (0.51-MM OS)						
	4	1	226-5561	12	INSERT-VALVE SEAT (EXHAUST) (STANDARD)						
AB		1	288-4883		INSERT-VALVE SEAT (0.51-MM OS, EXHAUST)						
AB		1	288-4884		INSERT-VALVE SEAT (0.76-MM OS, EXHAUST)						
	5	1	263-4920	6	SLEEVE-INJECTOR (INLET)						
	8	1	166-2904	12	SEAL-O-RING						
	9	1	3B-0623	17	PLUG-CUP						
	10	1	3B-0645	20	PLUG-CUP						
	11	1	8T-6757	3	PLUG-PIPE						
	12	1	9X-7430	6	SEAL-O-RING						

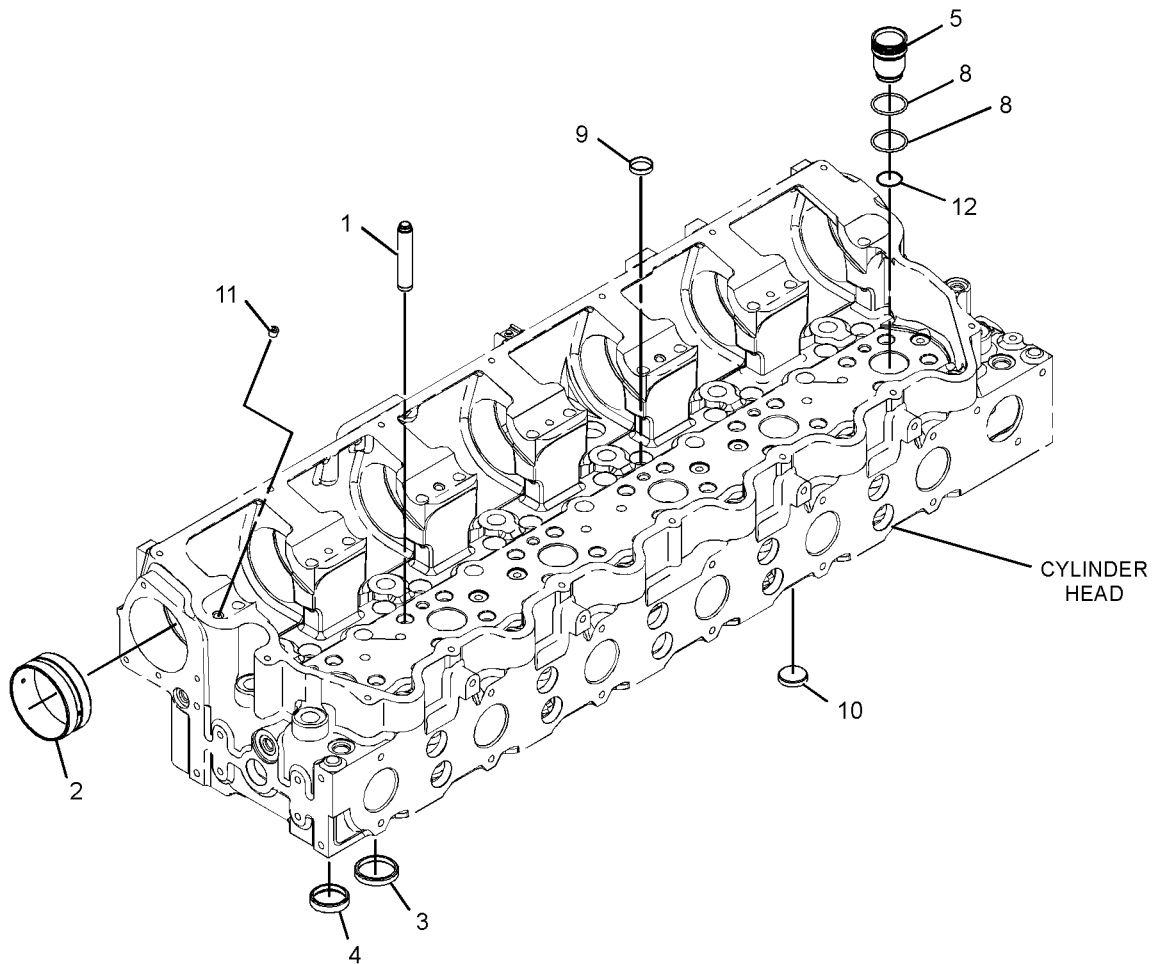
A-NOT PART OF THIS GROUP

B-USE AS REQUIRED

# BASIC ENGINE

223-7263 CYLINDER HEAD AS (contd.)

i02844808



GRAPHIC #1

<END>

g01370336

# BASIC ENGINE

## 243-0943 CYLINDER HEAD AS

S/N: JRE106-605

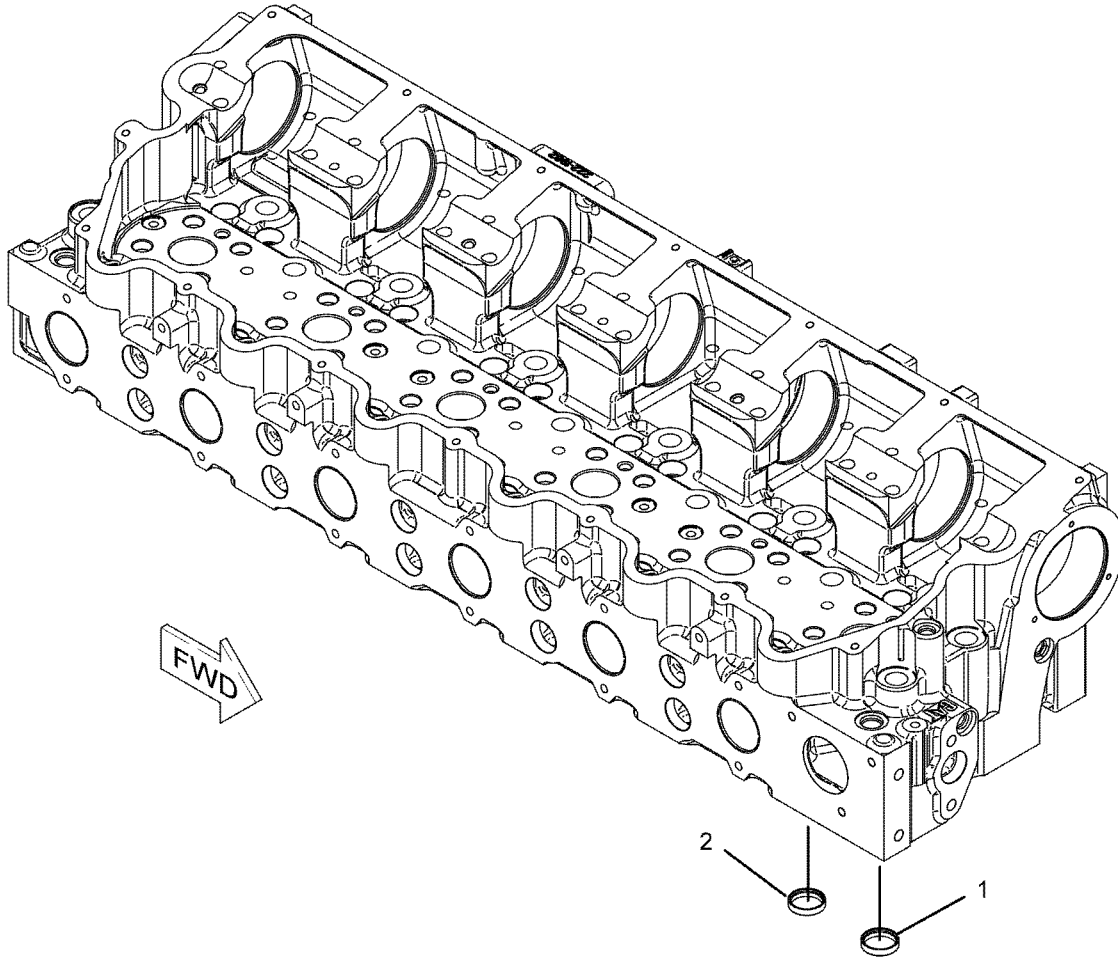
PART OF 243-6741 CYLINDER HEAD AS

SMCS-1100, 1101

i01983776

NOTE	REF NO	GRAPHIC REF	PART NUMBER	QTY	PART NAME						SEE PAGE
					1	2	3	4	5	6 (PRODUCT LEVEL)	
	1	1	<b>152-7582</b>	12	INSERT-VALVE SEAT (EXHAUST) (STANDARD)						
AB		1	<b>167-0642</b>		INSERT-VALVE SEAT (0.76-MM OS OD, EXHAUST)						
AB		1	<b>170-4737</b>		INSERT-VALVE SEAT (0.51-MM OS OD, EXHAUST)						
	2	1	<b>175-3617</b>	12	INSERT-VALVE SEAT (INLET) (STANDARD)						
AB		1	<b>167-0643</b>		INSERT-VALVE SEAT (0.76-MM OS OD, INLET)						
AB		1	<b>170-4738</b>		INSERT-VALVE SEAT (0.51-MM OS OD, INLET)						

A-NOT PART OF THIS GROUP  
B-USE AS REQUIRED



GRAPHIC #1

<END>

g01028691

# BASIC ENGINE

## 243-6741 CYLINDER HEAD AS

S/N: JRE106-605

WITH MACHINE IN PLACE VALVE SEAT INSERTS  
PART OF 223-9250 CYLINDER HEAD GP

SMCS-1100, 1101

i02763889

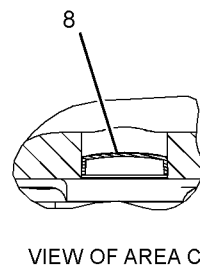
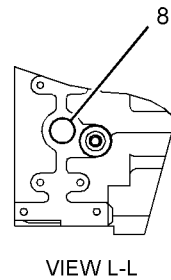
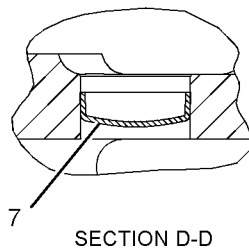
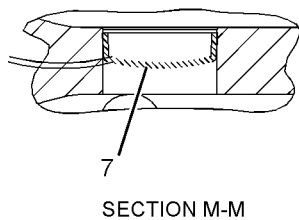
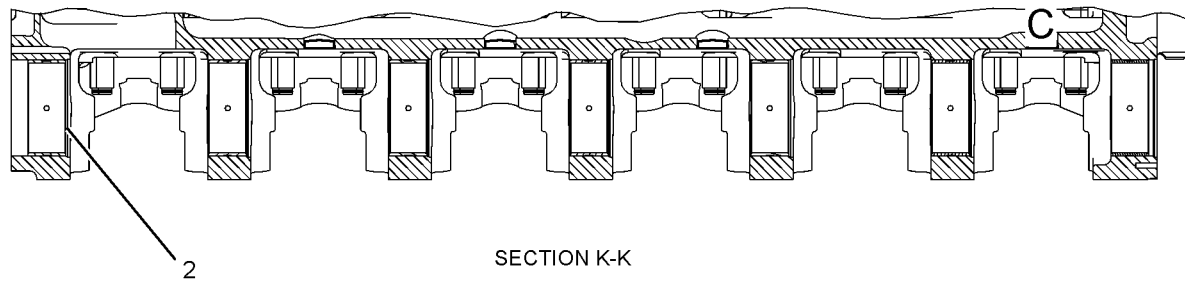
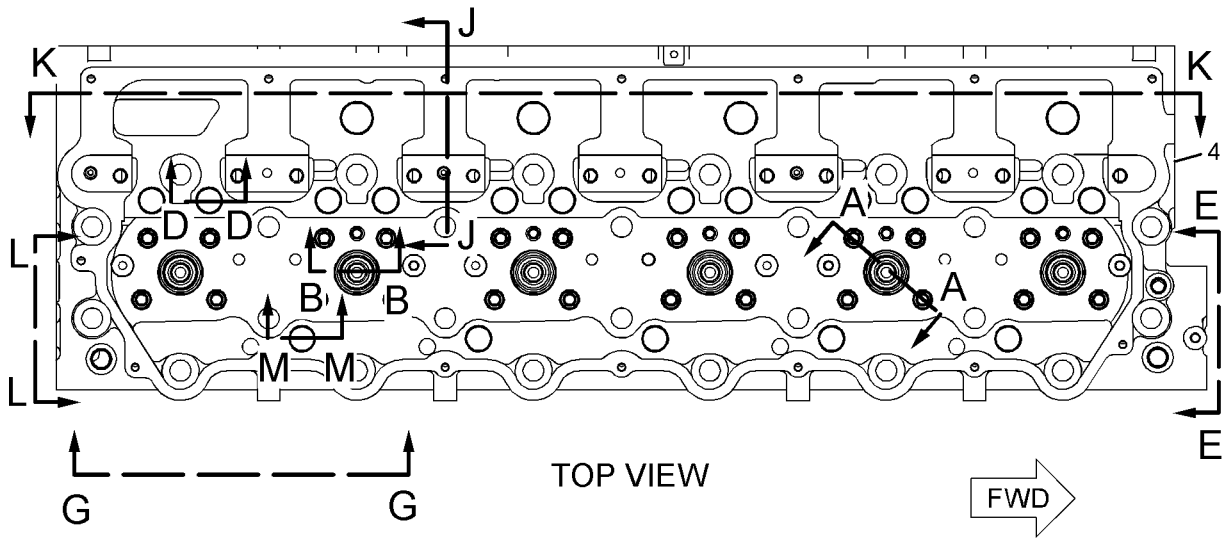
NOTE	REF NO	GRAPHIC REF	PART NUMBER	QTY	PART NAME						SEE PAGE
					1	2	3	4	5	6 (PRODUCT LEVEL)	
	1	2	122-7375	24	GUIDE-VALVE (STANDARD)						
AB		2	122-0447		GUIDE-VALVE (0.51-MM OS)						
AB		2	122-8612		GUIDE-VALVE (0.13-MM OS)						
	2	1	216-5582	7	BUSHING (STANDARD)						
AB		1	217-0751		BUSHING (0.25-MM OS)						
AB		1	217-0752		BUSHING (0.762-MM OS)						
AB		1	261-3429		BUSHING (1.778-MM OS)						
AB		1	261-3430		BUSHING (1.27-MM OS)						
	3	2	227-4239	6	SLEEVE-INJECTOR						
Y	4	1	243-0943	1	CYLINDER HEAD AS						136
					-OR-						
Y		1	223-7263	1	CYLINDER HEAD AS						134
	5	2	166-2903	6	SEAL-O-RING						
	6	2	166-2904	6	SEAL-O-RING						
	7	1	3B-0623	17	PLUG-CUP						
	8	1,2	3B-0645	20	PLUG-CUP						
	9	2	8T-6757	3	PLUG-PIPE						
	10	2	9X-7430	6	SEAL-O-RING						

A-NOT PART OF THIS GROUP  
B-USE AS REQUIRED  
Y-SEPARATE ILLUSTRATION

# BASIC ENGINE

243-6741 CYLINDER HEAD AS (contd.)

i02763889



REFER TO ALL ILLUSTRATIONS OF THIS GROUP FOR AUXILIARY VIEWS

GRAPHIC #1

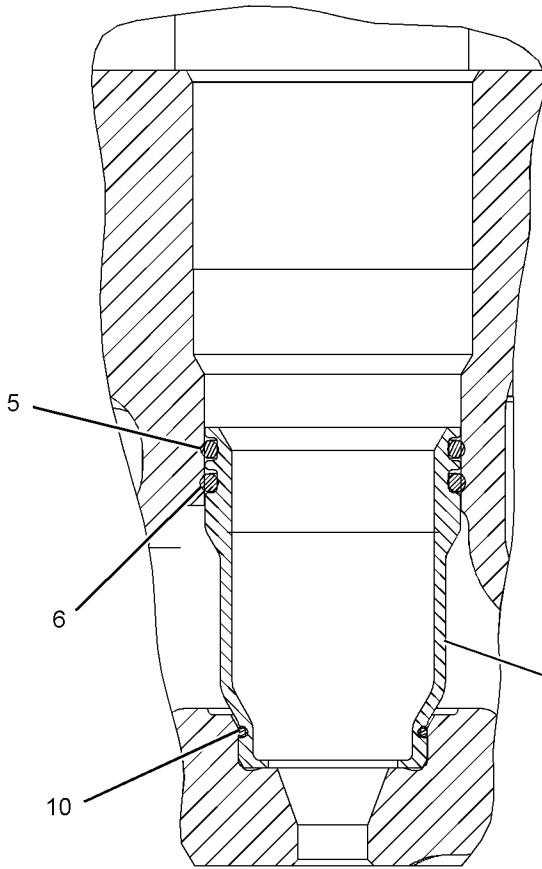
g01221315



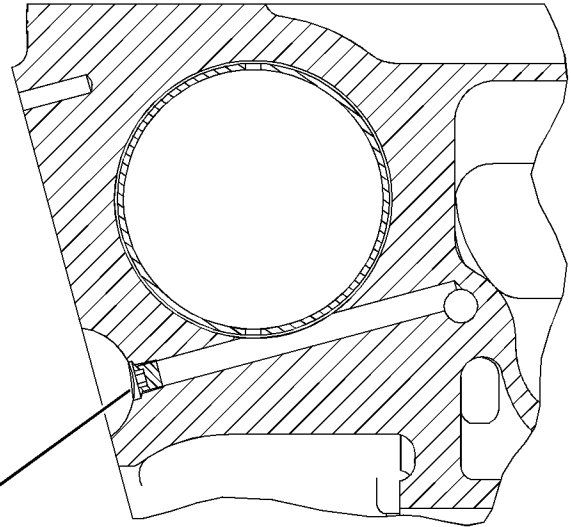
# BASIC ENGINE

243-6741 CYLINDER HEAD AS (contd.)

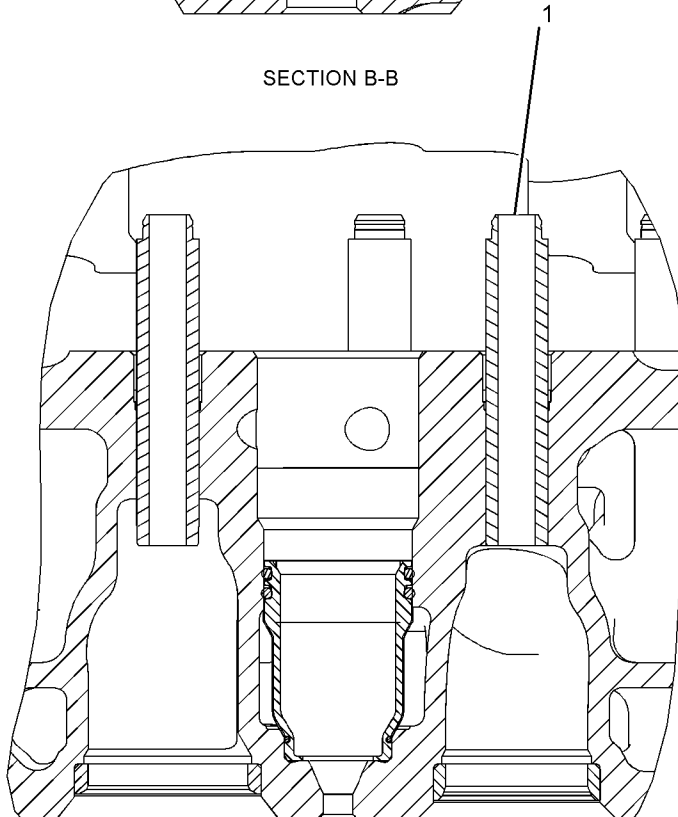
i02763889



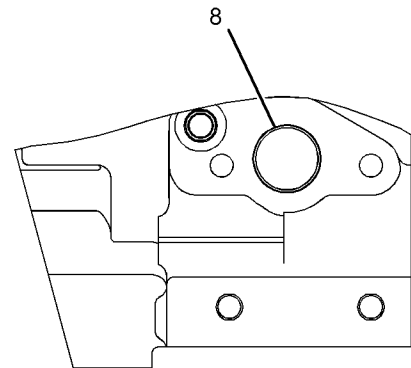
SECTION B-B



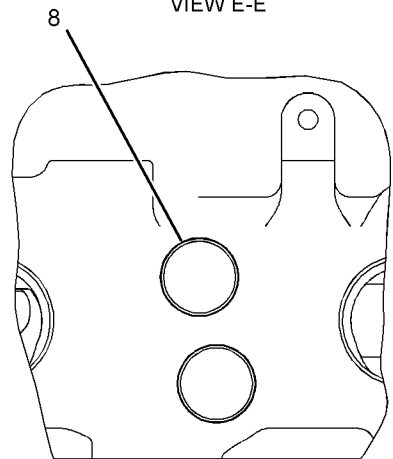
SECTION J-J



SECTION A-A



VIEW E-E



VIEW G-G

GRAPHIC #2

<END>

g01029134

# BASIC ENGINE

## 281-1640 CYLINDER HEAD AS

S/N: JRE5233-UP

CONTAINS PRECISION PRE-MACHINED VALVE SEAT INSERTS  
PART OF 263-5055 CYLINDER HEAD GP  
ALSO AN ATTACHMENT

SMCS-1100, 1101

i03804492

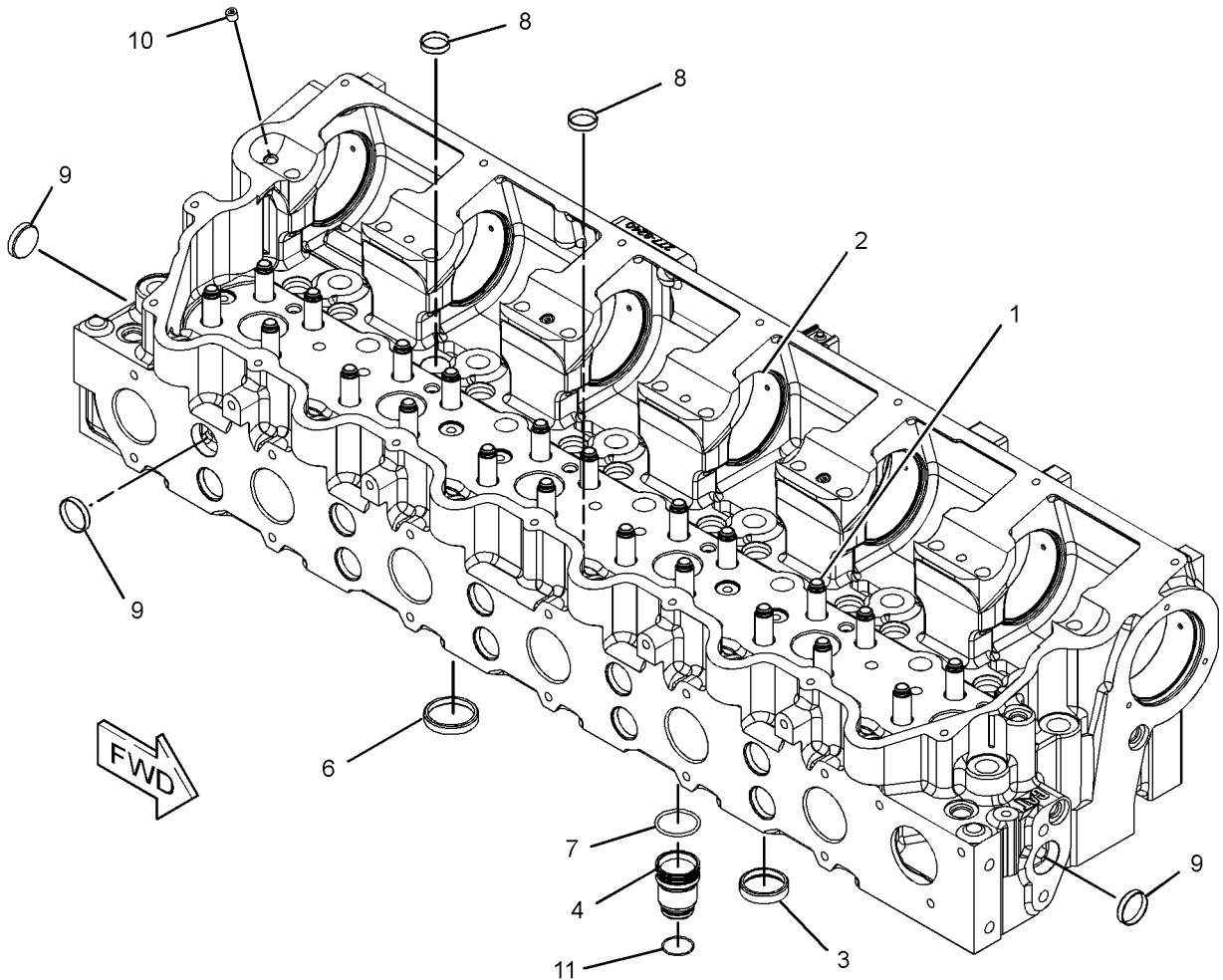
NOTE	REF NO	GRAPHIC REF	PART NUMBER	QTY	PART NAME						SEE PAGE
					1	2	3	4	5	6 (PRODUCT LEVEL)	
	1	1	122-7375	24	GUIDE-VALVE (STANDARD)						
AB		1	122-0447		GUIDE-VALVE (0.51-MM OS)						
AB		1	122-8612		GUIDE-VALVE (0.13-MM OS)						
	2	1	216-5582	7	BUSHING (STANDARD)						
AB		1	217-0751		BUSHING (0.25-MM OS)						
AB		1	217-0752		BUSHING (0.762-MM OS)						
AB		1	261-3429		BUSHING (1.778-MM OS)						
AB		1	261-3430		BUSHING (1.27-MM OS)						
	3	1	226-5561	12	INSERT-VALVE SEAT (EXHAUST) (STANDARD)						
AB		1	288-4883		INSERT-VALVE SEAT (0.51-MM OS, EXHAUST)						
AB		1	288-4884		INSERT-VALVE SEAT (0.76-MM OS, EXHAUST)						
	4	1	263-4920	6	SLEEVE-INJECTOR (INLET)						
	6	1	280-3979	12	INSERT-VALVE SEAT (INLET) (STANDARD)						
AB		1	288-4881		INSERT-VALVE SEAT (INLET) (0.51-MM OS)						
AB		1	288-4882		INSERT-VALVE SEAT (0.76-MM OS, INLET)						
	7	1	166-2904	12	SEAL-O-RING						
	8	1	3B-0623	17	PLUG-CUP						
	9	1	3B-0645	20	PLUG-CUP						
	10	1	8T-6757	3	PLUG-PIPE						
	11	1	9X-7430	6	SEAL-O-RING						

A-NOT PART OF THIS GROUP  
B-USE AS REQUIRED

# BASIC ENGINE

281-1640 CYLINDER HEAD AS (contd.)

i03804492



GRAPHIC #1

<END>

g01207161

# BASIC ENGINE

## 223-9250 CYLINDER HEAD GP\*R

S/N: JRE106-605

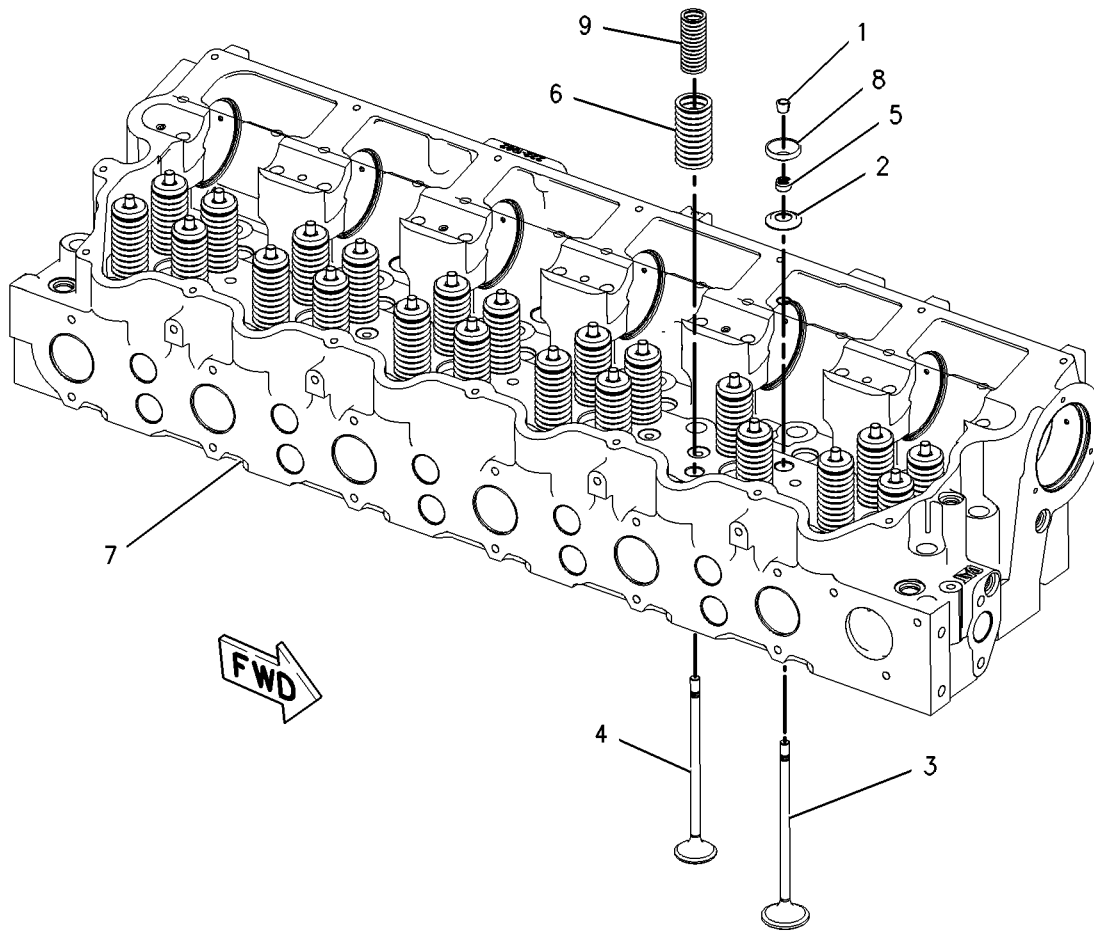
PART OF 234-9185 CYLINDER HEAD GP

SMCS-1100

i02733172

NOTE	REF NO	GRAPHIC REF	PART NUMBER	QTY	PART NAME						SEE PAGE
					1	2	3	4	5	6 (PRODUCT LEVEL)	
	1	1	2A-4429	48	LOCK-RETAINER						
	2	1	6I-0928	24	WASHER-SPECIAL						
	3	1	153-7023	12	VALVE-INLET						
	4	1	153-7024	12	VALVE-EXHAUST						
	5	1	163-2478	24	SEAL-VALVE STEM						
	6	1	211-3123	24	SPRING-VALVE (OUTER)						
CY	7	1	243-6741	1	CYLINDER HEAD AS						137
	8	1	186-2001	24	ROTOCOIL AS						
	9	1	211-3122	24	SPRING-VALVE (INNER)						

C-CHANGE FROM PREVIOUS TYPE  
Y-SEPARATE ILLUSTRATION



GRAPHIC #1

<END>

g00955632

# BASIC ENGINE

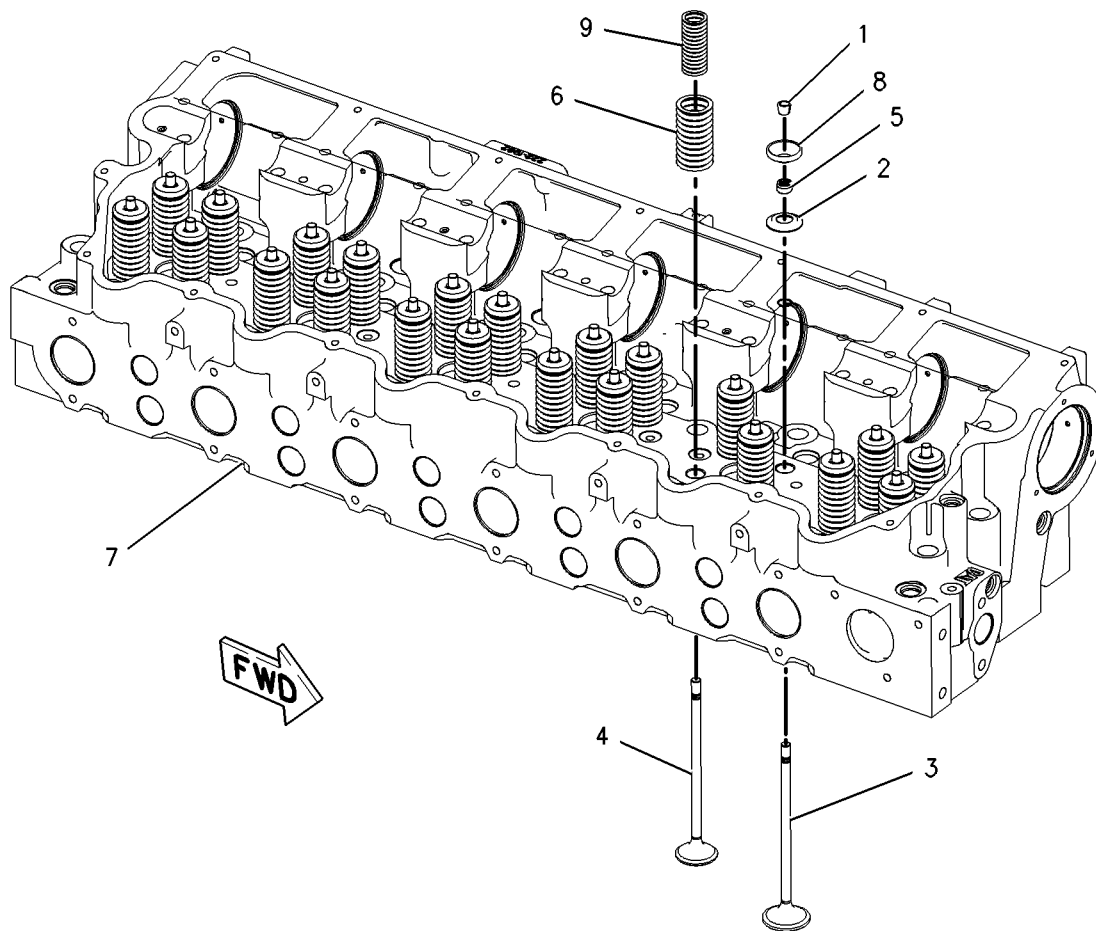
## 223-9250 CYLINDER HEAD GP\*R PART OF 234-9185, 314-7316 CYLINDER HEAD GP ALSO AN ATTACHMENT

SMCS-1100

i03373121

NOTE	REF NO	GRAPHIC REF	PART NUMBER	QTY	PART NAME						SEE PAGE
					1	2	3	4	5	6 (PRODUCT LEVEL)	
	1	1	2A-4429	48	LOCK-RETAINER						
	2	1	6I-0928	24	WASHER-SPECIAL						
	3	1	153-7023	12	VALVE-INLET						
	4	1	153-7024	12	VALVE-EXHAUST						
	5	1	163-2478	24	SEAL-VALVE STEM						
	6	1	247-9908	24	SPRING-VALVE (OUTER)						
CY	7	1	223-7263	1	CYLINDER HEAD AS						134
	8	1	186-2001	24	ROTOCOIL AS						
	9	1	211-3122	24	SPRING-VALVE (INNER)						

C-CHANGE FROM PREVIOUS TYPE  
Y-SEPARATE ILLUSTRATION



GRAPHIC #1

<END>

g00955632

# BASIC ENGINE

## 234-9185 CYLINDER HEAD GP

S/N: JRE106-5232  
ALSO AN ATTACHMENT

SMCS-1100

i03235961

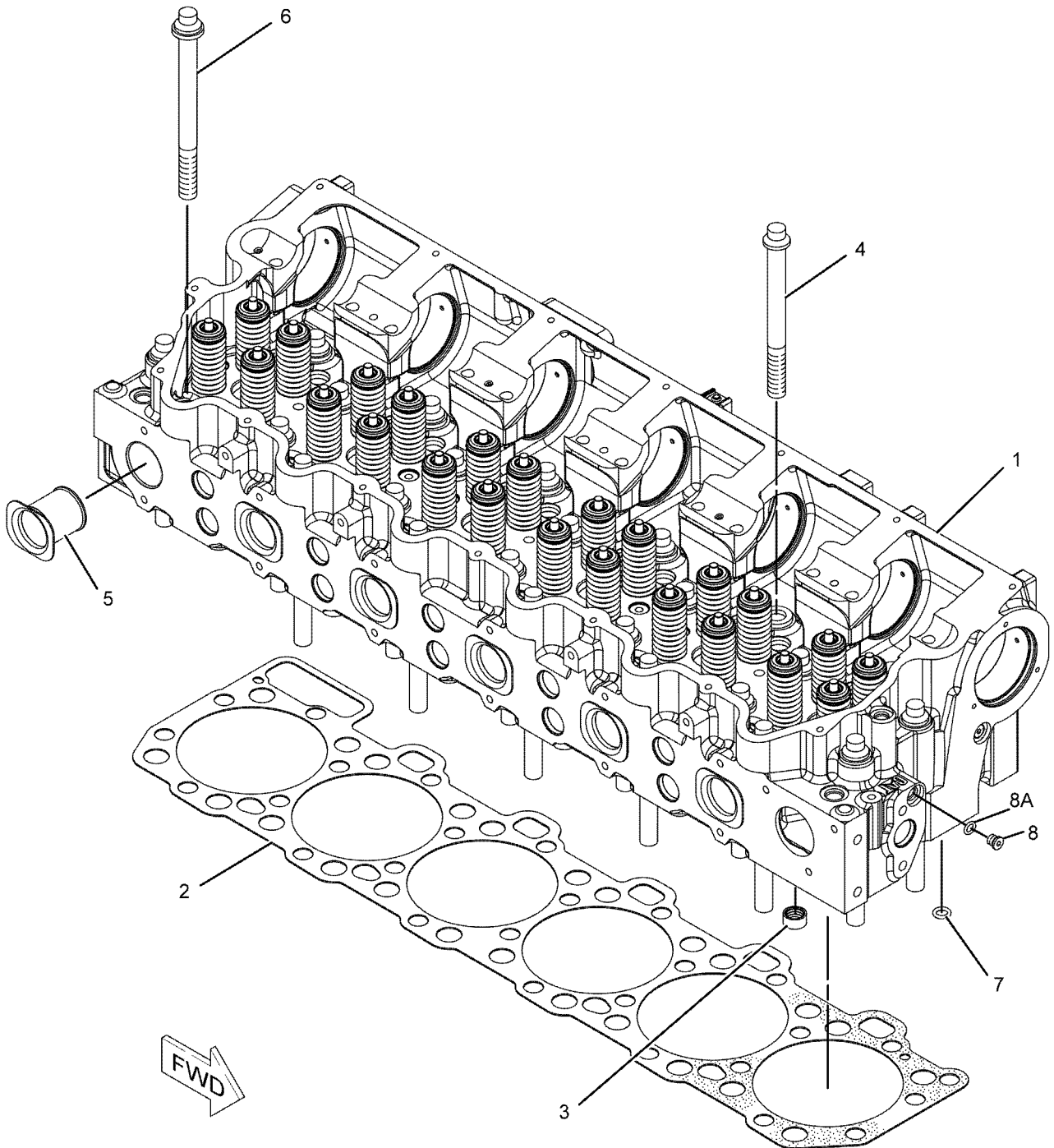
NOTE	REF NO	GRAPHIC REF	PART NUMBER	QTY	PART NAME						SEE PAGE
					1	2	3	4	5	6 (PRODUCT LEVEL)	
YR	1	1	<b>223-9250</b>	1	CYLINDER HEAD GP						142
	2	1	<b>224-5122</b>	1	GASKET (CYLINDER HEAD)						
	3	1	<b>3E-6772</b>	24	SEAL						
	4	1	<i>6I-4025</i>	16	FASTENER GP-CYLINDER HEAD						
					(EACH INCLUDES)						
		1	<b>5H-1504</b>	1	WASHER-HARD (20X33.5X5-MM THK)						
		1	<b>124-1855</b>	1	BOLT-12 POINT HEAD (3/4-16X7.638-IN)						
	5	1	<b>194-8124</b>	6	SLEEVE AS (EXHAUST PORT)						
	6	1	<i>106-5673</i>	10	FASTENER GP-CYLINDER HEAD						
					(EACH INCLUDES)						
		1	<b>5H-1504</b>	1	WASHER-HARD (20X33.5X5-MM THK)						
		1	<b>124-1854</b>	1	BOLT-12 POINT HEAD (3/4-16X8.5-IN)						
	7	1	<b>5P-0840</b>	1	SEAL-O-RING						
C	8	1	<i>183-3408</i>	3	PLUG AS						
					(EACH INCLUDES)						
	8A		<b>214-7568</b>	1	SEAL-O-RING						
			<b>9S-8004</b>	1	PLUG-O-RING						

C-CHANGE FROM PREVIOUS TYPE  
R-REMG PART MAY BE AVAILABLE  
Y-SEPARATE ILLUSTRATION

# BASIC ENGINE

234-9185 CYLINDER HEAD GP (contd.)

i03235961



GRAPHIC #1

<END>

g01059337

# BASIC ENGINE

## 234-9185 CYLINDER HEAD GP

S/N: JRE5233-UP

ALSO AN ATTACHMENT

SMCS-1100

i03895992

NOTE	REF NO	GRAPHIC REF	PART NUMBER	QTY	PART NAME						SEE PAGE
					1	2	3	4	5	6 (PRODUCT LEVEL)	
CYR	1	1	<b>263-5055</b>	1	CYLINDER HEAD GP						148
	2	1	<b>224-5122</b>	1	GASKET (CYLINDER HEAD)						
	3	1	<b>3E-6772</b>	24	SEAL						
	4	1	<i>6I-4025</i>	16	FASTENER GP-CYLINDER HEAD						
					(EACH INCLUDES)						
		1	<b>5H-1504</b>	1	WASHER-HARD (20X33.5X5-MM THK)						
		1	<b>124-1855</b>	1	BOLT-12 POINT HEAD (3/4-16X7.638-IN)						
	5	1	<b>194-8124</b>	6	SLEEVE AS (EXHAUST PORT)						
	6	1	<i>106-5673</i>	10	FASTENER GP-CYLINDER HEAD						
					(EACH INCLUDES)						
		1	<b>5H-1504</b>	1	WASHER-HARD (20X33.5X5-MM THK)						
		1	<b>124-1854</b>	1	BOLT-12 POINT HEAD (3/4-16X8.5-IN)						
	7	1	<b>5P-0840</b>	1	SEAL-O-RING						
	8	1	<i>183-3407</i>	3	PLUG AS						
					(EACH INCLUDES)						
	8A	1	<b>214-7568</b>	1	SEAL-O-RING						
		1	<b>9S-8004</b>	1	PLUG-O-RING						

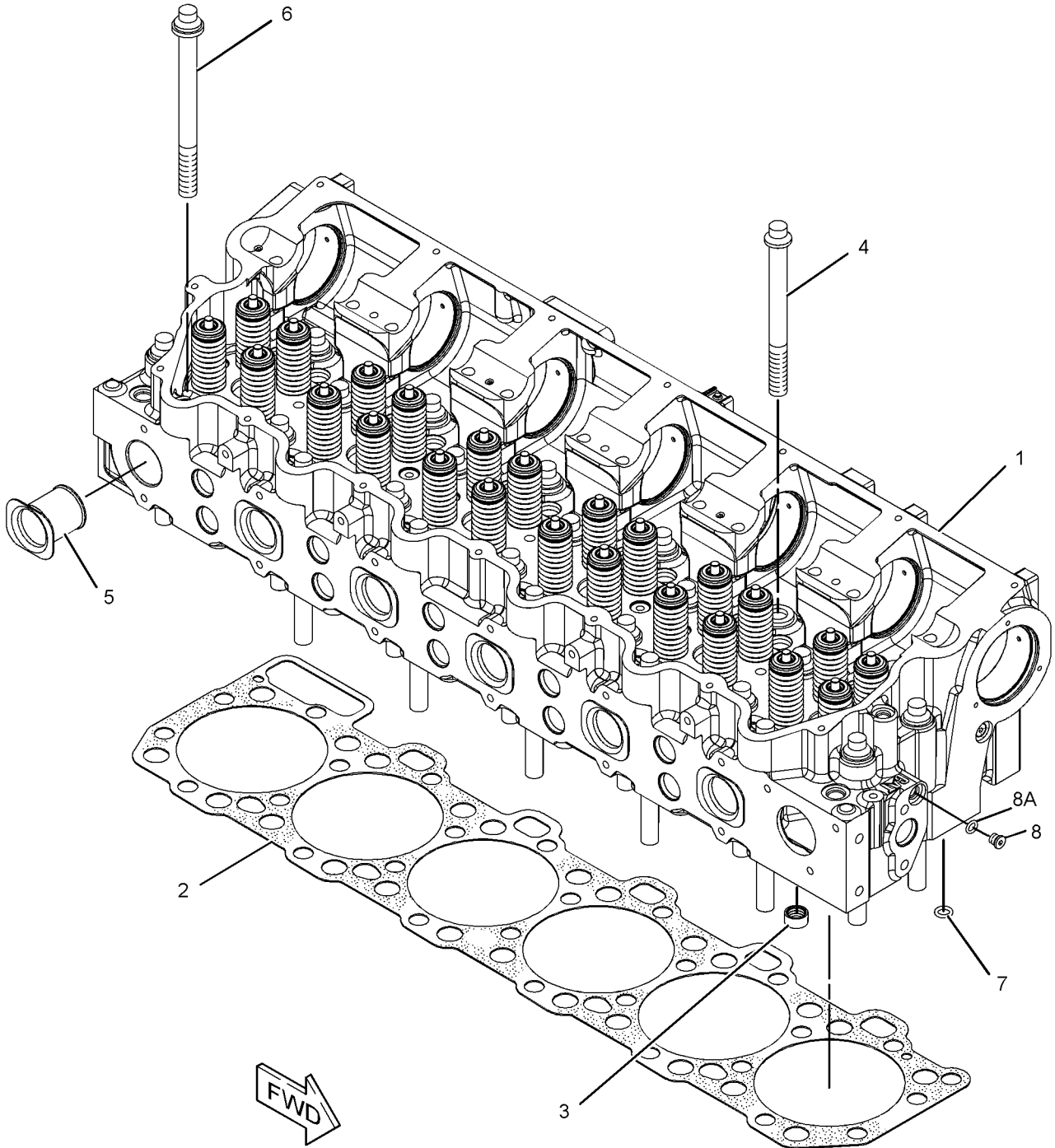
C-CHANGE FROM PREVIOUS TYPE  
R-REMFG PART MAY BE AVAILABLE  
Y-SEPARATE ILLUSTRATION



# BASIC ENGINE

234-9185 CYLINDER HEAD GP (contd.)

i03895992



GRAPHIC #1

<END>

g01418021

# BASIC ENGINE

## 263-5055 CYLINDER HEAD GP\*R

S/N: JRE5233-UP

PART OF 234-9185 CYLINDER HEAD GP  
 FIELD REPLACEMENT FOR 223-9250-PAGE 142  
 ALSO AN ATTACHMENT

SMCS-1100

i02857219

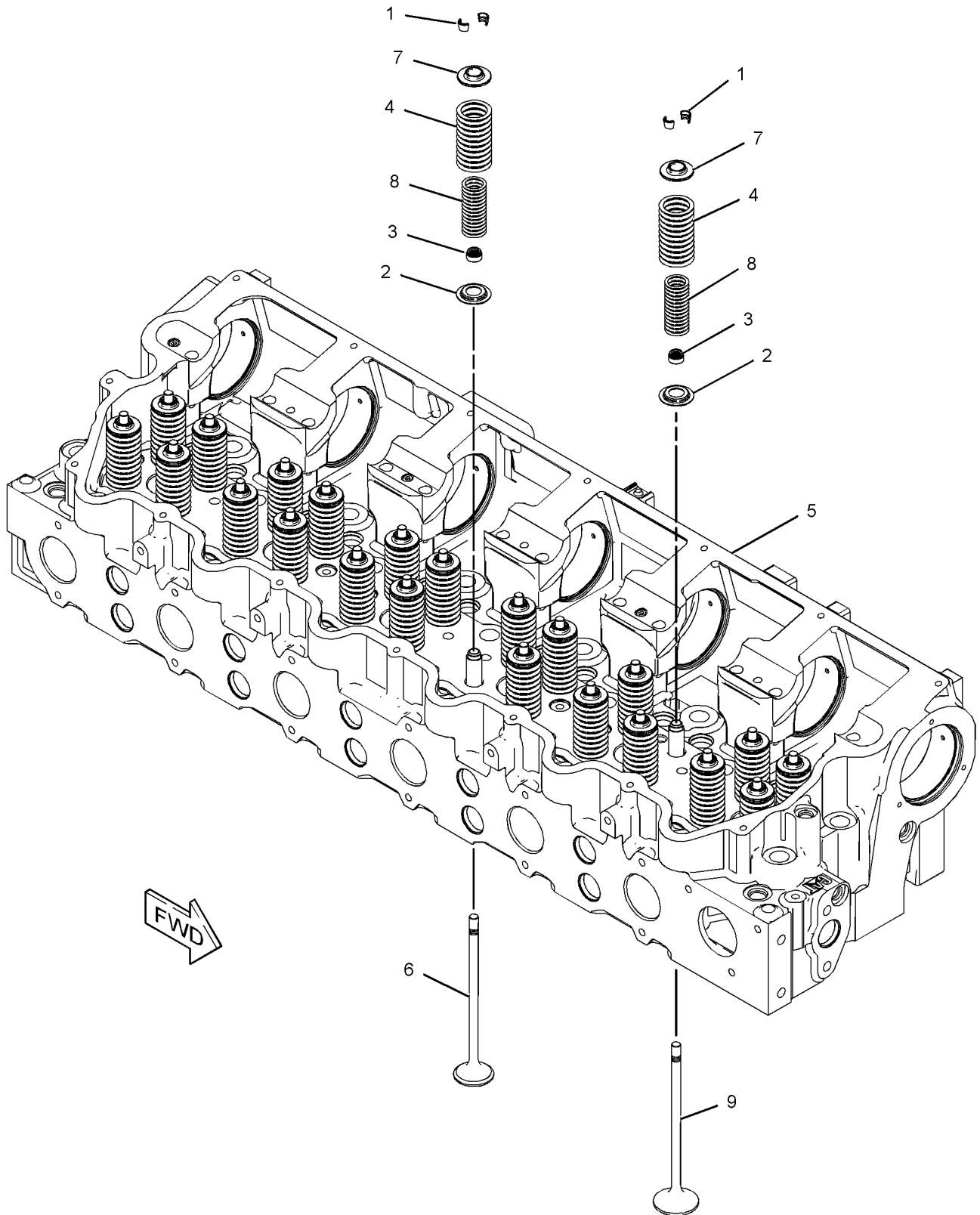
NOTE	REF NO	GRAPHIC REF	PART NUMBER	QTY	PART NAME						SEE PAGE
					1	2	3	4	5	6 (PRODUCT LEVEL)	
	1	1	<b>2A-4429</b>	48	LOCK-RETAINER						
	2	1	<b>6I-0928</b>	24	WASHER-SPECIAL						
	3	1	<b>163-2478</b>	24	SEAL-VALVE STEM						
	4	1	<b>247-9908</b>	24	SPRING-VALVE (OUTER)						
CY	5	1	<b>281-1640</b>	1	CYLINDER HEAD AS						140
	6	1	<b>153-7024</b>	12	VALVE-EXHAUST						
C	7	1	<b>186-2001</b>	24	ROTOCOIL AS						
	8	1	<b>211-3122</b>	24	SPRING-VALVE (INNER)						
	9	1	<b>236-5605</b>	12	VALVE-INLET						

C- CHANGE FROM PREVIOUS TYPE  
 Y- SEPARATE ILLUSTRATION

# BASIC ENGINE

263-5055 CYLINDER HEAD GP (contd.)

i02857219



GRAPHIC #1

<END>

g01207023

# BASIC ENGINE

## 314-7316 CYLINDER HEAD GP

SMCS-1100

i03819469

NOTE	REF NO	GRAPHIC REF	PART NUMBER	QTY	PART NAME						SEE PAGE
					1	2	3	4	5	6 (PRODUCT LEVEL)	
YR	1	1	<b>223-9250</b>	1	CYLINDER HEAD GP						142
	2	1	<b>224-5122</b>	1	GASKET (CYLINDER HEAD)						
	3	1	<b>3E-6772</b>	24	SEAL						
	4	1	<i>6I-4025</i>	16	FASTENER GP-CYLINDER HEAD						
					(EACH INCLUDES)						
		1	<b>5H-1504</b>	1	WASHER-HARD (20X33.5X5-MM THK)						
		1	<b>124-1855</b>	1	BOLT-12 POINT HEAD (3/4-16X7.638-IN)						
	5	1	<b>194-8124</b>	6	SLEEVE AS (EXHAUST PORT)						
	6	1	<i>106-5673</i>	10	FASTENER GP-CYLINDER HEAD						
					(EACH INCLUDES)						
		1	<b>5H-1504</b>	1	WASHER-HARD (20X33.5X5-MM THK)						
		1	<b>124-1854</b>	1	BOLT-12 POINT HEAD (3/4-16X8.5-IN)						
	7	1	<b>5P-0840</b>	1	SEAL-O-RING						
	8	1	<i>183-3407</i>	3	PLUG AS						
					(EACH INCLUDES)						
	8A	1	<b>214-7568</b>	1	SEAL-O-RING						
		1	<b>9S-8004</b>	1	PLUG-O-RING						

R-REMG PART MAY BE AVAILABLE  
Y-SEPARATE ILLUSTRATION



# BASIC ENGINE

## 4P-5532 DAMPER & PULLEY GP

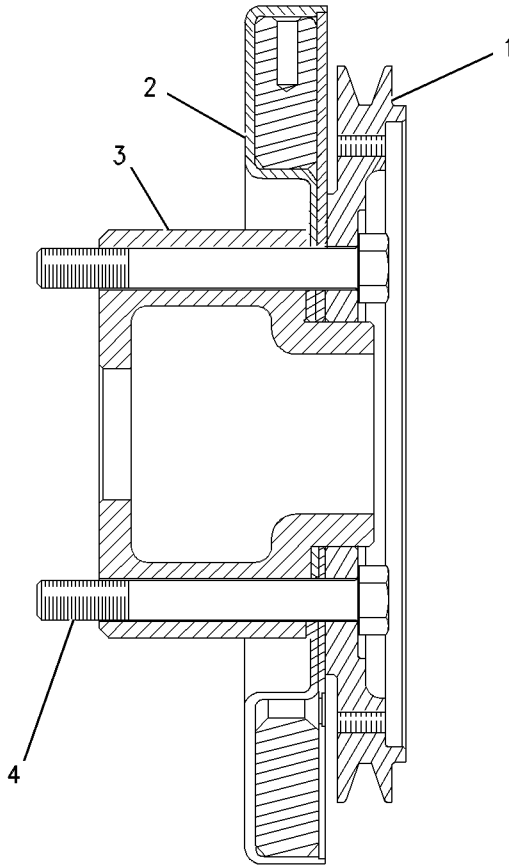
VISCIOUS, 1 GROOVE PULLEY  
AN ATTACHMENT

SMCS-1205

i01204338

NOTE	REF NO	GRAPHIC REF	PART NUMBER	QTY	PART NAME						SEE PAGE
					1	2	3	4	5	6 (PRODUCT LEVEL)	
	1	1	4N-1047	1	PULLEY						
R	2	1	167-8126	1	DAMPER AS						
	3	1	177-9024	1	ADAPTER-DAMPER						
	4	1	6F-7024	6	BOLT (5/8-18X5-IN)						

R-REMFG PART MAY BE AVAILABLE



GRAPHIC #1

<END>

g00644073

# BASIC ENGINE

## 4P-5894 DAMPER & PULLEY GP

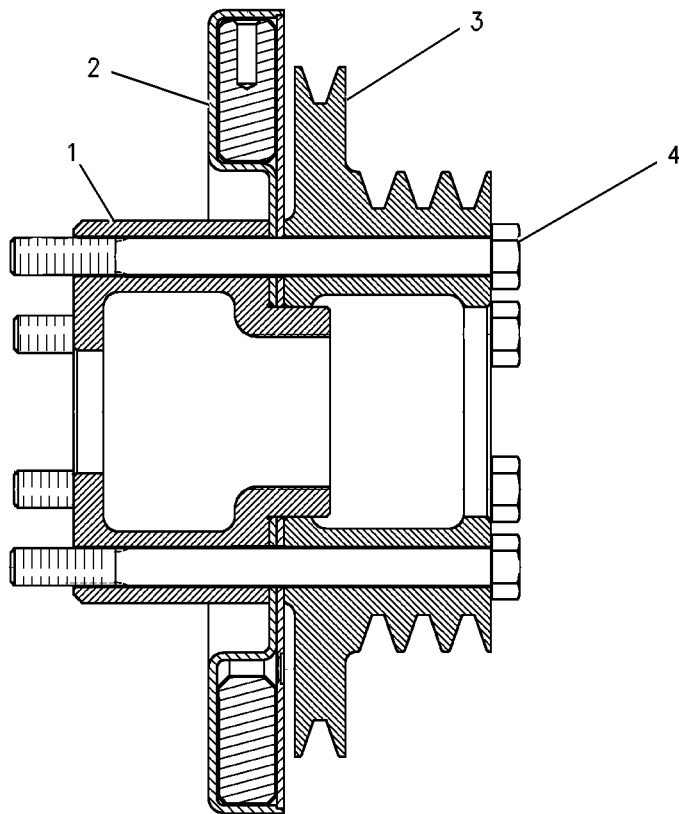
4-GROOVE PULLEY  
AN ATTACHMENT

SMCS-1205

i02459416

NOTE	REF NO	GRAPHIC REF	PART NUMBER	QTY	PART NAME						SEE PAGE
					1	2	3	4	5	6 (PRODUCT LEVEL)	
	1	1	177-9024	1	ADAPTER - DAMPER						
R	2	1	167-8126	1	DAMPER AS						
	3	1	6N-7378	1	PULLEY - CRANKSHAFT (4-GROOVE)						
	4	1	8S-4753	6	BOLT (5/8-18X8-IN)						

R-REMG PART MAY BE AVAILABLE



GRAPHIC #1

<END>

g00648600

# BASIC ENGINE

## 237-4286 DAMPER & PULLEY GP

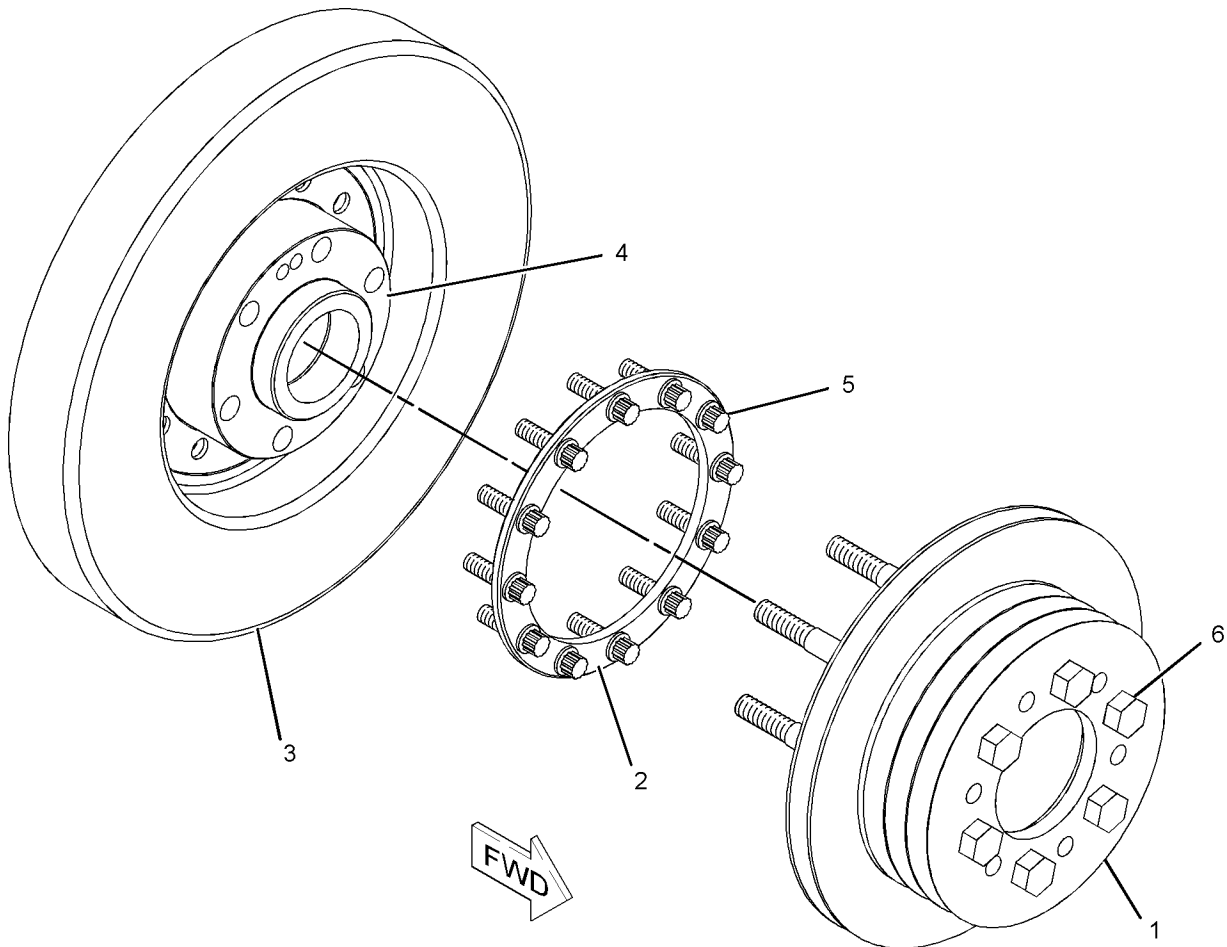
AN ATTACHMENT

SMCS-1205

i02116750

NOTE	REF NO	GRAPHIC REF	PART NUMBER	QTY	PART NAME						SEE PAGE
					1	2	3	4	5	6 (PRODUCT LEVEL)	
	1	1	<b>6N-7378</b>	1	PULLEY-CRANKSHAFT (4-GROOVE)						
	2	1	<b>6N-7654</b>	1	SPACER (6.312X8.18X0.312-IN THK)						
R	3	1	<b>167-8130</b>	1	DAMPER AS						
	4	1	<b>237-4288</b>	1	ADAPTER						
	5	1	<b>4K-5175</b>	12	BOLT-12 POINT HEAD (1/2-13X1.5-IN)						
	6	1	<b>8S-4753</b>	6	BOLT (5/8-18X8-IN)						

R-REMFG PART MAY BE AVAILABLE



GRAPHIC #1

<END>

g01078444



# BASIC ENGINE

## 4P-5893 DAMPER GP

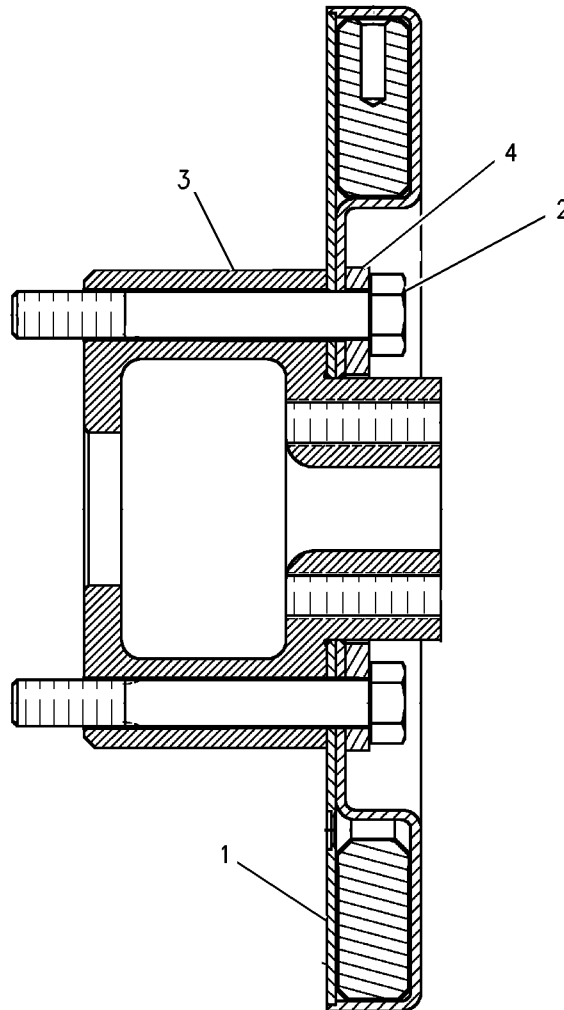
CANNOT BE USED WITH 4P-5894—PAGE 153  
AN ATTACHMENT

SMCS-1205

i02899131

NOTE	REF NO	GRAPHIC REF	PART NUMBER	QTY	PART NAME						SEE PAGE
					1	2	3	4	5	6 (PRODUCT LEVEL)	
R	1	1	167-8126	1	DAMPER AS						
	2	1	1A-3203	6	BOLT (5/8-18X4.75-IN)						
	3	1	4N-2109	1	ADAPTER-DAMPER						
	4	1	168-2100	1	SPACER (131.57X163.6X8-MM THK)						

R-REMFG PART MAY BE AVAILABLE



GRAPHIC #1

<END>

g00643655

# BASIC ENGINE

## 111-8317 DAMPER GP

2-GROOVE. VISCOUS

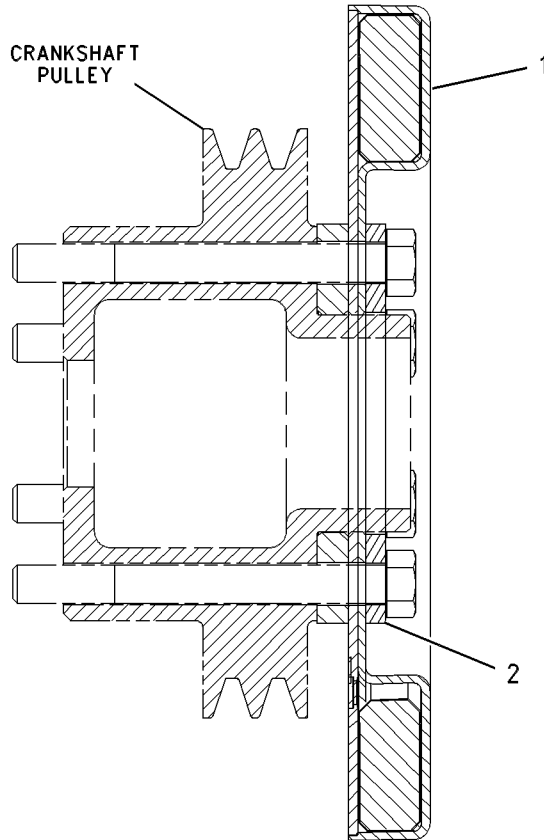
FOR USE WITH ENGINES RATED 435 BHP AND ABOVE AND ENGINES EQUIPPED WITH AUTO  
TRANSMISSION OR FRONT PTO, AUTOMATIC TRANSMISSIONS OR FRONT PTO  
AN ATTACHMENT

SMCS-1205

i02543988

NOTE	REF NO	GRAPHIC REF	PART NUMBER	QTY	PART NAME						SEE PAGE
					1	2	3	4	5	6 (PRODUCT LEVEL)	
R	1	1	167-8126	1	DAMPER AS						
	2	1	168-2100	1	SPACER (131.57X163.6X8-MM THK)						

R-REMFG PART MAY BE AVAILABLE



GRAPHIC #1

<END>

g00640434

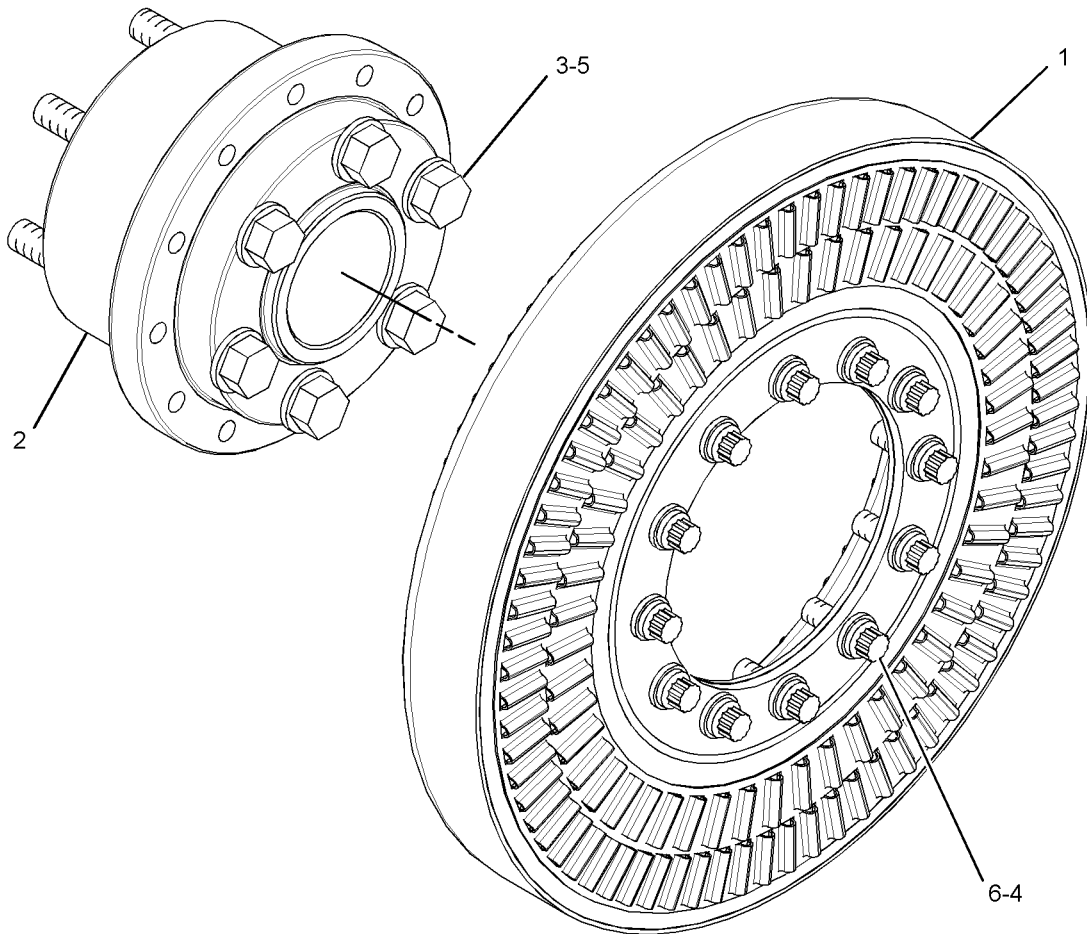
# BASIC ENGINE

## 329-0361 DAMPER GP AN ATTACHMENT

SMCS-1205

i03025461

NOTE	REF NO	GRAPHIC REF	PART NUMBER	QTY	PART NAME						SEE PAGE
					1	2	3	4	5	6 (PRODUCT LEVEL)	
	1	1	<b>213-3199</b>	1	DAMPER AS						
	2	1	<b>232-6560</b>	1	ADAPTER						
	3	1	<b>1B-7538</b>	6	BOLT (5/8-18X5.75-IN)						
	4	1	<b>3H-7654</b>	12	WASHER-HARD (13.5X22.5X3-MM THK)						
	5	1	<b>5P-8247</b>	6	WASHER-HARD (17X32X3.5-MM THK)						
	6	1	<b>8M-2530</b>	12	BOLT-12 POINT HEAD (1/2-13X1.25-IN)						



GRAPHIC #1

<END>

g01530673

# BASIC ENGINE

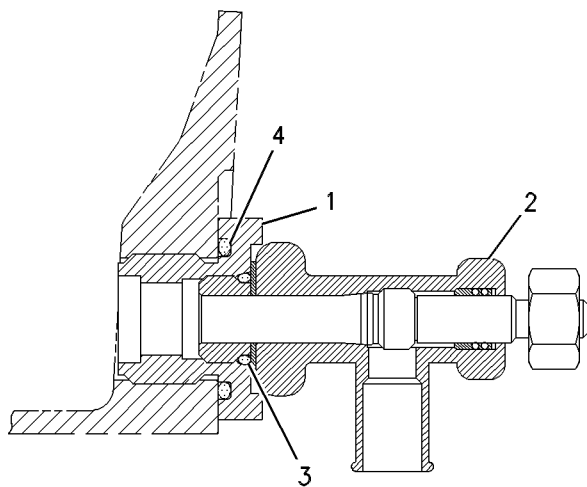
## 163-1383 DRAIN GP-ENGINE OIL

ENVIRONMENTAL DRAIN  
FOR USE WITH OIL PAN  
AN ATTACHMENT

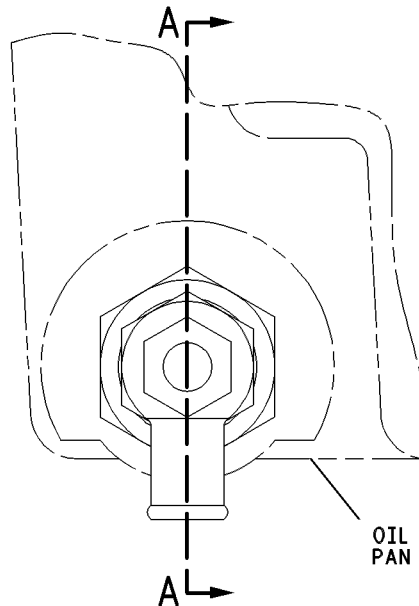
SMCS-1302

i04083232

NOTE	REF NO	GRAPHIC REF	PART NUMBER	QTY	PART NAME						SEE PAGE
					1	2	3	4	5	6 (PRODUCT LEVEL)	
	1	1	3E-7427	1	ADAPTER						
	2	1	7E-4761	1	VALVE-DRAIN (ENGINE OIL)						
	3	1	238-5080	1	SEAL-O-RING						
	4	1	061-9458	1	SEAL-O-RING						



SECTION A-A



GRAPHIC #1

<END>

g00663286

# BASIC ENGINE

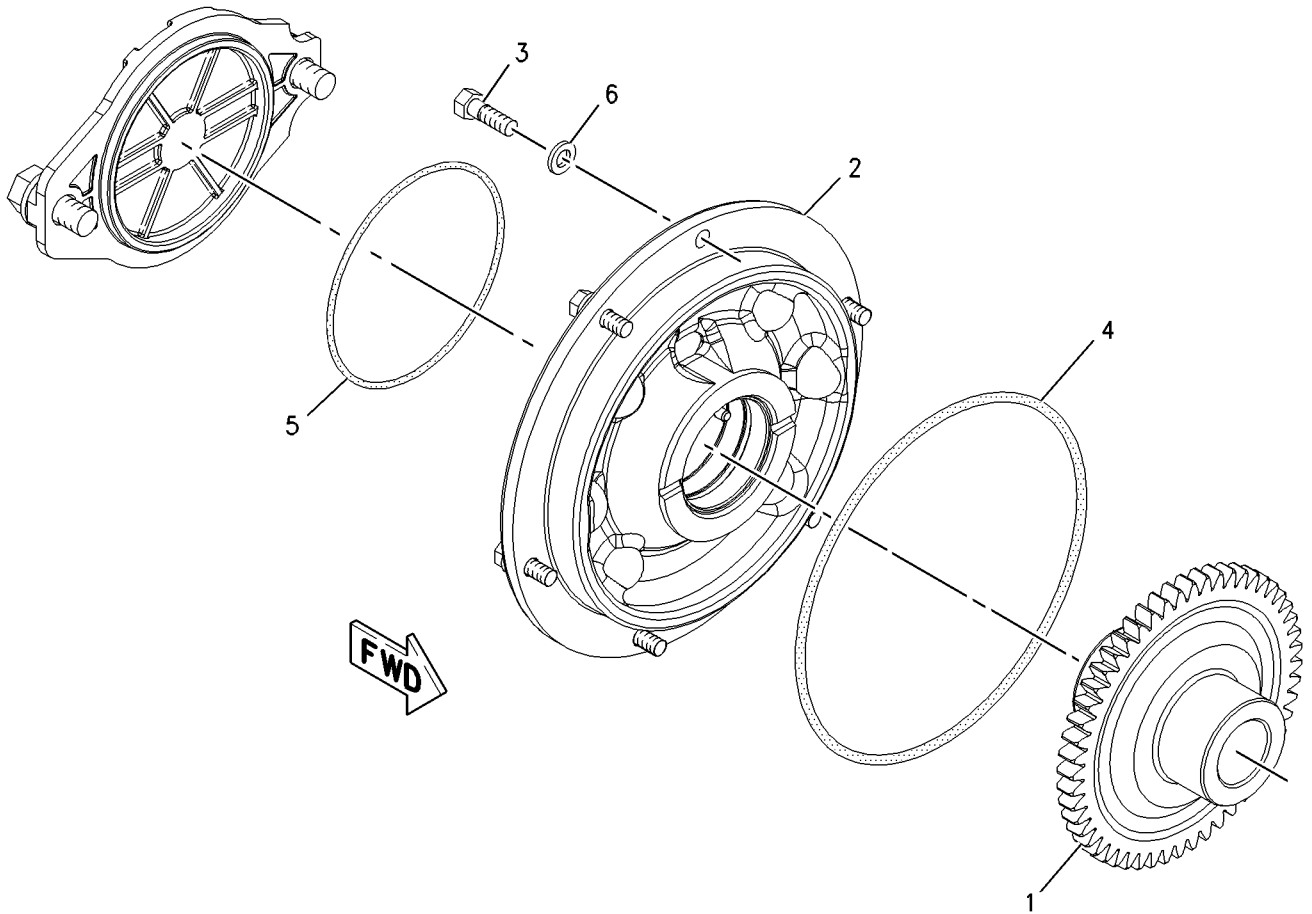
## 219-0634 DRIVE GP-ACCESSORY

1.3 DRIVE RATIO, C-DRIVER  
FOR USE WITH 219-0626-PAGE 185  
AN ATTACHMENT

SMCS-1207

i02003678

NOTE	REF NO	GRAPHIC REF	PART NUMBER	QTY	PART NAME						SEE PAGE
					1	2	3	4	5	6 (PRODUCT LEVEL)	
	1	1	219-0635	1	GEAR AS (52-TEETH)						
		1	4F-6024	1	PIN						
2		1	222-5768	1	ADAPTER						
		1	160-8184	1	BEARING-SLEEVE						
3		1	1A-2029	6	BOLT (3/8-16X1.125-IN)						
4		1	4N-1230	1	SEAL-O-RING						
5		1	5F-3106	1	SEAL-O-RING						
6		1	5M-2894	6	WASHER-HARD (10.2X18.5X2.5-MM THK)						



GRAPHIC #1

<END>

g00985493

# BASIC ENGINE

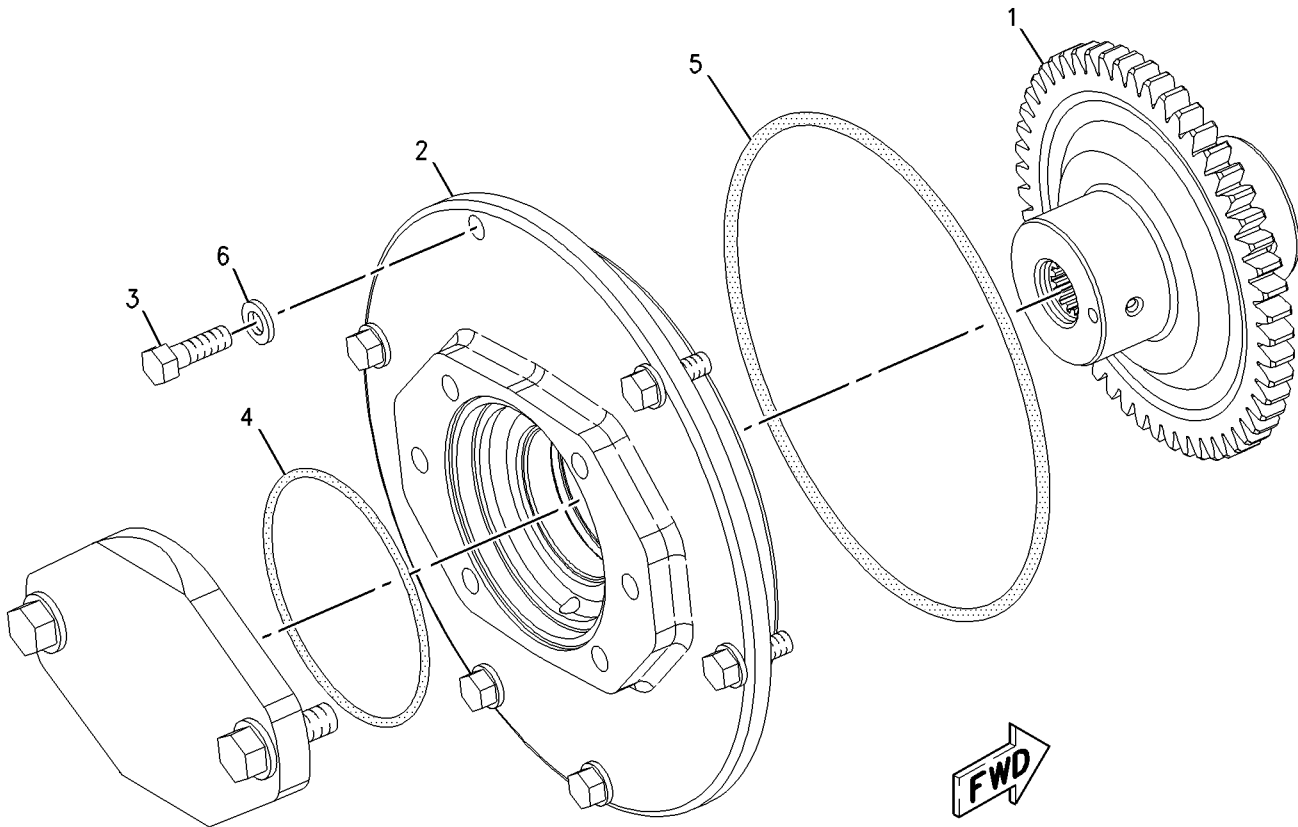
## 219-0637 DRIVE GP-ACCESSORY

1.3 DRIVE RATIO, B-DRIVER  
FOR USE WITH 219-0626—PAGE 185  
AN ATTACHMENT

SMCS-1207

i02003688

NOTE	REF NO	GRAPHIC REF	PART NUMBER	QTY	PART NAME						SEE PAGE
					1	2	3	4	5	6 (PRODUCT LEVEL)	
	1	1	219-0638	1	GEAR AS (52-TEETH)						
		1	4F-6024	1	PIN						
	2	1	219-0640	1	ADAPTER AS						
		1	160-8184	1	BEARING-SLEEVE						
	3	1	1A-2029	6	BOLT (3/8-16X1.125-IN)						
	4	1	4M-0189	1	SEAL-O-RING						
	5	1	4N-1230	1	SEAL-O-RING						
	6	1	5M-2894	6	WASHER-HARD (10.2X18.5X2.5-MM THK)						



GRAPHIC #1

<END>

g00985476

# BASIC ENGINE

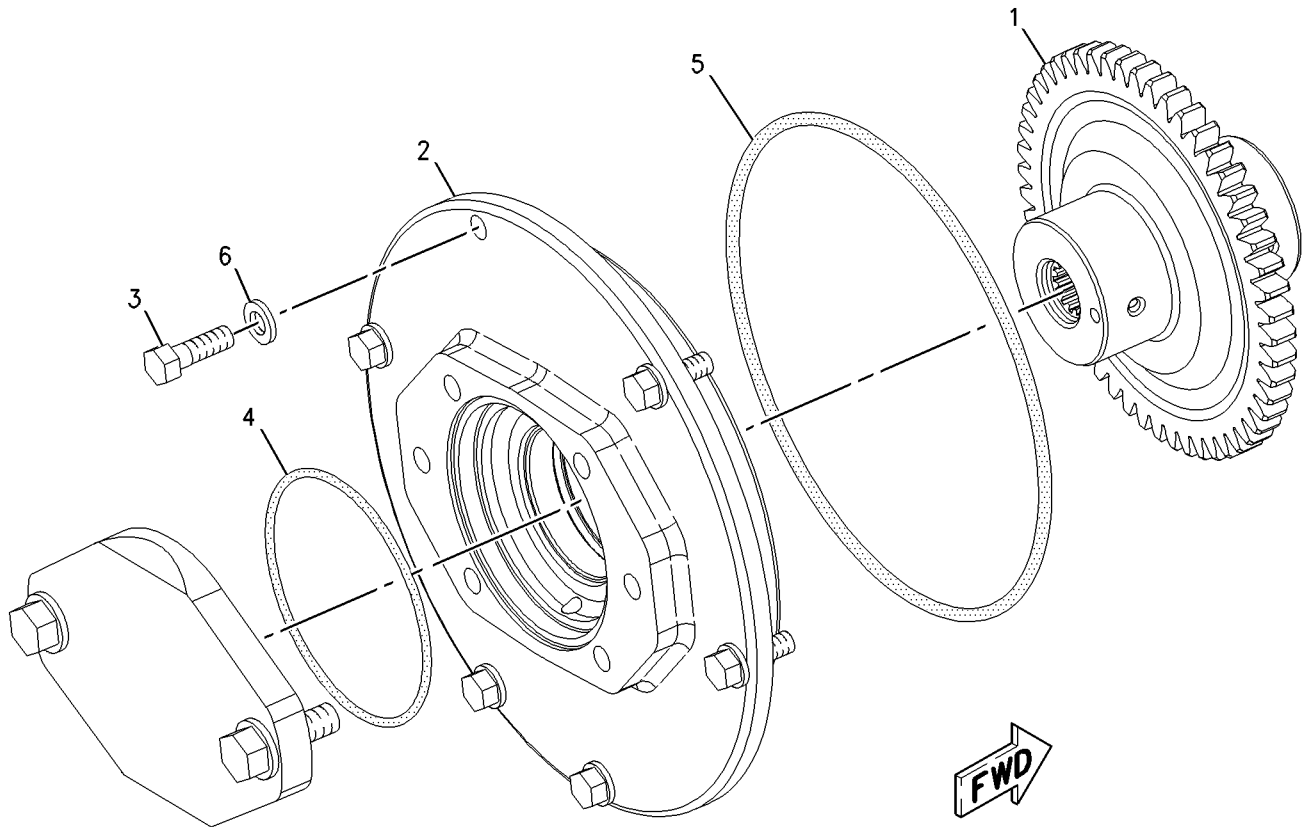
## 239-4309 DRIVE GP-ACCESSORY

1.3:1 DRIVE RATIO B-DRIVER, RIGHT HAND  
FOR USE WITH 219-0626-PAGE 185  
AN ATTACHMENT

SMCS-1207

i01932388

NOTE	REF NO	GRAPHIC REF	PART NUMBER	QTY	PART NAME						SEE PAGE
					1	2	3	4	5	6 (PRODUCT LEVEL)	
	1	1	219-0638	1	GEAR AS (52 TEETH)						
		1	4F-6024	1	PIN						
	2	1	219-0640	1	ADAPTER AS						
		1	160-8184	1	BEARING-SLEEVE						
	3	1	1A-2029	6	BOLT (3/8-16X1.125 IN)						
	4	1	4M-0189	1	SEAL-O-RING						
	5	1	4N-1230	1	SEAL-O-RING						
	6	1	5M-2894	6	WASHER-HARD (10.2X18.5X2.5MM THK)						



GRAPHIC #1

<END>

g00985476

# BASIC ENGINE

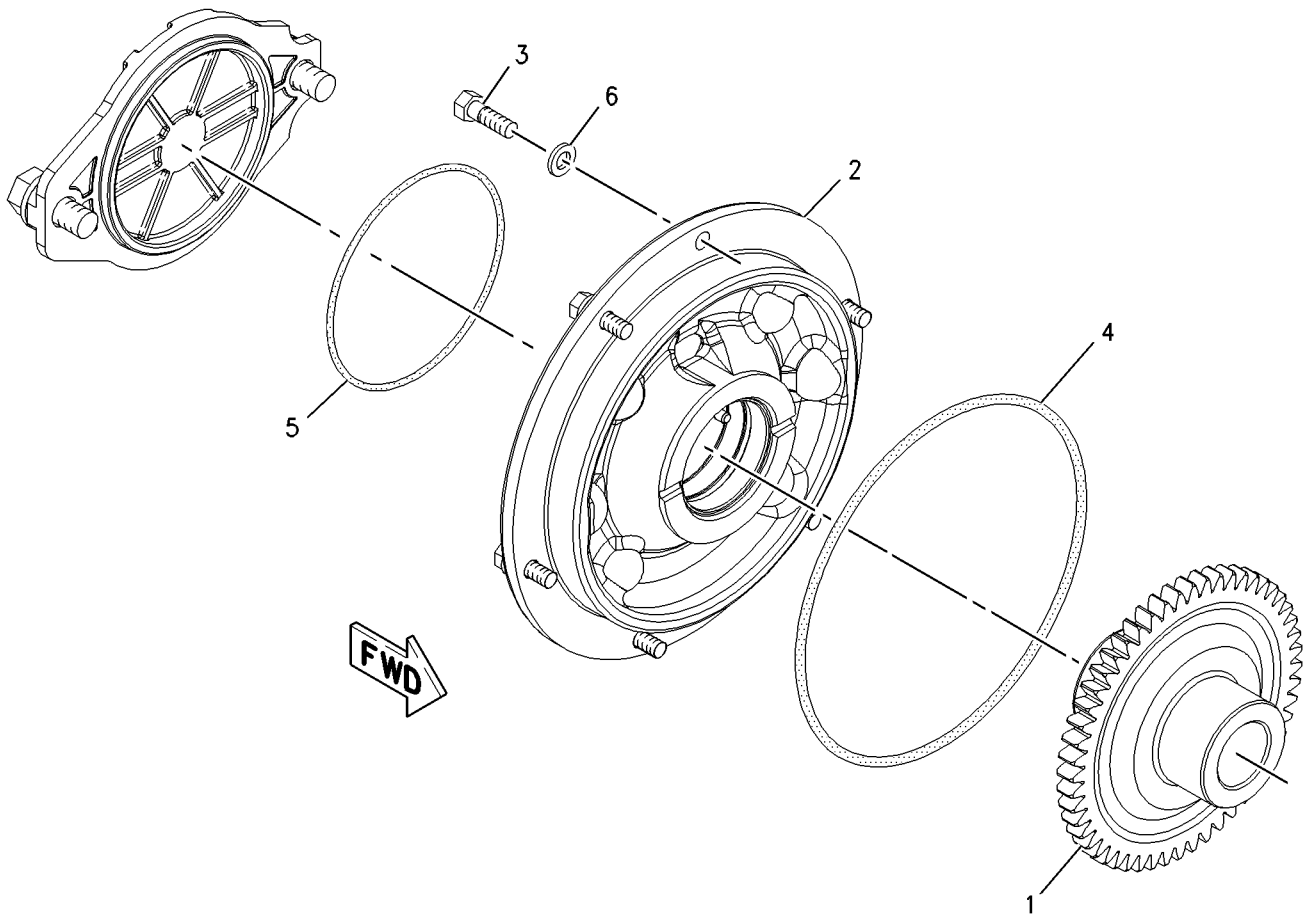
## 239-4310 DRIVE GP-ACCESSORY

1.3:1 DRIVE RATIO C-DRIVER, RIGHT HAND  
FOR USE WITH 219-0626-PAGE 185  
AN ATTACHMENT

SMCS-1207

i01932661

NOTE	REF NO	GRAPHIC REF	PART NUMBER	QTY	PART NAME						SEE PAGE
					1	2	3	4	5	6 (PRODUCT LEVEL)	
	1	1	219-0635	1	GEAR AS (52 TEETH)						
		1	4F-6024	1	PIN						
	2	1	222-5768	1	ADAPTER						
		1	160-8184	1	BEARING-SLEEVE						
	3	1	1A-2029	6	BOLT (3/8-16X1.125 IN)						
	4	1	4N-1230	1	SEAL-O-RING						
	5	1	5F-3106	1	SEAL-O-RING						
	6	1	5M-2894	6	WASHER-HARD (10.2X18.5X2.5MM THK)						



GRAPHIC #1

<END>

g00985493



# BASIC ENGINE

## 262-2765 DRIVE GP-ACCESSORY

CANNOT BE USED WITH 229-5519-PAGE 85, AIR COMPRESSOR GROUP  
AN ATTACHMENT

SMCS-1207

i04040014

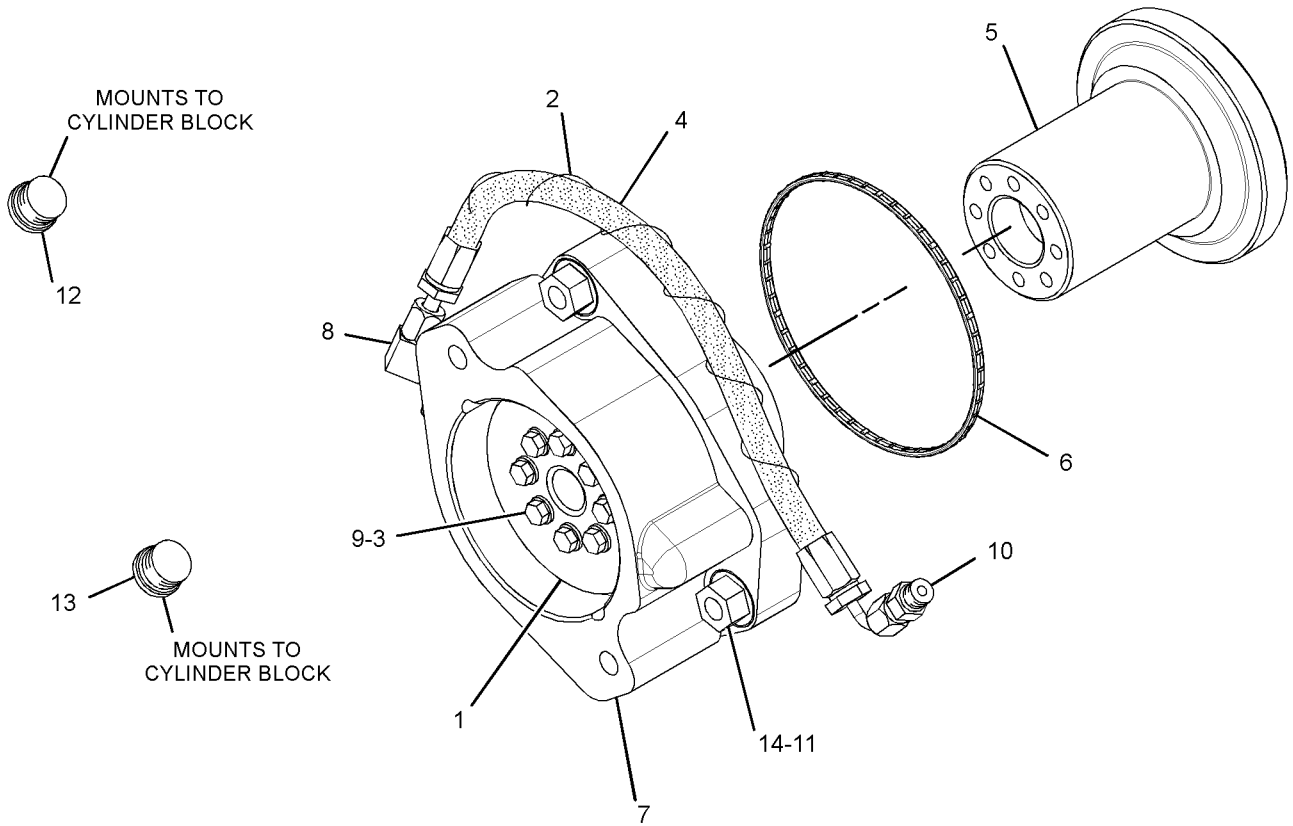
NOTE	REF NO	GRAPHIC REF	PART NUMBER	QTY	PART NAME						SEE PAGE
					1	2	3	4	5	6 (PRODUCT LEVEL)	
	1	1	<b>1N-3974</b>	1	COUPLING						
E	2	1	<b>8C-5063</b>		CONDUIT-FLEXIBLE (15.49-MM ID, SPLIT) (26-CM)						
	3	1	<b>9M-1974</b>	8	WASHER-HARD (8.8X16X2-MM THK)						
I	4	1	<b>101-6596</b>	1	HOSE AS						
	5	1	<b>331-0052</b>	1	GEAR (40-TEETH)						
	6	1	<b>223-3505</b>	1	SEAL						
	7	1	<b>257-5812</b>	1	BEARING						
	8	1	<b>343-8115</b>	1	ELBOW AS						
		1	<b>030-7946</b>	1	ELBOW						
		1	<b>214-7566</b>	1	SEAL-O-RING						
9	1	1	<b>2B-2695</b>	8	BOLT (5/16-18X0.875-IN)						
10	1	1	<b>343-8121</b>	1	CONNECTOR AS						
		1	<b>3J-7352</b>	1	CONNECTOR						
		1	<b>214-7566</b>	1	SEAL-O-RING						
11	1	1	<b>8T-4223</b>	3	WASHER-HARD (13.5X25.5X3-MM THK)						
12	1	1	<b>307-2673</b>	1	PLUG AS						
		1	<b>9S-8005</b>	1	PLUG-O-RING						
		1	<b>238-5080</b>	1	SEAL-O-RING						
13	1	1	<b>353-5126</b>	1	PLUG AS						
		1	<b>6V-6609</b>	1	SEAL-O-RING						
		1	<b>9S-8005</b>	1	PLUG-O-RING						
14	1	1	<b>6V-8188</b>	3	NUT (1/2-13-THD)						

E-ORDER BY THE CENTIMETER  
I-REFER TO HYDRAULIC INFORMATION SYSTEM

# BASIC ENGINE

262-2765 DRIVE GP-ACCESSORY (contd.)

i04040014



GRAPHIC #1

<END>

g02247733

# BASIC ENGINE

## 120-4230 DRIVE GP-FAN PULLEY DIAMETER 215.9MM (8.5 INCH) FOR USE WITH CUSTOMER SUPPLIED RADIATORS AN ATTACHMENT

SMCS-1359

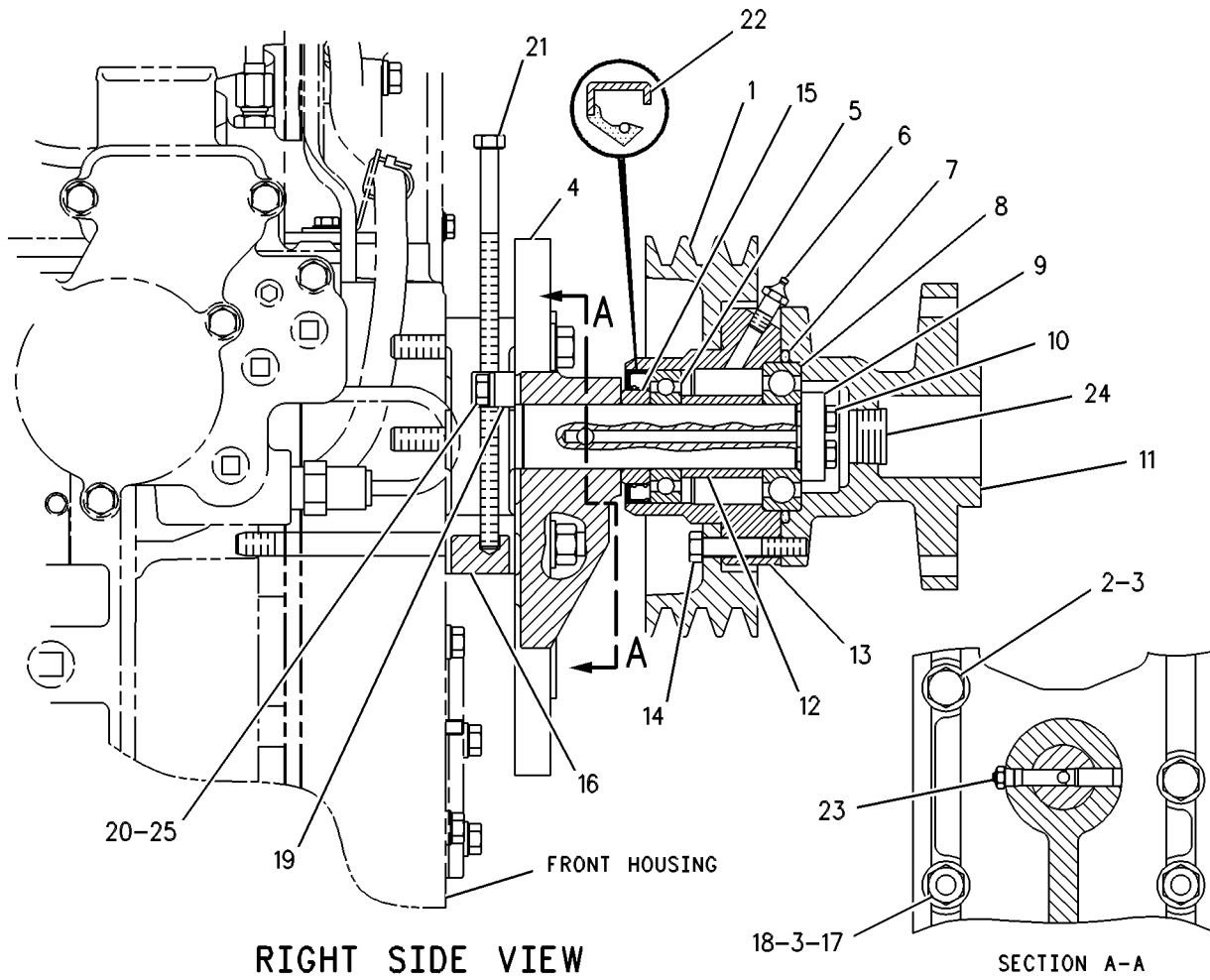
i03337218

NOTE	REF NO	GRAPHIC REF	PART NUMBER	QTY	PART NAME						SEE PAGE
					1	2	3	4	5	6 (PRODUCT LEVEL)	
	1	1	4N-6289	1	PULLEY-FAN DRIVE (3-GROOVE)						
	2	1	9X-8875	2	BOLT (1/2-13X3.5-IN)						
	3	1	1F-7960	4	WASHER (13.5X32X6-MM THK)						
	4	1	6N-6490	1	BRACKET AS-FAN						
		1	4N-0684	1	DOWEL						
		1	1P-9946	1	SHAFT-FAN						
	5	1	8H-9789	1	BEARING AS-BALL						
	6	1	2D-4867	1	FITTING-GREASE (FAN DRIVE)						
	7	1	9F-4446	1	SEAL-O-RING						
	8	1	3L-1425	1	BALL BEARING						
	9	1	7N-2900	1	RETAINER						
	10	1	5P-7979	2	BOLT-LOCKING (5/16-24X2.25-IN)						
	11	1	6N-6598	1	ADAPTER-FAN						
	12	1	8N-5305	1	SPACER (35.6X47.62X43.74-MM THK)						
	13	1	7N-8827	1	HUB						
	14	1	0L-2070	6	BOLT (3/8-16X2.25-IN)						
	15	1	5S-9062	1	SPACER (35.032X50.8X15.88-MM THK)						
	16	1	120-4879	1	ADAPTER						
	17	1	2P-9084	2	STUD-TAPERLOCK (1/2-13X0.83-IN, 1/2-13X0.98-IN)						
	18	1	1F-7958	2	NUT-FULL (1/2-13-THD)						
	19	1	9N-5120	1	BRACKET						
	20	1	1A-2029	2	BOLT (3/8-16X1.125-IN)						
	21	1	9L-4238	1	BOLT (3/8-16X8.5-IN)						
	22	1	5S-2106	1	SEAL-LIP TYPE						
	23	1	4B-4550	1	FITTING-PRESSURE RELIEF (1/8-27 PTF)						
	24	1	7X-7731	1	PLUG-PIPE						
	25	1	5M-2894	2	WASHER-HARD (10.2X18.5X2.5-MM THK)						

# BASIC ENGINE

120-4230 DRIVE GP-FAN (contd.)

i03337218



GRAPHIC #1

<END>

g00252238

# BASIC ENGINE

## 120-4231 DRIVE GP-FAN PULLEY DIAMETER 298.45MM (11.75 INCH) FOR USE WITH CUSTOMER SUPPLIED RADIATORS AN ATTACHMENT

SMCS-1359

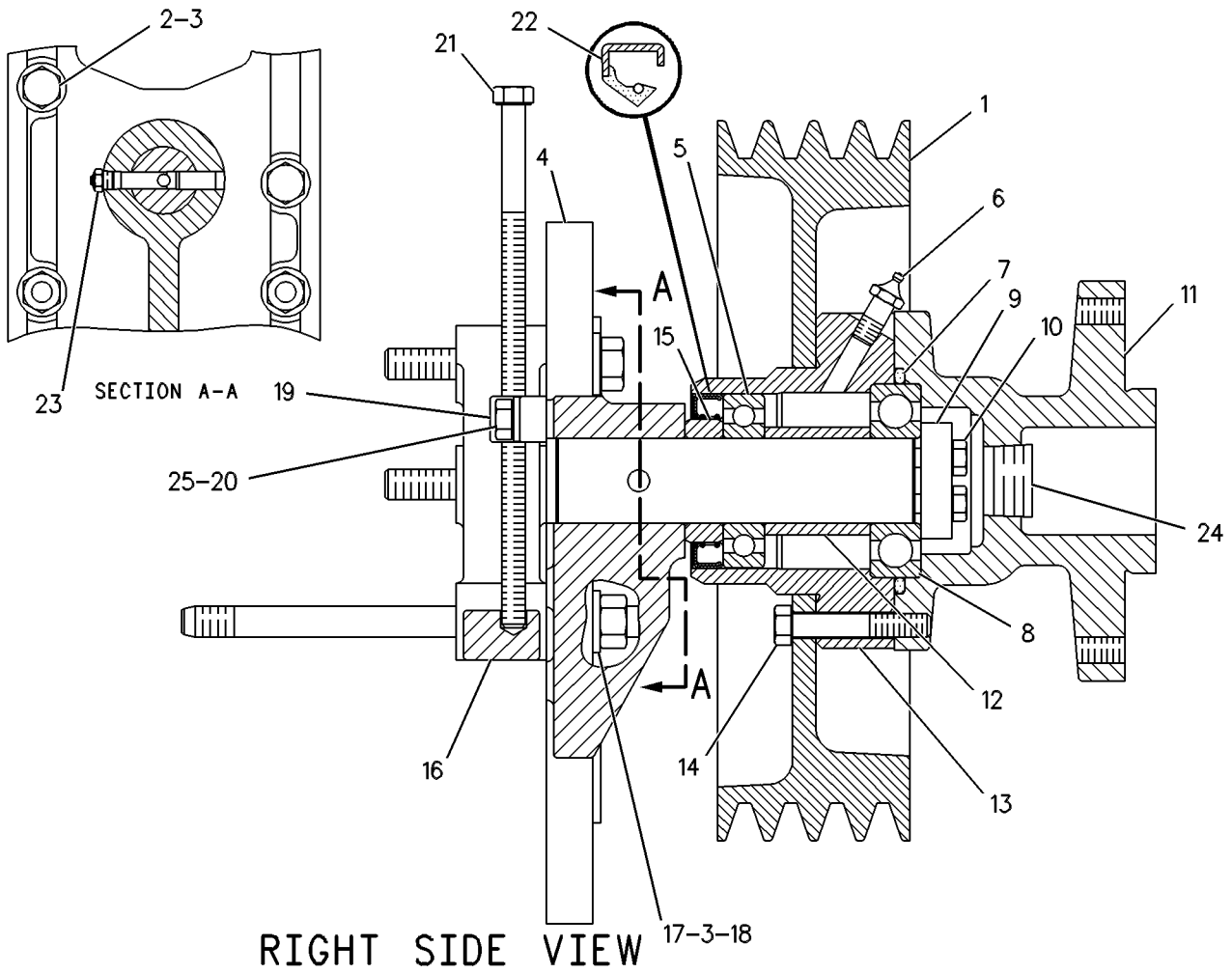
i03760650

NOTE	REF NO	GRAPHIC REF	PART NUMBER	QTY	PART NAME						SEE PAGE
					1	2	3	4	5	6 (PRODUCT LEVEL)	
	1	1	6N-0597	1	PULLEY-FAN DRIVE (4-GROOVE)						
	2	1	9X-8875	2	BOLT (1/2-13X3.5-IN)						
	3	1	1F-7960	4	WASHER (13.5X32X6-MM THK)						
	4	1	6N-6490	1	BRACKET AS-FAN						
		1	4N-0684	1	DOWEL						
		1	1P-9946	1	SHAFT-FAN						
	5	1	8H-9789	1	BEARING AS-BALL						
	6	1	2D-4867	1	FITTING-GREASE (FAN DRIVE)						
	7	1	9F-4446	1	SEAL-O-RING						
	8	1	3L-1425	1	BALL BEARING						
	9	1	7N-2900	1	RETAINER						
	10	1	5P-7979	2	BOLT-LOCKING (5/16-24X2.25-IN)						
	11	1	6N-6598	1	ADAPTER-FAN						
	12	1	8N-5305	1	SPACER (35.6X47.62X43.74-MM THK)						
	13	1	7N-8827	1	HUB						
	14	1	0L-2070	6	BOLT (3/8-16X2.25-IN)						
	15	1	5S-9062	1	SPACER (35.032X50.8X15.88-MM THK)						
	16	1	120-4879	1	ADAPTER						
	17	1	2P-9084	2	STUD-TAPERLOCK (1/2-13X0.83-IN, 1/2-13X0.98-IN)						
	18	1	1F-7958	2	NUT-FULL (1/2-13-THD)						
	19	1	9N-5120	1	BRACKET						
	20	1	1A-2029	2	BOLT (3/8-16X1.125-IN)						
	21	1	9L-4238	1	BOLT (3/8-16X8.5-IN)						
	22	1	5S-2106	1	SEAL-LIP TYPE						
	23	1	4B-4550	1	FITTING-PRESSURE RELIEF (1/8-27 PTF)						
	24	1	7X-7731	1	PLUG-PIPE						
	25	1	5M-2894	2	WASHER-HARD (10.2X18.5X2.5-MM THK)						

# BASIC ENGINE

120-4231 DRIVE GP-FAN (contd.)

i03760650



RIGHT SIDE VIEW

GRAPHIC #1

<END>

g00252239

# BASIC ENGINE

## 120-4232 DRIVE GP-FAN PULLEY DIAMETER 254MM (10 INCH) AN ATTACHMENT

SMCS-1359

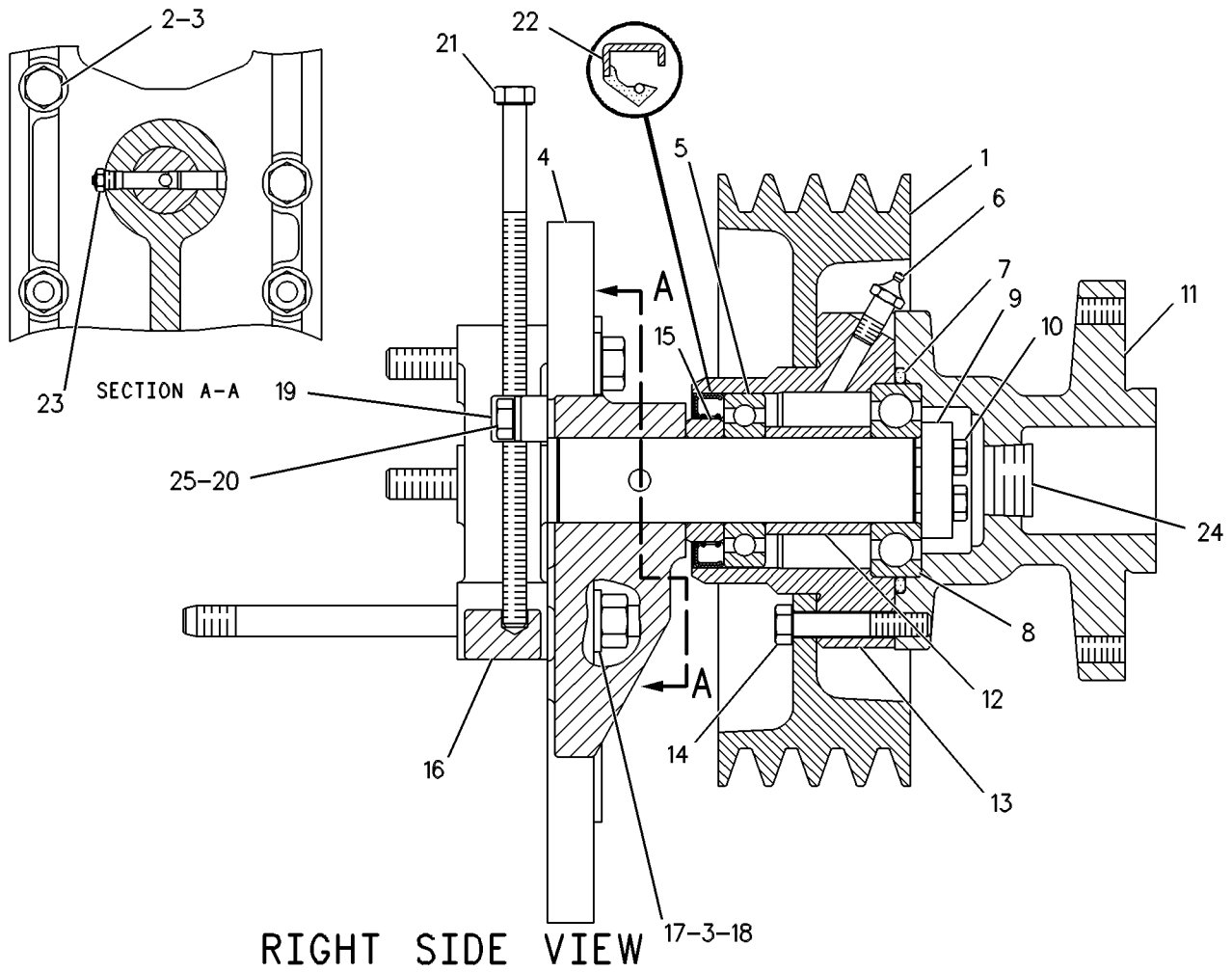
i03686323

NOTE	REF NO	GRAPHIC REF	PART NUMBER	QTY	PART NAME						SEE PAGE
					1	2	3	4	5	6 (PRODUCT LEVEL)	
	1	1	7N-8828	1	PULLEY-FAN DRIVE (4-GROOVE)						
	2	1	9X-8875	2	BOLT (1/2-13X3.5-IN)						
	3	1	1F-7960	4	WASHER (13.5X32X6-MM THK)						
	4	1	6N-6490	1	BRACKET AS-FAN						
		1	4N-0684	1	DOWEL						
		1	1P-9946	1	SHAFT-FAN						
	5	1	8H-9789	1	BEARING AS-BALL						
	6	1	2D-4867	1	FITTING-GREASE (FAN DRIVE)						
	7	1	9F-4446	1	SEAL-O-RING						
	8	1	3L-1425	1	BALL BEARING						
	9	1	7N-2900	1	RETAINER						
	10	1	5P-7979	2	BOLT-LOCKING (5/16-24X2.25-IN)						
	11	1	6N-6598	1	ADAPTER-FAN						
	12	1	8N-5305	1	SPACER (35.6X47.62X43.74-MM THK)						
	13	1	7N-8827	1	HUB						
	14	1	0L-2070	6	BOLT (3/8-16X2.25-IN)						
	15	1	5S-9062	1	SPACER (35.032X50.8X15.88-MM THK)						
	16	1	120-4879	1	ADAPTER						
	17	1	2P-9084	2	STUD-TAPERLOCK (1/2-13X0.83-IN, 1/2-13X0.98-IN)						
	18	1	1F-7958	2	NUT-FULL (1/2-13-THD)						
	19	1	9N-5120	1	BRACKET						
	20	1	1A-2029	2	BOLT (3/8-16X1.125-IN)						
	21	1	9L-4238	1	BOLT (3/8-16X8.5-IN)						
	22	1	5S-2106	1	SEAL-LIP TYPE						
	23	1	4B-4550	1	FITTING-PRESSURE RELIEF (1/8-27 PTF)						
	24	1	7X-7731	1	PLUG-PIPE						
	25	1	5M-2894	2	WASHER-HARD (10.2X18.5X2.5-MM THK)						

# BASIC ENGINE

120-4232 DRIVE GP-FAN (contd.)

i03686323



GRAPHIC #1

<END>

g00252372



# BASIC ENGINE

## 120-4233 DRIVE GP-FAN PULLEY DIAMETER 355.6MM (14 INCH) FOR USE WITH CUSTOMER SUPPLIED RADIATORS AN ATTACHMENT

SMCS-1359

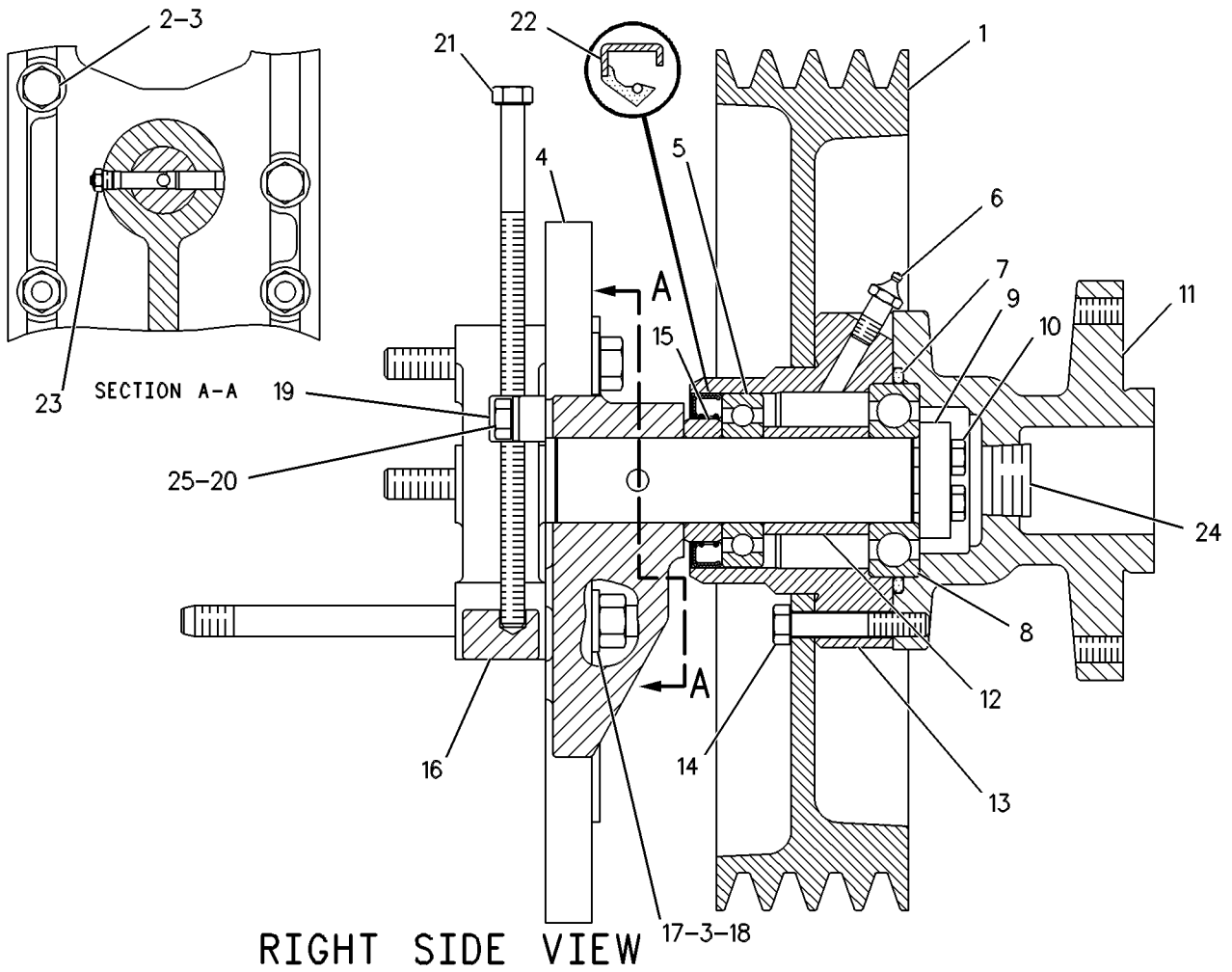
i03688460

NOTE	REF NO	GRAPHIC REF	PART NUMBER	QTY	PART NAME						SEE PAGE
					1	2	3	4	5	6 (PRODUCT LEVEL)	
	1	1	6N-0598	1	PULLEY-FAN DRIVE (4-GROOVE)						
	2	1	9X-8875	2	BOLT (1/2-13X3.5-IN)						
	3	1	1F-7960	4	WASHER (13.5X32X6-MM THK)						
	4	1	6N-6490	1	BRACKET AS-FAN						
		1	4N-0684	1	DOWEL						
		1	1P-9946	1	SHAFT-FAN						
	5	1	8H-9789	1	BEARING AS-BALL						
	6	1	2D-4867	1	FITTING-GREASE (FAN DRIVE)						
	7	1	9F-4446	1	SEAL-O-RING						
	8	1	3L-1425	1	BALL BEARING						
	9	1	7N-2900	1	RETAINER						
	10	1	5P-7979	2	BOLT-LOCKING (5/16-24X2.25-IN)						
	11	1	6N-6598	1	ADAPTER-FAN						
	12	1	8N-5305	1	SPACER (35.6X47.62X43.74-MM THK)						
	13	1	7N-8827	1	HUB						
	14	1	0L-2070	6	BOLT (3/8-16X2.25-IN)						
	15	1	5S-9062	1	SPACER (35.032X50.8X15.88-MM THK)						
	16	1	120-4879	1	ADAPTER						
	17	1	2P-9084	2	STUD-TAPERLOCK (1/2-13X0.83-IN, 1/2-13X0.98-IN)						
	18	1	1F-7958	2	NUT-FULL (1/2-13-THD)						
	19	1	9N-5120	1	BRACKET						
	20	1	1A-2029	2	BOLT (3/8-16X1.125-IN)						
	21	1	9L-4238	1	BOLT (3/8-16X8.5-IN)						
	22	1	5S-2106	1	SEAL-LIP TYPE						
	23	1	4B-4550	1	FITTING-PRESSURE RELIEF (1/8-27 PTF)						
	24	1	7X-7731	1	PLUG-PIPE						
	25	1	5M-2894	2	WASHER-HARD (10.2X18.5X2.5-MM THK)						

# BASIC ENGINE

120-4233 DRIVE GP-FAN (contd.)

i03688460



GRAPHIC #1

<END>

g00252235

# BASIC ENGINE

## 228-8533 DRIVE GP-FAN 0.570:1 DRIVE RATIO, 1800-2100 RPM FOR USE WITH FAN ADAPTER AN ATTACHMENT

SMCS-1359

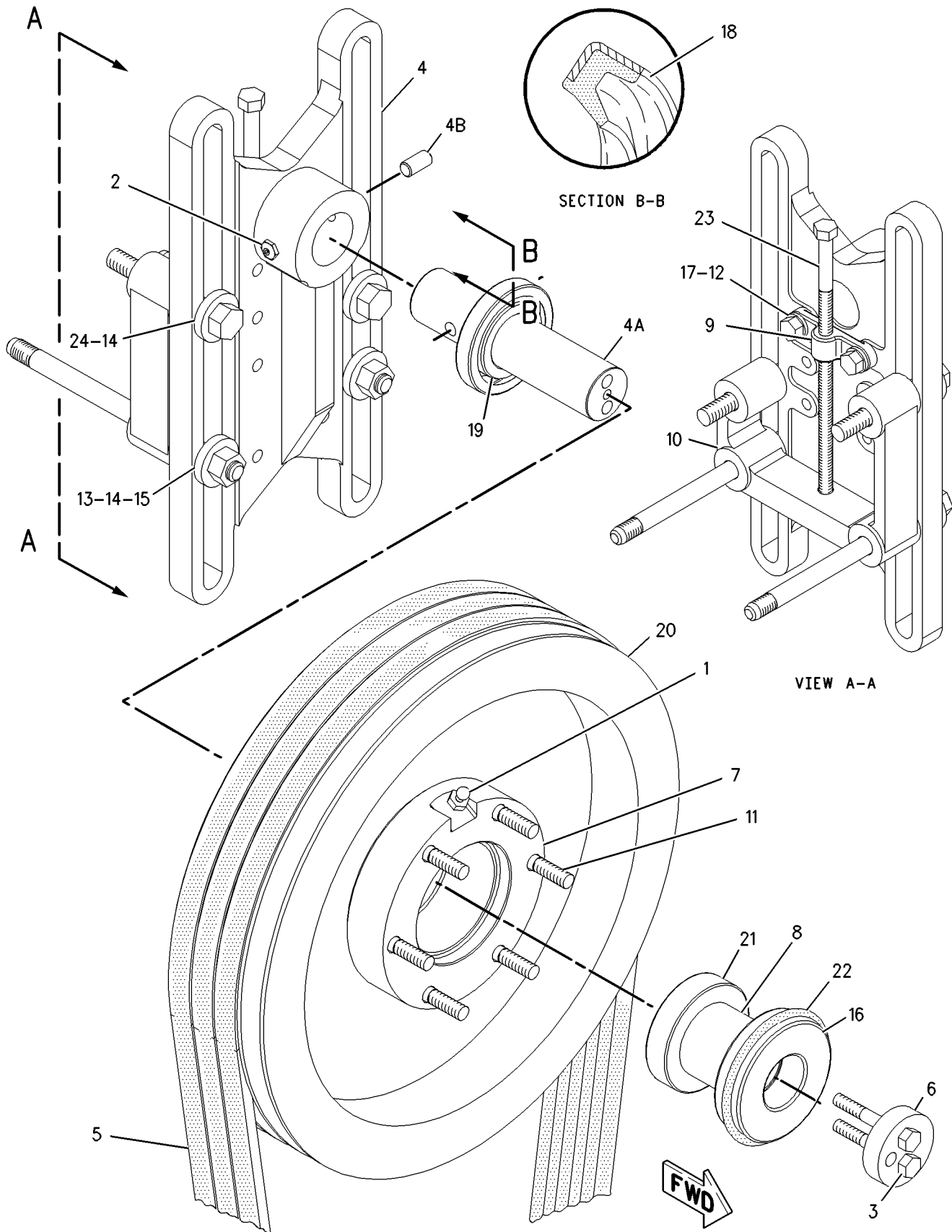
i03208521

NOTE	REF NO	GRAPHIC REF	PART NUMBER	QTY	PART NAME						SEE PAGE
					1	2	3	4	5	6 (PRODUCT LEVEL)	
	1	1	2D-4867	1	FITTING-GREASE (FAN DRIVE)						
	2	1	4B-4550	1	FITTING-PRESSURE RELIEF (1/8-27 PTF) (FAN DRIVE)						
	3	1	5P-7979	2	BOLT-LOCKING (5/16-24X2.25-IN)						
	4	1	6N-6490	1	BRACKET AS-FAN						
	4A	1	1P-9946	1	SHAFT-FAN						
	4B	1	4N-0684	1	DOWEL						
	5	1	6N-7053	1	V-BELT SET (INCLUDES 3-BELTS) (FAN DRIVE)						
	6	1	7N-2900	1	RETAINER						
	7	1	7N-8827	1	HUB						
	8	1	8N-5305	1	SPACER (35.6X47.62X43.74-MM THK)						
	9	1	9N-5120	1	BRACKET						
	10	1	120-4879	1	ADAPTER						
	11	1	0L-2070	6	BOLT (3/8-16X2.25-IN)						
	12	1	1A-2029	2	BOLT (3/8-16X1.125-IN)						
	13	1	1F-7958	2	NUT-FULL (1/2-13-THD)						
	14	1	1F-7960	4	WASHER (13.5X32X6-MM THK)						
	15	1	2P-9084	2	STUD-TAPERLOCK (1/2-13X0.83-IN, 1/2-13X0.98-IN)						
	16	1	3L-1425	1	BALL BEARING						
	17	1	5M-2894	2	WASHER-HARD (10.2X18.5X2.5-MM THK)						
	18	1	5S-2106	1	SEAL-LIP TYPE						
	19	1	5S-9062	1	SPACER (35.032X50.8X15.88-MM THK)						
	20	1	6N-0598	1	PULLEY-FAN DRIVE (4-GROOVE)						
	21	1	8H-9789	1	BEARING AS-BALL						
	22	1	9F-4446	1	SEAL-O-RING						
	23	1	9L-4238	1	BOLT (3/8-16X8.5-IN)						
	24	1	9X-8875	2	BOLT (1/2-13X3.5-IN)						

# BASIC ENGINE

228-8533 DRIVE GP-FAN (contd.)

i03208521



GRAPHIC #1

<END>

g00986281

# BASIC ENGINE

## 228-8534 DRIVE GP-FAN

0.681:1 DRIVE RATIO, 1800-2100 RPM  
FOR USE WITH FAN ADAPTER  
AN ATTACHMENT

SMCS-1359

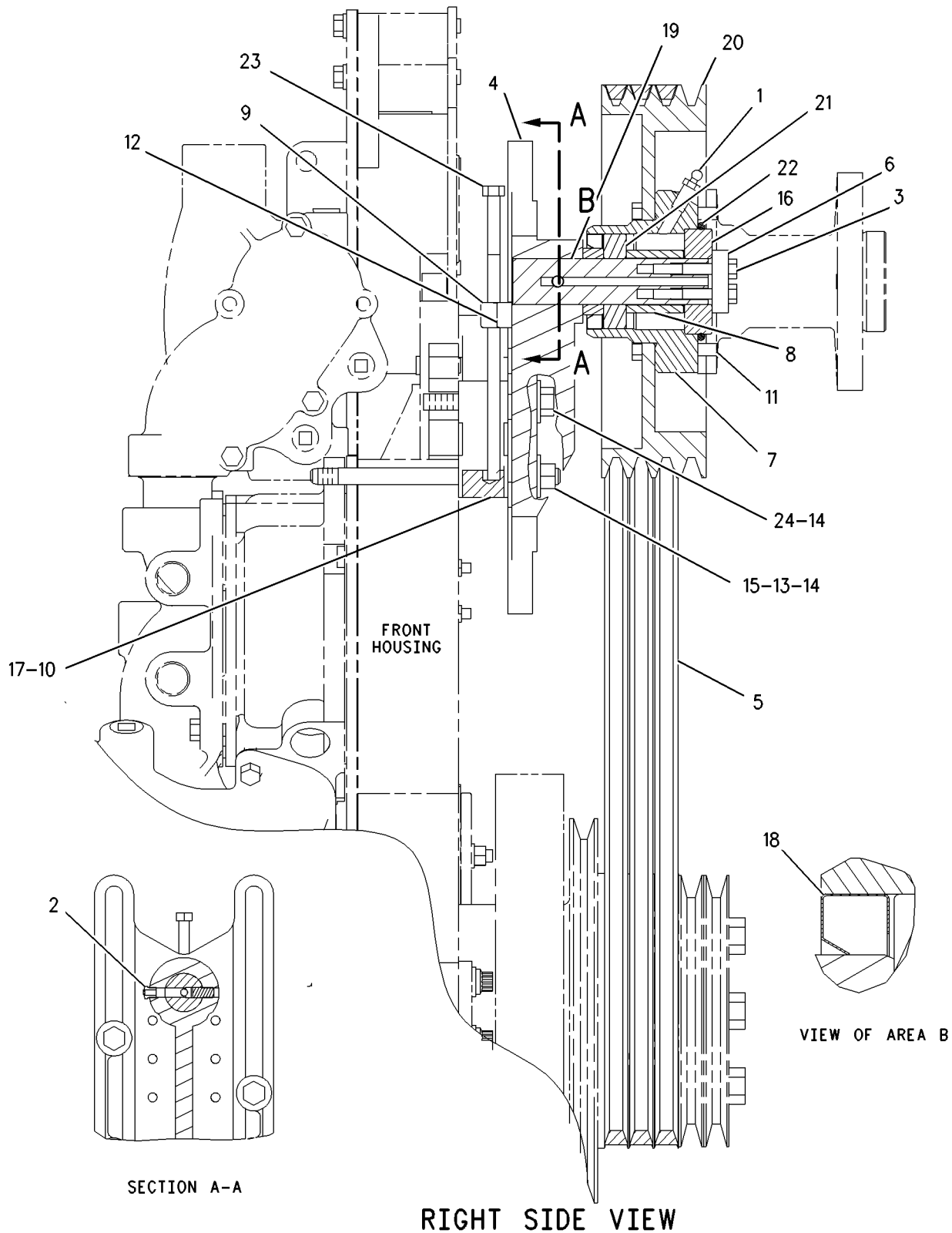
i03206231

NOTE	REF NO	GRAPHIC REF	PART NUMBER	QTY	PART NAME						SEE PAGE
					1	2	3	4	5	6 (PRODUCT LEVEL)	
	1	1	2D-4867	1	FITTING-GREASE (FAN DRIVE)						
	2	1	4B-4550	1	FITTING-PRESSURE RELIEF (1/8-27 PTF) (FAN DRIVE)						
	3	1	5P-7979	2	BOLT-LOCKING (5/16-24X2.25-IN)						
	4	1	6N-6490	1	BRACKET AS-FAN						
		1	1P-9946	1	SHAFT-FAN						
		1	4N-0684	1	DOWEL						
	5	1	6N-6651	1	V-BELT SET (INCLUDES 3-BELTS) (FAN DRIVE)						
	6	1	7N-2900	1	RETAINER						
	7	1	7N-8827	1	HUB						
	8	1	8N-5305	1	SPACER (35.6X47.62X43.74-MM THK)						
	9	1	9N-5120	1	BRACKET						
	10	1	120-4879	1	ADAPTER						
	11	1	0L-2070	6	BOLT (3/8-16X2.25-IN)						
	12	1	1A-2029	2	BOLT (3/8-16X1.125-IN)						
	13	1	1F-7958	2	NUT-FULL (1/2-13-THD)						
	14	1	1F-7960	4	WASHER (13.5X32X6-MM THK)						
	15	1	2P-9084	2	STUD-TAPERLOCK (1/2-13X0.83-IN, 1/2-13X0.98-IN)						
	16	1	3L-1425	1	BALL BEARING						
	17	1	5M-2894	2	WASHER-HARD (10.2X18.5X2.5-MM THK)						
	18	1	5S-2106	1	SEAL-LIP TYPE						
	19	1	5S-9062	1	SPACER (35.032X50.8X15.88-MM THK)						
	20	1	6N-0597	1	PULLEY-FAN DRIVE (4-GROOVE)						
	21	1	8H-9789	1	BEARING AS-BALL						
	22	1	9F-4446	1	SEAL-O-RING						
	23	1	9L-4238	1	BOLT (3/8-16X8.5-IN)						
	24	1	9X-8875	2	BOLT (1/2-13X3.5-IN)						

# BASIC ENGINE

228-8534 DRIVE GP-FAN (contd.)

i03206231



GRAPHIC #1

<END>

g00986195

# BASIC ENGINE

## 228-8535 DRIVE GP-FAN

**0.800:1 DRIVE RATIO. REQUIRES 1800 ENGINE RPM FOR 43 INCH FAN, 1800-1900  
ENGINE RPM FOR 40 INCH FAN AND ADAPTER  
AN ATTACHMENT**

SMCS-1359

i03206232

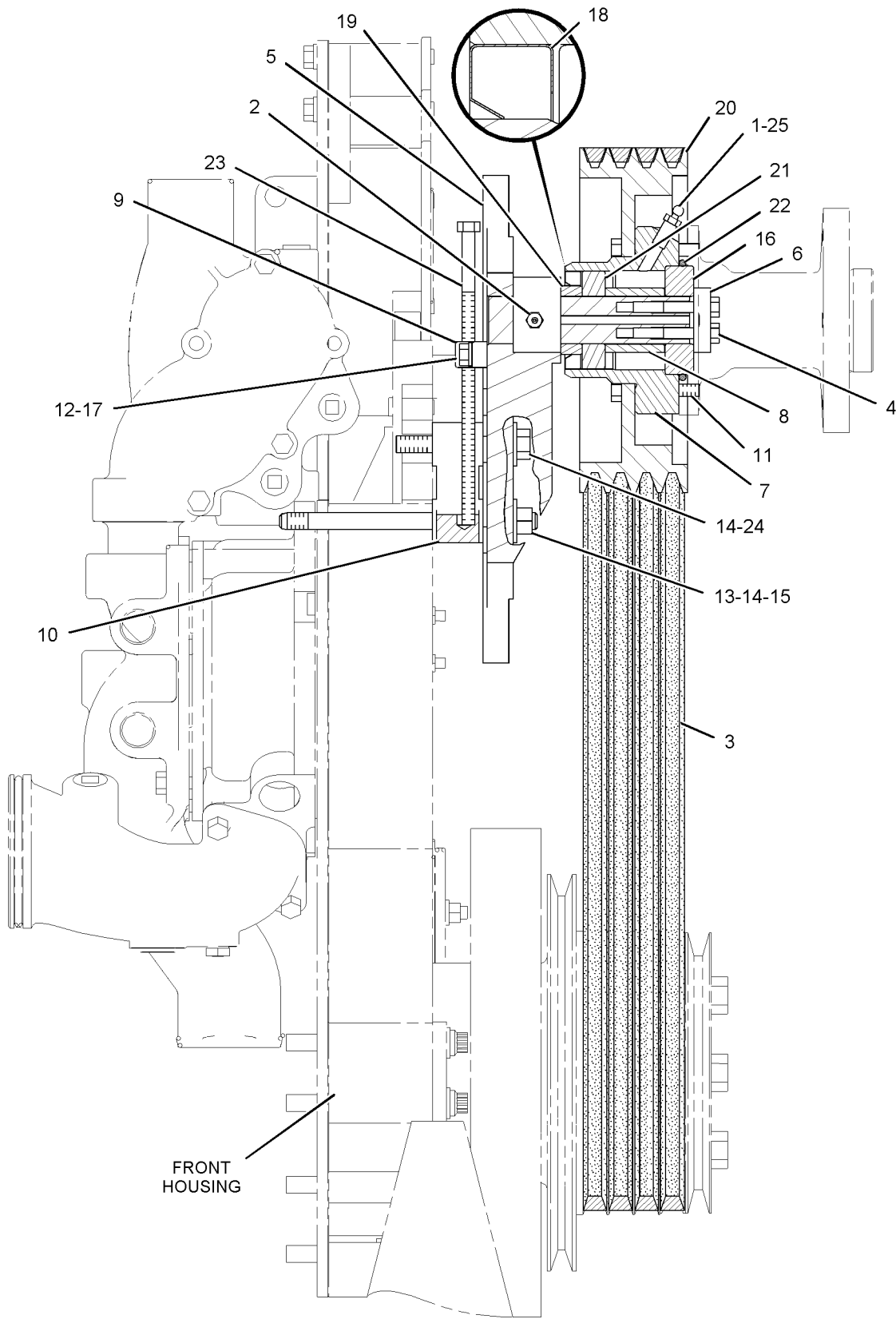
NOTE	REF NO	GRAPHIC REF	PART NUMBER	QTY	PART NAME						SEE PAGE
					1	2	3	4	5	6 (PRODUCT LEVEL)	
	1	1	2D-4867	1	FITTING-GREASE (FAN DRIVE)						
	2	1	4B-4550	1	FITTING-PRESSURE RELIEF (1/8-27 PTF)						
	3	1	5N-2346	1	V-BELT SET (INCLUDES 4-BELTS) (FAN DRIVE)						
	4	1	5P-7979	2	BOLT-LOCKING (5/16-24X2.25-IN)						
	5	1	6N-6490	1	BRACKET AS-FAN						
		1	1P-9946	1	SHAFT-FAN						
		1	4N-0684	1	DOWEL						
	6	1	7N-2900	1	RETAINER						
	7	1	7N-8827	1	HUB						
	8	1	8N-5305	1	SPACER (35.6X47.62X43.74-MM THK)						
	9	1	9N-5120	1	BRACKET						
	10	1	120-4879	1	ADAPTER						
	11	1	0L-2070	6	BOLT (3/8-16X2.25-IN)						
	12	1	1A-2029	2	BOLT (3/8-16X1.125-IN)						
	13	1	1F-7958	2	NUT-FULL (1/2-13-THD)						
	14	1	1F-7960	4	WASHER (13.5X32X6-MM THK)						
	15	1	2P-9084	2	STUD-TAPERLOCK (1/2-13X0.83-IN, 1/2-13X0.98-IN)						
	16	1	3L-1425	1	BALL BEARING						
	17	1	5M-2894	2	WASHER-HARD (10.2X18.5X2.5-MM THK)						
	18	1	5S-2106	1	SEAL-LIP TYPE						
	19	1	5S-9062	1	SPACER (35.032X50.8X15.88-MM THK)						
	20	1	7N-8828	1	PULLEY-FAN DRIVE (4-GROOVE)						
	21	1	8H-9789	1	BEARING AS-BALL						
	22	1	9F-4446	1	SEAL-O-RING						
	23	1	9L-4238	1	BOLT (3/8-16X8.5-IN)						
	24	1	9X-8875	2	BOLT (1/2-13X3.5-IN)						
B	25	1	1P-0808		GREASE-MULTIPURPOSE						

B-USE AS REQUIRED

# BASIC ENGINE

228-8535 DRIVE GP-FAN (contd.)

i03206232



RIGHT SIDE VIEW

<END>

GRAPHIC #1

g01031907



# BASIC ENGINE

## 271-2214 DRIVE GP-FAN

0.800:1

AN ATTACHMENT

SMCS-1359

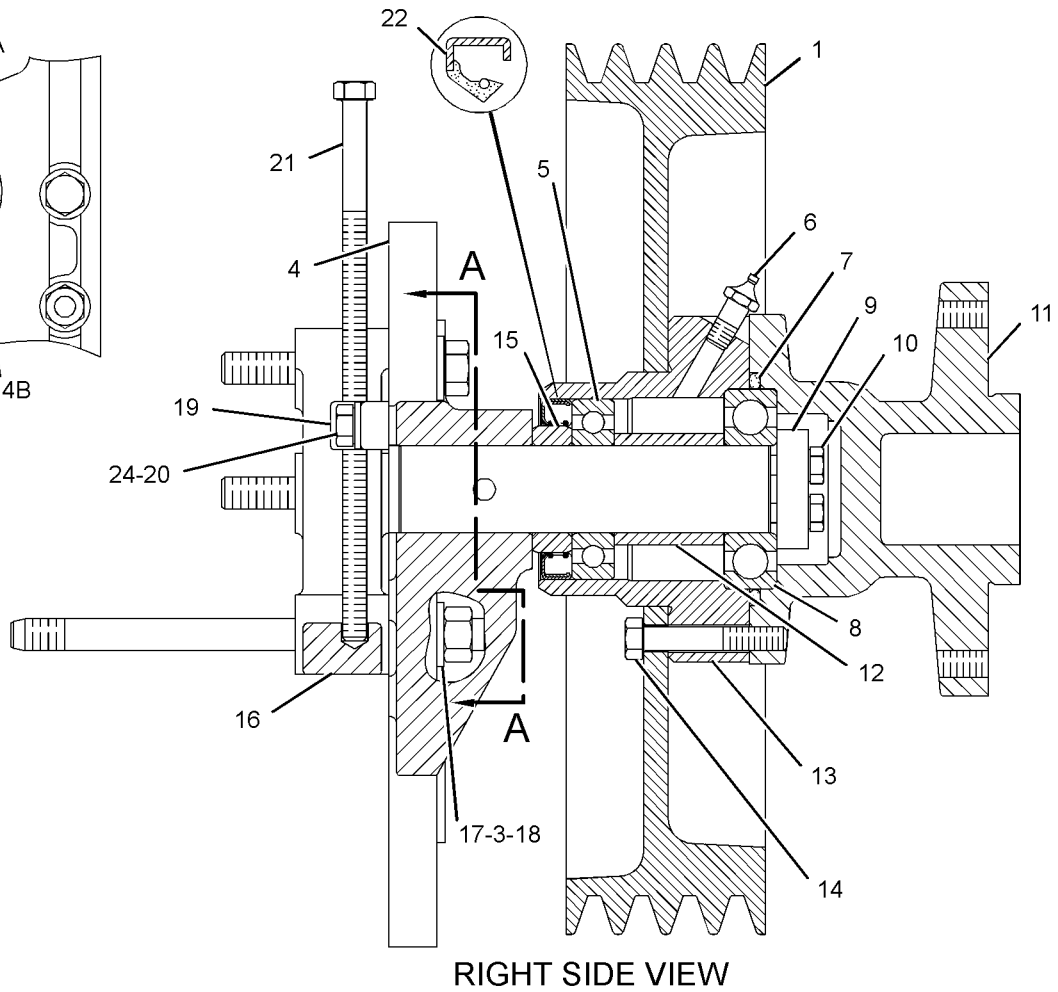
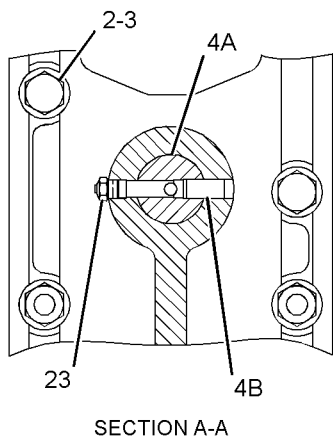
i03688461

NOTE	REF NO	GRAPHIC REF	PART NUMBER	QTY	PART NAME						SEE PAGE
					1	2	3	4	5	6 (PRODUCT LEVEL)	
	1	1	7N-8828	1	PULLEY-FAN DRIVE (4-GROOVE)						
	2	1	9X-8875	2	BOLT (1/2-13X3.5-IN)						
	3	1	1F-7960	4	WASHER (13.5X32X6-MM THK)						
	4	1	6N-6490	1	BRACKET AS-FAN						
	4A	1	1P-9946	1	SHAFT-FAN						
	4B	1	4N-0684	1	DOWEL						
	5	1	8H-9789	1	BEARING AS-BALL						
	6	1	2D-4867	1	FITTING-GREASE (FAN DRIVE)						
	7	1	9F-4446	1	SEAL-O-RING						
	8	1	3L-1425	1	BALL BEARING						
	9	1	5S-7264	1	WASHER-RETAINING (0.219-IN THK)						
	10	1	6V-4626	2	BOLT-LOCKING (5/16-24X2-IN)						
	11	1	7N-5436	1	HUB-FAN						
	12	1	8N-5305	1	SPACER (35.6X47.62X43.74-MM THK)						
	13	1	7N-8827	1	HUB						
	14	1	0L-2070	6	BOLT (3/8-16X2.25-IN)						
	15	1	5S-9062	1	SPACER (35.032X50.8X15.88-MM THK)						
	16	1	120-4879	1	ADAPTER						
	17	1	2P-9084	2	STUD-TAPERLOCK (1/2-13X0.83-IN, 1/2-13X0.98-IN)						
	18	1	1F-7958	2	NUT-FULL (1/2-13-THD)						
	19	1	9N-5120	1	BRACKET						
	20	1	1A-2029	2	BOLT (3/8-16X1.125-IN)						
	21	1	9L-4238	1	BOLT (3/8-16X8.5-IN)						
	22	1	5S-2106	1	SEAL-LIP TYPE						
	23	1	4B-4550	1	FITTING-PRESSURE RELIEF (1/8-27 PTF)						
	24	1	5M-2894	2	WASHER-HARD (10.2X18.5X2.5-MM THK)						

# BASIC ENGINE

271-2214 DRIVE GP-FAN (contd.)

i03688461



GRAPHIC #1

<END>

g01159986

# BASIC ENGINE

## 271-2215 DRIVE GP-FAN AN ATTACHMENT

SMCS - 1359

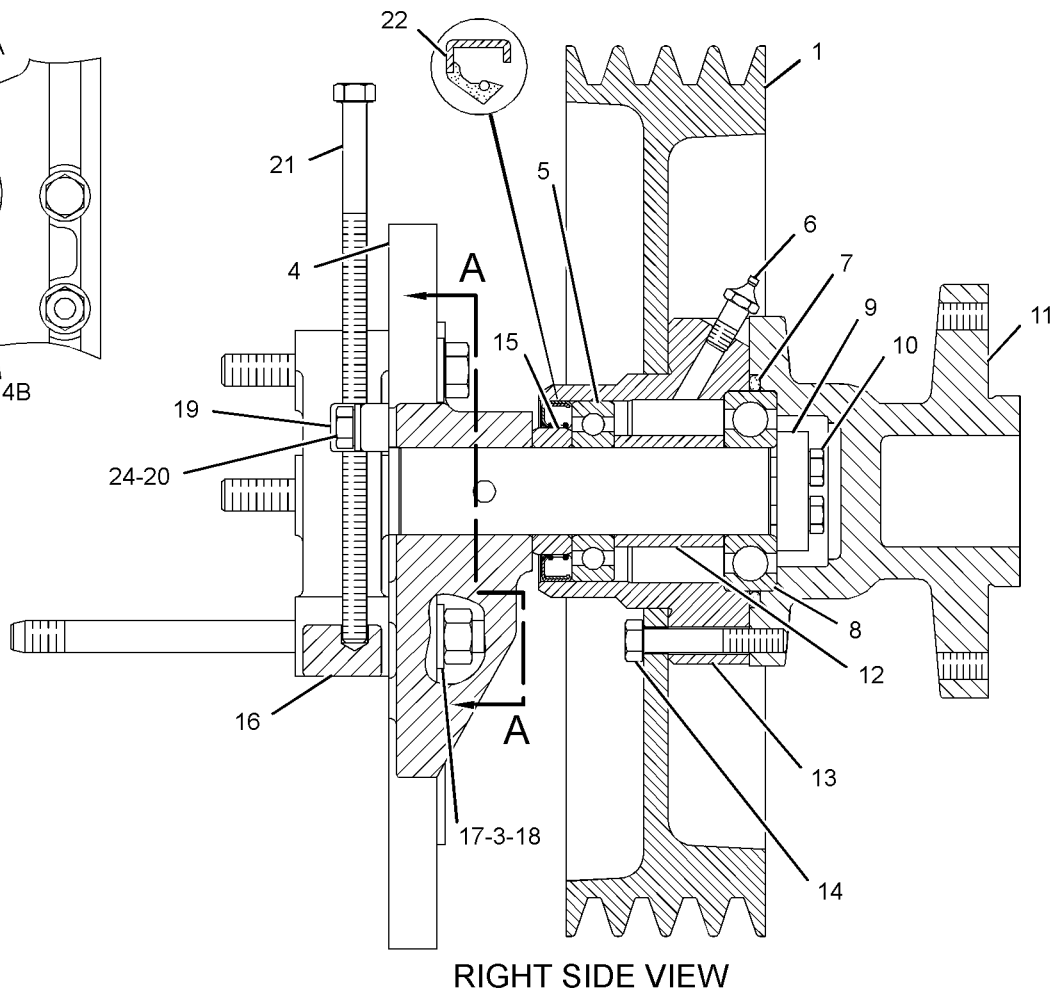
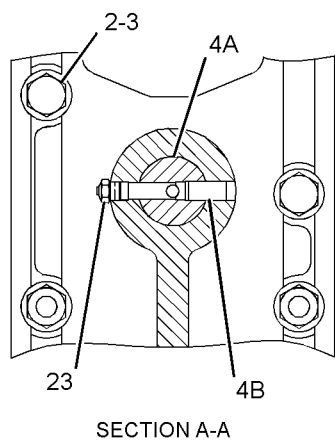
i03688462

NOTE	REF NO	GRAPHIC REF	PART NUMBER	QTY	PART NAME						SEE PAGE
					1	2	3	4	5	6 (PRODUCT LEVEL)	
	1	1	<b>6N-0598</b>	1	PULLEY-FAN DRIVE (4-GROOVE)						
	2	1	<b>9X-8875</b>	2	BOLT (1/2-13X3.5-IN)						
	3	1	<b>1F-7960</b>	4	WASHER (13.5X32X6-MM THK)						
	4	1	<b>6N-6490</b>	1	BRACKET AS-FAN						
	4A	1	<b>1P-9946</b>	1	SHAFT-FAN						
	4B	1	<b>4N-0684</b>	1	DOWEL						
	5	1	<b>8H-9789</b>	1	BEARING AS-BALL						
	6	1	<b>2D-4867</b>	1	FITTING-GREASE (FAN DRIVE)						
	7	1	<b>9F-4446</b>	1	SEAL-O-RING						
	8	1	<b>3L-1425</b>	1	BALL BEARING						
	9	1	<b>5S-7264</b>	1	WASHER-RETAINING (0.219-IN THK)						
	10	1	<b>6V-4626</b>	2	BOLT-LOCKING (5/16-24X2-IN)						
	11	1	<b>7N-5436</b>	1	HUB-FAN						
	12	1	<b>8N-5305</b>	1	SPACER (35.6X47.62X43.74-MM THK)						
	13	1	<b>7N-8827</b>	1	HUB						
	14	1	<b>0L-2070</b>	6	BOLT (3/8-16X2.25-IN)						
	15	1	<b>5S-9062</b>	1	SPACER (35.032X50.8X15.88-MM THK)						
	16	1	<b>120-4879</b>	1	ADAPTER						
	17	1	<b>2P-9084</b>	2	STUD-TAPERLOCK (1/2-13X0.83-IN, 1/2-13X0.98-IN)						
	18	1	<b>1F-7958</b>	2	NUT-FULL (1/2-13-THD)						
	19	1	<b>9N-5120</b>	1	BRACKET						
	20	1	<b>1A-2029</b>	2	BOLT (3/8-16X1.125-IN)						
	21	1	<b>9L-4238</b>	1	BOLT (3/8-16X8.5-IN)						
	22	1	<b>5S-2106</b>	1	SEAL-LIP TYPE						
	23	1	<b>4B-4550</b>	1	FITTING-PRESSURE RELIEF (1/8-27 PTF)						
	24	1	<b>5M-2894</b>	2	WASHER-HARD (10.2X18.5X2.5-MM THK)						

# BASIC ENGINE

271-2215 DRIVE GP-FAN (contd.)

i03688462



GRAPHIC #1

<END>

g01159986

# BASIC ENGINE

## 291-5522 DRIVE GP-FAN

0.94 DRIVE RATIO. BELT  
AN ATTACHMENT

SMCS-1359

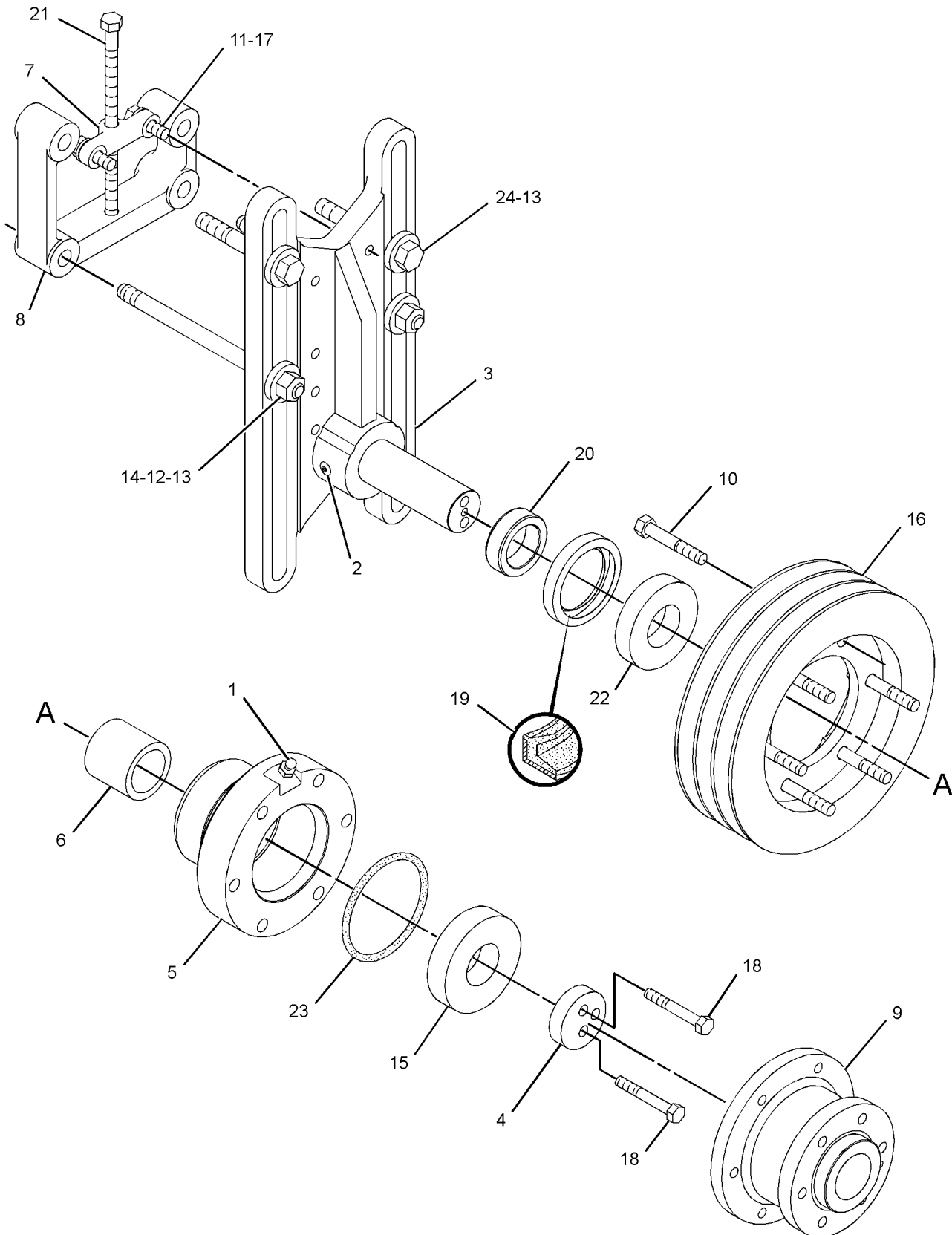
i03688463

NOTE	REF NO	GRAPHIC REF	PART NUMBER	QTY	PART NAME						SEE PAGE
					1	2	3	4	5	6 (PRODUCT LEVEL)	
	1	1	2D-4867	1	FITTING-GREASE (FAN DRIVE)						
	2	1	4B-4550	1	FITTING-PRESSURE RELIEF (1/8-27 PTF)						
	3	1	6N-6490	1	BRACKET AS-FAN						
		1	1P-9946	1	SHAFT-FAN						
		1	4N-0684	1	DOWEL						
	4	1	7N-2900	1	RETAINER						
	5	1	7N-8827	1	HUB						
	6	1	8N-5305	1	SPACER (35.6X47.62X43.74-MM THK)						
	7	1	9N-5120	1	BRACKET						
	8	1	120-4879	1	ADAPTER						
	9	1	291-5523	1	HUB-FAN						
	10	1	0L-2070	6	BOLT (3/8-16X2.25-IN)						
	11	1	1A-2029	2	BOLT (3/8-16X1.125-IN)						
	12	1	1F-7958	2	NUT-FULL (1/2-13-THD)						
	13	1	1F-7960	4	WASHER (13.5X32X6-MM THK)						
	14	1	2P-9084	2	STUD-TAPERLOCK (1/2-13X0.83-IN, 1/2-13X0.98-IN)						
	15	1	3L-1425	1	BALL BEARING						
	16	1	4N-6289	1	PULLEY-FAN DRIVE (3-GROOVE)						
	17	1	5M-2894	2	WASHER-HARD (10.2X18.5X2.5-MM THK)						
	18	1	5P-7979	2	BOLT-LOCKING (5/16-24X2.25-IN)						
	19	1	5S-2106	1	SEAL-LIP TYPE						
	20	1	5S-9062	1	SPACER (35.032X50.8X15.88-MM THK)						
	21	1	6L-7283	1	BOLT (3/8-16X7-IN)						
	22	1	8H-9789	1	BEARING AS-BALL						
	23	1	9F-4446	1	SEAL-O-RING						
	24	1	9X-8875	2	BOLT (1/2-13X3.5-IN)						

# BASIC ENGINE

291-5522 DRIVE GP-FAN (contd.)

i03688463



GRAPHIC #1

<END>

g01273550

# BASIC ENGINE

## 219-0626 DRIVE GP-POWER TAKE-OFF

S/N: JRE1-779

1.3 DRIVE RATIO REARWARD FACING PTO

FOR USE WITH 219-0634-PAGE 159, 219-0637-PAGE 160

AN ATTACHMENT

SMCS-1165

i03649498

NOTE	REF NO	GRAPHIC REF	PART NUMBER	QTY	PART NAME						SEE PAGE
					1	2	3	4	5	6 (PRODUCT LEVEL)	
	1	1	4N-0848	1	SLEEVE-WEAR						
	2	1	5J-9105	9	WASHER (6.4X19.8X1.9-MM THK)						
	3	1	7N-8374	1	COVER-PUMP						
	4	1	175-3721	1	COVER						
	5	1	157-0214	1	COVER						
	6	1	159-0926	19	WASHER (SEALING)						
Y	7	1	219-0627	1	HOUSING GP-FLYWHEEL						268
	8	1	236-4414	1	GEAR AS-IDLER (68-TEETH)						
		1	152-7254	1	BUSHING						
	9	1	236-4415	1	GEAR AS-IDLER (79-TEETH)						
		1	152-7254	1	BUSHING						
	10	1	239-0770	2	RETAINER						
	11	1	222-5767	1	GEAR AS (68-TEETH) (CRANKSHAFT-REAR)						
		1	4N-0684	1	DOWEL						
Y	12	1	227-0838	1	SEAL GP-CRANKSHAFT						410
		1	107-6280	1	SEAL-O-RING						
	13	1	2H-3855	2	BOLT (1/2-13X0.875-IN)						
	14	1	0S-1594	1	BOLT (3/8-16X1-IN)						
	15	1	0S-1613	9	BOLT (1/4-20X0.375-IN)						
	16	1	0S-1617	19	BOLT (5/16-18X0.75-IN)						
	17	1	0S-1619	1	BOLT (3/8-16X3-IN)						
	18	1	165-3930	6	BOLT (3/8-16X1.625-IN)						
	19	1	165-3932	4	BOLT (3/8-16X2-IN) (3/8-16X2-IN)						
	20	1	223-4903	3	BOLT (3/8-16X5-IN)						
	21	1	2P-2772	1	COVER						
	22	1	4B-4043	2	BOLT (5/8-11X1.375-IN)						
	23	1	4M-0189	1	SEAL-O-RING						
	24	1	4N-0933	1	GASKET						
	25	1	5F-3106	1	SEAL-O-RING						
	26	1	5J-5793	1	BOLT-12 POINT HEAD (1/2-13X1.75-IN)						
	27	1	5M-2894	2	WASHER-HARD (10.2X18.5X2.5-MM THK)						
	28	1	5P-8245	9	WASHER-HARD (13.5X25.5X3.0-MM THK)						
	29	1	5P-8247	2	WASHER-HARD (17X32X3.5-MM THK)						
	30	1	6J-2515	6	BOLT-12 POINT HEAD (1/2-13X2.25-IN)						
	31	1	6V-3319	1	SEAL-O-RING						
	32	1	8D-0648	8	BOLT-12 POINT HEAD (1/2-13X4.5-IN)						
	33	1	8L-2786	1	SEAL-O-RING						
	34	1	9S-4185	1	PLUG-O-RING						
B	35	1	1U-8846		SEALANT-GASKET						
I	36	1	172-8827	1	HOSE AS						
	37	1	030-8194	1	CONNECTOR						
	38	1	030-7947	1	ELBOW						
	39	1	3J-1907	1	SEAL-O-RING						
	40	1	2M-9780	1	SEAL-O-RING						

B-USE AS REQUIRED

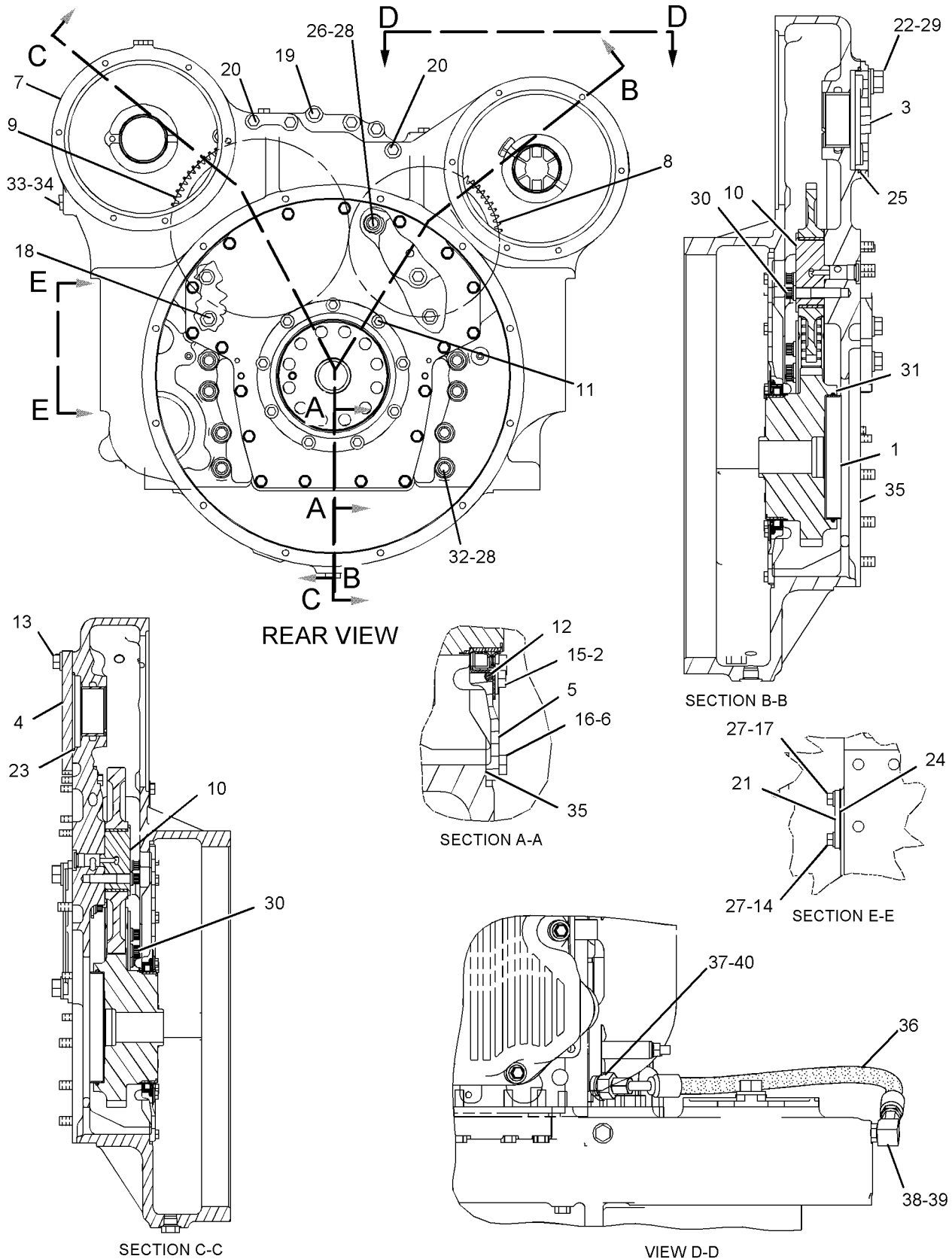
I-REFER TO HYDRAULIC INFORMATION SYSTEM

Y-SEPARATE ILLUSTRATION

# BASIC ENGINE

219-0626 DRIVE GP-POWER TAKE-OFF (contd.)

i03649498



GRAPHIC #1

<END>

g01057726



# BASIC ENGINE

## 219-0626 DRIVE GP-POWER TAKE-OFF

S/N: JRE780-UP

1.3 DRIVE RATIO REARWARD FACING PTO

FOR USE WITH 219-0634-PAGE 159, 219-0637-PAGE 160

AN ATTACHMENT

SMCS-1165

i03649508

NOTE	REF NO	GRAPHIC REF	PART NUMBER	QTY	PART NAME						SEE PAGE
					1	2	3	4	5	6 (PRODUCT LEVEL)	
	1	1	4N-0848	1	SLEEVE-WEAR						
C	2	1	6V-8969	9	SCREW-BUTTON HEAD (1/4-20X0.5-IN)						
	3	1	7N-8374	1	COVER-PUMP						
	4	1	175-3721	1	COVER						
	5	1	157-0214	1	COVER						
	6	1	159-0926	19	WASHER (SEALING)						
Y	7	1	219-0627	1	HOUSING GP-FLYWHEEL						268
	8	1	236-4414	1	GEAR AS-IDLER (68-TEETH)						
		1	152-7254	1	BUSHING						
	9	1	236-4415	1	GEAR AS-IDLER (79-TEETH)						
		1	152-7254	1	BUSHING						
	10	1	239-0770	2	RETAINER						
	11	1	222-5767	1	GEAR AS (68-TEETH) (CRANKSHAFT-REAR)						
		1	4N-0684	1	DOWEL						
Y	12	1	227-0838	1	SEAL GP-CRANKSHAFT						410
		1	107-6280	1	SEAL-O-RING						
	13	1	2H-3855	2	BOLT (1/2-13X0.875-IN)						
	14	1	0S-1594	1	BOLT (3/8-16X1-IN)						
	16	1	0S-1617	19	BOLT (5/16-18X0.75-IN)						
	17	1	0S-1619	1	BOLT (3/8-16X3-IN)						
	18	1	165-3930	6	BOLT (3/8-16X1.625-IN)						
	19	1	165-3932	4	BOLT (3/8-16X2-IN) (3/8-16X2-IN)						
	20	1	223-4903	3	BOLT (3/8-16X5-IN)						
	21	1	2P-2772	1	COVER						
	22	1	4B-4043	2	BOLT (5/8-11X1.375-IN)						
	23	1	4M-0189	1	SEAL-O-RING						
	24	1	4N-0933	1	GASKET						
	25	1	5F-3106	1	SEAL-O-RING						
	26	1	5J-5793	1	BOLT-12 POINT HEAD (1/2-13X1.75-IN)						
	27	1	5M-2894	2	WASHER-HARD (10.2X18.5X2.5-MM THK)						
	28	1	5P-8245	9	WASHER-HARD (13.5X25.5X3.0-MM THK)						
	29	1	5P-8247	2	WASHER-HARD (17X32X3.5-MM THK)						
	30	1	6J-2515	6	BOLT-12 POINT HEAD (1/2-13X2.25-IN)						
	31	1	6V-3319	1	SEAL-O-RING						
	32	1	8D-0648	8	BOLT-12 POINT HEAD (1/2-13X4.5-IN)						
	33	1	8L-2786	1	SEAL-O-RING						
	34	1	9S-4185	1	PLUG-O-RING						
B	35	1	1U-8846		SEALANT-GASKET						
I	36	1	172-8827	1	HOSE AS						
	37	1	030-8194	1	CONNECTOR						
	38	1	030-7947	1	ELBOW						
	39	1	3J-1907	1	SEAL-O-RING						
	40	1	2M-9780	1	SEAL-O-RING						

B-USE AS REQUIRED

C-CHANGE FROM PREVIOUS TYPE

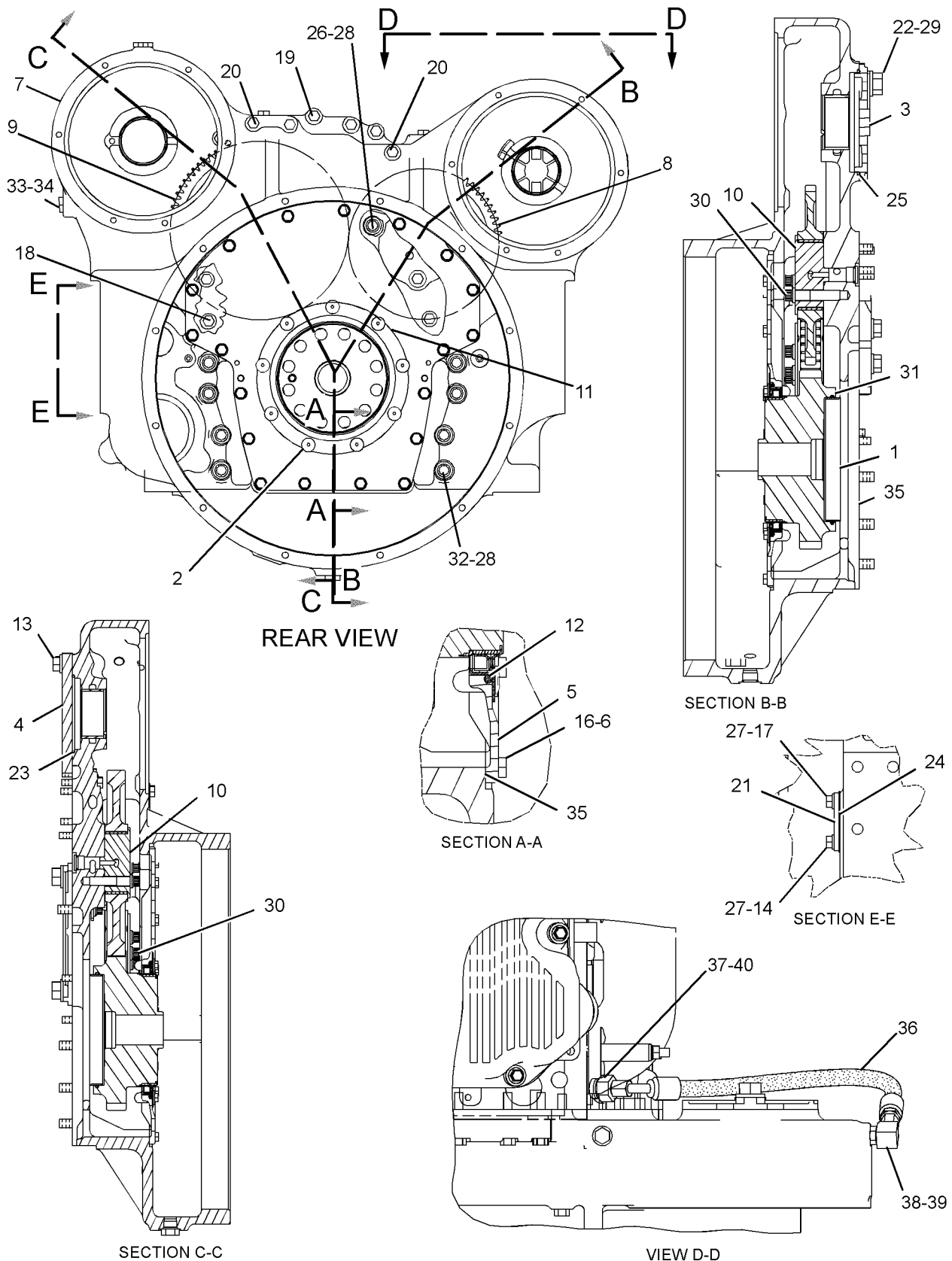
I-REFER TO HYDRAULIC INFORMATION SYSTEM

Y-SEPARATE ILLUSTRATION

# BASIC ENGINE

219-0626 DRIVE GP-POWER TAKE-OFF (contd.)

i03649508



GRAPHIC #1

<END>

g01253899

# BASIC ENGINE

## 6I-3638 DRIVE GP-PUMP

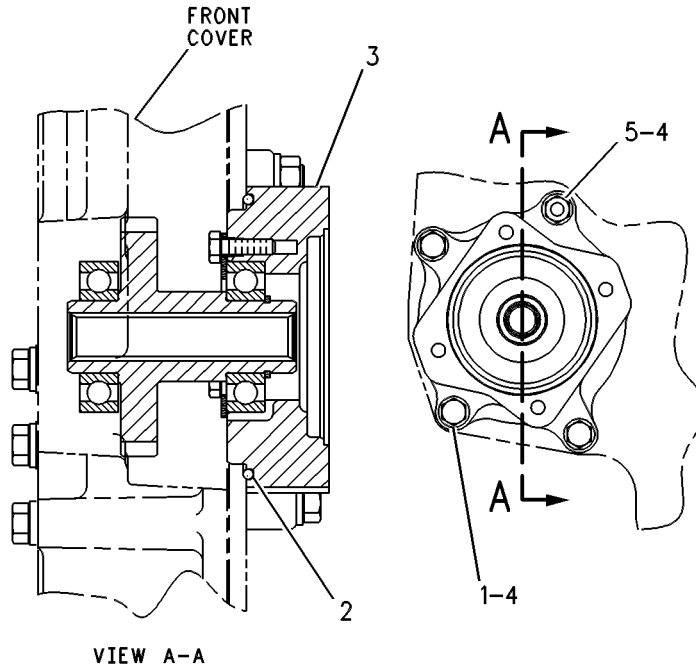
LEFT HAND REARWARD FACING SAE 2 BOLT FLANGE WITH SPLINE DRIVE  
 FOR USE WITH THE 2.5 BASE MODULE LARGE CAM GEAR TRAIN, CUSTOMER SUPPLIED SAE  
 "A" PUMP WITH 11 TOOTH 16/32 DEPTH SPLINE  
 ALSO AN ATTACHMENT

SMCS-1017, 1207, 3108

i01949792

NOTE	REF NO	GRAPHIC REF	PART NUMBER	QTY	PART NAME						SEE PAGE
					1	2	3	4	5	6 (PRODUCT LEVEL)	
	1	1	<b>0S-1590</b>	3	BOLT (3/8-16X2-IN)						
	2	1	<b>8T-9527</b>	1	SEAL-O-RING						
YC	3	1	133-9907	1	ADAPTER GP-PUMP DRIVE						32
	4	1	<b>5M-2894</b>	4	WASHER-HARD (10.2X18.5X2.5-MM THK)						
	5	1	<b>9S-8752</b>	1	NUT-FULL (3/8-16-THD)						

C-CHANGE FROM PREVIOUS TYPE  
 Y-SEPARATE ILLUSTRATION



GRAPHIC #1

<END>

g00263601

# BASIC ENGINE

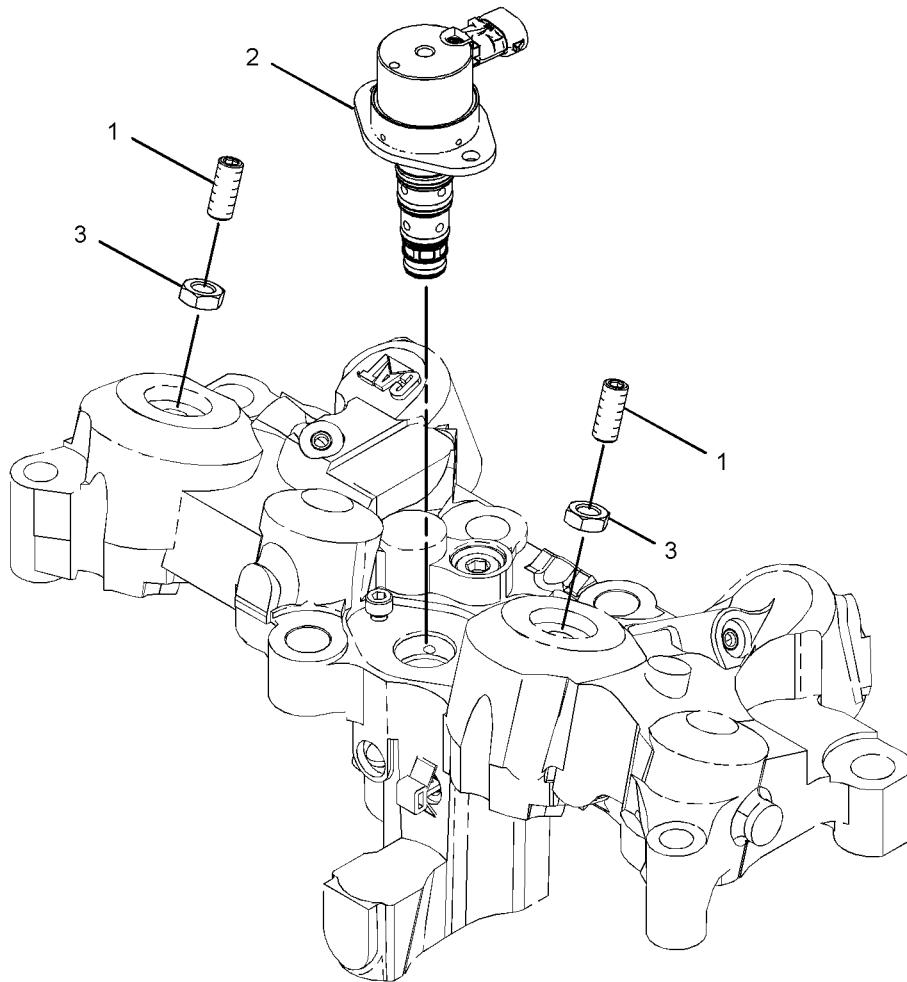
## 239-9624 ENGINE BRAKE GP\*R

PART OF 233-7245 ACTUATOR GP-VALVE  
AN ATTACHMENT

SMCS-1129

i02961086

NOTE	REF NO	GRAPHIC REF	PART NUMBER	QTY	PART NAME						SEE PAGE
					1	2	3	4	5	6 (PRODUCT LEVEL)	
	1	1	230-9446	2	SCREW-ADJUSTMENT						
	2	1	250-9378	1	VALVE AS-BRAKE						
	3	1	230-9447	2	NUT-JAM						



GRAPHIC #1

<END>

g01271040

# BASIC ENGINE

## 313-6361 ENGINE BRAKE GP

S/N: JRE1-12013

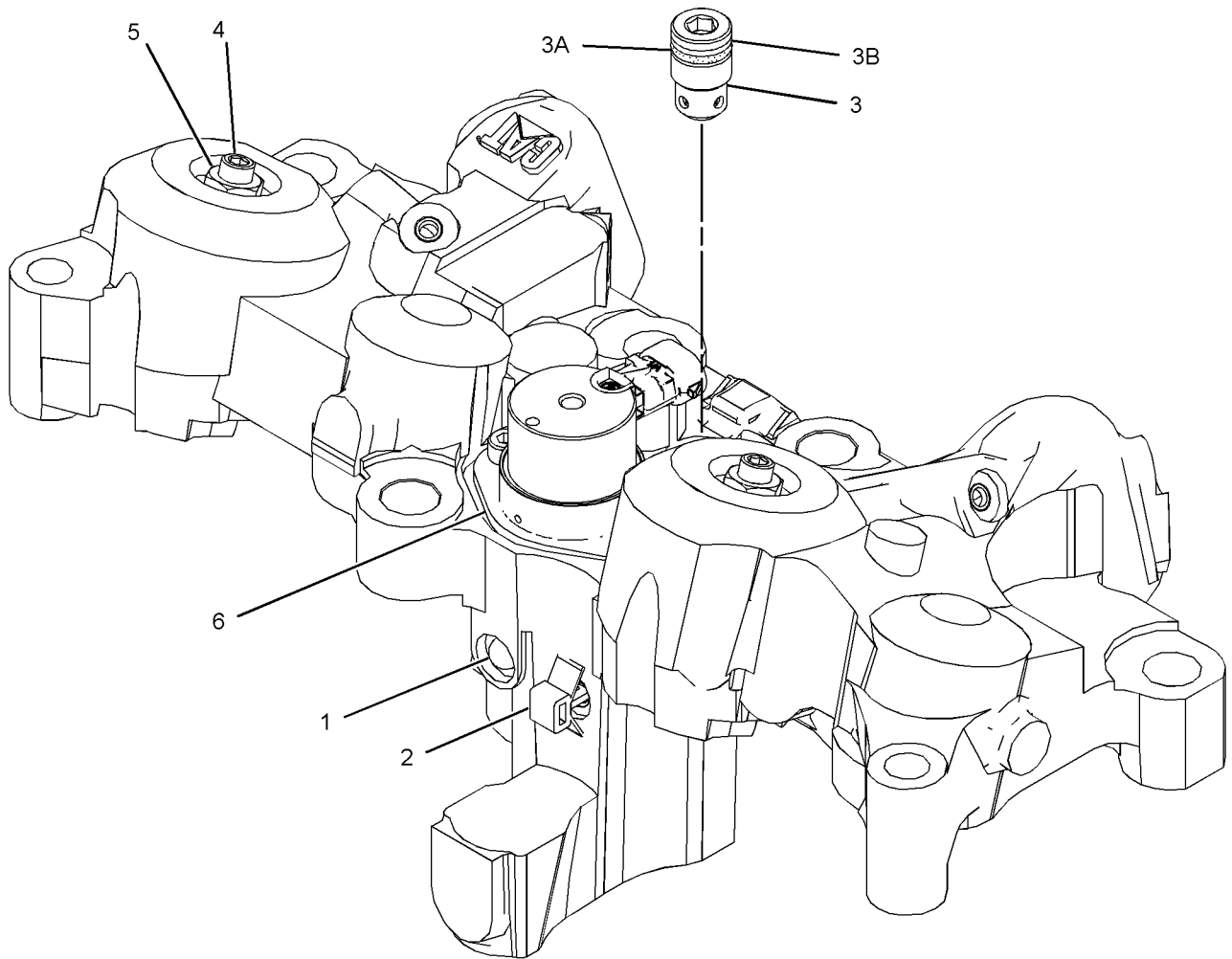
24-VOLT

PART OF 345-4072 ACTUATOR GP-VALVE  
FOR USE WITH ADVANCED PILOT CAMSHAFT  
AN ATTACHMENT

SMCS-1129

i03899370

NOTE	REF NO	GRAPHIC REF	PART NUMBER	QTY	PART NAME						SEE PAGE
					1	2	3	4	5	6 (PRODUCT LEVEL)	
	1	1	4B-9880	3	BALL						
	2	1	105-1797	1	MOUNT						
	3	1	230-9425	2	VALVE GP-CHECK (EACH INCLUDES)						
	3A	1	033-5879	1	SEAL-O-RING						
	3B	1	221-9963	1	RING						
	4	1	230-9446	2	SCREW-ADJUSTMENT						
	5	1	230-9447	2	NUT-JAM						
	6	1	250-9378	1	VALVE AS-BRAKE						



GRAPHIC #1

<END>

g01482355

# BASIC ENGINE

## 313-6363 ENGINE BRAKE GP

S/N: JRE1-12013

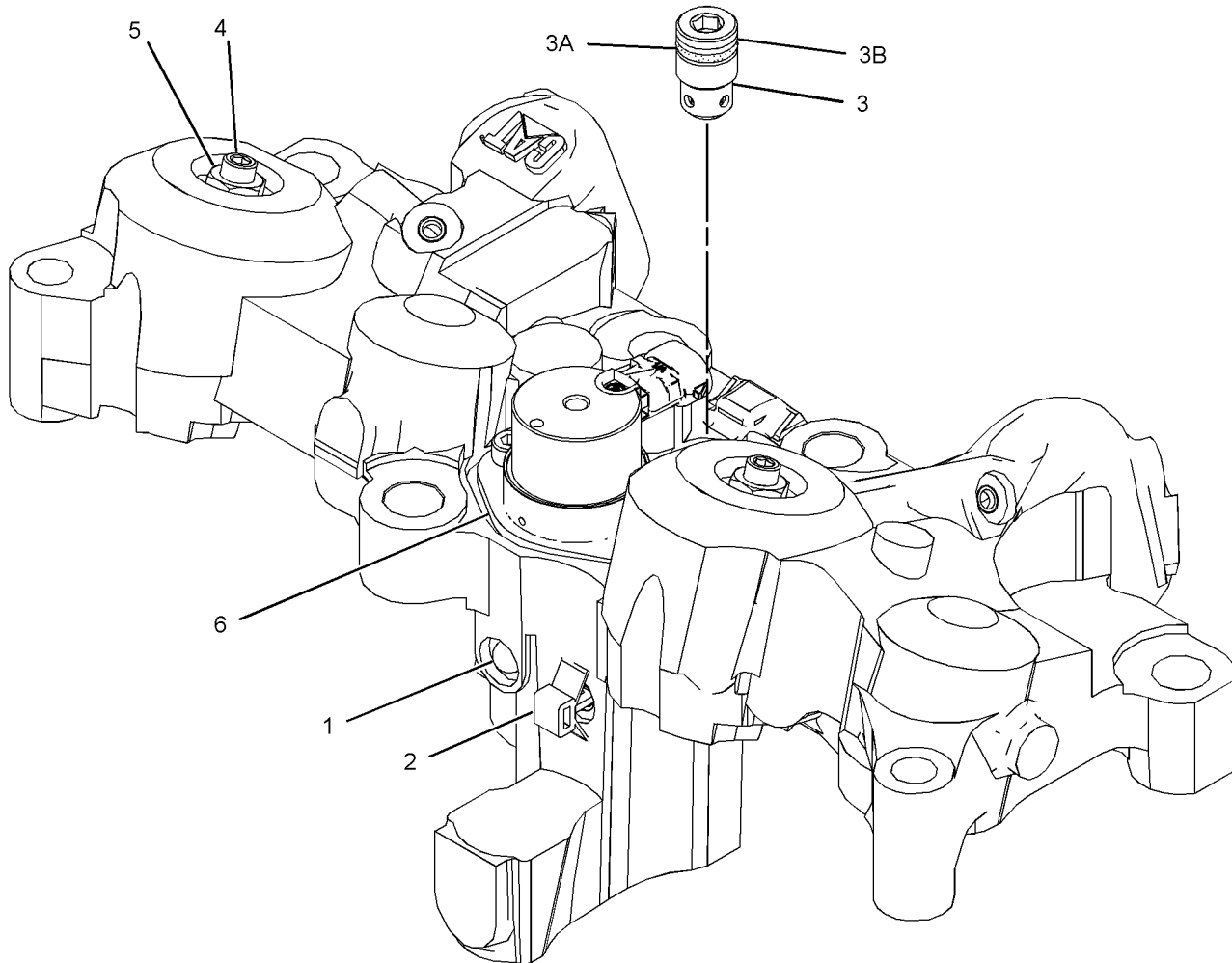
12-VOLT

PART OF 345-4073 ACTUATOR GP-VALVE  
FOR USE WITH ADVANCED PILOT CAMSHAFT  
AN ATTACHMENT

SMCS-1129

i02951809

NOTE	REF NO	GRAPHIC REF	PART NUMBER	QTY	PART NAME						SEE PAGE
					1	2	3	4	5	6 (PRODUCT LEVEL)	
	1	1	4B-9880	3	BALL						
	2	1	105-1797	1	MOUNT						
	3	1	230-9425	2	VALVE GP-CHECK						
	3A	1	033-5879	1	SEAL-O-RING						
	3B	1	221-9963	1	RING						
	4	1	230-9446	2	SCREW-ADJUSTMENT						
	5	1	230-9447	2	NUT-JAM						
	6	1	250-9377	1	VALVE AS						



GRAPHIC #1

<END>

g01482355

# BASIC ENGINE

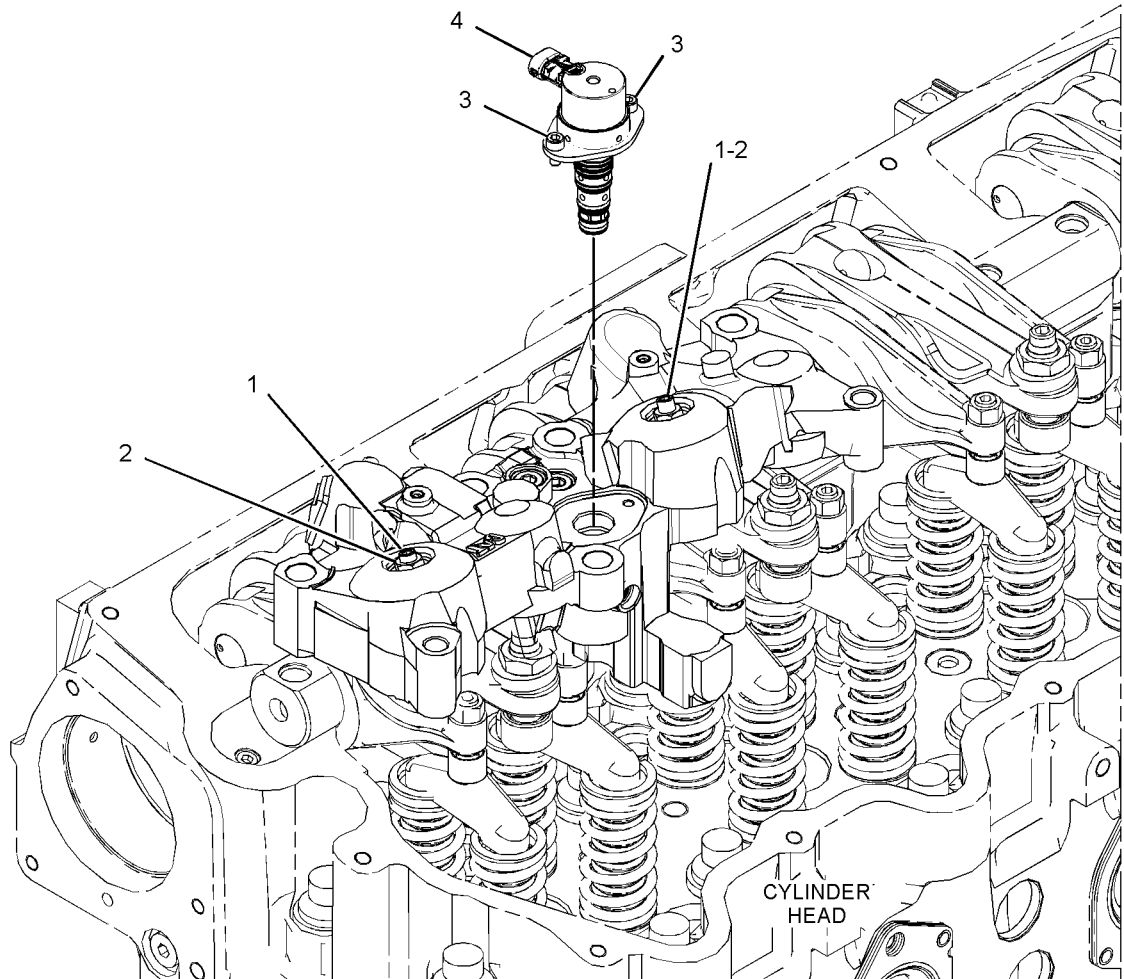
## 330-1919 ENGINE BRAKE GP

PART OF 322-8542, 345-4072 ACTUATOR GP-VALVE  
AN ATTACHMENT

SMCS-1129

i03862282

NOTE	REF NO	GRAPHIC REF	PART NUMBER	QTY	PART NAME						SEE PAGE
					1	2	3	4	5	6 (PRODUCT LEVEL)	
	1	1	230-9446	2	SCREW-ADJUSTMENT						
	2	1	230-9447	2	NUT-JAM						
	3	1	236-5958	2	BOLT						
	4	1	250-9378	1	VALVE AS-BRAKE						



GRAPHIC #1

<END>

g02165006

# BASIC ENGINE

## 347-0428 ENGINE BRAKE GP\*R

S/N: JRE3943-UP

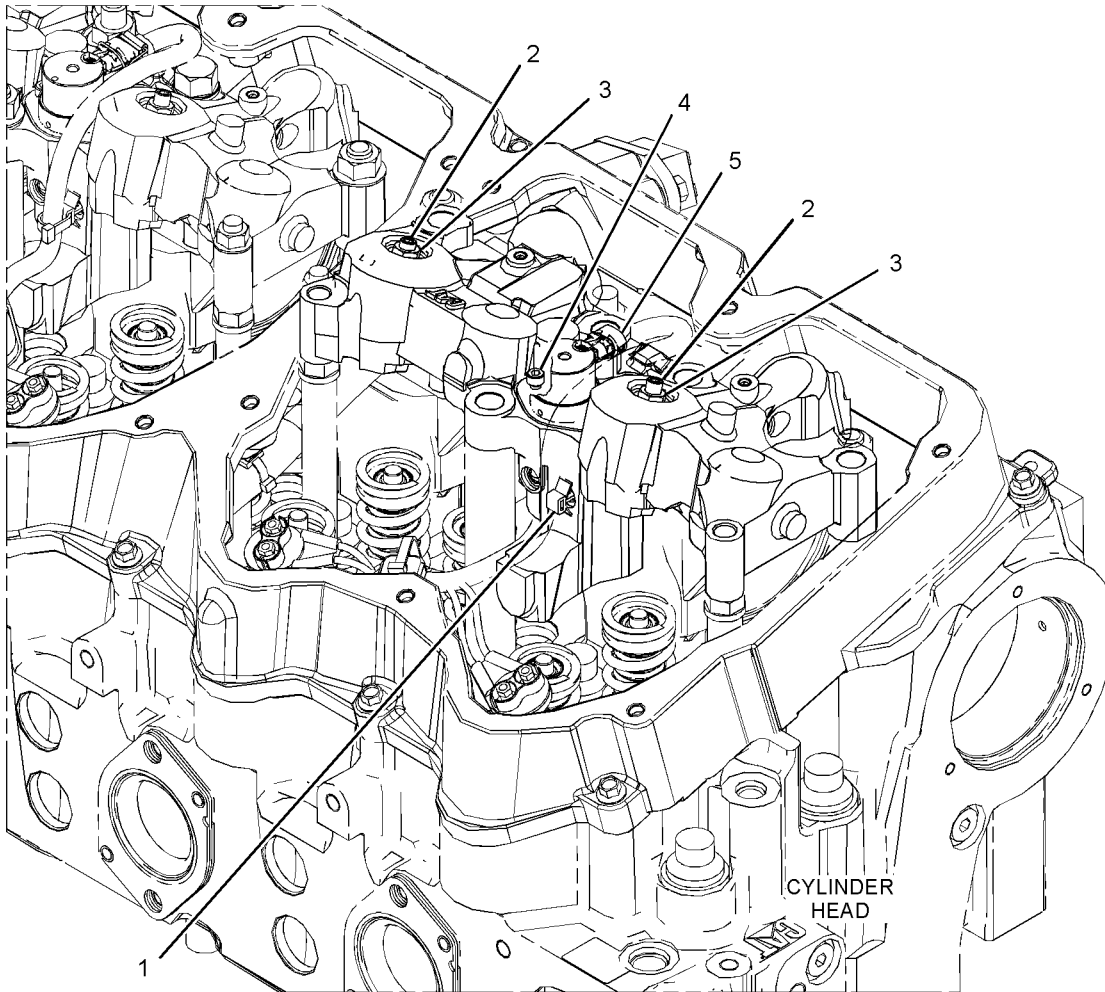
24-VOLT

PART OF 233-7245 ACTUATOR GP-VALVE  
AN ATTACHMENT

SMCS-1129

i04055269

NOTE	REF NO	GRAPHIC REF	PART NUMBER	QTY	PART NAME						SEE PAGE
					1	2	3	4	5	6 (PRODUCT LEVEL)	
	1	1	105-1797	1	MOUNT						
	2	1	230-9446	2	SCREW-ADJUSTMENT						
	3	1	230-9447	2	NUT-JAM (5/16-24-THD)						
	4	1	236-5958	2	BOLT (M5X0.8X10-MM)						
	5	1	250-9378	1	VALVE AS-BRAKE						



GRAPHIC #1

<END>

g02288293



# BASIC ENGINE

## 352-1610 ENGINE BRAKE GP

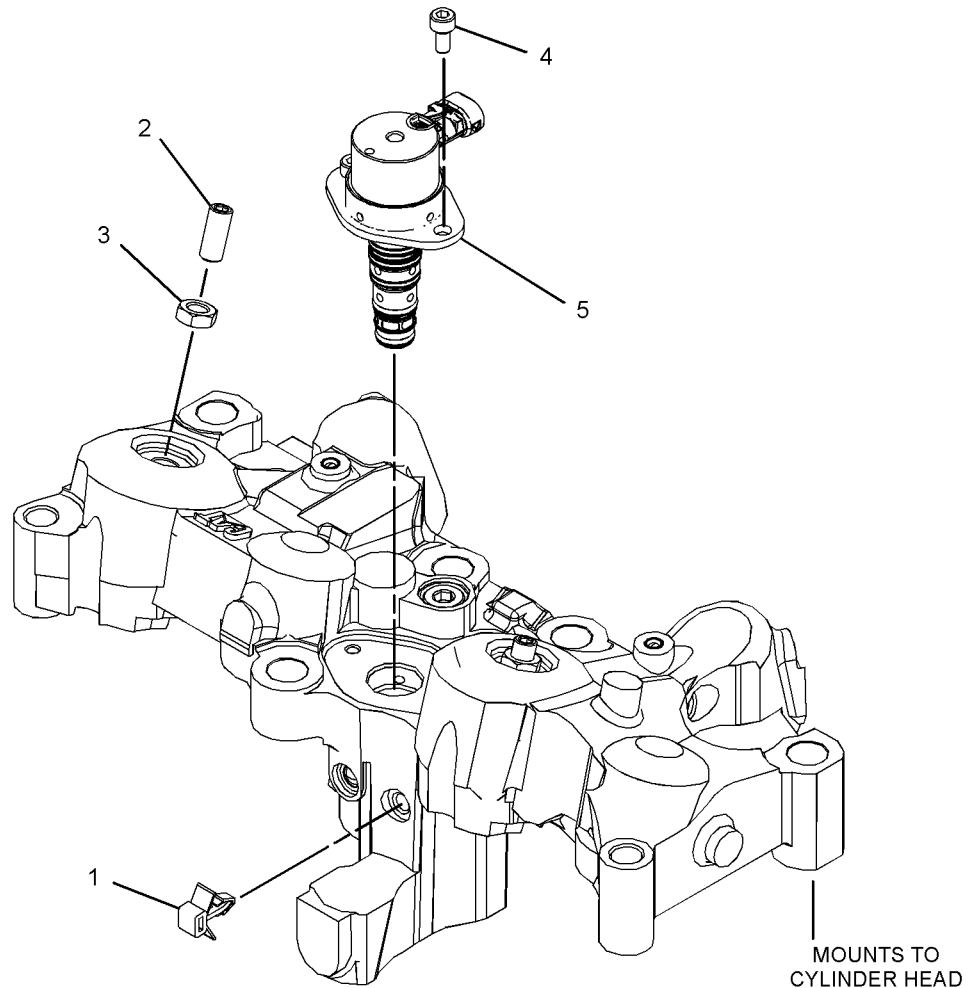
12-VOLT

PART OF 322-8543, 345-4073 ACTUATOR GP-VALVE  
AN ATTACHMENT

SMCS-1129

i04014452

NOTE	REF NO	GRAPHIC REF	PART NUMBER	QTY	PART NAME						SEE PAGE
					1	2	3	4	5	6 (PRODUCT LEVEL)	
	1	1	105-1797	1	MOUNT						
	2	1	230-9446	2	SCREW-ADJUSTMENT						
	3	1	230-9447	2	NUT-JAM						
	4	1	236-5958	2	BOLT						
	5	1	250-9377	1	VALVE AS (BRAKE)						



GRAPHIC #1

<END>

g02188933

# BASIC ENGINE

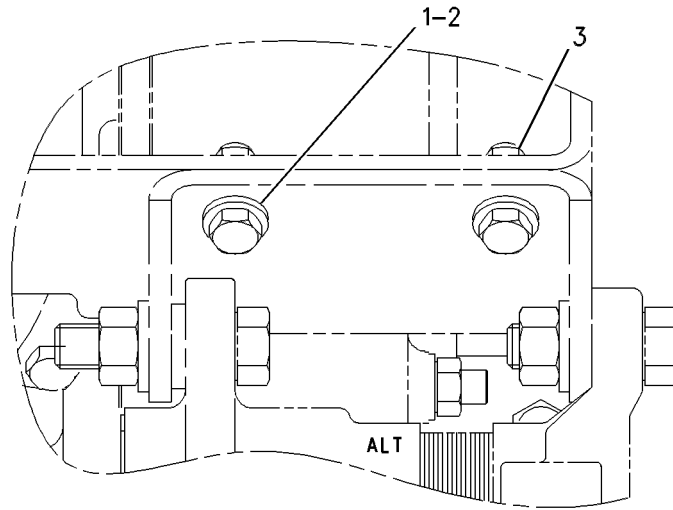
## 135-6940 FASTENER GP-ALTERNATOR

FOR USE WITH 118-3419-PAGE 306  
AN ATTACHMENT

SMCS-1151, 1405

i00940986

NOTE	REF NO	GRAPHIC REF	PART NUMBER	QTY	PART NAME						SEE PAGE
					1	2	3	4	5	6 (PRODUCT LEVEL)	
	1	1	1A-2029	2	BOLT (3/8-16X1.125-IN)						
	2	1	5M-2894	4	WASHER-HARD (10.2X18.5X2.5-MM THK)						
	3	1	9S-8752	2	NUT-FULL (3/8-16-THD)						



RIGHT SIDE VIEW

GRAPHIC #1

<END>

g00364361

# BASIC ENGINE

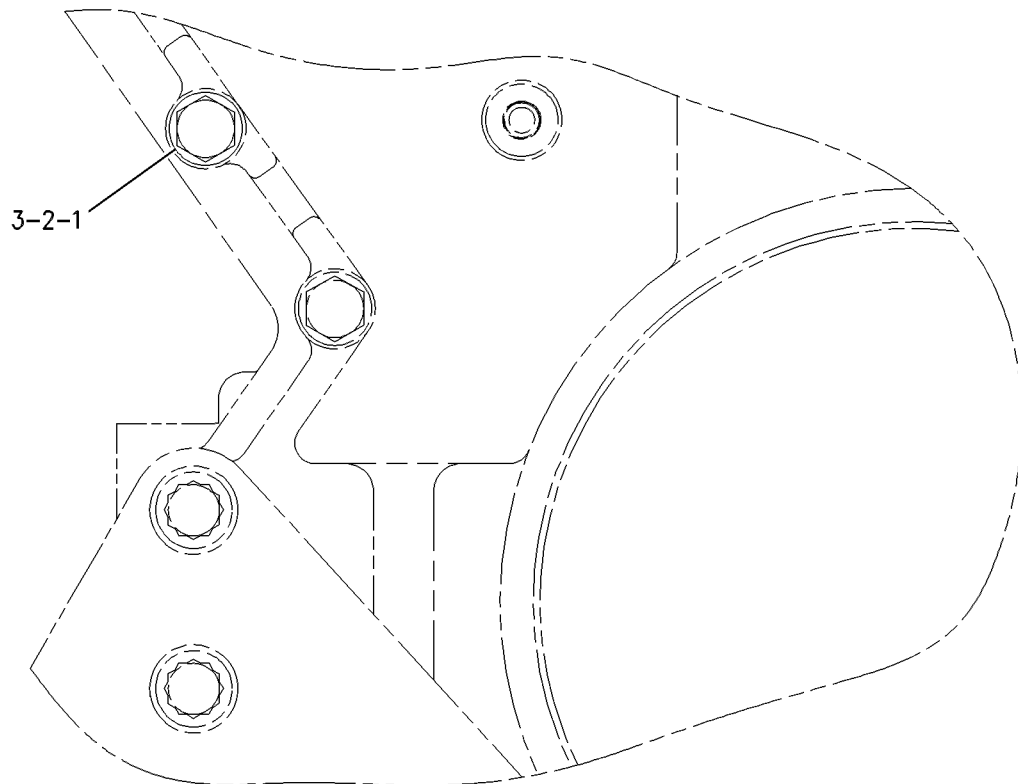
## 151-5366 FASTENER GP-ENGINE

USE WHEN DAMPER GUARD IS NOT USED  
AN ATTACHMENT

SMCS-1000

i01078234

NOTE	REF NO	GRAPHIC REF	PART NUMBER	QTY	PART NAME						SEE PAGE
					1	2	3	4	5	6 (PRODUCT LEVEL)	
	1	1	8S-9191	1	BOLT (3/8-16X4-IN)						
	2	1	5M-2894	2	WASHER-HARD (10.2X18.5X2.5-MM THK)						
	3	1	9S-8752	1	NUT-FULL (3/8-16-THD)						



GRAPHIC #1

<END>

g00570563

# BASIC ENGINE

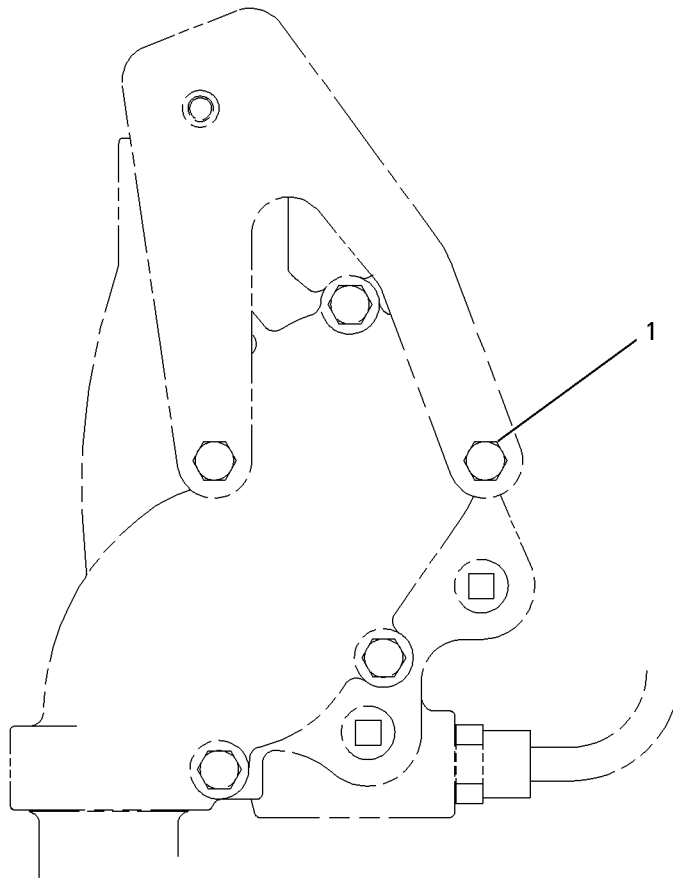
## 172-7120 FASTENER GP-ENGINE

FOR USE WITH WATER LINES, BRACKET ASSEMBLY FOR THE RH RADIATOR BRACE TO THE  
DUAL REGULATOR HOUSING  
AN ATTACHMENT

SMCS-1000

i01547866

NOTE	REF NO	GRAPHIC REF	PART NUMBER	QTY	PART NAME						SEE PAGE
					1	2	3	4	5	6 (PRODUCT LEVEL)	
	1	1	4F-0411	2	BOLT (3/8-16X6.5 IN)						



GRAPHIC #1

<END>

g00804513

# BASIC ENGINE

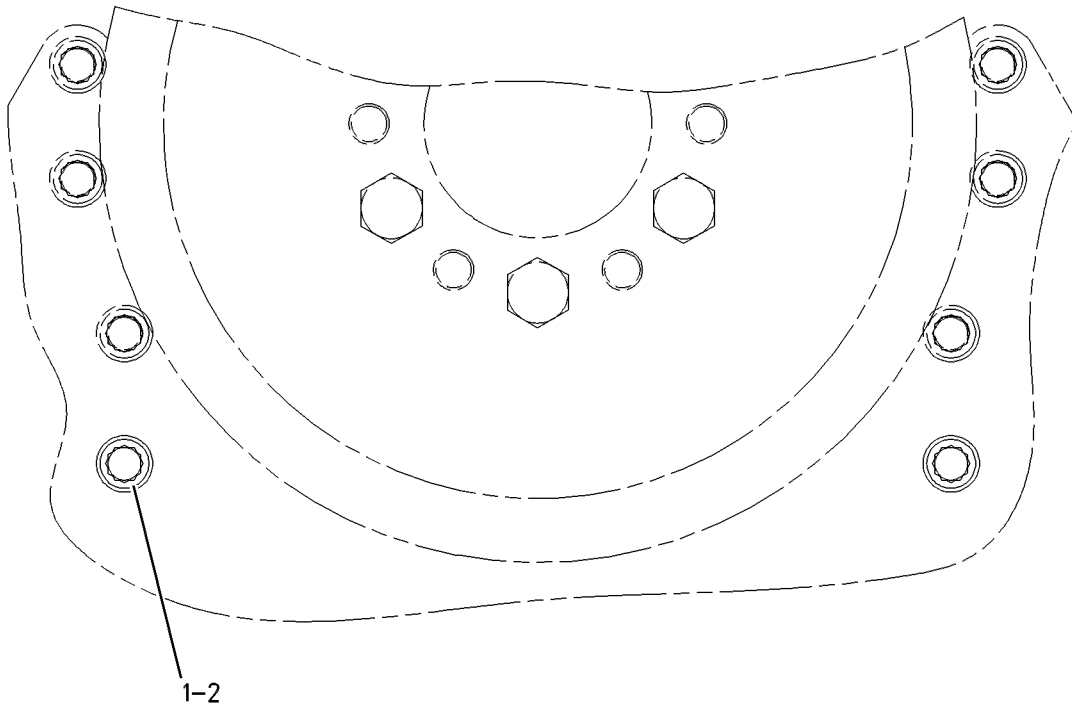
## 151-5365 FASTENER GP-FLYWHEEL HOUSING

USE WHEN DAMPER GUARD IS NOT USED  
AN ATTACHMENT

SMCS-1157

i02544042

NOTE	REF NO	GRAPHIC REF	PART NUMBER	QTY	PART NAME						SEE PAGE
					1	2	3	4	5	6 (PRODUCT LEVEL)	
	1	1	<b>3H-7654</b>	2	WASHER-HARD (13.5X22.5X3.0-MM THK)						
	2	1	<b>5P-8038</b>	2	BOLT-12 POINT HEAD (1/2-13X4.75-IN)						



FRONT VIEW

GRAPHIC #1

<END>

g00572102

# BASIC ENGINE

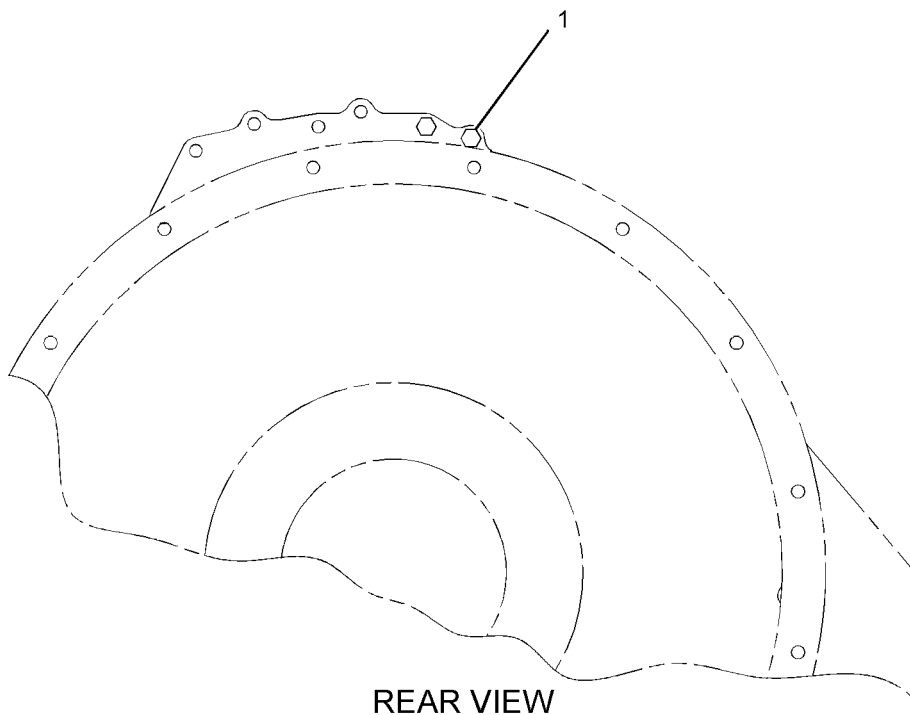
## 258-4885 FASTENER GP-FLYWHEEL HOUSING

AN ATTACHMENT

SMCS-1157

i02238857

NOTE	REF NO	GRAPHIC REF	PART NUMBER	QTY	PART NAME						SEE PAGE
					1	2	3	4	5	6 (PRODUCT LEVEL)	
	1	1	165-3929	2	BOLT (3/8-16X1.5-IN)						



GRAPHIC #1

<END>

g01138135

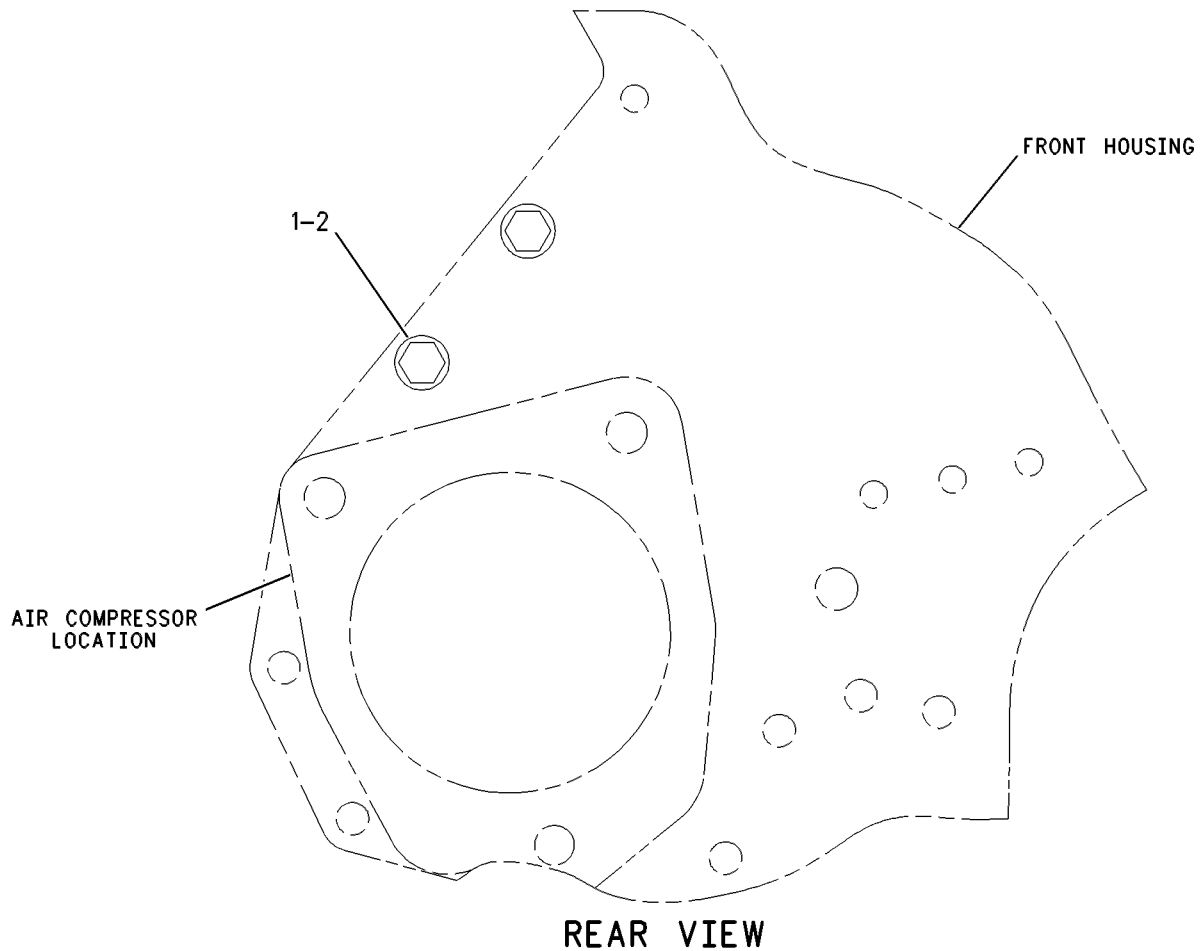
# BASIC ENGINE

## 180-4367 FASTENER GP-FRONT COVER AN ATTACHMENT

SMCS-1151

i02544046

NOTE	REF NO	GRAPHIC REF	PART NUMBER	QTY	PART NAME						SEE PAGE
					1	2	3	4	5	6 (PRODUCT LEVEL)	
	1	1	OS-1588	2	BOLT (3/8-16X1.25-IN)						
	2	1	5M-2894	2	WASHER-HARD (10.2X18.5X2.5-MM THK)						



GRAPHIC #1

<END>

g00654566

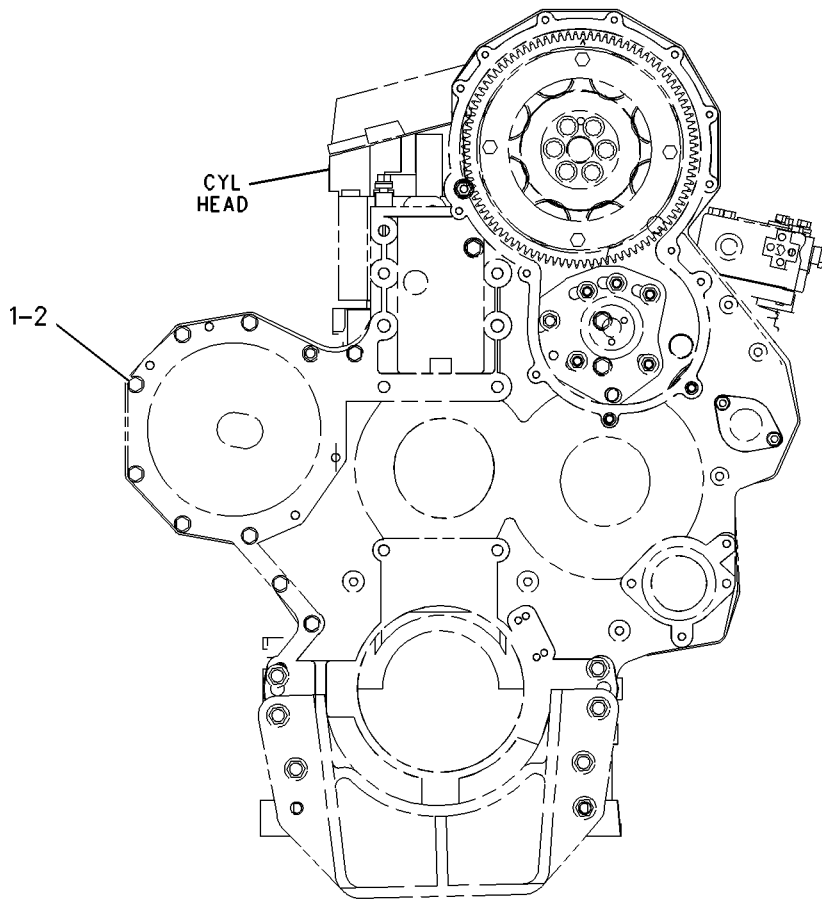
# BASIC ENGINE

## 227-9864 FASTENER GP-FRONT COVER USED WHEN THE ALTERNATOR MOUNTING GROUP IS NOT USED AN ATTACHMENT

SMCS-1151

i01901709

NOTE	REF NO	GRAPHIC REF	PART NUMBER	QTY	PART NAME						SEE PAGE
					1	2	3	4	5	6 (PRODUCT LEVEL)	
	1	1	0T-0055	6	BOLT (3/8-16X4.25 IN)						
	2	1	5M-2894	6	WASHER-HARD (10.2X18.5X2.5MM THK)						



FRONT VIEW

GRAPHIC #1

<END>

g00990799



# BASIC ENGINE

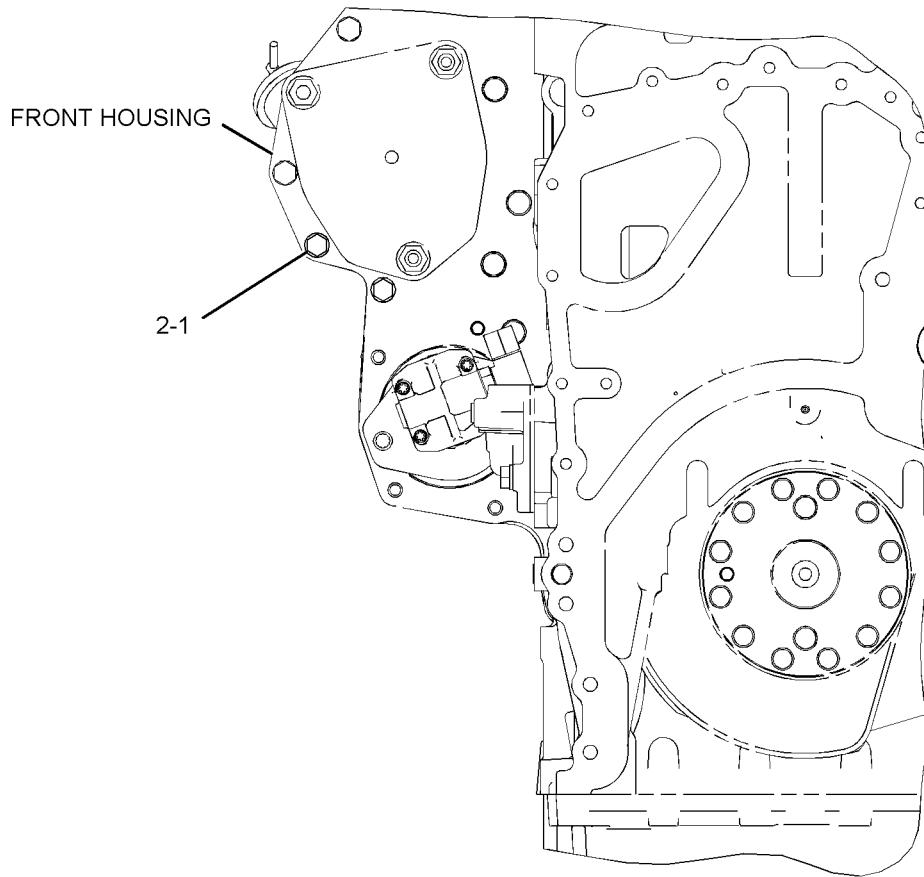
## 282-6846 FASTENER GP-FRONT COVER

AN ATTACHMENT

SMCS-1151

i02491944

NOTE	REF NO	GRAPHIC REF	PART NUMBER	QTY	PART NAME						SEE PAGE
					1	2	3	4	5	6 (PRODUCT LEVEL)	
	1	1	<b>0S-1588</b>	2	BOLT (3/8-16X1.25-IN)						
	2	1	<b>5M-2894</b>	2	WASHER-HARD (10.2X18.5X2.5-MM THK)						



REAR VIEW

GRAPHIC #1

<END>

g01263330

# BASIC ENGINE

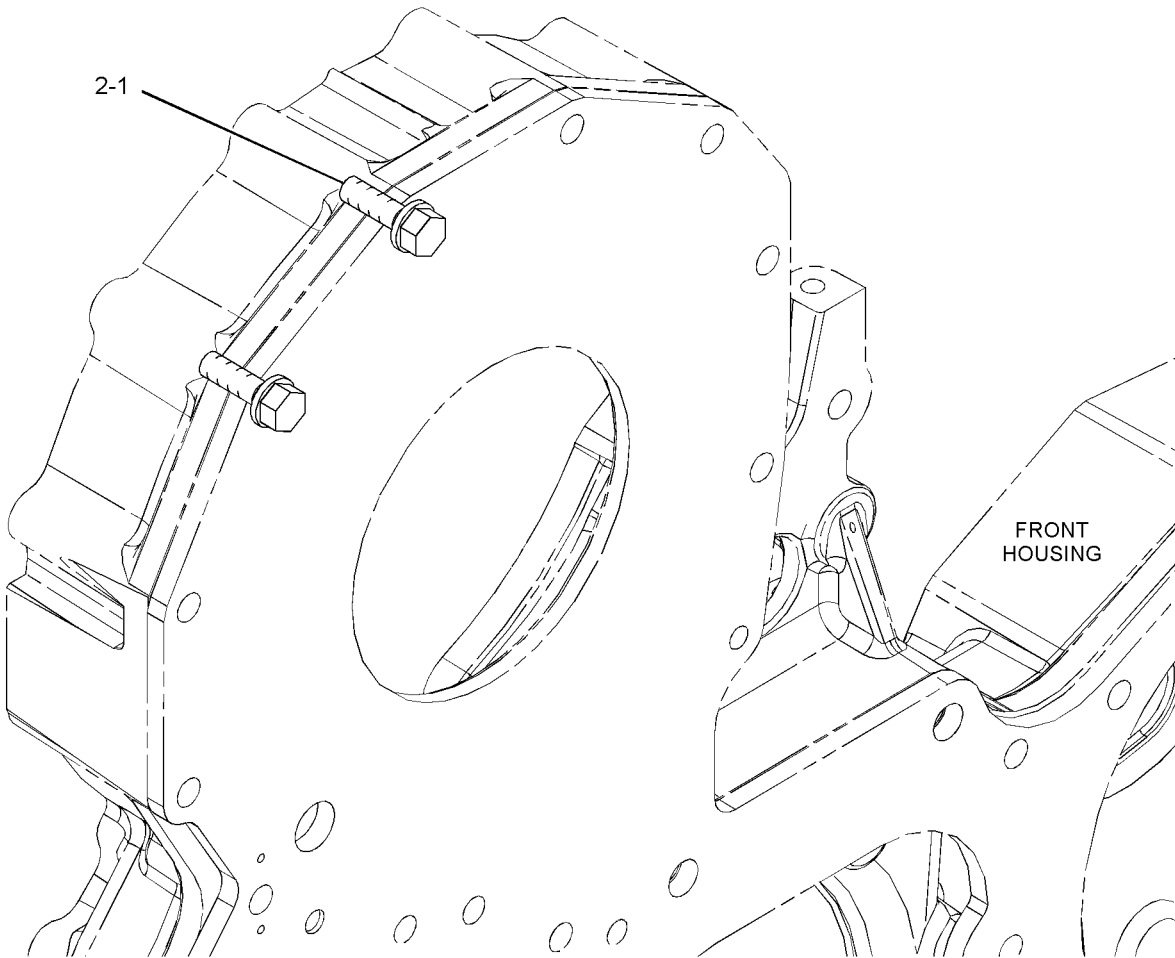
## 285-8628 FASTENER GP-FRONT COVER

CANNOT BE USED WITH INSTALLED RADIATOR  
AN ATTACHMENT

SMCS-1151

i02491796

NOTE	REF NO	GRAPHIC REF	PART NUMBER	QTY	PART NAME						SEE PAGE
					1	2	3	4	5	6 (PRODUCT LEVEL)	
	1	1	0S-1588	2	BOLT (3/8-16X1.25-IN)						
	2	1	5M-2894	2	WASHER-HARD (10.2X18.5X2.5-MM THK)						



GRAPHIC #1

<END>

g01258965

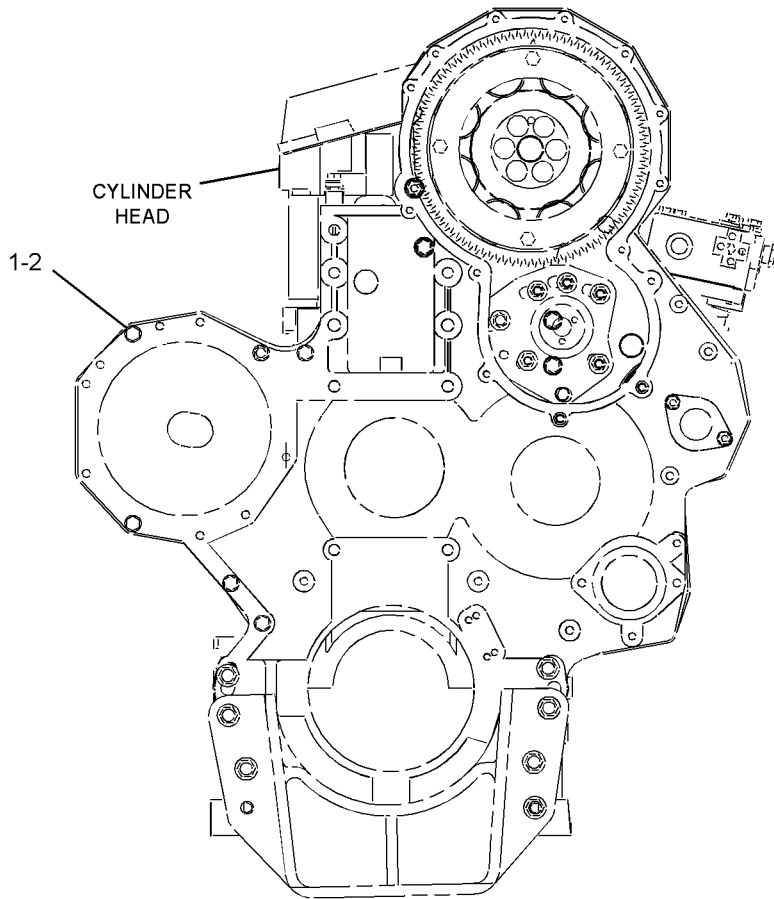
# BASIC ENGINE

## 351-0589 FASTENER GP AN ATTACHMENT

SMCS-1151

i03666105

NOTE	REF NO	GRAPHIC REF	PART NUMBER	QTY	PART NAME						SEE PAGE
					1	2	3	4	5	6 (PRODUCT LEVEL)	
	1	1	<b>0T-0055</b>	2	BOLT (3/8-16X4.25-IN)						
	2	1	<b>5M-2894</b>	2	WASHER-HARD (10.2X18.5X2.5-MM THK)						



FRONT VIEW OF ENGINE

GRAPHIC #1

<END>

g01967722

# BASIC ENGINE

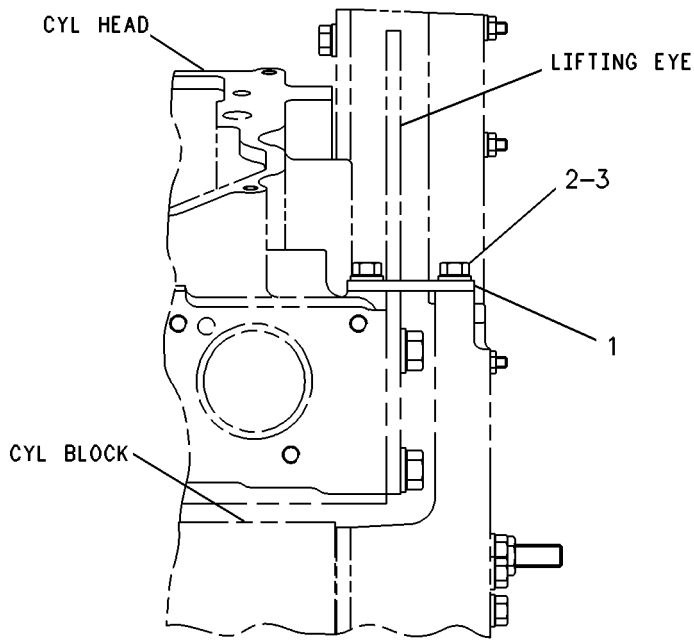
## 4P-6846 FASTENER GP-FRONT HOUSING

ALSO AN ATTACHMENT

SMCS-1151, 1162

i02544049

NOTE	REF NO	GRAPHIC REF	PART NUMBER	QTY	PART NAME						SEE PAGE
					1	2	3	4	5	6 (PRODUCT LEVEL)	
	1	1	7N-0452	1	PLATE						
	2	1	0S-1594	2	BOLT (3/8-16X1-IN)						
	3	1	5M-2894	2	WASHER-HARD (10.2X18.5X2.5-MM THK)						



RIGHT SIDE VIEW

GRAPHIC #1

<END>

g00231021

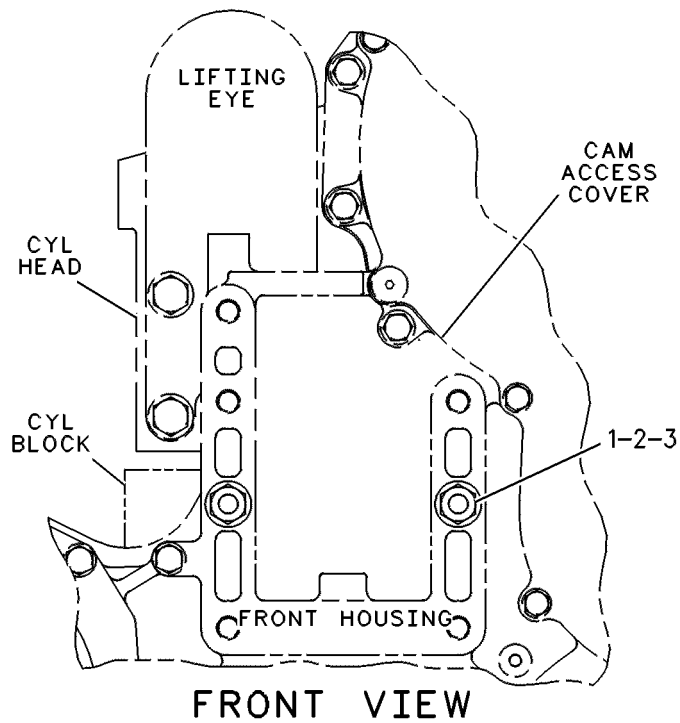
# BASIC ENGINE

## 108-9382 FASTENER GP-FRONT HOUSING FOR USE WITH FRONT HOUSING WHEN FAN DRIVE IS NOT INSTALLED AN ATTACHMENT

SMCS-1151, 1162

i00670762

NOTE	REF NO	GRAPHIC REF	PART NUMBER	QTY	PART NAME						SEE PAGE
					1	2	3	4	5	6 (PRODUCT LEVEL)	
	1	1	1F-7958	2	NUT-FULL (1/2-13-THD)						
	2	1	5P-8245	2	WASHER-HARD (13.5X25.5X3-MM THK)						
	3	1	149-5268	2	STUD-TAPERLOCK						



FRONT VIEW

GRAPHIC #1

<END>

g00237936

# BASIC ENGINE

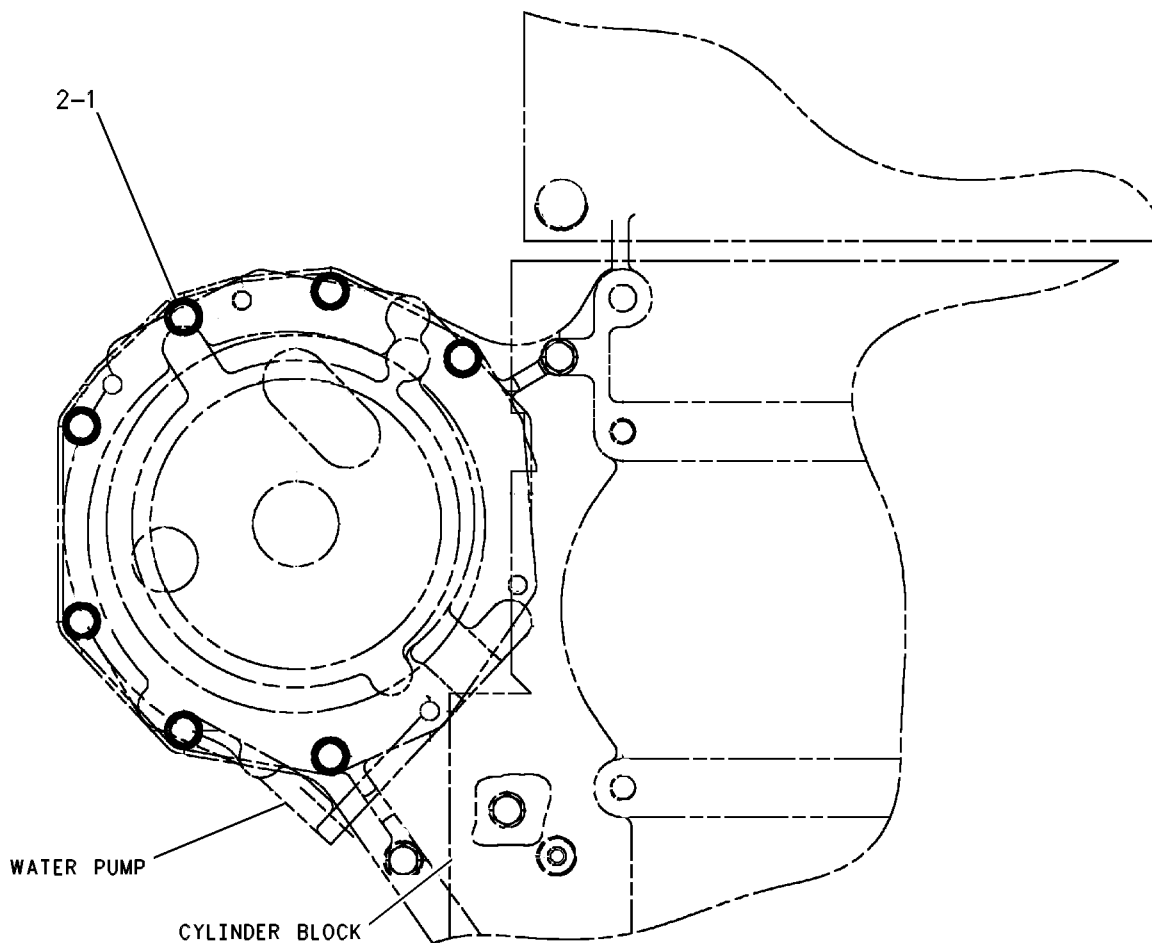
## 179-9496 FASTENER GP-FRONT HOUSING

FOR USE WITH FRONT HOUSING  
AN ATTACHMENT

SMCS-1151, 1162

i02544053

NOTE	REF NO	GRAPHIC REF	PART NUMBER	QTY	PART NAME						SEE PAGE
					1	2	3	4	5	6 (PRODUCT LEVEL)	
	1	1	0T-0055	7	BOLT (3/8-16X4.25-IN)						
	2	1	5M-2894	7	WASHER-HARD (10.2X18.5X2.5-MM THK)						



GRAPHIC #1

<END>

g00654778

# BASIC ENGINE

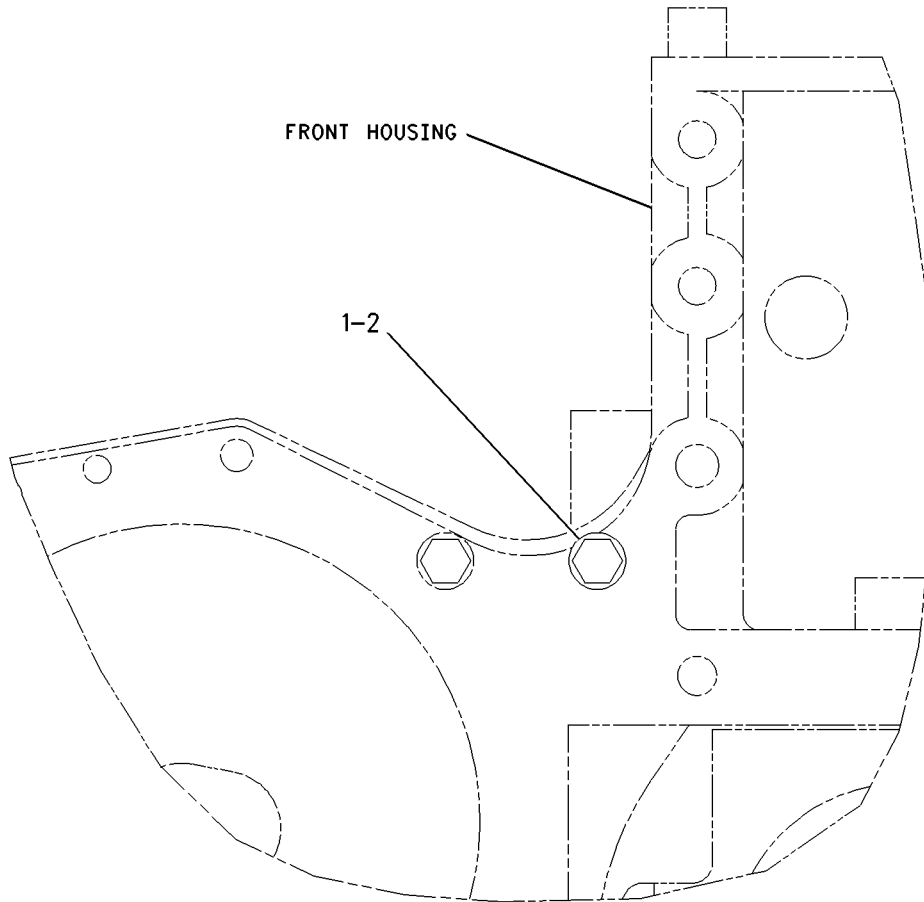
## 229-9965 FASTENER GP-FRONT HOUSING- WITH AND WITHOUT SOUND PANEL

FOR USE WITH WHEN NO FULL FRONT SOUND SUPPRESSION PANEL GROUP IS USED  
AN ATTACHMENT

SMCS-1151, 1162

i01897585

NOTE	REF NO	GRAPHIC REF	PART NUMBER	QTY	PART NAME						SEE PAGE
					1	2	3	4	5	6 (PRODUCT LEVEL)	
	1	1	0T-0055	1	BOLT (3/8-16X4.25 IN)						
	2	1	5M-2894	1	WASHER-HARD (10.2X18.5X2.5MM THK)						



FRONT VIEW

GRAPHIC #1

<END>

g00987899

# BASIC ENGINE

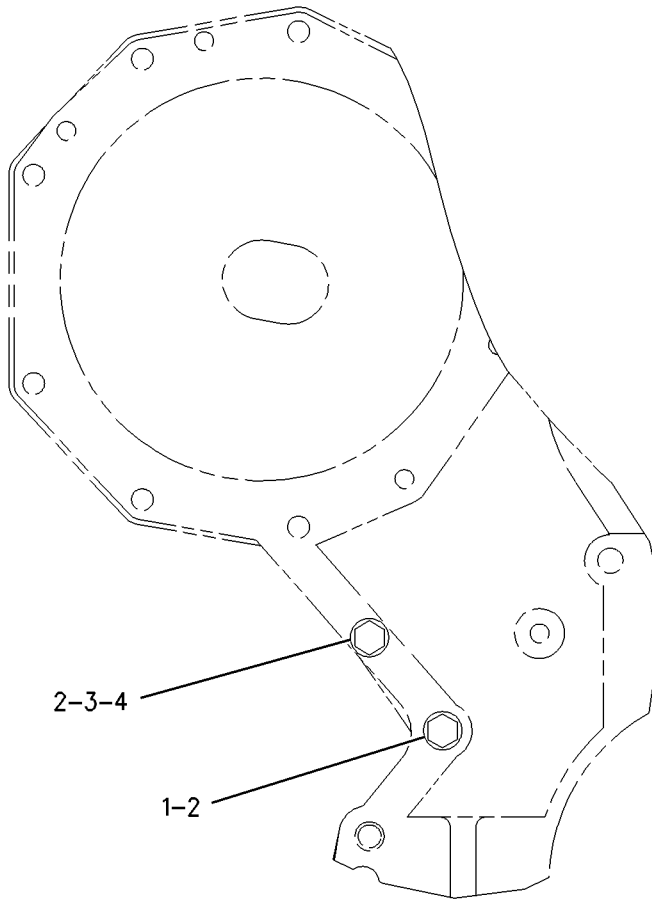
## 229-9966 FASTENER GP-FRONT HOUSING- WITHOUT SOUND PANEL

FOR USE WITH WHEN NO FRONT SOUND SUPPRESSION PANEL GROUP IS USED  
AN ATTACHMENT

SMCS-1151, 1162

i01897580

NOTE	REF NO	GRAPHIC REF	PART NUMBER	QTY	PART NAME						SEE PAGE
					1	2	3	4	5	6 (PRODUCT LEVEL)	
	1	1	0T-0055	1	BOLT (3/8-16X4.25-IN)						
	2	1	5M-2894	3	WASHER-HARD (10.2X18.5X2.5-MM THK)						
	3	1	8S-9191	1	BOLT (3/8-16X4-IN)						
	4	1	9S-8752	1	NUT-FULL (3/8-16-THD)						



FRONT VIEW

GRAPHIC #1

<END>

g00987869



# BASIC ENGINE

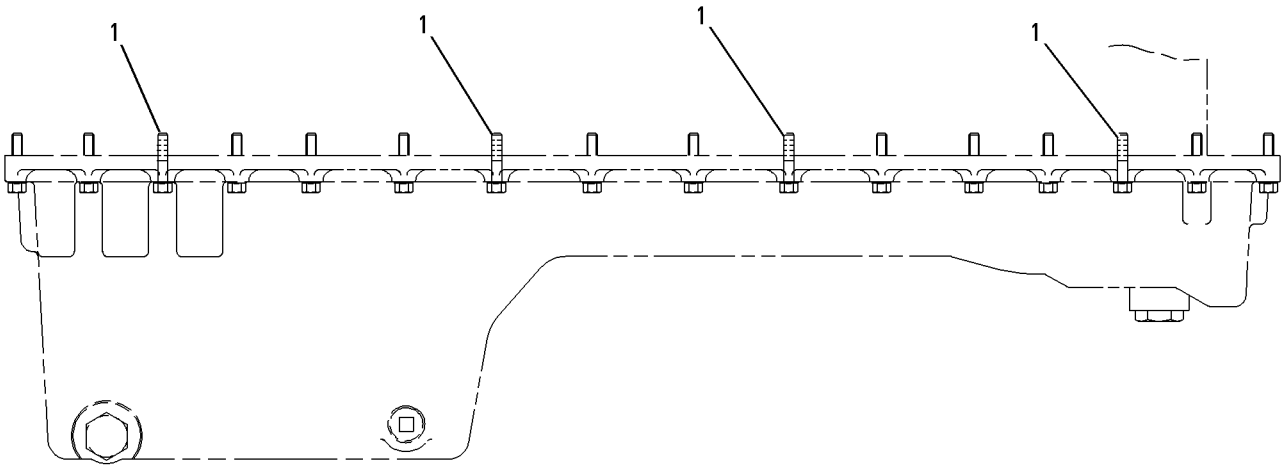
## 109-3290 FASTENER GP-OIL PAN

FOR USE WITH NON-BRAKESAVER ENGINES  
AN ATTACHMENT

SMCS-1302

i02332029

NOTE	REF NO	GRAPHIC REF	PART NUMBER	QTY	PART NAME						SEE PAGE
					1	2	3	4	5	6 (PRODUCT LEVEL)	
	1	1	2P-3205	8	BOLT-WASHER HEAD (3/8-16X1.75-IN)						



RIGHT SIDE VIEW

GRAPHIC #1

<END>

g00731162

# BASIC ENGINE

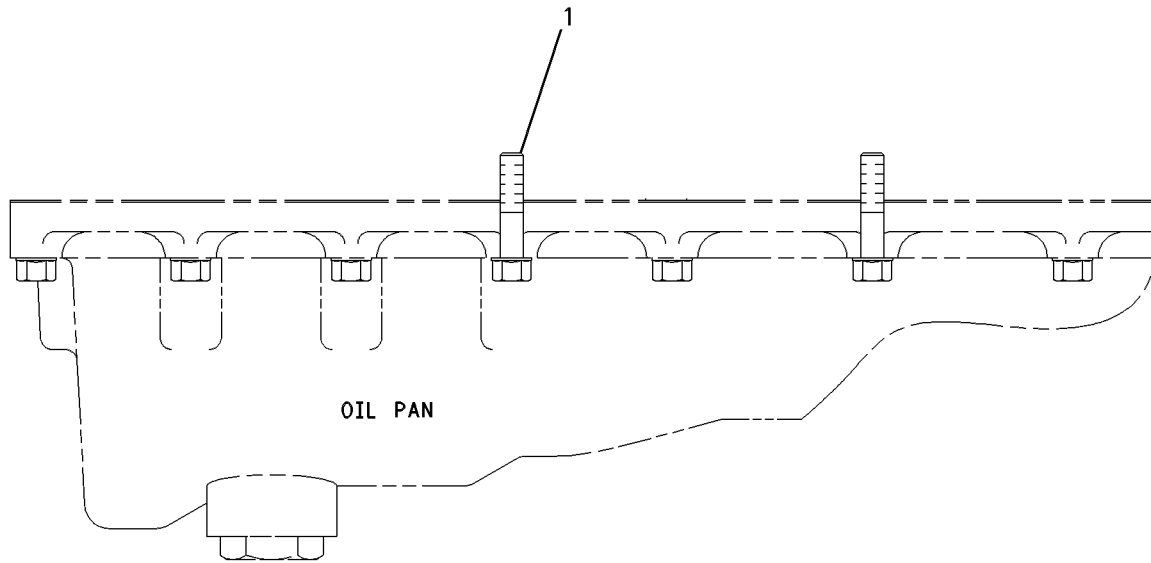
## 160-8329 FASTENER GP-OIL PAN

FOR USE WITH OIL COOLER  
AN ATTACHMENT

SMCS-1302

i02332037

NOTE	REF NO	GRAPHIC REF	PART NUMBER	QTY	PART NAME						SEE PAGE
					1	2	3	4	5	6 (PRODUCT LEVEL)	
	1	1	2P-3205	2	BOLT-WASHER HEAD (3/8-16X1.75-IN)						



RIGHT SIDE VIEW

GRAPHIC #1

<END>

g00539960

# BASIC ENGINE

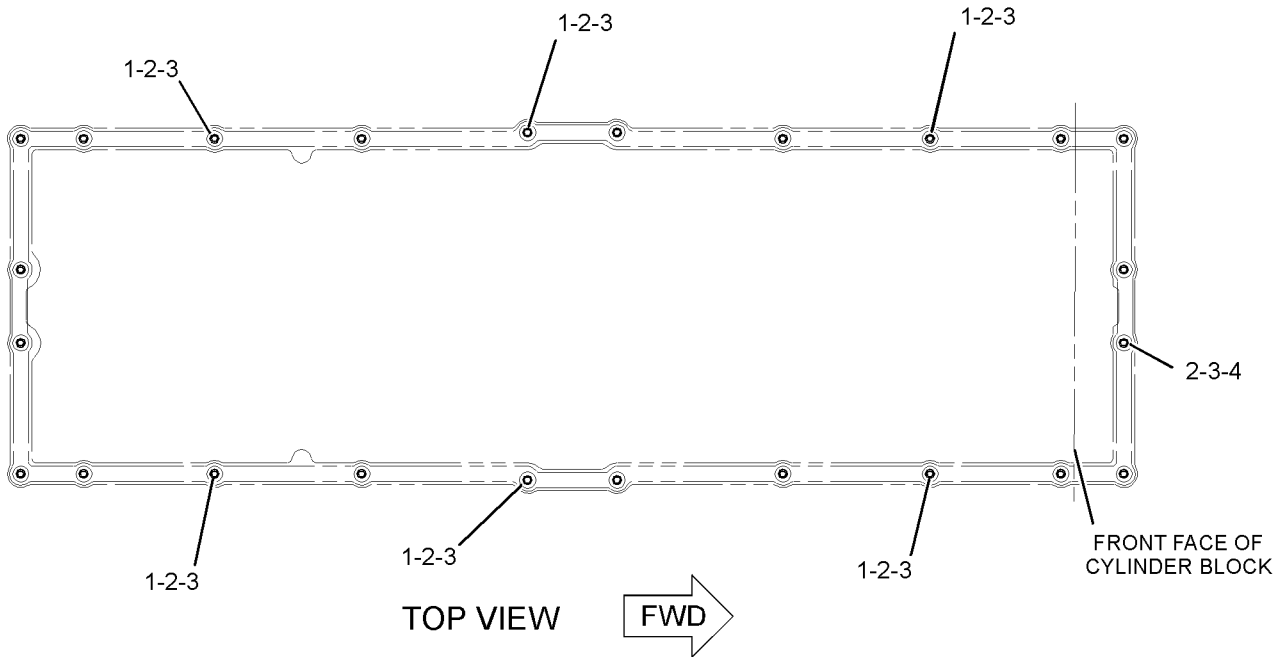
## 176-7008 FASTENER GP-OIL PAN

PROVIDES 3 STUDS ON RIGHT AND LEFT SIDE OF ENGINE  
FOR USE WITH FRONT OR REAR SUMP  
AN ATTACHMENT

SMCS-1302

i02669649

NOTE	REF NO	GRAPHIC REF	PART NUMBER	QTY	PART NAME						SEE PAGE
					1	2	3	4	5	6 (PRODUCT LEVEL)	
	1	1	<b>238-4664</b>	7	STUD (3/8-16-THD)						
	2	1	<b>240-1614</b>	24	SLEEVE AS						
	3	1	<b>9L-9132</b>	24	WASHER (10.2X25.5X2.5-MM THK)						
	4	1	<b>0L-2070</b>	17	BOLT (3/8-16X2.25-IN)						



GRAPHIC #1

<END>

g01343380

# BASIC ENGINE

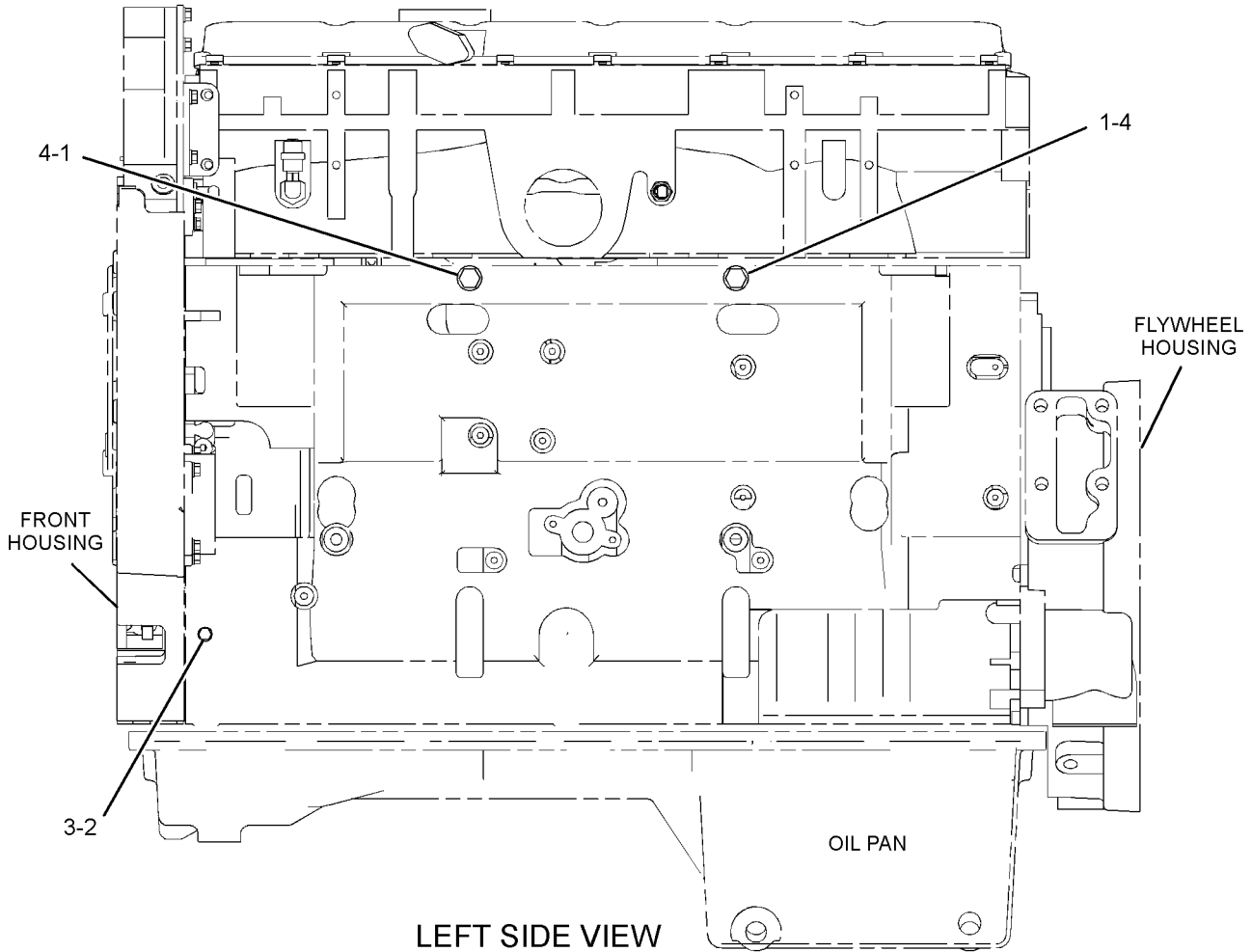
## 286-1106 FASTENER GP-SOUND SUPPRESSION

FOR USE WITH 223-9786-PAGE 1136. CANNOT BE USED WITH 285-0028-PAGE 948,  
286-9120-PAGE 949, WATER SEPARATOR, LOW MOUNT FUEL LINES  
AN ATTACHMENT

SMCS-1801

i02491794

NOTE	REF NO	GRAPHIC REF	PART NUMBER	QTY	PART NAME						SEE PAGE
					1	2	3	4	5	6 (PRODUCT LEVEL)	
	1	1	0S-1576	2	BOLT (5/8-18X2-IN)						
	2	1	3B-1915	1	BOLT (3/8-16X1.375-IN)						
	3	1	5M-2894	1	WASHER-HARD (10.2X18.5X2.5-MM THK)						
	4	1	5P-8247	2	WASHER-HARD (17X32X3.5-MM THK)						



LEFT SIDE VIEW

<END>

GRAPHIC #1

g01258818

# BASIC ENGINE

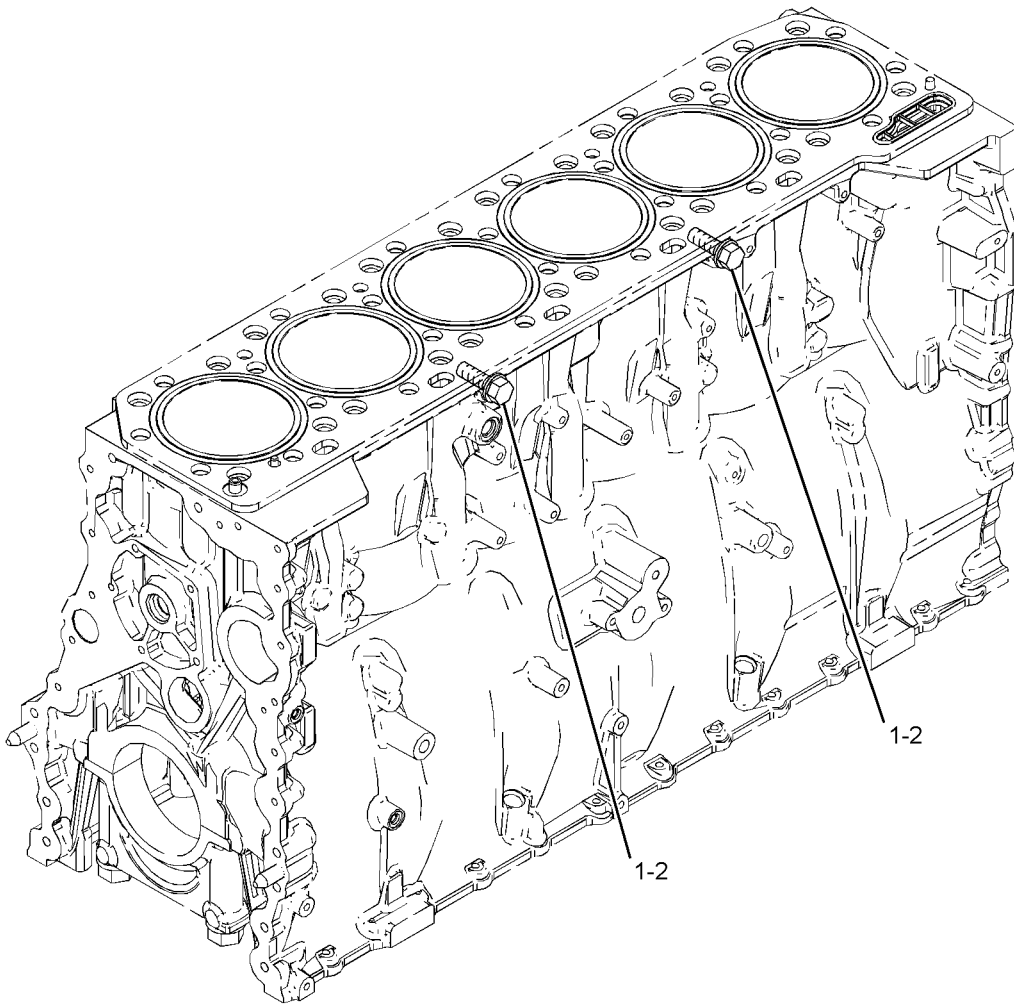
## 351-0588 FASTENER GP-SOUND SUPPRESSION

AN ATTACHMENT

SMCS-1801

i03666081

NOTE	REF NO	GRAPHIC REF	PART NUMBER	QTY	PART NAME						SEE PAGE
					1	2	3	4	5	6 (PRODUCT LEVEL)	
	1	1	OS-1576	2	BOLT (5/8-18X2-IN)						
	2	1	5P-8247	2	WASHER-HARD (17X32X3.5-MM THK)						



GRAPHIC #1

<END>

g01980635

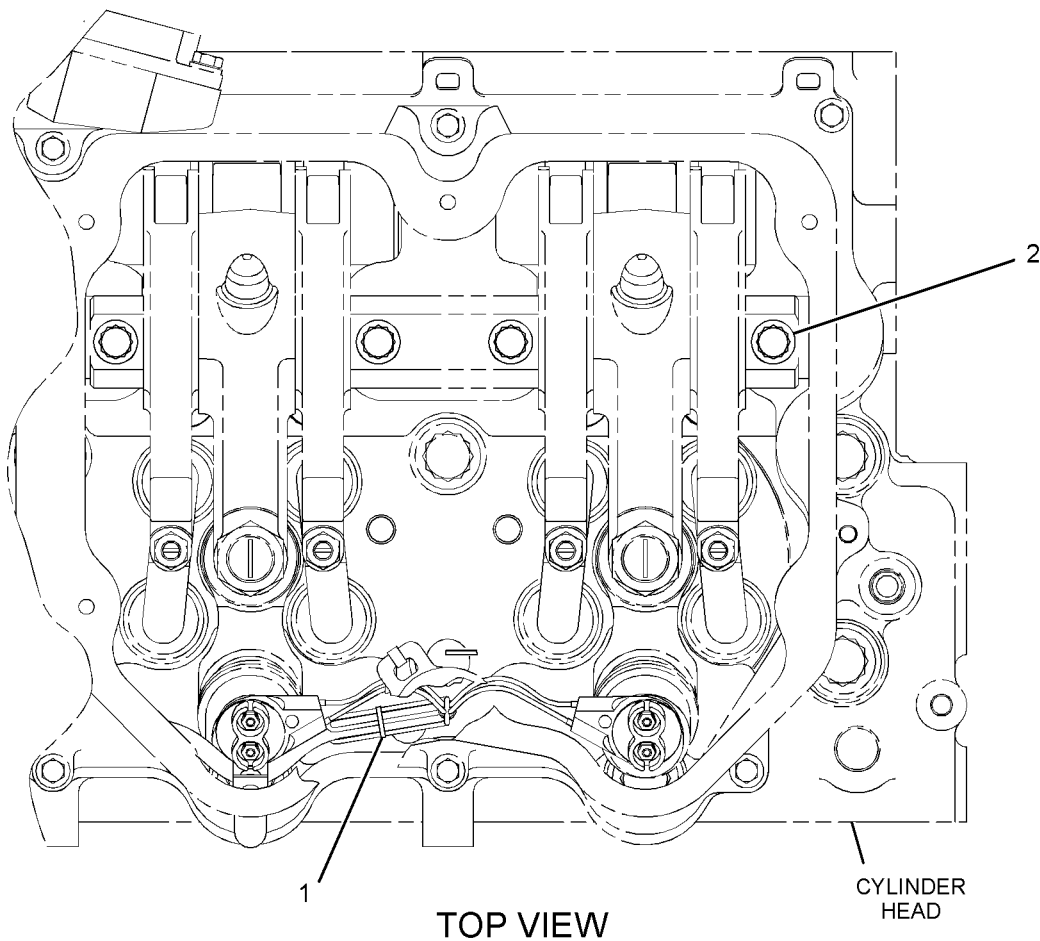
# BASIC ENGINE

## 109-1657 FASTENER GP-VALVE MECHANISM ALSO AN ATTACHMENT

SMCS-1102

i04042337

NOTE	REF NO	GRAPHIC REF	PART NUMBER	QTY	PART NAME						SEE PAGE
					1	2	3	4	5	6 (PRODUCT LEVEL)	
	1	1	8L-8413	6	STRAP-CABLE						
	2	1	356-5212	12	BOLT-12 POINT HEAD						



TOP VIEW

GRAPHIC #1

<END>

g02257193

# BASIC ENGINE

## 335-2317 FASTENER GP-VALVE MECHANISM

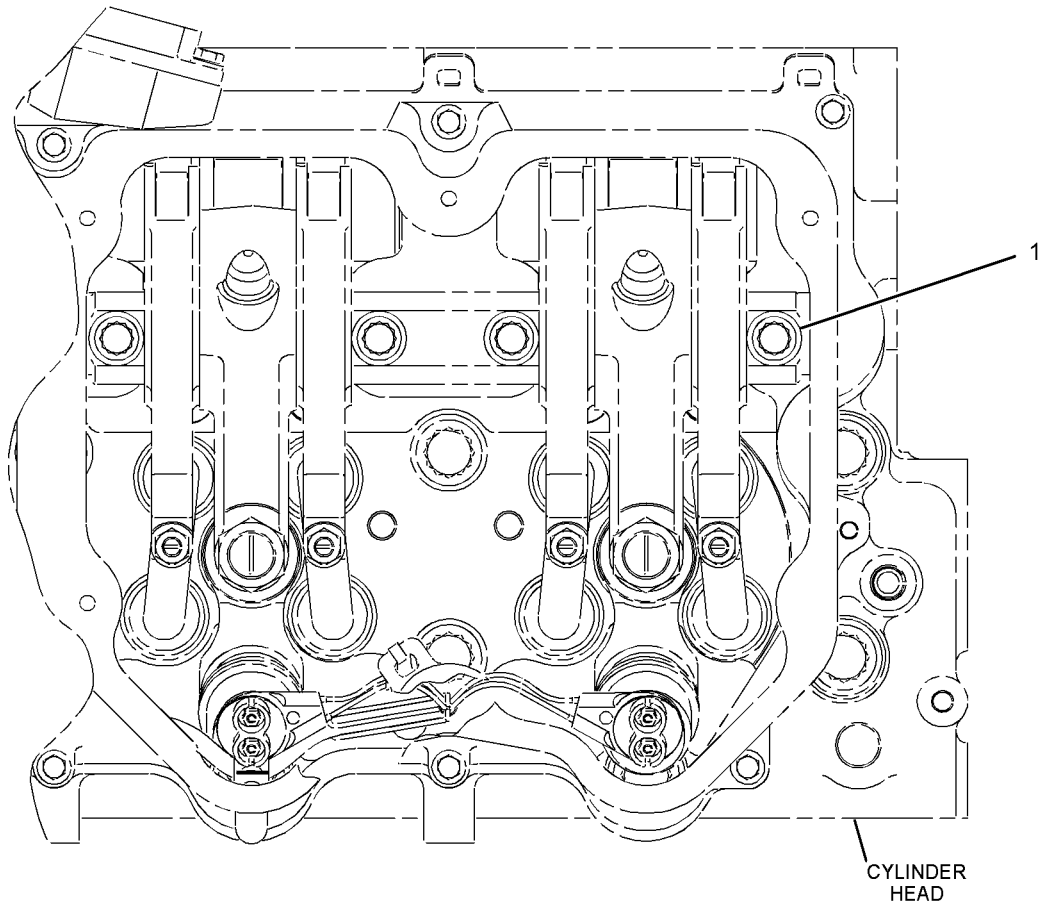
S/N: JRE10574-UP

PROVIDES MOUNTING BOLTS FOR TIER IV MECHANISM GROUP  
FOR USE WITH NON CAT BRAKE APPLICATIONS. CANNOT BE USED WITH CAT BRAKE  
APPLICATIONS

SMCS-1102

i04042326

NOTE	REF NO	GRAPHIC REF	PART NUMBER	QTY	PART NAME						SEE PAGE
					1	2	3	4	5	6 (PRODUCT LEVEL)	
	1	1	356-5212	12	BOLT-12 POINT HEAD						



TOP VIEW

<END>

GRAPHIC #1

g02260935

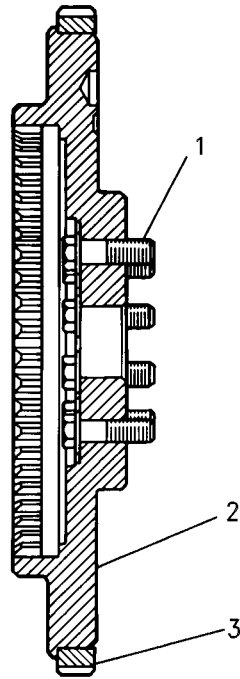
# BASIC ENGINE

## 4P-6817 FLYWHEEL GP AN ATTACHMENT

SMCS-1156

i02899141

NOTE	REF NO	GRAPHIC REF	PART NUMBER	QTY	PART NAME						SEE PAGE
					1	2	3	4	5	6 (PRODUCT LEVEL)	
	1	1	0S-1577	12	BOLT (5/8-18X2.25-IN)						
		1	4D-3704	12	WASHER-HARD (17X30X5-MM THK)						
	2	1	4P-6818	1	FLYWHEEL AS						
	3	1	4N-2514	1	GEAR (113-TEETH)						



GRAPHIC #1

<END>

g00594779



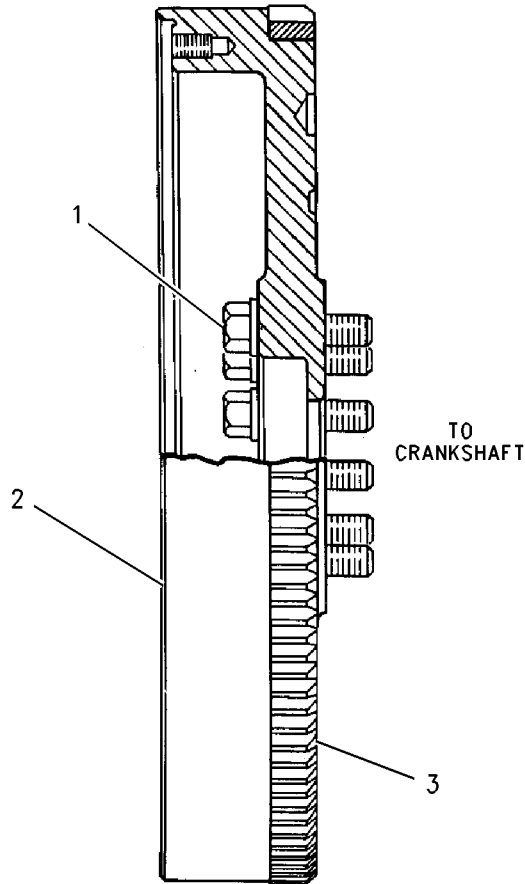
# BASIC ENGINE

## 7N-3060 FLYWHEEL GP FOR USE WITH SAE NO. 1 FLYWHEEL HOUSING AN ATTACHMENT

SMCS-1156

i02727984

NOTE	REF NO	GRAPHIC REF	PART NUMBER	QTY	PART NAME						SEE PAGE
					1	2	3	4	5	6 (PRODUCT LEVEL)	
	1	1	0S-1601	12	BOLT (5/8-18X2.75-IN)						
		1	4D-3704	12	WASHER-HARD (17X30X5-MM THK)						
	2	1	7W-1248	1	FLYWHEEL AS						
	3	1	4N-2514	1	GEAR (113-TEETH)						



GRAPHIC #1

<END>

g00768376

# BASIC ENGINE

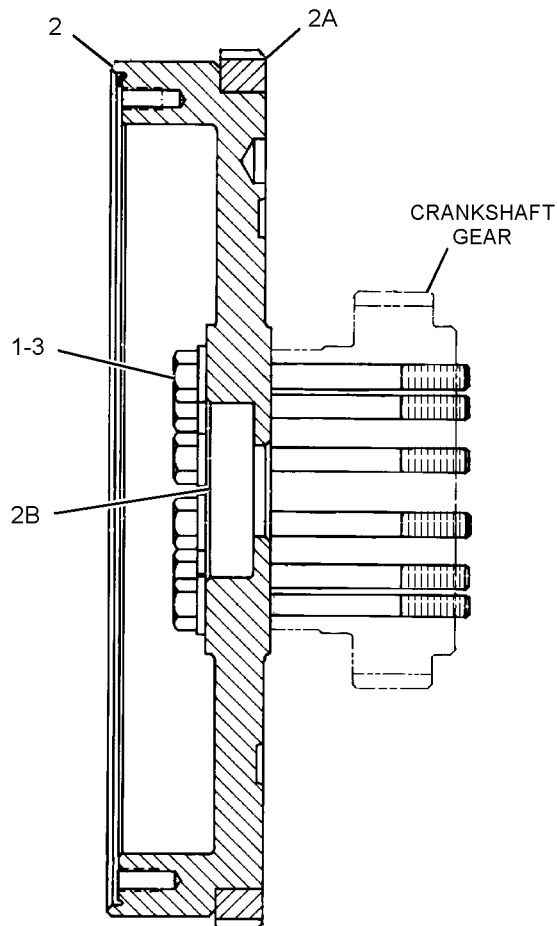
## 9E-4660 FLYWHEEL GP

FOR USE WITH 120-9128-PAGE 261  
AN ATTACHMENT

SMCS-1156

i02727237

NOTE	REF NO	GRAPHIC REF	PART NUMBER	QTY	PART NAME						SEE PAGE
					1	2	3	4	5	6 (PRODUCT LEVEL)	
	1	1	4D-3704	12	WASHER-HARD (17X30X5-MM THK)						
	2	1	4W-7186	1	FLYWHEEL AS						
	2A	1	4N-2514	1	GEAR (113-TEETH)						
	2B	1	9N-2570	1	BUSHING						
	3	1	5L-2683	12	BOLT (5/8-18X5.25-IN)						



GRAPHIC #1

<END>

g01369714

# BASIC ENGINE

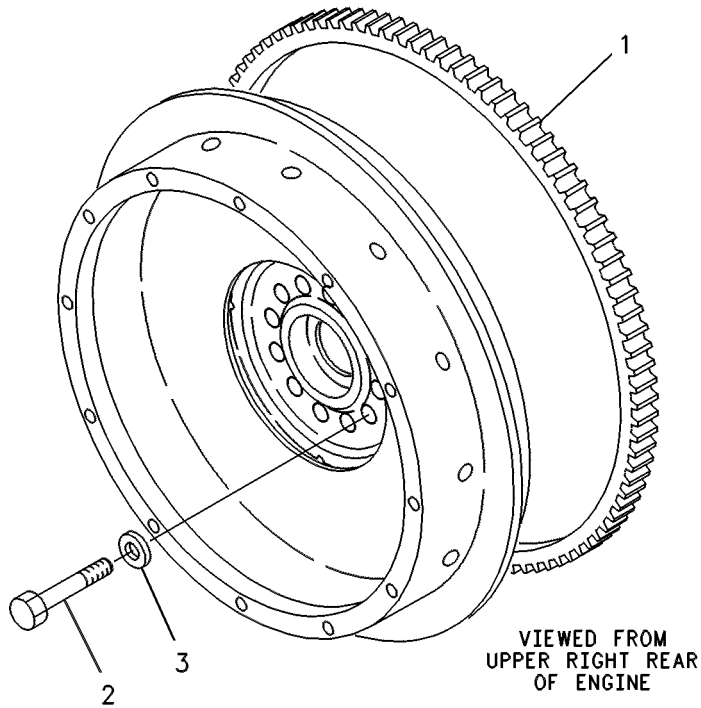
## 107-3825 FLYWHEEL GP

FOR USE WITH SAE NO. 1 FLYWHEEL HOUSING, 14 INCH, 2 PLATE CLUTCH  
AN ATTACHMENT

SMCS-1156

i00769438

NOTE	REF NO	GRAPHIC REF	PART NUMBER	QTY	PART NAME						SEE PAGE
					1	2	3	4	5	6 (PRODUCT LEVEL)	
	1	1	9N-2648	1	FLYWHEEL AS						
		1	4N-2514		GEAR (113 TEETH)						
	2	1	OS-1576	12	BOLT (5/8-18X2IN)						
	3	1	4D-3704	12	WASHER-HARD (5MM THK)						



GRAPHIC #1

<END>

g00238053

# BASIC ENGINE

## 107-3847 FLYWHEEL GP

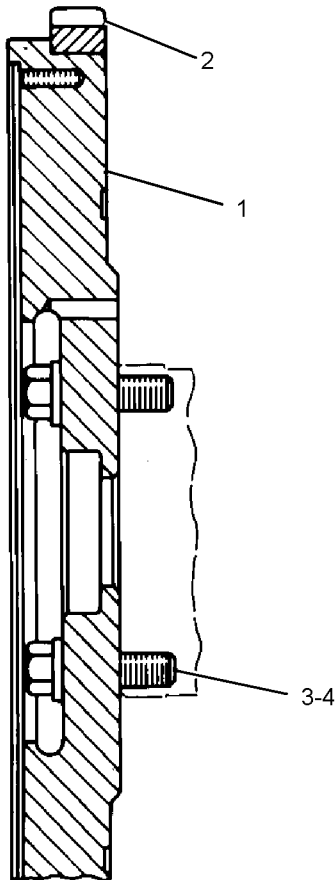
FOR USE WITH SAE NO. 1 FLYWHEEL HOUSING, 15.5-INCH CLUTCH  
AN ATTACHMENT

SMCS-1156

i03196481

NOTE	REF NO	GRAPHIC REF	PART NUMBER	QTY	PART NAME						SEE PAGE
					1	2	3	4	5	6 (PRODUCT LEVEL)	
R	1	1	125-0157	1	FLYWHEEL AS						
	2	1	4N-2514	1	GEAR (113-TEETH)						
	3	1	0S-1576	12	BOLT (5/8-18X2-IN)						
	4	1	4D-3704	12	WASHER-HARD (17X30X5-MM THK)						

R-REMFG PART MAY BE AVAILABLE



GRAPHIC #1

<END>

g01628320

# BASIC ENGINE

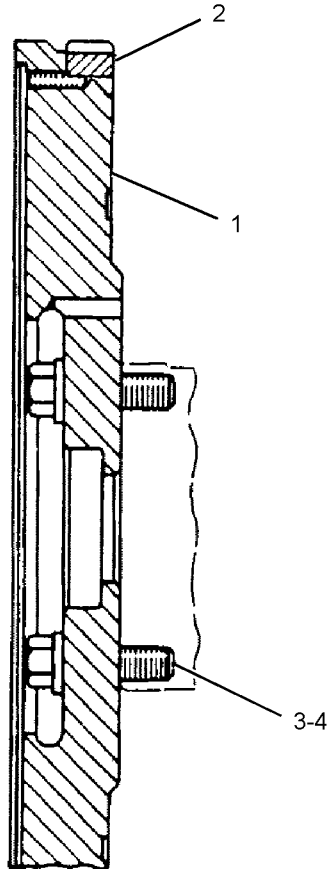
## 107-3848 FLYWHEEL GP

FOR USE WITH SAE NO. 1 FLYWHEEL HOUSING, 17 INCH DIAPHRAGM SPRING CLUTCH  
AN ATTACHMENT

SMCS-1156

i03196483

NOTE	REF NO	GRAPHIC REF	PART NUMBER	QTY	PART NAME						SEE PAGE
					1	2	3	4	5	6 (PRODUCT LEVEL)	
	1	1	<b>4P-8169</b>	1	FLYWHEEL AS						
	2	1	<b>4N-2514</b>		GEAR (113-TEETH)						
	3	1	<b>OS-1576</b>	12	BOLT (5/8-18X2-IN)						
	4	1	<b>4D-3704</b>	12	WASHER-HARD (17X30X5-MM THK)						



GRAPHIC #1

<END>

g01628318

# BASIC ENGINE

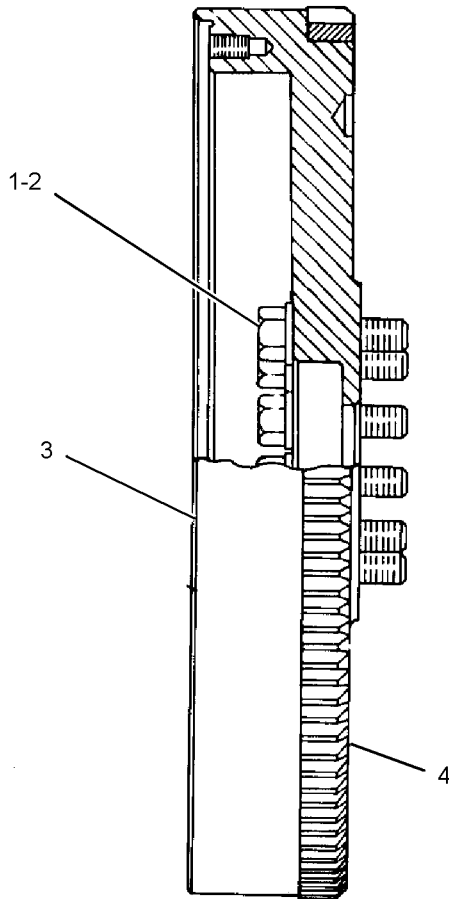
## 113-7059 FLYWHEEL GP

FOR USE WITH SAE NO. 1 FLYWHEEL HOUSING, TORQUE CONVERTER WITHOUT CLUTCH  
AN ATTACHMENT

SMCS-1156

i03196484

NOTE	REF NO	GRAPHIC REF	PART NUMBER	QTY	PART NAME						SEE PAGE
					1	2	3	4	5	6 (PRODUCT LEVEL)	
	1	1	0S-1577	12	BOLT (5/8-18X2.25-IN)						
	2	1	4D-3704	12	WASHER-HARD (17X30X5-MM THK)						
	3	1	6N-1301	1	FLYWHEEL AS						
	4	1	4N-2514	1	GEAR (113-TEETH)						



GRAPHIC #1

<END>

g01628356

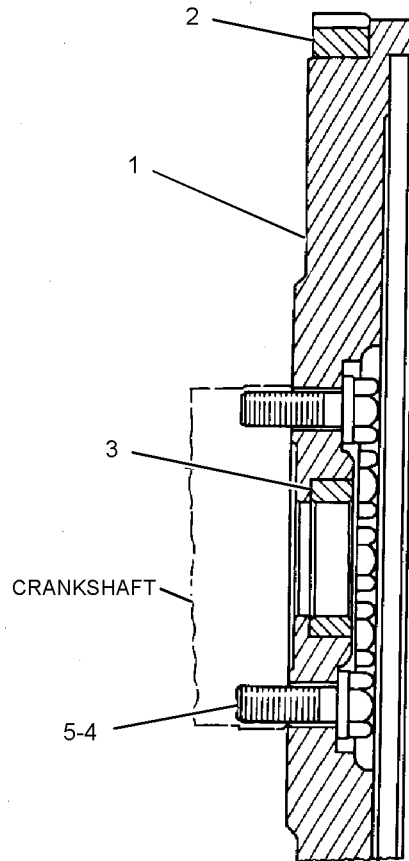
# BASIC ENGINE

## 113-7060 FLYWHEEL GP FOR USE WITH SAE NO. 1 FLYWHEEL HOUSING AN ATTACHMENT

SMCS-1156

i03196485

NOTE	REF NO	GRAPHIC REF	PART NUMBER	QTY	PART NAME						SEE PAGE
					1	2	3	4	5	6 (PRODUCT LEVEL)	
	1	1	4W-7186	1	FLYWHEEL AS						
	2	1	4N-2514	1	GEAR (113-TEETH)						
	3	1	9N-2570	1	BUSHING						
	4	1	0S-1576	12	BOLT (5/8-18X2-IN)						
	5	1	4D-3704	12	WASHER-HARD (17X30X5-MM THK)						



GRAPHIC #1

<END>

g01628353

# BASIC ENGINE

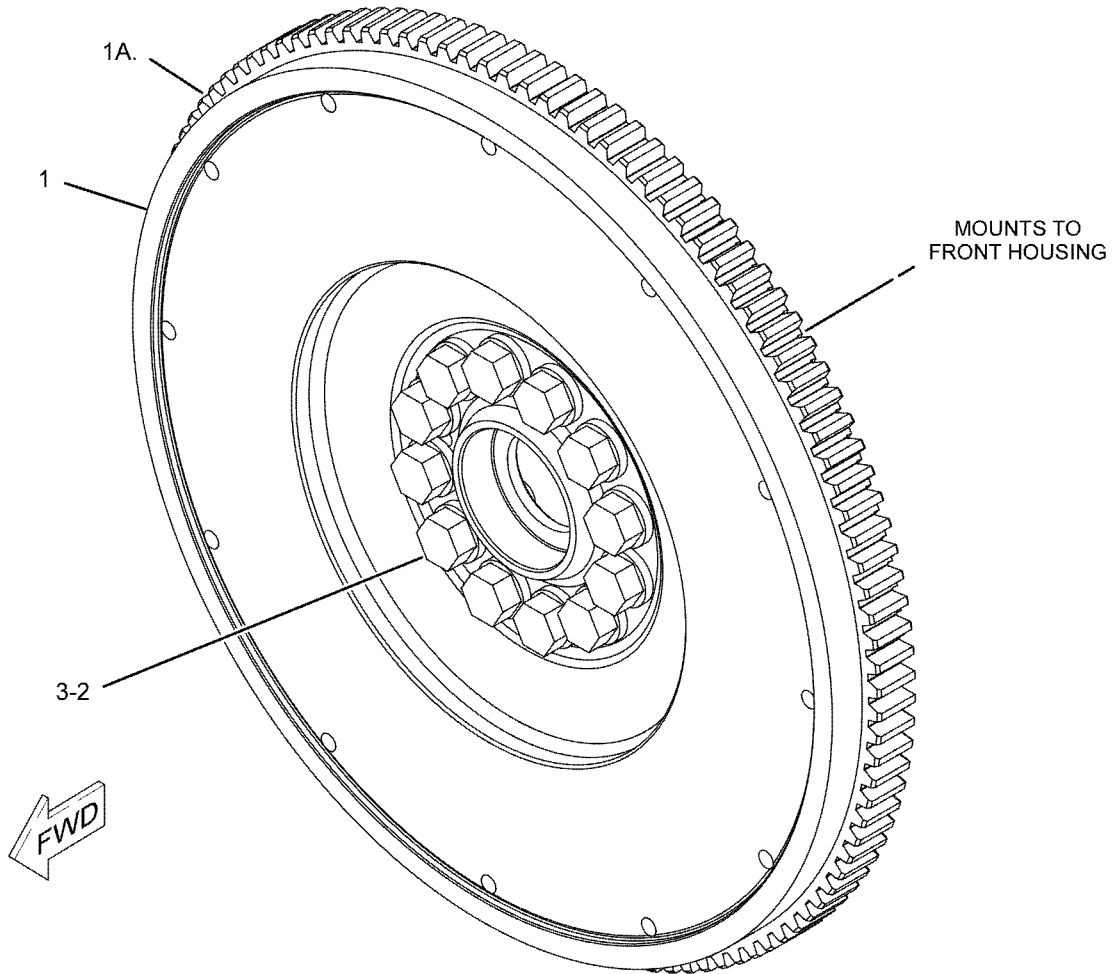
## 114-1927 FLYWHEEL GP

FOR USE WITH SAE NO. 1 FLYWHEEL HOUSING , 15.5-INCH, 7 SPRING CLUTCH  
AN ATTACHMENT

SMCS-1156

i02171602

NOTE	REF NO	GRAPHIC REF	PART NUMBER	QTY	PART NAME						SEE PAGE
					1	2	3	4	5	6 (PRODUCT LEVEL)	
	1	1	<b>256-9653</b>	1	FLYWHEEL AS						
	1A	1	<b>256-9651</b>	1	GEAR-FLYWHEEL (113-TEETH)						
	2	1	<b>4D-3704</b>	12	WASHER-HARD (17X30X5-MM THK)						
	3	1	<b>5B-0841</b>	12	BOLT (5/8-18X1.75-IN)						



GRAPHIC #1

<END>

g01055178



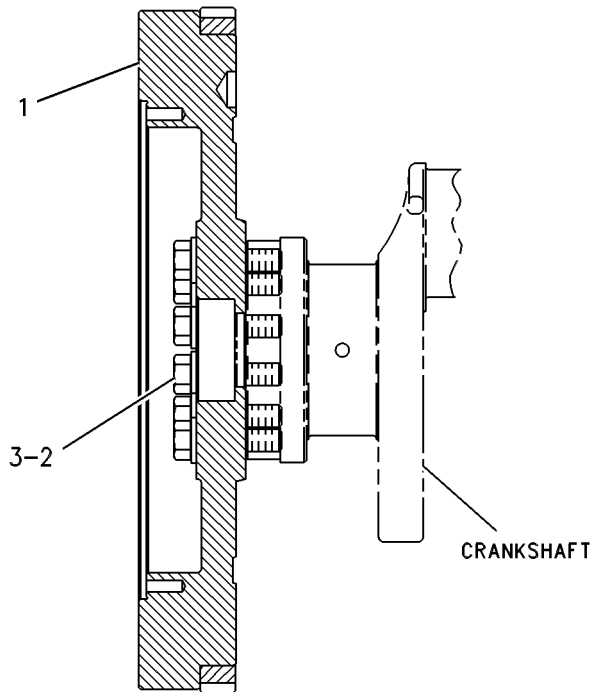
# BASIC ENGINE

## 122-1227 FLYWHEEL GP FOR USE WITH SAE NO. 1 FLYWHEEL HOUSING AN ATTACHMENT

SMCS-1156

i02332133

NOTE	REF NO	GRAPHIC REF	PART NUMBER	QTY	PART NAME						SEE PAGE
					1	2	3	4	5	6 (PRODUCT LEVEL)	
	1	1	<b>3N-8803</b>	1	FLYWHEEL AS						
		1	<b>4N-2514</b>	1	GEAR (113-TEETH)						
	2	1	<b>0S-1600</b>	12	BOLT (5/8-18X2.5-IN)						
	3	1	<b>4D-3704</b>	12	WASHER-HARD (17X30X5-MM THK)						



GRAPHIC #1

<END>

g00252273

# BASIC ENGINE

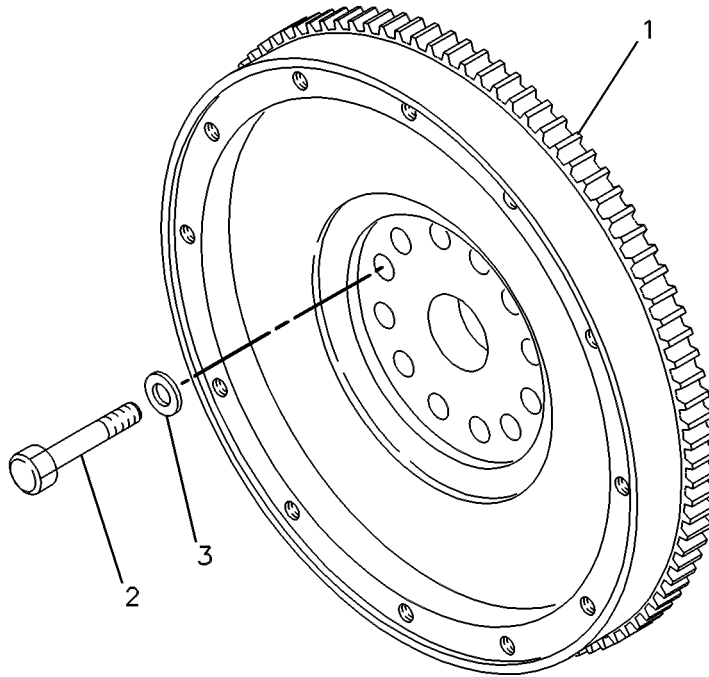
## 136-2613 FLYWHEEL GP

REQUIRES TWIN DISC TORQUE CONVERTER  
FOR USE WITH SAE NO. 1 FLYWHEEL HOUSING  
AN ATTACHMENT

SMCS-1156

i02332156

NOTE	REF NO	GRAPHIC REF	PART NUMBER	QTY	PART NAME						SEE PAGE
					1	2	3	4	5	6 (PRODUCT LEVEL)	
	1	1	6N-1283	1	FLYWHEEL AS						
		1	4N-2514	1	GEAR (113-TEETH)						
	2	1	0S-1576	12	BOLT (5/8-18X2-IN)						
	3	1	4D-3704	12	WASHER-HARD (17X30X5-MM THK)						



GRAPHIC #1

<END>

g00271001

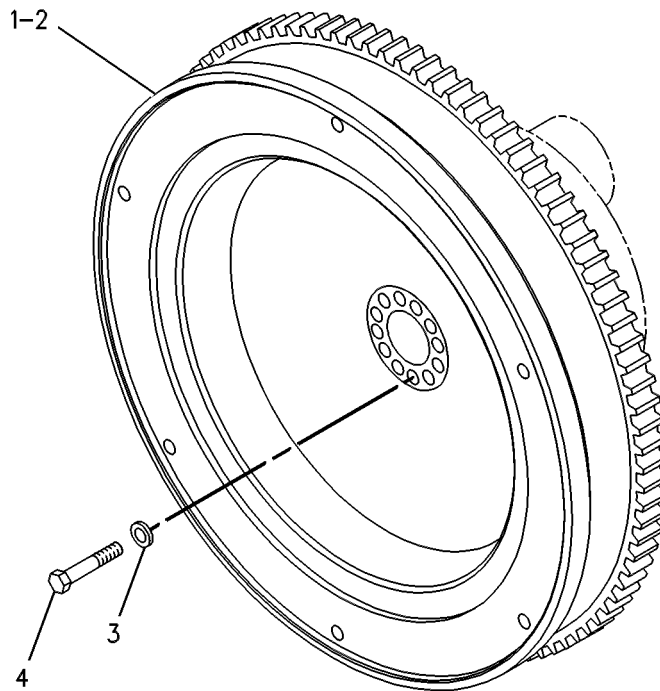
# BASIC ENGINE

## 136-2614 FLYWHEEL GP FOR USE WITH SAE NO. 0 FLYWHEEL HOUSING AN ATTACHMENT

SMCS-1156

i02332160

NOTE	REF NO	GRAPHIC REF	PART NUMBER	QTY	PART NAME						SEE PAGE
					1	2	3	4	5	6 (PRODUCT LEVEL)	
	1	1	<b>7W-1250</b>	1	FLYWHEEL AS						
	2	1	<b>8M-6755</b>	1	GEAR-FLYWHEEL (136-TEETH)						
	3	1	<b>4D-3704</b>	12	WASHER-HARD (17X30X5-MM THK)						
	4	1	<b>0S-1602</b>	12	BOLT (5/8-18X3.5-IN)						



GRAPHIC #1

<END>

g00262124

# BASIC ENGINE

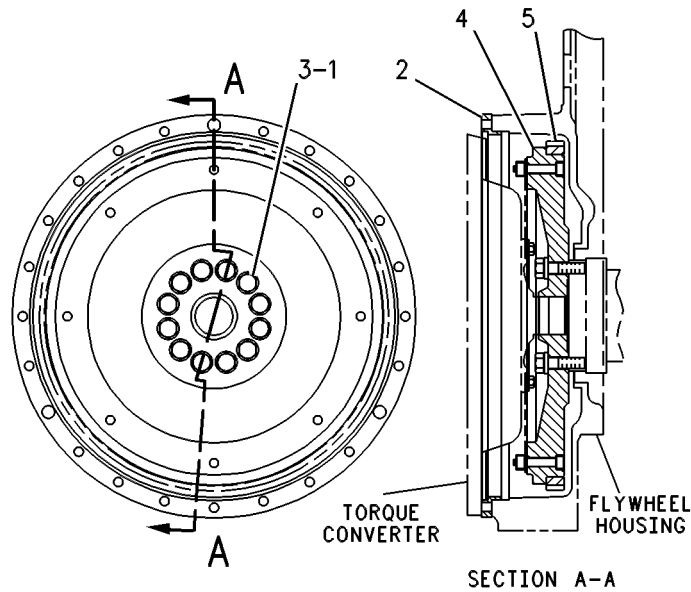
## 145-1335 FLYWHEEL GP

FOR USE WITH SAE NO. 1 FLYWHEEL HOUSING AND TORQUE CONVERTER WITH A FLEX  
PLATE CONNECTION  
AN ATTACHMENT

SMCS-1156

i02332169

NOTE	REF NO	GRAPHIC REF	PART NUMBER	QTY	PART NAME						SEE PAGE
					1	2	3	4	5	6 (PRODUCT LEVEL)	
	1	1	<b>4D-3704</b>	12	WASHER-HARD (17X30X5-MM THK)						
	2	1	<b>133-5554</b>	1	ADAPTER-FLYWHEEL HOUSING						
	3	1	<b>0S-1577</b>	12	BOLT (5/8-18X2.25-IN)						
	4	1	<b>126-8268</b>	1	FLYWHEEL AS						
	5	1	<b>4N-2514</b>	1	GEAR (113-TEETH)						



GRAPHIC #1

<END>

g00256980

# BASIC ENGINE

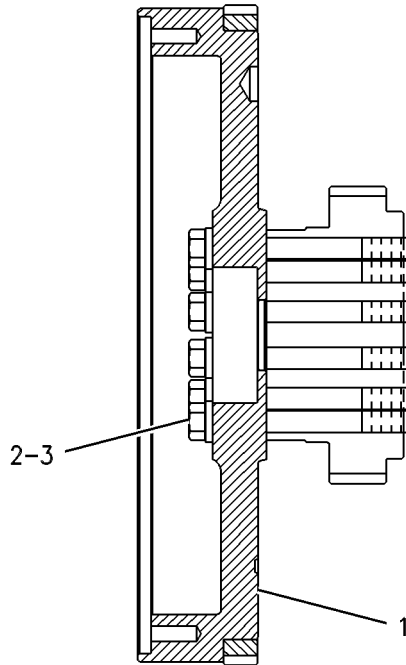
## 147-6284 FLYWHEEL GP

FOR USE WITH 147-3754-PAGE 246  
AN ATTACHMENT

SMCS-1156

i02332183

NOTE	REF NO	GRAPHIC REF	PART NUMBER	QTY	PART NAME						SEE PAGE
					1	2	3	4	5	6 (PRODUCT LEVEL)	
	1	1	<b>7W-1248</b>	1	FLYWHEEL AS						
		1	<b>4N-2514</b>	1	GEAR (113-TEETH)						
	2	1	<b>2B-6030</b>	12	BOLT (5/8-18X6-IN)						
	3	1	<b>4D-3704</b>	12	WASHER-HARD (17X30X5-MM THK)						



GRAPHIC #1

<END>

g00292396

# BASIC ENGINE

## 154-6189 FLYWHEEL GP

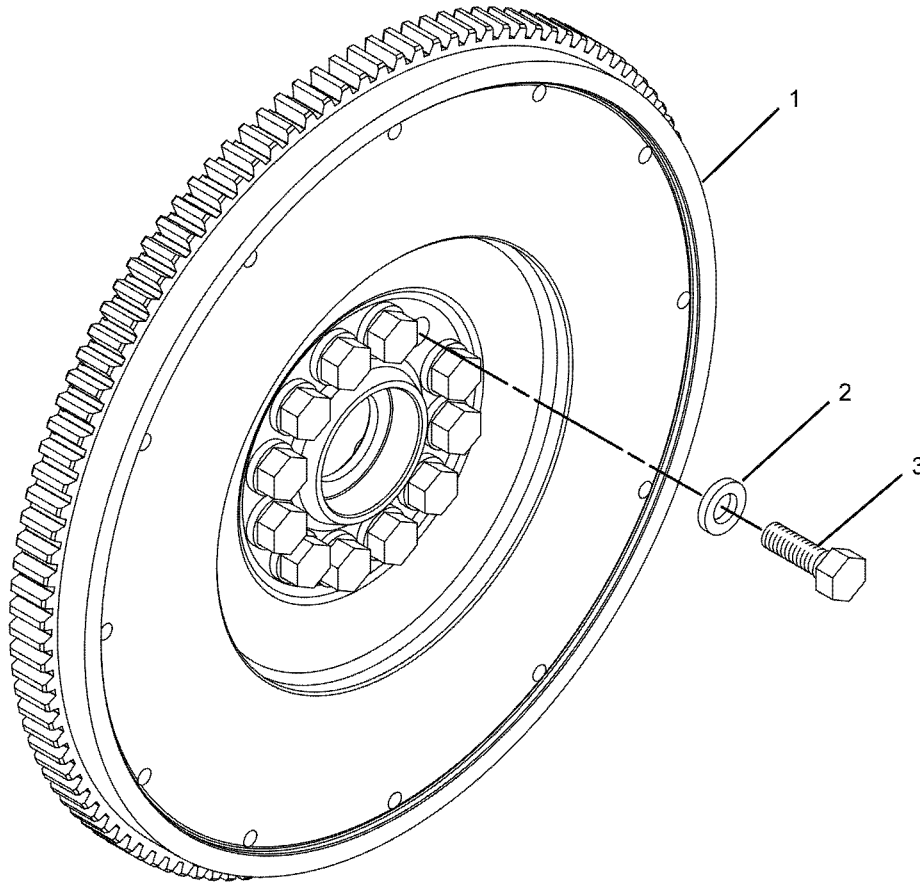
FOR USE WITH SAE NO.1 OR 16 INCH FLYWHEEL HOUSING , SPICER 15.5 INCH  
(394-MM) , 7 SPRING CLUTCH  
AN ATTACHMENT

SMCS-1156

i02415483

NOTE	REF NO	GRAPHIC REF	PART NUMBER	QTY	PART NAME						SEE PAGE
					1	2	3	4	5	6 (PRODUCT LEVEL)	
R	1	1	<b>256-9653</b>	1	FLYWHEEL AS						
		1	<b>256-9651</b>	1	GEAR-FLYWHEEL (113-TEETH)						
	2	1	<b>4D-3704</b>	12	WASHER-HARD (17X30X5-MM THK)						
	3	1	<b>5B-0841</b>	12	BOLT (5/8-18X1.75-IN)						

R-REMFG PART MAY BE AVAILABLE



GRAPHIC #1

<END>

g01084434

# BASIC ENGINE

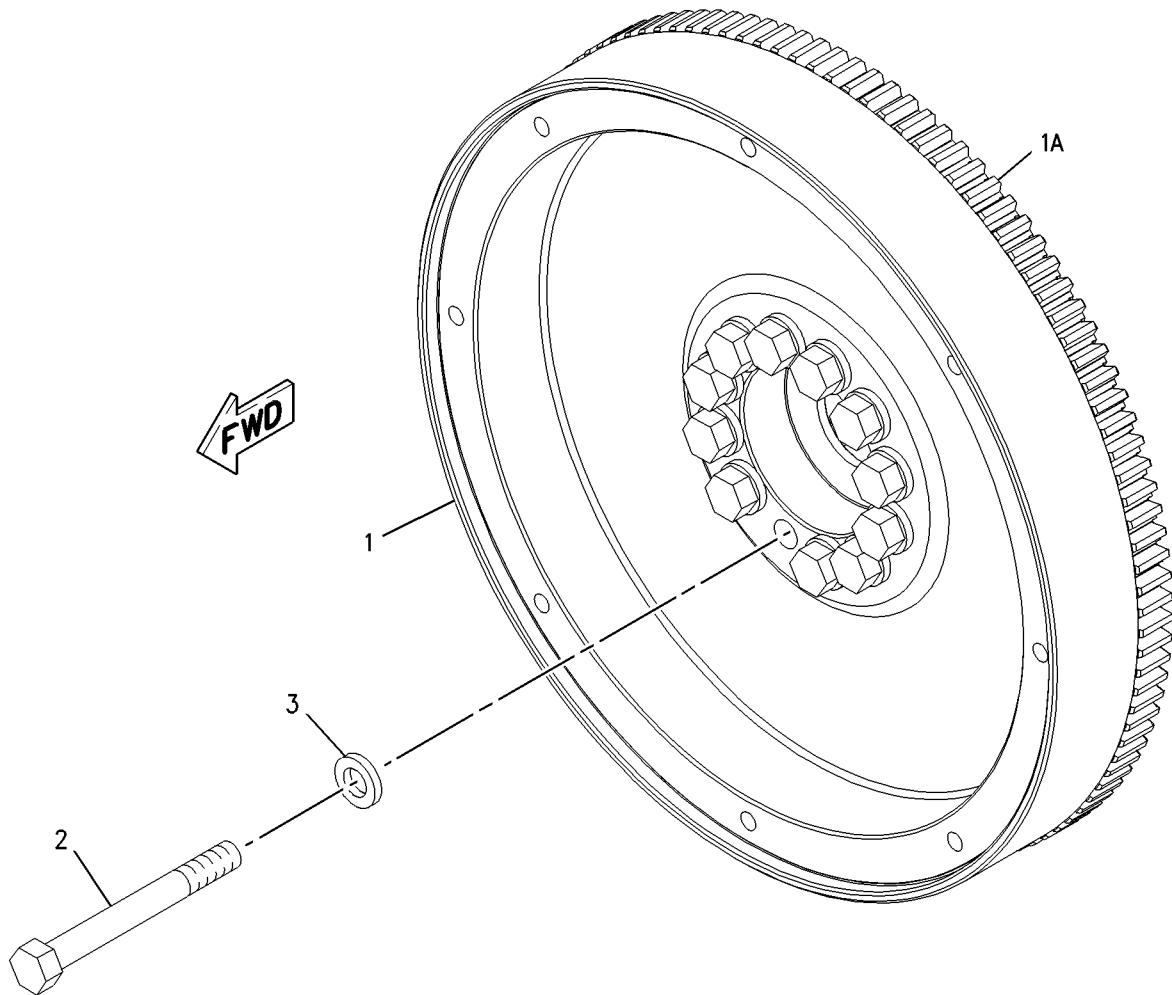
## 230-9099 FLYWHEEL GP

FOR USE WITH 219-0626-PAGE 185  
AN ATTACHMENT

SMCS-1156

i02656305

NOTE	REF NO	GRAPHIC REF	PART NUMBER	QTY	PART NAME						SEE PAGE
					1	2	3	4	5	6 (PRODUCT LEVEL)	
	1	1	7W-1248	1	FLYWHEEL AS						
	1A	1	4N-2514	1	GEAR (113-TEETH)						
	2	1	1B-7538	12	BOLT (5/8-18X5.75-IN)						
	3	1	4D-3704	12	WASHER-HARD (17X30X5-MM THK)						



GRAPHIC #1

<END>

g00984669

# BASIC ENGINE

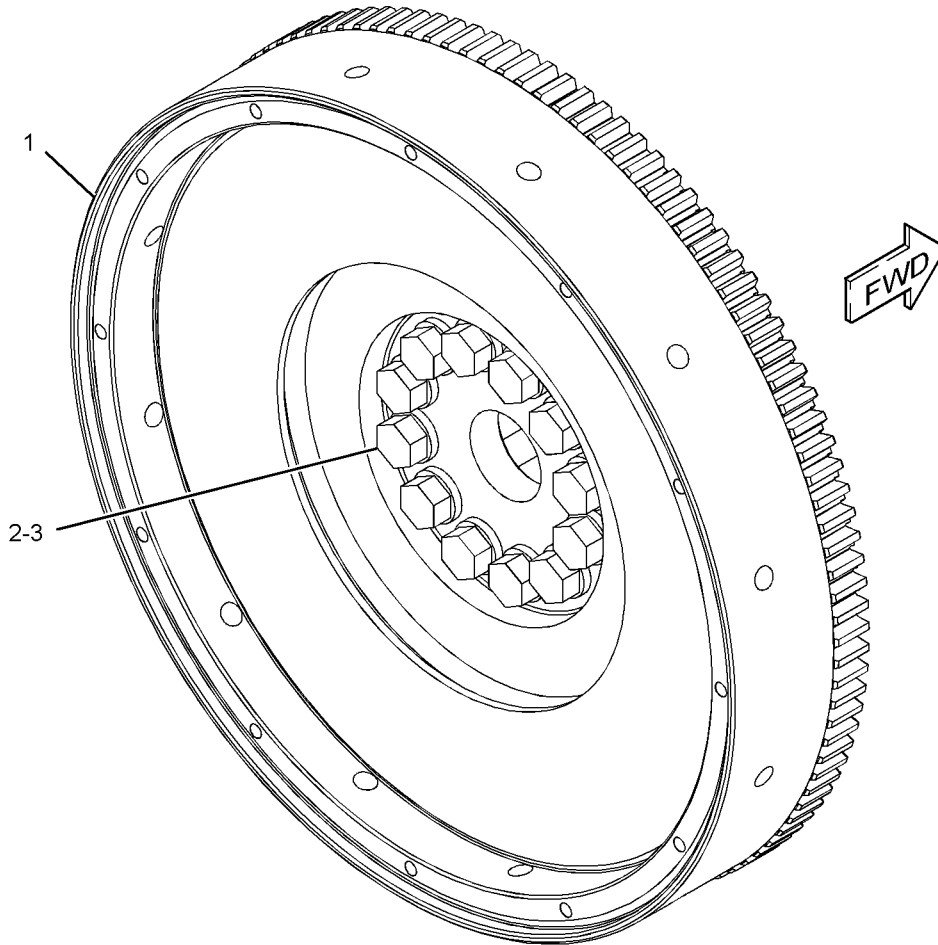
## 236-9868 FLYWHEEL GP

FOR USE WITH TWIN DISC OR TORQUE CONVERTER WITH CLUTCH, REAR GEAR GP,  
219-0626—PAGE 185  
AN ATTACHMENT

SMCS-1156

i02311113

NOTE	REF NO	GRAPHIC REF	PART NUMBER	QTY	PART NAME						SEE PAGE
					1	2	3	4	5	6 (PRODUCT LEVEL)	
	1	1	6N-1283	1	FLYWHEEL AS						
		1	4N-2514	1	GEAR (113-TEETH)						
	2	1	4D-3704	12	WASHER-HARD (17X30X5-MM THK)						
	3	1	6F-7024	12	BOLT (5/8-18X5-IN)						



GRAPHIC #1

<END>

g01158091



# BASIC ENGINE

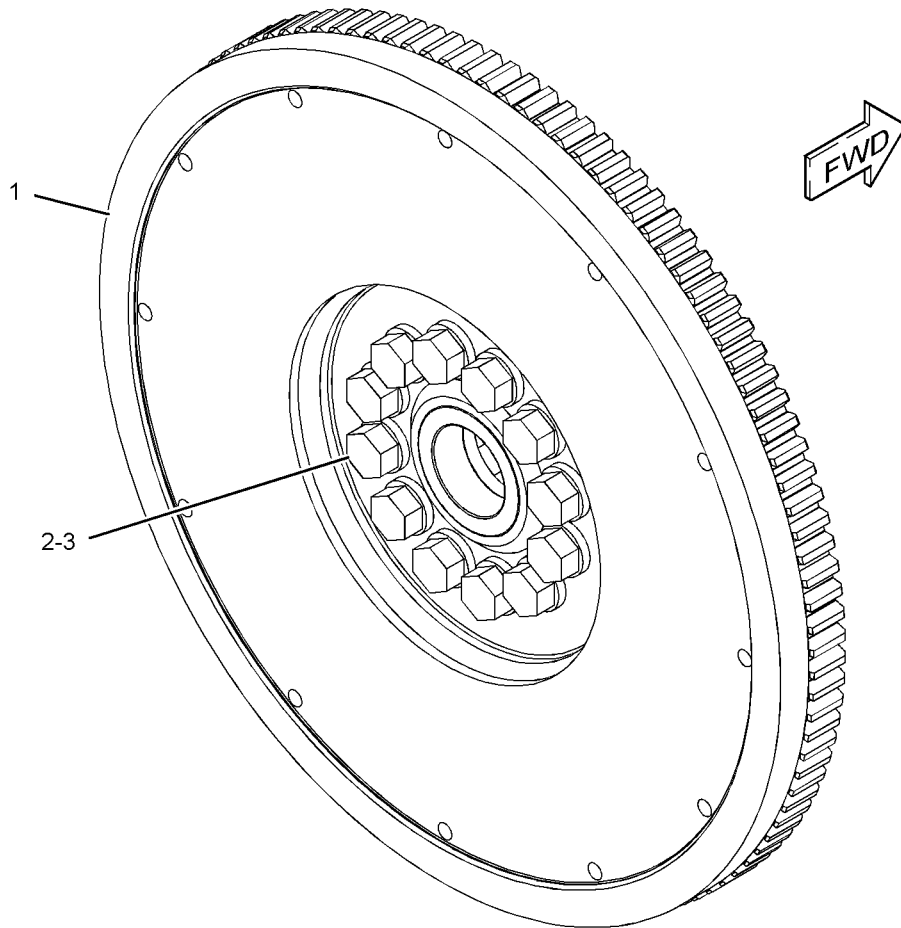
## 236-9869 FLYWHEEL GP

FOR USE WITH REAR GEAR GP, 219-0626—PAGE 185, TORQUE CONVERTER  
AN ATTACHMENT

SMCS-1156

i02311156

NOTE	REF NO	GRAPHIC REF	PART NUMBER	QTY	PART NAME						SEE PAGE
					1	2	3	4	5	6 (PRODUCT LEVEL)	
	1	1	<b>4W-7186</b>	1	FLYWHEEL AS						
		1	<b>4N-2514</b>	1	GEAR (113-TEETH)						
		1	<b>9N-2570</b>	1	BUSHING						
	2	1	<b>4D-3704</b>	12	WASHER-HARD (17X30X5-MM THK)						
	3	1	<b>6F-7024</b>	12	BOLT (5/8-18X5-IN)						



GRAPHIC #1

<END>

g01158231

# BASIC ENGINE

## 236-9870 FLYWHEEL GP

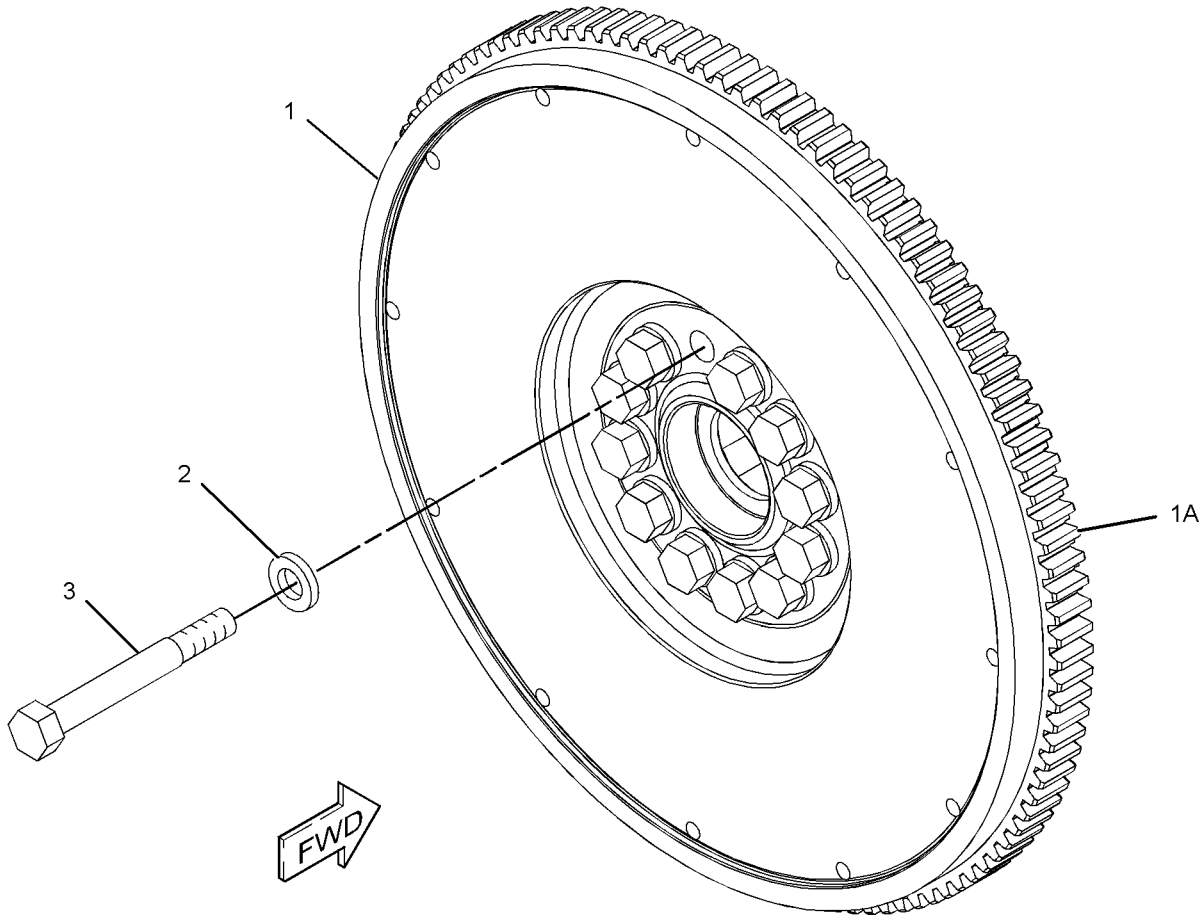
FOR USE WITH REAR GEAR GP, 219-0626—PAGE 185, TWO PLATE CLUTCH  
AN ATTACHMENT

SMCS-1156

i02311162

NOTE	REF NO	GRAPHIC REF	PART NUMBER	QTY	PART NAME						SEE PAGE
					1	2	3	4	5	6 (PRODUCT LEVEL)	
R	1	1	125-0157	1	FLYWHEEL AS						
	1A	1	4N-2514	1	GEAR (113-TEETH)						
	2	1	4D-3704	12	WASHER-HARD (17X30X5-MM THK)						
	3	1	6F-7024	12	BOLT (5/8-18X5-IN)						

R-REMFG PART MAY BE AVAILABLE



GRAPHIC #1

<END>

g01158101

# BASIC ENGINE

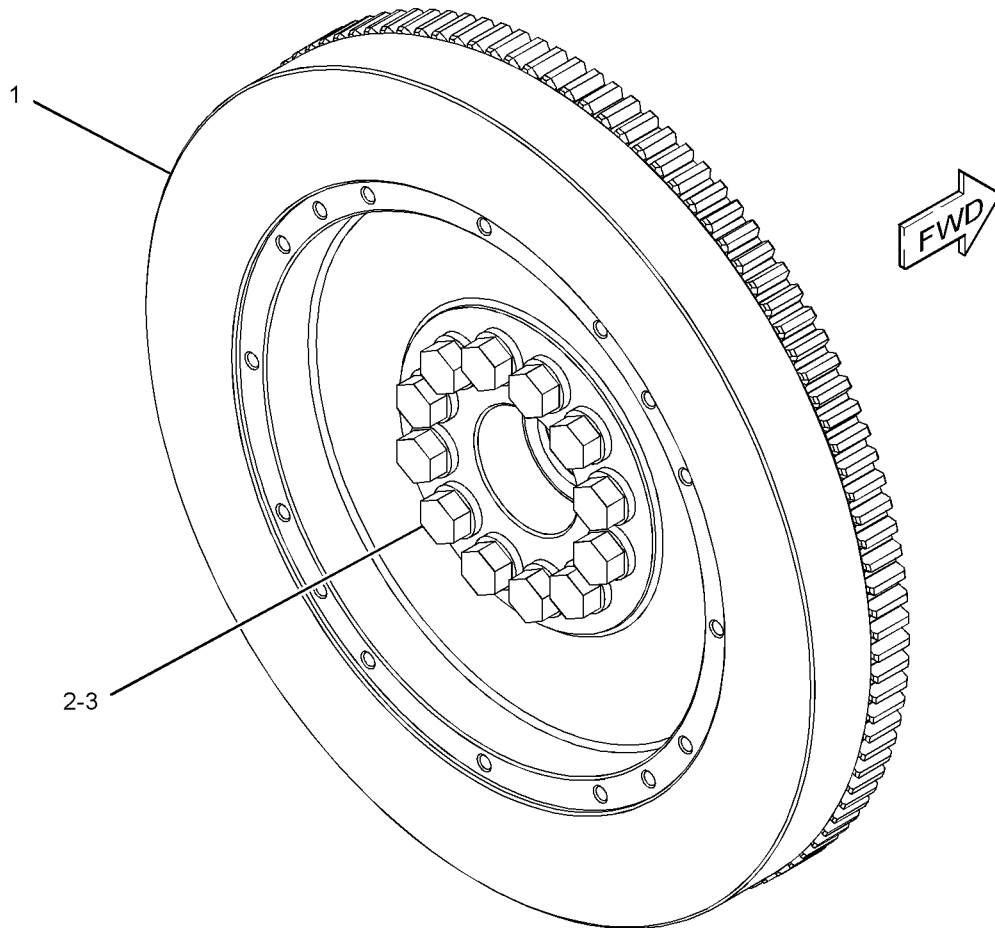
## 236-9871 FLYWHEEL GP

FOR USE WITH REAR GEAR GP, 219-0626—PAGE 185, 292-MM (11.5-IN) OVER CENTER  
CLUTCH WITH 72-MM (2.835-IN) DIAMETER PILOT BEARING  
AN ATTACHMENT

SMCS-1156

i02311258

NOTE	REF NO	GRAPHIC REF	PART NUMBER	QTY	PART NAME						SEE PAGE
					1	2	3	4	5	6 (PRODUCT LEVEL)	
	1	1	3N-8803	1	FLYWHEEL AS						
		1	4N-2514	1	GEAR (113-TEETH)						
	2	1	2A-2814	12	BOLT (5/8-18X5.5-IN)						
	3	1	4D-3704	12	WASHER-HARD (17X30X5-MM THK)						



GRAPHIC #1

<END>

g01158099

# BASIC ENGINE

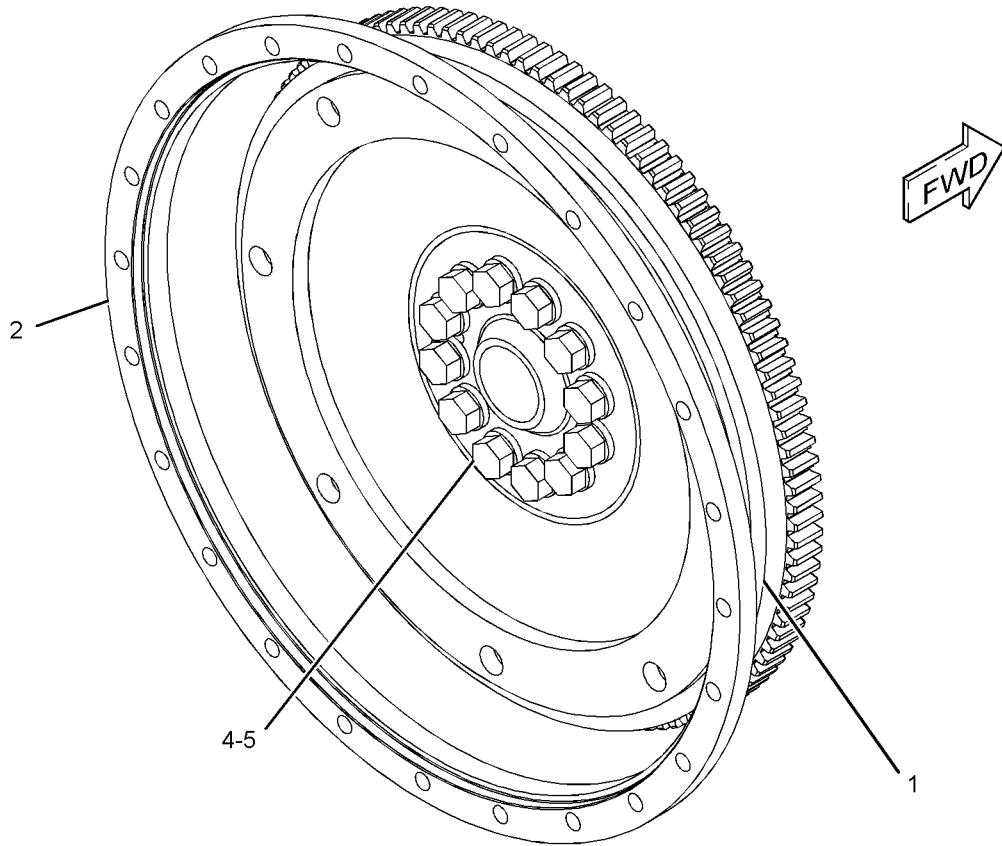
## 236-9872 FLYWHEEL GP

FOR USE WITH REAR GEAR GP, 219-0626—PAGE 185, 406.4-MM (16-IN) FLEX PLATE  
DRIVE  
AN ATTACHMENT

SMCS-1156

i02311261

NOTE	REF NO	GRAPHIC REF	PART NUMBER	QTY	PART NAME						SEE PAGE
					1	2	3	4	5	6 (PRODUCT LEVEL)	
	1	1	126-8268	1	FLYWHEEL AS						
		1	4N-2514	1	GEAR (113-TEETH)						
	2	1	133-5554	1	ADAPTER-FLYWHEEL HOUSING						
	4	1	4D-3704	12	WASHER-HARD (17X30X5-MM THK)						
	5	1	5L-2683	12	BOLT (5/8-18X5.25-IN)						



GRAPHIC #1

<END>

g01158095

# BASIC ENGINE

## 252-5514 FLYWHEEL GP

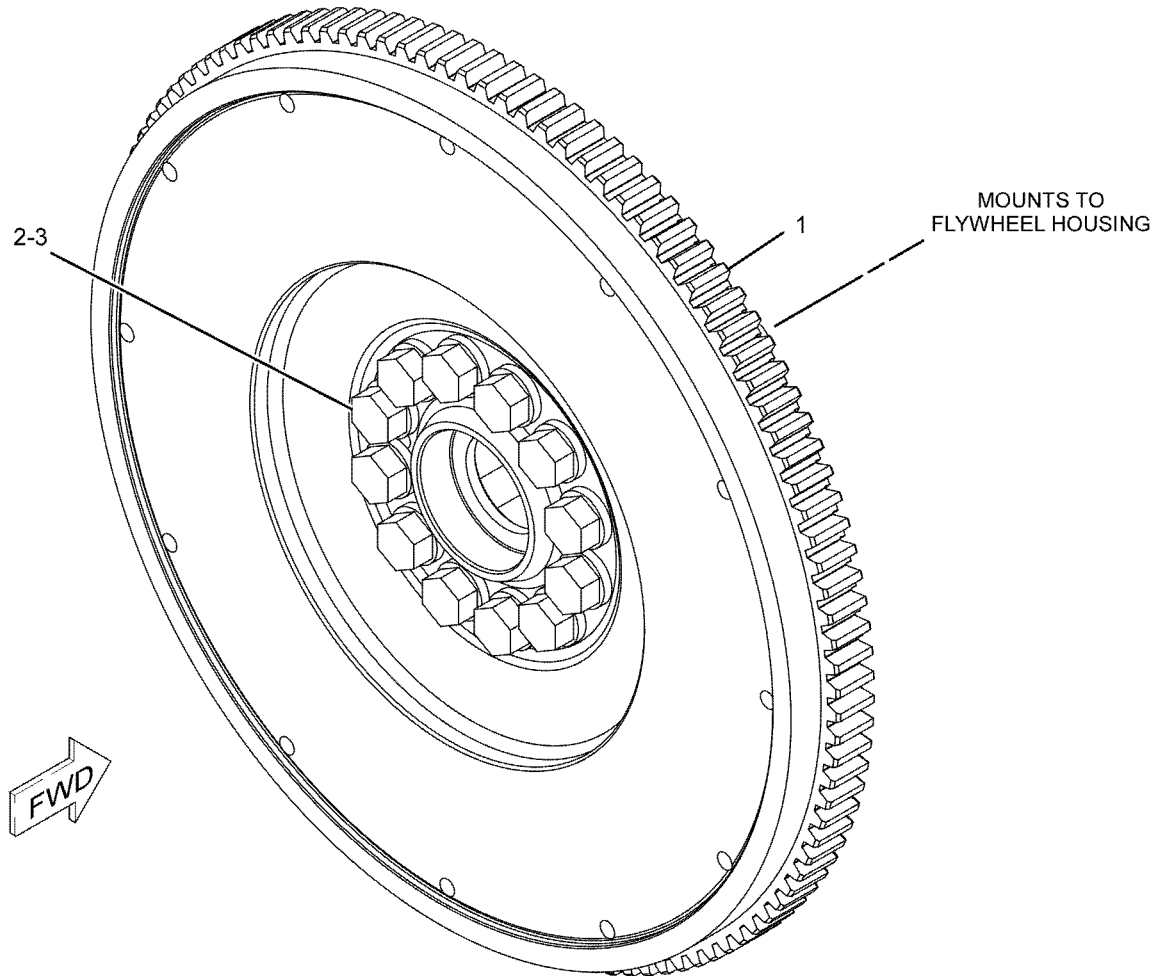
FOR USE WITH 147-3754-PAGE 246, SPICER 15.5-INCH (394-MM) 7-SPRING CLUTCH  
AN ATTACHMENT

SMCS-1156

i02224967

NOTE	REF NO	GRAPHIC REF	PART NUMBER	QTY	PART NAME						SEE PAGE
					1	2	3	4	5	6 (PRODUCT LEVEL)	
R	1	1	256-9653	1	FLYWHEEL AS						
		1	256-9651	1	GEAR-FLYWHEEL (113-TEETH)						
	2	1	4D-3704	12	WASHER-HARD (17X30X5-MM THK)						
	3	1	5L-2683	12	BOLT (5/8-18X5.25-IN)						

R-REMFG PART MAY BE AVAILABLE



GRAPHIC #1

<END>

g01077575

# BASIC ENGINE

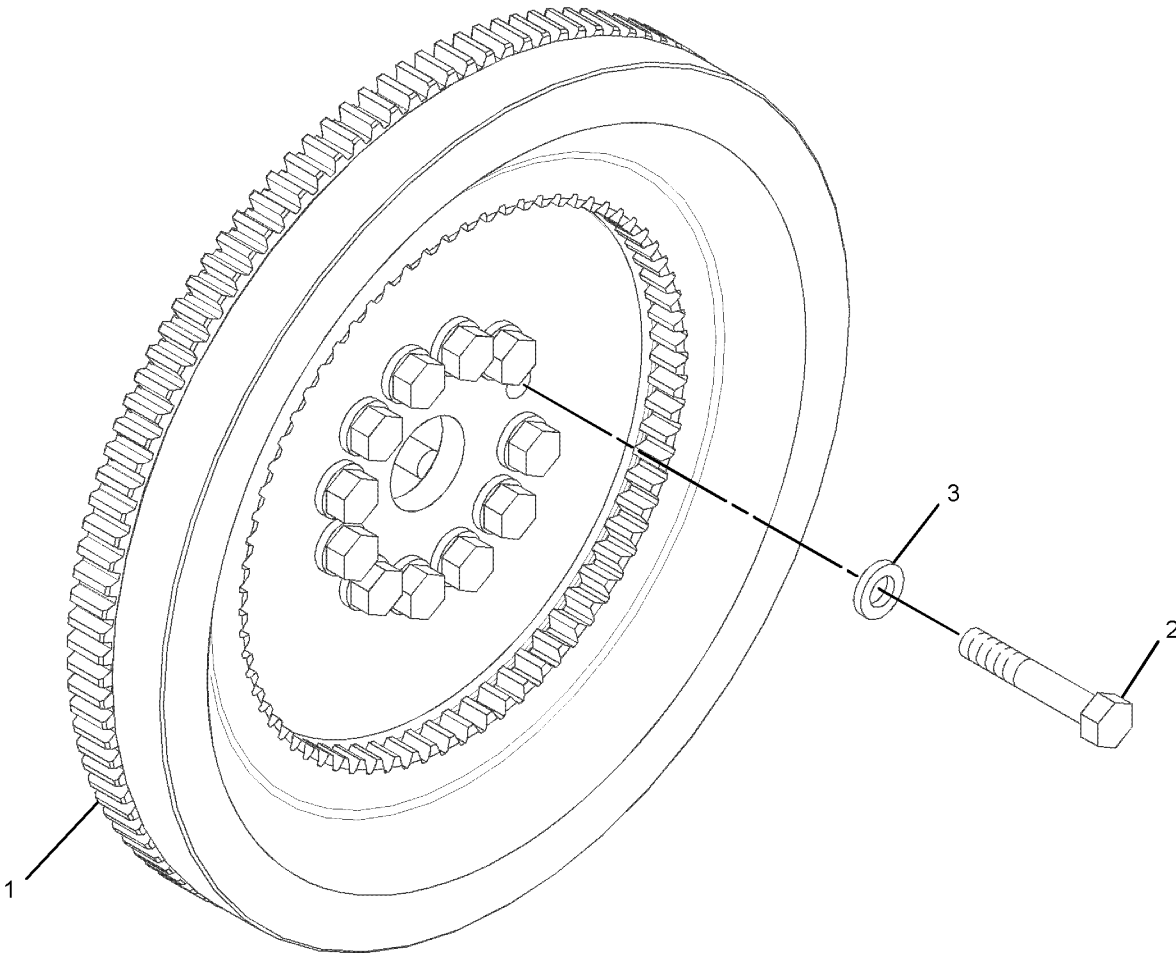
## 273-6561 FLYWHEEL GP

AN ATTACHMENT

SMCS-1156

i02733468

NOTE	REF NO	GRAPHIC REF	PART NUMBER	QTY	PART NAME						SEE PAGE
					1	2	3	4	5	6 (PRODUCT LEVEL)	
	1	1	273-6559	1	FLYWHEEL AS						
		1	4N-2514	1	GEAR (113-TEETH)						
	2	1	OS-1602	12	BOLT (5/8-18X3.5-IN)						
	3	1	4D-3704	12	WASHER-HARD (17X30X5-MM THK)						



GRAPHIC #1

<END>

g01372764

# BASIC ENGINE

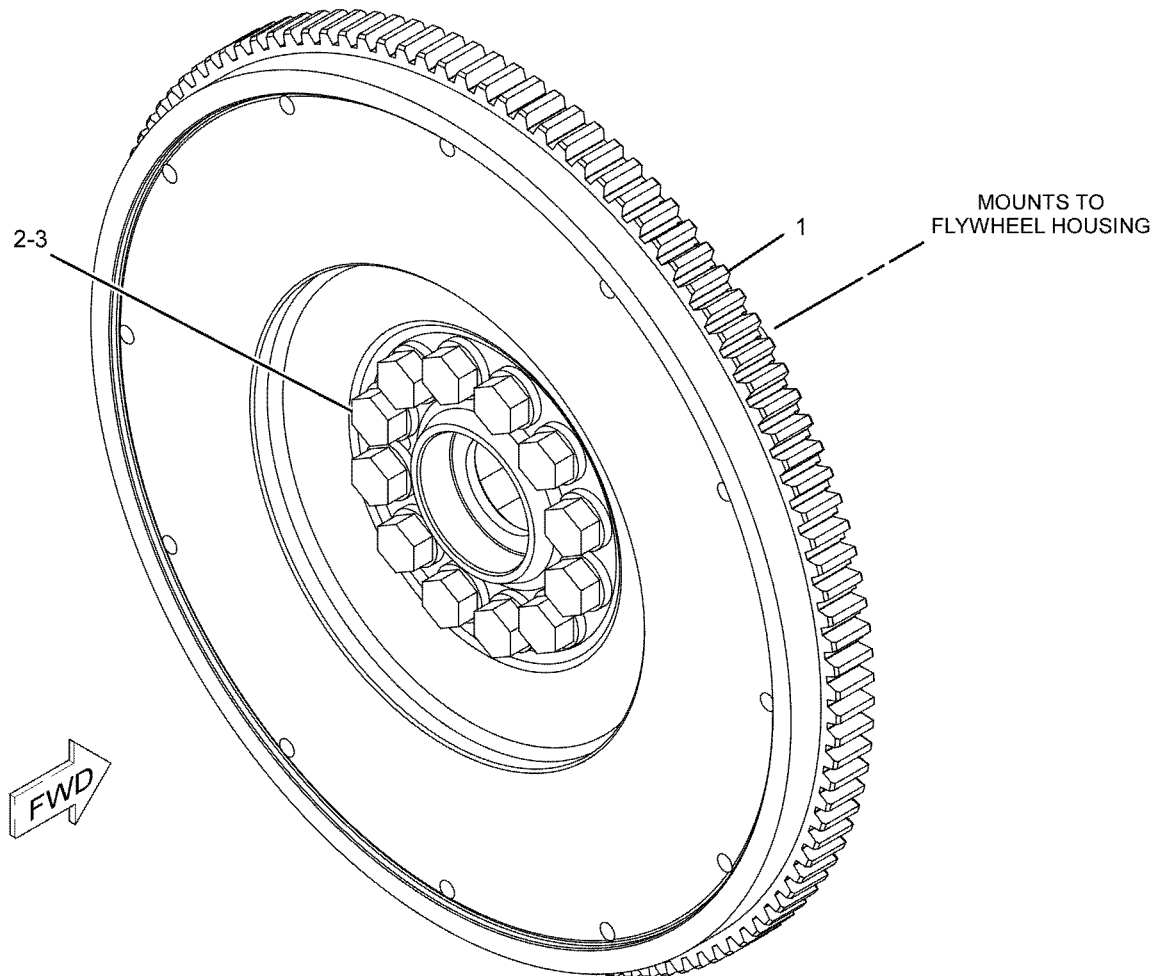
## 276-2548 FLYWHEEL GP FOR USE WITH DUAL RPTO APPLICATION AN ATTACHMENT

SMCS-1156

i02364747

NOTE	REF NO	GRAPHIC REF	PART NUMBER	QTY	PART NAME						SEE PAGE
					1	2	3	4	5	6 (PRODUCT LEVEL)	
R	1	1	256-9653	1	FLYWHEEL AS						
		1	256-9651	1	GEAR-FLYWHEEL (113-TEETH)						
	2	1	4D-3704	12	WASHER-HARD (17X30X5-MM THK)						
	3	1	1A-3203	12	BOLT (5/8-18X4.75-IN)						

R-REMFG PART MAY BE AVAILABLE



GRAPHIC #1

<END>

g01077575

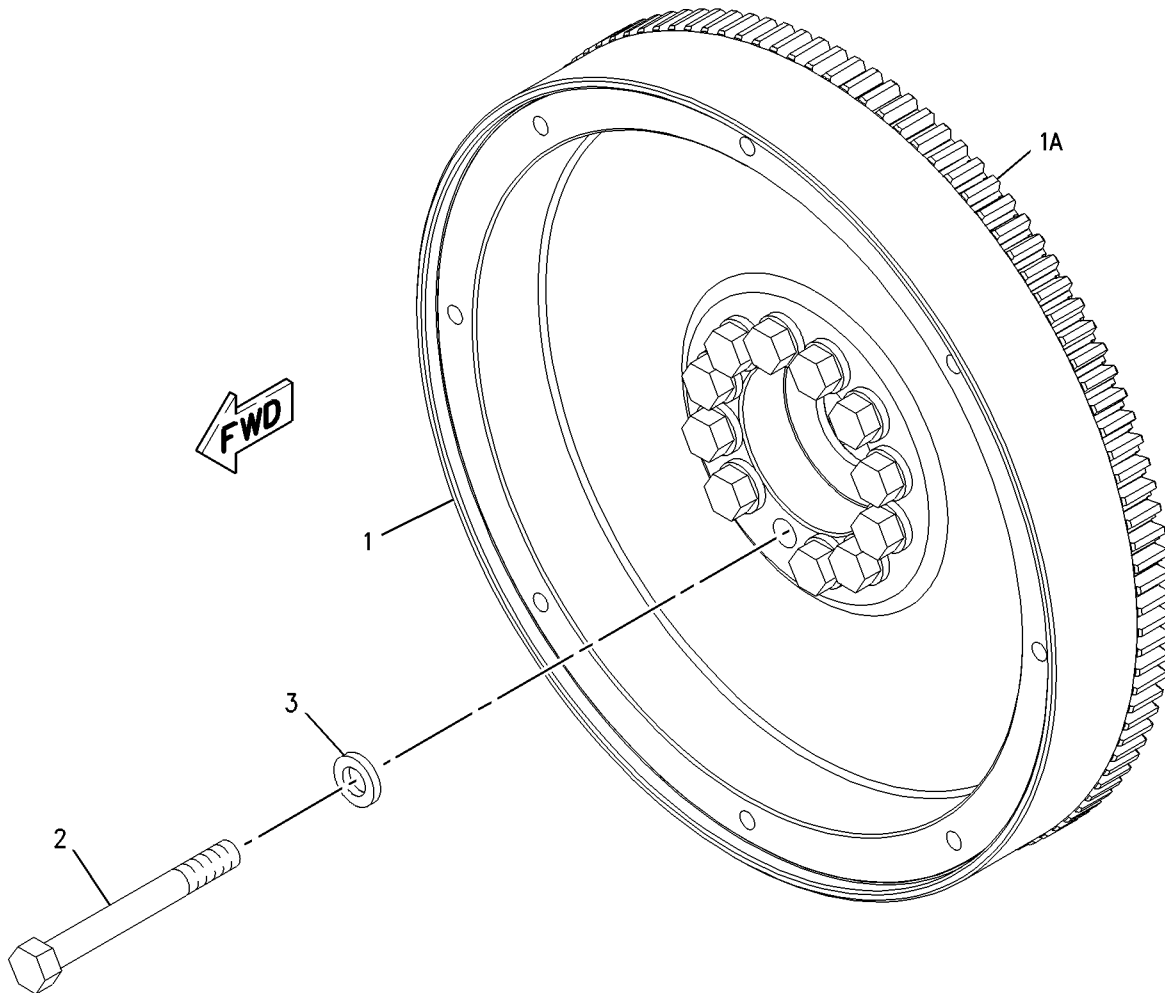
# BASIC ENGINE

## 349-5290 FLYWHEEL GP AN ATTACHMENT

SMCS-1156

i03666044

NOTE	REF NO	GRAPHIC REF	PART NUMBER	QTY	PART NAME						SEE PAGE
					1	2	3	4	5	6 (PRODUCT LEVEL)	
	1	1	195-0313	1	FLYWHEEL AS						
	1A	1	4N-2514	1	GEAR (113-TEETH)						
	2	1	1B-7538	12	BOLT (5/8-18X5.75-IN)						
	3	1	4D-3704	12	WASHER-HARD (17X30X5-MM THK)						



GRAPHIC #1

<END>

g00984669



# BASIC ENGINE

## 204-9316 GEAR GP-CAMSHAFT

S/N: JRE106-UP

96-TEETH

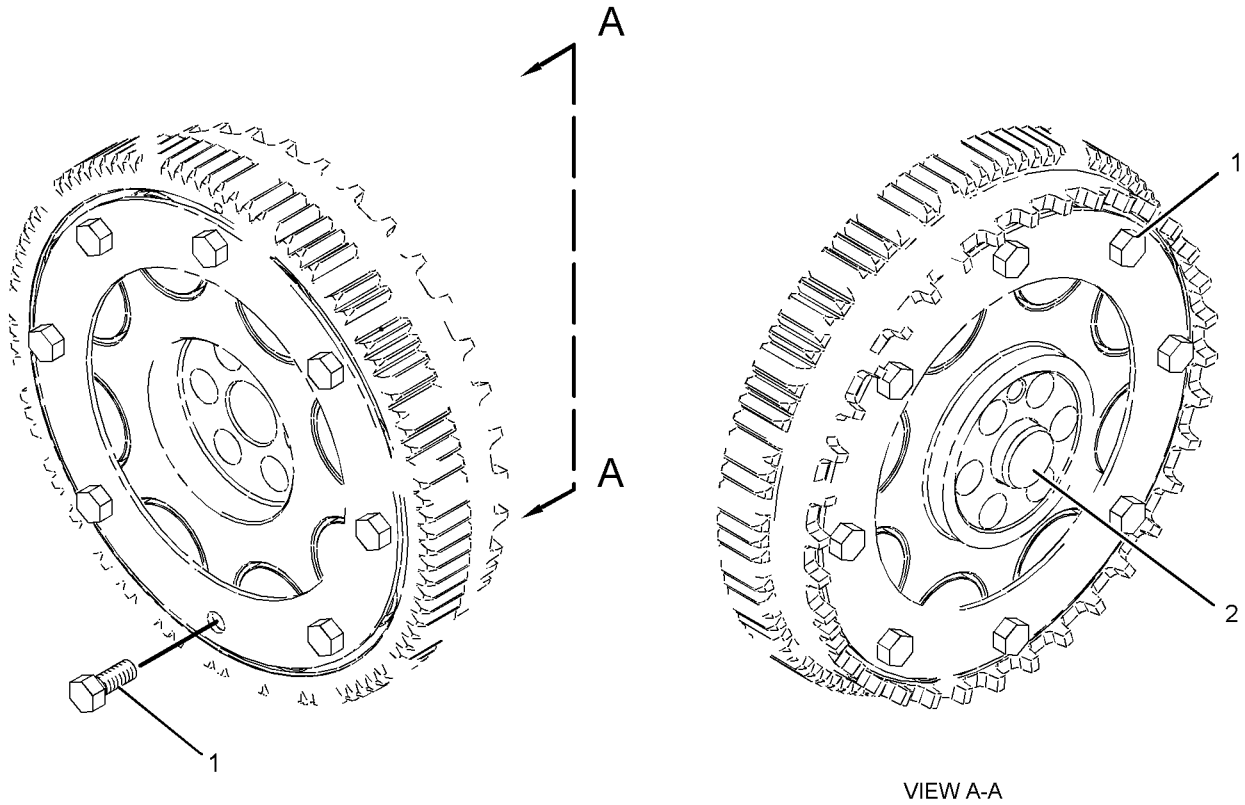
PART OF 208-9490 GEAR GP-FRONT

ALSO AN ATTACHMENT

SMCS-1212

i02758303

NOTE	REF NO	GRAPHIC REF	PART NUMBER	QTY	PART NAME						SEE PAGE
					1	2	3	4	5	6 (PRODUCT LEVEL)	
	1	1	<b>9X-8872</b>	16	BOLT-LOCKING (3/8-16X0.875-IN)						
	2	1	<b>103-0126</b>	1	DOWEL						



VIEW A-A

GRAPHIC #1

<END>

g01381153

# BASIC ENGINE

## 208-9490 GEAR GP-FRONT

ALSO AN ATTACHMENT

SMCS-1151, 1162, 1206

i02758309

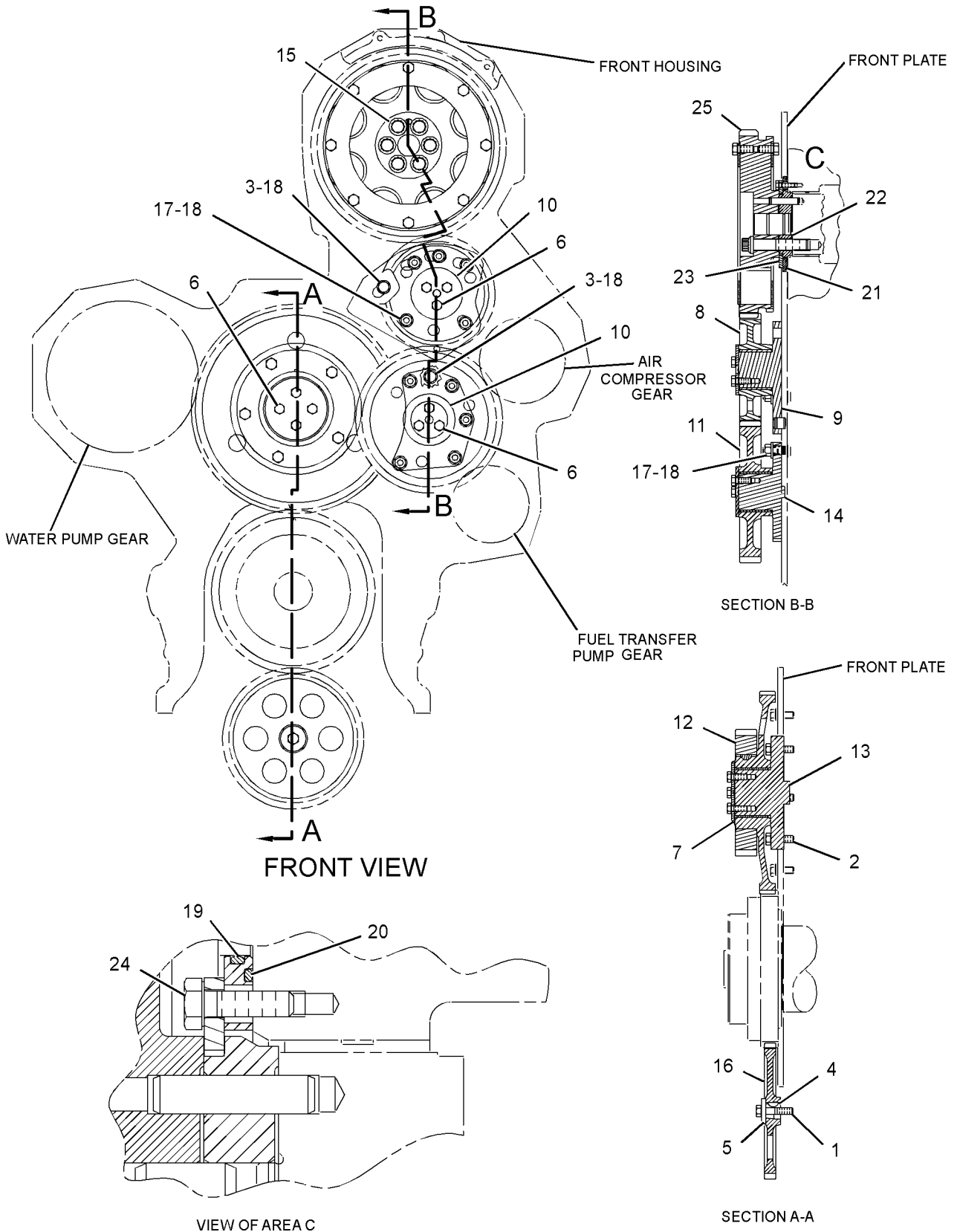
NOTE	REF NO	GRAPHIC REF	PART NUMBER	QTY	PART NAME						SEE PAGE
					1	2	3	4	5	6 (PRODUCT LEVEL)	
	1	1	0S-1571	1	BOLT (3/8-16X1.75-IN)						
	2	1	2J-3118	5	BOLT-LOCKING (3/8-16X1.25-IN)						
	3	1	5P-4142	2	BOLT-LOCKING (3/8-16X1.5-IN)						
	4	1	1B-8705	1	KEY-WOODRUFF						
	5	1	1P-7346	1	WASHER-HARD (10.2X35X6-MM THK)						
	6	1	126-1756	10	BOLT-LOCKING (5/16-18X0.875-IN)						
	7	1	112-9217	1	PLATE-THRUST						
	8	1	130-4701	1	GEAR AS (56-TEETH)						
		1	130-4698	1	BEARING-SLEEVE						
	9	1	151-5966	1	SHAFT AS-STUB						
		1	6I-3623	1	DOWEL						
	10	1	6I-3624	2	PLATE-THRUST						
	11	1	6I-3625	1	GEAR AS (71-TEETH)						
		1	101-8468	1	BEARING-SLEEVE						
	12	1	149-9107	1	GEAR AS-CLUSTER (105/63-TEETH)						
		1	1B-8705	1	KEY-WOODRUFF						
		1	6I-4582	1	GEAR (63-TEETH)						
		1	131-7123	1	BEARING-SLEEVE						
		1	149-9106	1	GEAR-CLUSTER (105-TEETH)						
	13	1	197-4971	1	SHAFT-STUB						
	14	1	158-3416	1	SHAFT-STUB						
	15	1	031-3185	6	BOLT-12 POINT HEAD (5/8-11X3-IN)						
	16	1	149-9110	1	GEAR-OIL PUMP DRIVE (69-TEETH)						
	17	1	9S-8752	10	NUT-FULL (3/8-16-THD)						
	18	1	9X-6458	12	WASHER-HARD (10.2X22.5X3-MM THK)						
	19	1	117-8801	1	SEAL-O-RING						
	20	1	5E-8771	1	SEAL-O-RING						
	21	1	159-1533	1	PLATE-SEALING						
	22	1	159-8524	1	ADAPTER AS						
		1	6V-3677	1	DOWEL						
	23	1	102-5861	1	PLATE-THRUST						
	24	1	107-0583	3	BOLT-LOCKING (1/4-20X0.87-IN)						
Y	25	1	204-9316	1	GEAR GP-CAMSHAFT (96-TEETH)						243

Y-SEPARATE ILLUSTRATION

# BASIC ENGINE

208-9490 GEAR GP-FRONT (contd.)

i02758309



GRAPHIC #1

<END>

g01381160

# BASIC ENGINE

## 147-3754 GEAR GP-REAR

FOR USE WITH 120-9128-PAGE 261

AN ATTACHMENT

SMCS - 1204

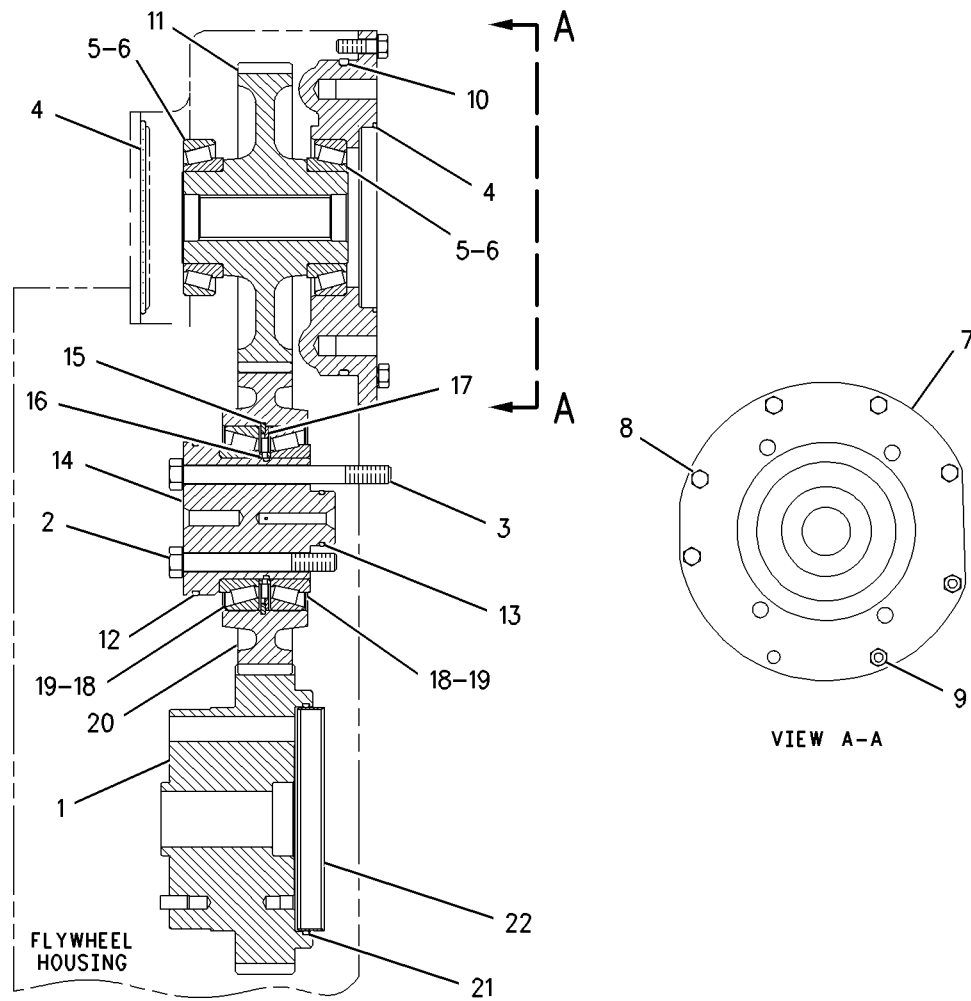
i01581563

NOTE	REF NO	GRAPHIC REF	PART NUMBER	QTY	PART NAME	SEE PAGE
					1 2 3 4 5 6 (PRODUCT LEVEL)	
	1	1	5N-9231	1	GEAR AS-CRANKSHAFT (64 TEETH)	
		1	4N-0684	1	DOWEL	
	2	1	1D-4569	1	BOLT (1/2-13X4.25-IN)	
	3	1	8F-8804	1	BOLT (1/2-13X5.75-IN)	
	4	1	5F-3106	2	SEAL-O-RING	
	5	1	2P-8987	2	CONE-BEARING	
	6	1	2P-8986	2	CUP-BEARING	
	7	1	6I-2172	1	ADAPTER-HYDRAULIC PUMP	
	8	1	1A-2029	5	BOLT (3/8-16X1.125-IN)	
	9	1	9S-8752	2	NUT-FULL (3/8-16-THD)	
	10	1	4N-1230	1	SEAL-O-RING	
	11	1	155-6627	1	GEAR (64 TEETH)	
	12	1	2H-3934	1	SEAL-O-RING	
	13	1	2S-4663	1	SEAL-O-RING	
	14	1	6N-3310	1	SHAFT-IDLER GEAR	
	15	1	5K-9065	1	RING-RETAINING	
	16	1	2P-7554	1	SPACER-BEARING	
	17	1	2P-7555	1	SPACER-BEARING	
	18	1	030-0061	2	CONE-BEARING	
	19	1	030-0060	2	CUP-BEARING	
	20	1	2W-7615	1	GEAR-IDLER (64-TEETH)	
	21	1	2K-4472	1	SEAL-O-RING	
	22	1	4N-0848	1	SLEEVE-WEAR	

# BASIC ENGINE

147-3754 GEAR GP-REAR (contd.)

i01581563



GRAPHIC #1

<END>

g00678189

# BASIC ENGINE

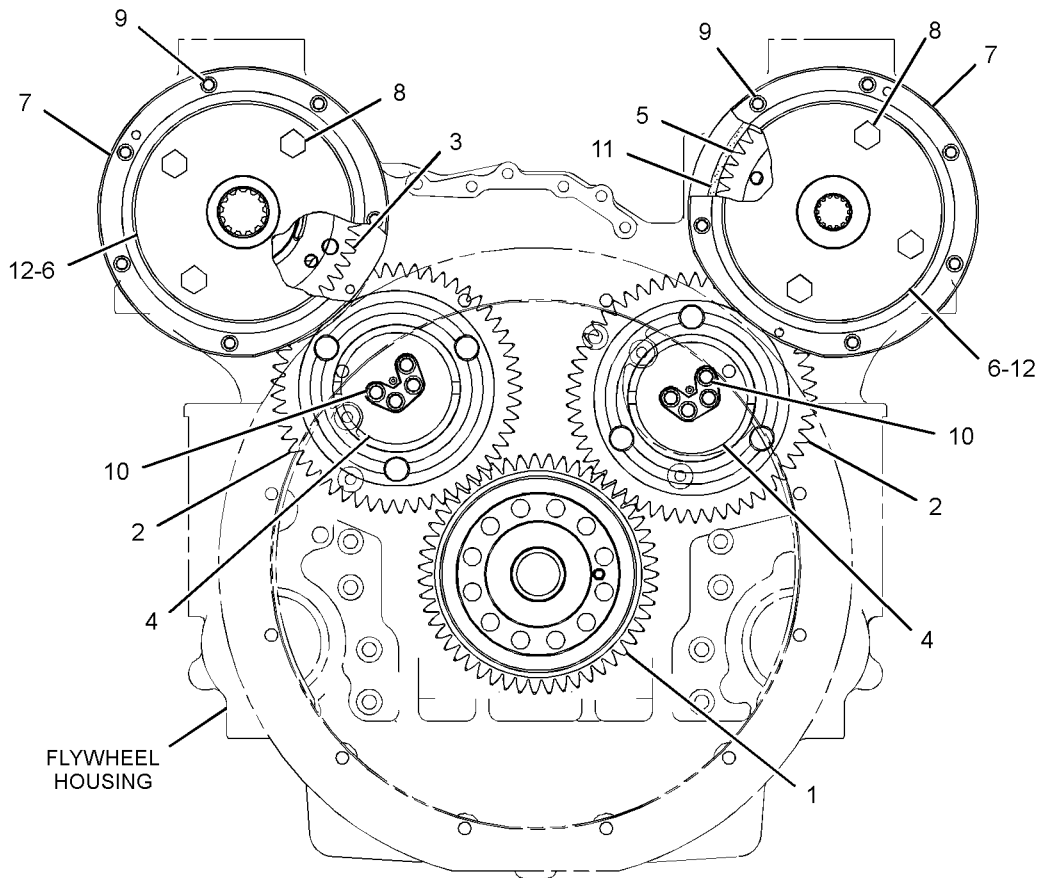
## 278-0095 GEAR GP-REAR AN ATTACHMENT

SMCS - 1204

i04156893

NOTE	REF NO	GRAPHIC REF	PART NUMBER	QTY	PART NAME						SEE PAGE
					1	2	3	4	5	6 (PRODUCT LEVEL)	
	1	1	<b>206-4198</b>	1	GEAR AS (51-TEETH)						
		1	<b>4N-0684</b>	1	DOWEL						
	2	1	<b>207-8211</b>	2	GEAR AS-IDLER (53-TEETH)						
					(EACH INCLUDES)						
		1	<b>209-8621</b>	1	BEARING						
	3	1	<b>207-8213</b>	1	GEAR AS-PUMP DRIVE (51-TEETH)						
		1	<b>4F-6024</b>	1	PIN						
	4	1	<b>209-9770</b>	2	RETAINER AS						
					(EACH INCLUDES)						
		1	<b>5B-5821</b>	1	DOWEL						
	5	1	<b>229-1472</b>	1	GEAR AS (51-TEETH)						
		1	<b>4F-6024</b>	1	PIN						
	6	1	<b>229-1479</b>	4	COVER						
	7	1	<b>246-1112</b>	2	ADAPTER AS						
					(EACH INCLUDES)						
		1	<b>209-8624</b>	1	BUSHING						
	8	1	<b>0S-1621</b>	8	BOLT (1/2-13X1-IN)						
M	9	1	<b>136-4183</b>	12	BOLT-12 POINT HEAD (M10X1.5X30-MM)						
M	10	1	<b>189-6123</b>	8	BOLT-12 POINT HEAD (M12X1.75X60-MM)						
	11	1	<b>6V-5141</b>	2	SEAL-O-RING						
	12	1	<b>7C-1114</b>	2	GASKET						

M-METRIC PART



REAR VIEW OF ENGINE

GRAPHIC #1

<END>

g02359596

# BASIC ENGINE

## 224-4501 GOVERNOR GP-AIR COMPRESSOR

AN ATTACHMENT

SMCS - 1804

i02250770

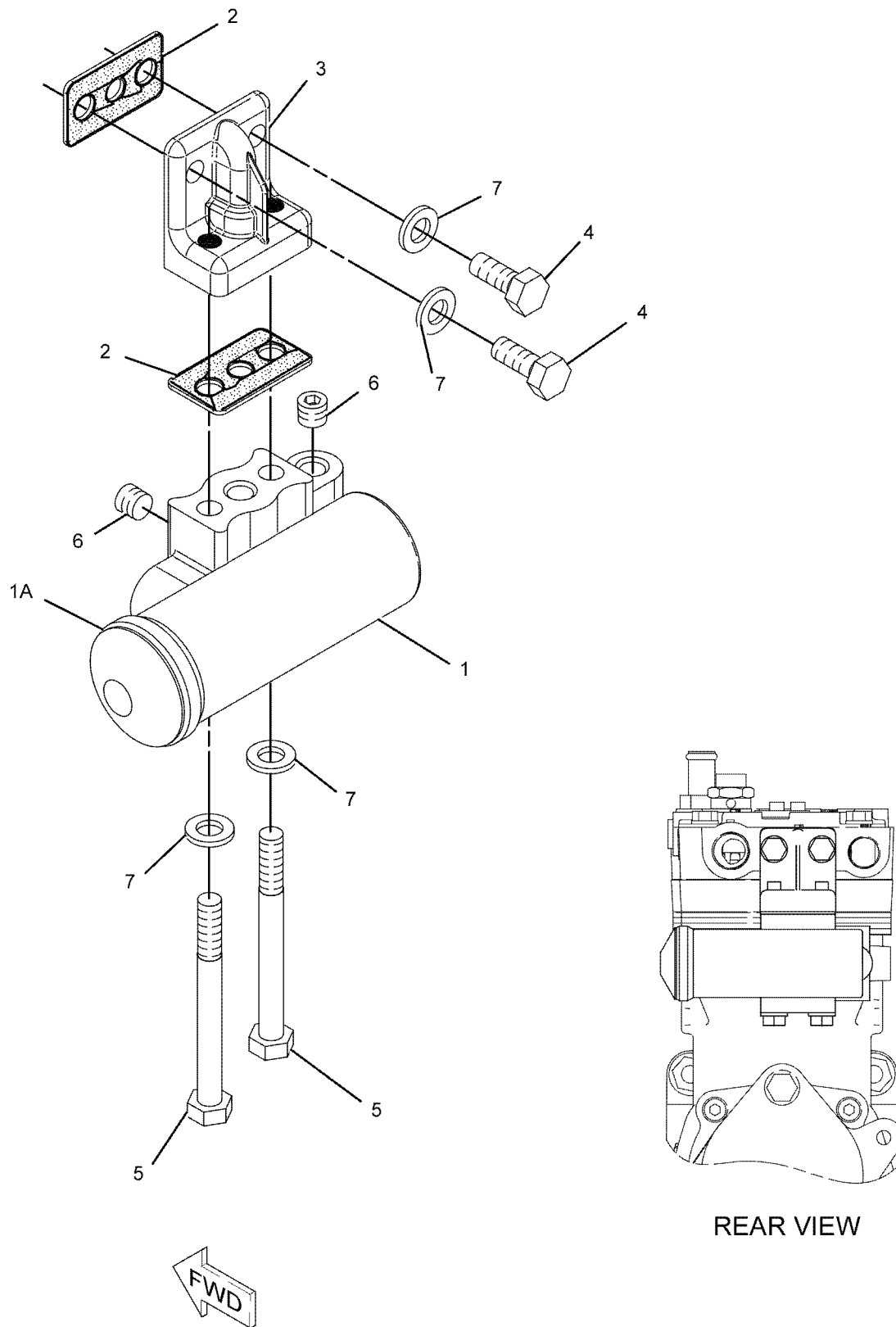
NOTE	REF NO	GRAPHIC REF	PART NUMBER	QTY	PART NAME						SEE PAGE
					1	2	3	4	5	6 (PRODUCT LEVEL)	
	1	1	<b>4N-9680</b>	1	GOVERNOR GP-AIR COMPRESSOR						
	1A	1	<b>2S-2923</b>	1	COVER AS						
		1	<b>9M-0402</b>	1	KIT-GOVERNOR OVERHAUL (AIR COMPRESSOR)						
					(INCLUDES GROMMETS, FILTERS, SPRING, VALVE, COVER, RING, AND GASKET)						
	2	1	<b>6L-1883</b>	2	GASKET						
	3	1	<b>179-4787</b>	1	ADAPTER						
M	4	1	<b>6V-5217</b>	2	BOLT (M8X1.25X20-MM)						
M	5	1	<b>6V-5221</b>	2	BOLT (M8X1.25X80-MM)						
	6	1	<b>8T-6757</b>	3	PLUG-PIPE						
	7	1	<b>9M-1974</b>	4	WASHER-HARD (8.8X16X2-MM THK)						

M-METRIC PART

# BASIC ENGINE

224-4501 GOVERNOR GP-AIR COMPRESSOR (contd.)

i02250770



GRAPHIC #1

<END>

g01068320



# BASIC ENGINE

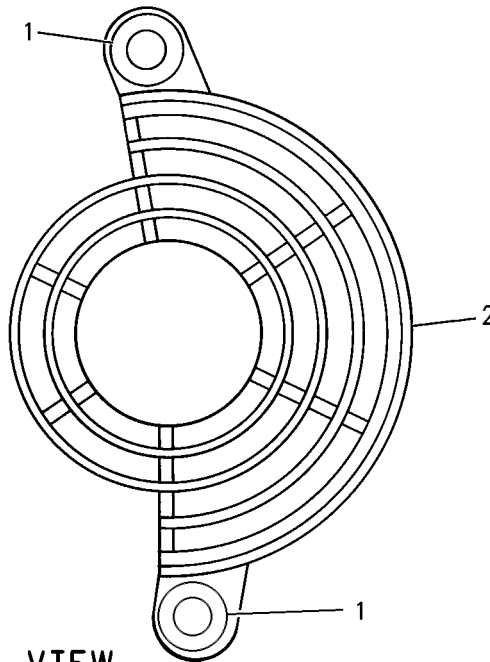
## 1N-3876 GUARD GP-BELT

CANNOT BE USED WITH 60-AMPERE ALTERNATORS, BELT GUARDS  
AN ATTACHMENT

SMCS-7174

i02332205

NOTE	REF NO	GRAPHIC REF	PART NUMBER	QTY	PART NAME						SEE PAGE
					1	2	3	4	5	6 (PRODUCT LEVEL)	
	1	1	3H-7654	2	WASHER-HARD (13.5X22.5X3.0-MM THK)						
	2	1	1N-3877	1	GUARD AS-ALTERNATOR						



FRONT VIEW

GRAPHIC #1

<END>

g00258389

# BASIC ENGINE

## 194-4615 GUARD GP-BELT

REQUIRES RADIATOR, EXPANSION TANK AND LH MOUNTED ALTERNATOR  
AN ATTACHMENT

SMCS-7174

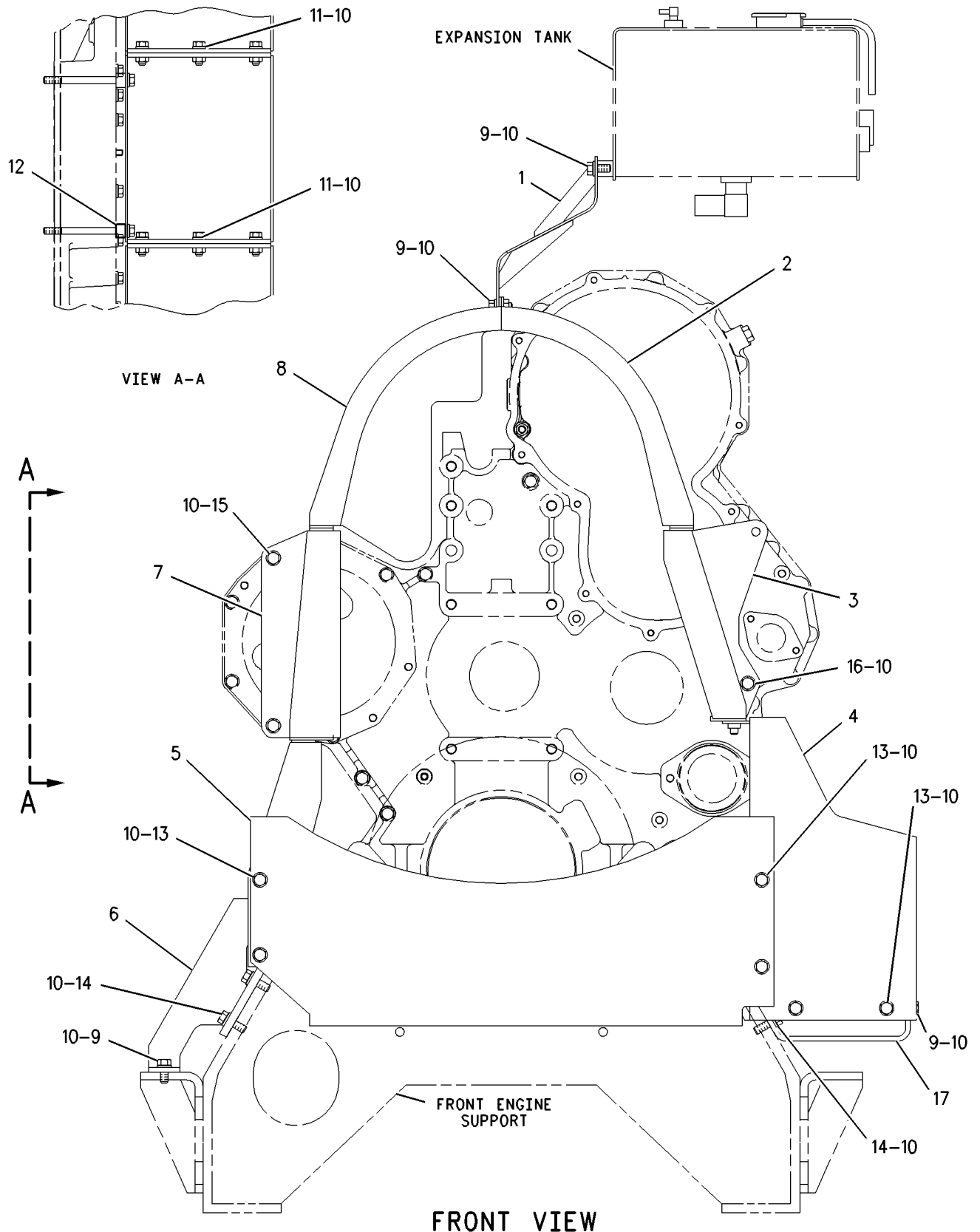
i01391478

NOTE	REF NO	GRAPHIC REF	PART NUMBER	QTY	PART NAME						SEE PAGE
					1	2	3	4	5	6 (PRODUCT LEVEL)	
	1	1	194-5288	1	BRACKET AS						
	2	1	158-2833	1	GUARD AS						
		1	1F-0750	2	NUT-WELD (3/8-16-THD)						
	3	1	194-4783	1	GUARD AS						
		1	1F-0750	3	NUT-WELD (3/8-16-THD)						
	4	1	159-1789	1	GUARD AS						
		1	8T-1296	4	WASHER (10.5X19X3.5-MM THK)						
	5	1	159-2721	1	BRACKET						
	6	1	158-6480	1	GUARD AS						
		1	1F-0750	5	NUT-WELD (3/8-16-THD)						
	7	1	158-5086	1	GUARD AS						
		1	1F-0750	3	NUT-WELD (3/8-16-THD)						
	8	1	158-2830	1	GUARD AS						
	9	1	0L-1351	8	BOLT (3/8-16X0.875-IN)						
	10	1	5M-2894	34	WASHER-HARD (10.2X18.5X2.5-MM THK)						
	11	1	0S-1594	11	BOLT (3/8-16X1-IN)						
	12	1	6W-5458	1	SPACER (0.406X0.75X0.5-IN THK)						
	13	1	0S-0509	8	BOLT (3/8-16X0.75-IN)						
	14	1	1A-2029	4	BOLT (3/8-16X1.125-IN)						
	15	1	1A-5183	2	BOLT (3/8-16X4.75-IN)						
	16	1	1C-2251	1	BOLT (3/8-16X1.87-IN)						
	17	1	159-2957	1	BRACKET AS						

# BASIC ENGINE

194-4615 GUARD GP-BELT (contd.)

i01391478



GRAPHIC #1

<END>

g00743655

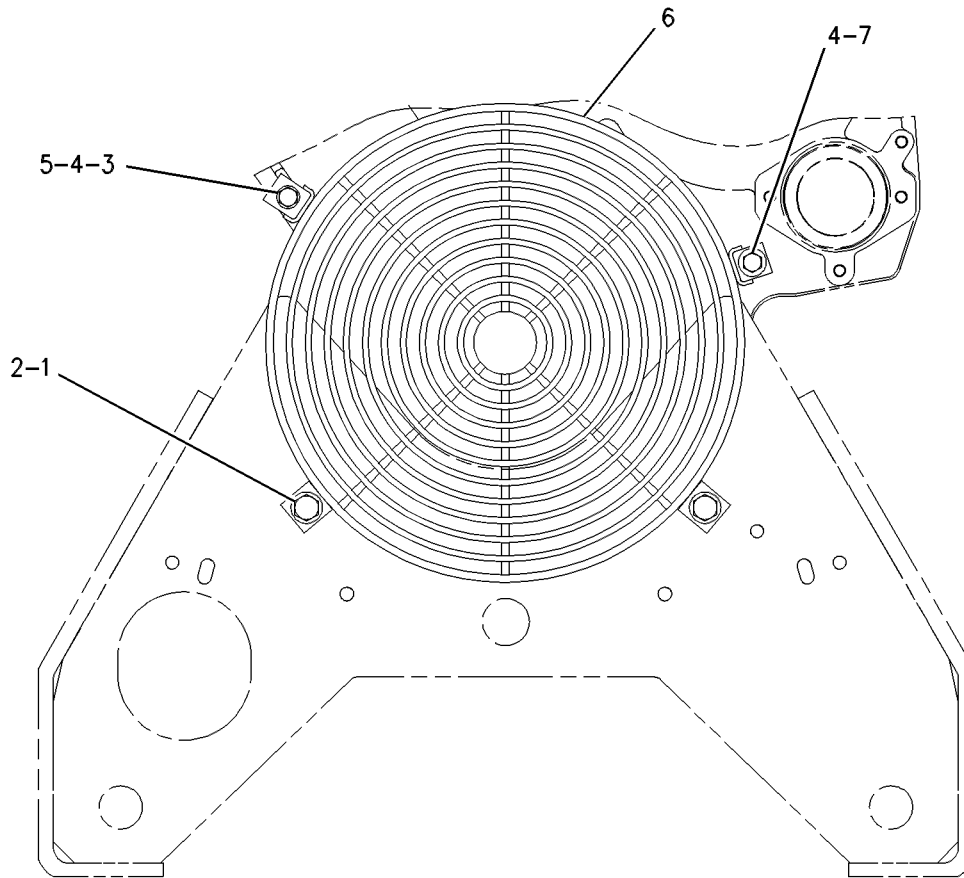
# BASIC ENGINE

## 151-4465 GUARD GP-DAMPER AN ATTACHMENT

SMCS-1205

i01078373

NOTE	REF NO	GRAPHIC REF	PART NUMBER	QTY	PART NAME						SEE PAGE
					1	2	3	4	5	6 (PRODUCT LEVEL)	
	1	1	1A-7669	2	BOLT (1/2-13X7-IN)						
	2	1	5P-8245	2	WASHER-HARD (13.5X25.5X3-MM THK)						
	3	1	0T-0055	1	BOLT (3/8-16X4.25-IN)						
	4	1	5M-2894	3	WASHER-HARD (10.2X18.5X2.5-MM THK)						
	5	1	9S-8752	1	NUT-FULL (3/8-16-THD)						
	6	1	151-2768	1	GUARD AS						
	7	1	0S-1594	1	BOLT (3/8-16X1-IN)						



FRONT VIEW

GRAPHIC #1

<END>

g00568394

# BASIC ENGINE

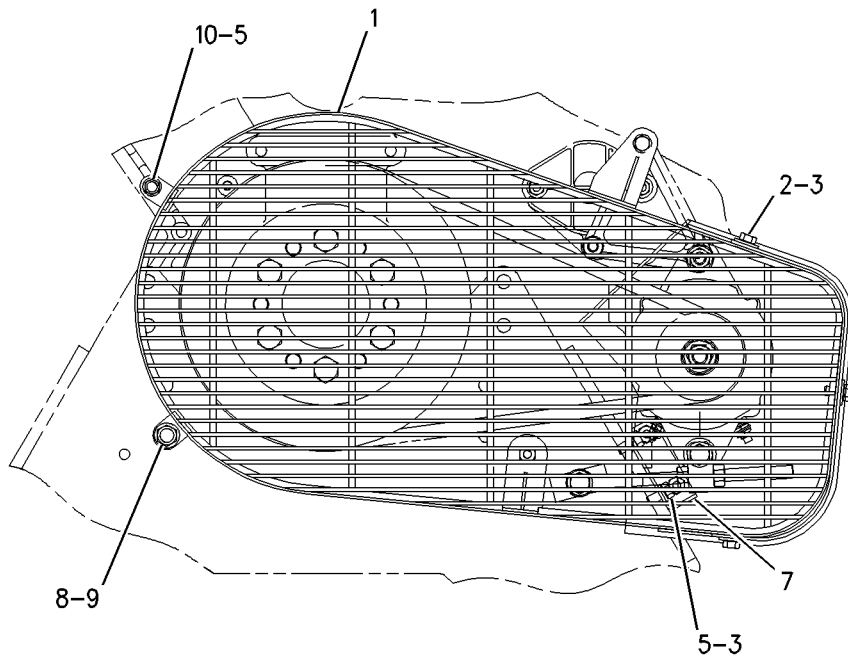
## 173-4002 GUARD GP-DAMPER

LH, REQUIRES ALTERNATOR  
CANNOT BE USED WITH RADIATORS OR PULLEYS  
AN ATTACHMENT

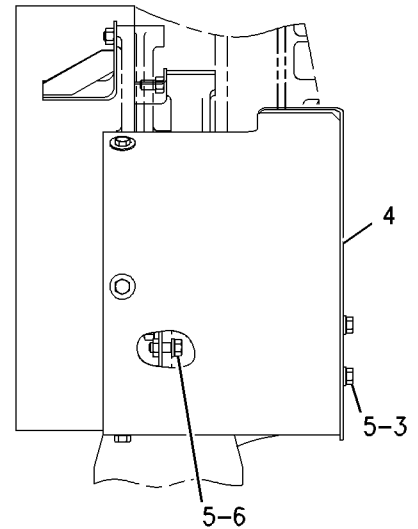
SMCS-1205

i03211798

NOTE	REF NO	GRAPHIC REF	PART NUMBER	QTY	PART NAME						SEE PAGE
					1	2	3	4	5	6 (PRODUCT LEVEL)	
	1	1	155-6541	1	GUARD AS (ALTERNATOR AND DAMPER)						
		1	1F-0750	4	NUT-WELD (3/8-16-THD)						
	2	1	9L-9132	3	WASHER (10.2X25.5X2.5-MM THK)						
	3	1	0S-0509	7	BOLT (3/8-16X0.75-IN)						
	4	1	156-0036	1	GUARD AS-ALTERNATOR						
	5	1	5M-2894	6	WASHER-HARD (10.2X18.5X2.5-MM THK)						
	6	1	0S-1594	1	BOLT (3/8-16X1-IN)						
	7	1	156-5813	1	BRACKET AS						
		1	1F-0750	2	NUT-WELD (3/8-16-THD)						
	8	1	8T-7971	1	WASHER-HARD (13.5X25.5X5-MM THK)						
	9	1	5P-8038	1	BOLT-12 POINT HEAD (1/2-13X4.75-IN)						
	10	1	1A-5964	1	BOLT (3/8-16X4.5-IN)						



FRONT VIEW



LEFT SIDE VIEW

GRAPHIC #1

<END>

g00678370

# BASIC ENGINE

## 174-6468 GUARD GP-DAMPER

LH

CANNOT BE USED WITH RADIATORS OR PULLEYS  
AN ATTACHMENT

SMCS-1205

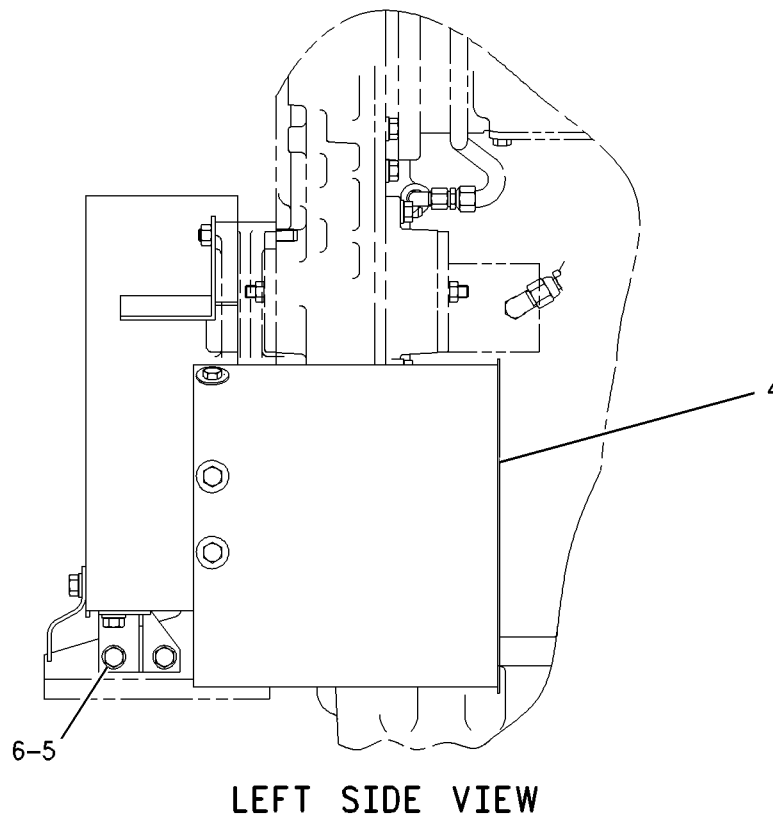
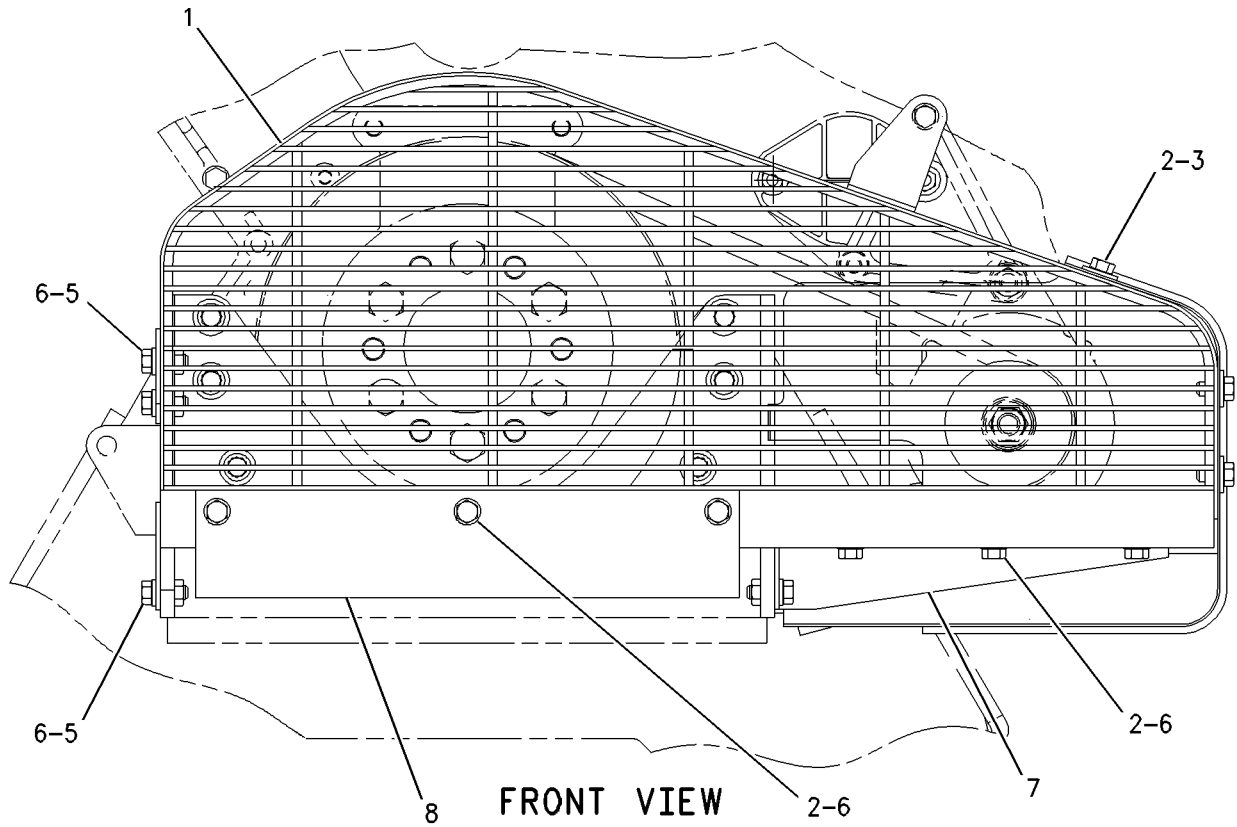
i03211799

NOTE	REF NO	GRAPHIC REF	PART NUMBER	QTY	PART NAME						SEE PAGE
					1	2	3	4	5	6 (PRODUCT LEVEL)	
	1	1	174-6474	1	GUARD AS (ALTERNATOR AND DAMPER)						
		1	1F-0750	9	NUT-WELD (3/8-16-THD)						
	2	1	0S-0509	9	BOLT (3/8-16X0.75-IN)						
	3	1	9L-9132	3	WASHER (10.2X25.5X2.5-MM THK)						
	4	1	174-6477	1	GUARD AS-ALTERNATOR						
	5	1	0S-1594	6	BOLT (3/8-16X1-IN)						
	6	1	5M-2894	12	WASHER-HARD (10.2X18.5X2.5-MM THK)						
	7	1	174-6483	1	BRACKET AS						
	8	1	174-6484	1	BRACKET						

# BASIC ENGINE

174-6468 GUARD GP-DAMPER (contd.)

i03211799



GRAPHIC #1

<END>

g00683504

# BASIC ENGINE

## 174-6470 GUARD GP-DAMPER

RH, REQUIRES ALTERNATOR  
CANNOT BE USED WITH RADIATORS OR PULLEYS  
AN ATTACHMENT

SMCS-1205

i03211800

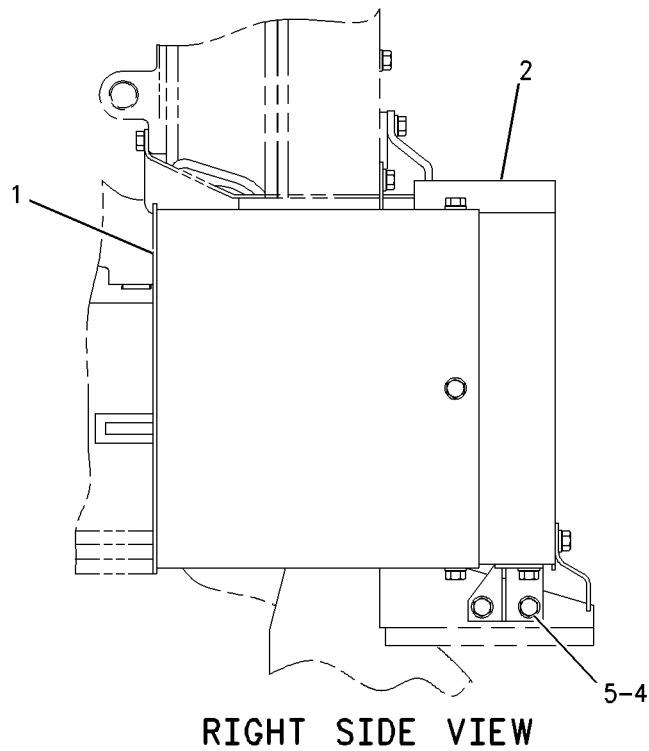
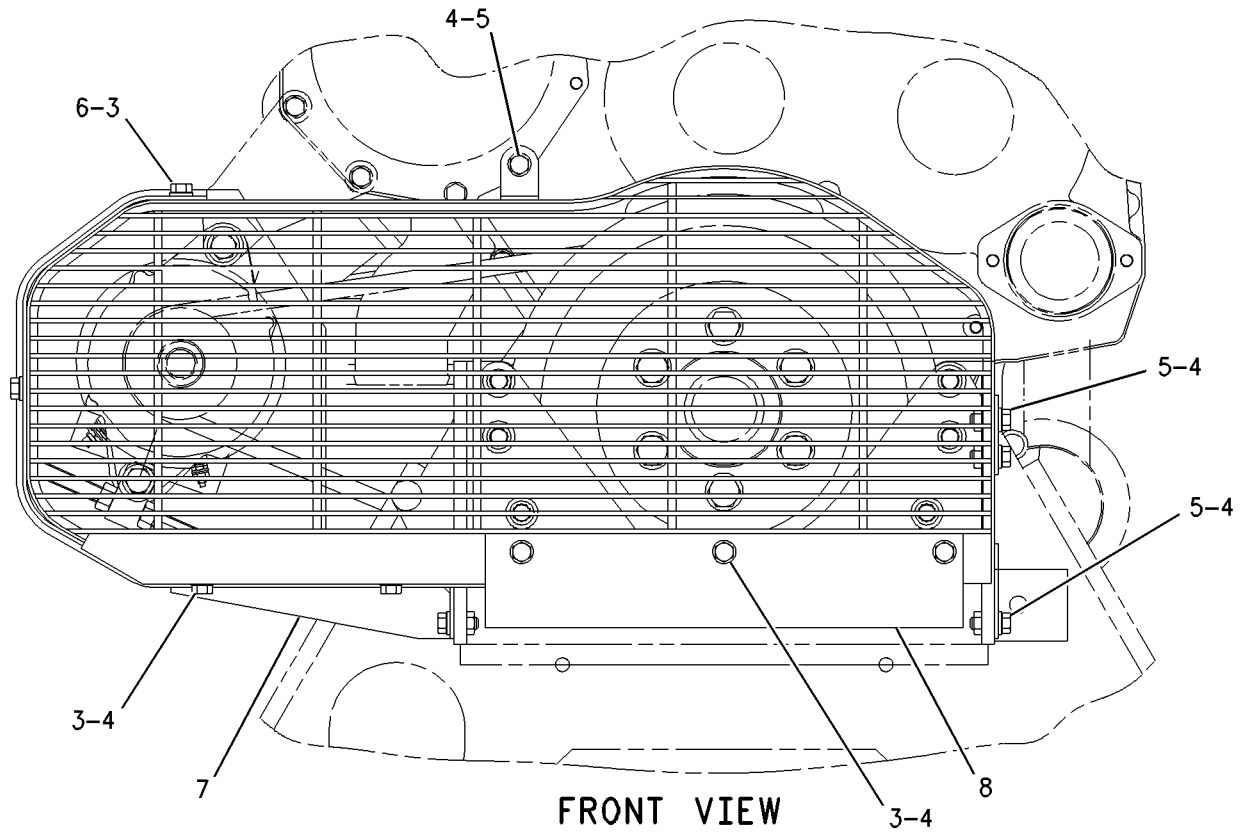
NOTE	REF NO	GRAPHIC REF	PART NUMBER	QTY	PART NAME						SEE PAGE
					1	2	3	4	5	6 (PRODUCT LEVEL)	
	1	1	174-6476	1	GUARD AS-ALTERNATOR						
	2	1	174-6472	1	GUARD AS						
		1	1F-0750	8	NUT-WELD (3/8-16-THD)						
	3	1	0S-0509	8	BOLT (3/8-16X0.75-IN)						
	4	1	5M-2894	12	WASHER-HARD (10.2X18.5X2.5-MM THK)						
	5	1	0S-1594	7	BOLT (3/8-16X1-IN)						
	6	1	9L-9132	3	WASHER (10.2X25.5X2.5-MM THK)						
	7	1	174-6482	1	BRACKET AS						
	8	1	174-6484	1	BRACKET						



# BASIC ENGINE

174-6470 GUARD GP-DAMPER (contd.)

i03211800



GRAPHIC #1

<END>

g00683360

# BASIC ENGINE

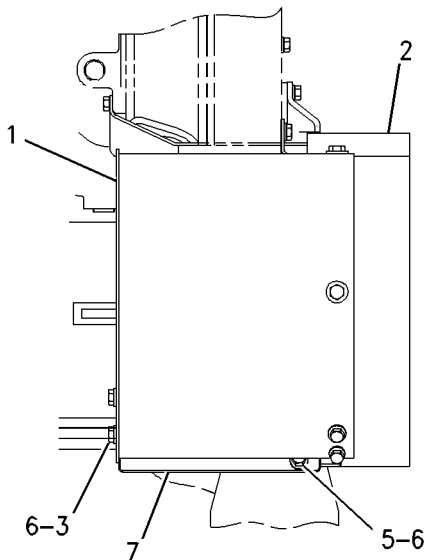
## 175-4855 GUARD GP-DAMPER

RH, REQUIRES ALTERNATOR  
CANNOT BE USED WITH RADIATORS OR PULLEYS  
AN ATTACHMENT

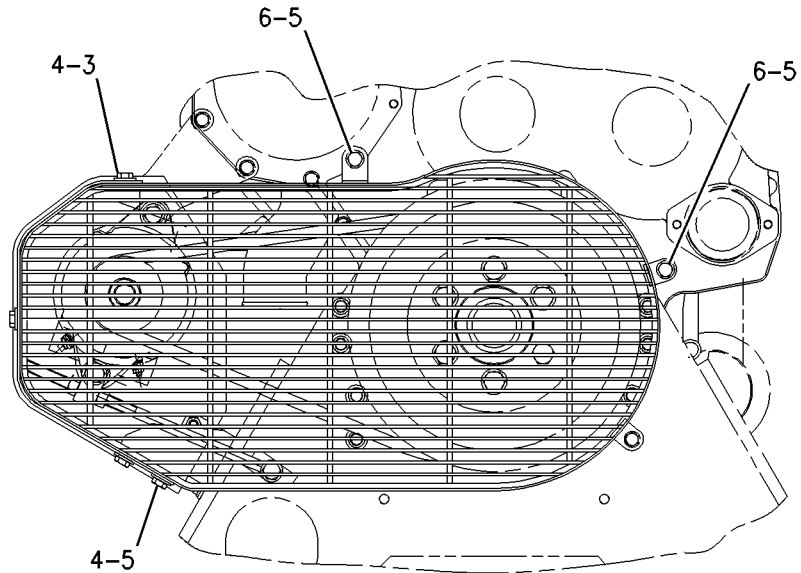
SMCS-1205

i03211801

NOTE	REF NO	GRAPHIC REF	PART NUMBER	QTY	PART NAME						SEE PAGE
					1	2	3	4	5	6 (PRODUCT LEVEL)	
	1	1	156-5319	1	GUARD AS-ALTERNATOR						
	2	1	156-2613	1	GUARD AS-ALTERNATOR						
		1	1F-0750	2	NUT-WELD (3/8-16-THD)						
	3	1	0S-0509	4	BOLT (3/8-16X0.75-IN)						
	4	1	9L-9132	4	WASHER (10.2X25.5X2.5-MM THK)						
	5	1	0S-1594	6	BOLT (3/8-16X1-IN)						
	6	1	5M-2894	6	WASHER-HARD (10.2X18.5X2.5-MM THK)						
	7	1	156-5536	1	BRACKET AS						
		1	1F-0750	4	NUT-WELD (3/8-16-THD)						



RIGHT SIDE VIEW



FRONT VIEW

GRAPHIC #1

<END>

g00678404

# BASIC ENGINE

## 120-9128 HOUSING GP-FLYWHEEL

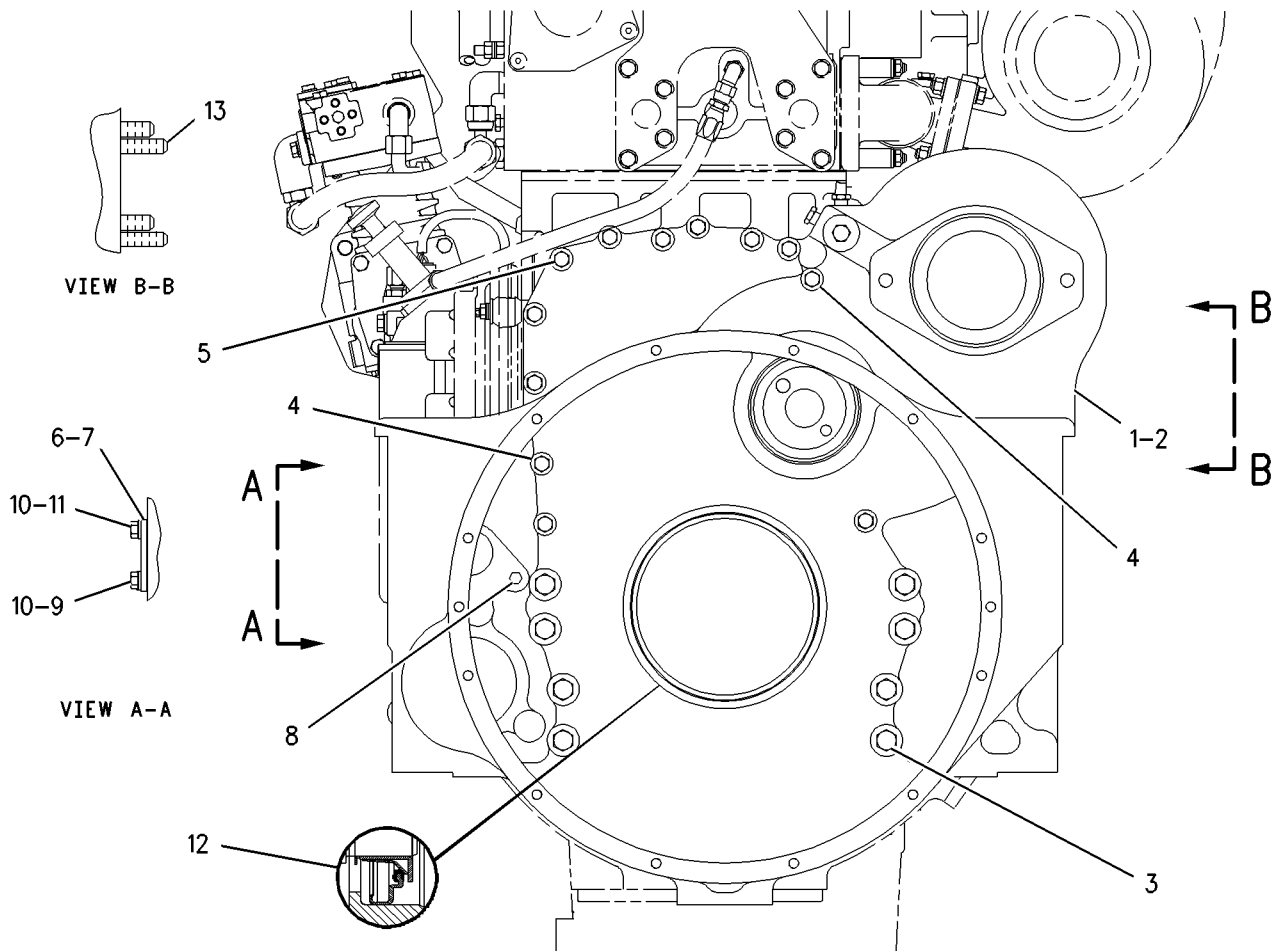
POWER TAKE-OFF CAPABILITIES  
AN ATTACHMENT

SMCS-1157

i03874081

NOTE	REF NO	GRAPHIC REF	PART NUMBER	QTY	PART NAME						SEE PAGE
					1	2	3	4	5	6 (PRODUCT LEVEL)	
	1	1	142-7366	1	HOUSING AS-FLYWHEEL						
		1	1W-3136	1	BAFFLE						
		1	3S-0036	2	PLUG-CORE						
		1	8T-6765	4	PLUG-PIPE						
	2	1	155-5619	1	GASKET						
	3	1	5P-8289	8	BOLT-12 POINT HEAD						
	4	1	165-3937	4	BOLT (3/8-16X5.26-IN)						
	5	1	165-3932	8	BOLT (3/8-16X2-IN)						
	6	1	234-8937	1	SEAL-INTEGRAL						
	7	1	2P-2772	1	COVER						
	8	1	8T-6765	1	PLUG-PIPE						
	9	1	0S-1594	1	BOLT (3/8-16X1-IN)						
	10	1	5M-2894	2	WASHER-HARD (10.2X18.5X2.5-MM THK)						
	11	1	0S-1619	1	BOLT (3/8-16X3-IN)						
Y	12	1	319-0785	1	SEAL GP-CRANKSHAFT (REAR FLYWHEEL HOUSING)						411
	13	1	3D-2871	2	STUD-TAPERLOCK (3/8-16X1.5-IN) (3/8 IN.NC X 1 1/2)						

Y-SEPARATE ILLUSTRATION



REAR VIEW

GRAPHIC #1

<END>

g00986150

# BASIC ENGINE

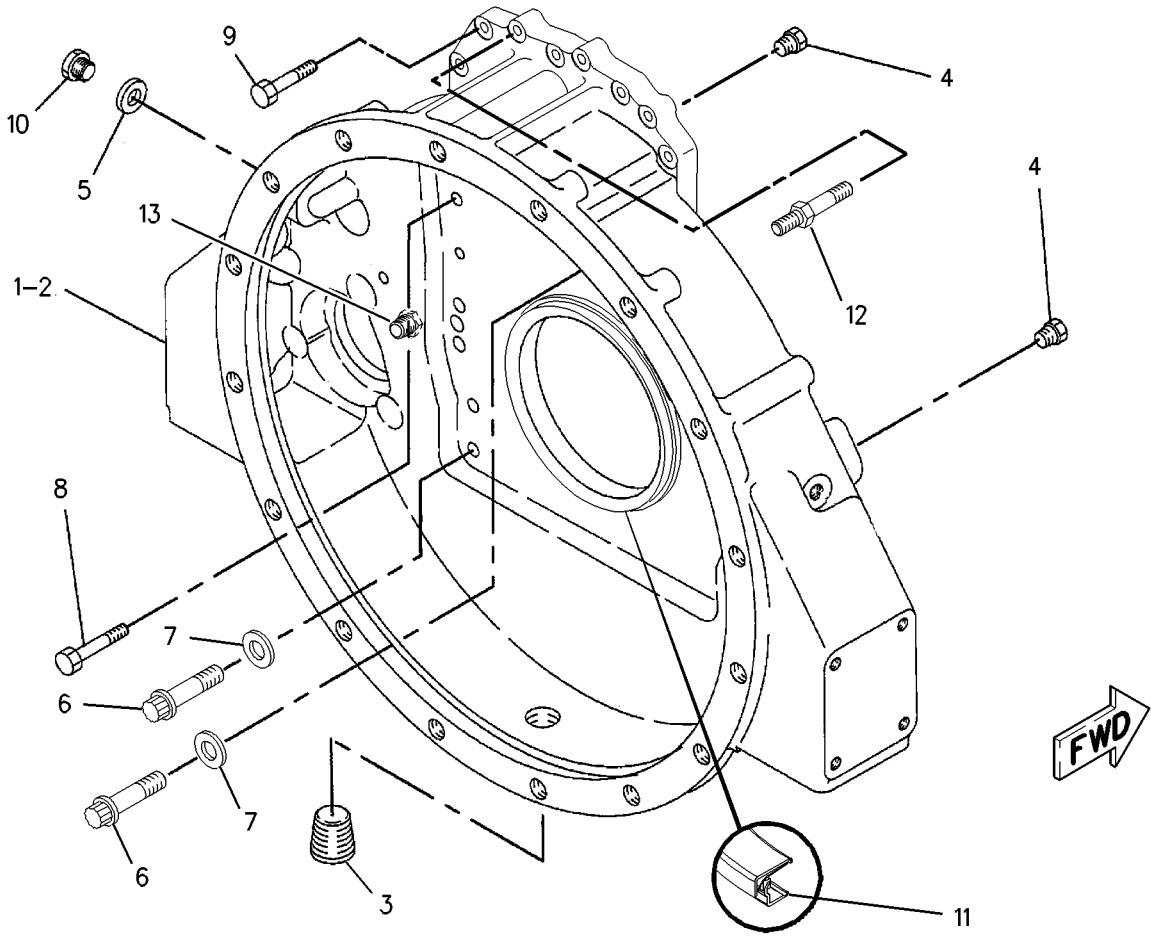
## 130-4680 HOUSING GP-FLYWHEEL FOR USE WITH AIR CLEANER, SAE NO. 0 FLYWHEEL AN ATTACHMENT

SMCS-1157

i02992338

NOTE	REF NO	GRAPHIC REF	PART NUMBER	QTY	PART NAME						SEE PAGE
					1	2	3	4	5	6 (PRODUCT LEVEL)	
	1	1	128-2002	1	HOUSING-FLYWHEEL						
B	2	1	1U-8846		SEALANT-GASKET						
	3	1	7X-7731	1	PLUG-PIPE						
	4	1	8T-6765	2	PLUG-PIPE						
	5	1	2A-1162	1	GASKET						
	6	1	5J-5793	9	BOLT-12 POINT HEAD (1/2-13X1.75-IN)						
	7	1	5P-8245	9	WASHER-HARD (13.5X25.5X3-MM THK)						
	8	1	165-3931	7	BOLT (3/8-16X1.75-IN)						
	9	1	165-3929	5	BOLT (3/8-16X1.5-IN)						
	10	1	5F-0304	1	PLUG (FLYWHEEL HOUSING)						
Y	11	1	319-0785	1	SEAL GP-CRANKSHAFT (REAR FLYWHEEL HOUSING)						411
	12	1	9L-9115	1	STUD						
	13	1	7X-7730	1	PLUG-PIPE						

B-USE AS REQUIRED  
Y-SEPARATE ILLUSTRATION



GRAPHIC #1

<END>

g00974298

# BASIC ENGINE

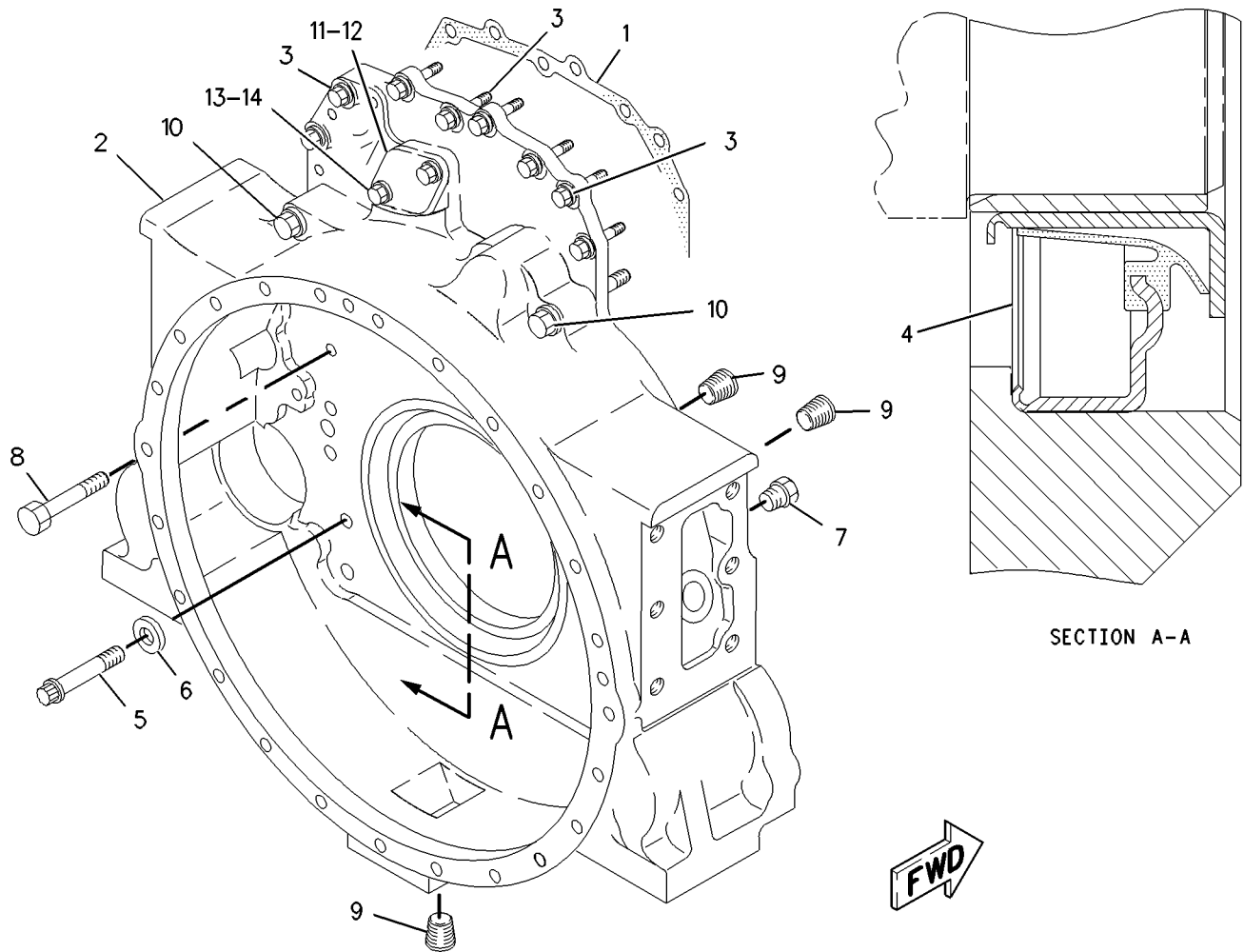
## 135-7634 HOUSING GP-FLYWHEEL FOR USE WITH LH AND RH STARTING MOTORS, SAE NO. 1 HOUSING AN ATTACHMENT

SMCS-1157

i02992335

NOTE	REF NO	GRAPHIC REF	PART NUMBER	QTY	PART NAME						SEE PAGE
					1	2	3	4	5	6 (PRODUCT LEVEL)	
	1	1	155-5619	1	GASKET						
	2	1	108-4744	1	HOUSING-FLYWHEEL						
	3	1	0S-1591	8	BOLT (3/8-16X1.5-IN)						
Y	4	1	319-0785	1	SEAL GP-CRANKSHAFT (REAR FLYWHEEL HOUSING)						411
	5	1	5J-5793	9	BOLT-12 POINT HEAD (1/2-13X1.75-IN)						
	6	1	5P-8245	9	WASHER-HARD (13.5X25.5X3-MM THK)						
	7	1	8T-6765	2	PLUG-PIPE						
	8	1	0S-1571	5	BOLT (3/8-16X1.75-IN)						
	9	1	7X-7731	3	PLUG-PIPE						
	10	1	0T-0573	2	BOLT (3/8-16X2.75-IN)						
	11	1	8F-3030	1	FLANGE						
	12	1	5H-0244	1	GASKET						
	13	1	0S-1594	2	BOLT (3/8-16X1-IN)						
	14	1	5M-2894	2	WASHER-HARD (10.2X18.5X2.5-MM THK)						

Y-SEPARATE ILLUSTRATION



SECTION A-A



GRAPHIC #1

<END>

g00985845

# BASIC ENGINE

## 160-2612 HOUSING GP-FLYWHEEL

S/N: JRE1-10443

AN ATTACHMENT

SMCS-1157

i02971501

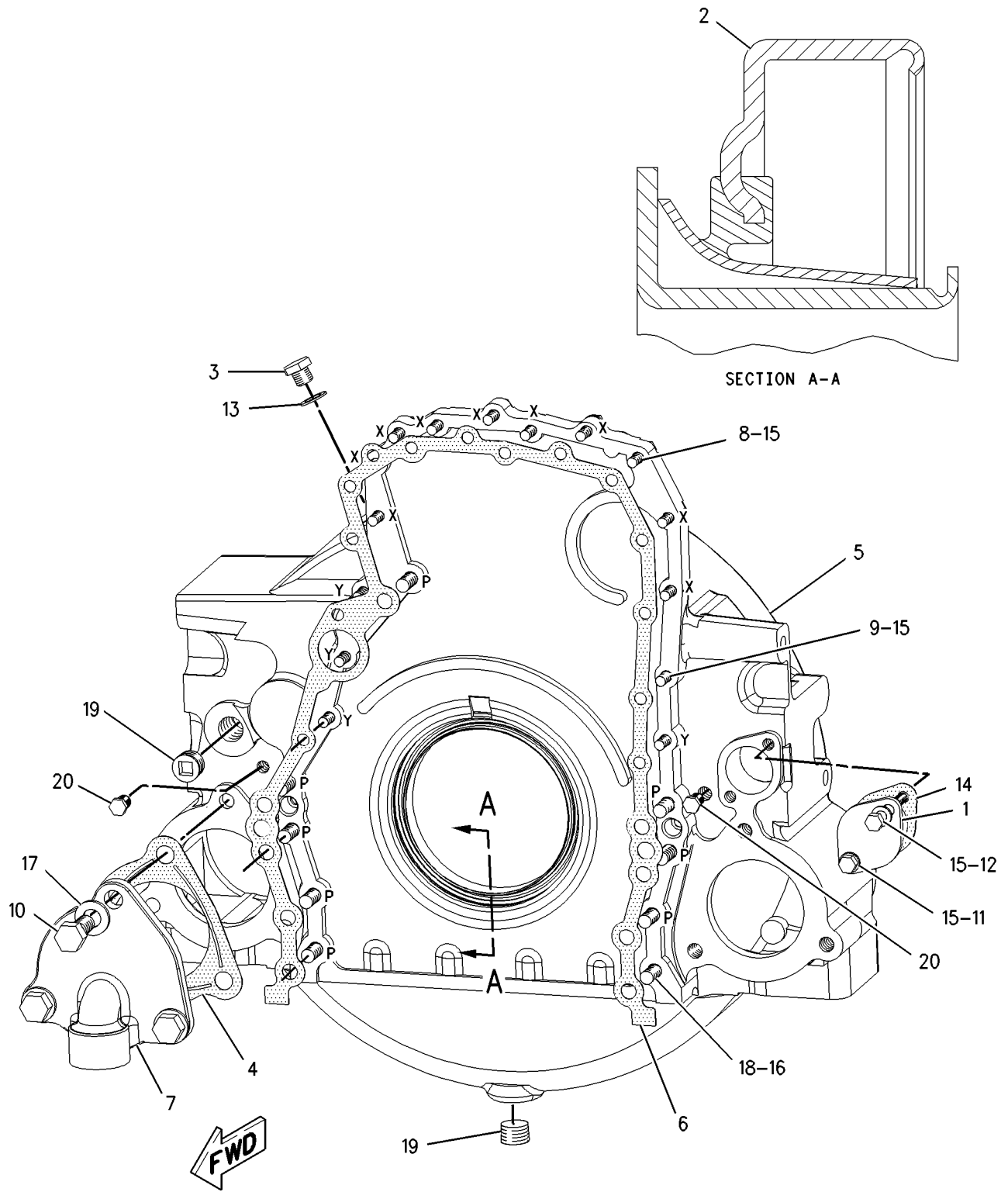
NOTE	REF NO	GRAPHIC REF	PART NUMBER	QTY	PART NAME						SEE PAGE
					1	2	3	4	5	6 (PRODUCT LEVEL)	
	1	1	<b>2P-2772</b>	1	COVER						
Y	2	1	<i>319-0785</i>	1	SEAL GP-CRANKSHAFT (REAR FLYWHEEL HOUSING)						411
	3	1	<b>5F-0304</b>	1	PLUG (FLYWHEEL HOUSING)						
	4	1	<b>9Y-6089</b>	1	GASKET						
	5	1	<b>108-4758</b>	1	HOUSING AS						
		1	<b>3B-1925</b>	1	WASHER (0.766X1X0.064-IN THK)						
		1	<b>9L-9653</b>	1	PLUG						
		1	<b>1W-3136</b>	1	BAFFLE						
	6	1	<b>155-5619</b>	1	GASKET						
	7	1	<b>160-2563</b>	1	ADAPTER						
	8	1	<b>165-3929</b>	10	BOLT (3/8-16X1.5-IN) (MARKED X)						
	9	1	<b>165-3933</b>	5	BOLT (3/8-16X2.25-IN) (3/8-16) (LOCATIONS MARKED Y)						
	10	1	<b>0S-1566</b>	3	BOLT (5/8-11X1.5-IN)						
	11	1	<b>0S-1594</b>	1	BOLT (3/8-16X1-IN)						
	12	1	<b>0S-1619</b>	1	BOLT (3/8-16X3-IN)						
	13	1	<b>2A-1162</b>	1	GASKET						
	14	1	<b>4N-0933</b>	1	GASKET						
	15	1	<b>5M-2894</b>	17	WASHER-HARD (10.2X18.5X2.5-MM THK) (LOCATIONS MARKED X, Y)						
	16	1	<b>5P-8245</b>	9	WASHER-HARD (13.5X25.5X3.0-MM THK) (LOCATIONS MARKED P)						
	17	1	<b>5P-8247</b>	3	WASHER-HARD (17X32X3.5-MM THK)						
	18	1	<b>7K-6058</b>	9	BOLT-12 POINT HEAD (1/2-13X2.5-IN) (LOCATIONS MARKED P)						
	19	1	<b>7X-7731</b>	2	PLUG-PIPE						
	20	1	<b>8T-6765</b>	2	PLUG-PIPE						

Y-SEPARATE ILLUSTRATION

# BASIC ENGINE

160-2612 HOUSING GP-FLYWHEEL (contd.)

i02971501



GRAPHIC #1

<END>

g00976214

# BASIC ENGINE

## 160-2612 HOUSING GP-FLYWHEEL

S/N: JRE10444-UP  
AN ATTACHMENT

SMCS-1157

i03789397

NOTE	REF NO	GRAPHIC REF	PART NUMBER	QTY	PART NAME						SEE PAGE
					1	2	3	4	5	6 (PRODUCT LEVEL)	
	1	1	<b>2P-2772</b>	1	COVER						
Y	2	1	319-0785	1	SEAL GP-CRANKSHAFT (REAR FLYWHEEL HOUSING)						411
	3	1	<b>5F-0304</b>	1	PLUG						
	4	1	<b>9Y-6089</b>	1	GASKET						
	5	1	<b>108-4758</b>	1	HOUSING AS						
		1	<b>1W-3136</b>	1	BAFFLE						
	6	1	<b>155-5619</b>	1	GASKET						
	7	1	<b>160-2563</b>	1	ADAPTER						
	8	1	<b>165-3929</b>	10	BOLT (3/8-16X1.5-IN) (LOCATIONS MARKED X)						
	9	1	<b>165-3933</b>	5	BOLT (3/8-16X2.25-IN) (LOCATIONS MARKED Y)						
	10	1	<b>0S-1566</b>	3	BOLT (5/8-11X1.5-IN)						
	11	1	<b>0S-1594</b>	1	BOLT (3/8-16X1-IN)						
	12	1	<b>0S-1619</b>	1	BOLT (3/8-16X3-IN)						
	13	1	<b>2A-1162</b>	1	GASKET						
C	14	1	<b>234-8937</b>	1	SEAL-INTEGRAL						
	15	1	<b>5M-2894</b>	17	WASHER-HARD (10.2X18.5X2.5-MM THK) (LOCATIONS MARKED X, Y)						
	16	1	<b>5P-8245</b>	9	WASHER-HARD (13.5X25.5X3-MM THK) (LOCATIONS MARKED P)						
	17	1	<b>5P-8247</b>	3	WASHER-HARD (17X32X3.5-MM THK)						
	18	1	<b>7K-6058</b>	9	BOLT-12 POINT HEAD (1/2-13X2.5-IN) (LOCATIONS MARKED P)						
	19	1	<b>7X-7731</b>	2	PLUG-PIPE						
	20	1	<b>8T-6765</b>	2	PLUG-PIPE						
	21	1	<b>2A-1912</b>	1	PLUG						
	22	1	<b>3B-1925</b>	1	WASHER (0.766X1X0.064-IN THK)						

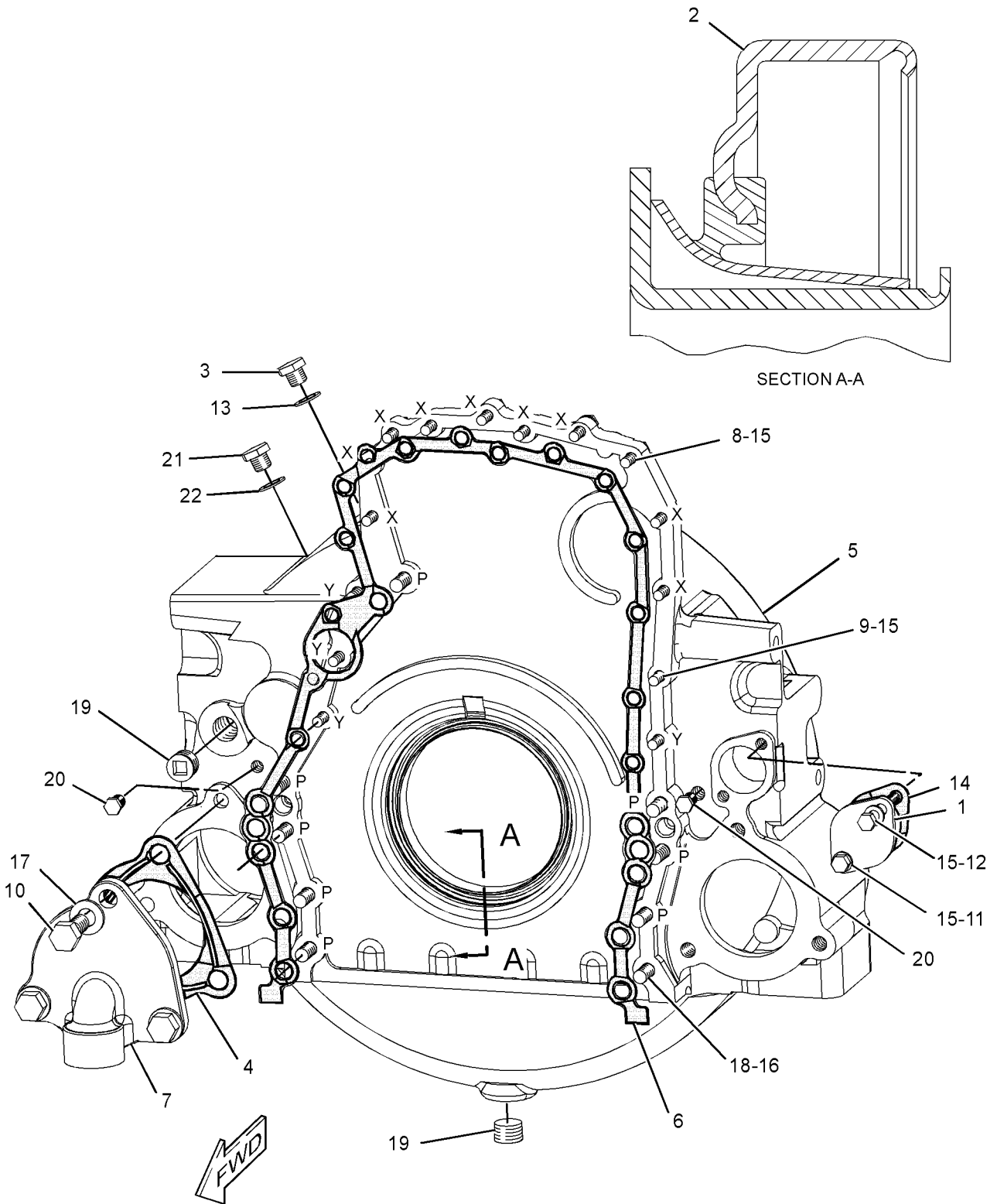
C-CHANGE FROM PREVIOUS TYPE  
Y-SEPARATE ILLUSTRATION



# BASIC ENGINE

160-2612 HOUSING GP-FLYWHEEL (contd.)

i03789397



GRAPHIC #1

<END>

g02084315

# BASIC ENGINE

## 219-0627 HOUSING GP-FLYWHEEL

PART OF 219-0626 DRIVE GP-POWER TAKE-OFF  
AN ATTACHMENT

SMCS-1157

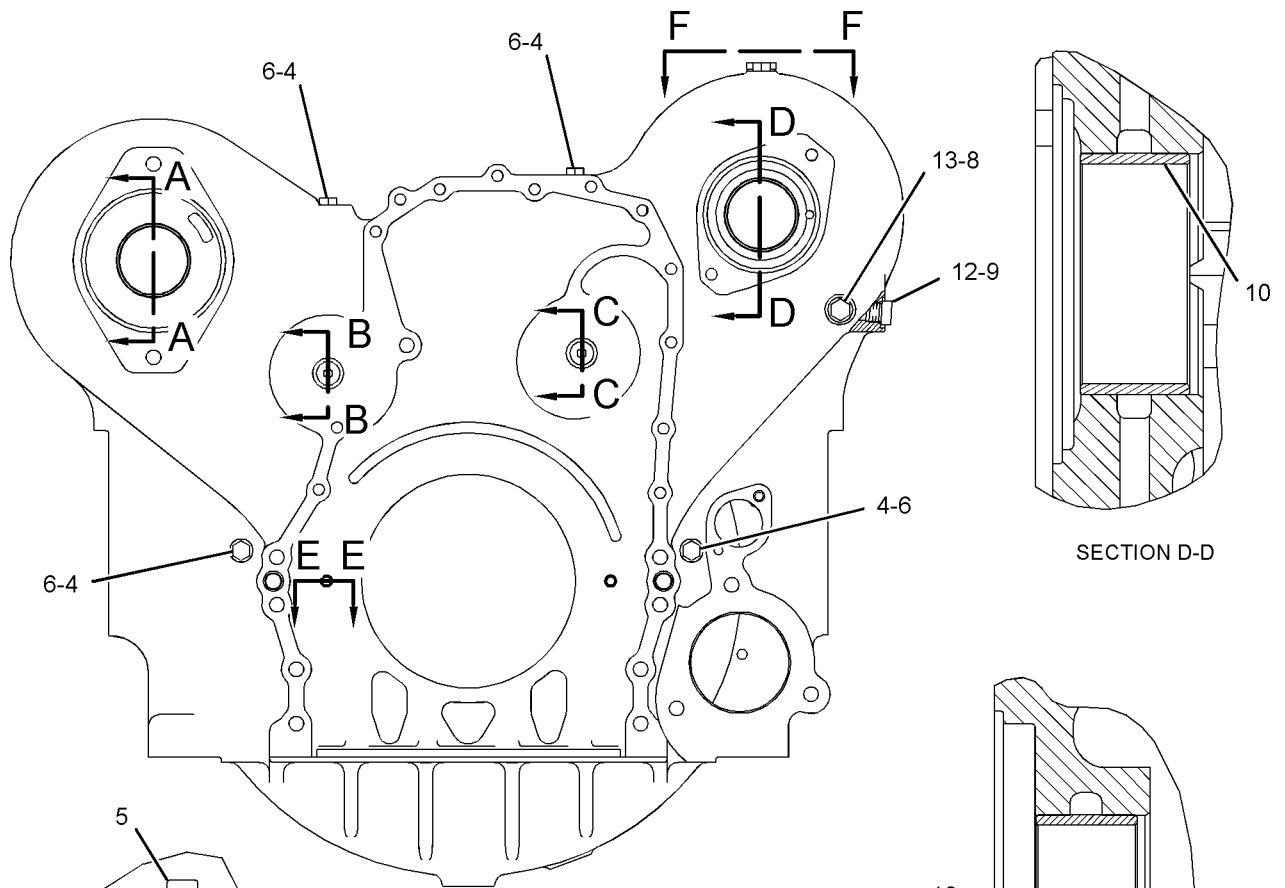
i03688466

NOTE	REF NO	GRAPHIC REF	PART NUMBER	QTY	PART NAME						SEE PAGE
					1	2	3	4	5	6 (PRODUCT LEVEL)	
	1	1	<b>5F-0304</b>	1	PLUG						
	3	1	<b>2A-1162</b>	1	GASKET						
	4	1	<b>3K-8460</b>	5	PLUG						
	5	1	<b>4N-0684</b>	2	DOWEL						
	6	1	<b>5P-7814</b>	5	SEAL-O-RING						
	8	1	<b>6V-5049</b>	1	SEAL-O-RING						
	9	1	<b>8L-2786</b>	3	SEAL-O-RING						
	10	1	<b>8M-9315</b>	2	BUSHING						
	12	1	<b>9S-4185</b>	1	PLUG-O-RING						
	13	1	<b>9S-4191</b>	1	PLUG-O-RING						
	14	1	<b>9S-8005</b>	2	PLUG-O-RING						
	15	1	<i>309-5130</i>	1	PLUG AS						
		1	<b>9S-4182</b>	1	PLUG-O-RING						
		1	<b>214-7566</b>	1	SEAL-O-RING						

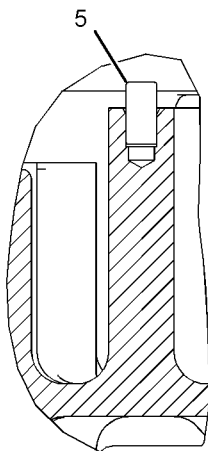
# BASIC ENGINE

219-0627 HOUSING GP-FLYWHEEL (contd.)

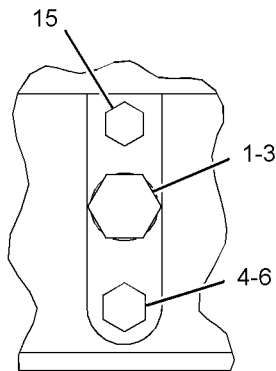
i03688466



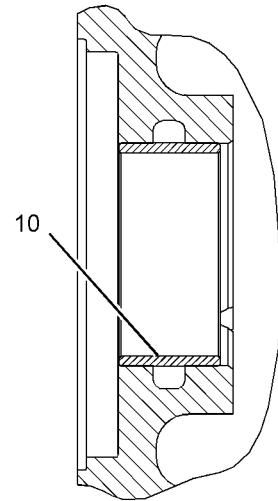
FRONT VIEW OF ENGINE



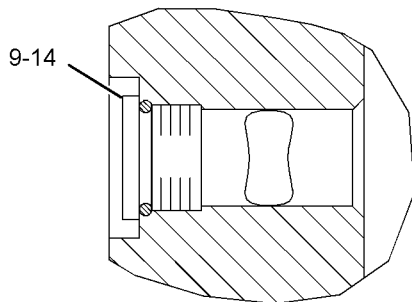
SECTION E-E



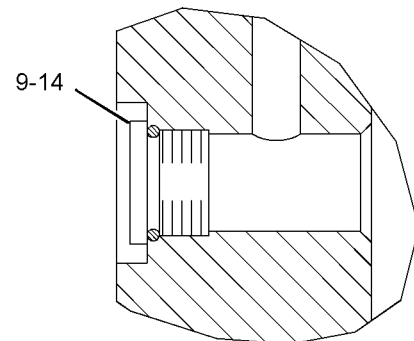
VIEW F-F



SECTION A-A



SECTION C-C



SECTION B-B

GRAPHIC #1

<END>

g01443263

# BASIC ENGINE

## 220-6368 HOUSING GP-FLYWHEEL

S/N: JRE1-11642

AN ATTACHMENT

SMCS-1157

i03688467

NOTE	REF NO	GRAPHIC REF	PART NUMBER	QTY	PART NAME						SEE PAGE
					1	2	3	4	5	6 (PRODUCT LEVEL)	
Y	1	1	319-0785	1	SEAL GP-CRANKSHAFT (REAR FLYWHEEL HOUSING)						411
	2	1	148-8411	2	PLUG AS (EACH INCLUDES)						
		1	9S-4185	1	PLUG-O-RING (3/4-16 THD)						
		1	3K-0360	1	SEAL-O-RING (16.36MM ID)						
	3	1	155-5619	1	GASKET						
	4	1	175-3721	2	COVER						
	5	1	220-8217	1	HOUSING AS-FLYWHEEL						
		1	1W-3136	1	BAFFLE						
		1	209-8622	2	BUSHING						
	6	1	148-8395	2	PLUG AS (EACH INCLUDES)						
		1	9S-8005	1	PLUG-O-RING (3/4-16 THD)						
		1	3K-0360	1	SEAL-O-RING (16.36MM ID)						
	7	1	155-3624	4	PLUG AS (EACH INCLUDES)						
		1	3J-7354	1	SEAL-O-RING (8.92MM ID)						
		1	9S-4182	1	PLUG-O-RING (7/16-20 THD)						
	8	1	165-3930	7	BOLT (3/8-16X1.625-IN)						
	9	1	1J-9671	1	SEAL-O-RING (10.52MM ID)						
	10	1	223-4903	6	BOLT						
	11	1	2P-2772	1	COVER						
	12	1	4M-0189	2	SEAL-O-RING (104.37MM ID)						
	13	1	234-8937	1	SEAL-INTEGRAL						
	14	1	5J-5793	1	BOLT-12 POINT HEAD (1/2-13X1.75-IN)						
	15	1	5J-5794	8	BOLT (1/2-13X3.5-IN)						
	16	1	5P-8245	13	WASHER-HARD (13.5X25.5X3-MM THK)						
M	17	1	6A-5591	4	BOLT (M12X1.75X25-MM)						
M	18	1	6V-4248	1	BOLT (M10X1.5X25-MM)						
	19	1	6V-5839	2	WASHER (11X21X2.5-MM THK)						
M	20	1	8T-0643	1	BOLT (M10X1.5X80-MM)						
	21	1	9S-8003	1	PLUG (1/2-20 THD)						
	22	1	165-3932	1	BOLT (3/8-16X2-IN)						

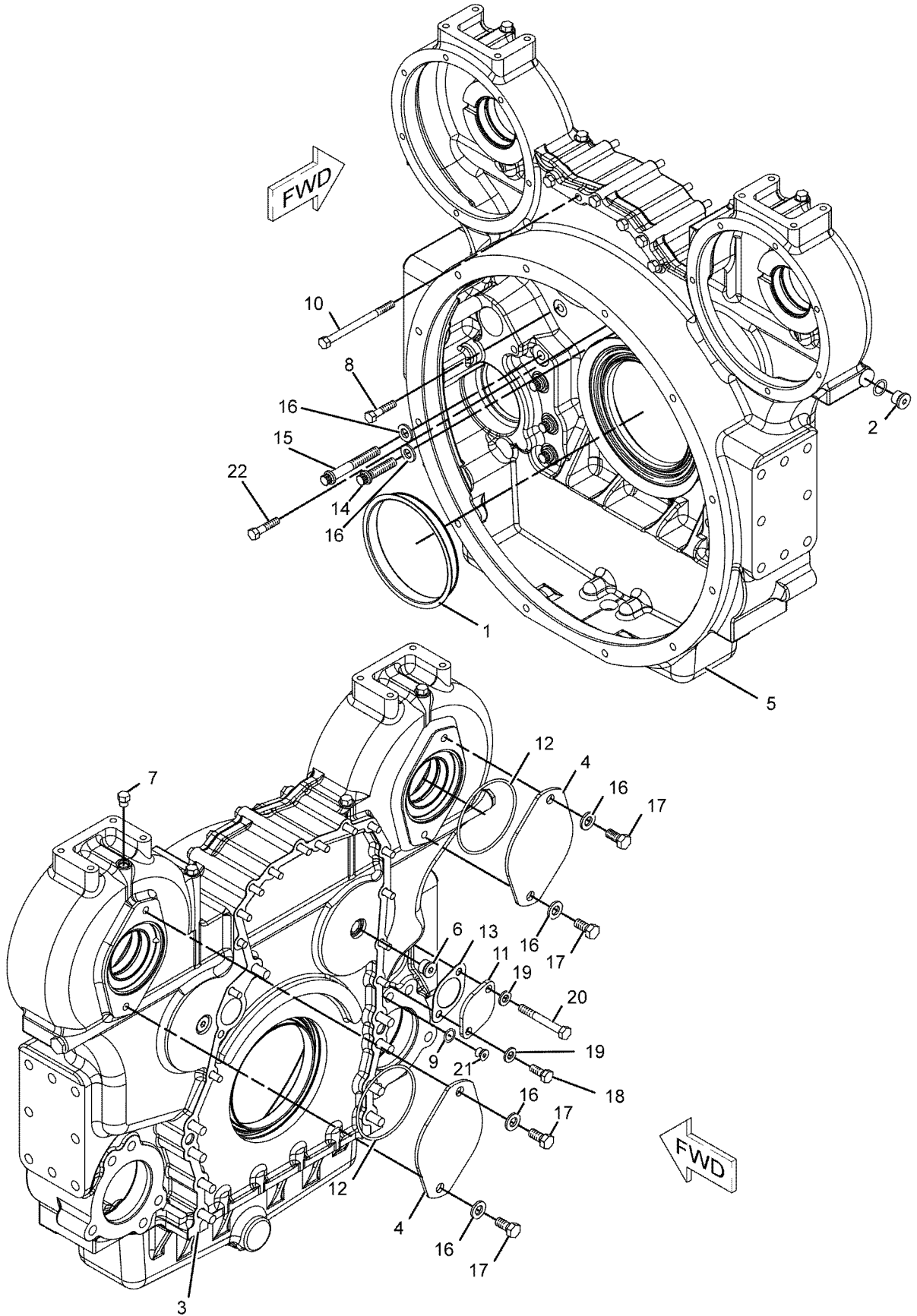
M-METRIC PART

Y-SEPARATE ILLUSTRATION

# BASIC ENGINE

220-6368 HOUSING GP-FLYWHEEL (contd.)

i03688467



GRAPHIC #1

<END>

g01071147

# BASIC ENGINE

## 220-6368 HOUSING GP-FLYWHEEL

S/N: JRE11643-UP  
AN ATTACHMENT

SMCS-1157

i04002076

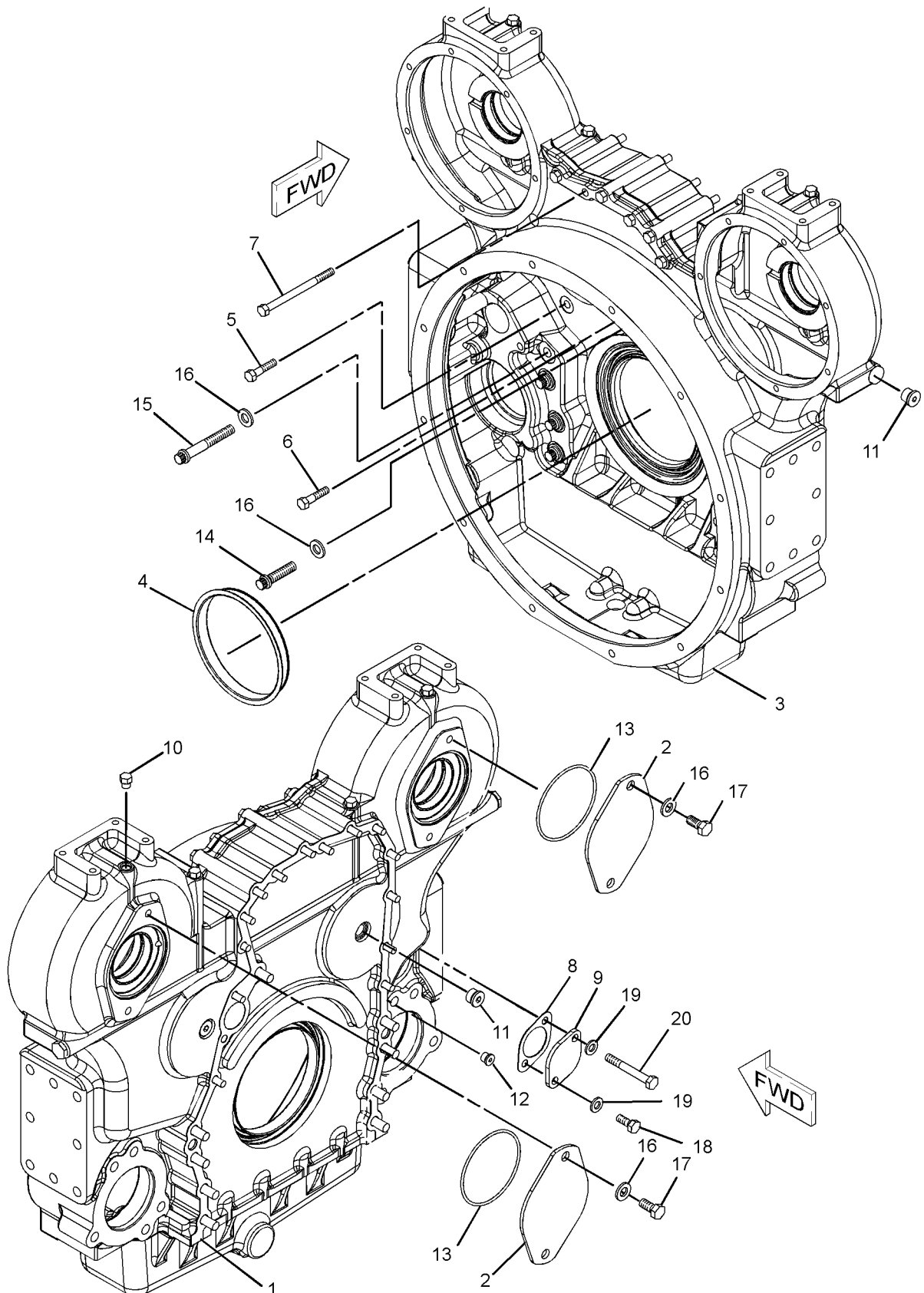
NOTE	REF NO	GRAPHIC REF	PART NUMBER	QTY	PART NAME						SEE PAGE
					1	2	3	4	5	6 (PRODUCT LEVEL)	
	1	1	155-5619	1	GASKET						
	2	1	175-3721	2	COVER						
	3	1	220-8217	1	HOUSING AS-FLYWHEEL						
		1	1W-3136	1	BAFFLE						
		1	209-8622	2	BUSHING						
Y	4	1	319-0785	1	SEAL GP-CRANKSHAFT (REAR FLYWHEEL HOUSING)						411
	5	1	165-3930	7	BOLT (3/8-16X1.625-IN)						
	6	1	165-3932	1	BOLT (3/8-16X2-IN)						
	7	1	223-4903	6	BOLT						
	8	1	234-8937	1	SEAL-INTEGRAL						
	9	1	2P-2772	1	COVER						
C	10	1	307-2671	4	PLUG AS						
					(EACH INCLUDES)						
		1	9S-8002	1	PLUG-O-RING (8.92MM ID)						
		1	214-7566	1	SEAL-O-RING (7/16-20 THD)						
C	11	1	307-2673	4	PLUG AS						
					(EACH INCLUDES)						
		1	9S-8005	1	PLUG-O-RING (3/4-16 THD)						
		1	238-5080	1	SEAL-O-RING (16.36MM ID)						
C	12	1	321-8642	1	PLUG AS (10.52MM ID)						
		1	9S-8003	1	PLUG						
		1	214-7567	1	SEAL-O-RING						
	13	1	4M-0189	2	SEAL-O-RING (104.37MM ID)						
	14	1	5J-5793	1	BOLT-12 POINT HEAD (1/2-13X1.75-IN)						
	15	1	338-4562	8	BOLT-12 POINT HEAD (1/2-13X88.9-MM)						
	16	1	5P-8245	13	WASHER-HARD (13.5X25.5X3-MM THK)						
M	17	1	6A-5591	4	BOLT (M12X1.75X25-MM)						
M	18	1	6V-4248	1	BOLT (M10X1.5X25-MM)						
	19	1	6V-5839	2	WASHER (11X21X2.5-MM THK)						
M	20	1	8T-0643	1	BOLT (M10X1.5X80-MM)						

C-CHANGE FROM PREVIOUS TYPE  
M-METRIC PART  
Y-SEPARATE ILLUSTRATION

# BASIC ENGINE

220-6368 HOUSING GP-FLYWHEEL (contd.)

i04002076



GRAPHIC #1

<END>

g02271015

# BASIC ENGINE

## 223-4738 HOUSING GP-FLYWHEEL

NO.1 FLYWHEEL HOUSING WITH VERTICLE INSTALLATION ANGLE AND 10 DEGREE PADS  
FOR USE WITH WET/DRY HOUSING APPLICATION, IF NO BRAKESAVER, 220-1204-

PAGE 380  
AN ATTACHMENT

SMCS-1157

i04089573

NOTE	REF NO	GRAPHIC REF	PART NUMBER	QTY	PART NAME						SEE PAGE
					1	2	3	4	5	6 (PRODUCT LEVEL)	
	1	1	<b>1P-1669</b>	2	PLUG-SEAL						
Y	2	1	319-0785	1	SEAL GP-CRANKSHAFT (REAR FLYWHEEL HOUSING)						411
C	3	1	<b>268-5589</b>	1	SEAL						
C	4	1	<b>268-5582</b>	1	SEAL						
	5	1	315-9859	1	PLUG AS						
		1	<b>9S-8008</b>	1	PLUG-O-RING						
		1	<b>238-5082</b>	1	SEAL-O-RING						
	6	1	<b>223-4739</b>	1	HOUSING-FLYWHEEL						
	7	1	321-8642	2	PLUG AS						
					(EACH INCLUDES)						
		1	<b>9S-8003</b>	1	PLUG						
		1	<b>214-7567</b>	1	SEAL-O-RING						
	8	1	<b>165-3925</b>	1	BOLT (3/8-16X5.75-IN)						
	9	1	<b>165-3929</b>	9	BOLT (3/8-16X1.5-IN) (MARKED X)						
	10	1	<b>165-3931</b>	5	BOLT (3/8-16X1.75-IN) (MARKED Y)						
	11	1	<b>5J-5793</b>	9	BOLT-12 POINT HEAD (1/2-13X1.75-IN) (MARKED W)						
	12	1	<b>5M-2894</b>	15	WASHER-HARD (10.2X18.5X2.5-MM THK)						
	13	1	<b>5P-8245</b>	9	WASHER-HARD (13.5X25.5X3.0-MM THK)						

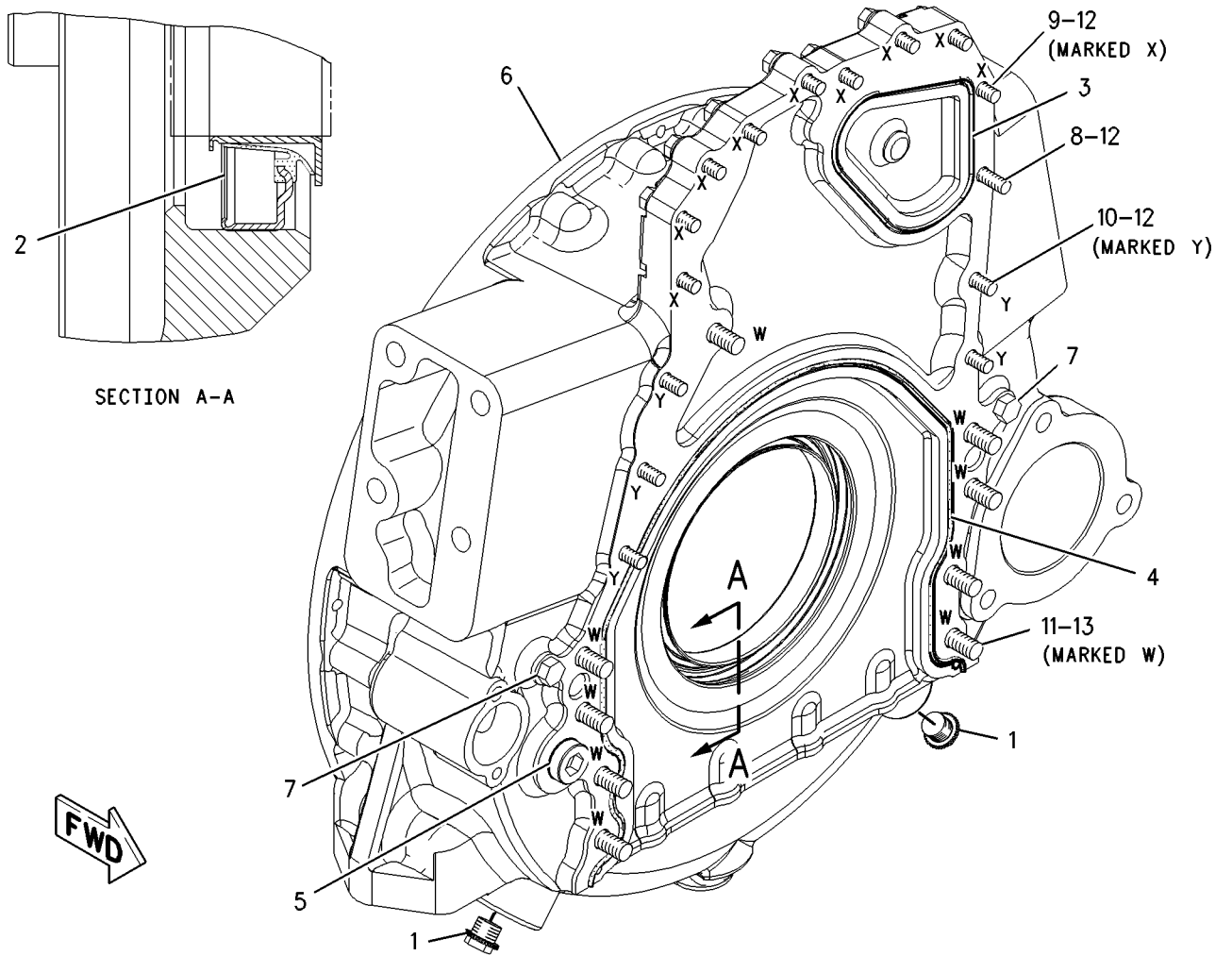
C- CHANGE FROM PREVIOUS TYPE  
Y- SEPARATE ILLUSTRATION



# BASIC ENGINE

223-4738 HOUSING GP-FLYWHEEL (contd.)

i04089573



SECTION A-A



GRAPHIC #1

<END>

g00975410

# BASIC ENGINE

## 224-1229 HOUSING GP-FRONT

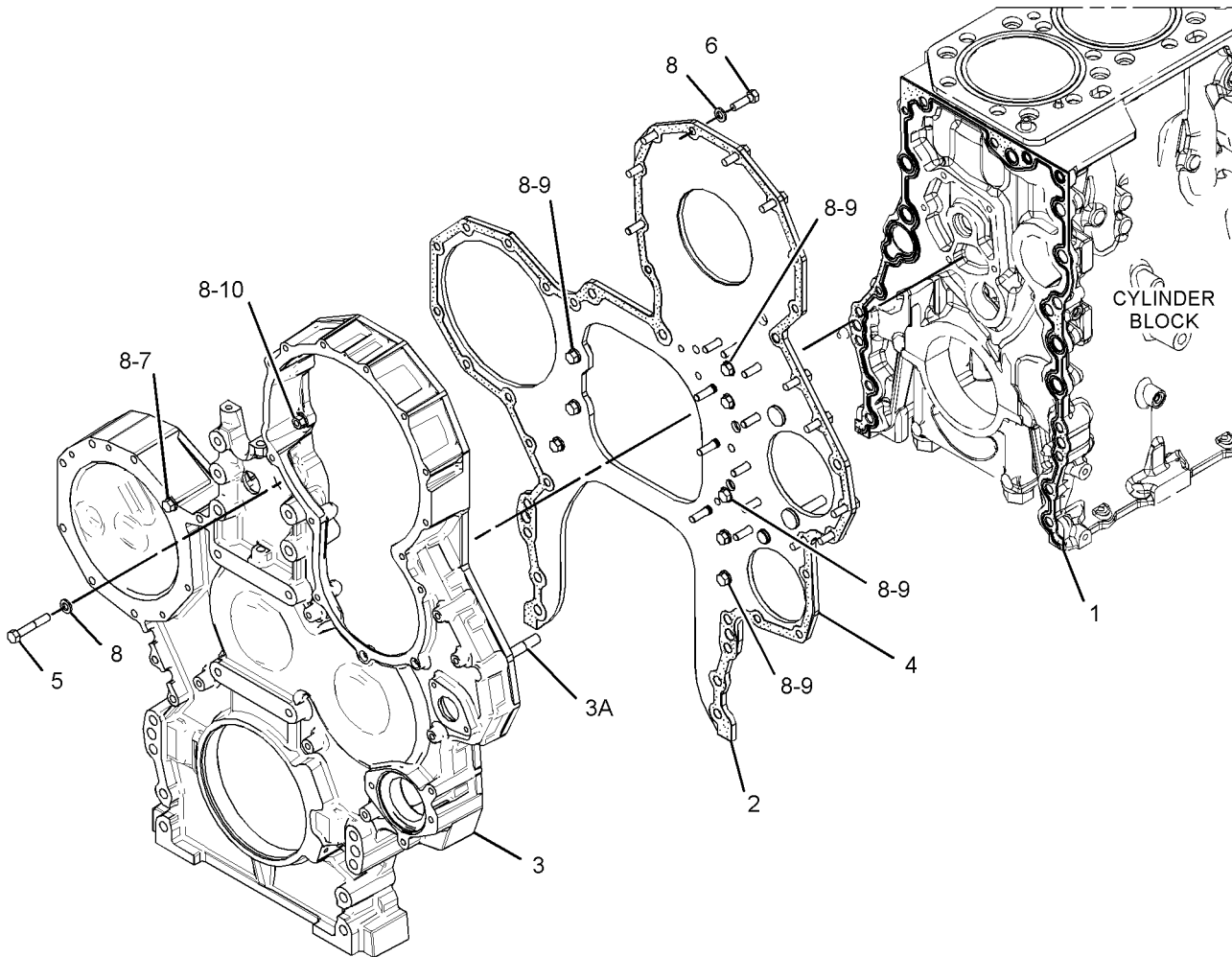
**FOR USE WITH OIL FILLER, FULL FRONT SOUND SUPPRESSION, ALTERNATOR MOUNTING,  
ACCESSORY DRIVE, RADIATOR SUPPORT, VARIOUS FASTENER COMBINATIONS AND BRACE  
SUPPORT GROUPS  
AN ATTACHMENT**

SMCS-1151, 1162, 1206

i03881873

NOTE	REF NO	GRAPHIC REF	PART NUMBER	QTY	PART NAME						SEE PAGE
					1	2	3	4	5	6 (PRODUCT LEVEL)	
	1	1	<b>155-9524</b>	1	SEAL - INTEGRAL						
	2	1	<b>166-9144</b>	1	GASKET						
	3	1	<b>175-1483</b>	1	HOUSING AS-FRONT						
	3A	1	<b>3E-8044</b>	1	STUD (1/2-13X2.95-IN)						
Y	4	1	<b>353-9982</b>	1	PLATE AS-FRONT HOUSING						365
	5	1	<b>0L-2070</b>	1	BOLT (3/8-16X2.25-IN)						
	6	1	<b>0S-1588</b>	10	BOLT (3/8-16X1.25-IN) (MARKED X)						
	7	1	<b>0T-0055</b>	1	BOLT (3/8-16X4.25-IN)						
	8	1	<b>5M-2894</b>	21	WASHER-HARD (10.2X18.5X2.5-MM THK)						
	9	1	<b>5P-4255</b>	8	BOLT-LOCKING (3/8-16X1-IN) (MARKED Z)						
	10	1	<b>9S-8752</b>	1	NUT-FULL (3/8-16-THD)						

Y-SEPARATE ILLUSTRATION



GRAPHIC #1

<END>

g02138105

# BASIC ENGINE

## 269-2509 HOUSING GP-FRONT

S/N: JRE1-1597

FOR USE WITH RADIATOR GROUP, LEFT HAND COOLANT CONDITIONER GROUP. CANNOT  
BE USED WITH TWIN TURBO APPLICATION  
AN ATTACHMENT

SMCS-1151, 1162, 1206

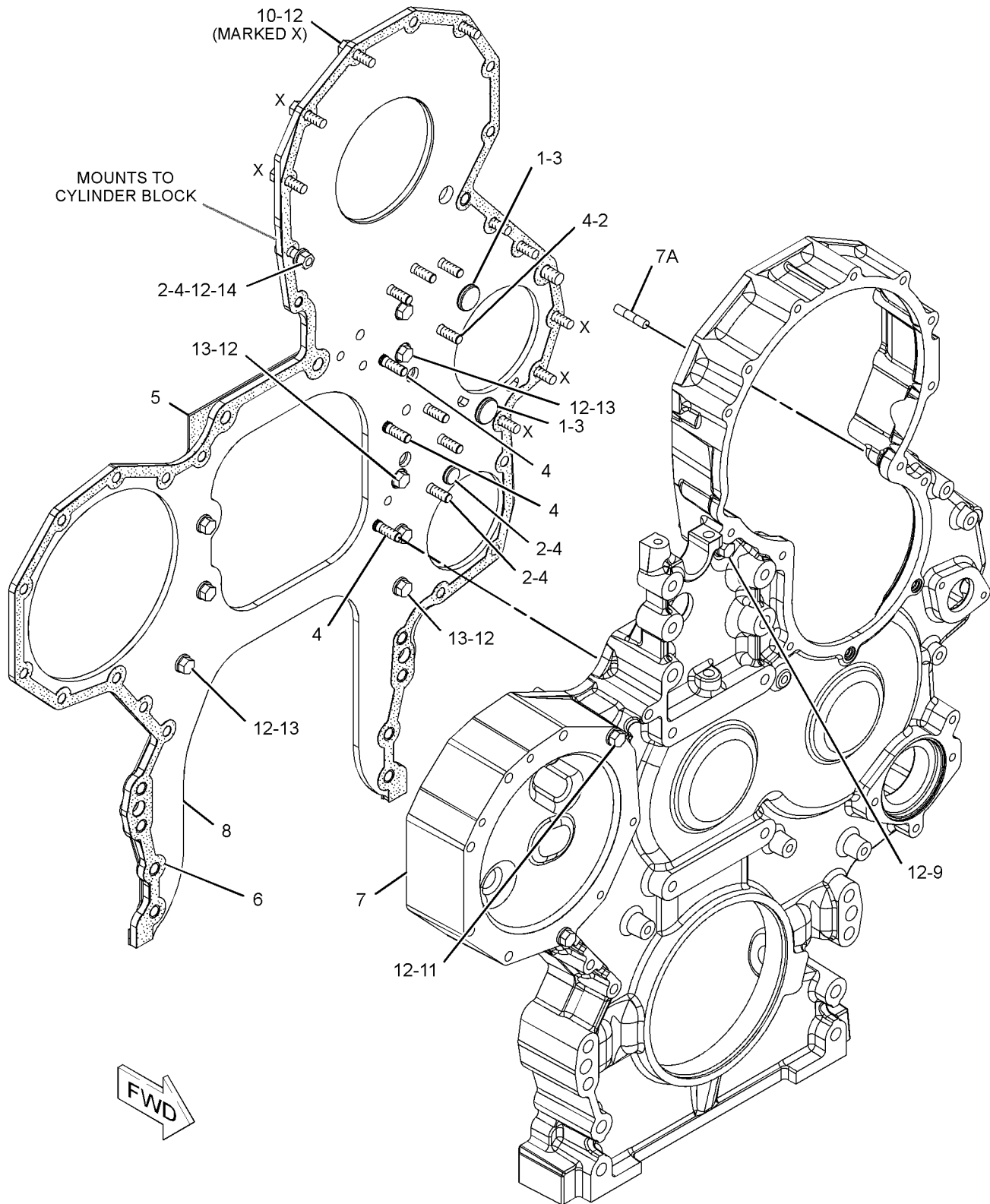
i03211702

NOTE	REF NO	GRAPHIC REF	PART NUMBER	QTY	PART NAME						SEE PAGE
					1	2	3	4	5	6 (PRODUCT LEVEL)	
	1	1	120-9243	2	STUD-SPECIAL (BRAKE)						
	2	1	126-1757	9	WASHER (10.85X19.3X1.27-MM THK) (MARKED Y)						
	3	1	129-5427	2	WASHER-SPECIAL (SEALING)						
	4	1	129-5428	12	STUD (BRAKE) (MARKED Y)						
	5	1	155-9524	1	SEAL-INTEGRAL						
	6	1	166-9144	1	GASKET						
	7	1	175-1483	1	HOUSING AS-FRONT						
	7A	1	3E-8044	1	STUD (1/2-13X2.95-IN)						
	8	1	223-0533	1	PLATE						
	9	1	0L-2070	1	BOLT (3/8-16X2.25-IN)						
	10	1	0S-1588	6	BOLT (3/8-16X1.25-IN) (MARKED X)						
	11	1	0T-0055	1	BOLT (3/8-16X4.25-IN)						
	12	1	5M-2894	17	WASHER-HARD (10.2X18.5X2.5-MM THK) (MARKED X)						
	13	1	5P-4255	8	BOLT-LOCKING (3/8-16X1-IN) (MARKED Z)						
	14	1	9S-8752	1	NUT-FULL (3/8-16-THD) (MARKED Z)						

# BASIC ENGINE

269-2509 HOUSING GP-FRONT (contd.)

i03211702



GRAPHIC #1

<END>

g01153970

# BASIC ENGINE

## 269-2509 HOUSING GP-FRONT

S/N: JRE1598-UP

FOR USE WITH RADIATOR GROUP, LEFT HAND COOLANT CONDITIONER GROUP. CANNOT  
BE USED WITH TWIN TURBO APPLICATION  
AN ATTACHMENT

SMCS-1151, 1162, 1206

i03925196

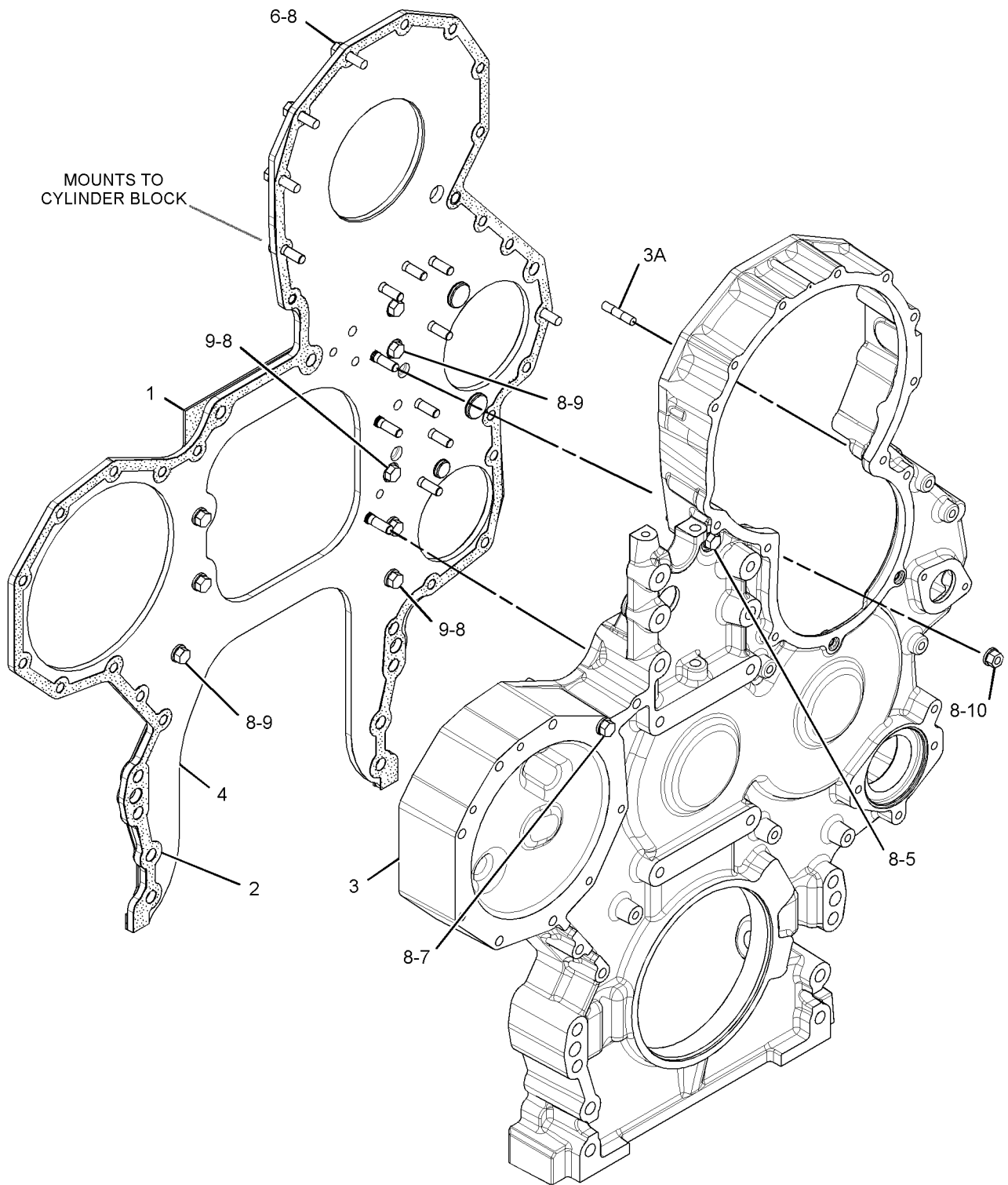
NOTE	REF NO	GRAPHIC REF	PART NUMBER	QTY	PART NAME						SEE PAGE
					1	2	3	4	5	6 (PRODUCT LEVEL)	
	1	1	<b>155-9524</b>	1	SEAL - INTEGRAL						
	2	1	<b>166-9144</b>	1	GASKET						
	3	1	<b>175-1483</b>	1	HOUSING AS-FRONT						
	3A	1	<b>3E-8044</b>	1	STUD (1/2-13X2.95-IN)						
Y	4	1	<b>353-9982</b>	1	PLATE AS-FRONT HOUSING						365
	5	1	<b>0L-2070</b>	1	BOLT (3/8-16X2.25-IN)						
C	6	1	<b>0S-1588</b>	4	BOLT (3/8-16X1.25-IN) (MARKED X)						
	7	1	<b>0T-0055</b>	1	BOLT (3/8-16X4.25-IN)						
C	8	1	<b>5M-2894</b>	15	WASHER-HARD (10.2X18.5X2.5-MM THK) (MARKED X)						
	9	1	<b>5P-4255</b>	8	BOLT-LOCKING (3/8-16X1-IN)						
	10	1	<b>9S-8752</b>	1	NUT-FULL (3/8-16-THD)						

C-CHANGE FROM PREVIOUS TYPE  
Y-SEPARATE ILLUSTRATION

# BASIC ENGINE

269-2509 HOUSING GP-FRONT (contd.)

i03925196



GRAPHIC #1

<END>

g02153746

# BASIC ENGINE

## 243-6718 KIT-CRANKSHAFT BEARING

OPTIONAL SERVICE REPAIR AND INCLUDES STANDARD MAIN AND THRUST BEARINGS  
FIELD INSTALLATION

SMCS-1202, 1203, 1230

i03211962

NOTE	PART NUMBER	QTY	PART NAME						SEE PAGE
			1	2	3	4	5	6 (PRODUCT LEVEL)	
	317-8766	7	BEARING-MAIN (STANDARD)						
	253-1752	2	PLATE-THRUST (CRANKSHAFT)						
<b>&lt;END&gt;</b>									

# BASIC ENGINE

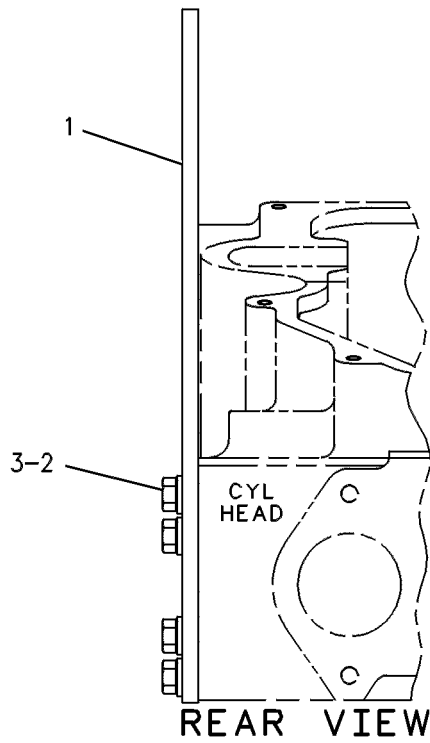
## 111-2086 LIFTING GP-ENGINE

REAR- HIGH PROFILE LIFTING EYE  
AN ATTACHMENT

SMCS-1122

i02927090

NOTE	REF NO	GRAPHIC REF	PART NUMBER	QTY	PART NAME						SEE PAGE
					1	2	3	4	5	6 (PRODUCT LEVEL)	
	1	1	110-8226	1	EYE-LIFTING						
	2	1	0S-1594	8	BOLT (3/8-16X1-IN)						
	3	1	5M-2894	8	WASHER-HARD (10.2X18.5X2.5-MM THK)						



<END>

GRAPHIC #1

g00238169



# BASIC ENGINE

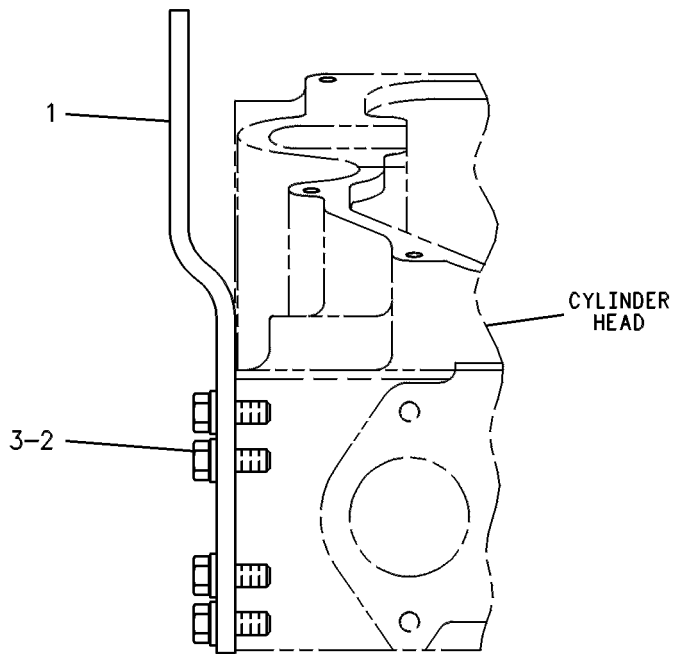
## 111-2088 LIFTING GP-ENGINE

REAR, LOW PROFILE LIFTING EYE  
AN ATTACHMENT

SMCS-1122

i02332229

NOTE	REF NO	GRAPHIC REF	PART NUMBER	QTY	PART NAME						SEE PAGE
					1	2	3	4	5	6 (PRODUCT LEVEL)	
	1	1	109-9985	1	EYE-LIFTING						
	2	1	0S-1594	8	BOLT (3/8-16X1-IN)						
	3	1	5M-2894	8	WASHER-HARD (10.2X18.5X2.5-MM THK)						



GRAPHIC #1

<END>

g00238183

# BASIC ENGINE

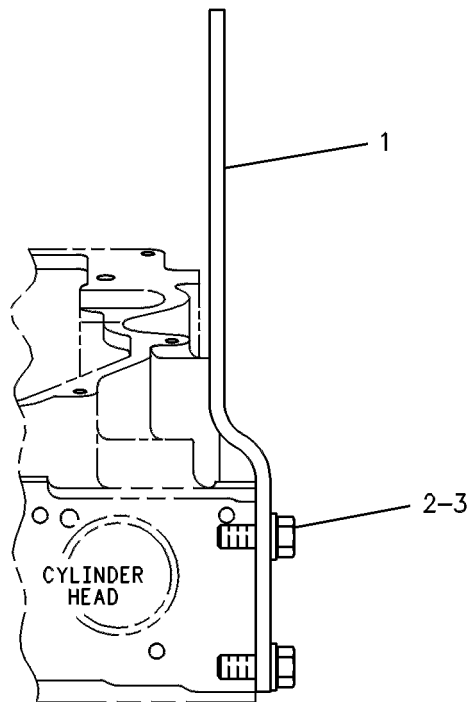
## 111-2089 LIFTING GP-ENGINE

FRONT- OFFSET LIFTING EYE  
FOR USE WITH ALTERNATOR MOUNTING  
AN ATTACHMENT

SMCS-1122

i00833387

NOTE	REF NO	GRAPHIC REF	PART NUMBER	QTY	PART NAME						SEE PAGE
					1	2	3	4	5	6 (PRODUCT LEVEL)	
	1	1	110-4344	1	EYE-LIFTING						
	2	1	0S-1595	2	BOLT (1/2-13X1.25-IN)						
	3	1	5P-8245	2	WASHER-HARD (13.5X25.5X3-MM THK)						



GRAPHIC #1

<END>

g00238184

# BASIC ENGINE

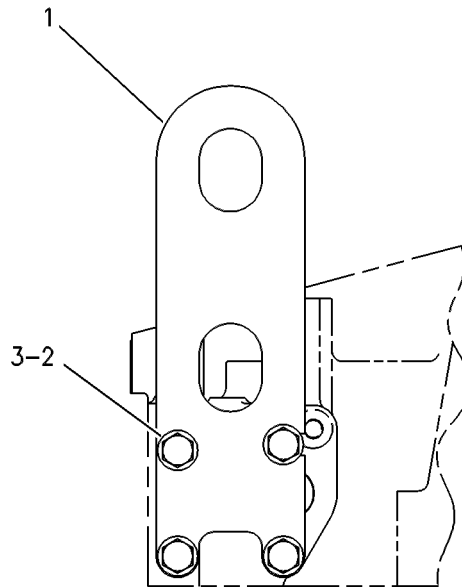
## 127-0564 LIFTING GP-ENGINE

FRONT  
AN ATTACHMENT

SMCS-1122

i00671604

NOTE	REF NO	GRAPHIC REF	PART NUMBER	QTY	PART NAME						SEE PAGE
					1	2	3	4	5	6 (PRODUCT LEVEL)	
	1	1	127-0563	1	EYE-LIFTING						
	2	1	0S-1595	4	BOLT (1/2-13X1.25-IN)						
	3	1	5P-8245	4	WASHER-HARD (13.5X25.5X3-MM THK)						



FRONT VIEW

GRAPHIC #1

<END>

g00257294

# BASIC ENGINE

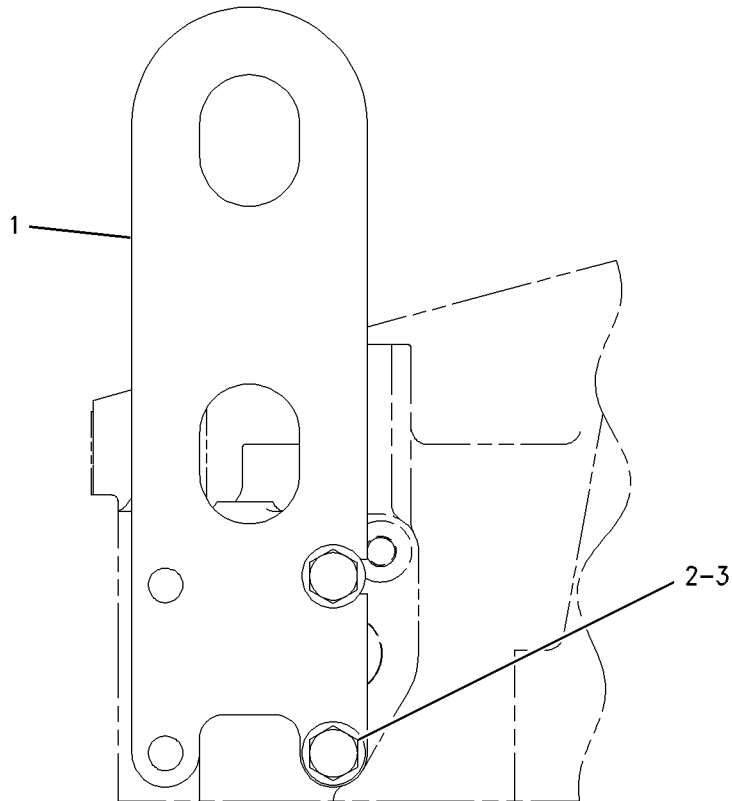
## 183-4462 LIFTING GP-ENGINE

FRONT  
AN ATTACHMENT

SMCS-1122

i01287720

NOTE	REF NO	GRAPHIC REF	PART NUMBER	QTY	PART NAME						SEE PAGE
					1	2	3	4	5	6 (PRODUCT LEVEL)	
	1	1	127-0563	1	EYE-LIFTING						
	2	1	0S-1595	2	BOLT (1/2-13X1.25-IN)						
	3	1	5P-8245	2	WASHER-HARD (13.5X25.5X3-MM THK)						



FRONT VIEW

GRAPHIC #1

<END>

g00682599

# BASIC ENGINE

## 262-4165 LIFTING GP-ENGINE

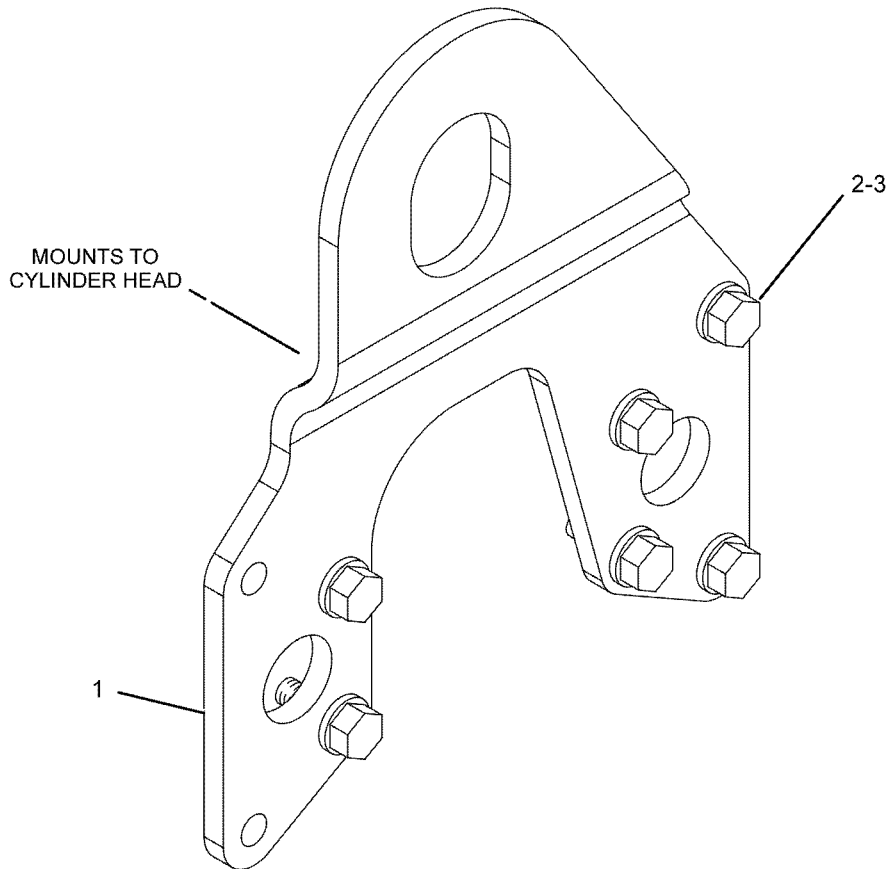
REAR

FOR USE WITH INSTRUMENT PANEL MECHANICAL GAGES, SINGLE AND TWIN TURBO  
AN ATTACHMENT

SMCS-1122

i02265296

NOTE	REF NO	GRAPHIC REF	PART NUMBER	QTY	PART NAME						SEE PAGE
					1	2	3	4	5	6 (PRODUCT LEVEL)	
	1	1	109-9985	1	EYE-LIFTING						
	2	1	0S-1594	6	BOLT (3/8-16X1-IN)						
	3	1	5M-2894	6	WASHER-HARD (10.2X18.5X2.5-MM THK)						



GRAPHIC #1

<END>

g01138869

# BASIC ENGINE

## 270-6924 LINES GP-AIR COMPRESSOR

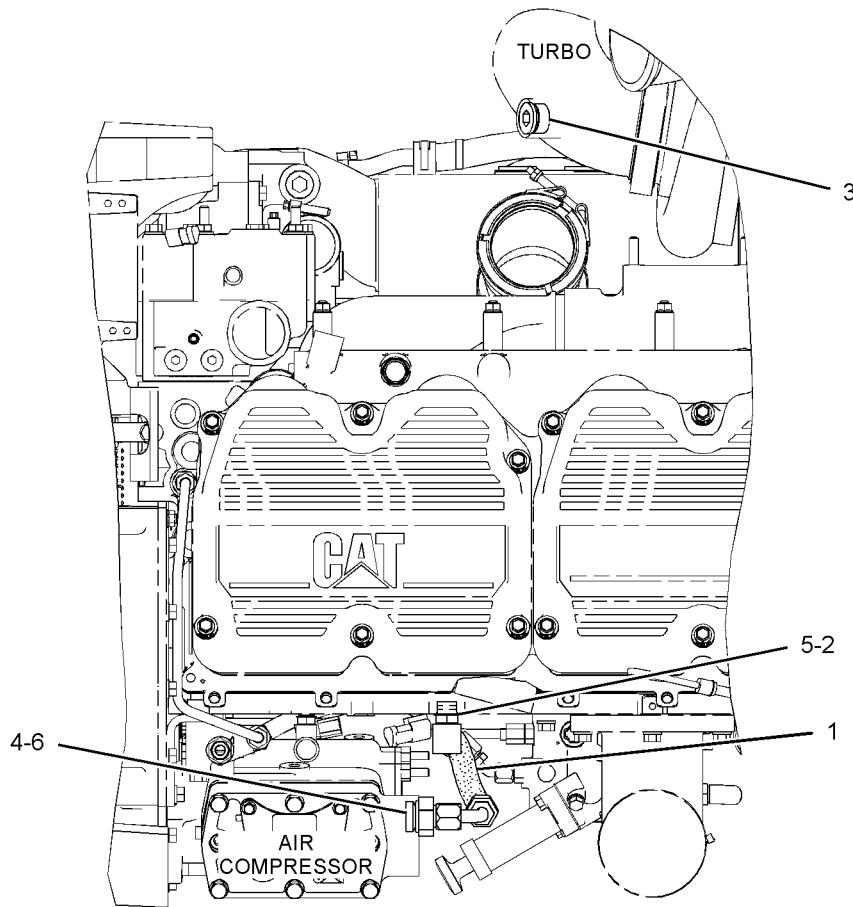
FOR USE WITH 269-5347-PAGE 47. CANNOT BE USED WITH BA-921 OR BA-922  
COMPRESSOR GP.  
AN ATTACHMENT

SMCS-1803, 5502

i04000349

NOTE	REF NO	GRAPHIC REF	PART NUMBER	QTY	PART NAME						SEE PAGE	
					1	2	3	4	5	6 (PRODUCT LEVEL)		
I	1	1	101-6605	1	HOSE AS							
	2	1	1P-7625	1	ELBOW							
	3	1	315-9859	1	PLUG AS							
			1	238-5082	1	SEAL-O-RING						
			1	9S-8008	1	PLUG-O-RING						
	4	1	6V-1903	1	SEAL-O-RING							
		5	6V-6609	1	SEAL-O-RING							
		6	8K-0802	1	CONNECTOR							

I-REFER TO HYDRAULIC INFORMATION SYSTEM



TOP VIEW OF ENGINE

<END>

GRAPHIC #1

g02178006

# BASIC ENGINE

## 270-8453 LINES GP-AIR COMPRESSOR

S/N: JRE1-864

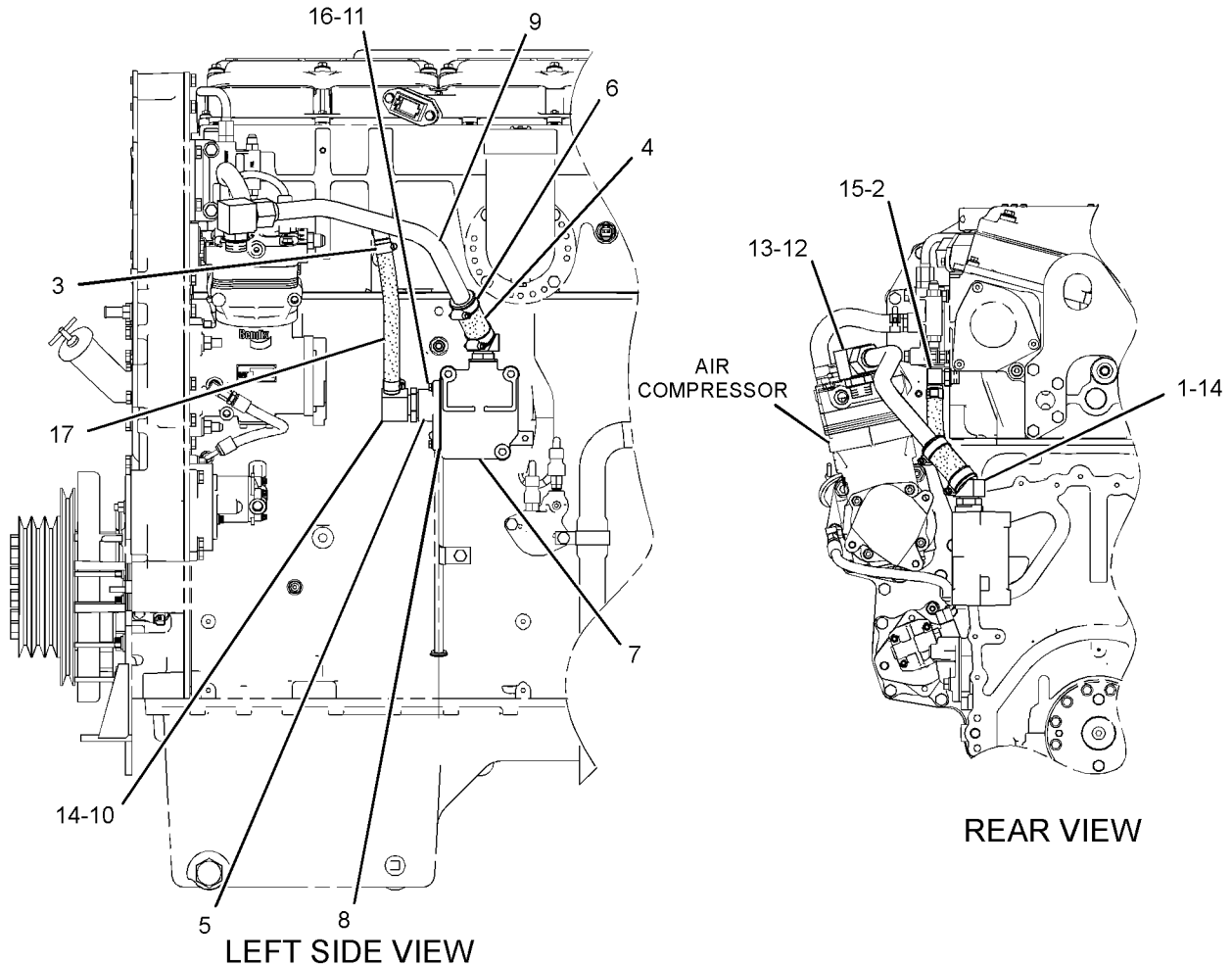
FOR USE WITH 271-4489-PAGE 821, 270-3935-PAGE 817. CANNOT BE USED WITH  
BA-922 AIR COMPRESSOR  
AN ATTACHMENT

SMCS-1803, 5502

i02415859

NOTE	REF NO	GRAPHIC REF	PART NUMBER	QTY	PART NAME						SEE PAGE
					1	2	3	4	5	6 (PRODUCT LEVEL)	
	1	1	5P-1230	1	CONNECTOR						
	2	1	5P-4906	1	ELBOW						
	3	1	124-6257	2	CLAMP-HOSE						
	4	1	240-4863	1	HOSE						
	5	1	240-5881	1	VALVE AS (INLET, AIR COMPRESSOR)						
	6	1	269-8788	2	CLAMP-BAND						
	7	1	243-3872	1	CHAMBER (EXPANSION)						
	8	1	245-4393	1	GASKET						
	9	1	270-8454	1	TUBE AS						
	10	1	090-0744	1	ELBOW						
M	11	1	2W-9499	4	BOLT (M6X1X40-MM)						
	12	1	5P-6416	1	ELBOW						
	13	1	6V-1903	1	SEAL-O-RING						
	14	1	6V-5050	2	SEAL-O-RING						
	15	1	8L-2786	1	SEAL-O-RING						
	16	1	9X-8267	4	WASHER (6.6X12X2-MM THK)						
E	17	1	5P-0743		HOSE (24-CM)						

E-ORDER BY THE CENTIMETER  
M-METRIC PART



GRAPHIC #1

<END>

g01211547

# BASIC ENGINE

## 270-8453 LINES GP-AIR COMPRESSOR

S/N: JRE865-UP

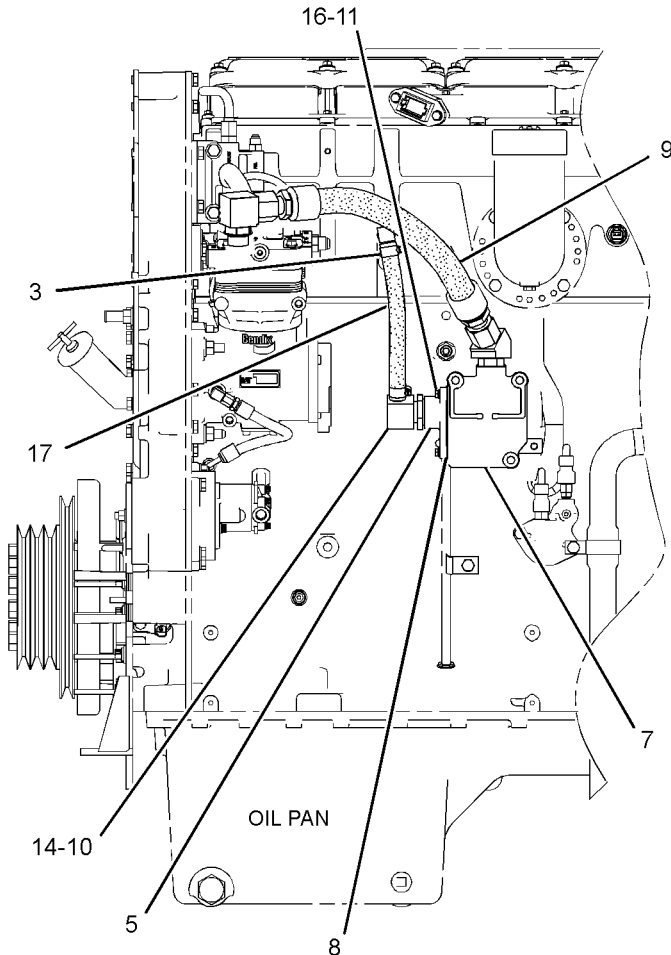
FOR USE WITH 271-4489-PAGE 821, 270-3935-PAGE 817. CANNOT BE USED WITH  
BA-922 AIR COMPRESSOR  
AN ATTACHMENT

SMCS-1803, 5502

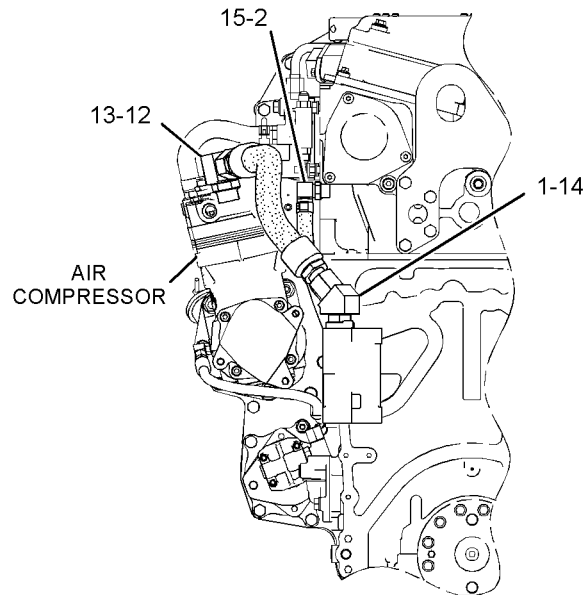
i03626574

NOTE	REF NO	GRAPHIC REF	PART NUMBER	QTY	PART NAME						SEE PAGE
					1	2	3	4	5	6 (PRODUCT LEVEL)	
	1	1	005-3969	1	ELBOW						
	2	1	5P-4906	1	ELBOW						
	3	1	124-6257	2	CLAMP-HOSE						
	5	1	240-5881	1	VALVE AS (INLET, AIR COMPRESSOR)						
	7	1	243-3872	1	CHAMBER (EXPANSION)						
C	8	1	250-6591	1	GASKET						
	9	1	304-9988	1	HOSE AS						
	10	1	090-0744	1	ELBOW						
M	11	1	2W-9499	4	BOLT (M6X1X40-MM)						
	12	1	5P-6416	1	ELBOW						
	13	1	6V-1903	1	SEAL-O-RING						
	14	1	6V-5050	2	SEAL-O-RING						
	15	1	8L-2786	1	SEAL-O-RING						
	16	1	9X-8267	4	WASHER (6.6X12X2-MM THK)						
E	17	1	5P-0743		HOSE (24-CM)						

C- CHANGE FROM PREVIOUS TYPE  
E- ORDER BY THE CENTIMETER  
M- METRIC PART



LEFT SIDE VIEW OF ENGINE



REAR VIEW OF ENGINE

GRAPHIC #1

<END>

g01947615



# BASIC ENGINE

## 357-6231 LINES GP-AIR COMPRESSOR

CANNOT BE USED WITH MID MOUNT FUEL FILTER  
AN ATTACHMENT

SMCS-1803, 5502

i04065949

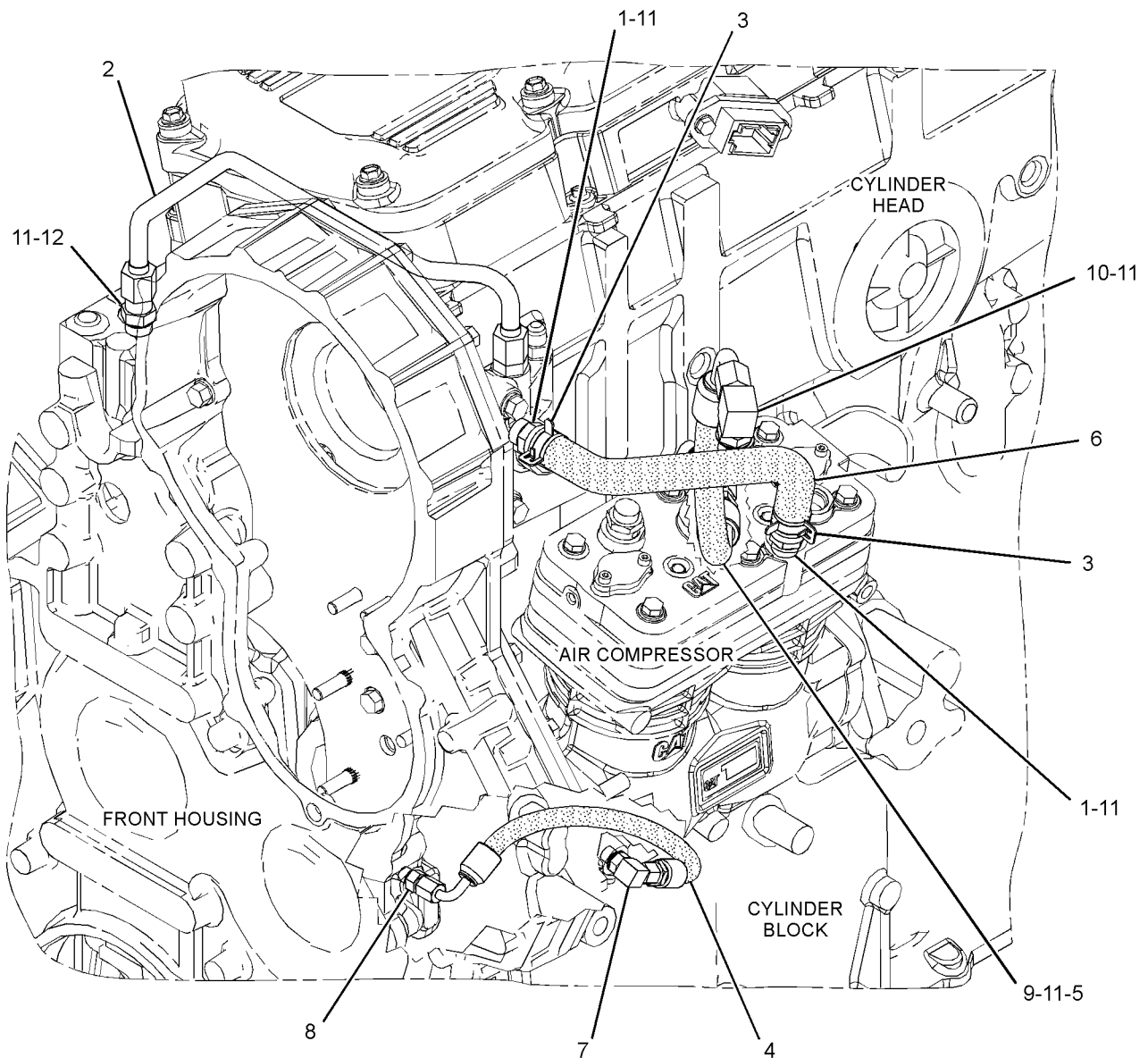
NOTE	REF NO	GRAPHIC REF	PART NUMBER	QTY	PART NAME						SEE PAGE
					1	2	3	4	5	6 (PRODUCT LEVEL)	
	1	1	168-8806	2	CONNECTOR						
	2	1	172-3450	1	TUBE AS						
	3	1	172-4702	2	CLAMP						
I	4	1	220-1206	1	HOSE AS						
I	5	1	235-0183	1	HOSE AS						
	6	1	235-0313	1	HOSE						
	7	1	343-8115	1	ELBOW AS						
			030-7946	1	ELBOW						
			214-7566	1	SEAL-O-RING						
	8	1	343-8121	1	CONNECTOR AS						
			3J-7352	1	CONNECTOR						
			214-7566	1	SEAL-O-RING						
	9	1	030-7943	1	ELBOW						
	10	1	118-4728	1	ELBOW						
	11	1	6V-6609	5	SEAL-O-RING						
	12	1	8M-0505	1	CONNECTOR						

I-REFER TO HYDRAULIC INFORMATION SYSTEM

# BASIC ENGINE

357-6231 LINES GP-AIR COMPRESSOR (contd.)

i04065949



GRAPHIC #1

<END>

g02319316

# BASIC ENGINE

## 148-7482 MECHANISM GP-FUEL PUMP & VALVE

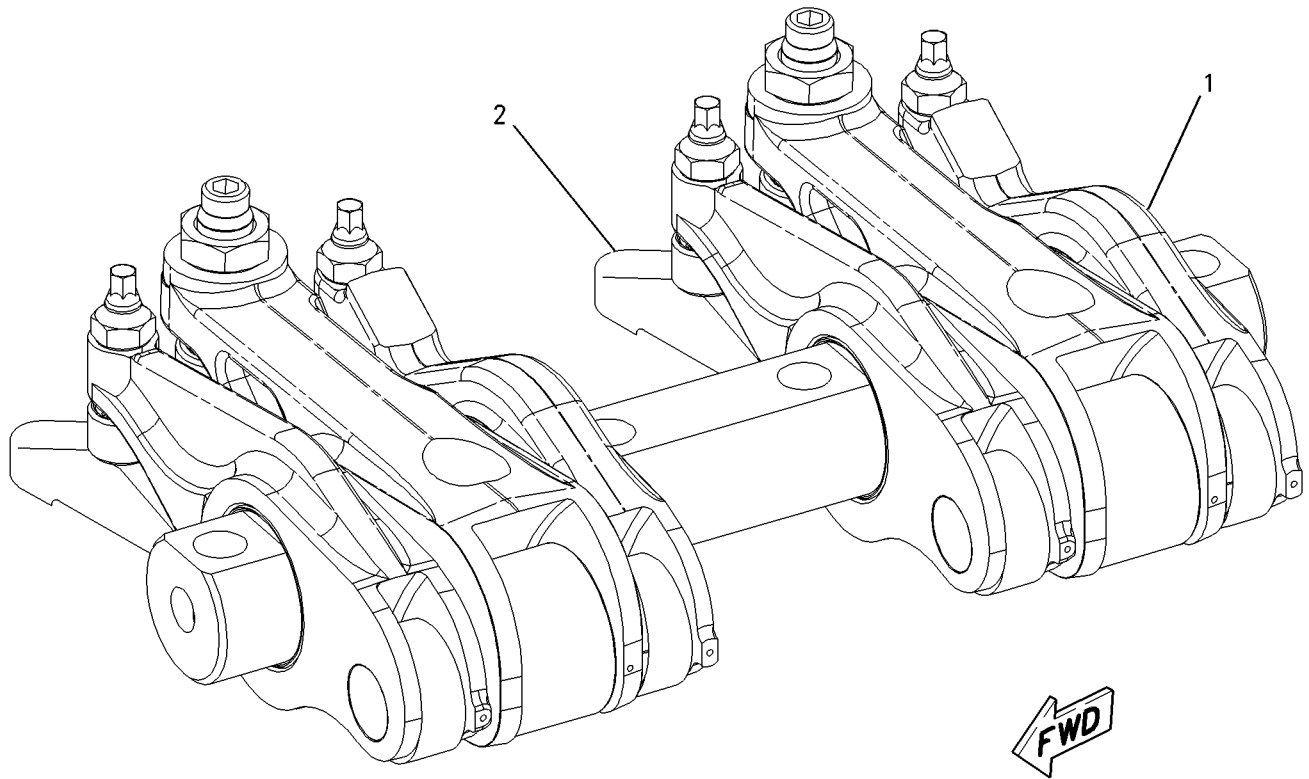
S/N: JRE106-1257

SMCS-1102, 1123

i01768605

NOTE	REF NO	GRAPHIC REF	PART NUMBER	QTY	PART NAME						SEE PAGE
					1	2	3	4	5	6 (PRODUCT LEVEL)	
CY	1	1	198-9898	3	ROCKER ARM GP						398
	2	1	6I-1458	12	BRIDGE-VALVE						

C-CHANGE FROM PREVIOUS TYPE  
Y-SEPARATE ILLUSTRATION



GRAPHIC #1

<END>

g00905240

# BASIC ENGINE

## 148-7482 MECHANISM GP-FUEL PUMP & VALVE

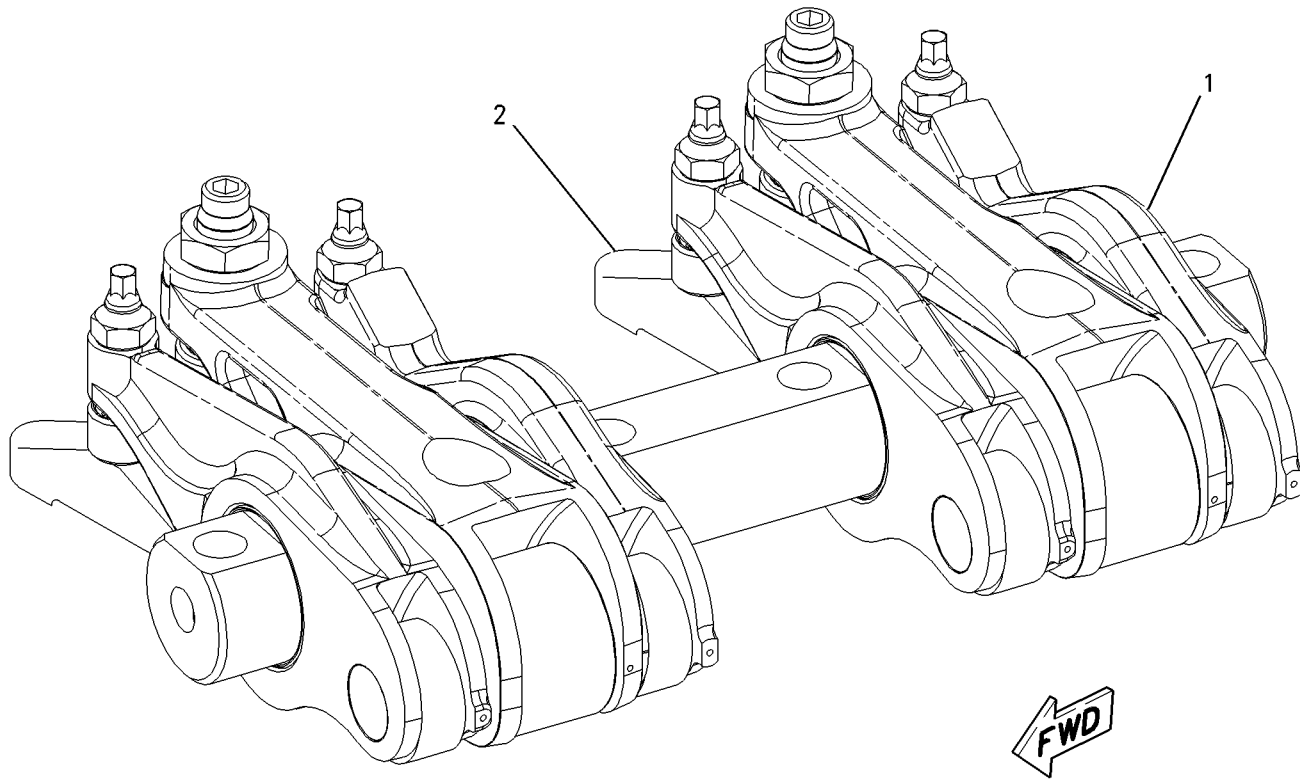
S/N: JRE1258-1269

SMCS-1102, 1123

i02473408

NOTE	REF NO	GRAPHIC REF	PART NUMBER	QTY	PART NAME						SEE PAGE
					1	2	3	4	5	6 (PRODUCT LEVEL)	
CY	1	1	278-1931	3	ROCKER ARM GP						402
	2	1	6I-1458	12	BRIDGE-VALVE						

C-CHANGE FROM PREVIOUS TYPE  
Y-SEPARATE ILLUSTRATION



GRAPHIC #1

<END>

g00905240

# BASIC ENGINE

## 190-0009 MECHANISM GP-FUEL PUMP & VALVE

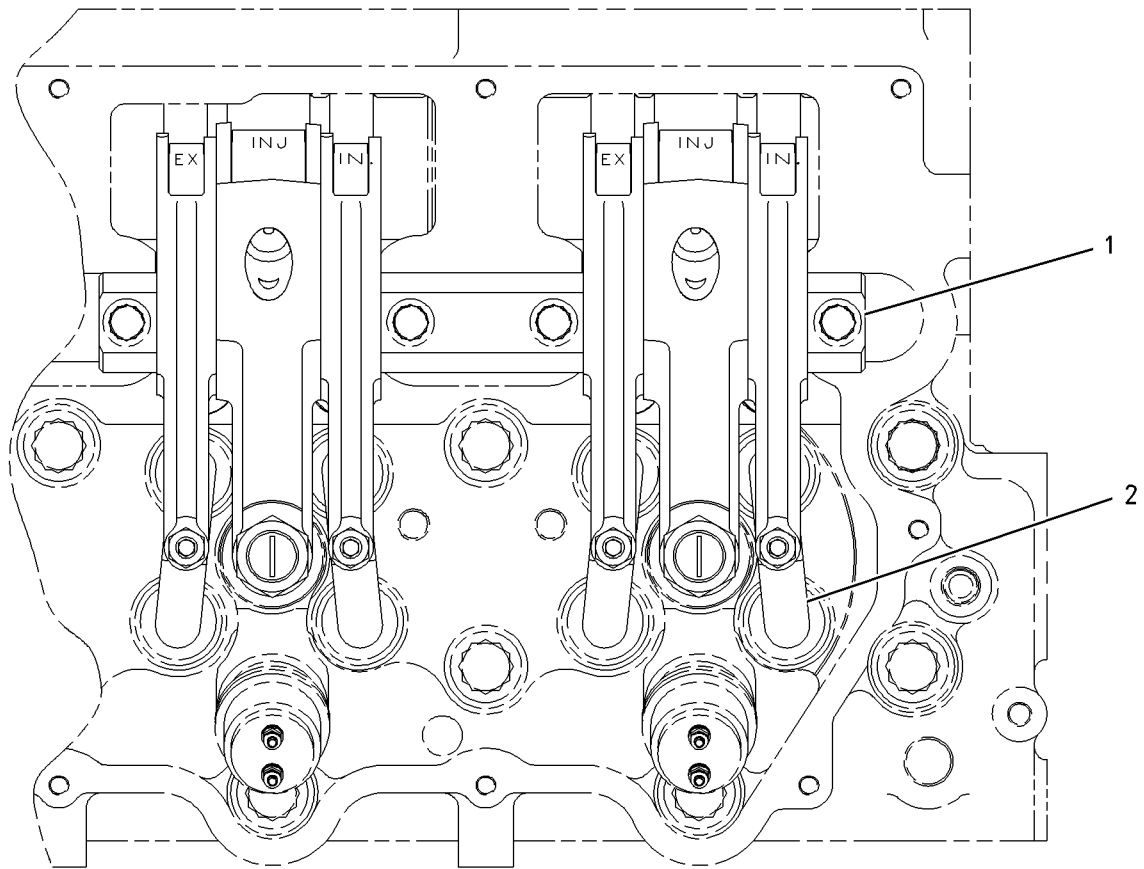
S/N: JRE1-1268  
ALSO AN ATTACHMENT

SMCS-1102, 1123

i01720206

NOTE	REF NO	GRAPHIC REF	PART NUMBER	QTY	PART NAME						SEE PAGE
					1	2	3	4	5	6 (PRODUCT LEVEL)	
Y	1	1	210-2521	3	ROCKER ARM GP						400
	2	1	6I-1458	12	BRIDGE-VALVE						

Y-SEPARATE ILLUSTRATION



TOP VIEW

GRAPHIC #1

<END>

g00814910

# BASIC ENGINE

## 190-0009 MECHANISM GP-FUEL PUMP & VALVE

S/N: JRE1269-11044

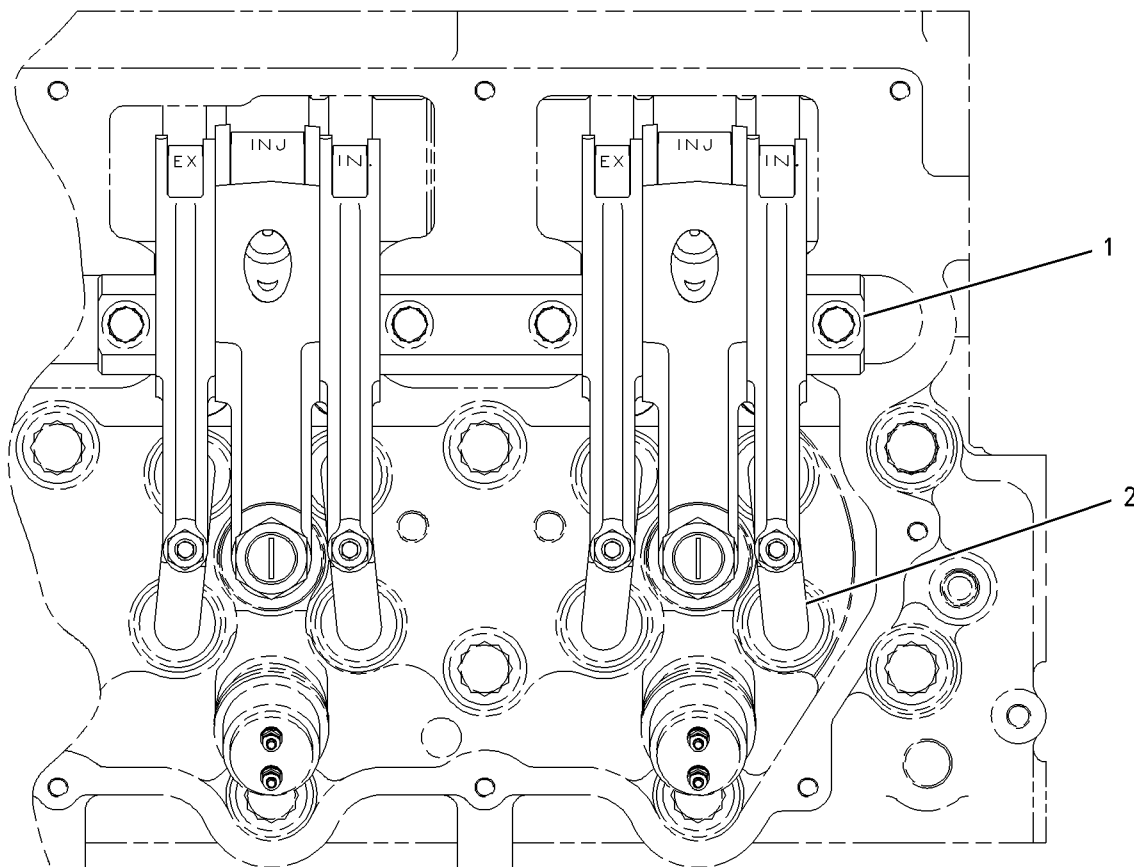
ALSO AN ATTACHMENT

SMCS-1102, 1123

i02518515

NOTE	REF NO	GRAPHIC REF	PART NUMBER	QTY	PART NAME						SEE PAGE
					1	2	3	4	5	6 (PRODUCT LEVEL)	
CY	1	1	278-1929	3	ROCKER ARM GP						401
	2	1	6I-1458	12	BRIDGE-VALVE						

C-CHANGE FROM PREVIOUS TYPE  
Y-SEPARATE ILLUSTRATION



TOP VIEW

GRAPHIC #1

<END>

g00814910

# BASIC ENGINE

## 190-0009 MECHANISM GP-FUEL PUMP & VALVE

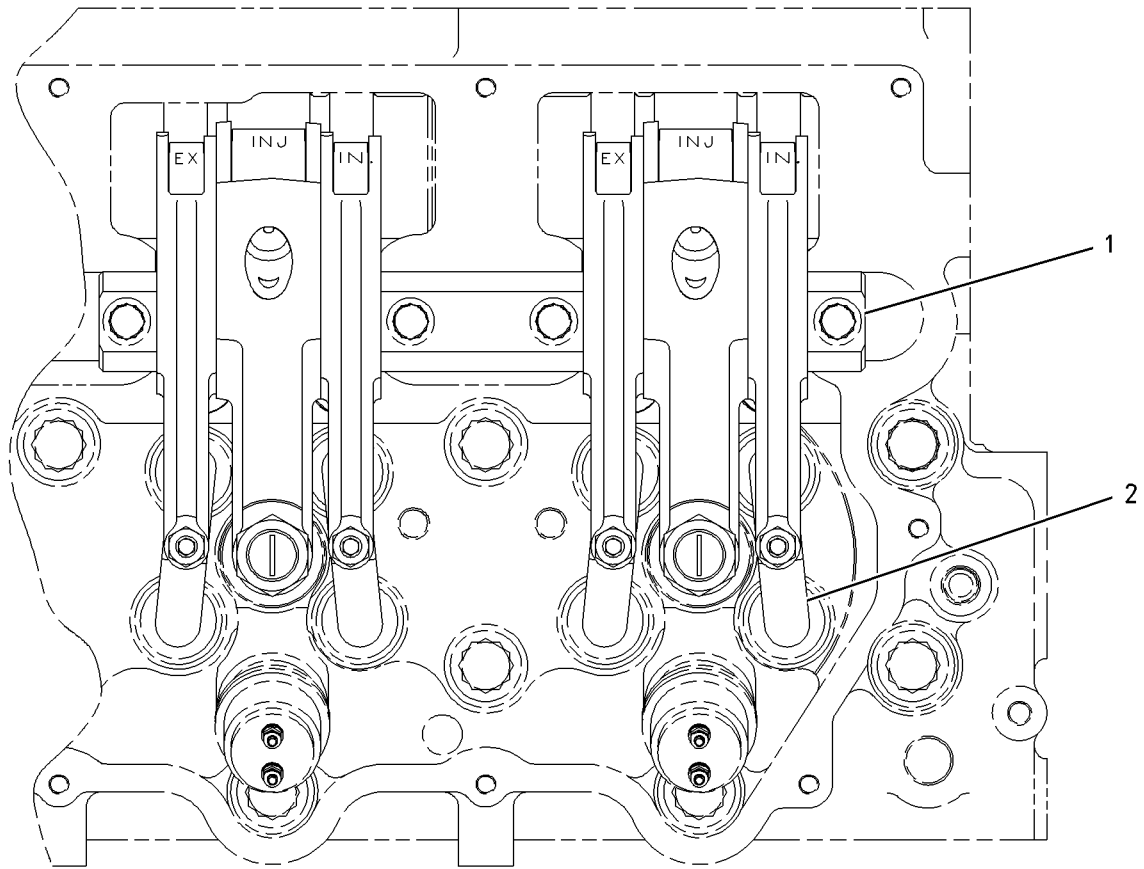
S/N: JRE11045-UP

SMCS-1102, 1123

i03690834

NOTE	REF NO	GRAPHIC REF	PART NUMBER	QTY	PART NAME						SEE PAGE
					1	2	3	4	5	6 (PRODUCT LEVEL)	
CY	1	1	328-4236	3	ROCKER ARM GP						407
	2	1	348-7743	12	BRIDGE-VALVE						

C-CHANGE FROM PREVIOUS TYPE  
Y-SEPARATE ILLUSTRATION



TOP VIEW

GRAPHIC #1

<END>

g00814910

# BASIC ENGINE

## 266-3699 MECHANISM GP-FUEL PUMP & VALVE

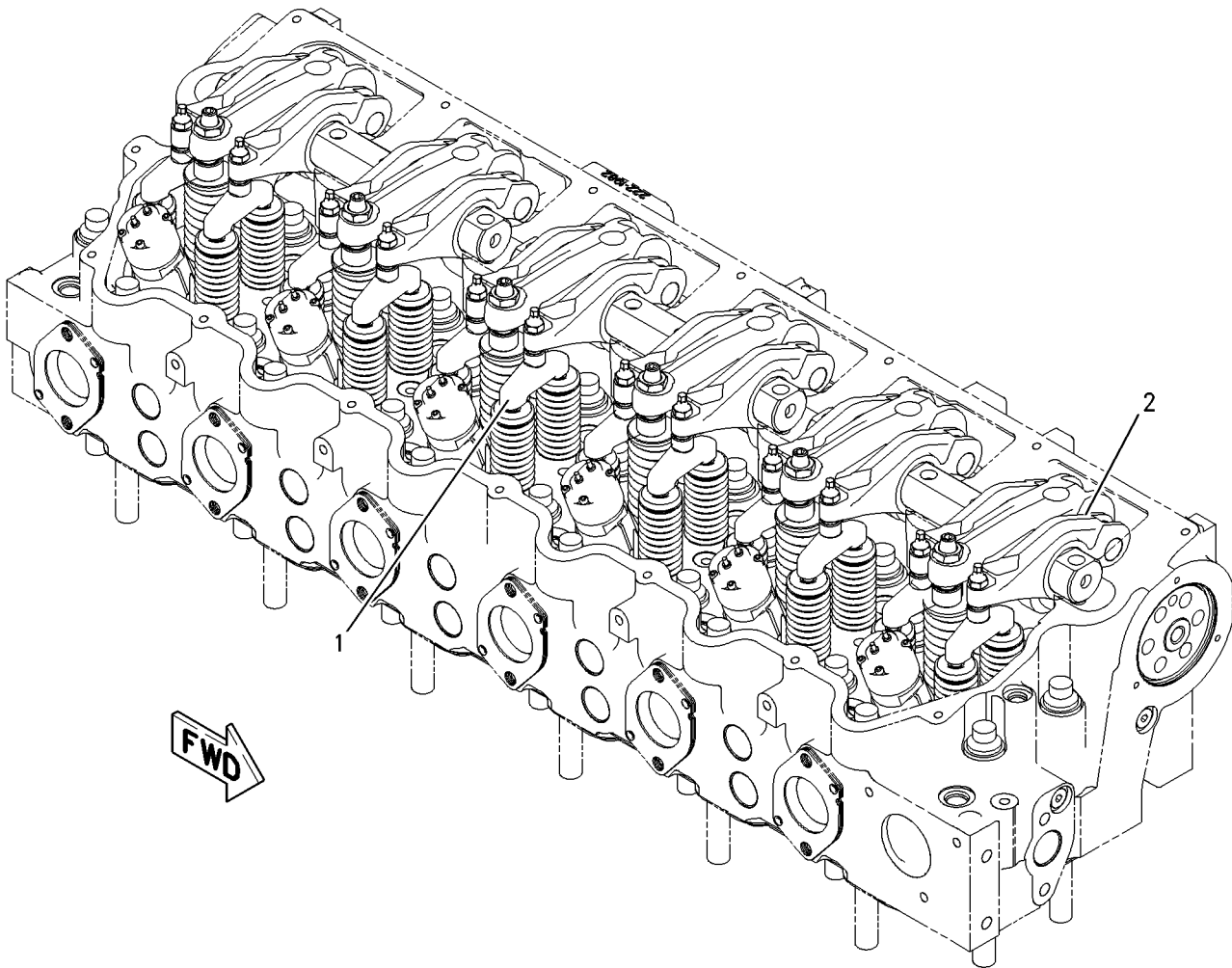
ALSO AN ATTACHMENT

SMCS-1102, 1123

i03826643

NOTE	REF NO	GRAPHIC REF	PART NUMBER	QTY	PART NAME						SEE PAGE
					1	2	3	4	5	6 (PRODUCT LEVEL)	
	1	1	348-7743	12	BRIDGE-VALVE						
CY	2	1	328-4242	3	ROCKER ARM GP						409

C-CHANGE FROM PREVIOUS TYPE  
Y-SEPARATE ILLUSTRATION



GRAPHIC #1

<END>

g01002983



# BASIC ENGINE

## 266-3699 MECHANISM GP-FUEL PUMP & VALVE

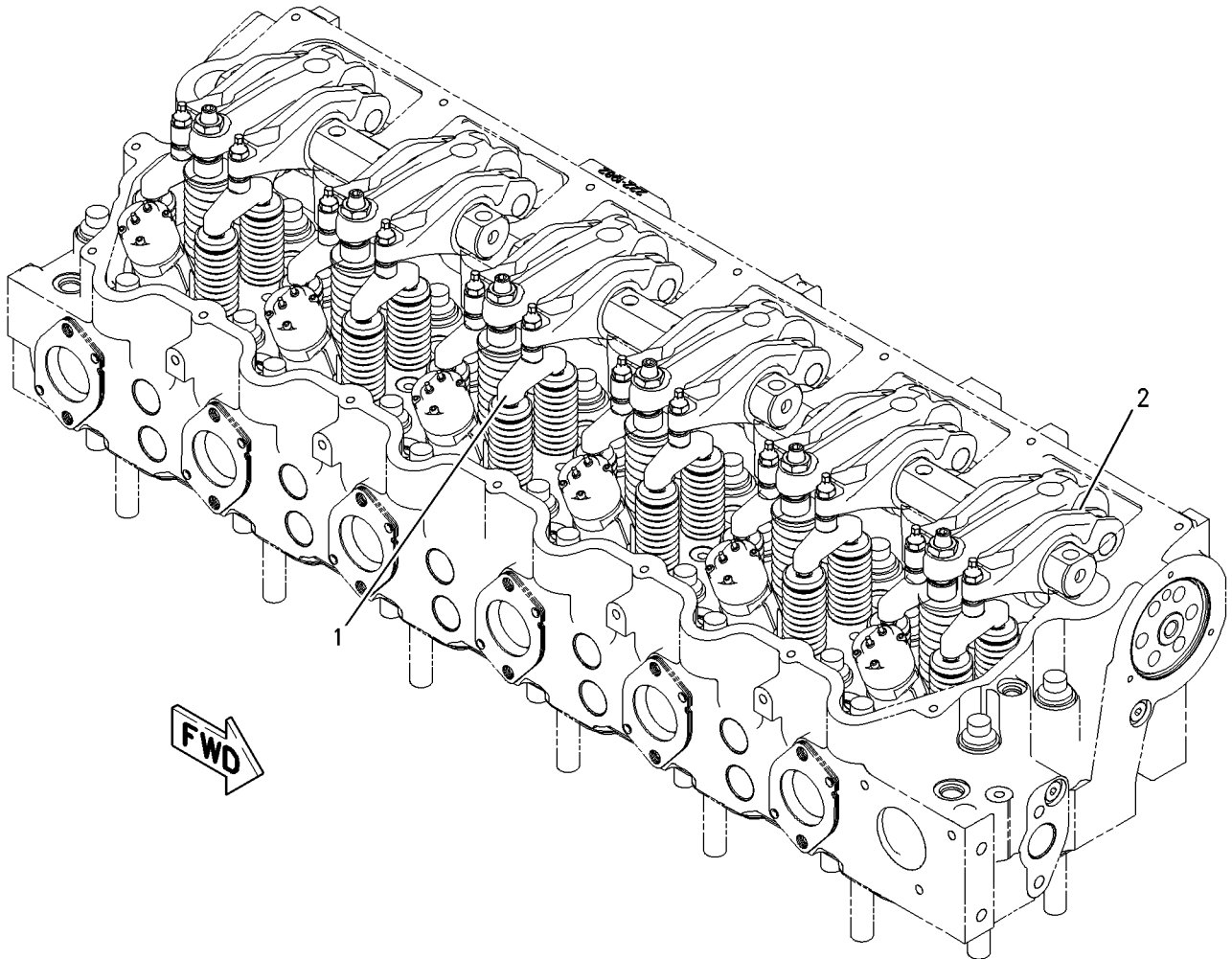
S/N: JRE2682-4360, 9895-UP  
ALSO AN ATTACHMENT

SMCS-1102, 1123

i03026784

NOTE	REF NO	GRAPHIC REF	PART NUMBER	QTY	PART NAME						SEE PAGE
					1	2	3	4	5	6 (PRODUCT LEVEL)	
	1	1	<b>6I-1458</b>	12	BRIDGE-VALVE						
CY	2	1	278-1938	3	ROCKER ARM GP						403

C-CHANGE FROM PREVIOUS TYPE  
Y-SEPARATE ILLUSTRATION



GRAPHIC #1

<END>

g01002983

# BASIC ENGINE

## 247-5711 MOUNTING GP-AIR COMPRESSOR

S/N: JRE1-2756

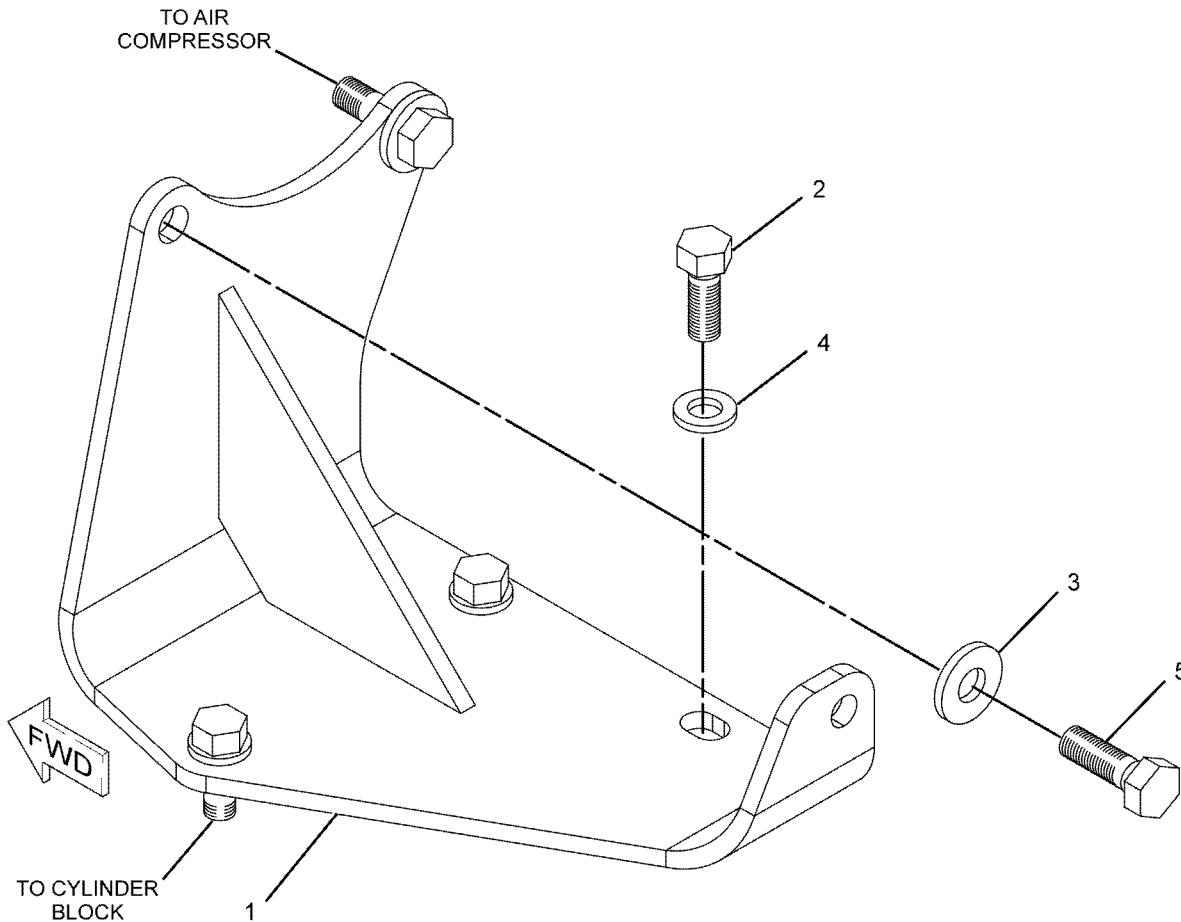
FOR USE WITH BA-922 AIR COMPRESSOR, AIR COOLED OR FUEL COOLED VERSION.  
CANNOT BE USED WITH LOW AND MID MOUNT FUEL LINES  
AN ATTACHMENT

SMCS-1803

i02195513

NOTE	REF NO	GRAPHIC REF	PART NUMBER	QTY	PART NAME						SEE PAGE
					1	2	3	4	5	6 (PRODUCT LEVEL)	
	1	1	247-5712	1	BRACKET AS						
	2	1	0S-1594	3	BOLT (3/8-16X1-IN)						
	3	1	3E-4353	2	WASHER-HARD (11X25X3-MM THK)						
	4	1	5M-2894	3	WASHER-HARD (10.2X18.5X2.5-MM THK)						
M	5	1	6V-1820	2	BOLT (M10X1.5X30-MM)						

M-METRIC PART



GRAPHIC #1

<END>

g01121902

# BASIC ENGINE

## 247-5711 MOUNTING GP-AIR COMPRESSOR

S/N: JRE2757-UP

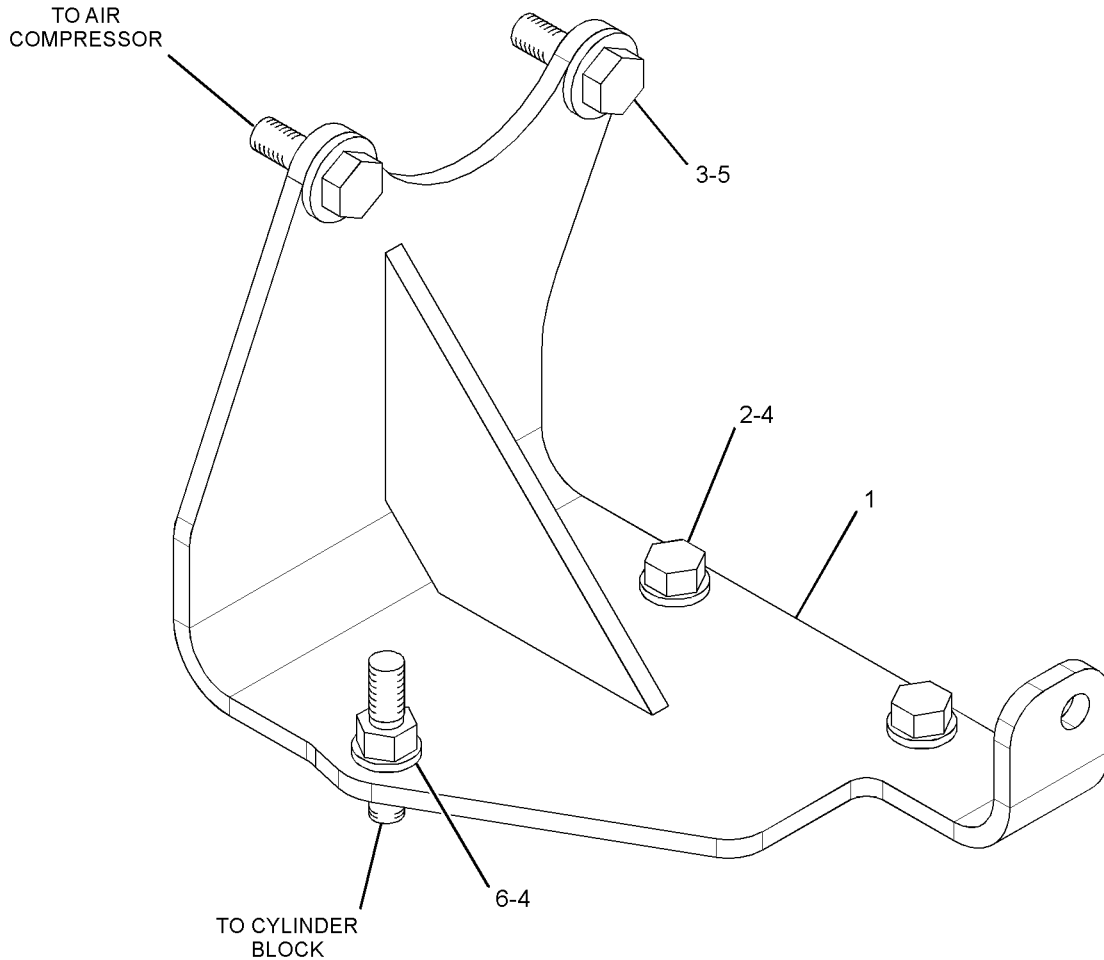
FOR USE WITH BA-922 AIR COMPRESSOR, AIR COOLED OR FUEL COOLED VERSION.  
CANNOT BE USED WITH LOW AND MID MOUNT FUEL LINES  
AN ATTACHMENT

SMCS-1803

i02733270

NOTE	REF NO	GRAPHIC REF	PART NUMBER	QTY	PART NAME						SEE PAGE
					1	2	3	4	5	6 (PRODUCT LEVEL)	
	1	1	247-5712	1	BRACKET AS						
C	2	1	0S-1594	2	BOLT (3/8-16X1-IN)						
	3	1	3E-4353	2	WASHER-HARD (11X25X3-MM THK)						
	4	1	5M-2894	3	WASHER-HARD (10.2X18.5X2.5-MM THK)						
M	5	1	6V-1820	2	BOLT (M10X1.5X30-MM)						
C	6	1	174-9599	1	STUD (3/8-16-THD)						

C-CHANGE FROM PREVIOUS TYPE  
M-METRIC PART



GRAPHIC #1

<END>

g01377040

# BASIC ENGINE

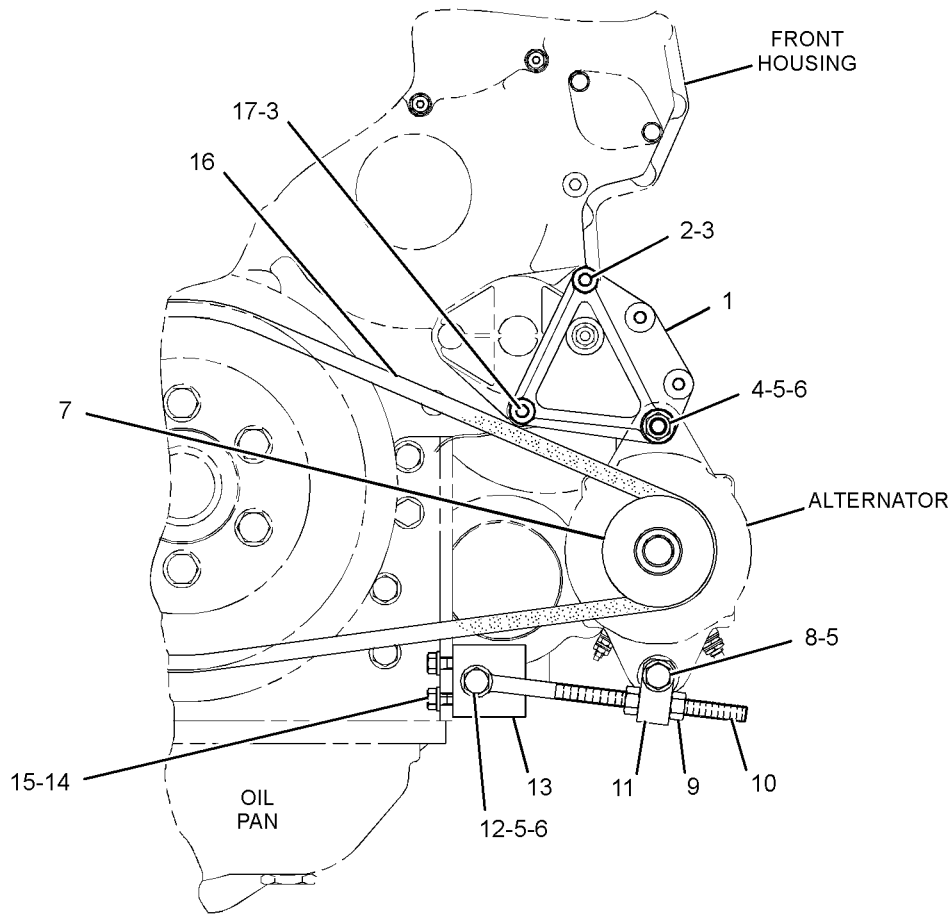
## 9E-5816 MOUNTING GP-ALTERNATOR

FOR USE WITH SUMMIT BLOCK. CANNOT BE USED WITH FRONT MOUNTED FUEL TRANSFER PUMP  
AN ATTACHMENT

SMCS-1154, 1405

i02728530

NOTE	REF NO	GRAPHIC REF	PART NUMBER	QTY	PART NAME						SEE PAGE
					1	2	3	4	5	6 (PRODUCT LEVEL)	
	1	1	186-3651	1	BRACKET						
	2	1	6V-2605	1	STUD-TAPERLOCK						
	3	1	9S-8752	2	NUT-FULL (3/8-16-THD)						
	4	1	9H-8260	1	BOLT (1/2-13X6.25-IN)						
	5	1	5P-8245	5	WASHER-HARD (13.5X25.5X3-MM THK)						
	6	1	1F-7958	2	NUT-FULL (1/2-13-THD)						
	7	1	1W-1456	1	PULLEY-ALTERNATOR						
	8	1	1A-1460	1	BOLT (1/2-13X2-IN)						
	9	1	6B-6684	2	NUT-FULL (1/2-20-THD)						
	10	1	4N-4941	1	ROD-ADJUSTMENT						
	11	1	8S-5383	1	BLOCK						
	12	1	9S-1366	1	BOLT (1/2-13X2.5-IN)						
	13	1	7W-5520	1	BLOCK						
	14	1	1A-2029	2	BOLT (3/8-16X1.125-IN)						
	15	1	5M-2894	2	WASHER-HARD (10.2X18.5X2.5-MM THK)						
	16	1	6N-0341	1	V-BELT (ALTERNATOR)						
	17	1	1S-9130	1	STUD (3/8-16X3.03-IN)						



FRONT VIEW OF ENGINE

GRAPHIC #1

<END>

g01373723

# BASIC ENGINE

## 9E-6169 MOUNTING GP-ALTERNATOR

S/N: JRE1-10299

RH

AN ATTACHMENT

SMCS-1154, 1405

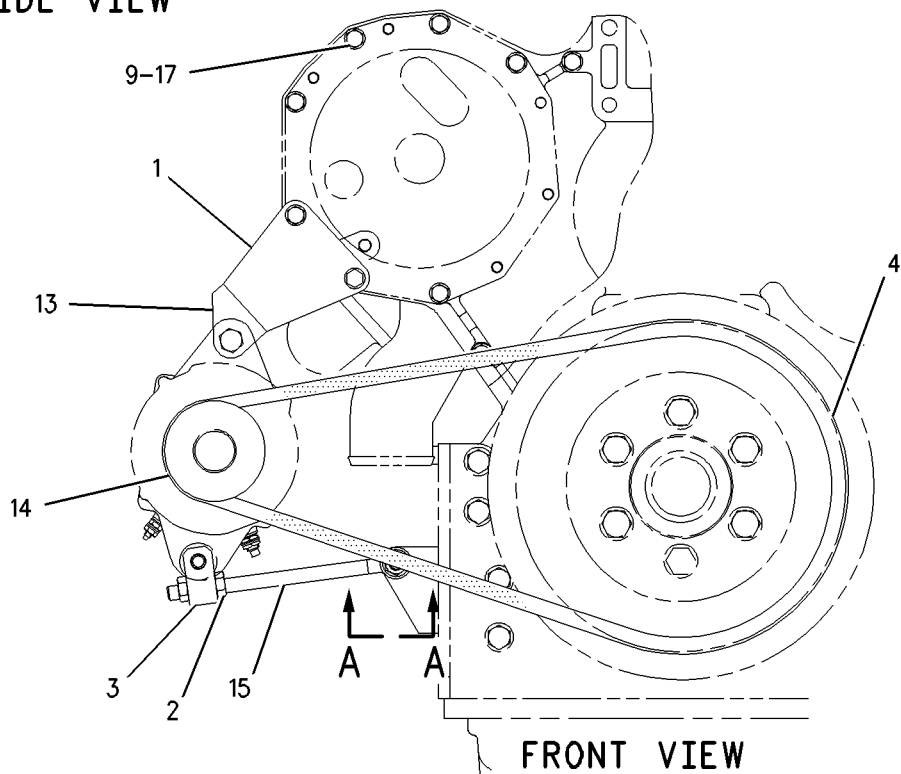
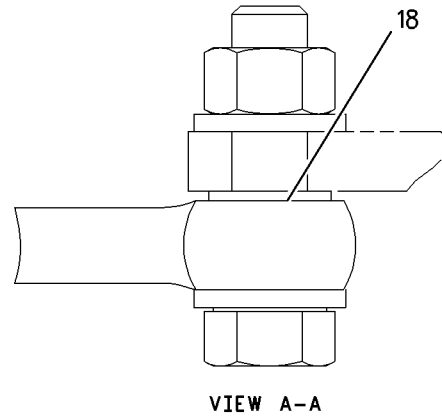
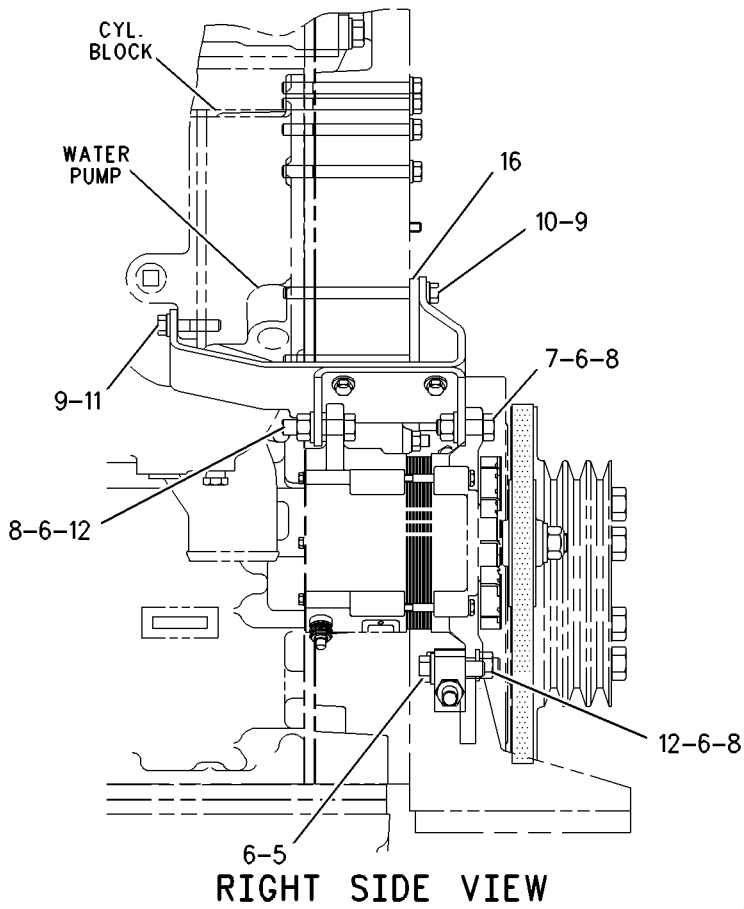
i03212000

NOTE	REF NO	GRAPHIC REF	PART NUMBER	QTY	PART NAME						SEE PAGE
					1	2	3	4	5	6 (PRODUCT LEVEL)	
	1	1	8N-6677	1	BRACKET						
	2	1	1B-4430	2	NUT-JAM (1/2-20-THD)						
	3	1	8S-5383	1	BLOCK						
	4	1	4N-8216	1	V-BELT (ALTERNATOR)						
	5	1	0S-1587	1	BOLT (1/2-13X1.75-IN)						
	6	1	5P-8245	5	WASHER-HARD (13.5X25.5X3-MM THK)						
	7	1	0S-1585	1	BOLT (1/2-13X1.5-IN)						
	8	1	1F-7958	3	NUT-FULL (1/2-13-THD)						
	9	1	5M-2894	8	WASHER-HARD (10.2X18.5X2.5-MM THK)						
	10	1	1A-5183	2	BOLT (3/8-16X4.75-IN)						
	11	1	0S-1571	1	BOLT (3/8-16X1.75-IN)						
	12	1	1A-1460	2	BOLT (1/2-13X2-IN)						
	13	1	4N-4943	1	BRACKET						
	14	1	1W-1456	1	PULLEY-ALTERNATOR (1-GROOVE)						
	15	1	5R-2994	1	ROD-PULLEY ADJUSTMENT						
	16	1	9Y-1603	1	SPACER (7.9-MM THK)						
	17	1	0T-0055	5	BOLT (3/8-16X4.25-IN)						
	18	1	0L-1365	1	WASHER (1.6-MM THK)						

# BASIC ENGINE

9E-6169 MOUNTING GP-ALTERNATOR (contd.)

i03212000



GRAPHIC #1

<END>

g00987550

# BASIC ENGINE

## 9E-6169 MOUNTING GP-ALTERNATOR

S/N: JRE10300-UP

RH

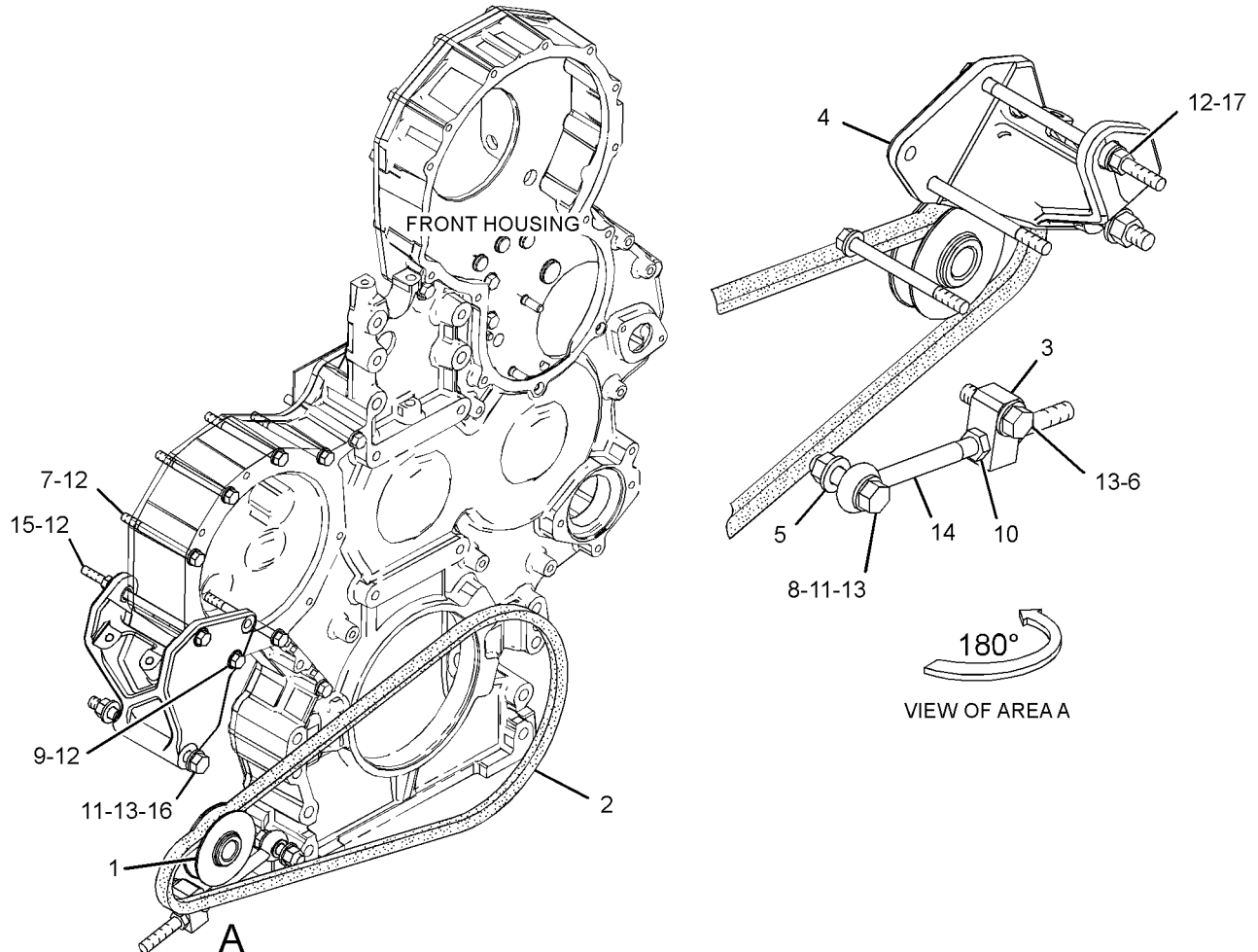
AN ATTACHMENT

SMCS-1154, 1405

i03999049

NOTE	REF NO	GRAPHIC REF	PART NUMBER	QTY	PART NAME						SEE PAGE
					1	2	3	4	5	6 (PRODUCT LEVEL)	
	1	1	1W-1456	1	PULLEY-ALTERNATOR						
	2	1	4N-8216	1	V-BELT (ALTERNATOR)						
	3	1	8S-5383	1	BLOCK						
C	4	1	332-4697	1	SUPPORT AS						
		1	272-1900	1	BUSHING						
		1	332-4696	1	BRACKET-SUPPORT						
	5	1	OL-1365	1	WASHER (1.6-MM THK)						
	6	1	OS-1587	1	BOLT (1/2-13X1.75-IN)						
	7	1	OT-0055	5	BOLT (3/8-16X4.25-IN)						
C	8	1	1A-1460	1	BOLT (1/2-13X2-IN)						
	9	1	1A-5964	1	BOLT (3/8-16X4.5-IN)						
	10	1	1B-4430	2	NUT-JAM (1/2-20-THD)						
C	11	1	1F-7958	2	NUT-FULL (1/2-13-THD)						
	12	1	5M-2894	8	WASHER-HARD (10.2X18.5X2.5-MM THK)						
	13	1	5P-8245	5	WASHER-HARD (13.5X25.5X3-MM THK)						
	14	1	5R-2994	1	ROD-PULLEY ADJUSTMENT						
C	15	1	6L-7283	1	BOLT (3/8-16X7-IN)						
C	16	1	9H-8260	1	BOLT (1/2-13X6.25-IN)						
C	17	1	9S-8752	1	NUT-FULL (3/8-16-THD)						

C-CHANGE FROM PREVIOUS TYPE



GRAPHIC #1

<END>

g01878216

# BASIC ENGINE

## 118-3419 MOUNTING GP-ALTERNATOR

S/N: JRE1-742

RH

FOR USE WITH 118-3359-PAGE 419

AN ATTACHMENT

SMCS-1154, 1405

i03212001

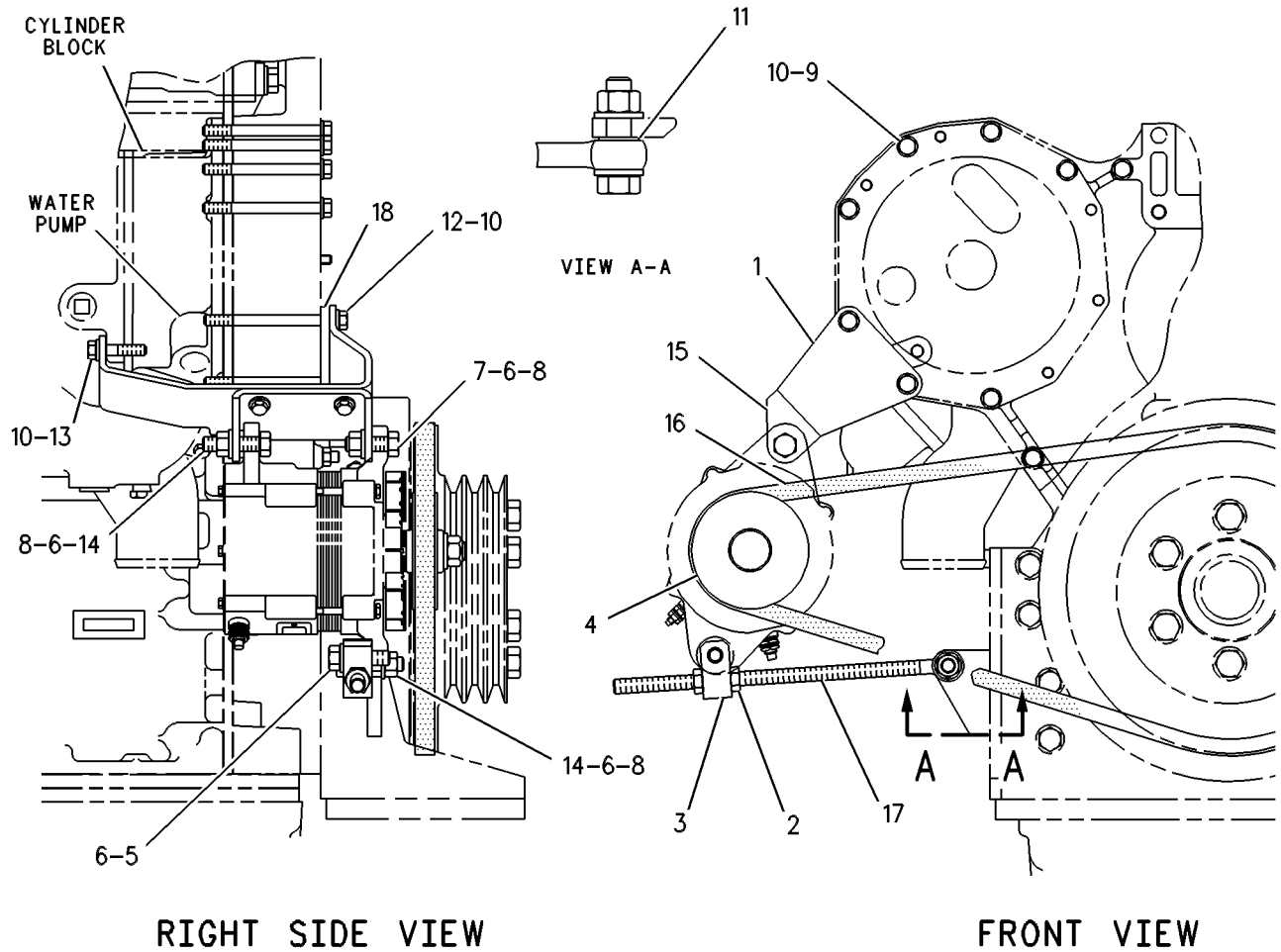
NOTE	REF NO	GRAPHIC REF	PART NUMBER	QTY	PART NAME						SEE PAGE
					1	2	3	4	5	6 (PRODUCT LEVEL)	
	1	1	<b>8N-6677</b>	1	BRACKET						
	2	1	<b>1B-4430</b>	2	NUT-JAM (1/2-20-THD)						
	3	1	<b>8S-5383</b>	1	BLOCK						
	4	1	<b>1W-1456</b>	1	PULLEY-ALTERNATOR (1-GROOVE)						
	5	1	<b>0S-1587</b>	1	BOLT (1/2-13X1.75-IN)						
	6	1	<b>5P-8245</b>	5	WASHER-HARD (13.5X25.5X3-MM THK)						
	7	1	<b>0S-1585</b>	1	BOLT (1/2-13X1.5-IN)						
	8	1	<b>1F-7958</b>	3	NUT-FULL (1/2-13-THD)						
	9	1	<b>0T-0055</b>	5	BOLT (3/8-16X4.25-IN)						
	10	1	<b>5M-2894</b>	8	WASHER-HARD (10.2X18.5X2.5-MM THK)						
	11	1	<b>0L-1365</b>	1	WASHER (1.6-MM THK)						
	12	1	<b>1A-5183</b>	2	BOLT (3/8-16X4.75-IN)						
	13	1	<b>0S-1571</b>	1	BOLT (3/8-16X1.75-IN)						
	14	1	<b>1A-1460</b>	2	BOLT (1/2-13X2-IN)						
	15	1	<b>4N-4943</b>	1	BRACKET						
	16	1	<b>6N-7135</b>	1	V-BELT (ALTERNATOR)						
	17	1	<b>7E-6879</b>	1	ROD-ADJUSTMENT						
	18	1	<b>9Y-1603</b>	1	SPACER (7.9-MM THK)						



# BASIC ENGINE

118-3419 MOUNTING GP-ALTERNATOR (contd.)

i03212001



RIGHT SIDE VIEW

FRONT VIEW

GRAPHIC #1

<END>

g00269214

# BASIC ENGINE

## 118-3419 MOUNTING GP-ALTERNATOR

S/N: JRE743-UP

RH

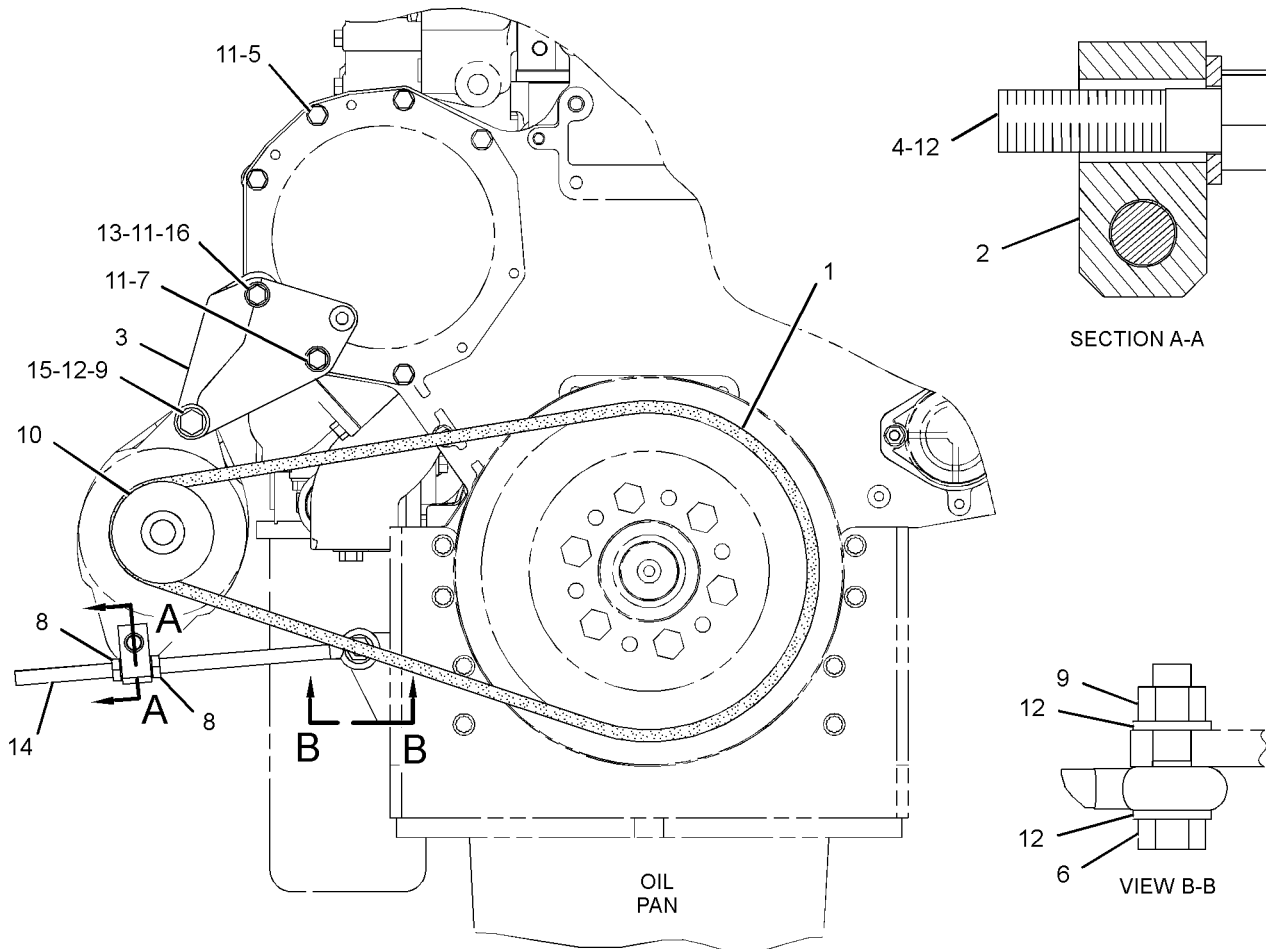
FOR USE WITH 118-3359-PAGE 419

AN ATTACHMENT

SMCS-1154, 1405

i03999051

NOTE	REF NO	GRAPHIC REF	PART NUMBER	QTY	PART NAME						SEE PAGE
					1	2	3	4	5	6 (PRODUCT LEVEL)	
	1	1	6N-7135	1	V-BELT (ALTERNATOR)						
	2	1	8S-5383	1	BLOCK						
	3	1	332-4697	1	SUPPORT AS						
		1	272-1900		BUSHING						
	4	1	0S-1587	1	BOLT (1/2-13X1.75-IN)						
	5	1	0T-0055	4	BOLT (3/8-16X4.25-IN)						
	6	1	1A-1460	1	BOLT (1/2-13X2-IN)						
	7	1	1A-5964	1	BOLT (3/8-16X4.5-IN)						
	8	1	1B-4430	2	NUT-JAM (1/2-20-THD)						
	9	1	1F-7958	2	NUT-FULL (1/2-13-THD)						
	10	1	1W-1456	1	PULLEY-ALTERNATOR						
	11	1	5M-2894	7	WASHER-HARD (10.2X18.5X2.5-MM THK)						
	12	1	5P-8245	5	WASHER-HARD (13.5X25.5X3-MM THK)						
	13	1	6L-7283	1	BOLT (3/8-16X7-IN)						
	14	1	7E-6879	1	ROD-ADJUSTMENT						
	15	1	9H-8260	1	BOLT (1/2-13X6.25-IN)						
	16	1	9S-8752	1	NUT-FULL (3/8-16-THD)						



FRONT VIEW OF ENGINE

<END>

GRAPHIC #1

g01886501

# BASIC ENGINE

## 135-4941 MOUNTING GP-ALTERNATOR

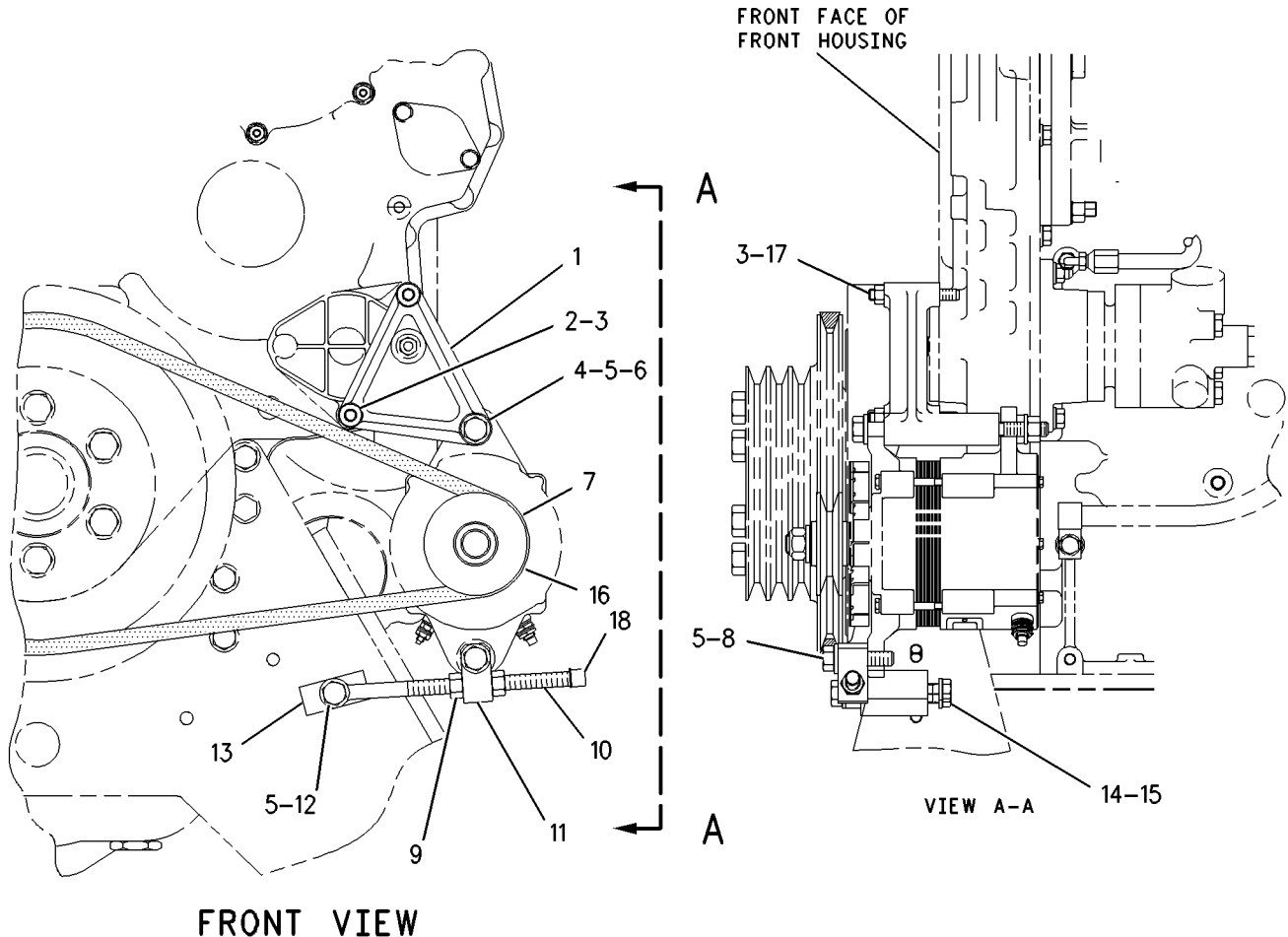
LOWER LH FRONT

FOR USE WITH 135-4326-PAGE 421  
AN ATTACHMENT

SMCS-1154, 1405

i03212005

NOTE	REF NO	GRAPHIC REF	PART NUMBER	QTY	PART NAME						SEE PAGE
					1	2	3	4	5	6 (PRODUCT LEVEL)	
	1	1	120-6955	1	BRACKET						
	2	1	1S-9130	1	STUD (3/8-16X3.03-IN)						
	3	1	9S-8752	2	NUT-FULL (3/8-16-THD)						
	4	1	9H-8260	1	BOLT (1/2-13X6.25-IN)						
	5	1	5P-8245	4	WASHER-HARD (13.5X25.5X3-MM THK)						
	6	1	1F-7958	1	NUT-FULL (1/2-13-THD)						
	7	1	1W-1456	1	PULLEY-ALTERNATOR (1-GROOVE)						
	8	1	1A-1460	1	BOLT (1/2-13X2-IN)						
	9	1	6B-6684	2	NUT-FULL (1/2-20-THD)						
	10	1	9L-5134	1	ROD						
	11	1	8S-5383	1	BLOCK						
	12	1	0S-1585	1	BOLT (1/2-13X1.5-IN)						
	13	1	7W-5520	1	BLOCK						
	14	1	1A-2029	2	BOLT (3/8-16X1.125-IN)						
	15	1	5M-2894	2	WASHER-HARD (10.2X18.5X2.5-MM THK)						
	16	1	4N-8216	1	V-BELT (ALTERNATOR)						
	17	1	6V-2605	1	STUD-TAPERLOCK						
	18	1	7W-4176	1	CAP-SEALING						



GRAPHIC #1

<END>

g00902238

# BASIC ENGINE

## 135-5077 MOUNTING GP-ALTERNATOR

S/N: JRE1-10302

LOWER RH FRONT

FOR USE WITH 135-4326-PAGE 421

AN ATTACHMENT

SMCS-1154, 1405

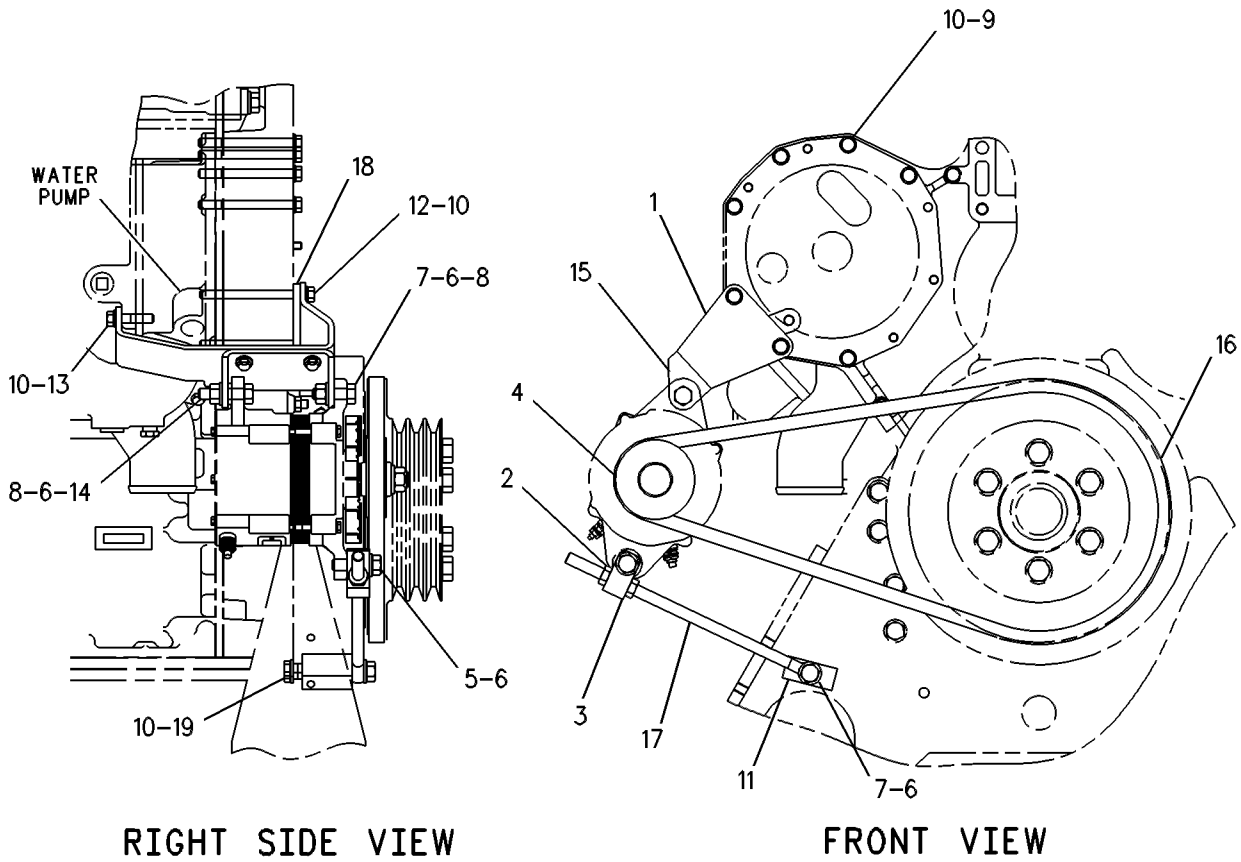
i03212008

NOTE	REF NO	GRAPHIC REF	PART NUMBER	QTY	PART NAME						SEE PAGE
					1	2	3	4	5	6 (PRODUCT LEVEL)	
	1	1	8N-6677	1	BRACKET						
	2	1	1B-4430	2	NUT-JAM (1/2-20-THD)						
	3	1	8S-5383	1	BLOCK						
	4	1	1W-1456	1	PULLEY-ALTERNATOR (1-GROOVE)						
	5	1	0S-1587	1	BOLT (1/2-13X1.75-IN)						
	6	1	5P-8245	4	WASHER-HARD (13.5X25.5X3-MM THK)						
	7	1	0S-1585	2	BOLT (1/2-13X1.5-IN)						
	8	1	1F-7958	2	NUT-FULL (1/2-13-THD)						
	9	1	0T-0055	5	BOLT (3/8-16X4.25-IN)						
	10	1	5M-2894	10	WASHER-HARD (10.2X18.5X2.5-MM THK)						
	11	1	7W-5520	1	BLOCK						
	12	1	1A-5183	2	BOLT (3/8-16X4.75-IN)						
	13	1	0S-1571	1	BOLT (3/8-16X1.75-IN)						
	14	1	1A-1460	1	BOLT (1/2-13X2-IN)						
	15	1	4N-4943	1	BRACKET						
	16	1	6N-7135	1	V-BELT (ALTERNATOR)						
	17	1	7E-6879	1	ROD-ADJUSTMENT						
	18	1	9Y-1603	1	SPACER (7.9-MM THK)						
	19	1	1A-2029	2	BOLT (3/8-16X1.125-IN)						

# BASIC ENGINE

135-5077 MOUNTING GP-ALTERNATOR (contd.)

i03212008



RIGHT SIDE VIEW

FRONT VIEW

GRAPHIC #1

<END>

g00270780

# BASIC ENGINE

## 135-5077 MOUNTING GP-ALTERNATOR

S/N: JRE10303-UP

LOWER RH FRONT

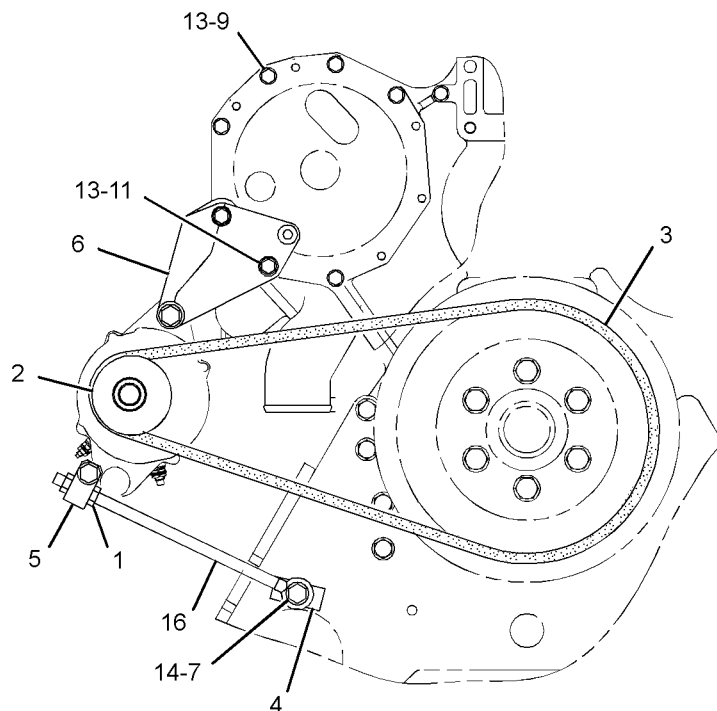
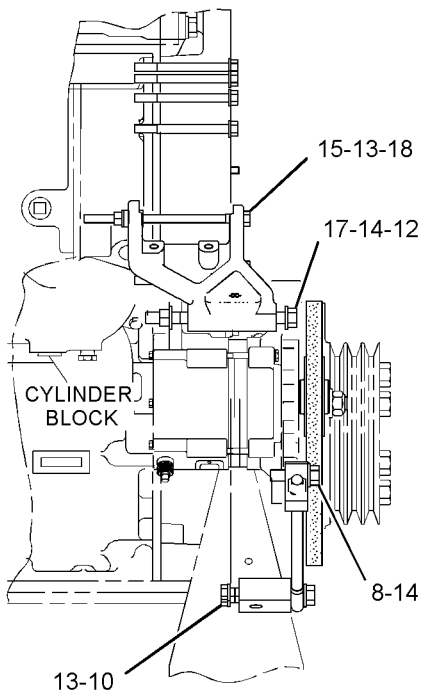
FOR USE WITH 135-4326-PAGE 421

AN ATTACHMENT

SMCS-1154, 1405

i04000949

NOTE	REF NO	GRAPHIC REF	PART NUMBER	QTY	PART NAME						SEE PAGE
					1	2	3	4	5	6 (PRODUCT LEVEL)	
	1	1	1B-4430	2	NUT-JAM (1/2-20-THD)						
	2	1	1W-1456	1	PULLEY-ALTERNATOR						
	3	1	6N-7135	1	V-BELT (ALTERNATOR)						
	4	1	7W-5520	1	BLOCK						
	5	1	8S-5383	1	BLOCK						
	6	1	332-4697	1	SUPPORT AS						
		1	272-1900	1	BUSHING						
	7	1	0S-1585	1	BOLT (1/2-13X1.5-IN)						
	8	1	0S-1587	1	BOLT (1/2-13X1.75-IN)						
	9	1	0T-0055	5	BOLT (3/8-16X4.25-IN)						
	10	1	1A-2029	2	BOLT (3/8-16X1.125-IN)						
	11	1	1A-5964	1	BOLT (3/8-16X4.5-IN)						
	12	1	1F-7958	1	NUT-FULL (1/2-13-THD)						
	13	1	5M-2894	10	WASHER-HARD (10.2X18.5X2.5-MM THK)						
	14	1	5P-8245	4	WASHER-HARD (13.5X25.5X3-MM THK)						
	15	1	6L-7283	1	BOLT (3/8-16X7-IN)						
	16	1	7E-6879	1	ROD-ADJUSTMENT						
	17	1	9H-8260	1	BOLT (1/2-13X6.25-IN)						
	18	1	9S-8752	1	NUT-FULL (3/8-16-THD)						



# BASIC ENGINE

## 183-4068 MOUNTING GP-ALTERNATOR AN ATTACHMENT

SMCS-1154, 1405

i01328978

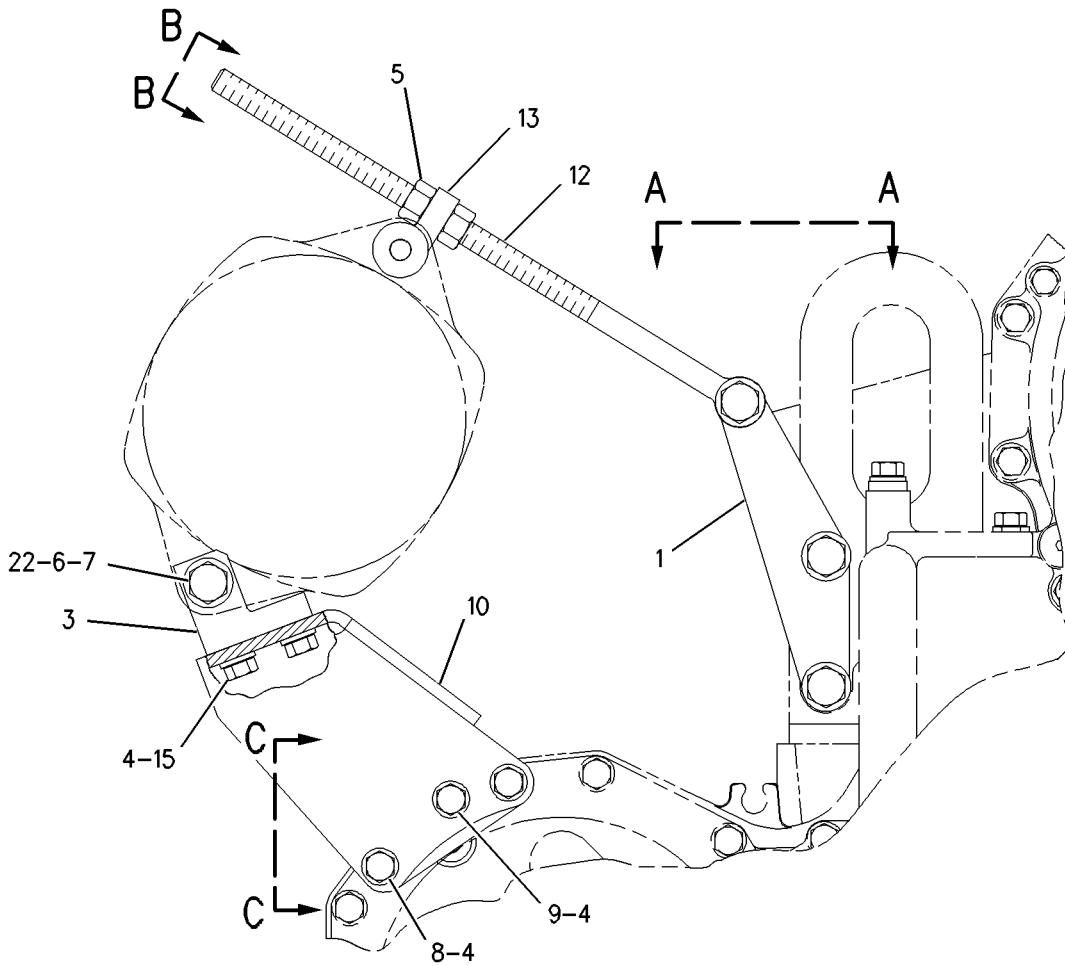
NOTE	REF NO	GRAPHIC REF	PART NUMBER	QTY	PART NAME						SEE PAGE
					1	2	3	4	5	6 (PRODUCT LEVEL)	
	1	1	<b>4P-5416</b>	1	PLATE						
	2	1	<b>7X-0326</b>	1	BOLT (1/2-13X3-IN)						
	3	1	<b>7W-3580</b>	1	BRACKET-MOUNTING						
	4	1	<b>5M-2894</b>	8	WASHER-HARD (10.2X18.5X2.5-MM THK)						
	5	1	<b>6B-6684</b>	2	NUT-FULL (1/2-20-THD)						
	6	1	<b>2M-0849</b>	5	WASHER-HARD (13.5X25.5X5-MM THK)						
	7	1	<b>9H-8260</b>	1	BOLT (1/2-13X6.25-IN)						
	8	1	<b>0S-1588</b>	2	BOLT (3/8-16X1.25-IN)						
	9	1	<b>5B-9603</b>	1	BOLT (3/8-16X5-IN)						
	10	1	<b>9N-3164</b>	1	SUPPORT-ALTERNATOR						
	11	1	<b>5P-8245</b>	2	WASHER-HARD (13.5X25.5X3-MM THK)						
	12	1	<b>9L-6371</b>	1	ROD						
	13	1	<b>9L-6329</b>	1	BLOCK						
	14	1	<b>9S-1366</b>	3	BOLT (1/2-13X2.5-IN)						
	15	1	<b>0L-1351</b>	4	BOLT (3/8-16X0.875-IN)						
	16	1	<b>9Y-1603</b>	1	SPACER (7.9-MM THK)						
	17	1	<b>9F-8759</b>	1	SPACER (17/32X1-1/8X1/2-IN THK)						
	18	1	<b>5V-9221</b>	1	SPACER (13.8X25X25-MM THK)						
	19	1	<b>0S-1590</b>	1	BOLT (3/8-16X2-IN)						
B	20	1	<b>4B-4278</b>	3	WASHER (10.2X20.5X1.6-MM THK)						
	21	1	<b>6H-7062</b>	2	SPACER (13.5X25X19-MM THK)						
	22	1	<b>1F-7958</b>	2	NUT-FULL (1/2-13-THD)						

B-USE AS REQUIRED

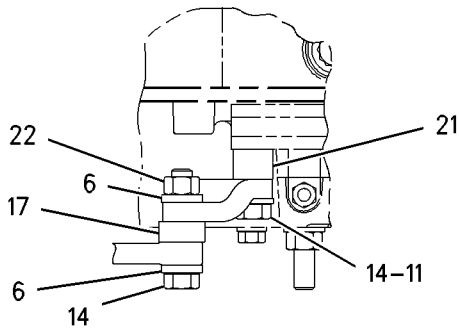
# BASIC ENGINE

183-4068 MOUNTING GP-ALTERNATOR (contd.)

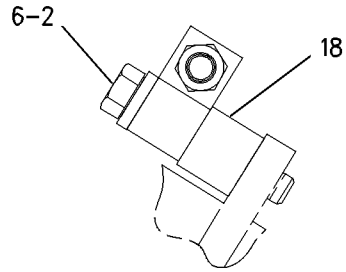
i01328978



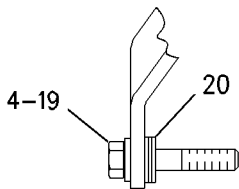
FRONT VIEW



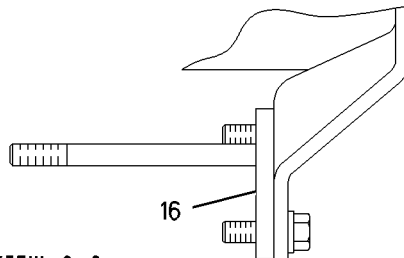
VIEW A-A



VIEW B-B



VIEW C-C



GRAPHIC #1

<END>

g00703217



# BASIC ENGINE

## 186-3652 MOUNTING GP-ALTERNATOR

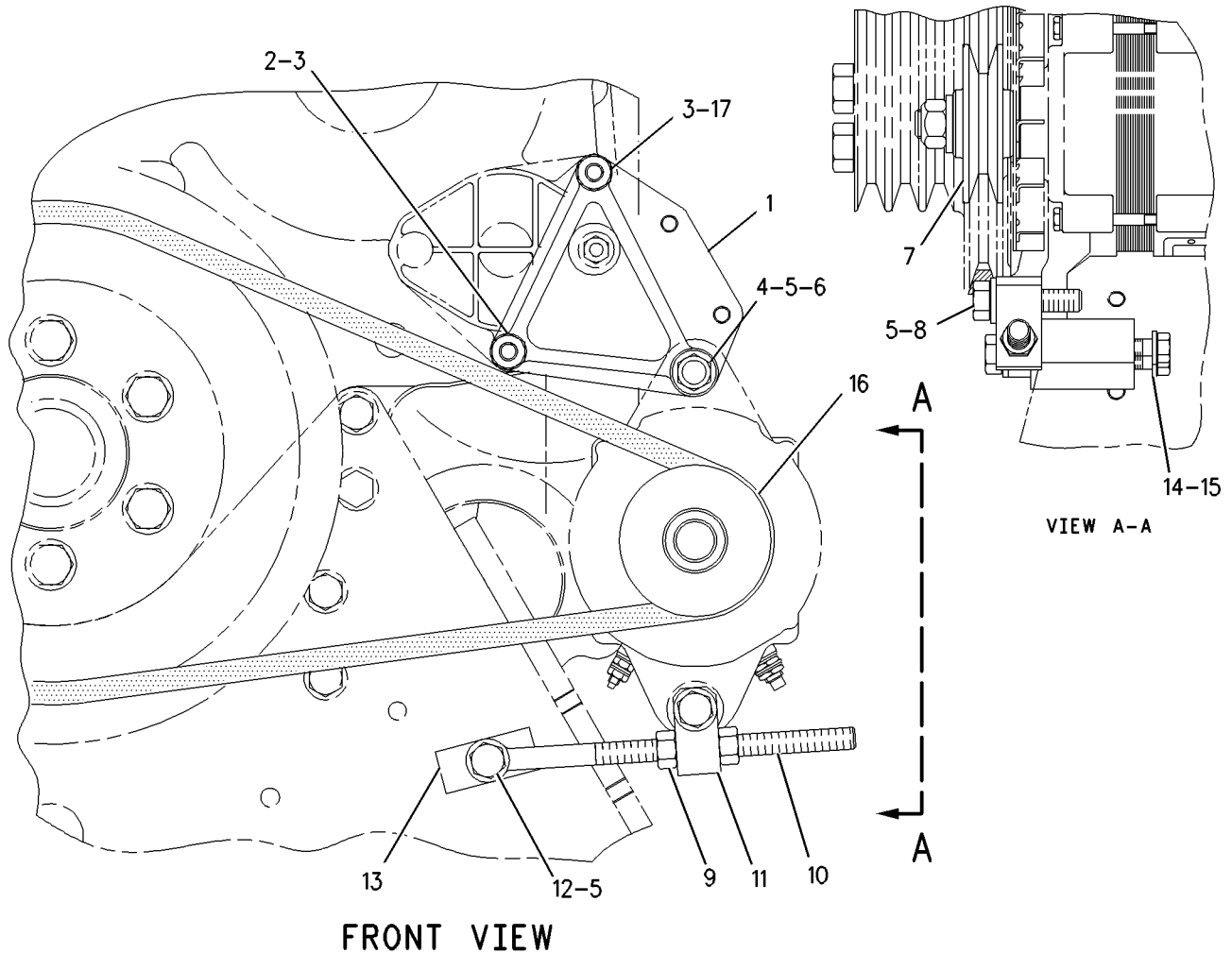
LH

FOR USE WITH 135-4326—PAGE 421  
AN ATTACHMENT

SMCS-1154, 1405

i03212013

NOTE	REF NO	GRAPHIC REF	PART NUMBER	QTY	PART NAME						SEE PAGE
					1	2	3	4	5	6 (PRODUCT LEVEL)	
	1	1	186-3651	1	BRACKET						
	2	1	1S-9130	1	STUD (3/8-16X3.03-IN)						
	3	1	9S-8752	2	NUT-FULL (3/8-16-THD)						
	4	1	9H-8260	1	BOLT (1/2-13X6.25-IN)						
	5	1	5P-8245	4	WASHER-HARD (13.5X25.5X3-MM THK)						
	6	1	1F-7958	1	NUT-FULL (1/2-13-THD)						
	7	1	1W-1456	1	PULLEY-ALTERNATOR (1-GROOVE)						
	8	1	1A-1460	1	BOLT (1/2-13X2-IN)						
	9	1	6B-6684	2	NUT-FULL (1/2-20-THD)						
	10	1	4N-4942	1	ROD-ADJUSTMENT						
	11	1	8S-5383	1	BLOCK						
	12	1	0S-1585	1	BOLT (1/2-13X1.5-IN)						
	13	1	7W-5520	1	BLOCK						
	14	1	1A-2029	2	BOLT (3/8-16X1.125-IN)						
	15	1	5M-2894	2	WASHER-HARD (10.2X18.5X2.5-MM THK)						
	16	1	4N-8216	1	V-BELT (ALTERNATOR)						
	17	1	6V-2605	1	STUD-TAPERLOCK						



GRAPHIC #1

<END>

g00873813

# BASIC ENGINE

## 186-3653 MOUNTING GP-ALTERNATOR

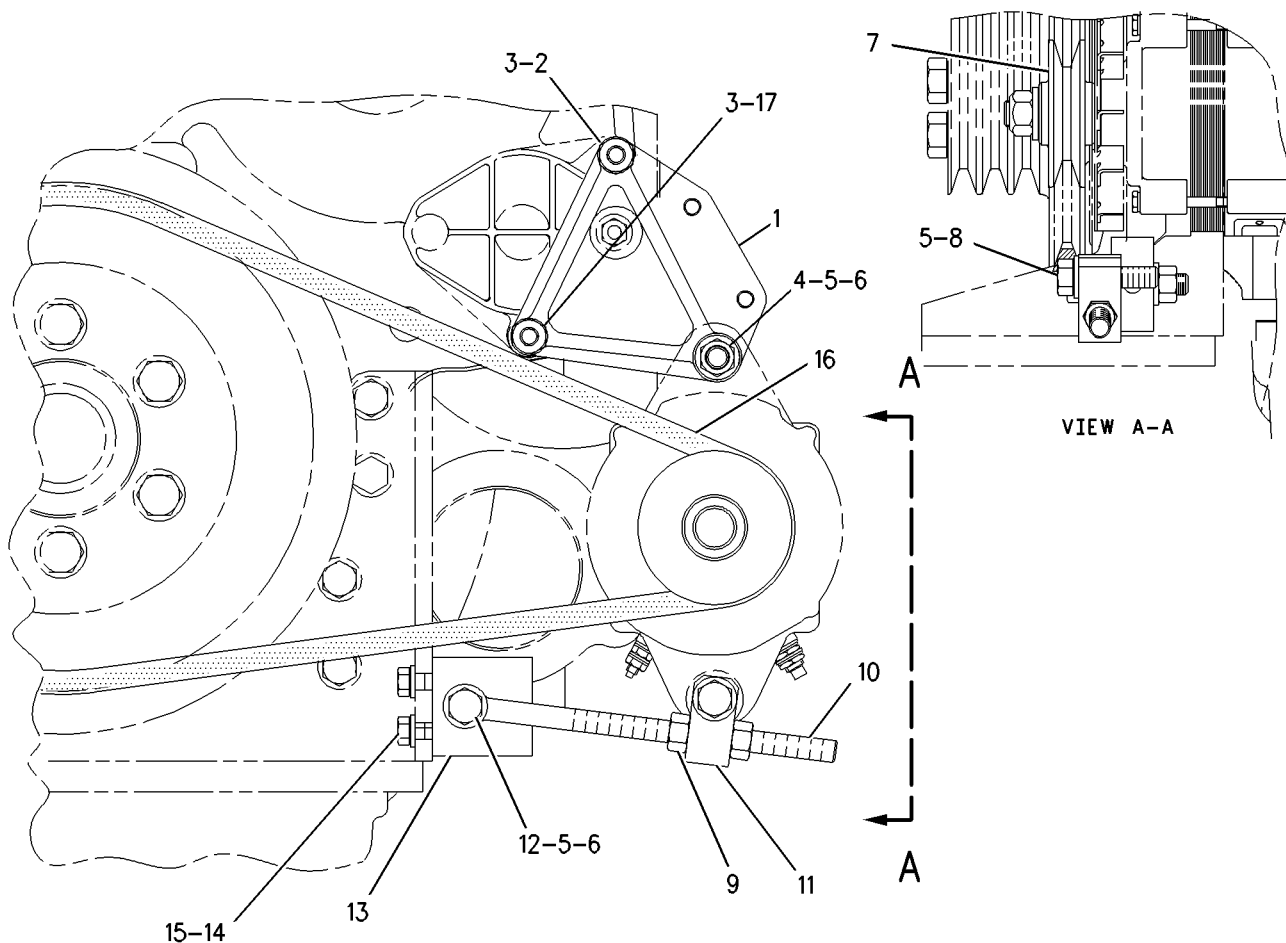
LH

CANNOT BE USED WITH FRONT MOUNTED FUEL TRANSFER PUMP  
AN ATTACHMENT

SMCS-1154, 1405

i03212014

NOTE	REF NO	GRAPHIC REF	PART NUMBER	QTY	PART NAME						SEE PAGE
					1	2	3	4	5	6 (PRODUCT LEVEL)	
	1	1	186-3651	1	BRACKET						
	2	1	6V-2605	1	STUD-TAPERLOCK						
	3	1	9S-8752	2	NUT-FULL (3/8-16-THD)						
	4	1	9H-8260	1	BOLT (1/2-13X6.25-IN)						
	5	1	5P-8245	5	WASHER-HARD (13.5X25.5X3-MM THK)						
	6	1	1F-7958	2	NUT-FULL (1/2-13-THD)						
	7	1	1W-1456	1	PULLEY-ALTERNATOR (1-GROOVE)						
	8	1	1A-1460	1	BOLT (1/2-13X2-IN)						
	9	1	6B-6684	2	NUT-FULL (1/2-20-THD)						
	10	1	4N-4942	1	ROD-ADJUSTMENT						
	11	1	8S-5383	1	BLOCK						
	12	1	9S-1366	1	BOLT (1/2-13X2.5-IN)						
	13	1	7W-5520	1	BLOCK						
	14	1	1A-2029	2	BOLT (3/8-16X1.125-IN)						
	15	1	5M-2894	2	WASHER-HARD (10.2X18.5X2.5-MM THK)						
	16	1	7N-3949	1	V-BELT SET (INCLUDES 2-BELTS) (ALTERNATOR)						
	17	1	1S-9130	1	STUD (3/8-16X3.03-IN)						



LEFT SIDE VIEW

GRAPHIC #1

<END>

g00873806

# BASIC ENGINE

## 270-8444 MOUNTING GP-ALTERNATOR

S/N: JRE1-11207

FOR USE WITH SINGLE AND TWIN TURBO. CANNOT BE USED WITH MTG GP-BREAKER  
AN ATTACHMENT

SMCS-1154, 1405

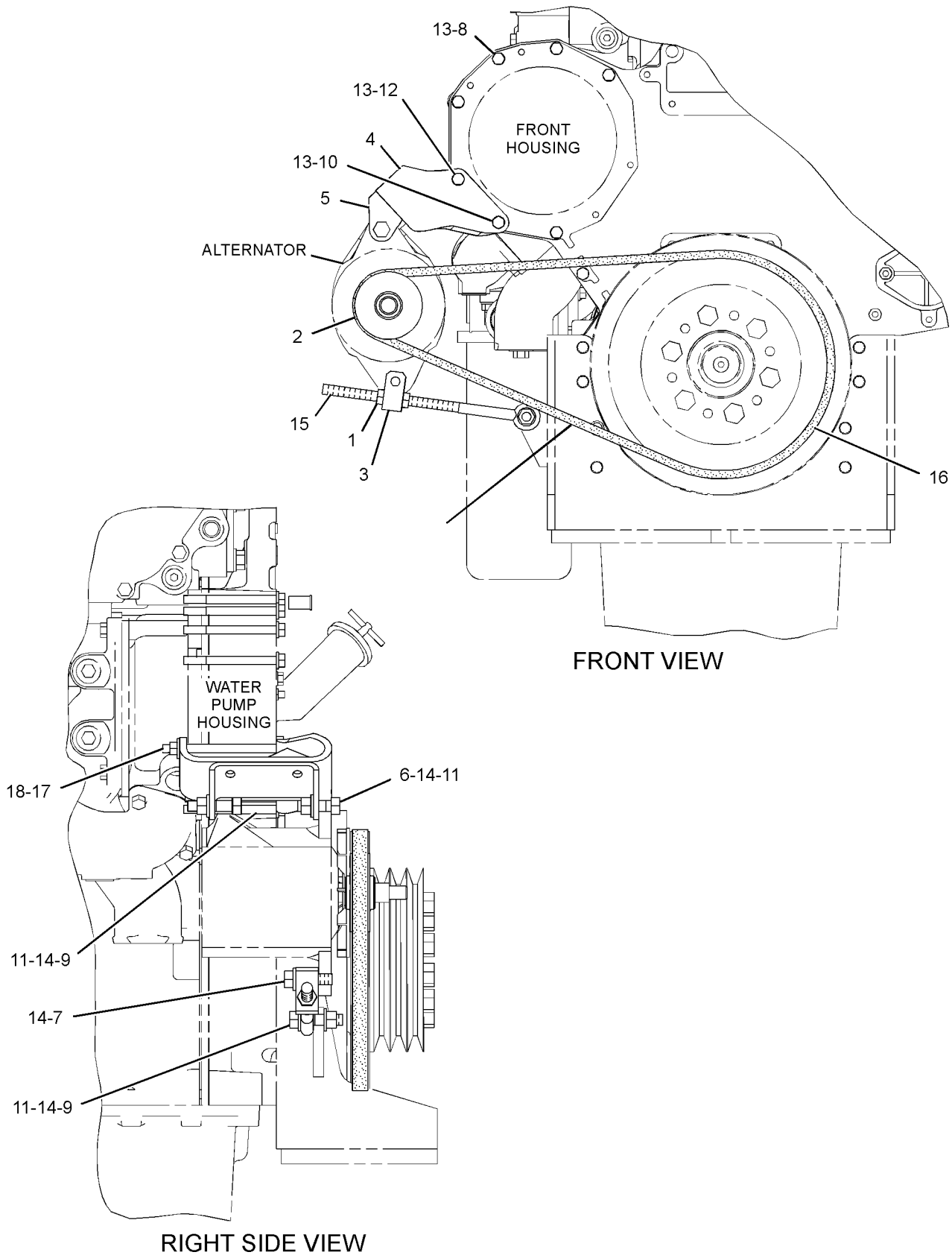
i03212015

NOTE	REF NO	GRAPHIC REF	PART NUMBER	QTY	PART NAME						SEE PAGE
					1	2	3	4	5	6 (PRODUCT LEVEL)	
	1	1	<b>1B-4430</b>	2	NUT-JAM (1/2-20-THD)						
	2	1	<b>1W-1456</b>	1	PULLEY-ALTERNATOR (1-GROOVE)						
	3	1	<b>8S-5383</b>	1	BLOCK						
	4	1	<b>270-8445</b>	1	BRACKET AS						
	5	1	<b>270-8446</b>	1	BRACKET						
	6	1	<b>0S-1585</b>	1	BOLT (1/2-13X1.5-IN)						
	7	1	<b>0S-1587</b>	1	BOLT (1/2-13X1.75-IN)						
	8	1	<b>0T-0055</b>	5	BOLT (3/8-16X4.25-IN)						
	9	1	<b>1A-1460</b>	2	BOLT (1/2-13X2-IN)						
	10	1	<b>1A-5964</b>	1	BOLT (3/8-16X4.5-IN)						
	11	1	<b>1F-7958</b>	3	NUT-FULL (1/2-13-THD)						
	12	1	<b>5R-1771</b>	1	BOLT (3/8-16X5.5-IN)						
	13	1	<b>5M-2894</b>	7	WASHER-HARD (10.2X18.5X2.5-MM THK)						
	14	1	<b>5P-8245</b>	5	WASHER-HARD (13.5X25.5X3-MM THK)						
	15	1	<b>9L-5134</b>	1	ROD						
	16	1	<b>9L-6641</b>	1	V-BELT (ALTERNATOR)						
	17	1	<b>9S-8752</b>	1	NUT-FULL (3/8-16-THD)						
	18	1	<b>9X-6458</b>	1	WASHER-HARD (10.2X22.5X3-MM THK)						

# BASIC ENGINE

270-8444 MOUNTING GP-ALTERNATOR (contd.)

i03212015



GRAPHIC #1

<END>

g01160016

# BASIC ENGINE

## 270-8444 MOUNTING GP-ALTERNATOR

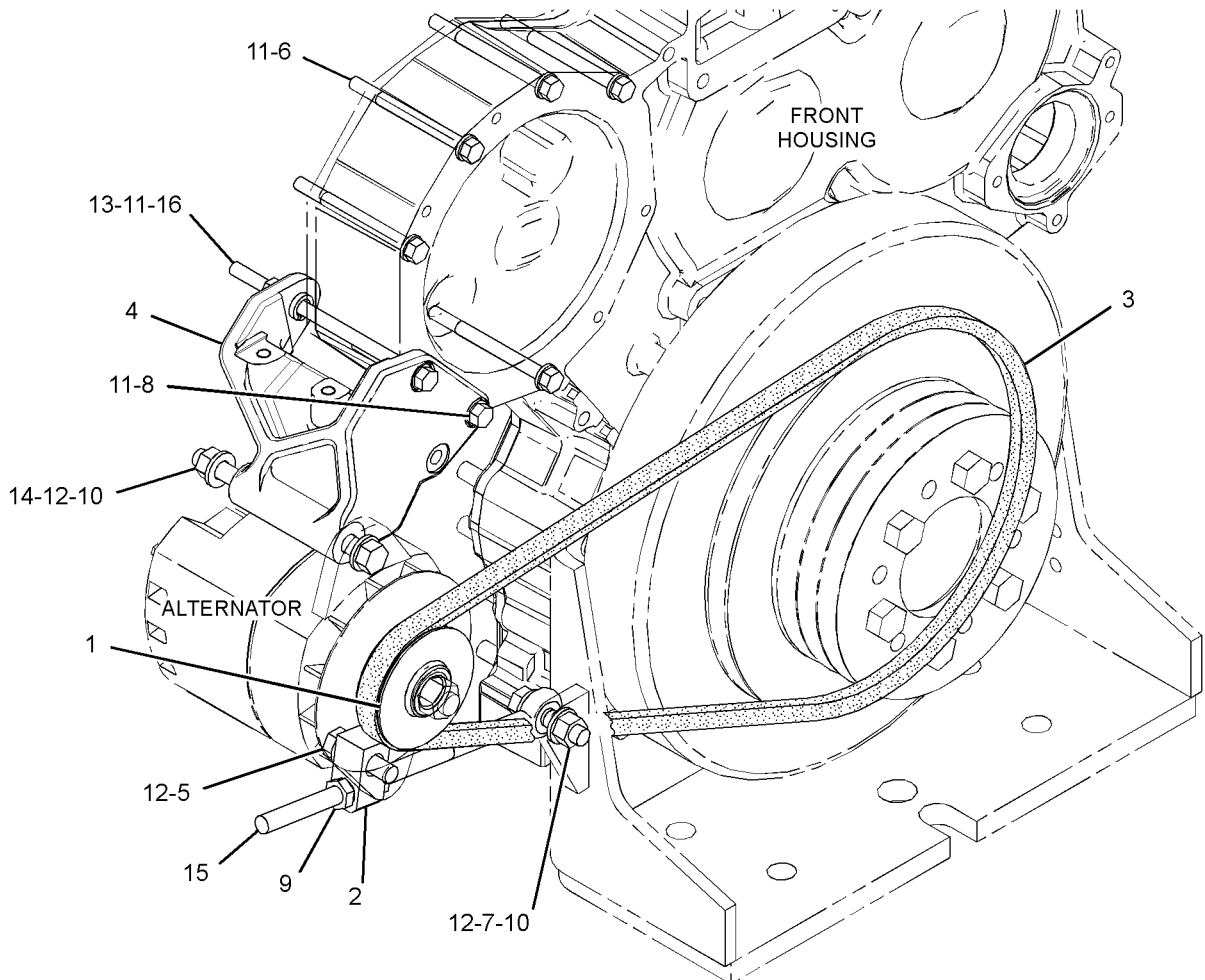
S/N: JRE11208-UP

FOR USE WITH SINGLE AND TWIN TURBO. CANNOT BE USED WITH MTG GP-BREAKER AN ATTACHMENT

SMCS-1154, 1405

i03996506

NOTE	REF NO	GRAPHIC REF	PART NUMBER	QTY	PART NAME						SEE PAGE
					1	2	3	4	5	6 (PRODUCT LEVEL)	
	1	1	1W-1456	1	PULLEY-ALTERNATOR (1-GROOVE)						
	2	1	8S-5383	1	BLOCK						
	3	1	9L-6641	1	V-BELT (ALTERNATOR)						
	4	1	332-4697	1	SUPPORT AS						
		1	272-1900	1	BUSHING						
	5	1	0S-1587	1	BOLT (1/2-13X1.75-IN)						
	6	1	0T-0055	5	BOLT (3/8-16X4.25-IN)						
	7	1	1A-1460	1	BOLT (1/2-13X2-IN)						
	8	1	1A-5964	1	BOLT (3/8-16X4.5-IN)						
	9	1	1B-4430	2	NUT-JAM (1/2-20-THD)						
	10	1	1F-7958	2	NUT-FULL (1/2-13-THD)						
	11	1	5M-2894	8	WASHER-HARD (10.2X18.5X2.5-MM THK)						
	12	1	5P-8245	5	WASHER-HARD (13.5X25.5X3-MM THK)						
	13	1	6L-7283	1	BOLT (3/8-16X7-IN)						
	14	1	9H-8260	1	BOLT (1/2-13X6.25-IN)						
	15	1	9L-5134	1	ROD						
	16	1	9S-8752	1	NUT-FULL (3/8-16-THD)						



GRAPHIC #1

<END>

g02098976

# BASIC ENGINE

## 286-8179 MOUNTING GP-ALTERNATOR

LEFT HAND  
FOR USE WITH NARROW FRONT SUPPORT  
AN ATTACHMENT

SMCS-1154, 1405

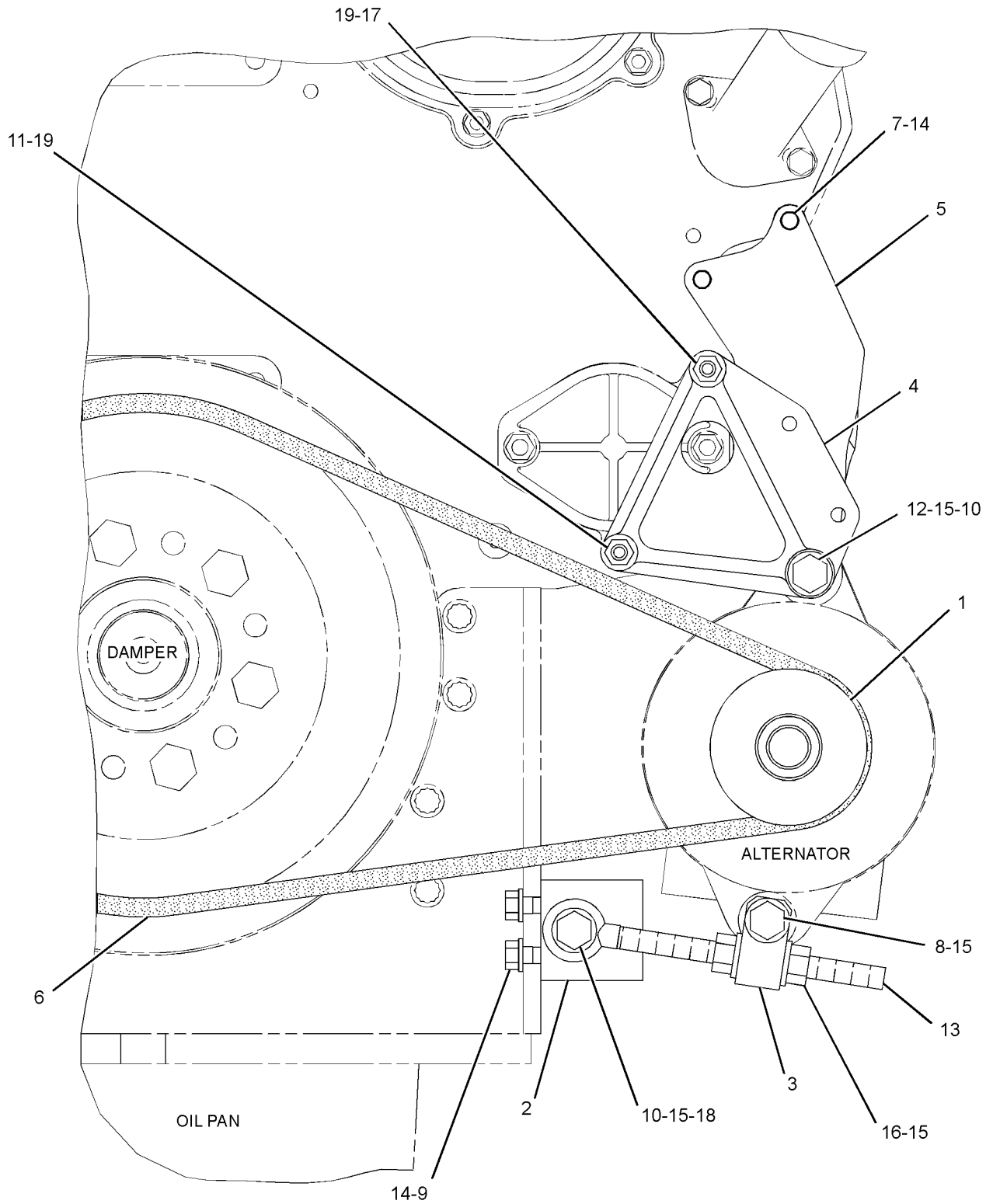
i03212016

NOTE	REF NO	GRAPHIC REF	PART NUMBER	QTY	PART NAME						SEE PAGE
					1	2	3	4	5	6 (PRODUCT LEVEL)	
	1	1	<b>1W-1456</b>	1	PULLEY-ALTERNATOR (1-GROOVE)						
	2	1	<b>7W-5520</b>	1	BLOCK						
	3	1	<b>8S-5383</b>	1	BLOCK						
	4	1	<b>186-3651</b>	1	BRACKET						
	5	1	<b>282-6844</b>	1	BRACKET						
	6	1	<b>7N-3949</b>	1	V-BELT SET (INCLUDES 2-BELTS) (ALTERNATOR)						
	7	1	<b>0S-1591</b>	2	BOLT (3/8-16X1.5-IN)						
	8	1	<b>1A-1460</b>	1	BOLT (1/2-13X2-IN)						
	9	1	<b>1A-2029</b>	2	BOLT (3/8-16X1.125-IN)						
	10	1	<b>1F-7958</b>	2	NUT-FULL (1/2-13-THD)						
	11	1	<b>1S-9130</b>	1	STUD (3/8-16X3.03-IN)						
	12	1	<b>2A-1531</b>	1	BOLT (1/2-13X6.5-IN)						
	13	1	<b>4N-4941</b>	1	ROD-ADJUSTMENT						
	14	1	<b>5M-2894</b>	4	WASHER-HARD (10.2X18.5X2.5-MM THK)						
	15	1	<b>5P-8245</b>	7	WASHER-HARD (13.5X25.5X3-MM THK)						
	16	1	<b>6B-6684</b>	2	NUT-FULL (1/2-20-THD)						
	17	1	<b>6V-2605</b>	1	STUD-TAPERLOCK						
	18	1	<b>9S-1366</b>	1	BOLT (1/2-13X2.5-IN)						
	19	1	<b>9S-8752</b>	2	NUT-FULL (3/8-16-THD)						

# BASIC ENGINE

286-8179 MOUNTING GP-ALTERNATOR (contd.)

i03212016



FRONT VIEW

<END>

GRAPHIC #1

g01264603

# BASIC ENGINE

## 286-8180 MOUNTING GP-ALTERNATOR AN ATTACHMENT

SMCS-1154, 1405

i03212017

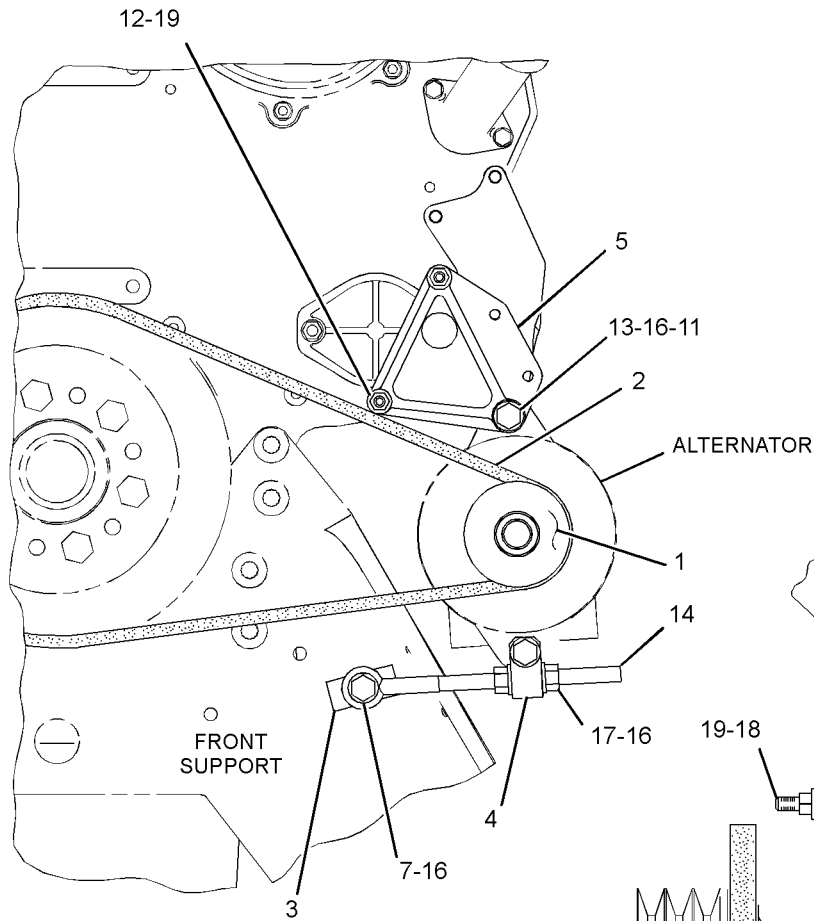
NOTE	REF NO	GRAPHIC REF	PART NUMBER	QTY	PART NAME						SEE PAGE
					1	2	3	4	5	6 (PRODUCT LEVEL)	
	1	1	<b>1W-1456</b>	1	PULLEY-ALTERNATOR (1-GROOVE)						
	2	1	<b>5L-5012</b>	1	V-BELT SET (INCLUDES 2-BELTS) (ALTERNATOR)						
	3	1	<b>7W-5520</b>	1	BLOCK						
	4	1	<b>8S-5383</b>	1	BLOCK						
	5	1	<b>186-3651</b>	1	BRACKET						
	6	1	<b>282-6844</b>	1	BRACKET						
	7	1	<b>0S-1585</b>	1	BOLT (1/2-13X1.5-IN)						
	8	1	<b>0S-1591</b>	2	BOLT (3/8-16X1.5-IN)						
	9	1	<b>1A-1460</b>	1	BOLT (1/2-13X2-IN)						
	10	1	<b>1A-2029</b>	2	BOLT (3/8-16X1.125-IN)						
	11	1	<b>1F-7958</b>	1	NUT-FULL (1/2-13-THD)						
	12	1	<b>1S-9130</b>	1	STUD (3/8-16X3.03-IN)						
	13	1	<b>2A-1531</b>	1	BOLT (1/2-13X6.5-IN)						
	14	1	<b>4N-4942</b>	1	ROD-ADJUSTMENT						
	15	1	<b>5M-2894</b>	4	WASHER-HARD (10.2X18.5X2.5-MM THK)						
	16	1	<b>5P-8245</b>	6	WASHER-HARD (13.5X25.5X3-MM THK)						
	17	1	<b>6B-6684</b>	2	NUT-FULL (1/2-20-THD)						
	18	1	<b>6V-2605</b>	1	STUD-TAPERLOCK						
	19	1	<b>9S-8752</b>	2	NUT-FULL (3/8-16-THD)						



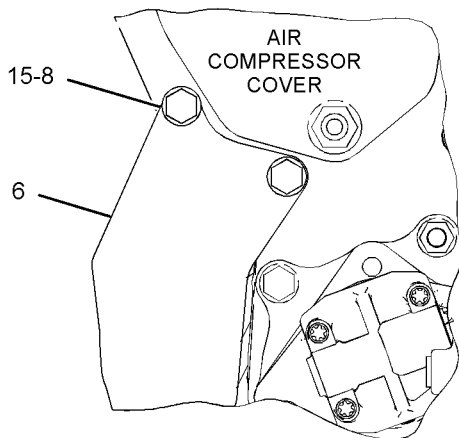
# BASIC ENGINE

286-8180 MOUNTING GP-ALTERNATOR (contd.)

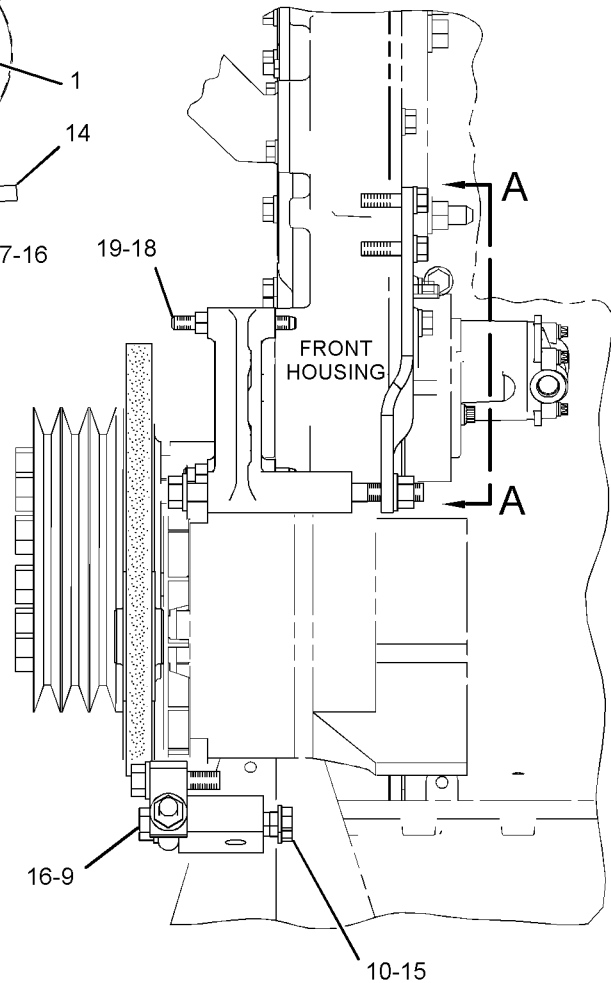
i03212017



FRONT VIEW



VIEW A-A



LEFT SIDE VIEW

GRAPHIC #1

<END>

g01264671

# BASIC ENGINE

## 288-0648 MOUNTING GP-ALTERNATOR

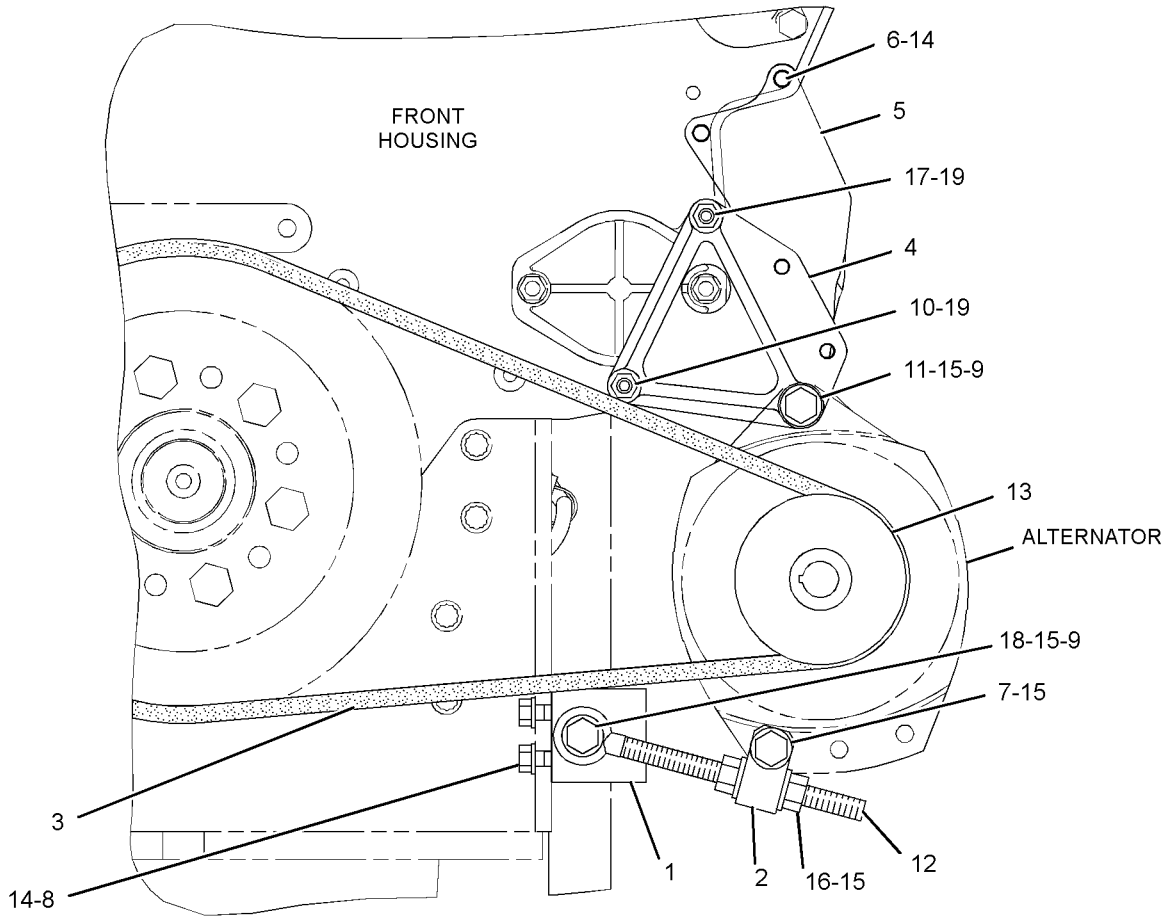
LH

FOR USE WITH NARROW FRONT SUPPORT  
AN ATTACHMENT

SMCS-1154, 1405

i03212018

NOTE	REF NO	GRAPHIC REF	PART NUMBER	QTY	PART NAME						SEE PAGE
					1	2	3	4	5	6 (PRODUCT LEVEL)	
	1	1	7W-5520	1	BLOCK						
	2	1	8S-5383	1	BLOCK						
	3	1	9L-6639	1	V-BELT (ALTERNATOR)						
	4	1	186-3651	1	BRACKET						
	5	1	282-6844	1	BRACKET						
	6	1	0S-1591	2	BOLT (3/8-16X1.5-IN)						
	7	1	1A-1460	1	BOLT (1/2-13X2-IN)						
	8	1	1A-2029	2	BOLT (3/8-16X1.125-IN)						
	9	1	1F-7958	2	NUT-FULL (1/2-13-THD)						
	10	1	1S-9130	1	STUD (3/8-16X3.03-IN)						
	11	1	2A-1531	1	BOLT (1/2-13X6.5-IN)						
	12	1	4N-4941	1	ROD-ADJUSTMENT						
	13	1	4N-8225	1	PULLEY-ALTERNATOR (1-GROOVE) (1-GROOVE)						
	14	1	5M-2894	4	WASHER-HARD (10.2X18.5X2.5-MM THK)						
	15	1	5P-8245	7	WASHER-HARD (13.5X25.5X3-MM THK)						
	16	1	6B-6684	2	NUT-FULL (1/2-20-THD)						
	17	1	6V-2605	1	STUD-TAPERLOCK						
	18	1	9S-1366	1	BOLT (1/2-13X2.5-IN)						
	19	1	9S-8752	2	NUT-FULL (3/8-16-THD)						



FRONT VIEW OF ENGINE

GRAPHIC #1

<END>

g01369606

# BASIC ENGINE

## 129-5162 MOUNTING GP-ALTERNATOR & COMPR FOR USE WITH PISTON FREON COMPRESSOR AN ATTACHMENT

SMCS-1405

i03640887

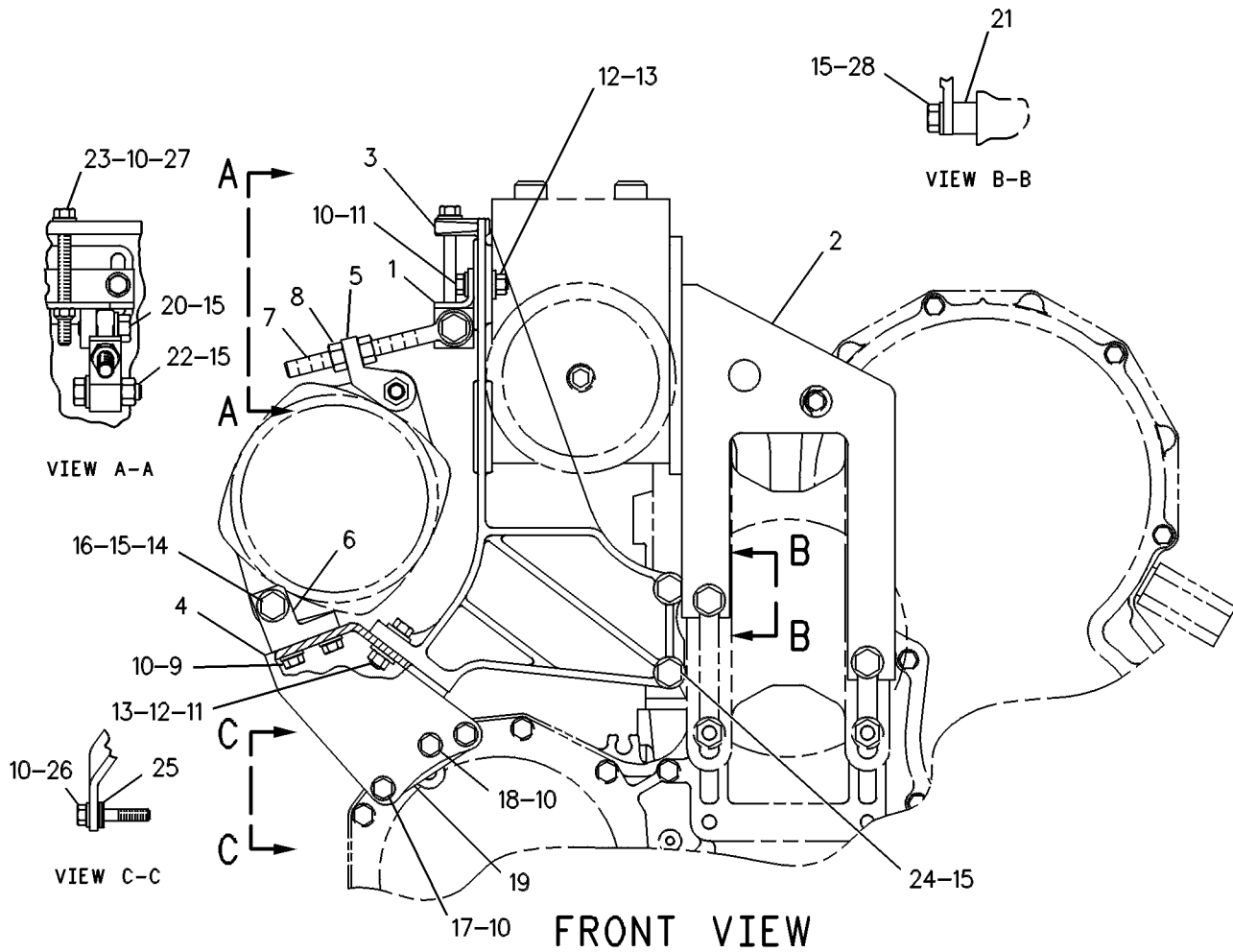
NOTE	REF NO	GRAPHIC REF	PART NUMBER	QTY	PART NAME						SEE PAGE	
					1	2	3	4	5	6 (PRODUCT LEVEL)		
	1	1	9N-3162	1	BRACKET	AS						
		1	9L-6110	1	ANGLE							
	2	1	6I-3957	1	BRACKET	AS						
	3	1	146-0193	1	BRACKET							
	4	1	9N-3164	1	SUPPORT-ALTERNATOR							
	5	1	9N-3163	1	BLOCK							
	6	1	7W-3580	1	BRACKET-MOUNTING							
	7	1	7C-5787	1	ROD-ADJUSTMENT							
	8	1	6B-6684	2	NUT-FULL	(1/2-20-THD)						
	9	1	0L-1351	4	BOLT	(3/8-16X0.875-IN)						
	10	1	5M-2894	11	WASHER-HARD	(10.2X18.5X2.5-MM THK)						
	11	1	3B-1915	4	BOLT	(3/8-16X1.375-IN)						
	12	1	5P-1075	6	WASHER-HARD	(10.2X22.5X3-MM THK)						
	13	1	9S-8752	4	NUT-FULL	(3/8-16-THD)						
	14	1	9H-8260	1	BOLT	(1/2-13X6.25-IN)						
	15	1	5P-8245	7	WASHER-HARD	(13.5X25.5X3-MM THK)						
	16	1	1K-6872	1	LOCKNUT	(1/2-13-THD)						
	17	1	0S-1588	2	BOLT	(3/8-16X1.25-IN)						
	18	1	5B-9603	1	BOLT	(3/8-16X5-IN)						
	19	1	9Y-1603	1	SPACER	(7.9-MM THK)						
	20	1	0S-1595	1	BOLT	(1/2-13X1.25-IN)						
	21	1	6H-7062	2	SPACER	(13.5X25X19-MM THK)						
	22	1	0S-1587	1	BOLT	(1/2-13X1.75-IN)						
	23	1	8L-5213	1	BOLT	(3/8-16X4-IN)						
	24	1	9S-1366	2	BOLT	(1/2-13X2.5-IN)						
B	25	1	4B-4278	3	WASHER	(10.2X20.5X1.6-MM THK)						
	26	1	0S-1590	1	BOLT	(3/8-16X2-IN)						
	27	1	2K-4973	1	LOCKNUT	(3/8-16-THD)						
	28	1	9X-8873	2	BOLT	(1/2-13X2.25-IN)						

B-USE AS REQUIRED

# BASIC ENGINE

129-5162 MOUNTING GP-ALTERNATOR & COMPR (contd.)

i03640887



GRAPHIC #1

<END>

g00238174

# BASIC ENGINE

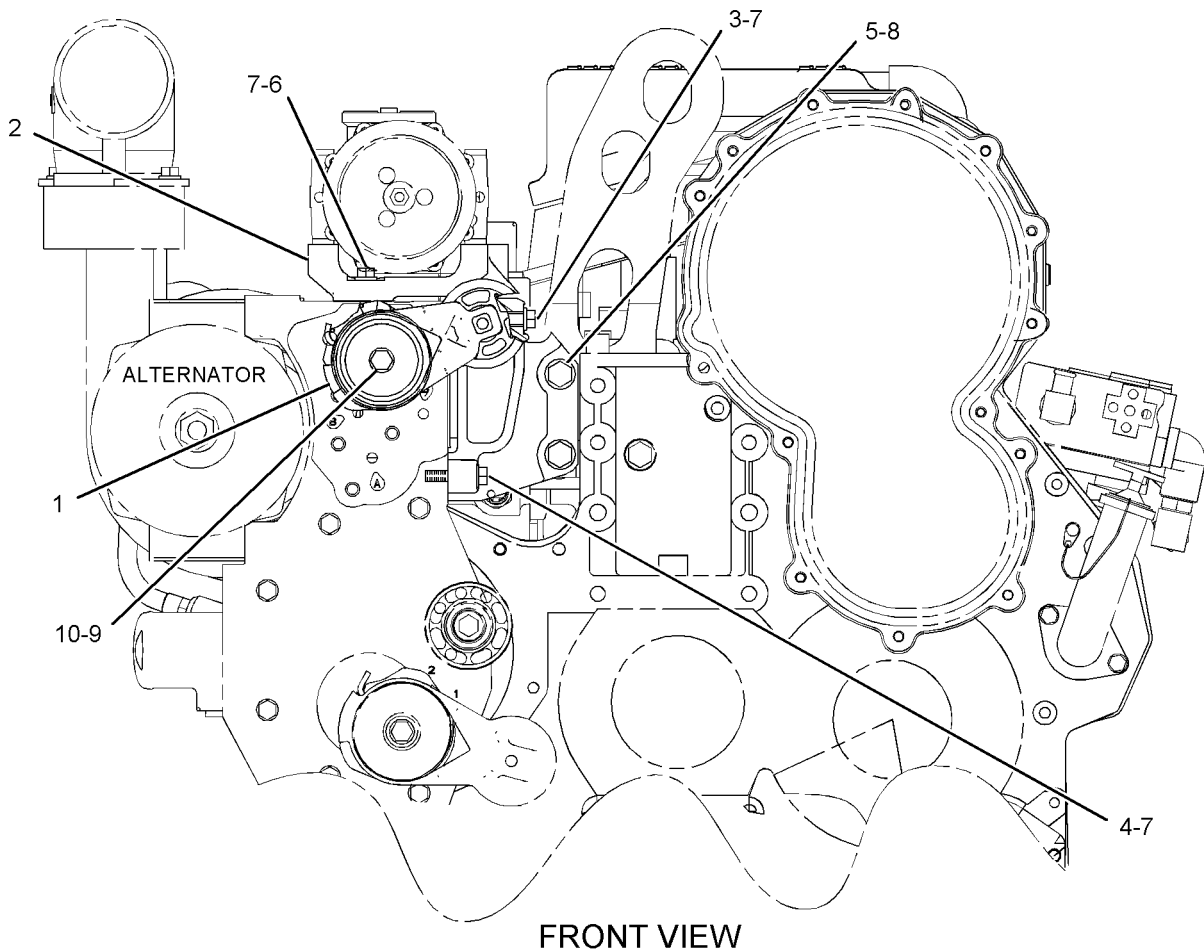
## 240-8214 MOUNTING GP-REFRIGERANT COMPR BRACKET AND TENSIONER FOR A 6 GROOVE POLY-RIB A/C COMPRESSOR DRIVE WITH AN 13.1-17 INCH FAN HEIGHT FOR USE WITH 240-8213—PAGE 68 AN ATTACHMENT

SMCS-1802

i02225938

NOTE	REF NO	GRAPHIC REF	PART NUMBER	QTY	PART NAME						SEE PAGE
					1	2	3	4	5	6 (PRODUCT LEVEL)	
	1	1	<b>217-8938</b>	1	BELT TENSIONER (REFRIGERANT COMPRESSOR)						
	2	1	<b>261-7552</b>	1	SUPPORT (REFRIGERANT COMPRESSOR)						
	3	1	<b>0L-1352</b>	1	BOLT (3/8-16X3.25-IN)						
	4	1	<b>0S-1571</b>	1	BOLT (3/8-16X1.75-IN)						
	5	1	<b>0S-1591</b>	1	BOLT (3/8-16X1.5-IN)						
	6	1	<b>0S-1573</b>	2	BOLT (1/2-13X4-IN)						
	7	1	<b>5M-2894</b>	3	WASHER-HARD (10.2X18.5X2.5-MM THK)						
	8	1	<b>5P-8245</b>	2	WASHER-HARD (13.5X25.5X3-MM THK)						
	9	1	<b>6V-5839</b>	1	WASHER (11X21X2.5-MM THK)						
M	10	1	<b>8T-0644</b>	1	BOLT (M10X1.5X90-MM)						

M-METRIC PART



GRAPHIC #1

<END>

g01123767

# BASIC ENGINE

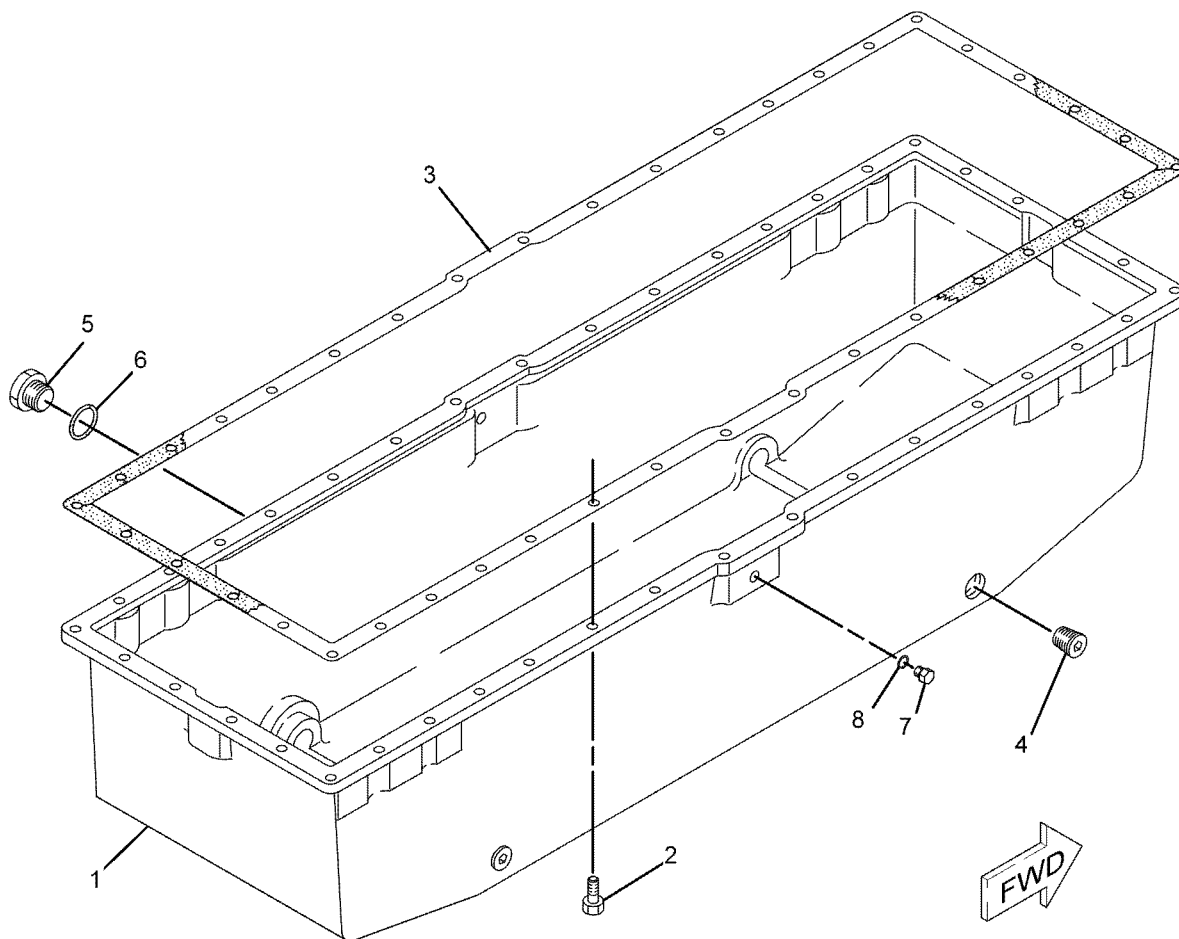
## 4W-1873 PAN GP-OIL-ENGINE

HIGH CAPACITY  
AN ATTACHMENT

SMCS-1302

i03358242

NOTE	REF NO	GRAPHIC REF	PART NUMBER	QTY	PART NAME						SEE PAGE
					1	2	3	4	5	6 (PRODUCT LEVEL)	
	1	1	<b>1W-9113</b>	1	PAN-OIL (ENGINE)						
	2	1	<b>2P-3203</b>	40	BOLT-WASHER HEAD (3/8-16X1.25-IN)						
	3	1	<b>4N-3661</b>	1	GASKET-OIL PAN						
	4	1	<b>8T-6761</b>	3	PLUG-PIPE						
	5	1	<b>9X-6451</b>	1	PLUG-DRAIN (ENGINE OIL PAN)						
	6	1	<b>061-9458</b>	1	SEAL-O-RING						
	7	1	<b>9S-4182</b>	1	PLUG-O-RING						
	8	1	<b>9X-7378</b>	1	SEAL-O-RING						



GRAPHIC #1

<END>

g01038757

# BASIC ENGINE

## 105-3386 PAN GP-OIL-ENGINE

REAR DEEP SUMP, STANDARD DUTY  
AN ATTACHMENT

SMCS-1302

i03820813

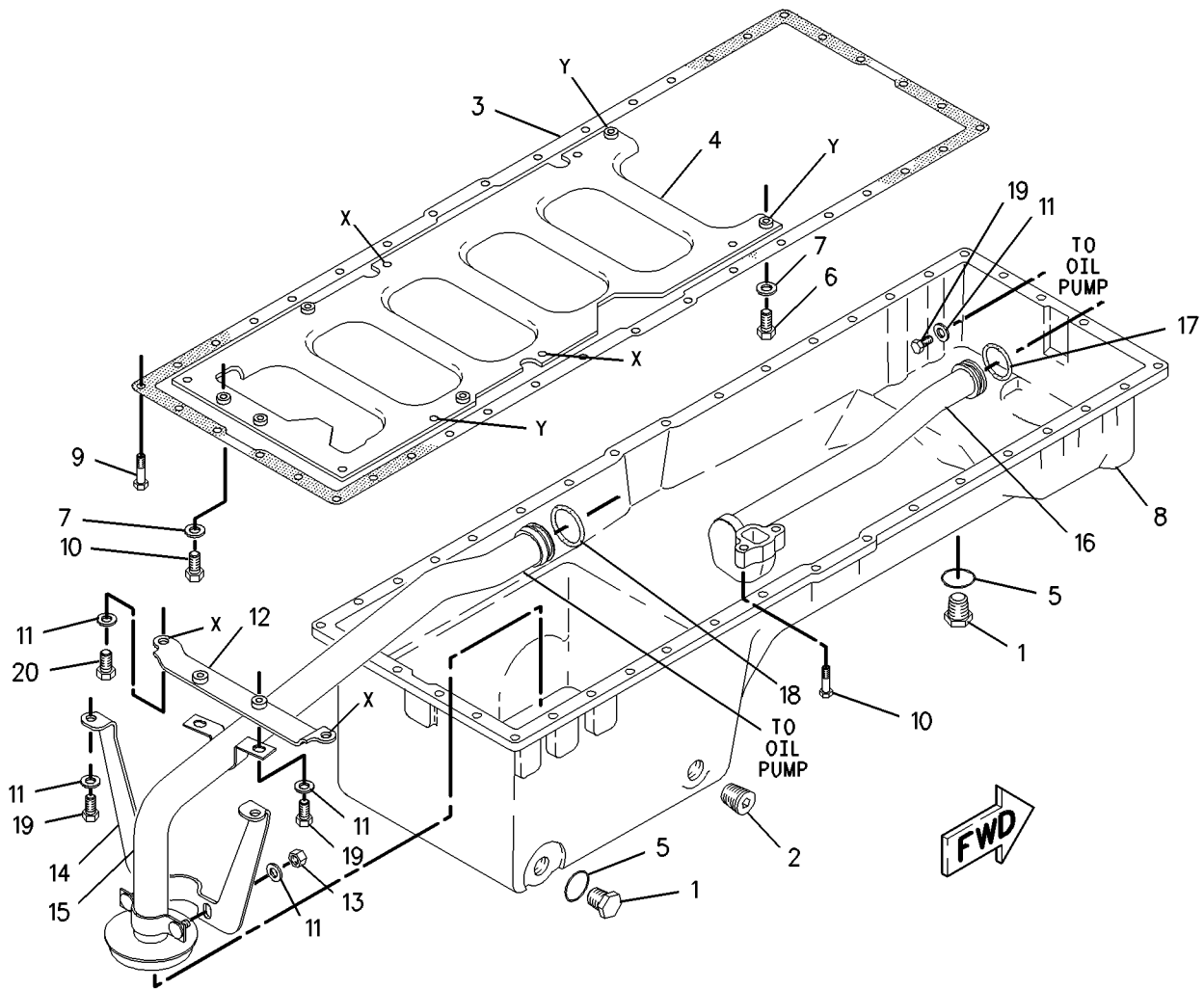
NOTE	REF NO	GRAPHIC REF	PART NUMBER	QTY	PART NAME						SEE PAGE
					1	2	3	4	5	6 (PRODUCT LEVEL)	
	1	1	9X-6451	3	PLUG-DRAIN (ENGINE OIL PAN)						
	2	1	3B-0551	2	PLUG-PIPE						
	3	1	4N-3661	1	GASKET-OIL PAN						
C	4	1	118-2019	1	UNDERFRAME AS						
	5	1	121-0145	3	SEAL-O-RING						
C	6	1	0S-1594	3	BOLT (3/8-16X1-IN) (MARKED Y)						
C	7	1	5M-2894	5	WASHER-HARD (10.2X18.5X2.5-MM THK)						
	8	1	150-4638	1	PAN-OIL (ENGINE)						
	9	1	2P-3205	32	BOLT-WASHER HEAD (3/8-16X1.75-IN)						
	10	1	0S-1591	4	BOLT (3/8-16X1.5-IN)						
C	11	1	9X-6458	9	WASHER-HARD (10.2X22.5X3-MM THK)						
C	12	1	115-2355	1	BRACKET AS						
		1	1F-0750	2	NUT-WELD (3/8-16-THD)						
C	13	1	2K-4973	2	LOCKNUT (3/8-16-THD)						
C	14	1	115-2365	1	BRACKET-TUBE						
C	15	1	109-6547	1	TUBE AS						
	16	1	4P-7373	1	TUBE AS						
	17	1	5P-8068	1	SEAL-O-RING						
	18	1	5P-5846	1	SEAL-O-RING (37.47-MM ID)						
C	19	1	0L-1351	5	BOLT (3/8-16X0.875-IN)						
	20	1	0S-1588	2	BOLT (3/8-16X1.25-IN)						

C-CHANGE FROM PREVIOUS TYPE

# BASIC ENGINE

105-3386 PAN GP-OIL (contd.)

i03820813



GRAPHIC #1

<END>

g00848925



# BASIC ENGINE

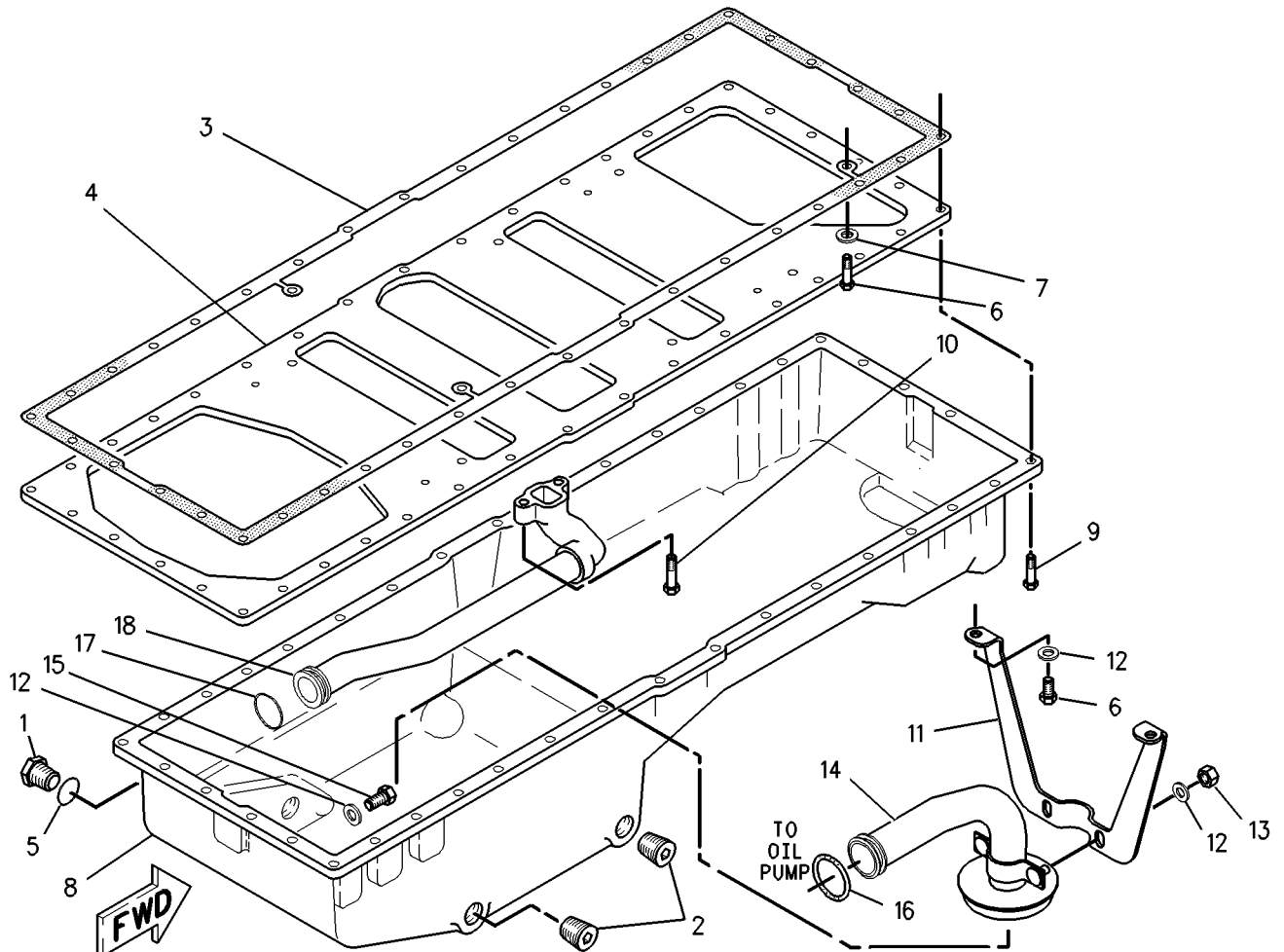
## 109-3285 PAN GP-OIL-ENGINE PROVIDES SET BACK OIL PAN AND INTERNAL OIL LINES AN ATTACHMENT

SMCS-1302

i03767101

NOTE	REF NO	GRAPHIC REF	PART NUMBER	QTY	PART NAME						SEE PAGE
					1	2	3	4	5	6	
	1	1	206-7331	1	PLUG-DRAIN (MAGNETIC) (ENGINE OIL PAN)						
	2	1	8T-6761	3	PLUG-PIPE						
	3	1	188-0210	2	GASKET (ENGINE OIL PAN)						
	4	1	9N-3167	1	PLATE						
	5	1	121-0145	1	SEAL-O-RING						
	6	1	0S-1588	3	BOLT (3/8-16X1.25-IN)						
C	7	1	5M-2894	1	WASHER-HARD (10.2X18.5X2.5-MM THK)						
	8	1	150-4637	1	PAN-OIL (ENGINE)						
	9	1	2P-3205	32	BOLT-WASHER HEAD (3/8-16X1.75-IN)						
	10	1	0S-1591	2	BOLT (3/8-16X1.5-IN)						
C	11	1	115-2353	1	BRACKET-TUBE						
C	12	1	9X-6458	5	WASHER-HARD (10.2X22.5X3-MM THK)						
C	13	1	2K-4973	2	LOCKNUT (3/8-16-THD)						
C	14	1	115-2369	1	TUBE AS-SUCTION						
	15	1	0S-1594	1	BOLT (3/8-16X1-IN)						
	16	1	5P-5846	1	SEAL-O-RING (40.64 MM ID)						
	17	1	5P-8068	1	SEAL-O-RING (37.47 MM ID)						
	18	1	4P-7373	1	TUBE AS						

C-CHANGE FROM PREVIOUS TYPE



GRAPHIC #1

<END>

g00848920

# BASIC ENGINE

## 109-3289 PAN GP-OIL-ENGINE

REAR DEEP SUMP, HEAVY DUTY  
AN ATTACHMENT

SMCS-1302

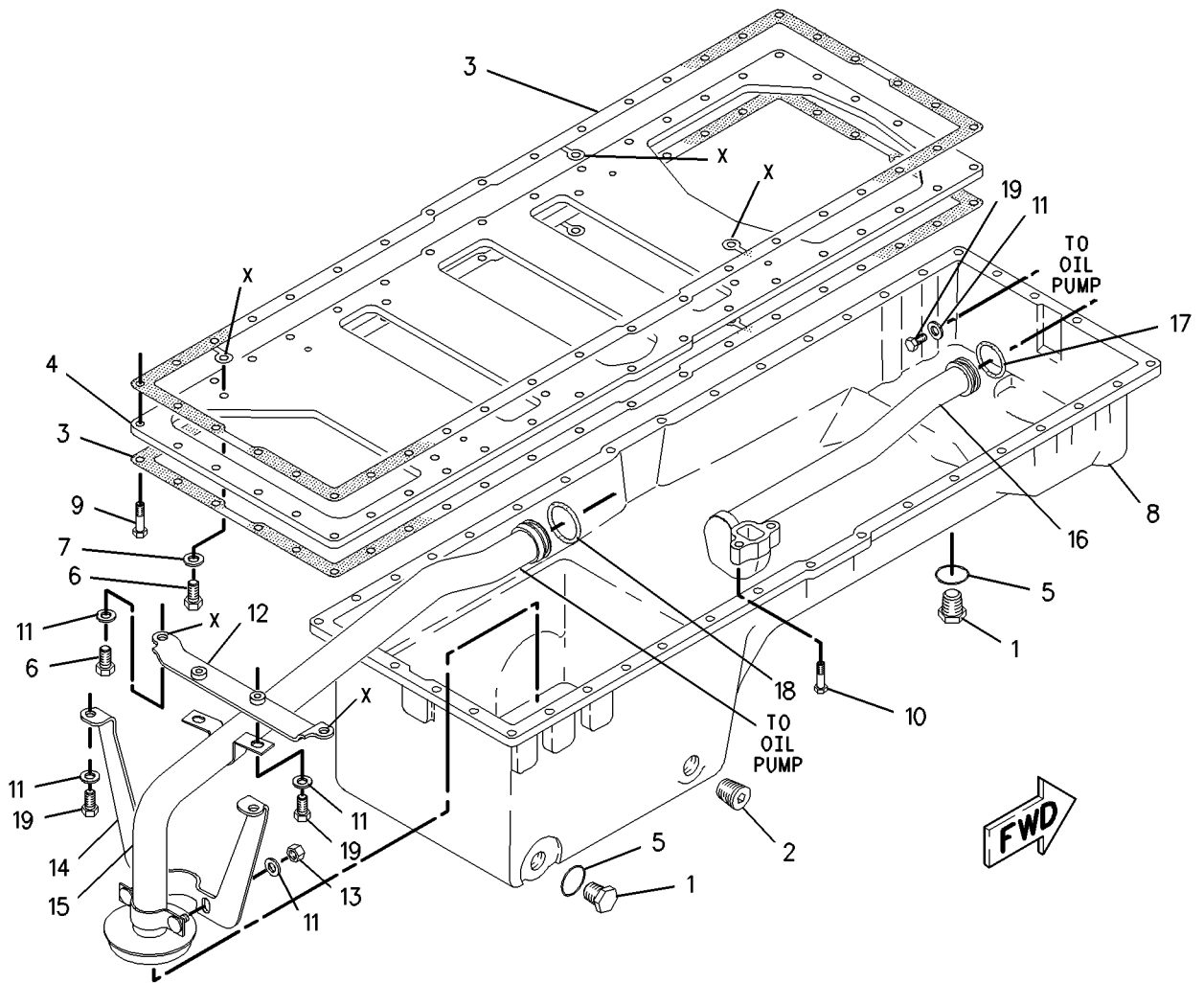
i03808175

NOTE	REF NO	GRAPHIC REF	PART NUMBER	QTY	PART NAME	SEE PAGE
					1 2 3 4 5 6 (PRODUCT LEVEL)	
	1	1	9X-6451	3	PLUG-DRAIN (ENGINE OIL PAN)	
	2	1	8T-6761	2	PLUG-PIPE	
	3	1	4N-3661	2	GASKET-OIL PAN	
	4	1	9N-3167	1	PLATE	
	5	1	121-0145	3	SEAL-O-RING	
	6	1	0S-1588	5	BOLT (3/8-16X1.25-IN) (MARKED X)	
	7	1	5M-2894	3	WASHER-HARD (10.2X18.5X2.5-MM THK)	
	8	1	150-4636	1	PAN-OIL	
	9	1	2P-3205	32	BOLT-WASHER HEAD (3/8-16X1.75-IN)	
	10	1	0S-1591	2	BOLT (3/8-16X1.5-IN)	
	11	1	9X-6458	9	WASHER-HARD (10.2X22.5X3-MM THK)	
	12	1	118-5450	1	BRACKET AS	
		1	1F-0750	2	NUT-WELD (3/8-16-THD)	
	13	1	2K-4973	2	LOCKNUT (3/8-16-THD)	
	14	1	115-2365	1	BRACKET-TUBE	
	15	1	109-6547	1	TUBE AS	
	16	1	4P-7373	1	TUBE AS	
	17	1	5P-8068	1	SEAL-O-RING	
	18	1	5P-5846	1	SEAL-O-RING	
	19	1	0L-1351	5	BOLT (3/8-16X0.875-IN)	

# BASIC ENGINE

109-3289 PAN GP-OIL (contd.)

i03808175



GRAPHIC #1

<END>

g00836924

# BASIC ENGINE

## 160-8328 PAN GP-OIL-ENGINE

FOR USE WITH OIL COOLER  
AN ATTACHMENT

SMCS-1302

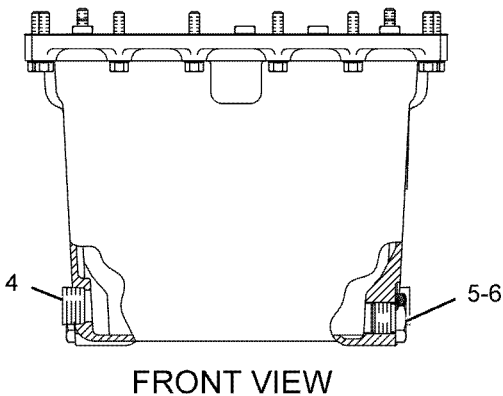
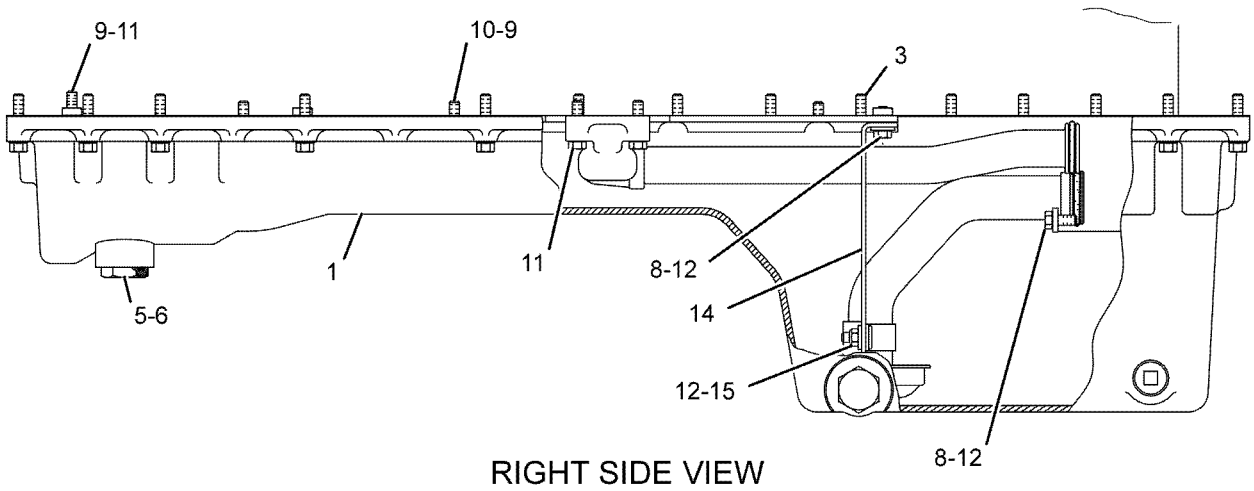
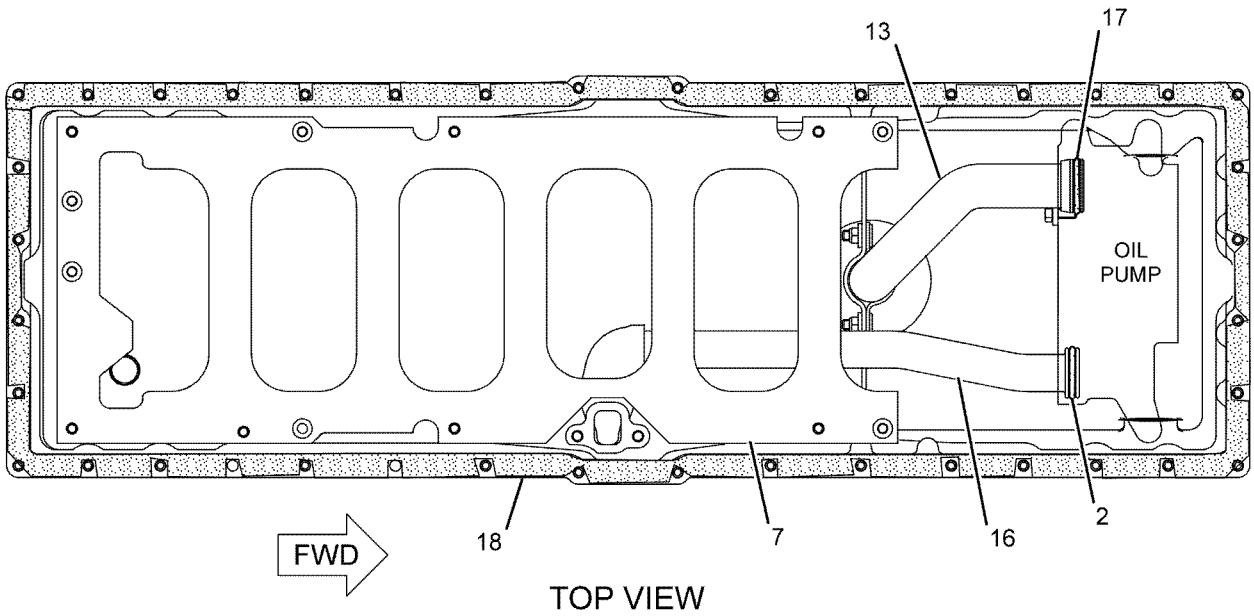
i04051409

NOTE	REF NO	GRAPHIC REF	PART NUMBER	QTY	PART NAME	SEE PAGE
					1 2 3 4 5 6 (PRODUCT LEVEL)	
	1	1	150-4638	1	PAN-OIL (ENGINE)	
	2	1	5P-8068	1	SEAL-O-RING	
	3	1	2P-3205	38	BOLT-WASHER HEAD (3/8-16X1.75-IN)	
	4	1	3B-0551	2	PLUG-PIPE	
	5	1	9X-6451	3	PLUG-DRAIN (ENGINE OIL PAN)	
	6	1	121-0145	3	SEAL-O-RING	
	7	1	118-2019	1	UNDERFRAME AS	
	8	1	0L-1351	3	BOLT (3/8-16X0.875-IN)	
	9	1	5M-2894	7	WASHER-HARD (10.2X18.5X2.5-MM THK)	
	10	1	0S-1594	5	BOLT (3/8-16X1-IN)	
	11	1	0S-1591	4	BOLT (3/8-16X1.5-IN)	
	12	1	9X-6458	5	WASHER-HARD (10.2X22.5X3-MM THK)	
	13	1	115-2359	1	TUBE AS	
	14	1	115-2365	1	BRACKET-TUBE	
	15	1	2K-4973	2	LOCKNUT (3/8-16-THD)	
	16	1	4P-7373	1	TUBE AS	
	17	1	5P-5846	1	SEAL-O-RING	
	18	1	4N-1151	1	GASKET (ENGINE OIL PAN)	

# BASIC ENGINE

160-8328 PAN GP-OIL (contd.)

i04051409



GRAPHIC #1

<END>

g01100493

# BASIC ENGINE

## 162-7456 PAN GP-OIL-ENGINE

REAR SUMP  
AN ATTACHMENT

SMCS-1302

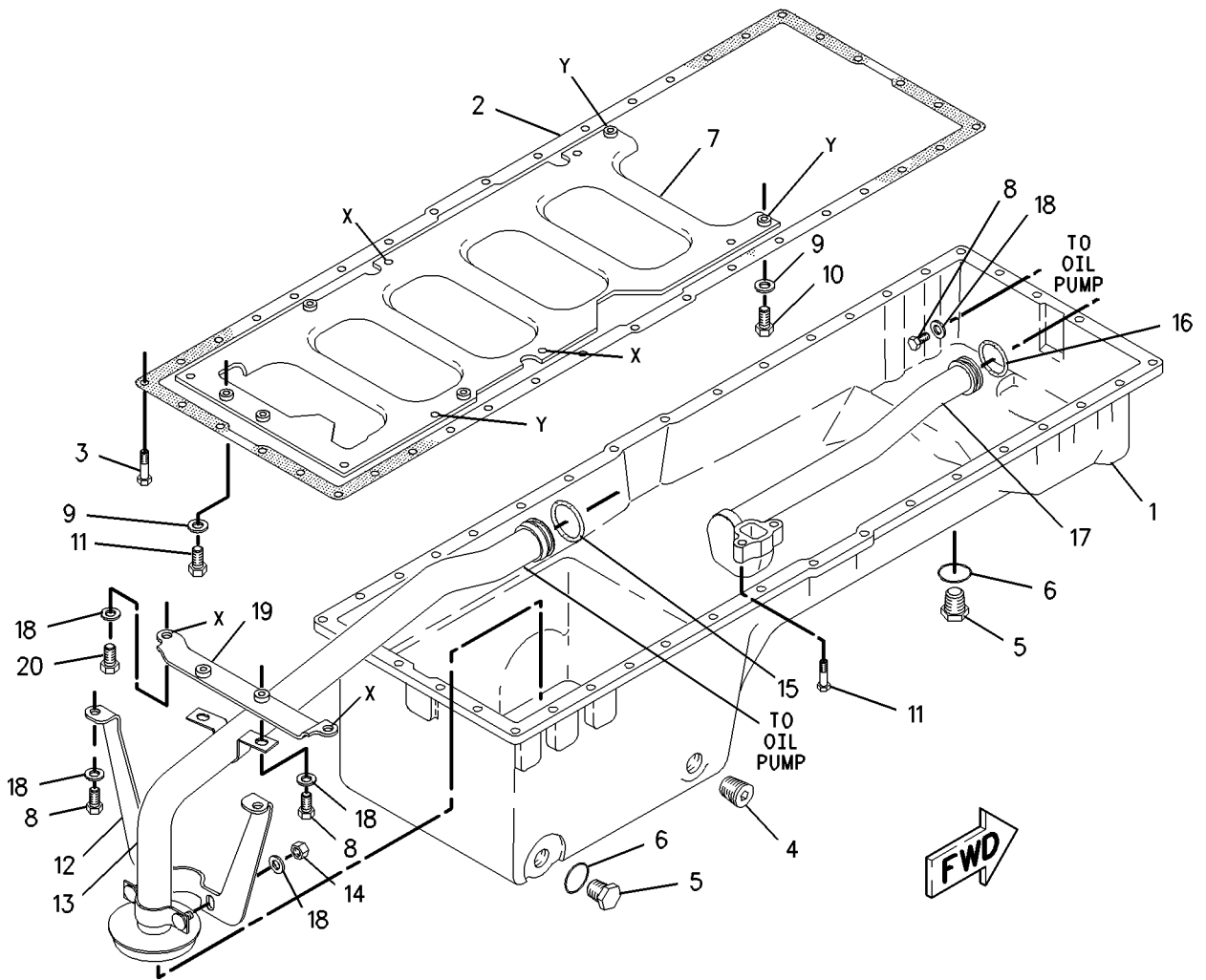
i03880028

NOTE	REF NO	GRAPHIC REF	PART NUMBER	QTY	PART NAME						SEE PAGE
					1	2	3	4	5	6 (PRODUCT LEVEL)	
	1	1	150-4638	1	PAN-OIL (ENGINE)						
	2	1	4N-1151	1	GASKET (ENGINE OIL PAN)						
	3	1	2P-3205	38	BOLT-WASHER HEAD (3/8-16X1.75-IN)						
	4	1	3B-0551	2	PLUG-PIPE						
	5	1	9X-6451	3	PLUG-DRAIN (ENGINE OIL PAN)						
	6	1	121-0145	3	SEAL-O-RING						
	7	1	118-2019	1	UNDERFRAME AS						
	8	1	0L-1351	5	BOLT (3/8-16X0.875-IN)						
	9	1	5M-2894	5	WASHER-HARD (10.2X18.5X2.5-MM THK)						
	10	1	0S-1594	3	BOLT (3/8-16X1-IN) (MARKED Y)						
	11	1	0S-1591	4	BOLT (3/8-16X1.5-IN)						
	12	1	115-2365	1	BRACKET-TUBE						
	13	1	109-6547	1	TUBE AS						
	14	1	2K-4973	2	LOCKNUT (3/8-16-THD)						
	15	1	5P-5846	1	SEAL-O-RING						
	16	1	5P-8068	1	SEAL-O-RING						
	17	1	4P-7373	1	TUBE AS						
	18	1	9X-6458	9	WASHER-HARD (10.2X22.5X3-MM THK)						
	19	1	115-2355	1	BRACKET AS						
		1	1F-0750	2	NUT-WELD (3/8-16-THD)						
	20	1	0S-1588	2	BOLT (3/8-16X1.25-IN) (MARKED X)						

# BASIC ENGINE

162-7456 PAN GP-OIL (contd.)

i03880028



GRAPHIC #1

<END>

g00848919

# BASIC ENGINE

## 175-3860 PAN GP-OIL-ENGINE

S/N: JRE1-2347

AN ATTACHMENT

SMCS-1302

i02939139

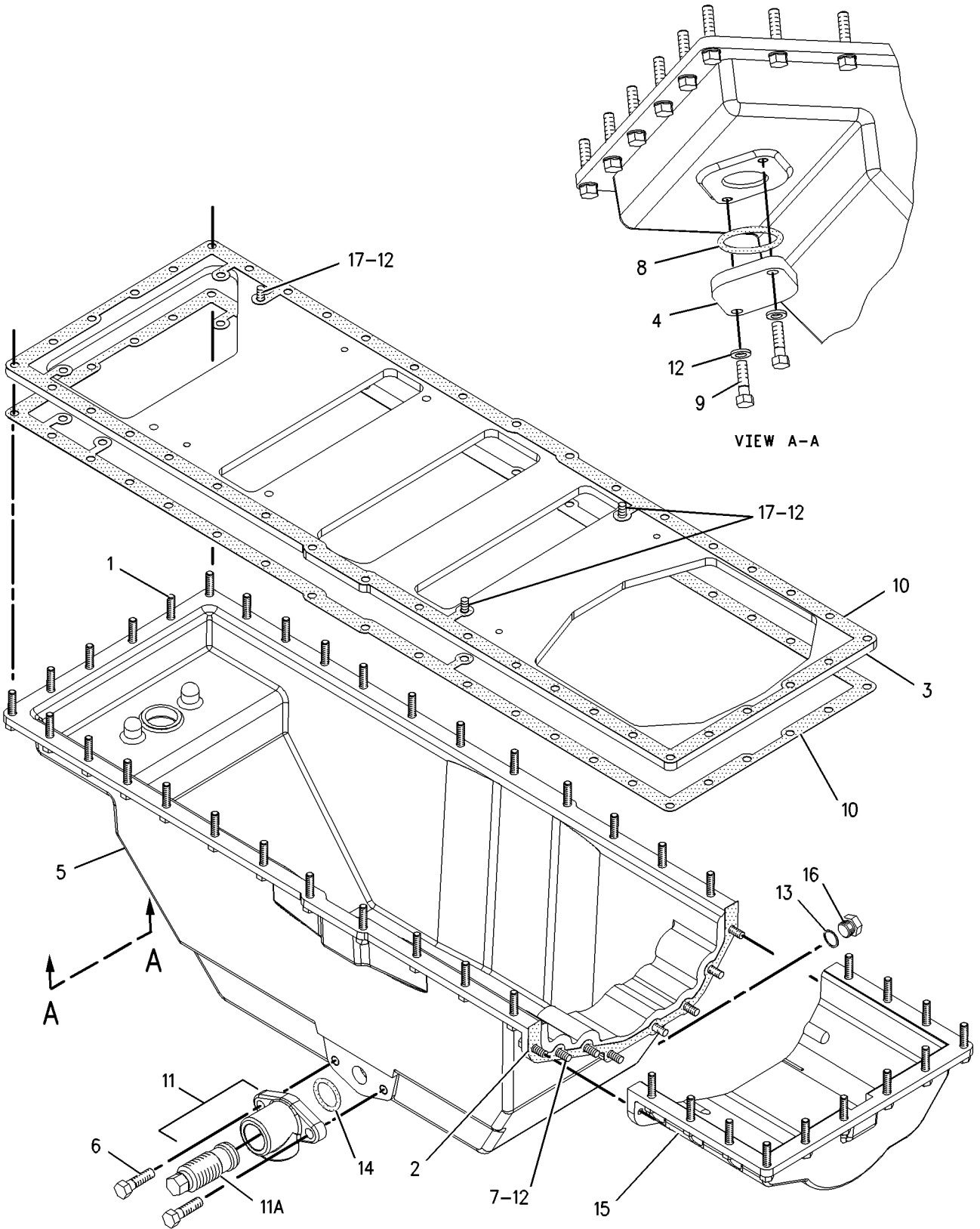
NOTE	REF NO	GRAPHIC REF	PART NUMBER	QTY	PART NAME	SEE PAGE
					1 2 3 4 5 6 (PRODUCT LEVEL)	
	1	1	<b>2P-3205</b>	40	BOLT-WASHER HEAD (3/8-16X1.75-IN)	
	2	1	<b>7E-4342</b>	1	GASKET	
	3	1	<b>9N-3167</b>	1	PLATE	
	4	1	<b>175-3868</b>	1	COVER	
	5	1	<b>179-3211</b>	1	PAN-OIL	
	6	1	<b>0S-1587</b>	2	BOLT (1/2-13X1.75-IN)	
	7	1	<b>0S-1588</b>	8	BOLT (3/8-16X1.25-IN)	
	8	1	<b>109-0076</b>	1	SEAL-O-RING	
	9	1	<b>3B-1915</b>	2	BOLT (3/8-16X1.375-IN)	
	10	1	<b>4N-1151</b>	2	GASKET	
	11	1	<b>4P-0519</b>	1	ADAPTER AS-DRAIN	
	11A	1	<b>109-5839</b>	1	PLUG-DRAIN (ENGINE OIL PAN)	
	12	1	<b>5M-2894</b>	13	WASHER-HARD (10.2X18.5X2.5-MM THK)	
	13	1	<b>5P-7701</b>	1	SEAL-O-RING	
	14	1	<b>6V-3830</b>	1	SEAL-O-RING	
	15	1	<b>7E-4341</b>	1	PAN-OIL	
	16	1	<b>9S-9334</b>	1	PLUG-O-RING	
	17	1	<b>1A-2029</b>	3	BOLT (3/8-16X1.125-IN)	



# BASIC ENGINE

175-3860 PAN GP-OIL (contd.)

i02939139



GRAPHIC #1

<END>

g00735585

# BASIC ENGINE

## 175-3860 PAN GP-OIL-ENGINE

S/N: JRE2348-UP

AN ATTACHMENT

SMCS-1302

i03754054

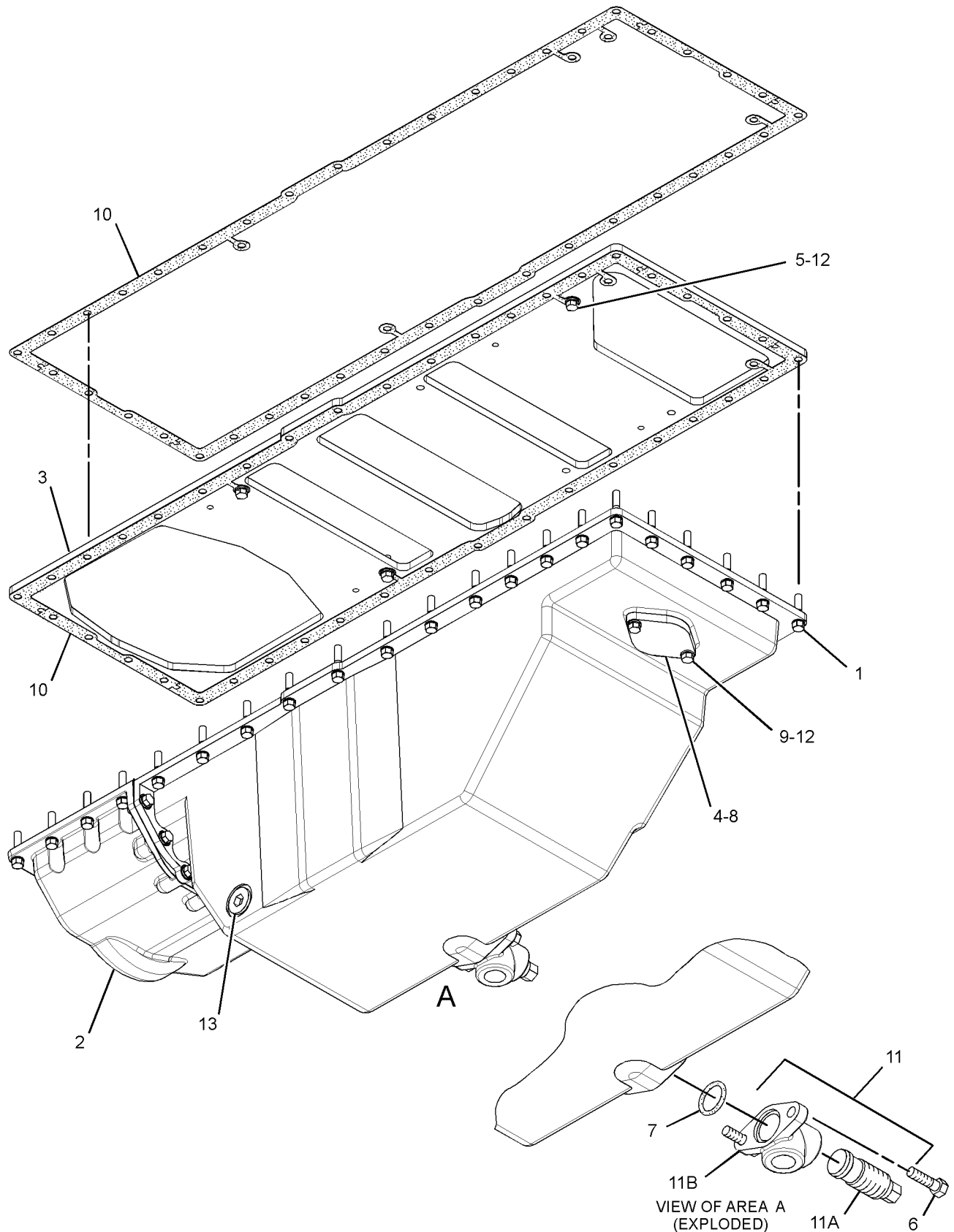
NOTE	REF NO	GRAPHIC REF	PART NUMBER	QTY	PART NAME	SEE PAGE
					1 2 3 4 5 6 (PRODUCT LEVEL)	
	1	1	<b>2P-3205</b>	40	BOLT-WASHER HEAD (3/8-16X1.75-IN)	
Y	2	1	335-1893	1	PAN GP-OIL	346
	3	1	<b>9N-3167</b>	1	PLATE	
	4	1	<b>175-3868</b>	1	COVER	
	5	1	<b>1A-2029</b>	3	BOLT (3/8-16X1.125-IN)	
	6	1	<b>0S-1587</b>	2	BOLT (1/2-13X1.75-IN)	
	7	1	<b>6V-3830</b>	1	SEAL-O-RING	
	8	1	<b>109-0076</b>	1	SEAL-O-RING	
	9	1	<b>3B-1915</b>	2	BOLT (3/8-16X1.375-IN)	
C	10	1	<b>188-0210</b>	2	GASKET	
	11	1	<b>4P-0519</b>	1	ADAPTER AS-DRAIN	
	11A	1	<b>109-5839</b>	1	PLUG-DRAIN (ENGINE OIL PAN)	
	11B	1	<b>109-5840</b>	1	ADAPTER-PLUG	
	12	1	<b>5M-2894</b>	5	WASHER-HARD (10.2X18.5X2.5-MM THK)	
	13	1	319-6234	1	PLUG AS	
		1	<b>238-5084</b>	1	SEAL-O-RING	
		1	<b>9S-9334</b>	1	PLUG-O-RING	

C-CHANGE FROM PREVIOUS TYPE  
Y-SEPARATE ILLUSTRATION

# BASIC ENGINE

175-3860 PAN GP-OIL (contd.)

i03754054



GRAPHIC #1

<END>

g02024974

# BASIC ENGINE

## 233-4890 PAN GP-OIL-REAR SUMP

PROVIDES AN OIL PAN ISOLATION SYSTEM  
FOR USE WITH REAR OIL SUMP CONFIGURATION, ENGLISH STOR PORT AND FACE SEAL  
DRAIN PORTS  
AN ATTACHMENT

SMCS-1302

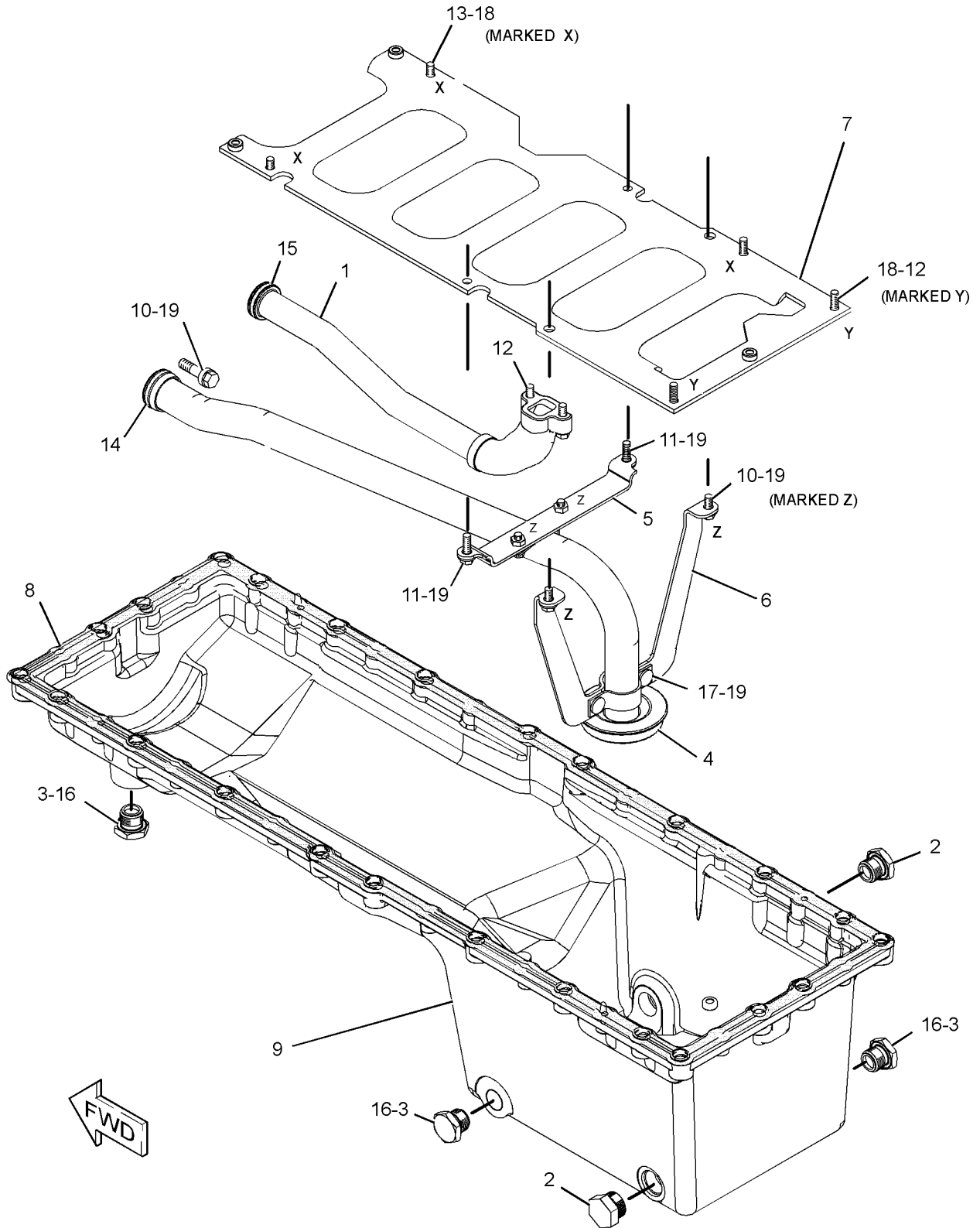
i03911877

NOTE	REF NO	GRAPHIC REF	PART NUMBER	QTY	PART NAME						SEE PAGE
					1	2	3	4	5	6 (PRODUCT LEVEL)	
	1	1	4P-7373	1	TUBE AS						
	2	1	319-6234	2	PLUG AS						
					(EACH INCLUDES)						
		1	9S-9334	1	PLUG-O-RING						
		1	238-5084	1	SEAL-O-RING						
	3	1	9X-6451	3	PLUG-DRAIN (ENGINE OIL PAN)						
	4	1	109-6547	1	TUBE AS						
	5	1	115-2355	1	BRACKET AS						
		1	1F-0750	2	NUT-WELD (3/8-16-THD)						
	6	1	115-2365	1	BRACKET-TUBE						
	7	1	118-2019	1	UNDERFRAME AS						
	8	1	168-5248	1	SEAL-ISOLATION						
	9	1	227-3006	1	PAN-OIL						
	10	1	0L-1351	5	BOLT (3/8-16X0.875-IN) (MARKED Z)						
	11	1	0S-1588	2	BOLT (3/8-16X1.25-IN)						
	12	1	0S-1591	4	BOLT (3/8-16X1.5-IN) (MARKED Y)						
	13	1	0S-1594	3	BOLT (3/8-16X1-IN) (MARKED X)						
	14	1	5P-5846	1	SEAL-O-RING						
	15	1	5P-8068	1	SEAL-O-RING						
	16	1	121-0145	3	SEAL-O-RING						
	17	1	2K-4973	2	LOCKNUT (3/8-16-THD)						
	18	1	5M-2894	5	WASHER-HARD (10.2X18.5X2.5-MM THK)						
	19	1	9X-6458	9	WASHER-HARD (10.2X22.5X3-MM THK)						

# BASIC ENGINE

233-4890 PAN GP-OIL (contd.)

i03911877



GRAPHIC #1

<END>

g02164227

# BASIC ENGINE

## 270-7278 PAN GP-OIL-ENGINE AN ATTACHMENT

SMCS-1302

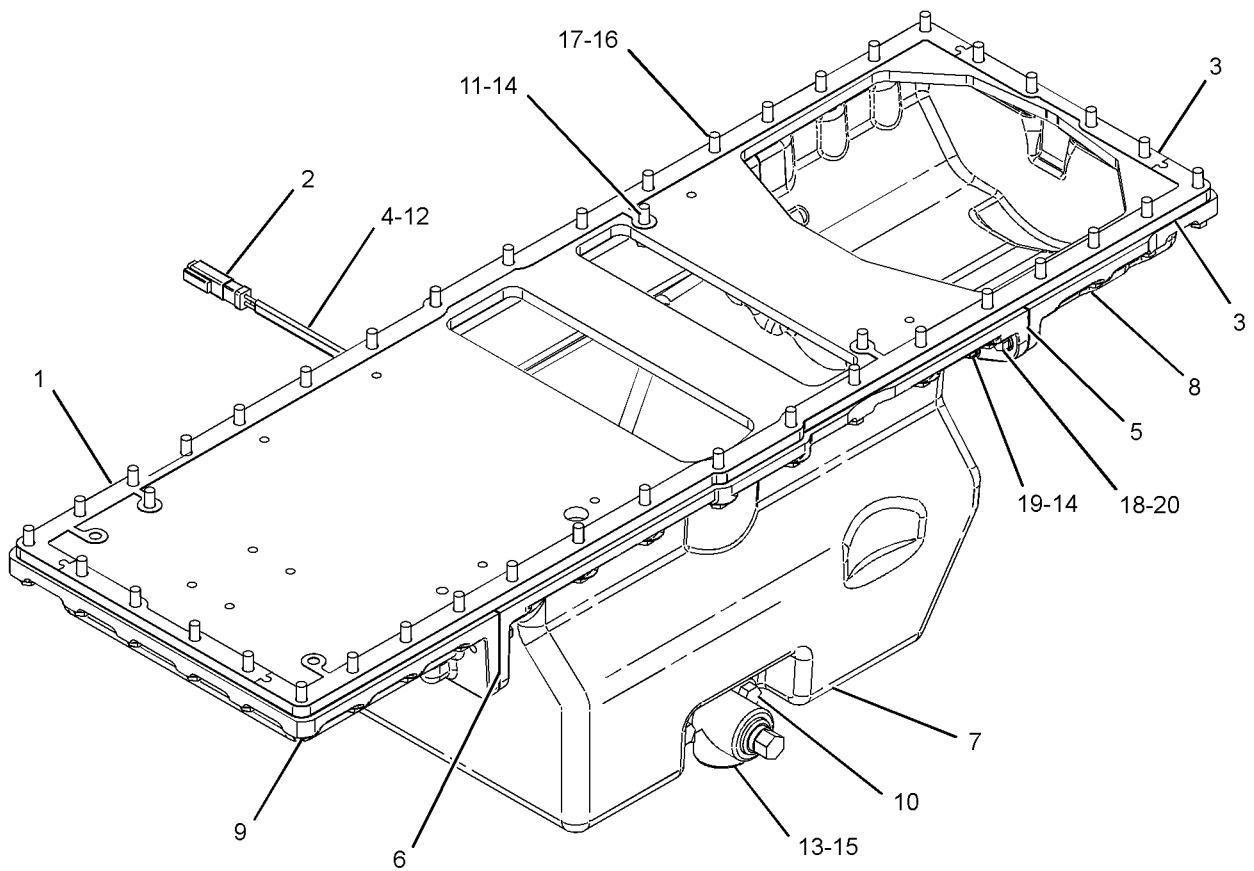
i03818507

NOTE	REF NO	GRAPHIC REF	PART NUMBER	QTY	PART NAME						SEE PAGE
					1	2	3	4	5	6 (PRODUCT LEVEL)	
	1	1	7E-4661	1	PLATE						
	2	1	136-4303	1	PLUG AS-CONNECTOR (2-PIN)						
		1	155-2270	1	KIT-CONNECTING PLUG (2-PIN) (INCLUDES PLUG AS AND WEDGE)						
		1	8T-8737	2	PLUG-SEAL						
3	1	1	188-0210	2	GASKET (ENGINE OIL PAN)						
4	1	1	213-0677	1	SWITCH AS-LIQUID LEVEL (ENGINE OIL)						
		1	102-8802	1	KIT-RECEPTACLE (2-PIN) (INCLUDES RECEPTACLE AS AND WEDGE)						
		1	144-1636	2	PIN-CONNECTOR (14-GA TO 18-GA) (EACH INCLUDES)						
		1	9X-3401	1	PIN-CONNECTOR (16-GA TO 18-GA) -OR-						
		1	126-1767	1	PIN-CONNECTOR (14-GA TO 16-GA)						
5	1	1	217-6415	1	SEAL-INTEGRAL						
6	1	1	219-0614	1	SEAL-INTEGRAL						
7	1	1	270-7104	1	PAN-OIL						
8	1	1	270-7105	1	PAN-FRONT OIL						
9	1	1	270-7106	1	PAN-OIL						
10	1	1	0S-1587	2	BOLT (1/2-13X1.75-IN)						
11	1	1	0S-1588	3	BOLT (3/8-16X1.25-IN)						
12	1	1	238-5082	1	SEAL-O-RING						
13	1	1	4P-0519	1	ADAPTER AS-DRAIN						
		1	109-5839	1	PLUG-DRAIN (ENGINE OIL PAN)						
14	1	1	5M-2894	14	WASHER-HARD (10.2X18.5X2.5-MM THK)						
15	1	1	6V-3830	1	SEAL-O-RING						
16	1	1	0S-1590	40	BOLT (3/8-16X2-IN)						
17	1	1	8T-4896	40	WASHER-HARD (10.2X18.5X2.5-MM THK)						
18	1	1	1B-7182	4	BOLT (5/16-18X1.25-IN)						
19	1	1	3B-1915	11	BOLT (3/8-16X1.375-IN)						
20	1	1	9M-1974	4	WASHER-HARD (8.8X16X2-MM THK)						

# BASIC ENGINE

270-7278 PAN GP-OIL (contd.)

i03818507



GRAPHIC #1

<END>

g01161470

# BASIC ENGINE

## 335-1893 PAN GP-OIL-ENGINE

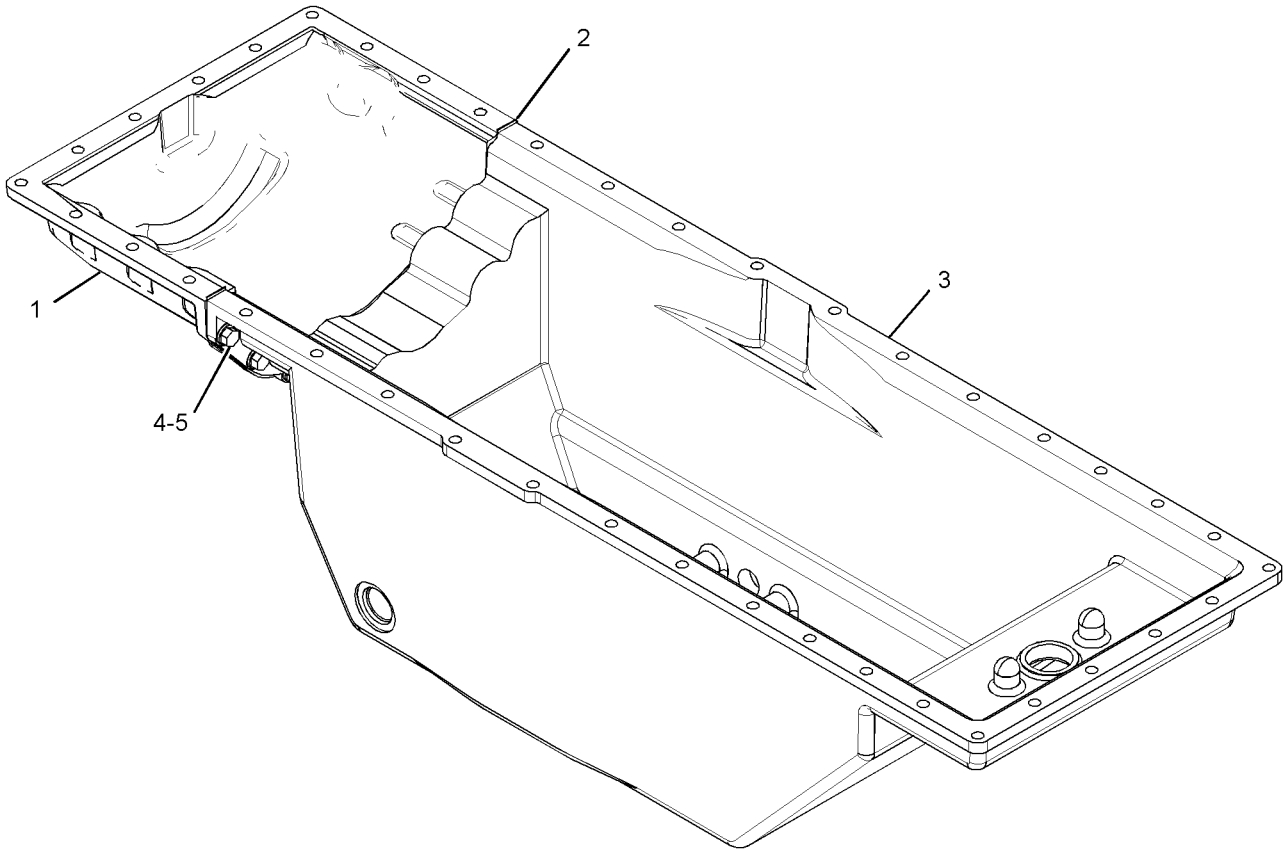
S/N: JRE2348-UP

PART OF 175-3860 PAN GP-OIL  
AN ATTACHMENT

SMCS-1302

i03442680

NOTE	REF NO	GRAPHIC REF	PART NUMBER	QTY	PART NAME						SEE PAGE
					1	2	3	4	5	6 (PRODUCT LEVEL)	
	1	1	7E-4341	1	PAN-OIL						
	2	1	7E-4342	1	GASKET						
	3	1	179-3211	1	PAN-OIL (ENGINE)						
	4	1	0S-1588	8	BOLT (3/8-16X1.25-IN)						
	5	1	5M-2894	8	WASHER-HARD (10.2X18.5X2.5-MM THK)						



GRAPHIC #1

<END>

g01817722



# BASIC ENGINE

## 229-2863 PISTON & ROD GP

S/N: JRE1-105

18:1 COMPRESSION RATIO  
AN ATTACHMENT

SMCS-1225

i04026382

NOTE	REF NO	GRAPHIC REF	PART NUMBER	QTY	PART NAME						SEE PAGE
					1	2	3	4	5	6 (PRODUCT LEVEL)	
	1	1	151-5925	1	BOLT (7/16-14-THD) (OIL JET)						
	2	1	176-5749	1	RING-PISTON (INTERMEDIATE)						
	3	1	180-7350	1	PIN-PISTON						
	4	1	197-9361	1	TUBE AS-OIL JET (OIL)						
R	5	1	224-3245	1	ROD AS						
	5A	1	7N-2043	2	DOWEL						
	5B	1	213-3217	4	BOLT (M11X1.25X84-MM)						
	5C	1	229-6259	1	BEARING						
	6	1	224-3246	1	BEARING-CONNECTING ROD (STANDARD)						
AB		1	232-3235		BEARING-CONNECTING ROD (0.64-MM US)						
AB		1	232-3236		BEARING-CONNECTING ROD (1.27-MM US)						
JR	7	1	247-6123	1	BODY AS-PISTON						
					-OR-						
LR		1	346-6616	1	BODY AS-PISTON						
J	8	1	230-2569	2	RETAINER-PIN						
					-OR-						
L		1	250-2940	2	RETAINER-PIN						
J	9	1	237-0194	1	RING-PISTON-TOP						
					-OR-						
L		1	310-4188	1	RING-PISTON (TOP)						
J	10	1	238-0294	1	RING-PISTON (OIL)						
					-OR-						
L		1	306-4014	1	RING-PISTON (OIL)						

A-NOT PART OF THIS GROUP

B-USE AS REQUIRED

J-WHEN REUSING BODY ASSEMBLY 247-6123 ORDER PARTS MARKED J

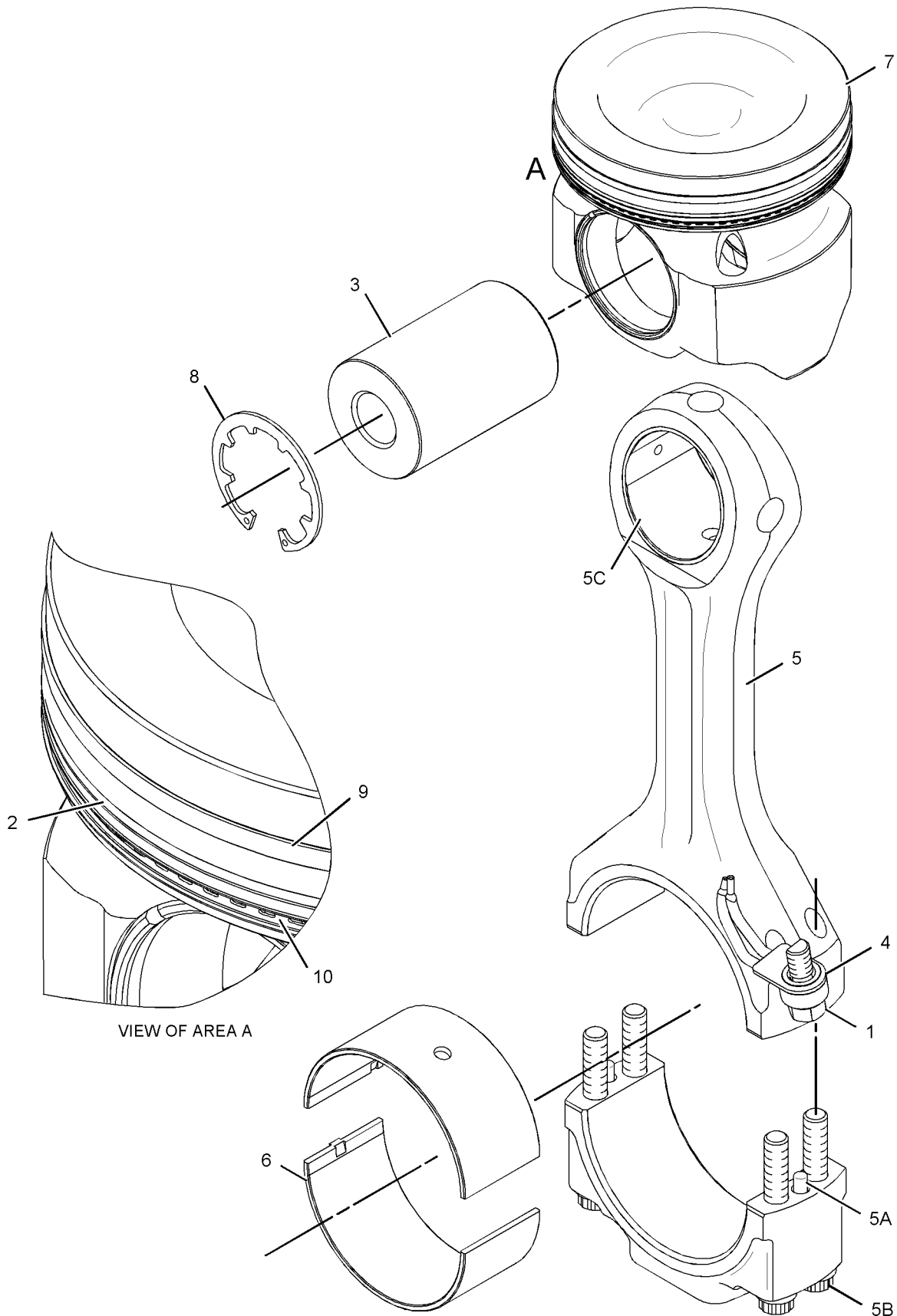
L-WHEN USING NEW BODY ASSEMBLY 346-6616 ORDER PARTS MARKED L

R-REMFG PART MAY BE AVAILABLE

# BASIC ENGINE

229-2863 PISTON & ROD GP (contd.)

i04026382



GRAPHIC #1

<END>

g01024548

# BASIC ENGINE

## 229-2863 PISTON & ROD GP

S/N: JRE106-1298

18:1 COMPRESSION RATIO

SMCS-1225

i04026384

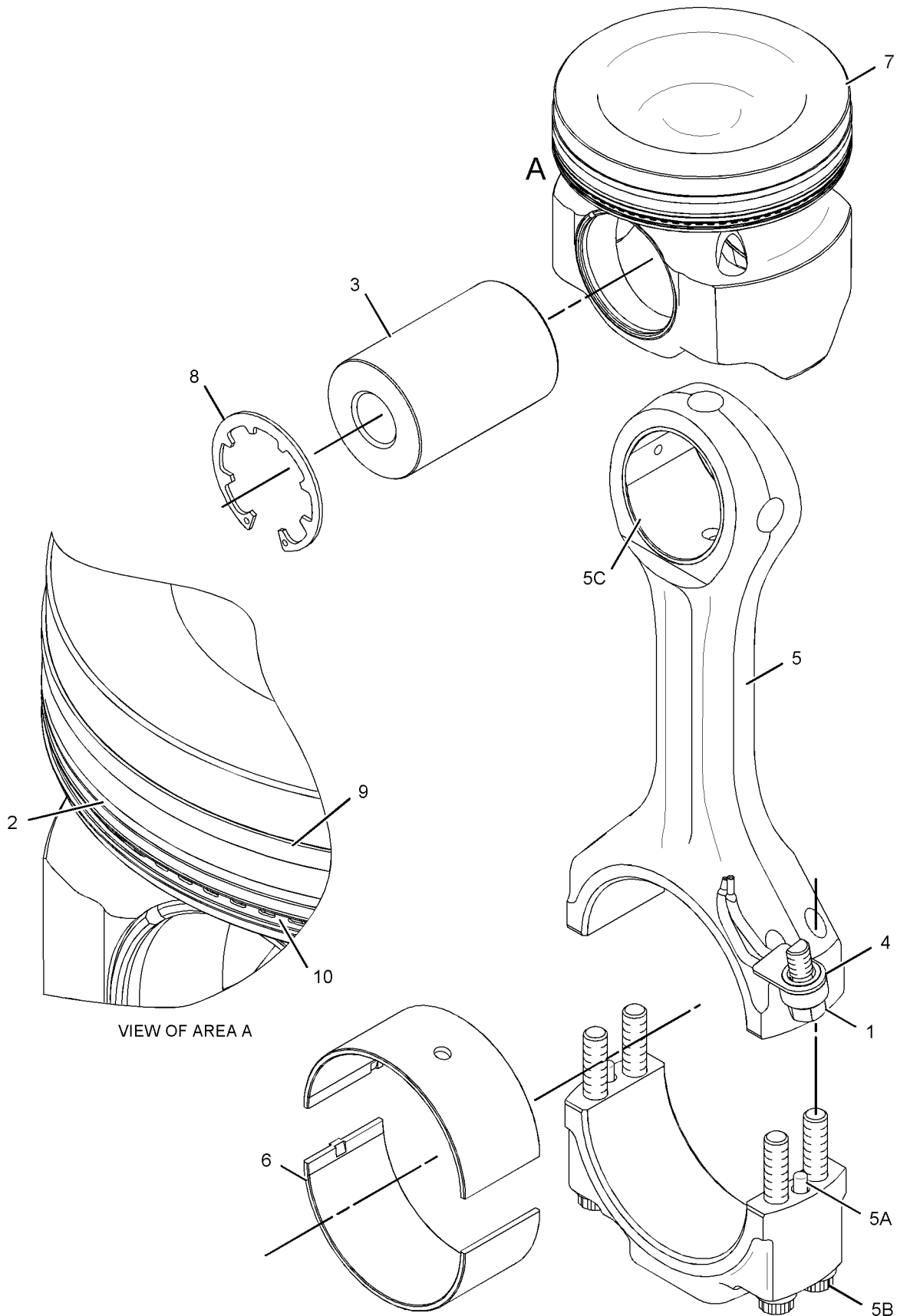
NOTE	REF NO	GRAPHIC REF	PART NUMBER	QTY	PART NAME						SEE PAGE
					1	2	3	4	5	6 (PRODUCT LEVEL)	
	1	1	151-5925	1	BOLT (7/16-14-THD)						
C	2	1	164-4187	1	RING-PISTON (INTERMEDIATE)						
	3	1	180-7350	1	PIN-PISTON						
	4	1	197-9361	1	TUBE AS-OIL JET						
R	5	1	224-3245	1	ROD AS						
	5A	1	219-4458	2	PIN-DOWEL						
	5B	1	213-3217	4	BOLT (M11X1.25X84-MM)						
	5C	1	229-6259	1	BEARING						
	6	1	224-3246	1	BEARING-CONNECTING ROD (STANDARD)						
AB		1	232-3235		BEARING-CONNECTING ROD (0.64-MM US)						
AB		1	232-3236		BEARING-CONNECTING ROD (1.27-MM US)						
CJR	7	1	247-6123	1	BODY AS-PISTON						
					-OR-						
LR		1	346-6616	1	BODY AS-PISTON						
J	8	1	230-2569	2	RETAINER-PIN						
					-OR-						
L		1	250-2940	2	RETAINER-PIN						
CJ	9	1	247-6130	1	RING-PISTON-TOP						
					-OR-						
L		1	310-4188	1	RING-PISTON (TOP)						
J	10	1	238-0294	1	RING-PISTON (OIL)						
					-OR-						
L		1	306-4014	1	RING-PISTON (OIL)						

A-NOT PART OF THIS GROUP  
 B-USE AS REQUIRED  
 C-CHANGE FROM PREVIOUS TYPE  
 J-WHEN REUSING BODY ASSEMBLY 247-6123 ORDER PARTS MARKED J  
 L-WHEN USING NEW BODY ASSEMBLY 346-6616 ORDER PARTS MARKED L  
 R-REMFG PART MAY BE AVAILABLE

# BASIC ENGINE

229-2863 PISTON & ROD GP (contd.)

i04026384



VIEW OF AREA A

<END>

GRAPHIC #1

g01024548

# BASIC ENGINE

## 229-2863 PISTON & ROD GP

S/N: JRE1299-2211

18:1 COMPRESSION RATIO

SMCS-1225

i04026740

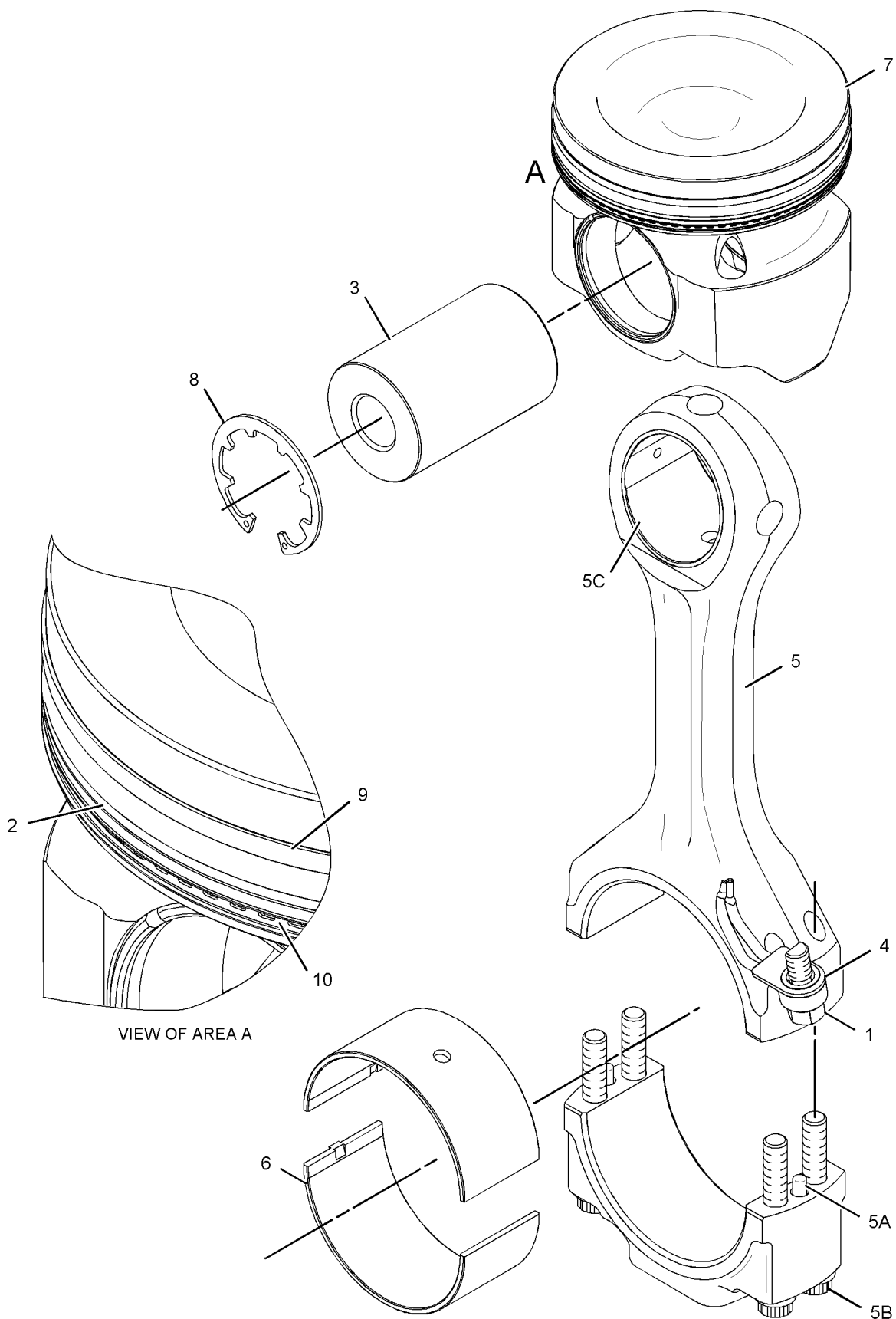
NOTE	REF NO	GRAPHIC REF	PART NUMBER	QTY	PART NAME						SEE PAGE
					1	2	3	4	5	6 (PRODUCT LEVEL)	
	1	1	151-5925	1	BOLT (7/16-14-THD)						
C	2	1	164-4187	1	RING-PISTON (INTERMEDIATE)						
	3	1	180-7350	1	PIN-PISTON						
	4	1	276-4637	1	TUBE AS-OIL JET						
R	5	1	224-3245	1	ROD AS						
	5A	1	219-4458	2	PIN-DOWEL						
	5B	1	213-3217	4	BOLT (M11X1.25X84-MM)						
	5C	1	229-6259	1	BEARING						
	6	1	224-3246	1	BEARING-CONNECTING ROD (STANDARD)						
AB		1	232-3235		BEARING-CONNECTING ROD (0.64-MM US)						
AB		1	232-3236		BEARING-CONNECTING ROD (1.27-MM US)						
CJR	7	1	247-6123	1	BODY AS-PISTON						
					-OR-						
LR		1	346-6616	1	BODY AS-PISTON						
J	8	1	230-2569	2	RETAINER-PIN						
					-OR-						
L		1	250-2940	2	RETAINER-PIN						
CJ	9	1	247-6130	1	RING-PISTON-TOP						
					-OR-						
L		1	310-4188	1	RING-PISTON (TOP)						
J	10	1	238-0294	1	RING-PISTON (OIL)						
					-OR-						
L		1	306-4014	1	RING-PISTON (OIL)						

A-NOT PART OF THIS GROUP  
 B-USE AS REQUIRED  
 C-CHANGE FROM PREVIOUS TYPE  
 J-WHEN REUSING BODY ASSEMBLY 247-6123 ORDER PARTS MARKED J  
 L-WHEN USING NEW BODY ASSEMBLY 346-6616 ORDER PARTS MARKED L  
 R-REMFG PART MAY BE AVAILABLE

# BASIC ENGINE

229-2863 PISTON & ROD GP (contd.)

i04026740



VIEW OF AREA A

<END>

GRAPHIC #1

g01024548

# BASIC ENGINE

## 229-2863 PISTON & ROD GP

S/N: JRE2212-2638

18:1 COMPRESSION RATIO

ALSO AN ATTACHMENT

SMCS-1225

i04026743

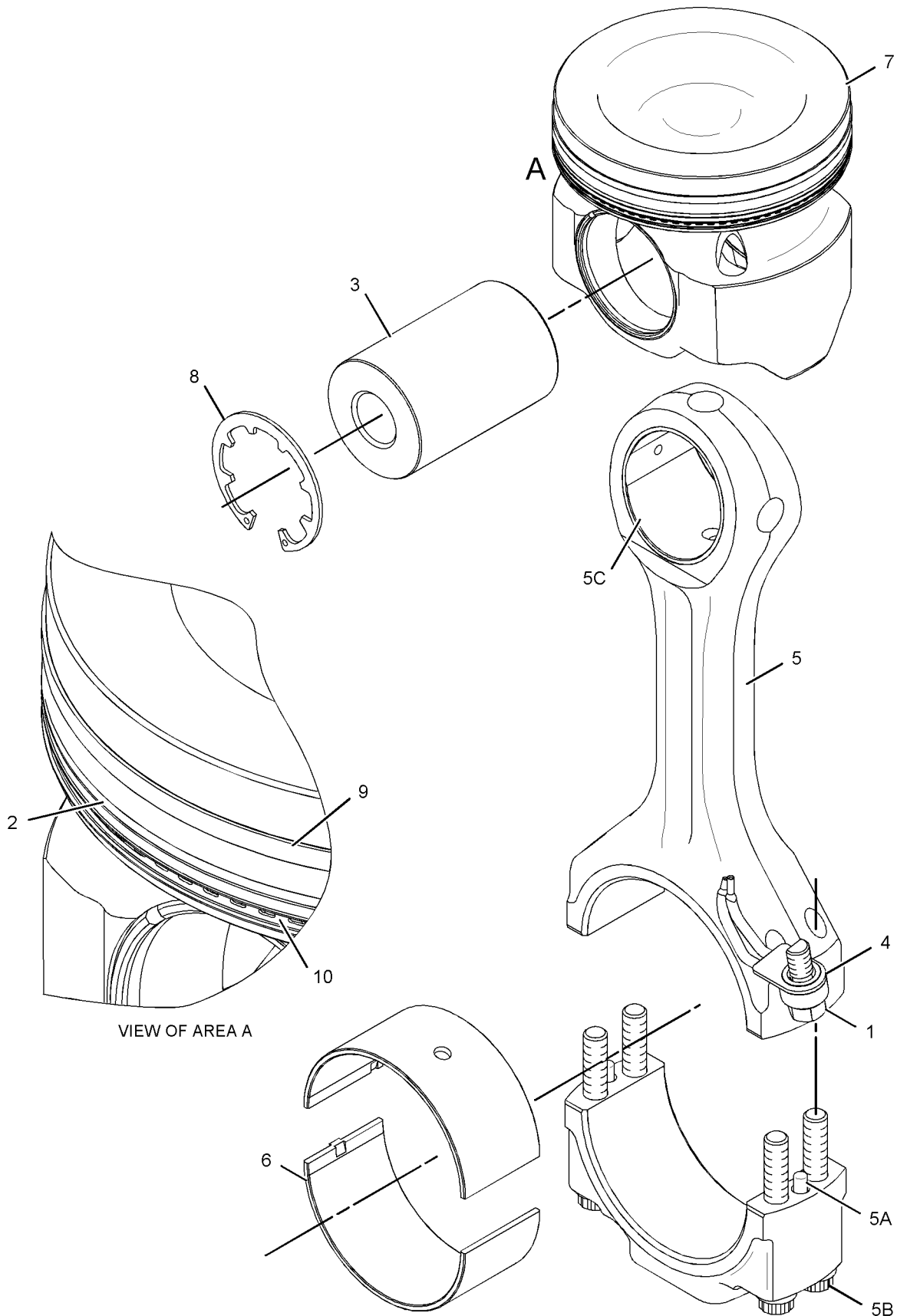
NOTE	REF NO	GRAPHIC REF	PART NUMBER	QTY	PART NAME						SEE PAGE
					1	2	3	4	5	6 (PRODUCT LEVEL)	
	1	1	151-5925	1	BOLT (7/16-14-THD)						
C	2	1	164-4187	1	RING-PISTON (INTERMEDIATE)						
	3	1	180-7350	1	PIN-PISTON						
	4	1	197-9361	1	TUBE AS-OIL JET						
R	5	1	224-3245	1	ROD AS						
	5A	1	219-4458	2	PIN-DOWEL						
	5B	1	213-3217	4	BOLT (M11X1.25X84-MM)						
	5C	1	229-6259	1	BEARING						
	6	1	224-3246	1	BEARING-CONNECTING ROD (STANDARD)						
AB		1	232-3235		BEARING-CONNECTING ROD (0.64-MM US)						
AB		1	232-3236		BEARING-CONNECTING ROD (1.27-MM US)						
CJR	7	1	247-6123	1	BODY AS-PISTON						
					-OR-						
LR		1	346-6616	1	BODY AS-PISTON						
J	8	1	230-2569	2	RETAINER-PIN						
					-OR-						
L		1	250-2940	2	RETAINER-PIN						
CJ	9	1	247-6130	1	RING-PISTON-TOP						
					-OR-						
L		1	310-4188	1	RING-PISTON (TOP)						
J	10	1	238-0294	1	RING-PISTON (OIL)						
					-OR-						
L		1	306-4014	1	RING-PISTON (OIL)						

A-NOT PART OF THIS GROUP  
 B-USE AS REQUIRED  
 C-CHANGE FROM PREVIOUS TYPE  
 J-WHEN REUSING BODY ASSEMBLY 247-6123 ORDER PARTS MARKED J  
 L-WHEN USING NEW BODY ASSEMBLY 346-6616 ORDER PARTS MARKED L  
 R-REMFG PART MAY BE AVAILABLE

# BASIC ENGINE

229-2863 PISTON & ROD GP (contd.)

i04026743



VIEW OF AREA A

<END>

g01024548

GRAPHIC #1



# BASIC ENGINE

## 229-2863 PISTON & ROD GP

S/N: JRE2639-7144

18:1 COMPRESSION RATIO

ALSO AN ATTACHMENT

SMCS-1225

i04026763

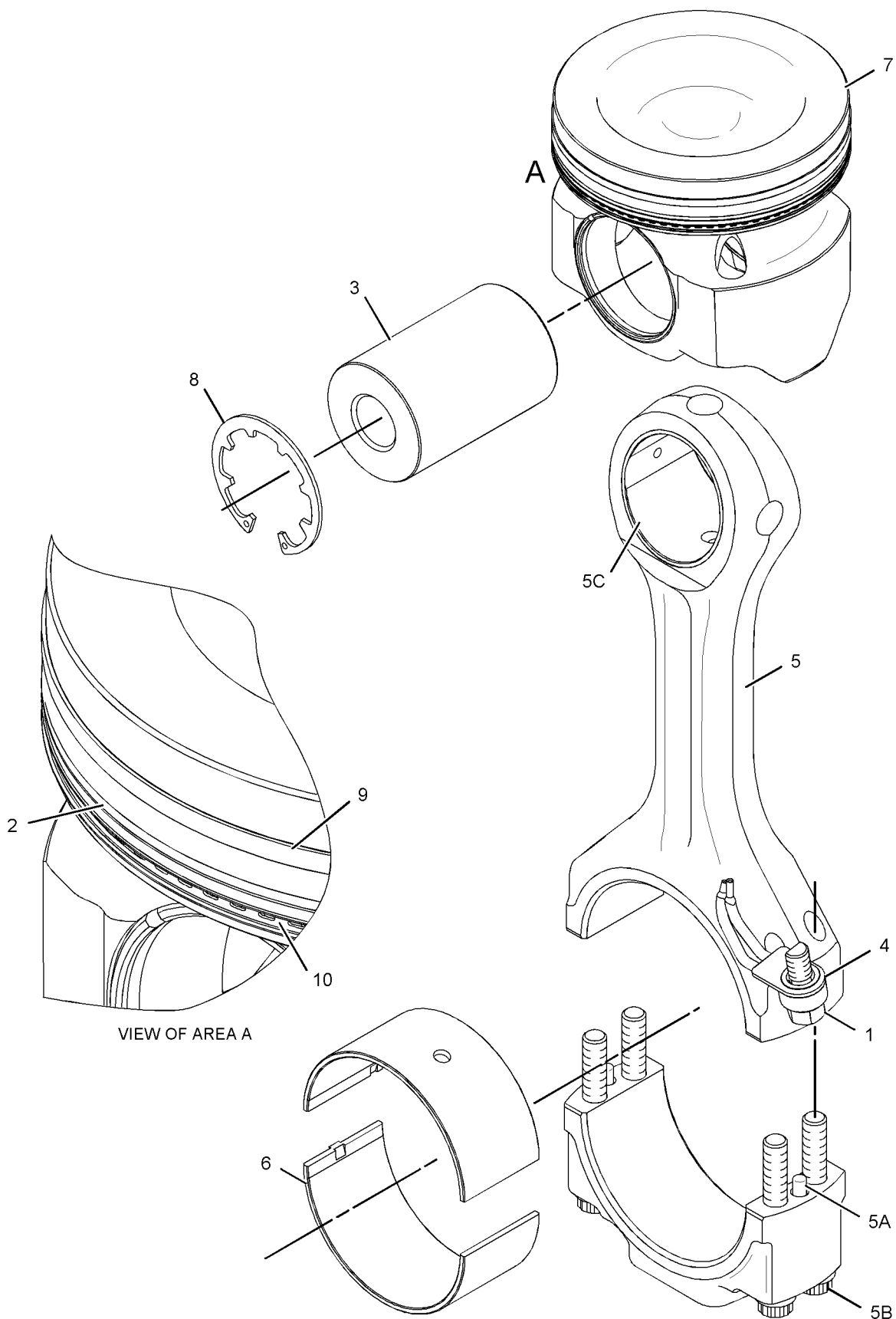
NOTE	REF NO	GRAPHIC REF	PART NUMBER	QTY	PART NAME						SEE PAGE
					1	2	3	4	5	6 (PRODUCT LEVEL)	
	1	1	151-5925	1	BOLT (7/16-14-THD)						
	2	1	164-4187	1	RING-PISTON (INTERMEDIATE)						
	3	1	180-7350	1	PIN-PISTON						
C	4	1	276-4637	1	TUBE AS-OIL JET						
R	5	1	224-3245	1	ROD AS						
	5A	1	219-4458	2	PIN-DOWEL						
	5B	1	213-3217	4	BOLT (M11X1.25X84-MM)						
	5C	1	229-6259	1	BEARING						
	6	1	224-3246	1	BEARING-CONNECTING ROD (STANDARD)						
AB		1	232-3235		BEARING-CONNECTING ROD (0.64-MM US)						
AB		1	232-3236		BEARING-CONNECTING ROD (1.27-MM US)						
JR	7	1	247-6123	1	BODY AS-PISTON						
					-OR-						
LR		1	346-6616	1	BODY AS-PISTON						
J	8	1	230-2569	2	RETAINER-PIN						
					-OR-						
L		1	250-2940	2	RETAINER-PIN						
J	9	1	247-6130	1	RING-PISTON-TOP						
					-OR-						
L		1	310-4188	1	RING-PISTON (TOP)						
J	10	1	238-0294	1	RING-PISTON (OIL)						
					-OR-						
L		1	306-4014	1	RING-PISTON (OIL)						

A-NOT PART OF THIS GROUP  
 B-USE AS REQUIRED  
 C-CHANGE FROM PREVIOUS TYPE  
 J-WHEN REUSING BODY ASSEMBLY 247-6123 ORDER PARTS MARKED J  
 L-WHEN USING NEW BODY ASSEMBLY 346-6616 ORDER PARTS MARKED L  
 R-REMFG PART MAY BE AVAILABLE

# BASIC ENGINE

229-2863 PISTON & ROD GP (contd.)

i04026763



VIEW OF AREA A

<END>

g01024548

GRAPHIC #1

# BASIC ENGINE

## 229-2863 PISTON & ROD GP

S/N: JRE7145-18018  
18:1 COMPRESSION RATIO  
ALSO AN ATTACHMENT

SMCS-1225

i04026745

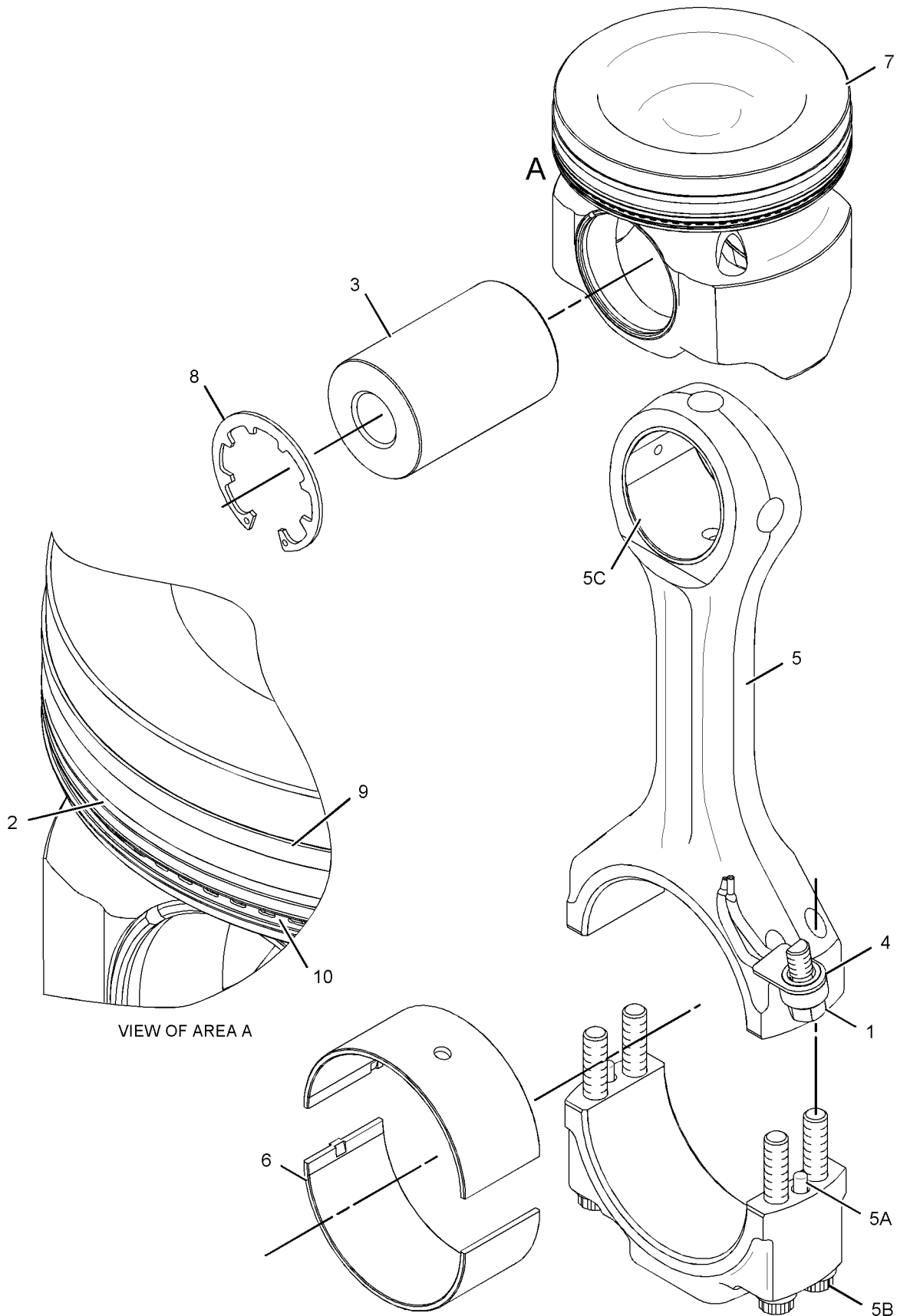
NOTE	REF NO	GRAPHIC REF	PART NUMBER	QTY	PART NAME						SEE PAGE
					1	2	3	4	5	6 (PRODUCT LEVEL)	
	1	1	151-5925	1	BOLT (7/16-14-THD)						
	2	1	164-4187	1	RING-PISTON (INTERMEDIATE)						
	3	1	180-7350	1	PIN-PISTON						
	4	1	276-4637	1	TUBE AS-OIL JET						
R	5	1	224-3245	1	ROD AS						
	5A	1	219-4458	2	PIN-DOWEL						
	5B	1	213-3217	4	BOLT (M11X1.25X84-MM)						
	5C	1	229-6259	1	BEARING						
	6	1	224-3246	1	BEARING-CONNECTING ROD (STANDARD)						
AB		1	232-3235		BEARING-CONNECTING ROD (0.64-MM US)						
AB		1	232-3236		BEARING-CONNECTING ROD (1.27-MM US)						
JR	7	1	247-6123	1	BODY AS-PISTON						
					-OR-						
LR		1	346-6616	1	BODY AS-PISTON						
J	8	1	230-2569	2	RETAINER-PIN						
					-OR-						
L		1	250-2940	2	RETAINER-PIN						
CJ	9	1	295-5422	1	RING-PISTON-TOP						
					-OR-						
L		1	310-4188	1	RING-PISTON (TOP)						
J	10	1	238-0294	1	RING-PISTON (OIL)						
					-OR-						
L		1	306-4014	1	RING-PISTON (OIL)						

A-NOT PART OF THIS GROUP  
 B-USE AS REQUIRED  
 C-CHANGE FROM PREVIOUS TYPE  
 J-WHEN REUSING BODY ASSEMBLY 247-6123 ORDER PARTS MARKED J  
 L-WHEN USING NEW BODY ASSEMBLY 346-6616 ORDER PARTS MARKED L  
 R-REMFG PART MAY BE AVAILABLE

# BASIC ENGINE

229-2863 PISTON & ROD GP (contd.)

i04026745



VIEW OF AREA A

<END>

GRAPHIC #1

g01024548

# BASIC ENGINE

## 229-2863 PISTON & ROD GP

S/N: JRE1-10676

18:1 COMPRESSION RATIO

ALSO AN ATTACHMENT

SMCS-1225

i04026767

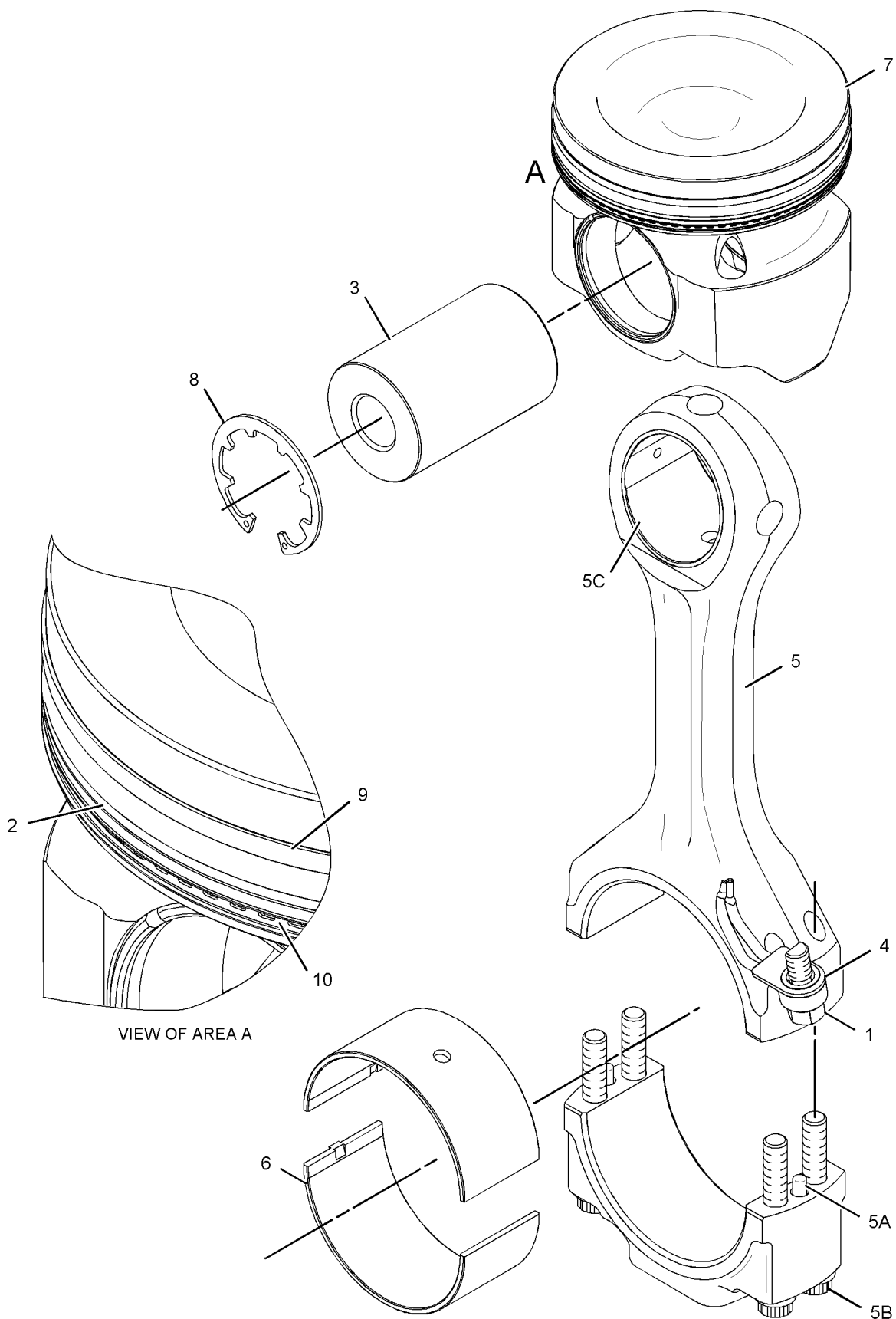
NOTE	REF NO	GRAPHIC REF	PART NUMBER	QTY	PART NAME						SEE PAGE
					1	2	3	4	5	6 (PRODUCT LEVEL)	
	1	1	151-5925	1	BOLT (7/16-14-THD)						
	2	1	164-4187	1	RING-PISTON (INTERMEDIATE)						
	3	1	180-7350	1	PIN-PISTON						
	4	1	276-4637	1	TUBE AS-OIL JET						
R	5	1	224-3245	1	ROD AS						
	5A	1	219-4458	2	PIN-DOWEL						
	5B	1	213-3217	4	BOLT (M11X1.25X84-MM)						
	5C	1	229-6259	1	BEARING						
	6	1	224-3246	1	BEARING-CONNECTING ROD (STANDARD)						
AB		1	232-3235		BEARING-CONNECTING ROD (0.64-MM US)						
AB		1	232-3236		BEARING-CONNECTING ROD (1.27-MM US)						
JR	7	1	247-6123	1	BODY AS-PISTON						
					-OR-						
LR		1	346-6616	1	BODY AS-PISTON						
J	8	1	230-2569	2	RETAINER-PIN						
					-OR-						
L		1	250-2940	2	RETAINER-PIN						
CJ	9	1	247-6130	1	RING-PISTON-TOP						
					-OR-						
L		1	310-4188	1	RING-PISTON (TOP)						
J	10	1	238-0294	1	RING-PISTON (OIL)						
					-OR-						
L		1	306-4014	1	RING-PISTON (OIL)						

A-NOT PART OF THIS GROUP  
 B-USE AS REQUIRED  
 C-CHANGE FROM PREVIOUS TYPE  
 J-WHEN REUSING BODY ASSEMBLY 247-6123 ORDER PARTS MARKED J  
 L-WHEN USING NEW BODY ASSEMBLY 346-6616 ORDER PARTS MARKED L  
 R-REMFG PART MAY BE AVAILABLE

# BASIC ENGINE

229-2863 PISTON & ROD GP (contd.)

i04026767



GRAPHIC #1

<END>

g01024548

# BASIC ENGINE

## 229-2863 PISTON & ROD GP

S/N: JRE10677-UP  
 18:1 COMPRESSION RATIO  
 ALSO AN ATTACHMENT

SMCS-1225

i03670560

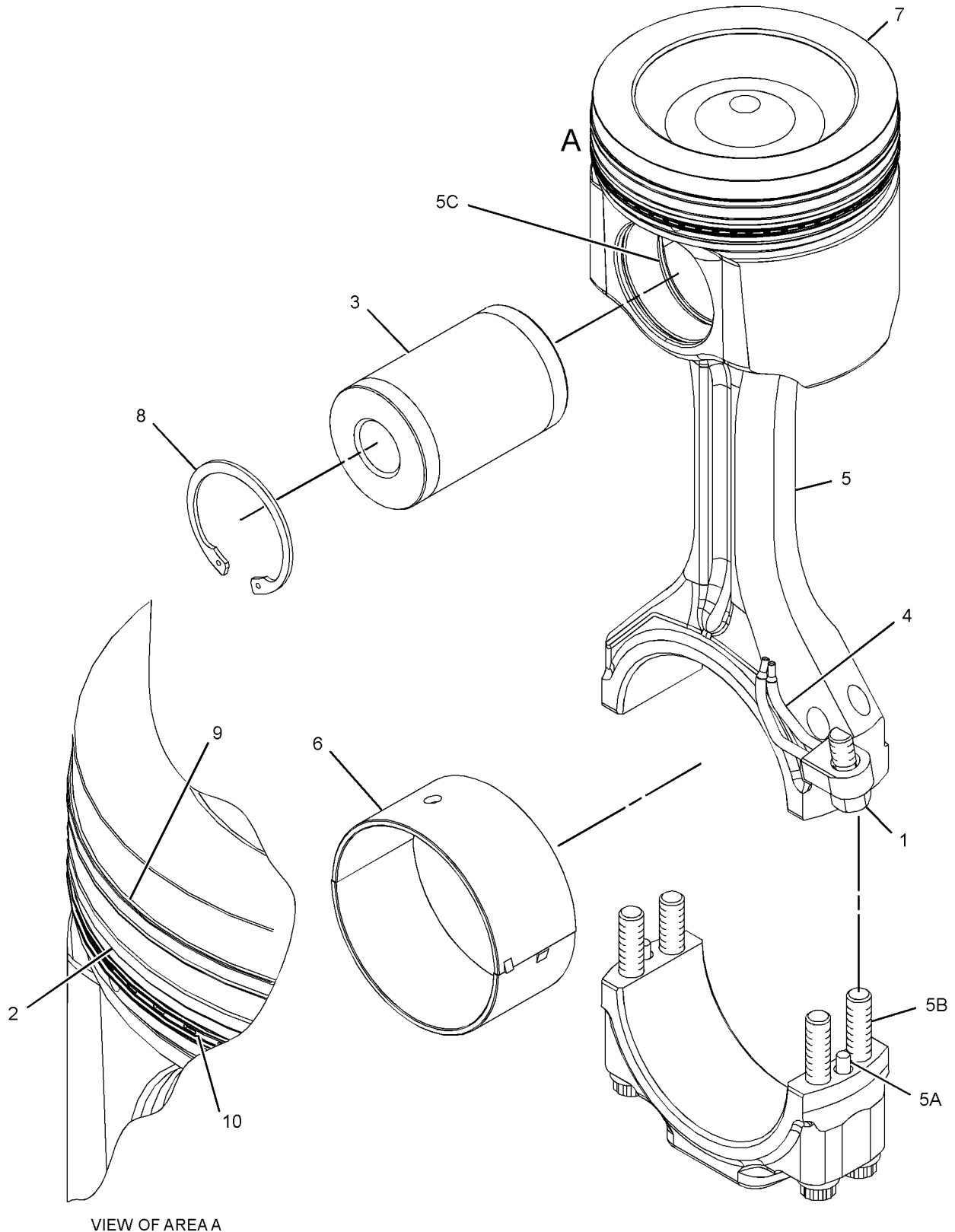
NOTE	REF NO	GRAPHIC REF	PART NUMBER	QTY	PART NAME						SEE PAGE
					1	2	3	4	5	6 (PRODUCT LEVEL)	
	1	1	151-5925	1	BOLT (7/16-14-THD)						
	2	1	164-4187	1	RING-PISTON (INTERMEDIATE)						
	3	1	180-7350	1	PIN-PISTON						
	4	1	276-4637	1	TUBE AS-OIL JET						
R	5	1	224-3245	1	ROD AS						
	5A	1	219-4458	2	PIN-DOWEL						
	5B	1	213-3217	4	BOLT (M11X1.25X84-MM)						
	5C	1	229-6259	1	BEARING						
	6	1	224-3246	1	BEARING-CONNECTING ROD (STANDARD)						
AB			232-3235		BEARING-CONNECTING ROD (0.64-MM US)						
AB			232-3236		BEARING-CONNECTING ROD (1.27-MM US)						
C	7	1	346-6616	1	BODY AS-PISTON						
C	8	1	250-2940	2	RETAINER-PIN						
C	9	1	310-4188	1	RING-PISTON (TOP)						
C	10	1	306-4014	1	RING-PISTON						

A-NOT PART OF THIS GROUP  
 B-USE AS REQUIRED  
 C-CHANGE FROM PREVIOUS TYPE  
 R-REMFG PART MAY BE AVAILABLE

# BASIC ENGINE

229-2863 PISTON & ROD GP (contd.)

i03670560



VIEW OF AREA A

GRAPHIC #1

<END>

g01978175



# BASIC ENGINE

## 252-0652 PISTON & ROD GP 16:1 COMPRESSION RATIO

SMCS-1225

i03720020

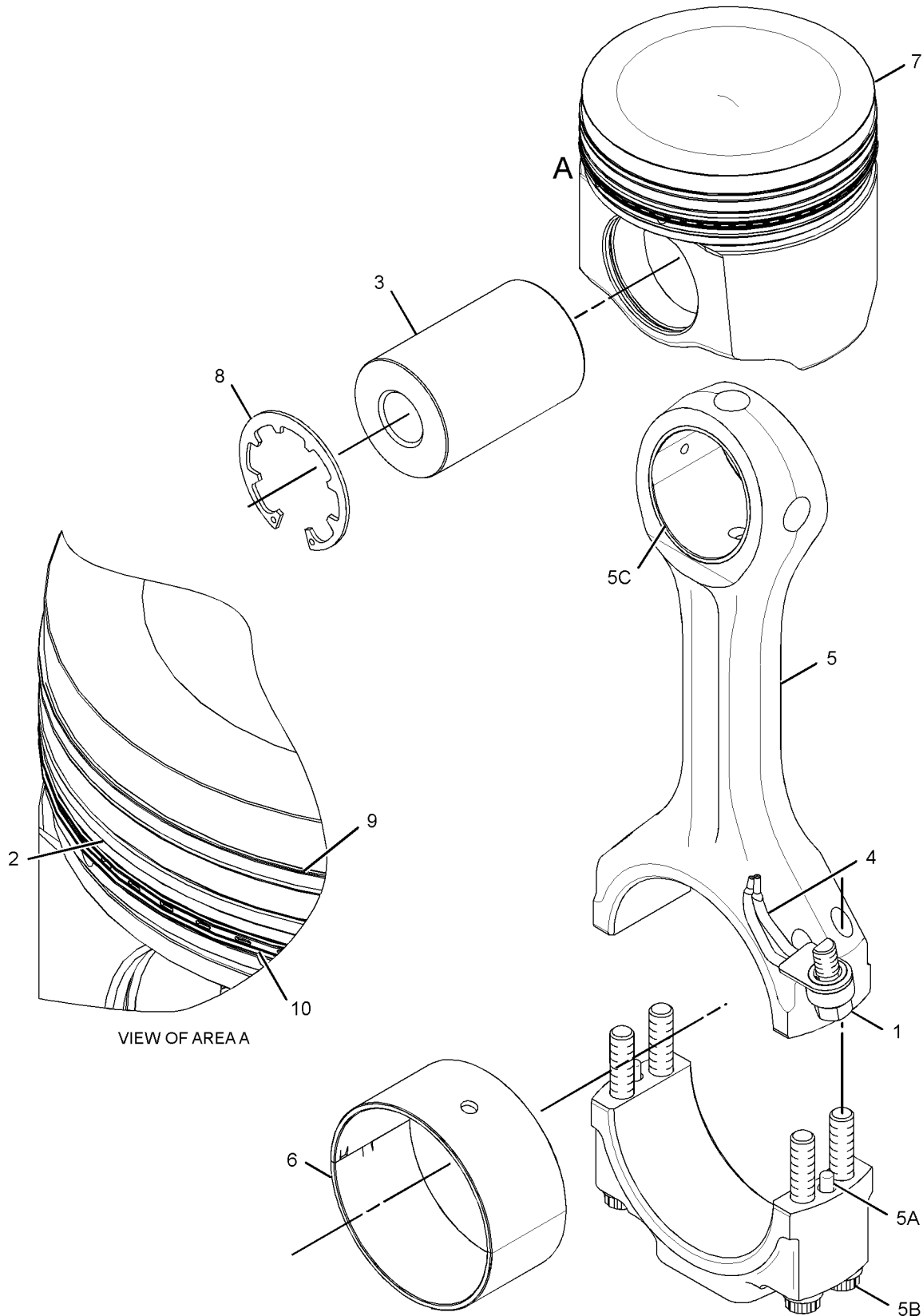
NOTE	REF NO	GRAPHIC REF	PART NUMBER	QTY	PART NAME						SEE PAGE
					1	2	3	4	5	6 (PRODUCT LEVEL)	
	1	1	<b>151-5925</b>	1	BOLT (7/16-14-THD) (OIL JET)						
	2	1	<b>164-4187</b>	1	RING-PISTON (INTERMEDIATE)						
	3	1	<b>180-7350</b>	1	PIN-PISTON						
	4	1	<b>279-1152</b>	1	TUBE AS-OIL JET						
R	5	1	<b>224-3245</b>	1	ROD AS						
	5A	1	<b>219-4458</b>	2	PIN-DOWEL						
	5B	1	<b>213-3217</b>	4	BOLT (M11X1.25X84-MM)						
	5C	1	<b>229-6259</b>	1	BEARING						
	6	1	<b>224-3246</b>	1	BEARING-CONNECTING ROD (STANDARD)						
AB		1	<b>232-3235</b>		BEARING-CONNECTING ROD (0.64-MM US)						
AB		1	<b>232-3236</b>		BEARING-CONNECTING ROD (1.27-MM US)						
R	7	1	<b>346-6615</b>	1	BODY AS-PISTON						
	8	1	<b>250-2940</b>	2	RETAINER-PIN						
	9	1	<b>310-4188</b>	1	RING-PISTON (TOP)						
	10	1	<b>306-4014</b>	1	RING-PISTON						

A-NOT PART OF THIS GROUP  
 B-USE AS REQUIRED  
 R-REMG PART MAY BE AVAILABLE

# BASIC ENGINE

252-0652 PISTON & ROD GP (contd.)

i03720020



GRAPHIC #1

<END>

g02005335

# BASIC ENGINE

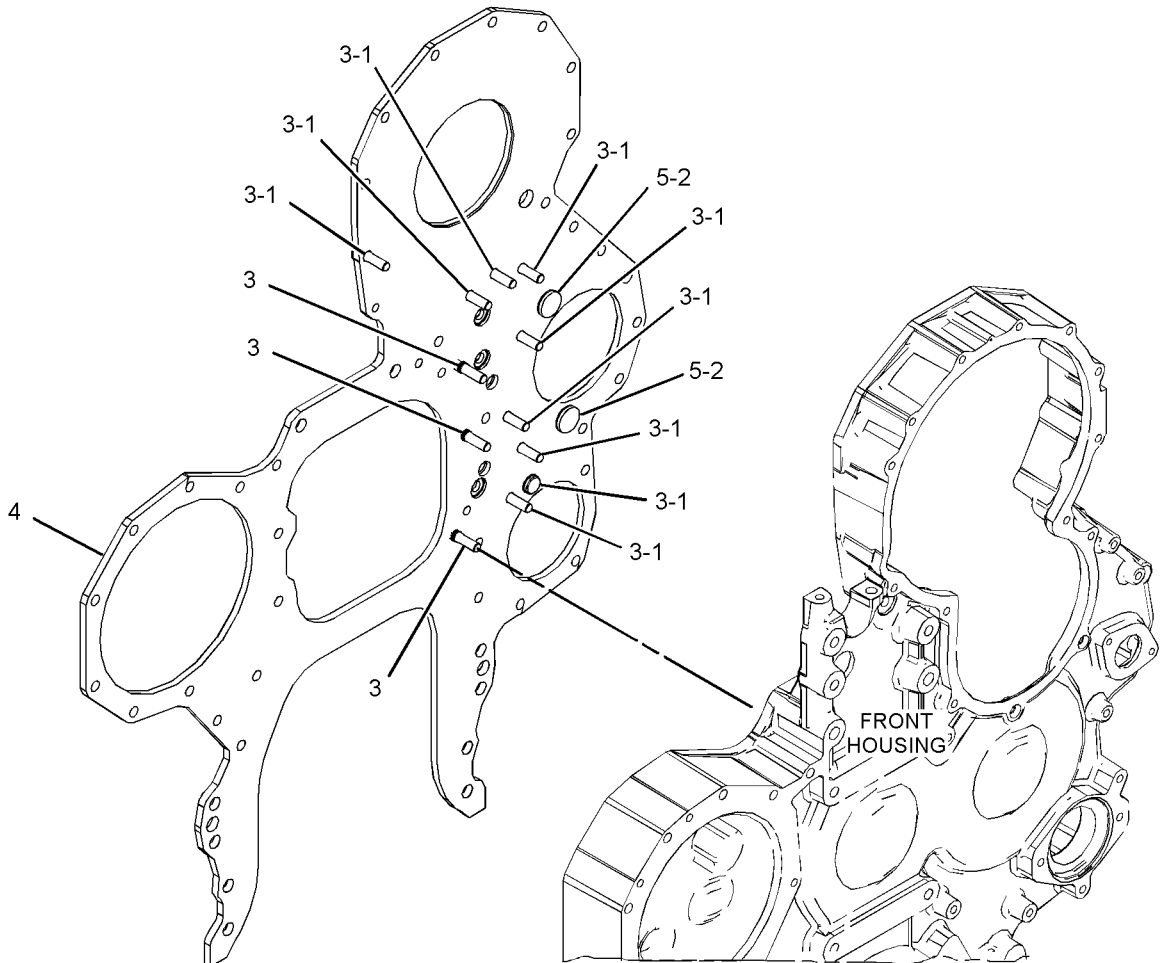
## 353-9982 PLATE AS-FRONT HOUSING

PART OF 224-1229, 269-2509 HOUSING GP-FRONT  
AN ATTACHMENT

SMCS-1151, 1162

i03879787

NOTE	REF NO	GRAPHIC REF	PART NUMBER	QTY	PART NAME						SEE PAGE
					1	2	3	4	5	6 (PRODUCT LEVEL)	
	1	1	126-1757	9	WASHER (10.85X19.3X1.27-MM THK)						
	2	1	129-5427	2	WASHER-SPECIAL (SEALING)						
	3	1	129-5428	12	STUD (BRAKE)						
	4	1	223-0533	1	PLATE						
	5	1	334-6832	2	STUD-SPECIAL (BRAKE)						



GRAPHIC #1

<END>

g02129274

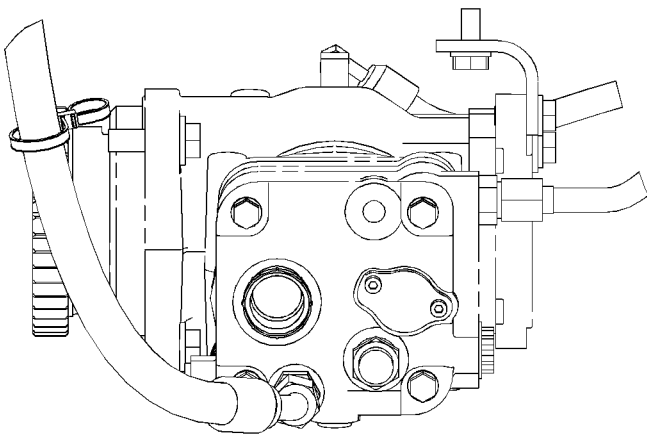
# BASIC ENGINE

## 277-4857 PLUG GP-AIR COMPRESSOR AN ATTACHMENT

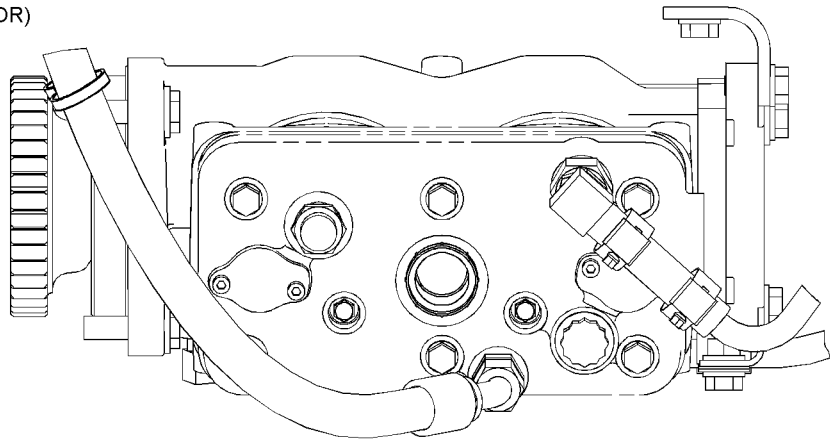
SMCS - 1803

i03743535

NOTE	REF NO	GRAPHIC REF	PART NUMBER	QTY	PART NAME	SEE PAGE
					1 2 3 4 5 6 (PRODUCT LEVEL)	
(NO SERVICED PARTS)						



TOP VIEW OF ENGINE  
(BENDIX 921 AIR COMPRESSOR)



TOP VIEW OF ENGINE  
(BENDIX 922 AIR COMPRESSOR)

GRAPHIC #1

<END>

g02024895

# BASIC ENGINE

## 278-0026 PLUG GP-AIR COMPRESSOR AN ATTACHMENT

SMCS-1803

i03743537

NOTE	PART NUMBER	QTY	PART NAME						SEE PAGE
			1	2	3	4	5	6 (PRODUCT LEVEL)	
			(NO SERVICED PARTS)						
			<END>						

# BASIC ENGINE

## 229-6709 PLUG GP-CYLINDER BLOCK

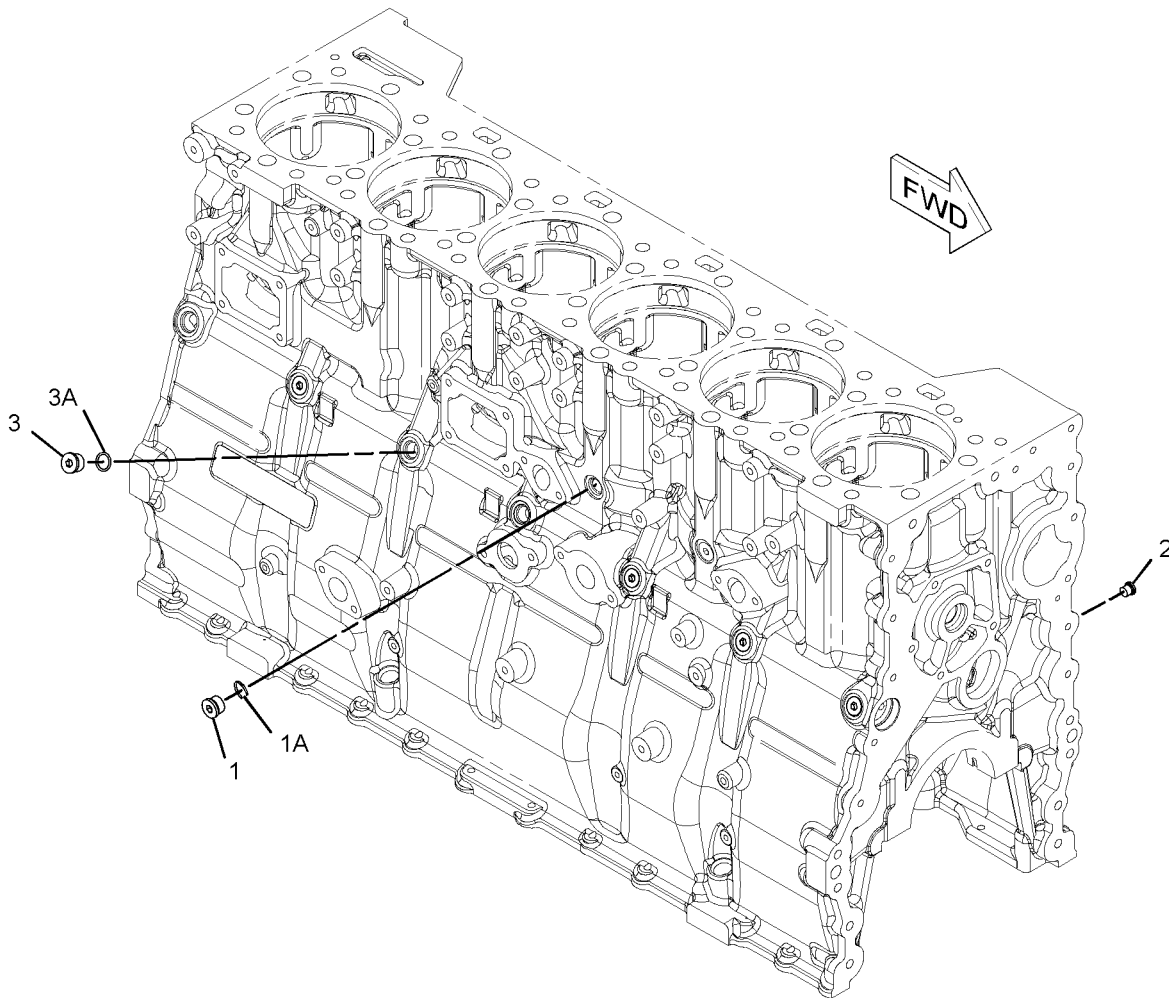
REQUIRES AIR COMPRESSOR COVER GROUP IF NO AIR COMPRESSOR  
FOR USE WITH TWIN TURBO AND INLET VALVE ACTUATOR. CANNOT BE USED WITH  
BRAKESAVER APPLICATIONS  
AN ATTACHMENT

SMCS-1201

i03965145

NOTE	REF NO	GRAPHIC REF	PART NUMBER	QTY	PART NAME						SEE PAGE
					1	2	3	4	5	6 (PRODUCT LEVEL)	
	1	1	353-5126	2	PLUG AS						
					(EACH INCLUDES)						
		1	9S-8005	1	PLUG-O-RING						
	1A	1	6V-6609	1	SEAL-O-RING						
C	2	1	307-2671	1	PLUG AS						
		1	9S-8002	1	PLUG-O-RING						
		1	214-7566	1	SEAL-O-RING						
	3	1	307-2673	5	PLUG AS						
					(EACH INCLUDES)						
		1	9S-8005	1	PLUG-O-RING						
	3A	1	238-5080	1	SEAL-O-RING						

C-CHANGE FROM PREVIOUS TYPE



GRAPHIC #1

<END>

g02161664

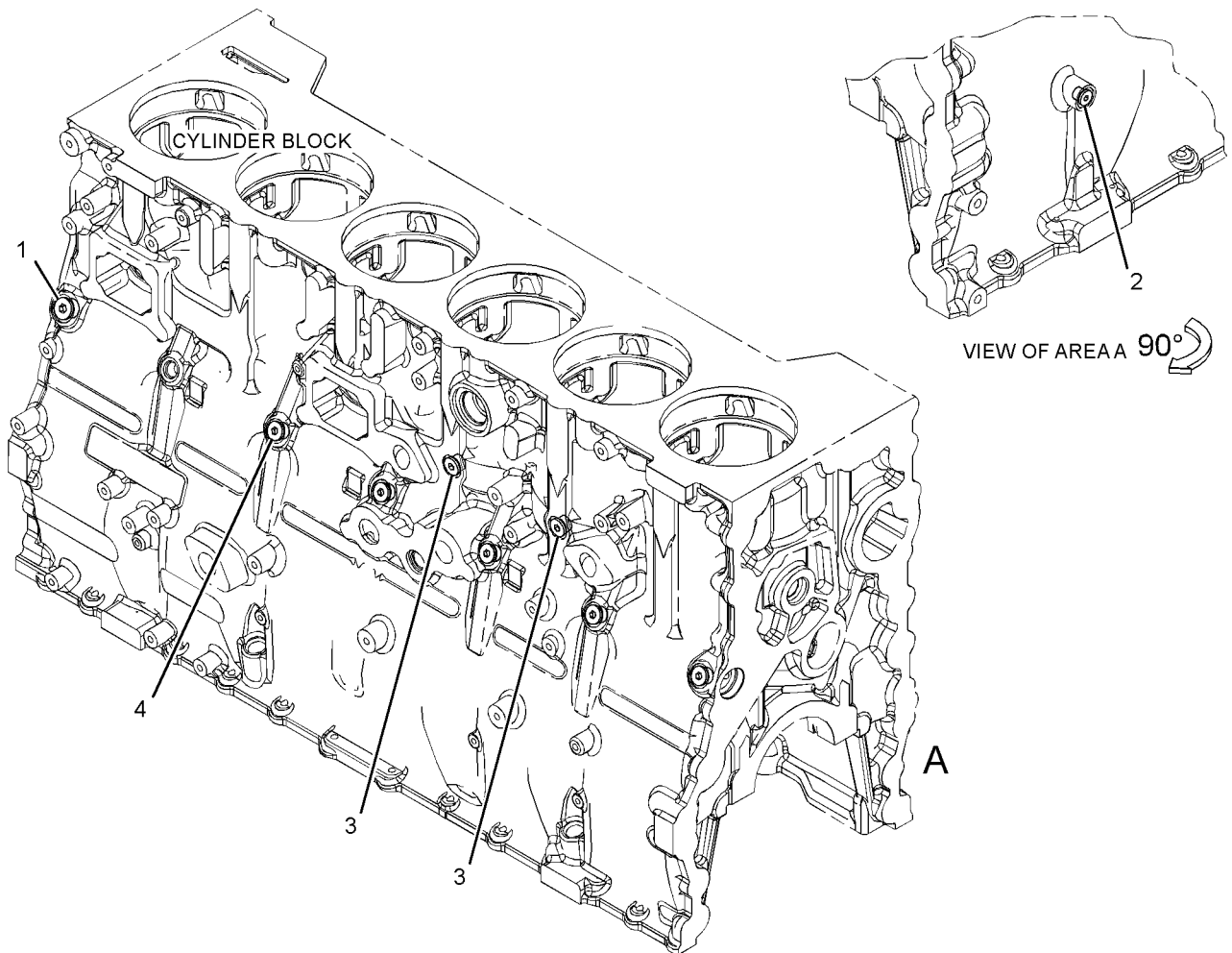
# BASIC ENGINE

## 234-9183 PLUG GP-CYLINDER BLOCK AN ATTACHMENT

SMCS-1201

i04106330

NOTE	REF NO	GRAPHIC REF	PART NUMBER	QTY	PART NAME						SEE PAGE
					1	2	3	4	5	6 (PRODUCT LEVEL)	
	1	1	309-5131	1	PLUG AS						
		1	9S-8006	1	PLUG-O-RING						
		1	238-5081	1	SEAL-O-RING						
	2	1	307-2671	1	PLUG AS						
		1	9S-8002	1	PLUG-O-RING						
		1	214-7566	1	SEAL-O-RING						
	3	1	353-5126	2	PLUG AS						
					(EACH INCLUDES)						
		1	6V-6609	1	SEAL-O-RING						
		1	9S-8005	1	PLUG-O-RING						
	4	1	307-2673	5	PLUG AS						
					(EACH INCLUDES)						
		1	9S-8005	1	PLUG-O-RING						
		1	238-5080	1	SEAL-O-RING						



GRAPHIC #1

<END>

g02311917

# BASIC ENGINE

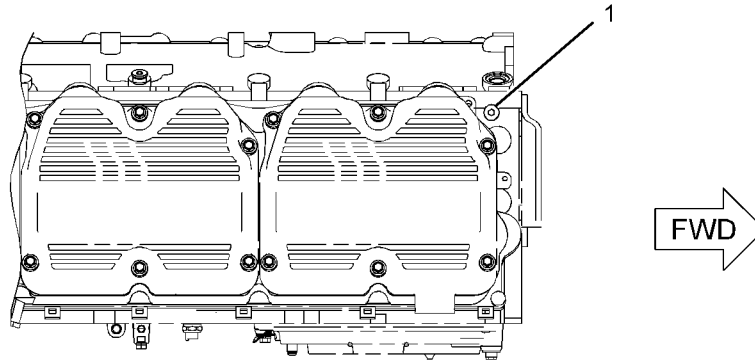
## 234-9706 PLUG GP-CYLINDER BLOCK

FOR USE WITH ACERT BLOCK AND HEAD  
AN ATTACHMENT

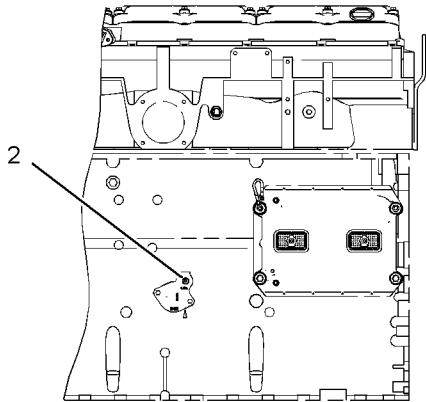
SMCS-1201

i04054729

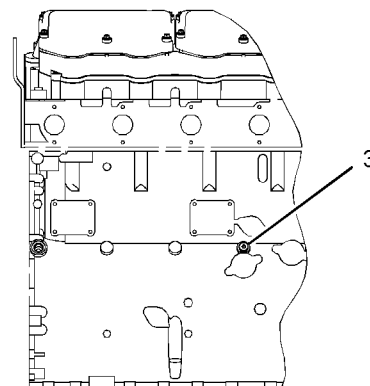
NOTE	REF NO	GRAPHIC REF	PART NUMBER	QTY	PART NAME						SEE PAGE
					1	2	3	4	5	6 (PRODUCT LEVEL)	
1	1	1	353-5126	1	PLUG AS						
			6V-6609	1	SEAL-O-RING						
			9S-8005	1	PLUG-O-RING						
2	1	1	307-2671	1	PLUG AS						
			9S-8002	1	PLUG-O-RING						
			214-7566	1	SEAL-O-RING						
3	1	1	307-2673	1	PLUG AS						
			9S-8005	1	PLUG-O-RING						
			238-5080	1	SEAL-O-RING						



TOP VIEW



LEFT SIDE VIEW



RIGHT SIDE VIEW

GRAPHIC #1

<END>

g02268976



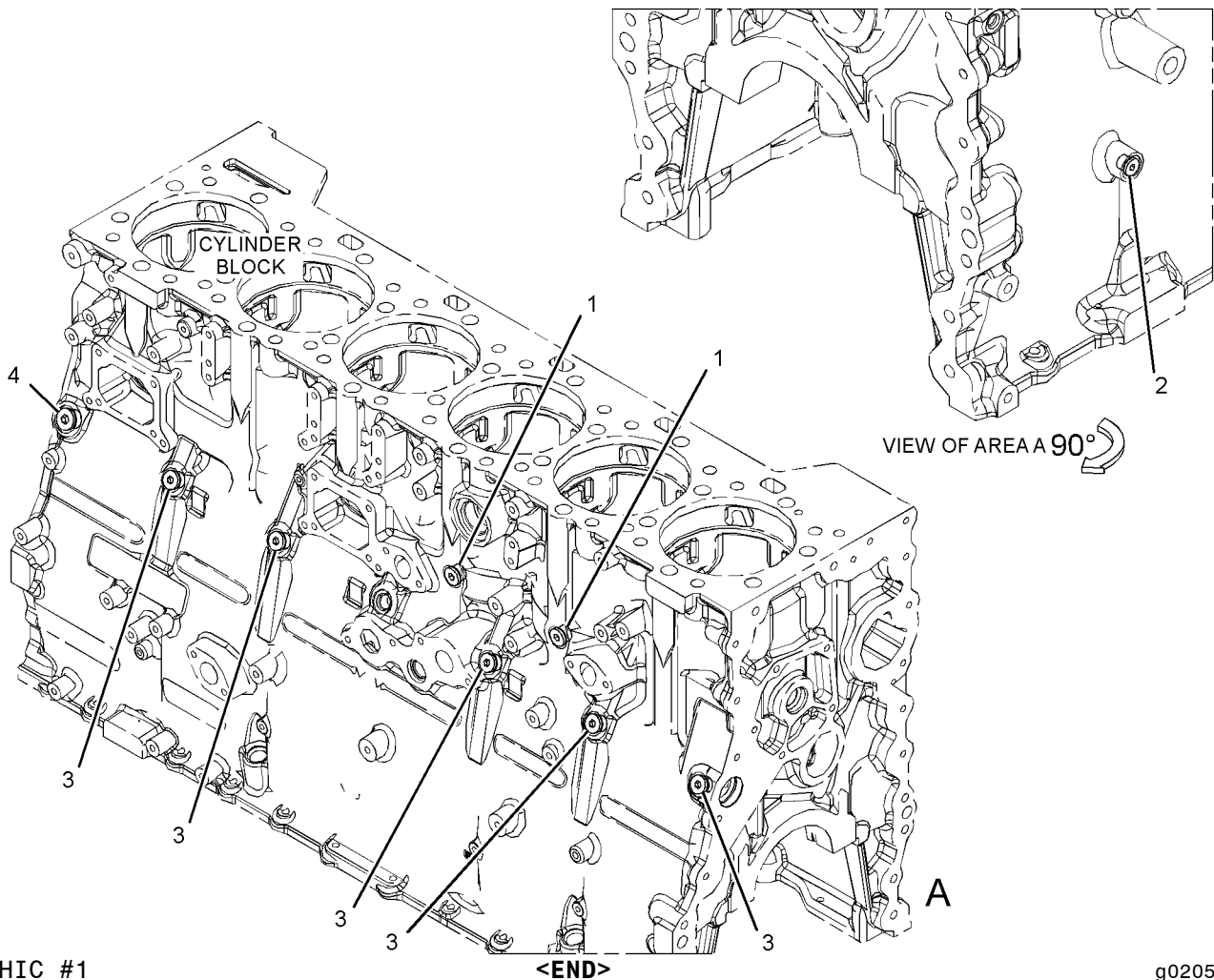
# BASIC ENGINE

## 247-8211 PLUG GP-CYLINDER BLOCK AN ATTACHMENT

SMCS-1201

i03796471

NOTE	REF NO	GRAPHIC REF	PART NUMBER	QTY	PART NAME						SEE PAGE
					1	2	3	4	5	6 (PRODUCT LEVEL)	
	1	1	353-5126	2	PLUG AS						
					(EACH INCLUDES)						
		1	6V-6609	1	SEAL-O-RING						
		1	9S-8005	1	PLUG-O-RING						
	2	1	307-2671	1	PLUG AS						
		1	9S-8002	1	PLUG-O-RING						
		1	214-7566	1	SEAL-O-RING						
	3	1	307-2673	5	PLUG AS						
					(EACH INCLUDES)						
		1	9S-8005	1	PLUG-O-RING						
		1	238-5080	1	SEAL-O-RING						
	4	1	309-5131	1	PLUG AS						
		1	9S-8006	1	PLUG-O-RING						
		1	238-5081	1	SEAL-O-RING						



GRAPHIC #1

<END>

g02057655

# BASIC ENGINE

## 305-9196 PLUG GP-CYLINDER BLOCK

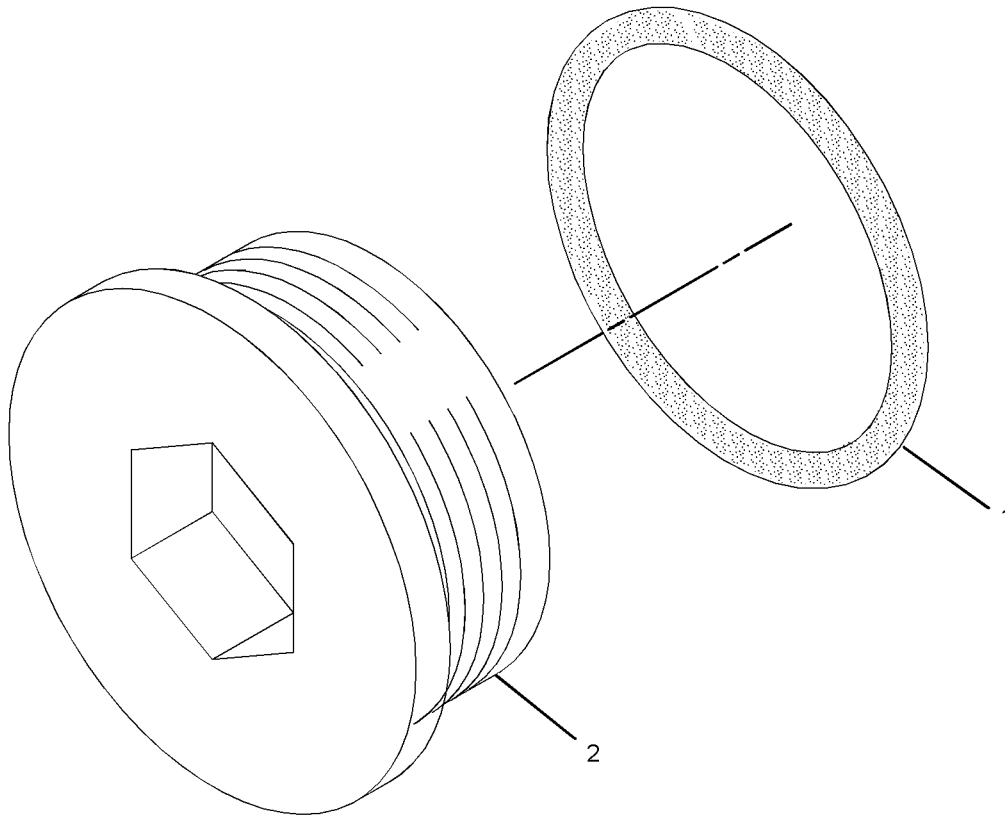
S/N: JRE3478-UP

PART OF 223-9252 CYLINDER BLOCK GP  
ALSO AN ATTACHMENT

SMCS-1201

i02680401

NOTE	REF NO	GRAPHIC REF	PART NUMBER	QTY	PART NAME						SEE PAGE
					1	2	3	4	5	6 (PRODUCT LEVEL)	
	1	1	6V-5065	1	SEAL-O-RING						
	2	1	9S-8010	1	PLUG						



GRAPHIC #1

<END>

g01347363

# BASIC ENGINE

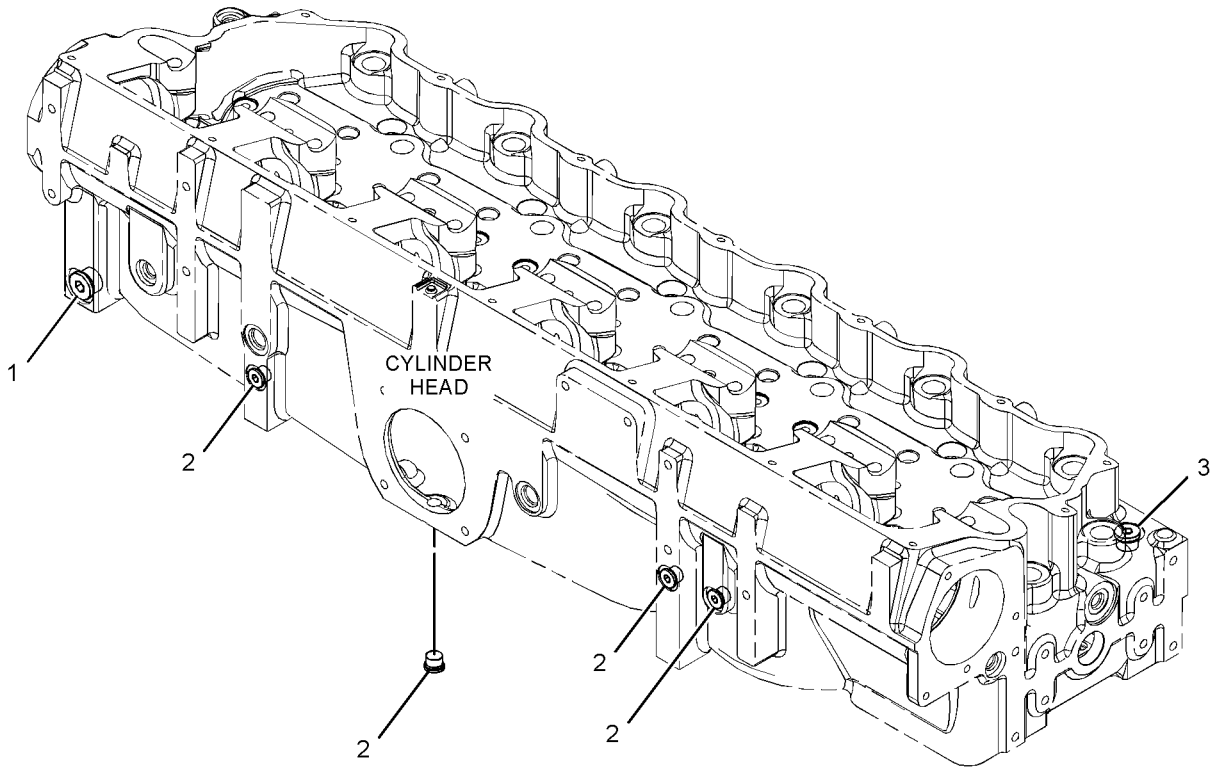
## 234-5986 PLUG GP-CYLINDER HEAD

AN ATTACHMENT

SMCS-1100

i03885386

NOTE	REF NO	GRAPHIC REF	PART NUMBER	QTY	PART NAME						SEE PAGE
					1	2	3	4	5	6 (PRODUCT LEVEL)	
	1	1	353-5125	1	PLUG AS						
		1	6V-3251	1	SEAL-O-RING						
		1	9S-8006	1	PLUG-O-RING						
	2	1	183-3407	4	PLUG AS						
					(EACH INCLUDES)						
		1	214-7568	1	SEAL-O-RING						
		1	9S-8004	1	PLUG-O-RING						
	3	1	353-5126	1	PLUG AS						
		1	6V-6609	1	SEAL-O-RING						
		1	9S-8005	1	PLUG-O-RING						



GRAPHIC #1

<END>

g02133162

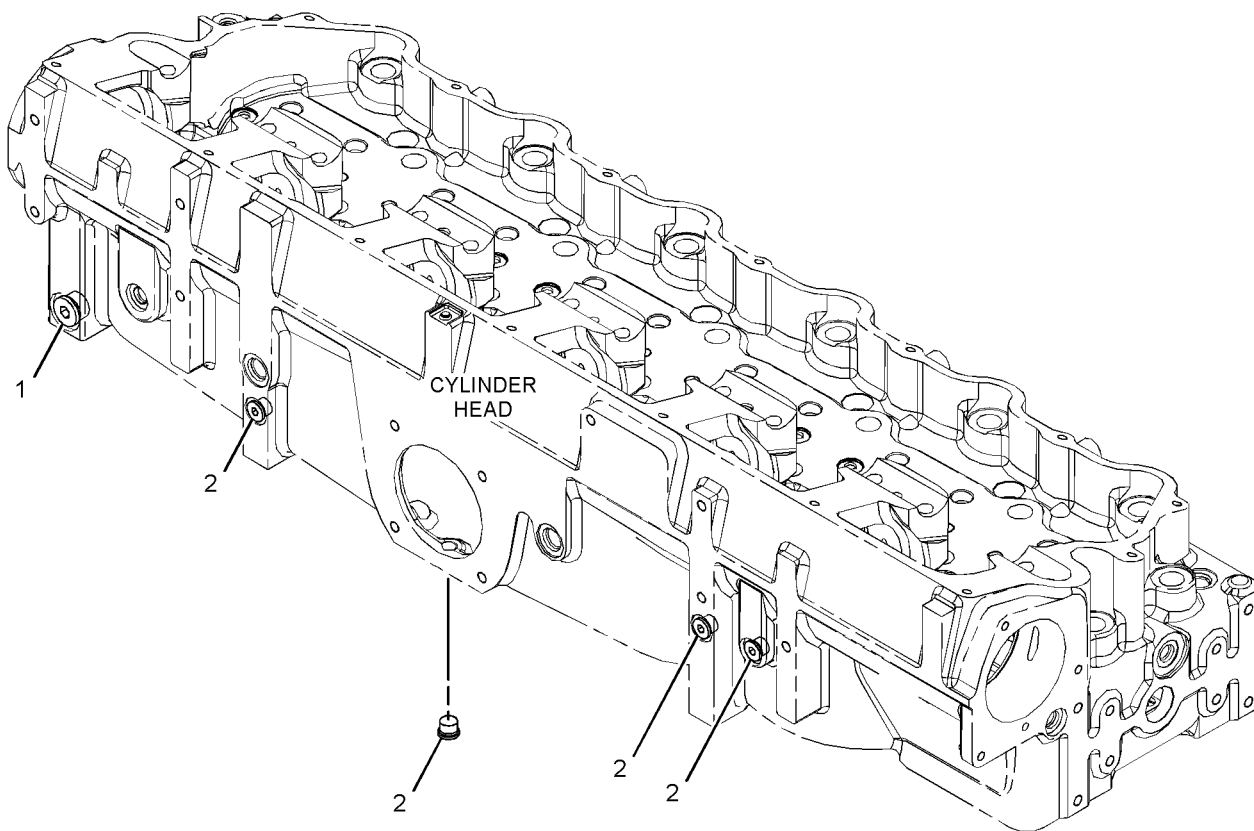
# BASIC ENGINE

## 234-9184 PLUG GP-CYLINDER HEAD AN ATTACHMENT

SMCS-1100

i03885350

NOTE	REF NO	GRAPHIC REF	PART NUMBER	QTY	PART NAME						SEE PAGE
					1	2	3	4	5	6 (PRODUCT LEVEL)	
	1	1	353-5125	1	PLUG AS (7/18-14 THD)						
		1	6V-3251	1	SEAL-O-RING						
		1	9S-8006	1	PLUG-O-RING						
	2	1	183-3407	4	PLUG AS (HI TEMPERTATURE)						
					(EACH INCLUDES)						
		1	214-7568	1	SEAL-O-RING (19.18MM ID)						
		1	9S-8004	1	PLUG-O-RING (9/16-18 THD)						



GRAPHIC #1

<END>

g02133197

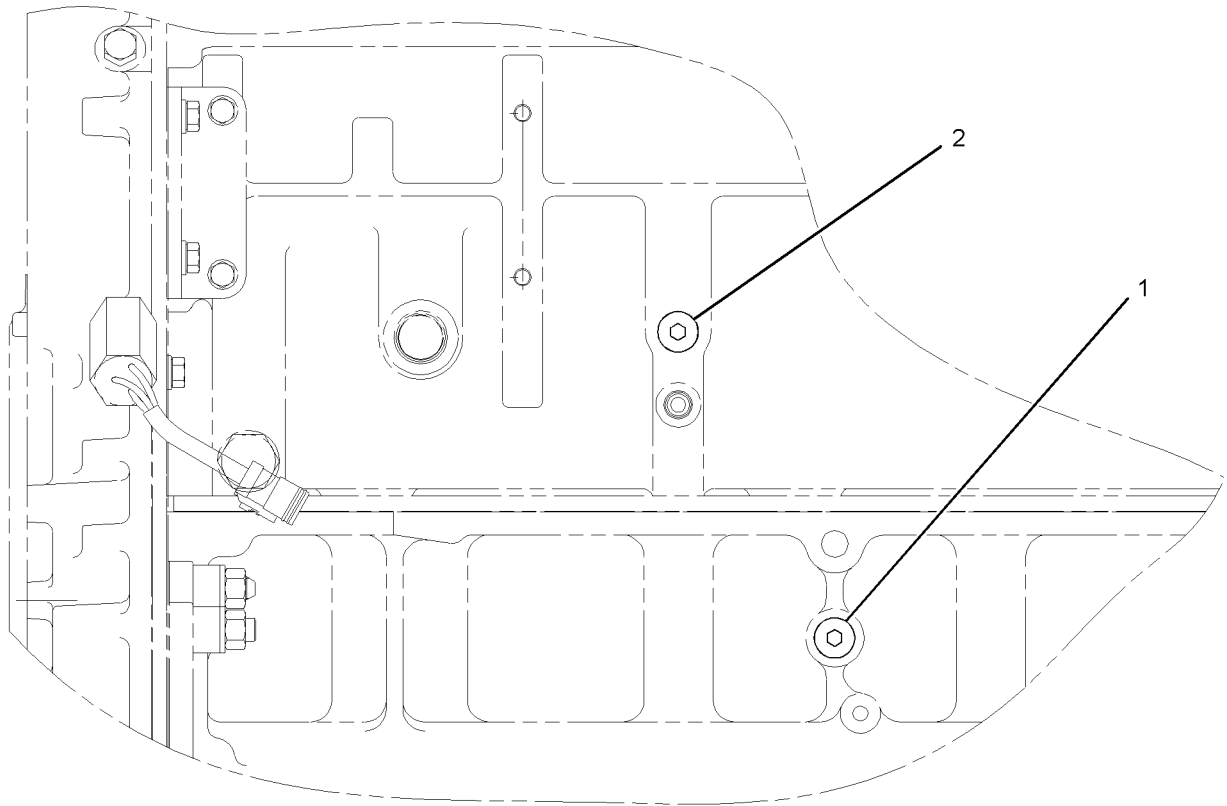
# BASIC ENGINE

## 234-9775 PLUG GP-ENGINE AN ATTACHMENT

SMCS-1100

i04005497

NOTE	REF NO	GRAPHIC REF	PART NUMBER	QTY	PART NAME						SEE PAGE
					1	2	3	4	5	6 (PRODUCT LEVEL)	
	1	1	353-5126	1	PLUG AS (16.36MM ID)						
		1	6V-6609	1	SEAL-O-RING (16.36MM-ID)						
		1	9S-8005	1	PLUG-O-RING						
	2	1	307-2673	1	PLUG AS (3/4-16 THD)						
		1	9S-8005	1	PLUG-O-RING						
		1	238-5080	1	SEAL-O-RING						



LEFT SIDE VIEW

GRAPHIC #1

<END>

g02182222

# BASIC ENGINE

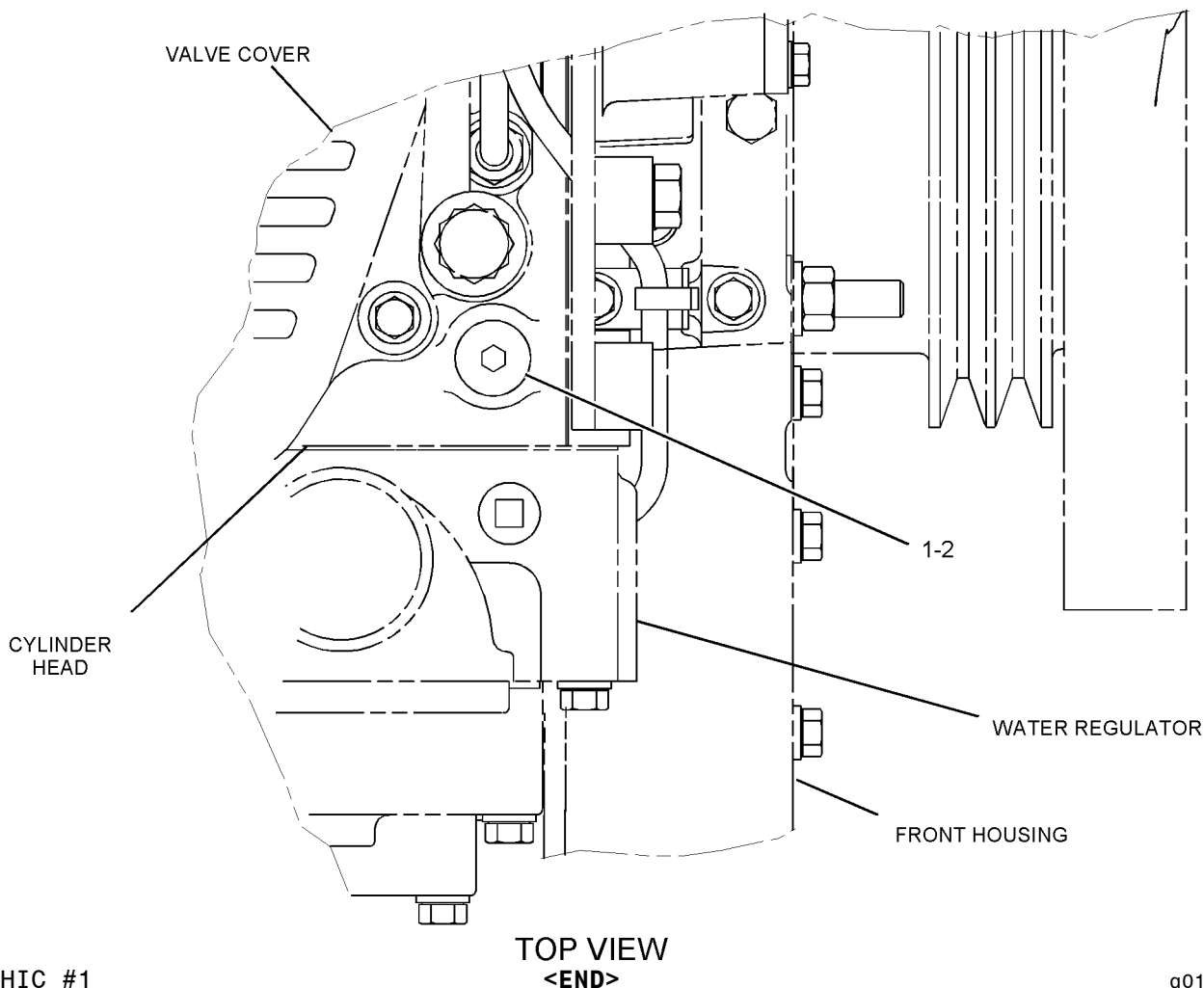
## 234-9776 PLUG GP-ENGINE

STRAIGHT THREAD O-RING PORTS  
AN ATTACHMENT

SMCS-1100

i02006055

NOTE	REF NO	GRAPHIC REF	PART NUMBER	QTY	PART NAME						SEE PAGE
					1	2	3	4	5	6 (PRODUCT LEVEL)	
	1	1	<b>9S-8005</b>	1	PLUG-O RING						
	2	1	<b>6V-6609</b>	1	SEAL-O-RING						



GRAPHIC #1

g01037853

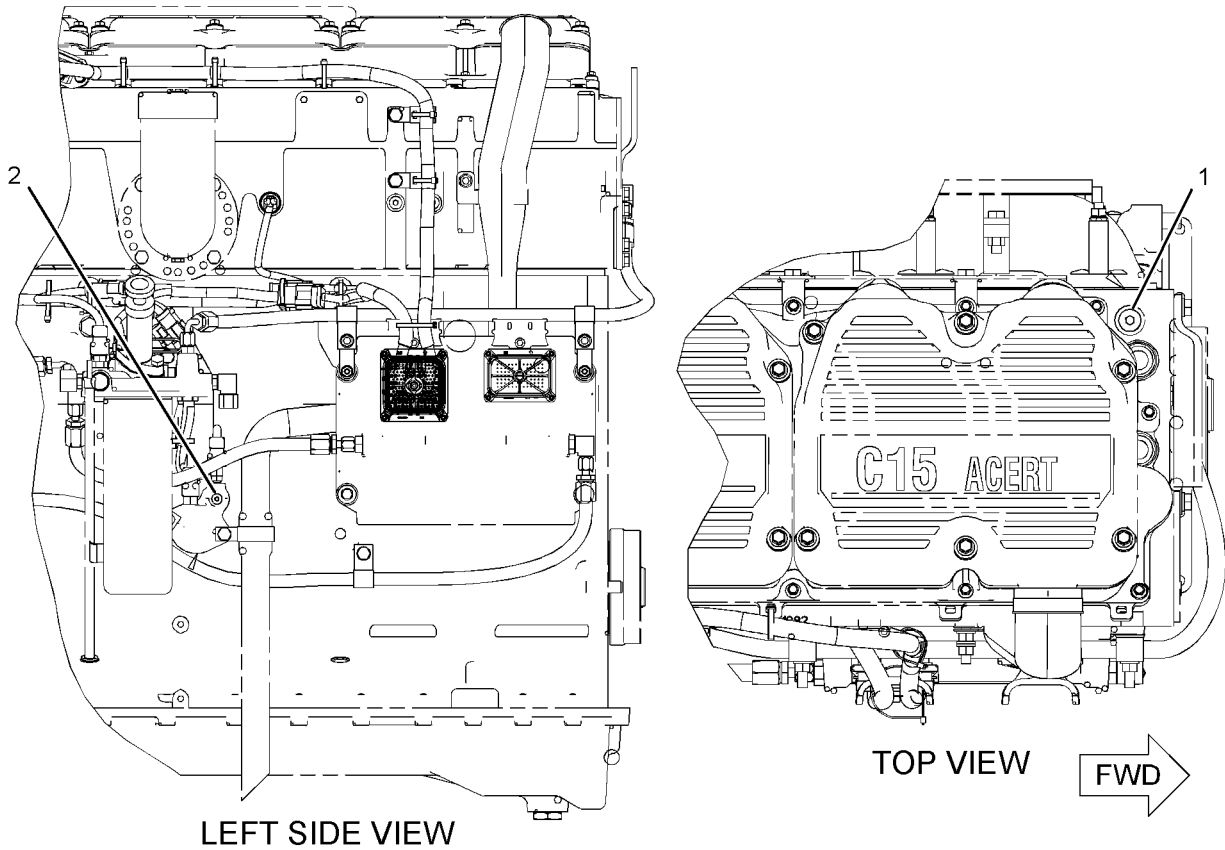
# BASIC ENGINE

## 257-7273 PLUG GP-ENGINE FOR USE WITH SINGLE REAR POWER TAKE-OFF AN ATTACHMENT

SMCS-1100

i04005996

NOTE	REF NO	GRAPHIC REF	PART NUMBER	QTY	PART NAME						SEE PAGE
					1	2	3	4	5	6 (PRODUCT LEVEL)	
	1	1	353-5126	1	PLUG AS						
		1	6V-6609	1	SEAL-O-RING						
		1	9S-8005	1	PLUG-O-RING						
	2	1	307-2671	1	PLUG AS						
		1	9S-8002	1	PLUG-O-RING						
		1	214-7566	1	SEAL-O-RING						



GRAPHIC #1

<END>

g02182224

# BASIC ENGINE

## 279-9540 PLUG GP-ENGINE

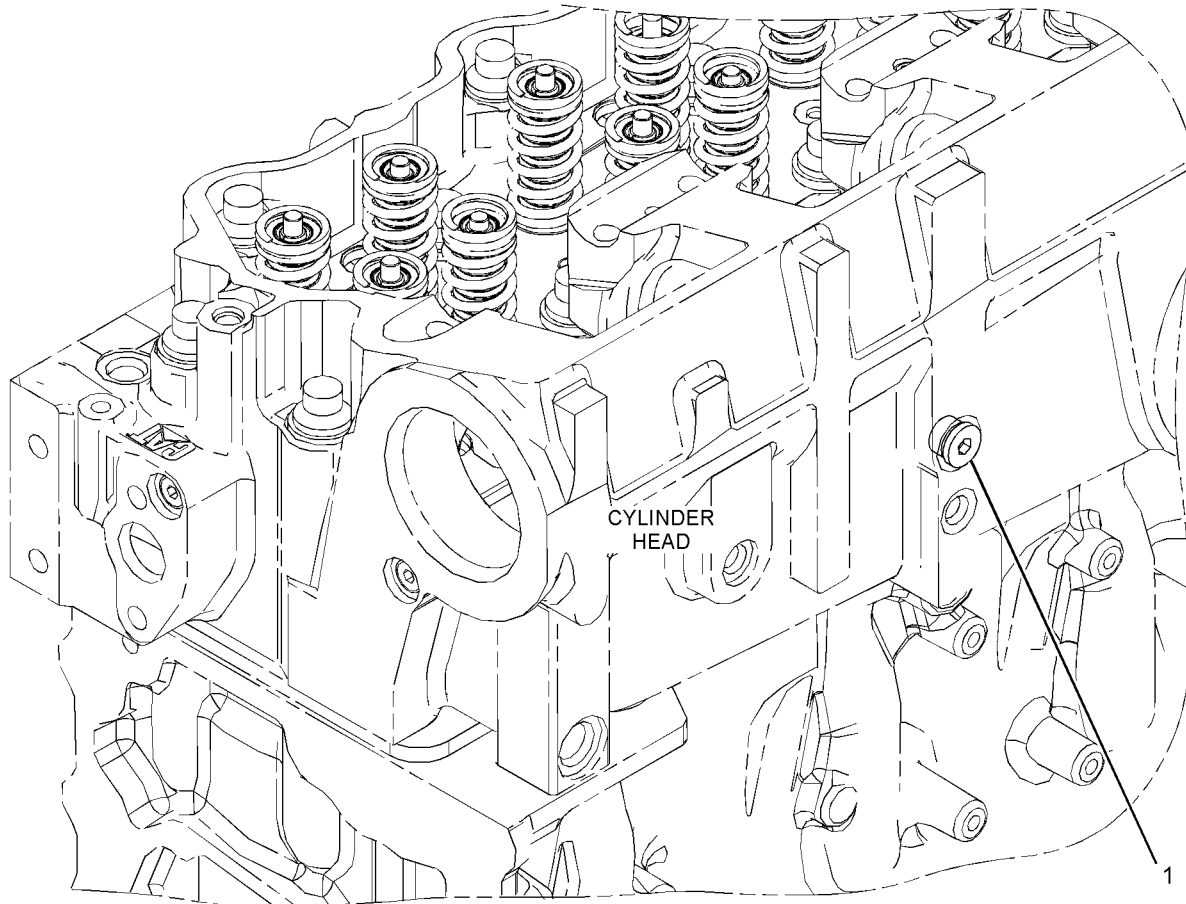
TIER III

CANNOT BE USED WITH LINES GP AIR COMPRESSOR  
AN ATTACHMENT

SMCS-1100

i03951520

NOTE	REF NO	GRAPHIC REF	PART NUMBER	QTY	PART NAME						SEE PAGE
					1	2	3	4	5	6 (PRODUCT LEVEL)	
	1	1	307-2673	1	PLUG AS						
		1	9S-8005	1	PLUG-O-RING						
		1	238-5080	1	SEAL-O-RING						



GRAPHIC #1

<END>

g02161590



# BASIC ENGINE

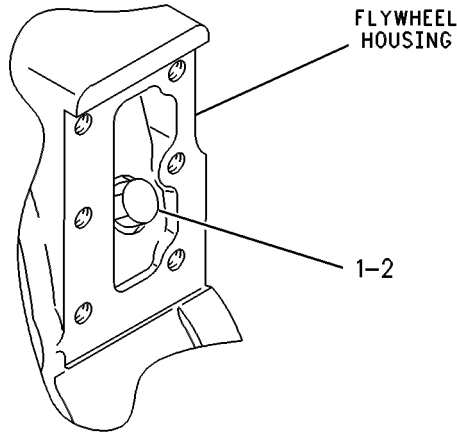
## 135-8015 PLUG GP-FLYWHEEL HOUSING

FOR USE WITH 130-4680-PAGE 262, 135-7634-PAGE 263  
AN ATTACHMENT

SMCS-1157

i01912490

NOTE	REF NO	GRAPHIC REF	PART NUMBER	QTY	PART NAME						SEE PAGE
					1	2	3	4	5	6 (PRODUCT LEVEL)	
	1	1	5F-0304	1	PLUG (FLYWHEEL HOUSING)						
	2	1	2A-1162	1	GASKET						



VIEWED FROM UPPER  
RIGHT REAR OF ENGINE

GRAPHIC #1

<END>

g00269049

# BASIC ENGINE

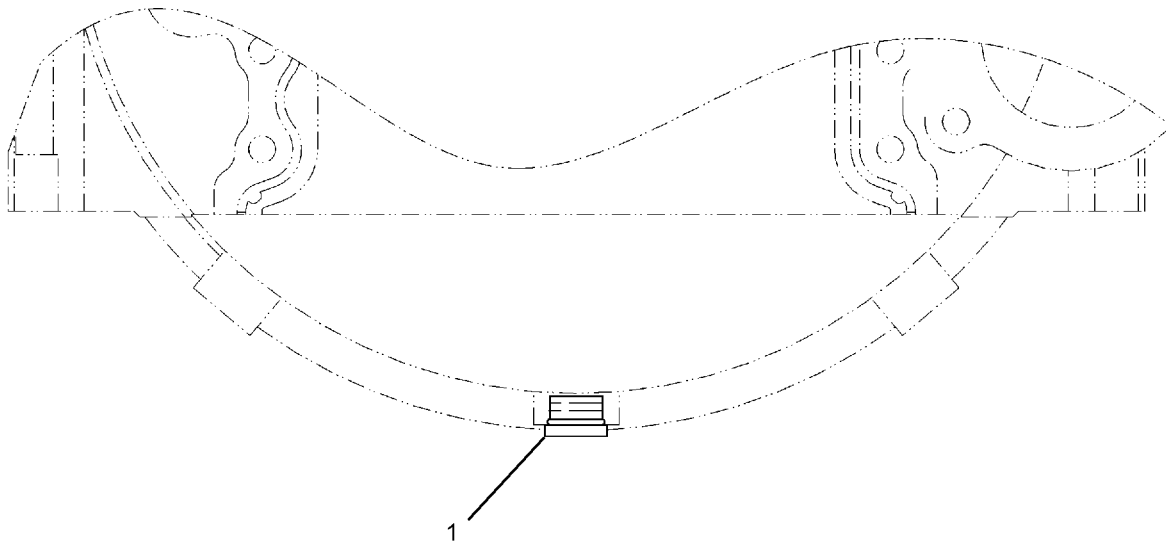
## 220-1204 PLUG GP-FLYWHEEL HOUSING

CANNOT BE USED WITH BRAKESAVER  
AN ATTACHMENT

SMCS-1157

i04089551

NOTE	REF NO	GRAPHIC REF	PART NUMBER	QTY	PART NAME						SEE PAGE
					1	2	3	4	5	6 (PRODUCT LEVEL)	
	1	1	315-9859	1	PLUG AS						
		1	9S-8008	1	PLUG-O-RING						
		1	238-5082	1	SEAL-O-RING						



FRONT VIEW

GRAPHIC #1

<END>

g02298513

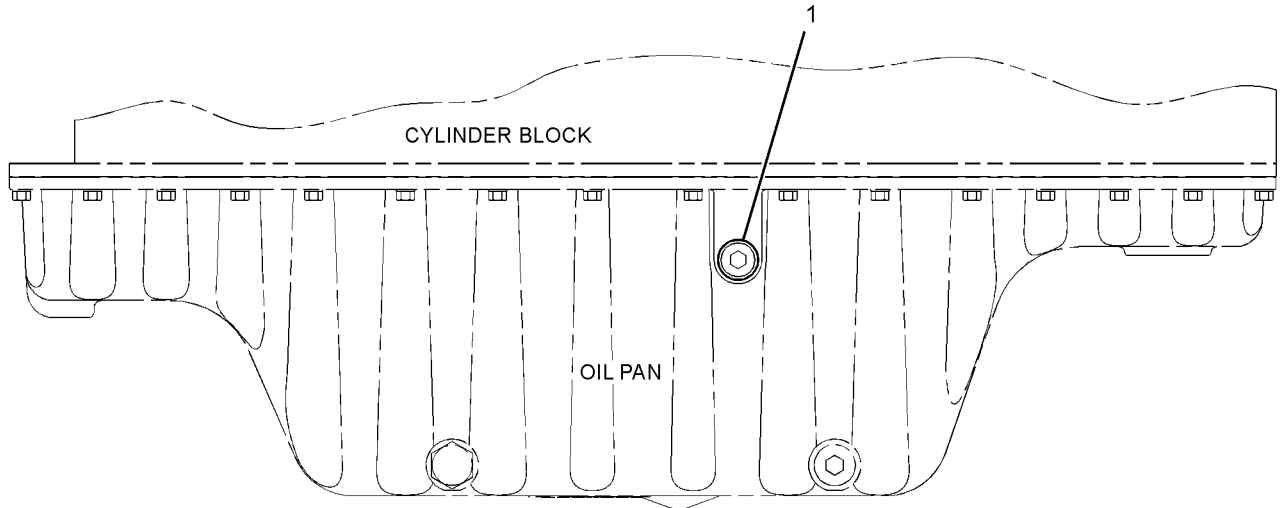
# BASIC ENGINE

## 296-6478 PLUG GP-OIL PAN-ENGINE FOR USE WITH DEEP SUMP. CANNOT BE USED WITH OIL LEVEL SENSOR AN ATTACHMENT

SMCS-1302

i04039962

NOTE	REF NO	GRAPHIC REF	PART NUMBER	QTY	PART NAME						SEE PAGE
					1	2	3	4	5	6 (PRODUCT LEVEL)	
	1	1	315-9859	1	PLUG AS						
		1	238-5082	1	SEAL-O-RING						
		1	9S-8008	1	PLUG-O-RING						



GRAPHIC #1

<END>

g01327026

# BASIC ENGINE

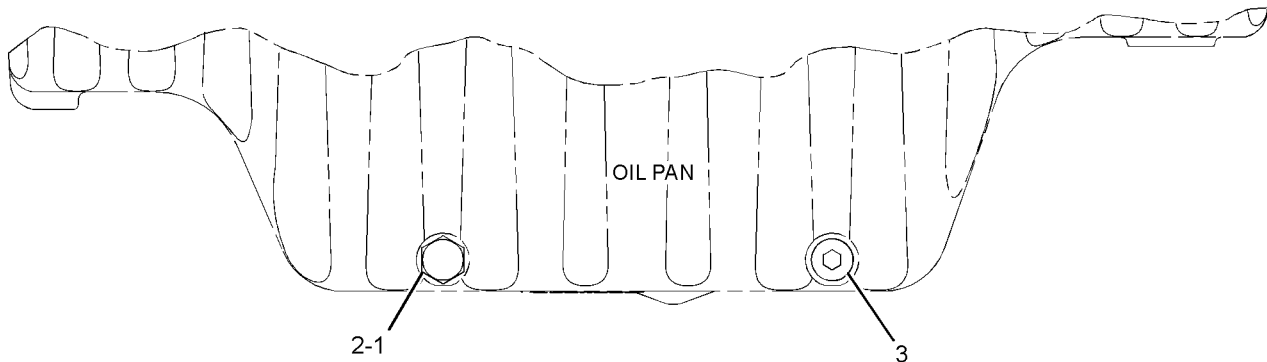
## 296-6479 PLUG GP-OIL PAN-ENGINE

FOR USE WITH DEEP SUMP  
AN ATTACHMENT

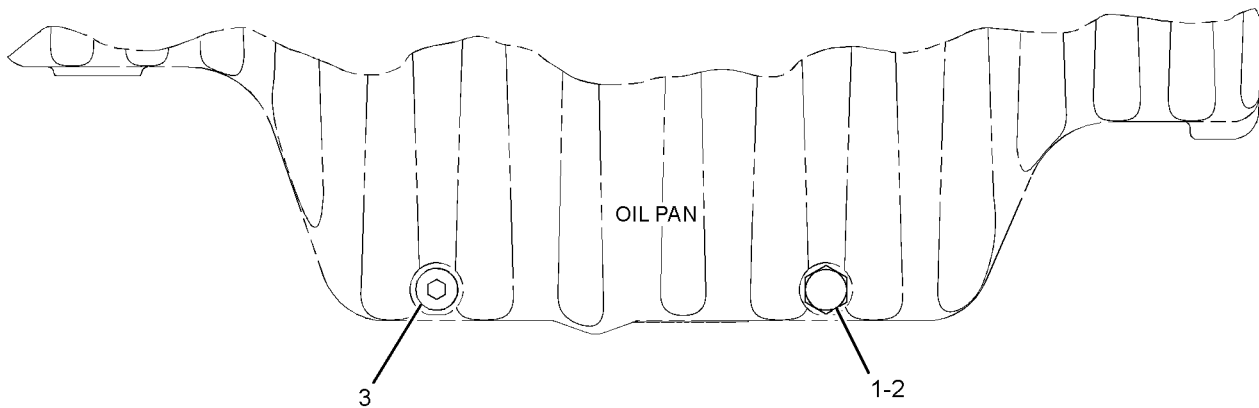
SMCS-1302

i04129249

NOTE	REF NO	GRAPHIC REF	PART NUMBER	QTY	PART NAME						SEE PAGE
					1	2	3	4	5	6 (PRODUCT LEVEL)	
	1	1	<b>9X-6451</b>	2	PLUG-DRAIN (ENGINE OIL PAN)						
	2	1	<b>061-9458</b>	2	SEAL-O-RING						
	3	1	<b>319-6234</b>	2	PLUG AS						
(EACH INCLUDES)											
		1	<b>9S-9334</b>	1	PLUG-O-RING						
		1	<b>238-5084</b>	1	SEAL-O-RING						



LEFT SIDE VIEW OF ENGINE



RIGHT SIDE VIEW OF ENGINE

GRAPHIC #1

<END>

g02328913

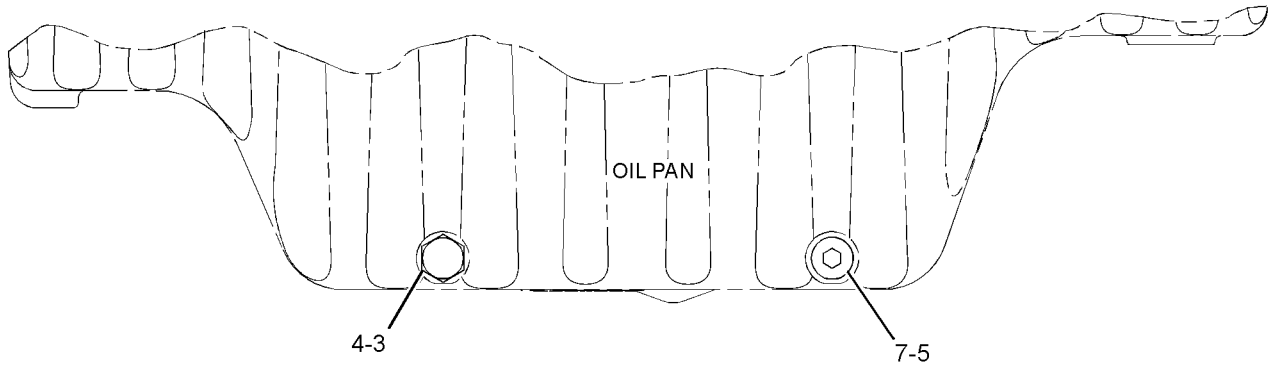
# BASIC ENGINE

## 296-6480 PLUG GP-OIL PAN-ENGINE AN ATTACHMENT

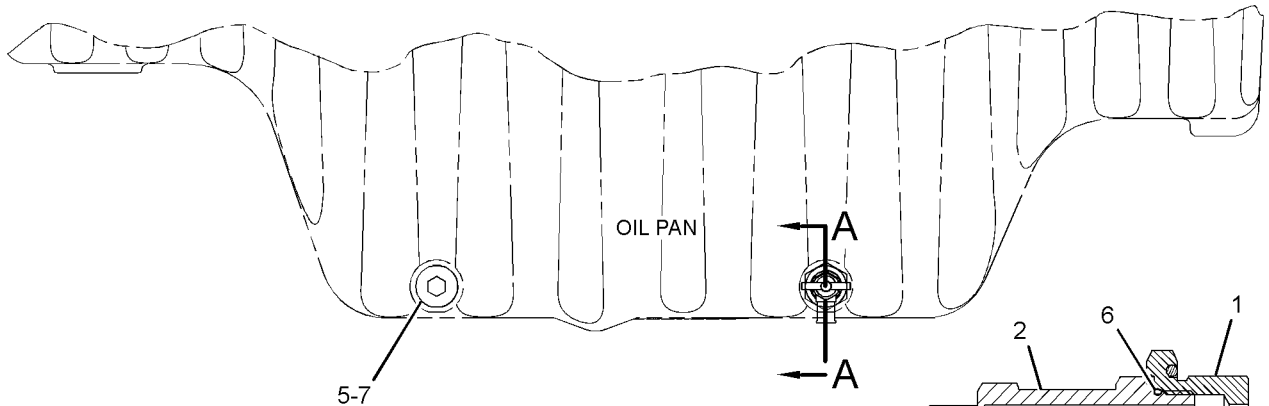
SMCS-1302

i02785674

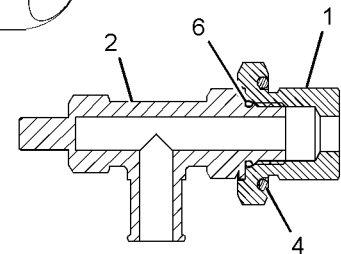
NOTE	REF NO	GRAPHIC REF	PART NUMBER	QTY	PART NAME						SEE PAGE
					1	2	3	4	5	6 (PRODUCT LEVEL)	
	1	1	<b>3E-7427</b>	1	ADAPTER						
	2	1	<b>6V-7238</b>	1	VALVE-SHUTOFF (ENGINE OIL PAN DRAIN)						
	3	1	<b>9X-6451</b>	1	PLUG-DRAIN (ENGINE OIL PAN)						
	4	1	<b>061-9458</b>	2	SEAL-O-RING						
	5	1	<b>5P-7701</b>	2	SEAL-O-RING						
	6	1	<b>8L-2786</b>	1	SEAL-O-RING						
	7	1	<b>9S-9334</b>	2	PLUG-O-RING						



LEFT SIDE VIEW OF ENGINE



RIGHT SIDE VIEW OF ENGINE



SECTION A-A

GRAPHIC #1

<END>

g01327003

# BASIC ENGINE

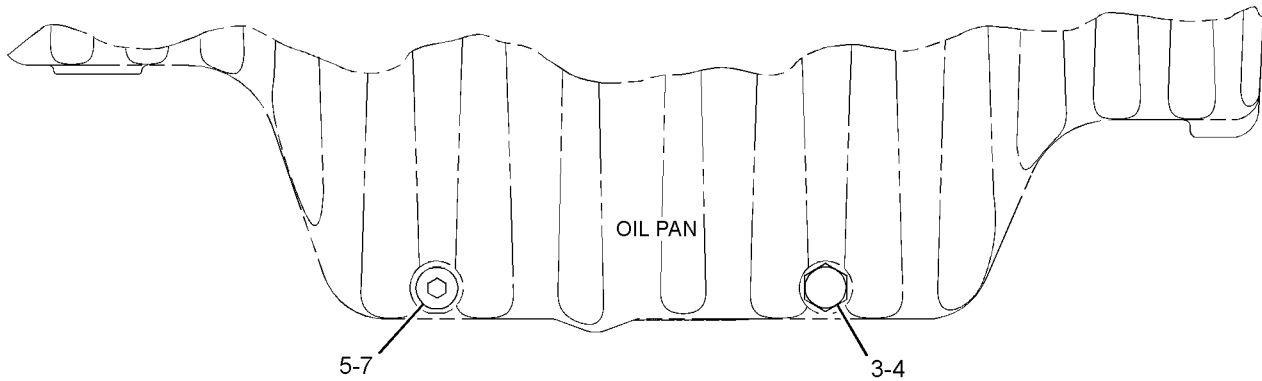
## 296-6481 PLUG GP-OIL PAN-ENGINE

FRONT DRAIN, LH  
AN ATTACHMENT

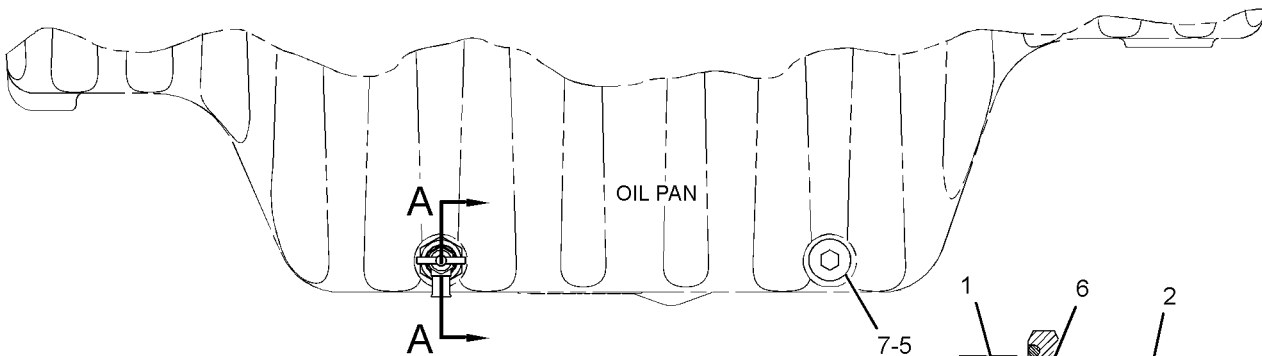
SMCS-1302

i02786218

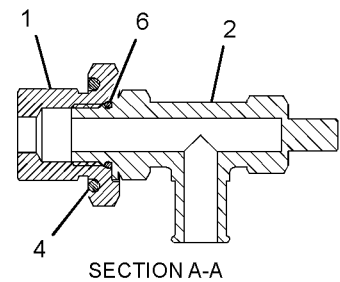
NOTE	REF NO	GRAPHIC REF	PART NUMBER	QTY	PART NAME						SEE PAGE
					1	2	3	4	5	6 (PRODUCT LEVEL)	
	1	1	3E-7427	1	ADAPTER						
	2	1	6V-7238	1	VALVE-SHUTOFF (ENGINE OIL PAN DRAIN)						
	3	1	9X-6451	1	PLUG-DRAIN (ENGINE OIL PAN)						
	4	1	061-9458	2	SEAL-O-RING						
	5	1	5P-7701	2	SEAL-O-RING						
	6	1	8L-2786	1	SEAL-O-RING						
	7	1	9S-9334	2	PLUG-O-RING						



RIGHT SIDE VIEW OF ENGINE



LEFT SIDE VIEW OF ENGINE



SECTION A-A

GRAPHIC #1

<END>

g01327014

# BASIC ENGINE

## 2W-4909 POWER TAKE-OFF GP

CLUTCH

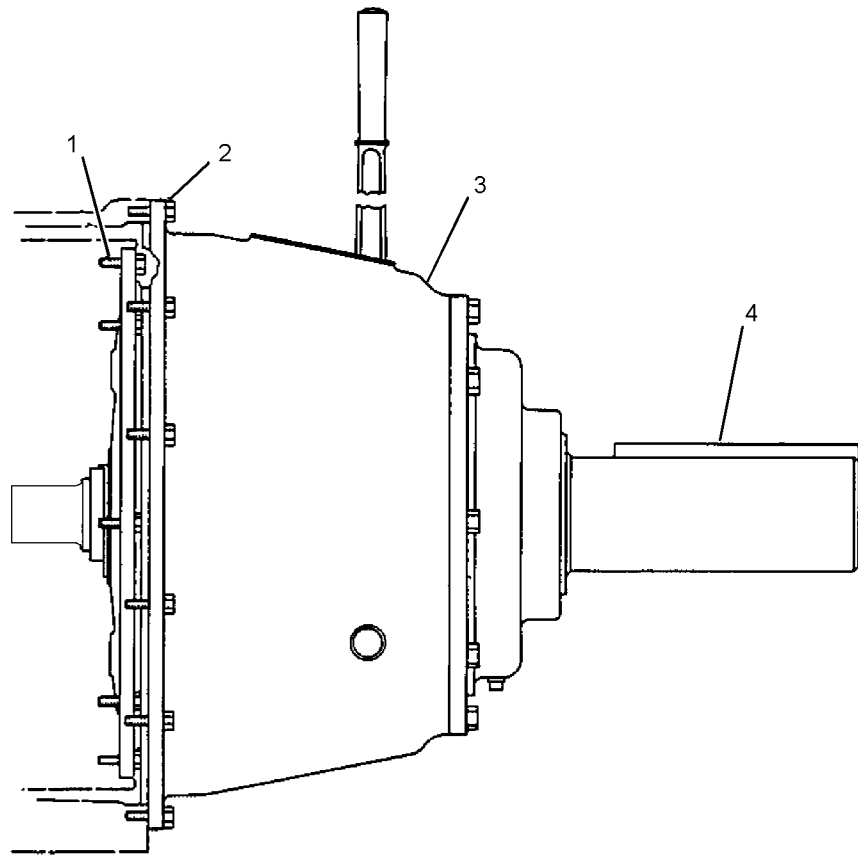
CANNOT BE USED WITH REAR STUB SHAFT  
AN ATTACHMENT

SMCS-1165

i04157190

NOTE	REF NO	GRAPHIC REF	PART NUMBER	QTY	PART NAME						SEE PAGE
					1	2	3	4	5	6 (PRODUCT LEVEL)	
	1	1	<b>7B-3235</b>	8	BOLT (1/2-13X1.375-IN)						
	2	1	<b>7X-0308</b>	12	BOLT (7/16-14X1.375-IN)						
Y	3	1	<b>2W-4908</b>	1	CLUTCH GP						74
	4	1	<b>2F-7771</b>	1	KEY-SQUARE						

Y-SEPARATE ILLUSTRATION



GRAPHIC #1

<END>

g02354277

# BASIC ENGINE

## 2W-4913 POWER TAKE-OFF GP

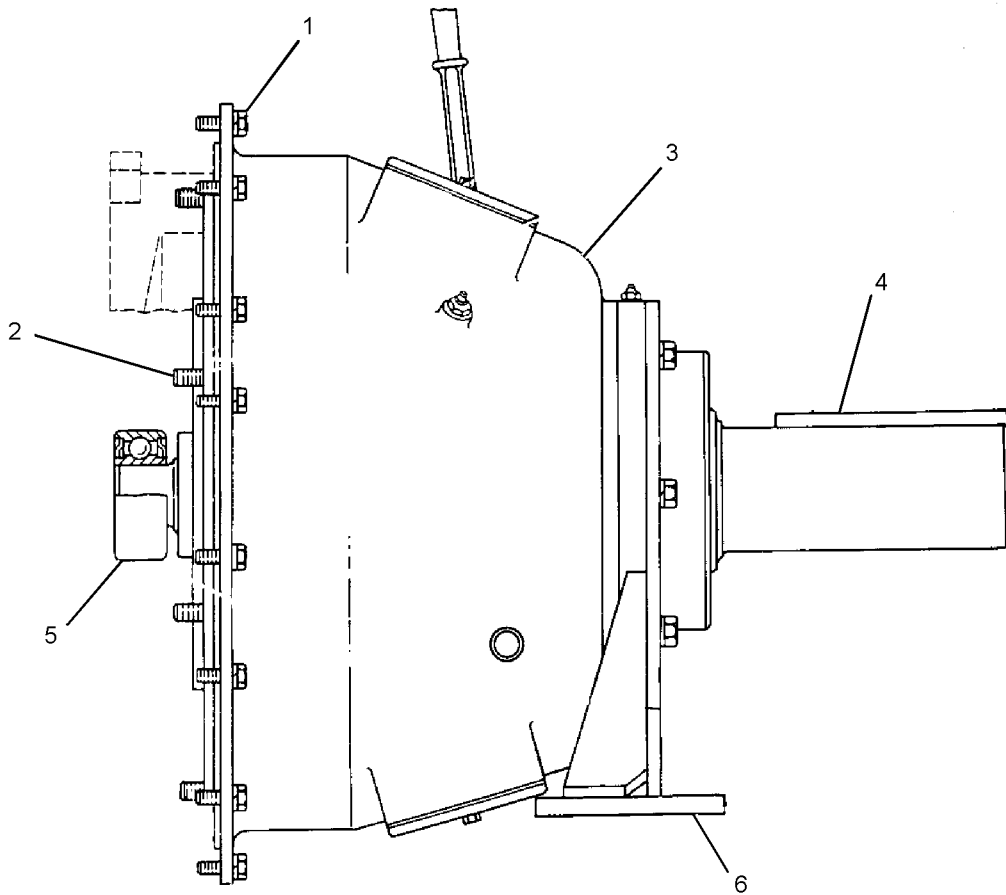
CLUTCH, INTERMEDIATE DUTY INCLUDES REAR SUPPORT FOR INLINE OR SIDE LOADS,  
REQUIRES SAE NO. 0 FLYWHEEL HOUSING  
AN ATTACHMENT

SMCS-1165

i02756252

NOTE	REF NO	GRAPHIC REF	PART NUMBER	QTY	PART NAME						SEE PAGE
					1	2	3	4	5	6 (PRODUCT LEVEL)	
	1	1	6H-1717	16	BOLT (1/2-13X1.125-IN)						
	2	1	7B-1115	6	BOLT (5/8-11X1.625-IN)						
Y	3	1	2W-4912	1	CLUTCH GP						77
	4	1	2F-7771	1	KEY-SQUARE						
	5	1	5P-3499	1	BALL BEARING						
	6	1	7L-7856	1	SUPPORT AS-CLUTCH						
BF			5N-1693	6	SHIM (0.5-MM THK)						
BF			5N-1694	10	SHIM (0.8-MM THK)						

B-USE AS REQUIRED  
F-NOT SHOWN  
Y-SEPARATE ILLUSTRATION



GRAPHIC #1

<END>

g01380259



# BASIC ENGINE

## 5N-3335 POWER TAKE-OFF GP

CLUTCH

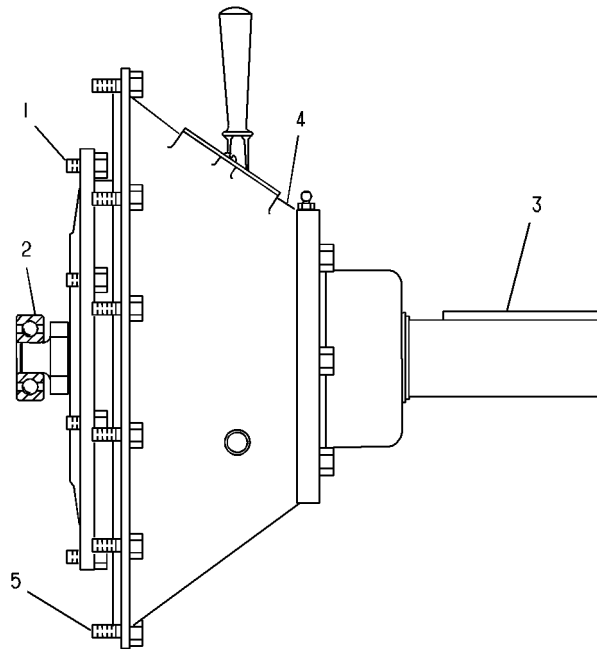
CANNOT BE USED WITH REAR STUB SHAFT  
AN ATTACHMENT

SMCS-1165

i04158161

NOTE	REF NO	GRAPHIC REF	PART NUMBER	QTY	PART NAME						SEE PAGE
					1	2	3	4	5	6 (PRODUCT LEVEL)	
	1	1	<b>7B-3235</b>	8	BOLT (1/2-13X1.375-IN)						
	2	1	<b>5P-3499</b>	1	BALL BEARING						
	3	1	<b>2F-7771</b>	1	KEY-SQUARE						
Y	4	1	<b>5N-3334</b>	1	CLUTCH GP						79
	5	1	<b>7X-0308</b>	12	BOLT (7/16-14X1.375-IN)						

Y-SEPARATE ILLUSTRATION



GRAPHIC #1

<END>

g00156937

# BASIC ENGINE

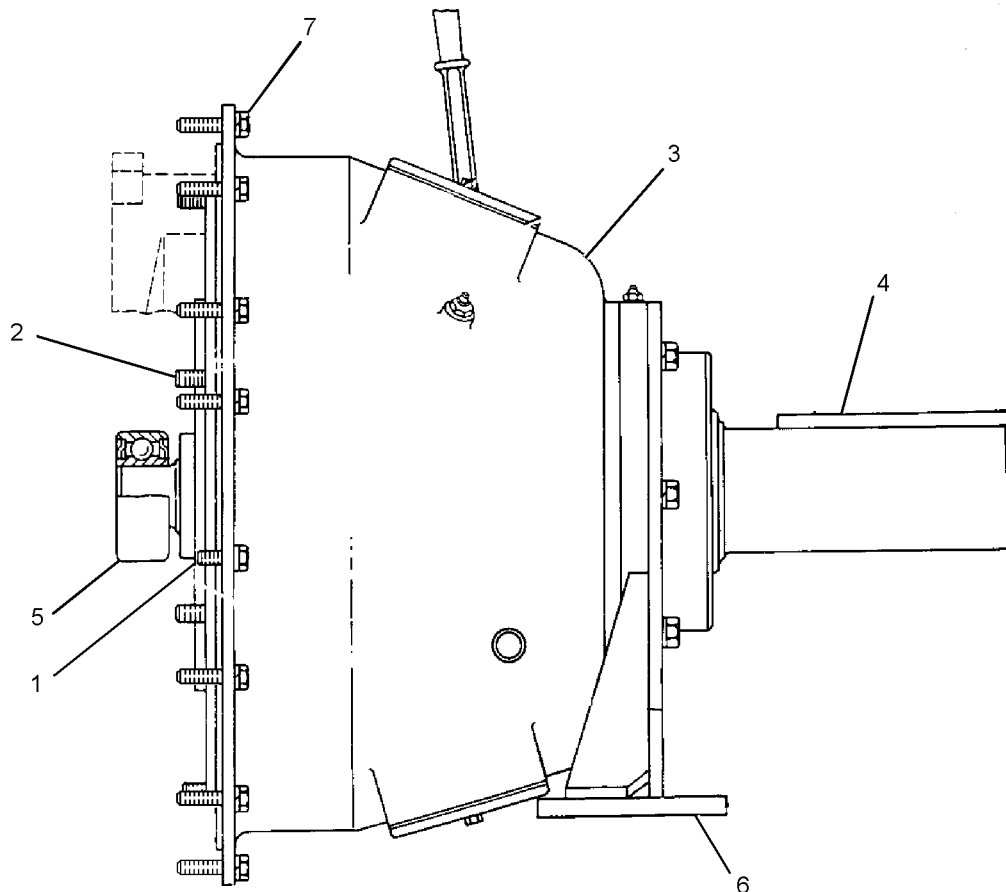
## 291-5541 POWER TAKE-OFF GP-REAR AN ATTACHMENT

SMCS-1165

i02990893

NOTE	REF NO	GRAPHIC REF	PART NUMBER	QTY	PART NAME						SEE PAGE
					1	2	3	4	5	6 (PRODUCT LEVEL)	
	1	1	6H-1717	2	BOLT (1/2-13X1.125-IN)						
	2	1	7B-1115	6	BOLT (5/8-11X1.625-IN)						
Y	3	1	2W-4912	1	CLUTCH GP						77
	4	1	2F-7771	1	KEY-SQUARE						
	5	1	5P-3499	1	BALL BEARING						
	6	1	7L-7856	1	SUPPORT AS-CLUTCH						
	7	1	9X-8873	14	BOLT (1/2-13X2.25-IN)						
BF		1	5N-1693	6	SHIM (0.5-MM THK)						
BF		1	5N-1694	10	SHIM (0.8-MM THK)						

B-USE AS REQUIRED  
F-NOT SHOWN  
Y-SEPARATE ILLUSTRATION



GRAPHIC #1

<END>

g01515896

# BASIC ENGINE

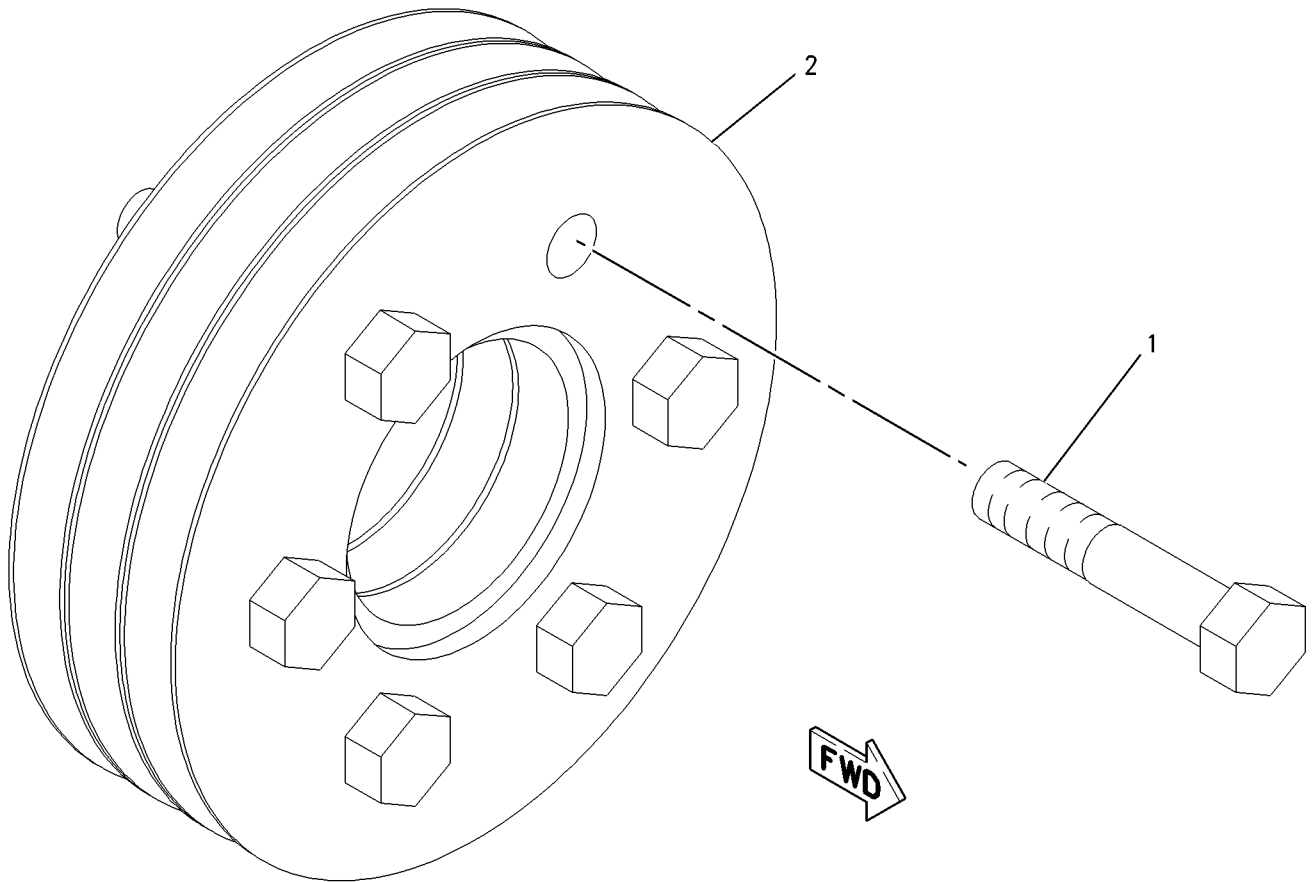
## 229-2671 PULLEY GP-FAN DRIVE

FOR USE WITH 0.800:1 FAN DRIVE  
AN ATTACHMENT

SMCS-1205, 1359, 1384, 1425

i03212349

NOTE	REF NO	GRAPHIC REF	PART NUMBER	QTY	PART NAME						SEE PAGE
					1	2	3	4	5	6 (PRODUCT LEVEL)	
	1	1	1D-4585	6	BOLT (5/8-11X3.25-IN)						
	2	1	6N-7380	3	PULLEY (1-GROOVE) (FAN DRIVE)						



GRAPHIC #1

<END>

g00984691

# BASIC ENGINE

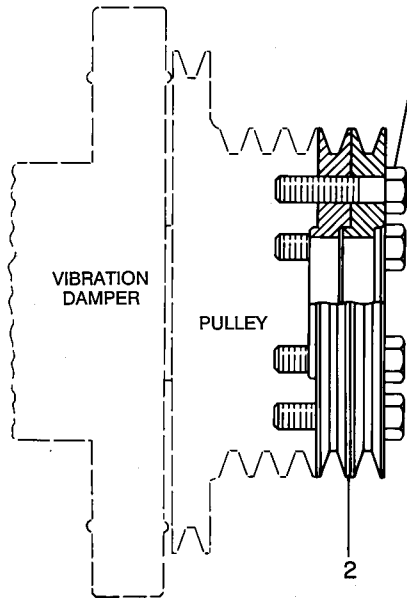
## 6N-7381 PULLEY GP-AUXILIARY DRIVE

8 INCH DIAMETER  
FOR USE WITH 8N-6114-PAGE 392  
AN ATTACHMENT

SMCS-1205, 1207

i03212352

NOTE	REF NO	GRAPHIC REF	PART NUMBER	QTY	PART NAME						SEE PAGE
					1	2	3	4	5	6 (PRODUCT LEVEL)	
	1	1	0S-1625	6	BOLT (5/8-11X2.5-IN)						
	2	1	6N-7380	2	PULLEY (1-GROOVE)						



GRAPHIC #1

<END>

g00135733

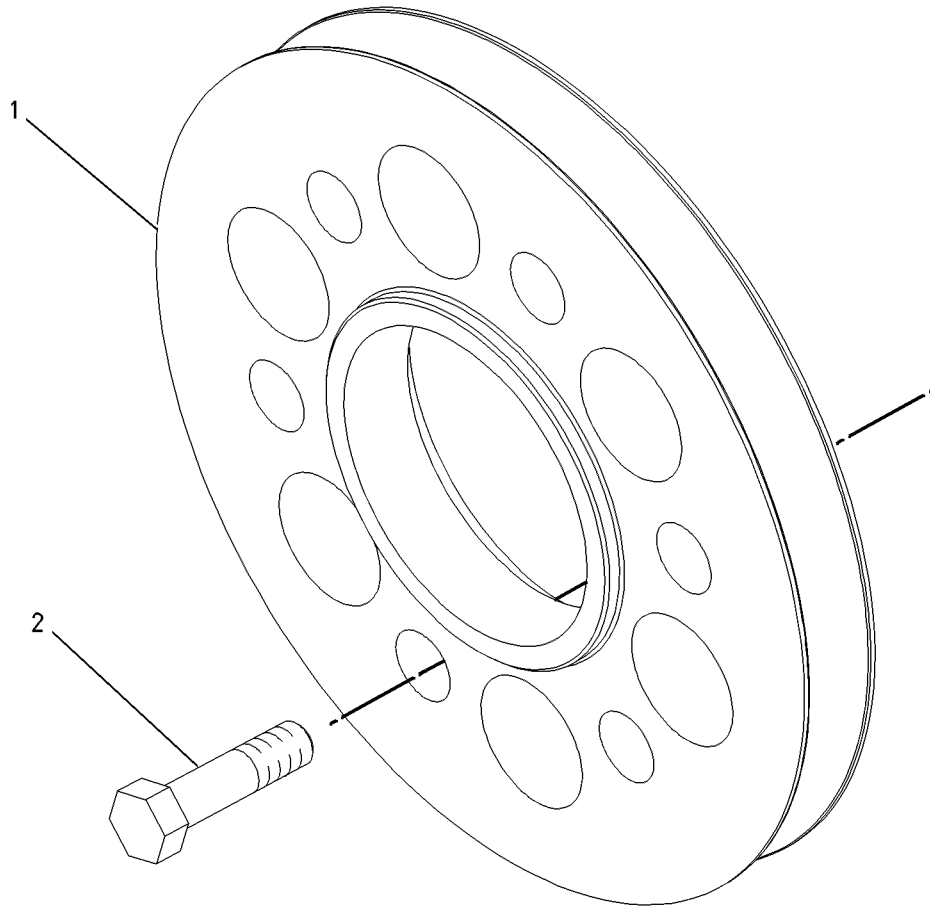
# BASIC ENGINE

## 158-2770 PULLEY GP-AUXILIARY DRIVE FOR USE WHEN A 4-GROOVE PULLEY IS USED ON THE FAN DRIVE AN ATTACHMENT

SMCS-1205, 1207

i03212350

NOTE	REF NO	GRAPHIC REF	PART NUMBER	QTY	PART NAME						SEE PAGE
					1	2	3	4	5	6 (PRODUCT LEVEL)	
	1	1	6N-7380	1	PULLEY (1-GROOVE)						
	2	1	0S-1589	6	BOLT (5/8-11X1.75-IN)						



GRAPHIC #1

<END>

g00437704

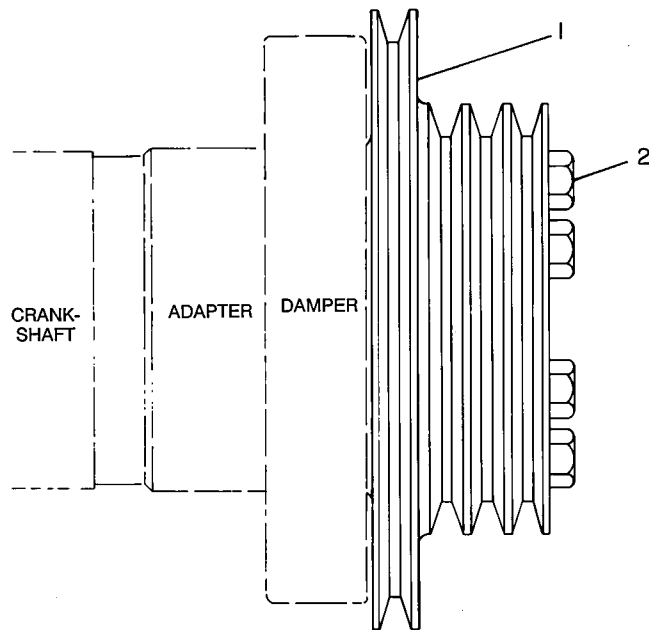
# BASIC ENGINE

## 8N-6114 PULLEY GP-CRANKSHAFT AN ATTACHMENT

SMCS - 1205

i00641314

NOTE	REF NO	GRAPHIC REF	PART NUMBER	QTY	PART NAME						SEE PAGE
					1	2	3	4	5	6 (PRODUCT LEVEL)	
	1	1	6N-7378	1	PULLEY - CRANKSHAFT (4-GROOVE)						
	2	1	6V-1873	6	BOLT (5/8-18X8.5-IN)						



GRAPHIC #1

<END>

g00137569

# BASIC ENGINE

## 240-8658 PULLEY GP-CRANKSHAFT

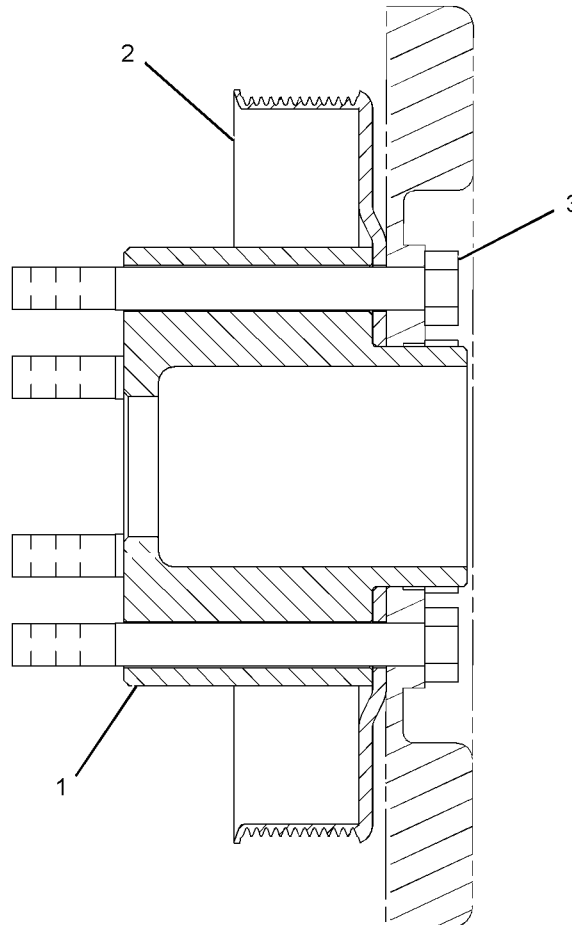
PROVIDES A 275 MM DIAMETER 12 GROOVE POLY-RIB PULLEY AND MOUNTING BOLTS  
FOR USE WITH 111-8317-PAGE 156, 240-8213-PAGE 68  
AN ATTACHMENT

SMCS-1205

i03212355

NOTE	REF NO	GRAPHIC REF	PART NUMBER	QTY	PART NAME						SEE PAGE
					1	2	3	4	5	6 (PRODUCT LEVEL)	
C	1	1	296-2745	1	ADAPTER-DAMPER						
	2	1	268-5705	1	PULLEY (12-GROOVE) (CRANKSHAFT)						
	3	1	2B-6030	6	BOLT (5/8-18X6-IN)						

C-CHANGE FROM PREVIOUS TYPE



GRAPHIC #1

<END>

g01285918

# BASIC ENGINE

## 285-3493 PULLEY GP-ENGINE

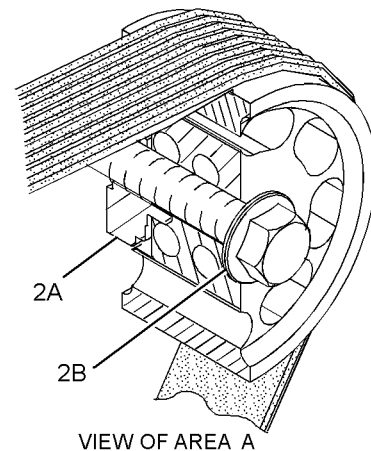
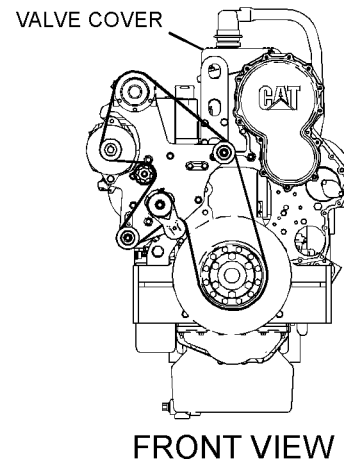
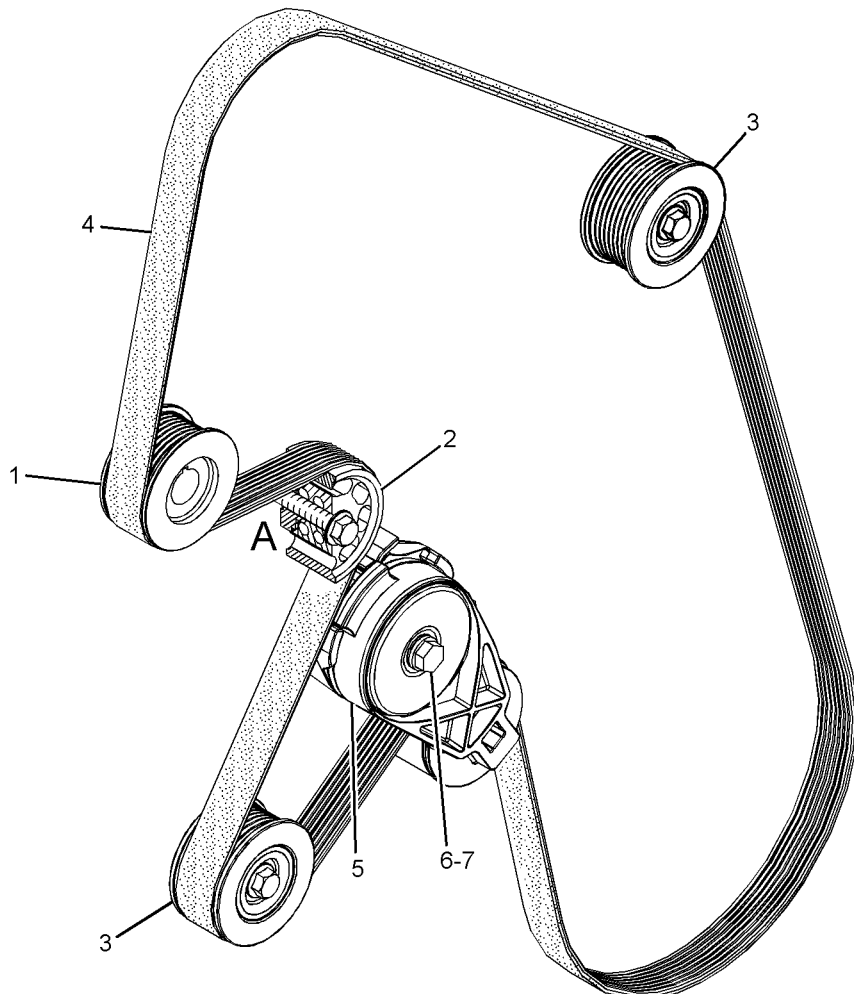
AN ATTACHMENT

SMCS-1205, 1207, 1359, 1384, 1425

i04059850

NOTE	REF NO	GRAPHIC REF	PART NUMBER	QTY	PART NAME						SEE PAGE
					1	2	3	4	5	6 (PRODUCT LEVEL)	
	1	1	123-0791	1	PULLEY (8-GROOVE)						
	2	1	133-7023	1	PULLEY AS-IDLER						
	2A	1	151-2898	1	SPACER (10.4X38.1X20-MM THK)						
M	2B	1	151-2900	1	BOLT (M10X1.5X54.25-MM)						
		1	166-6358	1	COVER-DUST						
	3	1	173-1498	2	PULLEY AS-IDLER (8-GROOVE)						
	4	1	197-4567	1	BELT-SERPENTINE						
	5	1	347-7963	1	TENSIONER-BELT						
	6	1	8T-4121	1	WASHER-HARD (11X21X2.5-MM THK)						
M	7	1	8T-4172	1	BOLT (M10X1.5X80-MM)						

M-METRIC PART



GRAPHIC #1

<END>

g02276996



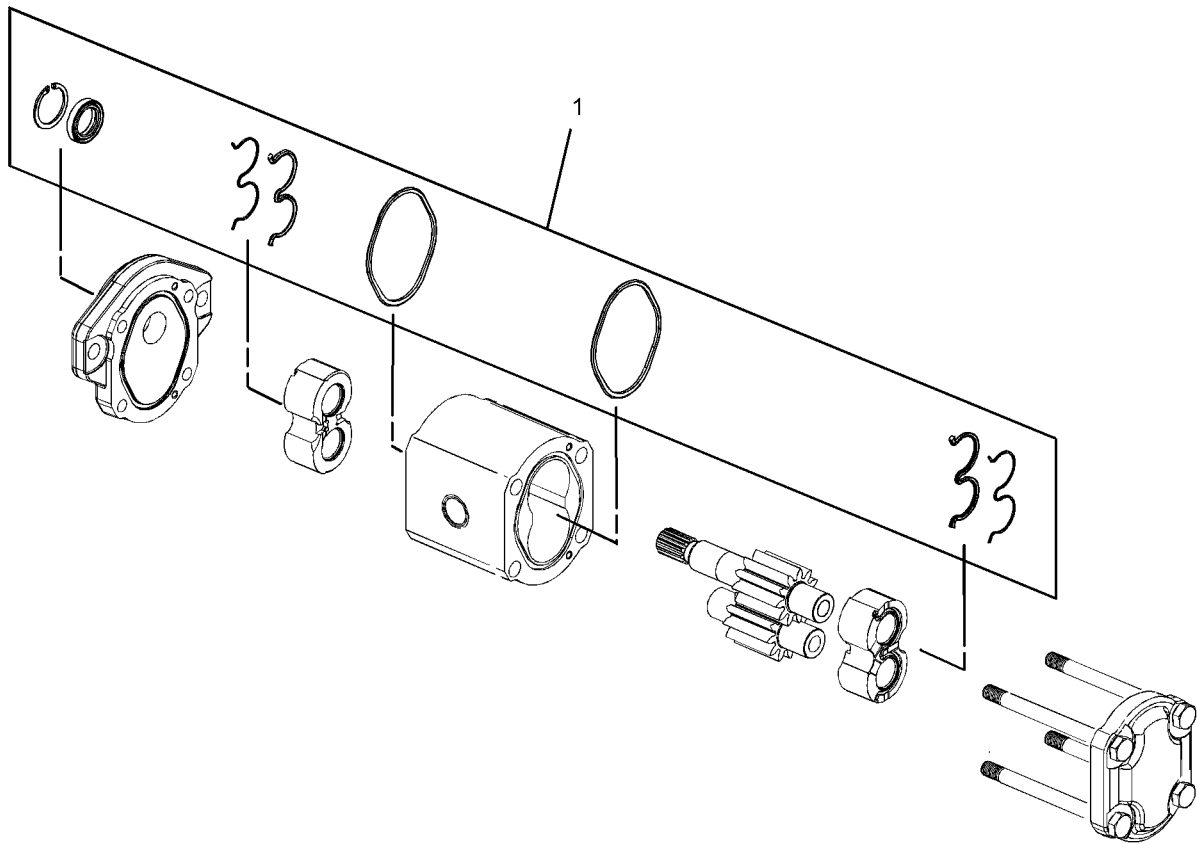
# BASIC ENGINE

## 297-6788 PUMP GP-GEAR PART OF 299-8969 PUMP & MTG GP-HYDRAULIC AN ATTACHMENT

SMCS-5073

i02924262

NOTE	REF NO	GRAPHIC REF	PART NUMBER	QTY	PART NAME						SEE PAGE
					1	2	3	4	5	6 (PRODUCT LEVEL)	
	1	1	262-6145	1	KIT-SEAL						
(KIT INCLUDES 1 SHAFT SEAL, 1 RING-SNAP, 2 E-SEALS, 2 BACK-UP RINGS, & 2 SEAL O-RINGS)											



GRAPHIC #1

<END>

g01453316

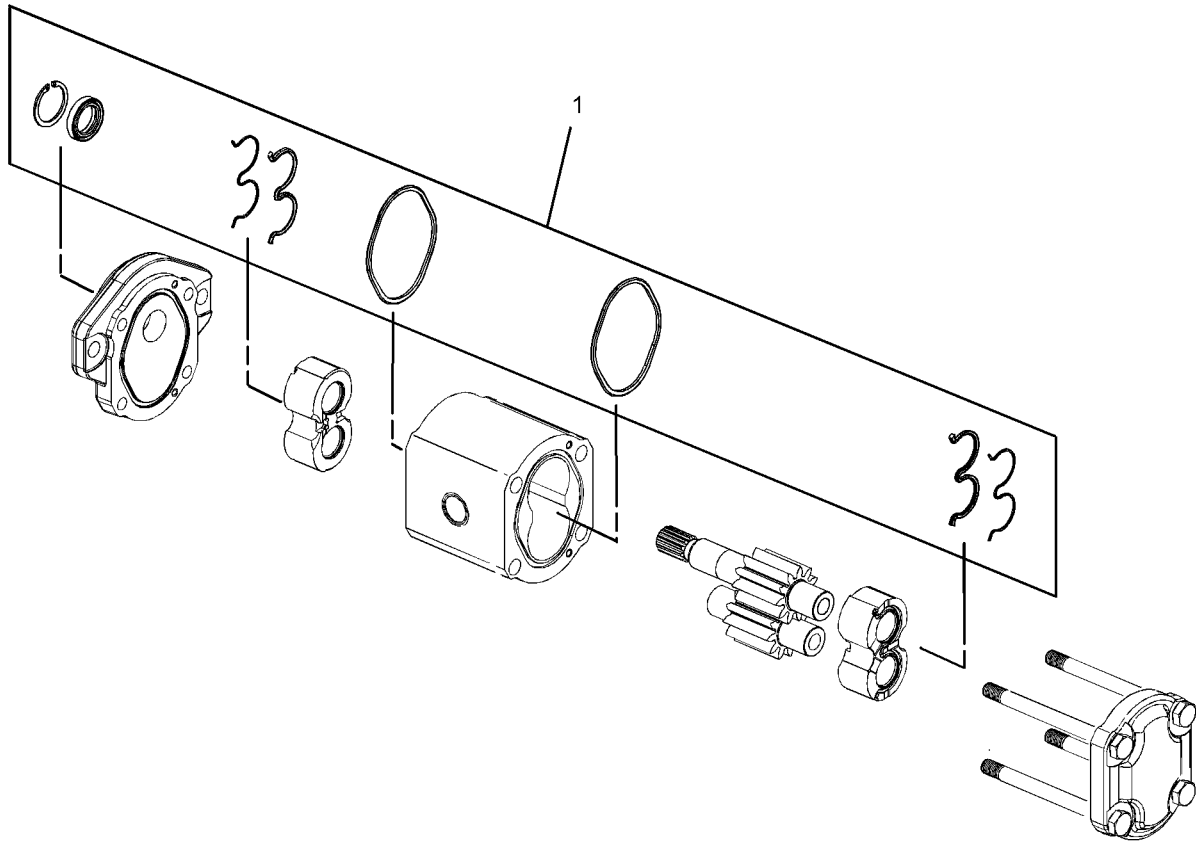
# BASIC ENGINE

## 297-6789 PUMP GP-GEAR PART OF 299-8970 PUMP & MTG GP-HYDRAULIC AN ATTACHMENT

SMCS-5073

i02928400

NOTE	REF NO	GRAPHIC REF	PART NUMBER	QTY	PART NAME						SEE PAGE
					1	2	3	4	5	6 (PRODUCT LEVEL)	
	1	1	262-6145	1	KIT-SEAL						
(KIT INCLUDES 1 SHAFT SEAL, 1 RING-SNAP, 2 E-SEALS, 2 BACK-UP RINGS, & 2 SEAL O-RINGS)											



GRAPHIC #1

<END>

g01453316

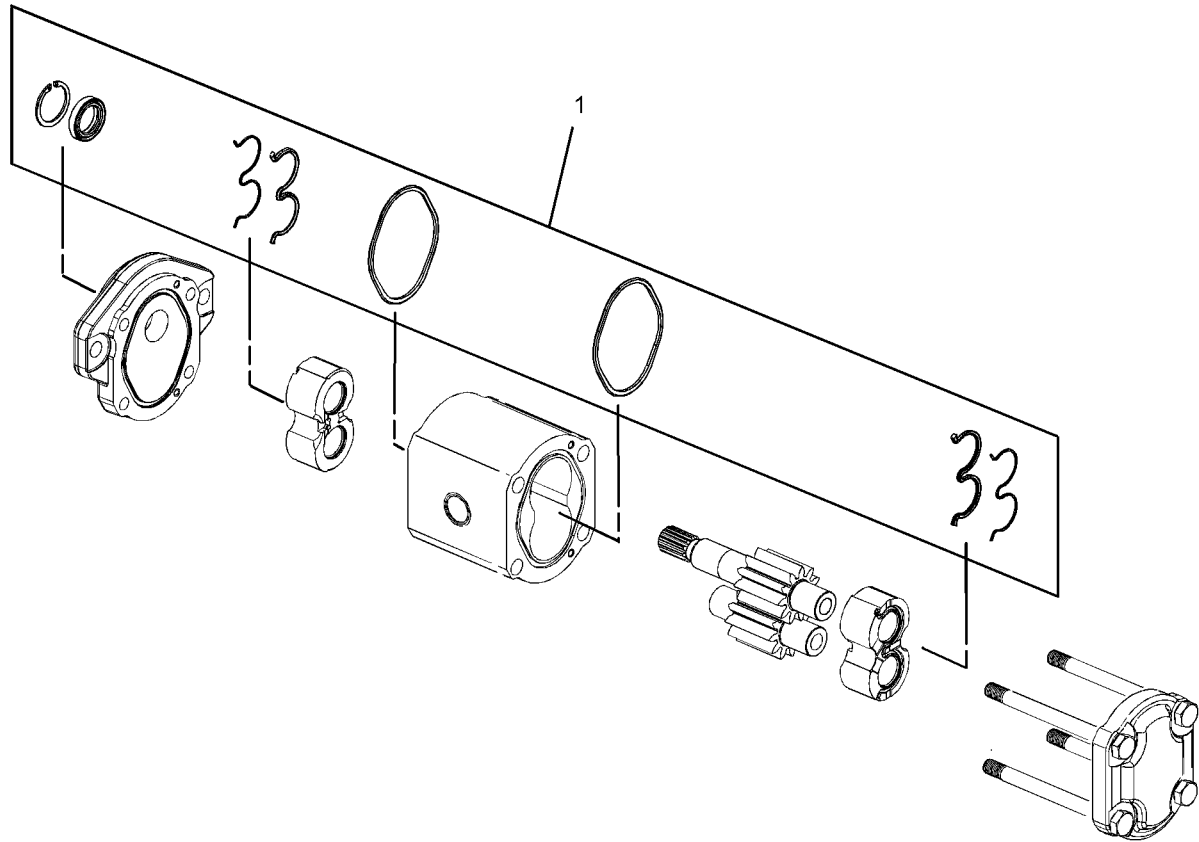
# BASIC ENGINE

## 297-6792 PUMP GP-GEAR PART OF 299-8971 PUMP & MTG GP-HYDRAULIC AN ATTACHMENT

SMCS-5073

i02928399

NOTE	REF NO	GRAPHIC REF	PART NUMBER	QTY	PART NAME						SEE PAGE
					1	2	3	4	5	6 (PRODUCT LEVEL)	
	1	1	262-6145	1	KIT-SEAL						
(KIT INCLUDES 1 SHAFT SEAL, 1 RING-SNAP, 2 E-SEALS, 2 BACK-UP RINGS, & 2 SEAL O-RINGS)											



GRAPHIC #1

<END>

g01453316

# BASIC ENGINE

## 198-9898 ROCKER ARM GP

S/N: JRE106-1257

PART OF 148-7482 MECHANISM GP-FUEL PUMP & VALVE

SMCS-1123

i03626648

NOTE	REF NO	GRAPHIC REF	PART NUMBER	QTY	PART NAME						SEE PAGE
					1	2	3	4	5	6 (PRODUCT LEVEL)	
	1	1	<b>6I-0901</b>	1	SHAFT AS-ROCKER ARM						
		1	<b>4B-9782</b>	2	BALL						
	2	1	<b>276-5317</b>	4	NUT (3/8-24-THD)						
	3	1	<b>258-8721</b>	4	BUTTON						
W	4	1	<b>192-4151</b>	2	BUTTON (24-MM OD)						
					-OR-						
J		1	<b>4P-7371</b>	2	INSERT (14.75-MM OD)						
W	5	1	<b>196-5069</b>	2	SCREW-ARM ADJUSTMENT (9/16-18X2-IN)						
					-OR-						
J		1	<b>4P-4278</b>	2	SCREW-UNIT INJ ADJUSTMENT						
W	6	1	<b>196-5070</b>	2	NUT-JAM (9/16-18-THD)						
					-OR-						
J		1	<b>4P-4279</b>	2	NUT-JAM (7/8-18-THD)						
	7	1	<b>232-0253</b>	4	SCREW-ARM ADJUSTMENT (3/8-24X1.20-IN)						
R	8	1	<b>203-8822</b>	2	ROCKER ARM AS (EXHAUST VALVE ROCKER)						
R	9	1	<b>203-8824</b>	2	ROCKER ARM AS (INLET VALVE ROCKER)						
WR	10	1	<b>207-5248</b>	2	ROCKER ARM AS (UNIT INJECTOR ROCKER)						
W	11	1	<b>061-8639</b>	2	SEAL-O-RING						
					-OR-						
J		1	<b>032-9313</b>	2	SEAL-O-RING						
	12	1	<b>8L-2777</b>	4	SEAL-O-RING						

J-PARTS MARKED J MUST BE USED TOGETHER ON OLDER ROCKER ARM ASSEMBLIES

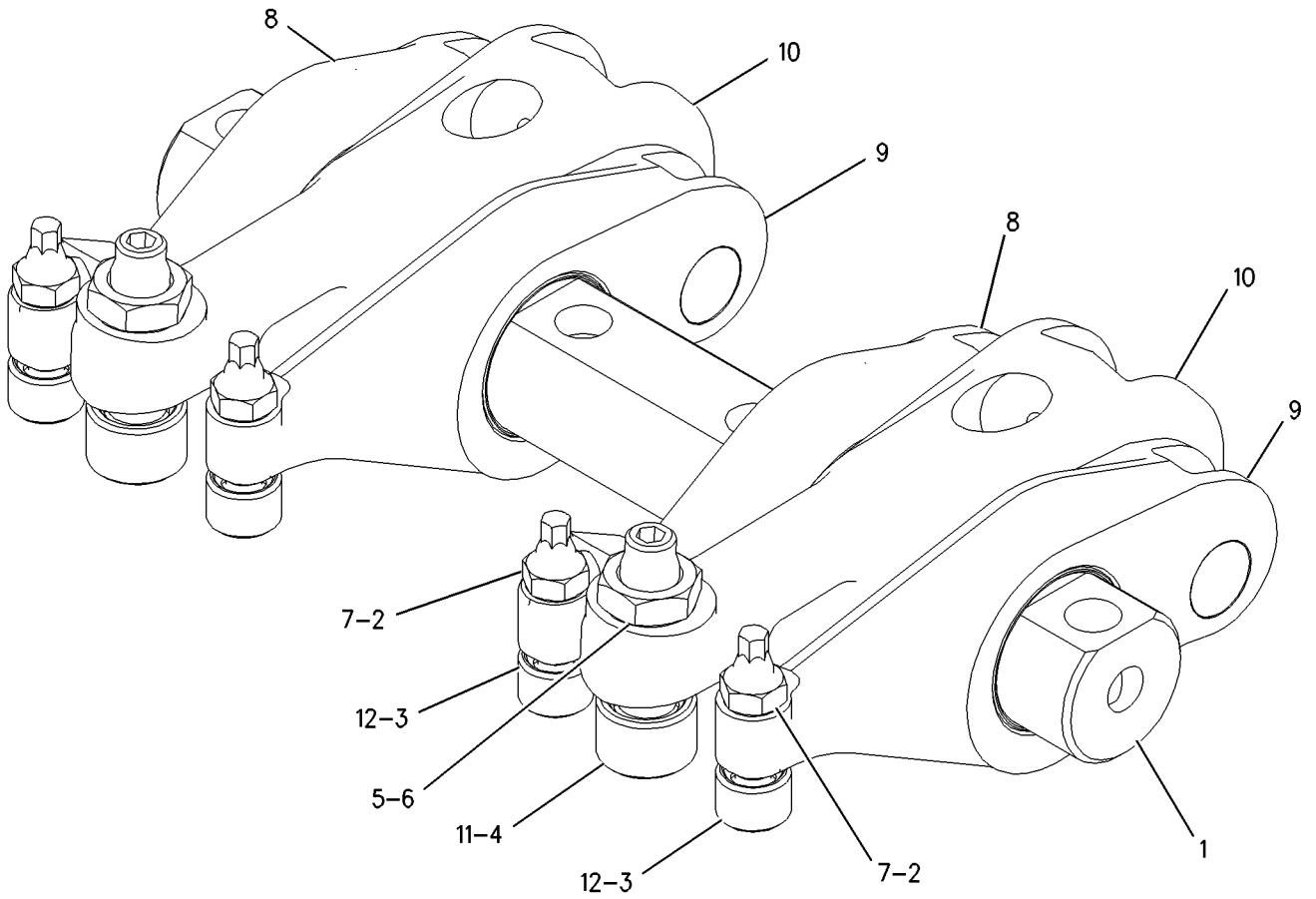
R-REMG PART MAY BE AVAILABLE

W-PARTS MARKED W MUST BE USED TOGETHER ON NEWER ROCKER ARM ASSEMBLIES

# BASIC ENGINE

198-9898 ROCKER ARM GP (contd.)

i03626648



GRAPHIC #1

<END>

g00905507

# BASIC ENGINE

## 210-2521 ROCKER ARM GP

S/N: JRE1-1268

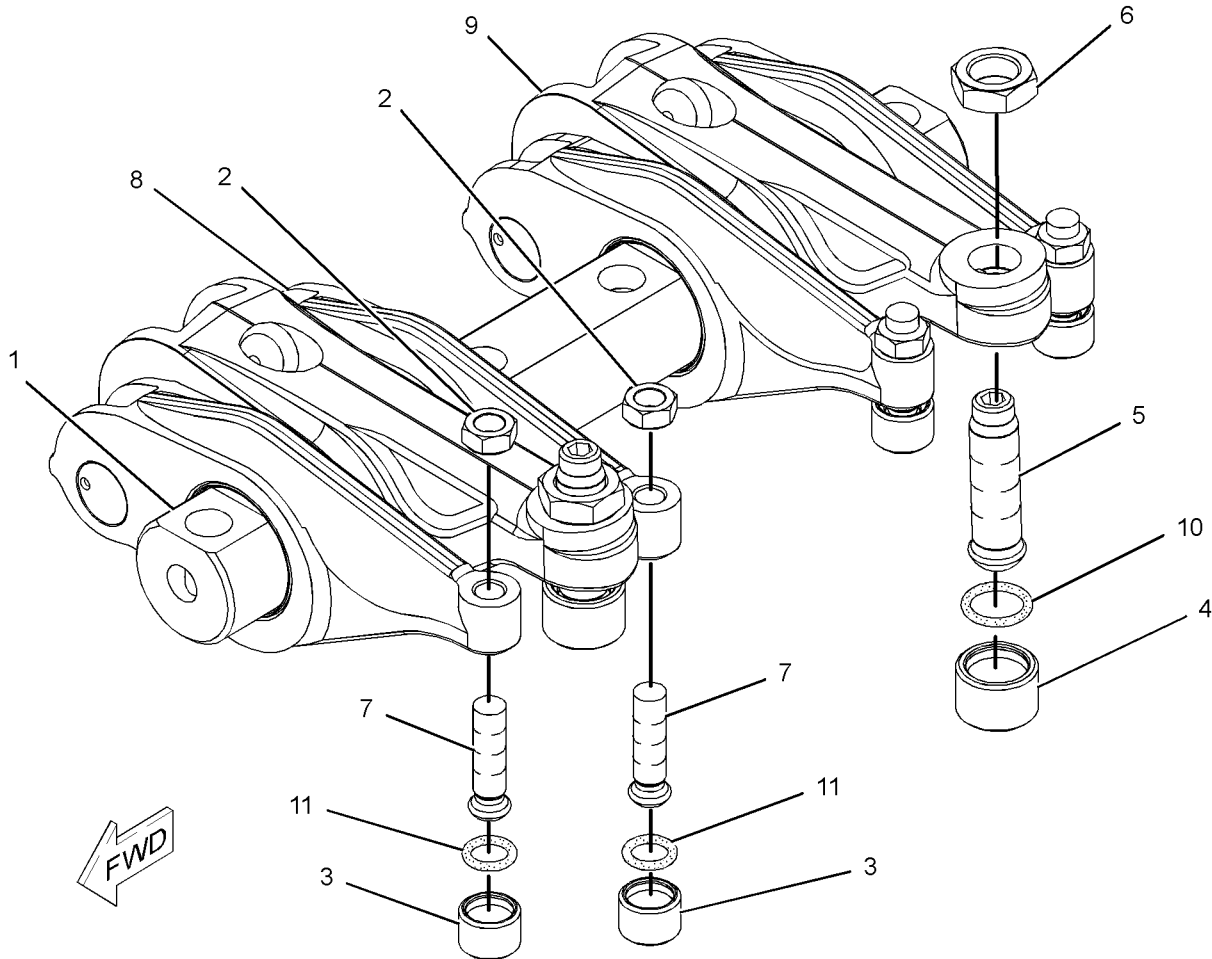
PART OF 190-0009 MECHANISM GP-FUEL PUMP & VALVE  
ALSO AN ATTACHMENT

SMCS-1123

i03817815

NOTE	REF NO	GRAPHIC REF	PART NUMBER	QTY	PART NAME						SEE PAGE
					1	2	3	4	5	6 (PRODUCT LEVEL)	
	1	1	<b>6I-0901</b>	1	SHAFT AS-ROCKER ARM						
		1	<b>4B-9782</b>	2	BALL						
	2	1	<b>276-5317</b>	4	NUT (3/8-24-THD)						
	3	1	<b>258-8721</b>	4	BUTTON						
	4	1	<b>192-4151</b>	2	BUTTON						
	5	1	<b>196-5069</b>	2	SCREW-ARM ADJUSTMENT (9/16-18X2-IN)						
	6	1	<b>196-5070</b>	2	NUT-JAM (9/16-18-THD)						
	7	1	<b>232-0253</b>	4	SCREW-ARM ADJUSTMENT (3/8-24X1.20-IN)						
R	8	1	<b>203-8824</b>	4	ROCKER ARM AS (INLET)						
R	9	1	<b>207-5248</b>	2	ROCKER ARM AS (UNIT INJECTOR)						
	10	1	<b>061-8639</b>	2	SEAL-O-RING						
	11	1	<b>8L-2777</b>	4	SEAL-O-RING						

R-REMFG PART MAY BE AVAILABLE



GRAPHIC #1

<END>

g01213031

# BASIC ENGINE

## 278-1929 ROCKER ARM GP

S/N: JRE1269-2681, 4361-11044

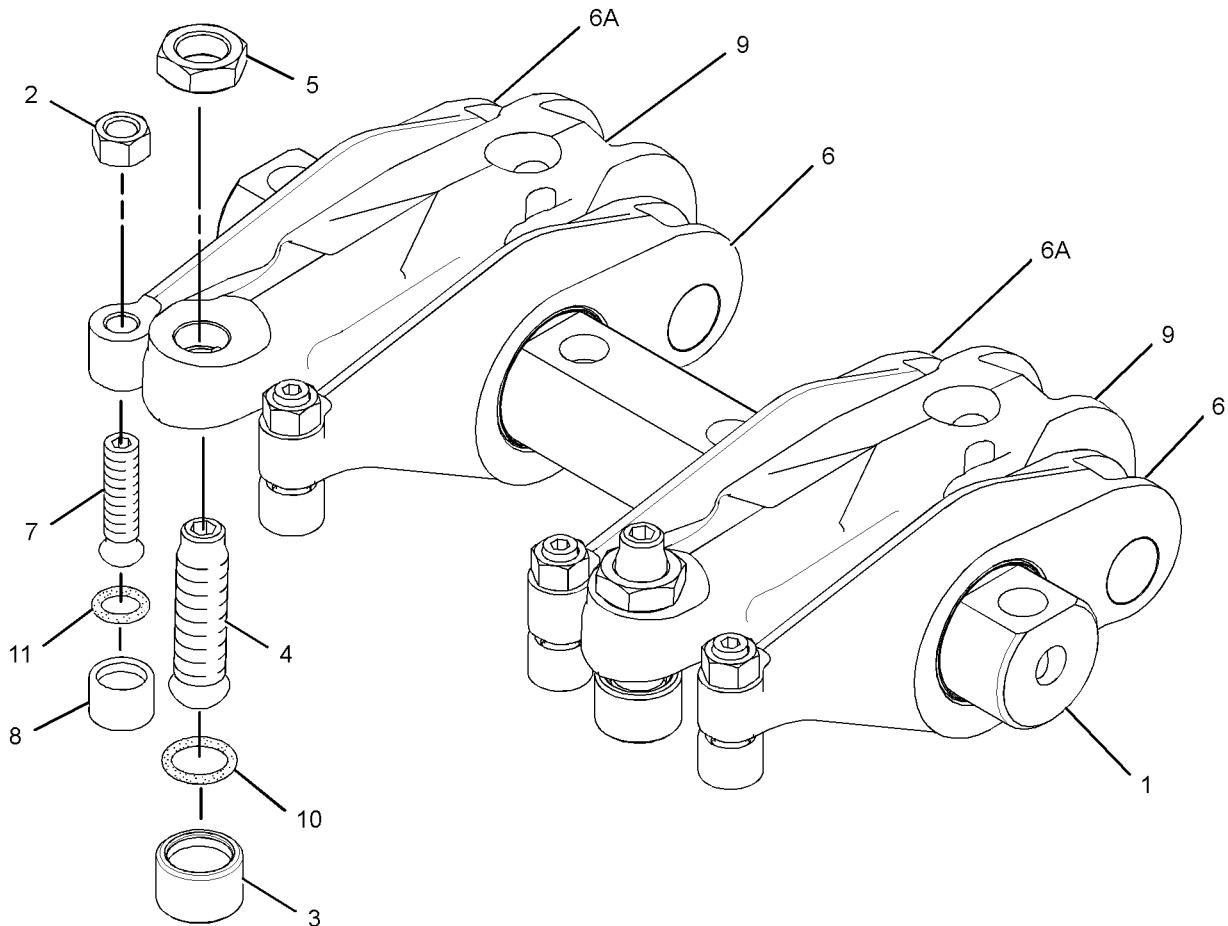
PART OF 190-0009 MECHANISM GP-FUEL PUMP & VALVE  
ALSO AN ATTACHMENT

SMCS-1123

i03626649

NOTE	REF NO	GRAPHIC REF	PART NUMBER	QTY	PART NAME						SEE PAGE
					1	2	3	4	5	6 (PRODUCT LEVEL)	
	1	1	307-8322	1	SHAFT AS-ROCKER ARM						
		1	4B-9782	2	BALL						
2		1	276-5317	4	NUT (3/8-24-THD)						
3		1	192-4151	2	BUTTON (24-MM OD)						
4		1	196-5069	2	SCREW-ARM ADJUSTMENT (9/16-18X2-IN)						
5		1	196-5070	2	NUT-JAM (9/16-18-THD)						
R	6	1	203-8824	2	ROCKER ARM AS (INLET VALVE ROCKER)						
R	6A	1	203-8824	2	ROCKER ARM AS (EXHAUST VALVE ROCKER)						
7		1	274-4491	4	SCREW-ARM ADJUSTMENT (3/8-24X1.20-IN)						
8		1	258-8721	4	BUTTON						
R	9	1	278-1365	2	ROCKER ARM AS (UNIT INJECTOR ROCKER)						
	10	1	061-8639	2	SEAL-O-RING						
	11	1	8L-2777	4	SEAL-O-RING						

R-REMFG PART MAY BE AVAILABLE



GRAPHIC #1

<END>

g01915276

# BASIC ENGINE

## 278-1931 ROCKER ARM GP

S/N: JRE1258-1269

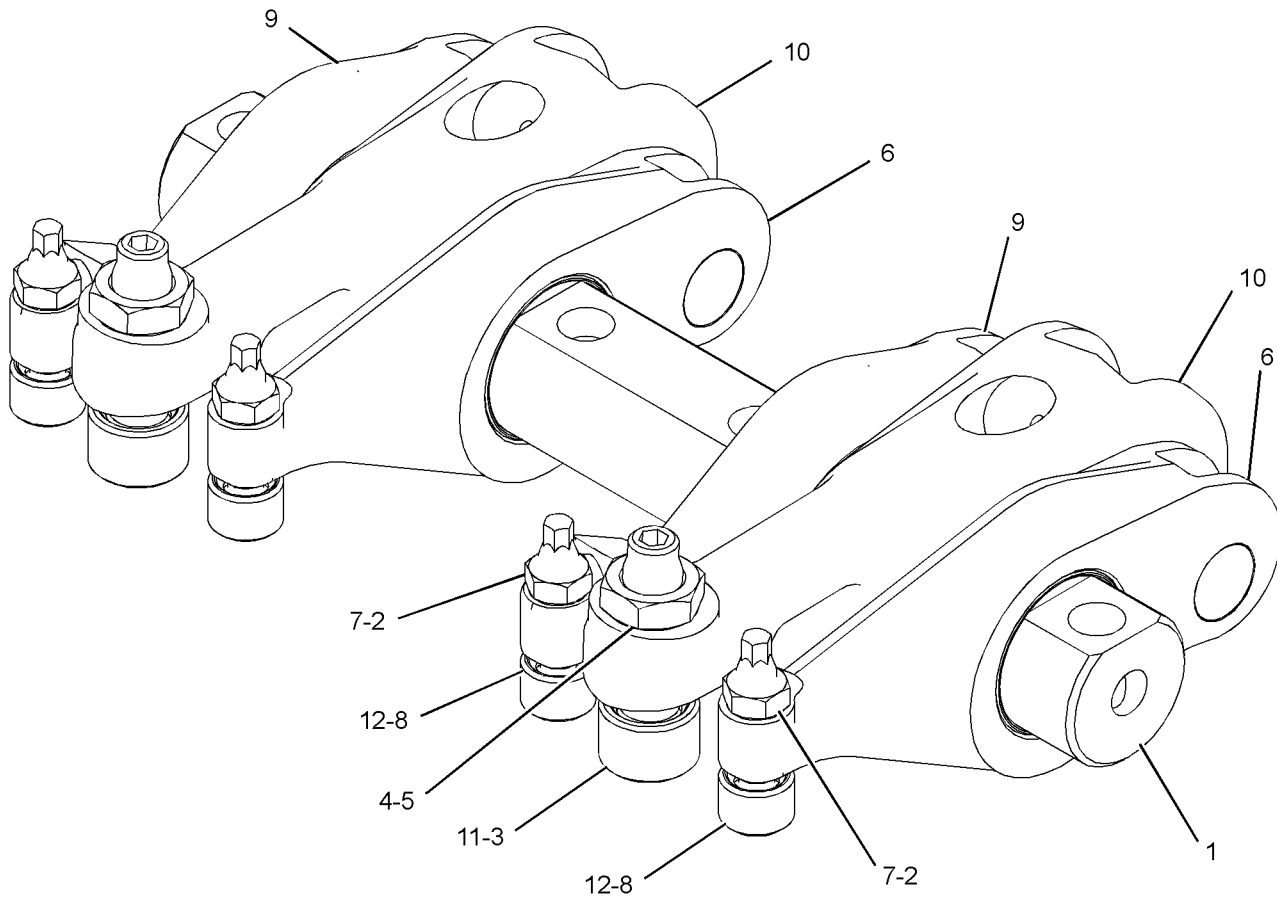
PART OF 148-7482 MECHANISM GP-FUEL PUMP & VALVE

SMCS-1123

i03212246

NOTE	REF NO	GRAPHIC REF	PART NUMBER	QTY	PART NAME						SEE PAGE
					1	2	3	4	5	6 (PRODUCT LEVEL)	
	1	1	307-8322	1	SHAFT AS-ROCKER ARM						
		1	4B-9782	2	BALL						
	2	1	276-5317	4	NUT (3/8-24-THD)						
	3	1	192-4151	2	BUTTON						
	4	1	196-5069	2	SCREW-ARM ADJUSTMENT (9/16-18X2-IN)						
	5	1	196-5070	2	NUT-JAM (9/16-18-THD)						
R	6	1	203-8824	2	ROCKER ARM AS (INLET VALVE ROCKER)						
	7	1	274-4491	4	SCREW-ARM ADJUSTMENT (3/8-24X1.20-IN)						
	8	1	258-8721	4	BUTTON						
R	9	1	254-6081	2	ROCKER ARM AS (EXHAUST VALVE ROCKER)						
R	10	1	278-1365	2	ROCKER ARM AS (UNIT INJECTOR ROCKER)						
	11	1	061-8639	2	SEAL-O-RING						
	12	1	8L-2777	4	SEAL-O-RING						

R-REMFG PART MAY BE AVAILABLE



GRAPHIC #1

<END>

g01234257



# BASIC ENGINE

## 278-1938 ROCKER ARM GP

S/N: JRE2682-UP

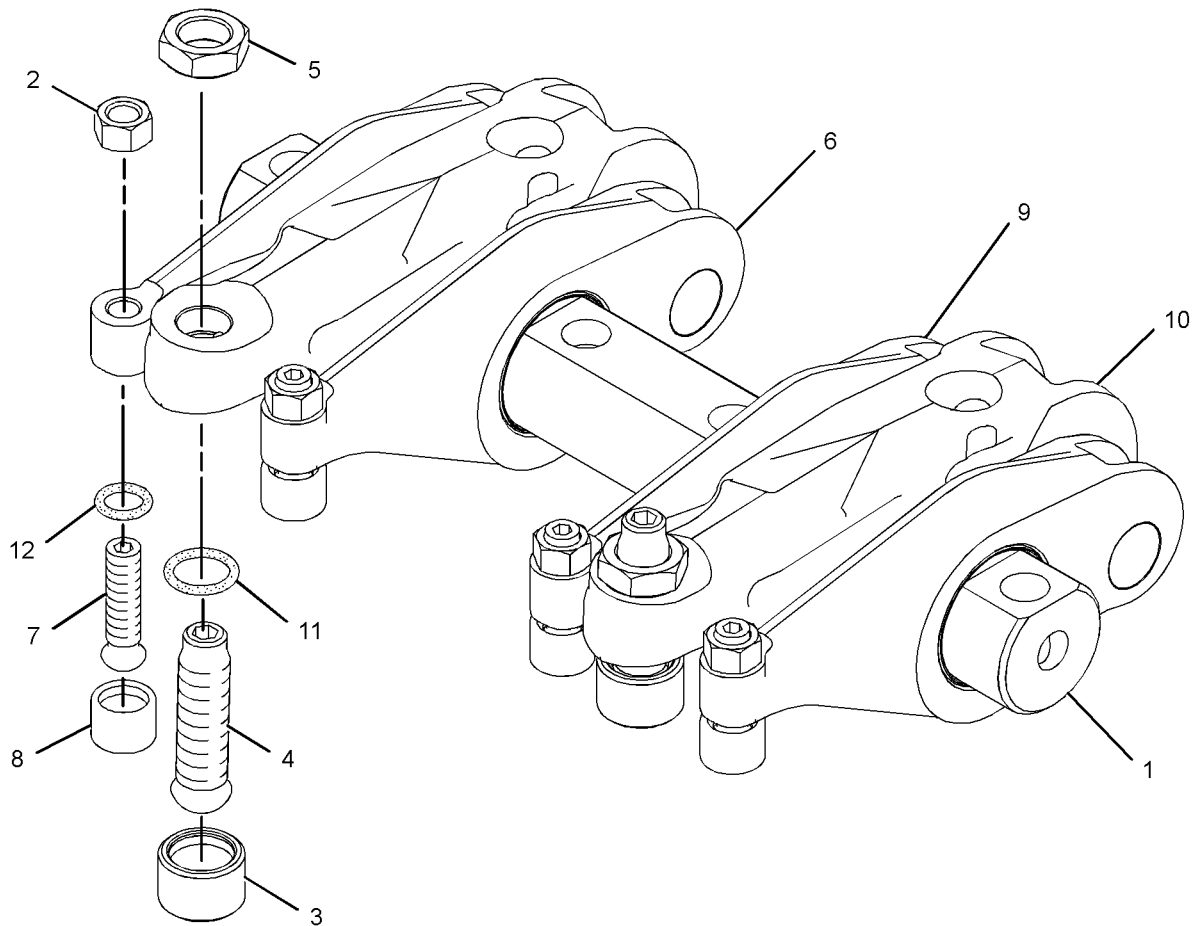
PART OF 266-3699 MECHANISM GP-FUEL PUMP & VALVE  
ALSO AN ATTACHMENT

SMCS-1123

i03753002

NOTE	REF NO	GRAPHIC REF	PART NUMBER	QTY	PART NAME						SEE PAGE
					1	2	3	4	5	6 (PRODUCT LEVEL)	
	1	1	<b>6I-0901</b>	1	SHAFT AS-ROCKER ARM						
		1	<b>4B-9782</b>	2	BALL						
	2	1	<b>276-5317</b>	4	NUT (3/8-24-THD)						
	3	1	<b>192-4151</b>	2	BUTTON						
	4	1	<b>196-5069</b>	2	SCREW-ARM ADJUSTMENT (9/16-18X2-IN)						
	5	1	<b>196-5070</b>	2	NUT-JAM (9/16-18-THD)						
R	6	1	<b>203-8824</b>	2	ROCKER ARM AS (INLET)						
	7	1	<b>274-4491</b>	4	SCREW-ARM ADJUSTMENT (3/8-24X1.20-IN)						
	8	1	<b>258-8721</b>	4	BUTTON						
R	9	1	<b>276-4132</b>	2	ROCKER ARM AS (VALVE)						
R	10	1	<b>278-1363</b>	2	ROCKER ARM AS (UNIT INJECTOR)						
	11	1	<b>061-8639</b>	2	SEAL-O-RING						
	12	1	<b>8L-2777</b>	4	SEAL-O-RING						

R-REMFG PART MAY BE AVAILABLE



GRAPHIC #1

<END>

g01306645

# BASIC ENGINE

## 301-5352 ROCKER ARM GP-UNIT INJECTOR

S/N: JRE2682-4360

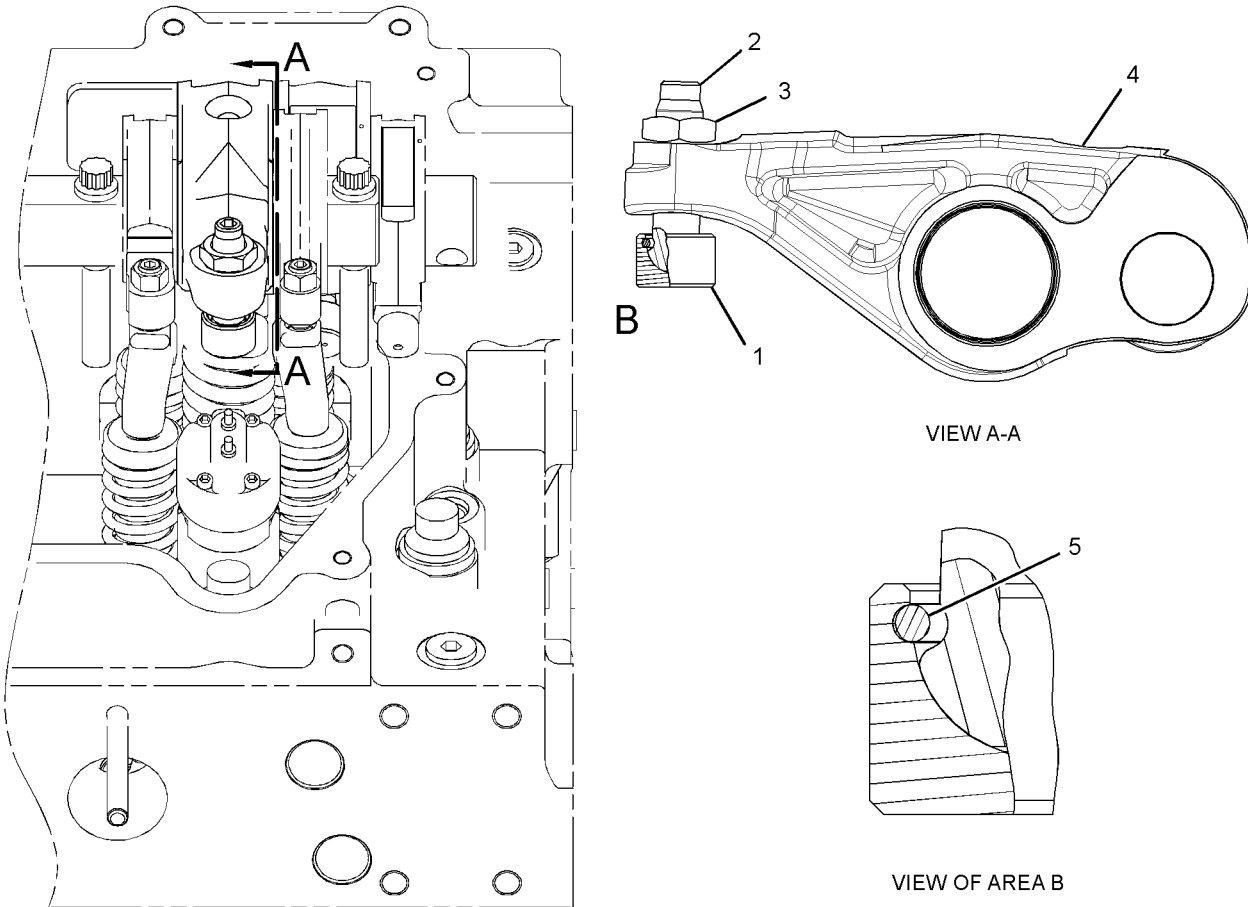
PART OF 328-4242 ROCKER ARM GP  
ALSO AN ATTACHMENT

SMCS-1123

i02730627

NOTE	REF NO	GRAPHIC REF	PART NUMBER	QTY	PART NAME						SEE PAGE
					1	2	3	4	5	6 (PRODUCT LEVEL)	
	1	1	192-4151	1	BUTTON						
	2	1	196-5069	1	SCREW-ARM ADJUSTMENT						
	3	1	196-5070	1	NUT-JAM (9/16-18-THD)						
R	4	1	278-1363	1	ROCKER ARM AS						
	5	1	061-8639	1	SEAL-O-RING						

R-REMFG PART MAY BE AVAILABLE



GRAPHIC #1

<END>

g01340074

# BASIC ENGINE

## 320-2794 ROCKER ARM GP-EXHAUST

S/N: JRE2682-4360

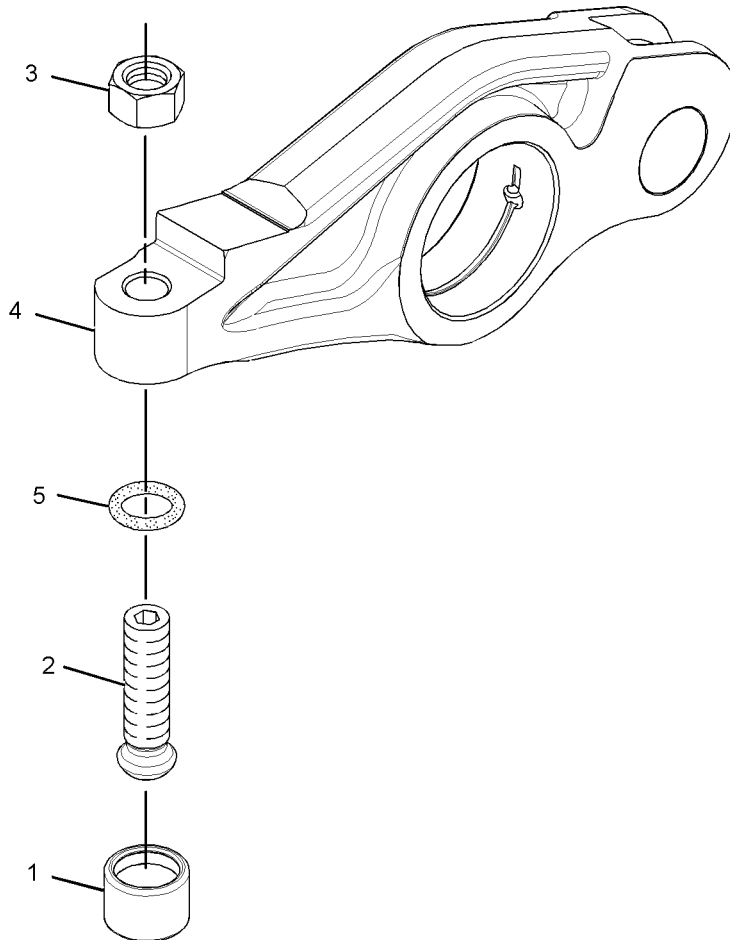
PART OF 328-4242 ROCKER ARM GP  
ALSO AN ATTACHMENT

SMCS-1123

i03008823

NOTE	REF NO	GRAPHIC REF	PART NUMBER	QTY	PART NAME						SEE PAGE
					1	2	3	4	5	6 (PRODUCT LEVEL)	
	1	1	258-8721	1	BUTTON						
	2	1	274-4491	1	SCREW-ARM ADJUSTMENT (3/8-24X1.20-IN)						
	3	1	276-5317	1	NUT (3/8-24-THD)						
R	4	1	320-2795	1	ROCKER ARM AS						
	5	1	8L-2777	1	SEAL-O-RING						

R-REMFG PART MAY BE AVAILABLE



GRAPHIC #1

<END>

g01533674

# BASIC ENGINE

## 320-2796 ROCKER ARM GP\*R

S/N: JRE1269-UP

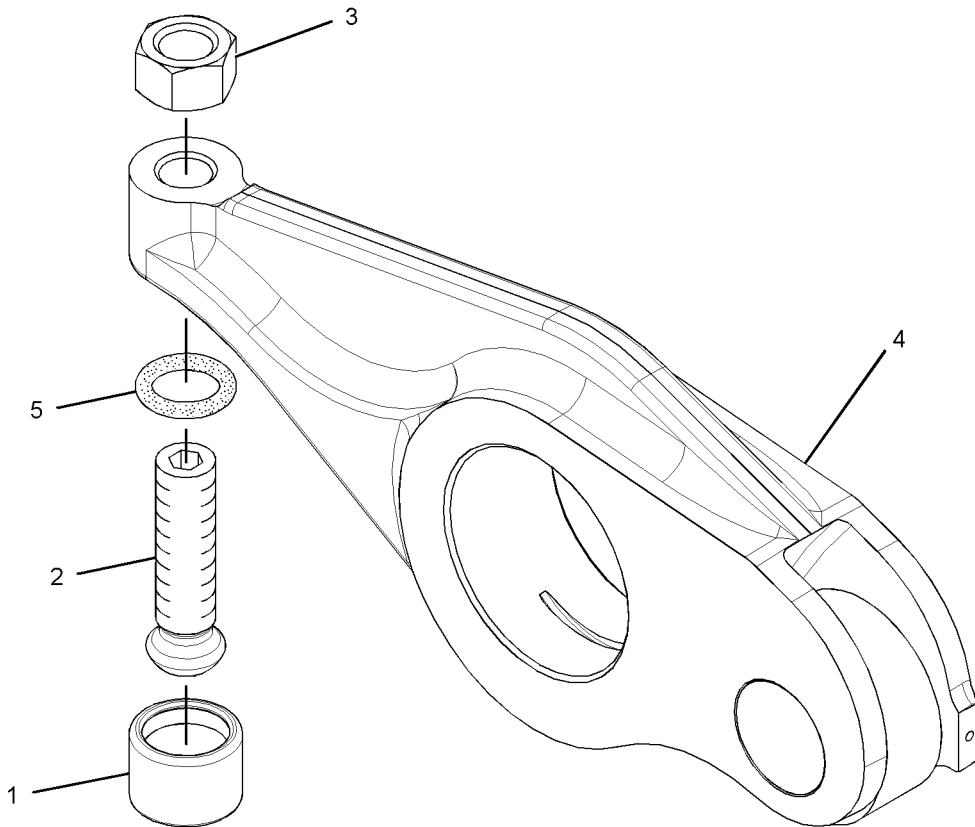
PART OF 328-4236, 328-4242 ROCKER ARM GP  
ALSO AN ATTACHMENT

SMCS-1123

i03008827

NOTE	REF NO	GRAPHIC REF	PART NUMBER	QTY	PART NAME						SEE PAGE
					1	2	3	4	5	6 (PRODUCT LEVEL)	
	1	1	258-8721	1	BUTTON						
	2	1	274-4491	1	SCREW-ARM ADJUSTMENT (3/8-24X1.20-IN)						
	3	1	276-5317	1	NUT (3/8-24-THD)						
R	4	1	320-2797	1	ROCKER ARM AS						
	5	1	8L-2777	1	SEAL-O-RING						

R-REMFG PART MAY BE AVAILABLE



GRAPHIC #1

<END>

g01526902

# BASIC ENGINE

## 328-4236 ROCKER ARM GP-NON-BRAKE

S/N: JRE1269-UP

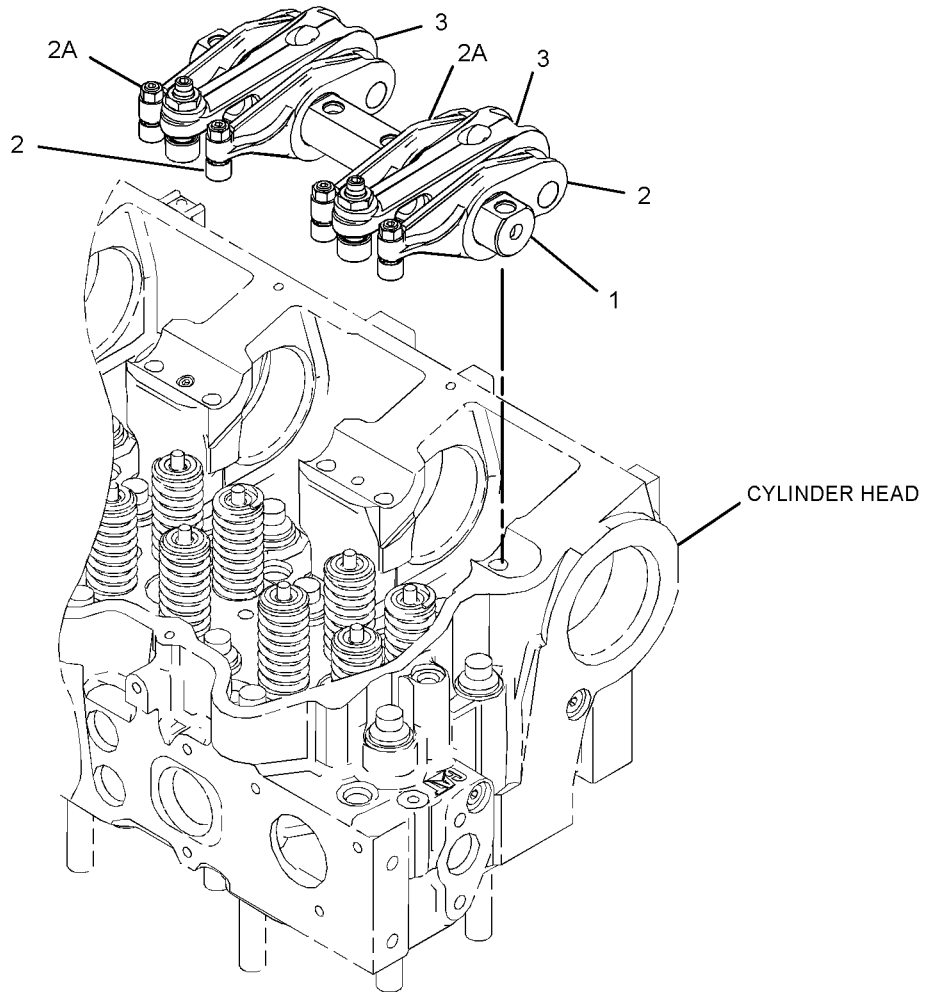
PART OF 190-0009 MECHANISM GP-FUEL PUMP & VALVE

SMCS-1123

i03837671

NOTE	REF NO	GRAPHIC REF	PART NUMBER	QTY	PART NAME						SEE PAGE
					1	2	3	4	5	6 (PRODUCT LEVEL)	
	1	1	<b>307-8322</b>	1	SHAFT AS-ROCKER ARM						
		1	<b>4B-9782</b>	2	BALL						
YR	2	1	320-2796	2	ROCKER ARM GP (INTAKE)						406
YR	2A	1	320-2796	2	ROCKER ARM GP (EXHAUST)						406
YR	3	1	328-4238	2	ROCKER ARM GP (UNIT INJECTOR)						408

R-REMFG PART MAY BE AVAILABLE  
Y-SEPARATE ILLUSTRATION



GRAPHIC #1

<END>

g02086418

# BASIC ENGINE

## 328-4238 ROCKER ARM GP\*R

S/N: JRE1269-UP

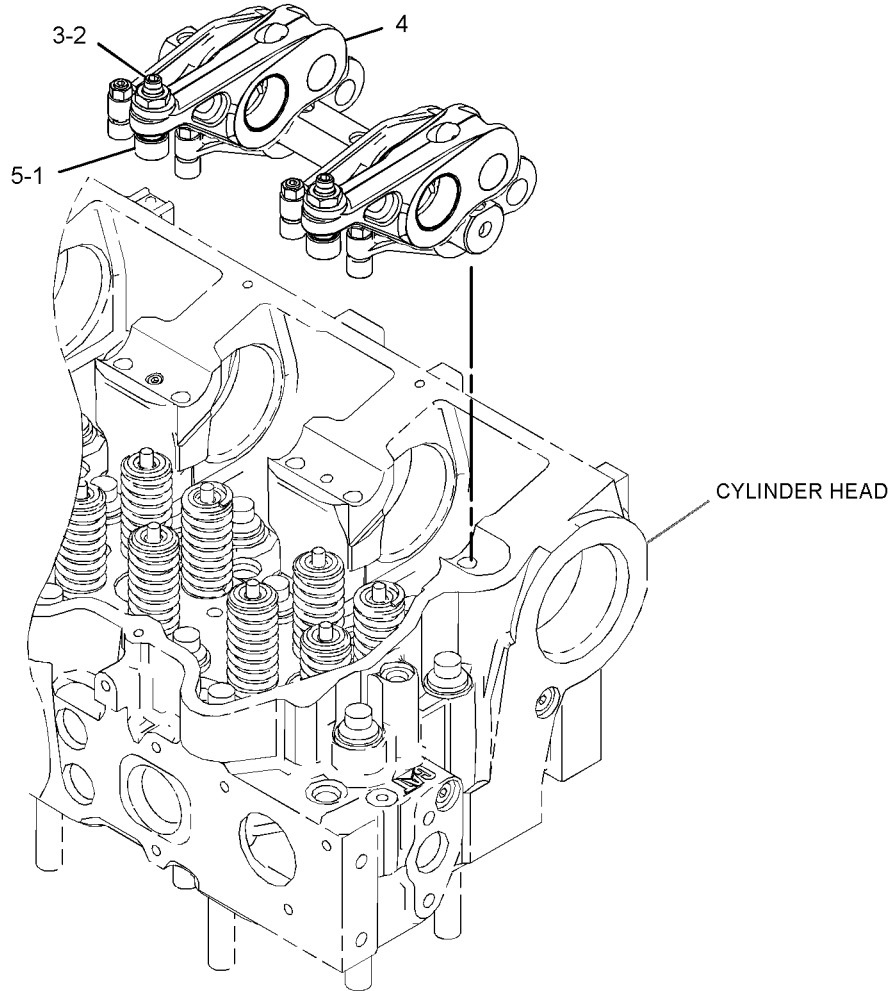
PART OF 328-4236 ROCKER ARM GP

SMCS-1123

i03326327

NOTE	REF NO	GRAPHIC REF	PART NUMBER	QTY	PART NAME						SEE PAGE
					1	2	3	4	5	6 (PRODUCT LEVEL)	
	1	1	192-4151	1	BUTTON						
	2	1	196-5069	1	SCREW-ARM ADJUSTMENT (9/16-18X2-IN)						
	3	1	196-5070	1	NUT-JAM (9/16-18-THD)						
R	4	1	278-1365	1	ROCKER ARM AS						
	5	1	061-8639	1	SEAL-O-RING						

R-REMFG PART MAY BE AVAILABLE



GRAPHIC #1

<END>

g01707153

# BASIC ENGINE

## 328-4242 ROCKER ARM GP

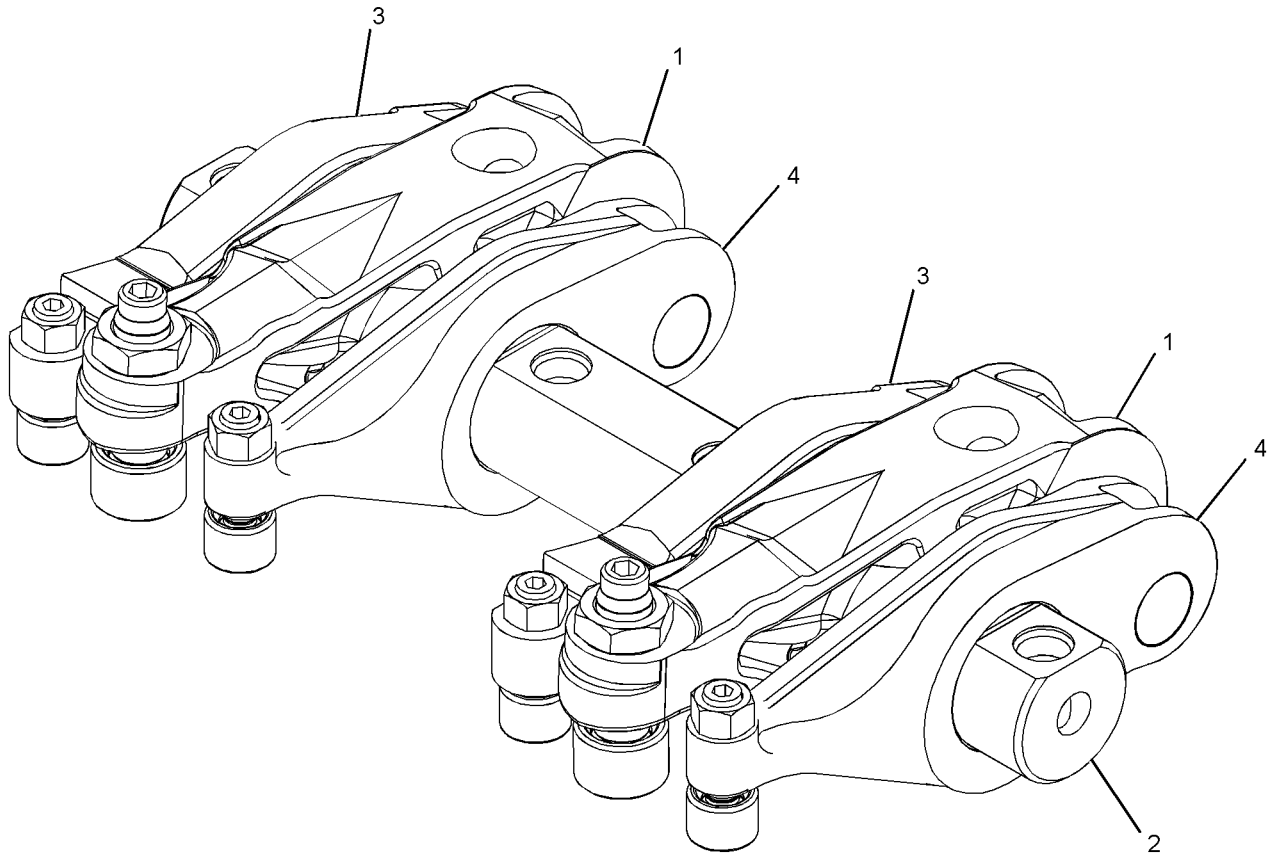
PART OF 266-3699 MECHANISM GP-FUEL PUMP & VALVE  
ALSO AN ATTACHMENT

SMCS-1123

i03899375

NOTE	REF NO	GRAPHIC REF	PART NUMBER	QTY	PART NAME						SEE PAGE
					1	2	3	4	5	6 (PRODUCT LEVEL)	
YR	1	1	301-5352	2	ROCKER ARM GP (UNIT INJECTOR)						404
	2	1	307-8322	1	SHAFT AS-ROCKER ARM						
		1	4B-9782	2	BALL						
YR	3	1	320-2794	2	ROCKER ARM GP (EXHAUST)						405
YR	4	1	320-2796	2	ROCKER ARM GP (INTAKE)						406

R-REMG PART MAY BE AVAILABLE  
Y-SEPARATE ILLUSTRATION



GRAPHIC #1

<END>

g01825493

# BASIC ENGINE

## 227-0838 SEAL GP-CRANKSHAFT-REAR

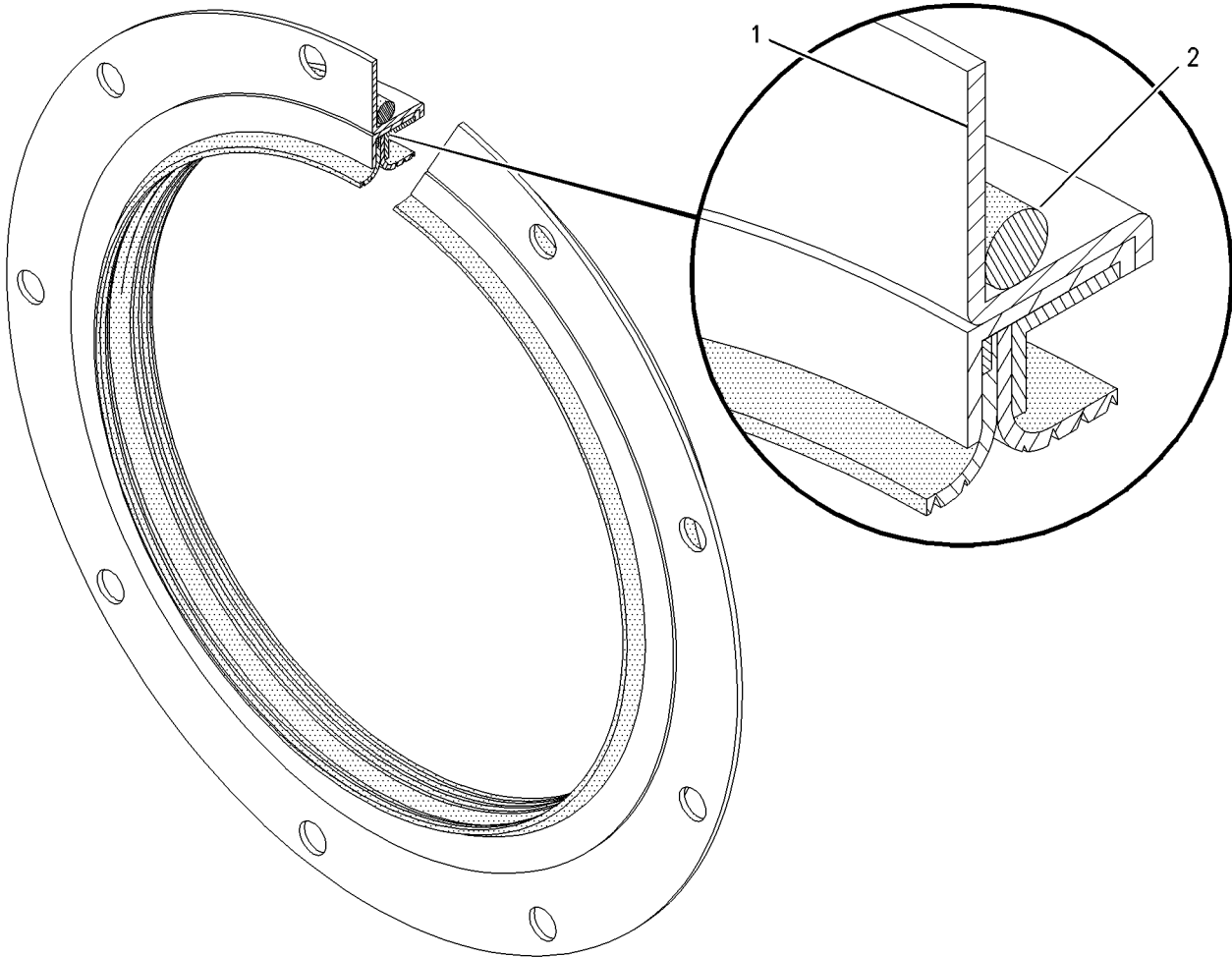
COUNTER CLOCKWISE ROTATION

PART OF 219-0626 DRIVE GP-POWER TAKE-OFF  
AN ATTACHMENT

SMCS-1160, 1161

i01891808

NOTE	REF NO	GRAPHIC REF	PART NUMBER	QTY	PART NAME						SEE PAGE
					1	2	3	4	5	6 (PRODUCT LEVEL)	
	1	1	100-5421	1	SEAL GP-CRANKSHAFT						
	2	1	107-6280	1	SEAL-O-RING						



GRAPHIC #1

<END>

g00985056



# BASIC ENGINE

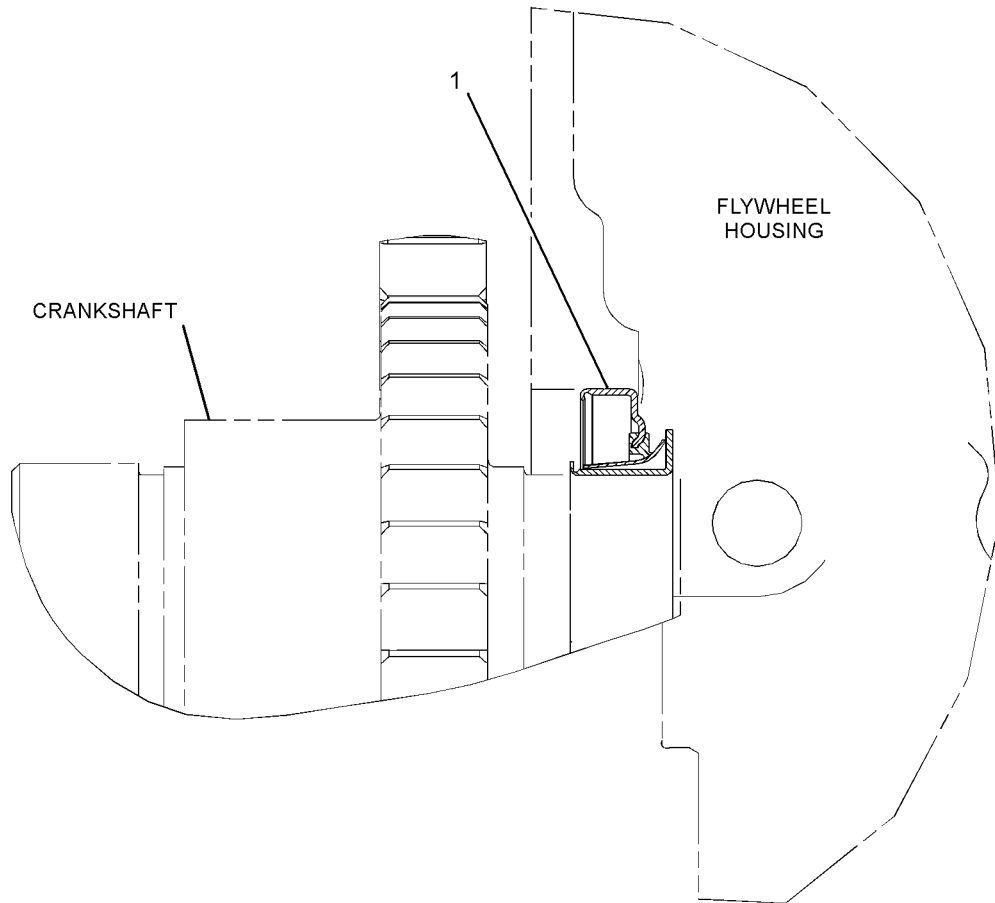
## 319-0785 SEAL GP-CRANKSHAFT-REAR

PART OF 120-9128, 130-4680, 135-7634, 160-2612, 220-6368, 223-4738 HOUSING  
GP-FLYWHEEL  
FOR USE WITH CCW ROTATION, REAR  
AN ATTACHMENT

SMCS-1160, 1161

i02958100

NOTE	REF NO	GRAPHIC REF	PART NUMBER	QTY	PART NAME						SEE PAGE
					1	2	3	4	5	6 (PRODUCT LEVEL)	
	1	1	142-5868	1	SEAL-CRANKSHAFT (REAR)						



RIGHT SIDE VIEW OF ENGINE

GRAPHIC #1

<END>

g01496733

# BASIC ENGINE

## 319-7401 SEAL GP-CRANKSHAFT-FRONT

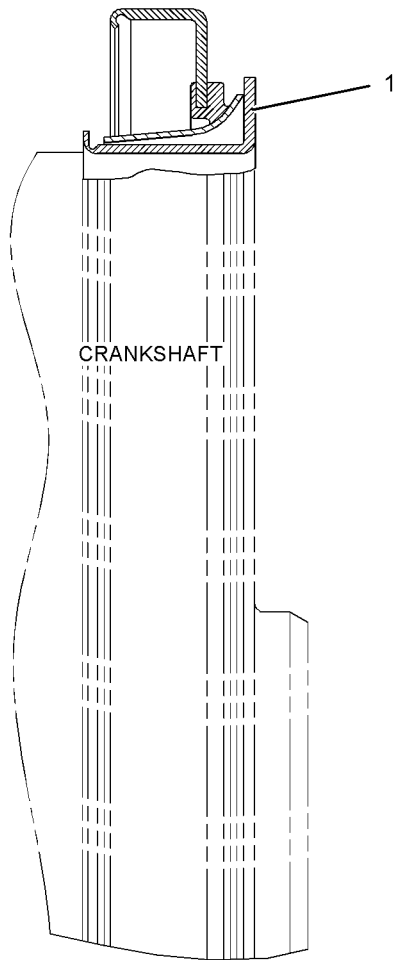
S/N: JRE106-UP

PART OF 223-9731 CRANKSHAFT GP  
ALSO AN ATTACHMENT

SMCS-1160, 1161

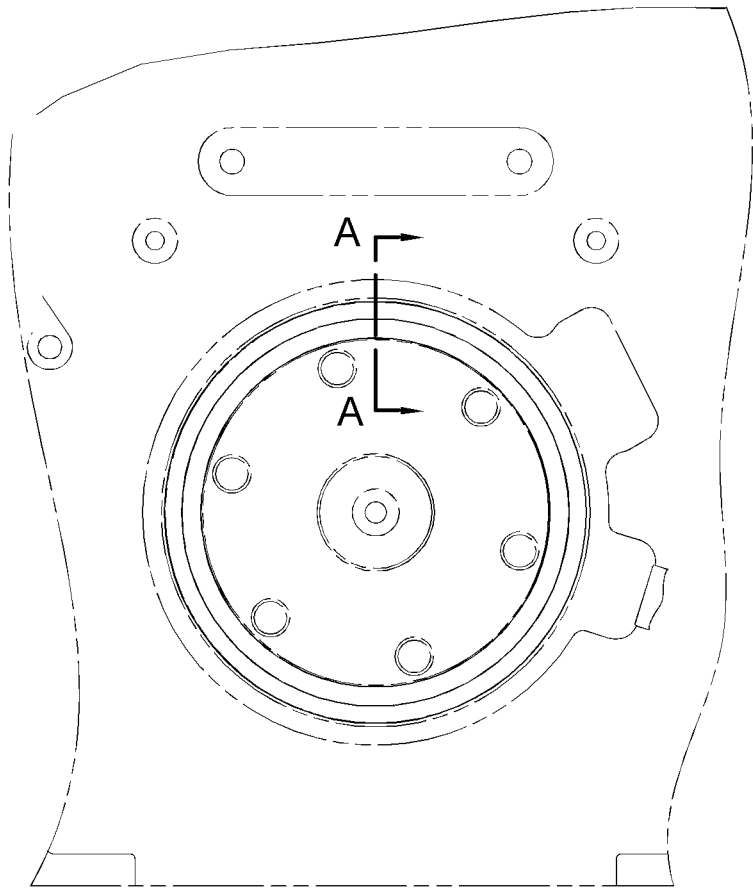
i02957871

NOTE	REF NO	GRAPHIC REF	PART NUMBER	QTY	PART NAME						SEE PAGE
					1	2	3	4	5	6 (PRODUCT LEVEL)	
	1	1	142-5867	1	SEAL-CRANKSHAFT (FRONT)						



SECTION A-A

GRAPHIC #1



FRONT VIEW OF ENGINE

<END>

g01516169

# BASIC ENGINE

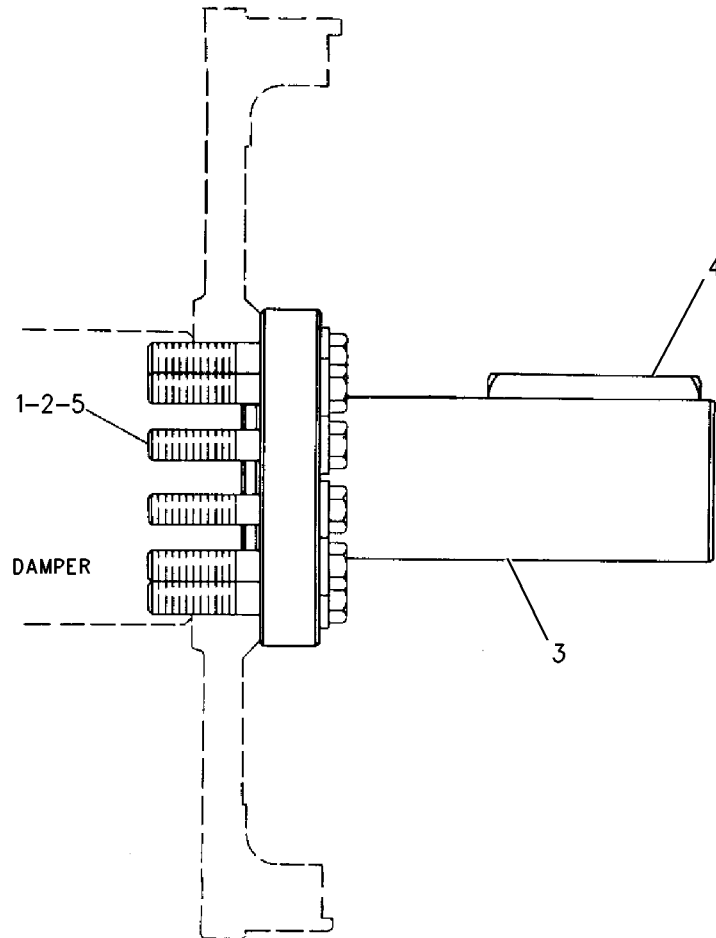
## 5N-2010 SHAFT GP-STUB CANNOT BE USED WITH REAR ENCLOSED CLUTCH AN ATTACHMENT

SMCS-1237

i01402894

NOTE	REF NO	GRAPHIC REF	PART NUMBER	QTY	PART NAME						SEE PAGE
					1	2	3	4	5	6 (PRODUCT LEVEL)	
B	1	1	0S-1602	12	BOLT (5/8-18X3.5-IN)						
B	2	1	4D-3704	12	WASHER-HARD (17X30X5-MM THK)						
	3	1	3N-6537	1	SHAFT-STUB						
	4	1	9F-2186	1	KEY-WOODRUFF						
B	5	1	0T-0857	12	BOLT (5/8-18X4.5-IN)						

B-USE AS REQUIRED



GRAPHIC #1

<END>

g00738744

# BASIC ENGINE

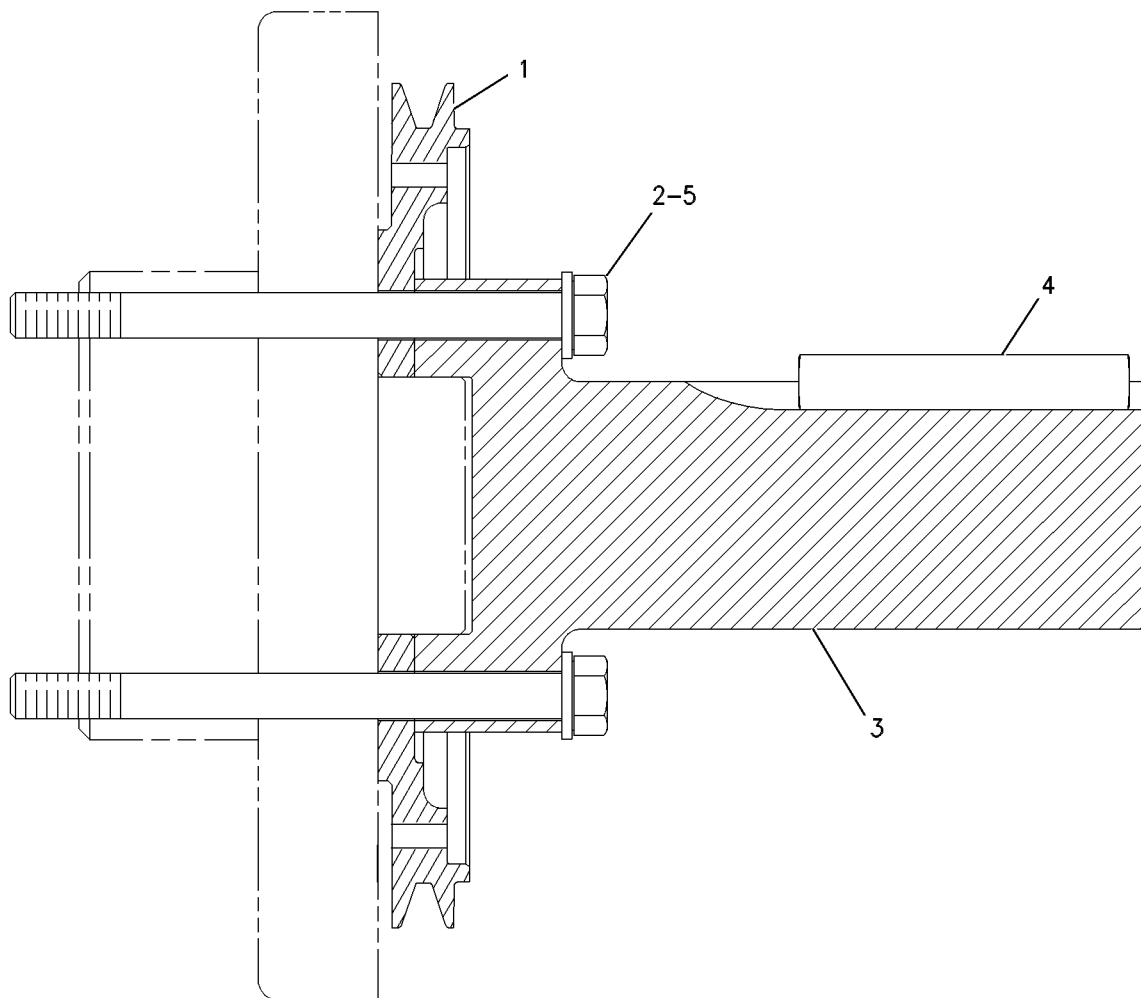
## 156-6906 SHAFT GP-STUB

CANNOT BE USED WITH WITH FRONT POWER TAKEOFF, FRONT HYDRAULIC PUMP DRIVE  
ADAPTER OR DAMPER GUARD  
AN ATTACHMENT

SMCS-1237

i00979673

NOTE	REF NO	GRAPHIC REF	PART NUMBER	QTY	PART NAME						SEE PAGE
					1	2	3	4	5	6 (PRODUCT LEVEL)	
	1	1	4N-1047	1	PULLEY						
	2	1	7H-5569	6	BOLT (5/8-18X7.5-IN)						
	3	1	3N-6059	1	SHAFT-STUB						
	4	1	9F-2186	1	KEY-WOODRUFF						
	5	1	5P-8247	6	WASHER-HARD (17X32X3.5-MM THK)						



GRAPHIC #1

<END>

g00469595

# BASIC ENGINE

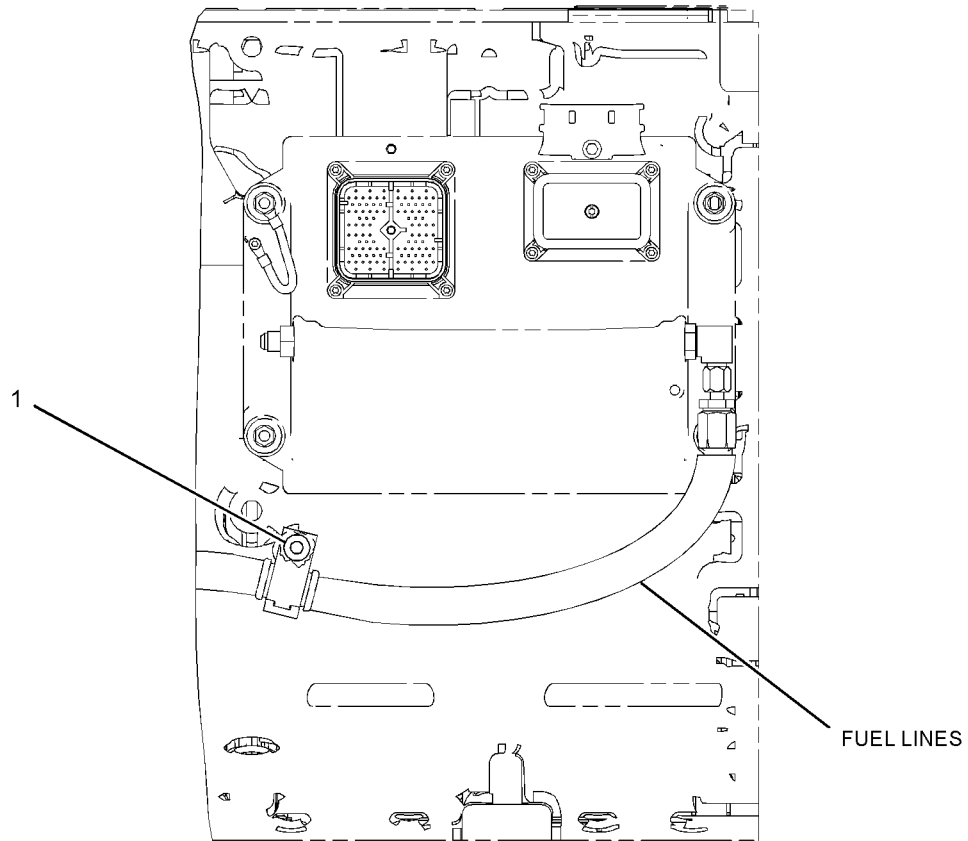
## 362-9031 SPACER GP-BLOCK

FOR USE WITH ALL ENGINES WITHOUT LEFT REAR GAUGE OPTION  
AN ATTACHMENT

SMCS-1221

i04072350

NOTE	REF NO	GRAPHIC REF	PART NUMBER	QTY	PART NAME						SEE PAGE
					1	2	3	4	5	6 (PRODUCT LEVEL)	
	1	1	9X-6458	1	WASHER-HARD (10.2X22.5X3-MM THK)						



LEFT SIDE VIEW OF ENGINE

GRAPHIC #1

<END>

g02320378

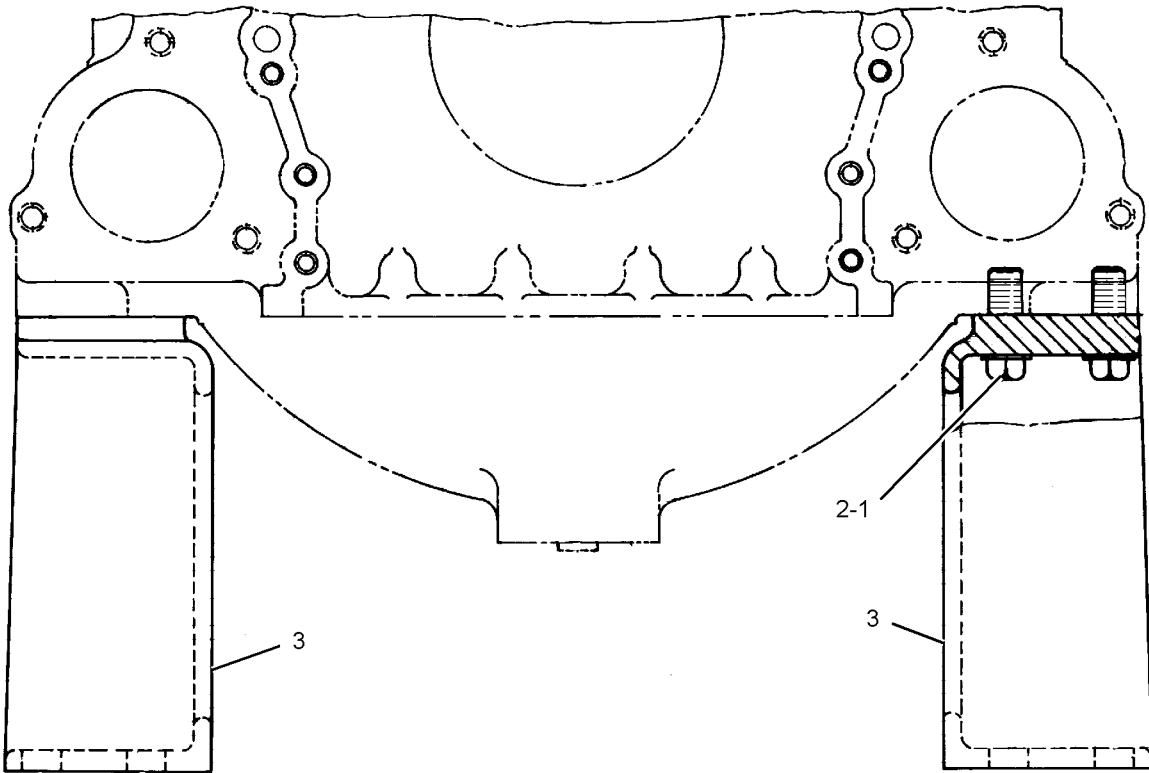
# BASIC ENGINE

## 4N-4286 SUPPORT GP-ENGINE-REAR FOR USE WITH SAE NO. 0 OR NO. 1 FLYWHEEL HOUSING AN ATTACHMENT

SMCS-1152, 1153, 1154

i03309603

NOTE	REF NO	GRAPHIC REF	PART NUMBER	QTY	PART NAME						SEE PAGE
					1	2	3	4	5	6 (PRODUCT LEVEL)	
	1	1	9X-8880	8	BOLT (5/8-11X2-IN)						
	2	1	4D-3704	8	WASHER-HARD (17X30X5-MM THK)						
	3	1	4W-5074	2	SUPPORT-REAR						



REAR VIEW OF ENGINE

<END>

GRAPHIC #1

g01348103

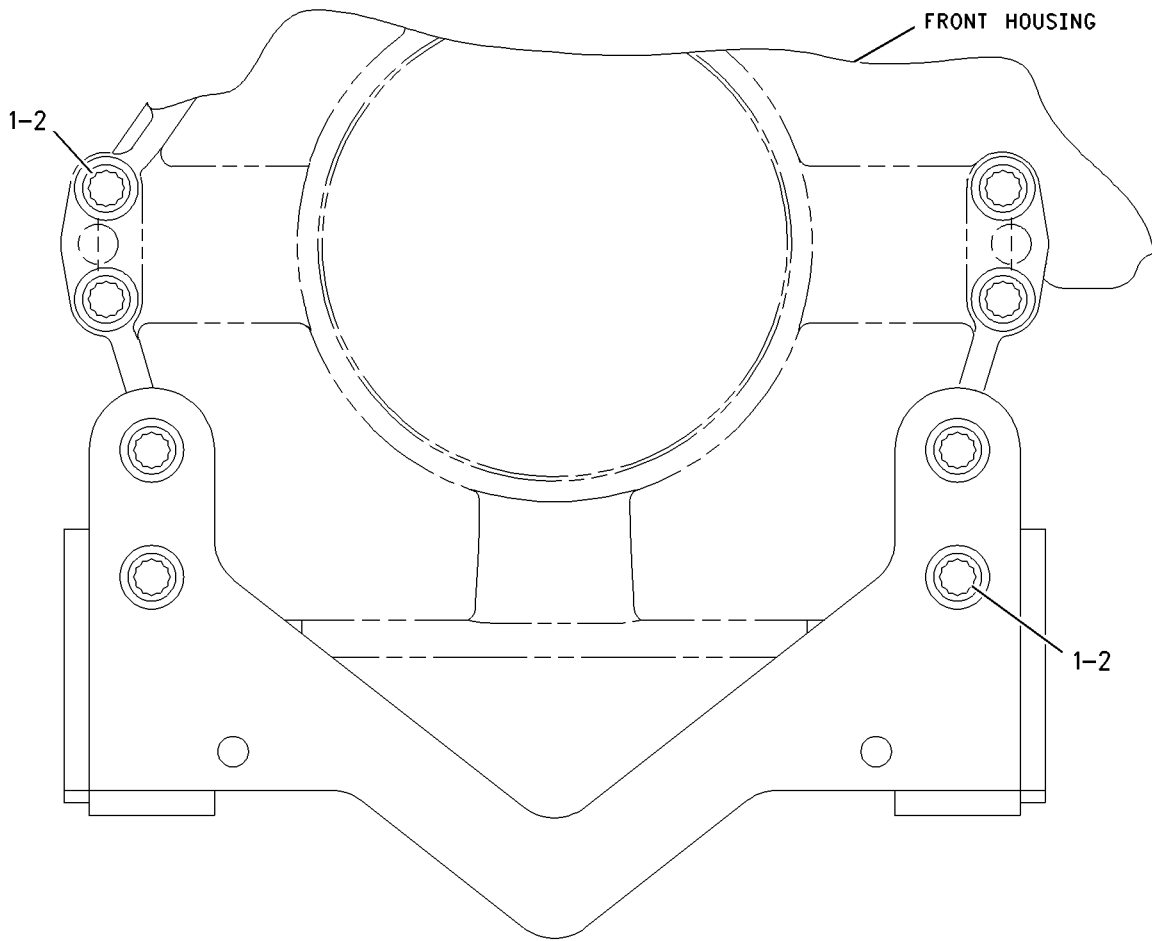
# BASIC ENGINE

## 6I-3950 SUPPORT GP-ENGINE-FRONT AN ATTACHMENT

SMCS-1152, 1153, 1154

i01826045

NOTE	REF NO	GRAPHIC REF	PART NUMBER	QTY	PART NAME						SEE PAGE
					1	2	3	4	5	6 (PRODUCT LEVEL)	
	1	1	5P-8245	8	WASHER-HARD (13.5X25.5X3-MM THK)						
	2	1	5P-8038	8	BOLT-12 POINT HEAD (1/2-13X4.75-IN)						



FRONT VIEW

<END>

GRAPHIC #1

g00942222

# BASIC ENGINE

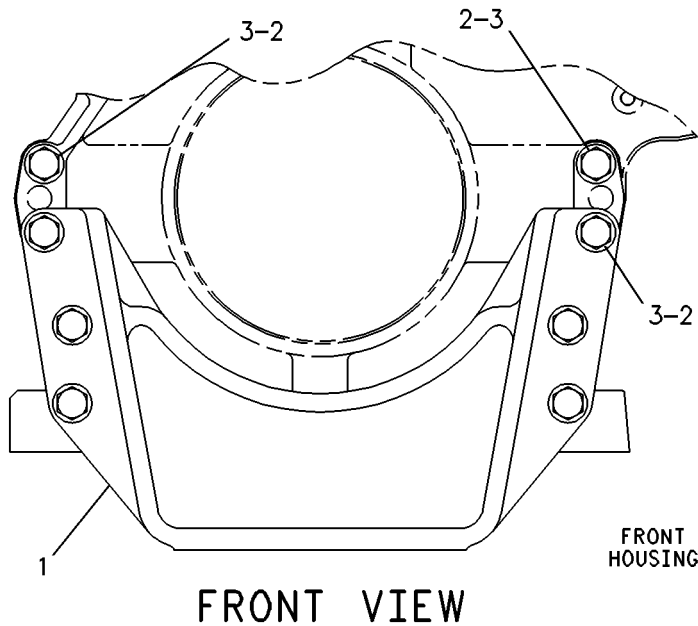
## 110-8875 SUPPORT GP-ENGINE

228.6MM (9 INCHES) FROM CENTERLINE OF CRANKSHAFT TO MOUNTING FACE OF SUPPORT  
AN ATTACHMENT

SMCS-1152, 1153, 1154

i00832230

NOTE	REF NO	GRAPHIC REF	PART NUMBER	QTY	PART NAME						SEE PAGE
					1	2	3	4	5	6 (PRODUCT LEVEL)	
	1	1	4W-5176	1	SUPPORT						
	2	1	5P-8245	14	WASHER-HARD (13.5X25.5X3-MM THK)						
	3	1	2H-6488	8	BOLT (1/2-13X5-IN)						



GRAPHIC #1

<END>

g00229301



# BASIC ENGINE

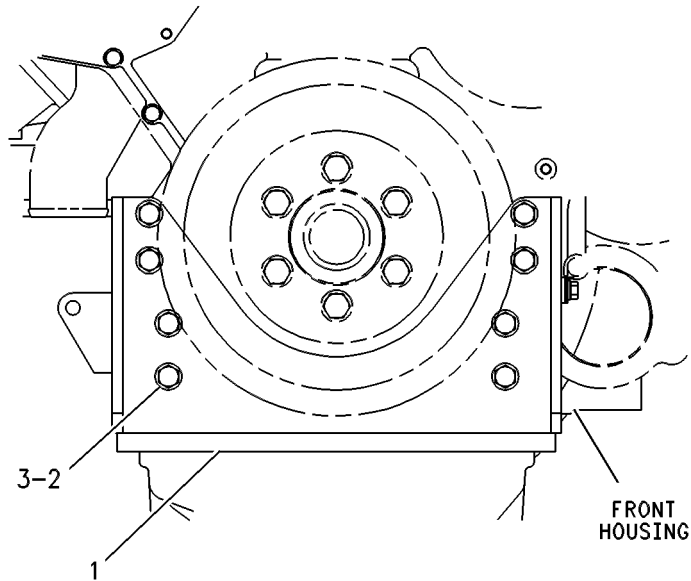
## 118-3359 SUPPORT GP-ENGINE

FOR USE WITH RH MOUNTED ALTERNATORS  
AN ATTACHMENT

SMCS-1152, 1153, 1154

i03999050

NOTE	REF NO	GRAPHIC REF	PART NUMBER	QTY	PART NAME						SEE PAGE
					1	2	3	4	5	6 (PRODUCT LEVEL)	
	1	1	4N-8025	1	SUPPORT AS-ENGINE						
	2	1	2B-2006	8	BOLT (1/2-13X4.75-IN)						
	3	1	5P-8245	8	WASHER-HARD (13.5X25.5X3-MM THK)						



FRONT VIEW

GRAPHIC #1

<END>

g00252229

# BASIC ENGINE

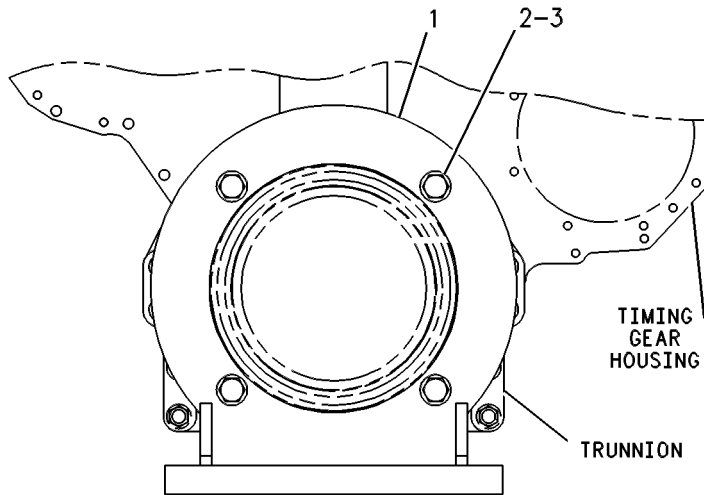
## 130-3571 SUPPORT GP-ENGINE

FOR USE WITH 192-0542-PAGE 429  
AN ATTACHMENT

SMCS-1152, 1153, 1154

i02899288

NOTE	REF NO	GRAPHIC REF	PART NUMBER	QTY	PART NAME						SEE PAGE
					1	2	3	4	5	6 (PRODUCT LEVEL)	
	1	1	118-7870	1	SUPPORT AS						
	2	1	5P-8247	4	WASHER-HARD (17X32X3.5-MM THK)						
	3	1	0S-1566	4	BOLT (5/8-11X1.5-IN)						



REAR VIEW

GRAPHIC #1

<END>

g00121751

# BASIC ENGINE

## 135-4326 SUPPORT GP-ENGINE

S/N: JRE1-118

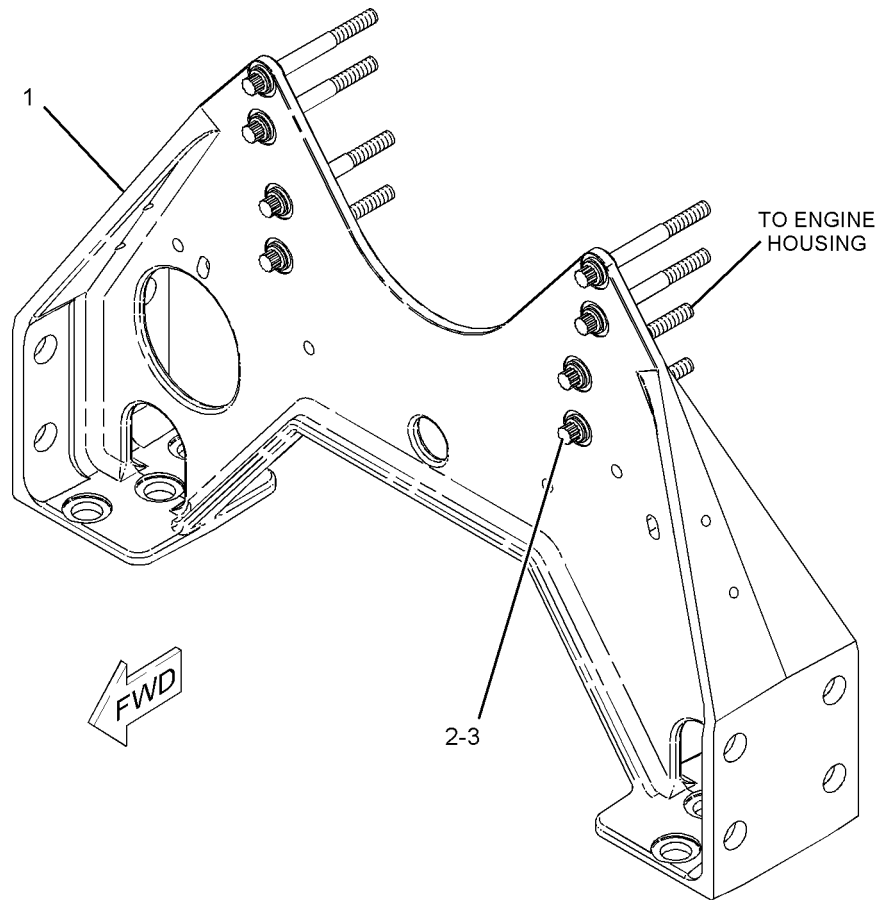
FRONT

AN ATTACHMENT

SMCS-1152, 1153, 1154

i02146978

NOTE	REF NO	GRAPHIC REF	PART NUMBER	QTY	PART NAME						SEE PAGE
					1	2	3	4	5	6 (PRODUCT LEVEL)	
	1	1	231-2767	1	SUPPORT						
	2	1	5P-8038	8	BOLT-12 POINT HEAD (1/2-13X4.75-IN)						
	3	1	3H-7654	8	WASHER-HARD (13.5X22.5X3.0-MM THK)						



GRAPHIC #1

<END>

g01089415

# BASIC ENGINE

## 135-4326 SUPPORT GP-ENGINE

S/N: JRE119-UP

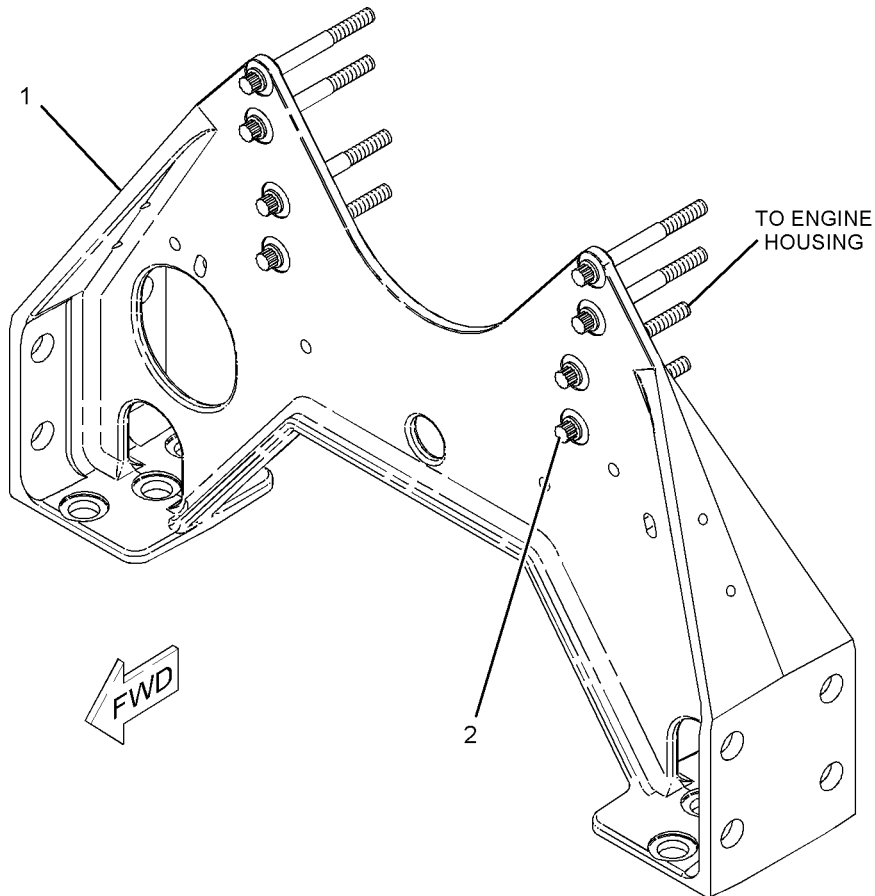
FRONT

AN ATTACHMENT

SMCS-1152, 1153, 1154

i03873816

NOTE	REF NO	GRAPHIC REF	PART NUMBER	QTY	PART NAME						SEE PAGE
					1	2	3	4	5	6 (PRODUCT LEVEL)	
	1	1	351-0913	1	SUPPORT						
	2	1	5P-8038	8	BOLT-12 POINT HEAD (1/2-13X4.75-IN)						



GRAPHIC #1

<END>

g01132486

# BASIC ENGINE

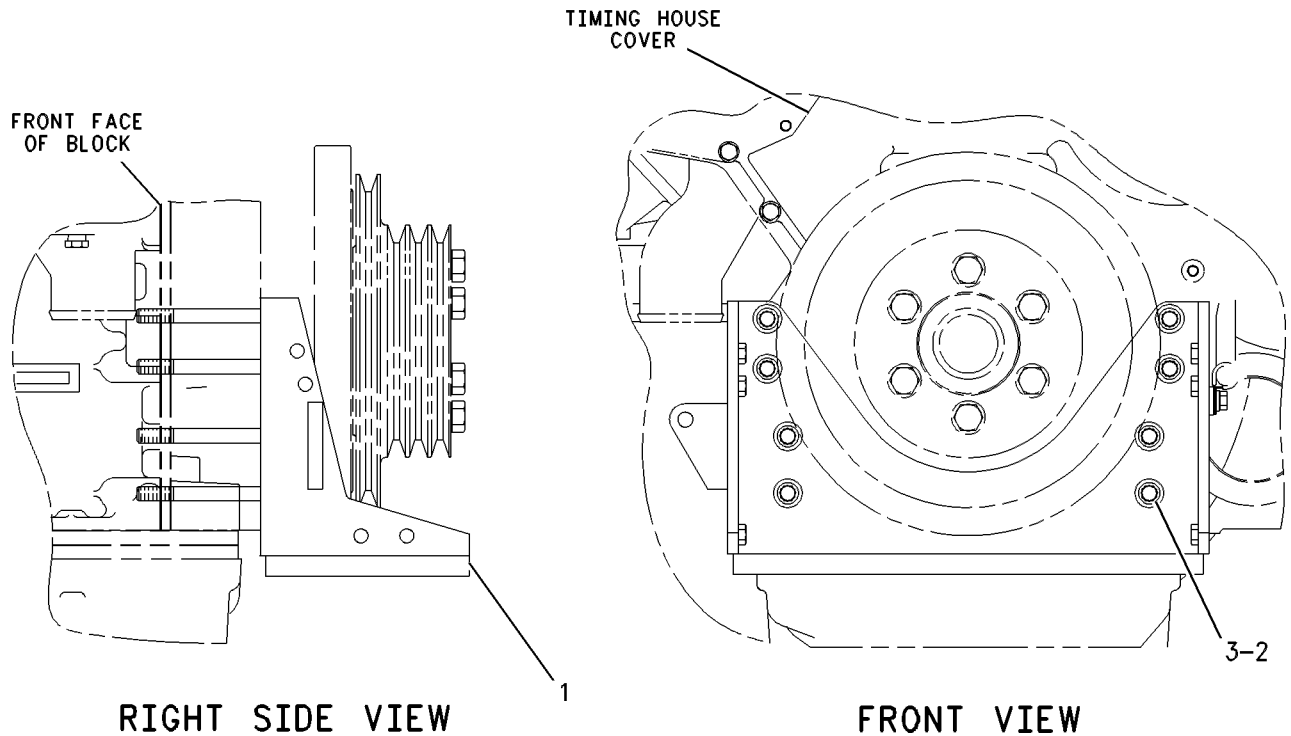
## 175-4856 SUPPORT GP-ENGINE

FOR USE WITH RH AND LH ALTERNATORS  
AN ATTACHMENT

SMCS-1152, 1153, 1154

i01724426

NOTE	REF NO	GRAPHIC REF	PART NUMBER	QTY	PART NAME						SEE PAGE
					1	2	3	4	5	6 (PRODUCT LEVEL)	
	1	1	174-6479	1	SUPPORT AS-ENGINE						
	2	1	5P-8038	8	BOLT-12 POINT HEAD (1/2-13X4.75-IN)						
	3	1	5P-8245	8	WASHER-HARD (13.5X25.5X3-MM THK)						



GRAPHIC #1

<END>

g00663413

# BASIC ENGINE

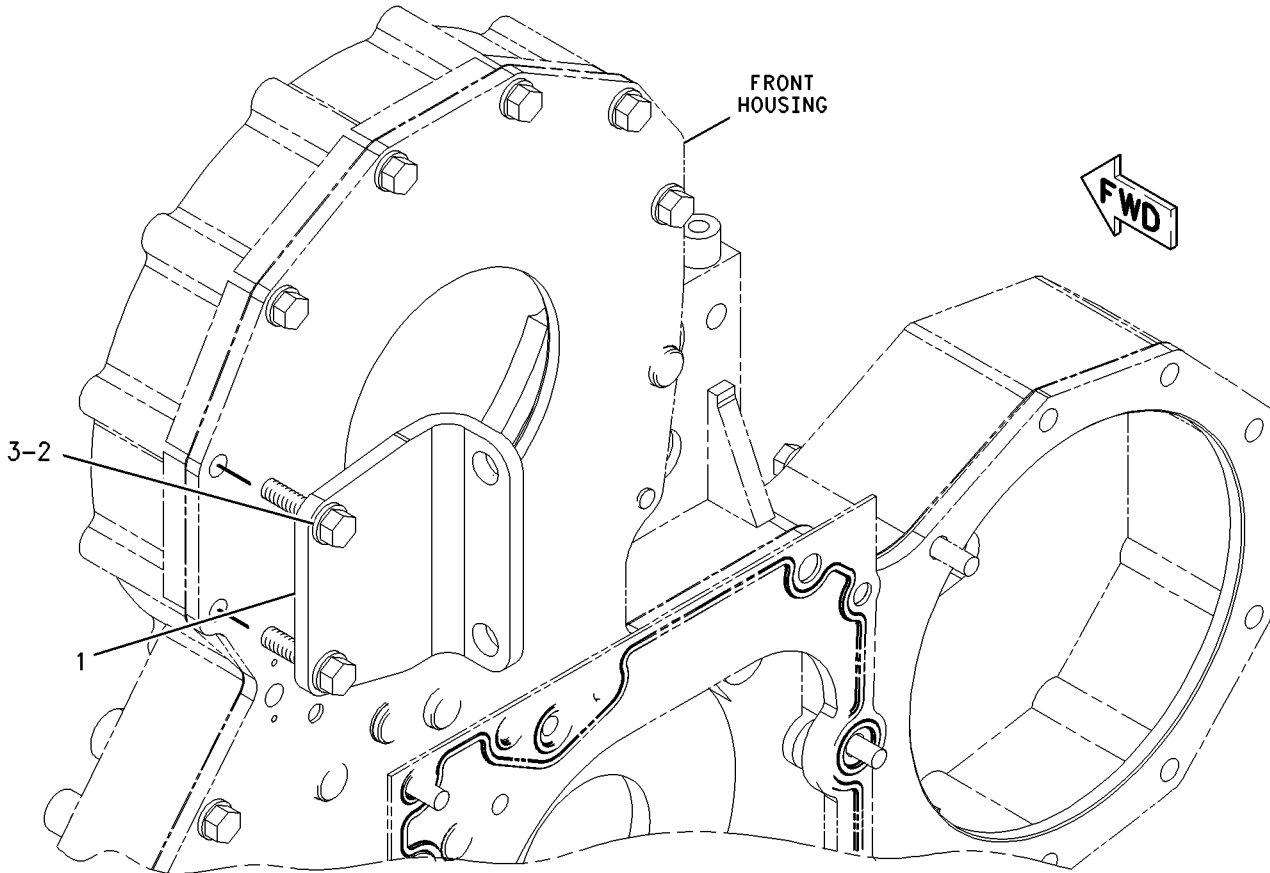
## 227-9495 SUPPORT GP-ENGINE

FRONT PLATE TO CYLINDER HEAD  
CANNOT BE USED WITH 316-8349 SUPPORT GP-RADIATOR  
AN ATTACHMENT

SMCS-1152, 1153, 1154

i01920142

NOTE	REF NO	GRAPHIC REF	PART NUMBER	QTY	PART NAME						SEE PAGE
					1	2	3	4	5	6 (PRODUCT LEVEL)	
	1	1	<b>6I-3968</b>	1	BRACKET-SUPPORT						
	2	1	<b>0S-1591</b>	2	BOLT (3/8-16X1.5 IN)						
	3	1	<b>5M-2894</b>	2	WASHER-HARD (10.2X18.5X2.5MM THK)						



GRAPHIC #1

<END>

g00999807

# BASIC ENGINE

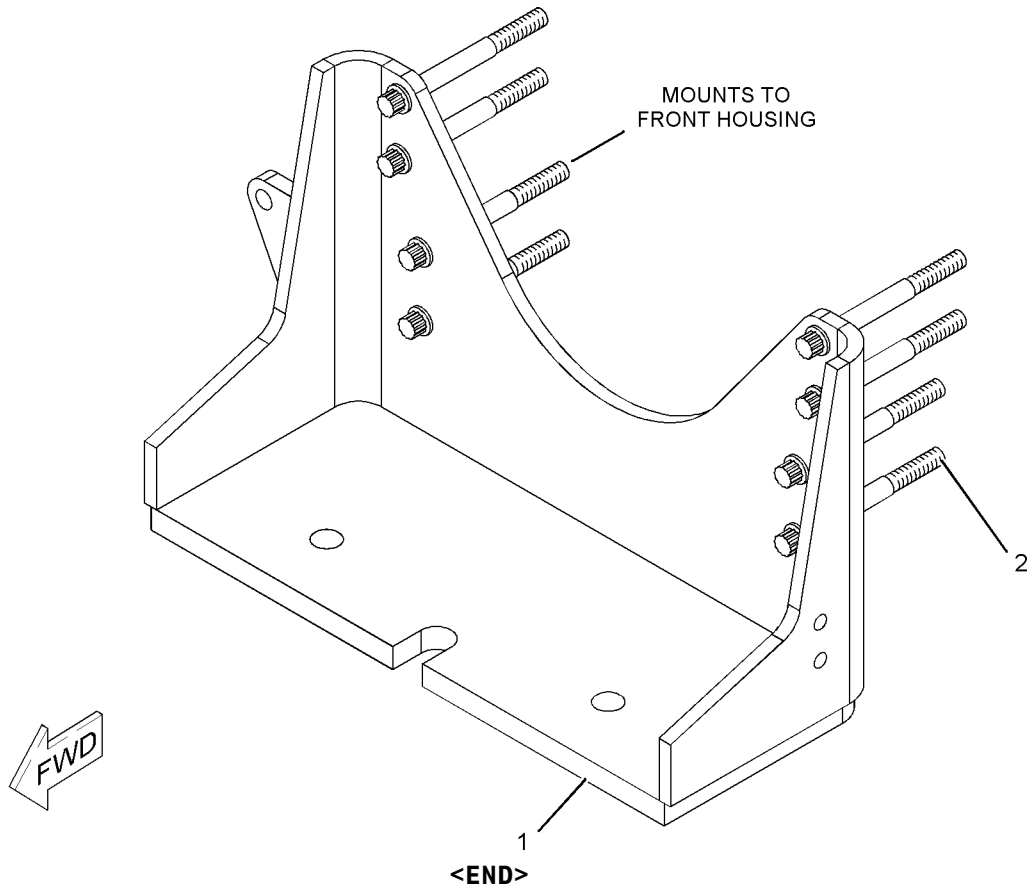
## 244-8681 SUPPORT GP-ENGINE

NARROW SUPPORT THAT ALLOWS CLEARANCE FOR LARGER 16-INCH DAMPER. FRONT AN ATTACHMENT

SMCS-1152, 1153, 1154

i02117406

NOTE	REF NO	GRAPHIC REF	PART NUMBER	QTY	PART NAME						SEE PAGE
					1	2	3	4	5	6 (PRODUCT LEVEL)	
	1	1	244-8682	1	SUPPORT AS						
	2	1	5P-8038	8	BOLT-12 POINT HEAD (1/2-13X4.75-IN)						



g01078723

# BASIC ENGINE

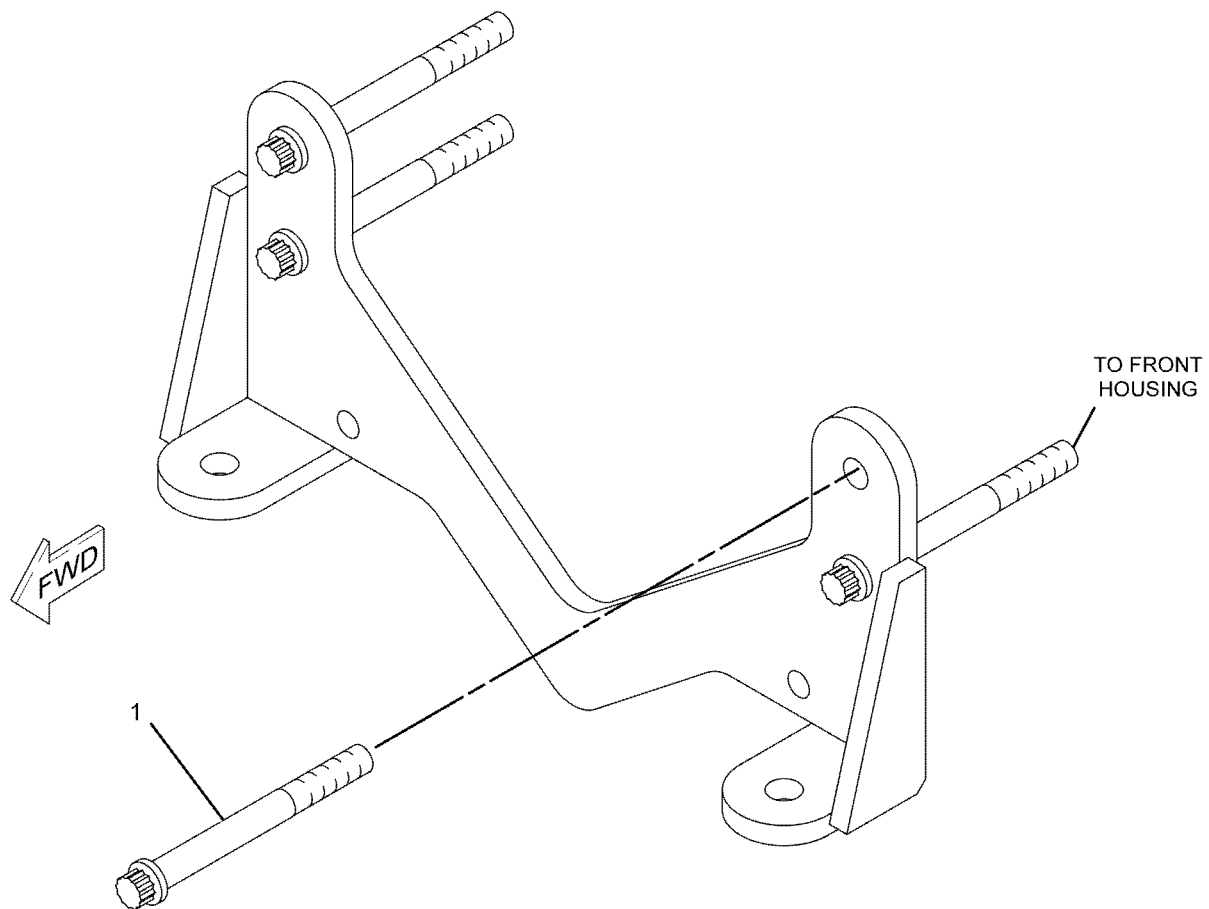
## 262-4168 SUPPORT GP-ENGINE

FRONT  
AN ATTACHMENT

SMCS-1152, 1153, 1154

i02251417

NOTE	REF NO	GRAPHIC REF	PART NUMBER	QTY	PART NAME						SEE PAGE
					1	2	3	4	5	6 (PRODUCT LEVEL)	
	1	1	5P-8038	8	BOLT-12 POINT HEAD (1/2-13X4.75-IN)						



GRAPHIC #1

<END>

g01140397



# BASIC ENGINE

## 5N-1678 SUPPORT GP-POWER TAKE-OFF

CLUTCH

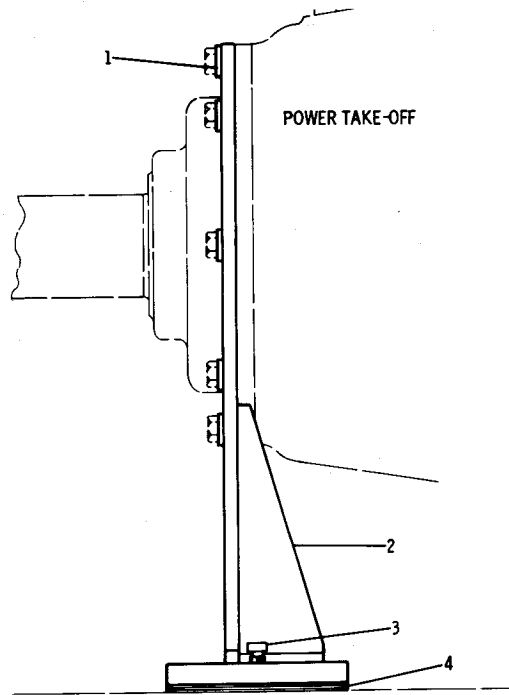
FOR USE WITH REAR POWER TAKE-OFF, 2W-4909—PAGE 385. CANNOT BE USED WITH  
FUEL TANK BASES  
AN ATTACHMENT

SMCS-1165

i02544081

NOTE	REF NO	GRAPHIC REF	PART NUMBER	QTY	PART NAME						SEE PAGE
					1	2	3	4	5	6 (PRODUCT LEVEL)	
	1	1	4D-3704	8	WASHER-HARD (17X30X5-MM THK)						
	2	1	5N-1677	1	SUPPORT AS						
	3	1	4B-3586	2	SETSCREW (1/2-13X2-IN)						
B	4	1	5N-1693	6	SHIM (0.5-MM THK)						
B		1	5N-1694	12	SHIM (0.8-MM THK)						

B-USE AS REQUIRED



GRAPHIC #1

<END>

g00136031

# BASIC ENGINE

## 5N-1933 SUPPORT GP-POWER TAKE-OFF

CLUTCH

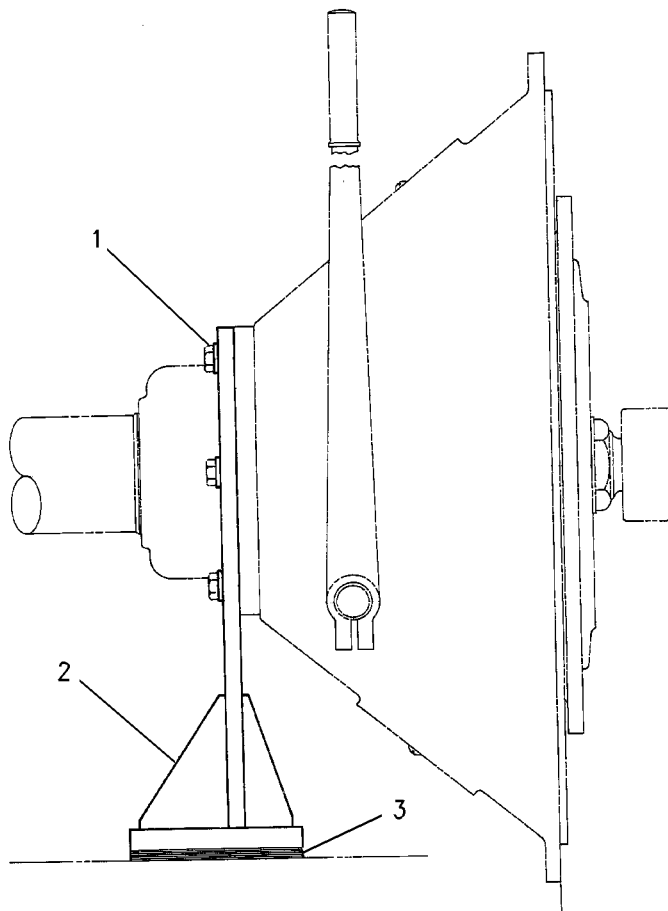
CANNOT BE USED WITH FUEL TANK BASE  
AN ATTACHMENT

SMCS-1165

i02544096

NOTE	REF NO	GRAPHIC REF	PART NUMBER	QTY	PART NAME						SEE PAGE
					1	2	3	4	5	6 (PRODUCT LEVEL)	
	1	1	5P-8245	6	WASHER-HARD (13.5X25.5X3-MM THK)						
	2	1	7L-5810	1	SUPPORT AS						
B	3	1	9F-2187	16	SHIM (0.0140-IN THK)						
B		1	9F-2188	30	SHIM (0.0320-IN THK)						

B-USE AS REQUIRED



GRAPHIC #1

<END>

g00783948

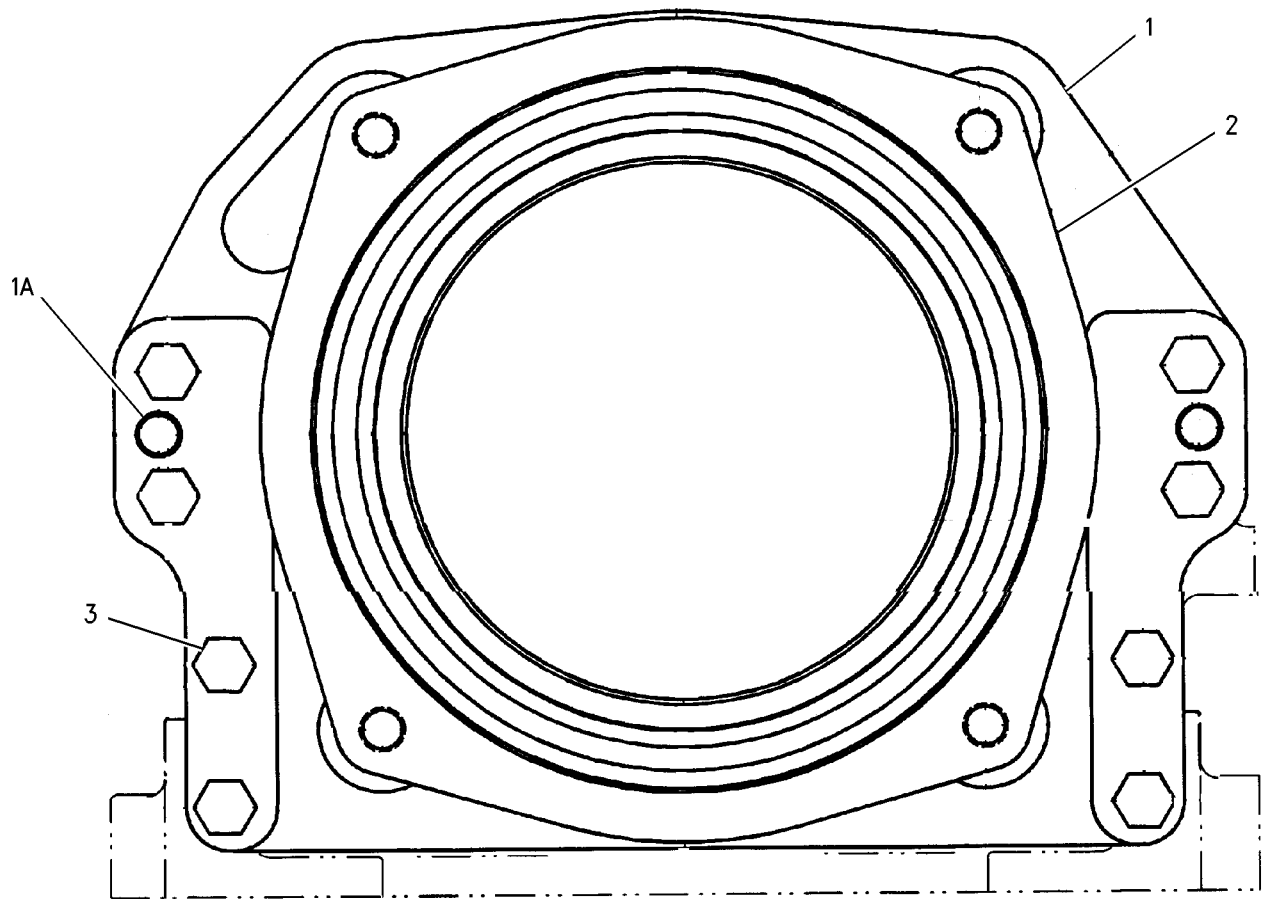
# BASIC ENGINE

## 192-0542 TRUNNION GP-ENGINE AN ATTACHMENT

SMCS-1154

i04026486

NOTE	REF NO	GRAPHIC REF	PART NUMBER	QTY	PART NAME						SEE PAGE
					1	2	3	4	5	6 (PRODUCT LEVEL)	
	1	1	<b>1W-3014</b>	1	ADAPTER AS						
	1A	1	<b>4N-0683</b>	2	DOWEL						
	2	1	<b>343-4835</b>	1	MOUNT AS						
	3	1	<b>2B-2006</b>	8	BOLT (1/2-13X4.75-IN)						



GRAPHIC #1

<END>

g00712631

# BASIC ENGINE

## 2N-8612 V-BELT SET-INCLUDES 3-BELTS, FAN DRIVE

1359-MM(53.5-INCH)LONG. REQUIRES FAN DRIVE OR FAN DRIVE AND BELT TIGHTENER  
AN ATTACHMENT

SMCS-1357

i02728520

NOTE	PART NUMBER	QTY	PART NAME	SEE PAGE
			1 2 3 4 5 6 (PRODUCT LEVEL) (INCLUDES 3-BELTS)	
<END>				

## 3R-9090 V-BELT SET-INCLUDES 4-BELTS, FAN DRIVE

1905 MM (75 INCH)LONG  
FOR USE WITH FAN DRIVE & 508 MM (20 INCH) CENTER DISTANCE  
AN ATTACHMENT

SMCS-1357

i02738456

NOTE	PART NUMBER	QTY	PART NAME	SEE PAGE
			1 2 3 4 5 6 (PRODUCT LEVEL) (INCLUDES 4-BELTS)	
<END>				

## 4N-6423 V-BELT SET-INCLUDES 3-BELTS, FAN DRIVE

1639-MM(64.5-INCH)LONG. REQUIRES FAN DRIVE OR FAN DRIVE AND BELT TIGHTENER  
AN ATTACHMENT

SMCS-1357

i02728652

NOTE	PART NUMBER	QTY	PART NAME	SEE PAGE
			1 2 3 4 5 6 (PRODUCT LEVEL) (INCLUDES 3-BELTS)	
<END>				

## 4N-8198 V-BELT SET-INCLUDES 3-BELTS, FAN DRIVE

2134-MM (84-INCH) LONG. REQUIRES FAN DRIVE OR FAN DRIVE AND BELT TIGHTENER  
AN ATTACHMENT

SMCS-1357

i02728658

NOTE	PART NUMBER	QTY	PART NAME	SEE PAGE
			1 2 3 4 5 6 (PRODUCT LEVEL) (INCLUDES 3-BELTS)	
<END>				

## 4P-8087 V-BELT SET-INCLUDES 3-BELTS, FAN DRIVE

1956-MM (77-INCH) LONG. REQUIRES FAN DRIVE OR FAN DRIVE AND BELT TIGHTENER  
AN ATTACHMENT

SMCS-1357

i02728663

NOTE	PART NUMBER	QTY	PART NAME	SEE PAGE
			1 2 3 4 5 6 (PRODUCT LEVEL) (INCLUDES 3-BELTS)	
<END>				

# BASIC ENGINE

## 6L-1987 V-BELT SET-2 BELTS

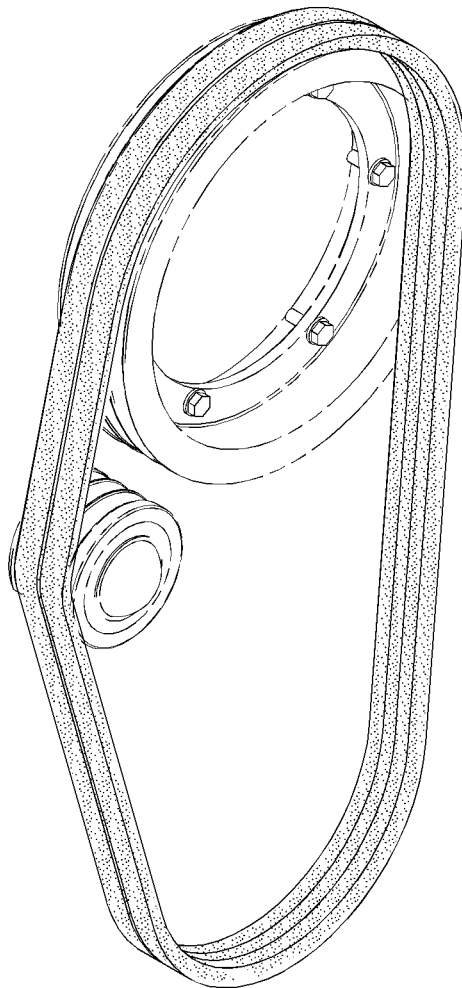
2083 MM (82 IN) LG  
AN ATTACHMENT

SMCS-1357

i02941019

NOTE	REF NO	GRAPHIC REF	PART NUMBER	QTY	PART NAME						SEE PAGE
					1	2	3	4	5	6 (PRODUCT LEVEL)	

(INCLUDES 2 BELTS)



GRAPHIC #1

<END>

g01458963

# BASIC ENGINE

## 6N-6651 V-BELT SET-INCLUDES 3-BELTS, FAN DRIVE

1892-MM (74.5-INCH) LONG. REQUIRES FAN DRIVE OR FAN DRIVE AND BELT TIGHTENER  
AN ATTACHMENT

SMCS-1357

i02905483

NOTE	PART NUMBER	QTY	PART NAME						SEE PAGE
			1	2	3	4	5	6 (PRODUCT LEVEL)	
	6N-6650	3	V-BELT (FAN DRIVE)						
<END>									

## 6N-6652 V-BELT SET-INCLUDES 3-BELTS, FAN DRIVE

1689 MM(66.5 INCH) LONG -REQUIRES FAN DRIVE OR FAN DRIVE AND BELT TIGHTENER  
AN ATTACHMENT

SMCS-1357

i01213559

NOTE	PART NUMBER	QTY	PART NAME						SEE PAGE
			1	2	3	4	5	6 (PRODUCT LEVEL)	
			(INCLUDES 3 BELTS)						
<END>									

## 6N-6653 V-BELT SET-INCLUDES 4-BELTS, FAN DRIVE

1613-MM (63.5 INCH-LONG. REQUIRES FAN DRIVE OR FAN DRIVE AND BELT TIGHTENER  
AN ATTACHMENT

SMCS-1357

i02728719

NOTE	PART NUMBER	QTY	PART NAME						SEE PAGE
			1	2	3	4	5	6 (PRODUCT LEVEL)	
			(INCLUDES 4-BELTS)						
<END>									

## 6N-9159 V-BELT SET-INCLUDES 4-BELTS, FAN DRIVE

1549-MM (61-INCH) LONG. REQUIRES FAN DRIVE OR FAN DRIVE AND BELT TIGHTENER  
AN ATTACHMENT

SMCS-1357

i02728745

NOTE	PART NUMBER	QTY	PART NAME						SEE PAGE
			1	2	3	4	5	6 (PRODUCT LEVEL)	
			(INCLUDES 4-BELTS)						
<END>									

## 7E-7646 V-BELT SET-INCLUDES 3-BELTS, FAN DRIVE

1752-MM (69-INCH) LONG. REQUIRES FAN DRIVE OR FAN DRIVE AND BELT TIGHTENER  
AN ATTACHMENT

SMCS-1357

i02728751

NOTE	PART NUMBER	QTY	PART NAME						SEE PAGE
			1	2	3	4	5	6 (PRODUCT LEVEL)	
			(INCLUDES 3-BELTS)						
<END>									

# BASIC ENGINE

**7E-9515 V-BELT SET—INCLUDES 4-BELTS, FAN DRIVE**  
2057 MM (81 IN) LONG  
AN ATTACHMENT

SMCS-1357

i01245897

NOTE	PART NUMBER	QTY	PART NAME	SEE PAGE
			1 2 3 4 5 6 (PRODUCT LEVEL)	
			INCLUDES 4 BELTS	
			<END>	

**9N-1325 V-BELT SET—INCLUDES 3-BELTS, FAN DRIVE**  
1486-MM (58.5-INCH) LONG. REQUIRES FAN DRIVE OR FAN DRIVE AND BELT TIGHTENER  
AN ATTACHMENT

SMCS-1357

i02728815

NOTE	PART NUMBER	QTY	PART NAME	SEE PAGE
			1 2 3 4 5 6 (PRODUCT LEVEL)	
			(INCLUDES 3-BELTS)	
			<END>	

# BASIC ENGINE

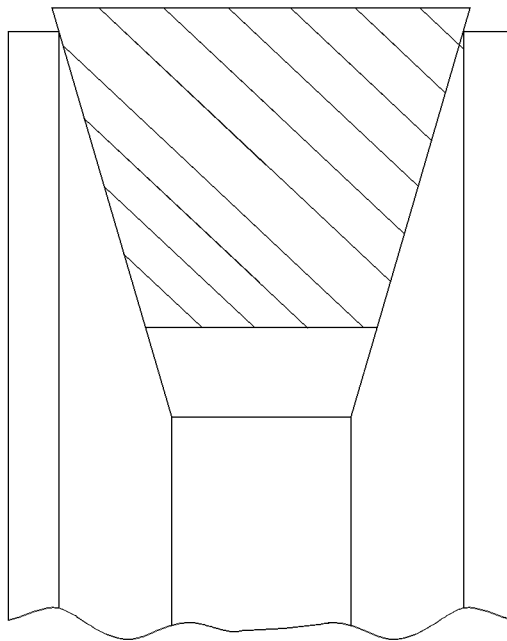
## 164-4526 V-BELT SET

1295MM(51IN) LONG  
AN ATTACHMENT

SMCS-1357

i01549247

NOTE	REF NO	GRAPHIC REF	PART NUMBER	QTY	PART NAME	SEE PAGE
					1 2 3 4 5 6 (PRODUCT LEVEL)	
					INCLUDES 3 BELTS	



GRAPHIC #1

<END>

g00495174



# BASIC ENGINE

**164-4543 V-BELT SET-INCLUDES 4-BELTS**  
1689-MM (66.5-INCH) LONG, FAN DRIVE  
AN ATTACHMENT

SMCS-1357

i02425177

NOTE	PART NUMBER	QTY	PART NAME						SEE PAGE
			1	2	3	4	5	6 (PRODUCT LEVEL)	
			(INCLUDES 4 BELTS)						
			<b>&lt;END&gt;</b>						

# BASIC ENGINE

## 260-3199 V-BELT SET

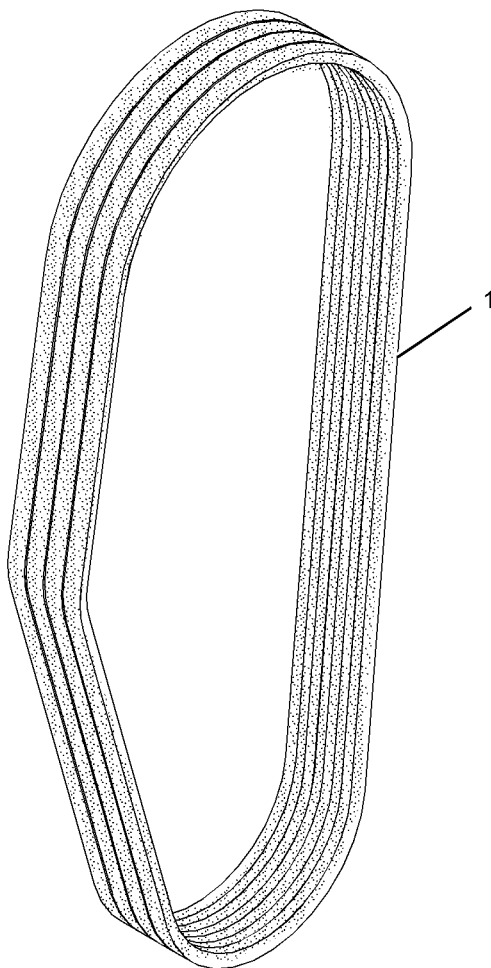
1892 MM (74 IN) LONG

AN ATTACHMENT

SMCS-1357

i02746438

NOTE	REF NO	GRAPHIC REF	PART NUMBER	QTY	PART NAME						SEE PAGE
					1	2	3	4	5	6 (PRODUCT LEVEL)	
	1	1	6N-6650	4	V-BELT (INCLUDES 4-BELTS)						



GRAPHIC #1

<END>

g01376528

# BASIC ENGINE

## 284-8095 V-BELT SET—INCLUDES 3-BELTS, FAN DRIVE

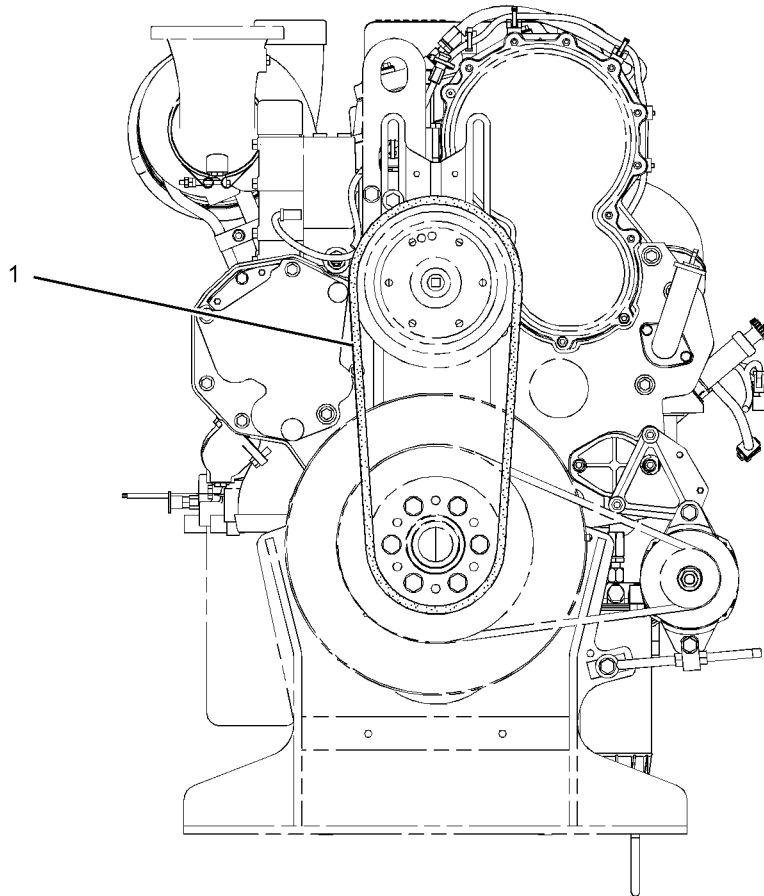
1499 MM (59 IN) LONG

FOR USE WITH FAN DRIVE RATIO OF 0.8:1  
AN ATTACHMENT

SMCS-1357

i03771199

NOTE	REF NO	GRAPHIC REF	PART NUMBER	QTY	PART NAME						SEE PAGE
					1	2	3	4	5	6 (PRODUCT LEVEL)	
	1	1	9L-6641	3	V-BELT (FAN DRIVE)						



FRONT VIEW OF ENGINE

GRAPHIC #1

<END>

g01336616

# BASIC ENGINE

## 313-6348 V-BELT SET-INCLUDES 4-BELTS

1524 MM (60 IN) LONG  
AN ATTACHMENT

SMCS-1357

i02763933

NOTE	PART NUMBER	QTY	PART NAME						SEE PAGE
			1	2	3	4	5	6 (PRODUCT LEVEL)	
			(NO SERVICED PARTS)						
<END>									

## 316-9076 V-BELT SET-INCLUDES 4-BELTS

1499 MM (59 IN) LONG  
FOR USE WITH TIER III INDUSTRIAL ENGINES  
AN ATTACHMENT

SMCS-1357

i02864803

NOTE	PART NUMBER	QTY	PART NAME						SEE PAGE
			1	2	3	4	5	6 (PRODUCT LEVEL)	
	9L-6641	4	V-BELT (FAN DRIVE)						
<END>									

# LUBRICATION SYSTEM

## 154-4327 BASE GP-OIL FILTER-ENGINE

PART OF 155-5005 BASE GP-OIL FILTER

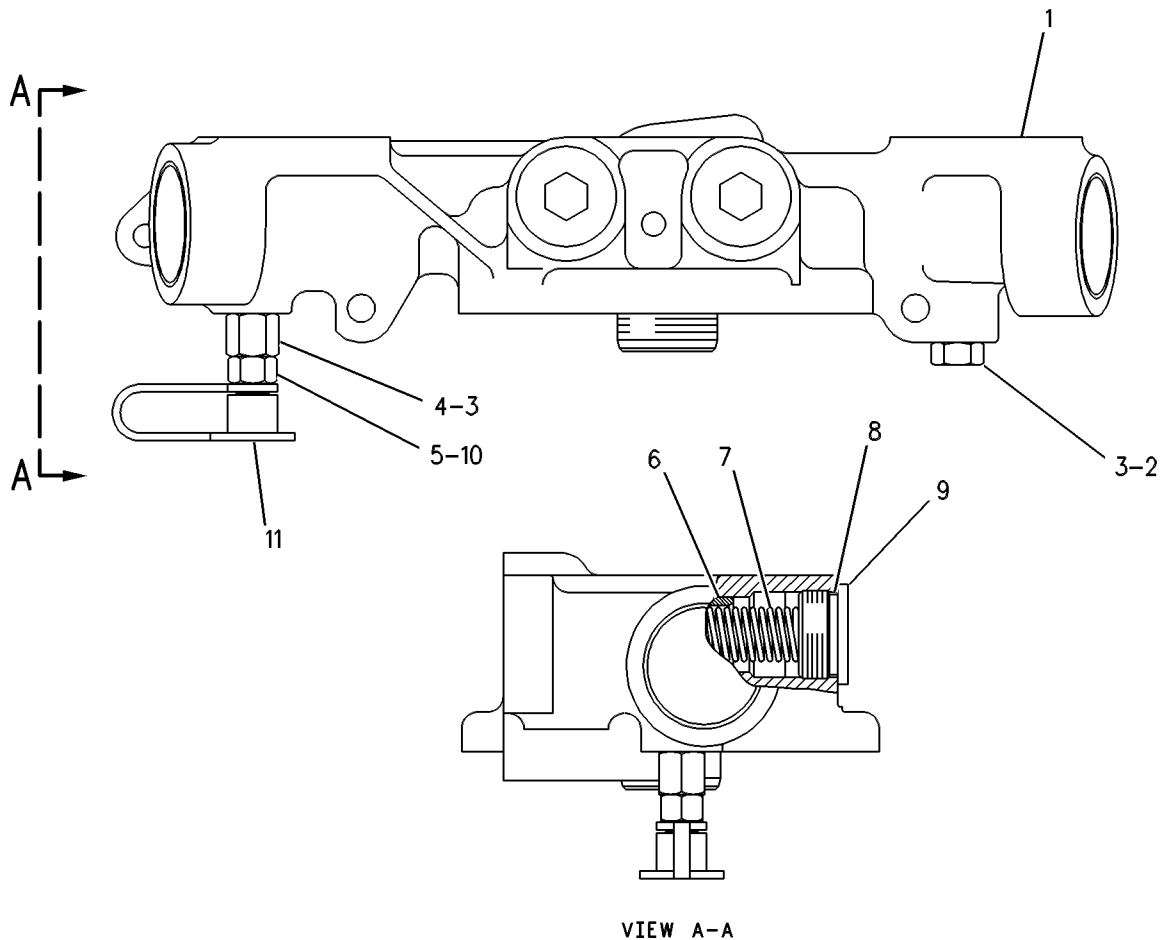
AN ATTACHMENT

SMCS-1306

i03603322

NOTE	REF NO	GRAPHIC REF	PART NUMBER	QTY	PART NAME						SEE PAGE
					1	2	3	4	5	6 (PRODUCT LEVEL)	
Y	1	1	176-1363	1	BASE GP-OIL FILTER (ENGINE)						441
	2	1	9S-4191	1	PLUG-O-RING						
	3	1	6V-5049	2	SEAL-O-RING						
	4	1	5P-9617	1	ADAPTER						
	5	1	8C-3446	1	VALVE-FLUID SAMPLING (ENGINE OIL)						
	6	1	1P-1367	2	PLUNGER						
	7	1	4N-8150	2	SPRING						
	8	1	5P-7701	2	SEAL-O-RING						
	9	1	9S-9334	2	PLUG-O-RING						
	10	1	3J-7354	1	SEAL-O-RING						
	11	1	8C-3445	1	CAP-DUST (ENGINE OIL FILTER)						

Y-SEPARATE ILLUSTRATION



GRAPHIC #1

<END>

g00445963

# LUBRICATION SYSTEM

## 155-5005 BASE GP-OIL FILTER-ENGINE

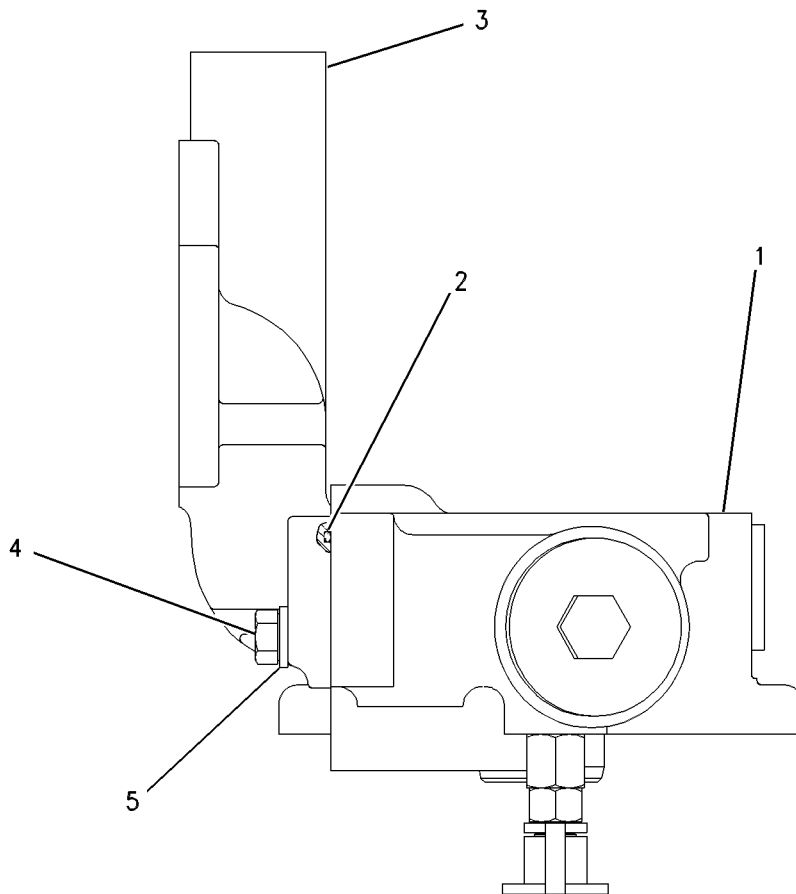
PART OF 114-1922, 122-1517, 154-4325, 170-1282, 263-2186 FILTER GP-ENGINE  
OIL  
AN ATTACHMENT

SMCS-1306

i02711276

NOTE	REF NO	GRAPHIC REF	PART NUMBER	QTY	PART NAME						SEE PAGE
					1	2	3	4	5	6 (PRODUCT LEVEL)	
Y	1	1	154-4327	1	BASE GP-OIL FILTER (ENGINE)						439
	2	1	061-7540	2	SEAL-O-RING						
	3	1	153-6680	1	ELBOW						
	4	1	0S-1588	4	BOLT (3/8-16X1.25-IN)						
	5	1	5M-2894	4	WASHER-HARD (10.2X18.5X2.5-MM THK)						

Y-SEPARATE ILLUSTRATION



GRAPHIC #1

<END>

g00507738

# LUBRICATION SYSTEM

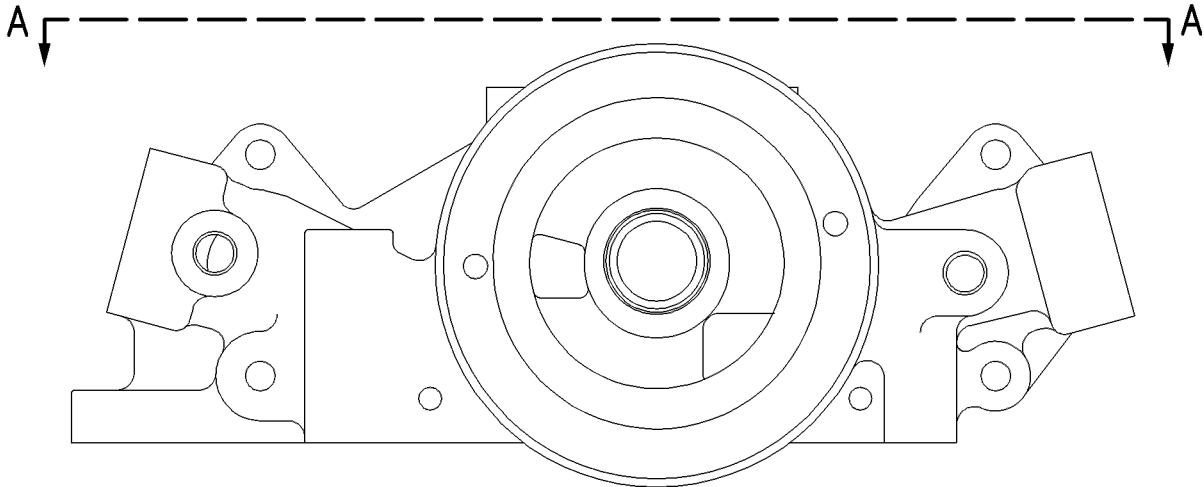
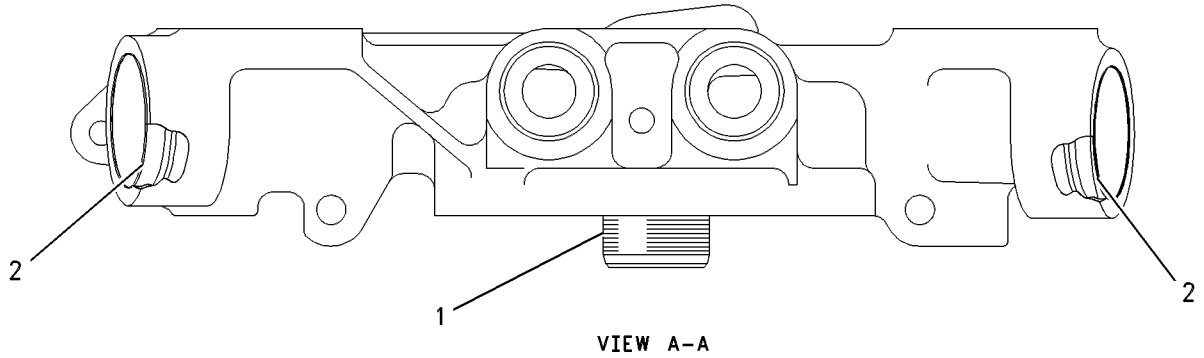
## 176-1363 BASE GP-OIL FILTER-ENGINE

PART OF 154-4327 BASE GP-OIL FILTER  
AN ATTACHMENT

SMCS-1306

i02459914

NOTE	REF NO	GRAPHIC REF	PART NUMBER	QTY	PART NAME						SEE PAGE
					1	2	3	4	5	6 (PRODUCT LEVEL)	
	1	1	2P-4304	1	STUD-HOLLOW						
	2	1	9L-7657	2	PLUG-CUP						



GRAPHIC #1

<END>

g00638223

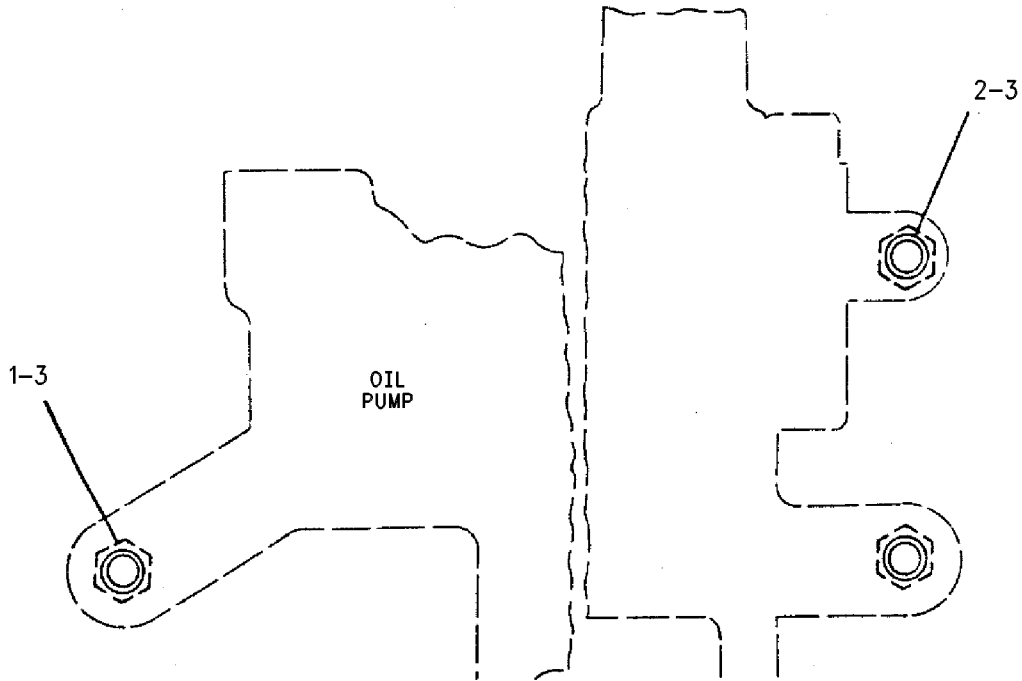
# LUBRICATION SYSTEM

## 4N-2481 FASTENER GP-OIL PUMP MOUNTING-ENGINE ALSO AN ATTACHMENT

SMCS-1304

i02728826

NOTE	REF NO	GRAPHIC REF	PART NUMBER	QTY	PART NAME						SEE PAGE
					1	2	3	4	5	6 (PRODUCT LEVEL)	
	1	1	0L-1143	2	BOLT (3/8-16X2.5-IN)						
	2	1	0S-1590	1	BOLT (3/8-16X2-IN)						
	3	1	5M-2894	3	WASHER-HARD (10.2X18.5X2.5-MM THK)						



GRAPHIC #1

<END>

g00604525



# LUBRICATION SYSTEM

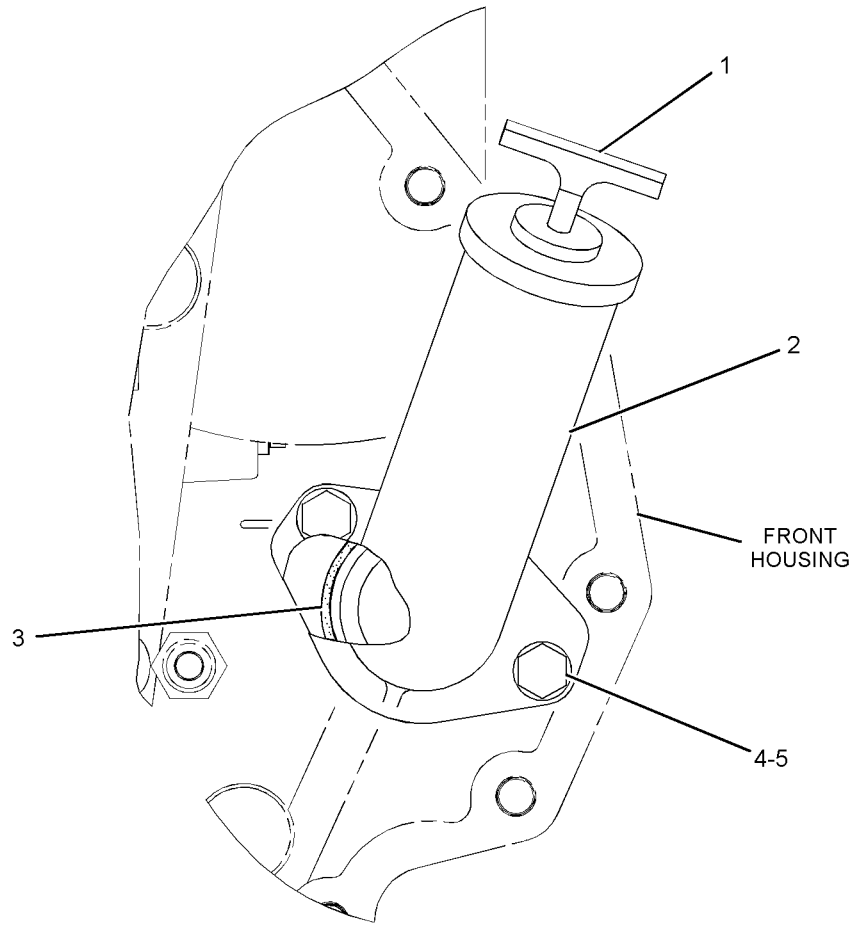
## 6I-3944 FILLER GP-ENGINE OIL

FILLER MOUNTED ON TIMING GEAR HOUSING,  
LEFT HAND FRONT STEEL TUBE OIL FILLER AND OIL FILL CAP WITHOUT CHAIN  
AN ATTACHMENT

SMCS-1316

i03032661

NOTE	REF NO	GRAPHIC REF	PART NUMBER	QTY	PART NAME						SEE PAGE
					1	2	3	4	5	6 (PRODUCT LEVEL)	
	1	1	068-4497	1	CAP-OIL FILLER (ENGINE)						
	2	1	241-2942	1	TUBE AS-OIL (FILLER)						
	3	1	061-9455	1	SEAL-O-RING						
	4	1	2B-2695	2	BOLT (5/16-18X0.875-IN)						
	5	1	9M-1974	2	WASHER-HARD (8.8X16X2-MM THK)						



FRONT VIEW

<END>

GRAPHIC #1

g01185948

# LUBRICATION SYSTEM

## 6N-1016 FILLER GP-ENGINE OIL

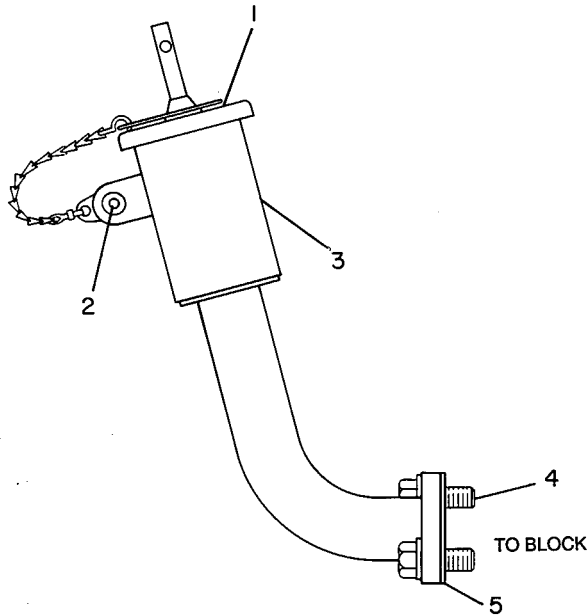
RIGHT HAND  
AN ATTACHMENT

SMCS-1316

i02454083

NOTE	REF NO	GRAPHIC REF	PART NUMBER	QTY	PART NAME						SEE PAGE
					1	2	3	4	5	6 (PRODUCT LEVEL)	
C	1	1	<b>6N-2985</b>	1	CAP AS-FILLER (ENGINE OIL)						
	2	1	<b>9M-5732</b>	1	RIVET-POP						
	3	1	<b>6N-1015</b>	1	FILLER AS (ENGINE OIL)						
	4	1	<b>1A-2029</b>	2	BOLT (3/8-16X1.125-IN)						
			1	<b>5M-2894</b>	2	WASHER-HARD (10.2X18.5X2.5-MM THK)					
C	5	1	<b>4N-0699</b>	1	GASKET						

C-CHANGE FROM PREVIOUS TYPE



GRAPHIC #1

<END>

g00138983

# LUBRICATION SYSTEM

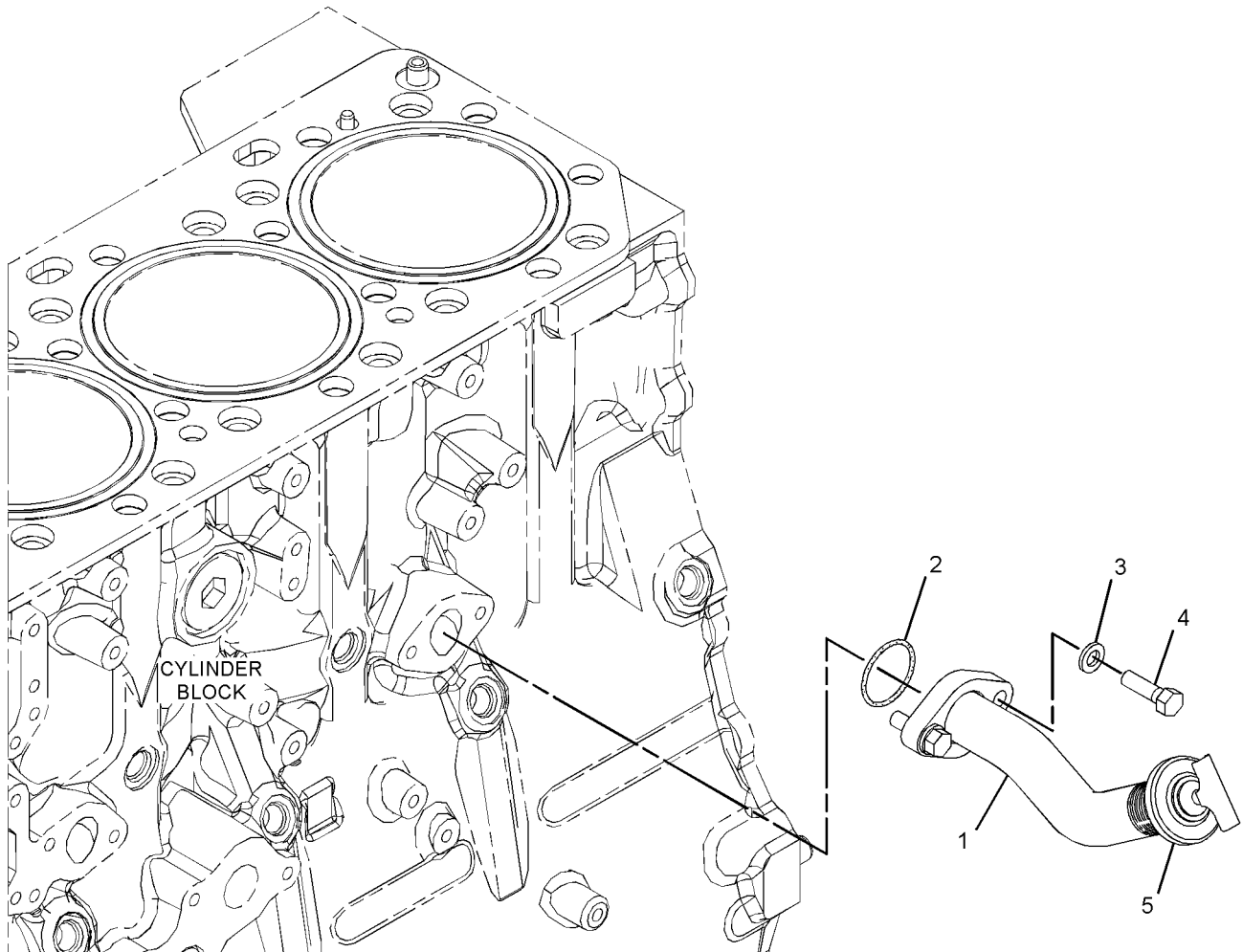
## 110-8876 FILLER GP-ENGINE OIL

RH MOUNTED  
AN ATTACHMENT

SMCS-1316

i03808176

NOTE	REF NO	GRAPHIC REF	PART NUMBER	QTY	PART NAME						SEE PAGE
					1	2	3	4	5	6 (PRODUCT LEVEL)	
	1	1	103-4699	1	TUBE AS-OIL FILLER						
	2	1	210-9246	1	SEAL-O-RING						
	3	1	5M-2894	2	WASHER-HARD (10.2X18.5X2.5-MM THK)						
	4	1	0S-1588	2	BOLT (3/8-16X1.25-IN)						
	5	1	9L-8439	1	CAP-OIL FILLER (ENGINE)						



GRAPHIC #1

<END>

g02065793

# LUBRICATION SYSTEM

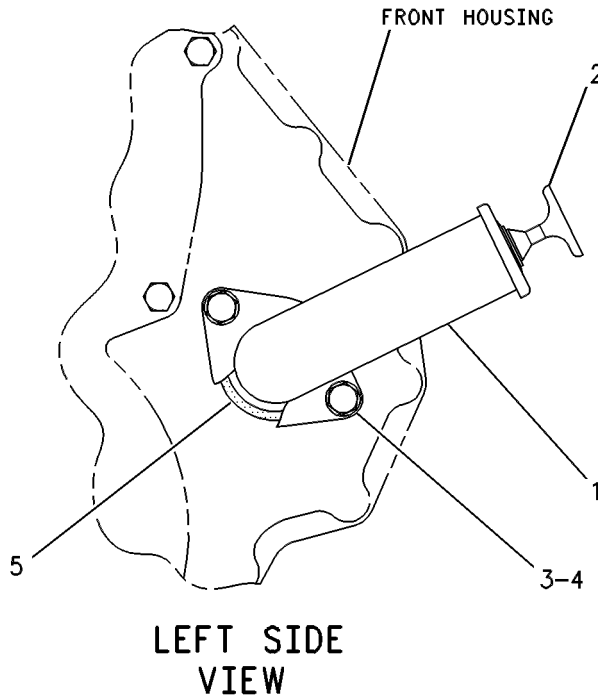
## 131-0118 FILLER GP-ENGINE OIL

FOR USE WITH LH SERVICE  
AN ATTACHMENT

SMCS-1316

i03901689

NOTE	REF NO	GRAPHIC REF	PART NUMBER	QTY	PART NAME						SEE PAGE
					1	2	3	4	5	6 (PRODUCT LEVEL)	
	1	1	156-6905	1	TUBE AS-FILLER						
	2	1	068-4497	1	CAP-OIL FILLER (ENGINE)						
	3	1	2B-2695	2	BOLT (5/16-18X0.875-IN)						
	4	1	9M-1974	2	WASHER-HARD (8.8X16X2-MM THK)						
	5	1	061-9455	1	SEAL-O-RING						



GRAPHIC #1

<END>

g00257261

# LUBRICATION SYSTEM

## 133-6353 FILLER GP-ENGINE OIL

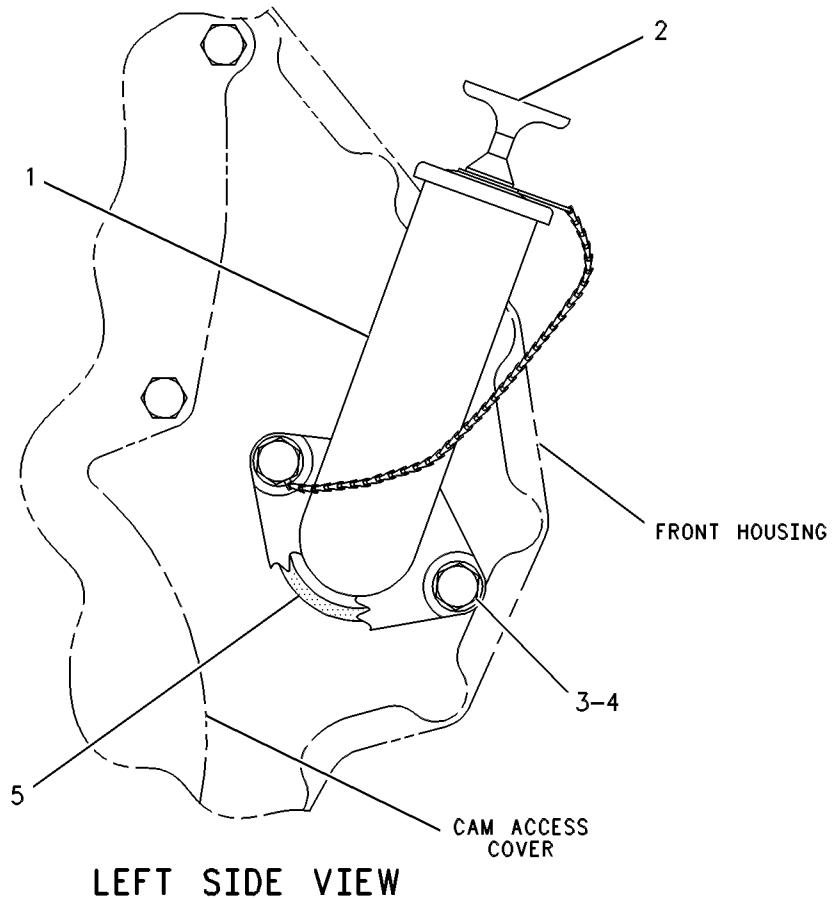
PROVIDES LEFT HAND FRONT STEEL TUBE OIL FILLER MOUNTED ON THE FRONT HOUSING,  
 PROVIDES OIL FILLER CAP WITH CHAIN  
 AN ATTACHMENT

SMCS-1316

i03064320

NOTE	REF NO	GRAPHIC REF	PART NUMBER	QTY	PART NAME						SEE PAGE
					1	2	3	4	5	6 (PRODUCT LEVEL)	
C	1	1	264-4289	1	TUBE-OIL FILLER (ENGINE)						
	2	1	241-5645	1	CAP AS-ENGINE OIL FILLER						
	3	1	2B-2695	2	BOLT (5/16-18X0.875-IN)						
	4	1	9M-1974	2	WASHER-HARD (8.8X16X2-MM THK)						
	5	1	061-9455	1	SEAL-O-RING						

C-CHANGE FROM PREVIOUS TYPE



GRAPHIC #1

<END>

g00260205

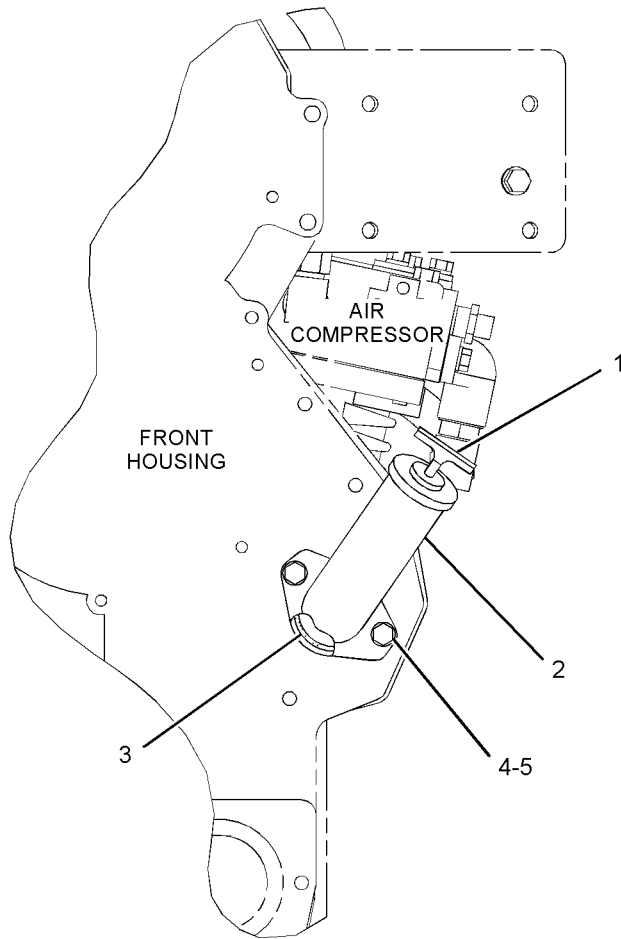
# LUBRICATION SYSTEM

## 171-2094 FILLER GP-ENGINE OIL TIMING GEAR COVER MOUNTED FOR USE WITH OR WITHOUT SOUND SUPPRESSION PANELS AN ATTACHMENT TYPE 1

SMCS-1316

i04122329

NOTE	REF NO	GRAPHIC REF	PART NUMBER	QTY	PART NAME						SEE PAGE
					1	2	3	4	5	6 (PRODUCT LEVEL)	
	1	1	5L-2952	1	CAP AS-FILLER (ENGINE OIL)						
		1	6L-2609	1	SEAL-RUBBER						
	2	1	7C-2909	1	TUBE-OIL FILLER						
	3	1	061-9455	1	SEAL-O-RING						
	4	1	2B-2695	2	BOLT (5/16-18X0.875-IN)						
	5	1	9M-1974	2	WASHER-HARD (8.8X16X2-MM THK)						



FRONT VIEW OF ENGINE

<END>

GRAPHIC #1

g01563258

# LUBRICATION SYSTEM

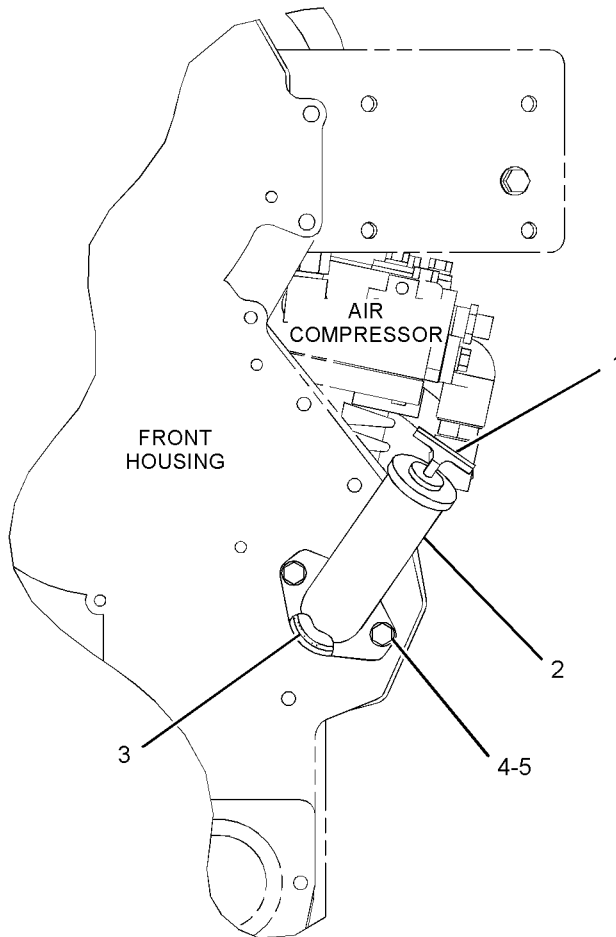
## 171-2094 FILLER GP-ENGINE OIL TIMING GEAR COVER MOUNTED FOR USE WITH OR WITHOUT SOUND SUPPRESSION PANELS AN ATTACHMENT TYPE 2

SMCS-1316

i04121729

NOTE	REF NO	GRAPHIC REF	PART NUMBER	QTY	PART NAME						SEE PAGE
					1	2	3	4	5	6 (PRODUCT LEVEL)	
C	1	1	068-4497	1	CAP-OIL FILLER (ENGINE)						
C	2	1	264-4288	1	TUBE-OIL FILLER (ENGINE)						
	3	1	061-9455	1	SEAL-O-RING						
	4	1	2B-2695	2	BOLT (5/16-18X0.875-IN)						
	5	1	9M-1974	2	WASHER-HARD (8.8X16X2-MM THK)						

C-CHANGE FROM PREVIOUS TYPE



FRONT VIEW OF ENGINE

GRAPHIC #1

<END>

g01563258

# LUBRICATION SYSTEM

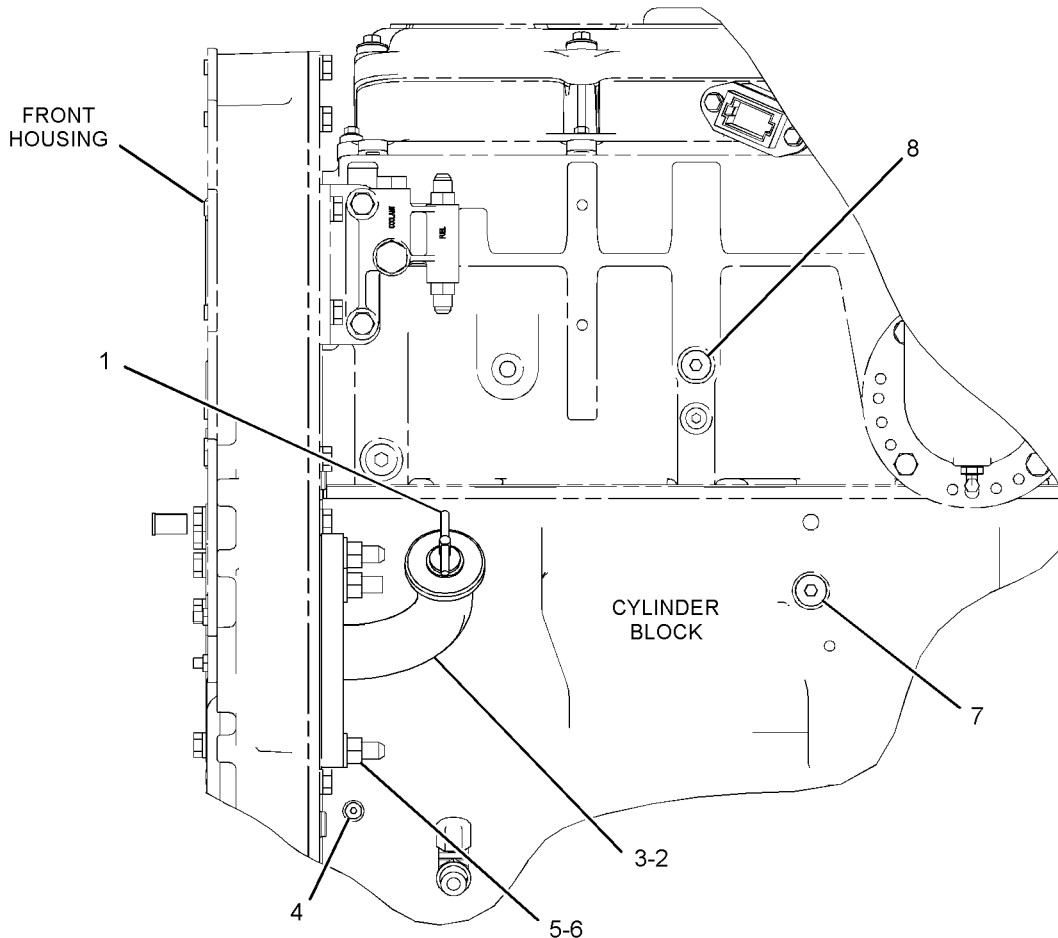
## 269-8293 FILLER GP-ENGINE OIL

LEFT HAND SIDE OIL FILLER INSTALLED ON THE BACK OF THE ENGINE FRONT HOUSING  
CANNOT BE USED WITH AIR COMPRESSOR OR HYDRAULIC PUMP DRIVE  
AN ATTACHMENT

SMCS-1316

i04157334

NOTE	REF NO	GRAPHIC REF	PART NUMBER	QTY	PART NAME						SEE PAGE
					1	2	3	4	5	6 (PRODUCT LEVEL)	
	1	1	5L-2952	1	CAP AS-FILLER (ENGINE OIL)						
		1	6L-2609	1	SEAL-RUBBER						
2		1	129-2181	1	SEAL-INTEGRAL						
3		1	271-8575	1	TUBE AS (OIL FILL)						
4		1	307-2671	1	PLUG AS						
		1	9S-8002	1	PLUG-O-RING						
		1	214-7566	1	SEAL-O-RING						
5		1	1F-7958	3	NUT-FULL (1/2-13-THD)						
6		1	5P-8245	3	WASHER-HARD (13.5X25.5X3-MM THK)						
7		1	353-5126	1	PLUG AS						
		1	6V-6609	1	SEAL-O-RING						
		1	9S-8005	1	PLUG-O-RING						
8		1	307-2673	1	PLUG AS						
		1	9S-8005	1	PLUG-O-RING						
		1	238-5080	1	SEAL-O-RING						



LEFT SIDE VIEW OF ENGINE

<END>

GRAPHIC #1

g02354379



# LUBRICATION SYSTEM

## 114-1922 FILTER GP-ENGINE OIL

REMOTE MOUNTED OIL FILTER BASE  
CANNOT BE USED WITH BRAKESAVER  
AN ATTACHMENT

SMCS-1306, 1308

i03688469

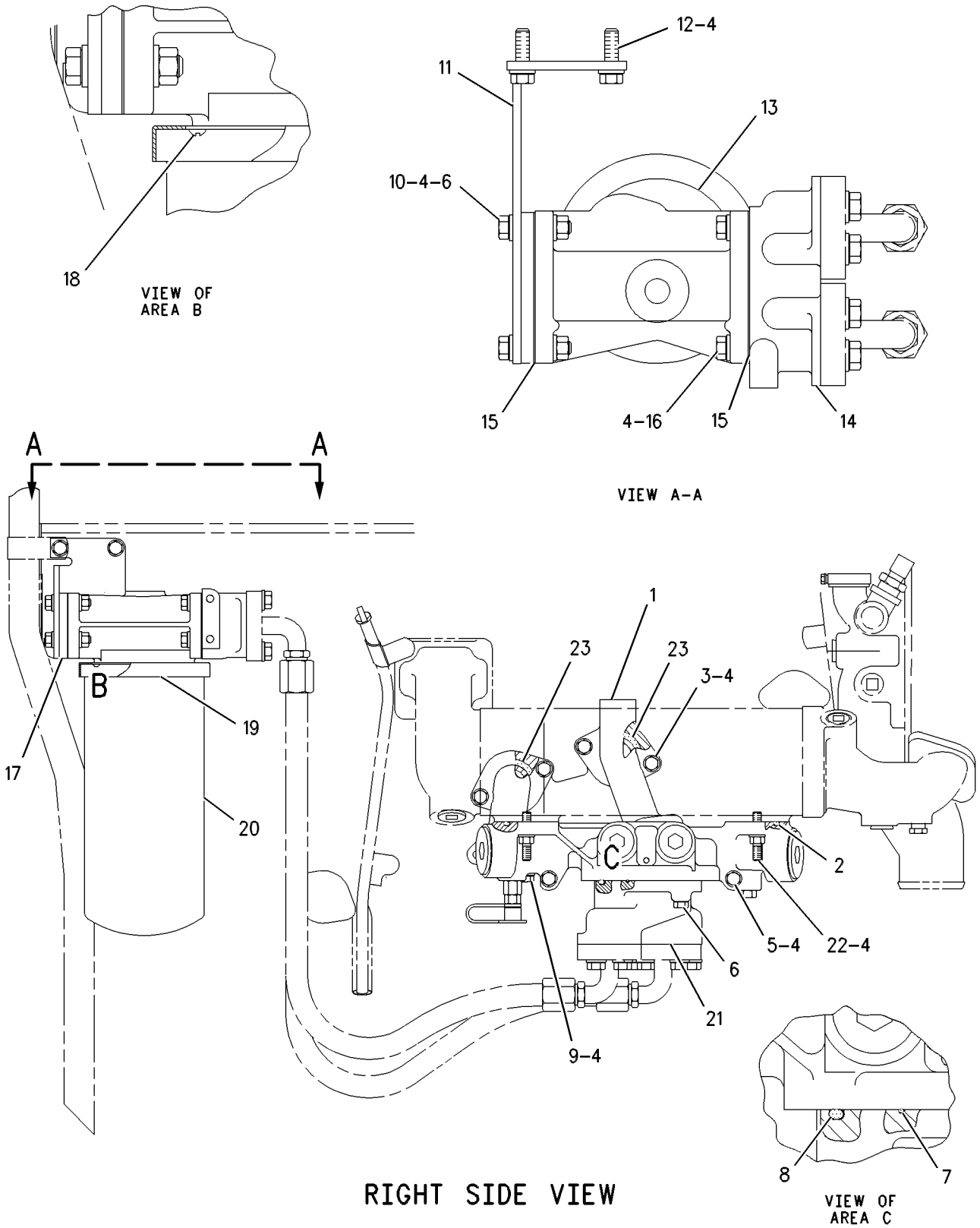
NOTE	REF NO	GRAPHIC REF	PART NUMBER	QTY	PART NAME						SEE PAGE
					1	2	3	4	5	6 (PRODUCT LEVEL)	
CY	1	1	155-5005	1	BASE GP-OIL FILTER (ENGINE)						440
	2	1	3P-0650	2	SEAL-O-RING						
	3	1	1A-2029	4	BOLT (3/8-16X1.125-IN)						
	4	1	5M-2894	21	WASHER-HARD (10.2X18.5X2.5-MM THK)						
	5	1	0S-1608	2	BOLT (3/8-16X3.75-IN)						
	6	1	0S-1571	6	BOLT (3/8-16X1.75-IN)						
	7	1	5E-8767	1	SEAL-O-RING (44.17-MM ID)						
	8	1	6V-3908	1	SEAL-O-RING (100.97-MM ID)						
	9	1	0S-1619	2	BOLT (3/8-16X3-IN)						
	10	1	9S-8752	4	NUT-FULL (3/8-16-THD)						
	11	1	156-5340	1	BRACKET						
	12	1	0L-1351	3	BOLT (3/8-16X0.875-IN)						
	13	1	2P-4303	1	BASE AS-OIL FILTER (ENGINE)						
		1	2P-4304	1	STUD-HOLLOW						
	14	1	9N-0477	1	ADAPTER-OIL FILTER						
	15	1	2P-4305	2	GASKET						
	16	1	0S-1588	4	BOLT (3/8-16X1.25-IN)						
	17	1	9L-5717	1	COVER-BASE						
	18	1	7F-9090	2	SCREW-DRIVE (NO 8X03/8-IN)						
	19	1	4N-7082	1	SHIELD-OIL FILTER						
	20	1	1R-0716	1	FILTER AS-ENGINE OIL (STANDARD EFFICIENCY)						
	21	1	4N-2211	1	ADAPTER						
	22	1	129-3172	2	STUD-MOUNTING (3/8-16X1.564-IN)						
	23	1	8C-5230	2	SEAL-O-RING						

C-CHANGE FROM PREVIOUS TYPE  
Y-SEPARATE ILLUSTRATION

# LUBRICATION SYSTEM

114-1922 FILTER GP-ENGINE OIL (contd.)

i03688469



GRAPHIC #1

<END>

g00600539

# LUBRICATION SYSTEM

## 122-1517 FILTER GP-ENGINE OIL

REMOTE MOUNTED LH  
AN ATTACHMENT

SMCS-1306, 1308

i03026980

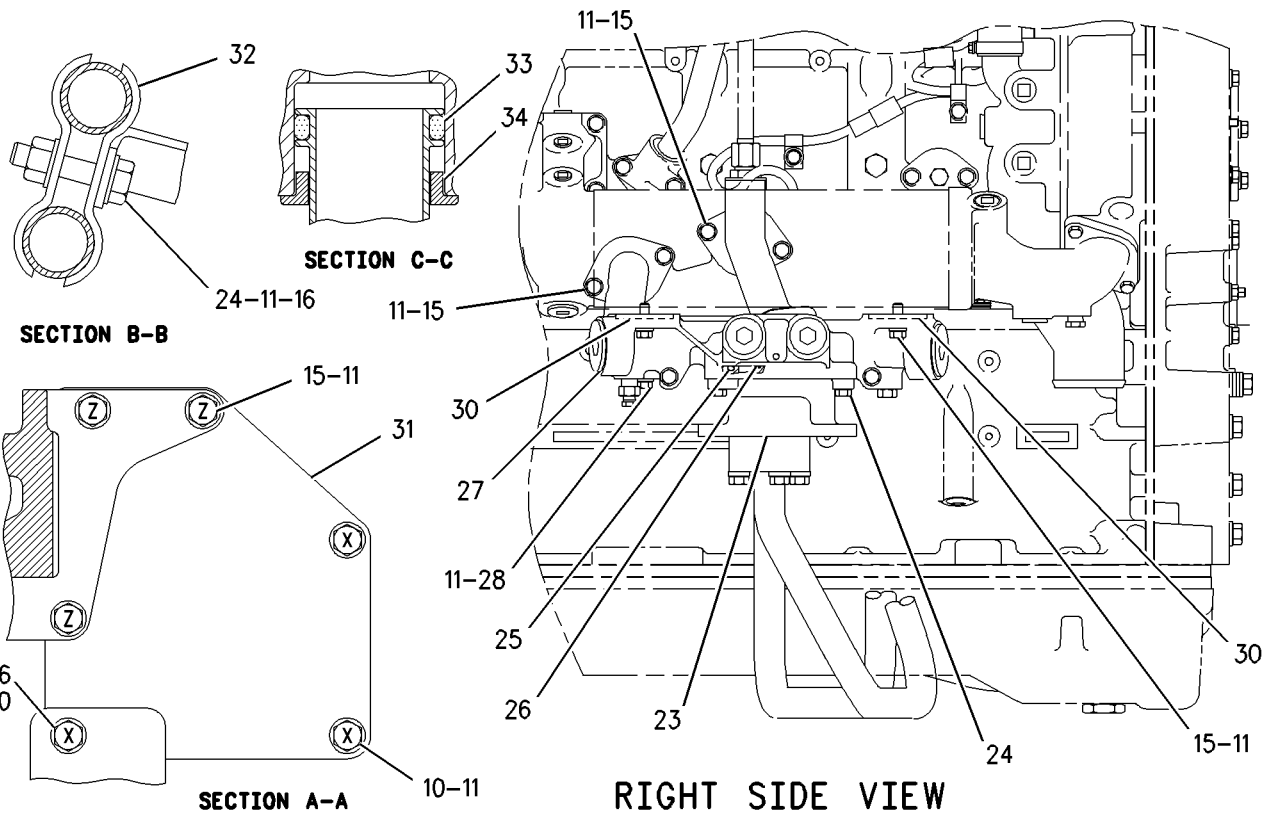
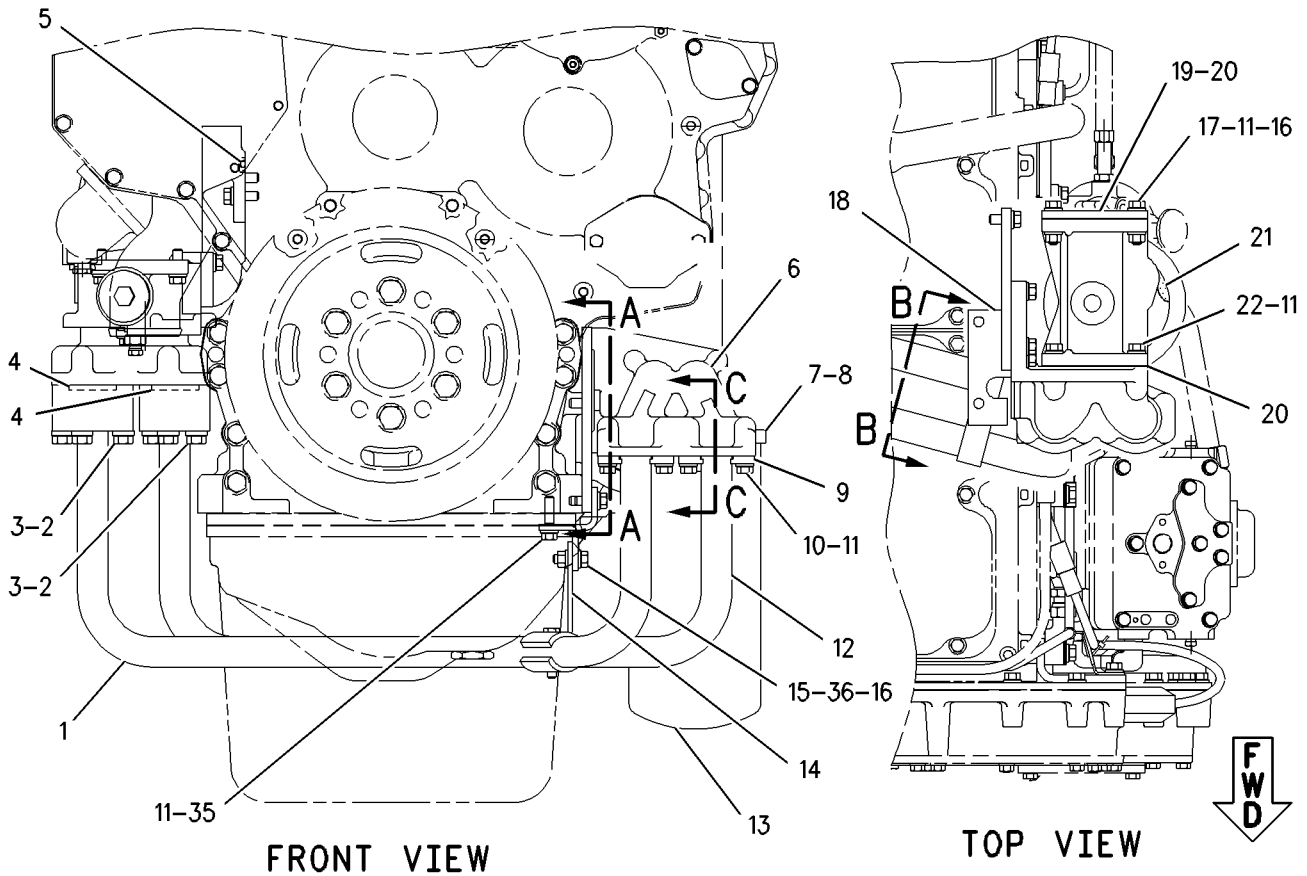
NOTE	REF NO	GRAPHIC REF	PART NUMBER	QTY	PART NAME						SEE PAGE
					1	2	3	4	5	6 (PRODUCT LEVEL)	
	1	1	121-6165	1	TUBE AS						
	2	1	1D-4707	8	BOLT (7/16-14X2.25-IN)						
	3	1	4S-9191	8	WASHER (12X22.5X5-MM THK)						
	4	1	1P-3704	2	SEAL-RECTANGULAR						
	5	1	8C-5230	2	SEAL-O-RING						
	6	1	1W-7385	1	ADAPTER-FILTER BASE						
	7	1	4N-7082	1	SHIELD-OIL FILTER						
	8	1	7F-9090	2	SCREW-DRIVE (NO 8X03/8-IN)						
	9	1	8N-5872	4	RETAINER						
	10	1	0S-1594	7	BOLT (3/8-16X1-IN)						
	11	1	5M-2894	33	WASHER-HARD (10.2X18.5X2.5-MM THK)						
	12	1	121-6164	1	TUBE AS						
	13	1	1R-1808	1	FILTER-ENGINE OIL (ADVANCED EFFICIENCY)						
	14	1	4M-0893	1	SUPPORT						
	15	1	1A-2029	10	BOLT (3/8-16X1.125-IN)						
	16	1	9S-8752	6	NUT-FULL (3/8-16-THD)						
	17	1	0S-1591	4	BOLT (3/8-16X1.5-IN)						
	18	1	151-0962	1	BRACKET						
	19	1	9L-5717	1	COVER-BASE						
	20	1	2P-4305	2	GASKET						
	21	1	2P-4303	1	BASE AS-OIL FILTER						
		1	2P-4304	1	STUD-HOLLOW						
	22	1	0S-1588	4	BOLT (3/8-16X1.25-IN)						
	23	1	4N-2211	1	ADAPTER						
	24	1	0S-1571	3	BOLT (3/8-16X1.75-IN)						
	25	1	5E-8767	1	SEAL-O-RING						
	26	1	109-0077	1	SEAL-O-RING						
CY	27	1	155-5005	1	BASE GP-OIL FILTER (ENGINE)						440
	28	1	0S-1619	2	BOLT (3/8-16X3-IN)						
	30	1	3P-0650	2	SEAL-O-RING						
	31	1	2W-7282	1	PLATE						
	32	1	8F-8398	2	CLAMP						
	33	1	4F-5607	2	SEAL-O-RING						
	34	1	1W-7020	2	RING-RETAINING						
	35	1	0S-1590	2	BOLT (3/8-16X2-IN)						
	36	1	9X-6458	3	WASHER-HARD (10.2X22.5X3-MM THK)						

C-CHANGE FROM PREVIOUS TYPE  
Y-SEPARATE ILLUSTRATION

# LUBRICATION SYSTEM

122-1517 FILTER GP-ENGINE OIL (contd.)

i03026980



GRAPHIC #1

<END>

g00985602

# LUBRICATION SYSTEM

## 154-4325 FILTER GP-ENGINE OIL

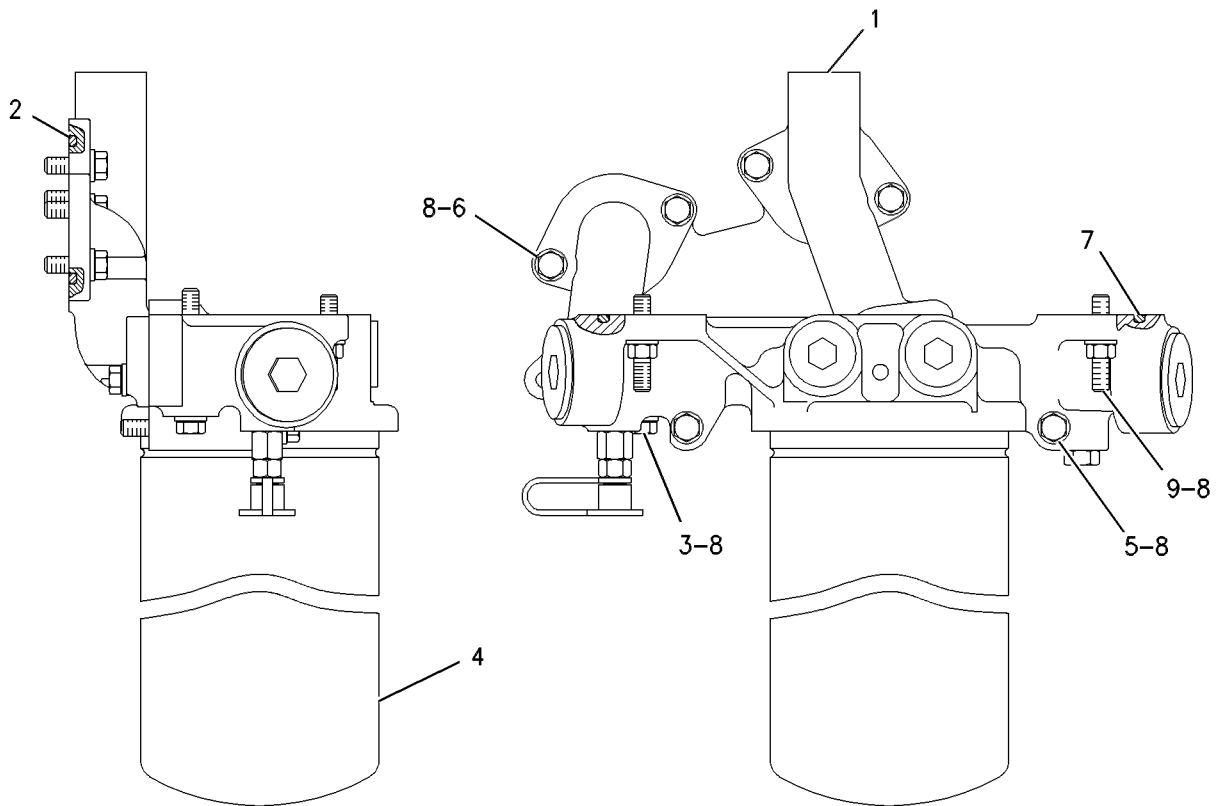
CANNOT BE USED WITH BRAKESAVER  
AN ATTACHMENT

SMCS-1306, 1308

i03965030

NOTE	REF NO	GRAPHIC REF	PART NUMBER	QTY	PART NAME						SEE PAGE
					1	2	3	4	5	6 (PRODUCT LEVEL)	
CY	1	1	155-5005	1	BASE GP-OIL FILTER (ENGINE)						440
	2	1	8C-5230	2	SEAL-O-RING						
	3	1	0S-1619	2	BOLT (3/8-16X3-IN)						
	4	1	1R-1808	1	FILTER-ENGINE OIL (ADVANCED EFFICIENCY)						
	5	1	0S-1608	2	BOLT (3/8-16X3.75-IN)						
	6	1	1A-2029	4	BOLT (3/8-16X1.125-IN)						
	7	1	113-5304	2	SEAL-O-RING						
	8	1	5M-2894	10	WASHER-HARD (10.2X18.5X2.5-MM THK)						
	9	1	129-3172	2	STUD-MOUNTING (3/8-16X1.564-IN)						

C- CHANGE FROM PREVIOUS TYPE  
Y- SEPARATE ILLUSTRATION



REAR VIEW

RIGHT SIDE VIEW

GRAPHIC #1

<END>

g00434680

# LUBRICATION SYSTEM

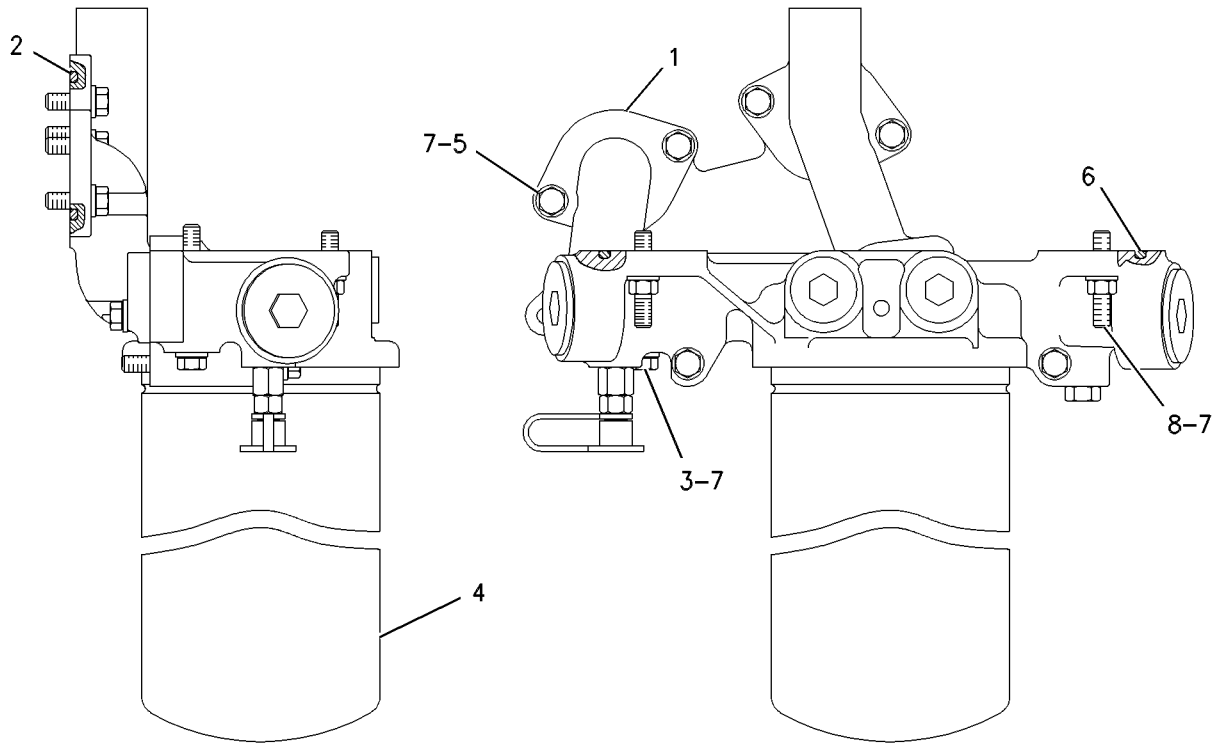
## 170-1282 FILTER GP-ENGINE OIL AN ATTACHMENT

SMCS-1306, 1308

i04004536

NOTE	REF NO	GRAPHIC REF	PART NUMBER	QTY	PART NAME						SEE PAGE
					1	2	3	4	5	6 (PRODUCT LEVEL)	
Y	1	1	155-5005	1	BASE GP-OIL FILTER (ENGINE)						440
	2	1	8C-5230	2	SEAL-O-RING						
	3	1	0S-1619	2	BOLT (3/8-16X3-IN)						
	4	1	1R-1808	1	FILTER-ENGINE OIL (ADVANCED EFFICIENCY)						
	5	1	1A-2029	4	BOLT (3/8-16X1.125-IN)						
	6	1	113-5304	2	SEAL-O-RING						
	7	1	5M-2894	8	WASHER-HARD (10.2X18.5X2.5-MM THK)						
	8	1	129-3172	2	STUD-MOUNTING (3/8-16X1.564-IN)						

Y-SEPARATE ILLUSTRATION



REAR VIEW

RIGHT SIDE VIEW

GRAPHIC #1

<END>

g00544109

# LUBRICATION SYSTEM

## 263-2186 FILTER GP-ENGINE OIL

FOR USE WITH OIL LINES GROUP. CANNOT BE USED WITH REAR PTO, AIR CLEANER  
GROUP, RIGHT HAND STARTER  
AN ATTACHMENT

SMCS-1306, 1308

i03206321

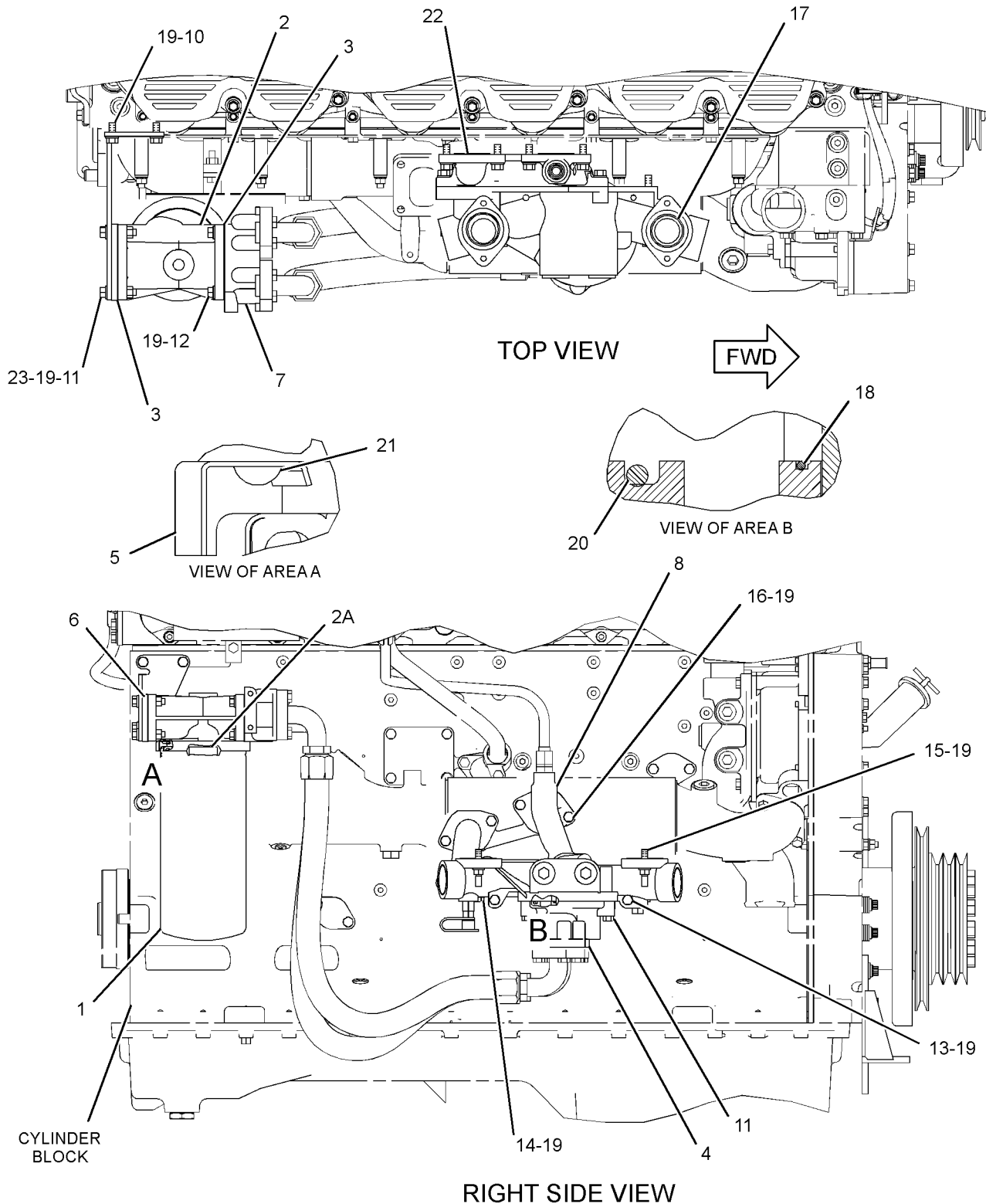
NOTE	REF NO	GRAPHIC REF	PART NUMBER	QTY	PART NAME						SEE PAGE
					1	2	3	4	5	6 (PRODUCT LEVEL)	
	1	1	<b>1R-1808</b>	1	FILTER-ENGINE OIL (ADVANCED EFFICIENCY)						
	2	1	<b>2P-4303</b>	1	BASE AS-OIL FILTER						
	2A	1	<b>2P-4304</b>	1	STUD-HOLLOW						
	3	1	<b>2P-4305</b>	2	GASKET						
	4	1	<b>4N-2211</b>	1	ADAPTER						
	5	1	<b>4N-7082</b>	1	SHIELD-OIL FILTER						
	6	1	<b>9L-5717</b>	1	COVER-BASE						
	7	1	<b>9N-0477</b>	1	ADAPTER-OIL FILTER						
Y	8	1	<i>155-5005</i>	1	BASE GP-OIL FILTER (ENGINE)						440
	10	1	<b>OL-1351</b>	3	BOLT (3/8-16X0.875-IN)						
	11	1	<b>OS-1571</b>	6	BOLT (3/8-16X1.75-IN)						
	12	1	<b>OS-1588</b>	4	BOLT (3/8-16X1.25-IN)						
	13	1	<b>OS-1608</b>	2	BOLT (3/8-16X3.75-IN)						
	14	1	<b>OS-1619</b>	2	BOLT (3/8-16X3-IN)						
	15	1	<b>129-3172</b>	2	STUD-MOUNTING (3/8-16X1.564-IN)						
	16	1	<b>1A-2029</b>	4	BOLT (3/8-16X1.125-IN)						
	17	1	<b>3P-0650</b>	2	SEAL-O-RING						
	18	1	<b>5E-8767</b>	1	SEAL-O-RING						
	19	1	<b>5M-2894</b>	21	WASHER-HARD (10.2X18.5X2.5-MM THK)						
	20	1	<b>6V-3908</b>	1	SEAL-O-RING						
	21	1	<b>7F-9090</b>	2	SCREW-DRIVE (NO 8X03/8-IN)						
	22	1	<b>8C-5230</b>	2	SEAL-O-RING						
	23	1	<b>9S-8752</b>	4	NUT-FULL (3/8-16-THD)						

Y-SEPARATE ILLUSTRATION

# LUBRICATION SYSTEM

263-2186 FILTER GP-ENGINE OIL (contd.)

i03206321



GRAPHIC #1

<END>

g01163310



# LUBRICATION SYSTEM

## 268-6625 FILTER GP-ENGINE OIL

FOR USE WITH SINGLE AND TWIN TURBO  
AN ATTACHMENT

SMCS-1306, 1308

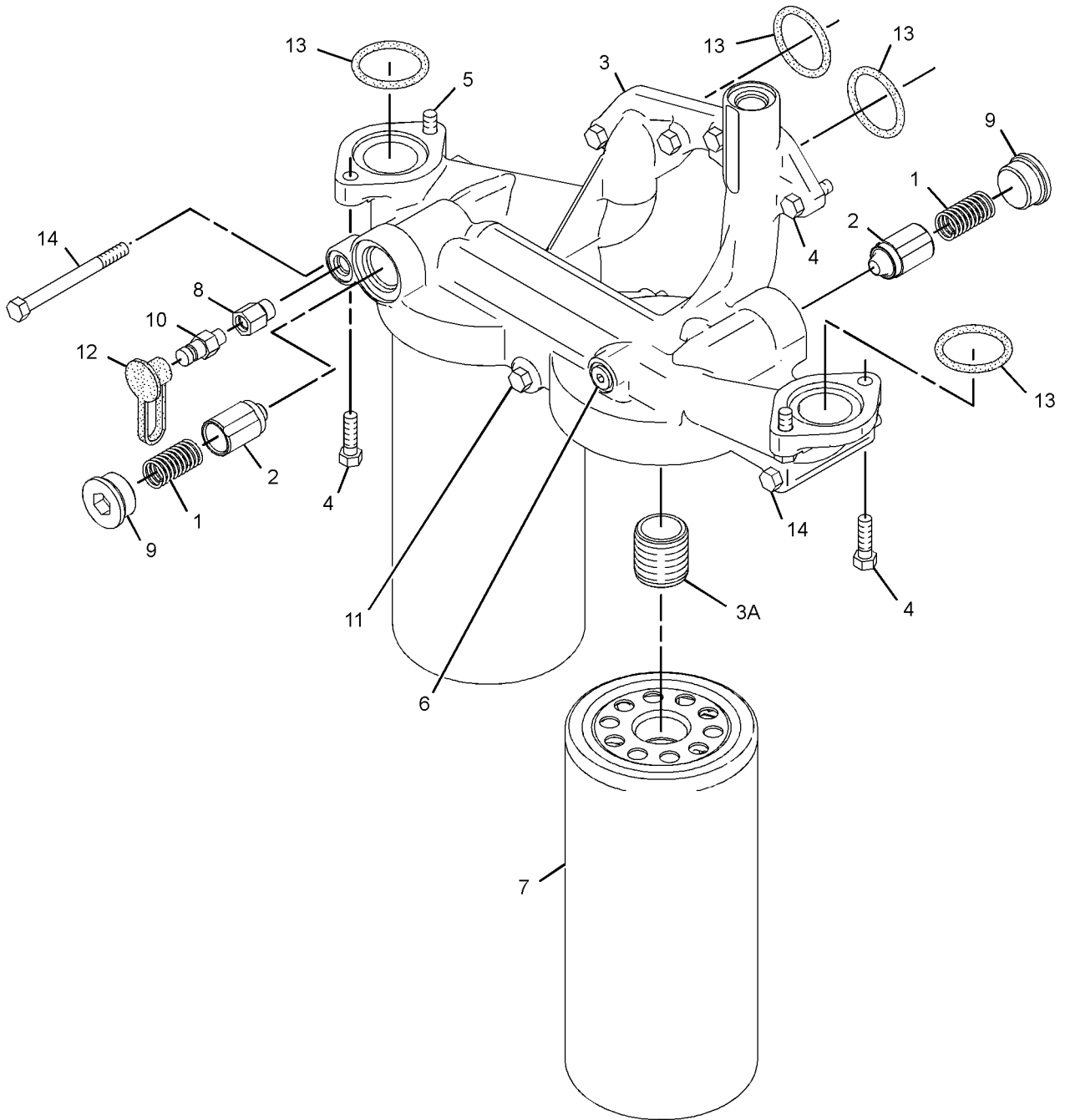
i04155854

NOTE	REF NO	GRAPHIC REF	PART NUMBER	QTY	PART NAME						SEE PAGE
					1	2	3	4	5	6 (PRODUCT LEVEL)	
	1	1	4N-8150	2	SPRING						
	2	1	9M-0853	2	PLUNGER-VALVE						
	3	1	172-6059	1	BASE GP-OIL FILTER						
	3A	1	2P-4304	2	STUD-HOLLOW						
	4	1	0S-1588	7	BOLT (3/8-16X1.25-IN)						
	5	1	0S-1619	1	BOLT (3/8-16X3-IN)						
	6	1	183-3407	1	PLUG AS						
		1	9S-8004	1	PLUG-O-RING						
		1	214-7568	1	SEAL-O-RING						
	7	1	1R-1808	2	FILTER-ENGINE OIL (ADVANCED EFFICIENCY)						
	8	1	319-6208	1	ADAPTER AS						
		1	5P-9617	1	ADAPTER						
		1	214-7568	1	SEAL-O-RING						
	9	1	319-6234	2	PLUG AS						
					(EACH INCLUDES)						
		1	9S-9334	1	PLUG-O-RING						
		1	238-5084	1	SEAL-O-RING						
	10	1	321-8649	1	VALVE AS-FLUID SAMPLING						
		1	8C-3446	1	VALVE-FLUID SAMPLING						
		1	214-7566	1	SEAL-O-RING						
	11	1	5F-4899	1	BOLT (3/8-16X5.5-IN)						
	12	1	8C-3445	1	CAP-DUST						
	13	1	8C-5230	4	SEAL-O-RING						
	14	1	8S-9191	2	BOLT (3/8-16X4-IN)						

# LUBRICATION SYSTEM

268-6625 FILTER GP-ENGINE OIL (contd.)

i04155854



GRAPHIC #1

<END>

g02351727

# LUBRICATION SYSTEM

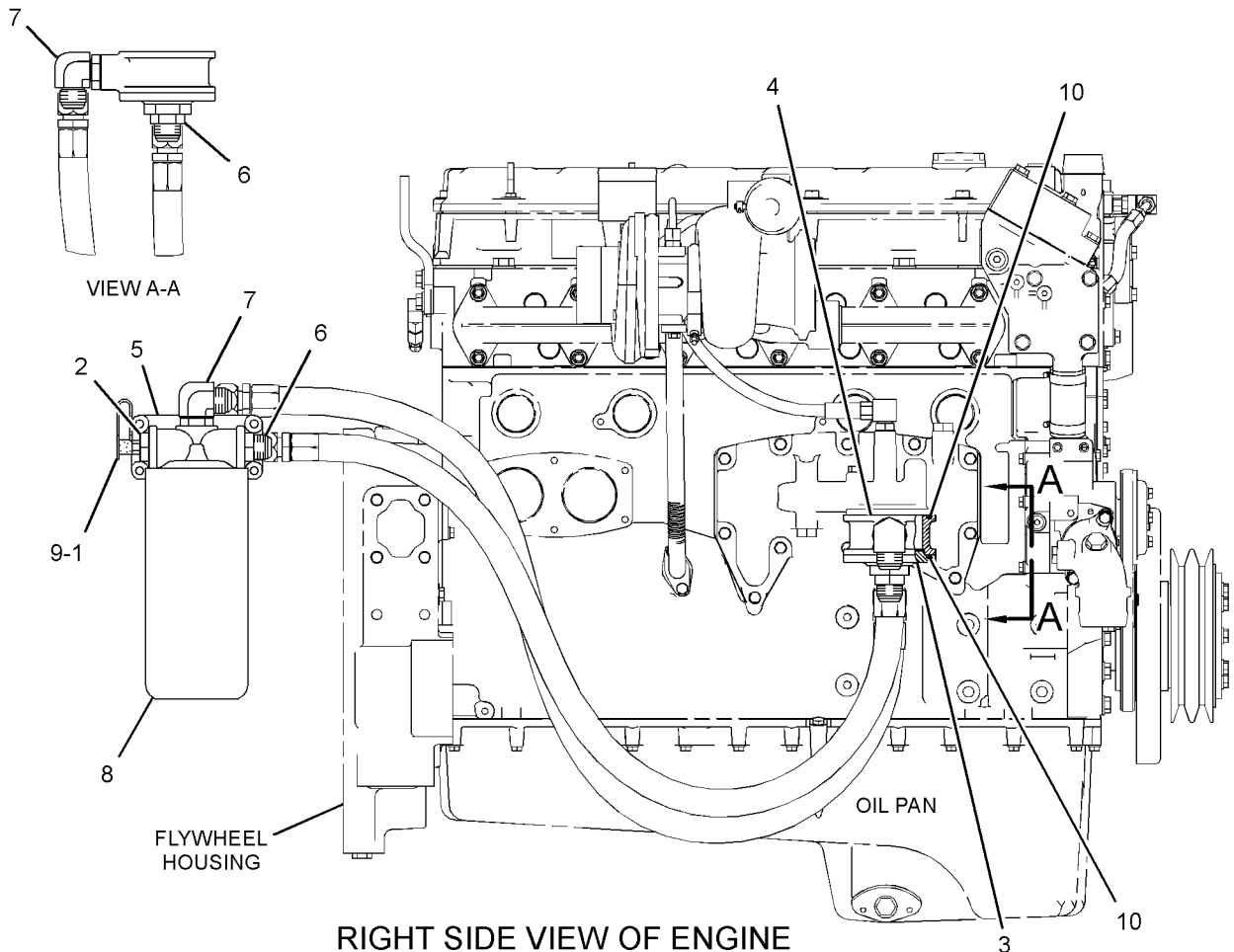
## 269-6439 FILTER GP-ENGINE OIL

PROVIDES A REMOTE MOUNTED ENGINE OIL FILTER  
AN ATTACHMENT

SMCS-1306, 1308

i04124051

NOTE	REF NO	GRAPHIC REF	PART NUMBER	QTY	PART NAME						SEE PAGE
					1	2	3	4	5	6 (PRODUCT LEVEL)	
	1	1	<b>8C-3445</b>	1	CAP-DUST						
	2	1	357-4574	1	ADAPTER AS						
		1	<b>8D-8428</b>	1	ADAPTER						
		1	<b>238-5084</b>	1	SEAL-O-RING						
	3	1	<b>102-5828</b>	1	COVER						
	4	1	<b>102-5829</b>	1	ADAPTER						
	5	1	<b>190-1106</b>	1	BASE AS-OIL FILTER (ENGINE)						
		1	<b>2P-4304</b>	1	STUD-HOLLOW						
	6	1	357-4570	2	ADAPTER AS						
					(EACH INCLUDES)						
		1	<b>030-7935</b>	1	CONNECTOR						
		1	<b>238-5084</b>	1	SEAL-O-RING						
	7	1	357-4575	2	ELBOW AS						
					(EACH INCLUDES)						
		1	<b>030-7951</b>	1	ELBOW-FLARED						
		1	<b>238-5084</b>	1	SEAL-O-RING						
	8	1	<b>1R-1808</b>	1	FILTER-ENGINE OIL (ADVANCED EFFICIENCY)						
	9	1	321-8649	1	VALVE AS-FLUID SAMPLING (ENGINE OIL)						
		1	<b>8C-3446</b>	1	VALVE-FLUID SAMPLING (ENGINE OIL)						
		1	<b>214-7566</b>	1	SEAL-O-RING						
	10	1	<b>6V-3908</b>	2	SEAL-O-RING						



GRAPHIC #1

<END>

g02333478

# LUBRICATION SYSTEM

## 304-3733 FILTER GP-ENGINE OIL

REMOTE MOUNTED  
AN ATTACHMENT

SMCS-1306, 1308

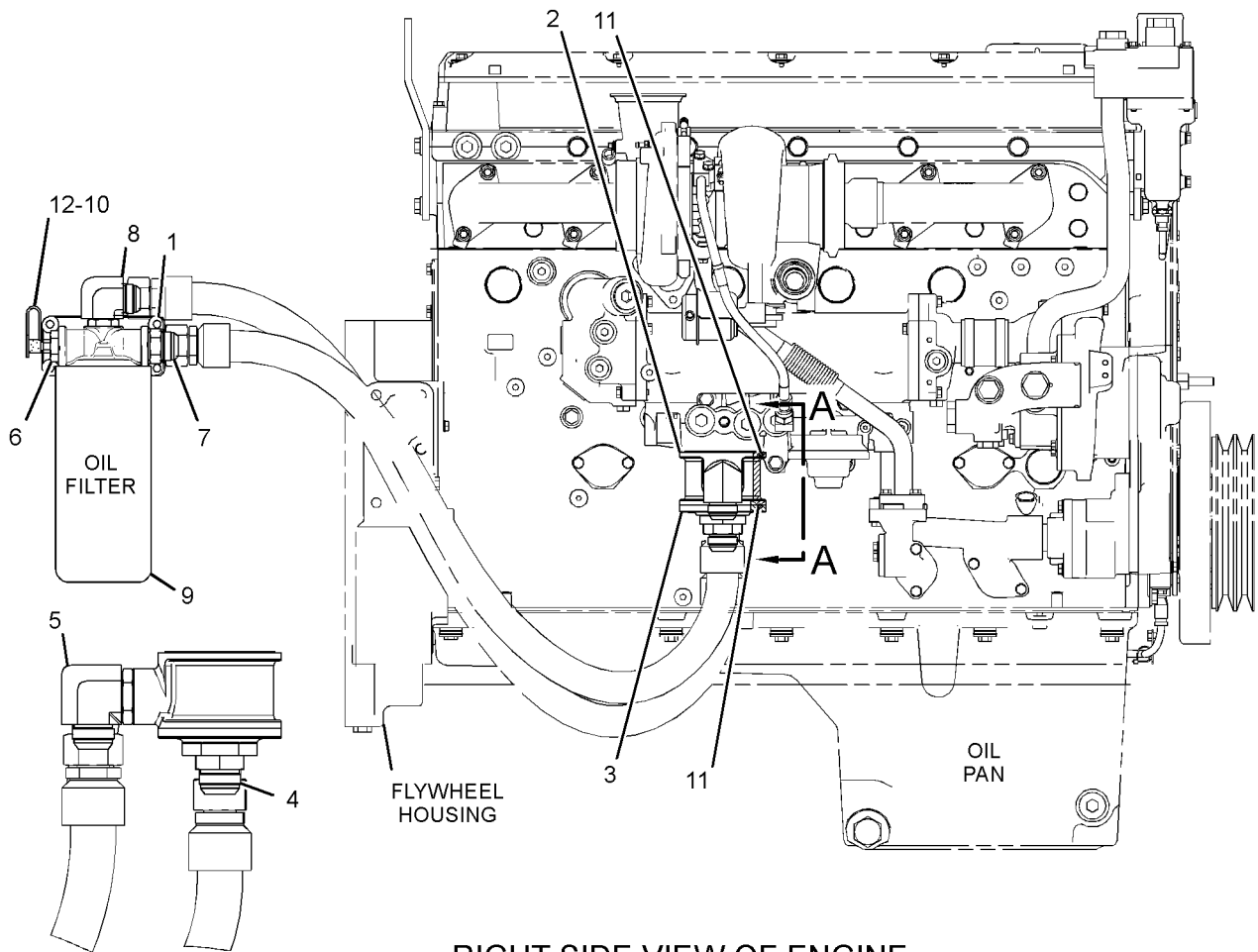
i04131431

NOTE	REF NO	GRAPHIC REF	PART NUMBER	QTY	PART NAME						SEE PAGE
					1	2	3	4	5	6 (PRODUCT LEVEL)	
	1	1	190-1106	1	BASE AS-OIL FILTER (ENGINE)						
		1	2P-4304	1	STUD-HOLLOW						
	2	1	292-8185	1	ADAPTER						
	3	1	316-1807	1	COVER						
	4	1	357-4572	1	ADAPTER AS						
		1	031-8759	1	CONNECTOR						
		1	228-7096	1	SEAL-O-RING						
	5	1	357-4573	1	ELBOW AS						
		1	6M-5652	1	ELBOW						
		1	228-7096	1	SEAL-O-RING						
	6	1	357-4574	1	ADAPTER AS						
		1	8D-8428	1	ADAPTER						
		1	238-5084	1	SEAL-O-RING						
	7	1	357-4576	1	ADAPTER AS						
		1	7D-5318	1	CONNECTOR						
		1	238-5084	1	SEAL-O-RING						
	8	1	357-4577	1	ELBOW AS						
		1	008-6325	1	ELBOW						
		1	238-5084	1	SEAL-O-RING						
	9	1	1R-1808	1	FILTER-ENGINE OIL (ADVANCED EFFICIENCY)						
	10	1	321-8649	1	VALVE AS-FLUID SAMPLING						
		1	8C-3446	1	VALVE-FLUID SAMPLING						
		1	214-7566	1	SEAL-O-RING						
	11	1	6V-3908	2	SEAL-O-RING						
	12	1	8C-3445	1	CAP-DUST						

# LUBRICATION SYSTEM

304-3733 FILTER GP-ENGINE OIL (contd.)

i04131431



VIEW A-A

GRAPHIC #1

RIGHT SIDE VIEW OF ENGINE

<END>

g02339097

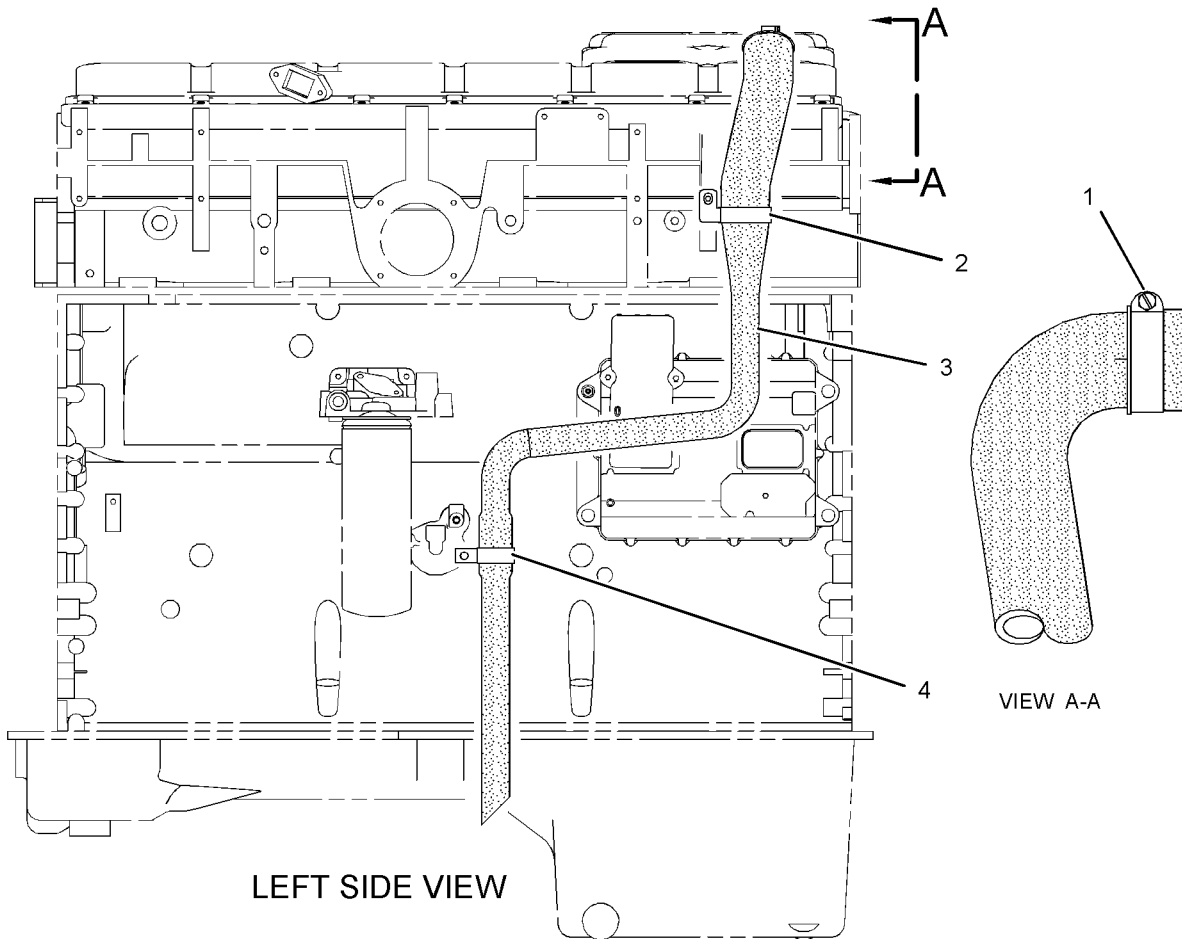
# LUBRICATION SYSTEM

## 159-9362 FUMES DISPOSAL GP REAR VALVE COVER MOUNTED FUMES DISPOSAL AN ATTACHMENT

SMCS-1317

i03496900

NOTE	REF NO	GRAPHIC REF	PART NUMBER	QTY	PART NAME						SEE PAGE
					1	2	3	4	5	6 (PRODUCT LEVEL)	
	1	1	9M-0164	1	CLAMP-HOSE						
	2	1	161-6622	1	CLIP						
	3	1	207-8128	1	HOSE AS (FUMES DISPOSAL)						
	4	1	5P-2369	1	CLIP						



GRAPHIC #1

<END>

g01436024

# LUBRICATION SYSTEM

## 223-9784 FUMES DISPOSAL GP

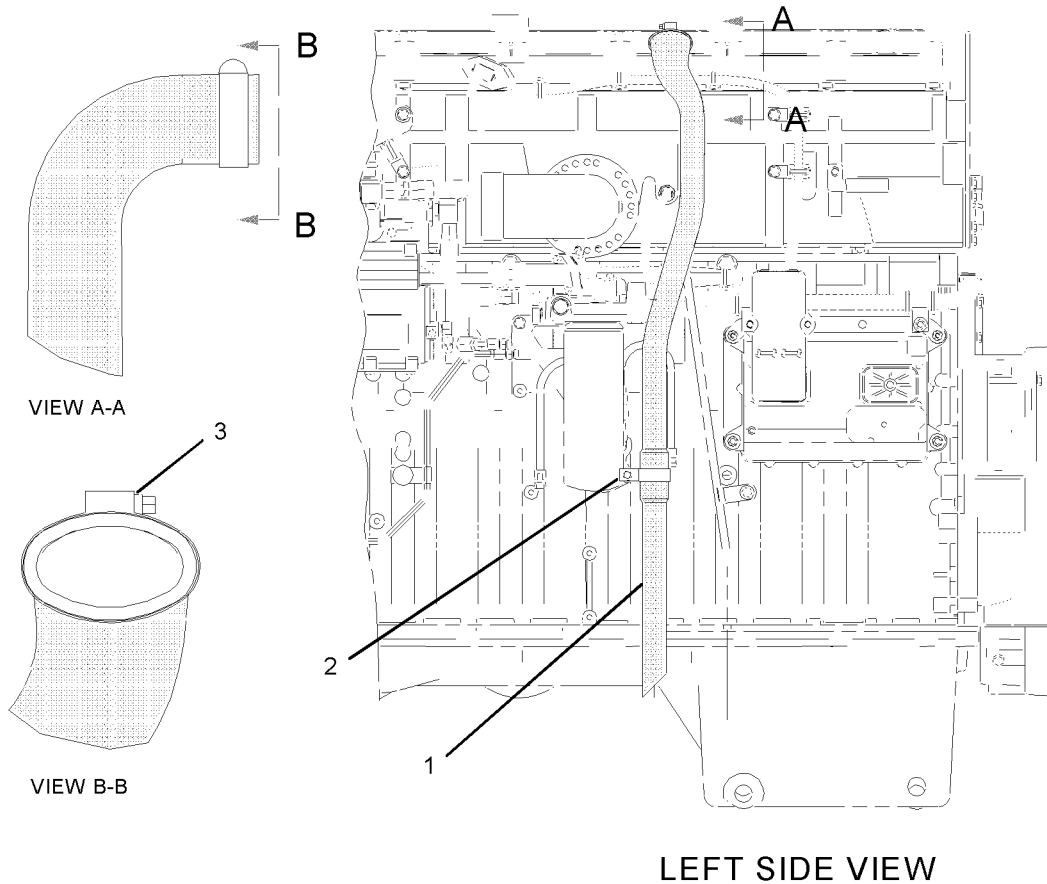
LH MOUNTED

FOR USE WITH MIDDLE BREATHER LOCATION, ALL FUEL BYPASS LINES. CANNOT BE USED  
WITH HIGH MOUNTED FUEL FILTER, PETERBILT OEM WIRING HARNESS  
AN ATTACHMENT

SMCS-1317

i02807700

NOTE	REF NO	GRAPHIC REF	PART NUMBER	QTY	PART NAME						SEE PAGE
					1	2	3	4	5	6 (PRODUCT LEVEL)	
	1	1	207-8130	1	HOSE AS (FUMES DISPOSAL)						
	2	1	5P-2369	1	CLIP						
	3	1	9M-0164	1	CLAMP-HOSE						



GRAPHIC #1

<END>

g01117339

# LUBRICATION SYSTEM

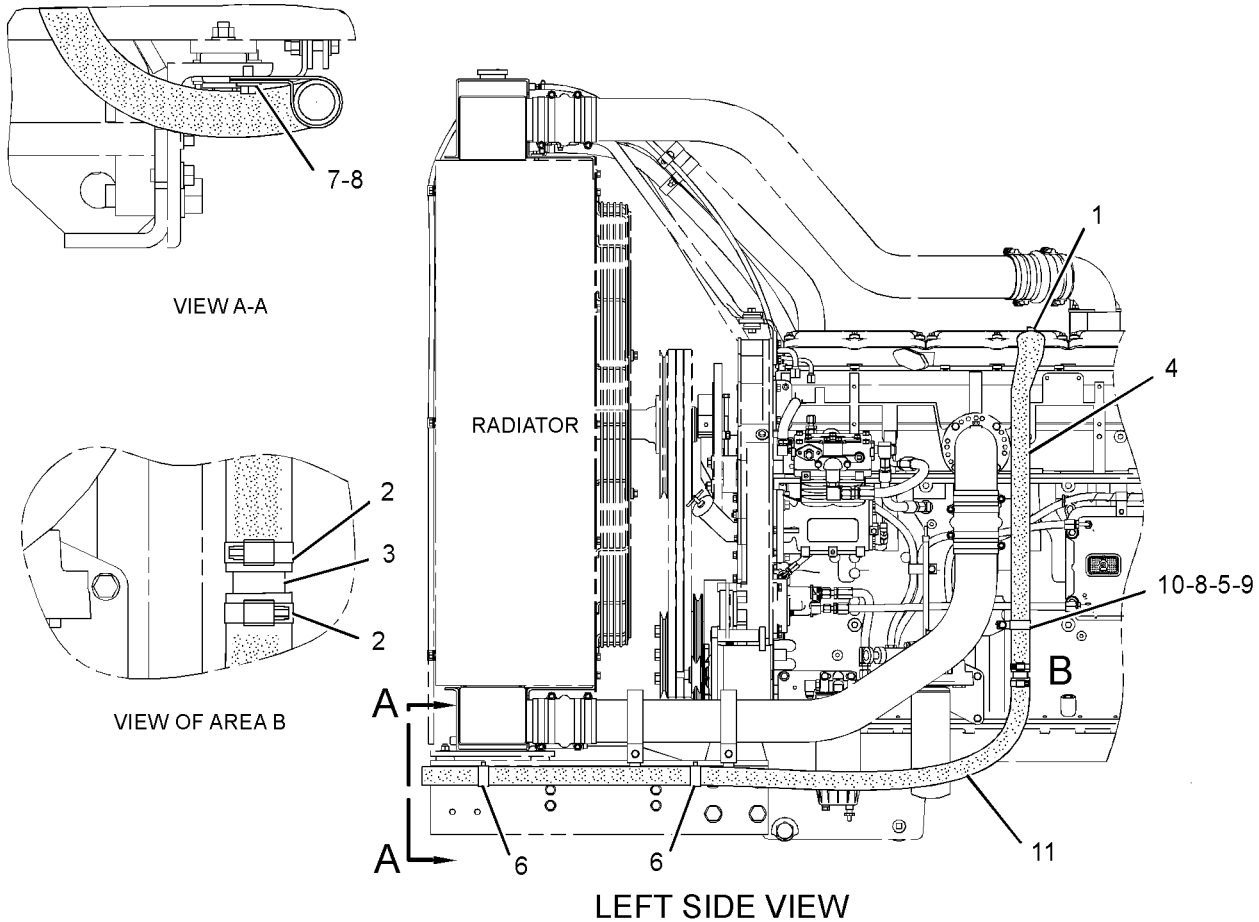
## 232-0771 FUMES DISPOSAL GP AN ATTACHMENT

SMCS-1317

i04129309

NOTE	REF NO	GRAPHIC REF	PART NUMBER	QTY	PART NAME						SEE PAGE
					1	2	3	4	5	6 (PRODUCT LEVEL)	
	1	1	9M-0164	1	CLAMP-HOSE						
	2	1	9M-2904	2	CLAMP-HOSE						
	3	1	165-4617	1	TUBE						
	4	1	232-0770	1	HOSE (FUMES DISPOSAL)						
	5	1	8R-8088	1	SPACER (11.66X15.88X18-MM THK)						
	6	1	3S-4661	2	CLIP						
	7	1	0S-0509	2	BOLT (3/8-16X0.75-IN)						
	8	1	5M-2894	3	WASHER-HARD (10.2X18.5X2.5-MM THK)						
	9	1	5P-2369	1	CLIP						
	10	1	0S-1590	1	BOLT (3/8-16X2-IN)						
E	11	1	5P-1253		HOSE (163-CM)						

E-ORDER BY THE CENTIMETER



GRAPHIC #1

<END>

g02328373



# LUBRICATION SYSTEM

## 7W-3603 GAUGE GP-OIL LEVEL (DIPSTICK)-ENGINE

LH  
AN ATTACHMENT

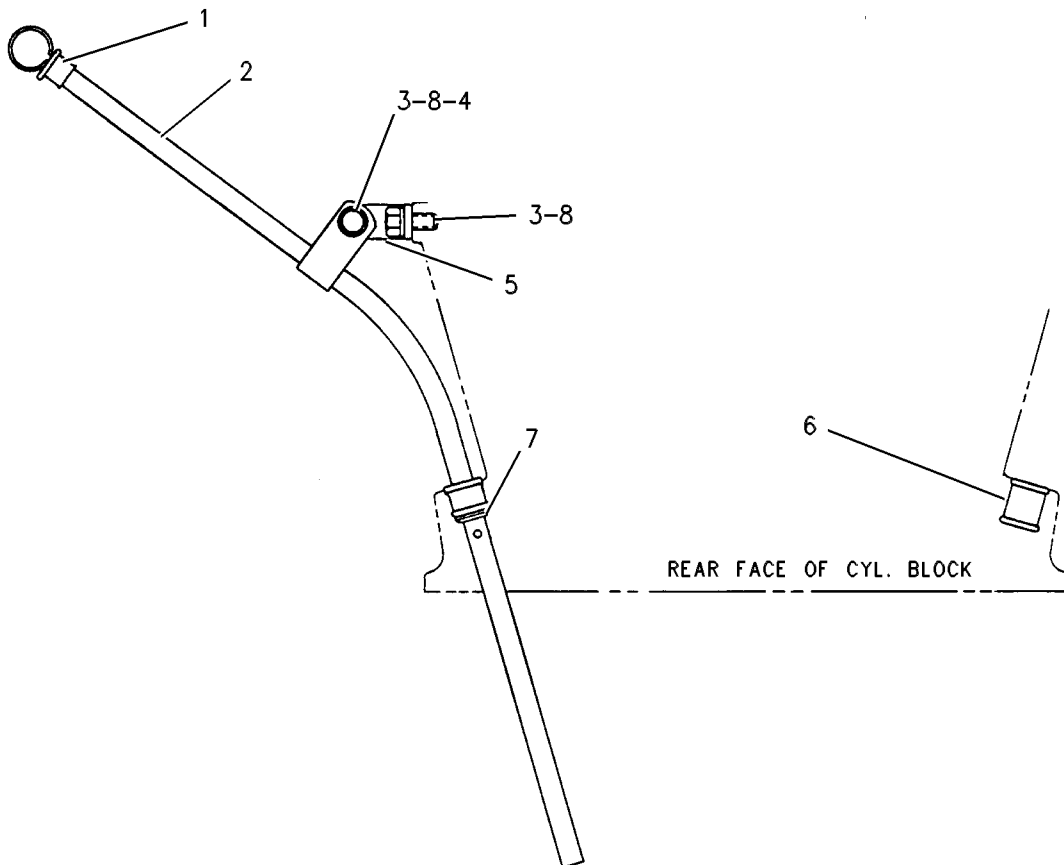
SMCS-1326

i02863617

NOTE	REF NO	GRAPHIC REF	PART NUMBER	QTY	PART NAME						SEE PAGE
					1	2	3	4	5	6 (PRODUCT LEVEL)	
	1	1	7W-3602	1	GAUGE AS-OIL LEVEL (DIPSTICK) (ENGINE)						
	2	1	1N-3810	1	GUIDE AS-OIL LEVEL GAUGE (DIPSTICK, ENGINE)						
		1	4N-1294	1	ADAPTER						
	3	1	0L-1351	2	BOLT (3/8-16X0.875-IN)						
	4	1	9S-8752	1	NUT-FULL (3/8-16-THD)						
	5	1	2L-6243	1	BRACKET						
J	6	1	165-6170	3	PLUG						
	7	1	118-5068	1	SEAL-O-RING						
	8	1	5M-2894	3	WASHER-HARD (10.2X18.5X2.5-MM THK)						
F		1	0S-1594	1	BOLT (3/8-16X1-IN) (MOUNTED ON WATER BONNET)						

F - NOT SHOWN

J - USE TO PLUG OPTIONAL DIPSTICK LOCATIONS



GRAPHIC #1

<END>

g00256726

# LUBRICATION SYSTEM

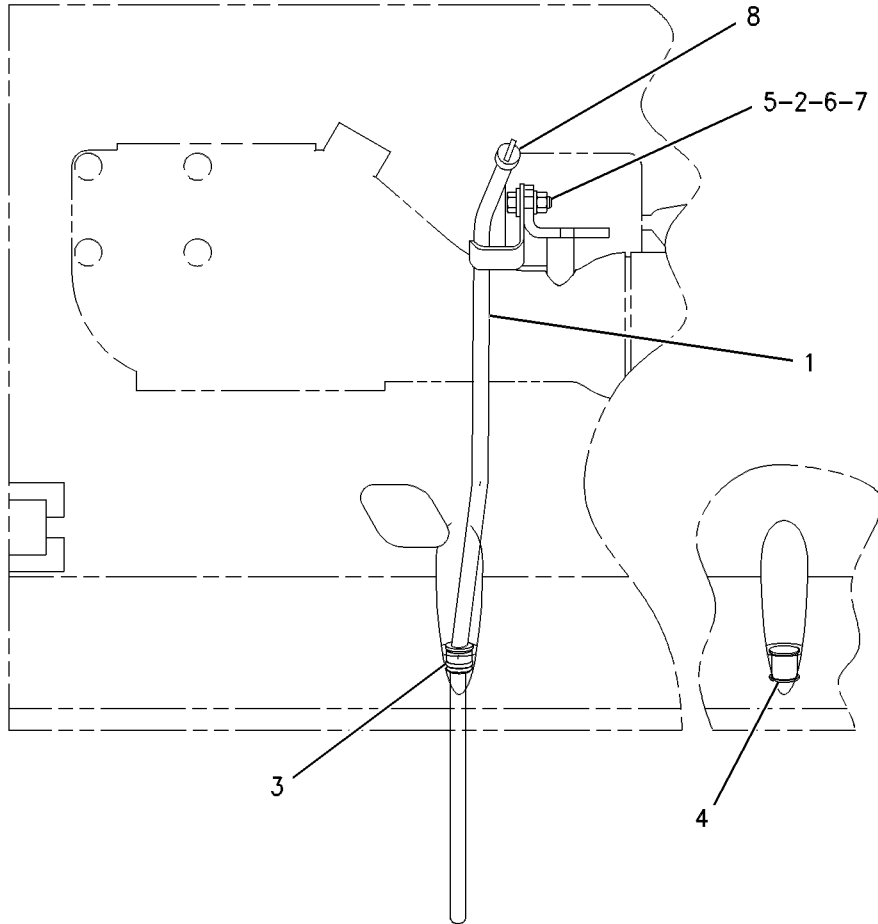
## 162-2918 GAUGE GP-OIL LEVEL (DIPSTICK)-ENGINE FOR USE WITH REAR SUMP OIL PAN AN ATTACHMENT

SMCS-1326

i02508691

NOTE	REF NO	GRAPHIC REF	PART NUMBER	QTY	PART NAME						SEE PAGE
					1	2	3	4	5	6 (PRODUCT LEVEL)	
	1	1	197-9589	1	TUBE AS						
	2	1	9X-6458	1	WASHER-HARD (10.2X22.5X3-MM THK)						
	3	1	118-5068	1	SEAL-O-RING						
J	4	1	165-6170	3	PLUG						
	5	1	1A-2029	1	BOLT (3/8-16X1.125-IN)						
	6	1	9S-8752	1	NUT-FULL (3/8-16-THD)						
	7	1	5M-2894	1	WASHER-HARD (10.2X18.5X2.5-MM THK)						
	8	1	121-4276	1	GAUGE AS-OIL LEVEL (DIPSTICK) (ENGINE)						

J-USE TO PLUG OPTIONAL DIPSTICK LOCATIONS



RIGHT SIDE VIEW

GRAPHIC #1

<END>

g00538671

# LUBRICATION SYSTEM

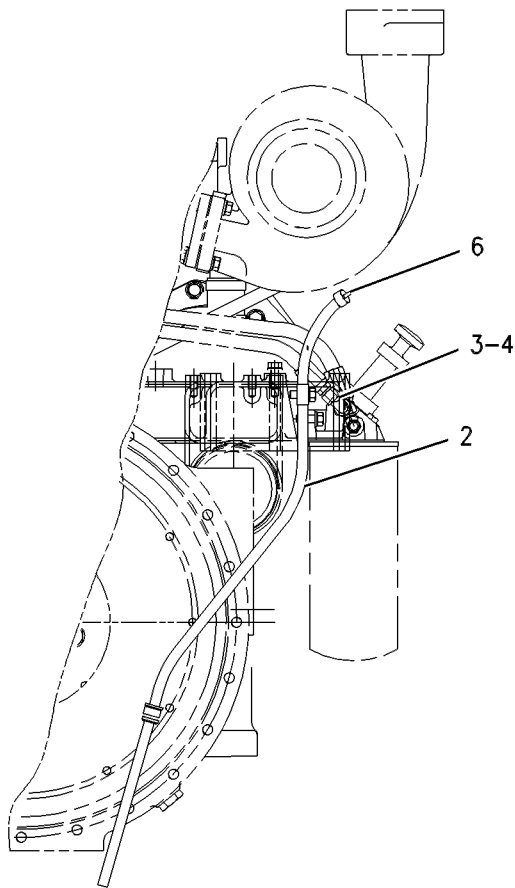
## 163-0107 GAUGE GP-OIL LEVEL (DIPSTICK)-ENGINE FOR USE WITH VERTICAL TRANSMISSION OIL COOLER AND RH FUEL FILTER AN ATTACHMENT

SMCS-1326

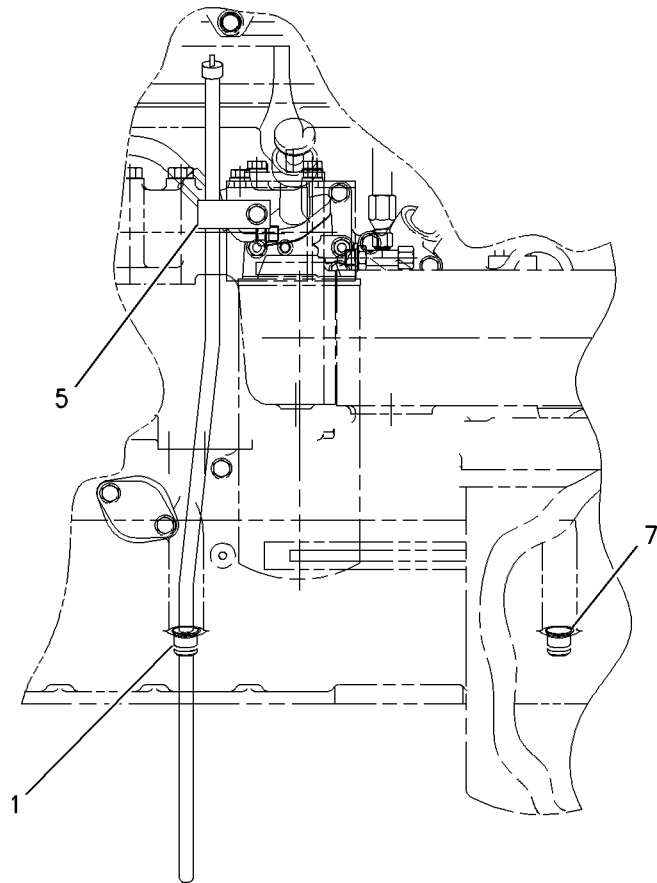
i02508693

NOTE	REF NO	GRAPHIC REF	PART NUMBER	QTY	PART NAME						SEE PAGE
					1	2	3	4	5	6 (PRODUCT LEVEL)	
	1	1	118-5068	1	SEAL-O-RING						
	2	1	163-0237	1	TUBE AS						
	3	1	0S-1594	1	BOLT (3/8-16X1-IN)						
	4	1	5M-2894	1	WASHER-HARD (10.2X18.5X2.5-MM THK)						
	5	1	7B-7501	1	CLIP						
	6	1	163-0828	1	GAUGE AS-OIL LEVEL (DIPSTICK) (ENGINE)						
J	7	1	165-6170	3	PLUG						

J-USE TO PLUG OPTIONAL DIPSTICK LOCATIONS



REAR VIEW



RIGHT SIDE VIEW

GRAPHIC #1

<END>

g00548623

# LUBRICATION SYSTEM

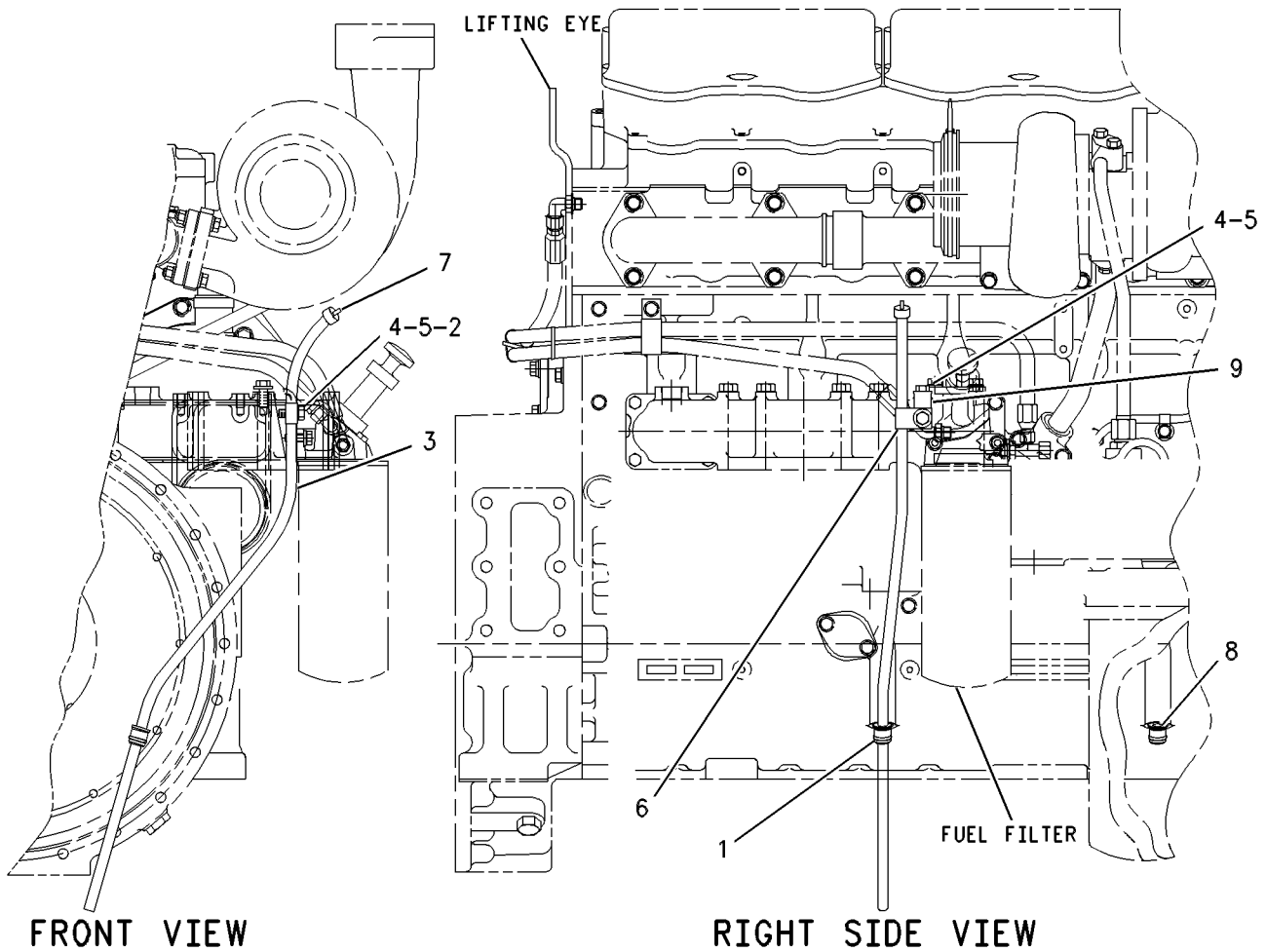
## 164-3326 GAUGE GP-OIL LEVEL (DIPSTICK)-ENGINE FOR USE WITH VERTICAL TRANSMISSION OIL COOLER WITHOUT RH FUEL FILTER AN ATTACHMENT

SMCS-1326

i02508694

NOTE	REF NO	GRAPHIC REF	PART NUMBER	QTY	PART NAME						SEE PAGE
					1	2	3	4	5	6 (PRODUCT LEVEL)	
	1	1	118-5068	1	SEAL-O-RING						
	2	1	9S-8752	1	NUT-FULL (3/8-16-THD)						
	3	1	163-0237	1	TUBE AS						
	4	1	0S-1594	2	BOLT (3/8-16X1-IN)						
	5	1	9X-6458	3	WASHER-HARD (10.2X22.5X3-MM THK)						
	6	1	5D-6523	1	CLIP						
	7	1	163-0828	1	GAUGE AS-OIL LEVEL (DIPSTICK) (ENGINE)						
J	8	1	165-6170	3	PLUG						
	9	1	2N-3924	1	BRACE						

J-USE TO PLUG OPTIONAL DIPSTICK LOCATIONS



GRAPHIC #1

<END>

g00579556

# LUBRICATION SYSTEM

## 194-5285 GAUGE GP-OIL LEVEL (DIPSTICK)-ENGINE

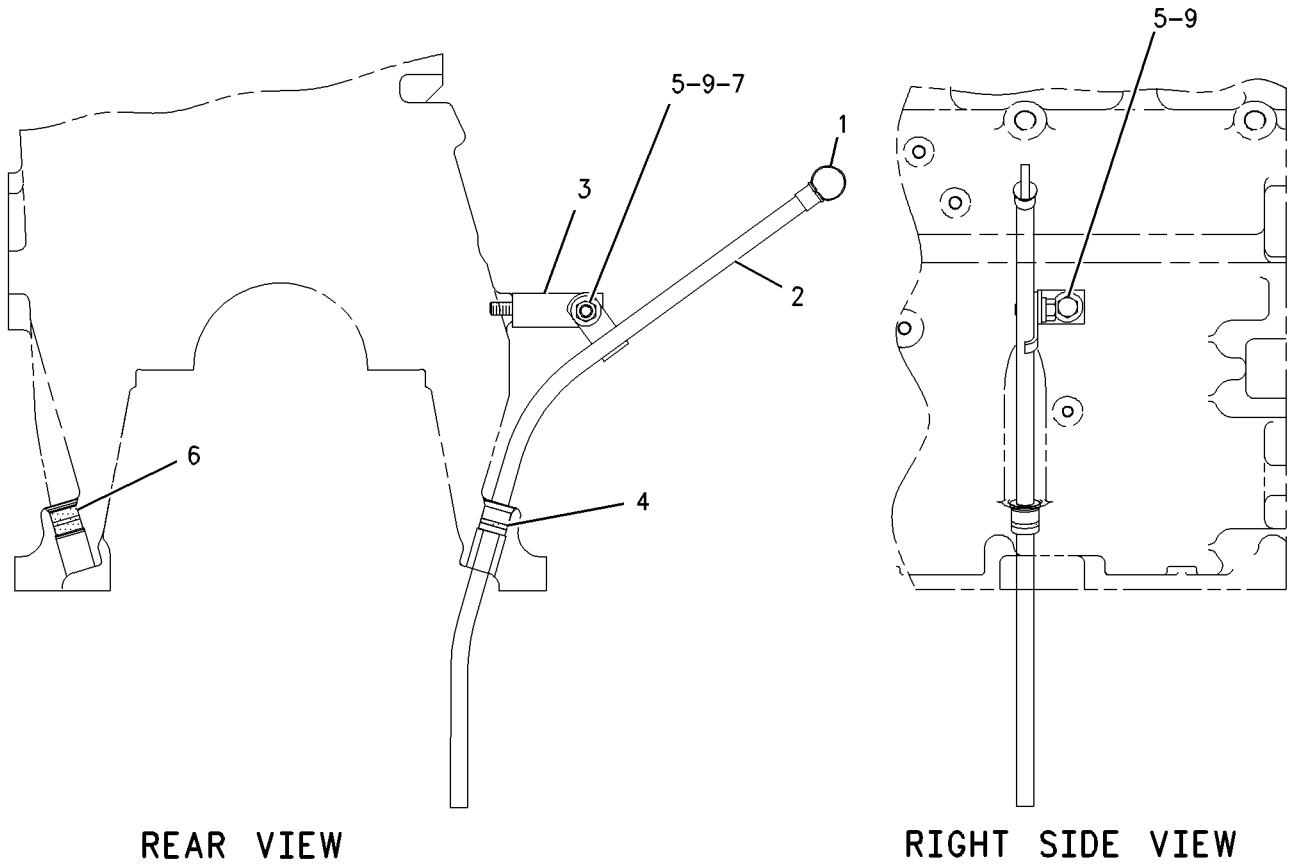
RH  
AN ATTACHMENT

SMCS-1326

i02422684

NOTE	REF NO	GRAPHIC REF	PART NUMBER	QTY	PART NAME						SEE PAGE
					1	2	3	4	5	6 (PRODUCT LEVEL)	
	1	1	8N-1667	1	GAUGE AS-OIL LEVEL (DIPSTICK) (ENGINE)						
	2	1	1N-3810	1	GUIDE AS-OIL LEVEL GAUGE (ENGINE)						
	3	1	194-5284	1	BRACKET						
	4	1	118-5068	1	SEAL-O-RING						
	5	1	0L-1351	2	BOLT (3/8-16X0.875-IN)						
J	6	1	165-6170	3	PLUG						
	7	1	9S-8752	1	NUT-FULL (3/8-16-THD)						
	9	1	9X-6458	3	WASHER-HARD (10.2X22.5X3-MM THK)						

J-USE TO PLUG OPTIONAL DIPSTICK LOCATIONS



GRAPHIC #1

<END>

g00671979

# LUBRICATION SYSTEM

## 252-1059 GAUGE GP-OIL LEVEL (DIPSTICK)-ENGINE

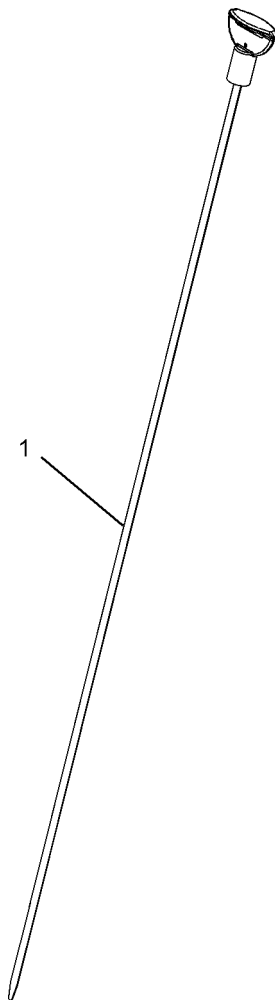
INSTALLED 0-DEGREE REAR DOWN

FOR USE WITH 211-7885-PAGE 483, REAR SUMP CONFIGURED ENGINE  
AN ATTACHMENT

SMCS-1326

i02229737

NOTE	REF NO	GRAPHIC REF	PART NUMBER	QTY	PART NAME						SEE PAGE
					1	2	3	4	5	6 (PRODUCT LEVEL)	
	1	1	252-1055	1	GAUGE AS-OIL LEVEL (DIPSTICK) (ENGINE)						



GRAPHIC #1

<END>

g01126420

# LUBRICATION SYSTEM

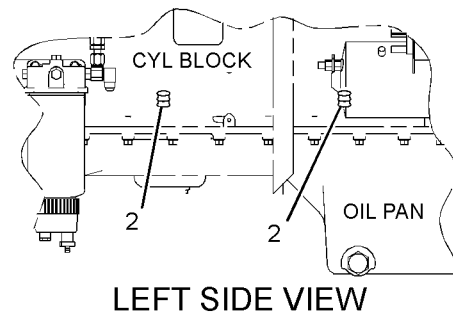
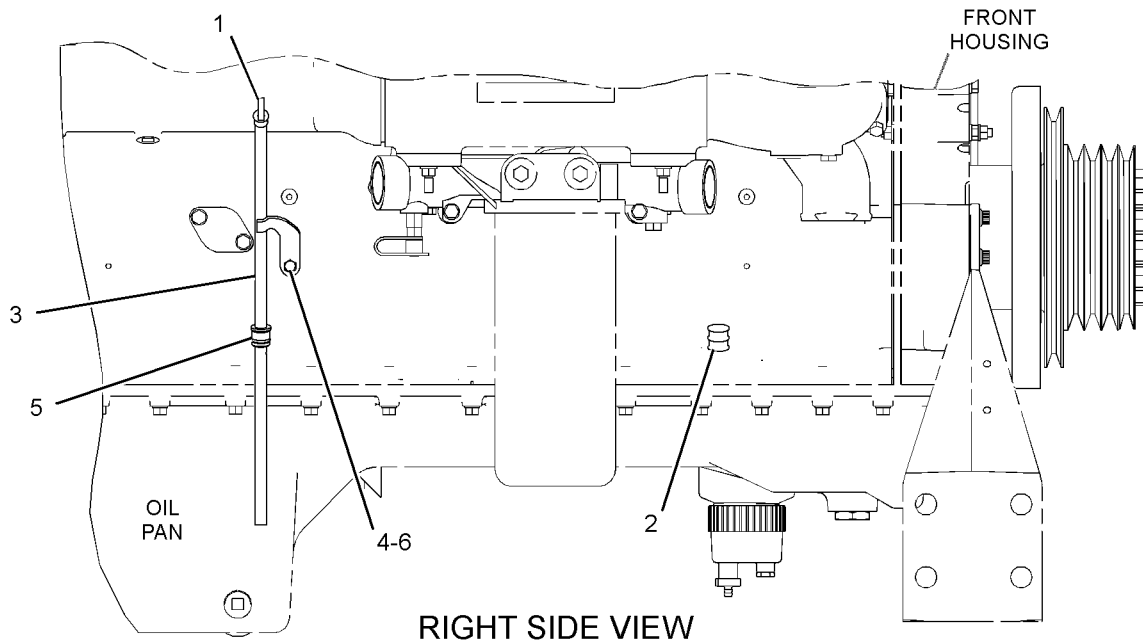
**266-0769 GAUGE GP-OIL LEVEL (DIPSTICK)-ENGINE**  
 FOR USE WITH SINGLE AND TWIN TURBO, REAR SUMP OIL PAN. CANNOT BE USED WITH  
 RIGHT HAND STARTERS, HORIZONTAL TRANSMISSION OIL COOLER  
 AN ATTACHMENT

SMCS-1326

i02422685

NOTE	REF NO	GRAPHIC REF	PART NUMBER	QTY	PART NAME						SEE PAGE
					1	2	3	4	5	6 (PRODUCT LEVEL)	
	1	1	8N-1667	1	GAUGE AS-OIL LEVEL (DIPSTICK) (ENGINE)						
J	2	1	165-6170	3	PLUG						
	3	1	266-0770	1	TUBE AS						
	4	1	0S-1617	1	BOLT (5/16-18X0.75-IN)						
	5	1	118-5068	1	SEAL-O-RING						
	6	1	9M-1974	1	WASHER-HARD (8.8X16X2-MM THK)						

J-USE TO PLUG OPTIONAL DIPSTICK LOCATIONS



GRAPHIC #1

<END>

g01153913

# LUBRICATION SYSTEM

## 273-5106 GAUGE GP-OIL LEVEL (DIPSTICK)-ENGINE

RIGHT REAR AND LEFT REAR

FOR USE WITH REAR SUMP. CANNOT BE USED WITH RIGHT HAND STARTER APPLICATION,  
FRONT SUMP OIL PAN  
AN ATTACHMENT

SMCS-1326

i02422687

NOTE	REF NO	GRAPHIC REF	PART NUMBER	QTY	PART NAME						SEE PAGE	
					1	2	3	4	5	6 (PRODUCT LEVEL)		
	1	1	<b>7C-8021</b>	1	GAUGE AS-OIL LEVEL (DIPSTICK)	(ENGINE)						
	2	1	<b>8N-1667</b>	1	GAUGE AS-OIL LEVEL (DIPSTICK)	(ENGINE)						
	3	1	<b>161-1825</b>	1	TUBE AS							
J	4	1	<b>165-6170</b>	2	PLUG							
	5	1	<b>266-0770</b>	1	TUBE AS							
	6	1	<b>0S-0509</b>	1	BOLT (3/8-16X0.75-IN)							
	7	1	<b>0S-1617</b>	1	BOLT (5/16-18X0.75-IN)							
	8	1	<b>118-5068</b>	2	SEAL-O-RING							
	9	1	<b>5M-2894</b>	1	WASHER-HARD (10.2X18.5X2.5-MM THK)							
	10	1	<b>9M-1974</b>	1	WASHER-HARD (8.8X16X2-MM THK)							

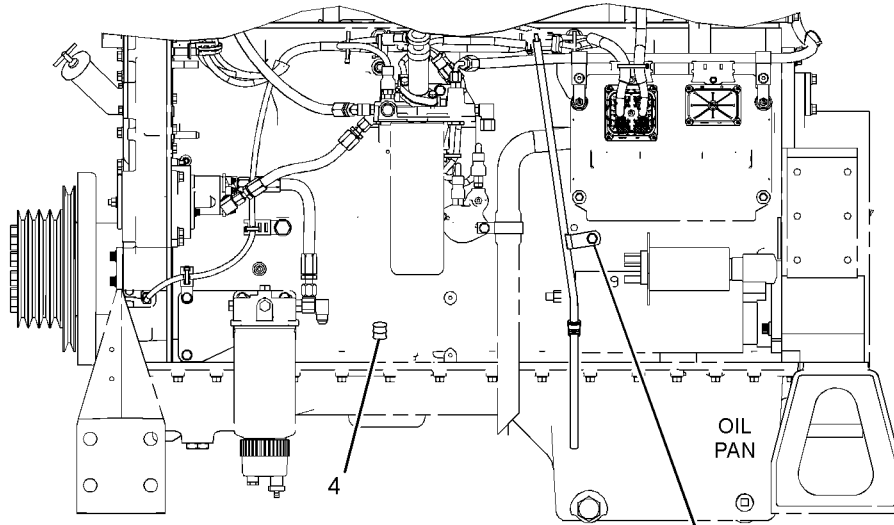
J-USE TO PLUG OPTIONAL DIPSTICK LOCATIONS



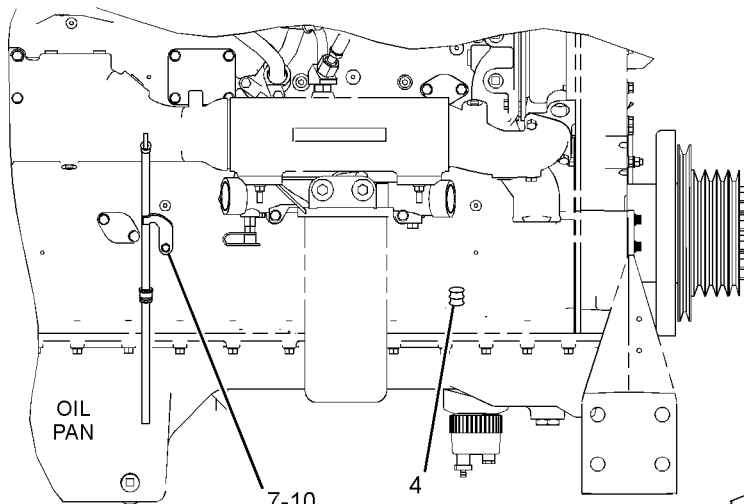
# LUBRICATION SYSTEM

273-5106 GAUGE GP-OIL LEVEL (DIPSTICK) (contd.)

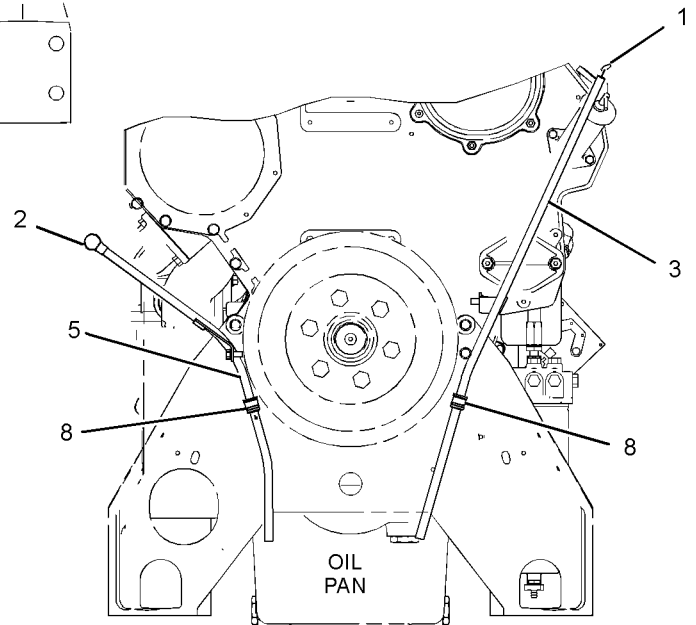
i02422687



LEFT SIDE VIEW



RIGHT SIDE VIEW



FRONT VIEW

GRAPHIC #1

<END>

g01192806

# LUBRICATION SYSTEM

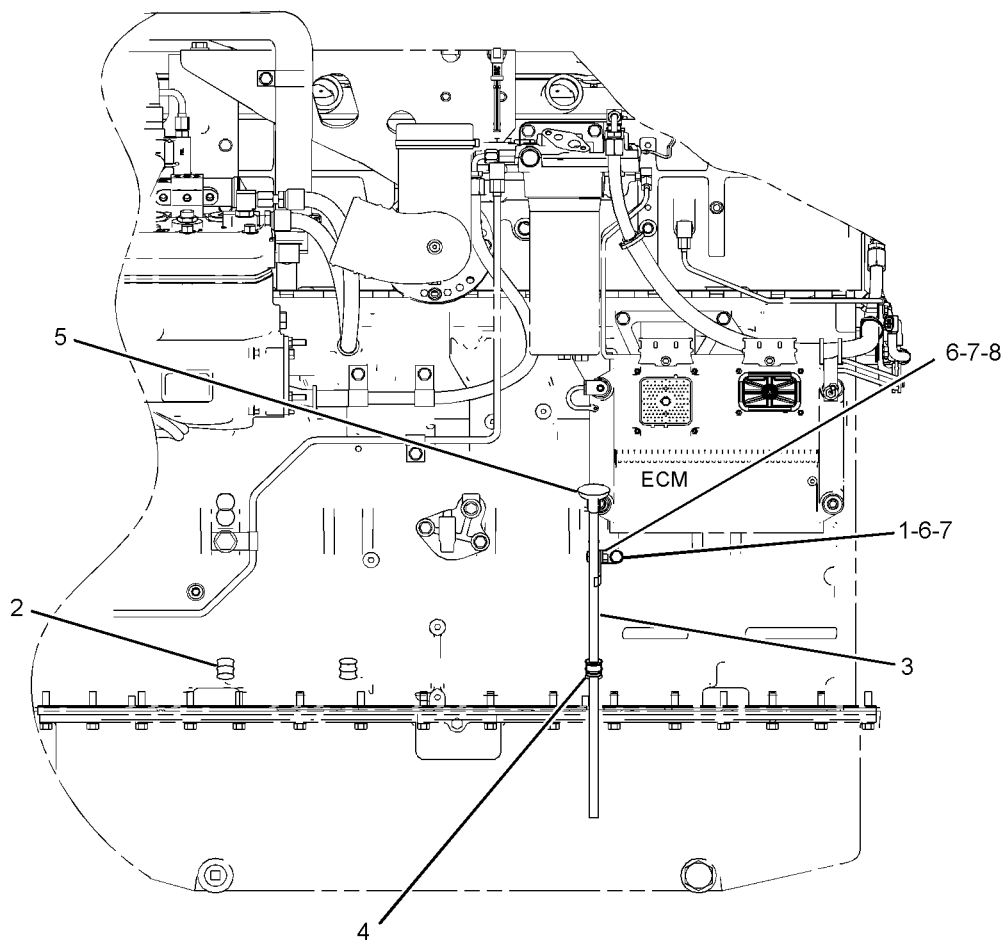
## 285-9064 GAUGE GP-OIL LEVEL (DIPSTICK)-ENGINE FOR USE WITH PAN GP INSTALLED AT 0 DEGREE TILT & 0 DEGREE ROLL AN ATTACHMENT

SMCS-1326

i02497448

NOTE	REF NO	GRAPHIC REF	PART NUMBER	QTY	PART NAME						SEE PAGE
					1	2	3	4	5	6 (PRODUCT LEVEL)	
	1	1	2L-6243	1	BRACKET						
J	2	1	165-6170	3	PLUG						
	3	1	285-9302	1	TUBE AS						
		1	4N-1294	1	ADAPTER						
	4	1	118-5068	1	SEAL-O-RING						
	5	1	285-9063	1	GAUGE AS-OIL LEVEL (DIPSTICK) (ENGINE)						
	6	1	0L-1351	2	BOLT (3/8-16X0.875-IN)						
	7	1	5M-2894	3	WASHER-HARD (10.2X18.5X2.5-MM THK)						
	8	1	9S-8752	1	NUT-FULL (3/8-16-THD)						

J-USE TO PLUG OPTIONAL DIPSTICK LOCATIONS



LEFT SIDE VIEW

<END>

GRAPHIC #1

g01250365

# LUBRICATION SYSTEM

## 359-0900 GAUGE GP-OIL LEVEL (DIPSTICK)-ENGINE

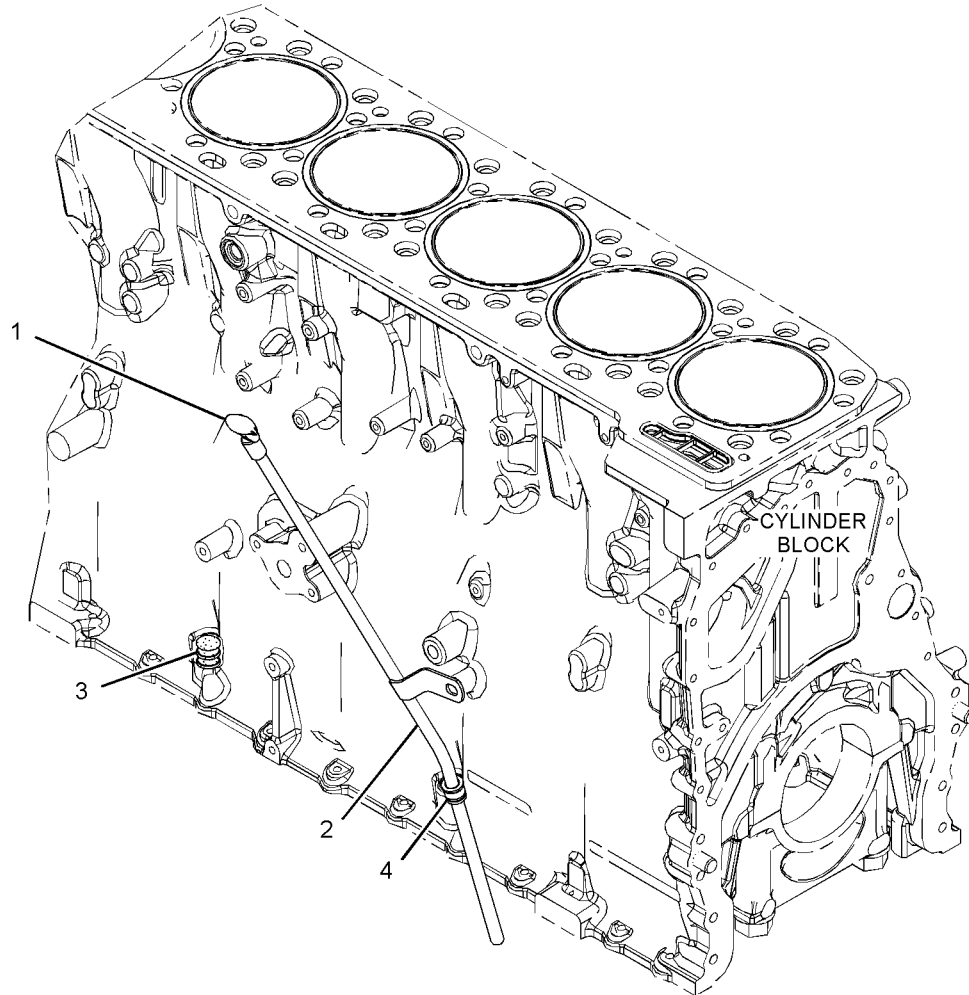
FOR USE WITH FUEL COOLED ECM, LEFT HAND REAR  
AN ATTACHMENT

SMCS-1326

i03946209

NOTE	REF NO	GRAPHIC REF	PART NUMBER	QTY	PART NAME						SEE PAGE
					1	2	3	4	5	6 (PRODUCT LEVEL)	
	1	1	7C-8021	1	GAUGE AS-OIL LEVEL (DIPSTICK) (ENGINE)						
	2	1	161-1825	1	TUBE AS						
J	3	1	165-6170	3	PLUG						
	4	1	118-5068	1	SEAL-O-RING						

J-USE TO PLUG OPTIONAL DIPSTICK LOCATION



GRAPHIC #1

<END>

g02248096

# LUBRICATION SYSTEM

## 187-0672 GUIDE GP-OIL LEVEL GAUGE-ENGINE

LH REAR

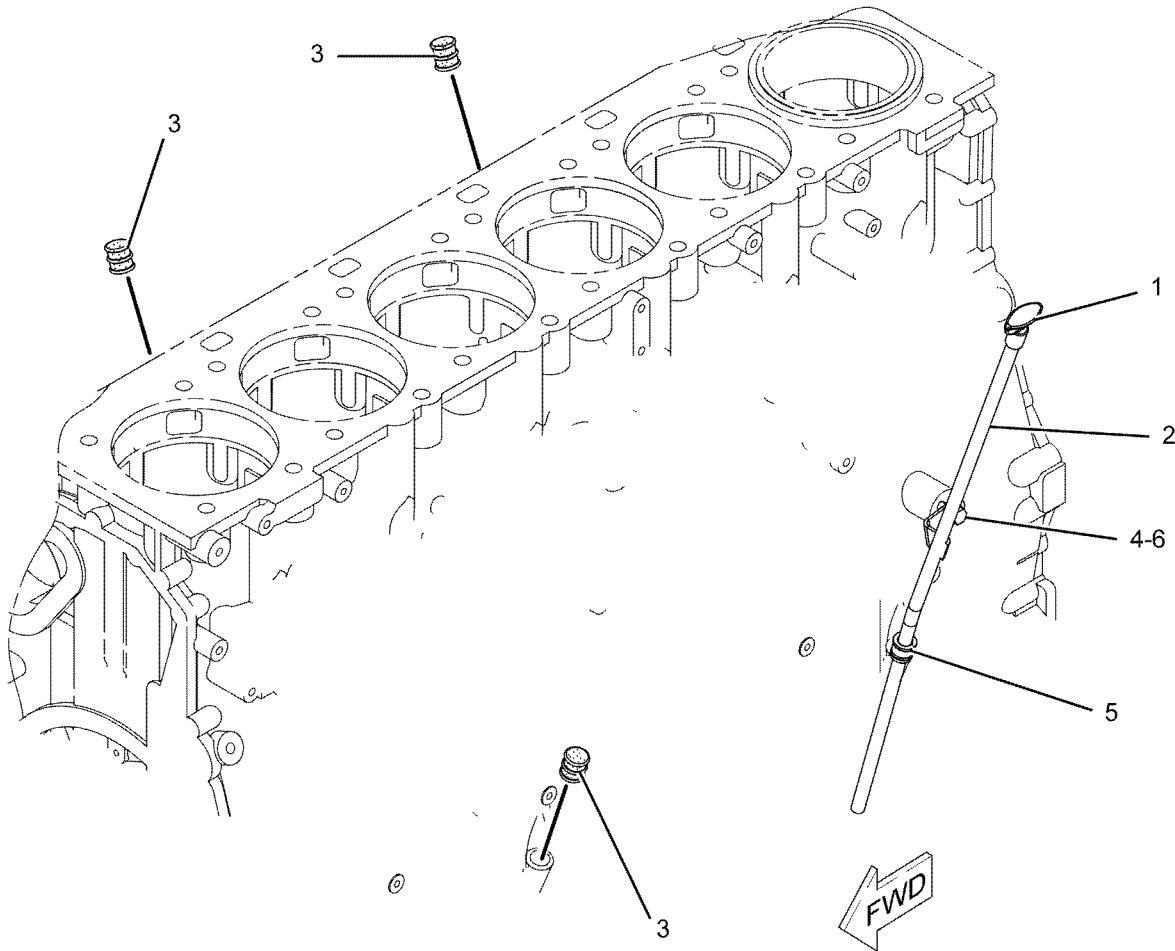
FOR USE WITH REAR SUMP  
AN ATTACHMENT

SMCS-1326

i03006040

NOTE	REF NO	GRAPHIC REF	PART NUMBER	QTY	PART NAME						SEE PAGE
					1	2	3	4	5	6 (PRODUCT LEVEL)	
	1	1	7C-8021	1	GAUGE AS-OIL LEVEL (DIPSTICK) (ENGINE)						
	2	1	161-1825	1	TUBE AS						
J	3	1	165-6170	3	PLUG						
	4	1	0S-0509	1	BOLT (3/8-16X0.75-IN)						
	5	1	118-5068	1	SEAL-O-RING						
	6	1	5M-2894	1	WASHER-HARD (10.2X18.5X2.5-MM THK)						

J-USE TO PLUG OPTIONAL DIPSTICK LOCATIONS



GRAPHIC #1

<END>

g01089365

# LUBRICATION SYSTEM

## 187-0673 GUIDE GP-OIL LEVEL GAUGE-ENGINE

LH FRONT

FOR USE WITH FRONT SUMP. CANNOT BE USED WITH 4-CYLINDER AIR COMPRESSOR  
AN ATTACHMENT

SMCS-1326

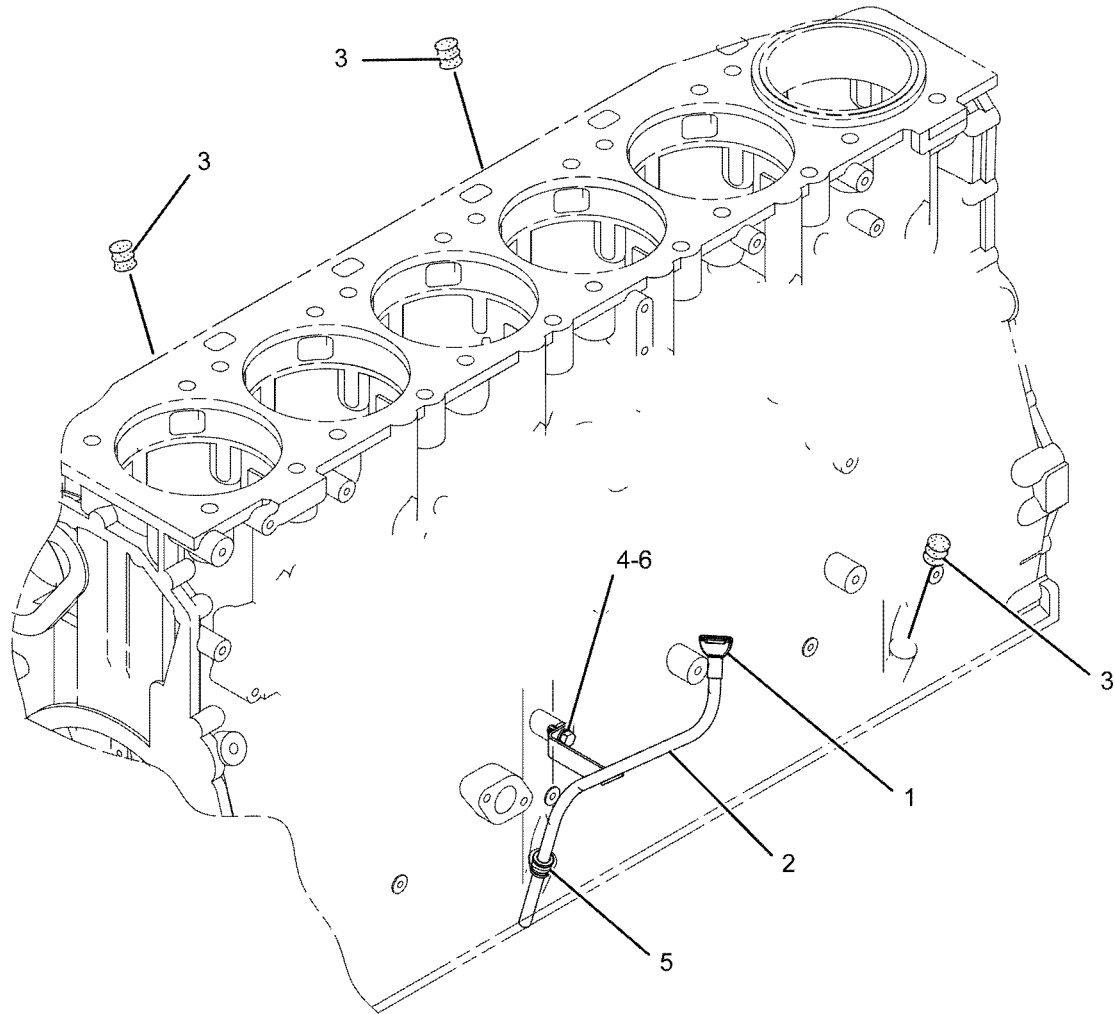
i02156744

NOTE	REF NO	GRAPHIC REF	PART NUMBER	QTY	PART NAME						SEE PAGE
					1	2	3	4	5	6 (PRODUCT LEVEL)	
	1	1	<b>7C-4024</b>	1	GAUGE-OIL LEVEL (DIPSTICK) (ENGINE)						
	2	1	<b>121-8016</b>	1	TUBE AS						
J	3	1	<b>165-6170</b>	3	PLUG						
	4	1	<b>0L-1351</b>	1	BOLT (3/8-16X0.875-IN)						
	5	1	<b>118-5068</b>	1	SEAL-O-RING						
	6	1	<b>5M-2894</b>	1	WASHER-HARD (10.2X18.5X2.5-MM THK)						
J-USE TO PLUG OPTIONAL DIPSTICK LOCATIONS											

# LUBRICATION SYSTEM

187-0673 GUIDE GP-OIL LEVEL GAUGE (contd.)

i02156744



VIEWED FROM UPPER  
LEFT FRONT

GRAPHIC #1

<END>

g01095538

# LUBRICATION SYSTEM

## 187-0674 GUIDE GP-OIL LEVEL GAUGE-ENGINE

S/N: JRE1-1364

RH FRONT

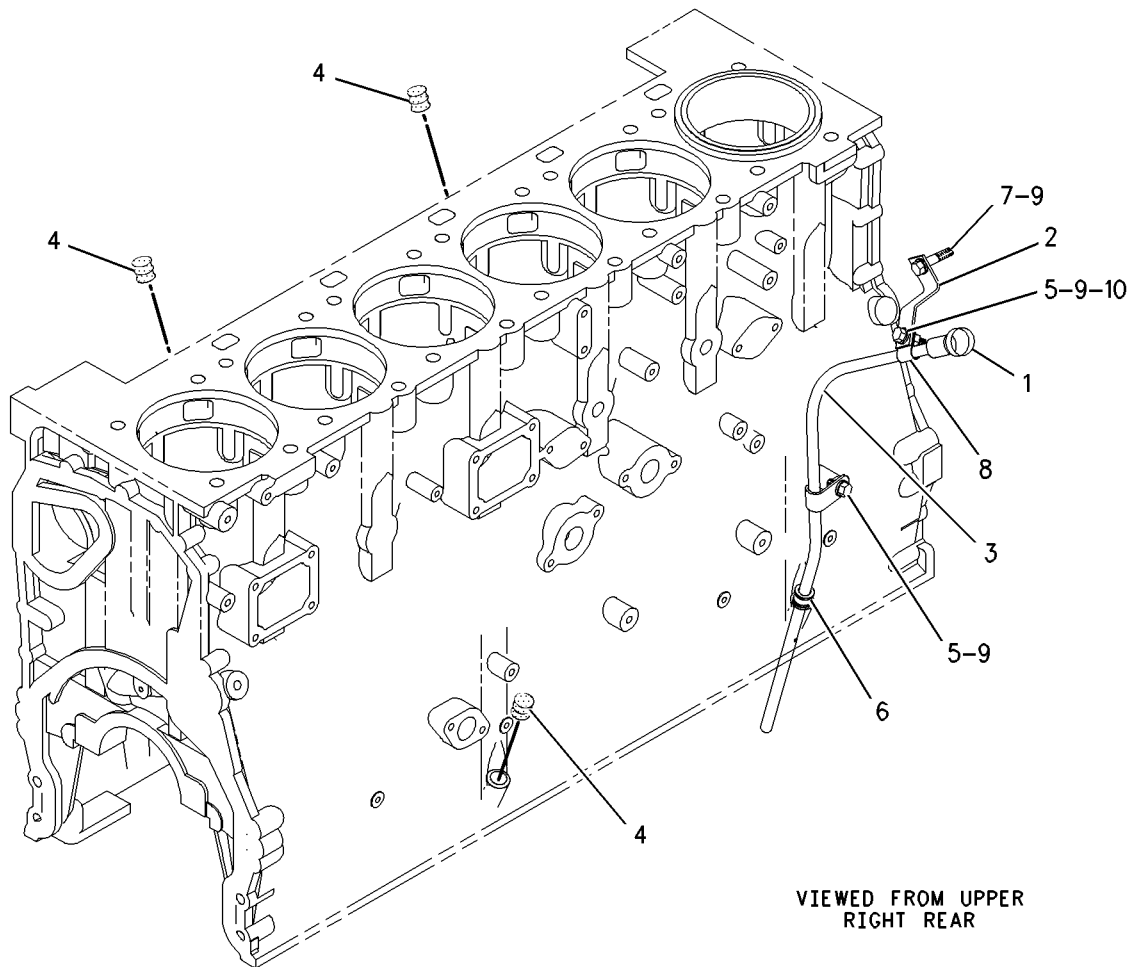
FOR USE WITH FRONT SUMP. CANNOT BE USED WITH SIDE INLET WATER PUMP  
AN ATTACHMENT

SMCS-1326

i02508795

NOTE	REF NO	GRAPHIC REF	PART NUMBER	QTY	PART NAME						SEE PAGE
					1	2	3	4	5	6 (PRODUCT LEVEL)	
	1	1	7W-7776	1	GAUGE AS-OIL LEVEL (DIPSTICK) (ENGINE)						
	2	1	9Y-2049	1	BRACKET						
	3	1	161-1827	1	TUBE AS						
J	4	1	165-6170	3	PLUG						
	5	1	0S-0509	2	BOLT (3/8-16X0.75-IN)						
	6	1	118-5068	1	SEAL-O-RING						
	7	1	2A-4639	1	BOLT (3/8-16X1.625-IN)						
	8	1	4B-0418	1	CLIP						
	9	1	5M-2894	4	WASHER-HARD (10.2X18.5X2.5-MM THK)						
	10	1	9S-8752	1	NUT-FULL (3/8-16-THD)						

J-USE TO PLUG OPTIONAL DIPSTICK LOCATIONS



GRAPHIC #1

<END>

g00689776

# LUBRICATION SYSTEM

## 187-0674 GUIDE GP-OIL LEVEL GAUGE-ENGINE

S/N: JRE1365-UP

RH FRONT

FOR USE WITH FRONT SUMP. CANNOT BE USED WITH SIDE INLET WATER PUMP  
AN ATTACHMENT

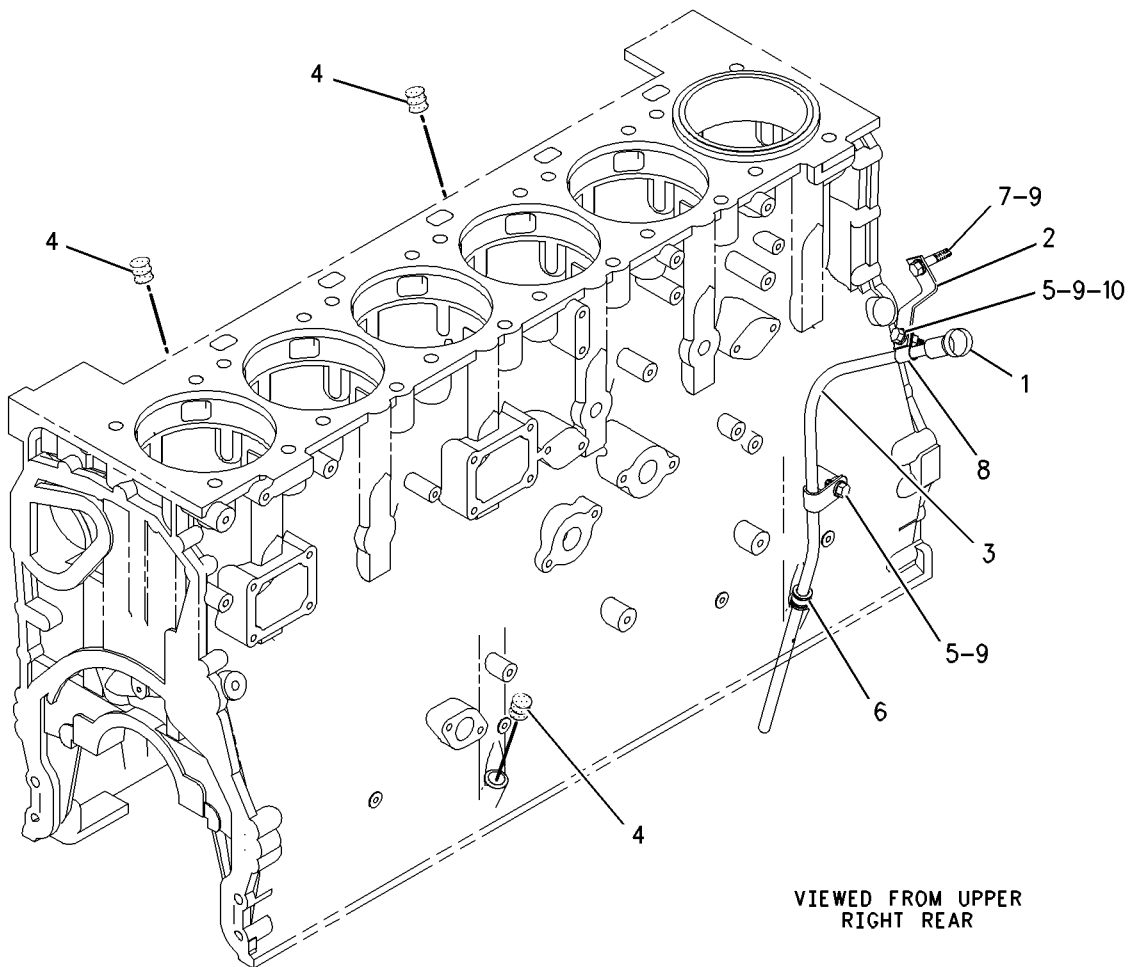
SMCS-1326

i03252200

NOTE	REF NO	GRAPHIC REF	PART NUMBER	QTY	PART NAME						SEE PAGE
					1	2	3	4	5	6 (PRODUCT LEVEL)	
C	1	1	121-4281	1	GAUGE AS-OIL LEVEL (DIPSTICK) (ENGINE)						
	2	1	9Y-2049	1	BRACKET						
	3	1	161-1827	1	TUBE AS						
J	4	1	165-6170	3	PLUG						
	5	1	0S-0509	2	BOLT (3/8-16X0.75-IN)						
	6	1	118-5068	1	SEAL-O-RING						
	7	1	2A-4639	1	BOLT (3/8-16X1.625-IN)						
	8	1	4B-0418	1	CLIP						
	9	1	5M-2894	4	WASHER-HARD (10.2X18.5X2.5-MM THK)						
	10	1	9S-8752	1	NUT-FULL (3/8-16-THD)						

C-CHANGE FROM PREVIOUS TYPE

J-USE TO PLUG OPTIONAL DIPSTICK LOCATIONS



GRAPHIC #1

<END>

g00689776



# LUBRICATION SYSTEM

## 211-7885 GUIDE GP-OIL LEVEL GAUGE-ENGINE

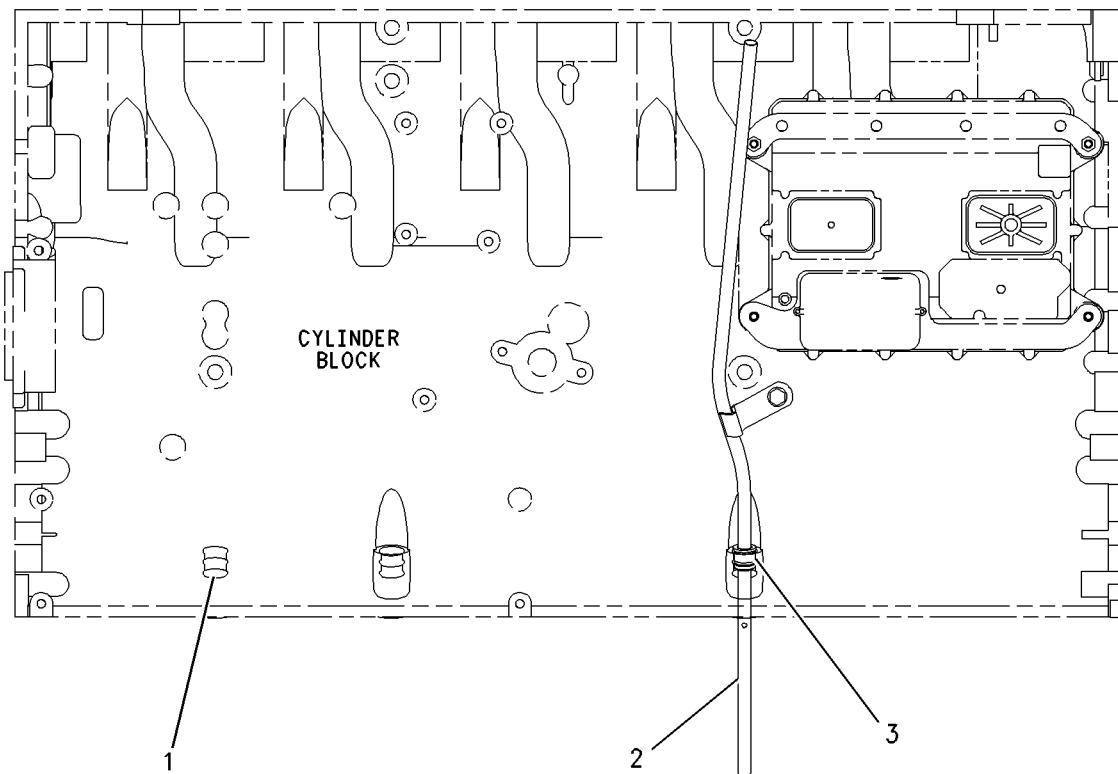
LEFT HAND MOUNTED OIL LEVEL GUIDE  
FOR USE WITH REAR SUMP CONFIGURATION  
AN ATTACHMENT

SMCS-1326

i01879075

NOTE	REF NO	GRAPHIC REF	PART NUMBER	QTY	PART NAME						SEE PAGE
					1	2	3	4	5	6 (PRODUCT LEVEL)	
J	1	1	165-6170	3	PLUG						
	2	1	207-8084	1	TUBE AS						
	3	1	118-5068	1	SEAL-O-RING						

J-USE TO PLUG OPTIONAL DIPSTICK LOCATIONS



LEFT SIDE VIEW

GRAPHIC #1

<END>

g00956322

# LUBRICATION SYSTEM

## 224-0728 GUIDE GP-OIL LEVEL GAUGE-ENGINE

REQUIRES REAR SUMP OIL PAN

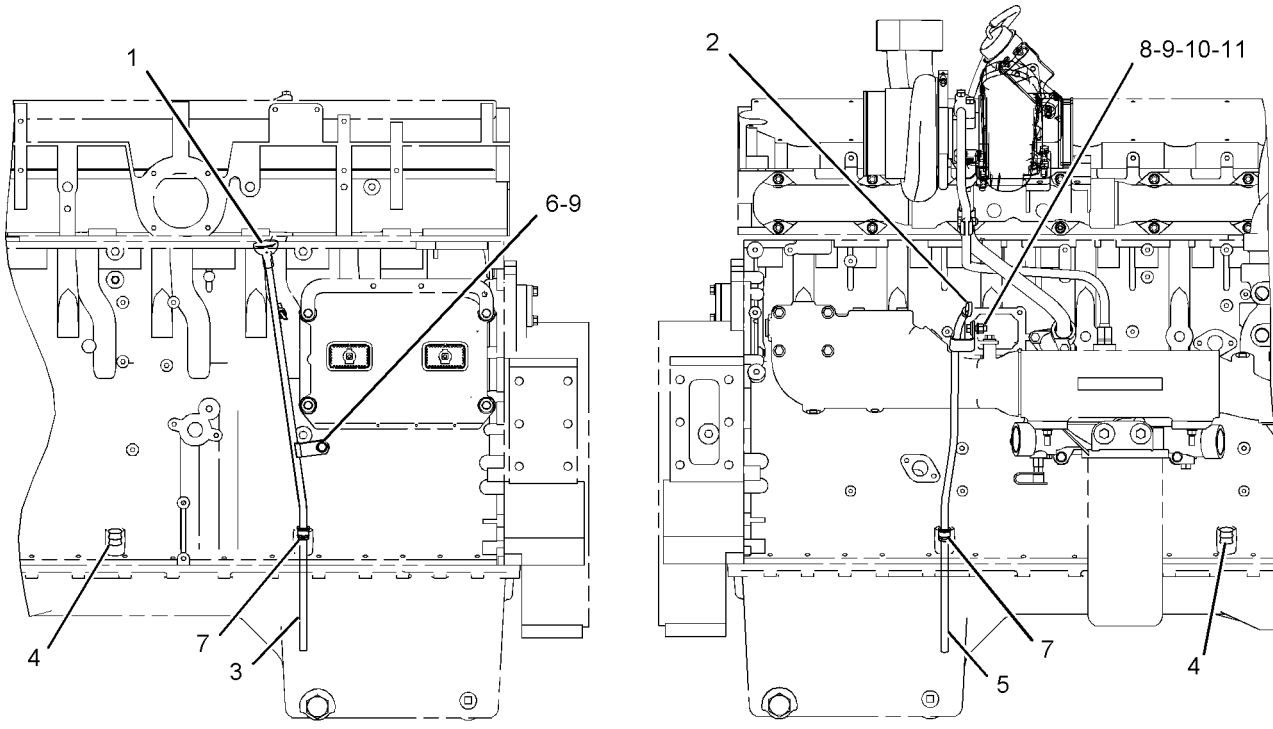
CANNOT BE USED WITH TRANSMISSION OIL COOLER OR LH OIL FILTER  
AN ATTACHMENT

SMCS-1326

i02137784

NOTE	REF NO	GRAPHIC REF	PART NUMBER	QTY	PART NAME						SEE PAGE
					1	2	3	4	5	6 (PRODUCT LEVEL)	
	1	1	7C-8021	1	GAUGE AS-OIL LEVEL (DIPSTICK) (LEFT REAR) (ENGINE)						
	2	1	252-1056	1	GAUGE AS-OIL LEVEL (DIPSTICK) (RIGHT REAR) (ENGINE)						
	3	1	161-1825	1	TUBE AS						
J	4	1	165-6170	2	PLUG						
	5	1	197-9589	1	TUBE AS						
	6	1	0S-0509	1	BOLT (3/8-16X0.75-IN)						
	7	1	118-5068	2	SEAL-O-RING						
	8	1	1A-2029	1	BOLT (3/8-16X1.125-IN)						
	9	1	5M-2894	2	WASHER-HARD (10.2X18.5X2.5-MM THK)						
	10	1	9S-8752	1	NUT-FULL (3/8-16-THD)						
	11	1	9X-6458	1	WASHER-HARD (10.2X22.5X3-MM THK)						

J-USE TO PLUG OPTIONAL DIPTSTICK LOCATION



LEFT SIDE VIEW

RIGHT SIDE VIEW

GRAPHIC #1

<END>

g01086703

# LUBRICATION SYSTEM

## 4N-1128 LINES GP-ENGINE OIL

S/N: JRE1-1190

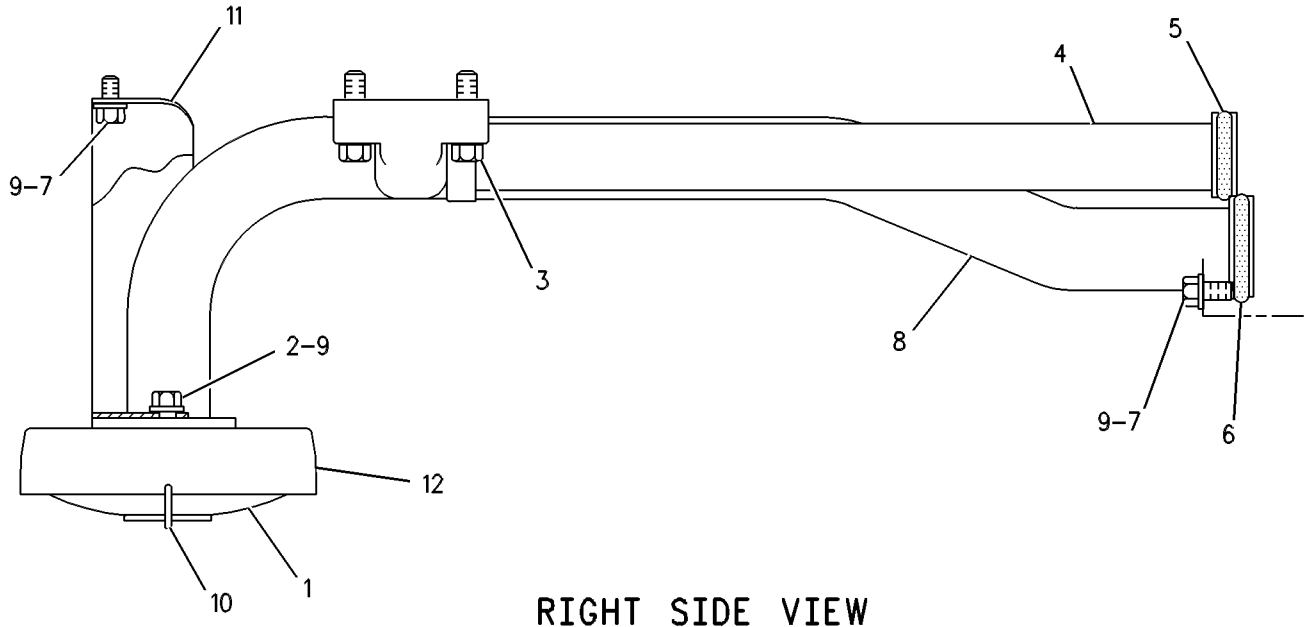
FOR USE WITH DEEP SUMP OIL PAN  
AN ATTACHMENT

SMCS-1307

i03641033

NOTE	REF NO	GRAPHIC REF	PART NUMBER	QTY	PART NAME						SEE PAGE
					1	2	3	4	5	6 (PRODUCT LEVEL)	
	1	1	4N-0913	1	SCREEN-STRAINER (ENGINE OIL SUMP)						
	2	1	1A-2029	2	BOLT (3/8-16X1.125-IN)						
C	3	1	0S-1591	2	BOLT (3/8-16X1.5-IN)						
	4	1	4N-0995	1	TUBE AS						
	5	1	109-0078	1	SEAL-O-RING						
C	6	1	109-0072	1	SEAL-O-RING						
C	7	1	0L-1351	3	BOLT (3/8-16X0.875-IN)						
	8	1	9N-5124	1	TUBE AS-PUMP SUCTION						
	9	1	9X-6458	5	WASHER-HARD (10.2X22.5X3-MM THK)						
	10	1	4N-0914	1	CLIP						
	11	1	6N-7249	1	SUPPORT-SUCTION BELL						
	12	1	8N-2104	1	BELL AS-SUCTION						
		1	1F-0750	2	NUT-WELD (3/8-16-THD)						

C- CHANGE FROM PREVIOUS TYPE



GRAPHIC #1

<END>

g00260084

# LUBRICATION SYSTEM

## 4N-1128 LINES GP-ENGINE OIL

S/N: JRE1191-UP

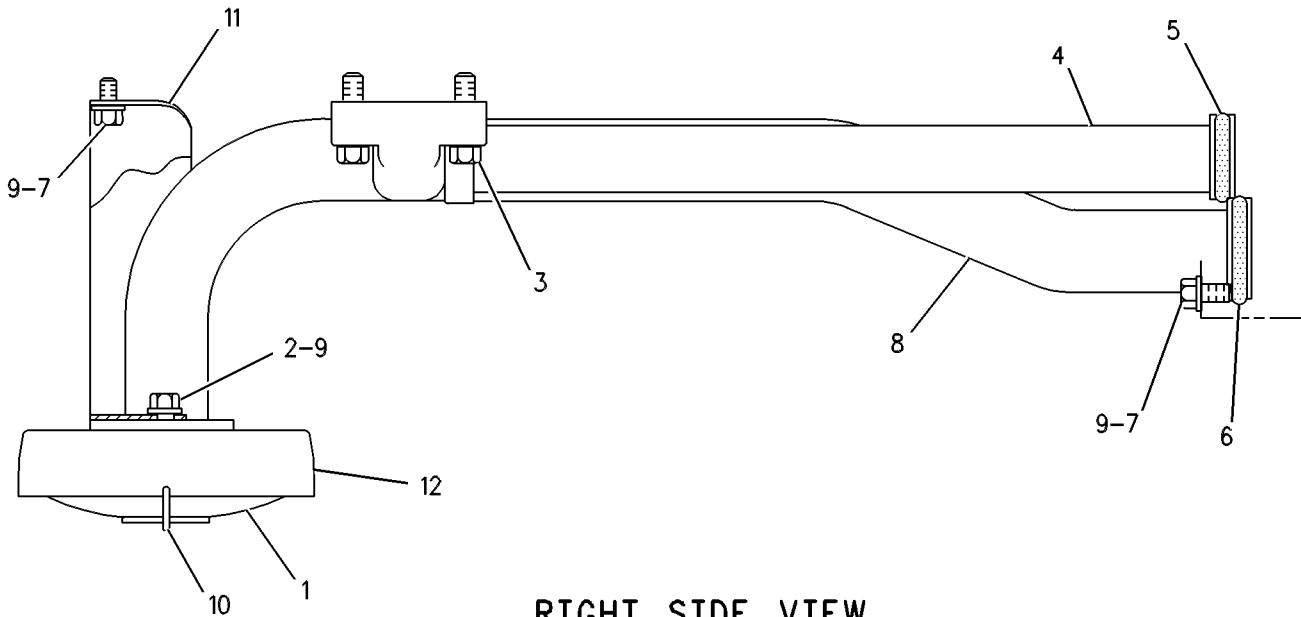
FOR USE WITH DEEP SUMP OIL PAN  
AN ATTACHMENT

SMCS-1307

i04080374

NOTE	REF NO	GRAPHIC REF	PART NUMBER	QTY	PART NAME						SEE PAGE
					1	2	3	4	5	6 (PRODUCT LEVEL)	
	1	1	4N-0913	1	SCREEN-STRAINER (ENGINE OIL SUMP)						
	2	1	1A-2029	2	BOLT (3/8-16X1.125-IN)						
	3	1	0S-1591	2	BOLT (3/8-16X1.5-IN)						
C	4	1	4P-7373	1	TUBE AS						
	5	1	5P-8068	1	SEAL-O-RING						
	6	1	5P-5846	1	SEAL-O-RING						
	7	1	0L-1351	3	BOLT (3/8-16X0.875-IN)						
	8	1	9N-5124	1	TUBE AS-PUMP SUCTION						
	9	1	9X-6458	5	WASHER-HARD (10.2X22.5X3-MM THK)						
	10	1	4N-0914	1	CLIP						
	11	1	6N-7249	1	SUPPORT-SUCTION BELL						
	12	1	8N-2104	1	BELL AS-SUCTION						

C-CHANGE FROM PREVIOUS TYPE



GRAPHIC #1

<END>

g00260084

# LUBRICATION SYSTEM

## 114-1926 LINES GP-ENGINE OIL

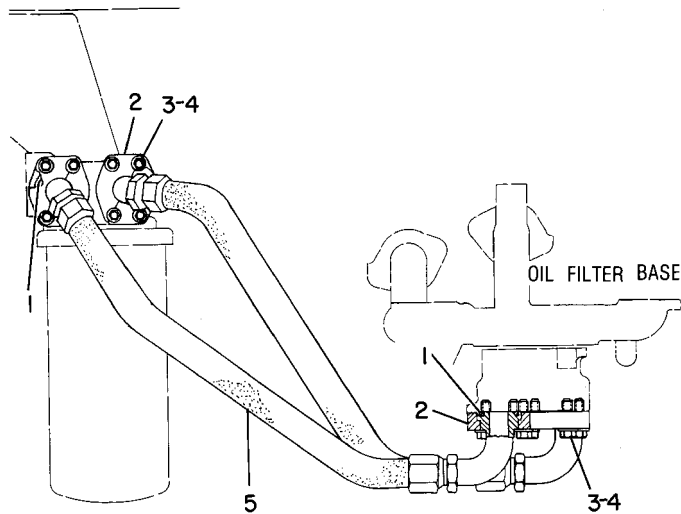
FOR USE WITH REMOTE MOUNTED OIL FILTER, 114-1922-PAGE 451. CANNOT BE USED  
WITH BRAKESAVER  
AN ATTACHMENT

SMCS-1307

i00702620

NOTE	REF NO	GRAPHIC REF	PART NUMBER	QTY	PART NAME						SEE PAGE
					1	2	3	4	5	6 (PRODUCT LEVEL)	
	1	1	<b>8M-4986</b>	4	SEAL-O-RING						
	2	1	<b>1P-4578</b>	8	FLANGE-HALF						
	3	1	<b>0T-0772</b>	16	BOLT (7/16-14X1.5-IN)						
	4	1	<b>5P-8244</b>	16	WASHER-HARD (12X22.5X2.5-MM THK)						
I	5	1	<b>7W-8633</b>	2	HOSE AS						

I-REFER TO HYDRAULIC INFORMATION SYSTEM



GRAPHIC #1

<END>

g00172515

# LUBRICATION SYSTEM

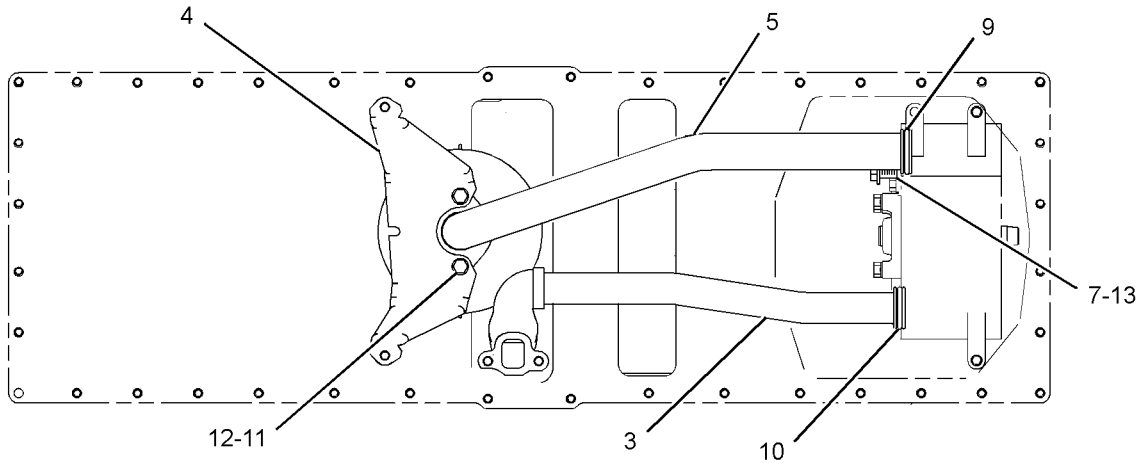
## 227-3917 LINES GP-ENGINE OIL-OIL PAN AN ATTACHMENT

SMCS-1307

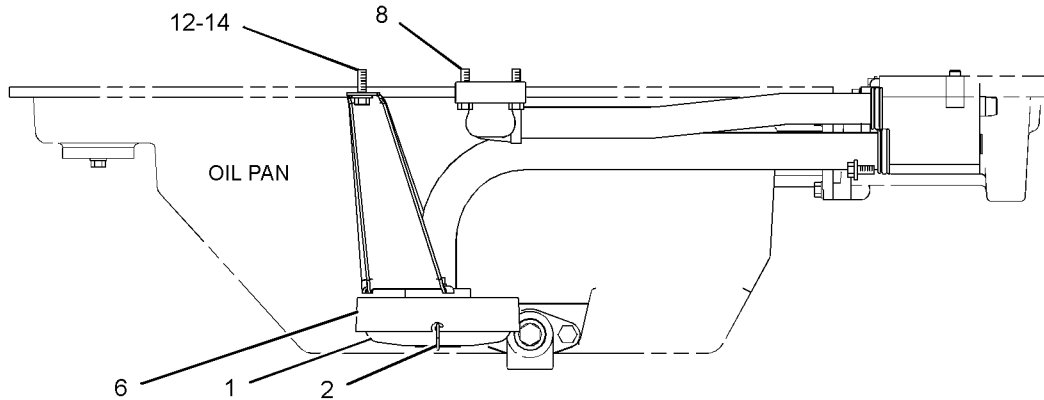
i03636999

NOTE	REF NO	GRAPHIC REF	PART NUMBER	QTY	PART NAME						SEE PAGE
					1	2	3	4	5	6 (PRODUCT LEVEL)	
	1	1	4N-0913	1	SCREEN-STRAINER (ENGINE OIL)						
	2	1	4N-0914	1	CLIP						
	3	1	4P-7373	1	TUBE AS						
	4	1	4P-9131	1	SUPPORT-BELL						
	5	1	7E-4508	1	TUBE AS						
	6	1	8N-2104	1	BELL AS-SUCTION						
		1	1F-0750	1	NUT-WELD (3/8-16-THD)						
	7	1	0L-1351	1	BOLT (3/8-16X0.875-IN)						
	8	1	0S-1591	2	BOLT (3/8-16X1.5-IN)						
	9	1	109-0072	1	SEAL-O-RING						
	10	1	109-0078	1	SEAL-O-RING						
	11	1	1A-2029	2	BOLT (3/8-16X1.125-IN)						
C	12	1	5M-2894	4	WASHER-HARD (10.2X18.5X2.5-MM THK)						
C	13	1	9X-6458	1	WASHER-HARD (10.2X22.5X3-MM THK)						
	14	1	0S-1588	2	BOLT (3/8-16X1.25-IN)						

C-CHANGE FROM PREVIOUS TYPE



TOP VIEW OF ENGINE



RIGHT SIDE VIEW OF ENGINE

GRAPHIC #1

<END>

g01297977

# LUBRICATION SYSTEM

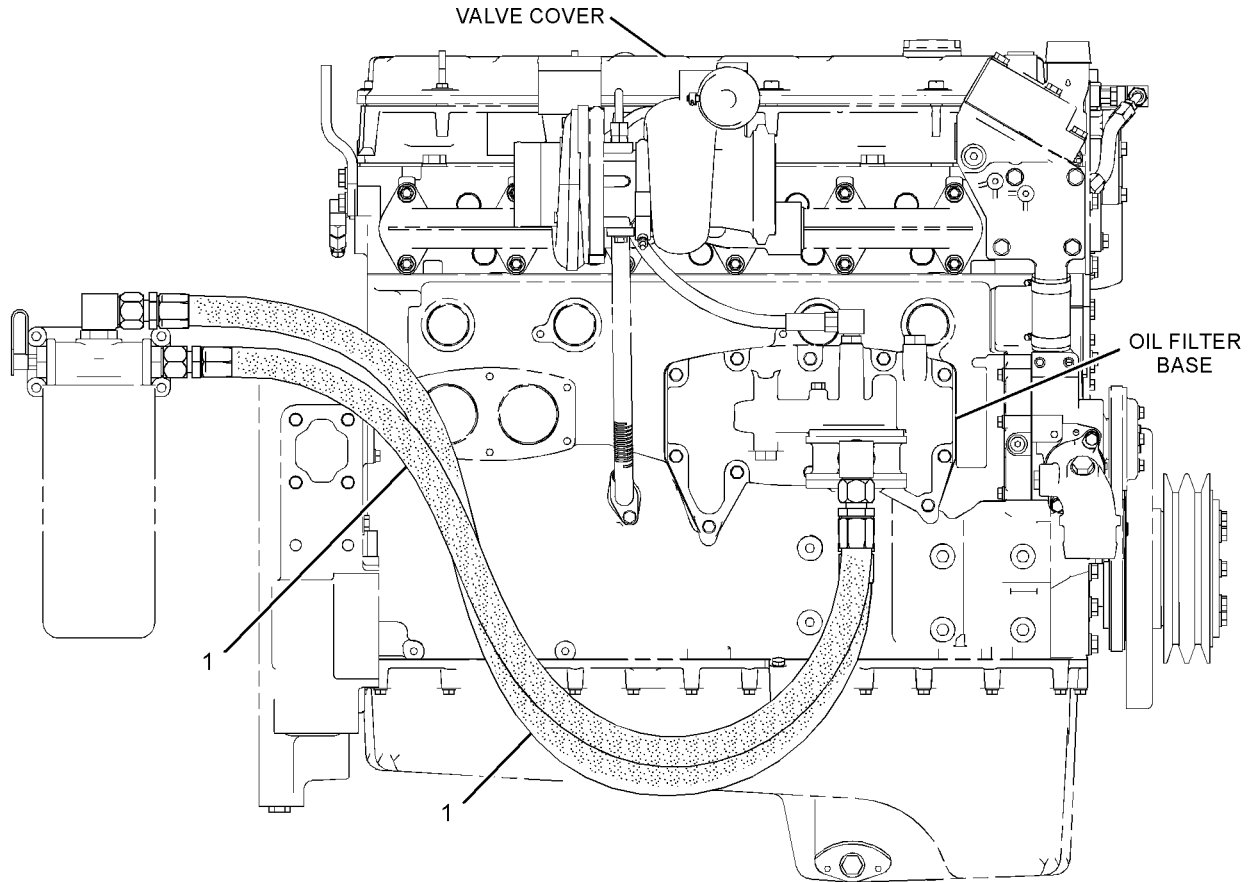
## 279-6010 LINES GP-ENGINE OIL FOR USE WITH REQUIRES FILTER GP-ENGINE OIL (REMOTE MOUNTED) AN ATTACHMENT

SMCS-1307

i02765286

NOTE	REF NO	GRAPHIC REF	PART NUMBER	QTY	PART NAME						SEE PAGE
					1	2	3	4	5	6 (PRODUCT LEVEL)	
I	1	1	144-0119	2	HOSE AS						

I-REFER TO HYDRAULIC INFORMATION SYSTEM



RIGHT SIDE VIEW OF ENGINE

GRAPHIC #1

<END>

g01393123

# LUBRICATION SYSTEM

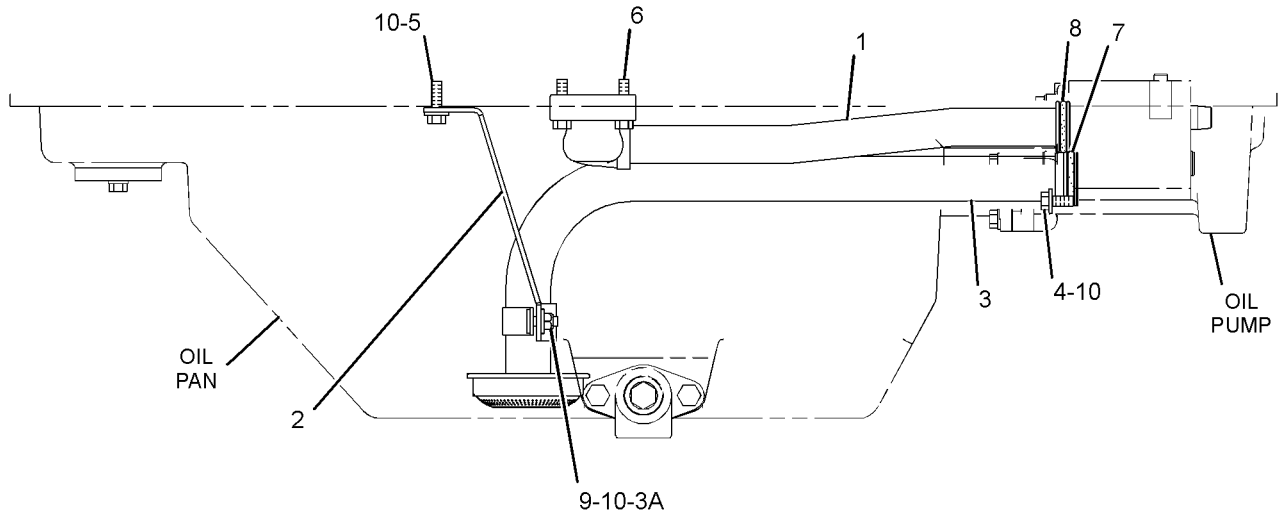
## 291-6821 LINES GP-ENGINE OIL-OIL PAN

FOR USE WITH 175-3860-PAGE 338  
AN ATTACHMENT

SMCS-1307

i03246215

NOTE	REF NO	GRAPHIC REF	PART NUMBER	QTY	PART NAME						SEE PAGE
					1	2	3	4	5	6 (PRODUCT LEVEL)	
	1	1	4P-7373	1	TUBE AS						
	2	1	292-9782	1	BRACKET						
	3	1	292-9783	1	TUBE AS						
	3A	1	5L-8957	2	STUD-WELD (3/8-16X1-IN)						
	4	1	0L-1351	1	BOLT (3/8-16X0.875-IN)						
	5	1	0S-1588	2	BOLT (3/8-16X1.25-IN)						
	6	1	0S-1591	2	BOLT (3/8-16X1.5-IN)						
	7	1	109-0072	1	SEAL-O-RING						
	8	1	109-0078	1	SEAL-O-RING						
	9	1	2K-4973	2	LOCKNUT (3/8-16-THD)						
	10	1	9X-6458	5	WASHER-HARD (10.2X22.5X3-MM THK)						



RIGHT SIDE VIEW OF ENGINE

GRAPHIC #1

<END>

g01647620



# LUBRICATION SYSTEM

## 304-3734 LINES GP-ENGINE OIL

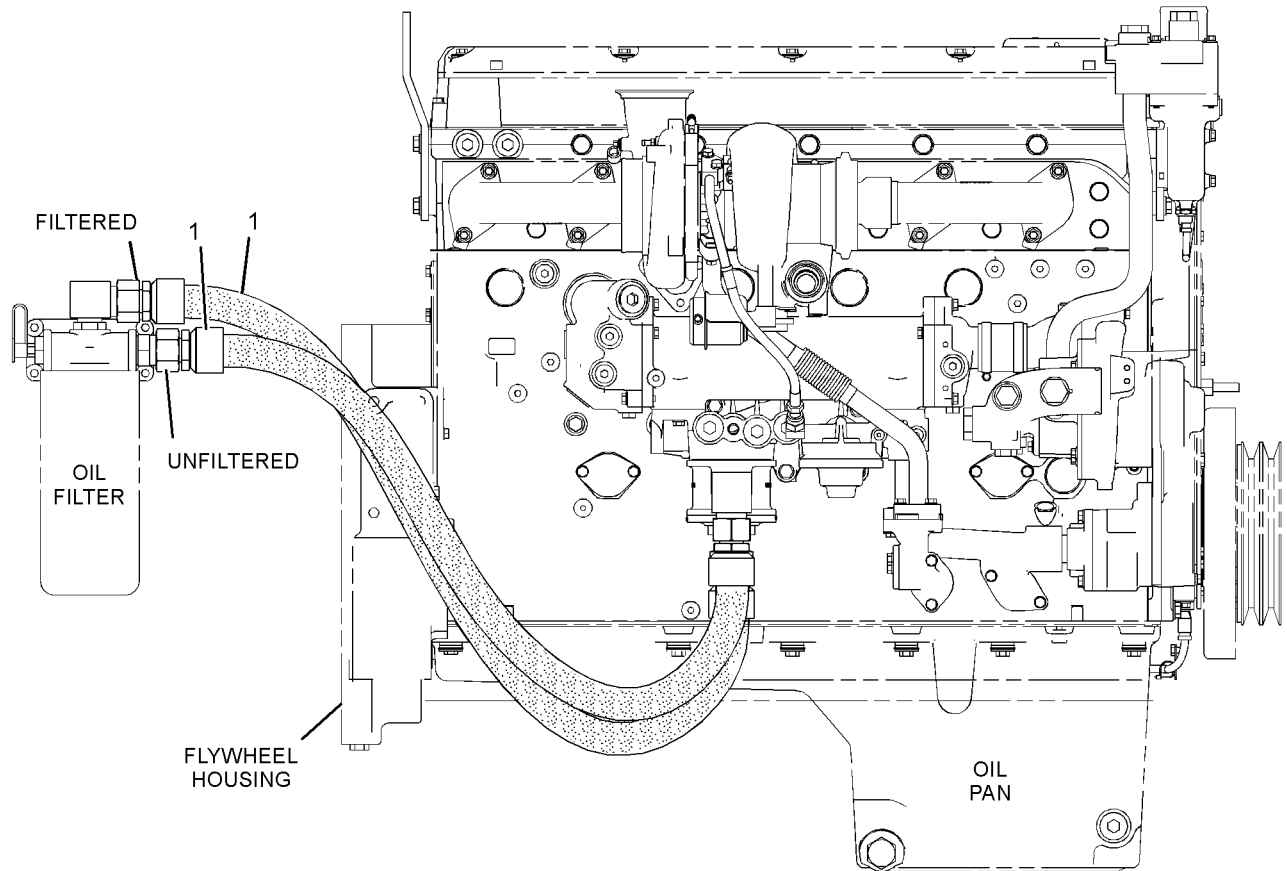
REMOTE MOUNTED  
AN ATTACHMENT

SMCS-1307

i02686989

NOTE	REF NO	GRAPHIC REF	PART NUMBER	QTY	PART NAME						SEE PAGE
					1	2	3	4	5	6 (PRODUCT LEVEL)	
I	1	1	305-2749	2	HOSE AS						

I-REFER TO HYDRAULIC INFORMATION SYSTEM



RIGHT SIDE VIEW OF ENGINE

<END>

GRAPHIC #1

g01350973

# LUBRICATION SYSTEM

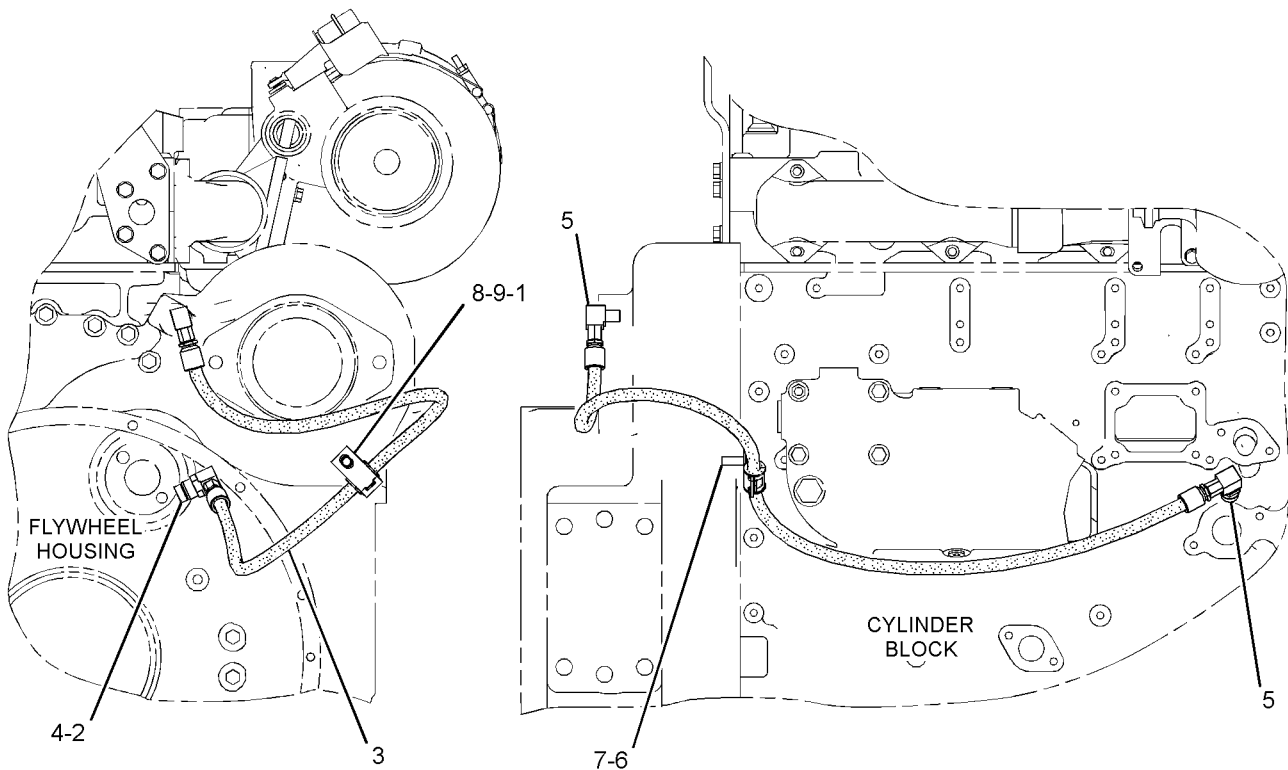
## 240-7970 LINES GP-OIL-ENGINE FOR USE WITH 120-9128-PAGE 261, ACERT BLOCK AND HEAD AN ATTACHMENT

SMCS-1307

i04129970

NOTE	REF NO	GRAPHIC REF	PART NUMBER	QTY	PART NAME						SEE PAGE
					1	2	3	4	5	6 (PRODUCT LEVEL)	
	1	1	4P-7233	1	GROMMET						
	2	1	8J-7844	1	BUSHING-REDUCING						
I	3	1	5N-5646	1	HOSE AS						
	4	1	238-5080	1	SEAL-O-RING						
	5	1	6K-1972	2	ELBOW-FLARED						
	6	1	0S-1588	1	BOLT (3/8-16X1.25-IN)						
	7	1	5P-8244	1	WASHER-HARD (12X22.5X2.5-MM THK)						
	8	1	8T-1887	1	CLIP (SLOT)						
	9	1	8T-1888	1	CLIP (TAB)						

I-REFER TO HYDRAULIC INFORMATION SYSTEM



REAR VIEW OF ENGINE

RIGHT SIDE VIEW OF ENGINE

GRAPHIC #1

<END>

g02327914

# LUBRICATION SYSTEM

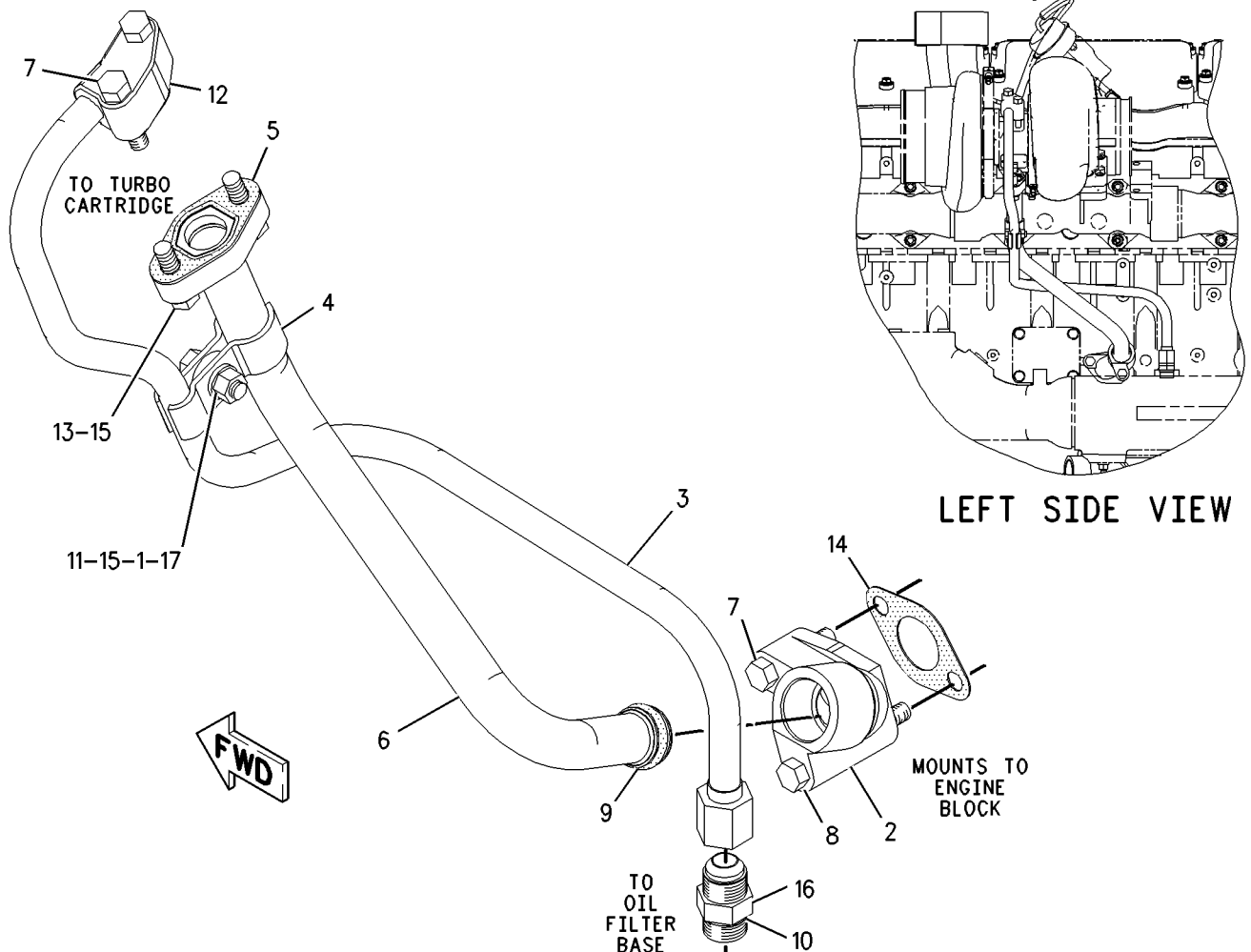
## 212-1487 LINES GP-TURBOCHARGER OIL

REQUIRES FORWARD FACING EXHAUST AND HIGH MOUNT TURBO  
AN ATTACHMENT

SMCS-1052, 1307

i04059509

NOTE	REF NO	GRAPHIC REF	PART NUMBER	QTY	PART NAME						SEE PAGE
					1	2	3	4	5	6 (PRODUCT LEVEL)	
	1	1	3L-9689	1	WASHER (10.5X25.4X5-MM THK)						
	2	1	4N-2040	1	ELBOW-DRAIN						
	3	1	7N-3448	1	TUBE AS-OIL						
	4	1	9M-7540	2	CLAMP-TUBE						
	5	1	126-2702	1	SEAL-INTEGRAL						
	6	1	204-7810	1	TUBE AS (DRAIN)						
	7	1	0S-1571	3	BOLT (3/8-16X1.75-IN)						
	8	1	0S-1619	1	BOLT (3/8-16X3-IN)						
	9	1	114-2687	1	SEAL-O-RING						
	10	1	6V-3251	1	SEAL-O-RING						
	11	1	1A-2029	1	BOLT (3/8-16X1.125-IN)						
	12	1	198-6068	1	SEAL-INTEGRAL						
	13	1	3B-1915	2	BOLT (3/8-16X1.375-IN)						
	14	1	4N-0699	1	GASKET						
	15	1	5M-2894	4	WASHER-HARD (10.2X18.5X2.5-MM THK)						
	16	1	9M-4584	1	CONNECTOR						
	17	1	9S-8752	1	NUT-FULL (3/8-16-THD)						



GRAPHIC #1

<END>

g00864818

# LUBRICATION SYSTEM

## 240-6053 LINES GP-TURBOCHARGER OIL

S/N: JRE1-2773

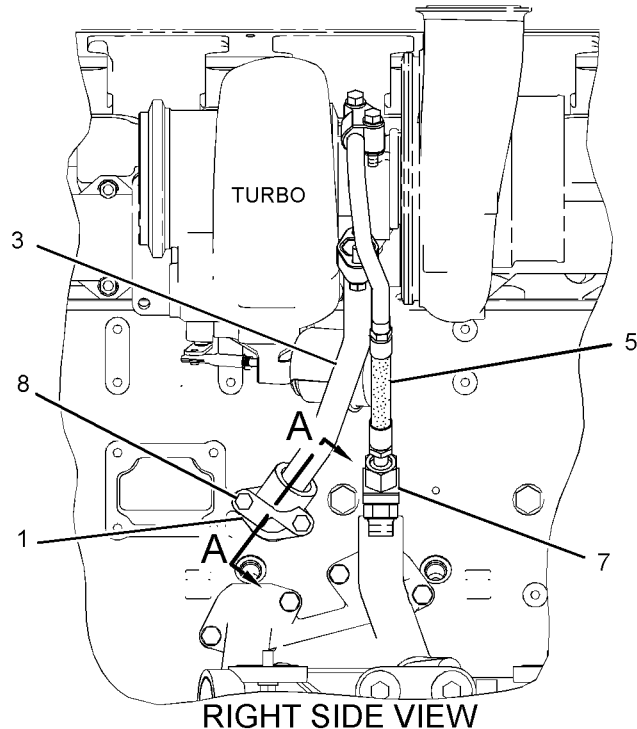
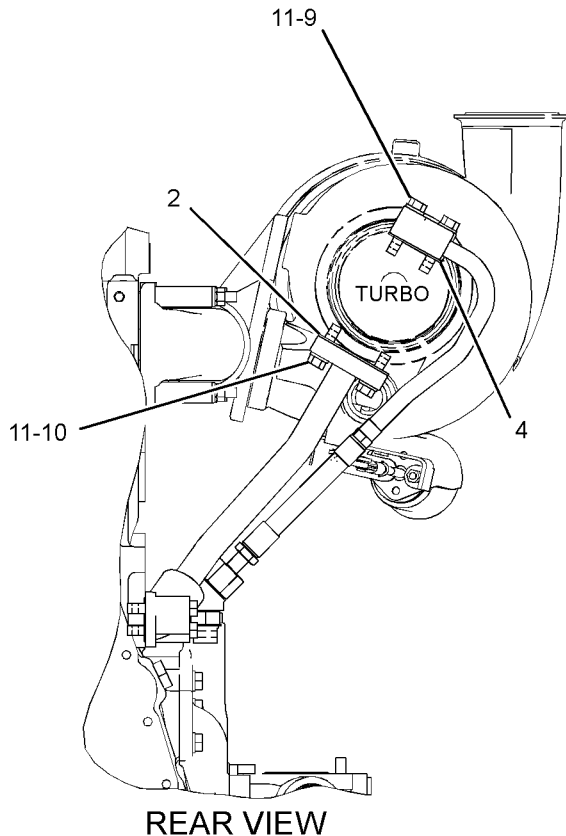
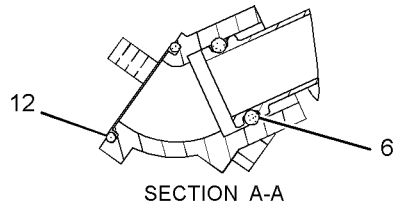
MID MOUNT

FOR USE WITH REAR EXHAUST SETUP. CANNOT BE USED WITH TWIN TURBO  
AN ATTACHMENT

SMCS-1052, 1307

i03880504

NOTE	REF NO	GRAPHIC REF	PART NUMBER	QTY	PART NAME						SEE PAGE
					1	2	3	4	5	6 (PRODUCT LEVEL)	
	1	1	106-3544	1	ELBOW						
	2	1	126-2702	1	SEAL - INTEGRAL						
	3	1	133-8940	1	TUBE AS-DRAIN						
	4	1	198-6068	1	SEAL - INTEGRAL						
	5	1	231-5219	1	HOSE AS						
	6	1	114-2687	1	SEAL - O-RING						
	7	1	349-8519	1	ELBOW AS						
		1	228-7091	1	SEAL - O-RING						
		1	238-5081	1	SEAL - O-RING						
8	1		0L-2070	2	BOLT (3/8-16X2.25-IN)						
9	1		1C-2251	2	BOLT (3/8-16X1.87-IN)						
10	1		3B-1915	2	BOLT (3/8-16X1.375-IN)						
11	1		5M-2894	4	WASHER-HARD (10.2X18.5X2.5-MM THK)						
12	1		230-3775	1	SEAL - O-RING						



GRAPHIC #1

<END>

g01251957

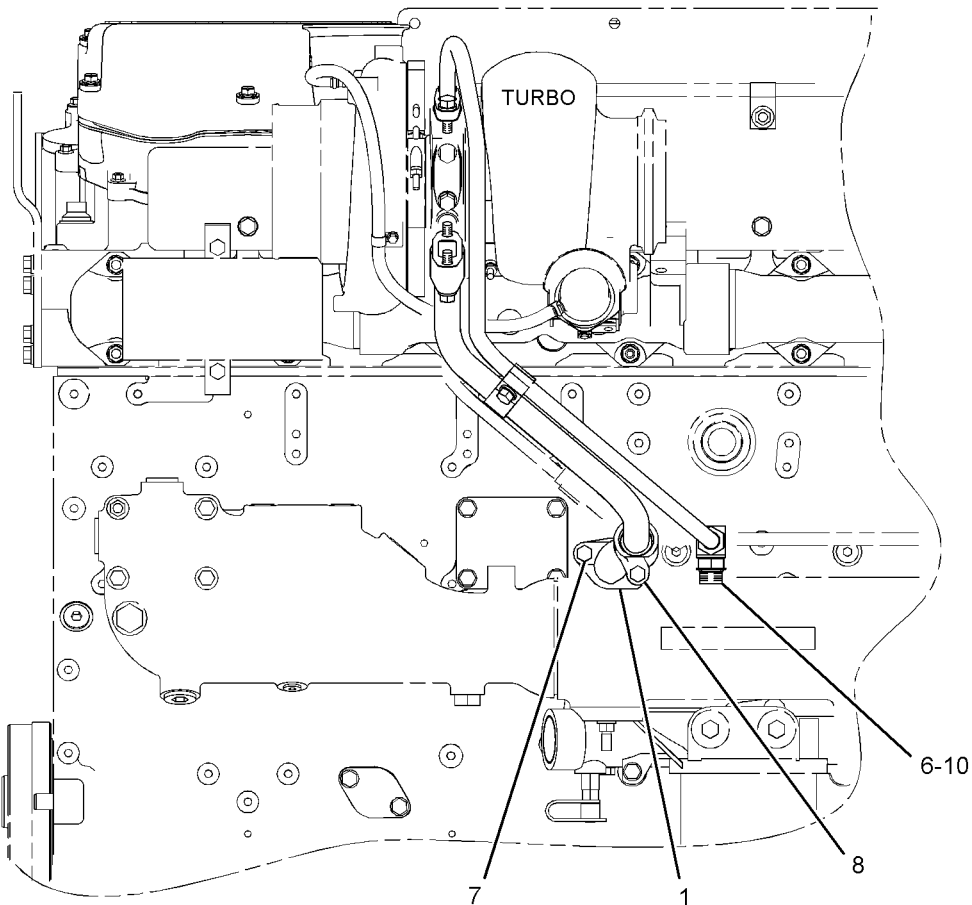
# LUBRICATION SYSTEM

## 311-1433 LINES GP-TURBOCHARGER OIL FOR USE WITH FRONT EXHAUST CONFIGURATION, WATER COOLED TURBOS AN ATTACHMENT

SMCS-1052, 1307

i02739802

NOTE	REF NO	GRAPHIC REF	PART NUMBER	QTY	PART NAME						SEE PAGE
					1	2	3	4	5	6 (PRODUCT LEVEL)	
	1	1	4N-2040	1	ELBOW-DRAIN						
	2	2	7N-7559	1	GASKET						
	3	2	9M-7540	2	CLAMP-TUBE						
	4	2	311-1434	1	TUBE AS						
	5	2	311-1435	1	TUBE AS						
	6	1	030-7949	1	ELBOW						
	7	1,2	0S-1571	3	BOLT (3/8-16X1.75-IN)						
	8	1	0S-1619	1	BOLT (3/8-16X3-IN)						
	9	2	1A-2029	3	BOLT (3/8-16X1.125-IN)						
	10	1	2M-9780	1	SEAL-O-RING						
	11	2	4N-0699	1	GASKET						
	12	2	5M-2894	6	WASHER-HARD (10.2X18.5X2.5-MM THK)						
	13	2	5P-9890	1	SEAL-O-RING						
	14	2	7N-8875	1	GASKET						
	15	2	9M-6527	1	WASHER-HARD (10.2X25.5X5-MM THK)						
	16	2	9S-8752	1	NUT-FULL (3/8-16-THD)						



RIGHT SIDE VIEW OF ENGINE

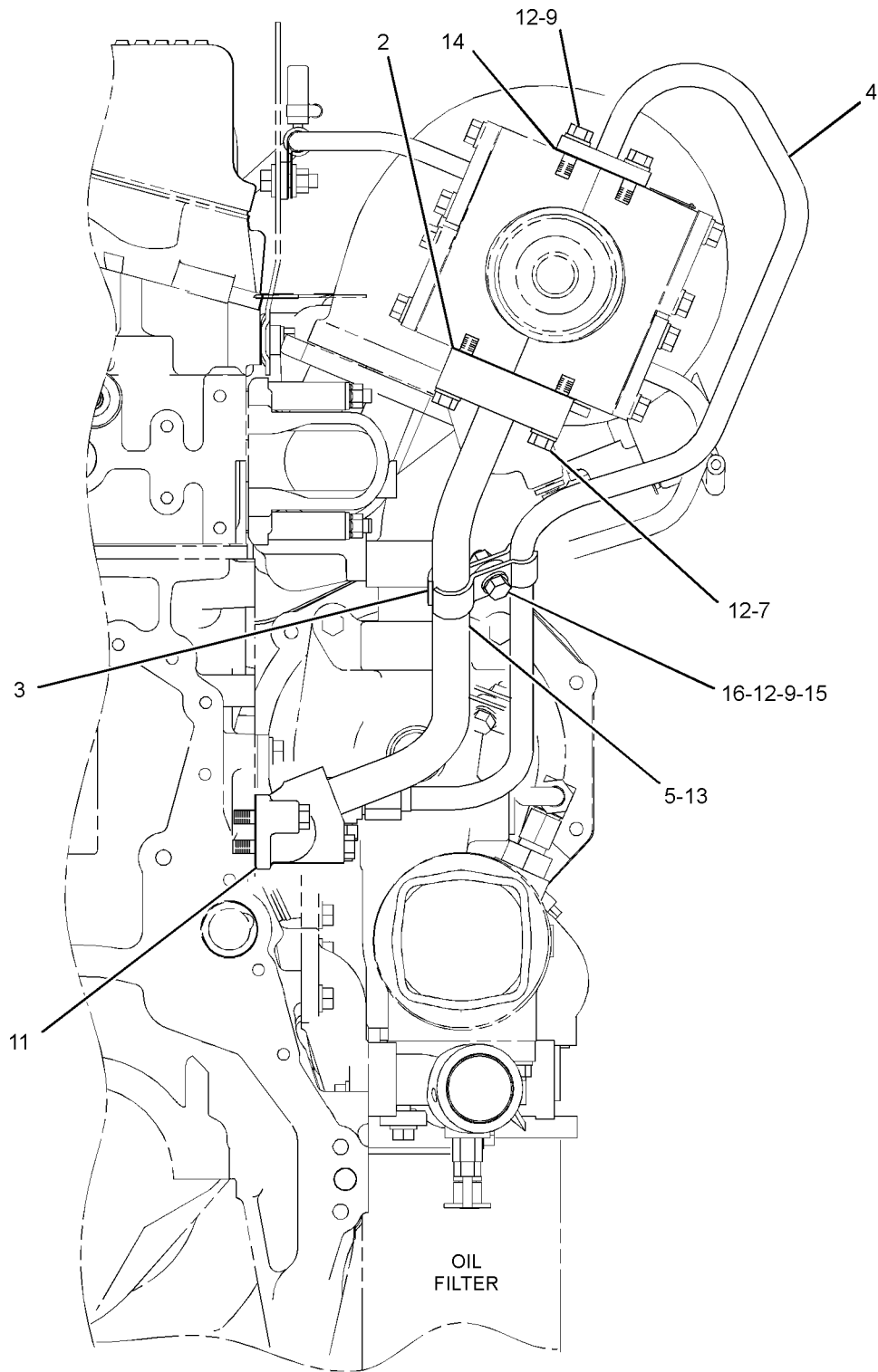
GRAPHIC #1

g01374502

# LUBRICATION SYSTEM

311-1433 LINES GP-TURBOCHARGER OIL (contd.)

i02739802



REAR VIEW OF ENGINE

GRAPHIC #2

<END>

g01374530

# LUBRICATION SYSTEM

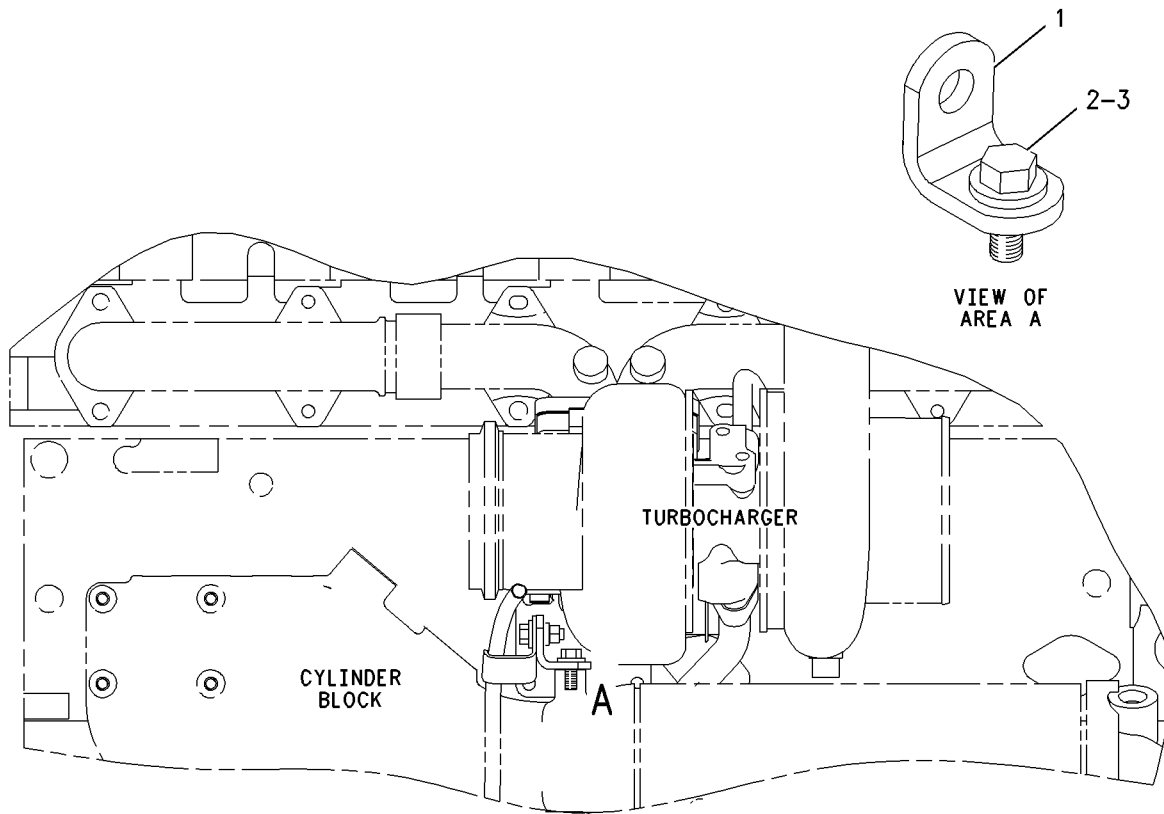
## 170-3562 MOUNTING GP-OIL LEVEL GAUGE

FOR USE WITH 162-2918-PAGE 468  
AN ATTACHMENT

SMCS-1326

i01606294

NOTE	REF NO	GRAPHIC REF	PART NUMBER	QTY	PART NAME						SEE PAGE
					1	2	3	4	5	6 (PRODUCT LEVEL)	
	1	1	2W-2021	1	BRACKET						
	2	1	OS-1594	1	BOLT (3/8-16X1 IN)						
	3	1	9X-6458	1	WASHER-HARD (10.2X22.5X3MM THK)						



RIGHT SIDE VIEW

GRAPHIC #1

<END>

g00833336

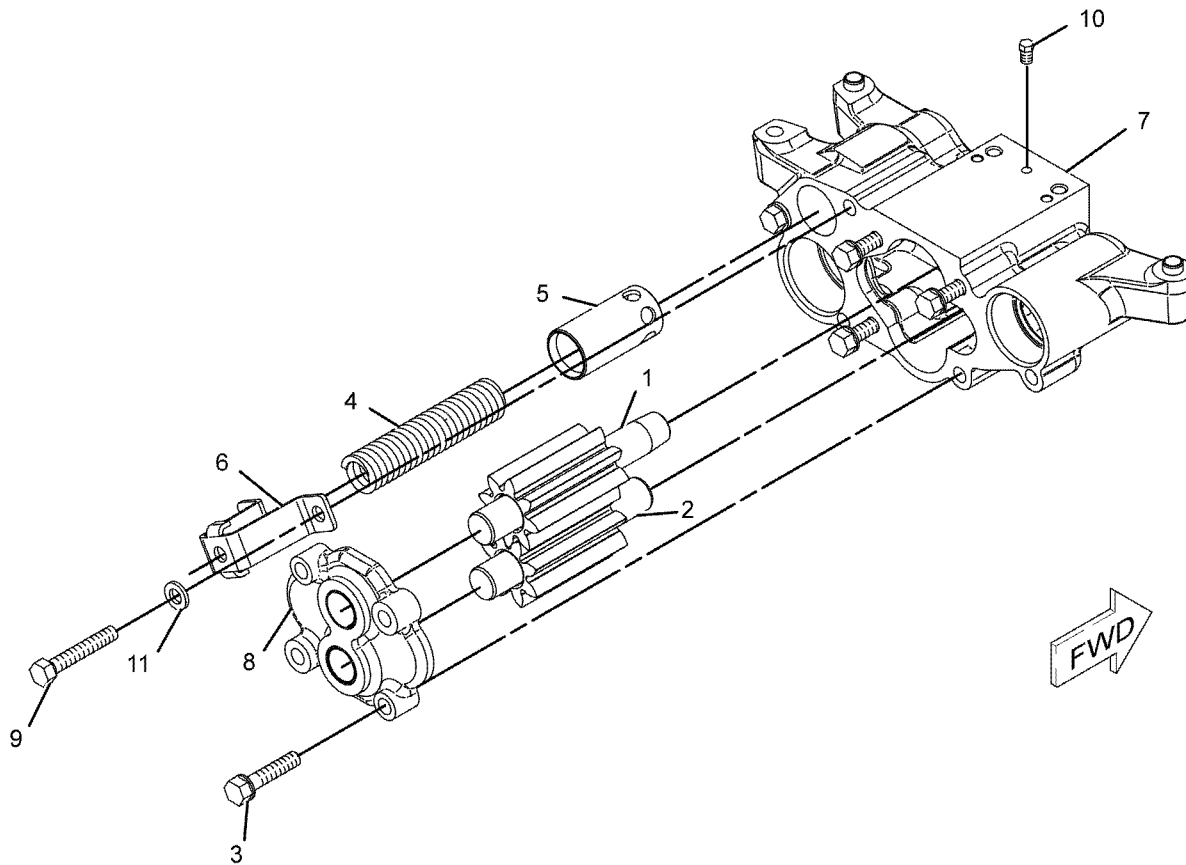
# LUBRICATION SYSTEM

## 161-4113 PUMP GP-ENGINE OIL\*R ALSO AN ATTACHMENT

SMCS-1304, 1315

i03709503

NOTE	REF NO	GRAPHIC REF	PART NUMBER	QTY	PART NAME						SEE PAGE
					1	2	3	4	5	6 (PRODUCT LEVEL)	
	1	1	1W-7238	1	SHAFT AS-PUMP DRIVE (8-TEETH)						
	2	1	1W-7239	1	SHAFT AS-IDLER (8-TEETH)						
	3	1	2P-3205	4	BOLT-WASHER HEAD (3/8-16X1.75-IN)						
	4	1	2S-2760	1	SPRING						
	5	1	6N-1931	1	PLUNGER						
	6	1	9Y-1792	1	RETAINER						
	7	1	235-1587	1	BODY AS						
		1	7N-2156	2	BEARING-SLEEVE						
		1	8M-8489	2	DOWEL						
8		1	127-6356	1	COVER AS-PUMP						
		1	8S-6511	2	BEARING-SLEEVE						
9		1	1M-0644	2	BOLT (3/8-16X2.25-IN)						
10		1	2S-7905	1	PLUG-PIPE						
11		1	5M-2894	2	WASHER-HARD (10.2X18.5X2.5-MM THK)						



GRAPHIC #1

<END>

g01066948



# COOLING SYSTEM

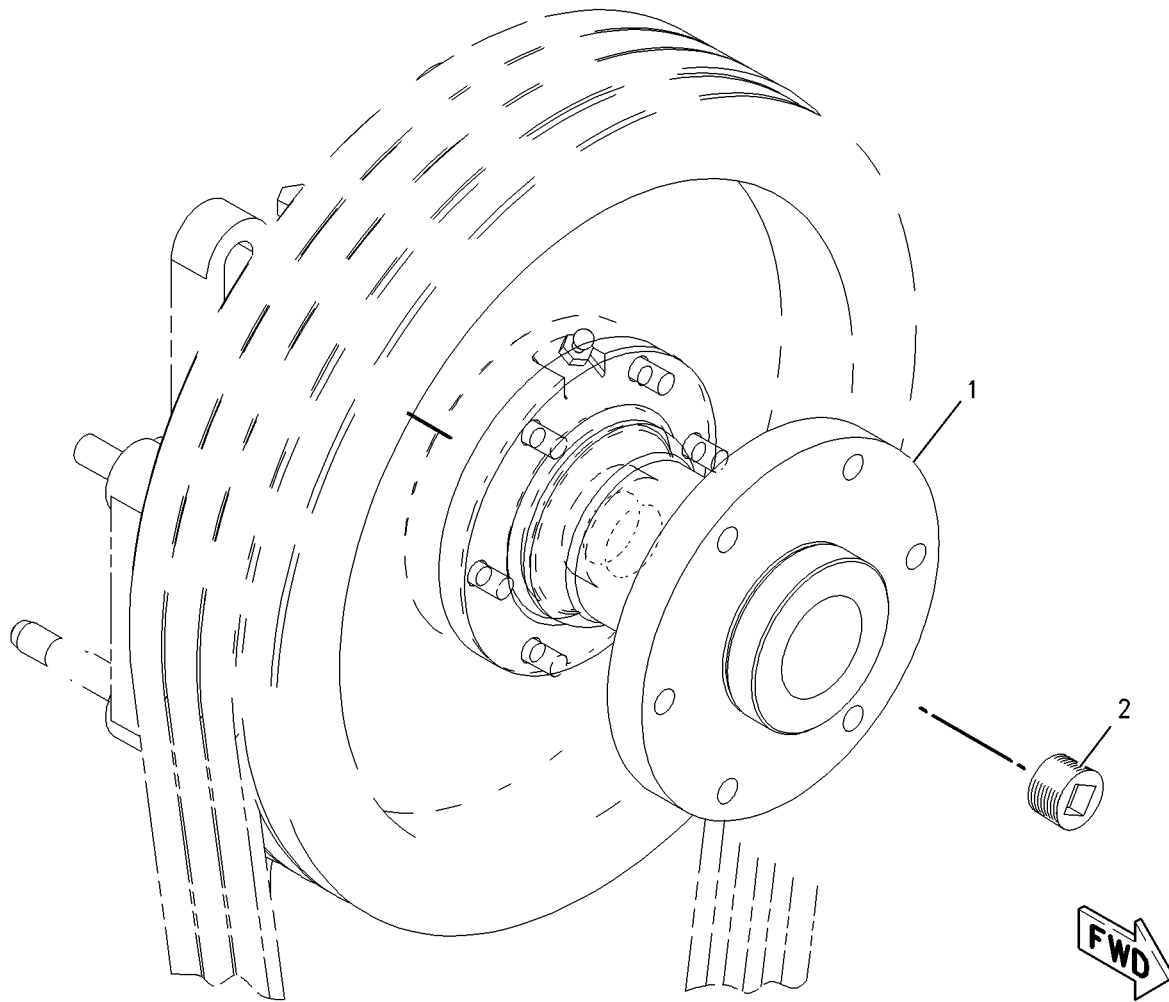
## 228-8531 ADAPTER GP-FAN

FOR USE WITH FAN DRIVE AND 43 INCH BLOWER FAN ON E616- & E617-, FAN DRIVE  
AND 40 INCH BLOWER FAN ON E982-, E985-, E708-, & E709-  
AN ATTACHMENT

SMCS-1356, 1359

i01894838

NOTE	REF NO	GRAPHIC REF	PART NUMBER	QTY	PART NAME						SEE PAGE
					1	2	3	4	5	6 (PRODUCT LEVEL)	
	1	1	6N-4088	1	ADAPTER-FAN						
	2	1	7X-7731	1	PLUG-PIPE						



GRAPHIC #1

<END>

g00986300

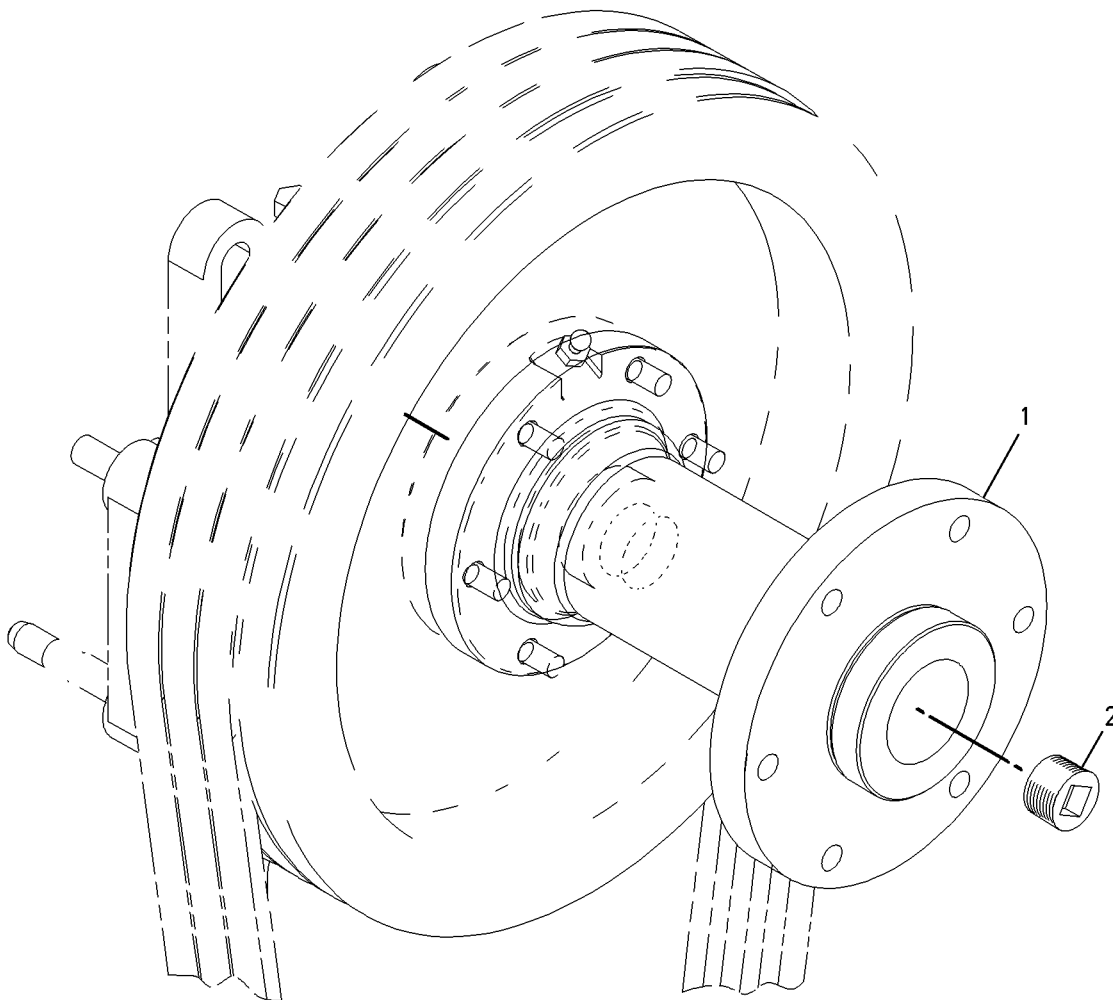
# COOLING SYSTEM

## 228-8532 ADAPTER GP-FAN FOR USE WITH FAN DRIVE AND 43 INCH SUCTION FAN AN ATTACHMENT

SMCS-1356, 1359

i01894879

NOTE	REF NO	GRAPHIC REF	PART NUMBER	QTY	PART NAME						SEE PAGE
					1	2	3	4	5	6 (PRODUCT LEVEL)	
	1	1	6N-4087	1	ADAPTER - FAN						
	2	1	7X-7731	1	PLUG-PIPE						



GRAPHIC #1

<END>

g00986286

# COOLING SYSTEM

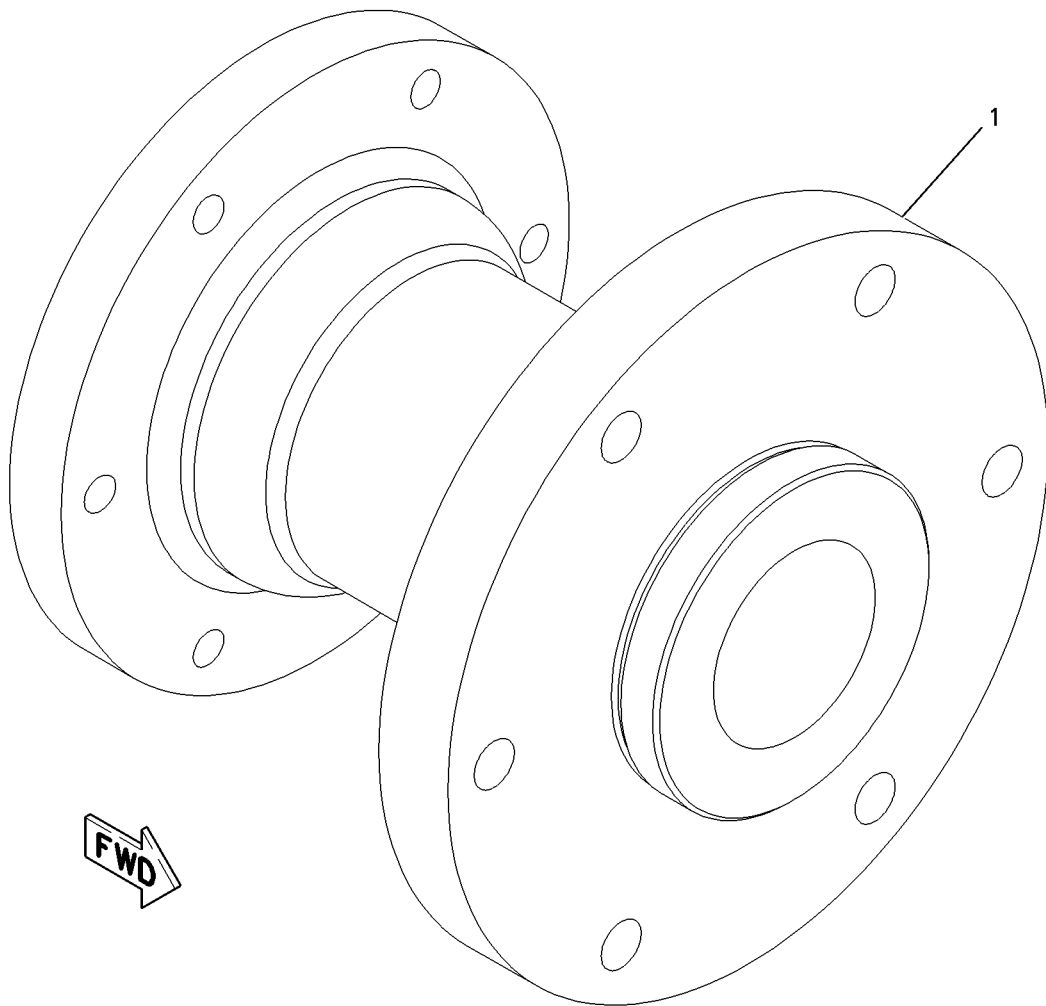
## 228-8537 ADAPTER GP-FAN

FOR USE WITH FAN DRIVE AND 40 INCH BLOWER FAN ON E616- & E617-, FAN DRIVE  
AND 43 INCH BLOWER FAN ON E982-, E985-, E708-, & E709-  
AN ATTACHMENT

SMCS-1356, 1359

i01894623

NOTE	REF NO	GRAPHIC REF	PART NUMBER	QTY	PART NAME						SEE PAGE
					1	2	3	4	5	6 (PRODUCT LEVEL)	
	1	1	4N-3123	1	ADAPTER-FAN						



GRAPHIC #1

<END>

g00986165

# COOLING SYSTEM

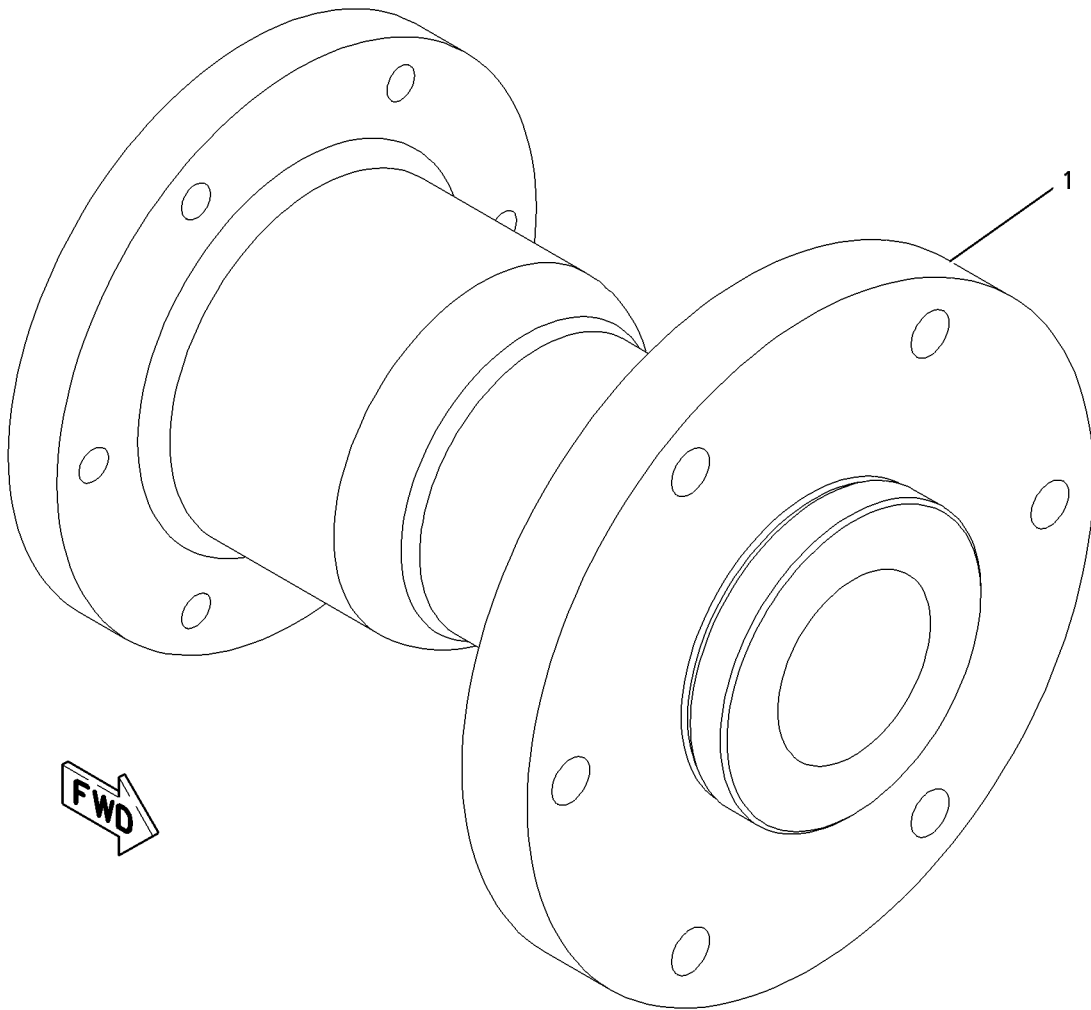
## 228-8538 ADAPTER GP-FAN

FOR USE WITH FAN DRIVE AND 40 INCH SUCTION FAN  
AN ATTACHMENT

SMCS-1356, 1359

i01894806

NOTE	REF NO	GRAPHIC REF	PART NUMBER	QTY	PART NAME						SEE PAGE
					1	2	3	4	5	6 (PRODUCT LEVEL)	
	1	1	157-8072	1	ADAPTER-FAN						



GRAPHIC #1

<END>

g00986176

# COOLING SYSTEM

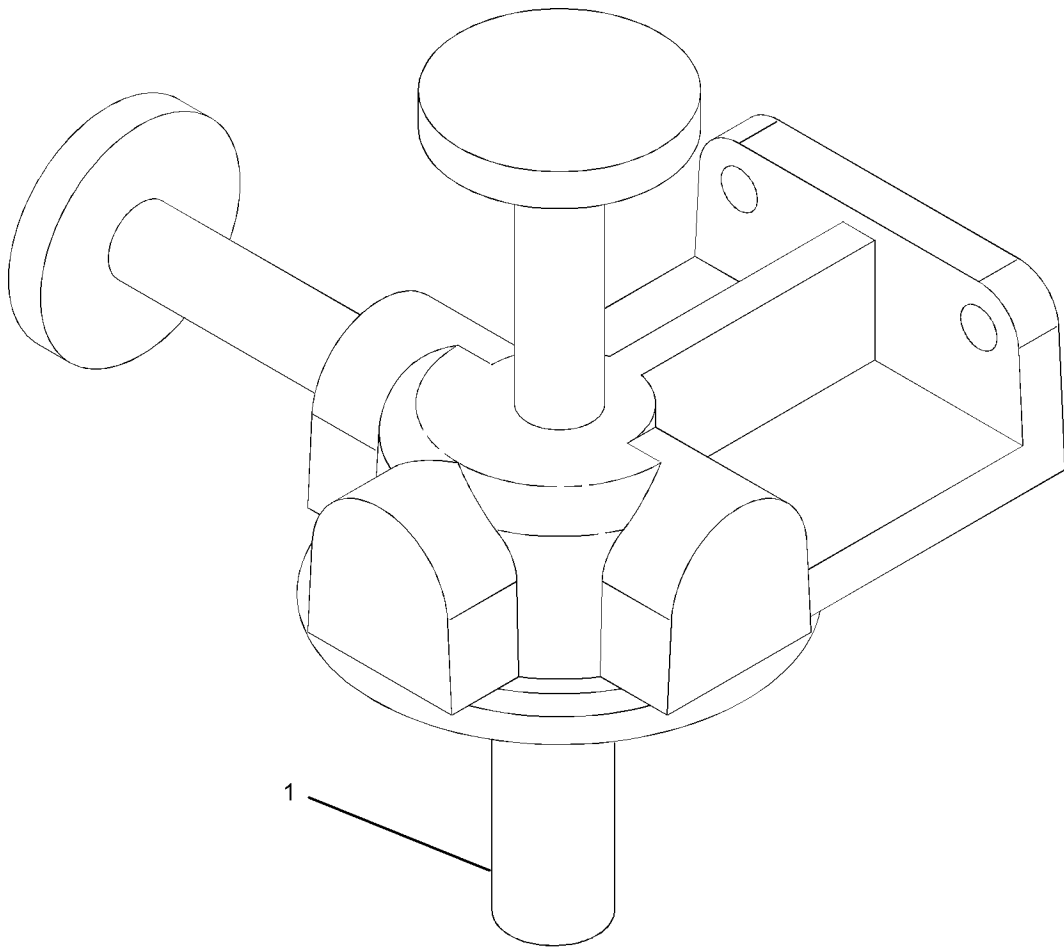
## 9Y-3205 COOLANT CONDITIONER GP

PART OF 255-4652 COOLANT CONDITIONER GP  
AN ATTACHMENT

SMCS-1352

i02041983

NOTE	REF NO	GRAPHIC REF	PART NUMBER	QTY	PART NAME						SEE PAGE
					1	2	3	4	5	6 (PRODUCT LEVEL)	
	1	1	9N-3645	1	STUD-TAPERLOCK						



GRAPHIC #1

<END>

g01058131

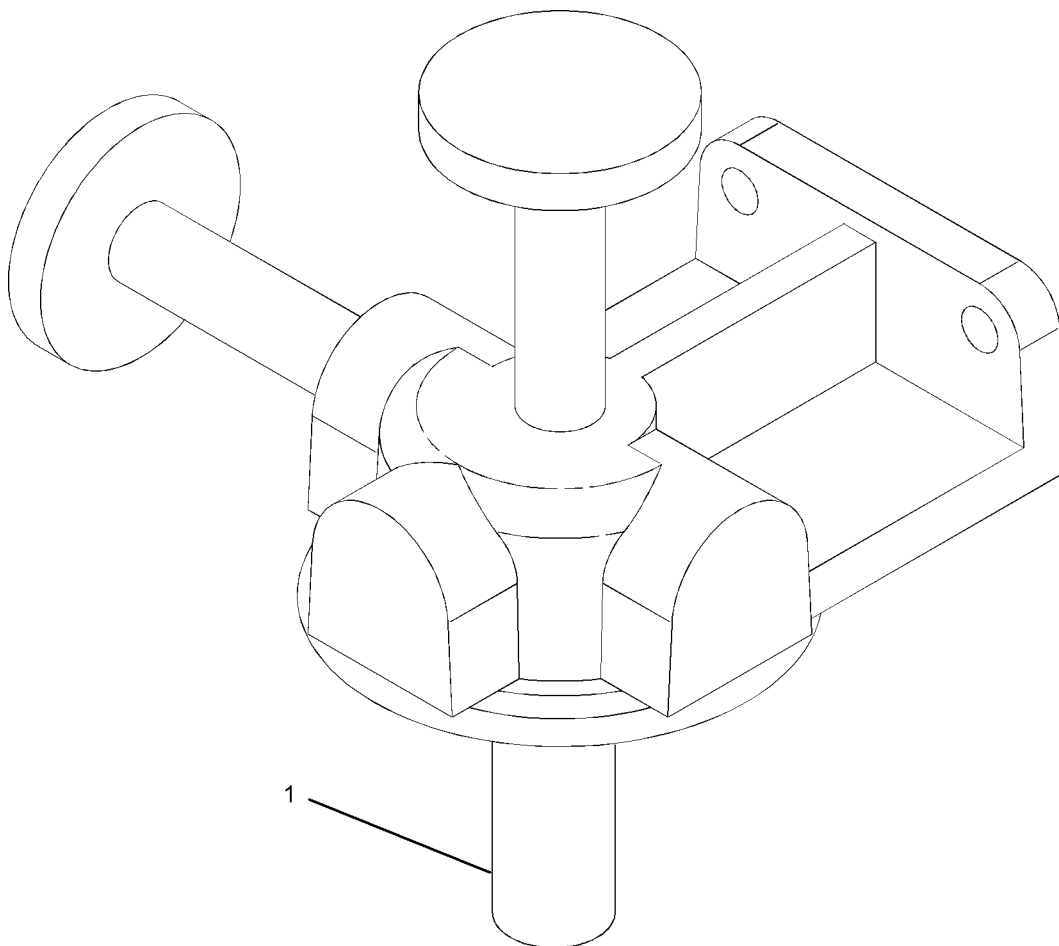
# COOLING SYSTEM

## 236-6993 COOLANT CONDITIONER GP AN ATTACHMENT

SMCS-1352

i02301330

NOTE	REF NO	GRAPHIC REF	PART NUMBER	QTY	PART NAME						SEE PAGE
					1	2	3	4	5	6 (PRODUCT LEVEL)	
	1	1	9N-3645	1	STUD-TAPERLOCK						



GRAPHIC #1

<END>

g01058131

# COOLING SYSTEM

## 240-7157 COOLANT CONDITIONER GP

RIGHT HAND MOUNTED

FOR USE WITH ACERT BLOCK AND HEAD. CANNOT BE USED WITH TRANSMISSION OIL  
COOLER

AN ATTACHMENT

SMCS-1352

i02434549

NOTE	REF NO	GRAPHIC REF	PART NUMBER	QTY	PART NAME						SEE PAGE
					1	2	3	4	5	6 (PRODUCT LEVEL)	
	1	1	4W-7626	1	PLATE AS						
		1	1F-0750	2	NUT-WELD (3/8-16-THD)						
	2	1	171-4364	1	SPACER (11X19X11.5-MM THK)						
	3	1	5M-2894	3	WASHER-HARD (10.2X18.5X2.5-MM THK)						
	4	1	8T-6767	2	PLUG-PIPE						
	5	1	0S-1594	2	BOLT (3/8-16X1-IN)						
	6	1	9N-3668	1	BASE AS						
		1	9N-3645	1	STUD-TAPERLOCK						
	7	1	0S-1588	1	BOLT (3/8-16X1.25-IN)						
	8	1	6B-4661	1	BUSHING-REDUCER						
	9	1	109-1145	4	CLAMP-HOSE						
E	10	1	101-2840		HOSE (63-CM)						
E	10A	1	101-2840		HOSE (18-CM)						
	11	1	030-0709	2	FITTING (45-DEG ELBOW)						
	12	1	8M-2773	1	CLIP						
	13	1	9N-3666	2	VALVE-MANUAL (COOLANT SHUTOFF)						
J	14	1	9N-6123	1	FILTER-COOLANT CONDITIONER						
					-OR-						
A		1	9N-3717		FILTER-COOLANT CONDITIONER						
	15	1	7X-7731	2	PLUG-PIPE						
	16	1	1A-9579	1	BOLT (5/16-18X1.5-IN)						
	17	1	9M-1974	1	WASHER-HARD (8.8X16X2-MM THK)						
	18	1	006-5490	1	ELBOW						
	19	1	003-7764	1	END-HOSE						
	20	1	144-8344	1	SPACER (11X19X20-MM THK)						

A-NOT PART OF THIS GROUP

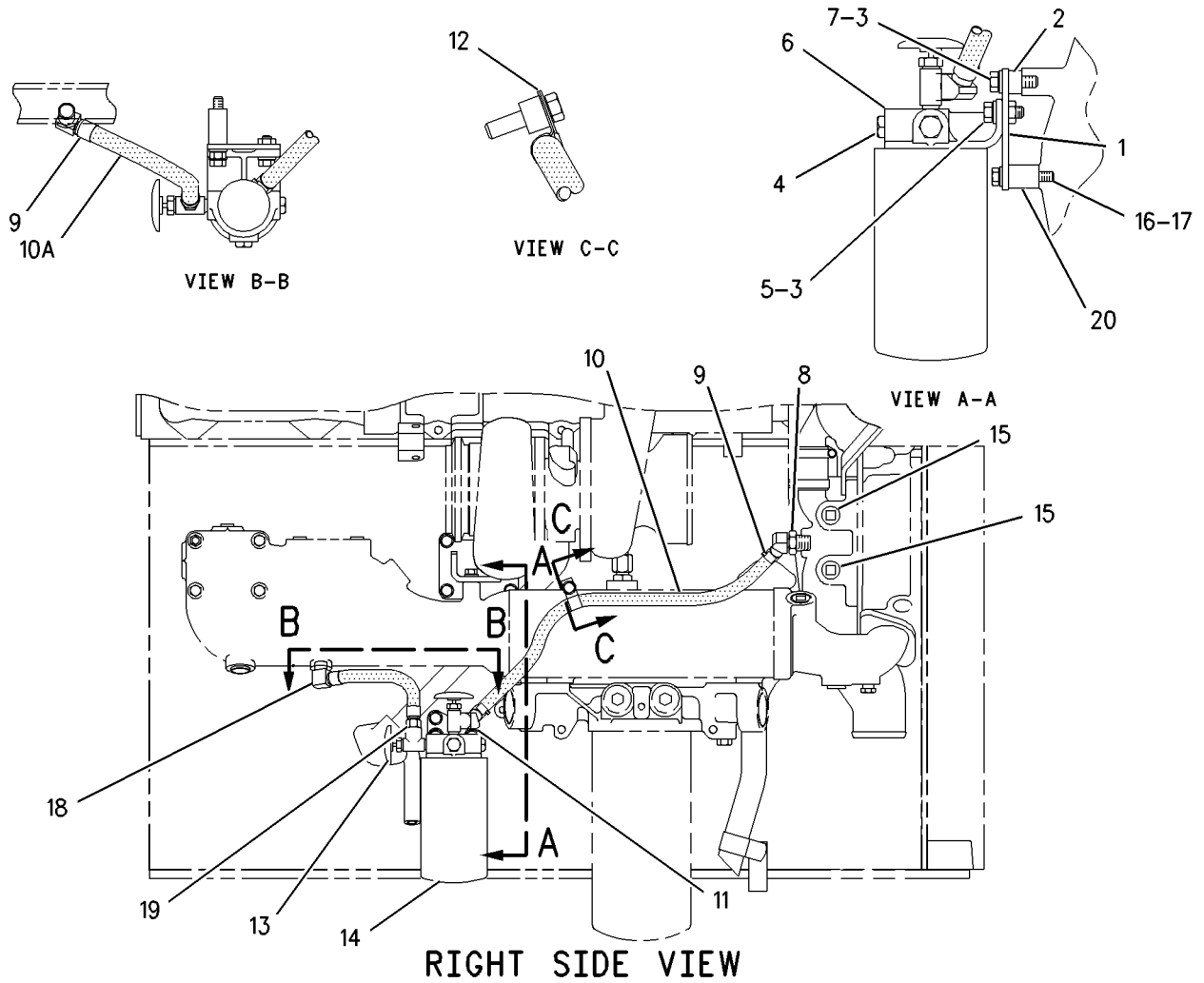
E-ORDER BY THE CENTIMETER

J-REFER TO CHART FOR COOLANT CONDITIONER INFORMATION

# COOLING SYSTEM

240-7157 COOLANT CONDITIONER GP (contd.)

i02434549



GRAPHIC #1

<END>

g00905862



# COOLING SYSTEM

## 255-0659 COOLANT CONDITIONER GP FOR USE WITH COOLANT ELEMENT, SINGLE AND TWIN TURBO AN ATTACHMENT

SMCS-1352

i04000954

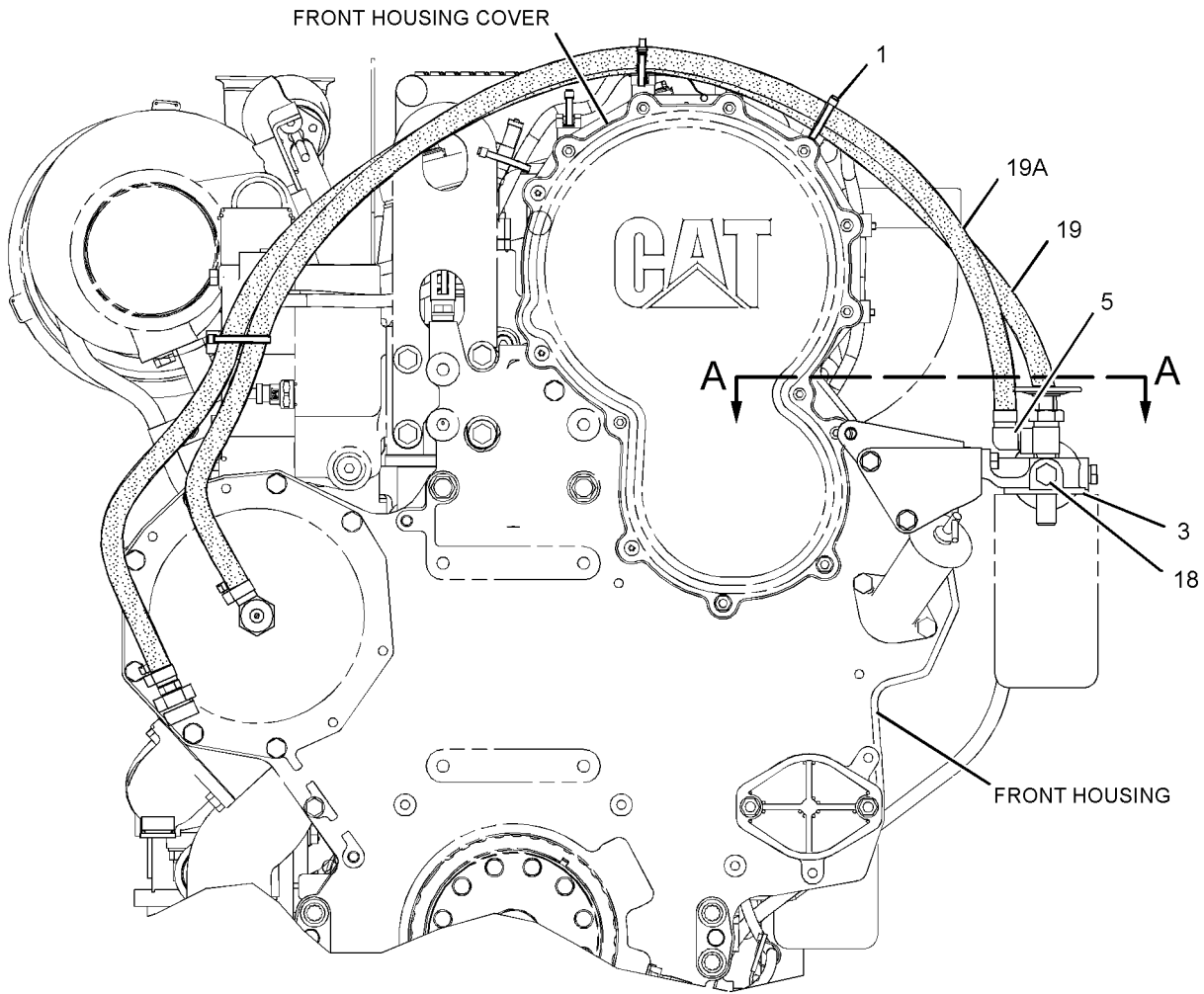
NOTE	REF NO	GRAPHIC REF	PART NUMBER	QTY	PART NAME						SEE PAGE
					1	2	3	4	5	6 (PRODUCT LEVEL)	
	1	1	3S-2093	3	STRAP-CABLE						
	2	2	9N-3666	2	VALVE-MANUAL						
	3	1	9N-3668	1	BASE AS						
		1	9N-3645	1	STUD-TAPERLOCK						
	4	2	003-7764	1	END-HOSE						
	5	1	006-5490	1	ELBOW						
	6	1	180-0056	1	BRACKET AS						
		1	9M-4136	2	SPACER (0.438X0.75X0.5-IN THK)						
	7	1	180-0057	1	BRACKET AS						
		1	7V-4240	1	BLOCK						
	8	2	315-9859	1	PLUG AS						
		2	9S-8008	1	PLUG-O-RING						
		2	238-5082	1	SEAL-O-RING						
	9	2	357-4588	1	ELBOW AS						
		1	5P-4924	1	ELBOW						
		1	6V-3250	1	SEAL-O-RING						
	10	2	357-4589	2	ADAPTER AS						
					(EACH INCLUDES)						
		1	2P-8421	1	ADAPTER-O-RING						
		1	6V-5063	1	SEAL-O-RING						
	11	2	357-4590	1	ADAPTER AS						
		1	5P-1046	1	CONNECTOR						
		1	6V-3250	1	SEAL-O-RING						
	12	1	0S-0509	2	BOLT (3/8-16X0.75-IN)						
	13	1	0S-1571	2	BOLT (3/8-16X1.75-IN)						
	14	2	109-1145	4	CLAMP-HOSE						
	15	1	1A-2029	1	BOLT (3/8-16X1.125-IN)						
	16	1	3B-1915	2	BOLT (3/8-16X1.375-IN)						
	17	1	5M-2894	5	WASHER-HARD (10.2X18.5X2.5-MM THK)						
	18	1,2	8T-6767	2	PLUG-PIPE						
E	19	1	101-2840		HOSE (146-CM)						
E	19A	1	101-2840		HOSE (140-CM)						

E-ORDER BY THE CENTIMETER

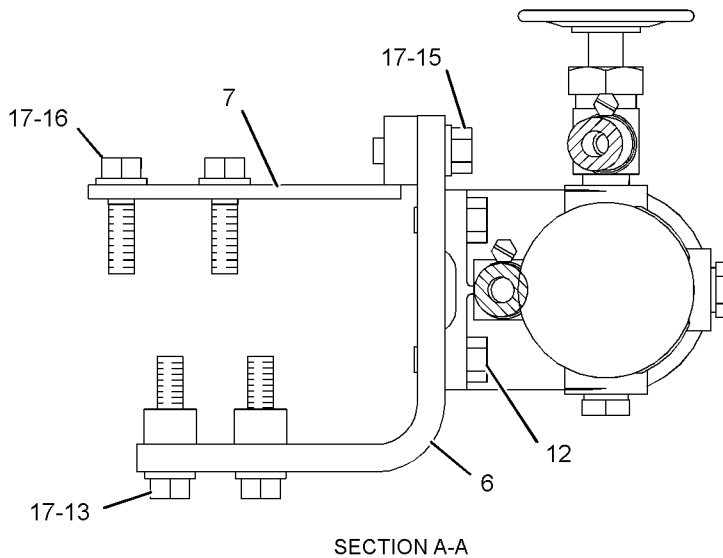
# COOLING SYSTEM

255-0659 COOLANT CONDITIONER GP (contd.)

i04000954



FRONT VIEW



SECTION A-A

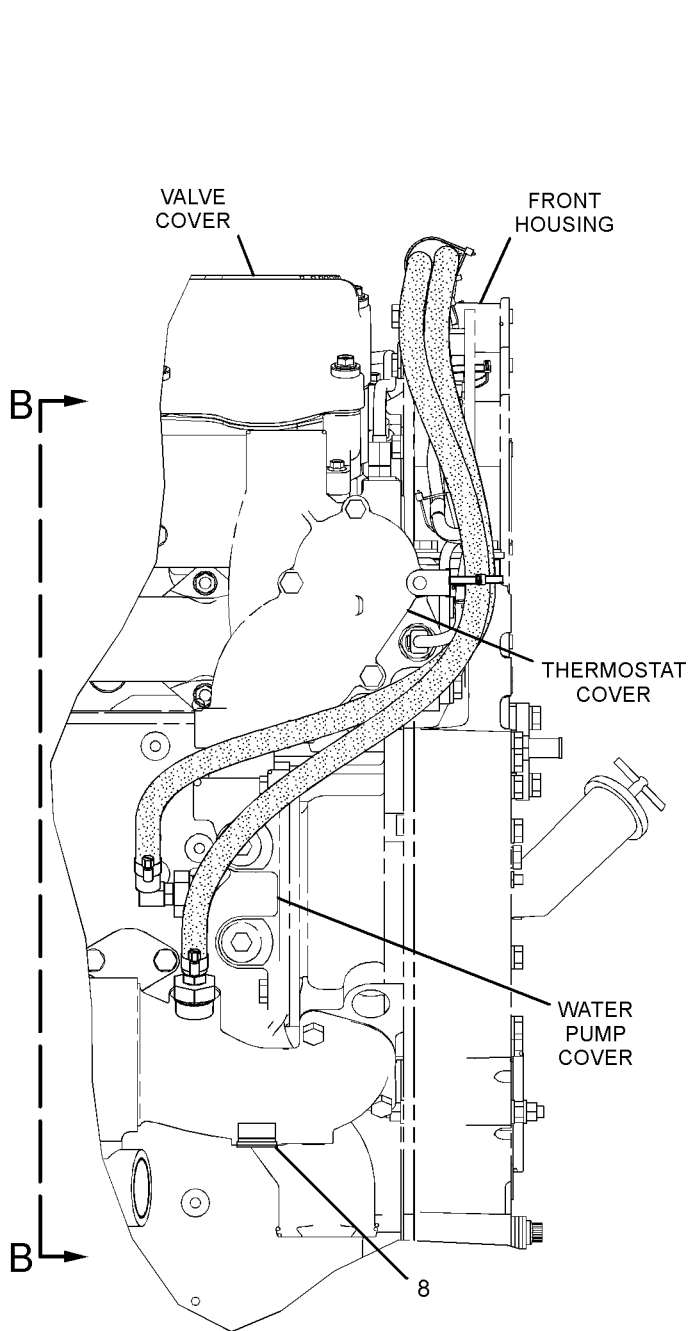
GRAPHIC #1

g02225455

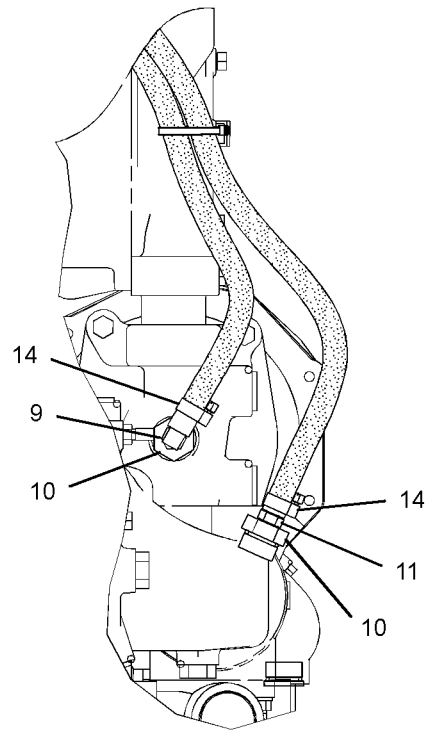
# COOLING SYSTEM

255-0659 COOLANT CONDITIONER GP (contd.)

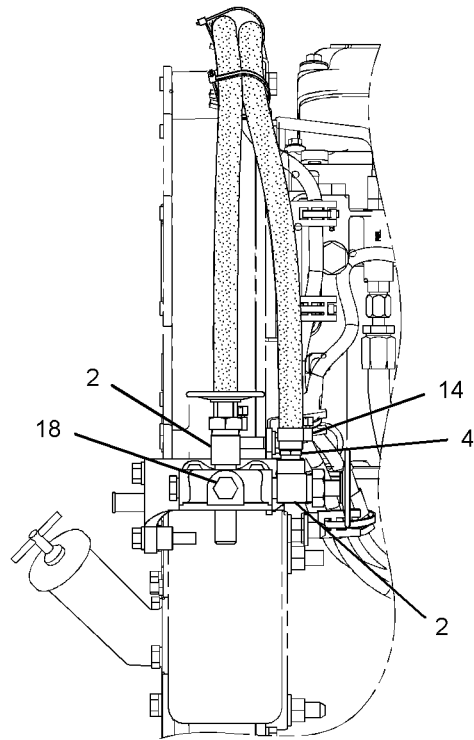
i04000954



RIGHT SIDE VIEW



SECTION B-B



LEFT SIDE VIEW

GRAPHIC #2

<END>

g02225456

# COOLING SYSTEM

## 255-4652 COOLANT CONDITIONER GP

S/N: JRE1-189

FOR USE WITH COOLANT ELEMENT, SINGLE AND TWIN TURBO  
AN ATTACHMENT

SMCS-1352

i02183116

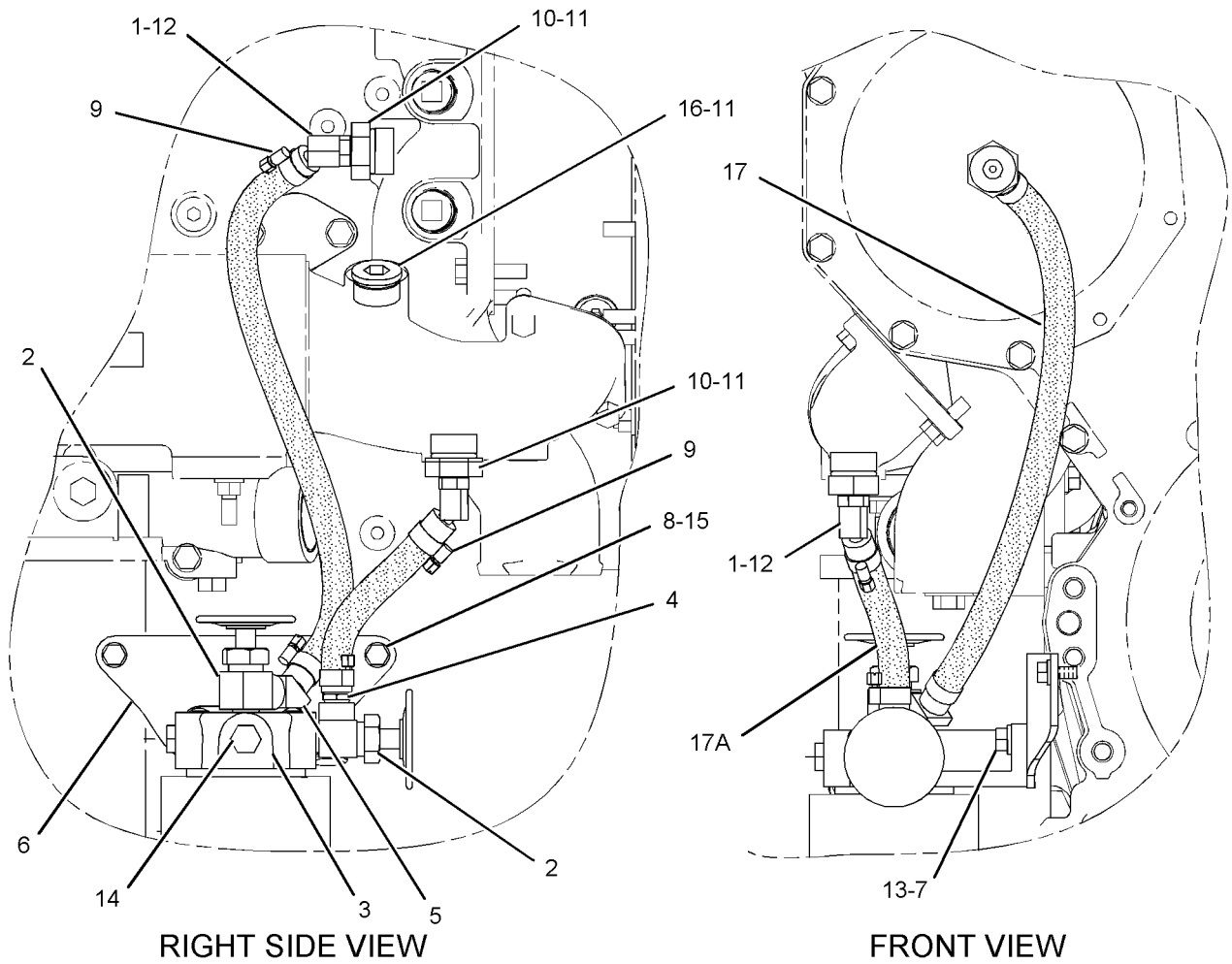
NOTE	REF NO	GRAPHIC REF	PART NUMBER	QTY	PART NAME						SEE PAGE
					1	2	3	4	5	6 (PRODUCT LEVEL)	
	1	1	7X-1448	2	ELBOW						
	2	1	9N-3666	2	VALVE-MANUAL (COOLANT CONDITIONER)						
Y	3	1	9Y-3205	1	COOLANT CONDITIONER GP						503
	4	1	003-7764	1	END-HOSE						
	5	1	030-0709	1	FITTING (45-DEG ELBOW)						
	6	1	255-4653	1	BRACKET AS						
		1	1F-0750	2	NUT-WELD (3/8-16-THD)						
	7	1	0S-1594	2	BOLT (3/8-16X1-IN)						
	8	1	0S-1617	2	BOLT (5/16-18X0.75-IN)						
	9	1	109-1145	4	CLAMP-HOSE						
	10	1	2P-8421	2	ADAPTER-O-RING						
	11	1	3D-2824	3	SEAL-O-RING						
	12	1	3J-1907	2	SEAL-O-RING						
	13	1	5M-2894	2	WASHER-HARD (10.2X18.5X2.5-MM THK)						
	14	1	8T-6767	2	PLUG-PIPE						
	15	1	9M-1974	2	WASHER-HARD (8.8X16X2-MM THK)						
	16	1	9S-8008	1	PLUG-O-RING						
E	17	1	101-2840		HOSE (40-CM)						
E	17A	1	101-2840		HOSE (14-CM)						

E-ORDER BY THE CENTIMETER  
Y-SEPARATE ILLUSTRATION

# COOLING SYSTEM

255-4652 COOLANT CONDITIONER GP (contd.)

i02183116



GRAPHIC #1

<END>

g01124201

# COOLING SYSTEM

## 255-4652 COOLANT CONDITIONER GP

S/N: JRE190-5354

FOR USE WITH COOLANT ELEMENT, SINGLE AND TWIN TURBO  
AN ATTACHMENT

SMCS-1352

i02346581

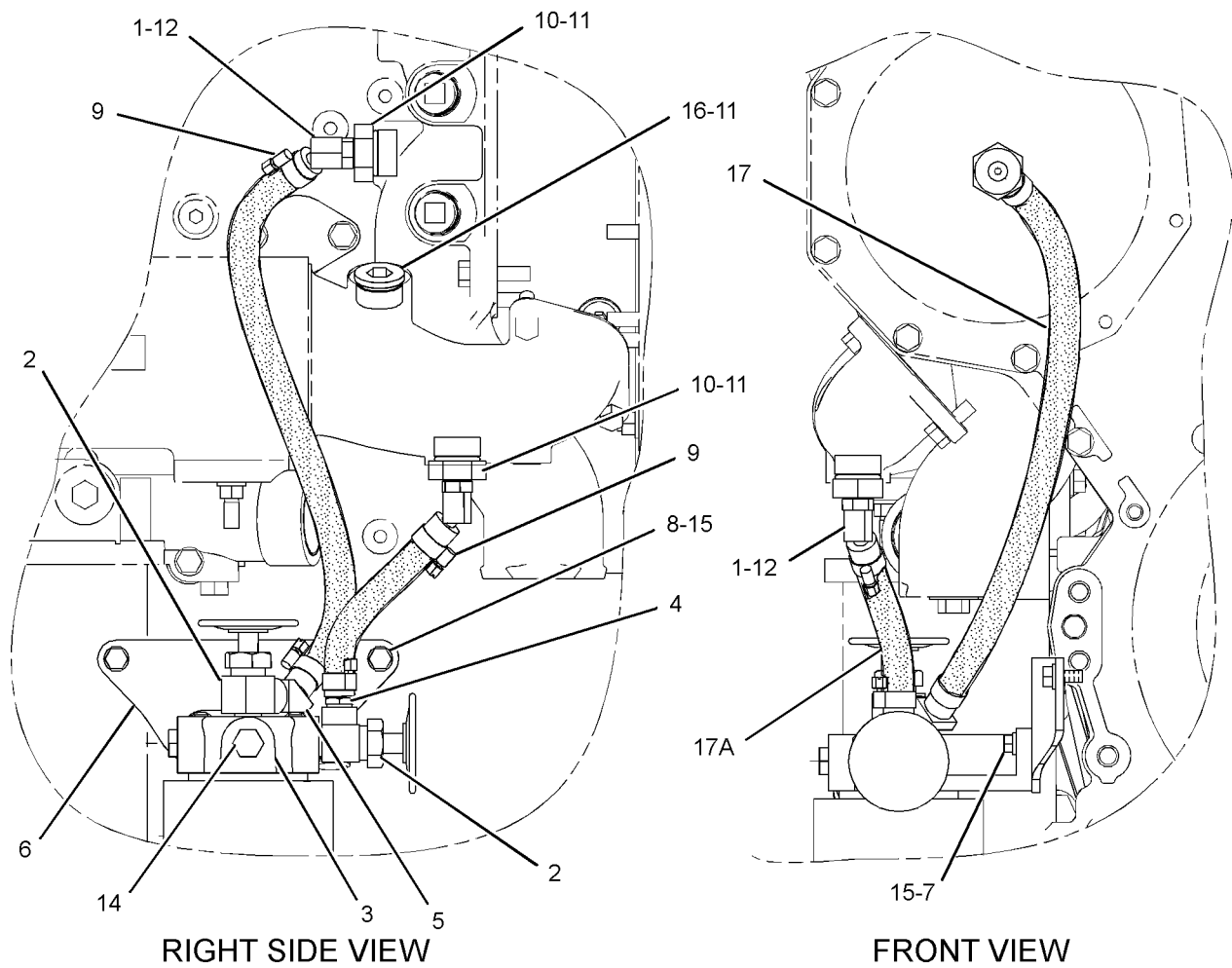
NOTE	REF NO	GRAPHIC REF	PART NUMBER	QTY	PART NAME						SEE PAGE
					1	2	3	4	5	6 (PRODUCT LEVEL)	
	1	1	7X-1448	2	ELBOW						
	2	1	9N-3666	2	VALVE-MANUAL (COOLANT CONDITIONER)						
Y	3	1	9Y-3205	1	COOLANT CONDITIONER GP						503
	4	1	003-7764	1	END-HOSE						
	5	1	030-0709	1	FITTING (45-DEG ELBOW)						
	6	1	255-4653	1	BRACKET AS						
C		1	4K-9097	2	NUT-WELD (5/16-18-THD)						
C	7	1	0S-1618	2	BOLT (5/16-18X1-IN)						
	8	1	0S-1617	2	BOLT (5/16-18X0.75-IN)						
	9	1	109-1145	4	CLAMP-HOSE						
	10	1	2P-8421	2	ADAPTER-O-RING						
	11	1	3D-2824	3	SEAL-O-RING						
	12	1	3J-1907	2	SEAL-O-RING						
	14	1	8T-6767	2	PLUG-PIPE						
C	15	1	9M-1974	4	WASHER-HARD (8.8X16X2-MM THK)						
	16	1	9S-8008	1	PLUG-O-RING						
E	17	1	101-2840		HOSE (40-CM)						
E	17A	1	101-2840		HOSE (14-CM)						

C-CHANGE FROM PREVIOUS TYPE  
E-ORDER BY THE CENTIMETER  
Y-SEPARATE ILLUSTRATION

# COOLING SYSTEM

255-4652 COOLANT CONDITIONER GP (contd.)

i02346581



GRAPHIC #1

<END>

g01158728

# COOLING SYSTEM

## 255-4652 COOLANT CONDITIONER GP

S/N: JRE5355-UP

FOR USE WITH COOLANT ELEMENT, SINGLE AND TWIN TURBO  
AN ATTACHMENT

SMCS-1352

i04002061

NOTE	REF NO	GRAPHIC REF	PART NUMBER	QTY	PART NAME						SEE PAGE
					1	2	3	4	5	6 (PRODUCT LEVEL)	
	1	1	357-4586	2	ELBOW AS						
					(EACH INCLUDES)						
		1	6V-3250	1	SEAL-O-RING						
		1	7X-1448	1	ELBOW						
	2	1	9N-3666	2	VALVE-MANUAL (COOLANT CONDITIONER)						
Y	3	1	9Y-3205	1	COOLANT CONDITIONER GP						503
	4	1	003-7764	1	END-HOSE						
	5	1	030-0709	1	FITTING (45-DEG ELBOW)						
	6	1	255-4653	1	BRACKET AS						
		1	4K-9097	2	NUT-WELD (5/16-18-THD)						
	7	1	0S-1618	2	BOLT (5/16-18X1-IN)						
	8	1	0S-1617	2	BOLT (5/16-18X0.75-IN)						
	9	1	109-1145	4	CLAMP-HOSE						
	10	1	357-4589	2	ADAPTER AS						
					(EACH INCLUDES)						
		1	2P-8421	1	ADAPTER-O-RING						
		1	6V-5063	1	SEAL-O-RING						
E	11	1	101-2840		HOSE (40-CM)						
E	11A	1	101-2840		HOSE (14-CM)						
	12	1	9M-1974	4	WASHER-HARD (8.8X16X2-MM THK)						
	13	1	8T-6767	2	PLUG-PIPE						

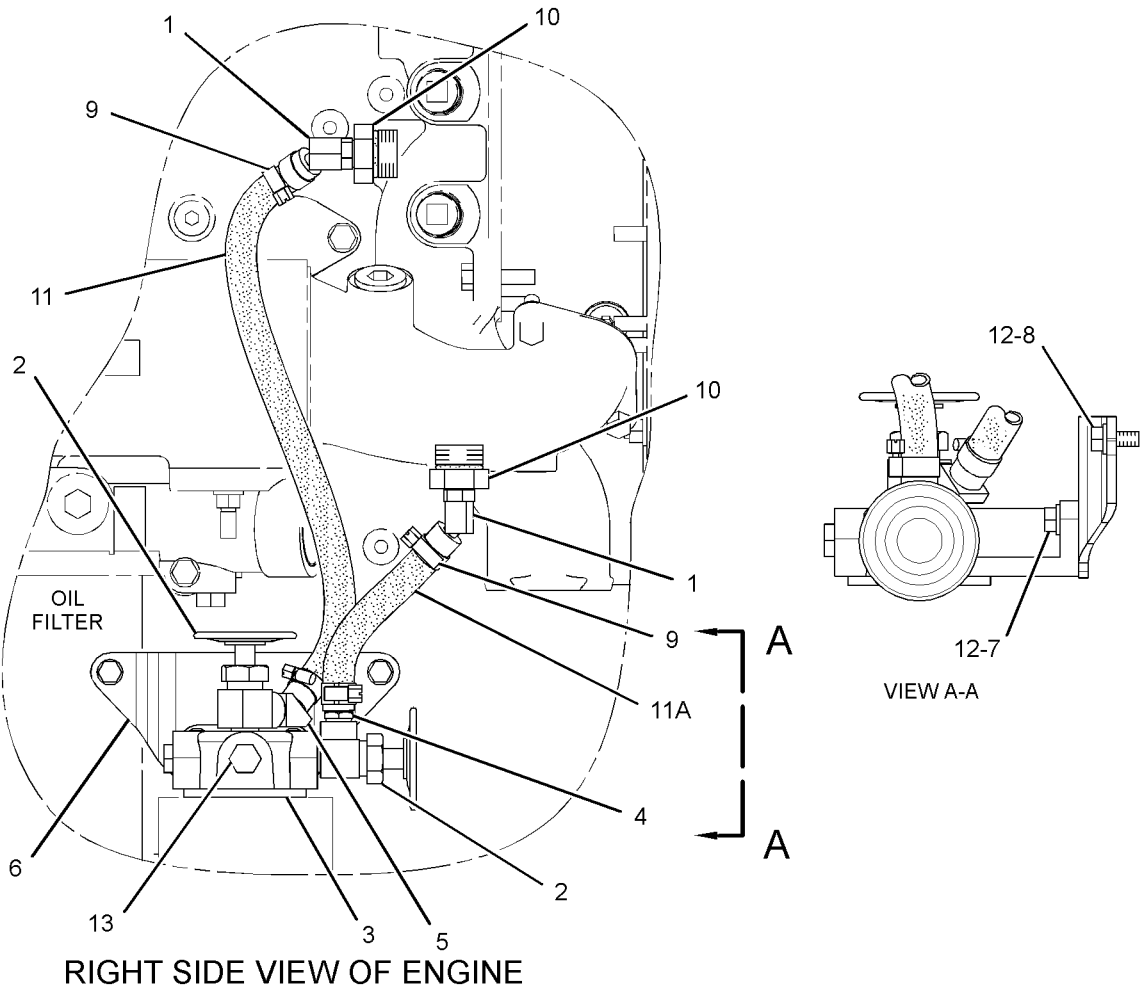
E-ORDER BY THE CENTIMETER  
Y-SEPARATE ILLUSTRATION



# COOLING SYSTEM

255-4652 COOLANT CONDITIONER GP (contd.)

i04002061



GRAPHIC #1

g02284973

# COOLING SYSTEM

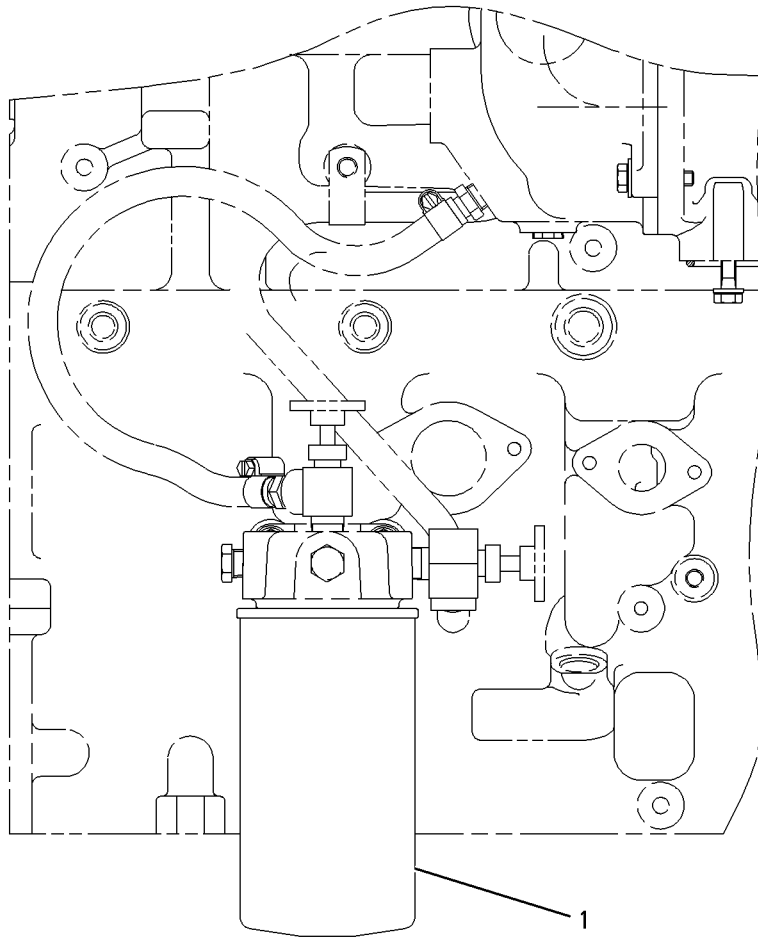
## 256-0361 COOLANT CONDITIONER GP

FOR USE WITH DRY CHARGE COOLANT CONDITIONER, COOLING SYSTEM SIZE OF 63-115  
LITERS  
AN ATTACHMENT

SMCS-1352

i02757123

NOTE	REF NO	GRAPHIC REF	PART NUMBER	QTY	PART NAME						SEE PAGE
					1	2	3	4	5	6 (PRODUCT LEVEL)	
	1	1	9N-3367	1	FILTER-COOLANT CONDITIONER (PRECHARGE)						



RIGHT SIDE VIEW

<END>

GRAPHIC #1

g00869859

# COOLING SYSTEM

## 307-2575 COOLANT CONDITIONER GP

S/N: JRE1-5354

FOR USE WITH TIER III INDUSTRIAL ENGINE. CANNOT BE USED WITH RADIATOR GP.  
AN ATTACHMENT

SMCS-1352

i02728696

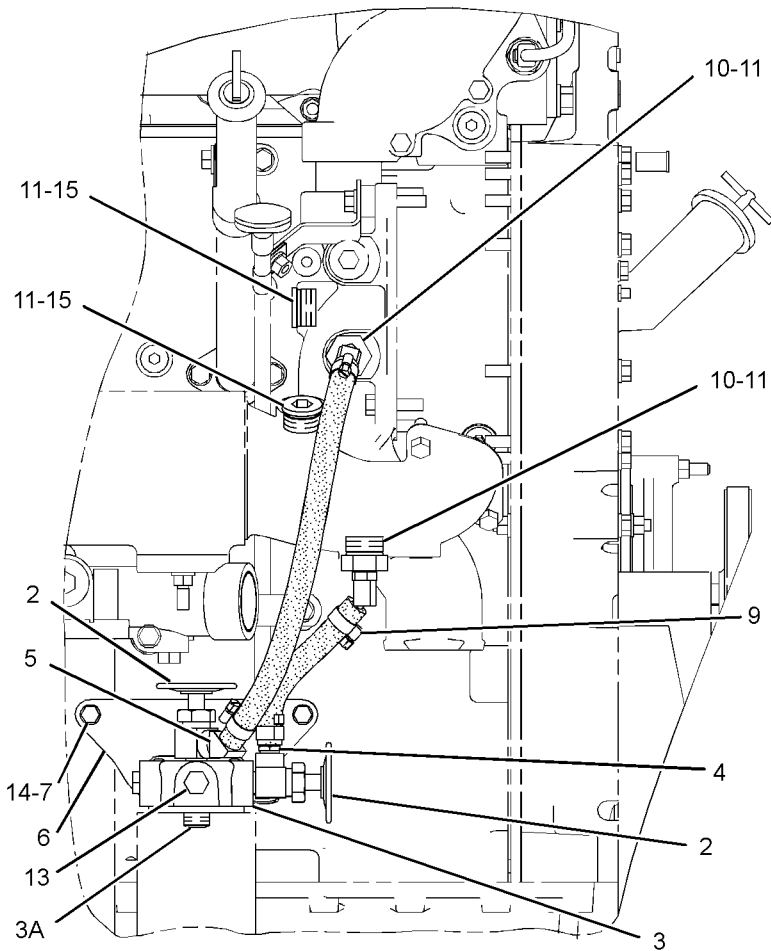
NOTE	REF NO	GRAPHIC REF	PART NUMBER	QTY	PART NAME						SEE PAGE
					1	2	3	4	5	6 (PRODUCT LEVEL)	
	1	1	7X-1448	2	ELBOW						
Y	2	1	9N-3666	2	VALVE-MANUAL (COOLANT CONDITIONER)						636
	3	1	9Y-3205	1	COOLANT CONDITIONER GP						
	3A	1	9N-3645	1	STUD-TAPERLOCK						
	4	1	003-7764	1	END-HOSE						
	5	1	030-0709	1	FITTING (45-DEG ELBOW)						
	6	1	255-4653	1	BRACKET AS						
		1	4K-9097	2	NUT-WELD (5/16-18-THD)						
	7	1	0S-1617	2	BOLT (5/16-18X0.75-IN)						
	8	1	0S-1618	2	BOLT (5/16-18X1-IN)						
	9	1	109-1145	4	CLAMP-HOSE						
	10	1	2P-8421	2	ADAPTER-O-RING						
	11	1	3D-2824	4	SEAL-O-RING						
	12	1	3J-1907	2	SEAL-O-RING						
	13	1	8T-6767	2	PLUG-PIPE						
	14	1	9M-1974	4	WASHER-HARD (8.8X16X2-MM THK)						
	15	1	9S-8008	2	PLUG-O-RING						
E	16	1	101-2840		HOSE (36-CM)						
E	16A	1	101-2840		HOSE (14-CM)						

E-ORDER BY THE CENTIMETER  
Y-SEPARATE ILLUSTRATION

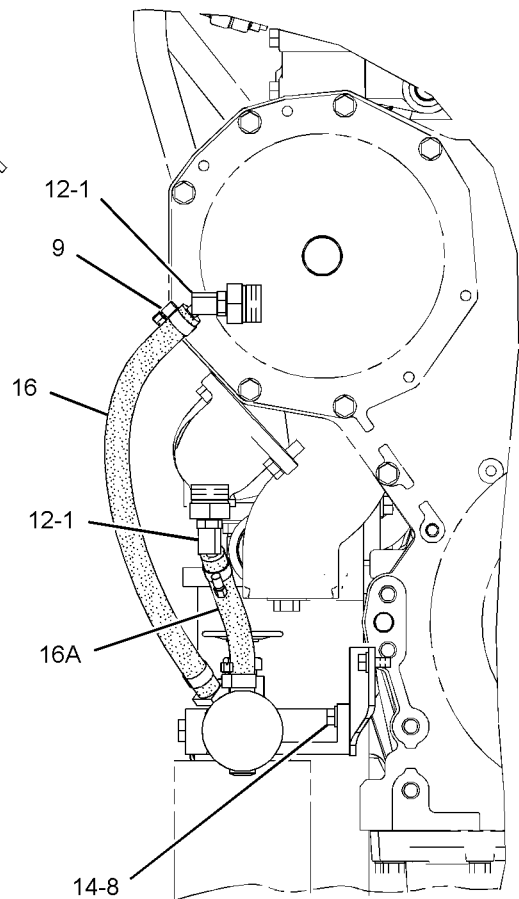
# COOLING SYSTEM

307-2575 COOLANT CONDITIONER GP (contd.)

i02728696



RIGHT SIDE VIEW OF ENGINE



FRONT VIEW OF ENGINE

GRAPHIC #1

<END>

g01373783

# COOLING SYSTEM

## 307-2575 COOLANT CONDITIONER GP

S/N: JRE5355-UP

FOR USE WITH TIER III INDUSTRIAL ENGINE. CANNOT BE USED WITH RADIATOR GP.  
AN ATTACHMENT

SMCS-1352

i04131391

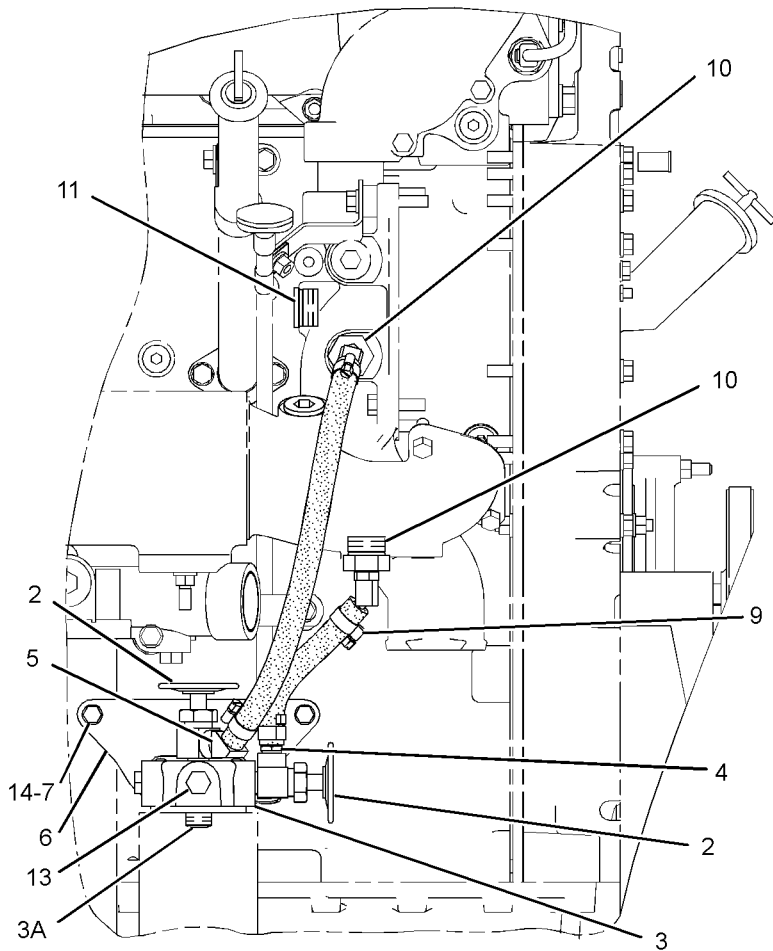
NOTE	REF NO	GRAPHIC REF	PART NUMBER	QTY	PART NAME						SEE PAGE
					1	2	3	4	5	6 (PRODUCT LEVEL)	
	1	1	357-4586	2	ELBOW AS						
					(EACH INCLUDES)						
		1	7X-1448	1	ELBOW						
		1	6V-3250	1	SEAL-O-RING						
	2	1	9N-3666	2	VALVE-MANUAL (COOLANT CONDITIONER)						
	3	1	9Y-3205	1	COOLANT CONDITIONER GP						
	3A	1	9N-3645	1	STUD-TAPERLOCK						
	4	1	003-7764	1	END-HOSE						
	5	1	030-0709	1	FITTING (45-DEG ELBOW)						
	6	1	255-4653	1	BRACKET AS						
		1	4K-9097	2	NUT-WELD (5/16-18-THD)						
	7	1	0S-1617	2	BOLT (5/16-18X0.75-IN)						
	8	1	0S-1618	2	BOLT (5/16-18X1-IN)						
	9	1	109-1145	4	CLAMP-HOSE						
	10	1	357-4589	2	ADAPTER AS						
					(EACH INCLUDES)						
		1	2P-8421	1	ADAPTER-O-RING						
		1	6V-5063	1	SEAL-O-RING						
	11	1	353-5140	1	PLUG AS						
		1	9S-8008	1	PLUG-O-RING						
		1	6V-5063	1	SEAL-O-RING						
E	12	1	101-2840		HOSE (36-CM)						
E	12A	1	101-2840		HOSE (14-CM)						
	13	1	8T-6767	2	PLUG-PIPE						
	14	1	9M-1974	4	WASHER-HARD (8.8X16X2-MM THK)						

E-ORDER BY THE CENTIMETER

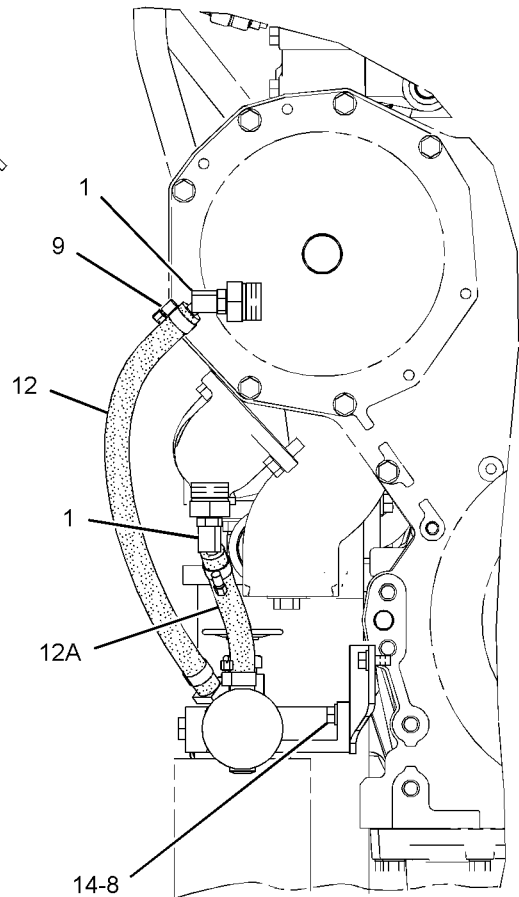
# COOLING SYSTEM

307-2575 COOLANT CONDITIONER GP (contd.)

i04131391



RIGHT SIDE VIEW OF ENGINE



FRONT VIEW OF ENGINE

GRAPHIC #1

<END>

g02339216

# COOLING SYSTEM

## 4P-7731 CORE GP-OIL COOLER-TRANSMISSION\*R

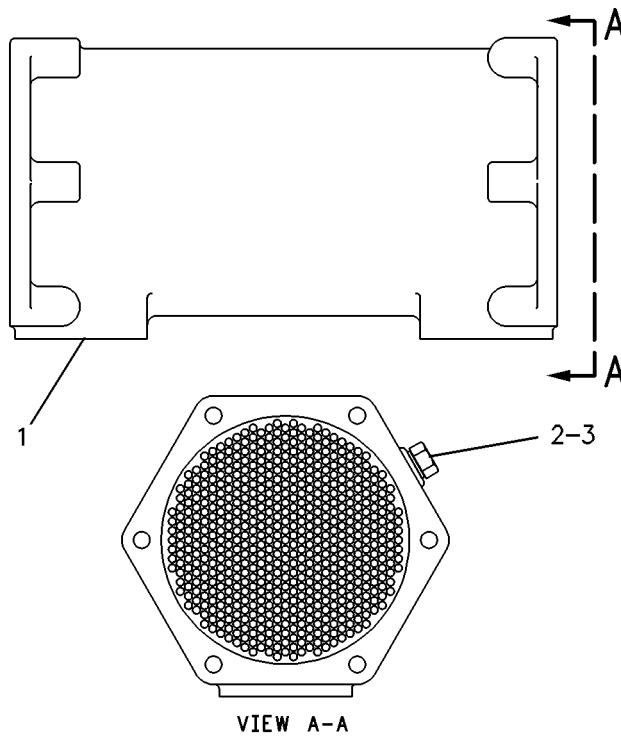
PART OF 203-7723, 255-9247, 255-9249 LINES GP-WATER  
AN ATTACHMENT

SMCS-1378

i03205361

NOTE	REF NO	GRAPHIC REF	PART NUMBER	QTY	PART NAME						SEE PAGE
					1	2	3	4	5	6 (PRODUCT LEVEL)	
R	1	1	<b>7E-2660</b>	1	CORE GP-OIL COOLER (TRANSMISSION)						
	2	1	<b>3K-8460</b>	1	PLUG						
	3	1	<b>5P-7814</b>	1	SEAL-O-RING						

R-REMFG PART MAY BE AVAILABLE



VIEW A-A

<END>

GRAPHIC #1

g00233484

# COOLING SYSTEM

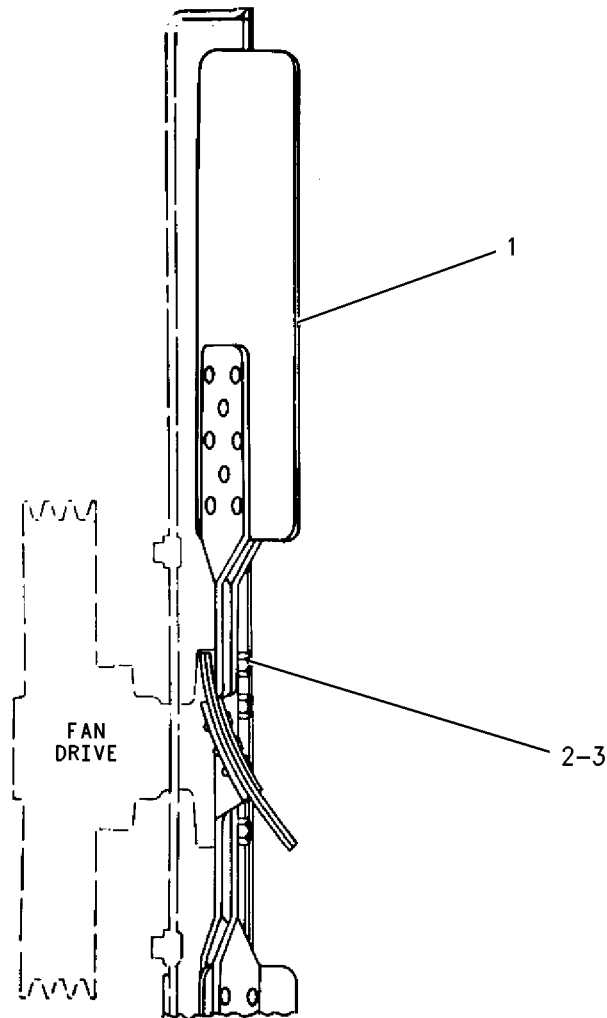
## 4N-3093 FAN GP-BLOWER

1016-MM (40-INCH) DIAMETER  
AN ATTACHMENT

SMCS-1356, 1360

i02728886

NOTE	REF NO	GRAPHIC REF	PART NUMBER	QTY	PART NAME						SEE PAGE
					1	2	3	4	5	6 (PRODUCT LEVEL)	
	1	1	4N-3091	1	SPIDER AS (8-BLADE)						
	2	1	5P-2566	6	BOLT (1/2-13X1.5-IN)						
	3	1	8T-4223	6	WASHER-HARD (13.5X25.5X3-MM THK)						



GRAPHIC #1

<END>

g00723269



# COOLING SYSTEM

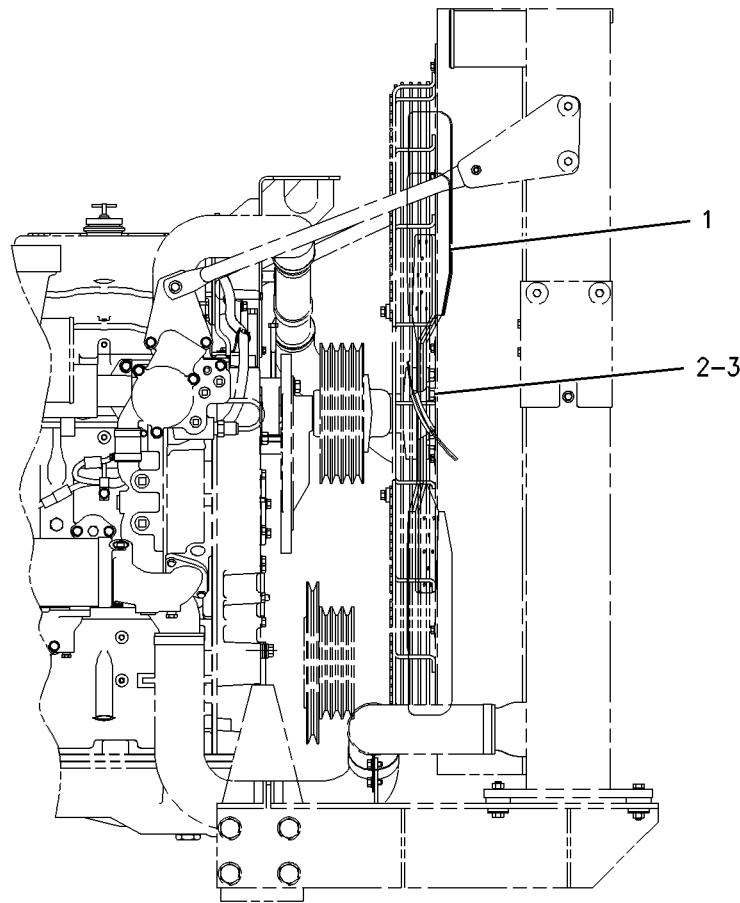
## 158-2528 FAN GP-BLOWER

1092 MM (43 IN)  
AN ATTACHMENT

SMCS-1356, 1360

i03206661

NOTE	REF NO	GRAPHIC REF	PART NUMBER	QTY	PART NAME						SEE PAGE
					1	2	3	4	5	6 (PRODUCT LEVEL)	
	1	1	6N-2687	1	SPIDER AS-FAN (8-BLADE)						
	2	1	0S-1587	6	BOLT (1/2-13X1.75-IN)						
	3	1	2M-0849	6	WASHER-HARD (13.5X25.5X5-MM THK)						



RIGHT SIDE VIEW

GRAPHIC #1

<END>

g00550238

# COOLING SYSTEM

## 305-1514 FAN GP-BLOWER

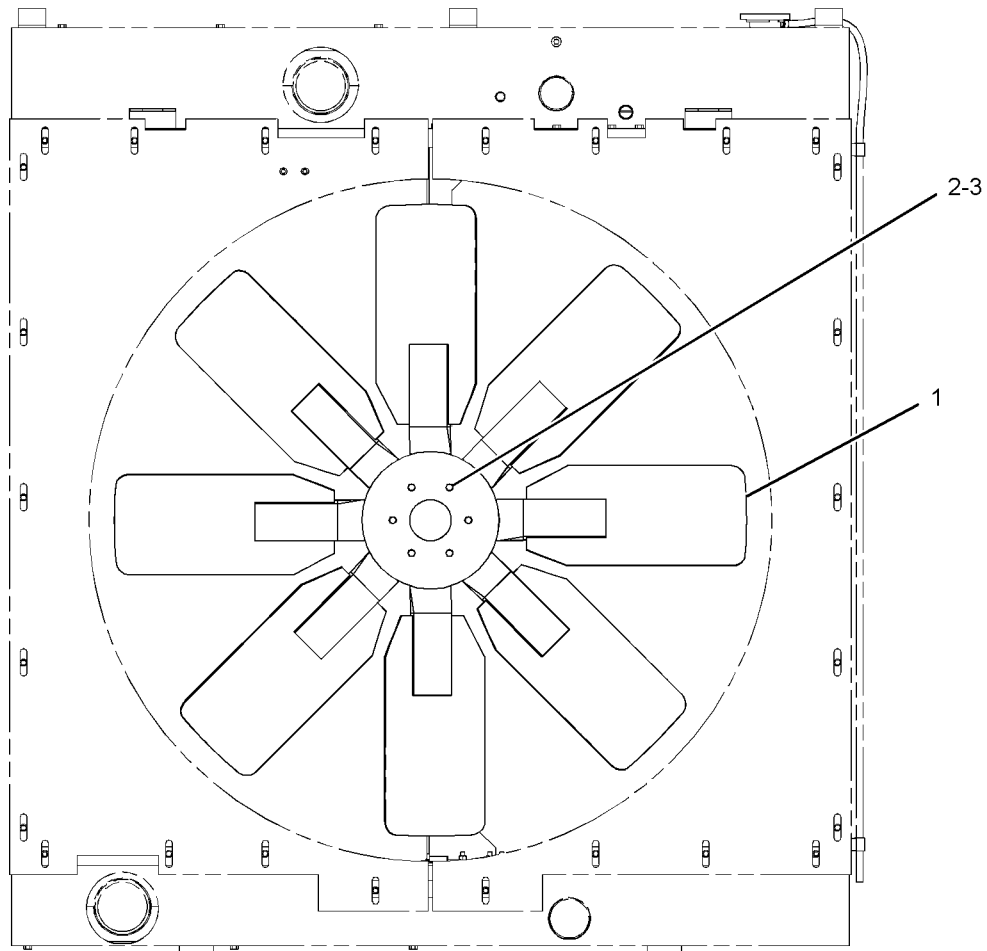
48-INCH DIAMETER

FOR USE WITH 296-9791-PAGE 612  
AN ATTACHMENT

SMCS-1356, 1360

i03206665

NOTE	REF NO	GRAPHIC REF	PART NUMBER	QTY	PART NAME						SEE PAGE
					1	2	3	4	5	6 (PRODUCT LEVEL)	
	1	1	133-9020	1	SPIDER AS-FAN (8-BLADE)						
	2	1	8T-8919	6	BOLT (1/2-13X1.75-IN)						
	3	1	8T-4223	6	WASHER-HARD (13.5X25.5X3-MM THK)						



REAR VIEW OF ENGINE

<END>

GRAPHIC #1

g01373678

# COOLING SYSTEM

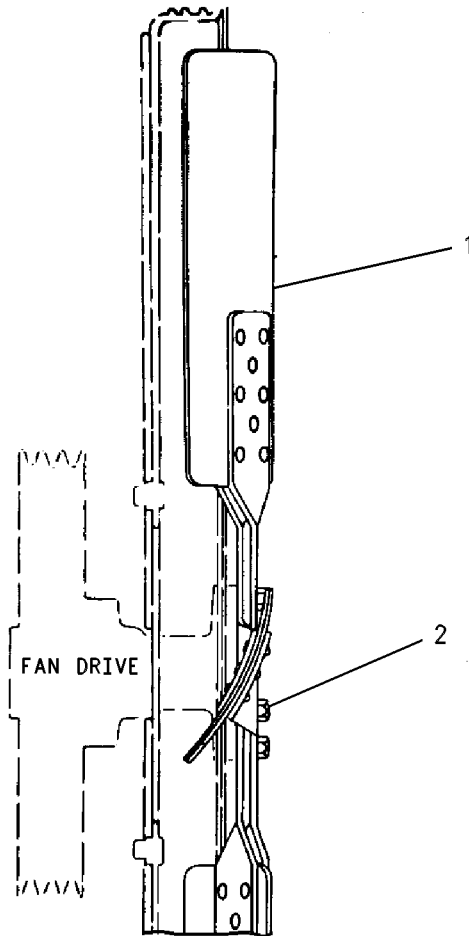
## 4N-3094 FAN GP-SUCTION

40-INCH DIAMETER  
AN ATTACHMENT

SMCS-1356

i02728911

NOTE	REF NO	GRAPHIC REF	PART NUMBER	QTY	PART NAME						SEE PAGE
					1	2	3	4	5	6 (PRODUCT LEVEL)	
	1	1	4N-3092	1	SPIDER AS (8-BLADE)						
	2	1	5P-2566	6	BOLT (1/2-13X1.5-IN)						
		1	8T-4223	6	WASHER-HARD (13.5X25.5X3-MM THK)						



GRAPHIC #1

<END>

g00567378

# COOLING SYSTEM

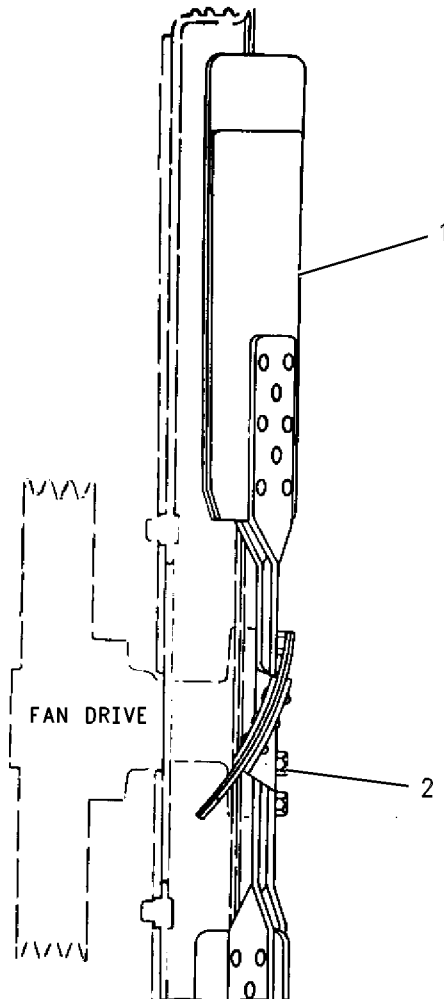
## 4N-3466 FAN GP-SUCTION

1168-MM (46-INCH) DIAMETER  
FOR USE WITH SAE STANDARD ENGINE ROTATION  
AN ATTACHMENT

SMCS-1356

i02362361

NOTE	REF NO	GRAPHIC REF	PART NUMBER	QTY	PART NAME						SEE PAGE
					1	2	3	4	5	6 (PRODUCT LEVEL)	
	1	1	4N-3338	1	SPIDER AS (8-BLADE)						
	2	1	0S-1587	6	BOLT (1/2-13X1.75-IN)						
		1	2M-0849	6	WASHER-HARD (13.5X25.5X5-MM THK)						



GRAPHIC #1

<END>

g00567437

# COOLING SYSTEM

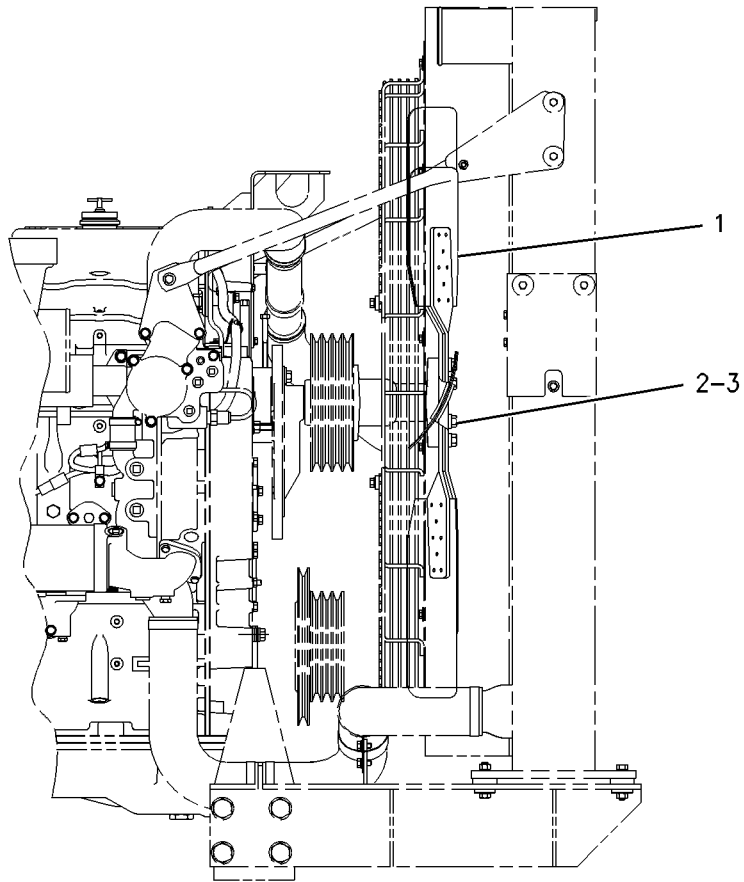
## 158-2529 FAN GP-SUCTION

1092-MM (43 IN) DIAMETER  
AN ATTACHMENT

SMCS-1356

i03206663

NOTE	REF NO	GRAPHIC REF	PART NUMBER	QTY	PART NAME						SEE PAGE
					1	2	3	4	5	6 (PRODUCT LEVEL)	
	1	1	<b>6I-0263</b>	1	SPIDER AS-FAN (8-BLADE)						
	2	1	<b>0S-1587</b>	6	BOLT (1/2-13X1.75-IN)						
	3	1	<b>2M-0849</b>	6	WASHER-HARD (13.5X25.5X5-MM THK)						



RIGHT SIDE VIEW

GRAPHIC #1

<END>

g00550236

# COOLING SYSTEM

## 305-1513 FAN GP-SUCTION

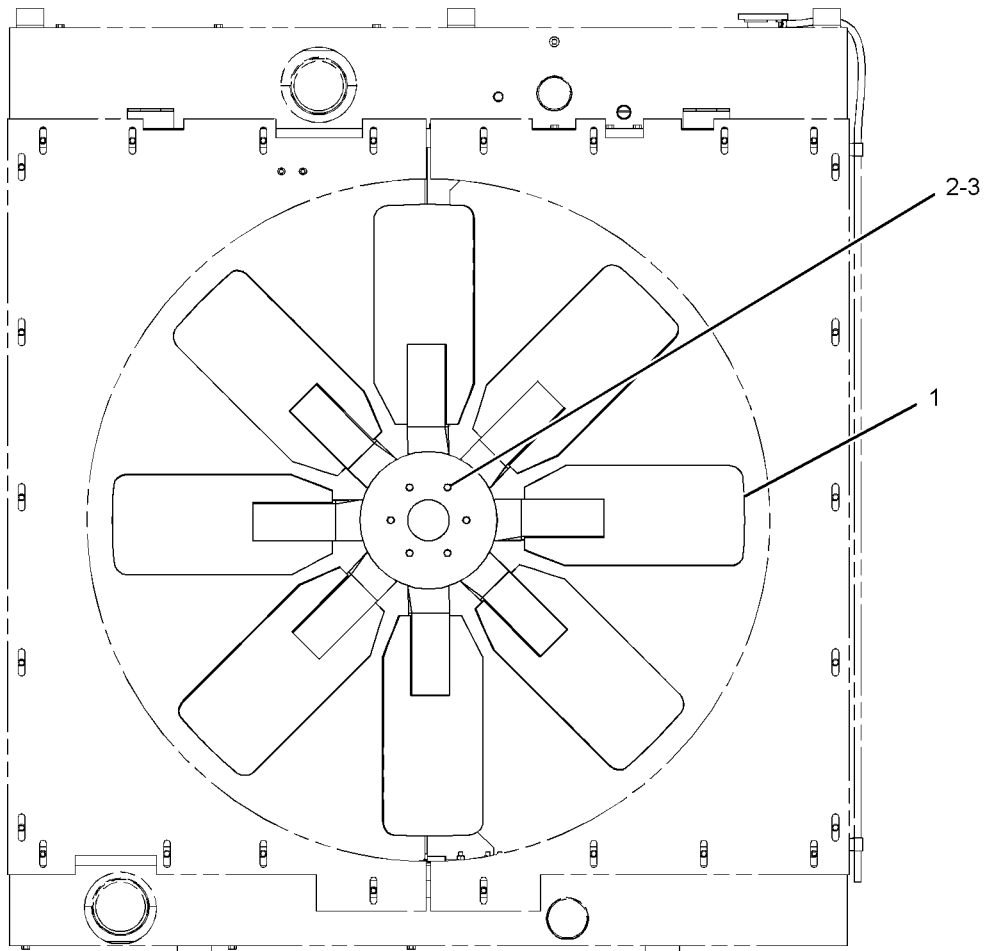
48-INCH DIAMETER

FOR USE WITH 296-9791-PAGE 612  
AN ATTACHMENT

SMCS-1356

i03206664

NOTE	REF NO	GRAPHIC REF	PART NUMBER	QTY	PART NAME						SEE PAGE
					1	2	3	4	5	6 (PRODUCT LEVEL)	
	1	1	1W-4150	1	SPIDER AS-FAN (8-BLADE)						
	2	1	8T-8919	6	BOLT (1/2-13X1.75-IN)						
	3	1	8T-4223	6	WASHER-HARD (13.5X25.5X3-MM THK)						



REAR VIEW OF ENGINE

<END>

GRAPHIC #1

g01373678

# COOLING SYSTEM

## 109-2374 FASTENER GP-OIL COOLER-ENGINE

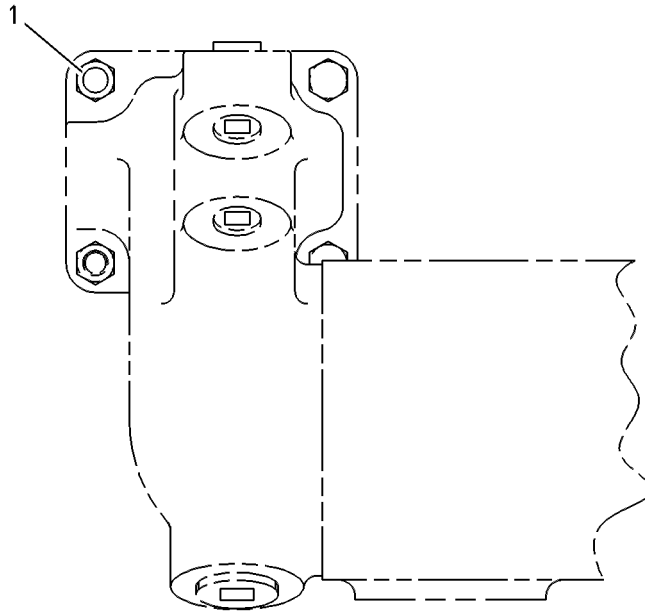
PROVIDES MOUNTING BOLT FOR OIL COOLER BONNET WHEN RH REAR OIL LEVEL GAUGE IS PROVIDED

FOR USE WITH 203-7723-PAGE 545  
AN ATTACHMENT

SMCS-1378

i00702677

NOTE	REF NO	GRAPHIC REF	PART NUMBER	QTY	PART NAME						SEE PAGE
					1	2	3	4	5	6 (PRODUCT LEVEL)	
	1	1	129-3172		STUD-MOUNTING (3/8-16X1.564-IN)						



RIGHT SIDE VIEW

GRAPHIC #1

<END>

g00260924

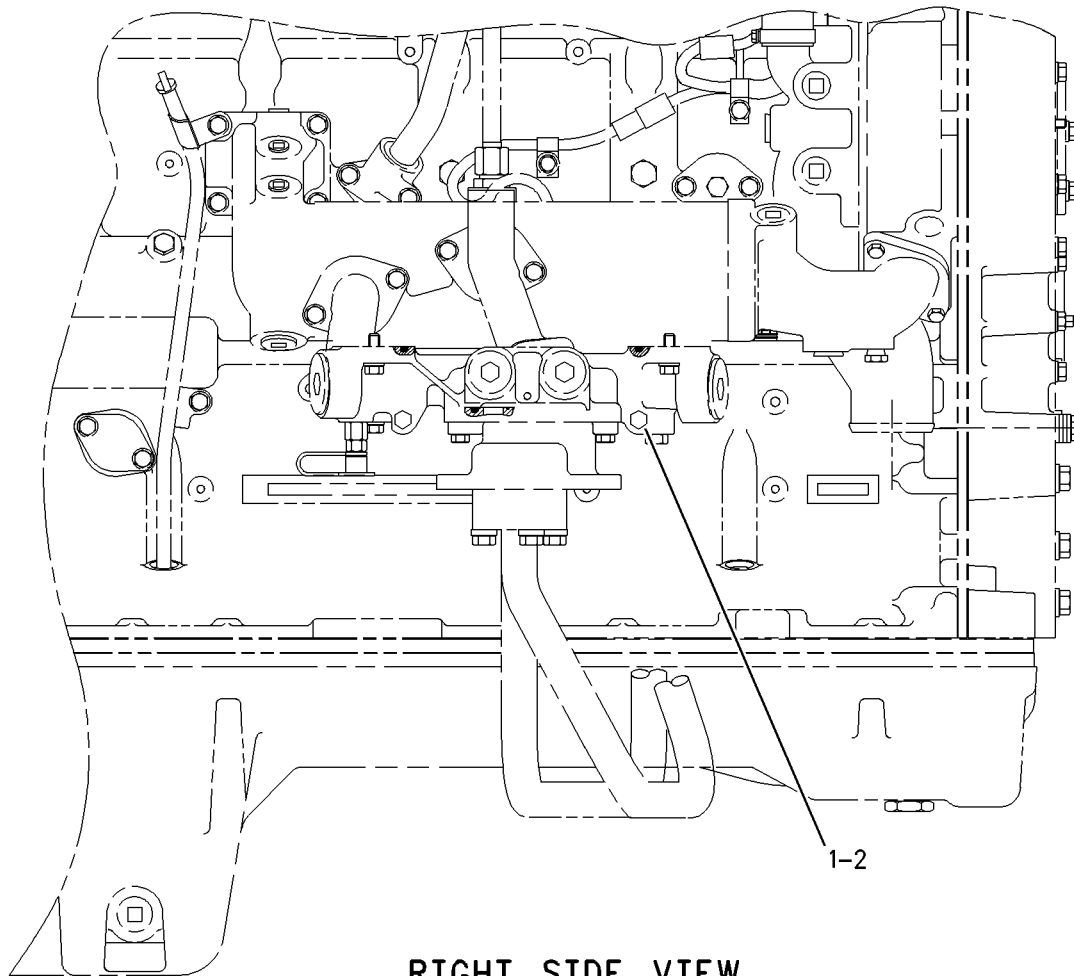
# COOLING SYSTEM

## 224-0754 FASTENER GP-OIL COOLER-ENGINE FOR USE WITH STANDARD OIL FILTER OR LH REMOTE MOUNTED FILTER AN ATTACHMENT

SMCS-1378

i02332385

NOTE	REF NO	GRAPHIC REF	PART NUMBER	QTY	PART NAME						SEE PAGE
					1	2	3	4	5	6 (PRODUCT LEVEL)	
	1	1	0S-1608	2	BOLT (3/8-16X3.75-IN)						
	2	1	5M-2894	2	WASHER-HARD (10.2X18.5X2.5-MM THK)						



RIGHT SIDE VIEW

GRAPHIC #1

<END>

g00985187



# COOLING SYSTEM

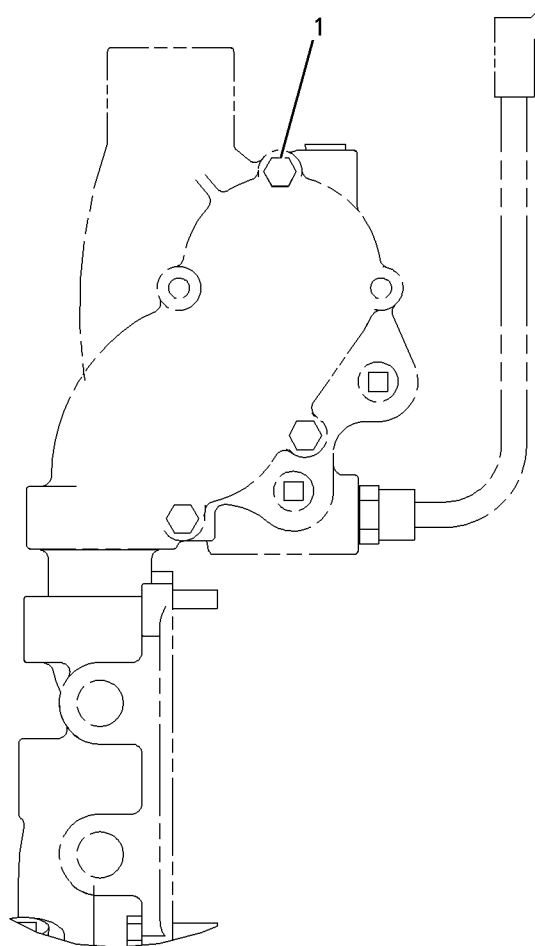
## 200-2852 FASTENER GP-WATER LINES

CANNOT BE USED WITH LEFT HAND COOLANT CONDITIONER  
AN ATTACHMENT

SMCS-1380

i02332388

NOTE	REF NO	GRAPHIC REF	PART NUMBER	QTY	PART NAME						SEE PAGE
					1	2	3	4	5	6 (PRODUCT LEVEL)	
	1	1	0L-1352	1	BOLT (3/8-16X3.25-IN)						



RIGHT SIDE VIEW

GRAPHIC #1

<END>

g00791195

# COOLING SYSTEM

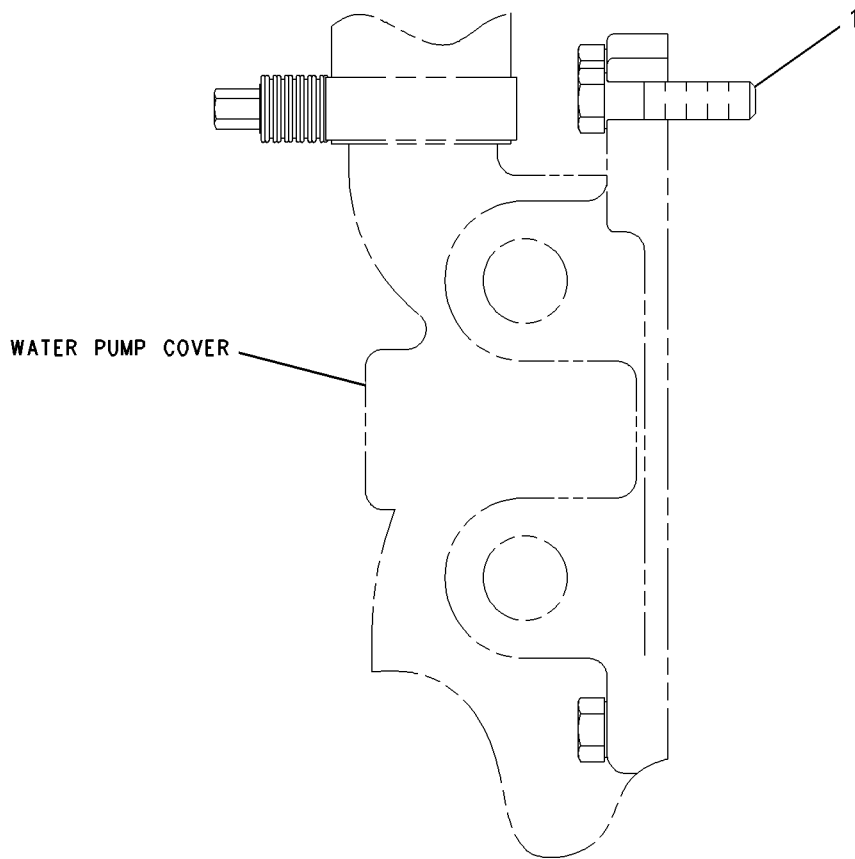
## 109-2373 FASTENER GP-WATER PUMP

FOR USE WHEN ALTERNATOR MOUNTING BRACKET IS NOT INSTALLED  
CANNOT BE USED WITH RH FRONT OIL GUIDE  
AN ATTACHMENT

SMCS-1361

i02332393

NOTE	REF NO	GRAPHIC REF	PART NUMBER	QTY	PART NAME						SEE PAGE
					1	2	3	4	5	6 (PRODUCT LEVEL)	
	1	1	0S-1591	1	BOLT (3/8-16X1.5-IN)						



RIGHT SIDE VIEW

GRAPHIC #1

<END>

g00832155

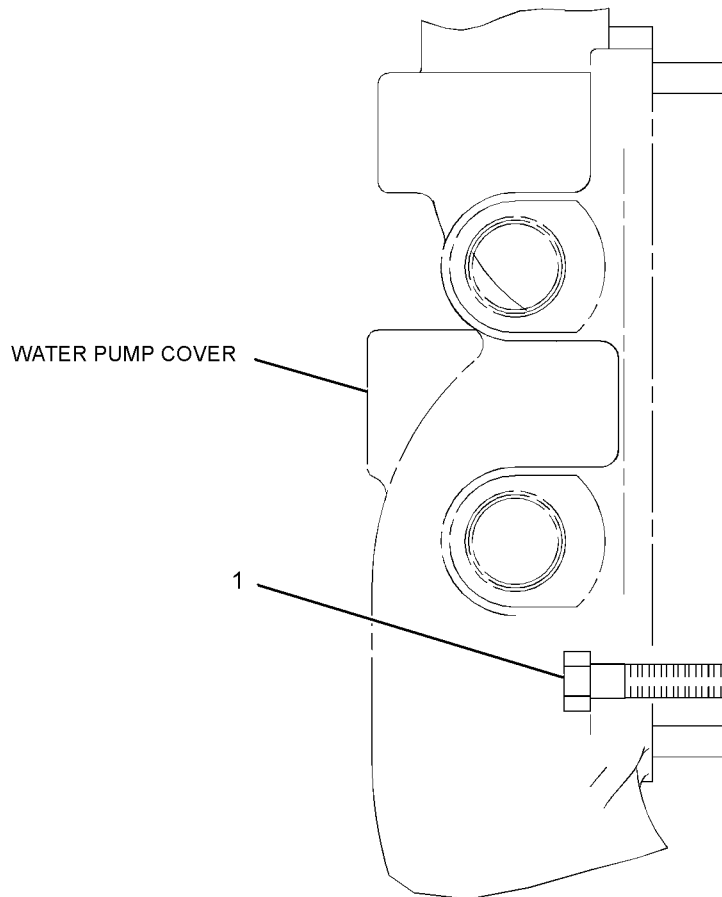
# COOLING SYSTEM

## 255-9248 FASTENER GP-WATER PUMP CANNOT BE USED WITH RIGHT HAND ALTERNATOR MOUNTING GROUP AN ATTACHMENT

SMCS-1361

i02294609

NOTE	REF NO	GRAPHIC REF	PART NUMBER	QTY	PART NAME						SEE PAGE
					1	2	3	4	5	6 (PRODUCT LEVEL)	
	1	1	0S-1591	1	BOLT (3/8-16X1.5-IN)						



RIGHT SIDE VIEW

<END>

GRAPHIC #1

g01154219

# COOLING SYSTEM

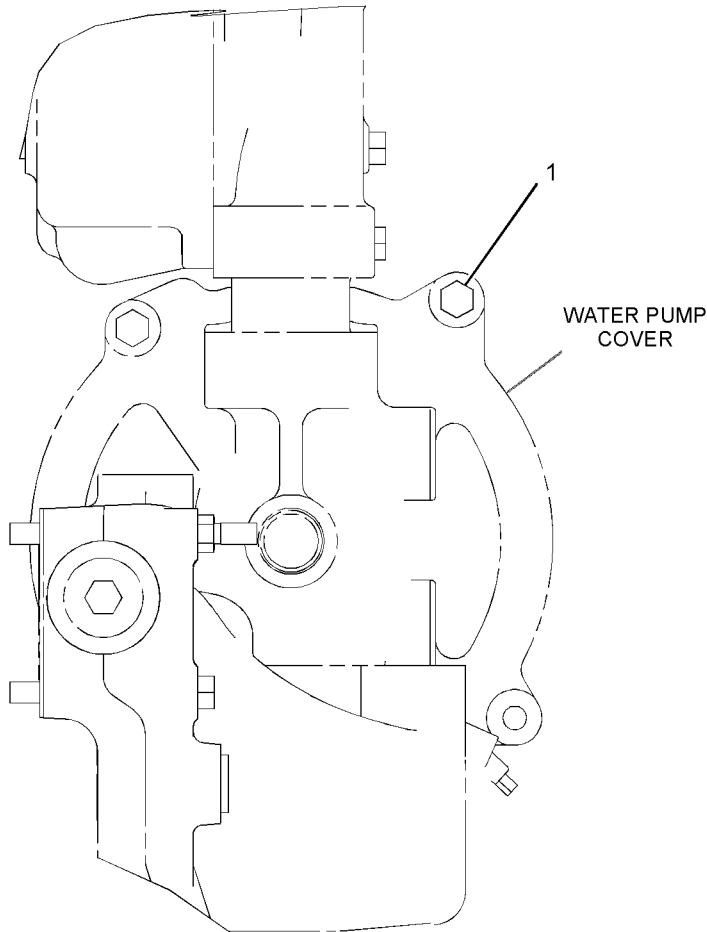
## 352-3449 FASTENER GP-WATER PUMP

FOR USE WITH C15 INDUSTRIAL RAIL ENGINES WITH TWIN VOLUTE WATER PUMP. CANNOT  
BE USED WITH C15 INDUSTRIAL ENGINES SINGLE VOLUTE WATER PUMP  
AN ATTACHMENT

SMCS-1361

i03743143

NOTE	REF NO	GRAPHIC REF	PART NUMBER	QTY	PART NAME						SEE PAGE
					1	2	3	4	5	6 (PRODUCT LEVEL)	
	1	1	OS-1594	1	BOLT (3/8-16X1-IN)						



LEFT SIDE VIEW OF ENGINE

GRAPHIC #1

<END>

g02023374

# COOLING SYSTEM

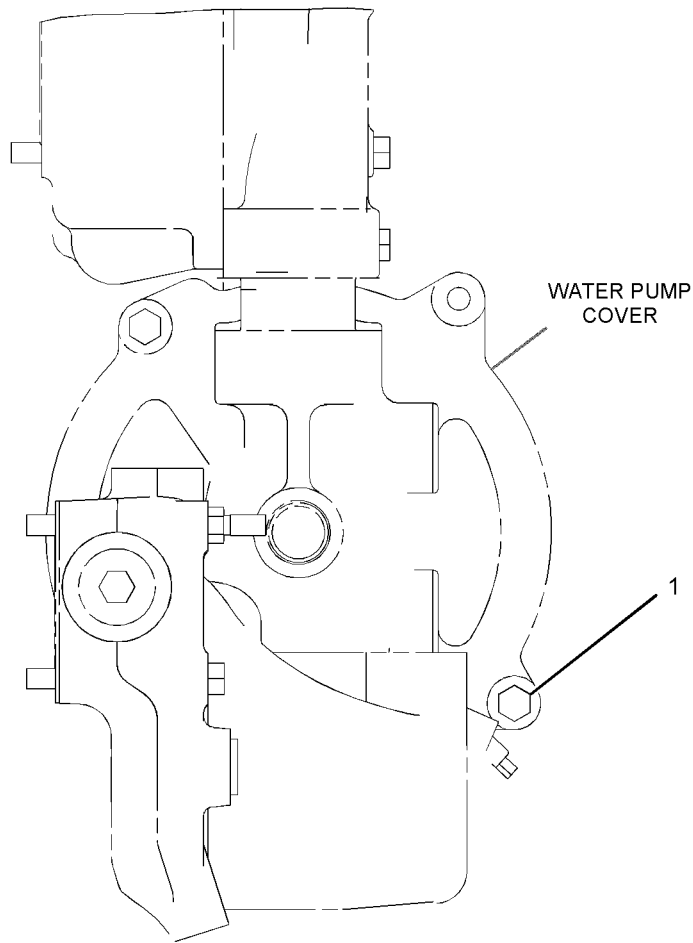
## 352-3450 FASTENER GP-WATER PUMP

FOR USE WITH C15 INDUSTRIAL RAIL ENGINES WITH TWIN VOLUTE WATER PUMP. CANNOT  
BE USED WITH C15 INDUSTRIAL ENGINES SINGLE VOLUTE WATER PUMP  
AN ATTACHMENT

SMCS-1361

i03743144

NOTE	REF NO	GRAPHIC REF	PART NUMBER	QTY	PART NAME						SEE PAGE
					1	2	3	4	5	6 (PRODUCT LEVEL)	
	1	1	0S-1594	1	BOLT (3/8-16X1-IN)						



LEFT SIDE VIEW OF ENGINE

<END>

GRAPHIC #1

g02023375

# COOLING SYSTEM

## 123-0794 FILTER AS-COOLANT CONDITIONER

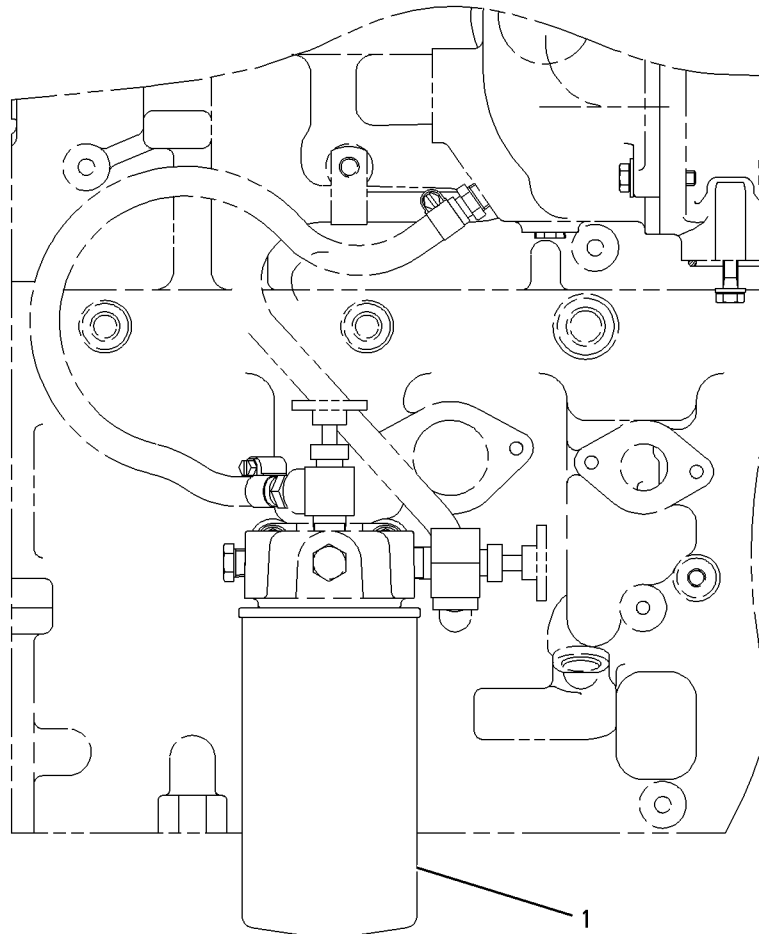
FOR USE WITH 10-13 GALLON (38-40 LITER) COOLING SYSTEM, COOLANT CONDITIONER  
GP  
AN ATTACHMENT

SMCS-1352

i02939192

NOTE	REF NO	GRAPHIC REF	PART NUMBER	QTY	PART NAME						SEE PAGE
					1	2	3	4	5	6 (PRODUCT LEVEL)	
J	1	1	9N-6123	1	FILTER-COOLANT CONDITIONER						
					-OR-						
A		1	9N-3717	1	FILTER-COOLANT CONDITIONER						
					-OR-						
A		1	9N-3718	1	FILTER-COOLANT CONDITIONER						

A-NOT PART OF THIS GROUP  
J-REFER TO CHART FOR COOLANT INFORMATION



RIGHT SIDE VIEW

<END>

GRAPHIC #1

g00869859

# COOLING SYSTEM

## 126-0112 FILTER AS-COOLANT CONDITIONER

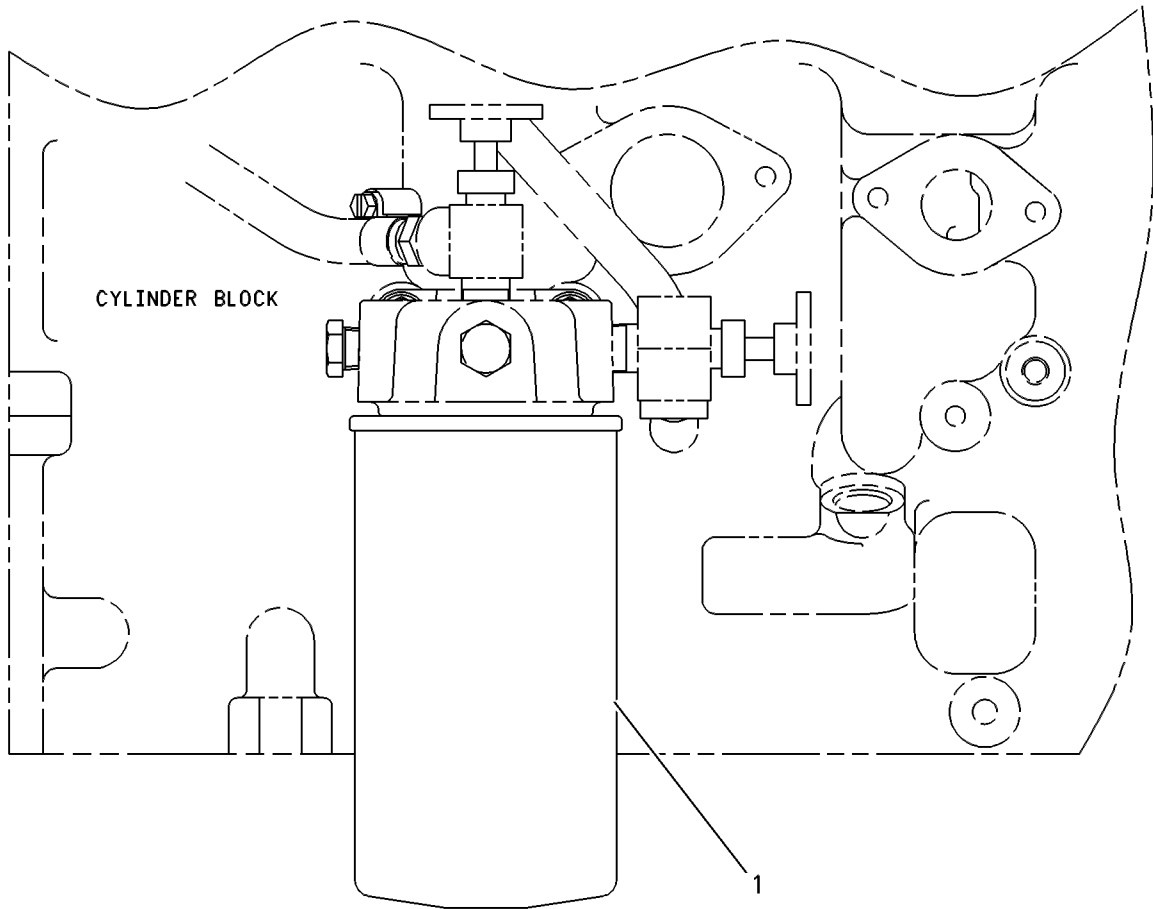
38-49 LITERS (10-13 GALLONS). NO PRECHARGE, PROVIDES FILTER ONLY  
FOR USE WITH COOLANT CONDITIONER GP  
AN ATTACHMENT

SMCS-1352

i02921200

NOTE	REF NO	GRAPHIC REF	PART NUMBER	QTY	PART NAME						SEE PAGE
					1	2	3	4	5	6 (PRODUCT LEVEL)	
J	1	1	9N-6123	1	FILTER-COOLANT CONDITIONER						
-OR-											
A		1	9N-3718	1	FILTER-COOLANT CONDITIONER						

A-NOT PART OF THIS GROUP  
J-REFER TO CHART FOR COOLANT INFORMATION CONDITIONER



RIGHT SIDE VIEW

GRAPHIC #1

<END>

g00251332

# COOLING SYSTEM

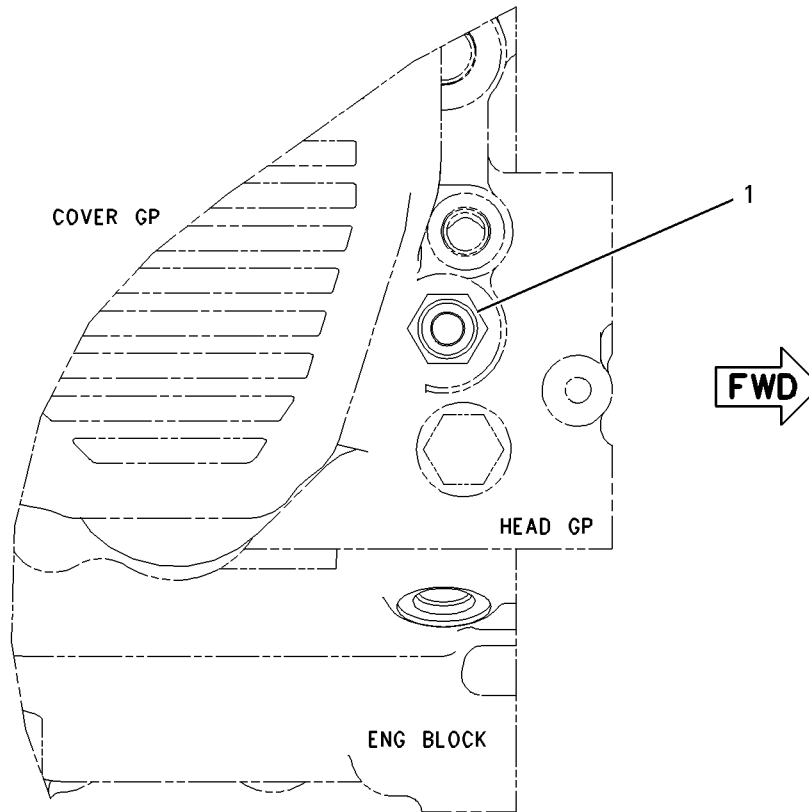
## 224-0875 FITTING GP-WATER LINES

COOLANT RETURN  
FOR USE WITH DUAL STAT REGULATOR HOUSING  
AN ATTACHMENT

SMCS-1380

i03812875

NOTE	REF NO	GRAPHIC REF	PART NUMBER	QTY	PART NAME						SEE PAGE
					1	2	3	4	5	6 (PRODUCT LEVEL)	
	1	1	307-9615	1	ADAPTER AS						
		1	238-5080	1	SEAL-O-RING						
		1	8M-0505	1	CONNECTOR						



TOP VIEW

GRAPHIC #1

<END>

g00977508



# COOLING SYSTEM

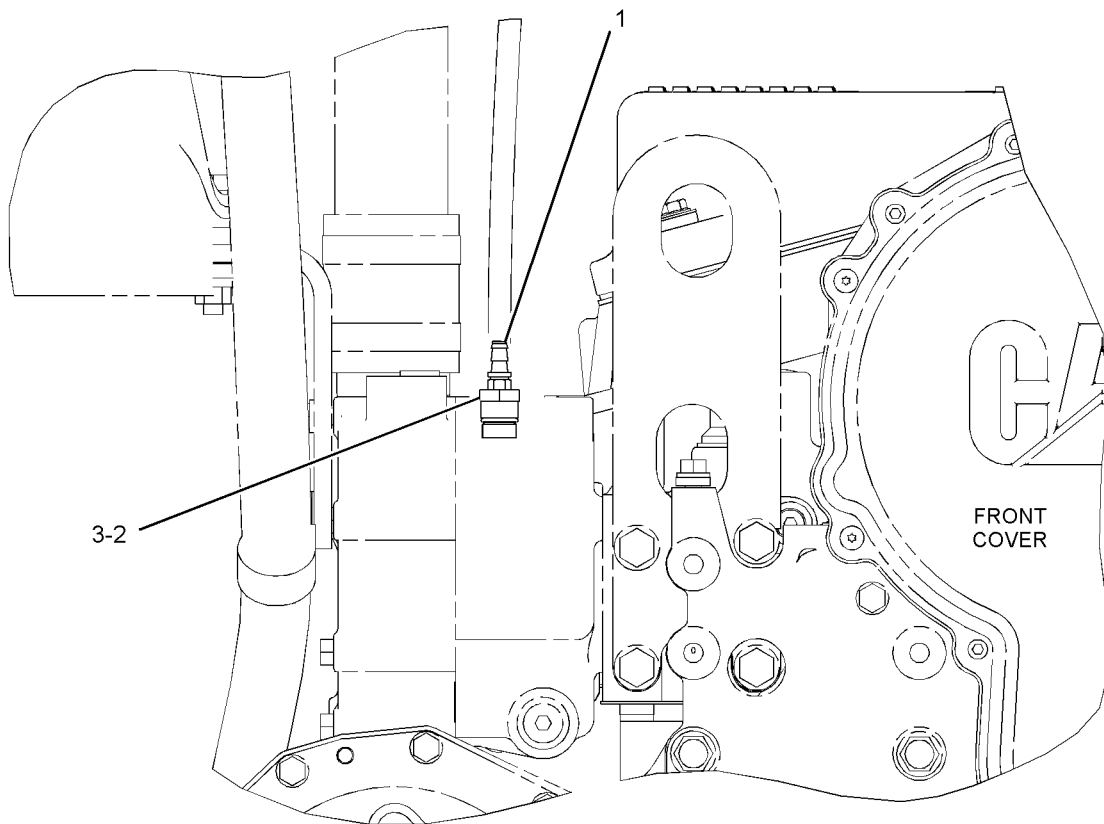
## 311-1440 FITTING GP-WATER LINES

FOR USE WITH INSTALLED RADIATORS  
AN ATTACHMENT

SMCS-1380

i02739901

NOTE	REF NO	GRAPHIC REF	PART NUMBER	QTY	PART NAME						SEE PAGE
					1	2	3	4	5	6 (PRODUCT LEVEL)	
	1	1	1P-9328	1	FITTING						
	2	1	8J-7844	1	BUSHING-REDUCING						
	3	1	6V-6609	1	SEAL-O-RING						



FRONT VIEW OF ENGINE

GRAPHIC #1

<END>

g01374483

# COOLING SYSTEM

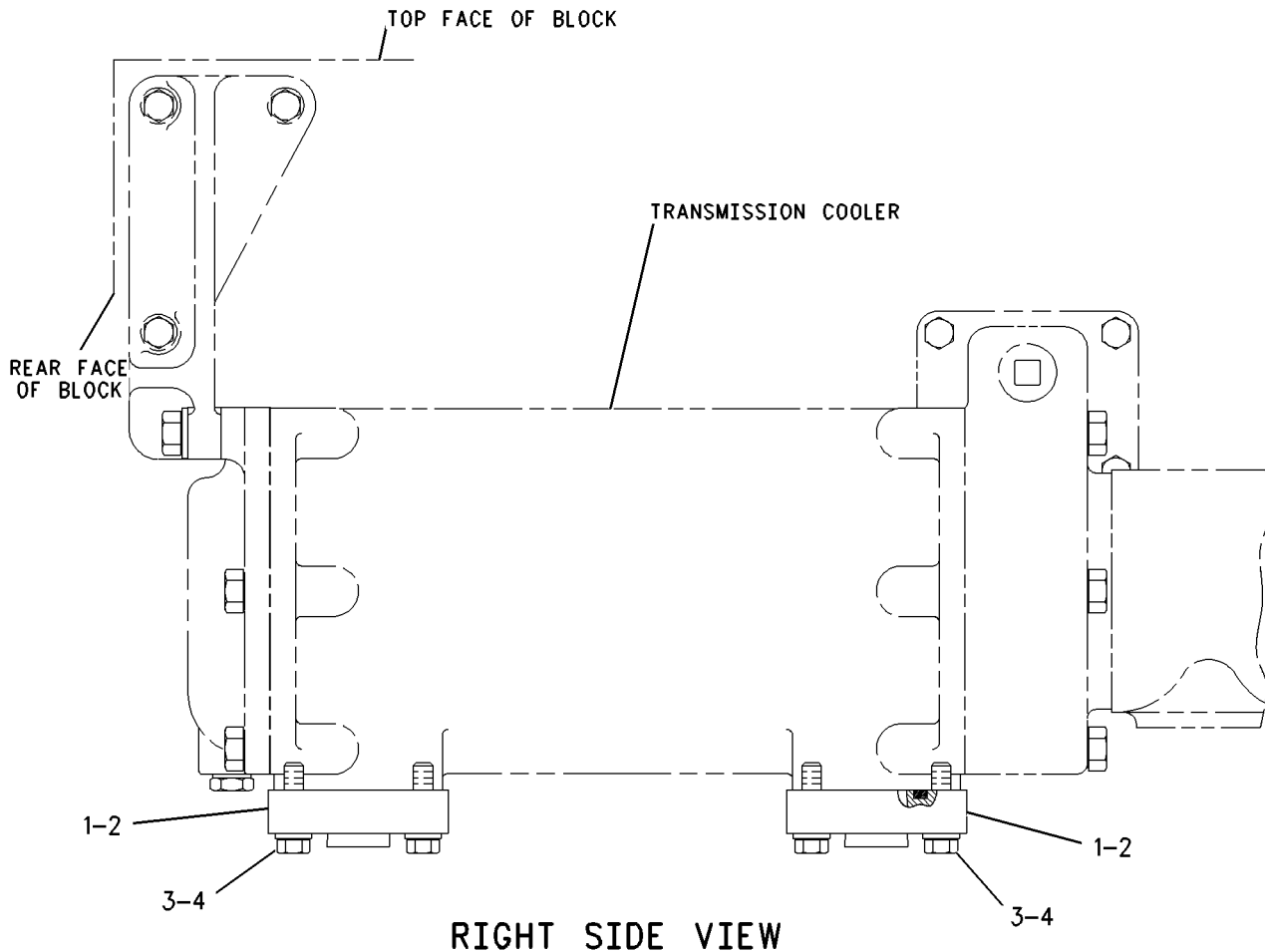
## 111-7303 FLANGE GP-TMSN OIL COOLER

PROVIDE FLANGES WITH 1.00 PTF PORTS  
FOR USE WITH TRANSMISSION OIL COOLER  
AN ATTACHMENT

SMCS-1375

i02332396

NOTE	REF NO	GRAPHIC REF	PART NUMBER	QTY	PART NAME						SEE PAGE
					1	2	3	4	5	6 (PRODUCT LEVEL)	
	1	1	9N-5444	2	FLANGE						
	2	1	5P-5846	2	SEAL-O-RING						
	3	1	0S-1591	4	BOLT (3/8-16X1.5-IN)						
	4	1	5M-2894	4	WASHER-HARD (10.2X18.5X2.5-MM THK)						



GRAPHIC #1

<END>

g00832128

# COOLING SYSTEM

## 3N-7992 HEAT EXCHANGER GP-SEA WATER

34-SQ FT COOLING

PART OF 3N-9094 HEAT EXCHANGER GP-SEA WATER  
AN ATTACHMENT

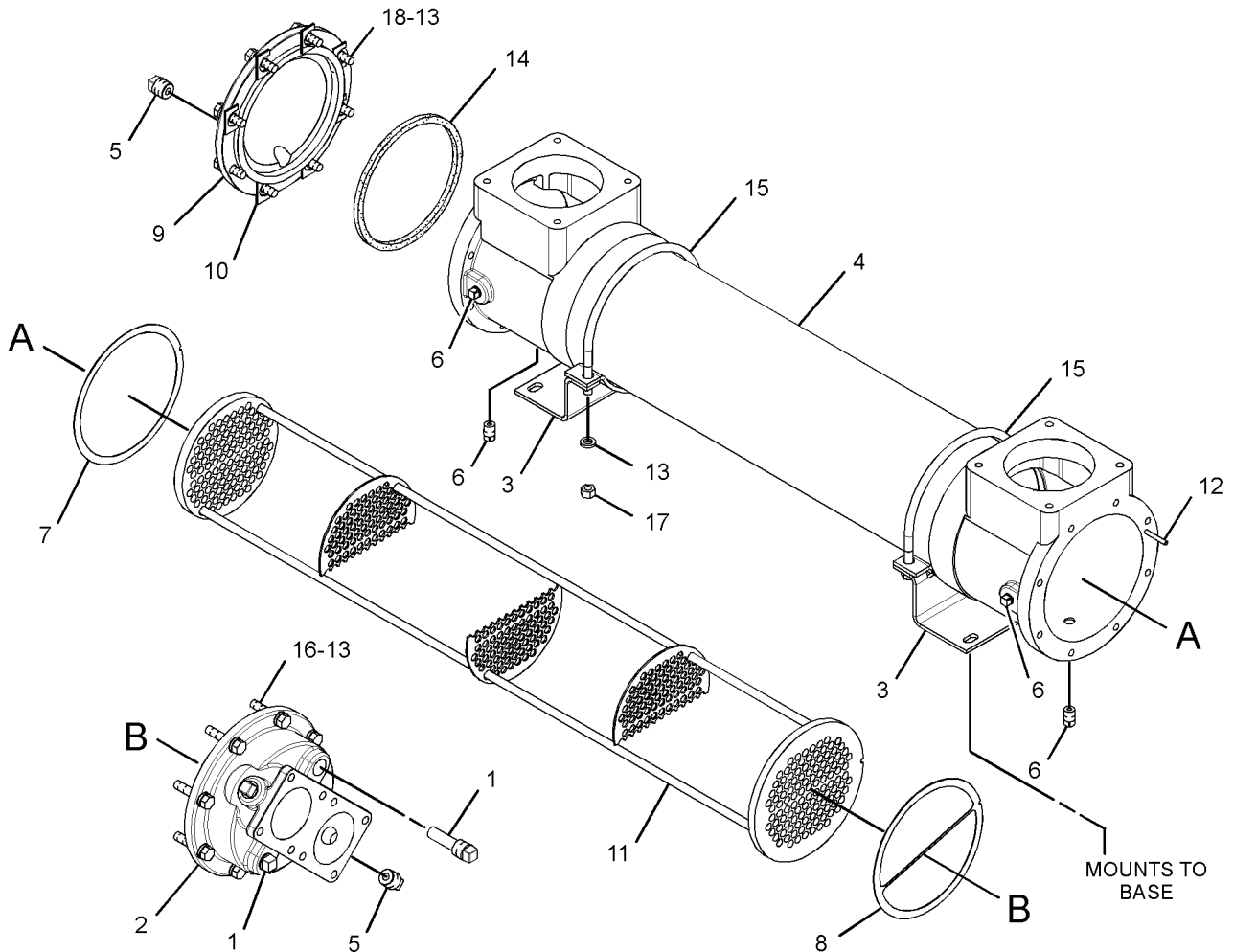
SMCS-1379

i02910515

NOTE	REF NO	GRAPHIC REF	PART NUMBER	QTY	PART NAME						SEE PAGE
					1	2	3	4	5	6 (PRODUCT LEVEL)	
	1	1	8L-4521	2	ROD AS-ZINC (HEAT EXCHANGER)						
	2	1	3N-9607	1	BONNET						
	3	1	3N-9612	2	BRACKET AS						
	4	1	3N-9635	1	SHELL AS						
	5	1	5B-9169	3	PLUG-DRAIN (HEAT EXCHANGER)						
	6	1	6L-2282	4	PLUG-PIPE						
	7	1	8L-4497	1	GASKET						
	8	1	8L-4498	1	GASKET						
	9	1	8L-4502	1	BONNET (RETURN)						
B	10	1	8L-9767	48	SHIM (0.015-IN THK)						
C	11	1	293-0006	1	CORE AS (HEAT EXCHANGER)						
	12	1	1H-1200	1	PIN-SPRING						
	13	1	3B-4506	20	LOCKWASHER						
	14	1	3N-7351	1	SEAL-RUBBER						
	15	1	3N-9599	2	U-BOLT						
	16	1	5S-7383	8	BOLT (3/8-16X1.75-IN)						
C	17	1	6V-8801	4	NUT (3/8-16-THD)						
	18	1	9B-7237	8	BOLT (3/8-16X1.25-IN)						

B-USE AS REQUIRED

C-CHANGE FROM PREVIOUS TYPE



GRAPHIC #1

<END>

g01358103

# COOLING SYSTEM

## 3N-9094 HEAT EXCHANGER GP-SEA WATER

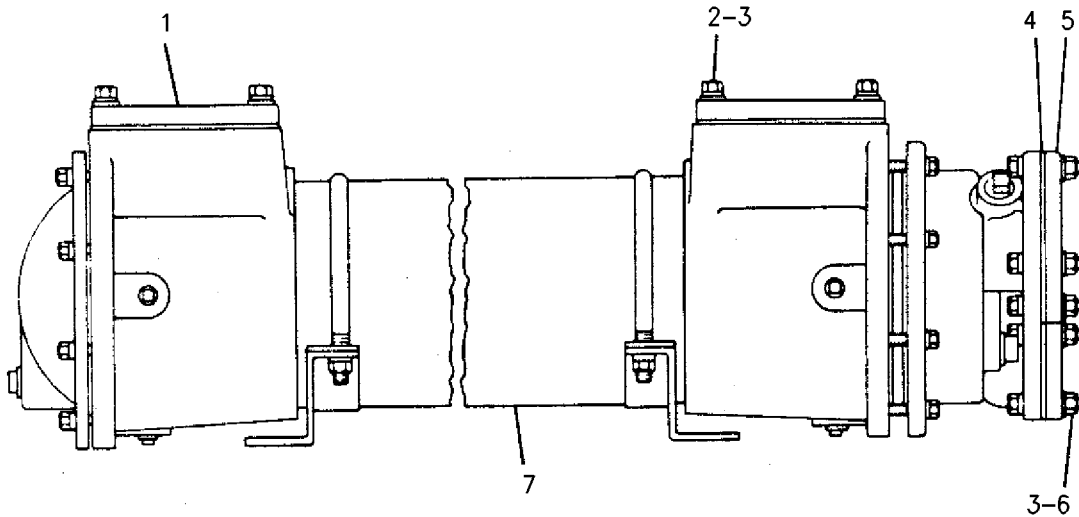
REMOTE MOUNTED 6-IN X 36-IN, TWO PASS COOLER, WITH REMOVABLE BUNDLE  
AN ATTACHMENT

SMCS-1379

i02728961

NOTE	REF NO	GRAPHIC REF	PART NUMBER	QTY	PART NAME						SEE PAGE
					1	2	3	4	5	6 (PRODUCT LEVEL)	
	1	1	4N-9720	2	FLANGE						
		1	4L-3862	2	GASKET						
	2	1	9B-7237	8	BOLT (3/8-16X1.25-IN)						
	3	1	8T-4896	24	WASHER-HARD (10.2X18.5X2.5-MM THK)						
	4	1	4F-4873	2	GASKET						
	5	1	3N-1555	2	FLANGE						
	6	1	5S-7383	8	BOLT (3/8-16X1.75-IN)						
		1	6V-8801	8	NUT (3/8-16-THD)						
Y	7	1	3N-7992	1	HEAT EXCHANGER GP-SEA WATER						541

Y-SEPARATE ILLUSTRATION



GRAPHIC #1

<END>

g00651049

# COOLING SYSTEM

## 187-8925 LINES GP-WATER FOR USE WITH FORWARD POSITION WATER PUMP AN ATTACHMENT

SMCS-1355, 1380, 1393

i03712722

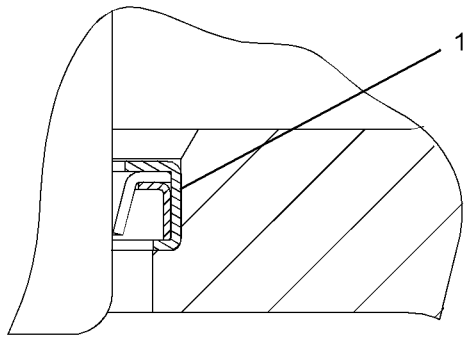
NOTE	REF NO	GRAPHIC REF	PART NUMBER	QTY	PART NAME						SEE PAGE
					1	2	3	4	5	6 (PRODUCT LEVEL)	
	1	1	<b>3S-9643</b>	2	SEAL-LIP TYPE (WATER TEMPERATURE REGULATOR)						
	2	1	<b>247-7133</b>	2	REGULATOR-WATER TEMPERATURE (98-DEG C) (COOLANT)						
	3	1	<b>125-0434</b>	1	SEAL-INTEGRAL						
	4	1	<b>126-4935</b>	1	SEAL-INTEGRAL						
R	5	1	<b>133-0125</b>	1	CORE AS-ENGINE OIL COOLER						
	6	1	<b>162-8682</b>	1	HOUSING-REGULATOR						
	7	1	<b>162-8697</b>	1	MANIFOLD-HOUSING						
	8	1	<b>163-9385</b>	1	BONNET-OUTLET						
	9	1	<b>341-1429</b>	1	SEAL (TEMPERATURE REGULATOR HOUSING)						
	10	1	<b>166-3501</b>	1	PIPE						
	11	1	<b>170-4860</b>	1	BONNET-INLET						
	12	1	<b>187-8924</b>	1	COVER-WATER PUMP						
	13	1	<b>0L-1352</b>	4	BOLT (3/8-16X3.25-IN)						
	14	1	<b>0S-1591</b>	3	BOLT (3/8-16X1.5-IN)						
	15	1	<b>0S-1594</b>	2	BOLT (3/8-16X1-IN)						
	16	1	<b>109-0077</b>	2	SEAL-O-RING						
	17	1	<b>167-4407</b>	1	SEAL-O-RING						
	18	1	<b>171-4358</b>	2	SEAL-O-RING						
	19	1	<b>4F-0411</b>	1	BOLT (3/8-16X6.5-IN)						
	20	1	<b>7X-7731</b>	4	PLUG-PIPE						
	21	1	<b>8T-6761</b>	1	PLUG-PIPE						
	22	1	<b>8T-6762</b>	6	PLUG-PIPE						
	23	1	<b>8T-6767</b>	1	PLUG-PIPE						
	24	1	<b>147-0323</b>	1	STUD (3/8-16X3.25-IN)						

R-REMFG PART MAY BE AVAILABLE

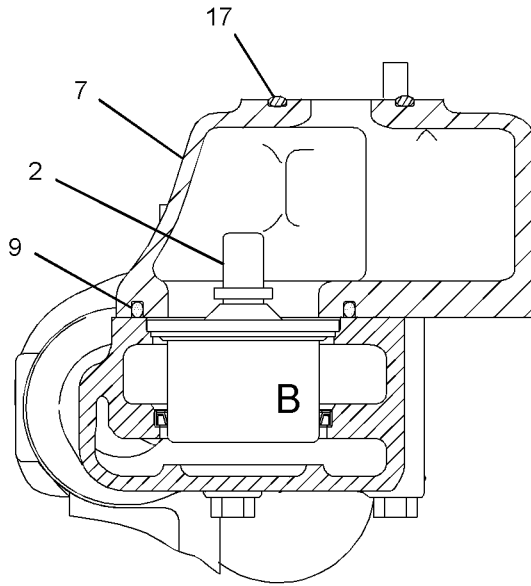
# COOLING SYSTEM

187-8925 LINES GP-WATER (contd.)

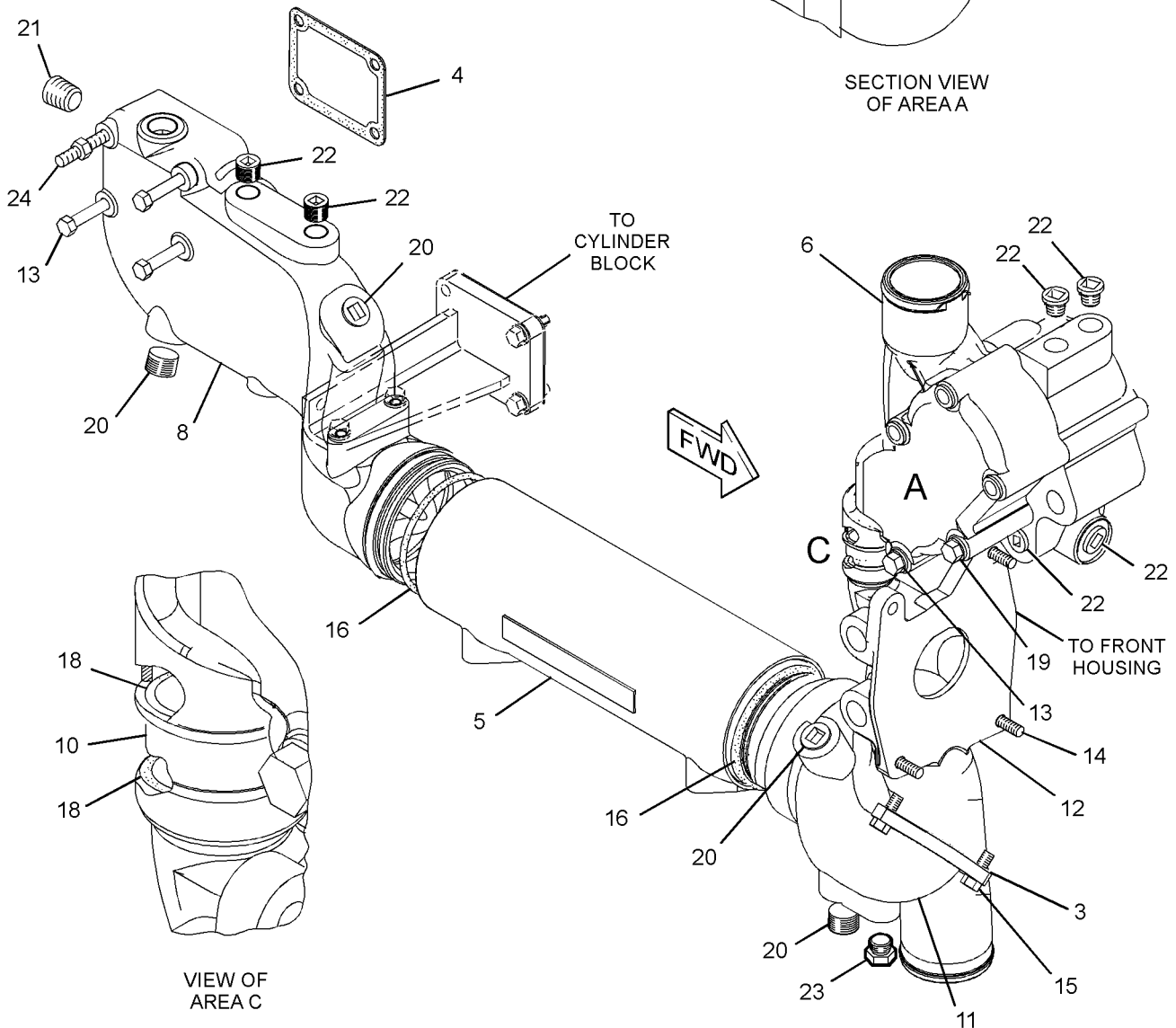
i03712722



VIEW OF AREA B



SECTION VIEW OF AREA A



VIEW OF AREA C

GRAPHIC #1

<END>

g01221867

# COOLING SYSTEM

## 203-7723 LINES GP-WATER

FOR USE WITH 111-7303-PAGE 540. CANNOT BE USED WITH OTHER LINES GP, COOLANT  
CONDITIONER, 120-9128-PAGE 261  
AN ATTACHMENT

SMCS-1355, 1380, 1393

i03728181

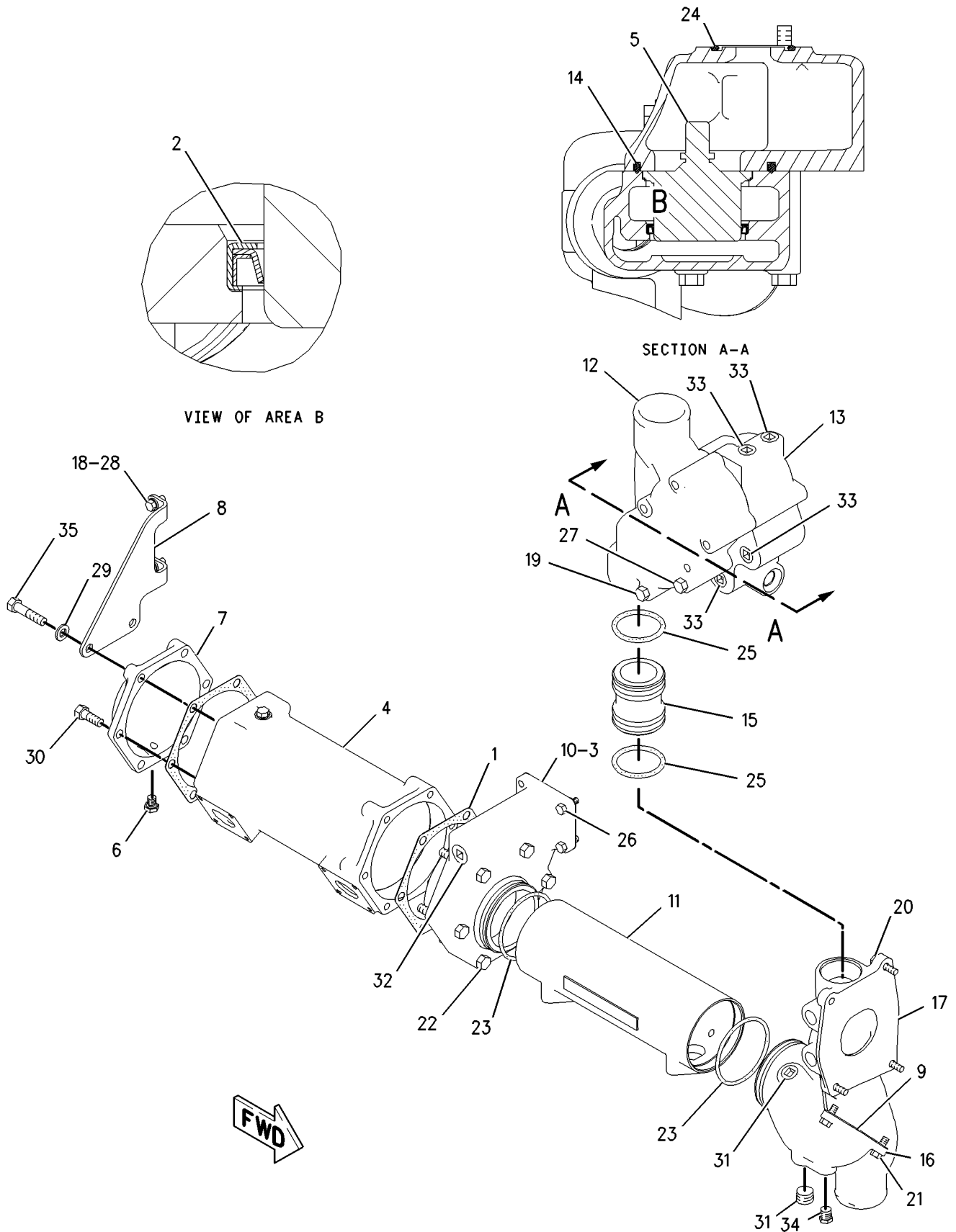
NOTE	REF NO	GRAPHIC REF	PART NUMBER	QTY	PART NAME						SEE PAGE
					1	2	3	4	5	6 (PRODUCT LEVEL)	
	1	1	2S-0795	2	GASKET						
	2	1	3S-9643	2	SEAL-LIP TYPE (WATER TEMPERATURE REGULATOR)						
	3	1	4N-0641	1	GASKET						
YR	4	1	4P-7731	1	CORE GP-OIL COOLER (TRANSMISSION)						521
	5	1	247-7133	2	REGULATOR-WATER TEMPERATURE (98-DEG C)						
	6	1	8M-9307	1	PLUG (TRANSMISSION OIL COOLER)						
	7	1	8S-4304	1	BONNET-XMSN OIL COOLER						
	8	1	121-4896	1	BRACKET						
	9	1	125-0434	1	SEAL-INTEGRAL						
	10	1	130-8875	1	BONNET-COOLER						
R	11	1	133-0125	1	CORE AS-ENGINE OIL COOLER						
	12	1	162-8682	1	HOUSING-REGULATOR						
	13	1	162-8697	1	MANIFOLD-HOUSING						
	14	1	341-1429	1	SEAL (TEMPERATURE REGULATOR HOUSING)						
	15	1	166-3501	1	PIPE						
	16	1	170-4860	1	BONNET-INLET						
	17	1	187-8924	1	COVER-WATER PUMP						
	18	1	0L-1351	2	BOLT (3/8-16X0.875-IN)						
	19	1	0L-1352	1	BOLT (3/8-16X3.25-IN)						
	20	1	0S-1591	3	BOLT (3/8-16X1.5-IN)						
	21	1	0S-1594	2	BOLT (3/8-16X1-IN)						
	22	1	0V-0375	6	BOLT (1/2-13X3.25-IN)						
	23	1	109-0077	2	SEAL-O-RING						
	24	1	167-4407	1	SEAL-O-RING						
	25	1	171-4358	2	SEAL-O-RING						
	26	1	1A-2029	3	BOLT (3/8-16X1.125-IN)						
	27	1	4F-0411	1	BOLT (3/8-16X6.5-IN)						
	28	1	5M-2894	2	WASHER-HARD (10.2X18.5X2.5-MM THK)						
	29	1	5P-8245	2	WASHER-HARD (13.5X25.5X3-MM THK)						
	30	1	7B-3235	4	BOLT (1/2-13X1.375-IN)						
	31	1	7X-7731	2	PLUG-PIPE						
	32	1	8T-6761	1	PLUG-PIPE						
	33	1	8T-6762	4	PLUG-PIPE						
	34	1	8T-6767	1	PLUG-PIPE						
	35	1	9X-8873	2	BOLT (1/2-13X2.25-IN)						

R-REMFG PART MAY BE AVAILABLE  
Y-SEPARATE ILLUSTRATION

# COOLING SYSTEM

203-7723 LINES GP-WATER (contd.)

i03728181



GRAPHIC #1

<END>

g00935833



# COOLING SYSTEM

## 255-9245 LINES GP-WATER

S/N: JRE1-308

FOR USE WITH SINGLE TURBO  
AN ATTACHMENT

SMCS-1355, 1380, 1393

i02939221

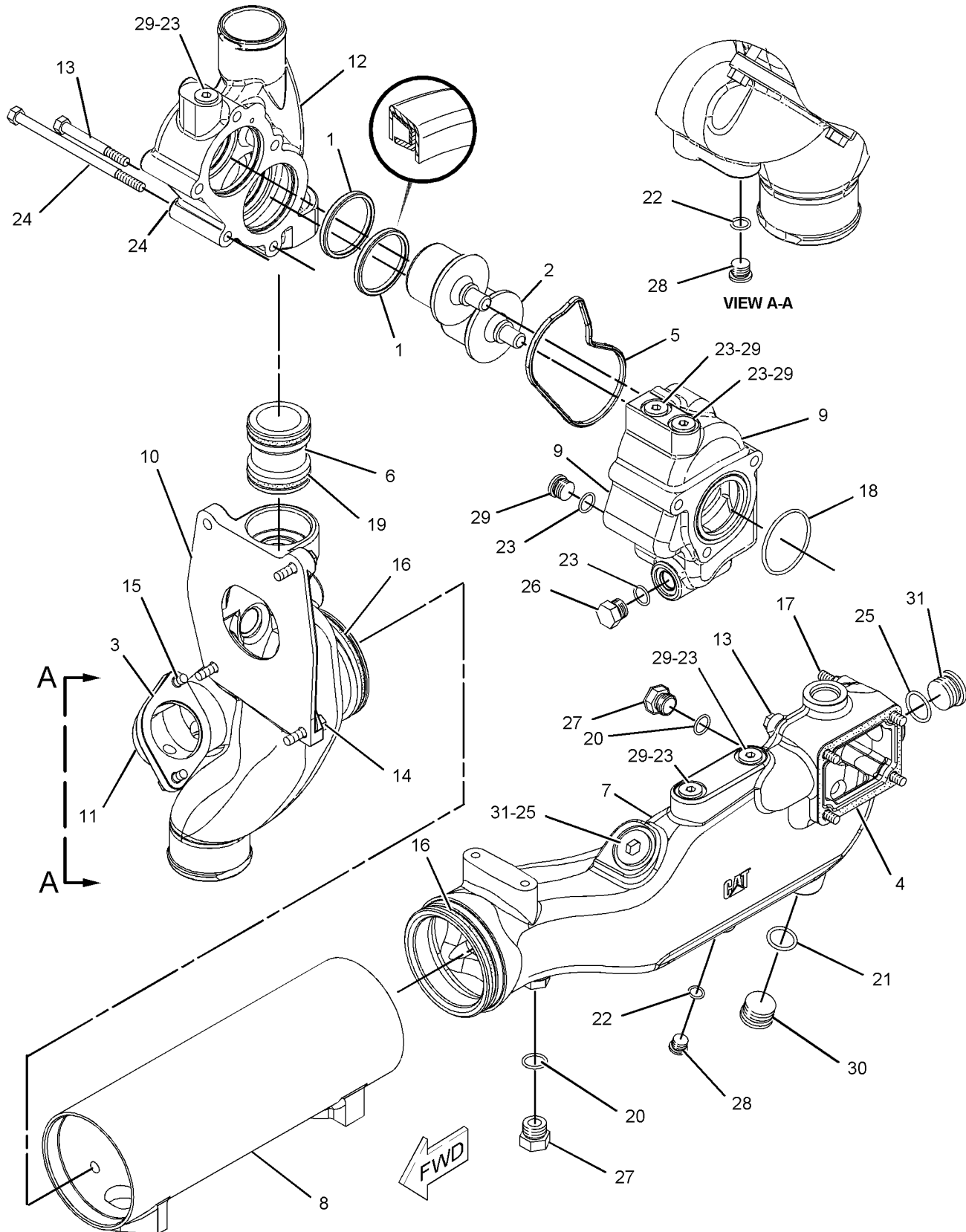
NOTE	REF NO	GRAPHIC REF	PART NUMBER	QTY	PART NAME						SEE PAGE
					1	2	3	4	5	6 (PRODUCT LEVEL)	
	1	1	<b>3S-9643</b>	2	SEAL-LIP TYPE (WATER TEMPERATURE REGULATOR)						
	2	1	<b>247-7133</b>	2	REGULATOR-WATER TEMPERATURE (98-DEG C)						
	3	1	<b>125-0434</b>	1	SEAL-INTEGRAL						
	4	1	<b>126-4935</b>	1	SEAL-INTEGRAL						
	5	1	<b>166-2340</b>	1	SEAL (TEMPERATURE REGULATOR HOUSING)						
	6	1	<b>166-3501</b>	1	PIPE						
	7	1	<b>223-4746</b>	1	BONNET-OUTLET						
R	8	1	<b>223-7962</b>	1	CORE AS (ENGINE OIL COOLER)						
	9	1	<b>227-8851</b>	1	MANIFOLD-HOUSING						
	10	1	<b>227-8852</b>	1	COVER-WATER PUMP						
	11	1	<b>229-2282</b>	1	BONNET-OIL COOLER						
	12	1	<b>236-1687</b>	1	HOUSING-REGULATOR						
	13	1	<b>0L-1352</b>	4	BOLT (3/8-16X3.25-IN)						
	14	1	<b>0S-1591</b>	3	BOLT (3/8-16X1.5-IN)						
	15	1	<b>0S-1594</b>	2	BOLT (3/8-16X1-IN)						
	16	1	<b>109-0077</b>	2	SEAL-O-RING						
	17	1	<b>147-0323</b>	1	STUD (3/8-16X3.25-IN)						
	18	1	<b>167-4407</b>	1	SEAL-O-RING						
	19	1	<b>171-4358</b>	2	SEAL-O-RING						
	20	1	<b>2M-9780</b>	2	SEAL-O-RING						
	21	1	<b>3D-2824</b>	1	SEAL-O-RING						
	22	1	<b>3J-1907</b>	2	SEAL-O-RING						
	23	1	<b>3K-0360</b>	7	SEAL-O-RING						
	24	1	<b>4F-0411</b>	1	BOLT (3/8-16X6.5-IN)						
	25	1	<b>4K-1388</b>	2	SEAL-O-RING						
	26	1	<b>9S-4185</b>	1	PLUG-O-RING						
	27	1	<b>9S-4190</b>	2	PLUG-O-RING						
	28	1	<b>9S-8004</b>	2	PLUG-O-RING						
	29	1	<b>9S-8005</b>	6	PLUG-O-RING						
	30	1	<b>9S-8008</b>	1	PLUG-O-RING						
	31	1	<b>9S-8009</b>	2	PLUG-O-RING						

R-REMFG PART MAY BE AVAILABLE

# COOLING SYSTEM

255-9245 LINES GP-WATER (contd.)

i02939221



GRAPHIC #1

<END>

g01081733

# COOLING SYSTEM

## 255-9245 LINES GP-WATER

S/N: JRE309-5379

FOR USE WITH SINGLE TURBO  
AN ATTACHMENT

SMCS-1355, 1380, 1393

i02939220

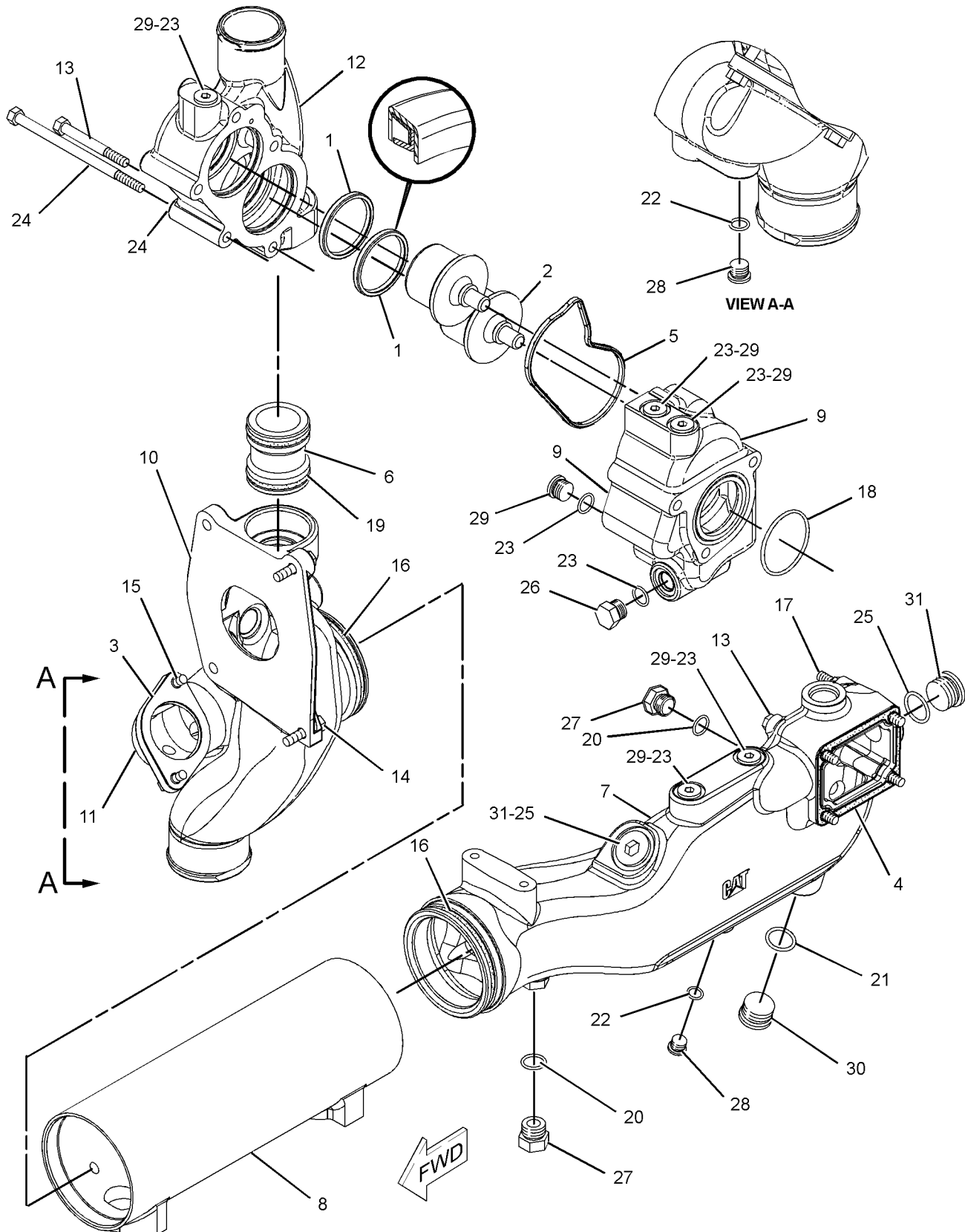
NOTE	REF NO	GRAPHIC REF	PART NUMBER	QTY	PART NAME						SEE PAGE
					1	2	3	4	5	6 (PRODUCT LEVEL)	
	1	1	3S-9643	2	SEAL-LIP TYPE (WATER TEMPERATURE REGULATOR)						
	2	1	247-7133	2	REGULATOR-WATER TEMPERATURE (98-DEG C)						
	3	1	125-0434	1	SEAL-INTEGRAL						
	4	1	126-4935	1	SEAL-INTEGRAL						
	5	1	166-2340	1	SEAL (TEMPERATURE REGULATOR HOUSING)						
	6	1	166-3501	1	PIPE						
	7	1	223-4746	1	BONNET-OUTLET						
R	8	1	223-7962	1	CORE AS (ENGINE OIL COOLER)						
	9	1	227-8851	1	MANIFOLD-HOUSING						
	10	1	227-8852	1	COVER-WATER PUMP						
	11	1	229-2282	1	BONNET-OIL COOLER						
	12	1	236-1687	1	HOUSING-REGULATOR						
	13	1	0L-1352	4	BOLT (3/8-16X3.25-IN)						
C	14	1	0S-1591	2	BOLT (3/8-16X1.5-IN)						
	15	1	0S-1594	2	BOLT (3/8-16X1-IN)						
	16	1	109-0077	2	SEAL-O-RING						
	17	1	147-0323	1	STUD (3/8-16X3.25-IN)						
	18	1	167-4407	1	SEAL-O-RING						
	19	1	171-4358	2	SEAL-O-RING						
	20	1	2M-9780	2	SEAL-O-RING						
	21	1	3D-2824	1	SEAL-O-RING						
	22	1	3J-1907	2	SEAL-O-RING						
	23	1	3K-0360	7	SEAL-O-RING						
	24	1	4F-0411	1	BOLT (3/8-16X6.5-IN)						
	25	1	4K-1388	2	SEAL-O-RING						
	26	1	9S-4185	1	PLUG-O-RING						
	27	1	9S-4190	2	PLUG-O-RING						
	28	1	9S-8004	2	PLUG-O-RING						
	29	1	9S-8005	6	PLUG-O-RING						
	30	1	9S-8008	1	PLUG-O-RING (WATER LINES GROUP)						
	31	1	9S-8009	2	PLUG-O-RING						

C-CHANGE FROM PREVIOUS TYPE  
R-REMFG PART MAY BE AVAILABLE

# COOLING SYSTEM

255-9245 LINES GP-WATER (contd.)

i02939220



GRAPHIC #1

<END>

g01203018

# COOLING SYSTEM

## 255-9245 LINES GP-WATER

S/N: JRE5380-UP

FOR USE WITH SINGLE TURBO  
AN ATTACHMENT

SMCS-1355, 1380, 1393

i03716707

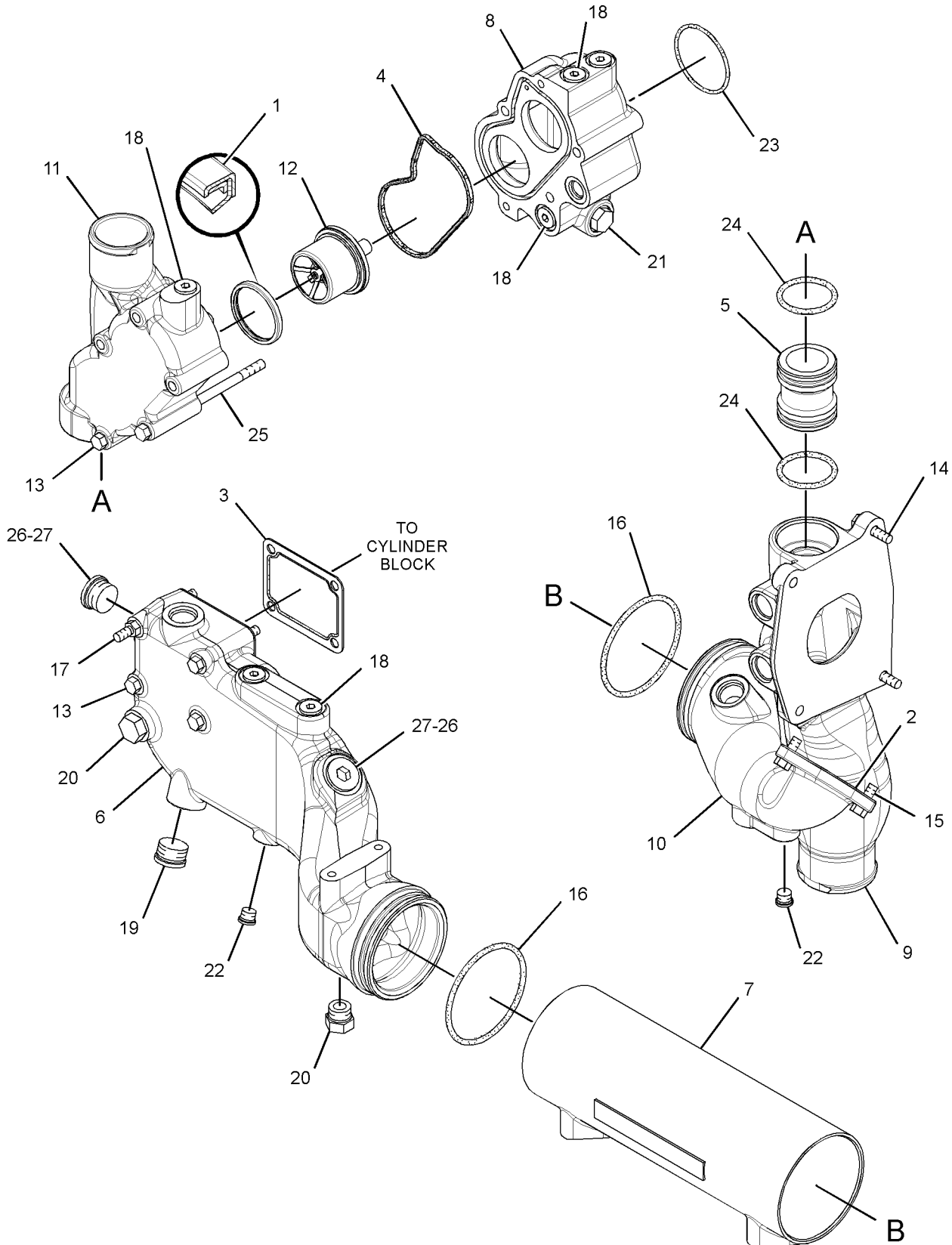
NOTE	REF NO	GRAPHIC REF	PART NUMBER	QTY	PART NAME						SEE PAGE
					1	2	3	4	5	6 (PRODUCT LEVEL)	
	1	1	<b>3S-9643</b>	2	SEAL-LIP TYPE (WATER TEMPERATURE REGULATOR)						
	2	1	<b>125-0434</b>	1	SEAL-INTEGRAL						
	3	1	<b>126-4935</b>	1	SEAL-INTEGRAL						
	4	1	<b>341-1429</b>	1	SEAL (TEMPERATURE REGULATOR HOUSING)						
	5	1	<b>166-3501</b>	1	PIPE						
	6	1	<b>223-4746</b>	1	BONNET-OUTLET						
R	7	1	<b>223-7962</b>	1	CORE AS (ENGINE OIL COOLER)						
	8	1	<b>227-8851</b>	1	MANIFOLD-HOUSING						
	9	1	<b>227-8852</b>	1	COVER-WATER PUMP						
	10	1	<b>229-2282</b>	1	BONNET-OIL COOLER						
	11	1	<b>236-1687</b>	1	HOUSING-REGULATOR						
	12	1	<b>247-7133</b>	2	REGULATOR-WATER TEMPERATURE (98-DEG C)						
	13	1	<b>0L-1352</b>	4	BOLT (3/8-16X3.25-IN)						
	14	1	<b>0S-1591</b>	2	BOLT (3/8-16X1.5-IN)						
	15	1	<b>0S-1594</b>	2	BOLT (3/8-16X1-IN)						
	16	1	<b>109-0077</b>	2	SEAL-O-RING						
	17	1	<b>147-0323</b>	1	STUD (3/8-16X3.25-IN)						
C	18	1	<b>148-8395</b>	6	PLUG AS						
					(EACH INCLUDES)						
		1	<b>3K-0360</b>	1	SEAL-O-RING						
		1	<b>9S-8005</b>	1	PLUG-O-RING						
C	19	1	<b>148-8409</b>	1	PLUG AS						
		1	<b>3D-2824</b>	1	SEAL-O-RING						
		1	<b>9S-8008</b>	1	PLUG-O-RING						
C	20	1	<b>148-8410</b>	2	PLUG AS						
					(EACH INCLUDES)						
		1	<b>2M-9780</b>	1	SEAL-O-RING						
		1	<b>9S-4190</b>	1	PLUG-O-RING						
C	21	1	<b>148-8411</b>	1	PLUG AS						
		1	<b>3K-0360</b>	1	SEAL-O-RING						
		1	<b>9S-4185</b>	1	PLUG-O-RING						
C	22	1	<b>162-0177</b>	2	PLUG AS						
					(EACH INCLUDES)						
		1	<b>3J-1907</b>	1	SEAL-O-RING						
		1	<b>9S-8004</b>	1	PLUG-O-RING						
	23	1	<b>167-4407</b>	1	SEAL-O-RING						
	24	1	<b>171-4358</b>	2	SEAL-O-RING						
	25	1	<b>4F-0411</b>	1	BOLT (3/8-16X6.5-IN)						
	26	1	<b>4K-1388</b>	2	SEAL-O-RING						
	27	1	<b>9S-8009</b>	2	PLUG-O-RING						

C-CHANGE FROM PREVIOUS TYPE  
R-REMFG PART MAY BE AVAILABLE

# COOLING SYSTEM

255-9245 LINES GP-WATER (contd.)

i03716707



GRAPHIC #1

<END>

g01421568

# COOLING SYSTEM

## 255-9247 LINES GP-WATER

AN ATTACHMENT

SMCS-1355, 1380, 1393

i04002063

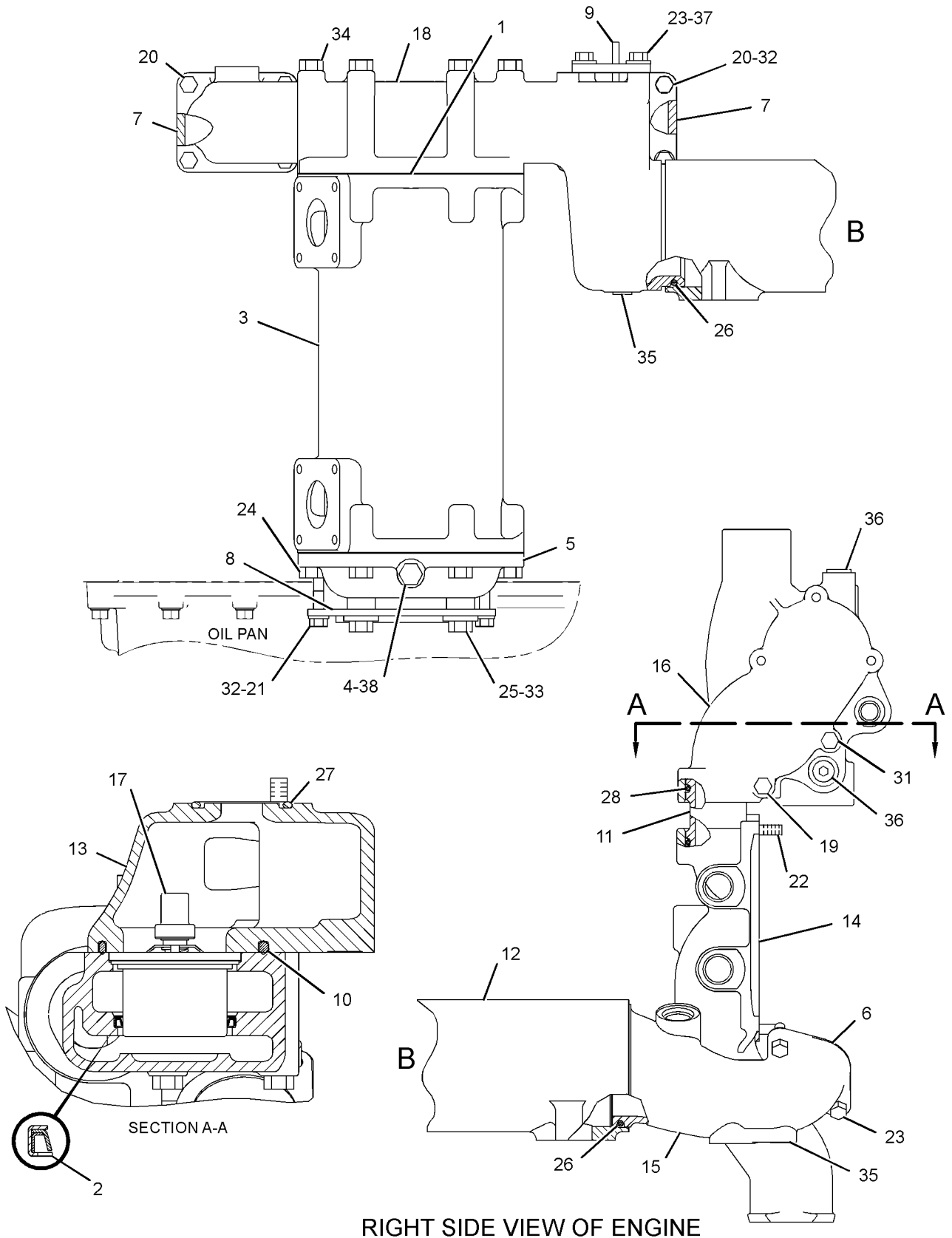
NOTE	REF NO	GRAPHIC REF	PART NUMBER	QTY	PART NAME						SEE PAGE
					1	2	3	4	5	6 (PRODUCT LEVEL)	
	1	1	<b>2S-0795</b>	2	GASKET						
	2	1	<b>3S-9643</b>	2	SEAL-LIP TYPE (WATER TEMPERATURE REGULATOR)						
YR	3	1	<b>4P-7731</b>	1	CORE GP-OIL COOLER (TRANSMISSION)						521
	4	1	<b>8M-9307</b>	1	PLUG (TRANSMISSION OIL COOLER)						
	5	1	<b>8S-4304</b>	1	BONNET-XMSN OIL COOLER						
	6	1	<b>125-0434</b>	1	SEAL-INTEGRAL						
	7	1	<b>126-4935</b>	2	SEAL-INTEGRAL						
	8	1	<b>160-6332</b>	1	SUPPORT AS						
	9	1	<b>160-6491</b>	1	SUPPORT AS						
	10	1	<b>341-1429</b>	1	SEAL (TEMPERATURE REGULATOR HOUSING)						
	11	1	<b>166-3501</b>	1	PIPE						
R	12	1	<b>223-7962</b>	1	CORE AS (ENGINE OIL COOLER)						
	13	1	<b>227-8851</b>	1	MANIFOLD-HOUSING						
	14	1	<b>227-8852</b>	1	COVER-WATER PUMP						
	15	1	<b>229-2282</b>	1	BONNET-OIL COOLER						
	16	1	<b>236-1687</b>	1	HOUSING-REGULATOR						
	17	1	<b>247-7133</b>	2	REGULATOR-WATER TEMPERATURE (98-DEG C)						
	18	1	<b>263-2179</b>	1	BONNET						
	19	1	<b>0L-1352</b>	1	BOLT (3/8-16X3.25-IN)						
	20	1	<b>0S-1588</b>	8	BOLT (3/8-16X1.25-IN)						
	21	1	<b>0S-1590</b>	2	BOLT (3/8-16X2-IN)						
	22	1	<b>0S-1591</b>	2	BOLT (3/8-16X1.5-IN)						
	23	1	<b>0S-1594</b>	4	BOLT (3/8-16X1-IN)						
	24	1	<b>0S-1595</b>	4	BOLT (1/2-13X1.25-IN)						
	25	1	<b>0V-0375</b>	2	BOLT (1/2-13X3.25-IN)						
	26	1	<b>109-0077</b>	2	SEAL-O-RING						
	27	1	<b>167-4407</b>	1	SEAL-O-RING						
	28	1	<b>171-4358</b>	2	SEAL-O-RING						
	31	1	<b>4F-0411</b>	1	BOLT (3/8-16X6.5-IN)						
	32	1	<b>5M-2894</b>	6	WASHER-HARD (10.2X18.5X2.5-MM THK)						
	33	1	<b>7D-1649</b>	2	WASHER-HARD (13.5X32X5-MM THK)						
	34	1	<b>8S-9089</b>	6	BOLT (1/2-13X4.5-IN)						
	35	1	<b>353-5124</b>	2	PLUG AS						
					(EACH INCLUDES)						
		1	<b>6V-3250</b>	1	SEAL-O-RING						
		1	<b>9S-8004</b>	1	PLUG-O-RING						
	36	1	<b>353-5126</b>	5	PLUG AS						
					(EACH INCLUDES)						
		1	<b>6V-6609</b>	1	SEAL-O-RING						
		1	<b>9S-8005</b>	1	PLUG-O-RING						
	37	1	<b>9X-6458</b>	2	WASHER-HARD (10.2X22.5X3-MM THK)						
	38	1	<b>6F-7062</b>	1	WASHER (12.7X19.05X1.83-MM THK)						

R-REMFG PART MAY BE AVAILABLE  
Y-SEPARATE ILLUSTRATION

# COOLING SYSTEM

255-9247 LINES GP-WATER (contd.)

i04002063



GRAPHIC #1

RIGHT SIDE VIEW OF ENGINE

<END>

g01454144



# COOLING SYSTEM

## 255-9249 LINES GP-WATER

S/N: JRE1-308

FOR USE WITH SINGLE TURBO. CANNOT BE USED WITH JACKET WATER HEATER, TWIN  
TURBO CONFIGURATION  
AN ATTACHMENT

SMCS-1355, 1380, 1393

i02939737

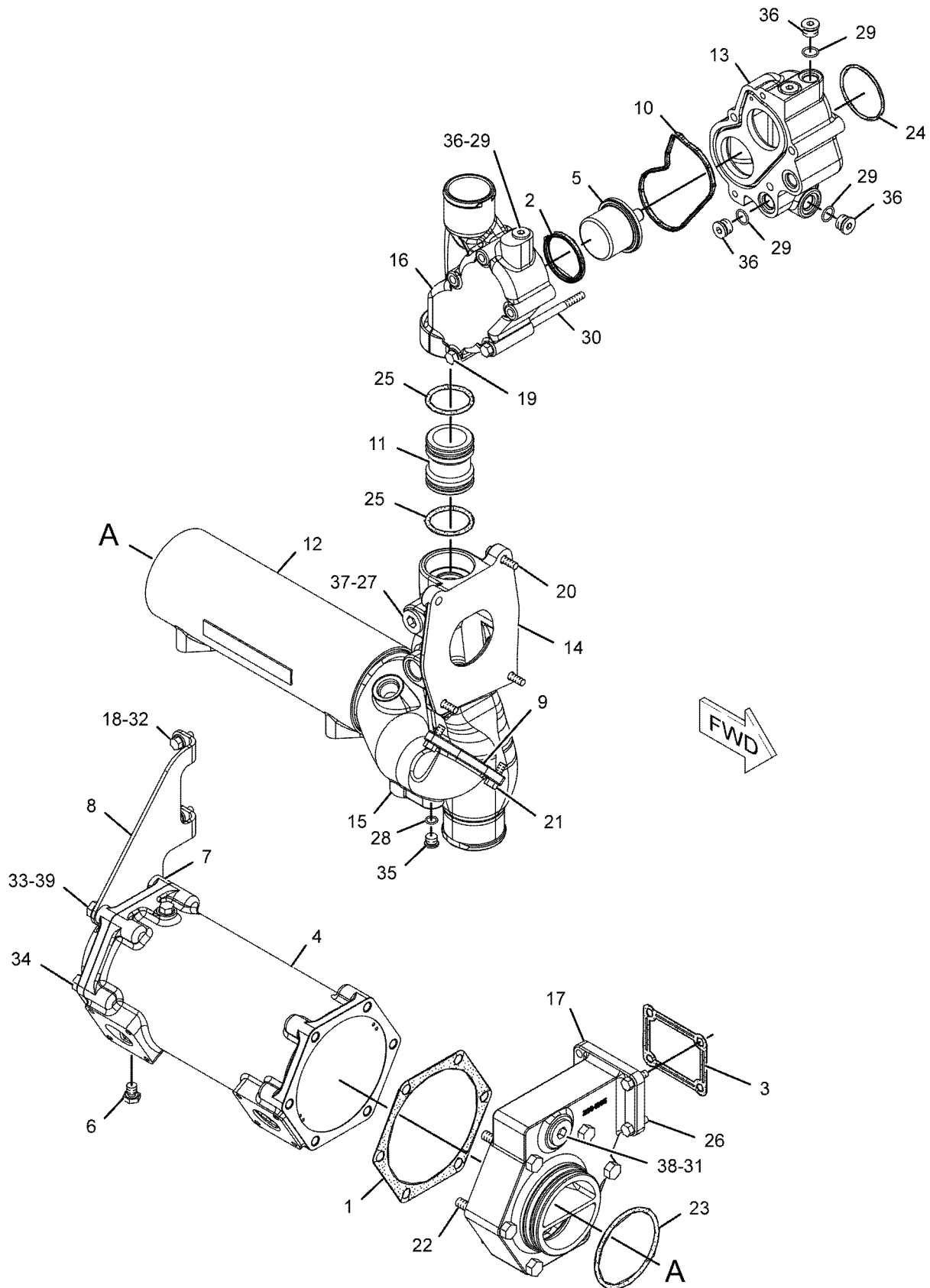
NOTE	REF NO	GRAPHIC REF	PART NUMBER	QTY	PART NAME						SEE PAGE
					1	2	3	4	5	6 (PRODUCT LEVEL)	
	1	1	2S-0795	2	GASKET						
	2	1	3S-9643	2	SEAL-LIP TYPE (WATER TEMPERATURE REGULATOR)						
	3	1	4N-0641	1	GASKET (TEMPERATURE REGULATOR HOUSING)						
YR	4	1	4P-7731	1	CORE GP-OIL COOLER (TRANSMISSION)						521
	5	1	247-7133	2	REGULATOR-WATER TEMPERATURE (98-DEG C)						
	6	1	8M-9307	1	PLUG (TRANSMISSION OIL COOLER)						
	7	1	8S-4304	1	BONNET-XMSN OIL COOLER						
	8	1	121-4896	1	BRACKET						
	9	1	125-0434	1	SEAL-INTEGRAL						
	10	1	166-2340	1	SEAL (TEMPERATURE REGULATOR HOUSING)						
	11	1	166-3501	1	PIPE						
R	12	1	223-7962	1	CORE AS (ENGINE OIL COOLER)						
	13	1	227-8851	1	MANIFOLD-HOUSING						
	14	1	227-8852	1	COVER-WATER PUMP						
	15	1	229-2282	1	BONNET-OIL COOLER						
	16	1	236-1687	1	HOUSING-REGULATOR						
	17	1	236-1805	1	BONNET						
	18	1	0L-1351	2	BOLT (3/8-16X0.875-IN)						
	19	1	0L-1352	1	BOLT (3/8-16X3.25-IN)						
	20	1	0S-1591	3	BOLT (3/8-16X1.5-IN)						
	21	1	0S-1594	2	BOLT (3/8-16X1-IN)						
	22	1	0V-0375	6	BOLT (1/2-13X3.25-IN)						
	23	1	109-0077	2	SEAL-O-RING						
	24	1	167-4407	1	SEAL-O-RING						
	25	1	171-4358	2	SEAL-O-RING						
	26	1	1A-2029	3	BOLT (3/8-16X1.125-IN)						
	27	1	3D-2824	1	SEAL-O-RING						
	28	1	3J-1907	1	SEAL-O-RING						
	29	1	3K-0360	5	SEAL-O-RING						
	30	1	4F-0411	1	BOLT (3/8-16X6.5-IN)						
	31	1	4K-1388	1	SEAL-O-RING						
	32	1	5M-2894	2	WASHER-HARD (10.2X18.5X2.5-MM THK)						
	33	1	5P-8245	2	WASHER-HARD (13.5X25.5X3-MM THK)						
	34	1	7B-3235	4	BOLT (1/2-13X1.375-IN)						
	35	1	9S-8004	1	PLUG-O-RING						
	36	1	9S-8005	5	PLUG-O-RING						
	37	1	9S-8008	1	PLUG-O-RING						
	38	1	9S-8009	1	PLUG-O-RING						
	39	1	9X-8873	2	BOLT (1/2-13X2.25-IN)						

R-REMG PART MAY BE AVAILABLE  
Y-SEPARATE ILLUSTRATION

# COOLING SYSTEM

255-9249 LINES GP-WATER (contd.)

i02939737



GRAPHIC #1

<END>

g01086659

# COOLING SYSTEM

## 255-9249 LINES GP-WATER

S/N: JRE309-586

**FOR USE WITH SINGLE TURBO. CANNOT BE USED WITH JACKET WATER HEATER, TWIN  
TURBO CONFIGURATION  
AN ATTACHMENT**

SMCS-1355, 1380, 1393

i02939738

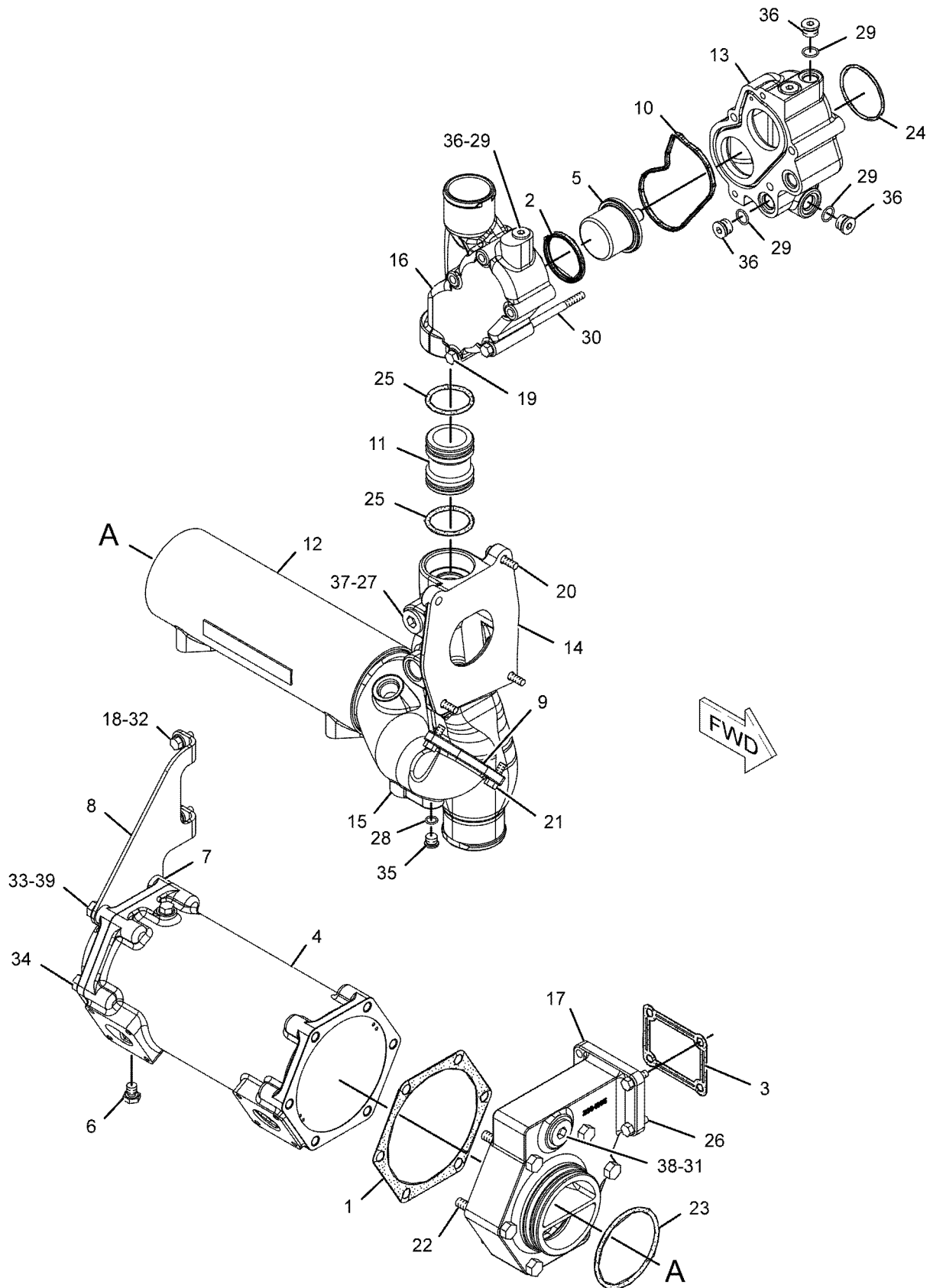
NOTE	REF NO	GRAPHIC REF	PART NUMBER	QTY	PART NAME						SEE PAGE
					1	2	3	4	5	6 (PRODUCT LEVEL)	
	1	1	2S-0795	2	GASKET						
	2	1	3S-9643	2	SEAL-LIP TYPE (WATER TEMPERATURE REGULATOR)						
	3	1	4N-0641	1	GASKET (TEMPERATURE REGULATOR HOUSING)						
YR	4	1	4P-7731	1	CORE GP-OIL COOLER (TRANSMISSION)						521
	5	1	247-7133	2	REGULATOR-WATER TEMPERATURE (98-DEG C)						
	6	1	8M-9307	1	PLUG (TRANSMISSION OIL COOLER)						
	7	1	8S-4304	1	BONNET-XMSN OIL COOLER						
	8	1	121-4896	1	BRACKET						
	9	1	125-0434	1	SEAL-INTEGRAL						
	10	1	166-2340	1	SEAL (TEMPERATURE REGULATOR HOUSING)						
	11	1	166-3501	1	PIPE						
R	12	1	223-7962	1	CORE AS (ENGINE OIL COOLER)						
	13	1	227-8851	1	MANIFOLD-HOUSING						
	14	1	227-8852	1	COVER-WATER PUMP						
	15	1	229-2282	1	BONNET-OIL COOLER						
	16	1	236-1687	1	HOUSING-REGULATOR						
	17	1	236-1805	1	BONNET						
	18	1	0L-1351	2	BOLT (3/8-16X0.875-IN)						
	19	1	0L-1352	1	BOLT (3/8-16X3.25-IN)						
C	20	1	0S-1591	2	BOLT (3/8-16X1.5-IN)						
	21	1	0S-1594	2	BOLT (3/8-16X1-IN)						
	22	1	0V-0375	6	BOLT (1/2-13X3.25-IN)						
	23	1	109-0077	2	SEAL-O-RING						
	24	1	167-4407	1	SEAL-O-RING						
	25	1	171-4358	2	SEAL-O-RING						
	26	1	1A-2029	3	BOLT (3/8-16X1.125-IN)						
	27	1	3D-2824	1	SEAL-O-RING						
	28	1	3J-1907	1	SEAL-O-RING						
	29	1	3K-0360	5	SEAL-O-RING						
	30	1	4F-0411	1	BOLT (3/8-16X6.5-IN)						
	31	1	4K-1388	1	SEAL-O-RING						
	32	1	5M-2894	2	WASHER-HARD (10.2X18.5X2.5-MM THK)						
	33	1	5P-8245	2	WASHER-HARD (13.5X25.5X3-MM THK)						
	34	1	7B-3235	4	BOLT (1/2-13X1.375-IN)						
	35	1	9S-8004	1	PLUG-O-RING						
	36	1	9S-8005	5	PLUG-O-RING						
	37	1	9S-8008	1	PLUG-O-RING						
	38	1	9S-8009	1	PLUG-O-RING						
	39	1	9X-8873	2	BOLT (1/2-13X2.25-IN)						

C-CHANGE FROM PREVIOUS TYPE  
R-REMFG PART MAY BE AVAILABLE  
Y-SEPARATE ILLUSTRATION

# COOLING SYSTEM

255-9249 LINES GP-WATER (contd.)

i02939738



GRAPHIC #1

<END>

g01086659

# COOLING SYSTEM

## 255-9249 LINES GP-WATER

S/N: JRE587-UP

**FOR USE WITH SINGLE TURBO. CANNOT BE USED WITH JACKET WATER HEATER, TWIN  
TURBO CONFIGURATION  
AN ATTACHMENT**

SMCS-1355, 1380, 1393

i04002064

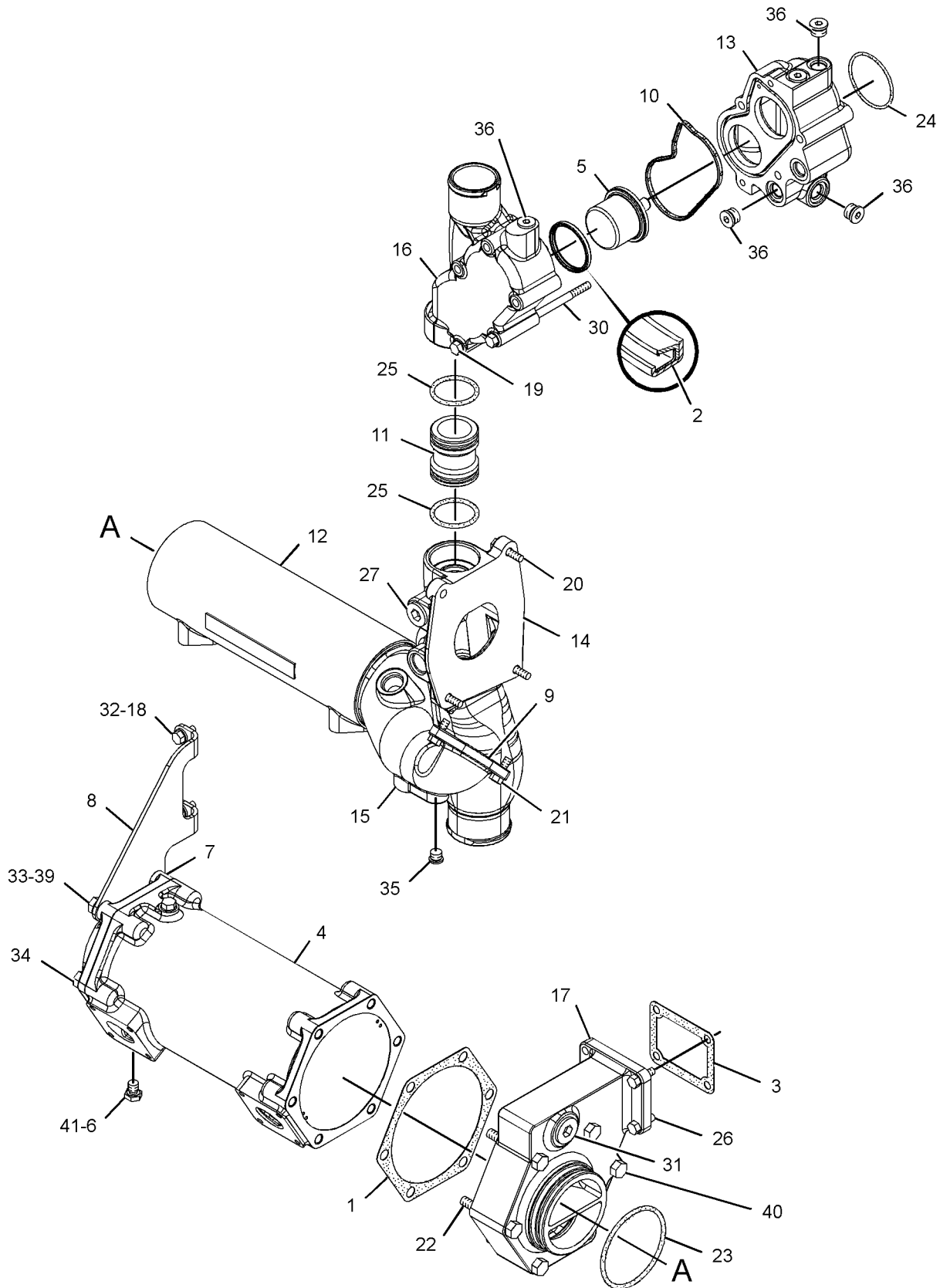
NOTE	REF NO	GRAPHIC REF	PART NUMBER	QTY	PART NAME						SEE PAGE
					1	2	3	4	5	6 (PRODUCT LEVEL)	
	1	1	2S-0795	2	GASKET						
	2	1	3S-9643	2	SEAL-LIP TYPE (WATER TEMPERATURE REGULATOR)						
	3	1	126-4935	1	SEAL-INTEGRAL						
YR	4	1	4P-7731	1	CORE GP-OIL COOLER (TRANSMISSION)						521
	5	1	247-7133	2	REGULATOR-WATER TEMPERATURE (98-DEG C) (COOLANT)						
	6	1	8M-9307	1	PLUG (TRANSMISSION OIL COOLER)						
	7	1	8S-4304	1	BONNET-XMSN OIL COOLER						
	8	1	121-4896	1	BRACKET						
	9	1	125-0434	1	SEAL-INTEGRAL						
	10	1	341-1429	1	SEAL (TEMPERATURE REGULATOR HOUSING)						
	11	1	166-3501	1	PIPE						
R	12	1	223-7962	1	CORE AS (ENGINE OIL COOLER)						
	13	1	227-8851	1	MANIFOLD-HOUSING						
	14	1	227-8852	1	COVER-WATER PUMP						
	15	1	229-2282	1	BONNET-OIL COOLER						
	16	1	236-1687	1	HOUSING-REGULATOR						
	17	1	236-1805	1	BONNET						
	18	1	0L-1351	2	BOLT (3/8-16X0.875-IN)						
	19	1	0L-1352	1	BOLT (3/8-16X3.25-IN)						
	20	1	0S-1591	2	BOLT (3/8-16X1.5-IN)						
	21	1	0S-1594	2	BOLT (3/8-16X1-IN)						
C	22	1	0V-0375	4	BOLT (1/2-13X3.25-IN)						
	23	1	109-0077	2	SEAL-O-RING						
	24	1	167-4407	1	SEAL-O-RING						
	25	1	171-4358	2	SEAL-O-RING						
	26	1	1A-2029	3	BOLT (3/8-16X1.125-IN)						
	27	1	353-5140	1	PLUG AS						
		1	6V-5063	1	SEAL-O-RING						
		1	9S-8008	1	PLUG-O-RING						
	30	1	4F-0411	1	BOLT (3/8-16X6.5-IN)						
	31	1	353-5141	1	PLUG AS						
		1	9S-8009	1	PLUG-O-RING						
		1	291-8145	1	SEAL-O-RING						
	32	1	5M-2894	2	WASHER-HARD (10.2X18.5X2.5-MM THK)						
	33	1	5P-8245	2	WASHER-HARD (13.5X25.5X3-MM THK)						
	34	1	7B-3235	4	BOLT (1/2-13X1.375-IN)						
	35	1	353-5124	1	PLUG AS						
		1	6V-3250	1	SEAL-O-RING						
		1	9S-8004	1	PLUG-O-RING						
	36	1	353-5126	5	PLUG AS						
					(EACH INCLUDES)						
		1	6V-6609	1	SEAL-O-RING						
		1	9S-8005	1	PLUG-O-RING						
	39	1	9X-8873	2	BOLT (1/2-13X2.25-IN)						
C	40	1	1A-5822	2	BOLT (1/2-13X2.75-IN)						
C	41	1	6F-7062	1	WASHER (12.7X19.05X1.83-MM THK)						

C-CHANGE FROM PREVIOUS TYPE  
R-REMG PART MAY BE AVAILABLE  
Y-SEPARATE ILLUSTRATION

# COOLING SYSTEM

255-9249 LINES GP-WATER (contd.)

i04002064



GRAPHIC #1

<END>

g02285017

# COOLING SYSTEM

## 266-0768 LINES GP-WATER

FOR USE WITH SINGLE AND TWIN TURBO, REMOTE TRANSMISSION OIL COOLER  
AN ATTACHMENT

SMCS-1355, 1380, 1393

i03881657

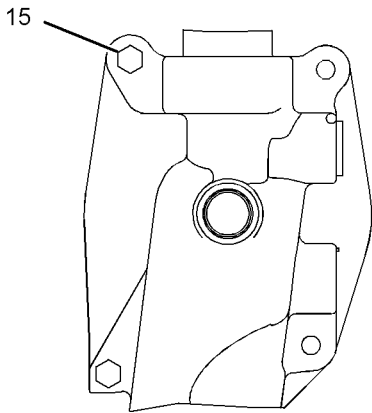
NOTE	REF NO	GRAPHIC REF	PART NUMBER	QTY	PART NAME						SEE PAGE
					1	2	3	4	5	6 (PRODUCT LEVEL)	
	1	1	<b>3S-9643</b>	2	SEAL-LIP TYPE (WATER TEMPERATURE REGULATOR)						
R	2	1	<b>7C-0145</b>	1	CORE AS-OIL COOLER (ENGINE)						
	3	1	<b>125-0434</b>	1	SEAL-INTEGRAL						
	4	1	<b>126-4935</b>	1	SEAL-INTEGRAL						
	5	1	<b>341-1429</b>	1	SEAL (TEMPERATURE REGULATOR HOUSING)						
	6	1	<b>166-3501</b>	1	PIPE						
	7	1	<b>227-8851</b>	1	MANIFOLD-HOUSING						
	8	1	<b>227-8852</b>	1	COVER-WATER PUMP						
	9	1	<b>229-2282</b>	1	BONNET-OIL COOLER						
	10	1	<b>236-1687</b>	1	HOUSING-REGULATOR						
	11	1	<b>236-5613</b>	1	BONNET						
	12	1	<b>247-7133</b>	2	REGULATOR-WATER TEMPERATURE (98-DEG C) (COOLANT)						
	13	1	<b>0L-1352</b>	1	BOLT (3/8-16X3.25-IN)						
	14	1	<b>0S-1588</b>	4	BOLT (3/8-16X1.25-IN)						
	15	1	<b>0S-1591</b>	2	BOLT (3/8-16X1.5-IN)						
	16	1	<b>0S-1594</b>	2	BOLT (3/8-16X1-IN)						
	17	1	<b>109-0077</b>	2	SEAL-O-RING						
	18	1	<i>164-4180</i>	1	PLUG AS						
		1	<b>7M-8485</b>	1	SEAL-O-RING						
		1	<b>9S-4181</b>	1	PLUG-O-RING						
	19	1	<b>167-4407</b>	1	SEAL-O-RING						
	20	1	<b>171-4358</b>	2	SEAL-O-RING						
	21	1	<b>209-4573</b>	4	CLAMP-V BAND						
	22	1	<i>148-8409</i>	1	PLUG AS						
		1	<b>3D-2824</b>	1	SEAL-O-RING						
		1	<b>9S-8008</b>	1	PLUG-O-RING						
	23	1	<i>162-0177</i>	1	PLUG AS						
		1	<b>3J-1907</b>	1	SEAL-O-RING						
		1	<b>9S-8004</b>	1	PLUG-O-RING						
	24	1	<i>148-8395</i>	5	PLUG AS						
					(EACH INCLUDES)						
		1	<b>3K-0360</b>	1	SEAL-O-RING						
		1	<b>9S-8005</b>	1	PLUG-O-RING						
	25	1	<b>4F-0411</b>	1	BOLT (3/8-16X6.5-IN)						

R-REMFG PART MAY BE AVAILABLE

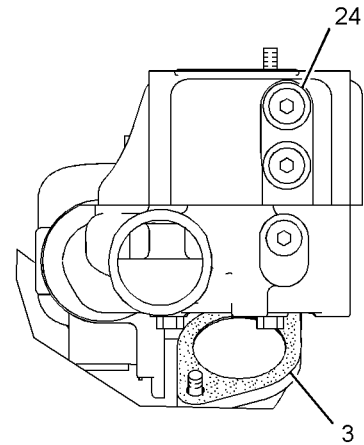
# COOLING SYSTEM

266-0768 LINES GP-WATER (contd.)

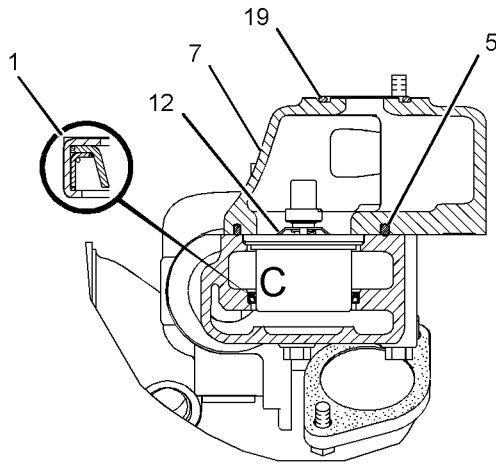
i03881657



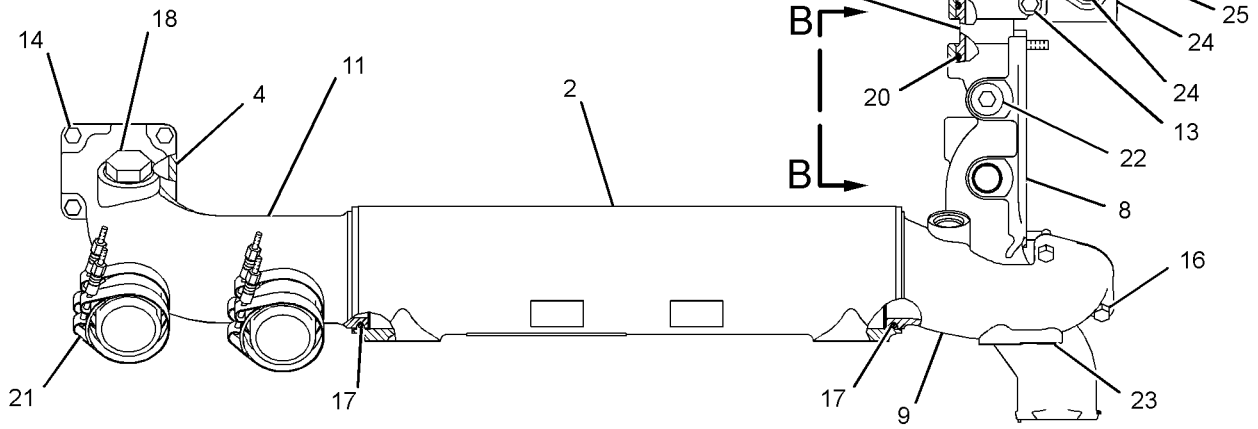
VIEW B-B



TOP VIEW OF ENGINE



SECTION A-A



RIGHT SIDE VIEW OF ENGINE

GRAPHIC #1

<END>

g01502513



# COOLING SYSTEM

## 279-8770 LINES GP-WATER

AN ATTACHMENT

SMCS-1355, 1380, 1393

i03993938

NOTE	REF NO	GRAPHIC REF	PART NUMBER	QTY	PART NAME						SEE PAGE
					1	2	3	4	5	6 (PRODUCT LEVEL)	
	1	1	<b>3S-9643</b>	2	SEAL-LIP TYPE (WATER TEMPERATURE REGULATOR)						
	2	2	<b>125-0434</b>	1	SEAL-INTEGRAL						
	3	2	<b>126-4935</b>	1	SEAL-INTEGRAL						
R	4	2	<b>133-0125</b>	1	CORE AS-ENGINE OIL COOLER						
	5	1	<b>157-0670</b>	1	CAP-DUST						
	6	2	<b>162-8682</b>	1	HOUSING-REGULATOR						
	7	2	<b>162-8697</b>	1	MANIFOLD-HOUSING						
	8	1	<b>163-9385</b>	1	BONNET-OUTLET						
	9	1	<b>166-2340</b>	1	SEAL (TEMPERATURE REGULATOR)						
	10	2	<b>166-3501</b>	1	PIPE						
	11	2	<b>170-4860</b>	1	BONNET-INLET						
	12	2	<b>196-4813</b>	1	COVER-WATER PUMP						
	13	2	<b>197-8006</b>	1	SEAL-O-RING						
	14	1	<b>247-7133</b>	2	REGULATOR-WATER TEMPERATURE (98-DEG C) (COOLANT)						
	15	1,2	<b>0L-1352</b>	6	BOLT (3/8-16X3.25-IN)						
	16	1,2	<b>0S-1594</b>	6	BOLT (3/8-16X1-IN)						
	17	1,2	<b>109-0077</b>	2	SEAL-O-RING						
	18	1	<b>154-9024</b>	1	VALVE GP-FLUID SAMPLING (ENGINE COOLANT)						
	19	1	<b>167-4407</b>	1	SEAL-O-RING						
	20	2	<b>171-4358</b>	2	SEAL-O-RING						
	21	2	<b>4F-0411</b>	3	BOLT (3/8-16X6.5-IN)						
	22	2	<b>353-5140</b>	3	PLUG AS						
					(EACH INCLUDES)						
		2	<b>6V-5063</b>	1	SEAL-O-RING						
		2	<b>9S-8008</b>	1	PLUG-O-RING						
	23	1,2	<b>7X-7731</b>	5	PLUG-PIPE						
	24	1	<b>8T-6761</b>	1	PLUG-PIPE						
	25	2	<b>8T-6762</b>	6	PLUG-PIPE						
	26	2	<b>8T-6767</b>	1	PLUG-PIPE						

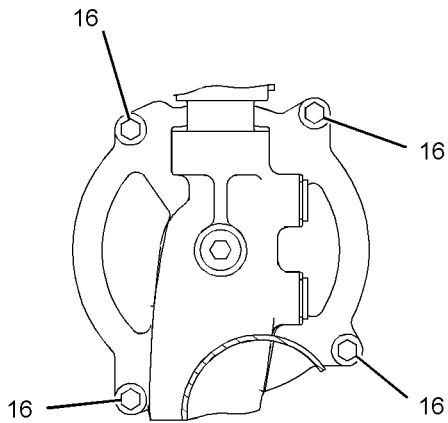
R-REMFG PART MAY BE AVAILABLE

# COOLING SYSTEM

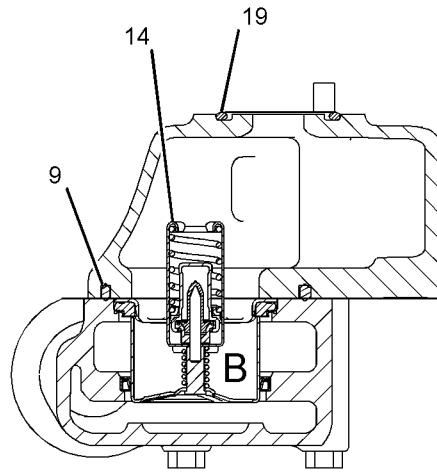
279-8770 LINES GP-WATER (contd.)

i03993938

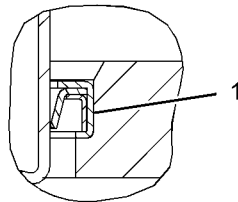
REFER TO ALL ILLUSTRATIONS OF THIS GROUP FOR AUXILIARY VIEWS.



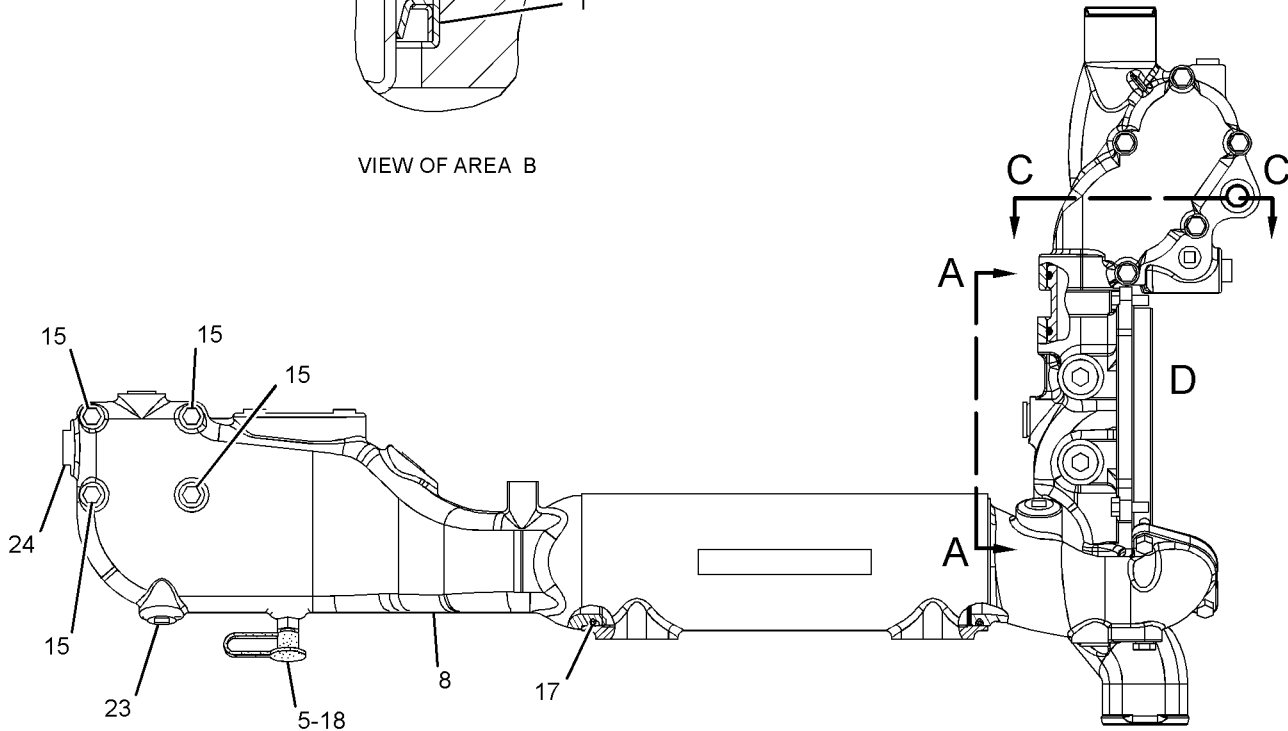
SECTION A-A



SECTION C-C



VIEW OF AREA B



RIGHT SIDE VIEW OF ENGINE

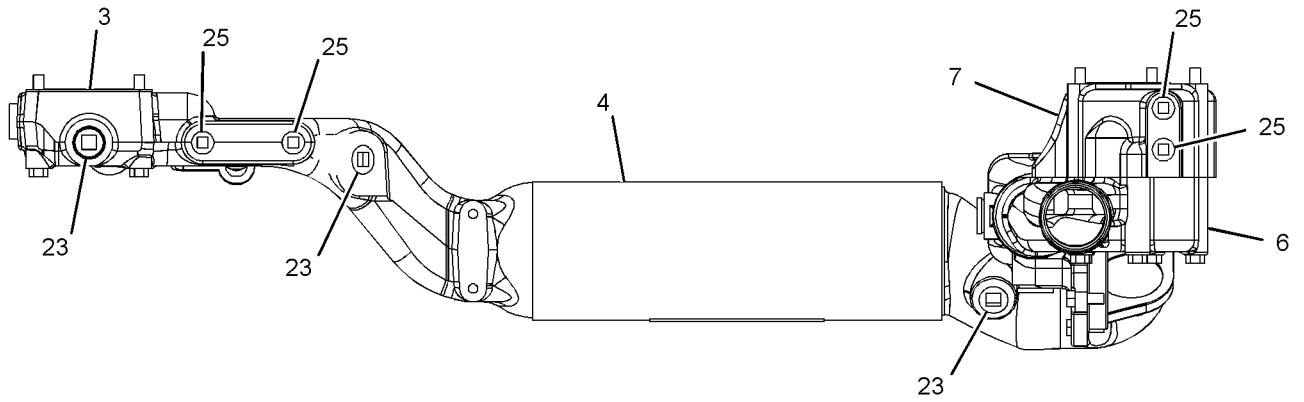
GRAPHIC #1

g02174542

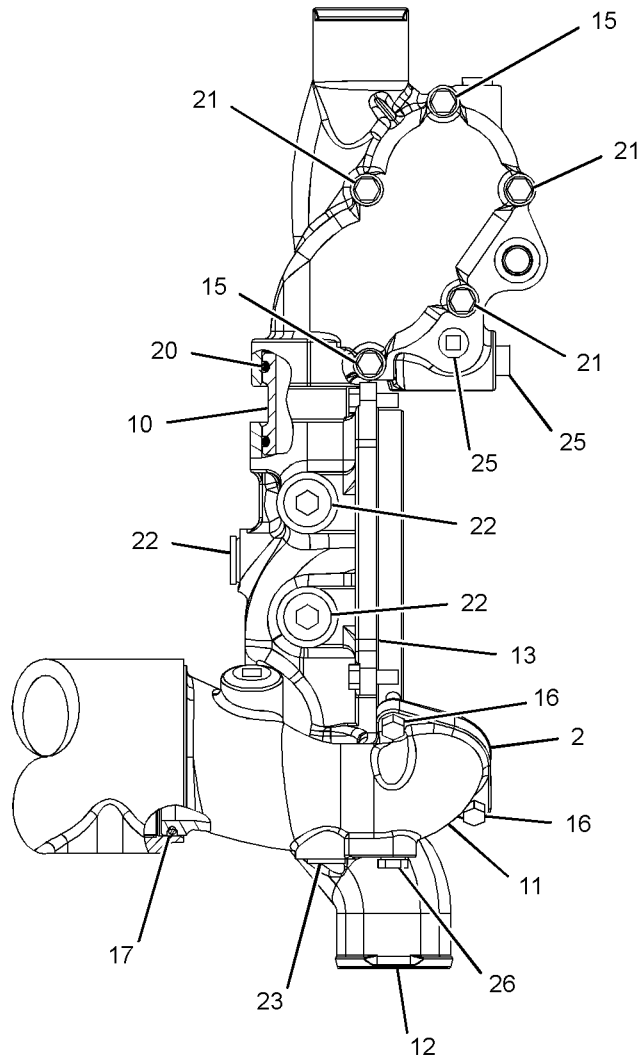
# COOLING SYSTEM

279-8770 LINES GP-WATER (contd.)

i03993938



TOP VIEW OF ENGINE



VIEW OF AREA D

<END>

GRAPHIC #2

g02174543

# COOLING SYSTEM

## 351-8282 LINES GP-WATER

FOR USE WITH C15 INDUSTRIAL RAIL ENGINES WITH TWIN VOLUTE WATER PUMP. CANNOT  
BE USED WITH C15 INDUSTRIAL ENGINES SINGLE VOLUTE WATER PUMP  
AN ATTACHMENT

SMCS-1355, 1380, 1393

i03743138

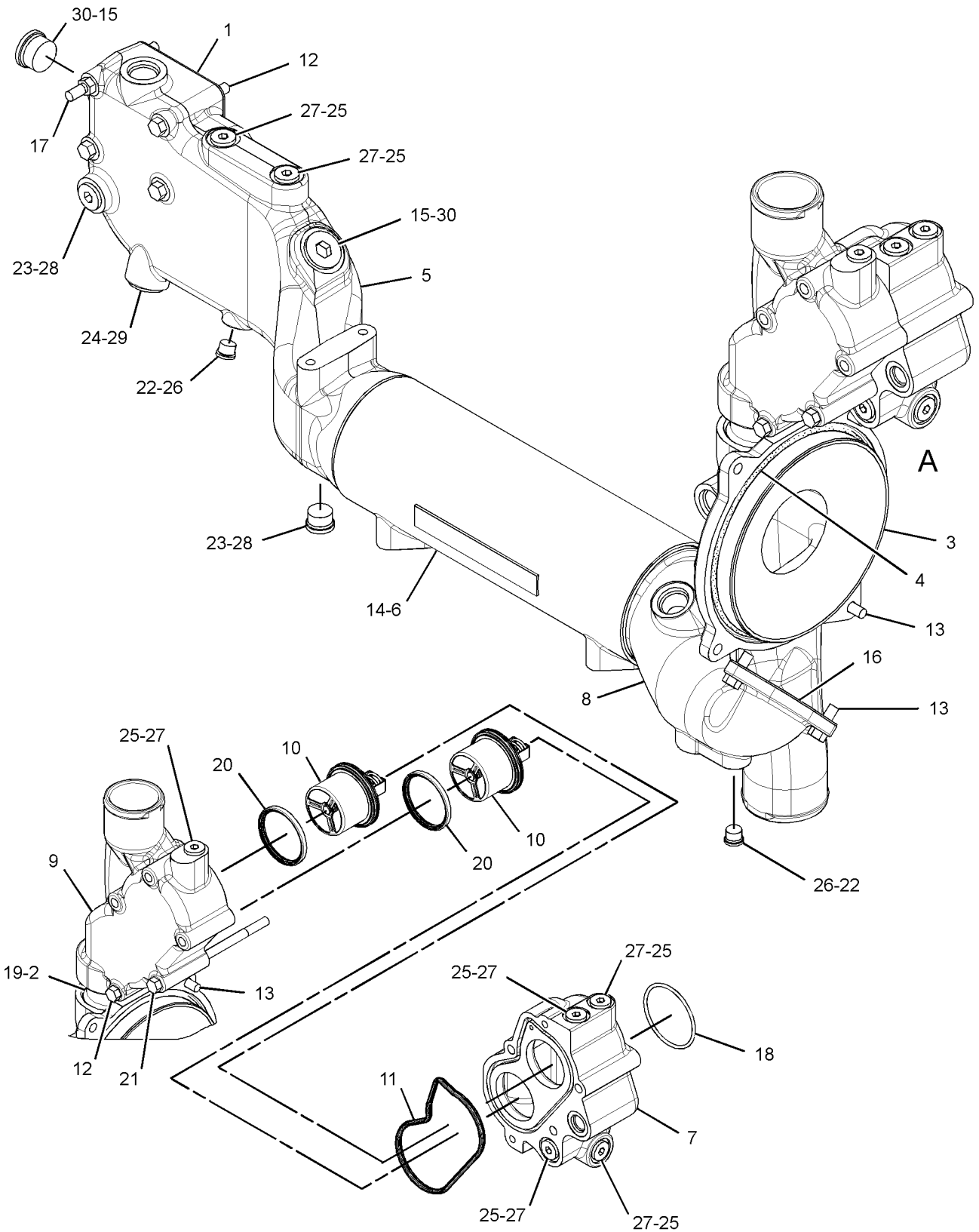
NOTE	REF NO	GRAPHIC REF	PART NUMBER	QTY	PART NAME						SEE PAGE
					1	2	3	4	5	6 (PRODUCT LEVEL)	
	1	1	126-4935	1	SEAL - INTEGRAL						
	2	1	166-3501	1	PIPE						
	3	1	196-4813	1	COVER-WATER PUMP						
	4	1	197-8006	1	SEAL - O-RING						
	5	1	223-4746	1	BONNET-OUTLET						
R	6	1	223-7962	1	CORE AS						
	7	1	227-8851	1	MANIFOLD-HOUSING						
	8	1	229-2282	1	BONNET-OIL COOLER						
	9	1	236-1687	1	HOUSING-REGULATOR						
	10	1	247-7133	2	REGULATOR-WATER TEMPERATURE (98-DEG C)						
	11	1	341-1429	1	SEAL						
	12	1	0L-1352	4	BOLT (3/8-16X3.25-IN)						
	13	1	0S-1594	4	BOLT (3/8-16X1-IN)						
	14	1	109-0077	2	SEAL-O-RING						
	15	1	119-5155	2	SEAL-O-RING						
	16	1	125-0434	1	SEAL - INTEGRAL						
	17	1	147-0323	1	STUD (3/8-16X3.25-IN)						
	18	1	167-4407	1	SEAL-O-RING						
	19	1	171-4358	2	SEAL-O-RING						
	20	1	3S-9643	2	SEAL-LIP TYPE						
	21	1	4F-0411	1	BOLT (3/8-16X6.5-IN)						
	22	1	6V-3250	2	SEAL-O-RING						
	23	1	6V-3251	2	SEAL-O-RING						
	24	1	6V-5063	1	SEAL-O-RING						
	25	1	6V-6609	7	SEAL-O-RING						
	26	1	9S-8004	2	PLUG-O-RING						
	27	1	9S-8005	7	PLUG-O-RING						
	28	1	9S-8006	2	PLUG-O-RING						
	29	1	9S-8008	1	PLUG-O-RING						
	30	1	9S-8009	2	PLUG-O-RING						

R-REMFG PART MAY BE AVAILABLE

# COOLING SYSTEM

351-8282 LINES GP-WATER (contd.)

i03743138



VIEW OF AREA A  
(EXPLODED)

GRAPHIC #1

<END>

g02038441

# COOLING SYSTEM

## 109-2322 PLUG GP-WATER LINES

CANNOT BE USED WITH COOLANT CONDITIONER  
AN ATTACHMENT

SMCS - 1380

i01389055

NOTE	PART NUMBER	QTY	PART NAME						SEE PAGE
			1	2	3	4	5	6 (PRODUCT LEVEL)	
	7X-7731	4	PLUG-PIPE						
INSTALL 1 PLUG INTO OIL COOLER BONNET AND 3 PLUGS INTO THE WATER PUMP COVER.									
<END>									

# COOLING SYSTEM

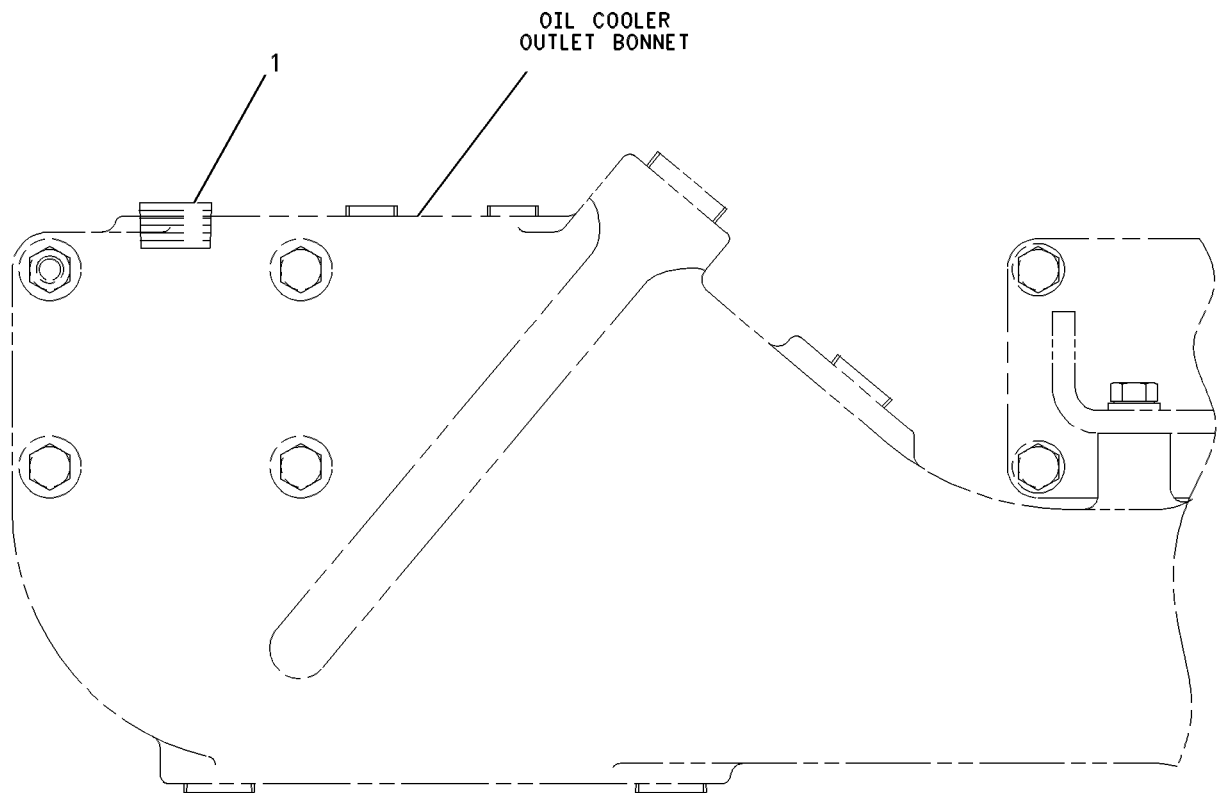
## 159-1598 PLUG GP-WATER LINES

USE WHEN A JACKET-WATER HEATER IS NOT USED  
FOR USE WITH LINES GP-WATER  
AN ATTACHMENT

SMCS-1380

i00875746

NOTE	REF NO	GRAPHIC REF	PART NUMBER	QTY	PART NAME						SEE PAGE
					1	2	3	4	5	6 (PRODUCT LEVEL)	
	1	1	7X-7731		PLUG-PIPE						



RIGHT SIDE VIEW

GRAPHIC #1

<END>

g00434731

# COOLING SYSTEM

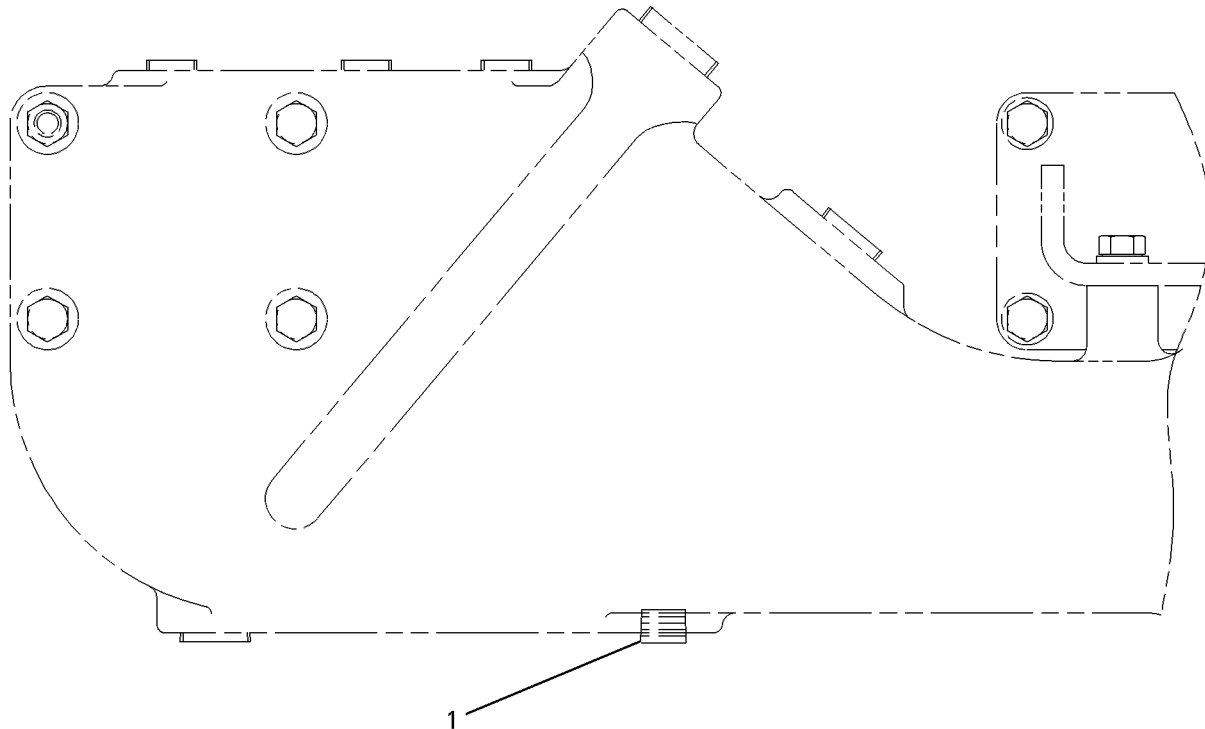
## 159-1599 PLUG GP-WATER LINES

CANNOT BE USED WITH COOLANT CONDITIONER  
AN ATTACHMENT

SMCS-1380

i03326881

NOTE	REF NO	GRAPHIC REF	PART NUMBER	QTY	PART NAME						SEE PAGE
					1	2	3	4	5	6 (PRODUCT LEVEL)	
	1	1	7X-7732	1	PLUG-PIPE (3/8-18 NPTF THD)						



RIGHT SIDE VIEW

GRAPHIC #1

<END>

g00434720



# COOLING SYSTEM

## 255-9250 PLUG GP-WATER LINES

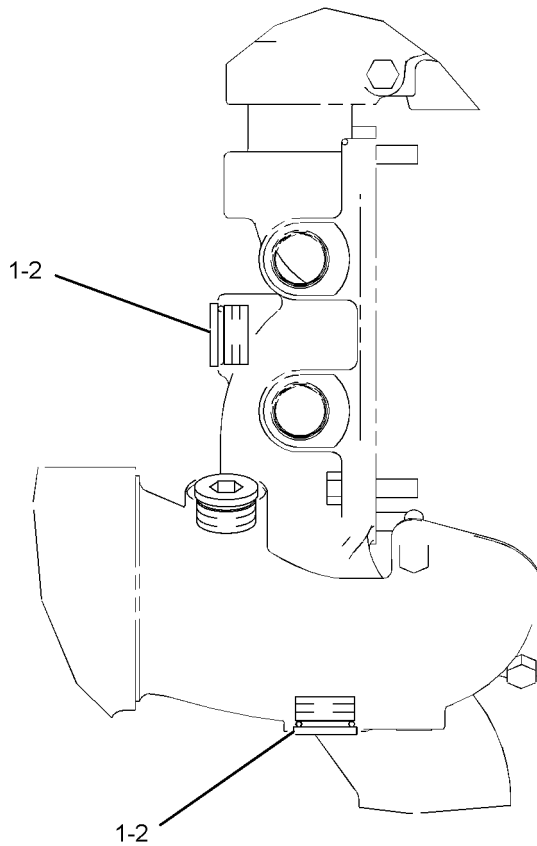
S/N: JRE1-5354

CANNOT BE USED WITH COOLANT CONDITIONER GROUP  
AN ATTACHMENT

SMCS-1380

i02603989

NOTE	REF NO	GRAPHIC REF	PART NUMBER	QTY	PART NAME						SEE PAGE
					1	2	3	4	5	6 (PRODUCT LEVEL)	
	1	1	<b>3D-2824</b>	3	SEAL-O-RING						
	2	1	<b>9S-8008</b>	3	PLUG-O-RING (WATER LINES GROUP)						



**RIGHT SIDE VIEW**

<END>

GRAPHIC #1

g01080901

# COOLING SYSTEM

## 255-9250 PLUG GP-WATER LINES

S/N: JRE5355-UP

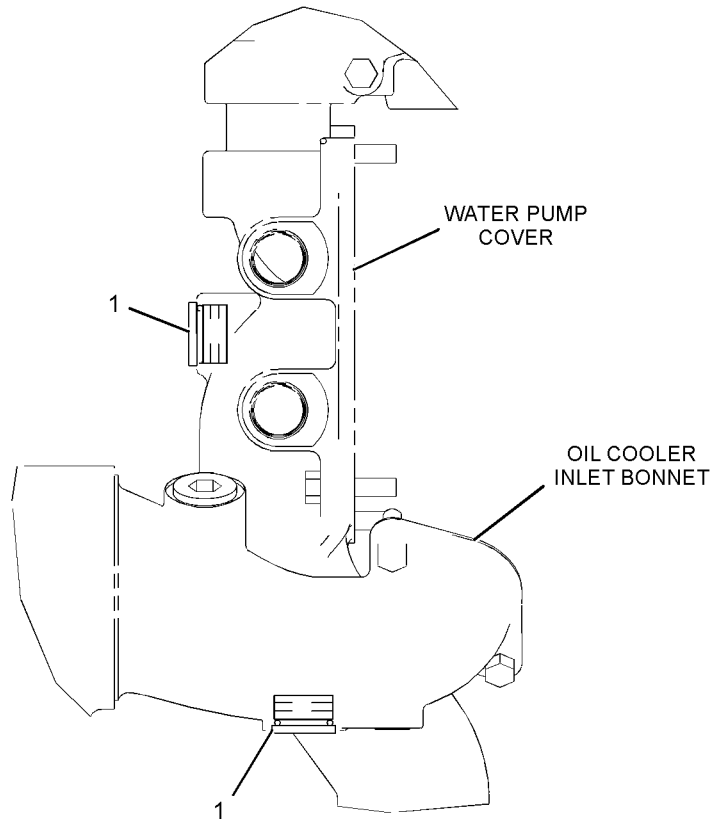
CANNOT BE USED WITH COOLANT CONDITIONER GROUP  
AN ATTACHMENT

SMCS-1380

i03924791

NOTE	REF NO	GRAPHIC REF	PART NUMBER	QTY	PART NAME						SEE PAGE
					1	2	3	4	5	6 (PRODUCT LEVEL)	
C	1	1	315-9859	2	PLUG AS						
(EACH INCLUDES)											
		1	238-5082	1	SEAL-O-RING						
		1	9S-8008	1	PLUG-O-RING						

C-CHANGE FROM PREVIOUS TYPE



RIGHT SIDE VIEW OF ENGINE

GRAPHIC #1

<END>

g01420609

# COOLING SYSTEM

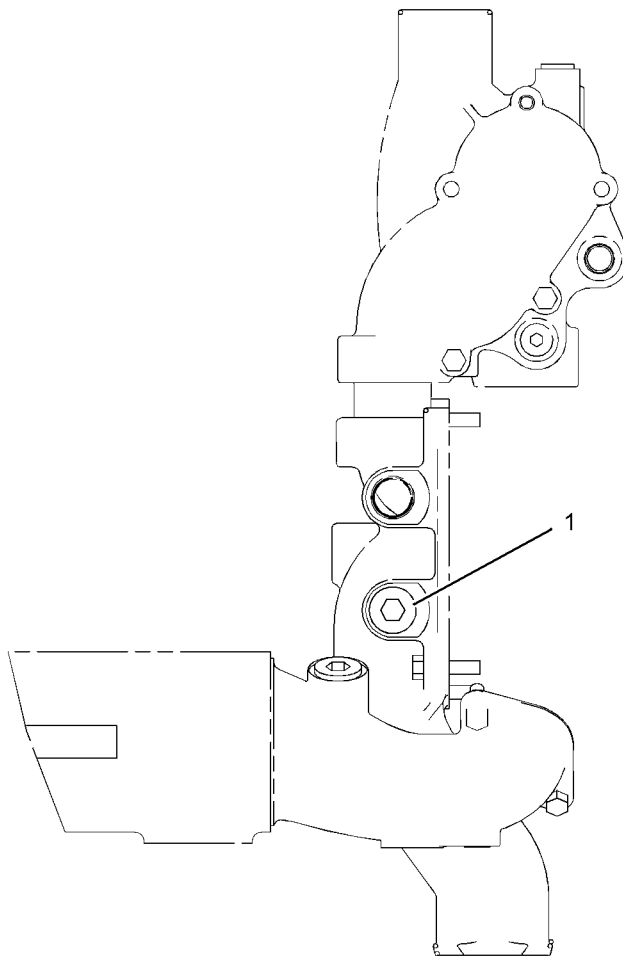
## 255-9251 PLUG GP-WATER LINES

CANNOT BE USED WITH RADIATOR GROUP  
AN ATTACHMENT

SMCS-1380

i03924832

NOTE	REF NO	GRAPHIC REF	PART NUMBER	QTY	PART NAME						SEE PAGE
					1	2	3	4	5	6 (PRODUCT LEVEL)	
	1	1	315-9859	1	PLUG AS						
		1	238-5082	1	SEAL-O-RING						
		1	9S-8008	1	PLUG-O-RING						



RIGHT SIDE VIEW

<END>

GRAPHIC #1

g01375644

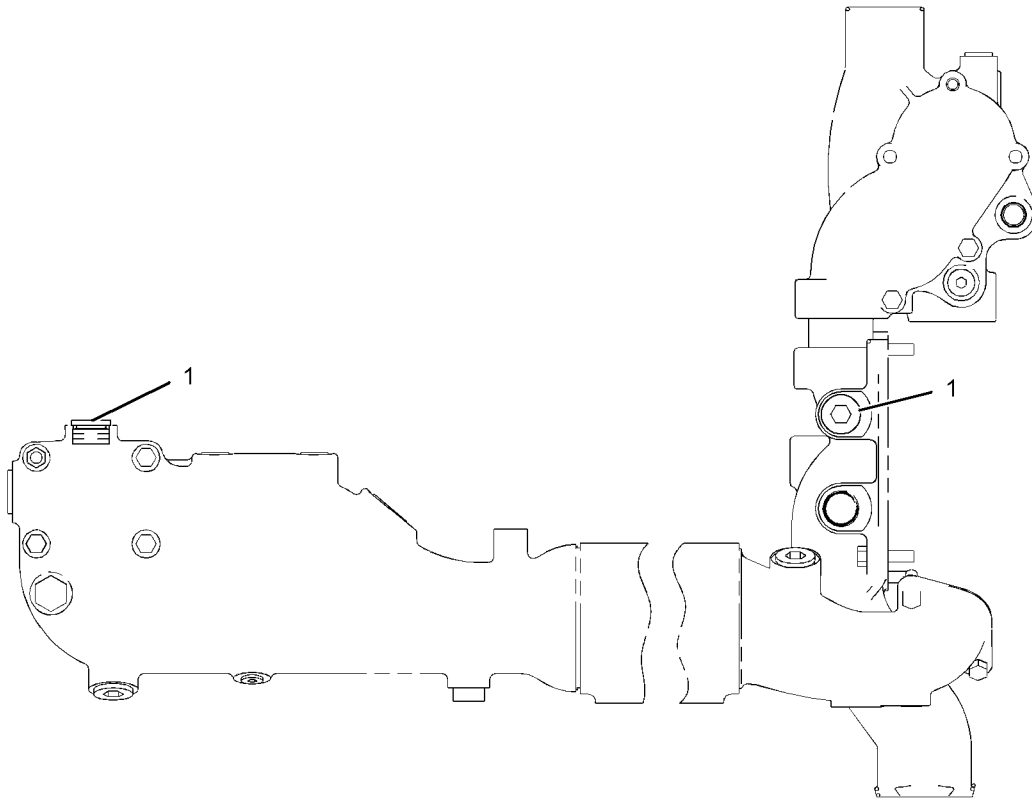
# COOLING SYSTEM

## 255-9252 PLUG GP-WATER LINES CANNOT BE USED WITH WATER JACKET HEATER MOUNTING GROUP AN ATTACHMENT

SMCS-1380

i03924852

NOTE	REF NO	GRAPHIC REF	PART NUMBER	QTY	PART NAME						SEE PAGE
					1	2	3	4	5	6 (PRODUCT LEVEL)	
	1	1	315-9859	2	PLUG AS						
					(EACH INCLUDES)						
		1	238-5082	1	SEAL-O-RING						
		1	9S-8008	1	PLUG-O-RING						



**RIGHT SIDE VIEW**

GRAPHIC #1

<END>

g01375633

# COOLING SYSTEM

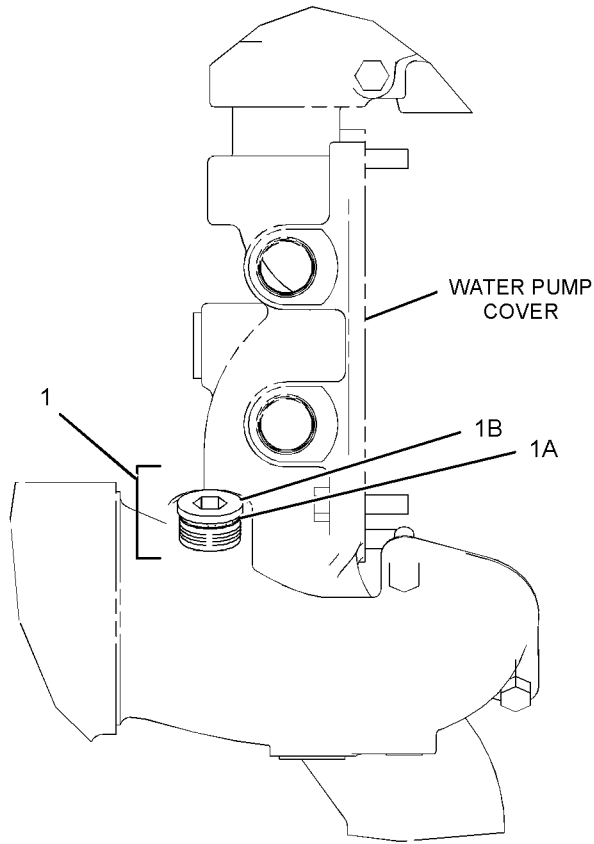
## 311-1441 PLUG GP-WATER LINES

FOR USE WITH C18 TIER INDUSTRIAL ENGINES. CANNOT BE USED WITH  
311-1436—PAGE 702  
AN ATTACHMENT

SMCS-1380

i03925249

NOTE	REF NO	GRAPHIC REF	PART NUMBER	QTY	PART NAME						SEE PAGE
					1	2	3	4	5	6 (PRODUCT LEVEL)	
	1	1	315-9859	1	PLUG AS						
	1A	1	238-5082	1	SEAL-O-RING						
	1B	1	9S-8008	1	PLUG-O-RING						



RIGHT SIDE VIEW OF ENGINE

<END>

GRAPHIC #1

g01386179

# COOLING SYSTEM

## 161-5719 PUMP GP-WATER\*R

PART OF 174-5986 PUMP GP-WATER

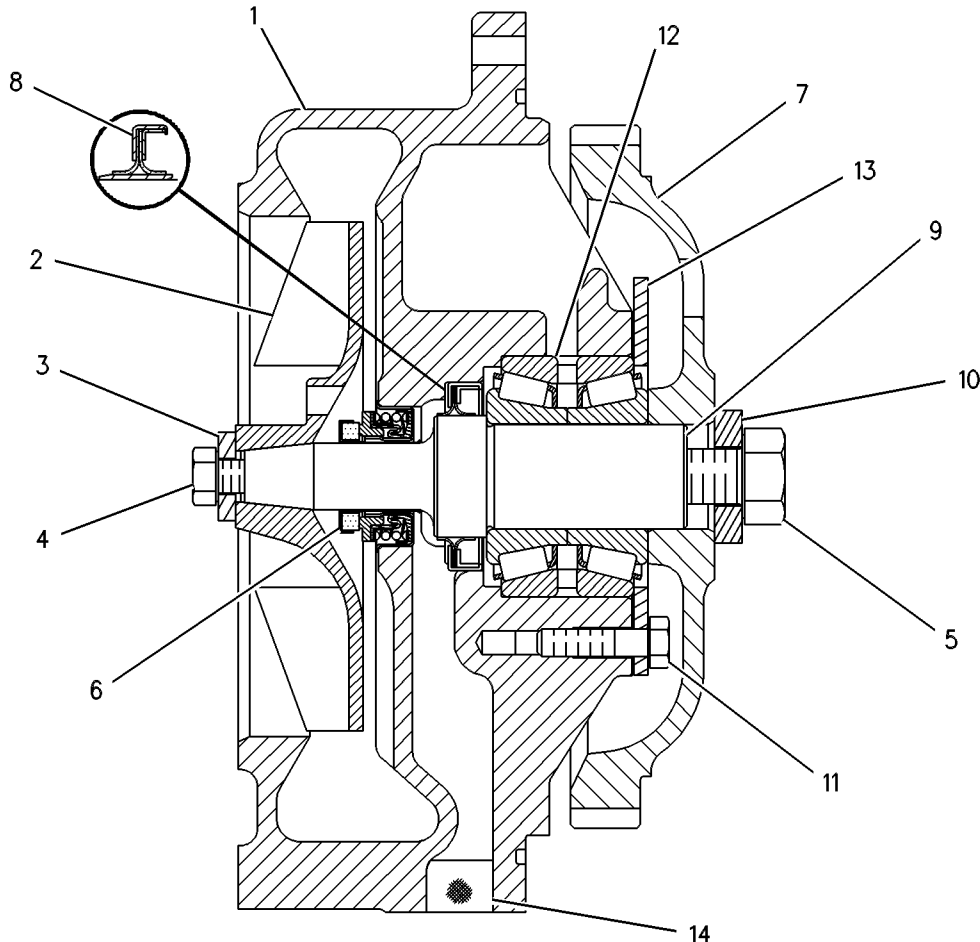
ALSO AN ATTACHMENT

SMCS-1361

i02740969

NOTE	REF NO	GRAPHIC REF	PART NUMBER	QTY	PART NAME						SEE PAGE
					1	2	3	4	5	6 (PRODUCT LEVEL)	
	1	1	161-5718	1	HOUSING-WATER PUMP						
	2	1	129-9907	1	IMPELLER-PUMP						
W	3	1	9M-6527	1	WASHER-HARD (10.2X25.5X5-MM THK)						
	4	1	0S-1591	1	BOLT (3/8-16X1.5-IN)						
	5	1	1A-1135	1	BOLT (5/8-11X2-IN)						
W	6	1	128-0317	1	SEAL GP (WATER PUMP)						
	7	1	153-9023	1	GEAR (74-TEETH)						
W	8	1	153-1256	1	SEAL-LIP TYPE						
W	9	1	135-4928	1	SHAFT-WATER PUMP						
W	10	1	5S-0581	1	WASHER-HARD (17X38X8-MM THK)						
	11	1	1B-7182	4	BOLT (5/16-18X1.25-IN)						
W	12	1	108-7930	1	BEARING AS-ROLLER						
W	13	1	136-1107	1	RETAINER						
W	14	1	136-3742	1	PLUG-FELT						
					AVAILABLE REPAIR KIT(S):						
W			138-6744	1	KIT-PUMP REBUILD (WATER)						
					INCLUDES WASHER, SEALS, BEARING AS, FILTERS, SHAFT-WATER PUMP, AND RETAINER						

W-KIT MARKED W INCLUDES PARTS MARKED W



GRAPHIC #1

<END>

g00263499

# COOLING SYSTEM

## 174-5986 PUMP GP-WATER

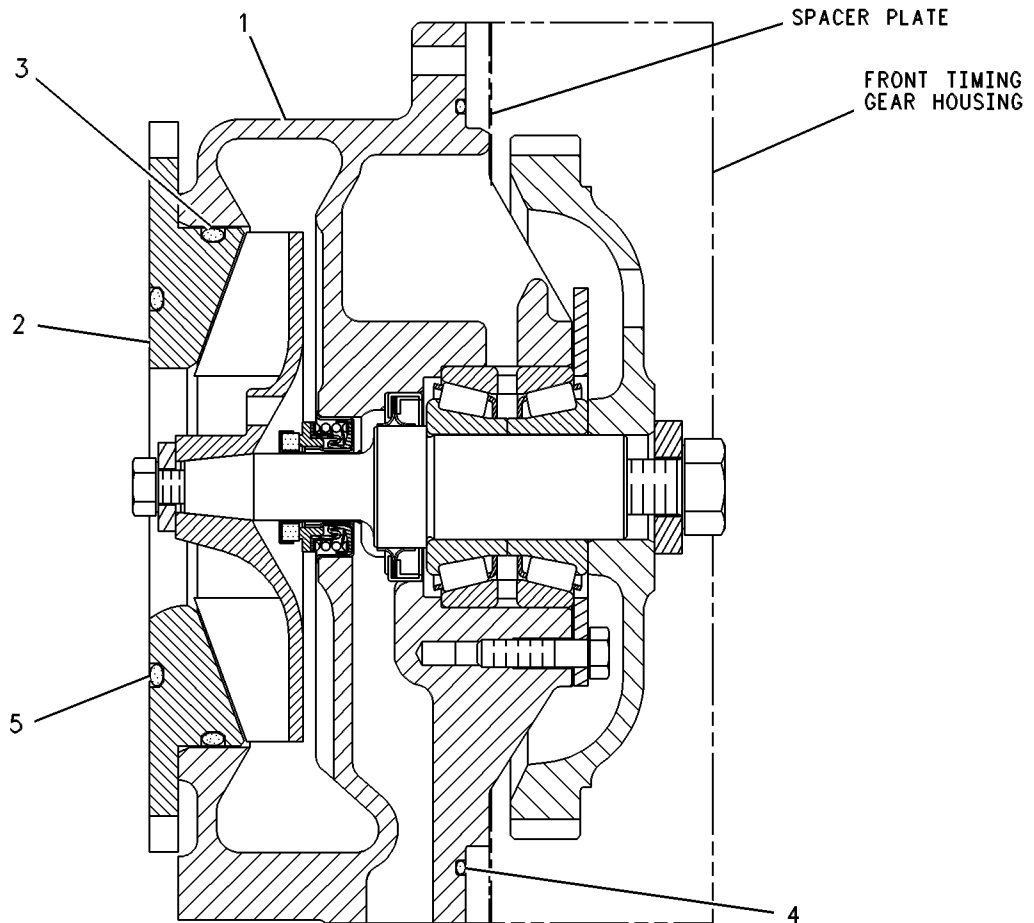
HEAVY DUTY PUMP  
ALSO AN ATTACHMENT

SMCS-1361

i02610618

NOTE	REF NO	GRAPHIC REF	PART NUMBER	QTY	PART NAME						SEE PAGE
					1	2	3	4	5	6 (PRODUCT LEVEL)	
YR	1	1	161-5719	1	PUMP GP-WATER						576
	2	1	4P-2383	1	ADAPTER						
	3	1	9M-3786	1	SEAL-O-RING						
	4	1	122-3772	1	SEAL-O-RING						
	5	1	109-0077	1	SEAL-O-RING						

R-REMFG PART MAY BE AVAILABLE  
Y-SEPARATE ILLUSTRATION



GRAPHIC #1

<END>

g00263504

# COOLING SYSTEM

## 280-8039 PUMP GP-WATER

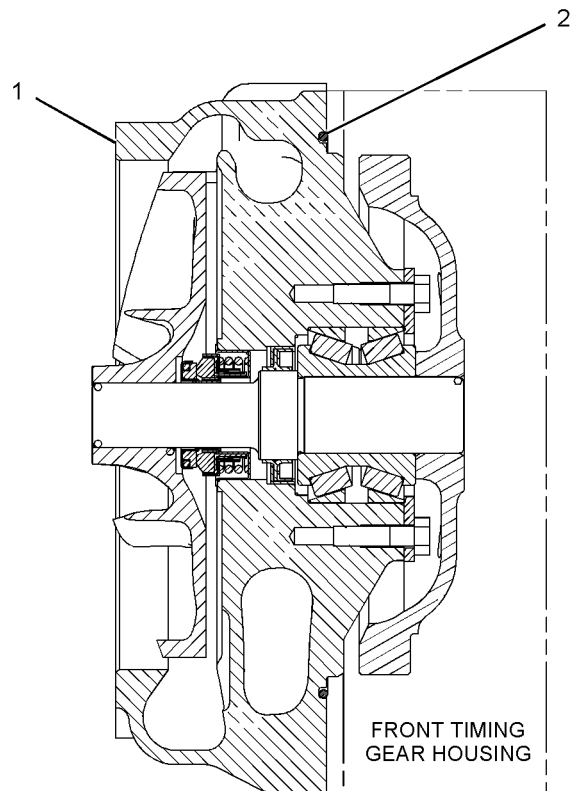
S/N: JRE10788-UP

SMCS-1361

i03828552

NOTE	REF NO	GRAPHIC REF	PART NUMBER	QTY	PART NAME						SEE PAGE
					1	2	3	4	5	6 (PRODUCT LEVEL)	
Y	1	1	336-2213	1	PUMP GP-WATER						579
	2	1	122-3772	1	SEAL-O-RING (WATER PUMP)						

Y-SEPARATE ILLUSTRATION



GRAPHIC #1

<END>

g01147605



# COOLING SYSTEM

## 336-2213 PUMP GP-WATER

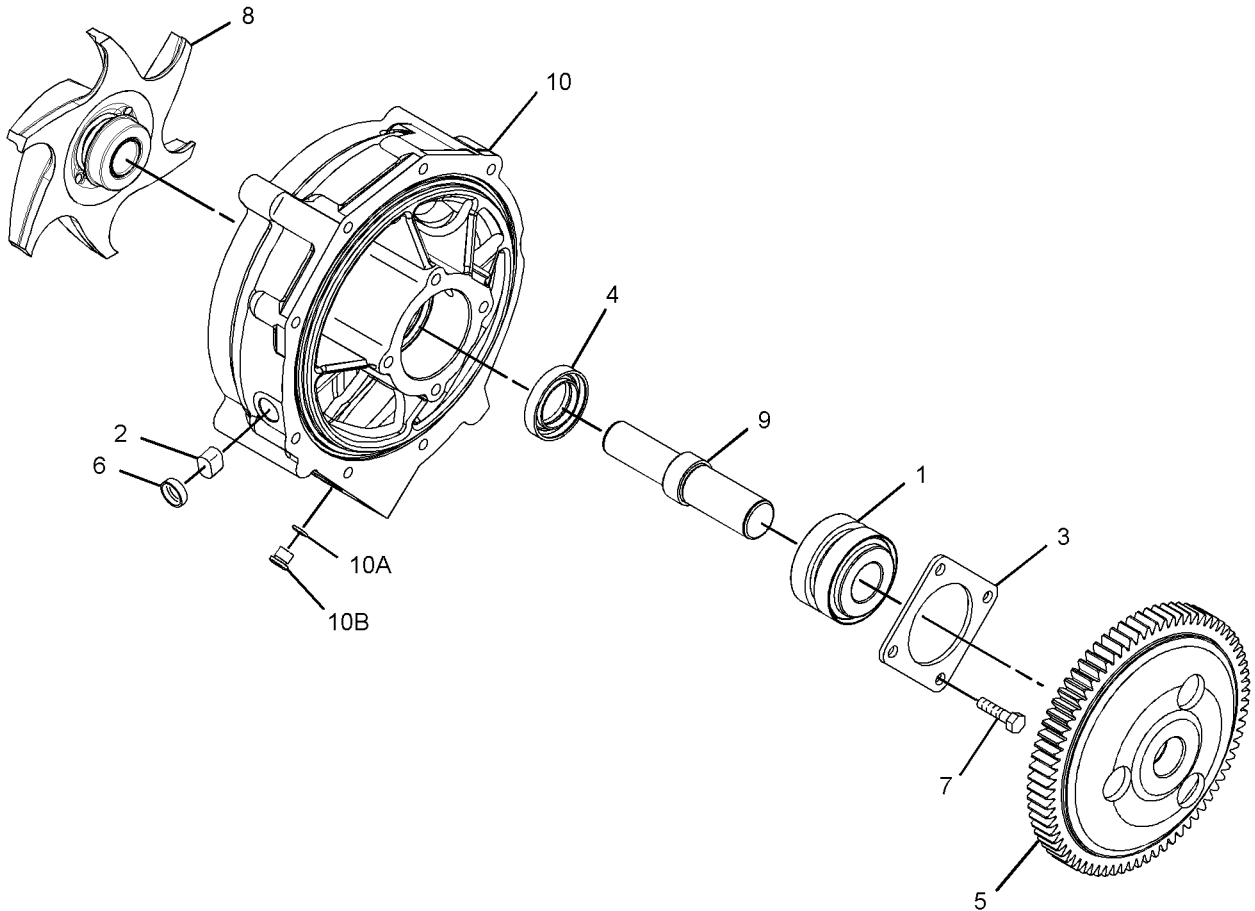
S/N: JRE10788-UP

PART OF 280-8039 PUMP GP-WATER

SMCS-1361

i03812312

NOTE	REF NO	GRAPHIC REF	PART NUMBER	QTY	PART NAME						SEE PAGE
					1	2	3	4	5	6 (PRODUCT LEVEL)	
	1	1	108-7930	1	BEARING AS-ROLLER						
	2	1	315-6645	1	PLUG-FELT						
	3	1	136-1107	1	RETAINER						
	4	1	153-1256	1	SEAL-LIP TYPE						
	5	1	195-0319	1	GEAR (74-TEETH)						
	6	1	203-3831	1	PLUG-CUP						
	7	1	1B-7182	4	BOLT (5/16-18X1.25-IN)						
	8	1	246-3129	1	IMPELLER-PUMP						
	9	1	246-3130	1	SHAFT-WATER PUMP						
	10	1	303-8698	1	HOUSING AS-PUMP						
	10A	1	6V-5048	1	SEAL-O-RING						
	10B	1	9S-8002	1	PLUG-O-RING						



GRAPHIC #1

<END>

g02067794

# COOLING SYSTEM

## 228-2674 RADIATOR GP

PART OF 228-4380, 230-3807, 230-3808, 256-6164, 256-6165 RADIATOR GP  
AN ATTACHMENT

SMCS-1353

i02729435

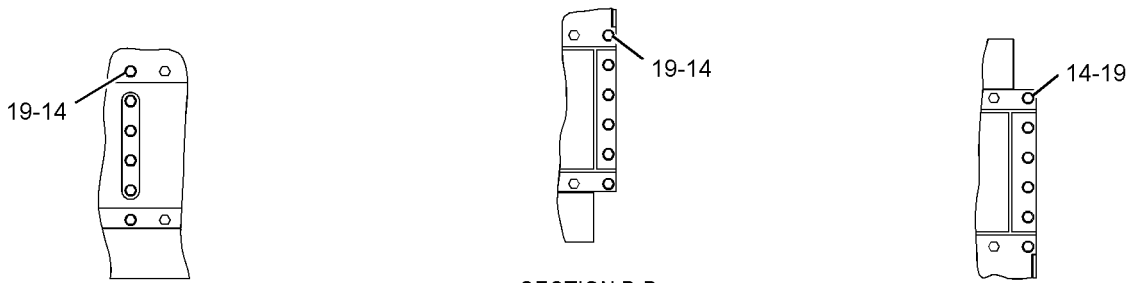
NOTE	REF NO	GRAPHIC REF	PART NUMBER	QTY	PART NAME						SEE PAGE
					1	2	3	4	5	6 (PRODUCT LEVEL)	
	1	1	277-6220	1	CORE AS-RADIATOR						
	2	1	277-6221	1	AFTERCOOLER AS						
	3	1	277-6222	2	GASKET (RADIATOR CORE)						
	4	1	277-6223	1	GUARD AS-RADIATOR (FRONT)						
	5	1	277-6224	2	BRACKET AS						
	6	1	277-6228	1	TANK AS-RADIATOR BOTTOM						
	7	1	277-6229	1	TANK AS-RADIATOR TOP						
	8	1	277-6230	1	CHANNEL AS-RADIATOR (LEFT)						
	9	1	277-6231	1	CHANNEL AS-RADIATOR (RIGHT)						
	10	1	031-4155	71	LOCKNUT (5/16-18-THD)						
	11	1	1P-4278	1	CLAMP-HOSE						
	12	1	4D-9517	2	CLIP						
	13	1	4J-4382	1	PLUG-PIPE						
	14	1	4M-0061	34	BOLT (5/16-18X0.75-IN)						
	15	1	4M-6425	71	BOLT (5/16-18X1-IN)						
	16	1	5K-0906	3	BOLT (5/16-18X0.625-IN)						
	17	1	5M-6213	1	PLUG-PIPE						
	18	1	6L-8617	1	CAP-PRESSURE (7-PSI) (RADIATOR)						
	19	1	8T-4224	37	WASHER-HARD (8.8X16X2-MM THK)						
D	20	1	5P-5991		HOSE (2-M)						
E	21	1	263-6409		SEAL (244-CM)						

D-ORDER BY THE METER  
E-ORDER BY THE CENTIMETER

# COOLING SYSTEM

228-2674 RADIATOR GP (contd.)

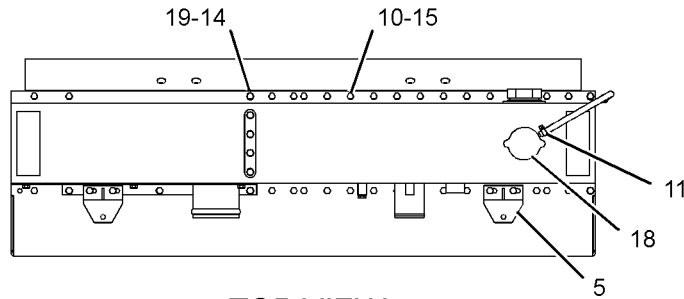
i02729435



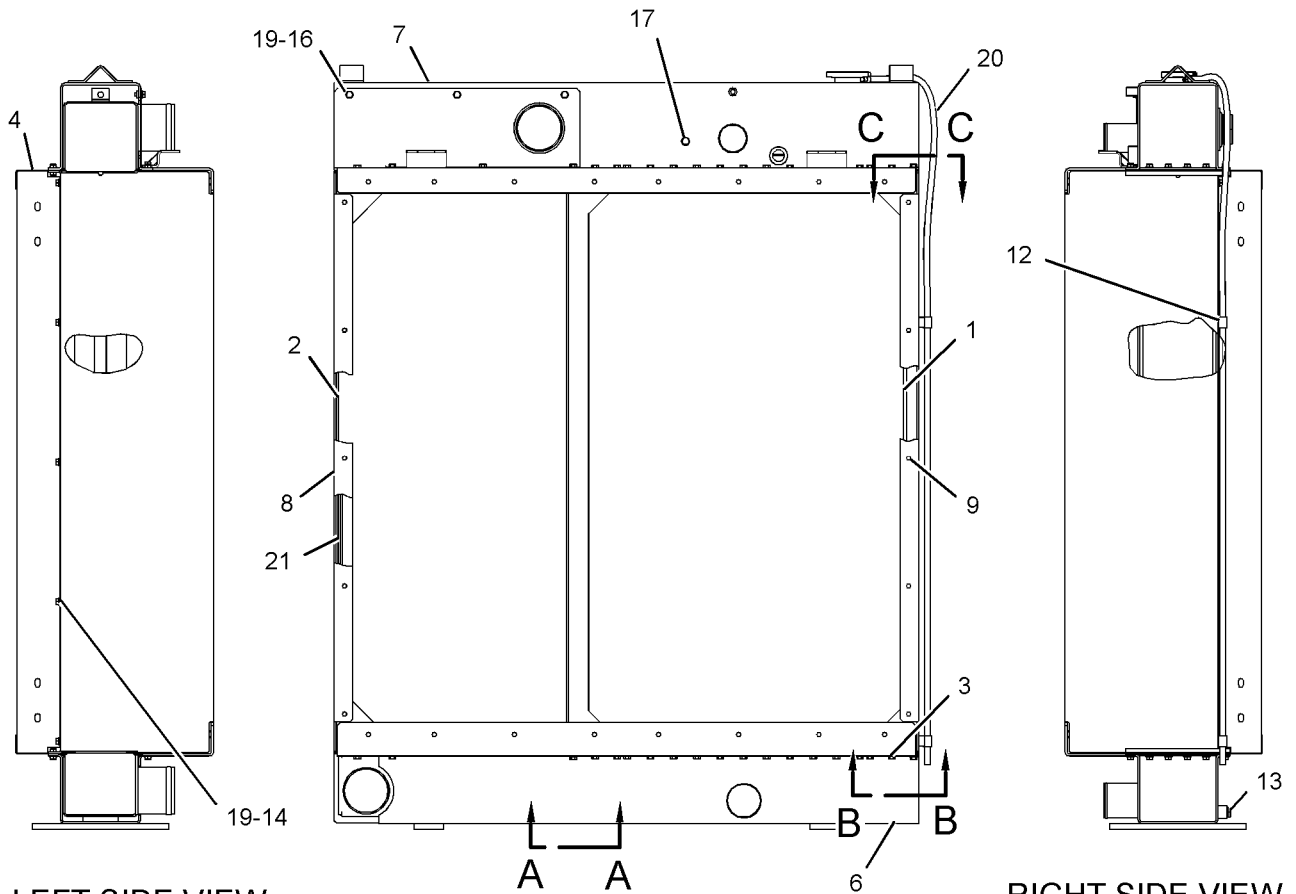
SECTION A-A

SECTION B-B

SECTION C-C



TOP VIEW



LEFT SIDE VIEW

REAR VIEW

RIGHT SIDE VIEW

GRAPHIC #1

<END>

g01370613

# COOLING SYSTEM

## 228-4380 RADIATOR GP

FOR USE WITH 135-4326-PAGE 421  
AN ATTACHMENT

SMCS-1353

i02540177

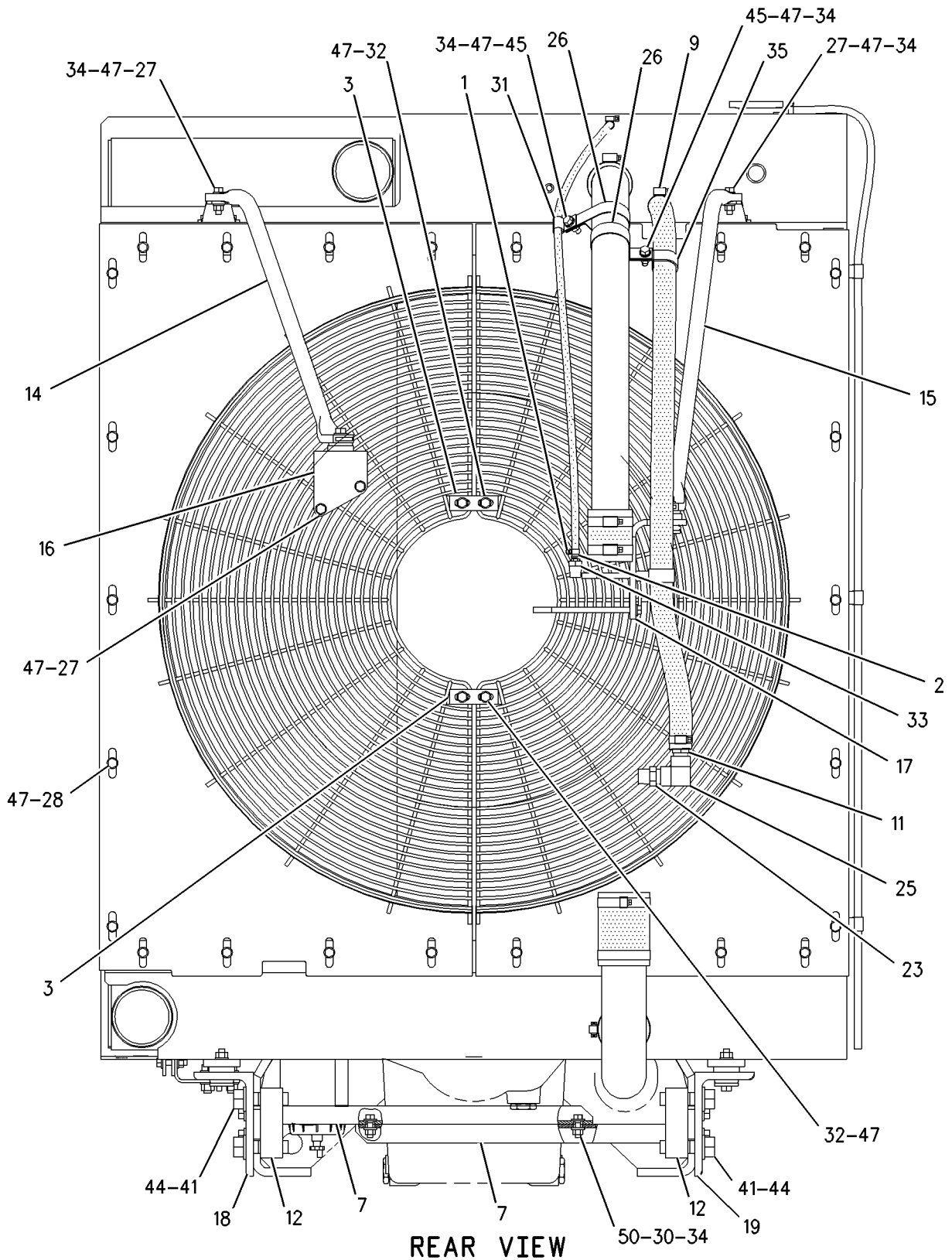
NOTE	REF NO	GRAPHIC REF	PART NUMBER	QTY	PART NAME						SEE PAGE
					1	2	3	4	5	6 (PRODUCT LEVEL)	
	1	1,2	1P-4278	2	CLAMP-HOSE						
	2	1,2	1P-9328	2	FITTING						
	3	1	4L-5757	2	STRAP						
	4	2	4V-1878	2	HOSE (RADIATOR)						
	5	2	5P-4868	4	CLAMP-HOSE						
	6	2	6L-4854	2	HOSE (RADIATOR)						
	7	1	7N-4600	2	BRACE AS						
	8	2	8D-3786	2	MOUNTING						
	9	1,2	8T-1117	2	CLAMP-HOSE						
	10	2	005-4273	1	CONNECTOR-HOSE						
	11	1	053-2313	1	CONNECTOR						
	12	1	186-0712	4	PLATE						
Y	13	2	228-2674	1	RADIATOR GP						580
	14	1	228-4370	1	BRACE						
	15	1	228-4371	1	BRACE						
	16	1	228-4374	1	BRACKET						
	17	1	228-4375	1	BRACKET						
	18	1	228-4376	1	SUPPORT						
	19	1	228-4377	1	SUPPORT						
	20	2	228-4378	1	TUBE						
	21	2	228-4379	1	TUBE						
	22	2	228-9899	2	GUARD AS-FAN						
	23	1	004-7270	1	FITTING-PIPE						
	24	2	164-1404	1	SPACER (10.67X16.95X23-MM THK)						
	25	1	1K-6937	1	ELBOW-PIPE						
	26	1	2S-7010	2	CLIP						
	27	1	4L-9337	4	BOLT (3/8-16X1.5-IN)						
	28	1	5M-3062	26	BOLT (3/8-16X0.75-IN)						
	29	2	5P-0598	4	CLAMP-HOSE						
	30	1	5P-1075	12	WASHER-HARD (10.2X22.5X3-MM THK)						
	31	1	5P-9299	1	CLIP						
	32	1	5S-7379	4	BOLT (3/8-16X0.875-IN)						
	33	1	6B-5072	1	BUSHING-REDUCING						
	34	1	6V-8801	10	NUT (3/8-16-THD)						
	35	1,2	7D-7233	2	CLIP						
	36	2	7T-8332	4	MOUNTING						
	37	2	7X-0293	1	BOLT (3/8-16X4.75-IN)						
	38	2	7X-0301	2	BOLT (3/8-16X7-IN)						
	39	2	7X-0312	4	BOLT (7/16-14X2.5-IN)						
	40	2	7X-0313	2	BOLT (7/16-14X2.75-IN)						
	41	1	7X-0384	8	BOLT (7/8-9X3-IN)						
	42	2	7X-0447	6	NUT (7/16-14-THD)						
	43	2	7X-0618	8	WASHER-HARD (13.5X40X5-MM THK)						
	44	1	8C-6913	8	WASHER-HARD (24X41.5X4-MM THK)						
	45	1	8T-2502	2	BOLT (3/8-16X1.125-IN)						
	46	2	8T-4223	8	WASHER-HARD (13.5X25.5X3-MM THK)						
	47	1,2	8T-4896	43	WASHER-HARD (10.2X18.5X2.5-MM THK)						
	48	2	8T-5360	6	WASHER (12X22.5X2.5-MM THK)						
	49	2	8T-8917	8	BOLT (1/2-13X1.25-IN)						
	50	1	9B-7237	6	BOLT (3/8-16X1.25-IN)						
E	51	2	5P-6442		HOSE (102 CM) (RADIATOR)						
E	52	2	5P-1251		HOSE (127 CM) (RADIATOR)						

E-ORDER BY THE CENTIMETER  
Y-SEPARATE ILLUSTRATION

# COOLING SYSTEM

228-4380 RADIATOR GP (contd.)

i02540177



REAR VIEW

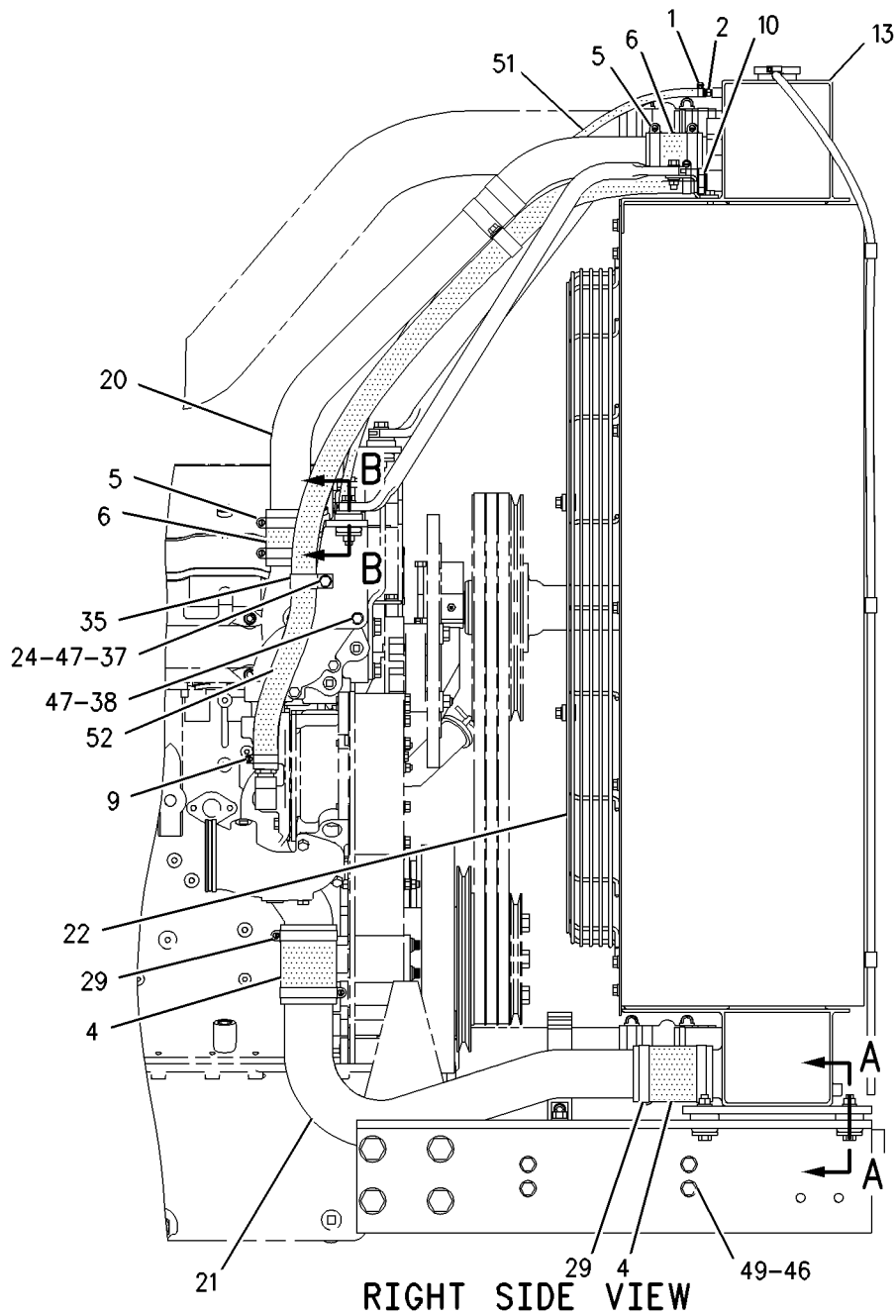
GRAPHIC #1

g00985180

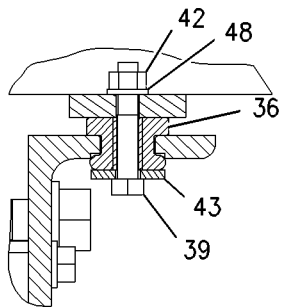
# COOLING SYSTEM

228-4380 RADIATOR GP (contd.)

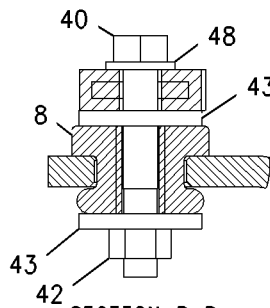
i02540177



RIGHT SIDE VIEW



SECTION A-A



SECTION B-B

GRAPHIC #2

<END>

g00984922

# COOLING SYSTEM

## 230-3807 RADIATOR GP

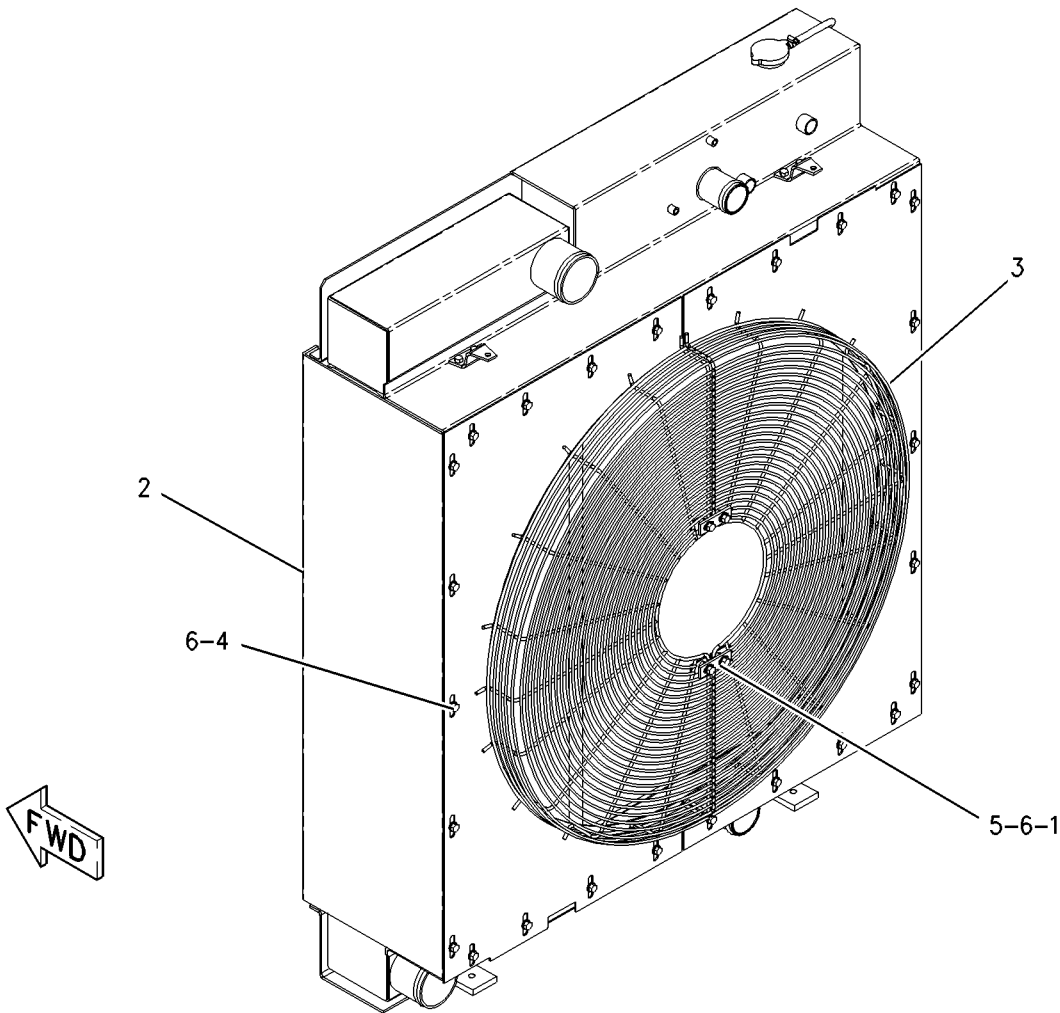
S/N: JRE1-8739  
FOR USE WITH 40 IN FAN  
AN ATTACHMENT

SMCS-1353

i03213183

NOTE	REF NO	GRAPHIC REF	PART NUMBER	QTY	PART NAME						SEE PAGE
					1	2	3	4	5	6 (PRODUCT LEVEL)	
	1	1	4L-5757	2	STRAP						
Y	2	1	228-2674	1	RADIATOR GP						580
	3	1	228-9899	2	GUARD AS-FAN						
					(EACH INCLUDES)						
		1	1F-0750	2	NUT-WELD (3/8-16-THD)						
	4	1	5M-3062	26	BOLT (3/8-16X0.75-IN)						
	5	1	5S-7379	4	BOLT (3/8-16X0.875-IN)						
	6	1	8T-4896	30	WASHER-HARD (10.2X18.5X2.5-MM THK)						

Y-SEPARATE ILLUSTRATION



GRAPHIC #1

<END>

g00984955

# COOLING SYSTEM

## 230-3807 RADIATOR GP

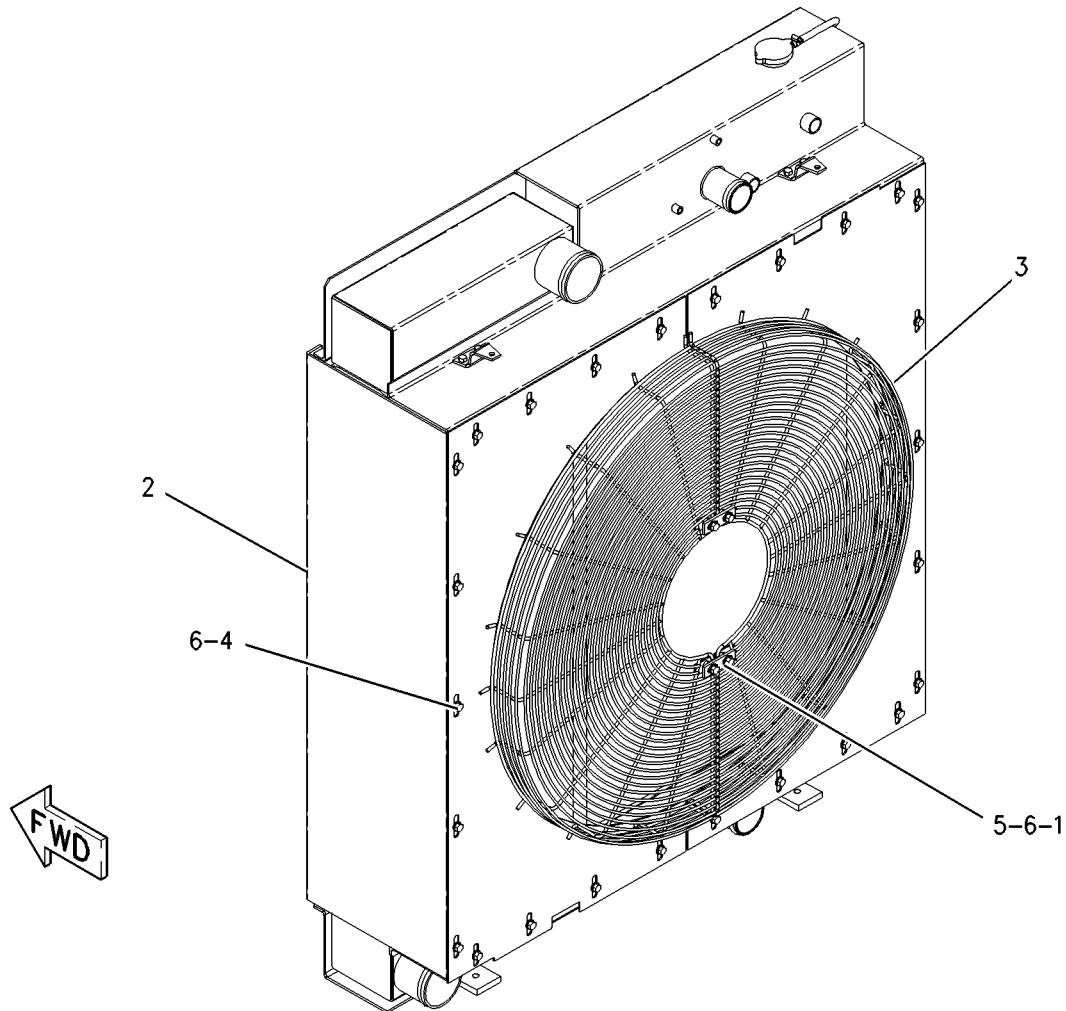
S/N: JRE8740-UP  
FOR USE WITH 40 IN FAN  
AN ATTACHMENT

SMCS-1353

i03175595

NOTE	REF NO	GRAPHIC REF	PART NUMBER	QTY	PART NAME						SEE PAGE
					1	2	3	4	5	6 (PRODUCT LEVEL)	
	1	1	4L-5757	2	STRAP						
CY	2	1	297-4283	1	RADIATOR GP						621
	3	1	228-9899	2	GUARD AS-FAN						
					(EACH INCLUDES)						
		1	1F-0750	2	NUT-WELD (3/8-16-THD)						
	4	1	5M-3062	26	BOLT (3/8-16X0.75-IN)						
	5	1	5S-7379	4	BOLT (3/8-16X0.875-IN)						
	6	1	8T-4896	30	WASHER-HARD (10.2X18.5X2.5-MM THK)						

C-CHANGE FROM PREVIOUS TYPE  
Y-SEPARATE ILLUSTRATION



GRAPHIC #1

<END>

g00984955



# COOLING SYSTEM

## 230-3808 RADIATOR GP

S/N: JRE1-8739

FOR USE WITH 43 IN FAN  
AN ATTACHMENT

SMCS-1353

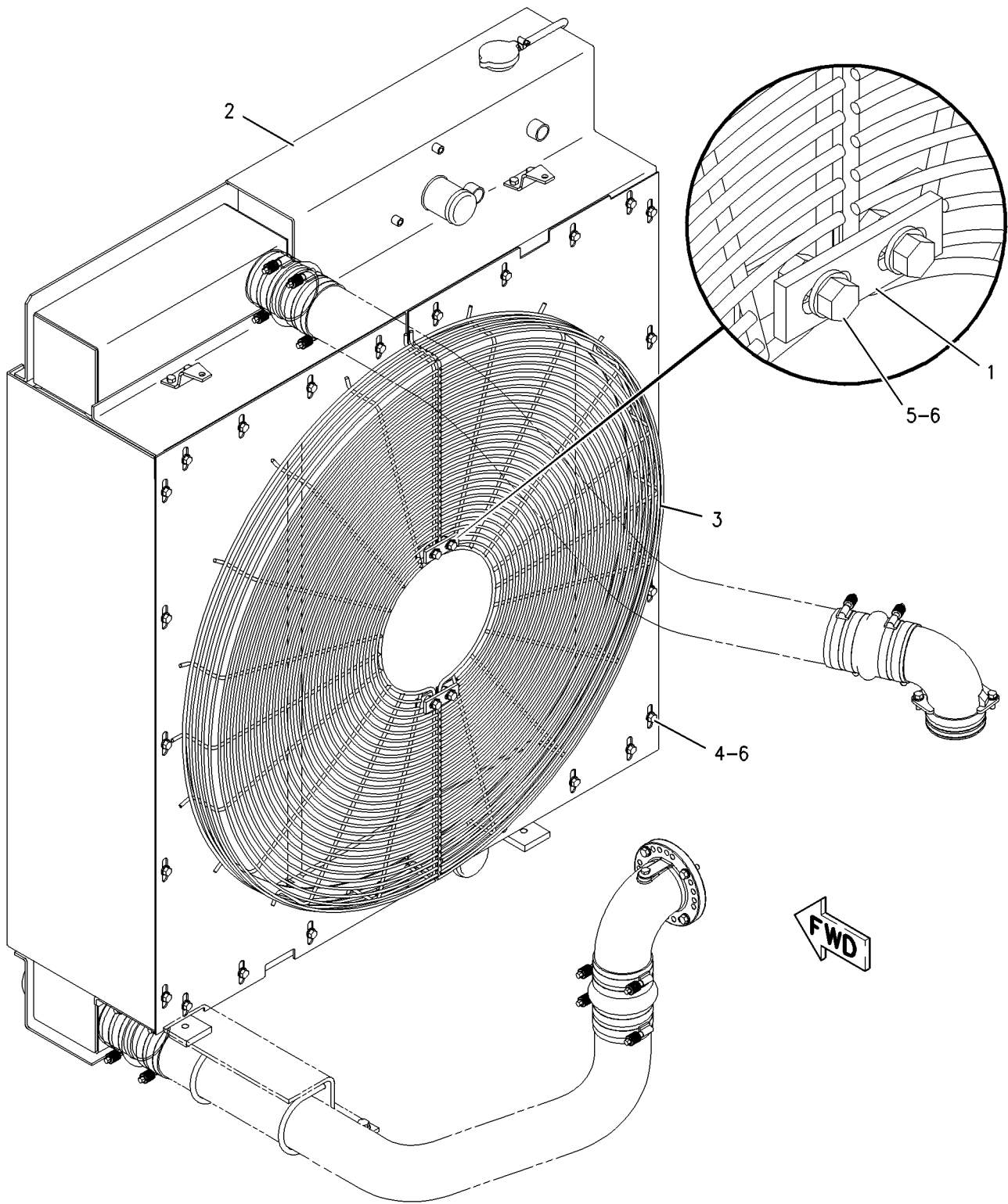
i03213185

NOTE	REF NO	GRAPHIC REF	PART NUMBER	QTY	PART NAME						SEE PAGE
					1	2	3	4	5	6 (PRODUCT LEVEL)	
	1	1	4L-5757	2	STRAP						
Y	2	1	228-2674	1	RADIATOR GP						580
	3	1	228-9900	2	GUARD AS-FAN						
					(EACH INCLUDES)						
		1	1F-0750	2	NUT-WELD (3/8-16-THD)						
	4	1	5M-3062	26	BOLT (3/8-16X0.75-IN)						
	5	1	5S-7379	4	BOLT (3/8-16X0.875-IN)						
	6	1	8T-4896	30	WASHER-HARD (10.2X18.5X2.5-MM THK)						
Y-SEPARATE ILLUSTRATION											

# COOLING SYSTEM

230-3808 RADIATOR GP (contd.)

i03213185



GRAPHIC #1

<END>

g00984997

# COOLING SYSTEM

## 230-3808 RADIATOR GP

S/N: JRE8740-UP  
FOR USE WITH 43 IN FAN  
AN ATTACHMENT

SMCS-1353

i03203184

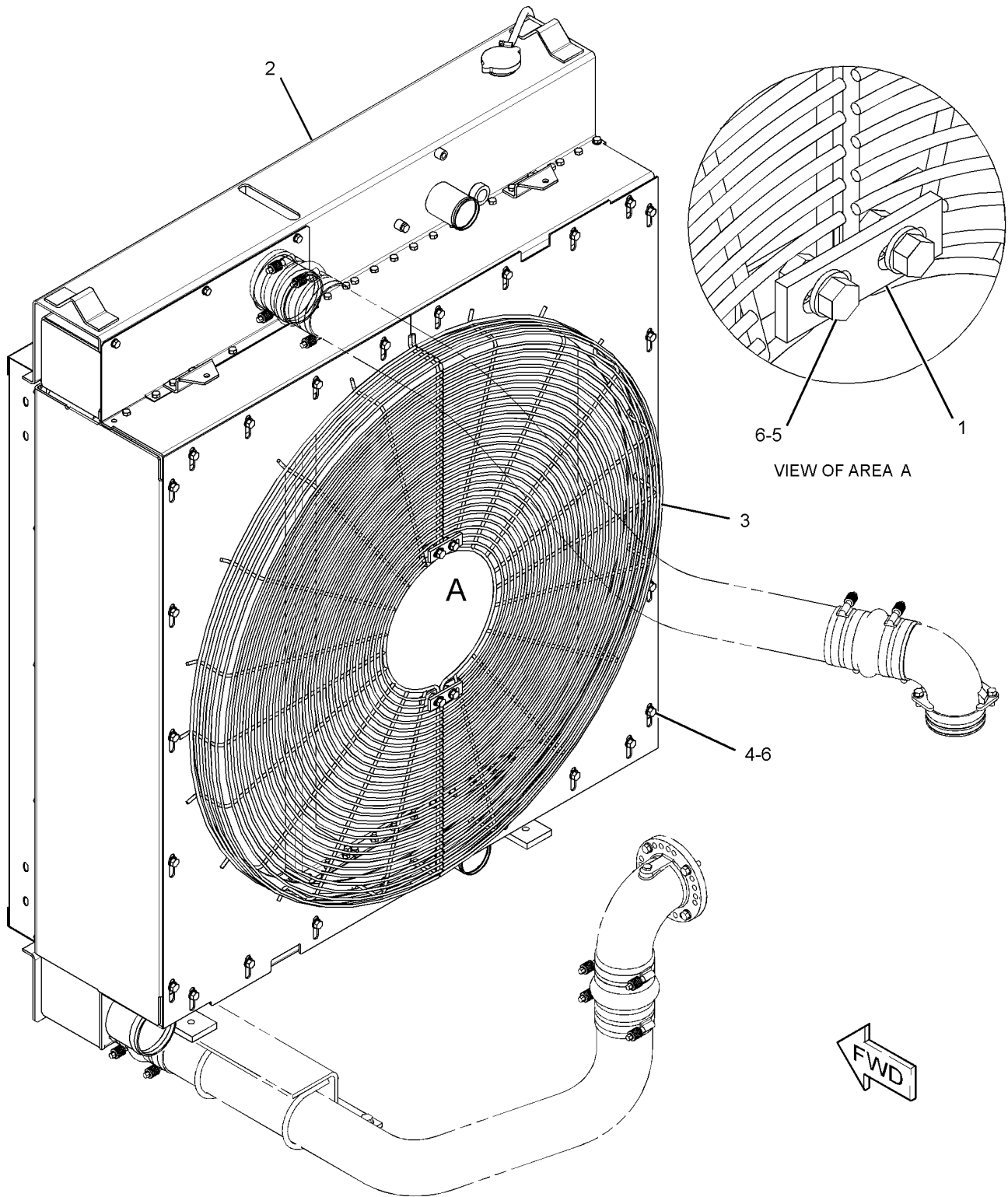
NOTE	REF NO	GRAPHIC REF	PART NUMBER	QTY	PART NAME						SEE PAGE
					1	2	3	4	5	6 (PRODUCT LEVEL)	
	1	1	4L-5757	2	STRAP						
CY	2	1	297-4283	1	RADIATOR GP						621
	3	1	228-9900	2	GUARD AS-FAN						
					(EACH INCLUDES)						
		1	1F-0750	2	NUT-WELD (3/8-16-THD)						
	4	1	5M-3062	26	BOLT (3/8-16X0.75-IN)						
	5	1	5S-7379	4	BOLT (3/8-16X0.875-IN)						
	6	1	8T-4896	30	WASHER-HARD (10.2X18.5X2.5-MM THK)						

C-CHANGE FROM PREVIOUS TYPE  
Y-SEPARATE ILLUSTRATION

# COOLING SYSTEM

230-3808 RADIATOR GP (contd.)

i03203184



GRAPHIC #1

<END>

g01636927

# COOLING SYSTEM

## 256-6164 RADIATOR GP

S/N: JRE1-122

**FOR USE WITH SINGLE TURBO, AIR LINES, FAN DRIVE, ADAPTER GROUPS, WIDE FRONT SUPPORT, 43-INCH FAN, FORWARD OR REAR EXHAUST. CANNOT BE USED WITH TWIN TURBO AN ATTACHMENT**

SMCS-1353

i03213188

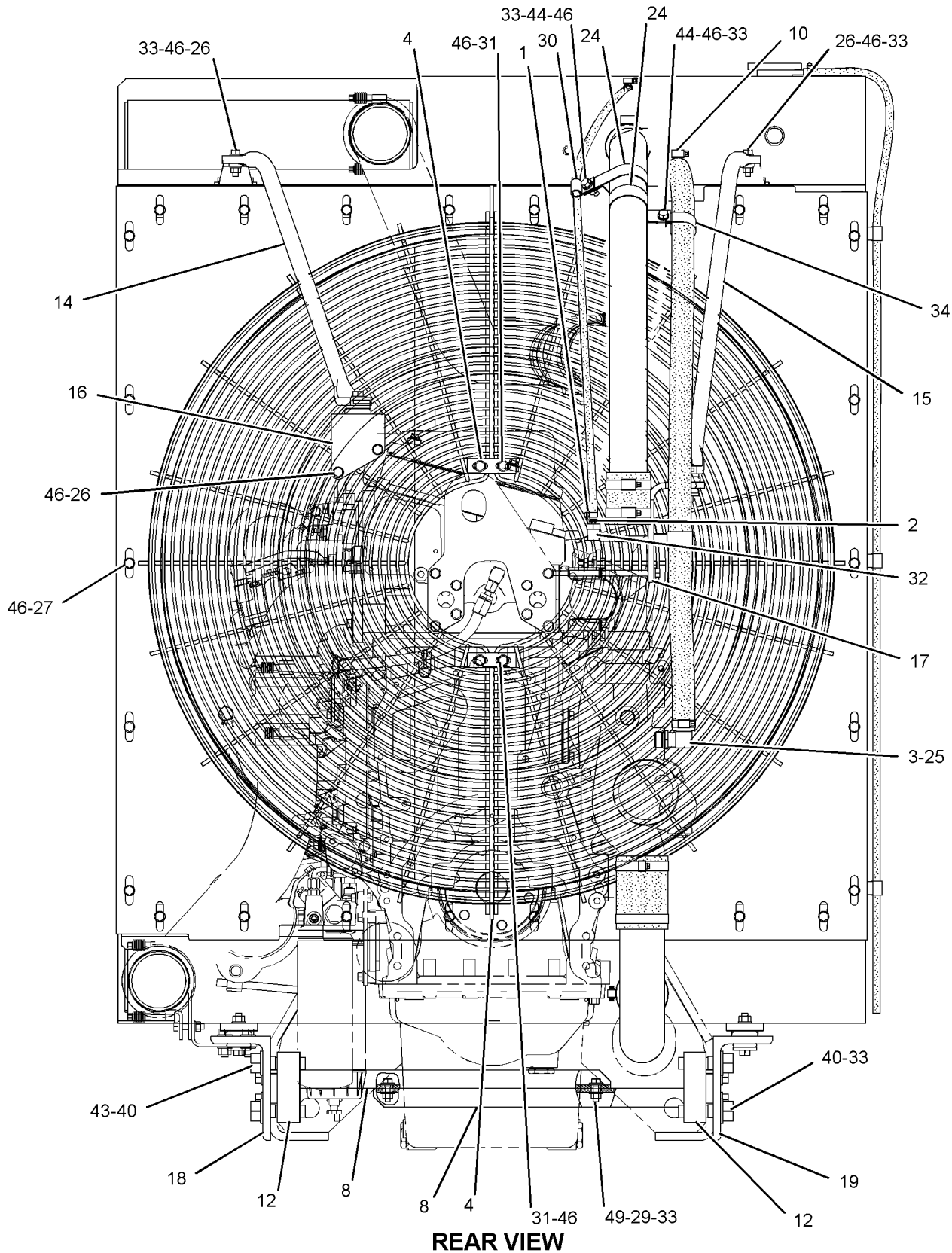
NOTE	REF NO	GRAPHIC REF	PART NUMBER	QTY	PART NAME						SEE PAGE
					1	2	3	4	5	6 (PRODUCT LEVEL)	
	1	1,2	1P-4278	2	CLAMP-HOSE						
	2	1,2	1P-9328	2	FITTING						
	3	1	3E-4041	1	ELBOW						
	4	1	4L-5757	2	STRAP						
	5	2	4V-1878	2	HOSE (RADIATOR)						
	6	2	5P-4868	4	CLAMP-HOSE						
E	7	2	5P-1262		HOSE (11-CM EACH) (RADIATOR))						
	8	1	7N-4600	2	BRACE AS						
	9	2	8D-3786	2	MOUNTING						
	10	1,2	8T-1117	2	CLAMP-HOSE						
	11	2	005-4273	1	CONNECTOR-HOSE						
	12	1	186-0712	4	PLATE						
Y	13	2	228-2674	1	RADIATOR GP						580
	14	1	228-4370	1	BRACE						
	15	1	228-4371	1	BRACE						
	16	1	228-4374	1	BRACKET						
	17	1	228-4375	1	BRACKET						
	18	1	228-4376	1	SUPPORT						
	19	1	228-4377	1	SUPPORT						
	20	2	228-4378	1	TUBE						
	21	2	228-4379	1	TUBE						
	22	2	228-9900	2	GUARD AS-FAN (EACH INCLUDES)						
		2	1F-0750	2	NUT-WELD (3/8-16-THD)						
	23	2	164-1404	1	SPACER (10.67X16.95X23-MM THK)						
	24	1	2S-7010	2	CLIP						
	25	1	3D-2824	1	SEAL-O-RING						
	26	1	4L-9337	4	BOLT (3/8-16X1.5-IN)						
	27	1	5M-3062	26	BOLT (3/8-16X0.75-IN)						
	28	2	5P-0598	4	CLAMP-HOSE						
	29	1	5P-1075	12	WASHER-HARD (10.2X22.5X3-MM THK)						
	30	1	5P-9299	1	CLIP						
	31	1	5S-7379	4	BOLT (3/8-16X0.875-IN)						
	32	1	6B-5072	1	BUSHING-REDUCING						
	33	1	6V-8801	10	NUT (3/8-16-THD)						
	34	1,2	7D-7233	2	CLIP						
	35	2	7T-8332	4	MOUNTING						
	36	1,2	7X-0293	1	BOLT (3/8-16X4.75-IN)						
	37	2	7X-0301	2	BOLT (3/8-16X7-IN)						
	38	2	7X-0312	4	BOLT (7/16-14X2.5-IN)						
	39	2	7X-0313	2	BOLT (7/16-14X2.75-IN)						
	40	1	7X-0384	8	BOLT (7/8-9X3-IN)						
	41	2	7X-0447	6	NUT (7/16-14-THD)						
	42	2	7X-0618	8	WASHER-HARD (13.5X40X5-MM THK)						
	43	1	8C-6913	8	WASHER-HARD (24X41.5X4-MM THK)						
	44	1	8T-2502	2	BOLT (3/8-16X1.125-IN)						
	45	2	8T-4223	8	WASHER-HARD (13.5X25.5X3-MM THK)						
	46	1,2	8T-4896	43	WASHER-HARD (10.2X18.5X2.5-MM THK)						
	47	2	8T-5360	6	WASHER (12X22.5X2.5-MM THK)						
	48	2	8T-8917	8	BOLT (1/2-13X1.25-IN)						
	49	1	9B-7237	6	BOLT (3/8-16X1.25-IN)						
E	50	2	5P-1251		HOSE (131-CM) (RADIATOR))						
E	51	2	5P-6442		HOSE (102-CM) (RADIATOR))						

# COOLING SYSTEM

256-6164 RADIATOR GP (contd.)

i03213188

E-ORDER BY THE CENTIMETER  
Y-SEPARATE ILLUSTRATION



REAR VIEW

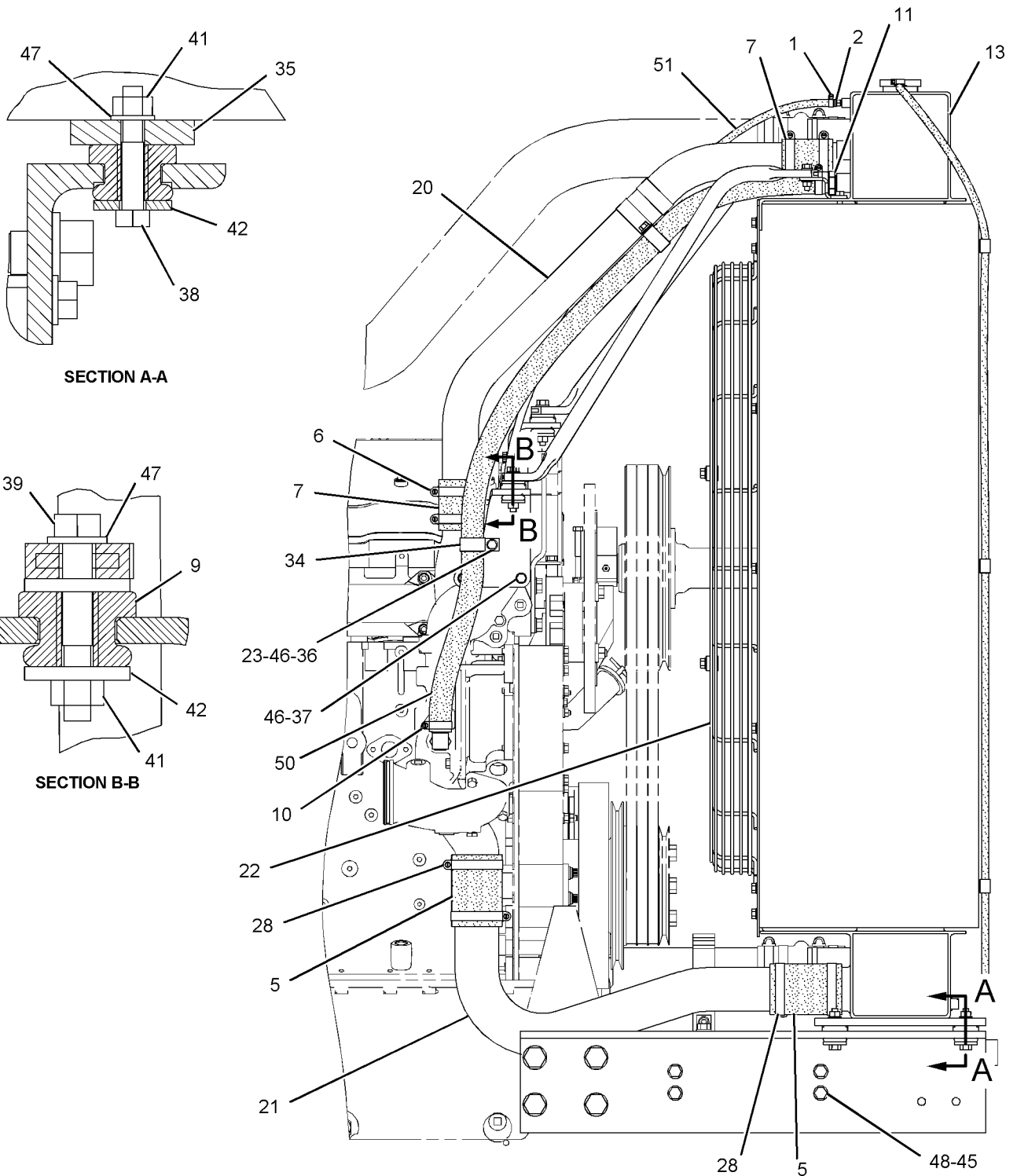
GRAPHIC #1

g01081828

# COOLING SYSTEM

256-6164 RADIATOR GP (contd.)

i03213188



SECTION A-A

SECTION B-B

RIGHT SIDE VIEW

GRAPHIC #2

<END>

g01081829

# COOLING SYSTEM

## 256-6164 RADIATOR GP

S/N: JRE123-5354

FOR USE WITH SINGLE TURBO, AIR LINES, FAN DRIVE, ADAPTER GROUPS, WIDE FRONT  
SUPPORT, 43-INCH FAN, FORWARD OR REAR EXHAUST. CANNOT BE USED WITH TWIN  
TURBO  
AN ATTACHMENT

SMCS-1353

i03213189

NOTE	REF NO	GRAPHIC REF	PART NUMBER	QTY	PART NAME						SEE PAGE
					1	2	3	4	5	6 (PRODUCT LEVEL)	
	1	1,2	1P-4278	2	CLAMP-HOSE						
	2	1,2	1P-9328	2	FITTING						
	3	1	3E-4041	1	ELBOW						
	4	1	4L-5757	2	STRAP						
	5	2	4V-1878	2	HOSE (RADIATOR)						
	6	2	5P-4868	4	CLAMP-HOSE						
E	7	2	5P-1262		HOSE (11-CM EACH) (RADIATOR))						
	8	1	7N-4600	2	BRACE AS						
	9	2	8D-3786	2	MOUNTING						
	10	1,2	8T-1117	2	CLAMP-HOSE						
	11	2	005-4273	1	CONNECTOR-HOSE						
	12	1	186-0712	4	PLATE						
Y	13	2	228-2674	1	RADIATOR GP						580
	14	1	228-4370	1	BRACE						
	15	1	228-4371	1	BRACE						
	16	1	228-4374	1	BRACKET						
	17	1	228-4375	1	BRACKET						
	18	1	228-4376	1	SUPPORT						
	19	1	228-4377	1	SUPPORT						
	20	2	228-4378	1	TUBE						
	21	2	228-4379	1	TUBE						
	22	2	228-9900	2	GUARD AS-FAN (EACH INCLUDES)						
		2	1F-0750	2	NUT-WELD (3/8-16-THD)						
	23	2	164-1404	1	SPACER (10.67X16.95X23-MM THK)						
	24	1	2S-7010	2	CLIP						
	25	1	3D-2824	1	SEAL-O-RING						
	26	1	4L-9337	4	BOLT (3/8-16X1.5-IN)						
	27	1	5M-3062	26	BOLT (3/8-16X0.75-IN)						
	28	2	5P-0598	4	CLAMP-HOSE						
	29	1	5P-1075	12	WASHER-HARD (10.2X22.5X3-MM THK)						
	30	1	5P-9299	1	CLIP						
	31	1	5S-7379	4	BOLT (3/8-16X0.875-IN)						
C	32	1	8J-7844	1	BUSHING-REDUCING						
	33	1	6V-8801	10	NUT (3/8-16-THD)						
	34	1,2	7D-7233	2	CLIP						
	35	2	7T-8332	4	MOUNTING						
	36	1,2	7X-0293	1	BOLT (3/8-16X4.75-IN)						
	37	2	7X-0301	2	BOLT (3/8-16X7-IN)						
	38	2	7X-0312	4	BOLT (7/16-14X2.5-IN)						
	39	2	7X-0313	2	BOLT (7/16-14X2.75-IN)						
	40	1	7X-0384	8	BOLT (7/8-9X3-IN)						
	41	2	7X-0447	6	NUT (7/16-14-THD)						
	42	2	7X-0618	8	WASHER-HARD (13.5X40X5-MM THK)						
	43	1	8C-6913	8	WASHER-HARD (24X41.5X4-MM THK)						
	44	1	8T-2502	2	BOLT (3/8-16X1.125-IN)						
	45	2	8T-4223	8	WASHER-HARD (13.5X25.5X3-MM THK)						
	46	1,2	8T-4896	43	WASHER-HARD (10.2X18.5X2.5-MM THK)						
	47	2	8T-5360	6	WASHER (12X22.5X2.5-MM THK)						
	48	2	8T-8917	8	BOLT (1/2-13X1.25-IN)						
	49	1	9B-7237	6	BOLT (3/8-16X1.25-IN)						
E	50	2	5P-1251		HOSE (131-CM) (RADIATOR))						
E	51	2	5P-6442		HOSE (102-CM) (RADIATOR))						



# COOLING SYSTEM

256-6164 RADIATOR GP (contd.)

i03213189

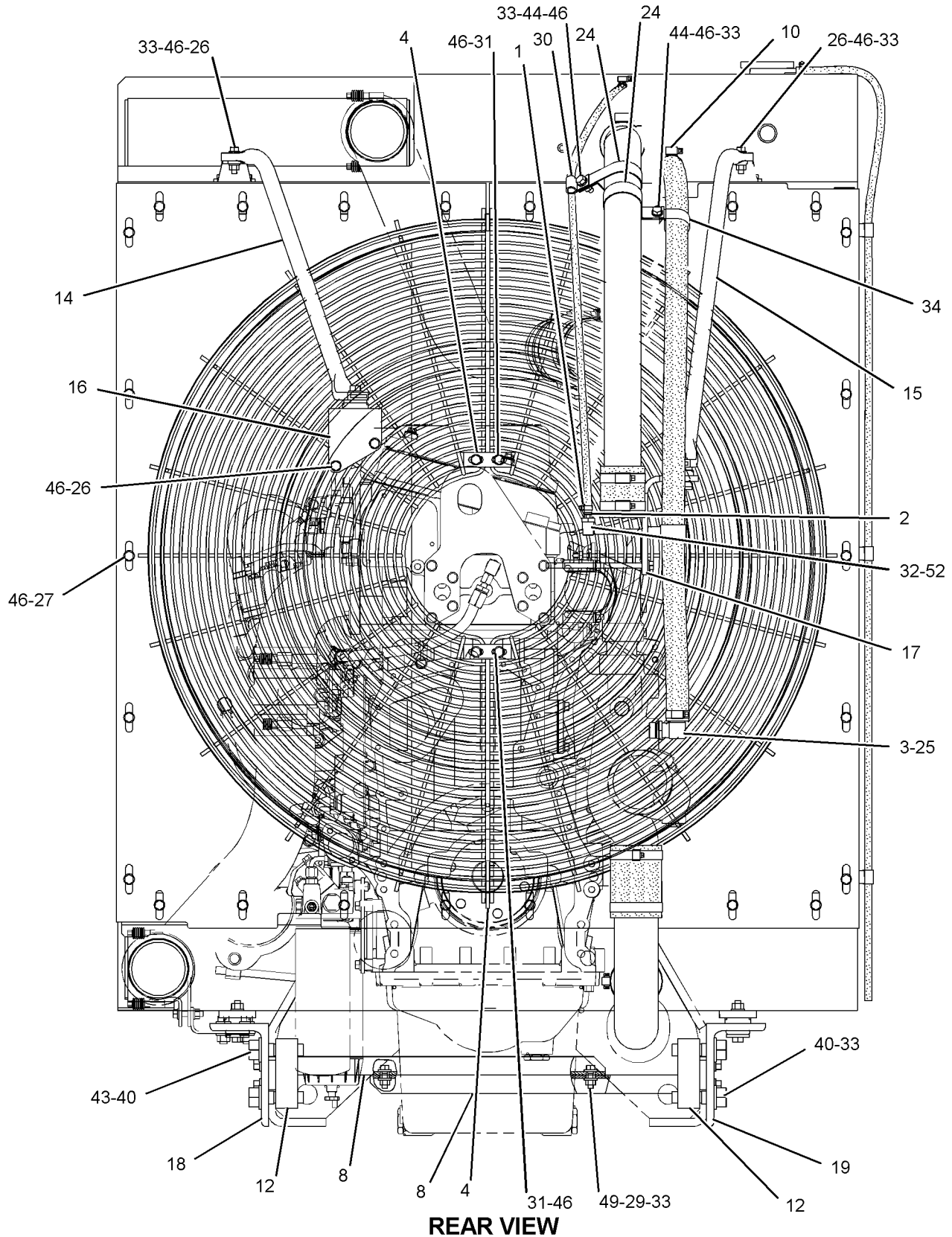
NOTE	REF NO	GRAPHIC REF	PART NUMBER	QTY	PART NAME	SEE PAGE
					1 2 3 4 5 6 (PRODUCT LEVEL)	
C	52	1	3K-0360	1	SEAL-O-RING	

C-CHANGE FROM PREVIOUS TYPE  
E-ORDER BY THE CENTIMETER  
Y-SEPARATE ILLUSTRATION

# COOLING SYSTEM

256-6164 RADIATOR GP (contd.)

i03213189



REAR VIEW

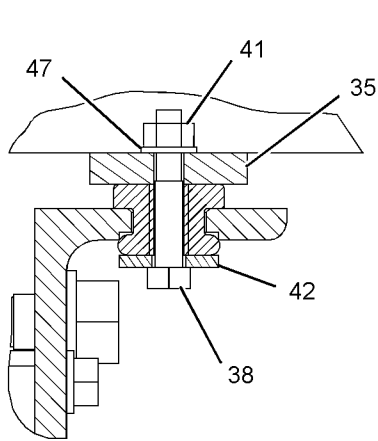
GRAPHIC #1

g01150375

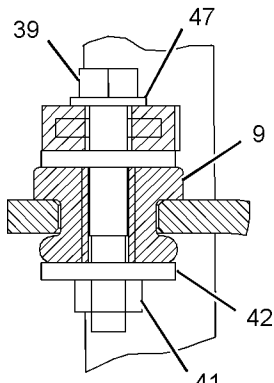
# COOLING SYSTEM

256-6164 RADIATOR GP (contd.)

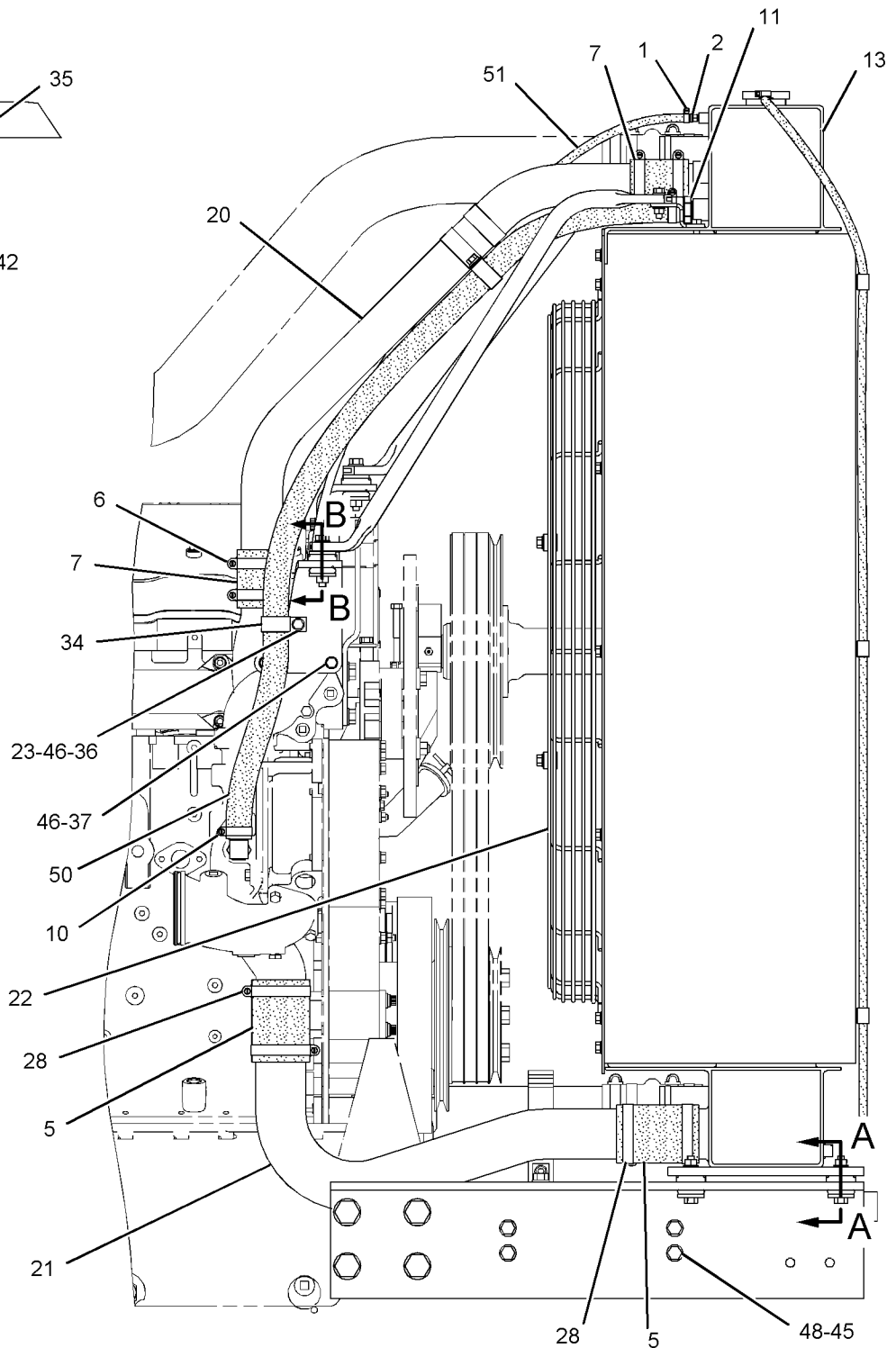
i03213189



SECTION A-A



SECTION B-B



RIGHT SIDE VIEW

GRAPHIC #2

<END>

g01081829

# COOLING SYSTEM

## 256-6164 RADIATOR GP

S/N: JRE5355-8739

FOR USE WITH SINGLE TURBO, AIR LINES, FAN DRIVE, ADAPTER GROUPS, WIDE FRONT  
SUPPORT, 43-INCH FAN, FORWARD OR REAR EXHAUST. CANNOT BE USED WITH TWIN  
TURBO  
AN ATTACHMENT

SMCS-1353

i03213187

NOTE	REF NO	GRAPHIC REF	PART NUMBER	QTY	PART NAME						SEE PAGE
					1	2	3	4	5	6 (PRODUCT LEVEL)	
C	1	1,2	1P-4278	2	CLAMP-HOSE						
	2	2	1P-9328	1	FITTING						
	3	1	3E-4041	1	ELBOW						
	4	1	4L-5757	2	STRAP						
	5	2	4V-1878	2	HOSE						
	6	2	5P-4868	4	CLAMP-HOSE						
	7	2	6L-4854	2	HOSE						
	8	1	7N-4600	2	BRACE AS						
	9	2	8D-3786	2	MOUNTING						
	10	1,2	8T-1117	2	CLAMP-HOSE						
	11	2	005-4273	1	CONNECTOR-HOSE						
	Y	12	1	186-0712	4	PLATE					
13		2	228-2674	1	RADIATOR GP						580
14		1	228-4370	1	BRACE						
15		1	228-4371	1	BRACE						
16		1	228-4374	1	BRACKET						
17		1	228-4375	1	BRACKET						
18		1	228-4376	1	SUPPORT						
19		1	228-4377	1	SUPPORT						
20		2	228-4378	1	TUBE						
21		2	228-4379	1	TUBE						
22		2	228-9900	2	GUARD AS-FAN						
					(EACH INCLUDES)						
	2	1F-0750	2	NUT-WELD (3/8-16-THD)							
23	2	164-1404	1	SPACER (10.67X16.95X23-MM THK)							
24	1	2S-7010	2	CLIP							
25	1	3D-2824	1	SEAL-O-RING							
26	1	4L-9337	4	BOLT (3/8-16X1.5-IN)							
27	1	5M-3062	26	BOLT (3/8-16X0.75-IN)							
28	2	5P-0598	4	CLAMP-HOSE							
C	29	1	5P-1075	42	WASHER-HARD (10.2X22.5X3-MM THK)						
	30	1	5P-9299	1	CLIP						
	31	1	5S-7379	4	BOLT (3/8-16X0.875-IN)						
	33	1	6V-8801	10	NUT (3/8-16-THD)						
	34	1,2	7D-7233	2	CLIP						
	35	2	7T-8332	4	MOUNTING						
	36	2	7X-0293	1	BOLT (3/8-16X4.75-IN)						
	37	2	7X-0301	2	BOLT (3/8-16X7-IN)						
	38	2	7X-0312	4	BOLT (7/16-14X2.5-IN)						
	39	2	7X-0313	2	BOLT (7/16-14X2.75-IN)						
	40	1	7X-0384	8	BOLT (7/8-9X3-IN)						
	41	2	7X-0447	6	NUT (7/16-14-THD)						
42	2	7X-0618	8	WASHER-HARD (13.5X40X5-MM THK)							
43	1	8C-6913	8	WASHER-HARD (24X41.5X4-MM THK)							
44	1	8T-2502	2	BOLT (3/8-16X1.125-IN)							
45	2	8T-4223	8	WASHER-HARD (13.5X25.5X3-MM THK)							
C	46	1,2	8T-4896	13	WASHER-HARD (10.2X18.5X2.5-MM THK)						
	47	2	8T-5360	6	WASHER (12X22.5X2.5-MM THK)						
	48	2	8T-8917	8	BOLT (1/2-13X1.25-IN)						
	49	1	9B-7237	6	BOLT (3/8-16X1.25-IN)						
E	50	2	5P-1251		HOSE (131-CM)						
E	51	2	5P-6442		HOSE (102-CM)						

# COOLING SYSTEM

256-6164 RADIATOR GP (contd.)

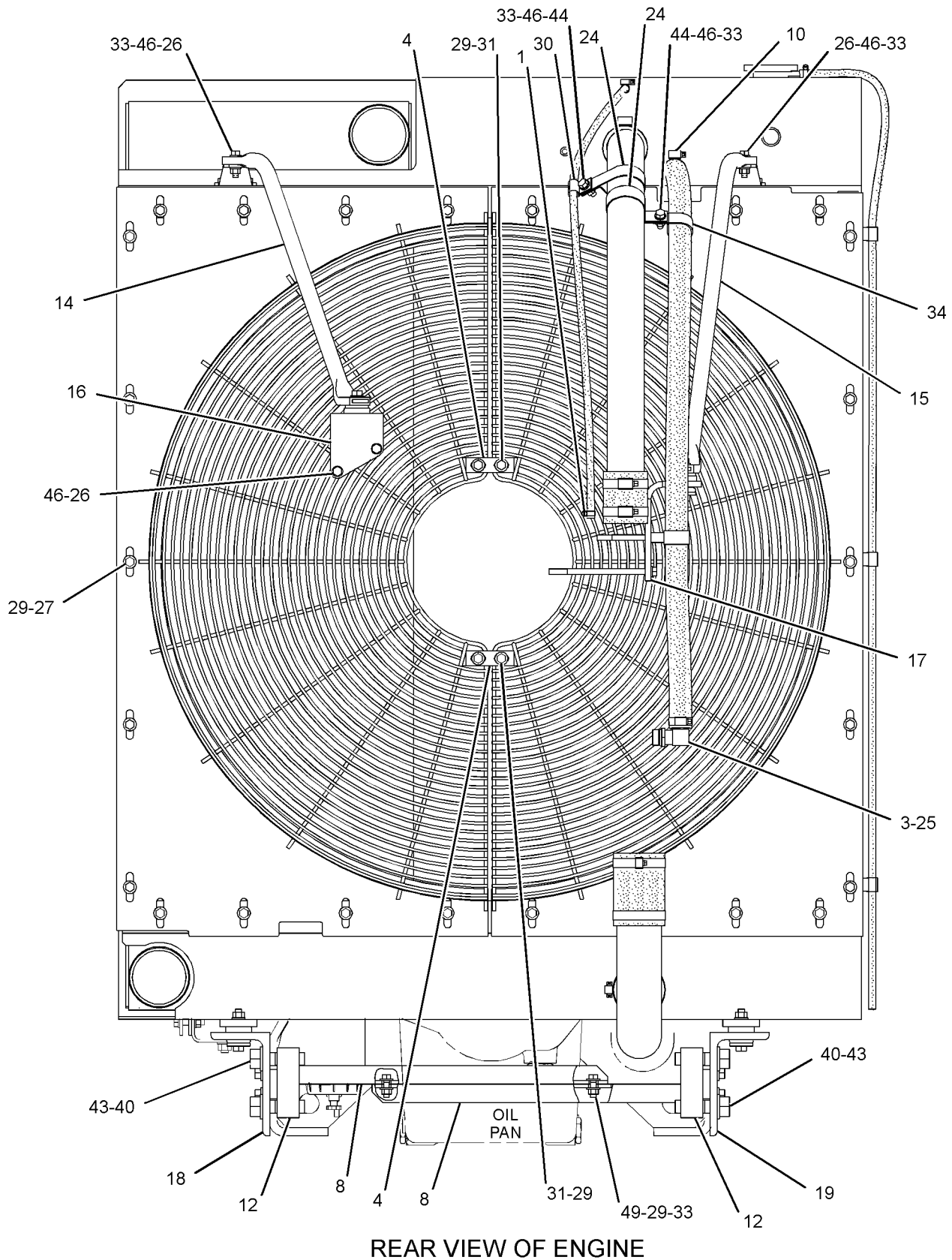
i03213187

C-CHANGE FROM PREVIOUS TYPE  
E-ORDER BY THE CENTIMETER  
Y-SEPARATE ILLUSTRATION

# COOLING SYSTEM

256-6164 RADIATOR GP (contd.)

i03213187



REAR VIEW OF ENGINE

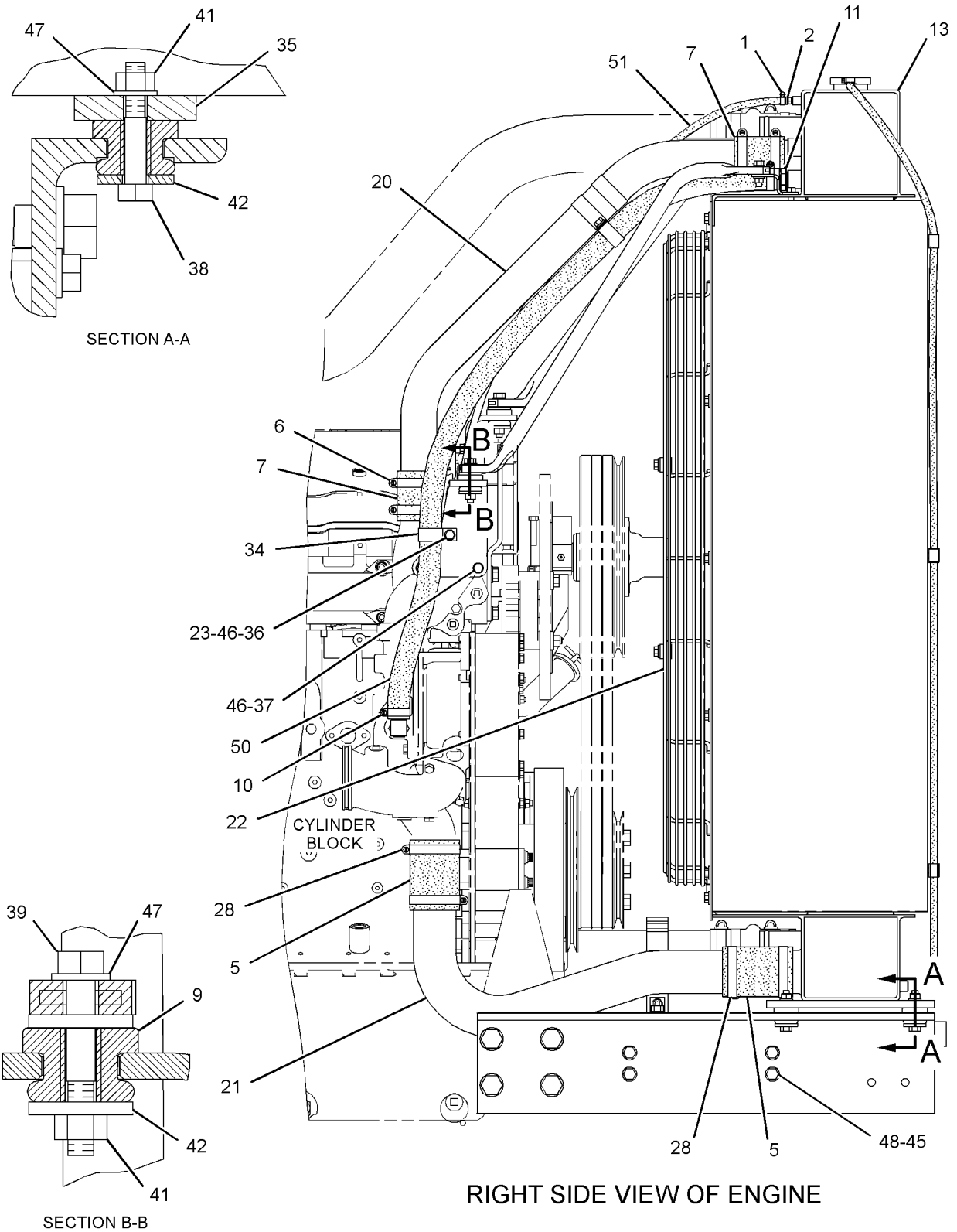
GRAPHIC #1

g01454148

# COOLING SYSTEM

256-6164 RADIATOR GP (contd.)

i03213187



GRAPHIC #2

<END>

g01454149

# COOLING SYSTEM

## 256-6164 RADIATOR GP

S/N: JRE8740-UP

FOR USE WITH SINGLE TURBO, AIR LINES, FAN DRIVE, ADAPTER GROUPS, WIDE FRONT  
SUPPORT, 43-INCH FAN, FORWARD OR REAR EXHAUST. CANNOT BE USED WITH TWIN  
TURBO  
AN ATTACHMENT

SMCS-1353

i04002066

NOTE	REF NO	GRAPHIC REF	PART NUMBER	QTY	PART NAME						SEE PAGE
					1	2	3	4	5	6 (PRODUCT LEVEL)	
	1	1,2	1P-4278	2	CLAMP-HOSE						
	2	2	1P-9328	1	FITTING						
	3	1	357-4591	1	ELBOW AS						
		1	3E-4041	1	ELBOW						
		1	6V-5063	1	SEAL-O-RING						
	4	1	4L-5757	2	STRAP						
	5	2	4V-1878	2	HOSE						
	6	2	5P-4868	4	CLAMP-HOSE						
	7	2	6L-4854	2	HOSE						
	8	1	7N-4600	2	BRACE AS						
	9	2	8D-3786	2	MOUNTING						
	10	1,2	8T-1117	2	CLAMP-HOSE						
	11	2	005-4273	1	CONNECTOR-HOSE						
	12	1	186-0712	4	PLATE						
CY	13	2	297-4283	1	RADIATOR GP						621
	14	1	228-4370	1	BRACE						
	15	1	228-4371	1	BRACE						
	16	1	228-4374	1	BRACKET						
	17	1	228-4375	1	BRACKET						
	18	1	228-4376	1	SUPPORT						
	19	1	228-4377	1	SUPPORT						
	20	2	228-4378	1	TUBE						
	21	2	228-4379	1	TUBE						
	22	2	228-9900	2	GUARD AS-FAN						
					(EACH INCLUDES)						
		2	1F-0750	2	NUT-WELD (3/8-16-THD)						
	23	2	164-1404	1	SPACER (10.67X16.95X23-MM THK)						
	24	1	2S-7010	2	CLIP						
	26	1	7X-0288	4	BOLT (3/8-16X1.625-IN)						
	27	1	5M-3062	26	BOLT (3/8-16X0.75-IN)						
	28	2	5P-0598	4	CLAMP-HOSE						
	29	1	5P-1075	42	WASHER-HARD (10.2X22.5X3-MM THK)						
	30	1	5P-9299	1	CLIP						
	31	1	5S-7379	4	BOLT (3/8-16X0.875-IN)						
	33	1	6V-8801	10	NUT (3/8-16-THD)						
	34	1,2	7D-7233	2	CLIP						
	35	2	7T-8332	4	MOUNTING						
	36	2	7X-0293	1	BOLT (3/8-16X4.75-IN)						
	37	2	7X-0301	2	BOLT (3/8-16X7-IN)						
	38	2	7X-0312	4	BOLT (7/16-14X2.5-IN)						
	39	2	7X-0313	2	BOLT (7/16-14X2.75-IN)						
	40	1	7X-0384	8	BOLT (7/8-9X3-IN)						
	41	2	7X-0447	6	NUT (7/16-14-THD)						
	42	2	7X-0618	8	WASHER-HARD (13.5X40X5-MM THK)						
	43	1	8C-6913	8	WASHER-HARD (24X41.5X4-MM THK)						
	44	1	8T-2502	2	BOLT (3/8-16X1.125-IN)						
	45	2	8T-4223	8	WASHER-HARD (13.5X25.5X3-MM THK)						
	46	1,2	8T-4896	13	WASHER-HARD (10.2X18.5X2.5-MM THK)						
	47	2	8T-5360	6	WASHER (12X22.5X2.5-MM THK)						
	48	2	8T-8917	8	BOLT (1/2-13X1.25-IN)						
	49	1	9B-7237	6	BOLT (3/8-16X1.25-IN)						
E	50	2	5P-1251		HOSE (131-CM)						
E	51	2	5P-6442		HOSE (102-CM)						



# COOLING SYSTEM

256-6164 RADIATOR GP (contd.)

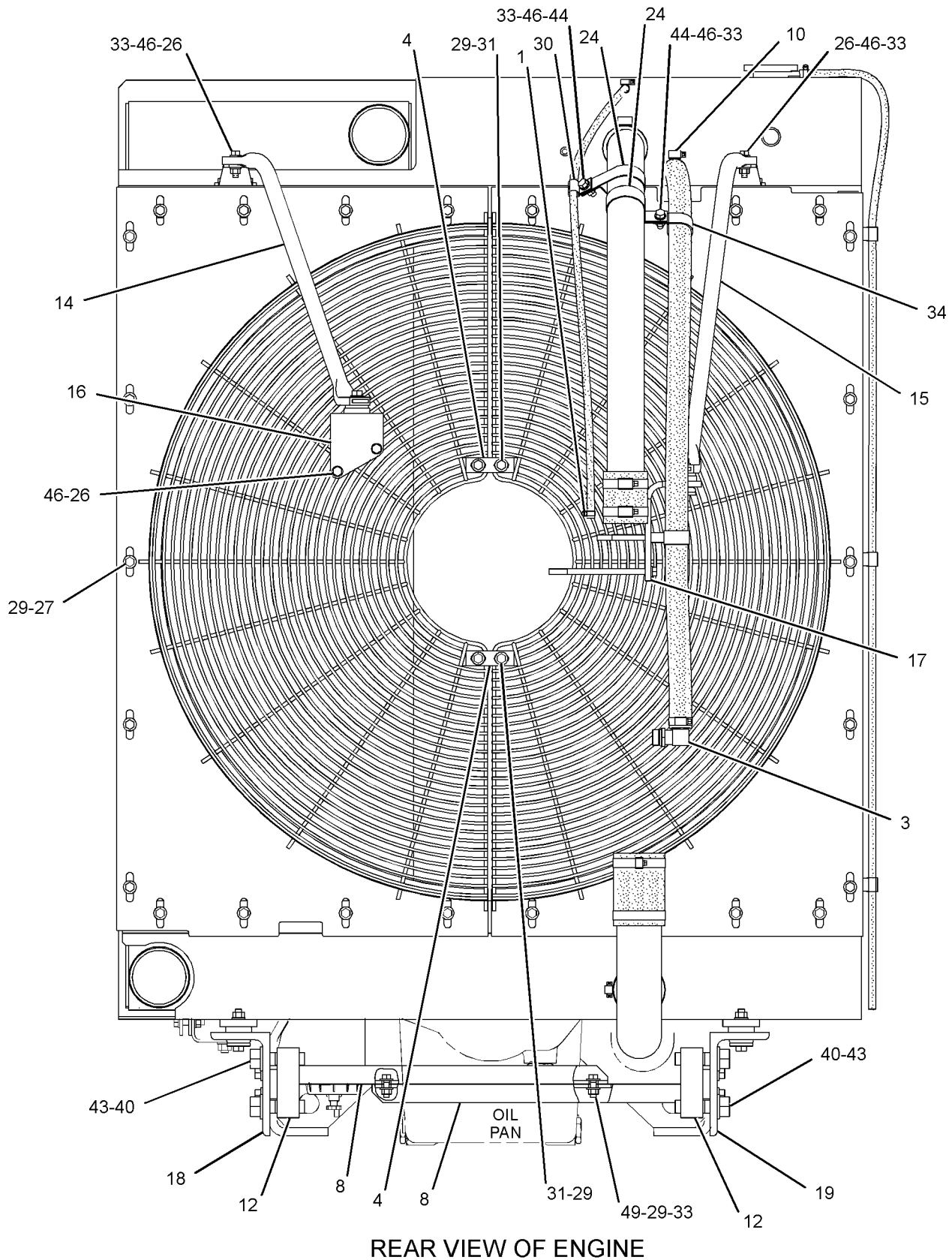
i04002066

C-CHANGE FROM PREVIOUS TYPE  
E-ORDER BY THE CENTIMETER  
Y-SEPARATE ILLUSTRATION

# COOLING SYSTEM

256-6164 RADIATOR GP (contd.)

i04002066



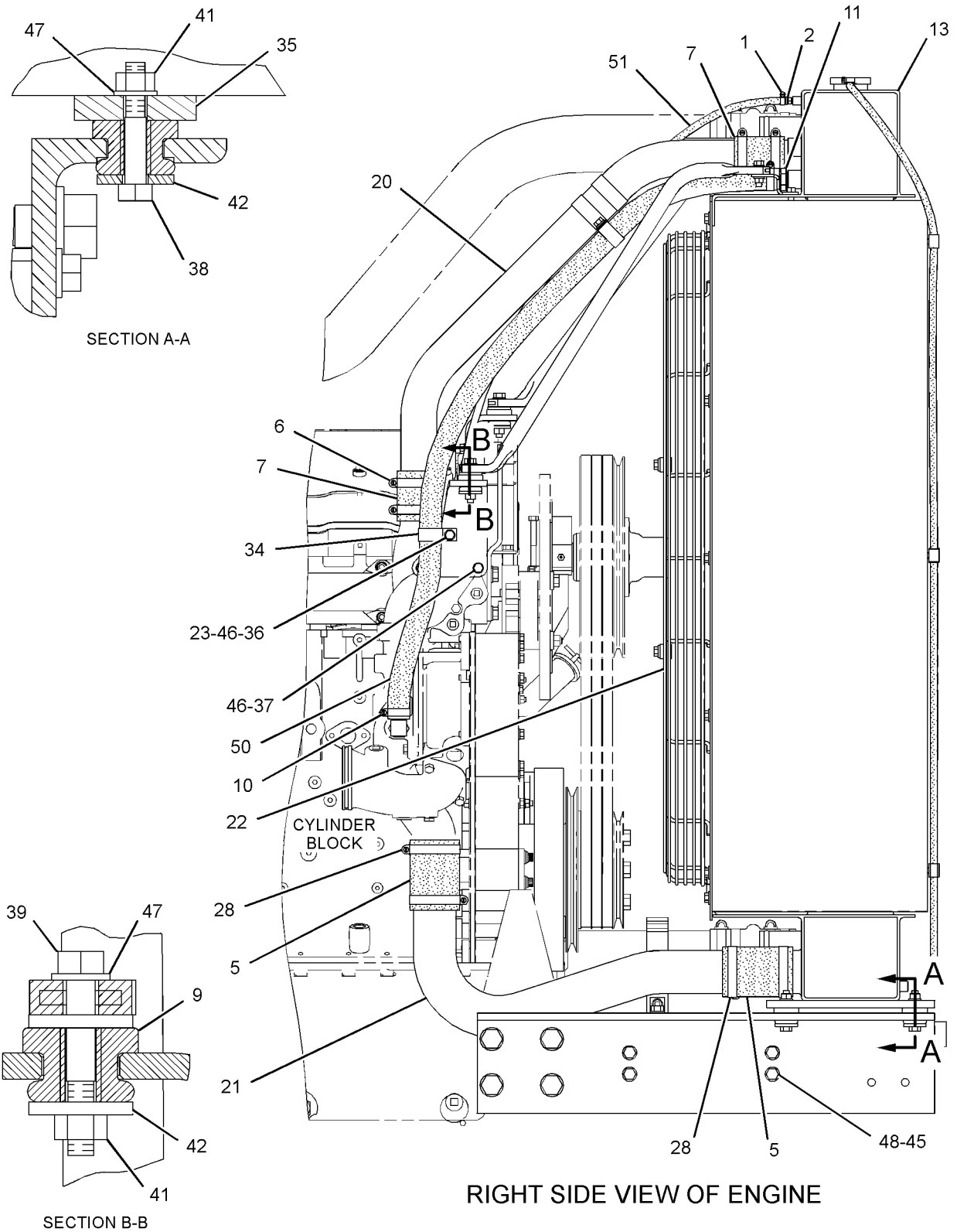
GRAPHIC #1

g02178100

# COOLING SYSTEM

256-6164 RADIATOR GP (contd.)

i04002066



GRAPHIC #2

<END>

g01454149

# COOLING SYSTEM

## 256-6165 RADIATOR GP

S/N: JRE1-8739

**FOR USE WITH SINGLE TURBO, AIR LINES, FAN DRIVE, ADAPTER GROUPS, WIDE FRONT  
SUPPORT, 40-INCH FAN, FORWARD OR REAR EXHAUST  
AN ATTACHMENT**

SMCS-1353

i03213190

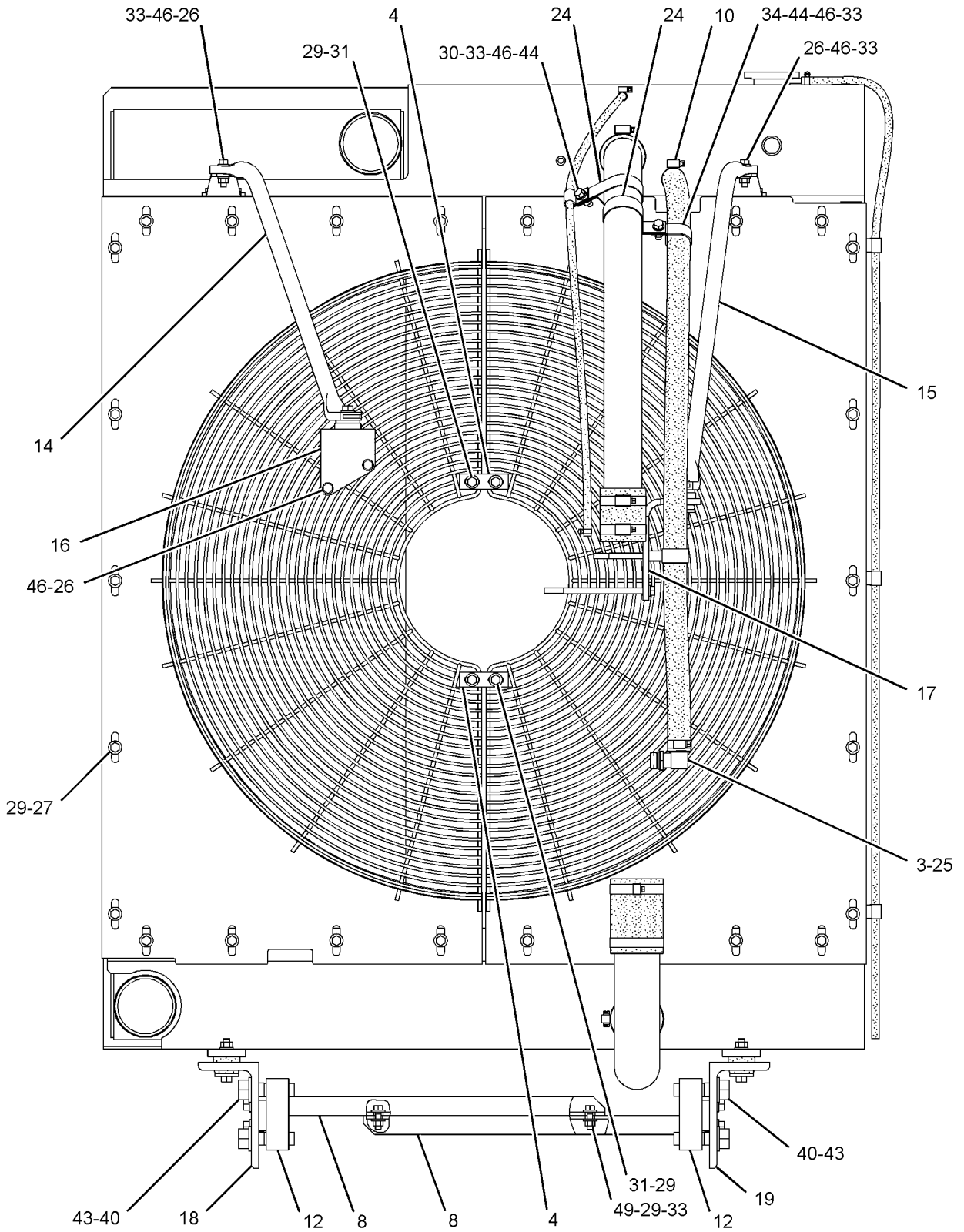
NOTE	REF NO	GRAPHIC REF	PART NUMBER	QTY	PART NAME						SEE PAGE
					1	2	3	4	5	6 (PRODUCT LEVEL)	
	1	2	1P-4278	2	CLAMP-HOSE						
	2	2	1P-9328	1	FITTING						
	3	1	3E-4041	1	ELBOW						
	4	1	4L-5757	2	STRAP						
	5	2	4V-1878	2	HOSE (RADIATOR)						
	6	2	5P-4868	4	CLAMP-HOSE						
E	7	2	5P-1262		HOSE (11-CM EACH) (RADIATOR)						
	8	1	7N-4600	2	BRACE AS						
	9	2	8D-3786	2	MOUNTING						
	10	1,2	8T-1117	2	CLAMP-HOSE						
	11	2	005-4273	1	CONNECTOR-HOSE						
	12	1	186-0712	4	PLATE						
Y	13	2	228-2674	1	RADIATOR GP						580
	14	1	228-4370	1	BRACE						
	15	1	228-4371	1	BRACE						
	16	1	228-4374	1	BRACKET						
	17	1	228-4375	1	BRACKET						
	18	1	228-4376	1	SUPPORT						
	19	1	228-4377	1	SUPPORT						
	20	2	228-4378	1	TUBE						
	21	2	228-4379	1	TUBE						
	22	2	228-9899	2	GUARD AS-FAN (EACH INCLUDES)						
		2	1F-0750	2	NUT-WELD (3/8-16-THD)						
	23	2	164-1404	1	SPACER (10.67X16.95X23-MM THK)						
	24	1	2S-7010	2	CLIP						
	25	1	3D-2824	1	SEAL-O-RING						
	26	1	4L-9337	4	BOLT (3/8-16X1.5-IN)						
	27	1	5M-3062	26	BOLT (3/8-16X0.75-IN)						
	28	2	5P-0598	4	CLAMP-HOSE						
	29	1	5P-1075	42	WASHER-HARD (10.2X22.5X3-MM THK)						
	30	1	5P-9299	1	CLIP						
	31	1	5S-7379	4	BOLT (3/8-16X0.875-IN)						
	33	1	6V-8801	10	NUT (3/8-16-THD)						
	34	1,2	7D-7233	2	CLIP						
	35	2	7T-8332	4	MOUNTING						
	36	2	7X-0293	1	BOLT (3/8-16X4.75-IN)						
	37	2	7X-0301	2	BOLT (3/8-16X7-IN)						
	38	2	7X-0312	4	BOLT (7/16-14X2.5-IN)						
	39	2	7X-0313	2	BOLT (7/16-14X2.75-IN)						
	40	1	7X-0384	8	BOLT (7/8-9X3-IN)						
	41	2	7X-0447	6	NUT (7/16-14-THD)						
	42	2	7X-0618	8	WASHER-HARD (13.5X40X5-MM THK)						
	43	1	8C-6913	8	WASHER-HARD (24X41.5X4-MM THK)						
	44	1	8T-2502	2	BOLT (3/8-16X1.125-IN)						
	45	2	8T-4223	8	WASHER-HARD (13.5X25.5X3-MM THK)						
	46	1,2	8T-4896	13	WASHER-HARD (10.2X18.5X2.5-MM THK)						
	47	2	8T-5360	6	WASHER (12X22.5X2.5-MM THK)						
	48	2	8T-8917	8	BOLT (1/2-13X1.25-IN)						
	49	1	9B-7237	6	BOLT (3/8-16X1.25-IN)						
E	50	2	5P-6442		HOSE (102-CM) (RADIATOR)						
E	51	2	5P-1251		HOSE (131-CM) (RADIATOR)						

E-ORDER BY THE CENTIMETER  
Y-SEPARATE ILLUSTRATION

# COOLING SYSTEM

256-6165 RADIATOR GP (contd.)

i03213190



REAR VIEW OF ENGINE

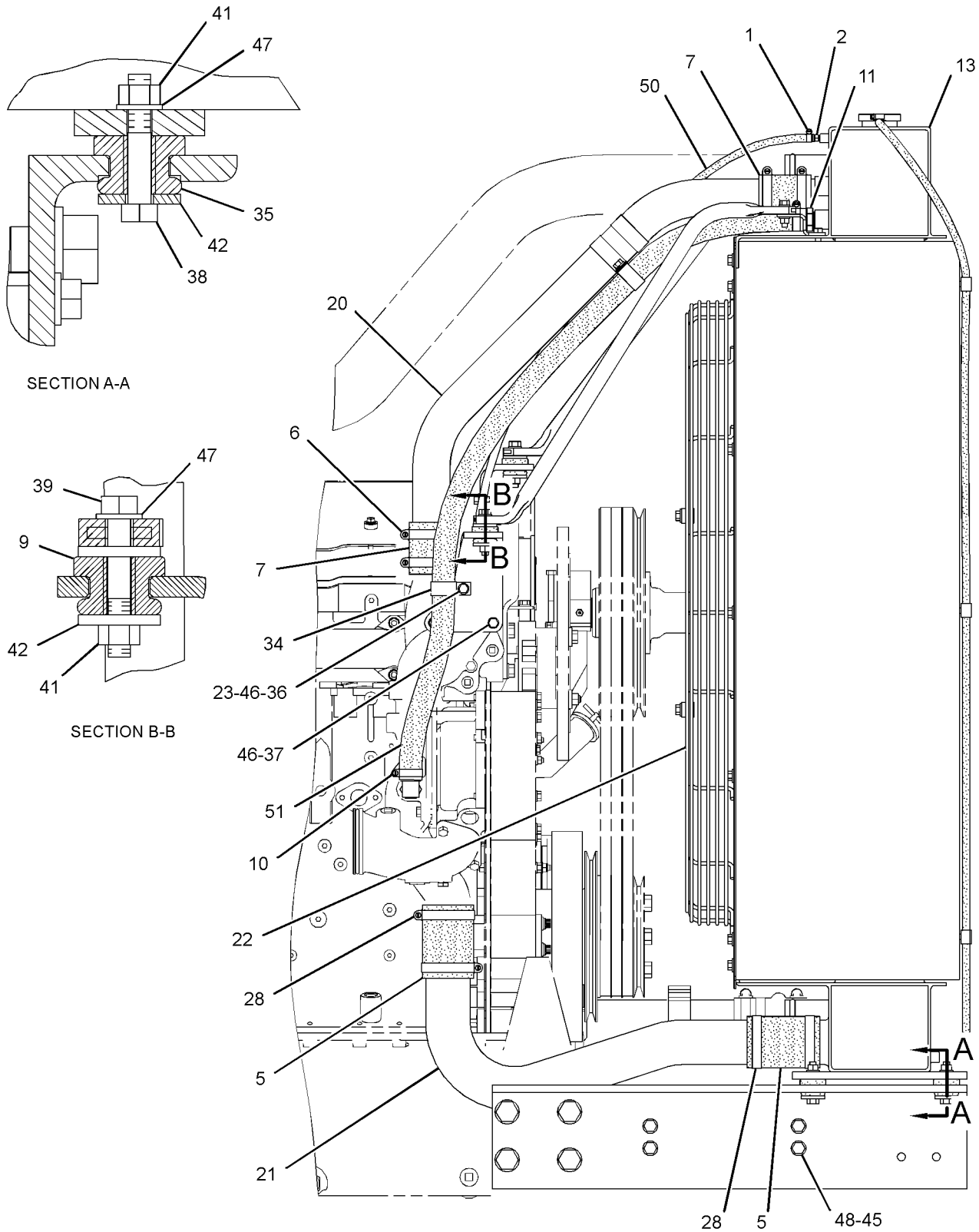
GRAPHIC #1

g01455670

# COOLING SYSTEM

256-6165 RADIATOR GP (contd.)

i03213190



RIGHT SIDE VIEW OF ENGINE

GRAPHIC #2

<END>

g01455671

# COOLING SYSTEM

## 256-6165 RADIATOR GP

S/N: JRE8740-UP

**FOR USE WITH SINGLE TURBO, AIR LINES, FAN DRIVE, ADAPTER GROUPS, WIDE FRONT  
SUPPORT, 40-INCH FAN, FORWARD OR REAR EXHAUST  
AN ATTACHMENT**

SMCS-1353

i04002067

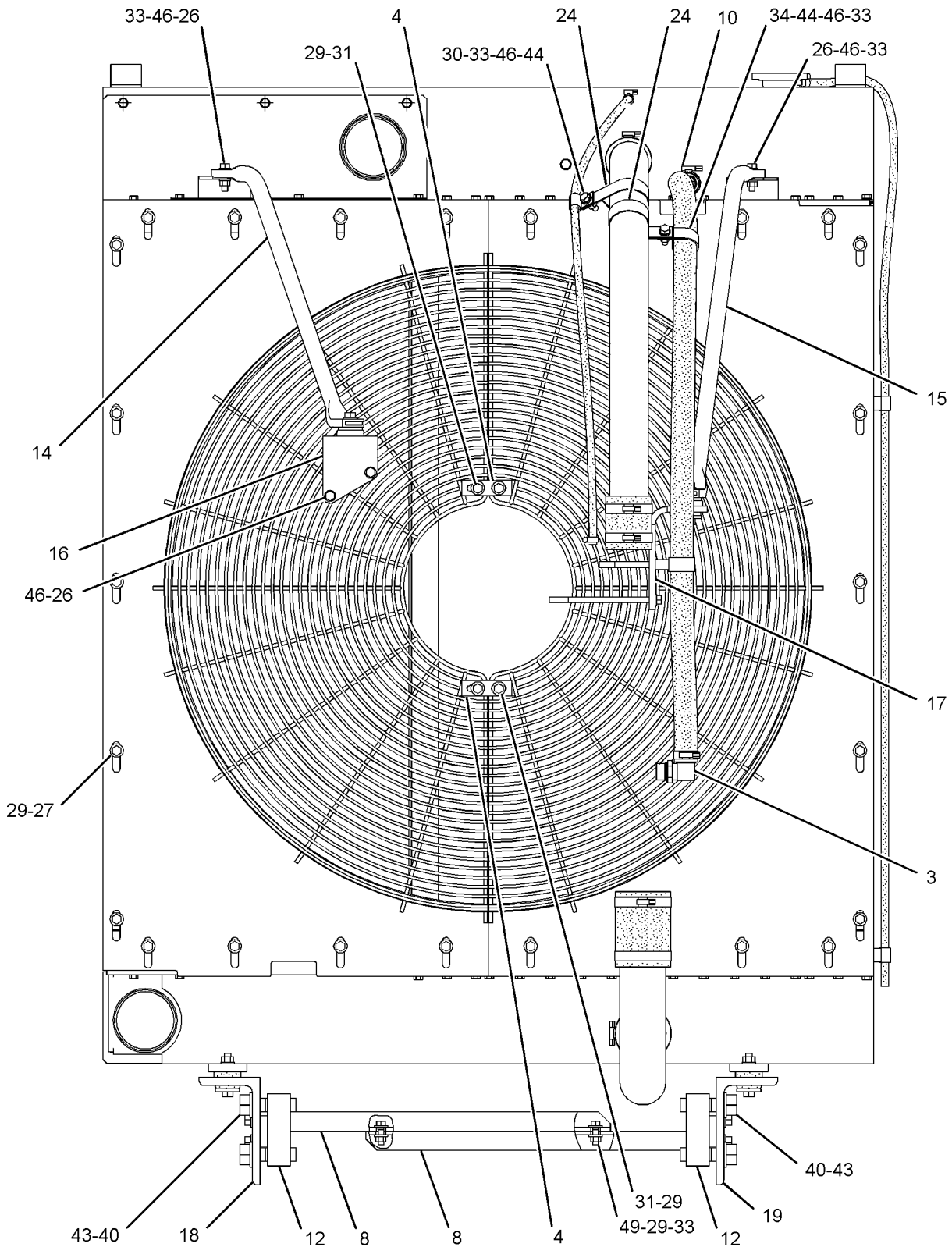
NOTE	REF NO	GRAPHIC REF	PART NUMBER	QTY	PART NAME						SEE PAGE
					1	2	3	4	5	6 (PRODUCT LEVEL)	
	1	2	1P-4278	2	CLAMP-HOSE						
	2	2	1P-9328	1	FITTING						
	3	1	357-4591	1	ELBOW AS						
		1	3E-4041	1	ELBOW						
		1	6V-5063	1	SEAL-O-RING						
	4	1	4L-5757	2	STRAP						
	5	2	4V-1878	2	HOSE (RADIATOR)						
	6	2	5P-4868	4	CLAMP-HOSE						
E	7	2	5P-1262		HOSE (11-CM EACH) (RADIATOR)						
	8	1	7N-4600	2	BRACE AS						
	9	2	8D-3786	2	MOUNTING						
	10	1,2	8T-1117	2	CLAMP-HOSE						
	11	2	005-4273	1	CONNECTOR-HOSE						
	12	1	186-0712	4	PLATE						
Y	13	2	297-4283	1	RADIATOR GP						621
	14	1	228-4370	1	BRACE						
	15	1	228-4371	1	BRACE						
	16	1	228-4374	1	BRACKET						
	17	1	228-4375	1	BRACKET						
	18	1	228-4376	1	SUPPORT						
	19	1	228-4377	1	SUPPORT						
	20	2	228-4378	1	TUBE						
	21	2	228-4379	1	TUBE						
	22	2	228-9899	2	GUARD AS-FAN						
					(EACH INCLUDES)						
		2	1F-0750	2	NUT-WELD (3/8-16-THD)						
	23	2	164-1404	1	SPACER (10.67X16.95X23-MM THK)						
	24	1	2S-7010	2	CLIP						
	26	1	7X-0288	4	BOLT (3/8-16X1.625-IN)						
	27	1	5M-3062	26	BOLT (3/8-16X0.75-IN)						
	28	2	5P-0598	4	CLAMP-HOSE						
	29	1	5P-1075	42	WASHER-HARD (10.2X22.5X3-MM THK)						
	30	1	5P-9299	1	CLIP						
	31	1	5S-7379	4	BOLT (3/8-16X0.875-IN)						
	33	1	6V-8801	10	NUT (3/8-16-THD)						
	34	1,2	7D-7233	2	CLIP						
	35	2	7T-8332	4	MOUNTING						
	36	2	7X-0293	1	BOLT (3/8-16X4.75-IN)						
	37	2	7X-0301	2	BOLT (3/8-16X7-IN)						
	38	2	7X-0312	4	BOLT (7/16-14X2.5-IN)						
	39	2	7X-0313	2	BOLT (7/16-14X2.75-IN)						
	40	1	7X-0384	8	BOLT (7/8-9X3-IN)						
	41	2	7X-0447	6	NUT (7/16-14-THD)						
	42	2	7X-0618	8	WASHER-HARD (13.5X40X5-MM THK)						
	43	1	8C-6913	8	WASHER-HARD (24X41.5X4-MM THK)						
	44	1	8T-2502	2	BOLT (3/8-16X1.125-IN)						
	45	2	8T-4223	8	WASHER-HARD (13.5X25.5X3-MM THK)						
	46	1,2	8T-4896	13	WASHER-HARD (10.2X18.5X2.5-MM THK)						
	47	2	8T-5360	6	WASHER (12X22.5X2.5-MM THK)						
	48	2	8T-8917	8	BOLT (1/2-13X1.25-IN)						
	49	1	9B-7237	6	BOLT (3/8-16X1.25-IN)						
E	50	2	5P-6442		HOSE (102-CM) (RADIATOR)						
E	51	2	5P-1251		HOSE (131-CM) (RADIATOR)						

# COOLING SYSTEM

256-6165 RADIATOR GP (contd.)

i04002067

E-ORDER BY THE CENTIMETER  
Y-SEPARATE ILLUSTRATION



REAR VIEW OF ENGINE

GRAPHIC #1

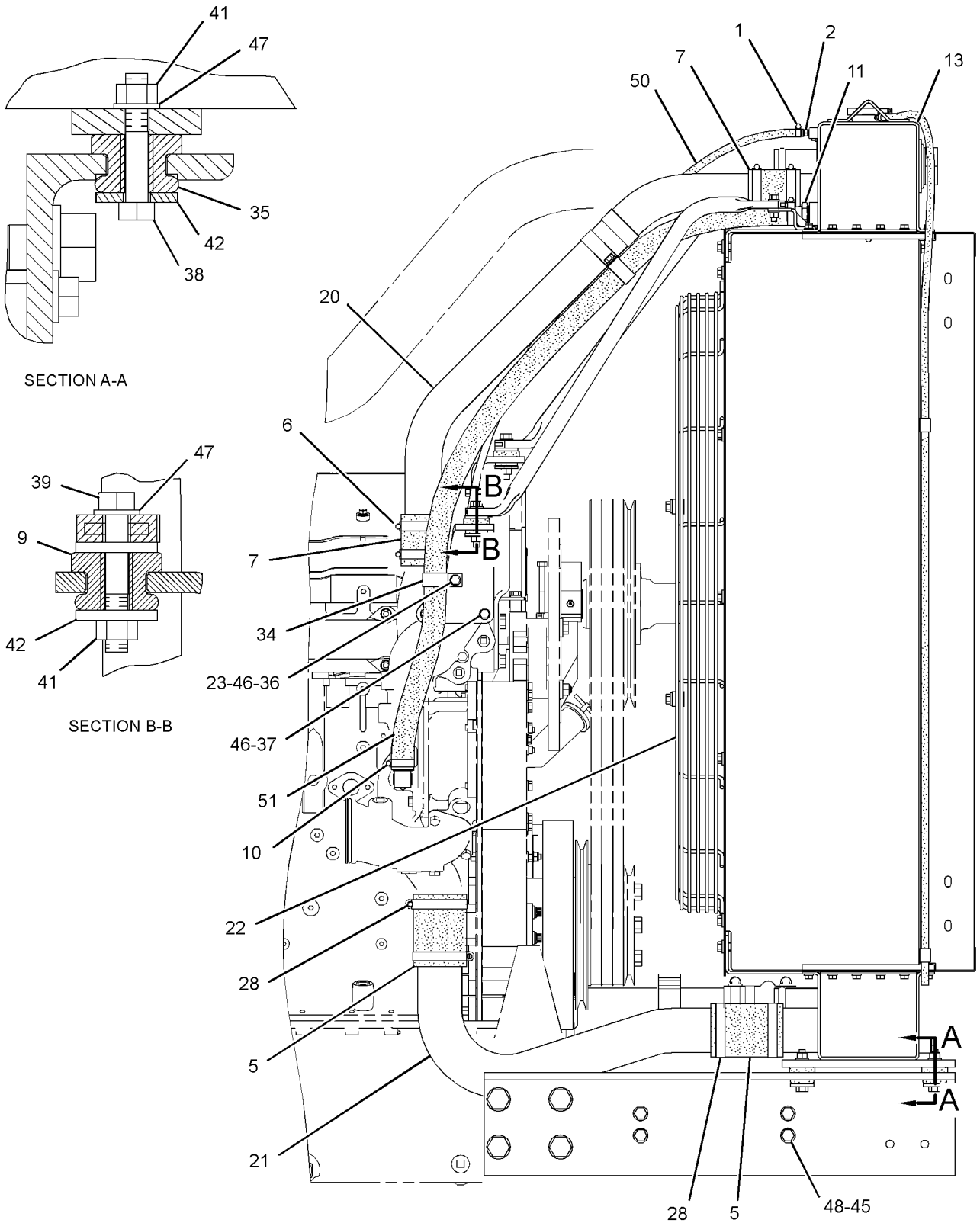
g02197513



# COOLING SYSTEM

256-6165 RADIATOR GP (contd.)

i04002067



RIGHT SIDE VIEW OF ENGINE

GRAPHIC #2

<END>

g01640455

# COOLING SYSTEM

## 296-9791 RADIATOR GP

S/N: JRE1-5354

FOR USE WITH TWIN TURBOS, 48-INCH FAN  
AN ATTACHMENT

SMCS-1353

i02726473

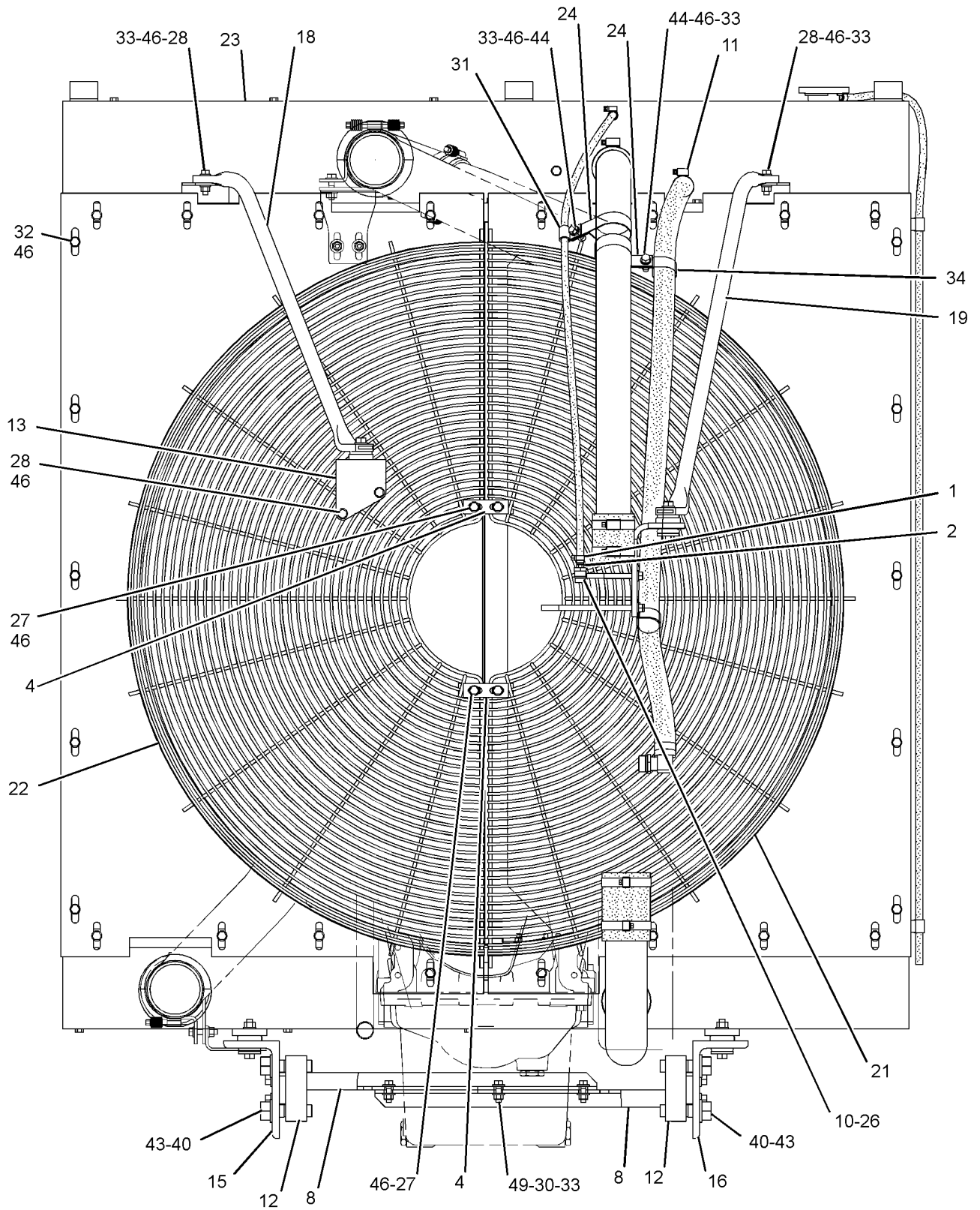
NOTE	REF NO	GRAPHIC REF	PART NUMBER	QTY	PART NAME						SEE PAGE
					1	2	3	4	5	6 (PRODUCT LEVEL)	
	1	1,2	1P-4278	2	CLAMP-HOSE						
	2	1,2	1P-9328	2	FITTING						
	3	2	3E-4041	1	ELBOW						
	4	1	4L-5757	2	STRAP						
	5	2	4V-1878	2	HOSE						
	6	2	5P-4868	4	CLAMP-HOSE						
	7	2	6L-4854	2	HOSE						
	8	1	7N-4600	2	BRACE AS						
	9	2	8D-3786	2	MOUNTING						
	10	1	8J-7844	1	BUSHING-REDUCING						
	11	1,2	8T-1117	2	CLAMP-HOSE						
	12	1	186-0712	4	PLATE						
	13	1	228-4374	1	BRACKET						
	14	2	228-4375	1	BRACKET						
	15	1	228-4376	1	SUPPORT						
	16	1	228-4377	1	SUPPORT						
	17	2	228-4379	1	TUBE						
	18	1	296-9792	1	BRACE						
	19	1	296-9793	1	BRACE						
	20	2	296-9794	1	TUBE						
	21	1	296-9795	1	GUARD AS-FAN						
		1	1F-0750	2	NUT-WELD (3/8-16-THD)						
	22	1	296-9796	1	GUARD AS-FAN						
		1	1F-0750	4	NUT-WELD (3/8-16-THD)						
	23	1	296-9800	1	RADIATOR GP						
	24	1	2S-7010	2	CLIP						
	25	2	3D-2824	1	SEAL-O-RING						
	26	1	3K-0360	1	SEAL-O-RING						
	27	1	4L-6454	4	BOLT (3/8-16X1-IN)						
	28	1	4L-9337	4	BOLT (3/8-16X1.5-IN)						
	29	2	5P-0598	4	CLAMP-HOSE						
	30	1	5P-1075	12	WASHER-HARD (10.2X22.5X3-MM THK)						
	31	1	5P-9299	1	CLIP						
	32	1	5S-7379	26	BOLT (3/8-16X0.875-IN)						
	33	1	6V-8801	10	NUT (3/8-16-THD)						
	34	1,2	7D-7233	2	CLIP						
	35	2	7T-8332	4	MOUNTING						
	36	2	7X-0291	1	BOLT (3/8-16X3.75-IN)						
	37	2	7X-0301	2	BOLT (3/8-16X7-IN)						
	38	2	7X-0312	4	BOLT (7/16-14X2.5-IN)						
	39	2	7X-0313	2	BOLT (7/16-14X2.75-IN)						
	40	1	7X-0384	8	BOLT (7/8-9X3-IN)						
	41	2	7X-0447	6	NUT (7/16-14-THD)						
	42	2	7X-0618	8	WASHER-HARD (13.5X40X5-MM THK)						
	43	1	8C-6913	8	WASHER-HARD (24X41.5X4-MM THK)						
	44	1	8T-2502	2	BOLT (3/8-16X1.125-IN)						
	45	2	8T-4223	8	WASHER-HARD (13.5X25.5X3-MM THK)						
	46	1,2	8T-4896	43	WASHER-HARD (10.2X18.5X2.5-MM THK)						
	47	2	8T-5360	6	WASHER (12X22.5X2.5-MM THK)						
	48	2	8T-8917	8	BOLT (1/2-13X1.25-IN)						
	49	1	9B-7237	6	BOLT (3/8-16X1.25-IN)						
E	50	2	5P-6442		HOSE (110-CM)						
E	51	2	5P-1251		HOSE (140-CM)						

E-ORDER BY THE CENTIMETER

# COOLING SYSTEM

296-9791 RADIATOR GP (contd.)

i02726473



REAR VIEW OF ENGINE

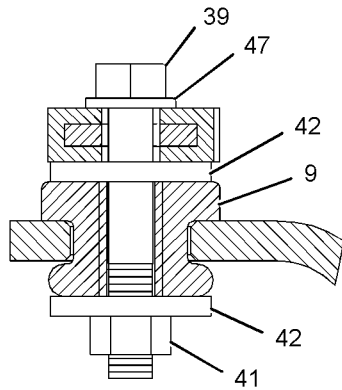
GRAPHIC #1

g01369618

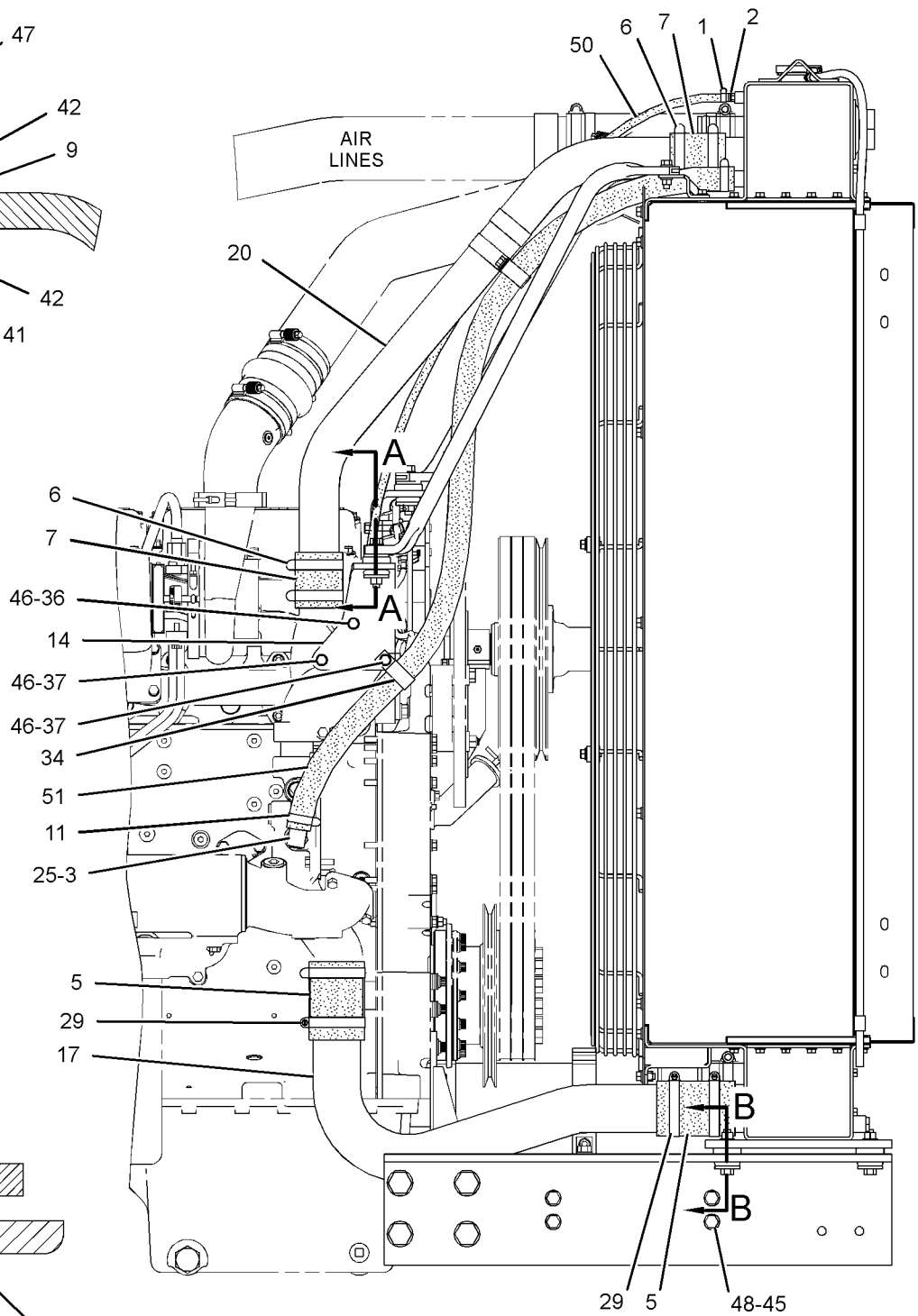
# COOLING SYSTEM

296-9791 RADIATOR GP (contd.)

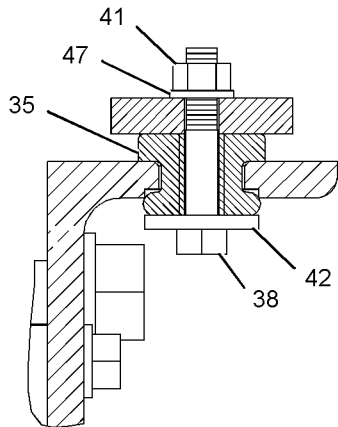
i02726473



SECTION A-A



RIGHT SIDE VIEW OF ENGINE



SECTION B-B

GRAPHIC #2

<END>

g01369619

# COOLING SYSTEM

## 296-9791 RADIATOR GP

S/N: JRE5355-UP

FOR USE WITH TWIN TURBOS, 48-INCH FAN  
AN ATTACHMENT

SMCS-1353

i04131382

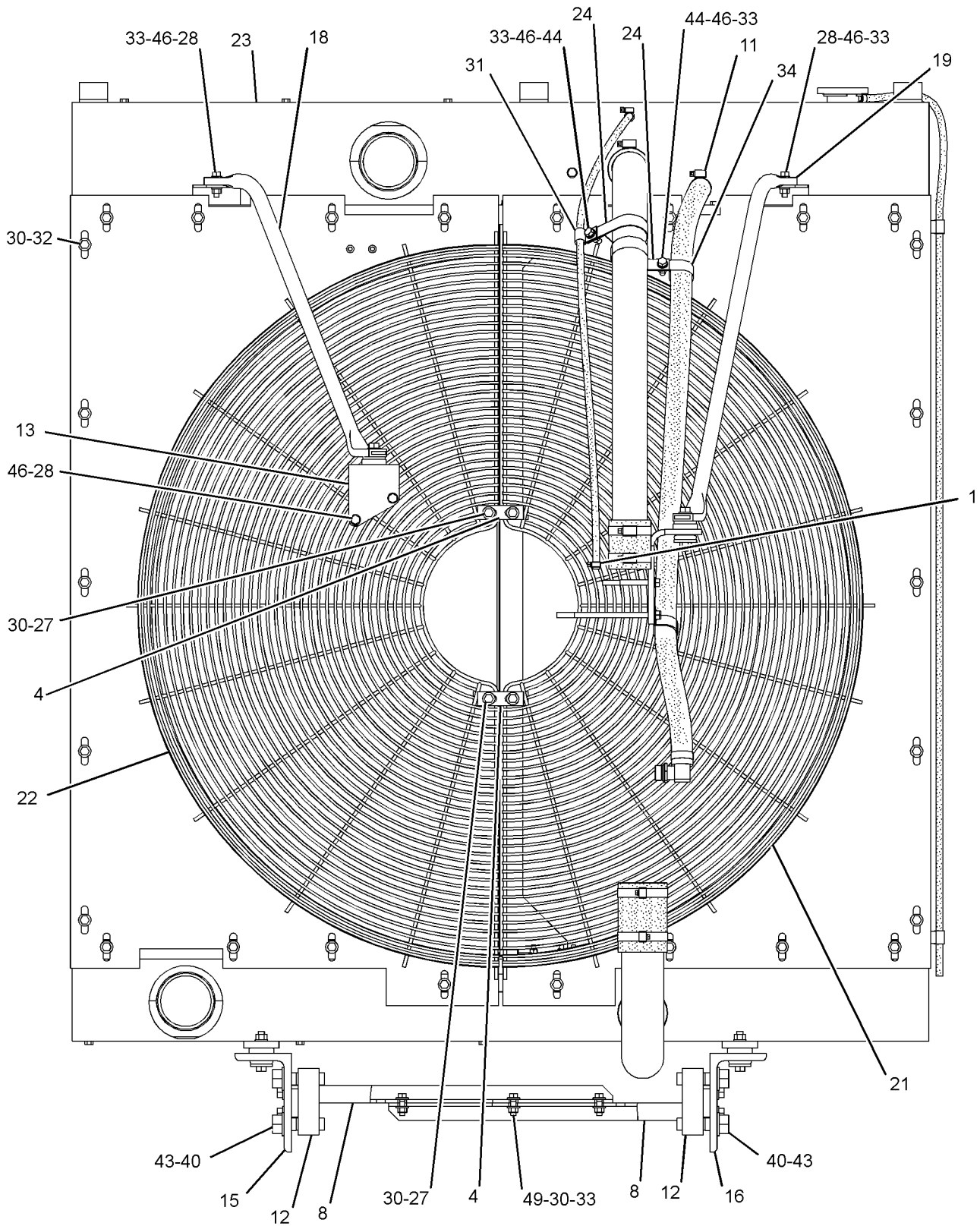
NOTE	REF NO	GRAPHIC REF	PART NUMBER	QTY	PART NAME						SEE PAGE	
					1	2	3	4	5	6 (PRODUCT LEVEL)		
		1	1,2	1P-4278	2	CLAMP-HOSE						
C		2	2	1P-9328	1	FITTING						
		4	1	4L-5757	2	STRAP						
		5	2	4V-1878	2	HOSE						
		6	2	5P-4868	4	CLAMP-HOSE						
		7	2	6L-4854	2	HOSE						
		8	1	7N-4600	2	BRACE AS						
		9	2	8D-3786	2	MOUNTING						
		11	1,2	8T-1117	2	CLAMP-HOSE						
		12	1	186-0712	4	PLATE						
		13	1	228-4374	1	BRACKET						
		14	2	228-4375	1	BRACKET						
		15	1	228-4376	1	SUPPORT						
		16	1	228-4377	1	SUPPORT						
		17	2	228-4379	1	TUBE						
		18	1	296-9792	1	BRACE						
		19	1	296-9793	1	BRACE						
		20	2	296-9794	1	TUBE						
		21	1	296-9795	1	GUARD AS-FAN						
			1	1F-0750	2	NUT-WELD (3/8-16-THD)						
		22	1	296-9796	1	GUARD AS-FAN						
			1	1F-0750	4	NUT-WELD (3/8-16-THD)						
Y		23	1	296-9800	1	RADIATOR GP						618
		24	1	2S-7010	2	CLIP						
		25	2	357-4591	1	ELBOW AS						
			2	6V-5063	1	SEAL-O-RING						
			2	3E-4041	1	ELBOW						
		27	1	4L-6454	4	BOLT (3/8-16X1-IN)						
		28	1	7X-0288	4	BOLT (3/8-16X1.625-IN)						
		29	2	5P-0598	4	CLAMP-HOSE						
C		30	1	5P-1075	42	WASHER-HARD (10.2X22.5X3-MM THK)						
		31	1	5P-9299	1	CLIP						
		32	1	5S-7379	26	BOLT (3/8-16X0.875-IN)						
		33	1	6V-8801	10	NUT (3/8-16-THD)						
		34	1,2	7D-7233	2	CLIP						
		35	2	7T-8332	4	MOUNTING						
		36	2	7X-0291	1	BOLT (3/8-16X3.75-IN)						
		37	2	7X-0301	2	BOLT (3/8-16X7-IN)						
		38	2	7X-0312	4	BOLT (7/16-14X2.5-IN)						
		39	2	7X-0313	2	BOLT (7/16-14X2.75-IN)						
		40	1	7X-0384	8	BOLT (7/8-9X3-IN)						
		41	2	7X-0447	6	NUT (7/16-14-THD)						
		42	2	7X-0618	8	WASHER-HARD (13.5X40X5-MM THK)						
		43	1	8C-6913	8	WASHER-HARD (24X41.5X4-MM THK)						
		44	1	8T-2502	2	BOLT (3/8-16X1.125-IN)						
		45	2	8T-4223	8	WASHER-HARD (13.5X25.5X3-MM THK)						
C		46	1,2	8T-4896	13	WASHER-HARD (10.2X18.5X2.5-MM THK)						
		47	2	8T-5360	6	WASHER (12X22.5X2.5-MM THK)						
		48	2	8T-8917	8	BOLT (1/2-13X1.25-IN)						
		49	1	9B-7237	6	BOLT (3/8-16X1.25-IN)						
E		50	2	5P-6442		HOSE (110-CM)						
E		51	2	5P-1251		HOSE (140-CM)						

C-CHANGE FROM PREVIOUS TYPE  
E-ORDER BY THE CENTIMETER  
Y-SEPARATE ILLUSTRATION

# COOLING SYSTEM

296-9791 RADIATOR GP (contd.)

i04131382



REAR VIEW OF ENGINE

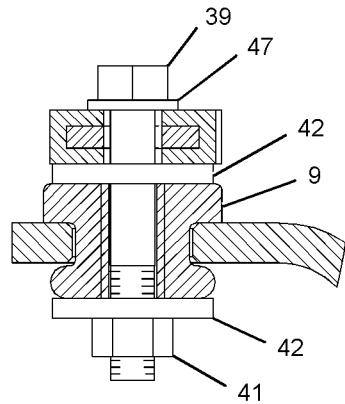
GRAPHIC #1

g01511357

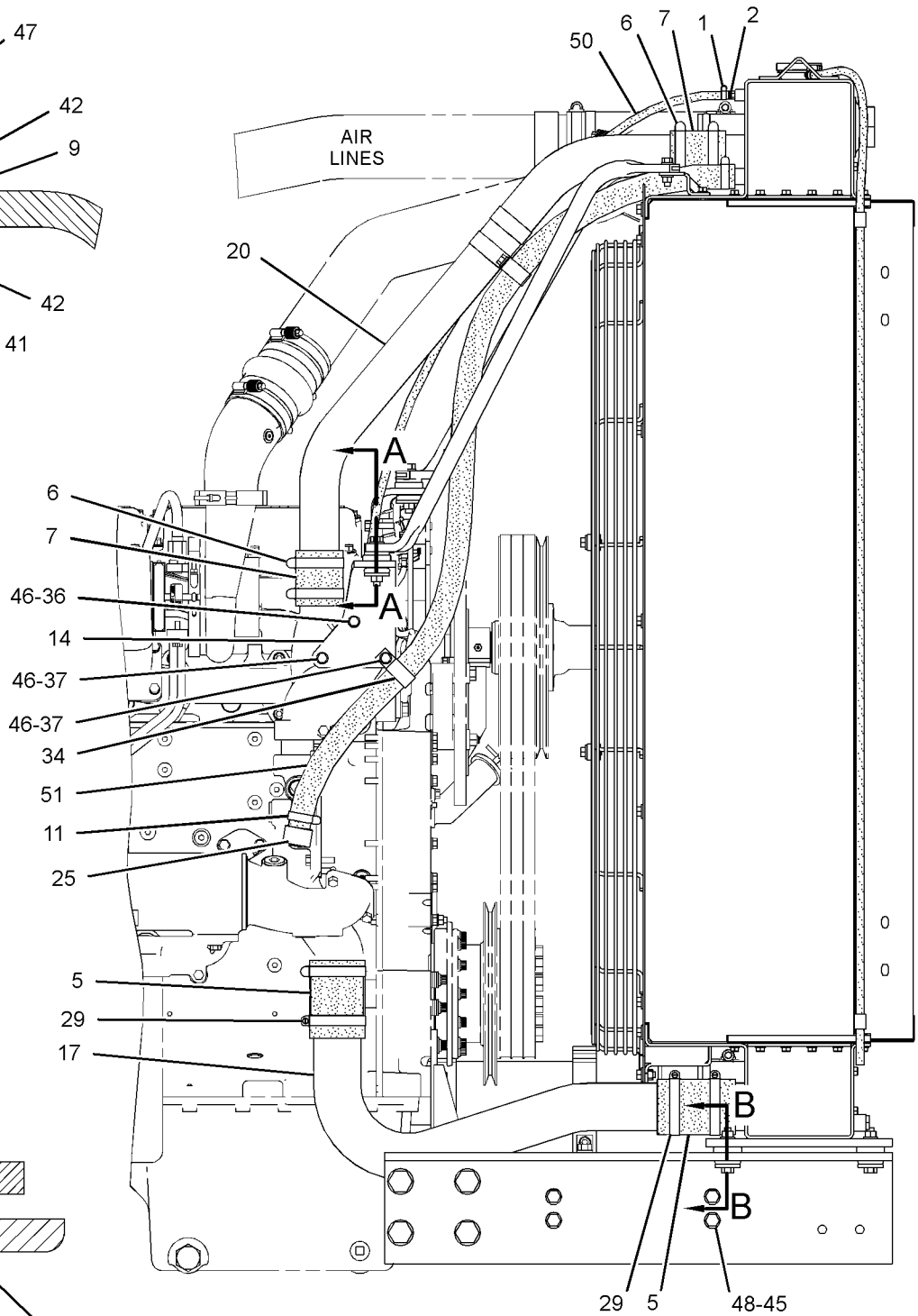
# COOLING SYSTEM

296-9791 RADIATOR GP (contd.)

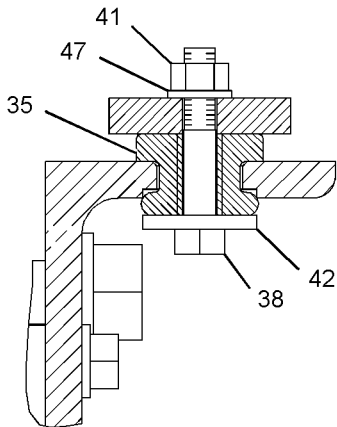
i04131382



SECTION A-A



RIGHT SIDE VIEW OF ENGINE



SECTION B-B

GRAPHIC #2

<END>

g02339503

# COOLING SYSTEM

## 296-9800 RADIATOR GP

PART OF 296-9791 RADIATOR GP  
AN ATTACHMENT

SMCS - 1353

i03768510

NOTE	REF NO	GRAPHIC REF	PART NUMBER	QTY	PART NAME						SEE PAGE
					1	2	3	4	5	6 (PRODUCT LEVEL)	
	1	2	1P-4278	1	CLAMP-HOSE						
	2	1	6L-8617	1	CAP-PRESSURE (7-PSI)						
	3	2	277-6224	2	BRACKET AS						
	4	1	296-9801	1	TANK AS-RADIATOR BOTTOM						
	5	2	296-9802	2	GASKET						
	6	2	296-9803	1	CORE AS-RADIATOR						
	7	1	296-9804	1	TANK AS-RADIATOR TOP						
	8	2	296-9805	1	CHANNEL AS						
	9	2	296-9806	1	CHANNEL AS						
	10	1	296-9807	1	CHANNEL AS						
	11	1	296-9808	1	CORE AS-AFTERCOOLER						
	12	1,2	296-9809	1	GUARD AS-RADIATOR (FRONT)						
	13	1	296-9810	2	PLATE						
	14	1	296-9811	1	PANEL AS						
	15	1	296-9812	1	PANEL AS						
	16	1,2	031-4155	78	LOCKNUT (5/16-18-THD)						
	17	2	4D-9517	2	CLIP						
	18	1	4J-4382	1	PLUG-PIPE						
	19	1,2	4M-0061	44	BOLT (5/16-18X0.75-IN)						
	20	1,2	4M-6425	78	BOLT (5/16-18X1-IN)						
	21	2	5M-6213	1	PLUG-PIPE						
	22	1,2	8T-4224	44	WASHER-HARD (8.8X16X2-MM THK)						
J	23	2	5P-1908		HOSE (18-DM)						

J-SOLD BY THE DECEMETER

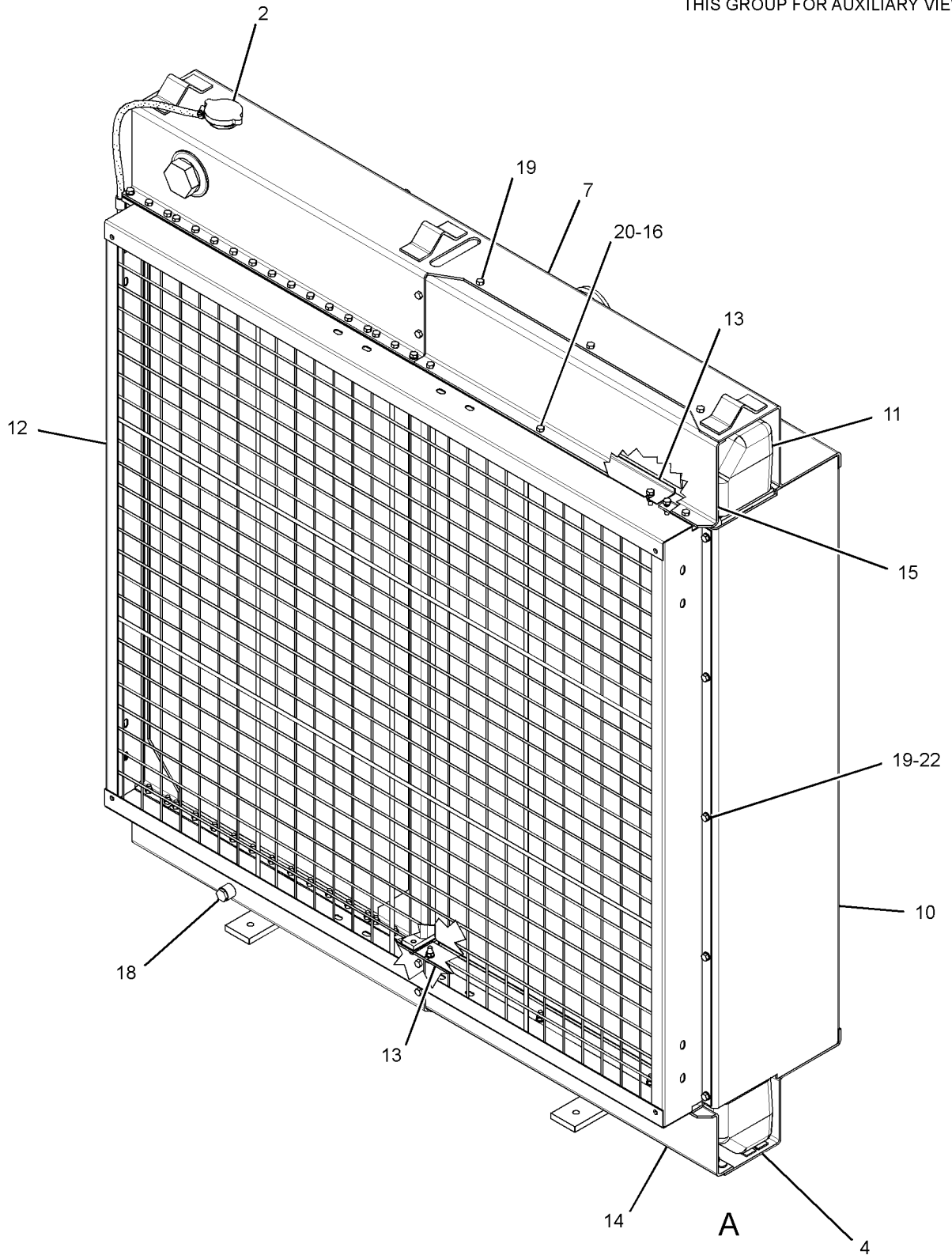


# COOLING SYSTEM

296-9800 RADIATOR GP (contd.)

i03768510

REFER TO ALL ILLUSTRATIONS OF THIS GROUP FOR AUXILIARY VIEWS



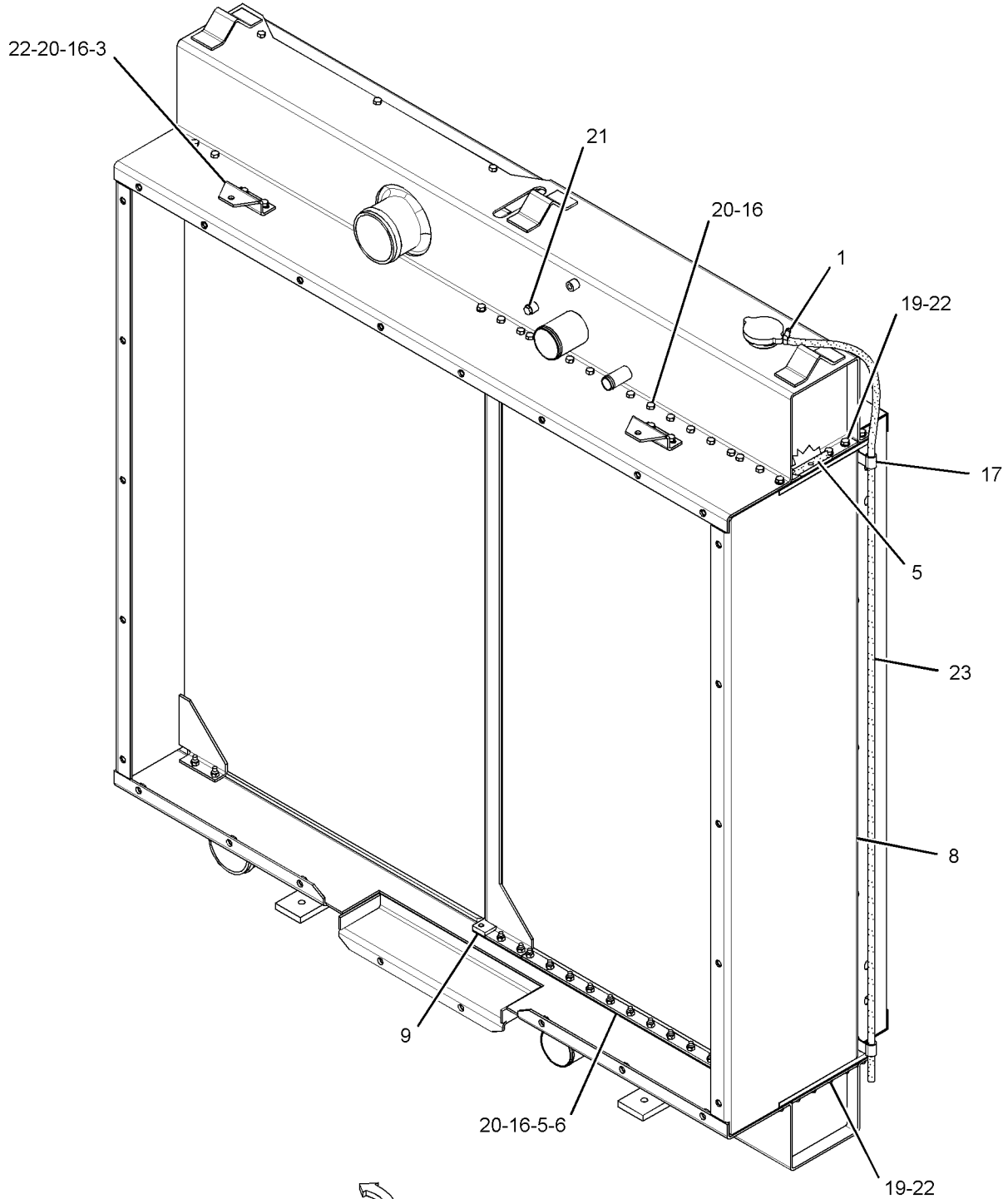
GRAPHIC #1

g02033573

# COOLING SYSTEM

296-9800 RADIATOR GP (contd.)

i03768510



180°  
VIEW OF AREA A

GRAPHIC #2

<END>

g02034034

# COOLING SYSTEM

## 297-4283 RADIATOR GP

PART OF 230-3807, 230-3808, 256-6164, 256-6165, 297-4284, 297-4285 RADIATOR  
GP  
AN ATTACHMENT

SMCS-1353

i03729700

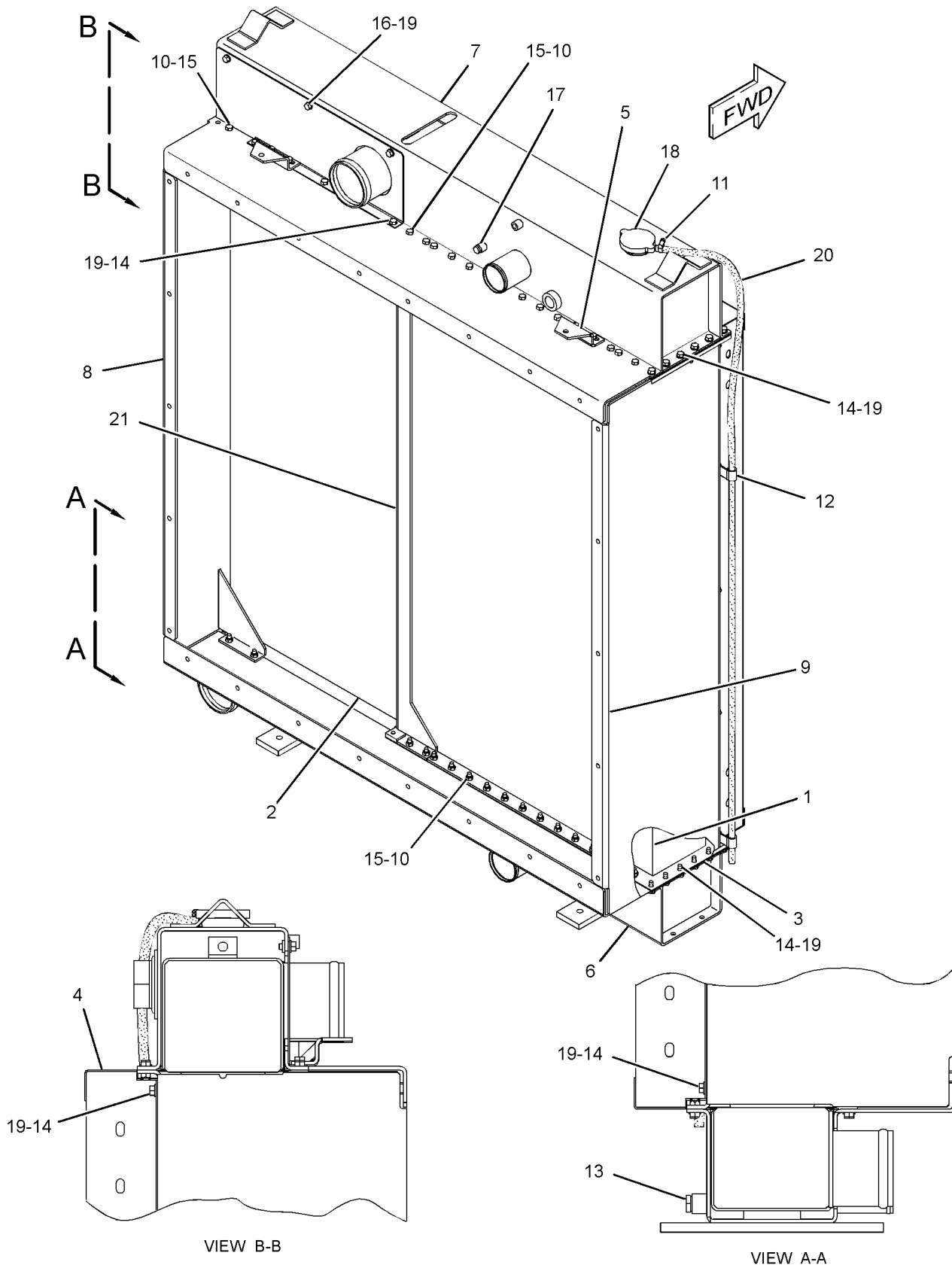
NOTE	REF NO	GRAPHIC REF	PART NUMBER	QTY	PART NAME						SEE PAGE
					1	2	3	4	5	6 (PRODUCT LEVEL)	
	1	1	<b>297-4282</b>	1	CORE AS-RADIATOR						
	2	1	<b>277-6221</b>	1	AFTERCOOLER AS						
	3	1	<b>277-6222</b>	2	GASKET						
	4	1	<b>277-6223</b>	1	GUARD AS-RADIATOR						
	5	1	<b>277-6224</b>	2	BRACKET AS						
	6	1	<b>277-6228</b>	1	TANK AS-RADIATOR BOTTOM						
	7	1	<b>277-6229</b>	1	TANK AS-RADIATOR TOP						
	8	1	<b>277-6230</b>	1	CHANNEL AS-RADIATOR						
	9	1	<b>277-6231</b>	1	CHANNEL AS-RADIATOR						
	10	1	<b>031-4155</b>	71	LOCKNUT (5/16-18-THD)						
	11	1	<b>1P-4278</b>	1	CLAMP-HOSE						
	12	1	<b>4D-9517</b>	2	CLIP						
	13	1	<b>4J-4382</b>	1	PLUG-PIPE						
	14	1	<b>4M-0061</b>	34	BOLT (5/16-18X0.75-IN)						
	15	1	<b>4M-6425</b>	71	BOLT (5/16-18X1-IN)						
	16	1	<b>5K-0906</b>	3	BOLT (5/16-18X0.625-IN)						
	17	1	<b>5M-6213</b>	1	PLUG-PIPE						
	18	1	<b>6L-8617</b>	1	CAP-PRESSURE (7-PSI) (RADIATOR)						
	19	1	<b>8T-4224</b>	37	WASHER-HARD (8.8X16X2-MM THK)						
D	20	1	<b>5P-5991</b>		HOSE (2-M)						
	21	1	<b>324-9210</b>	1	CHANNEL-RADIATOR						
			<b>BF</b>		<b>263-6409</b>						SEAL (122-CM EACH)

B-USE AS REQUIRED  
D-ORDER BY THE METER  
F-NOT SHOWN

# COOLING SYSTEM

297-4283 RADIATOR GP (contd.)

i03729700



GRAPHIC #1

<END>

g02012593

# COOLING SYSTEM

## 297-4284 RADIATOR GP

S/N: JRE1-5354

AN ATTACHMENT

SMCS-1353

i03206682

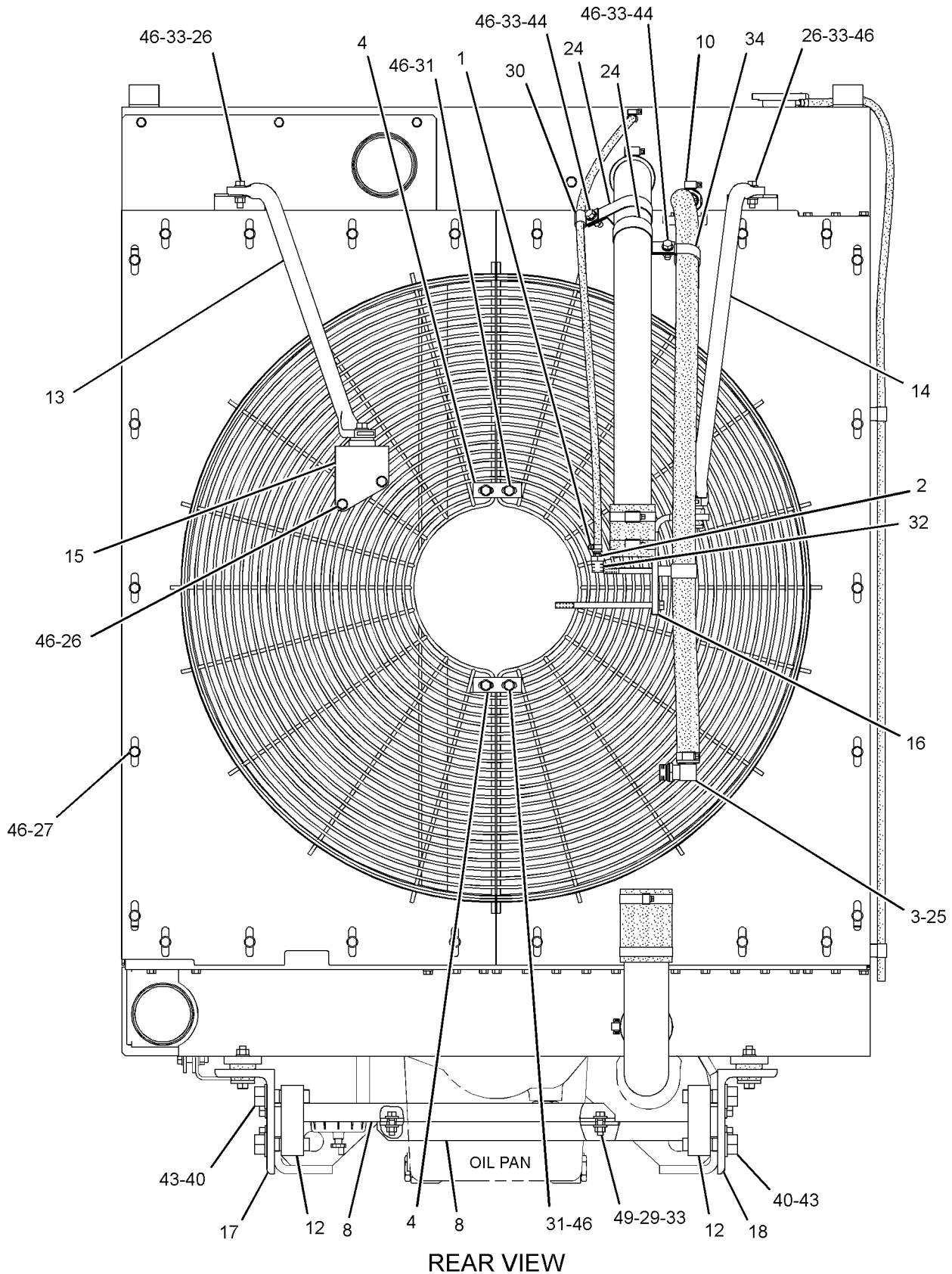
NOTE	REF NO	GRAPHIC REF	PART NUMBER	QTY	PART NAME						SEE PAGE
					1	2	3	4	5	6 (PRODUCT LEVEL)	
	1	1,2	1P-4278	2	CLAMP-HOSE						
	2	1,2	1P-9328	2	FITTING						
	3	1	3E-4041	1	ELBOW						
	4	1	4L-5757	2	STRAP						
	5	2	4V-1878	2	HOSE						
	6	2	5P-4868	4	CLAMP-HOSE						
	7	2	6L-4854	2	HOSE						
	8	1	7N-4600	2	BRACE AS						
	9	2	8D-3786	2	MOUNTING						
	10	1,2	8T-1117	2	CLAMP-HOSE						
	11	2	005-4273	1	CONNECTOR-HOSE						
	12	1	186-0712	4	PLATE						
	13	1	228-4370	1	BRACE						
	14	1	228-4371	1	BRACE						
	15	1	228-4374	1	BRACKET						
	16	1	228-4375	1	BRACKET						
	17	1	228-4376	1	SUPPORT						
	18	1	228-4377	1	SUPPORT						
	19	2	228-4378	1	TUBE						
	20	2	228-4379	1	TUBE						
	21	2	228-9899	2	GUARD AS-FAN						
					(EACH INCLUDES)						
		2	1F-0750	2	NUT-WELD (3/8-16-THD)						
Y	22	2	297-4283	1	RADIATOR GP						621
	23	2	164-1404	1	SPACER (10.67X16.95X23-MM THK)						
	24	1	2S-7010	2	CLIP						
	25	1	3D-2824	1	SEAL-O-RING						
	26	1	4L-9337	4	BOLT (3/8-16X1.5-IN)						
	27	1	5M-3062	26	BOLT (3/8-16X0.75-IN)						
	28	2	5P-0598	4	CLAMP-HOSE						
	29	1	5P-1075	12	WASHER-HARD (10.2X22.5X3-MM THK)						
	30	1	5P-9299	1	CLIP						
	31	1	5S-7379	4	BOLT (3/8-16X0.875-IN)						
	32	1	6B-5072	1	BUSHING-REDUCING						
	33	1	6V-8801	10	NUT (3/8-16-THD)						
	34	1,2	7D-7233	2	CLIP						
	35	2	7T-8332	4	MOUNTING						
	36	2	7X-0293	1	BOLT (3/8-16X4.75-IN)						
	37	2	7X-0301	2	BOLT (3/8-16X7-IN)						
	38	2	7X-0312	4	BOLT (7/16-14X2.5-IN)						
	39	2	7X-0313	2	BOLT (7/16-14X2.75-IN)						
	40	1	7X-0384	8	BOLT (7/8-9X3-IN)						
	41	2	7X-0447	6	NUT (7/16-14-THD)						
	42	2	7X-0618	8	WASHER-HARD (13.5X40X5-MM THK)						
	43	1	8C-6913	8	WASHER-HARD (24X41.5X4-MM THK)						
	44	1	8T-2502	2	BOLT (3/8-16X1.125-IN)						
	45	2	8T-4223	8	WASHER-HARD (13.5X25.5X3-MM THK)						
	46	1,2	8T-4896	43	WASHER-HARD (10.2X18.5X2.5-MM THK)						
	47	2	8T-5360	6	WASHER (12X22.5X2.5-MM THK)						
	48	2	8T-8917	8	BOLT (1/2-13X1.25-IN)						
	49	1	9B-7237	6	BOLT (3/8-16X1.25-IN)						
E	50	2	5P-6442		HOSE (102-CM)						
E	51	2	5P-1251		HOSE (131-CM)						

E-ORDER BY THE CENTIMETER  
Y-SEPARATE ILLUSTRATION

# COOLING SYSTEM

297-4284 RADIATOR GP (contd.)

i03206682



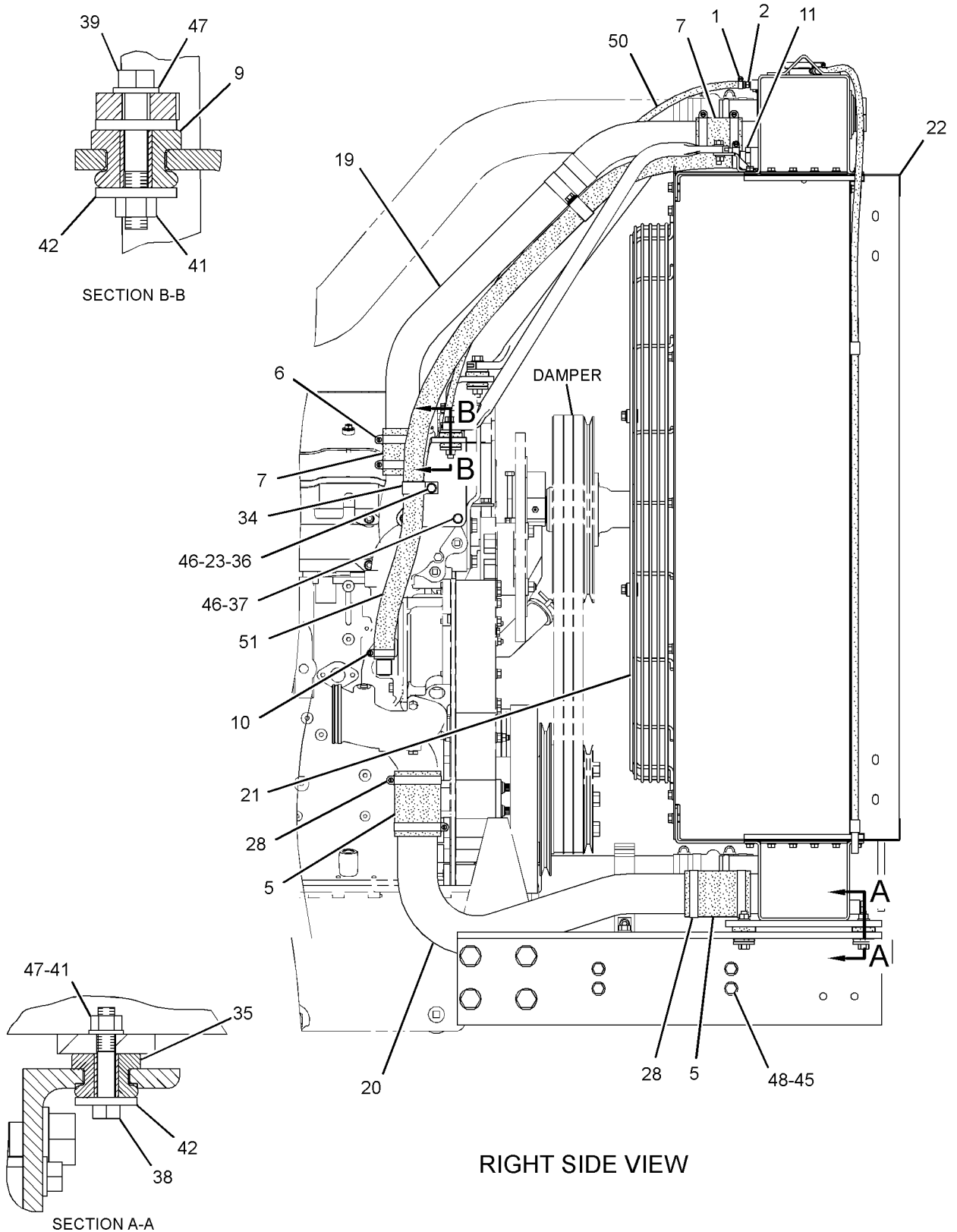
GRAPHIC #1

g01327086

# COOLING SYSTEM

297-4284 RADIATOR GP (contd.)

i03206682



GRAPHIC #2

<END>

g01327088

# COOLING SYSTEM

## 297-4284 RADIATOR GP

S/N: JRE5355-UP

AN ATTACHMENT

SMCS-1353

i04131384

NOTE	REF NO	GRAPHIC REF	PART NUMBER	QTY	PART NAME						SEE PAGE
					1	2	3	4	5	6 (PRODUCT LEVEL)	
	1	1,2	1P-4278	2	CLAMP-HOSE						
	2	1	1P-9328	1	FITTING						
	4	2	4L-5757	2	STRAP						
	5	1	4V-1878	2	HOSE						
	6	1	5P-4868	4	CLAMP-HOSE						
	7	1	6L-4854	2	HOSE						
	8	2	7N-4600	2	BRACE AS						
	9	1	8D-3786	2	MOUNTING						
	10	1,2	8T-1117	2	CLAMP-HOSE						
	11	1	005-4273	1	CONNECTOR-HOSE						
	12	2	186-0712	4	PLATE						
	13	2	228-4370	1	BRACE						
	14	2	228-4371	1	BRACE						
	15	2	228-4374	1	BRACKET						
	16	2	228-4375	1	BRACKET						
	17	2	228-4376	1	SUPPORT						
	18	2	228-4377	1	SUPPORT						
	19	1	228-4378	1	TUBE						
	20	1	228-4379	1	TUBE						
	21	1	228-9899	2	GUARD AS-FAN						
					(EACH INCLUDES)						
		1	1F-0750	2	NUT-WELD (3/8-16-THD)						
Y	22	1	297-4283	1	RADIATOR GP						621
	23	1	164-1404	1	SPACER (10.67X16.95X23-MM THK)						
	24	2	2S-7010	2	CLIP						
	25	2	357-4591	1	ELBOW AS						
		2	6V-5063	1	SEAL-O-RING						
		2	3E-4041	1	ELBOW						
	26	2	7X-0288	4	BOLT (3/8-16X1.625-IN)						
	27	2	5M-3062	26	BOLT (3/8-16X0.75-IN)						
	28	1	5P-0598	4	CLAMP-HOSE						
	29	2	5P-1075	42	WASHER-HARD (10.2X22.5X3-MM THK)						
	30	2	5P-9299	1	CLIP						
	31	2	5S-7379	4	BOLT (3/8-16X0.875-IN)						
	32	2	6V-8801	10	NUT (3/8-16-THD)						
	33	1,2	7D-7233	2	CLIP						
	34	1	7T-8332	4	MOUNTING						
	35	1	7X-0293	1	BOLT (3/8-16X4.75-IN)						
	36	1	7X-0301	2	BOLT (3/8-16X7-IN)						
	37	1	7X-0312	4	BOLT (7/16-14X2.5-IN)						
	38	1	7X-0313	2	BOLT (7/16-14X2.75-IN)						
	39	2	7X-0384	8	BOLT (7/8-9X3-IN)						
	40	1	7X-0447	6	NUT (7/16-14-THD)						
	41	1	7X-0618	8	WASHER-HARD (13.5X40X5-MM THK)						
	42	2	8C-6913	8	WASHER-HARD (24X41.5X4-MM THK)						
	43	2	8T-2502	2	BOLT (3/8-16X1.125-IN)						
	44	1	8T-4223	8	WASHER-HARD (13.5X25.5X3-MM THK)						
	45	1,2	8T-4896	13	WASHER-HARD (10.2X18.5X2.5-MM THK)						
	46	1	8T-5360	6	WASHER (12X22.5X2.5-MM THK)						
	47	1	8T-8917	8	BOLT (1/2-13X1.25-IN)						
	48	2	9B-7237	6	BOLT (3/8-16X1.25-IN)						
E	49	1	5P-6442		HOSE (102-CM)						
E	50	1	5P-1251		HOSE (131-CM)						

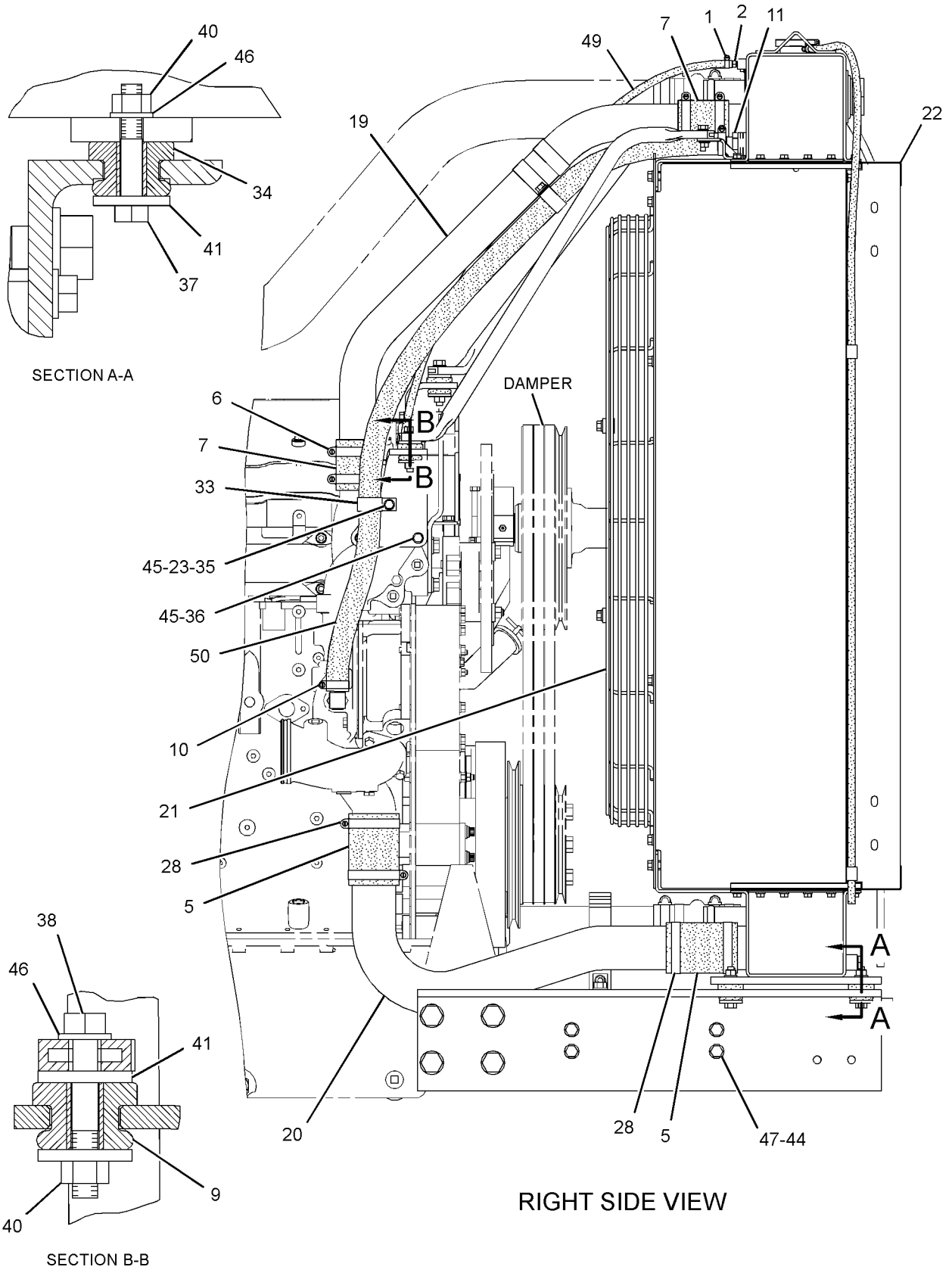
E-ORDER BY THE CENTIMETER  
Y-SEPARATE ILLUSTRATION



# COOLING SYSTEM

297-4284 RADIATOR GP (contd.)

i04131384

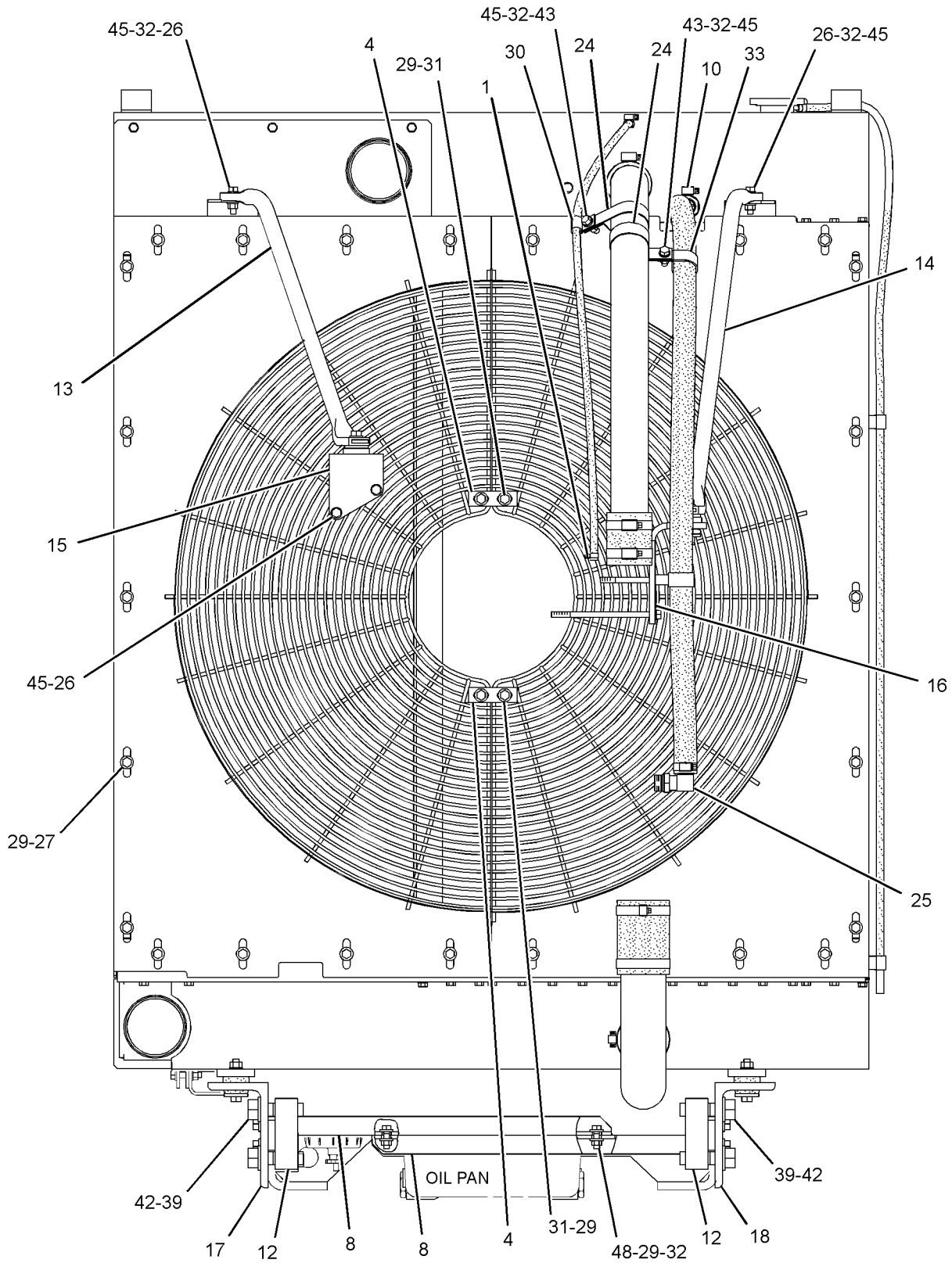


g01456116

# COOLING SYSTEM

297-4284 RADIATOR GP (contd.)

i04131384



REAR VIEW

<END>

GRAPHIC #2

g02339518

# COOLING SYSTEM

## 297-4285 RADIATOR GP

S/N: JRE1-5354

FOR USE WITH 43-IN SPIDER FAN  
AN ATTACHMENT

SMCS-1353

i02640417

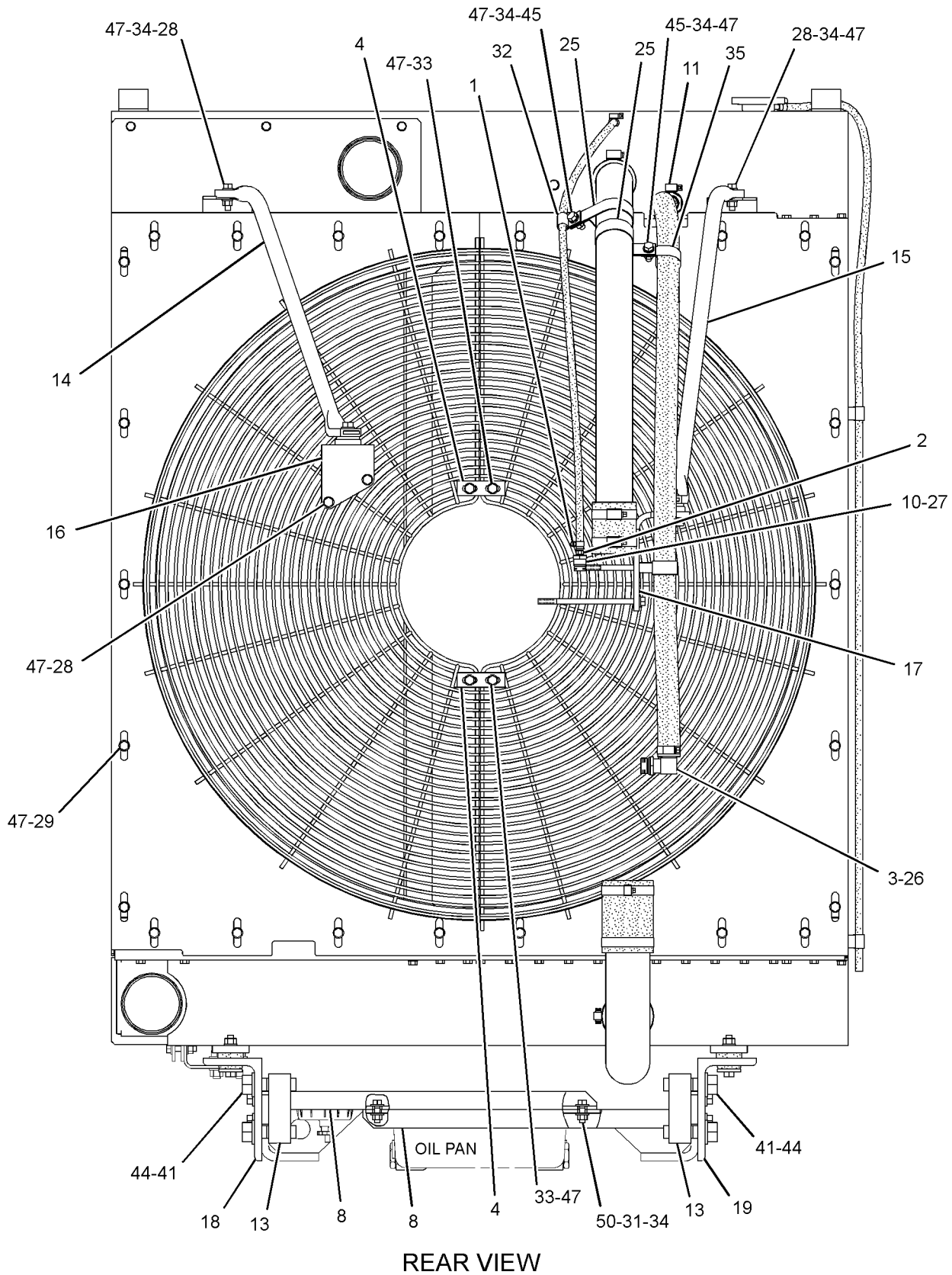
NOTE	REF NO	GRAPHIC REF	PART NUMBER	QTY	PART NAME						SEE PAGE
					1	2	3	4	5	6 (PRODUCT LEVEL)	
	1	1,2	1P-4278	2	CLAMP-HOSE						
	2	1,2	1P-9328	2	FITTING						
	3	1	3E-4041	1	ELBOW						
	4	1	4L-5757	2	STRAP						
	5	2	4V-1878	2	HOSE						
	6	2	5P-4868	4	CLAMP-HOSE						
	7	2	6L-4854	2	HOSE						
	8	1	7N-4600	2	BRACE AS						
	9	2	8D-3786	2	MOUNTING						
	10	1	8J-7844	1	BUSHING-REDUCING						
	11	1,2	8T-1117	2	CLAMP-HOSE						
	12	2	005-4273	1	CONNECTOR-HOSE						
	13	1	186-0712	4	PLATE						
	14	1	228-4370	1	BRACE						
	15	1	228-4371	1	BRACE						
	16	1	228-4374	1	BRACKET						
	17	1	228-4375	1	BRACKET						
	18	1	228-4376	1	SUPPORT						
	19	1	228-4377	1	SUPPORT						
	20	2	228-4378	1	TUBE						
	21	2	228-4379	1	TUBE						
	22	2	228-9900	2	GUARD AS-FAN						
					(EACH INCLUDES)						
		2	1F-0750	2	NUT-WELD (3/8-16-THD)						
Y	23	2	297-4283	1	RADIATOR GP						621
	24	2	164-1404	1	SPACER (10.67X16.95X23-MM THK)						
	25	1	2S-7010	2	CLIP						
	26	1	3D-2824	1	SEAL-O-RING						
	27	1	3K-0360	1	SEAL-O-RING						
	28	1	4L-9337	4	BOLT (3/8-16X1.5-IN)						
	29	1	5M-3062	26	BOLT (3/8-16X0.75-IN)						
	30	2	5P-0598	4	CLAMP-HOSE						
	31	1	5P-1075	12	WASHER-HARD (10.2X22.5X3-MM THK)						
	32	1	5P-9299	1	CLIP						
	33	1	5S-7379	4	BOLT (3/8-16X0.875-IN)						
	34	1	6V-8801	10	NUT (3/8-16-THD)						
	35	1,2	7D-7233	2	CLIP						
	36	2	7T-8332	4	MOUNTING						
	37	2	7X-0293	1	BOLT (3/8-16X4.75-IN)						
	38	2	7X-0301	2	BOLT (3/8-16X7-IN)						
	39	2	7X-0312	4	BOLT (7/16-14X2.5-IN)						
	40	2	7X-0313	2	BOLT (7/16-14X2.75-IN)						
	41	1	7X-0384	8	BOLT (7/8-9X3-IN)						
	42	2	7X-0447	6	NUT (7/16-14-THD)						
	43	2	7X-0618	8	WASHER-HARD (13.5X40X5-MM THK)						
	44	1	8C-6913	8	WASHER-HARD (24X41.5X4-MM THK)						
	45	1	8T-2502	2	BOLT (3/8-16X1.125-IN)						
	46	2	8T-4223	8	WASHER-HARD (13.5X25.5X3-MM THK)						
	47	1,2	8T-4896	43	WASHER-HARD (10.2X18.5X2.5-MM THK)						
	48	2	8T-5360	6	WASHER (12X22.5X2.5-MM THK)						
	49	2	8T-8917	8	BOLT (1/2-13X1.25-IN)						
	50	1	9B-7237	6	BOLT (3/8-16X1.25-IN)						
E	51	2	5P-1251		HOSE (131-CM)						
E	52	2	5P-6442		HOSE (102-CM)						

# COOLING SYSTEM

297-4285 RADIATOR GP (contd.)

i02640417

E-ORDER BY THE CENTIMETER  
Y-SEPARATE ILLUSTRATION



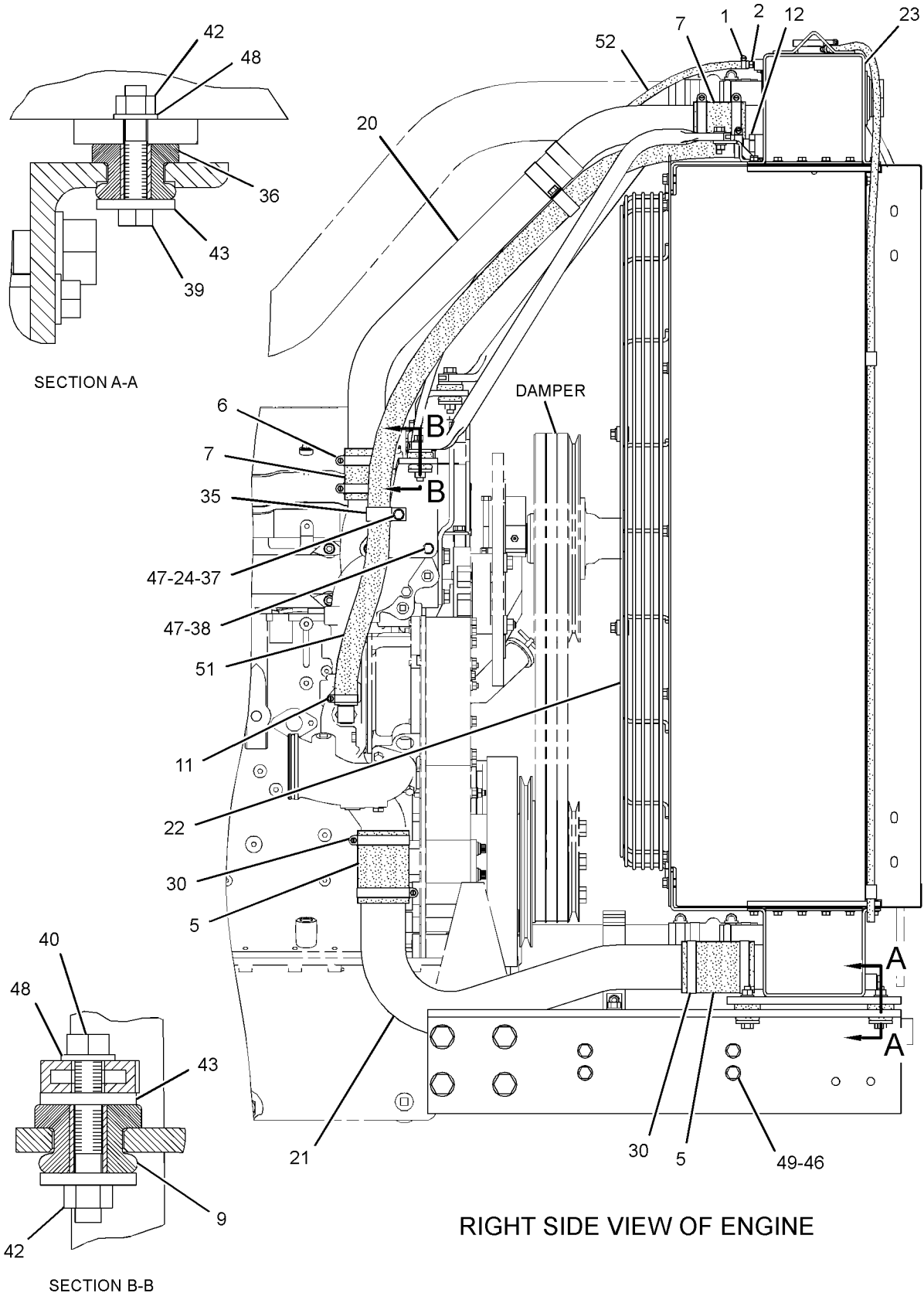
GRAPHIC #1

g01327353

# COOLING SYSTEM

297-4285 RADIATOR GP (contd.)

i02640417



GRAPHIC #2

<END>

g01327354

# COOLING SYSTEM

## 297-4285 RADIATOR GP

S/N: JRE5355-UP

FOR USE WITH 43-IN SPIDER FAN  
AN ATTACHMENT

SMCS-1353

i04137391

NOTE	REF NO	GRAPHIC REF	PART NUMBER	QTY	PART NAME						SEE PAGE
					1	2	3	4	5	6 (PRODUCT LEVEL)	
	1	1,2	1P-4278	2	CLAMP-HOSE						
C	2	2	1P-9328	1	FITTING						
	4	1	4L-5757	2	STRAP						
	5	2	4V-1878	2	HOSE						
	6	2	5P-4868	4	CLAMP-HOSE						
	7	2	6L-4854	2	HOSE						
	8	1	7N-4600	2	BRACE AS						
	9	2	8D-3786	2	MOUNTING						
	11	1,2	8T-1117	2	CLAMP-HOSE						
	12	2	005-4273	1	CONNECTOR-HOSE						
	13	1	186-0712	4	PLATE						
	14	1	228-4370	1	BRACE						
	15	1	228-4371	1	BRACE						
	16	1	228-4374	1	BRACKET						
	17	1	228-4375	1	BRACKET						
	18	1	228-4376	1	SUPPORT						
	19	1	228-4377	1	SUPPORT						
	20	2	228-4378	1	TUBE						
	21	2	228-4379	1	TUBE						
	22	2	228-9900	2	GUARD AS-FAN						
					(EACH INCLUDES)						
		2	1F-0750	2	NUT-WELD (3/8-16-THD)						
Y	23	2	297-4283	1	RADIATOR GP						621
	24	2	164-1404	1	SPACER (10.67X16.95X23-MM THK)						
	25	1	2S-7010	2	CLIP						
	26	1	357-4591	1	ELBOW AS						
		1	3E-4041	1	ELBOW						
		1	6V-5063	1	SEAL-O-RING						
	28	1	7X-0288	4	BOLT (3/8-16X1.625-IN)						
	29	1	5M-3062	26	BOLT (3/8-16X0.75-IN)						
	30	2	5P-0598	4	CLAMP-HOSE						
C	31	1	5P-1075	42	WASHER-HARD (10.2X22.5X3-MM THK)						
	32	1	5P-9299	1	CLIP						
	33	1	5S-7379	4	BOLT (3/8-16X0.875-IN)						
	34	1	6V-8801	10	NUT (3/8-16-THD)						
	35	1,2	7D-7233	2	CLIP						
	36	2	7T-8332	4	MOUNTING						
	37	2	7X-0293	1	BOLT (3/8-16X4.75-IN)						
	38	2	7X-0301	2	BOLT (3/8-16X7-IN)						
	39	2	7X-0312	4	BOLT (7/16-14X2.5-IN)						
	40	2	7X-0313	2	BOLT (7/16-14X2.75-IN)						
	41	1	7X-0384	8	BOLT (7/8-9X3-IN)						
	42	2	7X-0447	6	NUT (7/16-14-THD)						
	43	2	7X-0618	8	WASHER-HARD (13.5X40X5-MM THK)						
	44	1	8C-6913	8	WASHER-HARD (24X41.5X4-MM THK)						
	45	1	8T-2502	2	BOLT (3/8-16X1.125-IN)						
	46	2	8T-4223	8	WASHER-HARD (13.5X25.5X3-MM THK)						
C	47	1,2	8T-4896	13	WASHER-HARD (10.2X18.5X2.5-MM THK)						
	48	2	8T-5360	6	WASHER (12X22.5X2.5-MM THK)						
	49	2	8T-8917	8	BOLT (1/2-13X1.25-IN)						
	50	1	9B-7237	6	BOLT (3/8-16X1.25-IN)						
E	51	2	5P-1251		HOSE (131-CM)						
E	52	2	5P-6442		HOSE (102-CM)						

# COOLING SYSTEM

297-4285 RADIATOR GP (contd.)

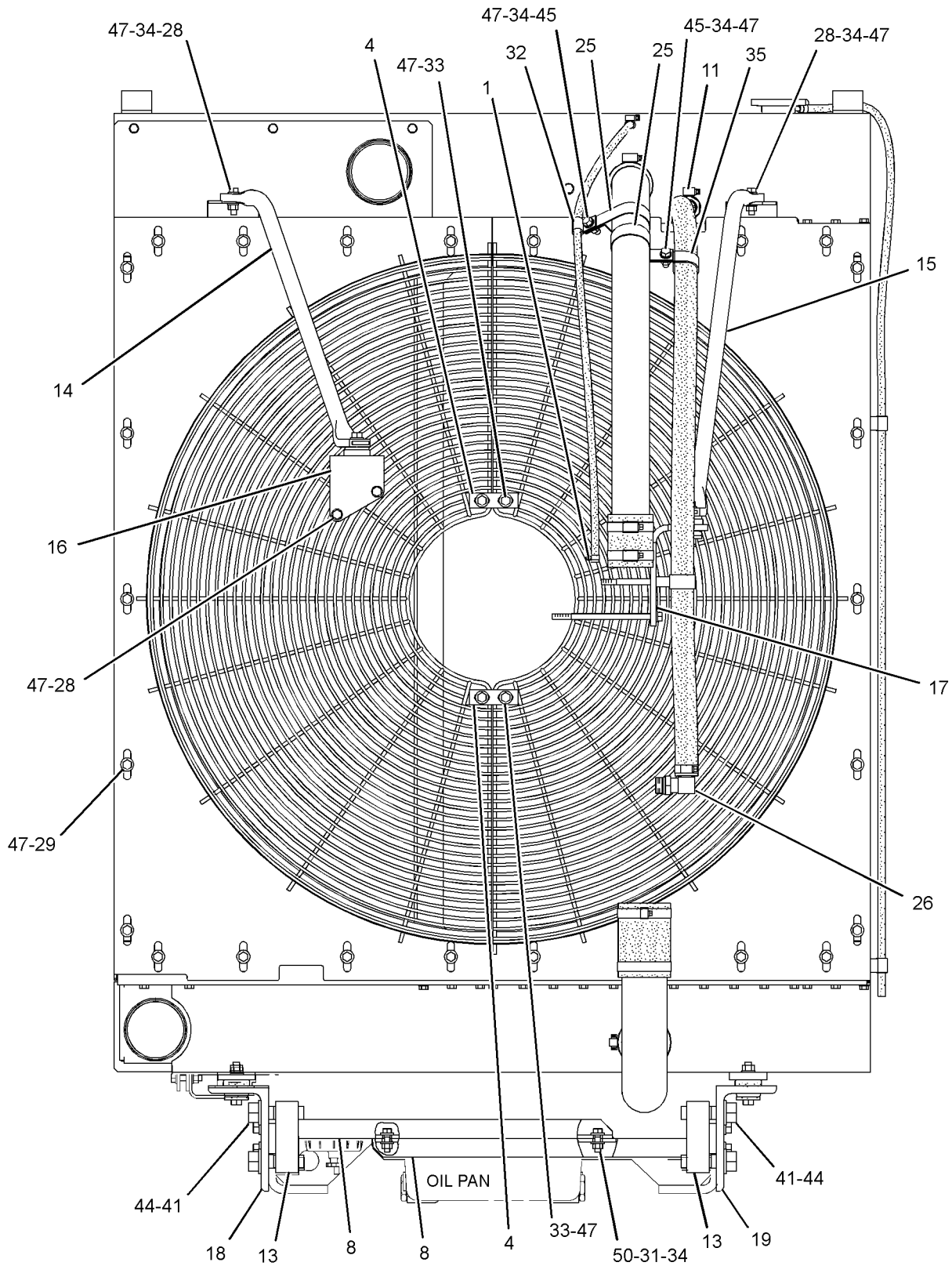
i04137391

C-CHANGE FROM PREVIOUS TYPE  
E-ORDER BY THE CENTIMETER  
Y-SEPARATE ILLUSTRATION

# COOLING SYSTEM

297-4285 RADIATOR GP (contd.)

i04137391



REAR VIEW

GRAPHIC #1

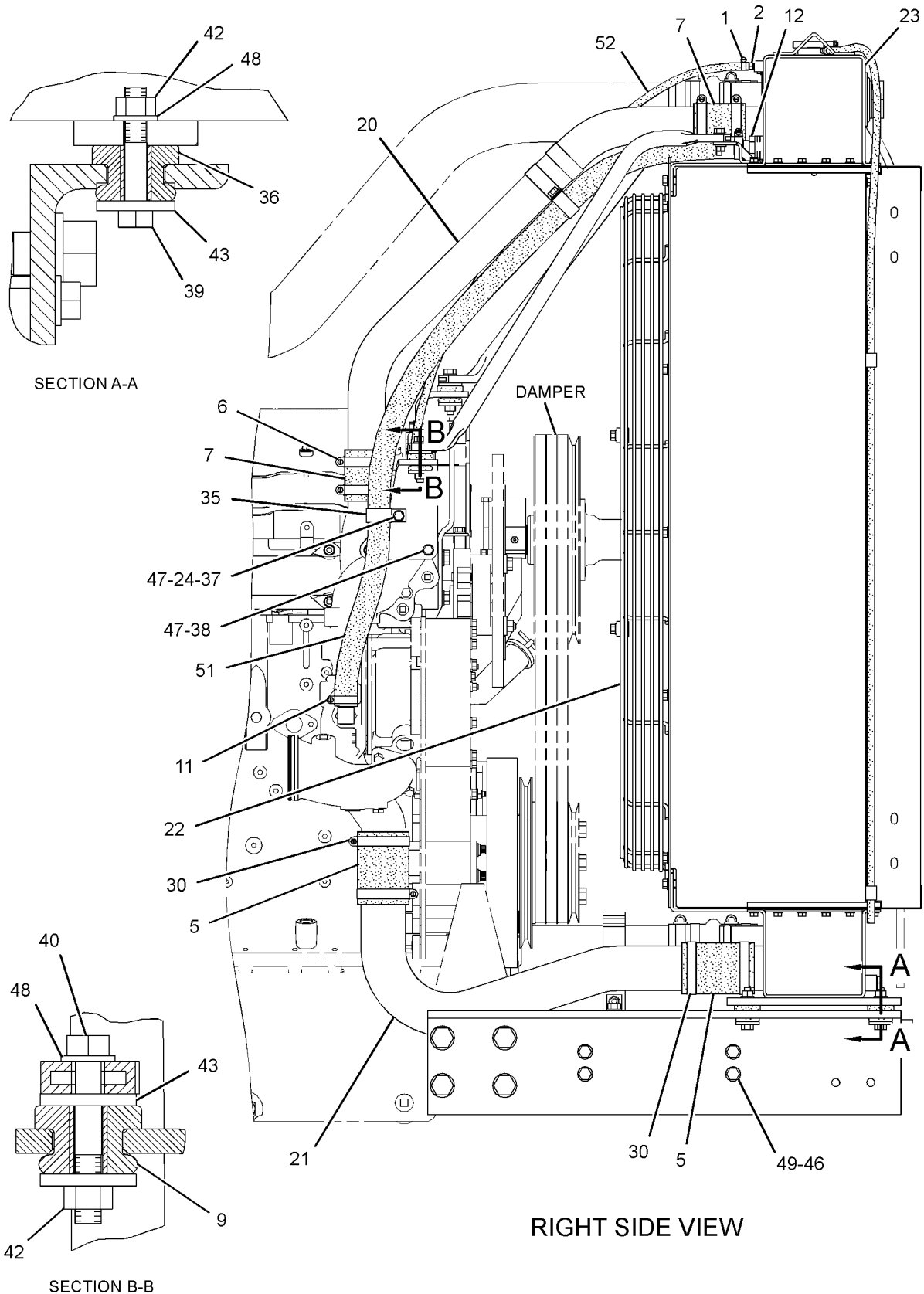
g02339497



# COOLING SYSTEM

297-4285 RADIATOR GP (contd.)

i04137391



RIGHT SIDE VIEW

GRAPHIC #2

<END>

g01455788

# COOLING SYSTEM

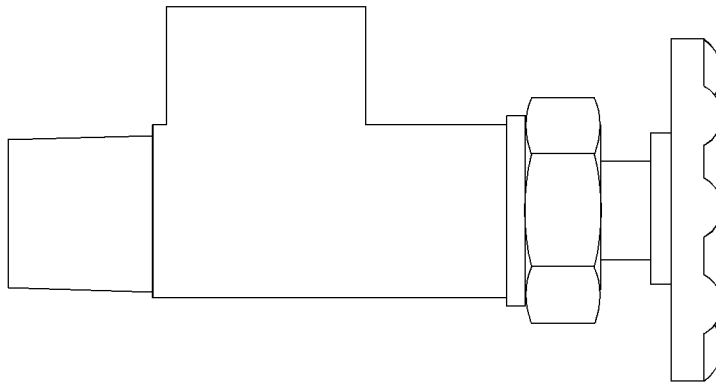
## 9N-3666 VALVE-MANUAL

PART OF 307-2575 COOLANT CONDITIONER GP  
AN ATTACHMENT

SMCS-1329, 1380

i02572873

NOTE	REF NO	GRAPHIC REF	PART NUMBER	QTY	PART NAME						SEE PAGE
					1	2	3	4	5	6 (PRODUCT LEVEL)	
(NO SERVICED PARTS)											



GRAPHIC #1

<END>

g01289051

# PART NUMBER INDEX

Part	Page	Part	Page	Part	Page	Part	Page
<b>0</b>							
			543		833		317
			545		837		322
OL-0639 . . . . .	79		547		867	OS-1587 . . . . .	31
OL-1143 . . . . .	442		549		869		74
	1154		551		947		303
	1156		553		959		305
OL-1351 . . . . .	69		555		960		306
	252		557		963		308
	313		559		964		310
	325		561		965		312
	329		563		968		317
	332		566		1070		319
	334		757		1072		325
	336	OL-1365 . . . . .	303		1076		338
	342		305		1093		340
	451		306		1154		344
	457	OL-1558 . . . . .	77		1156		523
	467	OL-1648 . . . . .	74	OS-0699 . . . . .	855		526
	471	OL-2070 . . . . .	165		856		527
	476		167	OS-1566 . . . . .	264	OS-1588 . . . . .	77
	479		169		266		84
	485		171		420		201
	486		173		644		203
	488		175		711		204
	490		177		1068		276
	545		179	OS-1571 . . . . .	244		277
	555		181		263		279
	557		183		303		313
	559		213		306		325
	648		276		310		329
	649		277		327		331
	650		279		451		332
	651		494		453		336
	775	OS-0509 . . . . .	252		457		338
	777		255		493		342
	779		256		495		344
	785		258		507		346
	789		260		775		440
	791		466		777		445
	793		474		779		451
	796		478		808		453
	799		481		810		457
	802		482		831		459
	804		484		850		488
	806		507	OS-1573 . . . . .	327		490
	808		775	OS-1576 . . . . .	28		492
	810		777		214		505
	812		789		215		553
	815		791		221		561
	817		793		222		663
	819		796		223		665
	821		799		225		666
	824		802		228		702
	828		804		949		722
	831		806		1080		724
	833		808		1083		728
	837		810	OS-1577 . . . . .	218		731
	843		812		224		733
	846		815		230		735
	850		817	OS-1585 . . . . .	303		1068
	867		819		306		1136
	869		821		309		1138
	966		824		310		1154
OL-1352 . . . . .	327		828		312		1156
	531		831		315	OS-1589 . . . . .	89

# PART NUMBER INDEX

Part	Page	Part	Page	Part	Page	Part	Page
	90		976		788		493
	391	OS-1594 . . . . .	56		812		495
OS-1590 . . . . .	69		69		815		853
	189		74		833		854
	313		81		838	OS-1621 . . . . .	248
	325		82		840	OS-1625 . . . . .	74
	344		83		843		390
	442		87		846	OS-1973 . . . . .	1134
	453		88		850	OT-0055 . . . . .	68
	466		91		874		202
	553		94		1138		205
	642		185		1154		208
	644		187		1156		209
OS-1591 . . . . .	709		206	OS-1595 . . . . .	284		210
	74		252		285		254
	79		254		286		276
	263		255		325		277
	320		256		553		279
	322		258	OS-1597 . . . . .	1022		303
	324		260		1037		305
	327		261		1041		306
	329		263		1048		308
	331		264		1051		310
	332		266	OS-1600 . . . . .	227		312
	334		282	OS-1601 . . . . .	219		317
	336		283	OS-1602 . . . . .	229		319
	342		287		240		1138
	424		300		413	OT-0065 . . . . .	802
	453		301	OS-1608 . . . . .	451		804
	485		329		455		806
	486		331		457		821
	488		334		530		824
	490		336		833		828
	532		342		838	OT-0102 . . . . .	757
	533		453		843		762
	540		467		846		948
	543		469	OS-1613 . . . . .	185		1017
	545		470	OS-1617 . . . . .	79	OT-0320 . . . . .	1062
	547		497		185	OT-0573 . . . . .	263
	549		505		187		785
	551		510		473		793
	553		534		474		796
	555		535		510		799
	557		543		512		867
	559		545		514		869
	561		547		517		874
	576		549		519		1070
	662		551	OS-1618 . . . . .	512		1072
	720		553		514	OT-0772 . . . . .	487
	721		555		517	OT-0857 . . . . .	413
	789		557		519	OV-0375 . . . . .	545
	791		559		873		553
	802		561	OS-1619 . . . . .	88		555
	804		563		94		557
	806		566		185		559
	821		702		187		915
	824		722		261		
	828		724		264		
	833		731		266		
	837		733		451		
	843		735		453	1A-1135 . . . . .	576
	846		765		455		679
	961		779		456	1A-1460 . . . . .	77
	962		782		457		79
	974		785		459		302

# PART NUMBER INDEX

Part	Page	Part	Page	Part	Page	Part	Page
	303		788		721		642
	305		789	1B-5357 . . . . .	677		644
	306		791	1B-5358 . . . . .	675		758
	308		802		676		759
	309		804		678		785
	310		806		679		789
	315		808		711		791
	316		810		712		802
	317		812	1B-7182 . . . . .	344		804
	319		815		576		806
	320		821		579		821
	322		824		766		824
	324		828		865		828
1A-2029 . . . . .	159		831		866		837
	160		833		873		961
	161		837	1B-7538 . . . . .	157		962
	162		843		233		1158
	165		846		242	1F-7958 . . . . .	33
	167		850	1B-8705 . . . . .	244		35
	169		867	1B-8737 . . . . .	77		43
	171		869	1B-9575 . . . . .	932		45
	173		874		934		47
	175	1A-3203 . . . . .	155	1C-0569 . . . . .	722		49
	177		241		724		56
	179	1A-4273 . . . . .	1074		731		69
	181		1080		733		77
	183		1083		735		85
	196		1086	1C-2251 . . . . .	252		86
	246	1A-5183 . . . . .	68		494		165
	252		252	1D-4533 . . . . .	866		167
	302		303	1D-4538 . . . . .	1201		169
	309		306	1D-4541 . . . . .	866		171
	310		310	1D-4569 . . . . .	246		173
	312	1A-5350 . . . . .	1163	1D-4585 . . . . .	389		175
	315	1A-5822 . . . . .	559	1D-4707 . . . . .	453		177
	316	1A-5964 . . . . .	69	1F-0750 . . . . .	252		179
	320		255		255		181
	322		305		256		183
	324		308		258		207
	338		312		260		302
	340		317		329		303
	444		319		332		305
	451		785		336		306
	453		793		342		308
	455		796		485		309
	456		799		488		310
	457		817		505		312
	468		819		510		313
	484		840		585		315
	485		1138		586		316
	486	1A-7669 . . . . .	254		587		317
	488	1A-9579 . . . . .	505		589		319
	493	1B-2713 . . . . .	656		591		320
	495	1B-2790 . . . . .	765		594		322
	507	1B-3057 . . . . .	702		598		324
	545	1B-3867 . . . . .	32		602		450
	555	1B-4430 . . . . .	303		606		642
	557		305		609		644
	559		306		612		915
	642		308		615	1F-7960 . . . . .	165
	644		310		623		167
	775		312		626		169
	777		317		629		171
	779		319		632		173
	782	1B-5355 . . . . .	720		640		175

# PART NUMBER INDEX

Part	Page	Part	Page	Part	Page	Part	Page
	177	1H-9569 . . . . .	1062		471		455
	179	1H-9572 . . . . .	1062	1N-3876 . . . . .	▶251		456
	181	1H-9580 . . . . .	1062	1N-3877 . . . . .	251		457
	183	1J-9671 . . . . .	270	1N-3974 . . . . .	163		459
1G-3176 . . . . .	1116	1K-6872 . . . . .	325	1N-4888 . . . . .	▶1134		461
	1126	1K-6937 . . . . .	582	1P-0436 . . . . .	761		462
1G-7407 . . . . .	1119	1L-2279 . . . . .	1017		765	1S-4295 . . . . .	742
1G-9175 . . . . .	1111		1019		766		743
	1122	1L-3769 . . . . .	764		865		747
1G-9176 . . . . .	1111	1L-4863 . . . . .	79		866		748
	1122	1L-5011 . . . . .	▶1062		873		749
1G-9177 . . . . .	1111	1L-5081 . . . . .	789	1P-0808 . . . . .	177		751
	1122		791	1P-1367 . . . . .	439		753
1G-9178 . . . . .	1111		802	1P-1669 . . . . .	274		754
	1122		804	1P-3704 . . . . .	453		755
1G-9182 . . . . .	1112		806	1P-4278 . . . . .	580	1S-4577 . . . . .	720
	1123	1L-6931 . . . . .	74		582		721
1G-9185 . . . . .	1112		77		591	1S-7251 . . . . .	926
	1123		79		594		927
1G-9187 . . . . .	1111	1L-9048 . . . . .	1062		598		1047
	1112	1L-9049 . . . . .	1062		602		1089
	1122	1L-9059 . . . . .	1062		606	1S-7252 . . . . .	1047
	1123	1L-9060 . . . . .	1062		609	1S-7446 . . . . .	1022
1G-9188 . . . . .	1112	1L-9061 . . . . .	1062		612		1041
	1123	1L-9062 . . . . .	1062		615		1044
1G-9190 . . . . .	1111	1L-9063 . . . . .	1062		618		1048
	1122	1L-9064 . . . . .	1062		621		1051
1G-9193 . . . . .	1111	1L-9066 . . . . .	1062		623	1S-9130 . . . . .	302
	1122	1L-9067 . . . . .	1062		626		309
1G-9196 . . . . .	1111	1L-9068 . . . . .	1062		629		315
	1122	1L-9069 . . . . .	1062		632		316
1G-9205 . . . . .	1112	1M-0130 . . . . .	91	1P-4578 . . . . .	487		320
	1123	1M-0644 . . . . .	498	1P-7346 . . . . .	244		322
1H-1023 . . . . .	1022	1M-3419 . . . . .	637	1P-7625 . . . . .	288		324
	1041		640	1P-9328 . . . . .	539	1S-9540 . . . . .	126
	1044		714		582		128
	1048		715		591		130
	1051		716		594	1S-9593 . . . . .	1093
1H-1200 . . . . .	541		717		598	1T-0720 . . . . .	970
1H-2629 . . . . .	1022	1M-4986 . . . . .	1025		602		971
	1041	1M-6119 . . . . .	922		606	1T-0765 . . . . .	855
	1044		923		609		856
	1048		925		612	1T-0808 . . . . .	1022
	1051		926		615		1041
1H-3244 . . . . .	887		927		623		1048
	890		1089		626		1051
	893	1M-6120 . . . . .	922		629	1U-8846 . . . . .	185
	896		923		632		187
	897		925	1P-9946 . . . . .	165		262
	900		926		167	1W-1456 . . . . .	302
	902		927		169		303
	904		1089		171		305
	906	1M-9968 . . . . .	1023		173		306
	908		1042		175		308
	910		1045		177		309
	912		1049		179		310
	916		1052		181		312
	918	1M-9971 . . . . .	1022		183		315
	920		1041	1R-0716 . . . . .	451		316
	960		1044	1R-0749 . . . . .	765		317
	962		1048		766		319
1H-3338 . . . . .	1056		1051		865		320
	1057	1N-3583 . . . . .	764		866		322
1H-4393 . . . . .	1166	1N-3789 . . . . .	765		873	1W-2489 . . . . .	709
1H-8647 . . . . .	32	1N-3810 . . . . .	467	1R-1808 . . . . .	453	1W-3014 . . . . .	429

# PART NUMBER INDEX

Part	Page	Part	Page	Part	Page	Part	Page
1W-3136 . . . . .	261		179	2L-3605 . . . . .	722	2N-2371 . . . . .	936
	264		181		724		938
	266		183		731		1165
	270	2D-6392 . . . . .	1022		733	2N-2372 . . . . .	938
	272		1041		735	2N-2765 . . . . .	658
1W-4150 . . . . .	528		1044	2L-4437 . . . . .	77		659
1W-5833 . . . . .	873		1048	2L-4441 . . . . .	77		660
1W-6134 . . . . .	69		1051	2L-6010 . . . . .	74		661
1W-6448 . . . . .	974	2D-8822 . . . . .	69	2L-6243 . . . . .	467		742
	976	2F-6262 . . . . .	69		476		743
1W-7020 . . . . .	453	2F-6678 . . . . .	1023	2L-6267 . . . . .	74		747
1W-7238 . . . . .	498		1042		79		748
1W-7239 . . . . .	498		1045	2L-6679 . . . . .	972		749
1W-7385 . . . . .	453		1049		1022		751
1W-9070 . . . . .	722		1052		1041		753
	724	2F-7771 . . . . .	385		1044		754
	731		386		1051		755
	733		387	2L-7151 . . . . .	77	2N-2766 . . . . .	658
	735		388	2L-7152 . . . . .	77		659
1W-9113 . . . . .	328	2F-7888 . . . . .	940	2L-7153 . . . . .	77		660
			941	2L-7154 . . . . .	77		661
		2G-6777 . . . . .	1017	2L-7155 . . . . .	77		704
		2H-0191 . . . . .	726	2L-7156 . . . . .	77		705
			729	2L-7157 . . . . .	77		706
2A-0047 . . . . .	640	2H-3429 . . . . .	764	2L-7158 . . . . .	77		742
	642		1022	2L-7159 . . . . .	77		743
2A-1162 . . . . .	262		1041	2L-7160 . . . . .	77		747
	264		1044	2L-7161 . . . . .	77		748
	266		1048	2L-7162 . . . . .	77		749
	268		1051	2L-7246 . . . . .	77		751
	379	2H-3755 . . . . .	974	2L-8050 . . . . .	1091		753
2A-1531 . . . . .	320		976	2L-8065 . . . . .	1173		754
	322	2H-3855 . . . . .	185	2L-8066 . . . . .	1068		755
	324		187		1078	2N-3474 . . . . .	1143
2A-1912 . . . . .	266		968	2L-8068 . . . . .	1173	2N-3924 . . . . .	470
2A-2814 . . . . .	237	2H-3934 . . . . .	246	2L-8069 . . . . .	1070	2N-5848 . . . . .	1163
2A-4429 . . . . .	142	2H-6488 . . . . .	418	2L-8071 . . . . .	1068	2N-8612 . . . . .	▶430
	143	2J-0157 . . . . .	764		1078	2N-8998 . . . . .	968
	148	2J-3118 . . . . .	244	2L-8075 . . . . .	887	2N-9263 . . . . .	▶672
2A-4639 . . . . .	481	2J-3505 . . . . .	1134		890	2N-9421 . . . . .	940
	482	2J-3506 . . . . .	680		900		941
2B-2006 . . . . .	419	2J-8163 . . . . .	1022		902	2P-1956 . . . . .	29
	429		1041		1173	2P-2720 . . . . .	69
2B-2695 . . . . .	96		1044	2L-8081 . . . . .	1078	2P-2772 . . . . .	88
	163		1048	2M-0849 . . . . .	69		94
	443		1051		313		185
	446	2K-0564 . . . . .	77		523		187
	447	2K-4472 . . . . .	246		526		261
	448	2K-4821 . . . . .	887		527		264
	449		890	2M-9780 . . . . .	37		266
2B-2814 . . . . .	949		900		39		270
	1080		904		41		272
	1083		906		42	2P-3203 . . . . .	328
2B-6030 . . . . .	231		908		47	2P-3205 . . . . .	211
	393		910		49		212
2B-7408 . . . . .	77		912		53		329
2D-3165 . . . . .	966	2K-4973 . . . . .	325		54		331
2D-4534 . . . . .	69		329		185		332
2D-4867 . . . . .	165		331		187		334
	167		332		495		336
	169		334		547		338
	171		336		549		340
	173		342		551		498
	175		490	2N-0794 . . . . .	1163	2P-4303 . . . . .	451
	177	2L-0273 . . . . .	1076	2N-0816 . . . . .	1163		453

2

# PART NUMBER INDEX

Part	Page	Part	Page	Part	Page	Part	Page
	457		831	2W-3681 . . . . .	1163		266
2P-4304 . . . . .	441		833	2W-3815 . . . . .	122	3B-4501 . . . . .	1060
	451		837		124	3B-4502 . . . . .	1152
	453		840		128	3B-4506 . . . . .	77
	457		843		130		79
	459		846		132		541
	461		850	2W-4904 . . . . .	74	3B-4508 . . . . .	79
	462		853	2W-4908 . . . . .	▶74	3B-4510 . . . . .	77
2P-4305 . . . . .	451		854		385	3B-6498 . . . . .	1017
	453		867	2W-4909 . . . . .	▶385		1019
	457		869	2W-4912 . . . . .	▶77	3B-6552 . . . . .	639
2P-4358 . . . . .	41		874		386		640
2P-5616 . . . . .	887	2S-0795 . . . . .	545		388		642
	890		553	2W-4913 . . . . .	▶386		644
	900		555	2W-6183 . . . . .	▶639		648
	902		557	2W-6225 . . . . .	99		649
2P-7214 . . . . .	828		559	2W-7282 . . . . .	453		650
	831	2S-2760 . . . . .	498	2W-7615 . . . . .	246		651
	846	2S-2923 . . . . .	249	2W-7766 . . . . .	709		652
	850	2S-3440 . . . . .	966	2W-7811 . . . . .	1160		653
	867		968		1162	3B-6555 . . . . .	1017
	869	2S-3770 . . . . .	704	2W-7846 . . . . .	▶675		1019
	875		705	2W-7847 . . . . .	▶676	3B-6768 . . . . .	1006
2P-7554 . . . . .	246		706	2W-7848 . . . . .	▶677		1007
2P-7555 . . . . .	246	2S-4663 . . . . .	246	2W-7850 . . . . .	▶678		1008
2P-8421 . . . . .	507	2S-5658 . . . . .	1017	2W-7851 . . . . .	▶679	3B-7257 . . . . .	1017
	510		1019	2W-9499 . . . . .	289		1019
	512	2S-6024 . . . . .	1201		290	3B-7280 . . . . .	1017
	514	2S-7010 . . . . .	582	2Y-5829 . . . . .	833		1019
	517		591			3B-8485 . . . . .	69
	519		594			3B-8489 . . . . .	74
2P-8986 . . . . .	246		598				77
2P-8987 . . . . .	246		602				79
2P-9084 . . . . .	165		606	3B-0551 . . . . .	329	3C-6969 . . . . .	1166
	167		609		334		1174
	169		612		336		1186
	171		615	3B-0623 . . . . .	134	3D-2824 . . . . .	510
	173		623		137		512
	175		626		140		517
	177		629	3B-0645 . . . . .	134		547
	179		632		137		549
	181	2S-7593 . . . . .	69		140		551
	183	2S-7905 . . . . .	498	3B-1915 . . . . .	214		555
2R-6806 . . . . .	775	2V-1713 . . . . .	1006		325		557
	777		1007		338		561
	779		1008		340		571
	782	2V-4868 . . . . .	739		344		591
	785		740		493		594
	789	2V-7087 . . . . .	936		494		598
	791		938		507		606
	793		1165		775		612
	796		1173		777		623
	799		1186		779		629
	802	2V-7088 . . . . .	936		782		966
	804		938		808		1111
	806		1165		810		1116
	808		1173		812		1122
	810		1186		815		1126
	812	2V-7397 . . . . .	922		831	3D-2871 . . . . .	261
	815		923		850	3E-0156 . . . . .	936
	817		925		867		938
	819	2W-0619 . . . . .	1076		869		1166
	821	2W-0629 . . . . .	1017		875		1174
	824		1019		1080		1186
	828	2W-2021 . . . . .	497	3B-1925 . . . . .	264	3E-3362 . . . . .	1006



# PART NUMBER INDEX

Part	Page	Part	Page	Part	Page	Part	Page
3E-3365 . . . . .	1089		1126		1116	3N-3763 . . . . .	1023
3E-3371 . . . . .	1173	3E-8035 . . . . .	936		1119		1042
	1186		938		1123		1045
3E-4041 . . . . .	591	3E-8044 . . . . .	276		1126		1048
	594		277		1133		1051
	598		279	3K-0360 . . . . .	37	3N-3790 . . . . .	1200
	602	3E-8557 . . . . .	929		51	3N-4411 . . . . .	1017
	606		1078		57	3N-4418 . . . . .	1142
	609		1093		270		1143
	612	3E-8558 . . . . .	1152		547	3N-4420 . . . . .	1142
	615	3F-0379 . . . . .	1032		549	3N-4427 . . . . .	1142
	623		1034		551		1160
	626	3F-3728 . . . . .	79		555		1162
	629	3F-9556 . . . . .	79		557	3N-4565 . . . . .	1142
	632		904		561		1143
3E-4352 . . . . .	867		906		595	3N-4622 . . . . .	1163
	869		908		612	3N-4792 . . . . .	1163
	875		910		629	3N-4899 . . . . .	79
3E-4353 . . . . .	56		912		853	3N-5716 . . . . .	1165
	300		1058		968	3N-5986 . . . . .	1160
	301		1169		1116		1162
3E-4367 . . . . .	929		1176		1126	3N-5987 . . . . .	1160
	1078	3H-7654 . . . . .	157	3K-0715 . . . . .	1139		1162
	1093		199		1140	3N-5988 . . . . .	1160
	1152		251	3K-0835 . . . . .	1173		1162
	1006		421		1186	3N-5990 . . . . .	1141
3E-5239 . . . . .	904	3H-9571 . . . . .	79	3K-1715 . . . . .	926	3N-5992 . . . . .	1141
3E-5446 . . . . .	904	3H-9572 . . . . .	79	3K-8106 . . . . .	944	3N-6059 . . . . .	414
3E-5447 . . . . .	904	3H-9574 . . . . .	79	3K-8460 . . . . .	268	3N-6537 . . . . .	413
3E-5448 . . . . .	904		77		521	3N-7054 . . . . .	1055
3E-5450 . . . . .	904	3H-9575 . . . . .	77	3K-9520 . . . . .	936	3N-7055 . . . . .	1055
3E-5451 . . . . .	897	3J-1907 . . . . .	51		938	3N-7056 . . . . .	▶1055
	904		57		938	3N-7212 . . . . .	1191
3E-5452 . . . . .	904		185	3L-1425 . . . . .	165	3N-7351 . . . . .	541
3E-5454 . . . . .	893		187		167	3N-7848 . . . . .	722
	896		510		169		724
	897		512		171		731
	904		517		173		733
3E-5455 . . . . .	904		547		175		735
3E-5457 . . . . .	904		549		177		735
3E-5458 . . . . .	904		551		179	3N-7992 . . . . .	▶541
3E-5459 . . . . .	904		555		181		542
3E-5460 . . . . .	904		557		183	3N-8123 . . . . .	79
3E-5461 . . . . .	904		561	3L-2875 . . . . .	1154	3N-8124 . . . . .	79
3E-5462 . . . . .	904		767		1156	3N-8125 . . . . .	79
3E-6443 . . . . .	1070		769		1171	3N-8269 . . . . .	1160
	1072		1111		1178		1162
3E-6772 . . . . .	144		1116		1181	3N-8427 . . . . .	74
	146		1122	3L-3380 . . . . .	1022	3N-8782 . . . . .	▶1059
	150		1126		1041	3N-8803 . . . . .	227
3E-7424 . . . . .	639	3J-5389 . . . . .	670		1044		237
3E-7427 . . . . .	158	3J-7352 . . . . .	33		1048	3N-9012 . . . . .	▶1141
	383		35		1051	3N-9014 . . . . .	1160
	384		43	3L-8187 . . . . .	936		1162
3E-7771 . . . . .	1023		45		938	3N-9015 . . . . .	▶1142
	1042		47		1166		1160
	1045		49		1195	3N-9094 . . . . .	▶542
	1048		163		1201	3N-9175 . . . . .	74
	1052		291	3L-9689 . . . . .	493	3N-9176 . . . . .	74
3E-7775 . . . . .	1032	3J-7354 . . . . .	43	3N-1461 . . . . .	74	3N-9178 . . . . .	74
	1034		47	3N-1462 . . . . .	74	3N-9179 . . . . .	74
	1037		49	3N-1555 . . . . .	542	3N-9180 . . . . .	74
3E-7853 . . . . .	1039		270	3N-3015 . . . . .	675	3N-9583 . . . . .	69
3E-7886 . . . . .	▶990		439	3N-3017 . . . . .	676	3N-9599 . . . . .	541
	992		1109	3N-3469 . . . . .	1200	3N-9607 . . . . .	541
3E-8008 . . . . .	1116		1112	3N-3718 . . . . .	904	3N-9612 . . . . .	541

# PART NUMBER INDEX

Part	Page	Part	Page	Part	Page	Part	Page
3N-9635 . . . . .	541		869		1051		1148
3P-0650 . . . . .	451		874		1052		1149
	453		950	3T-3434 . . . . .	1022		1150
	457		951		1032		1165
3P-0653 . . . . .	1009		1070		1034		1193
	1011		1072		1037		1195
	1013		1074		1039		1198
	1015		1076		1041	4B-2047 . . . . .	916
3P-1155 . . . . .	974		1079		1048		918
	976		1080		1051		920
3P-1323 . . . . .	121		1083	3T-4709 . . . . .	972	4B-2049 . . . . .	1023
3P-4134 . . . . .	966		1086		1022		1042
	968		1152		1041		1045
3R-8797 . . . . .	1022		1165		1044		1048
	1037		1169		1051		1052
	1039		1171	3T-4710 . . . . .	972		1142
	1041		1173		1022		1160
	1044		1178		1041		1163
	1048		1181		1044		1196
	1051		1186		1051		1197
3R-8801 . . . . .	1023	3S-4661 . . . . .	466	3T-6354 . . . . .	887	4B-3586 . . . . .	427
	1042	3S-6049 . . . . .	926		890	4B-4043 . . . . .	185
	1045	3S-6050 . . . . .	926		893		187
	1048	3S-9643 . . . . .	543		900		650
	1052		545		902		651
			547		916	4B-4274 . . . . .	940
3R-9090 . . . . .	▶430		549		918		941
3S-0036 . . . . .	261		551		920	4B-4278 . . . . .	313
3S-2093 . . . . .	59		553	3T-9494 . . . . .	972		325
	62		555		1022	4B-4281 . . . . .	991
	63		557		1023		992
	66		559		1041	4B-4550 . . . . .	69
	507		561		1042		165
	757		563		1044		167
	762		566		1045		169
	763	3T-3418 . . . . .	1022		1048		171
	775		1041		1051		173
	777		1044		1052		175
	779		1048	3T-9524 . . . . .	1023		177
	782		1051		1042		179
	785	3T-3422 . . . . .	1022		1045		181
	789		1032		1048		183
	791		1034		1051	4B-4716 . . . . .	79
	793		1037	3T-9525 . . . . .	▶972	4B-4721 . . . . .	79
	796		1039		1022	4B-4723 . . . . .	77
	799		1041		1041	4B-4754 . . . . .	79
	802		1044		1044	4B-4758 . . . . .	79
	804		1048		1048	4B-4760 . . . . .	77
	806		1051		1051	4B-4764 . . . . .	74
	808	3T-3423 . . . . .	1022	3V-6153 . . . . .	1017	4B-4773 . . . . .	74
	810		1023	3V-6785 . . . . .	926	4B-4775 . . . . .	77
	812		1041			4B-4792 . . . . .	79
	815		1042			4B-4810 . . . . .	74
	817		1044				79
	819		1045			4B-4863 . . . . .	943
	821		1048				944
	824		1051	4B-0418 . . . . .	481		1166
	828		1052		482		1186
	831		1022	4B-1237 . . . . .	936		1186
	833	3T-3424 . . . . .	1022		938	4B-5324 . . . . .	1070
	837		1023	4B-2041 . . . . .	1163		1072
	840		1041	4B-2043 . . . . .	887		1195
	843		1042		890	4B-7270 . . . . .	79
	846		1044		902	4B-7770 . . . . .	966
	850		1045		904		1017
	867		1048		1146		1019

# PART NUMBER INDEX

Part	Page	Part	Page	Part	Page	Part	Page
4B-9782 . . . . .	74	4F-0411 . . . . .	198		1049		1051
	398		543		1052	4M-1853 . . . . .	1022
	400		545	4L-3527 . . . . .	79		1041
	401		547	4L-3862 . . . . .	542		1044
	402		549	4L-5757 . . . . .	582		1048
	403		551		585		1051
	407		553		586	4M-1854 . . . . .	1022
	409		555		587		1041
4B-9880 . . . . .	191		557		589		1044
	192		559		591		1048
4C-9614 . . . . .	726		561		594		1051
	729		563		598	4M-1896 . . . . .	1023
4D-3704 . . . . .	89		566		602		1042
	90	4F-3714 . . . . .	757		606		1045
	218		758		609		1049
	219		759		612		1052
	220	4F-4873 . . . . .	542		615	4M-5281 . . . . .	904
	221	4F-5607 . . . . .	453		623		936
	222	4F-6024 . . . . .	159		626		938
	223		160		629	4M-6425 . . . . .	580
	224		161		632		618
	225		162	4L-5801 . . . . .	▶711		621
	226		248	4L-6105 . . . . .	77	4M-6480 . . . . .	91
	227	4F-7957 . . . . .	32	4L-6454 . . . . .	612		92
	228		59		615	4N-0641 . . . . .	545
	229		61		758		555
	230		62		759		557
	231		63		1158	4N-0683 . . . . .	126
	232		64	4L-6459 . . . . .	1152		128
	233		65	4L-7711 . . . . .	1111		130
	234		66		1122		429
	235		873	4L-9337 . . . . .	582	4N-0684 . . . . .	119
	236	4H-0002 . . . . .	79		591		165
	237	4H-7869 . . . . .	1017		594		167
	238		1019		598		169
	239		1025		606		171
	240		1028		612		173
	241		1030		623		175
	242		1031		629		177
	413	4J-4382 . . . . .	580	4M-0061 . . . . .	580		179
	416		618		618		181
	427		621		621		183
	1021	4J-5175 . . . . .	966	4M-0189 . . . . .	160		185
	1054	4K-0367 . . . . .	69		161		187
4D-3967 . . . . .	1017	4K-1388 . . . . .	547		185		246
	1019		549		187		248
4D-6466 . . . . .	1171		551		270		268
	1178		555		272	4N-0699 . . . . .	81
	1181		557		1098		82
4D-7733 . . . . .	777	4K-5175 . . . . .	154	4M-0200 . . . . .	946		444
4D-7735 . . . . .	775	4K-6297 . . . . .	771	4M-0893 . . . . .	453		493
	789		788	4M-1827 . . . . .	1022		495
	793		789		1041	4N-0848 . . . . .	185
	796		791		1044		187
	802	4K-8864 . . . . .	1154	4M-1828 . . . . .	1022		246
	804		1156		1041	4N-0913 . . . . .	485
	808	4K-9097 . . . . .	512		1044		486
	812		514	4M-1831 . . . . .	1022		488
	817		517		1032	4N-0914 . . . . .	485
	821		519		1034		486
	828	4K-9821 . . . . .	1006		1037		488
	867	4K-9822 . . . . .	1006		1039	4N-0933 . . . . .	185
4D-9517 . . . . .	580	4L-2729 . . . . .	1023		1041		187
	618		1042		1044		264
	621		1045		1048	4N-0995 . . . . .	485

# PART NUMBER INDEX

Part	Page	Part	Page	Part	Page	Part	Page
4N-1047 . . . . .	152		242		1015	4N-4421 . . . . .	1009
	414	4N-2883 . . . . .	722	4N-4384 . . . . .	1009		1011
4N-1059 . . . . .	1021		724		1011		1013
	1026		731		1013		1015
	1027		733		1015	4N-4526 . . . . .	69
4N-1114 . . . . .	89		735	4N-4386 . . . . .	1009	4N-4941 . . . . .	302
	90	4N-3091 . . . . .	522		1011		320
	93	4N-3092 . . . . .	525		1013		324
	95	4N-3093 . . . . .	▶522		1015	4N-4942 . . . . .	315
4N-1128 . . . . .	▶485	4N-3094 . . . . .	▶525	4N-4387 . . . . .	1009		316
	▶486	4N-3123 . . . . .	501		1011		322
4N-1151 . . . . .	334	4N-3338 . . . . .	526		1013	4N-4943 . . . . .	303
	336	4N-3410 . . . . .	1017		1015		306
	338		1019	4N-4388 . . . . .	1009		310
4N-1230 . . . . .	159	4N-3466 . . . . .	▶526		1011	4N-6289 . . . . .	165
	160	4N-3661 . . . . .	328		1013		183
	161		329		1015	4N-6423 . . . . .	▶430
	162		332	4N-4390 . . . . .	1009	4N-7082 . . . . .	451
	246	4N-3889 . . . . .	724		1011		453
4N-1294 . . . . .	467		733		1013		457
	476	4N-3890 . . . . .	722		1015	4N-8025 . . . . .	419
4N-1650 . . . . .	126		731	4N-4391 . . . . .	1009	4N-8150 . . . . .	439
	128		735		1011		459
	130	4N-3986 . . . . .	▶887		1013	4N-8198 . . . . .	▶430
4N-2040 . . . . .	493		▶890		1015	4N-8216 . . . . .	303
	495	4N-4286 . . . . .	▶416	4N-4392 . . . . .	1009		305
4N-2109 . . . . .	155	4N-4371 . . . . .	1009		1011		309
4N-2211 . . . . .	451		1011		1013		315
	453		1013		1015	4N-8225 . . . . .	324
	457		1015	4N-4393 . . . . .	1009	4N-9680 . . . . .	249
4N-2481 . . . . .	1	4N-4375 . . . . .	1009		1011	4N-9720 . . . . .	542
	2		1011		1013	4P-0519 . . . . .	31
	3		1013		1015		338
	4		1015	4N-4394 . . . . .	1009		340
	5	4N-4376 . . . . .	1009		1011		344
	6		1011		1013	4P-0902 . . . . .	785
	7		1013		1015		793
	8		1015	4N-4397 . . . . .	1009		796
	9	4N-4377 . . . . .	1009		1011		799
	10		1011		1013		817
	11		1013		1015		819
	12		1015	4N-4400 . . . . .	1009		840
	13	4N-4378 . . . . .	1009		1011	4P-2383 . . . . .	577
	14		1011		1013	4P-3020 . . . . .	74
	▶442		1013		1015	4P-4278 . . . . .	398
4N-2514 . . . . .	30		1015	4N-4402 . . . . .	1009	4P-4279 . . . . .	398
	218	4N-4379 . . . . .	1009		1011	4P-5416 . . . . .	313
	219		1011		1013	4P-5532 . . . . .	▶152
	220		1013		1015	4P-5893 . . . . .	▶155
	221		1015	4N-4403 . . . . .	1009	4P-5894 . . . . .	▶153
	222	4N-4380 . . . . .	1009		1011	4P-6817 . . . . .	▶218
	223		1011		1013	4P-6818 . . . . .	218
	224		1013		1015	4P-6846 . . . . .	1
	225		1015	4N-4405 . . . . .	1009		2
	227	4N-4381 . . . . .	1009		1011		3
	228		1011		1013		4
	230		1013		1015		5
	231		1015	4N-4409 . . . . .	1009		6
	233	4N-4382 . . . . .	1009		1011		7
	234		1011		1013		8
	235		1013		1015		9
	236		1015	4N-4413 . . . . .	1009		10
	237	4N-4383 . . . . .	1009		1011		11
	238		1011		1013		12
	240		1013		1015		13

# PART NUMBER INDEX

Part	Page	Part	Page	Part	Page	Part	Page
	14		791		791		264
	▶206		793		802		266
4P-7233 . . . . .	492		796		804		268
4P-7371 . . . . .	398		799		806		379
4P-7373 . . . . .	329		802		828	5F-3106 . . . . .	159
	331		804		837		162
	332		806		846		185
	334		808		867		187
	336		810		869		246
	342		812		874	5F-3999 . . . . .	85
	486		815	4W-7186 . . . . .	220	5F-4899 . . . . .	459
	488		817		225	5F-8651 . . . . .	1009
	490		819		235		1011
4P-7429 . . . . .	1074		821	4W-7626 . . . . .	505		1013
	1080		824	4W-9160 . . . . .	657		1015
	1083		828		671	5F-9144 . . . . .	767
	1086		831		682		769
4P-7581 . . . . .	789		833	4W-9183 . . . . .	▶657	5G-9603 . . . . .	802
	791		837	4W-9890 . . . . .	81		804
	802		840		82		806
	804		844				821
	806		847				824
	817		851				828
	819		1074				834
	821		1076				837
	824		1080				844
	828		1083				847
	833		1086				263
	837		1091				722
	844	4P-8169 . . . . .	223				724
	846	4P-9131 . . . . .	488				731
	1067	4S-4857 . . . . .	1163				733
	1068	4S-6137 . . . . .	704				735
	1074		705				144
	1079		706				146
	1080	4S-9191 . . . . .	453				150
	1083	4V-1878 . . . . .	582				1025
	1086		591				722
	1066		594				724
4P-7582 . . . . .	1068		598				731
	1074		602				733
	1080		606				735
	1083		609				676
	1086		612				679
	1090		615				708
4P-7731 . . . . .	▶521		623				711
	545		626				1022
	553		629				1041
	555		632				1044
	557	4W-0229 . . . . .	30				1048
	559	4W-0506 . . . . .	1160				1051
4P-8021 . . . . .	722		1162				185
	724	4W-1873 . . . . .	▶328				187
	731	4W-2655 . . . . .	77				262
	733	4W-2683 . . . . .	1160				263
	735		1162				270
4P-8087 . . . . .	▶430	4W-4536 . . . . .	1019				272
4P-8134 . . . . .	762	4W-5074 . . . . .	416				274
	763	4W-5176 . . . . .	418				24
	775	4W-5698 . . . . .	119				26
	777	4W-5699 . . . . .	119				270
	779	4W-5700 . . . . .	119				270
	782	4W-5701 . . . . .	119				1017
	786	4W-6366 . . . . .	1134				1019
	789	4W-6841 . . . . .	789				185
							580

# PART NUMBER INDEX

Part	Page	Part	Page	Part	Page	Part	Page
	621	5L-9423 . . . . .	77		303		665
	1159	5L-9652 . . . . .	79		305		666
5K-2298 . . . . .	1154	5L-9653 . . . . .	79		306		702
	1156	5L-9654 . . . . .	79		308		704
	1171	5M-1932 . . . . .	69		309		705
	1178	5M-2894 . . . . .	56		310		706
	1181		68		312		722
5K-5338 . . . . .	775		69		313		724
5K-9065 . . . . .	246		81		315		728
5L-1545 . . . . .	74		82		316		731
5L-2264 . . . . .	711		83		317		733
5L-2683 . . . . .	220		84		319		735
	238		87		320		757
	239		88		322		762
5L-2952 . . . . .	448		91		324		763
	450		94		325		765
5L-3233 . . . . .	639		159		327		775
	640		160		329		777
	642		161		331		779
	644		162		332		782
5L-3485 . . . . .	74		165		334		786
5L-3487 . . . . .	74		167		336		788
5L-3492 . . . . .	74		169		338		789
5L-3493 . . . . .	74		171		340		791
5L-3495 . . . . .	74		173		342		793
5L-3496 . . . . .	74		175		344		796
5L-3553 . . . . .	74		177		346		799
5L-3556 . . . . .	74		179		424		802
5L-3557 . . . . .	74		181		440		804
5L-3558 . . . . .	74		183		442		806
5L-3559 . . . . .	74		185		444		808
5L-3560 . . . . .	74		187		445		810
5L-3561 . . . . .	74		189		451		812
5L-3602 . . . . .	74		196		453		815
5L-3603 . . . . .	74		197		455		817
5L-3613 . . . . .	74		201		456		819
5L-3617 . . . . .	74		202		457		821
5L-3708 . . . . .	932		203		466		824
	934		204		467		828
	935		205		468		831
5L-3773 . . . . .	677		206		469		834
5L-4035 . . . . .	1009		208		474		837
	1011		209		476		840
	1013		210		478		844
	1015		214		479		847
5L-5012 . . . . .	322		252		481		851
5L-7200 . . . . .	1060		254		482		853
5L-7520 . . . . .	▶673		255		484		854
5L-7631 . . . . .	668		256		488		855
	669		258		493		856
	670		260		494		867
	713		261		495		869
5L-7634 . . . . .	668		263		498		875
5L-7635 . . . . .	669		264		505		947
5L-7661 . . . . .	▶668		266		507		948
5L-8484 . . . . .	675		274		510		959
	678		276		530		960
	712		277		540		961
5L-8605 . . . . .	712		279		545		962
5L-8632 . . . . .	▶712		282		553		963
5L-8854 . . . . .	658		283		555		964
	659		287		557		965
	660		300		559		966
	661		301		662		970
5L-8957 . . . . .	490		302		663		971

# PART NUMBER INDEX

Part	Page	Part	Page	Part	Page	Part	Page
	974		427		62		759
	976	5N-1703 . . . . .	722		63		1171
	1017		724		64		1178
	1068		731		65		1181
	1070		733		66	5P-1076 . . . . .	640
	1072		735		761	5P-1230 . . . . .	289
	1076	5N-1933 . . . . .	▶428		765	5P-1251 . . . . .	582
	1080	5N-1934 . . . . .	77		766		591
	1093	5N-2010 . . . . .	▶413		865		594
	1136	5N-2346 . . . . .	177		866		598
	1138	5N-2685 . . . . .	▶1021		873		602
	1154	5N-2829 . . . . .	722		1009		606
	1156		724		1011		609
5M-3034 . . . . .	1022		731		1013		612
	1041		733		1015		615
	1044		735		1017		623
	1048	5N-2830 . . . . .	731		1019		626
	1051		733	5P-0597 . . . . .	709		629
5M-3062 . . . . .	582		735	5P-0598 . . . . .	582		632
	585	5N-3334 . . . . .	▶79		591	5P-1253 . . . . .	466
	586		387		594	5P-1262 . . . . .	591
	587	5N-3335 . . . . .	▶387		598		594
	589	5N-3852 . . . . .	722		602		606
	591		724		606		609
	594		731		609	5P-1404 . . . . .	863
	598		733		612	5P-1908 . . . . .	618
	602		735		615	5P-2321 . . . . .	943
	606	5N-4739 . . . . .	676		623	5P-2369 . . . . .	464
	609		679		626		465
	623	5N-4741 . . . . .	675		629		466
	626		678		632	5P-2566 . . . . .	522
	629	5N-4742 . . . . .	675	5P-0743 . . . . .	289		525
	632	5N-5129 . . . . .	722		290		687
	699		724	5P-0747 . . . . .	922		692
	1066		731		923		695
	1067		733		925		697
	1090		735		1047		699
	1091	5N-5131 . . . . .	722	5P-0761 . . . . .	926	5P-2569 . . . . .	1139
	1158		724	5P-0765 . . . . .	966		1140
	1171		731		968	5P-2675 . . . . .	1142
	1178		733	5P-0840 . . . . .	126		1143
	1181		735		128	5P-2948 . . . . .	1006
5M-6213 . . . . .	580	5N-5646 . . . . .	492		130	5P-3418 . . . . .	887
	618	5N-5662 . . . . .	722		144		890
	621		724		146		900
	668		731		150		902
5M-6214 . . . . .	687		733	5P-1046 . . . . .	507		916
	690		735	5P-1075 . . . . .	325	5P-3419 . . . . .	887
	692	5N-5664 . . . . .	722		582		890
	695		724		591		900
	697		731		594		902
	699		733		598		916
5M-6668 . . . . .	1166		735		602		918
5N-0093 . . . . .	122	5N-5692 . . . . .	▶893		606	5P-3426 . . . . .	1171
	124		▶896		609		1178
	128	5N-6147 . . . . .	708		612		1181
	130	5N-6646 . . . . .	1142		615	5P-3454 . . . . .	1068
	132		1143		623	5P-3499 . . . . .	74
5N-1677 . . . . .	427	5N-6753 . . . . .	991		626		386
5N-1678 . . . . .	▶427	5N-8132 . . . . .	77		629		387
5N-1693 . . . . .	386	5N-8757 . . . . .	▶991		632		388
	388	5N-9231 . . . . .	246		699	5P-3860 . . . . .	640
	427	5N-9317 . . . . .	79		702		648
5N-1694 . . . . .	386	5P-0537 . . . . .	59		718		650
	388		61		758		652

# PART NUMBER INDEX

Part	Page	Part	Page	Part	Page	Part	Page
5P-4115 . . . . .	940		606		270		1068
	941		609		272		1074
5P-4142 . . . . .	244		612		274		1080
5P-4255 . . . . .	276		615		284		1083
	277		623		285		1086
	279		626		286	5P-8248 . . . . .	680
5P-4536 . . . . .	738		629		302	5P-8249 . . . . .	1134
	744		632		303	5P-8289 . . . . .	261
5P-4571 . . . . .	1173	5P-6920 . . . . .	893		305	5P-8500 . . . . .	936
5P-4868 . . . . .	582		897		306		938
	591		904		308		1165
	594	5P-7033 . . . . .	30		309		1173
	598	5P-7701 . . . . .	338		310		1186
	602		383		312	5P-9299 . . . . .	582
	606		384		313		591
	609		439		315		594
	612	5P-7807 . . . . .	887		316		598
	615		890		317		602
	623		900		319		606
	626		902		320		609
	629		904		322		612
	632	5P-7814 . . . . .	268		324		615
	709		521		325		623
5P-4906 . . . . .	289	5P-7979 . . . . .	165		327		626
	290		167		417		629
5P-4924 . . . . .	507		169		418		632
5P-5008 . . . . .	1171		171		419	5P-9617 . . . . .	439
	1178		173		423		459
	1181		175		428		1163
5P-5621 . . . . .	927		177		450	5P-9890 . . . . .	495
	1089		183		545	5R-1771 . . . . .	317
5P-5622 . . . . .	1078	5P-8038 . . . . .	199		555	5R-2994 . . . . .	303
5P-5623 . . . . .	1006		255		557		305
	1007		417		559	5S-0003 . . . . .	775
	1008		421		915		777
5P-5624 . . . . .	1078		422		968		779
5P-5677 . . . . .	943		423		1096		782
5P-5678 . . . . .	59		425		1097		786
	64		426		1098		789
5P-5846 . . . . .	329	5P-8068 . . . . .	329	5P-8247 . . . . .	29		791
	331		331		157		793
	332		332		185		796
	334		334		187		799
	336		336		214		802
	342		342		215		804
	486		486		264		806
	540	5P-8244 . . . . .	487		266		808
5P-5855 . . . . .	677		492		414		810
5P-5991 . . . . .	580	5P-8245 . . . . .	33		420		812
	621		35		642		815
5P-6001 . . . . .	1070		43		644		817
	1072		45		648		819
5P-6006 . . . . .	1173		47		649		821
5P-6298 . . . . .	972		49		650		824
	1022		56		651		828
	1041		85		675		831
	1044		86		676		834
	1051		185		679		837
5P-6416 . . . . .	289		187		906		840
	290		207		908		844
5P-6442 . . . . .	582		254		910		847
	591		262		912		851
	594		263		949		867
	598		264		966		869
	602		266		968		875



# PART NUMBER INDEX

Part	Page	Part	Page	Part	Page	Part	Page
5S-0581 . . . . .	576		183	6F-7062 . . . . .	553		130
5S-2106 . . . . .	69	5V-9221 . . . . .	313		559		132
	165			6H-1717 . . . . .	386	6I-4362 . . . . .	122
	167				388		124
	169	<b>6</b>		6H-6699 . . . . .	1163		128
	171			6H-7062 . . . . .	313		130
	173	6A-5591 . . . . .	270		325		132
	175		272	6I-0213 . . . . .	857	6I-4363 . . . . .	122
	177	6B-3223 . . . . .	79		858		124
	179	6B-4661 . . . . .	505		859		128
	181	6B-5072 . . . . .	582		861		130
	183		591		862		132
5S-7264 . . . . .	179		623	6I-0263 . . . . .	527	6I-4364 . . . . .	122
	181	6B-6684 . . . . .	302	6I-0901 . . . . .	398		124
5S-7348 . . . . .	1163		309		400		128
5S-7349 . . . . .	900		313		403		130
	902		315	6I-0928 . . . . .	142		132
	906		316		143	6I-4365 . . . . .	122
	908		320		148		124
	910		322	6I-1055 . . . . .	126		128
	912		324		128		130
	918		325		130		132
	1032	6B-6863 . . . . .	1154	6I-1418 . . . . .	932	6I-4366 . . . . .	122
	1034		1156		934		124
	1037	6B-8128 . . . . .	1017		935		128
	1039	6B-8129 . . . . .	1019	6I-1458 . . . . .	293		130
5S-7379 . . . . .	582	6B-9081 . . . . .	966		294		132
	585	6D-1004 . . . . .	41		295	6I-4421 . . . . .	126
	586	6D-2928 . . . . .	722		296		128
	587		724		299		130
	589		731	6I-1815 . . . . .	1142	6I-4467 . . . . .	643
	591		733		1143	6I-4575 . . . . .	32
	594		735	6I-2172 . . . . .	246	6I-4582 . . . . .	244
	598	6D-3479 . . . . .	1017	6I-2509 . . . . .	643	6J-2244 . . . . .	1009
	602		1163	6I-2510 . . . . .	643		1011
	606	6D-3787 . . . . .	1009	6I-3623 . . . . .	244		1013
	609		1011	6I-3624 . . . . .	244		1015
	612		1013	6I-3625 . . . . .	244	6J-2515 . . . . .	185
	615		1015	6I-3638 . . . . .	1		187
	623	6D-5801 . . . . .	726		2	6K-0806 . . . . .	1076
	626		729		3	6K-1972 . . . . .	492
	629	6D-7889 . . . . .	51		4		1017
	632		57		5		1019
	718	6E-4240 . . . . .	886		6	6L-1883 . . . . .	249
	758	6E-4350 . . . . .	1116		7	6L-1987 . . . . .	▶431
	759		1126		8	6L-2282 . . . . .	541
	1158	6E-4401 . . . . .	1119		9	6L-2609 . . . . .	448
	1171	6E-4402 . . . . .	▶886		10		450
	1178		1119		11	6L-2927 . . . . .	▶669
	1181	6E-4403 . . . . .	886		12	6L-3483 . . . . .	991
5S-7382 . . . . .	690	6E-4404 . . . . .	886		13	6L-3961 . . . . .	74
	699	6E-6528 . . . . .	1133		14		79
5S-7383 . . . . .	541	6F-0253 . . . . .	74		▶189	6L-3962 . . . . .	77
	542		77	6I-3944 . . . . .	▶443	6L-3963 . . . . .	77
	695		79	6I-3950 . . . . .	▶417	6L-3964 . . . . .	74
	708		1173	6I-3957 . . . . .	325		79
5S-9062 . . . . .	165		1186	6I-3968 . . . . .	424	6L-3967 . . . . .	79
	167	6F-6580 . . . . .	77	6I-4025 . . . . .	144	6L-3969 . . . . .	74
	169	6F-6581 . . . . .	77		146	6L-3970 . . . . .	74
	171	6F-6582 . . . . .	77		150	6L-3971 . . . . .	77
	173	6F-7012 . . . . .	709	6I-4348 . . . . .	1070	6L-3972 . . . . .	79
	175	6F-7024 . . . . .	152		1072	6L-3973 . . . . .	77
	177		234		122	6L-4016 . . . . .	74
	179		235	6I-4361 . . . . .	124	6L-4502 . . . . .	▶1200
	181		236		128	6L-4854 . . . . .	582

# PART NUMBER INDEX

Part	Page	Part	Page	Part	Page	Part	Page
	598	6N-2687 . . . . .	523	6S-3002 . . . . .	1119	6V-1813 . . . . .	1017
	602	6N-2985 . . . . .	444	6S-6843 . . . . .	966		1019
	612	6N-3171 . . . . .	1163	6T-0363 . . . . .	972	6V-1820 . . . . .	56
	615	6N-3246 . . . . .	1019		1022		300
	623	6N-3279 . . . . .	1022		1041		301
	626		1041		1044	6V-1873 . . . . .	392
	629		1044		1051	6V-1903 . . . . .	288
	632		1048	6T-0371 . . . . .	972		289
6L-5151 . . . . .	74		1051		1022		290
	79	6N-3310 . . . . .	246		1041	6V-2202 . . . . .	893
6L-7283 . . . . .	183	6N-3575 . . . . .	670		1044		897
	305	6N-3826 . . . . .	1022		1051	6V-2315 . . . . .	761
	308		1032	6T-0372 . . . . .	972	6V-2483 . . . . .	1139
	312		1034		1022		1140
	319		1037		1041	6V-2605 . . . . .	302
6L-8617 . . . . .	580		1039		1044		309
	618		1041		1051		315
	621		1044	6T-3631 . . . . .	936		316
6L-9781 . . . . .	1017		1048		938		320
	1019		1051		1061		322
6M-5652 . . . . .	462	6N-3899 . . . . .	1017		1166		324
6N-0341 . . . . .	302		1019		1201	6V-2689 . . . . .	1173
6N-0597 . . . . .	167	6N-4087 . . . . .	500	6T-3632 . . . . .	936	6V-3250 . . . . .	507
	175	6N-4088 . . . . .	499		938		514
6N-0598 . . . . .	171	6N-4414 . . . . .	761		1061		519
	173		765		1166		553
	181		766		1201		559
6N-1015 . . . . .	444	6N-6490 . . . . .	165	6T-3633 . . . . .	936		566
6N-1016 . . . . .	▶444		167		938	6V-3251 . . . . .	373
6N-1283 . . . . .	228		169		1061		374
	234		171		1166		493
6N-1301 . . . . .	224		173		1201		566
6N-1856 . . . . .	887		175	6T-3643 . . . . .	936	6V-3319 . . . . .	185
	890		177		938		187
6N-1870 . . . . .	887		179		1166	6V-3507 . . . . .	1146
	890		181		1174		1147
6N-1871 . . . . .	887		183		1186		1148
	890	6N-6598 . . . . .	165	6V-0128 . . . . .	59		1149
6N-1872 . . . . .	887		167		61		1150
	890		169		62		1151
	893		171		63		1163
	897	6N-6650 . . . . .	432		64		1193
	900		436		65		1199
	902	6N-6651 . . . . .	175		66	6V-3668 . . . . .	648
6N-1873 . . . . .	887		▶432	6V-0852 . . . . .	773		649
	890	6N-6652 . . . . .	▶432	6V-0885 . . . . .	1021		650
6N-1875 . . . . .	887	6N-6653 . . . . .	▶432		▶1022		651
	890	6N-7053 . . . . .	173	6V-0894 . . . . .	940	6V-3677 . . . . .	244
6N-1876 . . . . .	887	6N-7135 . . . . .	306		941	6V-3683 . . . . .	970
	890		308	6V-1179 . . . . .	1009		971
	887		310		1011	6V-3830 . . . . .	31
6N-1925 . . . . .	890		312		1013		338
	498	6N-7249 . . . . .	485		1015		340
6N-1944 . . . . .	887		486	6V-1197 . . . . .	71		344
	890	6N-7378 . . . . .	153		72	6V-3908 . . . . .	451
	900		154		73		457
	902		392	6V-1322 . . . . .	1022		461
6N-1945 . . . . .	887	6N-7380 . . . . .	389		1041		462
	890		390		1044	6V-3940 . . . . .	51
	902		391		1048		57
	916	6N-7381 . . . . .	▶390		1051	6V-3964 . . . . .	932
6N-1946 . . . . .	887	6N-7654 . . . . .	154	6V-1438 . . . . .	33		934
	890	6N-9159 . . . . .	▶432		35		935
6N-1968 . . . . .	887	6N-9667 . . . . .	30		47	6V-3965 . . . . .	773
	890	6R-7943 . . . . .	1109		49	6V-4248 . . . . .	41

# PART NUMBER INDEX

Part	Page	Part	Page	Part	Page	Part	Page
	92	6V-5221 . . . . .	37		642		1201
	270		39		644	6V-8212 . . . . .	821
	272		41	6V-6923 . . . . .	883		824
6V-4429 . . . . .	93		42		884	6V-8225 . . . . .	1163
	95		53	6V-7238 . . . . .	383	6V-8352 . . . . .	886
6V-4589 . . . . .	881		54		384	6V-8362 . . . . .	722
6V-4626 . . . . .	179		249	6V-7675 . . . . .	1111		731
	181	6V-5586 . . . . .	1119		1122		735
6V-5048 . . . . .	33	6V-5764 . . . . .	914	6V-7697 . . . . .	1174		936
	579	6V-5839 . . . . .	41	6V-7700 . . . . .	1112		938
	765		57		1123		1166
	974		68	6V-7723 . . . . .	1128		1174
	976		92	6V-8185 . . . . .	722		1186
	1154		270		724	6V-8364 . . . . .	1060
	1156		272		731	6V-8367 . . . . .	936
	1163		327		733		938
	1171		821		735		1165
	1181		824		936		1173
6V-5049 . . . . .	268		834		938		1186
	439		844	6V-8186 . . . . .	1058	6V-8368 . . . . .	1195
	775	6V-6339 . . . . .	1133		1169	6V-8374 . . . . .	936
	777	6V-6353 . . . . .	667		1176		938
	789		727	6V-8187 . . . . .	727		1166
	791		737		887		1201
	793	6V-6609 . . . . .	33		890	6V-8376 . . . . .	936
	796		35		893		938
	799		43		896		1166
	802		45		897		1174
	804		47		900		1186
	806		49		902	6V-8377 . . . . .	893
	808		85		916		897
	810		86		918		1192
	812		163		920	6V-8378 . . . . .	1032
	817		288		959		1034
	819		291		960		1037
	821		368		961		1039
	824		369		962		1058
	867		370		963		1141
	869		371		964		1169
	974		373		965		1176
	976		375	6V-8188 . . . . .	163	6V-8382 . . . . .	936
	1163		376		639		938
6V-5050 . . . . .	289		377		640		1165
	290		450		687		1173
6V-5063 . . . . .	507		539		690		1186
	514		553		692	6V-8397 . . . . .	1119
	519		559		695	6V-8398 . . . . .	1119
	559		566		697	6V-8801 . . . . .	541
	563		702		699		542
	566		854		968		582
	602		1000		1023		591
	609		1004		1032		594
	615		1171		1034		598
	626		1178		1037		602
	632	6V-6782 . . . . .	687		1039		606
	702		692		1042		609
6V-5065 . . . . .	372		695		1045		612
6V-5100 . . . . .	99		697		1048		615
6V-5141 . . . . .	248		699		1052		623
6V-5201 . . . . .	1130	6V-6783 . . . . .	687	6V-8189 . . . . .	904		626
	1131		692		906		629
6V-5217 . . . . .	249		695		908		632
	1163		697		910		695
6V-5218 . . . . .	761		699		912		699
6V-5219 . . . . .	1163	6V-6811 . . . . .	640		1159		702

# PART NUMBER INDEX

Part	Page	Part	Page	Part	Page	Part	Page
	708	7C-5787 . . . . .	325		1042		1048
	928	7C-6514 . . . . .	99		1044		1051
	930		110		1048	7M-0327 . . . . .	1022
	1070	7C-8021 . . . . .	474		1051		1041
	1072		477	7F-3491 . . . . .	1044		1044
	1171		478	7F-3525 . . . . .	972		1048
	1178		484		1022		1051
	1181	7D-0894 . . . . .	938		1041		1060
6V-8817 . . . . .	936	7D-1649 . . . . .	553		1044	7M-7410 . . . . .	1009
	938		642		1051		1011
	1165		644	7F-7621 . . . . .	887		1013
6V-8837 . . . . .	1111		648		904		1015
	1122		649	7F-8897 . . . . .	79	7M-8485 . . . . .	561
6V-8969 . . . . .	187		650	7F-9090 . . . . .	451		1112
6V-8978 . . . . .	1116		651		453		1123
	1126	7D-5318 . . . . .	462		457	7M-8651 . . . . .	1023
6V-9493 . . . . .	1166	7D-7233 . . . . .	582	7G-7889 . . . . .	▶897		1042
	1186		591	7H-5569 . . . . .	414		1044
6V-9632 . . . . .	1169		594	7H-9678 . . . . .	764		1048
	1176		598	7J-0204 . . . . .	648		1051
	1184		602		649	7M-9544 . . . . .	1017
6V-9671 . . . . .	1166		606		650		1019
	1174		609		651	7M-9918 . . . . .	752
	1187		612		652	7N-0060 . . . . .	922
6V-9672 . . . . .	1176		615		653		924
	1184		623	7K-1181 . . . . .	997	7N-0140 . . . . .	1006
6W-5458 . . . . .	252		626		1066		1007
6Y-1352 . . . . .	786		629		1067		1008
			632		1068	7N-0296 . . . . .	1006
		7E-2660 . . . . .	521		1090		1007
		7E-3478 . . . . .	30		1091		1008
		7E-4341 . . . . .	338	7K-6058 . . . . .	264	7N-0452 . . . . .	206
7B-1115 . . . . .	386		346		266	7N-1628 . . . . .	764
	388	7E-4342 . . . . .	338	7L-2894 . . . . .	1022	7N-2043 . . . . .	347
7B-2742 . . . . .	765		346		1032	7N-2059 . . . . .	1006
	766	7E-4508 . . . . .	488		1034		1007
	865	7E-4661 . . . . .	344		1037		1008
	866	7E-4761 . . . . .	158		1039	7N-2156 . . . . .	498
	873	7E-6247 . . . . .	▶954		1041	7N-2900 . . . . .	165
	1009		▶955		1044		167
	1011	7E-6508 . . . . .	59		1048		169
	1013		61		1051		171
	1015		62	7L-4535 . . . . .	▶1159		173
7B-3235 . . . . .	385		63	7L-4536 . . . . .	1159		175
	387		64	7L-5810 . . . . .	428		177
	545		65	7L-6551 . . . . .	74		183
	555		66	7L-7856 . . . . .	386	7N-3060 . . . . .	▶219
	557	7E-6513 . . . . .	65		388	7N-3448 . . . . .	493
	559	7E-6879 . . . . .	306	7L-7871 . . . . .	▶922	7N-3949 . . . . .	316
	642		308	7L-7872 . . . . .	▶923		320
	644		310	7L-8074 . . . . .	966	7N-4045 . . . . .	788
	1096		312	7L-8705 . . . . .	1062		789
	1097	7E-7646 . . . . .	▶432	7M-0324 . . . . .	1022		791
	1098	7E-8070 . . . . .	1200		1041	7N-4600 . . . . .	582
7B-7501 . . . . .	469	7E-8630 . . . . .	▶681		1044		591
7B-9008 . . . . .	1017		686		1048		594
7C-0145 . . . . .	561		687		1051		598
7C-1072 . . . . .	▶1192		690	7M-0325 . . . . .	1023		602
7C-1114 . . . . .	248		692		1042		606
7C-1445 . . . . .	96		695		1044		609
7C-2644 . . . . .	946		697		1048		612
7C-2909 . . . . .	448		699		1051		615
7C-4024 . . . . .	479	7E-8866 . . . . .	1006	7M-0326 . . . . .	1022		623
7C-4354 . . . . .	966	7E-9515 . . . . .	▶433		1041		626
	968	7F-3488 . . . . .	1022		1044		629

# PART NUMBER INDEX

Part	Page	Part	Page	Part	Page	Part	Page
	632		902		1051	7W-8633 . . . . .	487
7N-5274 . . . . .	926		904	7T-6799 . . . . .	936	7W-8857 . . . . .	789
	927	7N-9024 . . . . .	893		938		791
	1089		897		1166		802
7N-5436 . . . . .	179	7N-9738 . . . . .	990		1174		804
	181	7N-9801 . . . . .	1006		1186		806
7N-5876 . . . . .	936		1064	7T-8332 . . . . .	582		828
	1165		1065		591		837
	1173	7P-7913 . . . . .	722		594		846
7N-6114 . . . . .	30		724		598	7X-0288 . . . . .	602
7N-6249 . . . . .	29		731		602		609
7N-6351 . . . . .	▶670		733		606		615
7N-6821 . . . . .	69		735		609		626
7N-7221 . . . . .	1173	7R-3394 . . . . .	1111		612		632
7N-7559 . . . . .	495		1122		615	7X-0291 . . . . .	612
7N-7779 . . . . .	990	7R-3453 . . . . .	1111		623		615
7N-7780 . . . . .	990		1122		626	7X-0293 . . . . .	582
7N-7795 . . . . .	893	7R-3825 . . . . .	1111		629		591
	897		1122		632		594
7N-7796 . . . . .	893	7S-1198 . . . . .	943	7T-9123 . . . . .	1023		598
	897	7S-4411 . . . . .	▶654		1042		602
7N-7798 . . . . .	893	7S-5003 . . . . .	▶655		1045		606
	897		708	7V-1037 . . . . .	1019		609
7N-7800 . . . . .	893	7S-5005 . . . . .	119	7V-4240 . . . . .	507		623
	897	7S-7680 . . . . .	709	7V-6571 . . . . .	780		626
7N-7801 . . . . .	893	7S-9323 . . . . .	764		783		629
	897	7T-3267 . . . . .	1032		786		632
7N-7802 . . . . .	893		1035		834	7X-0301 . . . . .	582
	897		1037		838		591
7N-7805 . . . . .	893		1039		840		594
	897	7T-3268 . . . . .	1032		844		598
7N-7806 . . . . .	893		1035		847		602
7N-7807 . . . . .	893		1037		851		606
7N-7808 . . . . .	893		1039		875		609
	897	7T-3271 . . . . .	1032	7W-0825 . . . . .	▶926		612
7N-7809 . . . . .	893		1034	7W-1248 . . . . .	219		615
	897	7T-3275 . . . . .	1032		231		623
7N-7810 . . . . .	893	7T-3276 . . . . .	1034		233		626
	897		1037	7W-1250 . . . . .	229		629
7N-7811 . . . . .	893		1039	7W-2297 . . . . .	739		632
	897	7T-3277 . . . . .	1034		740	7X-0308 . . . . .	385
7N-7878 . . . . .	702		1037		744		387
7N-8374 . . . . .	185		1039		745	7X-0312 . . . . .	582
	187	7T-3278 . . . . .	1034		746		591
7N-8827 . . . . .	165		1037	7W-2354 . . . . .	1189		594
	167		1039	7W-2355 . . . . .	1190		598
	169	7T-3279 . . . . .	1032	7W-2731 . . . . .	1163		602
	171		1034	7W-3355 . . . . .	▶992		606
	173		1037	7W-3580 . . . . .	313		609
	175		1039		325		612
	177	7T-3451 . . . . .	1032	7W-3602 . . . . .	467		615
	179		1034	7W-3603 . . . . .	▶467		623
	181		1037	7W-4176 . . . . .	309		626
	183		1039	7W-5520 . . . . .	302		629
7N-8828 . . . . .	169	7T-3454 . . . . .	1032		309		632
	177		1034		310	7X-0313 . . . . .	582
	179		1037		312		591
7N-8875 . . . . .	495		1039		315		594
7N-9021 . . . . .	893	7T-3973 . . . . .	1039		316		598
	897	7T-3974 . . . . .	1022		320		602
	900		1034		322		606
	902		1037		324		609
7N-9023 . . . . .	893		1039	7W-5733 . . . . .	69		612
	897		1041	7W-7536 . . . . .	774		615
	900		1048	7W-7776 . . . . .	481		623

# PART NUMBER INDEX

Part	Page	Part	Page	Part	Page	Part	Page
	626		517		697		612
	629		519		699		615
	632	7X-2533 . . . . .	1152		1022		623
7X-0326 . . . . .	313	7X-3353 . . . . .	893		1041		626
7X-0342 . . . . .	1091		897		1044		629
7X-0347 . . . . .	640		902		1048		632
7X-0384 . . . . .	582	7X-3373 . . . . .	1022		1051	8C-9660 . . . . .	1022
	591		1032	8C-3334 . . . . .	931		1041
	594		1034		946		1044
	598		1037	8C-3445 . . . . .	439		1048
	602		1039		459		1051
	606		1041		461	8D-0648 . . . . .	185
	609		1044		462		187
	612		1048	8C-3446 . . . . .	439	8D-0983 . . . . .	▶ 1135
	615		1051		459	8D-3786 . . . . .	582
	623	7X-5448 . . . . .	1111		461		591
	626		1122		462		594
	629	7X-6222 . . . . .	1152	8C-3655 . . . . .	1035		598
	632	7X-6315 . . . . .	1152		1037		602
7X-0447 . . . . .	582	7X-7730 . . . . .	262		1039		606
	591	7X-7731 . . . . .	165	8C-4436 . . . . .	640		609
	594		167	8C-5063 . . . . .	163		612
	598		169	8C-5064 . . . . .	780		615
	602		171		783		623
	606		262		786		626
	609		263		799		629
	612		264		806		632
	615		266		810	8D-8428 . . . . .	461
	623		499		815		462
	626		500		819	8F-0244 . . . . .	1154
	629		505		824		1156
	632		543		825		1163
7X-0448 . . . . .	708		545		828		1171
7X-0562 . . . . .	1023		563		831		1178
	1032		568		834		1181
	1034		569		838	8F-1434 . . . . .	893
	1037	7X-7732 . . . . .	570		841		897
	1039	7X-9232 . . . . .	1111		847		916
	1042		1122		851		918
	1045	7Y-5219 . . . . .	1119		869		920
	1048				870		1023
	1052				875		1032
7X-0575 . . . . .	702	<b>8</b>		8C-5230 . . . . .	451		1034
7X-0618 . . . . .	582				453		1037
	591	8B-4884 . . . . .	1154		455		1039
	594		1156		456		1042
	598		1163		457		1045
	602		1171		459		1048
	606		1178	8C-5917 . . . . .	922		1052
	609		1181		923		1058
	612	8B-7121 . . . . .	74		925		1060
	615		77	8C-6354 . . . . .	931		1141
	623		79		1070		1160
	626	8B-7179 . . . . .	940		1072		1163
	629		941		1165		1169
	632	8B-7987 . . . . .	79		1173		1176
7X-0623 . . . . .	780	8C-3089 . . . . .	638		1186		1196
	783		683	8C-6808 . . . . .	1060		1197
	840		684	8C-6913 . . . . .	582	8F-3030 . . . . .	263
	851		685		591	8F-3437 . . . . .	1060
	875		687		594	8F-7219 . . . . .	767
7X-0772 . . . . .	640		689		598		769
7X-1448 . . . . .	510		690		602	8F-8398 . . . . .	453
	512		692		606	8F-8544 . . . . .	821
	514		695		609		824

# PART NUMBER INDEX

Part	Page	Part	Page	Part	Page	Part	Page
	844	8L-4521 . . . . .	541		927		714
	1009	8L-5213 . . . . .	325		1089		715
	1011	8L-8413 . . . . .	216	8N-2104 . . . . .	485	8S-6824 . . . . .	637
	1013		922		486		643
	1015		923		488		714
8F-8804 . . . . .	246		925	8N-2694 . . . . .	639		715
8H-1141 . . . . .	1032		927		640		716
	1034		943		642		717
	1037		1089		644	8S-9089 . . . . .	553
	1039		1200	8N-3536 . . . . .	1006	8S-9092 . . . . .	675
8H-2778 . . . . .	764	8L-9767 . . . . .	541		1007		676
8H-3127 . . . . .	59	8L-9801 . . . . .	1186		1008	8S-9094 . . . . .	126
	61	8L-9859 . . . . .	▶674	8N-4617 . . . . .	646		128
	62	8M-0505 . . . . .	33	8N-5305 . . . . .	165	8S-9191 . . . . .	197
	64		35		167		210
	66		47		169		459
	726		49		171		817
	729		291		173		819
8H-7202 . . . . .	764		538		175		821
8H-7204 . . . . .	▶764		702		177		824
8H-8769 . . . . .	1201		854		179		840
8H-9789 . . . . .	69	8M-0506 . . . . .	770		181		844
	165		788		183		857
	167	8M-0547 . . . . .	702	8N-5872 . . . . .	453		858
	169		757	8N-6114 . . . . .	▶392		859
	171		758	8N-6677 . . . . .	303		861
	173		759		306		862
	175		788		310	8T-0122 . . . . .	690
	177	8M-2530 . . . . .	157		466	8T-0267 . . . . .	37
	179	8M-2773 . . . . .	505	8R-8088 . . . . .	757		39
	181		812	8S-0948 . . . . .	758		41
	183		815		759		42
8J-4351 . . . . .	970	8M-4986 . . . . .	487	8S-1460 . . . . .	708		53
	971	8M-6701 . . . . .	887	8S-2331 . . . . .	1019		54
8J-4785 . . . . .	1059		890	8S-2332 . . . . .	1019	8T-0269 . . . . .	1095
8J-7844 . . . . .	492	8M-6755 . . . . .	29		1021		1112
	539		229		1025		1123
	594	8M-8489 . . . . .	498		1026	8T-0328 . . . . .	887
	612	8M-9307 . . . . .	545	8S-3893 . . . . .	▶714		890
	629		553	8S-4304 . . . . .	545		893
8K-0802 . . . . .	288		555		553		897
8L-2655 . . . . .	69		557		555		900
8L-2777 . . . . .	398		559		557		902
	400	8M-9315 . . . . .	268		559		916
	401	8N-0869 . . . . .	926	8S-4753 . . . . .	153		918
	402		927		154		920
	403		1066	8S-5383 . . . . .	302		1023
	405		1067		303		1032
	406		1068		305		1034
8L-2786 . . . . .	85		1076		306		1037
	185		1089		308		1039
	187		1090		309		1042
	268		1091		310		1045
	289	8N-1540 . . . . .	1068		312		1048
	290		1089		315		1052
	383	8N-1541 . . . . .	927		316	8T-0338 . . . . .	1111
	384		1089		317		1122
	999	8N-1542 . . . . .	1068		319	8T-0389 . . . . .	690
	1154		1078		320	8T-0640 . . . . .	1163
	1156	8N-1543 . . . . .	1068		322	8T-0643 . . . . .	270
	1171		1078		324		272
	1181	8N-1667 . . . . .	471	8S-6511 . . . . .	498	8T-0644 . . . . .	68
8L-4497 . . . . .	541		473	8S-6559 . . . . .	708		327
8L-4498 . . . . .	541		474	8S-6822 . . . . .	714	8T-1117 . . . . .	582
8L-4502 . . . . .	541	8N-1725 . . . . .	926	8S-6823 . . . . .	640		591

# PART NUMBER INDEX

Part	Page	Part	Page	Part	Page	Part	Page
	594	8T-4205 . . . . .	722		1080		623
	598		724		1083		626
	602		731		1086		629
	606		733	8T-4224 . . . . .	51		632
	609		735		580	8T-6726 . . . . .	966
	612		887		618		968
	615		890		621	8T-6757 . . . . .	134
	623		893		904		137
	626		896		906		140
	629		897		908		249
	632		900		910		683
8T-1159 . . . . .	1139		902		912	8T-6761 . . . . .	328
	1140		904		1159		331
8T-1296 . . . . .	252		906		1169		332
8T-1887 . . . . .	492		908	8T-4896 . . . . .	344		543
8T-1888 . . . . .	492		910		542		545
8T-1889 . . . . .	780		912		582		563
	783		916		585		966
	786		918		586	8T-6762 . . . . .	84
	834		920		587		543
	838		936		589		545
	840		938		591		563
	844		959		594	8T-6763 . . . . .	1009
	847		960		598		1011
	851		961		602		1013
	875		962		606		1015
8T-1890 . . . . .	780		963		609	8T-6765 . . . . .	261
	783		964		612		262
	786		965		615		263
	834		1022		623		264
	838		1032		626		266
	840		1034		629		652
	844		1037		632		663
	847		1039		687		665
	851		1041		690		666
	875		1044		692		669
8T-2501 . . . . .	640		1048		695		687
8T-2502 . . . . .	582		1051		697		690
	591	8T-4223 . . . . .	163		699		692
	594		522		718		697
	598		524		719		699
	602		525		928		722
	606		528		930		724
	609		582		1066		731
	612		591		1067		733
	615		594		1090		735
	623		598		1091	8T-6767 . . . . .	505
	626		602		1152		507
	629		606		1158		510
	632		609		1171		512
	640		612		1178		514
	719		615		1181		517
	1158		623	8T-4970 . . . . .	1169		519
8T-3283 . . . . .	1132		626		1176		543
8T-4121 . . . . .	394		629		1184		545
	690		632	8T-4971 . . . . .	1152		563
	1163		639	8T-5360 . . . . .	582		669
8T-4122 . . . . .	640		647		591	8T-7062 . . . . .	15
	678		687		594		16
	1091		690		598		17
8T-4137 . . . . .	1163		692		602		19
8T-4172 . . . . .	394		695		606		20
8T-4184 . . . . .	647		697		609		21
8T-4195 . . . . .	844		699		612		22
8T-4199 . . . . .	1169		1074		615		23



# PART NUMBER INDEX

Part	Page	Part	Page	Part	Page	Part	Page
	24		837	9B-0887 . . . . .	668	9F-4446 . . . . .	165
	25		840	9B-1117 . . . . .	1163		167
	26		843	9B-7233 . . . . .	722		169
	27		846		731		171
8T-7525 . . . . .	1109		847		735		173
8T-7529 . . . . .	968		850		887		175
8T-7852 . . . . .	1152		851		890		177
8T-7971 . . . . .	255		867		893		179
	687		869		897		181
	692		874		900		183
	697		929		902	9F-5599 . . . . .	972
	699		931		904		1022
8T-8442 . . . . .	1109		991		936		1041
	1133		1070		938		1044
8T-8566 . . . . .	1032		1072		1146		1051
	1034		1074		1148	9F-8125 . . . . .	936
	1037		1080		1149		938
	1039		1083		1150		1142
8T-8568 . . . . .	1032		1173		1165	9F-8759 . . . . .	313
8T-8569 . . . . .	1032	8T-8915 . . . . .	758		1166	9G-0003 . . . . .	922
	1034		759		1174		923
	1037	8T-8917 . . . . .	582		1186		925
	1039		591		1192	9G-0004 . . . . .	922
8T-8570 . . . . .	1032		594		1193		923
8T-8729 . . . . .	978		598		1195		925
	979		602		1198	9G-0011 . . . . .	1201
	1058		606	9B-7237 . . . . .	541	9G-3186 . . . . .	991
	1064		609		542	9G-3695 . . . . .	863
	1173		612		582	9G-4101 . . . . .	1022
	1186		615		591		1041
8T-8730 . . . . .	981		623		594		1042
8T-8731 . . . . .	981		626		598		1044
	982		629		602		1045
8T-8732 . . . . .	929		632		606		1048
	931		639		609		1051
8T-8736 . . . . .	931	8T-8919 . . . . .	524		612		1052
	1070		528		615	9G-4343 . . . . .	1068
	1072		690		623	9G-4344 . . . . .	1068
8T-8737 . . . . .	65	8T-9393 . . . . .	708		626	9G-5232 . . . . .	897
	344		712		629	9G-5233 . . . . .	897
	775	8T-9527 . . . . .	189		632	9G-5234 . . . . .	897
	777	8T-9534 . . . . .	1132		687	9G-5578 . . . . .	893
	779	8T-9655 . . . . .	863		692	9G-8909 . . . . .	926
	780		932		697		927
	782		934		699		1066
	785		935		702		1067
	789		1201	9B-9774 . . . . .	1009		1068
	791	8T-9757 . . . . .	922		1011		1076
	793		923		1013		1089
	796		925		1015		1090
	799	8T-9762 . . . . .	900	9E-4660 . . . . .	▶220		1091
	802	8T-9834 . . . . .	929	9E-5816 . . . . .	▶302	9H-1031 . . . . .	120
	804		1078	9E-6169 . . . . .	▶303		121
	806		1093		▶305		132
	808	8T-9884 . . . . .	1032	9F-2186 . . . . .	413	9H-3757 . . . . .	1022
	810		1035		414		1041
	812		1037	9F-2187 . . . . .	428		1044
	815		1039	9F-2188 . . . . .	428		1048
	817	8T-9885 . . . . .	1032	9F-2247 . . . . .	74		1051
	819	8Y-9603 . . . . .	1047	9F-3691 . . . . .	1142	9H-8260 . . . . .	302
	821				1143		305
	824			9F-4337 . . . . .	1021		308
	828				1026		309
	831				1027		312
	833	9B-0453 . . . . .	77		1054		313

# PART NUMBER INDEX

Part	Page	Part	Page	Part	Page	Part	Page
	315	9L-9132 . . . . .	213		844	9N-2570 . . . . .	220
	316		255		847		225
	319		256		851		235
	325		258		865	9N-2648 . . . . .	221
	915		260		866	9N-3162 . . . . .	325
9H-8872 . . . . .	1096		642		873	9N-3163 . . . . .	325
9L-2137 . . . . .	893		644		932	9N-3164 . . . . .	313
	897	9L-9653 . . . . .	264		934		325
9L-2139 . . . . .	893	9M-0164 . . . . .	464		935	9N-3167 . . . . .	331
	897		465		968		332
9L-2140 . . . . .	893		466		974		338
	897	9M-0402 . . . . .	249		976		340
9L-4238 . . . . .	165	9M-0853 . . . . .	459		1163	9N-3367 . . . . .	516
	167	9M-1974 . . . . .	37	9M-2342 . . . . .	764	9N-3388 . . . . .	887
	169		39	9M-2904 . . . . .	466		890
	171		41	9M-3786 . . . . .	577		900
	173		42	9M-4136 . . . . .	507	9N-3645 . . . . .	503
	175		53	9M-4584 . . . . .	493		504
	177		54	9M-5732 . . . . .	444		505
	179		96	9M-6527 . . . . .	495		507
	181		163		576		517
9L-4652 . . . . .	1017		249		702		519
	1019		344	9M-7540 . . . . .	493	9N-3666 . . . . .	505
9L-5134 . . . . .	309		443		495		507
	317		446		702		510
	319		447	9M-7609 . . . . .	1022		512
9L-5717 . . . . .	451		448		1041		514
	453		449		1044		517
	457		473	9M-9224 . . . . .	1070		519
9L-5854 . . . . .	122		474		1072		▶636
	124		505	9N-0311 . . . . .	69	9N-3668 . . . . .	505
	132		510	9N-0316 . . . . .	69		507
9L-6110 . . . . .	325		512	9N-0477 . . . . .	451	9N-3717 . . . . .	505
9L-6329 . . . . .	313		514		457		536
9L-6371 . . . . .	313		517	9N-0869 . . . . .	863	9N-3718 . . . . .	536
9L-6639 . . . . .	324		519		932		537
9L-6641 . . . . .	317		761		934	9N-3889 . . . . .	▶88
	319		765		935	9N-5120 . . . . .	165
	437		766		1201		167
	438		775	9N-0937 . . . . .	887		169
9L-6770 . . . . .	893		777		890		171
	896		780	9N-0939 . . . . .	887		173
	897		783		890		175
	900		786	9N-0942 . . . . .	887		177
	902		789		890		179
	904		791		900		181
	906		793		902		183
	908		796	9N-0943 . . . . .	887	9N-5124 . . . . .	485
	910		799		890		486
	912		802		900	9N-5444 . . . . .	540
	916		804		902	9N-5613 . . . . .	779
	918		806	9N-1008 . . . . .	721		782
	920		808	9N-1012 . . . . .	69		785
9L-6776 . . . . .	900		810	9N-1325 . . . . .	▶433		793
	902		812	9N-1367 . . . . .	713		796
9L-7657 . . . . .	441		815	9N-1368 . . . . .	▶713		799
9L-8439 . . . . .	445		817	9N-1940 . . . . .	657		802
9L-8925 . . . . .	59		819	9N-2038 . . . . .	738		804
	61		821		739		806
	62		824		740		808
	63		828		744		810
	64		831		745		812
	65		834		746		815
	66		837		750		817
9L-9115 . . . . .	262		841		752		819

# PART NUMBER INDEX

Part	Page	Part	Page	Part	Page	Part	Page
	821		765		557		566
	824	9S-4185 . . . . .	51		559		571
	828		57		561		572
	831		185		566		573
	833		187		767		574
	837		268		769		575
	840		270		770		1111
	843		547		788		1116
	846		549		1111		1122
	850		551		1116		1126
	867		853		1122	9S-8009 . . . . .	547
	869	9S-4190 . . . . .	547		1126		549
	874		549	9S-8005 . . . . .	37		551
9N-6123 . . . . .	505		551		85		555
	536	9S-4191 . . . . .	47		86		557
	537		49		163		559
9S-1354 . . . . .	74		51		268		566
	77		57		270	9S-8010 . . . . .	372
	79		268		272	9S-8750 . . . . .	656
9S-1366 . . . . .	302		439		368		1017
	313		1111		369		1019
	316		1122		370	9S-8752 . . . . .	189
	320	9S-5282 . . . . .	722		371		196
	324		724		373		197
	325		731		375		210
9S-2009 . . . . .	887		733		376		244
	890		735		377		246
	900	9S-5828 . . . . .	1017		378		254
	902		1019		450		276
9S-2013 . . . . .	900	9S-7148 . . . . .	▶656		547		277
	902	9S-8002 . . . . .	85		549		279
9S-2302 . . . . .	887		86		551		302
	890		272		553		305
	900		368		555		308
	902		369		557		309
	916		370		559		312
9S-2390 . . . . .	887		371		561		315
	890		377		566		316
	900		450		1116		317
	902		579		1126		319
	916		638	9S-8006 . . . . .	130		320
	918		667		369		322
	920		684		371		324
9S-2396 . . . . .	887		689		373		325
	890		1109		374		451
9S-2437 . . . . .	893		1112		566		453
	897		1116		863		457
9S-2544 . . . . .	887		1119		1201		467
	890		1123	9S-8008 . . . . .	274		468
	893		1126		288		470
	897		1133		380		471
	900	9S-8003 . . . . .	270		381		476
	902		272		507		481
	1022		274		510		482
	1041	9S-8004 . . . . .	144		512		484
	1044		146		517		493
	1048		150		519		495
	1051		373		547		702
9S-4167 . . . . .	756		374		549		709
	765		459		551		763
	768		547		555		775
9S-4181 . . . . .	561		549		557		777
9S-4182 . . . . .	268		551		559		780
	270		553		561		783
	328		555		563		786

# PART NUMBER INDEX

Part	Page	Part	Page	Part	Page	Part	Page
	789		793		838		859
	791		796		840		861
	793		799		843		862
	796		802		846	9X-7371 . . . . .	1097
	799		804		850	9X-7378 . . . . .	328
	802		806		863	9X-7430 . . . . .	134
	804		808		874		137
	806		810		929		140
	808		812		931	9X-7737 . . . . .	885
	810		815		980	9X-7803 . . . . .	▶900
	812		817		983	9X-8256 . . . . .	1152
	815		819	9X-3402 . . . . .	779		1169
	817		821		782		1176
	819		824		785		1184
	821		828		837	9X-8267 . . . . .	289
	824		831		850		290
	828		833		863		1163
	831		837		874	9X-8268 . . . . .	93
	834		840		929		95
	837		843		991	9X-8486 . . . . .	1174
	841		846		1074		1187
	844		850	9X-4824 . . . . .	1037	9X-8872 . . . . .	243
	847		867	9X-6165 . . . . .	1152	9X-8873 . . . . .	77
	851		869	9X-6258 . . . . .	1070		325
	855		874		1072		388
	856	9X-0262 . . . . .	974	9X-6451 . . . . .	328		545
	867		976		329		555
	869	9X-1343 . . . . .	1070		332		557
	875		1072		334		559
	966	9X-1386 . . . . .	983		336	9X-8875 . . . . .	165
	1068		990		342		167
	1138		993		382		169
	1154	9X-1813 . . . . .	984		383		171
	1156		985		384		173
9S-9334 . . . . .	338		988	9X-6458 . . . . .	244		175
	340		994		317		177
	342		1056		329		179
	382		1057		331		181
	383	9X-2038 . . . . .	32		332		183
	384	9X-2044 . . . . .	1176		334	9X-8880 . . . . .	416
	439		1184		336	9X-8881 . . . . .	642
	459	9X-2097 . . . . .	51		342		648
9T-3928 . . . . .	1116		57		415		649
	1126	9X-2201 . . . . .	686		453		966
9U-6992 . . . . .	968		687		468		968
9W-0844 . . . . .	929		690		470	9X-8882 . . . . .	77
	931		692		471	9X-8887 . . . . .	680
	1078		695		484	9X-8979 . . . . .	1109
9W-0852 . . . . .	931		697		485	9X-9591 . . . . .	▶944
	1068		699		486	9X-9672 . . . . .	943
	1089	9X-2500 . . . . .	887		488	9X-9720 . . . . .	922
9W-1077 . . . . .	1059		890		490	9X-9730 . . . . .	923
	▶1060		900		497		▶924
9W-1494 . . . . .	936		902		553	9X-9857 . . . . .	944
	938	9X-2857 . . . . .	1129		648	9Y-1603 . . . . .	303
9W-1951 . . . . .	1173	9X-3132 . . . . .	929		649		306
9X-0145 . . . . .	1173		1078		650		310
	1186		1093		651		313
9X-0261 . . . . .	775	9X-3265 . . . . .	1152		783		325
	777	9X-3401 . . . . .	59		815	9Y-1792 . . . . .	498
	779		344		1138	9Y-2049 . . . . .	481
	782		779		1154		482
	785		782		1156	9Y-3205 . . . . .	▶503
	789		785	9X-7317 . . . . .	857		510
	791		833		858		512

# PART NUMBER INDEX

Part	Page	Part	Page	Part	Page	Part	Page
	514		846		817	032-8487 . . . . .	966
	517		850		819	032-8707 . . . . .	968
	519		867		821	032-9313 . . . . .	398
9Y-3368 . . . . .	122		869		824	033-5853 . . . . .	85
	124		875		828		667
	128	006-5490 . . . . .	505		831	033-5879 . . . . .	191
	130		507		833		192
	132	008-6325 . . . . .	462		837	033-6028 . . . . .	793
9Y-5438 . . . . .	▶31	009-1436 . . . . .	1009		840		796
9Y-6089 . . . . .	30		1011		843		799
	89		1013		846		802
	90		1015		850		804
	93	012-0380 . . . . .	1056		867		806
	95		1057		869		808
	264	013-8307 . . . . .	30		874		810
	266	030-0060 . . . . .	246	030-7949 . . . . .	495		812
1054	1054	030-0061 . . . . .	246	030-7951 . . . . .	461		815
		030-0709 . . . . .	505	030-7962 . . . . .	1154		817
			510		1156		819
<b>0</b>			512	030-8188 . . . . .	779		821
			514		782		824
003-7764 . . . . .	505		517		785		828
	507		519		793		831
	510	030-1193 . . . . .	959		796		867
	512		960		799		869
	514		961		802	033-6033 . . . . .	883
	517		962		804		884
	519		963		806	033-6039 . . . . .	1132
004-1964 . . . . .	1095		964		808	033-6042 . . . . .	775
004-7270 . . . . .	582		965		810		777
005-3969 . . . . .	290	030-1707 . . . . .	1025		812		789
005-4273 . . . . .	582	030-7935 . . . . .	461		815		791
	591	030-7943 . . . . .	43		817		793
	594		45		819		796
	598		291		821		799
	602	030-7946 . . . . .	33		824		802
	606		35		828		804
	609		43		831		806
	623		45		833		808
	626		47		837		810
	629		49		840		812
	632		163		843		815
005-4362 . . . . .	779		291		846		817
	782		1154		850		819
	785		1156		867		821
	793		1163		869		824
	796	030-7947 . . . . .	185		874		828
	799		187	030-8189 . . . . .	702		831
	802		775	030-8194 . . . . .	185		853
	804		777		187		854
	806		779	030-9612 . . . . .	893		867
	808		782		897		869
	810		785		900	033-6043 . . . . .	1133
	812		789		902	034-1432 . . . . .	667
	815		791		904	034-9362 . . . . .	69
	817		793	031-0215 . . . . .	940	036-9821 . . . . .	1022
	819		796		941		1041
	821		799	031-2716 . . . . .	1163		1044
	824		802	031-3185 . . . . .	244	036-9823 . . . . .	1032
	828		804	031-4155 . . . . .	97		1034
	831		806		580		1039
	833		808		618		1044
	837		810		621	039-7601 . . . . .	940
	840		812	031-5637 . . . . .	1201		941
	843		815	031-8759 . . . . .	462	045-4065 . . . . .	914

# PART NUMBER INDEX

Part	Page	Part	Page	Part	Page	Part	Page
	1023		42		779		1006
	1042		53		808		1056
	1045		54		810		1057
	1049				831		1058
	1052				850		1064
052-0512 . . . . .	1009	<b>1</b>		101-3125 . . . . .	662		1065
	1011				663		1068
	1013	100-5072 . . . . .	857		665		1074
	1015		858		666		1080
053-2313 . . . . .	582		859		687		1083
061-7540 . . . . .	440		861		690		1086
061-8639 . . . . .	398		862		692		1089
	400	100-5218 . . . . .	59		697		1169
	401		61		699		1176
	402		62		722	102-8803 . . . . .	775
	403		64		724		777
	404		66		728		789
	408	100-5219 . . . . .	59		731		791
061-9258 . . . . .	1017		61		733		793
	1019		62		735		796
	1154		64		1202		799
	1156		66	101-3998 . . . . .	1019		802
	1171	100-5421 . . . . .	410	101-6596 . . . . .	163		804
	1178	100-6531 . . . . .	887	101-6603 . . . . .	779		806
	1181		890		782		808
061-9455 . . . . .	96		900		785		810
	443		902		833		812
	446		916		837		815
	447		918		840		817
	448		920		843		819
	449	100-6532 . . . . .	887		846		821
061-9458 . . . . .	158		890		850		824
	328		900		874		828
	382		902		930		867
	383	100-6648 . . . . .	1017	101-6605 . . . . .	288		869
	384	100-7399 . . . . .	126	101-7354 . . . . .	704		951
067-2551 . . . . .	867		128	101-8468 . . . . .	244		973
	869		130	102-5828 . . . . .	461		978
068-4497 . . . . .	443	101-0523 . . . . .	122	102-5829 . . . . .	461		979
	446		124	102-5861 . . . . .	244		983
	449		128	102-8608 . . . . .	704		988
077-8353 . . . . .	1111		130		705		1061
	1122		132		706		1080
081-3801 . . . . .	1116	101-0524 . . . . .	122	102-8801 . . . . .	59		1083
	1126		124		63		1086
087-4772 . . . . .	1119		128		65		1165
090-0744 . . . . .	289		130		953		1173
	290		132	102-8802 . . . . .	344		1186
091-0081 . . . . .	640	101-0525 . . . . .	122		775	102-8805 . . . . .	936
	642		124		789		938
	644		128		793		953
	719		130		796	102-8806 . . . . .	775
	961		132		802		777
	962	101-2465 . . . . .	1139		804		779
092-2467 . . . . .	1154		1140		808		782
	1156	101-2840 . . . . .	505		812		785
095-0939 . . . . .	1095		507		817		789
096-5962 . . . . .	1166		510		821		791
	1173		512		863		793
	1186		514		867		796
098-3039 . . . . .	1111		517		951		799
	1122		519		980		802
099-2374 . . . . .	37	101-2850 . . . . .	643		993		804
	39	101-3120 . . . . .	775		994		806
	41		777		998		808

# PART NUMBER INDEX

Part	Page	Part	Page	Part	Page	Part	Page
	810		1015		563	110-8760 . . . . .	1067
	812	106-1792 . . . . .	704		566		1091
	815		705		577	110-8875 . . . . .	▶418
	817		706	109-0078 . . . . .	485	110-8876 . . . . .	▶445
	819	106-3544 . . . . .	494		488	111-1325 . . . . .	936
	821	106-3969 . . . . .	646		490		938
	824	106-3973 . . . . .	646	109-1145 . . . . .	505		1165
	828	106-5673 . . . . .	144		507		1173
	831		146		510		1186
	833		150		512	111-2086 . . . . .	▶282
	837	106-7687 . . . . .	900		514	111-2088 . . . . .	▶283
	840		902		517	111-2089 . . . . .	▶284
	843	106-7689 . . . . .	900		519	111-7303 . . . . .	▶540
	846		902	109-1657 . . . . .	8	111-8317 . . . . .	▶156
	850	106-7690 . . . . .	900		9	112-9069 . . . . .	1171
	867		902		▶216		1178
	869	107-0583 . . . . .	244	109-2322 . . . . .	▶568		1181
	874	107-3825 . . . . .	▶221	109-2373 . . . . .	▶532	112-9119 . . . . .	893
102-9089 . . . . .	71	107-3847 . . . . .	▶222	109-2374 . . . . .	▶529		897
	72	107-3848 . . . . .	▶223	109-3285 . . . . .	▶331	112-9217 . . . . .	244
	73	107-5769 . . . . .	855	109-3289 . . . . .	▶332	113-3155 . . . . .	640
103-0126 . . . . .	243		856	109-3290 . . . . .	▶211		715
103-4699 . . . . .	445	107-6280 . . . . .	185	109-4202 . . . . .	▶663	113-5253 . . . . .	112
103-8134 . . . . .	59		187	109-4203 . . . . .	663	113-5304 . . . . .	455
	62		410		665		456
	63	107-6736 . . . . .	▶81		666	113-7059 . . . . .	▶224
	64	107-6737 . . . . .	▶82		687	113-7060 . . . . .	▶225
	65	108-2312 . . . . .	▶773		690	114-0268 . . . . .	940
	66	108-2515 . . . . .	1176		692		941
104-5687 . . . . .	1163		1184		697	114-1922 . . . . .	▶451
	▶1195	108-2858 . . . . .	722		699	114-1926 . . . . .	▶487
104-6202 . . . . .	1068		724	109-5165 . . . . .	1112	114-1927 . . . . .	▶226
	1074		731		1123	114-2401 . . . . .	▶902
	1080		733	109-5839 . . . . .	338	114-2687 . . . . .	493
	1083		735		340		494
	1086	108-3561 . . . . .	74		344	114-5988 . . . . .	1200
104-8085 . . . . .	1109	108-3612 . . . . .	704	109-5840 . . . . .	340		1203
105-1797 . . . . .	191		705	109-6507 . . . . .	936	114-8843 . . . . .	817
	192		706		938		821
	194	108-4744 . . . . .	263		1165		824
	195	108-4758 . . . . .	264		1173		828
105-3386 . . . . .	▶329		266		1186		831
105-3762 . . . . .	887	108-7930 . . . . .	576	109-6547 . . . . .	329		863
	890		579		332		869
105-3763 . . . . .	900	108-8537 . . . . .	1111		336	115-2353 . . . . .	331
	902		1122		342	115-2355 . . . . .	329
105-3764 . . . . .	900	108-8538 . . . . .	1112	109-8932 . . . . .	955		336
	902		1123	109-9985 . . . . .	283		342
105-5080 . . . . .	▶1009	108-9382 . . . . .	▶207		287	115-2359 . . . . .	334
	▶1011	109-0072 . . . . .	485	110-2220 . . . . .	122	115-2365 . . . . .	329
	1017		488		124		332
105-5081 . . . . .	▶1013		490		132		334
	▶1015	109-0076 . . . . .	338	110-4344 . . . . .	284		336
	1019		340	110-5035 . . . . .	1032		342
105-5136 . . . . .	1009	109-0077 . . . . .	453	110-5369 . . . . .	▶1025	115-2369 . . . . .	331
	1011		543	110-5957 . . . . .	867	115-2421 . . . . .	925
	1013		545		869	115-5852 . . . . .	1200
	1015		547		874	115-7087 . . . . .	738
105-5137 . . . . .	1009		549	110-6516 . . . . .	1163		739
	1011		551	110-7753 . . . . .	69		740
	1013		553	110-7884 . . . . .	936		744
	1015		555		938		745
105-5138 . . . . .	1009		557		1166		746
	1011		559	110-8213 . . . . .	946		752
	1013		561	110-8226 . . . . .	282	116-5399 . . . . .	▶682

# PART NUMBER INDEX

Part	Page	Part	Page	Part	Page	Part	Page
116-5410 . . . . .	▶761		869		137	124-3689 . . . . .	644
117-7296 . . . . .	1139		874		140	124-5289 . . . . .	▶721
	1140	118-7870 . . . . .	420	122-1227 . . . . .	▶227	124-6257 . . . . .	289
117-8801 . . . . .	86	119-0036 . . . . .	71	122-1472 . . . . .	59		290
	244		72		61	125-0157 . . . . .	222
117-9690 . . . . .	902		73		62		236
118-2019 . . . . .	329	119-3662 . . . . .	59		63	125-0434 . . . . .	543
	334		1152		64		545
	336		1173		65		547
	342	119-4084 . . . . .	1196		66		549
118-3359 . . . . .	▶419		1197	122-1517 . . . . .	▶453		551
118-3419 . . . . .	▶306	119-5155 . . . . .	566	122-3772 . . . . .	577		553
	▶308	119-7556 . . . . .	722		578		555
118-4728 . . . . .	43		724	122-7375 . . . . .	134		557
	45		731		137		559
	47		733		140		561
	49		735	122-8612 . . . . .	134		563
	291	119-7557 . . . . .	▶722		137		566
	772	119-9457 . . . . .	722		140	125-1302 . . . . .	722
	788		724	123-0542 . . . . .	1111		731
118-4914 . . . . .	▶69		731		1122		735
118-5068 . . . . .	467		733		1132		936
	468		735	123-0791 . . . . .	394		▶1056
	469	120-4230 . . . . .	▶165	123-0794 . . . . .	▶536	125-1303 . . . . .	724
	470	120-4231 . . . . .	▶167	123-1373 . . . . .	925		733
	471	120-4232 . . . . .	▶169	123-2017 . . . . .	1119		938
	473	120-4233 . . . . .	▶171	123-3202 . . . . .	59		▶1057
	474	120-4394 . . . . .	1109		61	125-6535 . . . . .	1023
	476		1116		62		1042
	477		1119		63		1045
	478		1126		64		1049
	479	120-4879 . . . . .	165		65		1052
	481		167	123-7556 . . . . .	1119	125-6536 . . . . .	1023
	482		169	123-7559 . . . . .	1119		1042
	483		171	123-7560 . . . . .	1119		1045
	484		173	123-7575 . . . . .	1116	125-6537 . . . . .	1023
118-5450 . . . . .	332		175		1126		1042
118-7809 . . . . .	775		177	123-7583 . . . . .	1116		1045
	777		179		1126		1049
	779		181	123-7594 . . . . .	1139		1052
	782		183		1140	125-7874 . . . . .	63
	785	120-6955 . . . . .	309	123-7598 . . . . .	1139		1070
	789	120-9099 . . . . .	▶1026		1140		1072
	791	120-9100 . . . . .	▶1027	123-7600 . . . . .	1139		1152
	793	120-9101 . . . . .	▶1028		1140		1173
	796	120-9128 . . . . .	▶261	124-0178 . . . . .	828	125-7875 . . . . .	59
	799	120-9243 . . . . .	277		831		63
	802	120-9847 . . . . .	▶96		846		1068
	804	121-0145 . . . . .	329		850		1074
	806		331	124-0655 . . . . .	640		1152
	808		332		642		1173
	810		334	124-0657 . . . . .	▶720	125-7876 . . . . .	1068
	812		336	124-0658 . . . . .	720		1070
	815		342	124-1854 . . . . .	144		1072
	817	121-4134 . . . . .	▶904		146	126-0073 . . . . .	683
	819	121-4276 . . . . .	468		150		687
	821	121-4281 . . . . .	482	124-1855 . . . . .	144		690
	824	121-4896 . . . . .	545		146		692
	828		555		150		695
	833		557	124-3176 . . . . .	1165		697
	837		559		1173		699
	840	121-6164 . . . . .	453		1186	126-0076 . . . . .	▶683
	843	121-6165 . . . . .	453	124-3414 . . . . .	1070	126-0079 . . . . .	▶638
	846	121-8016 . . . . .	479		1072	126-0081 . . . . .	▶684
	867	122-0447 . . . . .	134	124-3643 . . . . .	▶640	126-0112 . . . . .	▶537



# PART NUMBER INDEX

Part	Page	Part	Page	Part	Page	Part	Page
126-0136 . . . . .	662		1122	130-3282 . . . . .	717		1072
126-1403 . . . . .	1130	126-6640 . . . . .	1111	130-3571 . . . . .	▶420	133-0970 . . . . .	1165
	1131		1122	130-4680 . . . . .	▶262	133-1859 . . . . .	28
126-1477 . . . . .	1119	126-8268 . . . . .	230	130-4698 . . . . .	244	133-1860 . . . . .	▶28
	1139		238	130-4701 . . . . .	244	133-3089 . . . . .	▶90
	1140	126-9092 . . . . .	1126	130-5300 . . . . .	1169	133-5554 . . . . .	230
126-1638 . . . . .	1116	127-0563 . . . . .	285	130-5885 . . . . .	1154		238
	1126		286		1156	133-6353 . . . . .	▶447
126-1661 . . . . .	1116	127-0564 . . . . .	▶285	130-5886 . . . . .	1154	133-7023 . . . . .	394
	1126	127-0929 . . . . .	638		1156	133-8720 . . . . .	1196
126-1756 . . . . .	244		683	130-6537 . . . . .	▶708	133-8721 . . . . .	1197
126-1757 . . . . .	277		684	130-7806 . . . . .	1130	133-8940 . . . . .	494
	365		685		1131	133-9020 . . . . .	524
126-1766 . . . . .	833		687	130-8875 . . . . .	545	133-9116 . . . . .	855
	840		689	130-9811 . . . . .	999		856
	843		690		1000	133-9405 . . . . .	1173
	846		692	131-0118 . . . . .	▶446		1186
	1072		695	131-1478 . . . . .	1068	133-9906 . . . . .	32
126-1767 . . . . .	59		697	131-1481 . . . . .	1068	133-9907 . . . . .	▶32
	344		699	131-1488 . . . . .	1091		189
	779	127-5485 . . . . .	1068	131-1490 . . . . .	1070	134-0390 . . . . .	959
	782		1076		1072		960
	785		1078	131-1492 . . . . .	1091		963
	833		1152	131-1495 . . . . .	1068		964
	838		1165	131-1500 . . . . .	1068		965
	843	127-5486 . . . . .	936	131-5526 . . . . .	▶946	134-0597 . . . . .	▶940
	846		1068		1070		▶941
	850		1078		1072	134-0603 . . . . .	▶959
	863		1152	131-7123 . . . . .	244	134-0604 . . . . .	▶960
	874		1165	132-1224 . . . . .	904	134-0670 . . . . .	▶942
	931	127-5728 . . . . .	▶89	132-1230 . . . . .	904	134-1827 . . . . .	1111
	980	127-6260 . . . . .	954	132-4484 . . . . .	821		1122
	983	127-6356 . . . . .	498		824	134-2540 . . . . .	1070
	1070	127-7443 . . . . .	1006		843		1072
	1072		1007	132-5559 . . . . .	943	134-5577 . . . . .	1076
126-1768 . . . . .	779		1008	132-5789 . . . . .	1066	134-8201 . . . . .	▶1076
	782	127-8853 . . . . .	▶945		1074	135-4326 . . . . .	▶421
	785	128-0317 . . . . .	576		1080		▶422
	837	128-2002 . . . . .	262		1083	135-4928 . . . . .	576
	850	128-2548 . . . . .	▶1202		1086	135-4941 . . . . .	▶309
	863	129-2181 . . . . .	450		1090	135-5077 . . . . .	▶310
	874	129-3172 . . . . .	451		1169		▶312
	1070		455	132-6697 . . . . .	1112	135-6261 . . . . .	639
	1072		456		1123		642
	1074		457	132-7551 . . . . .	779		644
126-2441 . . . . .	640		529		782		649
	642	129-5162 . . . . .	▶325		833		651
126-2442 . . . . .	644	129-5427 . . . . .	277		838	135-6395 . . . . .	961
126-2702 . . . . .	493		365		840		962
	494	129-5428 . . . . .	277		843	135-6396 . . . . .	▶961
126-4935 . . . . .	83		365		846	135-6397 . . . . .	▶962
	84	129-5429 . . . . .	757		850	135-6552 . . . . .	▶704
	87		758		874	135-6940 . . . . .	▶196
	543		759	132-9770 . . . . .	974	135-7634 . . . . .	▶263
	547		▶760		976	135-8015 . . . . .	▶379
	549	129-6400 . . . . .	685	133-0125 . . . . .	543	136-1107 . . . . .	576
	551	129-7163 . . . . .	927		545		579
	553		1089		563	136-2613 . . . . .	▶228
	559	129-7164 . . . . .	1068	133-0261 . . . . .	994	136-2614 . . . . .	▶229
	561		1089	133-0967 . . . . .	931	136-2640 . . . . .	▶1017
	563	129-9452 . . . . .	704		1070	136-2641 . . . . .	▶1019
	566		705		1072	136-3742 . . . . .	576
126-6637 . . . . .	1111		706	133-0969 . . . . .	929	136-4183 . . . . .	248
	1122	129-9907 . . . . .	576		931	136-4303 . . . . .	344
126-6638 . . . . .	1111	130-3281 . . . . .	716		1070	136-5017 . . . . .	756

# PART NUMBER INDEX

Part	Page	Part	Page	Part	Page	Part	Page
136-7227	1201	141-8954	▶763		649		109
136-7829	722	141-9228	936		650	150-3136	99
	724		938		651	150-3139	▶99
	731		1165		652		108
	733	142-2245	936		653		109
	735		938	145-6892	1111	150-3141	▶100
137-2113	936	142-2329	126		1122		101
	938		128	145-7028	▶998	150-4279	▶855
137-2133	936		130		1001		▶856
	938	142-5867	412	145-7449	1139	150-4636	332
137-4936	904	142-5868	411		1140	150-4637	331
137-5110	775	142-6217	122	145-9276	▶84	150-4638	329
	777		124	145-9277	84		334
	779		132	146-0193	325		336
	782	142-7072	122	147-0323	543	150-8698	726
	808		124		547		729
	810		132		549	150-8867	▶1029
	812	142-7366	261		551		1030
	815	142-9425	1129		566	151-0962	453
	831	142-9426	1129	147-3754	▶246	151-2768	254
	850	142-9427	1130	147-6195	▶91	151-2898	394
	867		1131	147-6284	▶231	151-2900	394
	869	142-9430	1130	147-6650	▶29	151-4465	▶254
	874		1131	147-8365	1139	151-5365	▶199
137-5135	936	142-9431	1130		1140	151-5366	▶197
	938		1131	147-8366	1116	151-5925	347
137-5541	865	142-9432	1130		1126		349
	866		1131		▶1139		351
	873	142-9433	1130		▶1140		353
137-6283	866		1131	148-7482	1		355
137-6645	995	142-9434	1129		2		357
	999	142-9435	1129		3		359
	1000	142-9436	1130		4		361
	1003		1131		▶293		363
	1004	142-9437	1129		▶294	151-5966	244
137-7018	1154	142-9438	1129	148-8395	270	151-6320	929
	▶1160	142-9439	1130		551	152-7254	185
	1171		1131		561		187
137-7019	1143	142-9440	1130	148-8409	551	152-7582	136
137-7020	1156		1131		561	153-1256	576
	▶1162	143-0453	▶765	148-8410	551		579
	1178		867	148-8411	270	153-2707	1072
	1181		869		551	153-5043	998
137-7021	▶1189		874	148-8808	▶30	153-6680	440
137-7022	▶1190	143-2933	756	149-5268	207	153-7023	142
137-7023	▶1191	144-0119	489	149-7376	100		143
137-7427	▶1143	144-1636	344	149-7378	98	153-7024	142
	1162		993		99		143
138-2544	▶1005		1072		100		148
138-3141	▶1196	144-8344	505		102	153-7290	▶1030
138-3142	▶1197	145-0905	1119		103	153-9023	576
138-6744	576	145-0909	1139		111	153-9910	966
139-6873	756		1140		112	154-2302	821
	▶885	145-0911	1140		113		824
140-2175	▶943	145-1335	▶230		118		828
140-9746	▶83	145-1824	1130	149-9106	244		837
141-0809	▶642		1131	149-9107	244	154-4325	▶455
141-1060	757	145-3849	83	149-9110	244	154-4327	▶439
	758	145-4211	648	150-2557	98		440
	759		649	150-3135	▶98	154-6189	▶232
141-2883	757		650		104	154-6880	1112
141-2884	757		651		105		1123
141-8275	863		652		106	154-9024	563
141-8953	▶762		653		107	155-0696	932
	1091	145-4212	648		108		934

# PART NUMBER INDEX

Part	Page	Part	Page	Part	Page	Part	Page
	935		1146	159-9322 . . . . .	931		5
155-0698 . . . . .	932		1148		1070		6
	934		1150		1072		7
	935		1165	159-9339 . . . . .	▶101		8
155-2255 . . . . .	1074		1166	159-9343 . . . . .	101		9
	1078		1173		▶102		10
	1080		1186	159-9362 . . . . .	▶464		11
	1083		1198	159-9854 . . . . .	1130		12
	1086	155-3624 . . . . .	270		1131		13
	1093	155-5005 . . . . .	▶440	160-2563 . . . . .	264		14
155-2260 . . . . .	863		451		266		▶498
	951		453	160-2612 . . . . .	▶264	161-5718 . . . . .	576
	984		455		▶266	161-5719 . . . . .	▶576
	985		456	160-4372 . . . . .	785		577
	1078		457		793	161-6154 . . . . .	1095
	1079	155-5619 . . . . .	261		796	161-6622 . . . . .	464
	1080		263		799	161-6958 . . . . .	738
	1083		264		867		739
	1086		266		869		740
	1093		270		874		744
	1165		272	160-5120 . . . . .	119		745
	1186	155-6541 . . . . .	255	160-5447 . . . . .	▶925		746
155-2263 . . . . .	991	155-6627 . . . . .	246	160-6332 . . . . .	553		752
	1078	155-8536 . . . . .	▶671	160-6491 . . . . .	553	161-6960 . . . . .	739
	1146	155-8538 . . . . .	671	160-7271 . . . . .	97	161-6963 . . . . .	738
	1148	155-9524 . . . . .	276	160-7689 . . . . .	931		739
	1150		277		1070		740
	1198		279		1072		744
155-2265 . . . . .	1074	156-0036 . . . . .	255		1152		745
	1080	156-0518 . . . . .	1173		1166		746
	1083		1186	160-8124 . . . . .	775		752
	1086	156-2613 . . . . .	260		789	161-7419 . . . . .	932
155-2269 . . . . .	1165	156-5319 . . . . .	260		793		934
155-2270 . . . . .	344	156-5340 . . . . .	451		796		935
	775	156-5536 . . . . .	260		802	161-9110 . . . . .	▶1163
	789	156-5813 . . . . .	255		804	161-9932 . . . . .	▶983
	793	156-6905 . . . . .	446		808	162-0177 . . . . .	551
	796	156-6906 . . . . .	▶414		812		561
	802	157-0214 . . . . .	185		817	162-2177 . . . . .	639
	804		187		821		648
	808	157-0670 . . . . .	563		867		649
	812	157-8072 . . . . .	502	160-8184 . . . . .	159		650
	817	158-2528 . . . . .	▶523		160		651
	821	158-2529 . . . . .	▶527		161		652
	863	158-2770 . . . . .	▶391		162	162-2918 . . . . .	▶468
	867	158-2830 . . . . .	252	160-8328 . . . . .	▶334	162-7456 . . . . .	▶336
	936	158-2833 . . . . .	252	160-8329 . . . . .	▶212	162-8682 . . . . .	543
	938	158-3416 . . . . .	244	160-8499 . . . . .	1095		545
	951	158-5086 . . . . .	252	160-8741 . . . . .	56		563
	994	158-6480 . . . . .	252	160-9739 . . . . .	966	162-8697 . . . . .	543
	1006	159-0926 . . . . .	185		968		545
	1007		187	160-9878 . . . . .	966		563
	1008	159-1533 . . . . .	244	161-1052 . . . . .	▶685	163-0107 . . . . .	▶469
	1074	159-1598 . . . . .	▶569	161-1825 . . . . .	474	163-0237 . . . . .	469
	1078	159-1599 . . . . .	▶570		477		470
	1080	159-1789 . . . . .	252		478	163-0820 . . . . .	639
	1083	159-2721 . . . . .	252		484		640
	1086	159-2957 . . . . .	252	161-1827 . . . . .	481		642
	1093	159-6159 . . . . .	▶97		482		▶643
	1186	159-8049 . . . . .	927	161-3931 . . . . .	1111		644
155-2274 . . . . .	950		1089		1122		653
	953	159-8050 . . . . .	927	161-4113 . . . . .	1	163-0828 . . . . .	469
	991		1089		2		470
	1076	159-8524 . . . . .	244		3	163-1383 . . . . .	▶158
	1078	159-9107 . . . . .	▶928		4	163-2478 . . . . .	142

# PART NUMBER INDEX

Part	Page	Part	Page	Part	Page	Part	Page
	143		483	167-6805 . . . . .	1116	169-3345 . . . . .	▶906
	148		484		1126	170-1282 . . . . .	▶456
163-7833 . . . . .	1163	165-6634 . . . . .	▶973	167-7715 . . . . .	886	170-3562 . . . . .	▶497
163-9385 . . . . .	543	166-0690 . . . . .	940	167-8081 . . . . .	120	170-4737 . . . . .	136
	563		941		121	170-4738 . . . . .	136
164-1404 . . . . .	582	166-2340 . . . . .	547		132	170-4860 . . . . .	543
	591		549	167-8083 . . . . .	120		545
	594		555		132		563
	598		557	167-8126 . . . . .	152	171-2094 . . . . .	▶448
	602		563		153		▶449
	606	166-2903 . . . . .	137		155	171-2208 . . . . .	959
	609	166-2904 . . . . .	134		156		961
	623		137	167-8130 . . . . .	154		963
	626		140	168-2100 . . . . .	155	171-2210 . . . . .	965
	629	166-3501 . . . . .	543		156	171-2212 . . . . .	960
	632		545	168-2197 . . . . .	1109		962
164-3326 . . . . .	▶470		547	168-2198 . . . . .	1109		964
164-4180 . . . . .	561		549	168-2203 . . . . .	1109	171-4358 . . . . .	543
164-4187 . . . . .	349		551	168-3378 . . . . .	1128		545
	351		553	168-3379 . . . . .	1128		547
	353		555	168-3381 . . . . .	1128		549
	355		557	168-3382 . . . . .	1128		551
	357		559	168-3384 . . . . .	1128		553
	359		561	168-3385 . . . . .	1128		555
	361		563	168-3504 . . . . .	1109		557
	363		566	168-5248 . . . . .	342		559
164-4526 . . . . .	▶434	166-4936 . . . . .	658	168-6990 . . . . .	854		561
164-4543 . . . . .	▶435		660	168-7317 . . . . .	1109		563
165-3925 . . . . .	274		661	168-7319 . . . . .	1109		566
165-3929 . . . . .	200	166-5919 . . . . .	775	168-8806 . . . . .	43	171-4364 . . . . .	505
	262		777		45	171-5349 . . . . .	990
	264		779		291		993
	266		782		854	172-0208 . . . . .	▶956
	274		808	168-8974 . . . . .	775		1017
165-3930 . . . . .	185		810		777		1019
	187		812		779	172-3443 . . . . .	785
	270		815		782		796
	272		831		785		799
165-3931 . . . . .	262		850		789	172-3446 . . . . .	775
	274		867		791		777
165-3932 . . . . .	185		869		793		779
	187		874		796		808
	261	166-6358 . . . . .	394		799		810
	270	166-6693 . . . . .	970		802		831
	272		971		804		850
165-3933 . . . . .	264	166-9144 . . . . .	276		806	172-3450 . . . . .	33
	266		277		808		35
165-3937 . . . . .	261		279		810		43
165-4617 . . . . .	466	167-0642 . . . . .	136		812		45
165-5030 . . . . .	646	167-0643 . . . . .	136		815		47
165-5970 . . . . .	863	167-3593 . . . . .	1165		817		49
	▶1061		1173		819		291
165-6170 . . . . .	467		1186		821	172-4211 . . . . .	821
	468	167-4407 . . . . .	543		824		824
	469		545		828		843
	470		547		831	172-4702 . . . . .	33
	471		549		833		35
	473		551		837		43
	474		553		840		45
	476		555		843		47
	477		557		846		49
	478		559		850		291
	479		561		867	172-6059 . . . . .	459
	481		563		869	172-7120 . . . . .	▶198
	482		566		874	172-8827 . . . . .	185

# PART NUMBER INDEX

Part	Page	Part	Page	Part	Page	Part	Page
	187		1030	185-1676 . . . . .	▶724		629
173-1498 . . . . .	394		1031	185-2638 . . . . .	906		632
173-1957 . . . . .	1136		1047		908	186-2001 . . . . .	142
173-4002 . . . . .	▶255		1054		910		143
174-0503 . . . . .	1070	176-5749 . . . . .	347		912		148
	1072	176-7008 . . . . .	▶213	185-2639 . . . . .	906	186-3651 . . . . .	302
174-3016 . . . . .	1152	176-9299 . . . . .	953		908		315
	1166		1152		910		316
	1173		1166		912		320
174-4895 . . . . .	716		1173	185-2640 . . . . .	906		322
	717		1186	185-2642 . . . . .	910		324
174-5986 . . . . .	1	177-0035 . . . . .	690	185-2643 . . . . .	908	186-3652 . . . . .	▶315
	2	177-1655 . . . . .	▶1031	185-2644 . . . . .	906	186-3653 . . . . .	▶316
	3	177-4152 . . . . .	59		908	186-3735 . . . . .	973
	4		64		910		998
	5	177-4639 . . . . .	102		912		1006
	6	177-9024 . . . . .	152	185-2645 . . . . .	906		1056
	7		153		908		1057
	8	177-9778 . . . . .	768		910		1061
	9	177-9953 . . . . .	▶908		912		1065
	10		915	185-2647 . . . . .	906		1169
	11	179-3211 . . . . .	338		908		1173
	12		346		910		1176
	13	179-4787 . . . . .	249		912	186-3736 . . . . .	1006
	14	179-9496 . . . . .	▶208	185-2648 . . . . .	906		1007
	▶577	180-0056 . . . . .	507		908		1008
174-6468 . . . . .	▶256	180-0057 . . . . .	507		910		1078
174-6470 . . . . .	▶258	180-4367 . . . . .	▶201		912		1146
174-6472 . . . . .	258	180-6213 . . . . .	1109	185-2650 . . . . .	906		1148
174-6474 . . . . .	256	180-7350 . . . . .	347		908		1150
174-6476 . . . . .	258		349		910		1165
174-6477 . . . . .	256		351		912		1198
174-6479 . . . . .	423		353	185-2651 . . . . .	906	186-4180 . . . . .	956
174-6482 . . . . .	258		355		908	187-0672 . . . . .	▶478
174-6483 . . . . .	256		357		910	187-0673 . . . . .	▶479
174-6484 . . . . .	256		359		912	187-0674 . . . . .	▶481
	258		361	185-2652 . . . . .	906		▶482
174-9570 . . . . .	▶767		363	185-2653 . . . . .	906	187-1325 . . . . .	103
	878	180-9339 . . . . .	63		908	187-1326 . . . . .	▶103
174-9599 . . . . .	56		65		910		104
	301		988		912		106
	928		994	185-2654 . . . . .	906		108
	930		1070		908	187-1327 . . . . .	▶104
174-9994 . . . . .	1109		1072		910		▶105
175-1366 . . . . .	97	180-9340 . . . . .	984		912	187-1328 . . . . .	▶106
175-1367 . . . . .	97		985	185-2655 . . . . .	906		▶107
175-1483 . . . . .	276		994		908	187-2034 . . . . .	893
	277		1070		910		896
	279		1072		912		897
175-3617 . . . . .	136	183-3407 . . . . .	146	185-2658 . . . . .	906		900
175-3721 . . . . .	185		150		908		902
	187		373		910		916
	270		374		912		918
	272		459	185-5294 . . . . .	▶910		920
175-3860 . . . . .	▶338		770	186-0712 . . . . .	582	187-2701 . . . . .	▶108
	▶340		788		591		▶109
175-3868 . . . . .	338	183-3408 . . . . .	144		594	187-8001 . . . . .	1126
	340	183-3409 . . . . .	85		598	187-8924 . . . . .	543
175-4855 . . . . .	▶260		667		602		545
175-4856 . . . . .	▶423	183-4068 . . . . .	▶313		606	187-8925 . . . . .	▶543
176-1363 . . . . .	439	183-4462 . . . . .	▶286		609	188-0210 . . . . .	331
	▶441	183-8410 . . . . .	886		612		340
176-2543 . . . . .	1017	184-5367 . . . . .	▶686		615		344
	1027	185-0295 . . . . .	1109		623	188-7568 . . . . .	1095
	1028	185-0296 . . . . .	1109		626	188-7569 . . . . .	1095

# PART NUMBER INDEX

Part	Page	Part	Page	Part	Page	Part	Page
188-7790	1095	193-1358	▶709	197-2850	1109	201-5382	1130
188-7791	1095	193-8570	1034	197-2851	1128		1131
188-7800	1095	194-0431	804	197-4567	394	201-6617	▶994
189-0852	994		806	197-4971	244		996
189-3158	1166		821	197-7348	1192	201-6631	▶771
	1174		824	197-7572	▶951	202-2342	886
	1186		828	197-8006	563	202-2700	916
189-5746	▶993		833		566		918
	997		837	197-8391	775		920
189-6123	248		843		789	202-2703	900
190-0009	1		846		793	202-2708	916
	2	194-3892	757		796		918
	3	194-3967	▶971		802		920
	7	194-4613	1078		804	202-2783	918
	8		1093		808		920
	9	194-4615	▶252		812	202-2784	916
	10	194-4754	▶1093		817		918
	11	194-4783	252		821		920
	13	194-5226	931		867	202-2785	916
	▶295		982		974		918
	▶296	194-5227	931		▶999		920
	▶297		982	197-8392	974	202-2786	916
190-0065	906	194-5284	471		▶1000		918
190-1106	461	194-5285	▶471	197-8820	▶912	202-2787	916
	462	194-5288	252	197-9183	1154		918
190-8970	878	194-6722	▶984		1156		920
190-8977	▶878		986	197-9322	122	202-9008	678
	1201	194-6725	▶985		132	202-9897	916
191-0580	853		987	197-9361	347		918
191-0583	▶853	194-7919	739		349		920
191-1782	863	194-8124	144		353	203-0351	667
	1201		146	197-9589	468	203-2075	821
191-1783	1201		150		484		824
191-5054	▶865	195-0131	▶1078	198-0971	914		843
	867	195-0313	242	198-1407	951	203-3831	579
	869	195-0319	579	198-6068	493	203-7701	867
	874	195-1141	1169		494		869
191-5055	▶756	195-1344	936	198-9898	293		874
	766		938		▶398	203-7723	▶545
	865	195-1345	▶936	199-4317	51	203-8493	1111
	866		1156		57		1122
	873		1178	199-5621	1154	203-8494	1112
191-7805	779	195-1348	▶757		1156		1123
	782	195-7930	968		1171	203-8505	1111
	785	196-4233	▶1095		1178		1122
	833		1116		1181	203-8822	398
	837		1126	199-7051	1111	203-8824	398
	840	196-4813	563		1122		400
	843		566	199-7891	906		401
	846	196-5069	398		908		402
	850		400		910		403
	874		401		912	204-1455	1119
191-8303	995		402	199-8436	906	204-2518	▶978
192-0542	▶429		403		908	204-7810	493
192-1623	▶970		404		910	204-8772	718
192-3219	▶854		408		912	204-9316	▶243
192-4151	398	196-5070	398				244
	400		400			205-0626	912
	401		401			205-8657	▶938
	402		402				1181
	403		403	200-2310	▶929	206-4198	248
	404		404	200-2852	▶531	206-4202	893
	408		408	200-5231	1163		897
192-7470	1109	197-2849	1109	200-6345	1067	206-4881	1116
193-1357	709		▶1128		1091		1126

# PART NUMBER INDEX

Part	Page	Part	Page	Part	Page	Part	Page
206-6308	774		148		1178		▶268
206-6876	863	211-3123	142	214-7567	272	219-0634	▶159
206-7331	331	211-6807	1074		274	219-0635	159
206-8789	1032	211-7885	▶483	214-7568	144		162
207-1532	1025	212-1487	▶493		146	219-0637	▶160
	▶1032	212-8255	▶953		150	219-0638	160
207-1549	1028		1165		373		161
	1031	212-8259	▶953		374	219-0640	160
	▶1034		1165		459		161
207-1556	▶1037	212-9431	▶768		770	219-2384	940
207-1564	1026		770		771		▶981
	1031	212-9580	768		773	219-4458	349
	▶1039		▶769		779		351
207-2822	1165		879		782		353
	▶1198	213-0677	344		785		355
207-2823	▶1146		980		786		357
	1165	213-1626	726		788		359
207-2824	▶1148	213-3199	157		815		361
	1165	213-3217	347		828		363
207-2825	1165		349		831	220-1204	▶380
	▶1193		351		833	220-1206	33
207-5248	398		353		837		35
	400		355		840		43
207-8084	483		357		843		45
207-8128	464		359		846		47
207-8130	465		361		850		49
207-8211	248		363		863		291
207-8213	248	213-4740	863		874	220-6368	▶270
208-9490	1		▶879		875		▶272
	2	214-2484	974		986	220-6390	▶93
	3		976	215-5519	726	220-8217	270
	4		▶995		729		272
	5	214-5585	▶710	215-5568	▶914	220-8678	767
	6	214-6045	677	216-5540	▶92		769
	7	214-7566	35	216-5582	134	221-0777	▶953
	8		45		137		1165
	9		86		140	221-5430	▶1006
	10		163	217-0751	134	221-9360	119
	11		268		137	221-9963	191
	12		272		140		192
	13		291	217-0752	134	222-1497	775
	14		368		137		777
	▶244		369		140	222-1976	▶124
209-3569	97		370	217-5232	37		126
209-4573	561		371		39	222-2879	▶33
209-5356	▶644		377		54		▶35
209-5581	▶1058		450	217-5237	37	222-5767	185
	1184		459		39		187
209-5582	1169		461		41	222-5768	159
	1176		462		42		162
209-8441	863		638	217-5240	37	223-0533	277
209-8621	248		684		39		365
209-8622	270		689		41	223-3505	33
	272		779		42		35
209-8624	248		782	217-5900	92		43
209-9770	248		785	217-6415	344		45
210-2521	295		833	217-8938	327		47
	▶400		837	217-8946	684		49
210-4309	▶957		840		689		56
	1165		843	217-8947	638		163
210-9246	445		846	219-0614	344	223-3637	33
211-0745	▶1150		850	219-0626	▶185		▶37
	1165		874		▶187		▶39
211-3122	142		987	219-0627	185	223-3932	▶665
	143		989		187	223-4738	▶274

# PART NUMBER INDEX

Part	Page	Part	Page	Part	Page	Part	Page
223-4739 . . . . .	274		351		821		626
223-4746 . . . . .	547		353		867		629
	549		355	227-3917 . . . . .	▶488		632
	551		357	227-4239 . . . . .	137	228-4375 . . . . .	582
	566		359	227-8851 . . . . .	547		591
223-4903 . . . . .	185		361		549		594
	187		363		551		598
	270	224-3246 . . . . .	347		553		602
	272		349		555		606
223-7263 . . . . .	▶134		351		557		609
	137		353		559		612
	143		355		561		615
223-7962 . . . . .	547		357		566		623
	549		359	227-8852 . . . . .	547		626
	551		361		549		629
	553		363		551		632
	555	224-3983 . . . . .	134		553	228-4376 . . . . .	582
	557	224-4501 . . . . .	▶249		555		591
	559	224-5122 . . . . .	144		557		594
	566		146		559		598
223-9250 . . . . .	▶142		150		561		602
	▶143	224-9775 . . . . .	68	227-9495 . . . . .	▶424		606
	144	225-1144 . . . . .	111	227-9864 . . . . .	▶202		609
	150	225-1147 . . . . .	▶110	228-0853 . . . . .	1006		612
223-9252 . . . . .	1		112	228-2674 . . . . .	▶580		615
	2	225-1148 . . . . .	▶111		582		623
	3		114		585		626
	4		115		587		629
	5		116		591		632
	6		117		594	228-4377 . . . . .	582
	7	225-1149 . . . . .	▶112		598		591
	8		114		606		594
	9		115	228-3581 . . . . .	1200		598
	10	225-5222 . . . . .	37	228-4370 . . . . .	582		602
	11		39		591		606
	12		41		594		609
	13		42		598		612
	14		47		602		615
	▶126		49		606		623
	▶128		53		609		626
	▶130		54		623		629
223-9731 . . . . .	1	225-9199 . . . . .	647		626		632
	2	226-4752 . . . . .	▶726		629	228-4378 . . . . .	582
	3		727		632		591
	4	226-5561 . . . . .	134	228-4371 . . . . .	582		594
	5		140		591		598
	6	226-9580 . . . . .	▶41		594		602
	7		▶42		598		606
	8		43		602		609
	9	227-0838 . . . . .	185		606		623
	10		187		609		626
	11		▶410		623		629
	12	227-1204 . . . . .	126		626		632
	13		128		629	228-4379 . . . . .	582
	14		130		632		591
	▶119	227-3006 . . . . .	342	228-4374 . . . . .	582		594
223-9784 . . . . .	▶465	227-3812 . . . . .	775		591		598
223-9786 . . . . .	▶1136		789		594		602
224-0728 . . . . .	▶484		793		598		606
224-0754 . . . . .	▶530		796		602		609
224-0875 . . . . .	▶538		802		606		612
224-1229 . . . . .	▶276		804		609		615
224-2165 . . . . .	▶866		808		612		623
224-3245 . . . . .	347		812		615		626
	349		817		623		629



# PART NUMBER INDEX

Part	Page	Part	Page	Part	Page	Part	Page
	632		▶349		779		2
228-4380 . . . . .	▶582		▶351		780		3
228-4381 . . . . .	687		▶353		782		4
	690		▶355		785		5
	692		▶357		791		6
	697		▶359		799		7
	699		▶361		806		8
228-4386 . . . . .	690	229-5519 . . . . .	▶85		810		9
228-4947 . . . . .	995		▶86		815		10
	996	229-5667 . . . . .	1200		819		11
228-7089 . . . . .	756		1205		824		12
228-7091 . . . . .	494	229-6259 . . . . .	347		828		13
228-7096 . . . . .	462		349		831		14
228-7796 . . . . .	687		351		833		▶974
	692		353		837		▶976
	695		355		838	231-2767 . . . . .	421
	697		357		840	231-3914 . . . . .	968
	699		359		843	231-3947 . . . . .	855
228-8531 . . . . .	▶499		361		846	231-5219 . . . . .	494
228-8532 . . . . .	▶500		363		847	231-6133 . . . . .	918
228-8533 . . . . .	▶173	229-6709 . . . . .	▶368		850		920
228-8534 . . . . .	▶175	229-6712 . . . . .	▶930		851	231-7753 . . . . .	41
228-8535 . . . . .	▶177	229-8394 . . . . .	1111		869		42
228-8537 . . . . .	▶501		1122		874	232-0253 . . . . .	398
228-8538 . . . . .	▶502	229-8395 . . . . .	1111		1072		400
228-9899 . . . . .	582		1122		1074	232-0768 . . . . .	789
	585		▶1132	230-4012 . . . . .	777		791
	586	229-8396 . . . . .	1112		779		802
	606		1123		782		804
	609	229-8568 . . . . .	▶120		785		806
	623		124		799		821
	626		132		806		824
228-9900 . . . . .	587	229-9407 . . . . .	918		810		828
	589	229-9933 . . . . .	▶1138		815		833
	591	229-9965 . . . . .	▶209		819		837
	594	229-9966 . . . . .	▶210		824		843
	598	229-9985 . . . . .	▶1001		828		846
	602	230-1117 . . . . .	85		831	232-0770 . . . . .	466
	629	230-1434 . . . . .	1006		833	232-0771 . . . . .	▶466
	632		1007		838	232-1374 . . . . .	863
229-1472 . . . . .	248		1008		840	232-1376 . . . . .	863
229-1479 . . . . .	248	230-2569 . . . . .	347		843	232-1693 . . . . .	932
229-2282 . . . . .	547		349		846		934
	549		351		850		935
	551		353		869	232-3235 . . . . .	347
	553		355		874		349
	555		357	230-4013 . . . . .	1074		351
	557		359	230-9099 . . . . .	▶233		353
	559	230-3728 . . . . .	130	230-9425 . . . . .	191		355
	561		857		192		357
	566		858	230-9446 . . . . .	18		359
229-2671 . . . . .	▶389		859		190		361
229-2863 . . . . .	1		861		191		363
	2		862		192	232-3236 . . . . .	347
	3	230-3775 . . . . .	494		193		349
	4		857		194		351
	5		858		195		353
	6		859	230-9447 . . . . .	18		355
	7		861		190		357
	10		862		191		359
	11	230-3807 . . . . .	▶585		192		361
	12		▶586		193		363
	13	230-3808 . . . . .	▶587		194	232-4604 . . . . .	1165
	14		▶589		195	232-4605 . . . . .	1166
	▶347	230-4011 . . . . .	777	231-1973 . . . . .	1	232-4606 . . . . .	1166

# PART NUMBER INDEX

Part	Page	Part	Page	Part	Page	Part	Page
232-4607	1169		▶132		17	236-1780	▶932
232-4608	▶1165	234-7935	1		19	236-1805	555
	1169		2		20		557
232-4609	927		4		21		559
	1089		5		22	236-2314	68
232-4610	927		6		23	236-4414	185
	1089		▶71		24		187
232-5187	▶43	234-8937	88		25	236-4415	185
	▶45		94		26		187
232-6182	▶715		261		27	236-4545	1007
232-6560	157		266	235-1089	15		1008
233-0891	932		270		16	236-5605	148
	934		272		17	236-5613	561
	935	234-9183	▶369		19	236-5958	193
233-4890	▶342	234-9184	▶374		20		194
233-6205	726	234-9185	1		21		195
	729		2		22	236-6993	▶504
233-6742	756		3		23	236-7659	▶738
	▶881		4		24		747
	▶882		5		25	236-7783	▶1169
233-7245	▶15		6		26	236-9868	▶234
	▶16		7		27	236-9869	▶235
	▶17		10	235-1401	1	236-9870	▶236
234-0275	▶1144		12		2	236-9871	▶237
234-1400	1200		13		4	236-9872	▶238
	1205		▶144		5	237-0194	347
234-1401	1200		▶146		6	237-0227	779
	1205	234-9505	15		10		782
234-5002	59		16		12		785
	61		17		13		833
234-5005	1		19		▶857		838
	2		20		▶858		840
	3		21	235-1402	3		843
	4		22		7		846
	5		23		11		850
	6		24		14		874
	12		25		▶859		1074
	▶59		26		▶861	237-0336	1070
	▶61		27	235-1403	8		1072
	▶62	234-9508	15		9		1152
	▶63		16		▶862	237-1962	1027
234-5013	777		17	235-1587	498		▶1041
	779		19	235-2471	▶915	237-2706	793
	782		20	235-3577	▶880	237-4284	▶1079
	785		21	235-3612	1154	237-4286	▶154
	791		22		1156	237-4288	154
	799		23		1171	237-4290	▶788
	806		24		1178	237-4291	▶705
	810		25		1181		▶706
	815		26	235-5264	1068	237-4292	705
	819		27		1089	237-4293	▶1152
	824	234-9706	▶370	235-5265	1068	237-4294	▶1080
	828	234-9775	▶375	235-8105	927		▶1083
	831	234-9776	▶376		1089		▶1086
	833	235-0183	43	235-8106	927	237-4296	▶789
	837		45		1089		▶791
	840		291	236-1687	547	237-4297	▶687
	843	235-0313	43		549	237-4298	▶658
	846		45		551	237-4300	788
	850		291		553	237-4301	658
	869	235-0588	1139		555	237-4302	687
	874	235-0658	15		557		690
	▶1002		19		559		695
234-5986	▶373	235-1088	15		561	237-4303	1152
234-5997	128		16		566	237-4305	1079

# PART NUMBER INDEX

Part	Page	Part	Page	Part	Page	Part	Page
237-9754 . . . . .	▶689	238-5084 . . . . .	340	239-9957 . . . . .	▶979		99
238-0294 . . . . .	347		342	239-9988 . . . . .	▶739		100
	349		382		743		102
	351		459	240-0003 . . . . .	▶740		103
	353		461		742		111
	355		462	240-0291 . . . . .	738		112
	357	238-9384 . . . . .	▶947		744		113
	359	239-0582 . . . . .	68	240-1614 . . . . .	213		118
238-0296 . . . . .	881	239-0770 . . . . .	185	240-4863 . . . . .	289	243-1560 . . . . .	▶934
	▶883		187	240-5881 . . . . .	289		▶935
238-0382 . . . . .	652	239-1134 . . . . .	1008		290	243-2316 . . . . .	728
238-2700 . . . . .	124		▶1064	240-6040 . . . . .	▶775	243-3820 . . . . .	▶1151
238-4664 . . . . .	213	239-2395 . . . . .	974		▶777	243-3872 . . . . .	289
	785		976	240-6041 . . . . .	▶659		290
238-5078 . . . . .	97		▶986	240-6042 . . . . .	659	243-6718 . . . . .	119
238-5079 . . . . .	1001	239-2396 . . . . .	775	240-6043 . . . . .	659		▶281
238-5080 . . . . .	86		777	240-6053 . . . . .	▶494	243-6741 . . . . .	▶137
	158		789	240-6054 . . . . .	▶931		142
	163		791	240-7157 . . . . .	▶505	244-2674 . . . . .	726
	272		793	240-7970 . . . . .	▶492		729
	368		796	240-8213 . . . . .	▶68	244-2676 . . . . .	726
	369		799	240-8214 . . . . .	▶327		729
	370		802	240-8658 . . . . .	▶393	244-2677 . . . . .	726
	371		804	240-9682 . . . . .	3		729
	375		806		11	244-2678 . . . . .	726
	378		808		14		729
	450		810	241-0020 . . . . .	▶1	244-2679 . . . . .	726
	492		812	241-0470 . . . . .	▶1154		729
	538		815	241-0471 . . . . .	▶1156	244-7715 . . . . .	858
	756		817	241-2942 . . . . .	443	244-7716 . . . . .	859
	772		819	241-3006 . . . . .	▶742	244-8681 . . . . .	▶425
	779		821	241-3283 . . . . .	702	244-8682 . . . . .	425
	782		824	241-5645 . . . . .	447	245-4393 . . . . .	289
	785		828	241-6186 . . . . .	974	245-7598 . . . . .	1152
	788		831		976	246-1112 . . . . .	248
	833		867	242-3360 . . . . .	738	246-2900 . . . . .	1200
	837		869		740		1203
	840		974		744	246-3129 . . . . .	579
	843		976		745	246-3130 . . . . .	579
	846		▶987		746	246-5804 . . . . .	1139
	850	239-3478 . . . . .	▶988		752	247-0486 . . . . .	785
	874		989	242-3492 . . . . .	7		793
	875	239-4106 . . . . .	118		▶743		796
	1002	239-4111 . . . . .	▶113	242-7406 . . . . .	639		799
	1003		114	242-7499 . . . . .	726		802
	1178		115		729		817
238-5081 . . . . .	130		116	242-9537 . . . . .	98		819
	369		117		99		840
	371	239-4112 . . . . .	▶114		100		867
	494	239-4309 . . . . .	▶161		102		869
	756	239-4310 . . . . .	▶162		103		874
	863	239-5025 . . . . .	▶1145		111	247-5711 . . . . .	▶300
	882		1151		112		▶301
	968	239-5674 . . . . .	974		113	247-5712 . . . . .	56
238-5082 . . . . .	274		976		118		300
	288		▶989	243-0551 . . . . .	3		301
	344	239-5928 . . . . .	974		7	247-6050 . . . . .	879
	380		976		8	247-6123 . . . . .	347
	381		▶996		9		349
	507	239-5929 . . . . .	1080		11		351
	572		1083		14		353
	573		1086		▶72		355
	574	239-9624 . . . . .	15	243-0943 . . . . .	▶136		357
	575		16		137		359
	980		▶190	243-1159 . . . . .	98	247-6130 . . . . .	349

# PART NUMBER INDEX

Part	Page	Part	Page	Part	Page	Part	Page
	351		195		▶551	259-2472 . . . . .	▶728
	353	250-9378 . . . . .	190	255-9247 . . . . .	▶553	260-1548 . . . . .	▶758
	355		191	255-9248 . . . . .	▶533		▶759
	359		193	255-9249 . . . . .	▶555	260-1549 . . . . .	758
247-7133 . . . . .	543		194		▶557		759
	545	251-4880 . . . . .	▶744		▶559	260-1553 . . . . .	758
	547		748	255-9250 . . . . .	▶571		759
	549	252-0652 . . . . .	8		▶572	260-1844 . . . . .	1007
	551		9	255-9251 . . . . .	▶573		▶1065
	553		▶363	255-9252 . . . . .	▶574	260-3199 . . . . .	▶436
	555	252-0803 . . . . .	▶745	256-0361 . . . . .	▶516	260-3932 . . . . .	▶1007
	557		753	256-0370 . . . . .	▶772	260-3934 . . . . .	▶1008
	559	252-0804 . . . . .	▶746	256-2211 . . . . .	779	260-6821 . . . . .	54
	561		749		782	260-6822 . . . . .	53
	563	252-1055 . . . . .	472		808	260-6823 . . . . .	53
	566	252-1056 . . . . .	484		810	260-6887 . . . . .	▶1205
247-8211 . . . . .	▶371	252-1059 . . . . .	▶472		812	261-3429 . . . . .	134
247-9908 . . . . .	143	252-5514 . . . . .	▶239		815		137
	148	252-9658 . . . . .	▶747		831		140
248-0471 . . . . .	▶950	252-9659 . . . . .	▶748		850	261-3430 . . . . .	134
	1173	253-0615 . . . . .	857	256-6164 . . . . .	▶591		137
	1186	253-0616 . . . . .	861		▶594		140
248-4068 . . . . .	934	253-0618 . . . . .	862		▶598	261-7552 . . . . .	327
248-4840 . . . . .	667	253-1752 . . . . .	119		▶602	262-2765 . . . . .	▶163
248-4841 . . . . .	667		281	256-6165 . . . . .	▶606	262-2878 . . . . .	935
	727	253-2111 . . . . .	959		▶609	262-4161 . . . . .	▶1171
	737		961	256-6171 . . . . .	▶690	262-4162 . . . . .	▶1158
248-5588 . . . . .	▶115		963	256-6172 . . . . .	▶692	262-4163 . . . . .	1158
248-5590 . . . . .	▶116		964	256-6173 . . . . .	692	262-4164 . . . . .	1158
248-8889 . . . . .	▶646		965	256-6453 . . . . .	1002	262-4165 . . . . .	▶287
	647	254-2263 . . . . .	▶1201	256-9357 . . . . .	▶1129	262-4168 . . . . .	▶426
	648	254-3226 . . . . .	▶660		1130	262-6145 . . . . .	395
	649	254-3227 . . . . .	660		1131		396
	650	254-3832 . . . . .	▶2	256-9358 . . . . .	1130		397
	651	254-3835 . . . . .	▶3	256-9651 . . . . .	226	262-6877 . . . . .	▶707
249-0164 . . . . .	817	254-3838 . . . . .	▶4		232	263-2179 . . . . .	553
	819	254-6081 . . . . .	402		239	263-2186 . . . . .	▶457
	840	254-7435 . . . . .	6		241	263-2912 . . . . .	▶662
249-0945 . . . . .	646	254-7439 . . . . .	4	256-9653 . . . . .	226	263-4920 . . . . .	134
249-2943 . . . . .	779	254-9220 . . . . .	▶680		232		140
	782	255-0654 . . . . .	▶793		239	263-5055 . . . . .	146
	833		▶796		241		▶148
	837		▶799	257-4183 . . . . .	▶1094	263-6409 . . . . .	580
	840	255-0655 . . . . .	▶802	257-5812 . . . . .	163		621
	843		▶804	257-7273 . . . . .	▶377	263-7214 . . . . .	▶1089
	846		▶806	257-7275 . . . . .	▶867	263-8511 . . . . .	706
	850	255-0656 . . . . .	▶808		▶869	264-2352 . . . . .	▶1070
	874		▶810	257-7276 . . . . .	▶661	264-2354 . . . . .	1070
250-0466 . . . . .	126	255-0657 . . . . .	▶812	257-7277 . . . . .	661	264-4288 . . . . .	449
	128		▶815	257-8420 . . . . .	▶647	264-4289 . . . . .	447
250-2940 . . . . .	347	255-0659 . . . . .	▶507		652	264-4297 . . . . .	1003
	349	255-0887 . . . . .	680	258-4524 . . . . .	738		1004
	351	255-4649 . . . . .	▶117		744	264-5732 . . . . .	1074
	353	255-4652 . . . . .	▶510		746	264-7029 . . . . .	779
	355		▶512		752		780
	357		▶514	258-4885 . . . . .	▶200		782
	359	255-4653 . . . . .	510	258-8721 . . . . .	398		785
	361		512		400		815
	363		514		401		828
250-6591 . . . . .	290		517		402		831
250-8279 . . . . .	1037		519		403		833
	1039	255-5285 . . . . .	932		405		837
250-8519 . . . . .	680	255-5477 . . . . .	740		406		838
250-9377 . . . . .	18	255-9245 . . . . .	▶547	258-9972 . . . . .	▶1204		840
	192		▶549	259-2471 . . . . .	▶727		843

# PART NUMBER INDEX

Part	Page	Part	Page	Part	Page	Part	Page
	846	267-4632 . . . . .	▶122		308		806
	847		130		312		810
	850	267-5212 . . . . .	51		319		815
	851		57	272-2583 . . . . .	110		819
	874	267-6575 . . . . .	51	272-6658 . . . . .	719		824
	1072	267-6576 . . . . .	51	272-7123 . . . . .	▶1044		828
	1074	268-0220 . . . . .	750		1047		831
264-7030 . . . . .	779	268-2960 . . . . .	738	272-7152 . . . . .	1044		869
	782		750	273-5106 . . . . .	▶474	276-4132 . . . . .	403
	785		752	273-5996 . . . . .	▶1181	276-4637 . . . . .	351
	833	268-3488 . . . . .	745	273-6559 . . . . .	240		355
	838		746	273-6561 . . . . .	▶240		357
	840	268-5582 . . . . .	274	274-3780 . . . . .	1072		359
	843	268-5589 . . . . .	274	274-4491 . . . . .	401		361
	846	268-5705 . . . . .	393		402	276-5317 . . . . .	398
	850	268-6573 . . . . .	▶652		403		400
	874	268-6625 . . . . .	▶459		405		401
	1074	269-2509 . . . . .	▶277		406		402
266-0763 . . . . .	▶648		▶279	274-6719 . . . . .	779		403
	▶649	269-4756 . . . . .	▶1178		782		405
266-0764 . . . . .	648	269-4757 . . . . .	▶966		785		406
	649	269-5347 . . . . .	▶47		833	276-9507 . . . . .	33
	650		▶49		837		35
	651	269-6348 . . . . .	113		840	277-1873 . . . . .	1068
266-0765 . . . . .	648	269-6439 . . . . .	▶461		843	277-4857 . . . . .	▶366
	649	269-6798 . . . . .	▶18		846	277-6220 . . . . .	580
266-0766 . . . . .	▶650		19		850	277-6221 . . . . .	580
	▶651		20		874		621
266-0767 . . . . .	650		21	274-7395 . . . . .	976	277-6222 . . . . .	580
	651	269-7631 . . . . .	▶873		▶1003		621
266-0768 . . . . .	▶561	269-7896 . . . . .	▶666	274-7396 . . . . .	976	277-6223 . . . . .	580
266-0769 . . . . .	▶473	269-8293 . . . . .	▶450		▶1004		621
266-0770 . . . . .	473	269-8415 . . . . .	▶770	274-7411 . . . . .	▶695	277-6224 . . . . .	580
	474	269-8788 . . . . .	289	274-7412 . . . . .	695		618
266-1473 . . . . .	941	270-3935 . . . . .	▶817	274-7413 . . . . .	▶731		621
	942		▶819	274-8068 . . . . .	▶958	277-6228 . . . . .	580
	▶982	270-6916 . . . . .	33		1174		621
266-2295 . . . . .	1173		47		1186	277-6229 . . . . .	580
	1186	270-6917 . . . . .	47	275-2081 . . . . .	▶1147		621
266-2296 . . . . .	▶1173		49		1174	277-6230 . . . . .	580
	1176	270-6924 . . . . .	▶288		1186		621
266-2297 . . . . .	▶1176	270-7104 . . . . .	344	275-2086 . . . . .	▶1151	277-6231 . . . . .	580
266-2993 . . . . .	637	270-7105 . . . . .	344		1174		621
	716	270-7106 . . . . .	344		1186	277-6240 . . . . .	759
	717	270-7278 . . . . .	▶344	275-2096 . . . . .	▶1149	277-9747 . . . . .	1176
266-3699 . . . . .	1	270-8444 . . . . .	▶317		1174		1184
	2		▶319		1186	278-0026 . . . . .	▶367
	5	270-8445 . . . . .	317	275-2103 . . . . .	1173	278-0095 . . . . .	▶248
	6	270-8446 . . . . .	317		1186	278-0592 . . . . .	1039
	12	270-8453 . . . . .	▶289		▶1194	278-1363 . . . . .	403
	14		▶290	275-2110 . . . . .	1174		404
	▶298	270-8454 . . . . .	289		1186	278-1365 . . . . .	401
	▶299	271-2214 . . . . .	▶179		▶1199		402
266-6038 . . . . .	126	271-2215 . . . . .	▶181	275-3979 . . . . .	▶718		408
	128	271-4489 . . . . .	▶821		▶719	278-1929 . . . . .	296
	130		▶824	276-0034 . . . . .	▶19		▶401
266-7227 . . . . .	▶916	271-8090 . . . . .	51		▶20	278-1931 . . . . .	294
267-1360 . . . . .	▶729		57		▶21		▶402
	737	271-8575 . . . . .	450	276-0824 . . . . .	1176	278-1938 . . . . .	299
267-2170 . . . . .	729	272-0390 . . . . .	61		1184		▶403
267-3443 . . . . .	51		62	276-0827 . . . . .	1152	278-4486 . . . . .	▶653
267-3444 . . . . .	51		63	276-2548 . . . . .	▶241	278-5657 . . . . .	64
267-3482 . . . . .	▶774		65	276-3091 . . . . .	777	278-5662 . . . . .	1
267-4631 . . . . .	▶121		66		791		2
	122	272-1900 . . . . .	305		799		3

# PART NUMBER INDEX

Part	Page	Part	Page	Part	Page	Part	Page
	7	283-1107 . . . . .	1037	291-5523 . . . . .	183	296-9812 . . . . .	618
	8		1039	291-5541 . . . . .	▶388	296-9821 . . . . .	699
	9	283-6414 . . . . .	▶733	291-6821 . . . . .	▶490	297-1813 . . . . .	97
	10	284-2712 . . . . .	▶750	291-8145 . . . . .	559	297-4282 . . . . .	621
	11		751	291-8247 . . . . .	916	297-4283 . . . . .	586
	13		755	291-8253 . . . . .	916		589
	▶64	284-2776 . . . . .	8	291-8263 . . . . .	916		602
	▶65		9	291-8271 . . . . .	916		609
278-8844 . . . . .	777		▶751	291-8274 . . . . .	916		▶621
	780	284-8095 . . . . .	▶437	292-3815 . . . . .	916		623
	782	285-0028 . . . . .	▶948		920		626
	785	285-0823 . . . . .	86	292-8185 . . . . .	462		629
	791	285-3493 . . . . .	▶394	292-9782 . . . . .	490		632
	799	285-4122 . . . . .	▶735	292-9783 . . . . .	490	297-4284 . . . . .	▶623
	806	285-5240 . . . . .	1109	293-0006 . . . . .	541		▶626
	810		▶1133	293-8350 . . . . .	1133	297-4285 . . . . .	▶629
	815	285-5866 . . . . .	▶94	294-3075 . . . . .	16		▶632
	819	285-8196 . . . . .	833		21	297-6788 . . . . .	▶395
	824	285-8628 . . . . .	▶204		22		1102
	828	285-9063 . . . . .	476		24	297-6789 . . . . .	▶396
	831	285-9064 . . . . .	▶476		25		1103
	837	285-9302 . . . . .	476		26	297-6792 . . . . .	▶397
	840	285-9395 . . . . .	1132		27		1104
	843	286-0474 . . . . .	47	294-3076 . . . . .	16	297-6993 . . . . .	1105
	847		▶51		21	297-6998 . . . . .	1106
	851	286-1106 . . . . .	▶214		22	297-6999 . . . . .	1099
	869	286-8179 . . . . .	▶320		24		▶1109
	874	286-8180 . . . . .	▶322		25	297-8160 . . . . .	1101
279-0533 . . . . .	1173	286-9120 . . . . .	▶949		26		▶1111
	1186	287-1690 . . . . .	51		27	297-8164 . . . . .	1108
279-0534 . . . . .	1173		57	295-5422 . . . . .	357		▶1122
	1186	287-3789 . . . . .	1129	296-2745 . . . . .	393	297-8252 . . . . .	1107
279-1152 . . . . .	363	287-4563 . . . . .	1095	296-6478 . . . . .	▶381		▶1126
279-6010 . . . . .	▶489	287-4596 . . . . .	1119	296-6479 . . . . .	▶382	297-8255 . . . . .	1100
279-8770 . . . . .	▶563	288-0648 . . . . .	▶324	296-6480 . . . . .	▶383		▶1116
279-9540 . . . . .	▶378	288-1347 . . . . .	51	296-6481 . . . . .	▶384	298-4781 . . . . .	▶766
280-2582 . . . . .	▶716		57	296-7644 . . . . .	▶752	298-4782 . . . . .	▶863
280-2583 . . . . .	▶717	288-4109 . . . . .	15		754	299-1761 . . . . .	918
280-3979 . . . . .	140		19	296-7650 . . . . .	752		920
280-7870 . . . . .	1109		20	296-9791 . . . . .	▶612	299-8950 . . . . .	▶1096
	1133	288-4881 . . . . .	140		▶615		1102
280-8039 . . . . .	8	288-4882 . . . . .	140	296-9792 . . . . .	612		1103
	9	288-4883 . . . . .	134		615		1104
	▶578		140	296-9793 . . . . .	612	299-8951 . . . . .	▶1097
281-1640 . . . . .	▶140	288-4884 . . . . .	134		615		1099
	148		140	296-9794 . . . . .	612		1100
281-2725 . . . . .	882	288-7324 . . . . .	1074		615		1101
	▶884	289-2895 . . . . .	▶637	296-9795 . . . . .	612		1106
282-0918 . . . . .	1109	289-5150 . . . . .	779		615		1107
282-0919 . . . . .	1109		782	296-9796 . . . . .	612		1108
282-3731 . . . . .	16		785		615	299-8952 . . . . .	▶1098
	17		833	296-9800 . . . . .	612		1105
	20		838		615	299-8962 . . . . .	▶1099
	21		840		▶618	299-8963 . . . . .	▶1100
	22		843	296-9801 . . . . .	618	299-8964 . . . . .	▶1101
	23		846	296-9802 . . . . .	618	299-8969 . . . . .	▶1102
	24		850	296-9803 . . . . .	618	299-8970 . . . . .	▶1103
	25		874	296-9804 . . . . .	618	299-8971 . . . . .	▶1104
	26		1074	296-9805 . . . . .	618	299-8973 . . . . .	▶1105
	27	289-8215 . . . . .	61	296-9806 . . . . .	618	299-8975 . . . . .	▶1106
282-4394 . . . . .	▶749		62	296-9807 . . . . .	618	299-8976 . . . . .	▶1107
282-6844 . . . . .	320		63	296-9808 . . . . .	618	299-8977 . . . . .	▶1108
	322		65	296-9809 . . . . .	618		
	324		66	296-9810 . . . . .	618		
282-6846 . . . . .	▶203	291-5522 . . . . .	▶183	296-9811 . . . . .	618		

# PART NUMBER INDEX

Part	Page	Part	Page	Part	Page	Part	Page
	<b>3</b>		638		1090	316-6864 . . . . .	856
300-4940 . . . . .	▶5		684	313-1357 . . . . .	▶1090	316-7251 . . . . .	▶918
300-4941 . . . . .	▶6	307-2673 . . . . .	689	313-1358 . . . . .	1091	316-9076 . . . . .	▶438
301-2980 . . . . .	1173		86	313-1359 . . . . .	▶1091	316-9819 . . . . .	833
	1186		163	313-1360 . . . . .	1067	317-2294 . . . . .	▶753
301-5352 . . . . .	▶404		272	313-1361 . . . . .	▶1067	317-2296 . . . . .	▶754
	409		368	313-1402 . . . . .	1109	317-8766 . . . . .	119
303-1257 . . . . .	▶697		369	313-2060 . . . . .	1128		281
303-1258 . . . . .	697		370	313-6348 . . . . .	▶438	318-1900 . . . . .	8
303-1265 . . . . .	▶699		371	313-6361 . . . . .	24	318-1902 . . . . .	9
303-1266 . . . . .	699		375		▶191	318-2082 . . . . .	1042
303-1506 . . . . .	771		378	313-6363 . . . . .	26		1045
	788	307-4646 . . . . .	▶667		▶192	318-7416 . . . . .	1116
303-2004 . . . . .	1047	307-6192 . . . . .	57	313-9614 . . . . .	779		▶1131
303-8698 . . . . .	579	307-6200 . . . . .	57		782	318-7420 . . . . .	1131
304-2693 . . . . .	45	307-6205 . . . . .	57		833	319-0785 . . . . .	261
	▶53	307-6209 . . . . .	57		837		262
	56	307-8305 . . . . .	1111		840		263
304-3733 . . . . .	▶462		1122		843		264
304-3734 . . . . .	▶491	307-8306 . . . . .	1111		846		266
304-9463 . . . . .	▶7		1122		850		270
304-9553 . . . . .	16	307-8322 . . . . .	401		874		272
	17		402	314-2716 . . . . .	▶927		274
	21		407		134	319-5221 . . . . .	▶411
	22		409	314-3063 . . . . .	134		1111
	23	307-8769 . . . . .	1111	314-3064 . . . . .	134		1122
	24		1122	314-3065 . . . . .	134	319-6208 . . . . .	459
	25	307-9615 . . . . .	538	314-3066 . . . . .	134	319-6234 . . . . .	340
	26	308-1362 . . . . .	918	314-3067 . . . . .	134		342
	27		920	314-3068 . . . . .	134		382
304-9988 . . . . .	290	308-1365 . . . . .	918	314-3069 . . . . .	134		459
304-9991 . . . . .	35		920	314-7316 . . . . .	3	319-7401 . . . . .	119
	▶54	308-1366 . . . . .	918		8		▶412
305-1511 . . . . .	1126		920		9	320-2794 . . . . .	▶405
	▶1130	309-1860 . . . . .	7		11		409
305-1513 . . . . .	▶528	309-5130 . . . . .	268		14	320-2795 . . . . .	405
305-1514 . . . . .	▶524	309-5131 . . . . .	130		▶150	320-2796 . . . . .	▶406
305-2749 . . . . .	491		369	314-9614 . . . . .	1		407
305-3045 . . . . .	1204		371		2		409
305-9196 . . . . .	130		863		5	320-2797 . . . . .	406
	▶372	309-8628 . . . . .	▶8		6	321-7384 . . . . .	35
306-3998 . . . . .	1022		▶9		10		49
	1041	309-8629 . . . . .	▶9		12	321-8642 . . . . .	272
	1044	310-4188 . . . . .	347		13		274
	347		349		▶73	321-8649 . . . . .	459
306-4014 . . . . .	349		351	315-6645 . . . . .	579		461
	351		353	315-9859 . . . . .	274		462
	353		355		288	321-8671 . . . . .	779
	355		357		380		782
	357		359		381		785
	359		361		507		833
	361	310-7612 . . . . .	73		572		837
	363	311-1433 . . . . .	▶495		573		840
307-1610 . . . . .	62	311-1434 . . . . .	495		574		843
307-2575 . . . . .	▶517	311-1435 . . . . .	495	316-1434 . . . . .	1116		846
	▶519	311-1436 . . . . .	▶702		▶1119		850
307-2671 . . . . .	86	311-1437 . . . . .	702		1126	322-8542 . . . . .	▶22
	272	311-1438 . . . . .	702	316-1807 . . . . .	462	322-8543 . . . . .	▶23
	368	311-1440 . . . . .	▶539	316-5989 . . . . .	1116	323-1682 . . . . .	▶95
	369	311-1441 . . . . .	▶575		1126	324-0671 . . . . .	▶828
	370	311-6117 . . . . .	▶737	316-5991 . . . . .	1116	324-0672 . . . . .	▶831
	371	313-1354 . . . . .	1066		1126	324-6803 . . . . .	1138
	377	313-1355 . . . . .	▶1066	316-5999 . . . . .	1116	324-9210 . . . . .	621
	450	313-1356 . . . . .	1068		1126	326-1643 . . . . .	769

# PART NUMBER INDEX

Part	Page	Part	Page	Part	Page	Part	Page
326-1644	767		1052	350-3657	833	357-4572	462
326-4512	63	338-3454	▶1048	350-7594	▶997	357-4573	462
	65	338-4562	272	351-0588	▶215	357-4574	461
327-1013	▶10	339-0022	1	351-0589	▶205		462
327-1014	▶11		10	351-0913	422	357-4575	461
327-2107	▶12		12	351-6672	▶968	357-4576	462
328-4236	297	339-0996	▶965	351-6673	87	357-4577	462
	▶407	340-5704	▶56	351-7075	▶87	357-4586	514
328-4238	407	341-1429	543		968		519
	▶408		545	351-8282	▶566	357-4588	507
328-4242	298		551	352-1610	23	357-4589	507
	▶409		553		27		514
328-8410	920		559		▶195		519
329-0223	54		561	352-2826	63	357-4590	507
329-0361	▶157		566	352-3449	▶534	357-4591	602
329-5451	779	341-3883	2	352-3450	▶535		609
	782		13	352-8990	▶755		615
	785	341-6804	105	352-9767	▶1051		626
	833		107		1054		632
	837		109	353-5102	779	357-4612	1178
	840		▶118		782	357-4613	1178
	843	341-7343	▶1184		785	357-4614	1178
	846	341-7344	1184		833	357-6231	▶291
	850		▶1186		837	357-7335	779
	874	343-4835	429		840		782
329-5459	863	343-5527	767		843		850
330-1919	22		769		846		874
	25	343-8115	35		850	357-7445	▶833
	▶193		45		875	358-4889	1064
331-0052	163		163	353-5108	846	358-5517	1072
331-6081	▶1047		291		850	358-5521	▶1072
332-4696	305	343-8121	35		875	358-8535	▶837
332-4697	305		45	353-5124	553	358-8536	▶779
	308		163		559	358-8537	▶782
	312		291	353-5125	373	358-8538	▶840
	319	343-9866	65		374	358-8539	▶843
332-7297	72	344-2359	▶13	353-5126	86	358-8541	▶846
332-7298	71	344-6076	66		163	358-8542	▶850
332-8555	770	344-6077	14		368	358-9617	▶785
	788		▶66		369	359-0814	▶874
333-1184	▶920	345-4072	▶24		370	359-0900	▶477
334-6832	365		▶25		371	359-0920	▶1074
335-1893	340	345-4073	▶26		373	359-1903	785
	▶346		▶27		375		840
335-2317	8	346-1612	▶14		377	359-3516	833
	▶217	346-3674	49		450		837
335-6328	53		▶57		553		843
	54	346-6615	363		559		846
336-2213	578	346-6616	347	353-5130	35	361-3728	▶1203
	▶579		349	353-5134	772	362-0105	956
336-8613	777		351		788	362-3292	▶1054
	791		353	353-5140	519	362-9031	▶415
	799		355		559	367-4112	5
	806		357		563		
	810		359	353-5141	559		
	815		361	353-5299	▶1068		
	819	347-0428	17	353-9982	276		
	824		▶194		279		
	831	347-7963	394		▶365		
	869	348-7743	297	354-0049	1074		
336-8955	68		298	356-5212	25		
338-1121	▶963	349-5289	▶980		27		
338-1122	▶964	349-5290	▶242		216		
338-3453	1023	349-8519	494		217		
	1048	350-3656	785	357-4570	461		







**SEBP3815-39  
VOLUME I  
Pages 1-636**

**C15 Industrial Engine**

**JRE1-Up**