

Parts Manual



See "General Information"
for New Parts Manual
Features.

G3616 GENERATOR AND INDUSTRIAL

BLB1-Up (Engine)

This Parts Manual is also available in .PDF Format on Compact Disc
(CD-ROM) - Caterpillar Form No. SERP3795.

Product and Dealer Information

Note: For product identification plate locations, see the section "Product Identification Information" in the Operation and Maintenance Manual.

Delivery Date: _____

Product Information

Model: _____

Product Identification Number: _____

Engine Serial Number: _____

Transmission Serial Number: _____

Generator Serial Number: _____

Attachment Serial Numbers: _____

Attachment Information: _____

Customer Equipment Number: _____

Dealer Equipment Number: _____

Dealer Information

Name: _____ Branch: _____

Address: _____

Dealer Contact

Phone Number

Hours

Sales: _____

Parts: _____

Service: _____

MEMORANDA

TABLE OF CONTENTS

| Name | Page | Name | Page |
|---|------|---|------|
| GENERAL INFORMATION | A3 | PLUG GP-ENGINE | 156 |
| REPAIR ALTERNATIVES | A5 | PRECHAMBER GP | 157 |
| SUPPLEMENTAL COOLANT ADDITIVES | A6 | PUMP GP-GEAR | 165 |
| MAINTENANCE PARTS | A7 | ROCKER ARM GP | 167 |
| INDEX | A11 | SEAL GP-CRANKSHAFT | 171 |
| BASIC ENGINE | 1 | SHAFT GP-STUB | 172 |
| ADAPTER GP-AUXILIARY DRIVE | 1 | VALVE GP-MANUAL | 173 |
| BARRING & MOUNTING GP | 2 | VALVE MECHANISM GP | 174 |
| BRACKET GP-SHIPPING | 6 | LUBRICATION SYSTEM | 176 |
| CAMSHAFT AS | 7 | BREATHER GP | 176 |
| CAMSHAFT GP | 15 | CAP GP-ENGINE OIL FILLER | 178 |
| CONNECTING ROD GP | 23 | COVER GP-SCAVENGE PUMP | 179 |
| COUPLING AS-FLEXIBLE | 25 | DRAIN GP-OIL | 180 |
| COUPLING GP-FLEXIBLE | 27 | FILTER GP-ENGINE OIL | 185 |
| COVER GP-CAMSHAFT | 29 | GAUGE AS-OIL LEVEL (DIPSTICK) | 190 |
| COVER GP-CYLINDER BLOCK | 31 | GUIDE GP-OIL LEVEL GAUGE | 191 |
| COVER GP-ENGINE LIFTING EYE | 37 | LINES GP-ENGINE OIL | 192 |
| COVER GP-FRONT HOUSING | 38 | LINES GP-LUBE OIL | 205 |
| COVER GP-GEAR INSPECTION | 40 | LINES GP-TURBOCHARGER OIL | 207 |
| COVER GP-REAR HOUSING | 41 | PUMP GP-ENGINE OIL | 211 |
| COVER GP-VALVE MECHANISM | 43 | PUMP GP-PRELUBRICATION | 217 |
| CRANKSHAFT AS | 46 | REGULATOR GP-OIL LEVEL | 223 |
| CRANKSHAFT GP | 48 | VALVE GP-PRIORITY | 225 |
| CYLINDER BLOCK AS | 50 | COOLING SYSTEM | 226 |
| CYLINDER BLOCK GP | 52 | BRACKET AS-WATER REGULATOR | 226 |
| CYLINDER HEAD AS | 57 | CONNECTION GP-WATER | 227 |
| CYLINDER HEAD GP | 67 | CONNECTION-FLEXIBLE | 237 |
| DAMPER GP | 91 | COOLER GP-ENGINE OIL | 238 |
| DRAIN GP-ENGINE OIL | 97 | COVER GP | 241 |
| DRIVE GP-ACCESSORY | 102 | COVER GP-COOLING SYSTEM | 241 |
| DRIVE GP-TIMING & SPEED | 106 | COVER GP-EXPANSION TANK | 246 |
| FLYWHEEL GP | 108 | HOUSING & REGULATOR GP | 247 |
| GEAR GP-FRONT | 110 | JOINT AS-TUBE | 275 |
| GEAR GP-REAR | 111 | LINES GP-COOLANT DRAIN | 278 |
| GEAR GP-RING | 115 | LINES GP-OIL COOLER | 279 |
| GUARD GP-BELT | 116 | LINES GP-WATER | 286 |
| GUARD GP-COUPLING | 118 | PUMP GP-WATER | 339 |
| GUARD GP-DAMPER | 119 | REGULATOR GP-TEMPERATURE | 347 |
| GUARD GP-FLYWHEEL | 124 | TANK GP-EXPANSION | 349 |
| HOUSING GP-FLYWHEEL | 127 | AIR INLET AND EXHAUST SYSTEM | 351 |
| HOUSING GP-FRONT | 129 | ADAPTER GP-AIR CLEANER | 351 |
| HOUSING GP-REAR | 131 | ADAPTER GP-EXHAUST FITTING | 356 |
| LIFTER GP-VALVE | 133 | AFTERCOOLER GP-TREATED | |
| LIFTING GP-ENGINE | 134 | WATER | 357 |
| MOUNTING GP-ALTERNATOR | 135 | AFTERCOOLER GP-WATER | 359 |
| MOUNTING GP-ENGINE | 143 | AIR CLEANER GP | 360 |
| PAN AS-OIL | 148 | BYPASS GP-EXHAUST | 369 |
| PAN GP-OIL | 149 | CARTRIDGE GP-TURBOCHARGER | 381 |
| PISTON & ROD GP | 150 | CLEANER GP-TURBOCHARGER | 385 |
| PISTON AS | 155 | CONVERTER GP-CATALYTIC | 387 |
| | | CORE AS-AFTERCOOLER | 388 |
| | | DIFFUSER | 389 |

TABLE OF CONTENTS

| Name | Page | Name | Page |
|---|------------|---|------------|
| ELBOW GP-AIR INLET | 390 | MOTOR STARTER | 600 |
| FITTING GP-EXHAUST | 393 | SENSOR GP-COMBUSTION | 601 |
| FLANGE GP-EXHAUST | 395 | SENSOR GP-PRESSURE | 609 |
| INDICATOR GP-AIR FILTER CHANGE | 397 | SENSOR GP-SPEED | 610 |
| LINES GP-AIR | 398 | SENSOR GP-TEMPERATURE | 611 |
| MANIFOLD GP-EXHAUST | 436 | SILENCER GP-AIR STARTING | 616 |
| MOUNTING GP-AIR CLEANER | 443 | STARTING MOTOR GP-AIR | 617 |
| MOUNTING GP-BELLOWS | 445 | STRAINER GP-AIR LINES | 630 |
| MOUNTING GP-TURBOCHARGER | 446 | SWITCH AS-PRESSURE | 631 |
| PRECLEANER GP | 448 | SWITCH GP-LIQUID LEVEL | 632 |
| SHIELD GP-AIR CLEANER | 449 | TRANSFORMER GP-POTENTIAL | 634 |
| SHIELD GP-MANIFOLD | 451 | VALVE GP-SOLENOID | 635 |
| TURBOCHARGER GP | 458 | WIRE AS | 646 |
| | | WIRING GP-ENGINE | 647 |
| FUEL SYSTEM | 470 | OPERATOR STATION | 675 |
| ACTUATOR GP-ELECTRONIC | 470 | BOX GP-CONTROL PANEL | 675 |
| CONNECTION GP-GAS INLET | 474 | DISPLAY GP-MONITOR | 692 |
| CONTROL AS-GOVERNOR | 476 | MODULE GP-DISPLAY | 693 |
| CONTROL GP-FUEL | 478 | MODULE GP-KEYPAD | 694 |
| COUPLING GP-SHAFT | 495 | MODULE GP-SYSTEM | |
| FILTER GP-FUEL | 496 | COMMUNICATION | 696 |
| HOSE AS-FUEL | 497 | PANEL GP-CONTROL | 698 |
| LINES GP-GAS | 498 | ENCLOSURES, GUARDS AND BASES | 701 |
| MOUNTING GP-FUEL FILTER | 506 | BASE AS | 701 |
| MOUNTING GP-GAS PRESS MODULE | 507 | MODULE AS-ACCESSORY | 705 |
| ORIFICE | 508 | MOUNTING GP-GENERATOR BASE | 707 |
| REGULATOR GP-GAS PRESSURE | 511 | SUPPORT GP-ACCESSORY MODULE | 709 |
| TANK & MTG GP-HYDRAULIC | 515 | SUPPORT GP-COUPLING GUARD | 713 |
| TANK GP-HYDRAULIC | 517 | GENERATORS | 714 |
| VALVE-NEEDLE | 518 | MOUNTING GP-GENERATOR | 714 |
| ELECTRICAL AND STARTING SYSTEM | 520 | SERVICE EQUIPMENT AND SUPPLIES | 720 |
| ALTERNATOR GP-CHARGING | 520 | CHART-PLATE & FILM | 720 |
| BOX AS-CONTROL | 524 | COVER GP-SHIPPING | 721 |
| BOX AS-JUNCTION | 526 | COVER-TARP | 722 |
| CABLE AS-COMMUNICATION | 528 | KIT-TURBOCHARGER REPAIR | 725 |
| CONTROL GP-COMMUNICATION | 528 | KIT-TURBOCHARGER SEAL | 725 |
| CONTROL GP-ELECTRONIC | 529 | PART NUMBER INDEX | B1 |
| CONTROL GP-ENG RATINGS ELEK | 530 | | |
| CONTROL GP-ENGINE ELECTRONIC | 531 | | |
| CONTROL GP-GAS PRESSURE | 534 | | |
| CONTROL GP-UNPROGRAMMED | 540 | | |
| CONVERSION GP-WIRING | 542 | | |
| HARNESS AS | 544 | | |
| HARNESS AS-CONTROL | 544 | | |
| HARNESS AS-MONITOR | 546 | | |
| HARNESS AS-PANEL | 546 | | |
| HARNESS AS-WIRING | 546 | | |
| HEATER GP-COOLANT & ENGINE OIL | 547 | | |
| HEATER GP-JACKET WATER | 549 | | |
| IGNITION GP-GAS ENGINE | 555 | | |
| INSTALLATION GP-COMMUNICATION | 565 | | |
| LINES GP-AIR STARTING | 566 | | |
| LINES GP-JACKET WATER HEATER | 594 | | |
| LUBRICATOR GP-AIR MOTOR | 596 | | |

GENERAL INFORMATION

1. ENGINE IDENTIFICATION

Caterpillar 3600 family of engines are identified with serial numbers and Engine Shipping Order Numbers. The serial number plate is mounted on the engine.

Caterpillar dealers need this information to determine which components were included on the engine when it was assembled at the factory. This permits accurate identification of replacement part numbers.

2. ORDERING PARTS



When replacement parts are required for this product Caterpillar recommends using Caterpillar replacement parts or parts with equivalent specifications including, but not limited to, physical dimensions, type, strength and material.

Failure to heed this warning can lead to premature failures, product damage, personal injury or death.

Quality Caterpillar replacement parts are available from Caterpillar dealers throughout the world. Their parts inventories are up to date and include all parts normally required to protect your investment in Caterpillar Engines. Dealers may offer repair kits or remanufactured parts to allow selection of the most effective repair alternative for a particular situation. When ordering parts, your order should specify the quantity, part number, part name, and the serial number/product identification number of the engine for which the parts are needed.

3. PARTS MANUAL ORGANIZATION

Product information in this manual is presented as "information elements" that represent all of the components for the specific model. An Engine Arrangement is an example of an information element. The information elements are organized alphabetically by part name and secondarily by part number within each major section of the manual.

4. TABLE OF CONTENTS

A table of contents (TOC) is found at the beginning of the manual. The TOC lists each section of the manual with a complete list of all information elements organized as they appear in the manual. Page numbers are provided for quick reference to detailed parts identification illustrations and serviceable consist lists.

5. MAINTENANCE PARTS INDEX

The Maintenance Parts Index, located near the beginning of the manual, references most frequently used maintenance part numbers, providing description, quantity, usage and page number. This information is organized alphabetically by part description.

6. INDEX

The index located near the front of the manual is an alphabetical listing of all information elements included in the manual. Page numbers are provided for quick reference to detailed parts identification illustrations and serviceable consist lists.

7. PART NUMBER INDEX

A numerical index listing all part numbers and the corresponding page number(s) appears at the back of the manual.

8. CAPTIONS

Captions located at the beginning of each information element identify the part number and part name along with additional descriptive information. S/N information found in each caption should be used to select correct information for a specific engine. Field replacement options, identification of optional attachment components, and where used ("part of") information is also provided.

The first line of a caption is shown in larger type font to indicate the beginning of an information element. Captions for additional pages that may be required to illustrate an information element will be shown in standard type font and will include the term (*contd.*) .

9. NON-SERVICED PARTS

In some instances it is necessary to display non-serviced parts that are a link to lower level serviceable consist lists. These non-serviced part numbers are shown in *italic* type indicating that they are not available. All consist lists have not been converted to reflect this enhancement.

GENERAL INFORMATION

10. PARTS LIST REFERENCE NUMBERS

Numbers shown in the Ref No column correspond to numbers used in the associated graphic(s). An alphabetic suffix may be added to a reference number to identify lower level consist items. Numbers shown in the Graphic Ref column refer to the graphic number identifier displayed in the lower left corner of each illustration. The Graphic Ref number may be used in combination with the item Ref No to determine the correct part number. There may be intentional omission of a Ref No in a consist list as information is updated to reflect the latest serviceable part numbers.

11. INDENTED PART NAMES

When a part name is indented in a parts list, it is part of (included in) the group or assembly under which it is indented.

12. ILLUSTRATION REFERENCE LETTERS

When necessary, illustrations contain reference letters (A, B, C etc.) that are intended to track lines and harnesses from one point to another. They are also used to show where to reconnect illustrations that have been separated.

13. ABBREVIATIONS AND SYMBOLS

O.D. – Outside Diameter
I.D. – Inside Diameter
A – Not Part Of This Group
B – Use As Required
C – Change From Previous Type
D – Order By The Meter
E – Order By The Centimeter
F – Not Shown
G – Order By The Inch
I – Refer To Hydraulic Information System
M – Metric Part
R – Remfg Part May Be Available
Y – Separate Illustration
Z – Not Serviced Separately

 *New Feature*

14. DESCRIPTION OF TYPE CHANGES

Type - A type is defined as any configuration change that requires an additional Information Element for an Arrangement, Group, or Assembly. If serial number breaks for types are not available, a type # (Type 1, Type 2, etc.) will be displayed in the caption. These "type" changes are identified with a "C" note (change from previous type) in the Parts List. Only the "types" that apply to this Parts Manual will be included. Additional types may exist causing "C" notes to appear on an Information Element when no other types are shown.

15. <END>

This symbol indicates the end of an information element.

NOTE:

Continuing improvement and advancement of product design may cause changes to your engine which may not be included in this publication. Whenever a question arises regarding your Caterpillar product or this publication, please consult your Caterpillar dealer for the latest available information.

SEE TECHNICAL MANUALS FOR ALL PACKAGING ARRANGEMENTS

This manual is shipped with all 3600 Engines and contains major components not serviced by Caterpillar. Contact Lafayette plant for further information.

Telephone: 765-448-2200

7:30 AM - 4:00 PM EST USA

Internet e-mail:

LECservicesupport@cat.com

Website:

<https://lecservicesupport.cat.com>

REPAIR ALTERNATIVES

REMANUFACTURED COMPONENTS

As an option when making repairs consider Caterpillar Remanufactured Components. Components that are available through the Caterpillar Remanufactured Program are identified three ways in the parts book:

- with the letter R in the note field of the parts list
- with an R* at the beginning of the first line of the caption
- with an *R at the end of the first line of the caption

Typical components included in the Remanufacturing Program for 3600 Series Engines include:

CONNECTING RODS
CYLINDER HEADS
FUEL INJECTORS
OIL COOLERS
OIL PUMPS
WATER PUMPS

Check with your local Caterpillar Dealer for the availability of Remanufactured Components.

SUPPLEMENTAL COOLANT ADDITIVES

CUSTOMER BENEFITS:

Protects against cavitation, foam, erosion, corrosion, and scale buildup in cooling systems.

- Provides measured coolant conditioner.

DESCRIPTION:

Additives deplete from the coolant with normal operation. For this reason, Supplemental Coolant Additives (SCA) must be added to all heavy duty coolants at regular intervals. In addition, when not using a fully formulated, pre-charged antifreeze, like Caterpillar's DEAC, an initial charge of SCA must be added to the cooling system. The amount of SCA added to the system is dependent on the capacity of the system.

The SCA for initial fill is provided as a liquid. SCA's for maintenance intervals are available in liquid form and as a spin-on element. (No Spin-on available for 3600 Family of Engines)

NOTE:

The amount of SCA added at initial fill is not the same as the amount added at maintenance intervals.

The coolant additive elements can be used with any ethylene or propylene glycol type antifreeze which meets ASTM D4985 or ASTM D5345 Specifications.

NOTE:

For use with standard heavy duty coolant only, not for use with Extended Life Coolant.

PARTS NEEDED:

| Cooling System Capacity | | Liquid SCA at Initial Fill | Liquid SCA at Maintenance* | Spin-on SCA Maintenance Element* |
|-------------------------|---------|----------------------------|-----------------------------|----------------------------------|
| Liters | Gallons | | | |
| 22-30 | (6-8) | 3P-2044 (1) | 6V-3542 (1) | 111-2370 (1) |
| 30-38 | (8-10) | 3P-2044 (1) 6V-3542 (1) | 111-2372 (1) | 111-2369 (1) |
| 38-49 | (10-13) | 3P-2044 (1) 8T-1589 (1) | 111-2372 (1) | 111-2369 (1) |
| 49-64 | (13-17) | 3P-2044 (2) | 8T-1589 (1) | 9N-3368 (1) |
| 64-83 | (17-22) | 3P-2044 (2) 8T-1589 (1) | 111-2372 (1) 6V-3542 (1) | 111-2371 (1) |
| 83-114 | (22-30) | 3P-2044 (3) 8T-1589 (1) | 3P-2044 (1) | 9N-3718 (1) |
| 114-163 | (30-43) | 3P-2044 (5) | 3P-2044 (1) 6V-3542 (1) | 111-2371 (2) |
| 163-242 | (43-64) | 3P-2044 (8) | 3P-2044 (2) | 9N-3718 (2) |

* Normal maintenance period is 250 hrs. See your Operation and Maintenance Manual for complete coolant maintenance instructions.

() Indicates quantity required.

MAINTENANCE PARTS

| DESCRIPTION | PART NUMBER | QTY | WHERE USED | PAGE |
|-------------------------------------|----------------|-----|------------------------------|------|
| AIR INLET AND EXHAUST SYSTEM | | | | |
| FILTER ELEMENT AS-AIR | 2W-4246 | 1 | AIR CLEANER GP | 360 |
| FILTER ELEMENT AS-AIR (PRIMARY) | 105-9741 | 3 | AIR CLEANER GP | 362 |
| | | 2 | AIR CLEANER GP | 365 |
| | | 3 | AIR CLEANER GP | 366 |
| | | 2 | AIR CLEANER GP | 367 |
| SEAL-INTEGRAL | 130-1288 | 8 | AFTERCOOLER GP-TREATED WATER | 357 |
| | | 8 | AFTERCOOLER GP-WATER | 359 |
| BASIC ENGINE | | | | |
| BELT-SERPENTINE | 141-7116 | 1 | MOUNTING GP-ALTERNATOR | 137 |
| | | 1 | MOUNTING GP-ALTERNATOR | 139 |
| | | 1 | MOUNTING GP-ALTERNATOR | 141 |
| | | 1 | MOUNTING GP-ALTERNATOR | 142 |
| | 7E-4841 | 1 | MOUNTING GP-ALTERNATOR | 135 |
| CAP GP-ENGINE OIL FILLER | 7E-1659 | 1 | COVER GP-CYLINDER BLOCK | 31 |
| | | 1 | COVER GP-CYLINDER BLOCK | 35 |
| | | 1 | COVER GP-VALVE MECHANISM | 44 |

MAINTENANCE PARTS

| DESCRIPTION | PART NUMBER | QTY | WHERE USED | PAGE |
|--|----------------|-----|--------------------------|------|
| COOLING SYSTEM | | | | |
| CAP GP-COOLANT FILLER | 294-9052 | 1 | TANK GP-EXPANSION | 349 |
| CAP-PRESSURE (7-PSI) | 4N-3311 | 1 | TANK GP-EXPANSION | 349 |
| REGULATOR-TEMPERATURE (85-DEG C) | 120-9453 | 8 | HOUSING & REGULATOR GP | 252 |
| | | 8 | HOUSING & REGULATOR GP | 253 |
| | | 4 | LINES GP-OIL COOLER | 279 |
| | | 4 | LINES GP-OIL COOLER | 281 |
| | | 4 | LINES GP-OIL COOLER | 283 |
| REGULATOR-WATER TEMPERATURE | 109-2327 | 8 | HOUSING & REGULATOR GP | 265 |
| | | 8 | HOUSING & REGULATOR GP | 266 |
| | 174-3504 | 8 | HOUSING & REGULATOR GP | 257 |
| | | 8 | HOUSING & REGULATOR GP | 272 |
| | 196-0431 | 8 | HOUSING & REGULATOR GP | 273 |
| | 204-6707 | 8 | HOUSING & REGULATOR GP | 268 |
| | 204-6708 | 8 | HOUSING & REGULATOR GP | 270 |
| | 283-7776 | 8 | REGULATOR GP-TEMPERATURE | 347 |
| | 6I-4952 | 8 | HOUSING & REGULATOR GP | 249 |
| | | 8 | HOUSING & REGULATOR GP | 251 |
| | | 8 | HOUSING & REGULATOR GP | 256 |
| | 6I-4953 | 8 | HOUSING & REGULATOR GP | 247 |
| | | 8 | HOUSING & REGULATOR GP | 259 |
| REGULATOR-WATER TEMPERATURE (120-DEG C) | 142-9675 | 8 | HOUSING & REGULATOR GP | 255 |
| REGULATOR-WATER TEMPERATURE (98-DEG C) | 174-6584 | 8 | HOUSING & REGULATOR GP | 254 |
| | | 8 | HOUSING & REGULATOR GP | 261 |
| | | 8 | HOUSING & REGULATOR GP | 263 |
| SEAL-LIP TYPE | 3S-9643 | 8 | HOUSING & REGULATOR GP | 247 |
| | | 8 | HOUSING & REGULATOR GP | 249 |
| | | 8 | HOUSING & REGULATOR GP | 251 |
| | | 8 | HOUSING & REGULATOR GP | 252 |
| | | 8 | HOUSING & REGULATOR GP | 253 |
| | | 8 | HOUSING & REGULATOR GP | 254 |
| | | 8 | HOUSING & REGULATOR GP | 255 |
| | | 8 | HOUSING & REGULATOR GP | 256 |
| | | 8 | HOUSING & REGULATOR GP | 259 |
| | | 8 | HOUSING & REGULATOR GP | 261 |
| | | 8 | HOUSING & REGULATOR GP | 263 |
| | | 8 | HOUSING & REGULATOR GP | 265 |
| | | 8 | HOUSING & REGULATOR GP | 266 |
| | | 8 | HOUSING & REGULATOR GP | 268 |
| | | 8 | HOUSING & REGULATOR GP | 272 |
| | | 8 | HOUSING & REGULATOR GP | 273 |
| | | 4 | LINES GP-OIL COOLER | 279 |
| | | 4 | LINES GP-OIL COOLER | 281 |
| | | 4 | LINES GP-OIL COOLER | 283 |
| | | 8 | REGULATOR GP-TEMPERATURE | 347 |
| SEAL-LIP TYPE (TEMPERATURE REGULATOR) | 3S-9643 | 8 | HOUSING & REGULATOR GP | 257 |
| | | 8 | HOUSING & REGULATOR GP | 270 |

MAINTENANCE PARTS

| DESCRIPTION | PART NUMBER | QTY | WHERE USED | PAGE |
|---|----------------|-----|--------------------------------|------|
| ELECTRICAL AND STARTING SYSTEM | | | | |
| ELEMENT AS-ENGINE OIL HEATER | 300 - 1311 | 1 | HEATER GP-COOLANT & ENGINE OIL | 547 |
| ELEMENT AS-JACKET WATER HEATER | 300 - 1312 | 1 | HEATER GP-COOLANT & ENGINE OIL | 547 |
| FUSE (2-AMPERE) | 4P - 5147 | 1 | HEATER GP-COOLANT & ENGINE OIL | 547 |
| | | 1 | HEATER GP-JACKET WATER | 549 |
| | | 1 | HEATER GP-JACKET WATER | 550 |
| | | 1 | HEATER GP-JACKET WATER | 552 |
| | | 2 | HEATER GP-JACKET WATER | 549 |
| FUSE (3-AMPERE) | 4P - 5146 | 2 | HEATER GP-JACKET WATER | 550 |
| | | 2 | HEATER GP-JACKET WATER | 552 |
| | | 2 | HEATER GP-JACKET WATER | 552 |
| GASKET-SPARK PLUG | 9Y - 6792 | 1 | IGNITION GP-GAS ENGINE | 555 |
| | | 16 | IGNITION GP-GAS ENGINE | 561 |
| SCREEN | 131 - 1460 | 1 | LINES GP-AIR STARTING | 569 |
| SCREEN-STRAINER (STARTING MOTOR AIR LINES) | 146 - 5216 | 1 | STRAINER GP-AIR LINES | 630 |
| SPARK PLUG | 194 - 8518 | 1 | IGNITION GP-GAS ENGINE | 559 |
| SPARK PLUG (IGNITION) | 194 - 8518 | 16 | IGNITION GP-GAS ENGINE | 555 |
| | | 16 | IGNITION GP-GAS ENGINE | 557 |
| | | 16 | IGNITION GP-GAS ENGINE | 561 |
| | | 16 | IGNITION GP-GAS ENGINE | 563 |
| | 243 - 4291 | 16 | IGNITION GP-GAS ENGINE | 561 |
| | | 16 | IGNITION GP-GAS ENGINE | 563 |
| FUEL SYSTEM | | | | |
| BREATHER (HYDRAULIC TANK) | 143 - 4880 | 1 | TANK GP-HYDRAULIC | 517 |
| CAP-FILLER (HYDRAULIC TANK) | 7H - 1447 | 1 | TANK GP-HYDRAULIC | 517 |
| FILTER ELEMENT (GAS) | 4P - 2222 | 1 | REGULATOR GP-GAS PRESSURE | 511 |
| | | 1 | REGULATOR GP-GAS PRESSURE | 512 |
| | | 1 | REGULATOR GP-GAS PRESSURE | 513 |
| FILTER ELEMENT-FUEL (GAS) | 4P - 4721 | 1 | FILTER GP-FUEL | 496 |
| LUBRICATION SYSTEM | | | | |
| BREATHER AS (CRANKCASE) | 4W - 3027 | 4 | BREATHER GP | 176 |
| | | 4 | BREATHER GP | 177 |
| CAP-FILLER (ENGINE OIL) | 4P - 6979 | 1 | CAP GP-ENGINE OIL FILLER | 178 |
| FILTER ELEMENT-ENGINE OIL | 179 - 1502 | 6 | FILTER GP-ENGINE OIL | 185 |
| | | 6 | FILTER GP-ENGINE OIL | 187 |
| FILTER-OIL (ADVANCED EFFICIENCY) | 1G - 8878 | 1 | FILTER GP-ENGINE OIL | 189 |
| SCREEN AS-SUCTION | 9Y - 3307 | 1 | LINES GP-ENGINE OIL | 192 |

MAINTENANCE PARTS

| DESCRIPTION | PART NUMBER | QTY | WHERE USED | PAGE |
|--------------------------------|----------------|-----|-----------------------------------|------|
| OPERATOR STATION | | | | |
| BATTERY (LITHIUM) (3-VOLT) | 101 - 1785 | 1 | MODULE GP-SYSTEM COMMUNICATION | 696 |
| CIRCUIT BREAKER AS (16-AMPERE) | 114 - 1143 | 1 | BOX GP-CONTROL PANEL | 676 |
| | | 1 | BOX GP-CONTROL PANEL | 678 |
| CIRCUIT BREAKER AS (6-AMPERE) | 125 - 8019 | 1 | BOX GP-CONTROL PANEL | 676 |
| | | 1 | BOX GP-CONTROL PANEL | 678 |
| FUSE (15-AMPERE) | 036 - 5774 | 1 | BOX GP-CONTROL PANEL | 680 |
| FUSE (6-AMPERE) | 233 - 8091 | 1 | BOX GP-CONTROL PANEL | 680 |
| LAMP (24-VOLT) | 3E - 1814 | 1 | PANEL GP-CONTROL | 698 |
| LAMP (24-VOLT) (24-VOLT) | 3E - 1814 | 1 | BOX GP-CONTROL PANEL | 684 |
| | | 1 | BOX GP-CONTROL PANEL | 687 |
| | | 1 | BOX GP-CONTROL PANEL | 687 |
| LAMP (24-VOLT) (RED) | 116 - 5270 | 1 | BOX GP-CONTROL PANEL | 684 |
| | | 1 | BOX GP-CONTROL PANEL | 687 |
| | | 1 | PANEL GP-CONTROL | 698 |
| LAMP-INDICATOR (24-VOLT) | 153 - 5040 | 1 | BOX GP-CONTROL PANEL | 684 |
| | | 1 | BOX GP-CONTROL PANEL | 687 |
| | | 1 | PANEL GP-CONTROL | 698 |
| | 153 - 5042 | 1 | BOX GP-CONTROL PANEL | 684 |
| | | 1 | BOX GP-CONTROL PANEL | 687 |
| | | 1 | PANEL GP-CONTROL | 698 |

INDEX

| Name | Page | Name | Page |
|------------------------------------|------|--------------------------------------|------|
| A | | | |
| ACTUATOR GP-ELECTRONIC | 470 | BREATHING (HYDRAULIC TANK) | 517 |
| | 471 | BREATHING AS (CRANKCASE) | 176 |
| | 472 | | 177 |
| | 473 | BREATHING GP-CRANKCASE | 176 |
| ADAPTER GP-AIR CLEANER | 351 | | 177 |
| | 352 | BUFFER GP-SENSOR | 656 |
| | 353 | | 670 |
| | 354 | BYPASS GP-EXHAUST | 369 |
| | 355 | | 373 |
| ADAPTER GP-AUXILIARY DRIVE | 1 | | 377 |
| ADAPTER GP-EXHAUST FITTING | 356 | BYPASS GP-EXHAUST-WASTEGATE | 370 |
| AFTERCOOLER GP-TREATED WATER | 357 | C | |
| AFTERCOOLER GP-WATER | 359 | CABLE AS-COMMUNICATION | 528 |
| AIR CLEANER GP | 360 | CAMSHAFT AS | 11 |
| | 361 | | 13 |
| | 362 | CAMSHAFT AS-STANDARD ROTATION | 7 |
| | 363 | | 9 |
| | 364 | CAMSHAFT GP | 15 |
| | 365 | | 18 |
| | 366 | CAMSHAFT GP-SINGLE | 21 |
| | 367 | CAP GP-COOLANT FILLER | 349 |
| | 368 | CAP GP-ENGINE OIL FILLER | 31 |
| ALTERNATOR GP-CHARGING | 520 | | 35 |
| | 522 | | 44 |
| B | | | |
| BARRING & MOUNTING GP | 2 | CAP-FILLER (ENGINE OIL) | 178 |
| | 4 | CAP-FILLER (HYDRAULIC TANK) | 517 |
| BASE AS | 701 | CAP-PRESSURE (7-PSI) | 349 |
| | 702 | CARTIDGE GP-TURBOCHARGER | 467 |
| | 703 | CARTRIDGE GP-TURBOCHARGER | 381 |
| | 704 | | 383 |
| BATTERY (LITHIUM) (3-VOLT) | 696 | CHART-PLATE & FILM | 720 |
| BEARING-CAMSHAFT | 52 | CIRCUIT BREAKER AS (16-AMPERE) | 676 |
| | 54 | | 678 |
| BELT-SERPENTINE | 135 | CIRCUIT BREAKER AS (6-AMPERE) | 676 |
| | 137 | | 678 |
| | 139 | CLEANER GP-TURBOCHARGER | 385 |
| | 141 | CONNECTING ROD GP | 23 |
| | 142 | | 24 |
| BOX AS-CONTROL | 524 | CONNECTION GP-GAS INLET | 474 |
| BOX AS-JUNCTION | 526 | | 475 |
| BOX GP-CONTROL PANEL | 675 | CONNECTION GP-WATER | 227 |
| | 676 | | 228 |
| | 678 | | 229 |
| | 680 | | 230 |
| | 682 | | 231 |
| | 684 | | 233 |
| | 687 | | 234 |
| | 690 | | 235 |
| BRACKET AS-WATER REGULATOR | 226 | | 236 |
| BRACKET GP-SHIPPING | 6 | CONNECTION-FLEXIBLE | 237 |
| | | CONTROL AS-GOVERNOR-LOAD SHARE | 476 |
| | | | 477 |

INDEX

| Name | Page | Name | Page |
|---|------|------------------------------------|------|
| CONTROL GP-COMMUNICATION-PL1000E | 528 | COVER GP-GEAR INSPECTION | 40 |
| CONTROL GP-COMMUNICATION-PL1000T | 528 | COVER GP-REAR HOUSING | 41 |
| CONTROL GP-ELECTRONIC | 692 | | 42 |
| CONTROL GP-ELECTRONIC- INTEGRATED COMBUSTION SENSING | 529 | COVER GP-SCAVENGE PUMP | 179 |
| CONTROL GP-ENG RATINGS ELEK | 530 | COVER GP-SHIPPING | 721 |
| CONTROL GP-ENGINE ELECTRONIC | 531 | COVER GP-VALVE MECHANISM | 43 |
| | 532 | | 44 |
| | 533 | COVER-TARP | 723 |
| CONTROL GP-FUEL | 478 | | 724 |
| | 481 | COVER-TARP-3616 | 722 |
| | 484 | CRANKSHAFT AS | 46 |
| | 486 | | 47 |
| | 489 | CRANKSHAFT GP | 48 |
| | 491 | | 49 |
| | 493 | CYLINDER BLOCK AS | 50 |
| CONTROL GP-GAS PRESSURE | 534 | | 51 |
| | 535 | CYLINDER BLOCK GP | 52 |
| | 536 | | 54 |
| | 537 | CYLINDER HEAD AS | 57 |
| | 539 | | 58 |
| CONTROL GP-UNPROGRAMMED | 540 | | 60 |
| | 541 | | 62 |
| CONVERSION GP-WIRING-ADVISOR | 542 | | 63 |
| CONVERTER GP-CATALYTIC | 387 | | 65 |
| COOLANT HEATER LINES | 594 | | 66 |
| COOLER GP-ENGINE OIL | 238 | CYLINDER HEAD GP | 67 |
| | 239 | | 68 |
| CORE AS (AFTERCOOLER) | 357 | | 69 |
| CORE AS (OIL COOLER) | 238 | | 70 |
| | 239 | | 71 |
| CORE AS-AFTERCOOLER | 359 | | 72 |
| | 388 | | 74 |
| CORE GP-OIL COOLER | 238 | | 75 |
| COUPLING AS-FLEXIBLE | 25 | | 76 |
| | 26 | | 77 |
| COUPLING GP-FLEXIBLE | 27 | | 78 |
| | 28 | | 79 |
| COUPLING GP-SHAFT | 495 | | 80 |
| COVER GP | 241 | | 81 |
| COVER GP-CAMSHAFT | 29 | | 82 |
| | 30 | | 84 |
| COVER GP-COOLING SYSTEM | 241 | | 85 |
| | 242 | | 87 |
| | 243 | | 89 |
| | 244 | CYLINDER HEAD GP-BASIC | 73 |
| | 245 | | |
| COVER GP-CYLINDER BLOCK | 31 | | |
| | 35 | | |
| COVER GP-CYLINDER BLOCK- CENTRAL STRUCTURE | 33 | | |
| COVER GP-ENGINE LIFTING EYE | 37 | | |
| COVER GP-EXPANSION TANK | 246 | | |
| COVER GP-FRONT HOUSING | 38 | | |
| | 39 | | |

D

| | |
|---------------------|----|
| DAMPER GP | 91 |
| | 92 |
| | 93 |
| | 94 |
| | 95 |
| | 96 |

INDEX

| Name | Page | Name | Page |
|---|------|---|------|
| DIFFUSER | 389 | | |
| DISPLAY GP-MONITOR | 692 | FLANGE GP-EXHAUST | 394 |
| DISPLAY GP-MONITOR-ADVISOR | 692 | | 396 |
| DRAIN GP-ENGINE OIL | 97 | FLYWHEEL GP | 108 |
| | 98 | | 109 |
| | 99 | FUSE (15-AMPERE) | 680 |
| | 100 | FUSE (2-AMPERE) | 547 |
| | 101 | | 549 |
| DRAIN GP-OIL | 180 | | 550 |
| | 181 | | 552 |
| | 182 | FUSE (3-AMPERE) | 549 |
| | 183 | | 550 |
| | 184 | | 552 |
| DRIVE GP-ACCESSORY | 102 | FUSE (6-AMPERE) | 680 |
| | 104 | | |
| DRIVE GP-TIMING & SPEED | 106 | | |
| | 107 | | |
| | | G | |
| | | GASKET-SPARK PLUG | 555 |
| | | | 561 |
| E | | GAUGE AS-OIL LEVEL (DIPSTICK) | 190 |
| ELBOW GP-AIR INLET | 390 | GAUGE GP-ENGINE OIL PRESSURE | |
| | 391 | (ENGINE OIL) | 185 |
| | 392 | GAUGE GP-PRESSURE | 185 |
| ELEMENT AS-ENGINE OIL HEATER | 547 | GAUGE-SIGHT (LUBRICANT) (FLUID LEVEL) | 596 |
| ELEMENT AS-JACKET WATER HEATER | 547 | GEAR GP-FRONT | 110 |
| | | GEAR GP-REAR | 111 |
| | | | 113 |
| | | GEAR GP-RING | 115 |
| F | | GUARD GP-BELT | 116 |
| FILM (CONTROL PANEL) | 684 | | 117 |
| | 687 | GUARD GP-COUPLING | 118 |
| FILM-CONTROL PANEL | 698 | GUARD GP-DAMPER | 119 |
| FILM-DISPLAY (COMMUNICATION MODULE) | 696 | | 120 |
| FILM-IDENTIFICATION | | | 121 |
| (ENGINE CONTROL MODULE) | 720 | | 122 |
| FILM-INTERFACE | | | 123 |
| (COMMUNICATION MODULE) | 696 | | 124 |
| FILM-KEYPAD | 694 | GUARD GP-FLYWHEEL | 124 |
| | 695 | | 125 |
| FILTER ELEMENT (GAS) | 511 | | 126 |
| | 512 | GUIDE GP-OIL LEVEL GAUGE | 191 |
| | 513 | | |
| FILTER ELEMENT AS-AIR | 360 | | |
| FILTER ELEMENT AS-AIR (PRIMARY) | 362 | | |
| | 365 | H | |
| | 366 | HARNESS AS | 544 |
| | 367 | HARNESS AS-INTERCONNECT | 544 |
| FILTER ELEMENT-ENGINE OIL | 185 | HARNESS AS-CONTROL | 544 |
| | 187 | HARNESS AS-CONTROL (PL1000T) | 565 |
| FILTER ELEMENT-FUEL (GAS) | 496 | HARNESS AS-CONTROL-PL1000E | 545 |
| FILTER GP-ENGINE OIL | 185 | HARNESS AS-CONTROL-PL1000T | 545 |
| | 187 | HARNESS AS-MONITOR | 546 |
| | 189 | HARNESS AS-MONITOR (ADVISOR) | 542 |
| FILTER GP-FUEL | 496 | | 698 |
| FILTER-OIL (ADVANCED EFFICIENCY) | 189 | HARNESS AS-PANEL | 546 |
| FITTING GP-EXHAUST | 393 | | 676 |
| | | | 678 |

INDEX

| Name | Page | Name | Page |
|---|------|--|------|
| | 680 | | 273 |
| HARNES AS-PANEL (CONTROL) | 684 | HOUSING GP-FLYWHEEL | 127 |
| | 687 | HOUSING GP-FRONT | 129 |
| HARNES AS-SENSOR (COMBUSTION) | 601 | | 130 |
| | 602 | HOUSING GP-REAR-GEAR | 131 |
| | 605 | | |
| | 606 | I | |
| HARNES AS-SENSOR (THERMOCOUPLE, LH) (TOP CENTER) | 601 | IGNITION GP-GAS ENGINE | 555 |
| | 605 | | 557 |
| HARNES AS-SENSOR (THERMOCOUPLE, RH) | 601 | | 559 |
| | 605 | | 561 |
| HARNES AS-WIRING | 546 | | 563 |
| HARNES AS-WIRING (IGNITION, LH) | 555 | INDICATOR (AIR FILTER SERVICE) | 397 |
| | 557 | INDICATOR GP-AIR FILTER CHANGE | 35 |
| | 559 | | 44 |
| | 561 | | 397 |
| | 563 | INSTALLATION GP-COMMUNICATION | 565 |
| HARNES AS-WIRING (IGNITION, RH) | 555 | | |
| | 557 | J | |
| | 559 | JOINT AS-TUBE | 275 |
| | 561 | | 276 |
| | 563 | | 277 |
| HARNES AS-WIRING (LEFT SIDE) | 662 | | |
| | 669 | K | |
| HARNES AS-WIRING (LH) | 648 | KIT-BEARING (TURBOCHARGER) | 468 |
| | 655 | KIT-PUMP | 166 |
| HARNES AS-WIRING (RH) | 648 | KIT-SEAL | 166 |
| | 654 | | 597 |
| HARNES AS-WIRING (RIGHT SIDE) | 662 | KIT-SEAL & VANE (AIR STARTING MOTOR) | 618 |
| | 668 | KIT-SEAL (BEARING) (TURBOCHARGER) | 468 |
| HEATER GP-COOLANT & ENGINE OIL | 547 | KIT-SEAL (PUMP GP) | 165 |
| HEATER GP-JACKET WATER | 549 | KIT-TURBOCHARGER REPAIR | 458 |
| | 550 | | 461 |
| | 552 | | 464 |
| | 554 | | 725 |
| HOSE AS-FUEL | 497 | KIT-TURBOCHARGER SEAL | 468 |
| HOUSING & REGULATOR GP | 247 | | 725 |
| | 249 | | |
| | 251 | L | |
| | 252 | LAMP (24-VOLT) | 698 |
| | 253 | LAMP (24-VOLT) (24-VOLT) | 684 |
| | 254 | | 687 |
| | 255 | LAMP (24-VOLT) (RED) | 684 |
| | 256 | | 687 |
| | 257 | | 687 |
| | 259 | LAMP-INDICATOR (24-VOLT) | 684 |
| | 261 | | 687 |
| | 263 | | 698 |
| | 265 | LIFTER GP-VALVE | 133 |
| | 266 | LIFTING GP-ENGINE | 134 |
| | 268 | LINES GP-AIR | 398 |
| | 270 | | |
| | 272 | | |

INDEX

| Name | Page | Name | Page |
|------------------------------------|------|---------------------------------------|------|
| | 399 | | 314 |
| | 400 | | 317 |
| | 402 | | 319 |
| | 406 | | 320 |
| | 410 | | 322 |
| | 414 | | 324 |
| | 418 | | 327 |
| | 420 | | 329 |
| | 422 | | 331 |
| | 424 | | 333 |
| | 426 | | 335 |
| | 430 | | 337 |
| | 432 | LINES GP-WATER-SEPARATE CIRCUIT | 306 |
| | 435 | LUBRICATOR GP-AIR MOTOR | 596 |
| LINES GP-AIR-PRELUBRICATION | 434 | | 597 |
| LINES GP-AIR STARTING | 566 | | 598 |
| | 569 | | 599 |
| | 571 | | 600 |
| | 573 | | |
| | 575 | | |
| | 577 | | |
| | 579 | MANIFOLD GP-EXHAUST | 436 |
| | 581 | | 438 |
| | 584 | MANIFOLD GP-EXHAUST- | |
| | 586 | TURBOCHARGER | 440 |
| | 588 | MODULE AS-ACCESSORY | 705 |
| | 591 | | 706 |
| LINES GP-COOLANT DRAIN | 278 | MODULE GP-DISPLAY-MIDS | 693 |
| LINES GP-ENGINE OIL | 192 | MODULE GP-KEYPAD | 694 |
| | 193 | | 695 |
| | 195 | MODULE GP-SYSTEM COMMUNICATION- | |
| | 199 | CUSTOMER | 696 |
| | 203 | MOTOR STARTER | 600 |
| LINES GP-GAS | 498 | MOUNTING GP-AIR CLEANER | 443 |
| | 502 | | 444 |
| LINES GP-JACKET WATER HEATER | 594 | MOUNTING GP-ALTERNATOR | 135 |
| LINES GP-LUBE OIL | 205 | | 137 |
| LINES GP-OIL COOLER | 279 | | 139 |
| | 281 | | 141 |
| | 283 | | 142 |
| LINES GP-TURBOCHARGER OIL | 207 | MOUNTING GP-BELLOWS-FLEXIBLE | 445 |
| | 209 | MOUNTING GP-CONTROL | |
| LINES GP-WATER | 286 | (ENGINE MONITORING SYSTEM) | 698 |
| | 287 | MOUNTING GP-ENGINE | 143 |
| | 289 | | 144 |
| | 291 | | 145 |
| | 293 | | 146 |
| | 295 | | 147 |
| | 297 | MOUNTING GP-FUEL FILTER | 506 |
| | 300 | MOUNTING GP-GAS PRESS MODULE | 507 |
| | 302 | MOUNTING GP-GENERATOR | 714 |
| | 304 | | 715 |
| | 308 | | 716 |
| | 310 | | 718 |
| | 312 | MOUNTING GP-GENERATOR BASE | 707 |

M

INDEX

| Name | Page | Name | Page |
|--|------|--|------|
| | 708 | | |
| MOUNTING GP-TURBOCHARGER | 446 | | |
| | 447 | | |
| O | | | |
| ORIFICE | 508 | | |
| | 509 | | |
| | 510 | | |
| P | | | |
| PAN AS-OIL | 148 | | |
| PAN GP-OIL | 149 | | |
| PANEL GP-CONTROL | 698 | | |
| PISTON & ROD GP | 150 | | |
| | 151 | | |
| | 152 | | |
| | 153 | | |
| | 154 | | |
| PISTON AS-COMPOSITE | 155 | | |
| PLATE-IDENTIFICATION (EMERGENCY STOP) | 676 | | |
| | 678 | | |
| | 680 | | |
| PLUG GP-ENGINE | 156 | | |
| POTENTIOMETER (ENGINE SPEED) | 546 | | |
| PRECHAMBER GP | 157 | | |
| | 158 | | |
| | 160 | | |
| | 162 | | |
| | 163 | | |
| PRECLEANER GP | 361 | | |
| | 448 | | |
| PUMP GP-ENGINE OIL | 211 | | |
| | 213 | | |
| | 214 | | |
| | 216 | | |
| PUMP GP-GEAR | 165 | | |
| | 166 | | |
| PUMP GP-GEAR (BASIC) | 165 | | |
| PUMP GP-PRELUBRICATION | 217 | | |
| | 218 | | |
| | 220 | | |
| | 221 | | |
| PUMP GP-WATER | 339 | | |
| | 341 | | |
| | 342 | | |
| | 343 | | |
| | 344 | | |
| | 345 | | |
| | | | |
| | | R | |
| | | REGULATOR AS-VOLTAGE (24-VOLT) (ALTERNATOR) | 522 |
| | | REGULATOR GP-GAS PRESSURE | 511 |
| | | | 512 |
| | | | 513 |
| | | | 514 |
| | | REGULATOR GP-OIL LEVEL | 223 |
| | | REGULATOR GP-TEMPERATURE | 347 |
| | | REGULATOR-TEMPERATURE (85-DEG C) | 252 |
| | | | 253 |
| | | | 279 |
| | | | 281 |
| | | | 283 |
| | | REGULATOR-WATER TEMPERATURE | 247 |
| | | | 249 |
| | | | 251 |
| | | | 256 |
| | | | 257 |
| | | | 259 |
| | | | 265 |
| | | | 266 |
| | | | 268 |
| | | | 270 |
| | | | 272 |
| | | | 273 |
| | | | 347 |
| | | REGULATOR-WATER TEMPERATURE (120-DEG C) | 255 |
| | | REGULATOR-WATER TEMPERATURE (98-DEG C) | 254 |
| | | | 261 |
| | | | 263 |
| | | ROCKER ARM GP | 167 |
| | | | 169 |
| | | | |
| | | S | |
| | | SCREEN | 569 |
| | | SCREEN AS-SUCTION | 192 |
| | | SCREEN-STRAINER (STARTING MOTOR AIR LINES) | 630 |
| | | SEAL GP-CRANKSHAFT | 171 |
| | | SEAL GP-FACE | 339 |
| | | | 341 |
| | | SEAL-INTEGRAL | 357 |
| | | | 359 |
| | | SEAL-LIP TYPE | 247 |
| | | | 249 |
| | | | 251 |
| | | | 252 |
| | | | 253 |
| | | | 254 |
| | | | 255 |

INDEX

| Name | Page | Name | Page |
|--|------|--------------------------------------|------|
| | 256 | SENSOR GP-TEMPERATURE | |
| | 259 | (JACKET WATER)..... | 647 |
| | 261 | | 654 |
| | 263 | | 661 |
| | 265 | | 668 |
| | 266 | SENSOR GP-TEMPERATURE | |
| | 268 | (MANIFOLD AIR)..... | 647 |
| | 272 | | 654 |
| | 273 | | 661 |
| | 279 | | 668 |
| | 281 | SENSOR GP-TEMPERATURE (OIL)..... | 647 |
| | 283 | | 654 |
| | 347 | | 661 |
| SEAL-LIP TYPE | | | 668 |
| (TEMPERATURE REGULATOR)..... | 257 | SENSOR GP-TEMPERATURE | |
| | 270 | (THERMOCOUPLE)..... | 601 |
| SENSOR GP-COMBUSTION..... | 601 | | 605 |
| | 605 | SENSOR GP-TEMPERATURE- | |
| SENSOR GP-DETONATION..... | 647 | THERMOCOUPLE..... | 613 |
| | 654 | SENSOR-COMBUSTION..... | 601 |
| | 661 | | 605 |
| | 668 | SHAFT GP-STUB..... | 172 |
| SENSOR GP-PRESSURE..... | 609 | SHIELD GP-AIR CLEANER..... | 449 |
| SENSOR GP-PRESSURE (CRANKCASE)..... | 648 | | 450 |
| | 655 | SHIELD GP-MANIFOLD..... | 451 |
| | 662 | | 453 |
| | 669 | | 456 |
| SENSOR GP-PRESSURE (FILTERED OIL)..... | 647 | SILENCER GP-AIR STARTING..... | 616 |
| | 654 | SOLENOID AS..... | 473 |
| | 661 | SOLENOID AS (GOVERNOR ACTUATOR)..... | 470 |
| | 668 | SPARK PLUG..... | 559 |
| SENSOR GP-PRESSURE | | SPARK PLUG (IGNITION)..... | 555 |
| (JACKET WATER OUTLET)..... | 647 | | 557 |
| | 654 | | 561 |
| | 661 | | 563 |
| | 668 | STARTING MOTOR GP-AIR..... | 617 |
| SENSOR GP-PRESSURE (UNFILTERED OIL)... | 647 | | 618 |
| | 654 | | 620 |
| | 661 | | 621 |
| | 668 | | 624 |
| SENSOR GP-SPEED (ENGINE TIMING)..... | 647 | | 625 |
| | 654 | STARTING MOTOR GP-AIR (TURBINE)..... | 621 |
| SENSOR GP-SPEED (MAGNETIC)..... | 130 | STARTING MOTOR GP-AIR-BASIC..... | 621 |
| SENSOR GP-SPEED (TIMING)..... | 661 | STARTING MOTOR GP-AIR- | |
| | 668 | LOW PRESSURE..... | 627 |
| SENSOR GP-SPEED-ENGINE..... | 610 | | 628 |
| SENSOR GP-TEMPERATURE..... | 611 | STARTING MOTOR GP-AIR-TURBINE..... | 622 |
| | 612 | | 623 |
| | 614 | STRAINER GP-AIR LINES..... | 630 |
| | 615 | SUPPORT GP-ACCESSORY MODULE..... | 709 |
| SENSOR GP-TEMPERATURE (FUEL)..... | 647 | | 710 |
| | 654 | | 711 |
| | 661 | | 712 |
| | 668 | SUPPORT GP-COUPLING GUARD..... | 713 |
| | | SWITCH AS..... | 547 |

INDEX

| Name | Page | Name | Page |
|---|------|---|------|
| | 633 | TANK GP-HYDRAULIC | 517 |
| SWITCH AS (PRESSURE) | 631 | TRANSFORMER GP | 555 |
| SWITCH AS (WATER LEVEL) | 632 | | 561 |
| SWITCH AS-FLOW | 547 | TRANSFORMER GP-POTENTIAL | 557 |
| | 549 | | 634 |
| | 552 | TURBOCHARGER GP | 458 |
| SWITCH AS-FLOW (ENGINE COOLANT) | 550 | | 461 |
| SWITCH AS-PRESSURE | 631 | | 464 |
| SWITCH AS-PRESSURE (GOVERNOR OIL) | 647 | | 467 |
| | 654 | | 468 |
| | 661 | | |
| | 668 | | |
| SWITCH AS-PRESSURE (INLET AIR RESTRICTION, RH, LH) | 648 | V | |
| | 655 | VALVE GP-CONTROL (GAS) | 491 |
| | 662 | | 493 |
| | 669 | VALVE GP-EXPLOSION RELIEF | 31 |
| | | | 35 |
| | | | 44 |
| SWITCH AS-PRESSURE (JACKET WATER INLET) | 647 | VALVE GP-MANUAL- JACKET WATER OUTLET | 173 |
| | 654 | VALVE GP-PRIORITY | 225 |
| | 661 | VALVE GP-RELAY | 569 |
| | 668 | | 571 |
| SWITCH AS-PRESSURE (PRELUBRICATION) | 647 | | 575 |
| | 654 | | 577 |
| | 661 | | 586 |
| | 668 | VALVE GP-SOLENOID | 422 |
| SWITCH AS-PUSH BUTTON (EMERGENCY STOP) | 676 | | 424 |
| | 678 | | 430 |
| | 680 | | 435 |
| | 684 | | 579 |
| | 687 | | 581 |
| | 698 | | 584 |
| SWITCH AS-PUSH BUTTON (LIGHTED) (PRELUBRICATION) | 684 | | 591 |
| | 687 | | 635 |
| | 698 | | 638 |
| SWITCH AS-ROTARY (ENGINE CONTROL) | 687 | | 640 |
| | 698 | | 642 |
| SWITCH GP-LIQUID LEVEL | 632 | | 643 |
| | 633 | | 644 |
| SWITCH-LIQUID LEVEL | 632 | VALVE GP-SOLENOID (GAS SHUTOFF) | 645 |
| | 633 | VALVE GP-SOLENOID-GAS SHUTOFF | 636 |
| SWITCH-LIQUID LEVEL (ENGINE OIL) | 223 | | 636 |
| SWITCH-MOTOR | 549 | VALVE MECHANISM GP | 637 |
| | 550 | | 174 |
| | 552 | VALVE-NEEDLE | 175 |
| SWITCH-MOTOR (PROTECTION) | 547 | | 518 |
| SWITCH-ROTARY (ENGINE CONTROL) | 684 | | 519 |
| T | | W | |
| TANK & MTG GP-HYDRAULIC | 515 | WIRE AS-PRODUCT LINK, SPLICE | 646 |
| TANK GP-EXPANSION | 349 | WIRING GP-ENGINE | 647 |
| | | | 654 |
| | | | 661 |

INDEX

Name

Page

Name

Page

668

MEMORANDA

BASIC ENGINE

133-6584 ADAPTER GP-AUXILIARY DRIVE

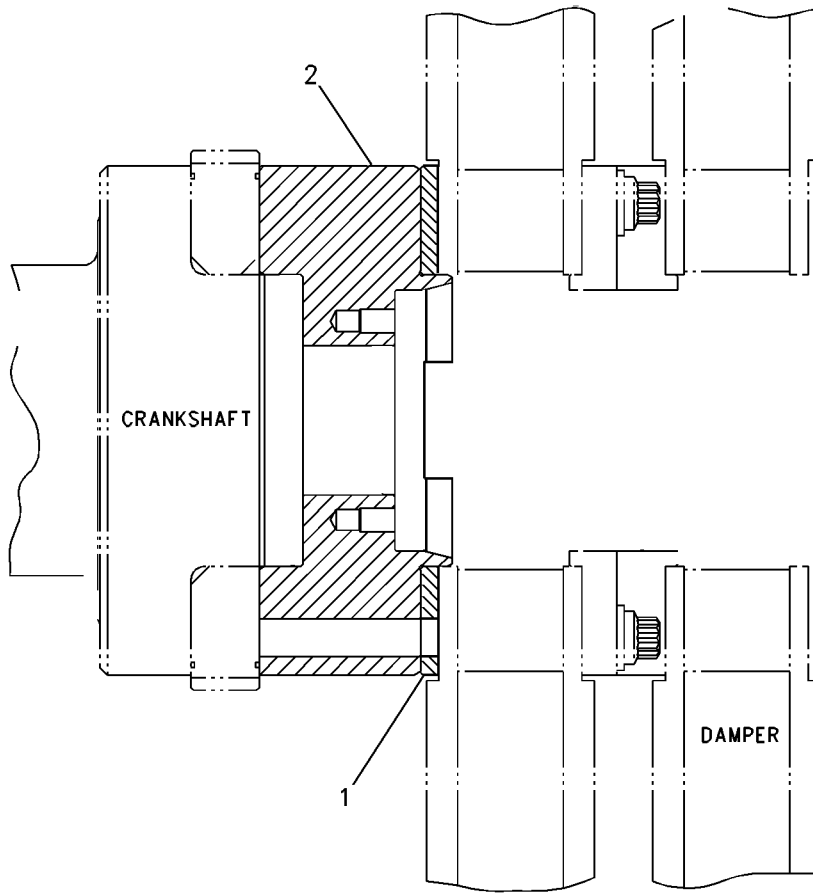
(CHG -01, -02, -02D1, -02D2, -02D3)

SMCS-1165, 1207

i01492305

| NOTE | REF NO | GRAPHIC REF | PART NUMBER | QTY | PART NAME | | | | | | SEE PAGE |
|------|--------|-------------|-------------|-----|--------------------|---|---|---|---|-------------------|----------|
| | | | | | 1 | 2 | 3 | 4 | 5 | 6 (PRODUCT LEVEL) | |
| C | 1 | 1 | 160-8173 | 1 | SLEEVE-WEAR | | | | | | |
| C | 2 | 1 | 121-4506 | 1 | ADAPTER-CRANKSHAFT | | | | | | |

C- CHANGE FROM PREVIOUS TYPE



RIGHT SIDE VIEW

GRAPHIC #1

<END>

g00775725

BASIC ENGINE

4P-8034 BARRING & MOUNTING GP

(CHG -00, -00D1 THRU -02, -02D1, -02D2, -02D3)

SMCS-1235

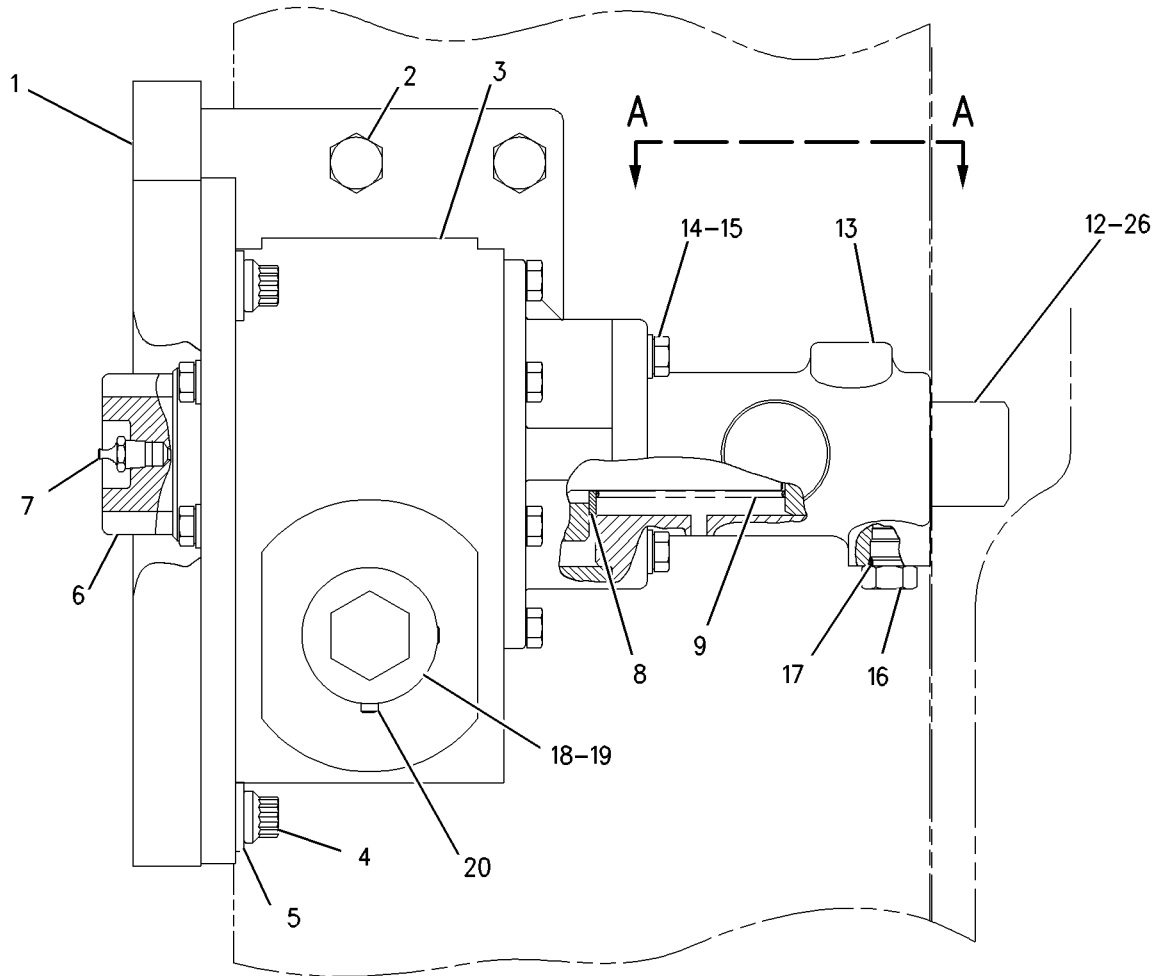
i01981626

| NOTE | REF NO | GRAPHIC REF | PART NUMBER | QTY | PART NAME | | | | | | SEE PAGE |
|------|--------|-------------|-------------|-----|------------------------------------|---|---|---|---|-------------------|----------|
| | | | | | 1 | 2 | 3 | 4 | 5 | 6 (PRODUCT LEVEL) | |
| | 1 | 1 | 4P-8035 | 1 | BRACKET AS | | | | | | |
| | | 1 | 6V-3538 | 4 | DOWEL | | | | | | |
| | 2 | 1 | 0S-1585 | 6 | BOLT (1/2-13X1.5-IN) | | | | | | |
| | 3 | 1 | 4P-8036 | 1 | REDUCER GP-SPEED | | | | | | |
| | 4 | 1 | 4K-5175 | 4 | BOLT-12 POINT HEAD (1/2-13X1.5-IN) | | | | | | |
| | 5 | 1 | 5P-8245 | 4 | WASHER-HARD (13.5X25.5X3-MM THK) | | | | | | |
| | 6 | 1 | 180-6982 | 1 | SHAFT-PINION | | | | | | |
| | 7 | 1 | 3B-8489 | 1 | FITTING-GREASE | | | | | | |
| | 8 | 1 | 9S-1302 | 3 | WASHER (27X44.45X2.5-MM THK) | | | | | | |
| | 9 | 1 | 9Y-4709 | 1 | SPRING (HIGH IDLE) | | | | | | |
| | 10 | 1 | 4P-8038 | 1 | COLLAR | | | | | | |
| | 11 | 1 | 5P-8215 | 2 | SEAL-O-RING | | | | | | |
| | 12 | 1 | 180-6981 | 1 | RETAINER | | | | | | |
| | 13 | 1 | 4P-8040 | 1 | HOUSING | | | | | | |
| | 14 | 1 | 4B-3388 | 4 | BOLT (5/16-18X1.125-IN) | | | | | | |
| | 15 | 1 | 9M-1974 | 4 | WASHER-HARD (8.8X16X2-MM THK) | | | | | | |
| | 16 | 1 | 9S-4191 | 1 | PLUG-O-RING | | | | | | |
| | 17 | 1 | 3J-1907 | 1 | SEAL-O-RING | | | | | | |
| | 18 | 1 | 7C-7807 | 1 | ADAPTER | | | | | | |
| | 19 | 1 | 2B-7947 | 1 | KEY (SQUARE) | | | | | | |
| | 20 | 1 | 4B-9808 | 2 | SETSCREW (1/4-20X0.5-IN) | | | | | | |
| | 21 | 1 | 7W-0196 | 1 | GUIDE | | | | | | |
| | 22 | 1 | 9S-8748 | 1 | NUT-FULL (1/4-28-THD) | | | | | | |
| | 23 | 1 | 5H-9573 | 1 | KNOB-CHOKE | | | | | | |
| | 24 | 1 | 7W-0195 | 1 | STEM | | | | | | |
| | 25 | 1 | 5L-1091 | 1 | SPRING | | | | | | |
| | 26 | 1 | 5S-2586 | 1 | BOLT (3/8-16X1.75-IN) | | | | | | |

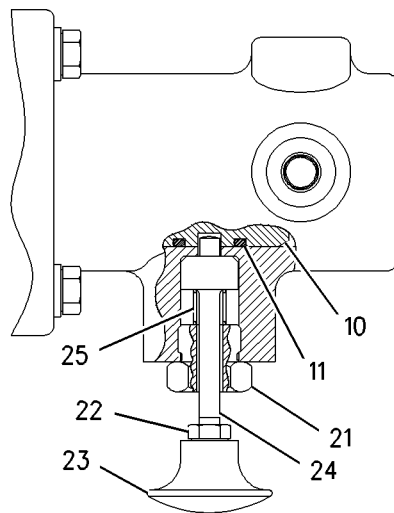
BASIC ENGINE

4P-8034 BARRING & MOUNTING GP (contd.)

i01981626



RIGHT SIDE VIEW



VIEW A-A

GRAPHIC #1

<END>

g00895508

BASIC ENGINE

9Y-4252 BARRING & MOUNTING GP (CHG -00, -01, -01D1, -01D2, -01D3)

SMCS - 1235

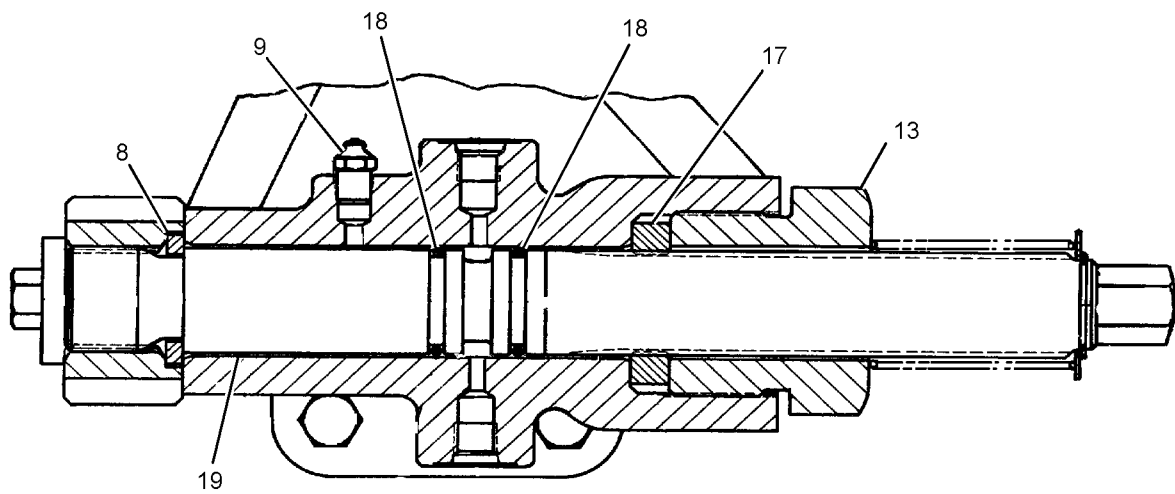
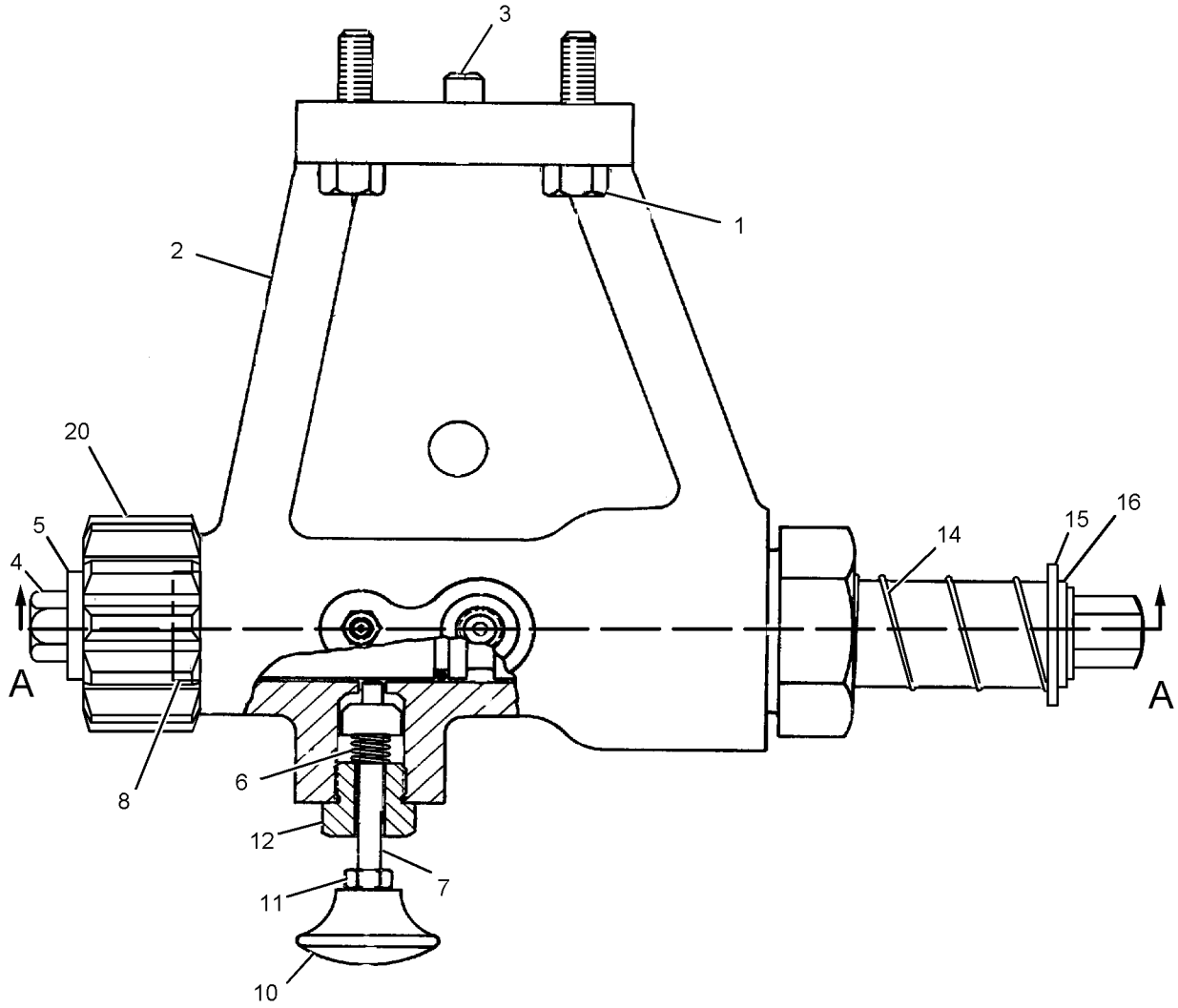
i02030838

| NOTE | REF NO | GRAPHIC REF | PART NUMBER | QTY | PART NAME | | | | | | SEE PAGE |
|------|--------|-------------|-------------|-----|--------------------------------|---|---|---|---|-------------------|----------|
| | | | | | 1 | 2 | 3 | 4 | 5 | 6 (PRODUCT LEVEL) | |
| | 1 | 1 | 0S-1585 | 4 | BOLT (1/2-13X1.5-IN) | | | | | | |
| | 2 | 1 | 9Y-4254 | 1 | BRACKET AS | | | | | | |
| | 3 | 1 | 6V-3538 | 2 | DOWEL | | | | | | |
| | 4 | 1 | 0S-1594 | 1 | BOLT (3/8-16X1-IN) | | | | | | |
| | 5 | 1 | 1P-7346 | 1 | WASHER-HARD (10.2X35X6-MM THK) | | | | | | |
| | 6 | 1 | 5L-1091 | 1 | SPRING | | | | | | |
| | 7 | 1 | 7W-0195 | 1 | STEM | | | | | | |
| | 8 | 1 | 4W-9551 | 1 | RETAINER | | | | | | |
| | 9 | 1 | 3B-8489 | 1 | FITTING-GREASE | | | | | | |
| | 10 | 1 | 5H-9573 | 1 | KNOB-CHOKE | | | | | | |
| | 11 | 1 | 9S-8748 | 1 | NUT-FULL (1/4-28-THD) | | | | | | |
| | 12 | 1 | 7W-0196 | 1 | GUIDE | | | | | | |
| | 13 | 1 | 7W-0194 | 1 | GUIDE | | | | | | |
| | 14 | 1 | 4T-4027 | 1 | SPRING | | | | | | |
| | 15 | 1 | 9S-1328 | 1 | WASHER (26X41X1.6-MM THK) | | | | | | |
| | 16 | 1 | 6H-6109 | 1 | RING-SNAP | | | | | | |
| | 17 | 1 | 7W-0193 | 1 | SPACER (26.65X44X10-MM THK) | | | | | | |
| | 18 | 1 | 5P-3456 | 2 | SEAL-O-RING | | | | | | |
| | 19 | 1 | 9Y-0539 | 1 | SHAFT-BARRING | | | | | | |
| | 20 | 1 | 4W-9549 | 1 | PINION (11-TEETH) | | | | | | |

BASIC ENGINE

9Y-4252 BARRING & MOUNTING GP (contd.)

i02030838



SECTION A-A
<END>

GRAPHIC #1

g01047403

BASIC ENGINE

195 - 8110 BRACKET GP - SHIPPING (CHG -00, -01)

SMCS - 7505

i02346320

| NOTE | PART NUMBER | QTY | PART NAME | | | | | | SEE PAGE |
|-------|-------------|-----|------------------------------|---|---|---|---|-------------------|----------|
| | | | 1 | 2 | 3 | 4 | 5 | 6 (PRODUCT LEVEL) | |
| | 7X-0405 | 12 | BOLT (1-8X2.75-IN) | | | | | | |
| | 195-3470 | 4 | BRACKET | | | | | | |
| | 6V-8190 | 12 | NUT (1-8-THD) | | | | | | |
| | 8T-5361 | 24 | WASHER-HARD (28X49X5-MM THK) | | | | | | |
| <END> | | | | | | | | | |

256 - 1270 BRACKET GP - SHIPPING (CHG -00, -01)

SMCS - 7505

i02379253

| NOTE | PART NUMBER | QTY | PART NAME | | | | | | SEE PAGE |
|-------|-------------|-----|----------------------------------|---|---|---|---|-------------------|----------|
| | | | 1 | 2 | 3 | 4 | 5 | 6 (PRODUCT LEVEL) | |
| | 251-9565 | 4 | BRACKET AS | | | | | | |
| | 258-5631 | 8 | SCREW (1/2-6X4-IN) (LAG) | | | | | | |
| | 5P-8245 | 8 | WASHER-HARD (13.5X25.5X3-MM THK) | | | | | | |
| <END> | | | | | | | | | |

BASIC ENGINE

143-4120 CAMSHAFT AS—STANDARD ROTATION (CHG -00 THRU -03) RIGHT HAND SIDE PART OF 195-0886, 7C-0412 CAMSHAFT GP

SMCS-1210

i02374372

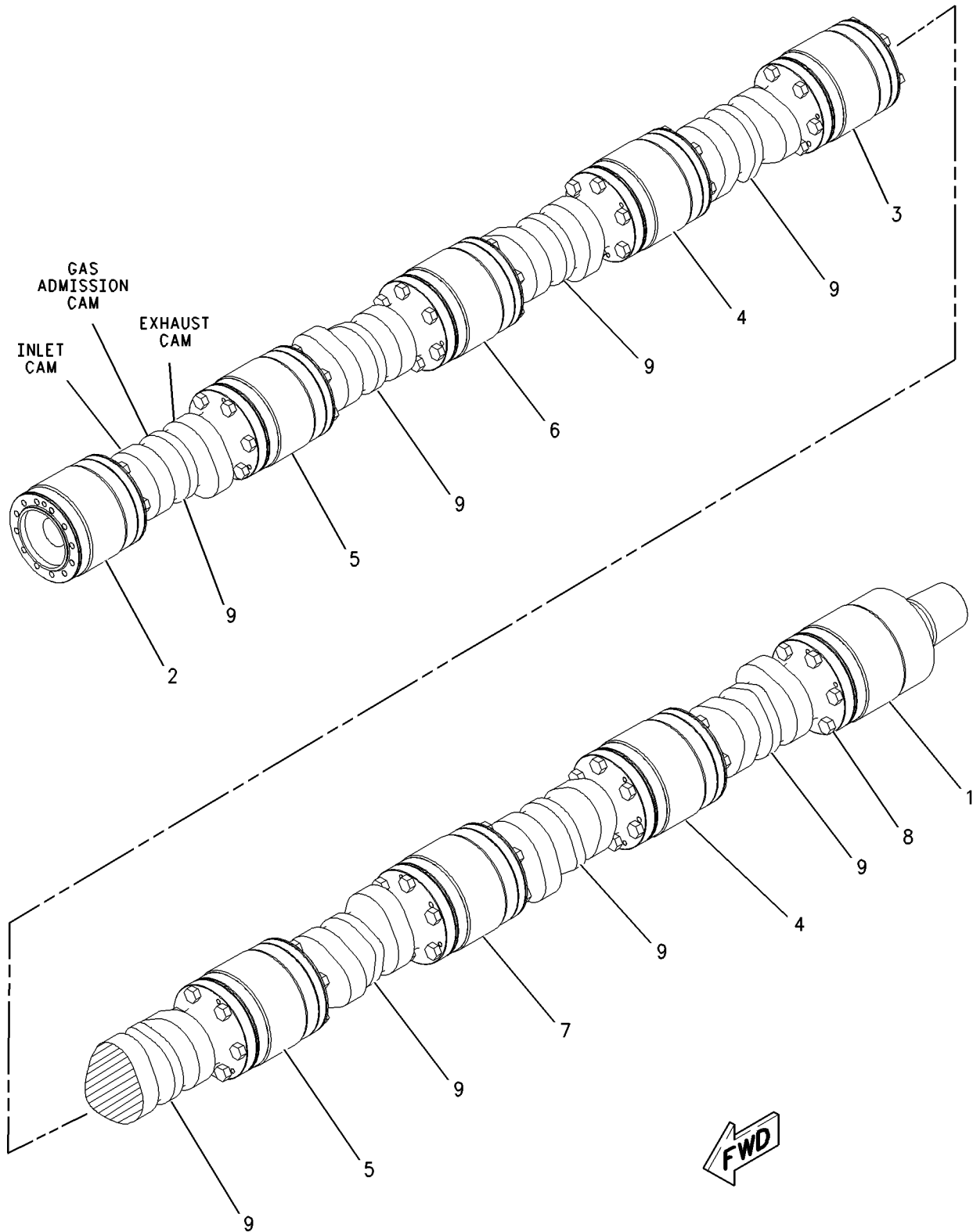
| NOTE | REF NO | GRAPHIC REF | PART NUMBER | QTY | PART NAME | | | | | | SEE PAGE |
|------|--------|-------------|-----------------|-----|-----------------------|---|---|---|---|-------------------|----------|
| | | | | | 1 | 2 | 3 | 4 | 5 | 6 (PRODUCT LEVEL) | |
| R | 1 | 1 | 7E-7061 | 1 | SHAFT AS | | | | | | |
| | | 1 | 6V-3538 | 1 | DOWEL | | | | | | |
| R | 2 | 1 | 7E-7064 | 1 | JOURNAL - CAMSHAFT | | | | | | |
| | 3 | 1 | 7E-7155 | 1 | JOURNAL AS - CAMSHAFT | | | | | | |
| | | 1 | 6V-3538 | 2 | DOWEL | | | | | | |
| R | | 1 | 7E-7153 | 1 | JOURNAL - CAMSHAFT | | | | | | |
| | 4 | 1 | 7E-7158 | 2 | JOURNAL AS - CAMSHAFT | | | | | | |
| | | | | | (EACH INCLUDES) | | | | | | |
| | | 1 | 6V-3538 | 2 | DOWEL | | | | | | |
| R | | 1 | 7E-7153 | 1 | JOURNAL - CAMSHAFT | | | | | | |
| | 5 | 1 | 7E-7159 | 2 | JOURNAL AS - CAMSHAFT | | | | | | |
| | | | | | (EACH INCLUDES) | | | | | | |
| | | 1 | 6V-3538 | 2 | DOWEL | | | | | | |
| R | | 1 | 7E-7153 | 1 | JOURNAL - CAMSHAFT | | | | | | |
| | 6 | 1 | 7E-7160 | 1 | JOURNAL AS - CAMSHAFT | | | | | | |
| | | 1 | 6V-3538 | 2 | DOWEL | | | | | | |
| R | | 1 | 7E-7154 | 1 | JOURNAL - CAMSHAFT | | | | | | |
| | 7 | 1 | 7E-7161 | 1 | JOURNAL AS - CAMSHAFT | | | | | | |
| | | 1 | 6V-3538 | 2 | DOWEL | | | | | | |
| R | | 1 | 7E-7154 | 1 | JOURNAL - CAMSHAFT | | | | | | |
| | 8 | 1 | 9X-6380 | 96 | BOLT (5/8-11X1.5-IN) | | | | | | |
| | 9 | 1 | 176-3213 | 8 | CAMSHAFT | | | | | | |

R - REMFG PART MAY BE AVAILABLE

BASIC ENGINE

143-4120 CAMSHAFT AS (contd.)

i02374372



GRAPHIC #1

<END>

g00723942

BASIC ENGINE

143-4121 CAMSHAFT AS—STANDARD ROTATION (CHG -00 THRU -05) LEFT HAND SIDE PART OF 195-0886, 7C-0412 CAMSHAFT GP

SMCS-1210

i02374373

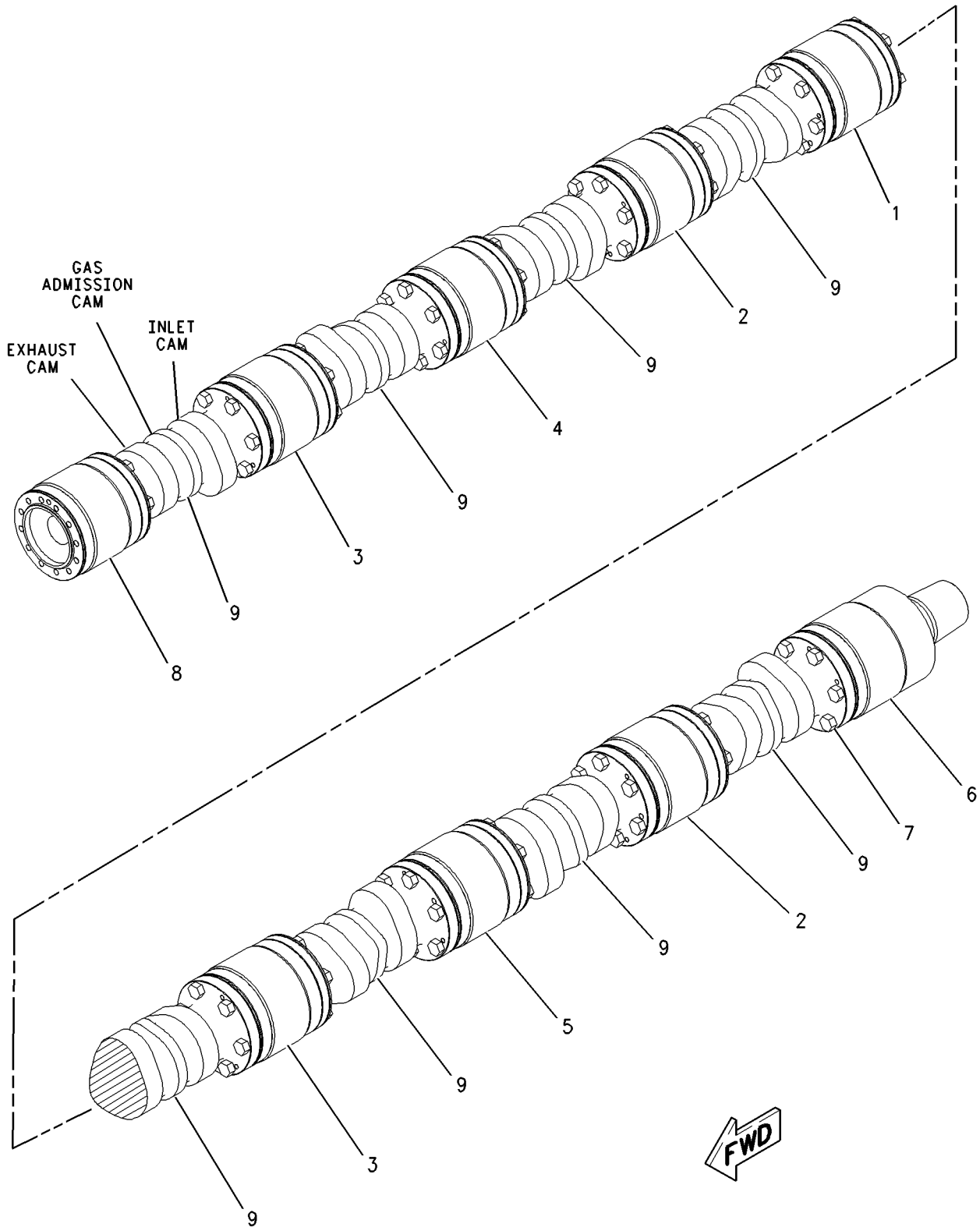
| NOTE | REF NO | GRAPHIC REF | PART NUMBER | QTY | PART NAME | | | | | | SEE PAGE |
|------|--------|-------------|-------------|-----|----------------------|---|---|---|---|-------------------|----------|
| | | | | | 1 | 2 | 3 | 4 | 5 | 6 (PRODUCT LEVEL) | |
| | 1 | 1 | 7E-7155 | 1 | JOURNAL AS-CAMSHAFT | | | | | | |
| | | 1 | 6V-3538 | 2 | DOWEL | | | | | | |
| R | | 1 | 7E-7153 | 1 | JOURNAL-CAMSHAFT | | | | | | |
| | 2 | 1 | 7E-7158 | 2 | JOURNAL AS-CAMSHAFT | | | | | | |
| | | | | | (EACH INCLUDES) | | | | | | |
| | | 1 | 6V-3538 | 2 | DOWEL | | | | | | |
| R | | 1 | 7E-7153 | 1 | JOURNAL-CAMSHAFT | | | | | | |
| | 3 | 1 | 7E-7159 | 2 | JOURNAL AS-CAMSHAFT | | | | | | |
| | | | | | (EACH INCLUDES) | | | | | | |
| | | 1 | 6V-3538 | 2 | DOWEL | | | | | | |
| R | | 1 | 7E-7153 | 1 | JOURNAL-CAMSHAFT | | | | | | |
| | 4 | 1 | 7E-7160 | 1 | JOURNAL AS-CAMSHAFT | | | | | | |
| | | 1 | 6V-3538 | 2 | DOWEL | | | | | | |
| R | | 1 | 7E-7154 | 1 | JOURNAL-CAMSHAFT | | | | | | |
| | 5 | 1 | 7E-7161 | 1 | JOURNAL AS-CAMSHAFT | | | | | | |
| | | 1 | 6V-3538 | 2 | DOWEL | | | | | | |
| R | | 1 | 7E-7154 | 1 | JOURNAL-CAMSHAFT | | | | | | |
| R | 6 | 1 | 7E-7167 | 1 | SHAFT AS-DRIVE | | | | | | |
| | | 1 | 6V-3538 | 1 | DOWEL | | | | | | |
| | 7 | 1 | 9X-6380 | 96 | BOLT (5/8-11X1.5-IN) | | | | | | |
| | 8 | 1 | 150-4911 | 1 | JOURNAL AS-CAMSHAFT | | | | | | |
| | | 1 | 6V-3538 | 2 | DOWEL | | | | | | |
| R | | 1 | 7E-7064 | 1 | JOURNAL-CAMSHAFT | | | | | | |
| | 9 | 1 | 176-3209 | 8 | CAMSHAFT | | | | | | |

R-REMFG PART MAY BE AVAILABLE

BASIC ENGINE

143-4121 CAMSHAFT AS (contd.)

i02374373



GRAPHIC #1

<END>

g00723974

BASIC ENGINE

143-4129 CAMSHAFT AS (CHG -04)

STANDARD ROTATION

PART OF 104-4493 CAMSHAFT GP

SMCS-1210

i01922205

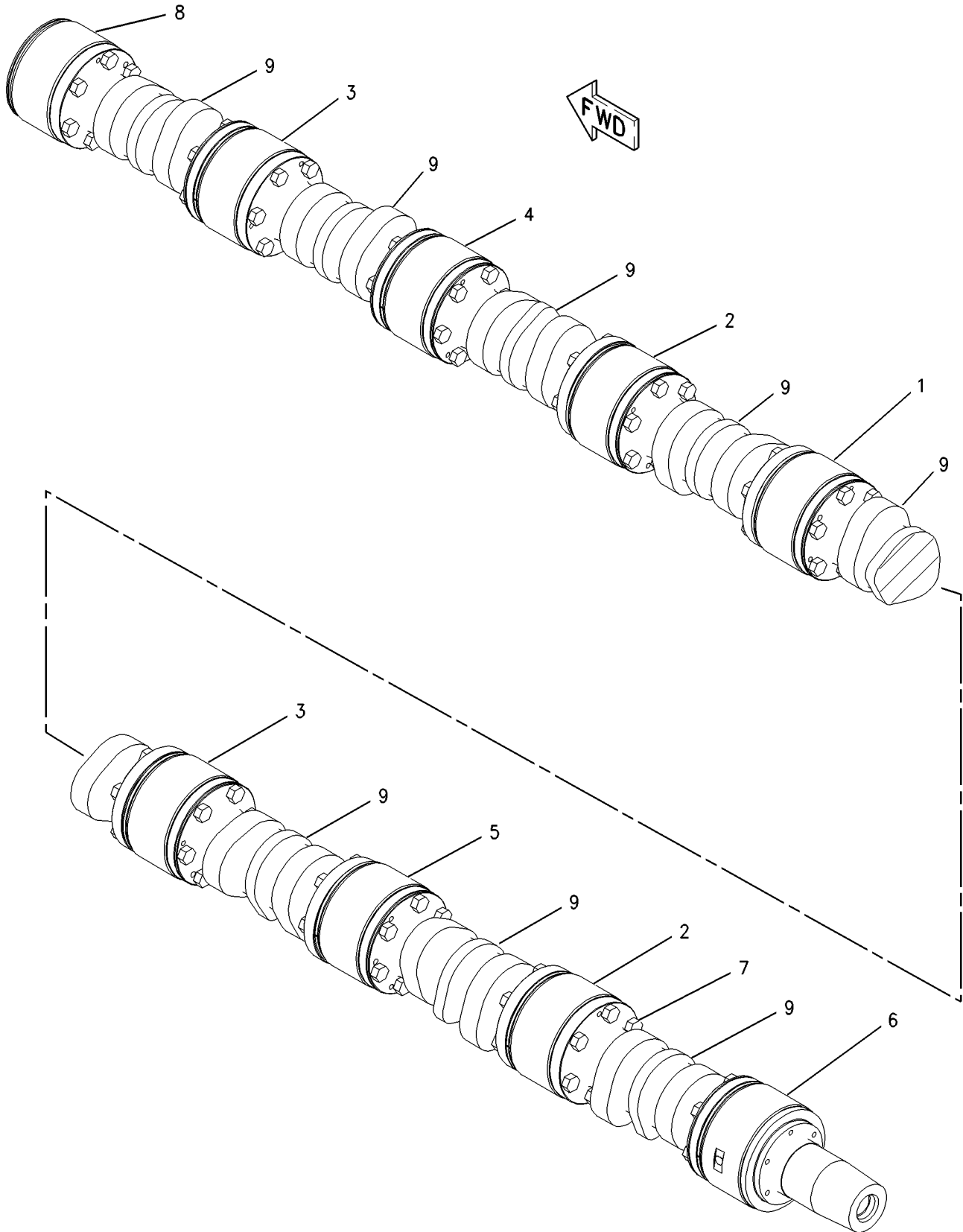
| NOTE | REF NO | GRAPHIC REF | PART NUMBER | QTY | PART NAME | | | | | | SEE PAGE |
|------|--------|-------------|-------------|-----|------------------------|---|---|---|---|-------------------|----------|
| | | | | | 1 | 2 | 3 | 4 | 5 | 6 (PRODUCT LEVEL) | |
| | 1 | 1 | 7E-7155 | 1 | JOURNAL AS - CAMSHAFT | | | | | | |
| | | 1 | 6V-3538 | 2 | DOWEL | | | | | | |
| R | | 1 | 7E-7153 | 1 | JOURNAL - CAMSHAFT | | | | | | |
| | 2 | 1 | 7E-7158 | 2 | JOURNAL AS - CAMSHAFT | | | | | | |
| | | | | | (EACH INCLUDES) | | | | | | |
| | | 1 | 6V-3538 | 2 | DOWEL | | | | | | |
| R | | 1 | 7E-7153 | 1 | JOURNAL - CAMSHAFT | | | | | | |
| | 3 | 1 | 7E-7159 | 2 | JOURNAL AS - CAMSHAFT | | | | | | |
| | | | | | (EACH INCLUDES) | | | | | | |
| | | 1 | 6V-3538 | 2 | DOWEL | | | | | | |
| R | | 1 | 7E-7153 | 1 | JOURNAL - CAMSHAFT | | | | | | |
| | 4 | 1 | 7E-7160 | 1 | JOURNAL AS - CAMSHAFT | | | | | | |
| | | 1 | 6V-3538 | 2 | DOWEL | | | | | | |
| R | | 1 | 7E-7154 | 1 | JOURNAL - CAMSHAFT | | | | | | |
| | 5 | 1 | 7E-7161 | 1 | JOURNAL AS - CAMSHAFT | | | | | | |
| | | 1 | 6V-3538 | 2 | DOWEL | | | | | | |
| R | | 1 | 7E-7154 | 1 | JOURNAL - CAMSHAFT | | | | | | |
| R | 6 | 1 | 7E-7167 | 96 | SHAFT AS - DRIVE | | | | | | |
| | | | | | (EACH INCLUDES) | | | | | | |
| | | 1 | 6V-3538 | 1 | DOWEL | | | | | | |
| | 7 | 1 | 9X-6380 | 1 | BOLT (5/8-11 X 1.5 IN) | | | | | | |
| | 8 | 1 | 150-4911 | 1 | JOURNAL AS - CAMSHAFT | | | | | | |
| | | 1 | 6V-3538 | 2 | DOWEL | | | | | | |
| R | | 1 | 7E-7064 | 1 | JOURNAL - CAMSHAFT | | | | | | |
| | 9 | 1 | 194-4099 | 8 | CAMSHAFT | | | | | | |

R - REMFG PART MAY BE AVAILABLE

BASIC ENGINE

143-4129 CAMSHAFT AS (contd.)

i01922205



GRAPHIC #1

<END>

g00772076

BASIC ENGINE

143-4130 CAMSHAFT AS (CHG -03)

STANDARD ROTATION

PART OF 104-4493 CAMSHAFT GP

SMCS-1210

i02424662

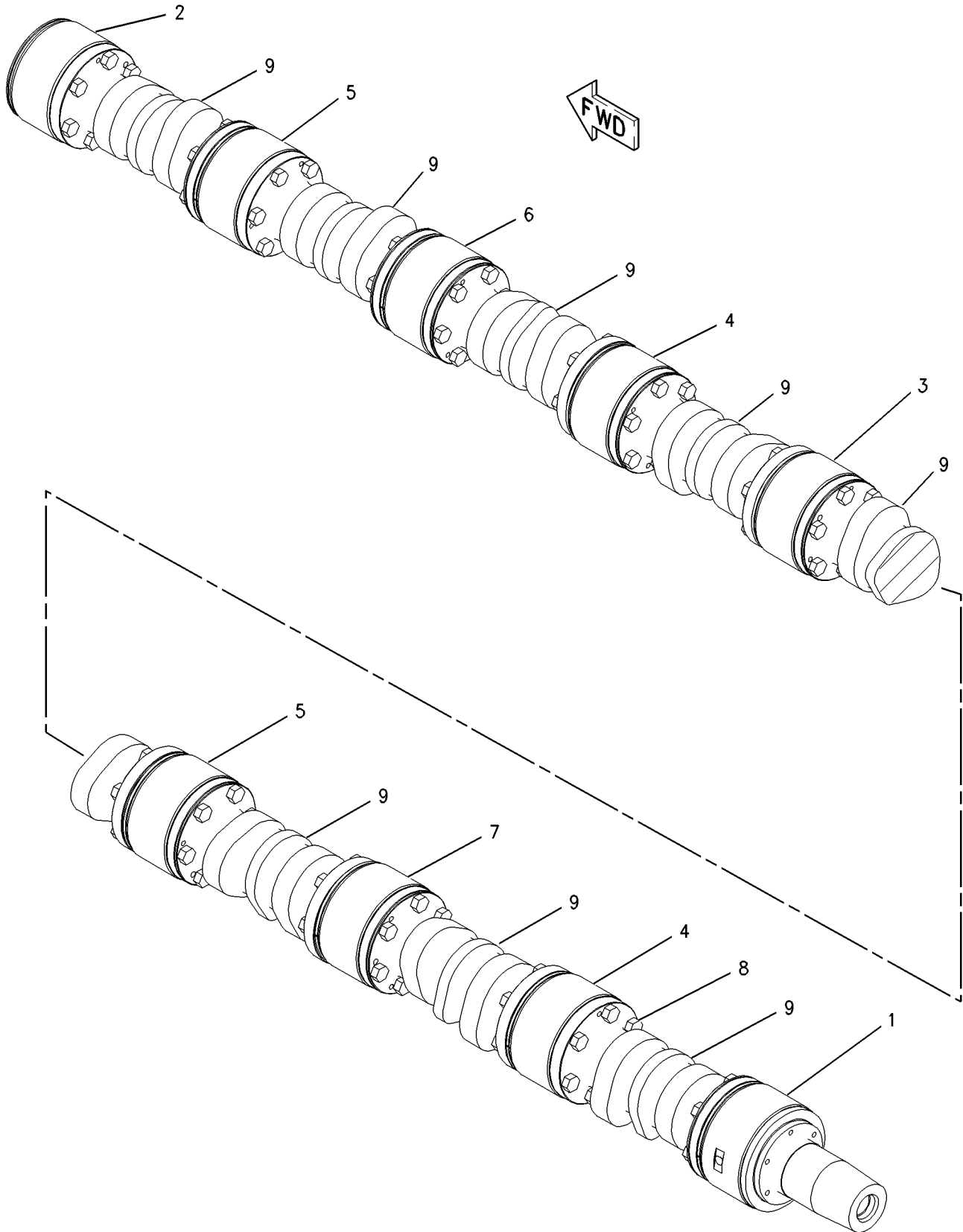
| NOTE | REF NO | GRAPHIC REF | PART NUMBER | QTY | PART NAME | | | | | | SEE PAGE |
|------|--------|-------------|-----------------|-----|-----------------------|---|---|---|---|-------------------|----------|
| | | | | | 1 | 2 | 3 | 4 | 5 | 6 (PRODUCT LEVEL) | |
| R | 1 | 1 | 7E-7061 | 1 | SHAFT AS | | | | | | |
| | | 1 | 6V-3538 | 1 | DOWEL | | | | | | |
| R | 2 | 1 | 7E-7064 | 1 | JOURNAL - CAMSHAFT | | | | | | |
| | 3 | 1 | 7E-7155 | 1 | JOURNAL AS - CAMSHAFT | | | | | | |
| | | 1 | 6V-3538 | 2 | DOWEL | | | | | | |
| R | | 1 | 7E-7153 | 1 | JOURNAL - CAMSHAFT | | | | | | |
| | 4 | 1 | 7E-7158 | 2 | JOURNAL AS - CAMSHAFT | | | | | | |
| | | | | | (EACH INCLUDES) | | | | | | |
| | | 1 | 6V-3538 | 2 | DOWEL | | | | | | |
| R | | 1 | 7E-7153 | 1 | JOURNAL - CAMSHAFT | | | | | | |
| | 5 | 1 | 7E-7159 | 2 | JOURNAL AS - CAMSHAFT | | | | | | |
| | | | | | (EACH INCLUDES) | | | | | | |
| | | 1 | 6V-3538 | 2 | DOWEL | | | | | | |
| R | | 1 | 7E-7153 | 1 | JOURNAL - CAMSHAFT | | | | | | |
| | 6 | 1 | 7E-7160 | 1 | JOURNAL AS - CAMSHAFT | | | | | | |
| | | 1 | 6V-3538 | 2 | DOWEL | | | | | | |
| R | | 1 | 7E-7154 | 1 | JOURNAL - CAMSHAFT | | | | | | |
| | 7 | 1 | 7E-7161 | 1 | JOURNAL AS - CAMSHAFT | | | | | | |
| | | 1 | 6V-3538 | 2 | DOWEL | | | | | | |
| R | | 1 | 7E-7154 | 1 | JOURNAL - CAMSHAFT | | | | | | |
| | 8 | 1 | 9X-6380 | 96 | BOLT (5/8-11X1.5-IN) | | | | | | |
| | 9 | 1 | 194-4098 | 8 | CAMSHAFT (RH) | | | | | | |

R - REMFG PART MAY BE AVAILABLE

BASIC ENGINE

143-4130 CAMSHAFT AS (contd.)

i02424662



GRAPHIC #1

<END>

g00772205

BASIC ENGINE

7C-0412 CAMSHAFT GP (CHG -01 THRU -04) STANDARD ROTATION

SMCS-1210

i02030122

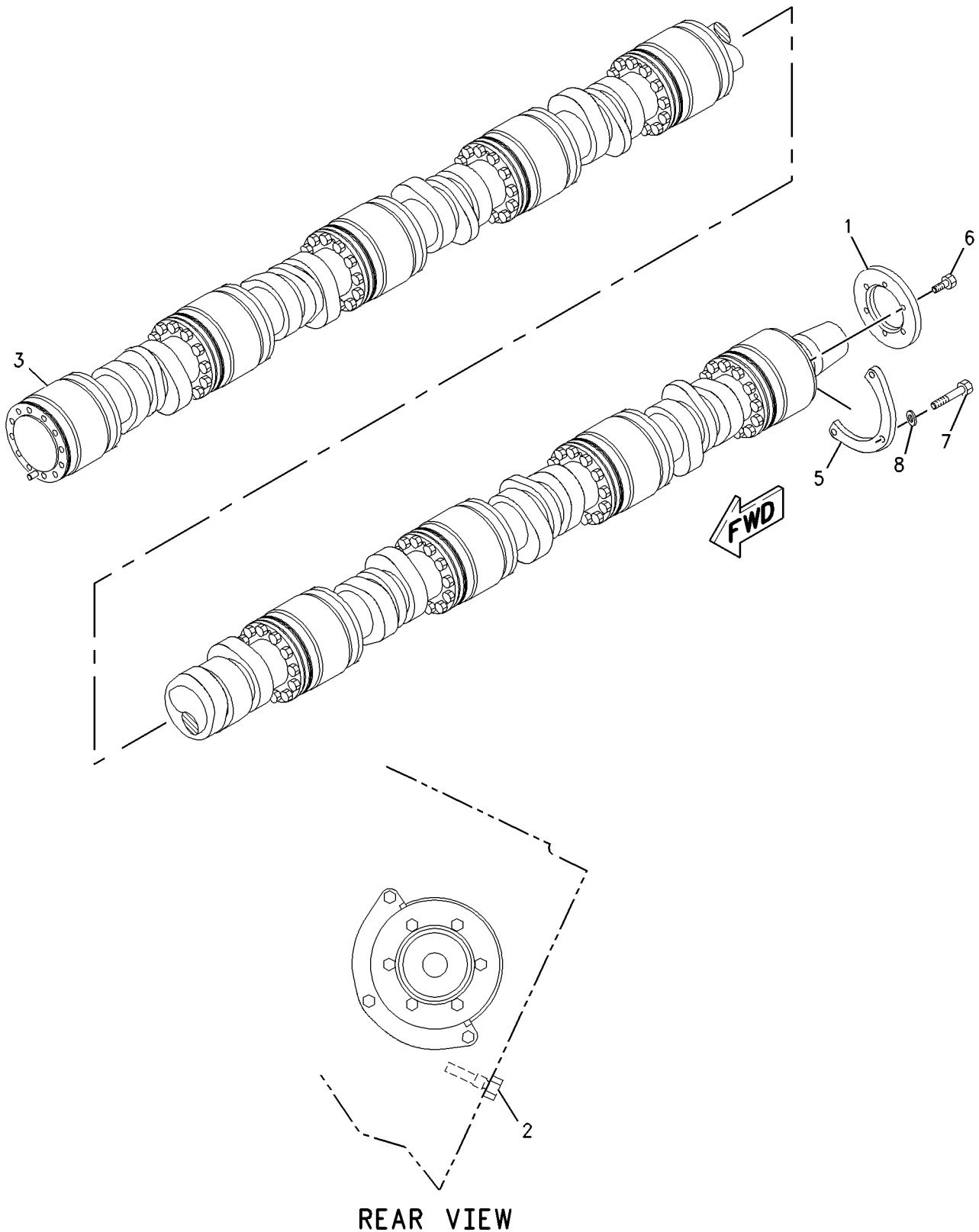
| NOTE | REF NO | GRAPHIC REF | PART NUMBER | QTY | PART NAME | | | | | | SEE PAGE |
|------|--------|-------------|-----------------|-----|------------------------------------|---|---|---|---|-------------------|----------|
| | | | | | 1 | 2 | 3 | 4 | 5 | 6 (PRODUCT LEVEL) | |
| | 1 | 1,2 | 7W-0592 | 2 | PLATE - THRUST | | | | | | |
| | 2 | 1,2 | 7W-0855 | 2 | BOLT (5/8-11X3-IN) | | | | | | |
| CY | 3 | 1 | 143-4120 | 1 | CAMSHAFT AS (RH) | | | | | | 7 |
| CY | 4 | 2 | 143-4121 | 1 | CAMSHAFT AS (LH) | | | | | | 9 |
| | 5 | 1,2 | 177-7760 | 2 | PLATE - CAM | | | | | | |
| | 6 | 1,2 | 0S-1588 | 12 | BOLT (3/8-16X1.25-IN) | | | | | | |
| | 7 | 1,2 | 3B-1915 | 6 | BOLT (3/8-16X1-3/8-IN) | | | | | | |
| | 8 | 1,2 | 3V-3308 | 6 | WASHER-HARD (10.2X20.5X2.5-MM THK) | | | | | | |

C - CHANGE FROM PREVIOUS TYPE
Y - SEPARATE ILLUSTRATION

BASIC ENGINE

7C-0412 CAMSHAFT GP (contd.)

i02030122



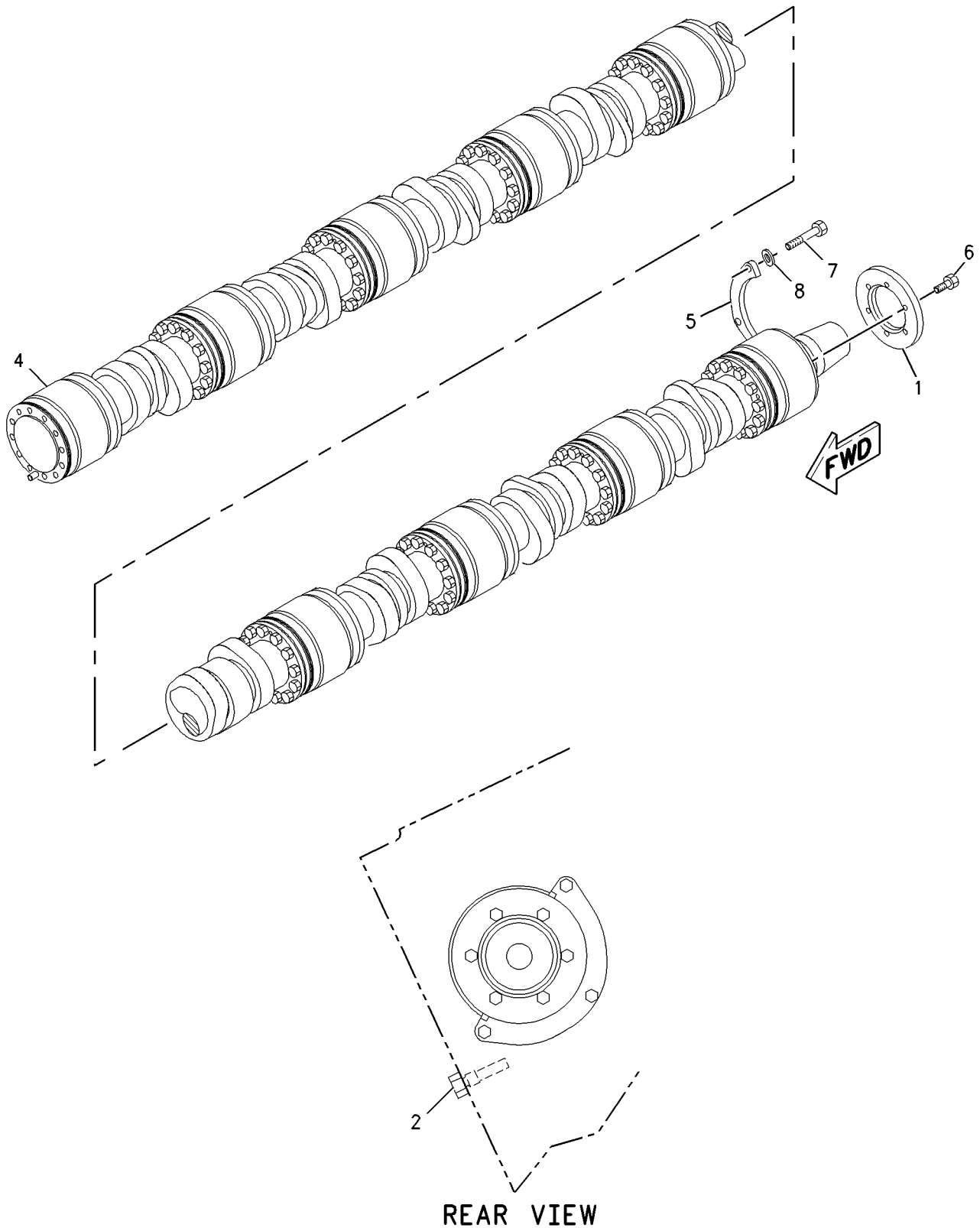
GRAPHIC #1

g00812209

BASIC ENGINE

7C-0412 CAMSHAFT GP (contd.)

i02030122



GRAPHIC #2

<END>

g00812210

BASIC ENGINE

104-4493 CAMSHAFT GP (CHG -02, -03, -03D1)

SMCS-1210

i02325499

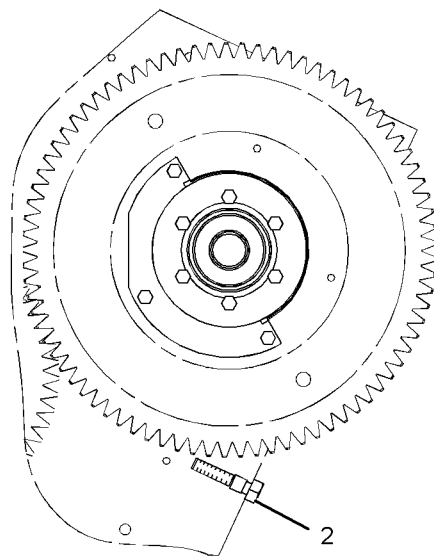
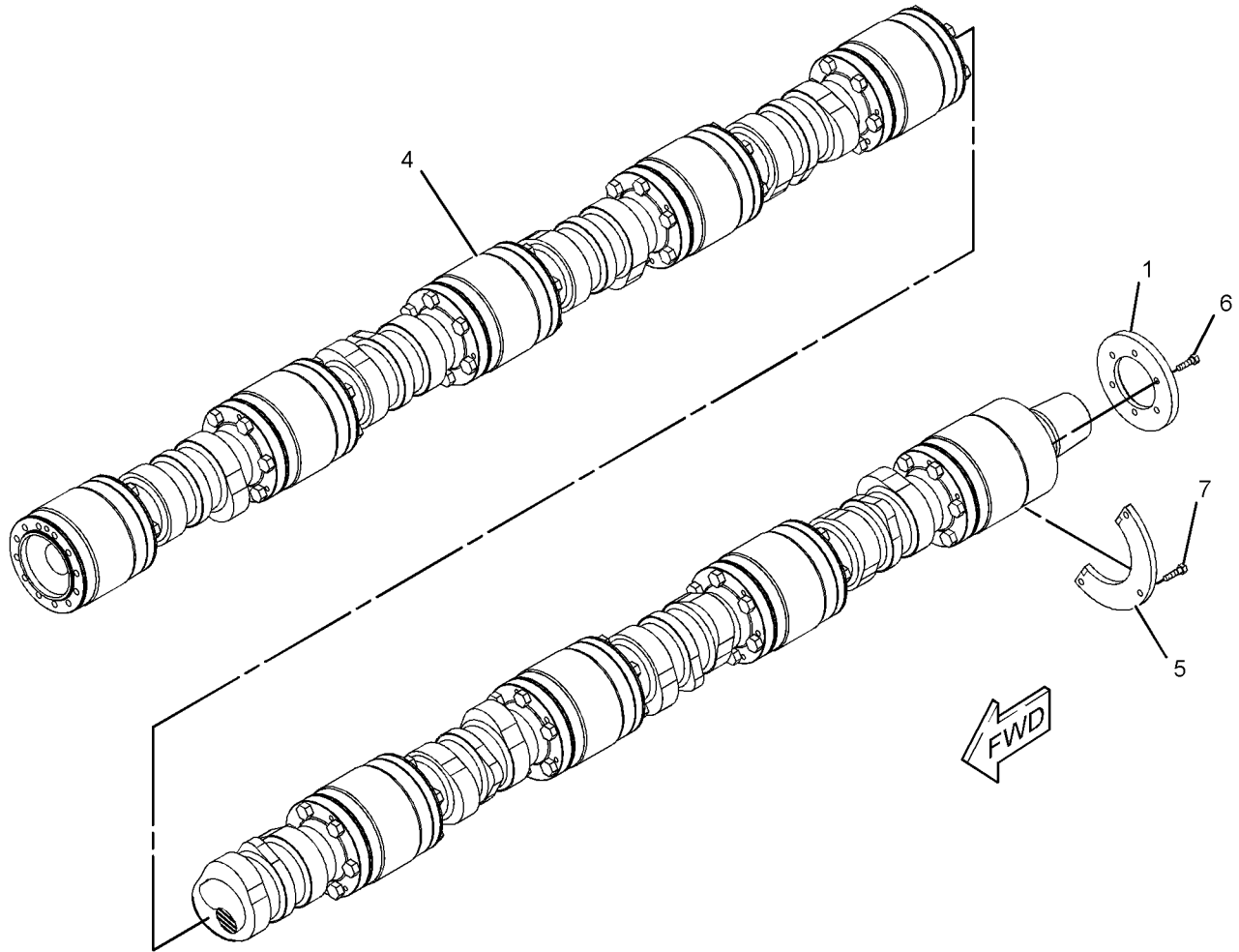
| NOTE | REF NO | GRAPHIC REF | PART NUMBER | QTY | PART NAME | | | | | | SEE PAGE |
|------|--------|-------------|-----------------|-----|------------------------|---|---|---|---|-------------------|----------|
| | | | | | 1 | 2 | 3 | 4 | 5 | 6 (PRODUCT LEVEL) | |
| | 1 | 1,2 | 7W-0592 | 2 | PLATE - THRUST | | | | | | |
| | 2 | 1,2 | 7W-0855 | 2 | BOLT (5/8-11X3-IN) | | | | | | |
| Y | 3 | 2 | 143-4129 | 1 | CAMSHAFT AS (LH) | | | | | | 11 |
| Y | 4 | 1 | 143-4130 | 1 | CAMSHAFT AS (RH) | | | | | | 13 |
| | 5 | 1,2 | 177-7760 | 2 | PLATE - CAM | | | | | | |
| | 6 | 1,2 | 0S-1588 | 12 | BOLT (3/8-16X1.25-IN) | | | | | | |
| | 7 | 1,2 | 3B-1915 | 6 | BOLT (3/8-16X1-3/8-IN) | | | | | | |

Y - SEPARATE ILLUSTRATION

BASIC ENGINE

104-4493 CAMSHAFT GP (contd.)

i02325499



REAR VIEW

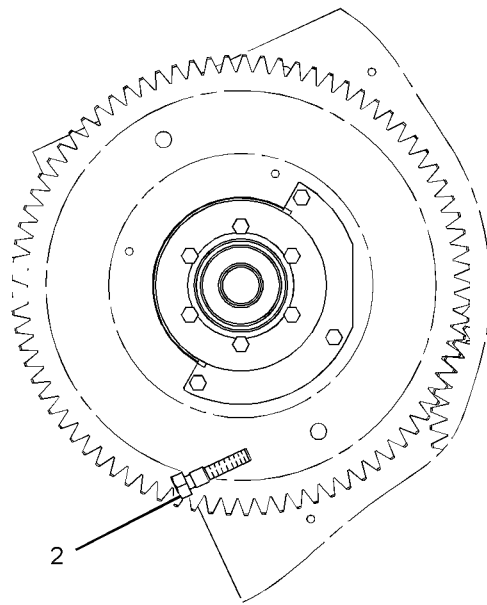
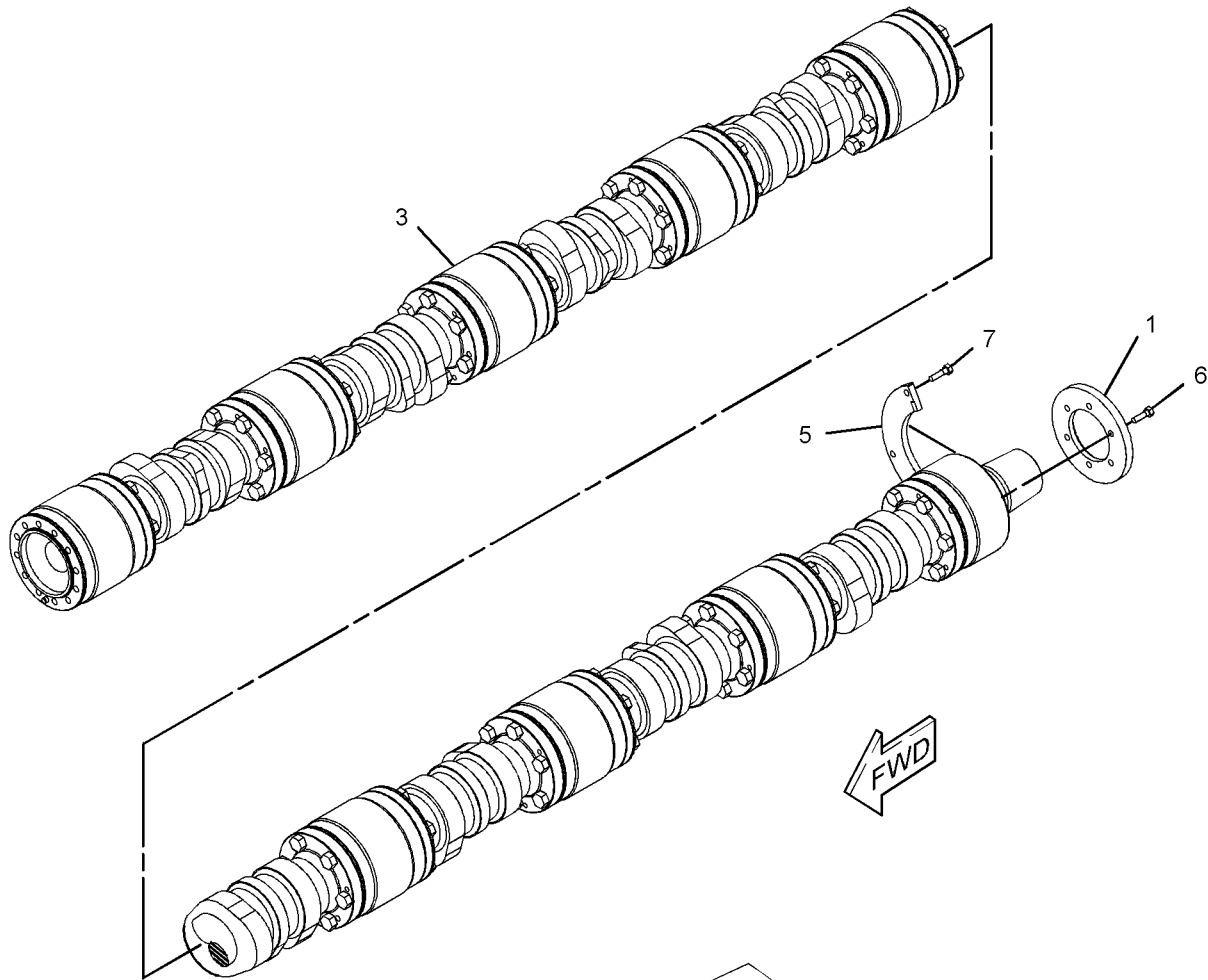
GRAPHIC #1

g01161749

BASIC ENGINE

104-4493 CAMSHAFT GP (contd.)

i02325499



REAR VIEW

GRAPHIC #2

<END>

g01161754

BASIC ENGINE

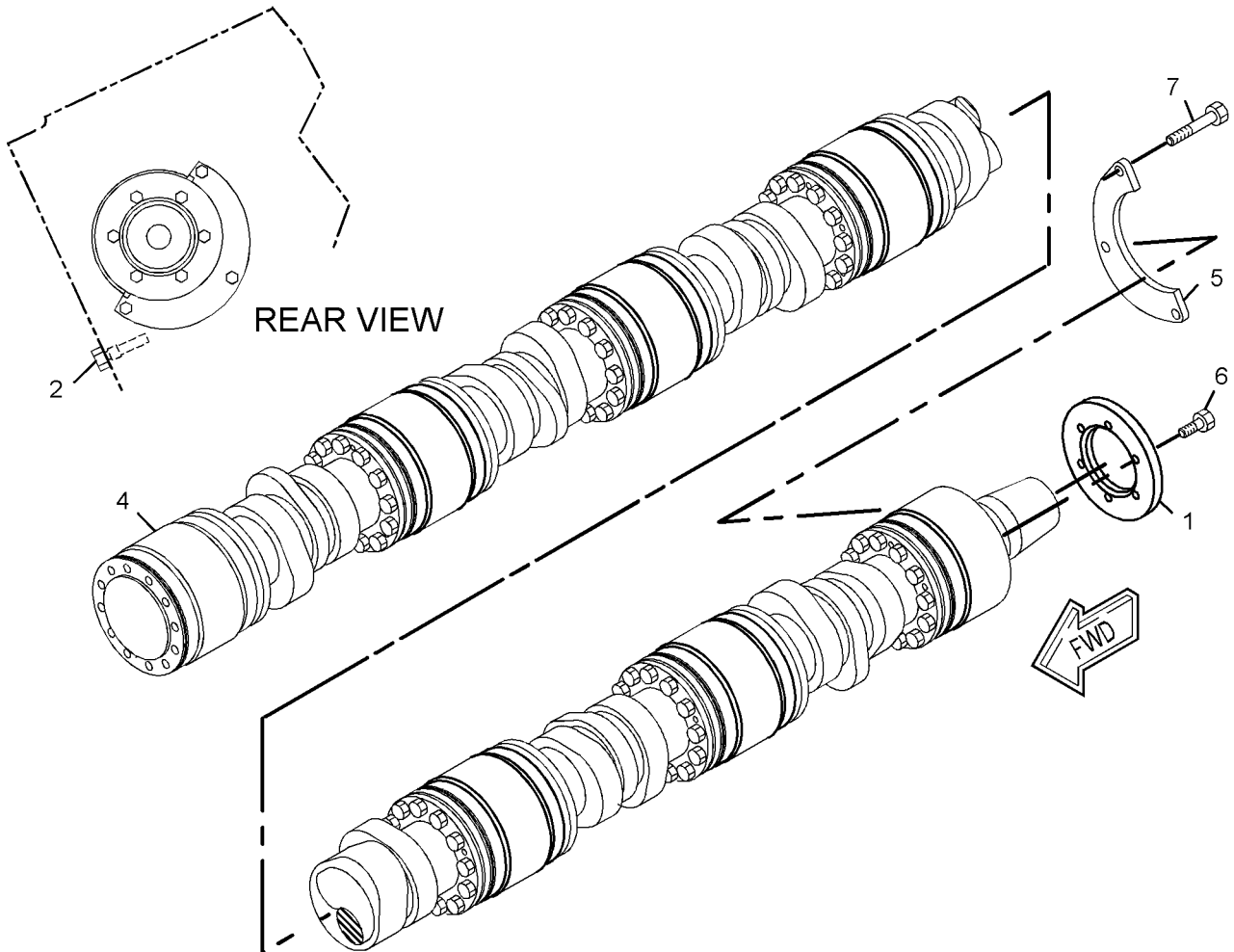
195-0886 CAMSHAFT GP-SINGLE (CHG -00, -01, -01D1) STANDARD ROTATION

SMCS-1210

i02325512

| NOTE | REF NO | GRAPHIC REF | PART NUMBER | QTY | PART NAME | | | | | | SEE PAGE |
|------|--------|-------------|-----------------|-----|------------------------|---|---|---|---|-------------------|----------|
| | | | | | 1 | 2 | 3 | 4 | 5 | 6 (PRODUCT LEVEL) | |
| | 1 | 1 | 7W-0592 | 2 | PLATE - THRUST | | | | | | |
| | 2 | 1 | 7W-0855 | 2 | BOLT (5/8-11X3-IN) | | | | | | |
| | 3 | 1 | 177-7760 | 2 | PLATE - CAM | | | | | | |
| Y | 4 | 1 | <i>143-4120</i> | 1 | CAMSHAFT AS | | | | | | 7 |
| Y | 5 | 1 | <i>143-4121</i> | 1 | CAMSHAFT AS | | | | | | 9 |
| | 6 | 1 | 0S-1588 | 12 | BOLT (3/8-16X1.25-IN) | | | | | | |
| | 7 | 1 | 3B-1915 | 6 | BOLT (3/8-16X1-3/8-IN) | | | | | | |

Y - SEPARATE ILLUSTRATION



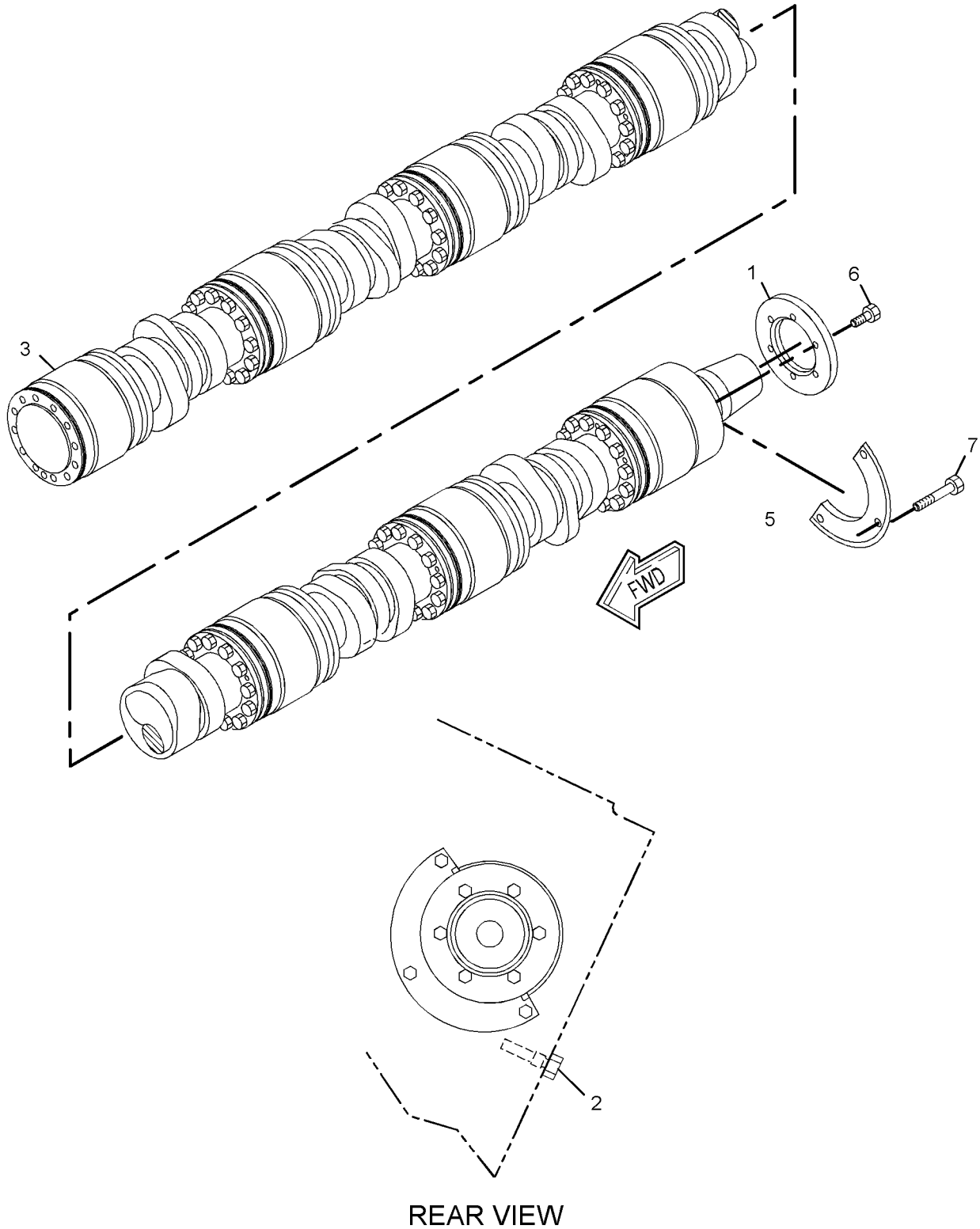
GRAPHIC #1

g01161844

BASIC ENGINE

195-0886 CAMSHAFT GP (contd.)

i02325512



GRAPHIC #2

<END>

g01161843

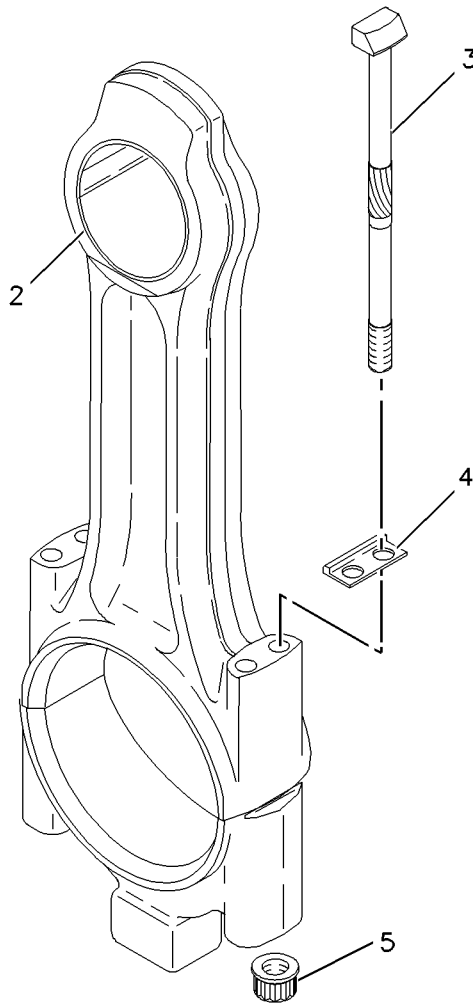
BASIC ENGINE

195-5917 CONNECTING ROD GP*R (CHG -00 THRU -04) PART OF 104-4836, 7C-0444 PISTON & ROD GP

SMCS-1218

i02346319

| NOTE | REF NO | GRAPHIC REF | PART NUMBER | QTY | PART NAME | | | | | | SEE PAGE |
|------|--------|-------------|-----------------|-----|---------------------------------------|---|---|---|---|-------------------|----------|
| | | | | | 1 | 2 | 3 | 4 | 5 | 6 (PRODUCT LEVEL) | |
| | 2 | 1 | 4P-6125 | 1 | BEARING-SLEEVE | | | | | | |
| | 3 | 1 | 1W-0098 | 4 | BOLT-CONNECTING ROD (3/4-16X12.87-IN) | | | | | | |
| | 4 | 1 | 4W-8344 | 2 | RETAINER | | | | | | |
| | 5 | 1 | 205-0640 | 4 | NUT (3/4-16-THD) | | | | | | |



GRAPHIC #1

<END>

g00819078

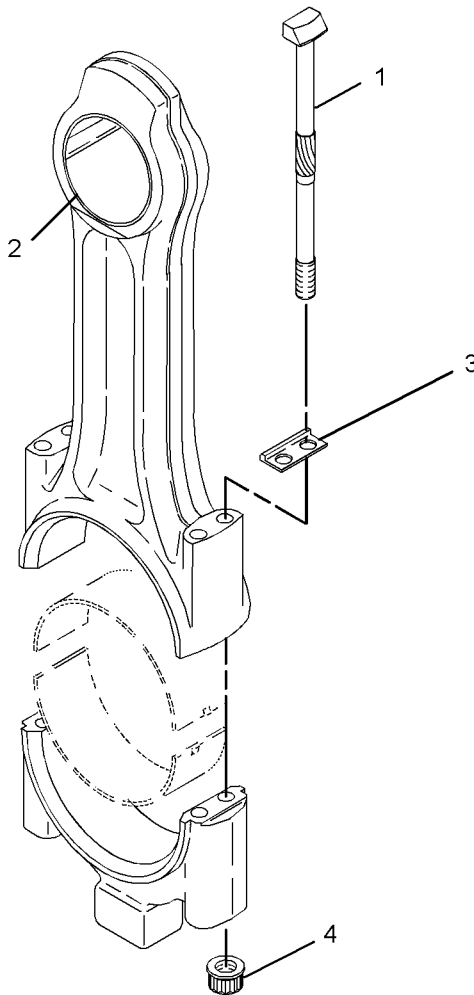
BASIC ENGINE

263 - 1853 CONNECTING ROD GP (CHG -01, -02) PART OF 104-4836, 7C-0444 PISTON & ROD GP

SMCS-1218

i02519725

| NOTE | REF NO | GRAPHIC REF | PART NUMBER | QTY | PART NAME | | | | | | SEE PAGE |
|------|--------|-------------|-----------------|-----|---|---|---|---|---|-------------------|----------|
| | | | | | 1 | 2 | 3 | 4 | 5 | 6 (PRODUCT LEVEL) | |
| | 1 | 1 | 1W-0098 | 4 | BOLT - CONNECTING ROD (3/4 - 16X12.87 - IN) | | | | | | |
| | 2 | 1 | 4P-6125 | 1 | BEARING - SLEEVE | | | | | | |
| | 3 | 1 | 4W-8344 | 2 | RETAINER | | | | | | |
| | 4 | 1 | 205-0640 | 4 | NUT (3/4 - 16 - THD) | | | | | | |



GRAPHIC #1

<END>

g01261058

BASIC ENGINE

147-0083 COUPLING AS-FLEXIBLE (CHG -00 THRU -02)

VULKAN 31D6G

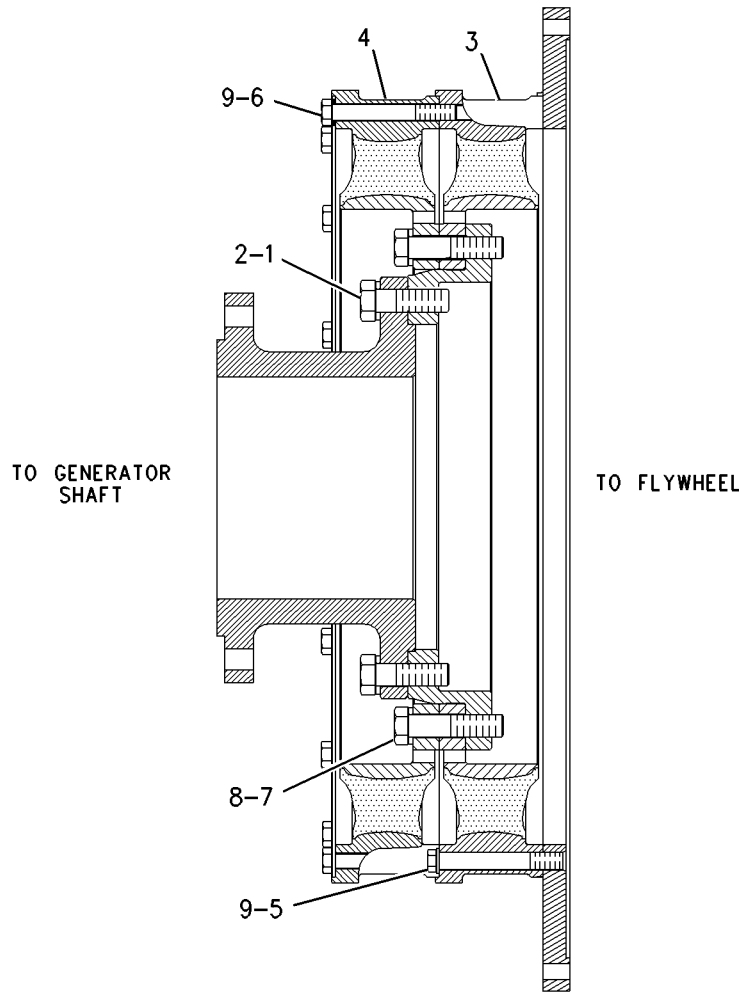
PART OF 147-0076 COUPLING GP-FLEXIBLE

SMCS-3252

i02346258

| NOTE | REF NO | GRAPHIC REF | PART NUMBER | QTY | PART NAME | | | | | | SEE PAGE |
|------|--------|-------------|-------------|-----|-----------------------------------|---|---|---|---|-------------------|----------|
| | | | | | 1 | 2 | 3 | 4 | 5 | 6 (PRODUCT LEVEL) | |
| M | 1 | 1 | 152-0192 | 20 | BOLT (M27X3X80-MM) | | | | | | |
| | 2 | 1 | 152-0196 | 20 | WASHER-HARD (29X45X6-MM THK) | | | | | | |
| | 3 | 1 | 173-2724 | 1 | ELEMENT-COUPLING | | | | | | |
| | 4 | 1 | 173-2725 | 1 | ELEMENT-COUPLING | | | | | | |
| M | 5 | 1 | 173-4373 | 32 | BOLT-SOCKET HEAD (M18X2.5X130-MM) | | | | | | |
| M | 6 | 1 | 152-0189 | 16 | BOLT (M18X2.5X160-MM) | | | | | | |
| M | 7 | 1 | 152-0191 | 24 | BOLT (M24X3X120-MM) | | | | | | |
| | 8 | 1 | 6V-8237 | 24 | WASHER (26X44X4-MM THK) | | | | | | |
| | 9 | 1 | 7M-7875 | 48 | WASHER-HARD (20X30X5-MM THK) | | | | | | |

M-METRIC PART



RIGHT SIDE VIEW

<END>

GRAPHIC #1

g00847230

BASIC ENGINE

150-0326 COUPLING AS-FLEXIBLE (CHG -00 THRU -02)

VULKAN 31D8G

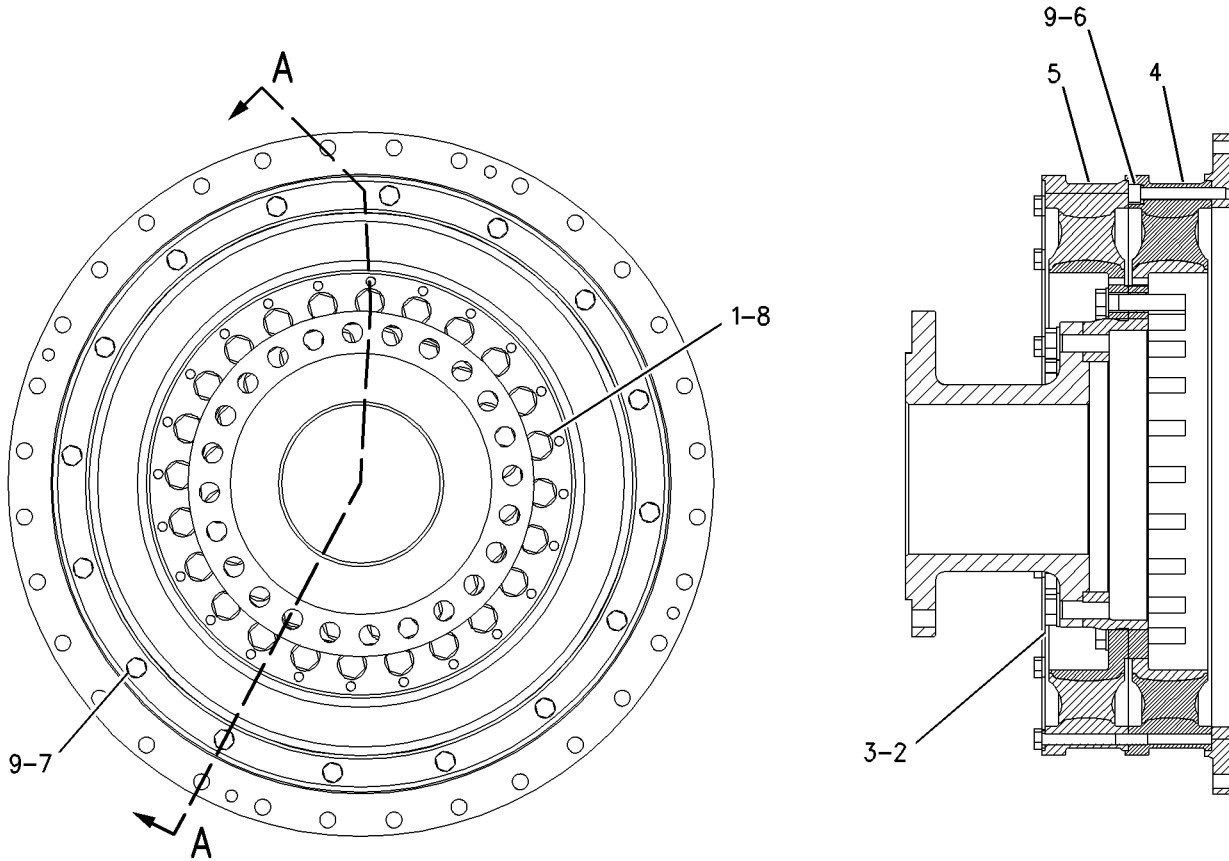
PART OF 150-0320 COUPLING GP-FLEXIBLE

SMCS-3252

i02346269

| NOTE | REF NO | GRAPHIC REF | PART NUMBER | QTY | PART NAME | | | | | | SEE PAGE |
|------|--------|-------------|-------------|-----|-----------------------------------|---|---|---|---|-------------------|----------|
| | | | | | 1 | 2 | 3 | 4 | 5 | 6 (PRODUCT LEVEL) | |
| M | 1 | 1 | 152-0191 | 24 | BOLT (M24X3X120-MM) | | | | | | |
| M | 2 | 1 | 152-0192 | 20 | BOLT (M27X3X80-MM) | | | | | | |
| | 3 | 1 | 152-0196 | 20 | WASHER-HARD (29X45X6-MM THK) | | | | | | |
| | 4 | 1 | 173-2728 | 1 | ELEMENT-COUPLING | | | | | | |
| | 5 | 1 | 173-2729 | 1 | ELEMENT-COUPLING | | | | | | |
| M | 6 | 1 | 173-4373 | 16 | BOLT-SOCKET HEAD (M18X2.5X130-MM) | | | | | | |
| M | 7 | 1 | 152-0189 | 16 | BOLT (M18X2.5X160-MM) | | | | | | |
| | 8 | 1 | 6V-8237 | 24 | WASHER (26X44X4-MM THK) | | | | | | |
| | 9 | 1 | 7M-7875 | 32 | WASHER-HARD (20X30X5-MM THK) | | | | | | |

M-METRIC PART



SECTION A-A

GRAPHIC #1

<END>

g00848376

BASIC ENGINE

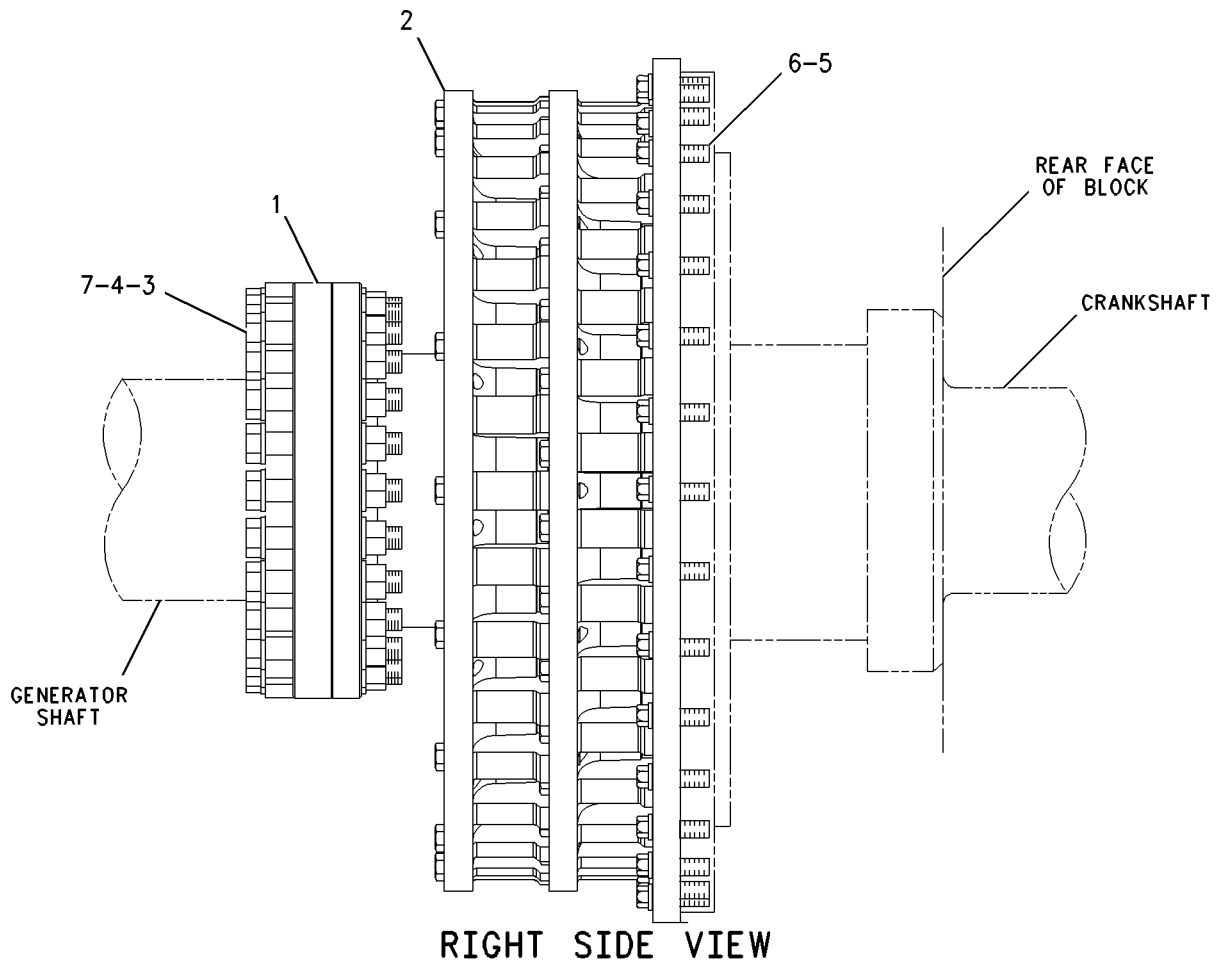
147-0076 COUPLING GP - FLEXIBLE (CHG -00, -01) VULKAN 31DG

SMCS-3252

i02346248

| NOTE | REF NO | GRAPHIC REF | PART NUMBER | QTY | PART NAME | | | | | | SEE PAGE |
|------|--------|-------------|-----------------|-----|------------------------------------|---|---|---|---|-------------------|----------|
| | | | | | 1 | 2 | 3 | 4 | 5 | 6 (PRODUCT LEVEL) | |
| | 1 | 1 | 4P-3052 | 1 | SPACER AS-DISC | | | | | | |
| | | 1 | 3S-2713 | 2 | NUT-FULL (3/8-24-THD) | | | | | | |
| | | 1 | 3V-3308 | 2 | WASHER-HARD (10.2X20.5X2.5-MM THK) | | | | | | |
| | | 1 | 8Y-4023 | 1 | ROD | | | | | | |
| Y | 2 | 1 | 147-0083 | 1 | COUPLING AS-FLEXIBLE | | | | | | 25 |
| | 3 | 1 | 8D-9512 | 24 | BOLT (1-1/8-7X7-IN) | | | | | | |
| | 4 | 1 | 4J-5977 | 24 | NUT-FULL (1-1/8-7-THD) | | | | | | |
| | 5 | 1 | 1D-4625 | 32 | BOLT (7/8-9X2.5-IN) | | | | | | |
| | 6 | 1 | 4M-6953 | 32 | WASHER-HARD (24X38X3.5-MM THK) | | | | | | |
| | 7 | 1 | 3S-1349 | 48 | WASHER-HARD (31X52.5X6-MM THK) | | | | | | |

Y-SEPARATE ILLUSTRATION



GRAPHIC #1

<END>

g00796115

BASIC ENGINE

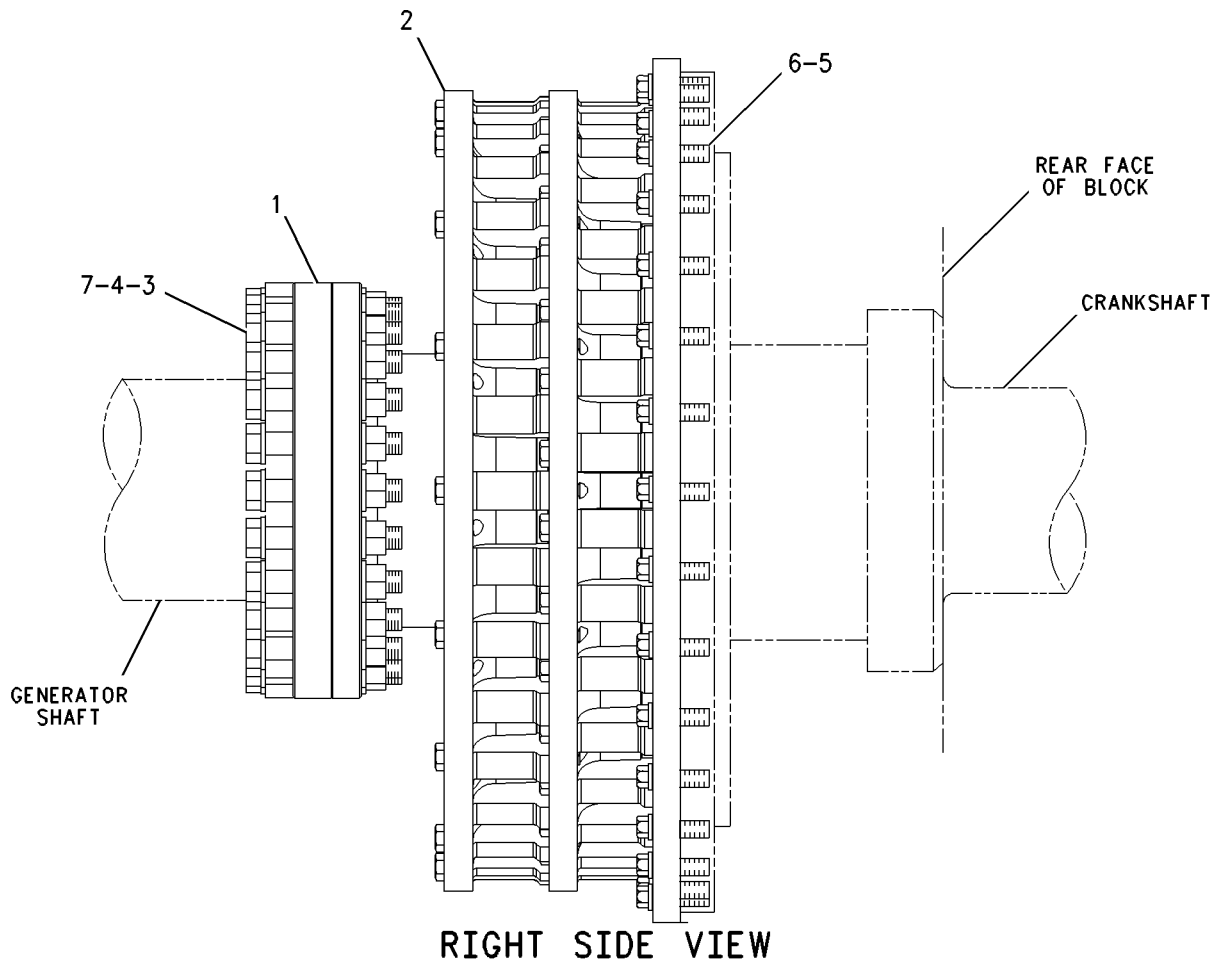
150-0320 COUPLING GP - FLEXIBLE (CHG -00, -01) VULKAN 31D8G

SMCS-3252

i02346265

| NOTE | REF NO | GRAPHIC REF | PART NUMBER | QTY | PART NAME | | | | | | SEE PAGE |
|------|--------|-------------|-------------|-----|------------------------------------|---|---|---|---|-------------------|----------|
| | | | | | 1 | 2 | 3 | 4 | 5 | 6 (PRODUCT LEVEL) | |
| | 1 | 1 | 4P-3052 | 1 | SPACER AS-DISC | | | | | | |
| | | 1 | 3S-2713 | 2 | NUT-FULL (3/8-24-THD) | | | | | | |
| | | 1 | 3V-3308 | 2 | WASHER-HARD (10.2X20.5X2.5-MM THK) | | | | | | |
| | | 1 | 8Y-4023 | 1 | ROD | | | | | | |
| Y | 2 | 1 | 150-0326 | 1 | COUPLING AS-FLEXIBLE | | | | | | 26 |
| | 3 | 1 | 8D-9512 | 24 | BOLT (1-1/8-7X7-IN) | | | | | | |
| | 4 | 1 | 4J-5977 | 24 | NUT-FULL (1-1/8-7-THD) | | | | | | |
| | 5 | 1 | 1D-4625 | 32 | BOLT (7/8-9X2.5-IN) | | | | | | |
| | 6 | 1 | 4M-6953 | 32 | WASHER-HARD (24X38X3.5-MM THK) | | | | | | |
| | 7 | 1 | 3S-1349 | 48 | WASHER-HARD (31X52.5X6-MM THK) | | | | | | |

Y-SEPARATE ILLUSTRATION



GRAPHIC #1

<END>

g00796167

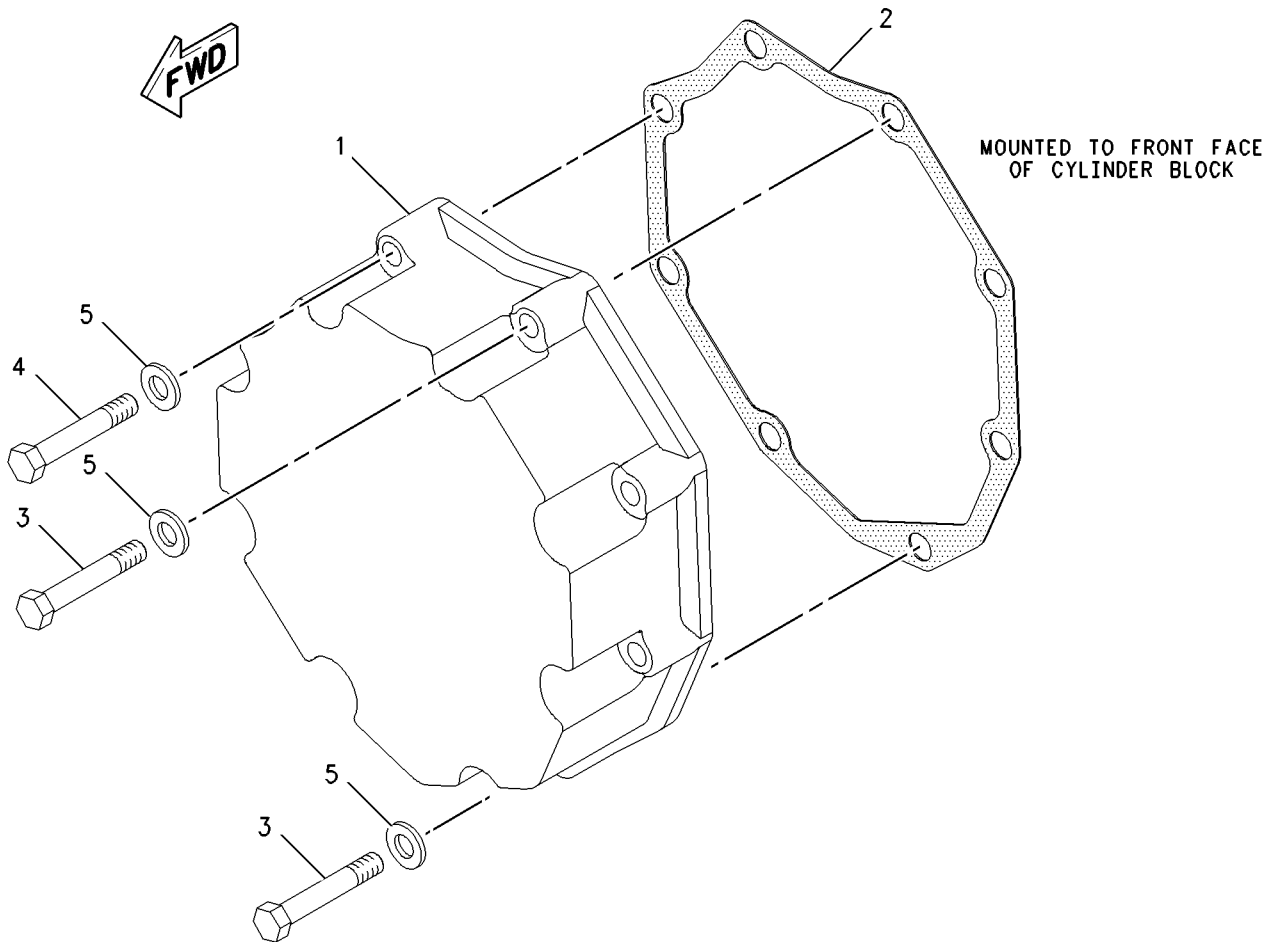
BASIC ENGINE

176-1548 COVER GP - CAMSHAFT (CHG -00)

SMCS-1210

i02374378

| NOTE | REF NO | GRAPHIC REF | PART NUMBER | QTY | PART NAME | | | | | | SEE PAGE |
|------|--------|-------------|----------------|-----|------------------------------------|---|---|---|---|-------------------|----------|
| | | | | | 1 | 2 | 3 | 4 | 5 | 6 (PRODUCT LEVEL) | |
| | 1 | 1 | 1W-0843 | 1 | COVER - CAMSHAFT | | | | | | |
| | 2 | 1 | 1W-2334 | 1 | GASKET | | | | | | |
| | 3 | 1 | OL-1143 | 2 | BOLT (3/8-16X2.5-IN) | | | | | | |
| | 4 | 1 | OS-1590 | 6 | BOLT (3/8-16X2-IN) | | | | | | |
| | 5 | 1 | 3V-3308 | 8 | WASHER-HARD (10.2X20.5X2.5-MM THK) | | | | | | |



GRAPHIC #1

<END>

g00775505

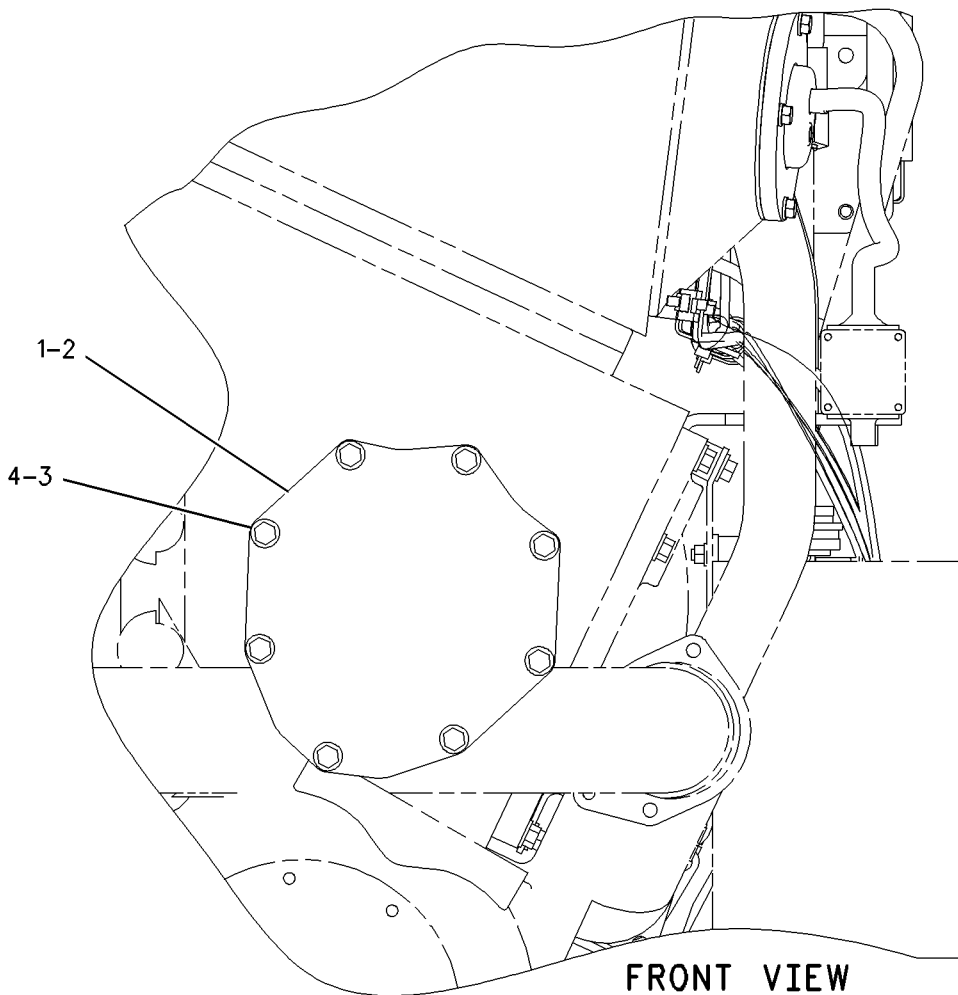
BASIC ENGINE

195-5915 COVER GP - CAMSHAFT (CHG -00, -01) LEFT FRONT CAMSHAFT

SMCS-1210

i02374380

| NOTE | REF NO | GRAPHIC REF | PART NUMBER | QTY | PART NAME | | | | | | SEE PAGE |
|------|--------|-------------|-----------------|-----|------------------------------------|---|---|---|---|-------------------|----------|
| | | | | | 1 | 2 | 3 | 4 | 5 | 6 (PRODUCT LEVEL) | |
| | 1 | 1 | 1W-2334 | 1 | GASKET | | | | | | |
| | 2 | 1 | 206-6583 | 1 | COVER | | | | | | |
| | 3 | 1 | 0S-1594 | 8 | BOLT (3/8-16X1-IN) | | | | | | |
| | 4 | 1 | 3V-3308 | 8 | WASHER-HARD (10.2X20.5X2.5-MM THK) | | | | | | |



GRAPHIC #1

<END>

g00807434

BASIC ENGINE

150-6798 COVER GP-CYLINDER BLOCK (CHG -00 THRU -03) RIGHT HAND SERVICE

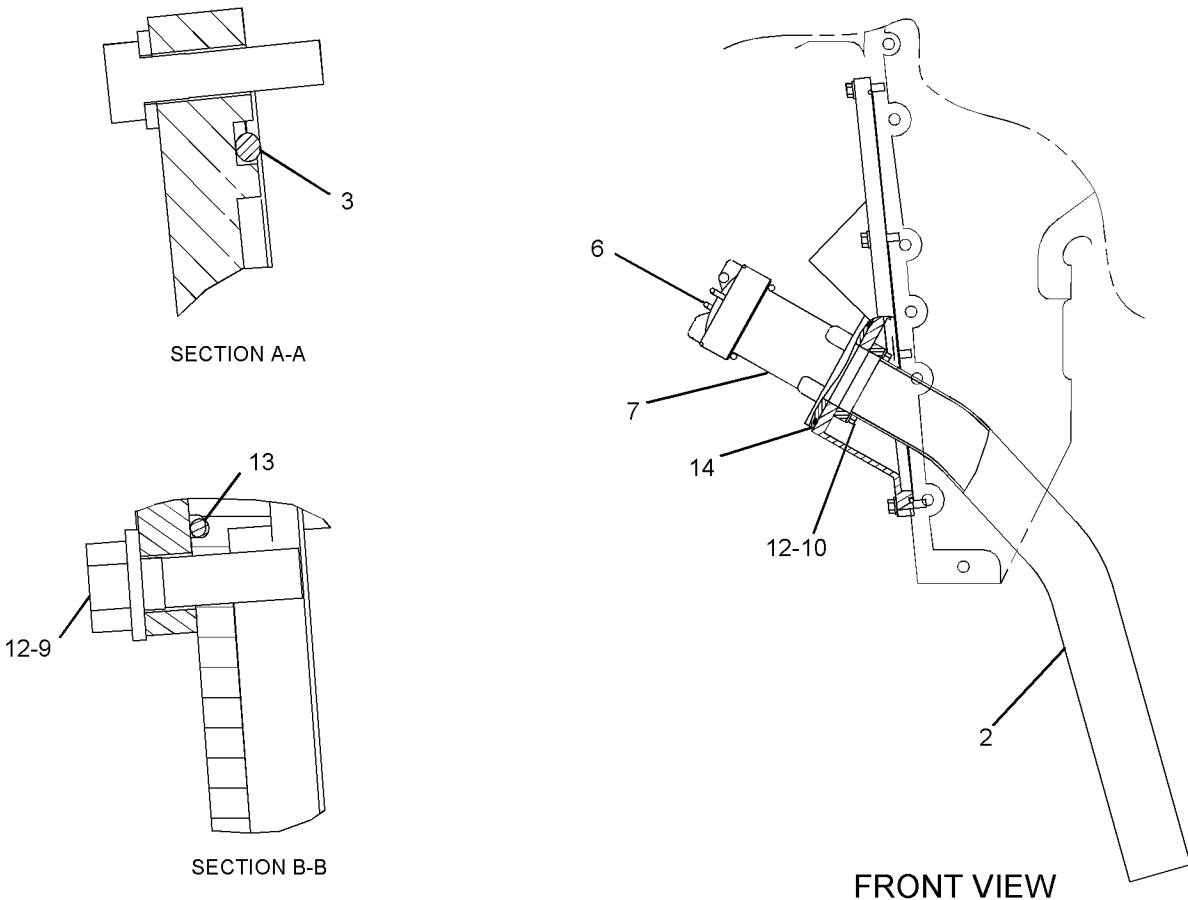
SMCS-1201

i02068802

| NOTE | REF NO | GRAPHIC REF | PART NUMBER | QTY | PART NAME | | | | | | SEE PAGE |
|------|--------|-------------|----------------|-----|---|---|---|---|---|-------------------|----------|
| | | | | | 1 | 2 | 3 | 4 | 5 | 6 (PRODUCT LEVEL) | |
| J | 1 | 2 | 1W-2834 | 6 | VALVE GP-EXPLOSION RELIEF | | | | | | |
| | 2 | 1 | 4P-5304 | 1 | TUBE AS | | | | | | |
| | 3 | 1 | 6I-4545 | 16 | SEAL-O-RING | | | | | | |
| | 4 | 2 | 7E-0768 | 9 | COVER-CYLINDER BLOCK | | | | | | |
| | 5 | 2 | 7E-0769 | 6 | COVER-CYLINDER BLOCK | | | | | | |
| Y | 6 | 1 | 7E-1659 | 1 | CAP GP-ENGINE OIL FILLER | | | | | | 178 |
| | 7 | 1 | 9Y-6874 | 1 | ELBOW-OIL FILLER | | | | | | |
| | 8 | 2 | 9Y-9924 | 1 | COVER-CYLINDER BLOCK | | | | | | |
| | 9 | 1 | 0S-1588 | 36 | BOLT (3/8-16X1.25-IN) | | | | | | |
| | 10 | 1 | 0S-1590 | 4 | BOLT (3/8-16X2-IN) | | | | | | |
| | 11 | 2 | 0S-1591 | 114 | BOLT (3/8-16X1.5-IN) | | | | | | |
| | 12 | 1,2 | 3V-3308 | 154 | WASHER-HARD (10.2X20.5X2.5-MM THK) | | | | | | |
| | 13 | 1 | 6V-1904 | 6 | SEAL-O-RING | | | | | | |
| | 14 | 1 | 6V-4314 | 1 | SEAL-O-RING | | | | | | |
| | 15 | 2 | 6V-5049 | 1 | SEAL-O-RING | | | | | | |
| | 16 | 2 | 9S-4191 | 1 | PLUG-O-RING | | | | | | |
| | | | | | AVAILABLE REPAIR KIT(S) : | | | | | | |
| J | | | 2W-3584 | 1 | KIT-REPAIR (EXPLOSION RELIEF) (INCLUDES VALVE PLATE AND SPINDLE O-RINGS) | | | | | | |

J - KIT MARKED J AVAILABLE FOR PART MARKED J
Y - SEPARATE ILLUSTRATION

REFER TO ALL ILLUSTRATIONS OF THIS GROUP FOR ALL AUXILIARY VIEWS



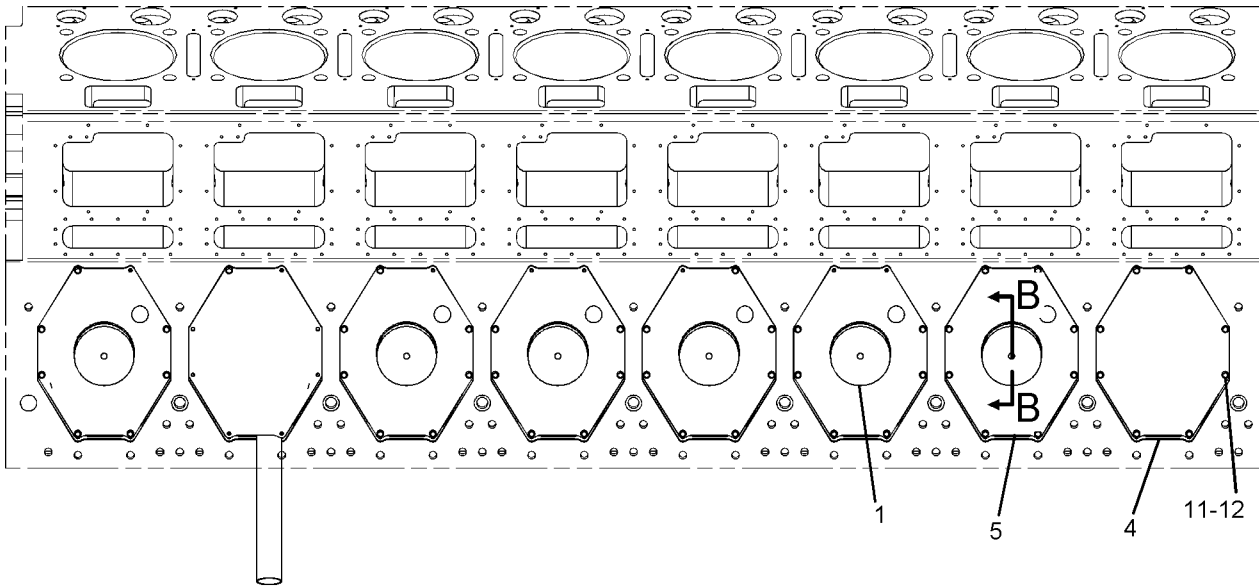
GRAPHIC #1

g01059578

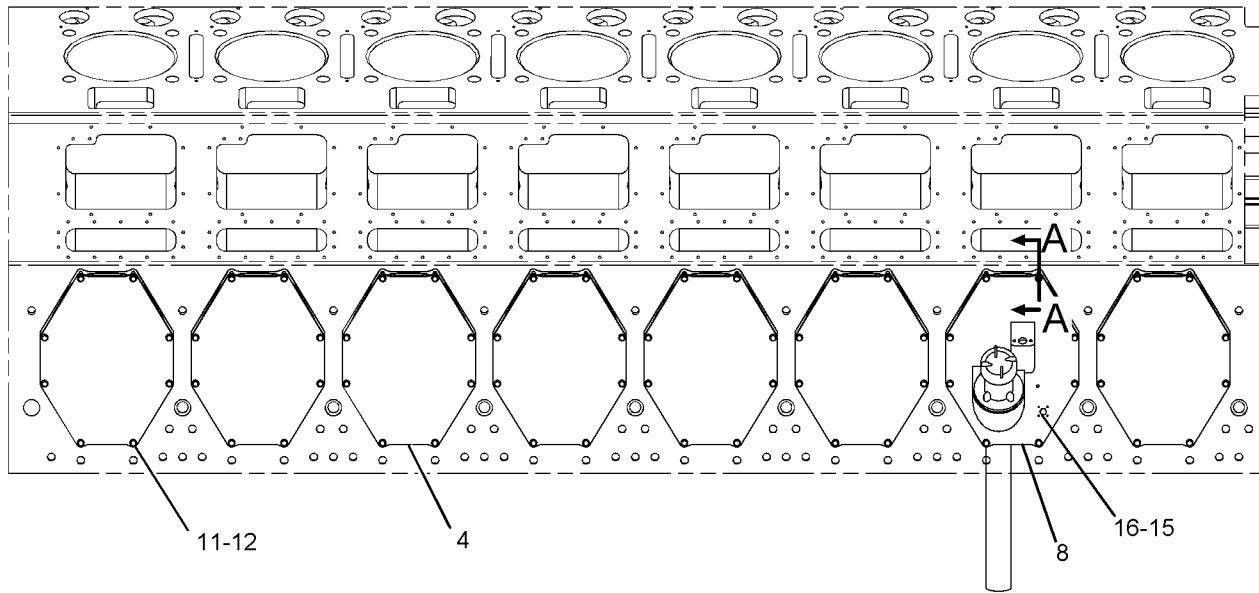
BASIC ENGINE

150-6798 COVER GP-CYLINDER BLOCK (contd.)

i02068802



LEFT SIDE VIEW



RIGHT SIDE VIEW
<END>

GRAPHIC #2

g01059576

BASIC ENGINE

153-2961 COVER GP-CYLINDER BLOCK-CENTRAL STRUCTURE (CHG -00 THRU -02)

SMCS-1201

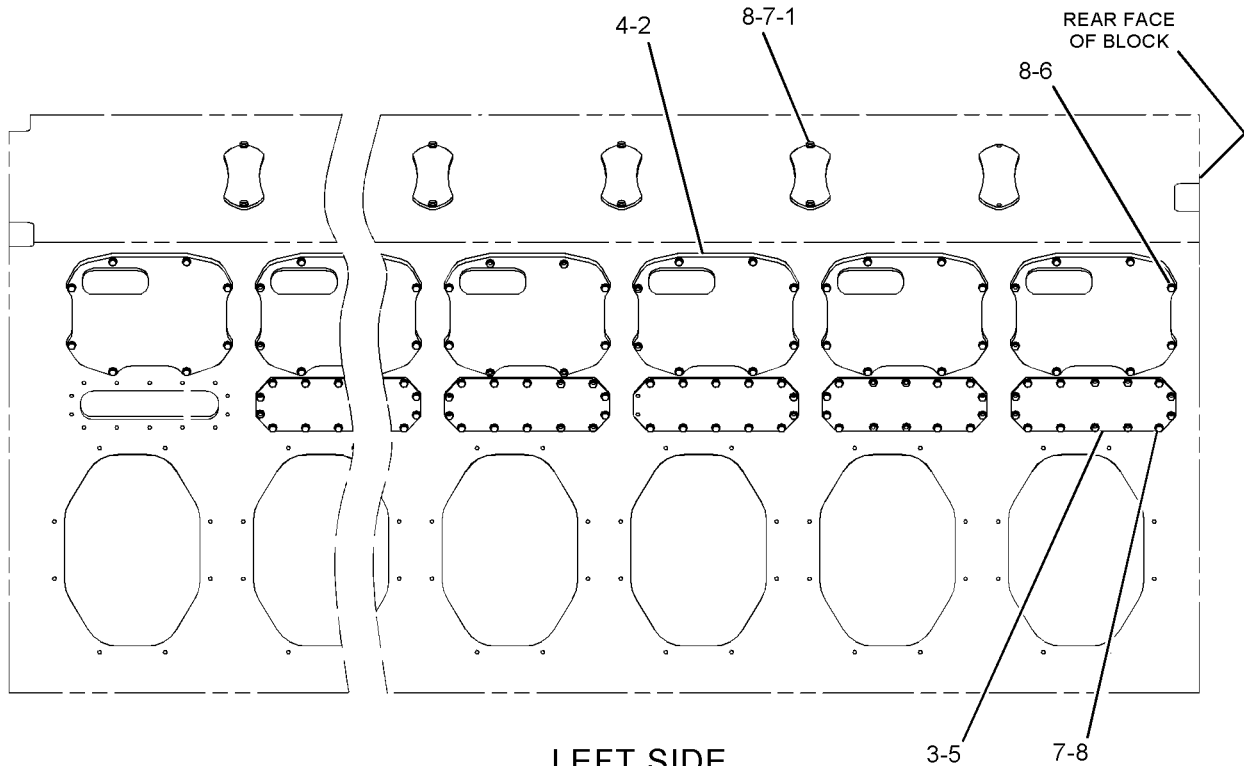
i02094614

| NOTE | REF NO | GRAPHIC REF | PART NUMBER | QTY | PART NAME | | | | | | SEE PAGE |
|------|--------|-------------|-----------------|-----|------------------------------------|---|---|---|---|-------------------|----------|
| | | | | | 1 | 2 | 3 | 4 | 5 | 6 (PRODUCT LEVEL) | |
| | 1 | 1 | 1W-8811 | 14 | COVER | | | | | | |
| | 2 | 1 | 7E-0728 | 16 | COVER-CAMSHAFT | | | | | | |
| | 3 | 1 | 7W-0805 | 14 | COVER (CYLINDER BLOCK) | | | | | | |
| | 4 | 1 | 8T-0098 | 16 | SEAL-O-RING | | | | | | |
| | 5 | 1 | 121-3874 | 14 | GASKET | | | | | | |
| | 6 | 1 | 0S-1591 | 118 | BOLT (3/8-16X1.5-IN) | | | | | | |
| | 7 | 1 | 0S-1594 | 168 | BOLT (3/8-16X1-IN) | | | | | | |
| | 8 | 1 | 3V-3308 | 286 | WASHER-HARD (10.2X20.5X2.5-MM THK) | | | | | | |

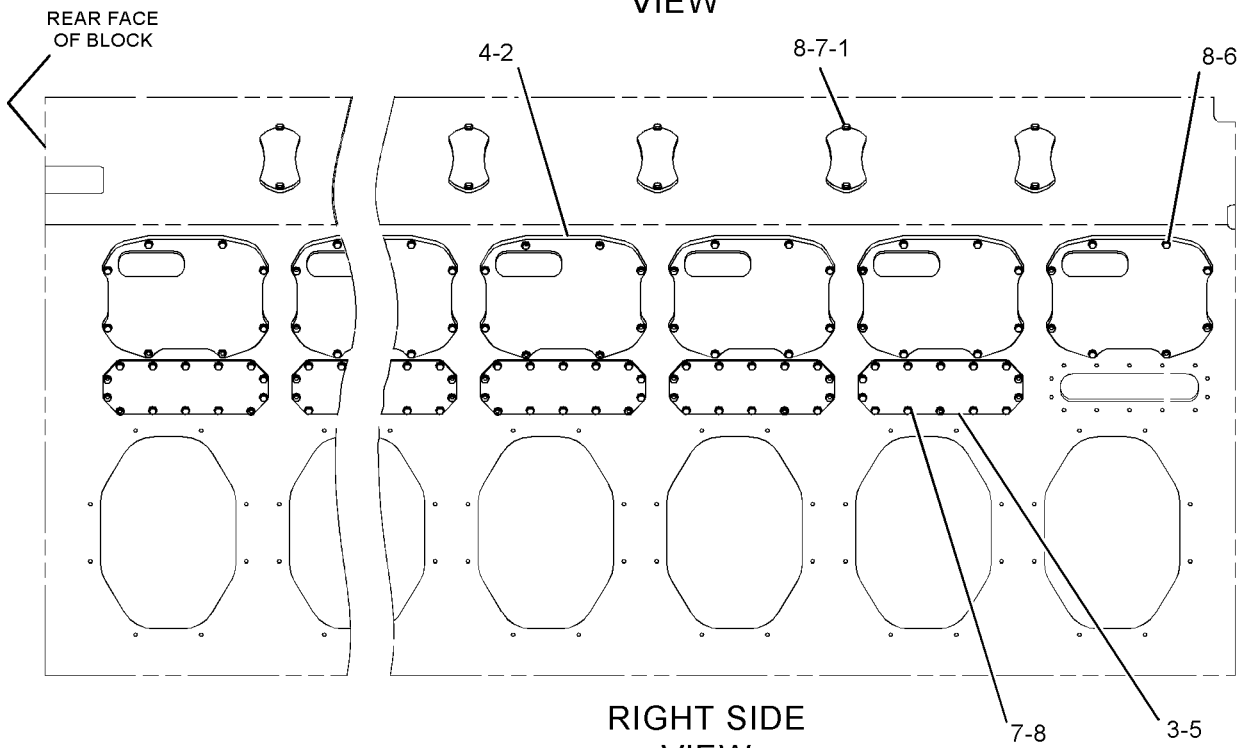
BASIC ENGINE

153-2961 COVER GP-CYLINDER BLOCK (contd.)

i02094614



LEFT SIDE VIEW



RIGHT SIDE VIEW

GRAPHIC #1

<END>

g01068120

BASIC ENGINE

164-7681 COVER GP-CYLINDER BLOCK

(CHG -00 THRU -04, -04D1, -04D2)

LEFT HAND SERVICE

SMCS-1201

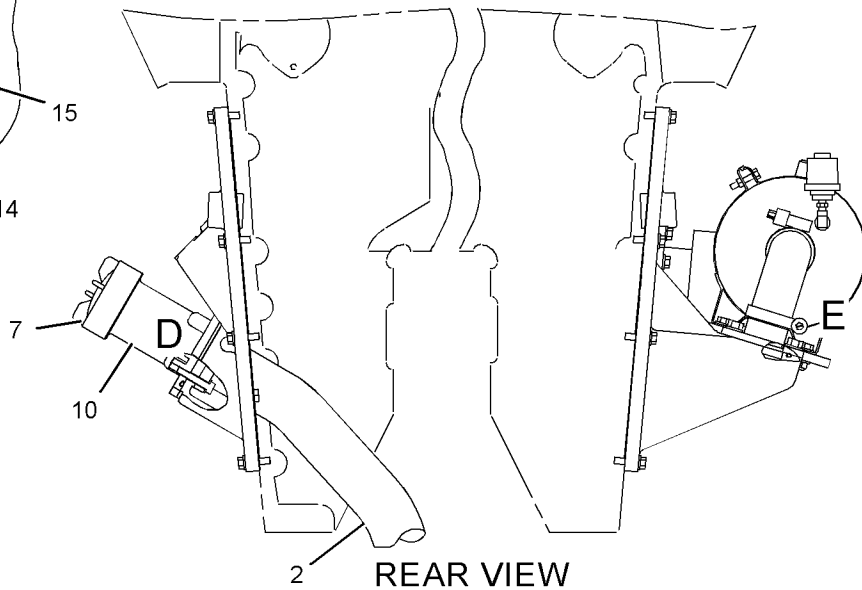
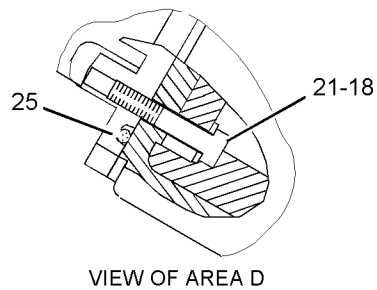
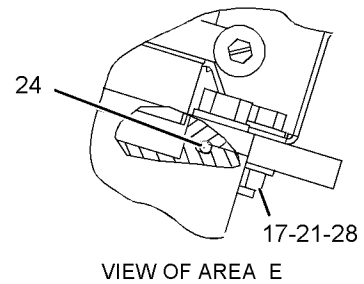
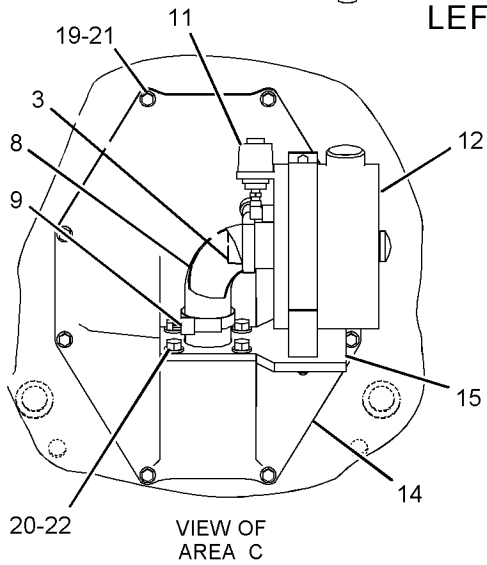
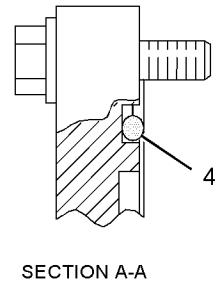
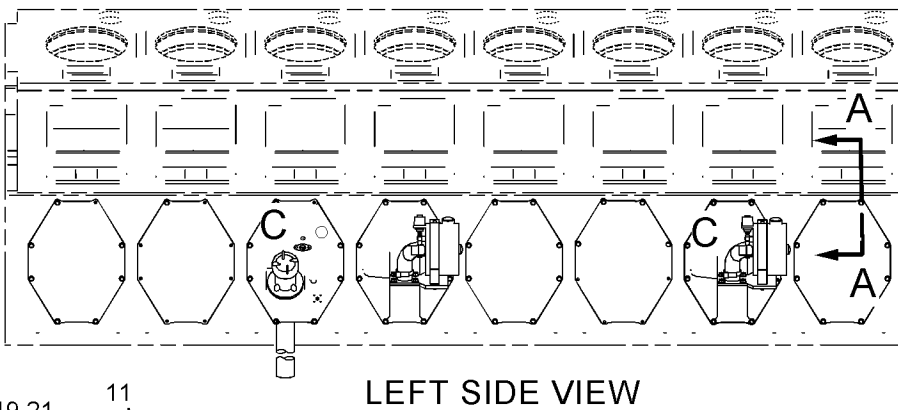
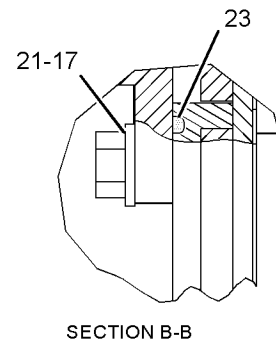
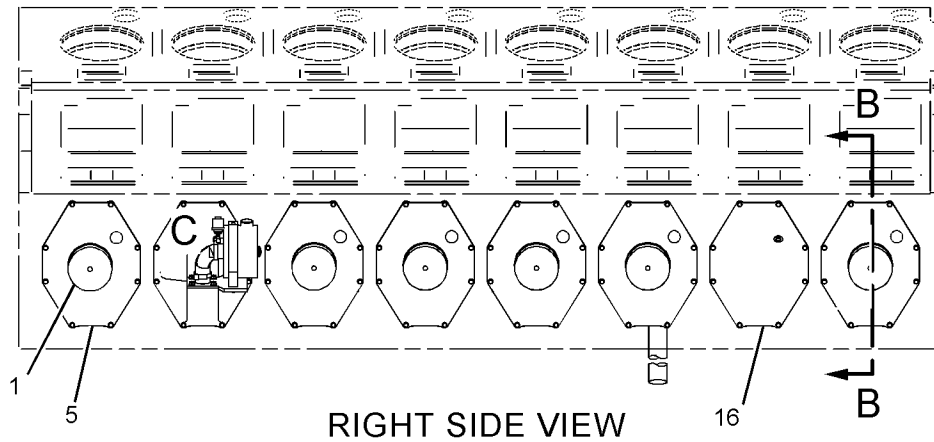
i02011132

| NOTE | REF NO | GRAPHIC REF | PART NUMBER | QTY | PART NAME | | | | | | SEE PAGE |
|---|--------|----------------|-----------------|-----------------------|------------------------------------|---|---|---|---|-------------------|----------|
| | | | | | 1 | 2 | 3 | 4 | 5 | 6 (PRODUCT LEVEL) | |
| J | 1 | 1 | 1W-2834 | 6 | VALVE GP-EXPLOSION RELIEF | | | | | | |
| | 2 | 1 | 4P-5304 | 1 | TUBE AS | | | | | | |
| | 3 | 1 | 4P-9513 | 3 | VALVE-VACUATOR | | | | | | |
| | 4 | 1 | 6I-4545 | 16 | SEAL-O-RING | | | | | | |
| | 5 | 1 | 7E-0768 | 5 | COVER-CYLINDER BLOCK | | | | | | |
| | 6 | 1 | 7E-0769 | 6 | COVER-CYLINDER BLOCK | | | | | | |
| Y | 7 | 1 | 7E-1659 | 1 | CAP GP-ENGINE OIL FILLER | | | | | | 178 |
| | 8 | 1 | 7W-6885 | 3 | HOSE | | | | | | |
| | 9 | 1 | 8T-4984 | 6 | CLAMP-HOSE | | | | | | |
| | 10 | 1 | 9Y-6874 | 1 | ELBOW-OIL FILLER | | | | | | |
| Y | 11 | 1 | 9Y-8220 | 3 | INDICATOR GP-AIR FILTER CHANGE | | | | | | 397 |
| Y | 12 | 1 | 9Y-8829 | 3 | AIR CLEANER GP | | | | | | 360 |
| | 13 | 1 | 9Y-9924 | 1 | COVER-CYLINDER BLOCK | | | | | | |
| | 14 | 1 | 9Y-9996 | 3 | COVER-CYLINDER BLOCK | | | | | | |
| | 15 | 1 | 119-7861 | 3 | PLATE AS | | | | | | |
| | 16 | 1 | 225-8811 | 1 | COVER-CYLINDER BLOCK | | | | | | |
| | 17 | 1 | 0S-1588 | 42 | BOLT (3/8-16X1.25-IN) | | | | | | |
| | 18 | 1 | 0S-1590 | 4 | BOLT (3/8-16X2-IN) | | | | | | |
| | 19 | 1 | 0S-1591 | 113 | BOLT (3/8-16X1.5-IN) | | | | | | |
| | 20 | 1 | 0S-1595 | 12 | BOLT (1/2-13X1.25-IN) | | | | | | |
| | 21 | 1 | 3V-3308 | 165 | WASHER-HARD (10.2X20.5X2.5-MM THK) | | | | | | |
| | 22 | 1 | 5P-8245 | 12 | WASHER-HARD (13.5X25.5X3-MM THK) | | | | | | |
| | 23 | 1 | 6V-1904 | 6 | SEAL-O-RING | | | | | | |
| | 24 | 1 | 6V-3833 | 3 | SEAL-O-RING | | | | | | |
| 25 | 1 | 6V-4314 | 1 | SEAL-O-RING | | | | | | | |
| 26 | 1 | 6V-5049 | 1 | SEAL-O-RING | | | | | | | |
| 27 | 1 | 9S-4191 | 1 | PLUG-O-RING | | | | | | | |
| 28 | 1 | 9S-8752 | 6 | NUT-FULL (3/8-16-THD) | | | | | | | |
| AVAILABLE REPAIR KIT(S) : | | | | | | | | | | | |
| J | | | 2W-3584 | 1 | KIT-REPAIR (EXPLOSION RELIEF) | | | | | | |
| (KIT INCLUDES VALVE PLATE AND SPINDLE O-RINGS) | | | | | | | | | | | |
| J-REPAIR KIT(S) MARKED J AVAILABLE FOR PART(S) MARKED J | | | | | | | | | | | |
| Y-SEPARATE ILLUSTRATION | | | | | | | | | | | |

BASIC ENGINE

164-7681 COVER GP-CYLINDER BLOCK (contd.)

i02011132



GRAPHIC #1

<END>

g01040453

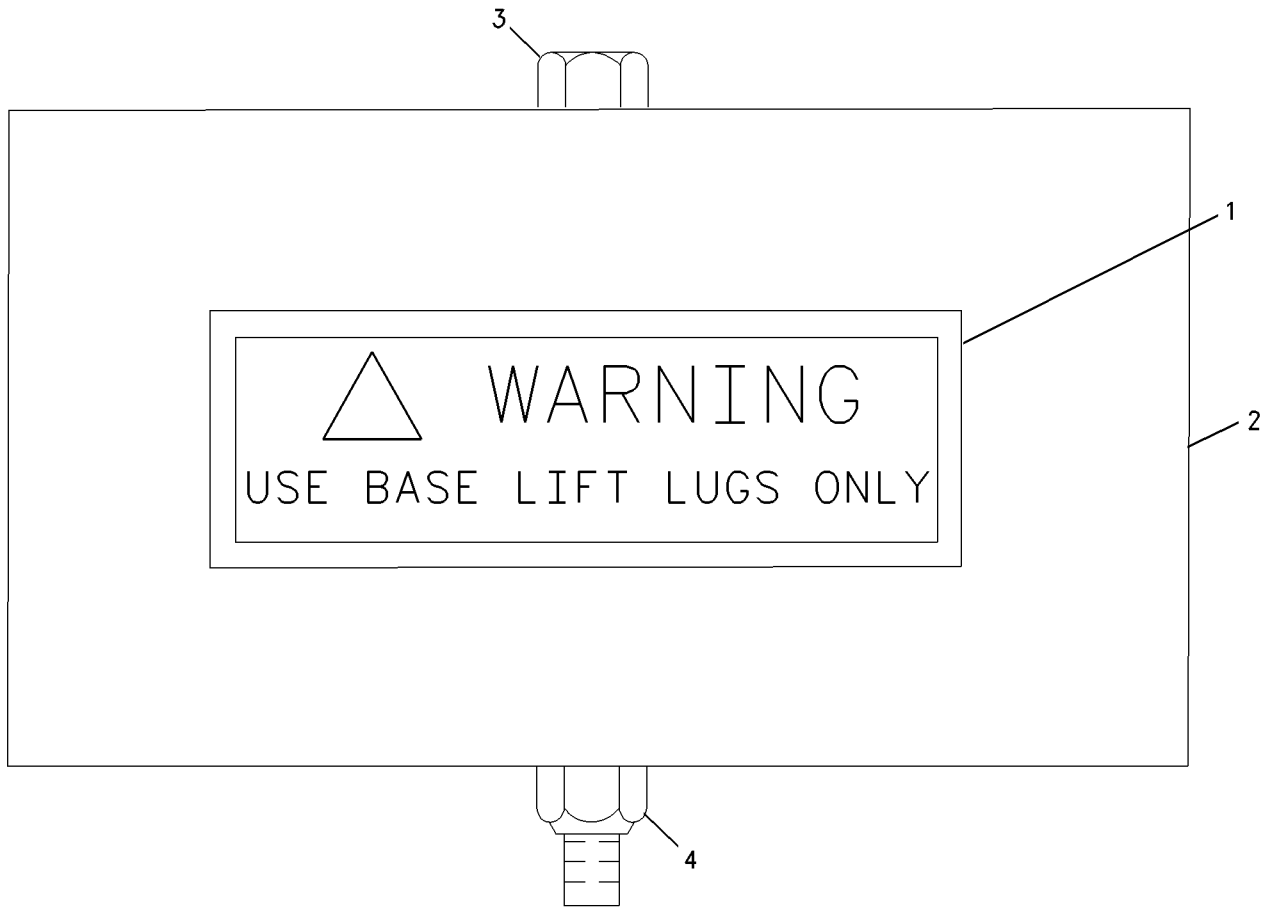
BASIC ENGINE

2W-2742 COVER GP - ENGINE LIFTING EYE (CHG -00)

SMCS-1122

i02346062

| NOTE | REF NO | GRAPHIC REF | PART NUMBER | QTY | PART NAME | | | | | | SEE PAGE |
|------|--------|-------------|----------------|-----|--------------------------------|---|---|---|---|-------------------|----------|
| | | | | | 1 | 2 | 3 | 4 | 5 | 6 (PRODUCT LEVEL) | |
| | 1 | 1 | 3N-8591 | 2 | FILM-INFORMATION (DO NOT LIFT) | | | | | | |
| | 2 | 1 | 2W-2972 | 2 | COVER-LIFTING | | | | | | |
| | 3 | 1 | 8S-4714 | 2 | BOLT (1/4-28X4-IN) | | | | | | |
| | 4 | 1 | 3F-7674 | 2 | LOCKNUT (1/4-28 THD) | | | | | | |



TOP VIEW

<END>

GRAPHIC #1

g00783275

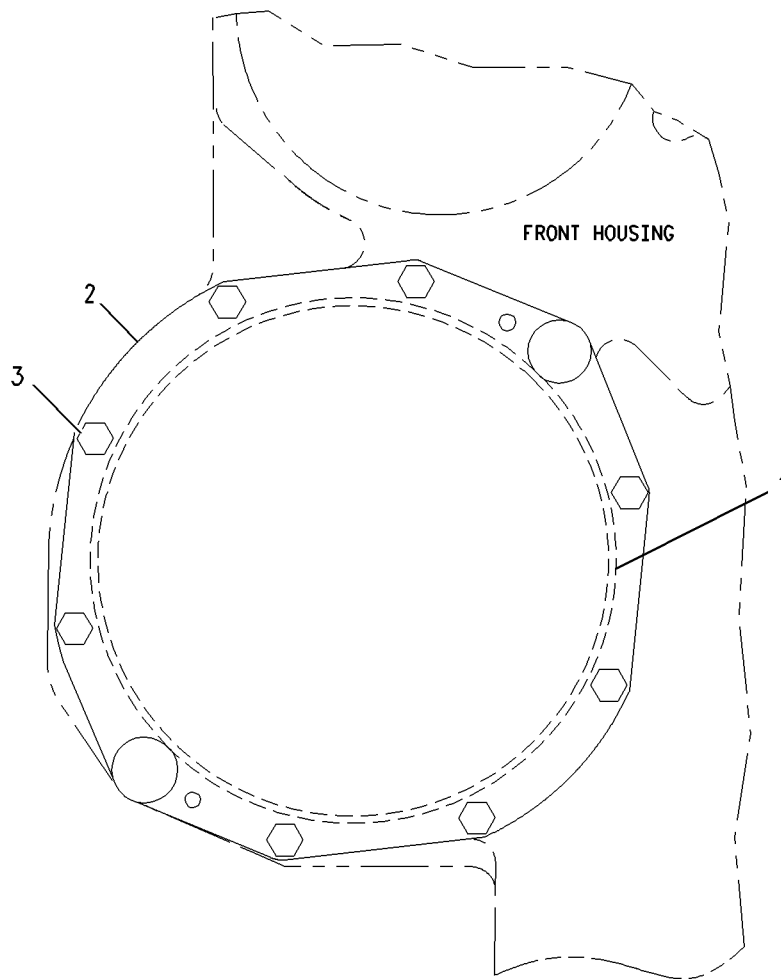
BASIC ENGINE

4W-0365 COVER GP - FRONT HOUSING (CHG -01, -02)

SMCS-1151, 1166

i02345206

| NOTE | REF NO | GRAPHIC REF | PART NUMBER | QTY | PART NAME | | | | | | SEE PAGE |
|------|--------|-------------|-------------|-----|-----------------------|---|---|---|---|-------------------|----------|
| | | | | | 1 | 2 | 3 | 4 | 5 | 6 (PRODUCT LEVEL) | |
| | 1 | 1 | 6V-7702 | 1 | SEAL-O-RING | | | | | | |
| | 2 | 1 | 1W-3377 | 1 | COVER | | | | | | |
| | 3 | 1 | 0S-1595 | 8 | BOLT (1/2-13X1.25-IN) | | | | | | |



FRONT VIEW

GRAPHIC #1

<END>

g00799741

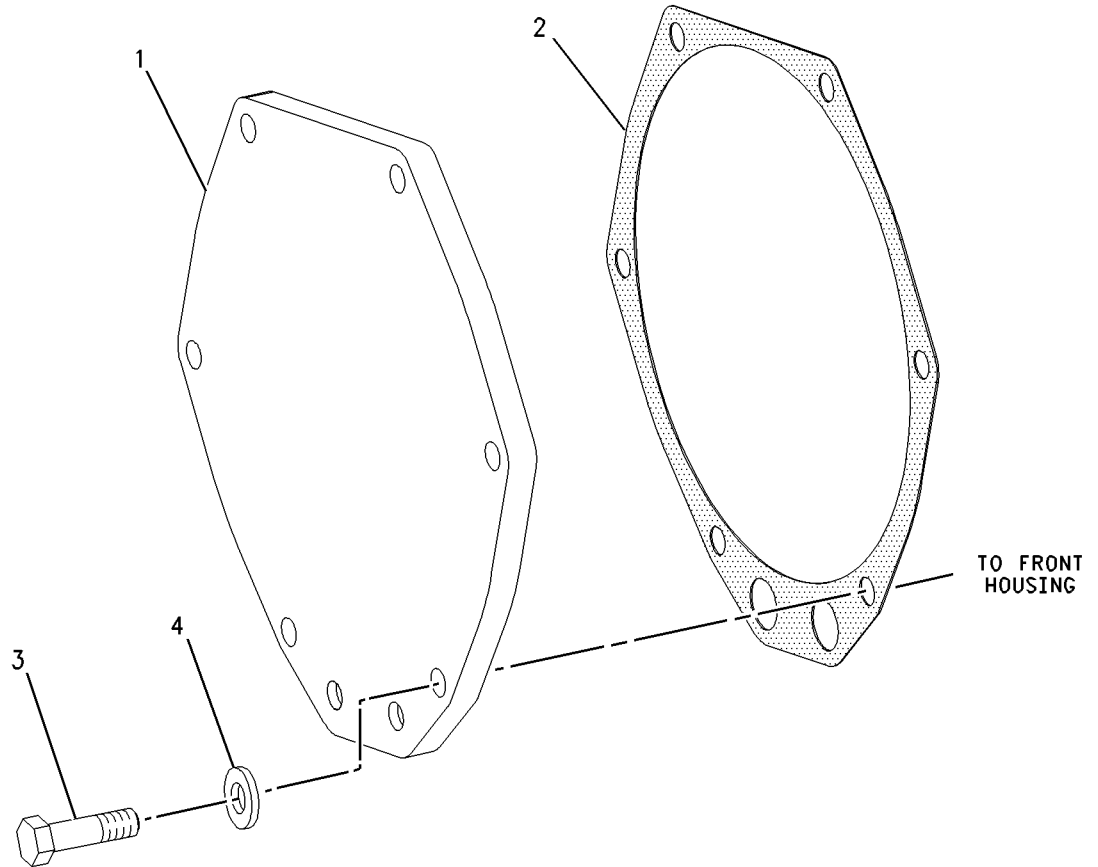
BASIC ENGINE

7W-5214 COVER GP-FRONT HOUSING (CHG -00) WATER PUMP

SMCS-1151, 1166

i01536426

| NOTE | REF NO | GRAPHIC REF | PART NUMBER | QTY | PART NAME | | | | | | SEE PAGE |
|------|--------|-------------|-------------|-----|----------------------------------|---|---|---|---|-------------------|----------|
| | | | | | 1 | 2 | 3 | 4 | 5 | 6 (PRODUCT LEVEL) | |
| | 1 | 1 | 7W-2689 | 1 | COVER | | | | | | |
| | 2 | 1 | 7W-2690 | 1 | GASKET | | | | | | |
| | 3 | 1 | 0S-1595 | 6 | BOLT (1/2-13X1.25-IN) | | | | | | |
| | 4 | 1 | 5P-8245 | 6 | WASHER-HARD (13.5X25.5X3-MM THK) | | | | | | |



GRAPHIC #1

<END>

g00801946

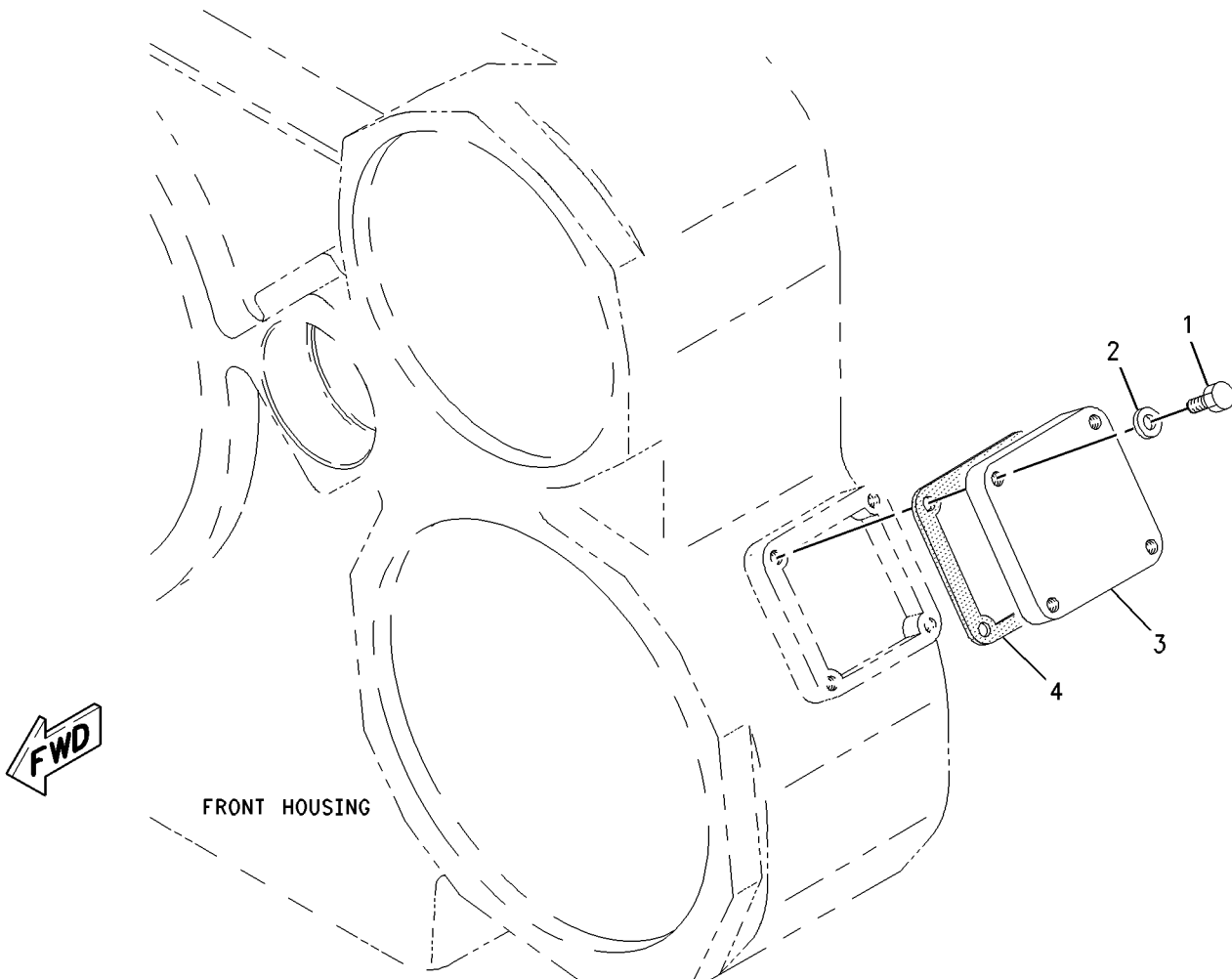
BASIC ENGINE

1W-3382 COVER GP - GEAR INSPECTION (CHG -05, -06)

SMCS-1166

i01458777

| NOTE | REF NO | GRAPHIC REF | PART NUMBER | QTY | PART NAME | | | | | | SEE PAGE |
|------|--------|-------------|----------------|-----|------------------------------------|---|---|---|---|-------------------|----------|
| | | | | | 1 | 2 | 3 | 4 | 5 | 6 (PRODUCT LEVEL) | |
| | 1 | 1 | 0S-1594 | 4 | BOLT (3/8-16X1-IN) | | | | | | |
| | 2 | 1 | 3V-3308 | 4 | WASHER-HARD (10.2X20.5X2.5-MM THK) | | | | | | |
| | 3 | 1 | 4W-6637 | 1 | COVER | | | | | | |
| | 4 | 1 | 4W-6638 | 1 | GASKET | | | | | | |



GRAPHIC #1

<END>

g00762517

BASIC ENGINE

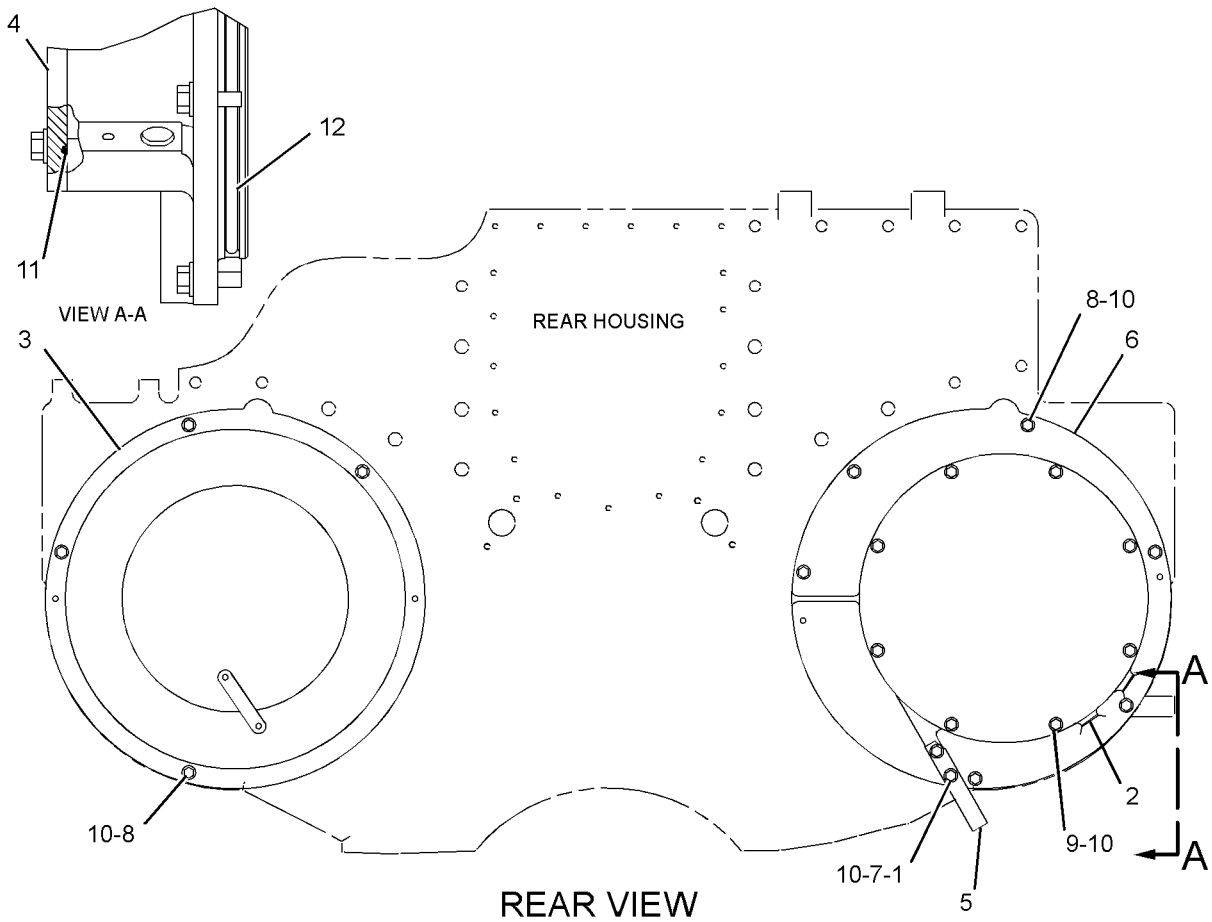
159-4641 COVER GP-REAR HOUSING

(CHG -00 THRU -02, -02D1, -03, -03D1)

SMCS-1157

i02437783

| NOTE | REF NO | GRAPHIC REF | PART NUMBER | QTY | PART NAME | | | | | | SEE PAGE |
|------|--------|-------------|-------------|-----|--------------------------------------|---|---|---|---|-------------------|----------|
| | | | | | 1 | 2 | 3 | 4 | 5 | 6 (PRODUCT LEVEL) | |
| | 1 | 1 | 1W-7117 | 2 | DOWEL - HOLLOW | | | | | | |
| | 2 | 1 | 4F-4585 | 1 | PLUG - CORE | | | | | | |
| | 3 | 1 | 146-4297 | 1 | COVER - CAMSHAFT | | | | | | |
| | 4 | 1 | 159-7187 | 1 | COVER | | | | | | |
| | 5 | 1 | 206-7468 | 1 | PLATE | | | | | | |
| | 6 | 1 | 253-8894 | 1 | HOUSING | | | | | | |
| | 7 | 1 | 0L-1352 | 2 | BOLT (3/8-16X3.25-IN) | | | | | | |
| | 8 | 1 | 0S-1588 | 10 | BOLT (3/8-16X1.25-IN) | | | | | | |
| | 9 | 1 | 3B-1915 | 8 | BOLT (3/8-16X1.375-IN) | | | | | | |
| | 10 | 1 | 3V-3308 | 20 | WASHER - HARD (10.2X20.5X2.5-MM THK) | | | | | | |
| | 11 | 1 | 4D-1577 | 1 | SEAL - O-RING | | | | | | |
| | 12 | 1 | 6V-5060 | 2 | SEAL - O-RING | | | | | | |



GRAPHIC #1

<END>

g01218028

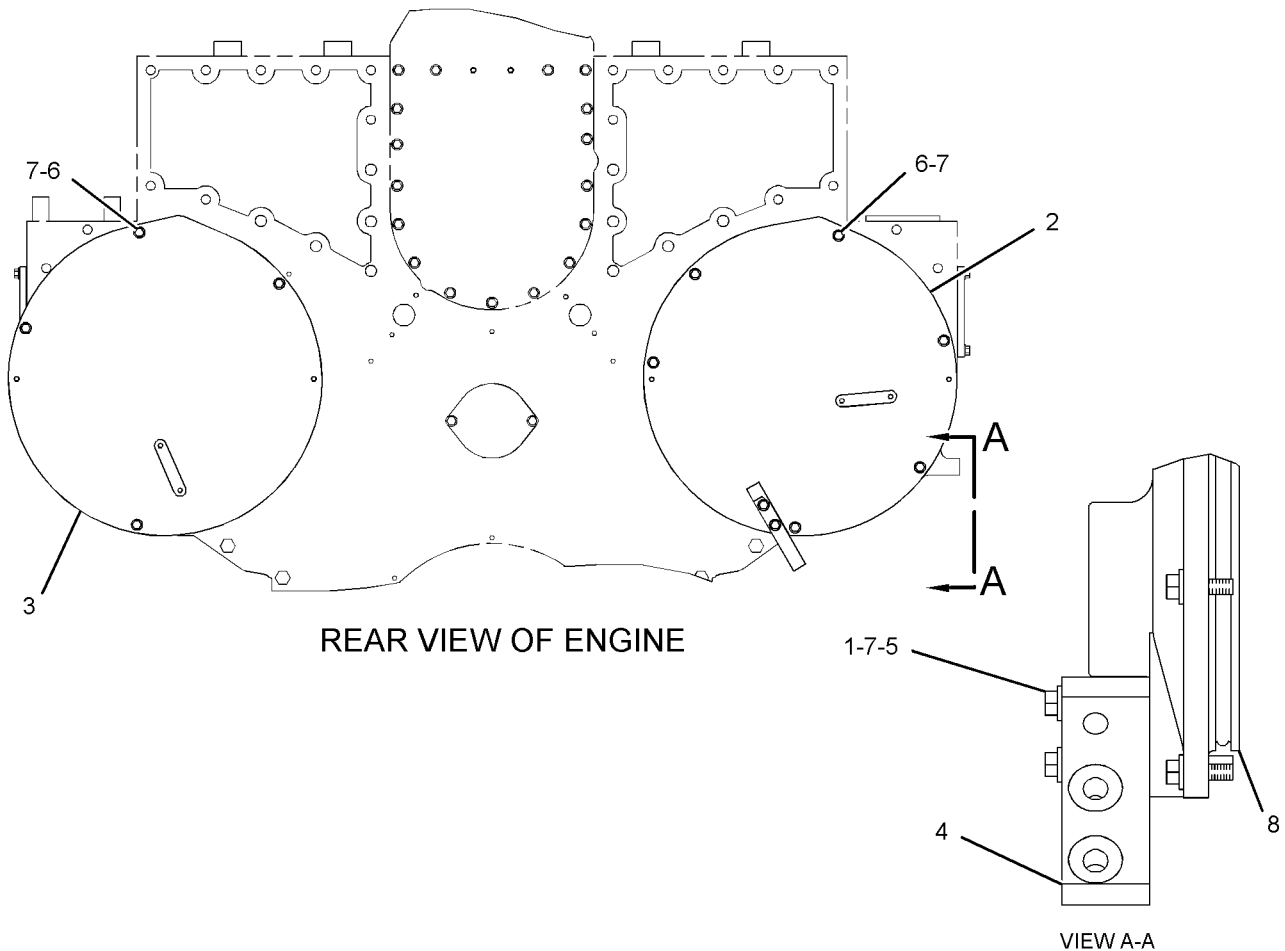
BASIC ENGINE

293-3564 COVER GP-REAR HOUSING (CHG -00)

SMCS-1157

i02565311

| NOTE | REF NO | GRAPHIC REF | PART NUMBER | QTY | PART NAME | | | | | | SEE PAGE |
|------|--------|-------------|-------------|-----|--------------------------------------|---|---|---|---|-------------------|----------|
| | | | | | 1 | 2 | 3 | 4 | 5 | 6 (PRODUCT LEVEL) | |
| | 1 | 1 | 1W-7117 | 2 | DOWEL - HOLLOW | | | | | | |
| | 2 | 1 | 7E-1292 | 1 | COVER - CAMSHAFT | | | | | | |
| | 3 | 1 | 146-4297 | 1 | COVER - CAMSHAFT | | | | | | |
| | 4 | 1 | 206-7468 | 1 | PLATE | | | | | | |
| | 5 | 1 | 0L-1352 | 2 | BOLT (3/8-16X3.25-IN) | | | | | | |
| | 6 | 1 | 0S-1588 | 10 | BOLT (3/8-16X1.25-IN) | | | | | | |
| | 7 | 1 | 3V-3308 | 12 | WASHER - HARD (10.2X20.5X2.5-MM THK) | | | | | | |
| | 8 | 1 | 6V-5060 | 2 | SEAL - O-RING | | | | | | |



GRAPHIC #1

<END>

g01285049

BASIC ENGINE

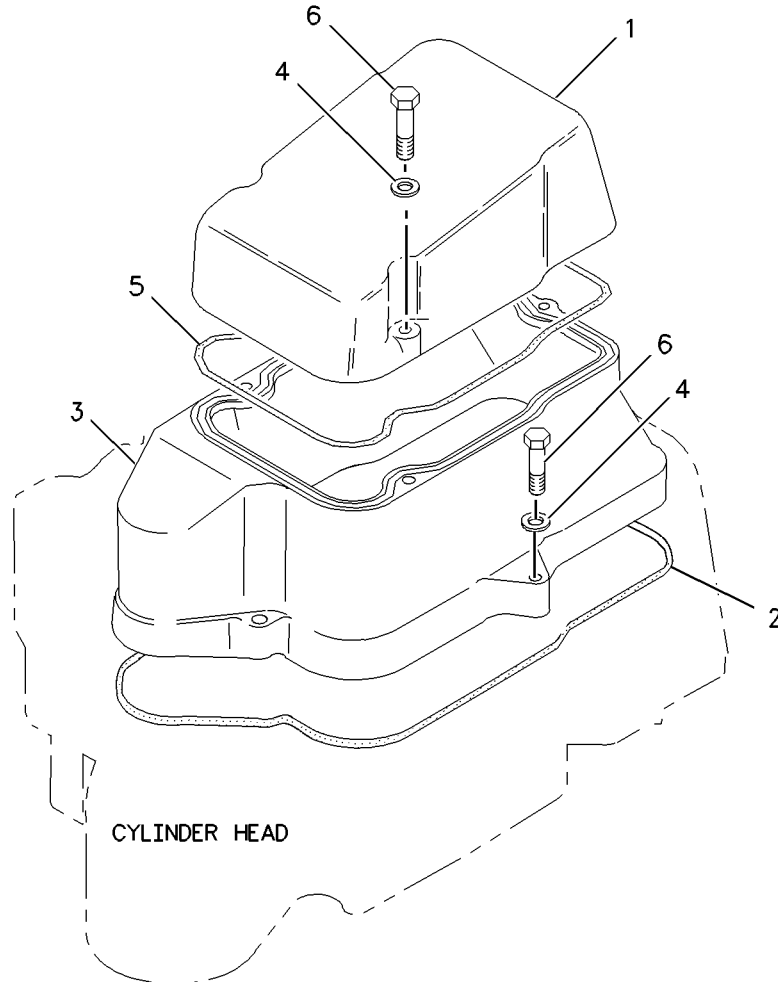
7C-0403 COVER GP-VALVE MECHANISM (CHG -05, -06)

SMCS-1107

i02630351

| NOTE | REF NO | GRAPHIC REF | PART NUMBER | QTY | PART NAME | | | | | | SEE PAGE |
|------|--------|-------------|----------------|-----|------------------------------------|---|---|---|---|-------------------|----------|
| | | | | | 1 | 2 | 3 | 4 | 5 | 6 (PRODUCT LEVEL) | |
| | 1 | 1 | 7E-0733 | 1 | COVER-VALVE MECHANISM | | | | | | |
| | 2 | 1 | 8T-8883 | 1 | SEAL-O-RING (VALVE COVER) | | | | | | |
| | 3 | 1 | 7W-8895 | 1 | BASE | | | | | | |
| C | 4 | 1 | 3V-3308 | 7 | WASHER-HARD (10.2X20.5X2.5-MM THK) | | | | | | |
| | 5 | 1 | 6V-3602 | 1 | SEAL-O-RING (VALVE COVER) | | | | | | |
| | 6 | 1 | 0S-1590 | 7 | BOLT (3/8-16X2-IN) | | | | | | |

C- CHANGE FROM PREVIOUS TYPE



GRAPHIC #1

<END>

g00775813

BASIC ENGINE

164-7680 COVER GP - VALVE MECHANISM (CHG -00 THRU -03, -03D1) RIGHT HAND SERVICE

SMCS-1107

i01559675

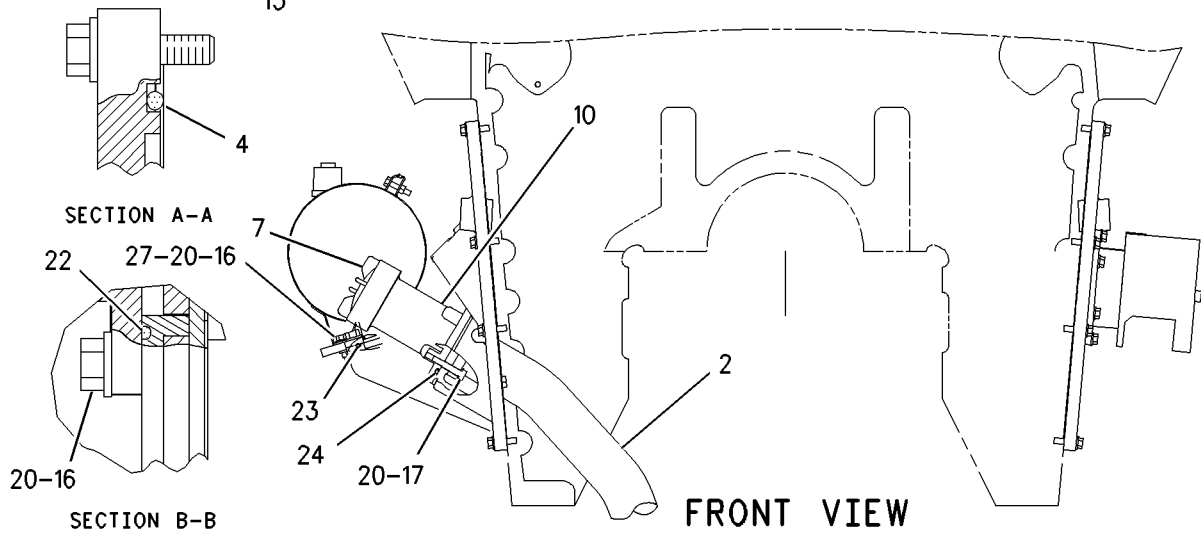
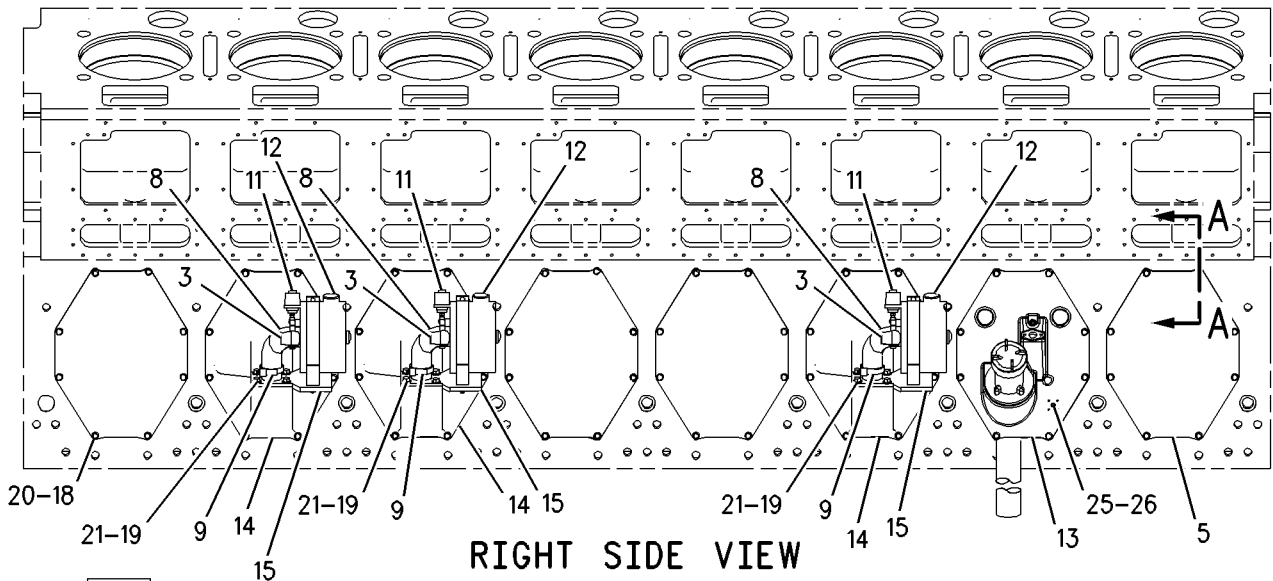
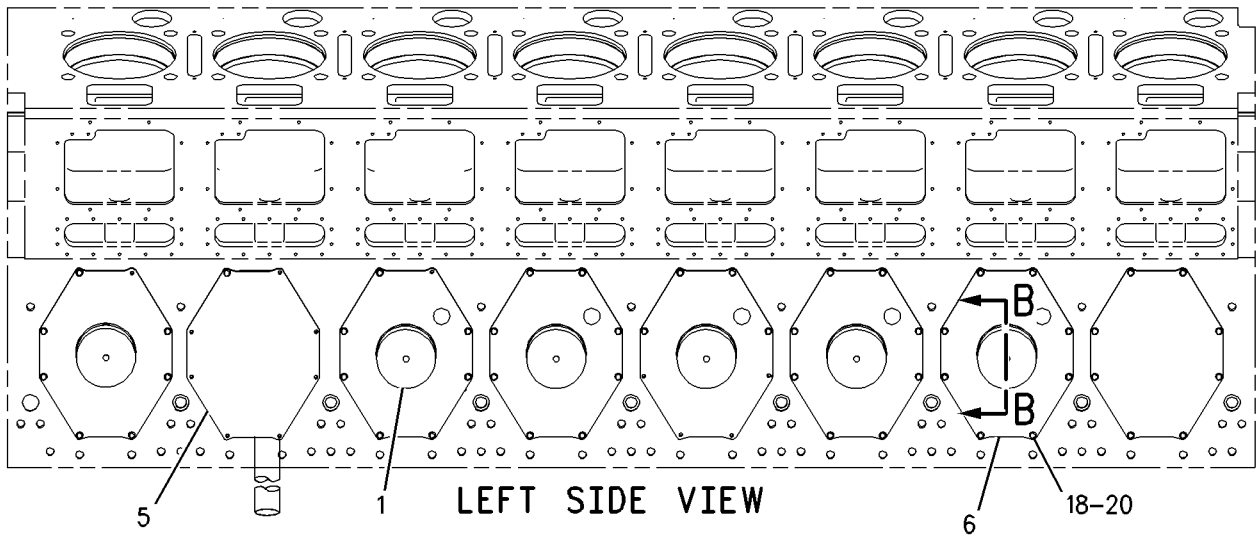
| NOTE | REF NO | GRAPHIC REF | PART NUMBER | QTY | PART NAME | | | | | | SEE PAGE |
|------|--------|----------------|-----------------|-----------------------|--|---|---|---|---|-------------------|----------|
| | | | | | 1 | 2 | 3 | 4 | 5 | 6 (PRODUCT LEVEL) | |
| J | 1 | 1 | 1W-2834 | 6 | VALVE GP-EXPLOSION RELIEF | | | | | | |
| | 2 | 1 | 4P-5304 | 1 | TUBE AS | | | | | | |
| | 3 | 1 | 4P-9513 | 3 | VALVE-VACUATOR | | | | | | |
| | 4 | 1 | 6I-4545 | 16 | SEAL-O-RING | | | | | | |
| | 5 | 1 | 7E-0768 | 6 | COVER-CYLINDER BLOCK | | | | | | |
| | 6 | 1 | 7E-0769 | 6 | COVER-CYLINDER BLOCK | | | | | | |
| Y | 7 | 1 | 7E-1659 | 1 | CAP GP-ENGINE OIL FILLER | | | | | | 178 |
| | 8 | 1 | 7W-6885 | 3 | HOSE | | | | | | |
| | 9 | 1 | 8T-4984 | 6 | CLAMP-HOSE | | | | | | |
| | 10 | 1 | 9Y-6874 | 1 | ELBOW-OIL FILLER | | | | | | |
| Y | 11 | 1 | 9Y-8220 | 3 | INDICATOR GP-AIR FILTER CHANGE | | | | | | 397 |
| Y | 12 | 1 | 9Y-8829 | 3 | AIR CLEANER GP | | | | | | 360 |
| | 13 | 1 | 9Y-9924 | 1 | COVER-CYLINDER BLOCK | | | | | | |
| | 14 | 1 | 9Y-9996 | 3 | COVER-CYLINDER BLOCK | | | | | | |
| | 15 | 1 | 119-7861 | 3 | PLATE AS | | | | | | |
| | 16 | 1 | 0S-1588 | 42 | BOLT (3/8-16X1.25-IN) | | | | | | |
| | 17 | 1 | 0S-1590 | 4 | BOLT (3/8-16X2-IN) | | | | | | |
| | 18 | 1 | 0S-1591 | 115 | BOLT (3/8-16X1.5-IN) | | | | | | |
| | 19 | 1 | 0S-1595 | 12 | BOLT (1/2-13X1.25-IN) | | | | | | |
| | 20 | 1 | 3V-3308 | 167 | WASHER-HARD (10.2X20.5X2.5-MM THK) | | | | | | |
| | 21 | 1 | 5P-8245 | 12 | WASHER-HARD (13.5X25.5X3-MM THK) | | | | | | |
| | 22 | 1 | 6V-1904 | 6 | SEAL-O-RING | | | | | | |
| | 23 | 1 | 6V-3833 | 3 | SEAL-O-RING | | | | | | |
| | 24 | 1 | 6V-4314 | 1 | SEAL-O-RING | | | | | | |
| 25 | 1 | 6V-5049 | 1 | SEAL-O-RING | | | | | | | |
| 26 | 1 | 9S-4191 | 1 | PLUG-O-RING | | | | | | | |
| 27 | 1 | 9S-8752 | 6 | NUT-FULL (3/8-16-THD) | | | | | | | |
| | | | | | AVAILABLE REPAIR KIT(S) : | | | | | | |
| J | | | 2W-3584 | 1 | KIT-REPAIR (EXPLOSION RELIEF) | | | | | | |
| | | | | | (KIT INCLUDES VALVE PLATE AND SPINDLE O-RINGS) | | | | | | |

J - REPAIR KIT(S) AVAILABLE FOR PART(S) MARKED J
Y - SEPARATE ILLUSTRATION

BASIC ENGINE

164-7680 COVER GP-VALVE MECHANISM (contd.)

i01559675



GRAPHIC #1

<END>

g00810326

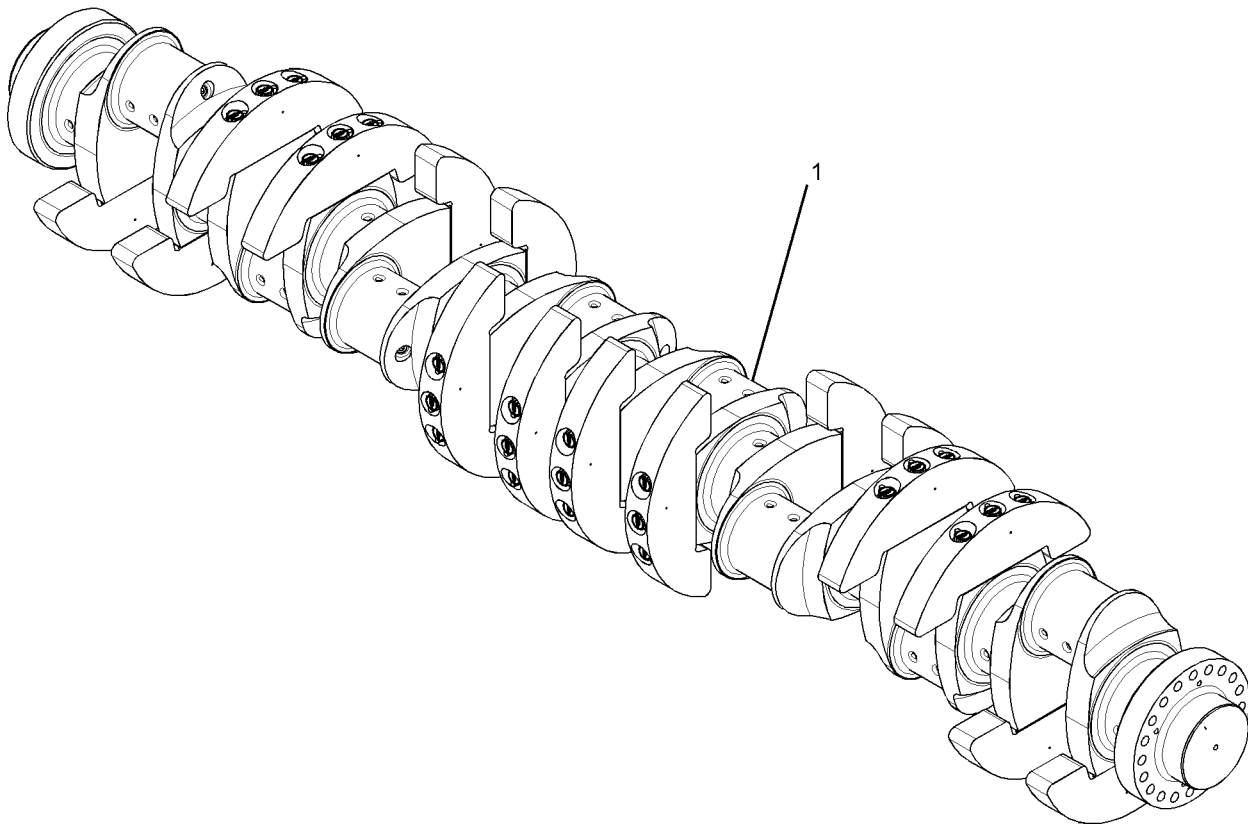
BASIC ENGINE

325 - 8465 CRANKSHAFT AS (CHG -00)

SMCS - 1202

i03195227

| NOTE | REF NO | GRAPHIC REF | PART NUMBER | QTY | PART NAME | | | | | | SEE PAGE |
|------|--------|-------------|-------------|-----|---------------|---|---|---|---|-------------------|----------|
| | | | | | 1 | 2 | 3 | 4 | 5 | 6 (PRODUCT LEVEL) | |
| | 1 | 1 | 189-2499 | 1 | CRANKSHAFT AS | | | | | | |
| | | 1 | 7W-1632 | 8 | PLUG | | | | | | |



GRAPHIC #1

<END>

g01629493

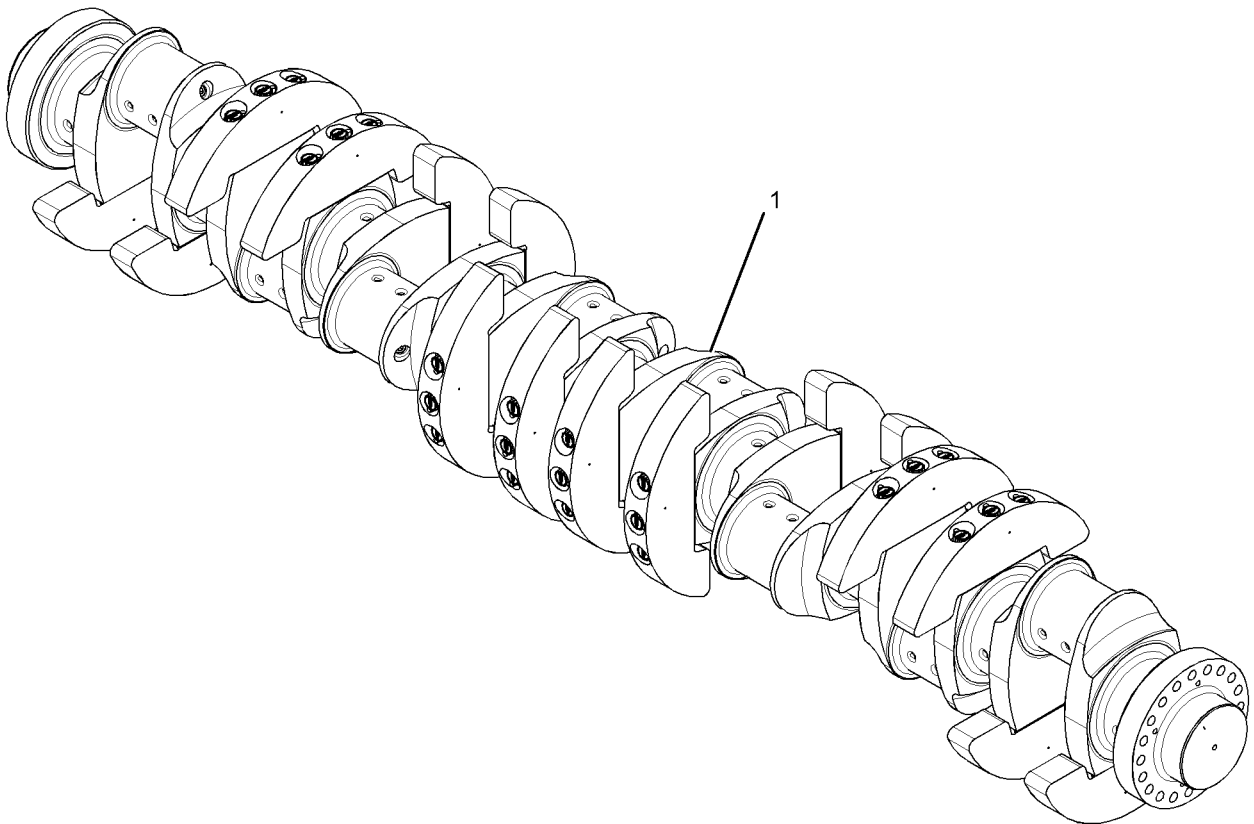
BASIC ENGINE

325 - 8466 CRANKSHAFT AS (CHG -00)

SMCS - 1202

i03195230

| NOTE | REF NO | GRAPHIC REF | PART NUMBER | QTY | PART NAME | | | | | | SEE PAGE |
|------|--------|-------------|-------------|-----|---------------|---|---|---|---|-------------------|----------|
| | | | | | 1 | 2 | 3 | 4 | 5 | 6 (PRODUCT LEVEL) | |
| | 1 | 1 | 189-2499 | 1 | CRANKSHAFT AS | | | | | | |
| | | 1 | 7W-1632 | 8 | PLUG | | | | | | |



GRAPHIC #1

<END>

g01629436

BASIC ENGINE

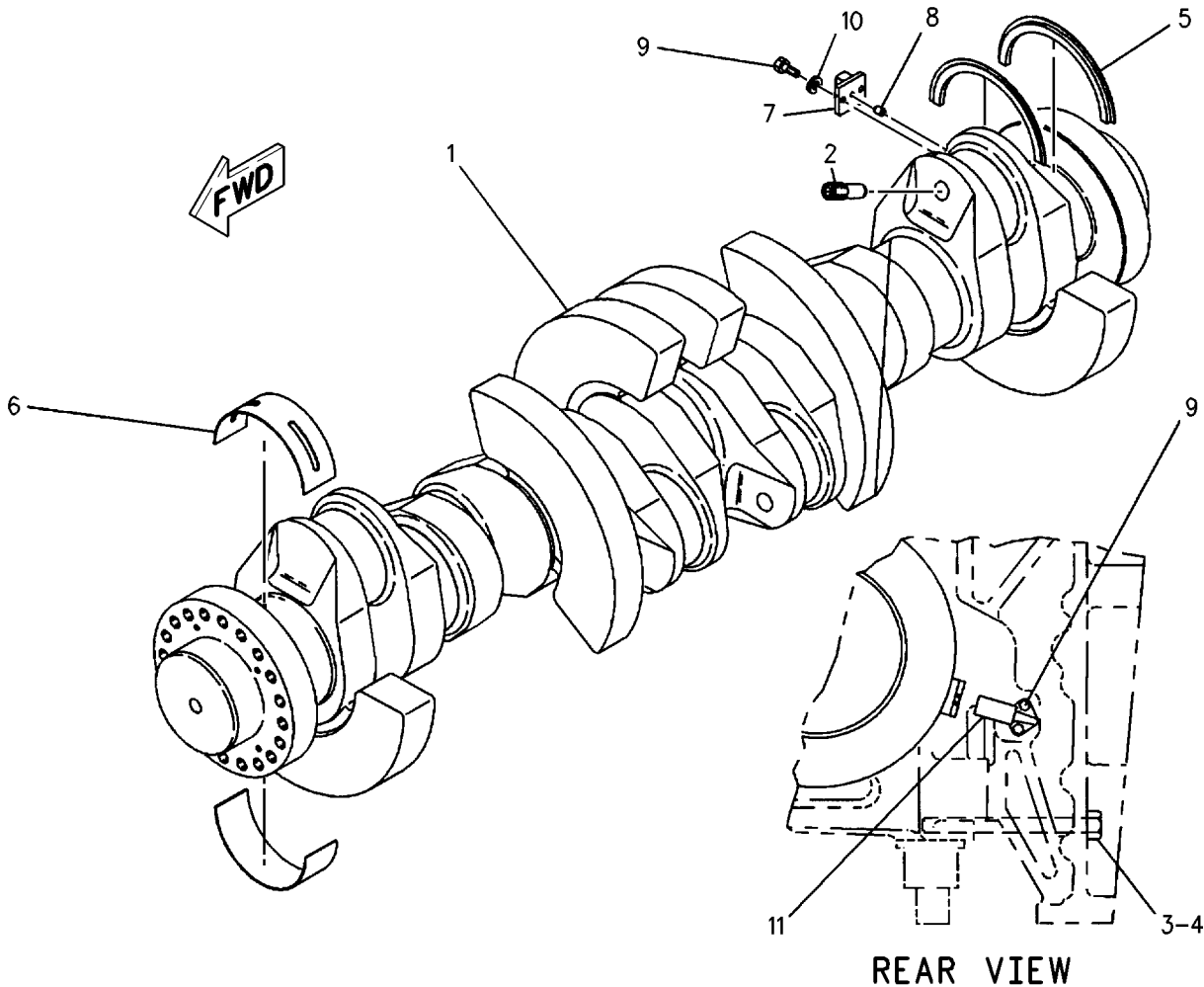
1W-0904 CRANKSHAFT GP (CHG -03 THRU -08, -08D1)

SMCS - 1202

i02417258

| NOTE | REF NO | GRAPHIC REF | PART NUMBER | QTY | PART NAME | | | | | | SEE PAGE |
|------|--------|-------------|-------------|-----|--|---|---|---|---|-------------------|----------|
| | | | | | 1 | 2 | 3 | 4 | 5 | 6 (PRODUCT LEVEL) | |
| R | 1 | 1 | 7C-7976 | 1 | CRANKSHAFT AS | | | | | | |
| | 2 | 1 | 7W-1632 | 8 | PLUG | | | | | | |
| | 3 | 1 | 2W-0546 | 1 | PIN-TIMING | | | | | | |
| | 4 | 1 | 6V-4589 | 1 | SEAL-O-RING | | | | | | |
| | 5 | 1 | 1W-1174 | 2 | PLATE-THRUST | | | | | | |
| | 6 | 1 | 129-4054 | 9 | BEARING-CRANKSHAFT (MAIN) | | | | | | |
| AB | | 1 | 143-6219 | | BEARING-CRANKSHAFT (0.5-MM OS) | | | | | | |
| AB | | 1 | 143-6221 | | BEARING-CRANKSHAFT (1.0-MM US) | | | | | | |
| AB | | 1 | 143-6222 | | BEARING-CRANKSHAFT | | | | | | |
| AB | | 1 | 127-1921 | | BEARING-CRANKSHAFT (0.5-MM US - 1-MM OS) | | | | | | |
| AB | | 1 | 143-6224 | | BEARING-CRANKSHAFT (2-MM OS) | | | | | | |
| AB | | 1 | 127-1916 | | BEARING-CRANKSHAFT (0.25-MM US) | | | | | | |
| | 7 | 1 | 1W-8260 | 1 | BRACKET AS-CRANKSHAFT | | | | | | |
| | 8 | 1 | 6V-3537 | 1 | DOWEL | | | | | | |
| | 9 | 1 | 0S-1594 | 4 | BOLT (3/8-16X1-IN) | | | | | | |
| | 10 | 1 | 3V-3308 | 2 | WASHER-HARD (10.2X20.5X2.5-MM THK) | | | | | | |
| | 11 | 1 | 4W-8010 | 1 | BRACKET-GUIDE | | | | | | |

A - NOT PART OF THIS GROUP
 B - USE AS REQUIRED
 R - REMFG PART MAY BE AVAILABLE



GRAPHIC #1

<END>

g00812219

BASIC ENGINE

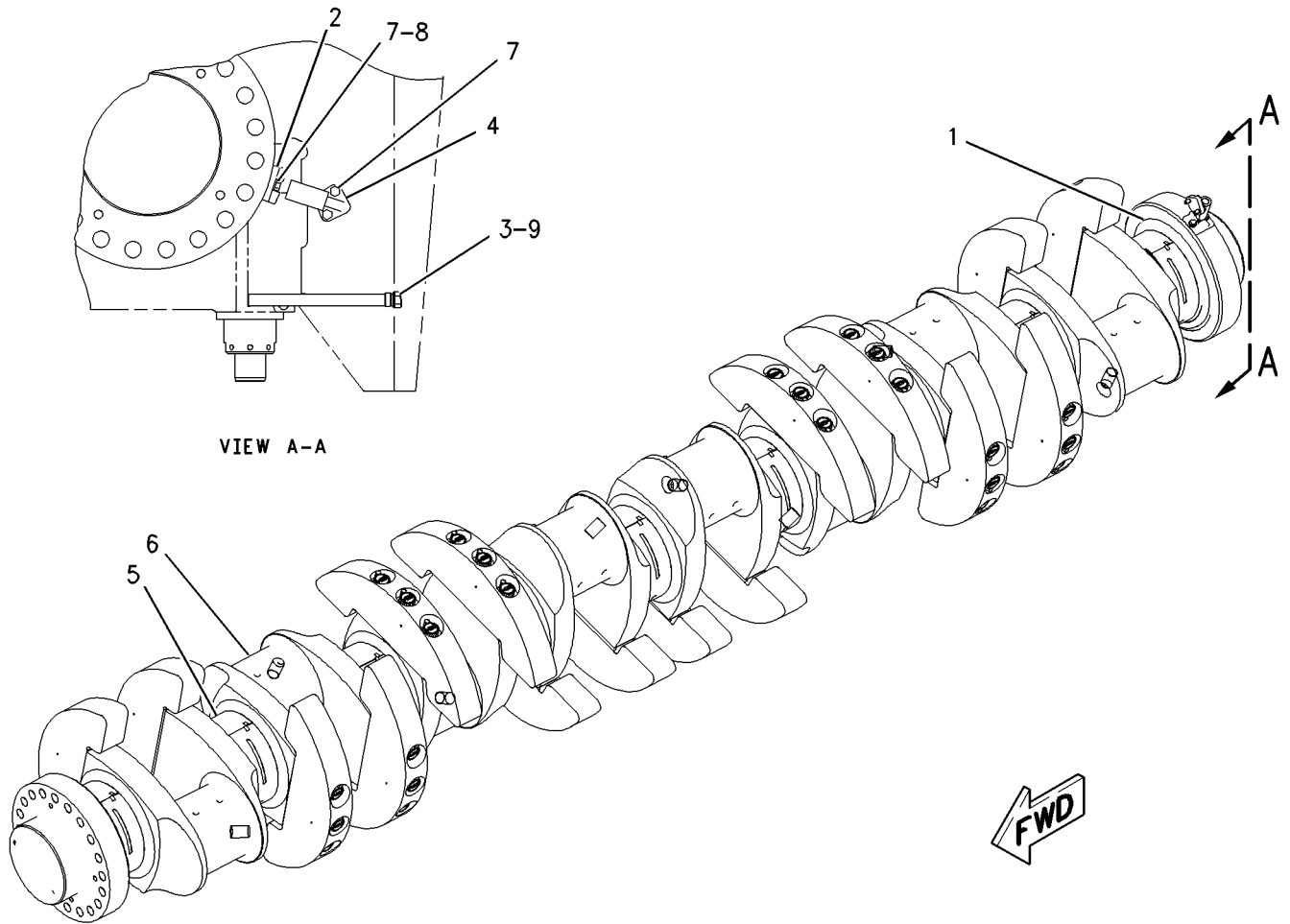
189 - 2500 CRANKSHAFT GP (CHG -00, -01)

SMCS - 1202

i02064415

| NOTE | REF NO | GRAPHIC REF | PART NUMBER | QTY | PART NAME | | | | | | SEE PAGE |
|------|--------|-------------|-------------|-----|--------------------------------------|---|---|---|---|-------------------|----------|
| | | | | | 1 | 2 | 3 | 4 | 5 | 6 (PRODUCT LEVEL) | |
| | 1 | 1 | 1W-1174 | 2 | PLATE - THRUST | | | | | | |
| | 2 | 1 | 1W-8260 | 1 | BRACKET AS - CRANKSHAFT | | | | | | |
| | | 1 | 6V-3537 | 1 | DOWEL | | | | | | |
| | 3 | 1 | 2W-0546 | 1 | PIN - TIMING | | | | | | |
| | 4 | 1 | 4W-8010 | 1 | BRACKET - GUIDE | | | | | | |
| | 5 | 1 | 129-4054 | 9 | BEARING - CRANKSHAFT (MAIN) | | | | | | |
| | 6 | 1 | 189-2499 | 1 | CRANKSHAFT AS | | | | | | |
| | | 1 | 7W-1632 | 8 | PLUG | | | | | | |
| | | 1 | 179-3576 | 16 | COUNTERWEIGHT AS (EACH INCLUDES) | | | | | | |
| | | 1 | 137-0135 | 2 | DOWEL | | | | | | |
| | | 1 | 186-0136 | 48 | PIN - LOCK | | | | | | |
| M | | 1 | 186-0144 | 48 | BOLT (CRANKSHAFT) | | | | | | |
| | | 1 | 186-0145 | 48 | WASHER (39X65.5X6-MM THK) | | | | | | |
| | 7 | 1 | 0S-1594 | 4 | BOLT (3/8-16X1-IN) | | | | | | |
| | 8 | 1 | 3V-3308 | 2 | WASHER - HARD (10.2X20.5X2.5-MM THK) | | | | | | |
| | 9 | 1 | 6V-4589 | 1 | SEAL - O-RING | | | | | | |

M - METRIC PART



GRAPHIC #1

<END>

g00746103

BASIC ENGINE

153-2957 CYLINDER BLOCK AS (CHG -00 THRU -04)

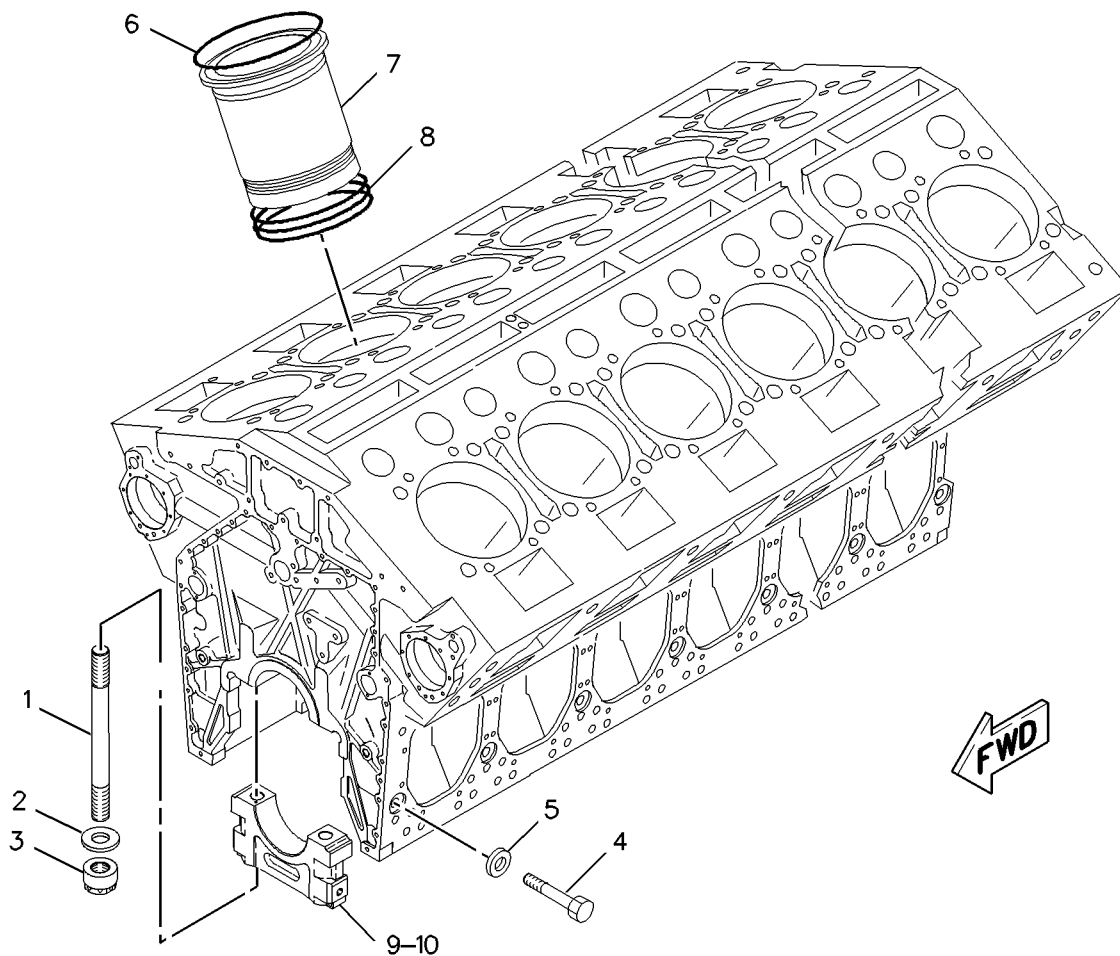
16 CYLINDER

PART OF 153-2959 CYLINDER BLOCK GP

SMCS-1201

i02374374

| NOTE | REF NO | GRAPHIC REF | PART NUMBER | QTY | PART NAME | | | | | | SEE PAGE |
|------|--------|-------------|-------------|-----|------------------------------|---|---|---|---|-------------------|----------|
| | | | | | 1 | 2 | 3 | 4 | 5 | 6 (PRODUCT LEVEL) | |
| | 1 | 1 | 1W-0121 | 18 | STUD-TAPERLOCK | | | | | | |
| | 2 | 1 | 1W-0122 | 18 | WASHER (52X110X12-MM THK) | | | | | | |
| | 3 | 1 | 1W-0123 | 18 | NUT (2-12-THD) | | | | | | |
| | 4 | 1 | 3S-7079 | 18 | BOLT (1-1/4-12X9.5-IN) | | | | | | |
| | 5 | 1 | 4K-0684 | 18 | WASHER-HARD (34X55X6-MM THK) | | | | | | |
| | 6 | 1 | 6V-3602 | 16 | SEAL-O-RING | | | | | | |
| | 7 | 1 | 7C-5044 | 16 | LINER-CYLINDER | | | | | | |
| | 8 | 1 | 8T-9047 | 48 | SEAL-O-RING | | | | | | |
| | 9 | 1 | 124-1836 | 9 | CAP AS-BEARING (CRANKSHAFT) | | | | | | |
| | | | | | (EACH INCLUDES) | | | | | | |
| | 10 | 1 | 6V-3538 | 1 | DOWEL | | | | | | |



GRAPHIC #1

<END>

g00775386

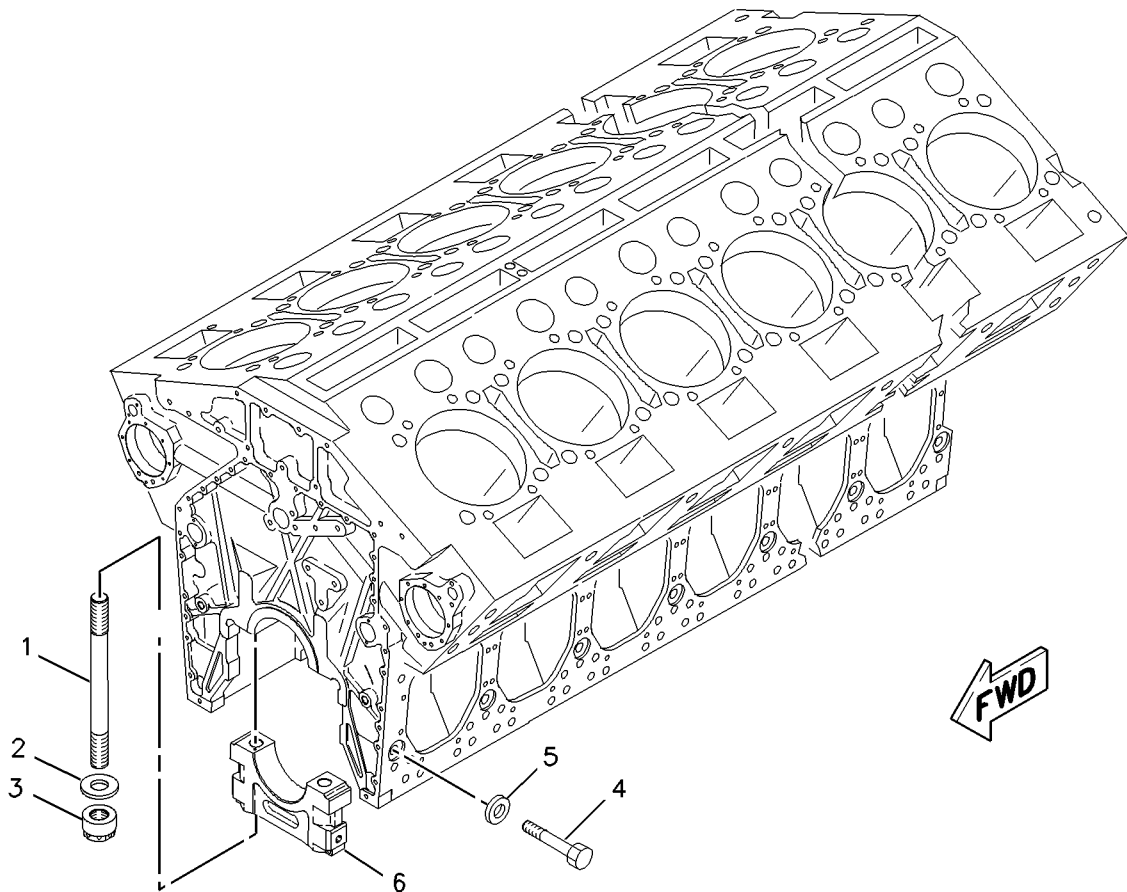
BASIC ENGINE

214-6059 CYLINDER BLOCK AS (CHG -00 THRU -02) PART OF 214-6060 CYLINDER BLOCK GP

SMCS-1201

i02374384

| NOTE | REF NO | GRAPHIC REF | PART NUMBER | QTY | PART NAME | | | | | | SEE PAGE |
|------|--------|-------------|-------------|-----|------------------------------|---|---|---|---|-------------------|----------|
| | | | | | 1 | 2 | 3 | 4 | 5 | 6 (PRODUCT LEVEL) | |
| | 1 | 1 | 1W-0121 | 18 | STUD - TAPERLOCK | | | | | | |
| | 2 | 1 | 1W-0122 | 18 | WASHER (52X110X12-MM THK) | | | | | | |
| | 3 | 1 | 1W-0123 | 18 | NUT (2-12-THD) | | | | | | |
| | 4 | 1 | 3S-7079 | 18 | BOLT (1-1/4-12X9.5-IN) | | | | | | |
| | 5 | 1 | 4K-0684 | 18 | WASHER-HARD (34X55X6-MM THK) | | | | | | |
| | 6 | 1 | 124-1836 | 9 | CAP AS-BEARING (CRANKSHAFT) | | | | | | |
| | | | | | (EACH INCLUDES) | | | | | | |
| | | 1 | 6V-3538 | 1 | DOWEL | | | | | | |



GRAPHIC #1

<END>

g00943867

BASIC ENGINE

153-2959 CYLINDER BLOCK GP (CHG -00 THRU -05)

16 CYLINDER

FIELD REPLACEMENT ORDER 214-6060-PAGE 54

SMCS-1201

i02061721

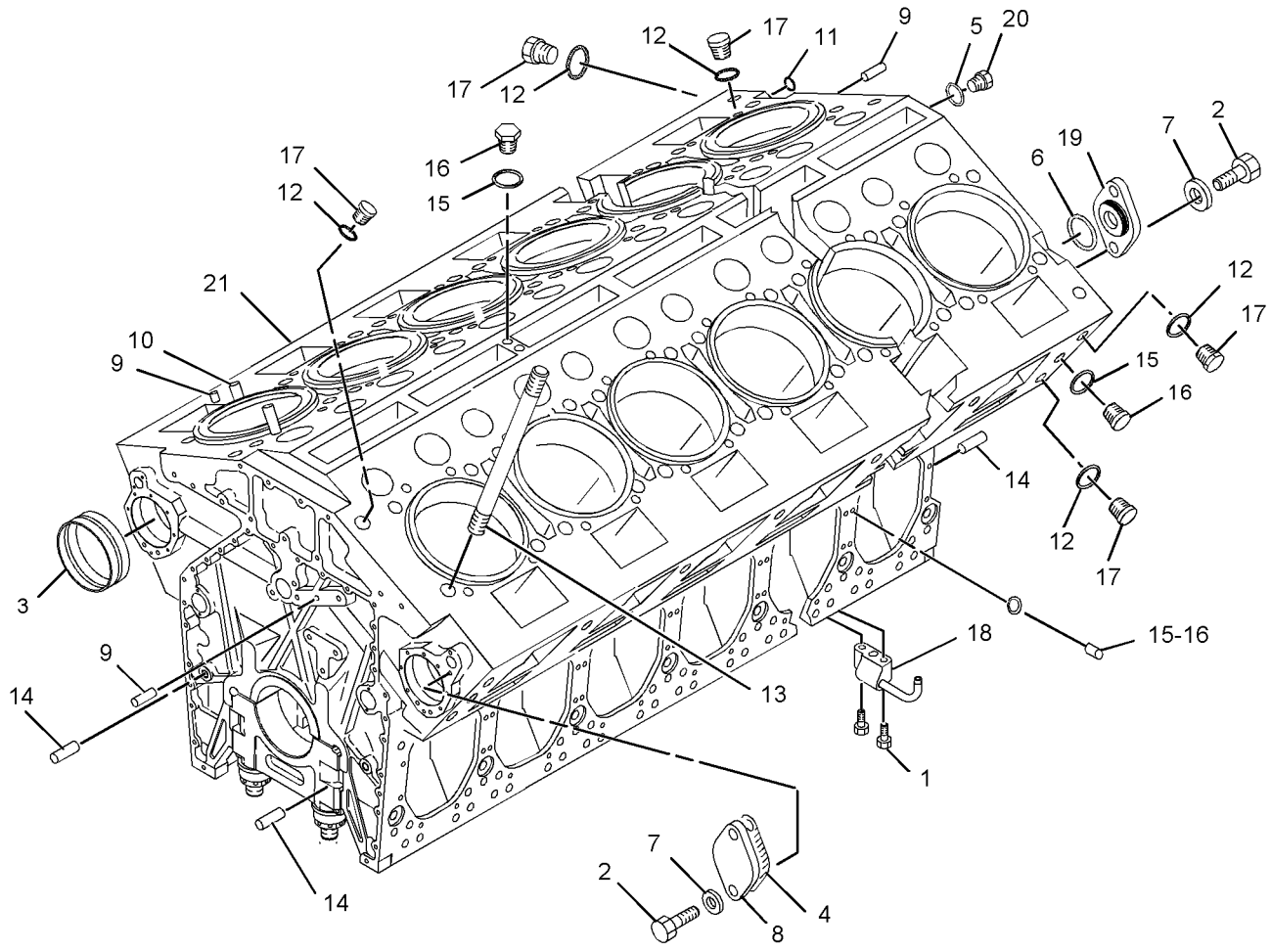
| NOTE | REF NO | GRAPHIC REF | PART NUMBER | QTY | PART NAME | SEE PAGE |
|------|--------|-------------|-----------------|-----|------------------------------------|----------|
| | | | | | 1 2 3 4 5 6 (PRODUCT LEVEL) | |
| | 1 | 1 | 0L-1143 | 32 | BOLT (3/8-16X2.5-IN) | |
| | 2 | 1 | 0S-1594 | 8 | BOLT (3/8-16X1-IN) | |
| | 3 | 1 | 1W-0105 | 18 | BEARING-CAMSHAFT | |
| | 4 | 1 | 1W-1960 | 2 | GASKET | |
| | 5 | 1 | 3P-0651 | 1 | SEAL-O-RING | |
| | 6 | 1 | 3P-0656 | 2 | SEAL-O-RING | |
| | 7 | 1 | 3V-3308 | 8 | WASHER-HARD (10.2X20.5X2.5-MM THK) | |
| | 8 | 1 | 4B-3140 | 2 | COVER | |
| | 9 | 1 | 6V-3538 | 35 | DOWEL | |
| | 10 | 1 | 6V-3539 | 32 | DOWEL | |
| | 11 | 1 | 6V-3955 | 3 | SEAL-O-RING | |
| | 12 | 1 | 6V-4589 | 24 | SEAL-O-RING | |
| | 13 | 1 | 187-0450 | 64 | STUD-TAPERLOCK | |
| | 14 | 1 | 7N-2328 | 4 | DOWEL | |
| | 15 | 1 | 8L-2786 | 19 | SEAL-O-RING | |
| | 16 | 1 | 9S-8005 | 19 | PLUG-O RING | |
| | 17 | 1 | 9S-8006 | 24 | PLUG-O RING | |
| | 18 | 1 | 120-9330 | 16 | JET AS (PISTON COOLING) | |
| | | | | | (EACH INCLUDES) | |
| | | 1 | 1W-7117 | 2 | DOWEL-HOLLOW | |
| | 19 | 1 | 149-0564 | 2 | PLUG | |
| | 20 | 1 | 149-0565 | 1 | PLUG | |
| Y | 21 | 1 | 153-2957 | 1 | CYLINDER BLOCK AS | 50 |

Y-SEPARATE ILLUSTRATION

BASIC ENGINE

153-2959 CYLINDER BLOCK GP (contd.)

i02061721



GRAPHIC #1

<END>

g01057136

BASIC ENGINE

214-6060 CYLINDER BLOCK GP (CHG -00) FIELD REPLACEMENT FOR 153-2959-PAGE 52

SMCS-1201

i01852439

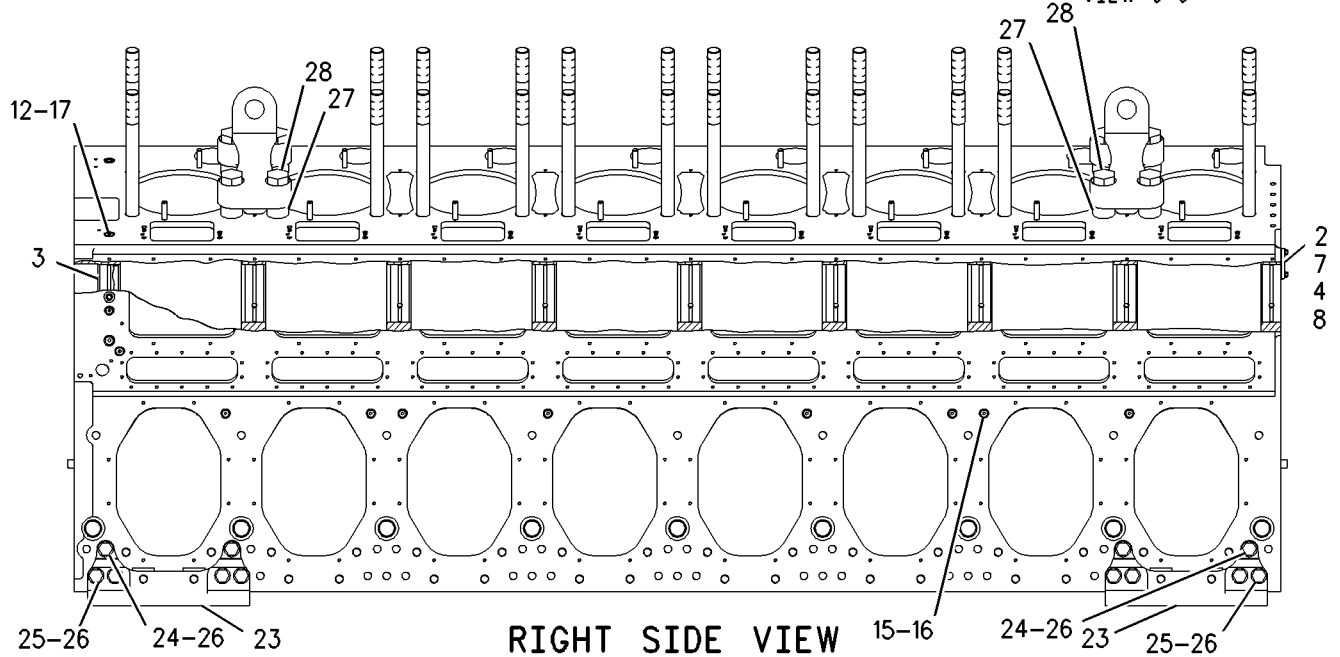
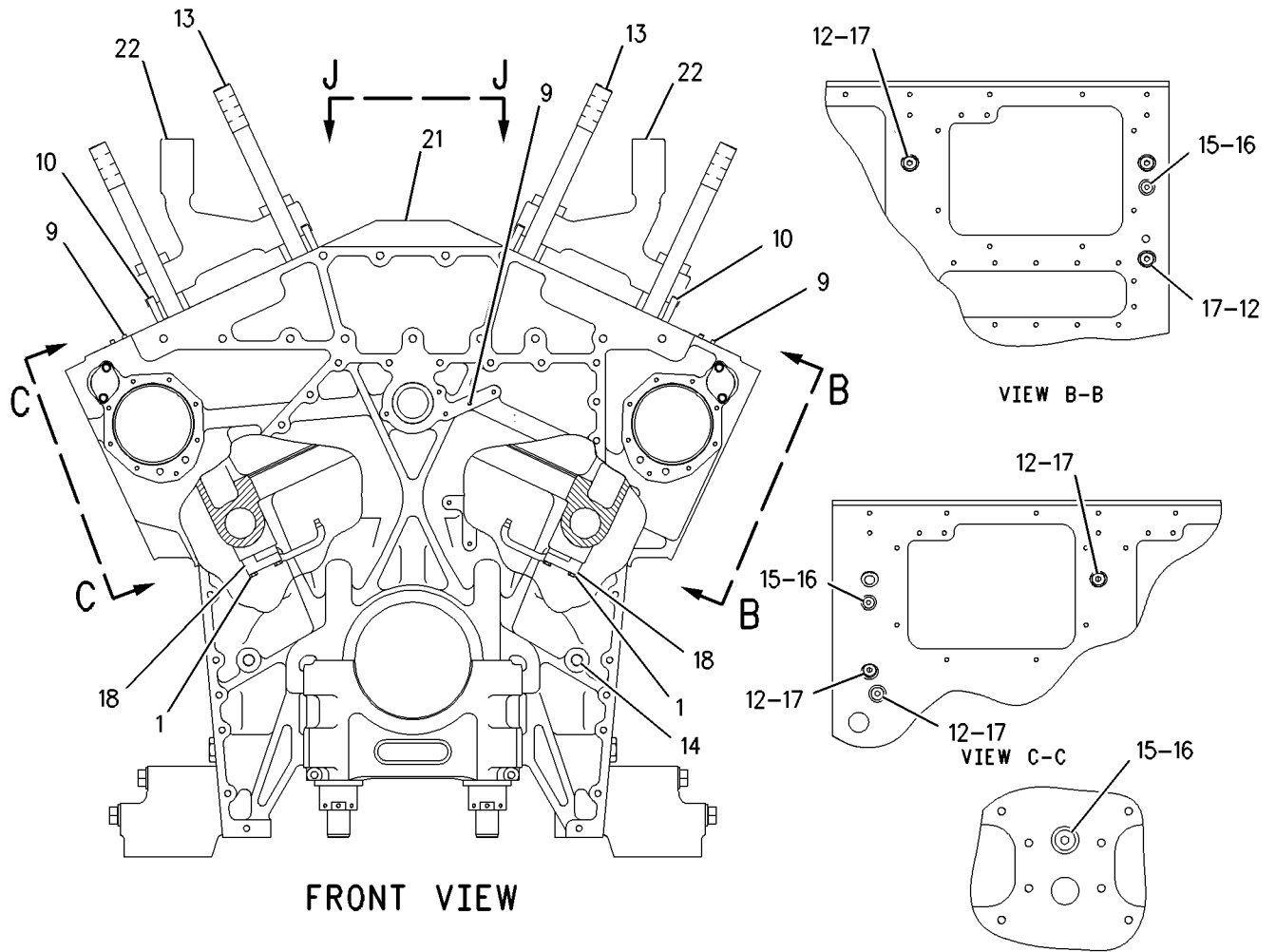
| NOTE | REF NO | GRAPHIC REF | PART NUMBER | QTY | PART NAME | | | | | | SEE PAGE |
|------|--------|-------------|-----------------|-----|------------------------------------|---|---|---|---|-------------------|----------|
| | | | | | 1 | 2 | 3 | 4 | 5 | 6 (PRODUCT LEVEL) | |
| | 1 | 1 | 0L-1143 | 32 | BOLT (3/8-16X2.5-IN) | | | | | | |
| | 2 | 1,2 | 0S-1594 | 8 | BOLT (3/8-16X1-IN) | | | | | | |
| | 3 | 1,2 | 1W-0105 | 18 | BEARING-CAMSHAFT | | | | | | |
| | 4 | 1 | 1W-1960 | 2 | GASKET | | | | | | |
| | 5 | 2 | 3P-0651 | 1 | SEAL-O-RING | | | | | | |
| | 6 | 2 | 3P-0656 | 2 | SEAL-O-RING | | | | | | |
| | 7 | 1,2 | 3V-3308 | 8 | WASHER-HARD (10.2X20.5X2.5-MM THK) | | | | | | |
| | 8 | 1 | 4B-3140 | 2 | COVER | | | | | | |
| | 9 | 1,2 | 6V-3538 | 35 | DOWEL | | | | | | |
| | 10 | 1 | 6V-3539 | 32 | DOWEL | | | | | | |
| | 11 | 2 | 6V-3955 | 3 | SEAL-O-RING | | | | | | |
| | 12 | 1,2 | 6V-4589 | 25 | SEAL-O-RING | | | | | | |
| | 13 | 1 | 187-0450 | 64 | STUD-TAPERLOCK | | | | | | |
| | 14 | 1,2 | 7N-2328 | 4 | DOWEL | | | | | | |
| | 15 | 1,2 | 8L-2786 | 19 | SEAL-O-RING | | | | | | |
| | 16 | 1,2 | 9S-8005 | 19 | PLUG-O RING | | | | | | |
| | 17 | 1,2 | 9S-8006 | 25 | PLUG-O RING | | | | | | |
| | 18 | 1 | 120-9330 | 16 | JET AS (PISTON COOLING) | | | | | | |
| | | | | | (EACH INCLUDES) | | | | | | |
| | | 1 | 1W-7117 | 2 | DOWEL-HOLLOW | | | | | | |
| | 19 | 2 | 149-0564 | 2 | PLUG | | | | | | |
| | 20 | 2 | 149-0565 | 1 | PLUG | | | | | | |
| Y | 21 | 1 | <i>214-6059</i> | 1 | CYLINDER BLOCK AS | | | | | | 51 |
| | 22 | 1 | 101-8189 | 4 | BRACKET-LIFTING | | | | | | |
| | 23 | 1 | 4W-6277 | 4 | SUPPORT AS | | | | | | |
| | | | | | (EACH INCLUDES) | | | | | | |
| | | 1 | 7N-2328 | 2 | DOWEL | | | | | | |
| | 24 | 1 | 8S-4757 | 8 | BOLT (1-14X8-IN) | | | | | | |
| | 25 | 1 | 7B-8363 | 16 | BOLT (1-14X10.75-IN) | | | | | | |
| | 26 | 1 | 5P-8250 | 24 | WASHER (28X49X5-MM THK) | | | | | | |
| | 27 | 1 | 214-6044 | 16 | SPACER (44.5X69.9X88-MM THK) | | | | | | |
| | 28 | 1 | 218-0660 | 16 | BOLT (1-5/8-12X13.25-IN) | | | | | | |

Y-SEPARATE ILLUSTRATION

BASIC ENGINE

214-6060 CYLINDER BLOCK GP (contd.)

i01852439



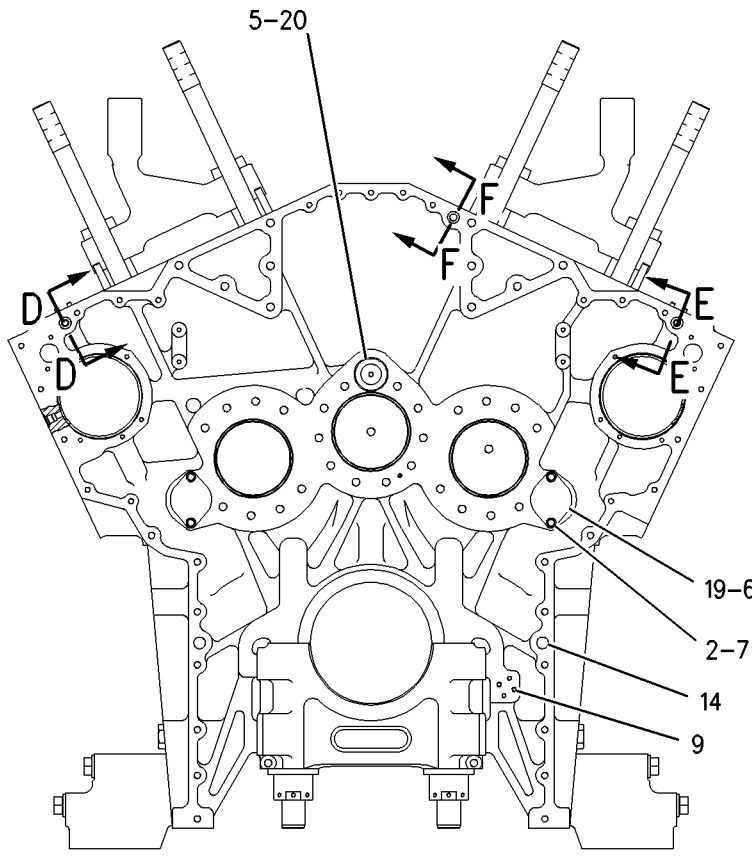
GRAPHIC #1

g00954103

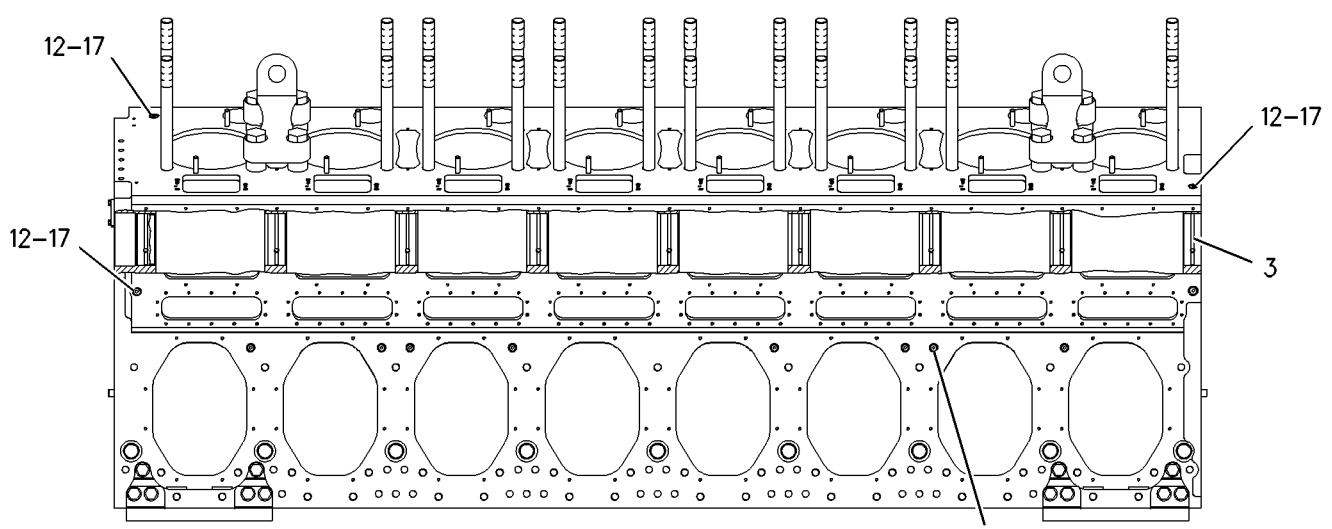
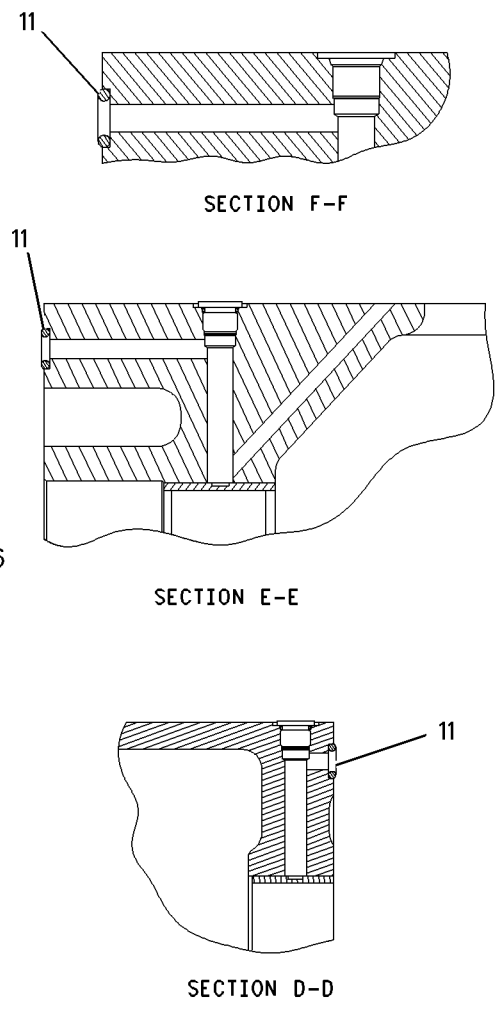
BASIC ENGINE

214-6060 CYLINDER BLOCK GP (contd.)

i01852439



REAR VIEW



LEFT SIDE VIEW

GRAPHIC #2

<END>

g00954105

BASIC ENGINE

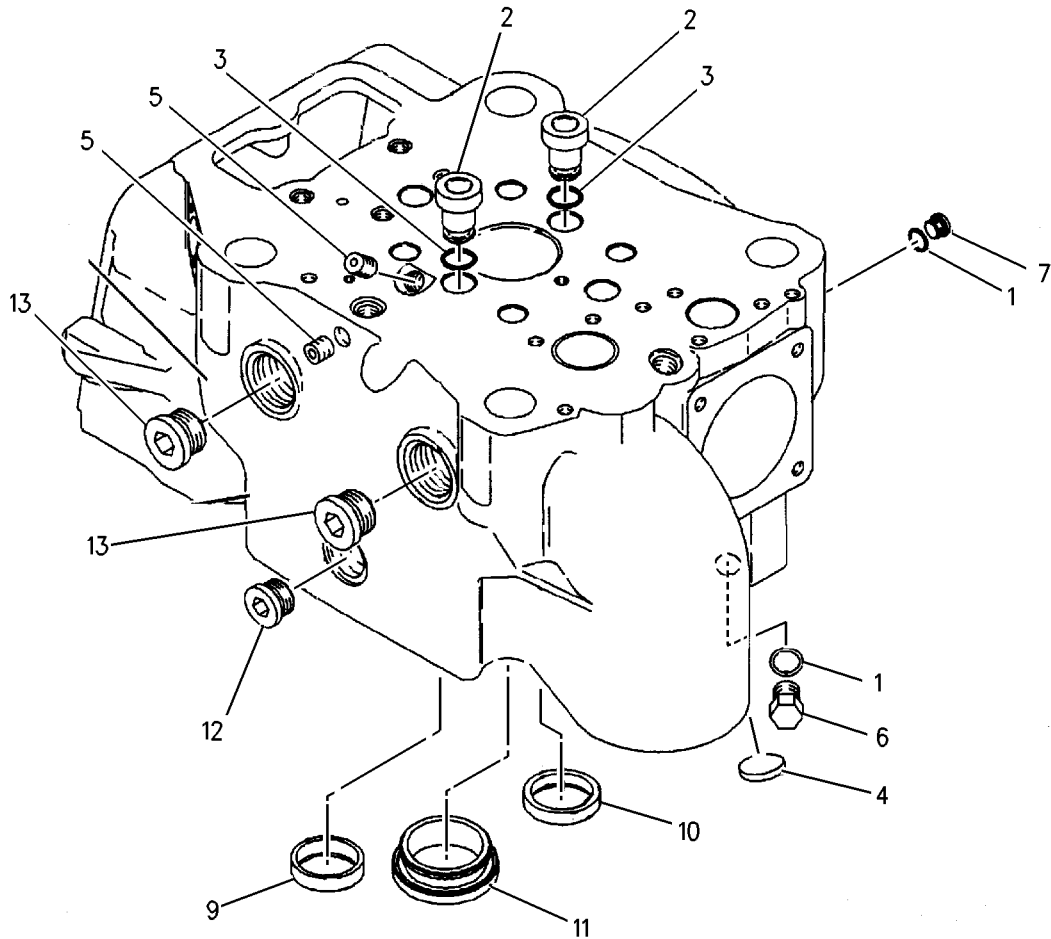
170-7740 CYLINDER HEAD AS (CHG -00, -01, -01D1) PART OF 171-3994, 171-3995, 194-3250 CYLINDER HEAD GP

SMCS-1100, 1101

i02419950

| NOTE | REF NO | GRAPHIC REF | PART NUMBER | QTY | PART NAME | | | | | | SEE PAGE |
|------|--------|-------------|-------------|-----|---|---|---|---|---|-------------------|----------|
| | | | | | 1 | 2 | 3 | 4 | 5 | 6 (PRODUCT LEVEL) | |
| | 1 | 1 | 3J-7354 | 2 | SEAL-O-RING | | | | | | |
| | 2 | 1 | 4W-5442 | 2 | PLUG-DOWEL | | | | | | |
| | 3 | 1 | 6V-5061 | 2 | SEAL-O-RING | | | | | | |
| | 4 | 1 | 7C-4298 | 4 | PLUG-CUP (ORIFICE) | | | | | | |
| | 5 | 1 | 8T-6759 | 2 | PLUG-PIPE | | | | | | |
| | 6 | 1 | 9S-4182 | 1 | PLUG-O-RING | | | | | | |
| | 7 | 1 | 9S-8002 | 1 | PLUG-O-RING | | | | | | |
| | 9 | 1 | 171-3992 | 2 | INSERT-VALVE SEAT (INLET) | | | | | | |
| | 10 | 1 | 171-3993 | 2 | INSERT-VALVE SEAT (EXHAUST) | | | | | | |
| | 11 | 1 | 148-7142 | 1 | INSERT (PRECHAMBER) | | | | | | |
| | 12 | 1 | 3B-0645 | 7 | PLUG-CUP | | | | | | |
| | 13 | 1 | 2M-6471 | 4 | PLUG-CUP | | | | | | |
| AB | | | 148-7144 | | INSERT (0.5 OVERSIZE OD) (PRECHAMBER) | | | | | | |
| AB | | | 148-7143 | | INSERT (PRECHAMBER, 0.25-MM OS OD) (PRECHAMBER) | | | | | | |

A - NOT PART OF THIS GROUP
B - USE AS REQUIRED



GRAPHIC #1

<END>

g00783194

BASIC ENGINE

213-6958 CYLINDER HEAD AS (CHG -00, -01, -01D1, 213-6956-01D1) PART OF 213-6962, 213-6964 CYLINDER HEAD GP

SMCS-1100, 1101

i02416629

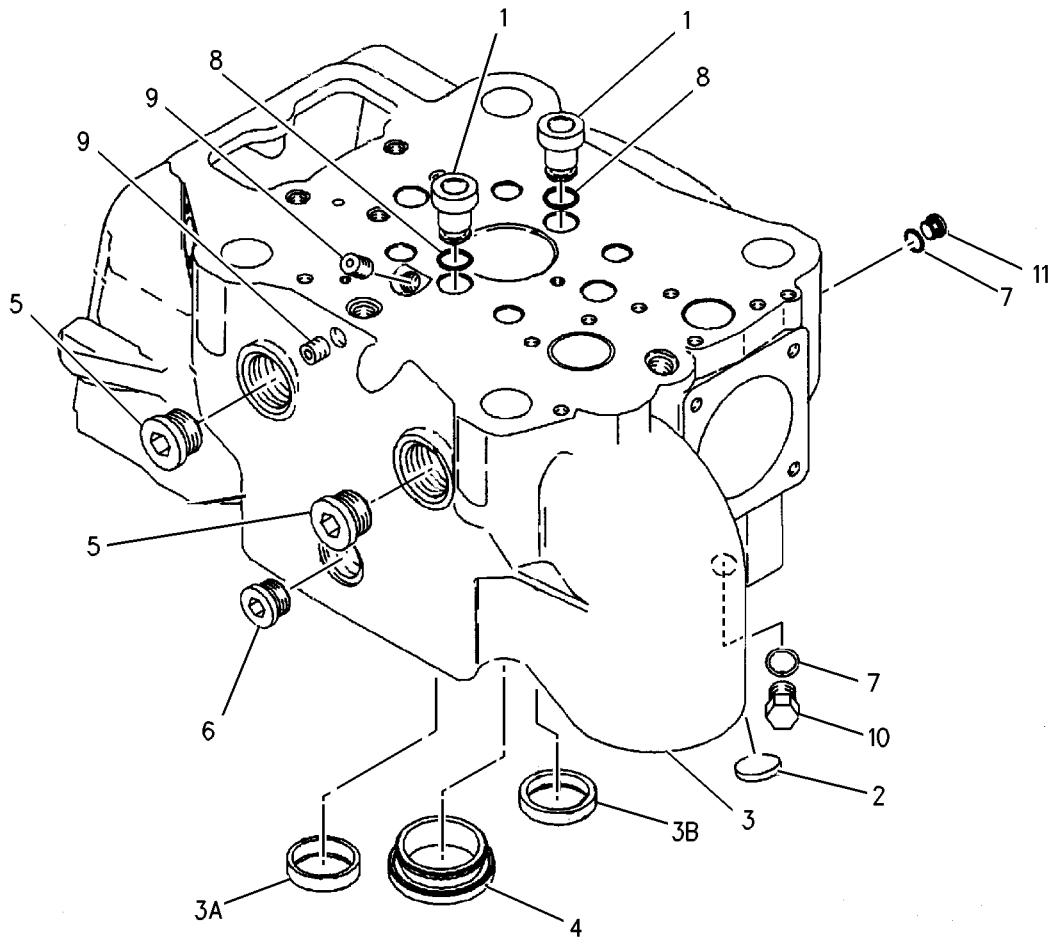
| NOTE | REF NO | GRAPHIC REF | PART NUMBER | QTY | PART NAME | | | | | | SEE PAGE |
|------|--------|-------------|-----------------|-----|--|---|---|---|---|-------------------|----------|
| | | | | | 1 | 2 | 3 | 4 | 5 | 6 (PRODUCT LEVEL) | |
| | 1 | 1 | 4W-5442 | 2 | PLUG-DOWEL | | | | | | |
| | 2 | 1 | 7C-4298 | 4 | PLUG-CUP (ORIFICE) | | | | | | |
| | 3 | 1 | <i>213-6956</i> | 1 | CYLINDER HEAD AS | | | | | | |
| | 3A | 1 | 171-3992 | 2 | INSERT-VALVE SEAT (INLET) | | | | | | |
| AB | | | 203-9566 | | INSERT-VALVE SEAT (INLET 0.5-MM OS OD) | | | | | | |
| AB | | | 272-5886 | | INSERT-VALVE SEAT (INLET 1.0-MM OS OD) | | | | | | |
| | 3B | 1 | 171-3993 | 2 | INSERT-VALVE SEAT (EXHAUST) | | | | | | |
| AB | | | 203-9567 | | INSERT-VALVE SEAT (EXHAUST 0.5-MM OS OD) | | | | | | |
| AB | | | 203-9569 | | INSERT-VALVE SEAT (EXHAUST 1.0-MM OS OD) | | | | | | |
| | 4 | 1 | 229-8567 | 1 | INSERT (PRECHAMBER) | | | | | | |
| AB | | | 229-8570 | | INSERT (PRECHAMBER, 0.25-MM OS OD) | | | | | | |
| AB | | | 229-8571 | | INSERT (PRECHAMBER, 0.5-MM OS OD) | | | | | | |
| | 5 | 1 | 2M-6471 | 4 | PLUG-CUP | | | | | | |
| | 6 | 1 | 3B-0645 | 7 | PLUG-CUP | | | | | | |
| | 7 | 1 | 3J-7354 | 2 | SEAL-O-RING | | | | | | |
| | 8 | 1 | 6V-5061 | 2 | SEAL-O-RING | | | | | | |
| | 9 | 1 | 8T-6759 | 2 | PLUG-PIPE | | | | | | |
| | 10 | 1 | 9S-4182 | 1 | PLUG-O-RING | | | | | | |
| | 11 | 1 | 9S-8002 | 1 | PLUG-O-RING | | | | | | |

A - NOT PART OF THIS GROUP
B - USE AS REQUIRED

BASIC ENGINE

213-6958 CYLINDER HEAD AS (contd.)

i02416629



GRAPHIC #1

<END>

g00985282

BASIC ENGINE

219-2954 CYLINDER HEAD AS (CHG -00, -01, -01D1, 219-2953-01D1)

PART OF 219-2955, 219-2956, 219-2957 CYLINDER HEAD GP

SMCS-1100, 1101

i02434783

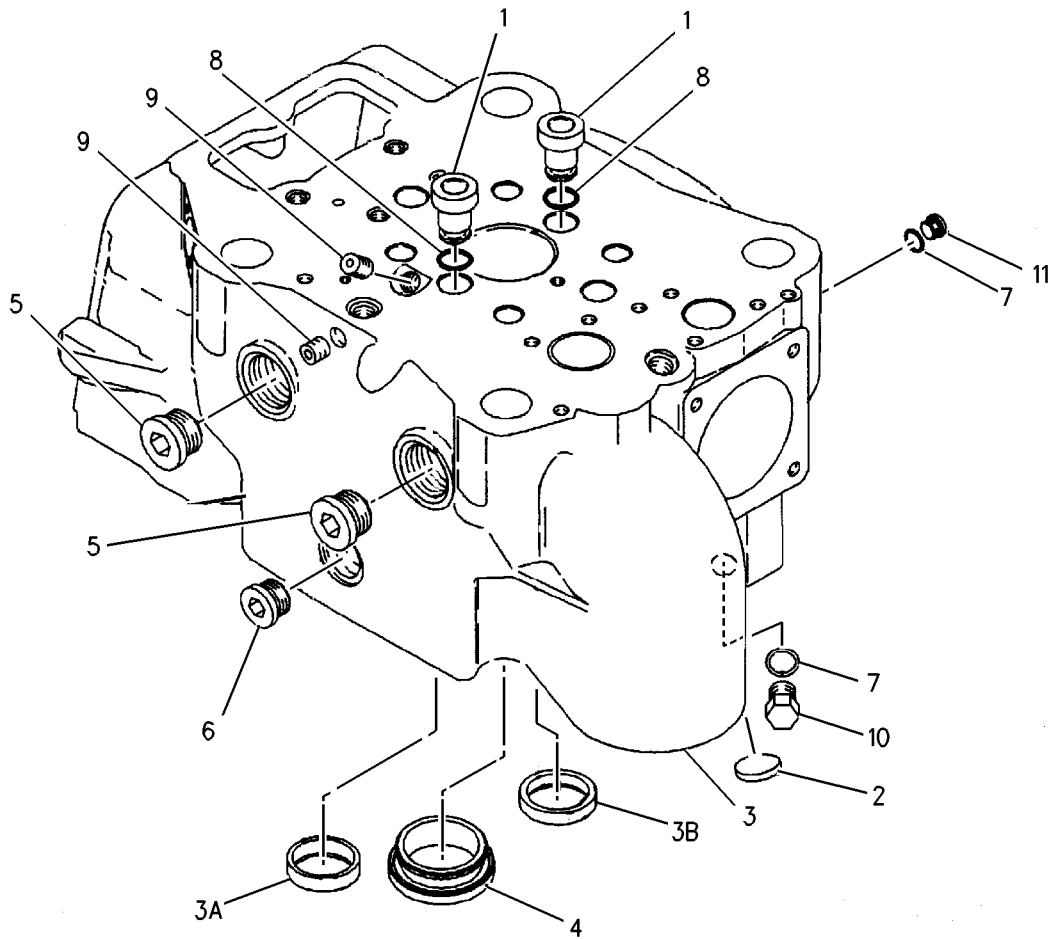
| NOTE | REF NO | GRAPHIC REF | PART NUMBER | QTY | PART NAME | | | | | | SEE PAGE |
|------|--------|-------------|-----------------|-----|--|---|---|---|---|-------------------|----------|
| | | | | | 1 | 2 | 3 | 4 | 5 | 6 (PRODUCT LEVEL) | |
| | 1 | 1 | 4W-5442 | 2 | PLUG-DOWEL | | | | | | |
| | 2 | 1 | 7C-4298 | 4 | PLUG-CUP (ORIFICE) | | | | | | |
| | 3 | 1 | <i>219-2953</i> | 1 | CYLINDER HEAD AS | | | | | | |
| | 3A | 1 | 171-3992 | 2 | INSERT-VALVE SEAT (INLET) | | | | | | |
| AB | | | 203-9566 | | INSERT-VALVE SEAT (INLET 0.5-MM OS OD) | | | | | | |
| AB | | | 272-5886 | | INSERT-VALVE SEAT (INLET 1.0-MM OS OD) | | | | | | |
| | 3B | 1 | 171-3993 | 2 | INSERT-VALVE SEAT (EXHAUST) | | | | | | |
| AB | | | 203-9567 | | INSERT-VALVE SEAT (EXHAUST 0.5-MM OS OD) | | | | | | |
| AB | | | 203-9569 | | INSERT-VALVE SEAT (EXHAUST 1.0-MM OS OD) | | | | | | |
| | 4 | 1 | 229-8567 | 1 | INSERT (PRECHAMBER) | | | | | | |
| AB | | | 229-8570 | | INSERT (PRECHAMBER, 0.25-MM OS OD) | | | | | | |
| AB | | | 229-8571 | | INSERT (PRECHAMBER, 0.5-MM OS OD) | | | | | | |
| | 5 | 1 | 2M-6471 | 4 | PLUG-CUP | | | | | | |
| | 6 | 1 | 3B-0645 | 7 | PLUG-CUP | | | | | | |
| | 7 | 1 | 3J-7354 | 2 | SEAL-O-RING | | | | | | |
| | 8 | 1 | 6V-5061 | 2 | SEAL-O-RING | | | | | | |
| | 9 | 1 | 8T-6759 | 2 | PLUG-PIPE | | | | | | |
| | 10 | 1 | 9S-4182 | 1 | PLUG-O-RING | | | | | | |
| | 11 | 1 | 9S-8002 | 1 | PLUG-O-RING | | | | | | |

A - NOT PART OF THIS GROUP
 B - USE AS REQUIRED

BASIC ENGINE

219-2954 CYLINDER HEAD AS (contd.)

i02434783



GRAPHIC #1

<END>

g00985337

BASIC ENGINE

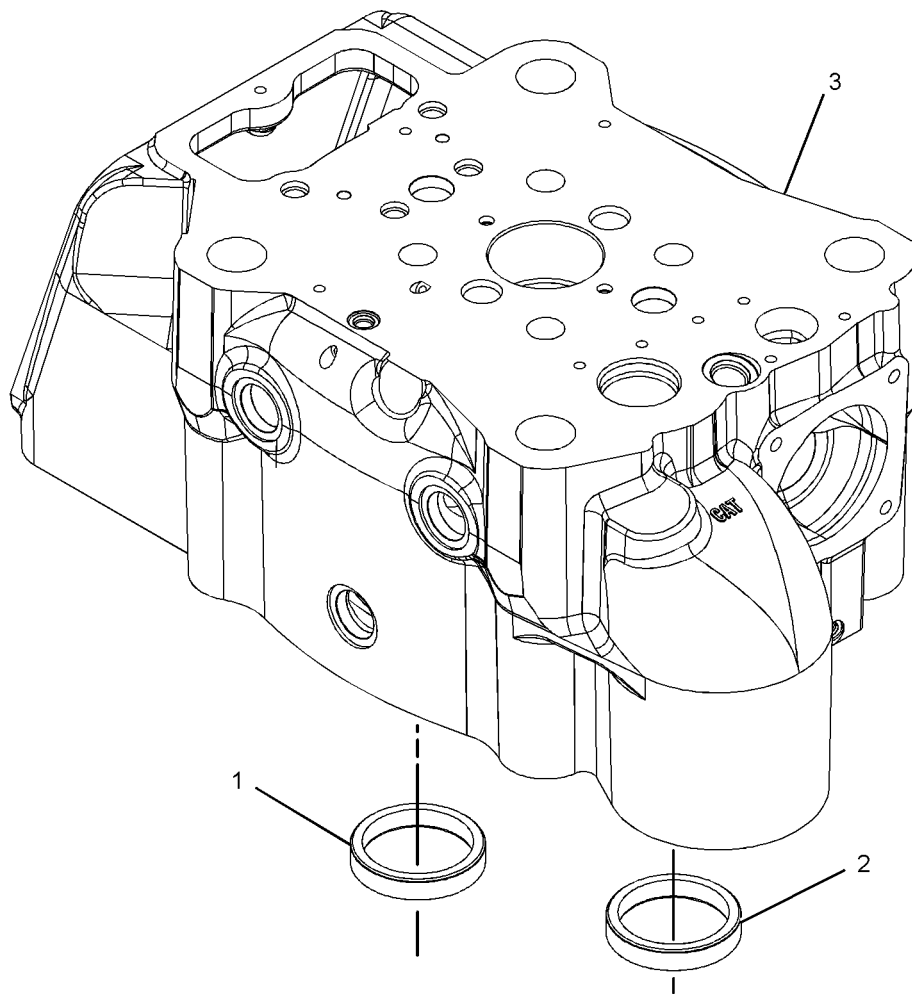
255-0024 CYLINDER HEAD AS (CHG -00) PART OF 255-0025 CYLINDER HEAD AS

SMCS-1100, 1101

i02416707

| NOTE | REF NO | GRAPHIC REF | PART NUMBER | QTY | PART NAME | | | | | | SEE PAGE |
|------|--------|-------------|-------------|-----|--|---|---|---|---|-------------------|----------|
| | | | | | 1 | 2 | 3 | 4 | 5 | 6 (PRODUCT LEVEL) | |
| | 1 | 1 | 171-3992 | 2 | INSERT-VALVE SEAT (INLET) | | | | | | |
| AB | | 1 | 203-9566 | | INSERT-VALVE SEAT (INLET 0.5-MM OS OD) | | | | | | |
| AB | | 1 | 272-5886 | | INSERT-VALVE SEAT (INLET 1.0-MM OS OD) | | | | | | |
| | 2 | 1 | 171-3993 | 2 | INSERT-VALVE SEAT (EXHAUST) | | | | | | |
| AB | | 1 | 203-9567 | | INSERT-VALVE SEAT (EXHAUST 0.5-MM OS OD) | | | | | | |
| AB | | 1 | 203-9569 | | INSERT-VALVE SEAT (EXHAUST 1.0-MM OS OD) | | | | | | |
| | 3 | 1 | 242-1930 | 1 | HEAD CYLINDER | | | | | | |

A - NOT PART OF THIS GROUP
B - USE AS REQUIRED



GRAPHIC #1

<END>

g01138575

BASIC ENGINE

255 - 0025 CYLINDER HEAD AS (CHG -00, -01) PART OF 255-0027, 255-0028 CYLINDER HEAD GP

SMCS-1100, 1101

i02252272

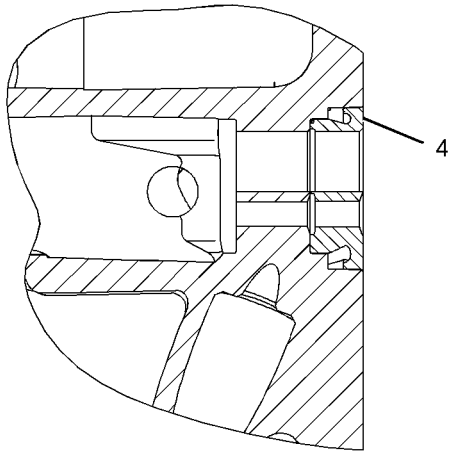
| NOTE | REF NO | GRAPHIC REF | PART NUMBER | QTY | PART NAME | | | | | | SEE PAGE |
|------|--------|-------------|-----------------|-----|------------------------------------|---|---|---|---|-------------------|----------|
| | | | | | 1 | 2 | 3 | 4 | 5 | 6 (PRODUCT LEVEL) | |
| | 1 | 1 | 3B-0645 | 4 | PLUG-CUP | | | | | | |
| | 2 | 1 | 4W-5442 | 2 | PLUG-DOWEL | | | | | | |
| | 3 | 1 | 7C-4298 | 4 | PLUG-CUP (ORIFICE) | | | | | | |
| | 4 | 1 | 229-8567 | 1 | INSERT (PRECHAMBER) | | | | | | |
| AB | | 1 | 229-8570 | | INSERT (PRECHAMBER, 0.25-MM OS OD) | | | | | | |
| AB | | 1 | 229-8571 | | INSERT (PRECHAMBER, 0.5-MM OS OD) | | | | | | |
| Y | 5 | 1 | <i>255-0024</i> | 1 | CYLINDER HEAD AS | | | | | | 62 |
| | 6 | 1 | 2M-6471 | 7 | PLUG-CUP | | | | | | |
| | 7 | 1 | 3J-7354 | 2 | SEAL-O-RING | | | | | | |
| | 8 | 1 | 6V-5061 | 2 | SEAL-O-RING | | | | | | |
| | 9 | 1 | 8T-6759 | 2 | PLUG-PIPE | | | | | | |
| | 10 | 1 | 9S-4182 | 1 | PLUG-O-RING | | | | | | |
| | 11 | 1 | 9S-8002 | 1 | PLUG-O-RING | | | | | | |

A - NOT PART OF THIS GROUP
 B - USE AS REQUIRED
 Y - SEPARATE ILLUSTRATION

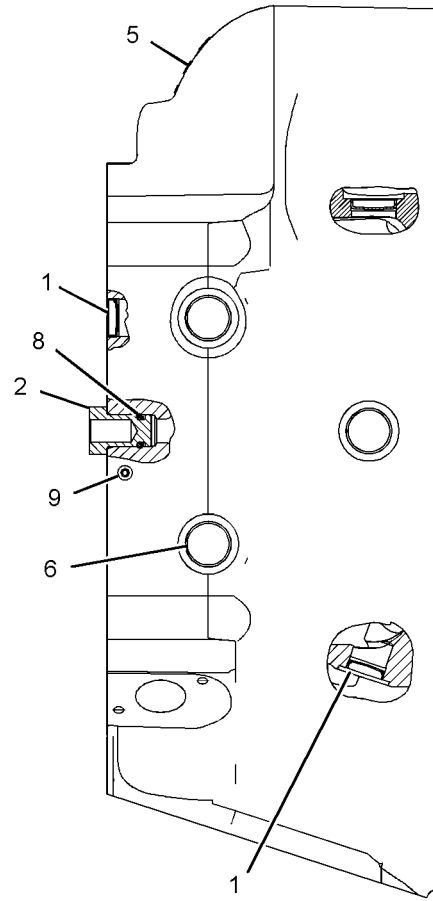
BASIC ENGINE

255-0025 CYLINDER HEAD AS (contd.)

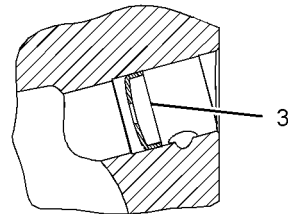
i02252272



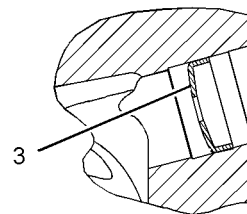
SECTION C-C



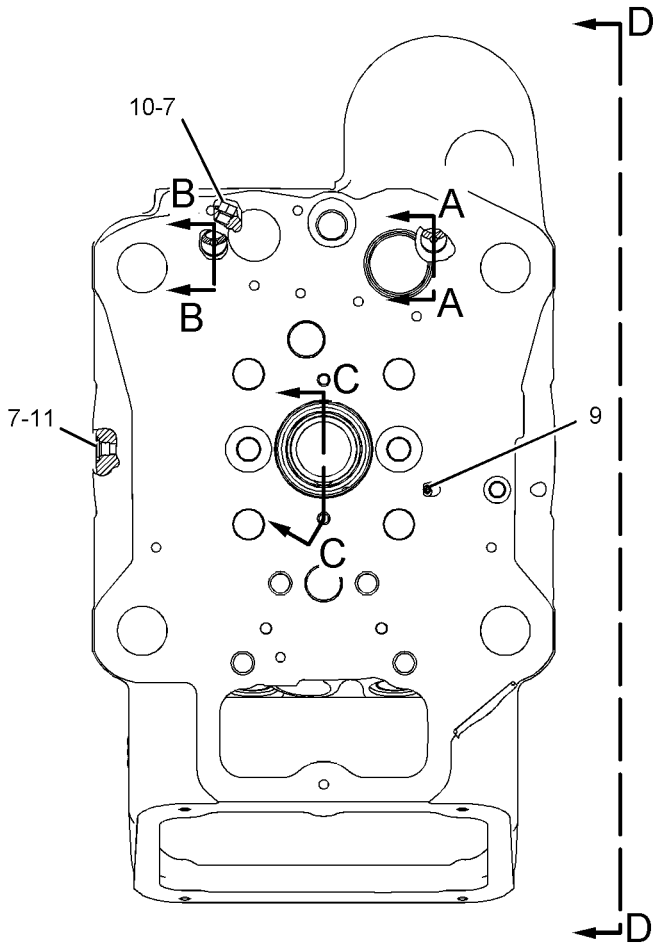
VIEW D-D



SECTION B-B



SECTION A-A



GRAPHIC #1

<END>

g01139087

BASIC ENGINE

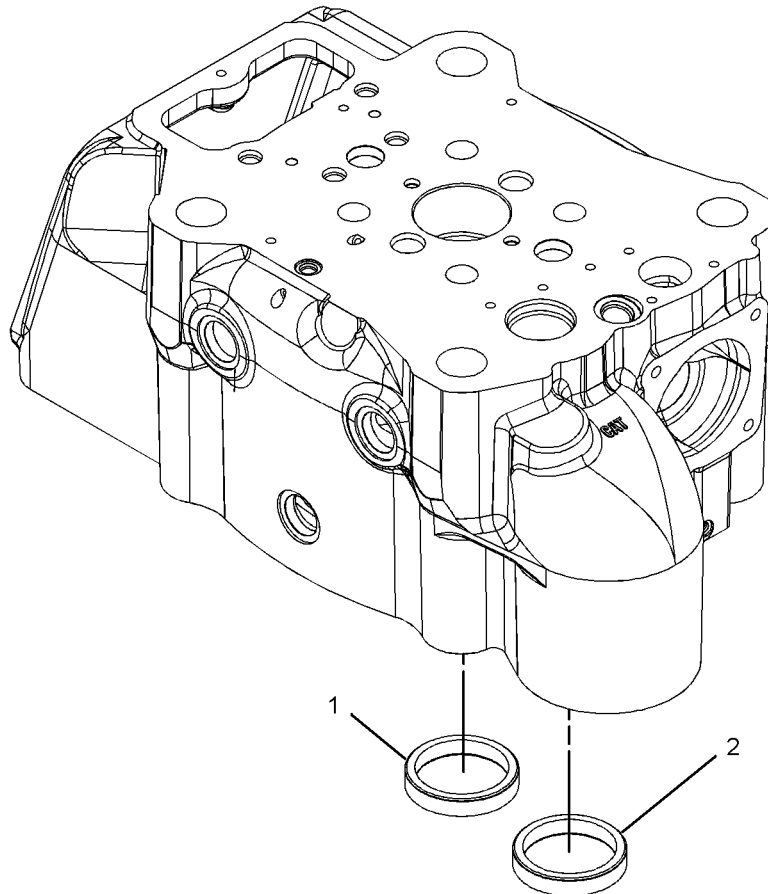
255-0029 CYLINDER HEAD AS (CHG -00, -01) PART OF 255-0030 CYLINDER HEAD AS

SMCS-1100, 1101

i02416638

| NOTE | REF NO | GRAPHIC REF | PART NUMBER | QTY | PART NAME | | | | | | SEE PAGE |
|------|--------|-------------|-------------|-----|--|---|---|---|---|-------------------|----------|
| | | | | | 1 | 2 | 3 | 4 | 5 | 6 (PRODUCT LEVEL) | |
| | 1 | 1 | 171-3992 | 2 | INSERT-VALVE SEAT (INLET) | | | | | | |
| AB | | 1 | 203-9566 | | INSERT-VALVE SEAT (INLET 0.5-MM OS OD) | | | | | | |
| AB | | 1 | 272-5886 | | INSERT-VALVE SEAT (INLET 1.0-MM OS OD) | | | | | | |
| | 2 | 1 | 171-3993 | 2 | INSERT-VALVE SEAT (EXHAUST) | | | | | | |
| AB | | 1 | 203-9567 | | INSERT-VALVE SEAT (EXHAUST 0.5-MM OS OD) | | | | | | |
| AB | | 1 | 203-9569 | | INSERT-VALVE SEAT (EXHAUST 1.0-MM OS OD) | | | | | | |

A - NOT PART OF THIS GROUP
B - USE AS REQUIRED



GRAPHIC #1

<END>

g01139188

BASIC ENGINE

255-0030 CYLINDER HEAD AS (CHG -00)

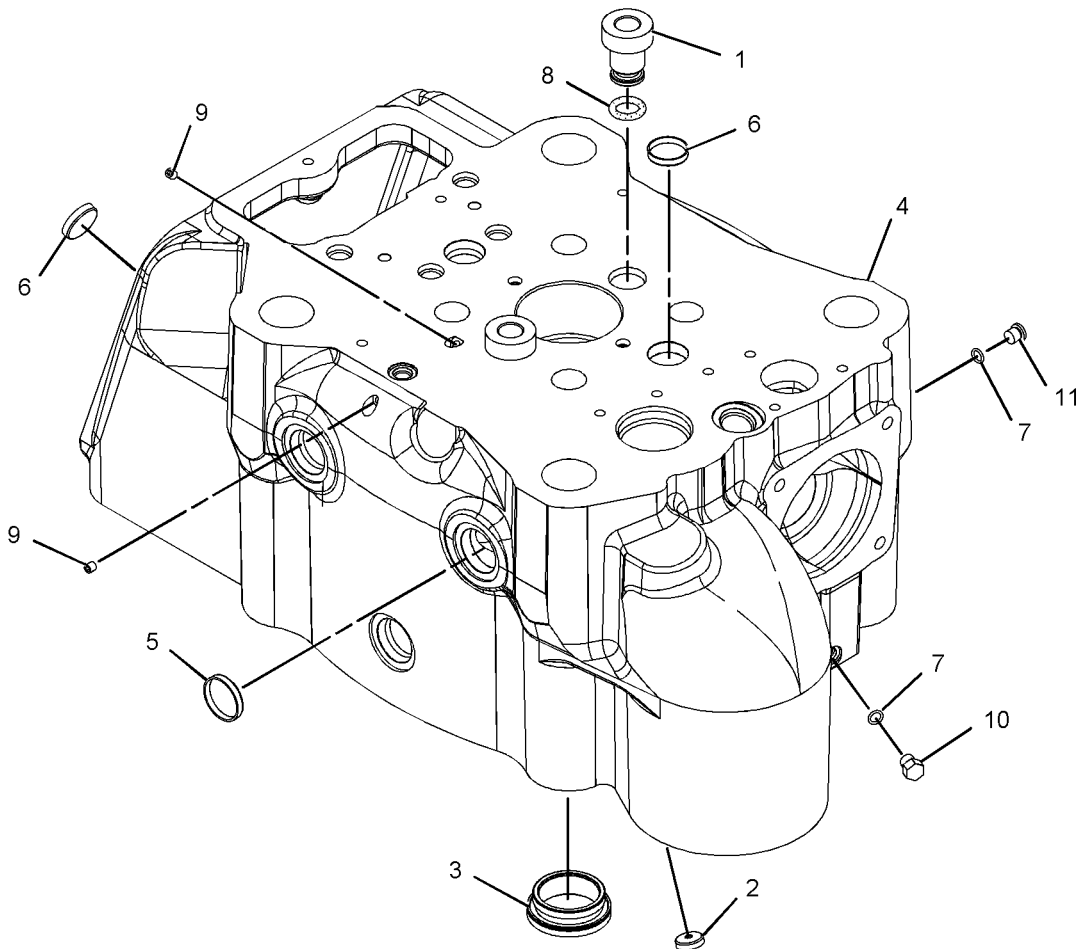
PART OF 255-0026, 255-0031, 255-0032, 255-0033 CYLINDER HEAD GP

SMCS-1100, 1101

i02277956

| NOTE | REF NO | GRAPHIC REF | PART NUMBER | QTY | PART NAME | | | | | | SEE PAGE |
|------|--------|-------------|-------------|-----|------------------------------------|---|---|---|---|-------------------|----------|
| | | | | | 1 | 2 | 3 | 4 | 5 | 6 (PRODUCT LEVEL) | |
| | 1 | 1 | 4W-5442 | 2 | PLUG-DOWEL | | | | | | |
| | 2 | 1 | 7C-4298 | 4 | PLUG-CUP (ORIFICE) | | | | | | |
| | 3 | 1 | 229-8567 | 1 | INSERT (PRECHAMBER) | | | | | | |
| AB | | 1 | 229-8570 | | INSERT (PRECHAMBER, 0.25-MM OS OD) | | | | | | |
| AB | | 1 | 229-8571 | | INSERT (PRECHAMBER, 0.5-MM OS OD) | | | | | | |
| Y | 4 | 1 | 255-0029 | 1 | CYLINDER HEAD AS | | | | | | 65 |
| | 5 | 1 | 2M-6471 | 7 | PLUG-CUP | | | | | | |
| | 6 | 1 | 3B-0645 | 4 | PLUG-CUP | | | | | | |
| | 7 | 1 | 3J-7354 | 2 | SEAL-O-RING | | | | | | |
| | 8 | 1 | 6V-5061 | 2 | SEAL-O-RING | | | | | | |
| | 9 | 1 | 8T-6759 | 2 | PLUG-PIPE | | | | | | |
| | 10 | 1 | 9S-4182 | 1 | PLUG-O-RING | | | | | | |
| | 11 | 1 | 9S-8002 | 1 | PLUG-O-RING | | | | | | |

A - NOT PART OF THIS GROUP
 B - USE AS REQUIRED
 Y - SEPARATE ILLUSTRATION



GRAPHIC #1

<END>

g01141786

BASIC ENGINE

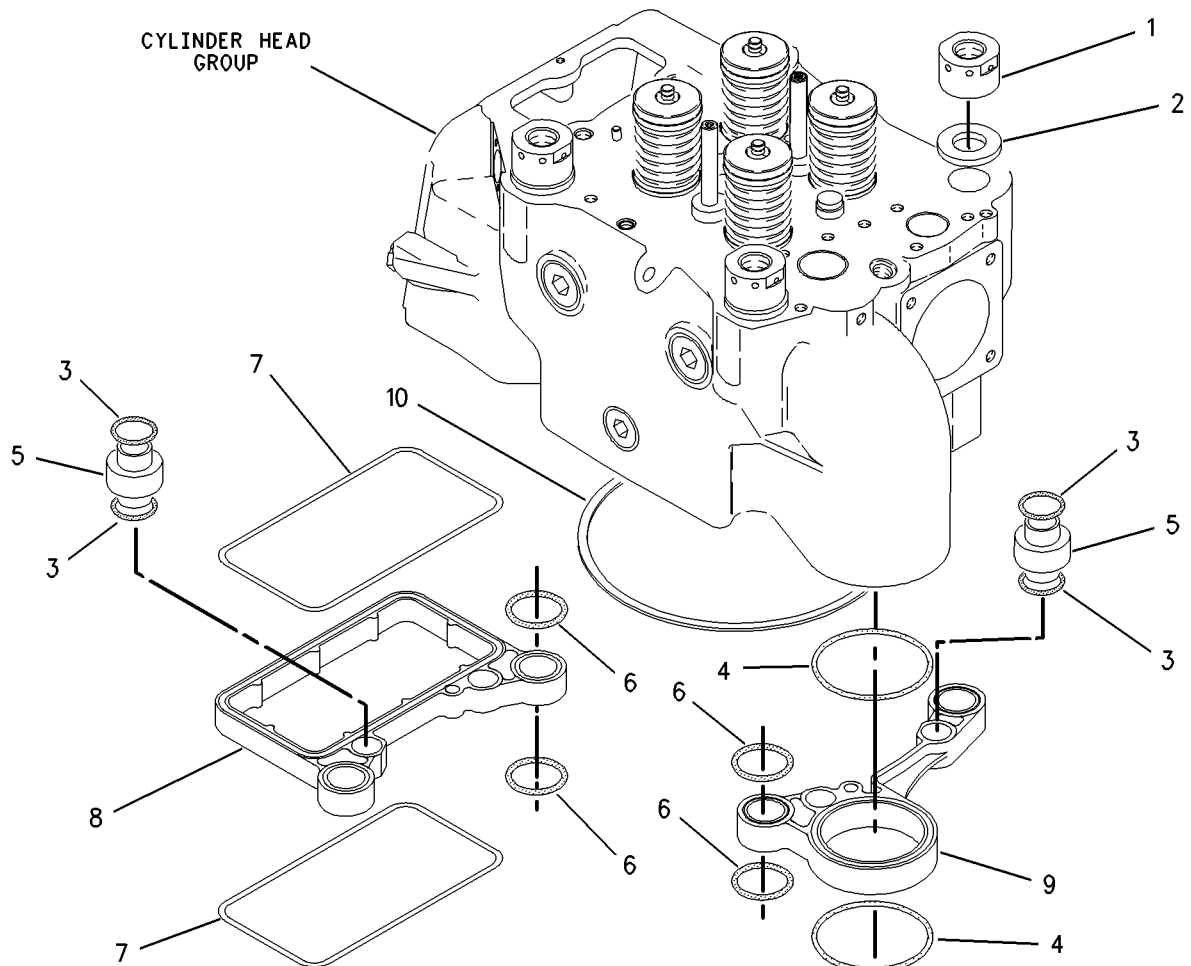
7C-0400 CYLINDER HEAD GP (CHG -15, -16) SPARK IGNITED

SMCS-1100

i02419904

| NOTE | REF NO | GRAPHIC REF | PART NUMBER | QTY | PART NAME | | | | | | SEE PAGE |
|------|--------|-------------|-------------|-----|--|---|---|---|---|-------------------|----------|
| | | | | | 1 | 2 | 3 | 4 | 5 | 6 (PRODUCT LEVEL) | |
| | 1 | 1 | 1W-2361 | 4 | NUT-CYLINDER HEAD (1-5/8-12UN SPL-THD) | | | | | | |
| | 2 | 1 | 1W-2362 | 4 | WASHER (41.5X85X12-MM THK) | | | | | | |
| | 3 | 1 | 2N-3350 | 8 | SEAL-O-RING | | | | | | |
| | 4 | 1 | 6V-4314 | 2 | SEAL-O-RING | | | | | | |
| | 5 | 1 | 7C-4299 | 4 | ADAPTER | | | | | | |
| | 6 | 1 | 8C-5230 | 8 | SEAL-O-RING | | | | | | |
| | 7 | 1 | 8C-9023 | 2 | SEAL-O-RING | | | | | | |
| | 8 | 1 | 114-4301 | 1 | PLATE-SEAL | | | | | | |
| | 9 | 1 | 114-4302 | 1 | PLATE-SEAL | | | | | | |
| | 10 | 1 | 143-2878 | 1 | GASKET | | | | | | |
| CFYR | | 1 | 171-3994 | 1 | CYLINDER HEAD GP | | | | | | 71 |
| | | | | | -OR- | | | | | | |
| CFYR | | 1 | 171-3995 | 1 | CYLINDER HEAD GP | | | | | | 72 |
| | | | | | -OR- | | | | | | |
| CFYR | | 1 | 194-3250 | 1 | CYLINDER HEAD GP | | | | | | 73 |

C - CHANGE FROM PREVIOUS TYPE
 F - NOT SHOWN
 R - REMFG PART MAY BE AVAILABLE
 Y - SEPARATE ILLUSTRATION



GRAPHIC #1

<END>

g00810533

BASIC ENGINE

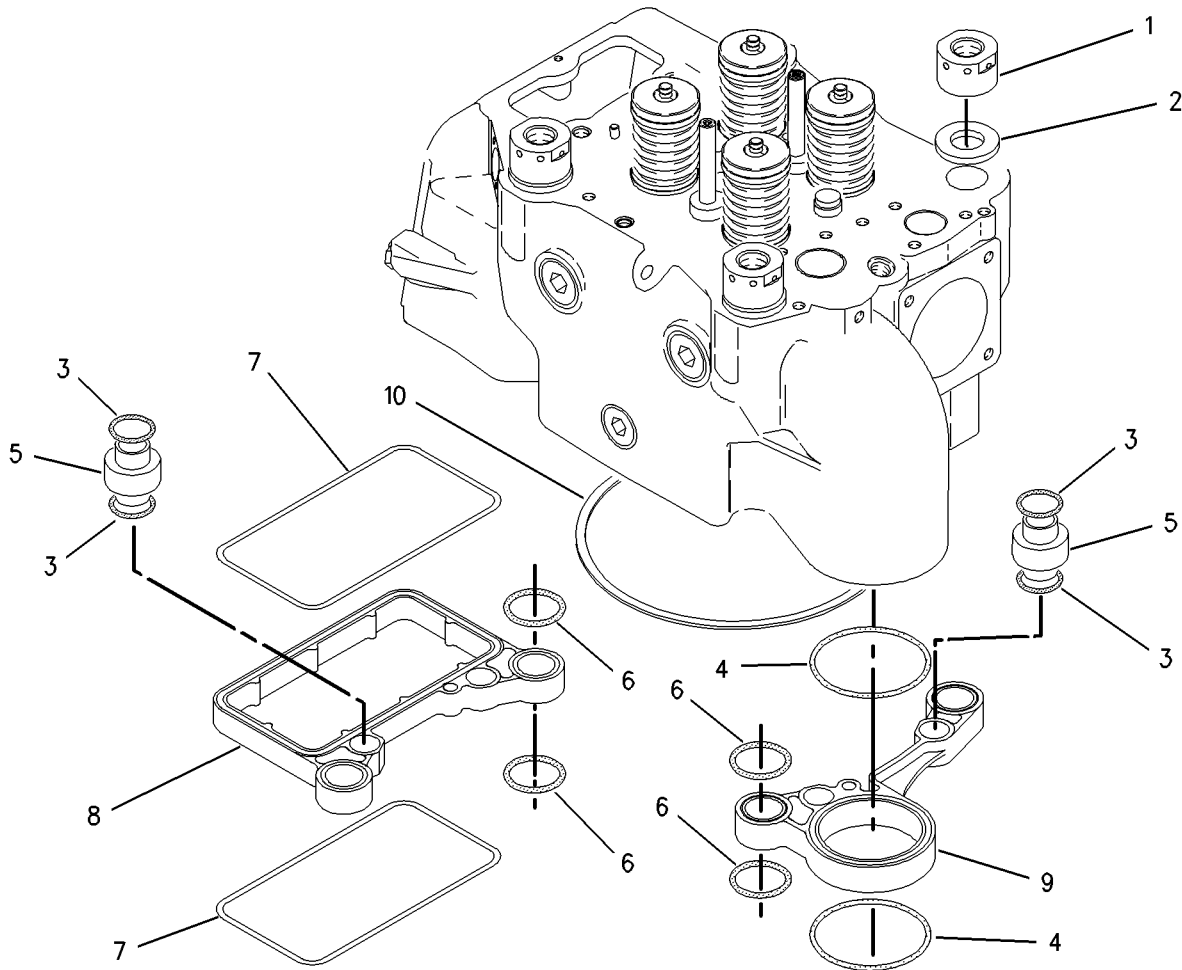
7C-0400 CYLINDER HEAD GP (CHG -17) SPARK IGNITED

SMCS-1100

i01834918

| NOTE | REF NO | GRAPHIC REF | PART NUMBER | QTY | PART NAME | | | | | | SEE PAGE |
|------|--------|-------------|-------------|-----|--|---|---|---|---|-------------------|----------|
| | | | | | 1 | 2 | 3 | 4 | 5 | 6 (PRODUCT LEVEL) | |
| | 1 | 1 | 1W-2361 | 4 | NUT-CYLINDER HEAD (1-5/8-12UN SPL-THD) | | | | | | |
| | 2 | 1 | 1W-2362 | 4 | WASHER (41.5X85X12-MM THK) | | | | | | |
| | 3 | 1 | 2N-3350 | 8 | SEAL-O-RING | | | | | | |
| | 4 | 1 | 6V-4314 | 2 | SEAL-O-RING | | | | | | |
| | 5 | 1 | 7C-4299 | 4 | ADAPTER | | | | | | |
| | 6 | 1 | 8C-5230 | 8 | SEAL-O-RING | | | | | | |
| | 7 | 1 | 8C-9023 | 2 | SEAL-O-RING | | | | | | |
| | 8 | 1 | 114-4301 | 1 | PLATE-SEAL | | | | | | |
| | 9 | 1 | 114-4302 | 1 | PLATE-SEAL | | | | | | |
| | 10 | 1 | 143-2878 | 1 | GASKET | | | | | | |
| FYR | | 1 | 213-6962 | 1 | CYLINDER HEAD GP | | | | | | 74 |
| | | | | | -OR- | | | | | | |
| FYR | | 1 | 213-6964 | 1 | CYLINDER HEAD GP | | | | | | 75 |

F - NOT SHOWN
R - REMFG PART MAY BE AVAILABLE
Y - SEPARATE ILLUSTRATION



GRAPHIC #1

<END>

g00937370

BASIC ENGINE

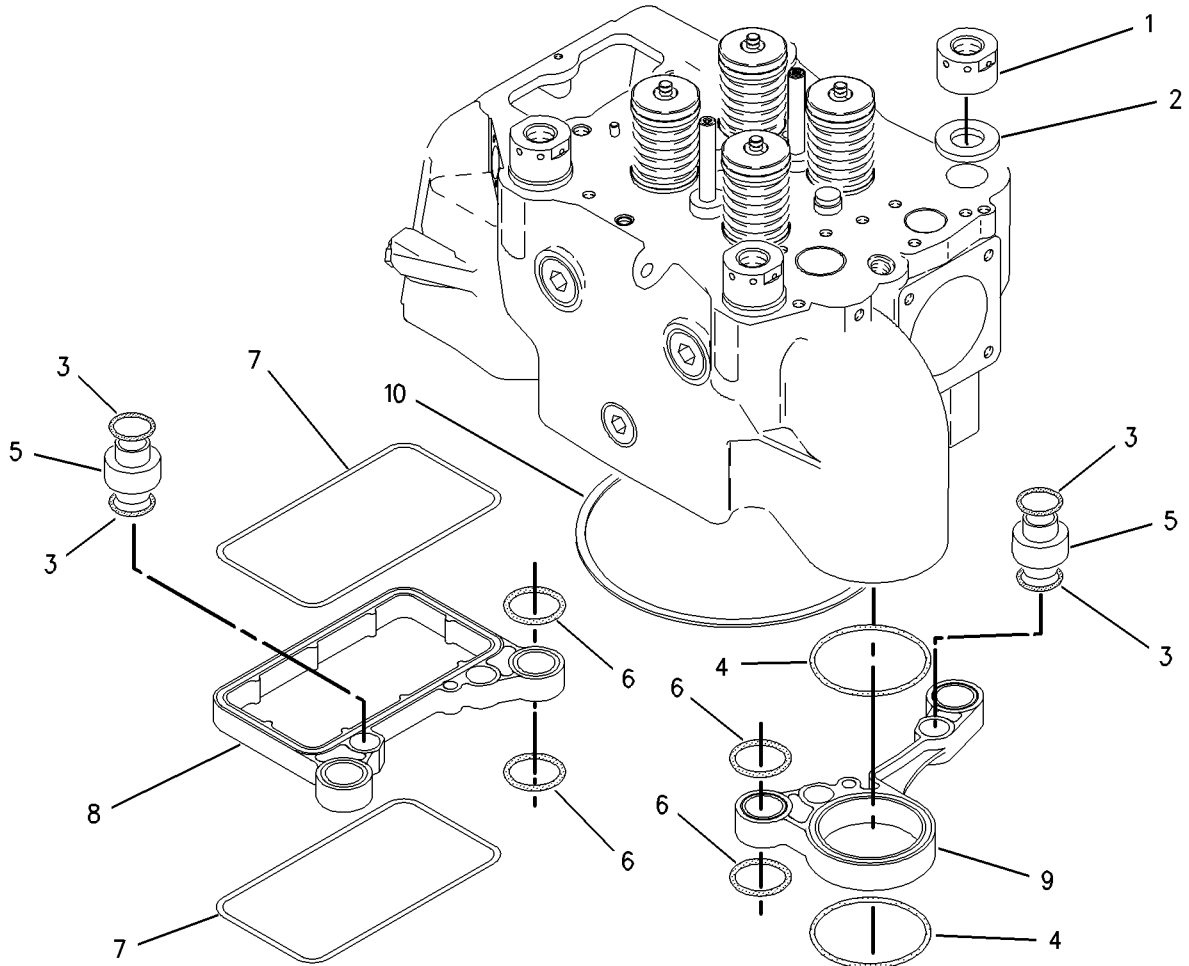
7C-0400 CYLINDER HEAD GP (CHG -18) SPARK IGNITED

SMCS-1100

i02173537

| NOTE | REF NO | GRAPHIC REF | PART NUMBER | QTY | PART NAME | | | | | | SEE PAGE |
|------|--------|-------------|-------------|-----|--|---|---|---|---|-------------------|----------|
| | | | | | 1 | 2 | 3 | 4 | 5 | 6 (PRODUCT LEVEL) | |
| | 1 | 1 | 1W-2361 | 4 | NUT-CYLINDER HEAD (1-5/8-12UN SPL-THD) | | | | | | |
| | 2 | 1 | 1W-2362 | 4 | WASHER (41.5X85X12-MM THK) | | | | | | |
| | 3 | 1 | 2N-3350 | 8 | SEAL-O-RING | | | | | | |
| | 4 | 1 | 6V-4314 | 2 | SEAL-O-RING | | | | | | |
| | 5 | 1 | 7C-4299 | 4 | ADAPTER | | | | | | |
| | 6 | 1 | 8C-5230 | 8 | SEAL-O-RING | | | | | | |
| | 7 | 1 | 8C-9023 | 2 | SEAL-O-RING | | | | | | |
| | 8 | 1 | 114-4301 | 1 | PLATE-SEAL | | | | | | |
| | 9 | 1 | 114-4302 | 1 | PLATE-SEAL | | | | | | |
| | 10 | 1 | 143-2878 | 1 | GASKET | | | | | | |
| CFYR | | 1 | 219-2955 | 1 | CYLINDER HEAD GP | | | | | | 77 |
| | | | | | -OR- | | | | | | |
| CFR | | 1 | 219-2956 | 1 | CYLINDER HEAD GP | | | | | | |

C - CHANGE FROM PREVIOUS TYPE
 F - NOT SHOWN
 R - REMFG PART MAY BE AVAILABLE
 Y - SEPARATE ILLUSTRATION



GRAPHIC #1

<END>

g00946793

BASIC ENGINE

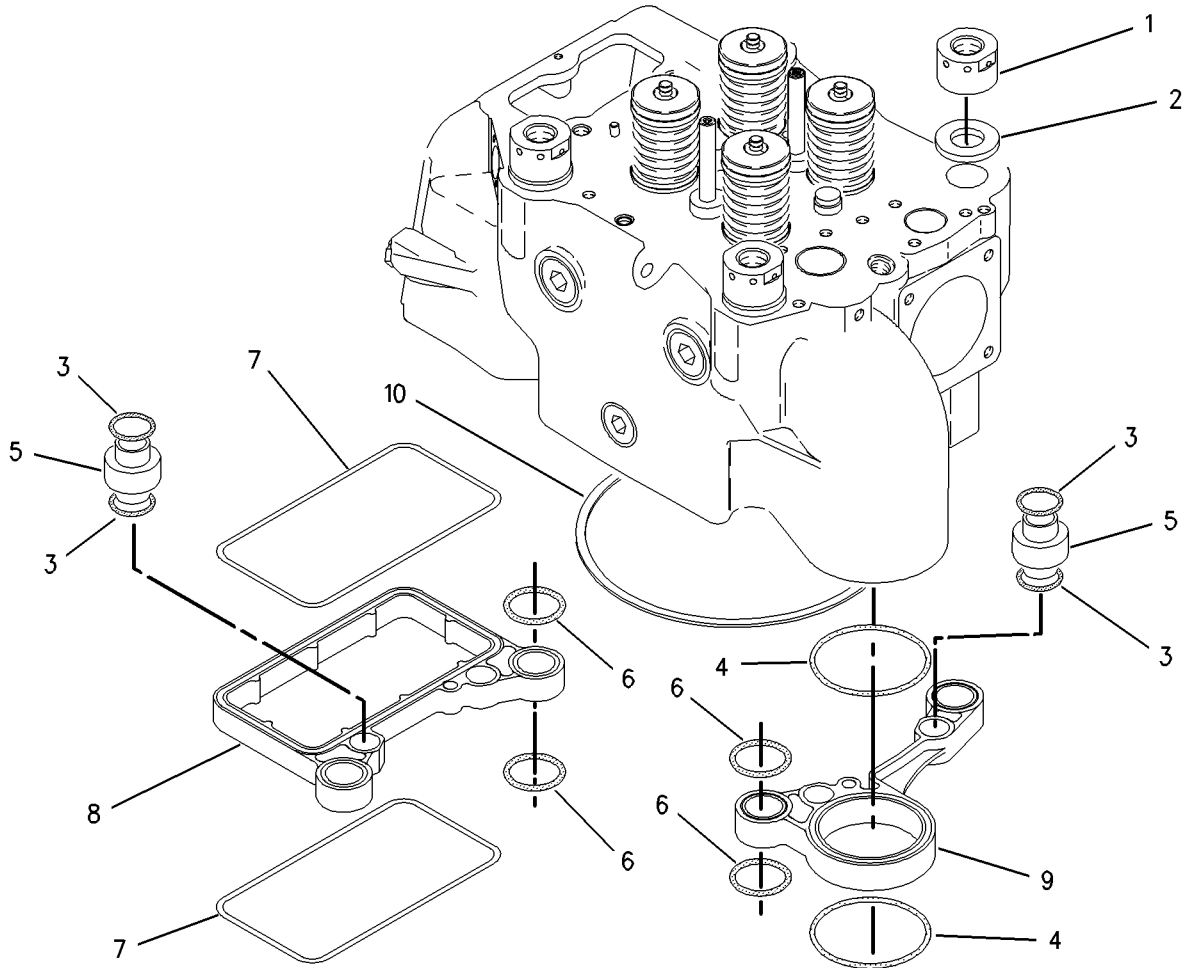
7C-0400 CYLINDER HEAD GP (CHG -19) SPARK IGNITED

SMCS-1100

i02278908

| NOTE | REF NO | GRAPHIC REF | PART NUMBER | QTY | PART NAME | | | | | | SEE PAGE |
|------|--------|-------------|-------------|-----|--|---|---|---|---|-------------------|----------|
| | | | | | 1 | 2 | 3 | 4 | 5 | 6 (PRODUCT LEVEL) | |
| | 1 | 1 | 1W-2361 | 4 | NUT-CYLINDER HEAD (1-5/8-12UN SPL-THD) | | | | | | |
| | 2 | 1 | 1W-2362 | 4 | WASHER (41.5X85X12-MM THK) | | | | | | |
| | 3 | 1 | 2N-3350 | 8 | SEAL-O-RING | | | | | | |
| | 4 | 1 | 6V-4314 | 2 | SEAL-O-RING | | | | | | |
| | 5 | 1 | 7C-4299 | 4 | ADAPTER | | | | | | |
| | 6 | 1 | 8C-5230 | 8 | SEAL-O-RING | | | | | | |
| | 7 | 1 | 8C-9023 | 2 | SEAL-O-RING | | | | | | |
| | 8 | 1 | 114-4301 | 1 | PLATE-SEAL | | | | | | |
| | 9 | 1 | 114-4302 | 1 | PLATE-SEAL | | | | | | |
| | 10 | 1 | 143-2878 | 1 | GASKET | | | | | | |
| CFY | | 1 | 255-0031 | 1 | CYLINDER HEAD GP | | | | | | 87 |
| | | | | | -OR- | | | | | | |
| CFR | | 1 | 219-2956 | 1 | CYLINDER HEAD GP | | | | | | |

C- CHANGE FROM PREVIOUS TYPE
 F- NOT SHOWN
 R- REMFG PART MAY BE AVAILABLE
 Y- SEPARATE ILLUSTRATION



GRAPHIC #1

<END>

g00946793

BASIC ENGINE

171-3994 CYLINDER HEAD GP*R (CHG -00 THRU -03)

BASIC

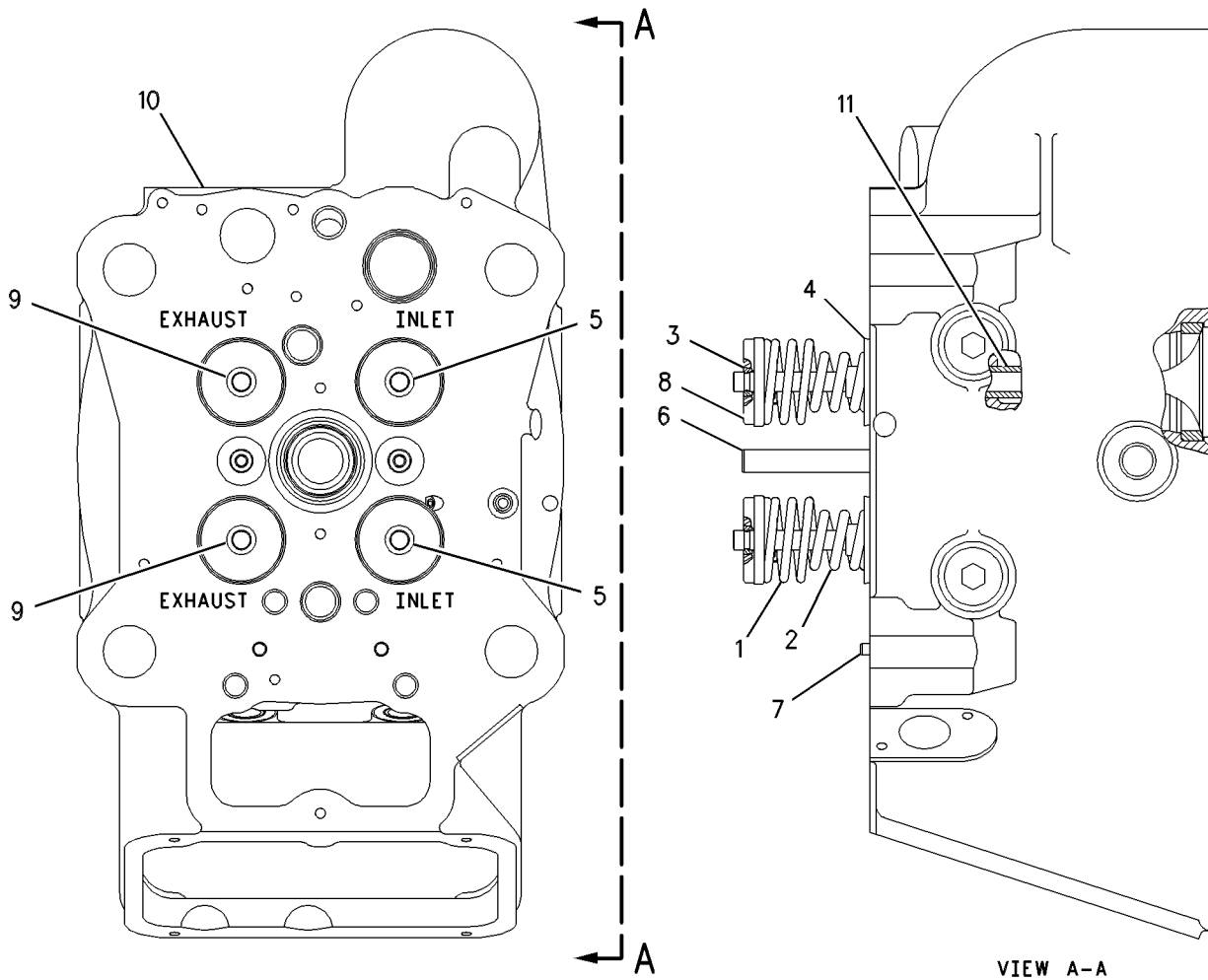
PART OF 7C-0400 CYLINDER HEAD GP

SMCS-1100

i01571094

| NOTE | REF NO | GRAPHIC REF | PART NUMBER | QTY | PART NAME | | | | | | SEE PAGE |
|------|--------|-------------|-------------|-----|----------------------|---|---|---|---|-------------------|----------|
| | | | | | 1 | 2 | 3 | 4 | 5 | 6 (PRODUCT LEVEL) | |
| | 1 | 1 | 1W-1748 | 4 | SPRING-VALVE (OUTER) | | | | | | |
| | 2 | 1 | 1W-1749 | 4 | SPRING-VALVE (INNER) | | | | | | |
| | 3 | 1 | 1W-1752 | 8 | LOCK-VALVE RETAINER | | | | | | |
| | 4 | 1 | 1W-1754 | 4 | GUIDE-VALVE SPRING | | | | | | |
| | 5 | 1 | 4P-2854 | 2 | VALVE-INLET | | | | | | |
| | 6 | 1 | 4W-5441 | 2 | DOWEL-BRIDGE GUIDE | | | | | | |
| | 7 | 1 | 6V-3538 | 2 | DOWEL | | | | | | |
| | 8 | 1 | 189-4583 | 4 | ROTATOR AS | | | | | | |
| | 9 | 1 | 154-2417 | 2 | VALVE-EXHAUST | | | | | | |
| Y | 10 | 1 | 170-7740 | 1 | CYLINDER HEAD AS | | | | | | 57 |
| | 11 | 1 | 175-6344 | 4 | GUIDE-VALVE | | | | | | |

Y-SEPARATE ILLUSTRATION



GRAPHIC #1

<END>

g00601153

BASIC ENGINE

171-3995 CYLINDER HEAD GP*R (CHG -00, -00D2 THRU -03)

BASIC

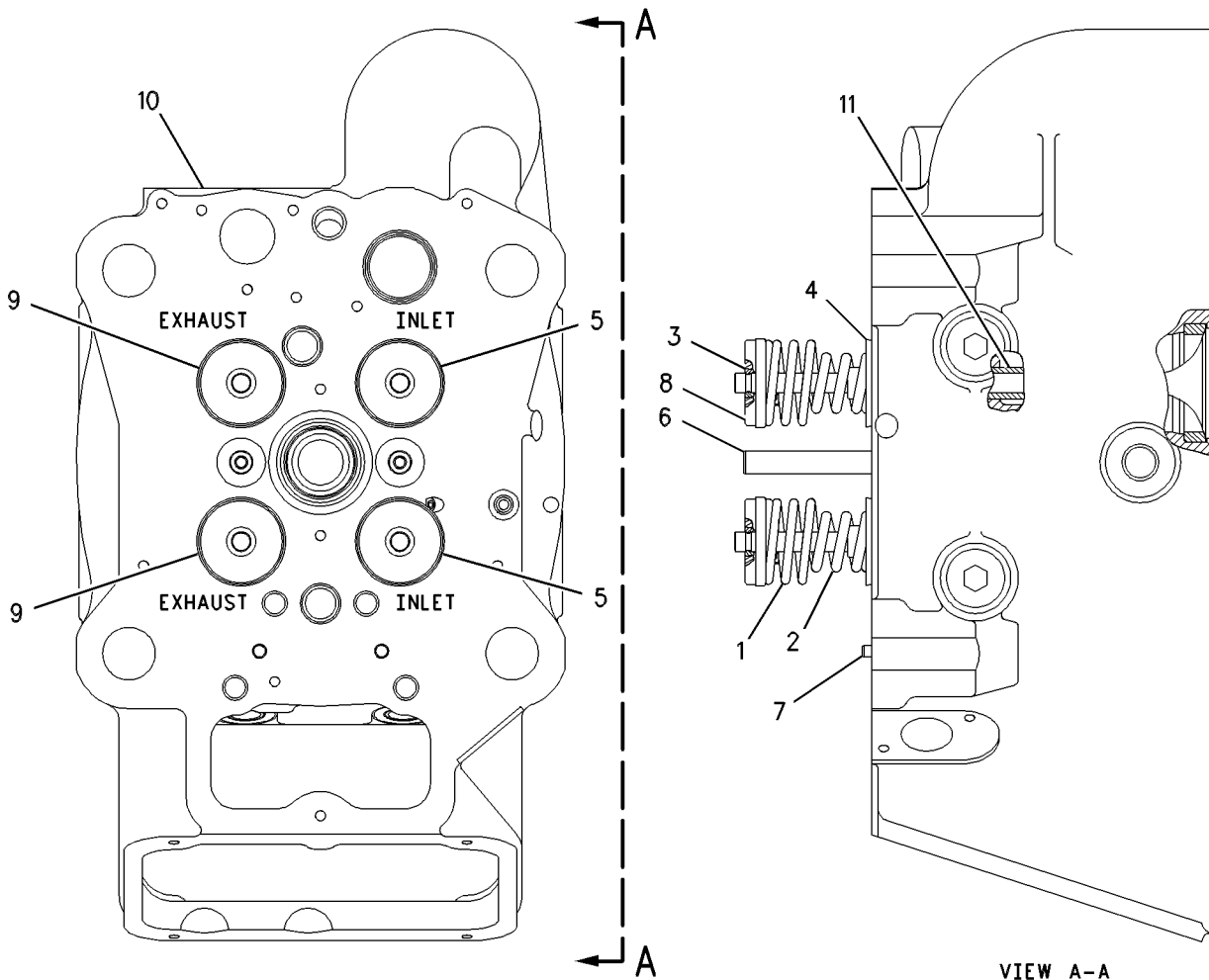
PART OF 7C-0400 CYLINDER HEAD GP

SMCS-1100

i01602056

| NOTE | REF NO | GRAPHIC REF | PART NUMBER | QTY | PART NAME | | | | | | SEE PAGE |
|------|--------|-------------|-------------|-----|----------------------|---|---|---|---|-------------------|----------|
| | | | | | 1 | 2 | 3 | 4 | 5 | 6 (PRODUCT LEVEL) | |
| | 1 | 1 | 1W-1748 | 4 | SPRING-VALVE (OUTER) | | | | | | |
| | 2 | 1 | 1W-1749 | 4 | SPRING-VALVE (INNER) | | | | | | |
| | 3 | 1 | 1W-1752 | 8 | LOCK-VALVE RETAINER | | | | | | |
| | 4 | 1 | 1W-1754 | 4 | GUIDE-VALVE SPRING | | | | | | |
| | 5 | 1 | 4P-2854 | 2 | VALVE-INLET | | | | | | |
| | 6 | 1 | 4W-5441 | 2 | DOWEL-BRIDGE GUIDE | | | | | | |
| | 7 | 1 | 6V-3538 | 2 | DOWEL | | | | | | |
| | 8 | 1 | 189-4583 | 4 | ROTATOR AS | | | | | | |
| | 9 | 1 | 149-0588 | 2 | VALVE-EXHAUST | | | | | | |
| Y | 10 | 1 | 170-7740 | 1 | CYLINDER HEAD AS | | | | | | 57 |
| | 11 | 1 | 175-6344 | 4 | GUIDE-VALVE | | | | | | |

Y-SEPARATE ILLUSTRATION



GRAPHIC #1

<END>

g00603212

BASIC ENGINE

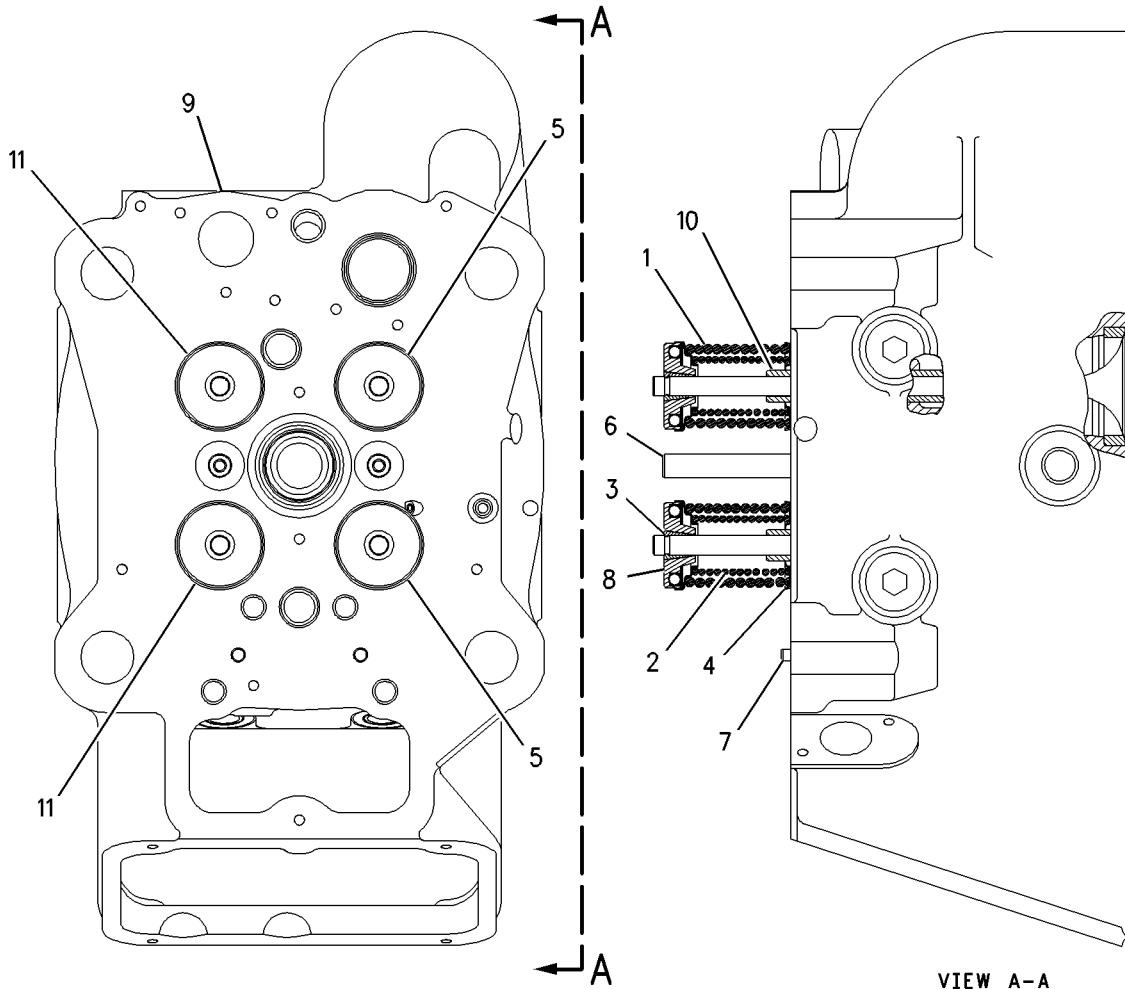
194-3250 CYLINDER HEAD GP-BASIC*R (CHG -00, -01, -01D1, -02) PART OF 7C-0400 CYLINDER HEAD GP

SMCS-1100

i01571773

| NOTE | REF NO | GRAPHIC REF | PART NUMBER | QTY | PART NAME | | | | | | SEE PAGE |
|------|--------|-------------|-------------|-----|----------------------|---|---|---|---|-------------------|----------|
| | | | | | 1 | 2 | 3 | 4 | 5 | 6 (PRODUCT LEVEL) | |
| | 1 | 1 | 1W-1748 | 4 | SPRING-VALVE (OUTER) | | | | | | |
| | 2 | 1 | 1W-1749 | 4 | SPRING-VALVE (INNER) | | | | | | |
| | 3 | 1 | 1W-1752 | 8 | LOCK-VALVE RETAINER | | | | | | |
| | 4 | 1 | 1W-1754 | 4 | GUIDE-VALVE SPRING | | | | | | |
| | 5 | 1 | 4P-2854 | 2 | VALVE-INLET | | | | | | |
| | 6 | 1 | 4W-5441 | 2 | DOWEL-BRIDGE GUIDE | | | | | | |
| | 7 | 1 | 6V-3538 | 2 | DOWEL | | | | | | |
| | 8 | 1 | 189-4583 | 4 | ROTATOR AS | | | | | | |
| Y | 9 | 1 | 170-7740 | 1 | CYLINDER HEAD AS | | | | | | 57 |
| | 10 | 1 | 175-6344 | 4 | GUIDE-VALVE | | | | | | |
| | 11 | 1 | 185-1103 | 2 | VALVE-EXHAUST | | | | | | |

Y-SEPARATE ILLUSTRATION



GRAPHIC #1

<END>

g00764521

BASIC ENGINE

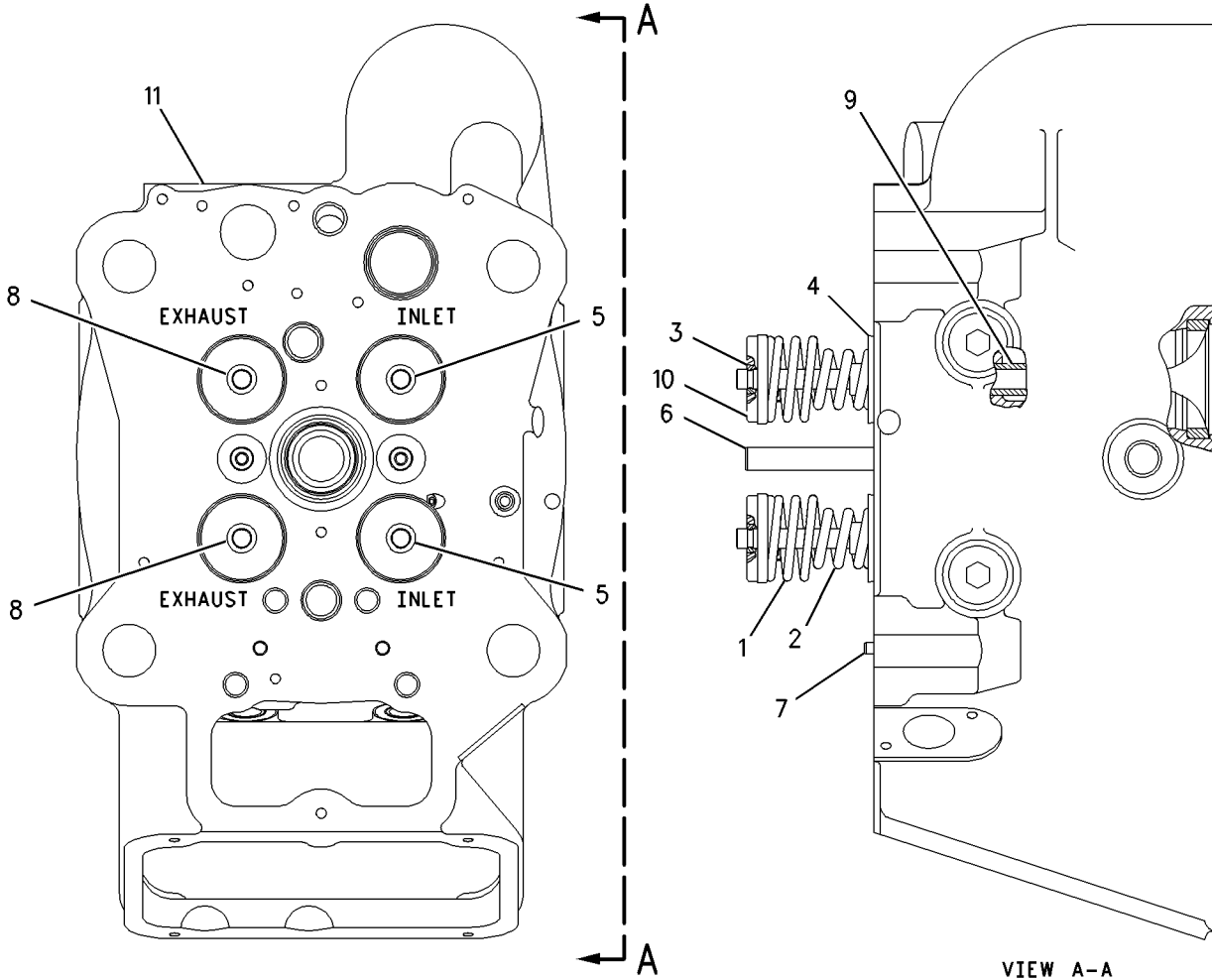
213-6962 CYLINDER HEAD GP (CHG -00 THRU -02) PART OF 7C-0400 CYLINDER HEAD GP

SMCS-1100

i01614700

| NOTE | REF NO | GRAPHIC REF | PART NUMBER | QTY | PART NAME | | | | | | SEE PAGE |
|------|--------|-------------|-------------|-----|----------------------|---|---|---|---|-------------------|----------|
| | | | | | 1 | 2 | 3 | 4 | 5 | 6 (PRODUCT LEVEL) | |
| | 1 | 1 | 1W-1748 | 4 | SPRING-VALVE (OUTER) | | | | | | |
| | 2 | 1 | 1W-1749 | 4 | SPRING-VALVE (INNER) | | | | | | |
| | 3 | 1 | 1W-1752 | 8 | LOCK-VALVE RETAINER | | | | | | |
| | 4 | 1 | 1W-1754 | 4 | GUIDE-VALVE SPRING | | | | | | |
| | 5 | 1 | 4P-2854 | 2 | VALVE-INLET | | | | | | |
| | 6 | 1 | 4W-5441 | 2 | DOWEL-BRIDGE GUIDE | | | | | | |
| | 7 | 1 | 6V-3538 | 2 | DOWEL | | | | | | |
| | 8 | 1 | 154-2417 | 2 | VALVE-EXHAUST | | | | | | |
| | 9 | 1 | 175-6344 | 4 | GUIDE-VALVE | | | | | | |
| | 10 | 1 | 189-4583 | 4 | ROTATOR AS | | | | | | |
| Y | 11 | 1 | 213-6958 | 1 | CYLINDER HEAD AS | | | | | | 58 |

Y-SEPARATE ILLUSTRATION



GRAPHIC #1

<END>

g00835953

BASIC ENGINE

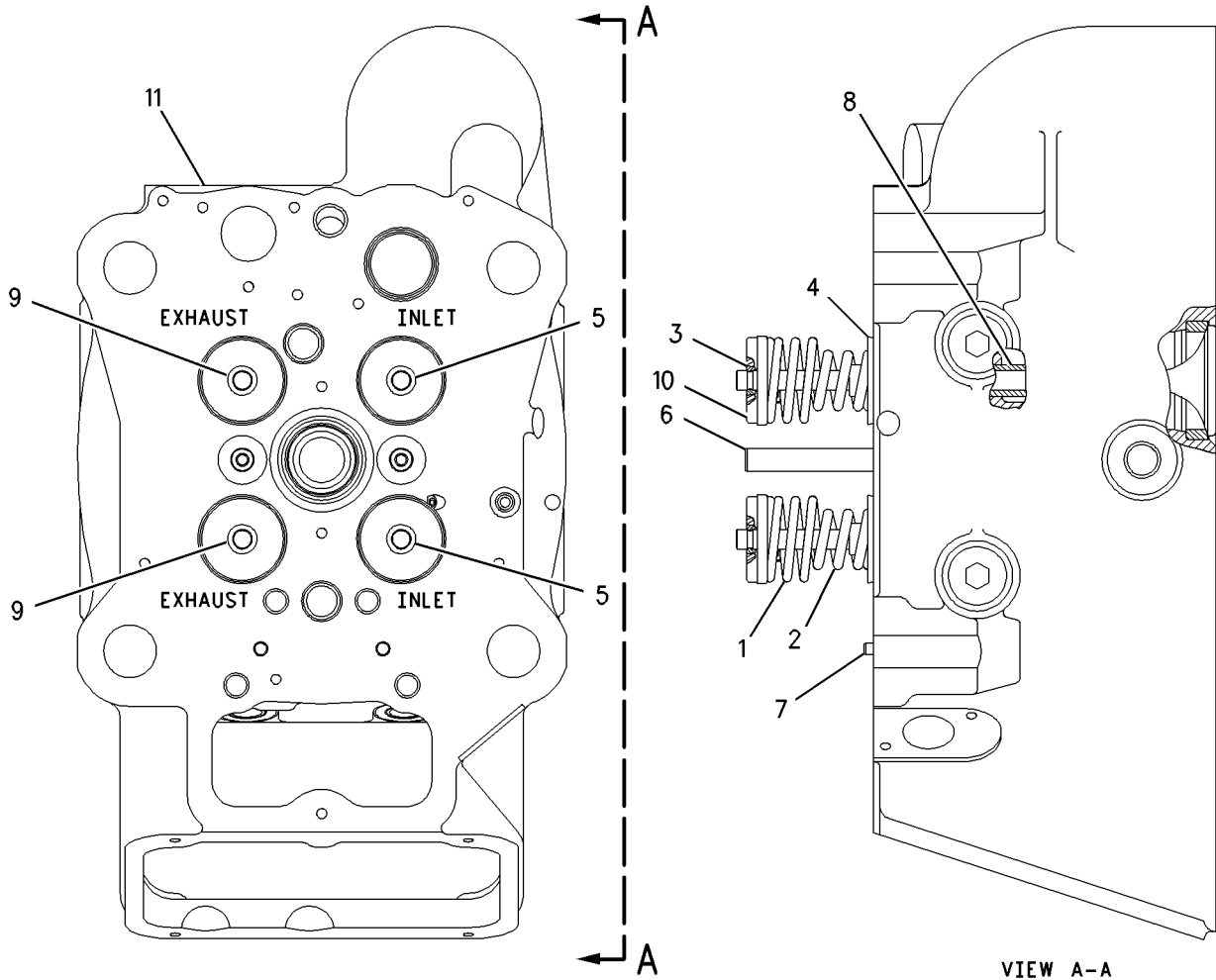
213-6964 CYLINDER HEAD GP (CHG -00, -01, -01D1, -02) PART OF 7C-0400 CYLINDER HEAD GP

SMCS-1100

i01614751

| NOTE | REF NO | GRAPHIC REF | PART NUMBER | QTY | PART NAME | | | | | | SEE PAGE |
|------|--------|-------------|-------------|-----|----------------------|---|---|---|---|-------------------|----------|
| | | | | | 1 | 2 | 3 | 4 | 5 | 6 (PRODUCT LEVEL) | |
| | 1 | 1 | 1W-1748 | 4 | SPRING-VALVE (OUTER) | | | | | | |
| | 2 | 1 | 1W-1749 | 4 | SPRING-VALVE (INNER) | | | | | | |
| | 3 | 1 | 1W-1752 | 8 | LOCK-VALVE RETAINER | | | | | | |
| | 4 | 1 | 1W-1754 | 4 | GUIDE-VALVE SPRING | | | | | | |
| | 5 | 1 | 4P-2854 | 2 | VALVE-INLET | | | | | | |
| | 6 | 1 | 4W-5441 | 2 | DOWEL-BRIDGE GUIDE | | | | | | |
| | 7 | 1 | 6V-3538 | 2 | DOWEL | | | | | | |
| | 8 | 1 | 175-6344 | 4 | GUIDE-VALVE | | | | | | |
| | 9 | 1 | 185-1103 | 2 | VALVE-EXHAUST | | | | | | |
| | 10 | 1 | 189-4583 | 4 | ROTATOR AS | | | | | | |
| Y | 11 | 1 | 213-6958 | 1 | CYLINDER HEAD AS | | | | | | 58 |

Y-SEPARATE ILLUSTRATION



GRAPHIC #1

<END>

g00835990

BASIC ENGINE

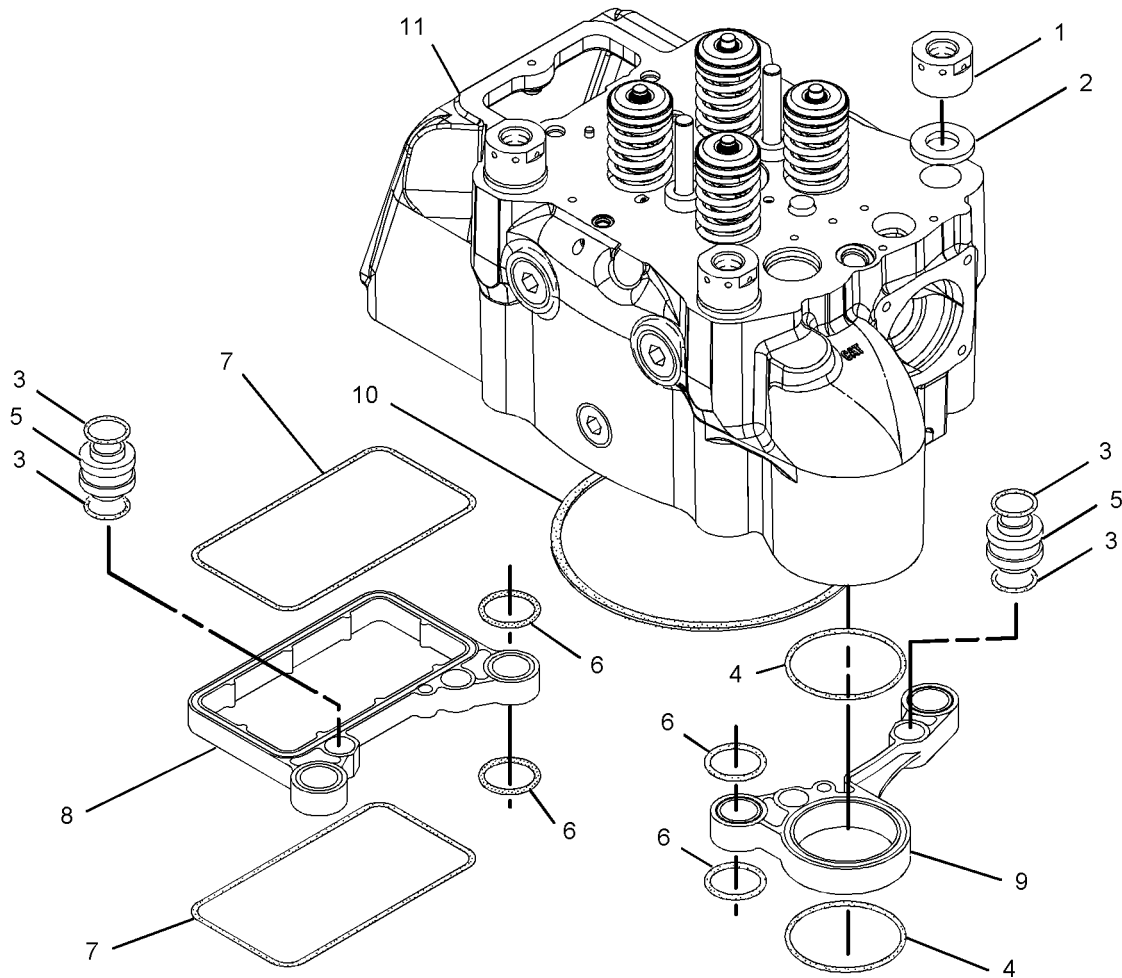
213-6967 CYLINDER HEAD GP (CHG -00 THRU -03)

SMCS-1100

i02253099

| NOTE | REF NO | GRAPHIC REF | PART NUMBER | QTY | PART NAME | | | | | | SEE PAGE |
|------|--------|-------------|-----------------|-----|--|---|---|---|---|-------------------|----------|
| | | | | | 1 | 2 | 3 | 4 | 5 | 6 (PRODUCT LEVEL) | |
| | 1 | 1 | 1W-2361 | 4 | NUT-CYLINDER HEAD (1-5/8-12UN SPL-THD) | | | | | | |
| | 2 | 1 | 1W-2362 | 4 | WASHER (41.5X85X12-MM THK) | | | | | | |
| | 3 | 1 | 2N-3350 | 8 | SEAL-O-RING | | | | | | |
| | 4 | 1 | 6V-4314 | 2 | SEAL-O-RING | | | | | | |
| | 5 | 1 | 7C-4299 | 4 | ADAPTER | | | | | | |
| | 6 | 1 | 8C-5230 | 8 | SEAL-O-RING | | | | | | |
| | 7 | 1 | 8C-9023 | 2 | SEAL-O-RING | | | | | | |
| | 8 | 1 | 114-4301 | 1 | PLATE-SEAL | | | | | | |
| | 9 | 1 | 114-4302 | 1 | PLATE-SEAL | | | | | | |
| | 10 | 1 | 143-2878 | 1 | GASKET | | | | | | |
| Y | 11 | 1 | 255-0028 | 1 | CYLINDER HEAD GP | | | | | | 85 |

Y-SEPARATE ILLUSTRATION



GRAPHIC #1

<END>

g01138589

BASIC ENGINE

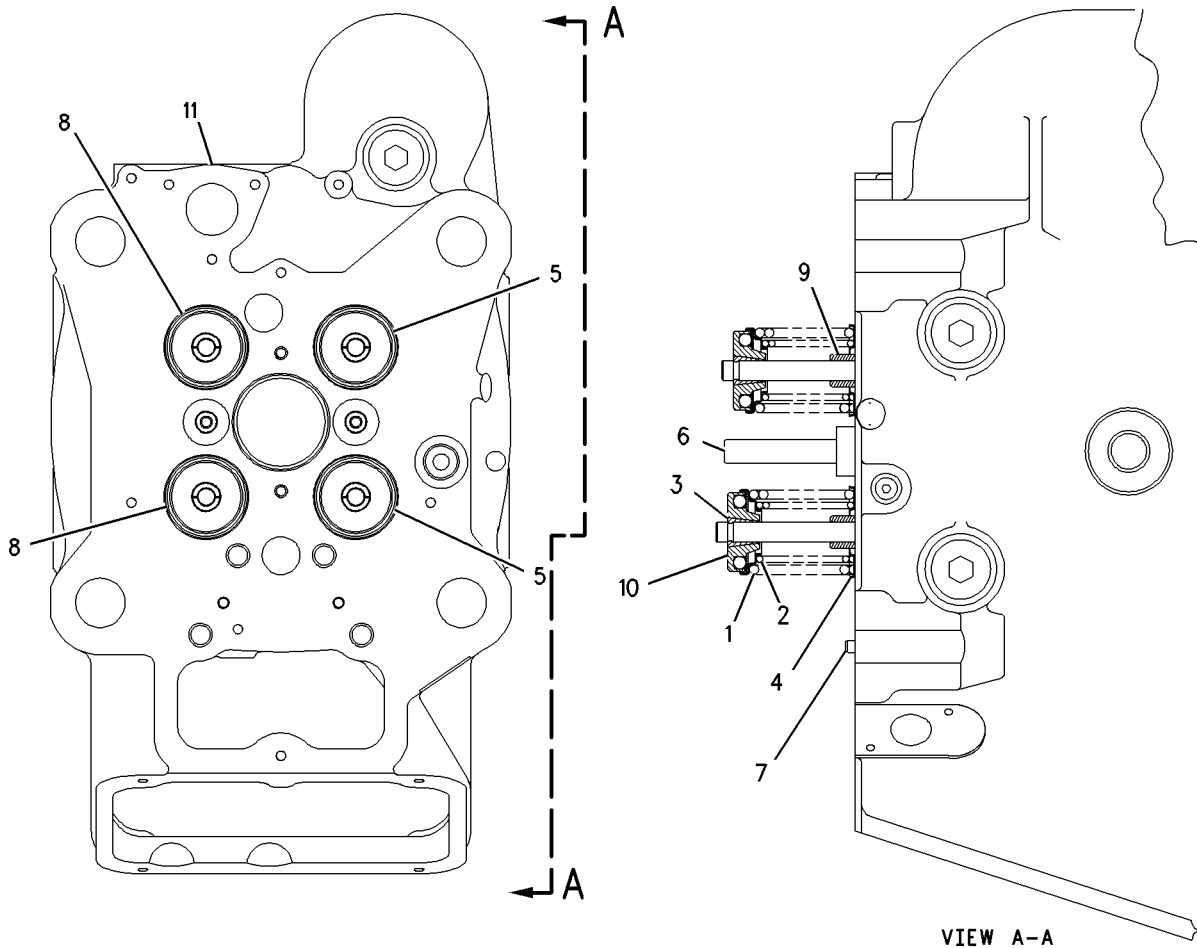
219-2955 CYLINDER HEAD GP (CHG -00, -00A1, -00B1) PART OF 7C-0400 CYLINDER HEAD GP

SMCS-1100

i02019772

| NOTE | REF NO | GRAPHIC REF | PART NUMBER | QTY | PART NAME | | | | | | SEE PAGE |
|------|--------|-------------|-------------|-----|----------------------|---|---|---|---|-------------------|----------|
| | | | | | 1 | 2 | 3 | 4 | 5 | 6 (PRODUCT LEVEL) | |
| | 1 | 1 | 1W-1748 | 4 | SPRING-VALVE (OUTER) | | | | | | |
| | 2 | 1 | 1W-1749 | 4 | SPRING-VALVE (INNER) | | | | | | |
| | 3 | 1 | 1W-1752 | 8 | LOCK-VALVE RETAINER | | | | | | |
| | 4 | 1 | 1W-1754 | 4 | GUIDE-VALVE SPRING | | | | | | |
| | 5 | 1 | 4P-2854 | 2 | VALVE-INLET | | | | | | |
| | 6 | 1 | 4W-5441 | 2 | DOWEL-BRIDGE GUIDE | | | | | | |
| | 7 | 1 | 6V-3538 | 2 | DOWEL | | | | | | |
| | 8 | 1 | 154-2417 | 2 | VALVE-EXHAUST | | | | | | |
| | 9 | 1 | 175-6344 | 4 | GUIDE-VALVE | | | | | | |
| | 10 | 1 | 189-4583 | 4 | ROTATOR AS | | | | | | |
| Y | 11 | 1 | 219-2954 | 1 | CYLINDER HEAD AS | | | | | | 60 |

Y-SEPARATE ILLUSTRATION



GRAPHIC #1

<END>

g01000341

BASIC ENGINE

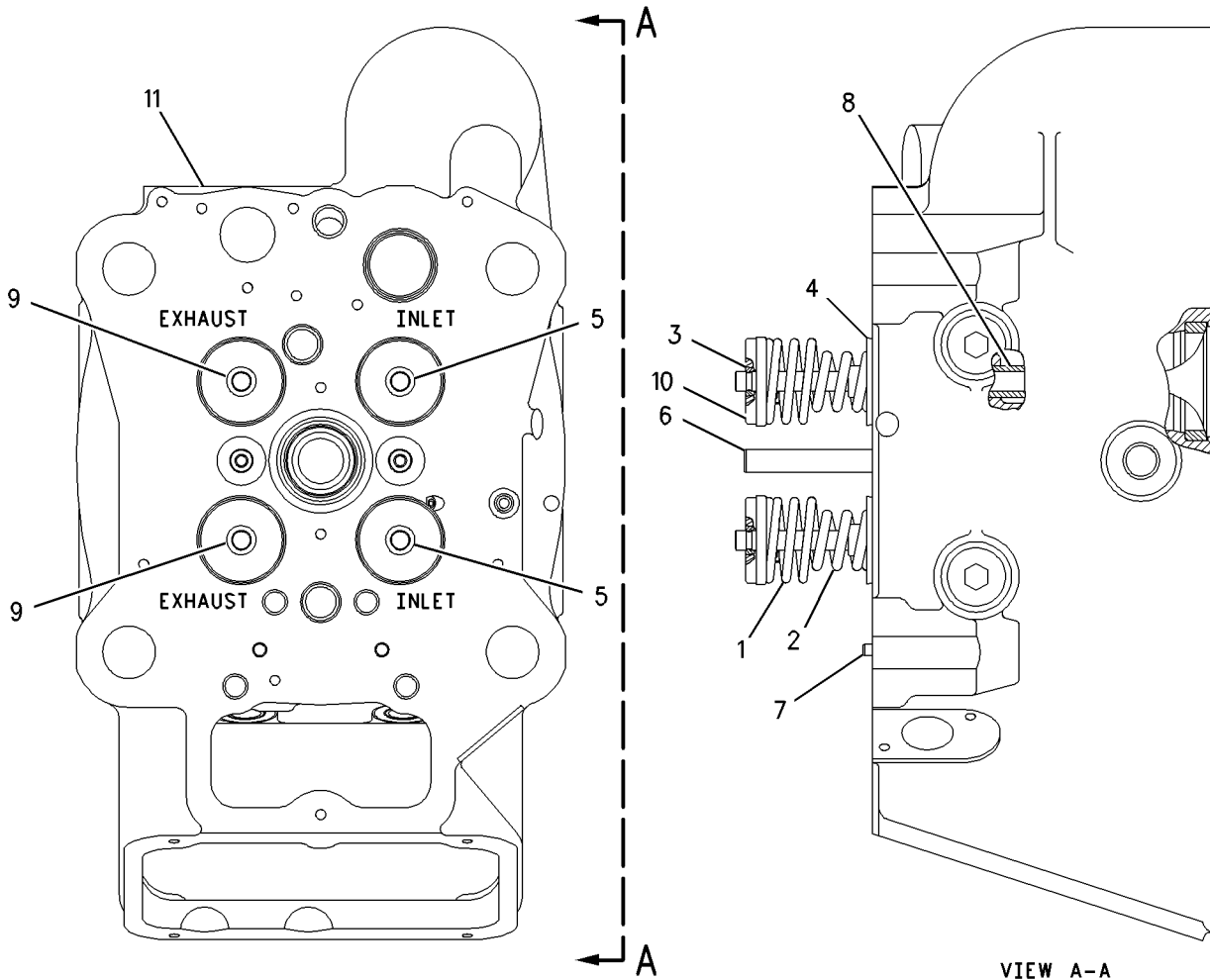
219-2956 CYLINDER HEAD GP (CHG -00, -00D1 THRU -02)

SMCS-1100

i01922297

| NOTE | REF NO | GRAPHIC REF | PART NUMBER | QTY | PART NAME | | | | | | SEE PAGE |
|------|--------|-------------|-------------|-----|----------------------|---|---|---|---|-------------------|----------|
| | | | | | 1 | 2 | 3 | 4 | 5 | 6 (PRODUCT LEVEL) | |
| | 1 | 1 | 1W-1748 | 4 | SPRING-VALVE (OUTER) | | | | | | |
| | 2 | 1 | 1W-1749 | 4 | SPRING-VALVE (INNER) | | | | | | |
| | 3 | 1 | 1W-1752 | 8 | LOCK-VALVE RETAINER | | | | | | |
| | 4 | 1 | 1W-1754 | 4 | GUIDE-VALVE SPRING | | | | | | |
| | 5 | 1 | 4P-2854 | 2 | VALVE-INLET | | | | | | |
| | 6 | 1 | 4W-5441 | 2 | DOWEL-BRIDGE GUIDE | | | | | | |
| | 7 | 1 | 6V-3538 | 2 | DOWEL | | | | | | |
| | 8 | 1 | 175-6344 | 4 | GUIDE-VALVE | | | | | | |
| | 9 | 1 | 185-1103 | 2 | VALVE-EXHAUST | | | | | | |
| | 10 | 1 | 189-4583 | 4 | ROTATOR AS | | | | | | |
| Y | 11 | 1 | 219-2954 | 1 | CYLINDER HEAD AS | | | | | | 60 |

Y-SEPARATE ILLUSTRATION



GRAPHIC #1

<END>

g01000345

BASIC ENGINE

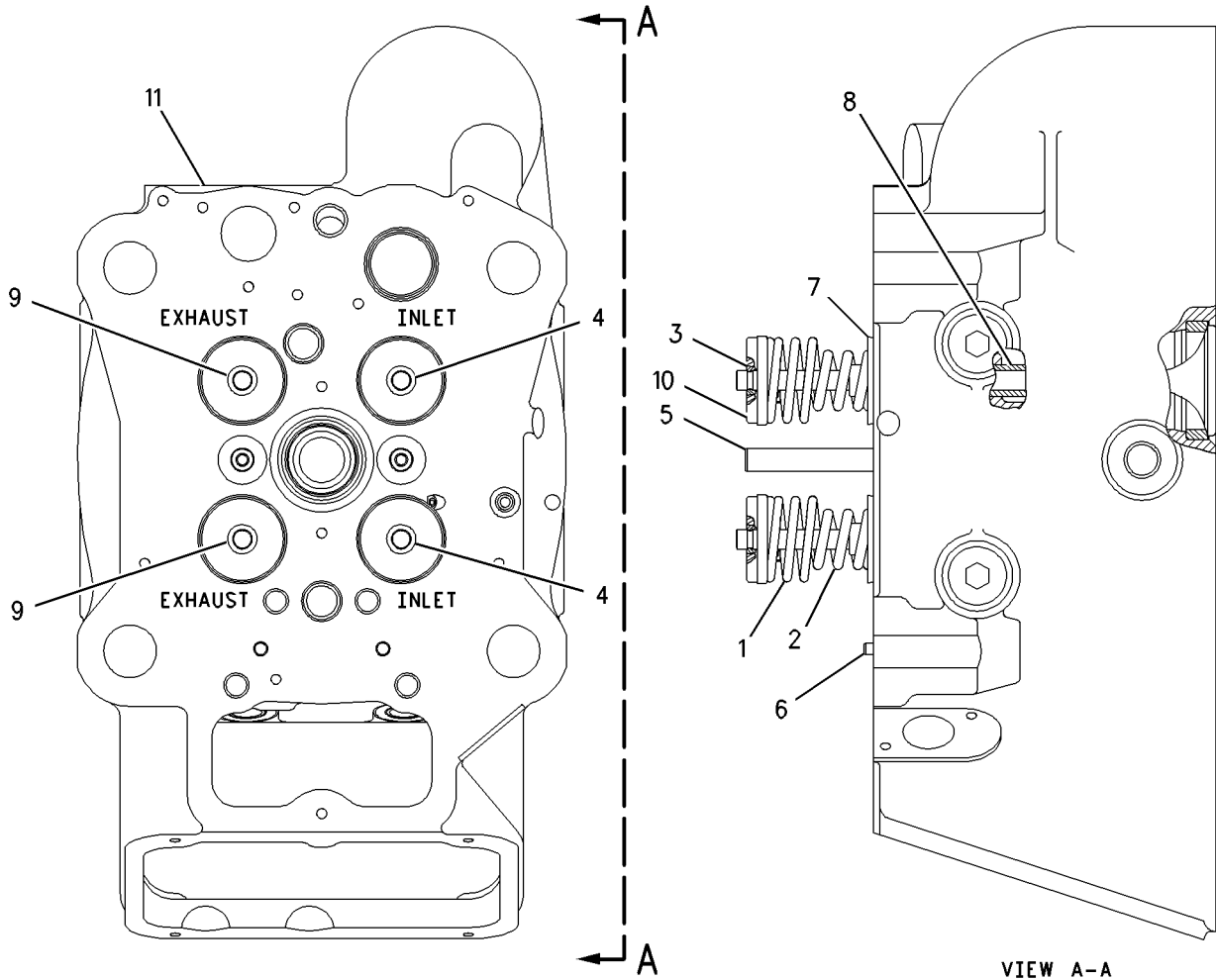
219-2957 CYLINDER HEAD GP (CHG -00) PART OF 219-2960 CYLINDER HEAD GP

SMCS - 1100

i01911963

| NOTE | REF NO | GRAPHIC REF | PART NUMBER | QTY | PART NAME | | | | | | SEE PAGE |
|------|--------|-------------|-------------|-----|----------------------|---|---|---|---|-------------------|----------|
| | | | | | 1 | 2 | 3 | 4 | 5 | 6 (PRODUCT LEVEL) | |
| | 1 | 1 | 1W-1748 | 4 | SPRING-VALVE (OUTER) | | | | | | |
| | 2 | 1 | 1W-1749 | 4 | SPRING-VALVE (INNER) | | | | | | |
| | 3 | 1 | 1W-1752 | 8 | LOCK-VALVE RETAINER | | | | | | |
| | 4 | 1 | 4P-2854 | 2 | VALVE-INLET | | | | | | |
| | 5 | 1 | 4W-5441 | 2 | DOWEL-BRIDGE GUIDE | | | | | | |
| | 6 | 1 | 6V-3538 | 2 | DOWEL | | | | | | |
| | 7 | 1 | 153-7002 | 4 | SEAL AS-VALVE STEM | | | | | | |
| | 8 | 1 | 175-6344 | 4 | GUIDE-VALVE | | | | | | |
| | 9 | 1 | 185-1103 | 2 | VALVE-EXHAUST | | | | | | |
| | 10 | 1 | 189-4583 | 4 | ROTATOR AS | | | | | | |
| Y | 11 | 1 | 219-2954 | 1 | CYLINDER HEAD AS | | | | | | 60 |

Y-SEPARATE ILLUSTRATION



GRAPHIC #1

<END>

g00836020

BASIC ENGINE

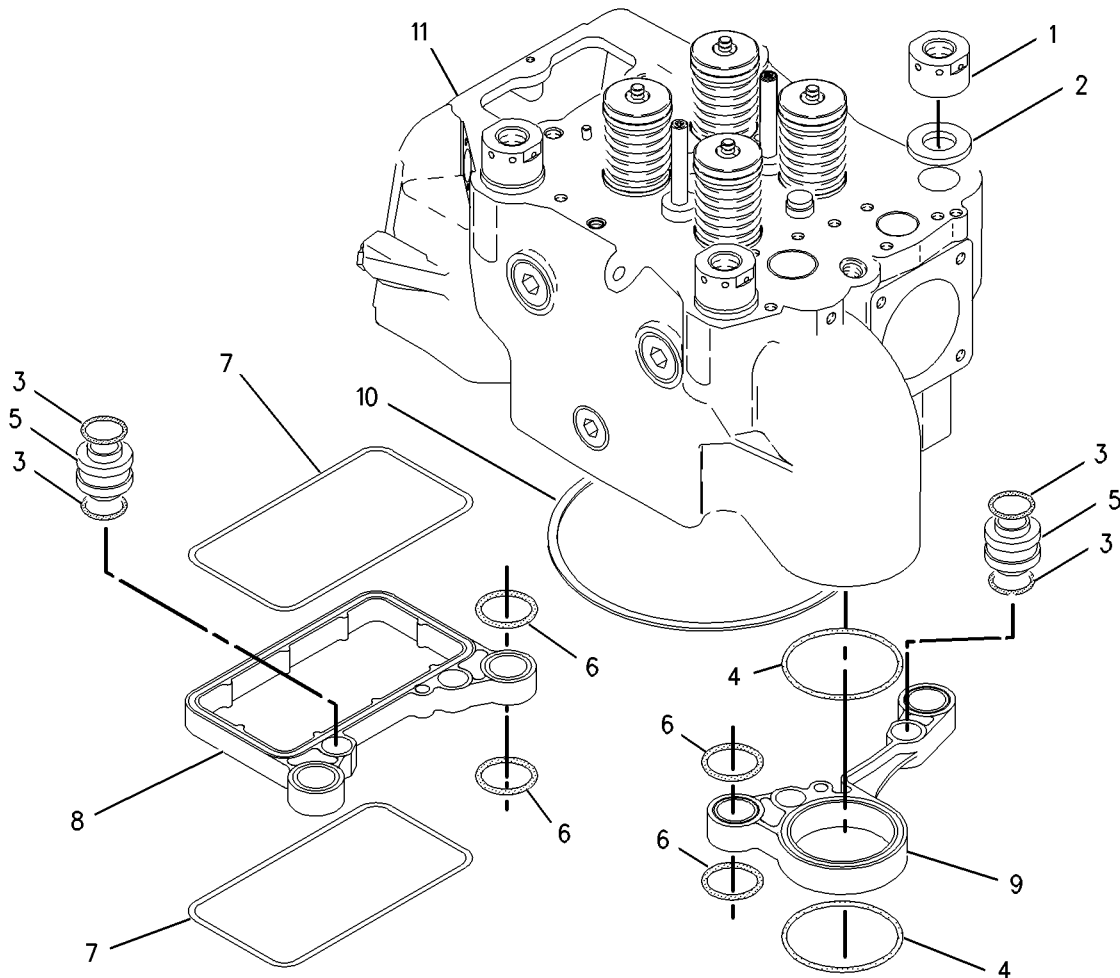
219-2960 CYLINDER HEAD GP (CHG -00, -00D1) FOR USE WITH LANDFILL

SMCS-1100

i02419967

| NOTE | REF NO | GRAPHIC REF | PART NUMBER | QTY | PART NAME | | | | | | SEE PAGE |
|------|--------|-------------|-------------|-----|--|---|---|---|---|-------------------|----------|
| | | | | | 1 | 2 | 3 | 4 | 5 | 6 (PRODUCT LEVEL) | |
| | 1 | 1 | 1W-2361 | 4 | NUT-CYLINDER HEAD (1-5/8-12UN SPL-THD) | | | | | | |
| | 2 | 1 | 1W-2362 | 4 | WASHER (41.5X85X12-MM THK) | | | | | | |
| | 3 | 1 | 2N-3350 | 8 | SEAL-O-RING | | | | | | |
| | 4 | 1 | 6V-4314 | 2 | SEAL-O-RING | | | | | | |
| | 5 | 1 | 7C-4299 | 4 | ADAPTER | | | | | | |
| | 6 | 1 | 8C-5230 | 8 | SEAL-O-RING | | | | | | |
| | 7 | 1 | 8C-9023 | 2 | SEAL-O-RING | | | | | | |
| | 8 | 1 | 114-4301 | 1 | PLATE-SEAL | | | | | | |
| | 9 | 1 | 114-4302 | 1 | PLATE-SEAL | | | | | | |
| | 10 | 1 | 143-2878 | 1 | GASKET | | | | | | |
| Y | 11 | 1 | 219-2957 | 1 | CYLINDER HEAD GP | | | | | | 79 |

Y-SEPARATE ILLUSTRATION



GRAPHIC #1

<END>

g00929000

BASIC ENGINE

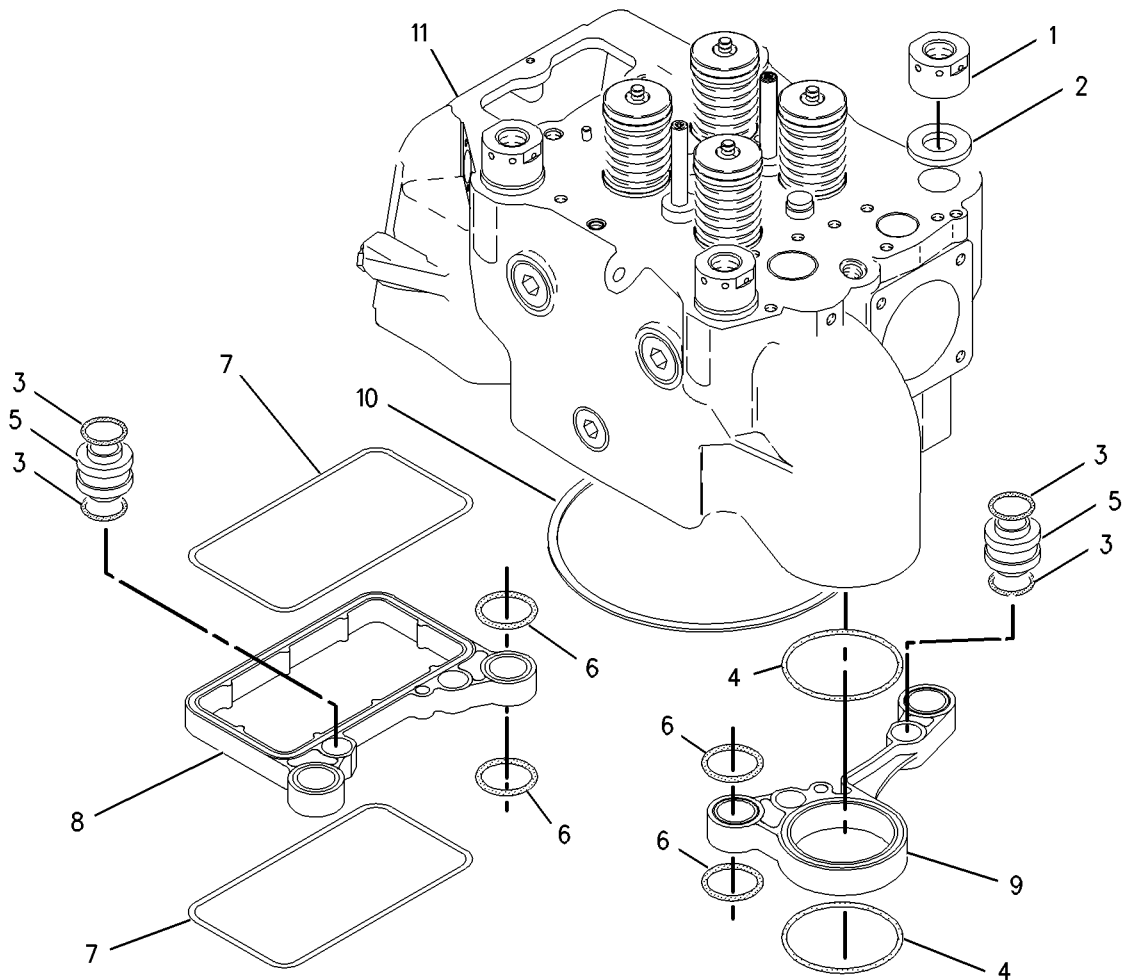
219-2960 CYLINDER HEAD GP (CHG -01, -01D1, 219-2957-01) FOR USE WITH LANDFILL

SMCS-1100

i02296846

| NOTE | REF NO | GRAPHIC REF | PART NUMBER | QTY | PART NAME | | | | | | SEE PAGE |
|------|--------|-------------|-----------------|-----|--|---|---|---|---|-------------------|----------|
| | | | | | 1 | 2 | 3 | 4 | 5 | 6 (PRODUCT LEVEL) | |
| | 1 | 1 | 1W-2361 | 4 | NUT-CYLINDER HEAD (1-5/8-12UN SPL-THD) | | | | | | |
| | 2 | 1 | 1W-2362 | 4 | WASHER (41.5X85X12-MM THK) | | | | | | |
| | 3 | 1 | 2N-3350 | 8 | SEAL-O-RING | | | | | | |
| | 4 | 1 | 6V-4314 | 2 | SEAL-O-RING | | | | | | |
| | 5 | 1 | 7C-4299 | 4 | ADAPTER | | | | | | |
| | 6 | 1 | 8C-5230 | 8 | SEAL-O-RING | | | | | | |
| | 7 | 1 | 8C-9023 | 2 | SEAL-O-RING | | | | | | |
| | 8 | 1 | 114-4301 | 1 | PLATE-SEAL | | | | | | |
| | 9 | 1 | 114-4302 | 1 | PLATE-SEAL | | | | | | |
| | 10 | 1 | 143-2878 | 1 | GASKET | | | | | | |
| CYR | 11 | 1 | 255-0033 | 1 | CYLINDER HEAD GP | | | | | | 90 |

C- CHANGE FROM PREVIOUS TYPE
R- REMFG PART MAY BE AVAILABLE
Y- SEPARATE ILLUSTRATION



GRAPHIC #1

<END>

g00929000

BASIC ENGINE

255 - 0026 CYLINDER HEAD GP*R (CHG -00 THRU -02)

SMCS - 1100

i02979376

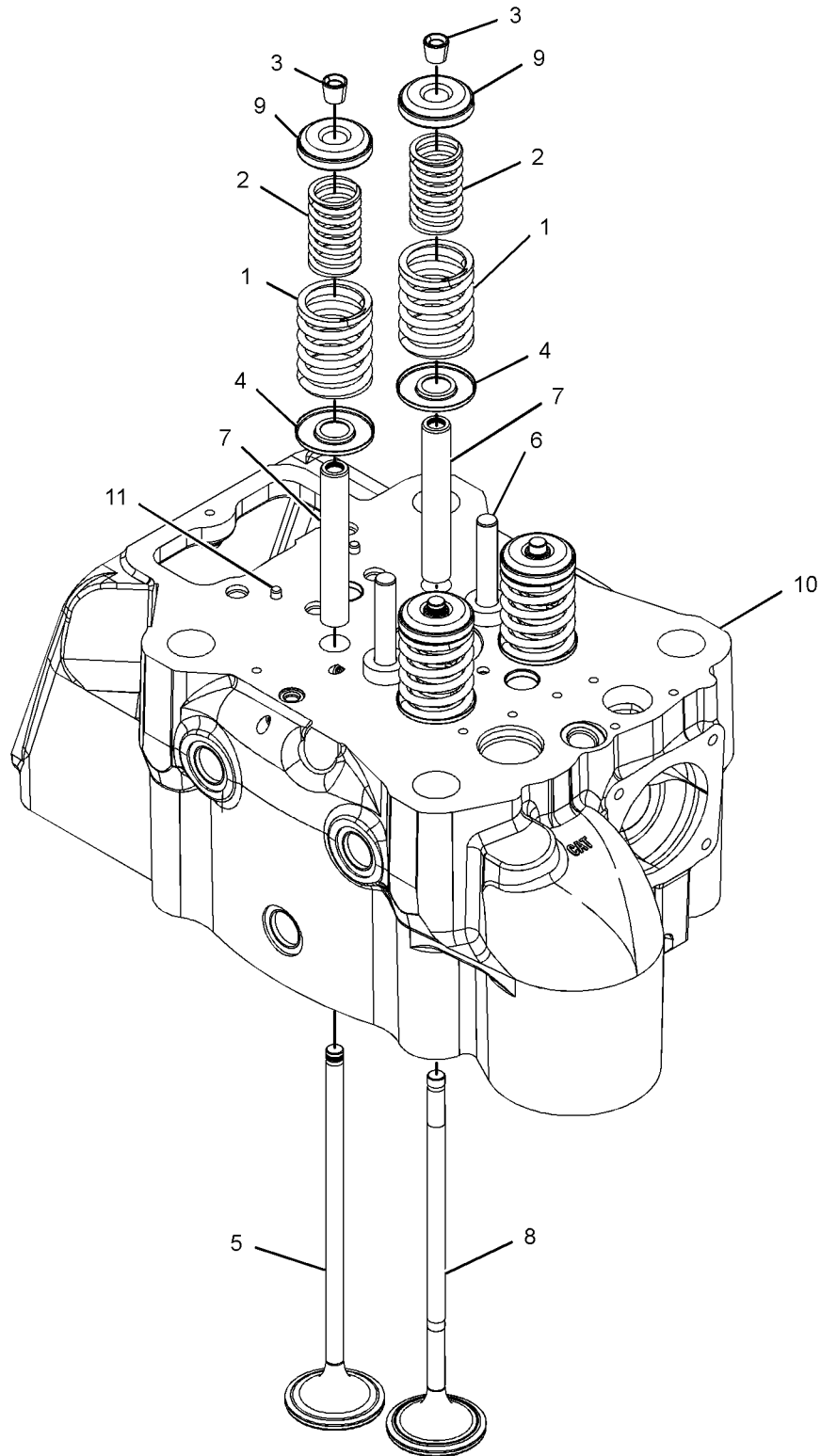
| NOTE | REF NO | GRAPHIC REF | PART NUMBER | QTY | PART NAME | | | | | | SEE PAGE |
|------|--------|-------------|-----------------|-----|----------------------|---|---|---|---|-------------------|----------|
| | | | | | 1 | 2 | 3 | 4 | 5 | 6 (PRODUCT LEVEL) | |
| | 1 | 1 | 1W-1748 | 4 | SPRING-VALVE (OUTER) | | | | | | |
| | 2 | 1 | 1W-1749 | 4 | SPRING-VALVE (INNER) | | | | | | |
| | 3 | 1 | 1W-1752 | 8 | LOCK-VALVE RETAINER | | | | | | |
| | 4 | 1 | 1W-1754 | 4 | GUIDE-VALVE SPRING | | | | | | |
| | 5 | 1 | 4P-2854 | 2 | VALVE-INLET | | | | | | |
| | 6 | 1 | 4W-5441 | 2 | DOWEL-BRIDGE GUIDE | | | | | | |
| | 7 | 1 | 175-6344 | 4 | GUIDE-VALVE | | | | | | |
| | 8 | 1 | 185-1103 | 2 | VALVE-EXHAUST | | | | | | |
| | 9 | 1 | 189-4583 | 4 | ROTATOR AS | | | | | | |
| Y | 10 | 1 | 255-0030 | 1 | CYLINDER HEAD AS | | | | | | 66 |
| | 11 | 1 | 6V-3538 | 2 | DOWEL | | | | | | |

Y - SEPARATE ILLUSTRATION

BASIC ENGINE

255-0026 CYLINDER HEAD GP (contd.)

i02979376



GRAPHIC #1

<END>

g01204834

BASIC ENGINE

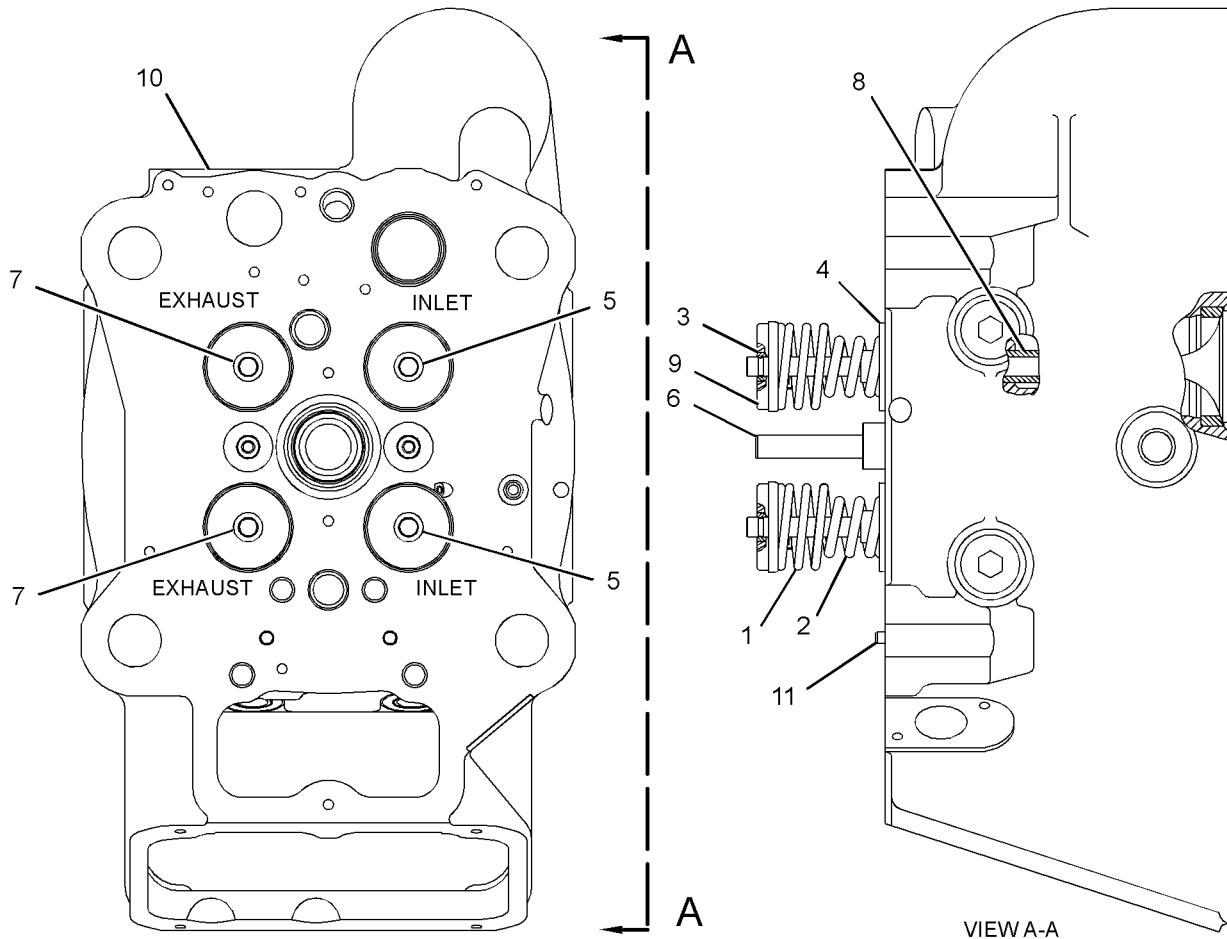
255-0027 CYLINDER HEAD GP (CHG -00 THRU -02)

SMCS-1100

i02416637

| NOTE | REF NO | GRAPHIC REF | PART NUMBER | QTY | PART NAME | | | | | | SEE PAGE |
|------|--------|-------------|-------------|-----|----------------------|---|---|---|---|-------------------|----------|
| | | | | | 1 | 2 | 3 | 4 | 5 | 6 (PRODUCT LEVEL) | |
| | 1 | 1 | 1W-1748 | 4 | SPRING-VALVE (OUTER) | | | | | | |
| | 2 | 1 | 1W-1749 | 4 | SPRING-VALVE (INNER) | | | | | | |
| | 3 | 1 | 1W-1752 | 8 | LOCK-VALVE RETAINER | | | | | | |
| | 4 | 1 | 1W-1754 | 4 | GUIDE-VALVE SPRING | | | | | | |
| | 5 | 1 | 4P-2854 | 2 | VALVE-INLET | | | | | | |
| | 6 | 1 | 4W-5441 | 2 | DOWEL-BRIDGE GUIDE | | | | | | |
| | 7 | 1 | 154-2417 | 2 | VALVE-EXHAUST | | | | | | |
| | 8 | 1 | 175-6344 | 4 | GUIDE-VALVE | | | | | | |
| | 9 | 1 | 189-4583 | 4 | ROTATOR AS | | | | | | |
| Y | 10 | 1 | 255-0025 | 1 | CYLINDER HEAD AS | | | | | | 63 |
| | 11 | 1 | 6V-3538 | 2 | DOWEL | | | | | | |

Y-SEPARATE ILLUSTRATION



GRAPHIC #1

<END>

g01151089

BASIC ENGINE

255-0028 CYLINDER HEAD GP (CHG -00 THRU -02) PART OF 213-6967 CYLINDER HEAD GP

SMCS-1100

i02410630

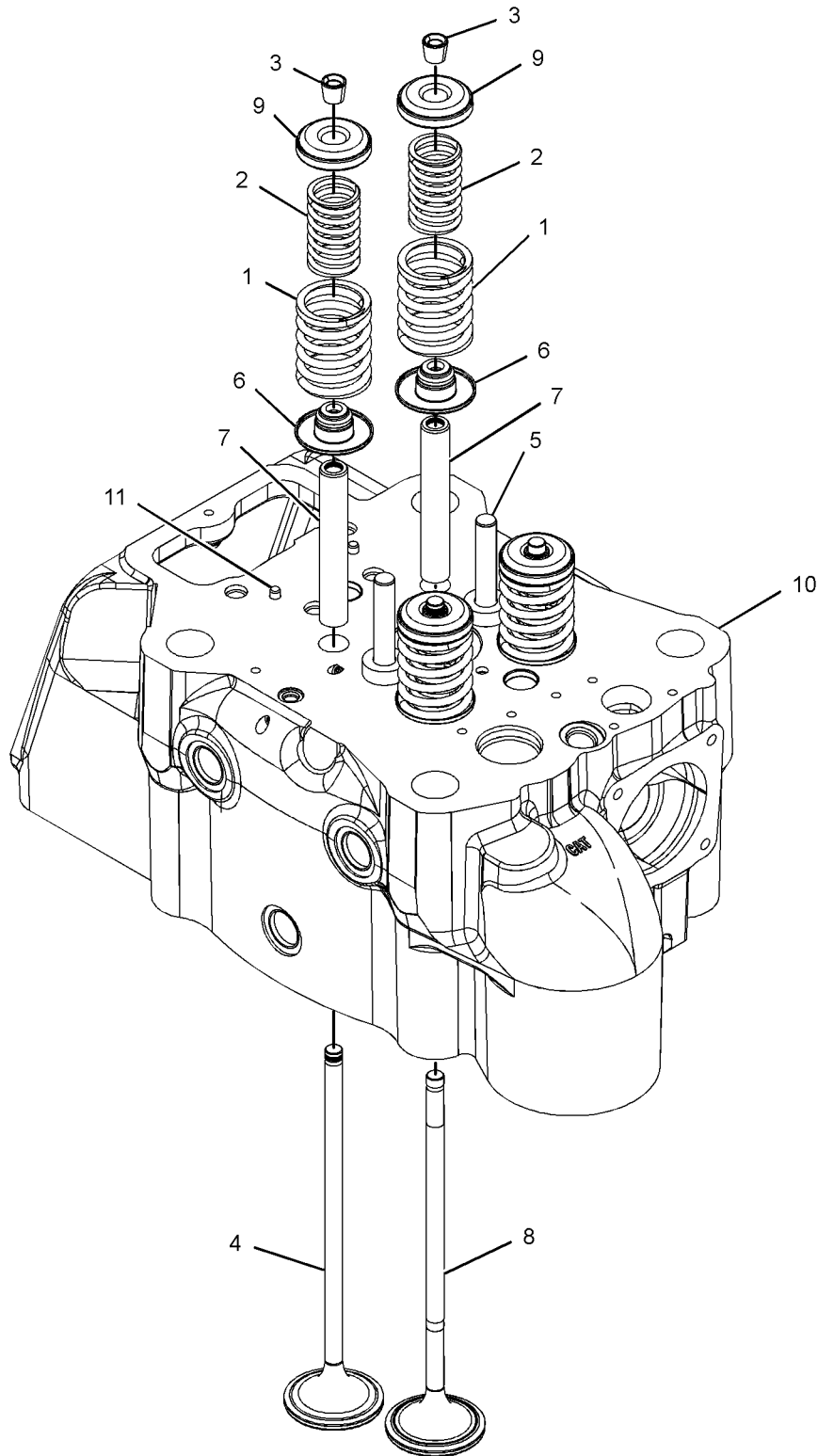
| NOTE | REF NO | GRAPHIC REF | PART NUMBER | QTY | PART NAME | | | | | | SEE PAGE |
|------|--------|-------------|-------------|-----|----------------------|---|---|---|---|-------------------|----------|
| | | | | | 1 | 2 | 3 | 4 | 5 | 6 (PRODUCT LEVEL) | |
| | 1 | 1 | 1W-1748 | 4 | SPRING-VALVE (OUTER) | | | | | | |
| | 2 | 1 | 1W-1749 | 4 | SPRING-VALVE (INNER) | | | | | | |
| | 3 | 1 | 1W-1752 | 8 | LOCK-VALVE RETAINER | | | | | | |
| | 4 | 1 | 4P-2854 | 2 | VALVE-INLET | | | | | | |
| | 5 | 1 | 4W-5441 | 2 | DOWEL-BRIDGE GUIDE | | | | | | |
| | 6 | 1 | 153-7002 | 4 | SEAL AS-VALVE STEM | | | | | | |
| | 7 | 1 | 175-6344 | 4 | GUIDE-VALVE | | | | | | |
| | 8 | 1 | 185-1103 | 2 | VALVE-EXHAUST | | | | | | |
| | 9 | 1 | 189-4583 | 4 | ROTATOR AS | | | | | | |
| Y | 10 | 1 | 255-0025 | 1 | CYLINDER HEAD AS | | | | | | 63 |
| | 11 | 1 | 6V-3538 | 2 | DOWEL | | | | | | |

Y-SEPARATE ILLUSTRATION

BASIC ENGINE

255-0028 CYLINDER HEAD GP (contd.)

i02410630



GRAPHIC #1

<END>

g01204840

BASIC ENGINE

255-0031 CYLINDER HEAD GP*R (CHG -00 THRU -02) PART OF 7C-0400 CYLINDER HEAD GP

SMCS-1100

i02977191

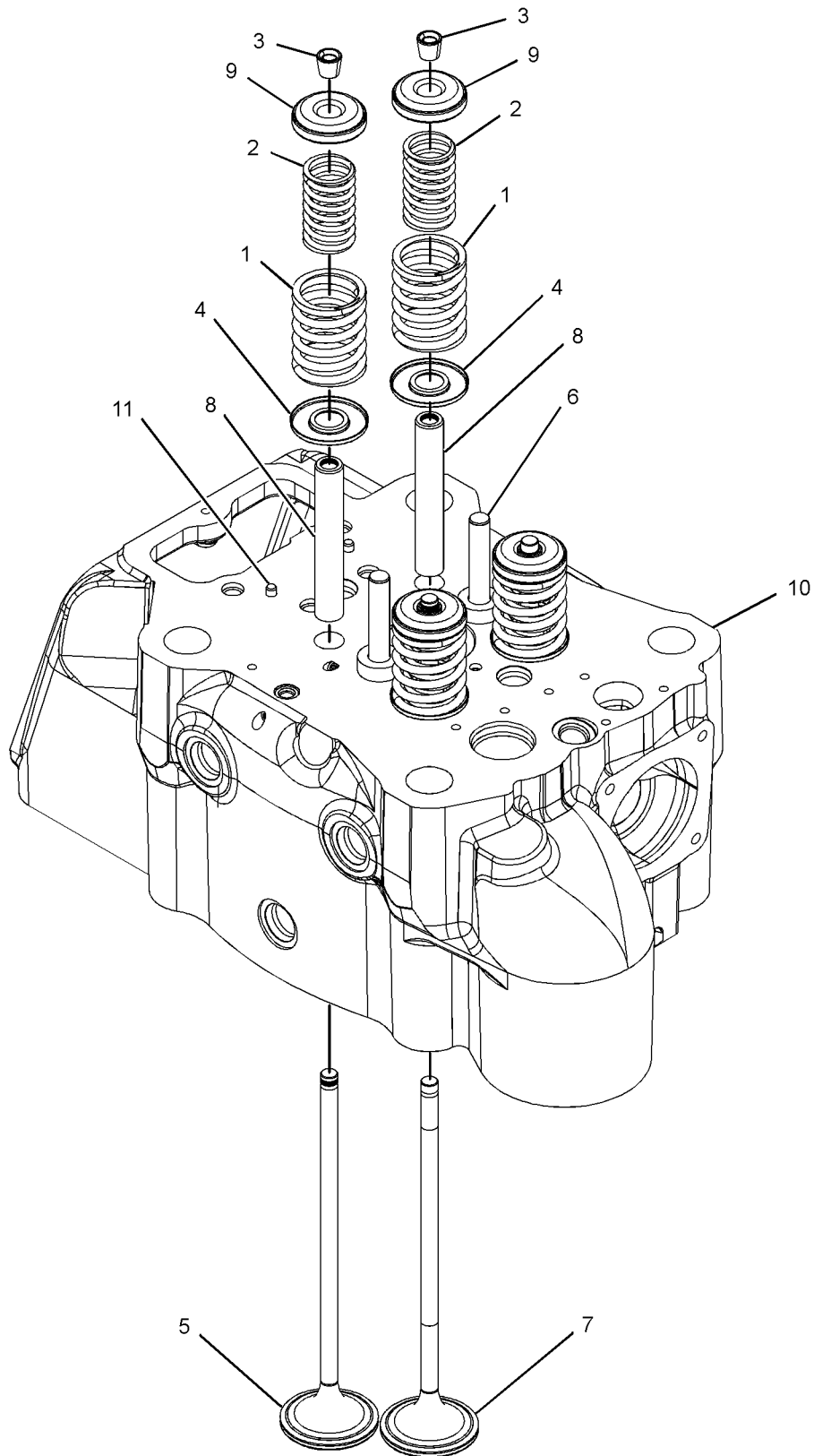
| NOTE | REF NO | GRAPHIC REF | PART NUMBER | QTY | PART NAME | | | | | | SEE PAGE |
|------|--------|-------------|-----------------|-----|----------------------|---|---|---|---|-------------------|----------|
| | | | | | 1 | 2 | 3 | 4 | 5 | 6 (PRODUCT LEVEL) | |
| | 1 | 1 | 1W-1748 | 4 | SPRING-VALVE (OUTER) | | | | | | |
| | 2 | 1 | 1W-1749 | 4 | SPRING-VALVE (INNER) | | | | | | |
| | 3 | 1 | 1W-1752 | 8 | LOCK-VALVE RETAINER | | | | | | |
| | 4 | 1 | 1W-1754 | 4 | GUIDE-VALVE SPRING | | | | | | |
| | 5 | 1 | 4P-2854 | 2 | VALVE-INLET | | | | | | |
| | 6 | 1 | 4W-5441 | 2 | DOWEL-BRIDGE GUIDE | | | | | | |
| | 7 | 1 | 319-9074 | 2 | VALVE-EXHAUST | | | | | | |
| | 8 | 1 | 175-6344 | 4 | GUIDE-VALVE | | | | | | |
| | 9 | 1 | 189-4583 | 4 | ROTATOR AS | | | | | | |
| Y | 10 | 1 | 255-0030 | 1 | CYLINDER HEAD AS | | | | | | 66 |
| | 11 | 1 | 6V-3538 | 2 | DOWEL | | | | | | |

Y-SEPARATE ILLUSTRATION

BASIC ENGINE

255-0031 CYLINDER HEAD GP (contd.)

i02977191



GRAPHIC #1

<END>

g01151165

BASIC ENGINE

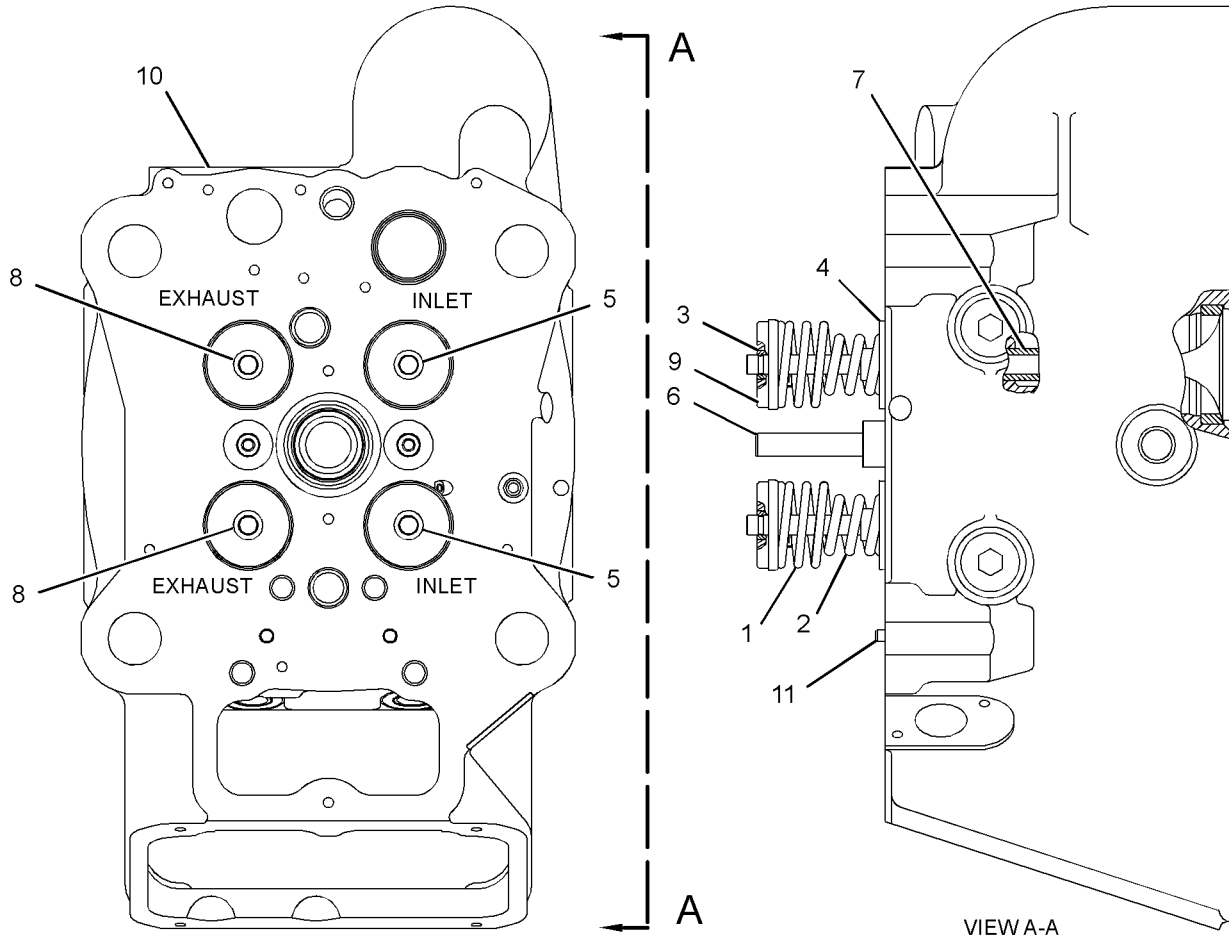
255-0032 CYLINDER HEAD GP (CHG -00, -00D1, -01, -01D1)

SMCS-1100

i02297016

| NOTE | REF NO | GRAPHIC REF | PART NUMBER | QTY | PART NAME | | | | | | SEE PAGE |
|------|--------|-------------|-------------|-----|----------------------|---|---|---|---|-------------------|----------|
| | | | | | 1 | 2 | 3 | 4 | 5 | 6 (PRODUCT LEVEL) | |
| | 1 | 1 | 1W-1748 | 4 | SPRING-VALVE (OUTER) | | | | | | |
| | 2 | 1 | 1W-1749 | 4 | SPRING-VALVE (INNER) | | | | | | |
| | 3 | 1 | 1W-1752 | 8 | LOCK-VALVE RETAINER | | | | | | |
| | 4 | 1 | 1W-1754 | 4 | GUIDE-VALVE SPRING | | | | | | |
| | 5 | 1 | 4P-2854 | 2 | VALVE-INLET | | | | | | |
| | 6 | 1 | 4W-5441 | 2 | DOWEL-BRIDGE GUIDE | | | | | | |
| | 7 | 1 | 175-6344 | 4 | GUIDE-VALVE | | | | | | |
| | 8 | 1 | 185-1103 | 2 | VALVE-EXHAUST | | | | | | |
| | 9 | 1 | 189-4583 | 4 | ROTATOR AS | | | | | | |
| Y | 10 | 1 | 255-0030 | 1 | CYLINDER HEAD AS | | | | | | 66 |
| | 11 | 1 | 6V-3538 | 2 | DOWEL | | | | | | |

Y-SEPARATE ILLUSTRATION



GRAPHIC #1

<END>

g01151233

BASIC ENGINE

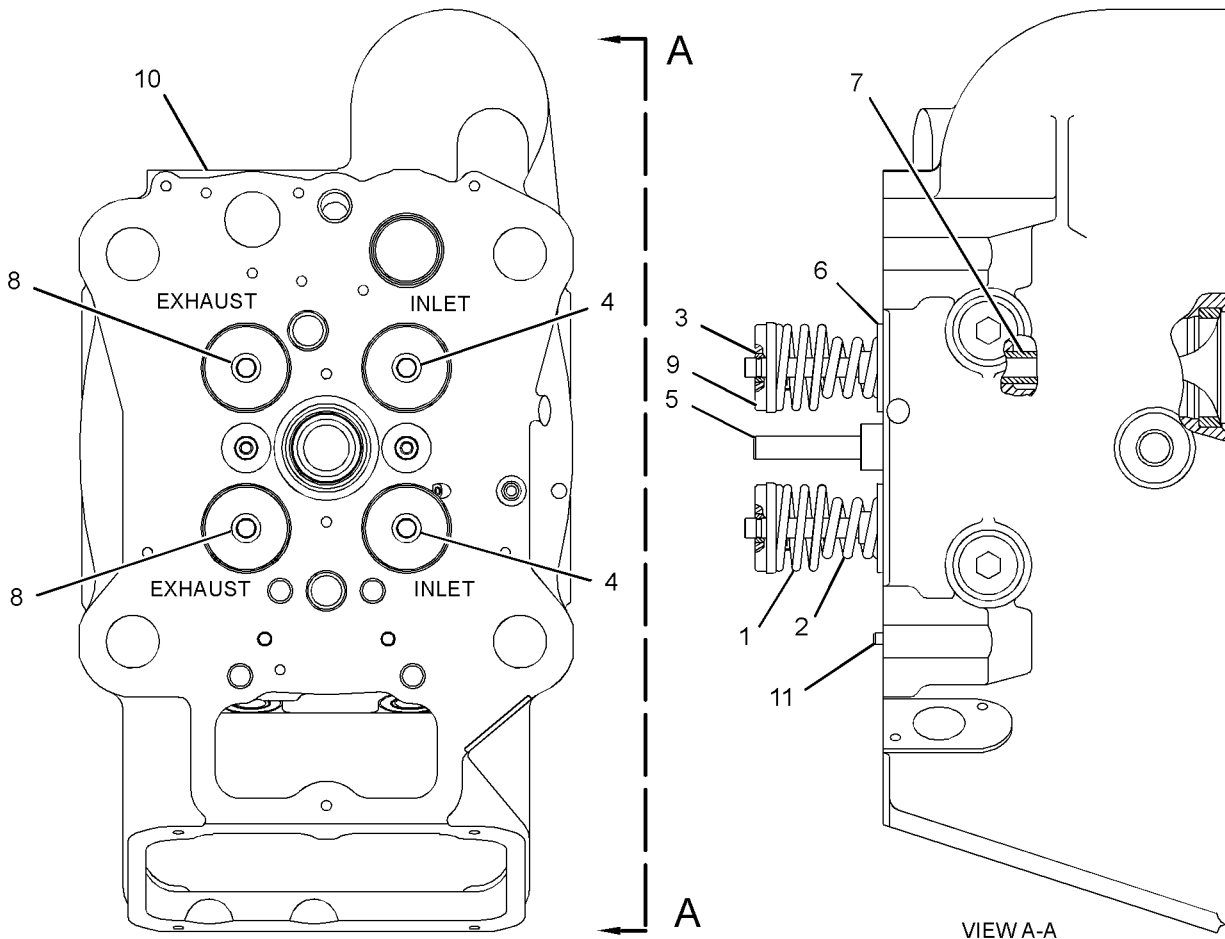
255-0033 CYLINDER HEAD GP (CHG -00, -01) PART OF 219-2960 CYLINDER HEAD GP

SMCS-1100

i02296832

| NOTE | REF NO | GRAPHIC REF | PART NUMBER | QTY | PART NAME | | | | | | SEE PAGE |
|------|--------|-------------|-------------|-----|----------------------|---|---|---|---|-------------------|----------|
| | | | | | 1 | 2 | 3 | 4 | 5 | 6 (PRODUCT LEVEL) | |
| | 1 | 1 | 1W-1748 | 4 | SPRING-VALVE (OUTER) | | | | | | |
| | 2 | 1 | 1W-1749 | 4 | SPRING-VALVE (INNER) | | | | | | |
| | 3 | 1 | 1W-1752 | 8 | LOCK-VALVE RETAINER | | | | | | |
| | 4 | 1 | 4P-2854 | 2 | VALVE-INLET | | | | | | |
| | 5 | 1 | 4W-5441 | 2 | DOWEL-BRIDGE GUIDE | | | | | | |
| | 6 | 1 | 153-7002 | 4 | SEAL AS-VALVE STEM | | | | | | |
| | 7 | 1 | 175-6344 | 4 | GUIDE-VALVE | | | | | | |
| | 8 | 1 | 185-1103 | 2 | VALVE-EXHAUST | | | | | | |
| | 9 | 1 | 189-4583 | 4 | ROTATOR AS | | | | | | |
| Y | 10 | 1 | 255-0030 | 1 | CYLINDER HEAD AS | | | | | | 66 |
| | 11 | 1 | 6V-3538 | 2 | DOWEL | | | | | | |

Y-SEPARATE ILLUSTRATION



GRAPHIC #1

<END>

g01151234

BASIC ENGINE

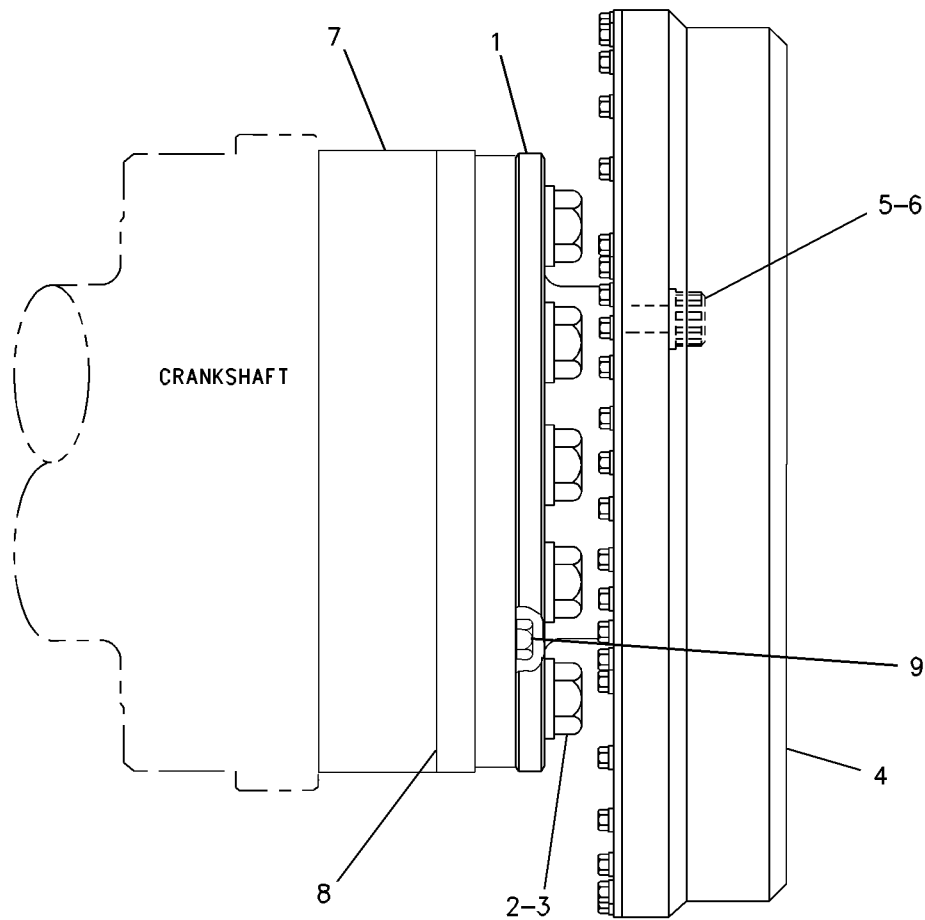
1W-0791 DAMPER GP (CHG -06, -06A1, -06B1 THRU -11, -11D1, -11D2 THRU -13) FRONT STRUCTURE

SMCS - 1205

i02375486

| NOTE | REF NO | GRAPHIC REF | PART NUMBER | QTY | PART NAME | | | | | | SEE PAGE |
|------|--------|-------------|-----------------|-----|--------------------------------|---|---|---|---|-------------------|----------|
| | | | | | 1 | 2 | 3 | 4 | 5 | 6 (PRODUCT LEVEL) | |
| C | 1 | 1 | 4P-4127 | 1 | ADAPTER | | | | | | |
| | 2 | 1 | 6V-6920 | 8 | BOLT (1-1/8-12-THD) | | | | | | |
| | 3 | 1 | 3S-1349 | 8 | WASHER-HARD (31X52.5X6-MM THK) | | | | | | |
| CYR | 4 | 1 | 102-7613 | 1 | DAMPER GP | | | | | | 95 |
| C | 5 | 1 | 9S-8893 | 12 | BOLT-12 POINT HEAD (1-14X4-IN) | | | | | | |
| C | 6 | 1 | 5P-8839 | 12 | WASHER-HARD (28X42X4-MM THK) | | | | | | |
| C | 7 | 1 | 102-4112 | 1 | ADAPTER-CRANKSHAFT | | | | | | |
| C | 8 | 1 | 160-8173 | 1 | SLEEVE-WEAR | | | | | | |
| C | 9 | 1 | 1D-4601 | 4 | BOLT (5/8-11X8.5-IN) | | | | | | |

C - CHANGE FROM PREVIOUS TYPE
R - REMFG PART MAY BE AVAILABLE
Y - SEPARATE ILLUSTRATION



RIGHT SIDE VIEW

GRAPHIC #1

<END>

g00812224

BASIC ENGINE

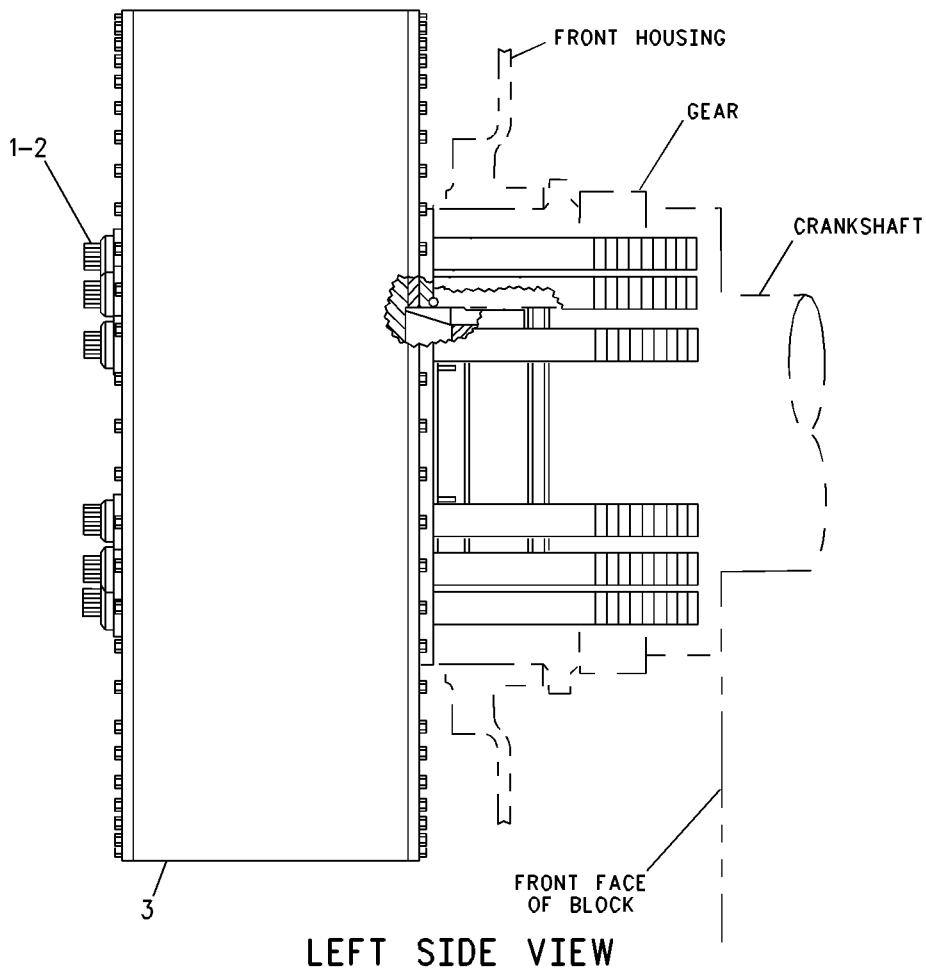
1W-0864 DAMPER GP (CHG -05, -06)

SMCS - 1205

i02338295

| NOTE | REF NO | GRAPHIC REF | PART NUMBER | QTY | PART NAME | | | | | | SEE PAGE |
|------|--------|-------------|----------------|-----|---------------------------------------|---|---|---|---|-------------------|----------|
| | | | | | 1 | 2 | 3 | 4 | 5 | 6 (PRODUCT LEVEL) | |
| | 1 | 1 | 7X-3153 | 12 | BOLT-12 POINT HEAD (1-1/8-12X17.5-IN) | | | | | | |
| | 2 | 1 | 9Y-6181 | 4 | SPACER (THREE HOLE) | | | | | | |
| YR | 3 | 1 | 7C-2123 | 1 | DAMPER GP | | | | | | 93 |

R - REMFG PART MAY BE AVAILABLE
Y - SEPARATE ILLUSTRATION



GRAPHIC #1

<END>

g00770573

BASIC ENGINE

7C-2123 DAMPER GP*R (CHG -00 THRU -03) PART OF 1W-0864 DAMPER GP

SMCS-1205

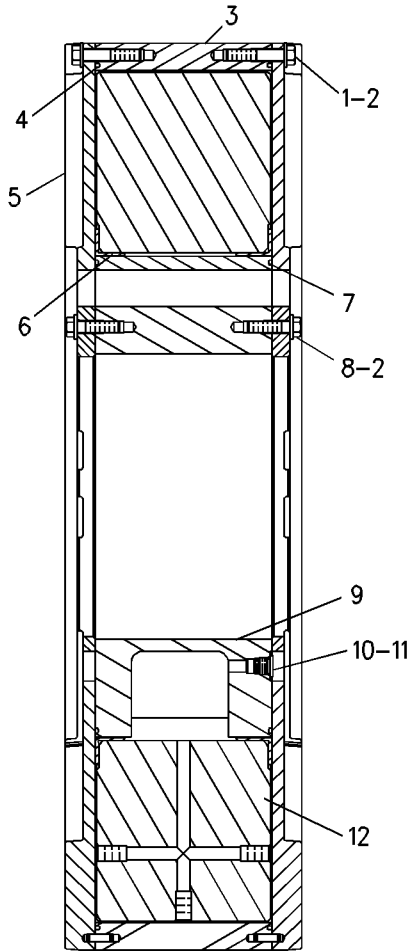
i01610962

| NOTE | REF NO | GRAPHIC REF | PART NUMBER | QTY | PART NAME | | | | | | SEE PAGE |
|------|--------|-------------|-------------|-----|------------------------------------|---|---|---|---|-------------------|----------|
| | | | | | 1 | 2 | 3 | 4 | 5 | 6 (PRODUCT LEVEL) | |
| | 1 | 1 | 0S-1590 | 120 | BOLT (3/8-16X2-IN) | | | | | | |
| | 2 | 1 | 3V-3308 | 128 | WASHER-HARD (10.2X20.5X2.5-MM THK) | | | | | | |
| | 3 | 1 | 7C-2121 | 1 | RING AS | | | | | | |
| | | 1 | 6V-3536 | 4 | DOWEL | | | | | | |
| J | 4 | 1 | 1W-9217 | 2 | SEAL | | | | | | |
| | 5 | 1 | 7C-2115 | 2 | COVER | | | | | | |
| J | 6 | 1 | 9Y-2997 | 12 | BEARING-NYLON | | | | | | |
| J | 7 | 1 | 6V-5058 | 2 | SEAL-O-RING | | | | | | |
| | 8 | 1 | 0S-1591 | 8 | BOLT (3/8-16X1.5-IN) | | | | | | |
| | 9 | 1 | 1W-8563 | 1 | HUB AS | | | | | | |
| | | 1 | 6V-3536 | 4 | DOWEL | | | | | | |
| | 10 | 1 | 9S-8004 | 2 | PLUG-O-RING | | | | | | |
| | 11 | 1 | 6V-5049 | 2 | SEAL-O-RING | | | | | | |
| | 12 | 1 | 1W-8565 | 1 | WEIGHT-INERTIA | | | | | | |

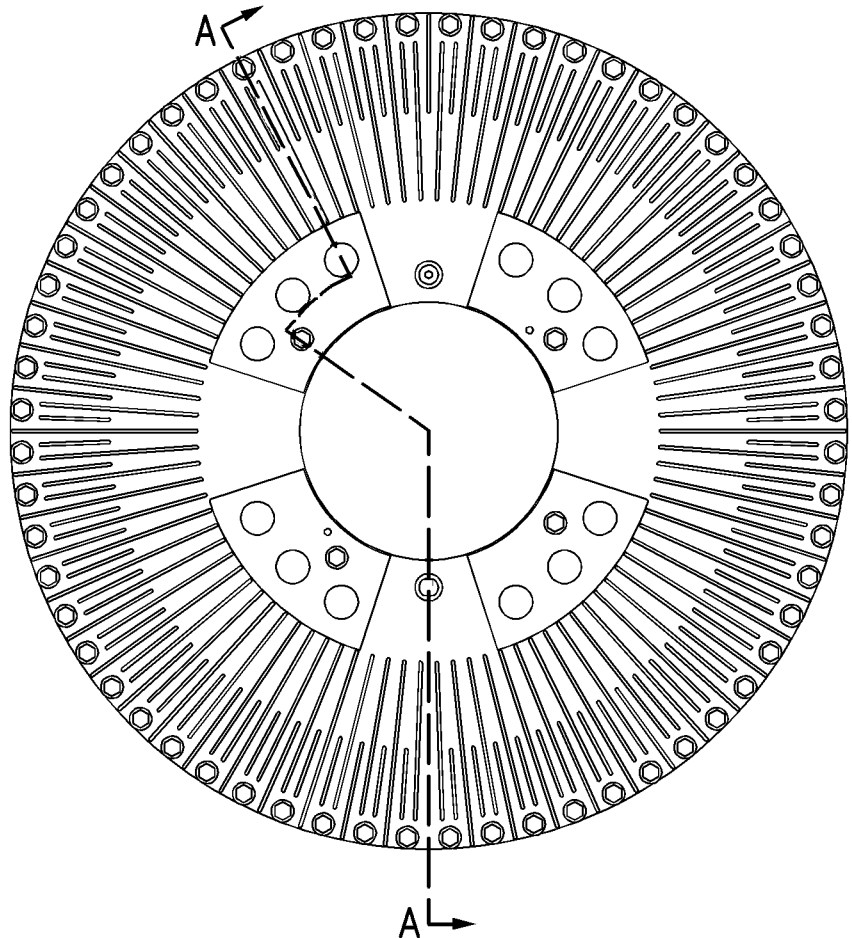
AVAILABLE REPAIR KIT(S) :

| | | | |
|---|---------|---|--|
| J | 9Y-2750 | 1 | KIT-DAMPER (ALSO INCLUDES DAMPER FLUID) |
|---|---------|---|--|

J-KIT MARKED J AVAILABLE FOR PARTS MARKED J



SECTION A-A



GRAPHIC #1

<END>

g00760920

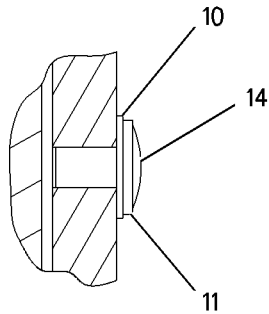
BASIC ENGINE

7E-5489 DAMPER GP (CHG -00 THRU -02) PART OF 102-7613 DAMPER GP

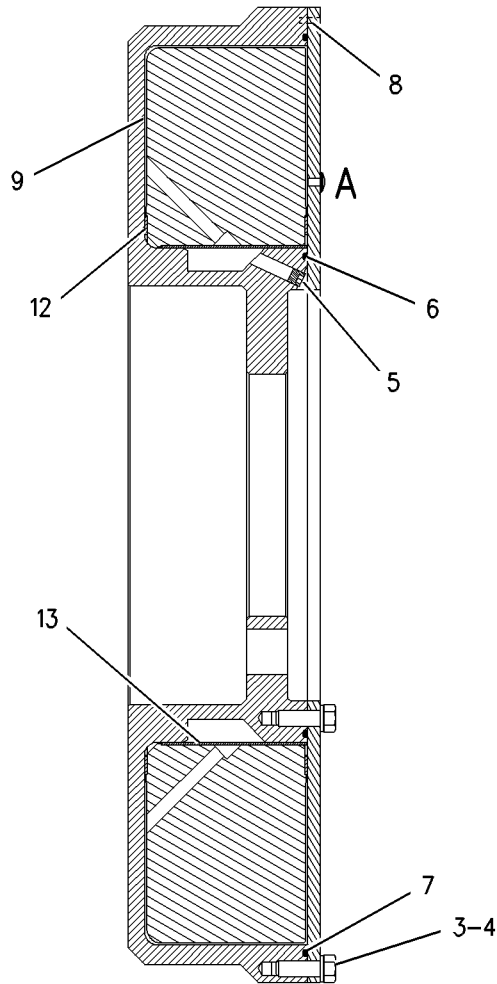
SMCS - 1205

i01678096

| NOTE | REF NO | GRAPHIC REF | PART NUMBER | QTY | PART NAME | | | | | | SEE PAGE |
|------|--------|-------------|-------------|-----|---------------------------------------|---|---|---|---|-------------------|----------|
| | | | | | 1 | 2 | 3 | 4 | 5 | 6 (PRODUCT LEVEL) | |
| | 3 | 1 | 1A-2029 | 48 | BOLT (3/8-16X1.125-IN) | | | | | | |
| | 4 | 1 | 3V-2431 | 48 | WASHER (10.2X16X2-MM THK) | | | | | | |
| | 5 | 1 | 9F-2247 | 2 | PLUG-PIPE | | | | | | |
| | 6 | 1 | 6V-7991 | 1 | SEAL-O-RING | | | | | | |
| | 7 | 1 | 4D-0449 | 1 | SEAL-O-RING | | | | | | |
| | 8 | 1 | 7N-2043 | 2 | DOWEL | | | | | | |
| | 9 | 1 | 7E-1614 | 1 | WEIGHT-INERTIA | | | | | | |
| | 10 | 1 | 9X-7258 | 1 | WASHER-TEFLON (4.9X11.13X0.74-MM THK) | | | | | | |
| | 11 | 1 | 9M-0387 | 1 | SEAT-VALVE SPRING | | | | | | |
| | 12 | 1 | 7C-9689 | 2 | BEARING-THRUST | | | | | | |
| | 13 | 1 | 7C-9688 | 1 | BEARING-RADIAL | | | | | | |
| | 14 | 1 | 9X-6260 | 1 | RIVET-POP | | | | | | |



VIEW OF AREA A



GRAPHIC #1

<END>

g00715229

BASIC ENGINE

102-7613 DAMPER GP (CHG -00, -00D1, -00D2, -01)

PART OF 1W-0791 DAMPER GP
FIELD REPLACEMENT FOR 102-7614—PAGE 96

SMCS - 1205

i00071871

| NOTE | PART NUMBER | QTY | PART NAME | | | | | | SEE PAGE |
|-------------------------|-------------|-----|-----------|---|---|---|---|-------------------|----------|
| | | | 1 | 2 | 3 | 4 | 5 | 6 (PRODUCT LEVEL) | |
| Y | 7E-5489 | 1 | DAMPER GP | | | | | | 94 |
| | | | -OR- | | | | | | |
| Y | 102-7614 | 1 | DAMPER GP | | | | | | 96 |
| Y-SEPARATE ILLUSTRATION | | | | | | | | | |

<END>

BASIC ENGINE

102-7614 DAMPER GP (CHG -00, -01)

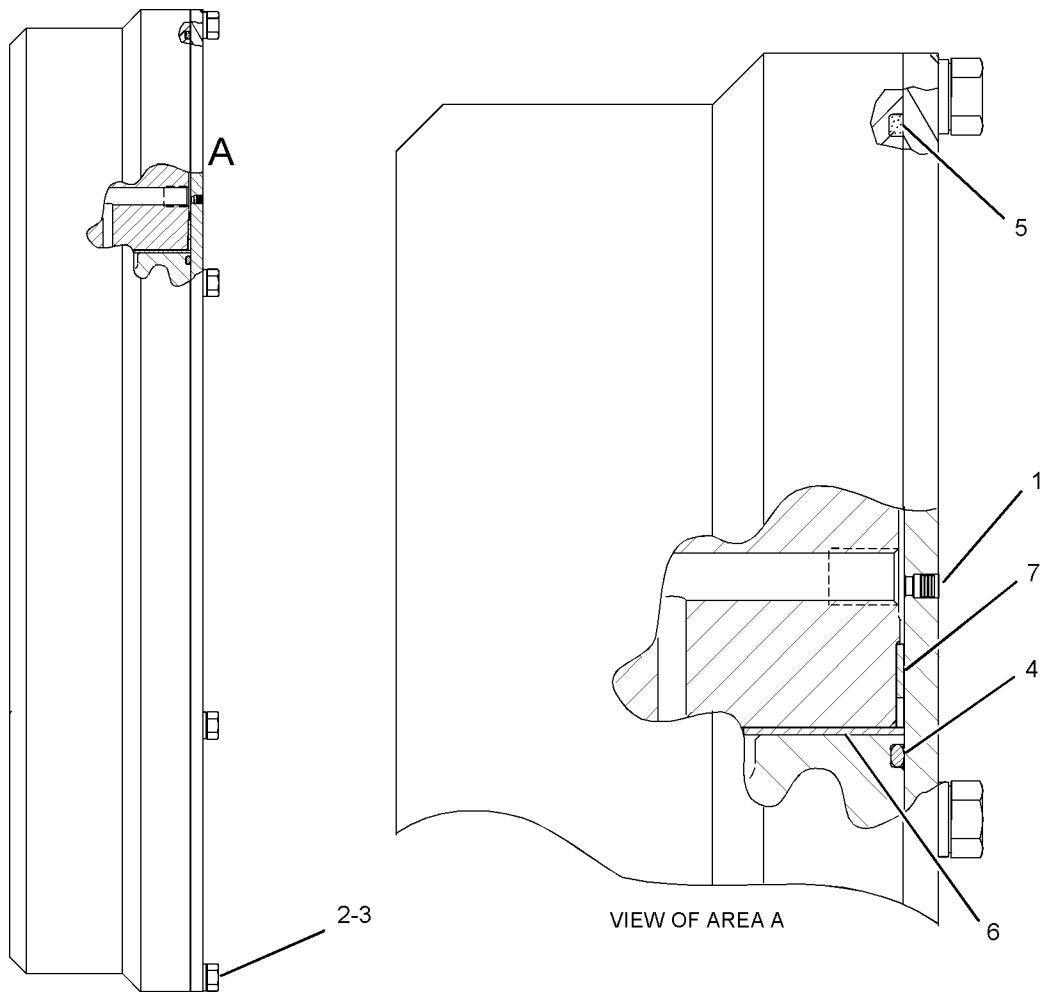
PART OF 102-7613 DAMPER GP

FIELD REPLACEMENT ORDER 102-7613-PAGE 95

SMCS - 1205

i02090858

| NOTE | REF NO | GRAPHIC REF | PART NUMBER | QTY | PART NAME | | | | | | SEE PAGE |
|------|--------|-------------|-------------|-----|---------------------------|---|---|---|---|-------------------|----------|
| | | | | | 1 | 2 | 3 | 4 | 5 | 6 (PRODUCT LEVEL) | |
| | 1 | 1 | 9W-7783 | 1 | PLUG | | | | | | |
| | 2 | 1 | 1A-2029 | 48 | BOLT (3/8-16X1.125-IN) | | | | | | |
| | 3 | 1 | 3V-2431 | 48 | WASHER (10.2X16X2-MM THK) | | | | | | |
| | 4 | 1 | 6V-7991 | 1 | SEAL-O-RING | | | | | | |
| | 5 | 1 | 4D-0449 | 1 | SEAL-O-RING | | | | | | |
| | 6 | 1 | 7C-9688 | 1 | BEARING-RADIAL | | | | | | |
| | 7 | 1 | 7C-9689 | 2 | BEARING-THRUST | | | | | | |



GRAPHIC #1

<END>

g01068501

BASIC ENGINE

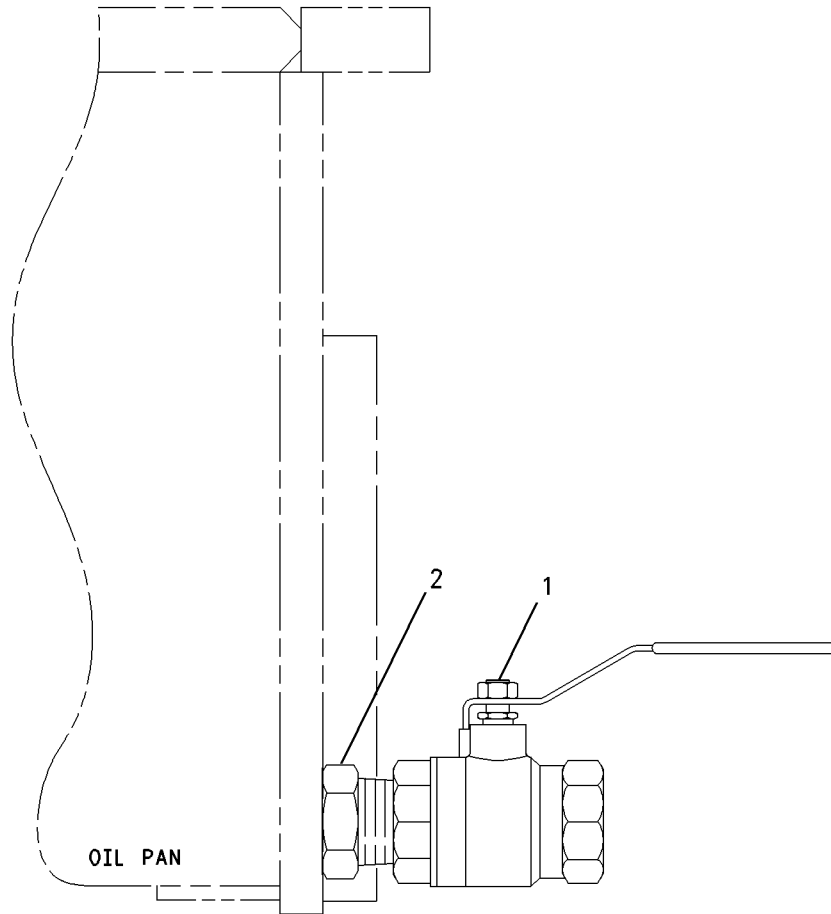
4P-2268 DRAIN GP-ENGINE OIL

(CHG -00, -01, -01D1, -01D2, -01D4, -01D5, -01D6, -01D7, -01D8, -02, -02D1, -02D2, -02D3)

SMCS-1302

i02379250

| NOTE | REF NO | GRAPHIC REF | PART NUMBER | QTY | PART NAME | | | | | | SEE PAGE |
|------|--------|-------------|-------------|-----|--------------------------|---|---|---|---|-------------------|----------|
| | | | | | 1 | 2 | 3 | 4 | 5 | 6 (PRODUCT LEVEL) | |
| | 1 | 1 | 7E-4444 | 1 | VALVE (ENGINE OIL DRAIN) | | | | | | |
| | 2 | 1 | 8C-3991 | 1 | ADAPTER | | | | | | |
| | | 1 | 5P-7816 | 1 | SEAL-O-RING | | | | | | |



RIGHT SIDE VIEW

GRAPHIC #1

<END>

g00802907

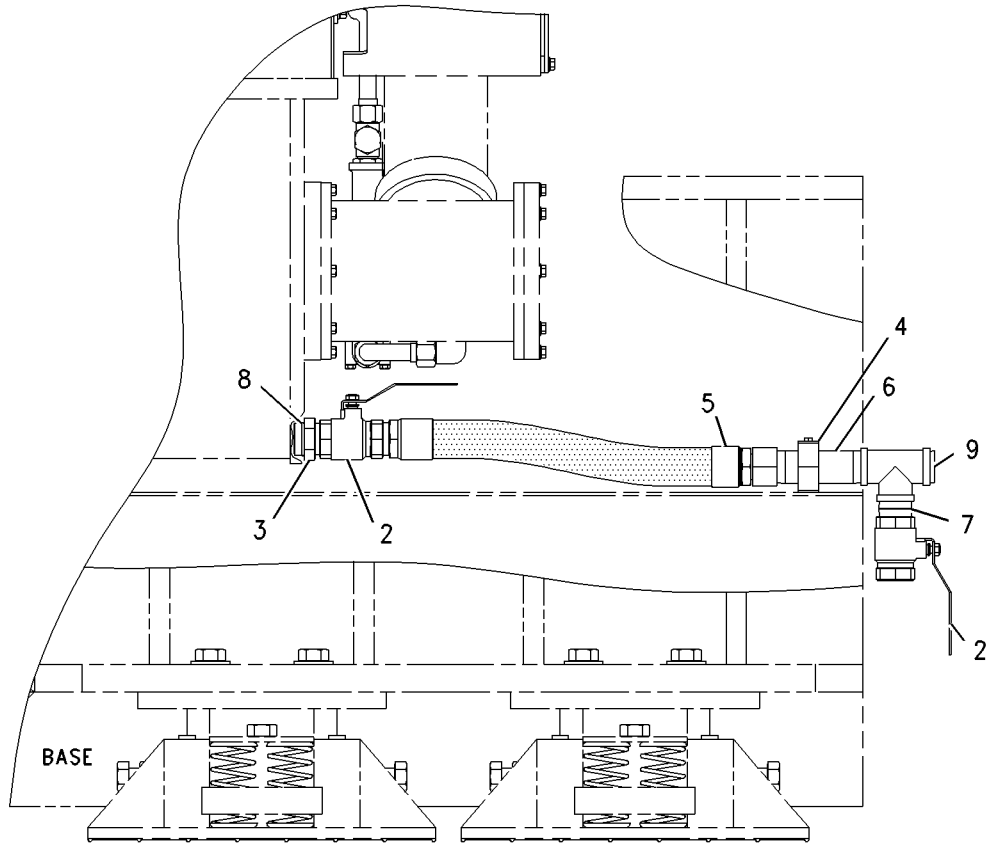
BASIC ENGINE

149-5916 DRAIN GP - ENGINE OIL (CHG -00)

SMCS - 1302

i02437798

| NOTE | REF NO | GRAPHIC REF | PART NUMBER | QTY | PART NAME | | | | | | SEE PAGE |
|------|--------|-------------|-------------|-----|--------------------------|---|---|---|---|---|----------|
| | | | | | 1 | 2 | 3 | 4 | 5 | 6 | |
| | 2 | 1 | 7E-4444 | 2 | VALVE (ENGINE OIL DRAIN) | | | | | | |
| | 3 | 1 | 8C-3991 | 1 | ADAPTER | | | | | | |
| | 4 | 1 | 106-5620 | 1 | CLAMP-PIPE | | | | | | |
| | 5 | 1 | 153-5102 | 1 | HOSE AS | | | | | | |
| | 6 | 1 | 1H-2815 | 1 | NIPPLE-PIPE | | | | | | |
| | 7 | 1 | 3L-8993 | 1 | FITTING | | | | | | |
| | 8 | 1 | 5P-7816 | 1 | SEAL-O-RING | | | | | | |
| | 9 | 1 | 8T-6760 | 1 | PLUG-PIPE | | | | | | |



LEFT SIDE VIEW

GRAPHIC #1

<END>

g00783018

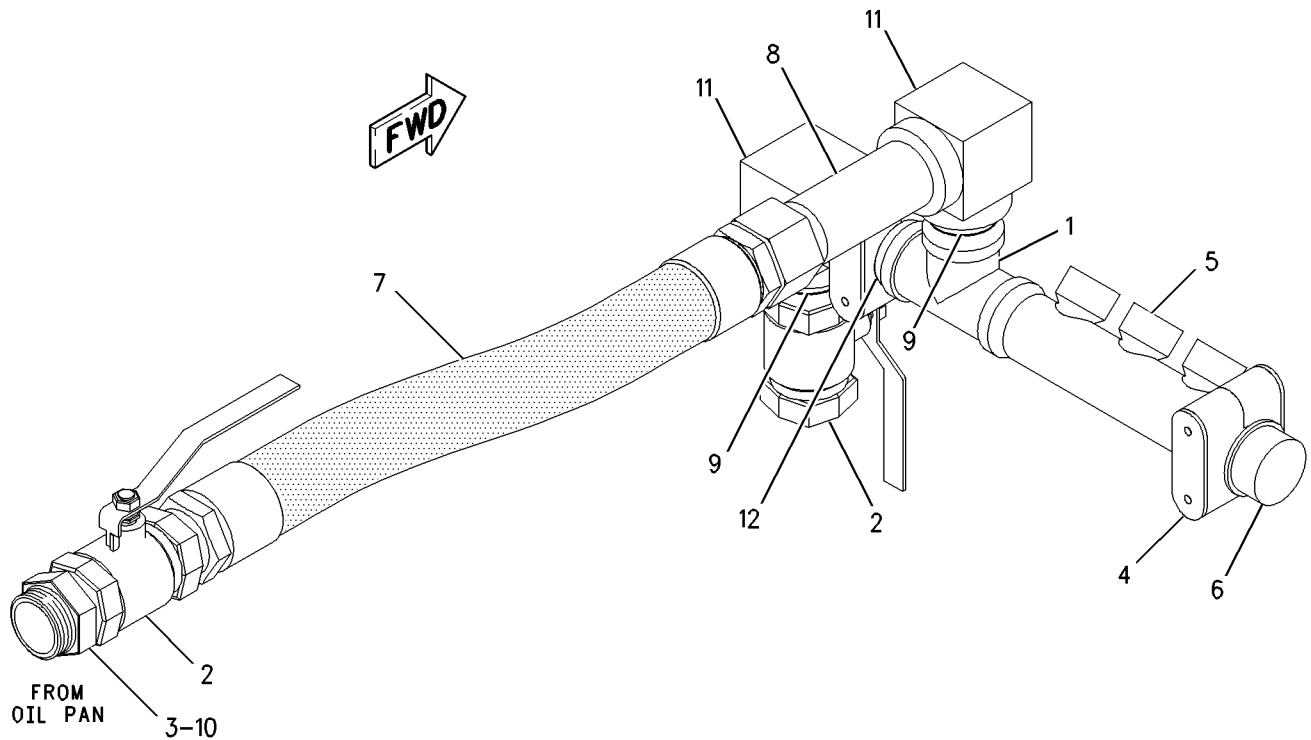
BASIC ENGINE

194-8517 DRAIN GP - ENGINE OIL (CHG -00, -00D1)

SMCS - 1302

i02437799

| NOTE | REF NO | GRAPHIC REF | PART NUMBER | QTY | PART NAME | | | | | | SEE PAGE |
|------|--------|-------------|-------------|-----|--------------------------|---|---|---|---|-------------------|----------|
| | | | | | 1 | 2 | 3 | 4 | 5 | 6 (PRODUCT LEVEL) | |
| | 1 | 1 | 6V-8251 | 1 | TEE-PIPE | | | | | | |
| | 2 | 1 | 7E-4444 | 2 | VALVE (ENGINE OIL DRAIN) | | | | | | |
| | 3 | 1 | 8C-3991 | 1 | ADAPTER | | | | | | |
| | 4 | 1 | 106-5620 | 2 | CLAMP-PIPE | | | | | | |
| | 5 | 1 | 136-7055 | 1 | PIPE AS | | | | | | |
| | 6 | 1 | 136-8557 | 1 | CAP | | | | | | |
| | 7 | 1 | 153-5102 | 1 | HOSE AS | | | | | | |
| | 8 | 1 | 1H-2815 | 1 | NIPPLE-PIPE | | | | | | |
| | 9 | 1 | 3L-8993 | 2 | FITTING | | | | | | |
| | 10 | 1 | 5P-7816 | 1 | SEAL-O-RING | | | | | | |
| | 11 | 1 | 6B-3685 | 2 | ELBOW | | | | | | |
| | 12 | 1 | 6F-8857 | 1 | NIPPLE-PIPE | | | | | | |



GRAPHIC #1

<END>

g00756478

BASIC ENGINE

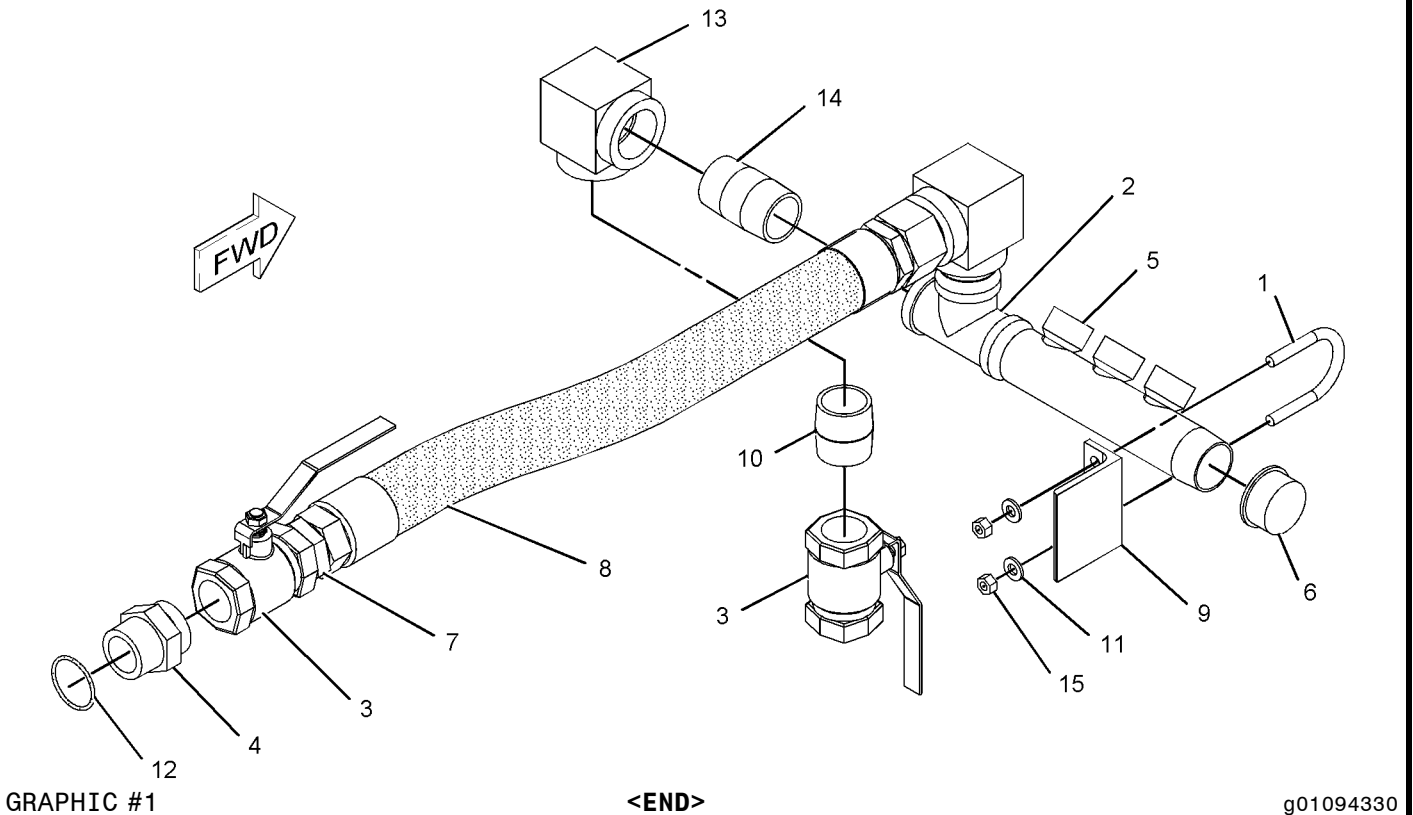
194-8517 DRAIN GP - ENGINE OIL (CHG -01, -01D1)

SMCS - 1302

i02437800

| NOTE | REF NO | GRAPHIC REF | PART NUMBER | QTY | PART NAME | | | | | | SEE PAGE |
|------|--------|-------------|-------------|-----|------------------------------------|---|---|---|---|-------------------|----------|
| | | | | | 1 | 2 | 3 | 4 | 5 | 6 (PRODUCT LEVEL) | |
| C | 1 | 1 | 5L-2534 | 1 | U-BOLT | | | | | | |
| | 2 | 1 | 6V-8251 | 1 | TEE-PIPE | | | | | | |
| | 3 | 1 | 7E-4444 | 2 | VALVE (ENGINE OIL DRAIN) | | | | | | |
| | 4 | 1 | 8C-3991 | 1 | ADAPTER | | | | | | |
| | 5 | 1 | 136-7055 | 1 | PIPE AS | | | | | | |
| | 6 | 1 | 136-8557 | 1 | CAP | | | | | | |
| C | 7 | 1 | 140-5866 | 1 | CONNECTOR | | | | | | |
| CI | 8 | 1 | 250-0826 | 1 | HOSE AS | | | | | | |
| | 9 | 1 | 250-0827 | 1 | BRACKET | | | | | | |
| C | 10 | 1 | 3L-8993 | 3 | FITTING | | | | | | |
| C | 11 | 1 | 3V-3308 | 2 | WASHER-HARD (10.2X20.5X2.5-MM THK) | | | | | | |
| | 12 | 1 | 5P-7816 | 1 | SEAL-O-RING | | | | | | |
| | 13 | 1 | 6B-3685 | 2 | ELBOW | | | | | | |
| | 14 | 1 | 6F-8857 | 1 | NIPPLE-PIPE | | | | | | |
| | 15 | 1 | 9S-8752 | 2 | NUT-FULL (3/8-16-THD) | | | | | | |

C - CHANGE FROM PREVIOUS TYPE
 I - REFER TO HYDRAULIC INFORMATION SYSTEM



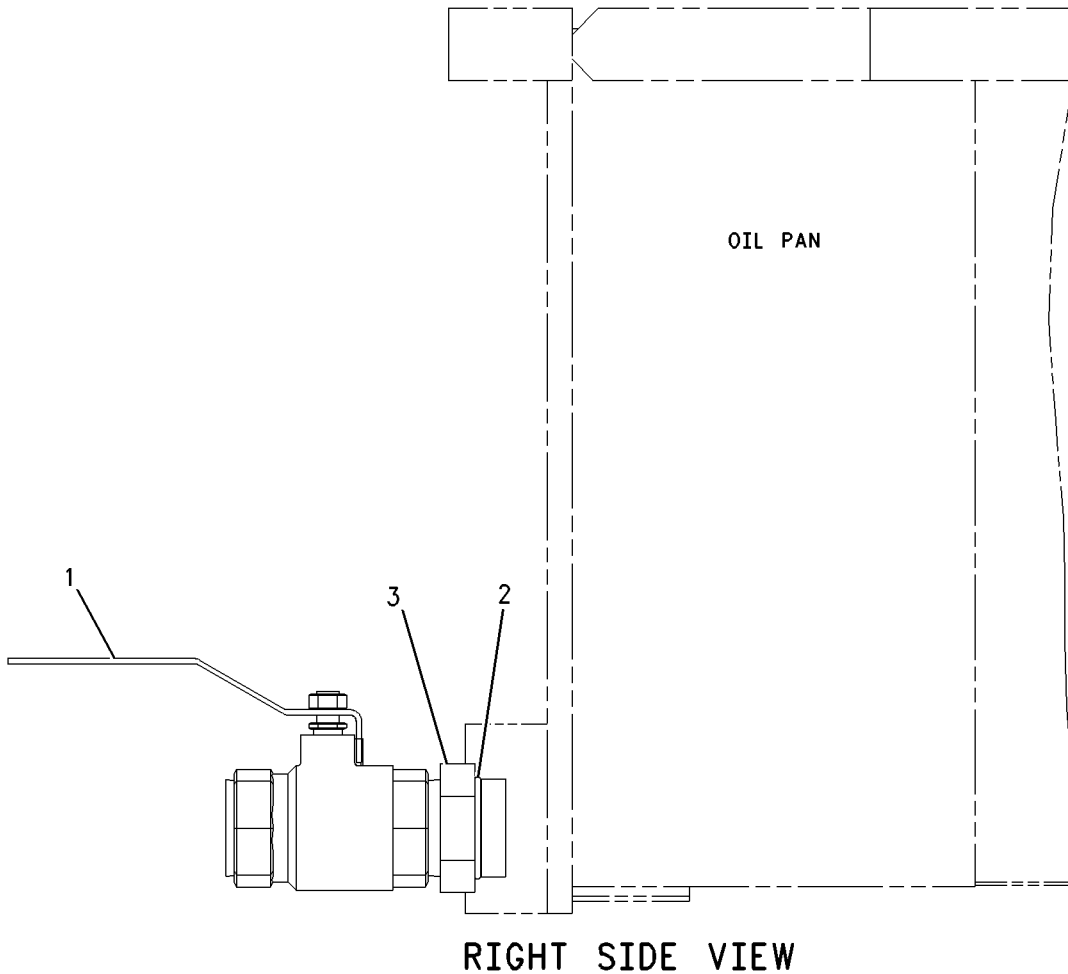
BASIC ENGINE

226 - 1926 DRAIN GP - ENGINE OIL (CHG -00, -00D1, -00D2, -00D3, -00D4) REAR

SMCS - 1302

i02379252

| NOTE | REF NO | GRAPHIC REF | PART NUMBER | QTY | PART NAME | | | | | | SEE PAGE |
|------|--------|-------------|-------------|-----|--------------------------|---|---|---|---|-------------------|----------|
| | | | | | 1 | 2 | 3 | 4 | 5 | 6 (PRODUCT LEVEL) | |
| | 1 | 1 | 7E-4444 | 1 | VALVE (ENGINE OIL DRAIN) | | | | | | |
| | 2 | 1 | 5P-7816 | 1 | SEAL-O-RING | | | | | | |
| | 3 | 1 | 8C-3991 | 1 | ADAPTER | | | | | | |



GRAPHIC #1

<END>

g00929802

BASIC ENGINE

233-6515 DRIVE GP-ACCESSORY (CHG -00)

TYPE 1

SMCS-1207

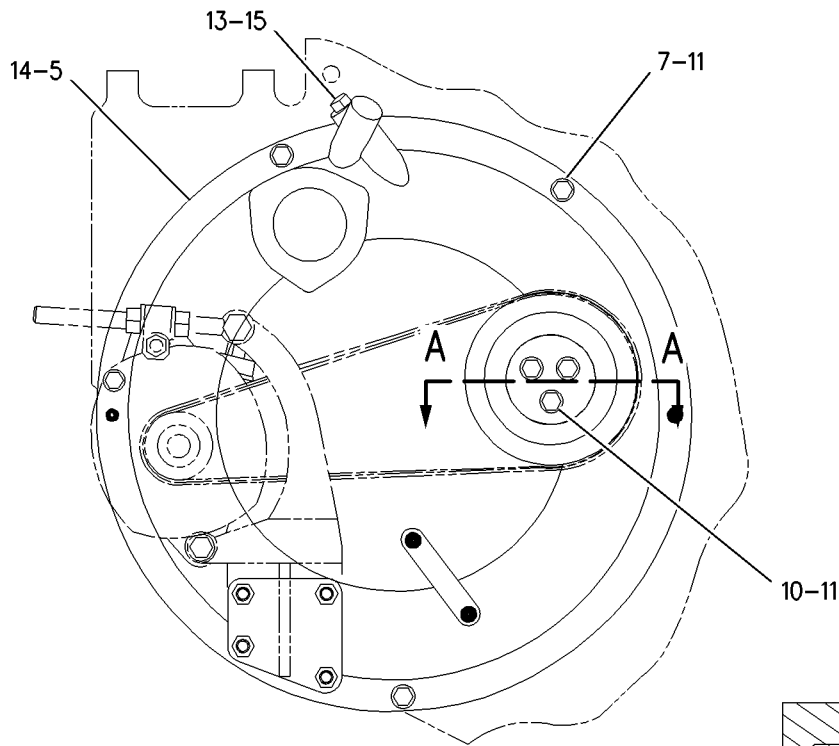
i02419970

| NOTE | REF NO | GRAPHIC REF | PART NUMBER | QTY | PART NAME | | | | | | SEE PAGE |
|------|--------|-------------|-----------------|-----|------------------------------------|---|---|---|---|-------------------|----------|
| | | | | | 1 | 2 | 3 | 4 | 5 | 6 (PRODUCT LEVEL) | |
| | 1 | 1 | 7E-5485 | 1 | GEAR (116-TEETH) | | | | | | |
| | 2 | 1 | 130-5195 | 1 | PULLEY AS | | | | | | |
| | | 1 | 053-5065 | 1 | SLEEVE | | | | | | |
| | 3 | 1 | 130-5199 | 1 | SHAFT | | | | | | |
| | 4 | 1 | 130-7921 | 1 | GEAR (29-TEETH) | | | | | | |
| | 5 | 1 | 150-9552 | 1 | HOUSING AS | | | | | | |
| | | 1 | 130-5194 | 2 | BEARING-SLEEVE | | | | | | |
| | 6 | 1 | 189-5178 | 1 | SEAL-LIP TYPE | | | | | | |
| | 7 | 1 | 0S-1588 | 4 | BOLT (3/8-16X1.25-IN) | | | | | | |
| | 8 | 1 | 1A-1460 | 4 | BOLT (1/2-13X2-IN) | | | | | | |
| | 9 | 1 | 1A-5964 | 1 | BOLT (3/8-16X4.5-IN) | | | | | | |
| | 10 | 1 | 1D-4706 | 3 | BOLT (3/8-16X6-IN) | | | | | | |
| | 11 | 1 | 3V-3308 | 8 | WASHER-HARD (10.2X20.5X2.5-MM THK) | | | | | | |
| | 12 | 1 | 5P-8245 | 4 | WASHER-HARD (13.5X25.5X3-MM THK) | | | | | | |
| | 13 | 1 | 6V-5049 | 1 | SEAL-O-RING | | | | | | |
| | 14 | 1 | 6V-5060 | 1 | SEAL-O-RING | | | | | | |
| | 15 | 1 | 9S-4191 | 1 | PLUG-O-RING | | | | | | |

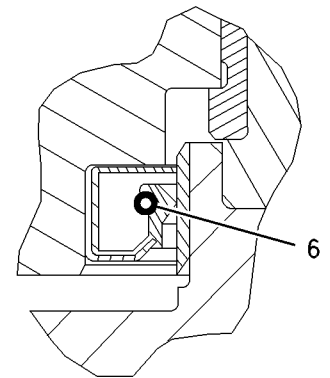
BASIC ENGINE

233-6515 DRIVE GP-ACCESSORY (contd.)

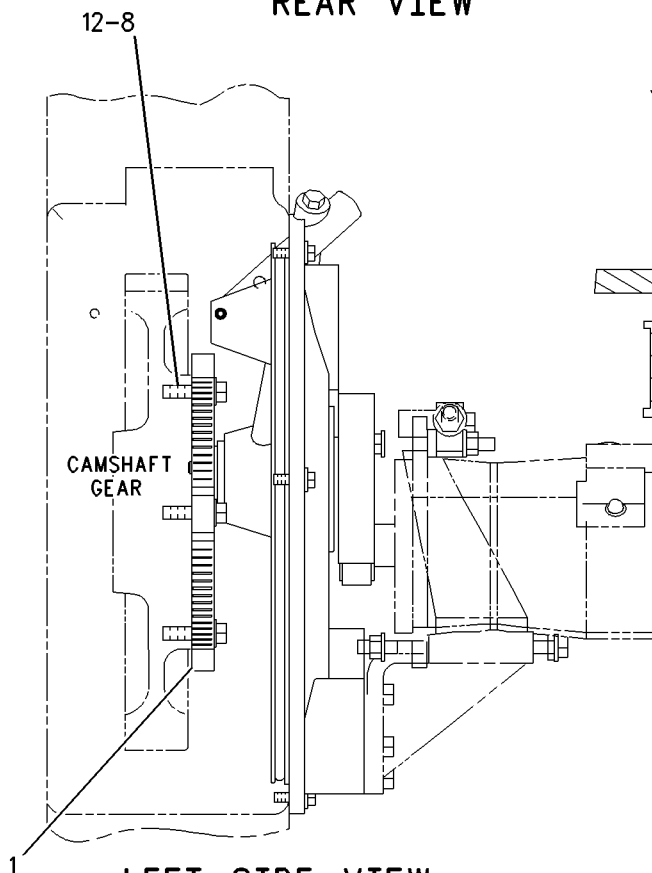
i02419970



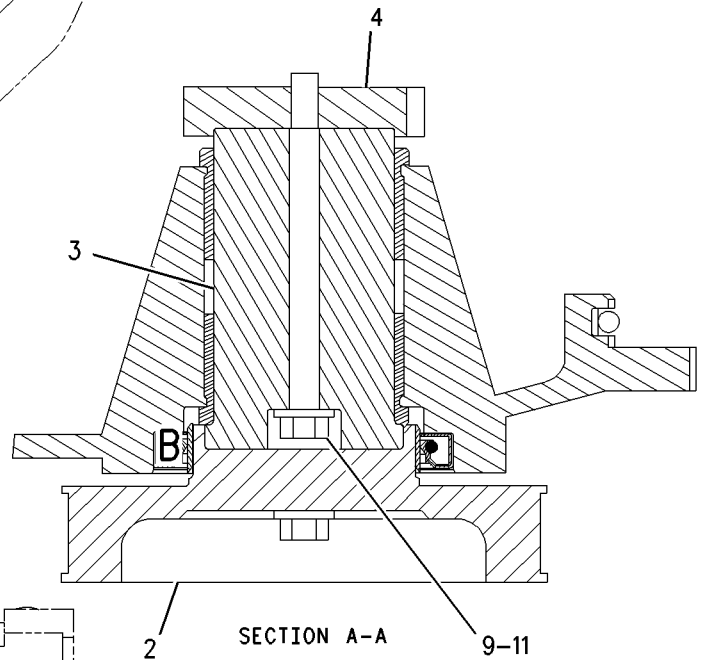
REAR VIEW



VIEW OF AREA B



LEFT SIDE VIEW



GRAPHIC #1

<END>

g00988174

BASIC ENGINE

233-6515 DRIVE GP-ACCESSORY (CHG -01)

TYPE 2

SMCS-1207

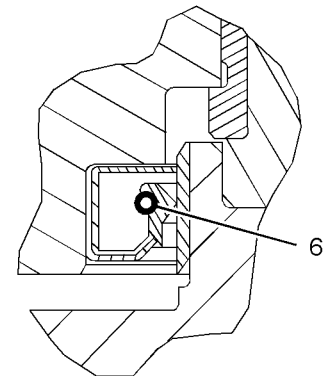
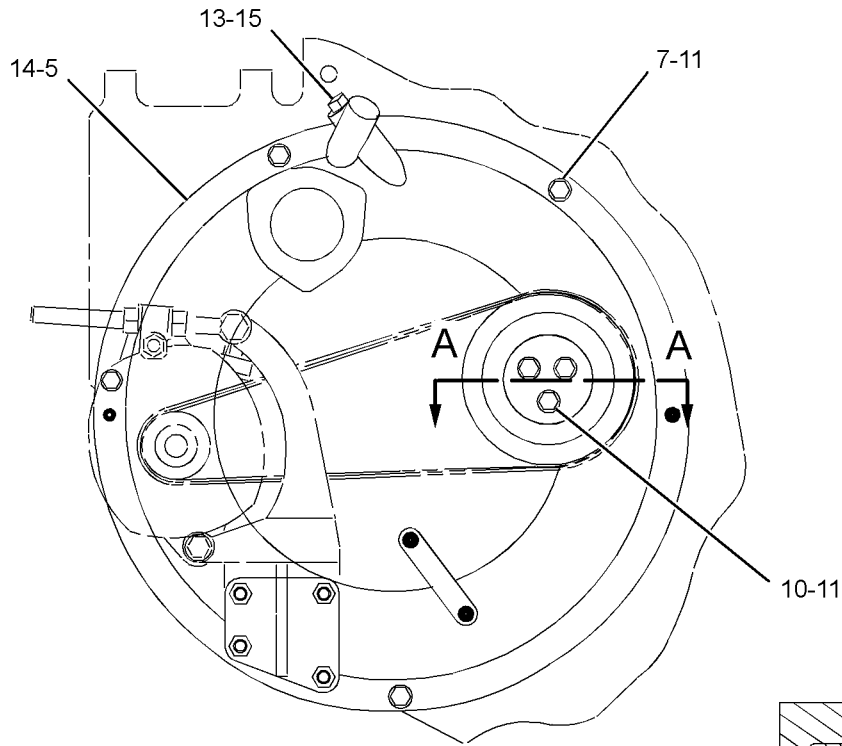
i02434785

| NOTE | REF NO | GRAPHIC REF | PART NUMBER | QTY | PART NAME | | | | | | SEE PAGE |
|------|--------|-------------|-----------------|-----|------------------------------------|---|---|---|---|-------------------|----------|
| | | | | | 1 | 2 | 3 | 4 | 5 | 6 (PRODUCT LEVEL) | |
| | 1 | 1 | 7E-5485 | 1 | GEAR (116-TEETH) | | | | | | |
| | 2 | 1 | 130-5195 | 1 | PULLEY AS | | | | | | |
| | 2A | 1 | 053-5065 | 1 | SLEEVE | | | | | | |
| | 3 | 1 | 130-5199 | 1 | SHAFT | | | | | | |
| | 4 | 1 | 130-7921 | 1 | GEAR (29-TEETH) | | | | | | |
| | 5 | 1 | 150-9552 | 1 | HOUSING AS | | | | | | |
| | 5A | 1 | 130-5194 | 2 | BEARING-SLEEVE | | | | | | |
| | 6 | 1 | 235-2484 | 1 | SEAL-LIP TYPE | | | | | | |
| | 7 | 1 | 0S-1588 | 4 | BOLT (3/8-16X1.25-IN) | | | | | | |
| | 8 | 1 | 1A-1460 | 4 | BOLT (1/2-13X2-IN) | | | | | | |
| | 9 | 1 | 1A-5964 | 1 | BOLT (3/8-16X4.5-IN) | | | | | | |
| | 10 | 1 | 1D-4706 | 3 | BOLT (3/8-16X6-IN) | | | | | | |
| | 11 | 1 | 3V-3308 | 8 | WASHER-HARD (10.2X20.5X2.5-MM THK) | | | | | | |
| | 12 | 1 | 5P-8245 | 4 | WASHER-HARD (13.5X25.5X3-MM THK) | | | | | | |
| | 13 | 1 | 6V-5049 | 1 | SEAL-O-RING | | | | | | |
| | 14 | 1 | 6V-5060 | 1 | SEAL-O-RING | | | | | | |
| | 15 | 1 | 9S-4191 | 1 | PLUG-O-RING | | | | | | |

BASIC ENGINE

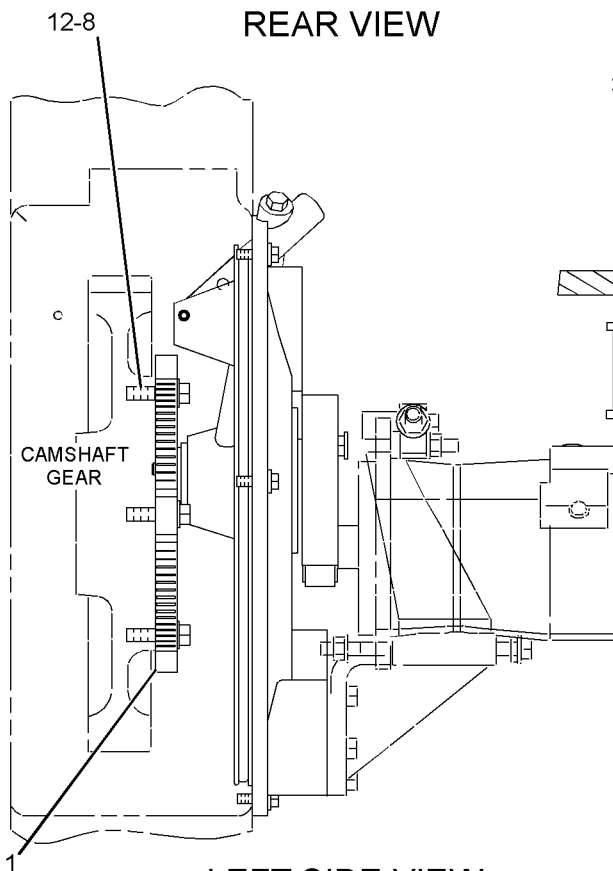
233-6515 DRIVE GP-ACCESSORY (contd.)

i02434785

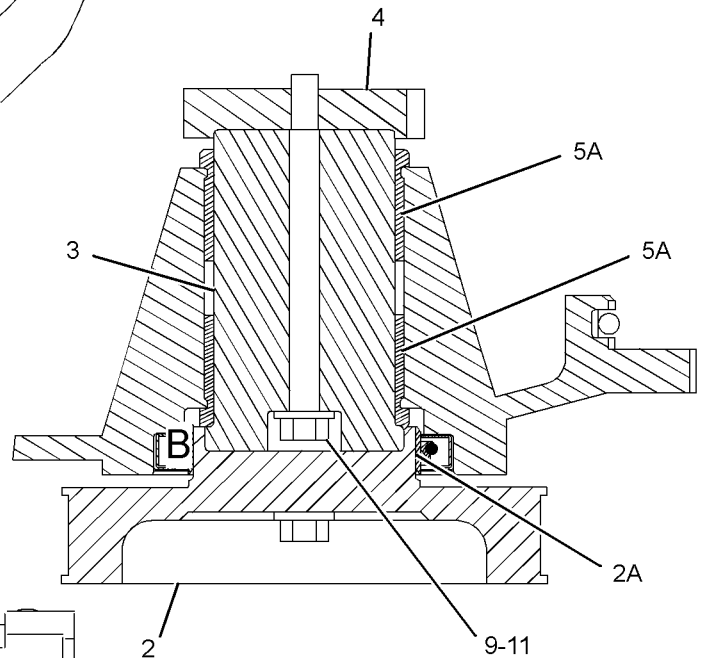


VIEW OF AREA B

REAR VIEW



LEFT SIDE VIEW



SECTION A-A

GRAPHIC #1

<END>

g01216413

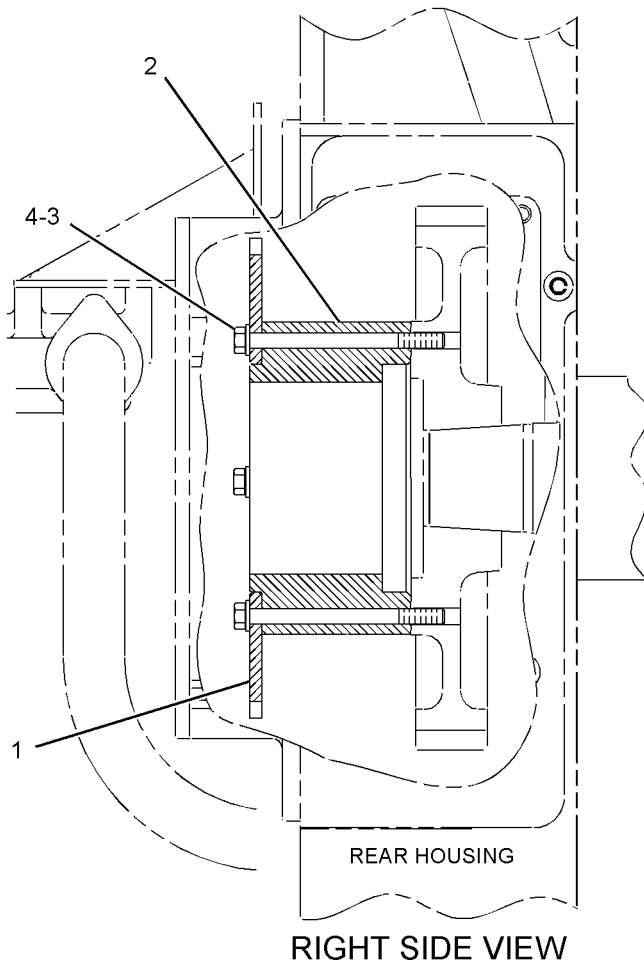
BASIC ENGINE

159-9408 DRIVE GP-TIMING & SPEED (CHG -00 THRU -02)

SMCS-1207, 1272

i02223758

| NOTE | REF NO | GRAPHIC REF | PART NUMBER | QTY | PART NAME | | | | | | SEE PAGE |
|------|--------|-------------|-------------|-----|--------------------------------|---|---|---|---|-------------------|----------|
| | | | | | 1 | 2 | 3 | 4 | 5 | 6 (PRODUCT LEVEL) | |
| | 1 | 1 | 154-2709 | 1 | WHEEL (ENGINE TIMING) | | | | | | |
| | 2 | 1 | 154-8716 | 1 | SPACER (160X260X134.2-MM THK) | | | | | | |
| | 3 | 1 | 2A-1531 | 4 | BOLT (1/2-13X6.5-IN) | | | | | | |
| | 4 | 1 | 5P-1076 | 4 | WASHER-HARD (13.5X30X4-MM THK) | | | | | | |



GRAPHIC #1

<END>

g01121851

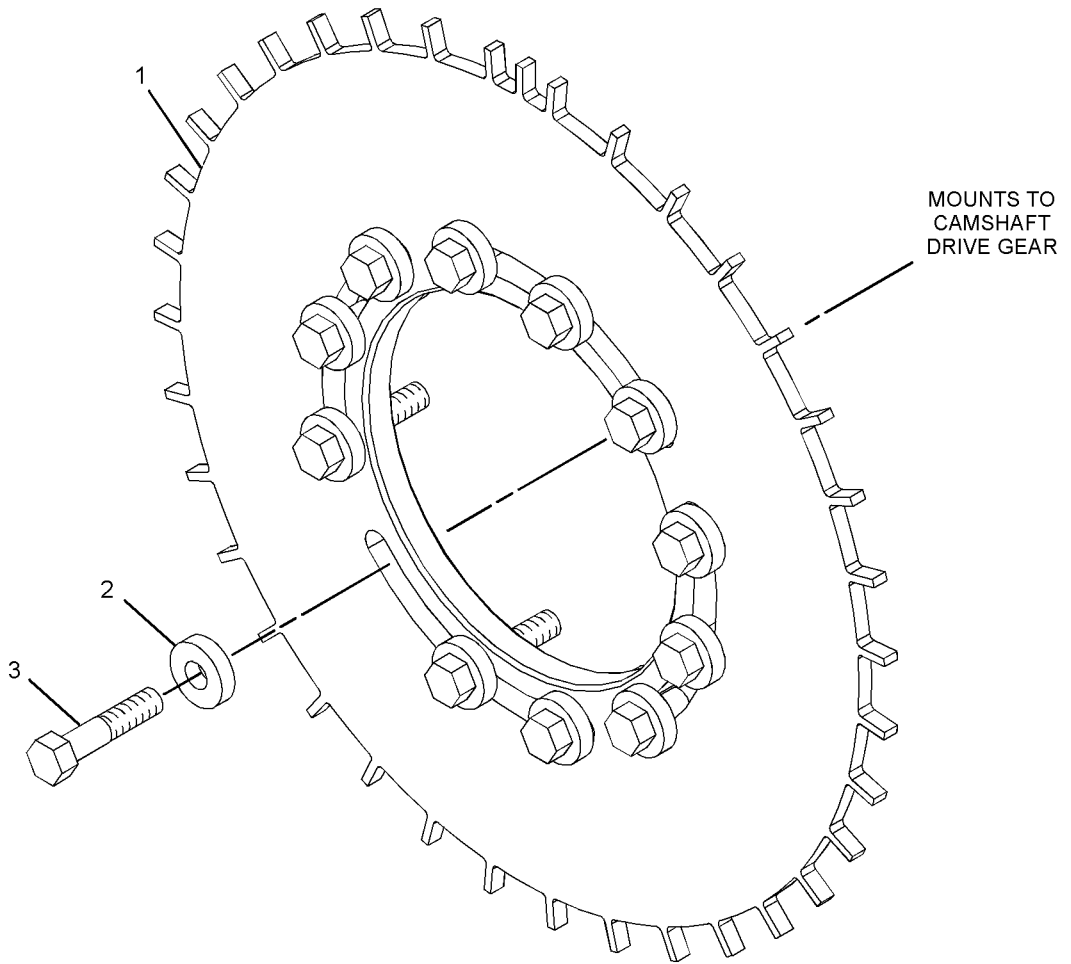
BASIC ENGINE

284-9082 DRIVE GP-TIMING & SPEED (CHG -00 THRU -02)

SMCS-1207, 1272

i02565253

| NOTE | REF NO | GRAPHIC REF | PART NUMBER | QTY | PART NAME | | | | | | SEE PAGE |
|------|--------|-------------|-----------------|-----|---------------------------|---|---|---|---|-------------------|----------|
| | | | | | 1 | 2 | 3 | 4 | 5 | 6 (PRODUCT LEVEL) | |
| | 1 | 1 | 284-8910 | 1 | WHEEL (TIMING) | | | | | | |
| | 2 | 1 | 118-0275 | 12 | WASHER (13.5X32X8-MM THK) | | | | | | |
| | 3 | 1 | 5P-2424 | 12 | BOLT (1/2-13X2.25-IN) | | | | | | |



GRAPHIC #1

<END>

g01284982

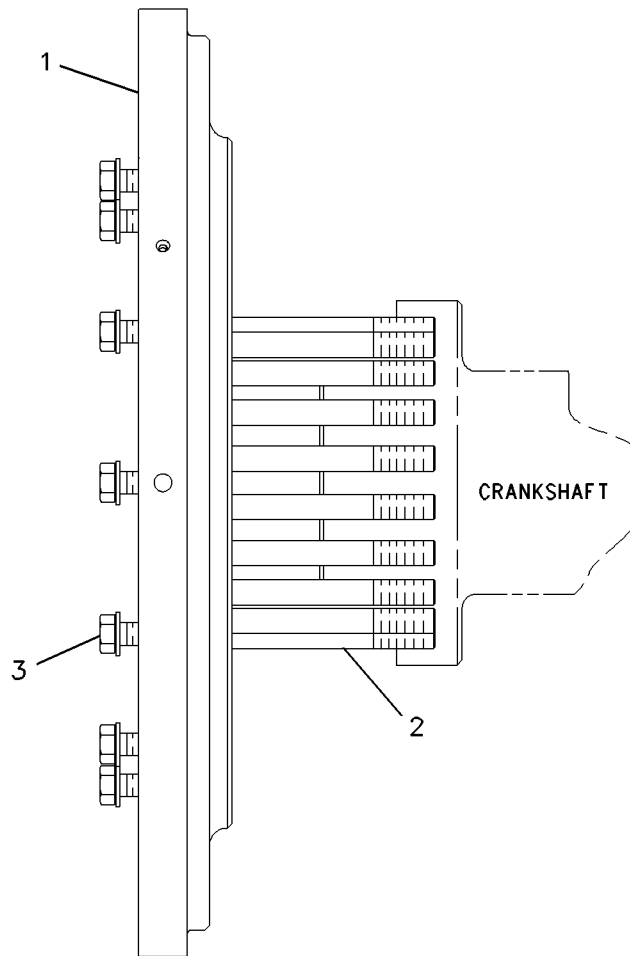
BASIC ENGINE

6I-2075 FLYWHEEL GP (CHG -00 THRU -02)

SMCS-1156

i02374369

| NOTE | REF NO | GRAPHIC REF | PART NUMBER | QTY | PART NAME | | | | | | SEE PAGE |
|------|--------|-------------|----------------|-----|---|---|---|---|---|-------------------|----------|
| | | | | | 1 | 2 | 3 | 4 | 5 | 6 (PRODUCT LEVEL) | |
| | 1 | 1 | 6I-2076 | 1 | FLYWHEEL | | | | | | |
| | 2 | 1 | 6V-5605 | 20 | BOLT - 12 POINT HEAD (1-1/8-12X11.5-IN) | | | | | | |
| | | 1 | 3S-1349 | 20 | WASHER-HARD (31X52.5X6-MM THK) | | | | | | |
| | 3 | 1 | 2H-3745 | 12 | BOLT (1-14X2.75-IN) | | | | | | |
| | | 1 | 5P-8250 | 12 | WASHER (28X49X5-MM THK) | | | | | | |



RIGHT SIDE VIEW

GRAPHIC #1

<END>

g00812212

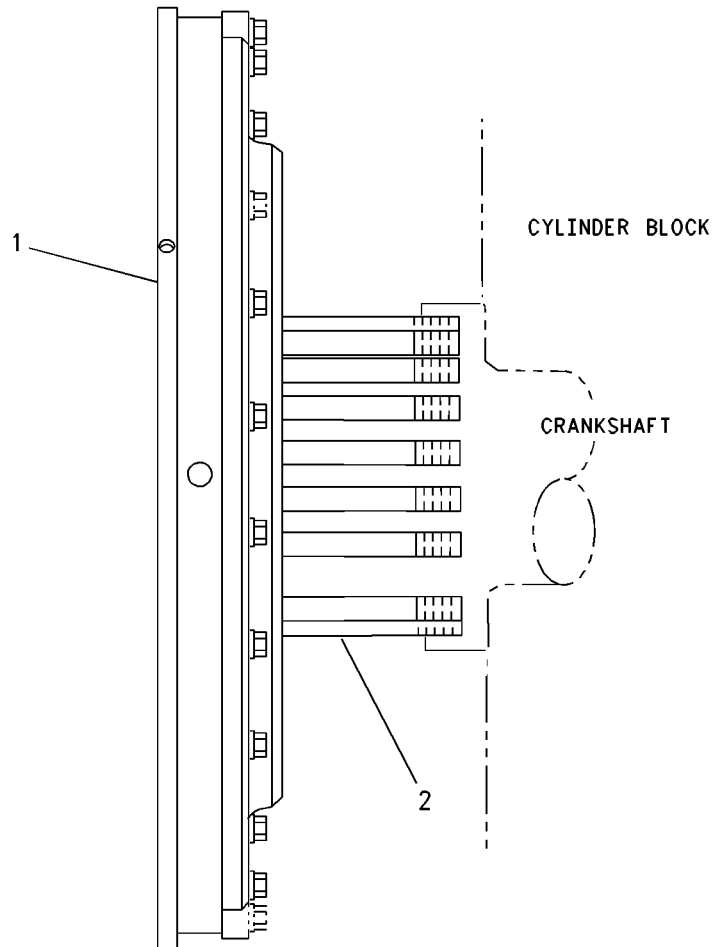
BASIC ENGINE

9Y-6182 FLYWHEEL GP (CHG -00 THRU -02)

SMCS-1156

i02346171

| NOTE | REF NO | GRAPHIC REF | PART NUMBER | QTY | PART NAME | | | | | | SEE PAGE |
|------|--------|-------------|-------------|-----|---------------------------------------|---|---|---|---|-------------------|----------|
| | | | | | 1 | 2 | 3 | 4 | 5 | 6 (PRODUCT LEVEL) | |
| | 1 | 1 | 9Y-6183 | 1 | FLYWHEEL | | | | | | |
| | 2 | 1 | 6V-5605 | 20 | BOLT-12 POINT HEAD (1-1/8-12X12.5-IN) | | | | | | |
| | | 1 | 3S-1349 | 20 | WASHER-HARD (31X52.5X6-MM THK) | | | | | | |



RIGHT SIDE VIEW
<END>

GRAPHIC #1

g00763819

BASIC ENGINE

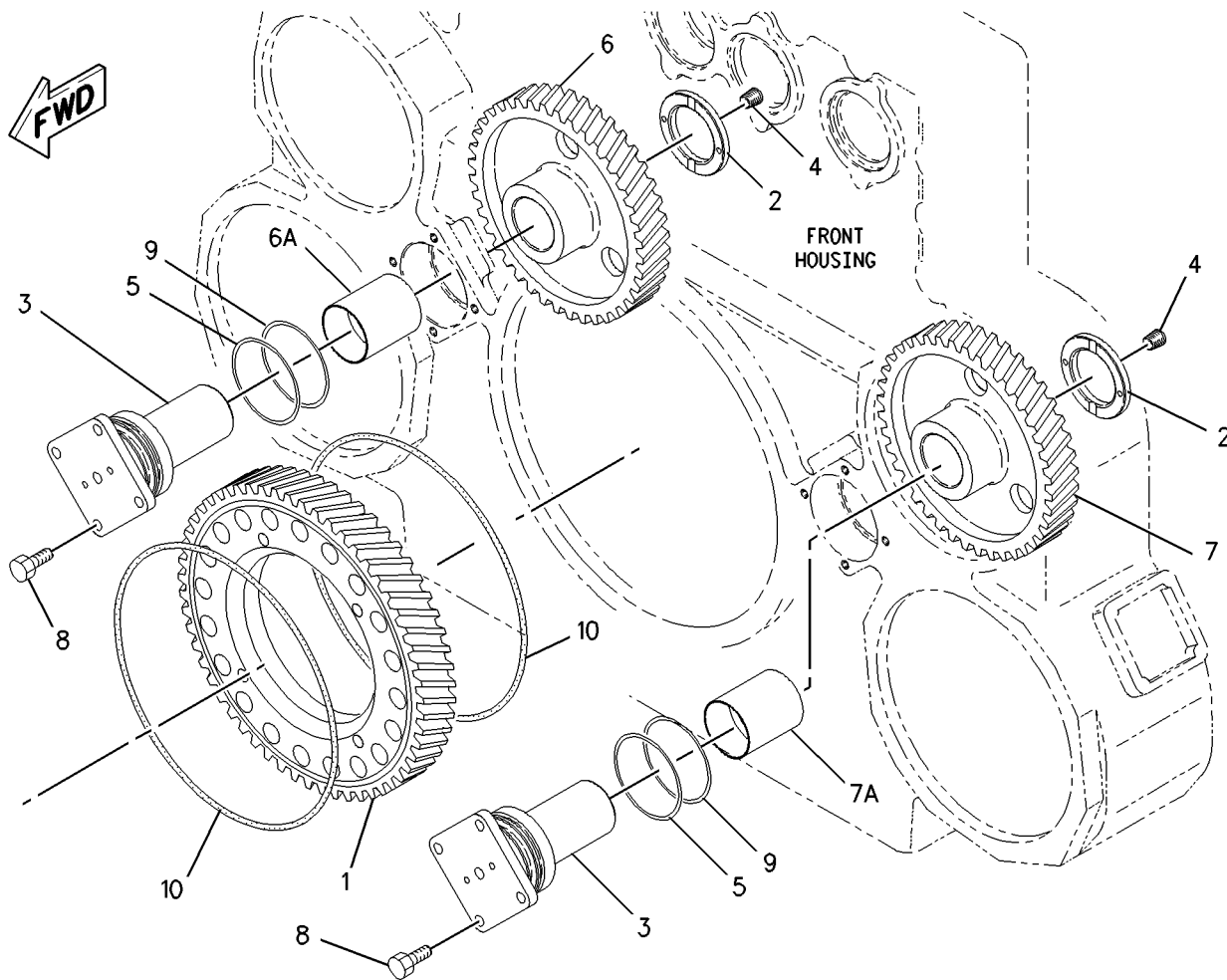
1W-0790 GEAR GP - FRONT (CHG -05 THRU -09)

SMCS-1151, 1162, 1206

i02346055

| NOTE | REF NO | GRAPHIC REF | PART NUMBER | QTY | PART NAME | | | | | | SEE PAGE |
|------|--------|-------------|-------------|-----|----------------------------|---|---|---|---|-------------------|----------|
| | | | | | 1 | 2 | 3 | 4 | 5 | 6 (PRODUCT LEVEL) | |
| | 1 | 1 | 1N-3828 | 1 | GEAR-CRANKSHAFT (96-TEETH) | | | | | | |
| | 2 | 1 | 1N-3834 | 2 | WASHER-THRUST | | | | | | |
| | 3 | 1 | 1N-3842 | 2 | SHAFT-IDLER | | | | | | |
| | 4 | 1 | 3G-7382 | 2 | PLUG-ORIFICE | | | | | | |
| | 5 | 1 | 6V-5052 | 2 | SEAL-O-RING | | | | | | |
| C | 6 | 1 | 180-3864 | 1 | GEAR AS (68-TEETH) | | | | | | |
| | 6A | 1 | 190-6465 | 1 | BEARING | | | | | | |
| C | 7 | 1 | 180-3865 | 1 | GEAR AS (67-TEETH) | | | | | | |
| | 7A | 1 | 190-6465 | 1 | BEARING | | | | | | |
| | 8 | 1 | 0S-1595 | 8 | BOLT (1/2-13X1.25-IN) | | | | | | |
| | 9 | 1 | 5S-9134 | 2 | SEAL-O-RING | | | | | | |
| | 10 | 1 | 6V-5058 | 2 | SEAL-O-RING | | | | | | |

C- CHANGE FROM PREVIOUS TYPE



GRAPHIC #1

<END>

g01140676

BASIC ENGINE

149-0560 GEAR GP - REAR (CHG -00, -00A1, -00B1 THRU -02)

SMCS - 1204

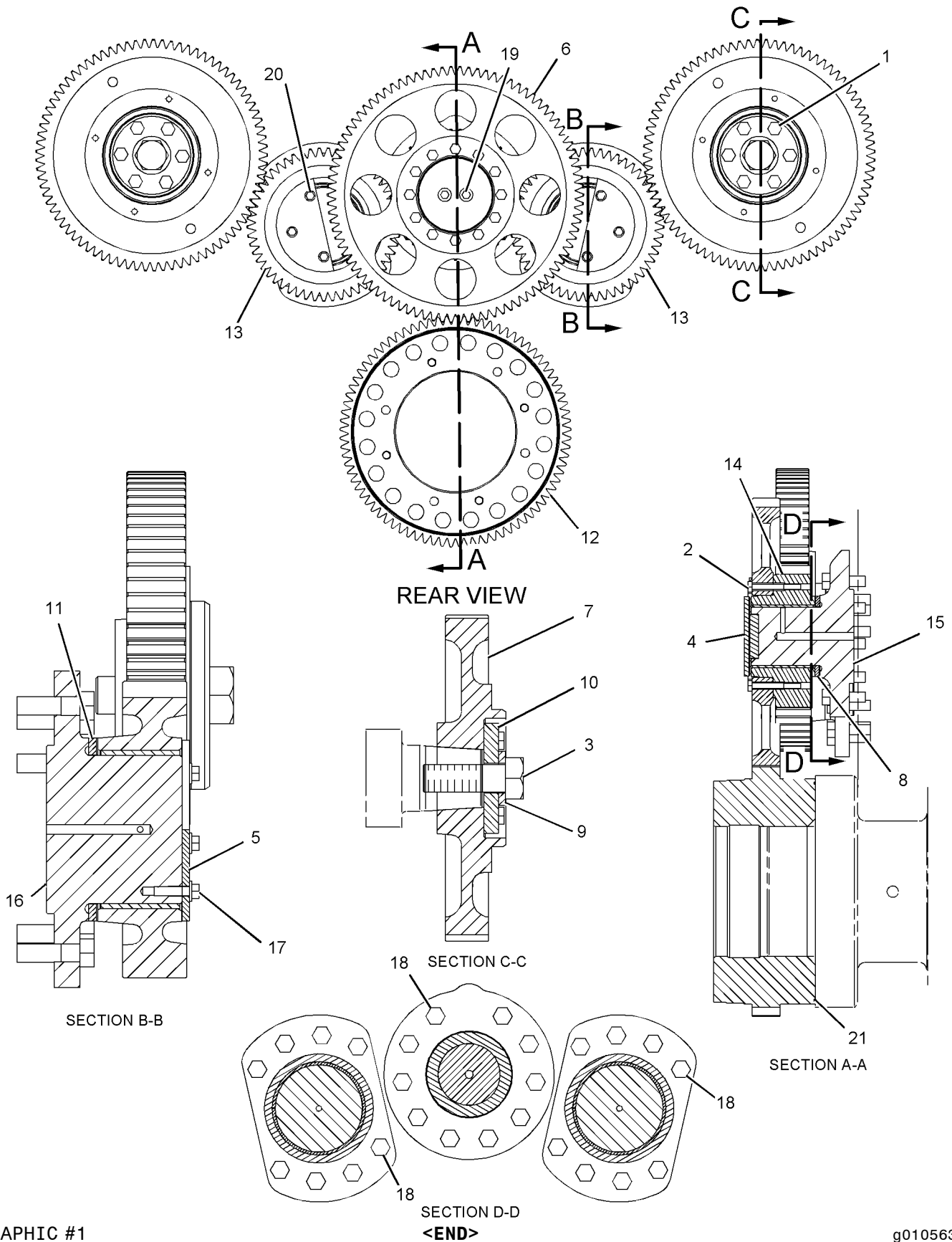
i02061770

| NOTE | REF NO | GRAPHIC REF | PART NUMBER | QTY | PART NAME | | | | | | SEE PAGE |
|------|--------|-------------|-----------------|-----|---------------------------------------|---|---|---|---|-------------------|----------|
| | | | | | 1 | 2 | 3 | 4 | 5 | 6 (PRODUCT LEVEL) | |
| | 1 | 1 | 1A-1135 | 12 | BOLT (5/8-11X2-IN) | | | | | | |
| | 2 | 1 | 1D-4566 | 12 | BOLT (1/2-13X3.5-IN) | | | | | | |
| | 3 | 1 | 1F-6762 | 2 | BOLT (1-1/2-12X4.5-IN) | | | | | | |
| | 4 | 1 | 4P-0294 | 1 | RETAINER | | | | | | |
| | 5 | 1 | 7C-6329 | 2 | RETAINER | | | | | | |
| | 6 | 1 | 7E-7191 | 1 | GEAR-IDLER (90-TEETH) | | | | | | |
| | 7 | 1 | 7E-7196 | 2 | GEAR-CAMSHAFT DRIVE (81-TEETH) | | | | | | |
| | 8 | 1 | 7E-9638 | 1 | WASHER-THRUST (106.5X146X9.6-MM THK) | | | | | | |
| | 9 | 1 | 7W-5033 | 2 | WASHER (41X75X10-MM THK) | | | | | | |
| | 10 | 1 | 7W-5034 | 2 | PLATE | | | | | | |
| | 11 | 1 | 7W-7687 | 2 | WASHER-THRUST (150.5X185X9.60-MM THK) | | | | | | |
| | 12 | 1 | 121-3096 | 1 | GEAR-CRANKSHAFT (81-TEETH) | | | | | | |
| | 13 | 1 | 130-5478 | 2 | GEAR AS (53-TEETH) | | | | | | |
| | | | | | (EACH INCLUDES) | | | | | | |
| | | 1 | 9Y-1539 | 1 | BEARING-SLEEVE | | | | | | |
| | 14 | 1 | 130-5479 | 1 | GEAR AS (45-TEETH) | | | | | | |
| | | 1 | 7E-9692 | 1 | BEARING-SLEEVE | | | | | | |
| | 15 | 1 | 149-0562 | 1 | SHAFT-IDLER | | | | | | |
| | 16 | 1 | 149-0563 | 2 | SHAFT-IDLER | | | | | | |
| | 17 | 1 | 0S-1591 | 6 | BOLT (3/8-16X1.5-IN) | | | | | | |
| | 18 | 1 | 1A-8063 | 26 | BOLT (3/4-10X2.5-IN) | | | | | | |
| | 19 | 1 | 3B-1915 | 2 | BOLT (3/8-16X1-3/8-IN) | | | | | | |
| | 20 | 1 | 3V-3308 | 6 | WASHER-HARD (10.2X20.5X2.5-MM THK) | | | | | | |
| | 21 | 1 | 6V-5058 | 1 | SEAL-O-RING | | | | | | |

BASIC ENGINE

149-0560 GEAR GP - REAR (contd.)

i02061770



GRAPHIC #1

<END>

g01056399

BASIC ENGINE

289 - 9979 GEAR GP - REAR (CHG -00 THRU -02)

SMCS - 1204

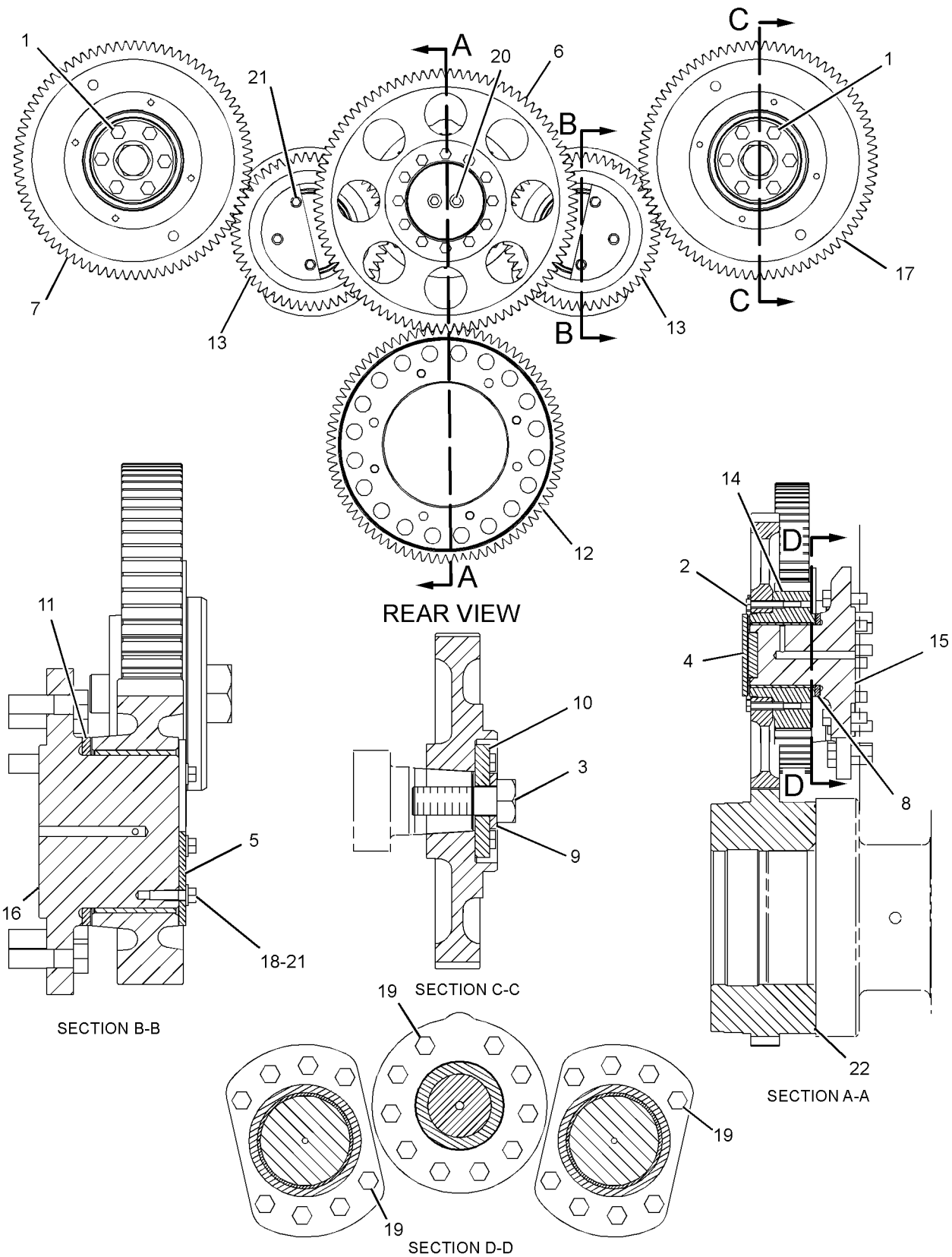
i02565301

| NOTE | REF NO | GRAPHIC REF | PART NUMBER | QTY | PART NAME | | | | | | SEE PAGE |
|------|--------|-------------|-----------------|-----|---------------------------------------|---|---|---|---|-------------------|----------|
| | | | | | 1 | 2 | 3 | 4 | 5 | 6 (PRODUCT LEVEL) | |
| | 1 | 1 | 1A-1135 | 12 | BOLT (5/8-11X2-IN) | | | | | | |
| | 2 | 1 | 1D-4566 | 12 | BOLT (1/2-13X3.5-IN) | | | | | | |
| | 3 | 1 | 1F-6762 | 2 | BOLT (1-1/2-12X4.5-IN) | | | | | | |
| | 4 | 1 | 4P-0294 | 1 | RETAINER | | | | | | |
| | 5 | 1 | 7C-6329 | 2 | RETAINER | | | | | | |
| | 6 | 1 | 7E-7191 | 1 | GEAR-IDLER (90-TEETH) | | | | | | |
| | 7 | 1 | 7E-7196 | 1 | GEAR-CAMSHAFT DRIVE (81-TEETH) | | | | | | |
| | 8 | 1 | 7E-9638 | 1 | WASHER-THRUST (106.5X146X9.6-MM THK) | | | | | | |
| | 9 | 1 | 7W-5033 | 2 | WASHER (41X75X10-MM THK) | | | | | | |
| | 10 | 1 | 7W-5034 | 2 | PLATE | | | | | | |
| | 11 | 1 | 7W-7687 | 2 | WASHER-THRUST (150.5X185X9.60-MM THK) | | | | | | |
| | 12 | 1 | 121-3096 | 1 | GEAR-CRANKSHAFT (81-TEETH) | | | | | | |
| | 13 | 1 | 130-5478 | 2 | GEAR AS (53-TEETH) | | | | | | |
| | | | | | (EACH INCLUDES) | | | | | | |
| | | 1 | 9Y-1539 | 1 | BEARING-SLEEVE | | | | | | |
| | 14 | 1 | 130-5479 | 1 | GEAR AS (45-TEETH) | | | | | | |
| | | 1 | 7E-9692 | 1 | BEARING-SLEEVE | | | | | | |
| | 15 | 1 | 149-0562 | 1 | SHAFT-IDLER | | | | | | |
| | 16 | 1 | 149-0563 | 2 | SHAFT-IDLER | | | | | | |
| | 17 | 1 | 284-8909 | 1 | GEAR-CAMSHAFT (81-TEETH) (DRIVE) | | | | | | |
| | 18 | 1 | 0S-1591 | 6 | BOLT (3/8-16X1.5-IN) | | | | | | |
| | 19 | 1 | 1A-8063 | 26 | BOLT (3/4-10X2.5-IN) | | | | | | |
| | 20 | 1 | 3B-1915 | 2 | BOLT (3/8-16X1.375-IN) | | | | | | |
| | 21 | 1 | 3V-3308 | 6 | WASHER-HARD (10.2X20.5X2.5-MM THK) | | | | | | |
| | 22 | 1 | 6V-5058 | 1 | SEAL-O-RING | | | | | | |

BASIC ENGINE

289 - 9979 GEAR GP - REAR (contd.)

i02565301



GRAPHIC #1

<END>

g01285308

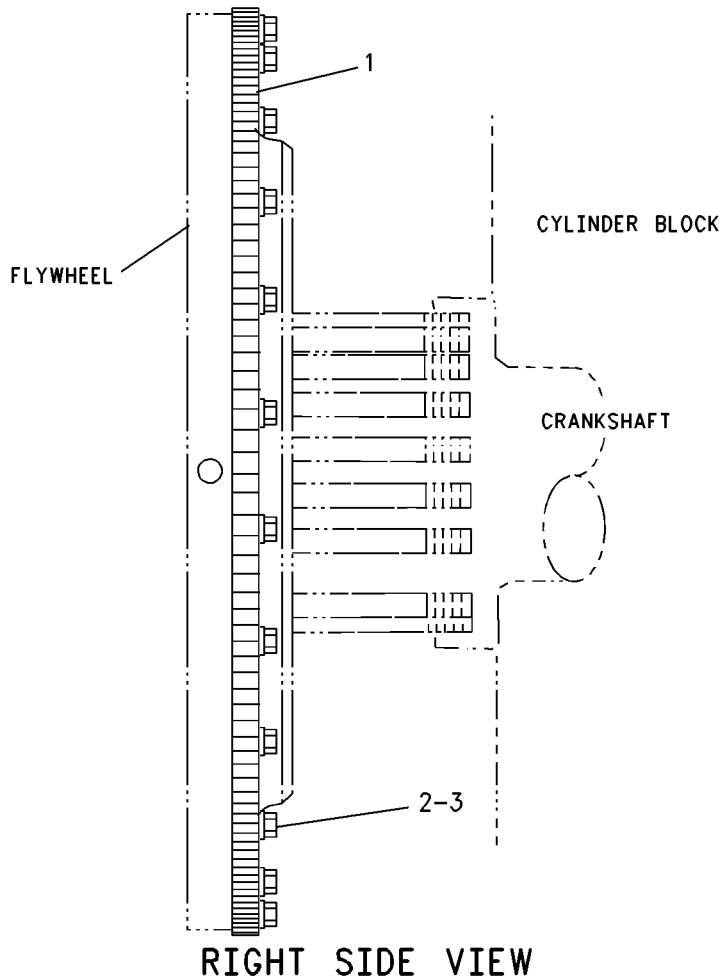
BASIC ENGINE

9Y-1851 GEAR GP-RING (CHG -00, -01) STARTER-STANDARD ROTATION

SMCS-1158

i02337579

| NOTE | REF NO | GRAPHIC REF | PART NUMBER | QTY | PART NAME | | | | | | SEE PAGE |
|------|--------|-------------|-------------|-----|------------------------------------|---|---|---|---|-------------------|----------|
| | | | | | 1 | 2 | 3 | 4 | 5 | 6 (PRODUCT LEVEL) | |
| | 1 | 1 | 9Y-5535 | 1 | GEAR (255-TEETH) | | | | | | |
| | 2 | 1 | OS-1590 | 24 | BOLT (3/8-16X2-IN) | | | | | | |
| | 3 | 1 | 3V-3308 | 24 | WASHER-HARD (10.2X20.5X2.5-MM THK) | | | | | | |



RIGHT SIDE VIEW

GRAPHIC #1

<END>

g00774877

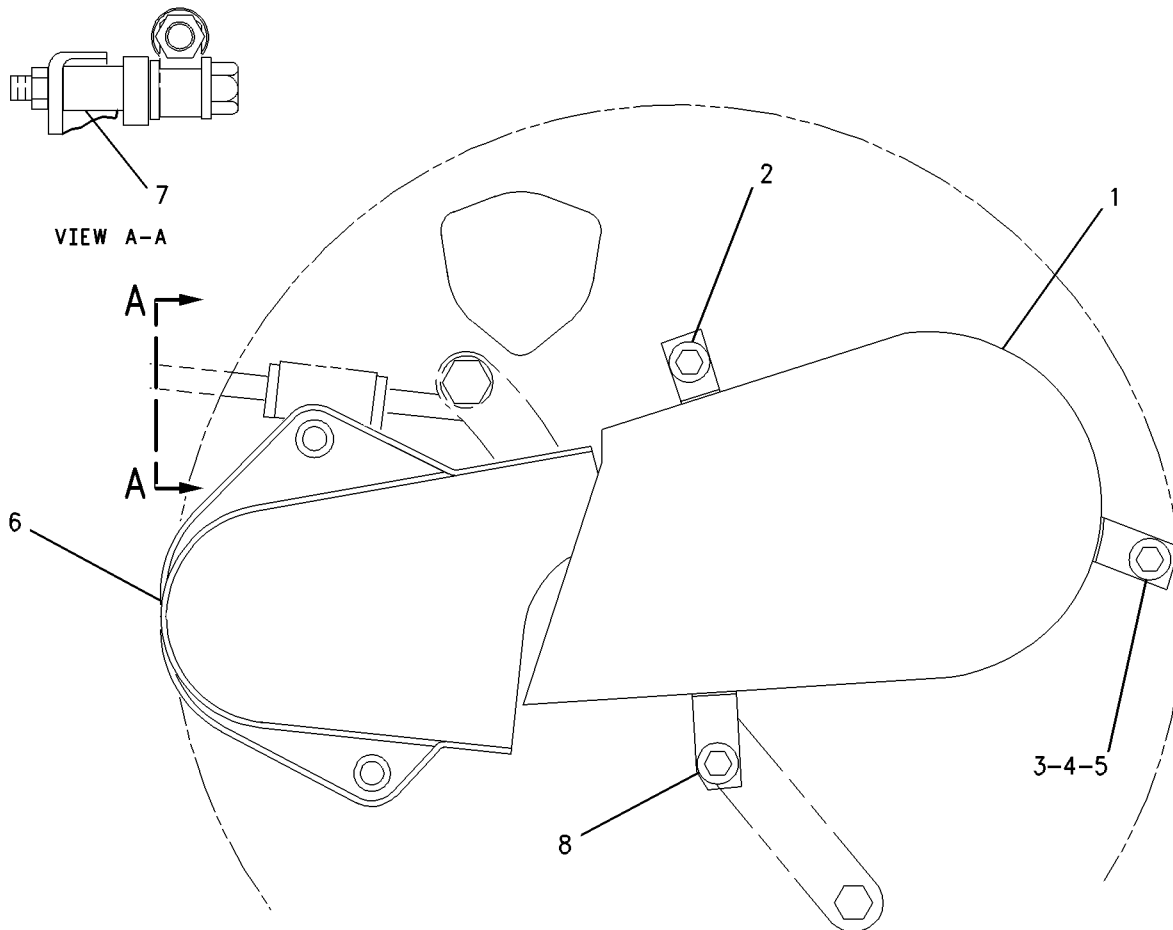
BASIC ENGINE

7E-6483 GUARD GP - BELT (CHG -00 THRU -02, -02D1, -02D2, -03)

SMCS-7174

i02585436

| NOTE | REF NO | GRAPHIC REF | PART NUMBER | QTY | PART NAME | | | | | | SEE PAGE |
|------|--------|-------------|-------------|-----|--------------------------------|---|---|---|---|-------------------|----------|
| | | | | | 1 | 2 | 3 | 4 | 5 | 6 (PRODUCT LEVEL) | |
| | 1 | 1 | 7E-6482 | 1 | GUARD AS-ALTERNATOR | | | | | | |
| | 2 | 1 | 0S-1594 | 1 | BOLT (3/8-16X1-IN) | | | | | | |
| | 3 | 1 | 9L-9132 | 3 | WASHER (10.2X25.5X2.5-MM THK) | | | | | | |
| | 4 | 1 | 0S-1571 | 1 | BOLT (3/8-16X1.75-IN) | | | | | | |
| | 5 | 1 | 1B-4971 | 1 | SPACER (0.406X1X1-IN THK) | | | | | | |
| | 6 | 1 | 288-6174 | 1 | GUARD AS-ALTERNATOR | | | | | | |
| | 7 | 1 | 278-0535 | 2 | SPACER (13.87X21.34X11-MM THK) | | | | | | |
| | 8 | 1 | 0S-1588 | 1 | BOLT (3/8-16X1.25-IN) | | | | | | |



REAR VIEW

GRAPHIC #1

<END>

g00813355

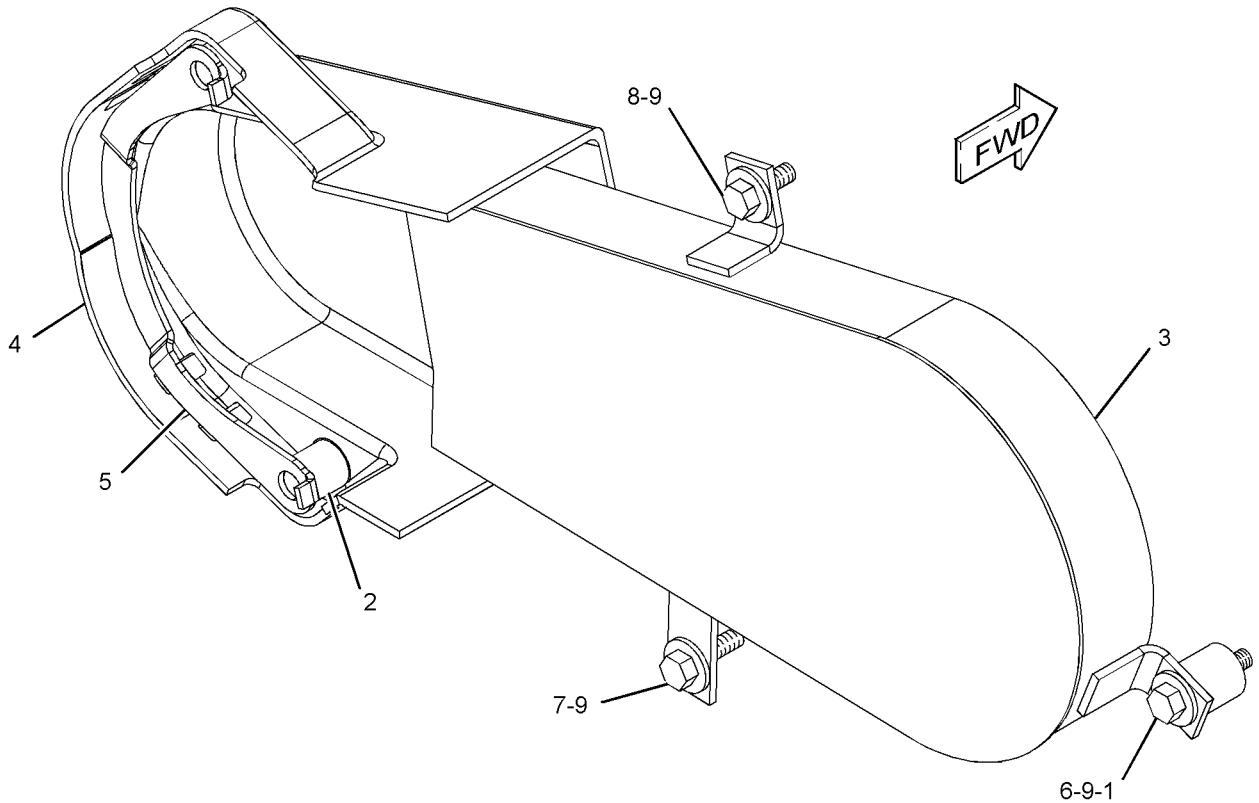
BASIC ENGINE

275 - 7728 GUARD GP - BELT (CHG -00 THRU -02) FOR USE WITH 144-MM DIAMETER CHARGING ALTERNATOR

SMCS-7174

i02765461

| NOTE | REF NO | GRAPHIC REF | PART NUMBER | QTY | PART NAME | | | | | | SEE PAGE |
|------|--------|-------------|-----------------|-----|-------------------------------|---|---|---|---|-------------------|----------|
| | | | | | 1 | 2 | 3 | 4 | 5 | 6 (PRODUCT LEVEL) | |
| | 1 | 1 | 1B-4971 | 1 | SPACER (0.406X1X1 - IN THK) | | | | | | |
| | 2 | 1 | 211-5941 | 2 | SPACER (17.6X21.3X8-MM THK) | | | | | | |
| | 3 | 1 | 7E-6482 | 1 | GUARD AS-ALTERNATOR | | | | | | |
| | 4 | 1 | 288-6174 | 1 | GUARD AS-ALTERNATOR | | | | | | |
| | 5 | 1 | 268-5727 | 1 | PLATE AS | | | | | | |
| | 6 | 1 | 0S-1571 | 1 | BOLT (3/8-16X1.75-IN) | | | | | | |
| | 7 | 1 | 0S-1588 | 1 | BOLT (3/8-16X1.25-IN) | | | | | | |
| | 8 | 1 | 0S-1594 | 1 | BOLT (3/8-16X1-IN) | | | | | | |
| | 9 | 1 | 9L-9132 | 3 | WASHER (10.2X25.5X2.5-MM THK) | | | | | | |



GRAPHIC #1

<END>

g01166582

BASIC ENGINE

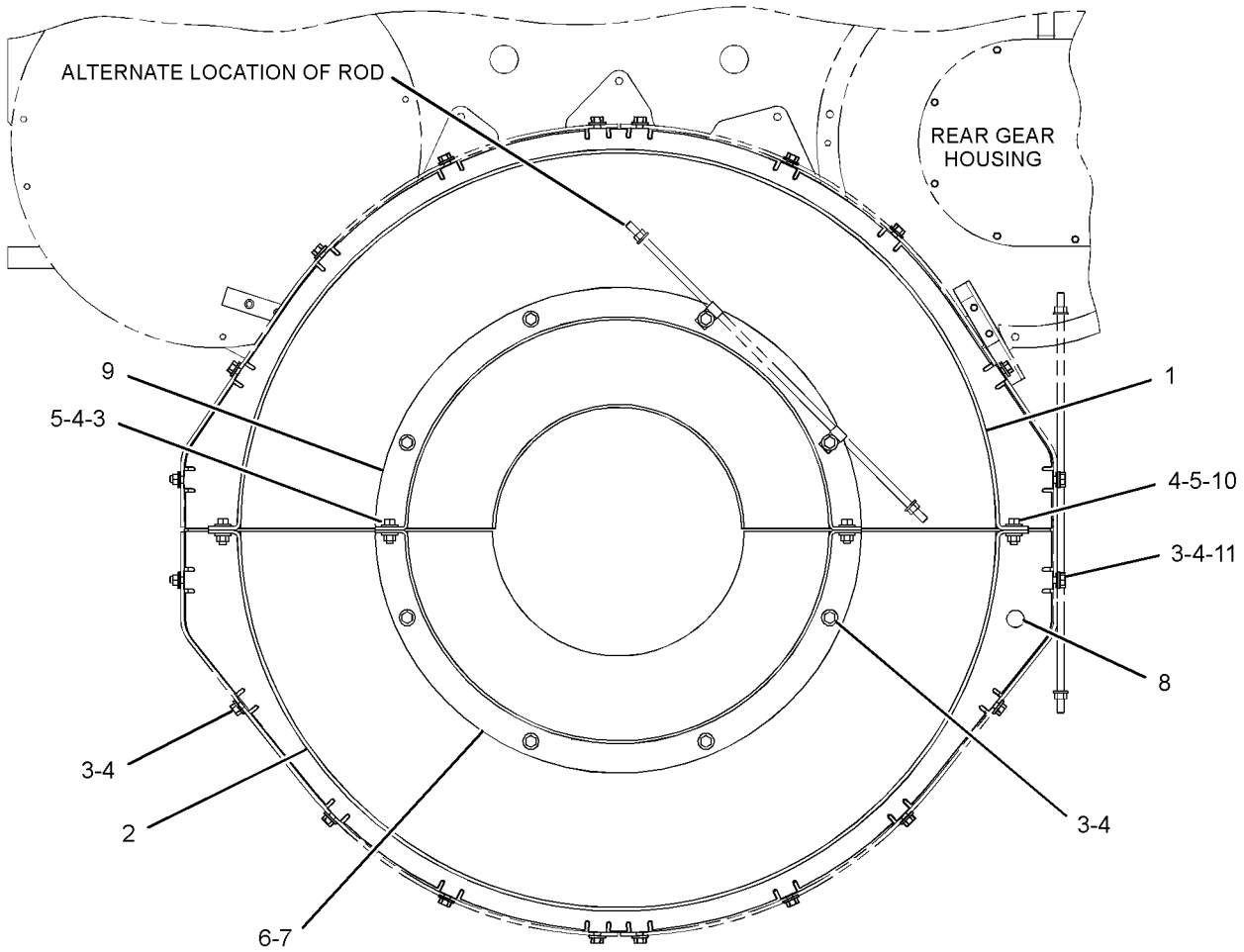
119-0805 GUARD GP-COUPLING (CHG -01 THRU -05) TWO BEARING

SMCS-3279

i02861344

| NOTE | REF NO | GRAPHIC REF | PART NUMBER | QTY | PART NAME | | | | | | SEE PAGE |
|------|--------|-------------|-------------|-----|----------------------------------|---|---|---|---|-------------------|----------|
| | | | | | 1 | 2 | 3 | 4 | 5 | 6 (PRODUCT LEVEL) | |
| | 1 | 1 | 119-0164 | 1 | GUARD AS | | | | | | |
| | | 1 | 1F-0750 | 14 | NUT-WELD (3/8-16-THD) | | | | | | |
| | 2 | 1 | 119-0165 | 1 | GUARD AS | | | | | | |
| | | 1 | 1F-0750 | 14 | NUT-WELD (3/8-16-THD) | | | | | | |
| | 3 | 1 | 0S-1594 | 34 | BOLT (3/8-16X1-IN) | | | | | | |
| | 4 | 1 | 5P-1075 | 52 | WASHER-HARD (10.2X22.5X3-MM THK) | | | | | | |
| | 5 | 1 | 9S-8752 | 12 | NUT-FULL (3/8-16-THD) | | | | | | |
| | 6 | 1 | 4P-6973 | 2 | GUARD AS (INSIDE) | | | | | | |
| | 7 | 1 | 4P-6974 | 1 | GUARD AS (OUTSIDE) | | | | | | |
| | 8 | 1 | 4H-3001 | 1 | PLUG-BUTTON | | | | | | |
| | 9 | 1 | 6I-1944 | 1 | GUARD AS (OUTSIDE) | | | | | | |
| | 10 | 1 | 1A-2029 | 6 | BOLT (3/8-16X1.125-IN) | | | | | | |
| B | 11 | 1 | 5P-9085 | 2 | CLIP | | | | | | |

B-USE AS REQUIRED



REAR VIEW OF ENGINE
<END>

GRAPHIC #1

g01425949

BASIC ENGINE

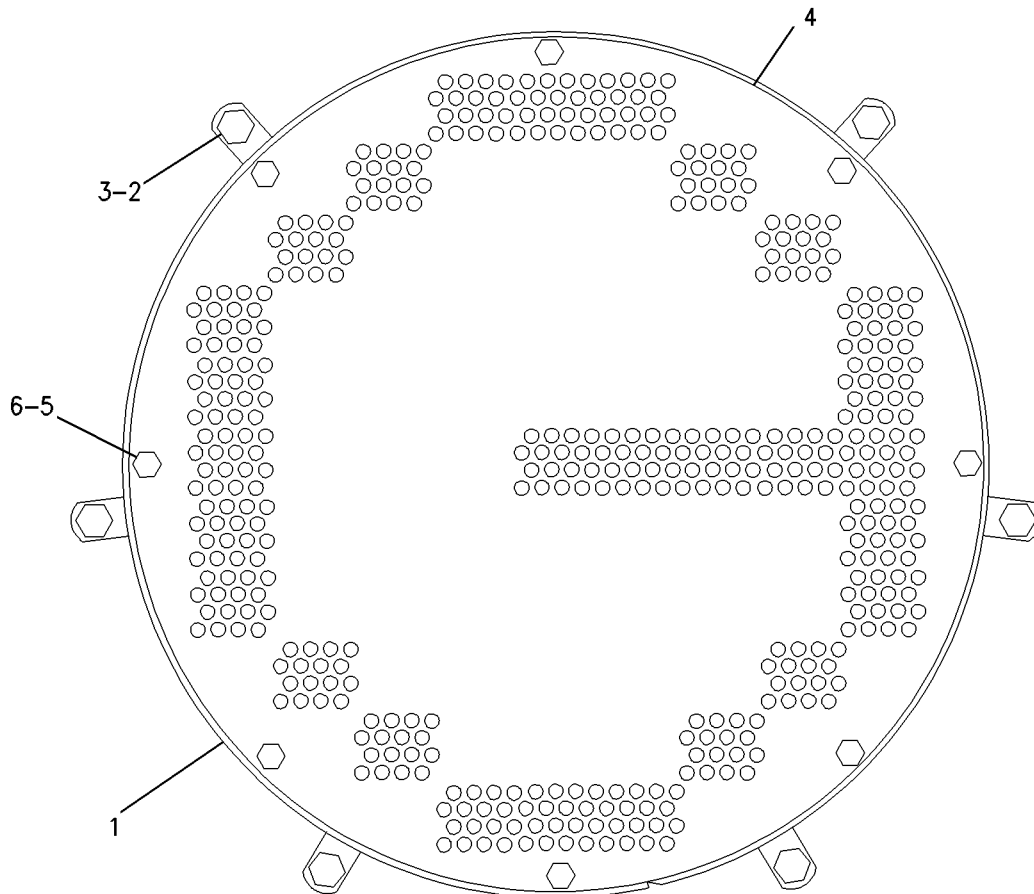
1W-0920 GUARD GP - DAMPER (CHG -00, -00A1, -00B1 THRU -02)

SMCS - 1205

i01678450

| NOTE | REF NO | GRAPHIC REF | PART NUMBER | QTY | PART NAME | | | | | | SEE PAGE |
|------|--------|-------------|-------------|-----|------------------------------------|---|---|---|---|-------------------|----------|
| | | | | | 1 | 2 | 3 | 4 | 5 | 6 (PRODUCT LEVEL) | |
| C | 1 | 1 | 9Y-1850 | 1 | DAMPER & GUARD AS | | | | | | |
| | 2 | 1 | 0S-1621 | 6 | BOLT (1/2-13X1-IN) | | | | | | |
| | 3 | 1 | 5P-8245 | 6 | WASHER-HARD (13.5X25.5X3-MM THK) | | | | | | |
| | 4 | 1 | 2W-3842 | 1 | COVER | | | | | | |
| | 5 | 1 | 0S-1594 | 8 | BOLT (3/8-16X1-IN) | | | | | | |
| | 6 | 1 | 3V-3308 | 8 | WASHER-HARD (10.2X20.5X2.5-MM THK) | | | | | | |

C- CHANGE FROM PREVIOUS TYPE



FRONT VIEW

GRAPHIC #1

<END>

g00866141

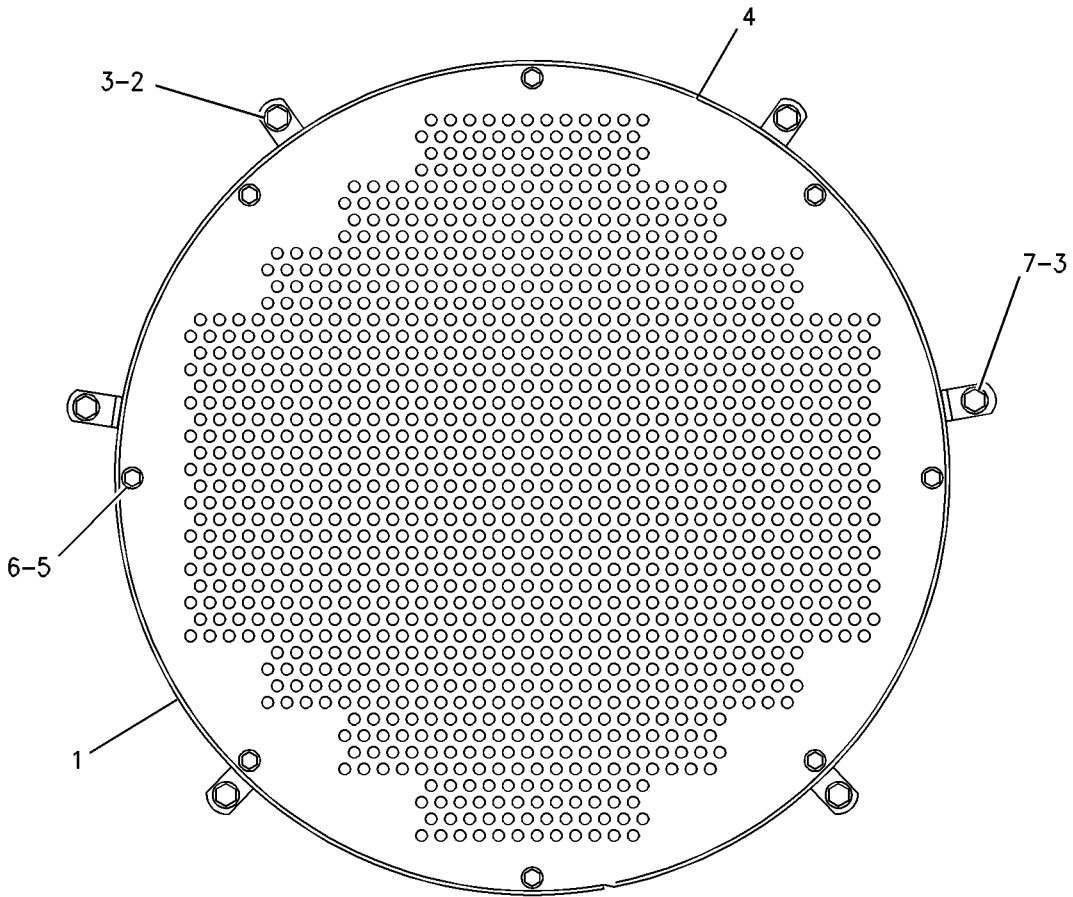
BASIC ENGINE

7W-6582 GUARD GP - DAMPER (CHG -00 THRU -03, -03D1, -03D2, -03D3, -03D4) 30 INCH SINGLE

SMCS - 1205

i01981625

| NOTE | REF NO | GRAPHIC REF | PART NUMBER | QTY | PART NAME | | | | | | SEE PAGE |
|------|--------|-------------|-------------|-----|------------------------------------|---|---|---|---|-------------------|----------|
| | | | | | 1 | 2 | 3 | 4 | 5 | 6 (PRODUCT LEVEL) | |
| | 1 | 1 | 9Y-1854 | 1 | DAMPER & GUARD AS | | | | | | |
| | 2 | 1 | 0S-1621 | 4 | BOLT (1/2-13X1-IN) | | | | | | |
| | 3 | 1 | 5P-8245 | 6 | WASHER-HARD (13.5X25.5X3-MM THK) | | | | | | |
| | 4 | 1 | 7W-7096 | 1 | COVER | | | | | | |
| | 5 | 1 | 0S-1594 | 8 | BOLT (3/8-16X1-IN) | | | | | | |
| | 6 | 1 | 3V-3308 | 8 | WASHER-HARD (10.2X20.5X2.5-MM THK) | | | | | | |
| | 7 | 1 | 0S-1585 | 2 | BOLT (1/2-13X1.5-IN) | | | | | | |



FRONT VIEW

<END>

GRAPHIC #1

g00801955

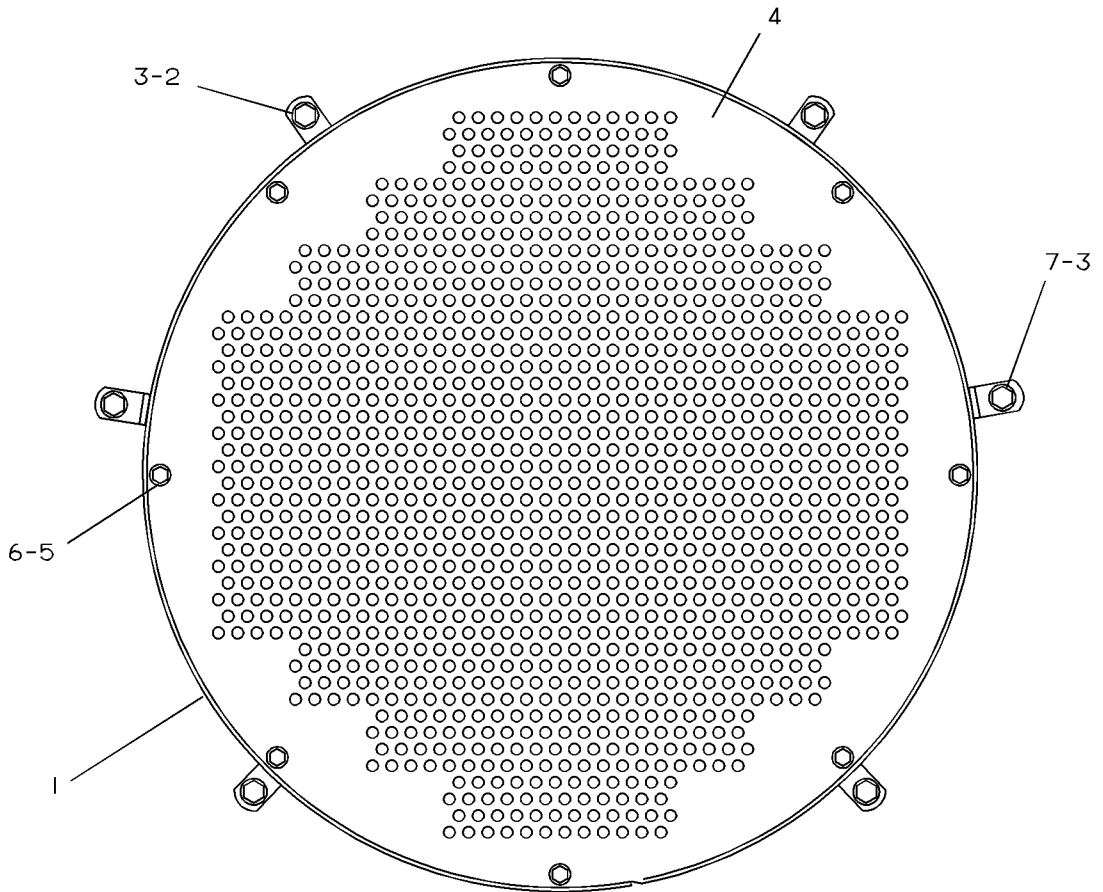
BASIC ENGINE

9Y-1614 GUARD GP - DAMPER (CHG -00 THRU -02, -02D1) DOUBLE WIDE FINNED

SMCS-1205

i01692828

| NOTE | REF NO | GRAPHIC REF | PART NUMBER | QTY | PART NAME | | | | | | SEE PAGE |
|------|--------|-------------|-------------|-----|------------------------------------|---|---|---|---|-------------------|----------|
| | | | | | 1 | 2 | 3 | 4 | 5 | 6 (PRODUCT LEVEL) | |
| | 1 | 1 | 9Y-1615 | 1 | DAMPER & GUARD AS | | | | | | |
| | 2 | 1 | 0S-1621 | 4 | BOLT (1/2-13X1-IN) | | | | | | |
| | 3 | 1 | 5P-8245 | 6 | WASHER-HARD (13.5X25.5X3-MM THK) | | | | | | |
| | 4 | 1 | 7W-7096 | 1 | COVER | | | | | | |
| | 5 | 1 | 0S-1594 | 8 | BOLT (3/8-16X1-IN) | | | | | | |
| | 6 | 1 | 3V-3308 | 8 | WASHER-HARD (10.2X20.5X2.5-MM THK) | | | | | | |
| | 7 | 1 | 0S-1585 | 2 | BOLT (1/2-13X1.5-IN) | | | | | | |



GRAPHIC #1

<END>

g00064180

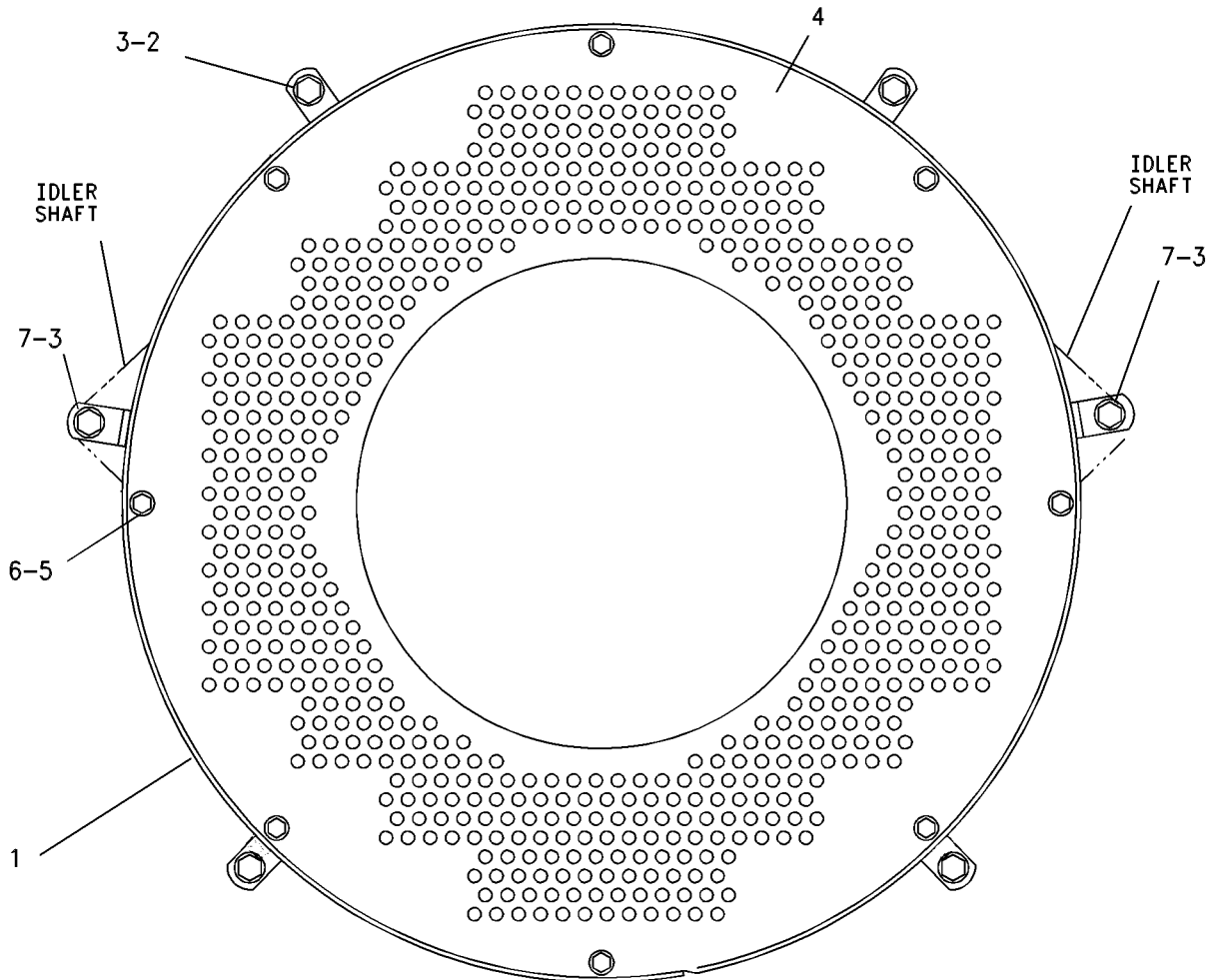
BASIC ENGINE

9Y-5950 GUARD GP-DAMPER (CHG -00, -01) DOUBLE WIDE FINNED

SMCS-1205

i01692837

| NOTE | REF NO | GRAPHIC REF | PART NUMBER | QTY | PART NAME | | | | | | SEE PAGE |
|------|--------|-------------|-------------|-----|------------------------------------|---|---|---|---|-------------------|----------|
| | | | | | 1 | 2 | 3 | 4 | 5 | 6 (PRODUCT LEVEL) | |
| | 1 | 1 | 9Y-1615 | 1 | DAMPER & GUARD AS | | | | | | |
| | 2 | 1 | 0S-1621 | 4 | BOLT (1/2-13X1-IN) | | | | | | |
| | 3 | 1 | 5P-8245 | 6 | WASHER-HARD (13.5X25.5X3-MM THK) | | | | | | |
| | 4 | 1 | 9Y-0589 | 1 | COVER | | | | | | |
| | 5 | 1 | 0S-1594 | 8 | BOLT (3/8-16X1-IN) | | | | | | |
| | 6 | 1 | 3V-3308 | 8 | WASHER-HARD (10.2X20.5X2.5-MM THK) | | | | | | |
| | 7 | 1 | 0S-1585 | 2 | BOLT (1/2-13X1.5-IN) | | | | | | |



GRAPHIC #1

<END>

g00281353

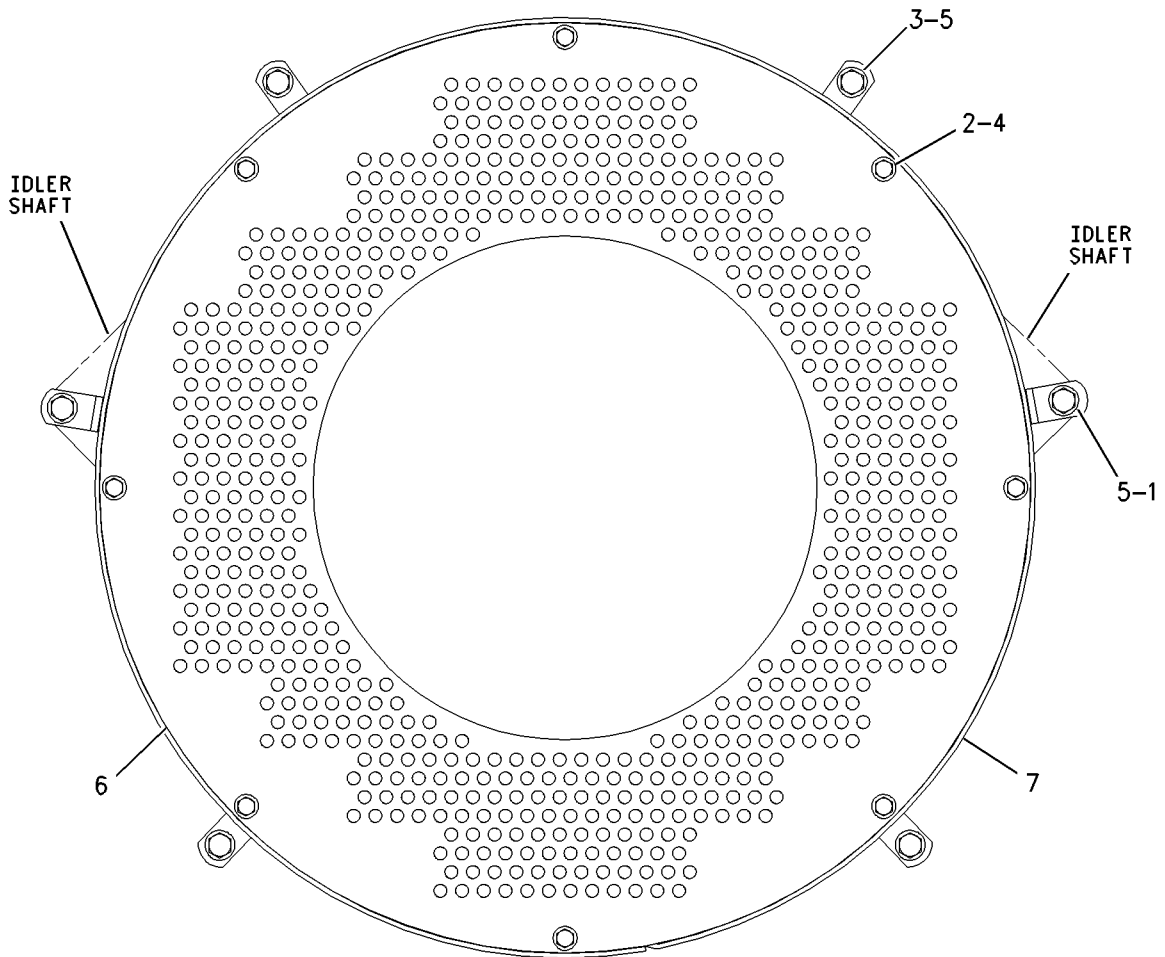
BASIC ENGINE

133-4671 GUARD GP - DAMPER (CHG -00) 30 INCH WIDE

SMCS - 1205

i01563067

| NOTE | REF NO | GRAPHIC REF | PART NUMBER | QTY | PART NAME | | | | | | SEE PAGE |
|------|--------|-------------|----------------|-----|------------------------------------|---|---|---|---|-------------------|----------|
| | | | | | 1 | 2 | 3 | 4 | 5 | 6 (PRODUCT LEVEL) | |
| | 1 | 1 | OS-1585 | 2 | BOLT (1/2-13X1.5-IN) | | | | | | |
| | 2 | 1 | OS-1594 | 8 | BOLT (3/8-16X1-IN) | | | | | | |
| | 3 | 1 | OS-1621 | 4 | BOLT (1/2-13X1-IN) | | | | | | |
| | 4 | 1 | 3V-3308 | 8 | WASHER-HARD (10.2X20.5X2.5-MM THK) | | | | | | |
| | 5 | 1 | 5P-8245 | 6 | WASHER-HARD (13.5X25.5X3-MM THK) | | | | | | |
| | 6 | 1 | 9Y-0589 | 1 | COVER | | | | | | |
| | 7 | 1 | 9Y-1854 | 1 | DAMPER & GUARD AS | | | | | | |



FRONT VIEW

<END>

GRAPHIC #1

g00811862

BASIC ENGINE

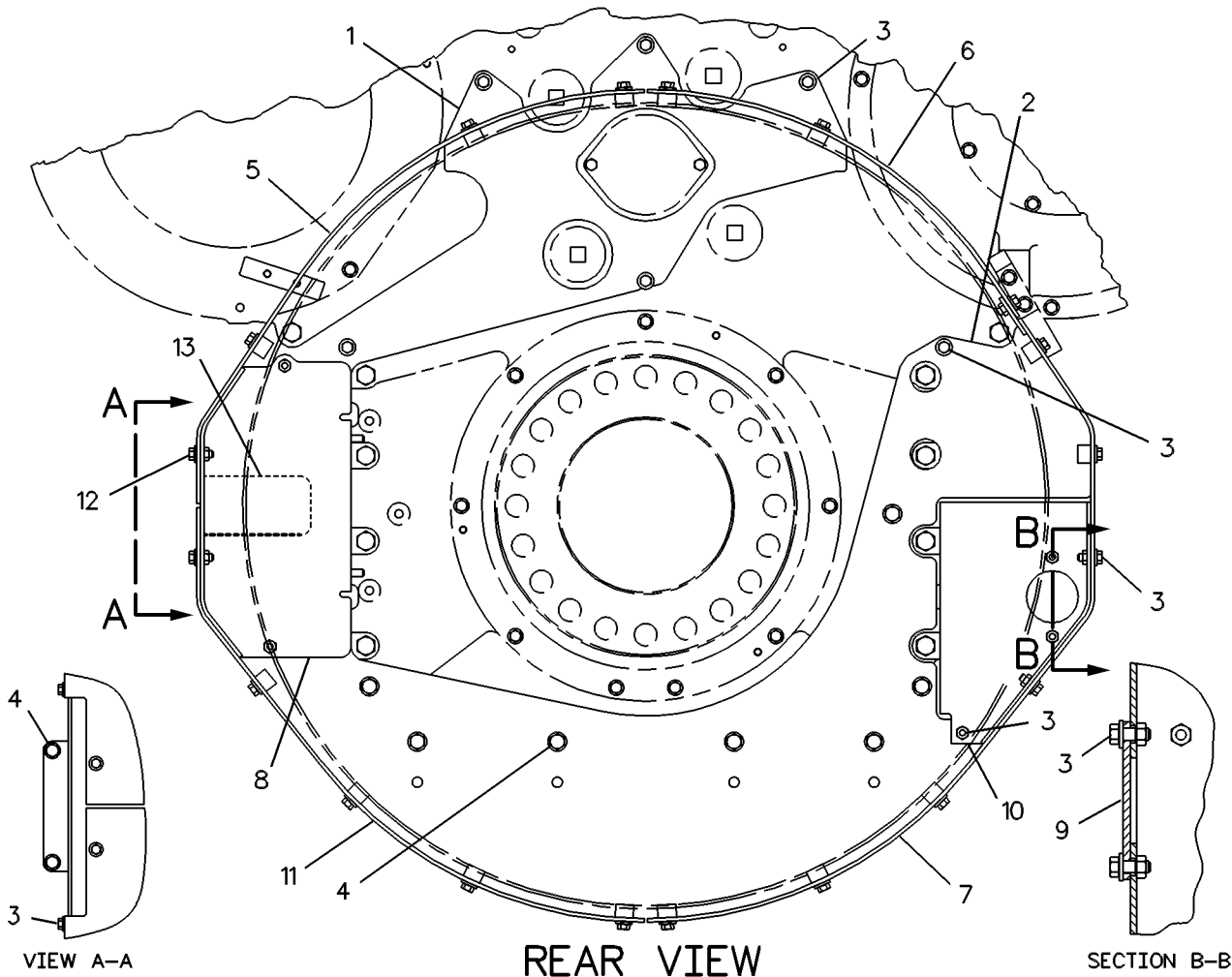
4P-6963 GUARD GP-FLYWHEEL (CHG -00, -01)

SMCS-1156, 7187

i02229202

| NOTE | REF NO | GRAPHIC REF | PART NUMBER | QTY | PART NAME | | | | | | SEE PAGE |
|------|--------|-------------|----------------|-----|----------------------------------|---|---|---|---|-------------------|----------|
| | | | | | 1 | 2 | 3 | 4 | 5 | 6 (PRODUCT LEVEL) | |
| | 1 | 1 | 4W-9686 | 1 | PLATE AS-BACKING (UPPER, REAR) | | | | | | |
| | 2 | 1 | 7W-9135 | 1 | PLATE AS-BACKING (LOWER, REAR) | | | | | | |
| | 3 | 1 | 5P-1075 | 30 | WASHER-HARD (10.2X22.5X3-MM THK) | | | | | | |
| | | 1 | 0S-1594 | 30 | BOLT (3/8-16X1-IN) | | | | | | |
| | 4 | 1 | 0S-1621 | 9 | BOLT (1/2-13X1-IN) | | | | | | |
| | | 1 | 5P-8245 | 9 | WASHER-HARD (13.5X25.5X3-MM THK) | | | | | | |
| | 5 | 1 | 4P-6967 | 1 | PLATE | | | | | | |
| | 6 | 1 | 4P-6964 | 1 | PLATE (UPPER, RH) | | | | | | |
| | 7 | 1 | 4P-6965 | 1 | PLATE AS (LOWER, RH) | | | | | | |
| | | 1 | 1F-0750 | 1 | NUT-WELD (3/8-16-THD) | | | | | | |
| | 8 | 1 | 4W-9690 | 1 | COVER AS-STARTING MOTOR | | | | | | |
| | | 1 | 1F-0750 | 4 | NUT-WELD (3/8-16-THD) | | | | | | |
| | 9 | 1 | 8F-5093 | 1 | COVER-STARTING MOTOR | | | | | | |
| | 10 | 1 | 9Y-9333 | 1 | COVER AS (RH) | | | | | | |
| | | 1 | 1F-0750 | 5 | NUT-WELD (3/8-16-THD) | | | | | | |
| | 11 | 1 | 7C-2885 | 1 | PLATE | | | | | | |
| B | 12 | 1 | 5P-1075 | 2 | WASHER-HARD (10.2X22.5X3-MM THK) | | | | | | |
| B | | 1 | 9S-8752 | 2 | NUT-FULL (3/8-16-THD) | | | | | | |
| B | 13 | 1 | 4P-6996 | 1 | COVER AS | | | | | | |
| | | 1 | 9D-4439 | 2 | STUD-WELD (3/8-16X1-IN) | | | | | | |

B-USE AS REQUIRED



GRAPHIC #1

g00066690

BASIC ENGINE

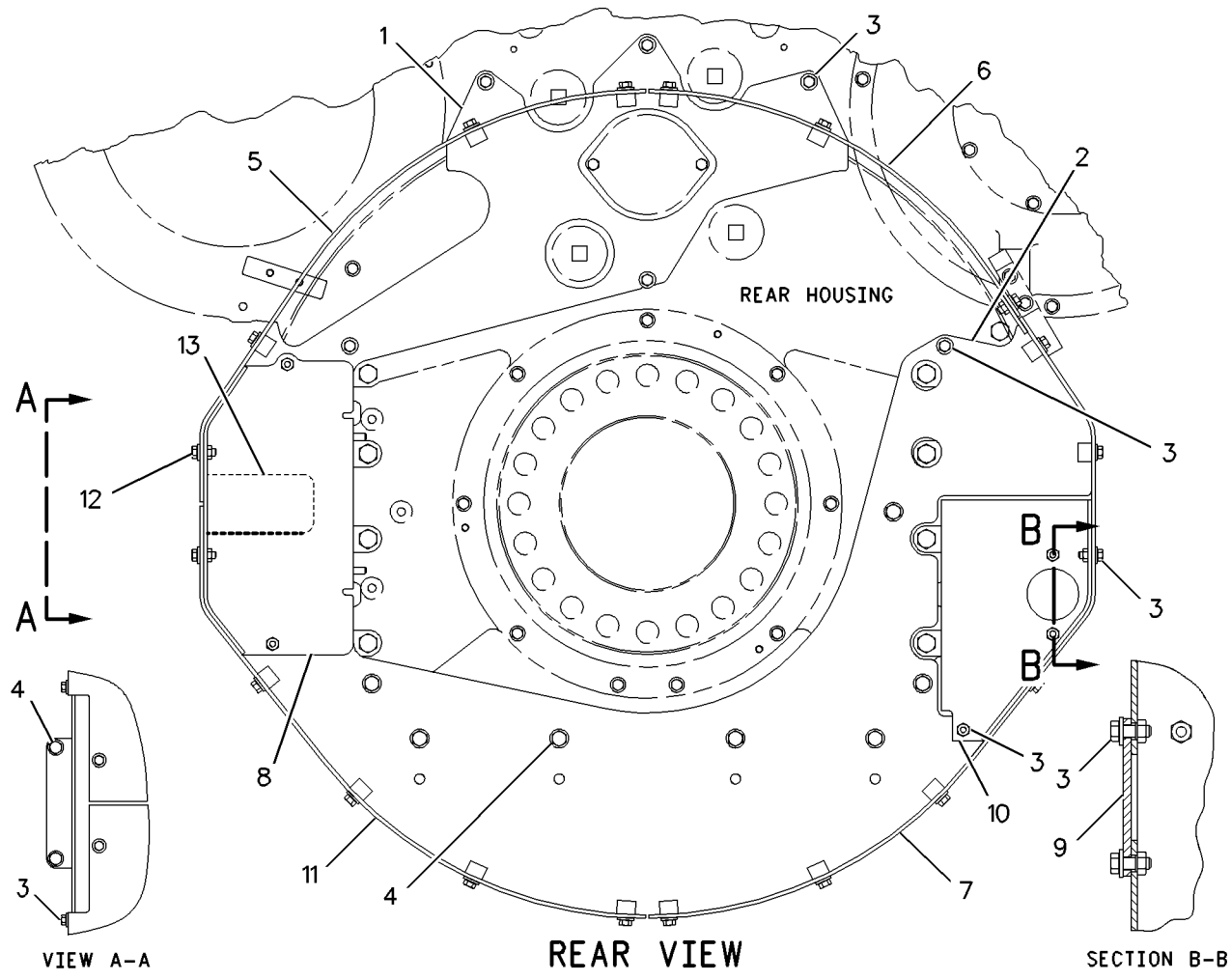
132-5782 GUARD GP-FLYWHEEL (CHG -00)

SMCS-1156, 7187

i01458830

| NOTE | REF NO | GRAPHIC REF | PART NUMBER | QTY | PART NAME | | | | | | SEE PAGE |
|------|--------|-------------|-------------|-----|----------------------------------|---|---|---|---|-------------------|----------|
| | | | | | 1 | 2 | 3 | 4 | 5 | 6 (PRODUCT LEVEL) | |
| | 1 | 1 | 4W-9686 | 1 | PLATE AS-BACKING (UPPER, REAR) | | | | | | |
| | 2 | 1 | 7W-9135 | 1 | PLATE AS-BACKING (LOWER, REAR) | | | | | | |
| | 3 | 1 | 5P-1075 | 31 | WASHER-HARD (10.2X22.5X3-MM THK) | | | | | | |
| | | 1 | 0S-1594 | 31 | BOLT (3/8-16X1-IN) | | | | | | |
| | 4 | 1 | 0S-1621 | 9 | BOLT (1/2-13X1-IN) | | | | | | |
| | | 1 | 5P-8245 | 9 | WASHER-HARD (13.5X25.5X3-MM THK) | | | | | | |
| | 5 | 1 | 132-5777 | 1 | PLATE | | | | | | |
| | 6 | 1 | 132-5779 | 1 | PLATE | | | | | | |
| | 7 | 1 | 132-5778 | 1 | PLATE AS | | | | | | |
| | | 1 | 1F-0750 | 2 | NUT-WELD (3/8-16-THD) | | | | | | |
| | 8 | 1 | 4W-9690 | 1 | COVER AS-STARTING MOTOR | | | | | | |
| | | 1 | 1F-0750 | 4 | NUT-WELD (3/8-16-THD) | | | | | | |
| | 9 | 1 | 8F-5093 | 1 | COVER-STARTING MOTOR | | | | | | |
| | 10 | 1 | 9Y-9333 | 1 | COVER AS (RH) | | | | | | |
| | | 1 | 1F-0750 | 5 | NUT-WELD (3/8-16-THD) | | | | | | |
| | 11 | 1 | 132-5780 | 1 | PLATE | | | | | | |
| B | 12 | 1 | 5P-1075 | 2 | WASHER-HARD (10.2X22.5X3-MM THK) | | | | | | |
| B | | 1 | 9S-8752 | 2 | NUT-FULL (3/8-16-THD) | | | | | | |
| B | 13 | 1 | 4P-6996 | 1 | COVER AS | | | | | | |
| | | 1 | 9D-4439 | 2 | STUD-WELD (3/8-16X1-IN) | | | | | | |

B-USE AS REQUIRED



GRAPHIC #1

<END>

g00763060

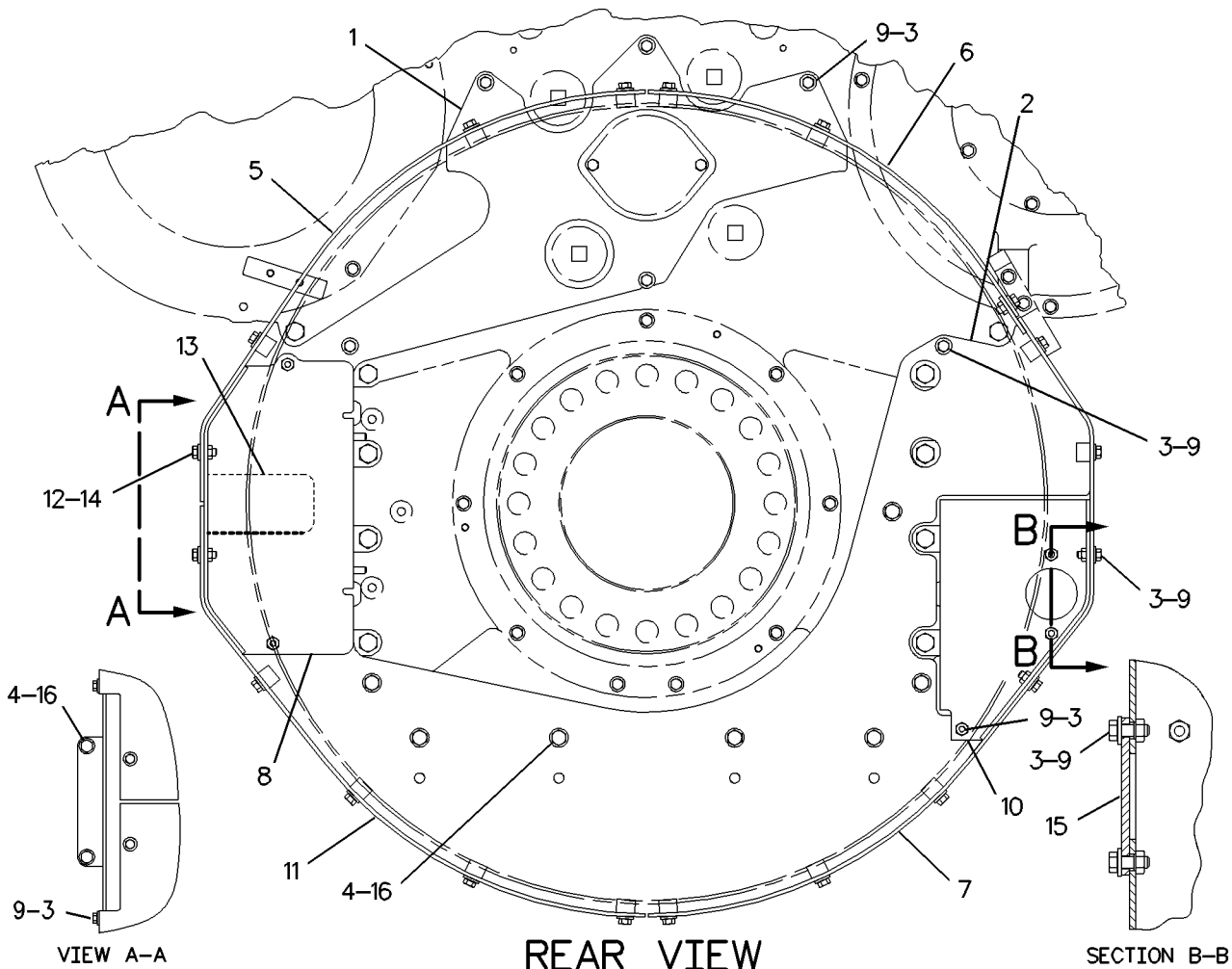
BASIC ENGINE

208-0323 GUARD GP-FLYWHEEL (CHG -00)

SMCS-1156, 7187

i01669789

| NOTE | REF NO | GRAPHIC REF | PART NUMBER | QTY | PART NAME | 1 2 3 4 5 6 (PRODUCT LEVEL) | | | | | | SEE PAGE |
|------|--------|-------------|-------------|-----|----------------------------------|-----------------------------|--|--|--|--|--|----------|
| | | | | | | | | | | | | |
| | 1 | 1 | 4W-9686 | 1 | PLATE AS-BACKING (UPPER, REAR) | | | | | | | |
| | 2 | 1 | 7W-9135 | 1 | PLATE AS-BACKING (LOWER, REAR) | | | | | | | |
| | 3 | 1 | 5P-1075 | 30 | WASHER-HARD (10.2X22.5X3-MM THK) | | | | | | | |
| | 4 | 1 | 0S-1621 | 9 | BOLT (1/2-13X1-IN) | | | | | | | |
| | 5 | 1 | 4P-6967 | 1 | PLATE | | | | | | | |
| | 6 | 1 | 208-0328 | 1 | PLATE | | | | | | | |
| | 7 | 1 | 208-0330 | 1 | PLATE AS | | | | | | | |
| | | 1 | 1F-0750 | 1 | NUT-WELD (3/8-16-THD) | | | | | | | |
| | 8 | 1 | 4W-9690 | 1 | COVER AS-STARTING MOTOR | | | | | | | |
| | | 1 | 1F-0750 | 4 | NUT-WELD (3/8-16-THD) | | | | | | | |
| | 9 | 1 | 0S-1594 | 30 | BOLT (3/8-16X1-IN) | | | | | | | |
| | 10 | 1 | 9Y-9333 | 1 | COVER AS (RH) | | | | | | | |
| | | 1 | 1F-0750 | 5 | NUT-WELD (3/8-16-THD) | | | | | | | |
| | 11 | 1 | 7C-2885 | 1 | PLATE | | | | | | | |
| | 12 | 1 | 5P-1075 | 2 | WASHER-HARD (10.2X22.5X3-MM THK) | | | | | | | |
| | 13 | 1 | 4P-6996 | 1 | COVER AS | | | | | | | |
| | | 1 | 9D-4439 | 2 | STUD-WELD (3/8-16X1-IN) | | | | | | | |
| | 14 | 1 | 9S-8752 | 2 | NUT-FULL (3/8-16-THD) | | | | | | | |
| | 15 | 1 | 8F-5093 | 1 | COVER-STARTING MOTOR | | | | | | | |
| | 16 | 1 | 5P-8245 | 9 | WASHER-HARD (13.5X25.5X3-MM THK) | | | | | | | |



GRAPHIC #1

<END>

g00862781

BASIC ENGINE

105-3184 HOUSING GP - FLYWHEEL (CHG -00 THRU -11)

SMCS-1157

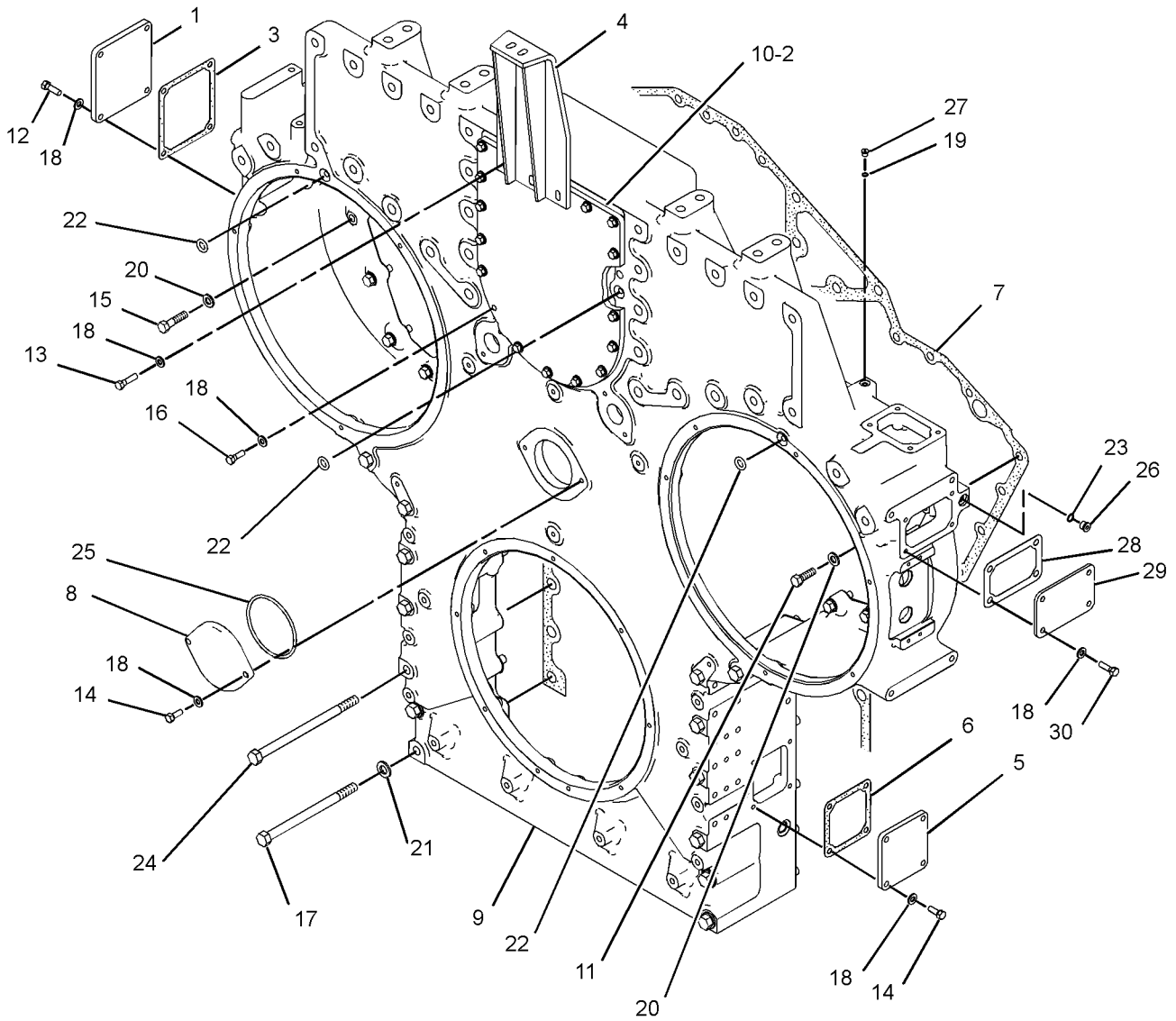
i03189781

| NOTE | REF NO | GRAPHIC REF | PART NUMBER | QTY | PART NAME | | | | | | SEE PAGE |
|------|--------|-------------|-----------------|-----|------------------------------------|---|---|---|---|-------------------|----------|
| | | | | | 1 | 2 | 3 | 4 | 5 | 6 (PRODUCT LEVEL) | |
| | 1 | 1 | 4P-0335 | 1 | COVER | | | | | | |
| | 2 | 1 | 4P-0336 | 1 | COVER | | | | | | |
| | 3 | 1 | 4P-0340 | 1 | GASKET | | | | | | |
| | 4 | 1 | 4P-0388 | 1 | BRACKET AS | | | | | | |
| | 5 | 1 | 4W-6637 | 2 | COVER | | | | | | |
| | 6 | 1 | 4W-6638 | 2 | GASKET | | | | | | |
| | 7 | 1 | 4W-9653 | 1 | GASKET | | | | | | |
| | 8 | 1 | 7E-0729 | 1 | COVER-TOP FACE | | | | | | |
| | 9 | 1 | 284-5208 | 1 | HOUSING-REAR | | | | | | |
| | 10 | 1 | 116-2480 | 1 | GASKET | | | | | | |
| | 11 | 1 | 0S-1585 | 1 | BOLT (1/2-13X1.5-IN) | | | | | | |
| | 12 | 1 | 0S-1588 | 3 | BOLT (3/8-16X1.25-IN) | | | | | | |
| | 13 | 1 | 0S-1591 | 1 | BOLT (3/8-16X1.5-IN) | | | | | | |
| | 14 | 1 | 0S-1594 | 10 | BOLT (3/8-16X1-IN) | | | | | | |
| | 15 | 1 | 1A-1460 | 20 | BOLT (1/2-13X2-IN) | | | | | | |
| | 16 | 1 | 1A-2029 | 16 | BOLT (3/8-16X1.125-IN) | | | | | | |
| | 17 | 1 | 2H-3756 | 4 | BOLT (5/8-11X9-IN) | | | | | | |
| | 18 | 1 | 3V-3308 | 34 | WASHER-HARD (10.2X20.5X2.5-MM THK) | | | | | | |
| | 19 | 1 | 5P-7813 | 2 | SEAL-O-RING | | | | | | |
| | 20 | 1 | 5P-8245 | 21 | WASHER-HARD (13.5X25.5X3-MM THK) | | | | | | |
| | 21 | 1 | 5P-8247 | 4 | WASHER-HARD (17X32X3.5-MM THK) | | | | | | |
| | 22 | 1 | 6V-3955 | 3 | SEAL-O-RING | | | | | | |
| | 23 | 1 | 6V-5049 | 2 | SEAL-O-RING | | | | | | |
| | 24 | 1 | 6V-9608 | 10 | BOLT (5/8-11X10-IN) | | | | | | |
| | 25 | 1 | 8C-3103 | 1 | SEAL-O-RING | | | | | | |
| | 26 | 1 | 9S-8004 | 2 | PLUG-O-RING | | | | | | |
| | 27 | 1 | 9S-8007 | 2 | PLUG | | | | | | |
| | 28 | 1 | 288-4408 | 1 | GASKET | | | | | | |
| | 29 | 1 | 288-4409 | 1 | COVER | | | | | | |
| | 30 | 1 | 0L-1351 | 4 | BOLT (3/8-16X0.875-IN) | | | | | | |

BASIC ENGINE

105-3184 HOUSING GP - FLYWHEEL (contd.)

i03189781



GRAPHIC #1

<END>

g01627046

BASIC ENGINE

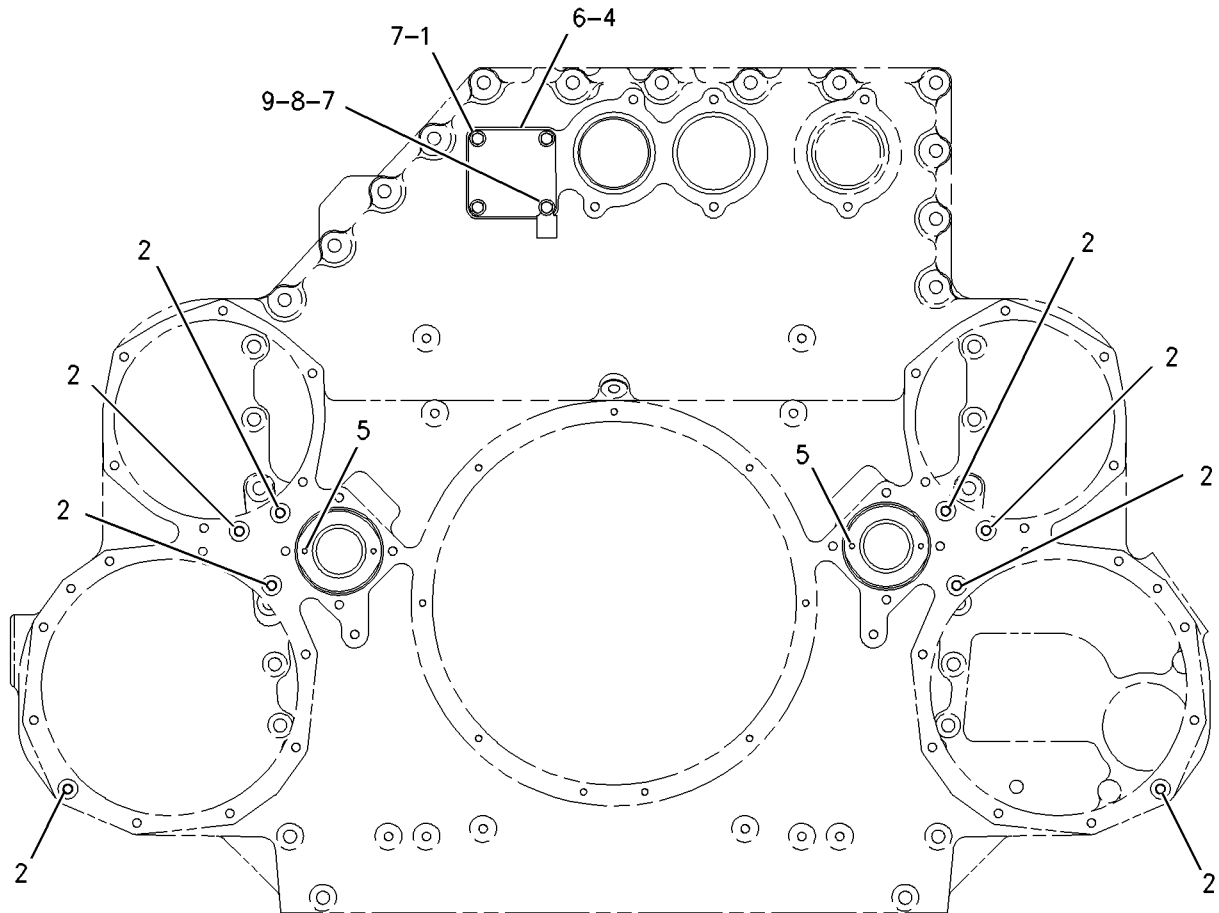
4P-2351 HOUSING GP - FRONT (CHG -00 THRU -07) PART OF 134-8347 HOUSING GP - FRONT

SMCS-1151, 1162, 1206

i02318902

| NOTE | REF NO | GRAPHIC REF | PART NUMBER | QTY | PART NAME | | | | | | SEE PAGE |
|------|--------|-------------|-----------------|-----|------------------------------------|---|---|---|---|-------------------|----------|
| | | | | | 1 | 2 | 3 | 4 | 5 | 6 (PRODUCT LEVEL) | |
| | 1 | 1 | 0S-1594 | 3 | BOLT (3/8-16X1-IN) | | | | | | |
| | 2 | 1 | 1W-0104 | 8 | DOWEL-HOLLOW | | | | | | |
| | 4 | 1 | 6V-0973 | 1 | SEAL-O-RING | | | | | | |
| | 5 | 1 | 7N-2043 | 4 | DOWEL | | | | | | |
| | 6 | 1 | 153-9138 | 1 | COVER (FRONT OIL DRAIN) | | | | | | |
| | 7 | 1 | 3V-3308 | 4 | WASHER-HARD (10.2X20.5X2.5-MM THK) | | | | | | |
| B | 8 | 1 | 1A-2029 | 1 | BOLT (3/8-16X1.125-IN) | | | | | | |
| | 9 | 1 | 9G-9150 | 1 | CLIP | | | | | | |

B-USE AS REQUIRED



FRONT VIEW

GRAPHIC #1

<END>

g00857722

BASIC ENGINE

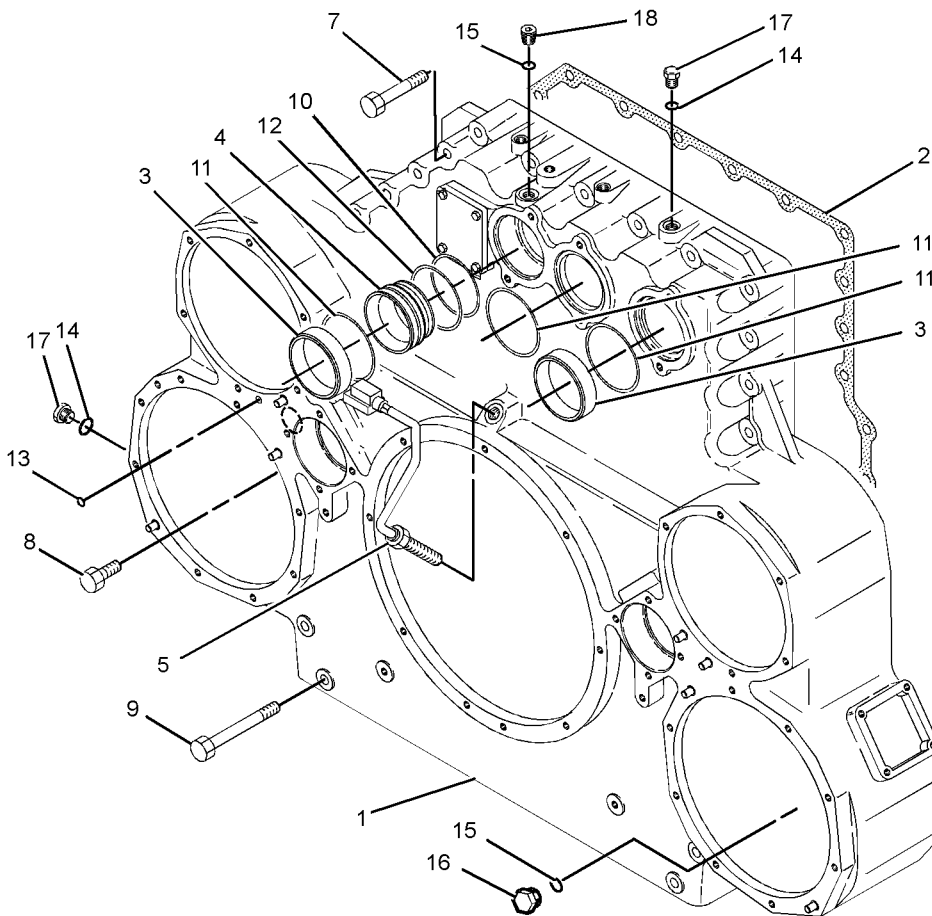
134-8347 HOUSING GP - FRONT (CHG -00 THRU -03)

SMCS-1151, 1162, 1206

i02397291

| NOTE | REF NO | GRAPHIC REF | PART NUMBER | QTY | PART NAME | | | | | | SEE PAGE |
|------|--------|-------------|----------------|-----|------------------------------|---|---|---|---|-------------------|----------|
| | | | | | 1 | 2 | 3 | 4 | 5 | 6 (PRODUCT LEVEL) | |
| Y | 1 | 1 | 4P-2351 | 1 | HOUSING GP - FRONT | | | | | | 129 |
| | 2 | 1 | 4W-4100 | 1 | GASKET | | | | | | |
| | 3 | 1 | 4W-7483 | 2 | SLEEVE | | | | | | |
| | 4 | 1 | 4W-7484 | 1 | CONNECTOR | | | | | | |
| Y | 5 | 1 | 7C-1897 | 1 | SENSOR GP - SPEED (MAGNETIC) | | | | | | 610 |
| | 7 | 1 | 0S-1569 | 13 | BOLT (5/8-11X4-IN) | | | | | | |
| | 8 | 1 | 0S-1625 | 12 | BOLT (5/8-11X2.5-IN) | | | | | | |
| | 9 | 1 | 2H-3756 | 4 | BOLT (5/8-11X9-IN) | | | | | | |
| | 10 | 1 | 3P-0655 | 1 | SEAL-O-RING | | | | | | |
| | 11 | 1 | 5P-7818 | 3 | SEAL-O-RING | | | | | | |
| | 12 | 1 | 6V-3833 | 1 | SEAL-O-RING | | | | | | |
| | 13 | 1 | 6V-3955 | 8 | SEAL-O-RING | | | | | | |
| | 14 | 1 | 6V-5049 | 3 | SEAL-O-RING | | | | | | |
| | 15 | 1 | 8L-2786 | 2 | SEAL-O-RING | | | | | | |
| | 16 | 1 | 9S-4185 | 1 | PLUG-O-RING | | | | | | |
| | 17 | 1 | 9S-8004 | 3 | PLUG-O-RING | | | | | | |
| | 18 | 1 | 9S-8005 | 1 | PLUG-O-RING | | | | | | |

Y-SEPARATE ILLUSTRATION



GRAPHIC #1

<END>

g01197308

BASIC ENGINE

196-4653 HOUSING GP-REAR-GEAR (CHG -00 THRU -10)

SMCS-1166

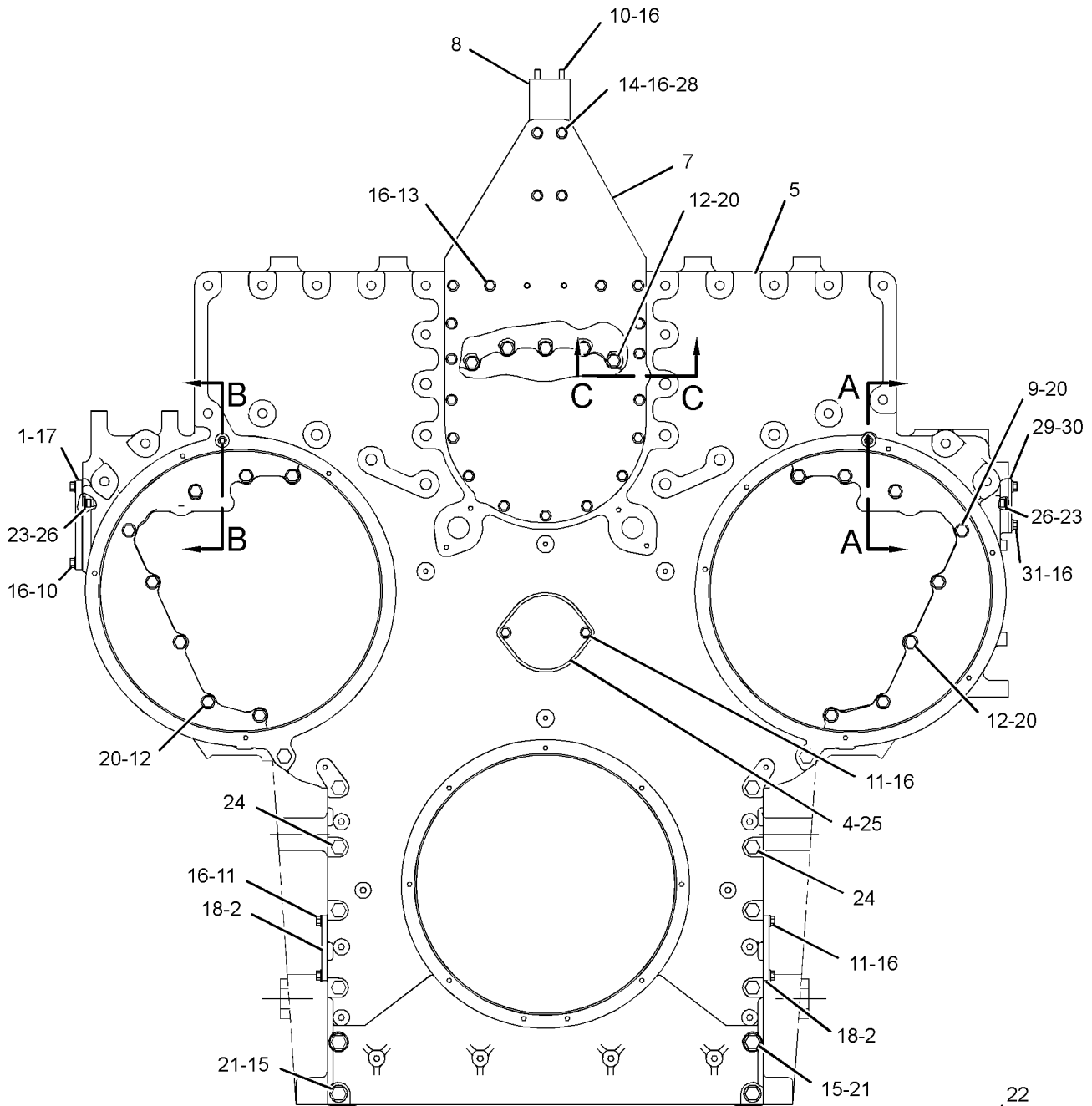
i03108281

| NOTE | REF NO | GRAPHIC REF | PART NUMBER | QTY | PART NAME | | | | | | SEE PAGE |
|------|--------|-------------|-------------|-----|------------------------------------|---|---|---|---|-------------------|----------|
| | | | | | 1 | 2 | 3 | 4 | 5 | 6 (PRODUCT LEVEL) | |
| | 1 | 1 | 4P-0340 | 1 | GASKET | | | | | | |
| | 2 | 1 | 4W-6638 | 2 | GASKET | | | | | | |
| | 3 | 1 | 4W-9653 | 1 | GASKET | | | | | | |
| | 4 | 1 | 7E-0729 | 1 | COVER-TOP FACE | | | | | | |
| | 5 | 1 | 284-5208 | 1 | HOUSING-REAR | | | | | | |
| | 6 | 1 | 116-2480 | 1 | GASKET | | | | | | |
| | 7 | 1 | 199-8969 | 1 | COVER | | | | | | |
| | 8 | 1 | 218-4822 | 1 | BRACKET | | | | | | |
| | 9 | 1 | 0S-1585 | 1 | BOLT (1/2-13X1.5-IN) | | | | | | |
| | 10 | 1 | 0S-1588 | 7 | BOLT (3/8-16X1.25-IN) | | | | | | |
| | 11 | 1 | 0S-1594 | 10 | BOLT (3/8-16X1-IN) | | | | | | |
| | 12 | 1 | 1A-1460 | 20 | BOLT (1/2-13X2-IN) | | | | | | |
| | 13 | 1 | 1A-2029 | 17 | BOLT (3/8-16X1.125-IN) | | | | | | |
| | 14 | 1 | 2A-4639 | 4 | BOLT (3/8-16X1.625-IN) | | | | | | |
| | 15 | 1 | 2H-3756 | 4 | BOLT (5/8-11X9-IN) | | | | | | |
| | 16 | 1 | 3V-3308 | 46 | WASHER-HARD (10.2X20.5X2.5-MM THK) | | | | | | |
| | 17 | 1 | 4P-0335 | 1 | COVER | | | | | | |
| | 18 | 1 | 4W-6637 | 2 | COVER | | | | | | |
| | 19 | 1 | 5P-7813 | 2 | SEAL-O-RING | | | | | | |
| | 20 | 1 | 5P-8245 | 21 | WASHER-HARD (13.5X25.5X3-MM THK) | | | | | | |
| | 21 | 1 | 5P-8247 | 4 | WASHER-HARD (17X32X3.5-MM THK) | | | | | | |
| | 22 | 1 | 6V-3955 | 3 | SEAL-O-RING | | | | | | |
| | 23 | 1 | 6V-5049 | 2 | SEAL-O-RING | | | | | | |
| | 24 | 1 | 6V-9608 | 10 | BOLT (5/8-11X10-IN) | | | | | | |
| | 25 | 1 | 8C-3103 | 1 | SEAL-O-RING | | | | | | |
| | 26 | 1 | 9S-8004 | 2 | PLUG-O-RING | | | | | | |
| | 27 | 1 | 9S-8007 | 2 | PLUG | | | | | | |
| | 28 | 1 | 9S-8752 | 4 | NUT-FULL (3/8-16-THD) | | | | | | |
| | 29 | 1 | 288-4408 | 1 | GASKET | | | | | | |
| | 30 | 1 | 288-4409 | 1 | COVER | | | | | | |
| | 31 | 1 | 0L-1351 | 4 | BOLT (3/8-16X0.875-IN) | | | | | | |

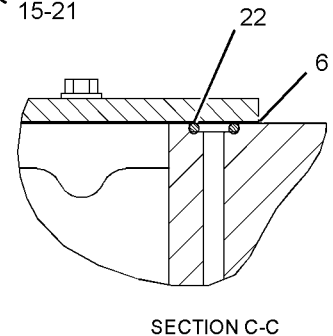
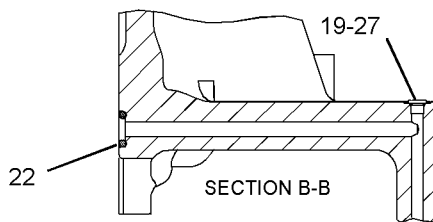
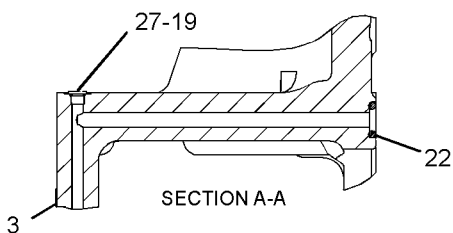
BASIC ENGINE

196 - 4653 HOUSING GP - REAR (contd.)

i03108281



FRONT VIEW OF ENGINE



GRAPHIC #1

<END>

g01590393

BASIC ENGINE

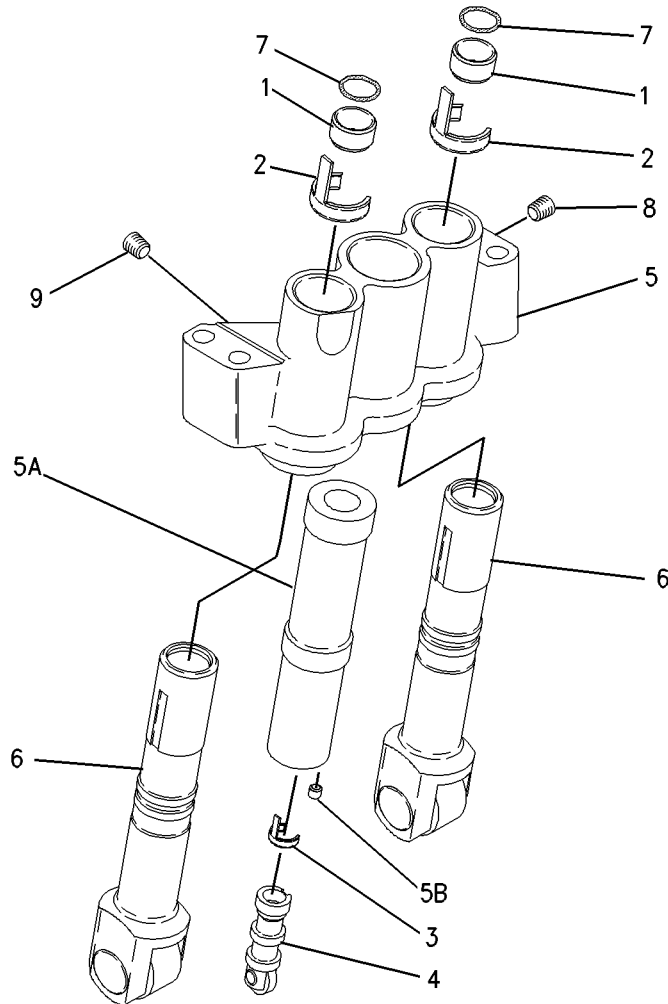
7C-0418 LIFTER GP-VALVE (CHG -01 THRU -07) PART OF 104-4837, 7C-0417 VALVE MECHANISM GP

SMCS - 1209

i01494643

| NOTE | REF NO | GRAPHIC REF | PART NUMBER | QTY | PART NAME | | | | | | SEE PAGE |
|------|--------|-------------|-------------|-----|---------------------|---|---|---|---|-------------------|----------|
| | | | | | 1 | 2 | 3 | 4 | 5 | 6 (PRODUCT LEVEL) | |
| | 1 | 1 | 1W-1756 | 2 | INSERT-LIFTER | | | | | | |
| | 2 | 1 | 1W-2473 | 2 | SPRING-GUIDE | | | | | | |
| | 3 | 1 | 7W-8580 | 1 | SPRING-LIFTER GUIDE | | | | | | |
| | 4 | 1 | 108-8235 | 1 | LIFTER AS-VALVE | | | | | | |
| | 5 | 1 | 153-3932 | 1 | GUIDE AS-LIFTER | | | | | | |
| | 5A | 1 | 153-3931 | 1 | ADAPTER AS | | | | | | |
| | 5B | 1 | 1W-0605 | 1 | PIN-HOUSING SIDE | | | | | | |
| R | 6 | 1 | 194-0629 | 2 | LIFTER AS-VALVE | | | | | | |
| | 7 | 1 | 5P-7701 | 2 | SEAL-O-RING | | | | | | |
| | 8 | 1 | 8T-6757 | 1 | PLUG-PIPE | | | | | | |
| | 9 | 1 | 8T-6759 | 3 | PLUG-PIPE | | | | | | |

R-REMFG PART MAY BE AVAILABLE



GRAPHIC #1

<END>

g00776146

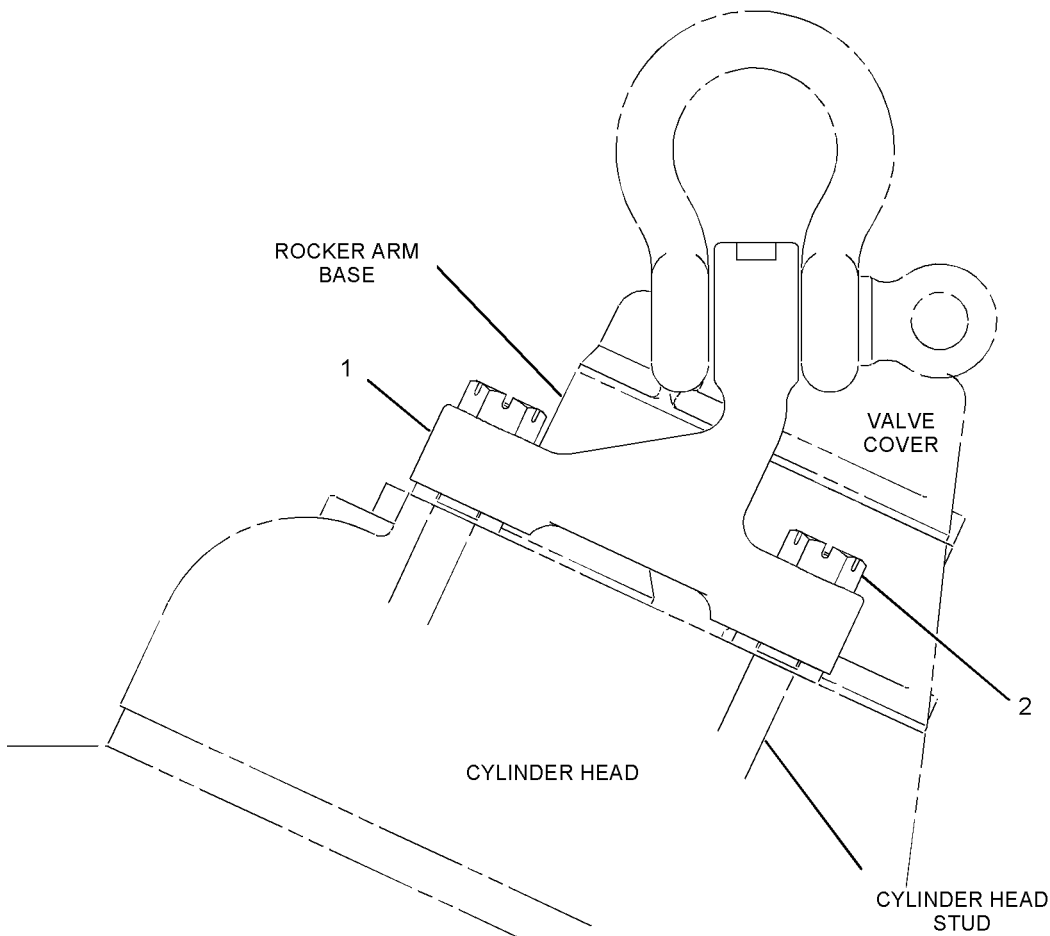
BASIC ENGINE

7C-7950 LIFTING GP-ENGINE (CHG -00 THRU -02, -02A1, -02B1 THRU -04)

SMCS-1122

i02093672

| NOTE | REF NO | GRAPHIC REF | PART NUMBER | QTY | PART NAME | | | | | | SEE PAGE |
|------|--------|-------------|-------------|-----|---------------------------|---|---|---|---|-------------------|----------|
| | | | | | 1 | 2 | 3 | 4 | 5 | 6 (PRODUCT LEVEL) | |
| | 1 | 1 | 101-8189 | 4 | BRACKET-LIFTING | | | | | | |
| | 2 | 1 | 9X-6003 | 16 | NUT-SLOTTED (1-5/8-2-THD) | | | | | | |



FRONT VIEW
<END>

GRAPHIC #1

g01067478

BASIC ENGINE

7C - 7347 MOUNTING GP - ALTERNATOR

(CHG -03, -03D1 THRU -08, -08D1, -10D1)

SMCS-1154, 1405

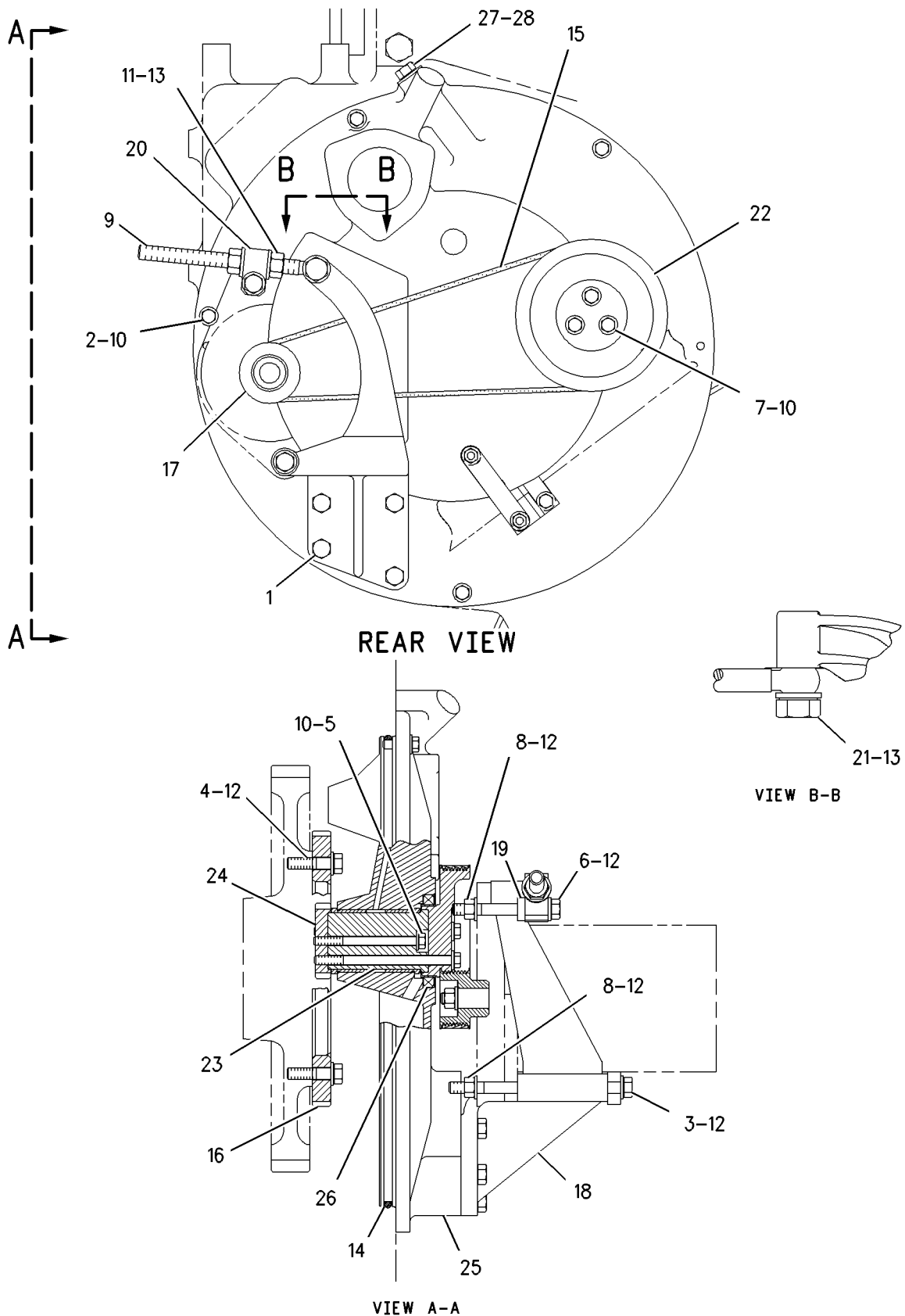
i01726967

| NOTE | REF NO | GRAPHIC REF | PART NUMBER | QTY | PART NAME | | | | | | SEE PAGE |
|------|--------|-------------|-------------|-----|------------------------------------|---|---|---|---|-------------------|----------|
| | | | | | 1 | 2 | 3 | 4 | 5 | 6 (PRODUCT LEVEL) | |
| | 1 | 1 | 0S-1587 | 4 | BOLT (1/2-13X1.75-IN) | | | | | | |
| | 2 | 1 | 0S-1588 | 4 | BOLT (3/8-16X1.25-IN) | | | | | | |
| | 3 | 1 | 1A-0168 | 1 | BOLT (1/2-13X7.5-IN) | | | | | | |
| | 4 | 1 | 1A-1460 | 4 | BOLT (1/2-13X2-IN) | | | | | | |
| | 5 | 1 | 1A-5964 | 1 | BOLT (3/8-16X4.5-IN) | | | | | | |
| | 6 | 1 | 7D-9766 | 1 | BOLT (1/2-13X4.25-IN) | | | | | | |
| | 7 | 1 | 1D-4706 | 3 | BOLT (3/8-16X6-IN) | | | | | | |
| | 8 | 1 | 1F-7958 | 2 | NUT-FULL (1/2-13-THD) | | | | | | |
| | 9 | 1 | 1S-4589 | 1 | ROD | | | | | | |
| | 10 | 1 | 3V-3308 | 8 | WASHER-HARD (10.2X20.5X2.5-MM THK) | | | | | | |
| | 11 | 1 | 4K-0367 | 2 | NUT-FULL (5/8-11-THD) | | | | | | |
| | 12 | 1 | 5P-8245 | 8 | WASHER-HARD (13.5X25.5X3-MM THK) | | | | | | |
| | 13 | 1 | 5P-8247 | 3 | WASHER-HARD (17X32X3.5-MM THK) | | | | | | |
| | 14 | 1 | 6V-5060 | 1 | SEAL-O-RING | | | | | | |
| | 15 | 1 | 7E-4841 | 1 | BELT-SERPENTINE | | | | | | |
| | 16 | 1 | 7E-5485 | 1 | GEAR (116-TEETH) | | | | | | |
| | 17 | 1 | 7E-6218 | 1 | PULLEY | | | | | | |
| | 18 | 1 | 7E-6219 | 1 | SUPPORT | | | | | | |
| | 19 | 1 | 7N-2597 | 1 | SPACER (13.5X25.4X8.08-MM THK) | | | | | | |
| | 20 | 1 | 8S-5383 | 1 | BLOCK | | | | | | |
| | 21 | 1 | 9X-8880 | 1 | BOLT (5/8-11X2-IN) | | | | | | |
| | 22 | 1 | 130-5195 | 1 | PULLEY AS | | | | | | |
| | | 1 | 053-5065 | 1 | SLEEVE | | | | | | |
| | 23 | 1 | 130-5199 | 1 | SHAFT | | | | | | |
| | 24 | 1 | 130-7921 | 1 | GEAR (29-TEETH) (29 TEETH) | | | | | | |
| | 25 | 1 | 150-9552 | 1 | HOUSING AS | | | | | | |
| | | 1 | 130-5194 | 2 | BEARING-SLEEVE | | | | | | |
| | 26 | 1 | 189-5178 | 1 | SEAL-LIP TYPE | | | | | | |
| | 27 | 1 | 9S-4191 | 1 | PLUG-O-RING | | | | | | |
| | 28 | 1 | 6V-5049 | 1 | SEAL-O-RING | | | | | | |

BASIC ENGINE

7C-7347 MOUNTING GP-ALTERNATOR (contd.)

i01726967



GRAPHIC #1

<END>

g00887166

BASIC ENGINE

7C - 7347 MOUNTING GP - ALTERNATOR (CHG -09, -10)

SMCS-1154, 1405

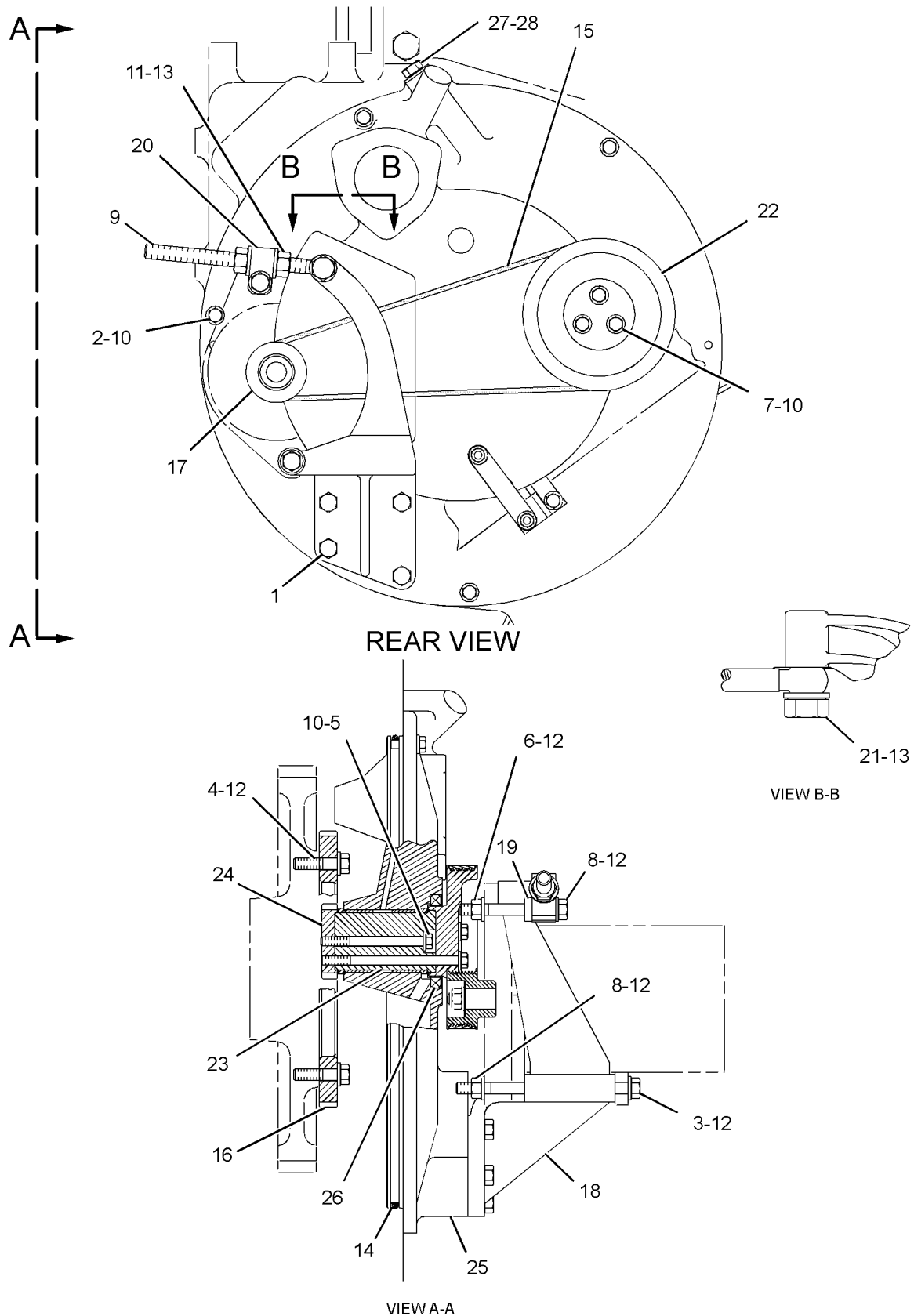
i02434787

| NOTE | REF NO | GRAPHIC REF | PART NUMBER | QTY | PART NAME | | | | | | SEE PAGE |
|------|--------|-------------|-------------|-----|------------------------------------|---|---|---|---|-------------------|----------|
| | | | | | 1 | 2 | 3 | 4 | 5 | 6 (PRODUCT LEVEL) | |
| | 1 | 1 | 0S-1587 | 4 | BOLT (1/2-13X1.75-IN) | | | | | | |
| | 2 | 1 | 0S-1588 | 4 | BOLT (3/8-16X1.25-IN) | | | | | | |
| | 3 | 1 | 1A-0168 | 1 | BOLT (1/2-13X7.5-IN) | | | | | | |
| | 4 | 1 | 1A-1460 | 4 | BOLT (1/2-13X2-IN) | | | | | | |
| | 5 | 1 | 1A-5964 | 1 | BOLT (3/8-16X4.5-IN) | | | | | | |
| | 6 | 1 | 7D-9766 | 1 | BOLT (1/2-13X4.25-IN) | | | | | | |
| | 7 | 1 | 1D-4706 | 3 | BOLT (3/8-16X6-IN) | | | | | | |
| | 8 | 1 | 1F-7958 | 2 | NUT-FULL (1/2-13-THD) | | | | | | |
| | 9 | 1 | 1S-4589 | 1 | ROD | | | | | | |
| | 10 | 1 | 3V-3308 | 8 | WASHER-HARD (10.2X20.5X2.5-MM THK) | | | | | | |
| | 11 | 1 | 4K-0367 | 2 | NUT-FULL (5/8-11-THD) | | | | | | |
| | 12 | 1 | 5P-8245 | 8 | WASHER-HARD (13.5X25.5X3-MM THK) | | | | | | |
| | 13 | 1 | 5P-8247 | 3 | WASHER-HARD (17X32X3.5-MM THK) | | | | | | |
| | 14 | 1 | 6V-5060 | 1 | SEAL-O-RING | | | | | | |
| | 15 | 1 | 141-7116 | 1 | BELT-SERPENTINE | | | | | | |
| | 16 | 1 | 7E-5485 | 1 | GEAR (116-TEETH) | | | | | | |
| | 17 | 1 | 7E-6218 | 1 | PULLEY | | | | | | |
| | 18 | 1 | 7E-6219 | 1 | SUPPORT | | | | | | |
| | 19 | 1 | 7N-2597 | 1 | SPACER (13.5X25.4X8.08-MM THK) | | | | | | |
| | 20 | 1 | 8S-5383 | 1 | BLOCK | | | | | | |
| | 21 | 1 | 9X-8880 | 1 | BOLT (5/8-11X2-IN) | | | | | | |
| | 22 | 1 | 130-5195 | 1 | PULLEY AS | | | | | | |
| | | 1 | 053-5065 | 1 | SLEEVE | | | | | | |
| | 23 | 1 | 130-5199 | 1 | SHAFT | | | | | | |
| | 24 | 1 | 130-7921 | 1 | GEAR (29-TEETH) | | | | | | |
| | 25 | 1 | 150-9552 | 1 | HOUSING AS | | | | | | |
| | | 1 | 130-5194 | 2 | BEARING-SLEEVE | | | | | | |
| | 26 | 1 | 235-2484 | 1 | SEAL-LIP TYPE | | | | | | |
| | 27 | 1 | 9S-4191 | 1 | PLUG-O-RING | | | | | | |
| | 28 | 1 | 6V-5049 | 1 | SEAL-O-RING | | | | | | |

BASIC ENGINE

7C-7347 MOUNTING GP-ALTERNATOR (contd.)

i02434787



GRAPHIC #1

<END>

g01216414

BASIC ENGINE

7C - 7347 MOUNTING GP - ALTERNATOR (CHG -11, -12, -12D1)

SMCS-1154, 1405

i02295583

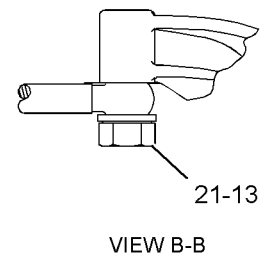
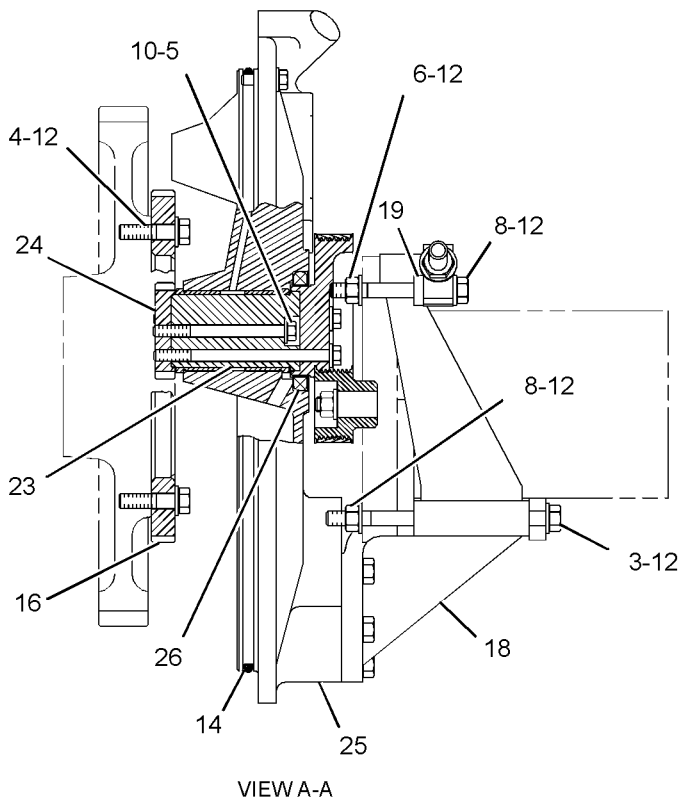
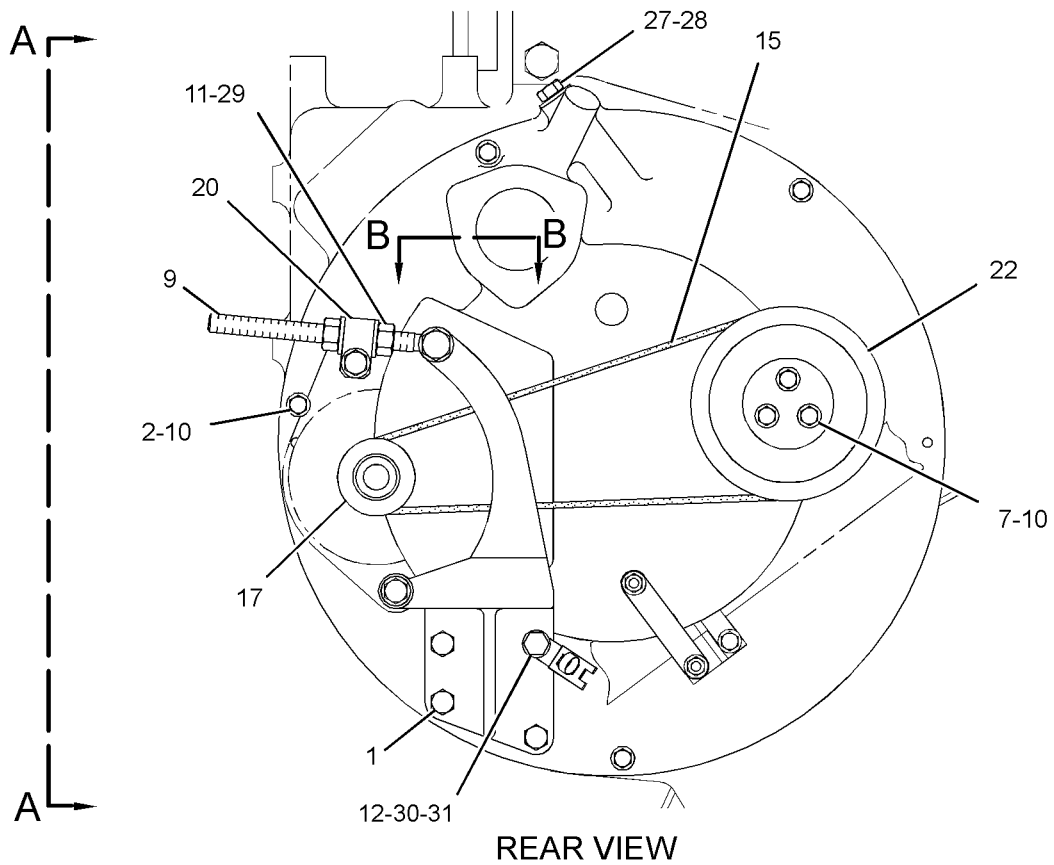
| NOTE | REF NO | GRAPHIC REF | PART NUMBER | QTY | PART NAME | | | | | | SEE PAGE |
|------|--------|-------------|-------------|-----|------------------------------------|---|---|---|---|-------------------|----------|
| | | | | | 1 | 2 | 3 | 4 | 5 | 6 (PRODUCT LEVEL) | |
| | 1 | 1 | 0S-1587 | 4 | BOLT (1/2-13X1.75-IN) | | | | | | |
| | 2 | 1 | 0S-1588 | 4 | BOLT (3/8-16X1.25-IN) | | | | | | |
| | 3 | 1 | 1A-0168 | 1 | BOLT (1/2-13X7.5-IN) | | | | | | |
| | 4 | 1 | 1A-1460 | 4 | BOLT (1/2-13X2-IN) | | | | | | |
| | 5 | 1 | 1A-5964 | 1 | BOLT (3/8-16X4.5-IN) | | | | | | |
| | 6 | 1 | 7D-9766 | 1 | BOLT (1/2-13X4.25-IN) | | | | | | |
| | 7 | 1 | 1D-4706 | 3 | BOLT (3/8-16X6-IN) | | | | | | |
| | 8 | 1 | 1F-7958 | 2 | NUT-FULL (1/2-13-THD) | | | | | | |
| C | 9 | 1 | 252-6498 | 1 | ROD | | | | | | |
| | 10 | 1 | 3V-3308 | 8 | WASHER-HARD (10.2X20.5X2.5-MM THK) | | | | | | |
| C | 11 | 1 | 2J-3506 | 2 | NUT-FULL (3/4-10-THD) | | | | | | |
| | 12 | 1 | 5P-8245 | 9 | WASHER-HARD (13.5X25.5X3-MM THK) | | | | | | |
| C | 13 | 1 | 5P-8247 | 1 | WASHER-HARD (17X32X3.5-MM THK) | | | | | | |
| | 14 | 1 | 6V-5060 | 1 | SEAL-O-RING | | | | | | |
| | 15 | 1 | 141-7116 | 1 | BELT-SERPENTINE | | | | | | |
| | 16 | 1 | 7E-5485 | 1 | GEAR (116-TEETH) | | | | | | |
| | 17 | 1 | 7E-6218 | 1 | PULLEY | | | | | | |
| | 18 | 1 | 7E-6219 | 1 | SUPPORT | | | | | | |
| | 19 | 1 | 7N-2597 | 1 | SPACER (13.5X25.4X8.08-MM THK) | | | | | | |
| C | 20 | 1 | 252-6464 | 1 | BLOCK | | | | | | |
| | 21 | 1 | 9X-8880 | 1 | BOLT (5/8-11X2-IN) | | | | | | |
| | 22 | 1 | 130-5195 | 1 | PULLEY AS | | | | | | |
| | | 1 | 053-5065 | 1 | SLEEVE | | | | | | |
| | 23 | 1 | 130-5199 | 1 | SHAFT | | | | | | |
| | 24 | 1 | 130-7921 | 1 | GEAR (29-TEETH) | | | | | | |
| | 25 | 1 | 150-9552 | 1 | HOUSING AS | | | | | | |
| | | 1 | 130-5194 | 2 | BEARING-SLEEVE | | | | | | |
| | 26 | 1 | 235-2484 | 1 | SEAL-LIP TYPE | | | | | | |
| | 27 | 1 | 9S-4191 | 1 | PLUG-O-RING | | | | | | |
| | 28 | 1 | 6V-5049 | 1 | SEAL-O-RING | | | | | | |
| C | 29 | 1 | 5P-8248 | 2 | WASHER-HARD (20X36.5X3.5-MM THK) | | | | | | |
| | 30 | 1 | 4P-7428 | 1 | CLIP | | | | | | |
| | 31 | 1 | 9X-6772 | 1 | STRAP-CABLE | | | | | | |

C- CHANGE FROM PREVIOUS TYPE

BASIC ENGINE

7C-7347 MOUNTING GP-ALTERNATOR (contd.)

i02295583



GRAPHIC #1

<END>

g01153745

BASIC ENGINE

233-6514 MOUNTING GP-ALTERNATOR (CHG -00, -01)

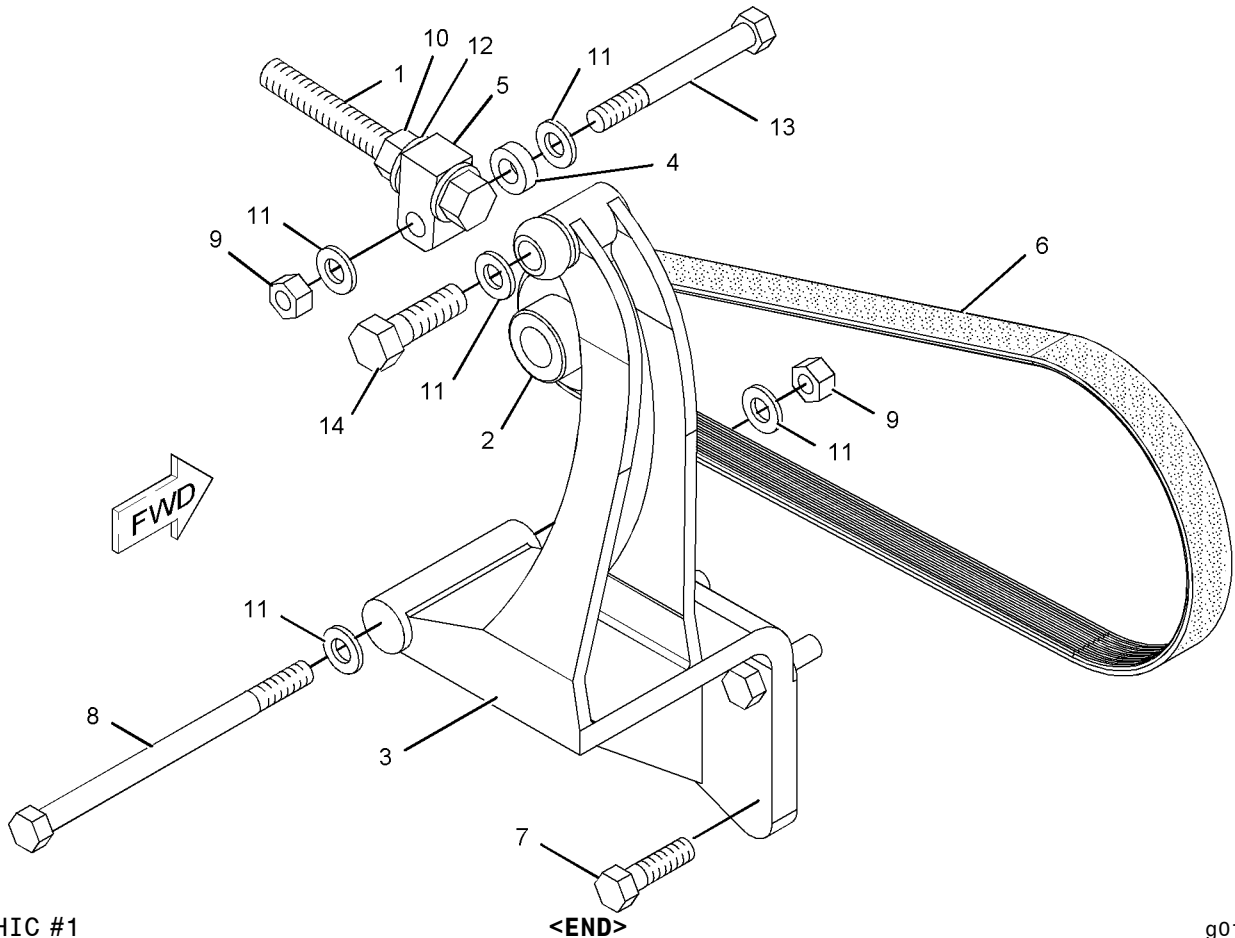
FOR USE WITH VEE ENGINE WITH ESS OR A3 CONTROL SYSTEM

TYPE 1

SMCS-1154, 1405

i01968379

| NOTE | REF NO | GRAPHIC REF | PART NUMBER | QTY | PART NAME | | | | | | SEE PAGE |
|------|--------|-------------|-------------|-----|----------------------------------|---|---|---|---|-------------------|----------|
| | | | | | 1 | 2 | 3 | 4 | 5 | 6 (PRODUCT LEVEL) | |
| | 1 | 1 | 1S-4589 | 1 | ROD | | | | | | |
| | 2 | 1 | 7E-6218 | 1 | PULLEY | | | | | | |
| | 3 | 1 | 7E-6219 | 1 | SUPPORT | | | | | | |
| | 4 | 1 | 7N-2597 | 1 | SPACER (13.5X25.4X8.08-MM THK) | | | | | | |
| | 5 | 1 | 8S-5383 | 1 | BLOCK | | | | | | |
| | 6 | 1 | 141-7116 | 1 | BELT-SERPENTINE | | | | | | |
| | 7 | 1 | 0S-1587 | 4 | BOLT (1/2-13X1.75-IN) | | | | | | |
| | 8 | 1 | 1A-0168 | 1 | BOLT (1/2-13X7.5-IN) | | | | | | |
| | 9 | 1 | 1F-7958 | 2 | NUT-FULL (1/2-13-THD) | | | | | | |
| | 10 | 1 | 4K-0367 | 2 | NUT-FULL (5/8-11-THD) | | | | | | |
| | 11 | 1 | 5P-8245 | 5 | WASHER-HARD (13.5X25.5X3-MM THK) | | | | | | |
| | 12 | 1 | 5P-8247 | 2 | WASHER-HARD (17X32X3.5-MM THK) | | | | | | |
| | 13 | 1 | 7D-9766 | 1 | BOLT (1/2-13X4.25-IN) | | | | | | |
| | 14 | 1 | 9X-8880 | 1 | BOLT (5/8-11X2-IN) | | | | | | |



GRAPHIC #1

<END>

g01022559

BASIC ENGINE

233-6514 MOUNTING GP-ALTERNATOR (CHG -02)

FOR USE WITH VEE ENGINE WITH ESS OR A3 CONTROL SYSTEM

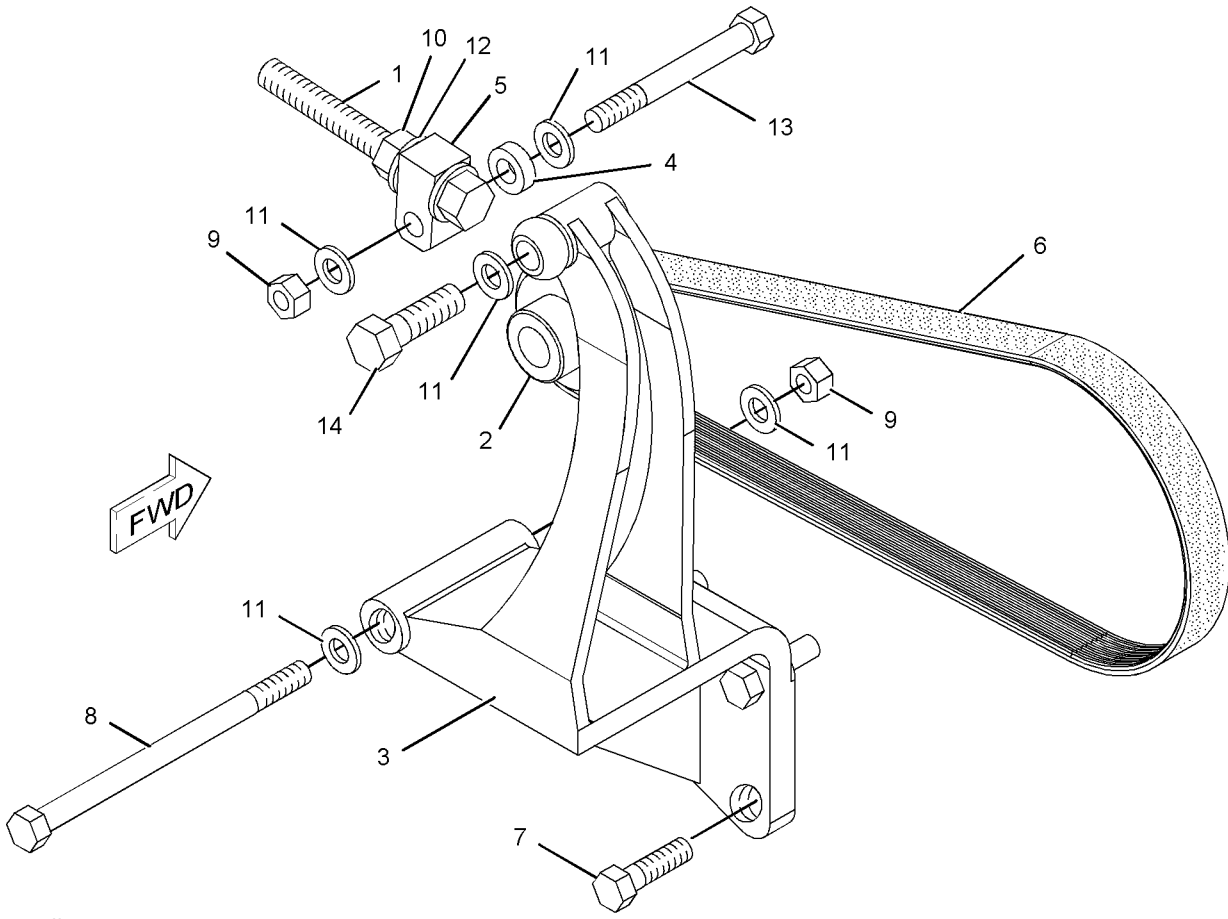
TYPE 2

SMCS-1154, 1405

i02241576

| NOTE | REF NO | GRAPHIC REF | PART NUMBER | QTY | PART NAME | | | | | | SEE PAGE |
|------|--------|-------------|-------------|-----|----------------------------------|---|---|---|---|-------------------|----------|
| | | | | | 1 | 2 | 3 | 4 | 5 | 6 (PRODUCT LEVEL) | |
| C | 1 | 1 | 252-6498 | 1 | ROD | | | | | | |
| | 2 | 1 | 7E-6218 | 1 | PULLEY | | | | | | |
| | 3 | 1 | 7E-6219 | 1 | SUPPORT | | | | | | |
| | 4 | 1 | 7N-2597 | 1 | SPACER (13.5X25.4X8.08-MM THK) | | | | | | |
| C | 5 | 1 | 252-6464 | 1 | BLOCK | | | | | | |
| | 6 | 1 | 141-7116 | 1 | BELT-SERPENTINE | | | | | | |
| | 7 | 1 | 0S-1587 | 4 | BOLT (1/2-13X1.75-IN) | | | | | | |
| | 8 | 1 | 1A-0168 | 1 | BOLT (1/2-13X7.5-IN) | | | | | | |
| C | 9 | 1 | 1F-7958 | 2 | NUT-FULL (1/2-13-THD) | | | | | | |
| | 10 | 1 | 2J-3506 | 2 | NUT-FULL (3/4-10-THD) | | | | | | |
| C | 11 | 1 | 5P-8245 | 5 | WASHER-HARD (13.5X25.5X3-MM THK) | | | | | | |
| | 12 | 1 | 5P-8248 | 2 | WASHER-HARD (20X36.5X3.5-MM THK) | | | | | | |
| C | 13 | 1 | 7D-9766 | 1 | BOLT (1/2-13X4.25-IN) | | | | | | |
| | 14 | 1 | 9X-8880 | 1 | BOLT (5/8-11X2-IN) | | | | | | |

C- CHANGE FROM PREVIOUS TYPE



GRAPHIC #1

<END>

g01130918

BASIC ENGINE

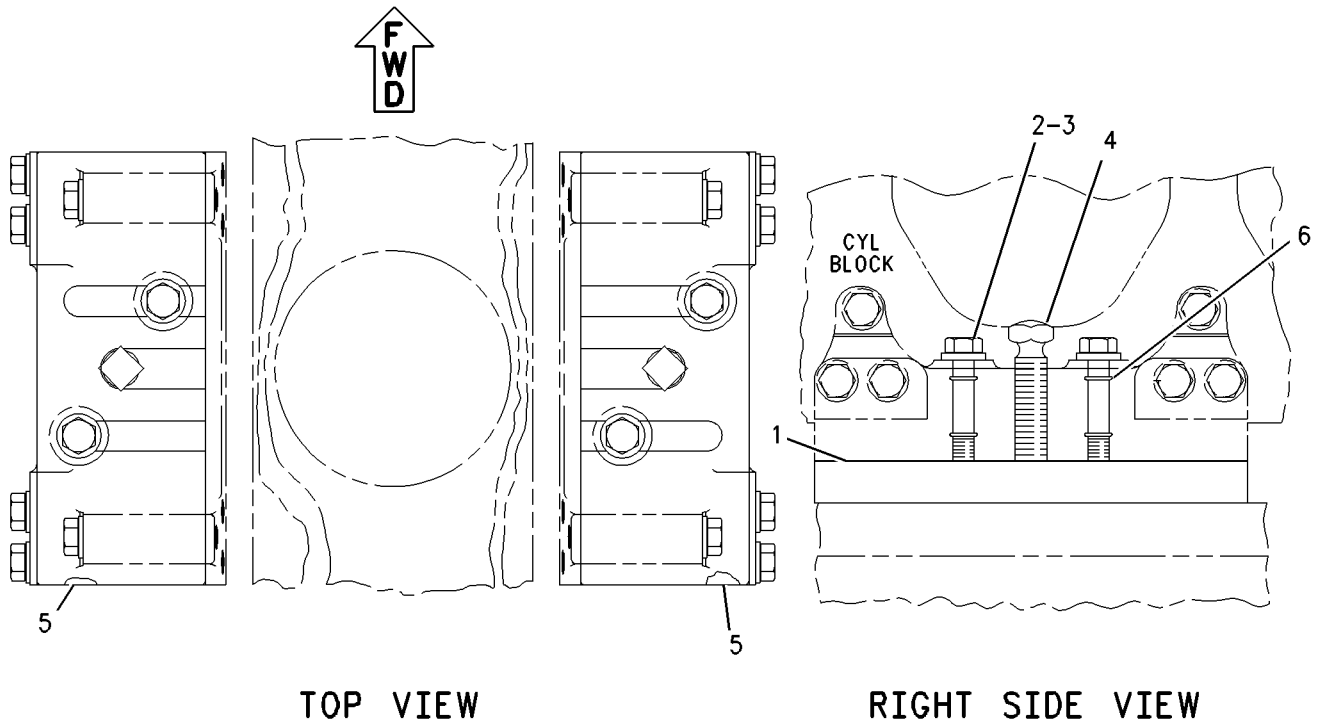
109-9717 MOUNTING GP-ENGINE (CHG -00, -01)

SMCS-1152, 1153, 1154

i02346182

| NOTE | REF NO | GRAPHIC REF | PART NUMBER | QTY | PART NAME | | | | | | SEE PAGE |
|------|--------|-------------|----------------|-----|--|---|---|---|---|-------------------|----------|
| | | | | | 1 | 2 | 3 | 4 | 5 | 6 (PRODUCT LEVEL) | |
| B | 1 | 1 | 7C-5273 | 2 | SHIM (0.08-MM THK) | | | | | | |
| | 2 | 1 | 7F-4283 | 4 | BOLT (1-14X6.5-IN) | | | | | | |
| | 3 | 1 | 5D-4661 | 4 | WASHER-HARD (28X52.5X8-MM THK) | | | | | | |
| | 4 | 1 | 6V-5137 | 2 | SETSCREW-SQUARE HEAD (1-1/2-12X7.5-IN) | | | | | | |
| | 5 | 1 | 7W-8487 | 2 | PLATE-ENGINE MOUNTING | | | | | | |
| | 6 | 1 | 8M-4446 | 8 | SEAL-O-RING | | | | | | |

B-USE AS REQUIRED



GRAPHIC #1

<END>

g00811854

BASIC ENGINE

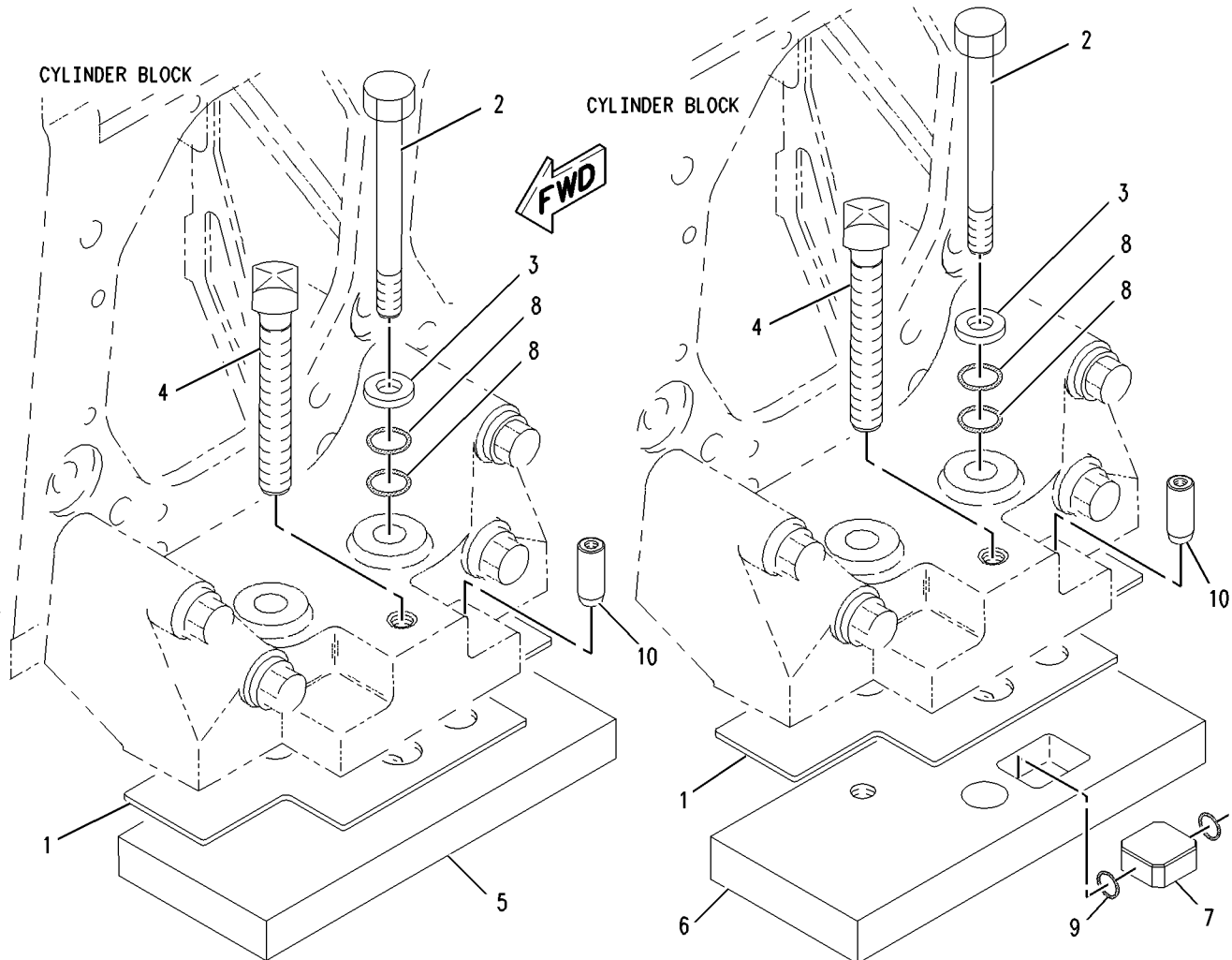
123-8775 MOUNTING GP - ENGINE (CHG -00 THRU -02) 450 MM MOUNTING DIMENSION. LH

SMCS-1152, 1153, 1154

i02346205

| NOTE | REF NO | GRAPHIC REF | PART NUMBER | QTY | PART NAME | | | | | | SEE PAGE |
|------|--------|-------------|-------------|-----|--|---|---|---|---|-------------------|----------|
| | | | | | 1 | 2 | 3 | 4 | 5 | 6 (PRODUCT LEVEL) | |
| B | 1 | 1 | 7C-5273 | 3 | SHIM (0.08-MM THK) | | | | | | |
| | 2 | 1 | 7F-4283 | 8 | BOLT (1-14X6.5-IN) | | | | | | |
| | 3 | 1 | 5D-4661 | 8 | WASHER-HARD (28X52.5X8-MM THK) | | | | | | |
| | 4 | 1 | 6V-5137 | 4 | SETSCREW-SQUARE HEAD (1-1/2-12X7.5-IN) | | | | | | |
| | 5 | 1 | 7W-8487 | 3 | PLATE-ENGINE MOUNTING | | | | | | |
| | 6 | 1 | 7W-8486 | 1 | PLATE-ENGINE MOUNTING | | | | | | |
| | 7 | 1 | 7W-1771 | 1 | GUIDE | | | | | | |
| | 8 | 1 | 8M-4446 | 16 | SEAL-O-RING | | | | | | |
| | 9 | 1 | 5P-2428 | 2 | SEAL-O-RING | | | | | | |
| | 10 | 1 | 2W-2988 | 2 | DOWEL | | | | | | |

B-USE AS REQUIRED



GRAPHIC #1

<END>

g00768891

BASIC ENGINE

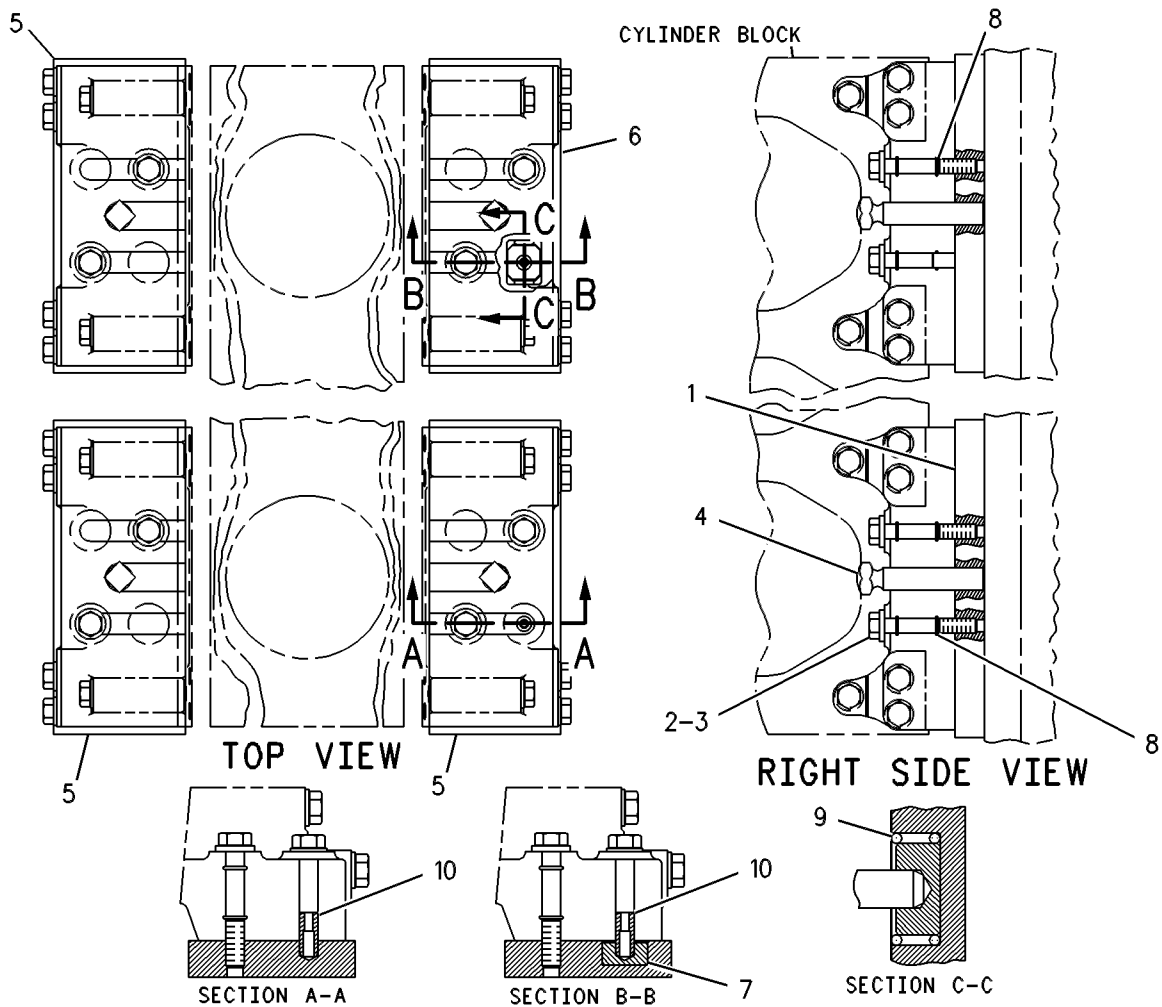
127-1038 MOUNTING GP-ENGINE (CHG -00) OVER SIZE

SMCS-1152, 1153, 1154

i02419930

| NOTE | REF NO | GRAPHIC REF | PART NUMBER | QTY | PART NAME | | | | | | SEE PAGE |
|------|--------|-------------|-------------|-----|--|---|---|---|---|-------------------|----------|
| | | | | | 1 | 2 | 3 | 4 | 5 | 6 (PRODUCT LEVEL) | |
| B | 1 | 1 | 127-1042 | 4 | SHIM PACK (36-SHIMS) | | | | | | |
| | 2 | 1 | 7F-4283 | 8 | BOLT (1-14X6.5-IN) | | | | | | |
| | 3 | 1 | 5D-4661 | 8 | WASHER-HARD (28X52.5X8-MM THK) | | | | | | |
| | 4 | 1 | 6V-5137 | 4 | SETSCREW-SQUARE HEAD (1-1/2-12X7.5-IN) | | | | | | |
| | 5 | 1 | 127-1041 | 3 | PLATE | | | | | | |
| | 6 | 1 | 127-1040 | 1 | PLATE | | | | | | |
| | 7 | 1 | 7W-1771 | 1 | GUIDE | | | | | | |
| | 8 | 1 | 8M-4446 | 16 | SEAL-O-RING | | | | | | |
| | 9 | 1 | 5P-2428 | 2 | SEAL-O-RING | | | | | | |
| | 10 | 1 | 2W-2988 | 2 | DOWEL | | | | | | |

B-USE AS REQUIRED



GRAPHIC #1

<END>

g00067102

BASIC ENGINE

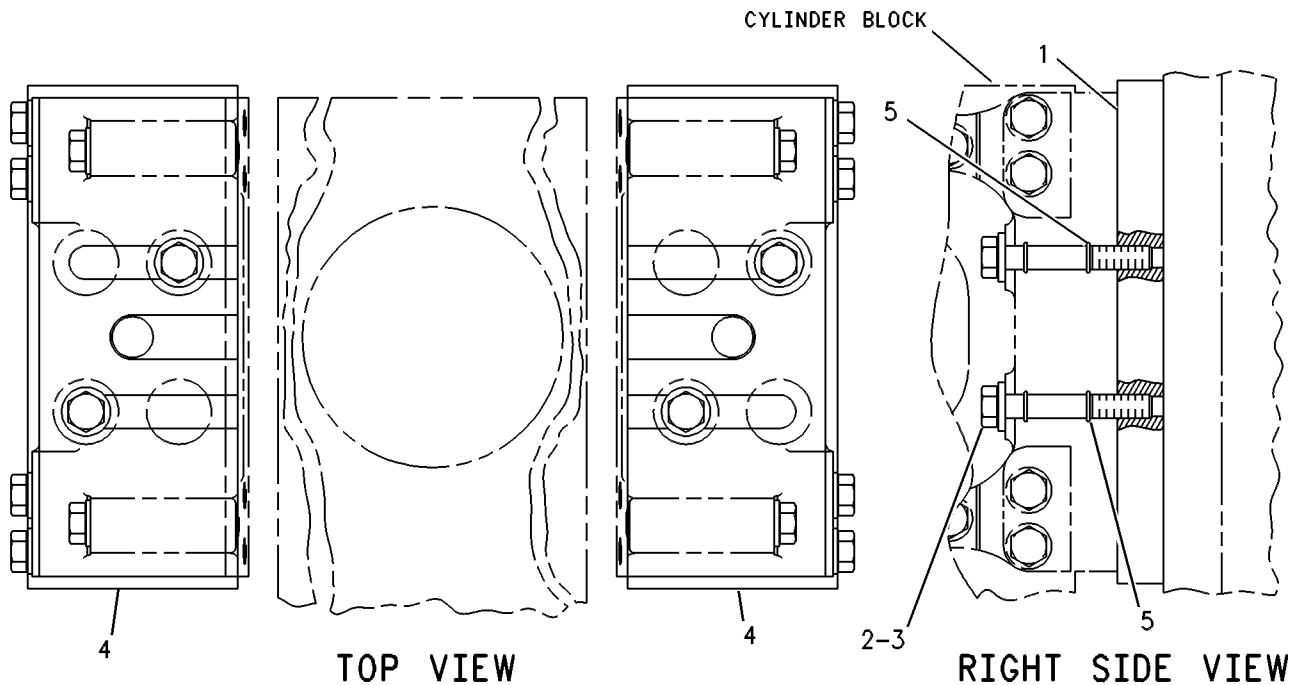
127-1039 MOUNTING GP-ENGINE (CHG -00) OVER SIZE

SMCS-1152, 1153, 1154

i02420044

| NOTE | REF NO | GRAPHIC REF | PART NUMBER | QTY | PART NAME | | | | | | SEE PAGE |
|------|--------|-------------|-------------|-----|--------------------------------|---|---|---|---|-------------------|----------|
| | | | | | 1 | 2 | 3 | 4 | 5 | 6 (PRODUCT LEVEL) | |
| B | 1 | 1 | 127-1042 | 2 | SHIM PACK (36-SHIMS) | | | | | | |
| | 2 | 1 | 7F-4283 | 4 | BOLT (1-14X6.5-IN) | | | | | | |
| | 3 | 1 | 5D-4661 | 4 | WASHER-HARD (28X52.5X8-MM THK) | | | | | | |
| | 4 | 1 | 127-1041 | 2 | PLATE | | | | | | |
| | 5 | 1 | 8M-4446 | 8 | SEAL-O-RING | | | | | | |

B- USE AS REQUIRED



GRAPHIC #1

<END>

g00067104

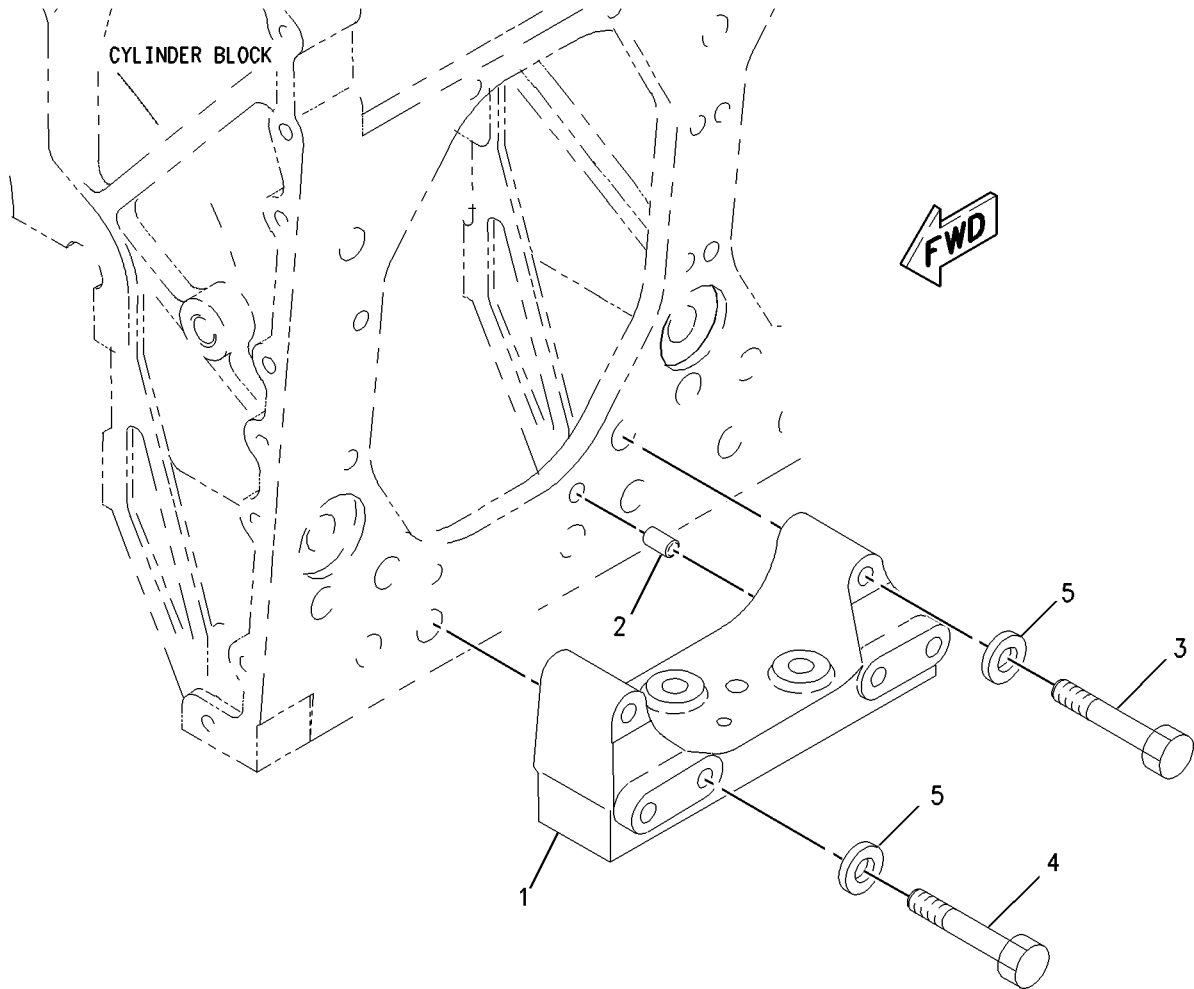
BASIC ENGINE

127-1119 MOUNTING GP-ENGINE (CHG -00, -01) 450 MM VEE

SMCS-1152, 1153, 1154

i02346218

| NOTE | REF NO | GRAPHIC REF | PART NUMBER | QTY | PART NAME | | | | | | SEE PAGE |
|------|--------|-------------|-------------|-----|-------------------------|---|---|---|---|-------------------|----------|
| | | | | | 1 | 2 | 3 | 4 | 5 | 6 (PRODUCT LEVEL) | |
| | 1 | 1 | 4W-6277 | 6 | SUPPORT AS | | | | | | |
| | | | | | (EACH INCLUDES) | | | | | | |
| | 2 | 1 | 7N-2328 | 2 | DOWEL | | | | | | |
| | 3 | 1 | 8S-4757 | 12 | BOLT (1-14X8-IN) | | | | | | |
| | 4 | 1 | 7B-8363 | 24 | BOLT (1-14X10.75-IN) | | | | | | |
| | 5 | 1 | 5P-8250 | 36 | WASHER (28X49X5-MM THK) | | | | | | |



GRAPHIC #1

<END>

g00768696

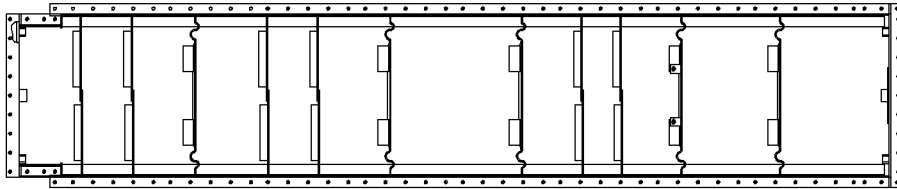
BASIC ENGINE

155-6576 PAN AS-OIL (CHG -00 THRU -04)
PART OF 1W-0909 PAN GP-OIL

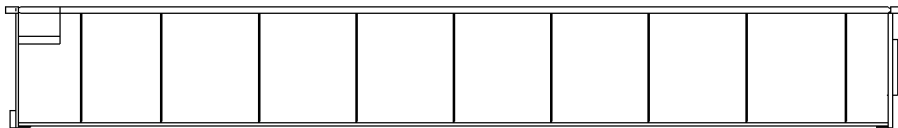
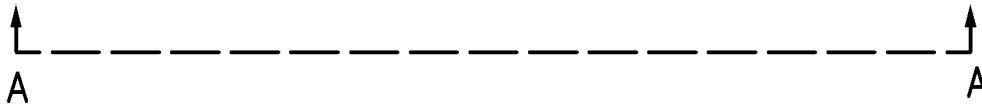
SMCS-1302

i01699580

| NOTE | REF NO | GRAPHIC REF | PART NUMBER | QTY | PART NAME | | | | | | SEE PAGE |
|---------------------|--------|-------------|-------------|-----|-----------|---|---|---|---|-------------------|----------|
| | | | | | 1 | 2 | 3 | 4 | 5 | 6 (PRODUCT LEVEL) | |
| (NO SERVICED PARTS) | | | | | | | | | | | |



TOP VIEW



VIEW A-A

GRAPHIC #1

<END>

g00874977

BASIC ENGINE

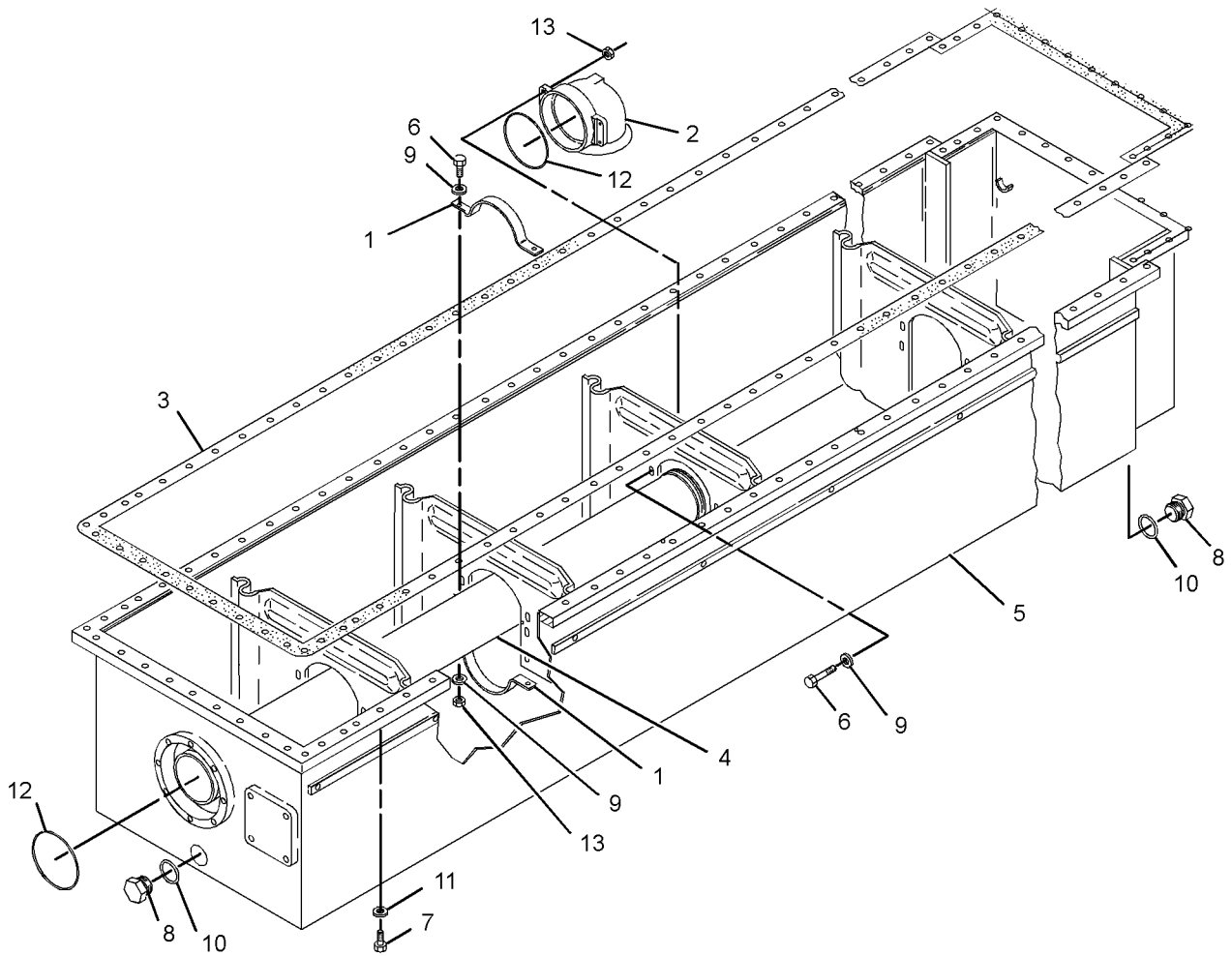
1W-0909 PAN GP-OIL (CHG -10 THRU -13)

SMCS-1302

i02781685

| NOTE | REF NO | GRAPHIC REF | PART NUMBER | QTY | PART NAME | | | | | | SEE PAGE |
|------|--------|-------------|-------------|-----|----------------------------------|---|---|---|---|-------------------|----------|
| | | | | | 1 | 2 | 3 | 4 | 5 | 6 (PRODUCT LEVEL) | |
| | 1 | 1 | 1W-6702 | 2 | CLAMP | | | | | | |
| | 2 | 1 | 4W-9775 | 1 | BELL-SUCTION | | | | | | |
| | 3 | 1 | 7W-1934 | 1 | GASKET-OIL PAN | | | | | | |
| | 4 | 1 | 9Y-3308 | 1 | TUBE AS | | | | | | |
| Y | 5 | 1 | 155-6576 | 1 | PAN AS-OIL | | | | | | 148 |
| | 6 | 1 | 0S-1591 | 8 | BOLT (3/8-16X1.5-IN) | | | | | | |
| | 7 | 1 | 1A-1460 | 114 | BOLT (1/2-13X2-IN) | | | | | | |
| | 8 | 1 | 1N-5998 | 2 | PLUG | | | | | | |
| | 9 | 1 | 5P-1075 | 16 | WASHER-HARD (10.2X22.5X3-MM THK) | | | | | | |
| | 10 | 1 | 5P-7816 | 2 | SEAL-O-RING | | | | | | |
| | 11 | 1 | 5P-8245 | 114 | WASHER-HARD (13.5X25.5X3-MM THK) | | | | | | |
| | 12 | 1 | 5P-8861 | 2 | SEAL-O-RING | | | | | | |
| | 13 | 1 | 9S-8752 | 8 | NUT-FULL (3/8-16-THD) | | | | | | |

Y-SEPARATE ILLUSTRATION



GRAPHIC #1

<END>

g01390217

BASIC ENGINE

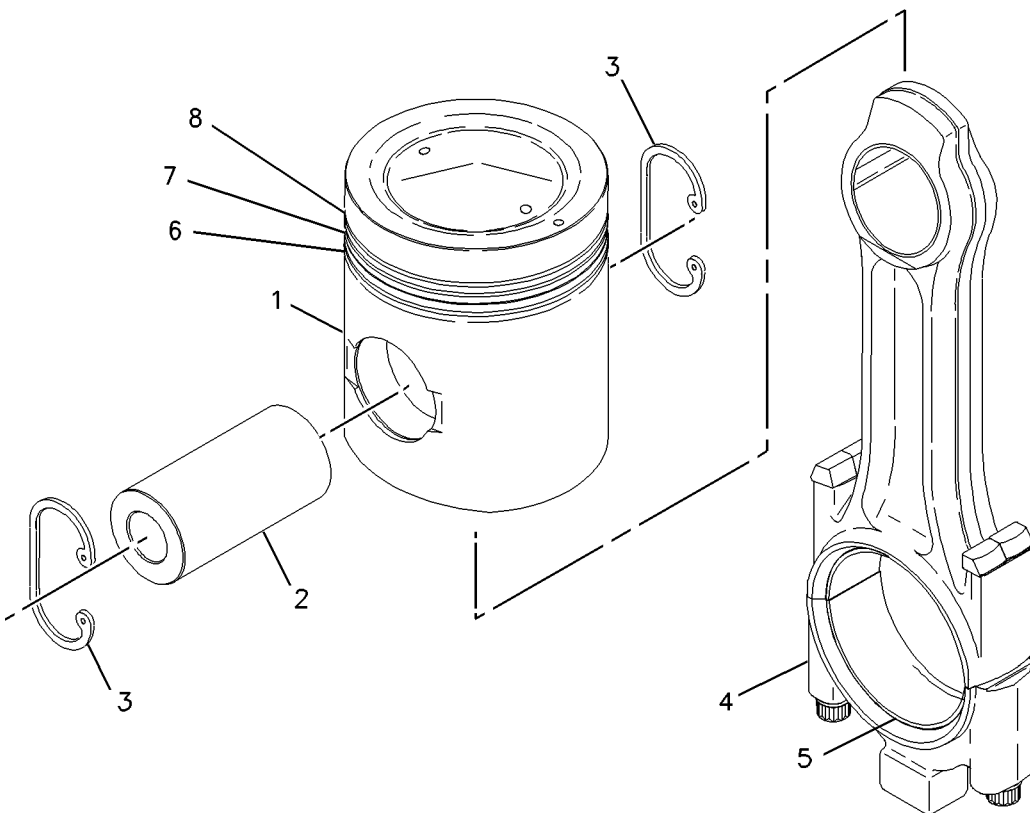
7C-0444 PISTON & ROD GP (CHG -12 THRU -15) 9:1 RATIO

SMCS - 1225

i02015864

| NOTE | REF NO | GRAPHIC REF | PART NUMBER | QTY | PART NAME | | | | | | SEE PAGE |
|------|--------|-------------|-------------|-----|----------------------------|---|---|---|---|-------------------|----------|
| | | | | | 1 | 2 | 3 | 4 | 5 | 6 (PRODUCT LEVEL) | |
| | 1 | 1 | 240-4641 | 1 | PISTON AS | | | | | | |
| | 2 | 1 | 7C-1412 | 1 | PIN-PISTON | | | | | | |
| | 3 | 1 | 7C-1413 | 2 | RETAINER-PIN | | | | | | |
| YR | 4 | 1 | 195-5917 | 1 | CONNECTING ROD GP | | | | | | 23 |
| | 5 | 1 | 192-7870 | 1 | BEARING-CONNECTING ROD | | | | | | |
| | 6 | 1 | 4P-8958 | 1 | RING-PISTON (OIL CONTROL) | | | | | | |
| | 7 | 1 | 7C-7886 | 1 | RING-PISTON (INTERMEDIATE) | | | | | | |
| | 8 | 1 | 7E-8215 | 1 | RING-PISTON (TOP) | | | | | | |

R - REMFG PART MAY BE AVAILABLE
Y - SEPARATE ILLUSTRATION



GRAPHIC #1

<END>

g00822164

BASIC ENGINE

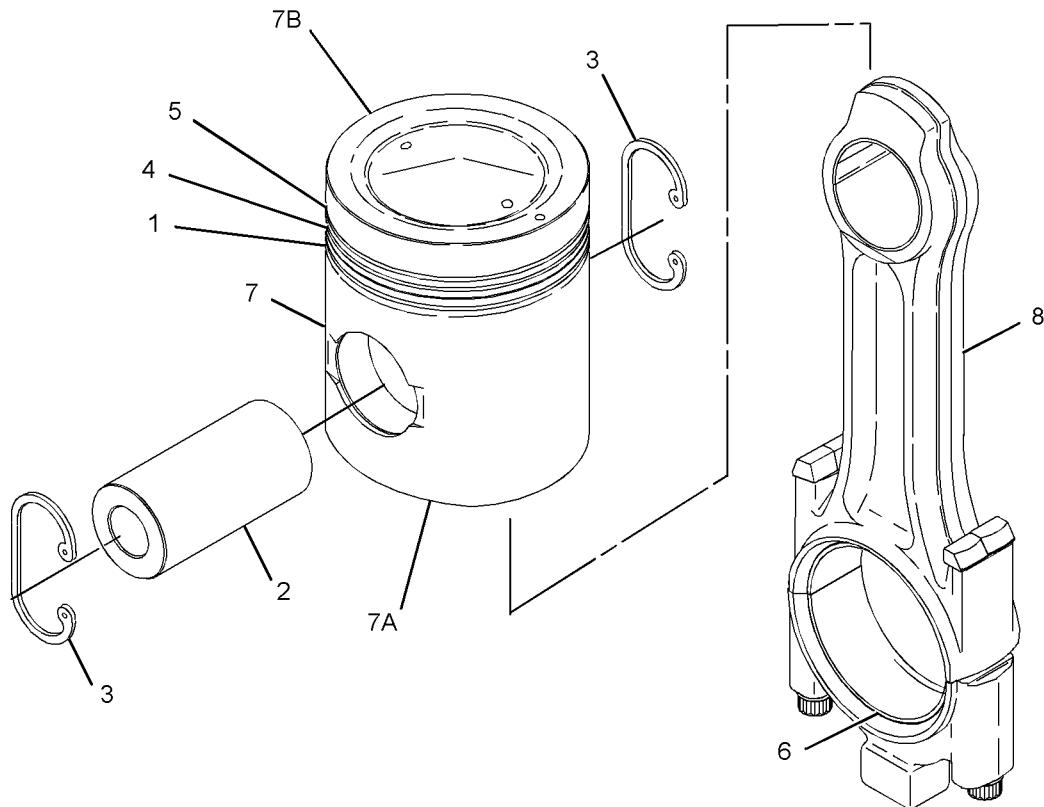
7C-0444 PISTON & ROD GP (CHG -16, -17) 9:1 RATIO

SMCS - 1225

i02657784

| NOTE | REF NO | GRAPHIC REF | PART NUMBER | QTY | PART NAME | | | | | | SEE PAGE |
|------|--------|-------------|-----------------|-----|------------------------------|---|---|---|---|-------------------|----------|
| | | | | | 1 | 2 | 3 | 4 | 5 | 6 (PRODUCT LEVEL) | |
| | 1 | 1 | 4P-8958 | 1 | RING-PISTON (OIL CONTROL) | | | | | | |
| | 2 | 1 | 7C-1412 | 1 | PIN-PISTON | | | | | | |
| | 3 | 1 | 7C-1413 | 2 | RETAINER-PIN | | | | | | |
| | 4 | 1 | 7C-7886 | 1 | RING-PISTON (INTERMEDIATE) | | | | | | |
| | 5 | 1 | 7E-8215 | 1 | RING-PISTON (TOP) | | | | | | |
| | 6 | 1 | 192-7870 | 1 | BEARING-CONNECTING ROD | | | | | | |
| | 7 | 1 | 290-2041 | 1 | PISTON AS | | | | | | |
| | 7A | 1 | 290-2038 | 1 | SKIRT AS | | | | | | |
| | 7B | 1 | 290-2039 | 1 | CROWN AS | | | | | | |
| CY | 8 | 1 | 263-1853 | 1 | CONNECTING ROD GP (STANDARD) | | | | | | 24 |

C - CHANGE FROM PREVIOUS TYPE
Y - SEPARATE ILLUSTRATION



GRAPHIC #1

<END>

g01336888

BASIC ENGINE

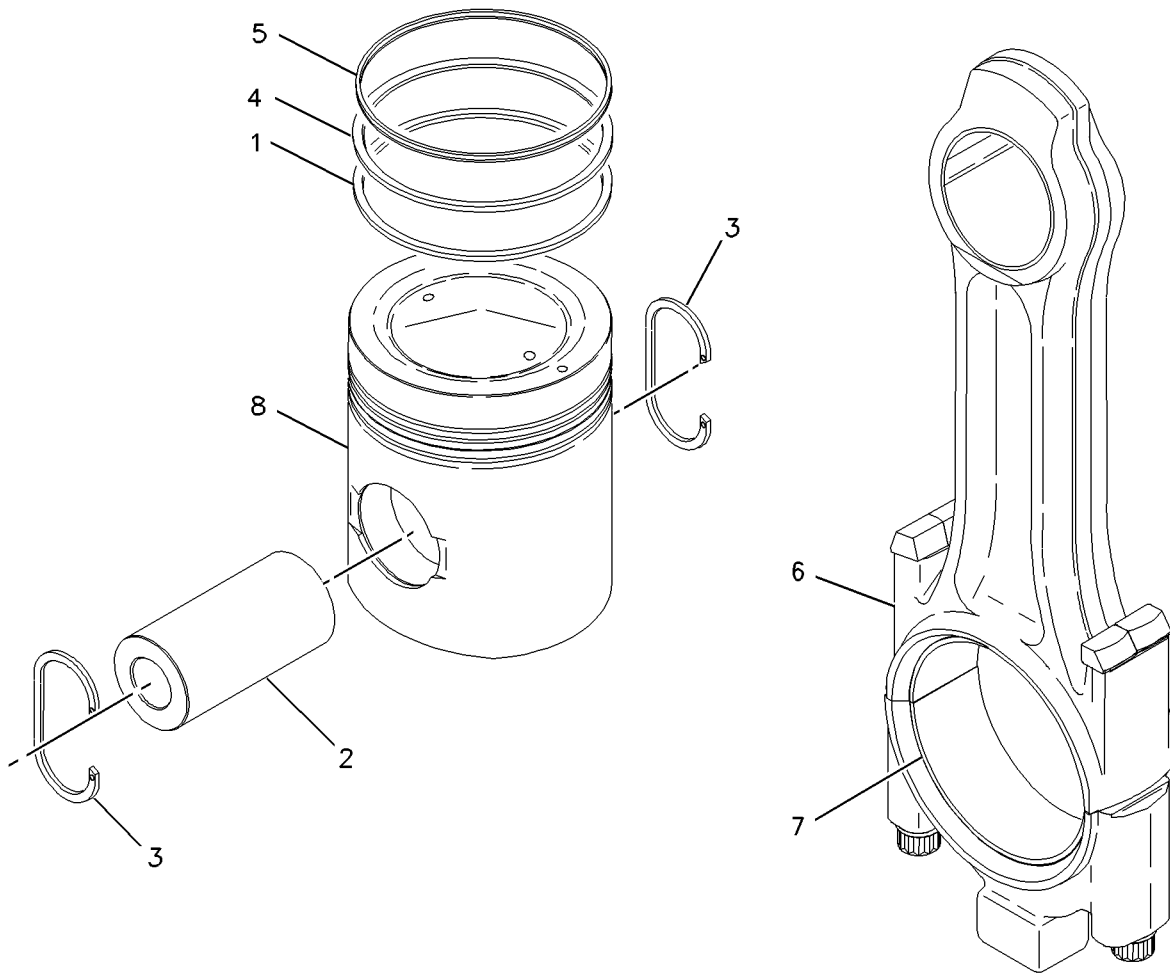
104-4836 PISTON & ROD GP (CHG -13, -13D2) 11:1 RATIO

SMCS - 1225

i01740335

| NOTE | REF NO | GRAPHIC REF | PART NUMBER | QTY | PART NAME | | | | | | SEE PAGE |
|------|--------|-------------|-----------------|-----|----------------------------|---|---|---|---|-------------------|----------|
| | | | | | 1 | 2 | 3 | 4 | 5 | 6 (PRODUCT LEVEL) | |
| | 1 | 1 | 4P-8958 | 1 | RING-PISTON (OIL CONTROL) | | | | | | |
| | 2 | 1 | 7C-1412 | 1 | PIN-PISTON | | | | | | |
| | 3 | 1 | 7C-1413 | 2 | RETAINER-PIN | | | | | | |
| | 4 | 1 | 7C-7886 | 1 | RING-PISTON (INTERMEDIATE) | | | | | | |
| | 5 | 1 | 7E-8215 | 1 | RING-PISTON (TOP) | | | | | | |
| YR | 6 | 1 | 195-5917 | 1 | CONNECTING ROD GP | | | | | | 23 |
| | 7 | 1 | 192-7870 | 1 | BEARING-CONNECTING ROD | | | | | | |
| CY | 8 | 1 | 201-5388 | 1 | PISTON AS | | | | | | 155 |

C - CHANGE FROM PREVIOUS TYPE
R - REMFG PART MAY BE AVAILABLE
Y - SEPARATE ILLUSTRATION



GRAPHIC #1

<END>

g00822398

BASIC ENGINE

104-4836 PISTON & ROD GP (CHG -14)

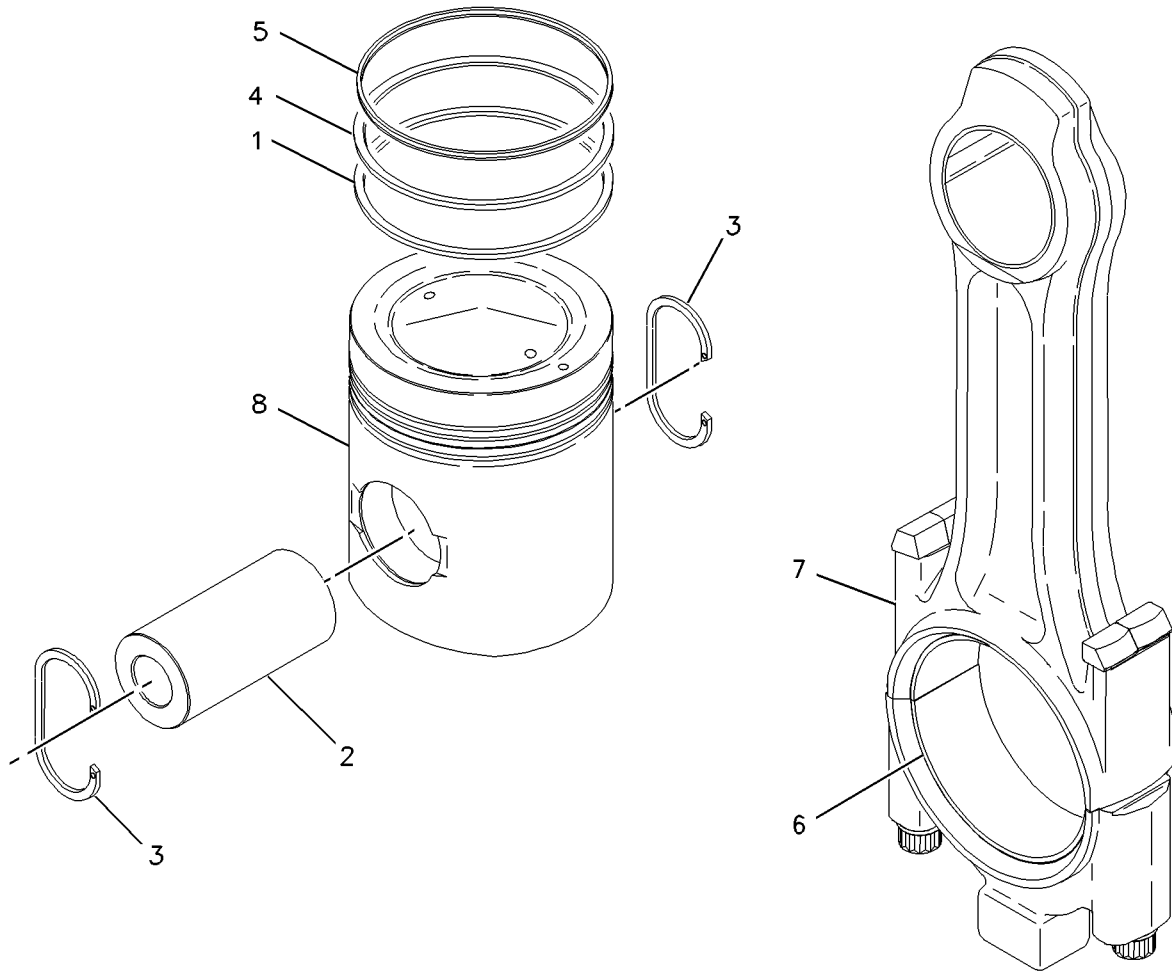
11:1 RATIO

SMCS - 1225

i01874103

| NOTE | REF NO | GRAPHIC REF | PART NUMBER | QTY | PART NAME | | | | | | SEE PAGE |
|------|--------|-------------|-----------------|-----|----------------------------|---|---|---|---|-------------------|----------|
| | | | | | 1 | 2 | 3 | 4 | 5 | 6 (PRODUCT LEVEL) | |
| | 1 | 1 | 4P-8958 | 1 | RING-PISTON (OIL CONTROL) | | | | | | |
| | 2 | 1 | 7C-1412 | 1 | PIN-PISTON | | | | | | |
| | 3 | 1 | 7C-1413 | 2 | RETAINER-PIN | | | | | | |
| | 4 | 1 | 7C-7886 | 1 | RING-PISTON (INTERMEDIATE) | | | | | | |
| | 5 | 1 | 7E-8215 | 1 | RING-PISTON (TOP) | | | | | | |
| | 6 | 1 | 192-7870 | 1 | BEARING-CONNECTING ROD | | | | | | |
| YR | 7 | 1 | 195-5917 | 1 | CONNECTING ROD GP | | | | | | 23 |
| C | 8 | 1 | 204-6117 | 1 | PISTON AS | | | | | | |

C - CHANGE FROM PREVIOUS TYPE
 R - REMFG PART MAY BE AVAILABLE
 Y - SEPARATE ILLUSTRATION



GRAPHIC #1

<END>

g00954145

BASIC ENGINE

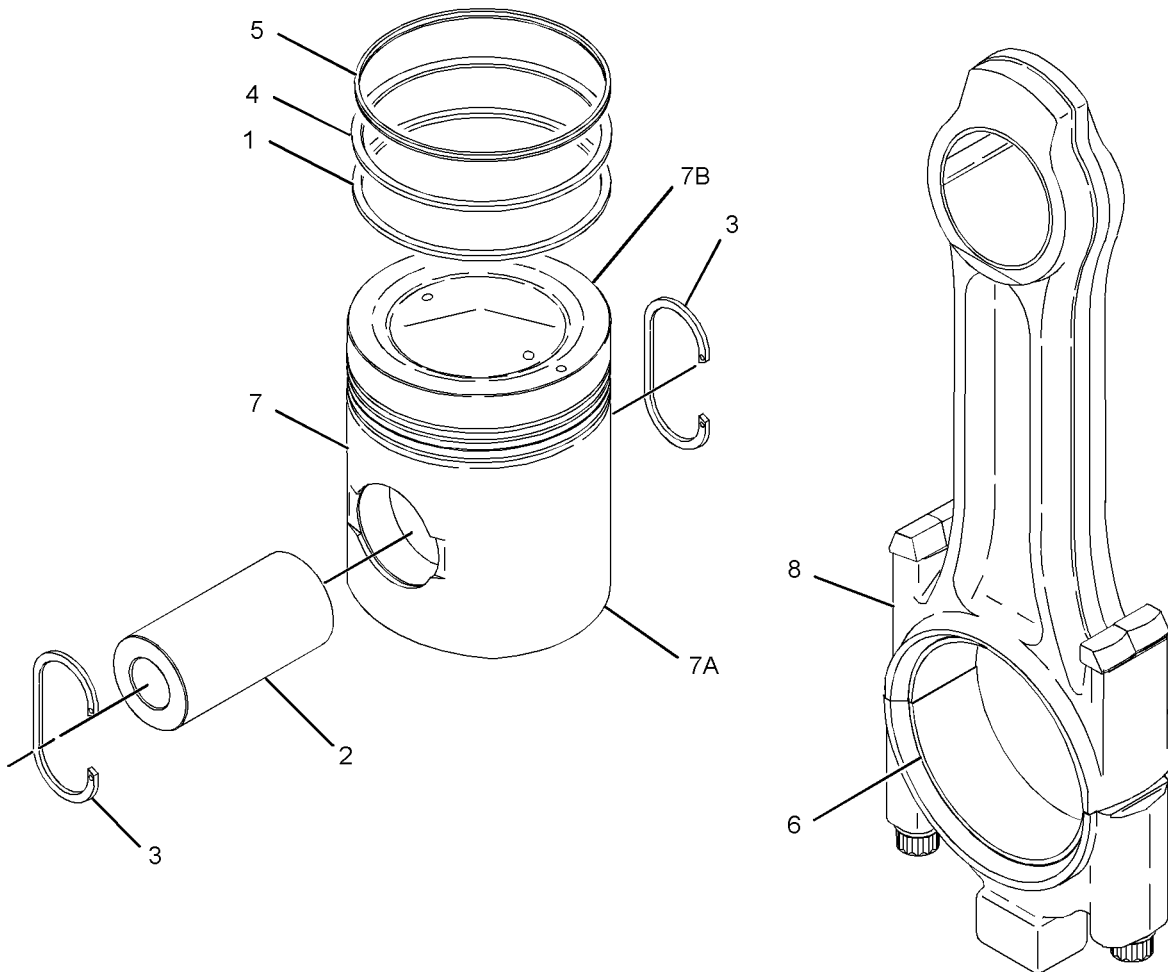
104-4836 PISTON & ROD GP (CHG -15 THRU -19, -19D1) 11:1 RATIO

SMCS - 1225

i02657785

| NOTE | REF NO | GRAPHIC REF | PART NUMBER | QTY | PART NAME | | | | | | SEE PAGE |
|------|--------|-------------|-----------------|-----|------------------------------------|---|---|---|---|-------------------|----------|
| | | | | | 1 | 2 | 3 | 4 | 5 | 6 (PRODUCT LEVEL) | |
| | 1 | 1 | 4P-8958 | 1 | RING-PISTON (OIL CONTROL) | | | | | | |
| | 2 | 1 | 7C-1412 | 1 | PIN-PISTON | | | | | | |
| | 3 | 1 | 7C-1413 | 2 | RETAINER-PIN | | | | | | |
| | 4 | 1 | 7C-7886 | 1 | RING-PISTON (INTERMEDIATE) | | | | | | |
| | 5 | 1 | 7E-8215 | 1 | RING-PISTON (TOP) | | | | | | |
| C | 6 | 1 | 227-2902 | 1 | BEARING (CONNECTING ROD) | | | | | | |
| AB | | 1 | 262-7162 | | BEARING-CONNECTING ROD (0.5-MM US) | | | | | | |
| AB | | 1 | 262-7163 | | BEARING-CONNECTING ROD (1.0-MM US) | | | | | | |
| C | 7 | 1 | 290-2042 | 1 | PISTON AS | | | | | | |
| | 7A | 1 | 290-2038 | 1 | SKIRT AS | | | | | | |
| | 7B | 1 | 290-2040 | 1 | CROWN AS | | | | | | |
| Y | 8 | 1 | 263-1853 | 1 | CONNECTING ROD GP (STANDARD) | | | | | | 24 |

A - NOT PART OF THIS GROUP
 B - USE AS REQUIRED
 C - CHANGE FROM PREVIOUS TYPE
 Y - SEPARATE ILLUSTRATION



GRAPHIC #1

<END>

g01336321

BASIC ENGINE

201-5388 PISTON AS-COMPOSITE (CHG -00, -01)

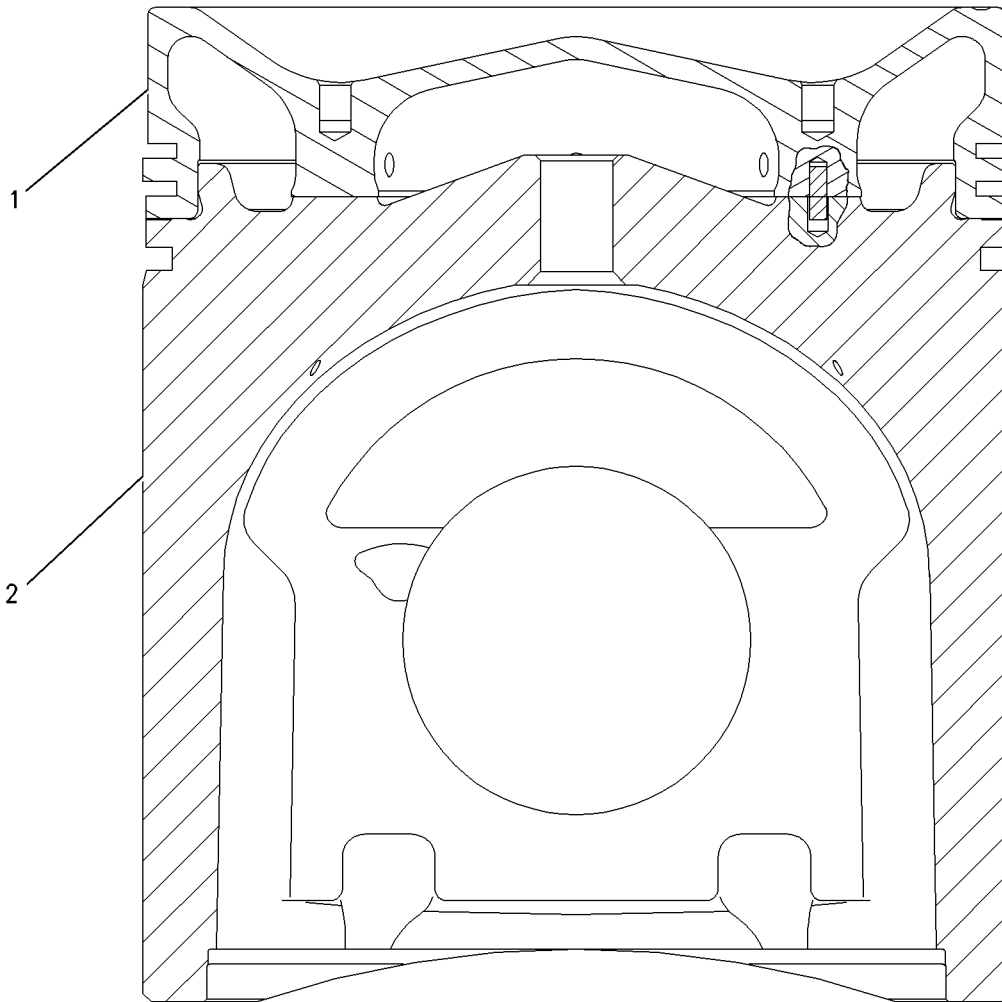
NORMAL WALL

PART OF 104-4836 PISTON & ROD GP

SMCS-1214

i01561841

| NOTE | REF NO | GRAPHIC REF | PART NUMBER | QTY | PART NAME | | | | | | SEE PAGE |
|------|--------|-------------|-------------|-----|-----------|---|---|---|---|-------------------|----------|
| | | | | | 1 | 2 | 3 | 4 | 5 | 6 (PRODUCT LEVEL) | |
| | 1 | 1 | 201-5390 | 1 | CROWN AS | | | | | | |
| | 2 | 1 | 201-5389 | 1 | SKIRT AS | | | | | | |



GRAPHIC #1

<END>

g00811285

BASIC ENGINE

287-7867 PLUG GP - ENGINE (CHG -00)

SMCS-1100

i02492681

| NOTE | PART NUMBER | QTY | PART NAME | SEE PAGE |
|-------|-------------|-----|--------------------------------------|-------------|
| | | | 1 2 3 4 5 6 (PRODUCT LEVEL) | |
| | 9S-9334 | 1 | PLUG-O-RING (STRAIGHT THREAD O-RING) | |
| | 5P-7701 | 1 | SEAL-O-RING | |
| <END> | | | | |

BASIC ENGINE

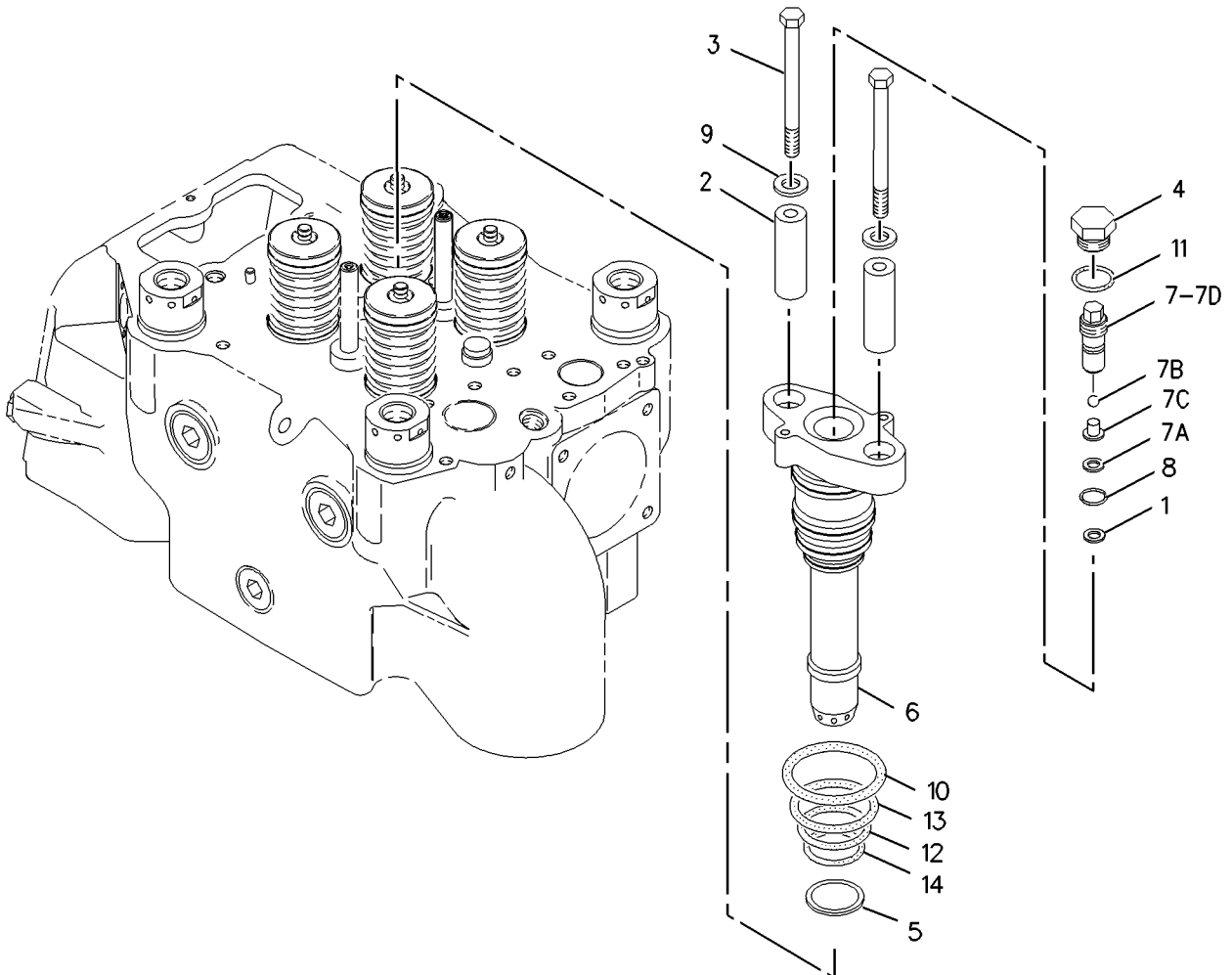
110-5469 PRECHAMBER GP (CHG -13 THRU -15, -15D1, -16)

SMCS-1106

i02420051

| NOTE | REF NO | GRAPHIC REF | PART NUMBER | QTY | PART NAME | | | | | | SEE PAGE |
|------|--------|-------------|-------------|-----|------------------------------------|---|---|---|---|-------------------|----------|
| | | | | | 1 | 2 | 3 | 4 | 5 | 6 (PRODUCT LEVEL) | |
| | 1 | 1 | 7E-1630 | 1 | GASKET | | | | | | |
| | 2 | 1 | 8K-2090 | 2 | TUBE | | | | | | |
| | 3 | 1 | 9X-6621 | 2 | BOLT-12 POINT HEAD (3/8-16X5-IN) | | | | | | |
| | 4 | 1 | 102-4157 | 1 | PLUG | | | | | | |
| | 5 | 1 | 187-6613 | 1 | GASKET | | | | | | |
| C | 6 | 1 | 197-6980 | 1 | PRECHAMBER AS | | | | | | |
| | 7 | 1 | 208-9649 | 1 | VALVE AS-CHECK | | | | | | |
| | 7A | 1 | 1S-1638 | 1 | RING-RETAINING | | | | | | |
| | 7B | 1 | 9M-5590 | 1 | BALL | | | | | | |
| | 7C | 1 | 218-1915 | 1 | STOP | | | | | | |
| | 7D | 1 | 221-0058 | 1 | BODY-VALVE | | | | | | |
| | 8 | 1 | 3P-0647 | 1 | SEAL-O-RING | | | | | | |
| | 9 | 1 | 3V-3308 | 2 | WASHER-HARD (10.2X20.5X2.5-MM THK) | | | | | | |
| | 10 | 1 | 5P-4889 | 1 | SEAL-O-RING | | | | | | |
| | 11 | 1 | 5P-7815 | 1 | SEAL-O-RING | | | | | | |
| | 12 | 1 | 6J-2244 | 1 | SEAL-O-RING | | | | | | |
| | 13 | 1 | 6V-1179 | 1 | SEAL-O-RING | | | | | | |
| | 14 | 1 | 6V-4368 | 1 | SEAL-O-RING | | | | | | |

C- CHANGE FROM PREVIOUS TYPE



GRAPHIC #1

<END>

g00916547

BASIC ENGINE

125 - 3805 PRECHAMBER GP (CHG -04 THRU -06, -06D1, -07) HIGH EFFICIENCY

SMCS - 1106

i01782334

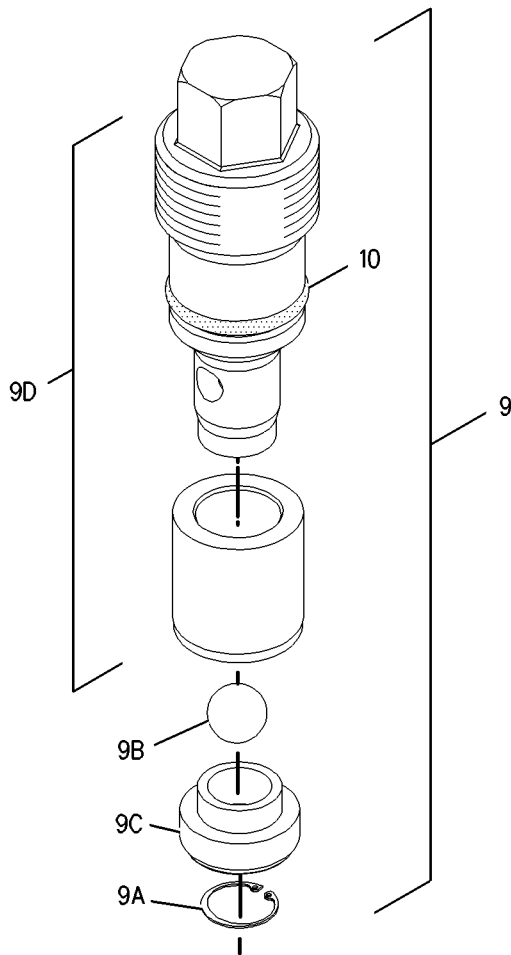
| NOTE | REF NO | GRAPHIC REF | PART NUMBER | QTY | PART NAME | | | | | | SEE PAGE |
|------|--------|-------------|-------------|-----|--------------------------------------|---|---|---|---|-------------------|----------|
| | | | | | 1 | 2 | 3 | 4 | 5 | 6 (PRODUCT LEVEL) | |
| | 1 | 1 | 7E-1630 | 1 | GASKET | | | | | | |
| | 2 | 1 | 8K-2090 | 2 | TUBE | | | | | | |
| | 3 | 1 | 9X-6621 | 2 | BOLT - 12 POINT HEAD (3/8-16X5-IN) | | | | | | |
| | 4 | 1 | 102-4157 | 1 | PLUG | | | | | | |
| C | 5 | 1 | 125-3848 | 1 | PRECHAMBER AS | | | | | | |
| C | 6 | 1 | 173-7681 | 1 | BODY AS - CHAMBER | | | | | | |
| | 6A | 1 | 4F-6024 | 2 | PIN | | | | | | |
| C | 7 | 1 | 174-0130 | 1 | GASKET | | | | | | |
| C | 8 | 1 | 187-6615 | 1 | GASKET | | | | | | |
| | 9 | 1 | 208-9649 | 1 | VALVE AS - CHECK | | | | | | |
| | 9A | 1 | 1S-1638 | 1 | RING - RETAINING | | | | | | |
| | 9B | 1 | 9M-5590 | 1 | BALL | | | | | | |
| | 9C | 1 | 218-1915 | 1 | STOP | | | | | | |
| | 9D | 1 | 221-0058 | 1 | BODY - VALVE | | | | | | |
| | 10 | 1 | 3P-0647 | 1 | SEAL - O-RING | | | | | | |
| | 11 | 1 | 3V-3308 | 2 | WASHER - HARD (10.2X20.5X2.5-MM THK) | | | | | | |
| | 12 | 1 | 5P-4889 | 1 | SEAL - O-RING | | | | | | |
| | 13 | 1 | 5P-7815 | 1 | SEAL - O-RING | | | | | | |
| | 14 | 1 | 6J-2244 | 1 | SEAL - O-RING | | | | | | |
| | 15 | 1 | 6V-1179 | 1 | SEAL - O-RING | | | | | | |
| | 16 | 1 | 6V-4368 | 1 | SEAL - O-RING | | | | | | |

C - CHANGE FROM PREVIOUS TYPE

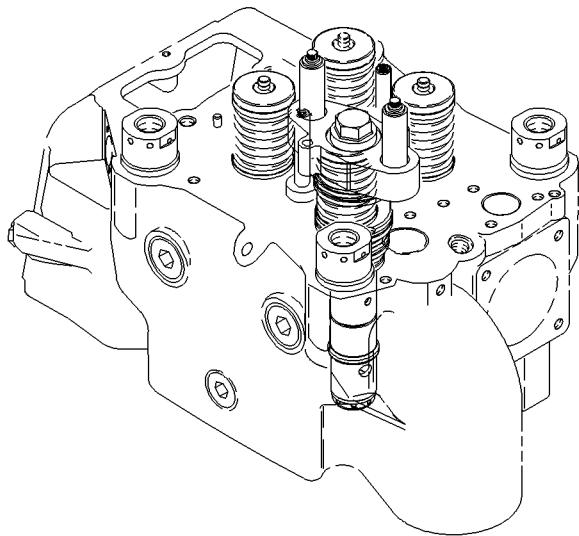
BASIC ENGINE

125 - 3805 PRECHAMBER GP (contd.)

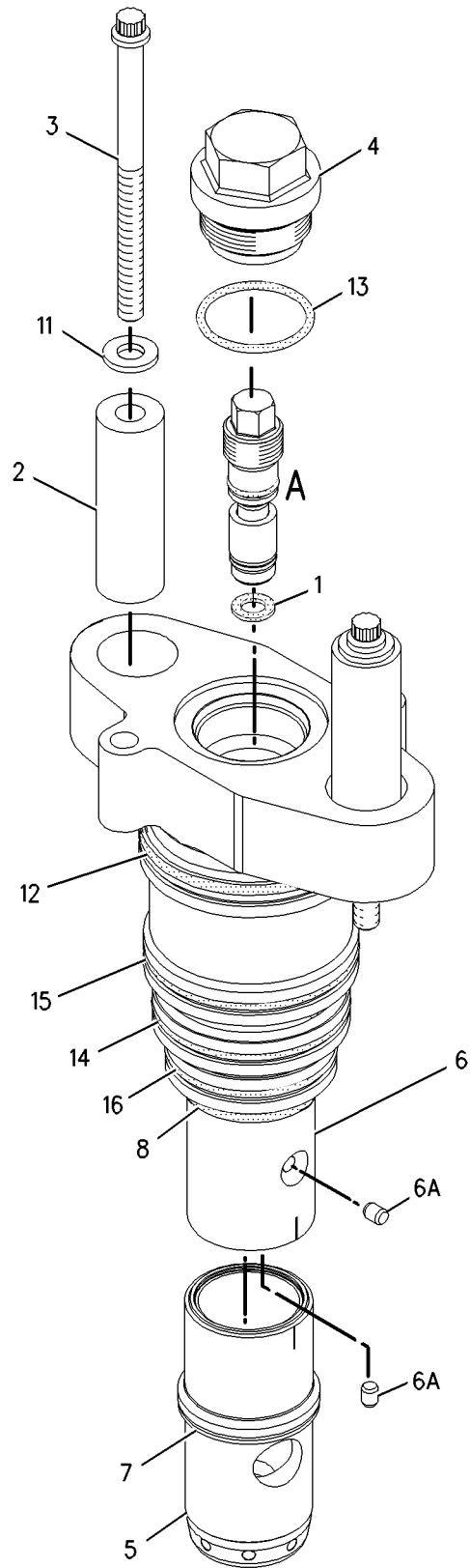
i01782334



EXPLODED VIEW
OF AREA A



ISOMETRIC
VIEW



ISOMETRIC
EXPLODED VIEW

GRAPHIC #1

<END>

g00927052

BASIC ENGINE

218-3893 PRECHAMBER GP (CHG -00 THRU -05)

SMCS-1106

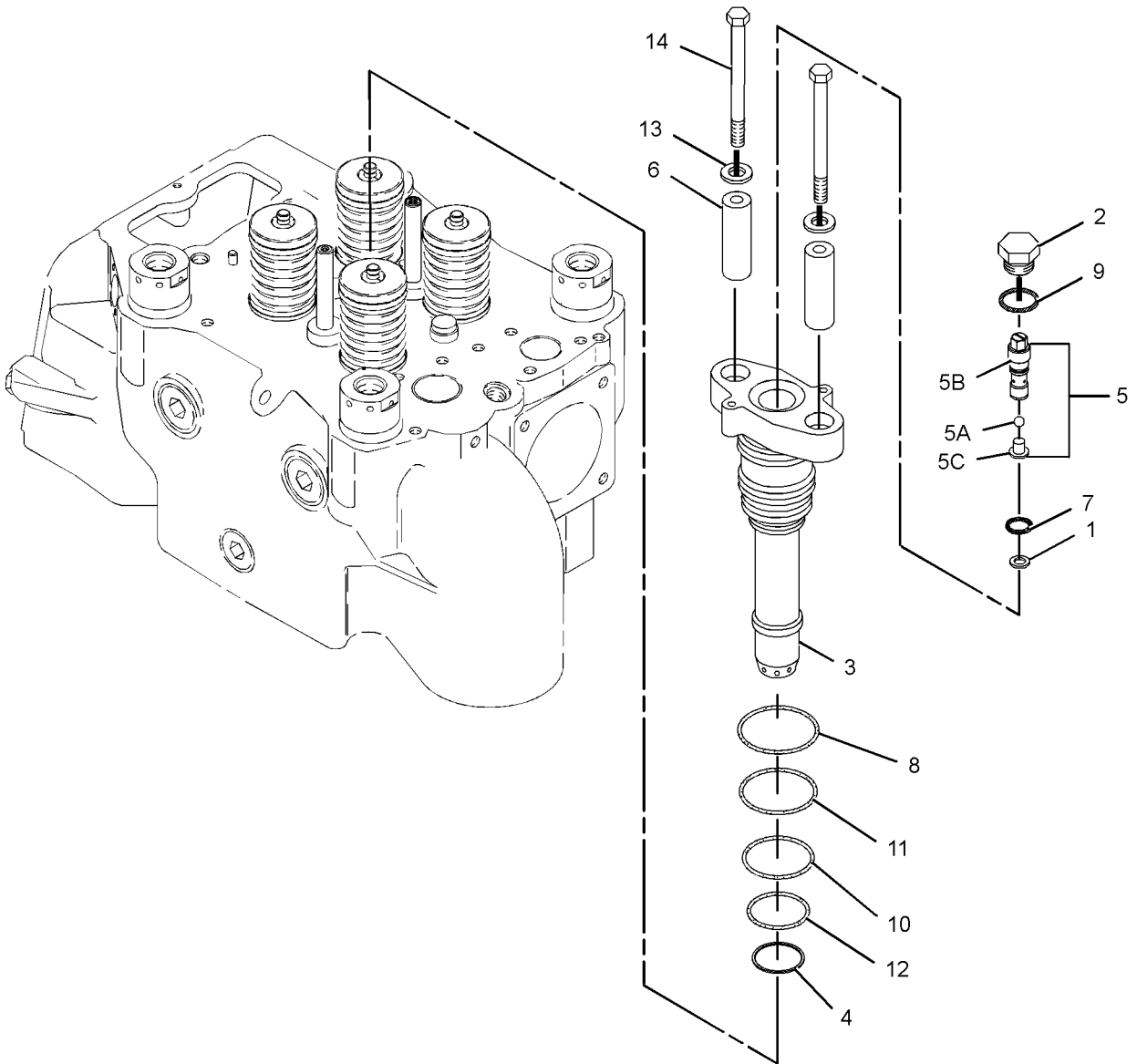
i02341307

| NOTE | REF NO | GRAPHIC REF | PART NUMBER | QTY | PART NAME | | | | | | SEE PAGE |
|------|--------|-------------|-------------|-----|------------------------------------|---|---|---|---|-------------------|----------|
| | | | | | 1 | 2 | 3 | 4 | 5 | 6 (PRODUCT LEVEL) | |
| | 1 | 1 | 7E-1630 | 1 | GASKET | | | | | | |
| | 2 | 1 | 102-4157 | 1 | PLUG | | | | | | |
| | 3 | 1 | 218-3894 | 1 | PRECHAMBER AS | | | | | | |
| | 4 | 1 | 219-6908 | 1 | GASKET | | | | | | |
| | 5 | 1 | 253-0857 | 1 | VALVE AS-CHECK | | | | | | |
| | 5A | 1 | 9M-5590 | 1 | BALL | | | | | | |
| | 5B | 1 | 253-0858 | 1 | BODY-CHECK VALVE | | | | | | |
| | 5C | 1 | 253-0859 | 1 | STOP-CHECK VALVE | | | | | | |
| | 6 | 1 | 275-4011 | 2 | SPACER | | | | | | |
| | 7 | 1 | 3P-0647 | 1 | SEAL-O-RING | | | | | | |
| | 8 | 1 | 5P-4889 | 1 | SEAL-O-RING | | | | | | |
| | 9 | 1 | 5P-7815 | 1 | SEAL-O-RING | | | | | | |
| | 10 | 1 | 6J-2244 | 1 | SEAL-O-RING | | | | | | |
| | 11 | 1 | 6V-1179 | 1 | SEAL-O-RING | | | | | | |
| | 12 | 1 | 6V-4368 | 1 | SEAL-O-RING | | | | | | |
| | 13 | 1 | 7D-1649 | 2 | WASHER-HARD (13.5X32X5-MM THK) | | | | | | |
| | 14 | 1 | 8D-0648 | 2 | BOLT-12 POINT HEAD (1/2-13X4.5-IN) | | | | | | |

BASIC ENGINE

218-3893 PRECHAMBER GP (contd.)

i02341307



GRAPHIC #1

<END>

g01168648

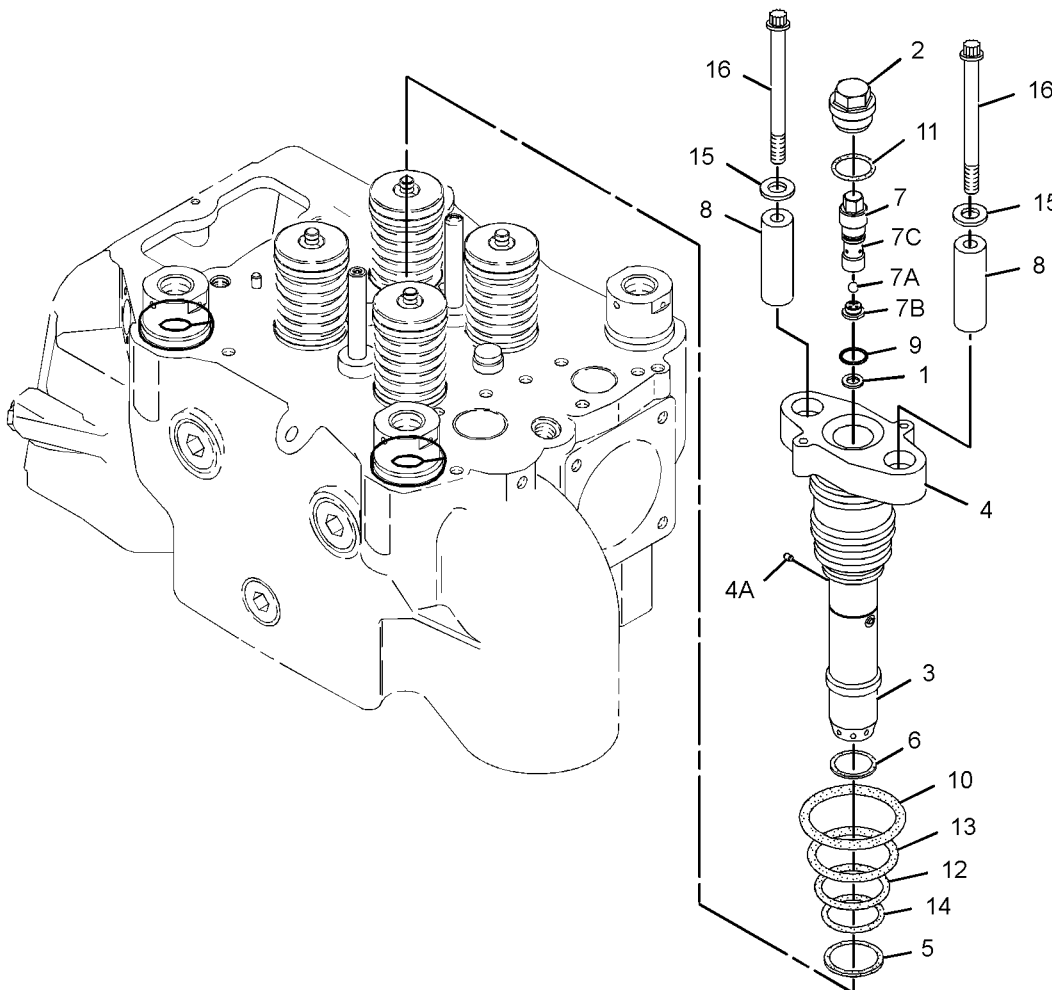
BASIC ENGINE

218-3902 PRECHAMBER GP (CHG -00 THRU -05, -05D1) HIGH EFFICIENCY

SMCS-1106

i02341309

| NOTE | REF NO | GRAPHIC REF | PART NUMBER | QTY | PART NAME | | | | | | SEE PAGE |
|------|--------|-------------|-------------|-----|------------------------------------|---|---|---|---|-------------------|----------|
| | | | | | 1 | 2 | 3 | 4 | 5 | 6 (PRODUCT LEVEL) | |
| | 1 | 1 | 7E-1630 | 1 | GASKET | | | | | | |
| | 2 | 1 | 102-4157 | 1 | PLUG | | | | | | |
| | 3 | 1 | 125-3848 | 1 | PRECHAMBER AS | | | | | | |
| | 4 | 1 | 218-3905 | 1 | BODY AS | | | | | | |
| | 4A | 1 | 4F-6024 | 2 | PIN | | | | | | |
| | 5 | 1 | 219-6908 | 1 | GASKET | | | | | | |
| | 6 | 1 | 219-7009 | 1 | GASKET | | | | | | |
| | 7 | 1 | 253-0857 | 1 | VALVE AS-CHECK | | | | | | |
| | 7A | 1 | 9M-5590 | 1 | BALL | | | | | | |
| | 7B | 1 | 253-0859 | 1 | STOP-CHECK VALVE | | | | | | |
| | 7C | 1 | 253-0858 | 1 | BODY-CHECK VALVE | | | | | | |
| | 8 | 1 | 275-4011 | 2 | SPACER | | | | | | |
| | 9 | 1 | 3P-0647 | 1 | SEAL-O-RING | | | | | | |
| | 10 | 1 | 5P-4889 | 1 | SEAL-O-RING | | | | | | |
| | 11 | 1 | 5P-7815 | 1 | SEAL-O-RING | | | | | | |
| | 12 | 1 | 6J-2244 | 1 | SEAL-O-RING | | | | | | |
| | 13 | 1 | 6V-1179 | 1 | SEAL-O-RING | | | | | | |
| | 14 | 1 | 6V-4368 | 1 | SEAL-O-RING | | | | | | |
| | 15 | 1 | 7D-1649 | 2 | WASHER-HARD (13.5X32X5-MM THK) | | | | | | |
| | 16 | 1 | 8D-0648 | 2 | BOLT-12 POINT HEAD (1/2-13X4.5-IN) | | | | | | |



GRAPHIC #1

<END>

g01168768

BASIC ENGINE

218-3907 PRECHAMBER GP (CHG -00 THRU -05, -05D1, 208-9649-01) LANDFILL

SMCS-1106

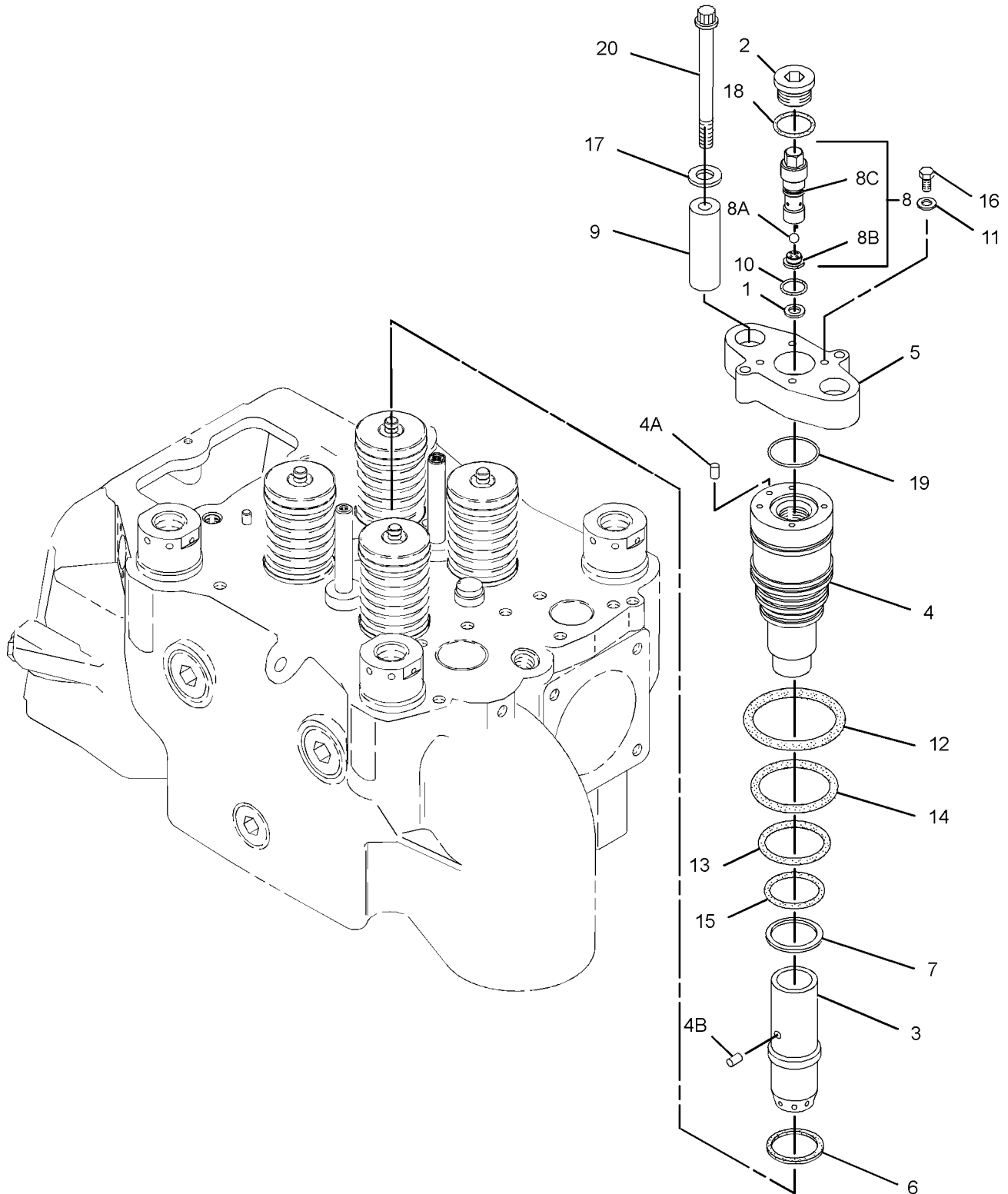
i02341311

| NOTE | REF NO | GRAPHIC REF | PART NUMBER | QTY | PART NAME | | | | | | SEE PAGE |
|------|--------|-------------|-------------|-----|------------------------------------|---|---|---|---|-------------------|----------|
| | | | | | 1 | 2 | 3 | 4 | 5 | 6 (PRODUCT LEVEL) | |
| | 1 | 1 | 7E-1630 | 1 | GASKET | | | | | | |
| | 2 | 1 | 9S-9334 | 1 | PLUG-O-RING | | | | | | |
| | 3 | 1 | 125-3848 | 1 | PRECHAMBER AS | | | | | | |
| | 4 | 1 | 173-7663 | 1 | BODY GP-PRECHAMBER | | | | | | |
| | 4A | 1 | 7N-2043 | 1 | DOWEL | | | | | | |
| | 4B | 1 | 4F-6024 | 2 | PIN | | | | | | |
| | 5 | 1 | 218-3908 | 1 | FLANGE | | | | | | |
| | 6 | 1 | 219-6908 | 1 | GASKET | | | | | | |
| | 7 | 1 | 219-7009 | 1 | GASKET | | | | | | |
| | 8 | 1 | 253-0857 | 1 | VALVE AS-CHECK | | | | | | |
| | 8A | 1 | 9M-5590 | 1 | BALL | | | | | | |
| | 8B | 1 | 253-0859 | 1 | STOP-CHECK VALVE | | | | | | |
| | 8C | 1 | 253-0858 | 1 | BODY-CHECK VALVE | | | | | | |
| | 9 | 1 | 275-4011 | 2 | SPACER | | | | | | |
| | 10 | 1 | 3P-0647 | 1 | SEAL-O-RING | | | | | | |
| | 11 | 1 | 5P-0537 | 4 | WASHER-HARD (7.2X14.5X2-MM THK) | | | | | | |
| | 12 | 1 | 5P-4889 | 1 | SEAL-O-RING | | | | | | |
| | 13 | 1 | 6J-2244 | 1 | SEAL-O-RING | | | | | | |
| | 14 | 1 | 6V-1179 | 1 | SEAL-O-RING | | | | | | |
| | 15 | 1 | 6V-4368 | 1 | SEAL-O-RING | | | | | | |
| | 16 | 1 | 7B-8167 | 4 | BOLT (1/4-20X1.625-IN) | | | | | | |
| | 17 | 1 | 7D-1649 | 2 | WASHER-HARD (13.5X32X5-MM THK) | | | | | | |
| | 18 | 1 | 7M-8485 | 1 | SEAL-O-RING | | | | | | |
| | 19 | 1 | 8C-0624 | 1 | SEAL-O-RING | | | | | | |
| | 20 | 1 | 8D-0648 | 2 | BOLT-12 POINT HEAD (1/2-13X4.5-IN) | | | | | | |

BASIC ENGINE

218-3907 PRECHAMBER GP (contd.)

i02341311



GRAPHIC #1

<END>

g01168824

BASIC ENGINE

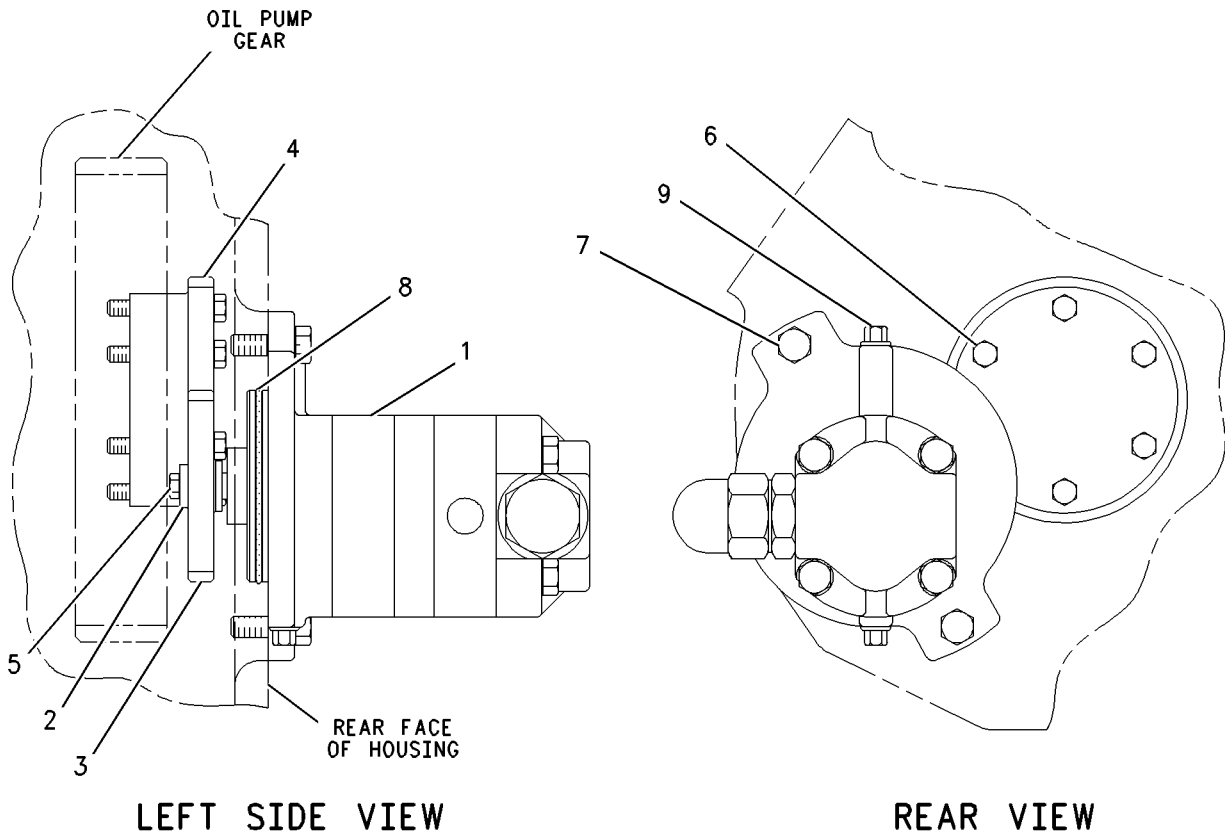
116 - 6965 PUMP GP - GEAR (CHG -00 THRU -03)

SMCS - 5073

i02446442

| NOTE | REF NO | GRAPHIC REF | PART NUMBER | QTY | PART NAME | | | | | | SEE PAGE |
|---|--------|-------------|-----------------|-----|-----------------------------------|---|---|---|---|-------------------|----------|
| | | | | | 1 | 2 | 3 | 4 | 5 | 6 (PRODUCT LEVEL) | |
| J | 1 | 1 | 184-6957 | 1 | PUMP GP - GEAR (BASIC) | | | | | | |
| | 2 | 1 | 6V-3964 | 1 | WASHER - HARD (8.8X25.5X5-MM THK) | | | | | | |
| | 3 | 1 | 1W-3390 | 1 | GEAR (42-TEETH) | | | | | | |
| | 4 | 1 | 1W-3389 | 1 | GEAR (55-TEETH) | | | | | | |
| | 5 | 1 | 1B-7182 | 1 | BOLT (5/16-18X1.25-IN) | | | | | | |
| | 6 | 1 | 0L-1143 | 6 | BOLT (3/8-16X2.5-IN) | | | | | | |
| | 7 | 1 | 0S-1585 | 2 | BOLT (1/2-13X1.5-IN) | | | | | | |
| | 8 | 1 | 5D-5957 | 1 | SEAL - O-RING | | | | | | |
| | 9 | 1 | 8T-6764 | 1 | PLUG - PIPE | | | | | | |
| AVAILABLE REPAIR KIT(S) : | | | | | | | | | | | |
| J | | | 184-6959 | 1 | KIT - SEAL (PUMP GP) | | | | | | |
| (INCLUDES BOLTS, GEARS, PLUG, PUMP ASSEMBLY, SEAL AND WASHER) | | | | | | | | | | | |

J - KIT MARKED J SERVICES PART MARKED J



GRAPHIC #1

<END>

g00793141

BASIC ENGINE

116-6965 PUMP GP-GEAR (CHG -04)

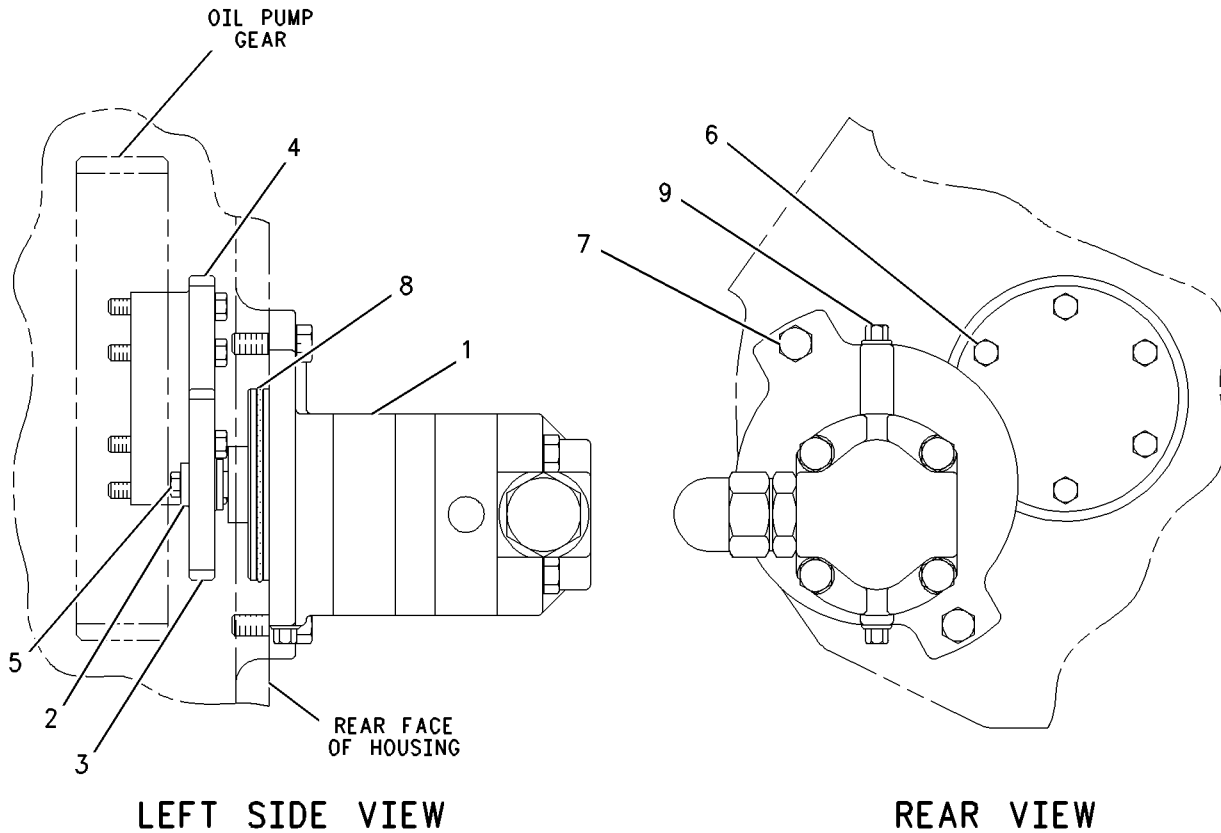
SMCS-5073

i02574440

| NOTE | REF NO | GRAPHIC REF | PART NUMBER | QTY | PART NAME | | | | | | SEE PAGE |
|---------------------------|--------|-------------|-----------------|-----|---|---|---|---|---|-------------------|----------|
| | | | | | 1 | 2 | 3 | 4 | 5 | 6 (PRODUCT LEVEL) | |
| CJ | 1 | 1 | 290-9753 | 1 | PUMP GP-GEAR | | | | | | |
| | 2 | 1 | 6V-3964 | 1 | WASHER-HARD (8.8X25.5X5-MM THK) | | | | | | |
| | 3 | 1 | 1W-3390 | 1 | GEAR (42-TEETH) | | | | | | |
| | 4 | 1 | 1W-3389 | 1 | GEAR (55-TEETH) | | | | | | |
| | 5 | 1 | 1B-7182 | 1 | BOLT (5/16-18X1.25-IN) | | | | | | |
| | 6 | 1 | 0L-1143 | 6 | BOLT (3/8-16X2.5-IN) | | | | | | |
| | 7 | 1 | 0S-1585 | 2 | BOLT (1/2-13X1.5-IN) | | | | | | |
| | 8 | 1 | 5D-5957 | 1 | SEAL-O-RING | | | | | | |
| | 9 | 1 | 8T-6764 | 1 | PLUG-PIPE | | | | | | |
| AVAILABLE REPAIR KIT(S) : | | | | | | | | | | | |
| J | | | 288-6618 | 1 | KIT-PUMP (INCLUDES BRACKET BUSHING, BUSHING SUBASSEMBLY, BUSHINGS, DRIVER SHAFT, GASKETS, GEAR DRIVE KEY, GEAR RETAINING RINGS, SEAL RETAINING RING, AND SEPERATION PLATE) | | | | | | |
| J | | | 288-4608 | 1 | KIT-SEAL (INCLUDES LIP SEAL, MECHANICAL SEAL, AND O-RINGS) | | | | | | |

C- CHANGE FROM PREVIOUS TYPE

J- KIT MARKED J SERVICES PART MARKED J



GRAPHIC #1

<END>

g00793141

BASIC ENGINE

7C-0419 ROCKER ARM GP (CHG -14 THRU -22) PART OF 7C-0417 VALVE MECHANISM GP

SMCS-1123

i02674444

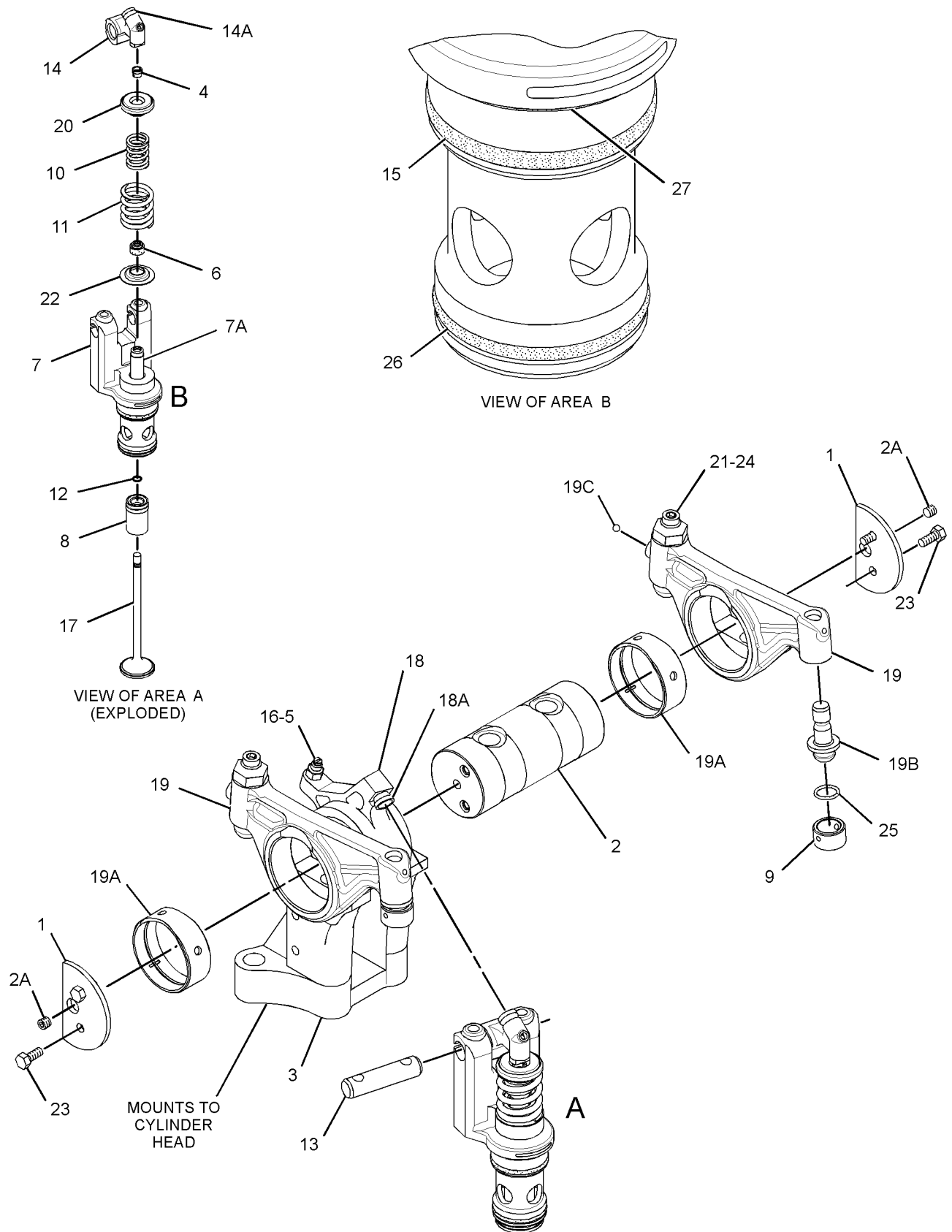
| NOTE | REF NO | GRAPHIC REF | PART NUMBER | QTY | PART NAME | | | | | | SEE PAGE |
|------|--------|-------------|-------------|-----|---------------------------------|---|---|---|---|-------------------|----------|
| | | | | | 1 | 2 | 3 | 4 | 5 | 6 (PRODUCT LEVEL) | |
| | 1 | 1 | 1W-8409 | 2 | PLATE - THRUST | | | | | | |
| | 2 | 1 | 1W-8410 | 1 | SHAFT AS - ARM | | | | | | |
| | 2A | 1 | 9F-2247 | 2 | PLUG - PIPE | | | | | | |
| | 3 | 1 | 1W-8444 | 1 | SUPPORT - SHAFT | | | | | | |
| | 4 | 1 | 2A-4429 | 2 | LOCK - RETAINER | | | | | | |
| | 5 | 1 | 3S-2713 | 1 | NUT - FULL (3/8-24-THD) | | | | | | |
| | 6 | 1 | 6I-2313 | 1 | SEAL | | | | | | |
| | 7 | 1 | 7C-2359 | 1 | SUPPORT AS | | | | | | |
| | 7A | 1 | 100-4996 | 1 | GUIDE - VALVE | | | | | | |
| | 8 | 1 | 7E-7074 | 1 | RETAINER | | | | | | |
| | 9 | 1 | 7E-7202 | 2 | BUTTON | | | | | | |
| | 10 | 1 | 7N-1903 | 1 | SPRING - VALVE INNER | | | | | | |
| | 11 | 1 | 7N-1904 | 1 | SPRING - VALVE OUTER | | | | | | |
| | 12 | 1 | 7W-5718 | 1 | SEAL | | | | | | |
| | 13 | 1 | 7W-5720 | 1 | SHAFT | | | | | | |
| | 14 | 1 | 7W-5725 | 1 | ROCKER ARM AS | | | | | | |
| | 14A | 1 | 1W-0605 | 1 | PIN - HOUSING SIDE | | | | | | |
| | 15 | 1 | 061-9455 | 1 | SEAL - O-RING | | | | | | |
| | 16 | 1 | 108-5603 | 1 | SCREW (3/8-24X1.67- IN) | | | | | | |
| | 17 | 1 | 115-2367 | 1 | VALVE - EXHAUST | | | | | | |
| R | 18 | 1 | 122-9578 | 1 | ARM AS | | | | | | |
| | 18A | 1 | 1W-0605 | 1 | PIN - HOUSING SIDE | | | | | | |
| R | 19 | 1 | 129-4859 | 2 | ROCKER ARM AS | | | | | | |
| | | | | | (EACH INCLUDES) | | | | | | |
| | 19A | 1 | 6I-0578 | 1 | BEARING - SLEEVE | | | | | | |
| | 19B | 1 | 151-4918 | 1 | INSERT | | | | | | |
| | 19C | 1 | 2D-6642 | 1 | BALL | | | | | | |
| | 20 | 1 | 197-6999 | 1 | ROTOCOIL AS | | | | | | |
| | 21 | 1 | 204-4385 | 2 | SCREW - ADJUSTMENT (3/4-16-THD) | | | | | | |
| | 22 | 1 | 209-0962 | 1 | WASHER (17.8X45X7.29-MM THK) | | | | | | |
| | 23 | 1 | 0S-1617 | 4 | BOLT (5/16-18X0.75- IN) | | | | | | |
| | 24 | 1 | 6V-5019 | 2 | NUT - JAM (3/4-16-THD) | | | | | | |
| | 25 | 1 | 7L-9061 | 2 | SEAL - O-RING | | | | | | |
| | 26 | 1 | 8J-4351 | 1 | SEAL - O-RING | | | | | | |
| | 27 | 1 | 9X-3978 | 1 | SEAL - O-RING | | | | | | |

R- REMFG PART MAY BE AVAILABLE

BASIC ENGINE

7C-0419 ROCKER ARM GP (contd.)

i02674444



GRAPHIC #1

<END>

g01345258

BASIC ENGINE

100-9979 ROCKER ARM GP (CHG -03 THRU -09)

LANDFILL

PART OF 104-4837 VALVE MECHANISM GP

SMCS-1123

i02674441

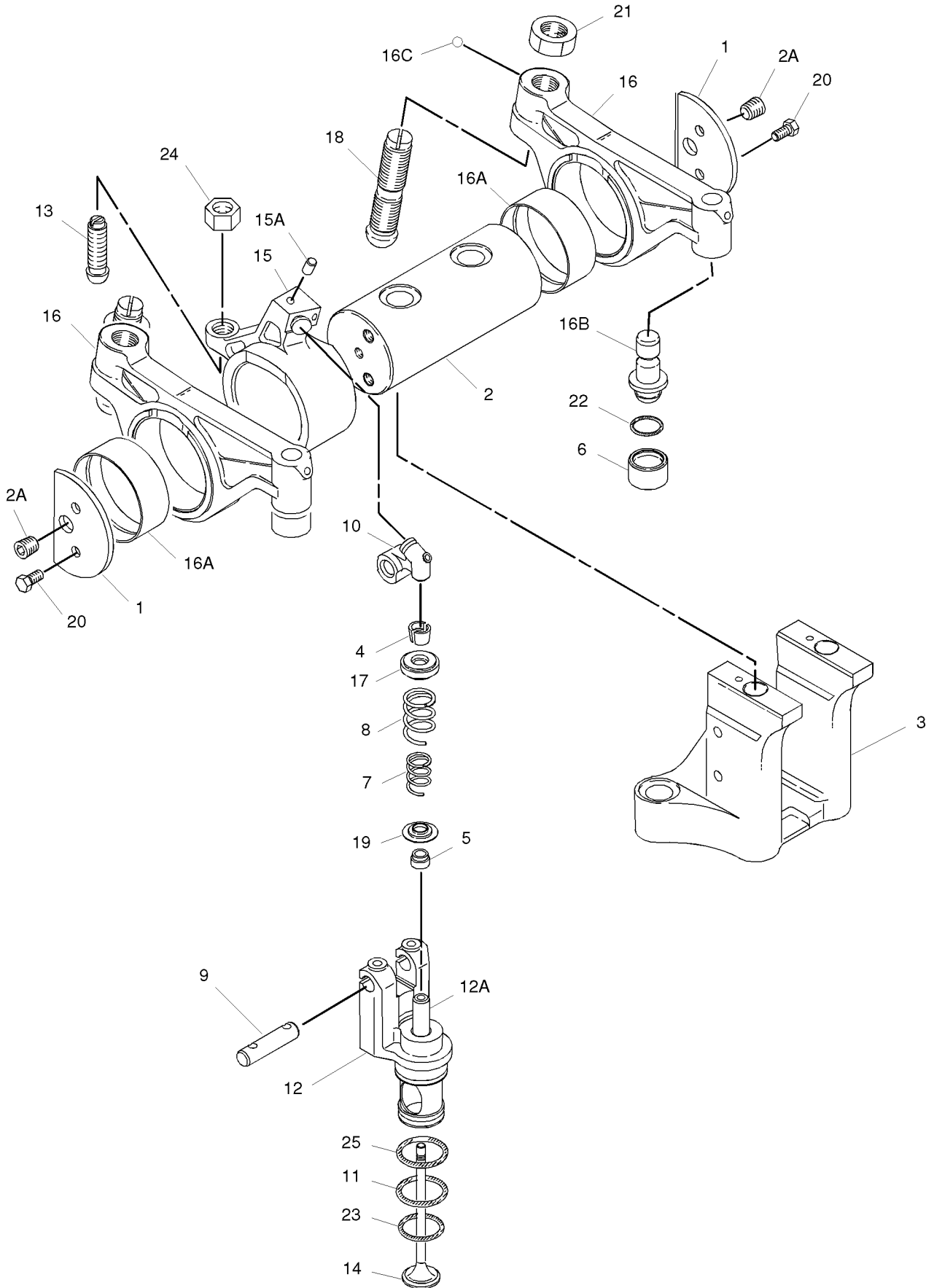
| NOTE | REF NO | GRAPHIC REF | PART NUMBER | QTY | PART NAME | | | | | | SEE PAGE |
|------|--------|-------------|-------------|-----|-------------------------------------|---|---|---|---|-------------------|----------|
| | | | | | 1 | 2 | 3 | 4 | 5 | 6 (PRODUCT LEVEL) | |
| | 1 | 1 | 1W-8409 | 2 | PLATE - THRUST | | | | | | |
| | 2 | 1 | 1W-8410 | 1 | SHAFT AS - ARM | | | | | | |
| | 2A | 1 | 9F-2247 | 2 | PLUG - PIPE | | | | | | |
| | 3 | 1 | 1W-8444 | 1 | SUPPORT - SHAFT | | | | | | |
| | 4 | 1 | 2A-4429 | 2 | LOCK - RETAINER | | | | | | |
| | 5 | 1 | 6I-2313 | 1 | SEAL | | | | | | |
| | 6 | 1 | 7E-7202 | 2 | BUTTON | | | | | | |
| | 7 | 1 | 7N-1903 | 1 | SPRING - VALVE INNER | | | | | | |
| | 8 | 1 | 7N-1904 | 1 | SPRING - VALVE OUTER | | | | | | |
| | 9 | 1 | 7W-5720 | 1 | SHAFT | | | | | | |
| | 10 | 1 | 7W-5725 | 1 | ROCKER ARM AS | | | | | | |
| | | 1 | 1W-0605 | 1 | PIN - HOUSING SIDE | | | | | | |
| | 11 | 1 | 061-9455 | 1 | SEAL - O - RING | | | | | | |
| | 12 | 1 | 100-9980 | 1 | SUPPORT AS | | | | | | |
| | 12A | 1 | 100-4996 | 1 | GUIDE - VALVE | | | | | | |
| | 13 | 1 | 108-5603 | 1 | SCREW (3/8 - 24X1.67 - IN) | | | | | | |
| | 14 | 1 | 115-2368 | 1 | VALVE - INLET | | | | | | |
| CR | 15 | 1 | 122-9578 | 1 | ARM AS | | | | | | |
| | 15A | 1 | 1W-0605 | 1 | PIN - HOUSING SIDE | | | | | | |
| R | 16 | 1 | 129-4859 | 2 | ROCKER ARM AS | | | | | | |
| | | | | | (EACH INCLUDES) | | | | | | |
| | 16A | 1 | 6I-0578 | 1 | BEARING - SLEEVE | | | | | | |
| | 16B | 1 | 151-4918 | 1 | INSERT | | | | | | |
| | 16C | 1 | 2D-6642 | 1 | BALL | | | | | | |
| | 17 | 1 | 197-6999 | 1 | ROTOCOIL AS | | | | | | |
| | 18 | 1 | 204-4385 | 2 | SCREW - ADJUSTMENT (3/4 - 16 - THD) | | | | | | |
| | 19 | 1 | 209-0962 | 1 | WASHER (17.8X45X7.29 - MM THK) | | | | | | |
| | 20 | 1 | 0S-1617 | 4 | BOLT (5/16 - 18X0.75 - IN) | | | | | | |
| | 21 | 1 | 6V-5019 | 2 | NUT - JAM (3/4 - 16 - THD) | | | | | | |
| | 22 | 1 | 7L-9061 | 2 | SEAL - O - RING | | | | | | |
| | 23 | 1 | 8J-4351 | 1 | SEAL - O - RING | | | | | | |
| | 24 | 1 | 3S-2713 | 1 | NUT - FULL (3/8 - 24 - THD) | | | | | | |
| | 25 | 1 | 9X-3978 | 1 | SEAL - O - RING | | | | | | |

C - CHANGE FROM PREVIOUS TYPE
R - REMFG PART MAY BE AVAILABLE

BASIC ENGINE

100-9979 ROCKER ARM GP (contd.)

i02674441



GRAPHIC #1

<END>

g01022014

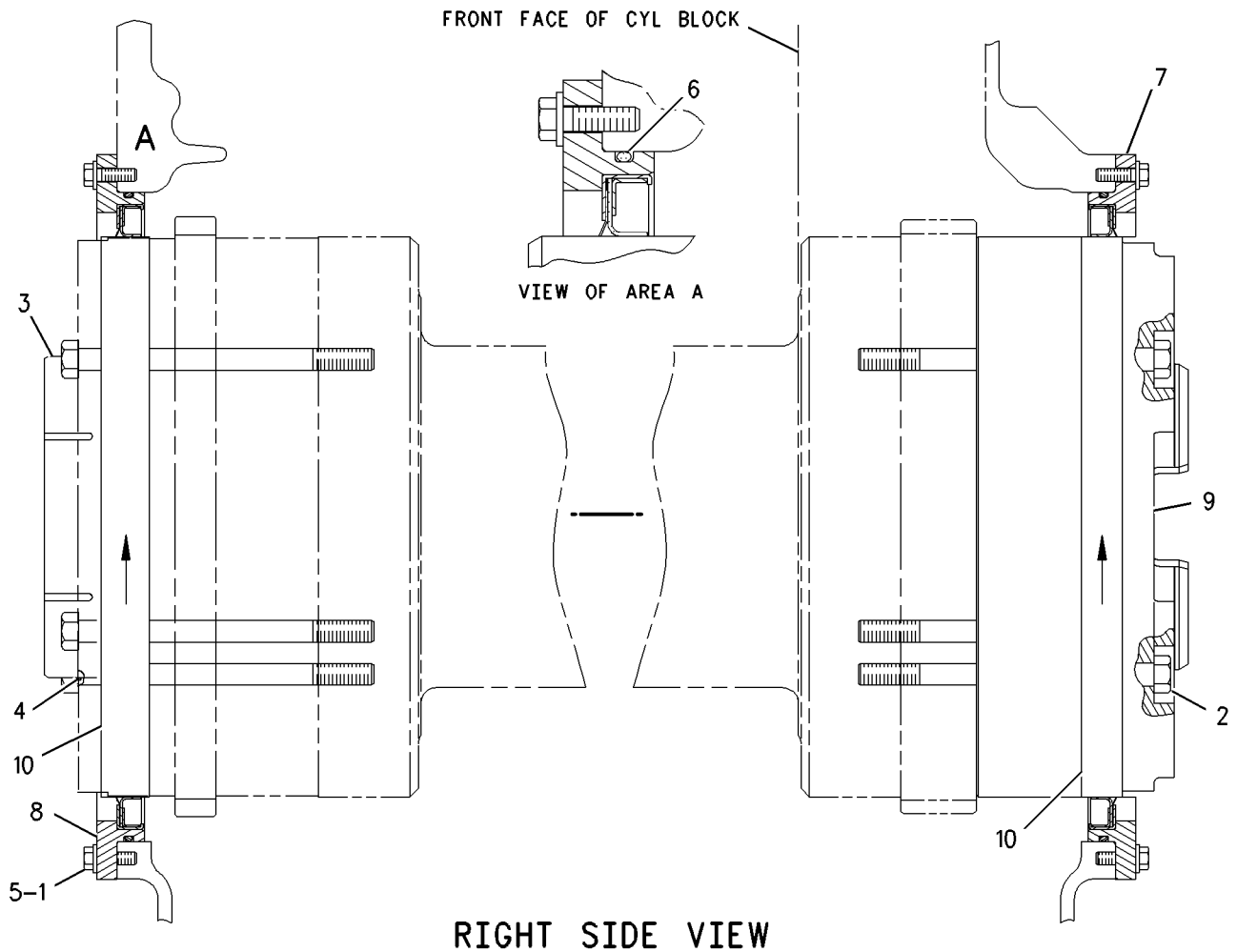
BASIC ENGINE

7E-9610 SEAL GP-CRANKSHAFT (CHG -03 THRU -07)

SMCS-1160, 1161

i02465941

| NOTE | REF NO | GRAPHIC REF | PART NUMBER | QTY | PART NAME | | | | | | SEE PAGE |
|------|--------|-------------|-----------------|-----|---|---|---|---|---|-------------------|----------|
| | | | | | 1 | 2 | 3 | 4 | 5 | 6 (PRODUCT LEVEL) | |
| | 1 | 1 | 0S-1588 | 18 | BOLT (3/8-16X1.25-IN) | | | | | | |
| | 2 | 1 | 1D-4601 | 8 | BOLT (5/8-11X8.5-IN) | | | | | | |
| | 3 | 1 | 1W-2823 | 1 | SLEEVE | | | | | | |
| | 4 | 1 | 1W-2824 | 1 | RING-LOCK | | | | | | |
| | 5 | 1 | 3V-3308 | 18 | WASHER-HARD (10.2X20.5X2.5-MM THK) | | | | | | |
| | 6 | 1 | 6V-5059 | 2 | SEAL-O-RING | | | | | | |
| | 7 | 1 | 190-2462 | 1 | SEAL AS (IN FRONT HOUSING ON STANDARD ROTATION ENGINES AND IN REAR HOUSING ON REVERSE ROTATION ENGINES) | | | | | | |
| | 8 | 1 | 190-2463 | 1 | SEAL AS (IN REAR HOUSING ON STANDARD ROTATION ENGINES AND IN FRONT HOUSING ON REVERSE ROTATION ENGINES) | | | | | | |
| | 9 | 1 | 106-2033 | 1 | ADAPTER-CRANKSHAFT | | | | | | |
| | 10 | 1 | 160-8173 | 2 | SLEEVE-WEAR | | | | | | |



GRAPHIC #1

<END>

g00775867

BASIC ENGINE

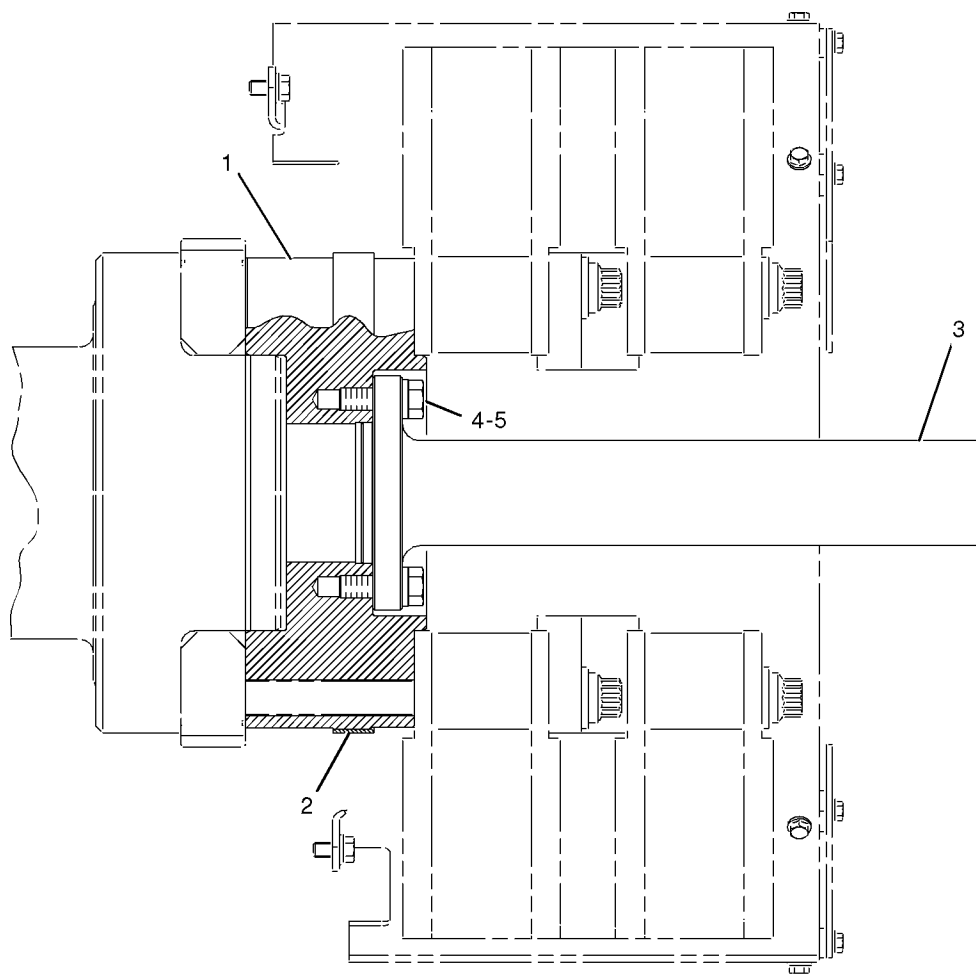
4P-5238 SHAFT GP - STUB (CHG -02, -03, -03D1, -03D2, -04, -04D1)

SMCS-1237

i02397594

| NOTE | REF NO | GRAPHIC REF | PART NUMBER | QTY | PART NAME | | | | | | SEE PAGE |
|------|--------|-------------|-------------|-----|----------------------------------|---|---|---|---|-------------------|----------|
| | | | | | 1 | 2 | 3 | 4 | 5 | 6 (PRODUCT LEVEL) | |
| C | 1 | 1 | 121-4506 | 1 | ADAPTER - CRANKSHAFT | | | | | | |
| C | 2 | 1 | 160-8173 | 1 | SLEEVE - WEAR | | | | | | |
| | 3 | 1 | 236-8812 | 1 | SHAFT (STUB) | | | | | | |
| | 4 | 1 | 5H-1504 | 8 | WASHER - HARD (20X33.5X5-MM THK) | | | | | | |
| C | 5 | 1 | 9X-8885 | 8 | BOLT (3/4-10X2.25-IN) | | | | | | |

C- CHANGE FROM PREVIOUS TYPE



RIGHT SIDE VIEW

<END>

GRAPHIC #1

g01022087

BASIC ENGINE

269-8401 VALVE GP-MANUAL-JACKET WATER OUTLET

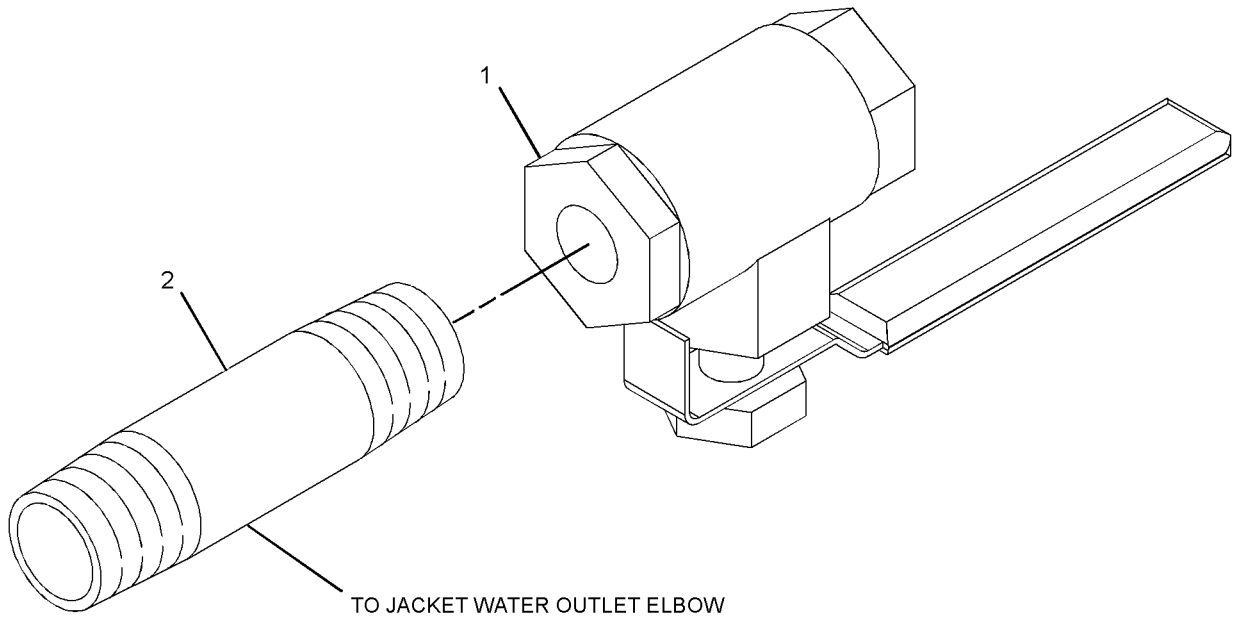
(CHG -00, -01, -01D1)

FOR USE WITH 110-DEGREE CELCIUS THERMOSTAT

SMCS-1118, 7450

i02426258

| NOTE | REF NO | GRAPHIC REF | PART NUMBER | QTY | PART NAME | | | | | | SEE PAGE |
|------|--------|-------------|-------------|-----|---------------------|---|---|---|---|-------------------|----------|
| | | | | | 1 | 2 | 3 | 4 | 5 | 6 (PRODUCT LEVEL) | |
| | 1 | 1 | 6W-7451 | 1 | VALVE (MANUAL BALL) | | | | | | |
| | 2 | 1 | 3B-7272 | 1 | NIPPLE-PIPE | | | | | | |



GRAPHIC #1

<END>

g01153776

BASIC ENGINE

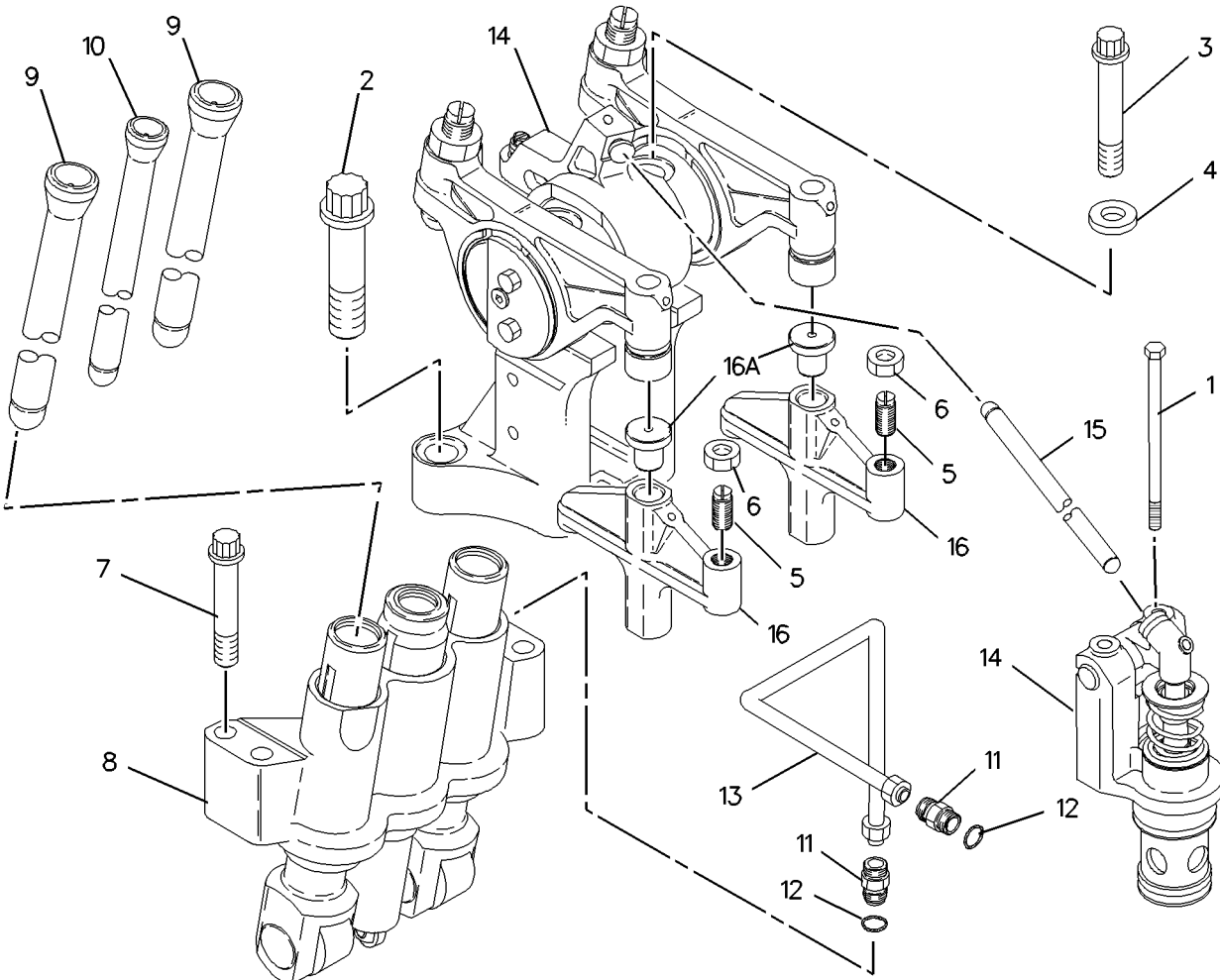
7C-0417 VALVE MECHANISM GP (CHG -01 THRU -17)

SMCS-1102, 1121, 1123, 1209

i02822134

| NOTE | REF NO | GRAPHIC REF | PART NUMBER | QTY | PART NAME | | | | | | SEE PAGE |
|------|--------|-------------|-------------|-----|--------------------------------------|---|---|---|---|-------------------|----------|
| | | | | | 1 | 2 | 3 | 4 | 5 | 6 (PRODUCT LEVEL) | |
| | 1 | 1 | 5B-9603 | 2 | BOLT (3/8-16X5-IN) | | | | | | |
| | 2 | 1 | 6V-6869 | 2 | BOLT-12 POINT HEAD (3/4-10X2 3/4-IN) | | | | | | |
| | 3 | 1 | 6V-5625 | 2 | BOLT-12 POINT HEAD (3/4-10X9.5-IN) | | | | | | |
| | 4 | 1 | 6V-7607 | 2 | WASHER-HARD (20X30X2.5-MM THK) | | | | | | |
| | 5 | 1 | 1W-1760 | 2 | SCREW-ADJUSTMENT (9/16-18-THD) | | | | | | |
| | 6 | 1 | 8L-3441 | 2 | NUT (9/16-18-THD) | | | | | | |
| | 7 | 1 | 8D-7941 | 4 | BOLT-12 POINT HEAD (5/8-11X4-IN) | | | | | | |
| Y | 8 | 1 | 7C-0418 | 1 | LIFTER GP-VALVE | | | | | | 133 |
| | 9 | 1 | 292-8198 | 2 | PUSHROD | | | | | | |
| | 10 | 1 | 7W-8575 | 1 | PUSHROD AS | | | | | | |
| | 11 | 1 | 2R-6806 | 2 | CONNECTOR-O-RING | | | | | | |
| | 12 | 1 | 6V-5049 | 2 | SEAL-O-RING | | | | | | |
| | 13 | 1 | 7E-1036 | 1 | TUBE AS | | | | | | |
| Y | 14 | 1 | 7C-0419 | 1 | ROCKER ARM GP | | | | | | 167 |
| | 15 | 1 | 7W-5722 | 1 | PUSHROD AS | | | | | | |
| | 16 | 1 | 6I-2491 | 2 | BRIDGE AS | | | | | | |
| | | | | | (EACH INCLUDES) | | | | | | |
| | 16A | 1 | 6I-2489 | 1 | INSERT-BRIDGE | | | | | | |

Y-SEPARATE ILLUSTRATION



GRAPHIC #1

<END>

g00812088

BASIC ENGINE

104-4837 VALVE MECHANISM GP

(CHG -00 THRU -05, -05D1, -06, -06D1 THRU -08)

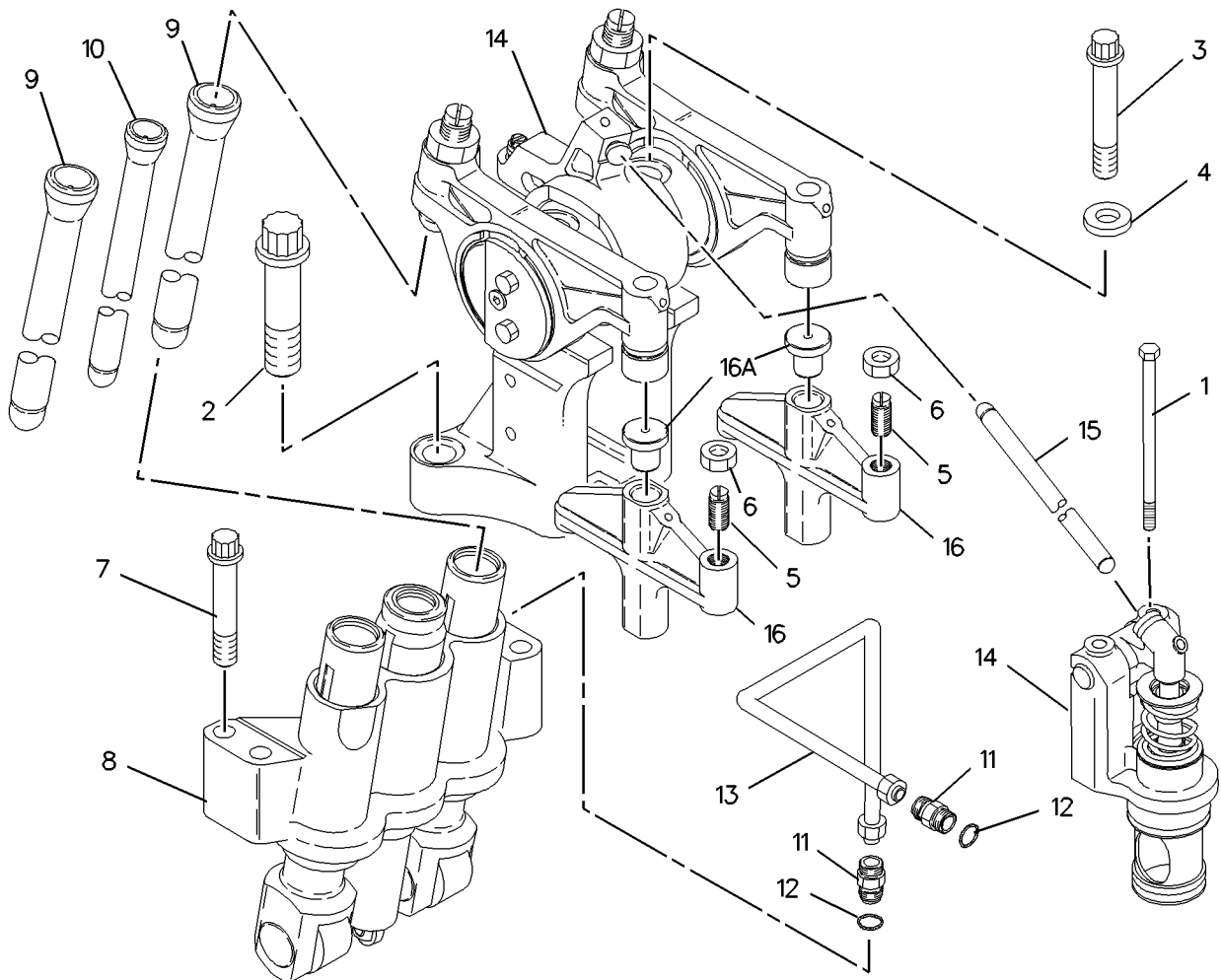
SINGLE SLOT

SMCS-1102, 1121, 1123, 1209

i02822135

| NOTE | REF NO | GRAPHIC REF | PART NUMBER | QTY | PART NAME | | | | | | SEE PAGE |
|------|--------|-------------|-------------|-----|--------------------------------------|---|---|---|---|-------------------|----------|
| | | | | | 1 | 2 | 3 | 4 | 5 | 6 (PRODUCT LEVEL) | |
| | 1 | 1 | 5B-9603 | 2 | BOLT (3/8-16X5-IN) | | | | | | |
| | 2 | 1 | 6V-6869 | 2 | BOLT-12 POINT HEAD (3/4-10X2 3/4-IN) | | | | | | |
| | 3 | 1 | 6V-5625 | 2 | BOLT-12 POINT HEAD (3/4-10X9.5-IN) | | | | | | |
| | 4 | 1 | 6V-7607 | 2 | WASHER-HARD (20X30X2.5-MM THK) | | | | | | |
| | 5 | 1 | 1W-1760 | 2 | SCREW-ADJUSTMENT (9/16-18-THD) | | | | | | |
| | 6 | 1 | 8L-3441 | 2 | NUT (9/16-18-THD) | | | | | | |
| | 7 | 1 | 8D-7941 | 4 | BOLT-12 POINT HEAD (5/8-11X4-IN) | | | | | | |
| Y | 8 | 1 | 7C-0418 | 1 | LIFTER GP-VALVE | | | | | | 133 |
| | 9 | 1 | 292-8198 | 2 | PUSHROD | | | | | | |
| | 10 | 1 | 7W-8575 | 1 | PUSHROD AS | | | | | | |
| | 11 | 1 | 2R-6806 | 2 | CONNECTOR-O-RING | | | | | | |
| | 12 | 1 | 6V-5049 | 2 | SEAL-O-RING | | | | | | |
| | 13 | 1 | 7E-1036 | 1 | TUBE AS | | | | | | |
| Y | 14 | 1 | 100-9979 | 1 | ROCKER ARM GP | | | | | | 169 |
| | 15 | 1 | 7W-5722 | 1 | PUSHROD AS | | | | | | |
| | 16 | 1 | 6I-2491 | 2 | BRIDGE AS | | | | | | |
| | | | | | (EACH INCLUDES) | | | | | | |
| | 16A | 1 | 6I-2489 | 1 | INSERT-BRIDGE | | | | | | |

Y-SEPARATE ILLUSTRATION



GRAPHIC #1

<END>

g00812852

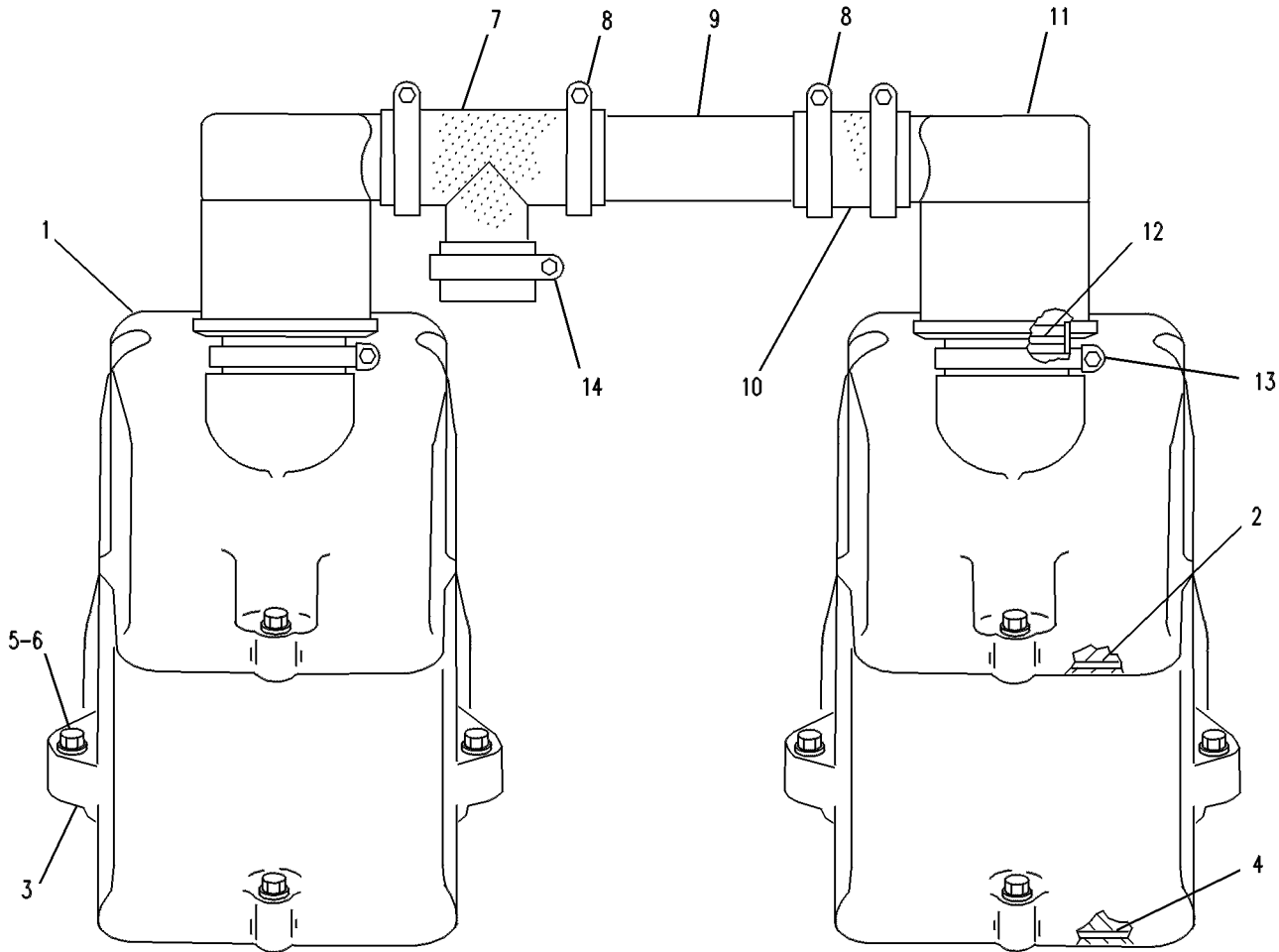
LUBRICATION SYSTEM

7C-8431 BREATHER GP-CRANKCASE (CHG -00 THRU -06, -06D1)

SMCS-1317

i02030145

| NOTE | REF NO | GRAPHIC REF | PART NUMBER | QTY | PART NAME | | | | | | SEE PAGE |
|------|--------|-------------|-------------|-----|------------------------------------|---|---|---|---|-------------------|----------|
| | | | | | 1 | 2 | 3 | 4 | 5 | 6 (PRODUCT LEVEL) | |
| | 1 | 1 | 7E-0734 | 4 | COVER AS-VALVE MECHANISM | | | | | | |
| | 2 | 1 | 6V-3602 | 4 | SEAL-O-RING | | | | | | |
| | 3 | 1 | 7W-8895 | 4 | BASE | | | | | | |
| | 4 | 1 | 8T-8883 | 4 | SEAL-O-RING (VALVE COVER) | | | | | | |
| | 5 | 1 | 0S-1590 | 28 | BOLT (3/8-16X2-IN) | | | | | | |
| | 6 | 1 | 3V-3308 | 28 | WASHER-HARD (10.2X20.5X2.5-MM THK) | | | | | | |
| | 7 | 1 | 217-6692 | 2 | HOSE-TEE | | | | | | |
| | 8 | 1 | 5P-0597 | 8 | CLAMP-HOSE | | | | | | |
| | 9 | 1 | 7W-9152 | 2 | TUBE | | | | | | |
| | 10 | 1 | 6N-3792 | 2 | HOSE | | | | | | |
| | 11 | 1 | 4W-3027 | 4 | BREATHER AS (CRANKCASE) | | | | | | |
| | 12 | 1 | 5H-8848 | 4 | SEAL-O-RING | | | | | | |
| | 13 | 1 | 4W-3034 | 4 | CLAMP-HOSE | | | | | | |
| | 14 | 1 | 5P-4868 | 2 | CLAMP-HOSE | | | | | | |



GRAPHIC #1

<END>

g00066116

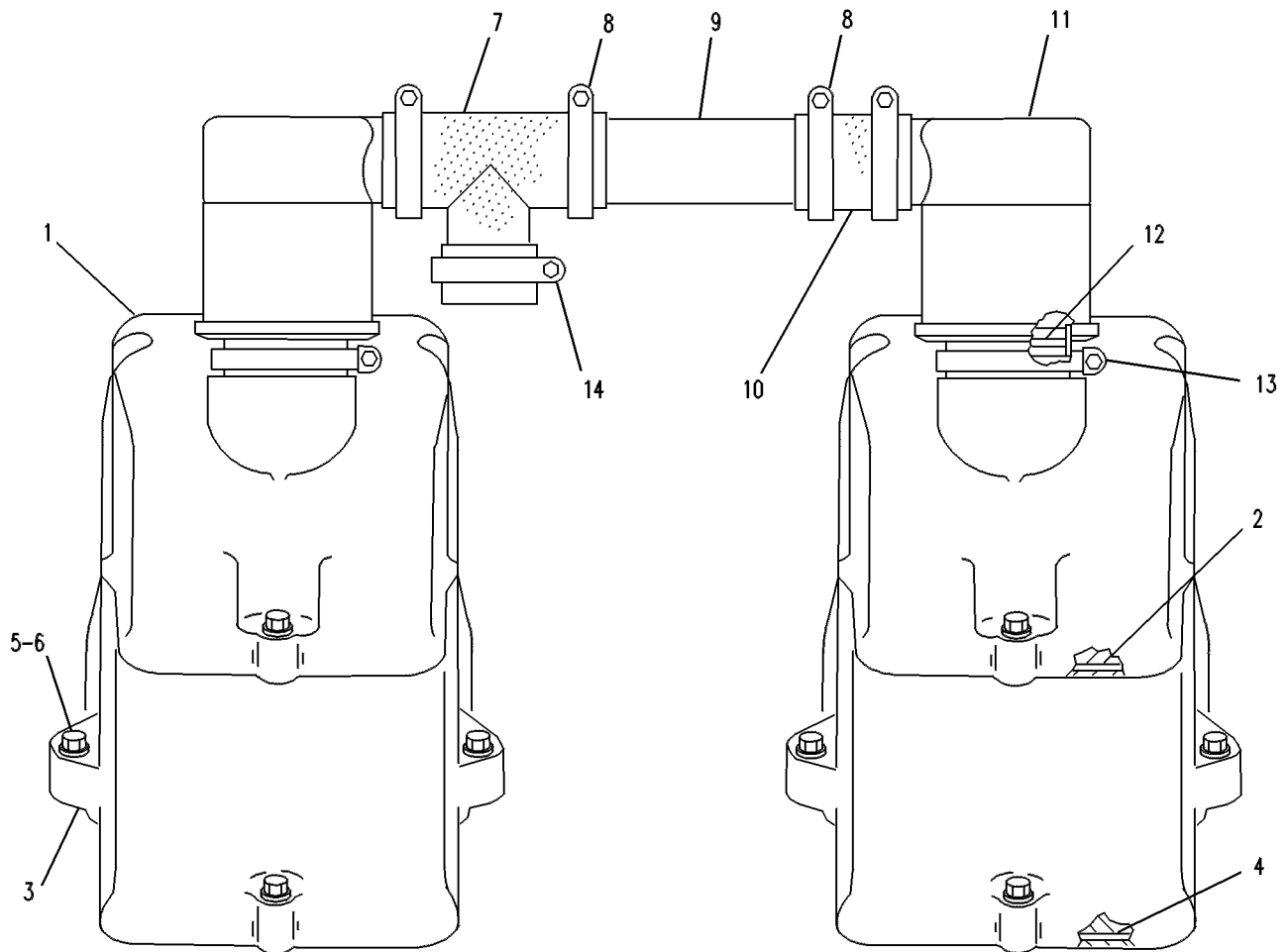
LUBRICATION SYSTEM

120-0214 BREATHER GP-CRANKCASE (CHG -00 THRU -02, -02D1 THRU -04, -04D1 THRU -06) LOW BTU

SMCS-1317

i02030128

| NOTE | REF NO | GRAPHIC REF | PART NUMBER | QTY | PART NAME | | | | | | SEE PAGE |
|------|--------|-------------|-------------|-----|------------------------------------|---|---|---|---|-------------------|----------|
| | | | | | 1 | 2 | 3 | 4 | 5 | 6 (PRODUCT LEVEL) | |
| | 1 | 1 | 7E-0734 | 4 | COVER AS-VALVE MECHANISM | | | | | | |
| | 2 | 1 | 6V-3602 | 4 | SEAL-O-RING | | | | | | |
| | 3 | 1 | 7W-8895 | 4 | BASE | | | | | | |
| | 4 | 1 | 8T-8883 | 4 | SEAL-O-RING (VALVE COVER) | | | | | | |
| | 5 | 1 | 0S-1590 | 28 | BOLT (3/8-16X2-IN) | | | | | | |
| | 6 | 1 | 3V-3308 | 28 | WASHER-HARD (10.2X20.5X2.5-MM THK) | | | | | | |
| | 7 | 1 | 217-6692 | 2 | HOSE-TEE | | | | | | |
| | 8 | 1 | 5P-0597 | 8 | CLAMP-HOSE | | | | | | |
| | 9 | 1 | 7W-9152 | 2 | TUBE | | | | | | |
| | 10 | 1 | 6N-3792 | 2 | HOSE | | | | | | |
| | 11 | 1 | 4W-3027 | 4 | BREATHER AS (CRANKCASE) | | | | | | |
| | 12 | 1 | 5H-8848 | 4 | SEAL-O-RING | | | | | | |
| | 13 | 1 | 4W-3034 | 4 | CLAMP-HOSE | | | | | | |
| | 14 | 1 | 5P-4868 | 2 | CLAMP-HOSE | | | | | | |



GRAPHIC #1

<END>

g00066116

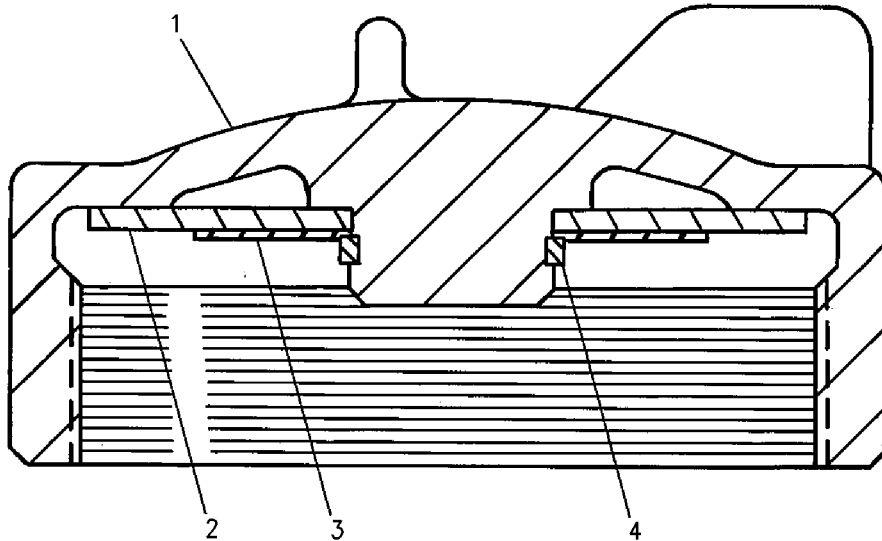
LUBRICATION SYSTEM

7E-1659 CAP GP-ENGINE OIL FILLER (CHG -00 THRU -02) PART OF 150-6798, 164-7681 COVER GP-CYLINDER BLOCK, 164-7680 COVER GP-VALVE MECHANISM

SMCS-1316

i02030141

| NOTE | REF NO | GRAPHIC REF | PART NUMBER | QTY | PART NAME | | | | | | SEE PAGE |
|------|--------|-------------|----------------|-----|-------------------------|---|---|---|---|-------------------|----------|
| | | | | | 1 | 2 | 3 | 4 | 5 | 6 (PRODUCT LEVEL) | |
| | 1 | 1 | 4P-6979 | 1 | CAP-FILLER (ENGINE OIL) | | | | | | |
| | 2 | 1 | 7E-1661 | 1 | GASKET | | | | | | |
| | 3 | 1 | 7E-1660 | 1 | RETAINER | | | | | | |
| | 4 | 1 | 9S-9979 | 1 | RING-RETAINING | | | | | | |



GRAPHIC #1

<END>

g00727016

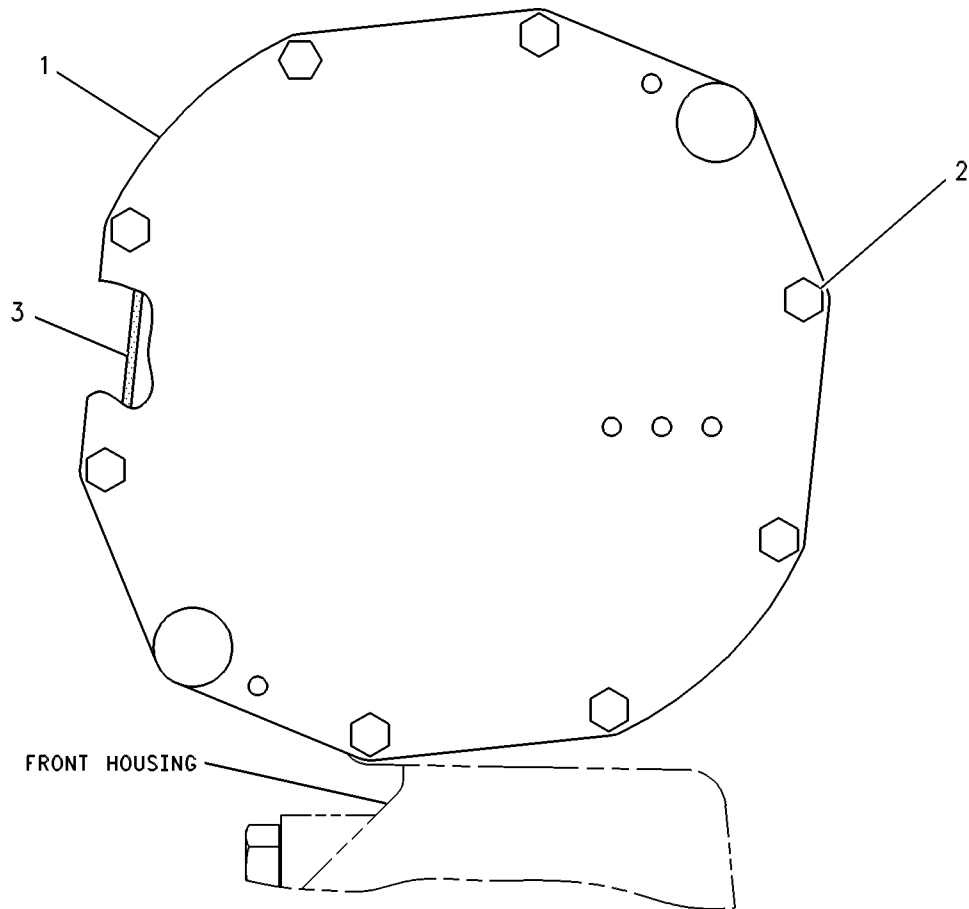
LUBRICATION SYSTEM

123-6266 COVER GP - SCAVENGE PUMP (CHG -00) PART OF 122-4261 REGULATOR GP-OIL LEVEL

SMCS-1312

i02419922

| NOTE | REF NO | GRAPHIC REF | PART NUMBER | QTY | PART NAME | | | | | | SEE PAGE |
|------|--------|-------------|-------------|-----|-----------------------|---|---|---|---|-------------------|----------|
| | | | | | 1 | 2 | 3 | 4 | 5 | 6 (PRODUCT LEVEL) | |
| | 1 | 1 | 123-6265 | 1 | COVER | | | | | | |
| | 2 | 1 | 0S-1595 | 8 | BOLT (1/2-13X1.25-IN) | | | | | | |
| | 3 | 1 | 6V-7702 | 1 | SEAL-O-RING | | | | | | |



FRONT VIEW

GRAPHIC #1

<END>

g00066994

LUBRICATION SYSTEM

203-4616 DRAIN GP - OIL (CHG -00 THRU -02)

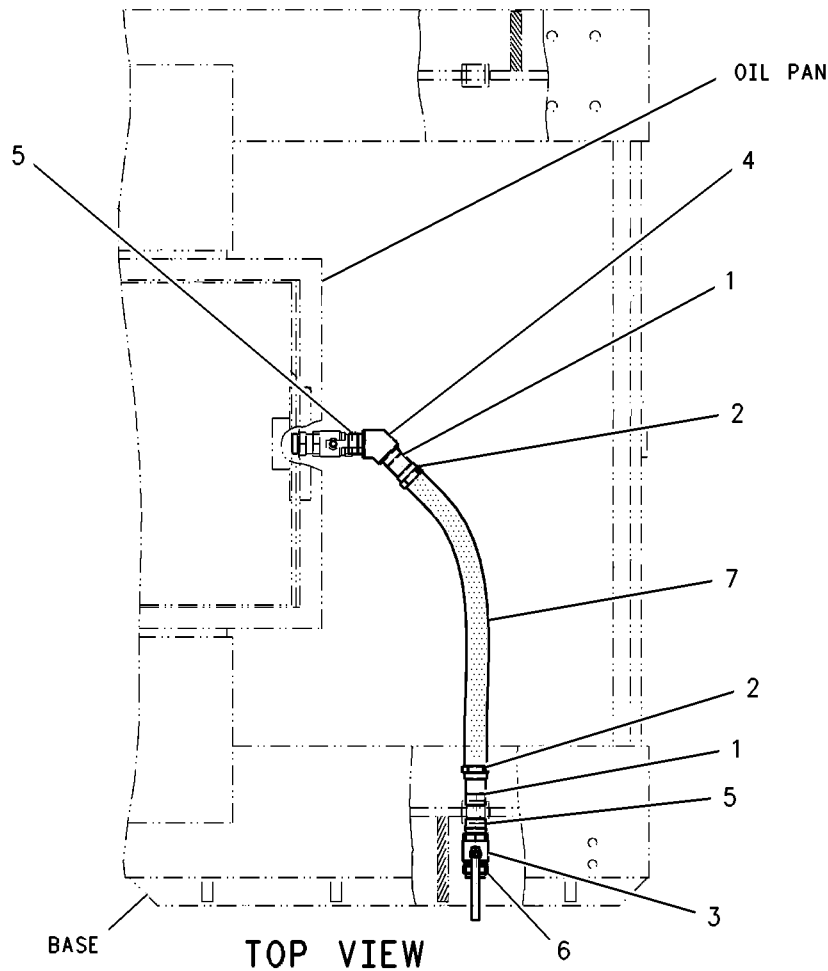
FOR USE WITH FRONT OIL DRAIN TO EITHER SIDE OF GENSET PACKAGE, 188-6016--PAGE 703

SMCS-1372

i02514942

| NOTE | REF NO | GRAPHIC REF | PART NUMBER | QTY | PART NAME | | | | | | SEE PAGE |
|------|--------|-------------|-------------|-----|--------------------------|---|---|---|---|-------------------|----------|
| | | | | | 1 | 2 | 3 | 4 | 5 | 6 (PRODUCT LEVEL) | |
| | 1 | 1 | 3E-4084 | 2 | FITTING | | | | | | |
| | 2 | 1 | 5P-0597 | 2 | CLAMP-HOSE | | | | | | |
| | 3 | 1 | 7E-4444 | 1 | VALVE (ENGINE OIL DRAIN) | | | | | | |
| | 4 | 1 | 2L-2813 | 1 | ELBOW | | | | | | |
| | 5 | 1 | 5B-7661 | 2 | FITTING | | | | | | |
| | 6 | 1 | 8T-6760 | 1 | PLUG-PIPE | | | | | | |
| G | 7 | 1 | 9X-2360 | | HOSE (31-INCH) | | | | | | |

G-ORDER BY THE INCH



GRAPHIC #1

<END>

g00998683

LUBRICATION SYSTEM

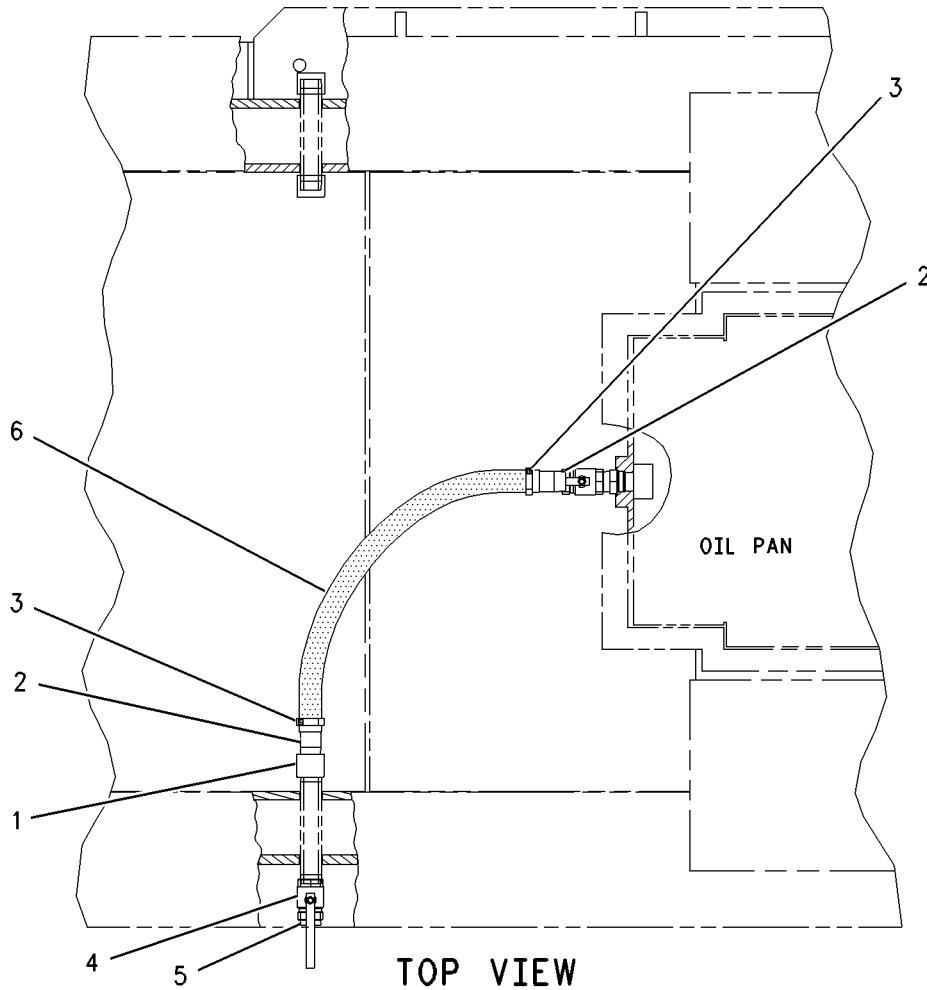
203-4617 DRAIN GP - OIL (CHG -00, -00D1 THRU -02) REAR/SIDE FOR USE WITH 3600 MODULAR BASE ASSEMBLIES

SMCS-1372

i02515584

| NOTE | REF NO | GRAPHIC REF | PART NUMBER | QTY | PART NAME | | | | | | SEE PAGE |
|------|--------|-------------|-------------|-----|--------------------------|---|---|---|---|-------------------|----------|
| | | | | | 1 | 2 | 3 | 4 | 5 | 6 (PRODUCT LEVEL) | |
| | 1 | 1 | 3B-6492 | 1 | COUPLING-PIPE | | | | | | |
| | 2 | 1 | 3E-4084 | 2 | FITTING | | | | | | |
| | 3 | 1 | 5P-0597 | 2 | CLAMP-HOSE | | | | | | |
| | 4 | 1 | 7E-4444 | 1 | VALVE (ENGINE OIL DRAIN) | | | | | | |
| | 5 | 1 | 8T-6760 | 1 | PLUG-PIPE | | | | | | |
| G | 6 | 1 | 9X-2360 | | HOSE (34-INCHES) | | | | | | |

G- ORDER BY THE INCH



GRAPHIC #1

<END>

g00826642

LUBRICATION SYSTEM

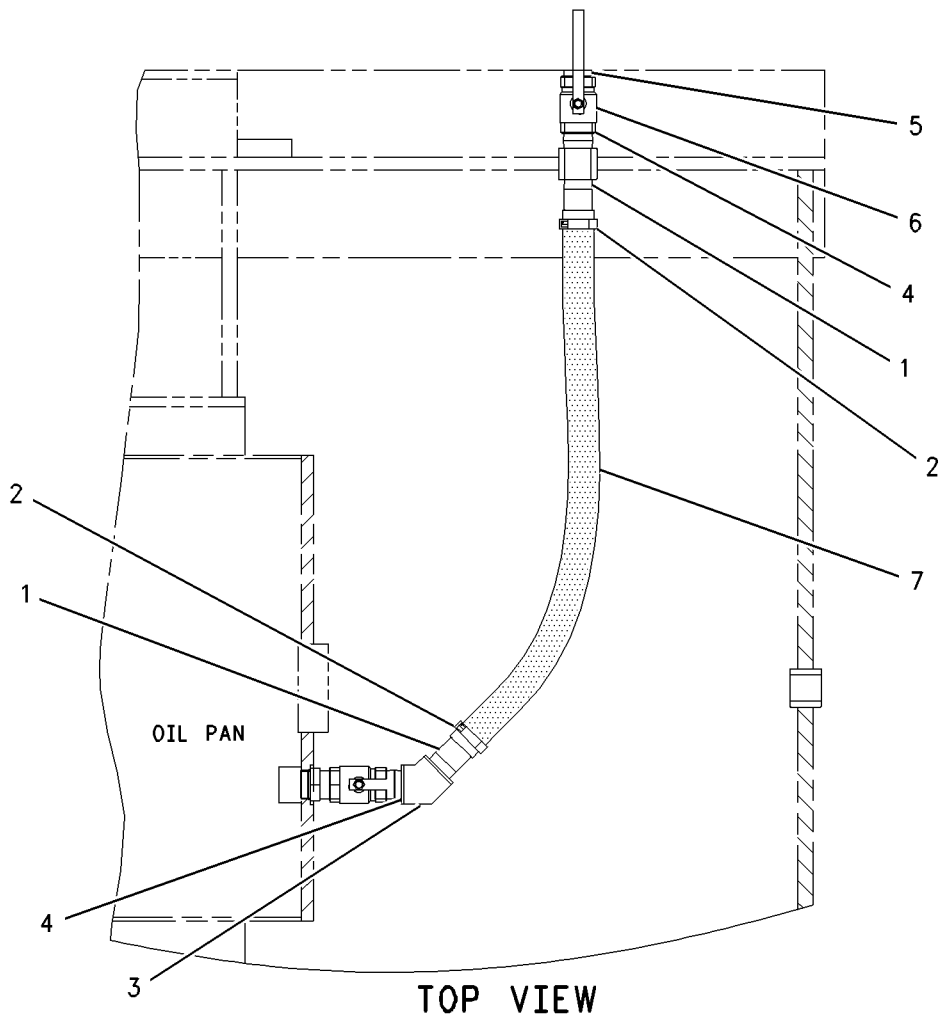
206-2594 DRAIN GP-OIL (CHG -00, -01)

SMCS-1372

i02434028

| NOTE | REF NO | GRAPHIC REF | PART NUMBER | QTY | PART NAME | | | | | | SEE PAGE |
|------|--------|-------------|-----------------|-----|--------------------------|---|---|---|---|-------------------|----------|
| | | | | | 1 | 2 | 3 | 4 | 5 | 6 (PRODUCT LEVEL) | |
| | 1 | 1 | 3E-4084 | 2 | FITTING | | | | | | |
| | 2 | 1 | 5P-0597 | 2 | CLAMP-HOSE | | | | | | |
| | 3 | 1 | 2L-2813 | 1 | ELBOW | | | | | | |
| | 4 | 1 | 5B-7661 | 2 | FITTING | | | | | | |
| | 5 | 1 | 8T-6760 | 1 | PLUG-PIPE | | | | | | |
| | 6 | 1 | 7E-4444 | 1 | VALVE (ENGINE OIL DRAIN) | | | | | | |
| G | 7 | 1 | 122-6875 | | HOSE-HYDRAULIC (39-IN) | | | | | | |

E - ORDER BY THE CENTIMETER
 G - ORDER BY THE INCH



GRAPHIC #1

<END>

g00826650

LUBRICATION SYSTEM

206 - 2595 DRAIN GP - OIL (CHG -00)

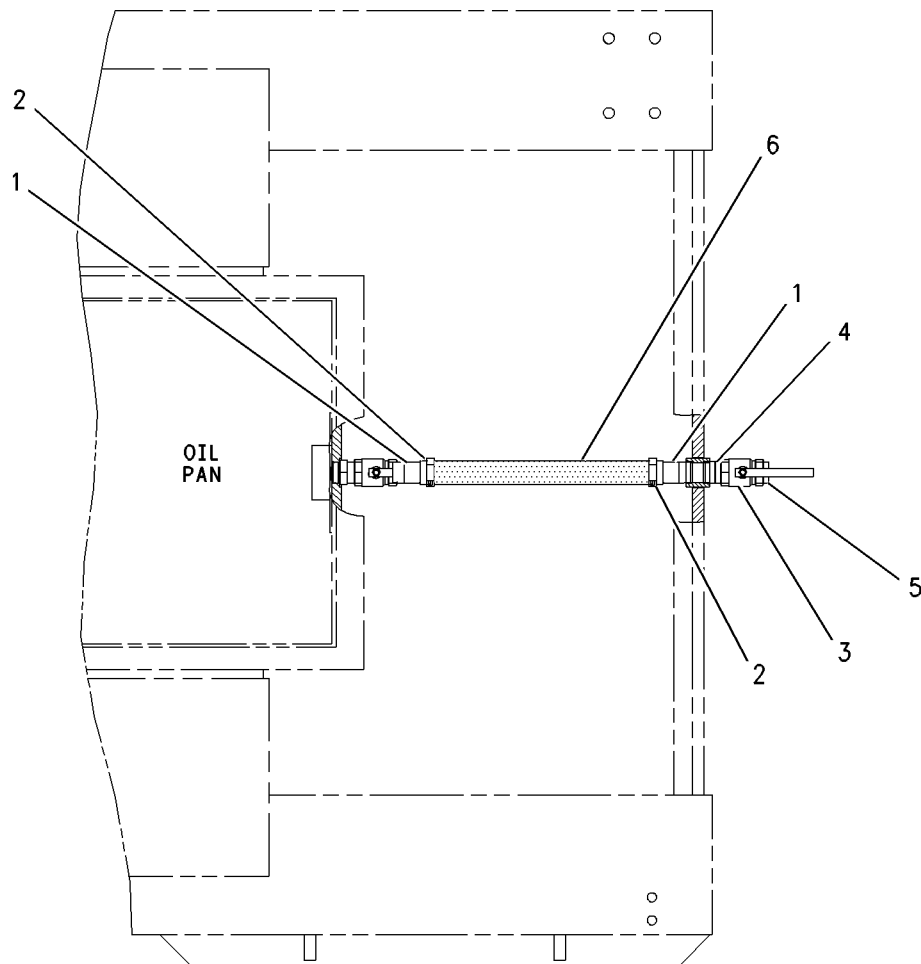
FRONT

SMCS - 1372

i02431817

| NOTE | REF NO | GRAPHIC REF | PART NUMBER | QTY | PART NAME | | | | | | SEE PAGE |
|------|--------|-------------|-----------------|-----|--------------------------------|---|---|---|---|-------------------|----------|
| | | | | | 1 | 2 | 3 | 4 | 5 | 6 (PRODUCT LEVEL) | |
| | 1 | 1 | 3E-4084 | 2 | FITTING | | | | | | |
| | 2 | 1 | 5P-0597 | 2 | CLAMP - HOSE | | | | | | |
| | 3 | 1 | 7E-4444 | 1 | VALVE (ENGINE OIL DRAIN) | | | | | | |
| | 4 | 1 | 5B-7661 | 2 | FITTING | | | | | | |
| | 5 | 1 | 8T-6760 | 1 | PLUG - PIPE | | | | | | |
| G | 6 | 1 | 122-6875 | | HOSE - HYDRAULIC (21 - INCHES) | | | | | | |

G - ORDER BY THE INCH



TOP VIEW

<END>

GRAPHIC #1

g00828115

LUBRICATION SYSTEM

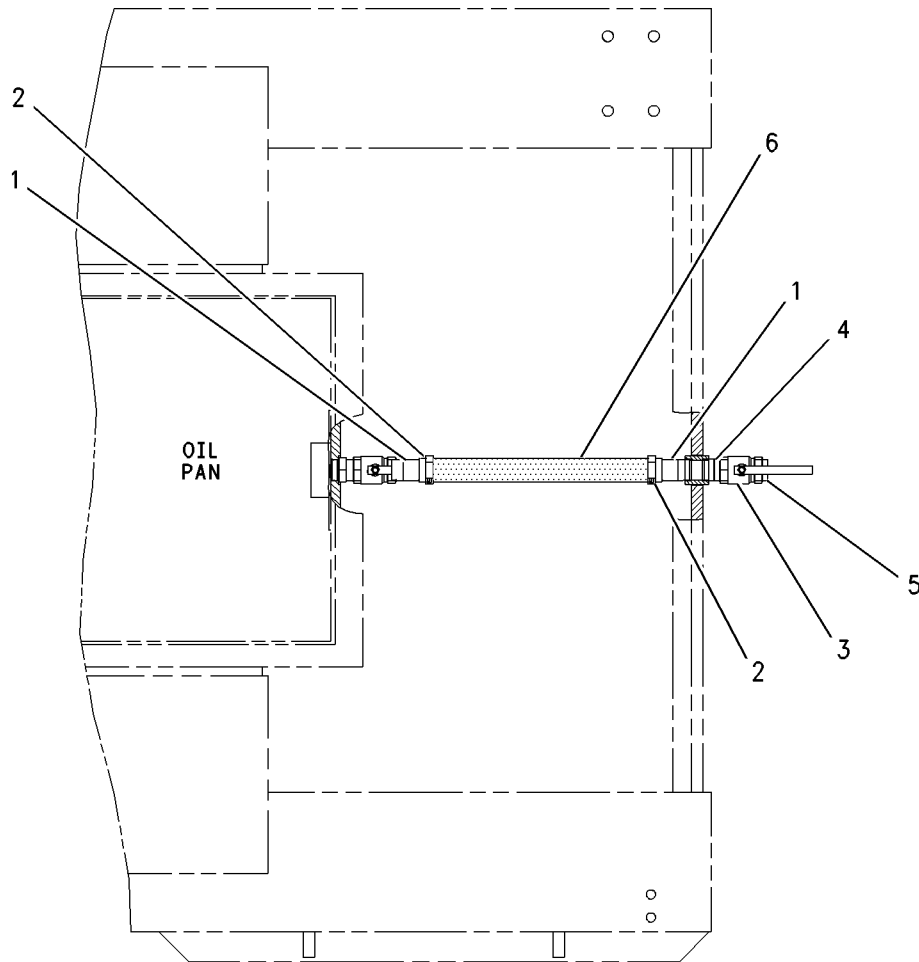
206-2595 DRAIN GP-OIL (CHG -01, -01D1) FRONT

SMCS-1372

i02648724

| NOTE | REF NO | GRAPHIC REF | PART NUMBER | QTY | PART NAME | | | | | | SEE PAGE |
|------|--------|-------------|-------------|-----|------------------------------|---|---|---|---|-------------------|----------|
| | | | | | 1 | 2 | 3 | 4 | 5 | 6 (PRODUCT LEVEL) | |
| | 1 | 1 | 3E-4084 | 2 | FITTING | | | | | | |
| | 2 | 1 | 5P-0597 | 2 | CLAMP-HOSE | | | | | | |
| | 3 | 1 | 7E-4444 | 1 | VALVE (ENGINE OIL DRAIN) | | | | | | |
| | 4 | 1 | 5B-7661 | 2 | FITTING | | | | | | |
| | 5 | 1 | 8T-6760 | 1 | PLUG-PIPE | | | | | | |
| CG | 6 | 1 | 122-6908 | | HOSE-HYDRAULIC (21.3-INCHES) | | | | | | |

C- CHANGE FROM PREVIOUS TYPE
G- ORDER BY THE INCH



TOP VIEW

<END>

GRAPHIC #1

g00828115

LUBRICATION SYSTEM

1W-0798 FILTER GP-ENGINE OIL (CHG -12 THRU -23, -23D1 THRU -25)

SMCS-1306, 1308

i02614430

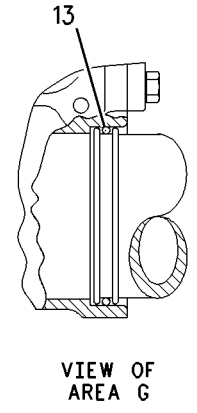
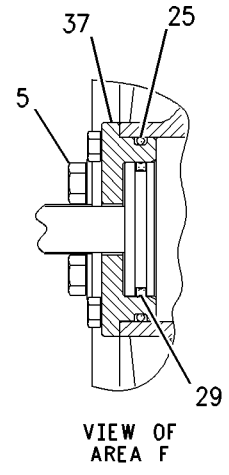
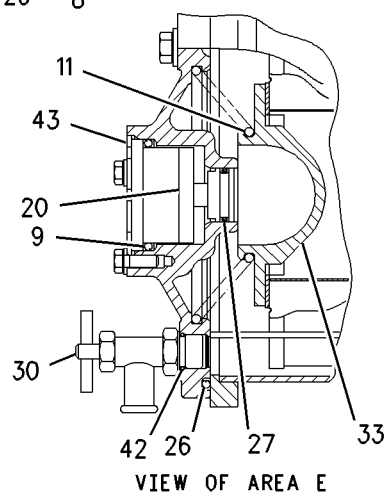
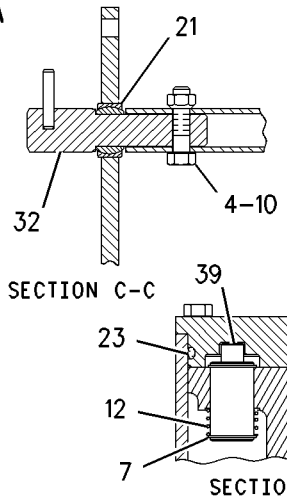
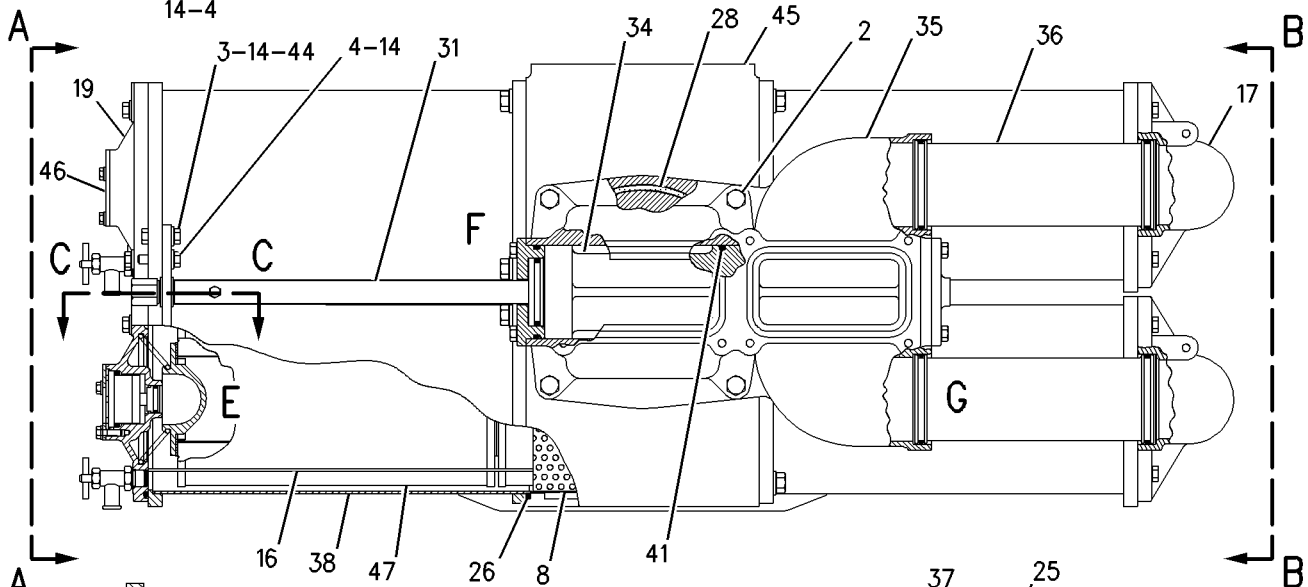
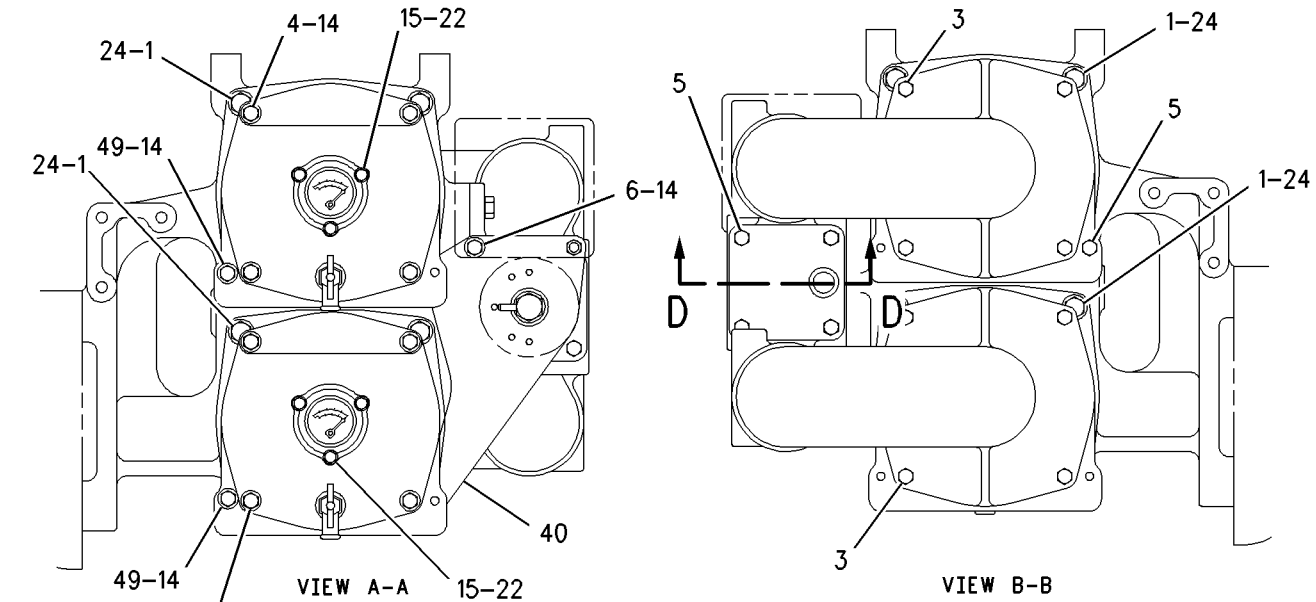
| NOTE | REF NO | GRAPHIC REF | PART NUMBER | QTY | PART NAME | | | | | | SEE PAGE |
|------|--------|-------------|-------------|-----|---|---|---|---|---|-------------------|----------|
| | | | | | 1 | 2 | 3 | 4 | 5 | 6 (PRODUCT LEVEL) | |
| | 1 | 1 | 0S-1585 | 16 | BOLT (1/2-13X1.5-IN) | | | | | | |
| | 2 | 1 | 0S-1587 | 4 | BOLT (1/2-13X1.75-IN) | | | | | | |
| | 3 | 1 | 0S-1588 | 9 | BOLT (3/8-16X1.25-IN) | | | | | | |
| | 4 | 1 | 0S-1591 | 11 | BOLT (3/8-16X1.5-IN) | | | | | | |
| | 5 | 1 | 0S-1594 | 9 | BOLT (3/8-16X1-IN) | | | | | | |
| | 6 | 1 | 0S-0509 | 1 | BOLT (3/8-16X0.75-IN) | | | | | | |
| | 7 | 1 | 1K-9740 | 2 | RING-RETAINING | | | | | | |
| | 8 | 1 | 1W-3958 | 2 | TUBE | | | | | | |
| | 9 | 1 | 2H-3088 | 2 | SEAL-O-RING | | | | | | |
| | 10 | 1 | 2K-4973 | 1 | LOCKNUT (3/8-16-THD) | | | | | | |
| | 11 | 1 | 2W-6862 | 2 | SPRING | | | | | | |
| | 12 | 1 | 3N-1308 | 1 | SPRING | | | | | | |
| | 13 | 1 | 259-4600 | 4 | SEAL-O-RING | | | | | | |
| | 14 | 1 | 3V-3308 | 15 | WASHER-HARD (10.2X20.5X2.5-MM THK) | | | | | | |
| | 15 | 1 | 4F-7957 | 6 | BOLT (1/4-20X0.875-IN) | | | | | | |
| | 16 | 1 | 4P-9168 | 2 | RACK-OIL FILTER | | | | | | |
| | 17 | 1 | 4P-9169 | 2 | HOUSING-OIL FILTER | | | | | | |
| | 18 | 1 | 4P-9185 | 1 | COVER AS | | | | | | |
| | | 1 | 4P-9174 | 1 | DETENT AS | | | | | | |
| | 19 | 1 | 4P-9218 | 2 | COVER | | | | | | |
| | 20 | 1 | 4W-0379 | 2 | GAUGE GP-ENGINE OIL PRESSURE (ENGINE OIL) | | | | | | |
| | | | | | (EACH INCLUDES) | | | | | | |
| | | 1 | 233-0853 | 1 | GAUGE GP-PRESSURE | | | | | | |
| | 21 | 1 | 5K-2294 | 1 | BEARING-SELF-ALIGNING | | | | | | |
| | 22 | 1 | 5P-0537 | 6 | WASHER-HARD (7.2X14.5X2-MM THK) | | | | | | |
| C | 23 | 1 | 5P-7818 | 1 | SEAL-O-RING | | | | | | |
| | 24 | 1 | 5P-8245 | 16 | WASHER-HARD (13.5X25.5X3-MM THK) | | | | | | |
| | 25 | 1 | 6V-0973 | 1 | SEAL-O-RING | | | | | | |
| | 26 | 1 | 6V-3349 | 8 | SEAL-O-RING | | | | | | |
| | 27 | 1 | 6V-3683 | 2 | SEAL-O-RING | | | | | | |
| | 28 | 1 | 6V-5141 | 1 | SEAL-O-RING | | | | | | |
| | 29 | 1 | 6V-6963 | 1 | SEAL-QUAD RING | | | | | | |
| | 30 | 1 | 6V-7238 | 2 | VALVE-SHUTOFF (ENGINE OIL DRAIN) | | | | | | |
| | 31 | 1 | 7C-1124 | 1 | TUBE AS | | | | | | |
| | 32 | 1 | 7C-1128 | 1 | SHAFT AS | | | | | | |
| | | 1 | 6V-3980 | 1 | DOWEL | | | | | | |
| | 33 | 1 | 7C-3945 | 2 | RETAINER-ELEMENT | | | | | | |
| C | 34 | 1 | 7E-0930 | 1 | VALVE-FILTER CHG | | | | | | |
| C | 35 | 1 | 7E-0932 | 1 | HOUSING-VALVE | | | | | | |
| | 36 | 1 | 7W-2459 | 2 | TUBE | | | | | | |
| | 37 | 1 | 7W-2467 | 1 | PLATE-THRUST | | | | | | |
| | 38 | 1 | 278-1085 | 4 | HOUSING AS-FILTER | | | | | | |
| | 39 | 1 | 7W-2750 | 1 | PISTON | | | | | | |
| | 40 | 1 | 7W-2970 | 1 | SUPPORT AS | | | | | | |
| C | 41 | 1 | 7X-4789 | 1 | SEAL-QUAD RING | | | | | | |
| | 42 | 1 | 8L-2786 | 2 | SEAL-O-RING | | | | | | |
| | 43 | 1 | 8N-0453 | 2 | RING-RETAINING | | | | | | |
| | 44 | 1 | 9S-8752 | 1 | NUT-FULL (3/8-16-THD) | | | | | | |
| | 45 | 1 | 161-0083 | 1 | BASE-OIL FILTER | | | | | | |
| | 46 | 1 | 169-8676 | 2 | COVER | | | | | | |
| | 47 | 1 | 179-1502 | 6 | FILTER ELEMENT-ENGINE OIL | | | | | | |
| | 49 | 1 | 1A-2029 | 2 | BOLT (3/8-16X1.125-IN) | | | | | | |

C- CHANGE FROM PREVIOUS TYPE

LUBRICATION SYSTEM

1W-0798 FILTER GP-ENGINE OIL (contd.)

i02614430



GRAPHIC #1

<END>

g00848247

LUBRICATION SYSTEM

7C-9591 FILTER GP-ENGINE OIL (CHG -00 THRU -03, -03D1 THRU -10)

SMCS-1306, 1308

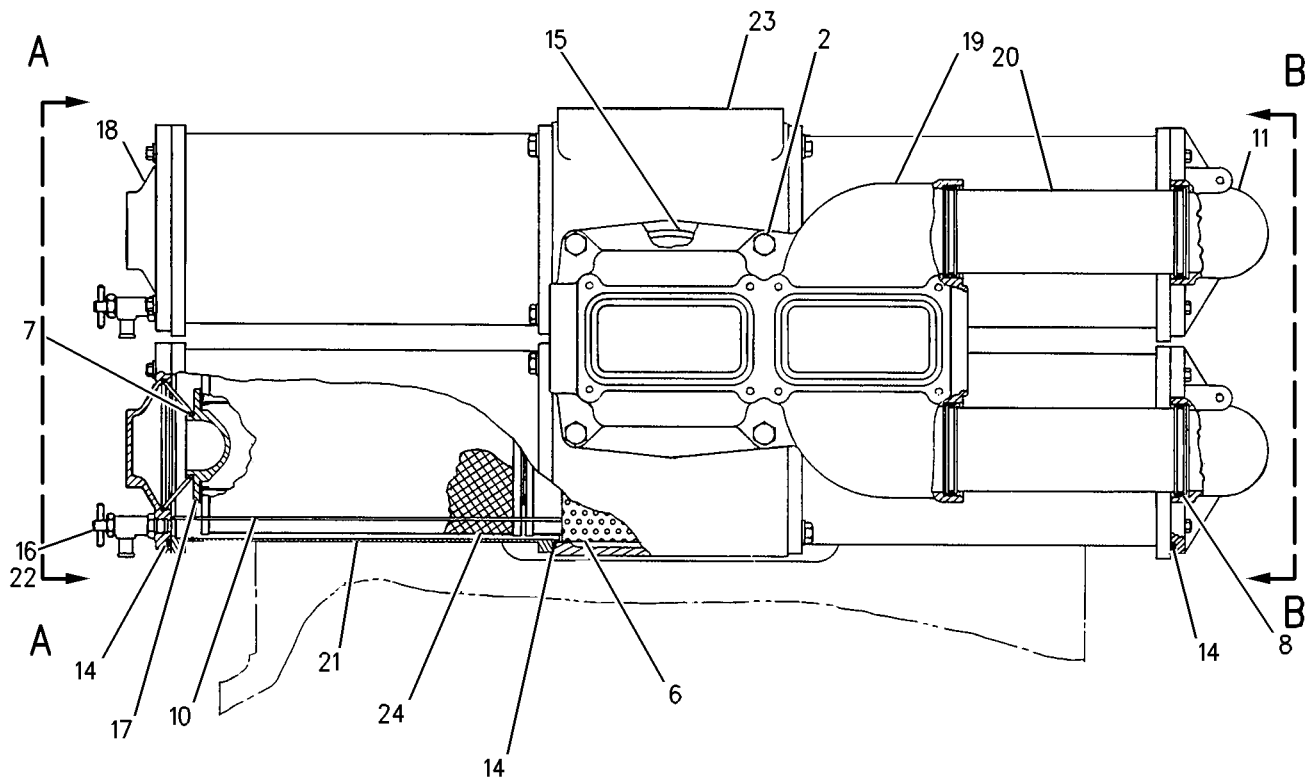
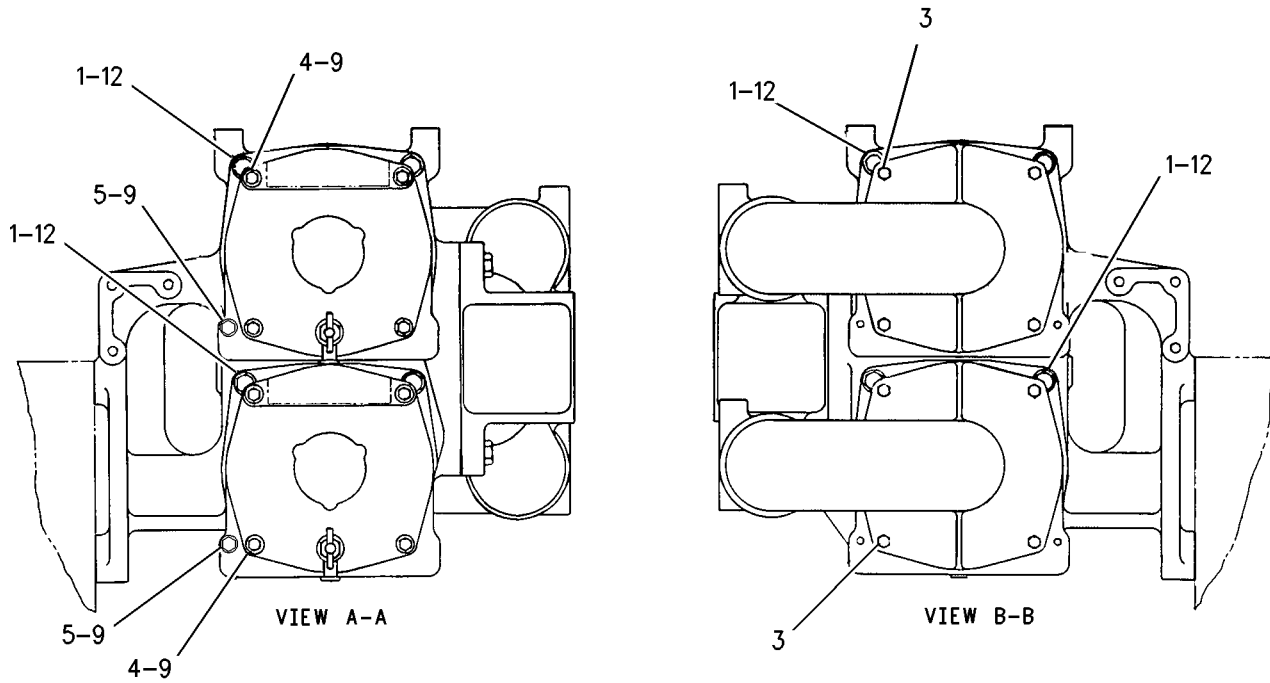
i02906426

| NOTE | REF NO | GRAPHIC REF | PART NUMBER | QTY | PART NAME | | | | | | SEE PAGE |
|------|--------|-------------|-----------------|-----|------------------------------------|---|---|---|---|-------------------|----------|
| | | | | | 1 | 2 | 3 | 4 | 5 | 6 (PRODUCT LEVEL) | |
| | 1 | 1 | 0S-1585 | 16 | BOLT (1/2-13X1.5-IN) | | | | | | |
| | 2 | 1 | 0S-1587 | 4 | BOLT (1/2-13X1.75-IN) | | | | | | |
| | 3 | 1 | 0S-1588 | 8 | BOLT (3/8-16X1.25-IN) | | | | | | |
| | 4 | 1 | 0S-1591 | 8 | BOLT (3/8-16X1.5-IN) | | | | | | |
| | 5 | 1 | 1A-2029 | 2 | BOLT (3/8-16X1.125-IN) | | | | | | |
| | 6 | 1 | 1W-3958 | 2 | TUBE | | | | | | |
| | 7 | 1 | 2W-6862 | 2 | SPRING | | | | | | |
| | 8 | 1 | 259-4600 | 4 | SEAL-O-RING | | | | | | |
| | 9 | 1 | 3V-3308 | 10 | WASHER-HARD (10.2X20.5X2.5-MM THK) | | | | | | |
| | 10 | 1 | 4P-9168 | 2 | RACK-OIL FILTER | | | | | | |
| | 11 | 1 | 4P-9169 | 2 | HOUSING-OIL FILTER | | | | | | |
| | 12 | 1 | 5P-8245 | 16 | WASHER-HARD (13.5X25.5X3-MM THK) | | | | | | |
| | 14 | 1 | 6V-3349 | 8 | SEAL-O-RING | | | | | | |
| | 15 | 1 | 6V-5141 | 1 | SEAL-O-RING | | | | | | |
| | 16 | 1 | 6V-7238 | 2 | VALVE-SHUTOFF (ENGINE OIL DRAIN) | | | | | | |
| | 17 | 1 | 7C-3945 | 2 | RETAINER-ELEMENT | | | | | | |
| | 18 | 1 | 7C-9589 | 2 | COVER | | | | | | |
| | 19 | 1 | 7C-9590 | 1 | HOUSING-FILTER | | | | | | |
| | 20 | 1 | 7W-2459 | 2 | TUBE | | | | | | |
| | 21 | 1 | 278-1085 | 4 | HOUSING AS-FILTER | | | | | | |
| | 22 | 1 | 8L-2786 | 2 | SEAL-O-RING | | | | | | |
| | 23 | 1 | 161-0083 | 1 | BASE-OIL FILTER | | | | | | |
| | 24 | 1 | 179-1502 | 6 | FILTER ELEMENT-ENGINE OIL | | | | | | |

LUBRICATION SYSTEM

7C-9591 FILTER GP-ENGINE OIL (contd.)

i02906426



GRAPHIC #1

<END>

g00851237

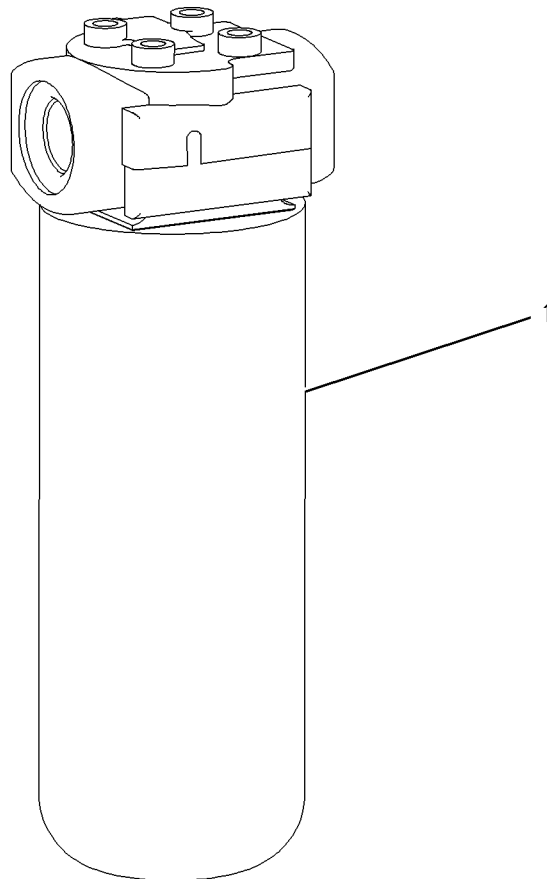
LUBRICATION SYSTEM

138-6144 FILTER GP-ENGINE OIL (CHG -00 THRU -03) PART OF 210-5737, 228-8986 LINES GP-ENGINE OIL

SMCS-1306, 1308

i01693525

| NOTE | REF NO | GRAPHIC REF | PART NUMBER | QTY | PART NAME | SEE PAGE |
|------|--------|-------------|-------------|-----|----------------------------------|----------|
| | | | | | 1 2 3 4 5 6 (PRODUCT LEVEL) | |
| | 1 | 1 | 1G-8878 | 1 | FILTER-OIL (ADVANCED EFFICIENCY) | |



GRAPHIC #1

<END>

g00854501

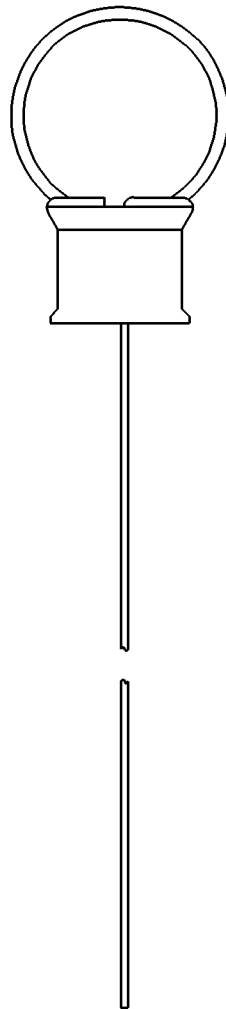
LUBRICATION SYSTEM

109-4842 GAUGE AS-OIL LEVEL (DIPSTICK) (CHG -00)

SMCS-1326

i01424241

| NOTE | REF NO | GRAPHIC REF | PART NUMBER | QTY | PART NAME | | | | | | SEE PAGE |
|---------------------|--------|-------------|-------------|-----|-----------|---|---|---|---|-------------------|----------|
| | | | | | 1 | 2 | 3 | 4 | 5 | 6 (PRODUCT LEVEL) | |
| (NO SERVICED PARTS) | | | | | | | | | | | |



GRAPHIC #1

<END>

g00746606

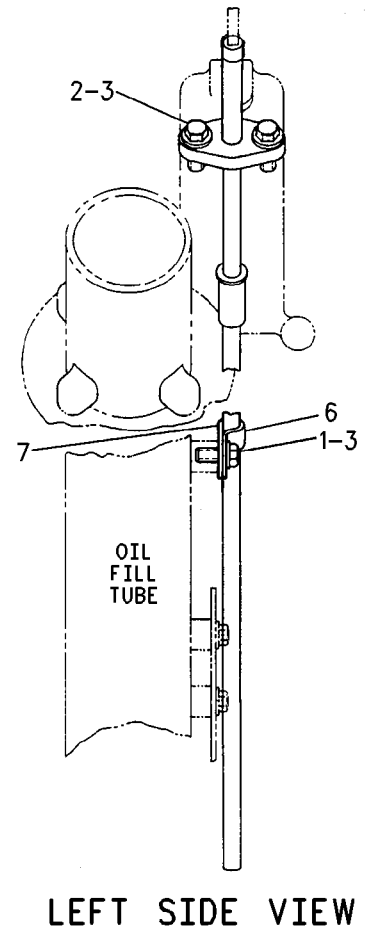
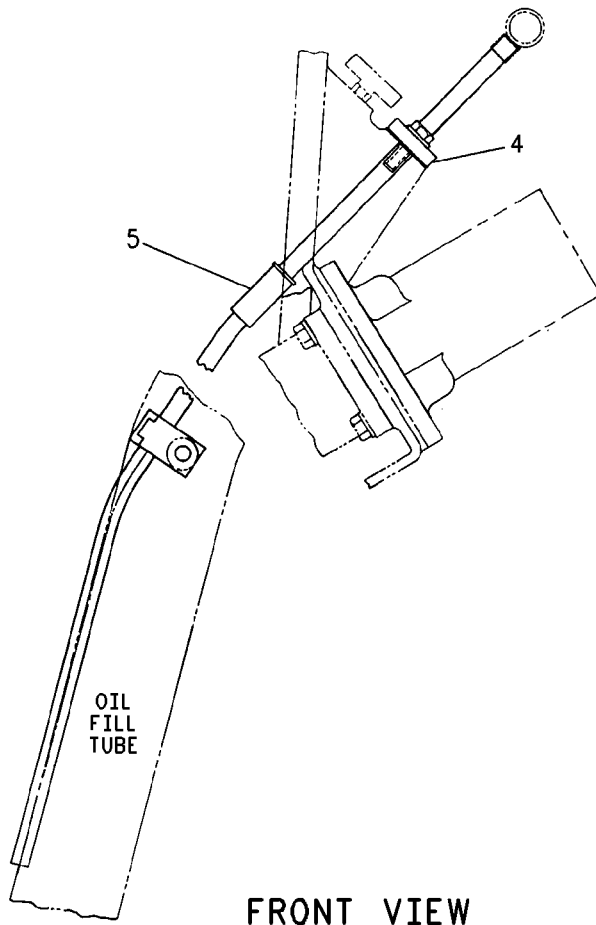
LUBRICATION SYSTEM

9Y-9926 GUIDE GP-OIL LEVEL GAUGE (CHG -00, -01)

SMCS-1326

i02318907

| NOTE | REF NO | GRAPHIC REF | PART NUMBER | QTY | PART NAME | | | | | | SEE PAGE |
|------|--------|-------------|-------------|-----|------------------------------------|---|---|---|---|-------------------|----------|
| | | | | | 1 | 2 | 3 | 4 | 5 | 6 (PRODUCT LEVEL) | |
| | 1 | 1 | OS-1594 | 1 | BOLT (3/8-16X1-IN) | | | | | | |
| | 2 | 1 | OS-1588 | 2 | BOLT (3/8-16X1.25-IN) | | | | | | |
| | 3 | 1 | 3V-3308 | 3 | WASHER-HARD (10.2X20.5X2.5-MM THK) | | | | | | |
| | 4 | 1 | 1W-1415 | 1 | GASKET | | | | | | |
| | 5 | 1 | 9Y-4871 | 1 | TUBE AS | | | | | | |
| | 6 | 1 | 8T-1885 | 1 | CLIP (SLOT) | | | | | | |
| | 7 | 1 | 8T-1886 | 1 | CLIP (TAB) | | | | | | |



GRAPHIC #1

<END>

g0077786

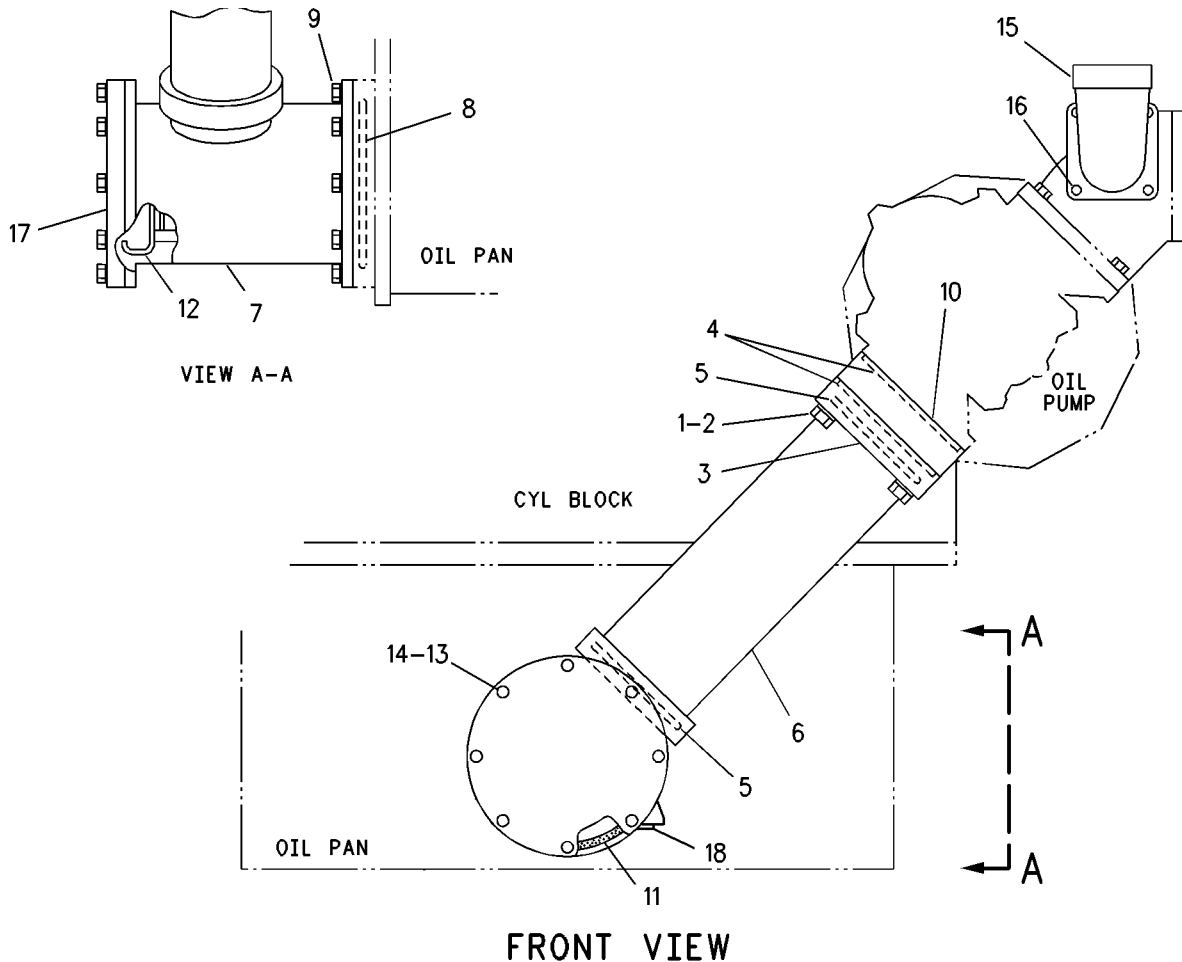
LUBRICATION SYSTEM

9Y-3303 LINES GP-ENGINE OIL (CHG -00)

SMCS-1307

i02030157

| NOTE | REF NO | GRAPHIC REF | PART NUMBER | QTY | PART NAME | | | | | | SEE PAGE |
|------|--------|-------------|-------------|-----|------------------------------------|---|---|---|---|-------------------|----------|
| | | | | | 1 | 2 | 3 | 4 | 5 | 6 (PRODUCT LEVEL) | |
| | 1 | 1 | 8S-9089 | 4 | BOLT (1/2-13X4.5-IN) | | | | | | |
| | 2 | 1 | 5P-1076 | 4 | WASHER-HARD (13.5X30X4-MM THK) | | | | | | |
| | 3 | 1 | 1W-6492 | 1 | FLANGE | | | | | | |
| | 4 | 1 | 6V-3968 | 2 | SEAL-O-RING | | | | | | |
| | 5 | 1 | 5P-8861 | 2 | SEAL-O-RING | | | | | | |
| | 6 | 1 | 4W-2535 | 1 | TUBE AS | | | | | | |
| | 7 | 1 | 9Y-3306 | 1 | TEE-OUTLET | | | | | | |
| | 8 | 1 | 3P-0658 | 1 | SEAL-O-RING | | | | | | |
| | 9 | 1 | OS-1588 | 8 | BOLT (3/8-16X1.25-IN) | | | | | | |
| | 10 | 1 | 4W-4555 | 1 | SPACER | | | | | | |
| | 11 | 1 | 5P-8429 | 1 | SEAL-O-RING | | | | | | |
| | 12 | 1 | 9Y-3307 | 1 | SCREEN AS-SUCTION | | | | | | |
| | 13 | 1 | OS-1591 | 8 | BOLT (3/8-16X1.5-IN) | | | | | | |
| | 14 | 1 | 3V-3308 | 8 | WASHER-HARD (10.2X20.5X2.5-MM THK) | | | | | | |
| | 15 | 1 | 4W-1162 | 1 | ELBOW | | | | | | |
| | 16 | 1 | OS-1590 | 4 | BOLT (3/8-16X2-IN) | | | | | | |
| | 17 | 1 | 9Y-3305 | 1 | COVER | | | | | | |
| | 18 | 1 | 9S-9334 | 1 | PLUG-O-RING | | | | | | |
| | | 1 | 5P-7701 | 1 | SEAL-O-RING | | | | | | |



GRAPHIC #1

<END>

g00727009

LUBRICATION SYSTEM

105-3182 LINES GP-ENGINE OIL (CHG -00 THRU -11)

SMCS-1307

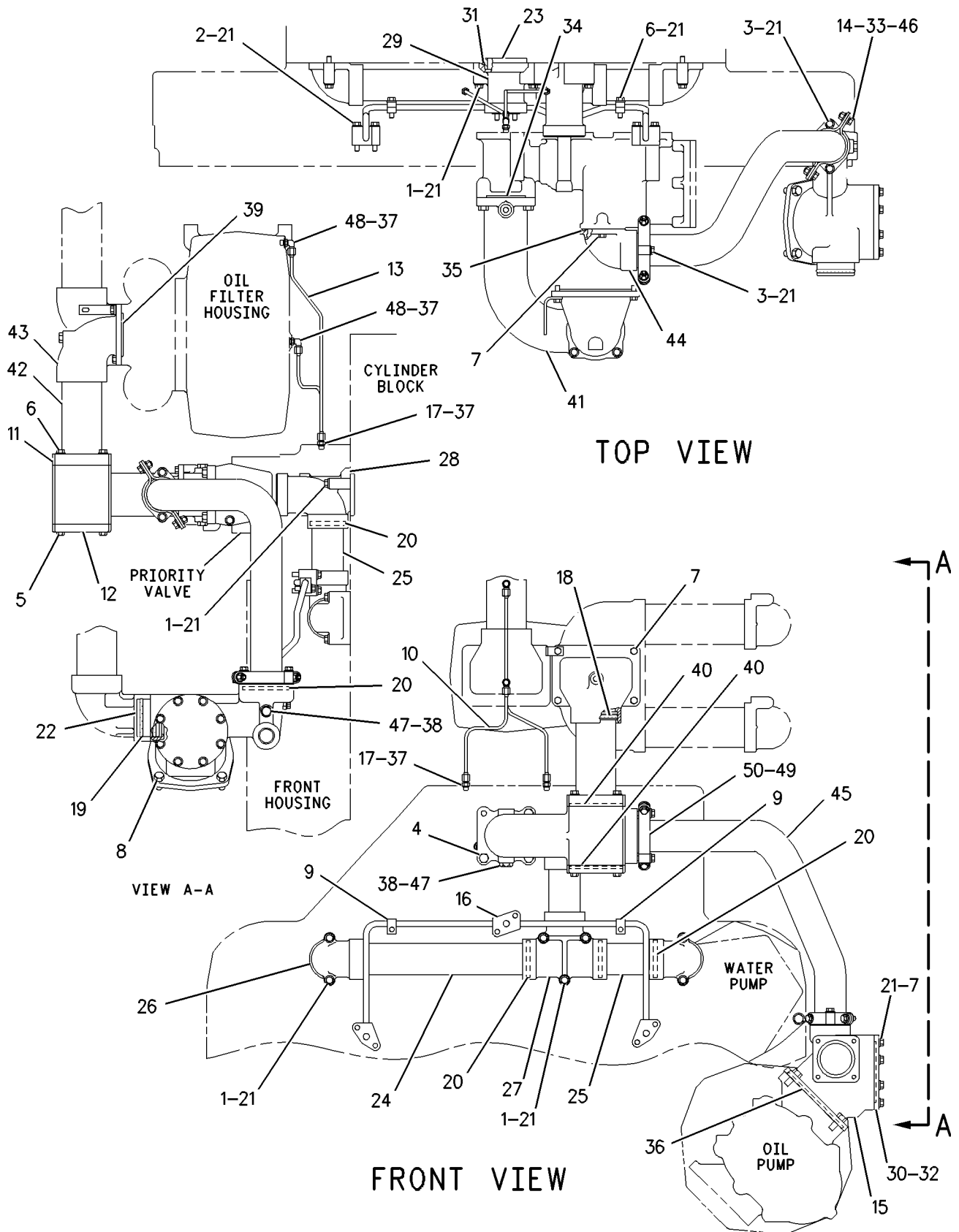
i02657778

| NOTE | REF NO | GRAPHIC REF | PART NUMBER | QTY | PART NAME | | | | | | SEE PAGE |
|------|--------|-------------|-------------|-----|------------------------------------|---|---|---|---|-------------------|----------|
| | | | | | 1 | 2 | 3 | 4 | 5 | 6 (PRODUCT LEVEL) | |
| | 1 | 1 | 0L-1143 | 11 | BOLT (3/8-16X2.5-IN) | | | | | | |
| | 2 | 1 | 0L-2070 | 6 | BOLT (3/8-16X2.25-IN) | | | | | | |
| | 3 | 1 | 0S-1571 | 4 | BOLT (3/8-16X1.75-IN) | | | | | | |
| | 4 | 1 | 0S-1585 | 3 | BOLT (1/2-13X1.5-IN) | | | | | | |
| | 5 | 1 | 0S-1588 | 4 | BOLT (3/8-16X1.25-IN) | | | | | | |
| | 6 | 1 | 0S-1591 | 6 | BOLT (3/8-16X1.5-IN) | | | | | | |
| | 7 | 1 | 0S-1594 | 13 | BOLT (3/8-16X1-IN) | | | | | | |
| | 8 | 1 | 0S-1595 | 4 | BOLT (1/2-13X1.25-IN) | | | | | | |
| | 9 | 1 | 1N-4622 | 4 | CLAMP | | | | | | |
| | 10 | 1 | 1W-2244 | 1 | TUBE AS-VENT | | | | | | |
| | 11 | 1 | 1W-3979 | 1 | FLANGE | | | | | | |
| | 12 | 1 | 1W-4059 | 1 | COVER | | | | | | |
| | 13 | 1 | 1W-4307 | 1 | TUBE AS-VENT | | | | | | |
| | 14 | 1 | 2B-2695 | 4 | BOLT (5/16-18X0.875-IN) | | | | | | |
| | 15 | 1 | 2W-6317 | 1 | TEE | | | | | | |
| | 16 | 1 | 2W-8216 | 1 | TUBE AS | | | | | | |
| | 17 | 1 | 3J-7352 | 2 | CONNECTOR | | | | | | |
| | 18 | 1 | 259-4600 | 2 | SEAL-O-RING | | | | | | |
| | 19 | 1 | 3P-0655 | 2 | SEAL-O-RING | | | | | | |
| | 20 | 1 | 3P-0656 | 8 | SEAL-O-RING | | | | | | |
| | 21 | 1 | 3V-3308 | 31 | WASHER-HARD (10.2X20.5X2.5-MM THK) | | | | | | |
| | 22 | 1 | 4W-1164 | 1 | COUPLING | | | | | | |
| | 23 | 1 | 4W-7483 | 1 | SLEEVE | | | | | | |
| | 24 | 1 | 4W-7485 | 1 | TUBE | | | | | | |
| | 25 | 1 | 4W-7486 | 2 | TUBE | | | | | | |
| | 26 | 1 | 4W-7487 | 2 | ELBOW | | | | | | |
| | 27 | 1 | 4W-7488 | 1 | TEE | | | | | | |
| | 28 | 1 | 4W-7489 | 1 | ELBOW | | | | | | |
| | 29 | 1 | 4W-7490 | 1 | ADAPTER | | | | | | |
| | 30 | 1 | 4W-8775 | 1 | COVER (AIR CHAMBER) | | | | | | |
| | 31 | 1 | 5P-7818 | 1 | SEAL-O-RING | | | | | | |
| | 32 | 1 | 5P-8872 | 1 | SEAL-O-RING | | | | | | |
| | 33 | 1 | 5S-0003 | 4 | NUT (5/16-18-THD) | | | | | | |
| | 34 | 1 | 5S-9134 | 1 | SEAL-O-RING | | | | | | |
| | 35 | 1 | 6V-3833 | 1 | SEAL-O-RING | | | | | | |
| | 36 | 1 | 6V-3968 | 1 | SEAL-O-RING | | | | | | |
| | 37 | 1 | 6V-5048 | 4 | SEAL-O-RING | | | | | | |
| | 38 | 1 | 6V-5049 | 2 | SEAL-O-RING | | | | | | |
| | 39 | 1 | 6V-5055 | 1 | SEAL-O-RING | | | | | | |
| | 40 | 1 | 6V-5101 | 2 | SEAL-O-RING | | | | | | |
| | 41 | 1 | 7C-2322 | 1 | ELBOW | | | | | | |
| | 42 | 1 | 7N-9044 | 1 | TUBE | | | | | | |
| | 43 | 1 | 7W-3882 | 1 | ELBOW | | | | | | |
| | 44 | 1 | 7W-7833 | 1 | ELBOW | | | | | | |
| | 45 | 1 | 7W-9424 | 1 | TUBE | | | | | | |
| | 46 | 1 | 9M-1974 | 8 | WASHER-HARD (8.8X16X2-MM THK) | | | | | | |
| | 47 | 1 | 9S-4191 | 2 | PLUG-O-RING | | | | | | |
| | 48 | 1 | 030-7946 | 2 | ELBOW | | | | | | |
| | 49 | 1 | 126-4229 | 2 | RING-RETAINING | | | | | | |
| | 50 | 1 | 137-0257 | 4 | CLAMP AS | | | | | | |

LUBRICATION SYSTEM

105-3182 LINES GP-ENGINE OIL (contd.)

i02657778



GRAPHIC #1

<END>

g00793741

LUBRICATION SYSTEM

210-5737 LINES GP-ENGINE OIL (CHG -00) HYDRAC-DISCHARGE

SMCS-1307

i01595106

| NOTE | REF NO | GRAPHIC REF | PART NUMBER | QTY | PART NAME | | | | | | SEE PAGE |
|------|--------|-------------|-------------|-----|------------------------------------|---|---|---|---|-------------------|----------|
| | | | | | 1 | 2 | 3 | 4 | 5 | 6 (PRODUCT LEVEL) | |
| | 1 | 2 | 4P-6814 | 1 | MANIFOLD | | | | | | |
| | 2 | 2 | 6V-9832 | 1 | CAP AS | | | | | | |
| | 3 | 2 | 8C-0569 | 2 | TEE-O-RING | | | | | | |
| | 4 | 2 | 8C-5053 | 1 | ADAPTER | | | | | | |
| | 5 | 1 | 9C-5344 | 2 | SPACER (10.5X20X18-MM THK) | | | | | | |
| | 6 | 2 | 121-6750 | 1 | MANIFOLD | | | | | | |
| Y | 7 | 2 | 138-6144 | 1 | FILTER GP-ENGINE OIL | | | | | | 189 |
| | 8 | 2 | 138-6158 | 1 | VALVE-CHECK | | | | | | |
| | 9 | 1 | 148-7605 | 1 | TUBE AS | | | | | | |
| | 10 | 1 | 148-7607 | 1 | TUBE AS | | | | | | |
| | 11 | 1 | 148-7608 | 1 | TUBE AS | | | | | | |
| | 12 | 1 | 148-7609 | 1 | TUBE AS | | | | | | |
| | 13 | 2 | 148-7611 | 1 | TUBE AS | | | | | | |
| | 14 | 2 | 148-7612 | 1 | TUBE AS | | | | | | |
| | 15 | 2 | 148-7613 | 1 | TUBE AS | | | | | | |
| | 16 | 2 | 148-7614 | 1 | TUBE AS | | | | | | |
| | 17 | 2 | 148-7615 | 1 | TUBE AS | | | | | | |
| | 18 | 2 | 148-7616 | 1 | TUBE AS | | | | | | |
| | 19 | 2 | 148-7617 | 1 | TUBE AS | | | | | | |
| | 20 | 1 | 148-7618 | 1 | TUBE AS | | | | | | |
| | 21 | 1 | 148-7619 | 1 | TUBE AS | | | | | | |
| | 22 | 1 | 148-7620 | 1 | TUBE AS | | | | | | |
| | 23 | 2 | 148-7621 | 1 | BRACKET AS | | | | | | |
| | 24 | 2 | 148-7622 | 3 | BRACKET AS | | | | | | |
| | 25 | 2 | 148-7623 | 3 | BRACKET | | | | | | |
| | 26 | 2 | 148-7625 | 1 | BRACKET AS | | | | | | |
| | 27 | 2 | 148-7626 | 1 | BRACKET | | | | | | |
| | 28 | 1 | 148-7627 | 2 | CLAMP | | | | | | |
| | 29 | 1 | 148-7628 | 2 | CLAMP | | | | | | |
| | 30 | 2 | 148-7630 | 1 | BRACKET | | | | | | |
| | 31 | 1 | 148-7631 | 1 | PLATE | | | | | | |
| | 32 | 2 | 148-7635 | 1 | MANIFOLD | | | | | | |
| | 33 | 2 | 176-3586 | 1 | VALVE AS-RELIEF | | | | | | |
| | | 2 | 2M-9780 | 2 | SEAL-O-RING | | | | | | |
| | 34 | 2 | 176-3592 | 2 | BRACKET | | | | | | |
| | 35 | 1 | 0L-1143 | 2 | BOLT (3/8-16X2.5-IN) | | | | | | |
| | 36 | 2 | 0L-1352 | 2 | BOLT (3/8-16X3.25-IN) | | | | | | |
| | 37 | 1 | 0L-2070 | 2 | BOLT (3/8-16X2.25-IN) | | | | | | |
| | 38 | 1 | 0S-1571 | 2 | BOLT (3/8-16X1.75-IN) | | | | | | |
| | 39 | 2 | 0S-1588 | 19 | BOLT (3/8-16X1.25-IN) | | | | | | |
| | 40 | 2 | 0S-1591 | 1 | BOLT (3/8-16X1.5-IN) | | | | | | |
| | 41 | 2 | 0S-1594 | 15 | BOLT (3/8-16X1-IN) | | | | | | |
| | 42 | 2 | 1A-1460 | 2 | BOLT (1/2-13X2-IN) | | | | | | |
| | 43 | 2 | 1A-2029 | 8 | BOLT (3/8-16X1.125-IN) | | | | | | |
| | 44 | 1 | 1A-5183 | 1 | BOLT (3/8-16X4.75-IN) | | | | | | |
| | 45 | 2 | 2M-9780 | 7 | SEAL-O-RING | | | | | | |
| | 46 | 1,2 | 3D-2824 | 11 | SEAL-O-RING | | | | | | |
| | 47 | 2 | 3J-1907 | 11 | SEAL-O-RING | | | | | | |
| | 48 | 2 | 3K-0360 | 1 | SEAL-O-RING | | | | | | |
| | 49 | 1,2 | 3V-3308 | 77 | WASHER-HARD (10.2X20.5X2.5-MM THK) | | | | | | |
| | 50 | 1,2 | 5K-9660 | 7 | CLIP | | | | | | |
| | 51 | 2 | 5P-8245 | 2 | WASHER-HARD (13.5X25.5X3-MM THK) | | | | | | |
| | 52 | 2 | 6V-8398 | 12 | SEAL-O-RING | | | | | | |
| | 53 | 2 | 6V-8629 | 1 | ELBOW | | | | | | |
| | 54 | 2 | 6V-8637 | 5 | CONNECTOR | | | | | | |
| | 55 | 2 | 6V-8638 | 3 | CONNECTOR | | | | | | |
| | 56 | 2 | 6V-8640 | 2 | CONNECTOR | | | | | | |

LUBRICATION SYSTEM

210-5737 LINES GP-ENGINE OIL (contd.)

i01595106

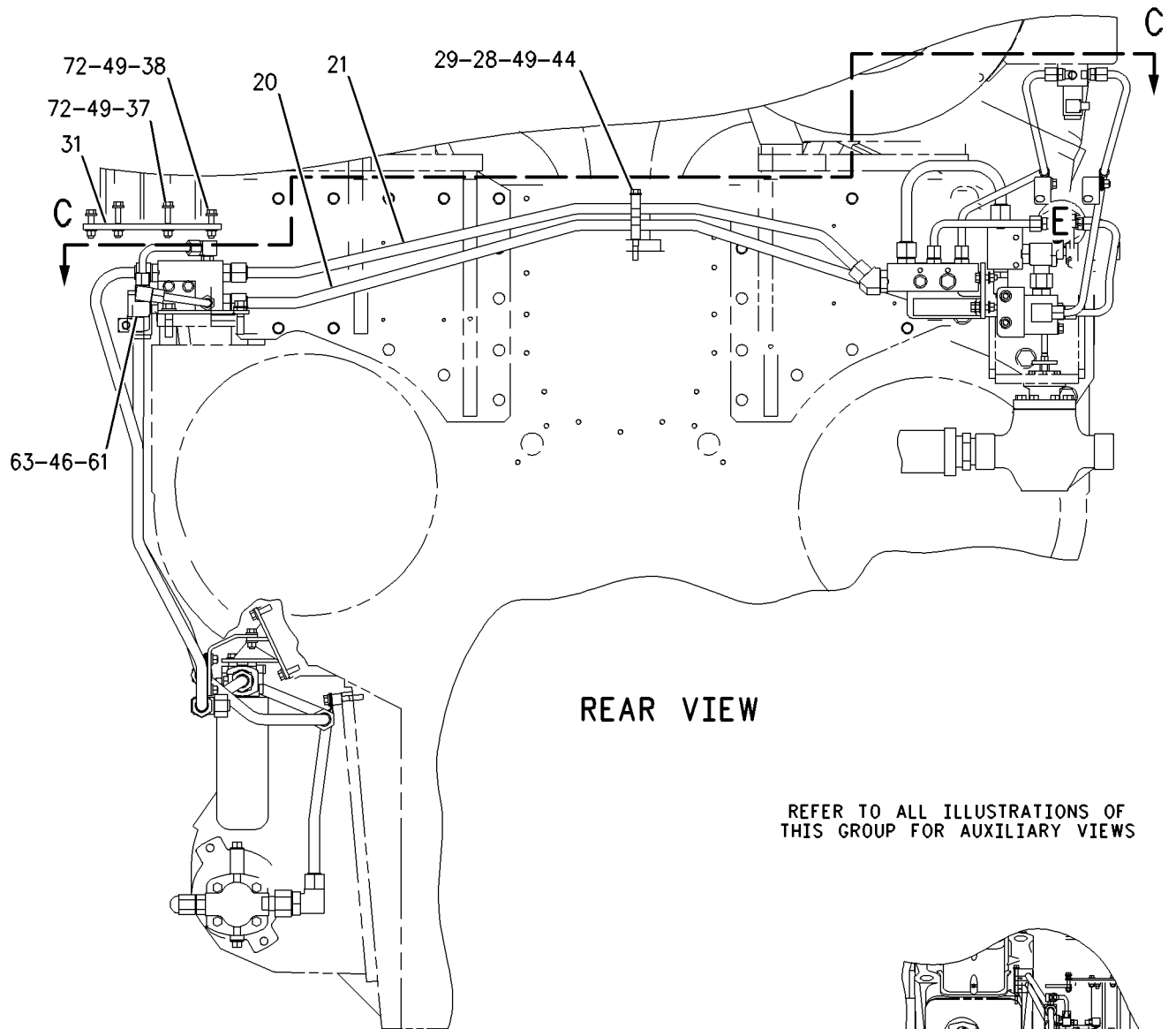
| NOTE | REF NO | GRAPHIC REF | PART NUMBER | QTY | PART NAME | | | | | | SEE PAGE |
|------|--------|-------------|-------------|-----|-----------------------|---|---|---|---|-------------------|----------|
| | | | | | 1 | 2 | 3 | 4 | 5 | 6 (PRODUCT LEVEL) | |
| | 57 | 2 | 6V-8721 | 1 | ELBOW | | | | | | |
| | 58 | 1 | 6V-8733 | 2 | UNION | | | | | | |
| | 59 | 2 | 6V-8784 | 1 | TEE-FACE SEAL | | | | | | |
| | 60 | 2 | 6V-9004 | 1 | ELBOW | | | | | | |
| | 61 | 1 | 6V-9007 | 1 | ELBOW | | | | | | |
| | 62 | 2 | 6V-9182 | 1 | ELBOW | | | | | | |
| | 63 | 1,2 | 6V-9746 | 18 | SEAL-O-RING | | | | | | |
| | 64 | 2 | 6V-9873 | 5 | CONNECTOR | | | | | | |
| | 65 | 2 | 7M-8485 | 1 | SEAL-O-RING | | | | | | |
| | 66 | 2 | 8T-1885 | 2 | CLIP (SLOT) | | | | | | |
| | 67 | 2 | 8T-1886 | 2 | CLIP (TAB) | | | | | | |
| | 68 | 2 | 8T-6451 | 1 | ELBOW | | | | | | |
| | 69 | 2 | 8T-6876 | 3 | ELBOW (90-DEG) | | | | | | |
| | 70 | 2 | 9S-4185 | 1 | PLUG-O-RING | | | | | | |
| | 71 | 2 | 9S-4191 | 3 | PLUG-O-RING | | | | | | |
| | 72 | 1,2 | 9S-8752 | 25 | NUT-FULL (3/8-16-THD) | | | | | | |

Y-SEPARATE ILLUSTRATION

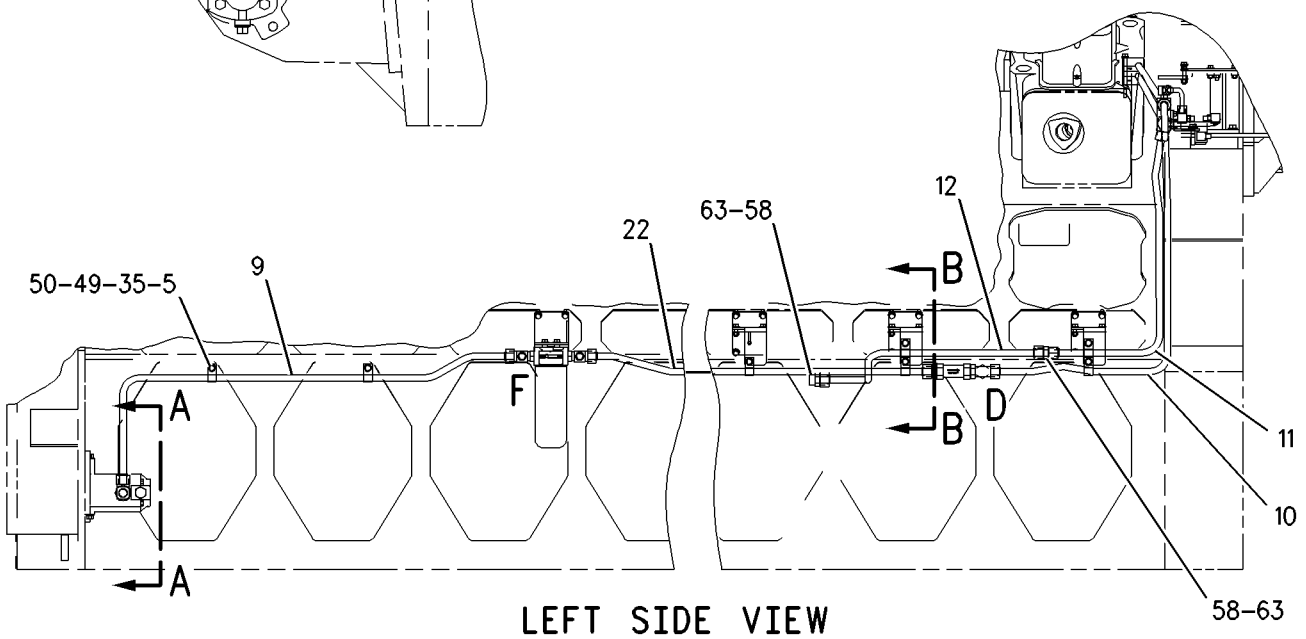
LUBRICATION SYSTEM

210-5737 LINES GP-ENGINE OIL (contd.)

i01595106



REFER TO ALL ILLUSTRATIONS OF THIS GROUP FOR AUXILIARY VIEWS



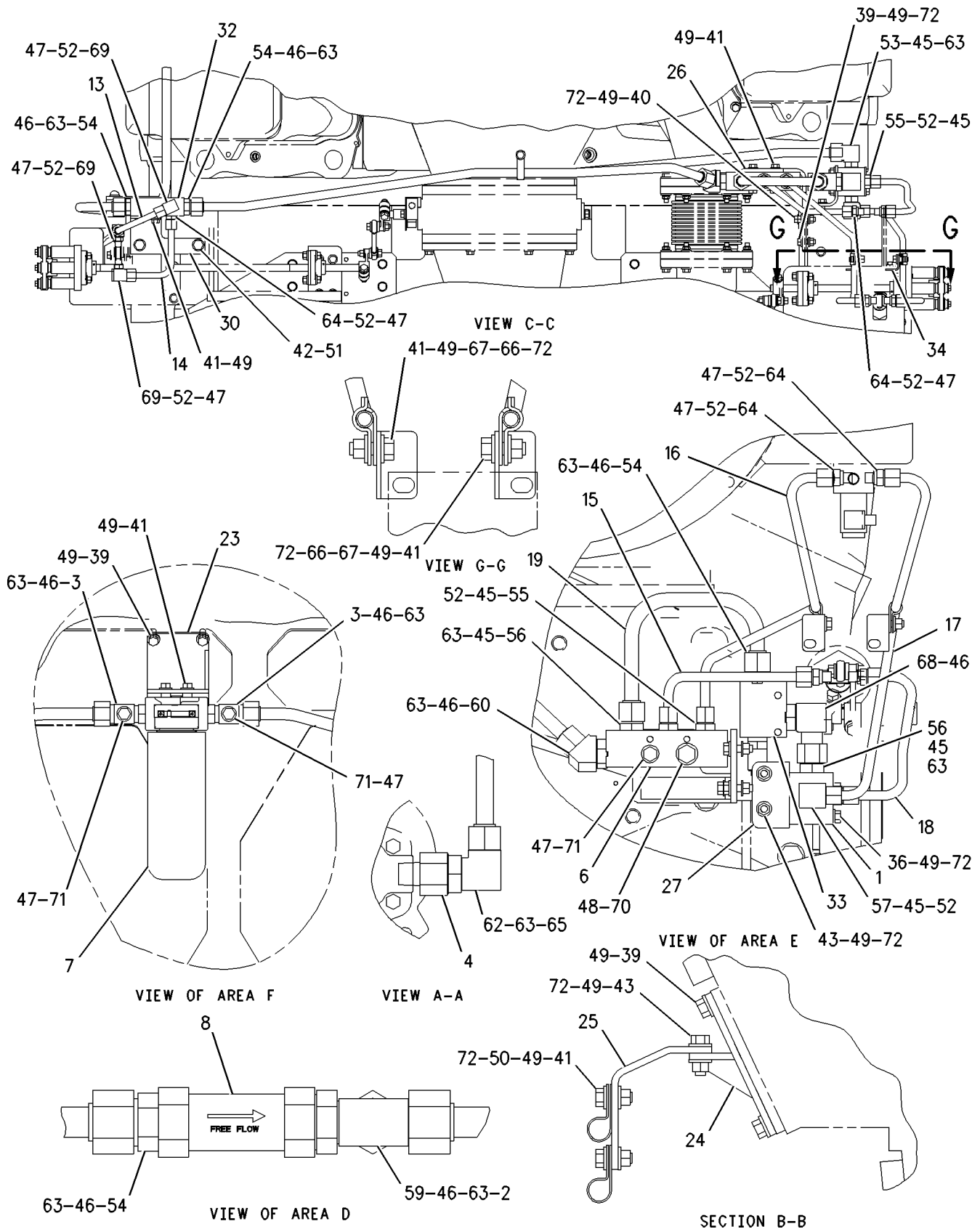
GRAPHIC #1

g00826911

LUBRICATION SYSTEM

210-5737 LINES GP-ENGINE OIL (contd.)

i01595106



GRAPHIC #2

<END>

g00826912

LUBRICATION SYSTEM

228 - 8986 LINES GP - ENGINE OIL (CHG -00)

SMCS - 1307

i02437806

| NOTE | REF NO | GRAPHIC REF | PART NUMBER | QTY | PART NAME | | | | | | SEE PAGE |
|------|--------|-------------|-------------|------------------------------------|----------------------------|---|---|---|---|-------------------|----------|
| | | | | | 1 | 2 | 3 | 4 | 5 | 6 (PRODUCT LEVEL) | |
| I | 1 | 1 | 4E-9277 | 2 | HOSE AS | | | | | | |
| | 2 | 1 | 4P-6814 | 1 | MANIFOLD | | | | | | |
| | 3 | 2 | 6V-9832 | 1 | CAP AS | | | | | | |
| | 4 | 2 | 8C-0569 | 2 | TEE-O-RING | | | | | | |
| | 5 | 2 | 8C-5053 | 1 | ADAPTER | | | | | | |
| | 6 | 1 | 9C-5344 | 2 | SPACER (10.5X20X18-MM THK) | | | | | | |
| | 7 | 1 | 121-6750 | 1 | MANIFOLD | | | | | | |
| Y | 8 | 2 | 138-6144 | 1 | FILTER GP-ENGINE OIL | | | | | | 189 |
| | 9 | 2 | 138-6158 | 1 | VALVE-CHECK | | | | | | |
| | 10 | 1 | 148-7605 | 1 | TUBE AS | | | | | | |
| | 11 | 1 | 148-7607 | 1 | TUBE AS | | | | | | |
| | 12 | 1 | 148-7608 | 1 | TUBE AS | | | | | | |
| | 13 | 1 | 148-7609 | 1 | TUBE AS | | | | | | |
| | 14 | 2 | 148-7611 | 1 | TUBE AS | | | | | | |
| | 15 | 2 | 148-7612 | 1 | TUBE AS | | | | | | |
| | 16 | 1 | 148-7613 | 1 | TUBE AS | | | | | | |
| | 17 | 1 | 148-7616 | 1 | TUBE AS | | | | | | |
| | 18 | 1 | 148-7617 | 1 | TUBE AS | | | | | | |
| | 19 | 1 | 148-7618 | 1 | TUBE AS | | | | | | |
| | 20 | 1 | 148-7619 | 1 | TUBE AS | | | | | | |
| | 21 | 1 | 148-7620 | 1 | TUBE AS | | | | | | |
| | 22 | 2 | 148-7621 | 1 | BRACKET AS | | | | | | |
| | 23 | 2 | 148-7622 | 3 | BRACKET AS | | | | | | |
| | 24 | 2 | 148-7623 | 3 | BRACKET | | | | | | |
| | 25 | 2 | 148-7625 | 1 | BRACKET AS | | | | | | |
| | 26 | 1 | 148-7626 | 1 | BRACKET | | | | | | |
| | 27 | 2 | 148-7627 | 2 | CLAMP | | | | | | |
| | 28 | 2 | 148-7628 | 2 | CLAMP | | | | | | |
| | 29 | 2 | 148-7630 | 1 | BRACKET | | | | | | |
| | 30 | 1 | 148-7631 | 1 | PLATE | | | | | | |
| | 31 | 2 | 148-7635 | 1 | MANIFOLD | | | | | | |
| | 32 | 2 | 176-3586 | 1 | VALVE AS-RELIEF | | | | | | |
| | | | 2M-9780 | 2 | SEAL-O-RING | | | | | | |
| | 33 | 1 | 0L-1143 | 2 | BOLT (3/8-16X2.5-IN) | | | | | | |
| | 34 | 1 | 0L-1352 | 2 | BOLT (3/8-16X3.25-IN) | | | | | | |
| | 35 | 1 | 0L-2070 | 2 | BOLT (3/8-16X2.25-IN) | | | | | | |
| | 36 | 1 | 0S-1571 | 2 | BOLT (3/8-16X1.75-IN) | | | | | | |
| | 37 | 2 | 0S-1588 | 19 | BOLT (3/8-16X1.25-IN) | | | | | | |
| | 38 | 2 | 0S-1591 | 1 | BOLT (3/8-16X1.5-IN) | | | | | | |
| 39 | 2 | 0S-1594 | 13 | BOLT (3/8-16X1-IN) | | | | | | | |
| 40 | 2 | 1A-1460 | 2 | BOLT (1/2-13X2-IN) | | | | | | | |
| 41 | 1,2 | 1A-2029 | 8 | BOLT (3/8-16X1.125-IN) | | | | | | | |
| 42 | 2 | 1A-5183 | 1 | BOLT (3/8-16X4.75-IN) | | | | | | | |
| 43 | 1,2 | 2M-9780 | 7 | SEAL-O-RING | | | | | | | |
| 44 | 1,2 | 3D-2824 | 11 | SEAL-O-RING | | | | | | | |
| 45 | 1,2 | 3J-1907 | 11 | SEAL-O-RING | | | | | | | |
| 46 | 1 | 3K-0360 | 1 | SEAL-O-RING | | | | | | | |
| 47 | 1,2 | 3V-3308 | 73 | WASHER-HARD (10.2X20.5X2.5-MM THK) | | | | | | | |
| 48 | 1,2 | 5K-9660 | 7 | CLIP | | | | | | | |
| 49 | 2 | 5P-8245 | 2 | WASHER-HARD (13.5X25.5X3-MM THK) | | | | | | | |
| 50 | 1,2 | 6V-8398 | 12 | SEAL-O-RING | | | | | | | |
| 51 | 2 | 6V-8629 | 1 | ELBOW | | | | | | | |
| 52 | 2 | 6V-8637 | 5 | CONNECTOR | | | | | | | |
| 53 | 1,2 | 6V-8638 | 3 | CONNECTOR | | | | | | | |
| 54 | 1 | 6V-8640 | 2 | CONNECTOR | | | | | | | |
| 55 | 1 | 6V-8721 | 1 | ELBOW | | | | | | | |
| 56 | 1 | 6V-8733 | 2 | UNION | | | | | | | |
| 57 | 2 | 6V-8784 | 1 | TEE-FACE SEAL | | | | | | | |

LUBRICATION SYSTEM

228-8986 LINES GP-ENGINE OIL (contd.)

i02437806

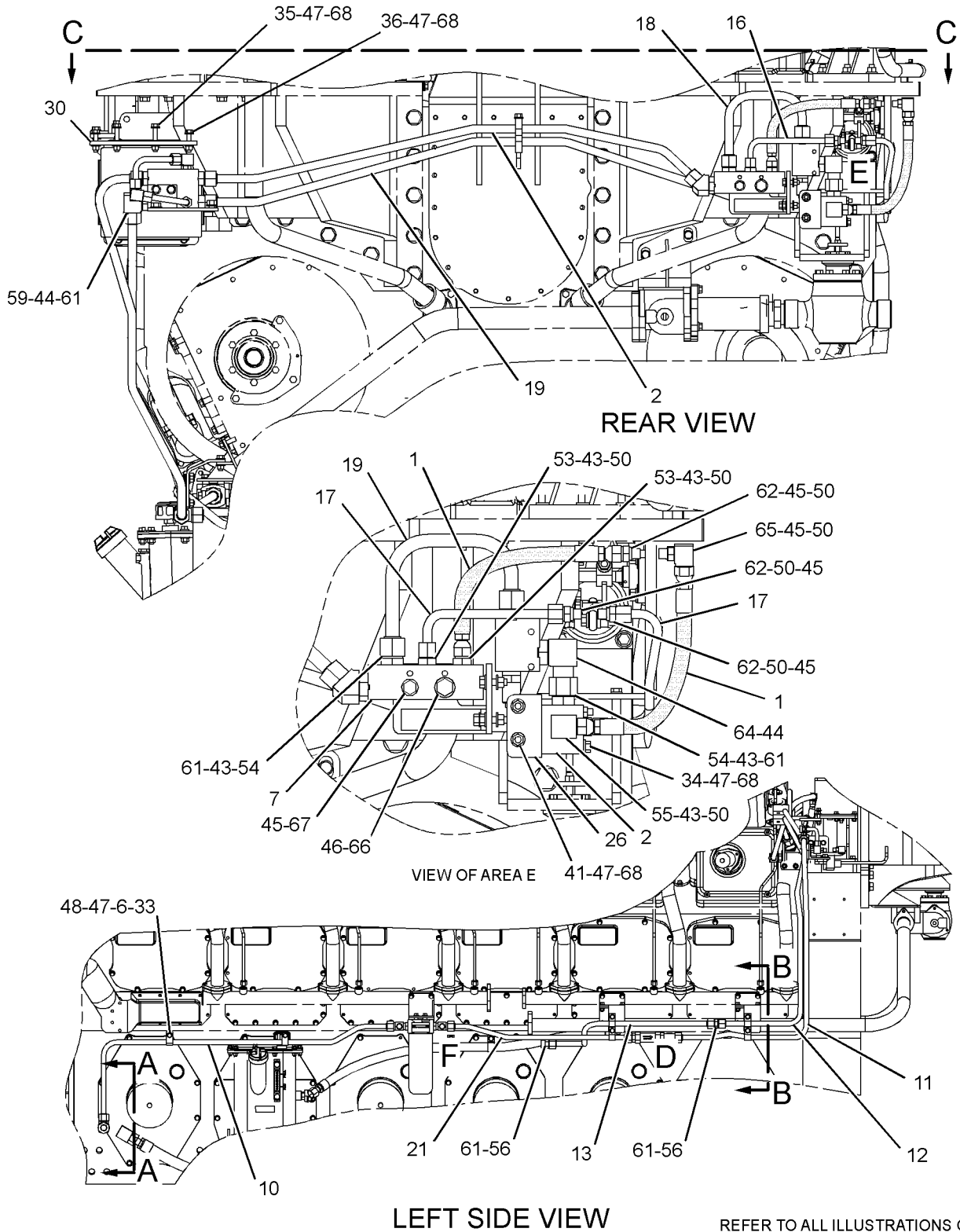
| NOTE | REF NO | GRAPHIC REF | PART NUMBER | QTY | PART NAME | | | | | | SEE PAGE |
|------|--------|-------------|----------------|-----|-----------------------|---|---|---|---|-------------------|----------|
| | | | | | 1 | 2 | 3 | 4 | 5 | 6 (PRODUCT LEVEL) | |
| | 58 | 2 | 6V-9004 | 1 | ELBOW | | | | | | |
| | 59 | 1 | 6V-9007 | 1 | ELBOW | | | | | | |
| | 60 | 2 | 6V-9182 | 1 | ELBOW | | | | | | |
| | 61 | 1,2 | 6V-9746 | 18 | SEAL-O-RING | | | | | | |
| | 62 | 1,2 | 6V-9873 | 4 | CONNECTOR | | | | | | |
| | 63 | 2 | 7M-8485 | 1 | SEAL-O-RING | | | | | | |
| | 64 | 1 | 8T-6451 | 1 | ELBOW | | | | | | |
| | 65 | 1,2 | 8T-6876 | 4 | ELBOW (90-DEG) | | | | | | |
| | 66 | 1 | 9S-4185 | 1 | PLUG-O-RING | | | | | | |
| | 67 | 1,2 | 9S-4191 | 3 | PLUG-O-RING | | | | | | |
| | 68 | 1,2 | 9S-8752 | 23 | NUT-FULL (3/8-16-THD) | | | | | | |

I - REFER TO HYDRAULIC INFORMATION SYSTEM
 Y - SEPARATE ILLUSTRATION

LUBRICATION SYSTEM

228-8986 LINES GP-ENGINE OIL (contd.)

i02437806



REFER TO ALL ILLUSTRATIONS OF THIS GROUP FOR AUXILIARY VIEWS

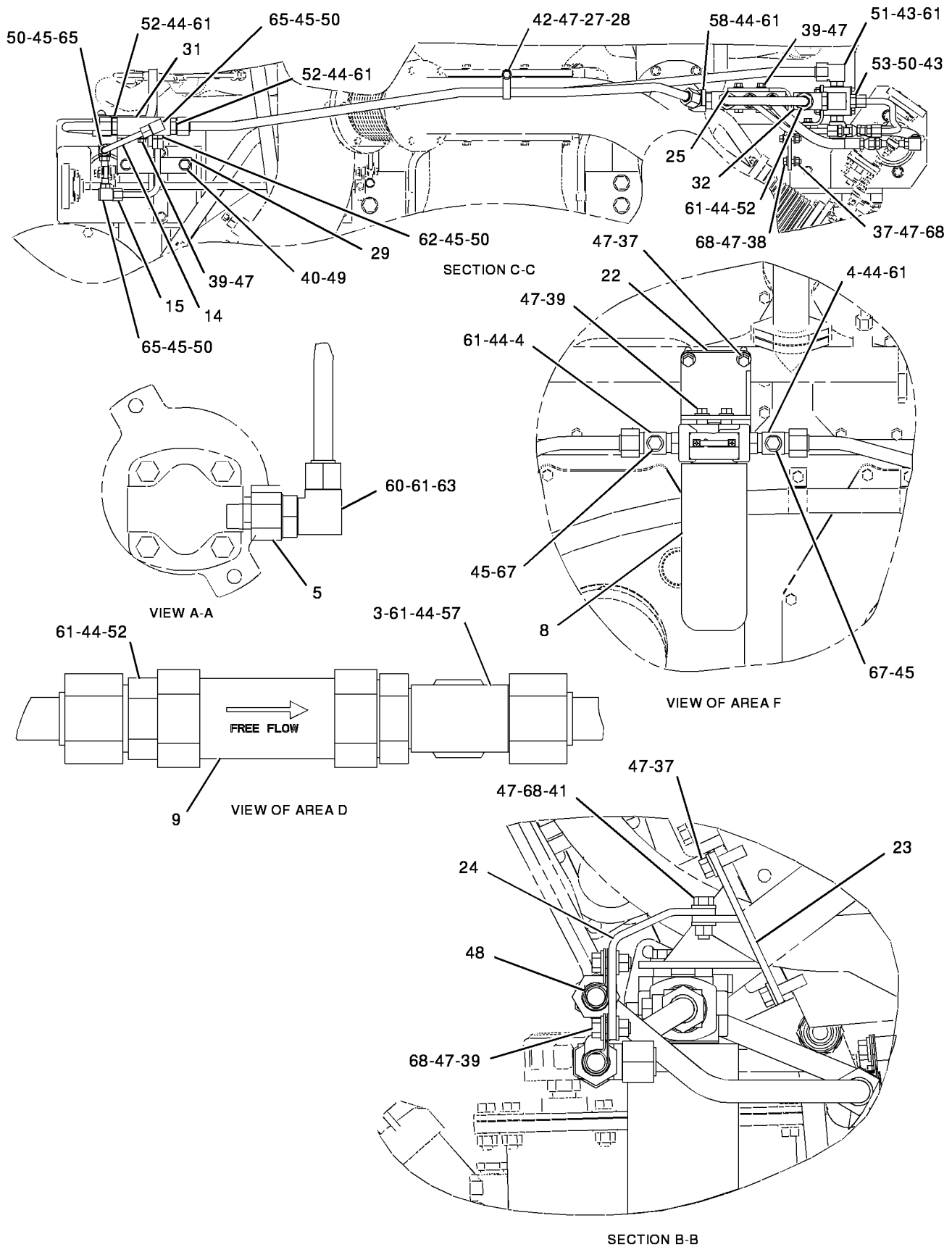
GRAPHIC #1

g01218047

LUBRICATION SYSTEM

228-8986 LINES GP-ENGINE OIL (contd.)

i02437806



GRAPHIC #2

<END>

g01012321

LUBRICATION SYSTEM

252-2176 LINES GP-ENGINE OIL (CHG -00, -01)

SMCS-1307

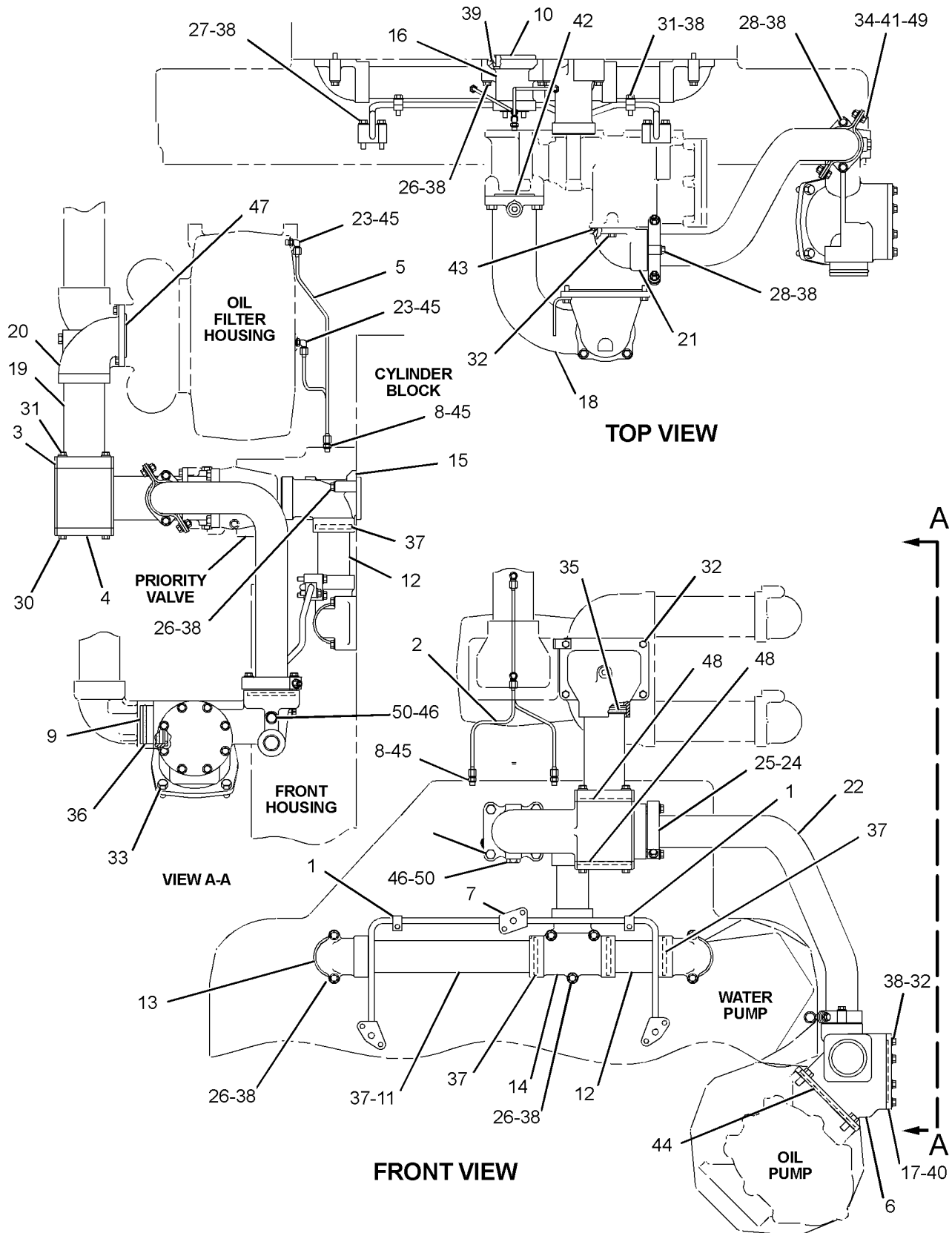
i02657780

| NOTE | REF NO | GRAPHIC REF | PART NUMBER | QTY | PART NAME | | | | | | SEE PAGE |
|------|--------|-------------|-------------|-----|------------------------------------|---|---|---|---|-------------------|----------|
| | | | | | 1 | 2 | 3 | 4 | 5 | 6 (PRODUCT LEVEL) | |
| | 1 | 1 | 1N-4622 | 4 | CLAMP | | | | | | |
| | 2 | 1 | 1W-2244 | 1 | TUBE AS-VENT | | | | | | |
| | 3 | 1 | 1W-3979 | 1 | FLANGE | | | | | | |
| | 4 | 1 | 1W-4059 | 1 | COVER | | | | | | |
| | 5 | 1 | 1W-4307 | 1 | TUBE AS-VENT | | | | | | |
| | 6 | 1 | 2W-6317 | 1 | TEE | | | | | | |
| | 7 | 1 | 2W-8216 | 1 | TUBE AS | | | | | | |
| | 8 | 1 | 3J-7352 | 2 | CONNECTOR | | | | | | |
| | 9 | 1 | 4W-1164 | 1 | COUPLING | | | | | | |
| | 10 | 1 | 4W-7483 | 1 | SLEEVE | | | | | | |
| | 11 | 1 | 4W-7485 | 1 | TUBE | | | | | | |
| | 12 | 1 | 4W-7486 | 2 | TUBE | | | | | | |
| | 13 | 1 | 4W-7487 | 2 | ELBOW | | | | | | |
| | 14 | 1 | 4W-7488 | 1 | TEE | | | | | | |
| | 15 | 1 | 4W-7489 | 1 | ELBOW | | | | | | |
| | 16 | 1 | 4W-7490 | 1 | ADAPTER | | | | | | |
| | 17 | 1 | 4W-8775 | 1 | COVER (AIR CHAMBER) | | | | | | |
| | 18 | 1 | 7C-2322 | 1 | ELBOW | | | | | | |
| | 19 | 1 | 7N-9044 | 1 | TUBE | | | | | | |
| | 20 | 1 | 7W-3882 | 1 | ELBOW | | | | | | |
| | 21 | 1 | 7W-7833 | 1 | ELBOW | | | | | | |
| | 22 | 1 | 7W-9424 | 1 | TUBE | | | | | | |
| | 23 | 1 | 030-7946 | 2 | ELBOW | | | | | | |
| | 24 | 1 | 126-4229 | 2 | RING-RETAINING | | | | | | |
| | 25 | 1 | 137-0257 | 4 | CLAMP AS | | | | | | |
| | 26 | 1 | 0L-1143 | 11 | BOLT (3/8-16X2.5-IN) | | | | | | |
| | 27 | 1 | 0L-2070 | 6 | BOLT (3/8-16X2.25-IN) | | | | | | |
| | 28 | 1 | 0S-1571 | 4 | BOLT (3/8-16X1.75-IN) | | | | | | |
| | 29 | 1 | 0S-1585 | 4 | BOLT (1/2-13X1.5-IN) | | | | | | |
| | 30 | 1 | 0S-1588 | 4 | BOLT (3/8-16X1.25-IN) | | | | | | |
| | 31 | 1 | 0S-1591 | 6 | BOLT (3/8-16X1.5-IN) | | | | | | |
| | 32 | 1 | 0S-1594 | 13 | BOLT (3/8-16X1-IN) | | | | | | |
| | 33 | 1 | 0S-1595 | 4 | BOLT (1/2-13X1.25-IN) | | | | | | |
| | 34 | 1 | 2B-2695 | 4 | BOLT (5/16-18X0.875-IN) | | | | | | |
| | 35 | 1 | 259-4600 | 2 | SEAL-O-RING | | | | | | |
| | 36 | 1 | 3P-0655 | 2 | SEAL-O-RING | | | | | | |
| | 37 | 1 | 3P-0656 | 8 | SEAL-O-RING | | | | | | |
| | 38 | 1 | 3V-3308 | 31 | WASHER-HARD (10.2X20.5X2.5-MM THK) | | | | | | |
| | 39 | 1 | 5P-7818 | 1 | SEAL-O-RING | | | | | | |
| | 40 | 1 | 5P-8872 | 1 | SEAL-O-RING | | | | | | |
| | 41 | 1 | 5S-0003 | 4 | NUT (5/16-18-THD) | | | | | | |
| | 42 | 1 | 5S-9134 | 1 | SEAL-O-RING | | | | | | |
| | 43 | 1 | 6V-3833 | 1 | SEAL-O-RING | | | | | | |
| | 44 | 1 | 6V-3968 | 1 | SEAL-O-RING | | | | | | |
| | 45 | 1 | 6V-5048 | 4 | SEAL-O-RING | | | | | | |
| | 46 | 1 | 6V-5049 | 2 | SEAL-O-RING | | | | | | |
| | 47 | 1 | 6V-5055 | 1 | SEAL-O-RING | | | | | | |
| | 48 | 1 | 6V-5101 | 2 | SEAL-O-RING | | | | | | |
| | 49 | 1 | 9M-1974 | 8 | WASHER-HARD (8.8X16X2-MM THK) | | | | | | |
| | 50 | 1 | 9S-4191 | 2 | PLUG-O-RING | | | | | | |

LUBRICATION SYSTEM

252-2176 LINES GP-ENGINE OIL (contd.)

i02657780



GRAPHIC #1

<END>

g01335596

LUBRICATION SYSTEM

9Y-3300 LINES GP - LUBE OIL

(CHG -03, -03D2, -03D3, -03D4, -03D5, -03D6, -04, -04D1, -05)

PRELUBE PUMP

SMCS - 1307

i03188380

| NOTE | REF NO | GRAPHIC REF | PART NUMBER | QTY | PART NAME | | | | | | SEE PAGE |
|------|--------|-------------|-------------|-----|------------------------------------|---|---|---|---|-------------------|----------|
| | | | | | 1 | 2 | 3 | 4 | 5 | 6 (PRODUCT LEVEL) | |
| | 1 | 1 | 0S-1618 | 6 | BOLT (5/16-18X1-IN) | | | | | | |
| | 2 | 1 | 1D-4540 | 2 | BOLT (5/16-18X2.75-IN) | | | | | | |
| | 3 | 1 | 030-7935 | 1 | CONNECTOR | | | | | | |
| | 4 | 1 | 030-7960 | 1 | TEE-FLARED | | | | | | |
| | 5 | 1 | 030-7951 | 1 | ELBOW-FLARED | | | | | | |
| | 6 | 1 | 3R-6789 | 2 | CAP-FLARED | | | | | | |
| | 7 | 1 | 4W-2138 | 1 | VALVE AS | | | | | | |
| | 7A | 1 | 3H-3433 | 1 | PIN-SPRING | | | | | | |
| | 7B | 1 | 1P-5274 | 1 | PIN-VALVE SPRING | | | | | | |
| | 7C | 1 | 9H-2367 | 1 | SPRING-VALVE | | | | | | |
| | 7D | 1 | 9L-0672 | 1 | VALVE-CHECK | | | | | | |
| | 8 | 1 | 4W-2139 | 1 | HOUSING | | | | | | |
| I | 9 | 1 | 1N-3134 | 1 | HOSE AS | | | | | | |
| | 10 | 1 | 4W-9774 | 1 | ELBOW | | | | | | |
| | 11 | 1 | 5P-7701 | 4 | SEAL-O-RING | | | | | | |
| | 12 | 1 | 6V-5100 | 2 | SEAL-O-RING | | | | | | |
| | 13 | 1 | 9Y-3299 | 1 | TUBE AS | | | | | | |
| | 14 | 1 | 067-9921 | 1 | TEE-FLARED | | | | | | |
| | 15 | 1 | 7D-7233 | 1 | CLIP | | | | | | |
| | 16 | 1 | 031-5744 | 1 | ELBOW | | | | | | |
| C | 17 | 1 | 3V-3308 | 3 | WASHER-HARD (10.2X20.5X2.5-MM THK) | | | | | | |
| C | 18 | 1 | 0S-1588 | 1 | BOLT (3/8-16X1.25-IN) | | | | | | |
| C | 19 | 1 | 0S-1594 | 1 | BOLT (3/8-16X1-IN) | | | | | | |
| C | 20 | 1 | 9S-8752 | 1 | NUT-FULL (3/8-16-THD) | | | | | | |
| C | 21 | 1 | 133-9637 | 1 | BRACKET | | | | | | |

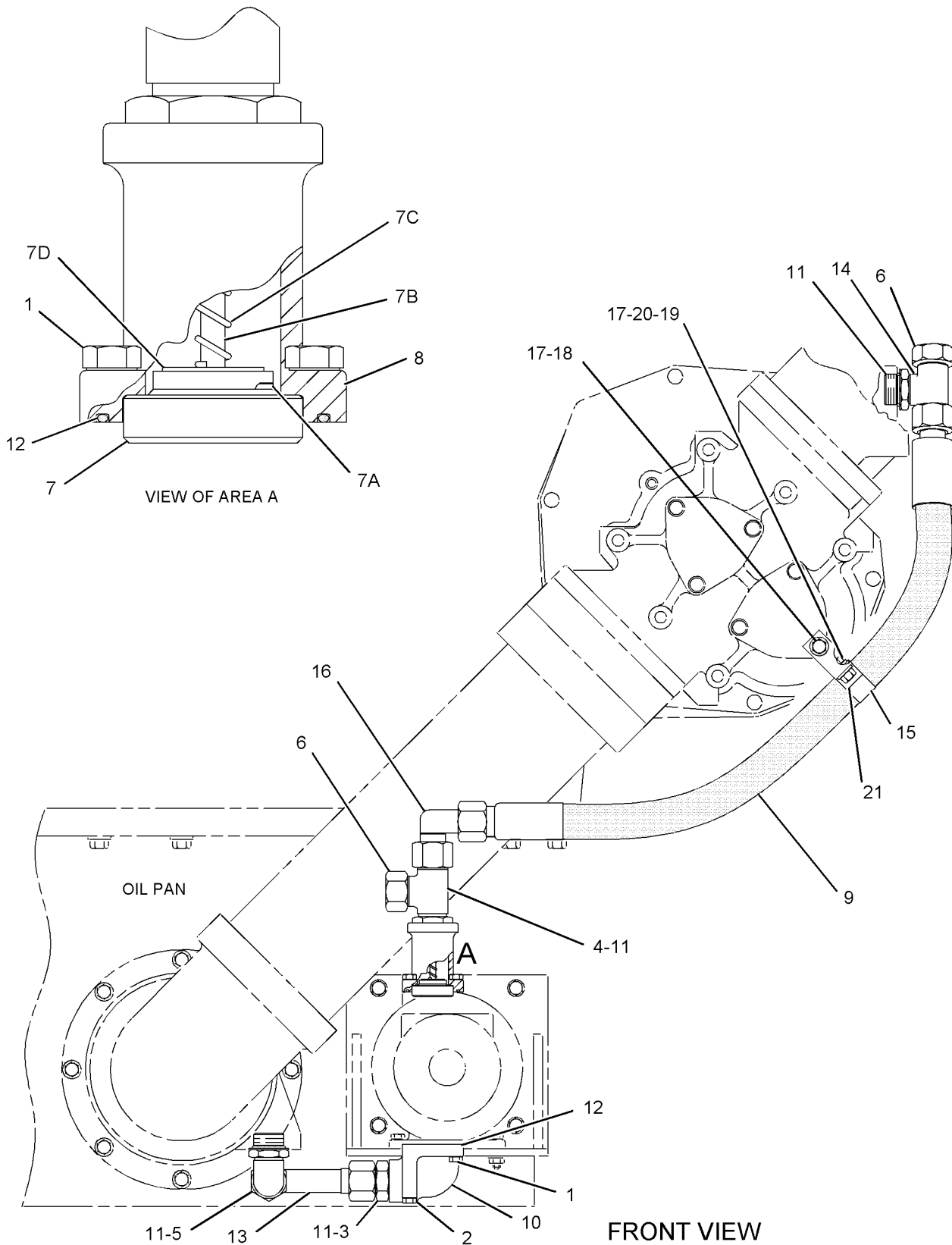
C - CHANGE FROM PREVIOUS TYPE

I - REFER TO HYDRAULIC INFORMATION SYSTEM

LUBRICATION SYSTEM

9Y-3300 LINES GP-LUBE OIL (contd.)

i03188380



GRAPHIC #1

<END>

g01121878

LUBRICATION SYSTEM

4P - 7959 LINES GP - TURBOCHARGER OIL (CHG -05 THRU -07)

SMCS - 1052, 1307

i01571124

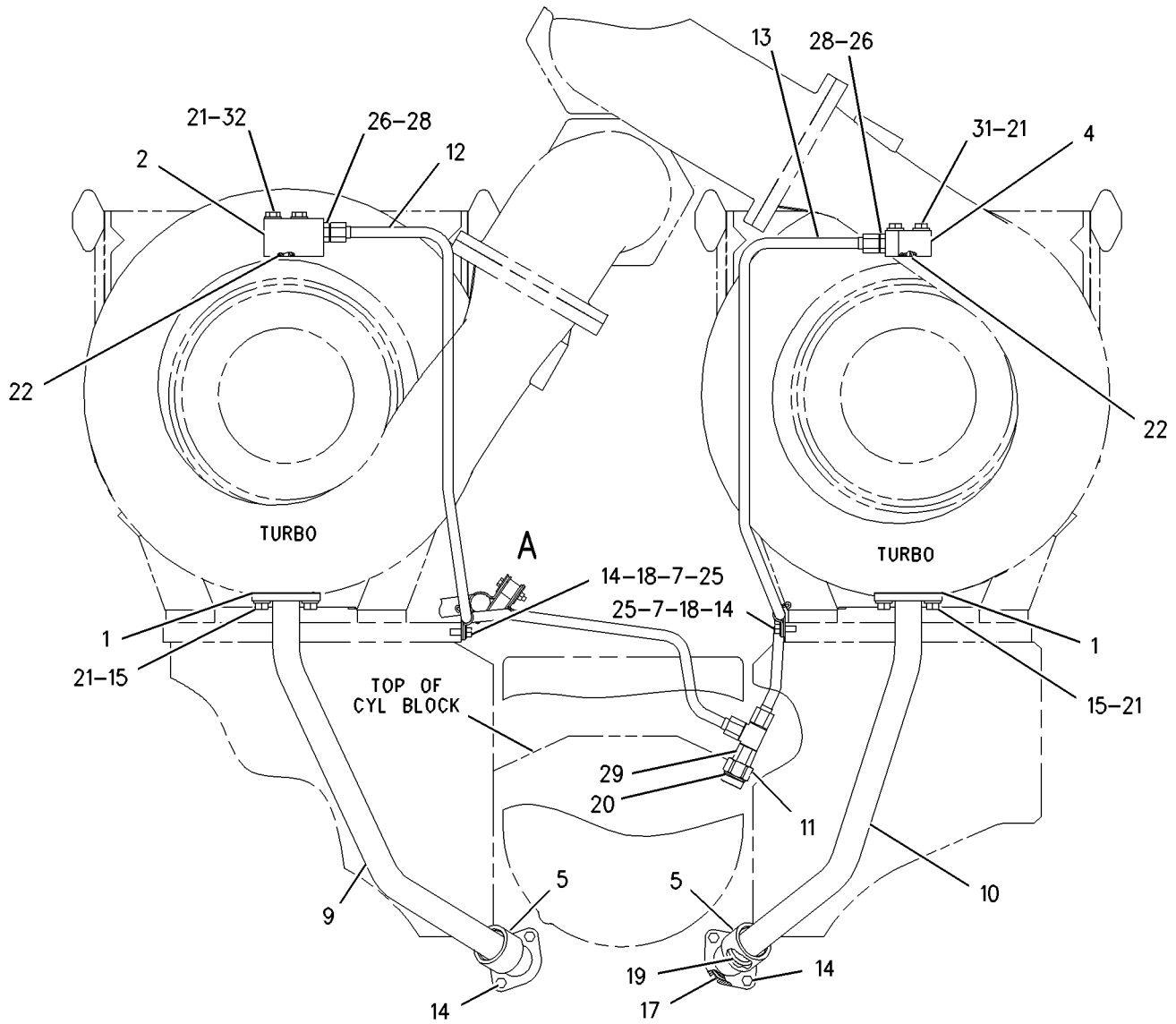
| NOTE | REF NO | GRAPHIC REF | PART NUMBER | QTY | PART NAME | | | | | | SEE PAGE |
|------|--------|-------------|-------------|-----|------------------------------------|---|---|---|---|-------------------|----------|
| | | | | | 1 | 2 | 3 | 4 | 5 | 6 (PRODUCT LEVEL) | |
| | 1 | 1 | 1W-2577 | 2 | GASKET | | | | | | |
| | 2 | 1 | 2W-3790 | 1 | FLANGE | | | | | | |
| | 3 | 1 | 4J-9448 | 1 | LUG | | | | | | |
| | 4 | 1 | 4W-0091 | 1 | FLANGE | | | | | | |
| | 5 | 1 | 4W-7323 | 2 | ELBOW | | | | | | |
| | 6 | 1 | 5P-9287 | 2 | WASHER-HARD (7.2X32X2-MM THK) | | | | | | |
| | 7 | 1 | 6K-4939 | 3 | CLIP (STRAIGHT) | | | | | | |
| | 8 | 1 | 6V-6759 | 1 | CLIP | | | | | | |
| | 9 | 1 | 7W-5280 | 1 | TUBE AS-DRAIN (LH) | | | | | | |
| | 10 | 1 | 7W-5282 | 1 | TUBE AS-DRAIN (RH) | | | | | | |
| C | 11 | 1 | 068-6074 | 1 | CONNECTOR | | | | | | |
| C | 12 | 1 | 160-1572 | 1 | TUBE AS (LH) | | | | | | |
| C | 13 | 1 | 160-1573 | 1 | TUBE AS (RH) | | | | | | |
| | 14 | 1 | 0S-1594 | 7 | BOLT (3/8-16X1-IN) | | | | | | |
| | 15 | 1 | 0S-1595 | 4 | BOLT (1/2-13X1.25-IN) | | | | | | |
| | 16 | 1 | 1B-2713 | 1 | BOLT (1/4-20X1.75-IN) | | | | | | |
| | 17 | 1 | 3P-0649 | 2 | SEAL-O-RING | | | | | | |
| | 18 | 1 | 3V-3308 | 3 | WASHER-HARD (10.2X20.5X2.5-MM THK) | | | | | | |
| | 19 | 1 | 5P-5846 | 2 | SEAL-O-RING | | | | | | |
| C | 20 | 1 | 5P-7701 | 1 | SEAL-O-RING | | | | | | |
| | 21 | 1 | 5P-8245 | 8 | WASHER-HARD (13.5X25.5X3-MM THK) | | | | | | |
| | 22 | 1 | 6J-2245 | 2 | SEAL-O-RING | | | | | | |
| | 23 | 1 | 6K-4934 | 1 | CLIP (SLOT) | | | | | | |
| | 24 | 1 | 6K-4935 | 1 | CLIP (TAB) | | | | | | |
| | 25 | 1 | 6K-4938 | 3 | CLIP (CURVED) | | | | | | |
| | 26 | 1 | 6V-4589 | 2 | SEAL-O-RING | | | | | | |
| | 27 | 1 | 6V-6758 | 1 | CLIP | | | | | | |
| C | 28 | 1 | 9M-4584 | 2 | CONNECTOR | | | | | | |
| C | 29 | 1 | 9S-0176 | 1 | TEE-SWIVEL | | | | | | |
| | 30 | 1 | 9S-8750 | 1 | NUT-FULL (1/4-20-THD) | | | | | | |
| | 31 | 1 | 9X-8873 | 2 | BOLT (1/2-13X2.25-IN) | | | | | | |
| | 32 | 1 | 9X-8874 | 2 | BOLT (1/2-13X3-IN) | | | | | | |

C - CHANGE FROM PREVIOUS TYPE

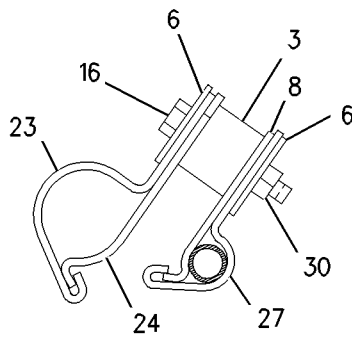
LUBRICATION SYSTEM

4P-7959 LINES GP-TURBOCHARGER OIL (contd.)

i01571124



REAR VIEW



VIEW OF AREA A

GRAPHIC #1

<END>

g00784427

LUBRICATION SYSTEM

195-3914 LINES GP - TURBOCHARGER OIL (CHG -00 THRU -02)

SMCS-1052, 1307

i01460519

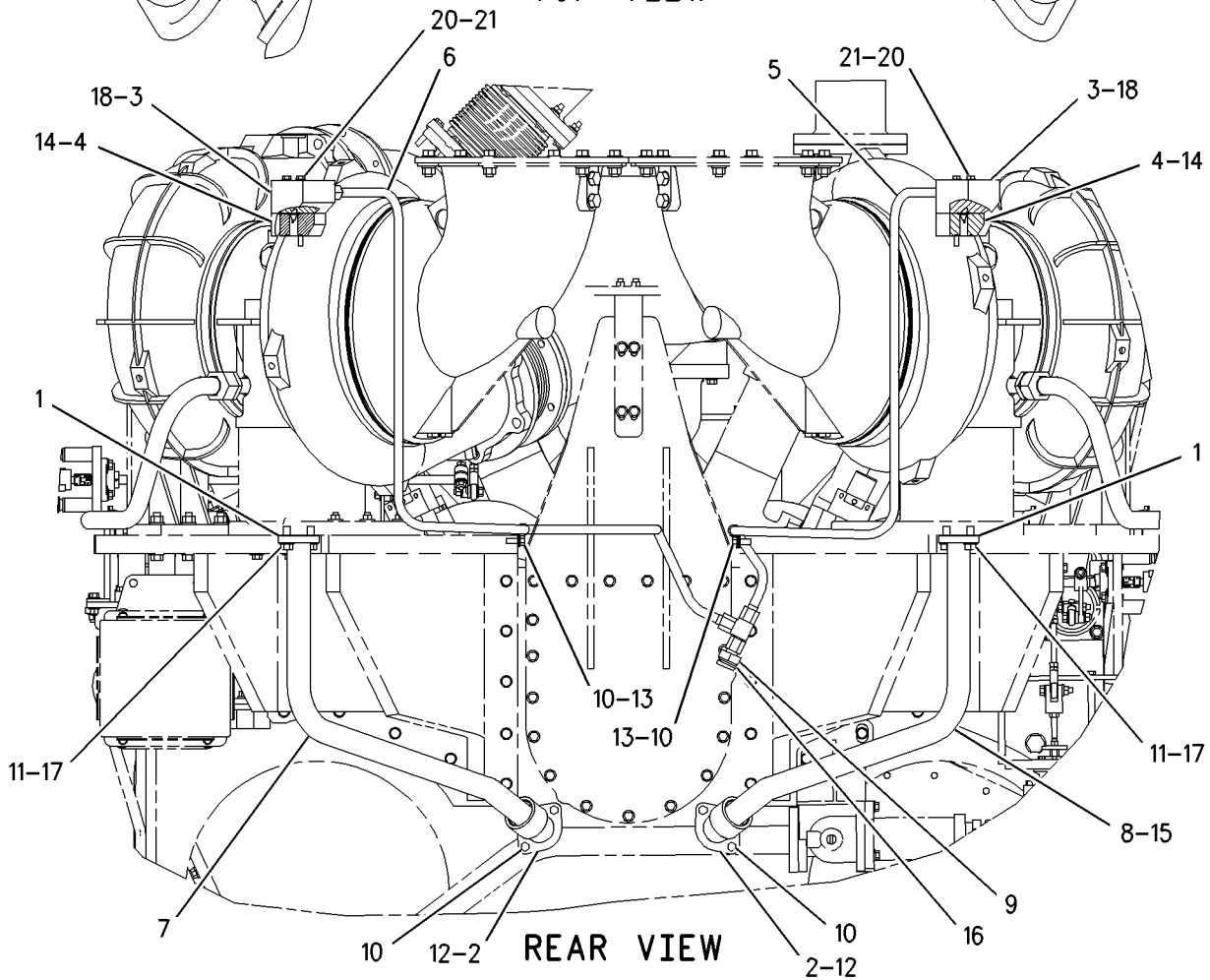
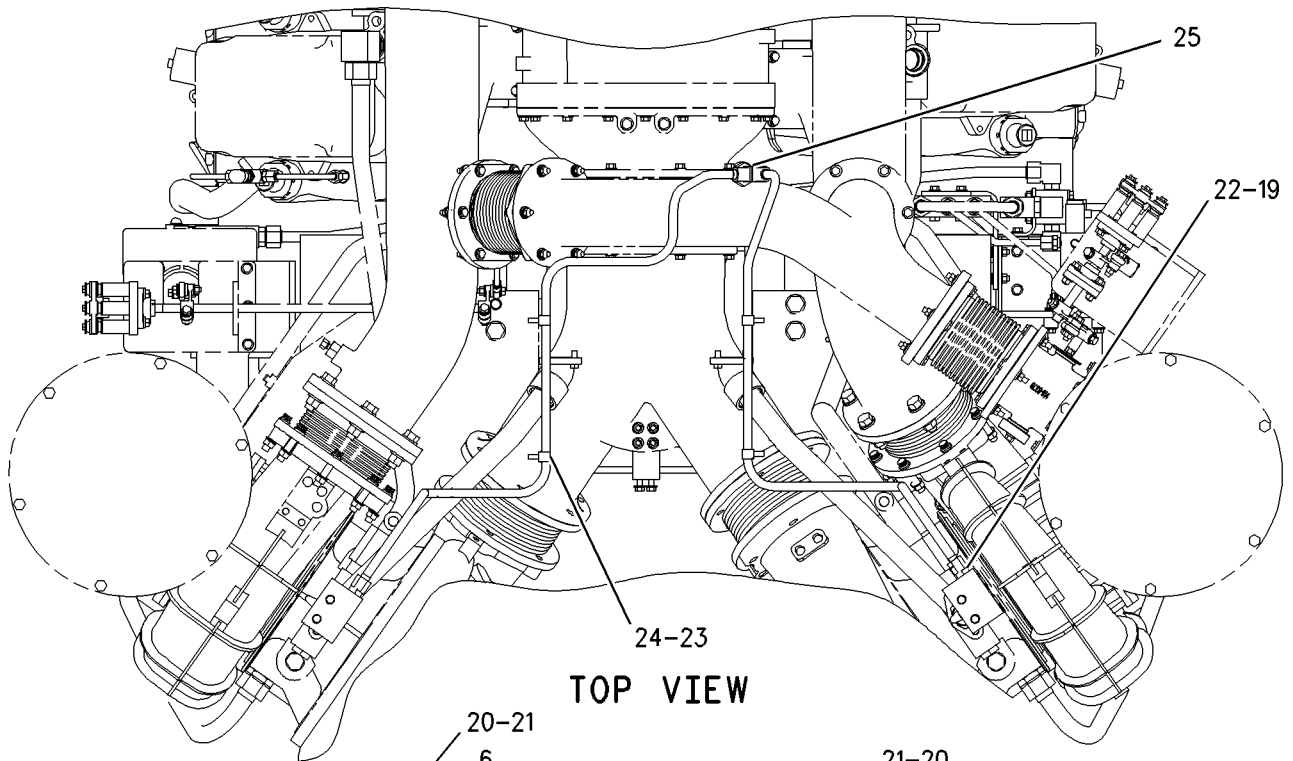
| NOTE | REF NO | GRAPHIC REF | PART NUMBER | QTY | PART NAME | | | | | | SEE PAGE |
|------|--------|-------------|-------------|-----|----------------------------------|---|---|---|---|-------------------|----------|
| | | | | | 1 | 2 | 3 | 4 | 5 | 6 (PRODUCT LEVEL) | |
| | 1 | 1 | 1W-2577 | 2 | GASKET | | | | | | |
| | 2 | 1 | 4W-7323 | 2 | ELBOW | | | | | | |
| | 3 | 1 | 173-3712 | 2 | BLOCK | | | | | | |
| | 4 | 1 | 174-4479 | 2 | BLOCK | | | | | | |
| | 5 | 1 | 194-7750 | 1 | TUBE AS | | | | | | |
| | 6 | 1 | 194-7751 | 1 | TUBE AS | | | | | | |
| | 7 | 1 | 194-7752 | 1 | TUBE AS | | | | | | |
| | 8 | 1 | 194-7753 | 1 | TUBE AS | | | | | | |
| | 9 | 1 | 068-6074 | 1 | CONNECTOR | | | | | | |
| | 10 | 1 | 0S-1594 | 8 | BOLT (3/8-16X1-IN) | | | | | | |
| | 11 | 1 | 0S-1595 | 4 | BOLT (1/2-13X1.25-IN) | | | | | | |
| | 12 | 1 | 3P-0649 | 2 | SEAL-O-RING | | | | | | |
| | 13 | 1 | 5P-1075 | 4 | WASHER-HARD (10.2X22.5X3-MM THK) | | | | | | |
| | 14 | 1 | 5P-3456 | 2 | SEAL-O-RING | | | | | | |
| | 15 | 1 | 5P-5846 | 2 | SEAL-O-RING | | | | | | |
| | 16 | 1 | 5P-7701 | 1 | SEAL-O-RING | | | | | | |
| | 17 | 1 | 5P-8245 | 4 | WASHER-HARD (13.5X25.5X3-MM THK) | | | | | | |
| | 18 | 1 | 5P-9757 | 2 | SEAL-O-RING | | | | | | |
| | 19 | 1 | 6V-4589 | 2 | SEAL-O-RING | | | | | | |
| M | 20 | 1 | 6V-9607 | 4 | BOLT (M8X1.25X120-MM) | | | | | | |
| | 21 | 1 | 9M-1974 | 4 | WASHER-HARD (8.8X16X2-MM THK) | | | | | | |
| | 22 | 1 | 9M-4584 | 2 | CONNECTOR | | | | | | |
| | 23 | 1 | 9R-1004 | 4 | CLIP (TAB) | | | | | | |
| | 24 | 1 | 9R-1005 | 4 | CLIP (SLOT) | | | | | | |
| | 25 | 1 | 9S-0176 | 1 | TEE-SWIVEL | | | | | | |

M-METRIC PART

LUBRICATION SYSTEM

195-3914 LINES GP-TURBOCHARGER OIL (contd.)

i01460519



GRAPHIC #1

<END>

g00763308

LUBRICATION SYSTEM

4W-0674 PUMP GP - ENGINE OIL*R (CHG -01 THRU -03, 7W-2455-02)
ONE SECTION GEAR
PART OF 4W-0675 PUMP GP-ENGINE OIL

SMCS-1304, 1315

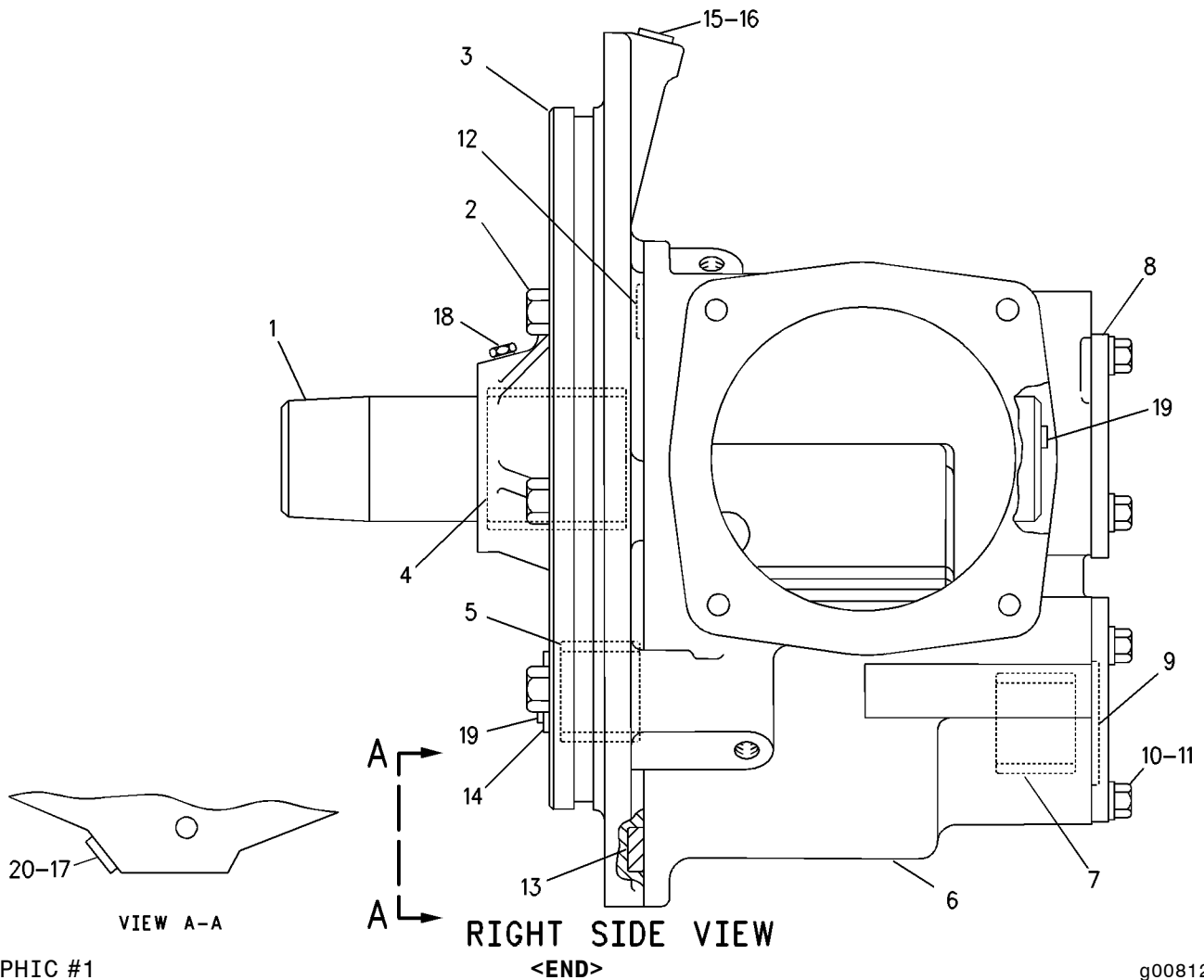
i02288672

| NOTE | REF NO | GRAPHIC REF | PART NUMBER | QTY | PART NAME | | | | | | SEE PAGE |
|------|--------|-------------|-------------|-----|------------------------------------|---|---|---|---|-------------------|----------|
| | | | | | 1 | 2 | 3 | 4 | 5 | 6 (PRODUCT LEVEL) | |
| | 1 | 1 | 7W-2401 | 1 | SHAFT AS-DRIVE | | | | | | |
| | 2 | 1 | 1A-5822 | 6 | BOLT (1/2-13X2.75-IN) | | | | | | |
| | 3 | 1 | 4W-3998 | 1 | COVER AS-PUMP | | | | | | |
| | | 1 | 7N-5683 | 2 | DOWEL | | | | | | |
| | 4 | 1 | 4W-3996 | 1 | BEARING-SLEEVE (65-MM WIDE) | | | | | | |
| | 5 | 1 | 4W-3997 | 1 | BEARING-SLEEVE (40-MM WIDE) | | | | | | |
| | 6 | 1 | 7W-2455 | 1 | BODY AS-OIL PUMP | | | | | | |
| | 7 | 1 | 7E-7066 | 2 | BEARING-SLEEVE | | | | | | |
| | 8 | 1 | 1W-2059 | 2 | COVER | | | | | | |
| | 9 | 1 | 5P-4889 | 2 | SEAL-O-RING | | | | | | |
| | 10 | 1 | 0S-1594 | 6 | BOLT (3/8-16X1-IN) | | | | | | |
| | 11 | 1 | 3V-3308 | 6 | WASHER-HARD (10.2X20.5X2.5-MM THK) | | | | | | |
| | 12 | 1 | 3P-1156 | 6 | SEAL-O-RING | | | | | | |
| | 13 | 1 | 6V-3603 | 1 | SEAL-O-RING | | | | | | |
| | 14 | 1 | 4W-6862 | 1 | SHAFT AS-IDLER | | | | | | |
| | 15 | 1 | 9S-8004 | 1 | PLUG-O-RING | | | | | | |
| | 16 | 1 | 6V-5049 | 1 | SEAL-O-RING | | | | | | |
| | 17 | 1 | 5P-7813 | 1 | SEAL-O-RING | | | | | | |
| | 18 | 1 | 5M-6214 | 1 | PLUG-PIPE | | | | | | |
| | 19 | 1 | 7H-3171 | 3 | PLUG-PIPE | | | | | | |
| | 20 | 1 | 9S-8007 | 1 | PLUG | | | | | | |

LUBRICATION SYSTEM

4W-0674 PUMP GP-ENGINE OIL (contd.)

i02288672



GRAPHIC #1

g00812222

LUBRICATION SYSTEM

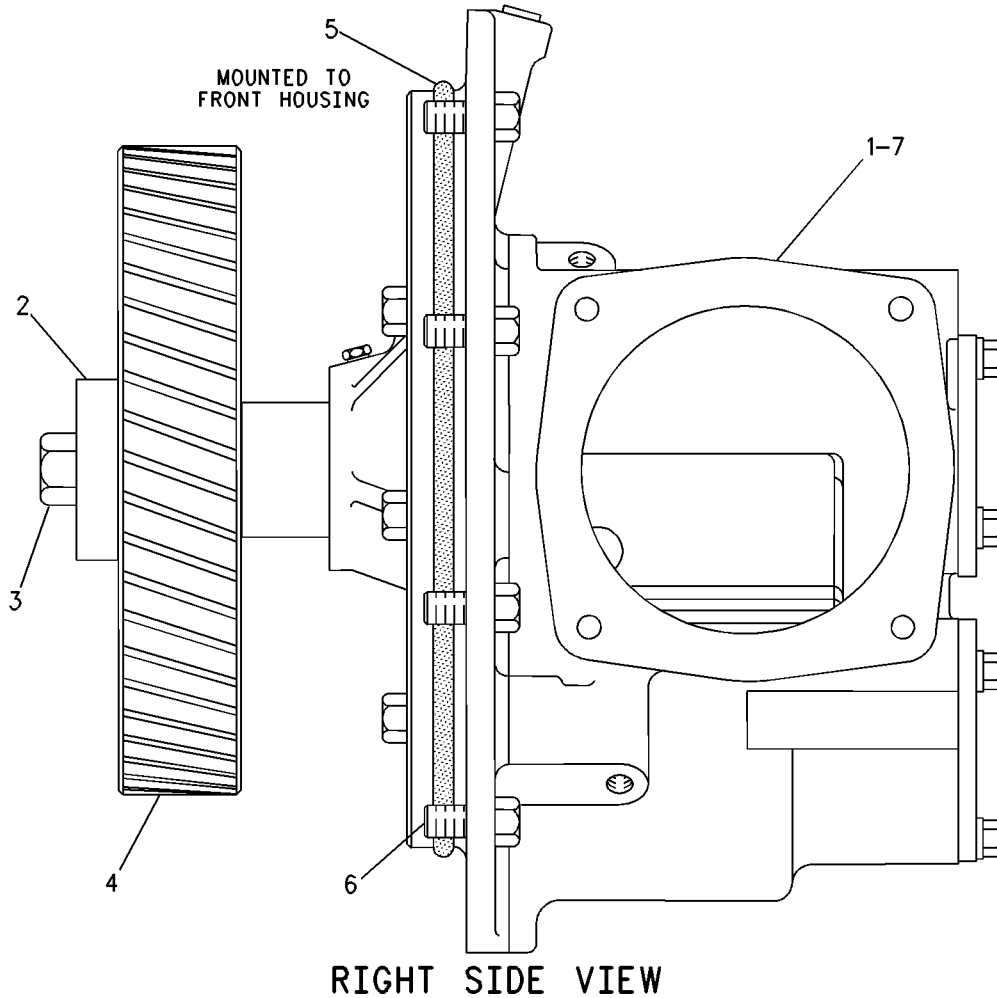
4W-0675 PUMP GP-ENGINE OIL*R (CHG -01, -02) ONE SECTION GEAR

SMCS-1304, 1315

i02338301

| NOTE | REF NO | GRAPHIC REF | PART NUMBER | QTY | PART NAME | | | | | | SEE PAGE |
|------|--------|-------------|----------------|-----|--------------------------------|---|---|---|---|-------------------|----------|
| | | | | | 1 | 2 | 3 | 4 | 5 | 6 (PRODUCT LEVEL) | |
| YR | 1 | 1 | 4W-0674 | 1 | PUMP GP-ENGINE OIL | | | | | | 211 |
| | 2 | 1 | 1W-2058 | 1 | WASHER (20X80X19-MM THK) | | | | | | |
| | 3 | 1 | 9S-1364 | 1 | BOLT (3/4-16X3.5-IN) | | | | | | |
| | 4 | 1 | 1W-2057 | 1 | GEAR-OIL PUMP DRIVE (63-TEETH) | | | | | | |
| | 5 | 1 | 6V-7702 | 1 | SEAL-O-RING | | | | | | |
| | 6 | 1 | 0S-1595 | 8 | BOLT (1/2-13X1.25-IN) | | | | | | |
| | 7 | 1 | 6V-3538 | 1 | DOWEL | | | | | | |

R-REMFG PART MAY BE AVAILABLE
Y-SEPARATE ILLUSTRATION



GRAPHIC #1

<END>

g00812223

LUBRICATION SYSTEM

7C-8538 PUMP GP - ENGINE OIL (CHG -00 THRU -04, 7C-8899-01)

ONE SECTION GEAR

PART OF 7C-8539 PUMP GP-ENGINE OIL

SMCS-1304, 1315

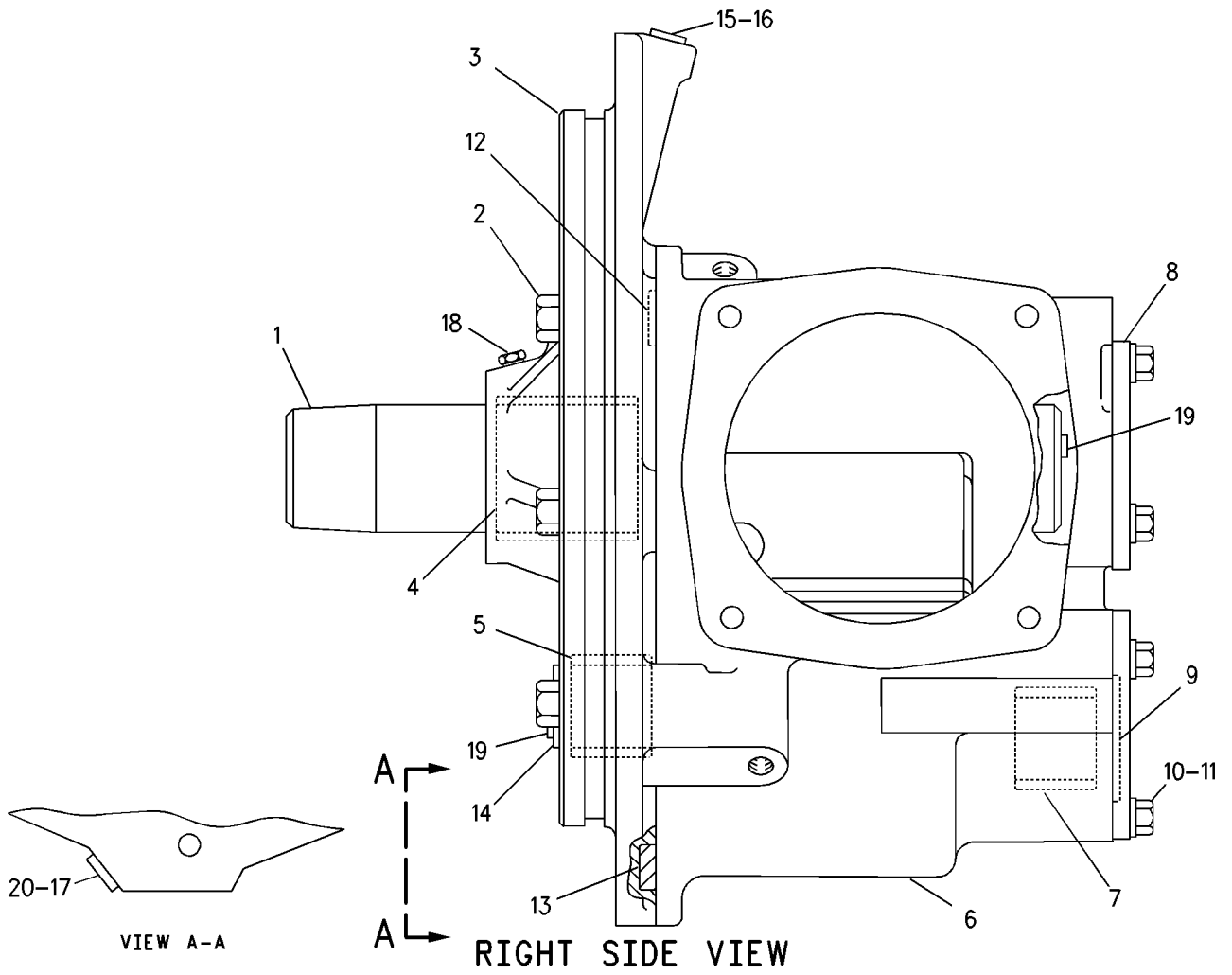
i02249354

| NOTE | REF NO | GRAPHIC REF | PART NUMBER | QTY | PART NAME | | | | | | SEE PAGE |
|------|--------|-------------|----------------|-----|------------------------------------|---|---|---|---|-------------------|----------|
| | | | | | 1 | 2 | 3 | 4 | 5 | 6 (PRODUCT LEVEL) | |
| | 1 | 1 | 7C-8978 | 1 | SHAFT AS-DRIVE | | | | | | |
| | 2 | 1 | 1A-5822 | 6 | BOLT (1/2-13X2.75-IN) | | | | | | |
| | 3 | 1 | 4W-3998 | 1 | COVER AS-PUMP | | | | | | |
| | | 1 | 7N-5683 | 2 | DOWEL | | | | | | |
| | 4 | 1 | 4W-3996 | 1 | BEARING-SLEEVE (65-MM WIDE) | | | | | | |
| | 5 | 1 | 4W-3997 | 1 | BEARING-SLEEVE (40-MM WIDE) | | | | | | |
| | 6 | 1 | 7C-8899 | 1 | BODY AS-OIL PUMP | | | | | | |
| | 7 | 1 | 7E-7066 | 2 | BEARING-SLEEVE | | | | | | |
| | 8 | 1 | 1W-2059 | 2 | COVER | | | | | | |
| | 9 | 1 | 5P-4889 | 2 | SEAL-O-RING | | | | | | |
| | 10 | 1 | 0S-1594 | 6 | BOLT (3/8-16X1-IN) | | | | | | |
| | 11 | 1 | 3V-3308 | 6 | WASHER-HARD (10.2X20.5X2.5-MM THK) | | | | | | |
| | 12 | 1 | 3P-1156 | 6 | SEAL-O-RING | | | | | | |
| | 13 | 1 | 6V-3603 | 1 | SEAL-O-RING | | | | | | |
| | 14 | 1 | 7C-8976 | 1 | SHAFT AS-IDLER | | | | | | |
| | 15 | 1 | 9S-8004 | 1 | PLUG-O-RING | | | | | | |
| | 16 | 1 | 6V-5049 | 1 | SEAL-O-RING | | | | | | |
| | 17 | 1 | 5P-7813 | 1 | SEAL-O-RING | | | | | | |
| | 18 | 1 | 5M-6214 | 1 | PLUG-PIPE | | | | | | |
| | 19 | 1 | 7H-3171 | 3 | PLUG-PIPE | | | | | | |
| | 20 | 1 | 9S-8007 | 1 | PLUG | | | | | | |

LUBRICATION SYSTEM

7C-8538 PUMP GP-ENGINE OIL (contd.)

i02249354



GRAPHIC #1

g00812221

LUBRICATION SYSTEM

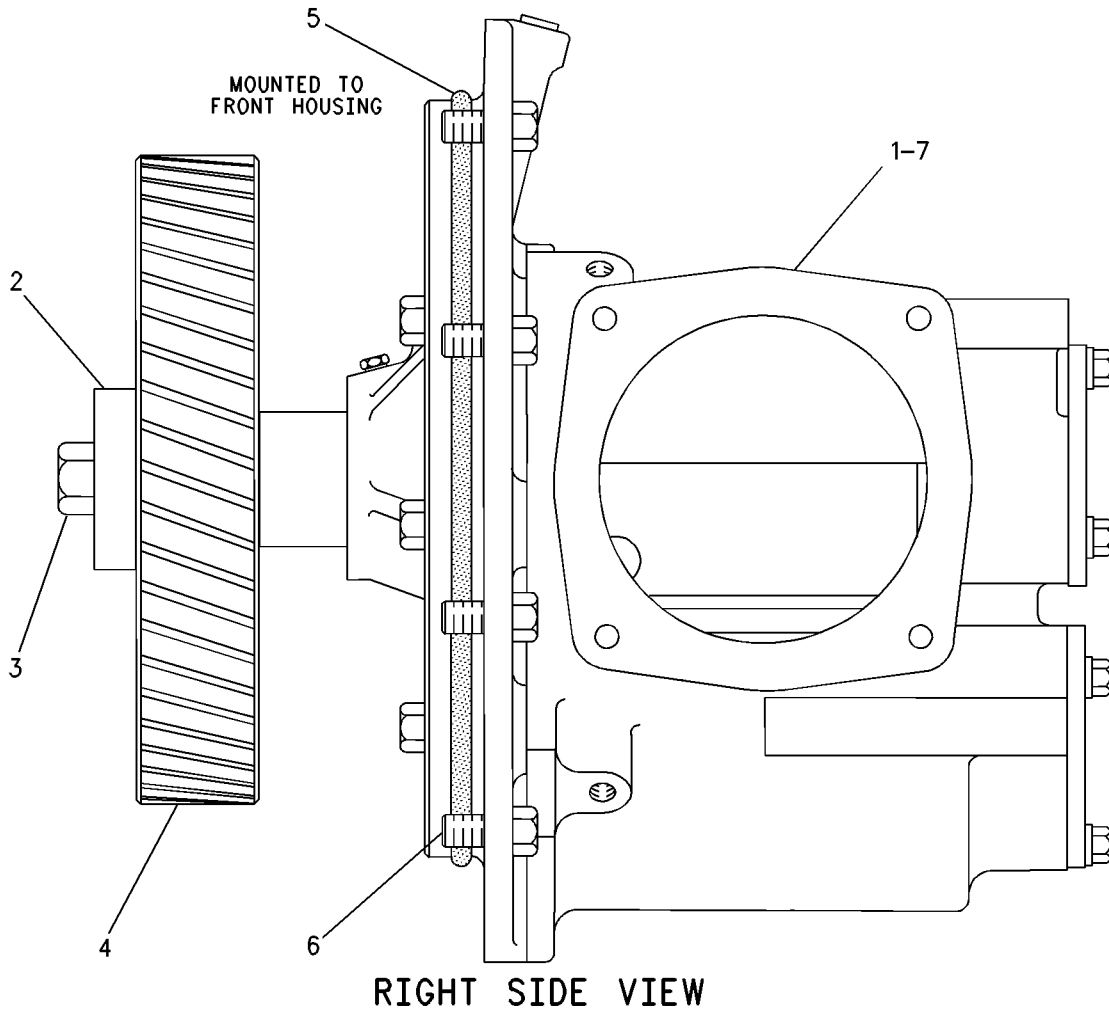
7C-8539 PUMP GP-ENGINE OIL (CHG -00) ONE SECTION GEAR

SMCS-1304, 1315

i02346131

| NOTE | REF NO | GRAPHIC REF | PART NUMBER | QTY | PART NAME | | | | | | SEE PAGE |
|------|--------|-------------|-------------|-----|--------------------------------|---|---|---|---|-------------------|----------|
| | | | | | 1 | 2 | 3 | 4 | 5 | 6 (PRODUCT LEVEL) | |
| Y | 1 | 1 | 7C-8538 | 1 | PUMP GP-ENGINE OIL | | | | | | 214 |
| | 2 | 1 | 1W-2058 | 1 | WASHER (20X80X19-MM THK) | | | | | | |
| | 3 | 1 | 9S-1364 | 1 | BOLT (3/4-16X3.5-IN) | | | | | | |
| | 4 | 1 | 1W-2057 | 1 | GEAR-OIL PUMP DRIVE (63-TEETH) | | | | | | |
| | 5 | 1 | 6V-7702 | 1 | SEAL-O-RING | | | | | | |
| | 6 | 1 | 0S-1595 | 8 | BOLT (1/2-13X1.25-IN) | | | | | | |
| | 7 | 1 | 6V-3538 | 1 | DOWEL | | | | | | |

Y-SEPARATE ILLUSTRATION



GRAPHIC #1

<END>

g00812217

LUBRICATION SYSTEM

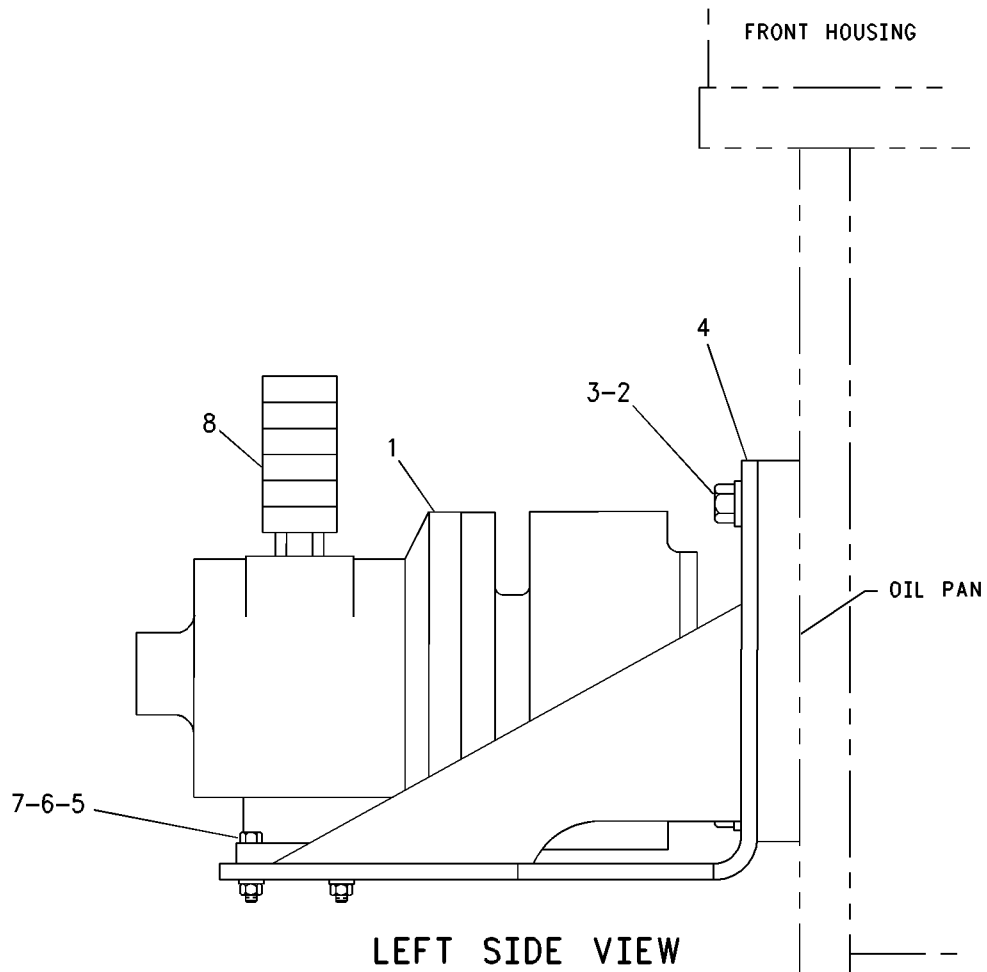
1W-0899 PUMP GP-PRELUBRICATION (CHG -04 THRU -08)

SMCS-1319

i02346057

| NOTE | REF NO | GRAPHIC REF | PART NUMBER | QTY | PART NAME | | | | | | SEE PAGE |
|------|--------|-------------|-------------|-----|----------------------------------|---|---|---|---|-------------------|----------|
| | | | | | 1 | 2 | 3 | 4 | 5 | 6 (PRODUCT LEVEL) | |
| Y | 1 | 1 | 1W-4776 | 1 | PUMP GP-PRELUBRICATION | | | | | | 218 |
| | 2 | 1 | 1A-2029 | 4 | BOLT (3/8-16X1.125-IN) | | | | | | |
| | 3 | 1 | 8M-9024 | 4 | WASHER-HARD (10.2X22.5X5-MM THK) | | | | | | |
| | 4 | 1 | 9Y-3297 | 1 | BRACKET AS | | | | | | |
| | 5 | 1 | 1B-7182 | 4 | BOLT (5/16-18X1.25-IN) | | | | | | |
| | 6 | 1 | 1T-0689 | 4 | WASHER (9.93X22.22X2.54-MM THK) | | | | | | |
| | 7 | 1 | 5S-0003 | 4 | NUT (5/16-18-THD) | | | | | | |
| | 8 | 1 | 7C-5616 | 1 | SILENCER-EXHAUST | | | | | | |

Y-SEPARATE ILLUSTRATION



LEFT SIDE VIEW

GRAPHIC #1

<END>

g00699673

LUBRICATION SYSTEM

1W-4776 PUMP GP - PRELUBRICATION (CHG -00, 3N-1287-03) PART OF 1W-0899 PUMP GP - PRELUBRICATION FOR USE WITH AIR STARTER

SMCS-1319

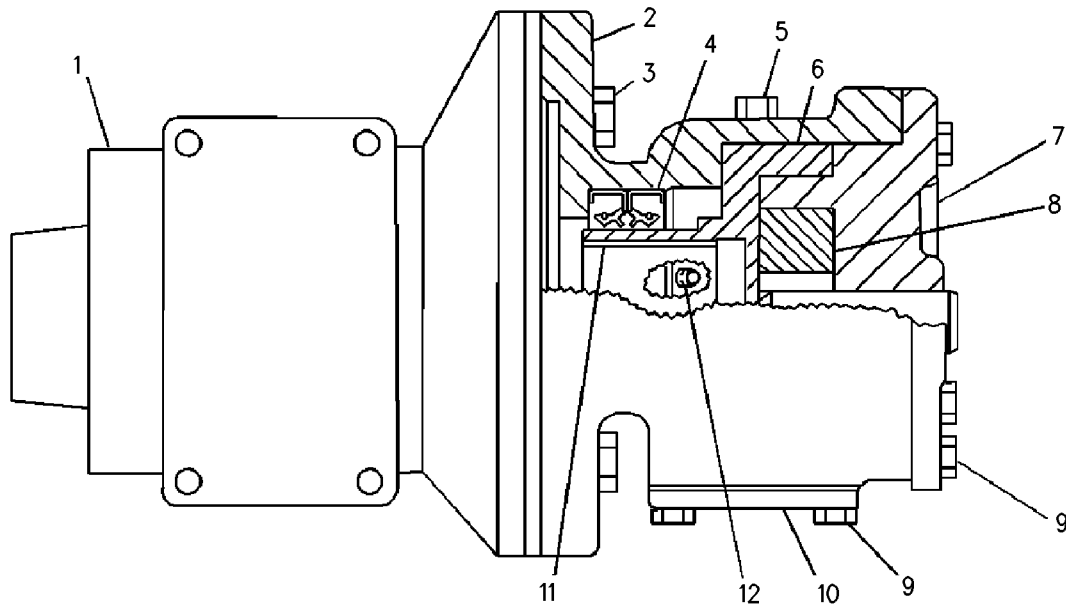
i02667898

| NOTE | REF NO | GRAPHIC REF | PART NUMBER | QTY | PART NAME | | | | | | SEE PAGE |
|---|--------|-------------|----------------|-----|--|---|---|---|---|-------------------|----------|
| | | | | | 1 | 2 | 3 | 4 | 5 | 6 (PRODUCT LEVEL) | |
| J | 1 | 1 | 3N-1287 | 1 | MOTOR GP - PRELUBRICATION | | | | | | |
| | 2 | 1 | 5N-6668 | 1 | HOUSING | | | | | | |
| | 3 | 1 | 0S-1588 | 4 | BOLT (3/8-16X1.25-IN) | | | | | | |
| | 4 | 1 | 1H-5959 | 2 | SEAL-LIP TYPE | | | | | | |
| | 5 | 1 | 5M-6214 | 2 | PLUG-PIPE | | | | | | |
| | 6 | 1 | 3N-1285 | 1 | ROTOR | | | | | | |
| | 7 | 1 | 3N-1283 | 1 | HEAD AS | | | | | | |
| | 8 | 1 | 3N-1284 | 1 | IDLER AS (7-TEETH) | | | | | | |
| | 9 | 1 | 0S-1617 | 9 | BOLT (5/16-18X0.75-IN) | | | | | | |
| | 10 | 1 | 2N-7521 | 1 | COVER | | | | | | |
| | | 1 | 2N-7520 | 1 | GASKET | | | | | | |
| | 11 | 1 | 6F-2172 | 1 | KEY | | | | | | |
| | 12 | 1 | 6D-3910 | 1 | SCREW-BUTTON HEAD (10-32X0.25-IN) | | | | | | |
| | | | | | AVAILABLE REPAIR KIT(S) : | | | | | | |
| | | | 2N-7522 | 1 | KIT-GASKET (PRELUBRICATION PUMP) (INCLUDES GASKETS) | | | | | | |
| J | | | 5N-7776 | 1 | KIT-MOTOR REPAIR (STARTING MOTOR) (INCLUDES VANES, PINS, BEARING, SEALS, SPRINGS, END CAP, GASKETS AND O-RING) | | | | | | |
| J | | | 2W-6083 | 1 | KIT-GASKET (STARTING MOTOR) (INCLUDES GASKETS, END CAP AND O-RING) | | | | | | |
| J - KITS MARKED J AVAILABLE FOR PART MARKED J | | | | | | | | | | | |

LUBRICATION SYSTEM

1W-4776 PUMP GP - PRELUBRICATION (contd.)

i02667898



GRAPHIC #1

<END>

g00817242

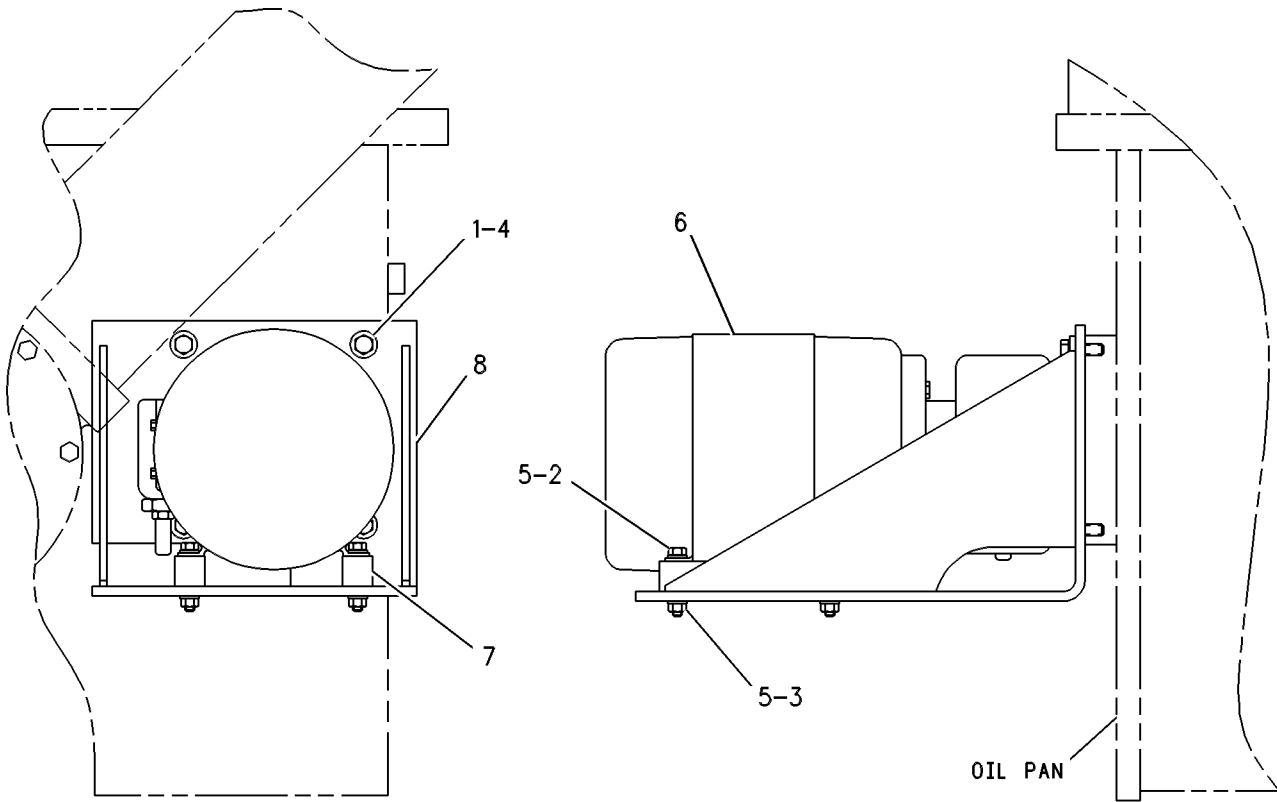
LUBRICATION SYSTEM

127-5687 PUMP GP - PRELUBRICATION (CHG -00, -01)

SMCS-1319

i02346219

| NOTE | REF NO | GRAPHIC REF | PART NUMBER | QTY | PART NAME | | | | | | SEE PAGE |
|------|--------|-------------|-------------|-----|----------------------------------|---|---|---|---|-------------------|----------|
| | | | | | 1 | 2 | 3 | 4 | 5 | 6 (PRODUCT LEVEL) | |
| | 1 | 1 | 1A-2029 | 4 | BOLT (3/8-16X1.125-IN) | | | | | | |
| | 2 | 1 | 2B-2694 | 4 | BOLT (5/16-18X2-IN) | | | | | | |
| | 3 | 1 | 5S-0003 | 4 | NUT (5/16-18-THD) | | | | | | |
| | 4 | 1 | 8M-9024 | 4 | WASHER-HARD (10.2X22.5X5-MM THK) | | | | | | |
| | 5 | 1 | 9M-1974 | 8 | WASHER-HARD (8.8X16X2-MM THK) | | | | | | |
| | 6 | 1 | 127-5153 | 1 | PUMP AS-PRELUBRICATION | | | | | | |
| | 7 | 1 | 127-5685 | 2 | PLATE | | | | | | |
| | 8 | 1 | 127-5686 | 1 | BRACKET AS | | | | | | |



FRONT VIEW

LEFT SIDE VIEW

GRAPHIC #1

<END>

g00066754

LUBRICATION SYSTEM

281-4163 PUMP GP - PRELUBRICATION (CHG -00, -01)

SMCS-1319

i03163175

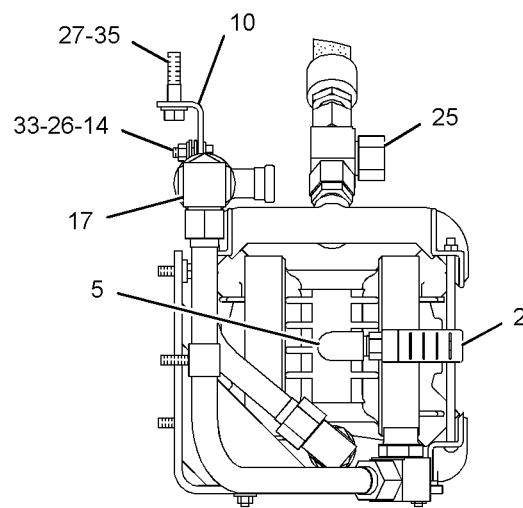
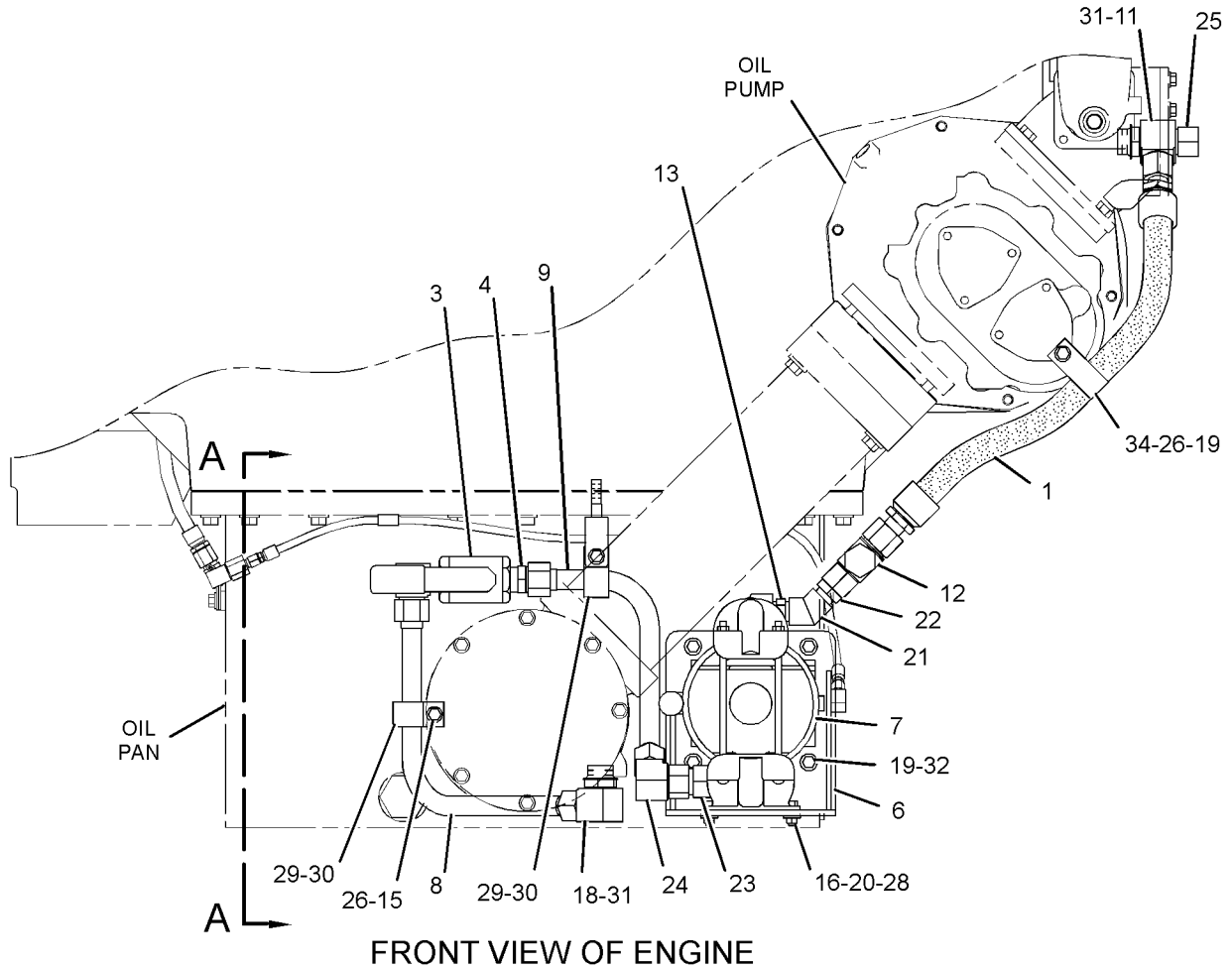
| NOTE | REF NO | GRAPHIC REF | PART NUMBER | QTY | PART NAME | | | | | | SEE PAGE |
|------|--------|-------------|-------------|-----|------------------------------------|---|---|---|---|-------------------|----------|
| | | | | | 1 | 2 | 3 | 4 | 5 | 6 (PRODUCT LEVEL) | |
| I | 1 | 1 | 4V-9643 | 1 | HOSE AS | | | | | | |
| | 2 | 1 | 7C-5616 | 1 | SILENCER-EXHAUST | | | | | | |
| | 3 | 1 | 120-6843 | 1 | VALVE-BALL | | | | | | |
| | 4 | 1 | 183-6780 | 1 | CONNECTOR | | | | | | |
| | 5 | 1 | 191-1037 | 1 | ELBOW | | | | | | |
| | 6 | 1 | 280-0466 | 1 | BRACKET AS | | | | | | |
| | 7 | 1 | 280-3429 | 1 | PUMP GP-PRELUBRICATION | | | | | | |
| | 8 | 1 | 280-8794 | 1 | TUBE AS | | | | | | |
| | 9 | 1 | 280-8795 | 1 | TUBE AS | | | | | | |
| | 10 | 1 | 280-8797 | 1 | BRACKET | | | | | | |
| | 11 | 1 | 281-5893 | 1 | TEE | | | | | | |
| | 12 | 1 | 281-5894 | 1 | TEE-SWIVEL | | | | | | |
| | 13 | 1 | 004-7270 | 1 | FITTING-PIPE | | | | | | |
| | 14 | 1 | 0S-1588 | 1 | BOLT (3/8-16X1.25-IN) | | | | | | |
| | 15 | 1 | 0S-1591 | 1 | BOLT (3/8-16X1.5-IN) | | | | | | |
| | 16 | 1 | 0S-1618 | 4 | BOLT (5/16-18X1-IN) | | | | | | |
| | 17 | 1 | 183-6684 | 1 | ELBOW | | | | | | |
| | 18 | 1 | 183-6807 | 1 | ELBOW | | | | | | |
| | 19 | 1 | 1A-2029 | 5 | BOLT (3/8-16X1.125-IN) | | | | | | |
| | 20 | 1 | 1T-0689 | 4 | WASHER (9.93X22.22X2.54-MM THK) | | | | | | |
| | 21 | 1 | 281-5855 | 1 | ELBOW | | | | | | |
| | 22 | 1 | 281-5888 | 1 | CONNECTOR | | | | | | |
| | 23 | 1 | 281-5890 | 1 | CONNECTOR | | | | | | |
| | 24 | 1 | 281-5892 | 1 | ELBOW | | | | | | |
| | 25 | 1 | 3R-6789 | 2 | CAP-FLARED | | | | | | |
| | 26 | 1 | 3V-3308 | 4 | WASHER-HARD (10.2X20.5X2.5-MM THK) | | | | | | |
| | 27 | 1 | 5P-8245 | 1 | WASHER-HARD (13.5X25.5X3-MM THK) | | | | | | |
| | 28 | 1 | 5S-0003 | 4 | NUT (5/16-18-THD) | | | | | | |
| | 29 | 1 | 7J-0728 | 2 | CLIP (TAB) | | | | | | |
| | 30 | 1 | 7J-0729 | 2 | CLIP (SLOT) | | | | | | |
| | 31 | 1 | 7M-8485 | 2 | SEAL-O-RING | | | | | | |
| | 32 | 1 | 8M-9024 | 4 | WASHER-HARD (10.2X22.5X5-MM THK) | | | | | | |
| | 33 | 1 | 9S-8752 | 1 | NUT-FULL (3/8-16-THD) | | | | | | |
| | 34 | 1 | 9X-2503 | 1 | CLIP | | | | | | |
| | 35 | 1 | 9X-8873 | 1 | BOLT (1/2-13X2.25-IN) | | | | | | |

I-REFER TO HYDRAULIC INFORMATION SYSTEM

LUBRICATION SYSTEM

281-4163 PUMP GP - PRELUBRICATION (contd.)

i03163175



GRAPHIC #1

<END>

g01622909

LUBRICATION SYSTEM

122-4261 REGULATOR GP - OIL LEVEL (CHG -03 THRU -06, -06D1)

SMCS - 1334

i02444503

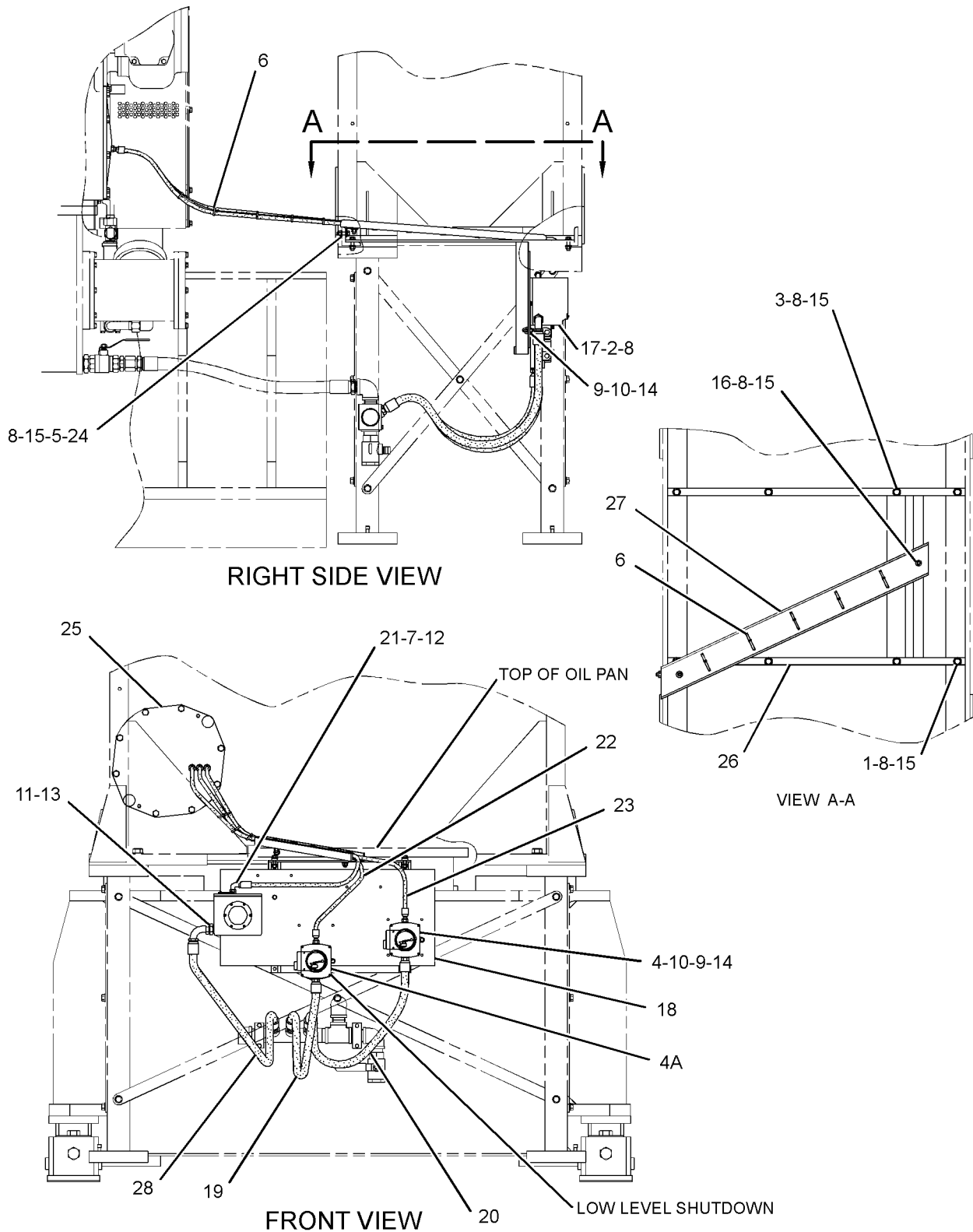
| NOTE | REF NO | GRAPHIC REF | PART NUMBER | QTY | PART NAME | | | | | | SEE PAGE |
|------|--------|-------------|-----------------|-----|------------------------------------|---|---|---|---|-------------------|----------|
| | | | | | 1 | 2 | 3 | 4 | 5 | 6 (PRODUCT LEVEL) | |
| | 1 | 1 | 0S-1591 | 4 | BOLT (3/8-16X1.5-IN) | | | | | | |
| C | 2 | 1 | 0S-1594 | 2 | BOLT (3/8-16X1-IN) | | | | | | |
| | 3 | 1 | 1A-2029 | 4 | BOLT (3/8-16X1.125-IN) | | | | | | |
| | 4 | 1 | 2N-9768 | 1 | SWITCH-LIQUID LEVEL (ENGINE OIL) | | | | | | |
| | 4A | 1 | 2N-9768 | 1 | SWITCH-LIQUID LEVEL (ENGINE OIL) | | | | | | |
| | 5 | 1 | 3B-1915 | 1 | BOLT (3/8-16X1.375-IN) | | | | | | |
| | 6 | 1 | 3S-2093 | 10 | STRAP-CABLE | | | | | | |
| | 7 | 1 | 4J-5477 | 1 | SEAL-O-RING | | | | | | |
| C | 8 | 1 | 5M-2894 | 22 | WASHER-HARD (10.2X18.5X2.5-MM THK) | | | | | | |
| | 9 | 1 | 5P-0537 | 4 | WASHER-HARD (7.2X14.5X2-MM THK) | | | | | | |
| | 10 | 1 | 6D-2928 | 4 | BOLT (1/4-20X1.125-IN) | | | | | | |
| | 11 | 1 | 6V-9746 | 1 | SEAL-O-RING | | | | | | |
| | 12 | 1 | 8C-6867 | 1 | CONNECTOR | | | | | | |
| | 13 | 1 | 8C-6874 | 1 | CONNECTOR | | | | | | |
| | 14 | 1 | 9S-8750 | 4 | NUT-FULL (1/4-20-THD) | | | | | | |
| C | 15 | 1 | 9S-8752 | 11 | NUT-FULL (3/8-16-THD) | | | | | | |
| | 16 | 1 | 035-2017 | 2 | SCREW-BUTTON HEAD (3/8-16X1-IN) | | | | | | |
| | 17 | 1 | 118-9605 | 1 | VALVE-OIL CONTROL | | | | | | |
| Y | 18 | 1 | <i>118-9608</i> | 1 | SUPPORT GP-ACCESSORY MODULE | | | | | | 709 |
| I | 19 | 1 | 120-5862 | 1 | HOSE AS | | | | | | |
| I | 20 | 1 | 120-5863 | 1 | HOSE AS | | | | | | |
| I | 21 | 1 | 120-5864 | 1 | HOSE AS | | | | | | |
| I | 22 | 1 | 120-5865 | 1 | HOSE AS | | | | | | |
| I | 23 | 1 | 120-5866 | 1 | HOSE AS | | | | | | |
| | 24 | 1 | 123-3789 | 1 | BRACKET | | | | | | |
| Y | 25 | 1 | <i>123-6266</i> | 1 | COVER GP-SCAVENGE PUMP | | | | | | 179 |
| | 26 | 1 | 130-0247 | 1 | SUPPORT AS | | | | | | |
| | 27 | 1 | 130-0248 | 1 | CHANNEL | | | | | | |
| I | 28 | 1 | 132-3256 | 1 | HOSE AS | | | | | | |

C - CHANGE FROM PREVIOUS TYPE
 I - REFER TO HYDRAULIC INFORMATION SYSTEM
 Y - SEPARATE ILLUSTRATION

LUBRICATION SYSTEM

122-4261 REGULATOR GP-OIL LEVEL (contd.)

i02444503



GRAPHIC #1

<END>

g01222156

LUBRICATION SYSTEM

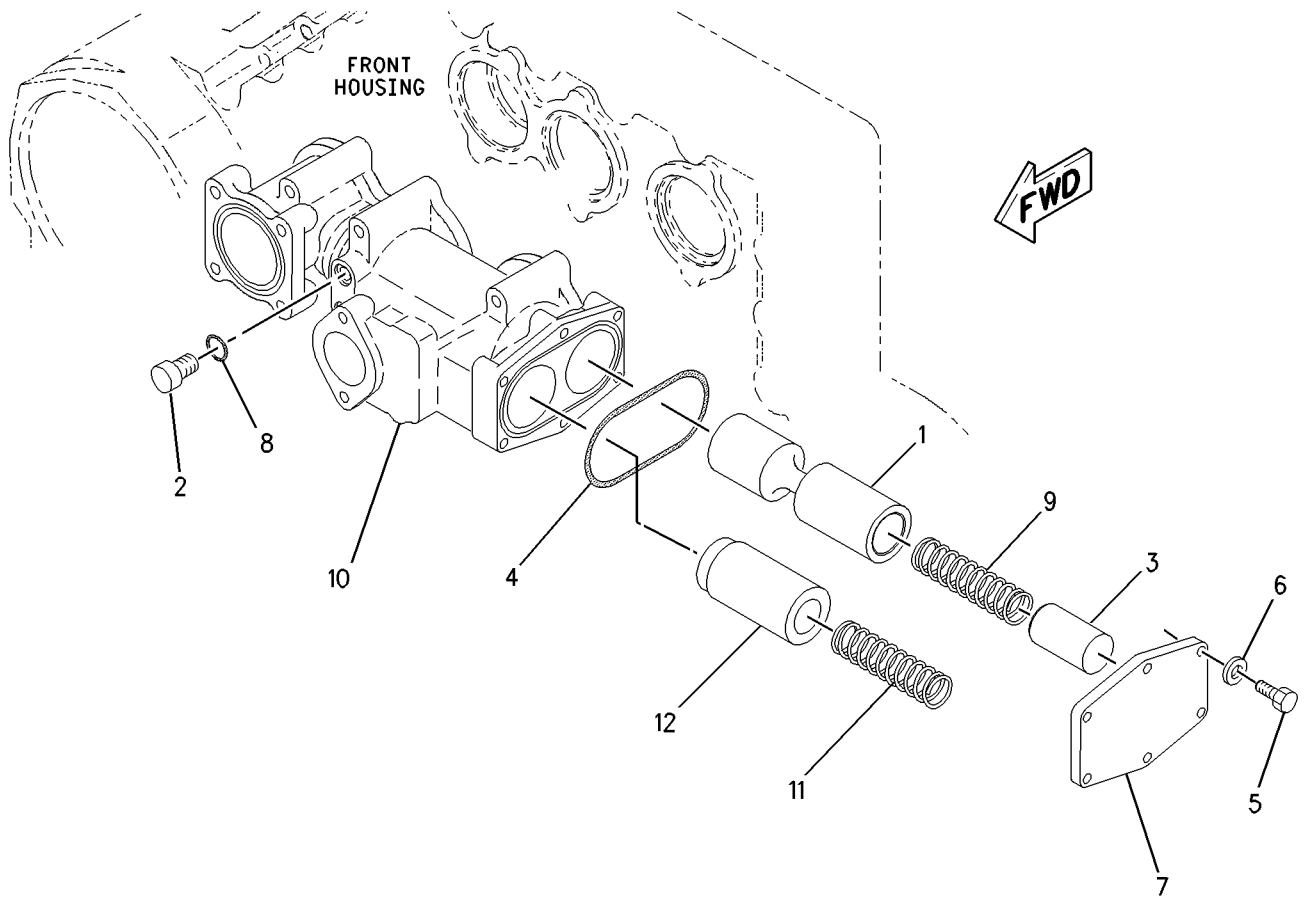
1W-0804 VALVE GP-PRIORITY (CHG -07, -08)

SMCS-1327

i01492321

| NOTE | REF NO | GRAPHIC REF | PART NUMBER | QTY | PART NAME | | | | | | SEE PAGE |
|------|--------|-------------|-------------|-----|------------------------------------|---|---|---|---|-------------------|----------|
| | | | | | 1 | 2 | 3 | 4 | 5 | 6 (PRODUCT LEVEL) | |
| | 1 | 1 | 1W-2243 | 1 | PISTON-CONTROL VALVE | | | | | | |
| | 2 | 1 | 9S-4191 | 2 | PLUG-O-RING | | | | | | |
| | 3 | 1 | 1W-2242 | 1 | PISTON-INNER | | | | | | |
| C | 4 | 1 | 6V-3835 | 1 | SEAL-O-RING | | | | | | |
| C | 5 | 1 | 1M-0644 | 6 | BOLT (3/8-16X2.25-IN) | | | | | | |
| C | 6 | 1 | 3V-3308 | 6 | WASHER-HARD (10.2X20.5X2.5-MM THK) | | | | | | |
| C | 7 | 1 | 7W-9423 | 1 | COVER | | | | | | |
| | 8 | 1 | 6V-5049 | 2 | SEAL-O-RING | | | | | | |
| | 9 | 1 | 1W-2240 | 1 | SPRING-CONTROL VALVE | | | | | | |
| C | 10 | 1 | 7W-7825 | 1 | BODY-VALVE | | | | | | |
| C | 11 | 1 | 2G-5664 | 1 | SPRING | | | | | | |
| C | 12 | 1 | 7W-9425 | 1 | PISTON | | | | | | |

C- CHANGE FROM PREVIOUS TYPE



GRAPHIC #1

<END>

g00774883

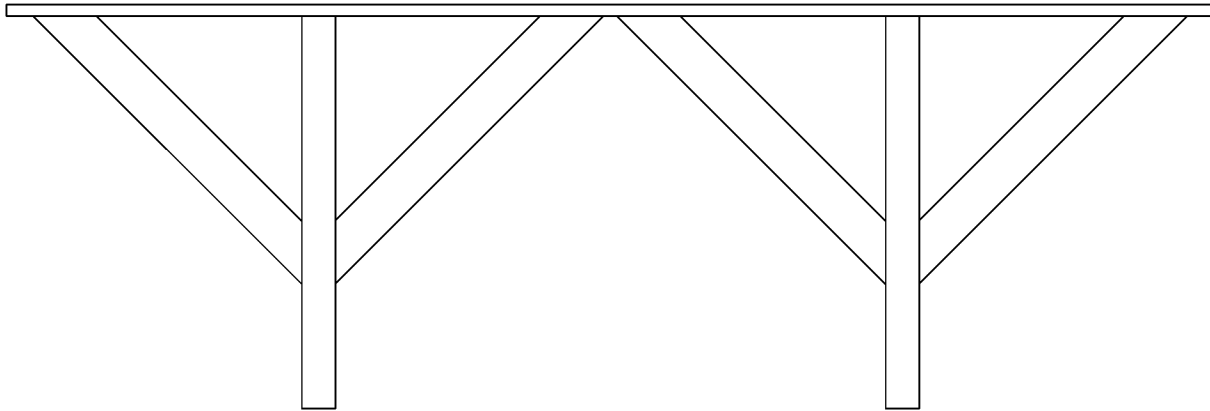
COOLING SYSTEM

7C-3347 BRACKET AS-WATER REGULATOR (CHG -01 THRU -04) FOR USE WITH WATER REGULATORS

SMCS-1355

i02346127

| NOTE | REF NO | GRAPHIC REF | PART NUMBER | QTY | PART NAME | | | | | | SEE PAGE |
|---------------------|--------|-------------|-------------|-----|-----------|---|---|---|---|-------------------|----------|
| | | | | | 1 | 2 | 3 | 4 | 5 | 6 (PRODUCT LEVEL) | |
| (NO SERVICED PARTS) | | | | | | | | | | | |



GRAPHIC #1

<END>

g00064116

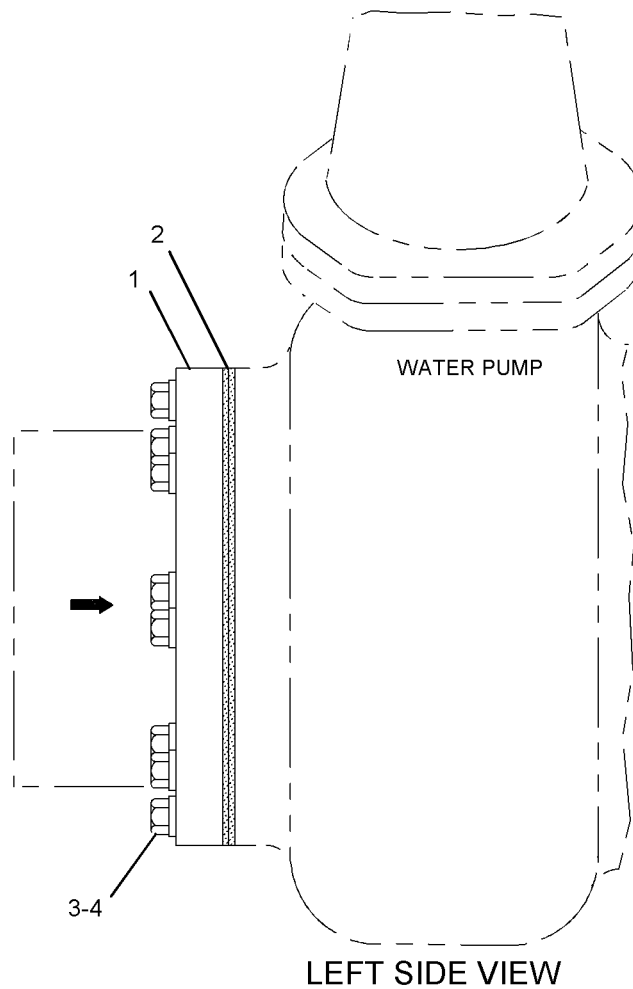
COOLING SYSTEM

2W-2678 CONNECTION GP-WATER (CHG -01, -02, -02D1, -02D2, -02D3, -03, -03D1, -03D2, -03D3)

SMCS-1380

i02297279

| NOTE | REF NO | GRAPHIC REF | PART NUMBER | QTY | PART NAME | | | | | | SEE PAGE |
|------|--------|-------------|-------------|-----|------------------------------------|---|---|---|---|-------------------|----------|
| | | | | | 1 | 2 | 3 | 4 | 5 | 6 (PRODUCT LEVEL) | |
| | 1 | 1 | 2W-7121 | 1 | FLANGE | | | | | | |
| | 2 | 1 | 4W-7749 | 3 | GASKET | | | | | | |
| | 3 | 1 | 0S-1591 | 8 | BOLT (3/8-16X1.5-IN) | | | | | | |
| | 4 | 1 | 3V-3308 | 8 | WASHER-HARD (10.2X20.5X2.5-MM THK) | | | | | | |



GRAPHIC #1

<END>

g01150581

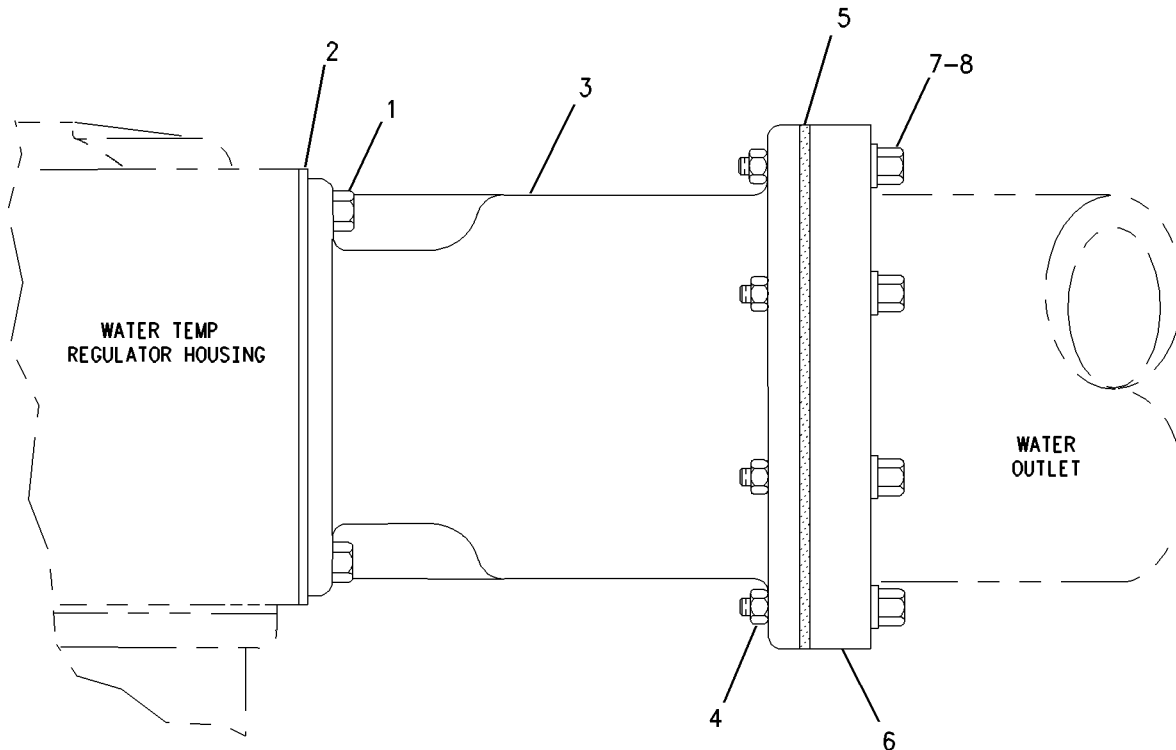
COOLING SYSTEM

4W-8071 CONNECTION GP-WATER (CHG -00 THRU -04, -04D1)

SMCS-1380

i02297275

| NOTE | REF NO | GRAPHIC REF | PART NUMBER | QTY | PART NAME | | | | | | SEE PAGE |
|------|--------|-------------|-------------|-----|------------------------------------|---|---|---|---|-------------------|----------|
| | | | | | 1 | 2 | 3 | 4 | 5 | 6 (PRODUCT LEVEL) | |
| | 1 | 1 | 0S-1594 | 4 | BOLT (3/8-16X1-IN) | | | | | | |
| | 2 | 1 | 7W-3269 | 1 | GASKET | | | | | | |
| | 3 | 1 | 7W-3709 | 1 | ADAPTER-WATER | | | | | | |
| | 4 | 1 | 9S-8752 | 8 | NUT-FULL (3/8-16-THD) | | | | | | |
| | 5 | 1 | 1S-5772 | 1 | GASKET | | | | | | |
| | 6 | 1 | 7N-7009 | 1 | FLANGE | | | | | | |
| | 7 | 1 | 0S-1590 | 8 | BOLT (3/8-16X2-IN) | | | | | | |
| | 8 | 1 | 3V-3308 | 8 | WASHER-HARD (10.2X20.5X2.5-MM THK) | | | | | | |



FRONT VIEW

GRAPHIC #1

<END>

g00872083

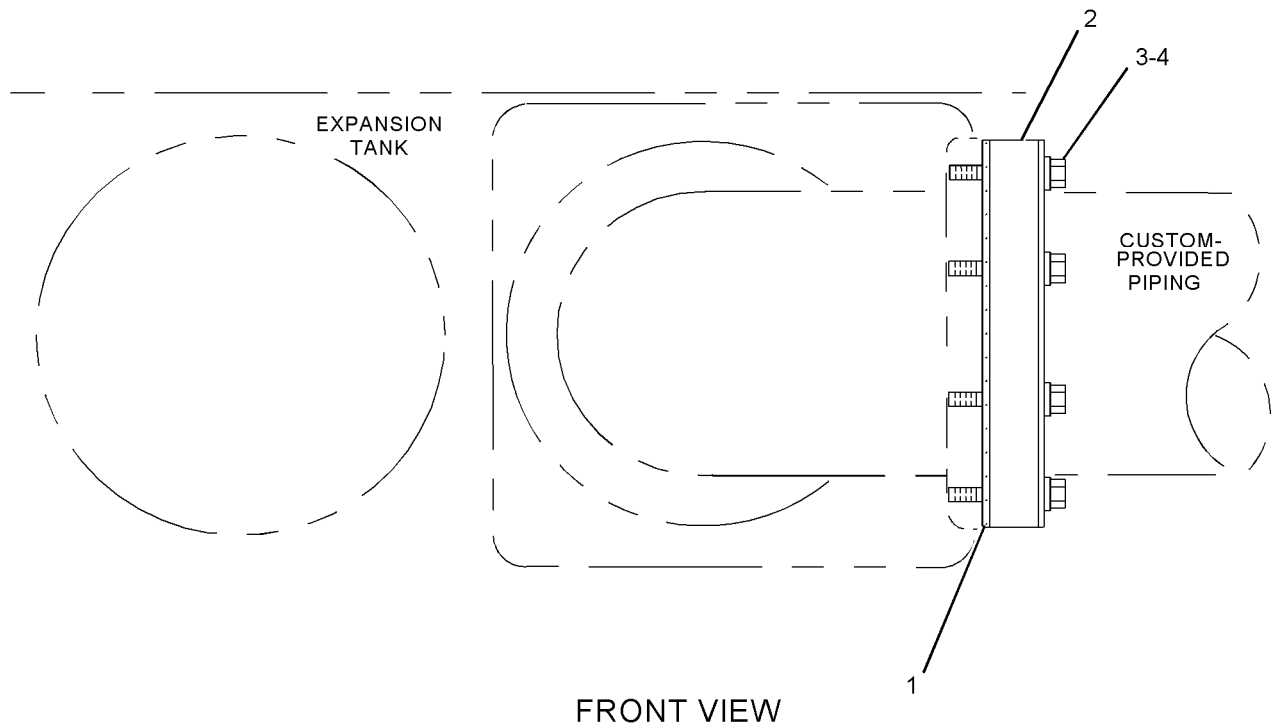
COOLING SYSTEM

4W-9050 CONNECTION GP-WATER (CHG -00 THRU -04)

SMCS-1380

i02297274

| NOTE | REF NO | GRAPHIC REF | PART NUMBER | QTY | PART NAME | | | | | | SEE PAGE |
|------|--------|-------------|----------------|-----|------------------------------------|---|---|---|---|-------------------|----------|
| | | | | | 1 | 2 | 3 | 4 | 5 | 6 (PRODUCT LEVEL) | |
| | 1 | 1 | 1S-5772 | 2 | GASKET | | | | | | |
| | 2 | 1 | 7N-7009 | 1 | FLANGE | | | | | | |
| | 3 | 1 | 2A-4639 | 8 | BOLT (3/8-16X1.625-IN) | | | | | | |
| | 4 | 1 | 3V-3308 | 8 | WASHER-HARD (10.2X20.5X2.5-MM THK) | | | | | | |



GRAPHIC #1

<END>

g01150602

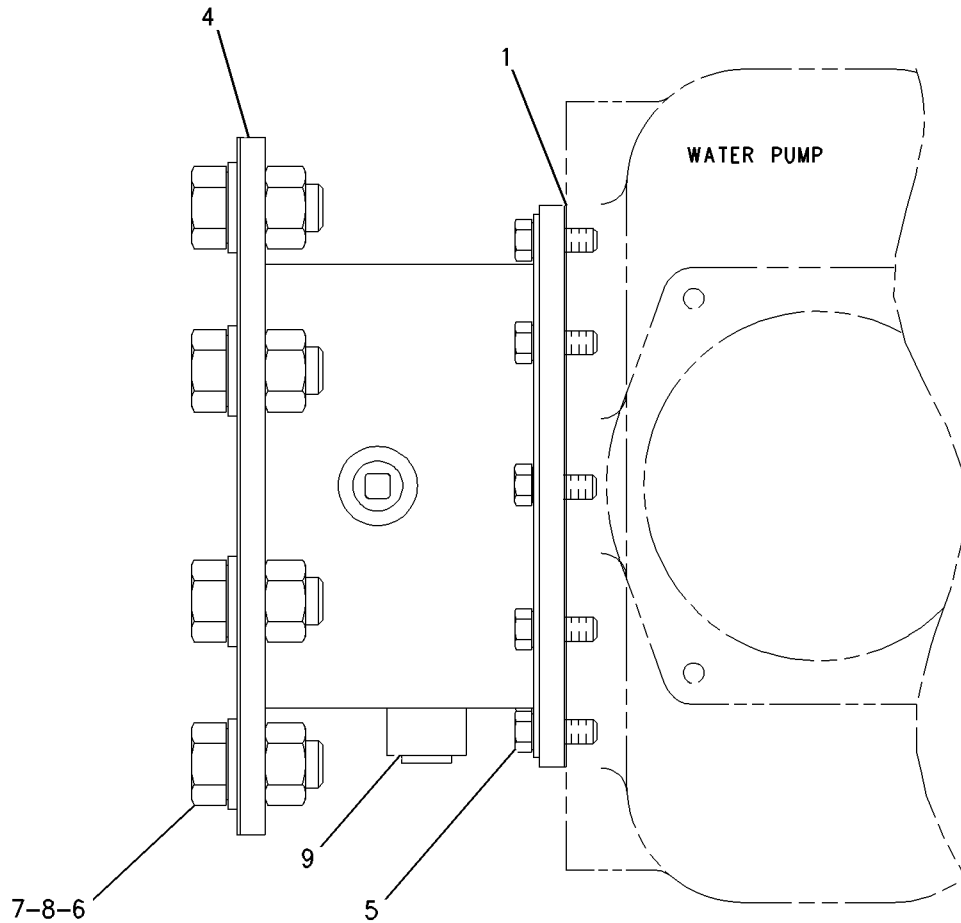
COOLING SYSTEM

110-3753 CONNECTION GP-WATER (CHG -00, -01, -01D1 THRU -03, -03D1)

SMCS-1380

i02338303

| NOTE | REF NO | GRAPHIC REF | PART NUMBER | QTY | PART NAME | | | | | | SEE PAGE |
|------|--------|-------------|-------------|-----|----------------------------------|---|---|---|---|-------------------|----------|
| | | | | | 1 | 2 | 3 | 4 | 5 | 6 (PRODUCT LEVEL) | |
| | 1 | 1 | 4W-7749 | 1 | GASKET | | | | | | |
| | 4 | 1 | 212-3743 | 1 | ADAPTER | | | | | | |
| | 5 | 1 | 0S-1594 | 8 | BOLT (3/8-16X1-IN) | | | | | | |
| | 6 | 1 | 0S-1626 | 8 | BOLT (3/4-10X1.5-IN) | | | | | | |
| | 7 | 1 | 2J-3506 | 8 | NUT-FULL (3/4-10-THD) | | | | | | |
| | 8 | 1 | 5P-8248 | 8 | WASHER-HARD (20X36.5X3.5-MM THK) | | | | | | |
| | 9 | 1 | 8T-6762 | 2 | PLUG-PIPE | | | | | | |



LEFT SIDE VIEW

GRAPHIC #1

<END>

g00889267

COOLING SYSTEM

164-5818 CONNECTION GP-WATER (CHG -00, -00D2, -00D3, -01, -01D1)

SMCS-1380

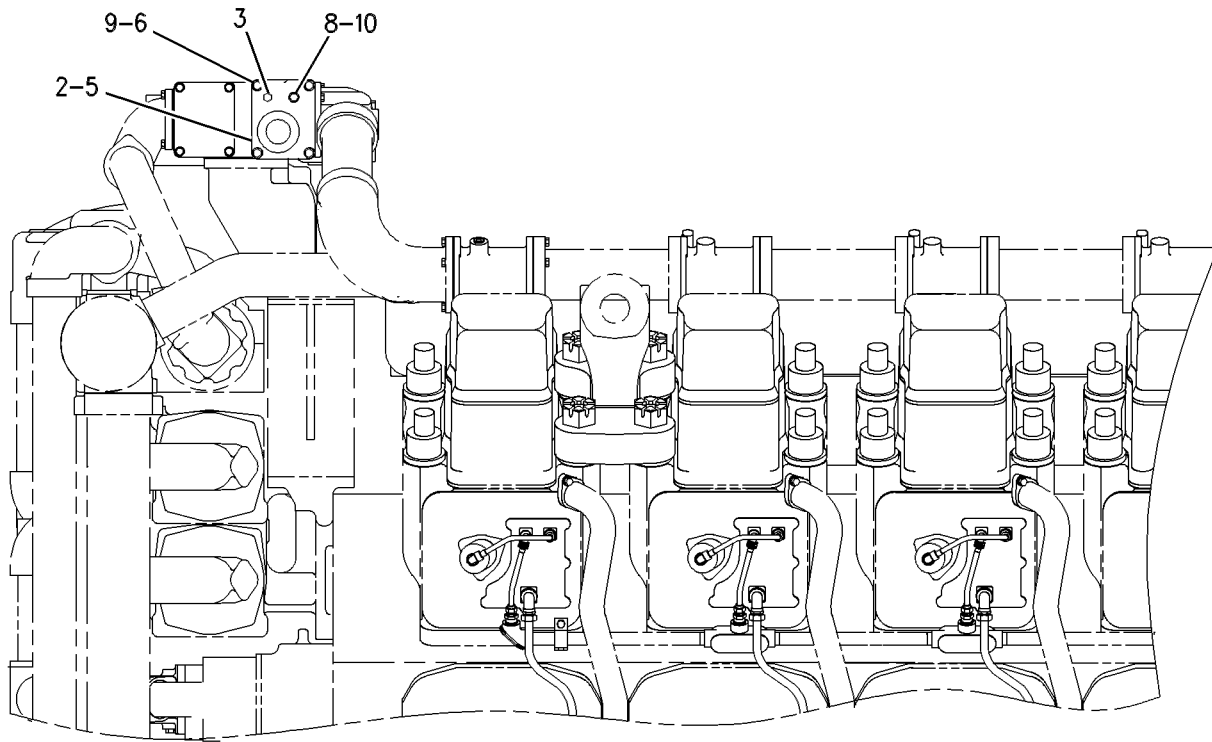
i01571938

| NOTE | REF NO | GRAPHIC REF | PART NUMBER | QTY | PART NAME | | | | | | SEE PAGE |
|------|--------|-------------|-----------------|-----|------------------------------------|---|---|---|---|-------------------|----------|
| | | | | | 1 | 2 | 3 | 4 | 5 | 6 (PRODUCT LEVEL) | |
| | 1 | 1 | 7C-9333 | 1 | COVER AS | | | | | | |
| | 2 | 1 | 7W-3269 | 1 | GASKET | | | | | | |
| | 3 | 1 | 8T-6765 | 1 | PLUG-PIPE | | | | | | |
| | 4 | 1 | 121-3874 | 1 | GASKET | | | | | | |
| | 5 | 1 | 122-8673 | 1 | COVER AS | | | | | | |
| | 6 | 1 | 0S-1588 | 4 | BOLT (3/8-16X1.25-IN) | | | | | | |
| | 7 | 1 | 0S-1594 | 10 | BOLT (3/8-16X1-IN) | | | | | | |
| | 8 | 1 | 3J-7354 | 1 | SEAL-O-RING | | | | | | |
| | 9 | 1 | 3V-3308 | 14 | WASHER-HARD (10.2X20.5X2.5-MM THK) | | | | | | |
| | 10 | 1 | 9S-4182 | 1 | PLUG-O-RING | | | | | | |

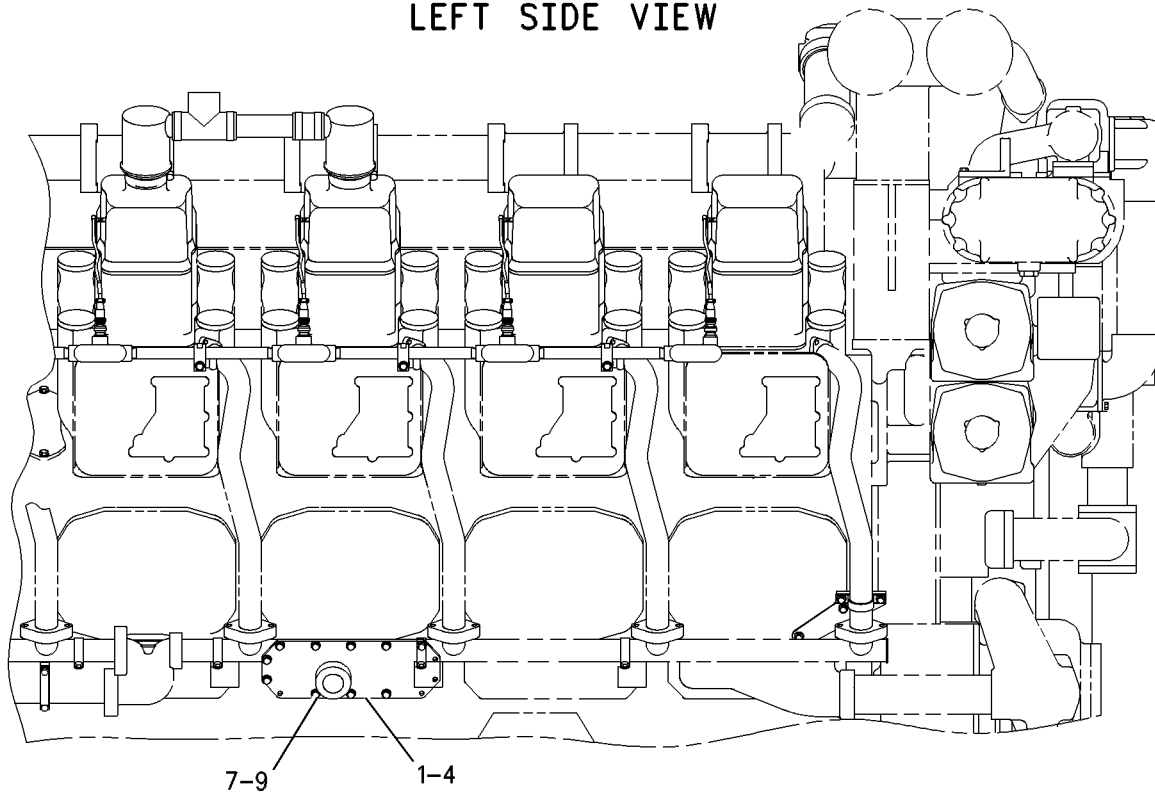
COOLING SYSTEM

164-5818 CONNECTION GP-WATER (contd.)

i01571938



LEFT SIDE VIEW



RIGHT SIDE VIEW

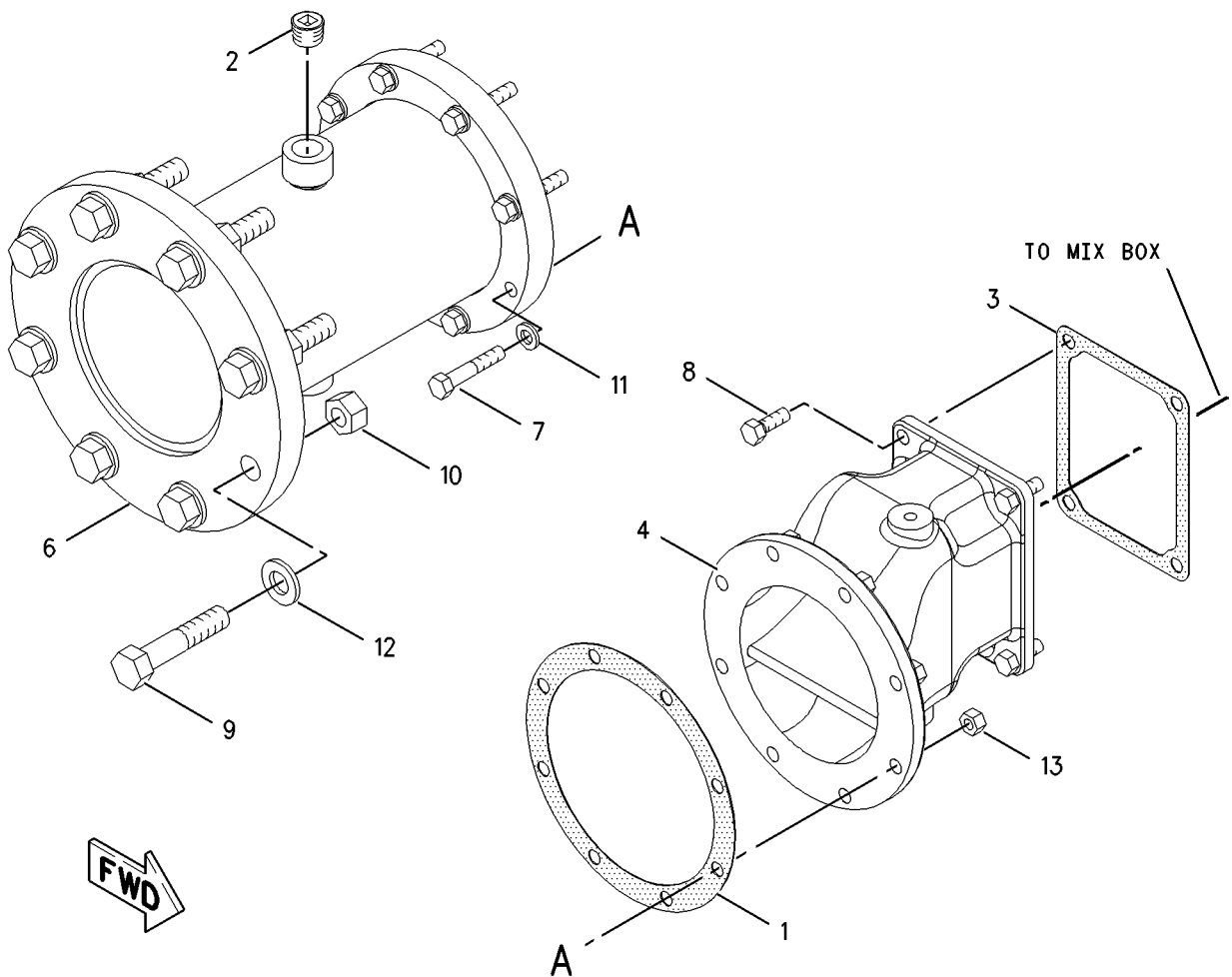
COOLING SYSTEM

197-5899 CONNECTION GP-WATER (CHG -01, -02) JACKET WATER OUTLET

SMCS-1380

i01983246

| NOTE | REF NO | GRAPHIC REF | PART NUMBER | QTY | PART NAME | | | | | | SEE PAGE |
|------|--------|-------------|-------------|-----|------------------------------------|---|---|---|---|-------------------|----------|
| | | | | | 1 | 2 | 3 | 4 | 5 | 6 (PRODUCT LEVEL) | |
| | 1 | 1 | 1S-5772 | 1 | GASKET | | | | | | |
| | 2 | 1 | 8T-6762 | 2 | PLUG-PIPE | | | | | | |
| | 3 | 1 | 7W-3269 | 1 | GASKET | | | | | | |
| | 4 | 1 | 7W-3709 | 1 | ADAPTER-WATER | | | | | | |
| | 6 | 1 | 143-7090 | 1 | PIPE AS-WATER | | | | | | |
| | | 1 | 7N-7009 | 1 | FLANGE | | | | | | |
| | 7 | 1 | OS-1590 | 8 | BOLT (3/8-16X2-IN) | | | | | | |
| | 8 | 1 | OS-1594 | 4 | BOLT (3/8-16X1-IN) | | | | | | |
| | 9 | 1 | 1B-4367 | 8 | BOLT (5/8-11X3-IN) | | | | | | |
| | 10 | 1 | 4K-0367 | 8 | NUT-FULL (5/8-11-THD) | | | | | | |
| | 11 | 1 | 5M-2894 | 8 | WASHER-HARD (10.2X18.5X2.5-MM THK) | | | | | | |
| | 12 | 1 | 5P-8247 | 8 | WASHER-HARD (17X32X3.5-MM THK) | | | | | | |
| | 13 | 1 | 9S-8752 | 8 | NUT-FULL (3/8-16-THD) | | | | | | |



GRAPHIC #1

<END>

g00897166

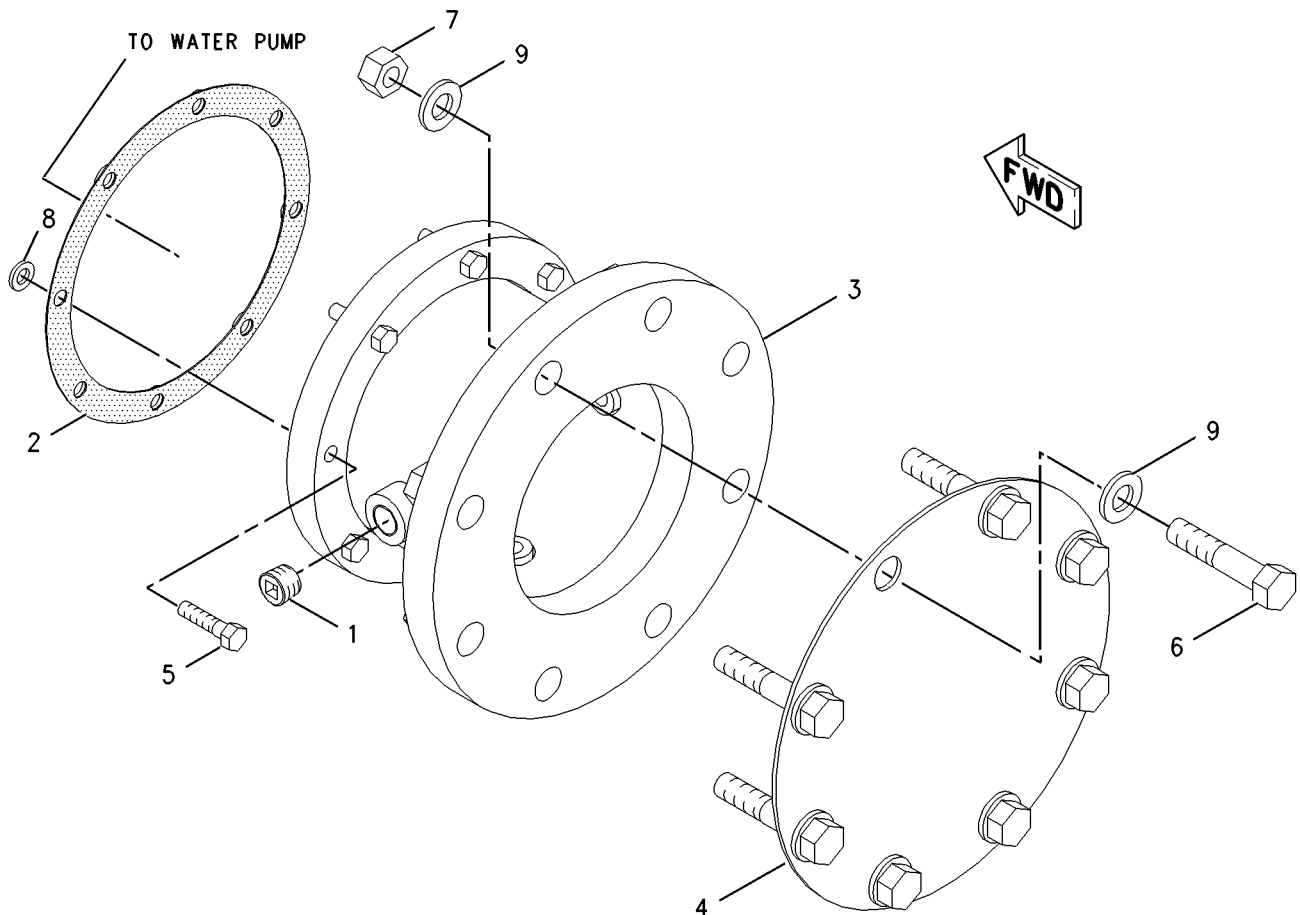
COOLING SYSTEM

197-6202 CONNECTION GP-WATER (CHG -01)

SMCS - 1380

i02346321

| NOTE | REF NO | GRAPHIC REF | PART NUMBER | QTY | PART NAME | | | | | | SEE PAGE |
|------|--------|-------------|-------------|-----|------------------------------------|---|---|---|---|-------------------|----------|
| | | | | | 1 | 2 | 3 | 4 | 5 | 6 (PRODUCT LEVEL) | |
| | 1 | 1 | 2B-0858 | 3 | PLUG-PIPE | | | | | | |
| | 2 | 1 | 4W-7749 | 1 | GASKET | | | | | | |
| | 3 | 1 | 140-8485 | 1 | PIPE AS-WATER | | | | | | |
| | | 1 | 2W-7121 | 1 | FLANGE | | | | | | |
| | 4 | 1 | 197-7100 | 1 | COVER | | | | | | |
| | 5 | 1 | 0S-1591 | 8 | BOLT (3/8-16X1.5-IN) | | | | | | |
| | 6 | 1 | 1B-4367 | 8 | BOLT (5/8-11X3-IN) | | | | | | |
| | 7 | 1 | 4K-0367 | 8 | NUT-FULL (5/8-11-THD) | | | | | | |
| | 8 | 1 | 5M-2894 | 8 | WASHER-HARD (10.2X18.5X2.5-MM THK) | | | | | | |
| | 9 | 1 | 5P-8247 | 16 | WASHER-HARD (17X32X3.5-MM THK) | | | | | | |



GRAPHIC #1

<END>

g00897051

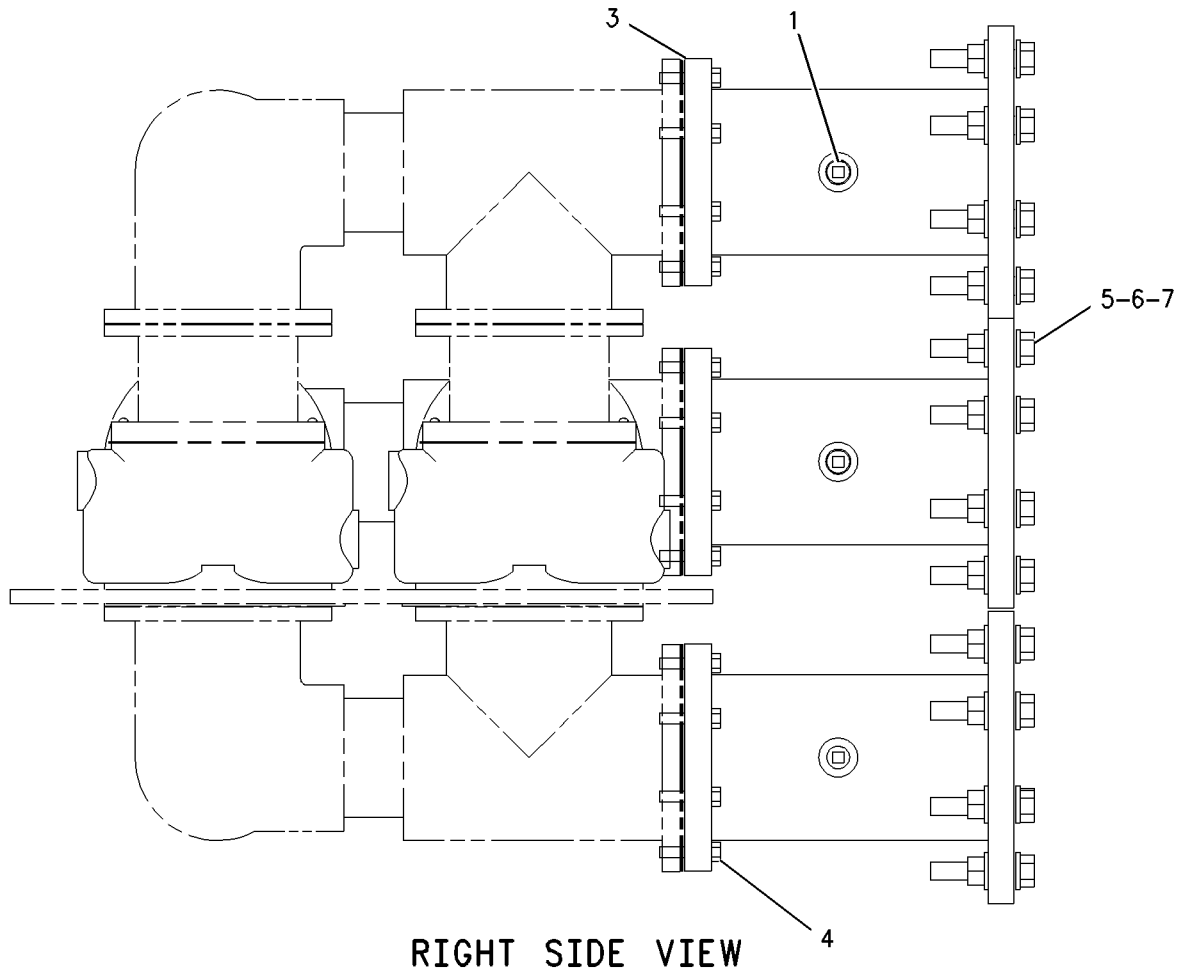
COOLING SYSTEM

207-1402 CONNECTION GP-WATER (CHG -01, -02)

SMCS-1380

i02346328

| NOTE | REF NO | GRAPHIC REF | PART NUMBER | QTY | PART NAME | | | | | | SEE PAGE |
|------|--------|-------------|-----------------|-----|--------------------------------|---|---|---|---|-------------------|----------|
| | | | | | 1 | 2 | 3 | 4 | 5 | 6 (PRODUCT LEVEL) | |
| | 1 | 1 | 8T-6762 | 6 | PLUG-PIPE | | | | | | |
| | 3 | 1 | 143-7090 | 3 | PIPE AS-WATER | | | | | | |
| | | | | | (EACH INCLUDES) | | | | | | |
| | | 1 | 7N-7009 | 1 | FLANGE | | | | | | |
| | 4 | 1 | 0S-1571 | 24 | BOLT (3/8-16X1.75-IN) | | | | | | |
| | 5 | 1 | 1B-4367 | 24 | BOLT (5/8-11X3-IN) | | | | | | |
| | 6 | 1 | 4K-0367 | 24 | NUT-FULL (5/8-11-THD) | | | | | | |
| | 7 | 1 | 5P-8247 | 48 | WASHER-HARD (17X32X3.5-MM THK) | | | | | | |



RIGHT SIDE VIEW

GRAPHIC #1

<END>

g00891475

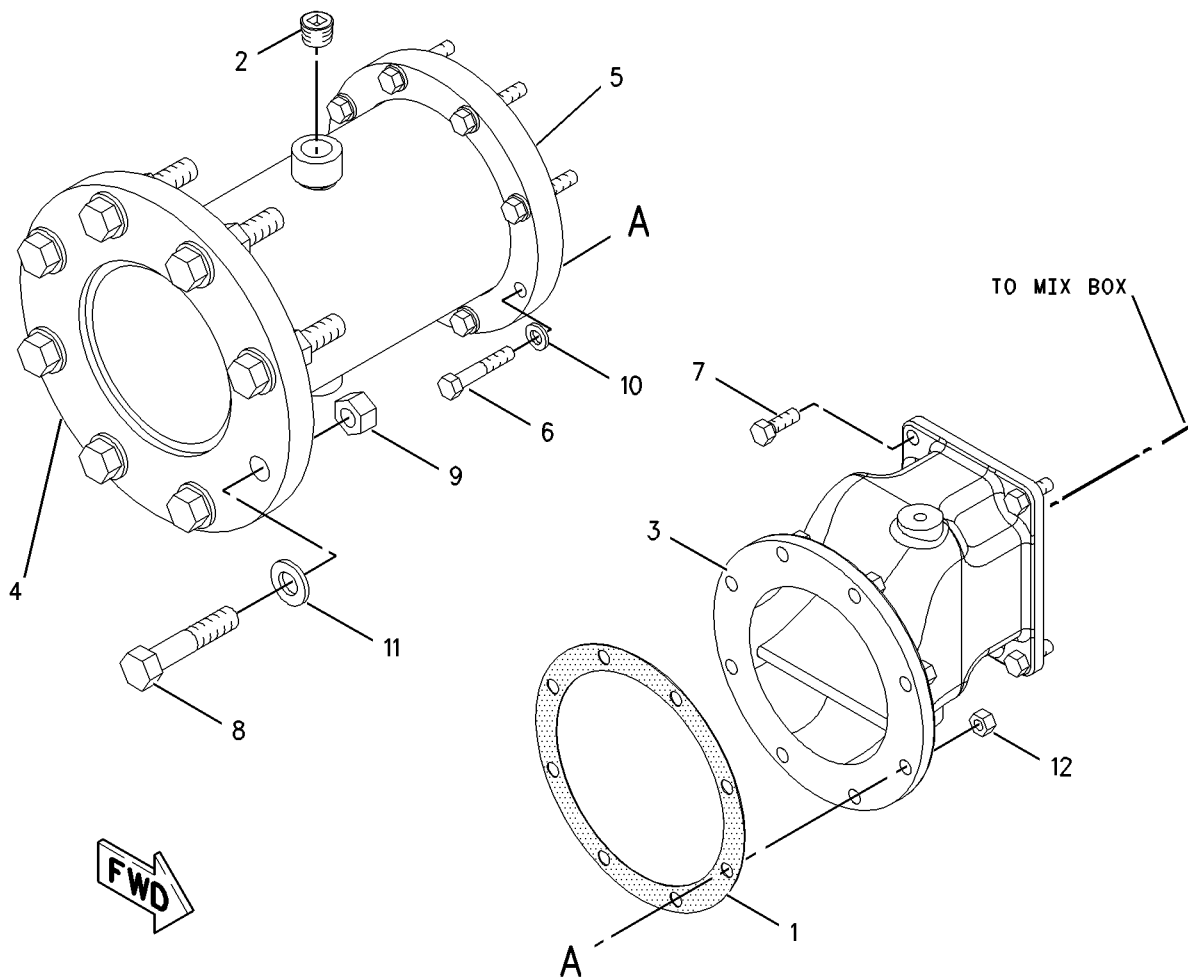
COOLING SYSTEM

207-1409 CONNECTION GP-WATER (CHG -00, -01) AC/OC OUTLET

SMCS-1380

i01922372

| NOTE | REF NO | GRAPHIC REF | PART NUMBER | QTY | PART NAME | | | | | | SEE PAGE |
|------|--------|-------------|-------------|-----|------------------------------------|---|---|---|---|-------------------|----------|
| | | | | | 1 | 2 | 3 | 4 | 5 | 6 (PRODUCT LEVEL) | |
| | 1 | 1 | 1S-5772 | 1 | GASKET | | | | | | |
| | 2 | 1 | 2B-0858 | 2 | PLUG-PIPE | | | | | | |
| | 3 | 1 | 7W-3709 | 1 | ADAPTER-WATER | | | | | | |
| | 4 | 1 | 110-3761 | 1 | COVER | | | | | | |
| | 5 | 1 | 143-7090 | 1 | PIPE AS-WATER | | | | | | |
| | | 1 | 7N-7009 | 1 | FLANGE | | | | | | |
| | 6 | 1 | 0S-1590 | 8 | BOLT (3/8-16X2-IN) | | | | | | |
| | 7 | 1 | 0S-1594 | 4 | BOLT (3/8-16X1-IN) | | | | | | |
| | 8 | 1 | 1B-4367 | 8 | BOLT (5/8-11X3-IN) | | | | | | |
| | 9 | 1 | 4K-0367 | 8 | NUT-FULL (5/8-11-THD) | | | | | | |
| | 10 | 1 | 5M-2894 | 8 | WASHER-HARD (10.2X18.5X2.5-MM THK) | | | | | | |
| | 11 | 1 | 5P-8247 | 16 | WASHER-HARD (17X32X3.5-MM THK) | | | | | | |
| | 12 | 1 | 9S-8752 | 8 | NUT-FULL (3/8-16-THD) | | | | | | |



GRAPHIC #1

<END>

g01000450

COOLING SYSTEM

4P - 5905 CONNECTION - FLEXIBLE (CHG -00, -01) 5 - INCH PIPE

SMCS - 1380

i01264129

| NOTE | PART NUMBER | QTY | PART NAME | | | | | | SEE PAGE |
|---------------------|-------------|-----|-----------|---|---|---|---|-------------------|----------|
| | | | 1 | 2 | 3 | 4 | 5 | 6 (PRODUCT LEVEL) | |
| (NO SERVICED PARTS) | | | | | | | | | |
| <END> | | | | | | | | | |

4P - 5906 CONNECTION - FLEXIBLE (CHG -00 THRU -02) 4 INCH PIPE

SMCS - 1380

i01264151

| NOTE | PART NUMBER | QTY | PART NAME | | | | | | SEE PAGE |
|---------------------|-------------|-----|-----------|---|---|---|---|-------------------|----------|
| | | | 1 | 2 | 3 | 4 | 5 | 6 (PRODUCT LEVEL) | |
| (NO SERVICED PARTS) | | | | | | | | | |
| <END> | | | | | | | | | |

4P - 5907 CONNECTION - FLEXIBLE (CHG -00, -01) 6 INCH PIPE

SMCS - 1380

i01421603

| NOTE | PART NUMBER | QTY | PART NAME | | | | | | SEE PAGE |
|---------------------|-------------|-----|-----------|---|---|---|---|-------------------|----------|
| | | | 1 | 2 | 3 | 4 | 5 | 6 (PRODUCT LEVEL) | |
| (NO SERVICED PARTS) | | | | | | | | | |
| <END> | | | | | | | | | |

COOLING SYSTEM

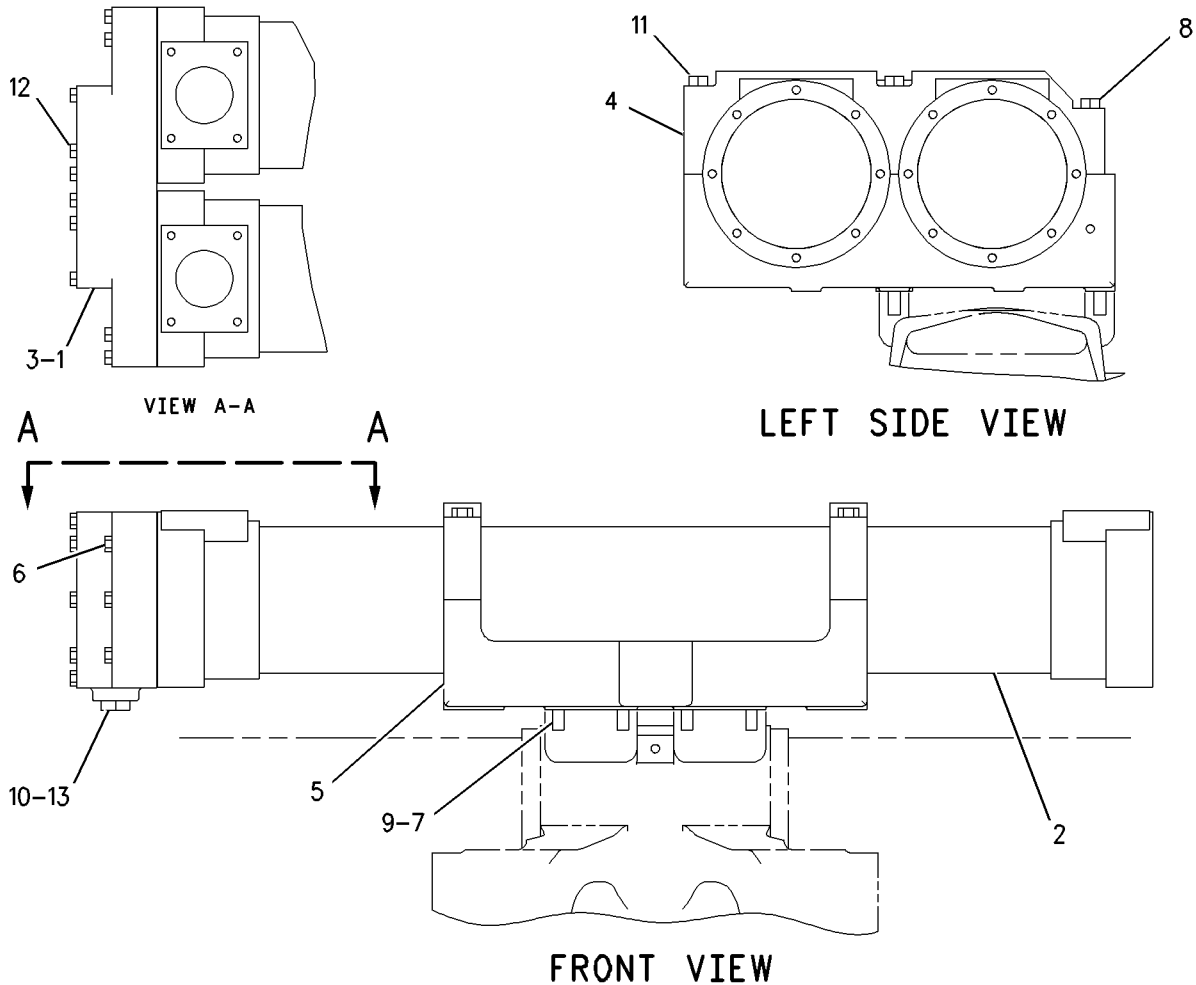
1W-0809 COOLER GP-ENGINE OIL (CHG -09 THRU -12)

SMCS-1378

i02421394

| NOTE | REF NO | GRAPHIC REF | PART NUMBER | QTY | PART NAME | 1 2 3 4 5 6 (PRODUCT LEVEL) | | | | | | SEE PAGE | |
|------|--------|-------------|-------------|-----|----------------------------------|-----------------------------|---|---|---|---|---|----------|--|
| | | | | | | 1 | 2 | 3 | 4 | 5 | 6 | | |
| | 1 | 1 | 1W-3891 | 1 | BONNET-OIL COOLER | | | | | | | | |
| R | 2 | 1 | 1W-5200 | 2 | CORE AS (OIL COOLER) | | | | | | | | |
| R | | 1 | 4W-5405 | 1 | CORE GP-OIL COOLER | | | | | | | | |
| | | 1 | 8L-2786 | 1 | SEAL-O-RING | | | | | | | | |
| | | 1 | 9S-4185 | 1 | PLUG-O-RING | | | | | | | | |
| | 3 | 1 | 247-3796 | 2 | GASKET | | | | | | | | |
| | 4 | 1 | 7W-2029 | 2 | SUPPORT | | | | | | | | |
| C | 5 | 1 | 201-3610 | 1 | SUPPORT | | | | | | | | |
| | 6 | 1 | 0L-1143 | 6 | BOLT (3/8-16X2.5-IN) | | | | | | | | |
| | 7 | 1 | 0V-0375 | 8 | BOLT (1/2-13X3.25-IN) | | | | | | | | |
| | 8 | 1 | 1D-4566 | 2 | BOLT (1/2-13X3.5-IN) | | | | | | | | |
| | 9 | 1 | 5P-8245 | 8 | WASHER-HARD (13.5X25.5X3-MM THK) | | | | | | | | |
| | 10 | 1 | 6V-5063 | 1 | SEAL-O-RING | | | | | | | | |
| | 11 | 1 | 8S-9089 | 4 | BOLT (1/2-13X4.5-IN) | | | | | | | | |
| | 12 | 1 | 8S-9191 | 10 | BOLT (3/8-16X4-IN) | | | | | | | | |
| | 13 | 1 | 9S-4183 | 1 | PLUG-O-RING | | | | | | | | |

C- CHANGE FROM PREVIOUS TYPE
R- REMFG PART MAY BE AVAILABLE



GRAPHIC #1

<END>

g00887118

COOLING SYSTEM

1W-0887 COOLER GP-ENGINE OIL (CHG -04 THRU -07) TRIPLE

SMCS-1378

i02251022

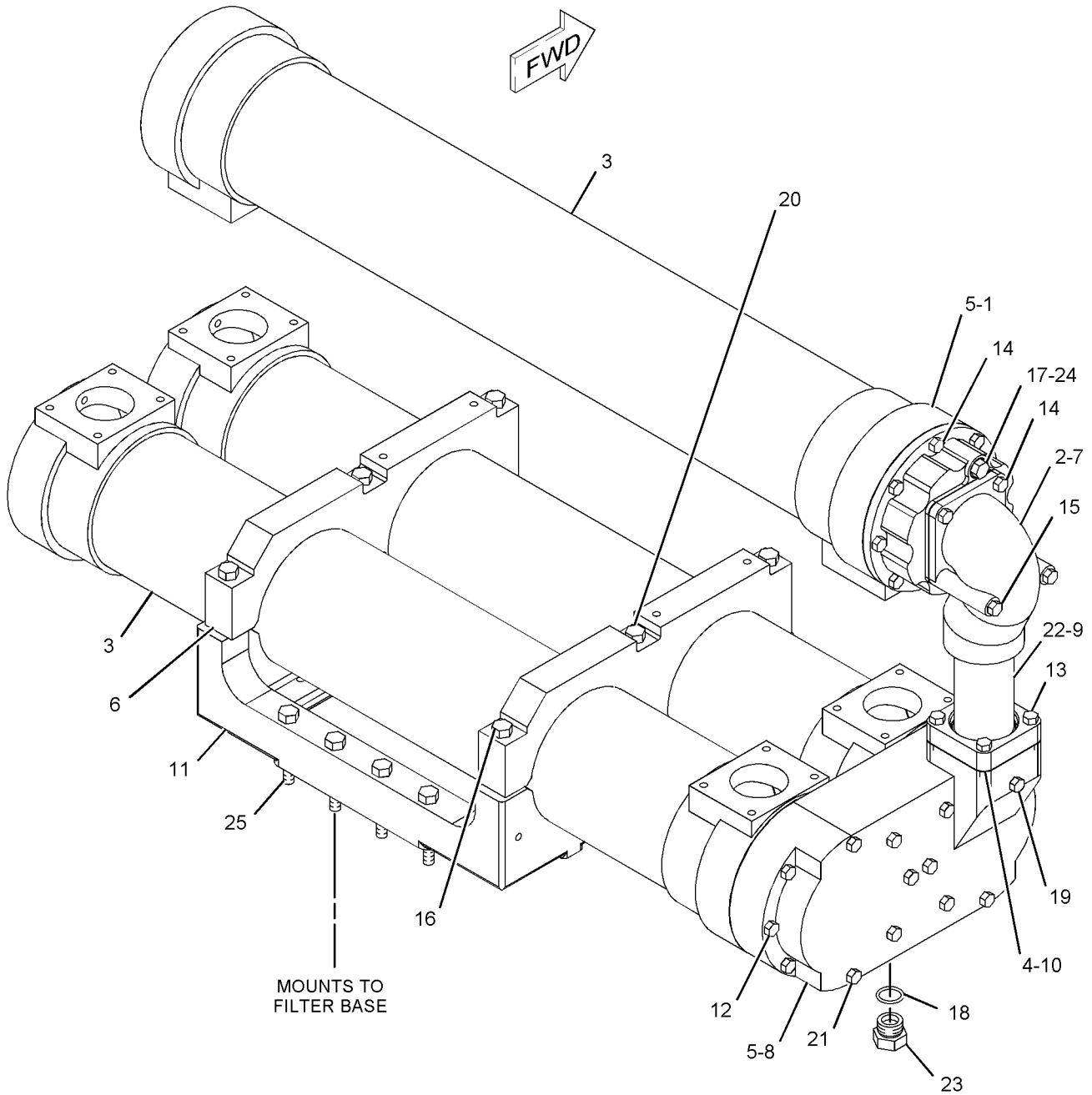
| NOTE | REF NO | GRAPHIC REF | PART NUMBER | QTY | PART NAME | | | | | | SEE PAGE |
|------|--------|-------------|-------------|-----|-----------------------|---|---|---|---|-------------------|----------|
| | | | | | 1 | 2 | 3 | 4 | 5 | 6 (PRODUCT LEVEL) | |
| | 1 | 1 | 1W-3785 | 1 | BONNET-OIL COOLER | | | | | | |
| | 2 | 1 | 1W-4067 | 1 | GASKET | | | | | | |
| R | 3 | 1 | 1W-5200 | 3 | CORE AS (OIL COOLER) | | | | | | |
| | 4 | 1 | 4F-4873 | 1 | GASKET | | | | | | |
| | 5 | 1 | 247-3796 | 3 | GASKET | | | | | | |
| | 6 | 1 | 7W-2029 | 2 | SUPPORT | | | | | | |
| | 7 | 1 | 7W-5846 | 1 | ELBOW | | | | | | |
| | 8 | 1 | 7W-6093 | 1 | BONNET | | | | | | |
| | 9 | 1 | 7W-6948 | 1 | TUBE | | | | | | |
| | 10 | 1 | 9Y-1373 | 1 | FLANGE | | | | | | |
| C | 11 | 1 | 201-3610 | 1 | SUPPORT | | | | | | |
| | 12 | 1 | 0L-1143 | 6 | BOLT (3/8-16X2.5-IN) | | | | | | |
| | 13 | 1 | 0S-1591 | 4 | BOLT (3/8-16X1.5-IN) | | | | | | |
| | 14 | 1 | 0S-1594 | 10 | BOLT (3/8-16X1-IN) | | | | | | |
| | 15 | 1 | 0T-0065 | 2 | BOLT (3/8-16X3.5-IN) | | | | | | |
| | 16 | 1 | 1D-4566 | 2 | BOLT (1/2-13X3.5-IN) | | | | | | |
| | 17 | 1 | 6V-3250 | 1 | SEAL-O-RING | | | | | | |
| | 18 | 1 | 6V-5063 | 1 | SEAL-O-RING | | | | | | |
| | 19 | 1 | 7F-3425 | 1 | BOLT (3/8-16X5.75-IN) | | | | | | |
| | 20 | 1 | 8S-9089 | 4 | BOLT (1/2-13X4.5-IN) | | | | | | |
| | 21 | 1 | 8S-9191 | 9 | BOLT (3/8-16X4-IN) | | | | | | |
| | 22 | 1 | 8T-1919 | 2 | SEAL-O-RING | | | | | | |
| | 23 | 1 | 9S-4183 | 1 | PLUG-O-RING | | | | | | |
| | 24 | 1 | 9S-4191 | 1 | PLUG-O-RING | | | | | | |
| | 25 | 1 | 0V-0375 | 8 | BOLT (1/2-13X3.25-IN) | | | | | | |

C - CHANGE FROM PREVIOUS TYPE
R - REMFG PART MAY BE AVAILABLE

COOLING SYSTEM

1W-0887 COOLER GP-ENGINE OIL (contd.)

i02251022



GRAPHIC #1

<END>

g01133300

COOLING SYSTEM

305 - 6395 COVER GP (CHG -00)

SMCS - 1378

i02717630

| NOTE | PART NUMBER | QTY | PART NAME | | | | | | SEE PAGE |
|-------|-------------|-----|----------------------------------|---|---|---|---|-------------------|----------|
| | | | 1 | 2 | 3 | 4 | 5 | 6 (PRODUCT LEVEL) | |
| | 9X-8888 | 8 | BOLT (3/4-10X3.25-IN) | | | | | | |
| | 150-8521 | 1 | COVER | | | | | | |
| | 145-1273 | 1 | GASKET | | | | | | |
| | 2J-3506 | 8 | NUT-FULL (3/4-10-THD) | | | | | | |
| | 5P-8248 | 16 | WASHER-HARD (20X36.5X3.5-MM THK) | | | | | | |
| <END> | | | | | | | | | |

305 - 6397 COVER GP (CHG -00)

SMCS - 1378

i02717646

| NOTE | PART NUMBER | QTY | PART NAME | | | | | | SEE PAGE |
|-------|-------------|-----|----------------------------------|---|---|---|---|-------------------|----------|
| | | | 1 | 2 | 3 | 4 | 5 | 6 (PRODUCT LEVEL) | |
| | 9X-8888 | 8 | BOLT (3/4-10X3.25-IN) | | | | | | |
| | 156-9570 | 1 | COVER | | | | | | |
| | 145-1271 | 1 | GASKET | | | | | | |
| | 2J-3506 | 8 | NUT-FULL (3/4-10-THD) | | | | | | |
| | 5P-8248 | 16 | WASHER-HARD (20X36.5X3.5-MM THK) | | | | | | |
| <END> | | | | | | | | | |

120 - 8145 COVER GP - COOLING SYSTEM (CHG -00, -01) SEPARATE CIRCUIT

SMCS - 1201, 1350

i02421478

| NOTE | PART NUMBER | QTY | PART NAME | | | | | | SEE PAGE |
|-------|-------------|-----|------------------------------------|---|---|---|---|-------------------|----------|
| | | | 1 | 2 | 3 | 4 | 5 | 6 (PRODUCT LEVEL) | |
| | 0L-1351 | 16 | BOLT (3/8-16X0.875-IN) | | | | | | |
| | 3B-1915 | 16 | BOLT (3/8-16X1.375-IN) | | | | | | |
| | 120-8146 | 2 | COVER (5-IN) | | | | | | |
| | 120-8147 | 2 | COVER (6-IN) | | | | | | |
| | 1S-5772 | 2 | GASKET | | | | | | |
| | 4W-7749 | 2 | GASKET | | | | | | |
| | 9S-8752 | 16 | NUT-FULL (3/8-16-THD) | | | | | | |
| | 3V-3308 | 32 | WASHER-HARD (10.2X20.5X2.5-MM THK) | | | | | | |
| <END> | | | | | | | | | |

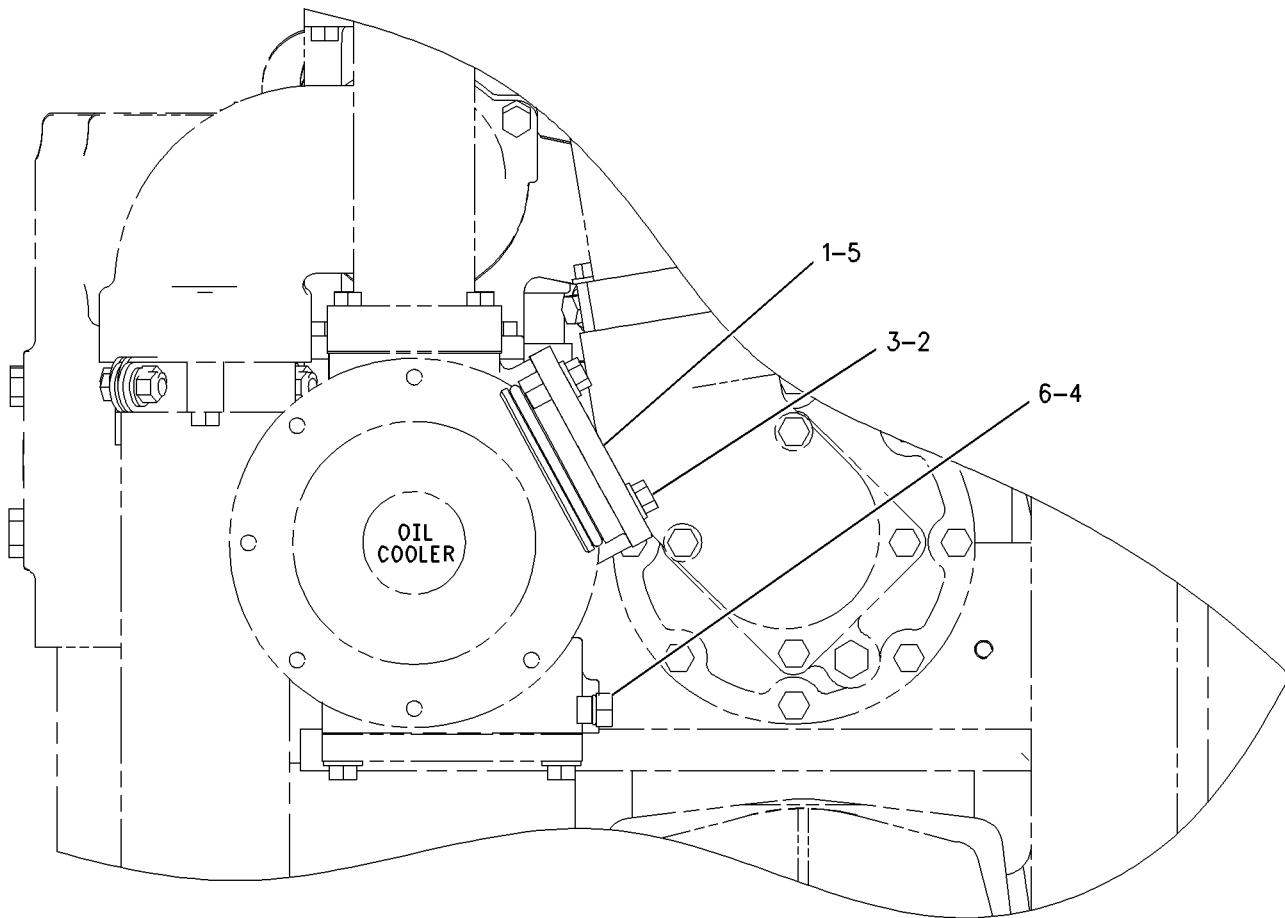
COOLING SYSTEM

195-5250 COVER GP-COOLING SYSTEM (CHG -01, -02, -02D1) 4 CIRCUIT

SMCS-1201, 1350

i01597243

| NOTE | REF NO | GRAPHIC REF | PART NUMBER | QTY | PART NAME | | | | | | SEE PAGE |
|------|--------|-------------|-------------|-----|------------------------------------|---|---|---|---|-------------------|----------|
| | | | | | 1 | 2 | 3 | 4 | 5 | 6 (PRODUCT LEVEL) | |
| | 1 | 1 | 4P-3749 | 1 | PLUG | | | | | | |
| | 2 | 1 | 0S-1594 | 2 | BOLT (3/8-16X1-IN) | | | | | | |
| | 3 | 1 | 3V-3308 | 2 | WASHER-HARD (10.2X20.5X2.5-MM THK) | | | | | | |
| | 4 | 1 | 6V-3250 | 1 | SEAL-O-RING | | | | | | |
| | 5 | 1 | 6V-5066 | 1 | SEAL-O-RING | | | | | | |
| | 6 | 1 | 9S-4191 | 1 | PLUG-O-RING | | | | | | |



LEFT SIDE VIEW

GRAPHIC #1

<END>

g00825971

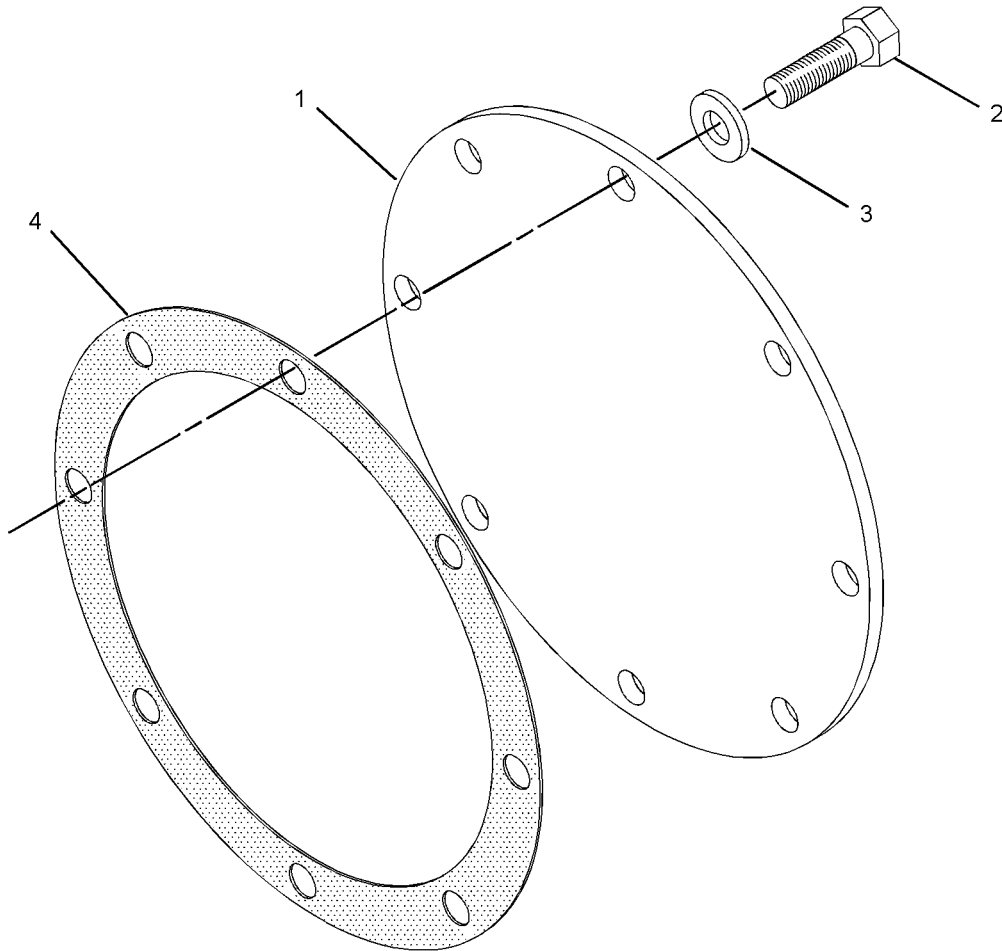
COOLING SYSTEM

259 - 0489 COVER GP - COOLING SYSTEM (CHG -00) FOR USE WITH JACKET AND AC/OC WATER PUMPS

SMCS-1201, 1350

i02248385

| NOTE | REF NO | GRAPHIC REF | PART NUMBER | QTY | PART NAME | | | | | | SEE PAGE |
|------|--------|-------------|-------------|-----|------------------------------------|---|---|---|---|-------------------|----------|
| | | | | | 1 | 2 | 3 | 4 | 5 | 6 (PRODUCT LEVEL) | |
| | 1 | 1 | 120-8147 | 1 | COVER | | | | | | |
| | 2 | 1 | 0L-1351 | 8 | BOLT (3/8-16X0.875-IN) | | | | | | |
| | 3 | 1 | 3V-3308 | 8 | WASHER-HARD (10.2X20.5X2.5-MM THK) | | | | | | |
| | 4 | 1 | 4W-7749 | 1 | GASKET | | | | | | |



GRAPHIC #1

<END>

g01140143

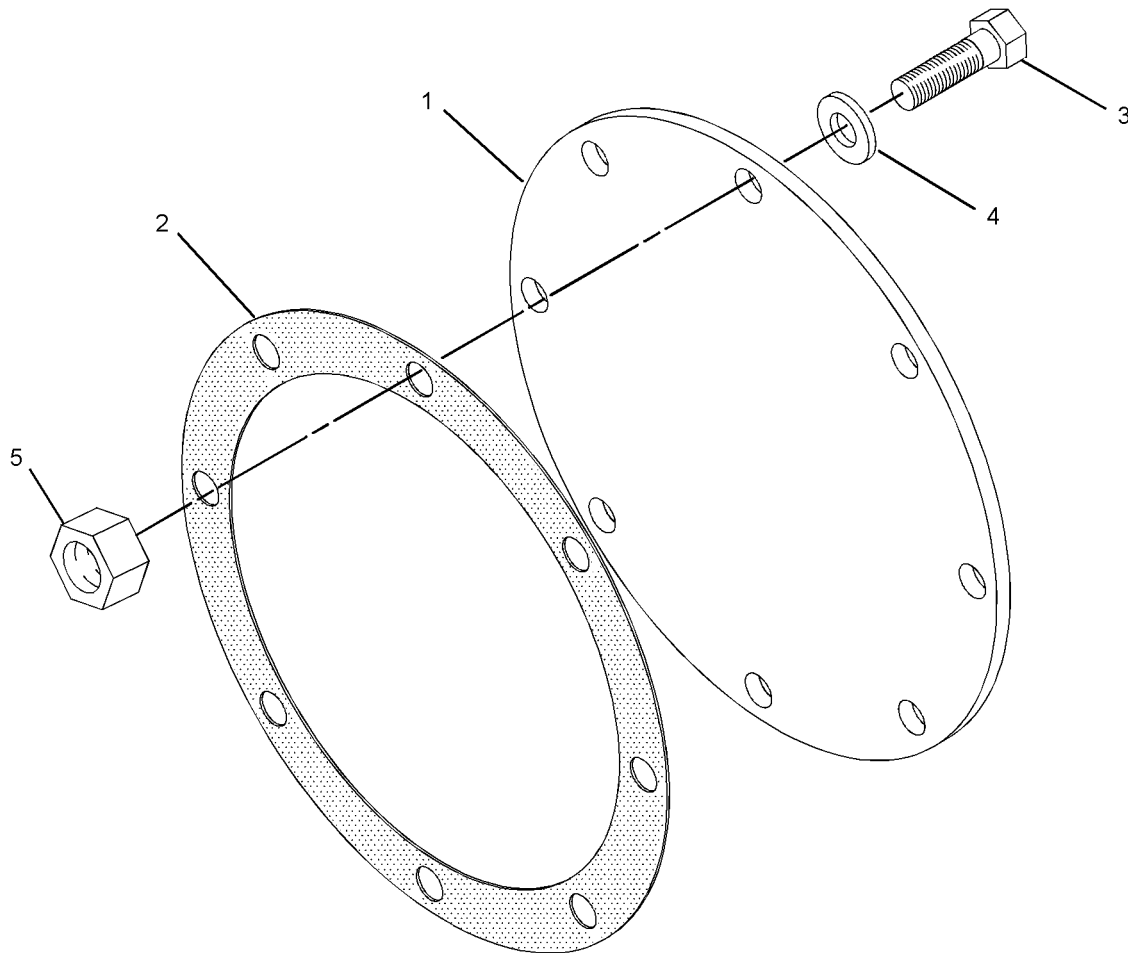
COOLING SYSTEM

259 - 0490 COVER GP - COOLING SYSTEM (CHG -00) FOR USE WITH AUXILIARY WATER PUMPS ON SEPARATE CIRCUIT

SMCS-1201, 1350

i02248382

| NOTE | REF NO | GRAPHIC REF | PART NUMBER | QTY | PART NAME | | | | | | SEE PAGE |
|------|--------|-------------|-------------|-----|------------------------------------|---|---|---|---|-------------------|----------|
| | | | | | 1 | 2 | 3 | 4 | 5 | 6 (PRODUCT LEVEL) | |
| | 1 | 1 | 120-8146 | 1 | COVER | | | | | | |
| | 2 | 1 | 1S-5772 | 1 | GASKET | | | | | | |
| | 3 | 1 | 3B-1915 | 8 | BOLT (3/8-16X1.375-IN) | | | | | | |
| | 4 | 1 | 3V-3308 | 16 | WASHER-HARD (10.2X20.5X2.5-MM THK) | | | | | | |
| | 5 | 1 | 9S-8752 | 8 | NUT-FULL (3/8-16-THD) | | | | | | |



GRAPHIC #1

<END>

g01140148

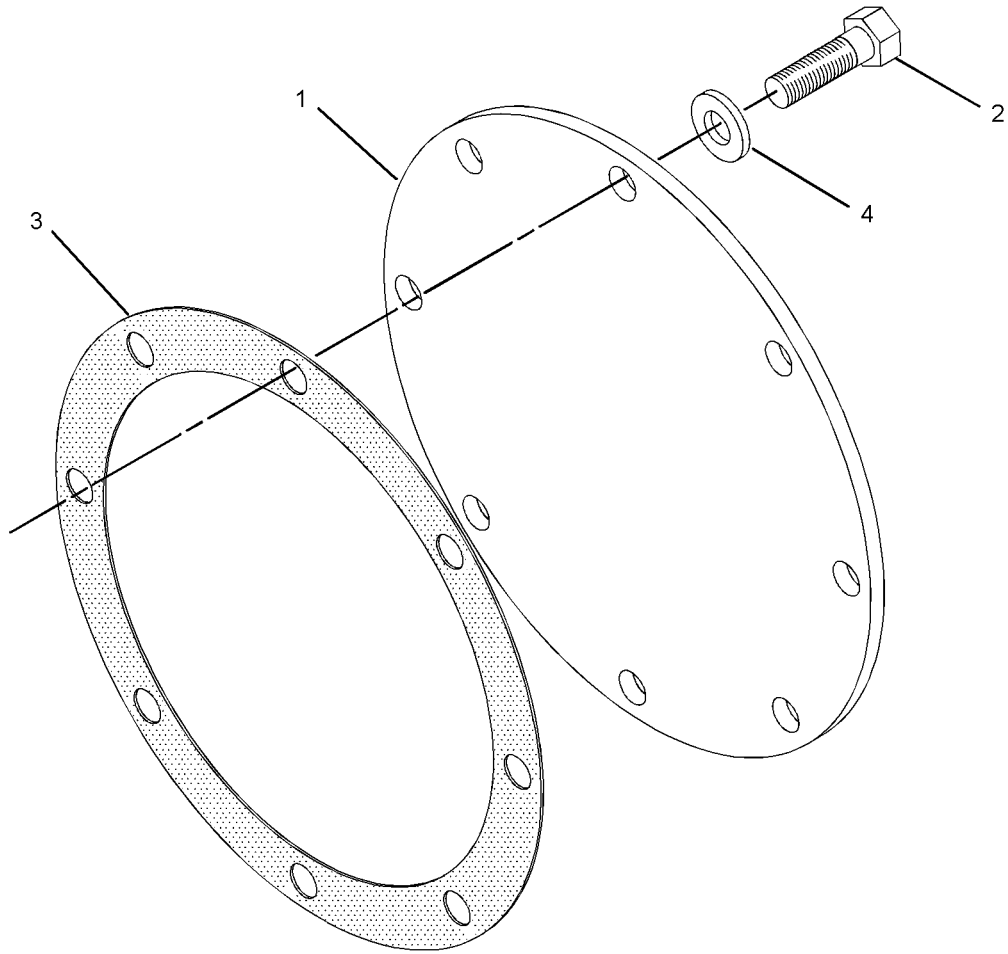
COOLING SYSTEM

259 - 8295 COVER GP - COOLING SYSTEM (CHG -00) FOR USE WITH AUXILIARY WATER PUMPS ON SEPARATE CIRCUIT

SMCS-1201, 1350

i02248380

| NOTE | REF NO | GRAPHIC REF | PART NUMBER | QTY | PART NAME | | | | | | SEE PAGE |
|------|--------|-------------|-------------|-----|------------------------------------|---|---|---|---|-------------------|----------|
| | | | | | 1 | 2 | 3 | 4 | 5 | 6 (PRODUCT LEVEL) | |
| | 1 | 1 | 120-8146 | 1 | COVER | | | | | | |
| | 2 | 1 | 0S-1588 | 8 | BOLT (3/8-16X1.25-IN) | | | | | | |
| | 3 | 1 | 1S-5772 | 1 | GASKET | | | | | | |
| | 4 | 1 | 3V-3308 | 8 | WASHER-HARD (10.2X20.5X2.5-MM THK) | | | | | | |



GRAPHIC #1

<END>

g01135976

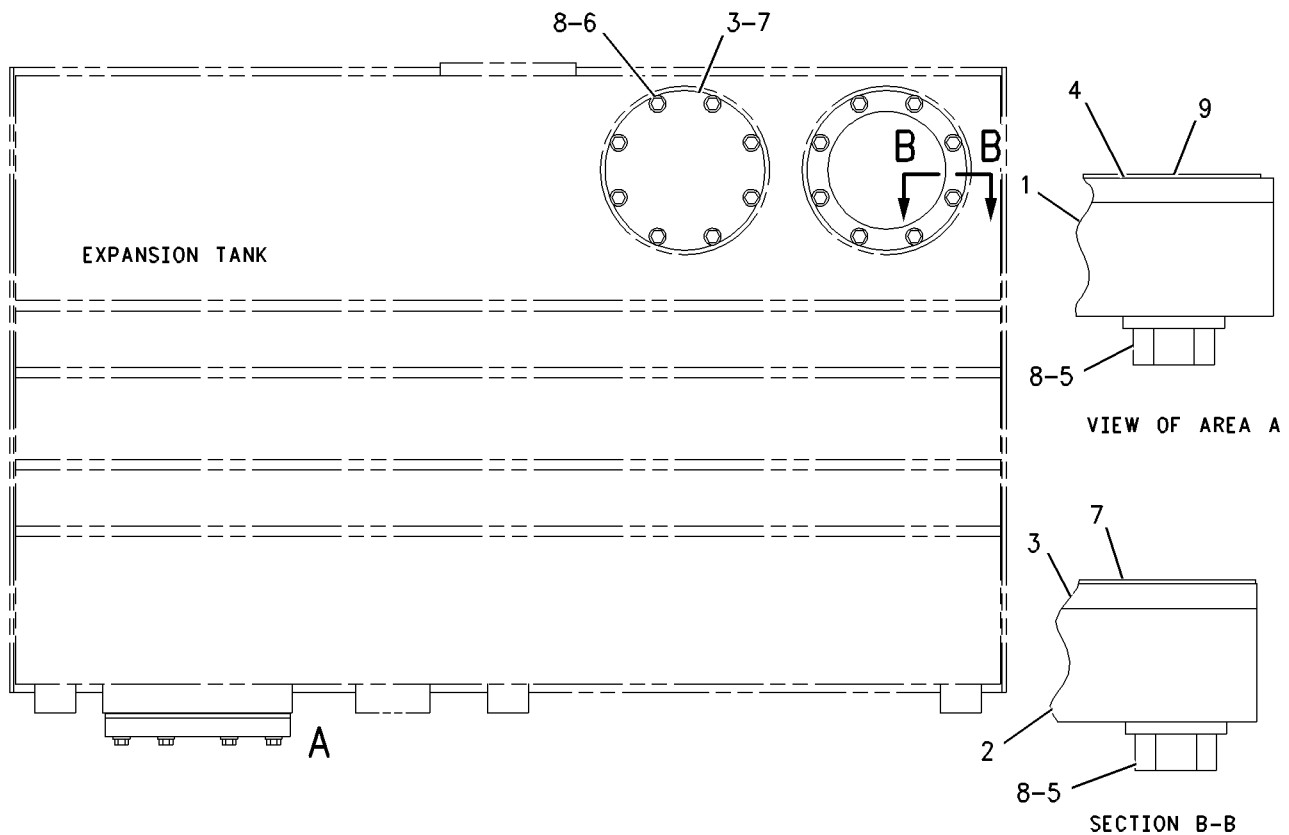
COOLING SYSTEM

204-7168 COVER GP - EXPANSION TANK (CHG -00, -01)

SMCS - 1354

i01624379

| NOTE | REF NO | GRAPHIC REF | PART NUMBER | QTY | PART NAME | | | | | | SEE PAGE |
|------|--------|-------------|-------------|-----|------------------------------------|---|---|---|---|-------------------|----------|
| | | | | | 1 | 2 | 3 | 4 | 5 | 6 (PRODUCT LEVEL) | |
| | 1 | 1 | 2W-7121 | 1 | FLANGE | | | | | | |
| | 2 | 1 | 7N-7009 | 1 | FLANGE | | | | | | |
| | 3 | 1 | 120-8146 | 2 | COVER | | | | | | |
| | 4 | 1 | 120-8147 | 1 | COVER | | | | | | |
| | 5 | 1 | 0S-1590 | 16 | BOLT (3/8-16X2-IN) | | | | | | |
| | 6 | 1 | 0S-1594 | 8 | BOLT (3/8-16X1-IN) | | | | | | |
| | 7 | 1 | 1S-5772 | 2 | GASKET | | | | | | |
| | 8 | 1 | 3V-3308 | 24 | WASHER-HARD (10.2X20.5X2.5-MM THK) | | | | | | |
| | 9 | 1 | 4W-7749 | 1 | GASKET | | | | | | |



GRAPHIC #1

<END>

g00841224

COOLING SYSTEM

4P-4667 HOUSING & REGULATOR GP (CHG -00 THRU -06) INLET CONTROL-REMOTE MOUNTED

SMCS-1355, 1393

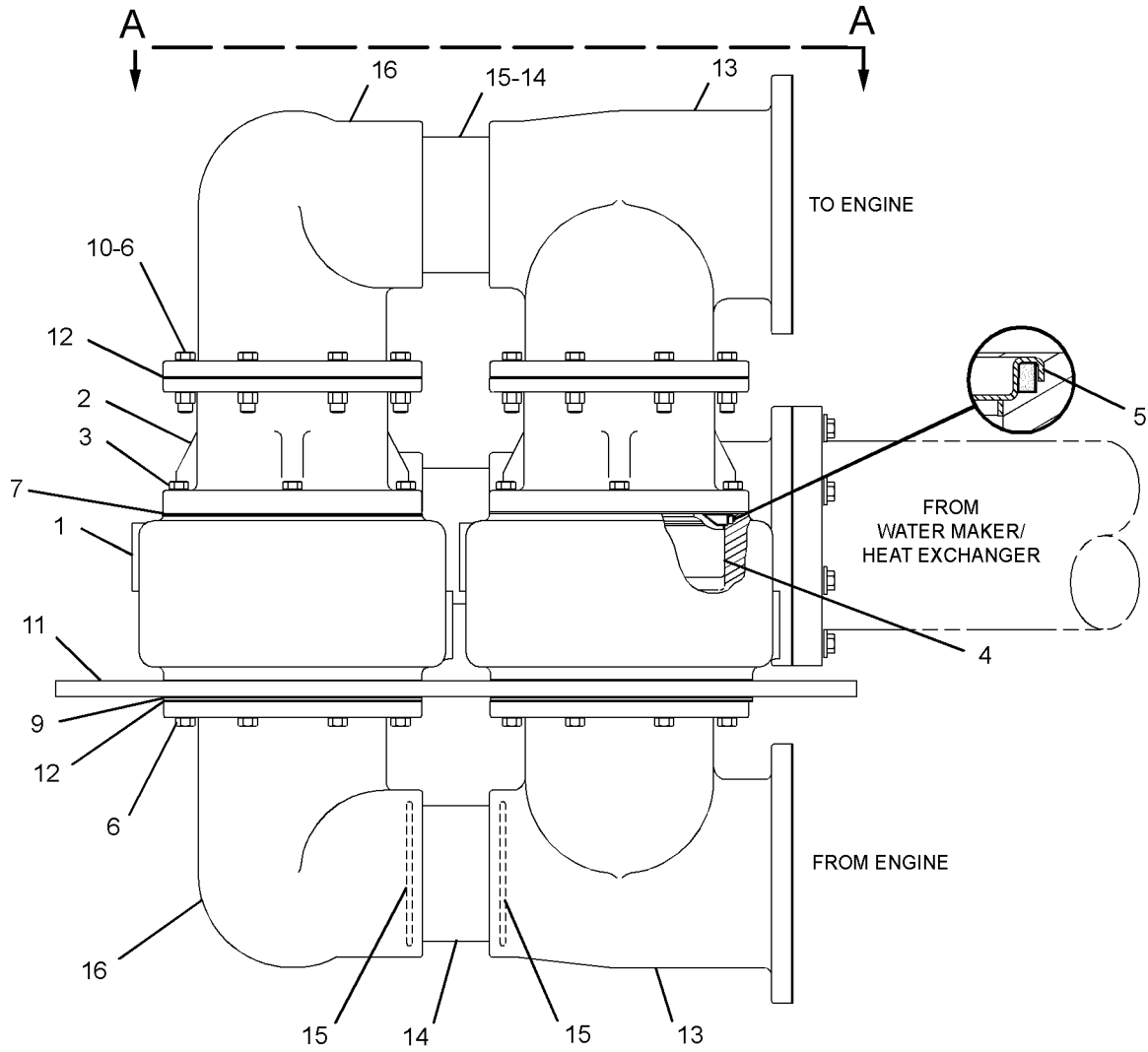
i02570103

| NOTE | REF NO | GRAPHIC REF | PART NUMBER | QTY | PART NAME | | | | | | SEE PAGE |
|------|--------|-------------|-------------|-----|-----------------------------|---|---|---|---|-------------------|----------|
| | | | | | 1 | 2 | 3 | 4 | 5 | 6 (PRODUCT LEVEL) | |
| | 1 | 1 | 7W-4116 | 2 | HOUSING AS-REGULATOR | | | | | | |
| | | | | | (EACH INCLUDES) | | | | | | |
| | | 1 | 2M-6471 | 2 | PLUG-CUP | | | | | | |
| | 2 | 1 | 7W-4111 | 2 | ADAPTER-EXPANSION TANK | | | | | | |
| | 3 | 1 | 0S-1588 | 16 | BOLT (3/8-16X1.25-IN) | | | | | | |
| | 4 | 1 | 6I-4953 | 8 | REGULATOR-WATER TEMPERATURE | | | | | | |
| | 5 | 1 | 3S-9643 | 8 | SEAL-LIP TYPE | | | | | | |
| | 6 | 1 | 0S-1591 | 32 | BOLT (3/8-16X1.5-IN) | | | | | | |
| | 7 | 1 | 7W-3688 | 2 | GASKET | | | | | | |
| | 8 | 1 | 0S-1594 | 16 | BOLT (3/8-16X1-IN) | | | | | | |
| | 9 | 1 | 7C-7481 | 2 | PLATE-ORIFICE | | | | | | |
| | 10 | 1 | 9S-8752 | 16 | NUT-FULL (3/8-16-THD) | | | | | | |
| | 11 | 1 | 7C-7784 | 1 | PLATE | | | | | | |
| | 12 | 1 | 1S-5772 | 10 | GASKET | | | | | | |
| | 13 | 1 | 7W-8464 | 3 | ADAPTER-HOUSING | | | | | | |
| | 14 | 1 | 2W-5036 | 3 | TUBE | | | | | | |
| | 15 | 1 | 6V-5139 | 6 | SEAL-O-RING | | | | | | |
| | 16 | 1 | 7W-8463 | 3 | ELBOW-ADAPTER | | | | | | |

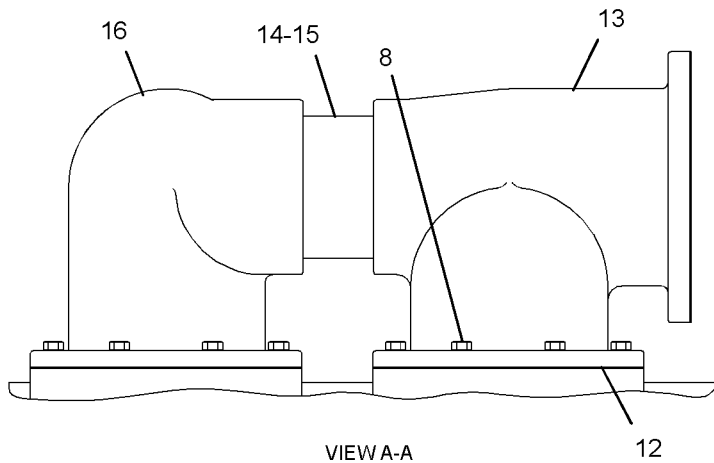
COOLING SYSTEM

4P-4667 HOUSING & REGULATOR GP (contd.)

i02570103



LEFT SIDE VIEW



GRAPHIC #1

<END>

g01287594

COOLING SYSTEM

7C-7785 HOUSING & REGULATOR GP (CHG -01 THRU -04)

INLET CONTROL - REMOTE MOUNTED

TYPE 1

SMCS-1355, 1393

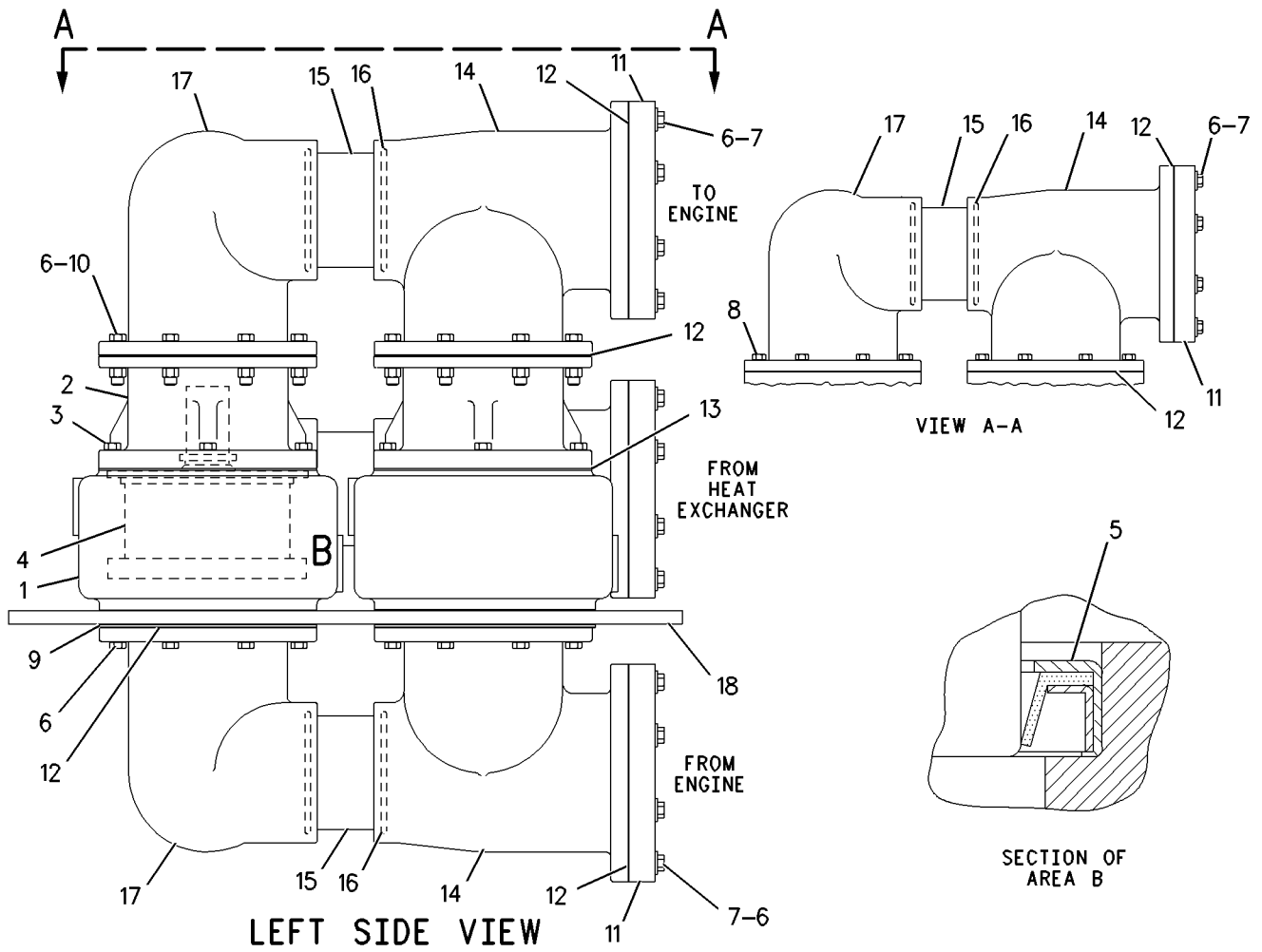
i01564458

| NOTE | REF NO | GRAPHIC REF | PART NUMBER | QTY | PART NAME | | | | | | SEE PAGE |
|------|--------|-------------|-------------|-----|------------------------------------|---|---|---|---|-------------------|----------|
| | | | | | 1 | 2 | 3 | 4 | 5 | 6 (PRODUCT LEVEL) | |
| | 1 | 1 | 7W-4116 | 2 | HOUSING AS-REGULATOR | | | | | | |
| | | | | | (EACH INCLUDES) | | | | | | |
| | | 1 | 2M-6471 | 2 | PLUG-CUP | | | | | | |
| | 2 | 1 | 7W-4111 | 2 | ADAPTER-EXPANSION TANK | | | | | | |
| | 3 | 1 | 0S-1588 | 16 | BOLT (3/8-16X1.25-IN) | | | | | | |
| | 4 | 1 | 6I-4952 | 8 | REGULATOR-WATER TEMPERATURE | | | | | | |
| | 5 | 1 | 3S-9643 | 8 | SEAL-LIP TYPE | | | | | | |
| | 6 | 1 | 0S-1591 | 56 | BOLT (3/8-16X1.5-IN) | | | | | | |
| | 7 | 1 | 3V-3308 | 24 | WASHER-HARD (10.2X20.5X2.5-MM THK) | | | | | | |
| | 8 | 1 | 0S-1594 | 16 | BOLT (3/8-16X1-IN) | | | | | | |
| | 9 | 1 | 7C-7481 | 2 | PLATE-ORIFICE | | | | | | |
| | 10 | 1 | 9S-8752 | 16 | NUT-FULL (3/8-16-THD) | | | | | | |
| | 11 | 1 | 7N-7009 | 3 | FLANGE | | | | | | |
| | 12 | 1 | 1S-5772 | 13 | GASKET | | | | | | |
| | 13 | 1 | 7W-3688 | 2 | GASKET | | | | | | |
| | 14 | 1 | 7W-8464 | 3 | ADAPTER-HOUSING | | | | | | |
| | 15 | 1 | 2W-5036 | 3 | TUBE | | | | | | |
| | 16 | 1 | 6V-5139 | 6 | SEAL-O-RING | | | | | | |
| | 17 | 1 | 7W-8463 | 3 | ELBOW-ADAPTER | | | | | | |
| | 18 | 1 | 7C-7784 | 1 | PLATE | | | | | | |

COOLING SYSTEM

7C-7785 HOUSING & REGULATOR GP (contd.)

i01564458



GRAPHIC #1

<END>

g00813946

COOLING SYSTEM

7C-7785 HOUSING & REGULATOR GP (CHG -05, -06)

INLET CONTROL - REMOTE MOUNTED

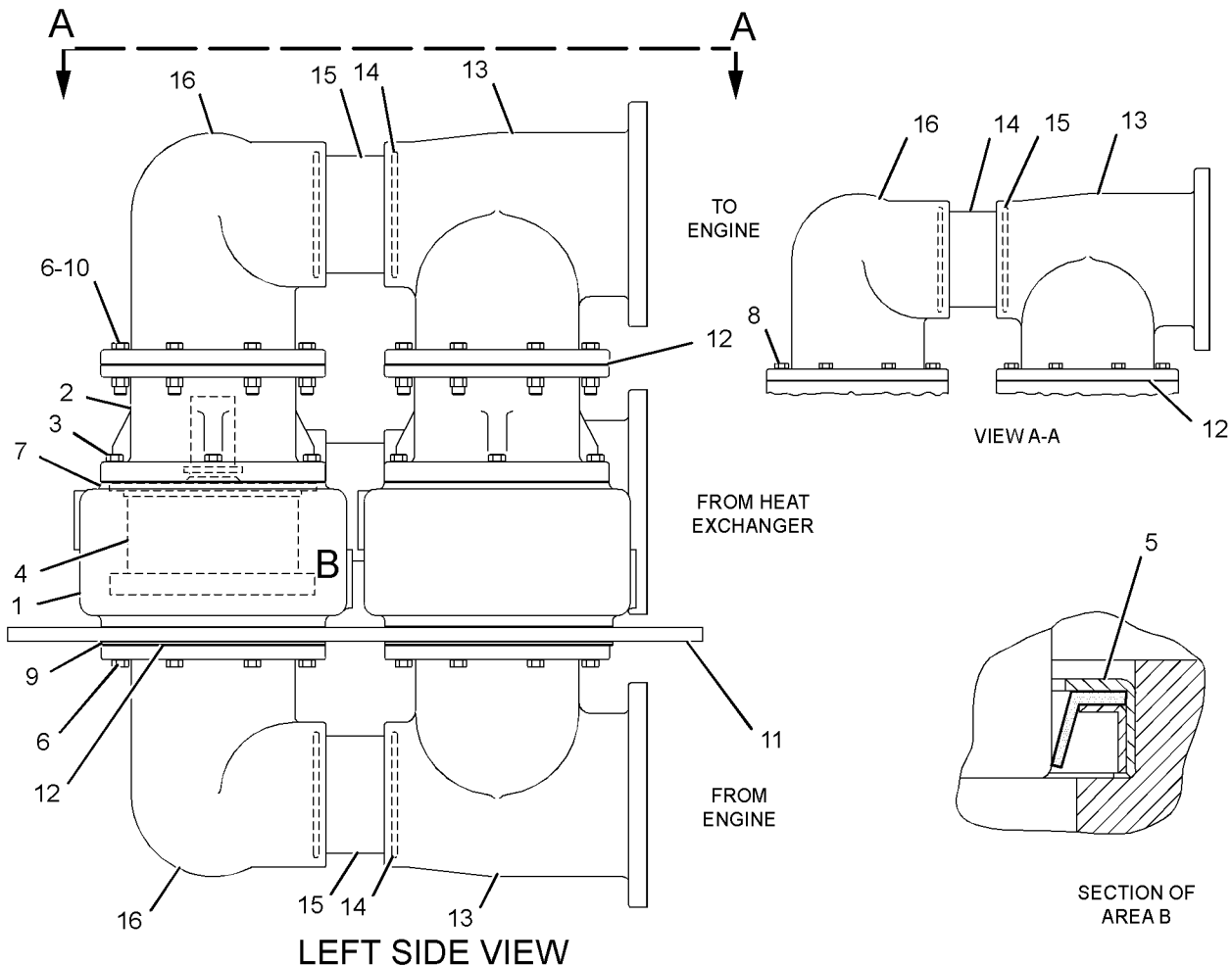
TYPE 2

SMCS-1355, 1393

i02583912

| NOTE | REF NO | GRAPHIC REF | PART NUMBER | QTY | PART NAME | | | | | | SEE PAGE |
|------|--------|-------------|-------------|-----|-----------------------------|---|---|---|---|-------------------|----------|
| | | | | | 1 | 2 | 3 | 4 | 5 | 6 (PRODUCT LEVEL) | |
| | 1 | 1 | 7W-4116 | 2 | HOUSING AS-REGULATOR | | | | | | |
| | | | | | (EACH INCLUDES) | | | | | | |
| | | 1 | 2M-6471 | 2 | PLUG-CUP | | | | | | |
| | 2 | 1 | 7W-4111 | 2 | ADAPTER-EXPANSION TANK | | | | | | |
| | 3 | 1 | 0S-1588 | 16 | BOLT (3/8-16X1.25-IN) | | | | | | |
| | 4 | 1 | 6I-4952 | 8 | REGULATOR-WATER TEMPERATURE | | | | | | |
| | 5 | 1 | 3S-9643 | 8 | SEAL-LIP TYPE | | | | | | |
| C | 6 | 1 | 0S-1591 | 32 | BOLT (3/8-16X1.5-IN) | | | | | | |
| | 7 | 1 | 7W-3688 | 2 | GASKET | | | | | | |
| | 8 | 1 | 0S-1594 | 16 | BOLT (3/8-16X1-IN) | | | | | | |
| | 9 | 1 | 7C-7481 | 2 | PLATE-ORIFICE | | | | | | |
| C | 10 | 1 | 9S-8752 | 16 | NUT-FULL (3/8-16-THD) | | | | | | |
| | 11 | 1 | 7C-7784 | 1 | PLATE | | | | | | |
| | 12 | 1 | 1S-5772 | 10 | GASKET | | | | | | |
| | 13 | 1 | 7W-8464 | 3 | ADAPTER-HOUSING | | | | | | |
| | 14 | 1 | 2W-5036 | 3 | TUBE | | | | | | |
| | 15 | 1 | 6V-5139 | 6 | SEAL-O-RING | | | | | | |
| | 16 | 1 | 7W-8463 | 3 | ELBOW-ADAPTER | | | | | | |

C- CHANGE FROM PREVIOUS TYPE



GRAPHIC #1

<END>

g01301020

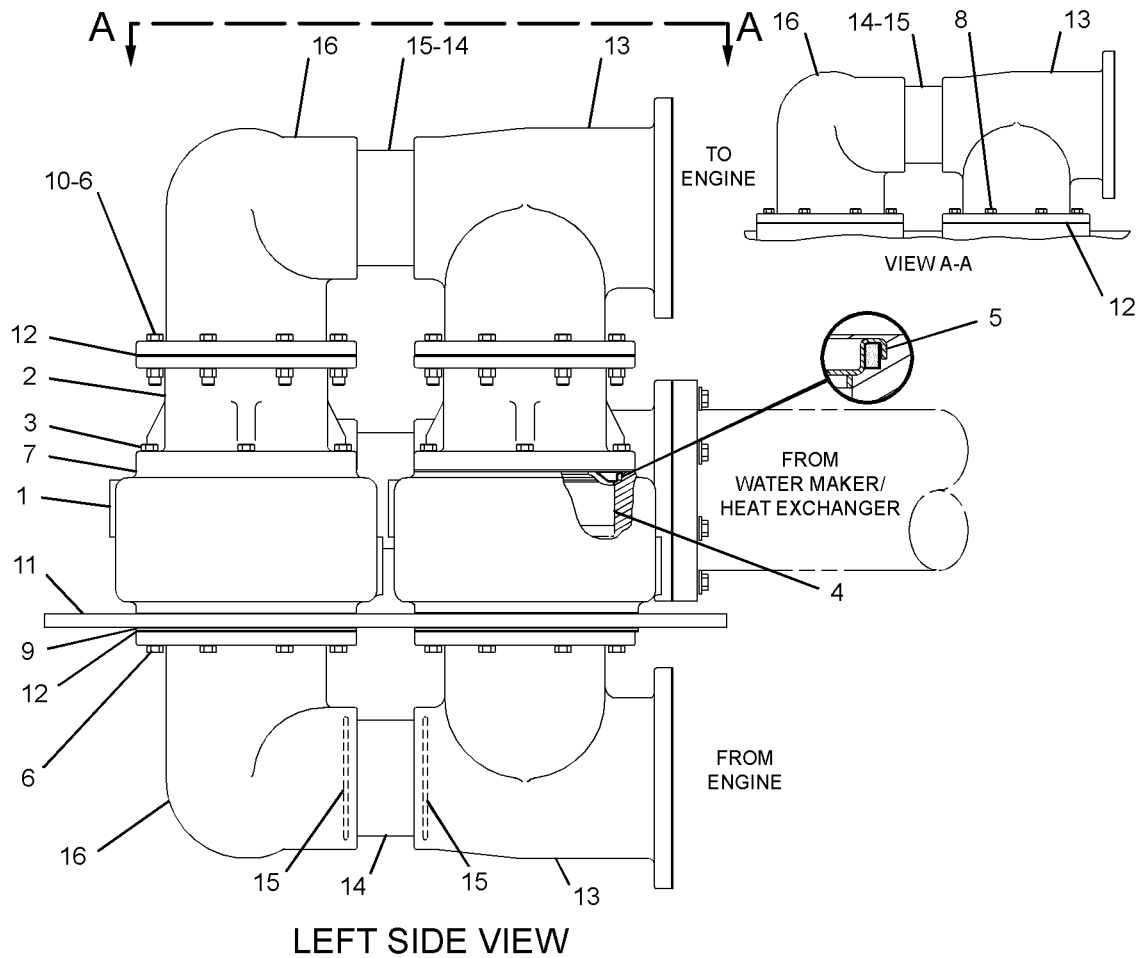
COOLING SYSTEM

102-3718 HOUSING & REGULATOR GP (CHG -00 THRU -04) 83 DEGREES C. INLET CONTROL, REMOTE MOUNTED

SMCS-1355, 1393

i02570107

| NOTE | REF NO | GRAPHIC REF | PART NUMBER | QTY | PART NAME | | | | | | SEE PAGE |
|------|--------|-------------|-------------|-----|----------------------------------|---|---|---|---|-------------------|----------|
| | | | | | 1 | 2 | 3 | 4 | 5 | 6 (PRODUCT LEVEL) | |
| | 1 | 1 | 7W-4116 | 2 | HOUSING AS-REGULATOR | | | | | | |
| | | | | | (EACH INCLUDES) | | | | | | |
| | | 1 | 2M-6471 | 2 | PLUG-CUP | | | | | | |
| | 2 | 1 | 7W-4111 | 2 | ADAPTER-EXPANSION TANK | | | | | | |
| | 3 | 1 | 0S-1588 | 16 | BOLT (3/8-16X1.25-IN) | | | | | | |
| | 4 | 1 | 120-9453 | 8 | REGULATOR-TEMPERATURE (85-DEG C) | | | | | | |
| | 5 | 1 | 3S-9643 | 8 | SEAL-LIP TYPE | | | | | | |
| | 6 | 1 | 0S-1591 | 32 | BOLT (3/8-16X1.5-IN) | | | | | | |
| | 7 | 1 | 7W-3688 | 2 | GASKET | | | | | | |
| | 8 | 1 | 0S-1594 | 16 | BOLT (3/8-16X1-IN) | | | | | | |
| | 9 | 1 | 7C-7481 | 2 | PLATE-ORIFICE | | | | | | |
| | 10 | 1 | 9S-8752 | 16 | NUT-FULL (3/8-16-THD) | | | | | | |
| | 11 | 1 | 7C-7784 | 1 | PLATE | | | | | | |
| | 12 | 1 | 1S-5772 | 10 | GASKET | | | | | | |
| | 13 | 1 | 7W-8464 | 3 | ADAPTER-HOUSING | | | | | | |
| | 14 | 1 | 2W-5036 | 3 | TUBE | | | | | | |
| | 15 | 1 | 6V-5139 | 6 | SEAL-O-RING | | | | | | |
| | 16 | 1 | 7W-8463 | 3 | ELBOW-ADAPTER | | | | | | |



GRAPHIC #1

<END>

g01287708

COOLING SYSTEM

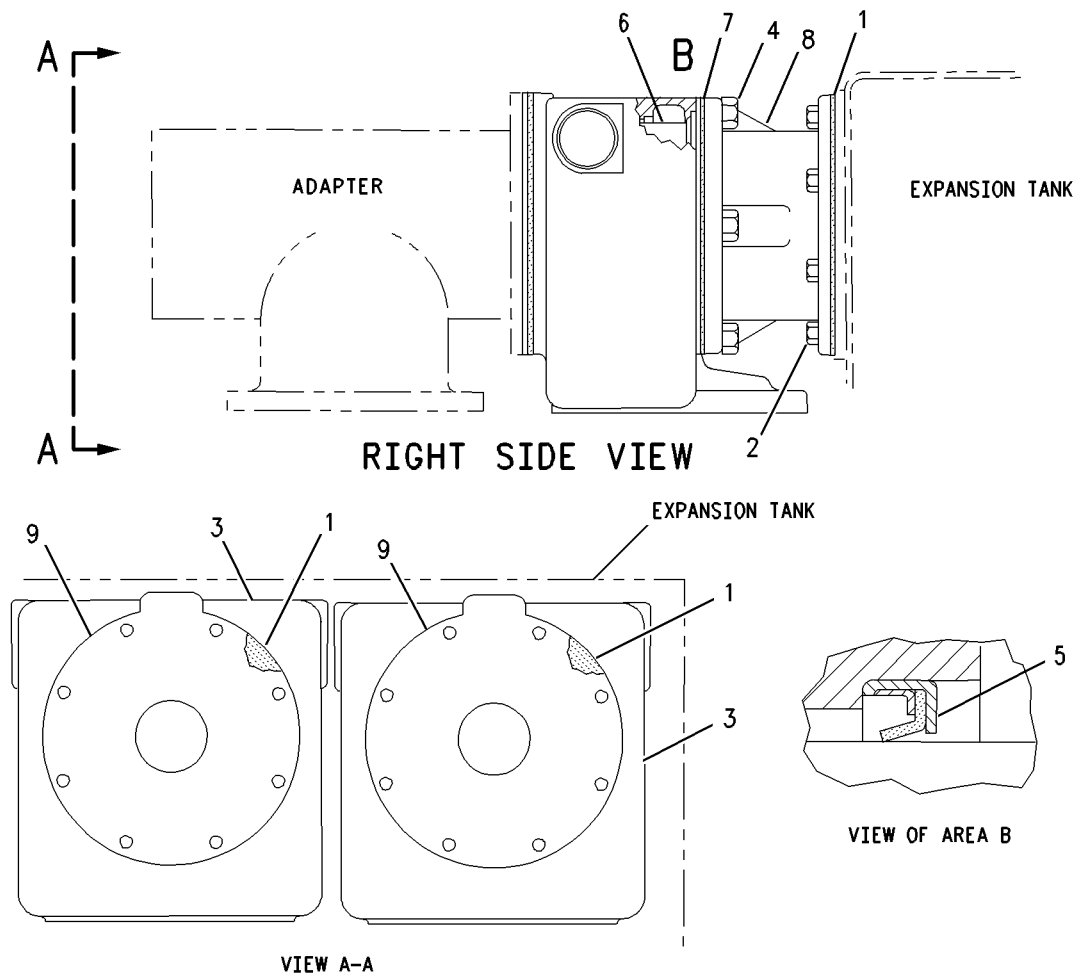
112-5416 HOUSING & REGULATOR GP (CHG -01) 83 DEGREES CELCIUS. INLET CONTROL

SMCS-1355, 1393

i01497228

| NOTE | REF NO | GRAPHIC REF | PART NUMBER | QTY | PART NAME | | | | | | SEE PAGE |
|------|--------|-------------|-------------|-----|---|---|---|---|---|-------------------|----------|
| | | | | | 1 | 2 | 3 | 4 | 5 | 6 (PRODUCT LEVEL) | |
| | 1 | 1 | 1S-5772 | 4 | GASKET | | | | | | |
| | 2 | 1 | 0S-1594 | 16 | BOLT (3/8-16X1-IN) | | | | | | |
| | 3 | 1 | 7W-4116 | 2 | HOUSING AS-REGULATOR (EACH INCLUDES) | | | | | | |
| | | 1 | 2M-6471 | 2 | PLUG-CUP | | | | | | |
| | 4 | 1 | 0S-1588 | 16 | BOLT (3/8-16X1.25-IN) | | | | | | |
| | 5 | 1 | 3S-9643 | 8 | SEAL-LIP TYPE | | | | | | |
| C | 6 | 1 | 120-9453 | 8 | REGULATOR-TEMPERATURE (85-DEG C) | | | | | | |
| | 7 | 1 | 7W-3688 | 2 | GASKET | | | | | | |
| | 8 | 1 | 7W-4111 | 2 | ADAPTER-EXPANSION TANK | | | | | | |
| | 9 | 1 | 7C-8635 | 2 | PLATE-ORIFICE | | | | | | |

C- CHANGE FROM PREVIOUS TYPE



GRAPHIC #1

<END>

g00777179

COOLING SYSTEM

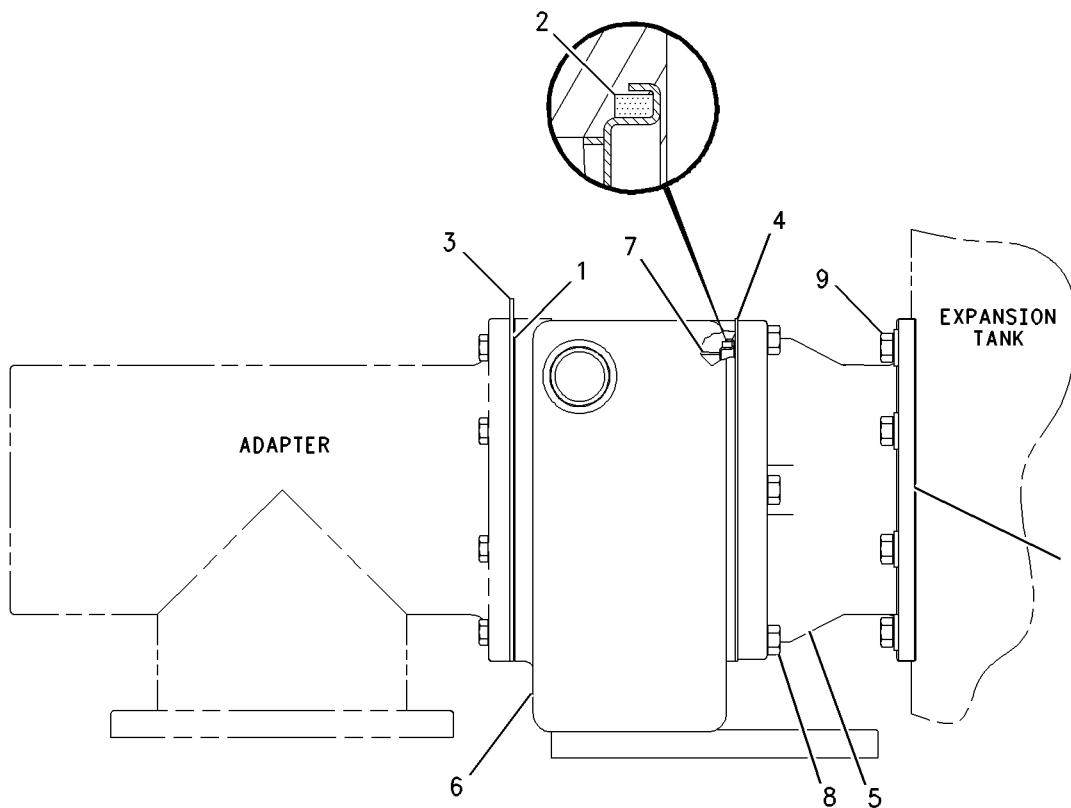
113-5768 HOUSING & REGULATOR GP (CHG -00 THRU -02) 93 DEGREES CELSIUS. INLET CONTROL

SMCS-1355, 1393

i01494618

| NOTE | REF NO | GRAPHIC REF | PART NUMBER | QTY | PART NAME | | | | | | SEE PAGE |
|------|--------|-------------|-------------|-----|--|---|---|---|---|-------------------|----------|
| | | | | | 1 | 2 | 3 | 4 | 5 | 6 (PRODUCT LEVEL) | |
| | 1 | 1 | 1S-5772 | 4 | GASKET | | | | | | |
| | 2 | 1 | 3S-9643 | 8 | SEAL-LIP TYPE | | | | | | |
| | 3 | 1 | 7C-8635 | 2 | PLATE-ORIFICE | | | | | | |
| | 4 | 1 | 7W-3688 | 2 | GASKET | | | | | | |
| | 5 | 1 | 7W-4111 | 2 | ADAPTER-EXPANSION TANK | | | | | | |
| | 6 | 1 | 7W-4116 | 2 | HOUSING AS-REGULATOR | | | | | | |
| | | | | | (EACH INCLUDES) | | | | | | |
| | | 1 | 2M-6471 | 2 | PLUG-CUP | | | | | | |
| | 7 | 1 | 174-6584 | 8 | REGULATOR-WATER TEMPERATURE (98-DEG C) | | | | | | |
| | 8 | 1 | 0S-1588 | 16 | BOLT (3/8-16X1.25-IN) | | | | | | |
| | 9 | 1 | 0S-1594 | 16 | BOLT (3/8-16X1-IN) | | | | | | |

QUANTITIES SHOWN ARE THOSE REQUIRED FOR BOTH LH AND RH SIDES



RIGHT SIDE VIEW

GRAPHIC #1

<END>

g00776784

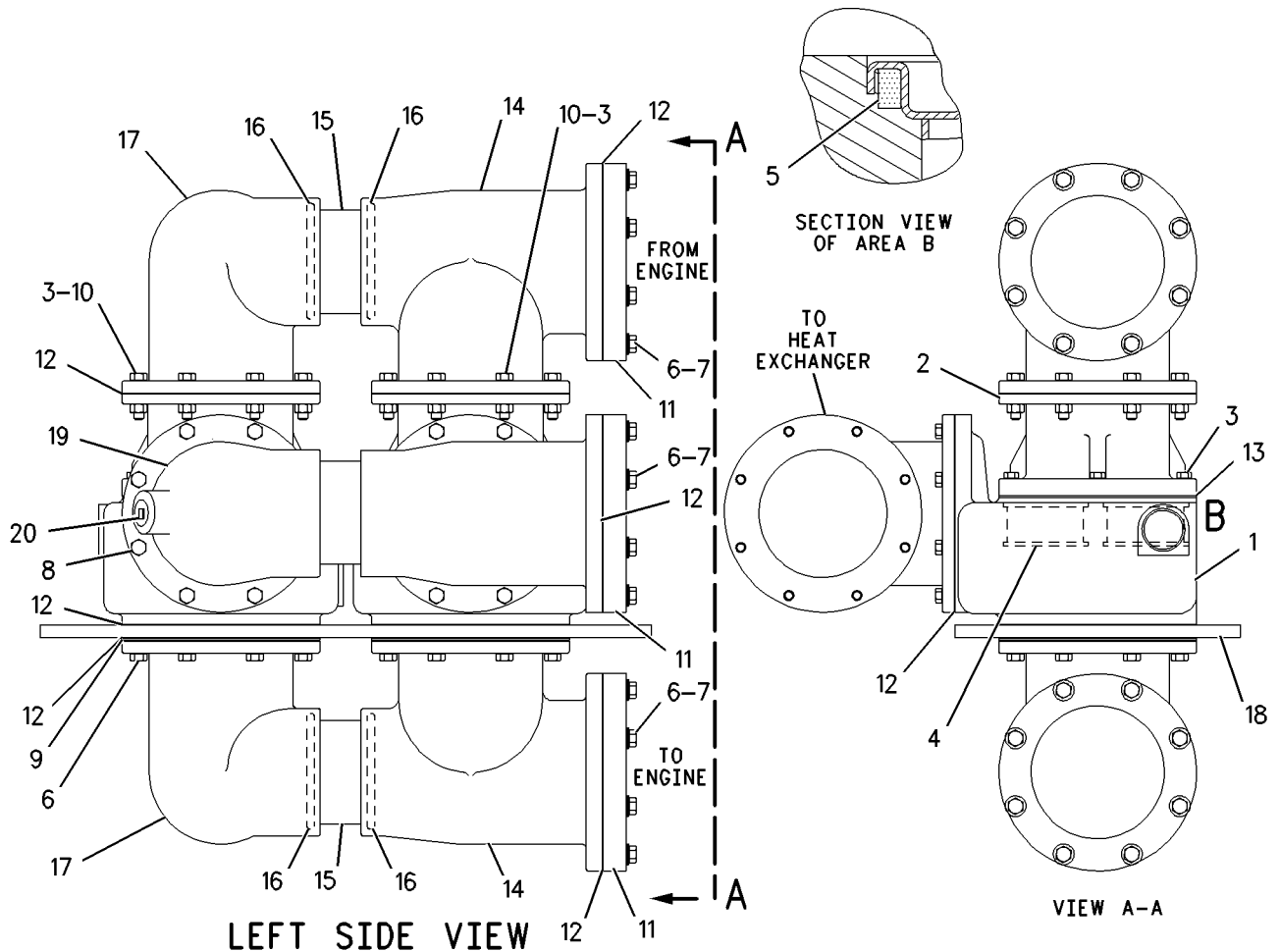
COOLING SYSTEM

120-0415 HOUSING & REGULATOR GP (CHG -00 THRU -04) 110 DEG C. AN OUTLET CONTROLLED JACKET WATER REGULATOR GP

SMCS-1355, 1393

i01564445

| NOTE | REF NO | GRAPHIC REF | PART NUMBER | QTY | PART NAME | | | | | | SEE PAGE |
|------|--------|-------------|-------------|-----|---|---|---|---|---|-------------------|----------|
| | | | | | 1 | 2 | 3 | 4 | 5 | 6 (PRODUCT LEVEL) | |
| | 1 | 1 | 7W-4116 | 2 | HOUSING AS-REGULATOR | | | | | | |
| | 2 | 1 | 7W-4111 | 2 | ADAPTER-EXPANSION TANK | | | | | | |
| | 3 | 1 | 0S-1588 | 32 | BOLT (3/8-16X1.25-IN) | | | | | | |
| | 4 | 1 | 142-9675 | 8 | REGULATOR-WATER TEMPERATURE (120-DEG C) | | | | | | |
| | 5 | 1 | 3S-9643 | 8 | SEAL-LIP TYPE | | | | | | |
| | 6 | 1 | 0S-1591 | 40 | BOLT (3/8-16X1.5-IN) | | | | | | |
| | 7 | 1 | 3V-3308 | 24 | WASHER-HARD (10.2X20.5X2.5-MM THK) | | | | | | |
| | 8 | 1 | 0S-1594 | 16 | BOLT (3/8-16X1-IN) | | | | | | |
| | 9 | 1 | 7C-8635 | 2 | PLATE-ORIFICE | | | | | | |
| | 10 | 1 | 9S-8752 | 16 | NUT-FULL (3/8-16-THD) | | | | | | |
| | 11 | 1 | 7N-7009 | 3 | FLANGE | | | | | | |
| | 12 | 1 | 1S-5772 | 13 | GASKET | | | | | | |
| | 13 | 1 | 7W-3688 | 2 | GASKET | | | | | | |
| | 14 | 1 | 7W-8464 | 3 | ADAPTER-HOUSING | | | | | | |
| | 15 | 1 | 2W-5036 | 3 | TUBE | | | | | | |
| | 16 | 1 | 6V-5139 | 6 | SEAL-O-RING | | | | | | |
| | 17 | 1 | 7W-8463 | 2 | ELBOW-ADAPTER | | | | | | |
| | 18 | 1 | 7C-7784 | 1 | PLATE | | | | | | |
| | 19 | 1 | 151-3001 | 1 | ELBOW-ADAPTER | | | | | | |
| | 20 | 1 | 8T-6762 | 1 | PLUG-PIPE | | | | | | |



GRAPHIC #1

<END>

g00814086

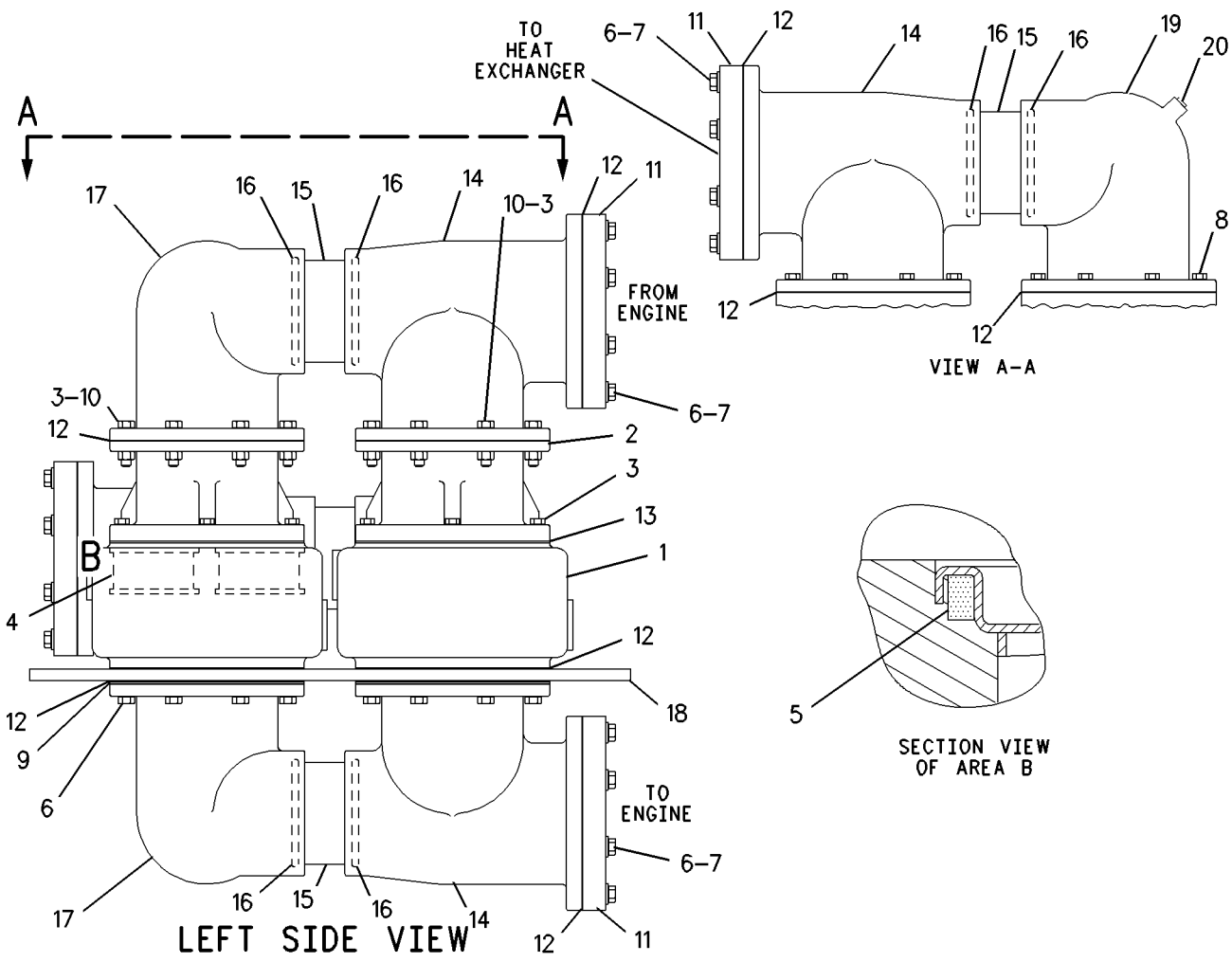
COOLING SYSTEM

120-7522 HOUSING & REGULATOR GP (CHG -00 THRU -06) REMOTE MOUNTED-54 DEGREES CELSIUS

SMCS-1355, 1393

i01564446

| NOTE | REF NO | GRAPHIC REF | PART NUMBER | QTY | PART NAME | | | | | | SEE PAGE |
|------|--------|-------------|-------------|-----|------------------------------------|---|---|---|---|-------------------|----------|
| | | | | | 1 | 2 | 3 | 4 | 5 | 6 (PRODUCT LEVEL) | |
| | 1 | 1 | 7W-4116 | 2 | HOUSING AS-REGULATOR | | | | | | |
| | 2 | 1 | 7W-4111 | 2 | ADAPTER-EXPANSION TANK | | | | | | |
| | 3 | 1 | OS-1588 | 32 | BOLT (3/8-16X1.25-IN) | | | | | | |
| | 4 | 1 | 6I-4952 | 8 | REGULATOR-WATER TEMPERATURE | | | | | | |
| | 5 | 1 | 3S-9643 | 8 | SEAL-LIP TYPE | | | | | | |
| | 6 | 1 | OS-1591 | 40 | BOLT (3/8-16X1.5-IN) | | | | | | |
| | 7 | 1 | 3V-3308 | 24 | WASHER-HARD (10.2X20.5X2.5-MM THK) | | | | | | |
| | 8 | 1 | OS-1594 | 16 | BOLT (3/8-16X1-IN) | | | | | | |
| | 9 | 1 | 7C-7481 | 2 | PLATE-ORIFICE | | | | | | |
| | 10 | 1 | 9S-8752 | 16 | NUT-FULL (3/8-16-THD) | | | | | | |
| | 11 | 1 | 7N-7009 | 3 | FLANGE | | | | | | |
| | 12 | 1 | 1S-5772 | 13 | GASKET | | | | | | |
| | 13 | 1 | 7W-3688 | 2 | GASKET | | | | | | |
| | 14 | 1 | 7W-8464 | 3 | ADAPTER-HOUSING | | | | | | |
| | 15 | 1 | 2W-5036 | 3 | TUBE | | | | | | |
| | 16 | 1 | 6V-5139 | 6 | SEAL-O-RING | | | | | | |
| | 17 | 1 | 7W-8463 | 2 | ELBOW-ADAPTER | | | | | | |
| | 18 | 1 | 7C-7784 | 1 | PLATE | | | | | | |
| | 19 | 1 | 151-3001 | 1 | ELBOW-ADAPTER | | | | | | |
| | 20 | 1 | 8T-6762 | 1 | PLUG-PIPE | | | | | | |



GRAPHIC #1

<END>

g00814099

COOLING SYSTEM

124-8584 HOUSING & REGULATOR GP (CHG -01 THRU -04)

SMCS-1355, 1393

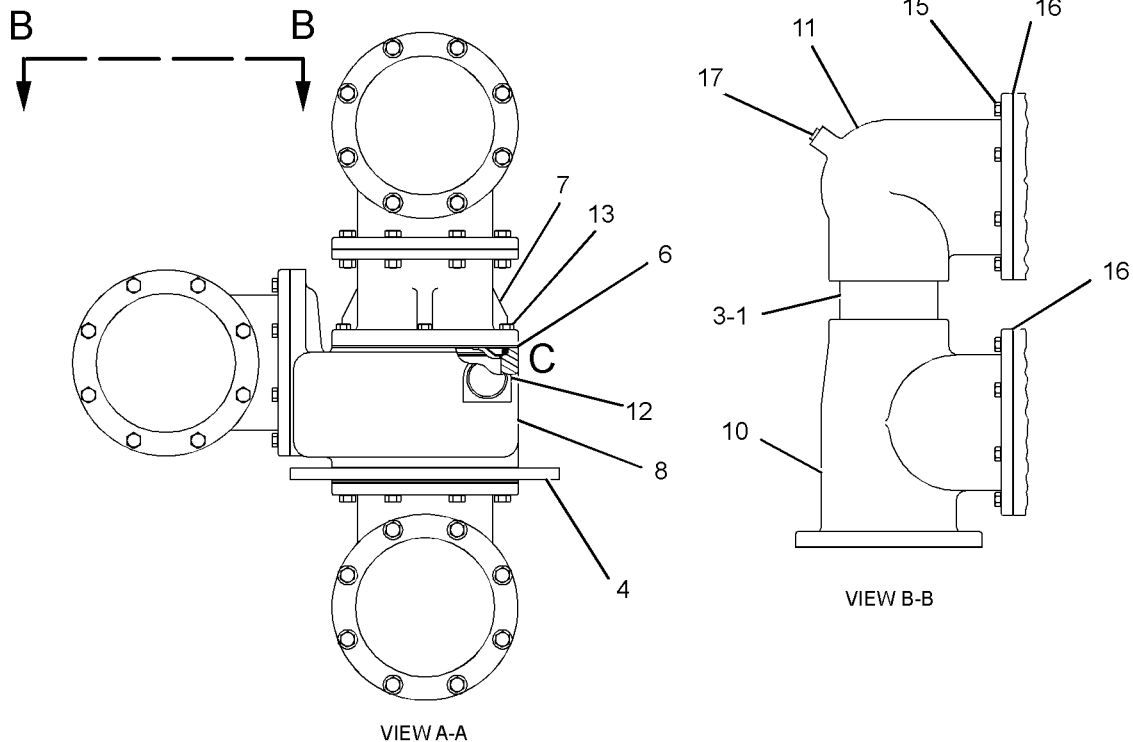
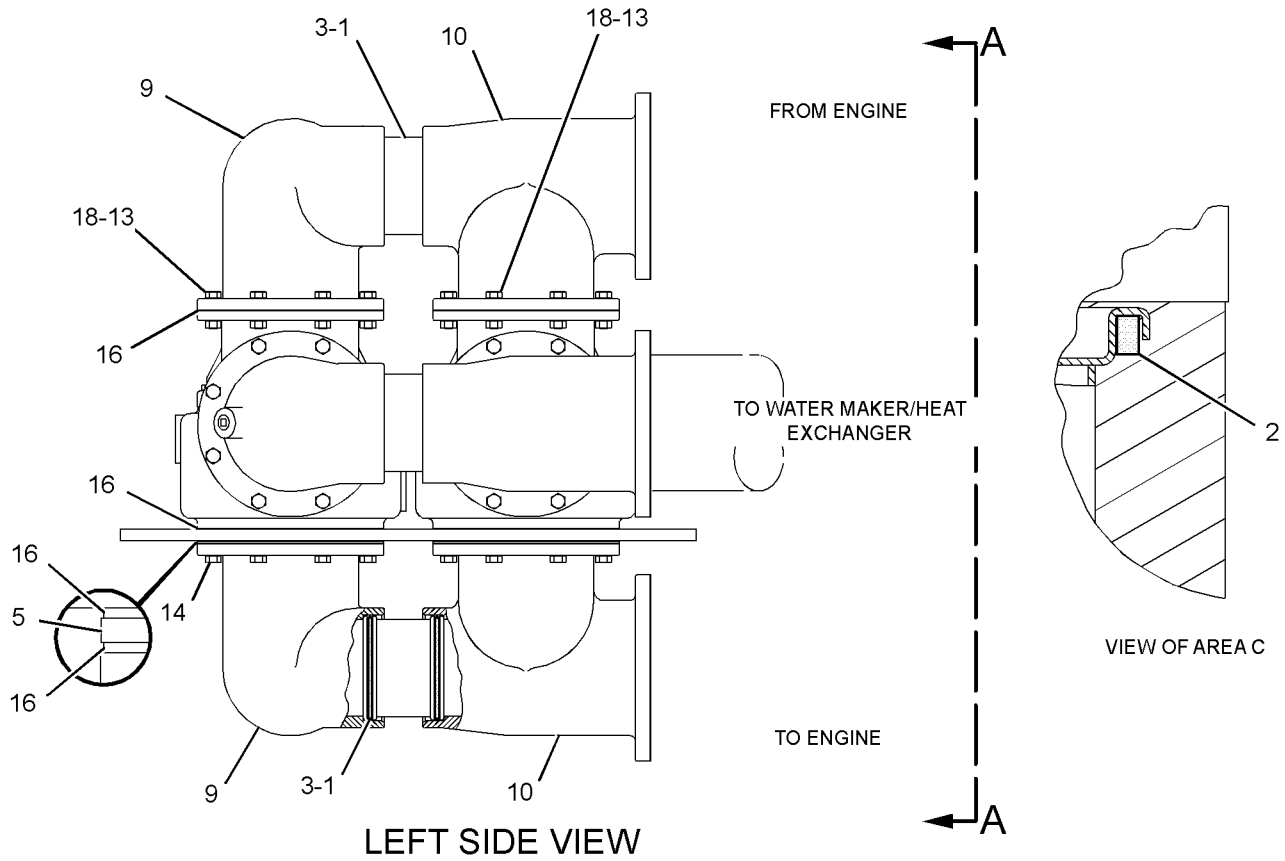
i02585452

| NOTE | REF NO | GRAPHIC REF | PART NUMBER | QTY | PART NAME | | | | | | SEE PAGE |
|------|--------|-------------|-----------------|-----|---|---|---|---|---|-------------------|----------|
| | | | | | 1 | 2 | 3 | 4 | 5 | 6 (PRODUCT LEVEL) | |
| | 1 | 1 | 2W-5036 | 3 | TUBE | | | | | | |
| | 2 | 1 | 3S-9643 | 8 | SEAL-LIP TYPE (TEMPERATURE REGULATOR) | | | | | | |
| | 3 | 1 | 6V-5139 | 6 | SEAL-O-RING | | | | | | |
| | 4 | 1 | 7C-7784 | 1 | PLATE | | | | | | |
| | 5 | 1 | 7C-8635 | 2 | PLATE-ORIFICE | | | | | | |
| | 6 | 1 | 7W-3688 | 2 | GASKET | | | | | | |
| | 7 | 1 | 7W-4111 | 2 | ADAPTER-EXPANSION TANK | | | | | | |
| | 8 | 1 | 7W-4116 | 2 | HOUSING AS-REGULATOR (EACH INCLUDES) | | | | | | |
| | | 1 | 2M-6471 | 2 | PLUG-CUP | | | | | | |
| | 9 | 1 | 7W-8463 | 2 | ELBOW-ADAPTER | | | | | | |
| | 10 | 1 | 7W-8464 | 3 | ADAPTER-HOUSING | | | | | | |
| | 11 | 1 | 151-3001 | 1 | ELBOW-ADAPTER | | | | | | |
| | 12 | 1 | 174-3504 | 8 | REGULATOR-WATER TEMPERATURE | | | | | | |
| | 13 | 1 | 0S-1588 | 32 | BOLT (3/8-16X1.25-IN) | | | | | | |
| | 14 | 1 | 0S-1591 | 16 | BOLT (3/8-16X1.5-IN) | | | | | | |
| | 15 | 1 | 0S-1594 | 16 | BOLT (3/8-16X1-IN) | | | | | | |
| | 16 | 1 | 1S-5772 | 10 | GASKET | | | | | | |
| | 17 | 1 | 8T-6762 | 1 | PLUG-PIPE | | | | | | |
| | 18 | 1 | 9S-8752 | 16 | NUT-FULL (3/8-16-THD) | | | | | | |

COOLING SYSTEM

124-8584 HOUSING & REGULATOR GP (contd.)

i02585452



GRAPHIC #1

<END>

g01295165

COOLING SYSTEM

142 - 1341 HOUSING & REGULATOR GP (CHG -00 THRU -02) 32 DEGREES CELCIUS. OUTLET CONTROL

SMCS - 1355, 1393

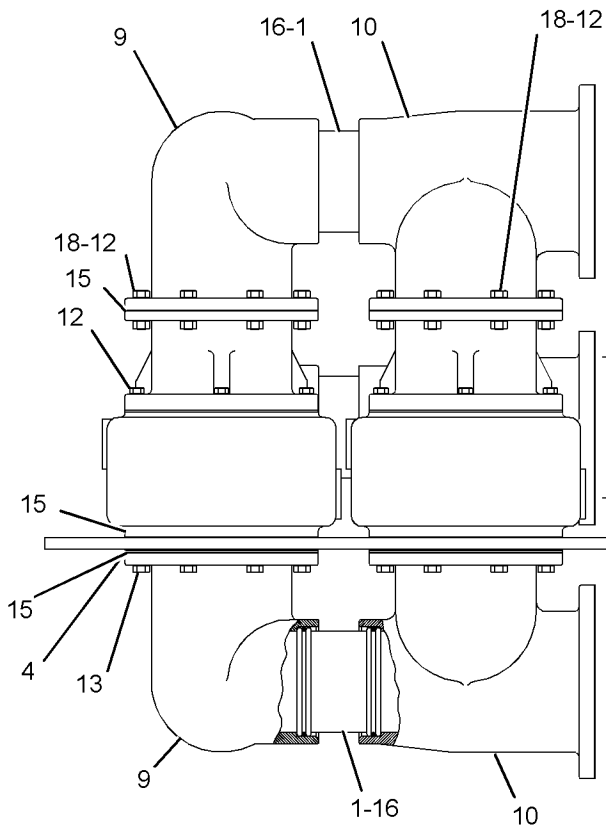
i02585453

| NOTE | REF NO | GRAPHIC REF | PART NUMBER | QTY | PART NAME | | | | | | SEE PAGE |
|------|--------|-------------|-----------------|-----|---|---|---|---|---|-------------------|----------|
| | | | | | 1 | 2 | 3 | 4 | 5 | 6 (PRODUCT LEVEL) | |
| | 1 | 1 | 2W-5036 | 3 | TUBE | | | | | | |
| | 2 | 1 | 3S-9643 | 8 | SEAL - LIP TYPE | | | | | | |
| | 3 | 1 | 6I-4953 | 8 | REGULATOR - WATER TEMPERATURE | | | | | | |
| | 4 | 1 | 7C-7481 | 2 | PLATE - ORIFICE | | | | | | |
| | 5 | 1 | 7C-7784 | 1 | PLATE | | | | | | |
| | 6 | 1 | 7W-3688 | 2 | GASKET | | | | | | |
| | 7 | 1 | 7W-4111 | 2 | ADAPTER - EXPANSION TANK | | | | | | |
| | 8 | 1 | 7W-4116 | 2 | HOUSING AS - REGULATOR (EACH INCLUDES) | | | | | | |
| | | 1 | 2M-6471 | 2 | PLUG - CUP | | | | | | |
| | 9 | 1 | 7W-8463 | 2 | ELBOW - ADAPTER | | | | | | |
| | 10 | 1 | 7W-8464 | 3 | ADAPTER - HOUSING | | | | | | |
| | 11 | 1 | 151-3001 | 1 | ELBOW - ADAPTER | | | | | | |
| | 12 | 1 | 0S-1588 | 32 | BOLT (3/8-16X1.25-IN) | | | | | | |
| | 13 | 1 | 0S-1591 | 16 | BOLT (3/8-16X1.5-IN) | | | | | | |
| | 14 | 1 | 0S-1594 | 16 | BOLT (3/8-16X1-IN) | | | | | | |
| | 15 | 1 | 1S-5772 | 10 | GASKET | | | | | | |
| | 16 | 1 | 6V-5139 | 6 | SEAL - O-RING | | | | | | |
| | 17 | 1 | 8T-6762 | 1 | PLUG - PIPE | | | | | | |
| | 18 | 1 | 9S-8752 | 16 | NUT - FULL (3/8-16-THD) | | | | | | |

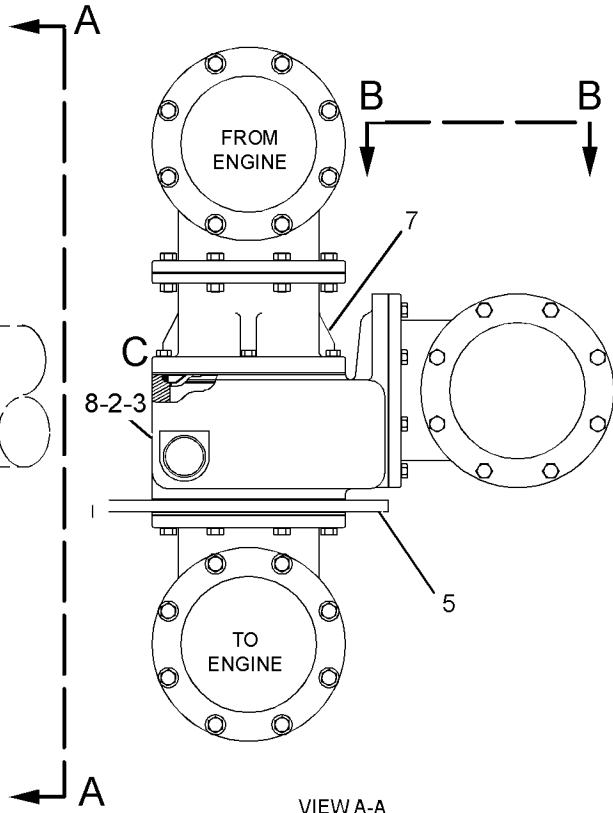
COOLING SYSTEM

142-1341 HOUSING & REGULATOR GP (contd.)

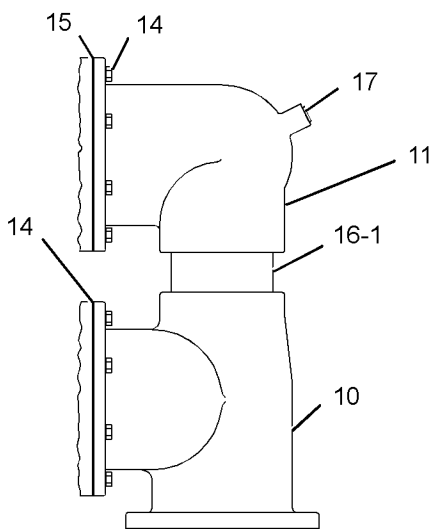
i02585453



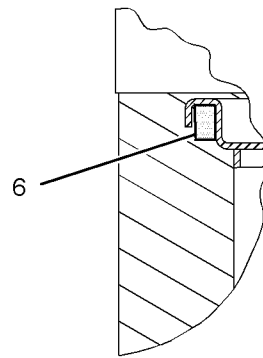
LEFT SIDE VIEW



VIEW A-A



VIEW B-B



VIEW OF AREA C

GRAPHIC #1

<END>

g01302037

COOLING SYSTEM

193 - 2188 HOUSING & REGULATOR GP (CHG -00)

SMCS - 1355, 1393

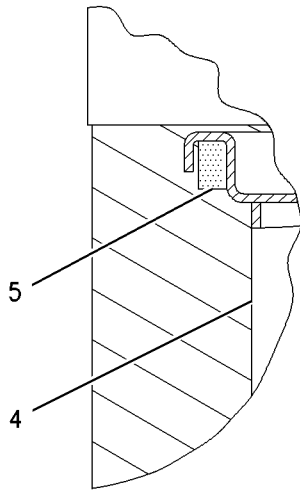
i01922607

| NOTE | REF NO | GRAPHIC REF | PART NUMBER | QTY | PART NAME | | | | | | SEE PAGE |
|------|--------|-------------|-------------|-----|--|---|---|---|---|-------------------|----------|
| | | | | | 1 | 2 | 3 | 4 | 5 | 6 (PRODUCT LEVEL) | |
| | 1 | 1 | 7W-4116 | 2 | HOUSING AS-REGULATOR | | | | | | |
| | | | | | (EACH INCLUDES) | | | | | | |
| | | 1 | 2M-6471 | 2 | PLUG-CUP | | | | | | |
| | 2 | 1 | 7W-4111 | 2 | ADAPTER-EXPANSION TANK | | | | | | |
| | 3 | 1 | 0S-1588 | 16 | BOLT (3/8-16X1.25-IN) | | | | | | |
| | 4 | 1 | 174-6584 | 8 | REGULATOR-WATER TEMPERATURE (98-DEG C) | | | | | | |
| | 5 | 1 | 3S-9643 | 8 | SEAL-LIP TYPE | | | | | | |
| | 6 | 1 | 0S-1591 | 56 | BOLT (3/8-16X1.5-IN) | | | | | | |
| | 7 | 1 | 3V-3308 | 24 | WASHER-HARD (10.2X20.5X2.5-MM THK) | | | | | | |
| | 8 | 1 | 8N-6984 | 3 | COVER | | | | | | |
| | 9 | 1 | 7C-7481 | 2 | PLATE-ORIFICE | | | | | | |
| | 10 | 1 | 9S-8752 | 16 | NUT-FULL (3/8-16-THD) | | | | | | |
| | 11 | 1 | 7N-7009 | 3 | FLANGE | | | | | | |
| | 12 | 1 | 1S-5772 | 13 | GASKET | | | | | | |
| | 13 | 1 | 7W-8464 | 3 | ADAPTER-HOUSING | | | | | | |
| | 14 | 1 | 2W-5036 | 3 | TUBE | | | | | | |
| | 15 | 1 | 6V-5139 | 6 | SEAL-O-RING | | | | | | |
| | 16 | 1 | 7W-8463 | 3 | ELBOW-ADAPTER | | | | | | |
| | 17 | 1 | 7C-7784 | 1 | PLATE | | | | | | |
| | 18 | 1 | 7W-3688 | 2 | GASKET | | | | | | |
| | 19 | 1 | 0S-1594 | 16 | BOLT (3/8-16X1-IN) | | | | | | |

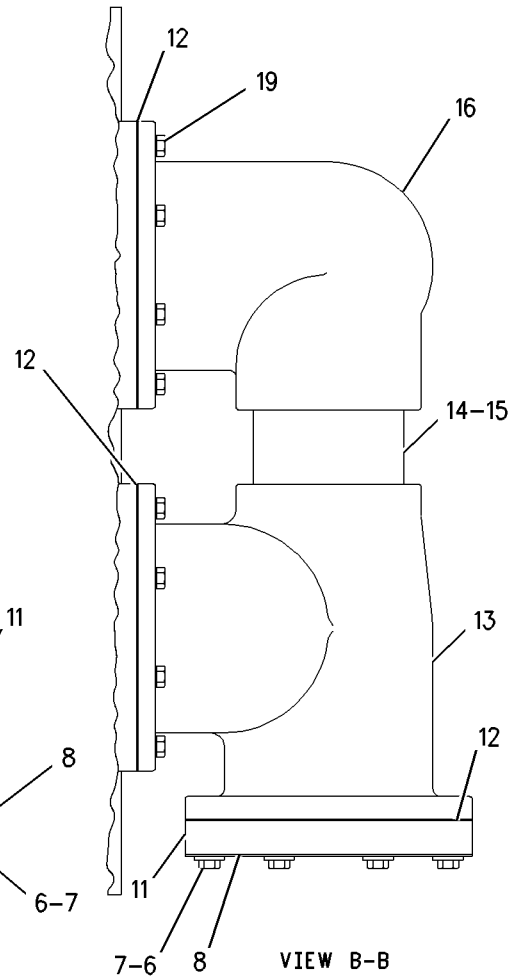
COOLING SYSTEM

193-2188 HOUSING & REGULATOR GP (contd.)

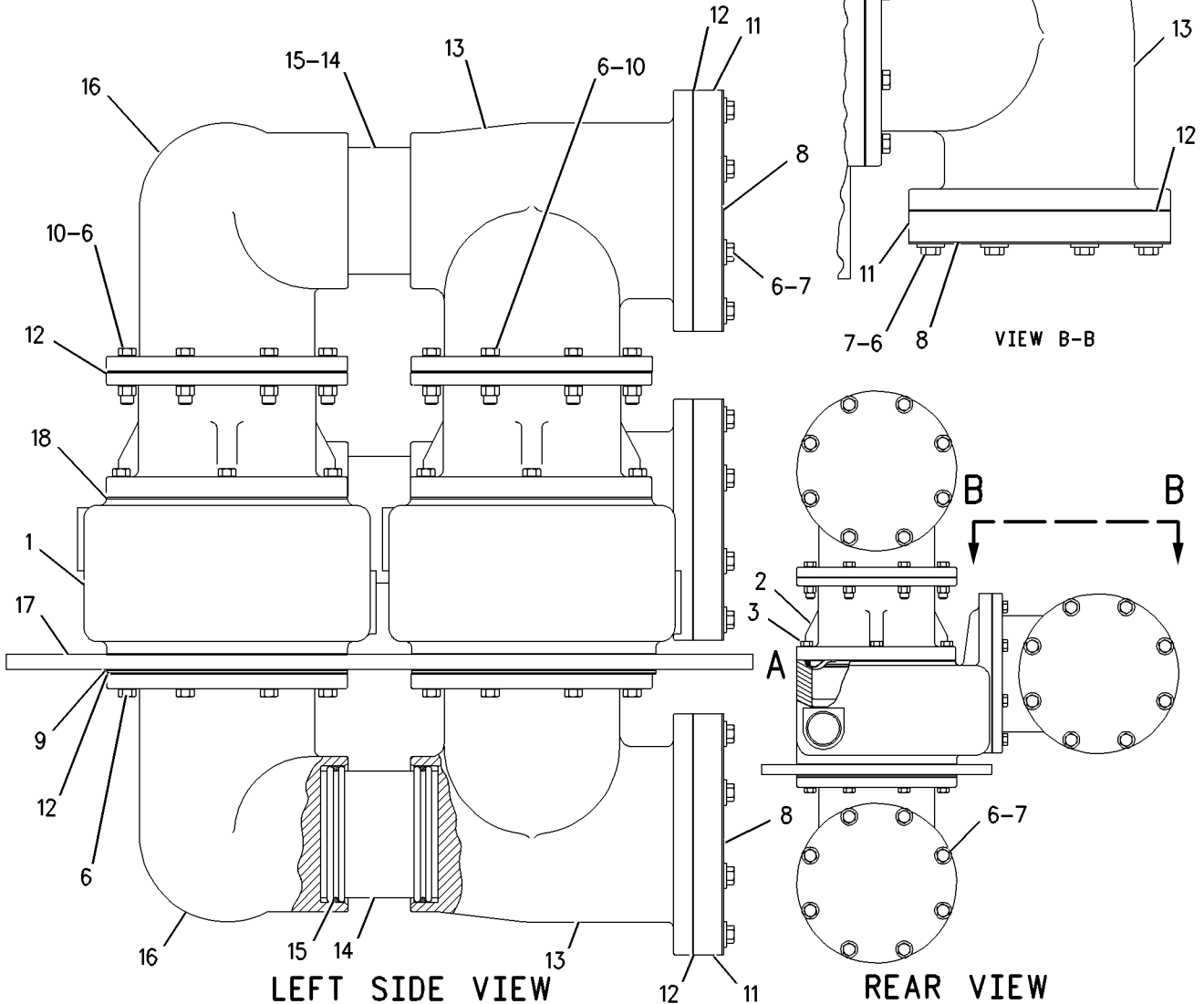
i01922607



VIEW OF AREA A



VIEW B-B



LEFT SIDE VIEW

REAR VIEW

GRAPHIC #1

<END>

g00814381

COOLING SYSTEM

196-0430 HOUSING & REGULATOR GP (CHG -00, -01) 99 DEGREE C. JACKET WATER OUTLET CONTROLLED

SMCS-1355, 1393

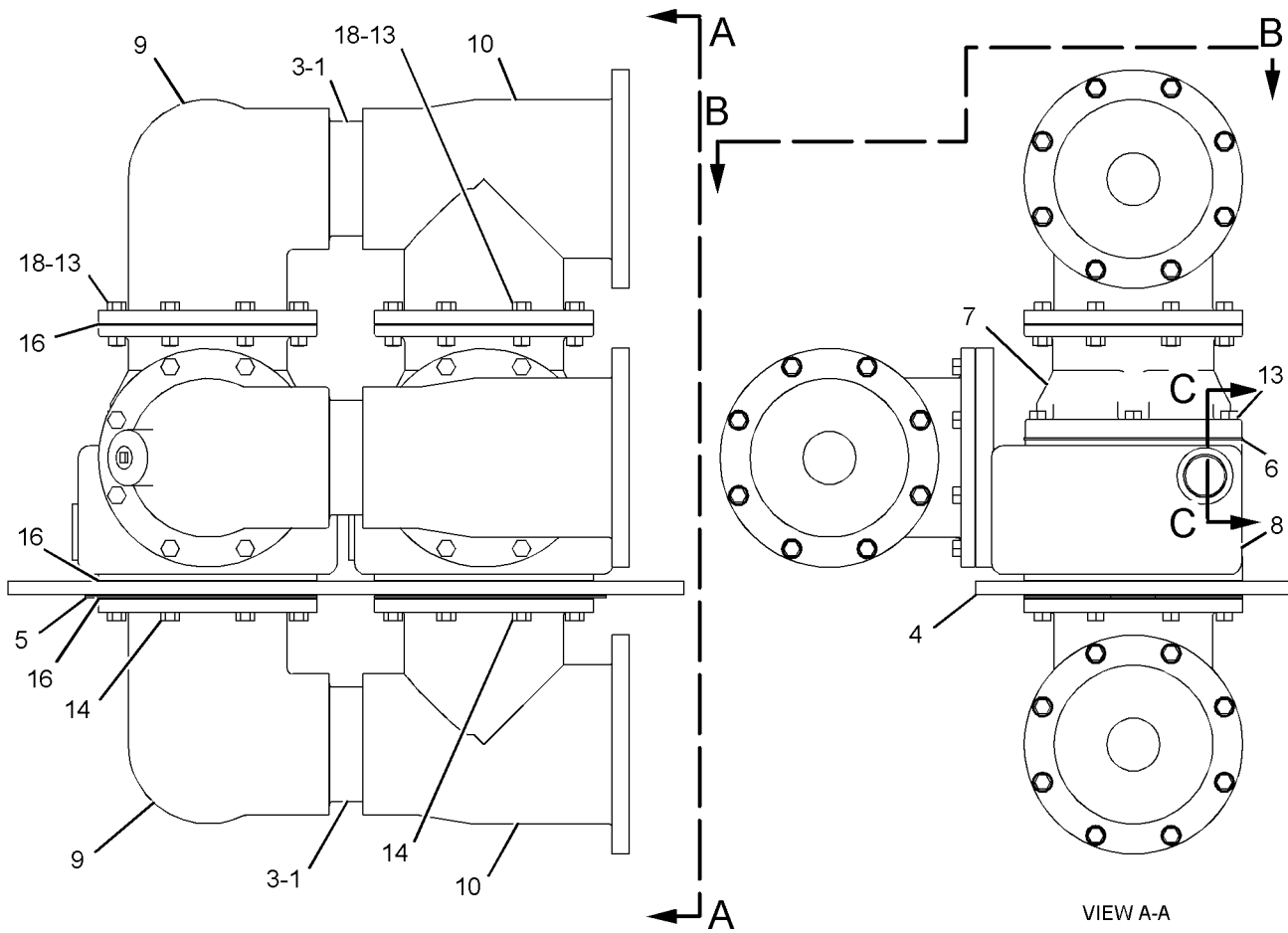
i02585454

| NOTE | REF NO | GRAPHIC REF | PART NUMBER | QTY | PART NAME | | | | | | SEE PAGE |
|------|--------|-------------|-------------|-----|---|---|---|---|---|-------------------|----------|
| | | | | | 1 | 2 | 3 | 4 | 5 | 6 (PRODUCT LEVEL) | |
| | 1 | 1 | 2W-5036 | 3 | TUBE | | | | | | |
| | 2 | 1 | 3S-9643 | 8 | SEAL-LIP TYPE | | | | | | |
| | 3 | 1 | 6V-5139 | 6 | SEAL-O-RING | | | | | | |
| | 4 | 1 | 7C-7784 | 1 | PLATE | | | | | | |
| | 5 | 1 | 7C-8635 | 2 | PLATE-ORIFICE | | | | | | |
| | 6 | 1 | 7W-3688 | 2 | GASKET | | | | | | |
| | 7 | 1 | 7W-4111 | 2 | ADAPTER-EXPANSION TANK | | | | | | |
| | 8 | 1 | 7W-4116 | 2 | HOUSING AS-REGULATOR (EACH INCLUDES) | | | | | | |
| | | 1 | 2M-6471 | 2 | PLUG-CUP | | | | | | |
| | 9 | 1 | 7W-8463 | 2 | ELBOW-ADAPTER | | | | | | |
| | 10 | 1 | 7W-8464 | 3 | ADAPTER-HOUSING | | | | | | |
| | 11 | 1 | 151-3001 | 1 | ELBOW-ADAPTER | | | | | | |
| | 12 | 1 | 174-6584 | 8 | REGULATOR-WATER TEMPERATURE (98-DEG C) | | | | | | |
| | 13 | 1 | 0S-1588 | 32 | BOLT (3/8-16X1.25-IN) | | | | | | |
| | 14 | 1 | 0S-1591 | 16 | BOLT (3/8-16X1.5-IN) | | | | | | |
| | 15 | 1 | 0S-1594 | 16 | BOLT (3/8-16X1-IN) | | | | | | |
| | 16 | 1 | 1S-5772 | 10 | GASKET | | | | | | |
| | 17 | 1 | 8T-6762 | 1 | PLUG-PIPE | | | | | | |
| | 18 | 1 | 9S-8752 | 16 | NUT-FULL (3/8-16-THD) | | | | | | |

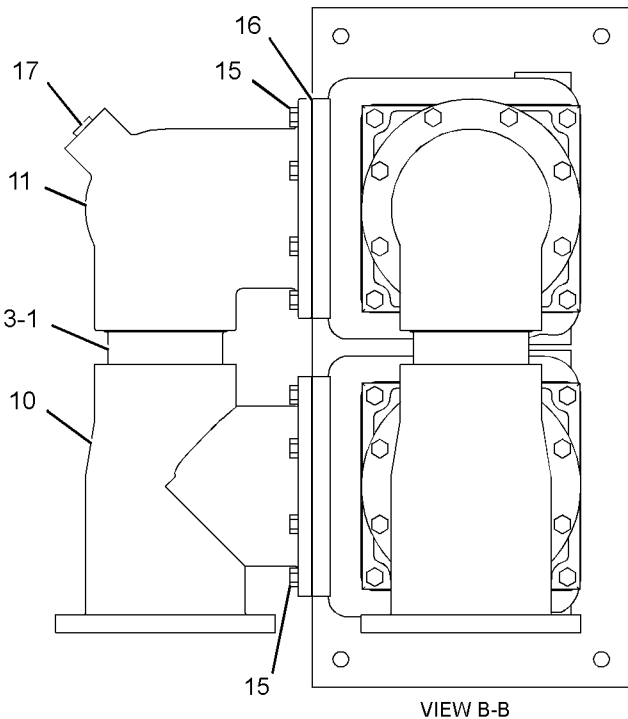
COOLING SYSTEM

196-0430 HOUSING & REGULATOR GP (contd.)

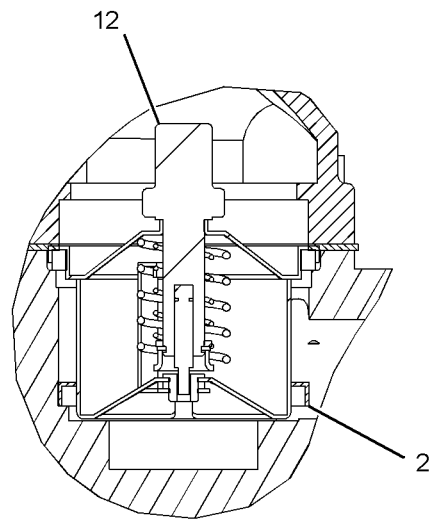
i02585454



VIEW A-A



VIEW B-B



SECTION A-A

GRAPHIC #1

<END>

g01301933

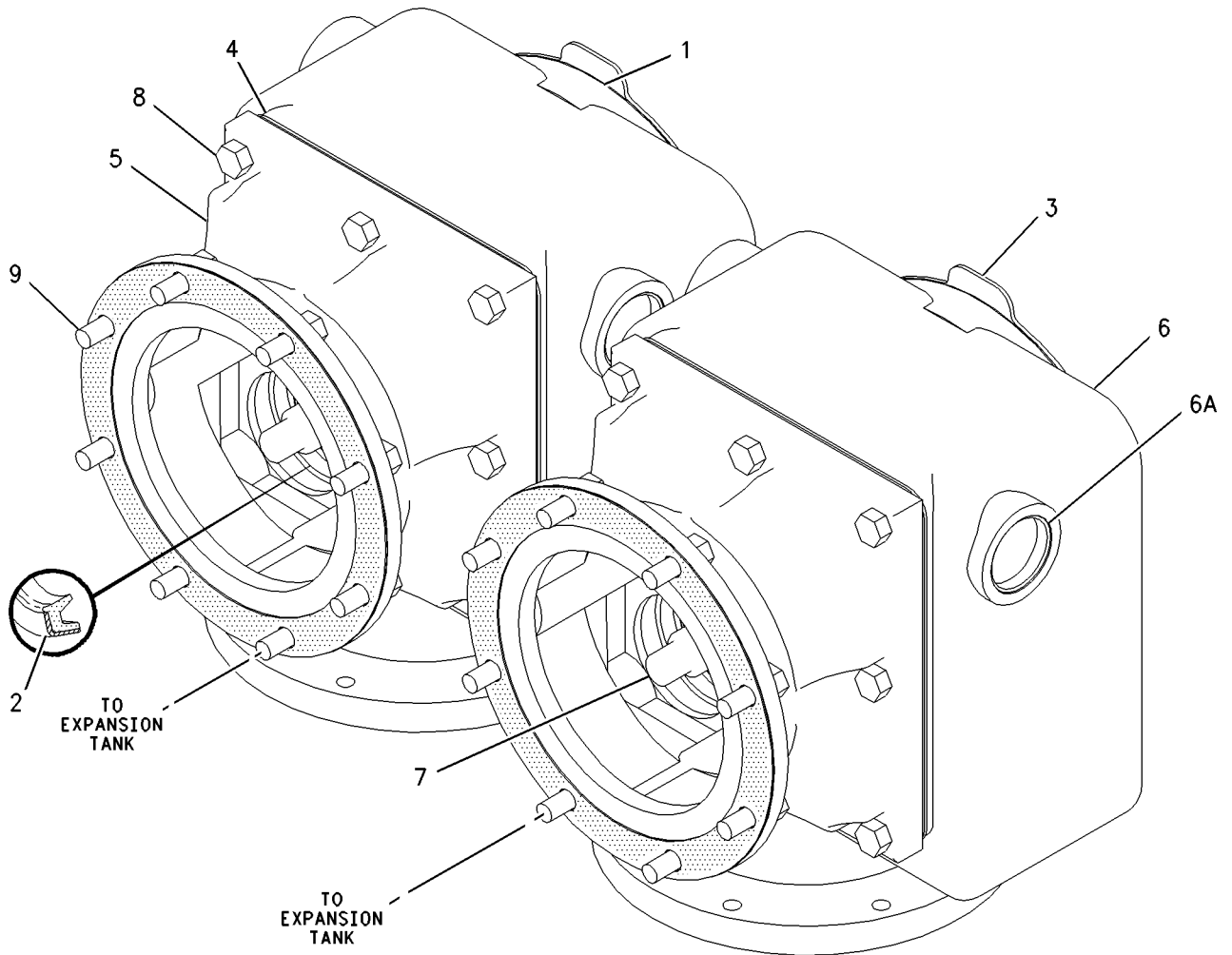
COOLING SYSTEM

196 - 0434 HOUSING & REGULATOR GP (CHG -00) FOR USE WITH AN INLET CONTROLLED 110 DEGREE C JACKET WATER SYSTEM

SMCS - 1355, 1393

i01757939

| NOTE | REF NO | GRAPHIC REF | PART NUMBER | QTY | PART NAME | | | | | | SEE PAGE |
|------|--------|-------------|-------------|-----|-------------------------------|---|---|---|---|-------------------|----------|
| | | | | | 1 | 2 | 3 | 4 | 5 | 6 (PRODUCT LEVEL) | |
| | 1 | 1 | 1S-5772 | 4 | GASKET | | | | | | |
| | 2 | 1 | 3S-9643 | 8 | SEAL - LIP TYPE | | | | | | |
| | 3 | 1 | 7C-8635 | 2 | PLATE - ORIFICE | | | | | | |
| | 4 | 1 | 7W-3688 | 2 | GASKET | | | | | | |
| | 5 | 1 | 7W-4111 | 2 | ADAPTER - EXPANSION TANK | | | | | | |
| | 6 | 1 | 7W-4116 | 2 | HOUSING AS - REGULATOR | | | | | | |
| | | | | | (EACH INCLUDES) | | | | | | |
| | 6A | 1 | 2M-6471 | 2 | PLUG - CUP | | | | | | |
| | 7 | 1 | 109-2327 | 8 | REGULATOR - WATER TEMPERATURE | | | | | | |
| | 8 | 1 | OS-1588 | 16 | BOLT (3/8 - 16X1.25 - IN) | | | | | | |
| | 9 | 1 | OS-1594 | 16 | BOLT (3/8 - 16X1 - IN) | | | | | | |



GRAPHIC #1

<END>

g00900738

COOLING SYSTEM

196-4209 HOUSING & REGULATOR GP (CHG -00, -01) FOR USE WITH INLET CONTROLLED 104 DEG C

SMCS-1355, 1393

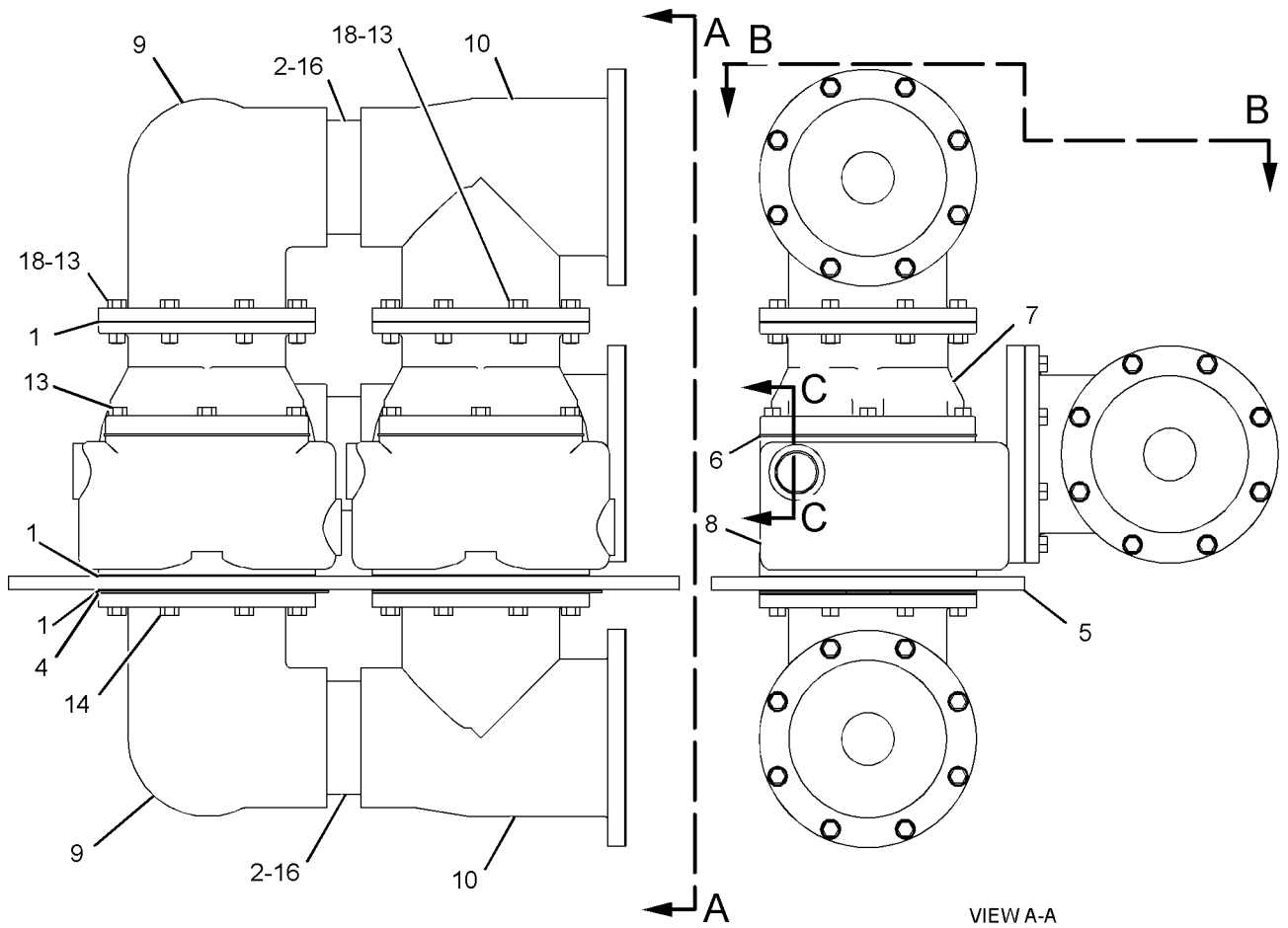
i02585455

| NOTE | REF NO | GRAPHIC REF | PART NUMBER | QTY | PART NAME | | | | | | SEE PAGE |
|------|--------|-------------|-----------------|-----|---|---|---|---|---|-------------------|----------|
| | | | | | 1 | 2 | 3 | 4 | 5 | 6 (PRODUCT LEVEL) | |
| | 1 | 1 | 1S-5772 | 10 | GASKET | | | | | | |
| | 2 | 1 | 2W-5036 | 3 | TUBE | | | | | | |
| | 3 | 1 | 3S-9643 | 8 | SEAL-LIP TYPE | | | | | | |
| | 4 | 1 | 7C-7481 | 2 | PLATE-ORIFICE | | | | | | |
| | 5 | 1 | 7C-7784 | 1 | PLATE | | | | | | |
| | 6 | 1 | 7W-3688 | 2 | GASKET | | | | | | |
| | 7 | 1 | 7W-4111 | 2 | ADAPTER-EXPANSION TANK | | | | | | |
| | 8 | 1 | 7W-4116 | 2 | HOUSING AS-REGULATOR (EACH INCLUDES) | | | | | | |
| | | 1 | 2M-6471 | 2 | PLUG-CUP | | | | | | |
| | 9 | 1 | 7W-8463 | 2 | ELBOW-ADAPTER | | | | | | |
| | 10 | 1 | 7W-8464 | 3 | ADAPTER-HOUSING | | | | | | |
| | 11 | 1 | 109-2327 | 8 | REGULATOR-WATER TEMPERATURE | | | | | | |
| | 12 | 1 | 151-3001 | 1 | ELBOW-ADAPTER | | | | | | |
| | 13 | 1 | 0S-1588 | 32 | BOLT (3/8-16X1.25-IN) | | | | | | |
| | 14 | 1 | 0S-1591 | 16 | BOLT (3/8-16X1.5-IN) | | | | | | |
| | 15 | 1 | 0S-1594 | 16 | BOLT (3/8-16X1-IN) | | | | | | |
| | 16 | 1 | 6V-5139 | 6 | SEAL-O-RING | | | | | | |
| | 17 | 1 | 8T-6762 | 1 | PLUG-PIPE | | | | | | |
| | 18 | 1 | 9S-8752 | 16 | NUT-FULL (3/8-16-THD) | | | | | | |

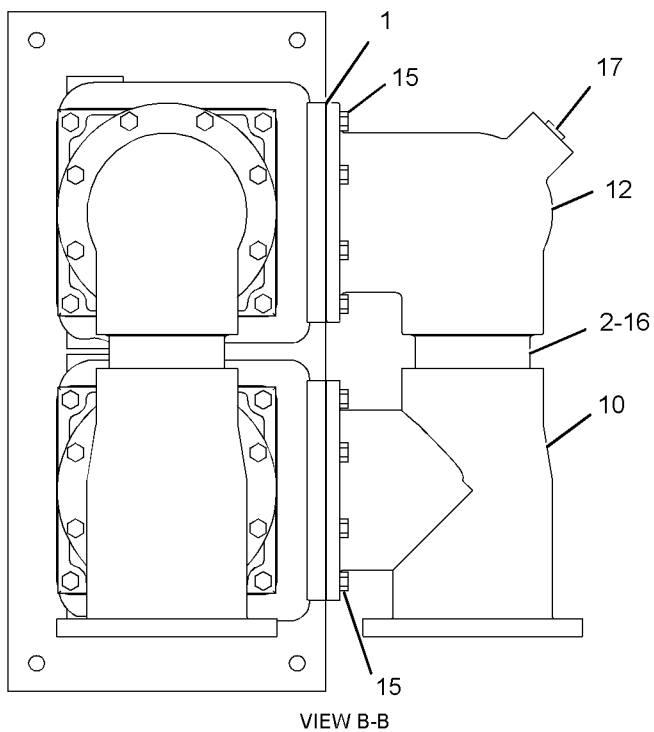
COOLING SYSTEM

196-4209 HOUSING & REGULATOR GP (contd.)

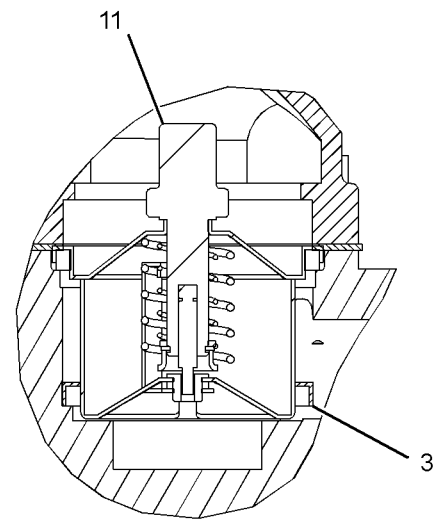
i02585455



VIEW A-A



VIEW B-B



SECTION A-A

GRAPHIC #1

<END>

g01303467

COOLING SYSTEM

204-6725 HOUSING & REGULATOR GP (CHG -00, -01) 54 DEG C THERMOSTAT

SMCS-1355, 1393

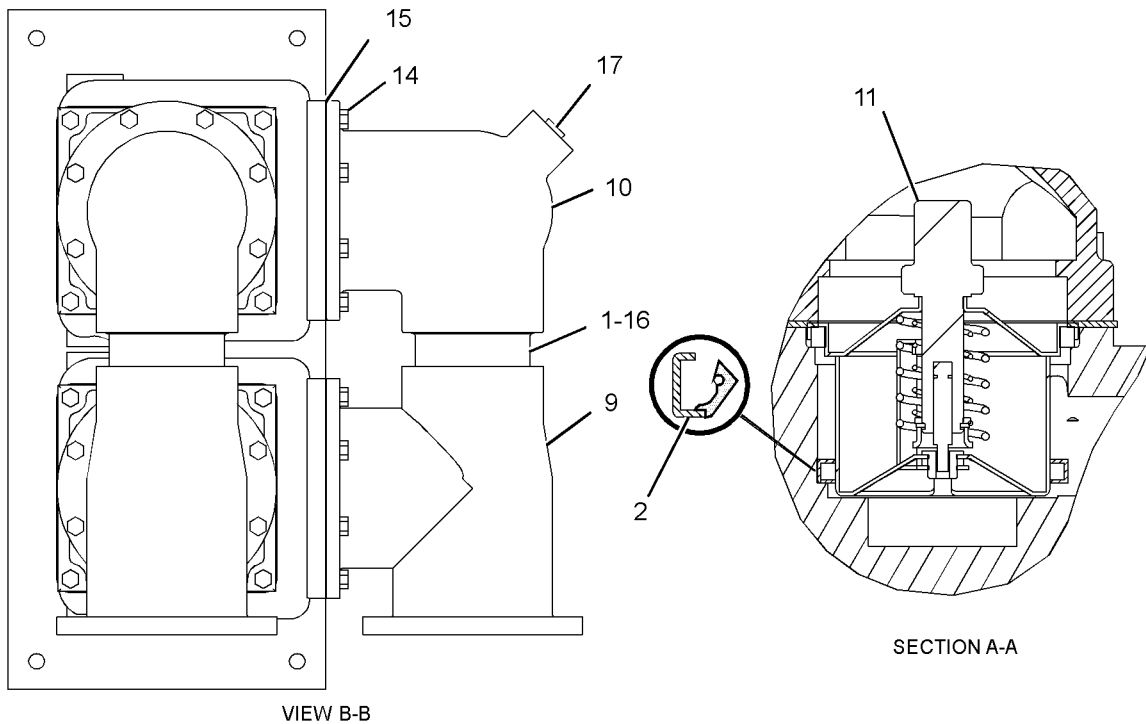
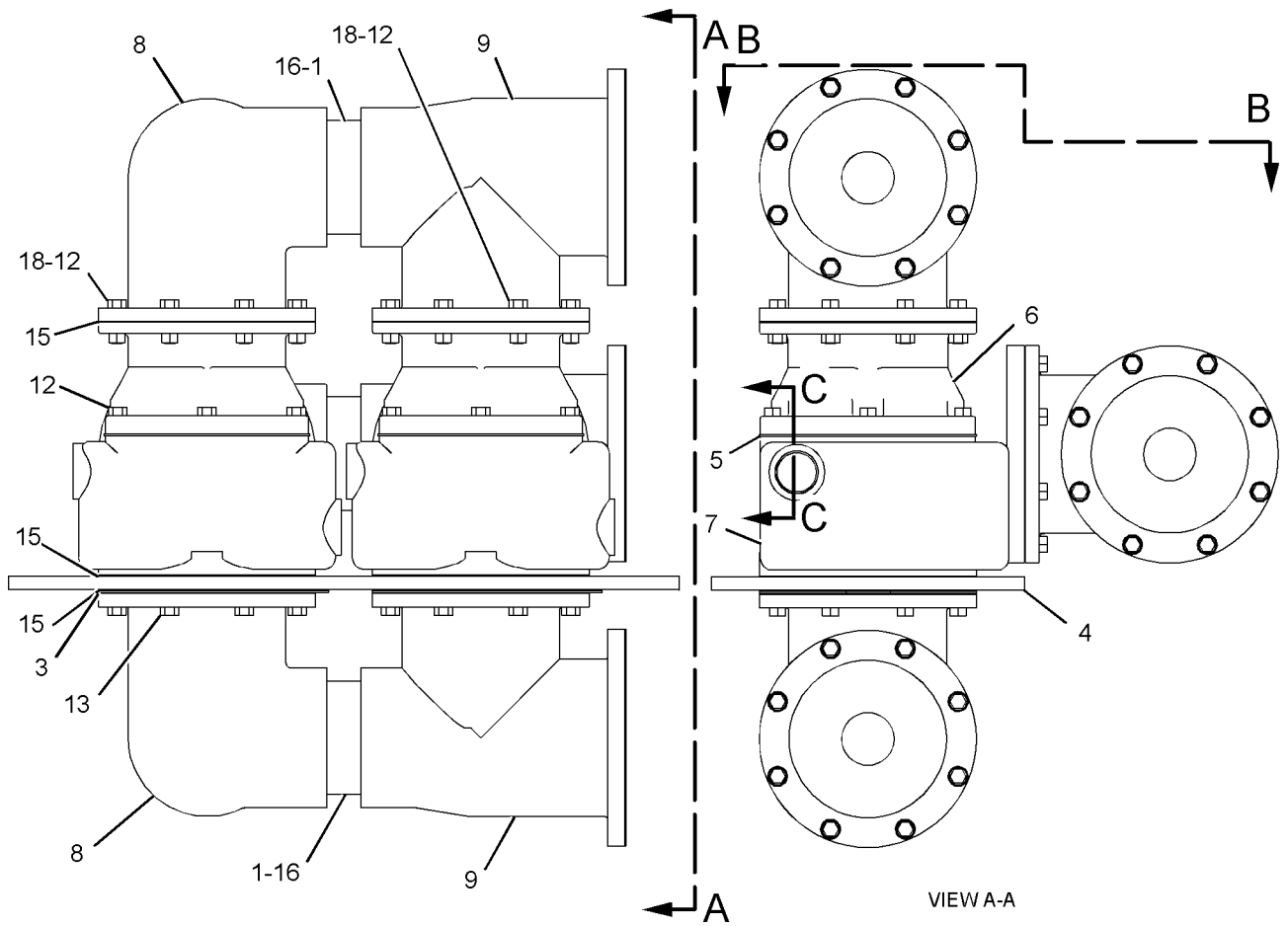
i02585459

| NOTE | REF NO | GRAPHIC REF | PART NUMBER | QTY | PART NAME | | | | | | SEE PAGE |
|------|--------|-------------|-------------|-----|---|---|---|---|---|-------------------|----------|
| | | | | | 1 | 2 | 3 | 4 | 5 | 6 (PRODUCT LEVEL) | |
| | 1 | 1 | 2W-5036 | 3 | TUBE | | | | | | |
| | 2 | 1 | 3S-9643 | 8 | SEAL-LIP TYPE | | | | | | |
| | 3 | 1 | 7C-7481 | 2 | PLATE-ORIFICE | | | | | | |
| | 4 | 1 | 7C-7784 | 1 | PLATE | | | | | | |
| | 5 | 1 | 7W-3688 | 2 | GASKET | | | | | | |
| | 6 | 1 | 7W-4111 | 2 | ADAPTER-EXPANSION TANK | | | | | | |
| | 7 | 1 | 7W-4116 | 2 | HOUSING AS-REGULATOR (EACH INCLUDES) | | | | | | |
| | | 1 | 2M-6471 | 2 | PLUG-CUP | | | | | | |
| | 8 | 1 | 7W-8463 | 2 | ELBOW-ADAPTER | | | | | | |
| | 9 | 1 | 7W-8464 | 3 | ADAPTER-HOUSING | | | | | | |
| | 10 | 1 | 151-3001 | 1 | ELBOW-ADAPTER | | | | | | |
| | 11 | 1 | 204-6707 | 8 | REGULATOR-WATER TEMPERATURE | | | | | | |
| | 12 | 1 | 0S-1588 | 32 | BOLT (3/8-16X1.25-IN) | | | | | | |
| | 13 | 1 | 0S-1591 | 16 | BOLT (3/8-16X1.5-IN) | | | | | | |
| | 14 | 1 | 0S-1594 | 16 | BOLT (3/8-16X1-IN) | | | | | | |
| | 15 | 1 | 1S-5772 | 10 | GASKET | | | | | | |
| | 16 | 1 | 6V-5139 | 6 | SEAL-O-RING | | | | | | |
| | 17 | 1 | 8T-6762 | 1 | PLUG-PIPE | | | | | | |
| | 18 | 1 | 9S-8752 | 16 | NUT-FULL (3/8-16-THD) | | | | | | |

COOLING SYSTEM

204-6725 HOUSING & REGULATOR GP (contd.)

i02585459



GRAPHIC #1

<END>

g01302875

COOLING SYSTEM

215-3891 HOUSING & REGULATOR GP (CHG -00, -01) FOR USE WITH AN OUTLET CONTROLLED 54 DEG C AFTERCOOLER SYSTEM

SMCS-1355, 1393

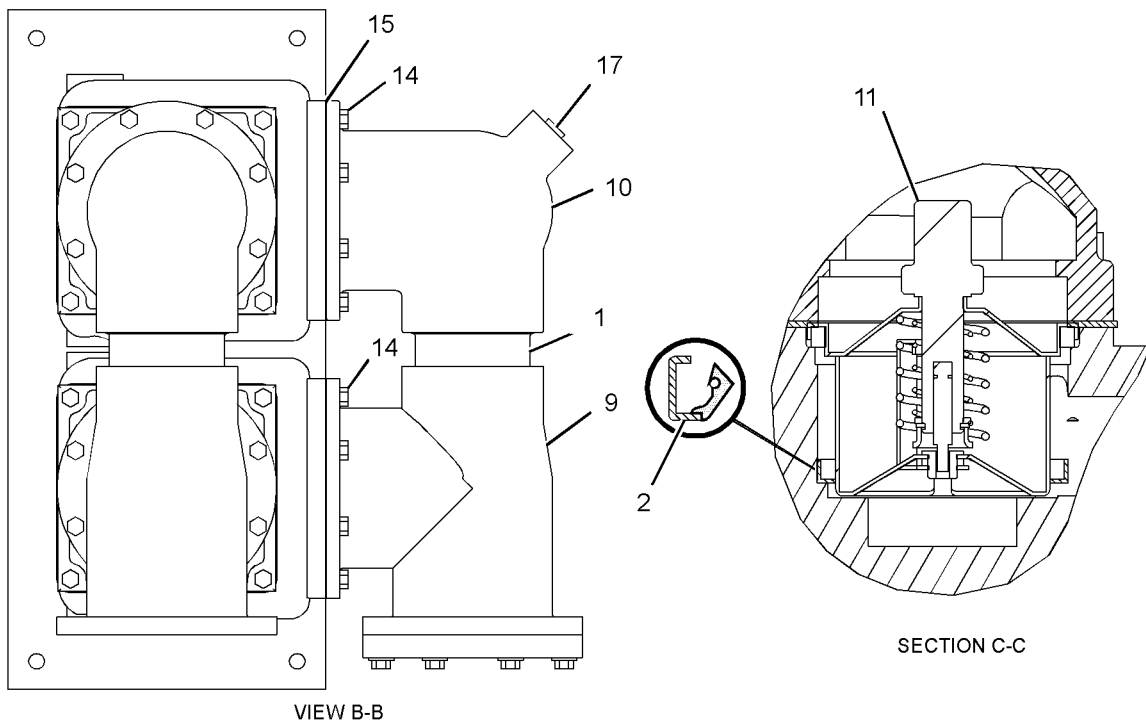
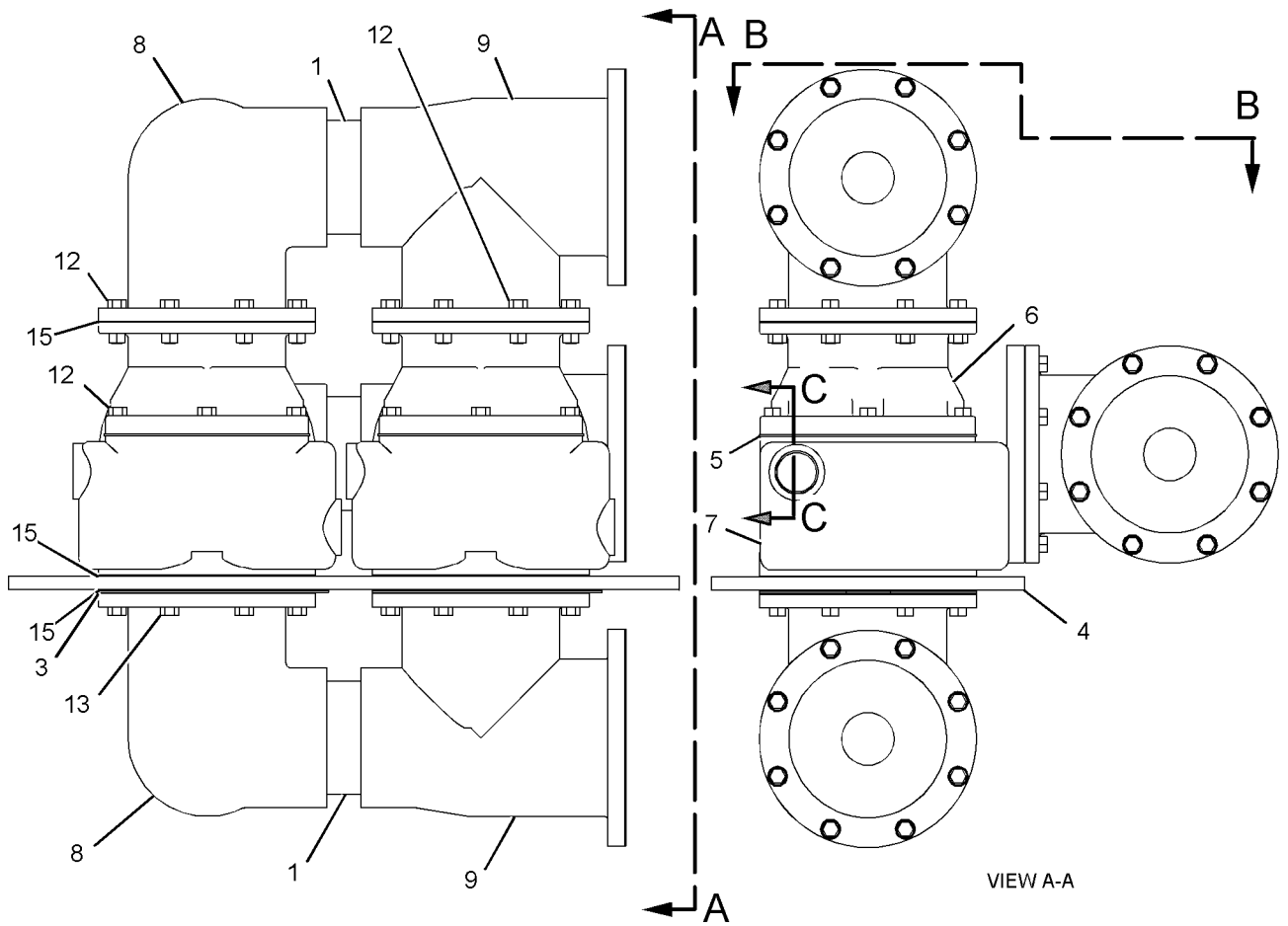
i02585460

| NOTE | REF NO | GRAPHIC REF | PART NUMBER | QTY | PART NAME | | | | | | SEE PAGE |
|------|--------|-------------|-------------|-----|---|---|---|---|---|-------------------|----------|
| | | | | | 1 | 2 | 3 | 4 | 5 | 6 (PRODUCT LEVEL) | |
| | 1 | 1 | 2W-5036 | 3 | TUBE | | | | | | |
| | 2 | 1 | 3S-9643 | 8 | SEAL-LIP TYPE (TEMPERATURE REGULATOR) | | | | | | |
| | 3 | 1 | 7C-7481 | 2 | PLATE-ORIFICE | | | | | | |
| | 4 | 1 | 7C-7784 | 1 | PLATE | | | | | | |
| | 5 | 1 | 7W-3688 | 2 | GASKET | | | | | | |
| | 6 | 1 | 7W-4111 | 2 | ADAPTER-EXPANSION TANK | | | | | | |
| | 7 | 1 | 7W-4116 | 2 | HOUSING AS-REGULATOR (EACH INCLUDES) | | | | | | |
| | | 1 | 2M-6471 | 2 | PLUG-CUP | | | | | | |
| | 8 | 1 | 7W-8463 | 2 | ELBOW-ADAPTER | | | | | | |
| | 9 | 1 | 7W-8464 | 3 | ADAPTER-HOUSING | | | | | | |
| | 10 | 1 | 151-3001 | 1 | ELBOW-ADAPTER | | | | | | |
| | 11 | 1 | 204-6708 | 8 | REGULATOR-WATER TEMPERATURE | | | | | | |
| | 12 | 1 | 0S-1588 | 32 | BOLT (3/8-16X1.25-IN) | | | | | | |
| | 13 | 1 | 0S-1591 | 16 | BOLT (3/8-16X1.5-IN) | | | | | | |
| | 14 | 1 | 0S-1594 | 16 | BOLT (3/8-16X1-IN) | | | | | | |
| | 15 | 1 | 1S-5772 | 10 | GASKET | | | | | | |
| | 16 | 1 | 6V-5139 | 6 | SEAL-O-RING | | | | | | |
| | 17 | 1 | 8T-6762 | 1 | PLUG-PIPE | | | | | | |
| | 18 | 1 | 9S-8752 | 16 | NUT-FULL (3/8-16-THD) | | | | | | |

COOLING SYSTEM

215-3891 HOUSING & REGULATOR GP (contd.)

i02585460



GRAPHIC #1

<END>

g01295122

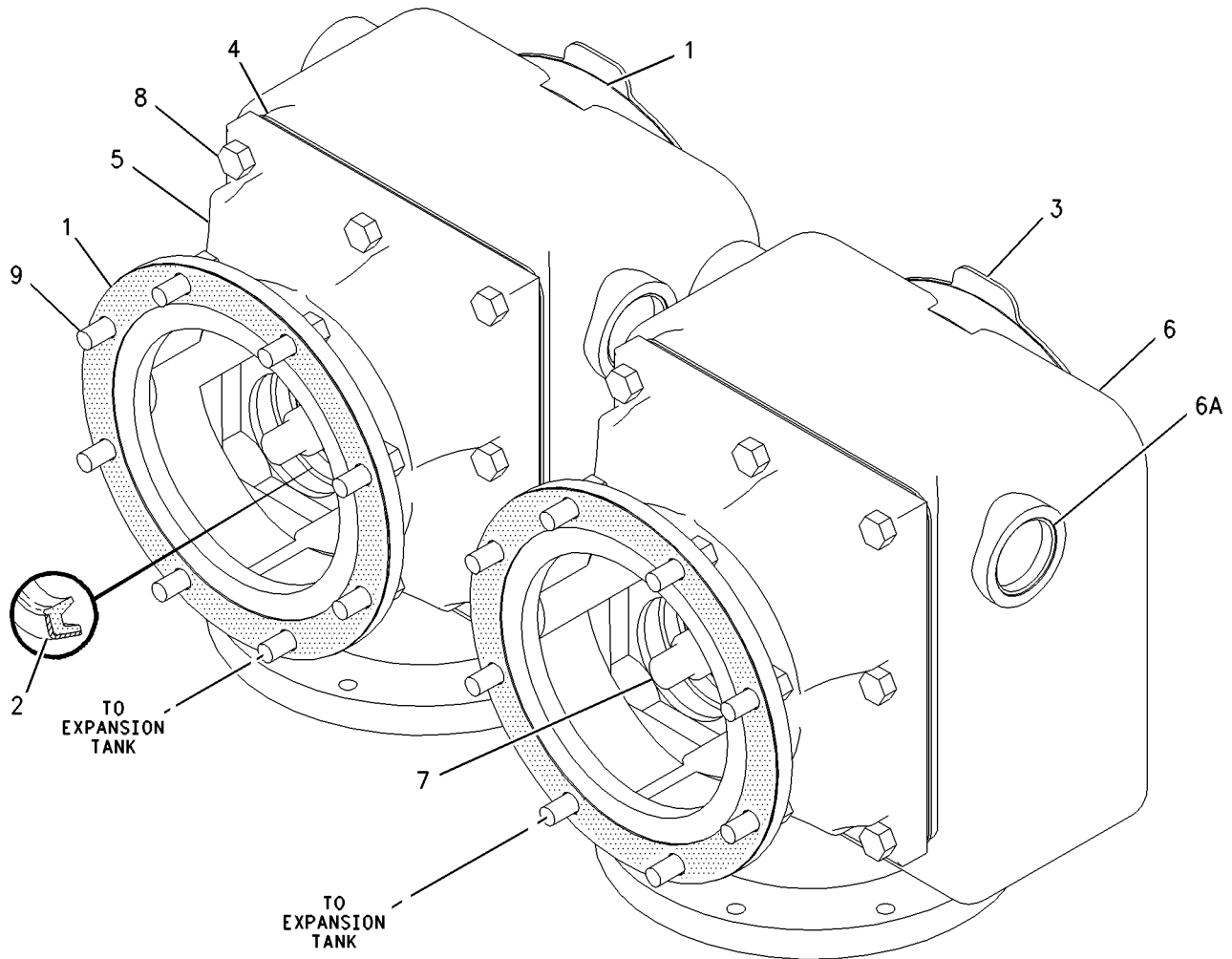
COOLING SYSTEM

215-3892 HOUSING & REGULATOR GP (CHG -00) INLET CONTROLLED JACKET WATER

SMCS-1355, 1393

i01757967

| NOTE | REF NO | GRAPHIC REF | PART NUMBER | QTY | PART NAME | | | | | | SEE PAGE |
|------|--------|-------------|-------------|-----|-----------------------------|---|---|---|---|-------------------|----------|
| | | | | | 1 | 2 | 3 | 4 | 5 | 6 (PRODUCT LEVEL) | |
| | 1 | 1 | 1S-5772 | 4 | GASKET | | | | | | |
| | 2 | 1 | 3S-9643 | 8 | SEAL-LIP TYPE | | | | | | |
| | 3 | 1 | 7C-8635 | 2 | PLATE-ORIFICE | | | | | | |
| | 4 | 1 | 7W-3688 | 2 | GASKET | | | | | | |
| | 5 | 1 | 7W-4111 | 2 | ADAPTER-EXPANSION TANK | | | | | | |
| | 6 | 1 | 7W-4116 | 2 | HOUSING AS-REGULATOR | | | | | | |
| | | | | | (EACH INCLUDES) | | | | | | |
| | 6A | 1 | 2M-6471 | 2 | PLUG-CUP | | | | | | |
| | 7 | 1 | 174-3504 | 8 | REGULATOR-WATER TEMPERATURE | | | | | | |
| | 8 | 1 | OS-1588 | 16 | BOLT (3/8-16X1.25-IN) | | | | | | |
| | 9 | 1 | OS-1594 | 16 | BOLT (3/8-16X1-IN) | | | | | | |



GRAPHIC #1

<END>

g00900792

COOLING SYSTEM

218-2235 HOUSING & REGULATOR GP (CHG -00, -01) 110 DEGREE C. JACKET WATER OUTLET CONTROLLED, REMOTE OR BASE MOUNTED

SMCS-1355, 1393

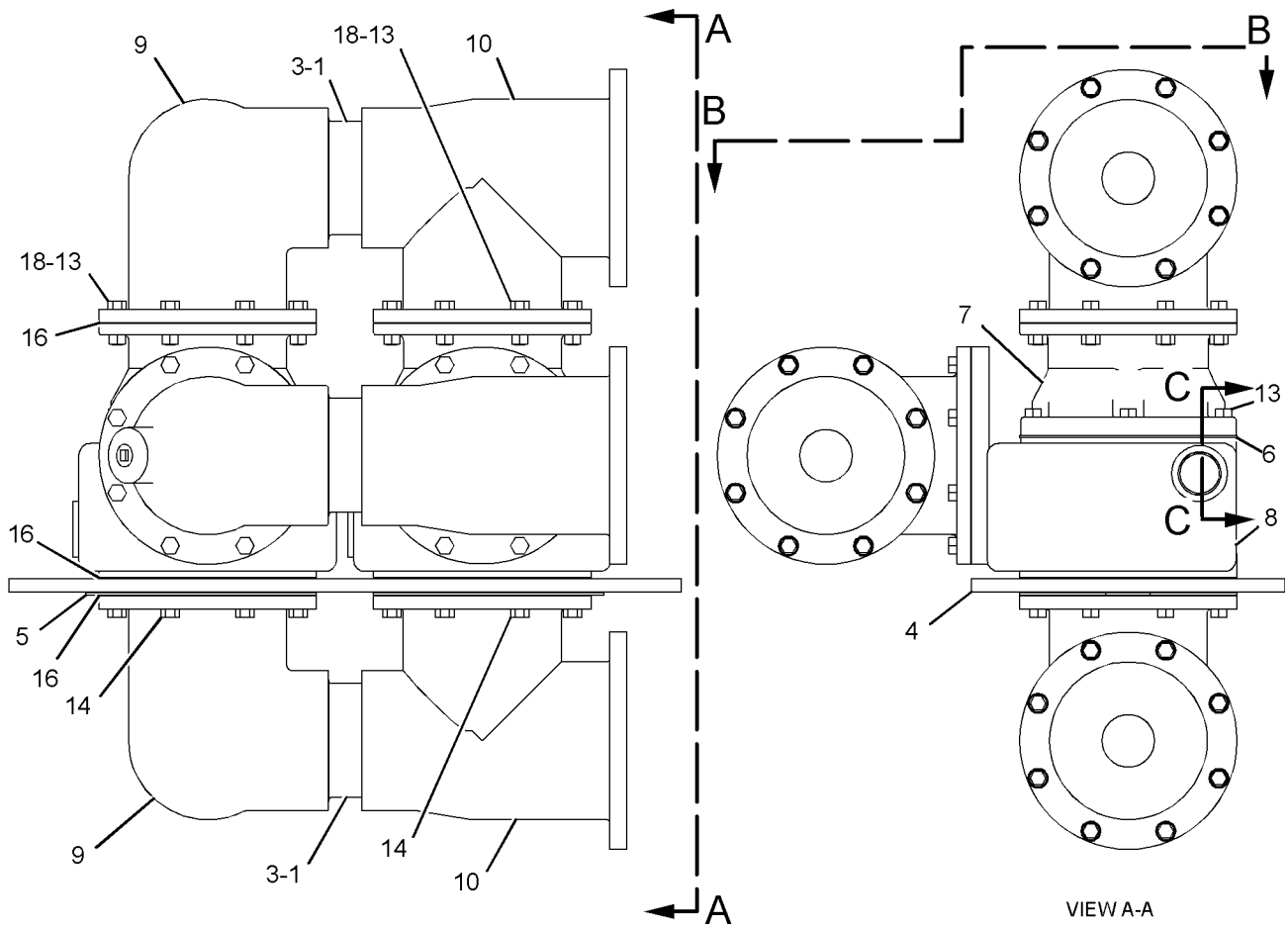
i02585461

| NOTE | REF NO | GRAPHIC REF | PART NUMBER | QTY | PART NAME | | | | | | SEE PAGE |
|------|--------|-------------|-------------|-----|---|---|---|---|---|-------------------|----------|
| | | | | | 1 | 2 | 3 | 4 | 5 | 6 (PRODUCT LEVEL) | |
| | 1 | 1 | 2W-5036 | 3 | TUBE | | | | | | |
| | 2 | 1 | 3S-9643 | 8 | SEAL-LIP TYPE | | | | | | |
| | 3 | 1 | 6V-5139 | 6 | SEAL-O-RING | | | | | | |
| | 4 | 1 | 7C-7784 | 1 | PLATE | | | | | | |
| | 5 | 1 | 7C-8635 | 2 | PLATE-ORIFICE | | | | | | |
| | 6 | 1 | 7W-3688 | 2 | GASKET | | | | | | |
| | 7 | 1 | 7W-4111 | 2 | ADAPTER-EXPANSION TANK | | | | | | |
| | 8 | 1 | 7W-4116 | 2 | HOUSING AS-REGULATOR (EACH INCLUDES) | | | | | | |
| | | 1 | 2M-6471 | 2 | PLUG-CUP | | | | | | |
| | 9 | 1 | 7W-8463 | 2 | ELBOW-ADAPTER | | | | | | |
| | 10 | 1 | 7W-8464 | 3 | ADAPTER-HOUSING | | | | | | |
| | 11 | 1 | 151-3001 | 1 | ELBOW-ADAPTER | | | | | | |
| | 12 | 1 | 196-0431 | 8 | REGULATOR-WATER TEMPERATURE | | | | | | |
| | 13 | 1 | 0S-1588 | 32 | BOLT (3/8-16X1.25-IN) | | | | | | |
| | 14 | 1 | 0S-1591 | 16 | BOLT (3/8-16X1.5-IN) | | | | | | |
| | 15 | 1 | 0S-1594 | 16 | BOLT (3/8-16X1-IN) | | | | | | |
| | 16 | 1 | 1S-5772 | 10 | GASKET | | | | | | |
| | 17 | 1 | 8T-6762 | 1 | PLUG-PIPE | | | | | | |
| | 18 | 1 | 9S-8752 | 16 | NUT-FULL (3/8-16-THD) | | | | | | |

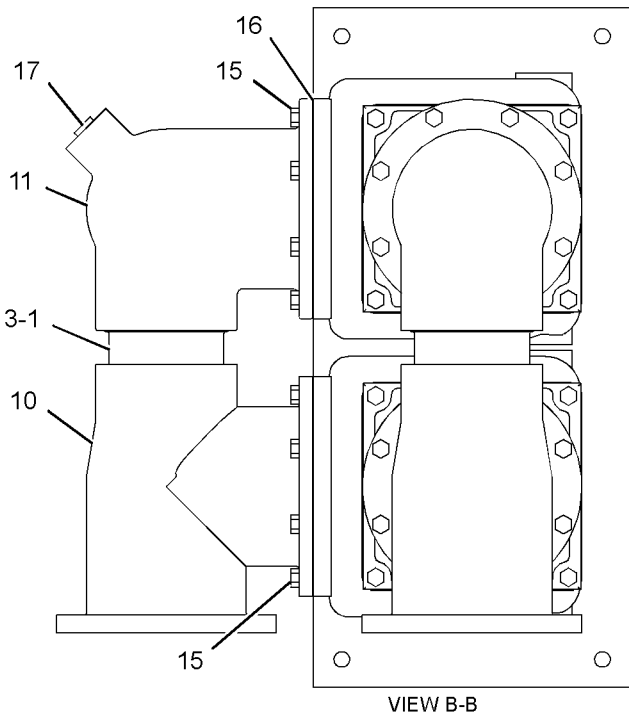
COOLING SYSTEM

218-2235 HOUSING & REGULATOR GP (contd.)

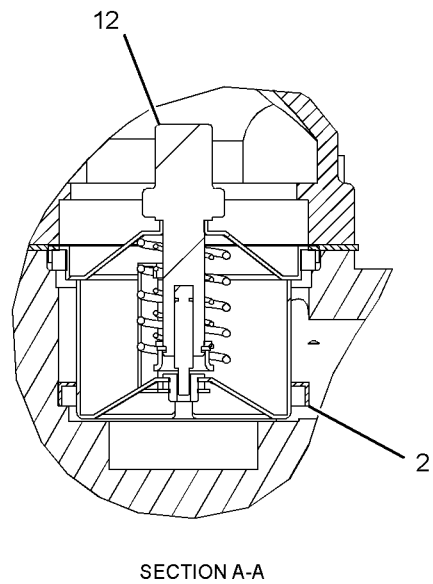
i02585461



VIEW A-A



VIEW B-B



SECTION A-A

GRAPHIC #1

<END>

g01302784

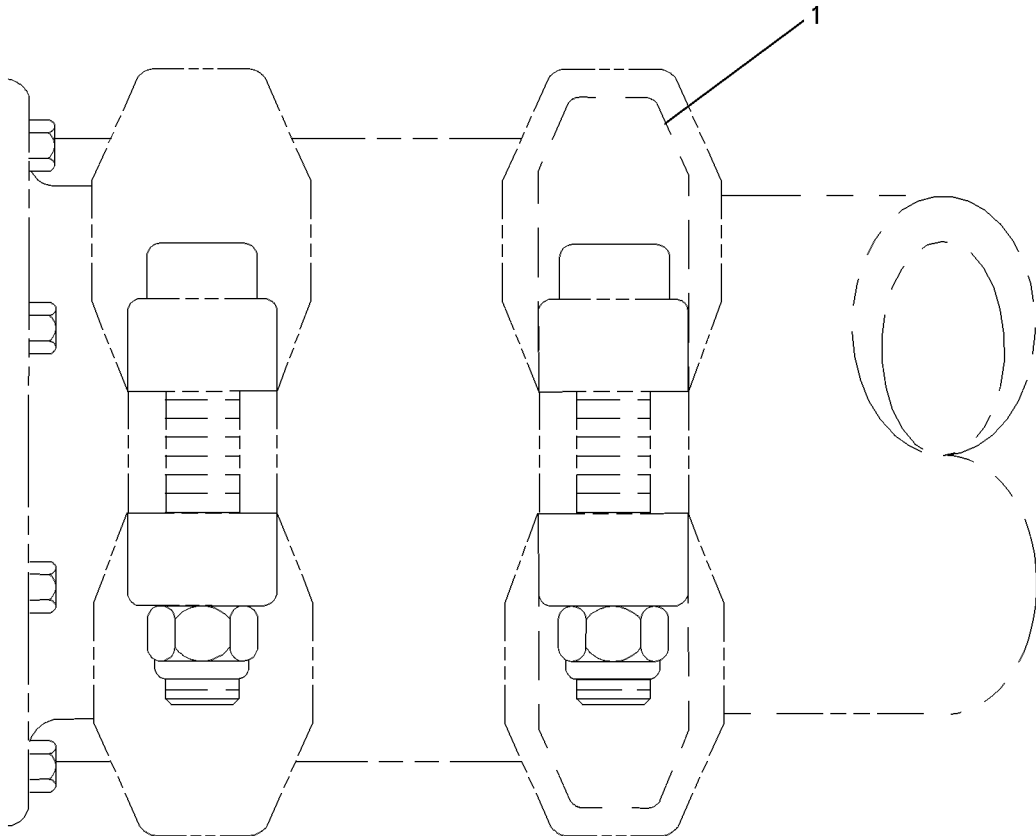
COOLING SYSTEM

5P-9130 JOINT AS-TUBE (CHG -00 THRU -03) 141.3-MM ID (5.56-IN)

SMCS-1380

i02220704

| NOTE | REF NO | GRAPHIC REF | PART NUMBER | QTY | PART NAME | | | | | | SEE PAGE |
|------|--------|-------------|-------------|-----|-----------|---|---|---|---|-------------------|----------|
| | | | | | 1 | 2 | 3 | 4 | 5 | 6 (PRODUCT LEVEL) | |
| | 1 | 1 | 9X-7540 | 2 | SEAL | | | | | | |



GRAPHIC #1

<END>

g00621096

COOLING SYSTEM

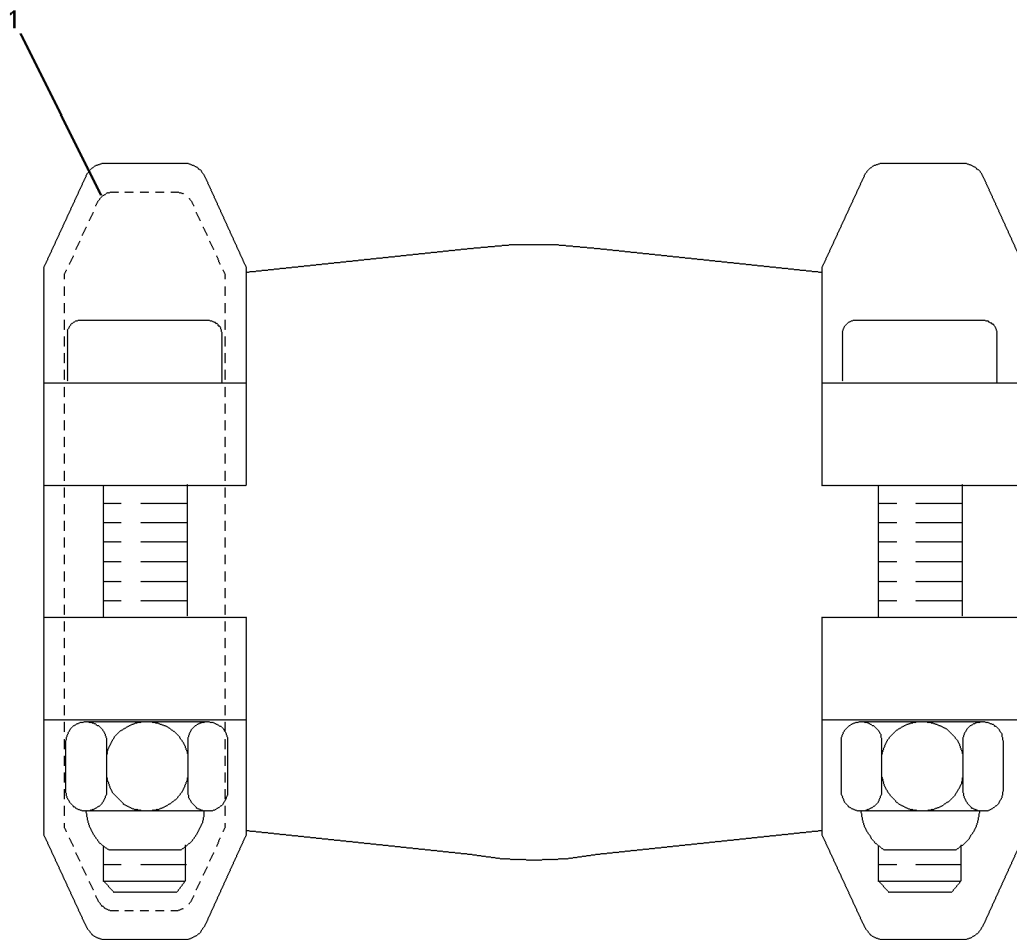
6V-9331 JOINT AS-TUBE (CHG -01)

FOR USE WITH WATER CONNECTIONS ONLY. CANNOT BE USED WITH SUCTION APPLICATIONS

SMCS-1380

i01387539

| NOTE | REF NO | GRAPHIC REF | PART NUMBER | QTY | PART NAME | | | | | | SEE PAGE |
|------|--------|-------------|-------------|-----|-----------|---|---|---|---|-------------------|----------|
| | | | | | 1 | 2 | 3 | 4 | 5 | 6 (PRODUCT LEVEL) | |
| | 1 | 1 | 6V-9336 | 2 | SEAL | | | | | | |



GRAPHIC #1

<END>

g00732257

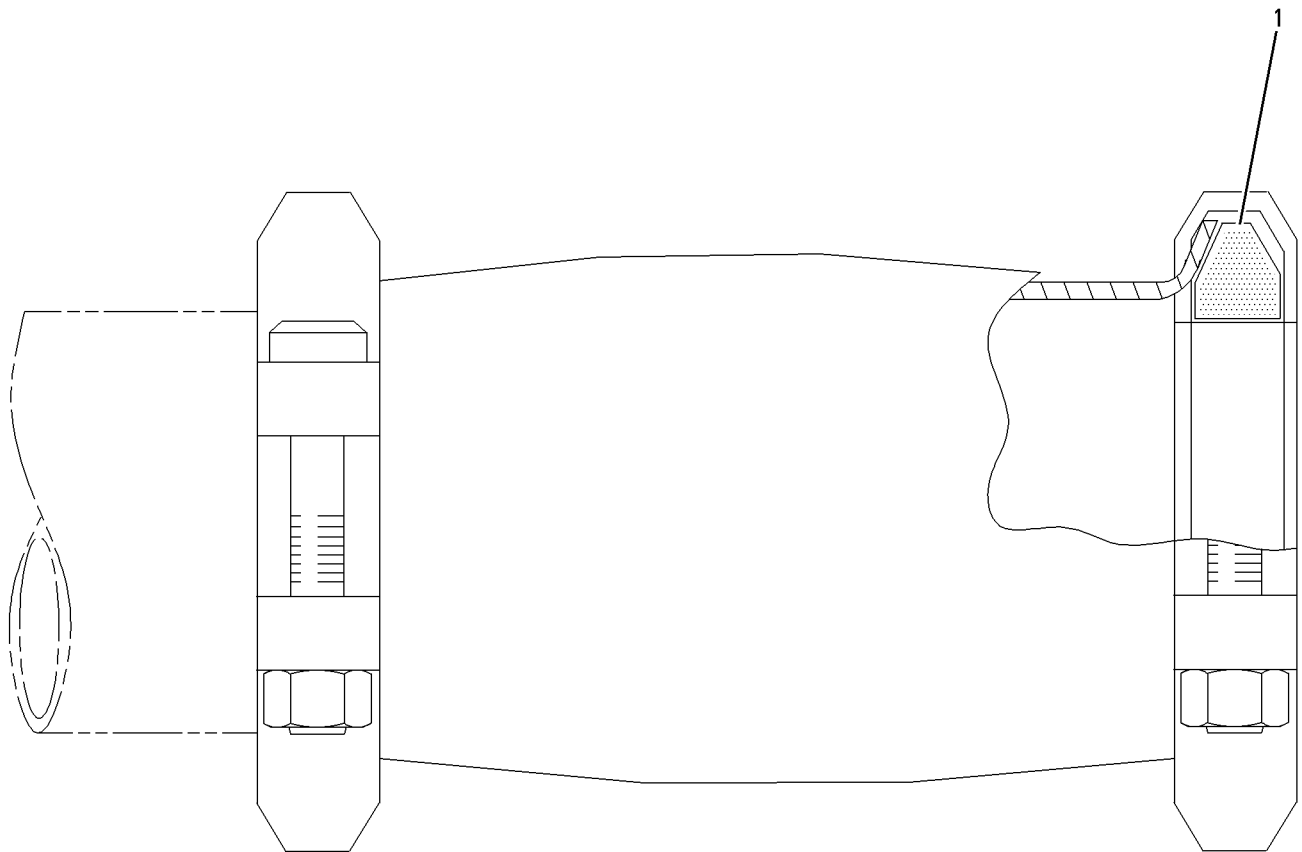
COOLING SYSTEM

8L-3471 JOINT AS-TUBE (CHG -03 THRU -05)

SMCS-1380

i01598882

| NOTE | REF NO | GRAPHIC REF | PART NUMBER | QTY | PART NAME | | | | | | SEE PAGE |
|------|--------|-------------|-------------|-----|-----------|---|---|---|---|-------------------|----------|
| | | | | | 1 | 2 | 3 | 4 | 5 | 6 (PRODUCT LEVEL) | |
| | 1 | 1 | 9X-7536 | 2 | SEAL | | | | | | |



GRAPHIC #1

<END>

g00731216

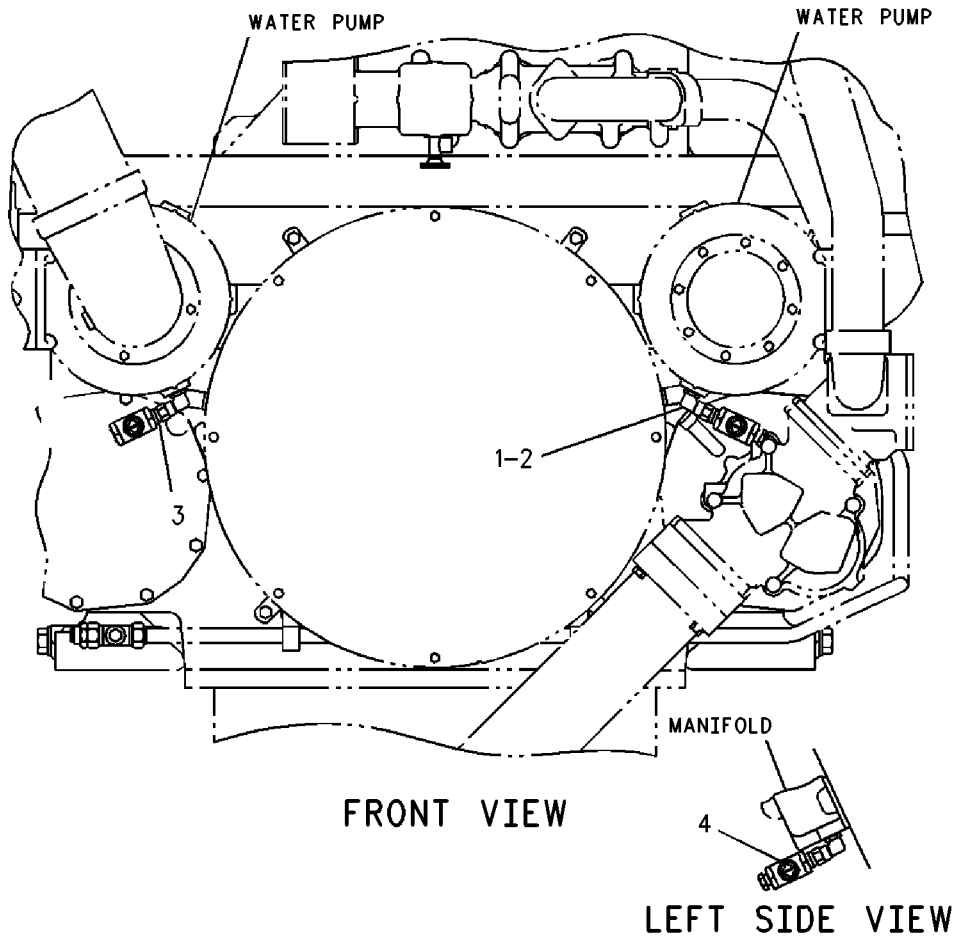
COOLING SYSTEM

7E-3150 LINES GP-COOLANT DRAIN (CHG -00, -01, -01D1, -02) ENGINE JACKET WATER DRAIN CONNECTIONS

SMCS-1380

i01695471

| NOTE | REF NO | GRAPHIC REF | PART NUMBER | QTY | PART NAME | | | | | | SEE PAGE |
|------|--------|-------------|-------------|-----|-------------|---|---|---|---|-------------------|----------|
| | | | | | 1 | 2 | 3 | 4 | 5 | 6 (PRODUCT LEVEL) | |
| | 1 | 1 | 9X-2604 | 3 | ELBOW | | | | | | |
| | 2 | 1 | 6V-5063 | 3 | SEAL-O-RING | | | | | | |
| | 3 | 1 | 3B-7745 | 3 | NIPPLE-PIPE | | | | | | |
| | 4 | 1 | 9B-4202 | 3 | VALVE-DRAIN | | | | | | |



GRAPHIC #1

<END>

g00873052

COOLING SYSTEM

105-3176 LINES GP-OIL COOLER (CHG -03 THRU -09) 83 DEGREES CELCIUS

SMCS-1307, 1378, 1380

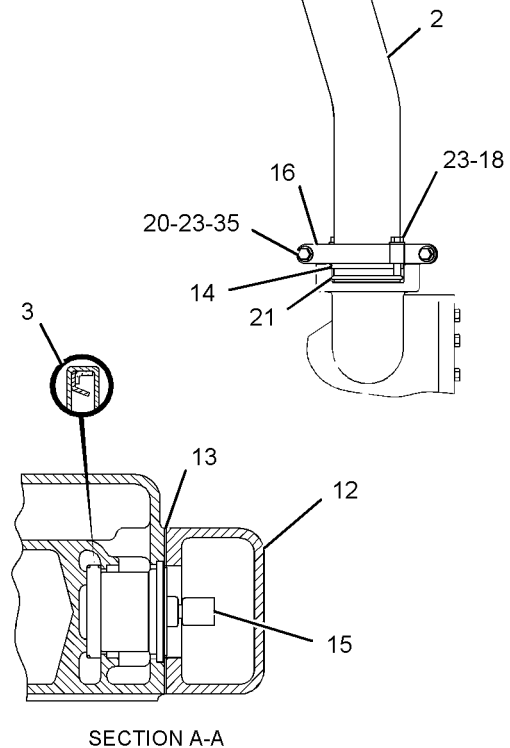
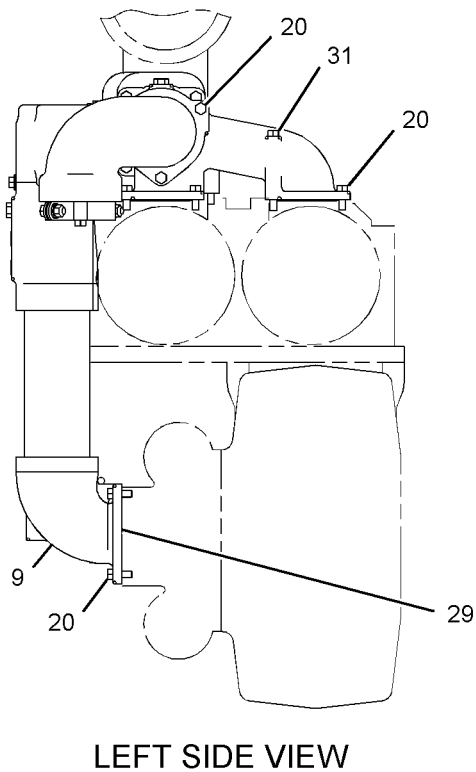
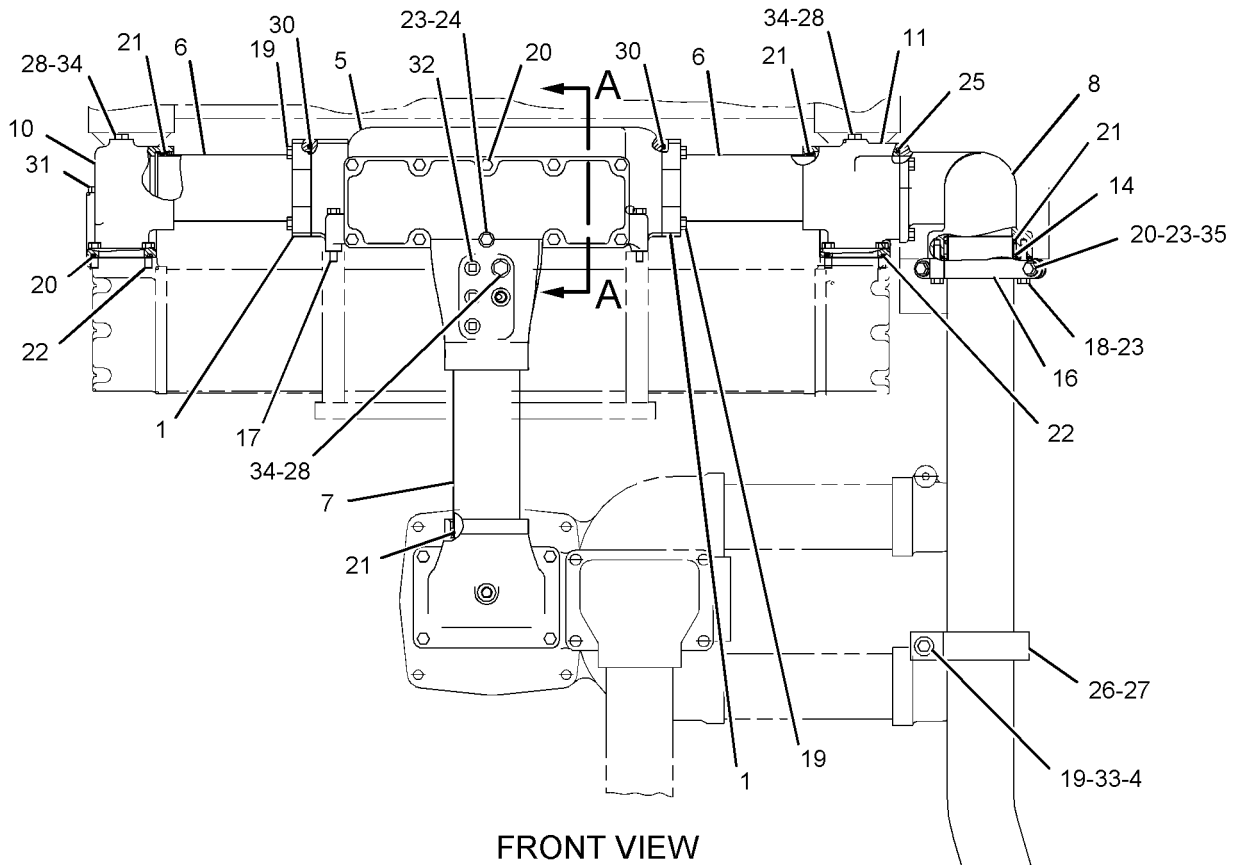
i02286399

| NOTE | REF NO | GRAPHIC REF | PART NUMBER | QTY | PART NAME | | | | | | SEE PAGE |
|------|--------|-------------|-------------|-----|------------------------------------|---|---|---|---|-------------------|----------|
| | | | | | 1 | 2 | 3 | 4 | 5 | 6 (PRODUCT LEVEL) | |
| | 1 | 1 | 1W-3979 | 2 | FLANGE | | | | | | |
| | 2 | 1 | 2W-6318 | 1 | TUBE | | | | | | |
| | 3 | 1 | 3S-9643 | 4 | SEAL-LIP TYPE | | | | | | |
| | 4 | 1 | 4S-5719 | 1 | SPACER (10.31X25X12.7-MM THK) | | | | | | |
| | 5 | 1 | 7C-6021 | 1 | HOUSING-REGULATOR | | | | | | |
| | 6 | 1 | 7N-9044 | 2 | TUBE | | | | | | |
| | 7 | 1 | 7W-2459 | 1 | TUBE | | | | | | |
| | 8 | 1 | 7W-3881 | 1 | ELBOW | | | | | | |
| | 9 | 1 | 7W-3882 | 1 | ELBOW | | | | | | |
| | 10 | 1 | 7W-3883 | 1 | MANIFOLD-OIL COOLER | | | | | | |
| | 11 | 1 | 7W-3884 | 1 | MANIFOLD-OIL COOLER | | | | | | |
| | 12 | 1 | 9Y-4732 | 1 | COVER | | | | | | |
| | 13 | 1 | 9Y-9842 | 1 | GASKET | | | | | | |
| | 14 | 1 | 110-0096 | 2 | RING | | | | | | |
| | 15 | 1 | 120-9453 | 4 | REGULATOR-TEMPERATURE (85-DEG C) | | | | | | |
| | 16 | 1 | 122-1148 | 4 | CLAMP AS | | | | | | |
| | 17 | 1 | 0L-1143 | 4 | BOLT (3/8-16X2.5-IN) | | | | | | |
| | 18 | 1 | 0S-1571 | 4 | BOLT (3/8-16X1.75-IN) | | | | | | |
| | 19 | 1 | 0S-1591 | 9 | BOLT (3/8-16X1.5-IN) | | | | | | |
| | 20 | 1 | 0S-1594 | 32 | BOLT (3/8-16X1-IN) | | | | | | |
| | 21 | 1 | 3P-0654 | 8 | SEAL-O-RING | | | | | | |
| | 22 | 1 | 3P-0655 | 4 | SEAL-O-RING | | | | | | |
| | 23 | 1 | 3V-3308 | 13 | WASHER-HARD (10.2X20.5X2.5-MM THK) | | | | | | |
| | 24 | 1 | 5B-9603 | 1 | BOLT (3/8-16X5-IN) | | | | | | |
| | 25 | 1 | 5S-9134 | 1 | SEAL-O-RING | | | | | | |
| | 26 | 1 | 6V-4356 | 1 | CLIP (SLOT) | | | | | | |
| | 27 | 1 | 6V-4357 | 1 | CLIP (TAB) | | | | | | |
| | 28 | 1 | 6V-5049 | 3 | SEAL-O-RING | | | | | | |
| | 29 | 1 | 6V-5055 | 1 | SEAL-O-RING | | | | | | |
| | 30 | 1 | 6V-5101 | 2 | SEAL-O-RING | | | | | | |
| | 31 | 1 | 8S-9191 | 4 | BOLT (3/8-16X4-IN) | | | | | | |
| | 32 | 1 | 8T-6762 | 3 | PLUG-PIPE | | | | | | |
| | 33 | 1 | 9L-9132 | 1 | WASHER (10.2X25.5X2.5-MM THK) | | | | | | |
| | 34 | 1 | 9S-4191 | 3 | PLUG-O-RING | | | | | | |
| | 35 | 1 | 9S-8752 | 4 | NUT-FULL (3/8-16-THD) | | | | | | |

COOLING SYSTEM

105-3176 LINES GP-OIL COOLER (contd.)

i02286399



GRAPHIC #1

<END>

g01145018

COOLING SYSTEM

105-3177 LINES GP-OIL COOLER (CHG -03 THRU -09)

83 DEGREES CELCIUS. TRIPLE

FOR USE WITH ESS PANEL WITH COMPUTERIZED MONITORING SYSTEM

SMCS-1307, 1378, 1380

i02657781

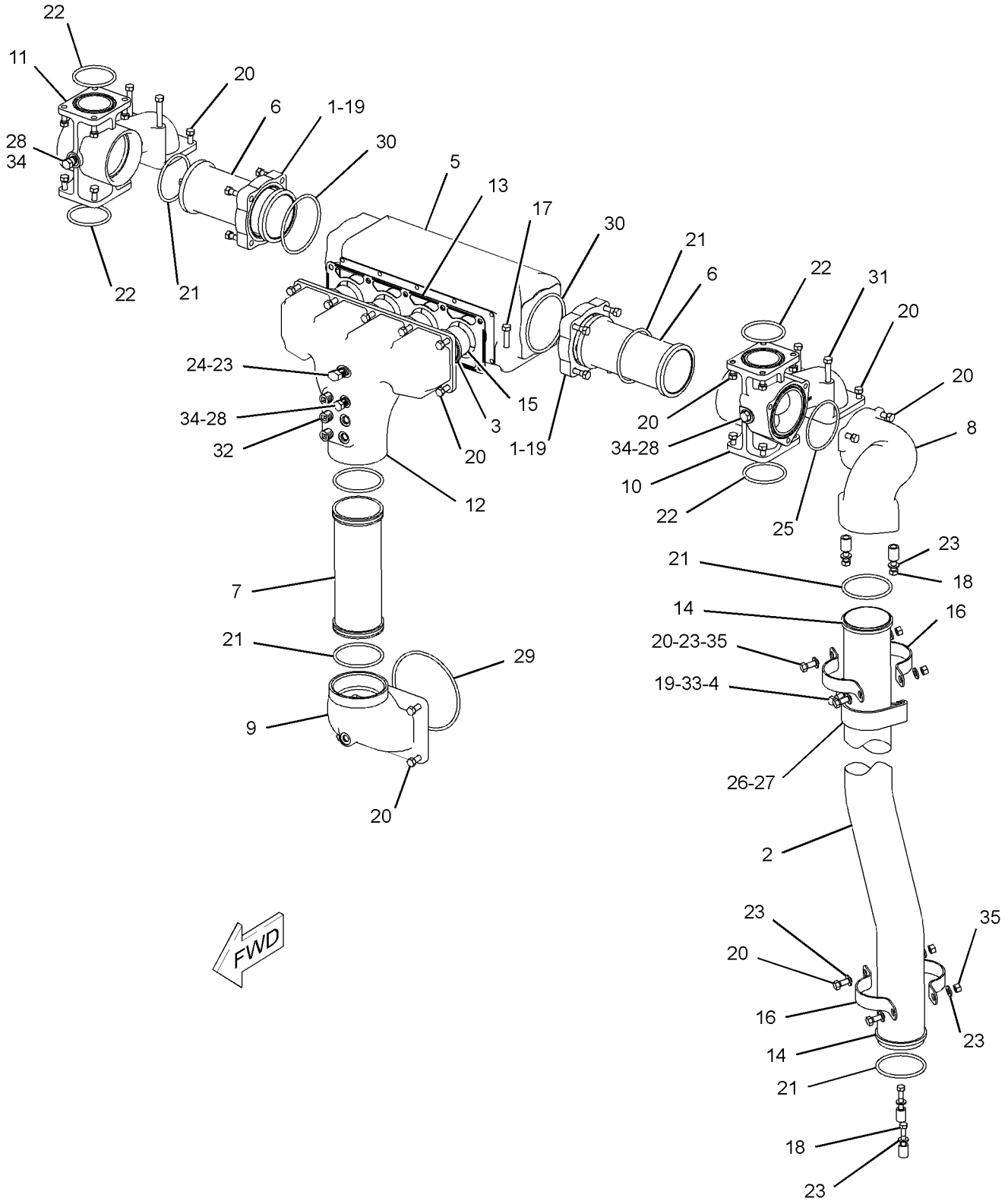
| NOTE | REF NO | GRAPHIC REF | PART NUMBER | QTY | PART NAME | | | | | | SEE PAGE |
|------|--------|-------------|-------------|-----|------------------------------------|---|---|---|---|-------------------|----------|
| | | | | | 1 | 2 | 3 | 4 | 5 | 6 (PRODUCT LEVEL) | |
| | 1 | 1 | 1W-3979 | 2 | FLANGE | | | | | | |
| | 2 | 1 | 2W-6318 | 1 | TUBE | | | | | | |
| | 3 | 1 | 3S-9643 | 4 | SEAL-LIP TYPE | | | | | | |
| | 4 | 1 | 4S-5719 | 1 | SPACER (10.31X25X12.7-MM THK) | | | | | | |
| | 5 | 1 | 7C-6021 | 1 | HOUSING-REGULATOR | | | | | | |
| | 6 | 1 | 7N-9044 | 2 | TUBE | | | | | | |
| | 7 | 1 | 7W-2459 | 1 | TUBE | | | | | | |
| | 8 | 1 | 7W-3881 | 1 | ELBOW | | | | | | |
| | 9 | 1 | 7W-3882 | 1 | ELBOW | | | | | | |
| | 10 | 1 | 7W-6600 | 1 | MANIFOLD-OIL COOLER | | | | | | |
| | 11 | 1 | 7W-6601 | 1 | MANIFOLD-OIL COOLER | | | | | | |
| | 12 | 1 | 9Y-4732 | 1 | COVER | | | | | | |
| | 13 | 1 | 9Y-9842 | 1 | GASKET | | | | | | |
| | 14 | 1 | 110-0096 | 2 | RING | | | | | | |
| C | 15 | 1 | 120-9453 | 4 | REGULATOR-TEMPERATURE (85-DEG C) | | | | | | |
| | 16 | 1 | 122-1148 | 4 | CLAMP AS | | | | | | |
| | 17 | 1 | 0L-1143 | 4 | BOLT (3/8-16X2.5-IN) | | | | | | |
| | 18 | 1 | 0S-1571 | 4 | BOLT (3/8-16X1.75-IN) | | | | | | |
| | 19 | 1 | 0S-1591 | 9 | BOLT (3/8-16X1.5-IN) | | | | | | |
| | 20 | 1 | 0S-1594 | 40 | BOLT (3/8-16X1-IN) | | | | | | |
| | 21 | 1 | 259-4600 | 8 | SEAL-O-RING | | | | | | |
| | 22 | 1 | 3P-0655 | 6 | SEAL-O-RING | | | | | | |
| | 23 | 1 | 3V-3308 | 13 | WASHER-HARD (10.2X20.5X2.5-MM THK) | | | | | | |
| | 24 | 1 | 5B-9603 | 1 | BOLT (3/8-16X5-IN) | | | | | | |
| | 25 | 1 | 5S-9134 | 1 | SEAL-O-RING | | | | | | |
| | 26 | 1 | 6V-4356 | 1 | CLIP (SLOT) | | | | | | |
| | 27 | 1 | 6V-4357 | 1 | CLIP (TAB) | | | | | | |
| | 28 | 1 | 6V-5049 | 3 | SEAL-O-RING | | | | | | |
| | 29 | 1 | 6V-5055 | 1 | SEAL-O-RING | | | | | | |
| | 30 | 1 | 6V-5101 | 2 | SEAL-O-RING | | | | | | |
| | 31 | 1 | 8S-9191 | 4 | BOLT (3/8-16X4-IN) | | | | | | |
| | 32 | 1 | 8T-6762 | 3 | PLUG-PIPE | | | | | | |
| | 33 | 1 | 9L-9132 | 1 | WASHER (10.2X25.5X2.5-MM THK) | | | | | | |
| | 34 | 1 | 9S-4191 | 3 | PLUG-O-RING | | | | | | |
| | 35 | 1 | 9S-8752 | 4 | NUT-FULL (3/8-16-THD) | | | | | | |

C- CHANGE FROM PREVIOUS TYPE

COOLING SYSTEM

105-3177 LINES GP-OIL COOLER (contd.)

i02657781



GRAPHIC #1

<END>

g01150108

COOLING SYSTEM

262-4931 LINES GP-OIL COOLER (CHG -00, -01)

SMCS-1307, 1378, 1380

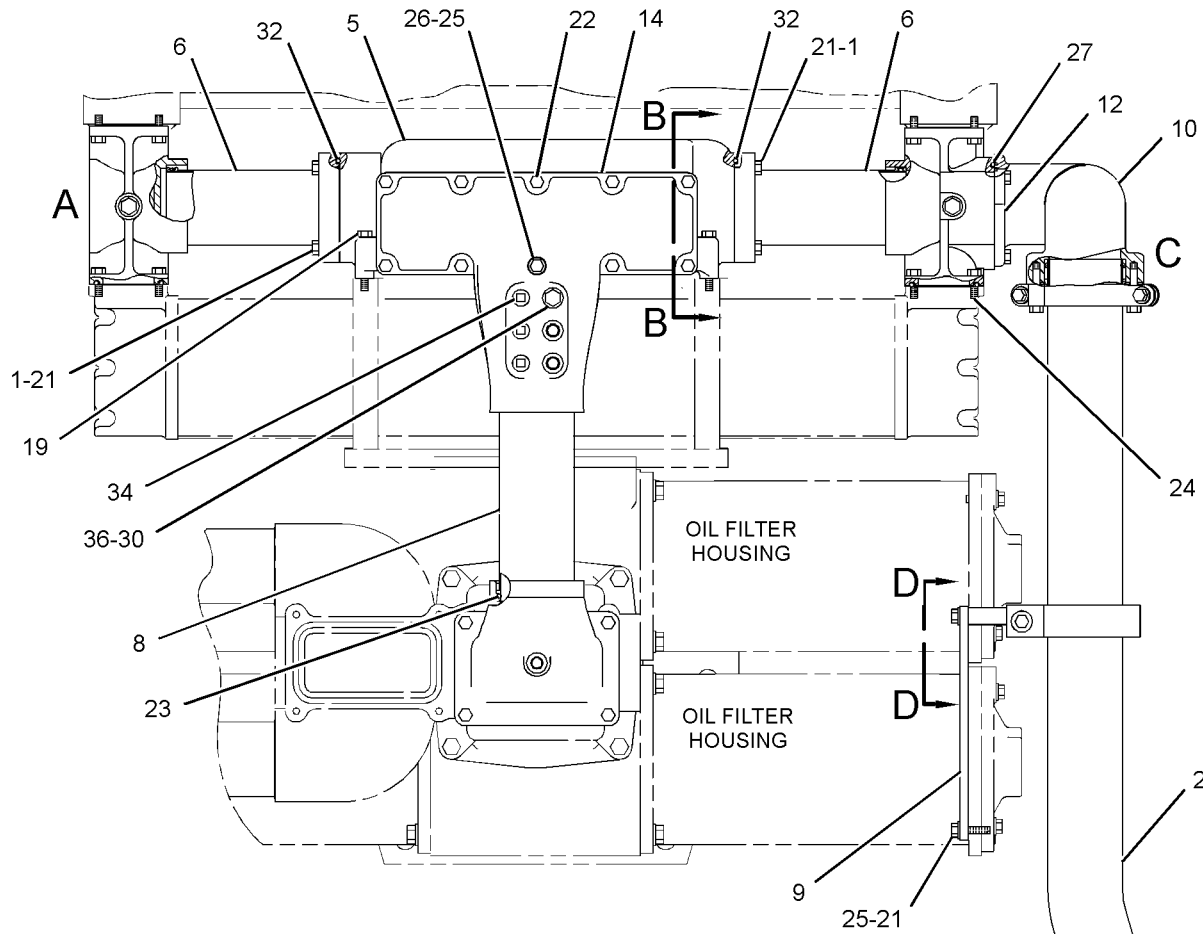
i02650269

| NOTE | REF NO | GRAPHIC REF | PART NUMBER | QTY | PART NAME | | | | | | SEE PAGE |
|------|--------|-------------|-------------|-----|------------------------------------|---|---|---|---|-------------------|----------|
| | | | | | 1 | 2 | 3 | 4 | 5 | 6 (PRODUCT LEVEL) | |
| | 1 | 1 | 1W-3979 | 2 | FLANGE | | | | | | |
| | 2 | 1 | 2W-6318 | 1 | TUBE | | | | | | |
| | 3 | 1 | 3S-9643 | 4 | SEAL-LIP TYPE | | | | | | |
| | 4 | 2 | 4S-5719 | 1 | SPACER (10.31X25X12.7-MM THK) | | | | | | |
| | 5 | 1 | 7C-6021 | 1 | HOUSING-REGULATOR | | | | | | |
| | 6 | 1 | 7N-9044 | 2 | TUBE | | | | | | |
| | 7 | 2 | 7W-2457 | 1 | BOSS | | | | | | |
| | 8 | 1 | 7W-2459 | 1 | TUBE | | | | | | |
| | 9 | 1 | 7W-2970 | 1 | SUPPORT AS | | | | | | |
| | 10 | 1 | 7W-3881 | 1 | ELBOW | | | | | | |
| | 11 | 2 | 7W-3882 | 1 | ELBOW | | | | | | |
| | 12 | 1 | 7W-6600 | 1 | MANIFOLD-OIL COOLER | | | | | | |
| | 13 | 1 | 7W-6601 | 1 | MANIFOLD-OIL COOLER | | | | | | |
| | 14 | 1 | 9Y-4732 | 1 | COVER | | | | | | |
| | 15 | 1 | 9Y-9842 | 1 | GASKET | | | | | | |
| | 16 | 1,2 | 110-0096 | 2 | RING | | | | | | |
| | 17 | 1 | 120-9453 | 4 | REGULATOR-TEMPERATURE (85-DEG C) | | | | | | |
| | 18 | 1,2 | 122-1148 | 4 | CLAMP AS | | | | | | |
| | 19 | 1 | 0L-1143 | 4 | BOLT (3/8-16X2.5-IN) | | | | | | |
| | 20 | 1,2 | 0S-1571 | 4 | BOLT (3/8-16X1.75-IN) | | | | | | |
| | 21 | 1,2 | 0S-1591 | 11 | BOLT (3/8-16X1.5-IN) | | | | | | |
| | 22 | 1,2 | 0S-1594 | 41 | BOLT (3/8-16X1-IN) | | | | | | |
| | 23 | 1,2 | 259-4600 | 8 | SEAL-O-RING | | | | | | |
| | 24 | 1 | 3P-0655 | 6 | SEAL-O-RING | | | | | | |
| | 25 | 1,2 | 3V-3308 | 16 | WASHER-HARD (10.2X20.5X2.5-MM THK) | | | | | | |
| | 26 | 1 | 5B-9603 | 1 | BOLT (3/8-16X5-IN) | | | | | | |
| | 27 | 1 | 5S-9134 | 1 | SEAL-O-RING | | | | | | |
| | 28 | 2 | 6V-4356 | 1 | CLIP (SLOT) | | | | | | |
| | 29 | 2 | 6V-4357 | 1 | CLIP (TAB) | | | | | | |
| | 30 | 1 | 6V-5049 | 3 | SEAL-O-RING | | | | | | |
| | 31 | 2 | 6V-5055 | 1 | SEAL-O-RING | | | | | | |
| | 32 | 1 | 6V-5101 | 2 | SEAL-O-RING | | | | | | |
| | 33 | 2 | 8S-9191 | 4 | BOLT (3/8-16X4-IN) | | | | | | |
| | 34 | 1 | 8T-6762 | 3 | PLUG-PIPE | | | | | | |
| | 35 | 2 | 9L-9132 | 1 | WASHER (10.2X25.5X2.5-MM THK) | | | | | | |
| | 36 | 1 | 9S-4191 | 3 | PLUG-O-RING | | | | | | |
| | 37 | 1,2 | 9S-8752 | 4 | NUT-FULL (3/8-16-THD) | | | | | | |

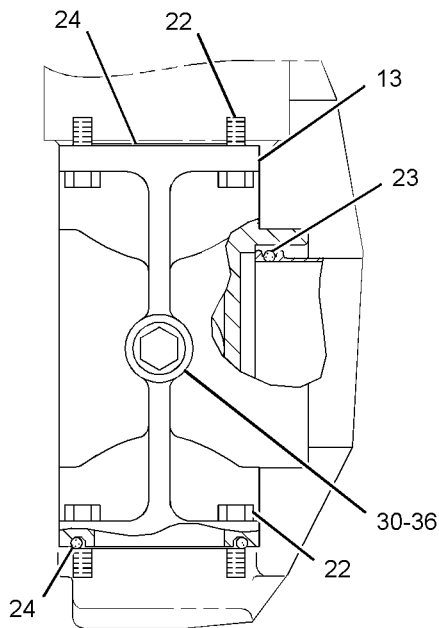
COOLING SYSTEM

262-4931 LINES GP-OIL COOLER (contd.)

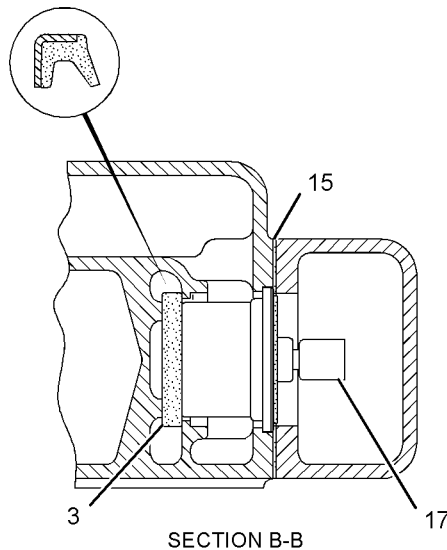
i02650269



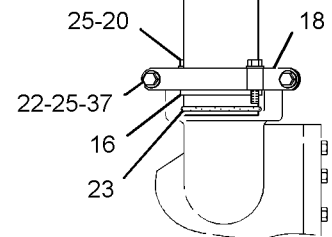
FRONT VIEW



VIEW OF AREA A



SECTION B-B



REFER TO ALL ILLUSTRATIONS OF THIS GROUP FOR AUXILIARY VIEWS

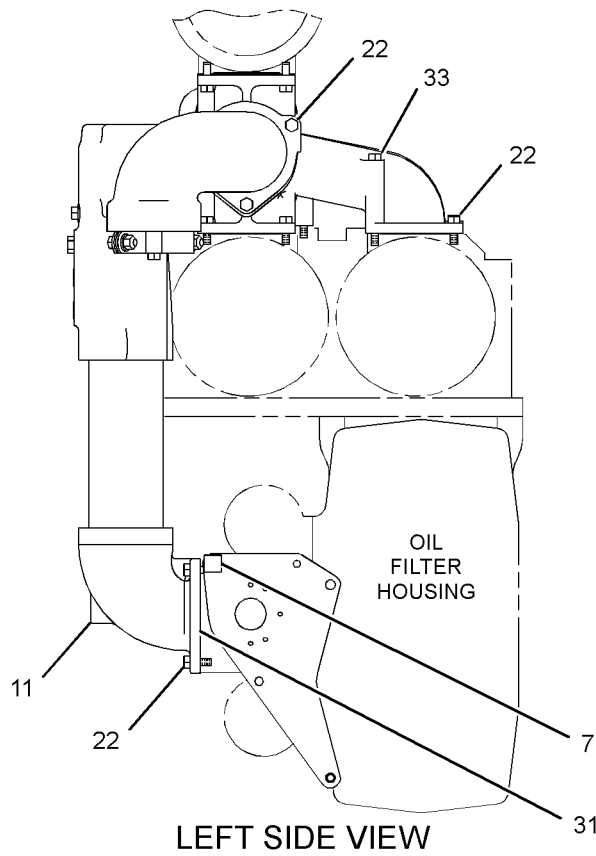
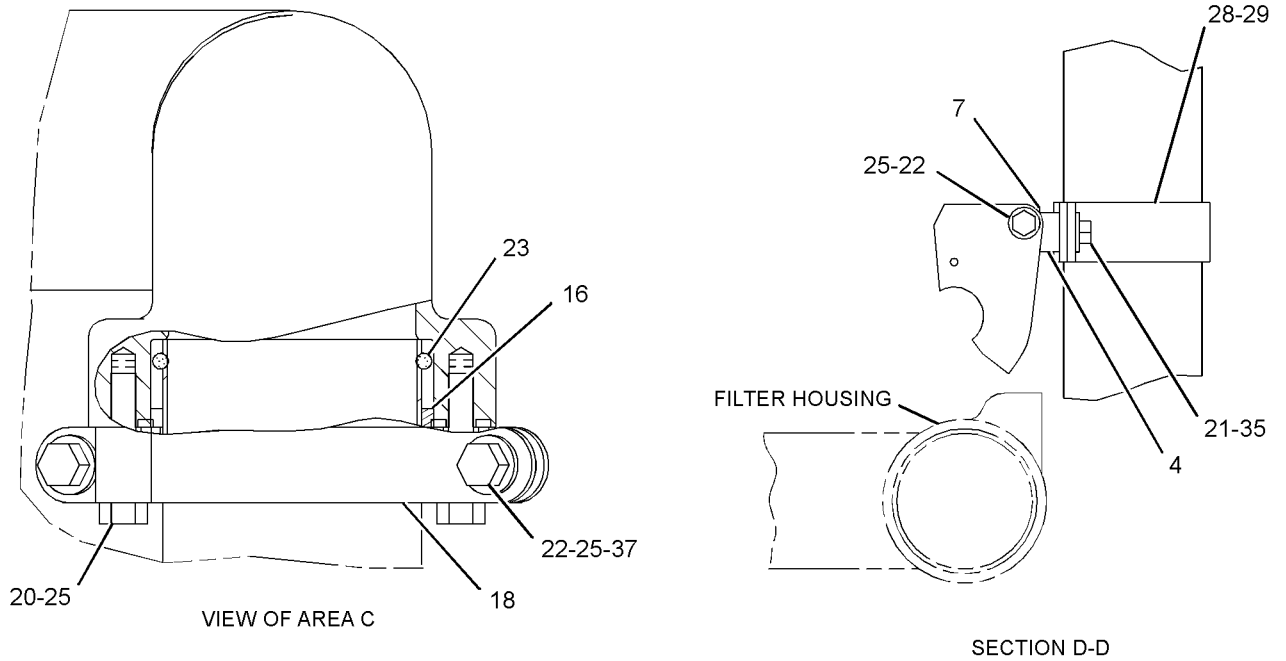
GRAPHIC #1

g01216607

COOLING SYSTEM

262-4931 LINES GP-OIL COOLER (contd.)

i02650269



GRAPHIC #2

<END>

g01216711

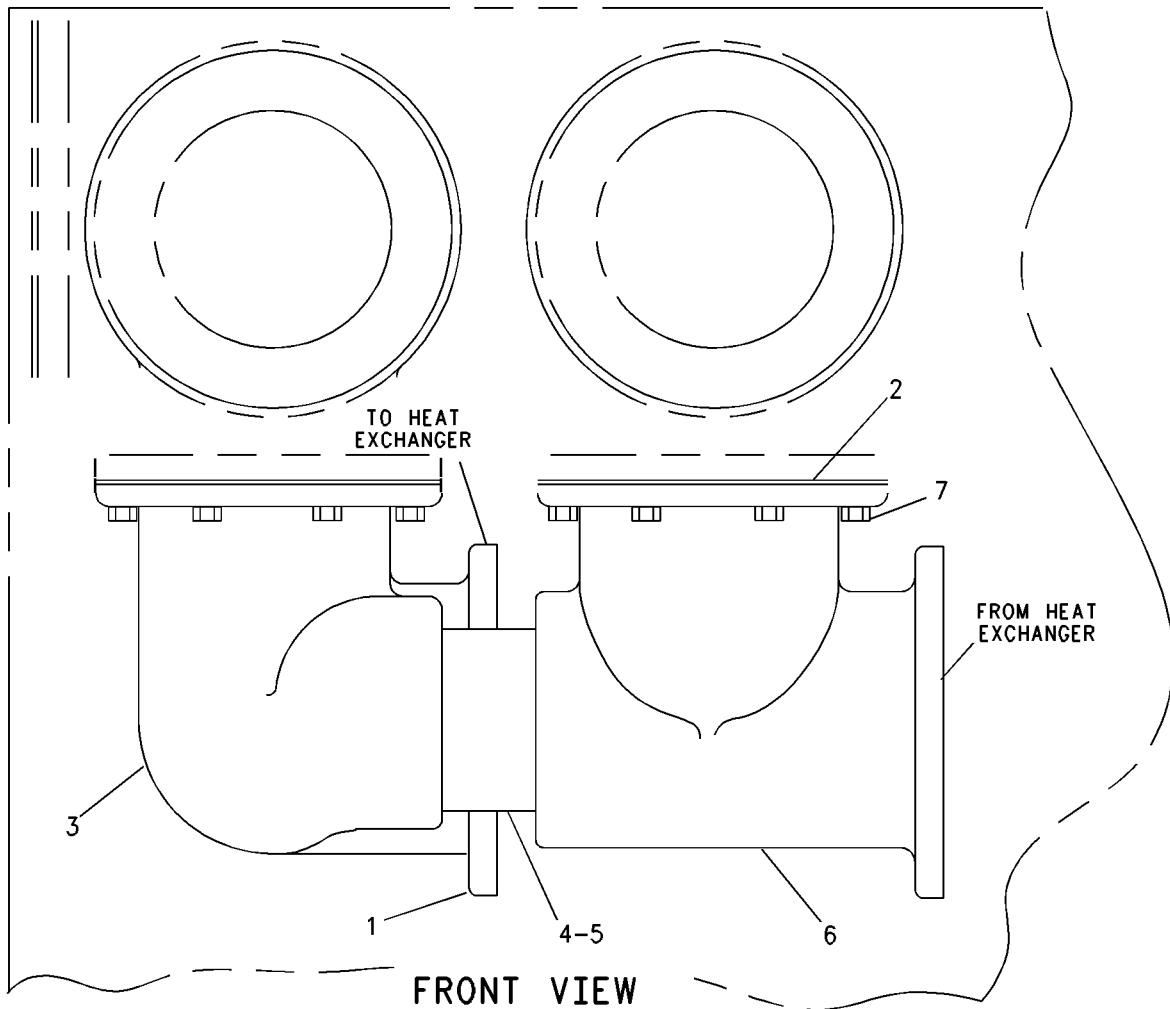
COOLING SYSTEM

2W-3015 LINES GP-WATER (CHG -01, -02) REMOTE HEAT EXCHANGER

SMCS-1355, 1380, 1393

i01547273

| NOTE | REF NO | GRAPHIC REF | PART NUMBER | QTY | PART NAME | | | | | | SEE PAGE |
|------|--------|-------------|-------------|-----|--------------------|---|---|---|---|-------------------|----------|
| | | | | | 1 | 2 | 3 | 4 | 5 | 6 (PRODUCT LEVEL) | |
| | 1 | 1 | 7W-8462 | 1 | ELBOW-ADAPTER | | | | | | |
| | 2 | 1 | 1S-5772 | 3 | GASKET | | | | | | |
| | 3 | 1 | 7W-8463 | 1 | ELBOW-ADAPTER | | | | | | |
| | 4 | 1 | 2W-5036 | 1 | TUBE | | | | | | |
| | 5 | 1 | 6V-5139 | 2 | SEAL-O-RING | | | | | | |
| | 6 | 1 | 7W-8464 | 1 | ADAPTER-HOUSING | | | | | | |
| | 7 | 1 | OS-1594 | 24 | BOLT (3/8-16X1-IN) | | | | | | |



GRAPHIC #1

<END>

g00804586

COOLING SYSTEM

4P - 7408 LINES GP - WATER (CHG -03)

SMCS - 1355, 1380, 1393

i01571942

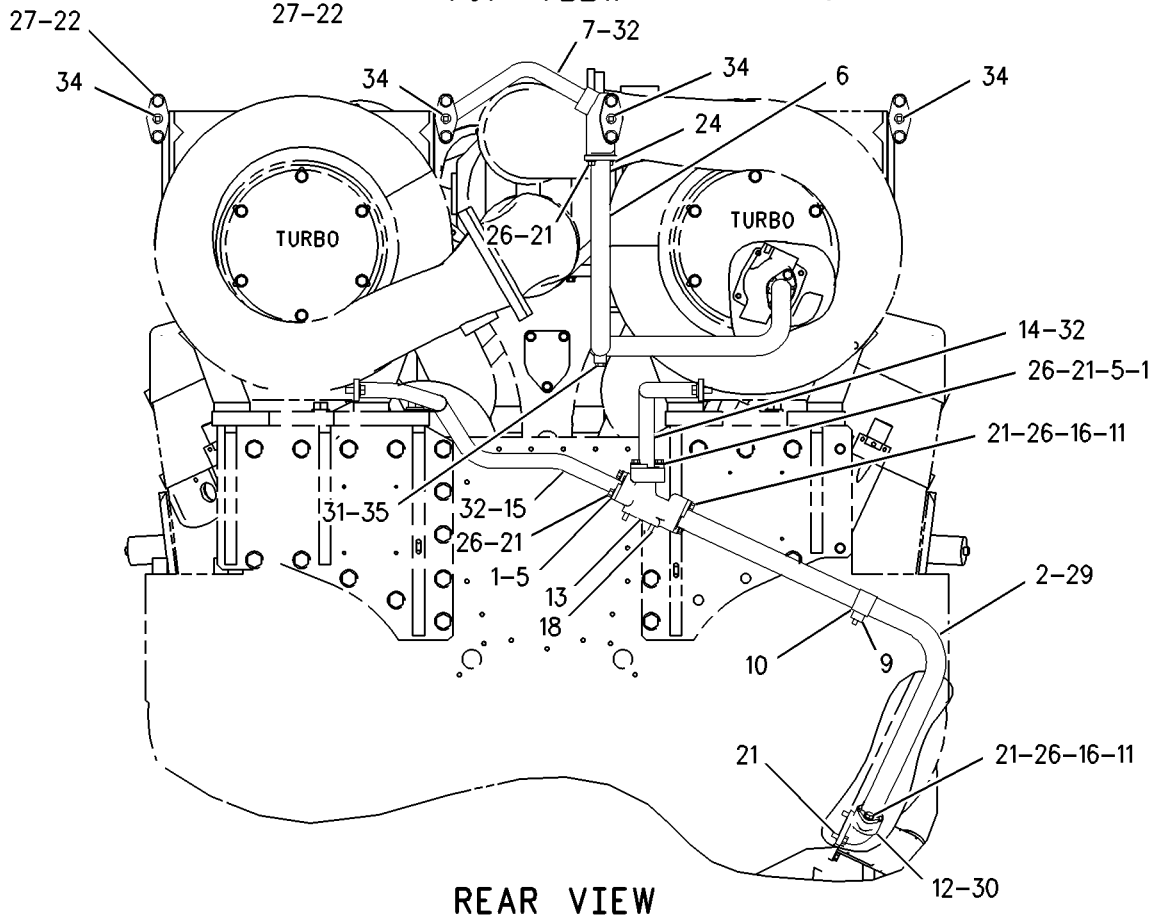
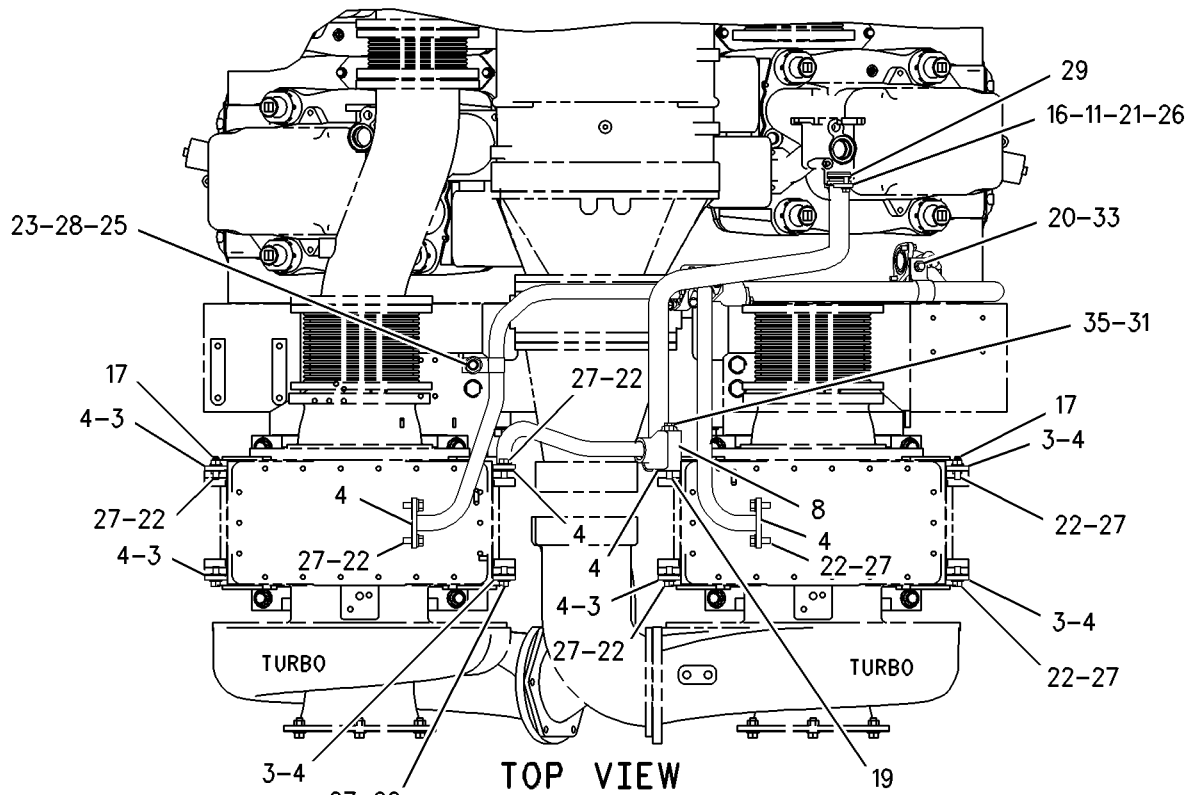
| NOTE | REF NO | GRAPHIC REF | PART NUMBER | QTY | PART NAME | | | | | | SEE PAGE |
|------|--------|-------------|-------------|-----|------------------------------------|---|---|---|---|-------------------|----------|
| | | | | | 1 | 2 | 3 | 4 | 5 | 6 (PRODUCT LEVEL) | |
| | 1 | 1 | 1W-7020 | 2 | RING-RETAINING | | | | | | |
| | 2 | 1 | 2W-3793 | 1 | TUBE-WATER SUPPLY | | | | | | |
| | 3 | 1 | 2W-4025 | 6 | FLANGE | | | | | | |
| | 4 | 1 | 2W-4026 | 10 | GASKET | | | | | | |
| | 5 | 1 | 2W-4032 | 4 | RETAINER | | | | | | |
| | 6 | 1 | 4P-7409 | 1 | TUBE AS | | | | | | |
| | 7 | 1 | 7C-4057 | 1 | TUBE AS | | | | | | |
| | 8 | 1 | 7C-4158 | 1 | HOUSING | | | | | | |
| | 9 | 1 | 7K-3215 | 1 | BOSS (0.413X1X0.630-IN THK) | | | | | | |
| | 10 | 1 | 7K-6699 | 1 | CLIP | | | | | | |
| | 11 | 1 | 7W-3933 | 3 | RING-RETAINING | | | | | | |
| | 12 | 1 | 7W-4261 | 1 | ELBOW | | | | | | |
| | 13 | 1 | 7W-4262 | 1 | TEE | | | | | | |
| | 14 | 1 | 7W-5273 | 1 | TUBE AS-SUPPLY | | | | | | |
| | 15 | 1 | 7W-5278 | 1 | TUBE AS-SUPPLY | | | | | | |
| | 16 | 1 | 8N-0394 | 6 | RETAINER | | | | | | |
| C | 17 | 1 | 8N-9071 | 2 | VALVE AS (AIR BLEED) | | | | | | |
| | | | | | (EACH INCLUDES) | | | | | | |
| | | 1 | 7N-7688 | 1 | FERRULE | | | | | | |
| | | 1 | 8N-9072 | 1 | BODY-VALVE | | | | | | |
| | | 1 | 9M-5590 | 1 | BALL | | | | | | |
| | 18 | 1 | OS-1571 | 2 | BOLT (3/8-16X1.75-IN) | | | | | | |
| | 19 | 1 | OS-1573 | 2 | BOLT (1/2-13X4-IN) | | | | | | |
| | 20 | 1 | OS-1591 | 1 | BOLT (3/8-16X1.5-IN) | | | | | | |
| | 21 | 1 | OS-1594 | 14 | BOLT (3/8-16X1-IN) | | | | | | |
| | 22 | 1 | OS-1595 | 18 | BOLT (1/2-13X1.25-IN) | | | | | | |
| C | 23 | 1 | 1A-8063 | 1 | BOLT (3/4-10X2.5-IN) | | | | | | |
| | 24 | 1 | 1M-3847 | 1 | GASKET | | | | | | |
| | 25 | 1 | 3L-7824 | 1 | CLIP | | | | | | |
| | 26 | 1 | 3V-3308 | 12 | WASHER-HARD (10.2X20.5X2.5-MM THK) | | | | | | |
| | 27 | 1 | 5P-8245 | 18 | WASHER-HARD (13.5X25.5X3-MM THK) | | | | | | |
| C | 28 | 1 | 5P-8248 | 1 | WASHER-HARD (20X36.5X3.5-MM THK) | | | | | | |
| | 29 | 1 | 6L-7817 | 3 | SEAL-O-RING | | | | | | |
| | 30 | 1 | 6V-1585 | 1 | SEAL-O-RING | | | | | | |
| | 31 | 1 | 6V-3250 | 2 | SEAL-O-RING | | | | | | |
| | 32 | 1 | 7L-6580 | 3 | SEAL-O-RING | | | | | | |
| | 33 | 1 | 8M-9024 | 1 | WASHER-HARD (10.2X22.5X5-MM THK) | | | | | | |
| C | 34 | 1 | 8T-6762 | 4 | PLUG-PIPE | | | | | | |
| | 35 | 1 | 9S-4191 | 2 | PLUG-O-RING | | | | | | |

C - CHANGE FROM PREVIOUS TYPE

COOLING SYSTEM

4P-7408 LINES GP-WATER (contd.)

i01571942



GRAPHIC #1

<END>

g00624735

COOLING SYSTEM

4P-9058 LINES GP-WATER (CHG -00 THRU -06) JACKET

SMCS-1355, 1380, 1393

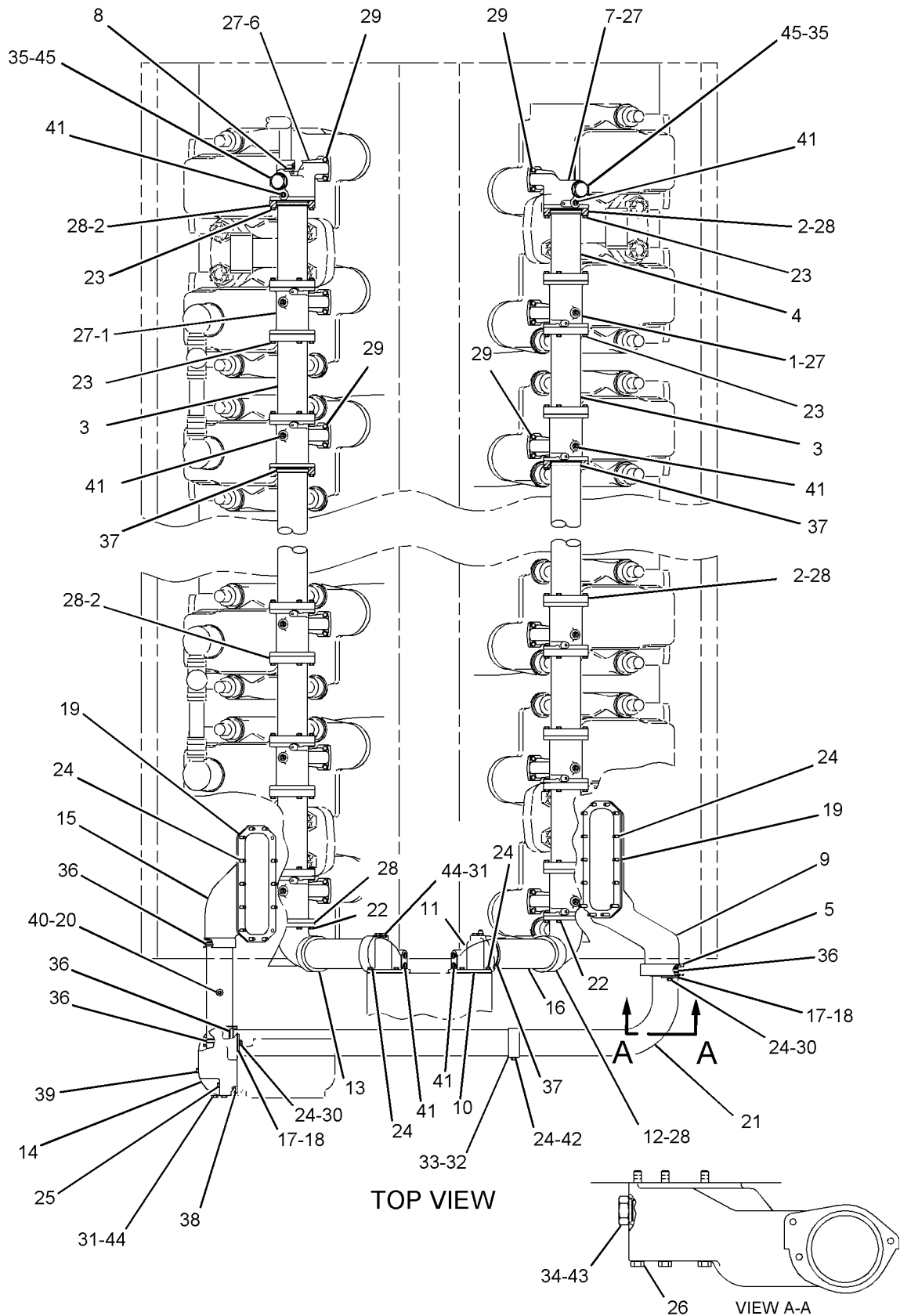
i02114565

| NOTE | REF NO | GRAPHIC REF | PART NUMBER | QTY | PART NAME | | | | | | SEE PAGE |
|------|--------|-------------|-------------|-----|------------------------------------|---|---|---|---|-------------------|----------|
| | | | | | 1 | 2 | 3 | 4 | 5 | 6 (PRODUCT LEVEL) | |
| | 1 | 1 | 2W-4555 | 14 | MANIFOLD-WATER | | | | | | |
| | 2 | 1 | 2W-5022 | 28 | FLANGE | | | | | | |
| | 3 | 1 | 2W-5031 | 13 | TUBE | | | | | | |
| | 4 | 1 | 2W-5032 | 1 | TUBE | | | | | | |
| | 5 | 1 | 7C-7480 | 1 | ORIFICE | | | | | | |
| | 6 | 1 | 7E-0596 | 1 | MANIFOLD-WATER | | | | | | |
| | 7 | 1 | 7E-1424 | 1 | MANIFOLD-WATER | | | | | | |
| | 8 | 1 | 7E-3200 | 1 | ORIFICE | | | | | | |
| | 9 | 1 | 7W-2152 | 1 | ELBOW | | | | | | |
| | 10 | 1 | 7W-3270 | 2 | GASKET | | | | | | |
| | 11 | 1 | 7W-3275 | 2 | ELBOW | | | | | | |
| | 12 | 1 | 7W-5841 | 1 | ELBOW | | | | | | |
| | 13 | 1 | 7W-5842 | 1 | ELBOW | | | | | | |
| | 14 | 1 | 7W-6849 | 1 | ELBOW | | | | | | |
| | 15 | 1 | 7W-6851 | 1 | ELBOW | | | | | | |
| | 16 | 1 | 7W-6947 | 2 | TUBE | | | | | | |
| | 17 | 1 | 8N-3639 | 4 | RETAINER | | | | | | |
| | 18 | 1 | 8N-3640 | 2 | RING-RETAINING | | | | | | |
| | 19 | 1 | 121-3874 | 2 | GASKET | | | | | | |
| | 20 | 1 | 126-1082 | 1 | TUBE AS | | | | | | |
| | 21 | 1 | 153-0446 | 1 | TUBE | | | | | | |
| | 22 | 1 | 0S-1588 | 8 | BOLT (3/8-16X1.25-IN) | | | | | | |
| | 23 | 1 | 0S-1591 | 112 | BOLT (3/8-16X1.5-IN) | | | | | | |
| | 24 | 1 | 0S-1594 | 35 | BOLT (3/8-16X1-IN) | | | | | | |
| | 25 | 1 | 0T-0573 | 3 | BOLT (3/8-16X2.75-IN) | | | | | | |
| | 26 | 1 | 1A-5964 | 4 | BOLT (3/8-16X4.5-IN) | | | | | | |
| | 27 | 1 | 2N-0475 | 16 | SEAL-O-RING | | | | | | |
| | 28 | 1 | 2W-5023 | 30 | GASKET | | | | | | |
| | 29 | 1 | 3H-6622 | 48 | BOLT (3/8-16X1.25-IN) | | | | | | |
| | 30 | 1 | 3V-3308 | 4 | WASHER-HARD (10.2X20.5X2.5-MM THK) | | | | | | |
| | 31 | 1 | 6V-3250 | 6 | SEAL-O-RING | | | | | | |
| | 32 | 1 | 6V-4356 | 1 | CLIP (SLOT) | | | | | | |
| | 33 | 1 | 6V-4357 | 1 | CLIP (TAB) | | | | | | |
| | 34 | 1 | 6V-5063 | 1 | SEAL-O-RING | | | | | | |
| | 35 | 1 | 6V-5065 | 2 | SEAL-O-RING | | | | | | |
| | 36 | 1 | 6V-5066 | 4 | SEAL-O-RING | | | | | | |
| | 37 | 1 | 6V-5139 | 32 | SEAL-O-RING | | | | | | |
| | 38 | 1 | 6V-6809 | 1 | SEAL-O-RING | | | | | | |
| | 39 | 1 | 7F-3425 | 1 | BOLT (3/8-16X5.75-IN) | | | | | | |
| | 40 | 1 | 8T-6758 | 1 | PLUG-PIPE | | | | | | |
| | 41 | 1 | 8T-6762 | 19 | PLUG-PIPE | | | | | | |
| | 42 | 1 | 9L-9132 | 1 | WASHER (10.2X25.5X2.5-MM THK) | | | | | | |
| | 43 | 1 | 9S-4183 | 1 | PLUG-O-RING | | | | | | |
| | 44 | 1 | 9S-4191 | 6 | PLUG-O-RING | | | | | | |
| | 45 | 1 | 9S-6130 | 2 | PLUG | | | | | | |

COOLING SYSTEM

4P-9058 LINES GP-WATER (contd.)

i02114565



GRAPHIC #1

<END>

g01077286

COOLING SYSTEM

4W-0361 LINES GP-WATER (CHG -06 THRU -08) TRIPLE OIL COOLER

SMCS-1355, 1380, 1393

i01592867

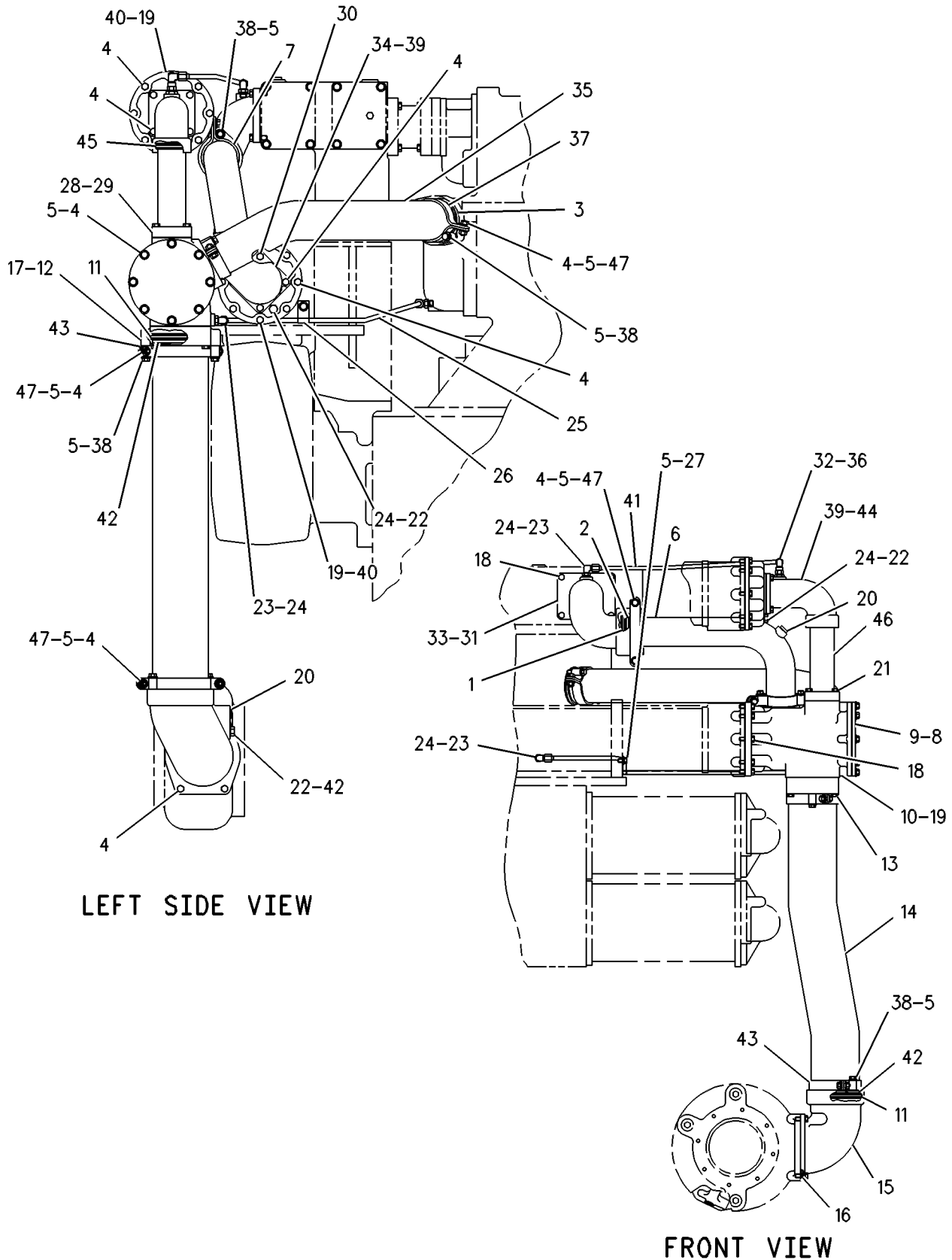
| NOTE | REF NO | GRAPHIC REF | PART NUMBER | QTY | PART NAME | | | | | | SEE PAGE |
|------|--------|-------------|-------------|-----|------------------------------------|---|---|---|---|-------------------|----------|
| | | | | | 1 | 2 | 3 | 4 | 5 | 6 (PRODUCT LEVEL) | |
| | 1 | 1 | 6V-1454 | 2 | SEAL-O-RING | | | | | | |
| | 2 | 1 | 7E-7209 | 2 | RING-RETAINING | | | | | | |
| | 3 | 1 | 110-0096 | 2 | RING | | | | | | |
| | 4 | 1 | 0S-1594 | 46 | BOLT (3/8-16X1-IN) | | | | | | |
| C | 5 | 1 | 3V-3308 | 45 | WASHER-HARD (10.2X20.5X2.5-MM THK) | | | | | | |
| | 6 | 1 | 7W-6949 | 1 | TUBE | | | | | | |
| | 7 | 1 | 124-6333 | 4 | CLAMP AS | | | | | | |
| | 8 | 1 | 1S-5772 | 1 | GASKET | | | | | | |
| | 9 | 1 | 7S-8420 | 1 | COVER-HYDRAULIC PUMP | | | | | | |
| | 10 | 1 | 7W-5487 | 1 | BONNET | | | | | | |
| | 11 | 1 | 8T-2903 | 2 | SEAL-O-RING | | | | | | |
| | 12 | 1 | 7W-2026 | 1 | FLANGE | | | | | | |
| | 13 | 1 | 0L-2070 | 4 | BOLT (3/8-16X2.25-IN) | | | | | | |
| | 14 | 1 | 7W-6945 | 1 | TUBE | | | | | | |
| | 15 | 1 | 7E-5482 | 1 | ELBOW | | | | | | |
| | 16 | 1 | 6V-6809 | 1 | SEAL-O-RING | | | | | | |
| | 17 | 1 | 7W-2018 | 1 | GASKET | | | | | | |
| | 18 | 1 | 0S-1588 | 12 | BOLT (3/8-16X1.25-IN) | | | | | | |
| | 19 | 1 | 4L-8606 | 3 | GASKET | | | | | | |
| | 20 | 1 | 8T-6762 | 2 | PLUG-PIPE | | | | | | |
| C | 21 | 1 | 0S-1591 | 4 | BOLT (3/8-16X1.5-IN) | | | | | | |
| | 22 | 1 | 9S-4191 | 3 | PLUG-O-RING | | | | | | |
| | 23 | 1 | 030-7947 | 3 | ELBOW | | | | | | |
| | 24 | 1 | 6V-3250 | 6 | SEAL-O-RING | | | | | | |
| | 25 | 1 | 7W-6963 | 1 | TUBE AS | | | | | | |
| | 26 | 1 | 7B-1597 | 1 | CLIP | | | | | | |
| | 27 | 1 | 0T-0102 | 1 | BOLT (3/8-16X0.625-IN) | | | | | | |
| | 28 | 1 | 4F-4873 | 1 | GASKET | | | | | | |
| | 29 | 1 | 9Y-1373 | 1 | FLANGE | | | | | | |
| | 30 | 1 | 0T-0065 | 2 | BOLT (3/8-16X3.5-IN) | | | | | | |
| | 31 | 1 | 7W-5527 | 1 | ELBOW | | | | | | |
| | 32 | 1 | 8N-9071 | 1 | VALVE AS | | | | | | |
| | | 1 | 7N-7688 | 1 | FERRULE | | | | | | |
| | | 1 | 8N-9072 | 1 | BODY-VALVE | | | | | | |
| | | 1 | 9M-5590 | 1 | BALL | | | | | | |
| | 33 | 1 | 7W-3269 | 1 | GASKET | | | | | | |
| | 34 | 1 | 7W-5526 | 1 | ELBOW | | | | | | |
| | 35 | 1 | 7W-6950 | 1 | TUBE | | | | | | |
| | | 1 | 6V-5066 | 2 | SEAL-O-RING | | | | | | |
| | 36 | 1 | 6K-9194 | 1 | ELBOW-FLARED | | | | | | |
| | 37 | 1 | 122-1148 | 4 | CLAMP AS | | | | | | |
| | 38 | 1 | 0S-1571 | 12 | BOLT (3/8-16X1.75-IN) | | | | | | |
| | 39 | 1 | 1W-4067 | 2 | GASKET | | | | | | |
| | 40 | 1 | 1W-3785 | 2 | BONNET-OIL COOLER | | | | | | |
| | 41 | 1 | 7W-6964 | 1 | TUBE AS | | | | | | |
| | 42 | 1 | 110-0097 | 2 | RING | | | | | | |
| | 43 | 1 | 108-6169 | 2 | CLAMP AS | | | | | | |
| | 44 | 1 | 7W-5845 | 1 | ELBOW | | | | | | |
| | 45 | 1 | 8T-1919 | 2 | SEAL-O-RING | | | | | | |
| | 46 | 1 | 7W-6946 | 1 | TUBE | | | | | | |
| C | 47 | 1 | 9S-8752 | 12 | NUT-FULL (3/8-16-THD) | | | | | | |

C- CHANGE FROM PREVIOUS TYPE

COOLING SYSTEM

4W-0361 LINES GP-WATER (contd.)

i01592867



LEFT SIDE VIEW

FRONT VIEW

COOLING SYSTEM

4W-0361 LINES GP-WATER (CHG -09 THRU -11) TRIPLE OIL COOLER

SMCS-1355, 1380, 1393

i02091026

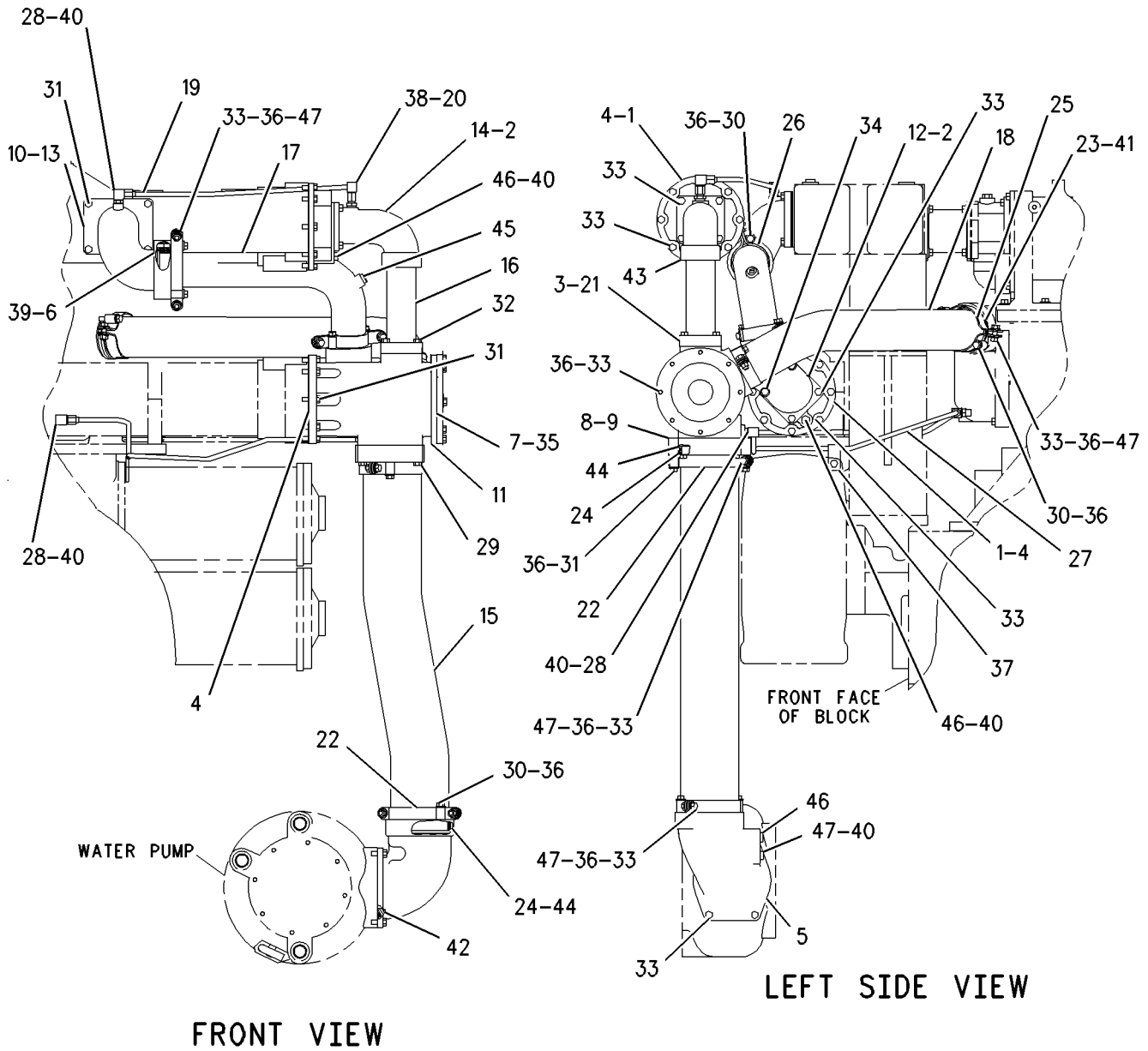
| NOTE | REF NO | GRAPHIC REF | PART NUMBER | QTY | PART NAME | | | | | | SEE PAGE |
|------|--------|-------------|-------------|-----|------------------------------------|---|---|---|---|-------------------|----------|
| | | | | | 1 | 2 | 3 | 4 | 5 | 6 (PRODUCT LEVEL) | |
| | 1 | 1 | 1W-3785 | 2 | BONNET-OIL COOLER | | | | | | |
| | 2 | 1 | 1W-4067 | 2 | GASKET | | | | | | |
| | 3 | 1 | 4F-4873 | 1 | GASKET | | | | | | |
| | 4 | 1 | 247-3796 | 3 | GASKET | | | | | | |
| | 5 | 1 | 7E-5482 | 1 | ELBOW | | | | | | |
| | 6 | 1 | 7E-7209 | 2 | RING-RETAINING | | | | | | |
| | 7 | 1 | 7S-8420 | 1 | COVER-HYDRAULIC PUMP | | | | | | |
| | 8 | 1 | 7W-2018 | 1 | GASKET | | | | | | |
| | 9 | 1 | 7W-2026 | 1 | FLANGE | | | | | | |
| | 10 | 1 | 7W-3269 | 1 | GASKET | | | | | | |
| | 11 | 1 | 7W-5487 | 1 | BONNET | | | | | | |
| | 12 | 1 | 7W-5526 | 1 | ELBOW | | | | | | |
| | 13 | 1 | 7W-5527 | 1 | ELBOW | | | | | | |
| | 14 | 1 | 7W-5845 | 1 | ELBOW | | | | | | |
| | 15 | 1 | 7W-6945 | 1 | TUBE | | | | | | |
| | 16 | 1 | 7W-6946 | 1 | TUBE | | | | | | |
| | 17 | 1 | 7W-6949 | 1 | TUBE | | | | | | |
| | 18 | 1 | 7W-6950 | 1 | TUBE | | | | | | |
| | 19 | 1 | 7W-6964 | 1 | TUBE AS | | | | | | |
| | 20 | 1 | 8N-9071 | 1 | VALVE AS | | | | | | |
| | | 1 | 7N-7688 | 1 | FERRULE | | | | | | |
| | | 1 | 8N-9072 | 1 | BODY-VALVE | | | | | | |
| | | 1 | 9M-5590 | 1 | BALL | | | | | | |
| | 21 | 1 | 9Y-1373 | 1 | FLANGE | | | | | | |
| | 22 | 1 | 108-6169 | 4 | CLAMP AS | | | | | | |
| | 23 | 1 | 110-0096 | 2 | RING | | | | | | |
| | 24 | 1 | 110-0097 | 2 | RING | | | | | | |
| | 25 | 1 | 122-1148 | 4 | CLAMP AS | | | | | | |
| | 26 | 1 | 124-6333 | 4 | CLAMP AS | | | | | | |
| C | 27 | 1 | 217-6884 | 1 | TUBE AS | | | | | | |
| | 28 | 1 | 030-7947 | 3 | ELBOW | | | | | | |
| | 29 | 1 | 0L-2070 | 4 | BOLT (3/8-16X2.25-IN) | | | | | | |
| | 30 | 1 | 0S-1571 | 12 | BOLT (3/8-16X1.75-IN) | | | | | | |
| | 31 | 1 | 0S-1588 | 12 | BOLT (3/8-16X1.25-IN) | | | | | | |
| | 32 | 1 | 0S-1591 | 4 | BOLT (3/8-16X1.5-IN) | | | | | | |
| | 33 | 1 | 0S-1594 | 46 | BOLT (3/8-16X1-IN) | | | | | | |
| | 34 | 1 | 0T-0065 | 2 | BOLT (3/8-16X3.5-IN) | | | | | | |
| | 35 | 1 | 1S-5772 | 1 | GASKET | | | | | | |
| | 36 | 1 | 3V-3308 | 44 | WASHER-HARD (10.2X20.5X2.5-MM THK) | | | | | | |
| | 37 | 1 | 5M-1198 | 1 | CLIP | | | | | | |
| | 38 | 1 | 6K-9194 | 1 | ELBOW-FLARED | | | | | | |
| | 39 | 1 | 6V-1454 | 2 | SEAL-O-RING | | | | | | |
| | 40 | 1 | 6V-3250 | 6 | SEAL-O-RING | | | | | | |
| | 41 | 1 | 6V-5066 | 2 | SEAL-O-RING | | | | | | |
| | 42 | 1 | 6V-6809 | 1 | SEAL-O-RING | | | | | | |
| | 43 | 1 | 8T-1919 | 2 | SEAL-O-RING | | | | | | |
| | 44 | 1 | 8T-2903 | 2 | SEAL-O-RING | | | | | | |
| | 45 | 1 | 8T-6762 | 2 | PLUG-PIPE | | | | | | |
| | 46 | 1 | 9S-4191 | 3 | PLUG-O-RING | | | | | | |
| | 47 | 1 | 9S-8752 | 12 | NUT-FULL (3/8-16-THD) | | | | | | |

C- CHANGE FROM PREVIOUS TYPE

COOLING SYSTEM

4W-0361 LINES GP-WATER (contd.)

i02091026



COOLING SYSTEM

4W-2463 LINES GP-WATER (CHG -09 THRU -11) DOUBLE OIL COOLER

SMCS-1355, 1380, 1393

i01512805

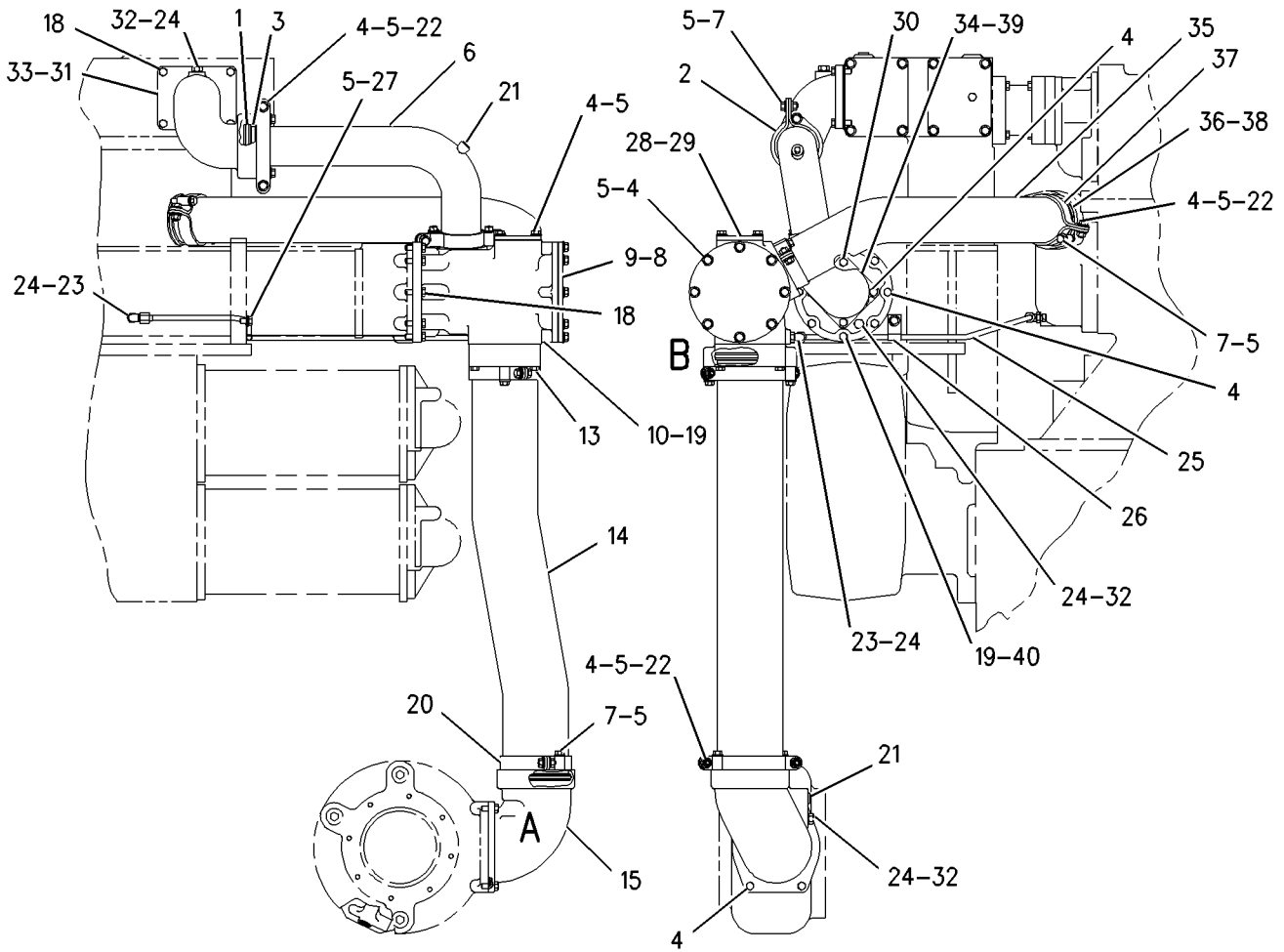
| NOTE | REF NO | GRAPHIC REF | PART NUMBER | QTY | PART NAME | | | | | | SEE PAGE |
|------|--------|-------------|-------------|-----|------------------------------------|---|---|---|---|-------------------|----------|
| | | | | | 1 | 2 | 3 | 4 | 5 | 6 (PRODUCT LEVEL) | |
| | 1 | 1 | 6V-1454 | 2 | SEAL-O-RING | | | | | | |
| | 2 | 1 | 124-6333 | 4 | CLAMP AS | | | | | | |
| | 3 | 1 | 7E-7209 | 2 | RING-RETAINING | | | | | | |
| | 4 | 1 | 0S-1594 | 38 | BOLT (3/8-16X1-IN) | | | | | | |
| | 5 | 1 | 3V-3308 | 49 | WASHER-HARD (10.2X20.5X2.5-MM THK) | | | | | | |
| | 6 | 1 | 7W-6949 | 1 | TUBE | | | | | | |
| | 7 | 1 | 0S-1571 | 12 | BOLT (3/8-16X1.75-IN) | | | | | | |
| | 8 | 1 | 1S-5772 | 1 | GASKET | | | | | | |
| | 9 | 1 | 7S-8420 | 1 | COVER-HYDRAULIC PUMP | | | | | | |
| | 10 | 1 | 7W-5487 | 1 | BONNET | | | | | | |
| | 11 | 1 | 8T-2903 | 2 | SEAL-O-RING | | | | | | |
| | 12 | 1 | 7W-2026 | 1 | FLANGE | | | | | | |
| | 13 | 1 | 0L-2070 | 4 | BOLT (3/8-16X2.25-IN) | | | | | | |
| | 14 | 1 | 7W-6945 | 1 | TUBE | | | | | | |
| | 15 | 1 | 7E-5482 | 1 | ELBOW | | | | | | |
| | 16 | 1 | 6V-6809 | 1 | SEAL-O-RING | | | | | | |
| | 17 | 1 | 7W-2018 | 1 | GASKET | | | | | | |
| | 18 | 1 | 0S-1588 | 12 | BOLT (3/8-16X1.25-IN) | | | | | | |
| | 19 | 1 | 4L-8606 | 2 | GASKET | | | | | | |
| | 20 | 1 | 108-6169 | 4 | CLAMP AS | | | | | | |
| | 21 | 1 | 8T-6762 | 2 | PLUG-PIPE | | | | | | |
| C | 22 | 1 | 9S-8752 | 12 | NUT-FULL (3/8-16-THD) | | | | | | |
| | 23 | 1 | 030-7947 | 2 | ELBOW | | | | | | |
| | 24 | 1 | 6V-3250 | 5 | SEAL-O-RING | | | | | | |
| | 25 | 1 | 7W-6963 | 1 | TUBE AS | | | | | | |
| | 26 | 1 | 7B-1597 | 1 | CLIP | | | | | | |
| | 27 | 1 | 0T-0102 | 1 | BOLT (3/8-16X0.625-IN) | | | | | | |
| | 28 | 1 | 4F-4873 | 1 | GASKET | | | | | | |
| | 29 | 1 | 2S-4446 | 1 | COVER | | | | | | |
| | 30 | 1 | 0T-0065 | 2 | BOLT (3/8-16X3.5-IN) | | | | | | |
| | 31 | 1 | 7W-5527 | 1 | ELBOW | | | | | | |
| | 32 | 1 | 9S-4191 | 3 | PLUG-O-RING | | | | | | |
| | 33 | 1 | 7W-3269 | 1 | GASKET | | | | | | |
| | 34 | 1 | 7W-5526 | 1 | ELBOW | | | | | | |
| | 35 | 1 | 7W-6950 | 1 | TUBE | | | | | | |
| | 36 | 1 | 6V-5066 | 2 | SEAL-O-RING | | | | | | |
| | 37 | 1 | 122-1148 | 4 | CLAMP AS | | | | | | |
| | 38 | 1 | 110-0096 | 2 | RING | | | | | | |
| | 39 | 1 | 1W-4067 | 1 | GASKET | | | | | | |
| | 40 | 1 | 1W-3785 | 1 | BONNET-OIL COOLER | | | | | | |
| | 41 | 1 | 110-0097 | 2 | RING | | | | | | |

C- CHANGE FROM PREVIOUS TYPE

COOLING SYSTEM

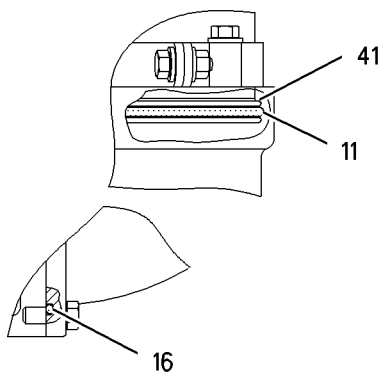
4W-2463 LINES GP-WATER (contd.)

i01512805

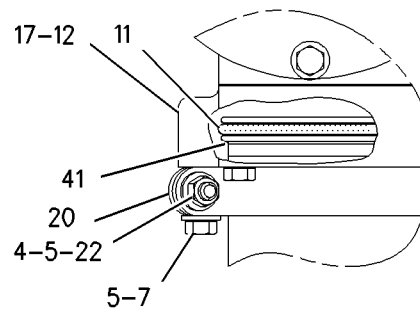


FRONT VIEW

LEFT SIDE VIEW



VIEW OF AREA A



VIEW OF AREA B

GRAPHIC #1

<END>

g00787641

COOLING SYSTEM

4W-2463 LINES GP-WATER (CHG -12 THRU -14) DOUBLE OIL COOLER

SMCS-1355, 1380, 1393

i02252792

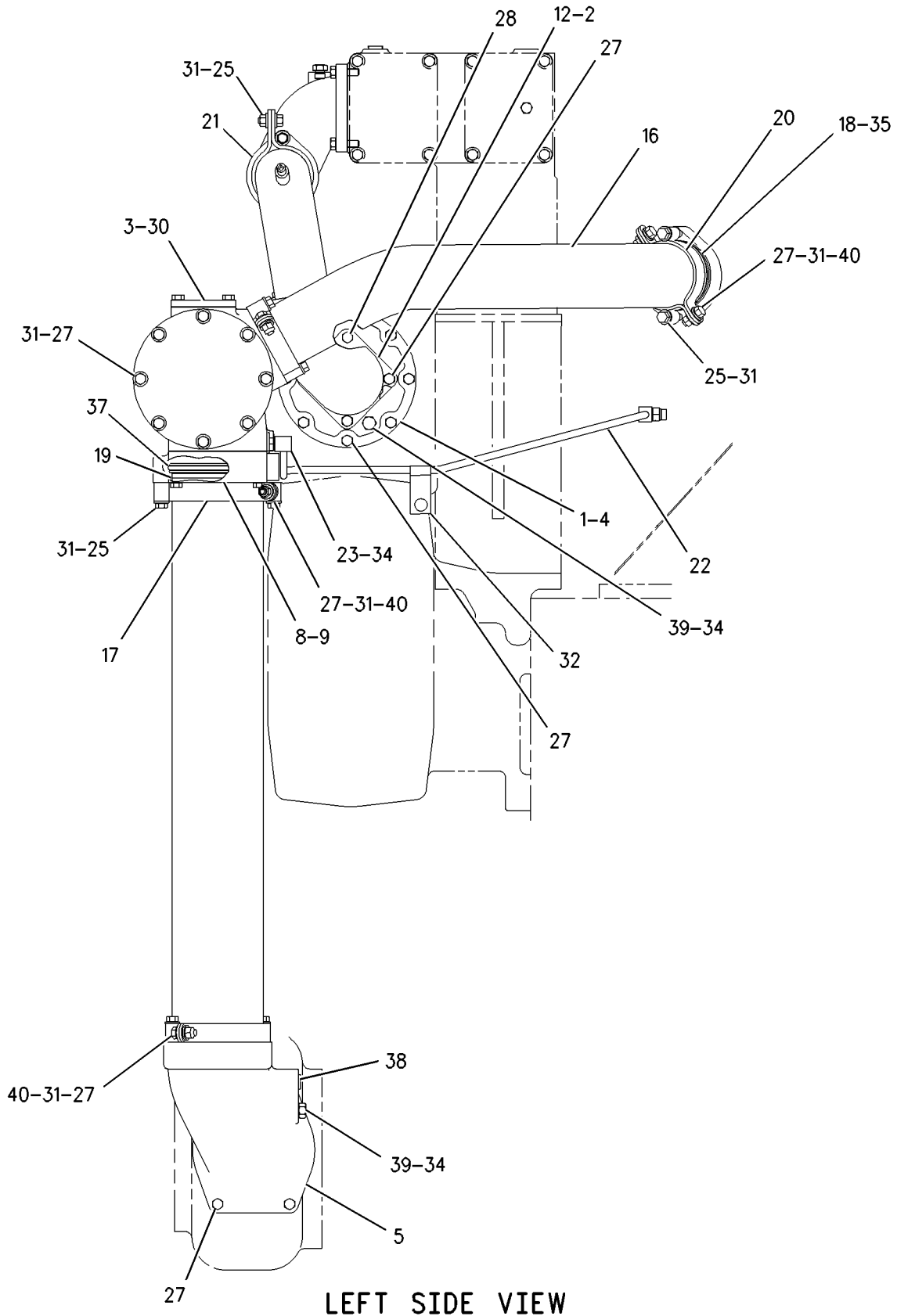
| NOTE | REF NO | GRAPHIC REF | PART NUMBER | QTY | PART NAME | | | | | | SEE PAGE |
|------|--------|-------------|-------------|-----|------------------------------------|---|---|---|---|-------------------|----------|
| | | | | | 1 | 2 | 3 | 4 | 5 | 6 (PRODUCT LEVEL) | |
| | 1 | 1 | 1W-3785 | 1 | BONNET-OIL COOLER | | | | | | |
| | 2 | 1 | 1W-4067 | 1 | GASKET | | | | | | |
| | 3 | 1 | 4F-4873 | 1 | GASKET | | | | | | |
| | 4 | 1,2 | 247-3796 | 2 | GASKET | | | | | | |
| | 5 | 1 | 7E-5482 | 1 | ELBOW | | | | | | |
| | 6 | 2 | 7E-7209 | 2 | RING-RETAINING | | | | | | |
| | 7 | 2 | 7S-8420 | 1 | COVER-HYDRAULIC PUMP | | | | | | |
| | 8 | 1 | 7W-2018 | 1 | GASKET | | | | | | |
| | 9 | 1 | 7W-2026 | 1 | FLANGE | | | | | | |
| | 10 | 2 | 7W-3269 | 1 | GASKET | | | | | | |
| | 11 | 2 | 7W-5487 | 1 | BONNET | | | | | | |
| | 12 | 1 | 7W-5526 | 1 | ELBOW | | | | | | |
| | 13 | 2 | 7W-5527 | 1 | ELBOW | | | | | | |
| | 14 | 2 | 7W-6945 | 1 | TUBE | | | | | | |
| | 15 | 2 | 7W-6949 | 1 | TUBE | | | | | | |
| | 16 | 1 | 7W-6950 | 1 | TUBE | | | | | | |
| | 17 | 1,2 | 108-6169 | 4 | CLAMP AS | | | | | | |
| | 18 | 1 | 110-0096 | 2 | RING | | | | | | |
| | 19 | 1,2 | 110-0097 | 2 | RING | | | | | | |
| | 20 | 1 | 122-1148 | 4 | CLAMP AS | | | | | | |
| | 21 | 1 | 124-6333 | 4 | CLAMP AS | | | | | | |
| C | 22 | 1 | 217-6884 | 1 | TUBE AS | | | | | | |
| | 23 | 1,2 | 030-7947 | 2 | ELBOW | | | | | | |
| | 24 | 2 | 0L-2070 | 4 | BOLT (3/8-16X2.25-IN) | | | | | | |
| | 25 | 1,2 | 0S-1571 | 12 | BOLT (3/8-16X1.75-IN) | | | | | | |
| | 26 | 2 | 0S-1588 | 12 | BOLT (3/8-16X1.25-IN) | | | | | | |
| | 27 | 1,2 | 0S-1594 | 38 | BOLT (3/8-16X1-IN) | | | | | | |
| | 28 | 1 | 0T-0065 | 2 | BOLT (3/8-16X3.5-IN) | | | | | | |
| | 29 | 2 | 1S-5772 | 1 | GASKET | | | | | | |
| | 30 | 1 | 2S-4446 | 1 | COVER | | | | | | |
| | 31 | 1,2 | 3V-3308 | 48 | WASHER-HARD (10.2X20.5X2.5-MM THK) | | | | | | |
| | 32 | 1 | 5M-1198 | 1 | CLIP | | | | | | |
| | 33 | 2 | 6V-1454 | 2 | SEAL-O-RING | | | | | | |
| | 34 | 1,2 | 6V-3250 | 5 | SEAL-O-RING | | | | | | |
| | 35 | 1 | 6V-5066 | 2 | SEAL-O-RING | | | | | | |
| | 36 | 2 | 6V-6809 | 1 | SEAL-O-RING | | | | | | |
| | 37 | 1,2 | 8T-2903 | 2 | SEAL-O-RING | | | | | | |
| | 38 | 1,2 | 8T-6762 | 2 | PLUG-PIPE | | | | | | |
| | 39 | 1,2 | 9S-4191 | 3 | PLUG-O-RING | | | | | | |
| | 40 | 1,2 | 9S-8752 | 12 | NUT-FULL (3/8-16-THD) | | | | | | |

C- CHANGE FROM PREVIOUS TYPE

COOLING SYSTEM

4W-2463 LINES GP-WATER (contd.)

i02252792



LEFT SIDE VIEW

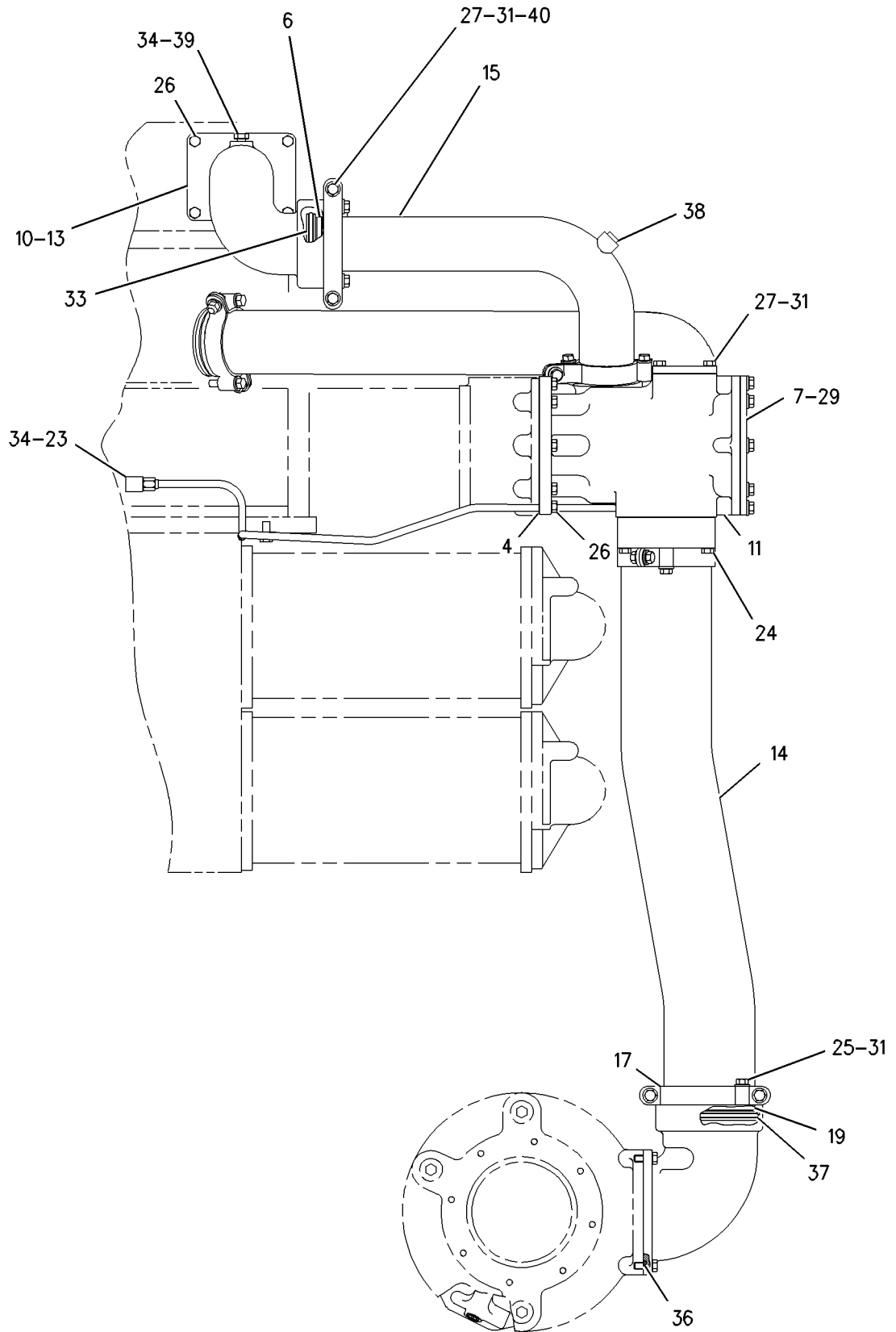
GRAPHIC #1

g00941903

COOLING SYSTEM

4W-2463 LINES GP-WATER (contd.)

i02252792



FRONT VIEW

<END>

GRAPHIC #2

g00941908

COOLING SYSTEM

119-5005 LINES GP-WATER (CHG -02 THRU -04) TWO STAGE AFTERCOOLER

SMCS-1355, 1380, 1393

i01942726

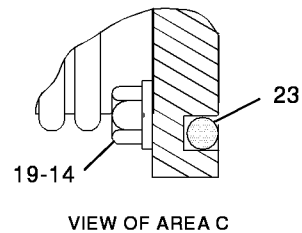
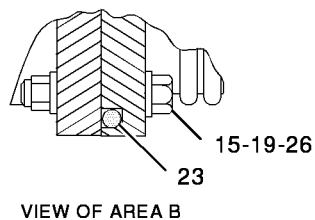
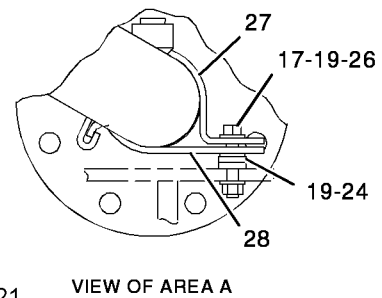
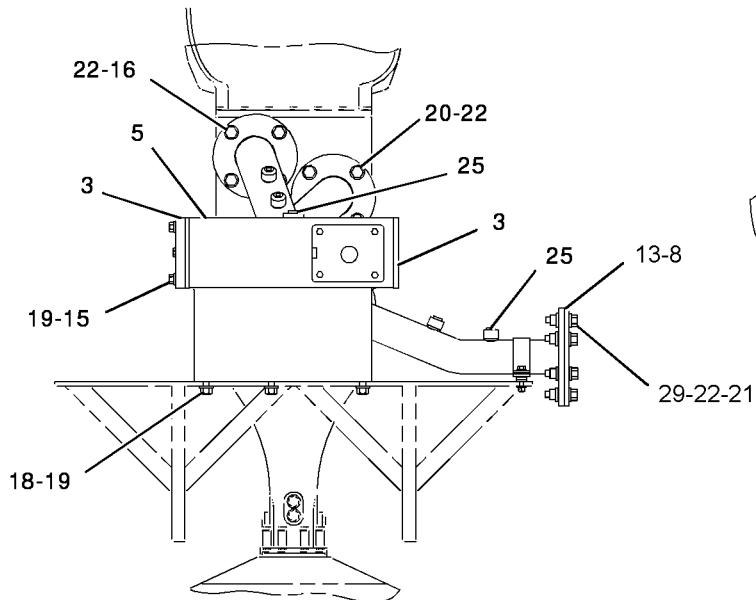
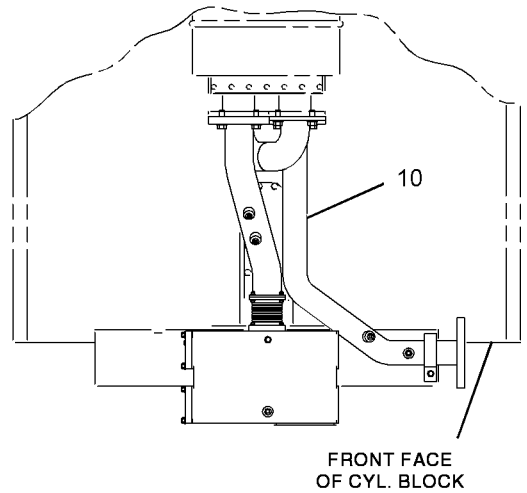
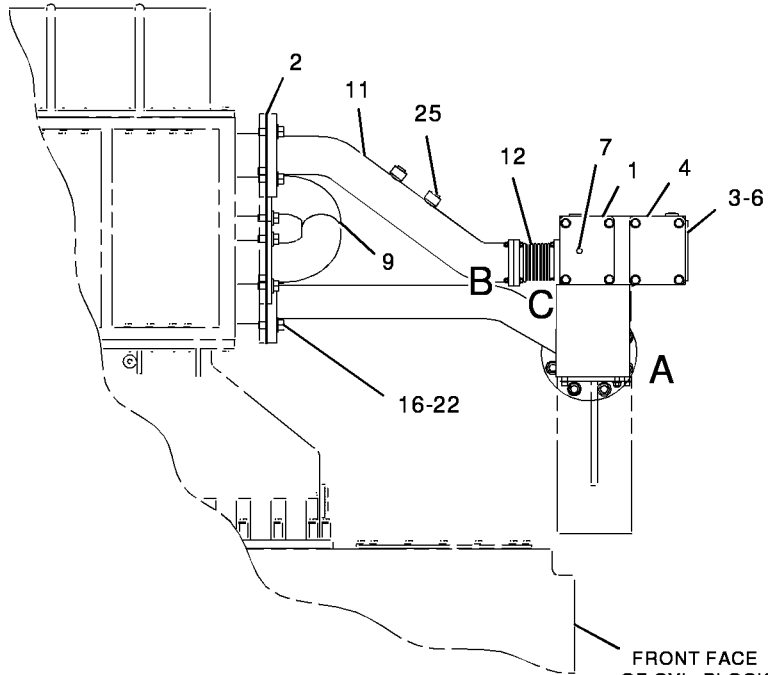
| NOTE | REF NO | GRAPHIC REF | PART NUMBER | QTY | PART NAME | | | | | | SEE PAGE |
|------|--------|-------------|-------------|-----|------------------------------------|---|---|---|---|-------------------|----------|
| | | | | | 1 | 2 | 3 | 4 | 5 | 6 (PRODUCT LEVEL) | |
| C | 1 | 1 | 4P-9224 | 1 | COVER | | | | | | |
| | 2 | 1 | 5R-9779 | 4 | GASKET | | | | | | |
| C | 3 | 1 | 7W-3269 | 5 | GASKET | | | | | | |
| C | 4 | 1 | 7W-3271 | 1 | COVER | | | | | | |
| C | 5 | 1 | 7W-6092 | 1 | HOUSING | | | | | | |
| C | 6 | 1 | 7W-6998 | 1 | ORIFICE | | | | | | |
| C | 7 | 1 | 8T-6765 | 1 | PLUG-PIPE | | | | | | |
| C | 8 | 1 | 111-2556 | 1 | GASKET | | | | | | |
| | 9 | 1 | 119-5012 | 1 | TUBE AS | | | | | | |
| | 10 | 1 | 128-2820 | 1 | TUBE AS | | | | | | |
| C | 11 | 1 | 150-3811 | 1 | TUBE AS | | | | | | |
| C | 12 | 1 | 222-4708 | 1 | BELLOWS AS | | | | | | |
| C | 13 | 1 | 228-3634 | 1 | COVER | | | | | | |
| C | 14 | 1 | 0L-1351 | 4 | BOLT (3/8-16X0.875-IN) | | | | | | |
| C | 15 | 1 | 0S-1588 | 12 | BOLT (3/8-16X1.25-IN) | | | | | | |
| | 16 | 1 | 0S-1589 | 8 | BOLT (5/8-11X1.75-IN) | | | | | | |
| | 17 | 1 | 0S-1590 | 1 | BOLT (3/8-16X2-IN) | | | | | | |
| C | 18 | 1 | 0S-1594 | 6 | BOLT (3/8-16X1-IN) | | | | | | |
| C | 19 | 1 | 3V-3308 | 29 | WASHER-HARD (10.2X20.5X2.5-MM THK) | | | | | | |
| | 20 | 1 | 4B-4043 | 8 | BOLT (5/8-11X1.375-IN) | | | | | | |
| C | 21 | 1 | 4K-0367 | 8 | NUT-FULL (5/8-11-THD) | | | | | | |
| C | 22 | 1 | 5P-8247 | 32 | WASHER-HARD (17X32X3.5-MM THK) | | | | | | |
| C | 23 | 1 | 6V-5504 | 2 | SEAL-O-RING | | | | | | |
| | 24 | 1 | 8M-9024 | 2 | WASHER-HARD (10.2X22.5X5-MM THK) | | | | | | |
| C | 25 | 1 | 8T-6762 | 5 | PLUG-PIPE | | | | | | |
| C | 26 | 1 | 9S-8752 | 5 | NUT-FULL (3/8-16-THD) | | | | | | |
| | 27 | 1 | 9X-2646 | 1 | CLIP (SLOT) | | | | | | |
| | 28 | 1 | 9X-2647 | 1 | CLIP (TAB) | | | | | | |
| C | 29 | 1 | 9X-8882 | 8 | BOLT (5/8-11X2.5-IN) | | | | | | |

C- CHANGE FROM PREVIOUS TYPE

COOLING SYSTEM

119-5005 LINES GP-WATER (contd.)

i01942726



GRAPHIC #1

<END>

g01011075

COOLING SYSTEM

119-5007 LINES GP-WATER (CHG -00, -01, -01D1, -01D2, -01D3) OIL COOLER TO TWO STAGE

SMCS-1355, 1380, 1393

i01572050

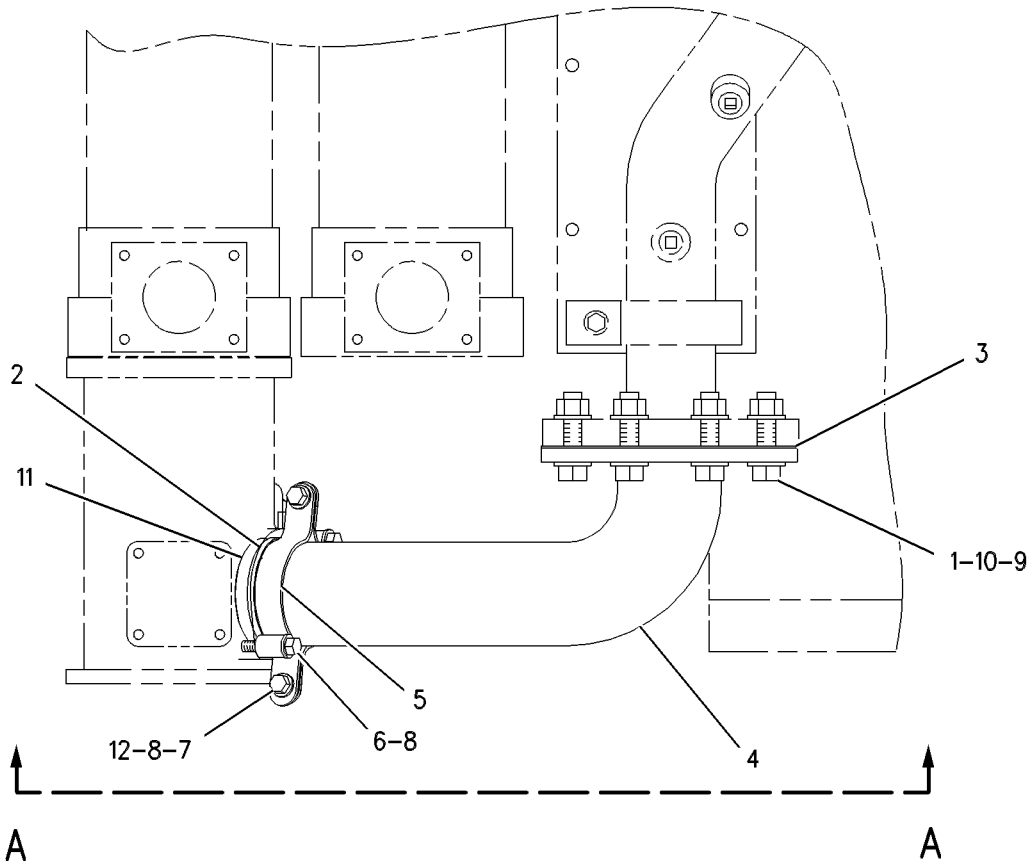
| NOTE | REF NO | GRAPHIC REF | PART NUMBER | QTY | PART NAME | | | | | | SEE PAGE |
|------|--------|-------------|-------------|-----|------------------------------------|---|---|---|---|-------------------|----------|
| | | | | | 1 | 2 | 3 | 4 | 5 | 6 (PRODUCT LEVEL) | |
| | 1 | 1 | 9X-8882 | 8 | BOLT (5/8-11X2.5-IN) | | | | | | |
| | 2 | 1 | 110-0096 | 1 | RING | | | | | | |
| | 3 | 1 | 111-2556 | 1 | GASKET | | | | | | |
| | 4 | 1 | 119-0953 | 1 | TUBE AS | | | | | | |
| | 5 | 1 | 122-1148 | 2 | CLAMP AS | | | | | | |
| | 6 | 1 | 0S-1571 | 2 | BOLT (3/8-16X1.75-IN) | | | | | | |
| | 7 | 1 | 0S-1594 | 2 | BOLT (3/8-16X1-IN) | | | | | | |
| | 8 | 1 | 3V-3308 | 6 | WASHER-HARD (10.2X20.5X2.5-MM THK) | | | | | | |
| | 9 | 1 | 4K-0367 | 8 | NUT-FULL (5/8-11-THD) | | | | | | |
| | 10 | 1 | 5P-8247 | 16 | WASHER-HARD (17X32X3.5-MM THK) | | | | | | |
| | 11 | 1 | 6V-5066 | 1 | SEAL-O-RING | | | | | | |
| | 12 | 1 | 9S-8752 | 2 | NUT-FULL (3/8-16-THD) | | | | | | |
| B | 13 | 1 | 9S-4191 | 1 | PLUG-O-RING | | | | | | |
| B | 14 | 1 | 6V-3250 | 1 | SEAL-O-RING | | | | | | |

B-USE AS REQUIRED

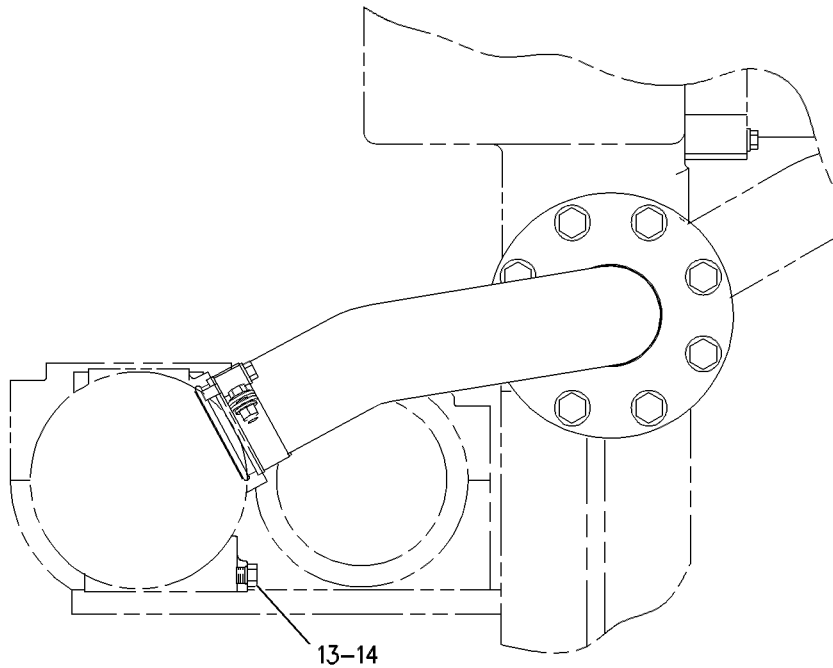
COOLING SYSTEM

119-5007 LINES GP-WATER (contd.)

i01572050



TOP VIEW



VIEW A-A

GRAPHIC #1

<END>

g00315004

COOLING SYSTEM

120-0416 LINES GP - WATER

(CHG -00 THRU -05, -05D1, -06, -06D1, -06D2, -07, -07D1, -08, -08D1, -09)

JACKET WATER OUTLET

SMCS-1355, 1380, 1393

i02444500

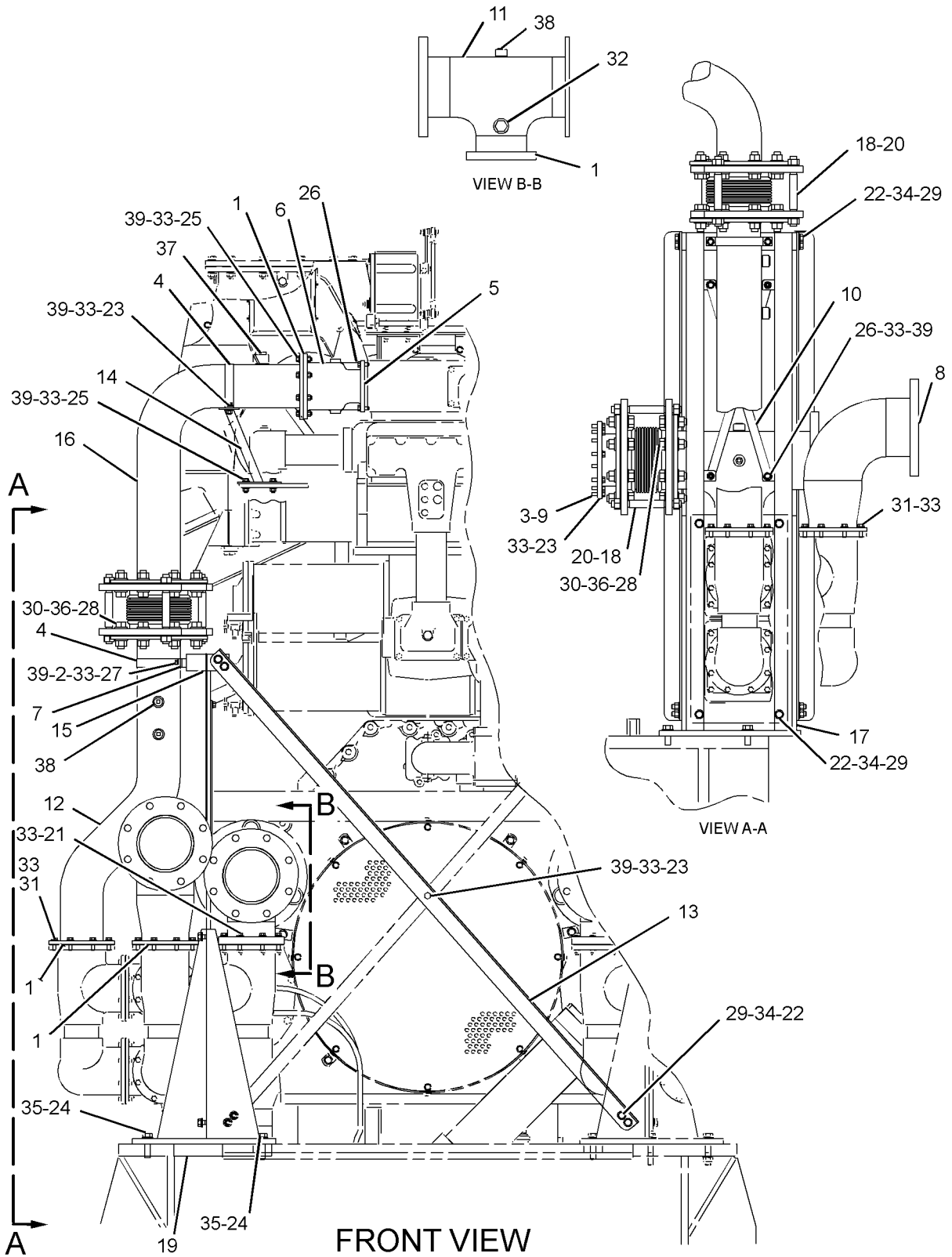
| NOTE | REF NO | GRAPHIC REF | PART NUMBER | QTY | PART NAME | | | | | | SEE PAGE |
|------|--------|-------------|-------------|-----|------------------------------------|---|---|---|---|-------------------|----------|
| | | | | | 1 | 2 | 3 | 4 | 5 | 6 (PRODUCT LEVEL) | |
| | 1 | 1 | 1S-5772 | 4 | GASKET | | | | | | |
| | 2 | 1 | 4S-5719 | 2 | SPACER (10.31X25X12.7-MM THK) | | | | | | |
| | 3 | 1 | 4W-7749 | 1 | GASKET | | | | | | |
| | 4 | 1 | 7L-8256 | 2 | CLAMP-TUBE | | | | | | |
| | 5 | 1 | 7W-3269 | 1 | GASKET | | | | | | |
| | 6 | 1 | 7W-3709 | 1 | ADAPTER-WATER | | | | | | |
| | 7 | 1 | 8D-8734 | 1 | PLATE | | | | | | |
| | 8 | 1 | 120-7518 | 1 | ELBOW AS | | | | | | |
| I | 9 | 1 | 120-7521 | 1 | ADAPTER AS | | | | | | |
| | 10 | 1 | 120-8882 | 2 | STRUT | | | | | | |
| | 11 | 1 | 130-2642 | 1 | TEE AS | | | | | | |
| | | 1 | 7N-7009 | 1 | FLANGE | | | | | | |
| | 12 | 1 | 130-6243 | 1 | TUBE AS | | | | | | |
| | 13 | 1 | 130-6247 | 2 | STRUT | | | | | | |
| | 14 | 1 | 130-6248 | 1 | BRACKET AS | | | | | | |
| | 15 | 1 | 130-6482 | 1 | BRACKET AS | | | | | | |
| | 16 | 1 | 156-3694 | 1 | TUBE AS | | | | | | |
| | 17 | 1 | 157-1429 | 1 | BRACKET AS | | | | | | |
| | 18 | 1 | 160-9786 | 2 | CONNECTING AS-FLEXIBLE | | | | | | |
| | 19 | 1 | 196-0413 | 1 | SPACER | | | | | | |
| | 20 | 1 | 264-1991 | 4 | GASKET | | | | | | |
| | 21 | 1 | 0S-1571 | 8 | BOLT (3/8-16X1.75-IN) | | | | | | |
| | 22 | 1 | 0S-1587 | 12 | BOLT (1/2-13X1.75-IN) | | | | | | |
| | 23 | 1 | 0S-1588 | 11 | BOLT (3/8-16X1.25-IN) | | | | | | |
| | 24 | 1 | 0S-1589 | 4 | BOLT (5/8-11X1.75-IN) | | | | | | |
| | 25 | 1 | 0S-1591 | 10 | BOLT (3/8-16X1.5-IN) | | | | | | |
| | 26 | 1 | 0S-1594 | 8 | BOLT (3/8-16X1-IN) | | | | | | |
| | 27 | 1 | 1A-5964 | 2 | BOLT (3/8-16X4.5-IN) | | | | | | |
| | 28 | 1 | 1A-8063 | 32 | BOLT (3/4-10X2.5-IN) | | | | | | |
| | 29 | 1 | 1F-7958 | 12 | NUT-FULL (1/2-13-THD) | | | | | | |
| | 30 | 1 | 2J-3506 | 32 | NUT-FULL (3/4-10-THD) | | | | | | |
| | 31 | 1 | 3B-1915 | 16 | BOLT (3/8-16X1.375-IN) | | | | | | |
| | 32 | 1 | 3E-7430 | 1 | PLUG-PIPE | | | | | | |
| | 33 | 1 | 3V-3308 | 62 | WASHER-HARD (10.2X20.5X2.5-MM THK) | | | | | | |
| | 34 | 1 | 5P-8245 | 24 | WASHER-HARD (13.5X25.5X3-MM THK) | | | | | | |
| | 35 | 1 | 5P-8247 | 4 | WASHER-HARD (17X32X3.5-MM THK) | | | | | | |
| | 36 | 1 | 5P-8248 | 64 | WASHER-HARD (20X36.5X3.5-MM THK) | | | | | | |
| | 37 | 1 | 8T-6761 | 1 | PLUG-PIPE | | | | | | |
| | 38 | 1 | 8T-6762 | 4 | PLUG-PIPE | | | | | | |
| | 39 | 1 | 9S-8752 | 19 | NUT-FULL (3/8-16-THD) | | | | | | |

I- REFER TO HYDRAULIC INFORMATION SYSTEM

COOLING SYSTEM

120-0416 LINES GP-WATER (contd.)

i02444500



GRAPHIC #1

<END>

g01221457

COOLING SYSTEM

120-0417 LINES GP - WATER-SEPARATE CIRCUIT (CHG -00 THRU -05, -05D1, -05D2, -05D3 THRU -07, -07D1, -08, -08D1)

SMCS-1355, 1380, 1393

i02444501

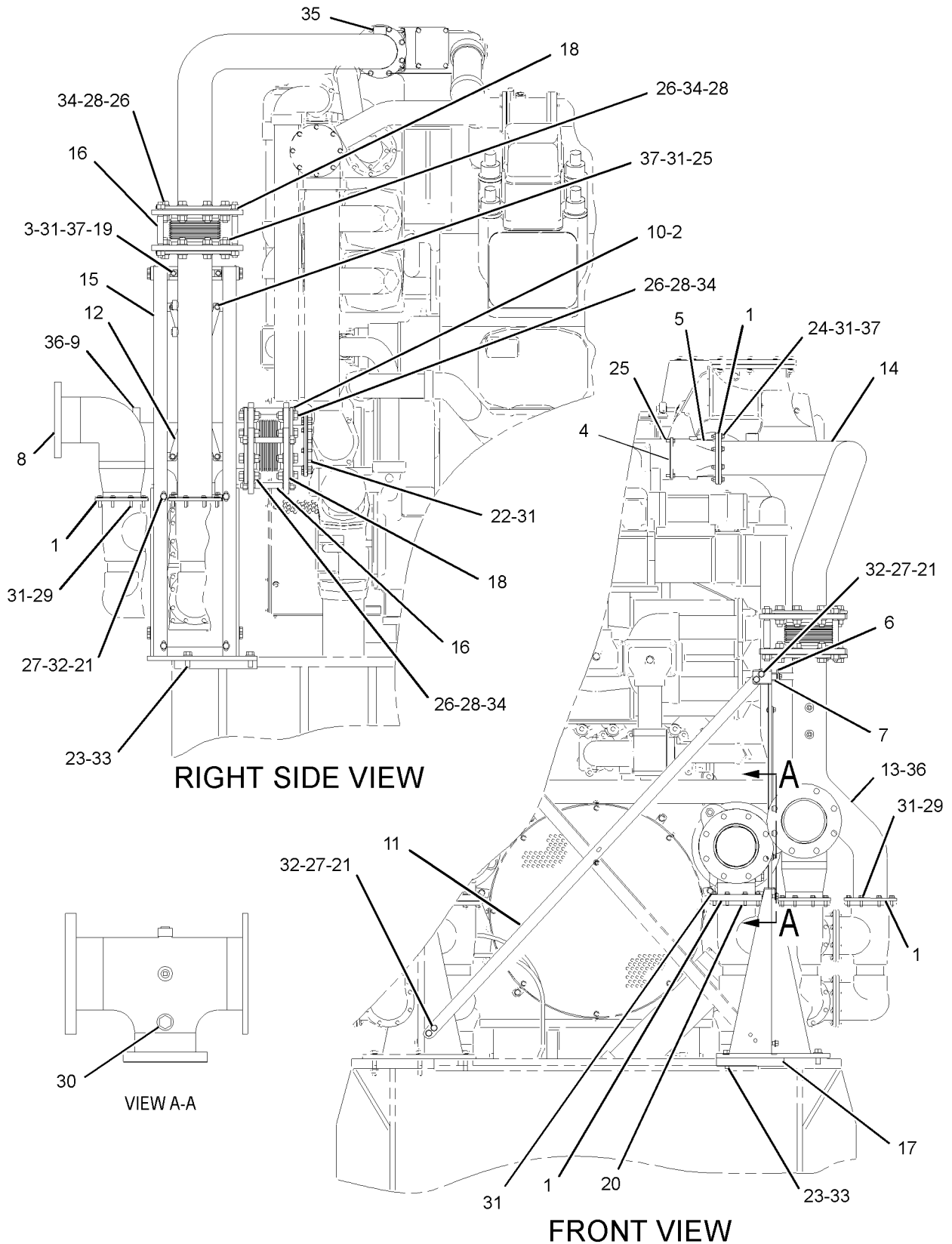
| NOTE | REF NO | GRAPHIC REF | PART NUMBER | QTY | PART NAME | | | | | | SEE PAGE |
|------|--------|-------------|-------------|-----|------------------------------------|---|---|---|---|-------------------|----------|
| | | | | | 1 | 2 | 3 | 4 | 5 | 6 (PRODUCT LEVEL) | |
| | 1 | 1 | 1S-5772 | 4 | GASKET | | | | | | |
| | 2 | 1 | 4W-7749 | 1 | GASKET | | | | | | |
| | 3 | 1 | 7L-8256 | 1 | CLAMP-TUBE | | | | | | |
| | 4 | 1 | 7W-3269 | 1 | GASKET | | | | | | |
| | 5 | 1 | 7W-3709 | 1 | ADAPTER-WATER | | | | | | |
| | 6 | 1 | 8D-8734 | 1 | PLATE | | | | | | |
| | 7 | 1 | 8L-5423 | 2 | SPACER (0.406X1X0.712-IN THK) | | | | | | |
| | 8 | 1 | 120-7518 | 1 | ELBOW AS | | | | | | |
| | 9 | 1 | 120-7519 | 1 | TEE AS | | | | | | |
| I | 10 | 1 | 120-7521 | 1 | ADAPTER AS | | | | | | |
| | 11 | 1 | 120-8288 | 2 | STRUT | | | | | | |
| | 12 | 1 | 120-8882 | 2 | STRUT | | | | | | |
| | 13 | 1 | 130-6245 | 1 | TUBE AS | | | | | | |
| | 14 | 1 | 130-6246 | 1 | TUBE AS | | | | | | |
| | 15 | 1 | 157-1431 | 1 | BRACKET AS | | | | | | |
| | 16 | 1 | 160-9786 | 2 | CONNECTING AS-FLEXIBLE | | | | | | |
| | 17 | 1 | 196-0413 | 1 | SPACER | | | | | | |
| | 18 | 1 | 264-1991 | 4 | GASKET | | | | | | |
| | 19 | 1 | 0L-2070 | 2 | BOLT (3/8-16X2.25-IN) | | | | | | |
| | 20 | 1 | 0S-1571 | 8 | BOLT (3/8-16X1.75-IN) | | | | | | |
| | 21 | 1 | 0S-1587 | 12 | BOLT (1/2-13X1.75-IN) | | | | | | |
| | 22 | 1 | 0S-1588 | 8 | BOLT (3/8-16X1.25-IN) | | | | | | |
| | 23 | 1 | 0S-1589 | 4 | BOLT (5/8-11X1.75-IN) | | | | | | |
| | 24 | 1 | 0S-1591 | 8 | BOLT (3/8-16X1.5-IN) | | | | | | |
| | 25 | 1 | 0S-1594 | 8 | BOLT (3/8-16X1-IN) | | | | | | |
| | 26 | 1 | 1A-8063 | 32 | BOLT (3/4-10X2.5-IN) | | | | | | |
| | 27 | 1 | 1F-7958 | 12 | NUT-FULL (1/2-13-THD) | | | | | | |
| | 28 | 1 | 2J-3506 | 32 | NUT-FULL (3/4-10-THD) | | | | | | |
| | 29 | 1 | 3B-1915 | 16 | BOLT (3/8-16X1.375-IN) | | | | | | |
| | 30 | 1 | 3E-7430 | 1 | PLUG-PIPE | | | | | | |
| | 31 | 1 | 3V-3308 | 52 | WASHER-HARD (10.2X20.5X2.5-MM THK) | | | | | | |
| | 32 | 1 | 5P-8245 | 24 | WASHER-HARD (13.5X25.5X3-MM THK) | | | | | | |
| | 33 | 1 | 5P-8247 | 4 | WASHER-HARD (17X32X3.5-MM THK) | | | | | | |
| | 34 | 1 | 5P-8248 | 64 | WASHER-HARD (20X36.5X3.5-MM THK) | | | | | | |
| | 35 | 1 | 8T-6761 | 1 | PLUG-PIPE | | | | | | |
| | 36 | 1 | 8T-6762 | 4 | PLUG-PIPE | | | | | | |
| | 37 | 1 | 9S-8752 | 14 | NUT-FULL (3/8-16-THD) | | | | | | |

I - REFER TO HYDRAULIC INFORMATION SYSTEM

COOLING SYSTEM

120-0417 LINES GP-WATER (contd.)

i02444501



RIGHT SIDE VIEW

FRONT VIEW

GRAPHIC #1

<END>

g01221514

COOLING SYSTEM

131-0529 LINES GP-WATER (CHG -03 THRU -06) TWO STAGE AFTERCOOLER

SMCS-1355, 1380, 1393

i01943203

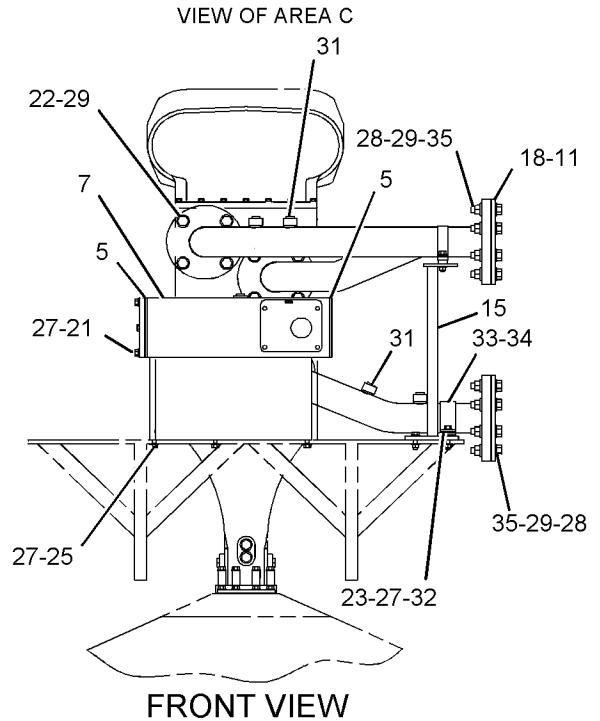
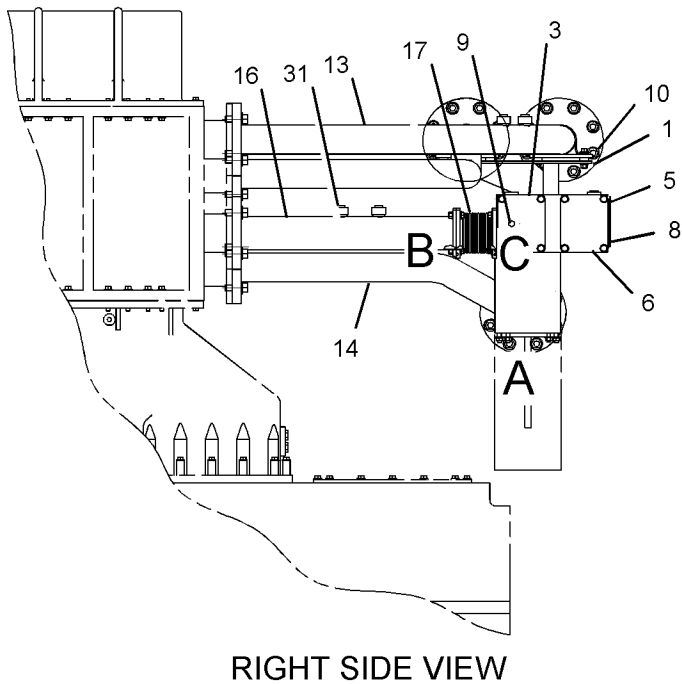
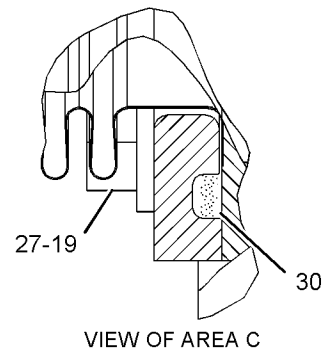
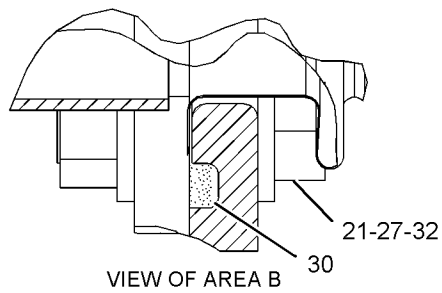
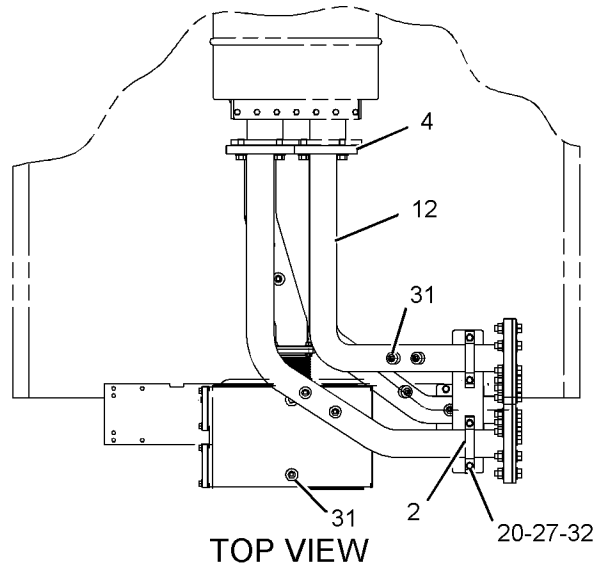
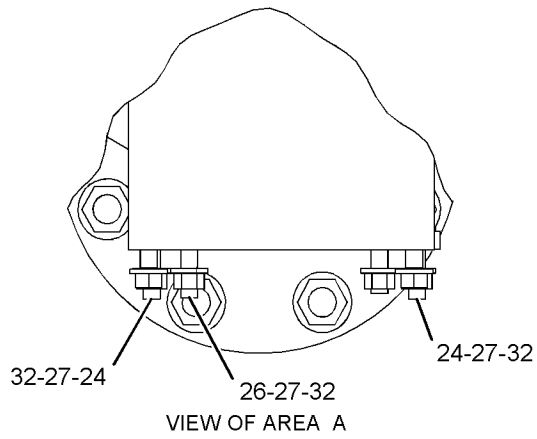
| NOTE | REF NO | GRAPHIC REF | PART NUMBER | QTY | PART NAME | | | | | | SEE PAGE |
|------|--------|-------------|-------------|-----|------------------------------------|---|---|---|---|-------------------|----------|
| | | | | | 1 | 2 | 3 | 4 | 5 | 6 (PRODUCT LEVEL) | |
| | 1 | 1 | 1A-2161 | 4 | SPACER (0.4X0.875X0.381-IN) | | | | | | |
| | 2 | 1 | 2N-1117 | 2 | CLIP | | | | | | |
| C | 3 | 1 | 4P-9224 | 1 | COVER | | | | | | |
| | 4 | 1 | 5R-9779 | 4 | GASKET | | | | | | |
| C | 5 | 1 | 7W-3269 | 5 | GASKET | | | | | | |
| C | 6 | 1 | 7W-3271 | 1 | COVER | | | | | | |
| C | 7 | 1 | 7W-6092 | 1 | HOUSING | | | | | | |
| C | 8 | 1 | 7W-9813 | 1 | ORIFICE | | | | | | |
| C | 9 | 1 | 8T-6765 | 1 | PLUG-PIPE | | | | | | |
| | 10 | 1 | 107-4862 | 2 | PLATE | | | | | | |
| | 11 | 1 | 111-2556 | 3 | GASKET | | | | | | |
| | 12 | 1 | 128-2817 | 1 | TUBE AS | | | | | | |
| | 13 | 1 | 128-2818 | 1 | TUBE AS | | | | | | |
| | 14 | 1 | 128-2820 | 1 | TUBE AS | | | | | | |
| | 15 | 1 | 128-2840 | 1 | BRACKET AS | | | | | | |
| C | 16 | 1 | 153-6765 | 1 | TUBE AS | | | | | | |
| C | 17 | 1 | 222-4708 | 1 | BELLOWS AS | | | | | | |
| | 18 | 1 | 228-3634 | 3 | COVER | | | | | | |
| C | 19 | 1 | 0L-1351 | 4 | BOLT (3/8-16X0.875-IN) | | | | | | |
| | 20 | 1 | 0S-1571 | 4 | BOLT (3/8-16X1.75-IN) | | | | | | |
| C | 21 | 1 | 0S-1588 | 12 | BOLT (3/8-16X1.25-IN) | | | | | | |
| | 22 | 1 | 0S-1589 | 16 | BOLT (5/8-11X1.75-IN) | | | | | | |
| | 23 | 1 | 0S-1590 | 1 | BOLT (3/8-16X2-IN) | | | | | | |
| | 24 | 1 | 0S-1591 | 2 | BOLT (3/8-16X1.5-IN) | | | | | | |
| C | 25 | 1 | 0S-1594 | 6 | BOLT (3/8-16X1-IN) | | | | | | |
| | 26 | 1 | 3B-1915 | 1 | BOLT (3/8-16X1.375-IN) | | | | | | |
| C | 27 | 1 | 3V-3308 | 42 | WASHER-HARD (10.2X20.5X2.5-MM THK) | | | | | | |
| | 28 | 1 | 4K-0367 | 24 | NUT-FULL (5/8-11-THD) | | | | | | |
| | 29 | 1 | 5P-8247 | 64 | WASHER-HARD (17X32X3.5-MM THK) | | | | | | |
| C | 30 | 1 | 6V-5504 | 2 | SEAL-O-RING | | | | | | |
| C | 31 | 1 | 8T-6762 | 9 | PLUG-PIPE | | | | | | |
| C | 32 | 1 | 9S-8752 | 12 | NUT-FULL (3/8-16-THD) | | | | | | |
| | 33 | 1 | 9X-2646 | 1 | CLIP (SLOT) | | | | | | |
| | 34 | 1 | 9X-2647 | 1 | CLIP (TAB) | | | | | | |
| | 35 | 1 | 9X-8882 | 24 | BOLT (5/8-11X2.5-IN) | | | | | | |

C- CHANGE FROM PREVIOUS TYPE

COOLING SYSTEM

131-0529 LINES GP-WATER (contd.)

i01943203



GRAPHIC #1

<END>

g01012027

COOLING SYSTEM

133-7489 LINES GP-WATER (CHG -00, -01)

SMCS-1355, 1380, 1393

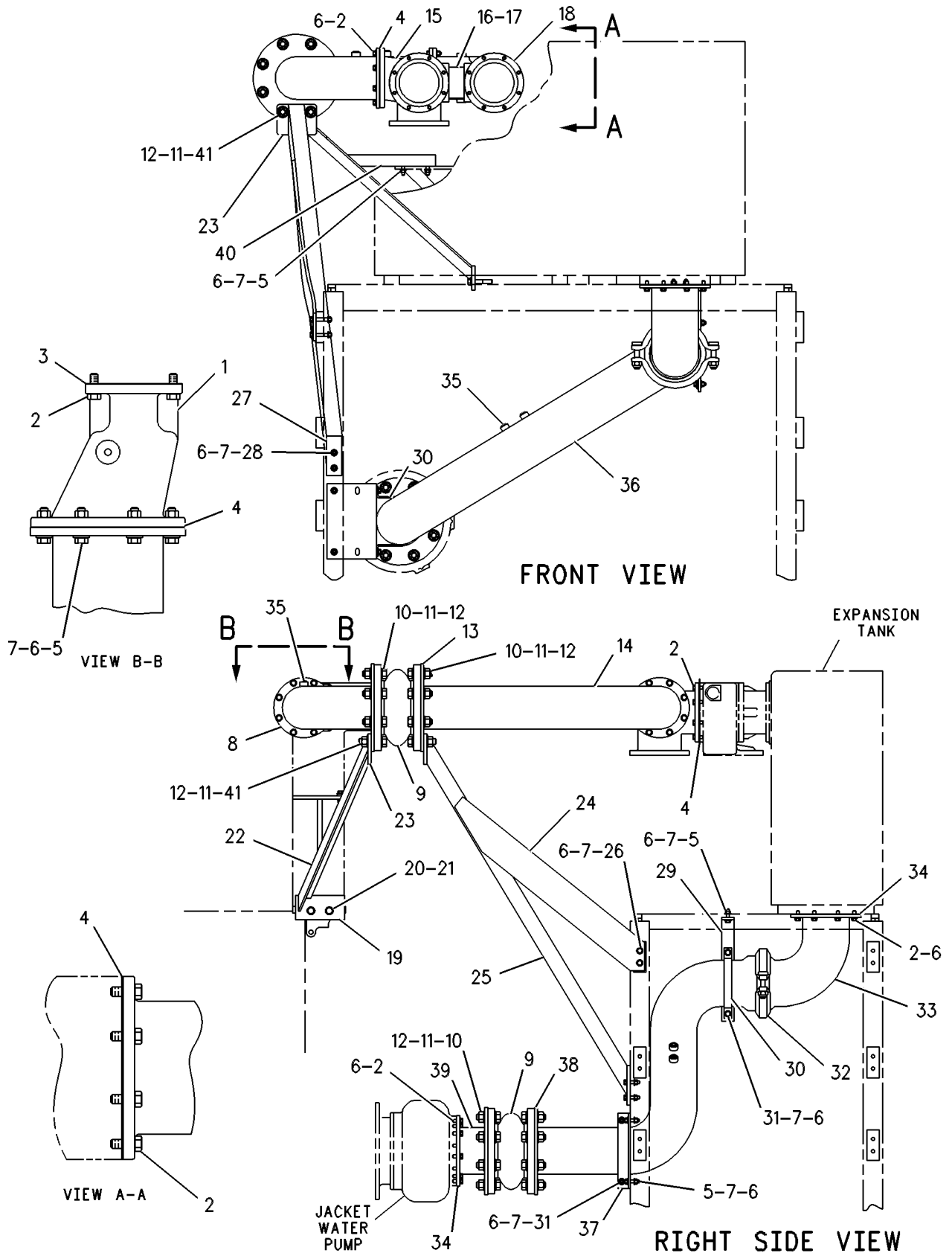
i01601850

| NOTE | REF NO | GRAPHIC REF | PART NUMBER | QTY | PART NAME | | | | | | SEE PAGE |
|------|--------|-------------|-------------|-----|------------------------------------|---|---|---|---|-------------------|----------|
| | | | | | 1 | 2 | 3 | 4 | 5 | 6 (PRODUCT LEVEL) | |
| | 1 | 1 | 7W-3709 | 1 | ADAPTER-WATER | | | | | | |
| | 2 | 1 | 0S-1594 | 44 | BOLT (3/8-16X1-IN) | | | | | | |
| | 3 | 1 | 7W-3272 | 1 | GASKET | | | | | | |
| | 4 | 1 | 1S-5772 | 4 | GASKET | | | | | | |
| | 5 | 1 | 0S-1591 | 14 | BOLT (3/8-16X1.5-IN) | | | | | | |
| | 6 | 1 | 3V-3308 | 60 | WASHER-HARD (10.2X20.5X2.5-MM THK) | | | | | | |
| | 7 | 1 | 9S-8752 | 22 | NUT-FULL (3/8-16-THD) | | | | | | |
| | 8 | 1 | 133-7467 | 1 | TUBE AS | | | | | | |
| | 9 | 1 | 116-8654 | 2 | CONNECTION-FLEXIBLE | | | | | | |
| | 10 | 1 | 1A-8063 | 28 | BOLT (3/4-10X2.5-IN) | | | | | | |
| | 11 | 1 | 2J-3506 | 32 | NUT-FULL (3/4-10-THD) | | | | | | |
| | 12 | 1 | 5P-8248 | 64 | WASHER-HARD (20X36.5X3.5-MM THK) | | | | | | |
| | 13 | 1 | 116-6065 | 1 | FLANGE | | | | | | |
| | 14 | 1 | 133-7468 | 1 | TUBE AS | | | | | | |
| | 15 | 1 | 7W-8465 | 1 | ADAPTER-HOUSING | | | | | | |
| | 16 | 1 | 2W-5036 | 1 | TUBE | | | | | | |
| | 17 | 1 | 6V-5139 | 2 | SEAL-O-RING | | | | | | |
| | 18 | 1 | 7W-8463 | 1 | ELBOW-ADAPTER | | | | | | |
| | 19 | 1 | 133-7482 | 1 | PLATE | | | | | | |
| | 20 | 1 | 1A-5822 | 2 | BOLT (1/2-13X2.75-IN) | | | | | | |
| | 21 | 1 | 5P-8245 | 2 | WASHER-HARD (13.5X25.5X3-MM THK) | | | | | | |
| | 22 | 1 | 133-7470 | 1 | SUPPORT | | | | | | |
| | 23 | 1 | 133-7473 | 2 | PLATE | | | | | | |
| | 24 | 1 | 133-7478 | 1 | SUPPORT | | | | | | |
| | 25 | 1 | 133-7476 | 1 | SUPPORT | | | | | | |
| | 26 | 1 | 0L-1143 | 2 | BOLT (3/8-16X2.5-IN) | | | | | | |
| | 27 | 1 | 133-7479 | 1 | PLATE | | | | | | |
| | 28 | 1 | 0S-1571 | 2 | BOLT (3/8-16X1.75-IN) | | | | | | |
| | 29 | 1 | 4W-9504 | 1 | BRACKET | | | | | | |
| | 30 | 1 | 8T-1586 | 2 | CLIP | | | | | | |
| | 31 | 1 | 0S-1588 | 4 | BOLT (3/8-16X1.25-IN) | | | | | | |
| | 32 | 1 | 8T-2967 | 1 | JOINT AS-TUBE | | | | | | |
| | | 1 | 6V-9336 | 1 | SEAL | | | | | | |
| | 33 | 1 | 4W-7748 | 1 | TUBE AS | | | | | | |
| | 34 | 1 | 4W-7749 | 2 | GASKET | | | | | | |
| | 35 | 1 | 8T-6762 | 4 | PLUG-PIPE | | | | | | |
| | 36 | 1 | 133-7483 | 1 | TUBE AS | | | | | | |
| | 37 | 1 | 126-2367 | 1 | BRACKET | | | | | | |
| | 38 | 1 | 123-0149 | 1 | FLANGE | | | | | | |
| | 39 | 1 | 116-6064 | 1 | TUBE AS | | | | | | |
| | 40 | 1 | 133-7471 | 1 | SUPPORT | | | | | | |
| | 41 | 1 | 9X-8887 | 4 | BOLT (3/4-10X3-IN) | | | | | | |

COOLING SYSTEM

133-7489 LINES GP-WATER (contd.)

i01601850



GRAPHIC #1

<END>

g00067174

COOLING SYSTEM

133-7490 LINES GP-WATER (CHG -00)

SMCS-1355, 1380, 1393

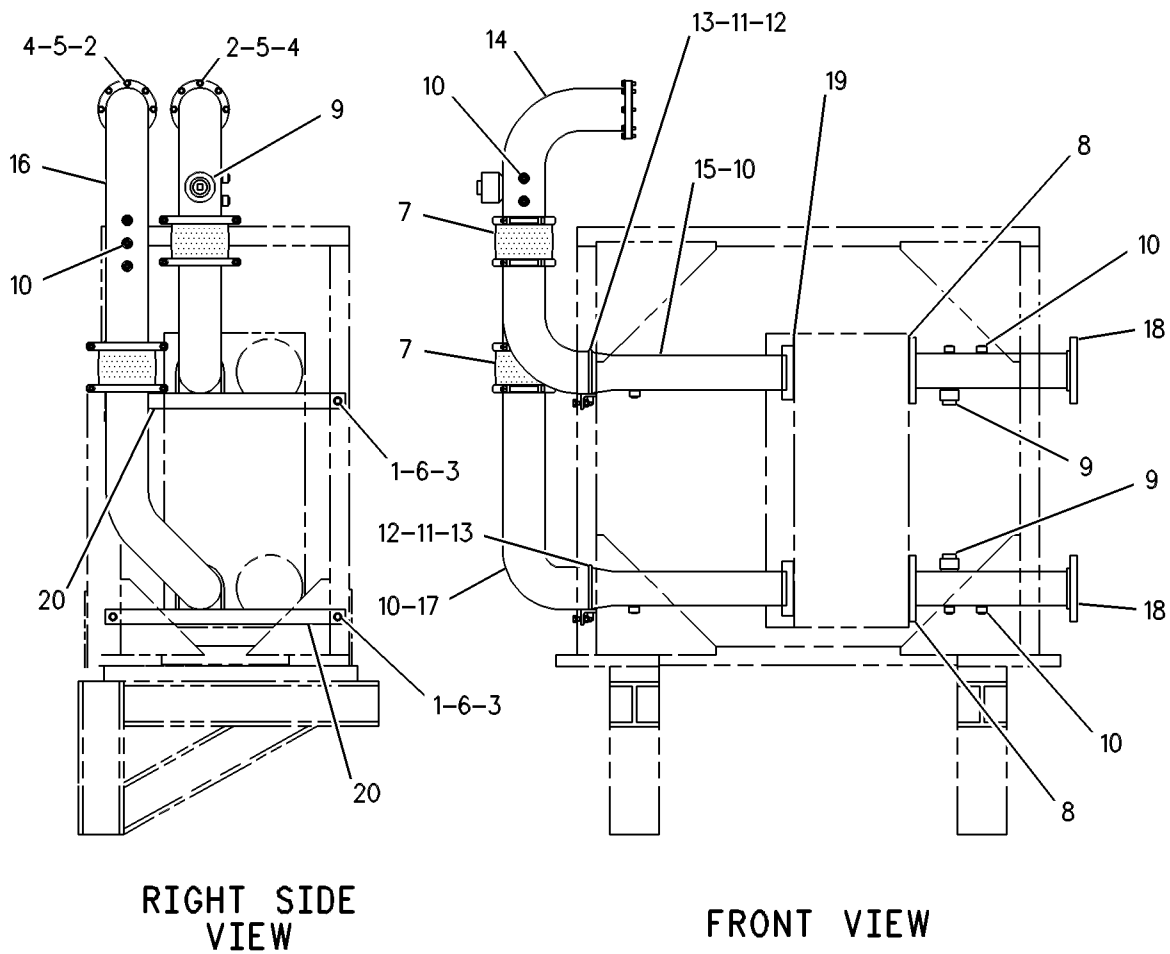
i01924150

| NOTE | REF NO | GRAPHIC REF | PART NUMBER | QTY | PART NAME | | | | | | SEE PAGE |
|------|--------|-------------|-------------|-----|------------------------------------|---|---|---|---|-------------------|----------|
| | | | | | 1 | 2 | 3 | 4 | 5 | 6 (PRODUCT LEVEL) | |
| | 1 | 1 | 0S-1587 | 4 | BOLT (1/2-13X1.75-IN) | | | | | | |
| | 2 | 1 | 0S-1591 | 16 | BOLT (3/8-16X1.5-IN) | | | | | | |
| | 3 | 1 | 1F-7958 | 4 | NUT-FULL (1/2-13-THD) | | | | | | |
| | 4 | 1 | 1S-5772 | 2 | GASKET | | | | | | |
| | 5 | 1 | 3V-3308 | 16 | WASHER-HARD (10.2X20.5X2.5-MM THK) | | | | | | |
| | 6 | 1 | 5P-8245 | 8 | WASHER-HARD (13.5X25.5X3-MM THK) | | | | | | |
| | 7 | 1 | 5P-9130 | 2 | JOINT AS-TUBE | | | | | | |
| | | | | | (EACH INCLUDES) | | | | | | |
| | | 1 | 9X-7540 | 2 | SEAL | | | | | | |
| | 8 | 1 | 7C-2176 | 2 | GASKET | | | | | | |
| | 9 | 1 | 8T-6760 | 3 | PLUG-PIPE | | | | | | |
| | 10 | 1 | 8T-6762 | 11 | PLUG-PIPE | | | | | | |
| | 11 | 1 | 9C-5344 | 4 | SPACER (10.5X20X18-MM THK) | | | | | | |
| | 12 | 1 | 9S-8752 | 4 | NUT-FULL (3/8-16-THD) | | | | | | |
| | 13 | 1 | 100-7749 | 2 | U-BOLT | | | | | | |
| | 14 | 1 | 123-8275 | 1 | PIPE AS | | | | | | |
| | 15 | 1 | 123-8276 | 1 | PIPE AS | | | | | | |
| | 16 | 1 | 123-9017 | 1 | PIPE AS | | | | | | |
| | 17 | 1 | 123-9018 | 1 | PIPE AS | | | | | | |
| | 18 | 1 | 123-9019 | 2 | PIPE AS | | | | | | |
| | 19 | 1 | 127-4870 | 1 | ORIFICE | | | | | | |
| | 20 | 1 | 133-7486 | 2 | SUPPORT | | | | | | |

COOLING SYSTEM

133-7490 LINES GP-WATER (contd.)

i01924150



RIGHT SIDE VIEW

FRONT VIEW

GRAPHIC #1

<END>

g00066958

COOLING SYSTEM

140-1015 LINES GP-WATER

(CHG -01 THRU -05, -05D1, -06, -06D1, -06D2 THRU -08, -08D1)

TWO-STAGE AFTERCOOLER

SMCS-1355, 1380, 1393

i02434774

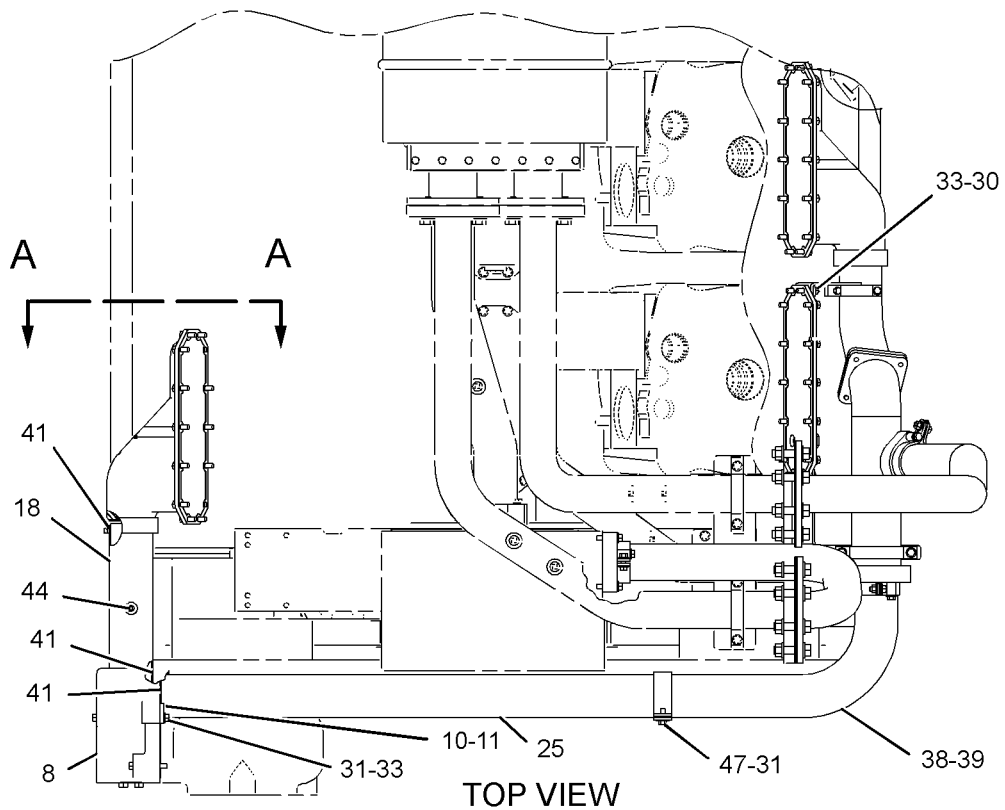
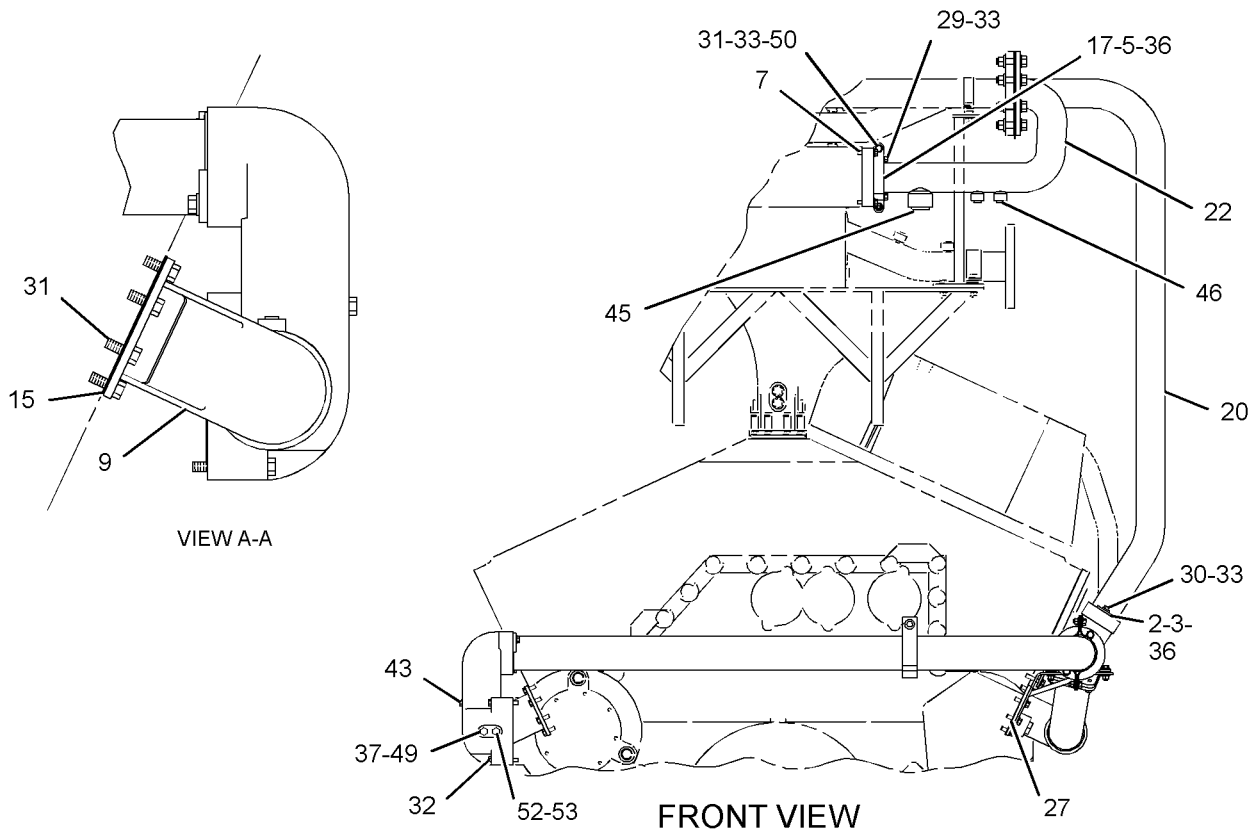
| NOTE | REF NO | GRAPHIC REF | PART NUMBER | QTY | PART NAME | | | | | | SEE PAGE |
|------|--------|-------------|-------------|-----|------------------------------------|---|---|---|---|-------------------|----------|
| | | | | | 1 | 2 | 3 | 4 | 5 | 6 (PRODUCT LEVEL) | |
| | 1 | 2 | 1M-1462 | 1 | CLIP | | | | | | |
| | 2 | 1 | 1W-4072 | 2 | RETAINER | | | | | | |
| | 3 | 1 | 1W-4099 | 1 | RING-RETAINING | | | | | | |
| | 4 | 2 | 6V-5504 | 1 | SEAL-O-RING | | | | | | |
| | 5 | 1 | 7E-7209 | 1 | RING-RETAINING | | | | | | |
| | 6 | 2 | 7L-8255 | 1 | CLAMP-TUBE | | | | | | |
| | 7 | 1 | 7W-3269 | 1 | GASKET | | | | | | |
| | 8 | 1 | 7W-6849 | 1 | ELBOW | | | | | | |
| | 9 | 1,2 | 7W-6851 | 2 | ELBOW | | | | | | |
| | 10 | 1 | 8N-3639 | 2 | RETAINER | | | | | | |
| | 11 | 1 | 8N-3640 | 1 | RING-RETAINING | | | | | | |
| | 12 | 2 | 9X-8882 | 16 | BOLT (5/8-11X2.5-IN) | | | | | | |
| | 13 | 2 | 110-0096 | 1 | RING | | | | | | |
| | 14 | 2 | 111-2556 | 3 | GASKET | | | | | | |
| | 15 | 1,2 | 121-3874 | 3 | GASKET | | | | | | |
| | 16 | 2 | 122-1148 | 2 | CLAMP AS | | | | | | |
| | 17 | 1 | 124-6333 | 2 | CLAMP AS | | | | | | |
| | 18 | 1 | 126-1082 | 1 | TUBE AS | | | | | | |
| | 19 | 2 | 140-9711 | 1 | FLANGE | | | | | | |
| | 20 | 1 | 140-9741 | 1 | TUBE AS | | | | | | |
| | 21 | 2 | 140-9743 | 1 | TUBE AS | | | | | | |
| | 22 | 1 | 140-9744 | 1 | TUBE AS | | | | | | |
| | 23 | 2 | 141-1696 | 1 | COVER AS | | | | | | |
| | 24 | 2 | 141-1697 | 1 | BRACKET AS (LH) | | | | | | |
| | 25 | 1 | 153-0446 | 1 | TUBE | | | | | | |
| | 26 | 2 | 156-8390 | 1 | TEE | | | | | | |
| | 27 | 1 | 159-9262 | 1 | BRACKET AS (FRONT) | | | | | | |
| | 28 | 2 | 161-0197 | 1 | ORIFICE | | | | | | |
| | 29 | 1,2 | 0S-1571 | 8 | BOLT (3/8-16X1.75-IN) | | | | | | |
| | 30 | 1,2 | 0S-1588 | 8 | BOLT (3/8-16X1.25-IN) | | | | | | |
| | 31 | 1,2 | 0S-1594 | 47 | BOLT (3/8-16X1-IN) | | | | | | |
| | 32 | 1 | 0T-0573 | 3 | BOLT (3/8-16X2.75-IN) | | | | | | |
| | 33 | 1,2 | 3V-3308 | 44 | WASHER-HARD (10.2X20.5X2.5-MM THK) | | | | | | |
| | 34 | 2 | 4K-0367 | 16 | NUT-FULL (5/8-11-THD) | | | | | | |
| | 35 | 2 | 5P-8247 | 32 | WASHER-HARD (17X32X3.5-MM THK) | | | | | | |
| | 36 | 1 | 6V-1454 | 2 | SEAL-O-RING | | | | | | |
| | 37 | 1 | 6V-3250 | 1 | SEAL-O-RING | | | | | | |
| | 38 | 1 | 6V-4356 | 1 | CLIP (SLOT) | | | | | | |
| | 39 | 1 | 6V-4357 | 1 | CLIP (TAB) | | | | | | |
| | 40 | 2 | 6V-5063 | 1 | SEAL-O-RING | | | | | | |
| | 41 | 1,2 | 6V-5066 | 5 | SEAL-O-RING | | | | | | |
| | 42 | 2 | 6V-6809 | 1 | SEAL-O-RING | | | | | | |
| | 43 | 1 | 7F-3425 | 1 | BOLT (3/8-16X5.75-IN) | | | | | | |
| | 44 | 1 | 8T-6758 | 1 | PLUG-PIPE | | | | | | |
| | 45 | 1 | 8T-6760 | 1 | PLUG-PIPE | | | | | | |
| | 46 | 1 | 8T-6762 | 2 | PLUG-PIPE | | | | | | |
| | 47 | 1 | 9L-9132 | 1 | WASHER (10.2X25.5X2.5-MM THK) | | | | | | |
| | 48 | 2 | 9S-4183 | 1 | PLUG-O-RING | | | | | | |
| | 49 | 1 | 9S-4191 | 1 | PLUG-O-RING | | | | | | |
| | 50 | 1,2 | 9S-8752 | 6 | NUT-FULL (3/8-16-THD) | | | | | | |
| | 51 | 2 | 0S-0509 | 2 | BOLT (3/8-16X0.75-IN) | | | | | | |
| B | 52 | 1 | 6V-3250 | 1 | SEAL-O-RING | | | | | | |
| B | 53 | 1 | 9S-4191 | 1 | PLUG-O-RING | | | | | | |

B- USE AS REQUIRED

COOLING SYSTEM

140-1015 LINES GP-WATER (contd.)

i02434774



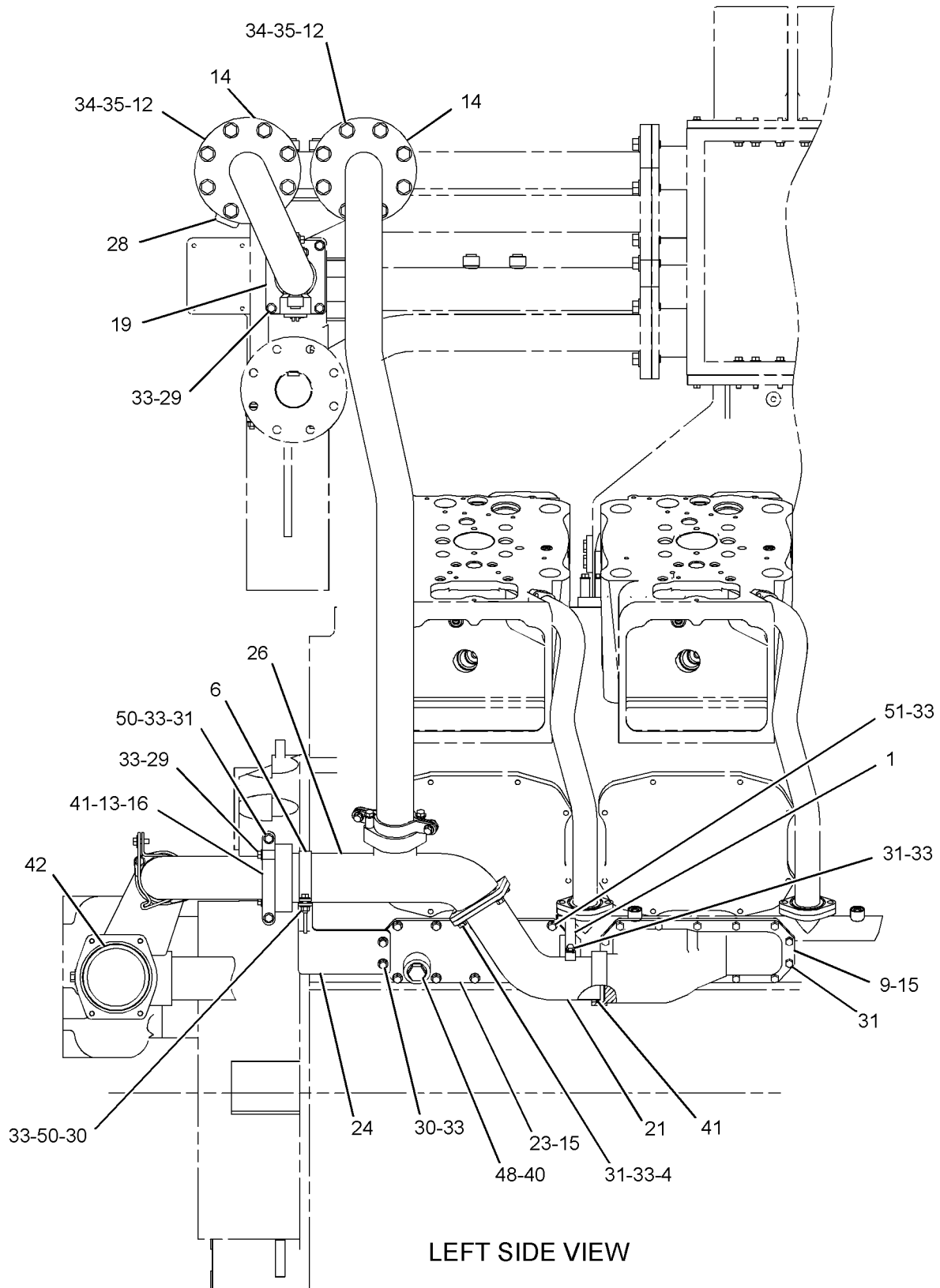
GRAPHIC #1

g01216415

COOLING SYSTEM

140-1015 LINES GP-WATER (contd.)

i02434774



GRAPHIC #2

<END>

g01216416

COOLING SYSTEM

141-3291 LINES GP-WATER (CHG -02 THRU -04) TWO STAGE AFTERCOOLER

SMCS-1355, 1380, 1393

i02437797

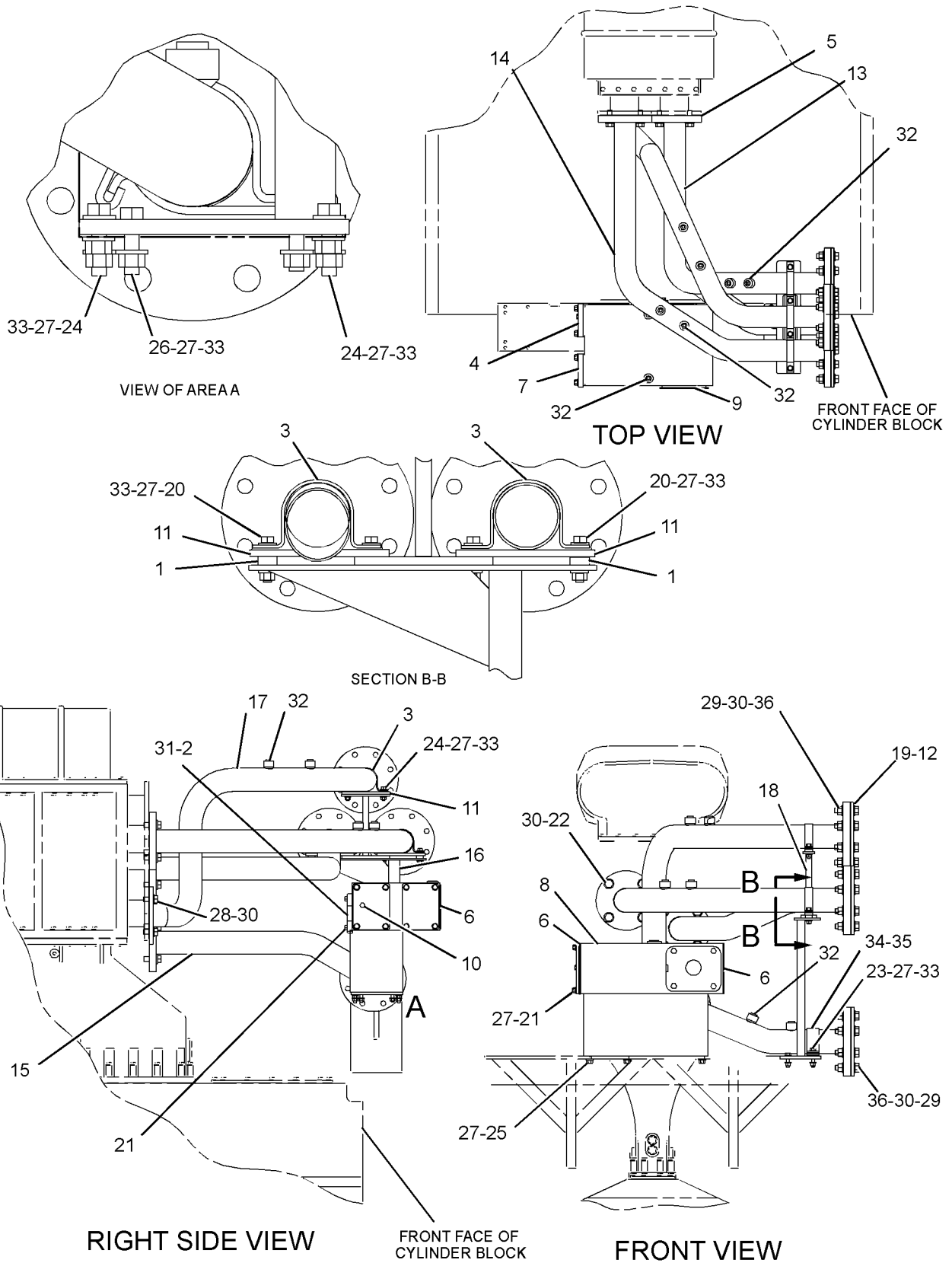
| NOTE | REF NO | GRAPHIC REF | PART NUMBER | QTY | PART NAME | | | | | | SEE PAGE |
|------|--------|-------------|-------------|-----|------------------------------------|---|---|---|---|-------------------|----------|
| | | | | | 1 | 2 | 3 | 4 | 5 | 6 (PRODUCT LEVEL) | |
| | 1 | 1 | 1A-2161 | 2 | SPACER (0.4X0.875X0.381-IN) | | | | | | |
| | 2 | 1 | 1W-4059 | 1 | COVER | | | | | | |
| | 3 | 1 | 2N-1117 | 3 | CLIP | | | | | | |
| C | 4 | 1 | 4P-9224 | 1 | COVER | | | | | | |
| | 5 | 1 | 5R-9779 | 4 | GASKET | | | | | | |
| C | 6 | 1 | 7W-3269 | 5 | GASKET | | | | | | |
| C | 7 | 1 | 7W-3271 | 1 | COVER | | | | | | |
| C | 8 | 1 | 7W-6092 | 1 | HOUSING | | | | | | |
| C | 9 | 1 | 7W-6998 | 1 | ORIFICE | | | | | | |
| C | 10 | 1 | 8T-6765 | 1 | PLUG-PIPE | | | | | | |
| | 11 | 1 | 107-4862 | 3 | PLATE | | | | | | |
| C | 12 | 1 | 111-2556 | 4 | GASKET | | | | | | |
| | 13 | 1 | 128-2817 | 1 | TUBE AS | | | | | | |
| | 14 | 1 | 128-2818 | 1 | TUBE AS | | | | | | |
| | 15 | 1 | 128-2820 | 1 | TUBE AS | | | | | | |
| | 16 | 1 | 128-2840 | 1 | BRACKET AS | | | | | | |
| | 17 | 1 | 140-9704 | 1 | TUBE AS | | | | | | |
| | 18 | 1 | 140-9707 | 1 | BRACKET AS | | | | | | |
| C | 19 | 1 | 228-3634 | 4 | COVER | | | | | | |
| | 20 | 1 | 0S-1571 | 4 | BOLT (3/8-16X1.75-IN) | | | | | | |
| C | 21 | 1 | 0S-1588 | 12 | BOLT (3/8-16X1.25-IN) | | | | | | |
| | 22 | 1 | 0S-1589 | 12 | BOLT (5/8-11X1.75-IN) | | | | | | |
| | 23 | 1 | 0S-1590 | 1 | BOLT (3/8-16X2-IN) | | | | | | |
| | 24 | 1 | 0S-1591 | 4 | BOLT (3/8-16X1.5-IN) | | | | | | |
| C | 25 | 1 | 0S-1594 | 6 | BOLT (3/8-16X1-IN) | | | | | | |
| | 26 | 1 | 3B-1915 | 1 | BOLT (3/8-16X1.375-IN) | | | | | | |
| C | 27 | 1 | 3V-3308 | 34 | WASHER-HARD (10.2X20.5X2.5-MM THK) | | | | | | |
| | 28 | 1 | 4B-4043 | 4 | BOLT (5/8-11X1.375-IN) | | | | | | |
| C | 29 | 1 | 4K-0367 | 32 | NUT-FULL (5/8-11-THD) | | | | | | |
| C | 30 | 1 | 5P-8247 | 80 | WASHER-HARD (17X32X3.5-MM THK) | | | | | | |
| | 31 | 1 | 6V-5504 | 1 | SEAL-O-RING | | | | | | |
| C | 32 | 1 | 8T-6762 | 9 | PLUG-PIPE | | | | | | |
| | 33 | 1 | 9S-8752 | 10 | NUT-FULL (3/8-16-THD) | | | | | | |
| | 34 | 1 | 9X-2646 | 1 | CLIP (SLOT) | | | | | | |
| | 35 | 1 | 9X-2647 | 1 | CLIP (TAB) | | | | | | |
| C | 36 | 1 | 9X-8882 | 32 | BOLT (5/8-11X2.5-IN) | | | | | | |

C- CHANGE FROM PREVIOUS TYPE

COOLING SYSTEM

141-3291 LINES GP-WATER (contd.)

i02437797



GRAPHIC #1

<END>

g01218054

COOLING SYSTEM

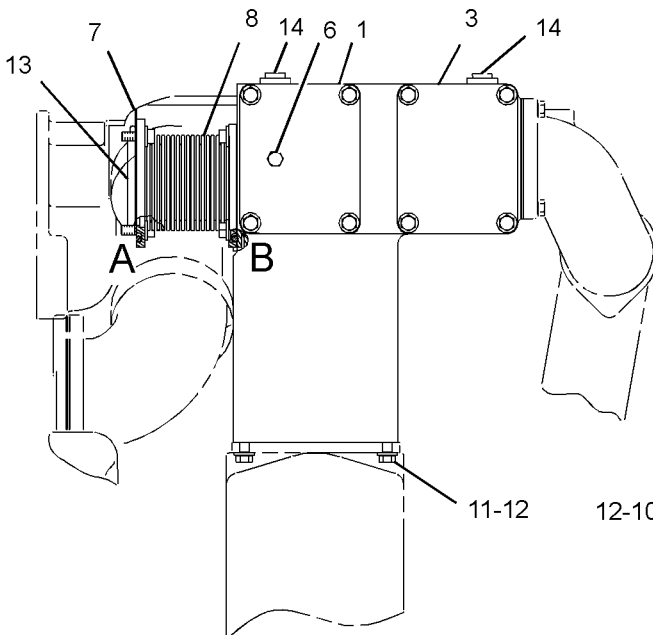
168-5027 LINES GP-WATER (CHG -00 THRU -02)

REMOTE

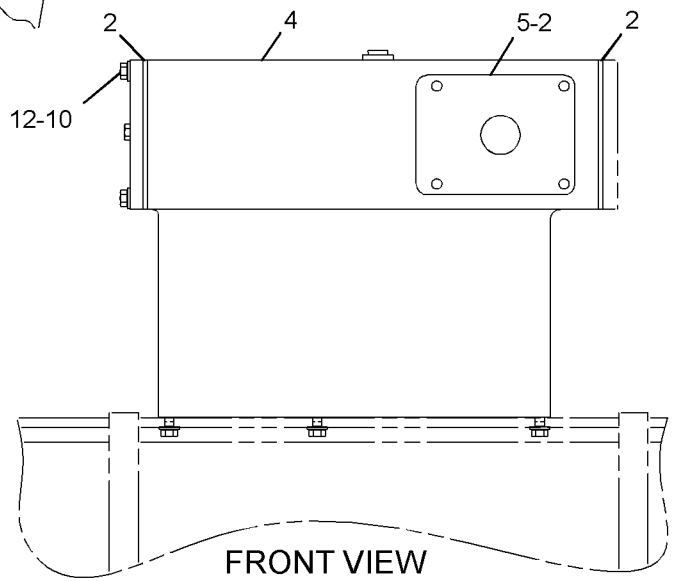
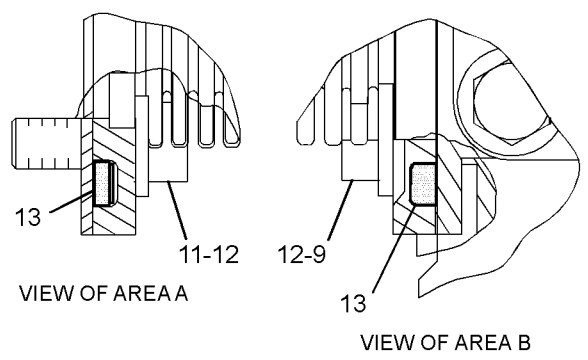
SMCS-1355, 1380, 1393

i02325496

| NOTE | REF NO | GRAPHIC REF | PART NUMBER | QTY | PART NAME | | | | | | SEE PAGE |
|------|--------|-------------|-------------|-----|------------------------------------|---|---|---|---|-------------------|----------|
| | | | | | 1 | 2 | 3 | 4 | 5 | 6 (PRODUCT LEVEL) | |
| | 1 | 1 | 4P-9224 | 1 | COVER | | | | | | |
| | 2 | 1 | 7W-3269 | 3 | GASKET | | | | | | |
| | 3 | 1 | 7W-3271 | 1 | COVER | | | | | | |
| | 4 | 1 | 7W-6092 | 1 | HOUSING | | | | | | |
| | 5 | 1 | 7W-6998 | 1 | ORIFICE | | | | | | |
| | 6 | 1 | 8T-6765 | 1 | PLUG-PIPE | | | | | | |
| | 7 | 1 | 167-2117 | 1 | ORIFICE | | | | | | |
| | 8 | 1 | 222-4708 | 1 | BELLOWS AS | | | | | | |
| | 9 | 1 | 0L-1351 | 4 | BOLT (3/8-16X0.875-IN) | | | | | | |
| | 10 | 1 | 0S-1588 | 8 | BOLT (3/8-16X1.25-IN) | | | | | | |
| | 11 | 1 | 0S-1594 | 10 | BOLT (3/8-16X1-IN) | | | | | | |
| | 12 | 1 | 3V-3308 | 22 | WASHER-HARD (10.2X20.5X2.5-MM THK) | | | | | | |
| | 13 | 1 | 6V-5504 | 3 | SEAL-O-RING | | | | | | |
| | 14 | 1 | 8T-6762 | 2 | PLUG-PIPE | | | | | | |



RIGHT SIDE VIEW



FRONT VIEW

GRAPHIC #1

<END>

g01162154

COOLING SYSTEM

192-0736 LINES GP-WATER (CHG -01)

FOR USE WITH A G3616 ENGINE WITHOUT AN AFTERCOOLER/OIL COOLER PUMP

SMCS-1355, 1380, 1393

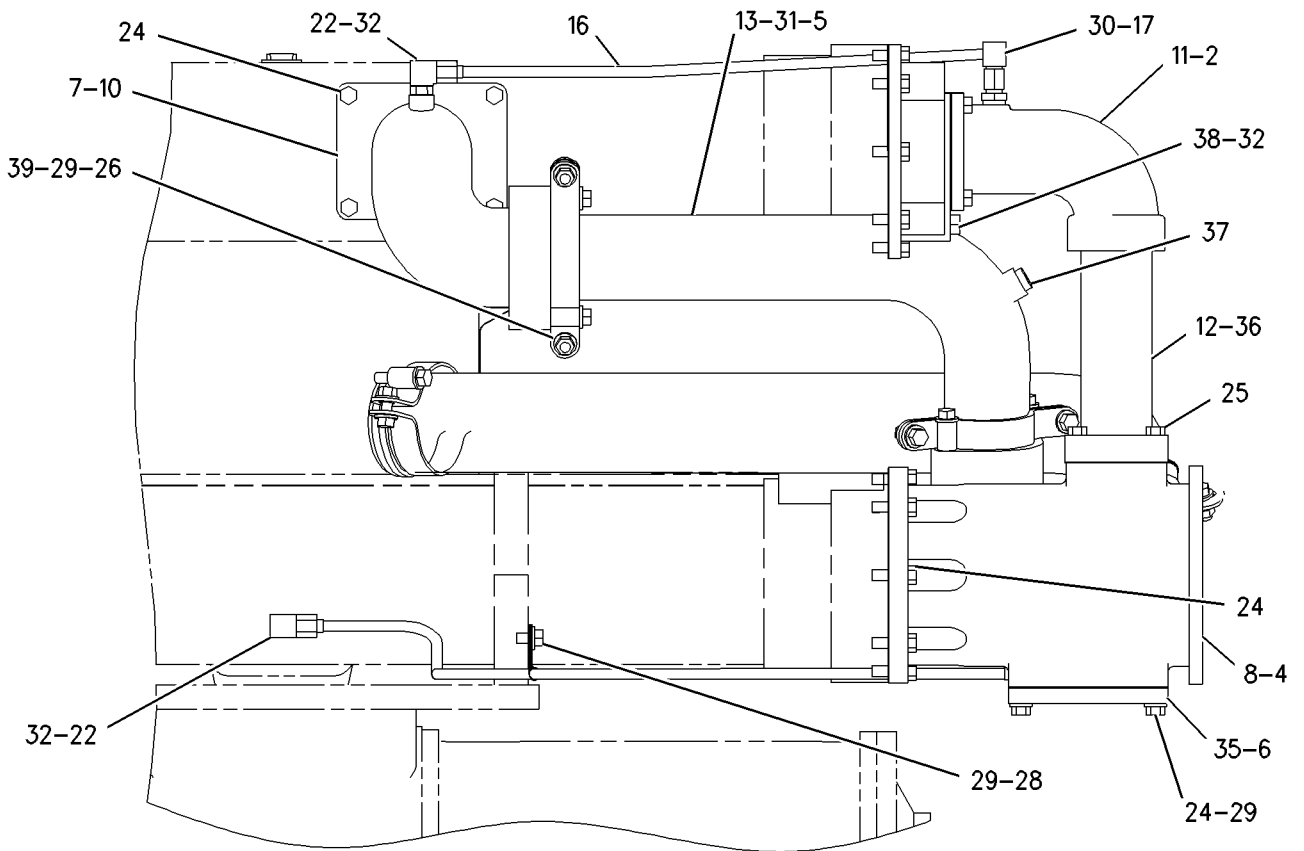
i01922564

| NOTE | REF NO | GRAPHIC REF | PART NUMBER | QTY | PART NAME | | | | | | SEE PAGE |
|------|--------|-------------|-------------|-----|------------------------------------|---|---|---|---|-------------------|----------|
| | | | | | 1 | 2 | 3 | 4 | 5 | 6 (PRODUCT LEVEL) | |
| | 1 | 1 | 1W-3785 | 2 | BONNET-OIL COOLER | | | | | | |
| | | | | | (EACH INCLUDES) | | | | | | |
| | | 1 | 6V-3250 | 1 | SEAL-O-RING | | | | | | |
| | | 1 | 9S-4191 | 1 | PLUG-O-RING | | | | | | |
| | 2 | 1 | 1W-4067 | 2 | GASKET | | | | | | |
| | 3 | 1 | 4F-4873 | 1 | GASKET | | | | | | |
| | 4 | 1 | 4L-8606 | 3 | GASKET | | | | | | |
| | 5 | 1 | 7E-7209 | 2 | RING-RETAINING | | | | | | |
| | 6 | 1 | 7W-2018 | 1 | GASKET | | | | | | |
| | 7 | 1 | 7W-3269 | 1 | GASKET | | | | | | |
| | 8 | 1 | 7W-5487 | 1 | BONNET | | | | | | |
| | 9 | 1 | 7W-5526 | 1 | ELBOW | | | | | | |
| | 10 | 1 | 7W-5527 | 1 | ELBOW | | | | | | |
| | 11 | 1 | 7W-5845 | 1 | ELBOW | | | | | | |
| | 12 | 1 | 7W-6946 | 1 | TUBE | | | | | | |
| | 13 | 1 | 7W-6949 | 1 | TUBE | | | | | | |
| | 14 | 1 | 7W-6950 | 1 | TUBE | | | | | | |
| | 15 | 1 | 7W-6963 | 1 | TUBE AS | | | | | | |
| | 16 | 1 | 7W-6964 | 1 | TUBE AS | | | | | | |
| | 17 | 1 | 8N-9071 | 1 | VALVE AS | | | | | | |
| | | 1 | 7N-7688 | 1 | FERRULE | | | | | | |
| | | 1 | 8N-9072 | 1 | BODY-VALVE | | | | | | |
| | | 1 | 9M-5590 | 1 | BALL | | | | | | |
| | 18 | 1 | 9Y-1373 | 1 | FLANGE | | | | | | |
| | 19 | 1 | 110-0096 | 2 | RING | | | | | | |
| | 20 | 1 | 122-1148 | 4 | CLAMP AS | | | | | | |
| | 21 | 1 | 124-6333 | 4 | CLAMP AS | | | | | | |
| | 22 | 1 | 030-7947 | 3 | ELBOW | | | | | | |
| | 23 | 1 | 0S-1571 | 8 | BOLT (3/8-16X1.75-IN) | | | | | | |
| | 24 | 1 | 0S-1588 | 16 | BOLT (3/8-16X1.25-IN) | | | | | | |
| | 25 | 1 | 0S-1591 | 4 | BOLT (3/8-16X1.5-IN) | | | | | | |
| | 26 | 1 | 0S-1594 | 30 | BOLT (3/8-16X1-IN) | | | | | | |
| | 27 | 1 | 0T-0065 | 2 | BOLT (3/8-16X3.5-IN) | | | | | | |
| | 28 | 1 | 0T-0102 | 1 | BOLT (3/8-16X0.625-IN) | | | | | | |
| | 29 | 1 | 3V-3308 | 29 | WASHER-HARD (10.2X20.5X2.5-MM THK) | | | | | | |
| | 30 | 1 | 6K-9194 | 1 | ELBOW-FLARED | | | | | | |
| | 31 | 1 | 6V-1454 | 2 | SEAL-O-RING | | | | | | |
| | 32 | 1 | 6V-3250 | 5 | SEAL-O-RING | | | | | | |
| | 33 | 1 | 6V-5066 | 2 | SEAL-O-RING | | | | | | |
| | 34 | 1 | 7B-1597 | 1 | CLIP | | | | | | |
| | 35 | 1 | 7W-2028 | 1 | COVER | | | | | | |
| | 36 | 1 | 8T-1919 | 2 | SEAL-O-RING | | | | | | |
| | 37 | 1 | 8T-6762 | 1 | PLUG-PIPE | | | | | | |
| | 38 | 1 | 9S-4191 | 2 | PLUG-O-RING | | | | | | |
| | 39 | 1 | 9S-8752 | 8 | NUT-FULL (3/8-16-THD) | | | | | | |

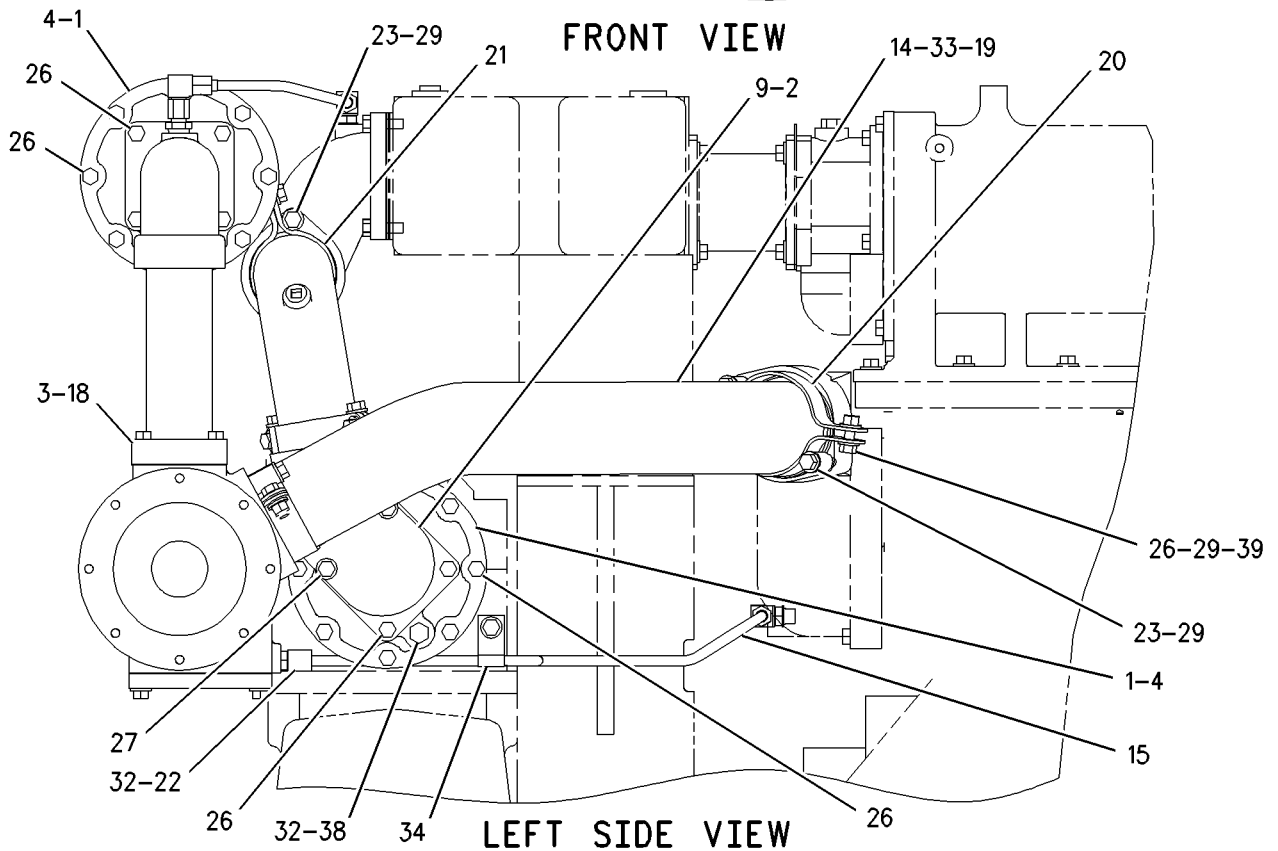
COOLING SYSTEM

192-0736 LINES GP-WATER (contd.)

i01922564



FRONT VIEW



LEFT SIDE VIEW

GRAPHIC #1

<END>

g00788666

COOLING SYSTEM

192-0736 LINES GP-WATER (CHG -02 THRU -04)

FOR USE WITH A G3616 ENGINE WITHOUT AN AFTERCOOLER/OIL COOLER PUMP

SMCS-1355, 1380, 1393

i02060657

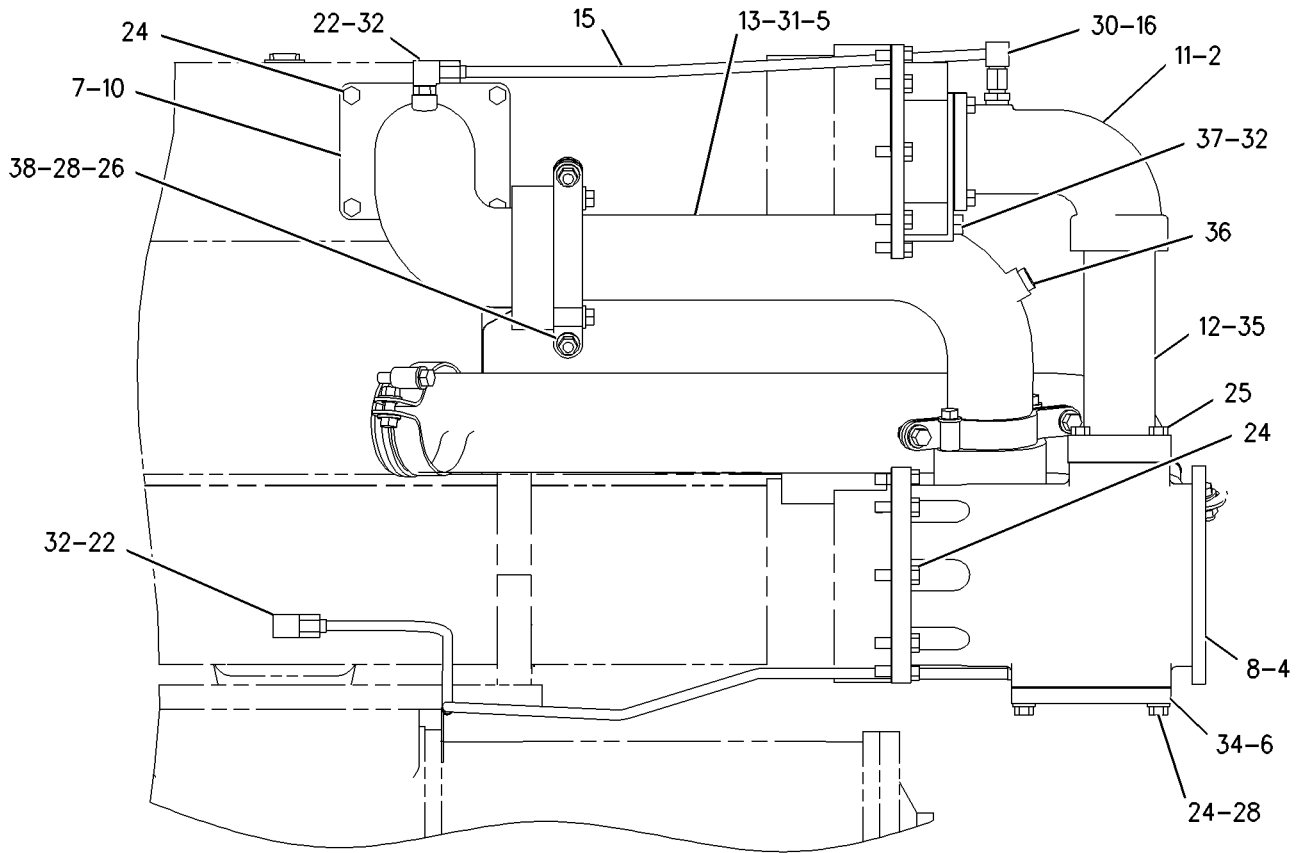
| NOTE | REF NO | GRAPHIC REF | PART NUMBER | QTY | PART NAME | | | | | | SEE PAGE |
|------|--------|-------------|-------------|-----|------------------------------------|---|---|---|---|-------------------|----------|
| | | | | | 1 | 2 | 3 | 4 | 5 | 6 (PRODUCT LEVEL) | |
| | 1 | 1 | 1W-3785 | 2 | BONNET-OIL COOLER | | | | | | |
| | | | | | (EACH INCLUDES) | | | | | | |
| | | 1 | 6V-3250 | 1 | SEAL-O-RING | | | | | | |
| | | 1 | 9S-4191 | 1 | PLUG-O-RING | | | | | | |
| | 2 | 1 | 1W-4067 | 2 | GASKET | | | | | | |
| | 3 | 1 | 4F-4873 | 1 | GASKET | | | | | | |
| | 4 | 1 | 247-3796 | 3 | GASKET | | | | | | |
| | 5 | 1 | 7E-7209 | 2 | RING-RETAINING | | | | | | |
| | 6 | 1 | 7W-2018 | 1 | GASKET | | | | | | |
| | 7 | 1 | 7W-3269 | 1 | GASKET | | | | | | |
| | 8 | 1 | 7W-5487 | 1 | BONNET | | | | | | |
| | 9 | 1 | 7W-5526 | 1 | ELBOW | | | | | | |
| | 10 | 1 | 7W-5527 | 1 | ELBOW | | | | | | |
| | 11 | 1 | 7W-5845 | 1 | ELBOW | | | | | | |
| | 12 | 1 | 7W-6946 | 1 | TUBE | | | | | | |
| | 13 | 1 | 7W-6949 | 1 | TUBE | | | | | | |
| | 14 | 1 | 7W-6950 | 1 | TUBE | | | | | | |
| | 15 | 1 | 7W-6964 | 1 | TUBE AS | | | | | | |
| | 16 | 1 | 8N-9071 | 1 | VALVE AS | | | | | | |
| | | 1 | 7N-7688 | 1 | FERRULE | | | | | | |
| | | 1 | 8N-9072 | 1 | BODY-VALVE | | | | | | |
| | | 1 | 9M-5590 | 1 | BALL | | | | | | |
| | 17 | 1 | 9Y-1373 | 1 | FLANGE | | | | | | |
| | 18 | 1 | 110-0096 | 2 | RING | | | | | | |
| | 19 | 1 | 122-1148 | 4 | CLAMP AS | | | | | | |
| | 20 | 1 | 124-6333 | 4 | CLAMP AS | | | | | | |
| C | 21 | 1 | 217-6884 | 1 | TUBE AS | | | | | | |
| | 22 | 1 | 030-7947 | 3 | ELBOW | | | | | | |
| | 23 | 1 | 0S-1571 | 8 | BOLT (3/8-16X1.75-IN) | | | | | | |
| | 24 | 1 | 0S-1588 | 16 | BOLT (3/8-16X1.25-IN) | | | | | | |
| | 25 | 1 | 0S-1591 | 4 | BOLT (3/8-16X1.5-IN) | | | | | | |
| | 26 | 1 | 0S-1594 | 30 | BOLT (3/8-16X1-IN) | | | | | | |
| | 27 | 1 | 0T-0065 | 2 | BOLT (3/8-16X3.5-IN) | | | | | | |
| | 28 | 1 | 3V-3308 | 28 | WASHER-HARD (10.2X20.5X2.5-MM THK) | | | | | | |
| | 29 | 1 | 5M-1198 | 1 | CLIP | | | | | | |
| | 30 | 1 | 6K-9194 | 1 | ELBOW-FLARED | | | | | | |
| | 31 | 1 | 6V-1454 | 2 | SEAL-O-RING | | | | | | |
| | 32 | 1 | 6V-3250 | 5 | SEAL-O-RING | | | | | | |
| | 33 | 1 | 6V-5066 | 2 | SEAL-O-RING | | | | | | |
| | 34 | 1 | 7W-2028 | 1 | COVER | | | | | | |
| | 35 | 1 | 8T-1919 | 2 | SEAL-O-RING | | | | | | |
| | 36 | 1 | 8T-6762 | 1 | PLUG-PIPE | | | | | | |
| | 37 | 1 | 9S-4191 | 2 | PLUG-O-RING | | | | | | |
| | 38 | 1 | 9S-8752 | 8 | NUT-FULL (3/8-16-THD) | | | | | | |

C- CHANGE FROM PREVIOUS TYPE

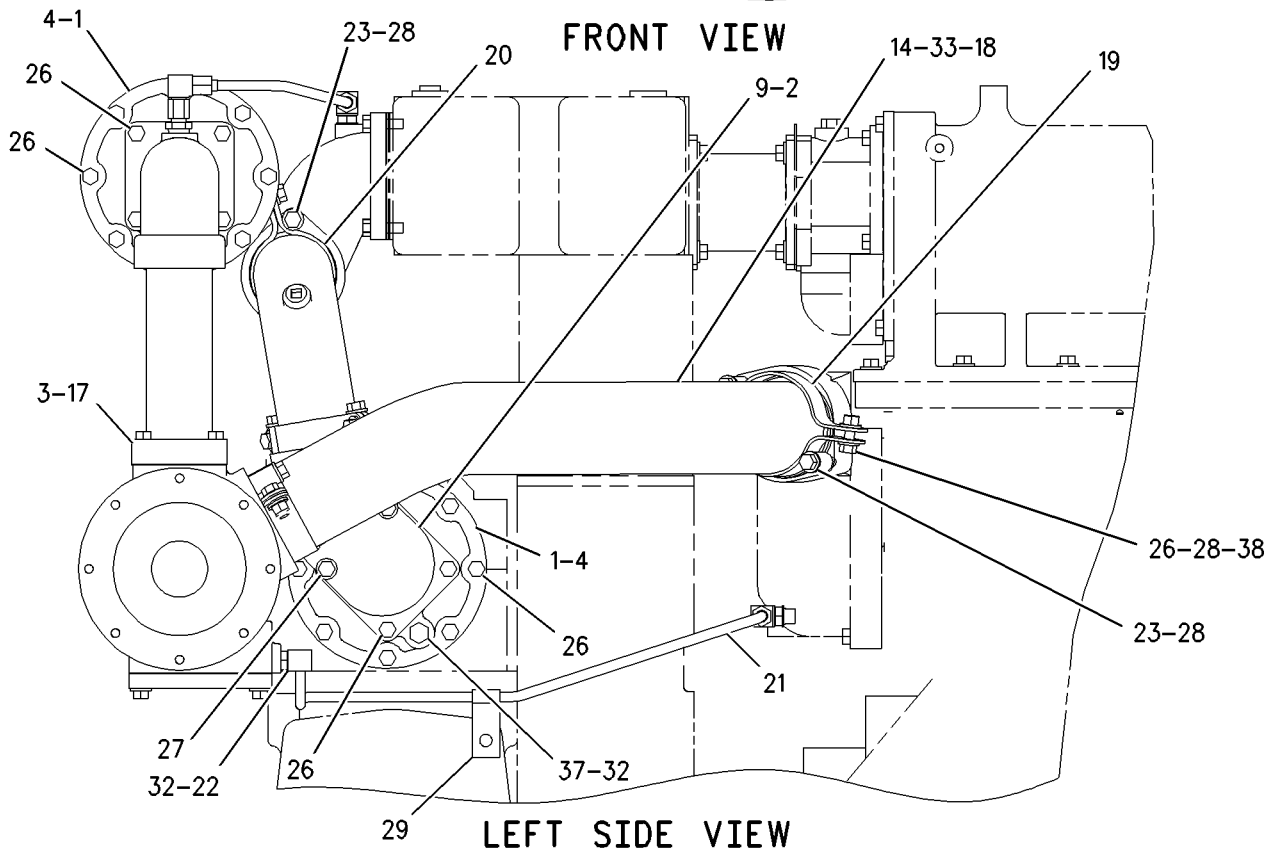
COOLING SYSTEM

192-0736 LINES GP-WATER (contd.)

i02060657



FRONT VIEW



LEFT SIDE VIEW

GRAPHIC #1

<END>

g00941600

COOLING SYSTEM

195-3916 LINES GP-WATER (CHG -00 THRU -04)

SMCS-1355, 1380, 1393

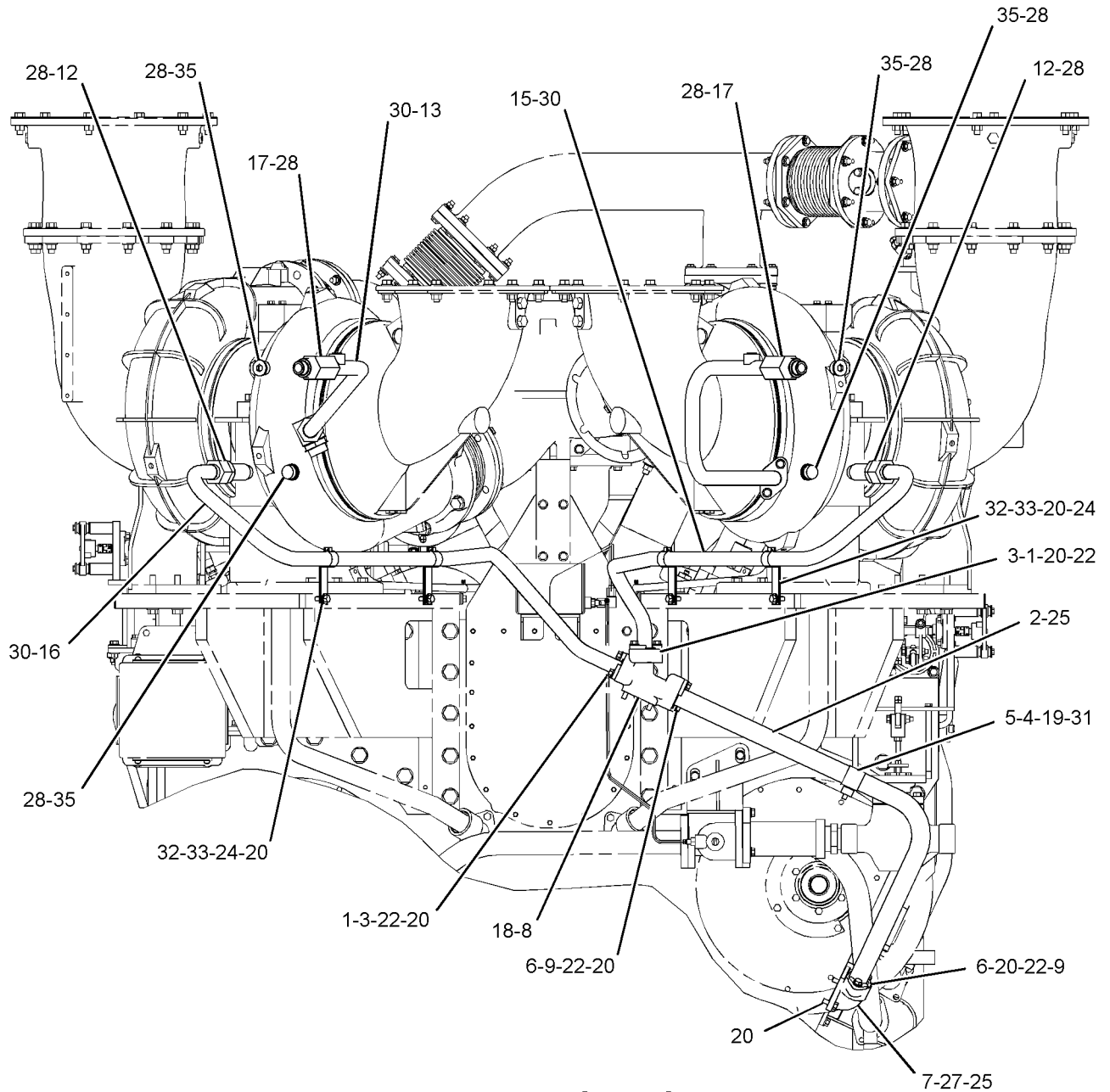
i02716720

| NOTE | REF NO | GRAPHIC REF | PART NUMBER | QTY | PART NAME | | | | | | SEE PAGE |
|------|--------|-------------|-------------|-----|------------------------------------|---|---|---|---|-------------------|----------|
| | | | | | 1 | 2 | 3 | 4 | 5 | 6 (PRODUCT LEVEL) | |
| | 1 | 1 | 1W-7020 | 2 | RING-RETAINING | | | | | | |
| | 2 | 1 | 2W-3793 | 1 | TUBE-WATER SUPPLY | | | | | | |
| | 3 | 1 | 2W-4032 | 4 | RETAINER | | | | | | |
| | 4 | 1 | 7K-3215 | 1 | BOSS (0.413X1X0.630-IN THK) | | | | | | |
| | 5 | 1 | 117-5170 | 1 | CLIP | | | | | | |
| | 6 | 1 | 7W-3933 | 2 | RING-RETAINING | | | | | | |
| | 7 | 1 | 7W-4261 | 1 | ELBOW | | | | | | |
| | 8 | 1 | 7W-4262 | 1 | TEE | | | | | | |
| | 9 | 1 | 8N-0394 | 4 | RETAINER | | | | | | |
| | 10 | 2 | 188-1026 | 1 | SPACER | | | | | | |
| | 11 | 2 | 188-1027 | 1 | ADAPTER | | | | | | |
| | 12 | 1 | 196-4647 | 2 | CONNECTOR-O-RING | | | | | | |
| | 13 | 1 | 196-4648 | 1 | TUBE AS | | | | | | |
| | 14 | 2 | 196-4649 | 1 | TUBE AS | | | | | | |
| | 15 | 1 | 196-4650 | 1 | TUBE AS | | | | | | |
| | 16 | 1 | 196-4651 | 1 | TUBE AS | | | | | | |
| | 17 | 1 | 196-4652 | 2 | ADAPTER | | | | | | |
| | 18 | 1 | 0S-1571 | 2 | BOLT (3/8-16X1.75-IN) | | | | | | |
| | 19 | 1 | 0S-1591 | 1 | BOLT (3/8-16X1.5-IN) | | | | | | |
| | 20 | 1 | 0S-1594 | 14 | BOLT (3/8-16X1-IN) | | | | | | |
| | 21 | 2 | 0S-1619 | 2 | BOLT (3/8-16X3-IN) | | | | | | |
| | 22 | 1,2 | 3V-3308 | 10 | WASHER-HARD (10.2X20.5X2.5-MM THK) | | | | | | |
| | 23 | 2 | 4J-0523 | 2 | SEAL-O-RING | | | | | | |
| | 24 | 1 | 5P-1075 | 4 | WASHER-HARD (10.2X22.5X3-MM THK) | | | | | | |
| | 25 | 1,2 | 6L-7817 | 3 | SEAL-O-RING | | | | | | |
| | 26 | 2 | 6M-5652 | 1 | ELBOW | | | | | | |
| | 27 | 1 | 6V-1585 | 1 | SEAL-O-RING | | | | | | |
| | 28 | 1 | 6V-1903 | 8 | SEAL-O-RING | | | | | | |
| | 29 | 2 | 6V-5065 | 1 | SEAL-O-RING | | | | | | |
| | 30 | 1,2 | 7L-6580 | 4 | SEAL-O-RING | | | | | | |
| | 31 | 1 | 8M-9024 | 1 | WASHER-HARD (10.2X22.5X5-MM THK) | | | | | | |
| | 32 | 1 | 8T-2602 | 4 | CLIP (TAB) | | | | | | |
| | 33 | 1 | 8T-2603 | 4 | CLIP (SLOT) | | | | | | |
| | 34 | 2 | 8T-6762 | 2 | PLUG-PIPE | | | | | | |
| | 35 | 1 | 9S-8009 | 4 | PLUG-O-RING | | | | | | |

COOLING SYSTEM

195 - 3916 LINES GP - WATER (contd.)

i02716720



REAR VIEW OF ENGINE

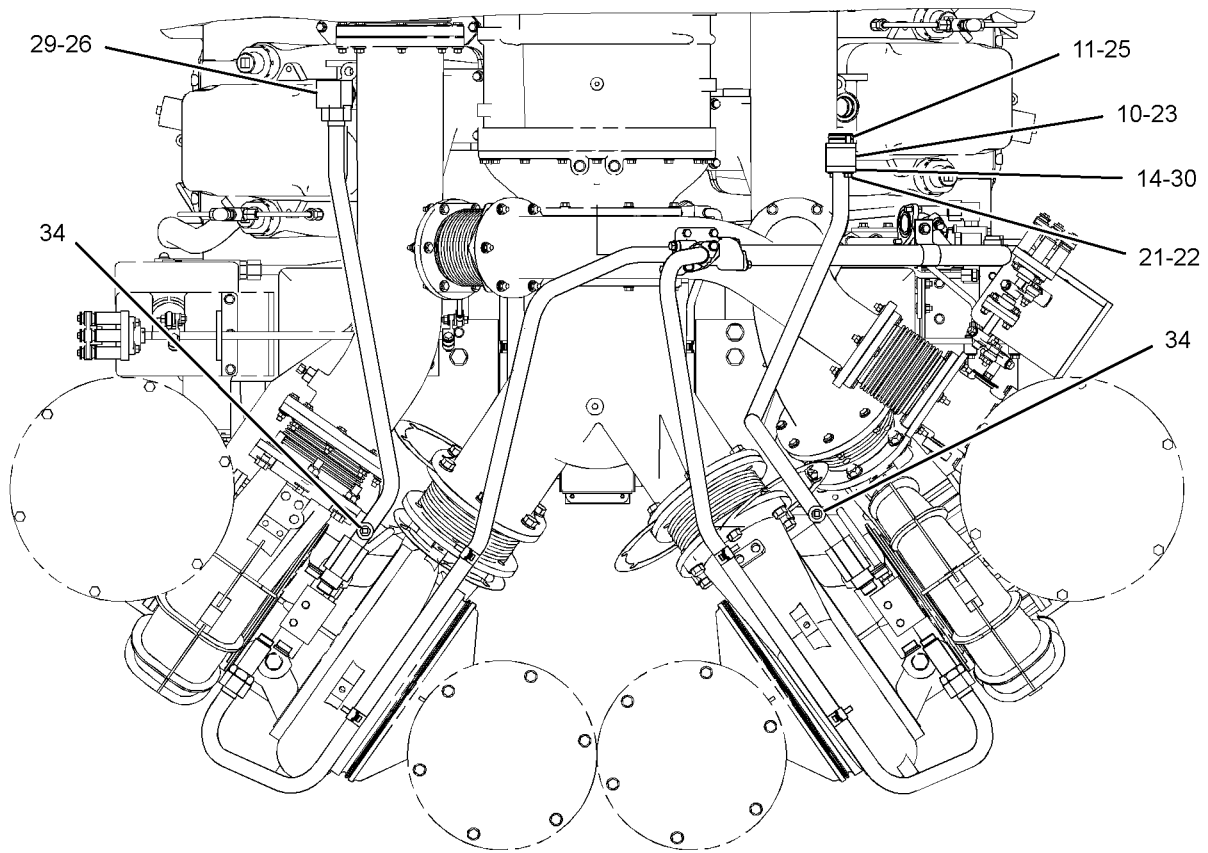
GRAPHIC #1

g01364331

COOLING SYSTEM

195-3916 LINES GP-WATER (contd.)

i02716720



TOP VIEW OF ENGINE

<END>

GRAPHIC #2

g01364359

COOLING SYSTEM

206 - 9804 LINES GP - WATER (CHG -03, -04)

SMCS - 1355, 1380, 1393

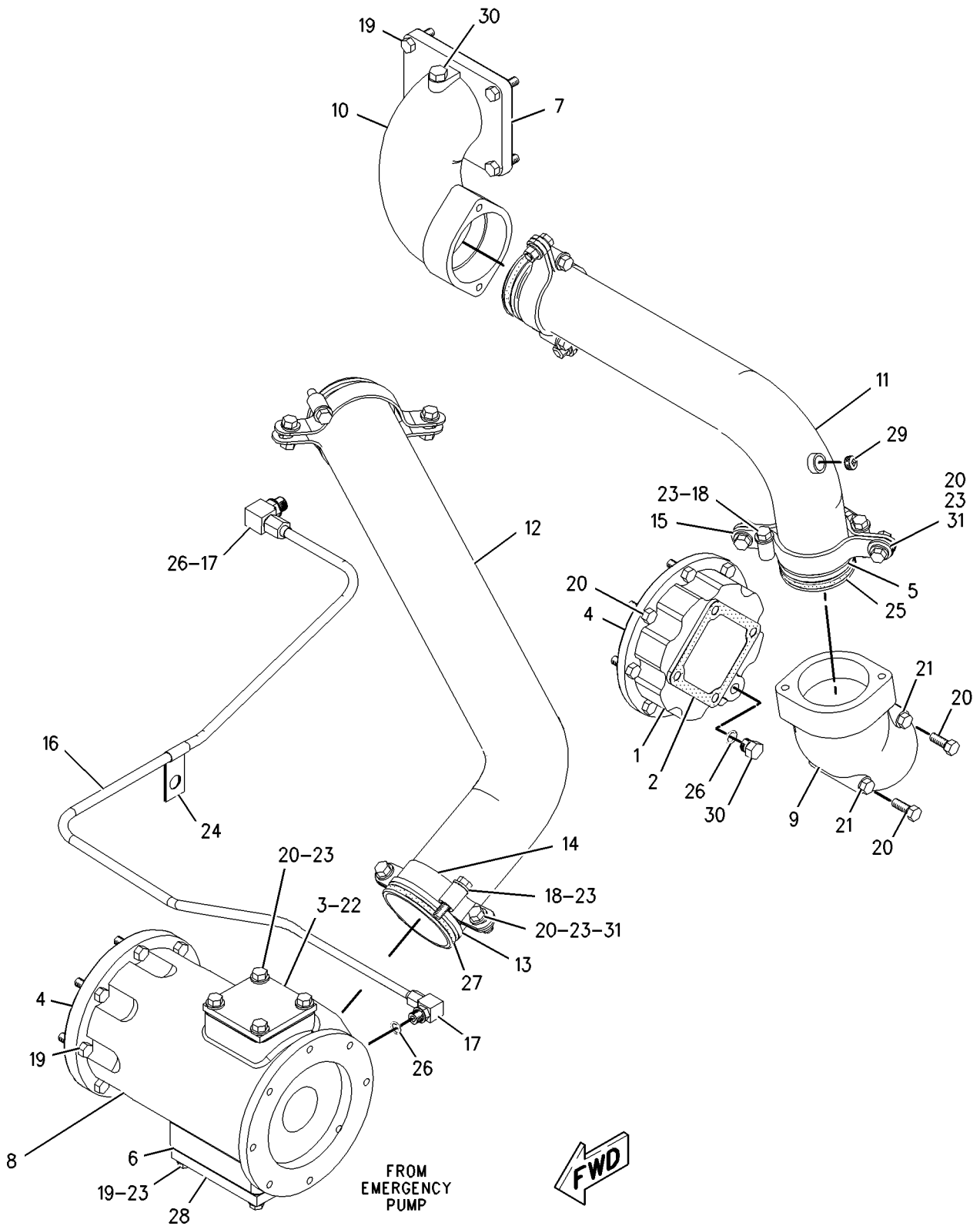
i02060803

| NOTE | REF NO | GRAPHIC REF | PART NUMBER | QTY | PART NAME | | | | | | SEE PAGE |
|------|--------|-------------|-------------|-----|------------------------------------|---|---|---|---|-------------------|----------|
| | | | | | 1 | 2 | 3 | 4 | 5 | 6 (PRODUCT LEVEL) | |
| | 1 | 1 | 1W-3785 | 1 | BONNET-OIL COOLER | | | | | | |
| | | 1 | 6V-3250 | 1 | SEAL-O-RING | | | | | | |
| | | 1 | 9S-4191 | 1 | PLUG-O-RING | | | | | | |
| | 2 | 1 | 1W-4067 | 1 | GASKET | | | | | | |
| | 3 | 1 | 4F-4873 | 1 | GASKET | | | | | | |
| | 4 | 1 | 247-3796 | 2 | GASKET | | | | | | |
| | 5 | 1 | 7E-7209 | 2 | RING-RETAINING | | | | | | |
| | 6 | 1 | 7W-2018 | 1 | GASKET | | | | | | |
| | 7 | 1 | 7W-3269 | 1 | GASKET | | | | | | |
| | 8 | 1 | 7W-5487 | 1 | BONNET | | | | | | |
| | 9 | 1 | 7W-5526 | 1 | ELBOW | | | | | | |
| | 10 | 1 | 7W-5527 | 1 | ELBOW | | | | | | |
| | 11 | 1 | 7W-6949 | 1 | TUBE | | | | | | |
| | 12 | 1 | 7W-6950 | 1 | TUBE | | | | | | |
| | 13 | 1 | 110-0096 | 2 | RING | | | | | | |
| | 14 | 1 | 122-1148 | 4 | CLAMP AS | | | | | | |
| | 15 | 1 | 124-6333 | 4 | CLAMP AS | | | | | | |
| | 16 | 1 | 217-6884 | 1 | TUBE AS | | | | | | |
| | 17 | 1 | 030-7947 | 2 | ELBOW | | | | | | |
| | 18 | 1 | 0S-1571 | 8 | BOLT (3/8-16X1.75-IN) | | | | | | |
| | 19 | 1 | 0S-1588 | 16 | BOLT (3/8-16X1.25-IN) | | | | | | |
| | 20 | 1 | 0S-1594 | 22 | BOLT (3/8-16X1-IN) | | | | | | |
| | 21 | 1 | 0T-0065 | 2 | BOLT (3/8-16X3.5-IN) | | | | | | |
| | 22 | 1 | 2S-4446 | 1 | COVER | | | | | | |
| | 23 | 1 | 3V-3308 | 32 | WASHER-HARD (10.2X20.5X2.5-MM THK) | | | | | | |
| | 24 | 1 | 5M-1198 | 1 | CLIP | | | | | | |
| | 25 | 1 | 6V-1454 | 2 | SEAL-O-RING | | | | | | |
| | 26 | 1 | 6V-3250 | 3 | SEAL-O-RING | | | | | | |
| | 27 | 1 | 6V-5066 | 2 | SEAL-O-RING | | | | | | |
| | 28 | 1 | 7W-2028 | 1 | COVER | | | | | | |
| | 29 | 1 | 8T-6762 | 1 | PLUG-PIPE | | | | | | |
| | 30 | 1 | 9S-4191 | 2 | PLUG-O-RING | | | | | | |
| | 31 | 1 | 9S-8752 | 8 | NUT-FULL (3/8-16-THD) | | | | | | |

COOLING SYSTEM

206-9804 LINES GP-WATER (contd.)

i02060803



GRAPHIC #1

<END>

g00944024

COOLING SYSTEM

246-6159 LINES GP-WATER (CHG -00 THRU -02)

SMCS-1355, 1380, 1393

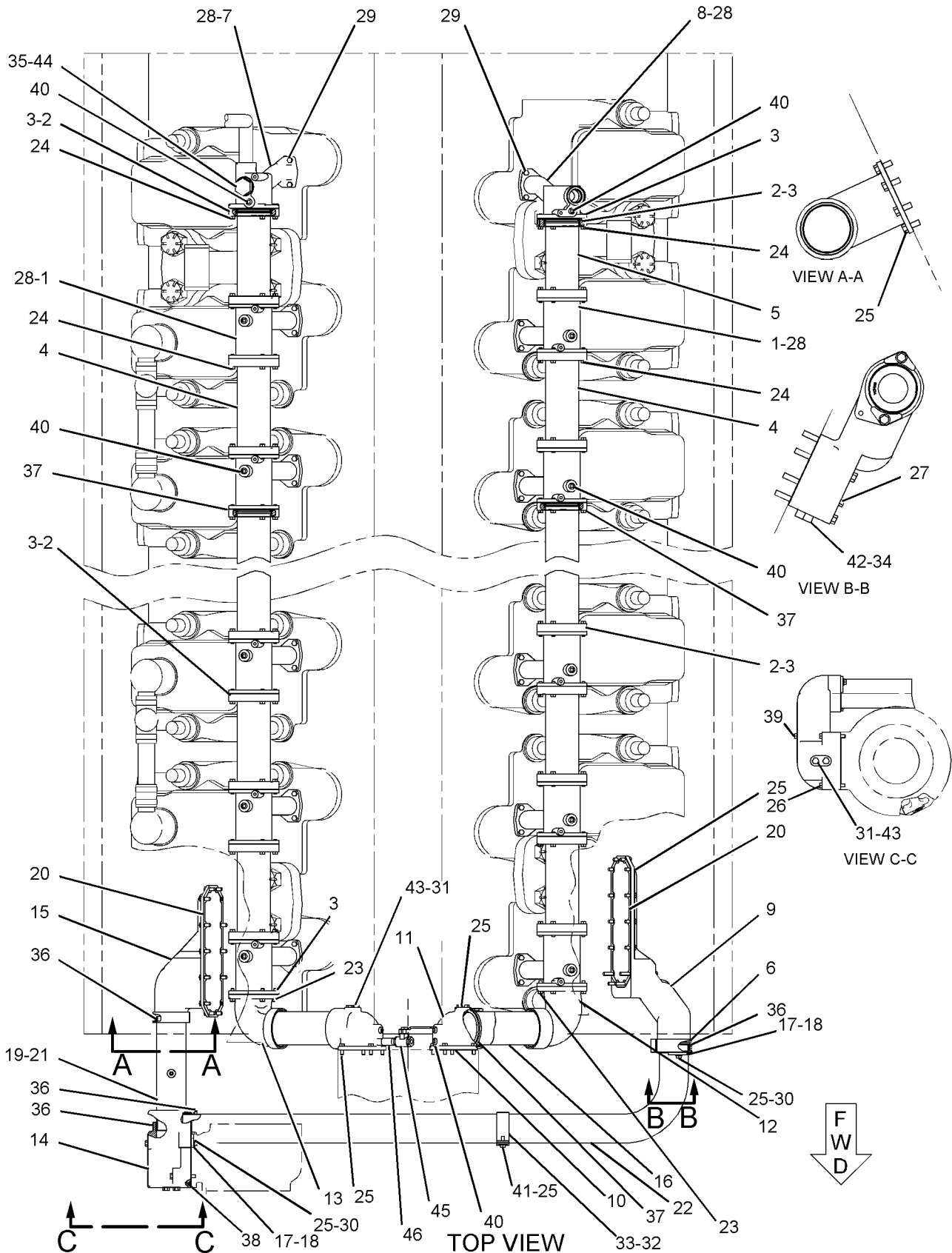
i02248342

| NOTE | REF NO | GRAPHIC REF | PART NUMBER | QTY | PART NAME | | | | | | SEE PAGE |
|------|--------|-------------|-------------|-----|------------------------------------|---|---|---|---|-------------------|----------|
| | | | | | 1 | 2 | 3 | 4 | 5 | 6 (PRODUCT LEVEL) | |
| | 1 | 1 | 2W-4555 | 14 | MANIFOLD-WATER | | | | | | |
| | 2 | 1 | 2W-5022 | 28 | FLANGE | | | | | | |
| | 3 | 1 | 2W-5023 | 30 | GASKET | | | | | | |
| | 4 | 1 | 2W-5031 | 13 | TUBE | | | | | | |
| | 5 | 1 | 2W-5032 | 1 | TUBE | | | | | | |
| | 6 | 1 | 7C-7480 | 1 | ORIFICE | | | | | | |
| | 7 | 1 | 7E-0596 | 1 | MANIFOLD-WATER | | | | | | |
| | 8 | 1 | 7E-1424 | 1 | MANIFOLD-WATER | | | | | | |
| | 9 | 1 | 7W-2152 | 1 | ELBOW | | | | | | |
| | 10 | 1 | 7W-3270 | 2 | GASKET | | | | | | |
| | 11 | 1 | 7W-3275 | 2 | ELBOW | | | | | | |
| | 12 | 1 | 7W-5841 | 1 | ELBOW | | | | | | |
| | 13 | 1 | 7W-5842 | 1 | ELBOW | | | | | | |
| | 14 | 1 | 7W-6849 | 1 | ELBOW | | | | | | |
| | 15 | 1 | 7W-6851 | 1 | ELBOW | | | | | | |
| | 16 | 1 | 7W-6947 | 2 | TUBE | | | | | | |
| | 17 | 1 | 8N-3639 | 4 | RETAINER | | | | | | |
| | 18 | 1 | 8N-3640 | 2 | RING-RETAINING | | | | | | |
| | 19 | 1 | 8T-6758 | 1 | PLUG-PIPE | | | | | | |
| | 20 | 1 | 121-3874 | 2 | GASKET | | | | | | |
| | 21 | 1 | 126-1082 | 1 | TUBE AS | | | | | | |
| | 22 | 1 | 153-0446 | 1 | TUBE | | | | | | |
| | 23 | 1 | 0S-1588 | 8 | BOLT (3/8-16X1.25-IN) | | | | | | |
| | 24 | 1 | 0S-1591 | 220 | BOLT (3/8-16X1.5-IN) | | | | | | |
| | 25 | 1 | 0S-1594 | 35 | BOLT (3/8-16X1-IN) | | | | | | |
| | 26 | 1 | 0T-0573 | 3 | BOLT (3/8-16X2.75-IN) | | | | | | |
| | 27 | 1 | 1A-5964 | 4 | BOLT (3/8-16X4.5-IN) | | | | | | |
| | 28 | 1 | 2N-0475 | 16 | SEAL-O-RING | | | | | | |
| | 29 | 1 | 3H-6622 | 93 | BOLT (3/8-16X1.25-IN) | | | | | | |
| | 30 | 1 | 3V-3308 | 4 | WASHER-HARD (10.2X20.5X2.5-MM THK) | | | | | | |
| | 31 | 1 | 6V-3250 | 5 | SEAL-O-RING | | | | | | |
| | 32 | 1 | 6V-4356 | 1 | CLIP (SLOT) | | | | | | |
| | 33 | 1 | 6V-4357 | 1 | CLIP (TAB) | | | | | | |
| | 34 | 1 | 6V-5063 | 1 | SEAL-O-RING | | | | | | |
| | 35 | 1 | 6V-5065 | 1 | SEAL-O-RING | | | | | | |
| | 36 | 1 | 6V-5066 | 4 | SEAL-O-RING | | | | | | |
| | 37 | 1 | 6V-5139 | 32 | SEAL-O-RING | | | | | | |
| | 38 | 1 | 6V-6809 | 1 | SEAL-O-RING | | | | | | |
| | 39 | 1 | 7F-3425 | 1 | BOLT (3/8-16X5.75-IN) | | | | | | |
| | 40 | 1 | 8T-6762 | 18 | PLUG-PIPE | | | | | | |
| | 41 | 1 | 9L-9132 | 1 | WASHER (10.2X25.5X2.5-MM THK) | | | | | | |
| | 42 | 1 | 9S-4183 | 1 | PLUG-O-RING | | | | | | |
| | 43 | 1 | 9S-4191 | 5 | PLUG-O-RING | | | | | | |
| | 44 | 1 | 9S-6130 | 1 | PLUG | | | | | | |
| | 45 | 1 | 6W-7451 | 1 | VALVE (MANUAL BALL) | | | | | | |
| | 46 | 1 | 3B-7272 | 1 | NIPPLE-PIPE | | | | | | |

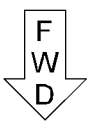
COOLING SYSTEM

246-6159 LINES GP-WATER (contd.)

i02248342



TOP VIEW



GRAPHIC #1

<END>

g01136322

COOLING SYSTEM

246 - 6159 LINES GP-WATER (CHG -03)

SMCS-1355, 1380, 1393

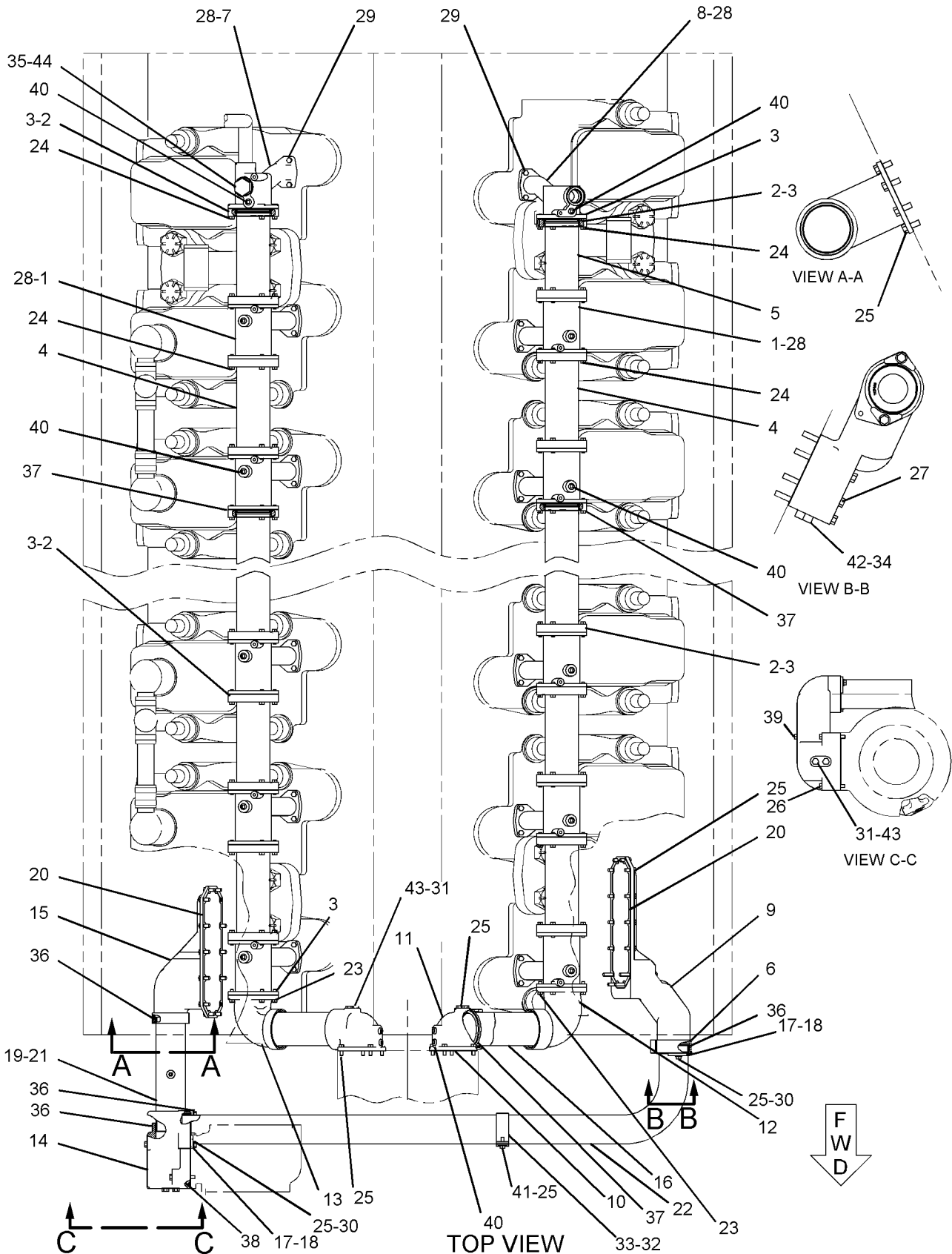
i02286339

| NOTE | REF NO | GRAPHIC REF | PART NUMBER | QTY | PART NAME | | | | | | SEE PAGE |
|------|--------|-------------|-------------|-----|------------------------------------|---|---|---|---|-------------------|----------|
| | | | | | 1 | 2 | 3 | 4 | 5 | 6 (PRODUCT LEVEL) | |
| | 1 | 1 | 2W-4555 | 14 | MANIFOLD-WATER | | | | | | |
| | 2 | 1 | 2W-5022 | 28 | FLANGE | | | | | | |
| | 3 | 1 | 2W-5023 | 30 | GASKET | | | | | | |
| | 4 | 1 | 2W-5031 | 13 | TUBE | | | | | | |
| | 5 | 1 | 2W-5032 | 1 | TUBE | | | | | | |
| | 6 | 1 | 7C-7480 | 1 | ORIFICE | | | | | | |
| | 7 | 1 | 7E-0596 | 1 | MANIFOLD-WATER | | | | | | |
| | 8 | 1 | 7E-1424 | 1 | MANIFOLD-WATER | | | | | | |
| | 9 | 1 | 7W-2152 | 1 | ELBOW | | | | | | |
| | 10 | 1 | 7W-3270 | 2 | GASKET | | | | | | |
| | 11 | 1 | 7W-3275 | 2 | ELBOW | | | | | | |
| | 12 | 1 | 7W-5841 | 1 | ELBOW | | | | | | |
| | 13 | 1 | 7W-5842 | 1 | ELBOW | | | | | | |
| | 14 | 1 | 7W-6849 | 1 | ELBOW | | | | | | |
| | 15 | 1 | 7W-6851 | 1 | ELBOW | | | | | | |
| | 16 | 1 | 7W-6947 | 2 | TUBE | | | | | | |
| | 17 | 1 | 8N-3639 | 4 | RETAINER | | | | | | |
| | 18 | 1 | 8N-3640 | 2 | RING-RETAINING | | | | | | |
| | 19 | 1 | 8T-6758 | 1 | PLUG-PIPE | | | | | | |
| | 20 | 1 | 121-3874 | 2 | GASKET | | | | | | |
| | 21 | 1 | 126-1082 | 1 | TUBE AS | | | | | | |
| | 22 | 1 | 153-0446 | 1 | TUBE | | | | | | |
| | 23 | 1 | 0S-1588 | 8 | BOLT (3/8-16X1.25-IN) | | | | | | |
| | 24 | 1 | 0S-1591 | 112 | BOLT (3/8-16X1.5-IN) | | | | | | |
| | 25 | 1 | 0S-1594 | 35 | BOLT (3/8-16X1-IN) | | | | | | |
| | 26 | 1 | 0T-0573 | 3 | BOLT (3/8-16X2.75-IN) | | | | | | |
| | 27 | 1 | 1A-5964 | 4 | BOLT (3/8-16X4.5-IN) | | | | | | |
| | 28 | 1 | 2N-0475 | 16 | SEAL-O-RING | | | | | | |
| | 29 | 1 | 3H-6622 | 48 | BOLT (3/8-16X1.25-IN) | | | | | | |
| | 30 | 1 | 3V-3308 | 4 | WASHER-HARD (10.2X20.5X2.5-MM THK) | | | | | | |
| | 31 | 1 | 6V-3250 | 5 | SEAL-O-RING | | | | | | |
| | 32 | 1 | 6V-4356 | 1 | CLIP (SLOT) | | | | | | |
| | 33 | 1 | 6V-4357 | 1 | CLIP (TAB) | | | | | | |
| | 34 | 1 | 6V-5063 | 1 | SEAL-O-RING | | | | | | |
| | 35 | 1 | 6V-5065 | 1 | SEAL-O-RING | | | | | | |
| | 36 | 1 | 6V-5066 | 4 | SEAL-O-RING | | | | | | |
| | 37 | 1 | 6V-5139 | 32 | SEAL-O-RING | | | | | | |
| | 38 | 1 | 6V-6809 | 1 | SEAL-O-RING | | | | | | |
| | 39 | 1 | 7F-3425 | 1 | BOLT (3/8-16X5.75-IN) | | | | | | |
| | 40 | 1 | 8T-6762 | 18 | PLUG-PIPE | | | | | | |
| | 41 | 1 | 9L-9132 | 1 | WASHER (10.2X25.5X2.5-MM THK) | | | | | | |
| | 42 | 1 | 9S-4183 | 1 | PLUG-O-RING | | | | | | |
| | 43 | 1 | 9S-4191 | 5 | PLUG-O-RING | | | | | | |
| | 44 | 1 | 9S-6130 | 1 | PLUG | | | | | | |

COOLING SYSTEM

246-6159 LINES GP-WATER (contd.)

i02286339



GRAPHIC #1

<END>

g01144552

COOLING SYSTEM

250-0463 LINES GP-WATER (CHG -00 THRU -03)

TYPE 1

SMCS-1355, 1380, 1393

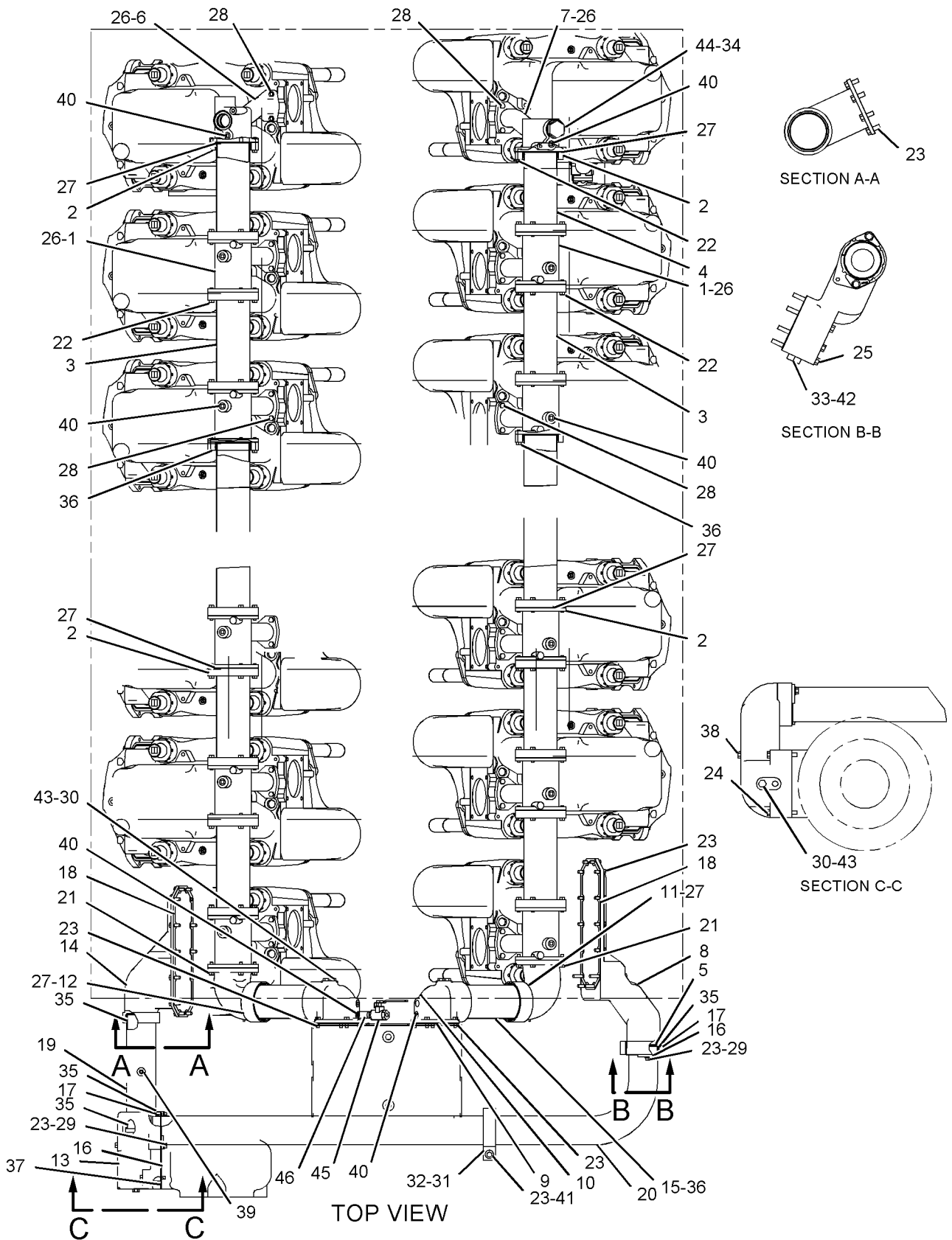
i02248343

| NOTE | REF NO | GRAPHIC REF | PART NUMBER | QTY | PART NAME | | | | | | SEE PAGE |
|------|--------|-------------|-------------|-----|------------------------------------|---|---|---|---|-------------------|----------|
| | | | | | 1 | 2 | 3 | 4 | 5 | 6 (PRODUCT LEVEL) | |
| | 1 | 1 | 2W-4555 | 14 | MANIFOLD-WATER (PRESSURE) | | | | | | |
| | 2 | 1 | 2W-5022 | 28 | FLANGE | | | | | | |
| | 3 | 1 | 2W-5031 | 13 | TUBE | | | | | | |
| | 4 | 1 | 2W-5032 | 1 | TUBE | | | | | | |
| | 5 | 1 | 7C-7480 | 1 | ORIFICE | | | | | | |
| | 6 | 1 | 7E-0596 | 1 | MANIFOLD-WATER (REAR, RH) | | | | | | |
| | 7 | 1 | 7E-1424 | 1 | MANIFOLD-WATER (REAR, LH) | | | | | | |
| | 8 | 1 | 7W-2152 | 1 | ELBOW | | | | | | |
| | 9 | 1 | 7W-3270 | 2 | GASKET | | | | | | |
| | 10 | 1 | 7W-3275 | 2 | ELBOW | | | | | | |
| | 11 | 1 | 7W-5841 | 1 | ELBOW | | | | | | |
| | 12 | 1 | 7W-5842 | 1 | ELBOW | | | | | | |
| | 13 | 1 | 7W-6849 | 1 | ELBOW | | | | | | |
| | 14 | 1 | 7W-6851 | 1 | ELBOW | | | | | | |
| | 15 | 1 | 7W-6947 | 2 | TUBE | | | | | | |
| | 16 | 1 | 8N-3639 | 4 | RETAINER | | | | | | |
| | 17 | 1 | 8N-3640 | 2 | RING-RETAINING | | | | | | |
| | 18 | 1 | 121-3874 | 2 | GASKET | | | | | | |
| | 19 | 1 | 126-1082 | 1 | TUBE AS | | | | | | |
| | 20 | 1 | 153-0446 | 1 | TUBE | | | | | | |
| | 21 | 1 | OS-1588 | 8 | BOLT (3/8-16X1.25-IN) | | | | | | |
| | 22 | 1 | OS-1591 | 112 | BOLT (3/8-16X1.5-IN) | | | | | | |
| | 23 | 1 | OS-1594 | 35 | BOLT (3/8-16X1-IN) | | | | | | |
| | 24 | 1 | OT-0573 | 3 | BOLT (3/8-16X2.75-IN) | | | | | | |
| | 25 | 1 | 1A-5964 | 4 | BOLT (3/8-16X4.5-IN) | | | | | | |
| | 26 | 1 | 2N-0475 | 16 | SEAL-O-RING | | | | | | |
| | 27 | 1 | 2W-5023 | 30 | GASKET | | | | | | |
| | 28 | 1 | 3H-6622 | 48 | BOLT (3/8-16X1.25-IN) | | | | | | |
| | 29 | 1 | 3V-3308 | 4 | WASHER-HARD (10.2X20.5X2.5-MM THK) | | | | | | |
| | 30 | 1 | 6V-3250 | 5 | SEAL-O-RING | | | | | | |
| | 31 | 1 | 6V-4356 | 1 | CLIP (SLOT) | | | | | | |
| | 32 | 1 | 6V-4357 | 1 | CLIP (TAB) | | | | | | |
| | 33 | 1 | 6V-5063 | 1 | SEAL-O-RING | | | | | | |
| | 34 | 1 | 6V-5065 | 1 | SEAL-O-RING | | | | | | |
| | 35 | 1 | 6V-5066 | 4 | SEAL-O-RING | | | | | | |
| | 36 | 1 | 6V-5139 | 32 | SEAL-O-RING | | | | | | |
| | 37 | 1 | 6V-6809 | 1 | SEAL-O-RING | | | | | | |
| | 38 | 1 | 7F-3425 | 1 | BOLT (3/8-16X5.75-IN) | | | | | | |
| | 39 | 1 | 8T-6758 | 1 | PLUG-PIPE | | | | | | |
| | 40 | 1 | 8T-6762 | 18 | PLUG-PIPE | | | | | | |
| | 41 | 1 | 9L-9132 | 1 | WASHER (10.2X25.5X2.5-MM THK) | | | | | | |
| | 42 | 1 | 9S-4183 | 1 | PLUG-O-RING | | | | | | |
| | 43 | 1 | 9S-4191 | 5 | PLUG-O-RING | | | | | | |
| | 44 | 1 | 9S-6130 | 1 | PLUG | | | | | | |
| | 45 | 1 | 6W-7451 | 1 | VALVE (MANUAL BALL) | | | | | | |
| | 46 | 1 | 3B-7272 | 1 | NIPPLE-PIPE | | | | | | |

COOLING SYSTEM

250-0463 LINES GP-WATER (contd.)

i02248343



TOP VIEW

SECTION A-A

SECTION B-B

SECTION C-C

GRAPHIC #1

<END>

g01136304

COOLING SYSTEM

250-0463 LINES GP-WATER (CHG -04)

TYPE 2

SMCS-1355, 1380, 1393

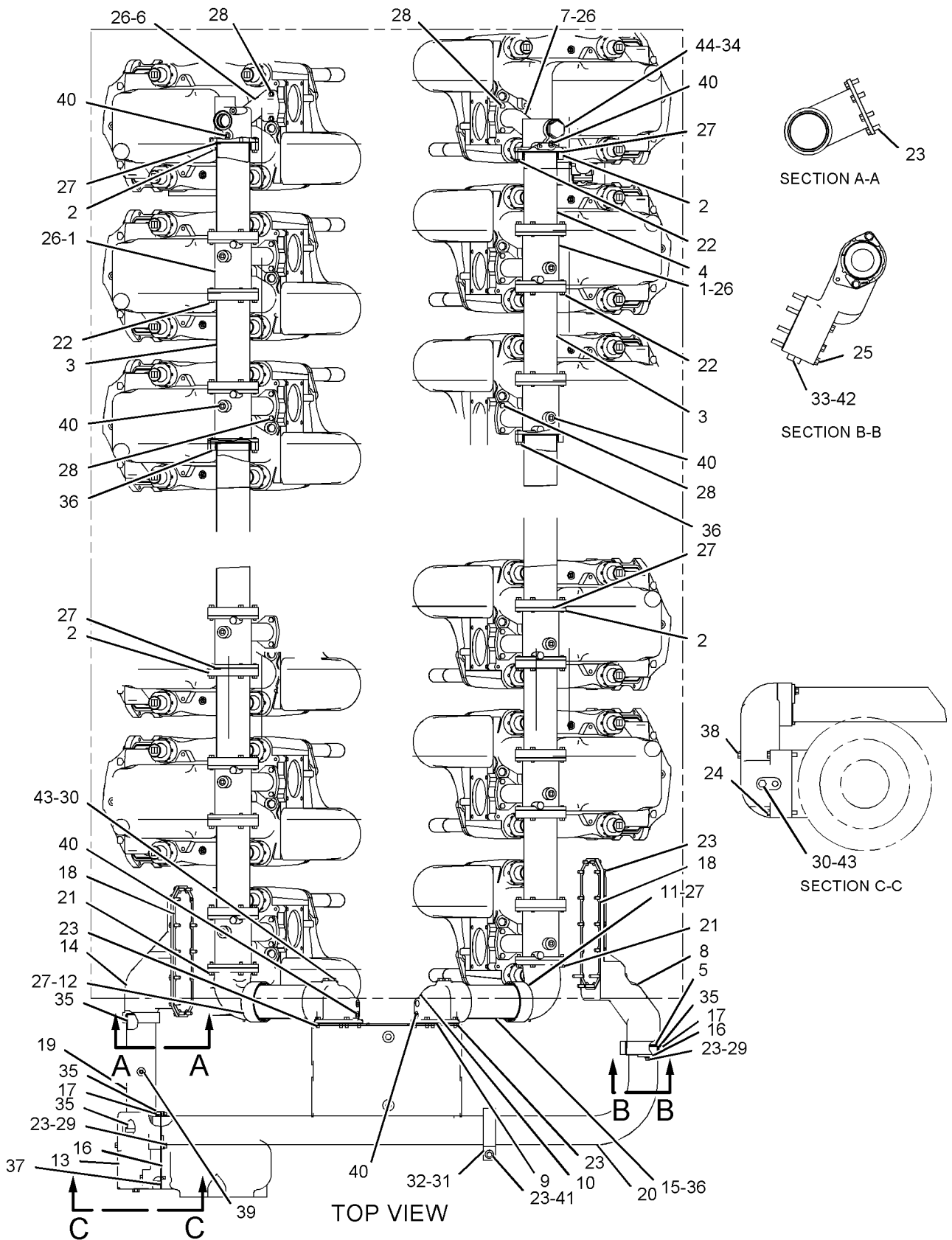
i02286341

| NOTE | REF NO | GRAPHIC REF | PART NUMBER | QTY | PART NAME | | | | | | SEE PAGE |
|------|--------|-------------|-------------|-----|------------------------------------|---|---|---|---|-------------------|----------|
| | | | | | 1 | 2 | 3 | 4 | 5 | 6 (PRODUCT LEVEL) | |
| | 1 | 1 | 2W-4555 | 14 | MANIFOLD-WATER (PRESSURE) | | | | | | |
| | 2 | 1 | 2W-5022 | 28 | FLANGE | | | | | | |
| | 3 | 1 | 2W-5031 | 13 | TUBE | | | | | | |
| | 4 | 1 | 2W-5032 | 1 | TUBE | | | | | | |
| | 5 | 1 | 7C-7480 | 1 | ORIFICE | | | | | | |
| | 6 | 1 | 7E-0596 | 1 | MANIFOLD-WATER (REAR, RH) | | | | | | |
| | 7 | 1 | 7E-1424 | 1 | MANIFOLD-WATER (REAR, LH) | | | | | | |
| | 8 | 1 | 7W-2152 | 1 | ELBOW | | | | | | |
| | 9 | 1 | 7W-3270 | 2 | GASKET | | | | | | |
| | 10 | 1 | 7W-3275 | 2 | ELBOW | | | | | | |
| | 11 | 1 | 7W-5841 | 1 | ELBOW | | | | | | |
| | 12 | 1 | 7W-5842 | 1 | ELBOW | | | | | | |
| | 13 | 1 | 7W-6849 | 1 | ELBOW | | | | | | |
| | 14 | 1 | 7W-6851 | 1 | ELBOW | | | | | | |
| | 15 | 1 | 7W-6947 | 2 | TUBE | | | | | | |
| | 16 | 1 | 8N-3639 | 4 | RETAINER | | | | | | |
| | 17 | 1 | 8N-3640 | 2 | RING-RETAINING | | | | | | |
| | 18 | 1 | 121-3874 | 2 | GASKET | | | | | | |
| | 19 | 1 | 126-1082 | 1 | TUBE AS | | | | | | |
| | 20 | 1 | 153-0446 | 1 | TUBE | | | | | | |
| | 21 | 1 | OS-1588 | 8 | BOLT (3/8-16X1.25-IN) | | | | | | |
| | 22 | 1 | OS-1591 | 112 | BOLT (3/8-16X1.5-IN) | | | | | | |
| | 23 | 1 | OS-1594 | 35 | BOLT (3/8-16X1-IN) | | | | | | |
| | 24 | 1 | OT-0573 | 3 | BOLT (3/8-16X2.75-IN) | | | | | | |
| | 25 | 1 | 1A-5964 | 4 | BOLT (3/8-16X4.5-IN) | | | | | | |
| | 26 | 1 | 2N-0475 | 16 | SEAL-O-RING | | | | | | |
| | 27 | 1 | 2W-5023 | 30 | GASKET | | | | | | |
| | 28 | 1 | 3H-6622 | 48 | BOLT (3/8-16X1.25-IN) | | | | | | |
| | 29 | 1 | 3V-3308 | 4 | WASHER-HARD (10.2X20.5X2.5-MM THK) | | | | | | |
| | 30 | 1 | 6V-3250 | 5 | SEAL-O-RING | | | | | | |
| | 31 | 1 | 6V-4356 | 1 | CLIP (SLOT) | | | | | | |
| | 32 | 1 | 6V-4357 | 1 | CLIP (TAB) | | | | | | |
| | 33 | 1 | 6V-5063 | 1 | SEAL-O-RING | | | | | | |
| | 34 | 1 | 6V-5065 | 1 | SEAL-O-RING | | | | | | |
| | 35 | 1 | 6V-5066 | 4 | SEAL-O-RING | | | | | | |
| | 36 | 1 | 6V-5139 | 32 | SEAL-O-RING | | | | | | |
| | 37 | 1 | 6V-6809 | 1 | SEAL-O-RING | | | | | | |
| | 38 | 1 | 7F-3425 | 1 | BOLT (3/8-16X5.75-IN) | | | | | | |
| | 39 | 1 | 8T-6758 | 1 | PLUG-PIPE | | | | | | |
| | 40 | 1 | 8T-6762 | 18 | PLUG-PIPE | | | | | | |
| | 41 | 1 | 9L-9132 | 1 | WASHER (10.2X25.5X2.5-MM THK) | | | | | | |
| | 42 | 1 | 9S-4183 | 1 | PLUG-O-RING | | | | | | |
| | 43 | 1 | 9S-4191 | 5 | PLUG-O-RING | | | | | | |
| | 44 | 1 | 9S-6130 | 1 | PLUG | | | | | | |

COOLING SYSTEM

250-0463 LINES GP-WATER (contd.)

i02286341



GRAPHIC #1

<END>

g01144672

COOLING SYSTEM

266 - 9376 LINES GP - WATER (CHG -00, -01)

SMCS - 1355, 1380, 1393

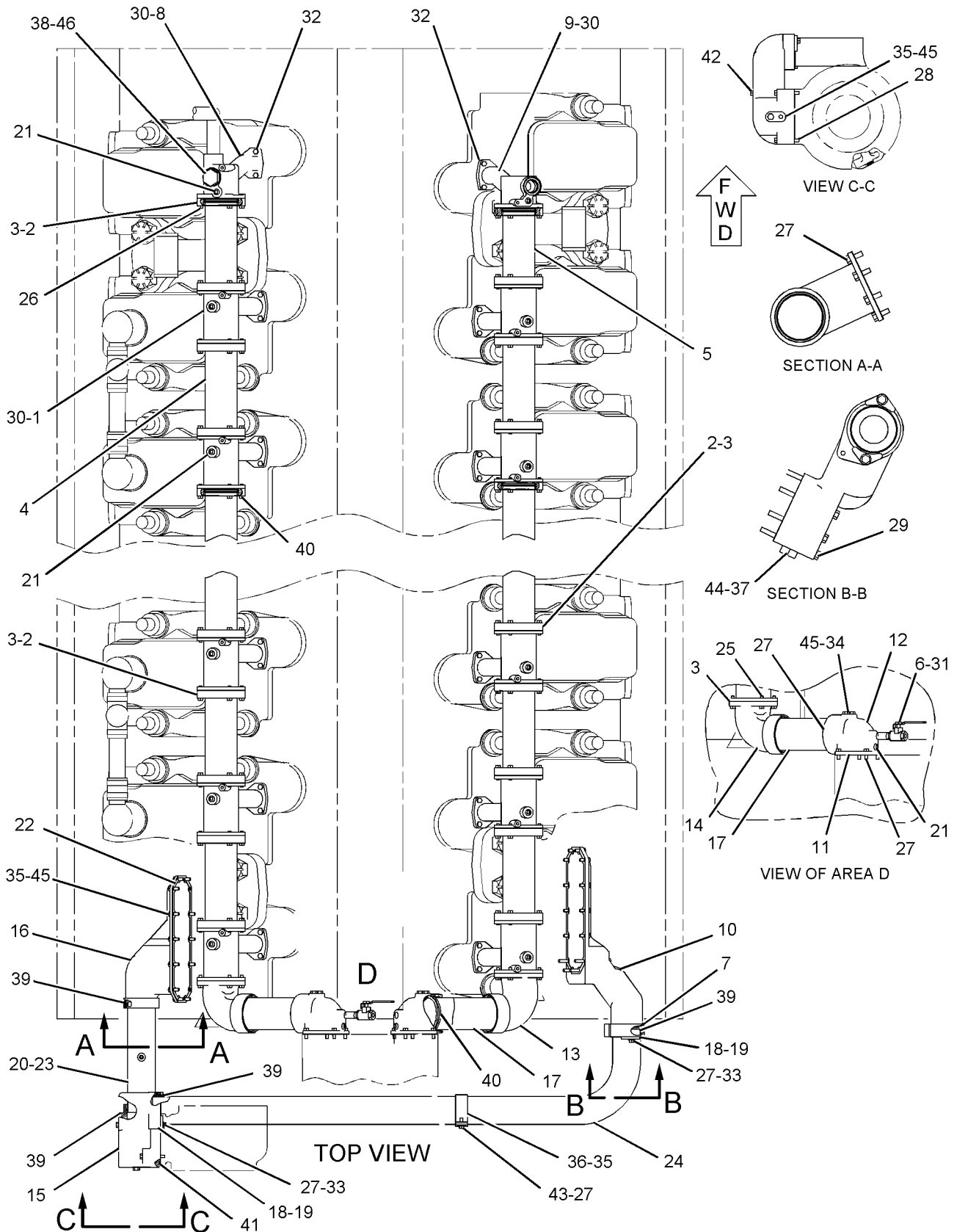
i02248379

| NOTE | REF NO | GRAPHIC REF | PART NUMBER | QTY | PART NAME | | | | | | SEE PAGE |
|------|--------|-------------|-------------|-----|------------------------------------|---|---|---|---|-------------------|----------|
| | | | | | 1 | 2 | 3 | 4 | 5 | 6 (PRODUCT LEVEL) | |
| | 1 | 1 | 2W-4555 | 14 | MANIFOLD-WATER | | | | | | |
| | 2 | 1 | 2W-5022 | 28 | FLANGE | | | | | | |
| | 3 | 1 | 2W-5023 | 30 | GASKET | | | | | | |
| | 4 | 1 | 2W-5031 | 13 | TUBE | | | | | | |
| | 5 | 1 | 2W-5032 | 1 | TUBE | | | | | | |
| | 6 | 1 | 6W-7451 | 1 | VALVE (MANUAL BALL) | | | | | | |
| | 7 | 1 | 7C-7480 | 1 | ORIFICE | | | | | | |
| | 8 | 1 | 7E-0596 | 1 | MANIFOLD-WATER | | | | | | |
| | 9 | 1 | 7E-1424 | 1 | MANIFOLD-WATER | | | | | | |
| | 10 | 1 | 7W-2152 | 1 | ELBOW | | | | | | |
| | 11 | 1 | 7W-3270 | 2 | GASKET | | | | | | |
| | 12 | 1 | 7W-3275 | 2 | ELBOW | | | | | | |
| | 13 | 1 | 7W-5841 | 1 | ELBOW | | | | | | |
| | 14 | 1 | 7W-5842 | 1 | ELBOW | | | | | | |
| | 15 | 1 | 7W-6849 | 1 | ELBOW | | | | | | |
| | 16 | 1 | 7W-6851 | 1 | ELBOW | | | | | | |
| | 17 | 1 | 7W-6947 | 2 | TUBE | | | | | | |
| | 18 | 1 | 8N-3639 | 4 | RETAINER | | | | | | |
| | 19 | 1 | 8N-3640 | 2 | RING-RETAINING | | | | | | |
| | 20 | 1 | 8T-6758 | 1 | PLUG-PIPE | | | | | | |
| | 21 | 1 | 8T-6762 | 18 | PLUG-PIPE | | | | | | |
| | 22 | 1 | 121-3874 | 2 | GASKET | | | | | | |
| | 23 | 1 | 126-1082 | 1 | TUBE AS | | | | | | |
| | 24 | 1 | 153-0446 | 1 | TUBE | | | | | | |
| | 25 | 1 | 0S-1588 | 8 | BOLT (3/8-16X1.25-IN) | | | | | | |
| | 26 | 1 | 0S-1591 | 112 | BOLT (3/8-16X1.5-IN) | | | | | | |
| | 27 | 1 | 0S-1594 | 35 | BOLT (3/8-16X1-IN) | | | | | | |
| | 28 | 1 | 0T-0573 | 3 | BOLT (3/8-16X2.75-IN) | | | | | | |
| | 29 | 1 | 1A-5964 | 4 | BOLT (3/8-16X4.5-IN) | | | | | | |
| | 30 | 1 | 2N-0475 | 16 | SEAL-O-RING | | | | | | |
| | 31 | 1 | 3B-7272 | 1 | NIPPLE-PIPE | | | | | | |
| | 32 | 1 | 3H-6622 | 48 | BOLT (3/8-16X1.25-IN) | | | | | | |
| | 33 | 1 | 3V-3308 | 4 | WASHER-HARD (10.2X20.5X2.5-MM THK) | | | | | | |
| | 34 | 1 | 6V-3250 | 5 | SEAL-O-RING | | | | | | |
| | 35 | 1 | 6V-4356 | 1 | CLIP (SLOT) | | | | | | |
| | 36 | 1 | 6V-4357 | 1 | CLIP (TAB) | | | | | | |
| | 37 | 1 | 6V-5063 | 1 | SEAL-O-RING | | | | | | |
| | 38 | 1 | 6V-5065 | 1 | SEAL-O-RING | | | | | | |
| | 39 | 1 | 6V-5066 | 4 | SEAL-O-RING | | | | | | |
| | 40 | 1 | 6V-5139 | 32 | SEAL-O-RING | | | | | | |
| | 41 | 1 | 6V-6809 | 1 | SEAL-O-RING | | | | | | |
| | 42 | 1 | 7F-3425 | 1 | BOLT (3/8-16X5.75-IN) | | | | | | |
| | 43 | 1 | 9L-9132 | 1 | WASHER (10.2X25.5X2.5-MM THK) | | | | | | |
| | 44 | 1 | 9S-4183 | 1 | PLUG-O-RING | | | | | | |
| | 45 | 1 | 9S-4191 | 5 | PLUG-O-RING | | | | | | |
| | 46 | 1 | 9S-6130 | 1 | PLUG | | | | | | |

COOLING SYSTEM

266-9376 LINES GP-WATER (contd.)

i02248379



GRAPHIC #1

<END>

g01136305

COOLING SYSTEM

7E-8179 PUMP GP-WATER*R (CHG -04, -05) PART OF 7E-8181 PUMP GP-WATER

SMCS-1361

i02421449

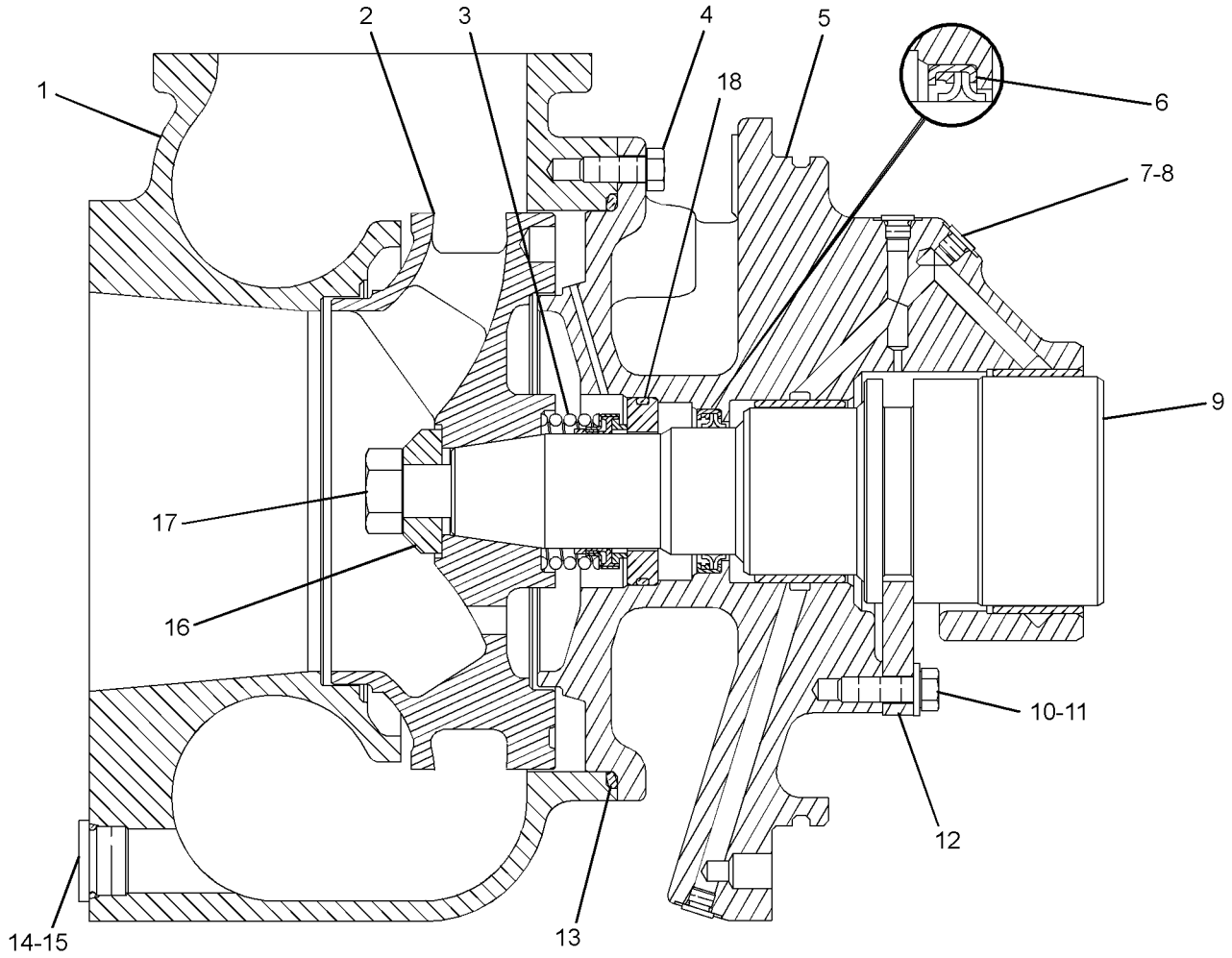
| NOTE | REF NO | GRAPHIC REF | PART NUMBER | QTY | PART NAME | | | | | | SEE PAGE |
|------|--------|-------------|-------------|-----|------------------------------------|---|---|---|---|-------------------|----------|
| | | | | | 1 | 2 | 3 | 4 | 5 | 6 (PRODUCT LEVEL) | |
| | 1 | 1 | 7E-3173 | 1 | HOUSING-WATER PUMP | | | | | | |
| | 2 | 1 | 7E-8175 | 1 | IMPELLER-PUMP | | | | | | |
| | 3 | 1 | 118-8086 | 1 | SEAL GP-FACE | | | | | | |
| | 4 | 1 | 0S-1594 | 5 | BOLT (3/8-16X1-IN) | | | | | | |
| | 5 | 1 | 7E-3175 | 1 | HOUSING AS | | | | | | |
| | | 1 | 7E-4353 | 1 | BEARING-SLEEVE | | | | | | |
| | | 1 | 7E-4354 | 1 | BEARING-SLEEVE | | | | | | |
| | 6 | 1 | 7E-4356 | 1 | SEAL-LIP TYPE | | | | | | |
| | 7 | 1 | 5P-7813 | 4 | SEAL-O-RING | | | | | | |
| | 8 | 1 | 9S-8007 | 4 | PLUG | | | | | | |
| C | 9 | 1 | 170-6678 | 1 | SHAFT | | | | | | |
| | 10 | 1 | 0S-1588 | 3 | BOLT (3/8-16X1.25-IN) | | | | | | |
| | 11 | 1 | 3V-3308 | 3 | WASHER-HARD (10.2X20.5X2.5-MM THK) | | | | | | |
| | 12 | 1 | 1W-2828 | 1 | WASHER-THRUST | | | | | | |
| | 13 | 1 | 4W-1596 | 1 | SEAL-O-RING | | | | | | |
| C | 14 | 1 | 6V-5063 | 2 | SEAL-O-RING | | | | | | |
| C | 15 | 1 | 9S-8008 | 2 | PLUG-O RING | | | | | | |
| | 16 | 1 | 4W-0234 | 1 | WASHER (20.5X48X15-MM THK) | | | | | | |
| C | 17 | 1 | 1D-4623 | 1 | BOLT (3/4-10X8.5-IN) | | | | | | |
| | 18 | 1 | 118-8706 | 1 | SEAL-O-RING | | | | | | |

C- CHANGE FROM PREVIOUS TYPE

COOLING SYSTEM

7E-8179 PUMP GP-WATER (contd.)

i02421449



GRAPHIC #1

<END>

g01209992

COOLING SYSTEM

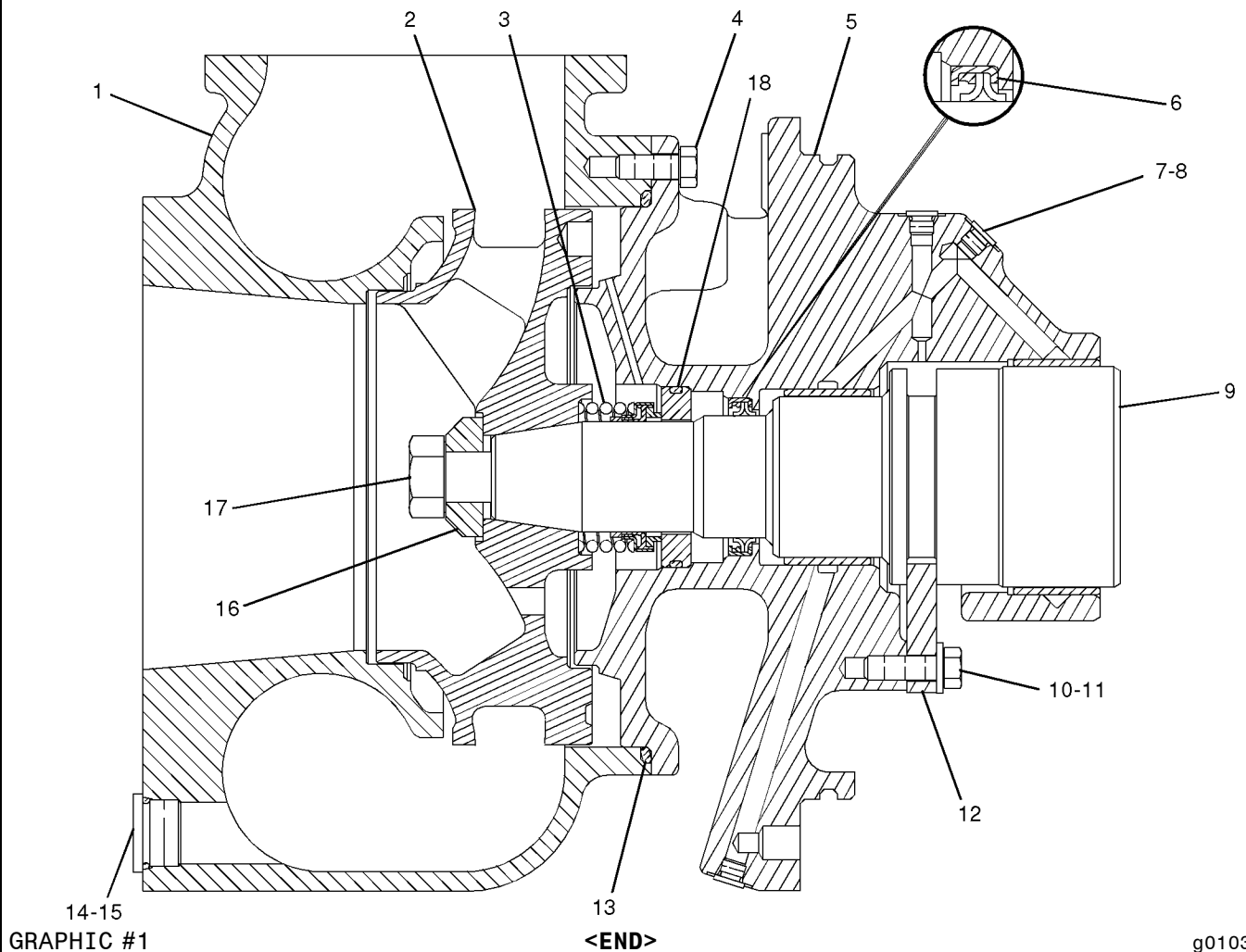
7E-8179 PUMP GP-WATER*R (CHG -06 THRU -10) PART OF 7E-8181 PUMP GP-WATER

SMCS-1361

i02793995

| NOTE | REF NO | GRAPHIC REF | PART NUMBER | QTY | PART NAME | | | | | | SEE PAGE |
|------|--------|-------------|-------------|-----|------------------------------------|---|---|---|---|-------------------|----------|
| | | | | | 1 | 2 | 3 | 4 | 5 | 6 (PRODUCT LEVEL) | |
| | 1 | 1 | 7E-3173 | 1 | HOUSING-WATER PUMP | | | | | | |
| | 2 | 1 | 7E-8175 | 1 | IMPELLER-PUMP | | | | | | |
| | 3 | 1 | 118-8086 | 1 | SEAL GP-FACE | | | | | | |
| | 4 | 1 | 0S-1594 | 5 | BOLT (3/8-16X1-IN) | | | | | | |
| C | 5 | 1 | 208-1007 | 1 | HOUSING AS | | | | | | |
| | | 1 | 188-0449 | 2 | BEARING-SLEEVE | | | | | | |
| | | 1 | 188-0450 | 2 | BEARING-SLEEVE | | | | | | |
| | 6 | 1 | 7E-4356 | 1 | SEAL-LIP TYPE | | | | | | |
| | 7 | 1 | 5P-7813 | 4 | SEAL-O-RING | | | | | | |
| | 8 | 1 | 9S-8007 | 4 | PLUG | | | | | | |
| C | 9 | 1 | 208-0327 | 1 | SHAFT | | | | | | |
| | 10 | 1 | 0S-1588 | 3 | BOLT (3/8-16X1.25-IN) | | | | | | |
| | 11 | 1 | 3V-3308 | 3 | WASHER-HARD (10.2X20.5X2.5-MM THK) | | | | | | |
| | 12 | 1 | 1W-2828 | 1 | WASHER-THRUST | | | | | | |
| | 13 | 1 | 134-5958 | 1 | SEAL-O-RING | | | | | | |
| | 14 | 1 | 6V-5063 | 2 | SEAL-O-RING | | | | | | |
| | 15 | 1 | 9S-8008 | 2 | PLUG-O-RING | | | | | | |
| | 16 | 1 | 4W-0234 | 1 | WASHER (20.5X48X15-MM THK) | | | | | | |
| C | 17 | 1 | 3B-2968 | 1 | BOLT (3/4-10X3.5-IN) | | | | | | |
| | 18 | 1 | 118-8706 | 1 | SEAL-O-RING | | | | | | |

C- CHANGE FROM PREVIOUS TYPE



g01033752

COOLING SYSTEM

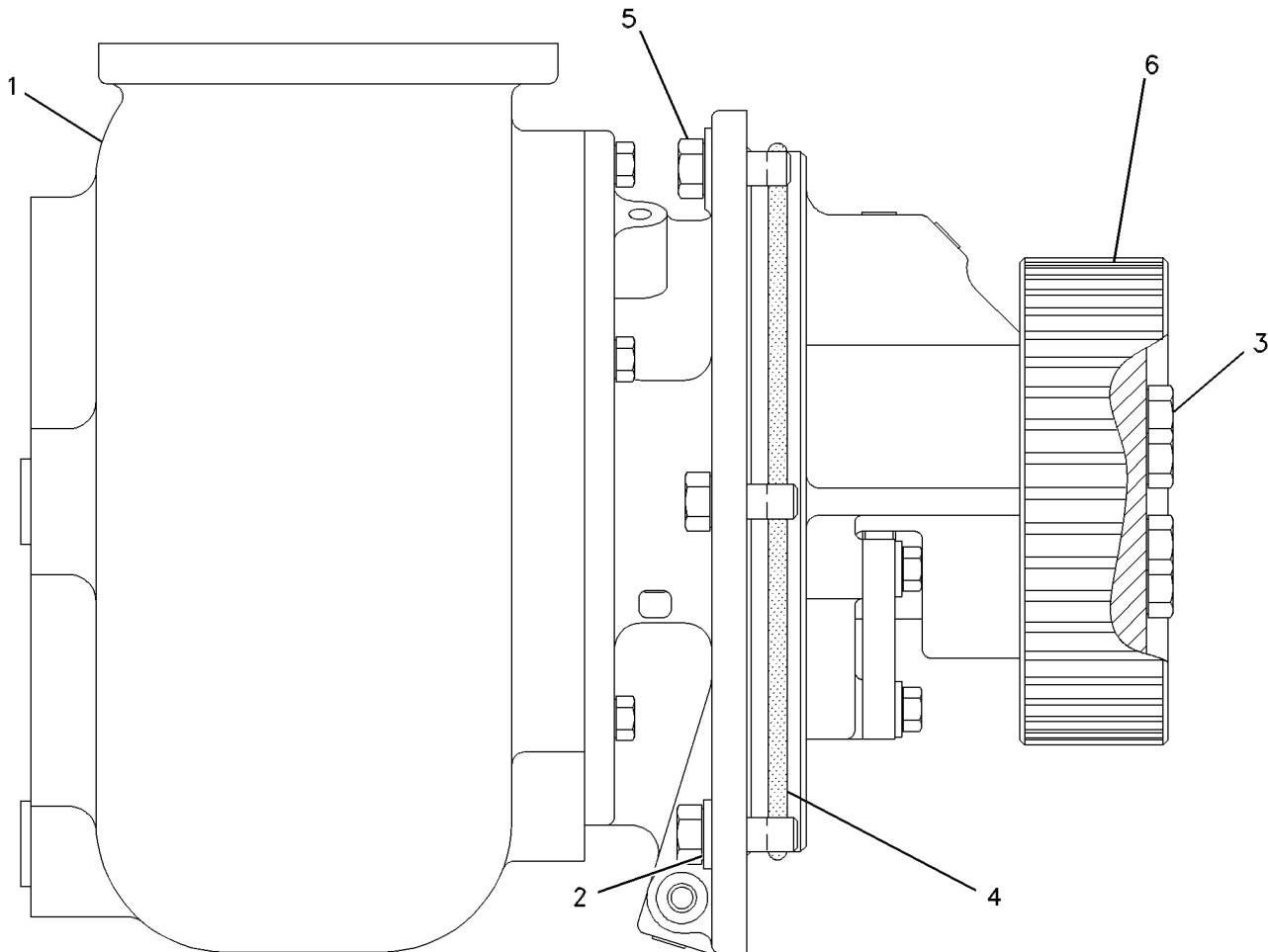
7E-8181 PUMP GP-WATER (CHG -00 THRU -04)

SMCS-1361

i02318903

| NOTE | REF NO | GRAPHIC REF | PART NUMBER | QTY | PART NAME | | | | | | SEE PAGE |
|------|--------|-------------|-------------|-----|----------------------------------|---|---|---|---|-------------------|----------|
| | | | | | 1 | 2 | 3 | 4 | 5 | 6 (PRODUCT LEVEL) | |
| YR | 1 | 1 | 7E-8179 | 1 | PUMP GP-WATER | | | | | | 339 |
| | 2 | 1 | 5P-8245 | 6 | WASHER-HARD (13.5X25.5X3-MM THK) | | | | | | |
| | 3 | 1 | 0S-1587 | 6 | BOLT (1/2-13X1.75-IN) | | | | | | |
| | 4 | 1 | 6V-7701 | 1 | SEAL-O-RING | | | | | | |
| | 5 | 1 | 0S-1585 | 6 | BOLT (1/2-13X1.5-IN) | | | | | | |
| | 6 | 1 | 7E-4365 | 1 | GEAR (38-TEETH) | | | | | | |

R-REMFG PART MAY BE AVAILABLE
Y-SEPARATE ILLUSTRATION



GRAPHIC #1

<END>

g00461852

COOLING SYSTEM

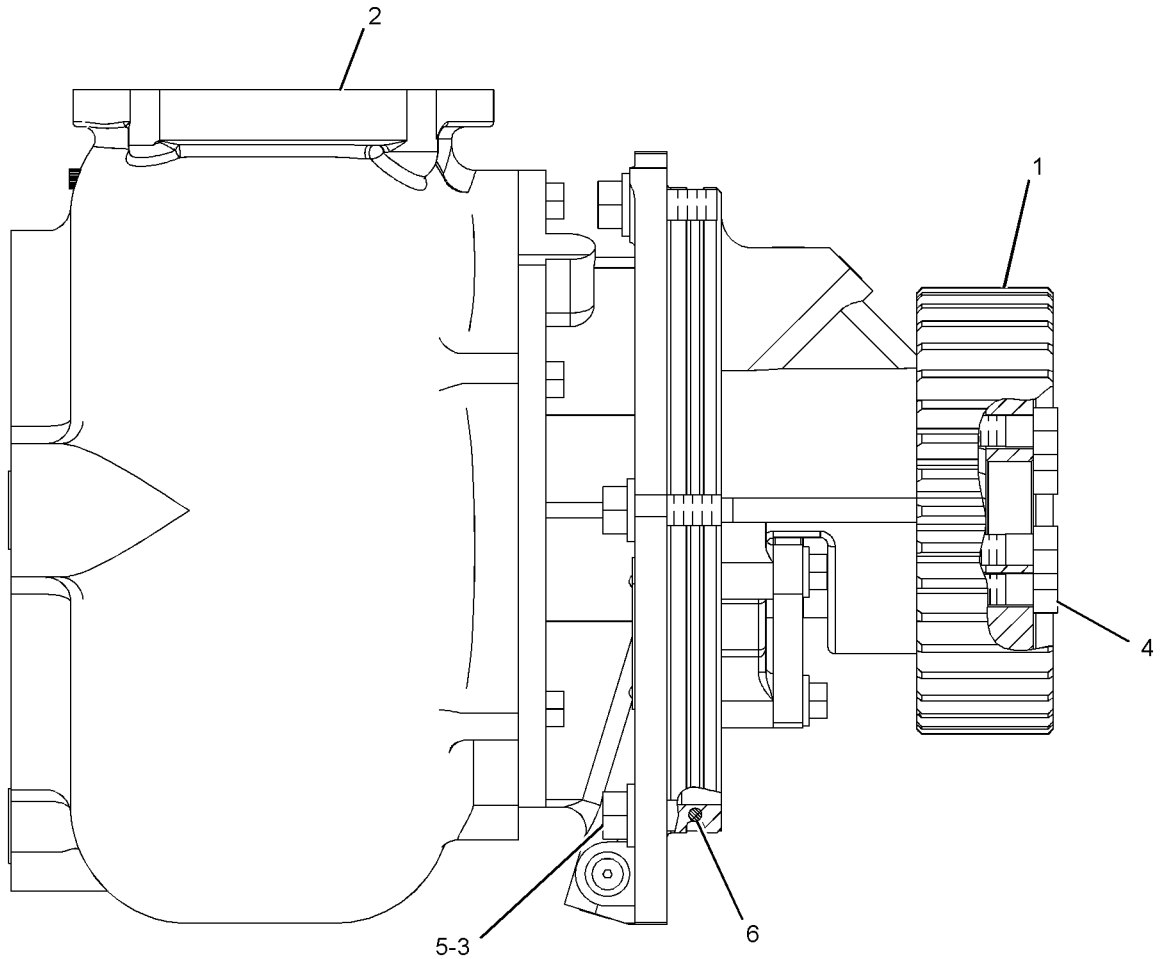
7E-8181 PUMP GP-WATER (CHG -05)

SMCS-1361

i02871950

| NOTE | REF NO | GRAPHIC REF | PART NUMBER | QTY | PART NAME | | | | | | SEE PAGE |
|------|--------|-------------|-------------|-----|----------------------------------|---|---|---|---|-------------------|----------|
| | | | | | 1 | 2 | 3 | 4 | 5 | 6 (PRODUCT LEVEL) | |
| | 1 | 1 | 7E-4365 | 1 | GEAR (38-TEETH) | | | | | | |
| YR | 2 | 1 | 304-4948 | 1 | PUMP GP-WATER | | | | | | 344 |
| | 3 | 1 | OS-1585 | 6 | BOLT (1/2-13X1.5-IN) | | | | | | |
| | 4 | 1 | OS-1587 | 6 | BOLT (1/2-13X1.75-IN) | | | | | | |
| | 5 | 1 | 5P-8245 | 6 | WASHER-HARD (13.5X25.5X3-MM THK) | | | | | | |
| | 6 | 1 | 6V-7701 | 1 | SEAL-O-RING | | | | | | |

R-REMFG PART MAY BE AVAILABLE
Y-SEPARATE ILLUSTRATION



GRAPHIC #1

<END>

g01433496

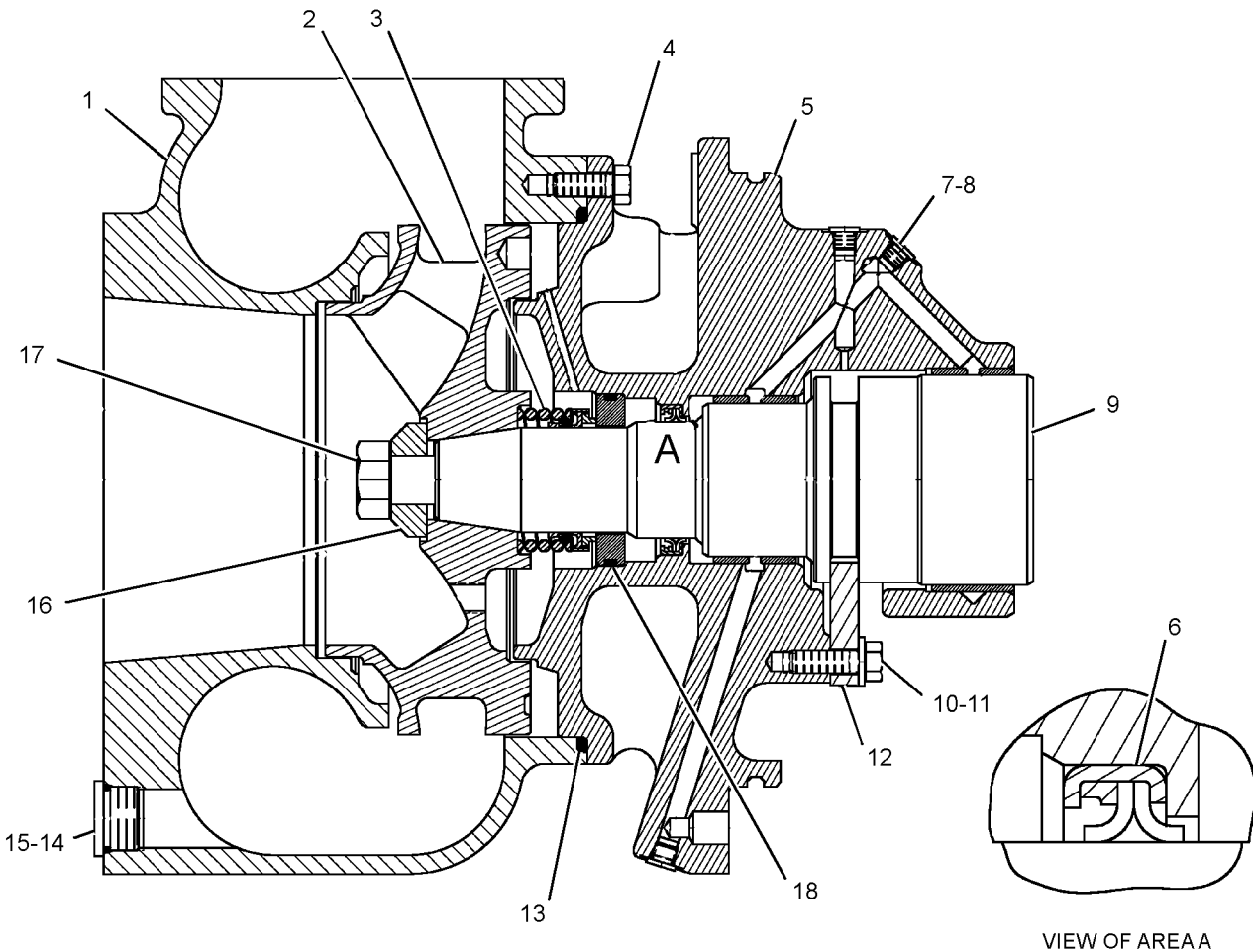
COOLING SYSTEM

304 - 4948 PUMP GP - WATER *R (CHG -00 THRU -02) PART OF 7E-8181 PUMP GP - WATER

SMCS - 1361

i02793965

| NOTE | REF NO | GRAPHIC REF | PART NUMBER | QTY | PART NAME | | | | | | SEE PAGE |
|------|--------|-------------|-------------|-----|------------------------------------|---|---|---|---|-------------------|----------|
| | | | | | 1 | 2 | 3 | 4 | 5 | 6 (PRODUCT LEVEL) | |
| | 1 | 1 | 7E-3173 | 1 | HOUSING-WATER PUMP | | | | | | |
| | 2 | 1 | 7E-8175 | 1 | IMPELLER-PUMP | | | | | | |
| | 3 | 1 | 292-5982 | 1 | SEAL GP-FACE | | | | | | |
| | 4 | 1 | 0S-1594 | 5 | BOLT (3/8-16X1-IN) | | | | | | |
| | 5 | 1 | 208-1007 | 1 | HOUSING AS | | | | | | |
| | | 1 | 188-0449 | 2 | BEARING-SLEEVE | | | | | | |
| | | 1 | 188-0450 | 2 | BEARING-SLEEVE | | | | | | |
| | 6 | 1 | 7E-4356 | 1 | SEAL-LIP TYPE | | | | | | |
| | 7 | 1 | 5P-7813 | 4 | SEAL-O-RING | | | | | | |
| | 8 | 1 | 9S-8007 | 4 | PLUG | | | | | | |
| | 9 | 1 | 208-0327 | 1 | SHAFT | | | | | | |
| | 10 | 1 | 0S-1588 | 3 | BOLT (3/8-16X1.25-IN) | | | | | | |
| | 11 | 1 | 3V-3308 | 3 | WASHER-HARD (10.2X20.5X2.5-MM THK) | | | | | | |
| | 12 | 1 | 1W-2828 | 1 | WASHER-THRUST | | | | | | |
| | 13 | 1 | 134-5958 | 1 | SEAL-O-RING | | | | | | |
| | 14 | 1 | 6V-5063 | 2 | SEAL-O-RING | | | | | | |
| | 15 | 1 | 9S-8008 | 2 | PLUG-O-RING | | | | | | |
| | 16 | 1 | 4W-0234 | 1 | WASHER (20.5X48X15-MM THK) | | | | | | |
| | 17 | 1 | 3B-2968 | 1 | BOLT (3/4-10X3.5-IN) | | | | | | |
| | 18 | 1 | 118-8706 | 1 | SEAL-O-RING | | | | | | |



GRAPHIC #1

<END>

g01396537

COOLING SYSTEM

304 - 4948 PUMP GP - WATER*R (CHG -03, -04) PART OF 7E-8181 PUMP GP - WATER

SMCS - 1361

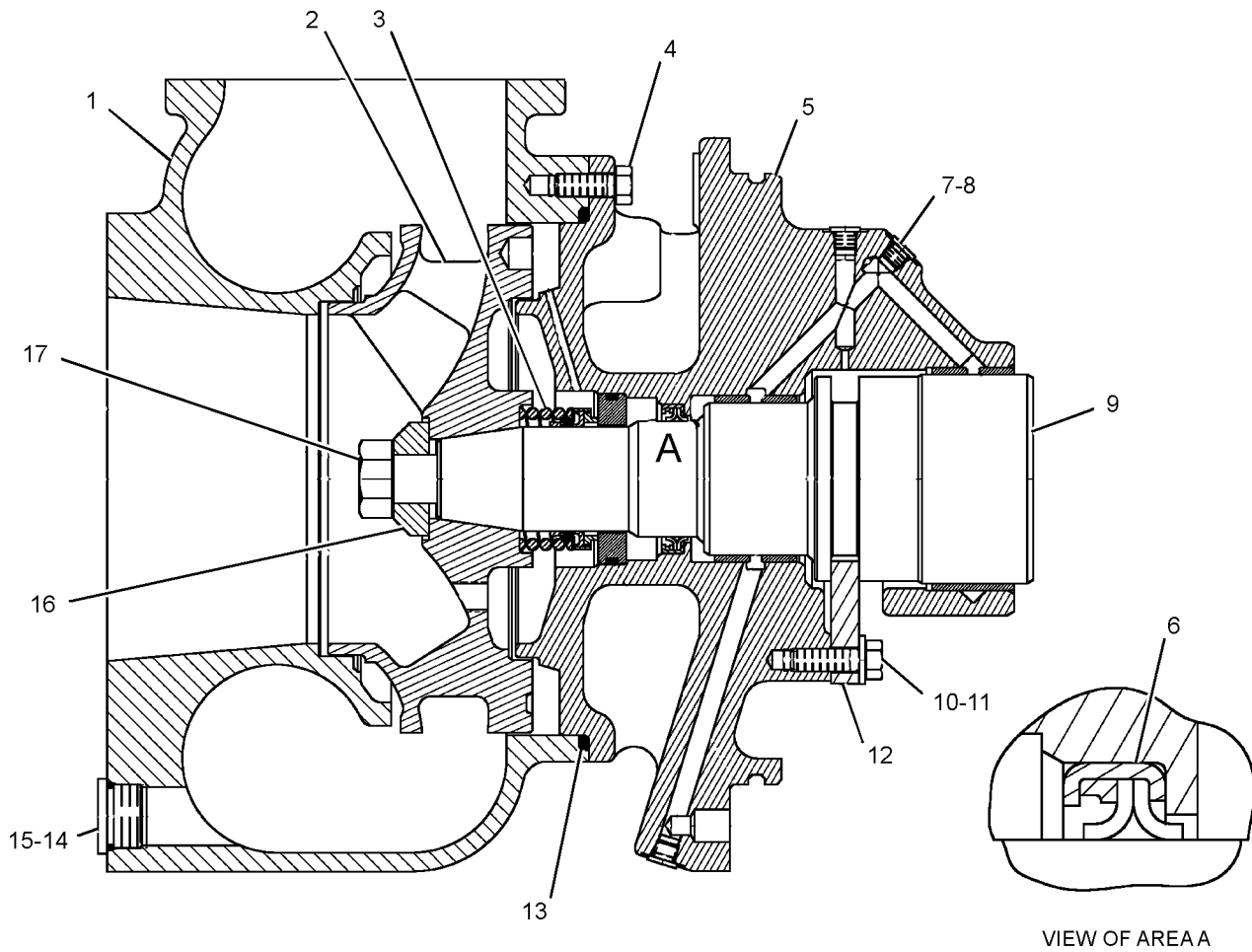
i02871999

| NOTE | REF NO | GRAPHIC REF | PART NUMBER | QTY | PART NAME | | | | | | SEE PAGE |
|------|--------|-------------|-------------|-----|------------------------------------|---|---|---|---|-------------------|----------|
| | | | | | 1 | 2 | 3 | 4 | 5 | 6 (PRODUCT LEVEL) | |
| | 1 | 1 | 7E-3173 | 1 | HOUSING-WATER PUMP | | | | | | |
| | 2 | 1 | 7E-8175 | 1 | IMPELLER-PUMP | | | | | | |
| | 3 | 1 | 292-5982 | 1 | SEAL GP-FACE | | | | | | |
| | 4 | 1 | 0S-1594 | 5 | BOLT (3/8-16X1-IN) | | | | | | |
| | 5 | 1 | 208-1007 | 1 | HOUSING AS | | | | | | |
| | | 1 | 188-0449 | 2 | BEARING-SLEEVE | | | | | | |
| | | 1 | 188-0450 | 2 | BEARING-SLEEVE | | | | | | |
| | 6 | 1 | 7E-4356 | 1 | SEAL-LIP TYPE | | | | | | |
| | 7 | 1 | 5P-7813 | 4 | SEAL-O-RING | | | | | | |
| | 8 | 1 | 9S-8007 | 4 | PLUG | | | | | | |
| | 9 | 1 | 208-0327 | 1 | SHAFT | | | | | | |
| | 10 | 1 | 0S-1588 | 3 | BOLT (3/8-16X1.25-IN) | | | | | | |
| | 11 | 1 | 3V-3308 | 3 | WASHER-HARD (10.2X20.5X2.5-MM THK) | | | | | | |
| | 12 | 1 | 1W-2828 | 1 | WASHER-THRUST | | | | | | |
| | 13 | 1 | 134-5958 | 1 | SEAL-O-RING | | | | | | |
| | 14 | 1 | 6V-5063 | 2 | SEAL-O-RING | | | | | | |
| | 15 | 1 | 9S-8008 | 2 | PLUG-O-RING | | | | | | |
| | 16 | 1 | 4W-0234 | 1 | WASHER (20.5X48X15-MM THK) | | | | | | |
| | 17 | 1 | 3B-2968 | 1 | BOLT (3/4-10X3.5-IN) | | | | | | |

COOLING SYSTEM

304-4948 PUMP GP-WATER (contd.)

i02871999



GRAPHIC #1

<END>

g01432134

COOLING SYSTEM

313-3621 REGULATOR GP-TEMPERATURE (CHG -00, -01)

SMCS-1355

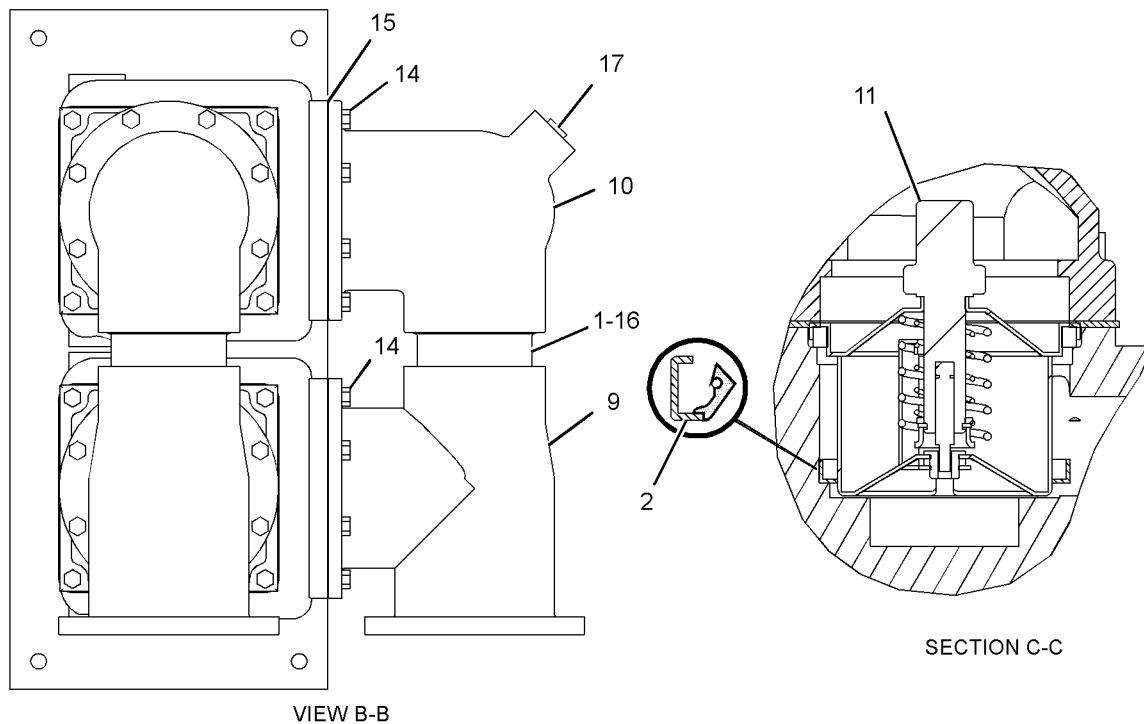
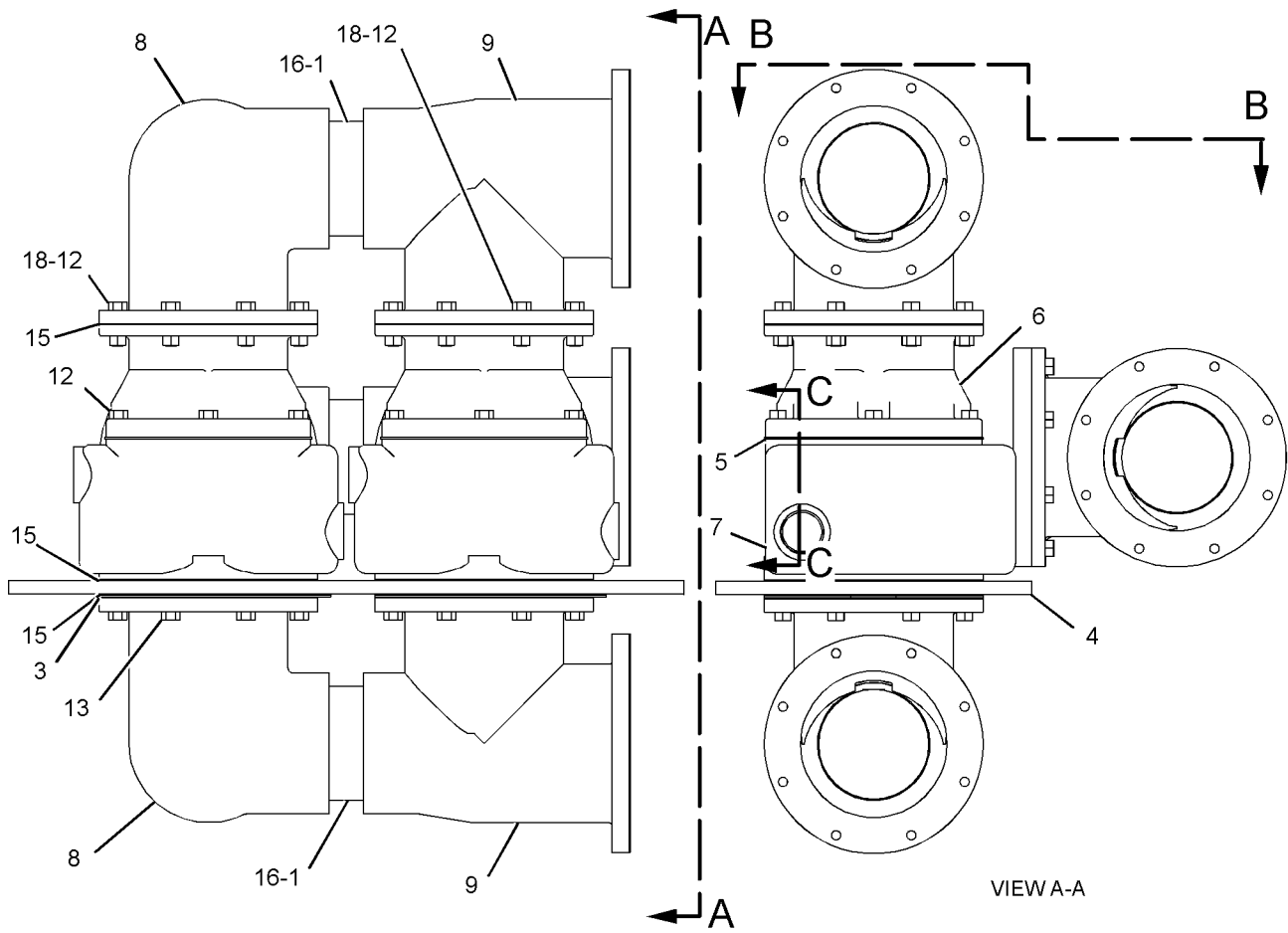
i02859623

| NOTE | REF NO | GRAPHIC REF | PART NUMBER | QTY | PART NAME | | | | | | SEE PAGE |
|------|--------|-------------|-------------|-----|-----------------------------|---|---|---|---|-------------------|----------|
| | | | | | 1 | 2 | 3 | 4 | 5 | 6 (PRODUCT LEVEL) | |
| | 1 | 1 | 2W-5036 | 3 | TUBE | | | | | | |
| | 2 | 1 | 3S-9643 | 8 | SEAL-LIP TYPE | | | | | | |
| | 3 | 1 | 7C-7481 | 2 | PLATE-ORIFICE | | | | | | |
| | 4 | 1 | 7C-7784 | 1 | PLATE | | | | | | |
| | 5 | 1 | 7W-3688 | 2 | GASKET | | | | | | |
| | 6 | 1 | 7W-4111 | 2 | ADAPTER-EXPANSION TANK | | | | | | |
| | 7 | 1 | 7W-4116 | 2 | HOUSING AS-REGULATOR | | | | | | |
| | | | | | (EACH INCLUDES) | | | | | | |
| | | 1 | 2M-6471 | 2 | PLUG-CUP | | | | | | |
| | 8 | 1 | 7W-8463 | 2 | ELBOW-ADAPTER | | | | | | |
| | 9 | 1 | 7W-8464 | 3 | ADAPTER-HOUSING | | | | | | |
| | 10 | 1 | 151-3001 | 1 | ELBOW-ADAPTER | | | | | | |
| | 11 | 1 | 283-7776 | 8 | REGULATOR-WATER TEMPERATURE | | | | | | |
| | 12 | 1 | 0S-1588 | 32 | BOLT (3/8-16X1.25-IN) | | | | | | |
| | 13 | 1 | 0S-1591 | 16 | BOLT (3/8-16X1.5-IN) | | | | | | |
| | 14 | 1 | 0S-1594 | 16 | BOLT (3/8-16X1-IN) | | | | | | |
| | 15 | 1 | 1S-5772 | 10 | GASKET | | | | | | |
| | 16 | 1 | 6V-5139 | 6 | SEAL-O-RING | | | | | | |
| | 17 | 1 | 8T-6762 | 1 | PLUG-PIPE | | | | | | |
| | 18 | 1 | 9S-8752 | 16 | NUT-FULL (3/8-16-THD) | | | | | | |

COOLING SYSTEM

313-3621 REGULATOR GP-TEMPERATURE (contd.)

i02859623



GRAPHIC #1

<END>

g01424966

COOLING SYSTEM

9Y - 1528 TANK GP - EXPANSION (CHG -00 THRU -04)

SMCS - 1354

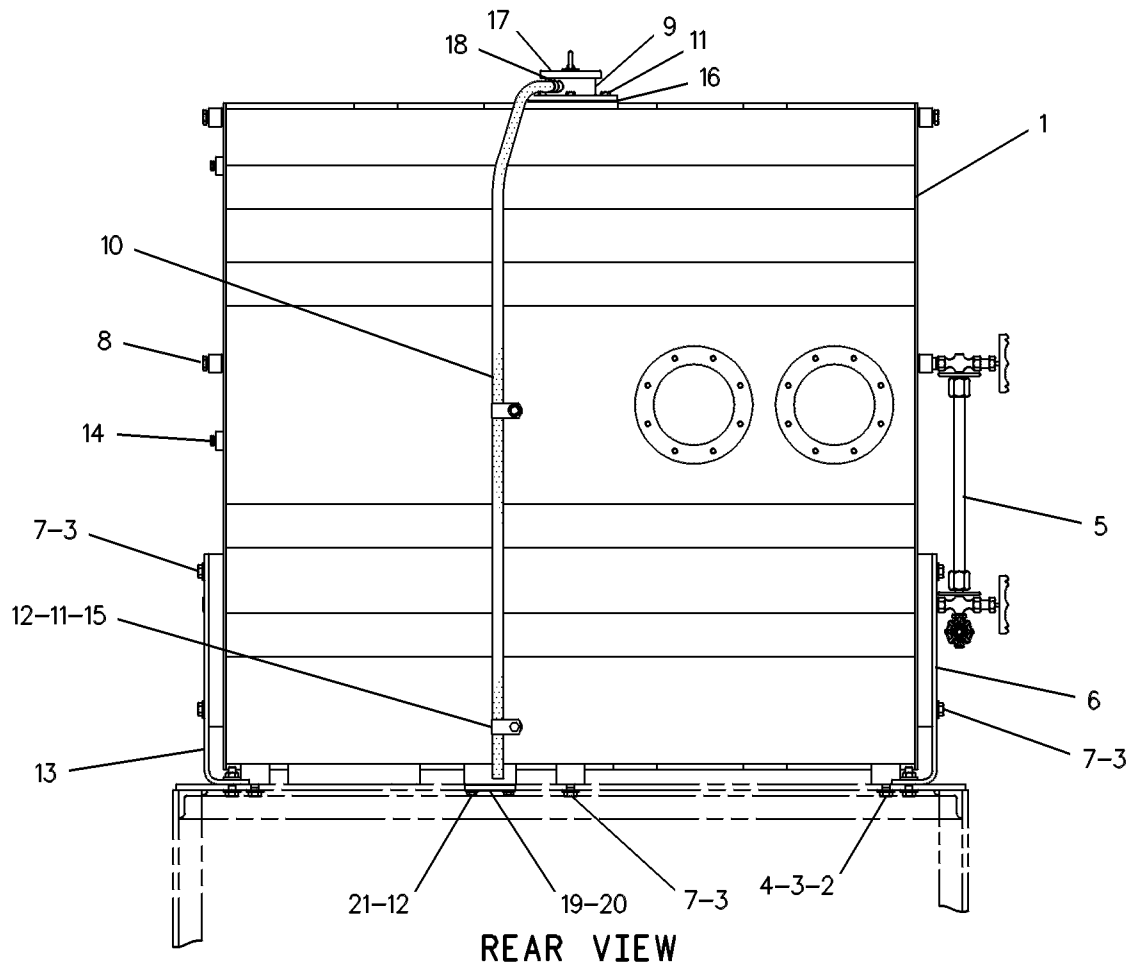
i02618773

| NOTE | REF NO | GRAPHIC REF | PART NUMBER | QTY | PART NAME | | | | | | SEE PAGE |
|--|--------|-------------|-------------|-----|---|---|---|---|---|-------------------|----------|
| | | | | | 1 | 2 | 3 | 4 | 5 | 6 (PRODUCT LEVEL) | |
| | 1 | 1 | 7E-3162 | 1 | TANK AS-EXPANSION | | | | | | |
| | 2 | 1 | 0S-1587 | 4 | BOLT (1/2-13X1.75-IN) | | | | | | |
| | 3 | 1 | 5P-1076 | 18 | WASHER-HARD (13.5X30X4-MM THK) | | | | | | |
| | 4 | 1 | 1F-7958 | 4 | NUT-FULL (1/2-13-THD) | | | | | | |
| | 5 | 1 | 2W-5790 | 1 | GAUGE AS-LIQUID LEVEL | | | | | | |
| | | 1 | 4P-0304 | 1 | VALVE AS | | | | | | |
| | | 1 | 4P-0306 | 1 | VALVE AS | | | | | | |
| | | 1 | 4P-2349 | 2 | SEAL | | | | | | |
| | | 1 | 4P-2352 | 2 | WASHER (19.844X26.59X0.794-MM THK) | | | | | | |
| | | 1 | 140-6683 | 1 | TUBE AS | | | | | | |
| | 6 | 1 | 4W-7953 | 1 | BRACKET (RH) | | | | | | |
| | 7 | 1 | 0S-1595 | 10 | BOLT (1/2-13X1.25-IN) | | | | | | |
| | 8 | 1 | 7W-6492 | 4 | PLUG-PIPE | | | | | | |
| | 9 | 1 | 3N-1341 | 1 | ADAPTER AS-NECK | | | | | | |
| | | 1 | 6L-9849 | 1 | NECK-FILLER | | | | | | |
| | 10 | 1 | 5P-1442 | 1 | HOSE | | | | | | |
| | 11 | 1 | 0S-0509 | 8 | BOLT (3/8-16X0.75-IN) | | | | | | |
| | 12 | 1 | 3V-3308 | 6 | WASHER-HARD (10.2X20.5X2.5-MM THK) | | | | | | |
| | 13 | 1 | 4W-7954 | 1 | BRACKET (LH) | | | | | | |
| | 14 | 1 | 8T-6765 | 3 | PLUG-PIPE | | | | | | |
| | 15 | 1 | 5K-9660 | 2 | CLIP | | | | | | |
| | 16 | 1 | 3H-5939 | 1 | GASKET-HEAT EXCHANGER | | | | | | |
| J | 17 | 1 | 4N-3311 | 1 | CAP-PRESSURE (7-PSI) | | | | | | |
| | 18 | 1 | 5D-1026 | 1 | CLAMP-HOSE | | | | | | |
| | 19 | 1 | 4W-7952 | 1 | COVER | | | | | | |
| | 20 | 1 | 3G-4138 | 1 | GASKET | | | | | | |
| | 21 | 1 | 0S-1594 | 4 | BOLT (3/8-16X1-IN) | | | | | | |
| AVAILABLE REPAIR KIT(S) : | | | | | | | | | | | |
| J | | | 225-4256 | 1 | FILM-WARNING (HOT FLUID UNDER PRESSURE, U.S.) | | | | | | |
| J | | | 294-9052 | 1 | CAP GP-COOLANT FILLER | | | | | | |
| J - PARTS MARKED J SERVICE PART (S) MARKED J | | | | | | | | | | | |

COOLING SYSTEM

9Y-1528 TANK GP - EXPANSION (contd.)

i02618773



GRAPHIC #1

<END>

g00065732

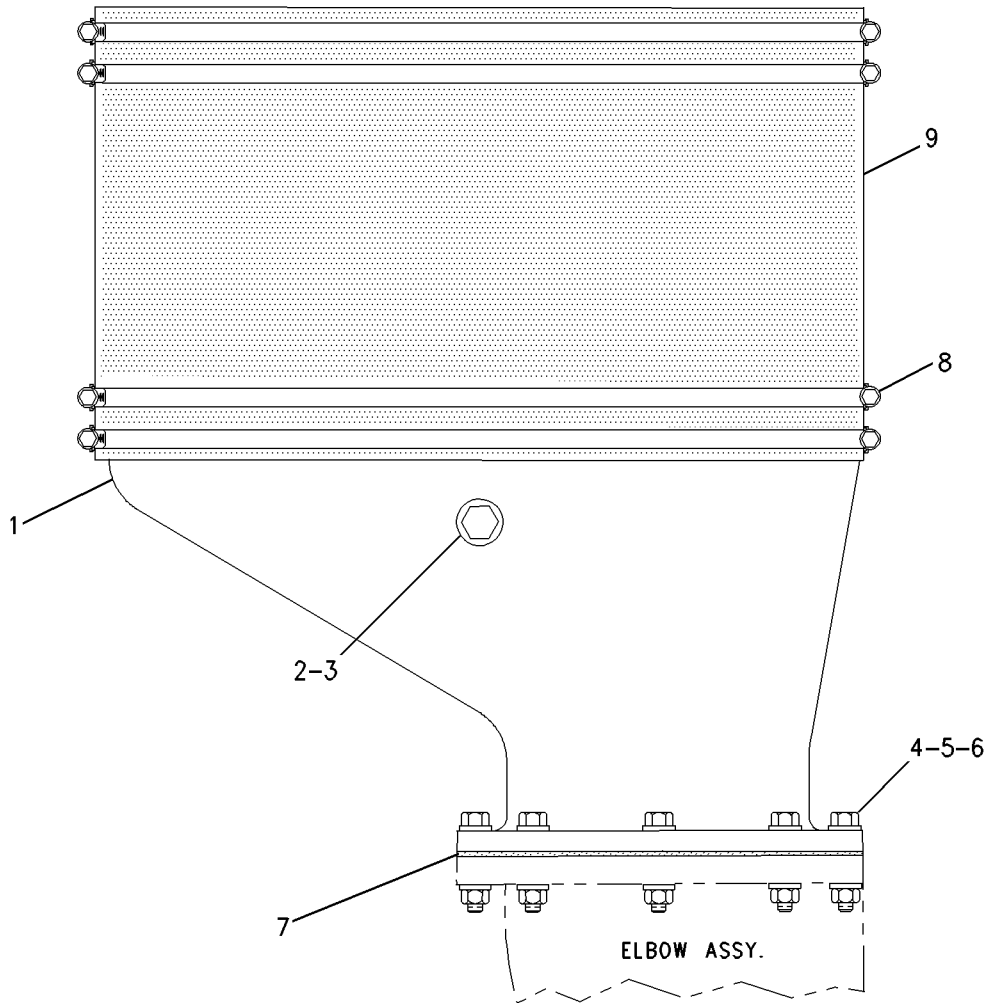
AIR INLET AND EXHAUST SYSTEM

4W-3618 ADAPTER GP-AIR CLEANER (CHG -02 THRU -04)

SMCS-1051

i01494476

| NOTE | REF NO | GRAPHIC REF | PART NUMBER | QTY | PART NAME | | | | | | SEE PAGE |
|------|--------|-------------|-------------|-----|----------------------------------|---|---|---|---|-------------------|----------|
| | | | | | 1 | 2 | 3 | 4 | 5 | 6 (PRODUCT LEVEL) | |
| | 1 | 1 | 4W-5120 | 1 | ADAPTER | | | | | | |
| | 2 | 1 | 9S-4191 | 1 | PLUG-O-RING | | | | | | |
| | 3 | 1 | 6V-5049 | 1 | SEAL-O-RING | | | | | | |
| | 4 | 1 | 5L-4398 | 16 | BOLT (1/2-13X2.25-IN) | | | | | | |
| | 5 | 1 | 5P-8245 | 32 | WASHER-HARD (13.5X25.5X3-MM THK) | | | | | | |
| | 6 | 1 | 1F-7958 | 16 | NUT-FULL (1/2-13-THD) | | | | | | |
| | 7 | 1 | 2W-9281 | 1 | GASKET | | | | | | |
| | 8 | 1 | 116-8535 | 8 | CLAMP | | | | | | |
| | 9 | 1 | 4W-3637 | 1 | HOSE | | | | | | |



GRAPHIC #1

<END>

g00777609

AIR INLET AND EXHAUST SYSTEM

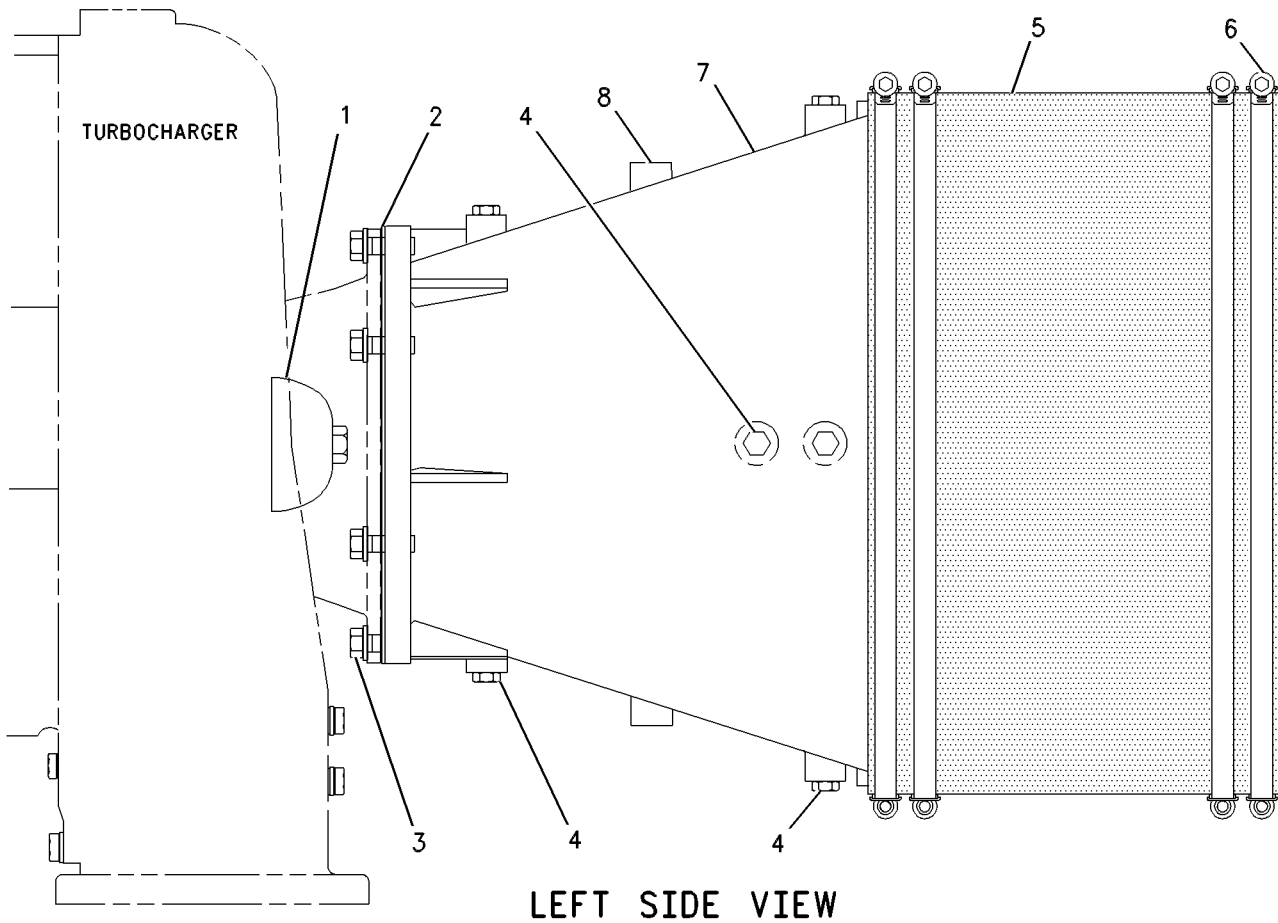
7W-4916 ADAPTER GP-AIR CLEANER

(CHG -00 THRU -11, -11D1, -11D2 THRU -13)

SMCS-1051

i01553929

| NOTE | REF NO | GRAPHIC REF | PART NUMBER | QTY | PART NAME | | | | | | SEE PAGE |
|------|--------|-------------|-------------|-----|----------------------------------|---|---|---|---|-------------------|----------|
| | | | | | 1 | 2 | 3 | 4 | 5 | 6 (PRODUCT LEVEL) | |
| | 1 | 1 | 129-8228 | 1 | CAP (MAGNETIC INSERT) | | | | | | |
| | 2 | 1 | 1W-9823 | 1 | GASKET | | | | | | |
| | 3 | 1 | 0S-1585 | 6 | BOLT (1/2-13X1.5-IN) | | | | | | |
| | | 1 | 5P-8245 | 6 | WASHER-HARD (13.5X25.5X3-MM THK) | | | | | | |
| | 4 | 1 | 9S-4191 | 6 | PLUG-O-RING | | | | | | |
| | | 1 | 6V-5049 | 6 | SEAL-O-RING | | | | | | |
| | 5 | 1 | 4W-3637 | 1 | HOSE | | | | | | |
| | 6 | 1 | 116-8535 | 8 | CLAMP | | | | | | |
| | 7 | 1 | 129-8598 | 1 | ADAPTER | | | | | | |
| | 8 | 1 | 1M-4584 | 2 | BOSS (1/2-13X1.12-IN) | | | | | | |



GRAPHIC #1

<END>

g00421941

AIR INLET AND EXHAUST SYSTEM

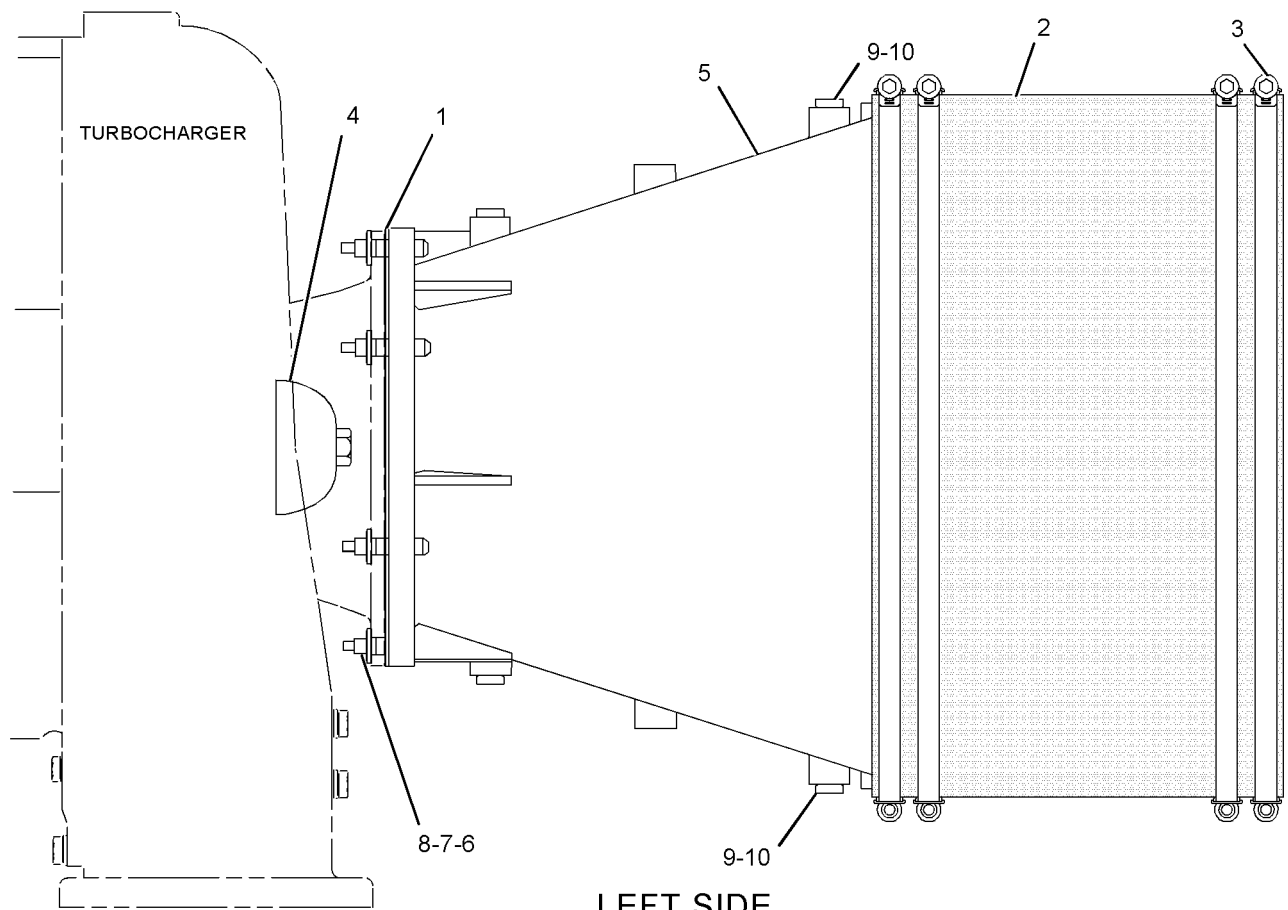
7W-4916 ADAPTER GP-AIR CLEANER (CHG -14, -14D1, -14D2)

SMCS-1051

i02241688

| NOTE | REF NO | GRAPHIC REF | PART NUMBER | QTY | PART NAME | | | | | | SEE PAGE |
|------|--------|-------------|-------------|-----|----------------------------------|---|---|---|---|-------------------|----------|
| | | | | | 1 | 2 | 3 | 4 | 5 | 6 (PRODUCT LEVEL) | |
| | 1 | 1 | 1W-9823 | 1 | GASKET | | | | | | |
| | 2 | 1 | 4W-3637 | 1 | HOSE | | | | | | |
| | 3 | 1 | 116-8535 | 8 | CLAMP | | | | | | |
| | 4 | 1 | 129-8228 | 1 | CAP (MAGNETIC INSERT) | | | | | | |
| | 5 | 1 | 129-8598 | 1 | ADAPTER | | | | | | |
| | | 1 | 1M-4584 | 2 | BOSS (1/2-13X1.12-IN) | | | | | | |
| C | 6 | 1 | 1F-7958 | 6 | NUT-FULL (1/2-13-THD) | | | | | | |
| C | 7 | 1 | 3D-0472 | 6 | STUD-TAPERLOCK (1/2-13X2.80-IN) | | | | | | |
| | 8 | 1 | 5P-8245 | 6 | WASHER-HARD (13.5X25.5X3-MM THK) | | | | | | |
| | 9 | 1 | 6V-5049 | 6 | SEAL-O-RING | | | | | | |
| | 10 | 1 | 9S-4191 | 6 | PLUG-O-RING | | | | | | |

C- CHANGE FROM PREVIOUS TYPE



LEFT SIDE VIEW
<END>

GRAPHIC #1

g01130601

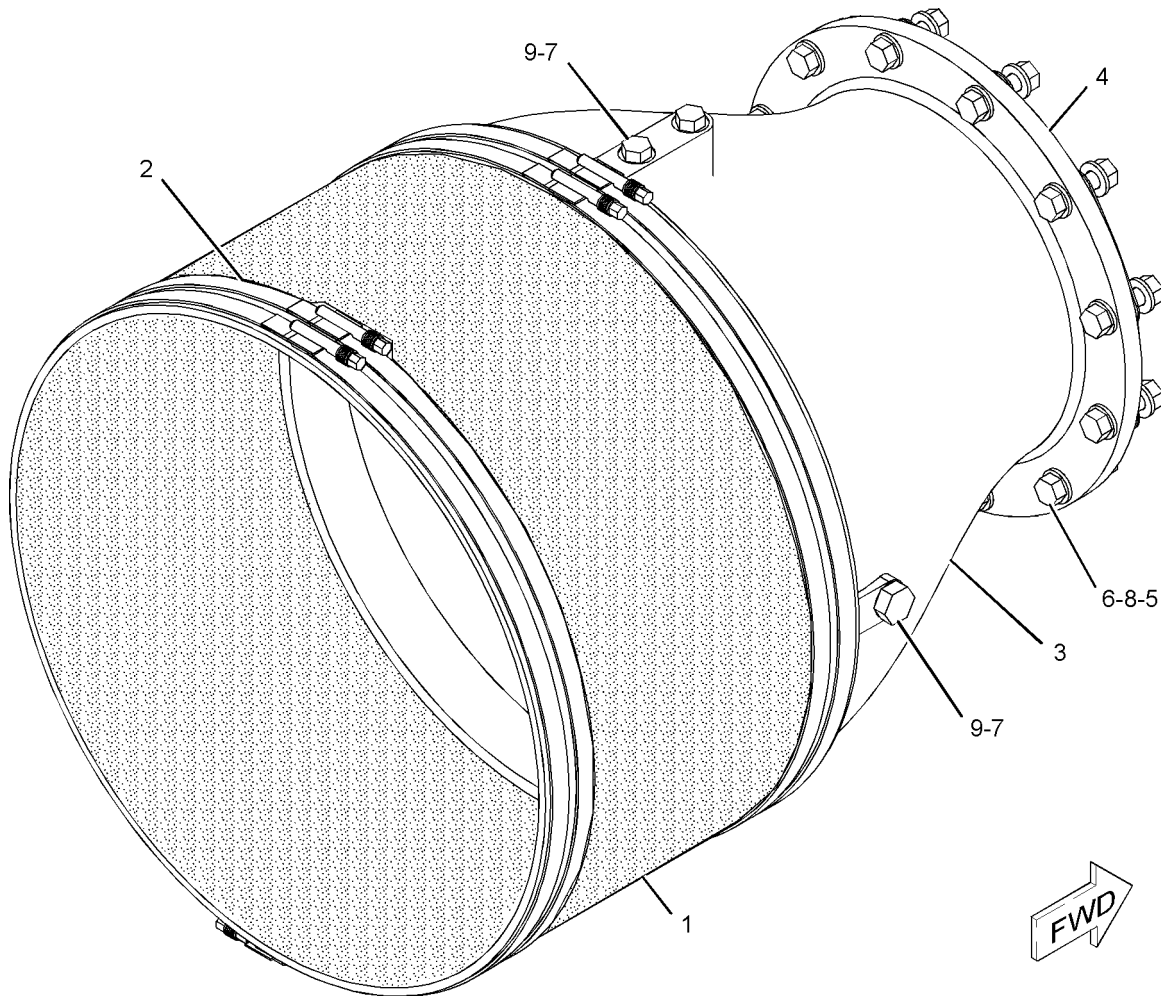
AIR INLET AND EXHAUST SYSTEM

145-5661 ADAPTER GP-AIR CLEANER (CHG -00, -01)

SMCS-1051

i02277904

| NOTE | REF NO | GRAPHIC REF | PART NUMBER | QTY | PART NAME | | | | | | SEE PAGE |
|------|--------|-------------|-------------|-----|----------------------------------|---|---|---|---|---|----------|
| | | | | | 1 | 2 | 3 | 4 | 5 | 6 | |
| | 1 | 1 | 4W-3637 | 1 | HOSE | | | | | | |
| | 2 | 1 | 116-8535 | 8 | CLAMP | | | | | | |
| | 3 | 1 | 144-0615 | 1 | ADAPTER-TURBOCHARGER | | | | | | |
| | 4 | 1 | 144-0620 | 1 | GASKET | | | | | | |
| | 5 | 1 | 1A-1460 | 12 | BOLT (1/2-13X2-IN) | | | | | | |
| | 6 | 1 | 1F-7958 | 12 | NUT-FULL (1/2-13-THD) | | | | | | |
| | 7 | 1 | 2M-9780 | 4 | SEAL-O-RING | | | | | | |
| | 8 | 1 | 5P-8245 | 24 | WASHER-HARD (13.5X25.5X3-MM THK) | | | | | | |
| | 9 | 1 | 9S-4190 | 4 | PLUG-O RING | | | | | | |



GRAPHIC #1

<END>

g01140684

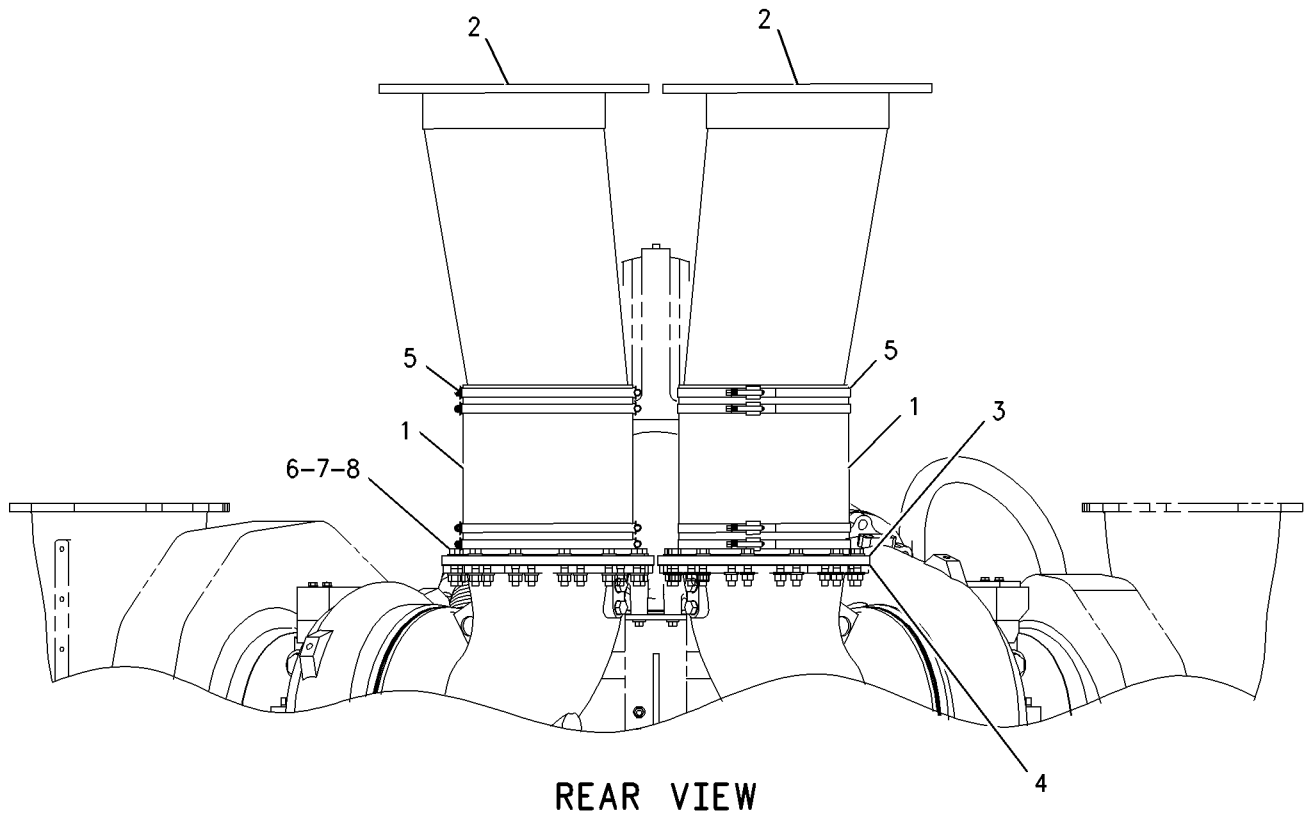
AIR INLET AND EXHAUST SYSTEM

202-3227 ADAPTER GP - AIR CLEANER (CHG -00, -01)

SMCS-1051

i01872468

| NOTE | REF NO | GRAPHIC REF | PART NUMBER | QTY | PART NAME | | | | | | SEE PAGE |
|------|--------|-------------|-------------|-----|----------------------------------|---|---|---|---|-------------------|----------|
| | | | | | 1 | 2 | 3 | 4 | 5 | 6 (PRODUCT LEVEL) | |
| | 1 | 1 | 202-2624 | 2 | HOSE | | | | | | |
| | 2 | 1 | 202-2633 | 2 | ADAPTER (TURBO INLET) | | | | | | |
| | 3 | 1 | 202-3110 | 2 | ADAPTER (TURBO INLET) | | | | | | |
| | 4 | 1 | 202-3156 | 2 | GASKET | | | | | | |
| | 5 | 1 | 232-1779 | 8 | CLAMP | | | | | | |
| | 6 | 1 | 1F-7958 | 24 | NUT-FULL (1/2-13-THD) | | | | | | |
| | 7 | 1 | 5P-8245 | 48 | WASHER-HARD (13.5X25.5X3-MM THK) | | | | | | |
| | 8 | 1 | 9X-8873 | 24 | BOLT (1/2-13X2.25-IN) | | | | | | |



GRAPHIC #1

<END>

g00953775

AIR INLET AND EXHAUST SYSTEM

1W-9874 ADAPTER GP- EXHAUST FITTING

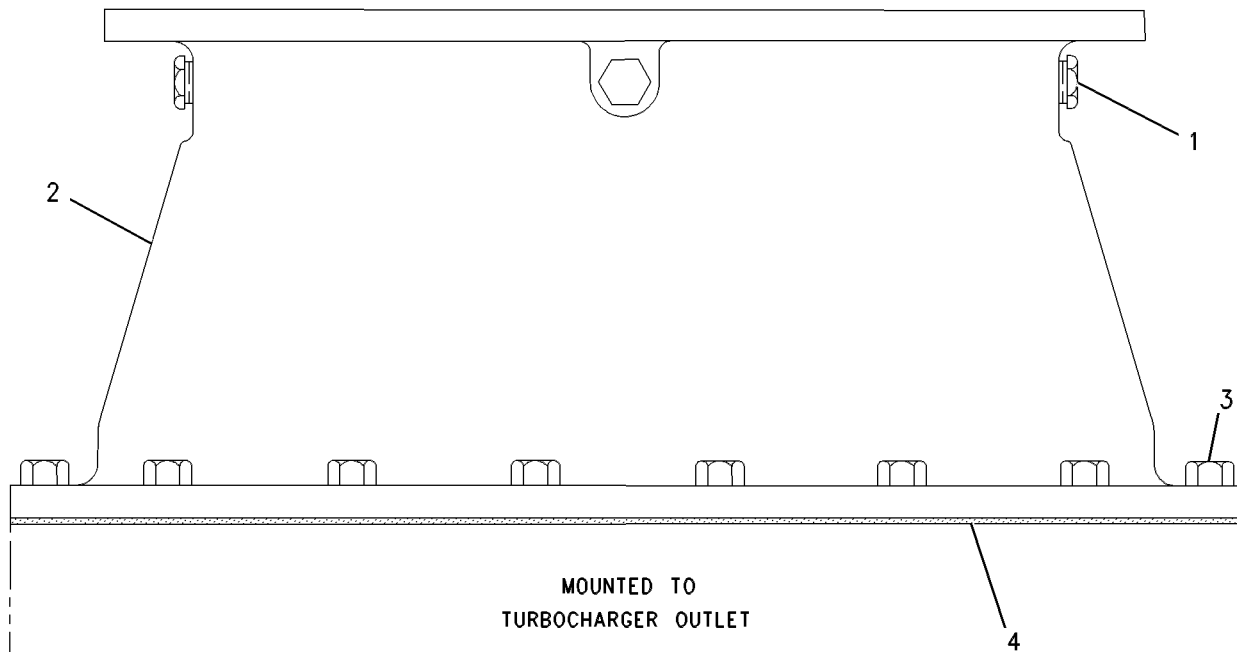
(CHG -05 THRU -11, -11D1, -11D2, -11D3, -11D4)

TURBO OUTLET SIZE 355.6MM (14IN)

SMCS-1061

i02345192

| NOTE | REF NO | GRAPHIC REF | PART NUMBER | QTY | PART NAME | | | | | | SEE PAGE |
|------|--------|-------------|-------------|-----|--------------------------------|---|---|---|---|-------------------|----------|
| | | | | | 1 | 2 | 3 | 4 | 5 | 6 (PRODUCT LEVEL) | |
| | 1 | 1 | 4J-4382 | 4 | PLUG-PIPE | | | | | | |
| | 2 | 1 | 2W-4367 | 1 | ADAPTER-EXHAUST (TURBO OUTLET) | | | | | | |
| | 3 | 1 | 0S-1595 | 18 | BOLT (1/2-13X1.25-IN) | | | | | | |
| | 4 | 1 | 2W-0439 | 1 | GASKET | | | | | | |



GRAPHIC #1

<END>

g00108145

AIR INLET AND EXHAUST SYSTEM

159-1528 AFTERCOOLER GP - TREATED WATER (CHG -00 THRU -05) SEA AIR

SMCS - 1063

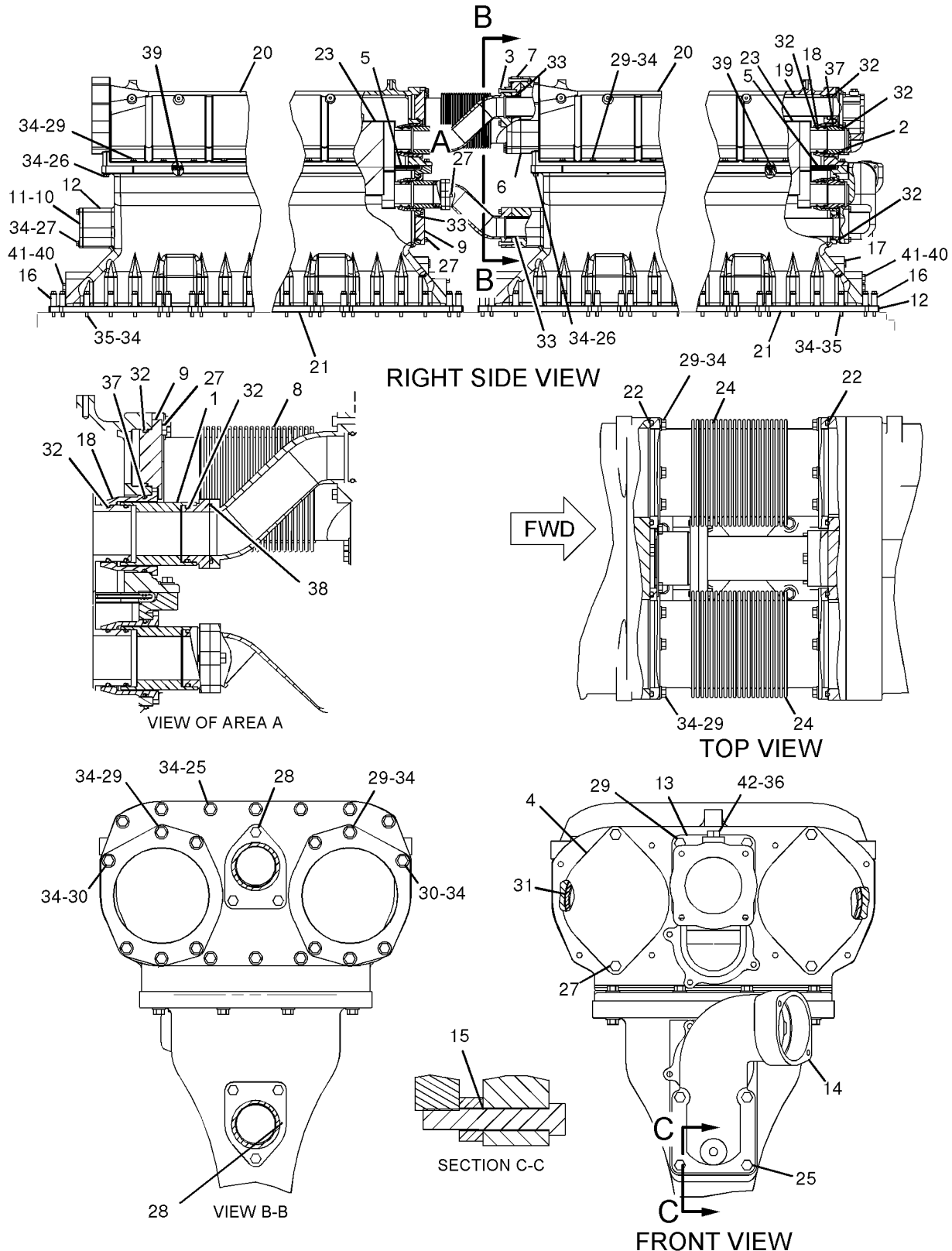
i02030155

| NOTE | REF NO | GRAPHIC REF | PART NUMBER | QTY | PART NAME | | | | | | SEE PAGE |
|------|--------|-------------|-------------|-----|------------------------------------|---|---|---|---|-------------------|----------|
| | | | | | 1 | 2 | 3 | 4 | 5 | 6 (PRODUCT LEVEL) | |
| | 1 | 1 | 2W-3789 | 2 | PIPE | | | | | | |
| | 2 | 1 | 2W-3794 | 2 | ADAPTER | | | | | | |
| | 3 | 1 | 2W-4027 | 2 | PIPE | | | | | | |
| | 4 | 1 | 2W-4031 | 2 | COVER | | | | | | |
| | 5 | 1 | 2W-4054 | 2 | SEAL | | | | | | |
| | 6 | 1 | 2W-4766 | 1 | GASKET | | | | | | |
| | 7 | 1 | 2W-4769 | 1 | SPACER | | | | | | |
| | 8 | 1 | 4W-7555 | 2 | ADAPTER | | | | | | |
| | 9 | 1 | 4W-7557 | 2 | COVER | | | | | | |
| | 10 | 1 | 4W-9510 | 1 | COVER | | | | | | |
| | 11 | 1 | 7C-0109 | 1 | GASKET | | | | | | |
| | 12 | 1 | 7E-2382 | 2 | HOUSING | | | | | | |
| | 13 | 1 | 7E-6211 | 1 | ELBOW | | | | | | |
| | 14 | 1 | 7W-5528 | 1 | ELBOW | | | | | | |
| | 15 | 1 | 7W-6333 | 8 | SPACER (10.5X20X10.7-MM THK) | | | | | | |
| | 16 | 1 | 8B-2026 | 111 | SPACER (0.438X0.75X1.5-IN THK) | | | | | | |
| | 17 | 1 | 8T-6766 | 2 | PLUG-PIPE | | | | | | |
| | 18 | 1 | 123-6256 | 4 | ADAPTER | | | | | | |
| | 19 | 1 | 123-6328 | 2 | TUBE AS | | | | | | |
| | 20 | 1 | 127-9819 | 2 | COVER | | | | | | |
| | 21 | 1 | 130-1288 | 8 | SEAL-INTEGRAL | | | | | | |
| | 22 | 1 | 135-6950 | 4 | SEAL-O-RING | | | | | | |
| | 23 | 1 | 152-1504 | 2 | CORE AS (AFTERCOOLER) | | | | | | |
| | 24 | 1 | 222-4715 | 2 | BELLOWS AS | | | | | | |
| | 25 | 1 | 0L-2070 | 14 | BOLT (3/8-16X2.25-IN) | | | | | | |
| | 26 | 1 | 0S-1571 | 8 | BOLT (3/8-16X1.75-IN) | | | | | | |
| | 27 | 1 | 0S-1588 | 15 | BOLT (3/8-16X1.25-IN) | | | | | | |
| | 28 | 1 | 0S-1590 | 6 | BOLT (3/8-16X2-IN) | | | | | | |
| | 29 | 1 | 0S-1591 | 86 | BOLT (3/8-16X1.5-IN) | | | | | | |
| | 30 | 1 | 0T-0573 | 6 | BOLT (3/8-16X2.75-IN) | | | | | | |
| | 31 | 1 | 3E-6751 | 2 | SEAL-O-RING | | | | | | |
| | 32 | 1 | 3P-0655 | 18 | SEAL-O-RING | | | | | | |
| | 33 | 1 | 3P-0657 | 4 | SEAL-O-RING | | | | | | |
| | 34 | 1 | 3V-3308 | 220 | WASHER-HARD (10.2X20.5X2.5-MM THK) | | | | | | |
| | 35 | 1 | 5K-5552 | 111 | BOLT-LOCKING (3/8-16X3-IN) | | | | | | |
| | 36 | 1 | 6V-3250 | 1 | SEAL-O-RING | | | | | | |
| | 37 | 1 | 6V-3908 | 4 | SEAL-O-RING | | | | | | |
| | 38 | 1 | 6V-5051 | 2 | SEAL-O-RING | | | | | | |
| | 39 | 1 | 7N-5352 | 2 | DOWEL | | | | | | |
| | 40 | 1 | 8L-2786 | 7 | SEAL-O-RING | | | | | | |
| | 41 | 1 | 9S-4185 | 7 | PLUG-O-RING | | | | | | |
| | 42 | 1 | 9S-4191 | 1 | PLUG-O-RING | | | | | | |

AIR INLET AND EXHAUST SYSTEM

159-1528 AFTERCOOLER GP-TREATED WATER (contd.)

i02030155



GRAPHIC #1

<END>

g01018967

AIR INLET AND EXHAUST SYSTEM

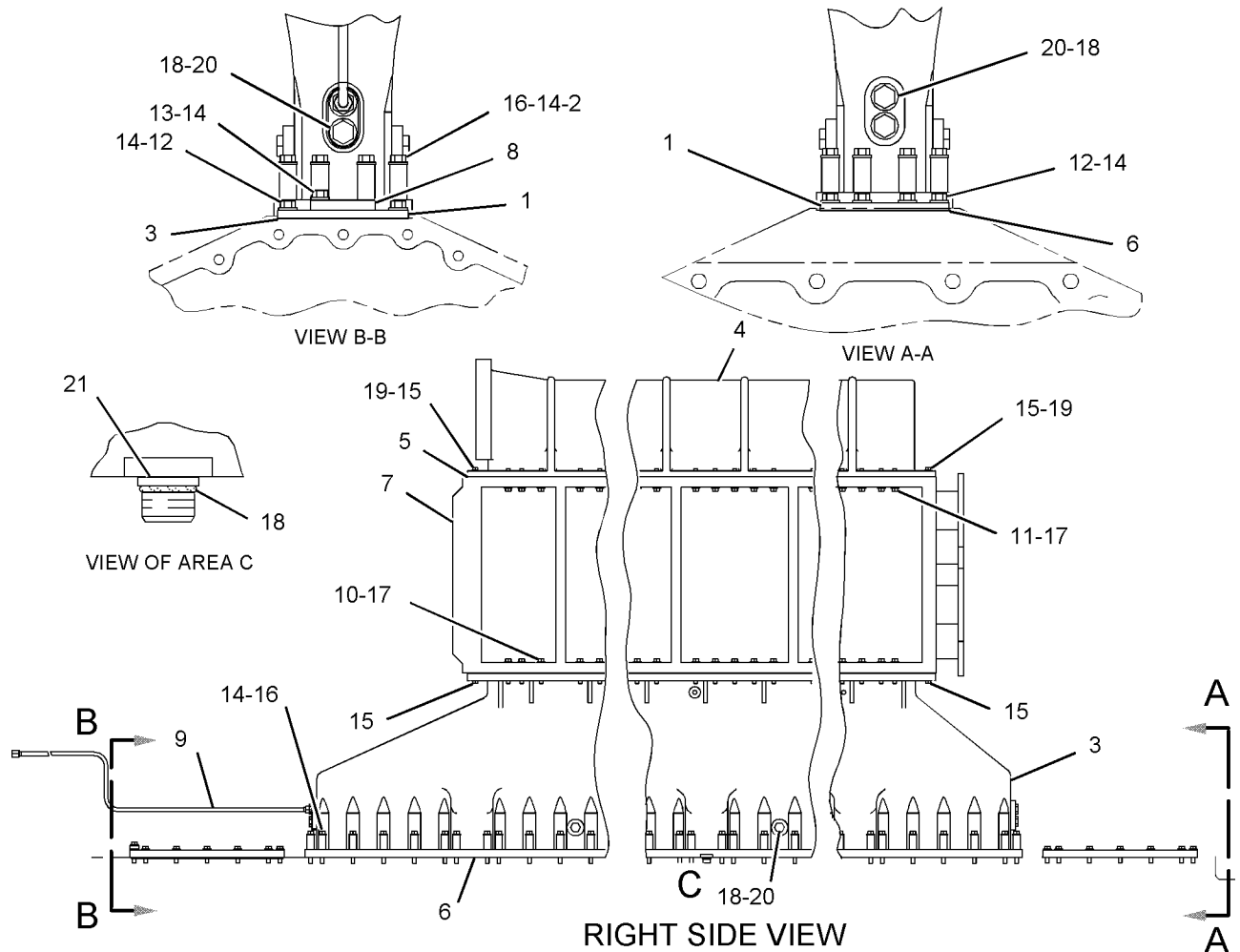
131-0525 AFTERCooler GP-WATER (CHG -02 THRU -08, -08D1, -08D2) TWO STAGE

SMCS-1063

i02066173

| NOTE | REF NO | GRAPHIC REF | PART NUMBER | QTY | PART NAME | | | | | | SEE PAGE |
|------|--------|-------------|-------------|-----|------------------------------------|---|---|---|---|-------------------|----------|
| | | | | | 1 | 2 | 3 | 4 | 5 | 6 (PRODUCT LEVEL) | |
| | 1 | 1 | 7W-0805 | 2 | COVER (CYLINDER BLOCK) | | | | | | |
| | 2 | 1 | 8B-2026 | 4 | SPACER (0.438X0.75X1.5-IN THK) | | | | | | |
| | 3 | 1 | 123-3854 | 1 | HOUSING | | | | | | |
| | 4 | 1 | 123-3855 | 1 | COVER (AFTERCooler) | | | | | | |
| | 5 | 1 | 127-8177 | 2 | GASKET | | | | | | |
| | 6 | 1 | 130-1288 | 8 | SEAL-INTEGRAL | | | | | | |
| Y | 7 | 1 | 130-8130 | 1 | CORE AS-AFTERCooler | | | | | | 388 |
| | 8 | 1 | 148-7634 | 1 | PLATE | | | | | | |
| | 9 | 1 | 156-4313 | 1 | TUBE AS | | | | | | |
| | 10 | 1 | 0L-2070 | 64 | BOLT (3/8-16X2.25-IN) | | | | | | |
| | 11 | 1 | 0S-1590 | 64 | BOLT (3/8-16X2-IN) | | | | | | |
| | 12 | 1 | 0S-1594 | 26 | BOLT (3/8-16X1-IN) | | | | | | |
| | 13 | 1 | 3B-1915 | 1 | BOLT (3/8-16X1.375-IN) | | | | | | |
| | 14 | 1 | 3V-3308 | 111 | WASHER-HARD (10.2X20.5X2.5-MM THK) | | | | | | |
| | 15 | 1 | 4B-3388 | 28 | BOLT (5/16-18X1.125-IN) | | | | | | |
| | 16 | 1 | 5K-5552 | 84 | BOLT-LOCKING (3/8-16X3-IN) | | | | | | |
| | 17 | 1 | 5M-2894 | 128 | WASHER-HARD (10.2X18.5X2.5-MM THK) | | | | | | |
| | 18 | 1 | 8L-2786 | 13 | SEAL-O-RING | | | | | | |
| | 19 | 1 | 9M-1974 | 14 | WASHER-HARD (8.8X16X2-MM THK) | | | | | | |
| | 20 | 1 | 9S-4185 | 11 | PLUG-O RING | | | | | | |
| | 21 | 1 | 9S-8005 | 2 | PLUG-O RING | | | | | | |

Y-SEPARATE ILLUSTRATION



GRAPHIC #1

<END>

g01059082

AIR INLET AND EXHAUST SYSTEM

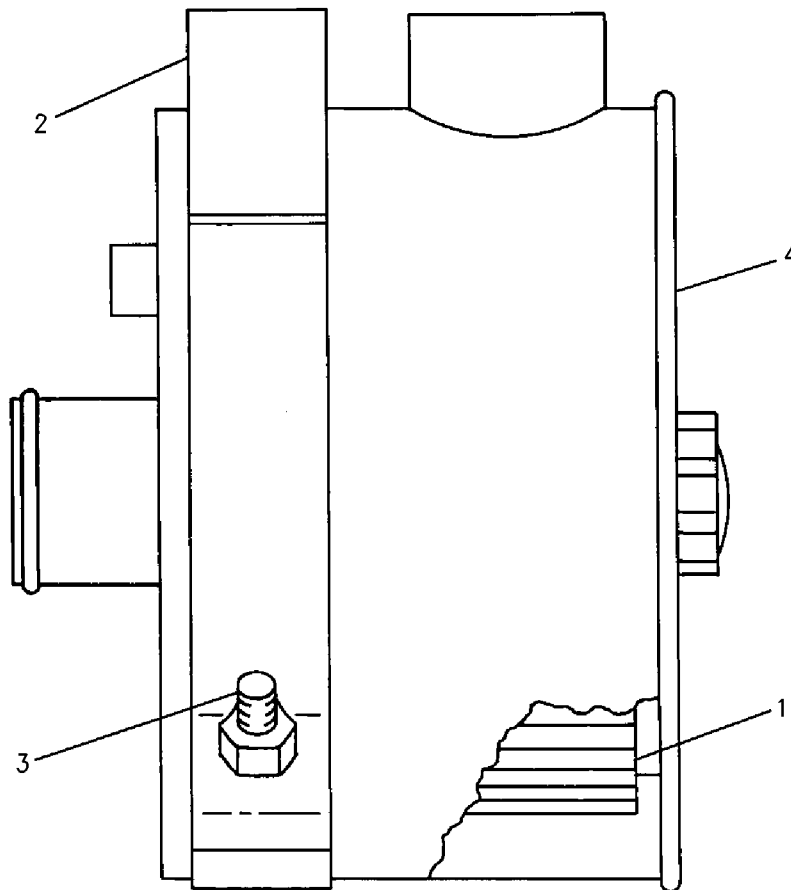
9Y-8829 AIR CLEANER GP (CHG -00)

PART OF 164-7681 COVER GP-CYLINDER BLOCK, 164-7680 COVER GP-VALVE MECHANISM

SMCS-1051, 1054

i02189071

| NOTE | REF NO | GRAPHIC REF | PART NUMBER | QTY | PART NAME | | | | | | SEE PAGE |
|------|--------|-------------|-------------|-----|-----------------------|---|---|---|---|-------------------|----------|
| | | | | | 1 | 2 | 3 | 4 | 5 | 6 (PRODUCT LEVEL) | |
| | 1 | 1 | 2W-4246 | 1 | FILTER ELEMENT AS-AIR | | | | | | |
| | 2 | 1 | 2W-5115 | 1 | BRACKET AS | | | | | | |
| | 3 | 1 | 1A-9579 | 1 | BOLT (5/16-18X1.5-IN) | | | | | | |
| | 4 | 1 | 9Y-8830 | 1 | COVER AS | | | | | | |



GRAPHIC #1

<END>

g00726695

AIR INLET AND EXHAUST SYSTEM

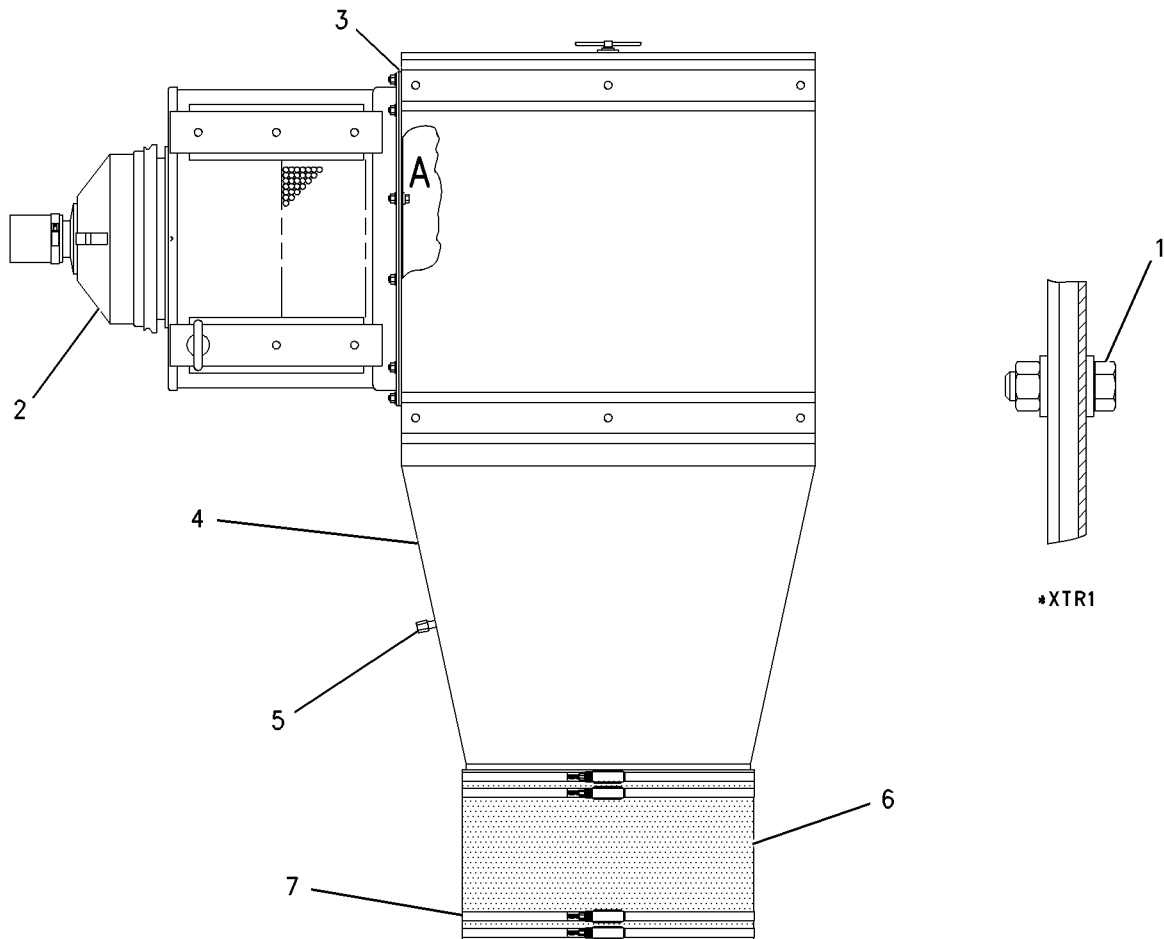
132-9322 AIR CLEANER GP (CHG -00)

SMCS-1051, 1054

i02346230

| NOTE | REF NO | GRAPHIC REF | PART NUMBER | QTY | PART NAME | | | | | | SEE PAGE |
|------|--------|-------------|-------------|-----|------------------------------------|---|---|---|---|-------------------|----------|
| | | | | | 1 | 2 | 3 | 4 | 5 | 6 (PRODUCT LEVEL) | |
| | 1 | 1 | 0S-1594 | 56 | BOLT (3/8-16X1-IN) | | | | | | |
| | | 1 | 9S-8752 | 56 | NUT-FULL (3/8-16-THD) | | | | | | |
| | | 1 | 3V-3308 | 112 | WASHER-HARD (10.2X20.5X2.5-MM THK) | | | | | | |
| Y | 2 | 1 | 132-9324 | 4 | PRECLEANER GP | | | | | | 448 |
| | 3 | 1 | 5N-8617 | 4 | GASKET | | | | | | |
| Y | 4 | 1 | 132-9323 | 1 | AIR CLEANER GP | | | | | | 362 |
| | 5 | 1 | 3B-7725 | 1 | CAP-PIPE | | | | | | |
| | 6 | 1 | 4W-3637 | 1 | HOSE | | | | | | |
| | 7 | 1 | 116-8535 | 8 | CLAMP | | | | | | |

Y- SEPARATE ILLUSTRATION



GRAPHIC #1

<END>

g01000588

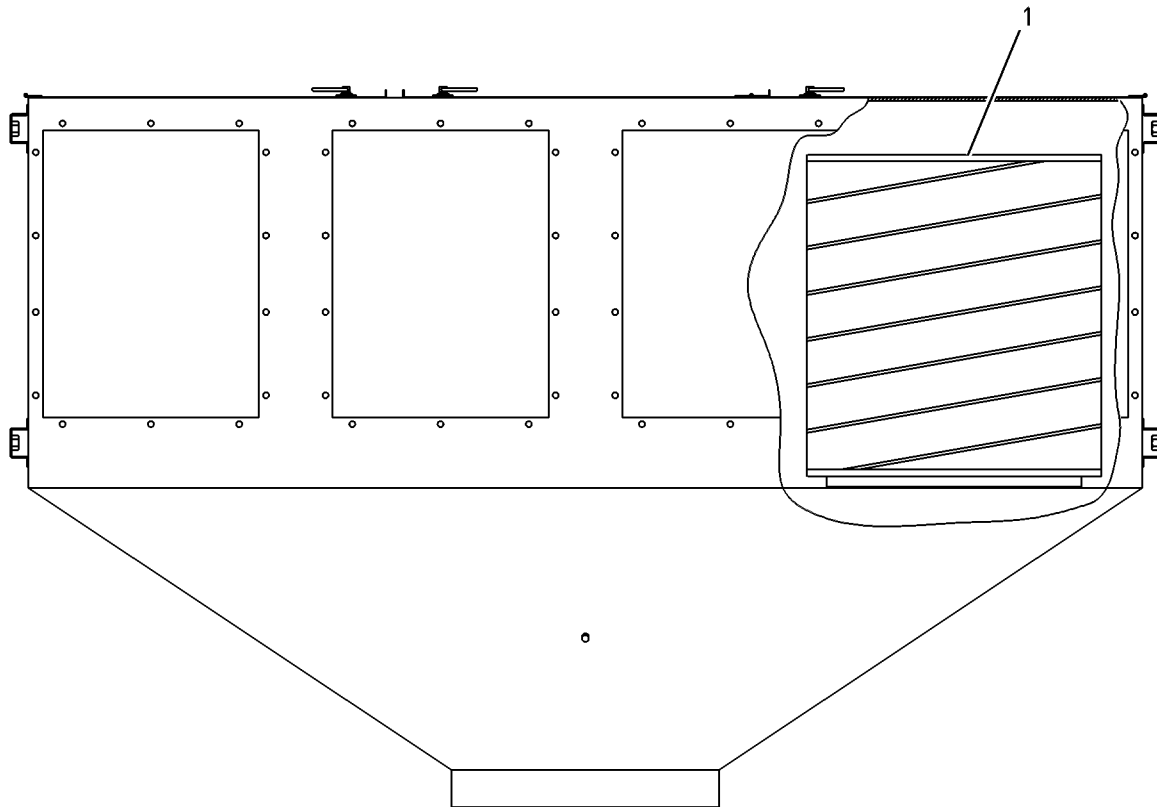
AIR INLET AND EXHAUST SYSTEM

132-9323 AIR CLEANER GP (CHG -00) PART OF 132-9322 AIR CLEANER GP

SMCS-1051, 1054

i00078862

| NOTE | REF NO | GRAPHIC REF | PART NUMBER | QTY | PART NAME | | | | | | SEE PAGE |
|------|--------|-------------|-------------|-----|---------------------------------|---|---|---|---|-------------------|----------|
| | | | | | 1 | 2 | 3 | 4 | 5 | 6 (PRODUCT LEVEL) | |
| | 1 | 1 | 105-9741 | 3 | FILTER ELEMENT AS-AIR (PRIMARY) | | | | | | |



GRAPHIC #1

<END>

g00067068

AIR INLET AND EXHAUST SYSTEM

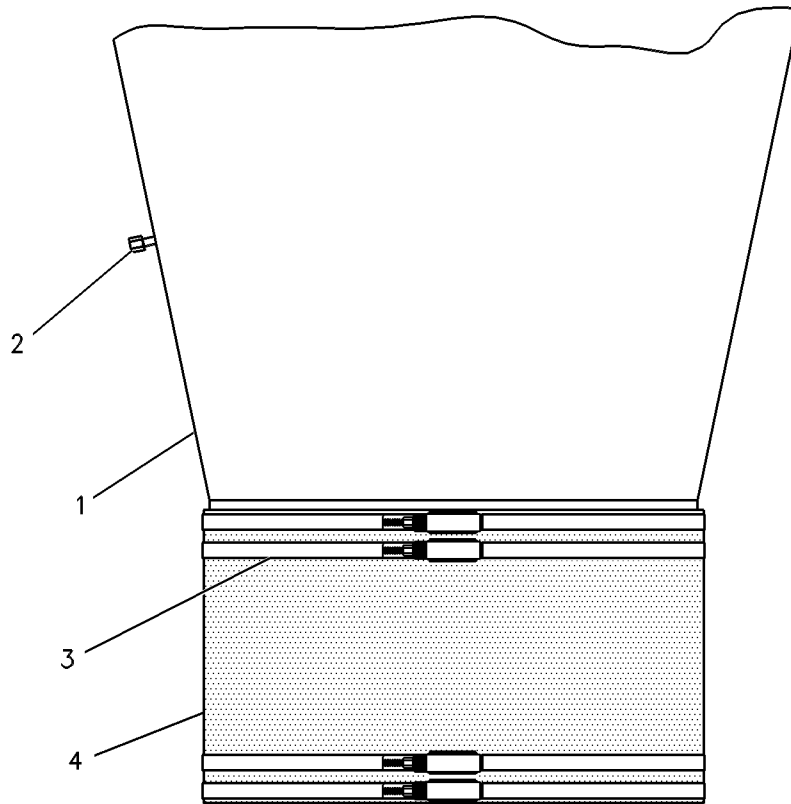
132-9327 AIR CLEANER GP (CHG -00) TWO-ELEMENT HORIZONTAL

SMCS-1051, 1054

i00078873

| NOTE | REF NO | GRAPHIC REF | PART NUMBER | QTY | PART NAME | | | | | | SEE PAGE |
|------|--------|-------------|-------------|-----|----------------|---|---|---|---|-------------------|----------|
| | | | | | 1 | 2 | 3 | 4 | 5 | 6 (PRODUCT LEVEL) | |
| Y | 1 | 1 | 132-9331 | 1 | AIR CLEANER GP | | | | | | 365 |
| | 2 | 1 | 3B-7725 | 1 | CAP-PIPE | | | | | | |
| | 3 | 1 | 116-8535 | 8 | CLAMP | | | | | | |
| | 4 | 1 | 4W-3637 | 1 | HOSE | | | | | | |

Y-SEPARATE ILLUSTRATION



GRAPHIC #1

<END>

g00066904

AIR INLET AND EXHAUST SYSTEM

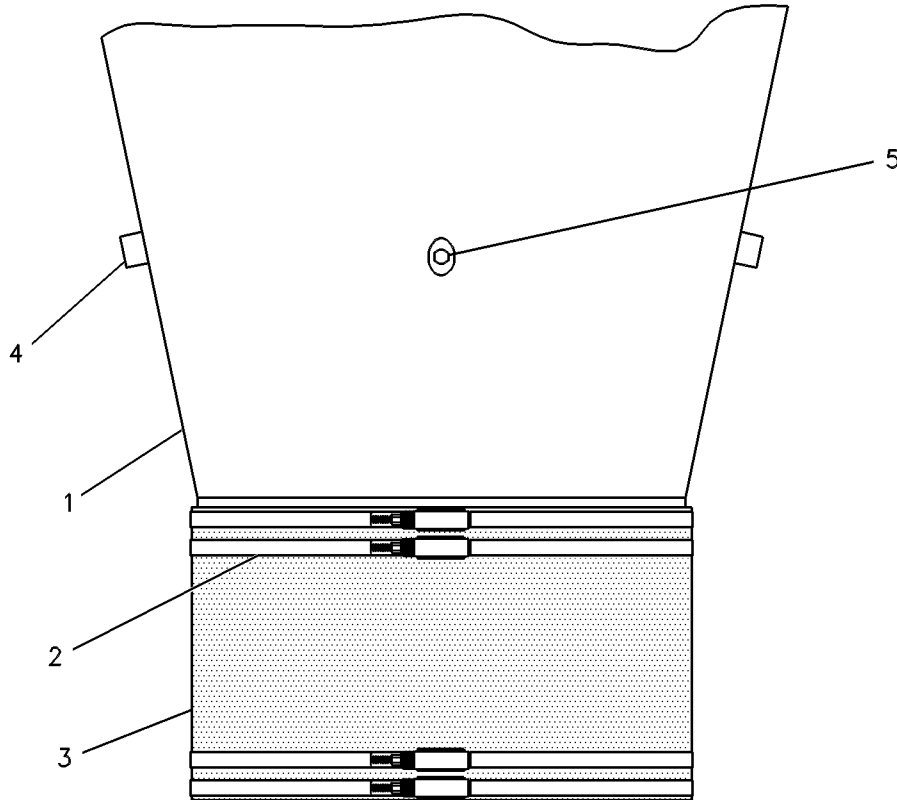
132-9328 AIR CLEANER GP (CHG -00)

SMCS-1051, 1054

i00078877

| NOTE | REF NO | GRAPHIC REF | PART NUMBER | QTY | PART NAME | | | | | | SEE PAGE |
|------|--------|-------------|-------------|-----|----------------|---|---|---|---|-------------------|----------|
| | | | | | 1 | 2 | 3 | 4 | 5 | 6 (PRODUCT LEVEL) | |
| Y | 1 | 1 | 132-9332 | 1 | AIR CLEANER GP | | | | | | 366 |
| | 2 | 1 | 116-8535 | 8 | CLAMP | | | | | | |
| | 3 | 1 | 4W-3637 | 1 | HOSE | | | | | | |
| | 4 | 1 | 2B-0858 | 3 | PLUG-PIPE | | | | | | |
| | 5 | 1 | 3B-7725 | 1 | CAP-PIPE | | | | | | |

Y-SEPARATE ILLUSTRATION



GRAPHIC #1

<END>

g00066258

AIR INLET AND EXHAUST SYSTEM

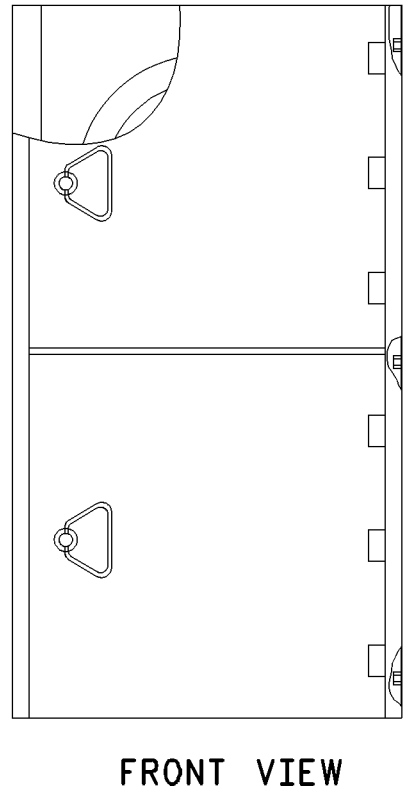
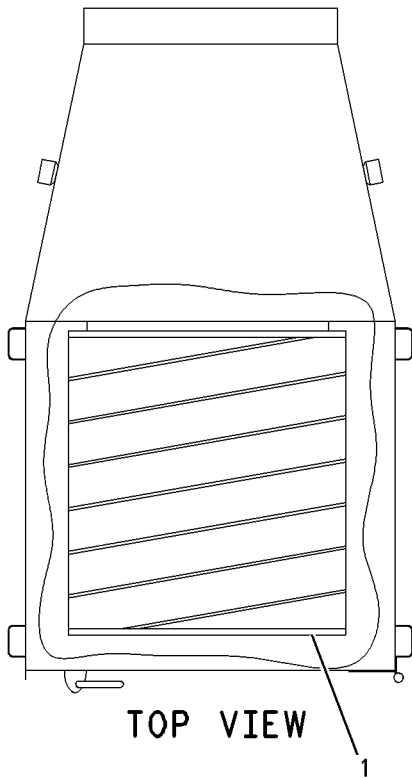
132-9331 AIR CLEANER GP (CHG -00, -01)

TWO-ELEMENT HORIZONTAL
PART OF 132-9327 AIR CLEANER GP

SMCS-1051, 1054

i01963439

| NOTE | REF NO | GRAPHIC REF | PART NUMBER | QTY | PART NAME | | | | | | SEE PAGE |
|------|--------|-------------|-------------|-----|---------------------------------|---|---|---|---|-------------------|----------|
| | | | | | 1 | 2 | 3 | 4 | 5 | 6 (PRODUCT LEVEL) | |
| | 1 | 1 | 105-9741 | 2 | FILTER ELEMENT AS-AIR (PRIMARY) | | | | | | |



GRAPHIC #1

<END>

g00110347

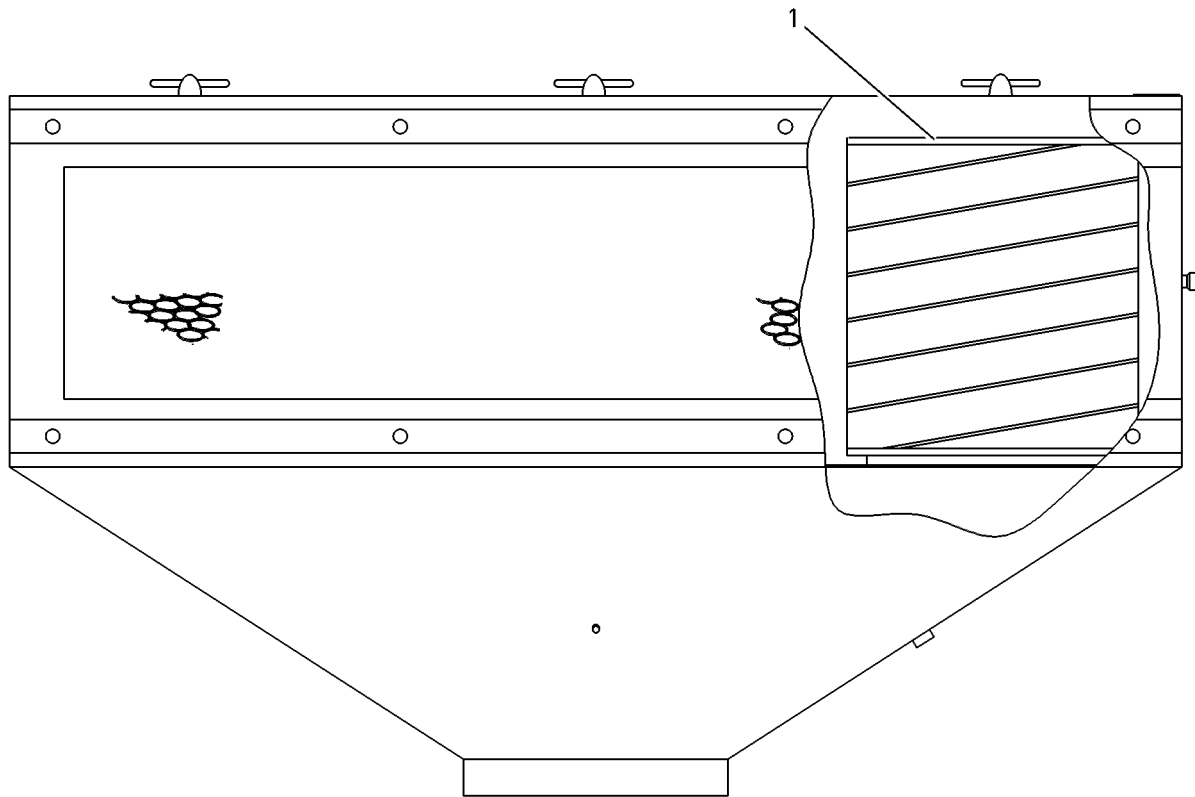
AIR INLET AND EXHAUST SYSTEM

132-9332 AIR CLEANER GP (CHG -00, -01) PART OF 132-9328 AIR CLEANER GP

SMCS-1051, 1054

i01922734

| NOTE | REF NO | GRAPHIC REF | PART NUMBER | QTY | PART NAME | | | | | | SEE PAGE |
|------|--------|-------------|-------------|-----|---------------------------------|---|---|---|---|-------------------|----------|
| | | | | | 1 | 2 | 3 | 4 | 5 | 6 (PRODUCT LEVEL) | |
| | 1 | 1 | 105-9741 | 3 | FILTER ELEMENT AS-AIR (PRIMARY) | | | | | | |



GRAPHIC #1

<END>

g00067018

AIR INLET AND EXHAUST SYSTEM

141-7959 AIR CLEANER GP (CHG -00)

TWO-ELEMENT VERTICAL

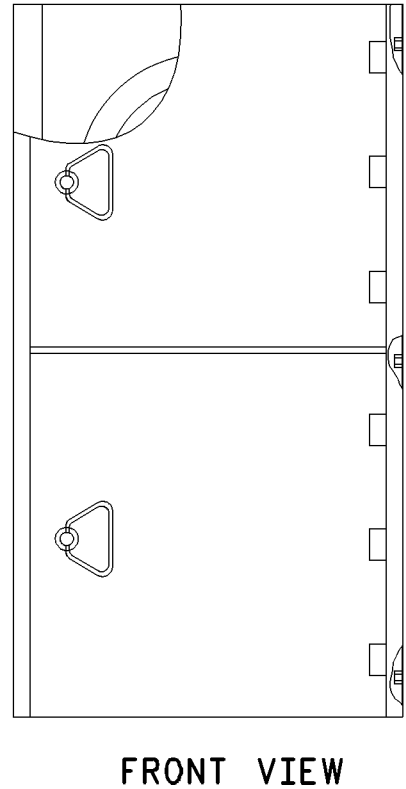
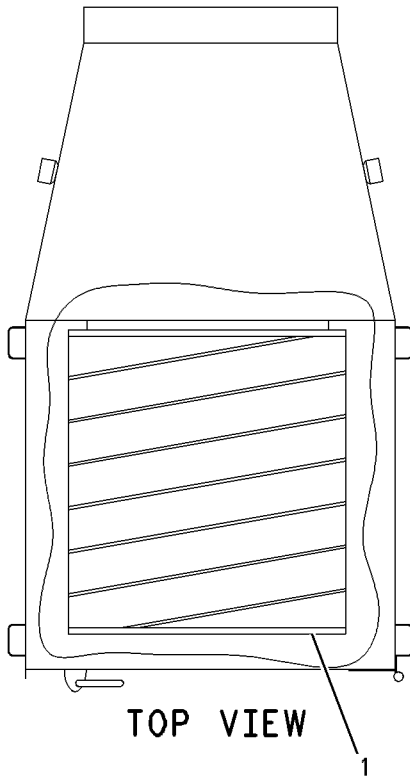
PART OF 163-8762 AIR CLEANER GP

CANNOT BE USED WITH HEAVY FUEL APPLICATIONS

SMCS-1051, 1054

i01963437

| NOTE | REF NO | GRAPHIC REF | PART NUMBER | QTY | PART NAME | | | | | | SEE PAGE |
|------|--------|-------------|-------------|-----|---------------------------------|---|---|---|---|-------------------|----------|
| | | | | | 1 | 2 | 3 | 4 | 5 | 6 (PRODUCT LEVEL) | |
| | 1 | 1 | 105-9741 | 2 | FILTER ELEMENT AS-AIR (PRIMARY) | | | | | | |



GRAPHIC #1

<END>

g00110347

AIR INLET AND EXHAUST SYSTEM

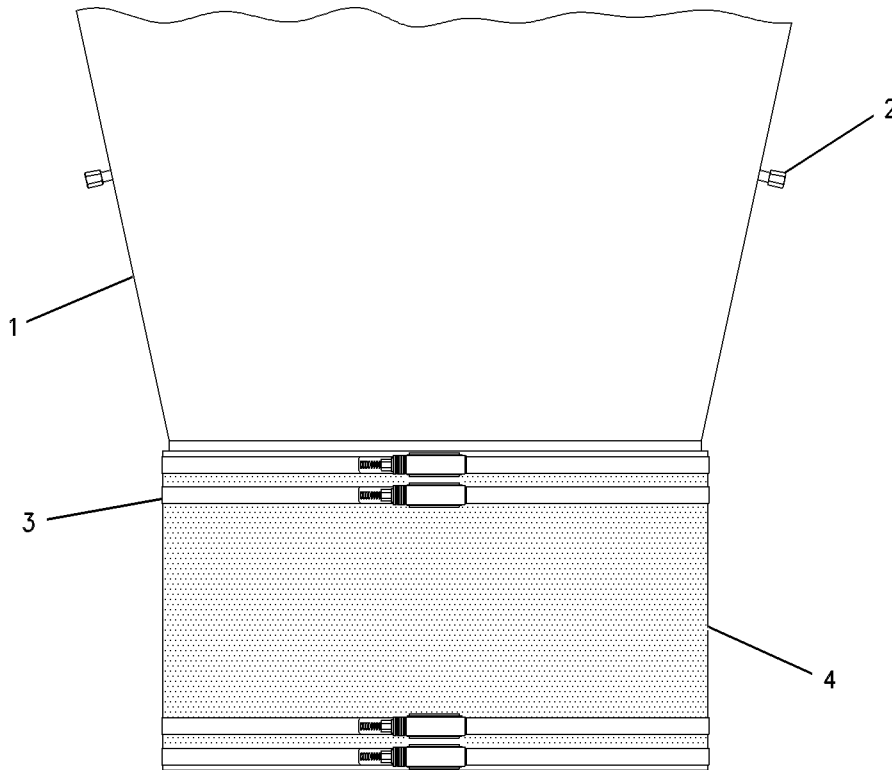
163-8762 AIR CLEANER GP (CHG -00) TWO-ELEMENT VERTICAL

SMCS-1051, 1054

i00997519

| NOTE | REF NO | GRAPHIC REF | PART NUMBER | QTY | PART NAME | | | | | | SEE PAGE |
|------|--------|-------------|-------------|-----|----------------|---|---|---|---|-------------------|----------|
| | | | | | 1 | 2 | 3 | 4 | 5 | 6 (PRODUCT LEVEL) | |
| Y | 1 | 1 | 141-7959 | 1 | AIR CLEANER GP | | | | | | 367 |
| | 2 | 1 | 3B-7725 | 2 | CAP-PIPE | | | | | | |
| | 3 | 1 | 116-8535 | 8 | CLAMP | | | | | | |
| | 4 | 1 | 4W-3637 | 1 | HOSE | | | | | | |

Y-SEPARATE ILLUSTRATION



GRAPHIC #1

<END>

g00511247

AIR INLET AND EXHAUST SYSTEM

131-0528 BYPASS GP - EXHAUST

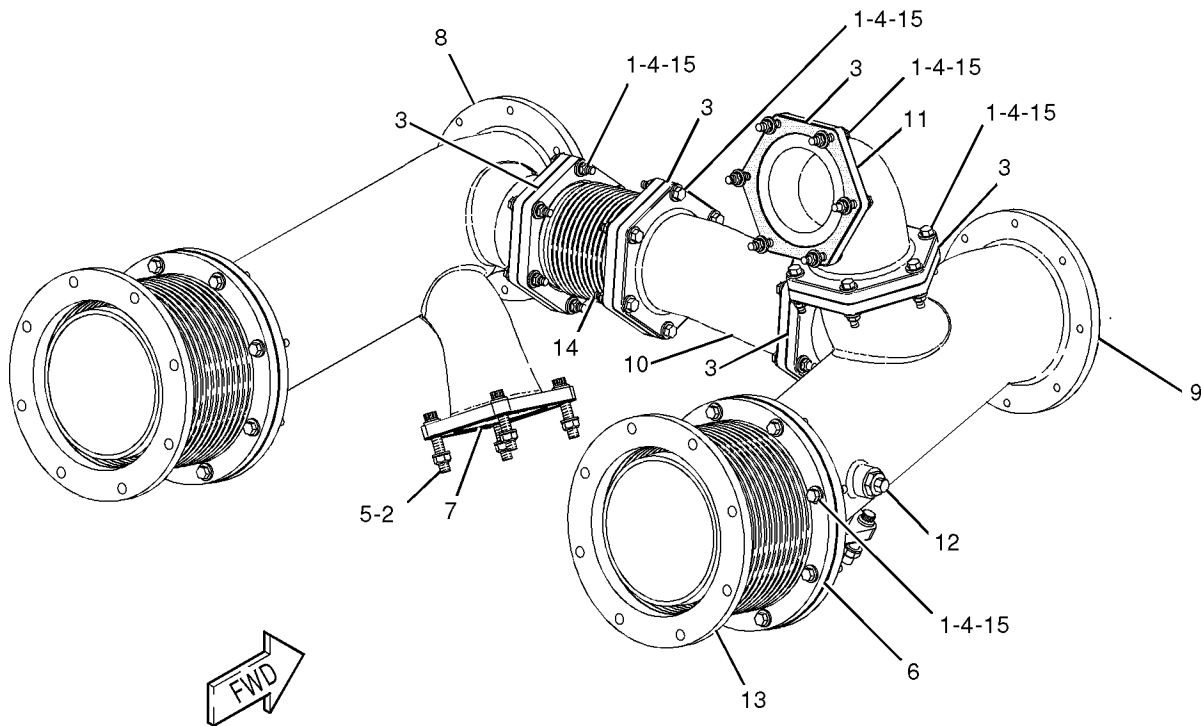
(CHG -03, -04, -04D1 THRU -06, -06D1, -06D2, -06D3, -06D4 THRU -08, -08D1)
TWO STAGE AFTERCOOLER

SMCS-1057

i01998818

| NOTE | REF NO | GRAPHIC REF | PART NUMBER | QTY | PART NAME | | | | | | SEE PAGE |
|------|--------|-------------|-------------|-----|--|---|---|---|---|-------------------|----------|
| | | | | | 1 | 2 | 3 | 4 | 5 | 6 (PRODUCT LEVEL) | |
| C | 1 | 1 | 2N-2766 | 46 | LOCKNUT (3/8-16-THD) | | | | | | |
| | 2 | 1 | 6V-3630 | 8 | BOLT-HIGH TEMPERATURE (1/2-13X2.5-IN) | | | | | | |
| | 3 | 1 | 7E-0701 | 5 | GASKET | | | | | | |
| C | 4 | 1 | 7L-6443 | 46 | BOLT-HIGH TEMPERATURE (3/8-16X2.25-IN) | | | | | | |
| | 5 | 1 | 8C-8763 | 8 | LOCKNUT (1/2X13X2-THD) | | | | | | |
| | 6 | 1 | 134-5641 | 2 | GASKET | | | | | | |
| | 7 | 1 | 136-7730 | 2 | GASKET (CYLINDER HEAD) | | | | | | |
| C | 8 | 1 | 141-6626 | 1 | MANIFOLD-EXHAUST (LH) | | | | | | |
| C | 9 | 1 | 141-6627 | 1 | MANIFOLD-EXHAUST (RH) | | | | | | |
| C | 10 | 1 | 141-6628 | 1 | MANIFOLD-EXHAUST (BYPASS) | | | | | | |
| C | 11 | 1 | 141-6629 | 1 | MANIFOLD-EXHAUST (WASTEGATE) | | | | | | |
| | 12 | 1 | 213-6791 | 2 | ADAPTER | | | | | | |
| C | 13 | 1 | 222-4709 | 2 | BELLOWS AS | | | | | | |
| | 14 | 1 | 222-4718 | 1 | BELLOWS AS | | | | | | |
| C | 15 | 1 | 8C-8491 | 76 | WASHER-HARD (10.2X22X3-MM THK) | | | | | | |

C- CHANGE FROM PREVIOUS TYPE



GRAPHIC #1

<END>

g01034150

AIR INLET AND EXHAUST SYSTEM

206 - 6539 BYPASS GP - EXHAUST - WASTEGATE (CHG -01 THRU -06)

SMCS - 1057

i02325511

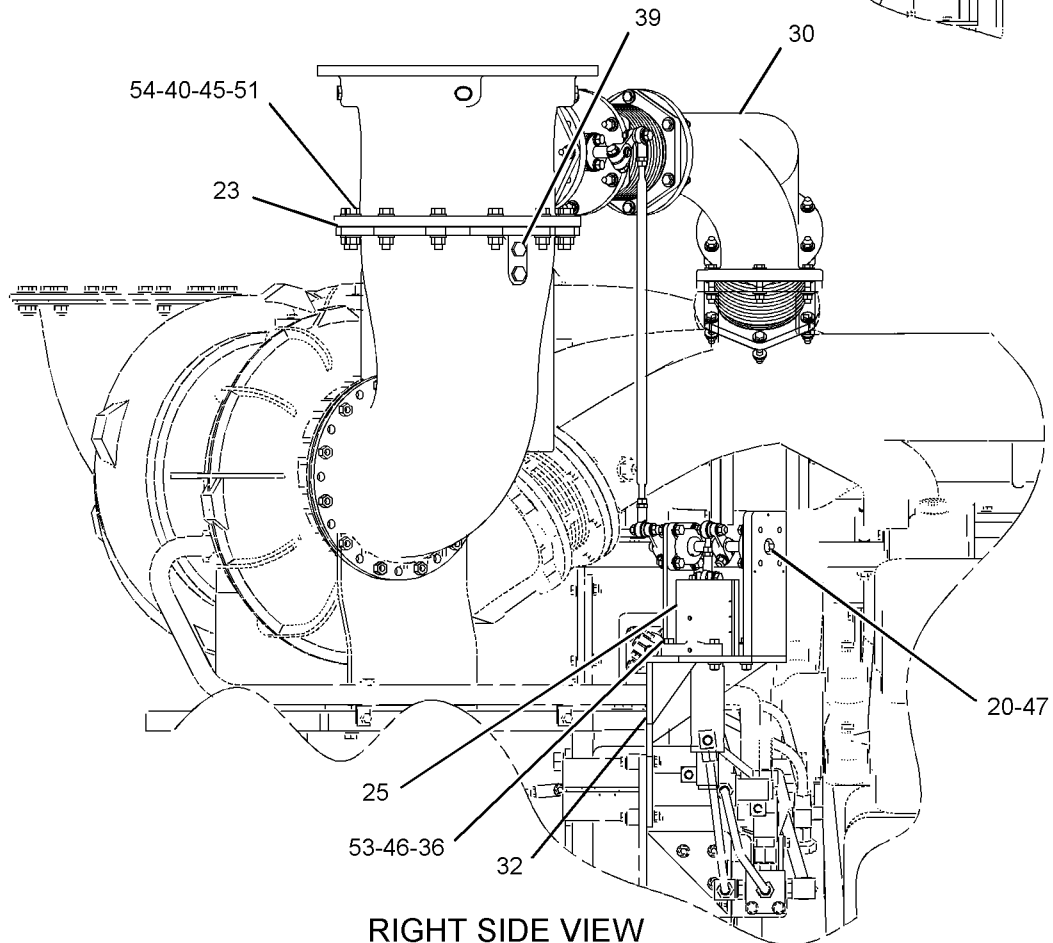
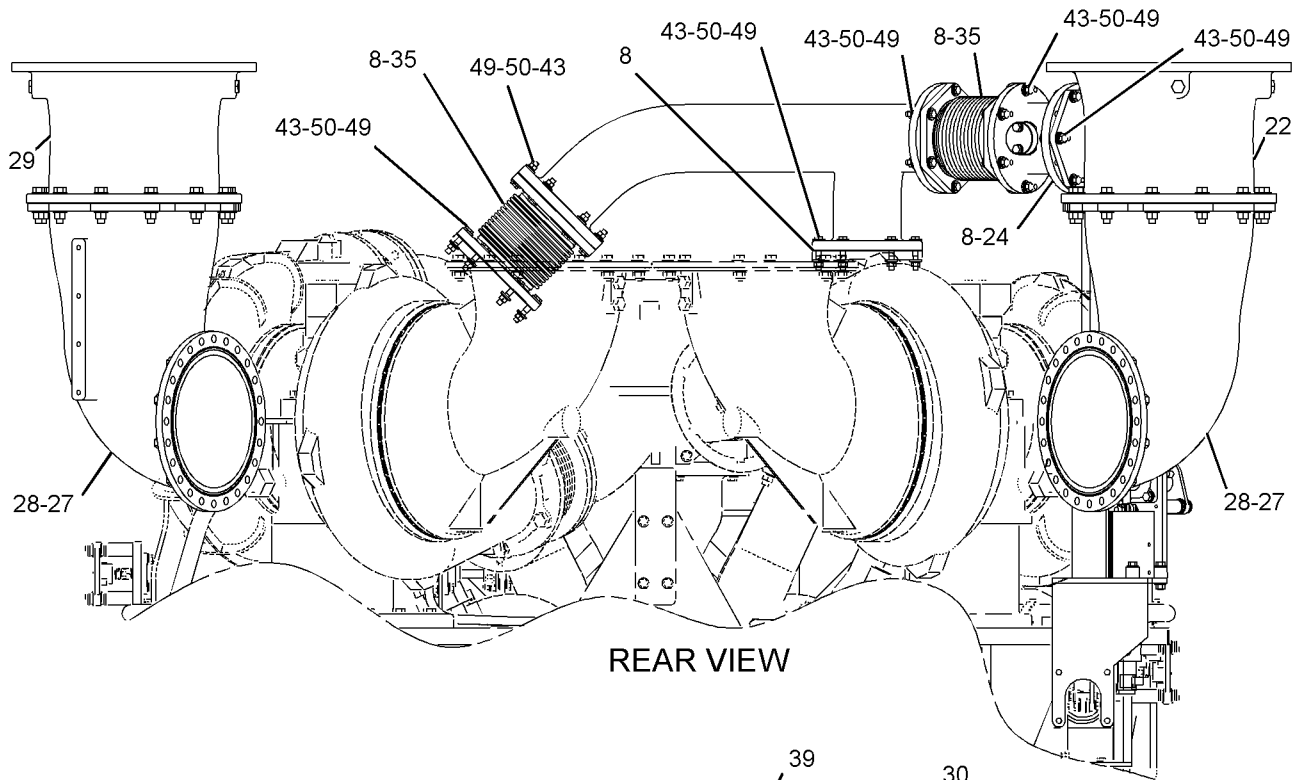
| NOTE | REF NO | GRAPHIC REF | PART NUMBER | QTY | PART NAME | | | | | | SEE PAGE |
|------|--------|-------------|-------------|-----|---|---|---|---|---|-------------------|----------|
| | | | | | 1 | 2 | 3 | 4 | 5 | 6 (PRODUCT LEVEL) | |
| | 1 | 2 | 1S-3584 | 2 | NUT-FULL (3/8-24 LH-THD) | | | | | | |
| | 2 | 2 | 3S-2713 | 1 | NUT-FULL (3/8-24-THD) | | | | | | |
| | 3 | 2 | 4F-2753 | 1 | LOCKNUT | | | | | | |
| | 4 | 2 | 4P-0394 | 3 | LEVER | | | | | | |
| | 5 | 2 | 5L-3291 | 2 | BEARING AS-BALL | | | | | | |
| | 6 | 2 | 5P-9960 | 2 | BOLT (1/4-20X0.75-IN) | | | | | | |
| | 7 | 2 | 6V-1943 | 2 | BOLT-HIGH TEMPERATURE (3/8-16X1.125-IN) | | | | | | |
| | 8 | 1 | 7E-0701 | 6 | GASKET | | | | | | |
| | 9 | 2 | 8C-6971 | 1 | ROD END | | | | | | |
| | 10 | 2 | 8C-7321 | 1 | ROD END | | | | | | |
| | 11 | 2 | 8H-3390 | 1 | NUT-FULL (1-1/2-12-THD) | | | | | | |
| | 12 | 2 | 8M-2295 | 2 | BOLT (3/8-16X1.625-IN) | | | | | | |
| | 13 | 2 | 102-1694 | 1 | PLATE | | | | | | |
| | 14 | 2 | 102-3457 | 1 | COVER | | | | | | |
| | 15 | 2 | 102-6309 | 1 | WASHER-THRUST | | | | | | |
| | 16 | 2 | 102-6311 | 1 | STOP | | | | | | |
| | 17 | 2 | 110-8314 | 4 | WASHER (10.3X18.3X2.66-MM THK) | | | | | | |
| | 18 | 2 | 119-5927 | 1 | SHAFT | | | | | | |
| | 19 | 2 | 119-5931 | 1 | SPACER | | | | | | |
| | 20 | 1 | 127-5154 | 1 | SHAFT | | | | | | |
| | 21 | 2 | 133-8501 | 1 | COVER AS | | | | | | |
| | 22 | 1 | 144-0605 | 1 | ADAPTER-EXHAUST | | | | | | |
| | 23 | 1 | 144-0621 | 2 | GASKET | | | | | | |
| | 24 | 1 | 146-8381 | 1 | HOUSING AS (WASTEGATE) | | | | | | |
| | | 1 | 119-5929 | 2 | BUSHING | | | | | | |
| | 25 | 1 | 176-3583 | 2 | GUARD | | | | | | |
| | 26 | 2 | 176-3587 | 1 | CLEVIS | | | | | | |
| | 27 | 1 | 184-1613 | 2 | ELBOW-EXHAUST | | | | | | |
| | 28 | 1 | 184-5290 | 2 | GASKET | | | | | | |
| | 29 | 1 | 184-6375 | 1 | ADAPTER-EXHAUST | | | | | | |
| | 30 | 1 | 184-6380 | 1 | MANIFOLD-EXHAUST | | | | | | |
| | 31 | 2 | 193-7879 | 1 | BOOT | | | | | | |
| | 32 | 1 | 200-2788 | 1 | BRACKET AS | | | | | | |
| | 33 | 2 | 200-2789 | 1 | ROD | | | | | | |
| CYR | 34 | 2 | 211-8175 | 1 | ACTUATOR GP-ELECTRONIC | | | | | | 472 |
| | 35 | 1 | 222-4718 | 2 | BELLOWS AS | | | | | | |
| | 36 | 1,2 | 0S-1571 | 10 | BOLT (3/8-16X1.75-IN) | | | | | | |
| | 37 | 2 | 0S-1588 | 4 | BOLT (3/8-16X1.25-IN) | | | | | | |
| | 38 | 2 | 0S-1590 | 1 | BOLT (3/8-16X2-IN) | | | | | | |
| | 39 | 1 | 119-0746 | 8 | PLUG-PIPE | | | | | | |
| | 40 | 1 | 1F-7958 | 24 | NUT-FULL (1/2-13-THD) | | | | | | |
| C | 41 | 2 | 225-3769 | 1 | ROD END | | | | | | |
| C | 42 | 2 | 225-3770 | 1 | ROD END | | | | | | |
| | 43 | 1 | 2N-2766 | 36 | LOCKNUT (3/8-16-THD) | | | | | | |
| | 44 | 2 | 3B-1915 | 4 | BOLT (3/8-16X1.375-IN) | | | | | | |
| | 45 | 1 | 3H-7654 | 48 | WASHER-HARD (13.5X22.5X3-MM THK) | | | | | | |
| | 46 | 1,2 | 3V-3308 | 30 | WASHER-HARD (10.2X20.5X2.5-MM THK) | | | | | | |
| | 47 | 1,2 | 5H-2532 | 3 | KEY-WOODRUFF | | | | | | |
| | 48 | 2 | 6V-6753 | 1 | BOLT-HIGH TEMPERATURE (3/8X16X1.375-IN) | | | | | | |
| | 49 | 1 | 7L-6443 | 36 | BOLT-HIGH TEMPERATURE (3/8-16X2.25-IN) | | | | | | |
| | 50 | 1 | 8C-8491 | 72 | WASHER-HARD (10.2X22X3-MM THK) | | | | | | |
| | 51 | 1 | 8C-8589 | 24 | BOLT-HIGH TEMPERATURE (1/2-13X2.25-IN) | | | | | | |
| | 52 | 2 | 8M-9024 | 3 | WASHER-HARD (10.2X22.5X5-MM THK) | | | | | | |
| | 53 | 1,2 | 9S-8752 | 15 | NUT-FULL (3/8-16-THD) | | | | | | |
| | 54 | 1 | 3W-2647 | 1 | SPACER (13.5X30X10-MM THK) | | | | | | |

C - CHANGE FROM PREVIOUS TYPE
R - REMFG PART MAY BE AVAILABLE
Y - SEPARATE ILLUSTRATION

AIR INLET AND EXHAUST SYSTEM

206-6539 BYPASS GP - EXHAUST (contd.)

i02325511



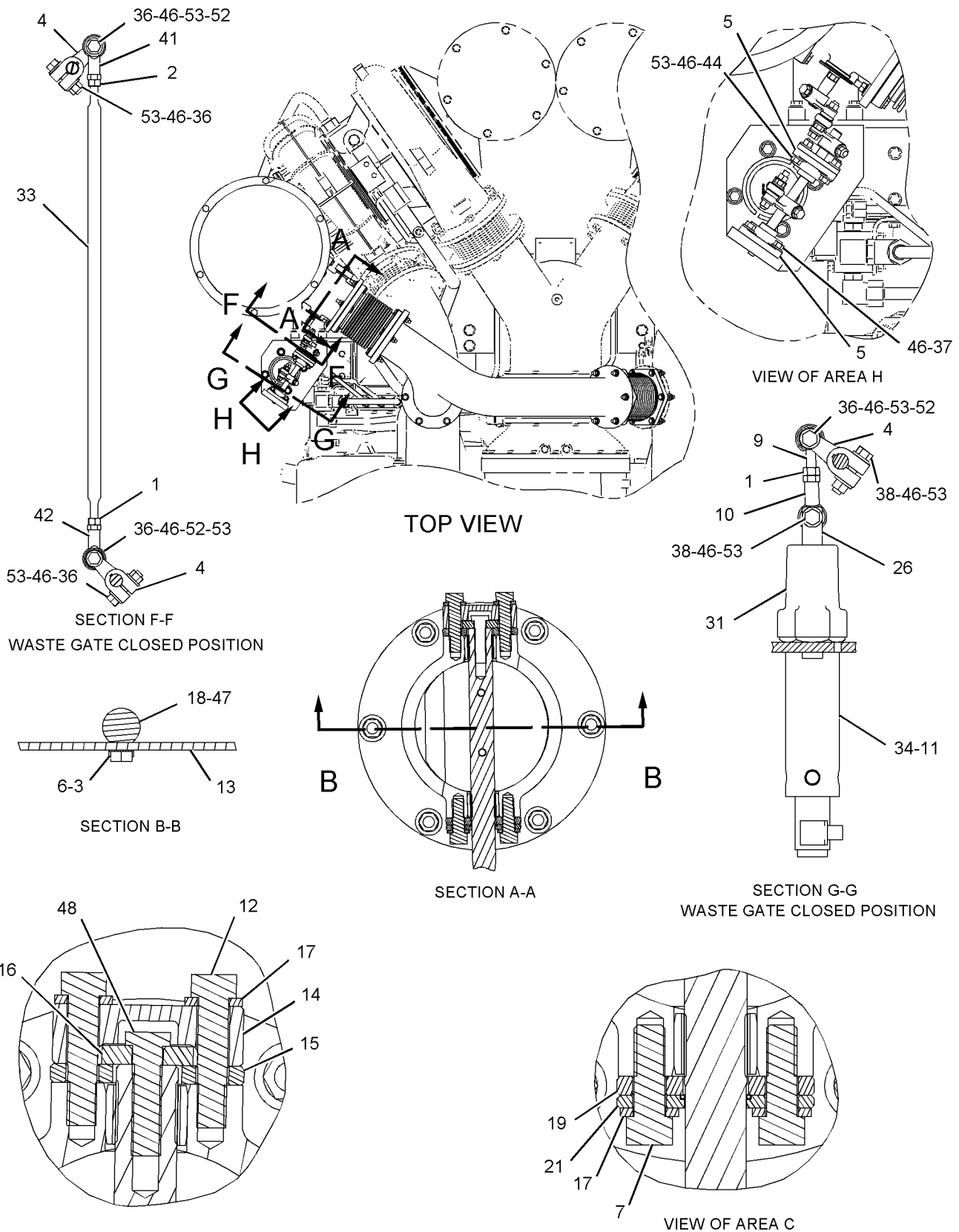
GRAPHIC #1

g01136468

AIR INLET AND EXHAUST SYSTEM

206-6539 BYPASS GP - EXHAUST (contd.)

i02325511



GRAPHIC #2

<END>

g01069299

AIR INLET AND EXHAUST SYSTEM

210-5735 BYPASS GP - EXHAUST (CHG -00) WASTEGATE

SMCS - 1057

i01592842

| NOTE | REF NO | GRAPHIC REF | PART NUMBER | QTY | PART NAME | | | | | | SEE PAGE |
|------|--------|-------------|-------------|-----|---|---|---|---|---|-------------------|----------|
| | | | | | 1 | 2 | 3 | 4 | 5 | 6 (PRODUCT LEVEL) | |
| | 5 | 1 | 1S-3584 | 2 | NUT-FULL (3/8-24 LH-THD) | | | | | | |
| | 6 | 1,2 | 2N-2766 | 40 | LOCKNUT (3/8-16-THD) | | | | | | |
| | 7 | 1,2 | 2W-0439 | 2 | GASKET | | | | | | |
| | 8 | 1 | 2W-4367 | 1 | ADAPTER-EXHAUST | | | | | | |
| | 9 | 1 | 3S-2713 | 2 | NUT-FULL (3/8-24-THD) | | | | | | |
| | 10 | 1 | 4F-2753 | 1 | LOCKNUT | | | | | | |
| | 11 | 1 | 4P-0391 | 1 | ROD | | | | | | |
| | 12 | 1 | 4P-0394 | 3 | LEVER | | | | | | |
| | 13 | 2 | 4P-7413 | 1 | ELBOW | | | | | | |
| | 14 | 1 | 4P-7414 | 1 | ELBOW | | | | | | |
| | 15 | 1 | 5H-2532 | 3 | KEY-WOODRUFF | | | | | | |
| | 16 | 1 | 5L-3291 | 2 | BEARING AS-BALL | | | | | | |
| | 17 | 2 | 5P-2755 | 4 | BOLT-HIGH TEMPERATURE (3/8-16X2.75-IN) | | | | | | |
| | 18 | 1 | 5P-9960 | 2 | BOLT (1/4-20X0.75-IN) | | | | | | |
| | 19 | 2 | 6V-1943 | 2 | BOLT-HIGH TEMPERATURE (3/8-16X1.125-IN) | | | | | | |
| | 20 | 2 | 6V-6753 | 1 | BOLT-HIGH TEMPERATURE (3/8X16X1.375-IN) | | | | | | |
| | 21 | 1,2 | 7E-0701 | 6 | GASKET | | | | | | |
| | 22 | 1,2 | 7L-6443 | 36 | BOLT-HIGH TEMPERATURE (3/8-16X2.25-IN) | | | | | | |
| | 23 | 2 | 7W-9115 | 1 | ADAPTER-EXHAUST | | | | | | |
| | 24 | 2 | 7W-9191 | 1 | GASKET | | | | | | |
| | 25 | 1 | 8C-7315 | 1 | ROD END | | | | | | |
| | 26 | 1 | 8C-7321 | 1 | ROD END | | | | | | |
| | 27 | 1 | 8H-3390 | 1 | NUT-FULL (1-1/2-12-THD) | | | | | | |
| | 28 | 2 | 8M-2295 | 2 | BOLT (3/8-16X1.625-IN) | | | | | | |
| | 29 | 1 | 039-9895 | 1 | ROD | | | | | | |
| | 30 | 1 | 102-1694 | 1 | PLATE | | | | | | |
| | 31 | 2 | 102-3457 | 1 | COVER | | | | | | |
| | 32 | 2 | 102-6309 | 1 | WASHER-THRUST | | | | | | |
| | 33 | 2 | 102-6311 | 1 | STOP | | | | | | |
| | 34 | 2 | 110-8314 | 4 | WASHER (10.3X18.3X2.66-MM THK) | | | | | | |
| | 35 | 1 | 118-4736 | 1 | SHAFT-WASTEGATE | | | | | | |
| | 36 | 1 | 119-5927 | 1 | SHAFT | | | | | | |
| | 37 | 2 | 119-5930 | 1 | HOUSING AS | | | | | | |
| | | 2 | 119-5929 | 2 | BUSHING | | | | | | |
| | 38 | 2 | 119-5931 | 1 | SPACER | | | | | | |
| | 39 | 1,2 | 123-5717 | 2 | BELLOWS AS | | | | | | |
| | 40 | 2 | 133-8501 | 1 | COVER AS | | | | | | |
| | 41 | 1 | 141-9885 | 1 | BRACKET AS | | | | | | |
| | 42 | 1 | 173-7476 | 1 | ROD END | | | | | | |
| | 43 | 1 | 173-7477 | 1 | ROD END | | | | | | |
| | 44 | 2 | 176-3583 | 2 | GUARD | | | | | | |
| | 45 | 1 | 176-3587 | 1 | CLEVIS | | | | | | |
| | 46 | 1 | 193-7879 | 1 | BOOT | | | | | | |
| YR | 47 | 1 | 196-9529 | 1 | ACTUATOR GP-ELECTRONIC | | | | | | 471 |
| | 48 | 1 | 0S-1571 | 6 | BOLT (3/8-16X1.75-IN) | | | | | | |
| | 49 | 1,2 | 0S-1588 | 5 | BOLT (3/8-16X1.25-IN) | | | | | | |
| | 50 | 1,2 | 0S-1590 | 4 | BOLT (3/8-16X2-IN) | | | | | | |
| | 51 | 1 | 0S-1591 | 4 | BOLT (3/8-16X1.5-IN) | | | | | | |
| | 52 | 1,2 | 0S-1595 | 36 | BOLT (1/2-13X1.25-IN) | | | | | | |
| | 53 | 1,2 | 119-0746 | 5 | PLUG-PIPE | | | | | | |
| | 54 | 1,2 | 3V-3308 | 29 | WASHER-HARD (10.2X20.5X2.5-MM THK) | | | | | | |
| | 55 | 2 | 5P-8245 | 6 | WASHER-HARD (13.5X25.5X3-MM THK) | | | | | | |
| M | 56 | 2 | 6V-8675 | 6 | BOLT (M12X1.75X35-MM) | | | | | | |
| | 57 | 1,2 | 8C-8491 | 72 | WASHER-HARD (10.2X22X3-MM THK) | | | | | | |
| | 58 | 1 | 8M-9024 | 3 | WASHER-HARD (10.2X22.5X5-MM THK) | | | | | | |
| | 59 | 1,2 | 9S-8752 | 14 | NUT-FULL (3/8-16-THD) | | | | | | |

AIR INLET AND EXHAUST SYSTEM

210-5735 BYPASS GP - EXHAUST (contd.)

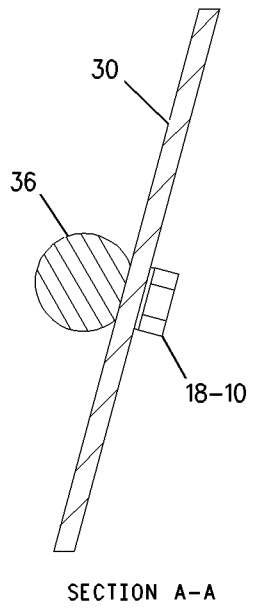
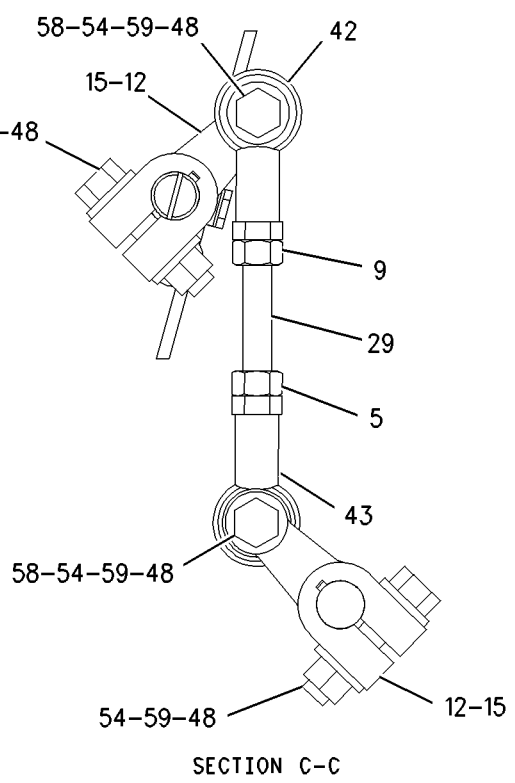
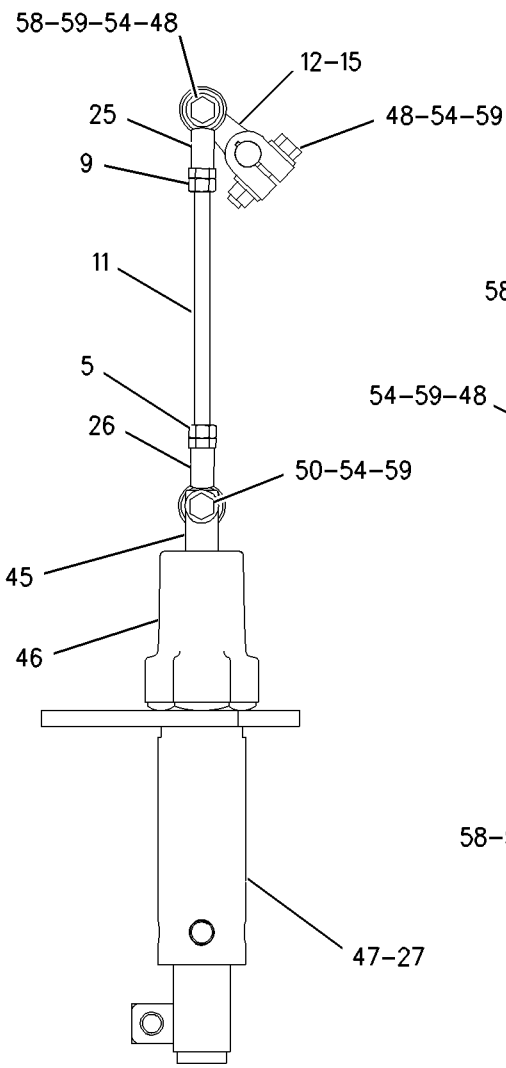
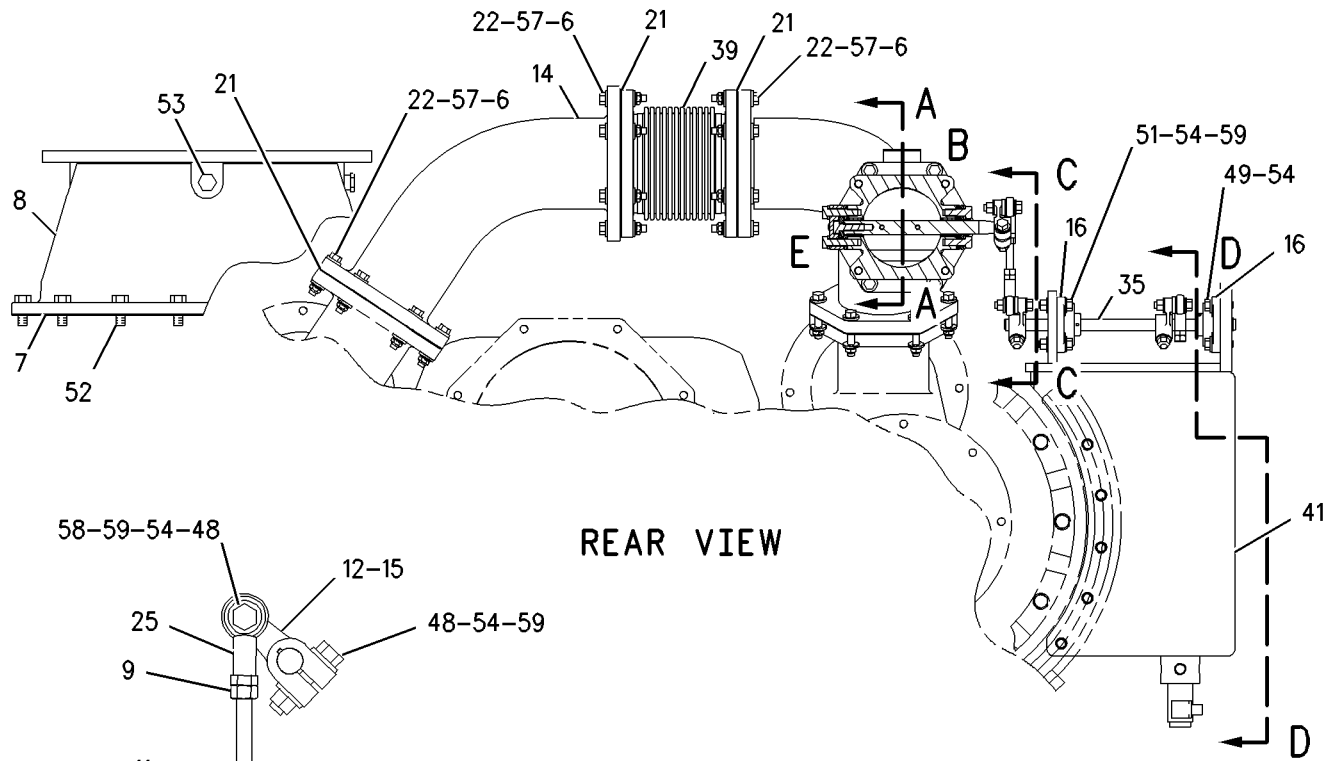
i01592842

M- METRIC PART
R- REMFG PART MAY BE AVAILABLE
Y- SEPARATE ILLUSTRATION

AIR INLET AND EXHAUST SYSTEM

210-5735 BYPASS GP - EXHAUST (contd.)

i01592842

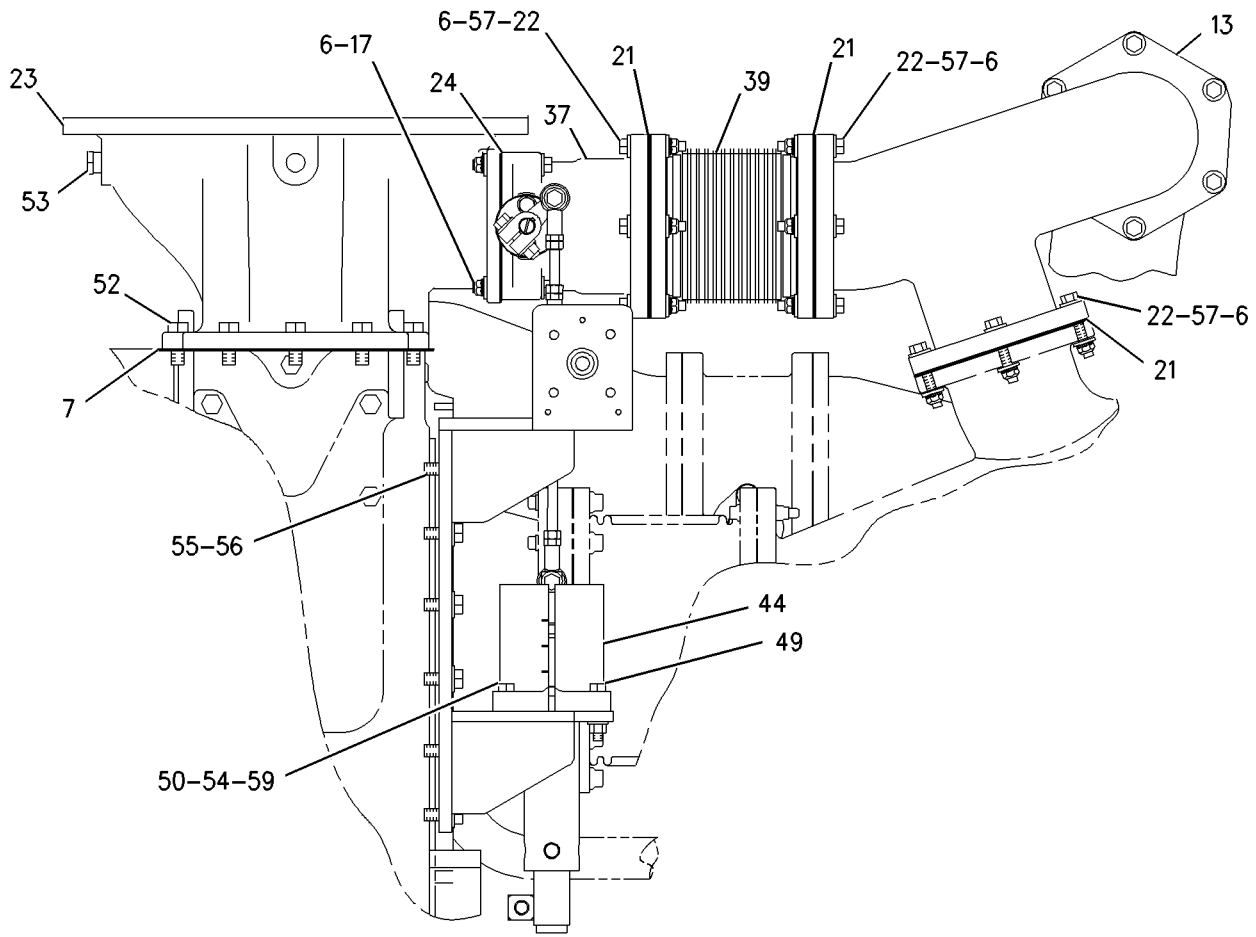


REFER TO ALL ILLUSTRATIONS OF THIS GROUP FOR AUXILIARY VIEWS

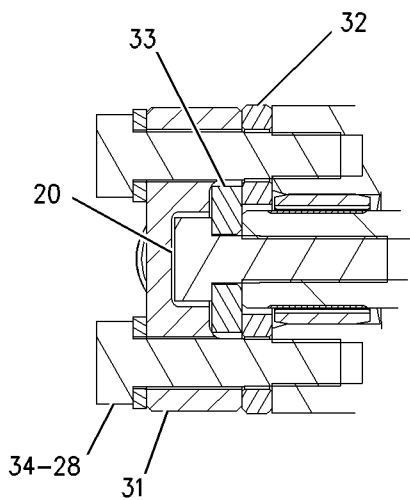
AIR INLET AND EXHAUST SYSTEM

210-5735 BYPASS GP - EXHAUST (contd.)

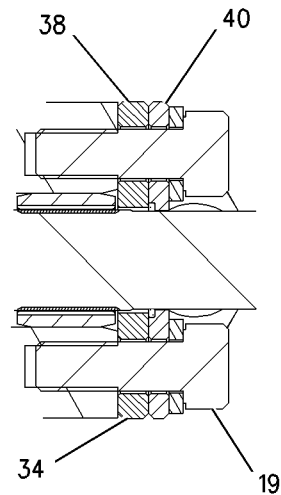
i01592842



RIGHT SIDE VIEW



VIEW OF
AREA E



VIEW OF
AREA B

GRAPHIC #2

<END>

g00826393

AIR INLET AND EXHAUST SYSTEM

210-5735 BYPASS GP - EXHAUST (CHG -01, -02) WASTEGATE

SMCS - 1057

i01884843

| NOTE | REF NO | GRAPHIC REF | PART NUMBER | QTY | PART NAME | | | | | | SEE PAGE |
|------|--------|-------------|-------------|-----|---|---|---|---|---|-------------------|----------|
| | | | | | 1 | 2 | 3 | 4 | 5 | 6 (PRODUCT LEVEL) | |
| | 5 | 1 | 1S-3584 | 2 | NUT-FULL (3/8-24 LH-THD) | | | | | | |
| | 6 | 1,2 | 2N-2766 | 40 | LOCKNUT (3/8-16-THD) | | | | | | |
| | 7 | 1,2 | 2W-0439 | 2 | GASKET | | | | | | |
| | 8 | 1 | 2W-4367 | 1 | ADAPTER-EXHAUST | | | | | | |
| | 9 | 1 | 3S-2713 | 2 | NUT-FULL (3/8-24-THD) | | | | | | |
| | 10 | 1 | 4F-2753 | 1 | LOCKNUT | | | | | | |
| | 11 | 1 | 4P-0391 | 1 | ROD | | | | | | |
| | 12 | 1 | 4P-0394 | 3 | LEVER | | | | | | |
| | 13 | 2 | 4P-7413 | 1 | ELBOW | | | | | | |
| | 14 | 1 | 4P-7414 | 1 | ELBOW | | | | | | |
| | 15 | 1 | 5H-2532 | 3 | KEY-WOODRUFF | | | | | | |
| | 16 | 1 | 5L-3291 | 2 | BEARING AS-BALL | | | | | | |
| | 17 | 2 | 5P-2755 | 4 | BOLT-HIGH TEMPERATURE (3/8-16X2.75-IN) | | | | | | |
| | 18 | 1 | 5P-9960 | 2 | BOLT (1/4-20X0.75-IN) | | | | | | |
| | 19 | 2 | 6V-1943 | 2 | BOLT-HIGH TEMPERATURE (3/8-16X1.125-IN) | | | | | | |
| | 20 | 2 | 6V-6753 | 1 | BOLT-HIGH TEMPERATURE (3/8X16X1.375-IN) | | | | | | |
| | 21 | 1,2 | 7E-0701 | 6 | GASKET | | | | | | |
| | 22 | 1,2 | 7L-6443 | 36 | BOLT-HIGH TEMPERATURE (3/8-16X2.25-IN) | | | | | | |
| | 23 | 2 | 7W-9115 | 1 | ADAPTER-EXHAUST | | | | | | |
| | 24 | 2 | 7W-9191 | 1 | GASKET | | | | | | |
| | 25 | 1 | 8C-7315 | 1 | ROD END | | | | | | |
| | 26 | 1 | 8C-7321 | 1 | ROD END | | | | | | |
| | 27 | 1 | 8H-3390 | 1 | NUT-FULL (1-1/2-12-THD) | | | | | | |
| | 28 | 2 | 8M-2295 | 2 | BOLT (3/8-16X1.625-IN) | | | | | | |
| | 29 | 1 | 039-9895 | 1 | ROD | | | | | | |
| | 30 | 1 | 102-1694 | 1 | PLATE | | | | | | |
| | 31 | 2 | 102-3457 | 1 | COVER | | | | | | |
| | 32 | 2 | 102-6309 | 1 | WASHER-THRUST | | | | | | |
| | 33 | 2 | 102-6311 | 1 | STOP | | | | | | |
| | 34 | 2 | 110-8314 | 4 | WASHER (10.3X18.3X2.66-MM THK) | | | | | | |
| | 35 | 1 | 118-4736 | 1 | SHAFT-WASTEGATE | | | | | | |
| | 36 | 1 | 119-5927 | 1 | SHAFT | | | | | | |
| | 37 | 2 | 119-5930 | 1 | HOUSING AS | | | | | | |
| | | 2 | 119-5929 | 2 | BUSHING | | | | | | |
| | 38 | 2 | 119-5931 | 1 | SPACER | | | | | | |
| | 39 | 2 | 133-8501 | 1 | COVER AS | | | | | | |
| | 40 | 1 | 141-9885 | 1 | BRACKET AS | | | | | | |
| | 41 | 2 | 176-3583 | 2 | GUARD | | | | | | |
| | 42 | 1 | 176-3587 | 1 | CLEVIS | | | | | | |
| | 43 | 1 | 193-7879 | 1 | BOOT | | | | | | |
| YR | 44 | 1 | 211-8175 | 1 | ACTUATOR GP-ELECTRONIC | | | | | | 472 |
| | 45 | 1,2 | 222-4718 | 2 | BELLOWS AS | | | | | | |
| | 46 | 1 | 0S-1571 | 6 | BOLT (3/8-16X1.75-IN) | | | | | | |
| | 47 | 1,2 | 0S-1588 | 5 | BOLT (3/8-16X1.25-IN) | | | | | | |
| | 48 | 1,2 | 0S-1590 | 4 | BOLT (3/8-16X2-IN) | | | | | | |
| | 49 | 1 | 0S-1591 | 4 | BOLT (3/8-16X1.5-IN) | | | | | | |
| | 50 | 1,2 | 0S-1595 | 36 | BOLT (1/2-13X1.25-IN) | | | | | | |
| | 51 | 1,2 | 119-0746 | 5 | PLUG-PIPE | | | | | | |
| | 52 | 1 | 225-3769 | 1 | ROD END | | | | | | |
| | 53 | 1 | 225-3770 | 1 | ROD END | | | | | | |
| | 54 | 1,2 | 3V-3308 | 29 | WASHER-HARD (10.2X20.5X2.5-MM THK) | | | | | | |
| | 55 | 2 | 5P-8245 | 6 | WASHER-HARD (13.5X25.5X3-MM THK) | | | | | | |
| M | 56 | 2 | 6V-8675 | 6 | BOLT (M12X1.75X35-MM) | | | | | | |
| | 57 | 1,2 | 8C-8491 | 72 | WASHER-HARD (10.2X22X3-MM THK) | | | | | | |
| | 58 | 1 | 8M-9024 | 3 | WASHER-HARD (10.2X22.5X5-MM THK) | | | | | | |
| | 59 | 1,2 | 9S-8752 | 14 | NUT-FULL (3/8-16-THD) | | | | | | |

AIR INLET AND EXHAUST SYSTEM

210-5735 BYPASS GP - EXHAUST (contd.)

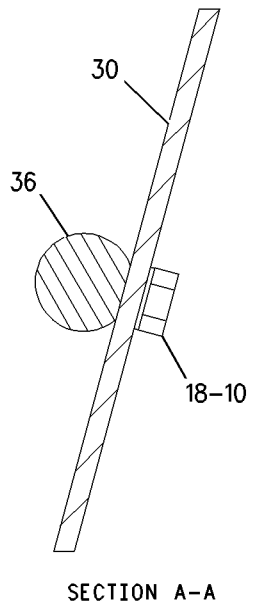
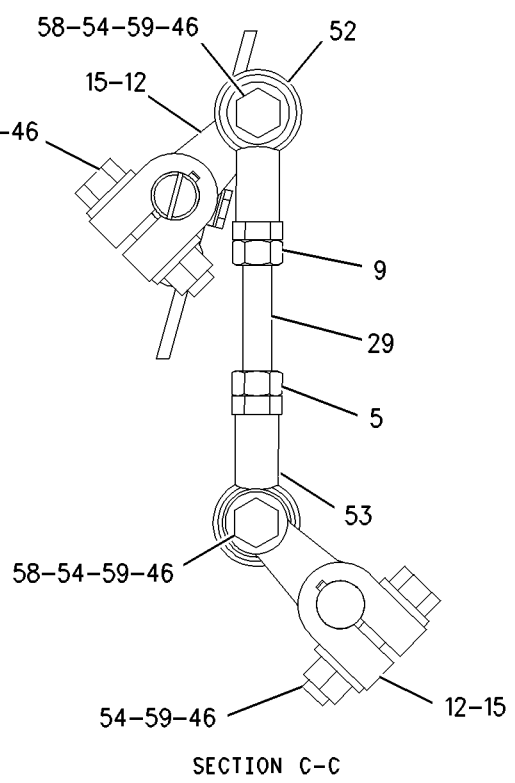
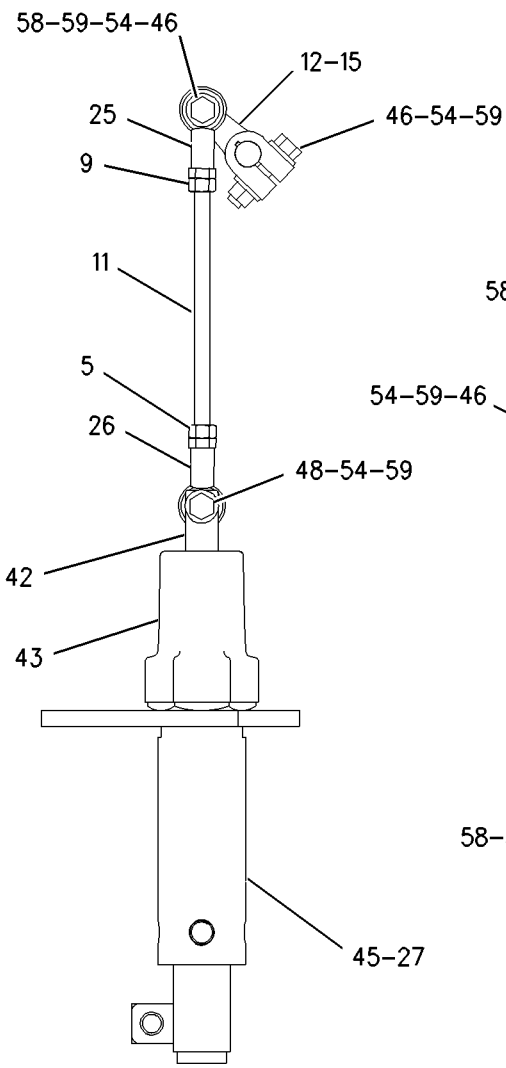
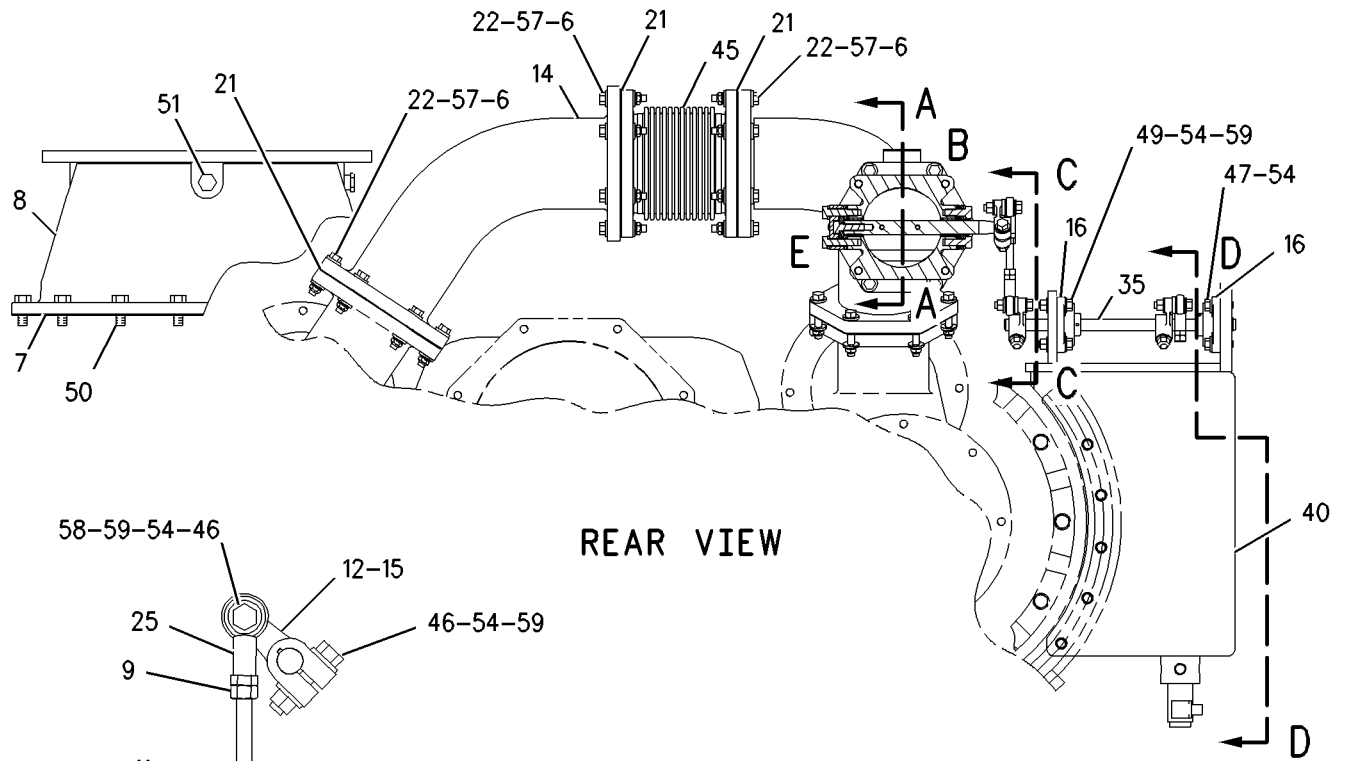
i01884843

M- METRIC PART
R- REMFG PART MAY BE AVAILABLE
Y- SEPARATE ILLUSTRATION

AIR INLET AND EXHAUST SYSTEM

210-5735 BYPASS GP - EXHAUST (contd.)

i01884843



REFER TO ALL ILLUSTRATIONS OF THIS GROUP FOR AUXILIARY VIEWS

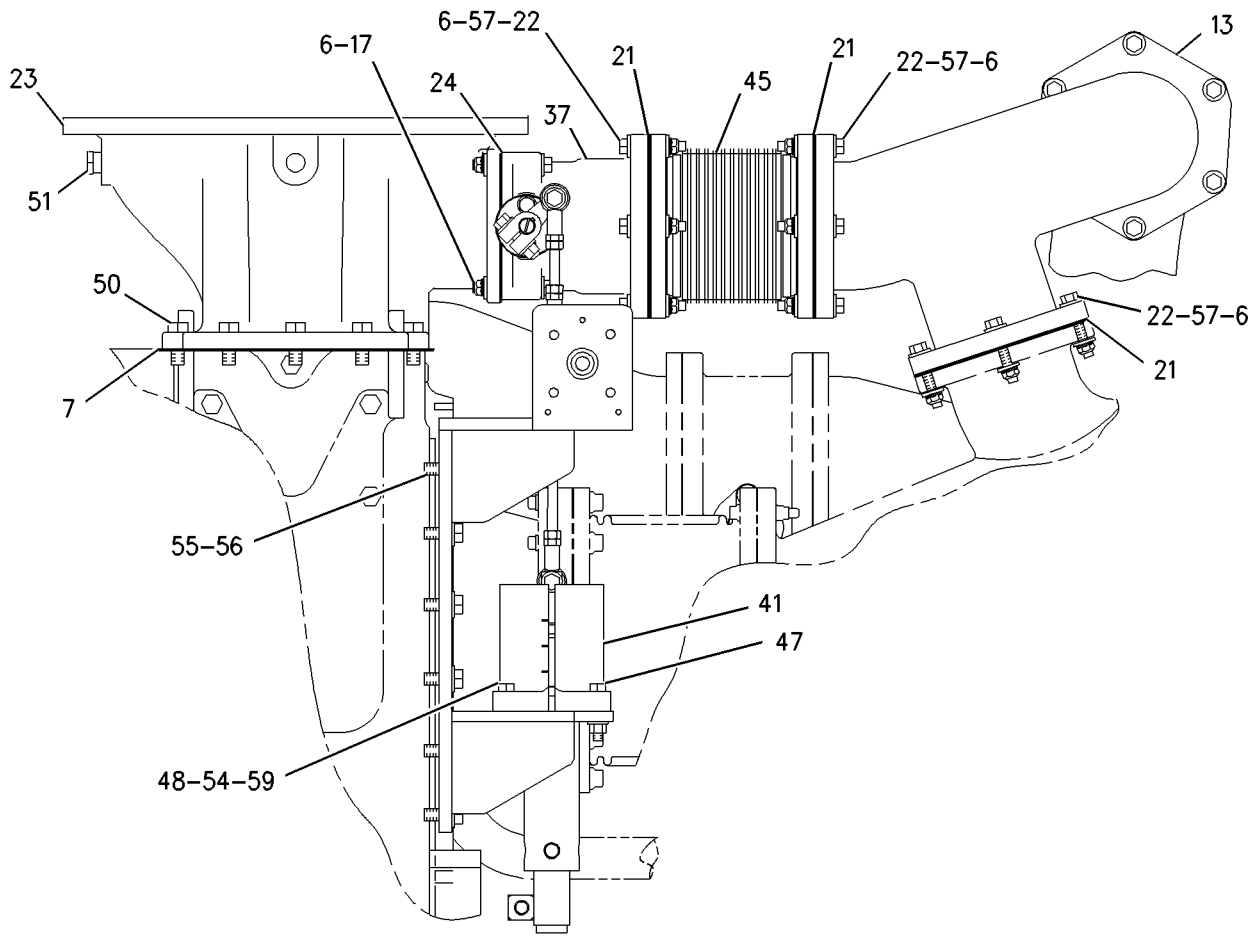
GRAPHIC #1

g00976471

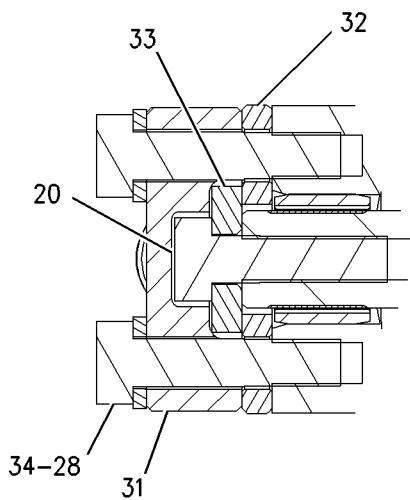
AIR INLET AND EXHAUST SYSTEM

210-5735 BYPASS GP - EXHAUST (contd.)

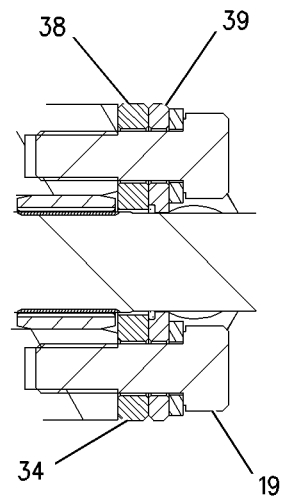
i01884843



RIGHT SIDE VIEW



VIEW OF
AREA E



VIEW OF
AREA B

GRAPHIC #2

<END>

g00976472

AIR INLET AND EXHAUST SYSTEM

116-2808 CARTRIDGE GP - TURBOCHARGER (CHG -00 THRU -02) PART OF 106-9709, 4P-6746 TURBOCHARGER GP

SMCS - 1053

i02247174

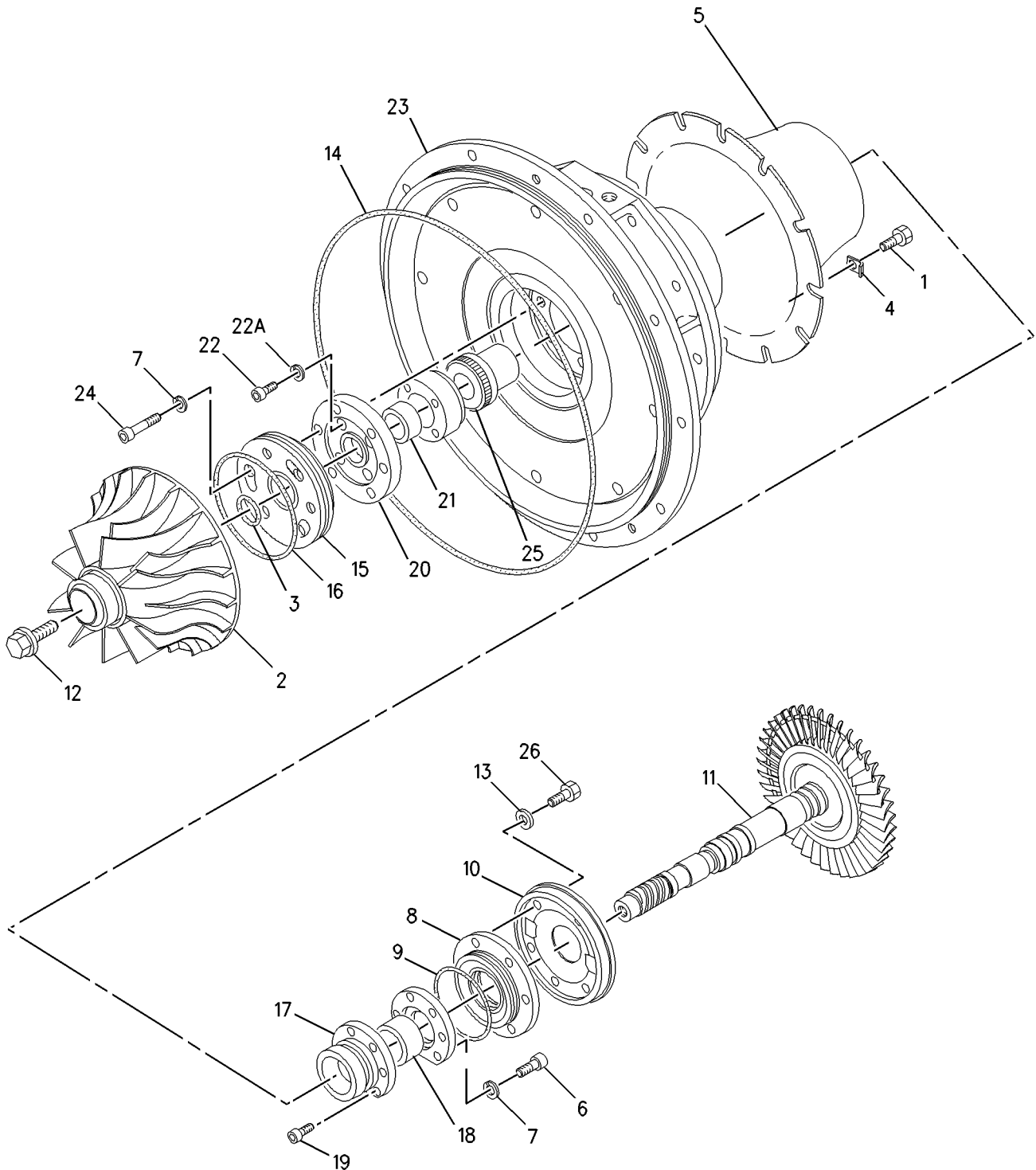
| NOTE | REF NO | GRAPHIC REF | PART NUMBER | QTY | PART NAME | | | | | | SEE PAGE |
|------|--------|-------------|-------------|-----|---------------------------------------|---|---|---|---|-------------------|----------|
| | | | | | 1 | 2 | 3 | 4 | 5 | 6 (PRODUCT LEVEL) | |
| M | 1 | 1 | 100-6772 | 12 | BOLT-HIGH TEMPERATURE (M8X1.25X16-MM) | | | | | | |
| | 2 | 1 | 7W-5415 | 1 | WHEEL AS-COMPRESSOR | | | | | | |
| | 3 | 1 | 4W-8564 | 1 | RING-SEAL | | | | | | |
| | 4 | 1 | 4W-8573 | 12 | PLATE-LOCK (0.8-MM THK) | | | | | | |
| | 5 | 1 | 4P-0372 | 1 | CONE-AIR | | | | | | |
| M | 6 | 1 | 8T-1159 | 3 | BOLT-SOCKET HEAD (M10X1.5X25-MM) | | | | | | |
| | 7 | 1 | 3B-4507 | 9 | LOCKWASHER | | | | | | |
| | 8 | 1 | 4W-7961 | 1 | COVER AS | | | | | | |
| | 9 | 1 | 4W-9032 | 1 | SEAL-O-RING | | | | | | |
| | 10 | 1 | 4P-0307 | 1 | DISC-COVER | | | | | | |
| | 11 | 1 | 116-2809 | 1 | SHAFT AS-TURBINE | | | | | | |
| | | 1 | 4W-8564 | 1 | RING-SEAL | | | | | | |
| M | 12 | 1 | 4W-9030 | 1 | BOLT (M18X1.5X31-MM) | | | | | | |
| | | 1 | 4W-8926 | 1 | WASHER (18.3X40X3.15-MM THK) | | | | | | |
| | 13 | 1 | 4W-8572 | 3 | PLATE-LOCK (1-MM THK) | | | | | | |
| | 14 | 1 | 4W-9033 | 1 | SEAL-O-RING | | | | | | |
| | 15 | 1 | 4W-8683 | 1 | COVER AS | | | | | | |
| | 16 | 1 | 4W-9031 | 1 | SEAL-O-RING | | | | | | |
| | 17 | 1 | 4W-9293 | 1 | BEARING AS (TURBINE) | | | | | | |
| | 18 | 1 | 4W-8927 | 1 | BUSHING-TERMINAL | | | | | | |
| M | 19 | 1 | 8T-0267 | 3 | BOLT-SOCKET HEAD (M6X1X12-MM) | | | | | | |
| | 20 | 1 | 4W-8561 | 1 | BEARING AS-COMPRESSOR | | | | | | |
| | 21 | 1 | 4W-8928 | 1 | BUSHING-TERMINAL | | | | | | |
| M | 22 | 1 | 8T-0267 | 4 | BOLT-SOCKET HEAD (M6X1X12-MM) | | | | | | |
| | 22A | 1 | 3B-4504 | 4 | LOCKWASHER | | | | | | |
| | 23 | 1 | 130-0073 | 1 | HOUSING-BEARING | | | | | | |
| M | 24 | 1 | 8T-1160 | 6 | BOLT-SOCKET HEAD (M10X1.5X50-MM) | | | | | | |
| | 25 | 1 | 7C-3348 | 1 | BEARING-THRUST | | | | | | |
| M | 26 | 1 | 8C-8581 | 3 | BOLT-HIGH TEMPERATURE (M10X1.5X30-MM) | | | | | | |

M-METRIC PART

AIR INLET AND EXHAUST SYSTEM

116-2808 CARTRIDGE GP -TURBOCHARGER (contd.)

i02247174



GRAPHIC #1

<END>

g00866150

AIR INLET AND EXHAUST SYSTEM

116-2820 CARTRIDGE GP - TURBOCHARGER (CHG -00, -01) PART OF 111-5720 TURBOCHARGER GP

SMCS - 1053

i01923133

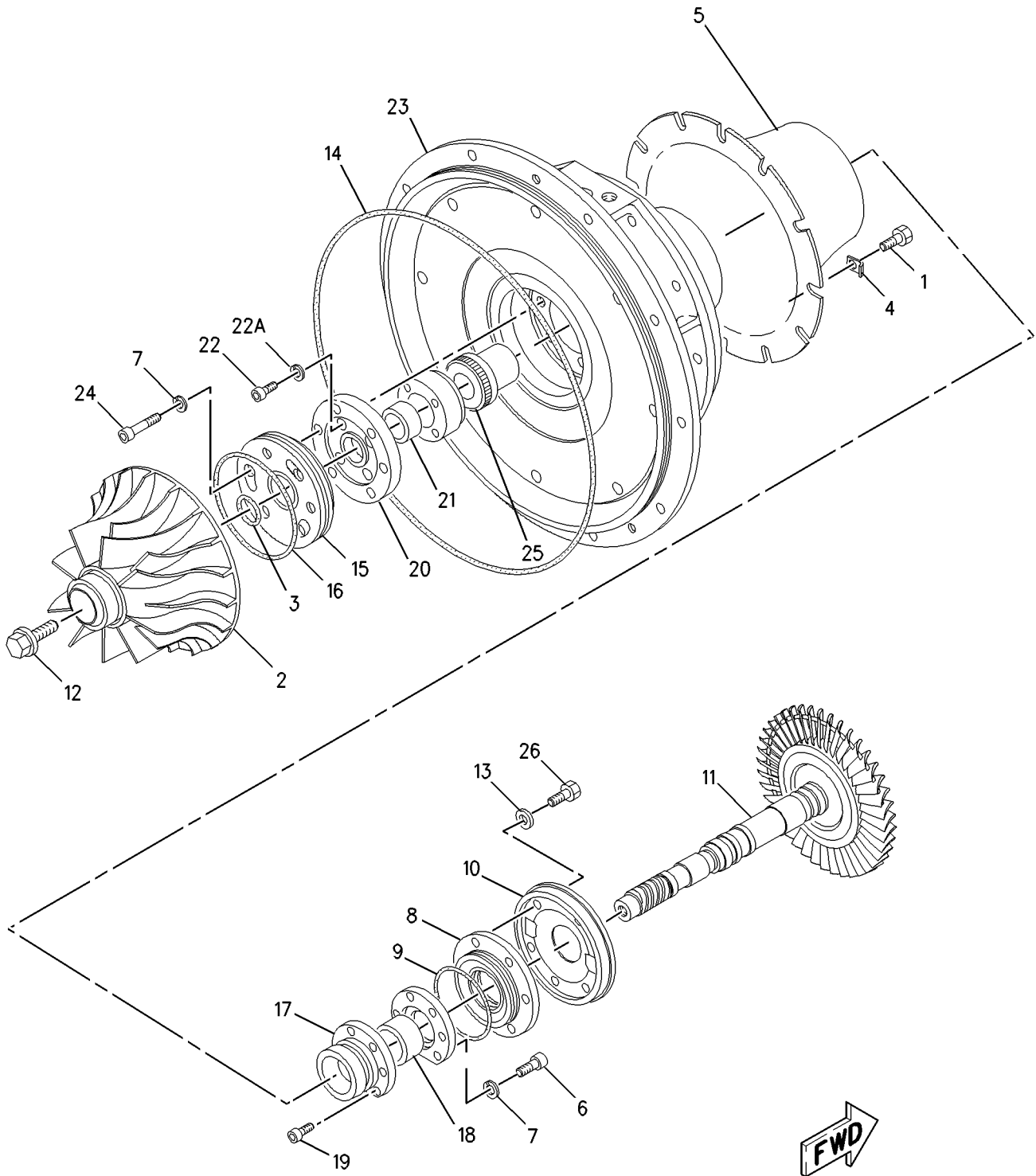
| NOTE | REF NO | GRAPHIC REF | PART NUMBER | QTY | PART NAME | | | | | | SEE PAGE |
|------|--------|-------------|-------------|-----|---------------------------------------|---|---|---|---|-------------------|----------|
| | | | | | 1 | 2 | 3 | 4 | 5 | 6 (PRODUCT LEVEL) | |
| M | 1 | 1 | 100-6772 | 12 | BOLT-HIGH TEMPERATURE (M8X1.25X16-MM) | | | | | | |
| | 2 | 1 | 7W-0341 | 1 | WHEEL AS-COMPRESSOR | | | | | | |
| | 3 | 1 | 4W-8564 | 1 | RING-SEAL | | | | | | |
| | 4 | 1 | 4W-8573 | 12 | PLATE-LOCK (0.8-MM THK) | | | | | | |
| | 5 | 1 | 4P-0372 | 1 | CONE-AIR | | | | | | |
| M | 6 | 1 | 8T-1159 | 3 | BOLT-SOCKET HEAD (M10X1.5X25-MM) | | | | | | |
| | 7 | 1 | 3B-4507 | 9 | LOCKWASHER | | | | | | |
| | 8 | 1 | 4W-7961 | 1 | COVER AS | | | | | | |
| | 9 | 1 | 4W-9032 | 1 | SEAL-O-RING | | | | | | |
| | 10 | 1 | 4P-0307 | 1 | DISC-COVER | | | | | | |
| | 11 | 1 | 116-2809 | 1 | SHAFT AS-TURBINE | | | | | | |
| | | 1 | 4W-8564 | 1 | RING-SEAL | | | | | | |
| M | 12 | 1 | 4W-9030 | 1 | BOLT (M18X1.5X31-MM) | | | | | | |
| | | 1 | 4W-8926 | 1 | WASHER (18.3X40X3.15-MM THK) | | | | | | |
| | 13 | 1 | 4W-8572 | 3 | PLATE-LOCK (1-MM THK) | | | | | | |
| | 14 | 1 | 4W-9033 | 1 | SEAL-O-RING | | | | | | |
| | 15 | 1 | 4W-8683 | 1 | COVER AS | | | | | | |
| | 16 | 1 | 4W-9031 | 1 | SEAL-O-RING | | | | | | |
| | 17 | 1 | 4W-9293 | 1 | BEARING AS (TURBINE) | | | | | | |
| | 18 | 1 | 4W-8927 | 1 | BUSHING-TERMINAL | | | | | | |
| M | 19 | 1 | 8T-0267 | 3 | BOLT-SOCKET HEAD (M6X1X12-MM) | | | | | | |
| | 20 | 1 | 4W-8561 | 1 | BEARING AS-COMPRESSOR | | | | | | |
| | 21 | 1 | 4W-8928 | 1 | BUSHING-TERMINAL | | | | | | |
| M | 22 | 1 | 8T-0267 | 4 | BOLT-SOCKET HEAD (M6X1X12-MM) | | | | | | |
| | 22A | 1 | 3B-4504 | 4 | LOCKWASHER | | | | | | |
| | 23 | 1 | 130-0073 | 1 | HOUSING-BEARING | | | | | | |
| M | 24 | 1 | 8T-1160 | 6 | BOLT-SOCKET HEAD (M10X1.5X50-MM) | | | | | | |
| | 25 | 1 | 7C-3348 | 1 | BEARING-THRUST | | | | | | |
| M | 26 | 1 | 8C-8581 | 3 | BOLT-HIGH TEMPERATURE (M10X1.5X30-MM) | | | | | | |

M-METRIC PART

AIR INLET AND EXHAUST SYSTEM

116-2820 CARTRIDGE GP -TURBOCHARGER (contd.)

i01923133



GRAPHIC #1

<END>

g01000833

AIR INLET AND EXHAUST SYSTEM

159-1112 CLEANER GP - TURBOCHARGER (CHG -00 THRU -02, -02D1) DRY CLEANING

SMCS - 1052

i01588300

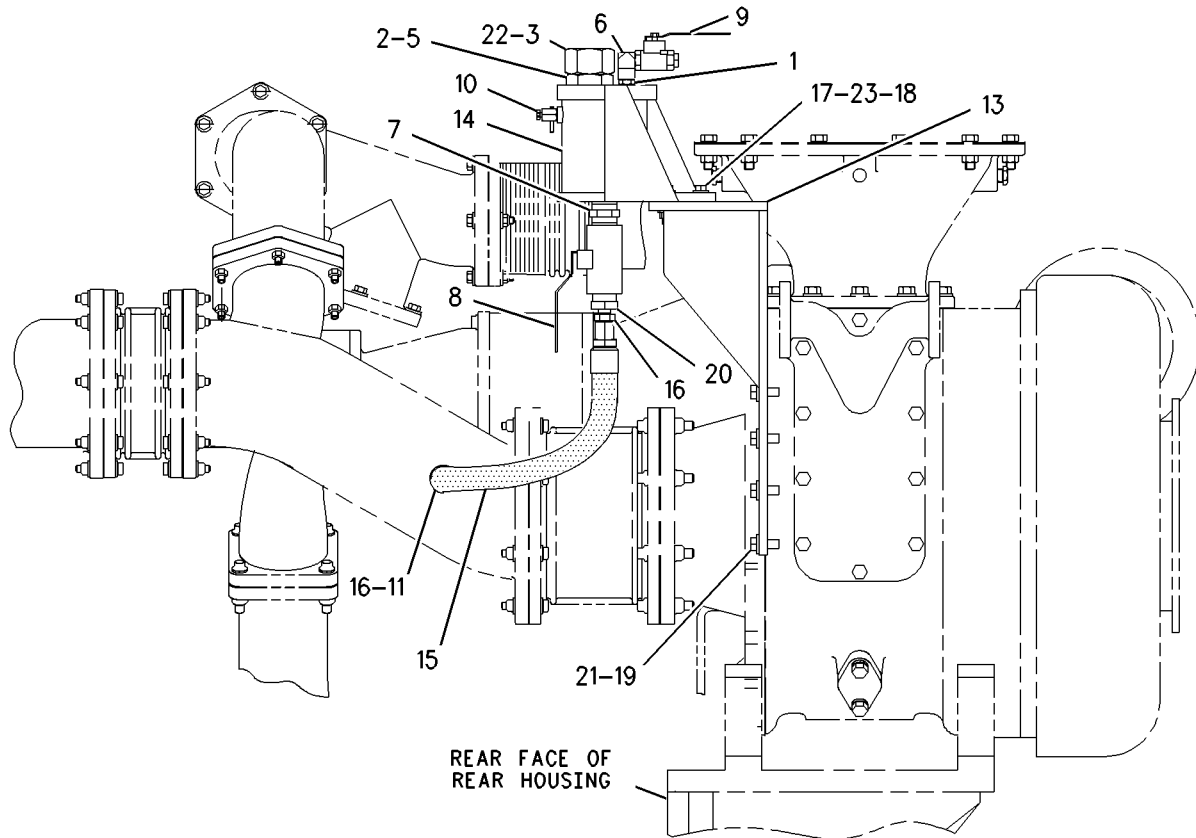
| NOTE | REF NO | GRAPHIC REF | PART NUMBER | QTY | PART NAME | | | | | | SEE PAGE |
|------|--------|-------------|-------------|-----|------------------------------------|---|---|---|---|-------------------|----------|
| | | | | | 1 | 2 | 3 | 4 | 5 | 6 (PRODUCT LEVEL) | |
| | 1 | 1 | 5S-2403 | 2 | FITTING | | | | | | |
| | 2 | 1 | 6K-6307 | 2 | SEAL-O-RING | | | | | | |
| | 3 | 1 | 8C-0604 | 2 | CAP AS | | | | | | |
| | 5 | 1 | 8T-7926 | 2 | CONNECTOR | | | | | | |
| | 6 | 1 | 003-2143 | 2 | ELBOW | | | | | | |
| | 7 | 1 | 005-8615 | 2 | NIPPLE-PIPE | | | | | | |
| | 8 | 1 | 120-6843 | 2 | VALVE-BALL | | | | | | |
| | 9 | 1 | 120-6844 | 2 | VALVE-BALL | | | | | | |
| | 10 | 1 | 120-6845 | 2 | VALVE AS-PURGE | | | | | | |
| | 11 | 1 | 133-7389 | 2 | ADAPTER | | | | | | |
| | 12 | 1 | 154-7272 | 1 | BRACKET AS | | | | | | |
| | 13 | 1 | 156-5201 | 1 | BRACKET AS | | | | | | |
| | 14 | 1 | 160-0413 | 2 | CONTAINER AS | | | | | | |
| | 15 | 1 | 204-3440 | 2 | HOSE AS | | | | | | |
| | 16 | 1 | 001-7004 | 4 | FITTING-FLARED | | | | | | |
| | 17 | 1 | 0S-1571 | 8 | BOLT (3/8-16X1.75-IN) | | | | | | |
| | 18 | 1 | 3V-3308 | 16 | WASHER-HARD (10.2X20.5X2.5-MM THK) | | | | | | |
| | 19 | 1 | 5P-8245 | 10 | WASHER-HARD (13.5X25.5X3-MM THK) | | | | | | |
| | 20 | 1 | 6B-1628 | 2 | BUSHING-REDUCING | | | | | | |
| M | 21 | 1 | 6V-3668 | 10 | BOLT (M12X1.75X30-MM) | | | | | | |
| | 22 | 1 | 8T-0315 | 2 | SEAL-O-RING | | | | | | |
| | 23 | 1 | 9S-8752 | 8 | NUT-FULL (3/8-16-THD) | | | | | | |

M - METRIC PART

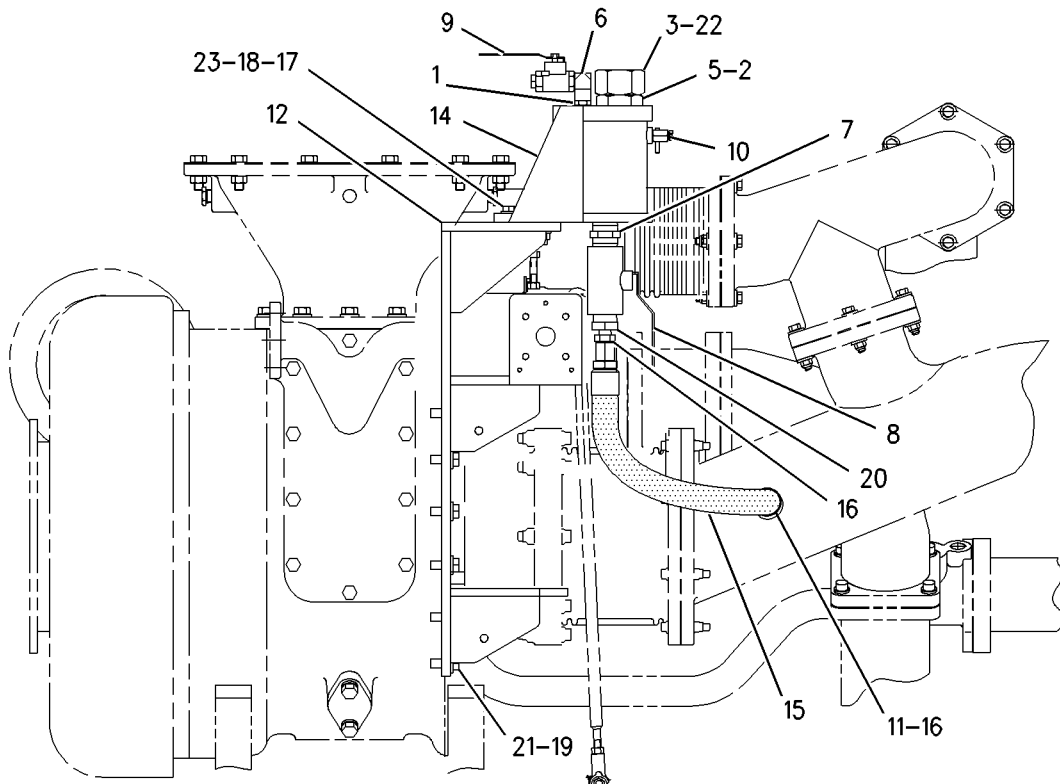
AIR INLET AND EXHAUST SYSTEM

159-1112 CLEANER GP - TURBOCHARGER (contd.)

i01588300



LEFT SIDE VIEW



RIGHT SIDE VIEW

GRAPHIC #1

<END>

g00823896

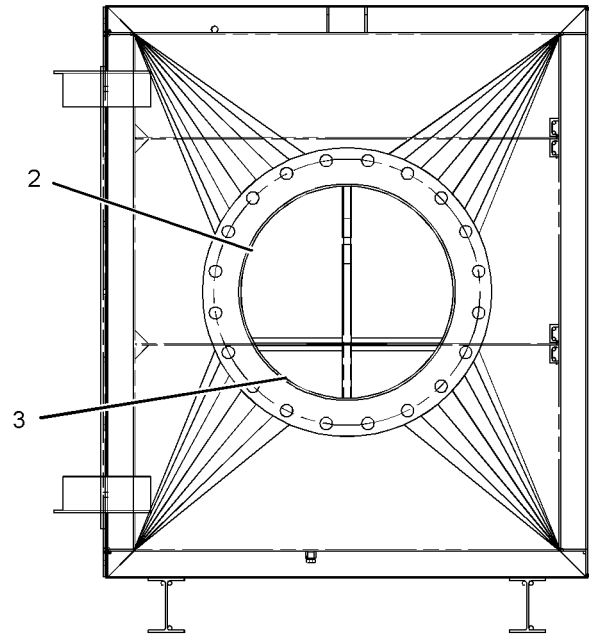
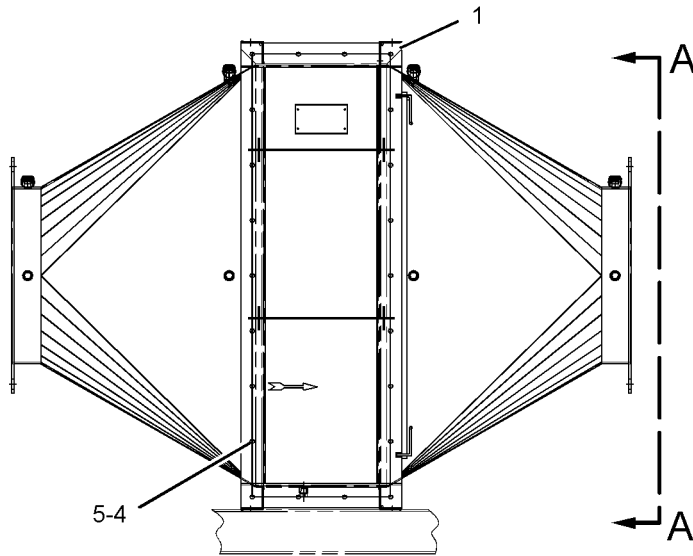
AIR INLET AND EXHAUST SYSTEM

249-0477 CONVERTER GP-CATALYTIC (CHG -00 THRU -02)

SMCS-1091

i02193919

| NOTE | REF NO | GRAPHIC REF | PART NUMBER | QTY | PART NAME | | | | | | SEE PAGE |
|------|--------|-------------|-------------|-----|----------------------|---|---|---|---|-------------------|----------|
| | | | | | 1 | 2 | 3 | 4 | 5 | 6 (PRODUCT LEVEL) | |
| | 1 | 1 | 249-0422 | 1 | HOUSING AS | | | | | | |
| | 2 | 1 | 249-0377 | 8 | CATALYST (OXIDATION) | | | | | | |
| | 3 | 1 | 249-0375 | 4 | CATALYST (OXIDATION) | | | | | | |
| | 4 | 1 | 5P-2566 | 18 | BOLT (1/2-13X1.5-IN) | | | | | | |
| | 5 | 1 | 6V-8188 | 18 | NUT (1/2-13 THD) | | | | | | |



VIEW A-A

GRAPHIC #1

<END>

g01086397

AIR INLET AND EXHAUST SYSTEM

130-8130 CORE AS-AFTERCooler (CHG -08)

TWO STAGE

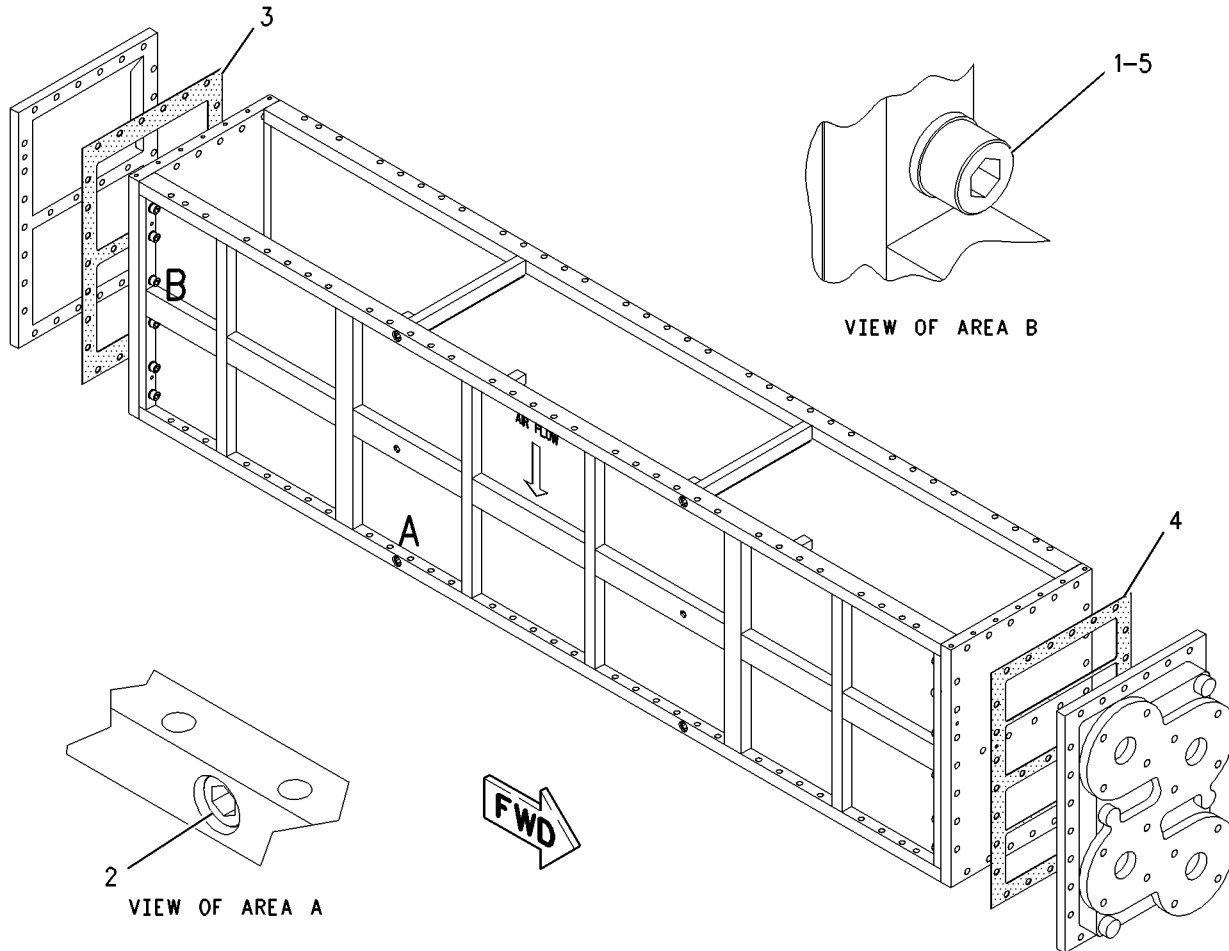
PART OF 131-0525 AFTERCooler GP-WATER

SMCS-1063, 1064

i02419938

| NOTE | REF NO | GRAPHIC REF | PART NUMBER | QTY | PART NAME | | | | | | SEE PAGE |
|------|--------|-------------|-----------------|-----|------------------------------------|---|---|---|---|-------------------|----------|
| | | | | | 1 | 2 | 3 | 4 | 5 | 6 (PRODUCT LEVEL) | |
| M | 1 | 1 | 8T-0271 | 24 | BOLT-SOCKET HEAD (M10X1.5X35-MM) | | | | | | |
| M | 2 | 1 | 8T-0273 | 12 | BOLT-SOCKET HEAD (M12X1.75X40-MM) | | | | | | |
| | 3 | 1 | 170-6504 | 1 | GASKET-FRONT | | | | | | |
| | 4 | 1 | 170-6505 | 1 | GASKET-REAR | | | | | | |
| | 5 | 1 | 8T-4896 | 24 | WASHER-HARD (10.2X18.5X2.5-MM THK) | | | | | | |

M-METRIC PART



GRAPHIC #1

<END>

g00954390

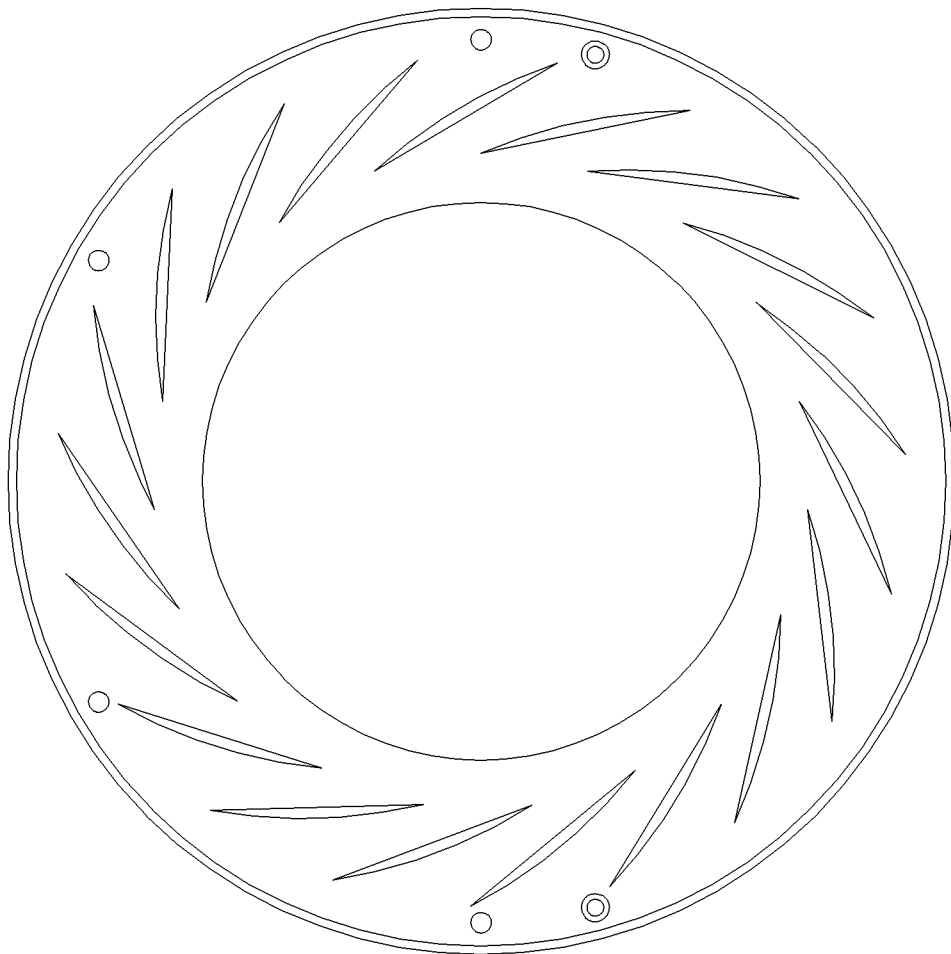
AIR INLET AND EXHAUST SYSTEM

4P-6077 DIFFUSER (CHG -00) PART OF 106-9709 TURBOCHARGER GP

SMCS-1052

i01387506

| NOTE | REF NO | GRAPHIC REF | PART NUMBER | QTY | PART NAME | | | | | | SEE PAGE |
|---------------------|--------|-------------|-------------|-----|-----------|---|---|---|---|-------------------|----------|
| | | | | | 1 | 2 | 3 | 4 | 5 | 6 (PRODUCT LEVEL) | |
| (NO SERVICED PARTS) | | | | | | | | | | | |



GRAPHIC #1

<END>

g00732246

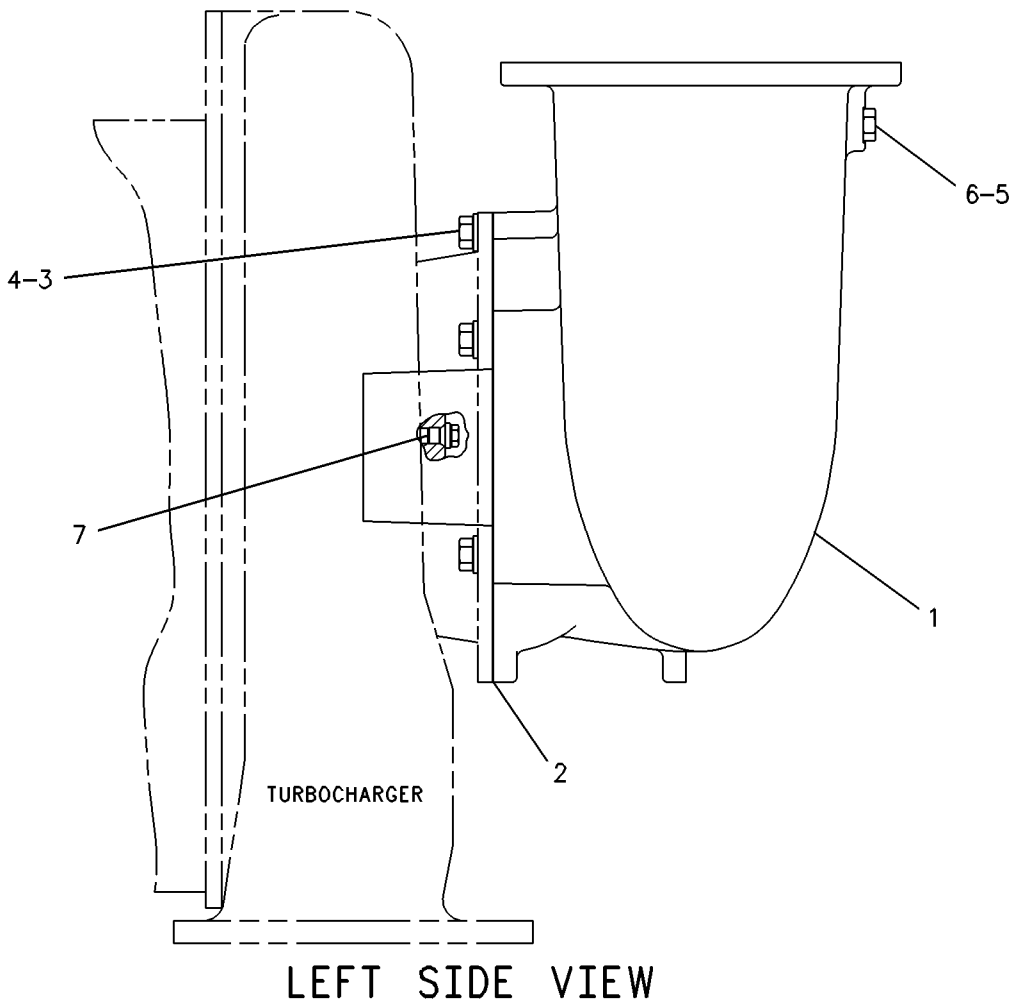
AIR INLET AND EXHAUST SYSTEM

105-3180 ELBOW GP-AIR INLET (CHG -00 THRU -03, -03D1, -03D2, -03D3, -03D4, -03D5)

SMCS-1087

i01551362

| NOTE | REF NO | GRAPHIC REF | PART NUMBER | QTY | PART NAME | | | | | | SEE PAGE |
|------|--------|-------------|-------------|-----|----------------------------------|---|---|---|---|-------------------|----------|
| | | | | | 1 | 2 | 3 | 4 | 5 | 6 (PRODUCT LEVEL) | |
| | 1 | 1 | 130-6259 | 1 | ELBOW | | | | | | |
| | 2 | 1 | 1W-9823 | 1 | GASKET | | | | | | |
| | 3 | 1 | 030-8538 | 5 | BOLT (1/2-13X1.25-IN) | | | | | | |
| | 4 | 1 | 5P-8245 | 5 | WASHER-HARD (13.5X25.5X3-MM THK) | | | | | | |
| | 5 | 1 | 6V-5049 | 2 | SEAL-O-RING | | | | | | |
| | 6 | 1 | 9S-4191 | 2 | PLUG-O-RING | | | | | | |
| | 7 | 1 | 4W-9028 | 1 | PLUG | | | | | | |



GRAPHIC #1

<END>

g00065602

AIR INLET AND EXHAUST SYSTEM

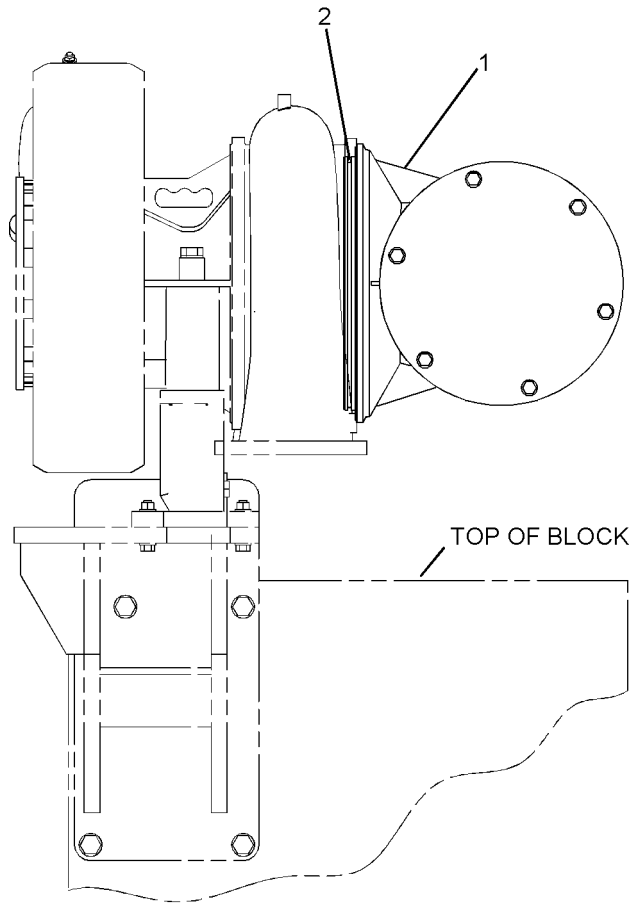
145-5660 ELBOW GP-AIR INLET (CHG -00 THRU -03)

SMCS-1087

i02251030

| NOTE | REF NO | GRAPHIC REF | PART NUMBER | QTY | PART NAME | | | | | | SEE PAGE |
|------|--------|-------------|-------------|-----|--------------------|---|---|---|---|-------------------|----------|
| | | | | | 1 | 2 | 3 | 4 | 5 | 6 (PRODUCT LEVEL) | |
| Y | 1 | 1 | 258-8007 | 1 | ELBOW GP-AIR INLET | | | | | | 392 |
| | 2 | 1 | 118-7536 | 1 | SEAL-O-RING | | | | | | |

Y-SEPARATE ILLUSTRATION



REAR VIEW
<END>

GRAPHIC #1

g01133819

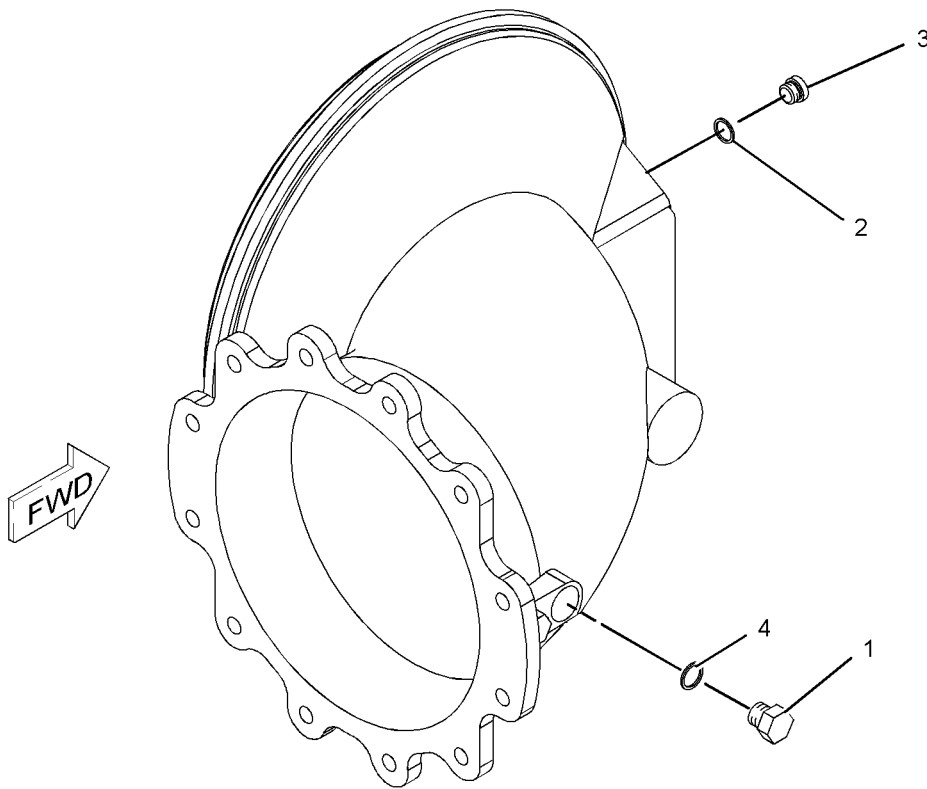
AIR INLET AND EXHAUST SYSTEM

258-8007 ELBOW GP-AIR INLET (CHG -00, -01) PART OF 145-5660 ELBOW GP-AIR INLET

SMCS-1087

i02250990

| NOTE | REF NO | GRAPHIC REF | PART NUMBER | QTY | PART NAME | | | | | | SEE PAGE |
|------|--------|-------------|-----------------|-----|------------------------------------|---|---|---|---|-------------------|----------|
| | | | | | 1 | 2 | 3 | 4 | 5 | 6 (PRODUCT LEVEL) | |
| | 1 | 1 | 3E-2331 | 2 | PLUG | | | | | | |
| | 2 | 1 | 098-5800 | 1 | WASHER-COPPER (16.2X20X1.5-MM THK) | | | | | | |
| | 3 | 1 | 137-4857 | 1 | PLUG | | | | | | |
| | 4 | 1 | 151-2115 | 2 | WASHER-COPPER (18X22X1.5-MM THK) | | | | | | |



GRAPHIC #1

<END>

g01134591

AIR INLET AND EXHAUST SYSTEM

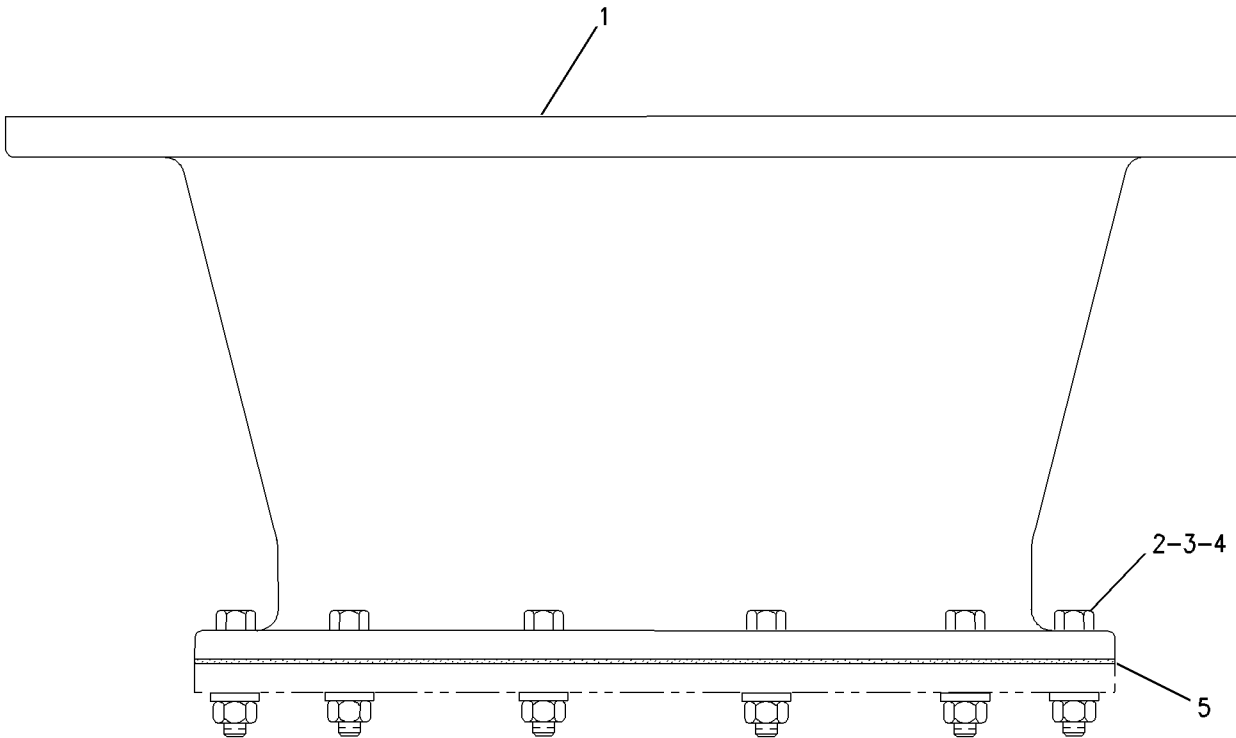
2W-2681 FITTING GP-EXHAUST (CHG -02 THRU -06) EXPANDER

SMCS-1061

i01552713

| NOTE | REF NO | GRAPHIC REF | PART NUMBER | QTY | PART NAME | | | | | | SEE PAGE |
|------|--------|-------------|-----------------|-----|----------------------------------|---|---|---|---|-------------------|----------|
| | | | | | 1 | 2 | 3 | 4 | 5 | 6 (PRODUCT LEVEL) | |
| | 1 | 1 | 2W-3031 | 1 | FITTING-EXHAUST | | | | | | |
| | 2 | 1 | 9X-8873 | 12 | BOLT (1/2-13X2.25-IN) | | | | | | |
| | 3 | 1 | 5P-8245 | 24 | WASHER-HARD (13.5X25.5X3-MM THK) | | | | | | |
| | 4 | 1 | 1B-5357 | 12 | NUT-FULL (1/2-13-THD) | | | | | | |
| C | 5 | 1 | 111-5822 | 1 | GASKET-EXHAUST | | | | | | |

C- CHANGE FROM PREVIOUS TYPE



MOUNTED TO FLEXIBLE
EXHAUST FITTING

GRAPHIC #1

<END>

g00697435

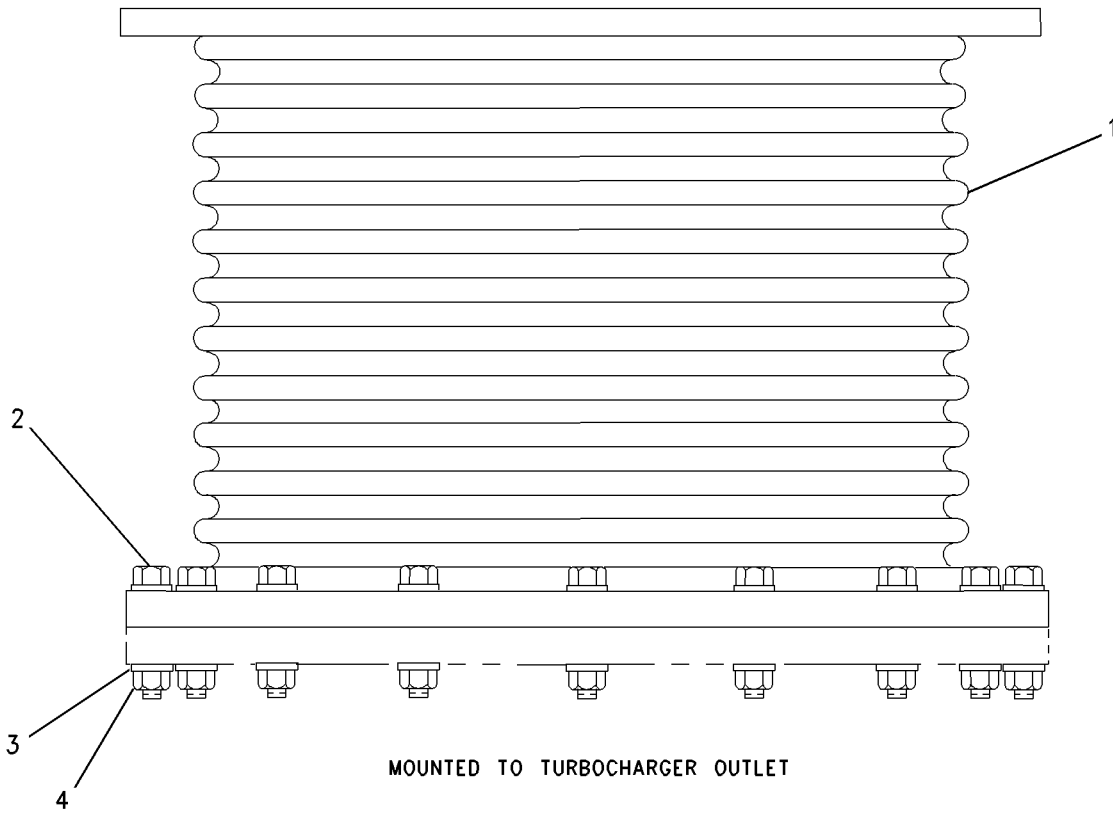
AIR INLET AND EXHAUST SYSTEM

2W-7889 FITTING GP-EXHAUST (CHG -02 THRU -07) FLEXIBLE, SIZE-18M

SMCS-1061

i02417260

| NOTE | REF NO | GRAPHIC REF | PART NUMBER | QTY | PART NAME | | | | | | SEE PAGE |
|------|--------|-------------|-------------|-----|----------------------------------|---|---|---|---|-------------------|----------|
| | | | | | 1 | 2 | 3 | 4 | 5 | 6 (PRODUCT LEVEL) | |
| | 1 | 1 | 208-9471 | 1 | BELLOWS AS | | | | | | |
| | 2 | 1 | 9X-8873 | 16 | BOLT (1/2-13X2.25-IN) | | | | | | |
| | 3 | 1 | 5P-8245 | 32 | WASHER-HARD (13.5X25.5X3-MM THK) | | | | | | |
| | 4 | 1 | 1B-5357 | 16 | NUT-FULL (1/2-13-THD) | | | | | | |



GRAPHIC #1

<END>

g00816917

AIR INLET AND EXHAUST SYSTEM

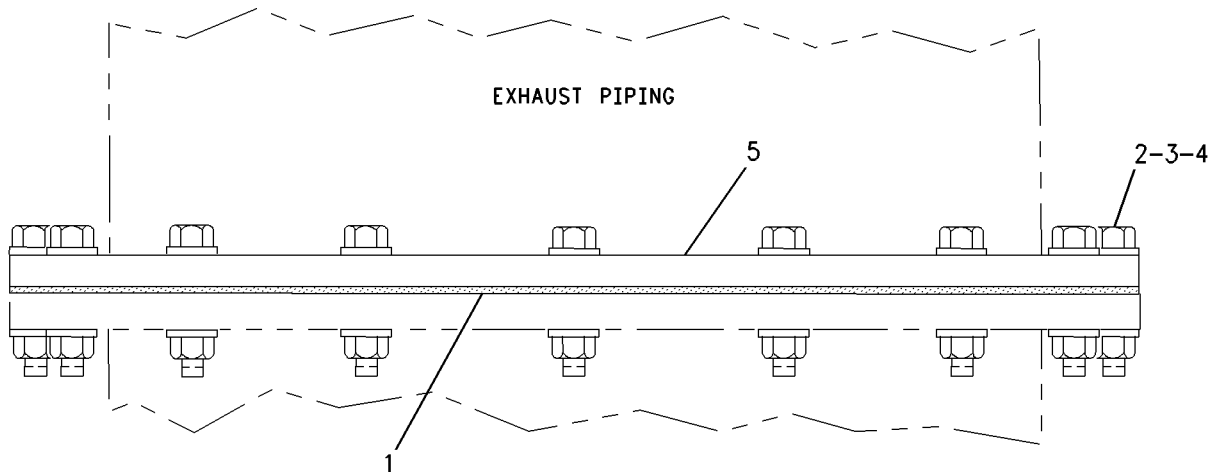
2W-2682 FLANGE GP - EXHAUST (CHG -02 THRU -05) 457.2-MM

SMCS-1061

i01553799

| NOTE | REF NO | GRAPHIC REF | PART NUMBER | QTY | PART NAME | | | | | | SEE PAGE |
|------|--------|-------------|-------------|-----|----------------------------------|---|---|---|---|-------------------|----------|
| | | | | | 1 | 2 | 3 | 4 | 5 | 6 (PRODUCT LEVEL) | |
| C | 1 | 1 | 111-5819 | 1 | GASKET - EXHAUST | | | | | | |
| | 2 | 1 | 9X-8873 | 16 | BOLT (1/2-13X2.25-IN) | | | | | | |
| | 3 | 1 | 1B-5357 | 16 | NUT-FULL (1/2-13-THD) | | | | | | |
| | 4 | 1 | 5P-8245 | 32 | WASHER-HARD (13.5X25.5X3-MM THK) | | | | | | |
| | 5 | 1 | 2W-7886 | 1 | FLANGE - EXHAUST | | | | | | |

C- CHANGE FROM PREVIOUS TYPE



GRAPHIC #1

<END>

g00697210

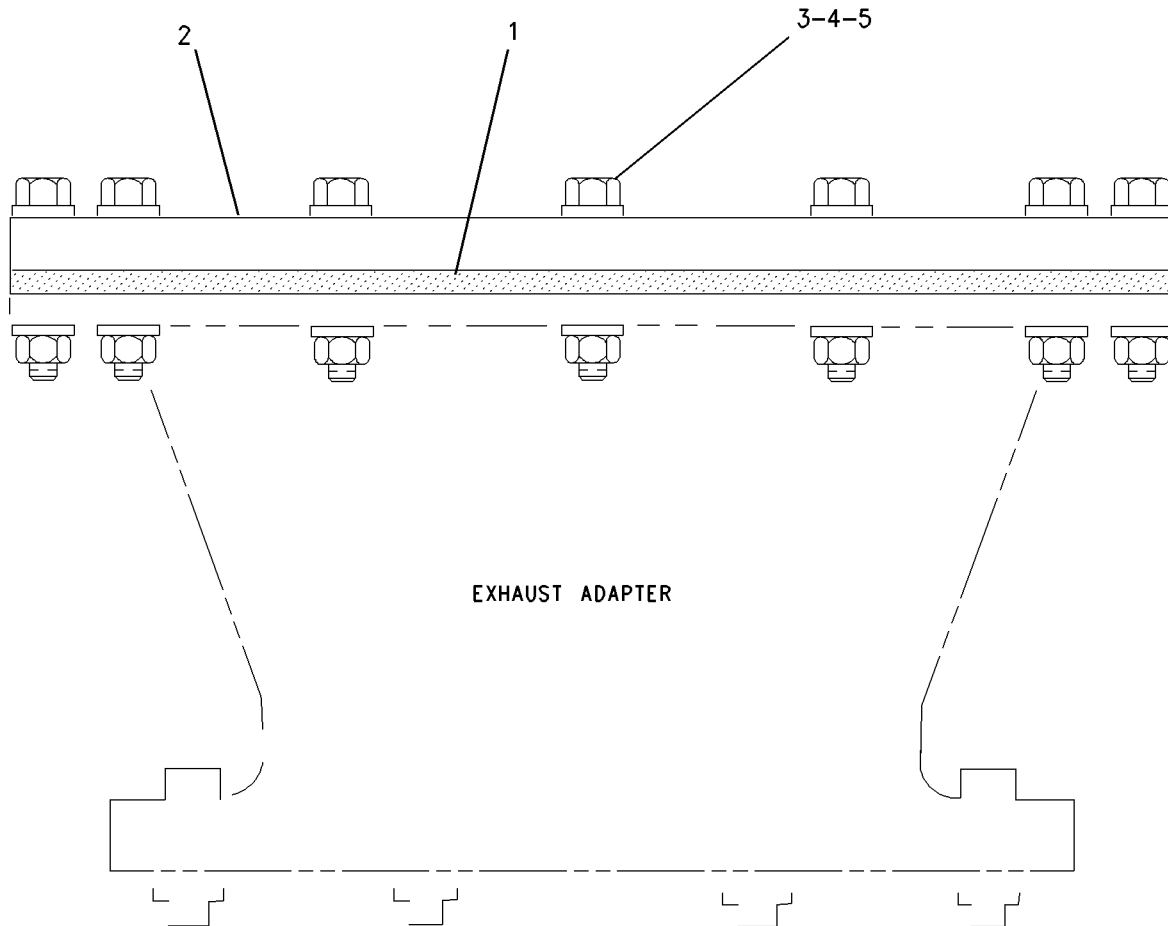
AIR INLET AND EXHAUST SYSTEM

2W-7756 FLANGE GP - EXHAUST (CHG -00, -01, -01D1 THRU -06) 355.61-MM

SMCS-1061

i02179545

| NOTE | REF NO | GRAPHIC REF | PART NUMBER | QTY | PART NAME | | | | | | SEE PAGE |
|------|--------|-------------|-------------|-----|----------------------------------|---|---|---|---|-------------------|----------|
| | | | | | 1 | 2 | 3 | 4 | 5 | 6 (PRODUCT LEVEL) | |
| | 1 | 1 | 111-5822 | 1 | GASKET - EXHAUST | | | | | | |
| | 2 | 1 | 2W-7755 | 1 | FLANGE - EXHAUST | | | | | | |
| | 3 | 1 | 9X-8873 | 12 | BOLT (1/2-13X2.25-IN) | | | | | | |
| | 4 | 1 | 5P-8245 | 24 | WASHER-HARD (13.5X25.5X3-MM THK) | | | | | | |
| | 5 | 1 | 1B-5357 | 12 | NUT-FULL (1/2-13-THD) | | | | | | |



EXHAUST ADAPTER

GRAPHIC #1

<END>

g00788150

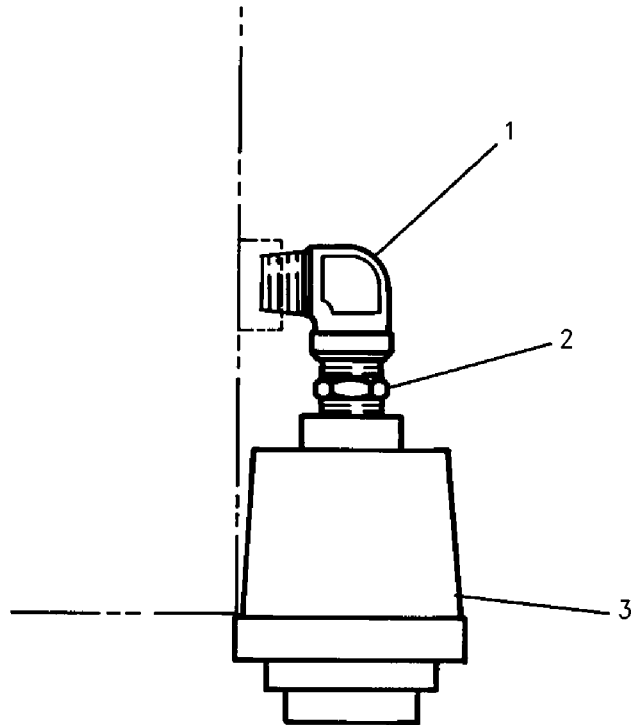
AIR INLET AND EXHAUST SYSTEM

9Y-8220 INDICATOR GP-AIR FILTER CHANGE (CHG -00, -01) PART OF 164-7681 COVER GP-CYLINDER BLOCK, 164-7680 COVER GP-VALVE MECHANISM

SMCS-7452

i02215969

| NOTE | REF NO | GRAPHIC REF | PART NUMBER | QTY | PART NAME | | | | | | SEE PAGE |
|------|--------|-------------|-------------|-----|--------------------------------|---|---|---|---|-------------------|----------|
| | | | | | 1 | 2 | 3 | 4 | 5 | 6 (PRODUCT LEVEL) | |
| | 1 | 1 | 3B-6552 | 1 | ELBOW-PIPE | | | | | | |
| | 2 | 1 | 5L-3233 | 1 | FITTING | | | | | | |
| | 3 | 1 | 9Y-8869 | 1 | INDICATOR (AIR FILTER SERVICE) | | | | | | |



GRAPHIC #1

<END>

g00726510

AIR INLET AND EXHAUST SYSTEM

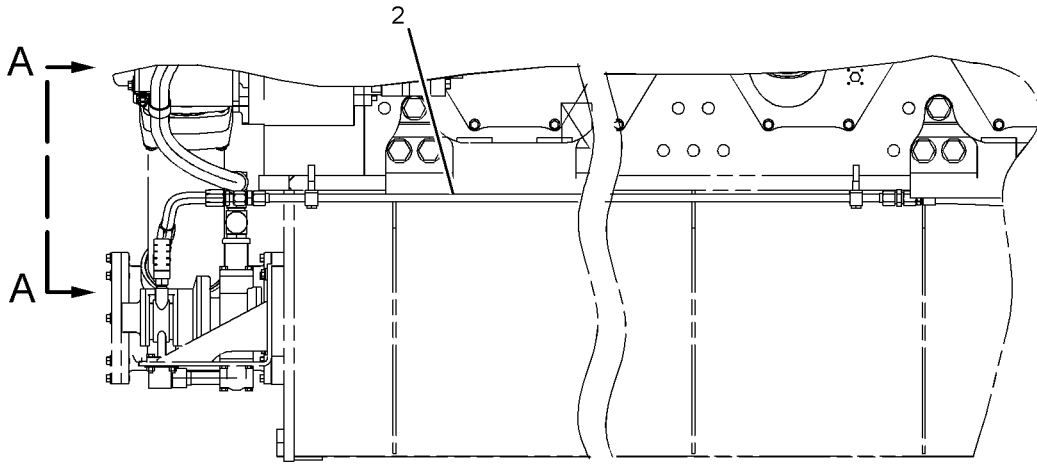
2W-0644 LINES GP-AIR (CHG -02 THRU -05, -05D1, -06, -06D1, -07, -07D1)
PRELUBE-SIDE LINES

SMCS-1071

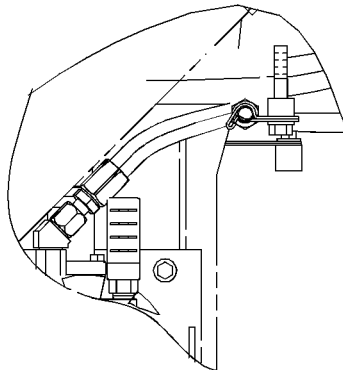
i02356765

| NOTE | REF NO | GRAPHIC REF | PART NUMBER | QTY | PART NAME | | | | | | SEE PAGE |
|------|--------|-------------|----------------|-----|----------------------------------|---|---|---|---|-------------------|----------|
| | | | | | 1 | 2 | 3 | 4 | 5 | 6 (PRODUCT LEVEL) | |
| | 1 | 1 | 1P-2841 | 6 | SPACER (0.531X1X0.69-IN THK) | | | | | | |
| | 2 | 1 | 2W-1675 | 1 | TUBE AS | | | | | | |
| | 3 | 1 | 5P-8245 | 6 | WASHER-HARD (13.5X25.5X3-MM THK) | | | | | | |
| | 4 | 1 | 9X-8874 | 6 | BOLT (1/2-13X3-IN) | | | | | | |
| B | 5 | 1 | 6V-6759 | 6 | CLIP | | | | | | |
| B | 6 | 1 | 6V-6758 | 6 | CLIP | | | | | | |

B- USE AS REQUIRED



LEFT SIDE VIEW



VIEW A-A

GRAPHIC #1

<END>

g01177271

AIR INLET AND EXHAUST SYSTEM

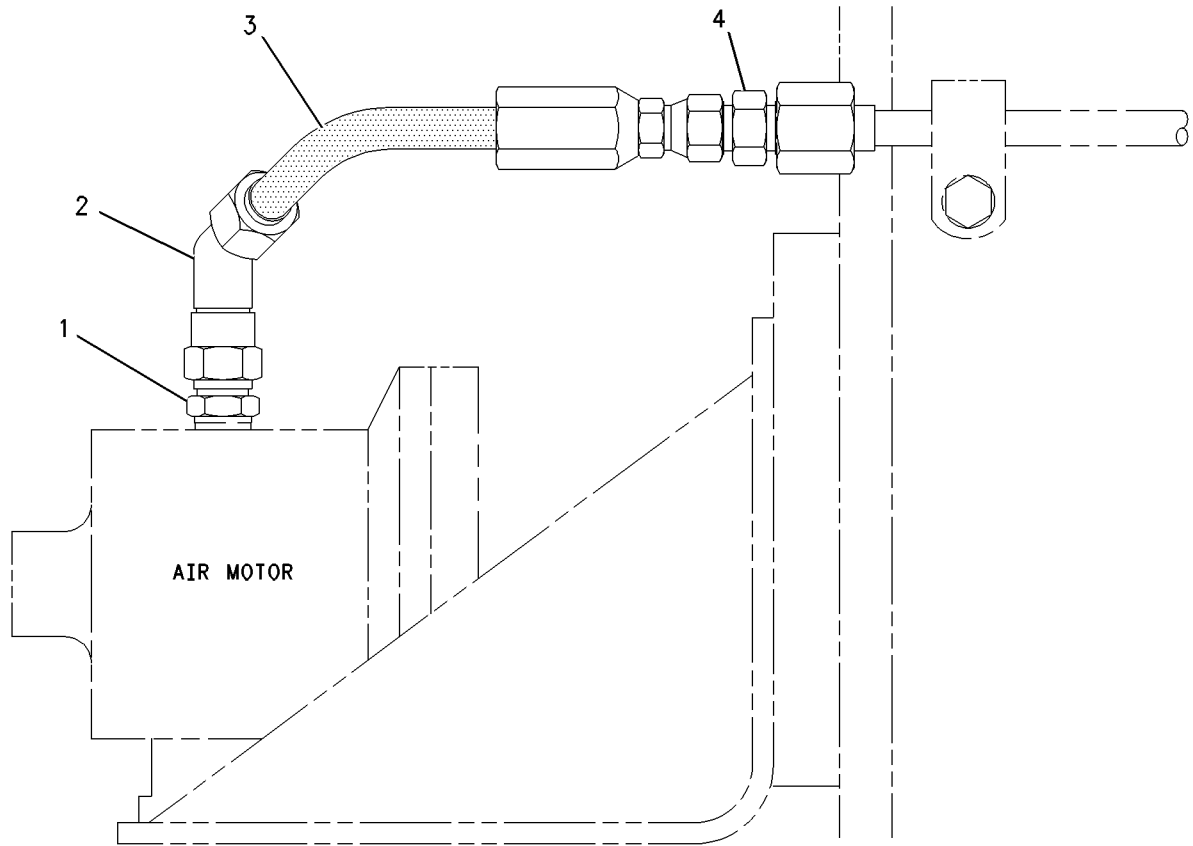
4W-3471 LINES GP-AIR (CHG -02 THRU -04)
PRELUBE-FRONT. LH

SMCS-1071

i01661957

| NOTE | REF NO | GRAPHIC REF | PART NUMBER | QTY | PART NAME | | | | | | SEE PAGE |
|------|--------|-------------|-----------------|-----|------------------|---|---|---|---|-------------------|----------|
| | | | | | 1 | 2 | 3 | 4 | 5 | 6 (PRODUCT LEVEL) | |
| | 1 | 1 | 9M-6522 | 1 | CONNECTOR-FLARED | | | | | | |
| | 2 | 1 | 030-7964 | 1 | ELBOW | | | | | | |
| I | 3 | 1 | 1Y-3541 | 1 | HOSE AS | | | | | | |
| | 4 | 1 | 061-8248 | 1 | UNION-FLARED | | | | | | |

I-SEE HOSE FABRICATION GUIDE



RIGHT SIDE VIEW

GRAPHIC #1

<END>

g00857744

AIR INLET AND EXHAUST SYSTEM

119 - 7536 LINES GP - AIR (CHG -00 THRU -05)

SMCS - 1071

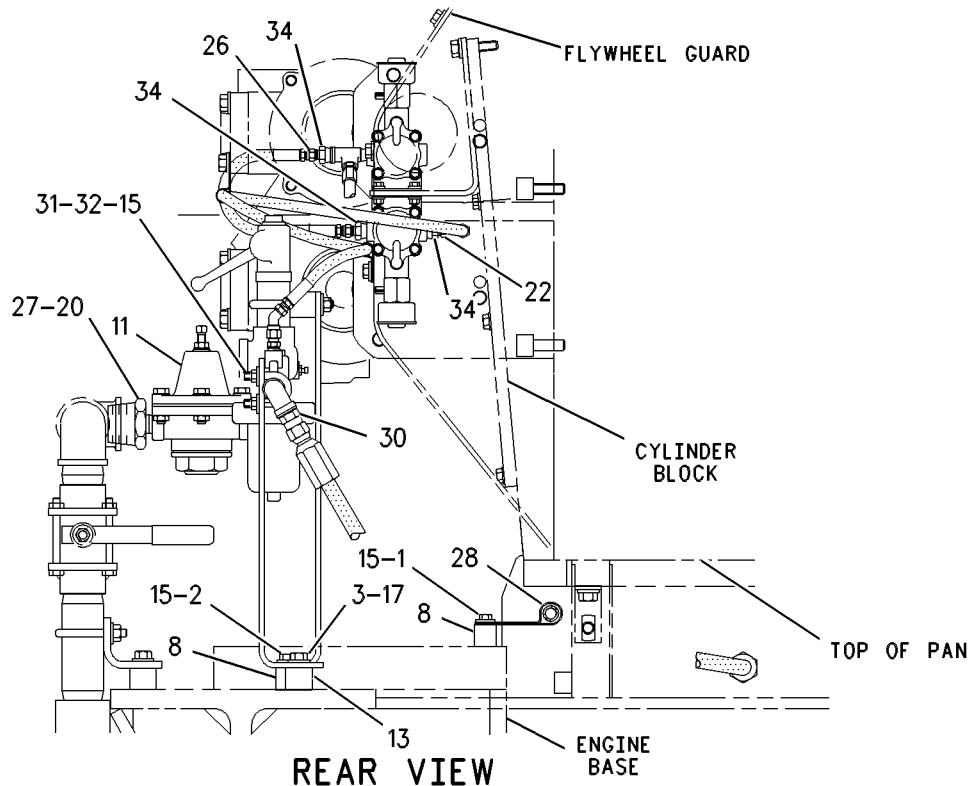
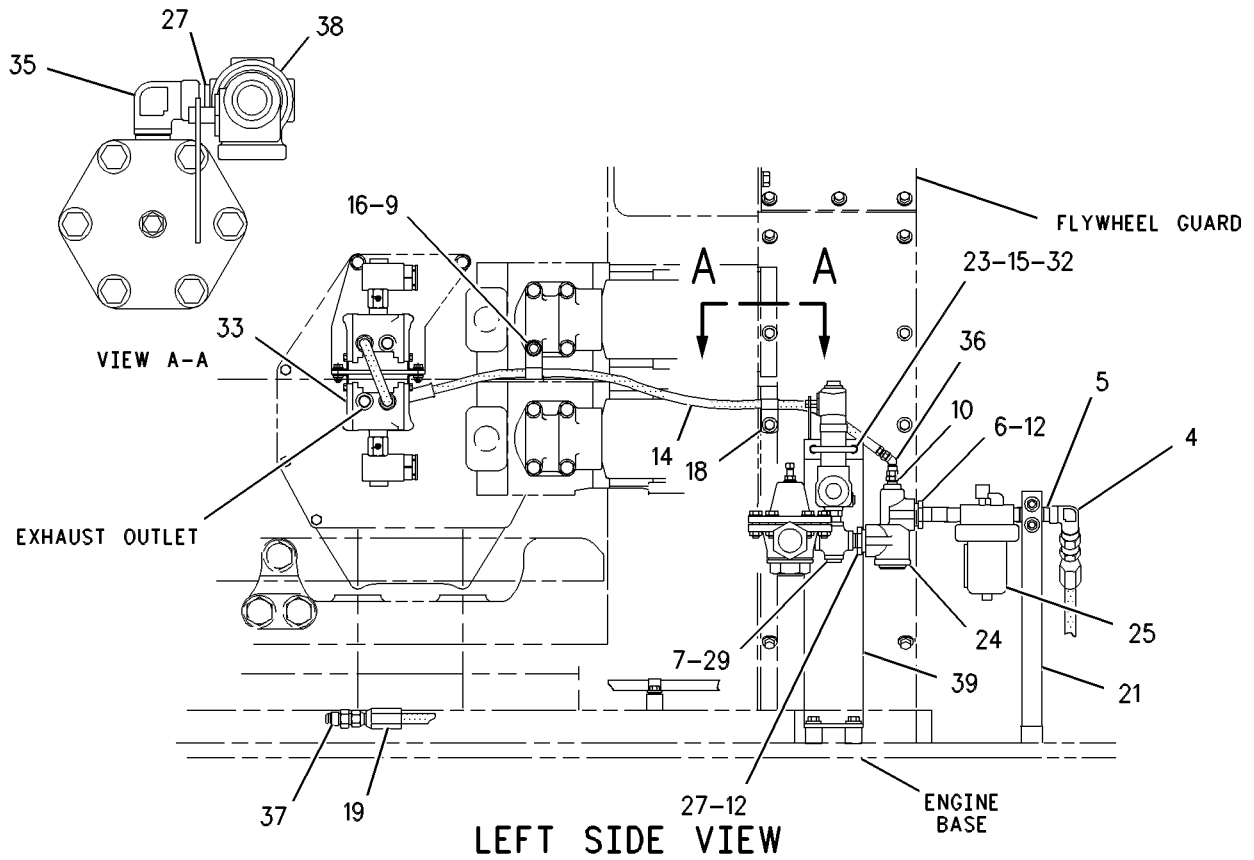
i01818716

| NOTE | REF NO | GRAPHIC REF | PART NUMBER | QTY | PART NAME | | | | | | SEE PAGE |
|--|--------|-------------|-------------|-----|---|---|---|---|---|-------------------|----------|
| | | | | | 1 | 2 | 3 | 4 | 5 | 6 (PRODUCT LEVEL) | |
| | 1 | 1 | 0S-0509 | 1 | BOLT (3/8-16X0.75-IN) | | | | | | |
| | 2 | 1 | 0S-1594 | 2 | BOLT (3/8-16X1-IN) | | | | | | |
| | 3 | 1 | 0S-1621 | 1 | BOLT (1/2-13X1-IN) | | | | | | |
| | 4 | 1 | 1Y-0412 | 1 | ELBOW-PIPE | | | | | | |
| | 5 | 1 | 3B-7272 | 1 | NIPPLE-PIPE | | | | | | |
| | 6 | 1 | 3B-7866 | 1 | NIPPLE-PIPE | | | | | | |
| | 7 | 1 | 3D-4022 | 1 | CROSS | | | | | | |
| | 8 | 1 | 3Y-7829 | 3 | BOSS (3/8-16-THD) | | | | | | |
| | 9 | 1 | 4S-1936 | 1 | CLIP | | | | | | |
| | 10 | 1 | 4S-6399 | 1 | CONNECTOR | | | | | | |
| J | 11 | 1 | 4W-2100 | 1 | VALVE GP - PRESSURE REDUCING | | | | | | |
| | 12 | 1 | 5B-4855 | 2 | BUSHING-REDUCER | | | | | | |
| | 13 | 1 | 5H-0255 | 1 | BOSS | | | | | | |
| I | 14 | 1 | 5N-5646 | 1 | HOSE AS | | | | | | |
| | 15 | 1 | 5P-1075 | 7 | WASHER-HARD (10.2X22.5X3-MM THK) | | | | | | |
| | 16 | 1 | 5P-1076 | 1 | WASHER-HARD (13.5X30X4-MM THK) | | | | | | |
| | 17 | 1 | 5P-8245 | 1 | WASHER-HARD (13.5X25.5X3-MM THK) | | | | | | |
| | 18 | 1 | 6D-3479 | 1 | CLIP | | | | | | |
| I | 19 | 1 | 6G-9870 | 1 | HOSE AS | | | | | | |
| | 20 | 1 | 6V-4516 | 1 | ADAPTER | | | | | | |
| | 21 | 1 | 7C-2951 | 1 | BRACKET | | | | | | |
| | 22 | 1 | 7K-9197 | 1 | ELBOW | | | | | | |
| | 23 | 1 | 7L-6748 | 1 | U-BOLT | | | | | | |
| | 24 | 1 | 7M-9544 | 1 | VALVE (AIR STARTING MOTOR) | | | | | | |
| Y | 25 | 1 | 7W-0522 | 1 | LUBRICATOR GP - AIR MOTOR | | | | | | 596 |
| I | 26 | 1 | 7W-1831 | 1 | HOSE AS | | | | | | |
| | 27 | 1 | 8B-3308 | 3 | FITTING | | | | | | |
| | 28 | 1 | 8D-9671 | 1 | CLIP | | | | | | |
| | 29 | 1 | 8T-6762 | 1 | PLUG-PIPE | | | | | | |
| | 30 | 1 | 9M-6522 | 1 | CONNECTOR | | | | | | |
| | 31 | 1 | 9M-8729 | 1 | U-BOLT | | | | | | |
| | 32 | 1 | 9S-8752 | 4 | NUT-FULL (3/8-16-THD) | | | | | | |
| | 33 | 1 | 9X-7206 | 1 | VALVE-SOLENOID (24-VOLT) | | | | | | |
| | 34 | 1 | 001-6449 | 3 | CONNECTOR | | | | | | |
| | 35 | 1 | 002-6453 | 1 | ELBOW | | | | | | |
| | 36 | 1 | 030-7961 | 1 | ELBOW | | | | | | |
| | 37 | 1 | 061-8248 | 1 | UNION-FLARED | | | | | | |
| | 38 | 1 | 165-7805 | 1 | VALVE-AIR RELIEF | | | | | | |
| | 39 | 1 | 168-9913 | 1 | BRACKET AS | | | | | | |
| J | | | 7W-2819 | 1 | AVAILABLE REPAIR KIT(S) : KIT-RELIEF VALVE (PRESSURE) (INCLUDES: DIAPHRAGM, CYLINDER, PISTON AS, SCREEN, GASKET, AND SPRING) | | | | | | |
| I - REFER TO HYDRAULIC INFORMATION SYSTEM J - KIT MARKED J AVAILABLE FOR PART MARKED J Y - SEPARATE ILLUSTRATION | | | | | | | | | | | |

AIR INLET AND EXHAUST SYSTEM

119-7536 LINES GP-AIR (contd.)

i01818716



GRAPHIC #1

<END>

g00536674

AIR INLET AND EXHAUST SYSTEM

147-5090 LINES GP-AIR (CHG -03, -03D1)
TWO STAGE, G3616

SMCS-1071

i02700153

| NOTE | REF NO | GRAPHIC REF | PART NUMBER | QTY | PART NAME | | | | | | SEE PAGE |
|------|--------|-------------|-------------|-----|------------------------------|---|---|---|---|-------------------|----------|
| | | | | | 1 | 2 | 3 | 4 | 5 | 6 (PRODUCT LEVEL) | |
| | 1 | 2 | 1S-3584 | 2 | NUT-FULL (3/8-24 LH-THD) | | | | | | |
| | 2 | 1 | 2W-4766 | 2 | GASKET | | | | | | |
| | 3 | 2 | 3S-2713 | 2 | NUT-FULL (3/8-24-THD) | | | | | | |
| | 4 | 1 | 4E-2250 | 1 | HOUSING | | | | | | |
| | 5 | 2 | 4P-0394 | 3 | LEVER | | | | | | |
| | 6 | 1 | 4W-7392 | 2 | PIPE | | | | | | |
| | 7 | 1 | 4W-7515 | 1 | ELBOW (LH) | | | | | | |
| | 8 | 1 | 4W-7516 | 1 | ELBOW (RH) | | | | | | |
| | 9 | 2 | 5H-2532 | 3 | KEY-WOODRUFF | | | | | | |
| | 10 | 2 | 5L-3291 | 2 | BEARING AS-BALL | | | | | | |
| | 11 | 1 | 6D-3025 | 2 | BALL BEARING | | | | | | |
| | 12 | 1 | 6I-0733 | 1 | HOUSING AS | | | | | | |
| | | 1 | 6V-5041 | 2 | SEAL-LIP TYPE | | | | | | |
| | | 1 | 7E-6553 | 2 | BEARING-SLEEVE | | | | | | |
| | 13 | 1 | 6I-1641 | 1 | PLATE | | | | | | |
| | 14 | 1 | 6I-1642 | 1 | PLATE | | | | | | |
| | 15 | 1 | 6I-1643 | 1 | COVER AS | | | | | | |
| | 16 | 1 | 6I-1644 | 1 | WASHER-THRUST | | | | | | |
| | 17 | 2 | 7C-8454 | 1 | PLATE-BUTTERFLY | | | | | | |
| | 18 | 1 | 7E-1630 | 1 | GASKET | | | | | | |
| | 19 | 1 | 7W-6340 | 2 | GASKET | | | | | | |
| | 20 | 1 | 8C-5607 | 6 | MOUNT-ISOLATION | | | | | | |
| | 21 | 1 | 8C-5608 | 3 | SPACER (6.5X9.5X25.4-MM THK) | | | | | | |
| | 22 | 2 | 8C-7315 | 2 | ROD END | | | | | | |
| | 23 | 2 | 8C-7321 | 2 | ROD END | | | | | | |
| | 24 | 2 | 8H-3390 | 1 | NUT-FULL (1-1/2-12-THD) | | | | | | |
| | 25 | 1 | 9U-3300 | 3 | SPACER (7X25X50-MM THK) | | | | | | |
| | 26 | 1 | 032-1768 | 1 | SETSCREW (3/8-16-THD) | | | | | | |
| | 27 | 2 | 118-3842 | 1 | BRACKET AS | | | | | | |
| | 28 | 2 | 118-3843 | 1 | SHAFT | | | | | | |
| | 29 | 1 | 122-3360 | 1 | BRACKET | | | | | | |
| | 30 | 1 | 123-3856 | 1 | ADAPTER | | | | | | |
| | 31 | 1 | 124-9765 | 1 | ADAPTER | | | | | | |
| | 32 | 1 | 124-9766 | 1 | ADAPTER | | | | | | |
| | 33 | 1 | 127-1573 | 1 | SHAFT | | | | | | |
| | 34 | 2 | 134-7955 | 1 | BRACKET AS | | | | | | |
| | 35 | 1 | 134-9441 | 1 | SHAFT | | | | | | |
| | 36 | 2 | 145-0039 | 1 | BRACKET AS | | | | | | |
| | 37 | 2 | 145-0040 | 1 | BRACKET AS | | | | | | |
| | 38 | 2 | 145-0041 | 1 | ROD | | | | | | |
| | 39 | 2 | 147-5092 | 1 | ROD | | | | | | |
| Y | 40 | 1 | 176-3572 | 1 | COUPLING GP-SHAFT | | | | | | 495 |
| C | 41 | 2 | 176-3583 | 2 | GUARD | | | | | | |
| C | 42 | 2 | 176-3587 | 1 | CLEVIS | | | | | | |
| C | 43 | 2 | 193-7879 | 1 | BOOT | | | | | | |
| CYR | 44 | 2 | 196-9529 | 1 | ACTUATOR GP-ELECTRONIC | | | | | | 471 |
| | 45 | 1 | 031-5085 | 4 | BOLT-LOCKING (1/4-20X1-IN) | | | | | | |
| | 46 | 1 | 0L-2070 | 15 | BOLT (3/8-16X2.25-IN) | | | | | | |
| | 47 | 1,2 | 0S-1571 | 22 | BOLT (3/8-16X1.75-IN) | | | | | | |
| | 48 | 1,2 | 0S-1587 | 3 | BOLT (1/2-13X1.75-IN) | | | | | | |
| | 49 | 2 | 0S-1588 | 14 | BOLT (3/8-16X1.25-IN) | | | | | | |
| | 50 | 1,2 | 0S-1590 | 5 | BOLT (3/8-16X2-IN) | | | | | | |
| | 51 | 1,2 | 0S-1591 | 17 | BOLT (3/8-16X1.5-IN) | | | | | | |
| | 52 | 1,2 | 0S-1594 | 6 | BOLT (3/8-16X1-IN) | | | | | | |
| | 53 | 1 | 0T-0065 | 1 | BOLT (3/8-16X3.5-IN) | | | | | | |
| | 54 | 1 | 1A-1460 | 10 | BOLT (1/2-13X2-IN) | | | | | | |
| | 55 | 1 | 1A-9579 | 1 | BOLT (5/16-18X1.5-IN) | | | | | | |

AIR INLET AND EXHAUST SYSTEM

147-5090 LINES GP-AIR (contd.)

i02700153

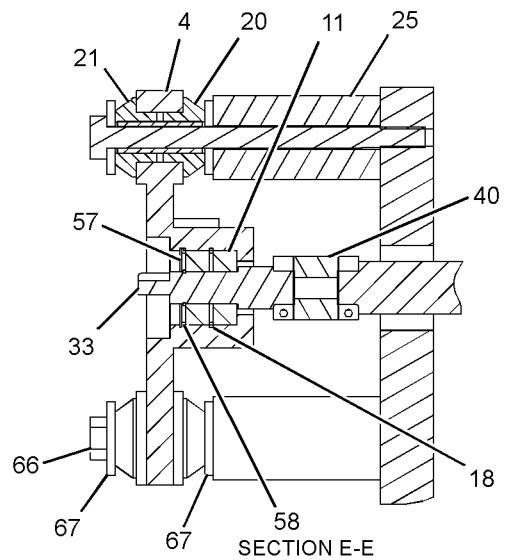
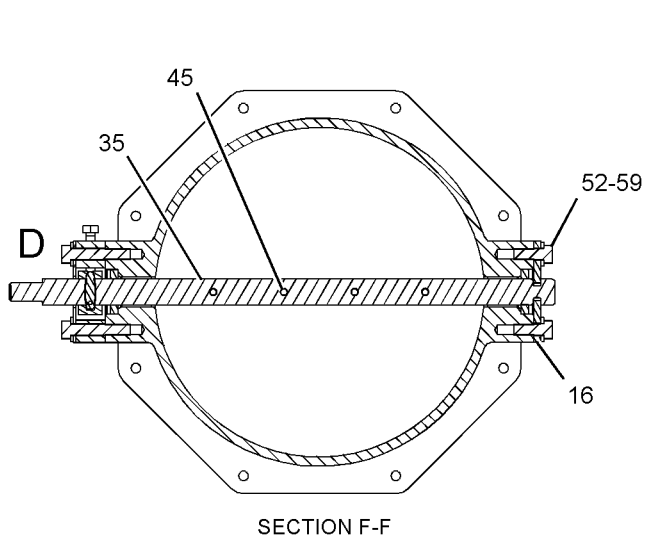
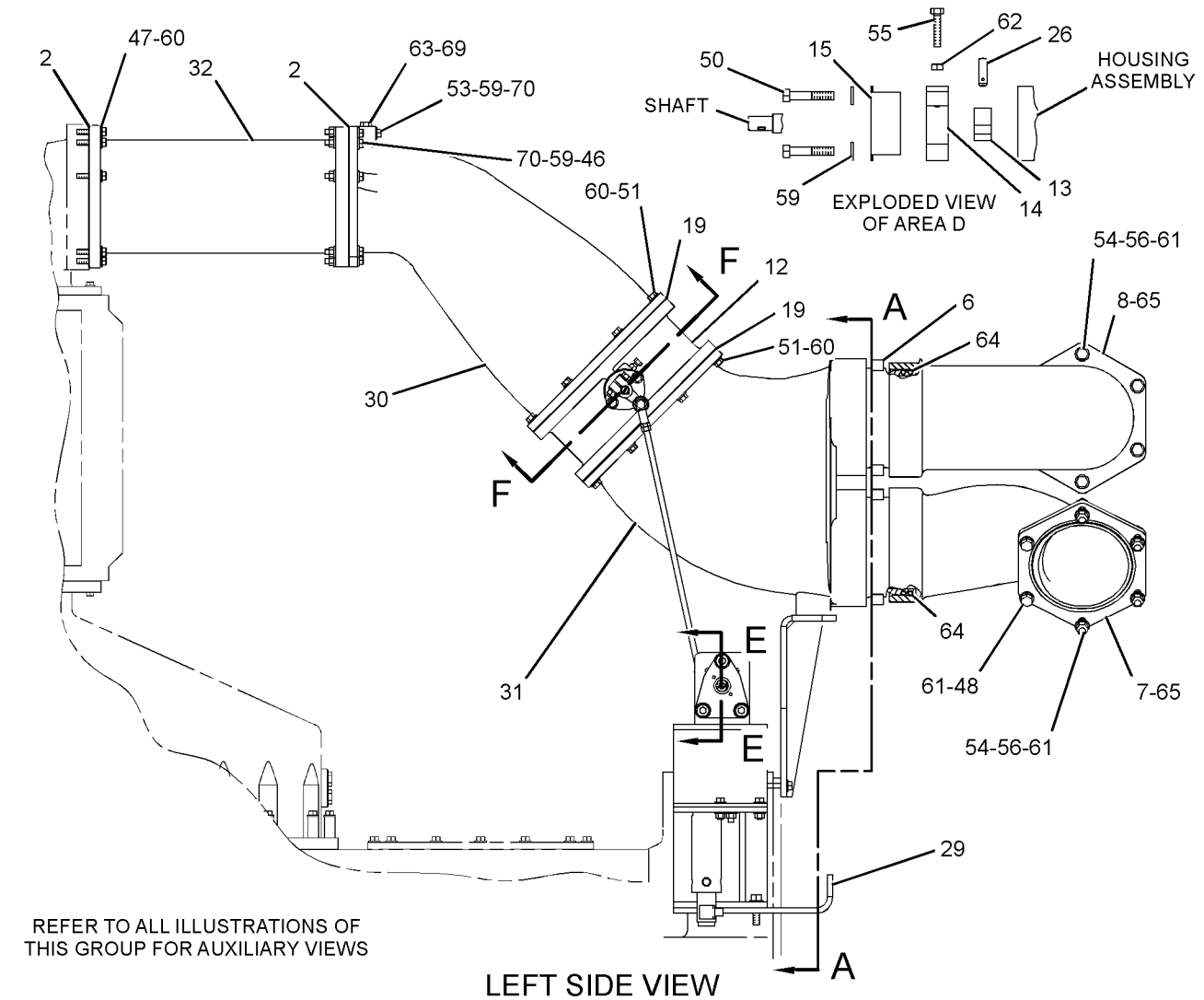
| NOTE | REF NO | GRAPHIC REF | PART NUMBER | QTY | PART NAME | | | | | | SEE PAGE |
|------|--------|-------------|----------------|-----|------------------------------------|---|---|---|---|-------------------|----------|
| | | | | | 1 | 2 | 3 | 4 | 5 | 6 (PRODUCT LEVEL) | |
| | 56 | 1 | 1F-7958 | 10 | NUT-FULL (1/2-13-THD) | | | | | | |
| | 57 | 1 | 2H-3429 | 1 | RING-RETAINING | | | | | | |
| | 58 | 1 | 2L-6726 | 1 | RING-RETAINING | | | | | | |
| C | 59 | 1,2 | 3V-3308 | 79 | WASHER-HARD (10.2X20.5X2.5-MM THK) | | | | | | |
| C | 60 | 1 | 5M-2894 | 32 | WASHER-HARD (10.2X18.5X2.5-MM THK) | | | | | | |
| | 61 | 1,2 | 5P-8245 | 23 | WASHER-HARD (13.5X25.5X3-MM THK) | | | | | | |
| | 62 | 1 | 5S-0003 | 1 | NUT (5/16-18-THD) | | | | | | |
| | 63 | 1 | 6V-5049 | 2 | SEAL-O-RING | | | | | | |
| | 64 | 1 | 6V-5095 | 8 | SEAL-O-RING | | | | | | |
| | 65 | 1 | 6V-5102 | 2 | SEAL-O-RING | | | | | | |
| | 66 | 1 | 8F-6302 | 3 | BOLT (1/4-20X3.75-IN) | | | | | | |
| | 67 | 1 | 8M-2337 | 6 | WASHER (7.2X24.5X3-MM THK) | | | | | | |
| | 68 | 2 | 8M-9024 | 3 | WASHER-HARD (10.2X22.5X5-MM THK) | | | | | | |
| | 69 | 1 | 9S-4191 | 2 | PLUG-O-RING | | | | | | |
| | 70 | 1,2 | 9S-8752 | 33 | NUT-FULL (3/8-16-THD) | | | | | | |

C - CHANGE FROM PREVIOUS TYPE
R - REMFG PART MAY BE AVAILABLE
Y - SEPARATE ILLUSTRATION

AIR INLET AND EXHAUST SYSTEM

147-5090 LINES GP-AIR (contd.)

i02700153



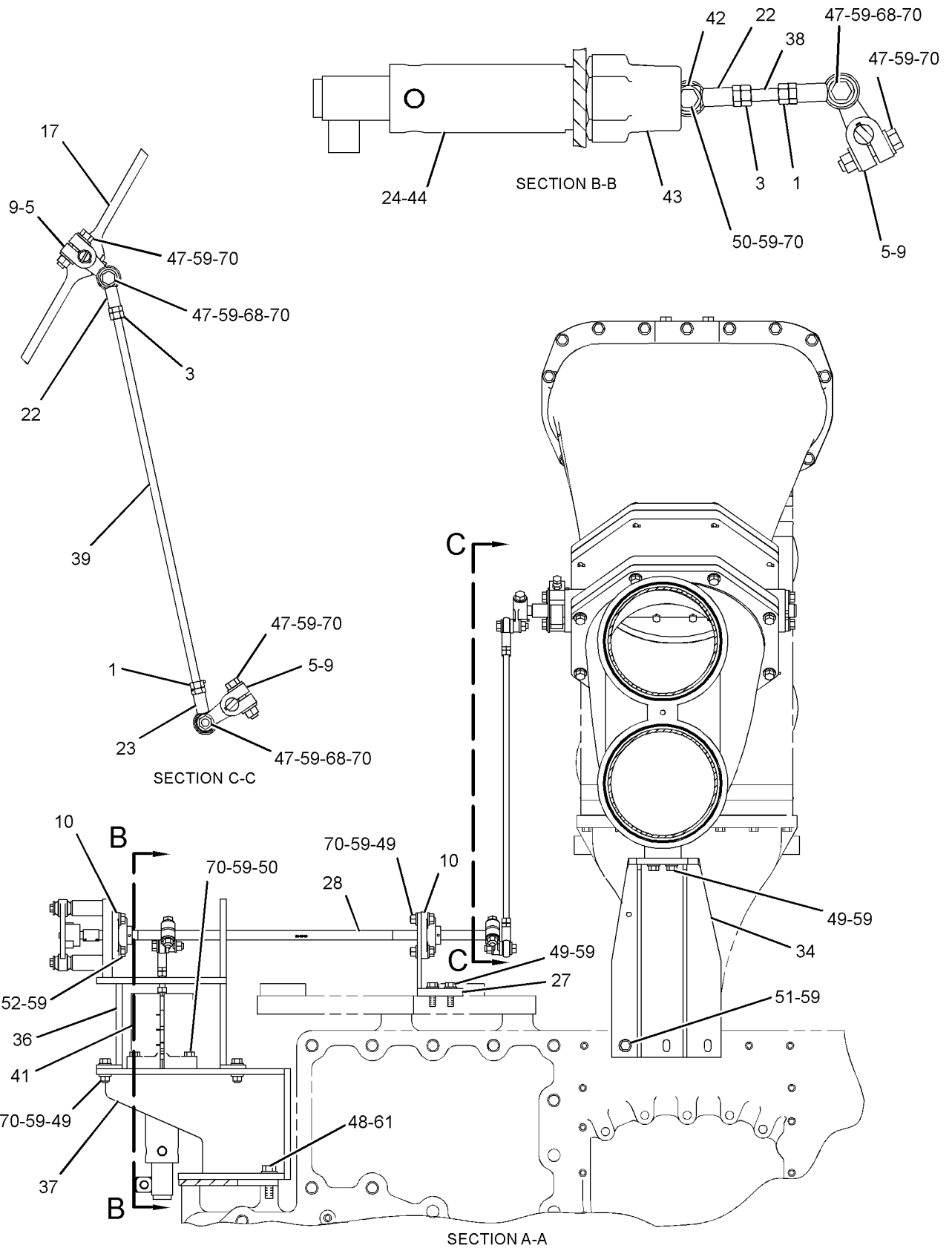
GRAPHIC #1

g01354383

AIR INLET AND EXHAUST SYSTEM

147-5090 LINES GP-AIR (contd.)

i02700153



GRAPHIC #2

<END>

g01354384

AIR INLET AND EXHAUST SYSTEM

147-5090 LINES GP - AIR (CHG -04, -05, -05D1, -05D2)
TWO STAGE, G3616

SMCS-1071

i01858260

| NOTE | REF NO | GRAPHIC REF | PART NUMBER | QTY | PART NAME | | | | | | SEE PAGE |
|------|--------|-------------|-------------|-----|------------------------------|---|---|---|---|-------------------|----------|
| | | | | | 1 | 2 | 3 | 4 | 5 | 6 (PRODUCT LEVEL) | |
| | 1 | 2 | 1S-3584 | 2 | NUT-FULL (3/8-24 LH-THD) | | | | | | |
| | 2 | 1 | 2W-4766 | 2 | GASKET | | | | | | |
| | 3 | 2 | 3S-2713 | 2 | NUT-FULL (3/8-24-THD) | | | | | | |
| | 4 | 1 | 4E-2250 | 1 | HOUSING | | | | | | |
| | 5 | 2 | 4P-0394 | 3 | LEVER | | | | | | |
| | 6 | 1 | 4W-7392 | 2 | PIPE | | | | | | |
| | 7 | 1 | 4W-7515 | 1 | ELBOW (LH) | | | | | | |
| | 8 | 1 | 4W-7516 | 1 | ELBOW (RH) | | | | | | |
| | 9 | 2 | 5H-2532 | 3 | KEY-WOODRUFF | | | | | | |
| | 10 | 2 | 5L-3291 | 2 | BEARING AS-BALL | | | | | | |
| | 11 | 1 | 6D-3025 | 2 | BALL BEARING | | | | | | |
| | 12 | 1 | 6I-0733 | 1 | HOUSING AS | | | | | | |
| | | 1 | 6V-5041 | 2 | SEAL-LIP TYPE | | | | | | |
| | | 1 | 7E-6553 | 2 | BEARING-SLEEVE | | | | | | |
| | 13 | 1 | 6I-1641 | 1 | PLATE | | | | | | |
| | 14 | 1 | 6I-1642 | 1 | PLATE | | | | | | |
| | 15 | 1 | 6I-1643 | 1 | COVER AS | | | | | | |
| | 16 | 1 | 6I-1644 | 1 | WASHER-THRUST | | | | | | |
| | 17 | 2 | 7C-8454 | 1 | PLATE-BUTTERFLY | | | | | | |
| | 18 | 1 | 7E-1630 | 1 | GASKET | | | | | | |
| | 19 | 1 | 7W-6340 | 2 | GASKET | | | | | | |
| | 20 | 1 | 8C-5607 | 6 | MOUNT-ISOLATION | | | | | | |
| | 21 | 1 | 8C-5608 | 3 | SPACER (6.5X9.5X25.4-MM THK) | | | | | | |
| | 22 | 2 | 8C-7315 | 2 | ROD END | | | | | | |
| | 23 | 2 | 8C-7321 | 2 | ROD END | | | | | | |
| | 24 | 2 | 8H-3390 | 1 | NUT-FULL (1-1/2-12-THD) | | | | | | |
| | 25 | 1 | 9U-3300 | 3 | SPACER (7X25X50-MM THK) | | | | | | |
| | 26 | 1 | 032-1768 | 1 | SETSCREW (3/8-16-THD) | | | | | | |
| | 27 | 2 | 118-3842 | 1 | BRACKET AS | | | | | | |
| | 28 | 2 | 118-3843 | 1 | SHAFT | | | | | | |
| | 29 | 1 | 122-3360 | 1 | BRACKET | | | | | | |
| | 30 | 1 | 123-3856 | 1 | ADAPTER | | | | | | |
| | 31 | 1 | 124-9765 | 1 | ADAPTER | | | | | | |
| | 32 | 1 | 124-9766 | 1 | ADAPTER | | | | | | |
| | 33 | 1 | 127-1573 | 1 | SHAFT | | | | | | |
| | 34 | 2 | 134-7955 | 1 | BRACKET AS | | | | | | |
| | 35 | 1 | 134-9441 | 1 | SHAFT | | | | | | |
| | 36 | 2 | 145-0039 | 1 | BRACKET AS | | | | | | |
| | 37 | 2 | 145-0040 | 1 | BRACKET AS | | | | | | |
| | 38 | 2 | 145-0041 | 1 | ROD | | | | | | |
| | 39 | 2 | 147-5092 | 1 | ROD | | | | | | |
| Y | 40 | 1 | 176-3572 | 1 | COUPLING GP-SHAFT | | | | | | 495 |
| | 41 | 2 | 176-3583 | 2 | GUARD | | | | | | |
| | 42 | 2 | 176-3587 | 1 | CLEVIS | | | | | | |
| | 43 | 2 | 193-7879 | 1 | BOOT | | | | | | |
| CYR | 44 | 2 | 211-8175 | 1 | ACTUATOR GP-ELECTRONIC | | | | | | 472 |
| | 45 | 1 | 031-5085 | 4 | BOLT-LOCKING (1/4-20X1-IN) | | | | | | |
| | 46 | 1 | 0L-2070 | 15 | BOLT (3/8-16X2.25-IN) | | | | | | |
| | 47 | 1,2 | 0S-1571 | 22 | BOLT (3/8-16X1.75-IN) | | | | | | |
| | 48 | 1,2 | 0S-1587 | 3 | BOLT (1/2-13X1.75-IN) | | | | | | |
| | 49 | 2 | 0S-1588 | 14 | BOLT (3/8-16X1.25-IN) | | | | | | |
| | 50 | 1,2 | 0S-1590 | 5 | BOLT (3/8-16X2-IN) | | | | | | |
| | 51 | 1,2 | 0S-1591 | 17 | BOLT (3/8-16X1.5-IN) | | | | | | |
| | 52 | 1,2 | 0S-1594 | 6 | BOLT (3/8-16X1-IN) | | | | | | |
| | 53 | 1 | 0T-0065 | 1 | BOLT (3/8-16X3.5-IN) | | | | | | |
| | 54 | 1 | 1A-1460 | 10 | BOLT (1/2-13X2-IN) | | | | | | |
| | 55 | 1 | 1A-9579 | 1 | BOLT (5/16-18X1.5-IN) | | | | | | |

AIR INLET AND EXHAUST SYSTEM

147-5090 LINES GP-AIR (contd.)

i01858260

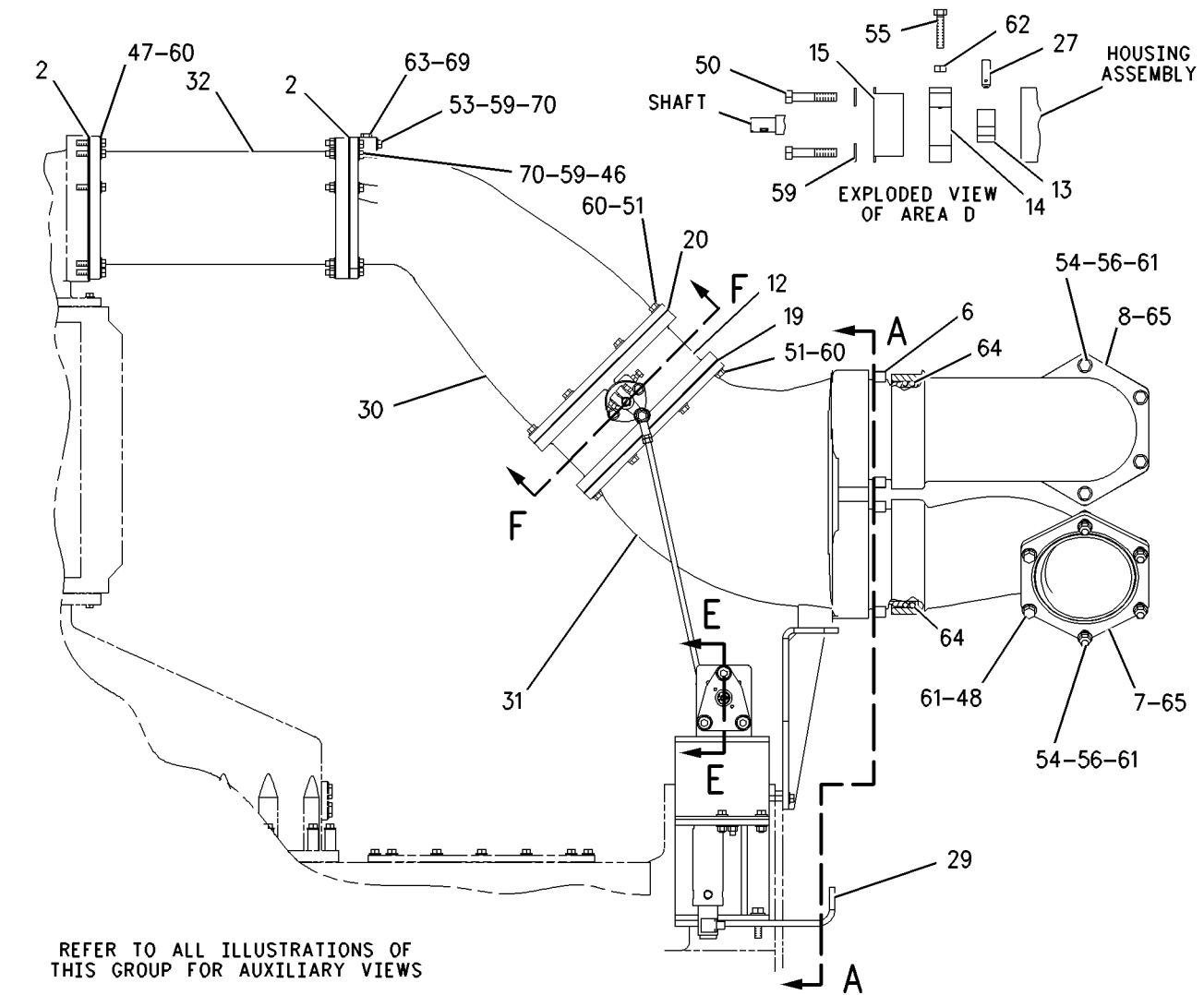
| NOTE | REF NO | GRAPHIC REF | PART NUMBER | QTY | PART NAME | | | | | | SEE PAGE |
|------|--------|-------------|----------------|-----|------------------------------------|---|---|---|---|-------------------|----------|
| | | | | | 1 | 2 | 3 | 4 | 5 | 6 (PRODUCT LEVEL) | |
| | 56 | 1 | 1F-7958 | 10 | NUT-FULL (1/2-13-THD) | | | | | | |
| | 57 | 1 | 2H-3429 | 1 | RING-RETAINING | | | | | | |
| | 58 | 1 | 2L-6726 | 1 | RING-RETAINING | | | | | | |
| | 59 | 1,2 | 3V-3308 | 79 | WASHER-HARD (10.2X20.5X2.5-MM THK) | | | | | | |
| | 60 | 1 | 5M-2894 | 32 | WASHER-HARD (10.2X18.5X2.5-MM THK) | | | | | | |
| | 61 | 1,2 | 5P-8245 | 23 | WASHER-HARD (13.5X25.5X3-MM THK) | | | | | | |
| | 62 | 1 | 5S-0003 | 1 | NUT (5/16-18-THD) | | | | | | |
| | 63 | 1 | 6V-5049 | 2 | SEAL-O-RING | | | | | | |
| | 64 | 1 | 6V-5095 | 8 | SEAL-O-RING | | | | | | |
| | 65 | 1 | 6V-5102 | 2 | SEAL-O-RING | | | | | | |
| | 66 | 1 | 8F-6302 | 3 | BOLT (1/4-20X3.75-IN) | | | | | | |
| | 67 | 1 | 8M-2337 | 6 | WASHER (7.2X24.5X3-MM THK) | | | | | | |
| | 68 | 2 | 8M-9024 | 3 | WASHER-HARD (10.2X22.5X5-MM THK) | | | | | | |
| | 69 | 1 | 9S-4191 | 2 | PLUG-O-RING | | | | | | |
| | 70 | 1,2 | 9S-8752 | 33 | NUT-FULL (3/8-16-THD) | | | | | | |

C - CHANGE FROM PREVIOUS TYPE
R - REMFG PART MAY BE AVAILABLE
Y - SEPARATE ILLUSTRATION

AIR INLET AND EXHAUST SYSTEM

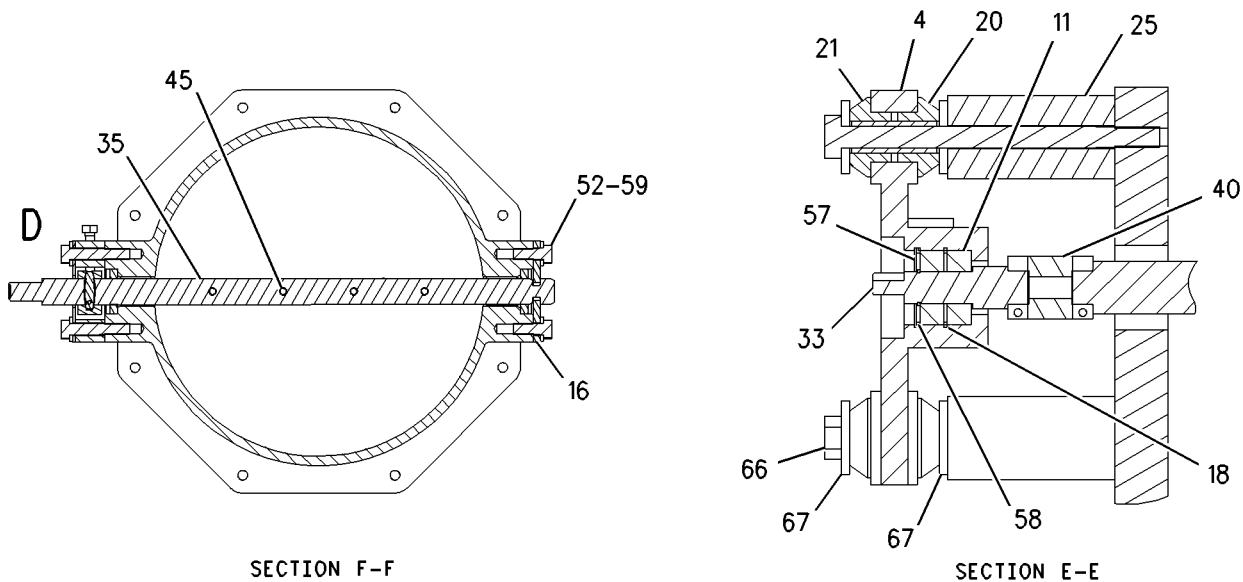
147-5090 LINES GP-AIR (contd.)

i01858260



REFER TO ALL ILLUSTRATIONS OF THIS GROUP FOR AUXILIARY VIEWS

LEFT SIDE VIEW



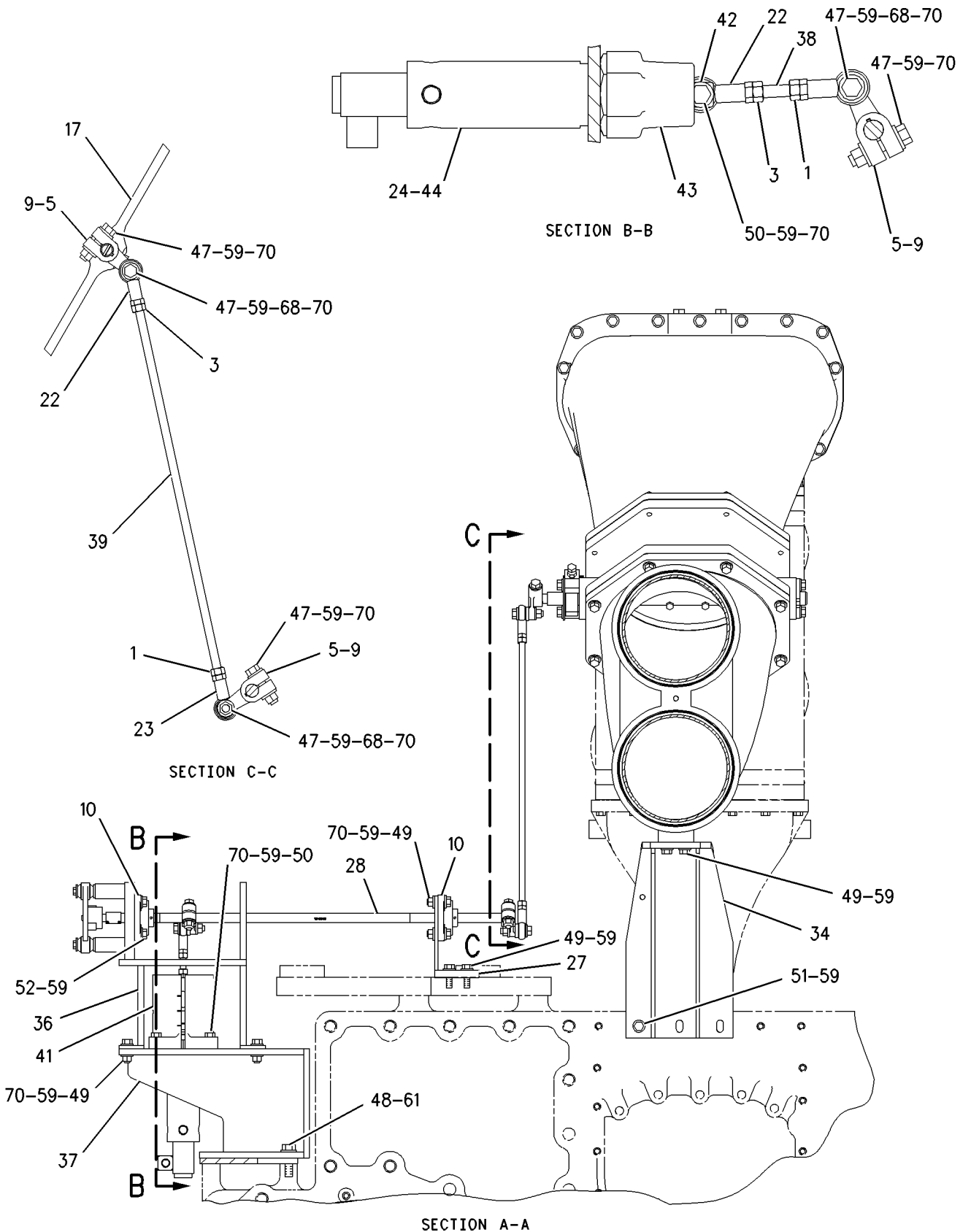
GRAPHIC #1

g00947251

AIR INLET AND EXHAUST SYSTEM

147-5090 LINES GP-AIR (contd.)

i01858260



GRAPHIC #2

<END>

g00947252

AIR INLET AND EXHAUST SYSTEM

147-5090 LINES GP-AIR (CHG -06)
TWO STAGE, G3616

SMCS-1071

i02527870

| NOTE | REF NO | GRAPHIC REF | PART NUMBER | QTY | PART NAME | | | | | | SEE PAGE |
|------|--------|-------------|-------------|-----|------------------------------------|---|---|---|---|-------------------|----------|
| | | | | | 1 | 2 | 3 | 4 | 5 | 6 (PRODUCT LEVEL) | |
| | 1 | 2 | 1S-3584 | 2 | NUT-FULL (3/8-24 LH-THD) | | | | | | |
| | 2 | 1 | 2W-4766 | 2 | GASKET | | | | | | |
| | 3 | 2 | 3S-2713 | 2 | NUT-FULL (3/8-24-THD) | | | | | | |
| | 4 | 2 | 4P-0394 | 3 | LEVER | | | | | | |
| | 5 | 1 | 4W-7392 | 2 | PIPE | | | | | | |
| | 6 | 1 | 4W-7515 | 1 | ELBOW (LH) | | | | | | |
| | 7 | 1 | 4W-7516 | 1 | ELBOW (RH) | | | | | | |
| | 8 | 2 | 5H-2532 | 3 | KEY-WOODRUFF | | | | | | |
| | 9 | 2 | 5L-3291 | 2 | BEARING AS-BALL | | | | | | |
| | 10 | 1 | 6I-0733 | 1 | HOUSING AS | | | | | | |
| | | 1 | 6V-5041 | 2 | SEAL-LIP TYPE | | | | | | |
| | | 1 | 161-1201 | 2 | BEARING-SLEEVE | | | | | | |
| | 11 | 1 | 6I-1641 | 1 | PLATE | | | | | | |
| | 12 | 1 | 6I-1642 | 1 | PLATE | | | | | | |
| | 13 | 1 | 6I-1643 | 1 | COVER AS | | | | | | |
| | 14 | 1 | 6I-1644 | 1 | WASHER-THRUST | | | | | | |
| | 15 | 2 | 7C-8454 | 1 | PLATE-BUTTERFLY | | | | | | |
| | 16 | 1 | 7W-6340 | 2 | GASKET | | | | | | |
| | 17 | 2 | 8C-7315 | 2 | ROD END | | | | | | |
| | 18 | 2 | 8C-7321 | 2 | ROD END | | | | | | |
| | 19 | 2 | 8H-3390 | 1 | NUT-FULL (1-1/2-12-THD) | | | | | | |
| | 20 | 1 | 032-1768 | 1 | SETSCREW (3/8-16-THD) | | | | | | |
| | 21 | 2 | 118-3842 | 1 | BRACKET AS | | | | | | |
| | 22 | 2 | 118-3843 | 1 | SHAFT | | | | | | |
| | 23 | 1 | 122-3360 | 1 | BRACKET | | | | | | |
| | 24 | 1 | 123-3856 | 1 | ADAPTER | | | | | | |
| | 25 | 1 | 124-9765 | 1 | ADAPTER | | | | | | |
| | 26 | 1 | 124-9766 | 1 | ADAPTER | | | | | | |
| | 27 | 2 | 134-7955 | 1 | BRACKET AS | | | | | | |
| | 28 | 1 | 134-9441 | 1 | SHAFT | | | | | | |
| | 29 | 2 | 145-0039 | 1 | BRACKET AS | | | | | | |
| | 30 | 2 | 145-0040 | 1 | BRACKET AS | | | | | | |
| | 31 | 2 | 145-0041 | 1 | ROD | | | | | | |
| | 32 | 2 | 147-5092 | 1 | ROD | | | | | | |
| | 33 | 2 | 176-3583 | 2 | GUARD | | | | | | |
| | 34 | 2 | 176-3587 | 1 | CLEVIS | | | | | | |
| | 35 | 2 | 193-7879 | 1 | BOOT | | | | | | |
| CYR | 36 | 2 | 211-8175 | 1 | ACTUATOR GP-ELECTRONIC | | | | | | 472 |
| | 37 | 1 | 031-5085 | 4 | BOLT-LOCKING (1/4-20X1-IN) | | | | | | |
| | 38 | 1 | 0L-2070 | 15 | BOLT (3/8-16X2.25-IN) | | | | | | |
| | 39 | 1,2 | 0S-1571 | 22 | BOLT (3/8-16X1.75-IN) | | | | | | |
| | 40 | 1,2 | 0S-1587 | 3 | BOLT (1/2-13X1.75-IN) | | | | | | |
| | 41 | 2 | 0S-1588 | 12 | BOLT (3/8-16X1.25-IN) | | | | | | |
| | 42 | 1,2 | 0S-1590 | 5 | BOLT (3/8-16X2-IN) | | | | | | |
| | 43 | 1,2 | 0S-1591 | 17 | BOLT (3/8-16X1.5-IN) | | | | | | |
| | 44 | 1,2 | 0S-1594 | 6 | BOLT (3/8-16X1-IN) | | | | | | |
| | 45 | 1 | 0T-0065 | 1 | BOLT (3/8-16X3.5-IN) | | | | | | |
| | 46 | 1 | 1A-1460 | 10 | BOLT (1/2-13X2-IN) | | | | | | |
| | 47 | 1 | 1A-9579 | 1 | BOLT (5/16-18X1.5-IN) | | | | | | |
| | 48 | 1 | 1F-7958 | 10 | NUT-FULL (1/2-13-THD) | | | | | | |
| | 49 | 1,2 | 3V-3308 | 75 | WASHER-HARD (10.2X20.5X2.5-MM THK) | | | | | | |
| | 50 | 1 | 5M-2894 | 32 | WASHER-HARD (10.2X18.5X2.5-MM THK) | | | | | | |
| | 51 | 1,2 | 5P-8245 | 23 | WASHER-HARD (13.5X25.5X3-MM THK) | | | | | | |
| | 52 | 1 | 5S-0003 | 1 | NUT (5/16-18-THD) | | | | | | |
| | 53 | 1 | 6V-5049 | 2 | SEAL-O-RING | | | | | | |
| | 54 | 1 | 6V-5095 | 8 | SEAL-O-RING | | | | | | |
| | 55 | 1 | 6V-5102 | 2 | SEAL-O-RING | | | | | | |

AIR INLET AND EXHAUST SYSTEM

147-5090 LINES GP-AIR (contd.)

i02527870

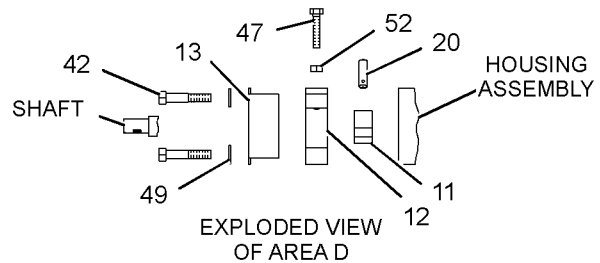
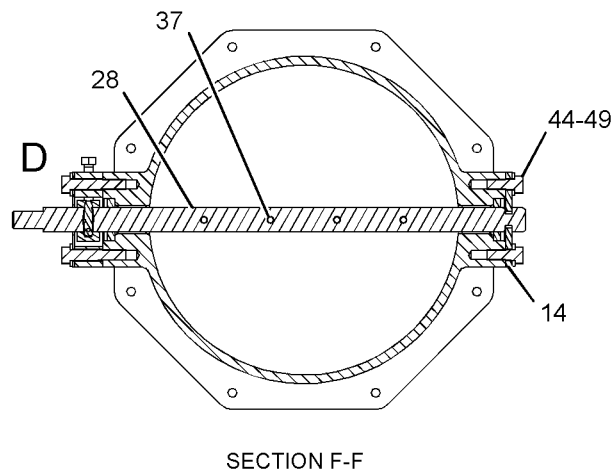
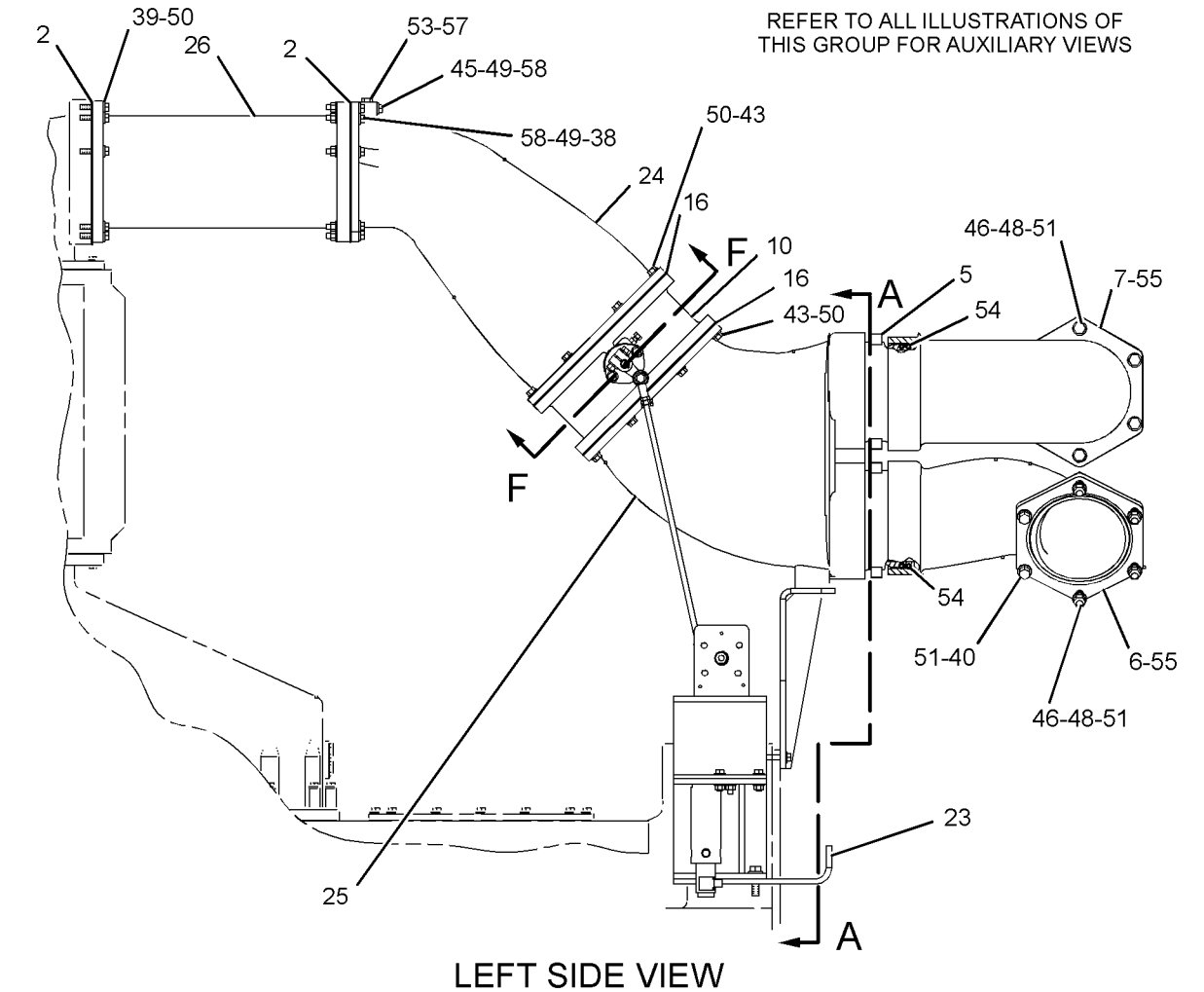
| NOTE | REF NO | GRAPHIC REF | PART NUMBER | QTY | PART NAME | | | | | | SEE PAGE |
|------|--------|-------------|----------------|-----|----------------------------------|---|---|---|---|-------------------|----------|
| | | | | | 1 | 2 | 3 | 4 | 5 | 6 (PRODUCT LEVEL) | |
| | 56 | 2 | 8M-9024 | 3 | WASHER-HARD (10.2X22.5X5-MM THK) | | | | | | |
| | 57 | 1 | 9S-4191 | 2 | PLUG-O-RING | | | | | | |
| | 58 | 1,2 | 9S-8752 | 31 | NUT-FULL (3/8-16-THD) | | | | | | |

C - CHANGE FROM PREVIOUS TYPE
R - REMFG PART MAY BE AVAILABLE
Y - SEPARATE ILLUSTRATION

AIR INLET AND EXHAUST SYSTEM

147-5090 LINES GP-AIR (contd.)

i02527870



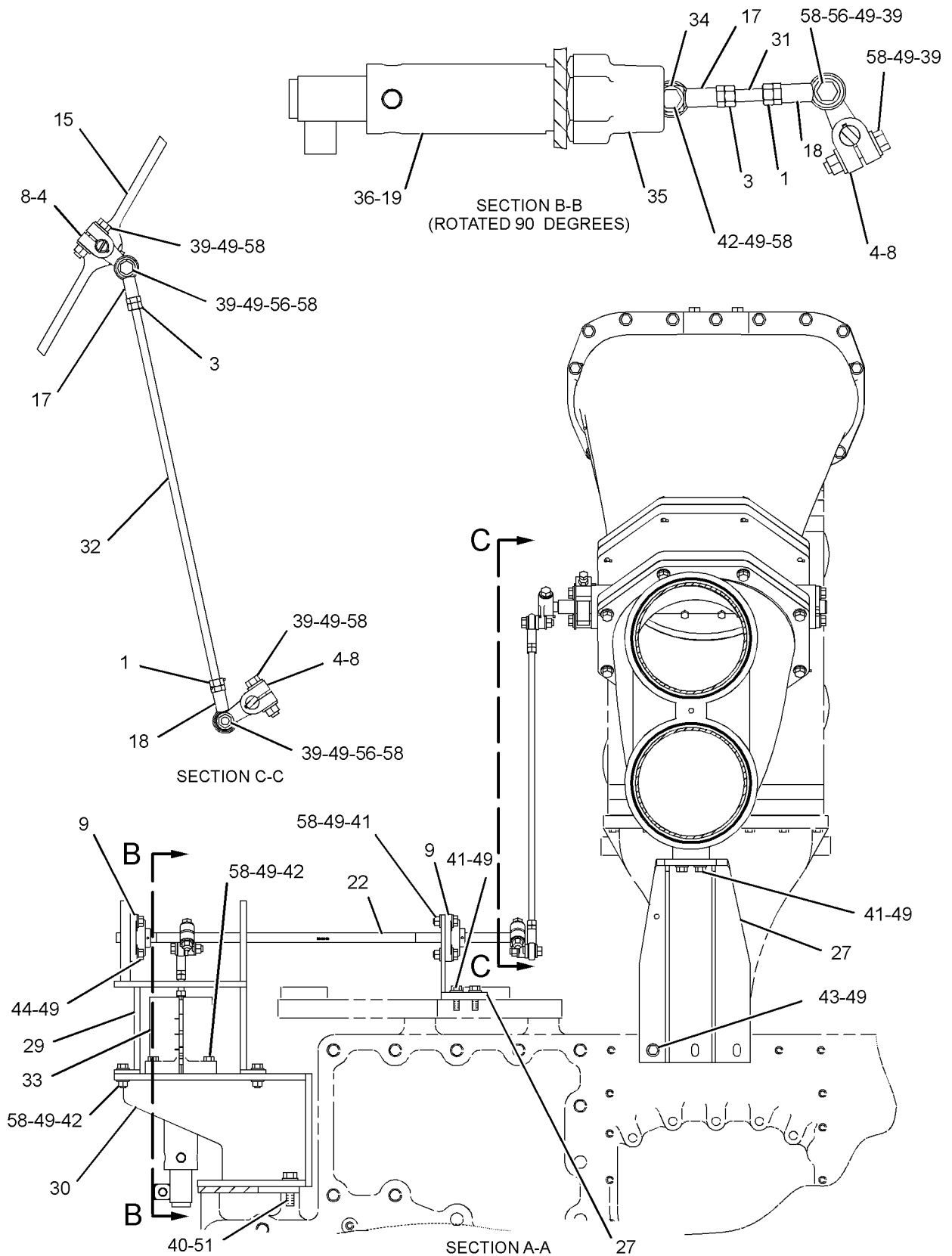
GRAPHIC #1

g01265116

AIR INLET AND EXHAUST SYSTEM

147-5090 LINES GP-AIR (contd.)

i02527870



GRAPHIC #2

<END>

g01265155

AIR INLET AND EXHAUST SYSTEM

206 - 6540 LINES GP - AIR (CHG -01 THRU -04) AIR INLET CHOKE

SMCS - 1071

i02482463

| NOTE | REF NO | GRAPHIC REF | PART NUMBER | QTY | PART NAME | | | | | | SEE PAGE |
|------|--------|-------------|-------------|-----|------------------------------------|---|---|---|---|-------------------|----------|
| | | | | | 1 | 2 | 3 | 4 | 5 | 6 (PRODUCT LEVEL) | |
| | 1 | 2 | 1S-3584 | 2 | NUT-FULL (3/8-24 LH-THD) | | | | | | |
| | 2 | 2 | 2W-4766 | 1 | GASKET | | | | | | |
| | 3 | 2 | 3S-2713 | 2 | NUT-FULL (3/8-24-THD) | | | | | | |
| | 4 | 2 | 267-4736 | 1 | ROD | | | | | | |
| | 5 | 2 | 4P-0394 | 3 | LEVER | | | | | | |
| | 6 | 1 | 4P-8134 | 1 | CLIP | | | | | | |
| | 7 | 2 | 5H-2532 | 3 | KEY-WOODRUFF | | | | | | |
| | 8 | 1 | 5L-3291 | 2 | BEARING AS-BALL | | | | | | |
| | 9 | 2 | 6I-0733 | 1 | HOUSING AS | | | | | | |
| | | 2 | 6V-5041 | 2 | SEAL-LIP TYPE | | | | | | |
| | | 2 | 161-1201 | 2 | BEARING-SLEEVE | | | | | | |
| | 10 | 2 | 6I-1641 | 1 | PLATE | | | | | | |
| | 11 | 2 | 6I-1642 | 1 | PLATE | | | | | | |
| | 12 | 2 | 6I-1643 | 1 | COVER AS | | | | | | |
| | 13 | 1 | 6I-1644 | 1 | WASHER-THRUST | | | | | | |
| | 14 | 1 | 6I-1645 | 1 | SHAFT | | | | | | |
| | 15 | 2 | 7C-8454 | 1 | PLATE-BUTTERFLY | | | | | | |
| | 16 | 2 | 7W-6340 | 2 | GASKET | | | | | | |
| | 17 | 2 | 8C-7315 | 2 | ROD END | | | | | | |
| | 18 | 2 | 8C-7321 | 2 | ROD END | | | | | | |
| | 19 | 2 | 8H-3390 | 1 | NUT-FULL (1-1/2-12-THD) | | | | | | |
| | 20 | 1 | 8L-8413 | 1 | STRAP-CABLE | | | | | | |
| | 21 | 2 | 032-1768 | 1 | SETSCREW (3/8-16-THD) | | | | | | |
| | 22 | 1 | 118-3842 | 1 | BRACKET AS | | | | | | |
| | 23 | 1 | 118-3843 | 1 | SHAFT | | | | | | |
| | 24 | 1 | 145-0039 | 1 | BRACKET AS | | | | | | |
| | 25 | 1 | 145-0040 | 1 | BRACKET AS | | | | | | |
| | 26 | 2 | 145-0041 | 1 | ROD | | | | | | |
| | 27 | 1 | 176-3583 | 2 | GUARD | | | | | | |
| | 28 | 2 | 176-3587 | 1 | CLEVIS | | | | | | |
| | 29 | 2 | 180-8408 | 1 | ADAPTER | | | | | | |
| | 30 | 1 | 183-7232 | 2 | BELLOWS AS | | | | | | |
| | 31 | 2 | 184-6379 | 1 | HOUSING | | | | | | |
| | 32 | 2 | 193-7879 | 1 | BOOT | | | | | | |
| | 33 | 1 | 197-8120 | 4 | GASKET | | | | | | |
| | 34 | 2 | 206-6569 | 1 | PLATE | | | | | | |
| YR | 35 | 2 | 211-8175 | 1 | ACTUATOR GP-ELECTRONIC | | | | | | 472 |
| | 36 | 2 | 031-5085 | 4 | BOLT-LOCKING (1/4-20X1-IN) | | | | | | |
| | 37 | 1 | 0S-1566 | 12 | BOLT (5/8-11X1.5-IN) | | | | | | |
| | 38 | 2 | 0S-1571 | 22 | BOLT (3/8-16X1.75-IN) | | | | | | |
| | 39 | 1 | 0S-1587 | 1 | BOLT (1/2-13X1.75-IN) | | | | | | |
| | 40 | 1 | 0S-1588 | 11 | BOLT (3/8-16X1.25-IN) | | | | | | |
| | 41 | 1 | 0S-1589 | 10 | BOLT (5/8-11X1.75-IN) | | | | | | |
| | 42 | 1,2 | 0S-1590 | 5 | BOLT (3/8-16X2-IN) | | | | | | |
| | 43 | 1,2 | 0S-1591 | 13 | BOLT (3/8-16X1.5-IN) | | | | | | |
| | 44 | 1 | 0S-1594 | 6 | BOLT (3/8-16X1-IN) | | | | | | |
| | 45 | 2 | 1A-9579 | 1 | BOLT (5/16-18X1.5-IN) | | | | | | |
| | 46 | 1 | 1F-7958 | 2 | NUT-FULL (1/2-13-THD) | | | | | | |
| | 47 | 1 | 1J-8668 | 4 | STUD-TAPERLOCK (3/8-16X1.97-IN) | | | | | | |
| | 48 | 1,2 | 3V-3308 | 76 | WASHER-HARD (10.2X20.5X2.5-MM THK) | | | | | | |
| | 49 | 1 | 5P-8245 | 3 | WASHER-HARD (13.5X25.5X3-MM THK) | | | | | | |
| | 50 | 1 | 5P-8247 | 22 | WASHER-HARD (17X32X3.5-MM THK) | | | | | | |
| | 51 | 2 | 5S-0003 | 1 | NUT (5/16-18-THD) | | | | | | |
| | 52 | 1 | 6V-5049 | 2 | SEAL-O-RING | | | | | | |
| | 53 | 1 | 8B-7997 | 2 | BOLT (1/2-13X2-IN) | | | | | | |
| | 54 | 2 | 8M-9024 | 3 | WASHER-HARD (10.2X22.5X5-MM THK) | | | | | | |
| | 55 | 1 | 9S-4191 | 2 | PLUG-O-RING | | | | | | |

AIR INLET AND EXHAUST SYSTEM

206-6540 LINES GP-AIR (contd.)

i02482463

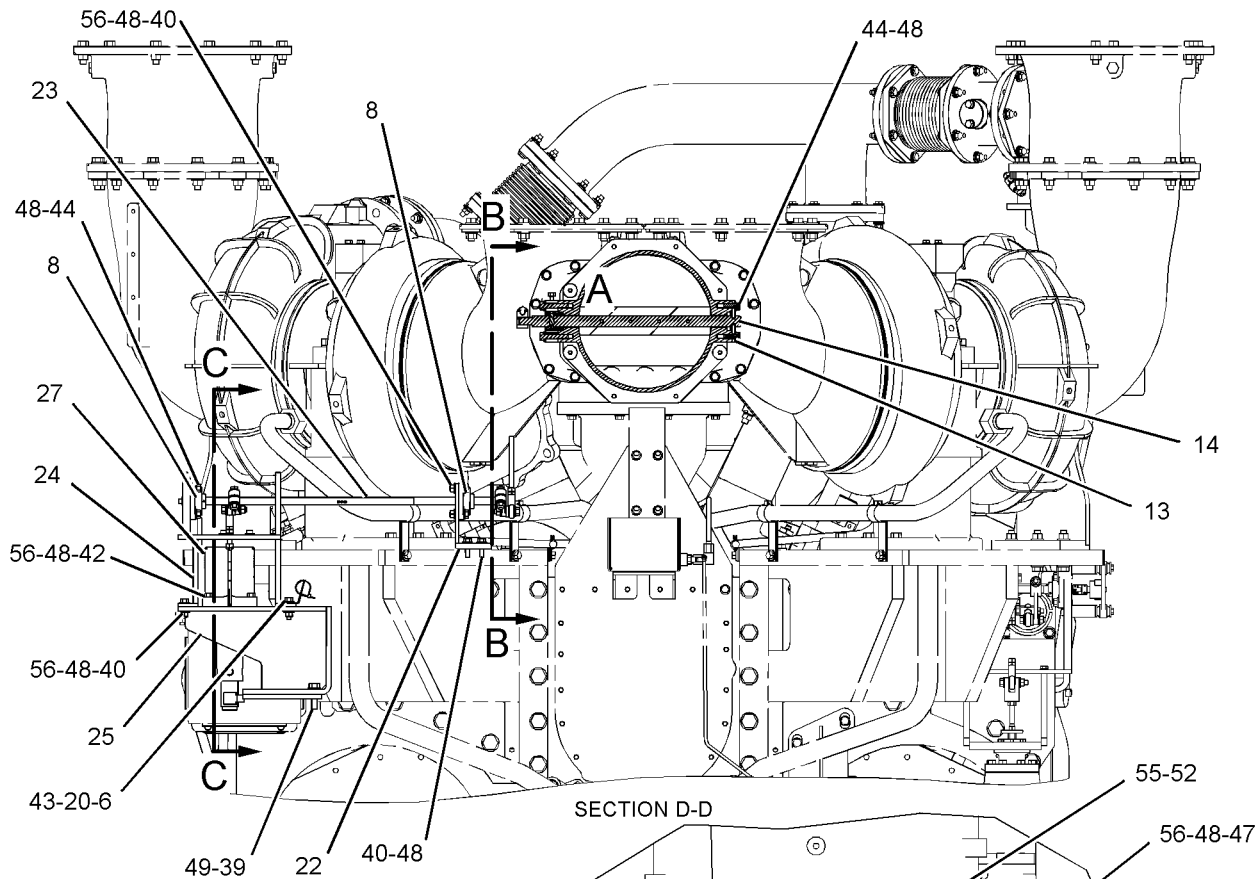
| NOTE | REF NO | GRAPHIC REF | PART NUMBER | QTY | PART NAME | | | | | | SEE PAGE |
|------|--------|-------------|-------------|-----|-----------------------|---|---|---|---|-------------------|----------|
| | | | | | 1 | 2 | 3 | 4 | 5 | 6 (PRODUCT LEVEL) | |
| | 56 | 1,2 | 9S-8752 | 21 | NUT-FULL (3/8-16-THD) | | | | | | |

R - REMFG PART MAY BE AVAILABLE
Y - SEPARATE ILLUSTRATION

AIR INLET AND EXHAUST SYSTEM

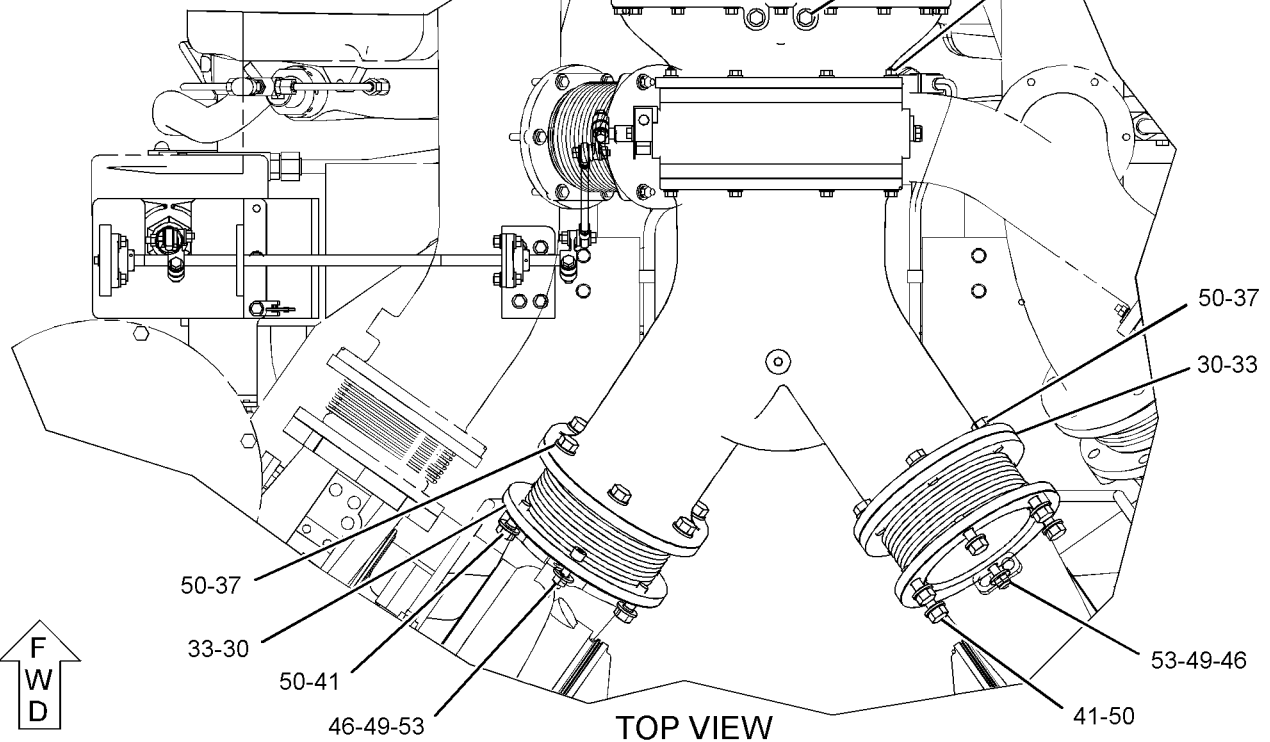
206-6540 LINES GP-AIR (contd.)

i02482463

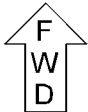


SECTION D-D

REFER TO ALL ILLUSTRATIONS OF THIS GROUP FOR AUXILIARY VIEWS



TOP VIEW



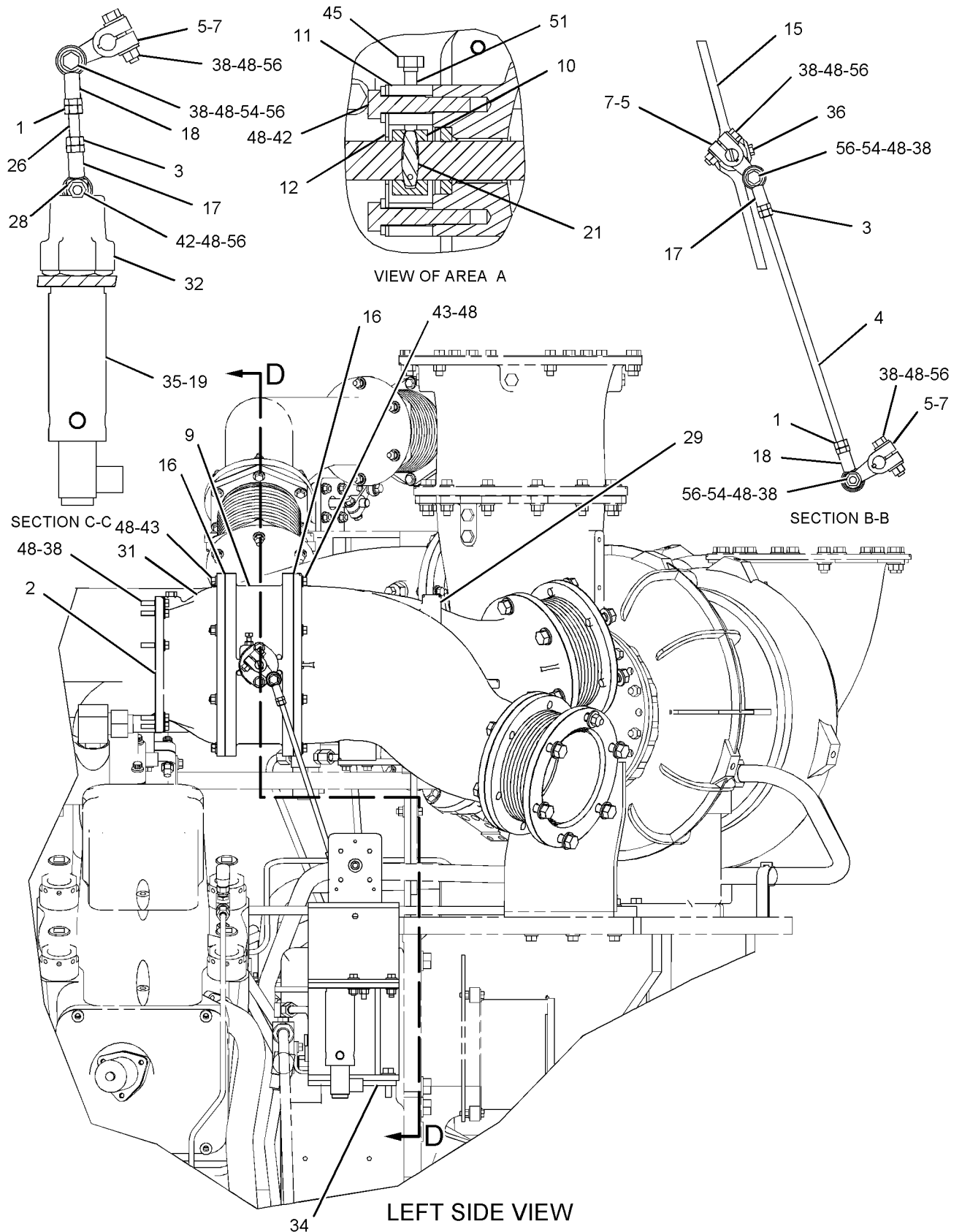
GRAPHIC #1

g01240232

AIR INLET AND EXHAUST SYSTEM

206-6540 LINES GP-AIR (contd.)

i02482463



GRAPHIC #2

<END>

g01136617

AIR INLET AND EXHAUST SYSTEM

210-5736 LINES GP-AIR (CHG -00) AIR INLET CHOKE

SMCS-1071

i02376483

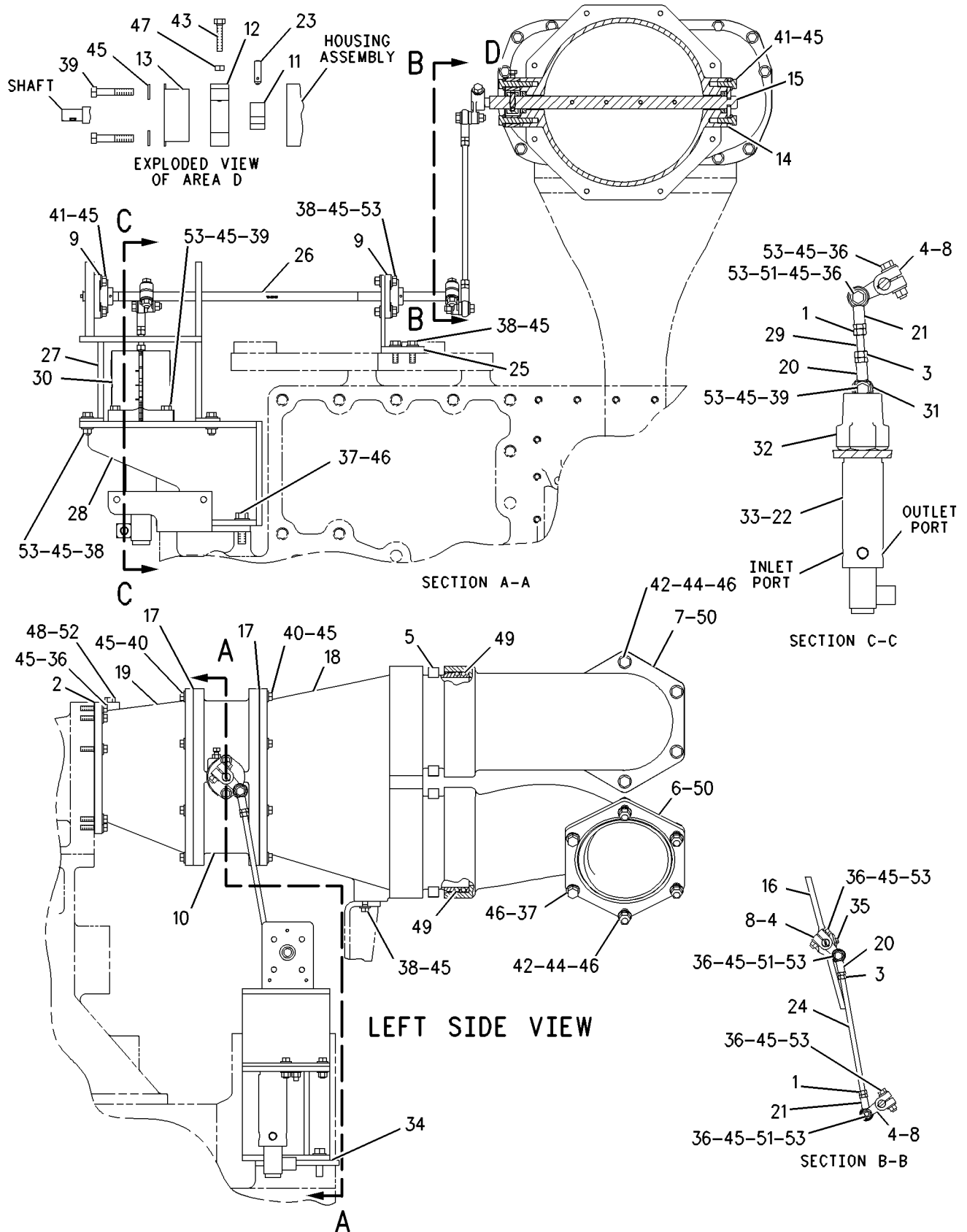
| NOTE | REF NO | GRAPHIC REF | PART NUMBER | QTY | PART NAME | | | | | | SEE PAGE |
|------|--------|-------------|-------------|-----|------------------------------------|---|---|---|---|-------------------|----------|
| | | | | | 1 | 2 | 3 | 4 | 5 | 6 (PRODUCT LEVEL) | |
| | 1 | 1 | 1S-3584 | 2 | NUT-FULL (3/8-24 LH-THD) | | | | | | |
| | 2 | 1 | 2W-4766 | 1 | GASKET | | | | | | |
| | 3 | 1 | 3S-2713 | 2 | NUT-FULL (3/8-24-THD) | | | | | | |
| | 4 | 1 | 4P-0394 | 3 | LEVER | | | | | | |
| | 5 | 1 | 4W-7392 | 2 | PIPE | | | | | | |
| | 6 | 1 | 4W-7515 | 1 | ELBOW (LH) | | | | | | |
| | 7 | 1 | 4W-7516 | 1 | ELBOW (RH) | | | | | | |
| | 8 | 1 | 5H-2532 | 3 | KEY-WOODRUFF | | | | | | |
| | 9 | 1 | 5L-3291 | 2 | BEARING AS-BALL | | | | | | |
| | 10 | 1 | 6I-0733 | 1 | HOUSING AS | | | | | | |
| | | 1 | 6V-5041 | 2 | SEAL-LIP TYPE | | | | | | |
| | | 1 | 161-1201 | 2 | BEARING-SLEEVE | | | | | | |
| | 11 | 1 | 6I-1641 | 1 | PLATE | | | | | | |
| | 12 | 1 | 6I-1642 | 1 | PLATE | | | | | | |
| | 13 | 1 | 6I-1643 | 1 | COVER AS | | | | | | |
| | 14 | 1 | 6I-1644 | 1 | WASHER-THRUST | | | | | | |
| | 15 | 1 | 6I-1645 | 1 | SHAFT | | | | | | |
| | 16 | 1 | 7C-8454 | 1 | PLATE-BUTTERFLY | | | | | | |
| | 17 | 1 | 7W-6340 | 2 | GASKET | | | | | | |
| | 18 | 1 | 7W-7625 | 1 | HOUSING | | | | | | |
| | 19 | 1 | 7W-7629 | 1 | HOUSING | | | | | | |
| | 20 | 1 | 8C-7315 | 2 | ROD END | | | | | | |
| | 21 | 1 | 8C-7321 | 2 | ROD END | | | | | | |
| | 22 | 1 | 8H-3390 | 1 | NUT-FULL (1-1/2-12-THD) | | | | | | |
| | 23 | 1 | 032-1768 | 1 | SETSCREW (3/8-16-THD) | | | | | | |
| | 24 | 1 | 038-7444 | 1 | ROD | | | | | | |
| | 25 | 1 | 118-3842 | 1 | BRACKET AS | | | | | | |
| | 26 | 1 | 118-3843 | 1 | SHAFT | | | | | | |
| | 27 | 1 | 145-0039 | 1 | BRACKET AS | | | | | | |
| | 28 | 1 | 145-0040 | 1 | BRACKET AS | | | | | | |
| | 29 | 1 | 145-0041 | 1 | ROD | | | | | | |
| | 30 | 1 | 176-3583 | 2 | GUARD | | | | | | |
| | 31 | 1 | 176-3587 | 1 | CLEVIS | | | | | | |
| | 32 | 1 | 193-7879 | 1 | BOOT | | | | | | |
| YR | 33 | 1 | 196-9529 | 1 | ACTUATOR GP-ELECTRONIC | | | | | | 471 |
| | 34 | 1 | 206-6569 | 1 | PLATE | | | | | | |
| | 35 | 1 | 031-5085 | 4 | BOLT-LOCKING (1/4-20X1-IN) | | | | | | |
| | 36 | 1 | 0S-1571 | 22 | BOLT (3/8-16X1.75-IN) | | | | | | |
| | 37 | 1 | 0S-1587 | 3 | BOLT (1/2-13X1.75-IN) | | | | | | |
| | 38 | 1 | 0S-1588 | 14 | BOLT (3/8-16X1.25-IN) | | | | | | |
| | 39 | 1 | 0S-1590 | 5 | BOLT (3/8-16X2-IN) | | | | | | |
| | 40 | 1 | 0S-1591 | 16 | BOLT (3/8-16X1.5-IN) | | | | | | |
| | 41 | 1 | 0S-1594 | 6 | BOLT (3/8-16X1-IN) | | | | | | |
| | 42 | 1 | 1A-1460 | 10 | BOLT (1/2-13X2-IN) | | | | | | |
| | 43 | 1 | 1A-9579 | 1 | BOLT (5/16-18X1.5-IN) | | | | | | |
| | 44 | 1 | 1F-7958 | 10 | NUT-FULL (1/2-13-THD) | | | | | | |
| | 45 | 1 | 3V-3308 | 78 | WASHER-HARD (10.2X20.5X2.5-MM THK) | | | | | | |
| | 46 | 1 | 5P-8245 | 23 | WASHER-HARD (13.5X25.5X3-MM THK) | | | | | | |
| | 47 | 1 | 5S-0003 | 1 | NUT (5/16-18-THD) | | | | | | |
| | 48 | 1 | 6V-5049 | 2 | SEAL-O-RING | | | | | | |
| | 49 | 1 | 6V-5095 | 8 | SEAL-O-RING | | | | | | |
| | 50 | 1 | 6V-5102 | 2 | SEAL-O-RING | | | | | | |
| | 51 | 1 | 8M-9024 | 3 | WASHER-HARD (10.2X22.5X5-MM THK) | | | | | | |
| | 52 | 1 | 9S-4191 | 2 | PLUG-O-RING | | | | | | |
| | 53 | 1 | 9S-8752 | 17 | NUT-FULL (3/8-16-THD) | | | | | | |

R-REMFG PART MAY BE AVAILABLE
Y-SEPARATE ILLUSTRATION

AIR INLET AND EXHAUST SYSTEM

210-5736 LINES GP-AIR (contd.)

i02376483



GRAPHIC #1

<END>

g00826621

AIR INLET AND EXHAUST SYSTEM

210-5736 LINES GP-AIR (CHG -01) AIR INLET CHOKE

SMCS-1071

i01885843

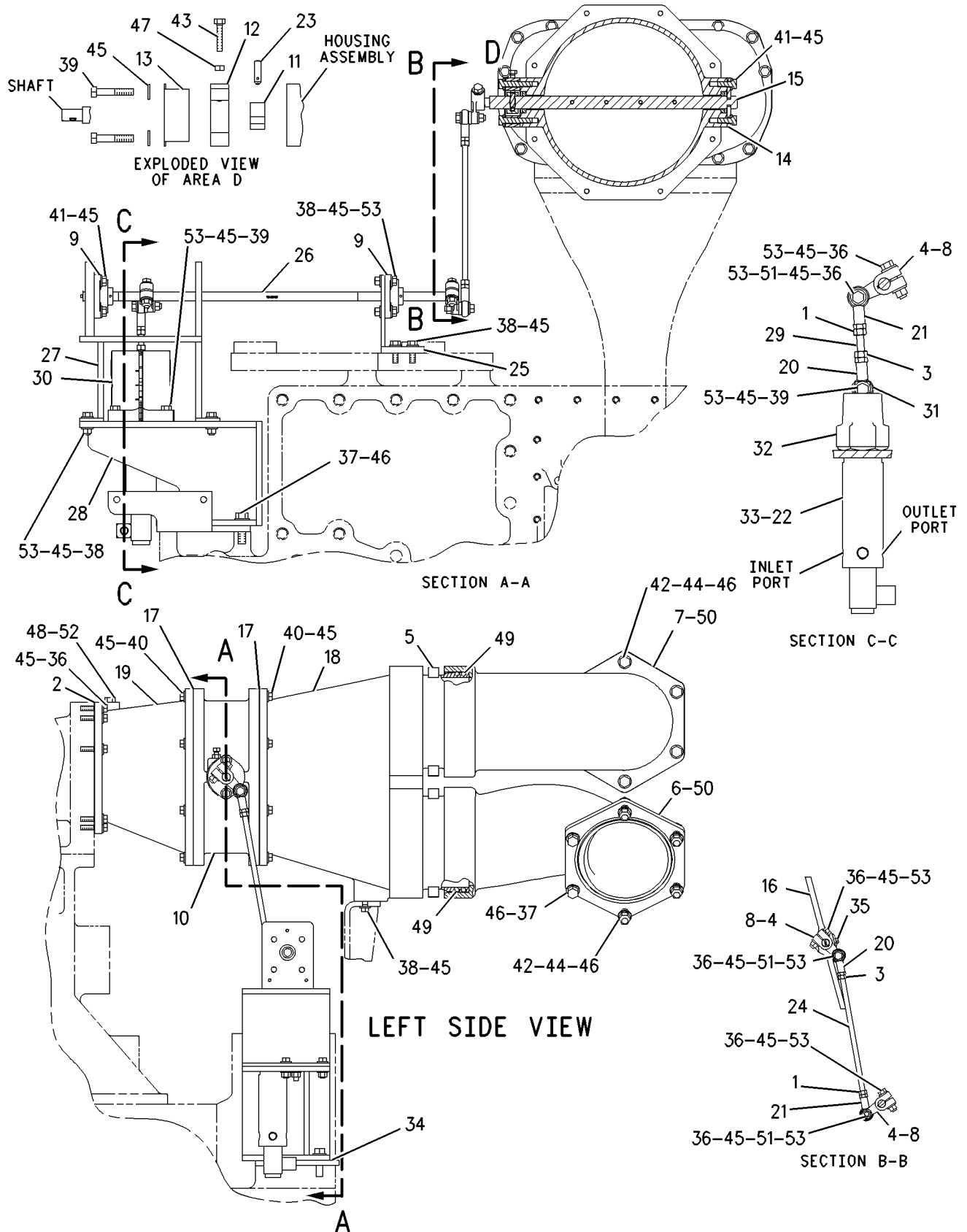
| NOTE | REF NO | GRAPHIC REF | PART NUMBER | QTY | PART NAME | | | | | | SEE PAGE |
|------|--------|-------------|-------------|-----|------------------------------------|---|---|---|---|-------------------|----------|
| | | | | | 1 | 2 | 3 | 4 | 5 | 6 (PRODUCT LEVEL) | |
| | 1 | 1 | 1S-3584 | 2 | NUT-FULL (3/8-24 LH-THD) | | | | | | |
| | 2 | 1 | 2W-4766 | 1 | GASKET | | | | | | |
| | 3 | 1 | 3S-2713 | 2 | NUT-FULL (3/8-24-THD) | | | | | | |
| | 4 | 1 | 4P-0394 | 3 | LEVER | | | | | | |
| | 5 | 1 | 4W-7392 | 2 | PIPE | | | | | | |
| | 6 | 1 | 4W-7515 | 1 | ELBOW (LH) | | | | | | |
| | 7 | 1 | 4W-7516 | 1 | ELBOW (RH) | | | | | | |
| | 8 | 1 | 5H-2532 | 3 | KEY-WOODRUFF | | | | | | |
| | 9 | 1 | 5L-3291 | 2 | BEARING AS-BALL | | | | | | |
| | 10 | 1 | 6I-0733 | 1 | HOUSING AS | | | | | | |
| | | 1 | 6V-5041 | 2 | SEAL-LIP TYPE | | | | | | |
| | | 1 | 7E-6553 | 2 | BEARING-SLEEVE | | | | | | |
| | 11 | 1 | 6I-1641 | 1 | PLATE | | | | | | |
| | 12 | 1 | 6I-1642 | 1 | PLATE | | | | | | |
| | 13 | 1 | 6I-1643 | 1 | COVER AS | | | | | | |
| | 14 | 1 | 6I-1644 | 1 | WASHER-THRUST | | | | | | |
| | 15 | 1 | 6I-1645 | 1 | SHAFT | | | | | | |
| | 16 | 1 | 7C-8454 | 1 | PLATE-BUTTERFLY | | | | | | |
| | 17 | 1 | 7W-6340 | 2 | GASKET | | | | | | |
| | 18 | 1 | 7W-7625 | 1 | HOUSING | | | | | | |
| | 19 | 1 | 7W-7629 | 1 | HOUSING | | | | | | |
| | 20 | 1 | 8C-7315 | 2 | ROD END | | | | | | |
| | 21 | 1 | 8C-7321 | 2 | ROD END | | | | | | |
| | 22 | 1 | 8H-3390 | 1 | NUT-FULL (1-1/2-12-THD) | | | | | | |
| | 23 | 1 | 032-1768 | 1 | SETSCREW (3/8-16-THD) | | | | | | |
| | 24 | 1 | 038-7444 | 1 | ROD | | | | | | |
| | 25 | 1 | 118-3842 | 1 | BRACKET AS | | | | | | |
| | 26 | 1 | 118-3843 | 1 | SHAFT | | | | | | |
| | 27 | 1 | 145-0039 | 1 | BRACKET AS | | | | | | |
| | 28 | 1 | 145-0040 | 1 | BRACKET AS | | | | | | |
| | 29 | 1 | 145-0041 | 1 | ROD | | | | | | |
| | 30 | 1 | 176-3583 | 2 | GUARD | | | | | | |
| | 31 | 1 | 176-3587 | 1 | CLEVIS | | | | | | |
| | 32 | 1 | 193-7879 | 1 | BOOT | | | | | | |
| YR | 33 | 1 | 211-8175 | 1 | ACTUATOR GP-ELECTRONIC | | | | | | 472 |
| | 34 | 1 | 206-6569 | 1 | PLATE | | | | | | |
| | 35 | 1 | 031-5085 | 4 | BOLT-LOCKING (1/4-20X1-IN) | | | | | | |
| | 36 | 1 | 0S-1571 | 22 | BOLT (3/8-16X1.75-IN) | | | | | | |
| | 37 | 1 | 0S-1587 | 3 | BOLT (1/2-13X1.75-IN) | | | | | | |
| | 38 | 1 | 0S-1588 | 14 | BOLT (3/8-16X1.25-IN) | | | | | | |
| | 39 | 1 | 0S-1590 | 5 | BOLT (3/8-16X2-IN) | | | | | | |
| | 40 | 1 | 0S-1591 | 16 | BOLT (3/8-16X1.5-IN) | | | | | | |
| | 41 | 1 | 0S-1594 | 6 | BOLT (3/8-16X1-IN) | | | | | | |
| | 42 | 1 | 1A-1460 | 10 | BOLT (1/2-13X2-IN) | | | | | | |
| | 43 | 1 | 1A-9579 | 1 | BOLT (5/16-18X1.5-IN) | | | | | | |
| | 44 | 1 | 1F-7958 | 10 | NUT-FULL (1/2-13-THD) | | | | | | |
| | 45 | 1 | 3V-3308 | 78 | WASHER-HARD (10.2X20.5X2.5-MM THK) | | | | | | |
| | 46 | 1 | 5P-8245 | 23 | WASHER-HARD (13.5X25.5X3-MM THK) | | | | | | |
| | 47 | 1 | 5S-0003 | 1 | NUT (5/16-18-THD) | | | | | | |
| | 48 | 1 | 6V-5049 | 2 | SEAL-O-RING | | | | | | |
| | 49 | 1 | 6V-5095 | 8 | SEAL-O-RING | | | | | | |
| | 50 | 1 | 6V-5102 | 2 | SEAL-O-RING | | | | | | |
| | 51 | 1 | 8M-9024 | 3 | WASHER-HARD (10.2X22.5X5-MM THK) | | | | | | |
| | 52 | 1 | 9S-4191 | 2 | PLUG-O-RING | | | | | | |
| | 53 | 1 | 9S-8752 | 17 | NUT-FULL (3/8-16-THD) | | | | | | |

R-REMFG PART MAY BE AVAILABLE
Y-SEPARATE ILLUSTRATION

AIR INLET AND EXHAUST SYSTEM

210-5736 LINES GP-AIR (contd.)

i01885843



GRAPHIC #1

<END>

g00826621

AIR INLET AND EXHAUST SYSTEM

216 - 8695 LINES GP - AIR (CHG -00, -00D1, -01, -01D1)
AIR CONTROL . LH

SMCS - 1071

i02377726

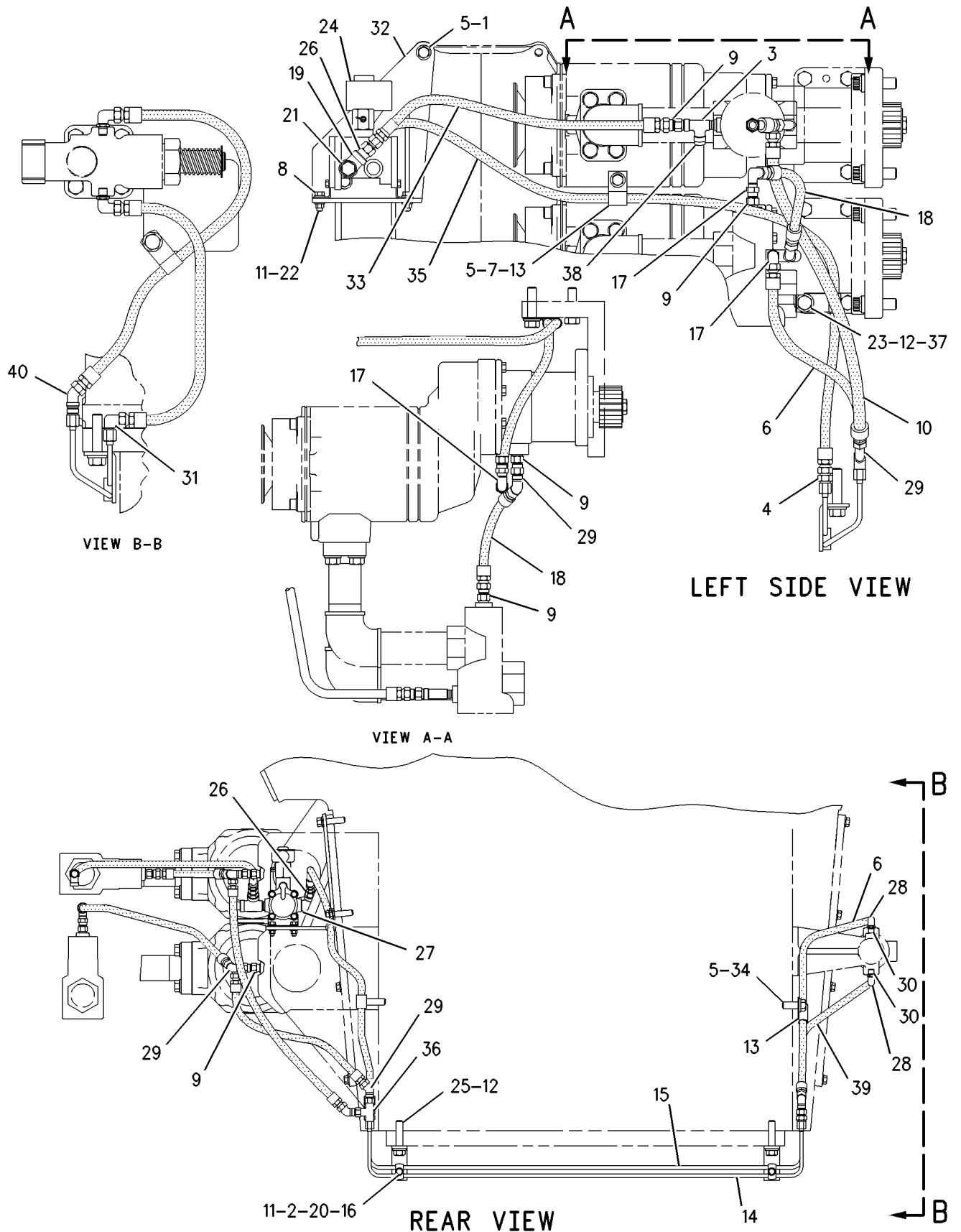
| NOTE | REF NO | GRAPHIC REF | PART NUMBER | QTY | PART NAME | | | | | | SEE PAGE |
|------|--------|-------------|-------------|-----|------------------------------------|---|---|---|---|-------------------|----------|
| | | | | | 1 | 2 | 3 | 4 | 5 | 6 (PRODUCT LEVEL) | |
| | 1 | 1 | 0S-1571 | 2 | BOLT (3/8-16X1.75-IN) | | | | | | |
| | 2 | 1 | 0S-1615 | 2 | BOLT (1/4-20X0.75-IN) | | | | | | |
| | 3 | 1 | 2D-7325 | 1 | TEE-PIPE | | | | | | |
| | 4 | 1 | 3J-7355 | 1 | UNION-FLARED | | | | | | |
| | 5 | 1 | 3V-3308 | 4 | WASHER-HARD (10.2X20.5X2.5-MM THK) | | | | | | |
| I | 6 | 1 | 3V-6153 | 2 | HOSE AS | | | | | | |
| | 7 | 1 | 0S-1591 | 1 | BOLT (3/8-16X1.5-IN) | | | | | | |
| | 8 | 1 | 4F-7957 | 4 | BOLT (1/4-20X0.875-IN) | | | | | | |
| | 9 | 1 | 4S-6399 | 7 | CONNECTOR | | | | | | |
| I | 10 | 1 | 2V-5956 | 1 | HOSE AS | | | | | | |
| | 11 | 1 | 5P-0537 | 10 | WASHER-HARD (7.2X14.5X2-MM THK) | | | | | | |
| | 12 | 1 | 5P-8245 | 3 | WASHER-HARD (13.5X25.5X3-MM THK) | | | | | | |
| | 13 | 1 | 6D-3479 | 2 | CLIP | | | | | | |
| | 14 | 1 | 7C-0370 | 1 | TUBE AS | | | | | | |
| | 15 | 1 | 7C-0371 | 1 | TUBE AS | | | | | | |
| | 16 | 1 | 7C-0372 | 2 | BRACKET | | | | | | |
| | 17 | 1 | 7K-9197 | 3 | ELBOW | | | | | | |
| I | 18 | 1 | 7V-0916 | 2 | HOSE AS | | | | | | |
| | 19 | 1 | 8L-6005 | 1 | TEE-PIPE | | | | | | |
| | 20 | 1 | 8N-8471 | 2 | CLAMP-TUBE | | | | | | |
| | 21 | 1 | 8T-6767 | 1 | PLUG-PIPE | | | | | | |
| | 22 | 1 | 9S-8750 | 4 | NUT-FULL (1/4-20-THD) | | | | | | |
| | 23 | 1 | 0S-1587 | 1 | BOLT (1/2-13X1.75-IN) | | | | | | |
| Y | 24 | 1 | 164-0717 | 1 | VALVE GP-SOLENOID | | | | | | 644 |
| | 25 | 1 | 9X-8873 | 2 | BOLT (1/2-13X2.25-IN) | | | | | | |
| | 26 | 1 | 001-6449 | 2 | CONNECTOR | | | | | | |
| | 27 | 1 | 003-2143 | 1 | ELBOW | | | | | | |
| | 28 | 1 | 030-7946 | 2 | ELBOW | | | | | | |
| | 29 | 1 | 030-7961 | 4 | ELBOW | | | | | | |
| | 30 | 1 | 061-7538 | 2 | SEAL-O-RING | | | | | | |
| | 31 | 1 | 067-6495 | 1 | ELBOW-FLARED | | | | | | |
| | 32 | 1 | 142-2868 | 1 | BRACKET AS | | | | | | |
| I | 33 | 1 | 3N-7281 | 1 | HOSE AS | | | | | | |
| | 34 | 1 | 0S-1594 | 1 | BOLT (3/8-16X1-IN) | | | | | | |
| I | 35 | 1 | 5T-4374 | 1 | HOSE AS | | | | | | |
| | 36 | 1 | 005-5421 | 1 | TEE-UNION | | | | | | |
| | 37 | 1 | 5K-3294 | 1 | CLIP | | | | | | |
| | 38 | 1 | 8T-6758 | 1 | PLUG-PIPE | | | | | | |
| I | 39 | 1 | 6N-8659 | 1 | HOSE AS | | | | | | |
| | 40 | 1 | 7K-6462 | 1 | ELBOW | | | | | | |

I - REFER TO HYDRAULIC INFORMATION SYSTEM
Y - SEPARATE ILLUSTRATION

AIR INLET AND EXHAUST SYSTEM

216-8695 LINES GP-AIR (contd.)

i02377726



VIEW B-B

VIEW A-A

REAR VIEW

LEFT SIDE VIEW

GRAPHIC #1

<END>

g00855978

AIR INLET AND EXHAUST SYSTEM

216-8696 LINES GP-AIR (CHG -00, -00D1 THRU -03, -03D1, -03D2, -03D3)
FOR USE WITH ENGINES WHICH HAVE AIR DRIVEN PRELUBE PUMPS

SMCS-1071

i02071031

| NOTE | REF NO | GRAPHIC REF | PART NUMBER | QTY | PART NAME | | | | | | SEE PAGE |
|------|--------|-------------|-----------------|-----|------------------------------------|---|---|---|---|-------------------|----------|
| | | | | | 1 | 2 | 3 | 4 | 5 | 6 (PRODUCT LEVEL) | |
| | 1 | 1 | 3D-4022 | 1 | CROSS | | | | | | |
| J | 2 | 1 | 4W-2100 | 1 | VALVE GP-PRESSURE REDUCING | | | | | | |
| | 3 | 1 | 5H-0255 | 1 | BOSS | | | | | | |
| I | 4 | 1 | 5N-5646 | 1 | HOSE AS | | | | | | |
| I | 5 | 1 | 6G-9870 | 1 | HOSE AS | | | | | | |
| | 6 | 1 | 7C-2951 | 1 | BRACKET | | | | | | |
| | 7 | 1 | 7M-9544 | 1 | VALVE (AIR STARTING MOTOR) | | | | | | |
| Y | 8 | 1 | 7W-0522 | 1 | LUBRICATOR GP-AIR MOTOR | | | | | | 596 |
| I | 9 | 1 | 7W-1831 | 1 | HOSE AS | | | | | | |
| Y | 10 | 1 | 164-0717 | 1 | VALVE GP-SOLENOID | | | | | | 644 |
| | 11 | 1 | 165-7805 | 1 | VALVE-AIR RELIEF | | | | | | |
| | 12 | 1 | 168-9913 | 1 | BRACKET AS | | | | | | |
| | 13 | 1 | 001-6449 | 3 | CONNECTOR | | | | | | |
| | 14 | 1 | 002-6453 | 1 | ELBOW | | | | | | |
| | 15 | 1 | 061-8248 | 1 | UNION-FLARED | | | | | | |
| | 16 | 1 | 0S-0509 | 1 | BOLT (3/8-16X0.75-IN) | | | | | | |
| | 17 | 1 | 0S-1594 | 2 | BOLT (3/8-16X1-IN) | | | | | | |
| | 18 | 1 | 0S-1621 | 1 | BOLT (1/2-13X1-IN) | | | | | | |
| | 19 | 1 | 1Y-0412 | 1 | ELBOW-PIPE | | | | | | |
| | 20 | 1 | 3B-7272 | 1 | NIPPLE-PIPE | | | | | | |
| | 21 | 1 | 3V-3308 | 7 | WASHER-HARD (10.2X20.5X2.5-MM THK) | | | | | | |
| | 22 | 1 | 3Y-7829 | 3 | BOSS (3/8-16-THD) | | | | | | |
| | 23 | 1 | 4S-6399 | 1 | CONNECTOR | | | | | | |
| | 24 | 1 | 5B-4855 | 2 | BUSHING-REDUCER | | | | | | |
| | 25 | 1 | 5P-8245 | 1 | WASHER-HARD (13.5X25.5X3-MM THK) | | | | | | |
| | 26 | 1 | 6D-3479 | 2 | CLIP | | | | | | |
| | 27 | 1 | 6V-4516 | 1 | ADAPTER | | | | | | |
| | 28 | 1 | 7K-9197 | 2 | ELBOW | | | | | | |
| | 29 | 1 | 7L-6748 | 1 | U-BOLT | | | | | | |
| | 30 | 1 | 8B-3308 | 3 | FITTING | | | | | | |
| | 31 | 1 | 8D-9671 | 1 | CLIP | | | | | | |
| | 32 | 1 | 8T-6762 | 1 | PLUG-PIPE | | | | | | |
| | 33 | 1 | 9M-6522 | 1 | CONNECTOR | | | | | | |
| | 34 | 1 | 9M-8729 | 1 | U-BOLT | | | | | | |
| | 35 | 1 | 9S-8752 | 4 | NUT-FULL (3/8-16-THD) | | | | | | |
| | 36 | 1 | 105-1861 | 1 | NIPPLE-PIPE | | | | | | |

AVAILABLE REPAIR KIT(S) :

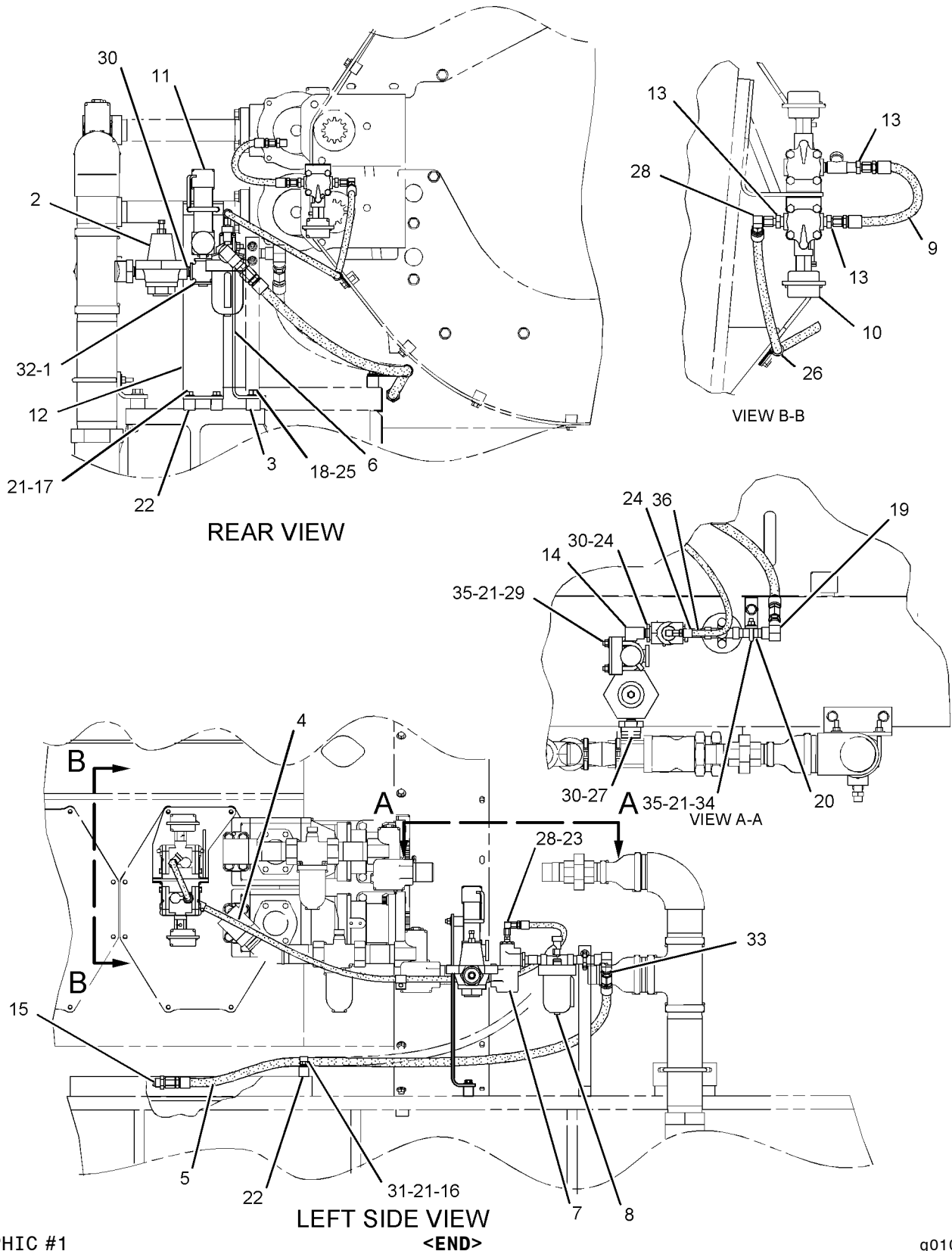
| | | | |
|---|----------------|---|---|
| J | 7W-2819 | 1 | KIT-RELIEF VALVE (PRESSURE) (INCLUDES DIAPHRAGM, CYLINDER, PISTON AS, SCREEN, GASKET, AND SPRING) |
|---|----------------|---|---|

I-REFER TO HYDRAULIC INFORMATION SYSTEM
J-KIT MARKED J AVAILABLE FOR PART MARKED J
Y-SEPARATE ILLUSTRATION

AIR INLET AND EXHAUST SYSTEM

216-8696 LINES GP-AIR (contd.)

i02071031



g01061016

AIR INLET AND EXHAUST SYSTEM

229-5497 LINES GP-AIR (CHG -00, -01)

SMCS-1071

i02437807

| NOTE | REF NO | GRAPHIC REF | PART NUMBER | QTY | PART NAME | 1 2 3 4 5 6 (PRODUCT LEVEL) | | | | | | SEE PAGE |
|------|--------|-------------|-------------|-----|------------------------------------|-----------------------------|--|--|--|--|--|----------|
| | | | | | | | | | | | | |
| | 1 | 1,2 | 1S-3584 | 2 | NUT-FULL (3/8-24 LH-THD) | | | | | | | |
| | 2 | 1 | 2W-4766 | 2 | GASKET | | | | | | | |
| | 3 | 1,2 | 3S-2713 | 2 | NUT-FULL (3/8-24-THD) | | | | | | | |
| | 4 | 1 | 4P-0394 | 3 | LEVER | | | | | | | |
| | 5 | 1 | 4W-7392 | 2 | PIPE | | | | | | | |
| | 6 | 1 | 4W-7515 | 1 | ELBOW (LH) | | | | | | | |
| | 7 | 1 | 4W-7516 | 1 | ELBOW (RH) | | | | | | | |
| | 8 | 1,2 | 5H-2532 | 3 | KEY-WOODRUFF | | | | | | | |
| | 9 | 1,2 | 5L-3291 | 2 | BEARING AS-BALL | | | | | | | |
| | 10 | 1 | 6I-0733 | 1 | HOUSING AS | | | | | | | |
| | | 1 | 6V-5041 | 2 | SEAL-LIP TYPE | | | | | | | |
| | | 1 | 161-1201 | 2 | BEARING-SLEEVE | | | | | | | |
| | 11 | 1 | 6I-1641 | 1 | PLATE | | | | | | | |
| | 12 | 1 | 6I-1642 | 1 | PLATE | | | | | | | |
| | 13 | 1 | 6I-1643 | 1 | COVER AS | | | | | | | |
| | 14 | 1 | 6I-1644 | 1 | WASHER-THRUST | | | | | | | |
| | 15 | 1 | 7C-8454 | 1 | PLATE-BUTTERFLY | | | | | | | |
| | 16 | 1 | 7W-6340 | 2 | GASKET | | | | | | | |
| | 17 | 1,2 | 8C-7315 | 2 | ROD END | | | | | | | |
| | 18 | 1,2 | 8C-7321 | 2 | ROD END | | | | | | | |
| | 19 | 2 | 8H-3390 | 1 | NUT-FULL (1-1/2-12-THD) | | | | | | | |
| | 20 | 1 | 032-1768 | 1 | SETSCREW (3/8-16-THD) | | | | | | | |
| | 21 | 1 | 118-3842 | 1 | BRACKET AS | | | | | | | |
| | 22 | 1 | 118-3843 | 1 | SHAFT | | | | | | | |
| | 23 | 1 | 123-3856 | 1 | ADAPTER | | | | | | | |
| | 24 | 1 | 124-9765 | 1 | ADAPTER | | | | | | | |
| | 25 | 1 | 124-9766 | 1 | ADAPTER | | | | | | | |
| | 26 | 1 | 134-7955 | 1 | BRACKET AS | | | | | | | |
| | 27 | 1 | 134-9441 | 1 | SHAFT | | | | | | | |
| | 28 | 1 | 145-0039 | 1 | BRACKET AS | | | | | | | |
| | 29 | 1 | 145-0040 | 1 | BRACKET AS | | | | | | | |
| | 30 | 2 | 145-0041 | 1 | ROD | | | | | | | |
| | 31 | 1 | 147-5092 | 1 | ROD | | | | | | | |
| | 32 | 2 | 176-3583 | 2 | GUARD | | | | | | | |
| | 33 | 2 | 176-3587 | 1 | CLEVIS | | | | | | | |
| | 34 | 2 | 193-7879 | 1 | BOOT | | | | | | | |
| | 35 | 1 | 206-6569 | 1 | PLATE | | | | | | | |
| YR | 36 | 2 | 211-8175 | 1 | ACTUATOR GP-ELECTRONIC | | | | | | | 472 |
| | 37 | 1 | 031-5085 | 4 | BOLT-LOCKING (1/4-20X1-IN) | | | | | | | |
| | 38 | 1 | 0L-2070 | 15 | BOLT (3/8-16X2.25-IN) | | | | | | | |
| | 39 | 1,2 | 0S-1571 | 22 | BOLT (3/8-16X1.75-IN) | | | | | | | |
| | 40 | 1 | 0S-1587 | 3 | BOLT (1/2-13X1.75-IN) | | | | | | | |
| | 41 | 1 | 0S-1588 | 14 | BOLT (3/8-16X1.25-IN) | | | | | | | |
| | 42 | 1,2 | 0S-1590 | 5 | BOLT (3/8-16X2-IN) | | | | | | | |
| | 43 | 1 | 0S-1591 | 17 | BOLT (3/8-16X1.5-IN) | | | | | | | |
| | 44 | 1,2 | 0S-1594 | 6 | BOLT (3/8-16X1-IN) | | | | | | | |
| | 45 | 1 | 0T-0065 | 1 | BOLT (3/8-16X3.5-IN) | | | | | | | |
| | 46 | 1 | 1A-1460 | 10 | BOLT (1/2-13X2-IN) | | | | | | | |
| | 47 | 1 | 1A-9579 | 1 | BOLT (5/16-18X1.5-IN) | | | | | | | |
| | 48 | 1 | 1F-7958 | 10 | NUT-FULL (1/2-13-THD) | | | | | | | |
| | 49 | 1,2 | 3V-3308 | 79 | WASHER-HARD (10.2X20.5X2.5-MM THK) | | | | | | | |
| | 50 | 1 | 5M-2894 | 32 | WASHER-HARD (10.2X18.5X2.5-MM THK) | | | | | | | |
| | 51 | 1 | 5P-8245 | 23 | WASHER-HARD (13.5X25.5X3-MM THK) | | | | | | | |
| | 52 | 1 | 5S-0003 | 1 | NUT (5/16-18-THD) | | | | | | | |
| | 53 | 1 | 6V-5049 | 2 | SEAL-O-RING | | | | | | | |
| | 54 | 1 | 6V-5095 | 8 | SEAL-O-RING | | | | | | | |
| | 55 | 1 | 6V-5102 | 2 | SEAL-O-RING | | | | | | | |
| | 56 | 1,2 | 8M-9024 | 3 | WASHER-HARD (10.2X22.5X5-MM THK) | | | | | | | |

AIR INLET AND EXHAUST SYSTEM

229-5497 LINES GP-AIR (contd.)

i02437807

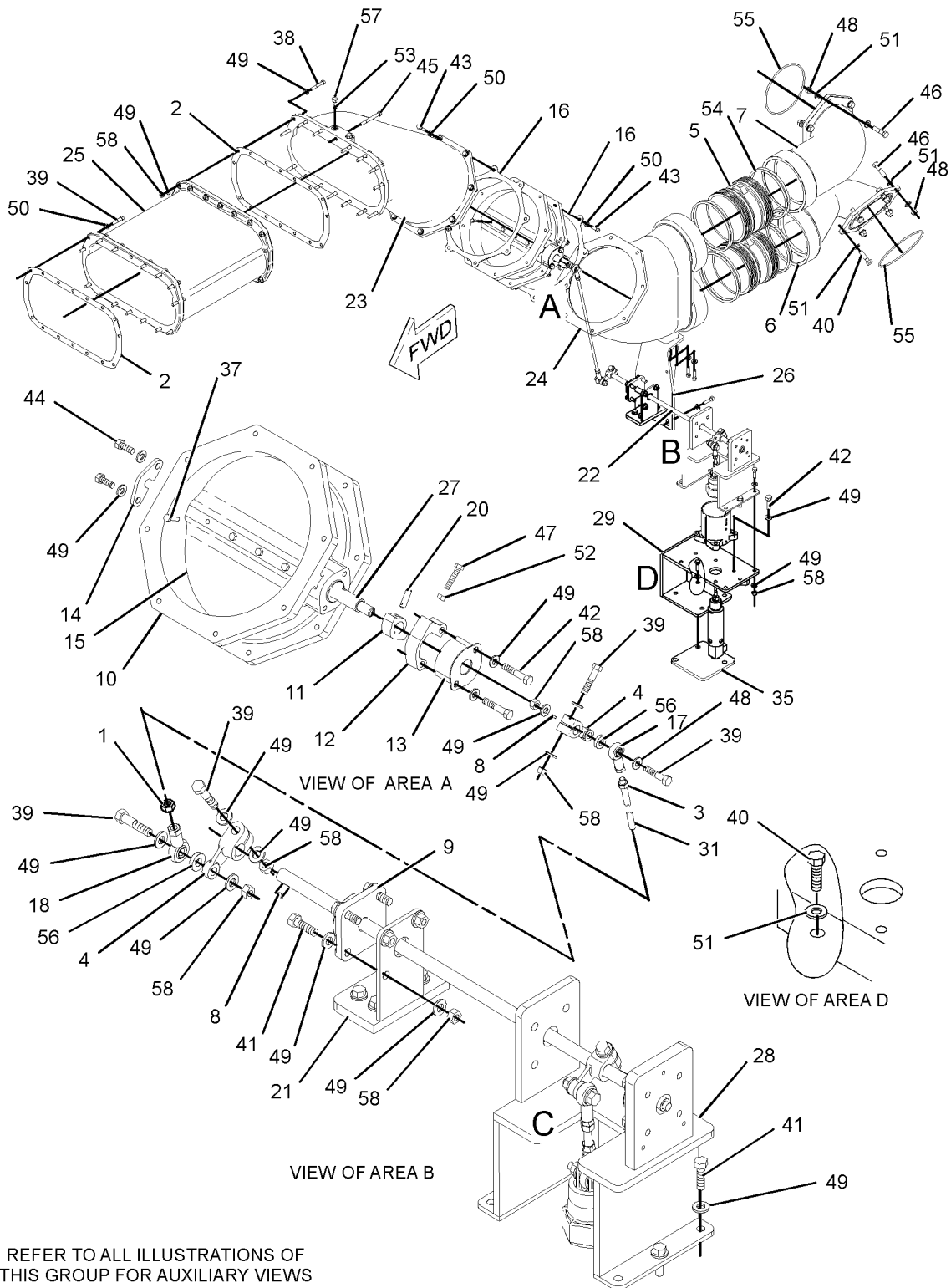
| NOTE | REF NO | GRAPHIC REF | PART NUMBER | QTY | PART NAME | SEE PAGE |
|------|--------|-------------|----------------|-----|-----------------------------|----------|
| | | | | | 1 2 3 4 5 6 (PRODUCT LEVEL) | |
| | 57 | 1 | 9S-4191 | 2 | PLUG-O-RING | |
| | 58 | 1,2 | 9S-8752 | 33 | NUT-FULL (3/8-16-THD) | |

R - REMFG PART MAY BE AVAILABLE
Y - SEPARATE ILLUSTRATION

AIR INLET AND EXHAUST SYSTEM

229-5497 LINES GP-AIR (contd.)

i02437807



REFER TO ALL ILLUSTRATIONS OF THIS GROUP FOR AUXILIARY VIEWS

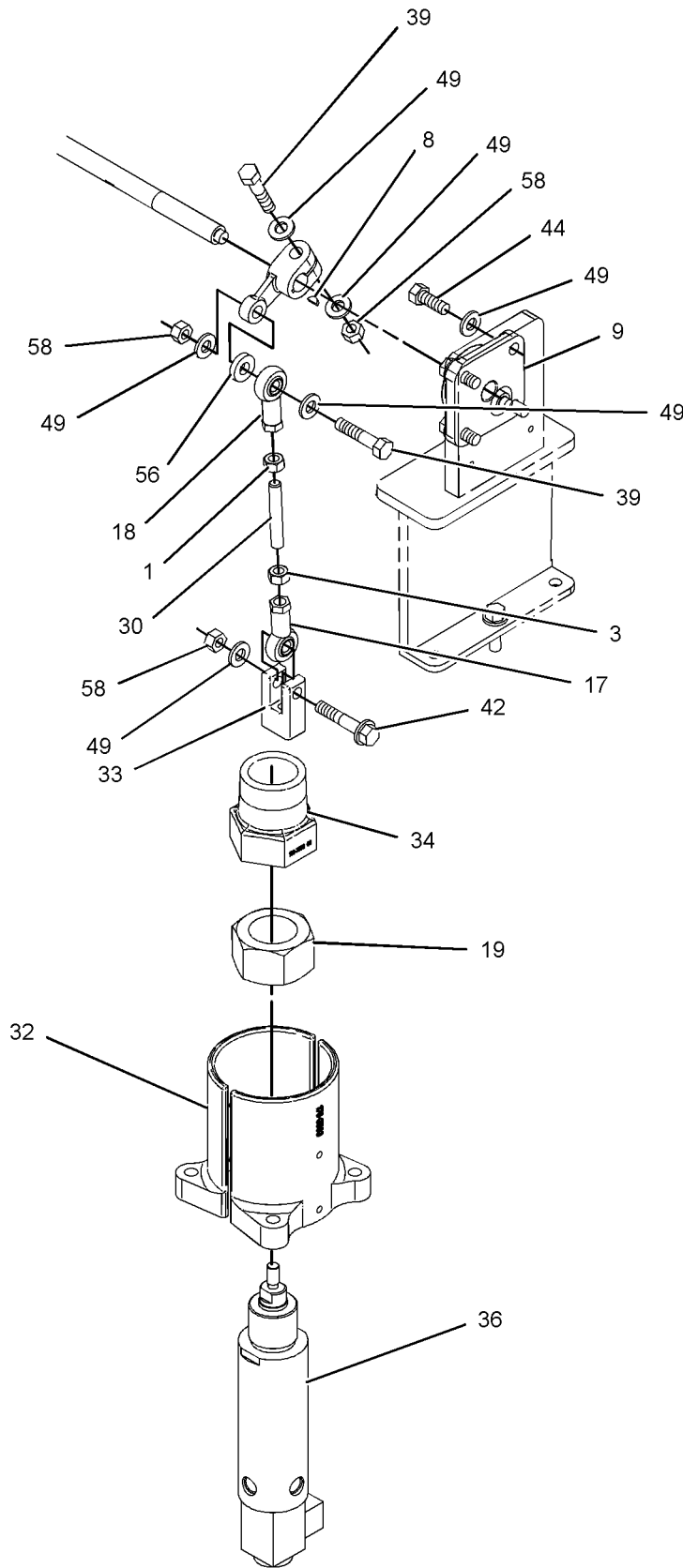
GRAPHIC #1

g01218065

AIR INLET AND EXHAUST SYSTEM

229 - 5497 LINES GP - AIR (contd.)

i02437807



VIEW OF AREA C
<END>

GRAPHIC #2

g01015787

AIR INLET AND EXHAUST SYSTEM

280-0465 LINES GP-AIR (CHG -00, -01)

SMCS-1071

i03005690

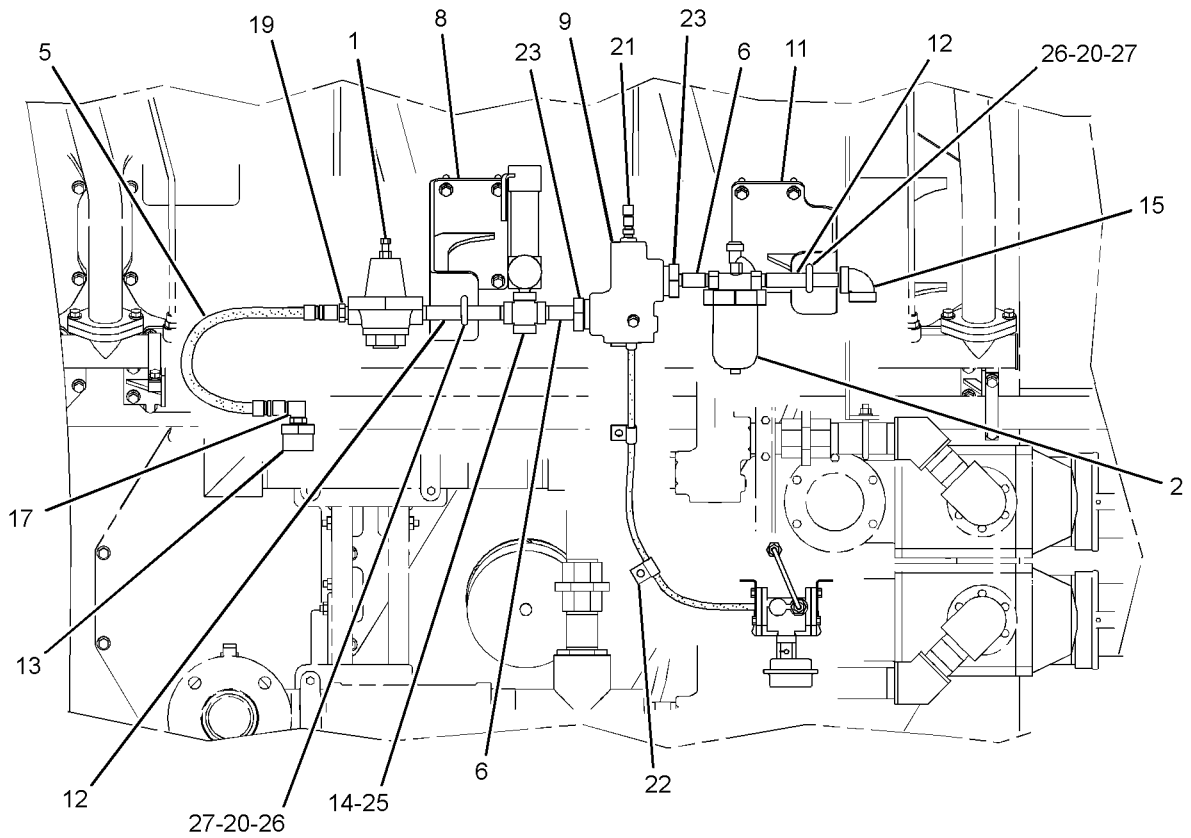
| NOTE | REF NO | GRAPHIC REF | PART NUMBER | QTY | PART NAME | | | | | | SEE PAGE |
|------|--------|-------------|-----------------|-----|------------------------------------|---|---|---|---|-------------------|----------|
| | | | | | 1 | 2 | 3 | 4 | 5 | 6 (PRODUCT LEVEL) | |
| | 1 | 1 | 4W-2100 | 1 | VALVE GP-PRESSURE REDUCING | | | | | | |
| Y | 2 | 1 | 7W-0522 | 1 | LUBRICATOR GP-AIR MOTOR | | | | | | 596 |
| Y | 3 | 1 | 164-0717 | 1 | VALVE GP-SOLENOID | | | | | | 644 |
| | 4 | 1 | 165-7805 | 1 | VALVE-AIR RELIEF | | | | | | |
| | 5 | 1 | 247-3837 | 1 | HOSE AS | | | | | | |
| | 6 | 1 | 250-9212 | 2 | FITTING | | | | | | |
| | 7 | 1 | 278-0637 | 1 | TUBE AS | | | | | | |
| | 8 | 1 | 280-0468 | 1 | BRACKET AS | | | | | | |
| | 9 | 1 | 302-2199 | 1 | VALVE-RELAY | | | | | | |
| | | 1 | 7C-5105 | 1 | KIT-VALVE SEAL (AIR STARTING) | | | | | | |
| | 10 | 1 | 313-7161 | 1 | HOSE AS | | | | | | |
| | 11 | 1 | 314-3277 | 1 | BRACKET AS | | | | | | |
| | 12 | 1 | 314-9525 | 2 | FITTING | | | | | | |
| | 13 | 1 | 315-9825 | 1 | ADAPTER | | | | | | |
| | 14 | 1 | 319-6192 | 1 | CROSS-PIPE | | | | | | |
| | 15 | 1 | 319-6193 | 1 | ELBOW-REDUCING | | | | | | |
| | 16 | 1 | 001-6449 | 3 | CONNECTOR | | | | | | |
| | 17 | 1 | <i>155-7319</i> | 1 | ELBOW AS | | | | | | |
| | | 1 | 3K-0360 | 1 | SEAL-O-RING | | | | | | |
| | | 1 | 118-4728 | 1 | ELBOW | | | | | | |
| | 18 | 1 | 0S-1571 | 8 | BOLT (3/8-16X1.75-IN) | | | | | | |
| | 19 | 1 | 3R-5387 | 1 | CONNECTOR | | | | | | |
| | 20 | 1 | 3V-3308 | 12 | WASHER-HARD (10.2X20.5X2.5-MM THK) | | | | | | |
| | 21 | 1 | 4S-6399 | 1 | CONNECTOR | | | | | | |
| | 22 | 1 | 5P-9297 | 3 | CLIP | | | | | | |
| | 23 | 1 | 6V-4516 | 2 | ADAPTER | | | | | | |
| | 24 | 1 | 7K-9197 | 2 | ELBOW | | | | | | |
| | 25 | 1 | 8B-8817 | 1 | PLUG | | | | | | |
| | 26 | 1 | 9M-8729 | 2 | U-BOLT | | | | | | |
| | 27 | 1 | 9S-8752 | 4 | NUT-FULL (3/8-16-THD) | | | | | | |

Y-SEPARATE ILLUSTRATION

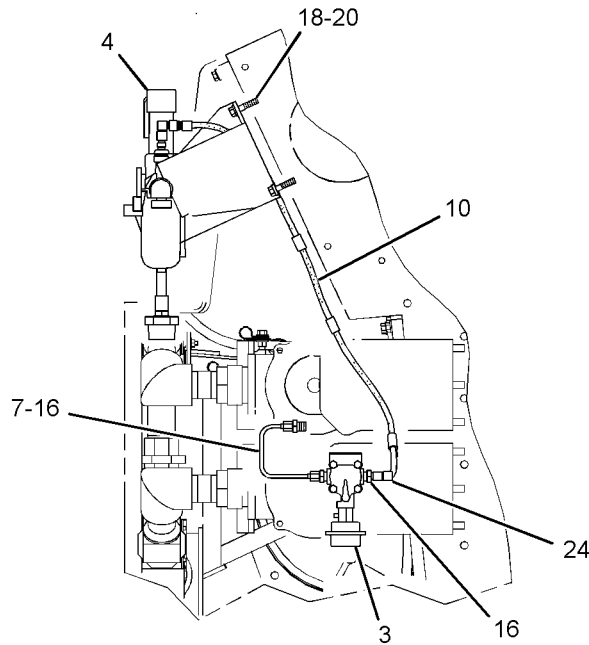
AIR INLET AND EXHAUST SYSTEM

280-0465 LINES GP-AIR (contd.)

i03005690



LEFT SIDE VIEW OF ENGINE



REAR VIEW OF ENGINE

GRAPHIC #1

<END>

g01524567

AIR INLET AND EXHAUST SYSTEM

281-4243 LINES GP-AIR (CHG -00, -01)

SMCS-1071

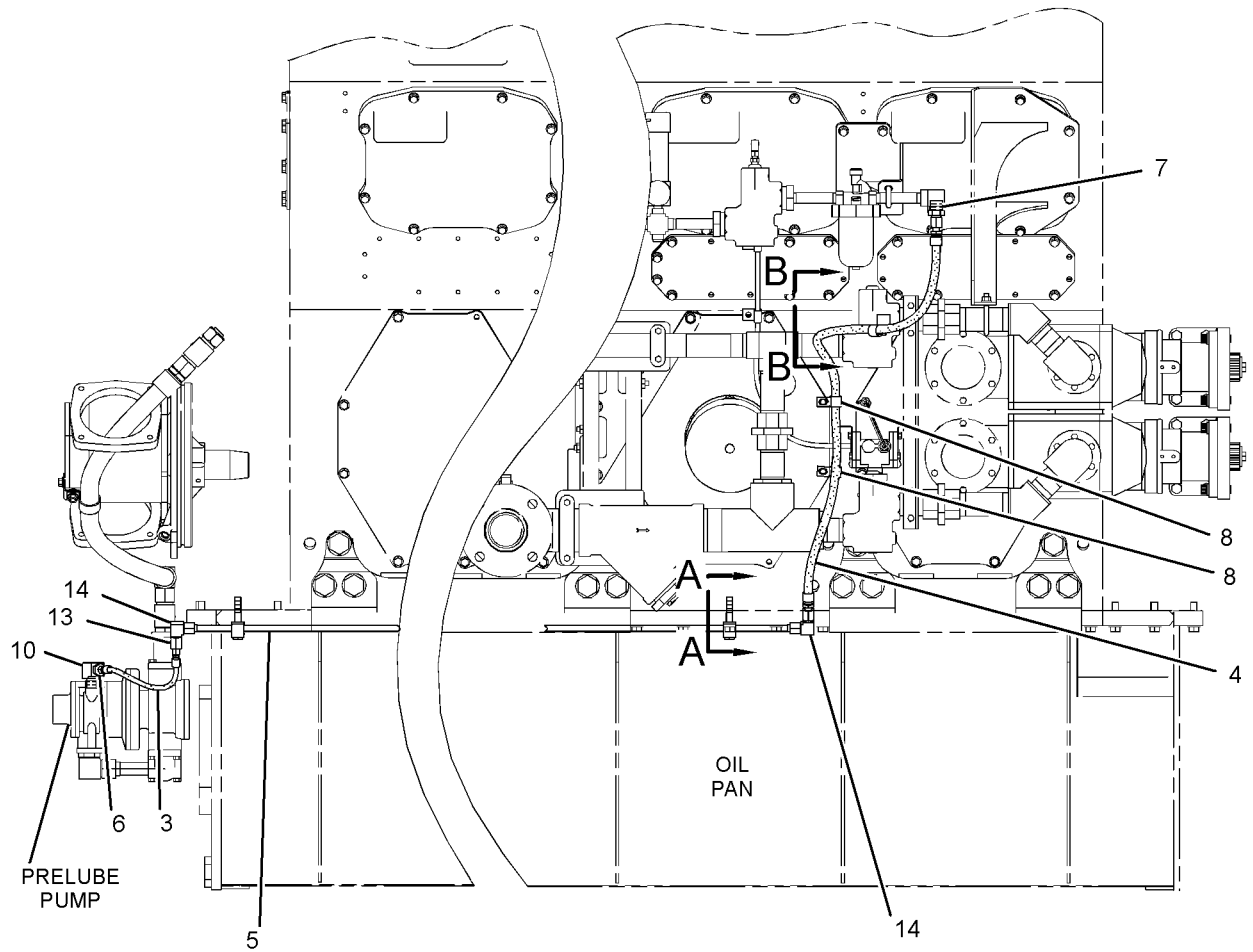
i03005704

| NOTE | REF NO | GRAPHIC REF | PART NUMBER | QTY | PART NAME | SEE PAGE |
|------|--------|-------------|-----------------|-----|------------------------------------|----------|
| | | | | | 1 2 3 4 5 6 (PRODUCT LEVEL) | |
| | 1 | 1 | 1P-2841 | 6 | SPACER (0.531X1X0.69-IN THK) | |
| | 2 | 1 | 6V-6759 | 6 | CLIP | |
| | 3 | 1 | 278-0618 | 1 | HOSE AS | |
| | 4 | 1 | 278-0633 | 1 | HOSE AS | |
| | 5 | 1 | 280-8793 | 1 | TUBE AS | |
| | 6 | 1 | 001-9440 | 1 | CONNECTOR | |
| | 7 | 1 | 004-7626 | 1 | CONNECTOR (FLARED) | |
| | 8 | 1 | 067-2551 | 3 | CLIP | |
| | 9 | 1 | 0S-1594 | 1 | BOLT (3/8-16X1-IN) | |
| | 10 | 1 | 2D-9155 | 1 | ELBOW | |
| | 11 | 1 | 3V-3308 | 2 | WASHER-HARD (10.2X20.5X2.5-MM THK) | |
| | 12 | 1 | 5K-9660 | 1 | CLIP | |
| | 13 | 1 | 5P-5007 | 1 | REDUCER | |
| | 14 | 1 | 5P-6399 | 2 | ELBOW-FLARED | |
| | 15 | 1 | 5P-8245 | 6 | WASHER-HARD (13.5X25.5X3-MM THK) | |
| | 16 | 1 | 6V-6758 | 6 | CLIP | |
| | 17 | 1 | 9S-8752 | 1 | NUT-FULL (3/8-16-THD) | |
| | 18 | 1 | 9X-8874 | 6 | BOLT (1/2-13X3-IN) | |

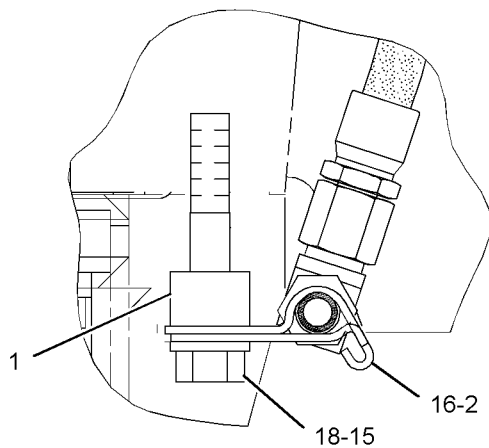
AIR INLET AND EXHAUST SYSTEM

281-4243 LINES GP-AIR (contd.)

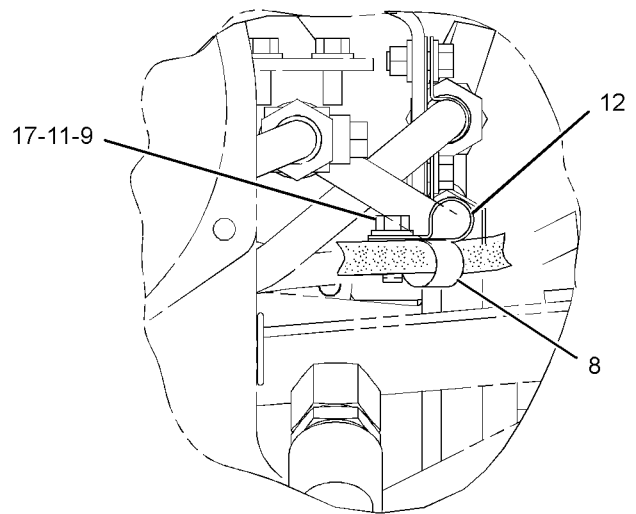
i03005704



LEFT SIDE VIEW OF ENGINE



SECTION A-A



VIEW B-B

GRAPHIC #1

<END>

g01524813

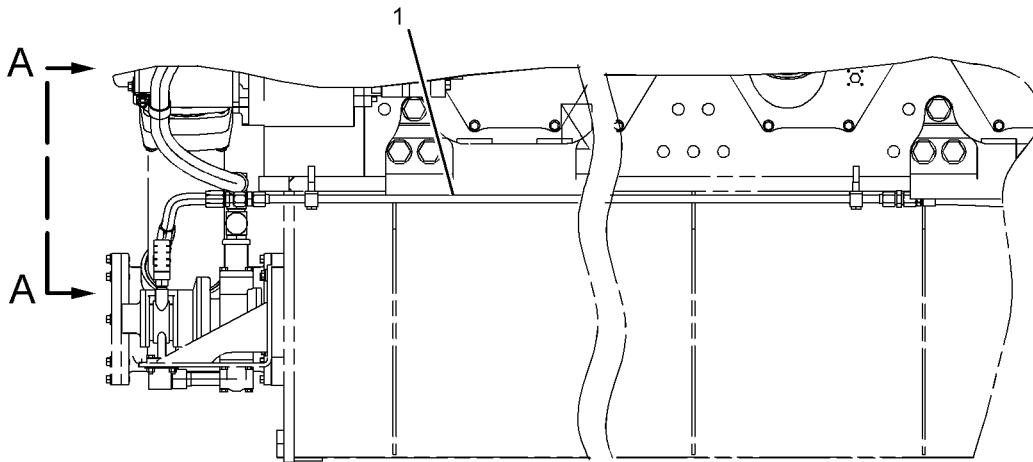
AIR INLET AND EXHAUST SYSTEM

288-7181 LINES GP-AIR-PRELUBRICATION (CHG -00)

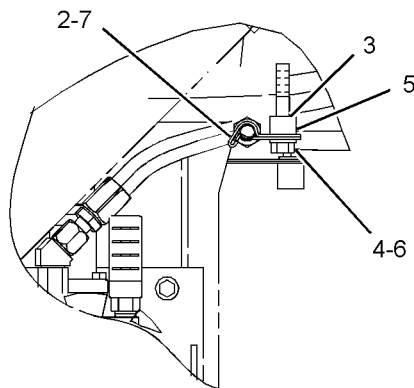
SMCS-1071

i02515894

| NOTE | REF NO | GRAPHIC REF | PART NUMBER | QTY | PART NAME | | | | | | SEE PAGE |
|------|--------|-------------|-------------|-----|----------------------------------|---|---|---|---|-------------------|----------|
| | | | | | 1 | 2 | 3 | 4 | 5 | 6 (PRODUCT LEVEL) | |
| | 1 | 1 | 2W-1675 | 1 | TUBE AS | | | | | | |
| | 2 | 1 | 6V-6759 | 6 | CLIP (2-PIECE) | | | | | | |
| | 3 | 1 | 8B-9725 | 2 | BOSS | | | | | | |
| | 4 | 1 | 1A-5822 | 6 | BOLT (1/2-13X2.75-IN) | | | | | | |
| | 5 | 1 | 2M-0849 | 10 | WASHER-HARD (13.5X25.5X5-MM THK) | | | | | | |
| | 6 | 1 | 5P-8245 | 6 | WASHER-HARD (13.5X25.5X3-MM THK) | | | | | | |
| | 7 | 1 | 6V-6758 | 6 | CLIP (2-PIECE) | | | | | | |



LEFT SIDE VIEW



VIEW A-A

GRAPHIC #1

<END>

g01258863

AIR INLET AND EXHAUST SYSTEM

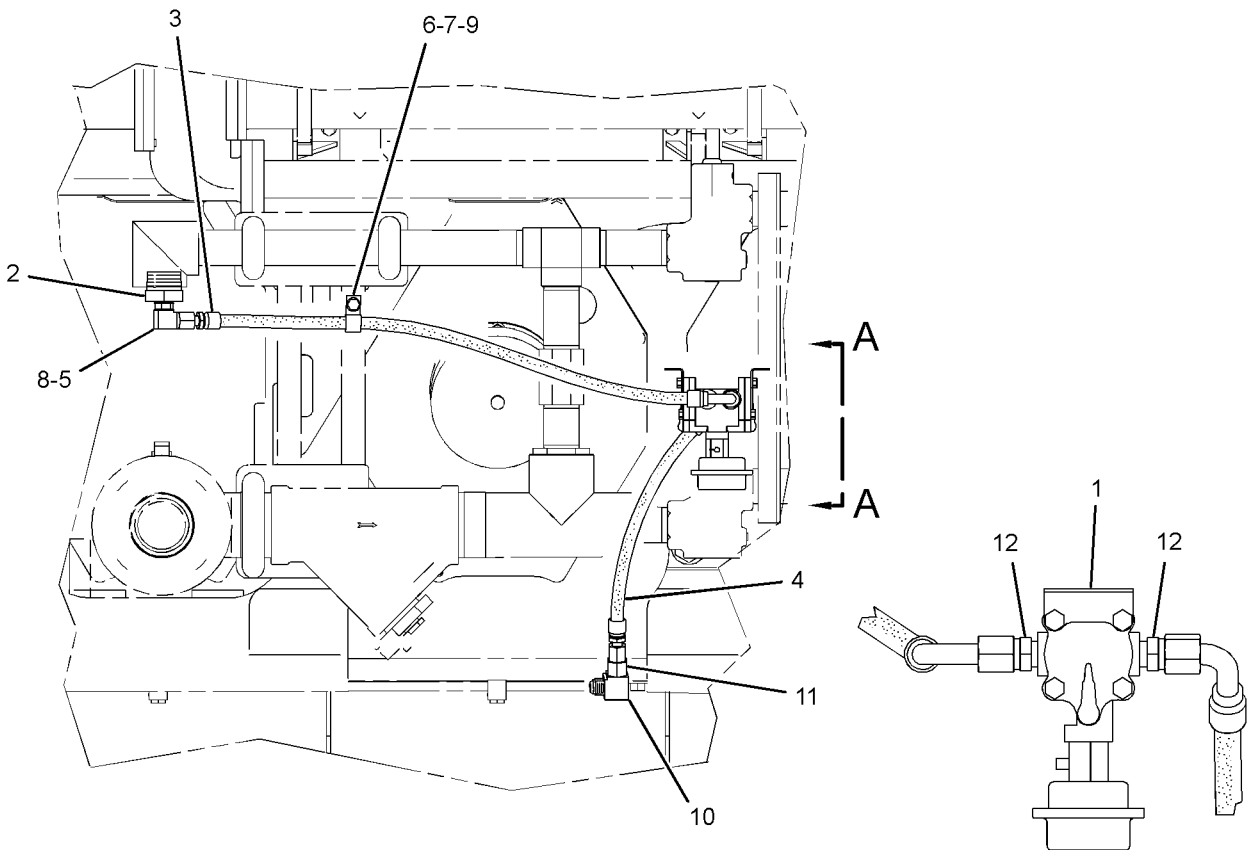
324-6847 LINES GP-AIR (CHG -00)

SMCS-1071

i03108386

| NOTE | REF NO | GRAPHIC REF | PART NUMBER | QTY | PART NAME | | | | | | SEE PAGE |
|------|--------|-------------|-------------|-----|------------------------------------|---|---|---|---|-------------------|----------|
| | | | | | 1 | 2 | 3 | 4 | 5 | 6 (PRODUCT LEVEL) | |
| Y | 1 | 1 | 164-0717 | 1 | VALVE GP-SOLENOID | | | | | | 644 |
| | 2 | 1 | 315-9825 | 1 | ADAPTER | | | | | | |
| | 3 | 1 | 324-3909 | 1 | HOSE AS | | | | | | |
| | 4 | 1 | 324-3910 | 1 | HOSE AS | | | | | | |
| | 5 | 1 | 118-4728 | 1 | ELBOW | | | | | | |
| | 6 | 1 | 067-2551 | 1 | CLIP | | | | | | |
| | 7 | 1 | 0S-0509 | 1 | BOLT (3/8-16X0.75-IN) | | | | | | |
| | 8 | 1 | 3K-0360 | 1 | SEAL-O-RING | | | | | | |
| | 9 | 1 | 5M-2894 | 1 | WASHER-HARD (10.2X18.5X2.5-MM THK) | | | | | | |
| | 10 | 1 | 5P-4900 | 1 | ELBOW-FLARED | | | | | | |
| | 11 | 1 | 5P-8228 | 1 | REDUCER-FLARED | | | | | | |
| | 12 | 1 | 8M-0755 | 2 | CONNECTOR | | | | | | |

Y-SEPARATE ILLUSTRATION



LEFT SIDE VIEW OF ENGINE

VIEW A-A

GRAPHIC #1

<END>

g01591525

AIR INLET AND EXHAUST SYSTEM

7E-1325 MANIFOLD GP-EXHAUST (CHG -01 THRU -12)

SMCS-1059

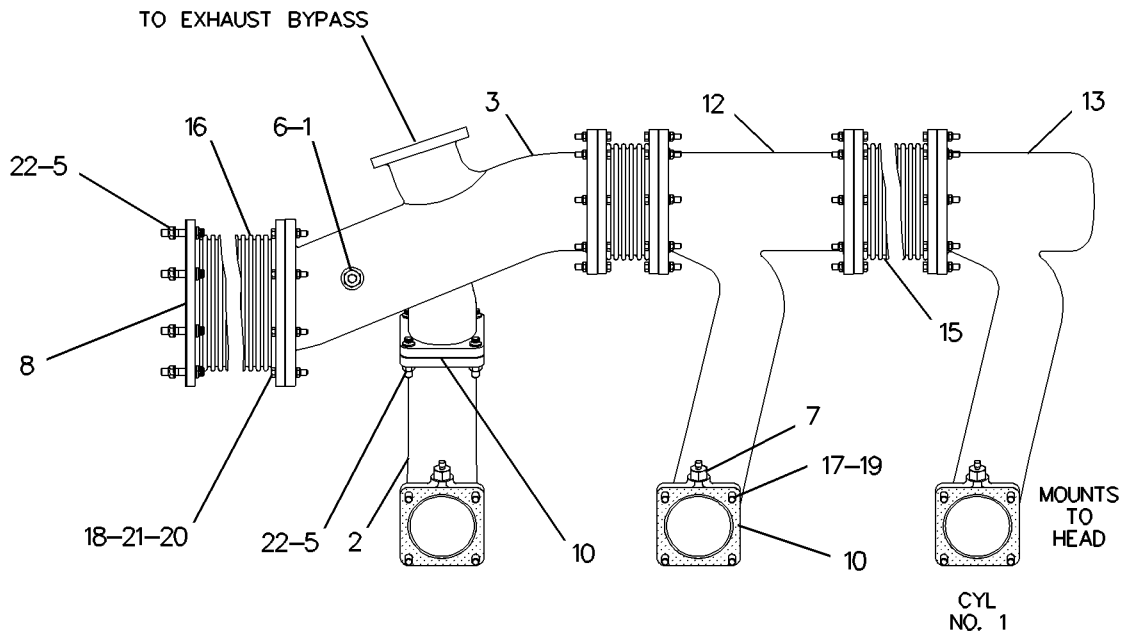
i01870748

| NOTE | REF NO | GRAPHIC REF | PART NUMBER | QTY | PART NAME | | | | | | SEE PAGE |
|------|--------|-------------|-------------|-----|--|---|---|---|---|-------------------|----------|
| | | | | | 1 | 2 | 3 | 4 | 5 | 6 (PRODUCT LEVEL) | |
| | 1 | 1 | 4P-0419 | 2 | ADAPTER | | | | | | |
| | 2 | 1 | 4P-3046 | 2 | MANIFOLD-EXHAUST (LOWER) | | | | | | |
| | 3 | 1 | 4P-4791 | 1 | MANIFOLD-EXHAUST (RH) | | | | | | |
| | 4 | 1 | 4P-4792 | 1 | MANIFOLD-EXHAUST (LH) | | | | | | |
| | 5 | 1 | 6V-3630 | 24 | BOLT-HIGH TEMPERATURE (1/2-13X2.5-IN) | | | | | | |
| | 6 | 1 | 6V-8735 | 2 | CAP | | | | | | |
| | 7 | 1 | 124-4383 | 16 | ADAPTER | | | | | | |
| | 8 | 1 | 134-5641 | 4 | GASKET | | | | | | |
| | 9 | 1 | 134-5643 | 28 | GASKET | | | | | | |
| | 10 | 1 | 136-7730 | 18 | GASKET (CYLINDER HEAD) | | | | | | |
| | 11 | 1 | 176-3593 | 1 | MANIFOLD-EXHAUST | | | | | | |
| | 12 | 1 | 176-3594 | 6 | MANIFOLD-EXHAUST | | | | | | |
| | 13 | 1 | 176-3595 | 1 | MANIFOLD-EXHAUST | | | | | | |
| | 14 | 1 | 176-3597 | 6 | MANIFOLD-EXHAUST | | | | | | |
| | 15 | 1 | 206-0406 | 14 | BELLOWS AS | | | | | | |
| | 16 | 1 | 222-4709 | 2 | BELLOWS AS | | | | | | |
| | 17 | 1 | 136-4185 | 64 | BOLT (1/2-13X1.75-IN) | | | | | | |
| | 18 | 1 | 2N-2766 | 240 | LOCKNUT (3/8-16-THD) | | | | | | |
| | 19 | 1 | 5P-8245 | 64 | WASHER-HARD (13.5X25.5X3-MM THK) | | | | | | |
| | 20 | 1 | 7L-6443 | 240 | BOLT-HIGH TEMPERATURE (3/8-16X2.25-IN) | | | | | | |
| | 21 | 1 | 8C-8491 | 240 | WASHER-HARD (10.2X22X3-MM THK) | | | | | | |
| | 22 | 1 | 8C-8763 | 24 | LOCKNUT (1/2X13X2-THD) | | | | | | |

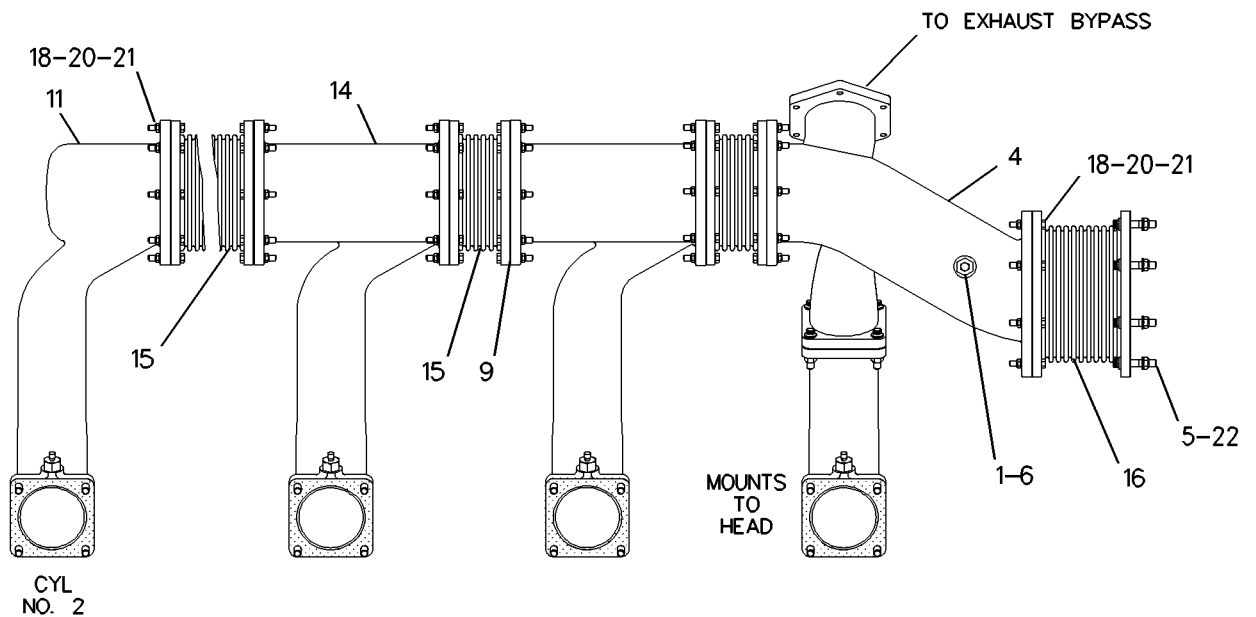
AIR INLET AND EXHAUST SYSTEM

7E-1325 MANIFOLD GP-EXHAUST (contd.)

i01870748



RIGHT SIDE VIEW



LEFT SIDE VIEW

GRAPHIC #1

<END>

g00952680

AIR INLET AND EXHAUST SYSTEM

213-6790 MANIFOLD GP - EXHAUST (CHG -00 THRU -03)

SMCS - 1059

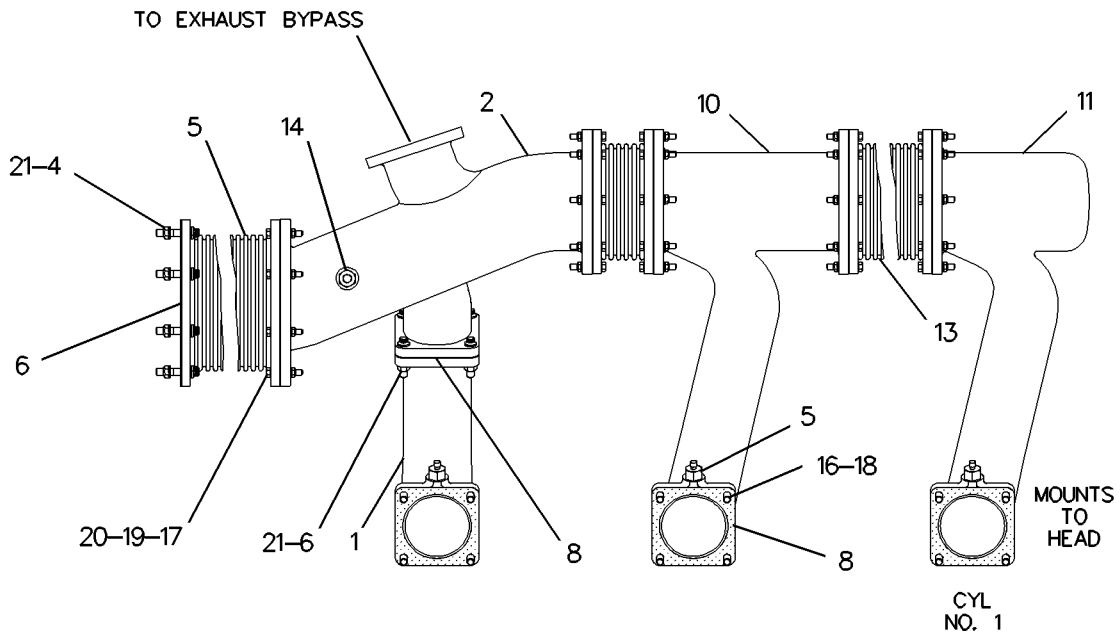
i02781421

| NOTE | REF NO | GRAPHIC REF | PART NUMBER | QTY | PART NAME | | | | | | SEE PAGE |
|------|--------|-------------|-----------------|-----|--|---|---|---|---|-------------------|----------|
| | | | | | 1 | 2 | 3 | 4 | 5 | 6 (PRODUCT LEVEL) | |
| | 1 | 1 | 4P-3046 | 2 | MANIFOLD-EXHAUST (LOWER) | | | | | | |
| | 2 | 1 | 4P-4791 | 1 | MANIFOLD-EXHAUST (RH) | | | | | | |
| | 3 | 1 | 4P-4792 | 1 | MANIFOLD-EXHAUST (LH) | | | | | | |
| | 4 | 1 | 6V-3630 | 24 | BOLT-HIGH TEMPERATURE (1/2-13X2.5-IN) | | | | | | |
| | 5 | 1 | 124-4383 | 16 | ADAPTER | | | | | | |
| | 6 | 1 | 134-5641 | 4 | GASKET | | | | | | |
| | 7 | 1 | 134-5643 | 28 | GASKET | | | | | | |
| | 8 | 1 | 136-7730 | 18 | GASKET (CYLINDER HEAD) | | | | | | |
| | 9 | 1 | 176-3593 | 1 | MANIFOLD-EXHAUST | | | | | | |
| | 10 | 1 | 176-3594 | 6 | MANIFOLD-EXHAUST | | | | | | |
| | 11 | 1 | 176-3595 | 1 | MANIFOLD-EXHAUST | | | | | | |
| | 12 | 1 | 176-3597 | 6 | MANIFOLD-EXHAUST | | | | | | |
| | 13 | 1 | 206-0406 | 14 | BELLOWS AS | | | | | | |
| | 14 | 1 | 4P-0419 | 2 | ADAPTER | | | | | | |
| | 15 | 1 | 222-4709 | 2 | BELLOWS AS | | | | | | |
| | 16 | 1 | 136-4185 | 64 | BOLT (1/2-13X1.75-IN) | | | | | | |
| | 17 | 1 | 2N-2766 | 240 | LOCKNUT (3/8-16-THD) | | | | | | |
| | 18 | 1 | 5P-8245 | 64 | WASHER-HARD (13.5X25.5X3-MM THK) | | | | | | |
| | 19 | 1 | 7L-6443 | 240 | BOLT-HIGH TEMPERATURE (3/8-16X2.25-IN) | | | | | | |
| | 20 | 1 | 8C-8491 | 240 | WASHER-HARD (10.2X22X3-MM THK) | | | | | | |
| | 21 | 1 | 8C-8763 | 24 | LOCKNUT (1/2X13X2-THD) | | | | | | |

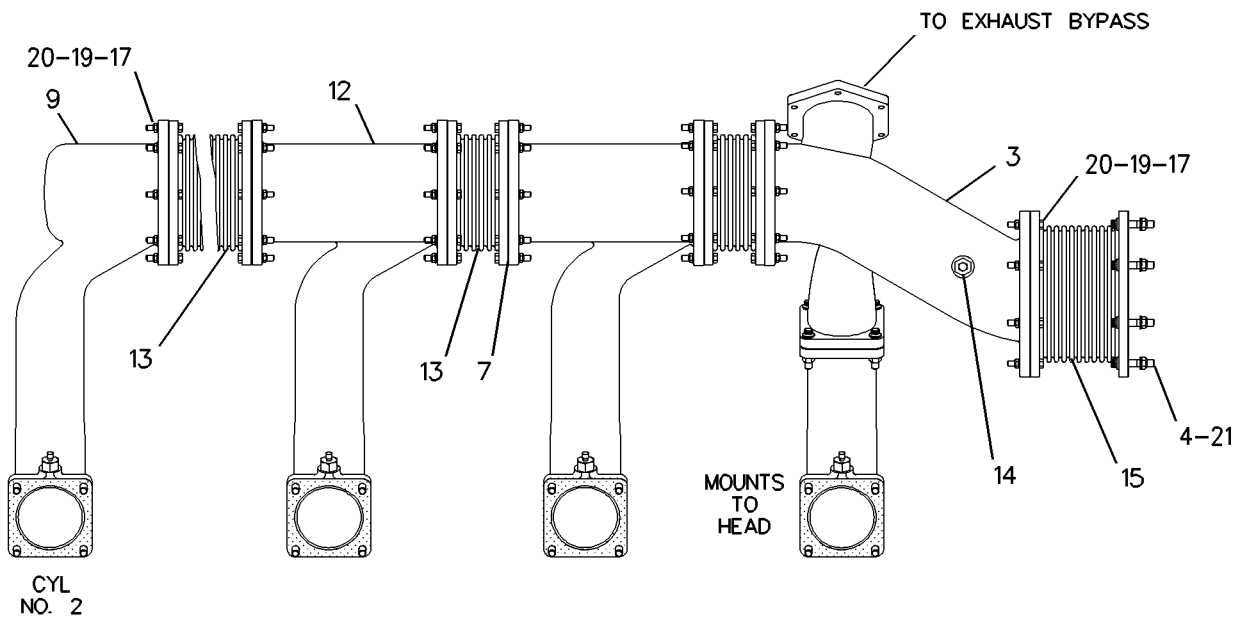
AIR INLET AND EXHAUST SYSTEM

213-6790 MANIFOLD GP-EXHAUST (contd.)

i02781421



RIGHT SIDE VIEW



LEFT SIDE VIEW

GRAPHIC #1

<END>

g00977503

AIR INLET AND EXHAUST SYSTEM

228 - 8983 MANIFOLD GP - EXHAUST - TURBOCHARGER (CHG -00 THRU -04)

SMCS - 1059

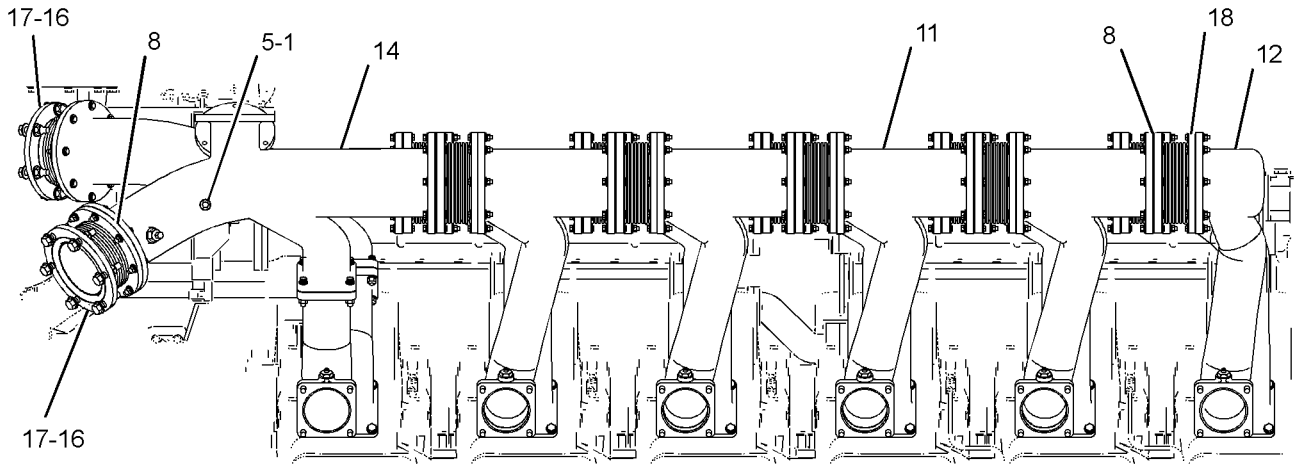
i02817394

| NOTE | REF NO | GRAPHIC REF | PART NUMBER | QTY | PART NAME | | | | | | SEE PAGE |
|------|--------|-------------|-------------|-----|--|---|---|---|---|-------------------|----------|
| | | | | | 1 | 2 | 3 | 4 | 5 | 6 (PRODUCT LEVEL) | |
| | 1 | 1,2 | 4P-0419 | 4 | ADAPTER | | | | | | |
| | 2 | 1 | 4P-3046 | 2 | MANIFOLD-EXHAUST (LOWER) | | | | | | |
| | 3 | 1 | 6V-3630 | 8 | BOLT-HIGH TEMPERATURE (1/2-13X2.5-IN) | | | | | | |
| | 4 | 1 | 6V-4605 | 12 | LOCKNUT (5/8-11-THD) | | | | | | |
| | 5 | 1,2 | 6V-8735 | 2 | CAP | | | | | | |
| | 6 | 1 | 7M-6101 | 24 | WASHER (0.656X1.31X0.095-IN THK) | | | | | | |
| | 7 | 1 | 124-4383 | 16 | ADAPTER | | | | | | |
| | 8 | 1,2 | 134-5643 | 30 | GASKET (MANIFOLD) | | | | | | |
| | 9 | 1 | 136-7730 | 18 | GASKET (CYLINDER HEAD) | | | | | | |
| | 10 | 2 | 176-3593 | 1 | MANIFOLD-EXHAUST | | | | | | |
| | 11 | 1 | 176-3594 | 6 | MANIFOLD-EXHAUST | | | | | | |
| | 12 | 1 | 176-3595 | 1 | MANIFOLD-EXHAUST | | | | | | |
| | 13 | 2 | 176-3597 | 6 | MANIFOLD-EXHAUST | | | | | | |
| | 14 | 1 | 180-8409 | 1 | MANIFOLD-EXHAUST | | | | | | |
| | 15 | 2 | 180-8410 | 1 | MANIFOLD-EXHAUST | | | | | | |
| | 16 | 1 | 194-8110 | 2 | BELLOWS AS | | | | | | |
| | 17 | 1 | 197-4185 | 2 | GASKET (EXHAUST PIPE) | | | | | | |
| | 18 | 1,2 | 206-0406 | 14 | BELLOWS AS | | | | | | |
| | 20 | 1 | 136-4185 | 64 | BOLT (1/2-13X1.75-IN) | | | | | | |
| | 21 | 2 | 2N-2766 | 240 | LOCKNUT (3/8-16-THD) | | | | | | |
| | 22 | 1 | 5P-8245 | 64 | WASHER-HARD (13.5X25.5X3-MM THK) | | | | | | |
| | 23 | 1 | 303-9450 | 12 | BOLT-12 POINT HEAD (5/8-11X2.75-IN) | | | | | | |
| | 24 | 2 | 7L-6443 | 240 | BOLT-HIGH TEMPERATURE (3/8-16X2.25-IN) | | | | | | |
| | 25 | 2 | 8C-8491 | 256 | WASHER-HARD (10.2X22X3-MM THK) | | | | | | |
| | 26 | 1 | 8C-8763 | 8 | LOCKNUT (1/2X13X2-THD) | | | | | | |

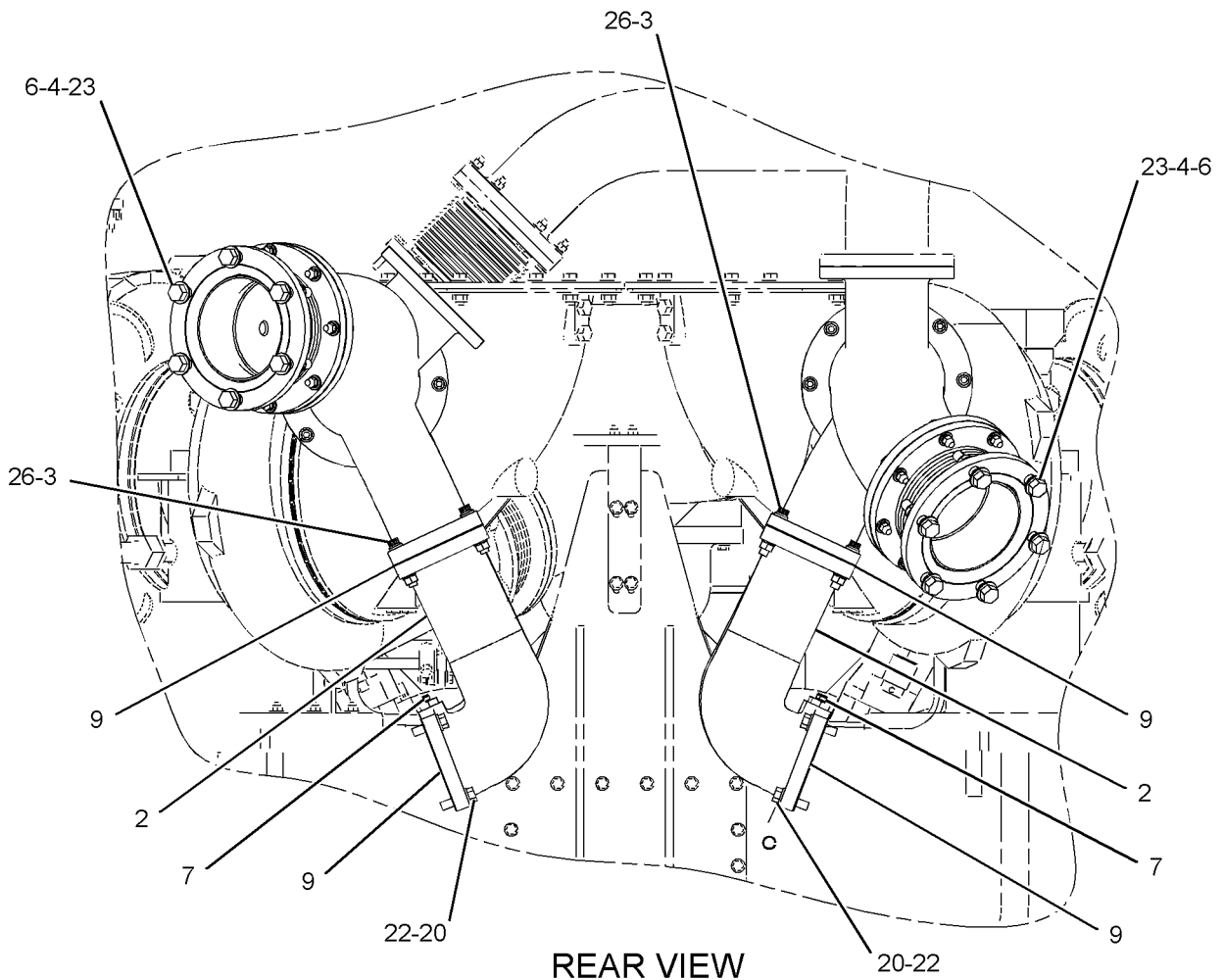
AIR INLET AND EXHAUST SYSTEM

228 - 8983 MANIFOLD GP - EXHAUST (contd.)

i02817394



RIGHT SIDE VIEW



REAR VIEW

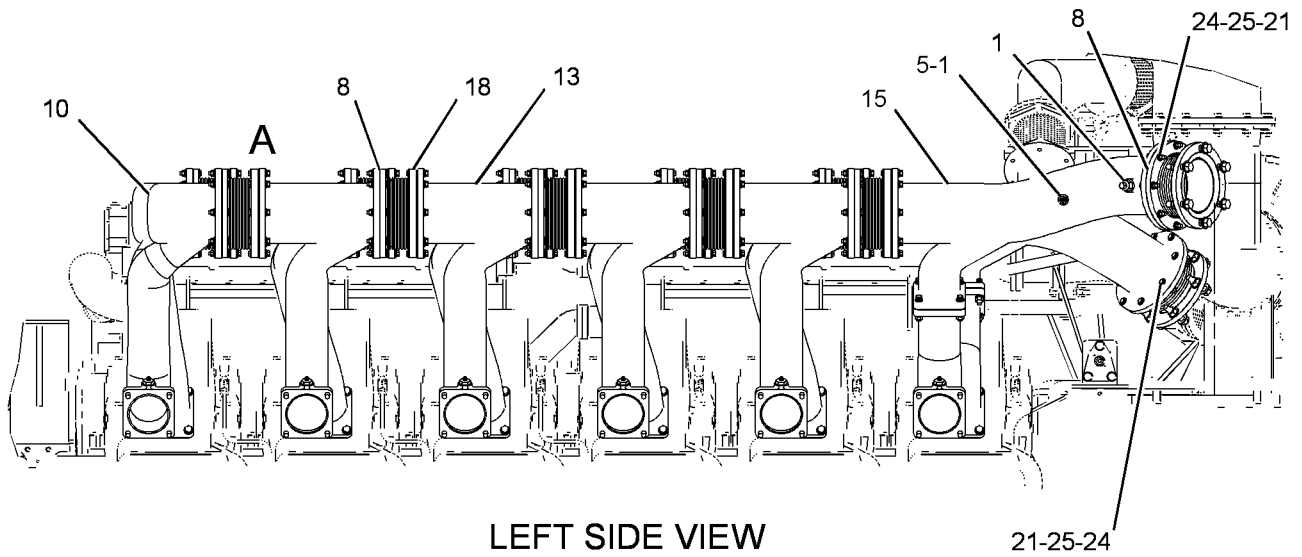
GRAPHIC #1

g01213943

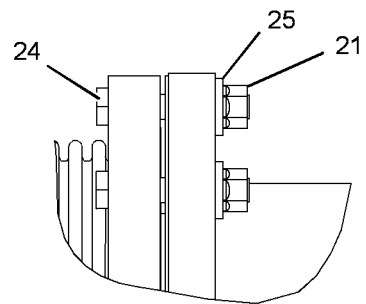
AIR INLET AND EXHAUST SYSTEM

228 - 8983 MANIFOLD GP - EXHAUST (contd.)

i02817394



LEFT SIDE VIEW



VIEW OF AREA A

GRAPHIC #2

<END>

g01405488

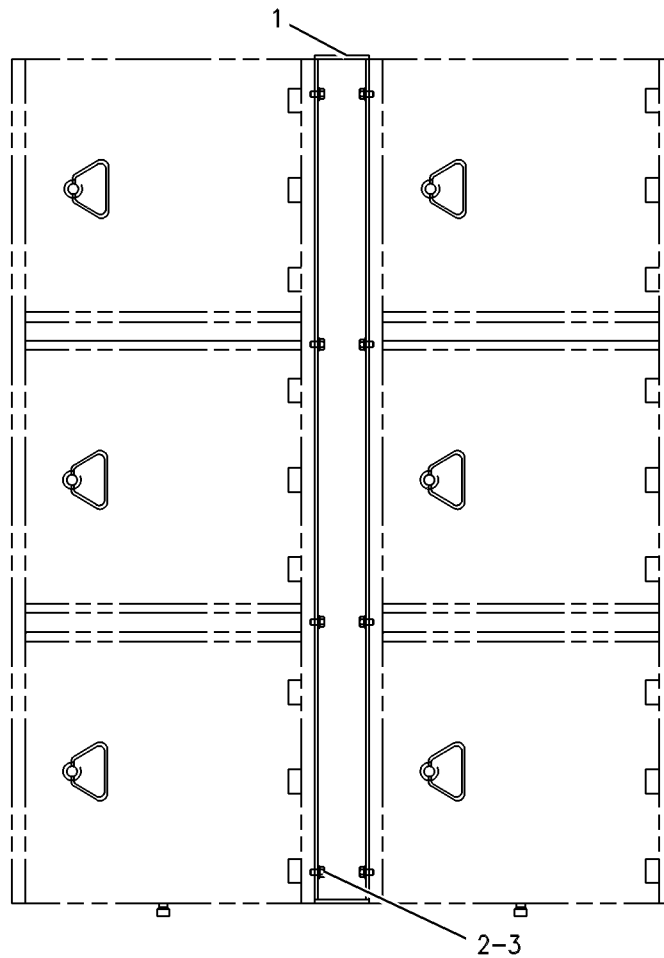
AIR INLET AND EXHAUST SYSTEM

136 - 1895 MOUNTING GP - AIR CLEANER (CHG -00)

SMCS - 1051

i02346237

| NOTE | REF NO | GRAPHIC REF | PART NUMBER | QTY | PART NAME | | | | | | SEE PAGE |
|------|--------|-------------|-------------|-----|--------------------------------|---|---|---|---|-------------------|----------|
| | | | | | 1 | 2 | 3 | 4 | 5 | 6 (PRODUCT LEVEL) | |
| | 1 | 1 | 136-1894 | 1 | SUPPORT AS | | | | | | |
| | 2 | 1 | 0S-1624 | 16 | BOLT (5/8-11X1-IN) | | | | | | |
| | 3 | 1 | 5P-8247 | 16 | WASHER-HARD (17X32X3.5-MM THK) | | | | | | |



GRAPHIC #1

<END>

g00067248

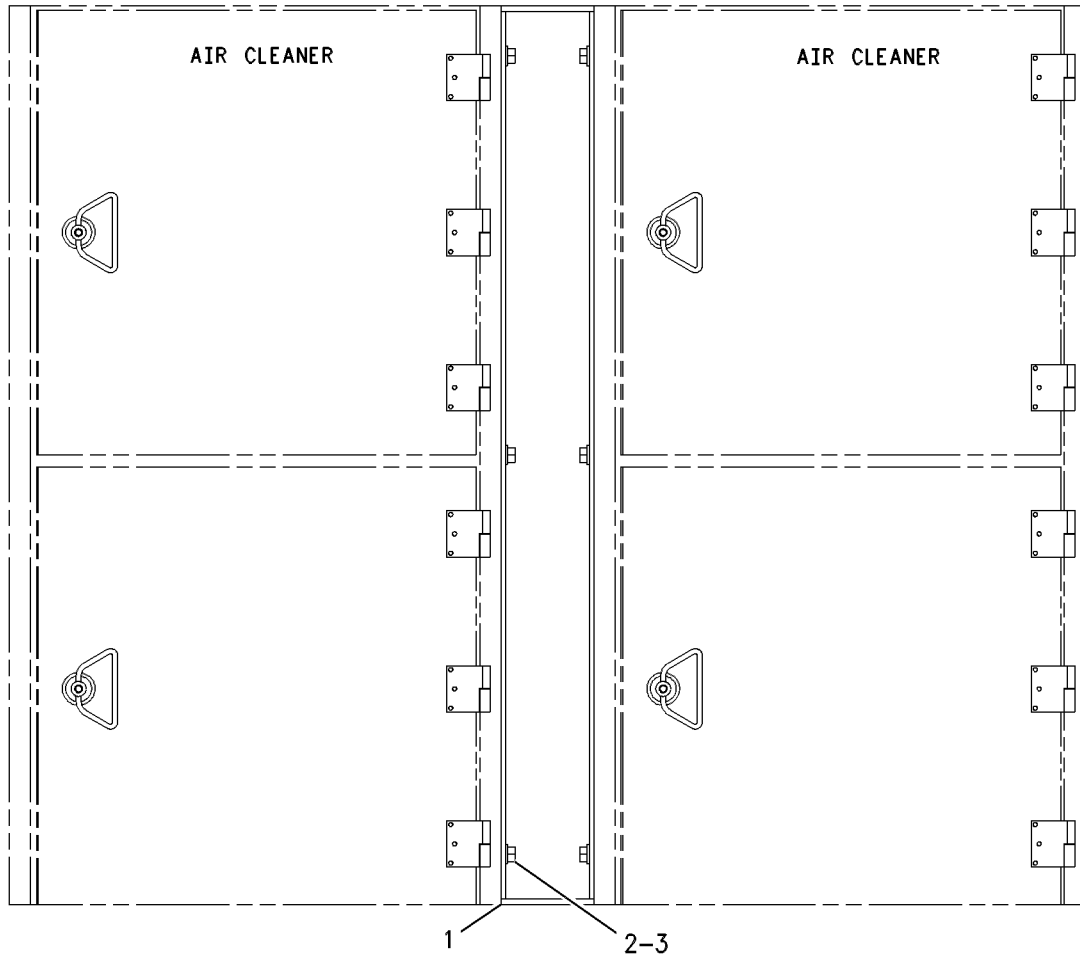
AIR INLET AND EXHAUST SYSTEM

161 - 7057 MOUNTING GP - AIR CLEANER (CHG -00) EPOXY PRIMER

SMCS - 1051

i02346273

| NOTE | REF NO | GRAPHIC REF | PART NUMBER | QTY | PART NAME | | | | | | SEE PAGE |
|------|--------|-------------|-------------|-----|--------------------------------|---|---|---|---|-------------------|----------|
| | | | | | 1 | 2 | 3 | 4 | 5 | 6 (PRODUCT LEVEL) | |
| | 1 | 1 | 140-6262 | 1 | SUPPORT AS | | | | | | |
| | 2 | 1 | 0S-1624 | 12 | BOLT (5/8-11X1-IN) | | | | | | |
| | 3 | 1 | 5P-8247 | 12 | WASHER-HARD (17X32X3.5-MM THK) | | | | | | |



GRAPHIC #1

<END>

g00513116

AIR INLET AND EXHAUST SYSTEM

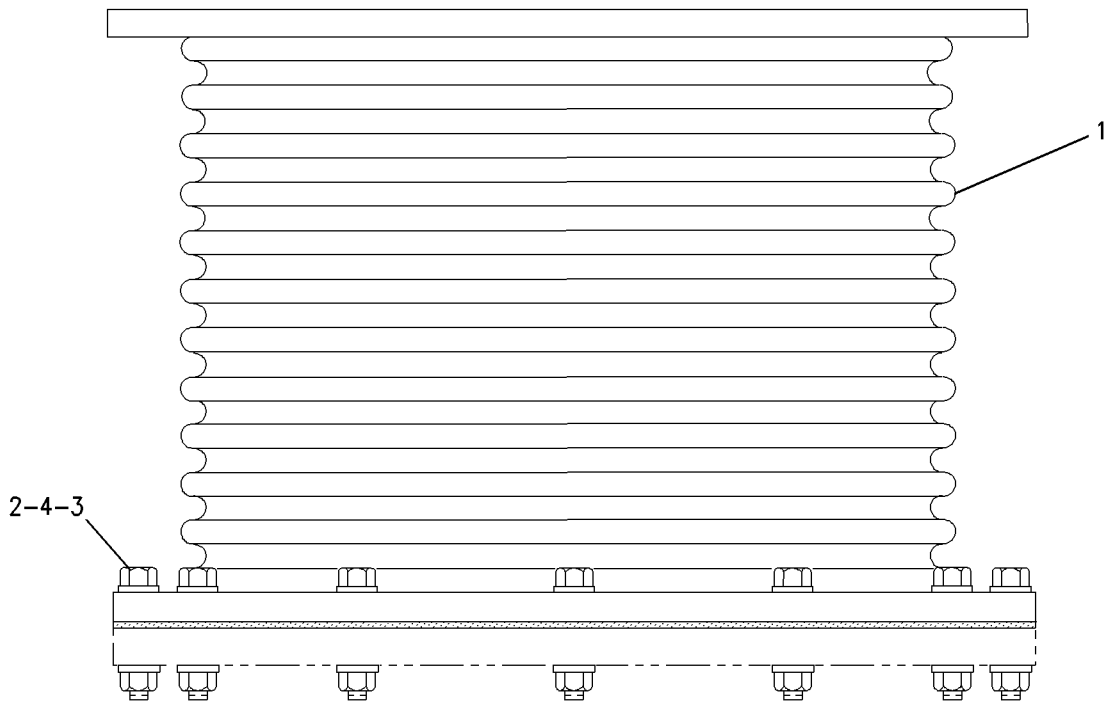
2W-2680 MOUNTING GP - BELLOWS-FLEXIBLE (CHG -04 THRU -08) 356-MM

SMCS-1061

i02224057

| NOTE | REF NO | GRAPHIC REF | PART NUMBER | QTY | PART NAME | | | | | | SEE PAGE |
|------|--------|-------------|-------------|-----|----------------------------------|---|---|---|---|-------------------|----------|
| | | | | | 1 | 2 | 3 | 4 | 5 | 6 (PRODUCT LEVEL) | |
| C | 1 | 1 | 207-1331 | 1 | BELLOWS AS | | | | | | |
| | 2 | 1 | 9X-8873 | 12 | BOLT (1/2-13X2.25-IN) | | | | | | |
| | 3 | 1 | 5P-8245 | 24 | WASHER-HARD (13.5X25.5X3-MM THK) | | | | | | |
| | 4 | 1 | 1B-5357 | 12 | NUT-FULL (1/2-13-THD) | | | | | | |

C- CHANGE FROM PREVIOUS TYPE



MOUNTED TO TURBOCHARGER OUTLET

GRAPHIC #1

<END>

g00697221

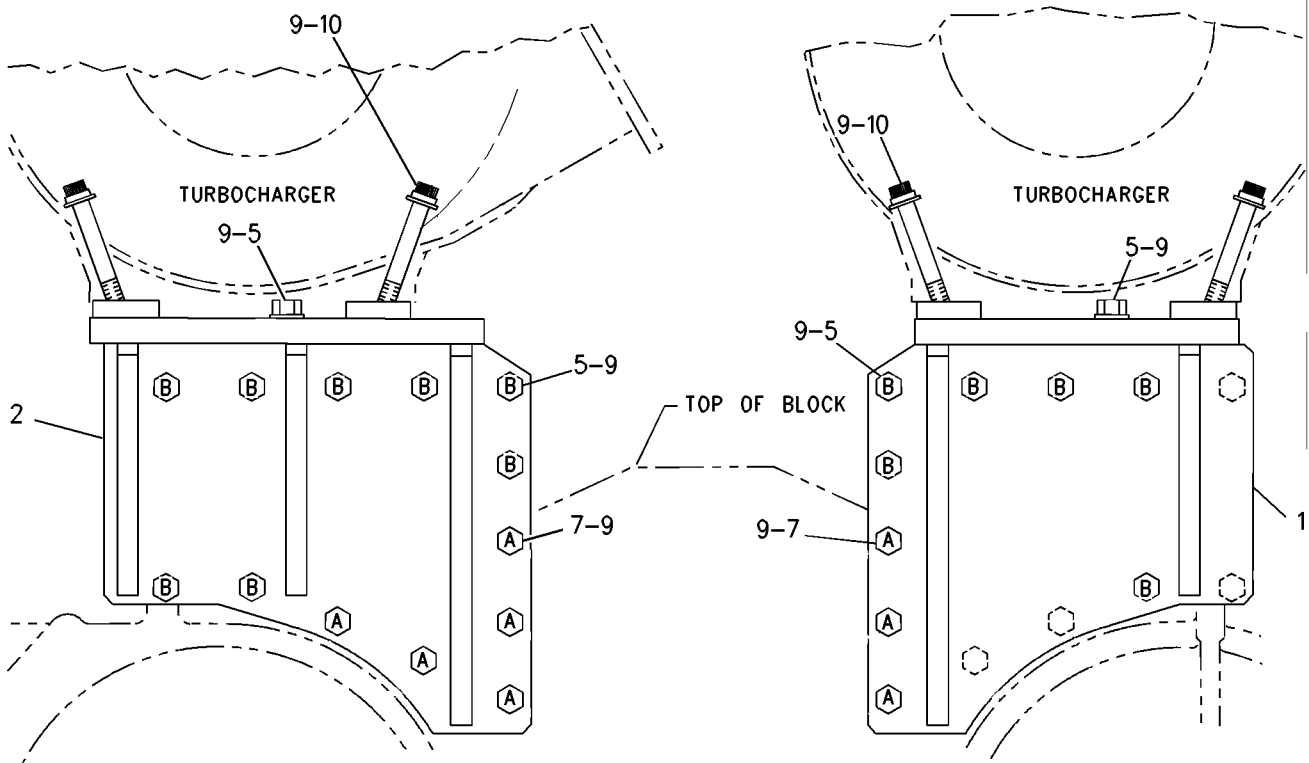
AIR INLET AND EXHAUST SYSTEM

128-2904 MOUNTING GP - TURBOCHARGER (CHG -00 THRU -02)

SMCS - 1052

i02376476

| NOTE | REF NO | GRAPHIC REF | PART NUMBER | QTY | PART NAME | | | | | | SEE PAGE |
|------|--------|-------------|-------------|-----|------------------------------------|---|---|---|---|-------------------|----------|
| | | | | | 1 | 2 | 3 | 4 | 5 | 6 (PRODUCT LEVEL) | |
| | 1 | 1 | 7W-5042 | 1 | SUPPORT AS (RH) | | | | | | |
| | 2 | 1 | 7W-5043 | 1 | SUPPORT AS (LH) | | | | | | |
| | 5 | 1 | 1A-8063 | 21 | BOLT (3/4-10X2.5-IN) | | | | | | |
| | 7 | 1 | 4J-7945 | 8 | BOLT (3/4-10X11.5-IN) | | | | | | |
| | 9 | 1 | 5P-8248 | 37 | WASHER-HARD (20X36.5X3.5-MM THK) | | | | | | |
| | 10 | 1 | 8T-0105 | 8 | BOLT-12 POINT HEAD (3/4-10X6.5-IN) | | | | | | |



REAR VIEW

GRAPHIC #1

<END>

g00795152

AIR INLET AND EXHAUST SYSTEM

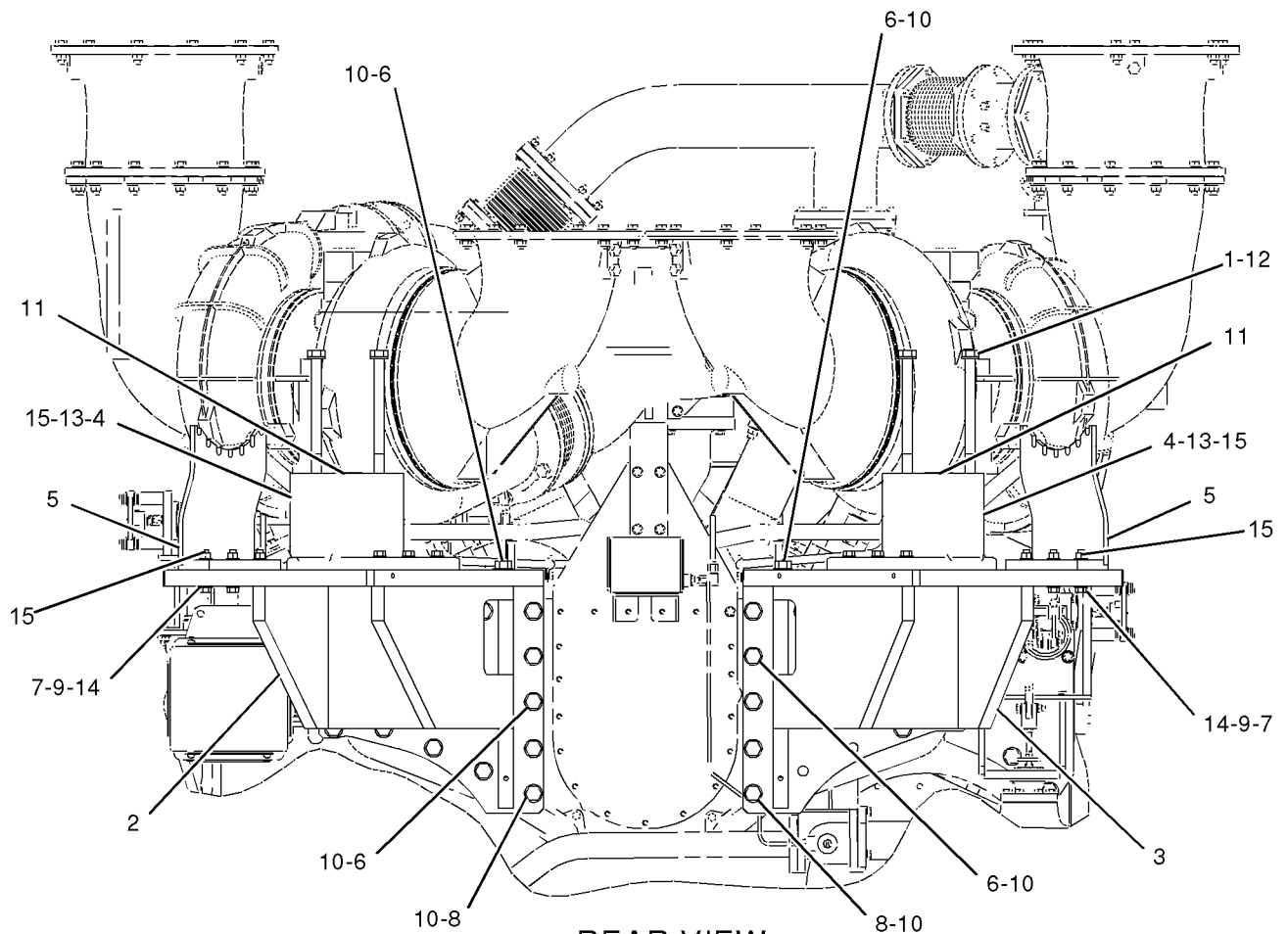
195-3910 MOUNTING GP - TURBOCHARGER (CHG -00 THRU -03)

SMCS - 1052

i02437329

| NOTE | REF NO | GRAPHIC REF | PART NUMBER | QTY | PART NAME | | | | | | SEE PAGE |
|------|--------|-------------|-------------|-----|----------------------------------|---|---|---|---|-------------------|----------|
| | | | | | 1 | 2 | 3 | 4 | 5 | 6 (PRODUCT LEVEL) | |
| M | 1 | 1 | 089-7988 | 4 | BOLT (M20X2.5X270-MM) | | | | | | |
| | 2 | 1 | 184-6376 | 1 | SUPPORT AS (LH) | | | | | | |
| | 3 | 1 | 184-6377 | 1 | SUPPORT AS (RH) | | | | | | |
| | 4 | 1 | 191-0957 | 2 | SUPPORT | | | | | | |
| | 5 | 1 | 199-4315 | 2 | BRACKET AS | | | | | | |
| | 6 | 1 | 1A-8063 | 22 | BOLT (3/4-10X2.5-IN) | | | | | | |
| | 7 | 1 | 1F-7958 | 6 | NUT-FULL (1/2-13-THD) | | | | | | |
| | 8 | 1 | 4J-7945 | 8 | BOLT (3/4-10X11.5-IN) | | | | | | |
| | 9 | 1 | 5P-8245 | 6 | WASHER-HARD (13.5X25.5X3-MM THK) | | | | | | |
| | 10 | 1 | 5P-8248 | 30 | WASHER-HARD (20X36.5X3.5-MM THK) | | | | | | |
| | 11 | 1 | 6V-3832 | 2 | SEAL-O-RING | | | | | | |
| | 12 | 1 | 8T-3282 | 4 | WASHER-HARD (22X35X3.5-MM THK) | | | | | | |
| | 13 | 1 | 9X-8873 | 12 | BOLT (1/2-13X2.25-IN) | | | | | | |
| | 14 | 1 | 9X-8874 | 6 | BOLT (1/2-13X3-IN) | | | | | | |
| | 15 | 1 | 5P-1076 | 18 | WASHER-HARD (13.5X30X4-MM THK) | | | | | | |

M-METRIC PART



REAR VIEW
<END>

GRAPHIC #1

g01042377

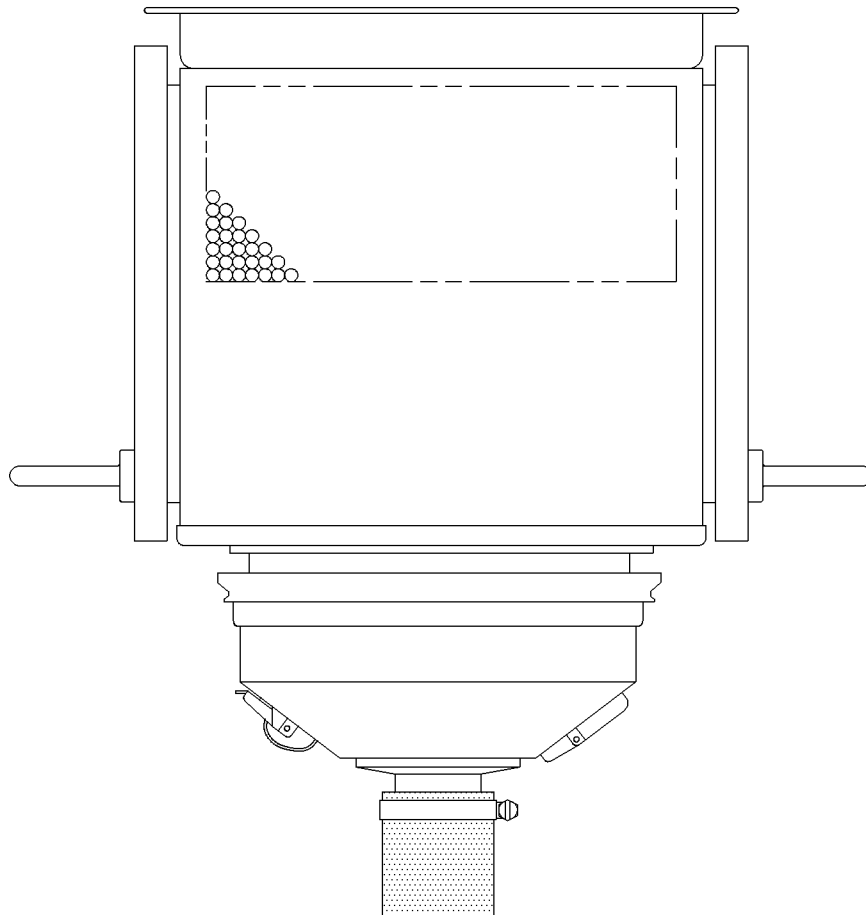
AIR INLET AND EXHAUST SYSTEM

132-9324 PRECLEANER GP (CHG -00) PART OF 132-9322 AIR CLEANER GP

SMCS - 1055

i01378532

| NOTE | REF NO | GRAPHIC REF | PART NUMBER | QTY | PART NAME | SEE PAGE |
|---------------------|--------|-------------|-------------|-----|-----------------------------|----------|
| | | | | | 1 2 3 4 5 6 (PRODUCT LEVEL) | |
| (NO SERVICED PARTS) | | | | | | |



GRAPHIC #1

<END>

g00728558

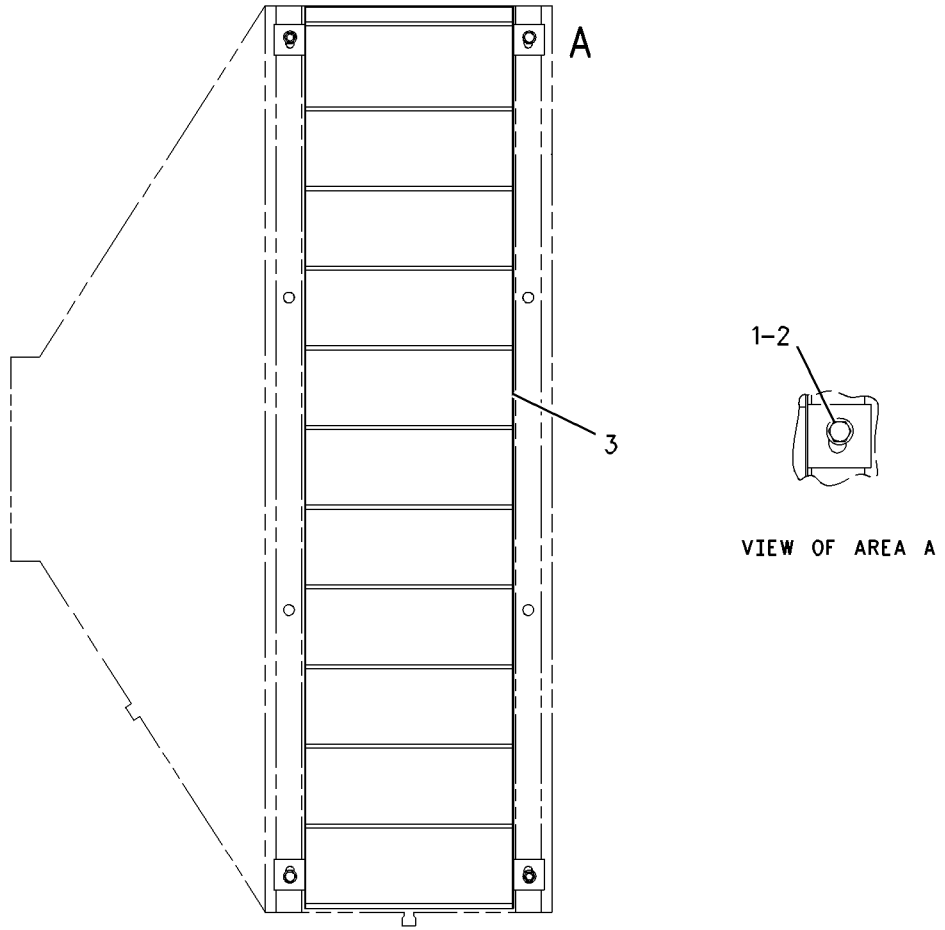
AIR INLET AND EXHAUST SYSTEM

135-3181 SHIELD GP-AIR CLEANER (CHG -00) EPOXY PRIMER

SMCS-1051

i02346234

| NOTE | REF NO | GRAPHIC REF | PART NUMBER | QTY | PART NAME | | | | | | SEE PAGE |
|------|--------|-------------|-------------|-----|--------------------------------|---|---|---|---|-------------------|----------|
| | | | | | 1 | 2 | 3 | 4 | 5 | 6 (PRODUCT LEVEL) | |
| | 1 | 1 | OS-1566 | 4 | BOLT (5/8-11X1.5-IN) | | | | | | |
| | 2 | 1 | 5P-8247 | 4 | WASHER-HARD (17X32X3.5-MM THK) | | | | | | |
| | 3 | 1 | 135-3182 | 1 | LOUVER AS | | | | | | |



GRAPHIC #1

<END>

g00779263

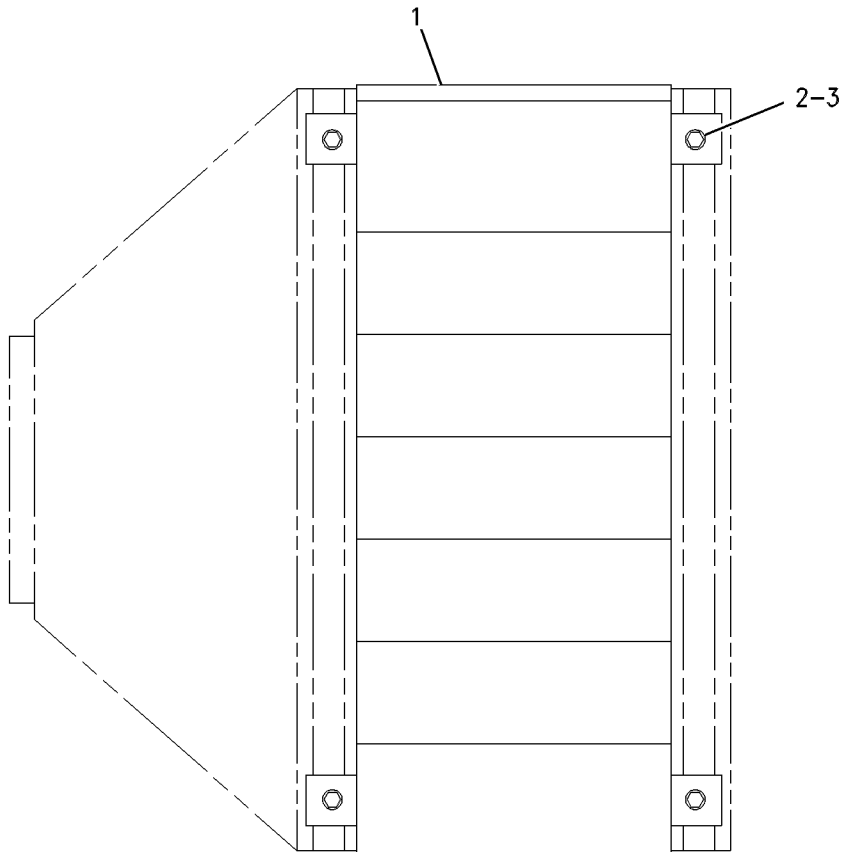
AIR INLET AND EXHAUST SYSTEM

161-6023 SHIELD GP-AIR CLEANER (CHG -00) EPOXY PRIMER

SMCS-1051

i02346272

| NOTE | REF NO | GRAPHIC REF | PART NUMBER | QTY | PART NAME | | | | | | SEE PAGE |
|------|--------|-------------|-------------|-----|--------------------------------|---|---|---|---|-------------------|----------|
| | | | | | 1 | 2 | 3 | 4 | 5 | 6 (PRODUCT LEVEL) | |
| | 1 | 1 | 161-6026 | 1 | LOUVER AS | | | | | | |
| | 2 | 1 | OS-1566 | 4 | BOLT (5/8-11X1.5-IN) | | | | | | |
| | 3 | 1 | 5P-8247 | 4 | WASHER-HARD (17X32X3.5-MM THK) | | | | | | |



GRAPHIC #1

<END>

g00509976

AIR INLET AND EXHAUST SYSTEM

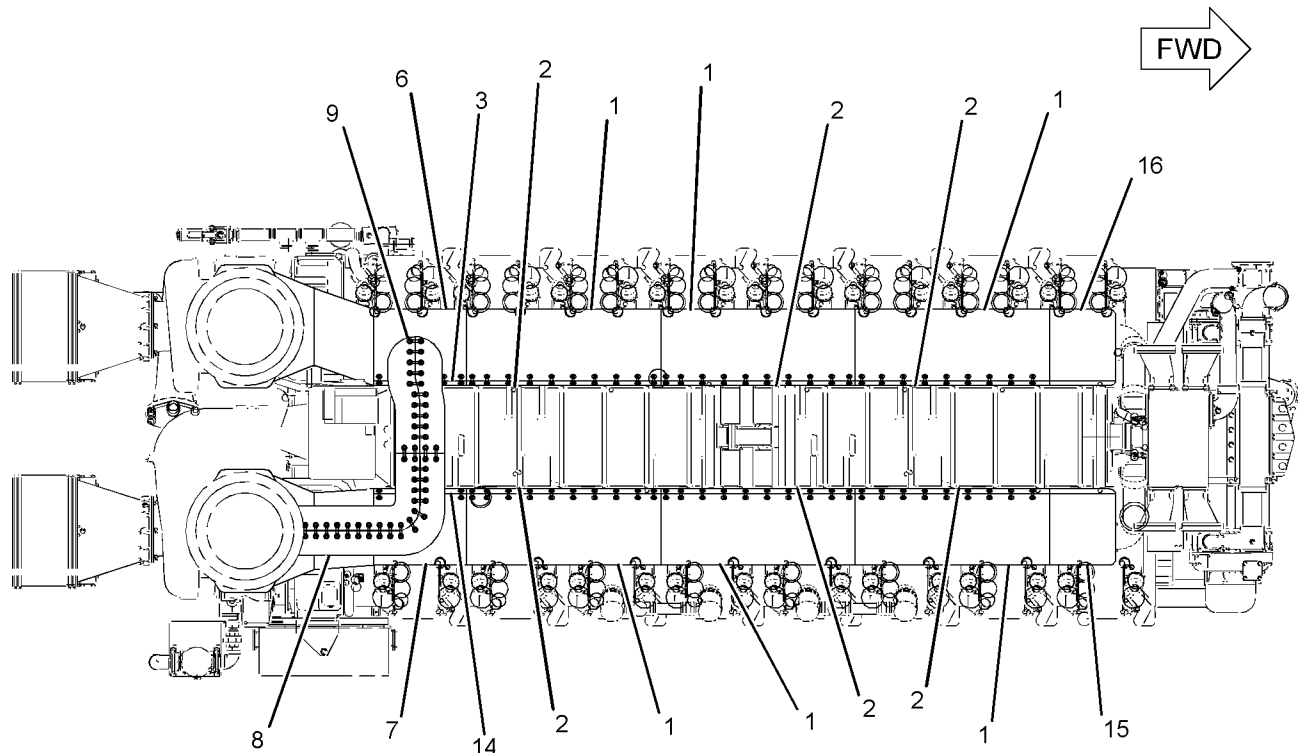
135-8138 SHIELD GP-MANIFOLD (CHG -05 THRU -07)

SMCS-1067

i02071035

| NOTE | REF NO | GRAPHIC REF | PART NUMBER | QTY | PART NAME | | | | | | SEE PAGE |
|------|--------|-------------|-------------|-----|---|---|---|---|---|-------------------|----------|
| | | | | | 1 | 2 | 3 | 4 | 5 | 6 (PRODUCT LEVEL) | |
| | 1 | 1 | 132-8298 | 6 | SHIELD AS-EXHAUST (MID-OUTSIDE, LH AND RH) | | | | | | |
| | 2 | 1 | 132-8292 | 6 | SHIELD AS-EXHAUST (MID-INSIDE, LH AND RH) | | | | | | |
| C | 3 | 1 | 132-8294 | 1 | SHIELD AS-EXHAUST | | | | | | |
| | 4 | 2 | 132-8300 | 2 | SHIELD AS-EXHAUST (TURBO RING, LH AND RH) | | | | | | |
| | 5 | 2 | 132-8299 | 2 | SHIELD AS-EXHAUST (REAR BELLOWS, LH AND RH) | | | | | | |
| C | 6 | 1 | 135-8123 | 1 | SHIELD AS-MANIFOLD (REAR, LH) | | | | | | |
| | 7 | 1 | 161-1196 | 1 | SHIELD AS-MANIFOLD (EXHAUST REAR, LH) | | | | | | |
| | 8 | 1 | 161-1198 | 1 | SHIELD AS-MANIFOLD (EXHAUST REAR, LH) | | | | | | |
| | 9 | 1 | 161-1199 | 1 | SHIELD AS-MANIFOLD (EXHAUST REAR, RH) | | | | | | |
| | 10 | 2 | 135-8127 | 1 | SHIELD AS-MANIFOLD (EXHAUST FRONT, RH) | | | | | | |
| | 11 | 2 | 135-8128 | 1 | SHIELD AS-MANIFOLD (EXHAUST REAR) | | | | | | |
| | 12 | 2 | 135-8124 | 1 | SHIELD AS-MANIFOLD (EXHAUST REAR) | | | | | | |
| D | 13 | 2 | 138-3331 | | WIRE-TIE (138-M) | | | | | | |
| | 14 | 1 | 201-4898 | 1 | SHIELD AS (MANIFOLD REAR, LH) | | | | | | |
| | 15 | 1 | 248-2372 | 1 | SHIELD AS-EXHAUST (FRONT EXHASUT, LH) | | | | | | |
| | 16 | 1 | 248-2373 | 1 | SHIELD AS-EXHAUST (FRONT EXHAUST, RH) | | | | | | |

C- CHANGE FROM PREVIOUS TYPE
D- ORDER BY THE METER



TOP VIEW

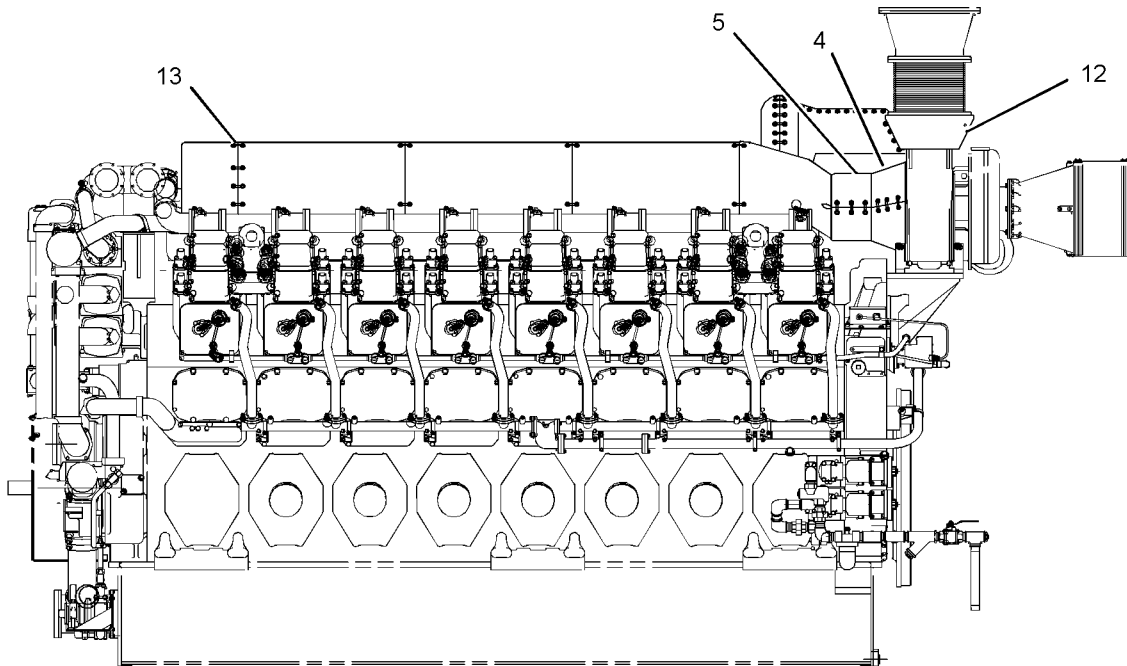
GRAPHIC #1

g01061941

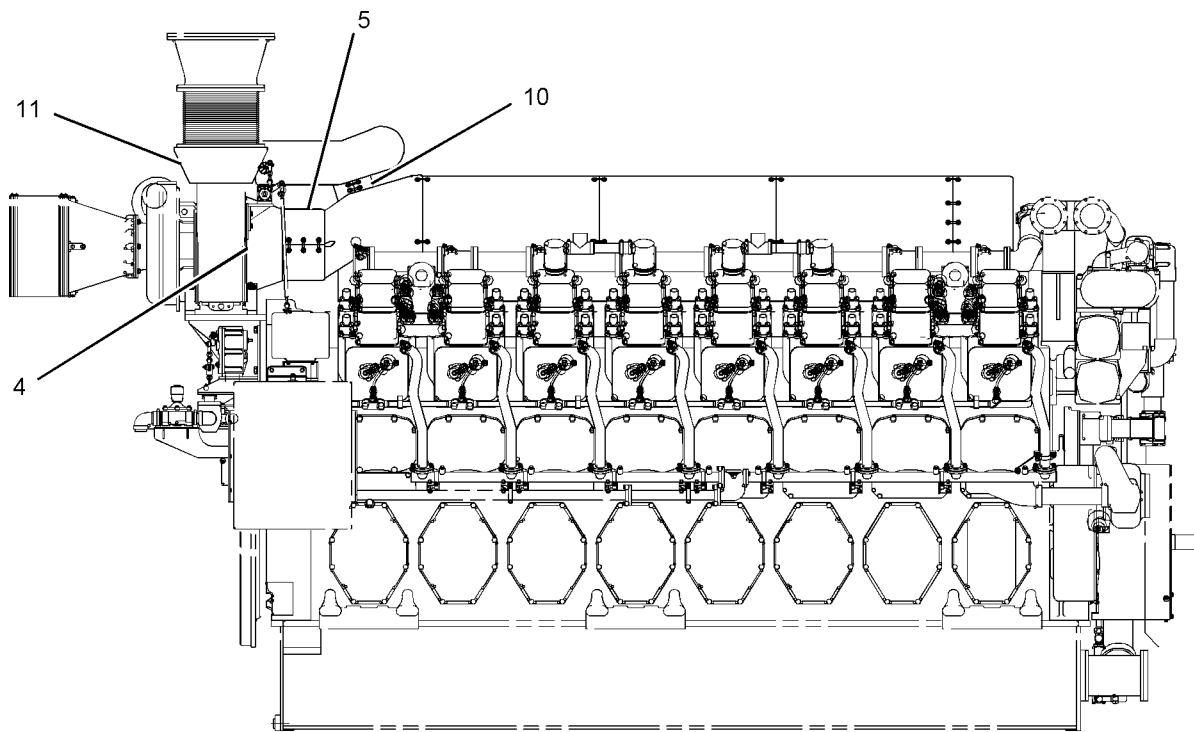
AIR INLET AND EXHAUST SYSTEM

135-8138 SHIELD GP-MANIFOLD (contd.)

i02071035



LEFT SIDE VIEW



RIGHT SIDE VIEW
<END>

GRAPHIC #2

g01061938

AIR INLET AND EXHAUST SYSTEM

149-2846 SHIELD GP-MANIFOLD (CHG -02 THRU -07)

SMCS-1067

i02145306

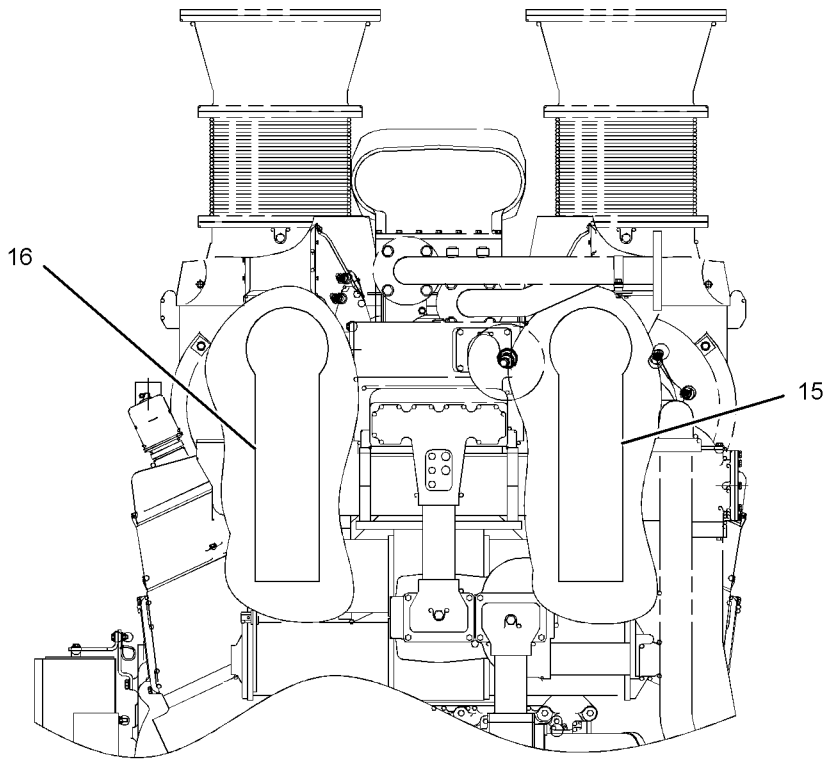
| NOTE | REF NO | GRAPHIC REF | PART NUMBER | QTY | PART NAME | | | | | | SEE PAGE |
|------|--------|-------------|-------------|-----|---|---|---|---|---|-------------------|----------|
| | | | | | 1 | 2 | 3 | 4 | 5 | 6 (PRODUCT LEVEL) | |
| | 1 | 1 | 132-8292 | 6 | SHIELD AS-EXHAUST (INSIDE, LH, RH) | | | | | | |
| | 2 | 1 | 132-8298 | 6 | SHIELD AS-EXHAUST (FRONT, LH) | | | | | | |
| C | 3 | 1 | 156-2758 | 1 | SHIELD AS-MANIFOLD (FRONT, LH) | | | | | | |
| C | 4 | 1 | 159-8551 | 1 | SHIELD AS-MANIFOLD (FRONT, LH) | | | | | | |
| | 5 | 1 | 132-8300 | 2 | SHIELD AS-EXHAUST (TURBO RING, LH AND RH) | | | | | | |
| | 6 | 1 | 132-8299 | 2 | SHIELD AS-EXHAUST (REAR, LH) | | | | | | |
| C | 7 | 1 | 161-1196 | 1 | SHIELD AS-MANIFOLD (REAR, RH) | | | | | | |
| C | 8 | 2 | 156-2760 | 1 | SHIELD AS-MANIFOLD (REAR, LH) | | | | | | |
| | 9 | 2 | 145-0042 | 1 | SHIELD AS-MANIFOLD (REAR, LH) | | | | | | |
| | 10 | 1 | 135-8128 | 1 | SHIELD AS-MANIFOLD (FRONT, RH) | | | | | | |
| C | 11 | 1 | 161-1204 | 1 | SHIELD AS-MANIFOLD (REAR, RH) | | | | | | |
| C | 12 | 1 | 161-1203 | 1 | SHIELD AS-MANIFOLD (REAR, LH) | | | | | | |
| | 13 | 1 | 135-8124 | 1 | SHIELD AS-MANIFOLD (REAR, LH) | | | | | | |
| D | 14 | 2 | 138-3331 | | WIRE-TIE (100-M) | | | | | | |
| | 15 | 2 | 248-2372 | 1 | SHIELD AS-EXHAUST (FRONT EXHASUT, LH) | | | | | | |
| | 16 | 2 | 248-2373 | 1 | SHIELD AS-EXHAUST (FRONT EXHAUST, RH) | | | | | | |

C - CHANGE FROM PREVIOUS TYPE
D - ORDER BY THE METER

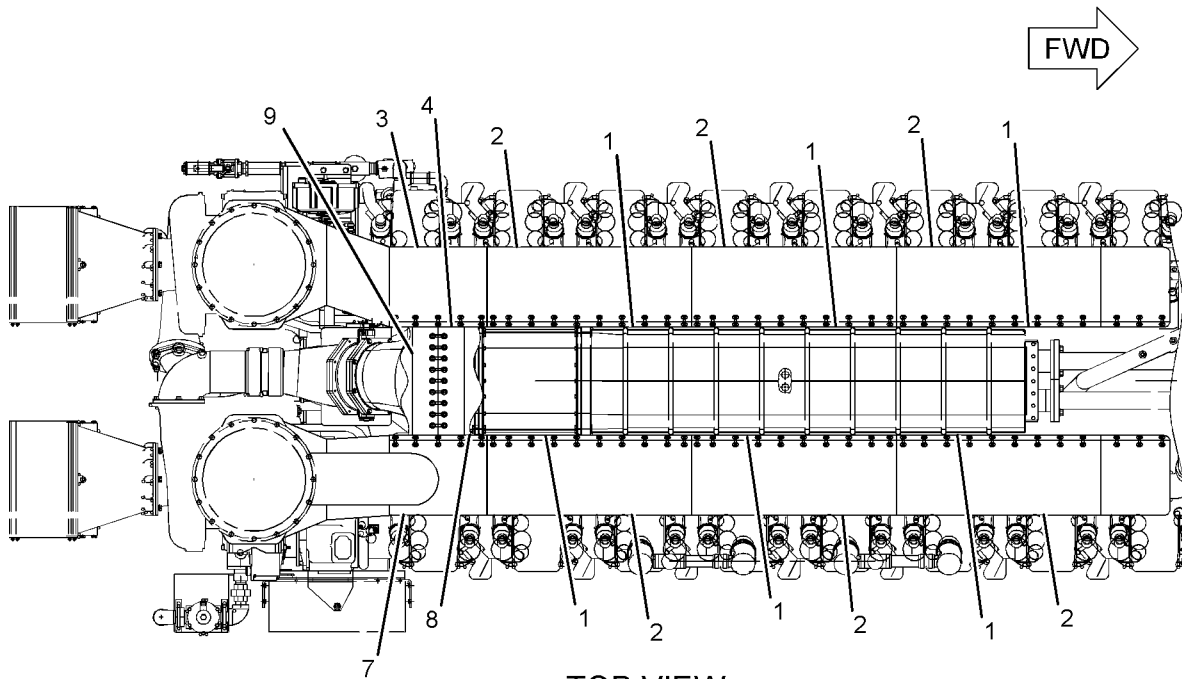
AIR INLET AND EXHAUST SYSTEM

149-2846 SHIELD GP-MANIFOLD (contd.)

i02145306



FRONT VIEW



TOP VIEW

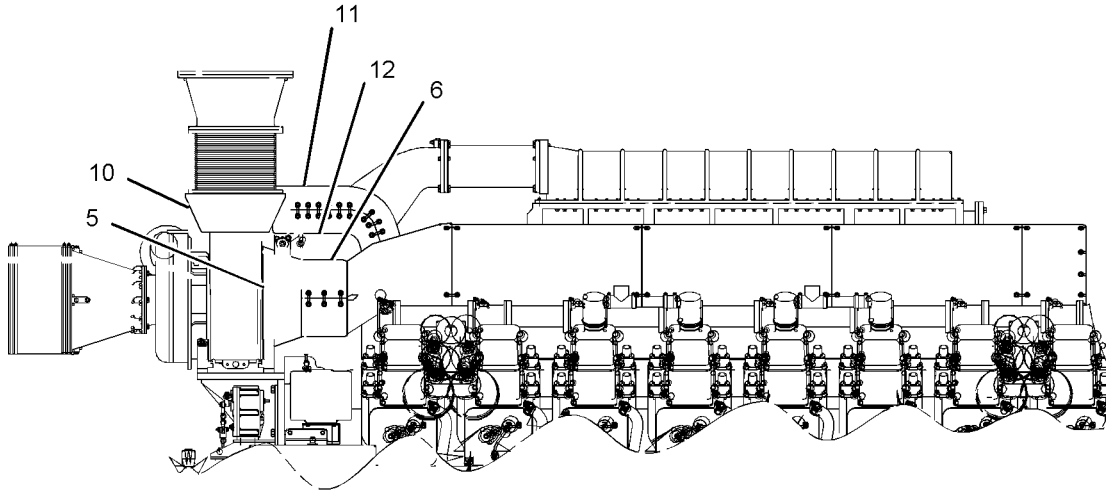
GRAPHIC #1

g01099700

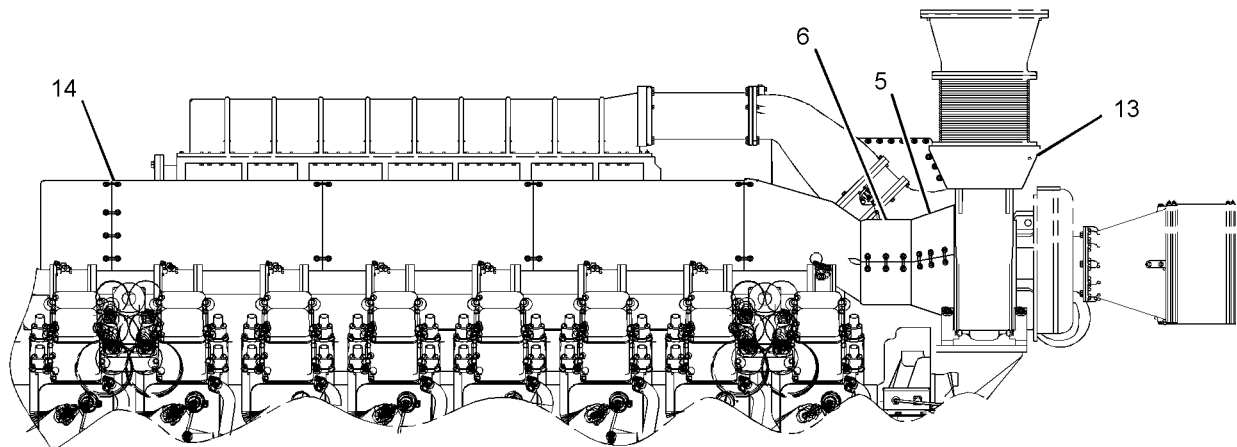
AIR INLET AND EXHAUST SYSTEM

149-2846 SHIELD GP-MANIFOLD (contd.)

i02145306



RIGHT SIDE VIEW



LEFT SIDE VIEW

<END>

GRAPHIC #2

g01099701

AIR INLET AND EXHAUST SYSTEM

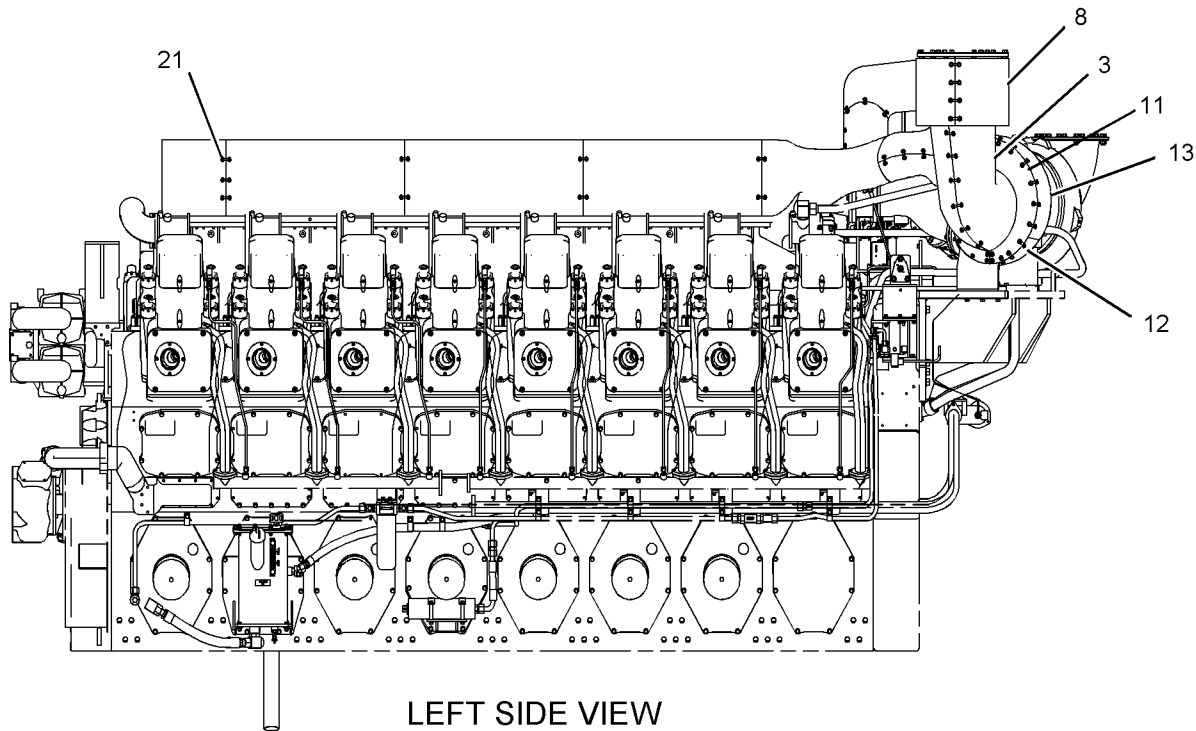
228 - 8982 SHIELD GP - MANIFOLD (CHG -00, -01)

SMCS - 1067

i02070815

| NOTE | REF NO | GRAPHIC REF | PART NUMBER | QTY | PART NAME | | | | | | SEE PAGE |
|------|--------|-------------|-------------|-----|--------------------|---|---|---|---|-------------------|----------|
| | | | | | 1 | 2 | 3 | 4 | 5 | 6 (PRODUCT LEVEL) | |
| | 1 | 2 | 132-8292 | 6 | SHIELD AS-EXHAUST | | | | | | |
| | 2 | 2 | 132-8298 | 6 | SHIELD AS-EXHAUST | | | | | | |
| | 3 | 1,2 | 180-3990 | 2 | SHIELD AS-ELBOW | | | | | | |
| | 4 | 2 | 199-8958 | 1 | SHIELD AS-MANIFOLD | | | | | | |
| | 5 | 2 | 199-8959 | 1 | SHIELD AS-MANIFOLD | | | | | | |
| | 6 | 2 | 199-8960 | 1 | SHIELD AS-MANIFOLD | | | | | | |
| | 7 | 2 | 199-8961 | 1 | SHIELD AS-MANIFOLD | | | | | | |
| | 8 | 1 | 199-8962 | 1 | SHIELD AS-MANIFOLD | | | | | | |
| | 9 | 2 | 199-8964 | 1 | SHIELD AS-MANIFOLD | | | | | | |
| | 10 | 2 | 199-8966 | 1 | SHIELD AS-MANIFOLD | | | | | | |
| | 11 | 1 | 199-8967 | 1 | SHIELD AS-MANIFOLD | | | | | | |
| | 12 | 1 | 204-5314 | 1 | SHIELD AS-MANIFOLD | | | | | | |
| | 13 | 1 | 204-5315 | 1 | SHIELD AS-MANIFOLD | | | | | | |
| | 14 | 2 | 204-5316 | 1 | SHIELD AS-MANIFOLD | | | | | | |
| | 15 | 2 | 204-5317 | 1 | SHIELD AS-MANIFOLD | | | | | | |
| | 16 | 2 | 204-5861 | 1 | SHIELD AS-MANIFOLD | | | | | | |
| | 17 | 2 | 204-5862 | 1 | SHIELD AS-MANIFOLD | | | | | | |
| | 18 | 2 | 207-4977 | 1 | SHIELD AS-MANIFOLD | | | | | | |
| | 19 | 2 | 207-4978 | 1 | SHIELD AS-MANIFOLD | | | | | | |
| | 20 | 2 | 220-5590 | 1 | SHIELD AS-MANIFOLD | | | | | | |
| D | 21 | 1 | 138-3331 | | WIRE-TIE (138-M) | | | | | | |
| | 22 | 2 | 248-2372 | 1 | SHIELD AS-EXHAUST | | | | | | |
| | 23 | 2 | 248-2373 | 1 | SHIELD AS-EXHAUST | | | | | | |

D- ORDER BY THE METER



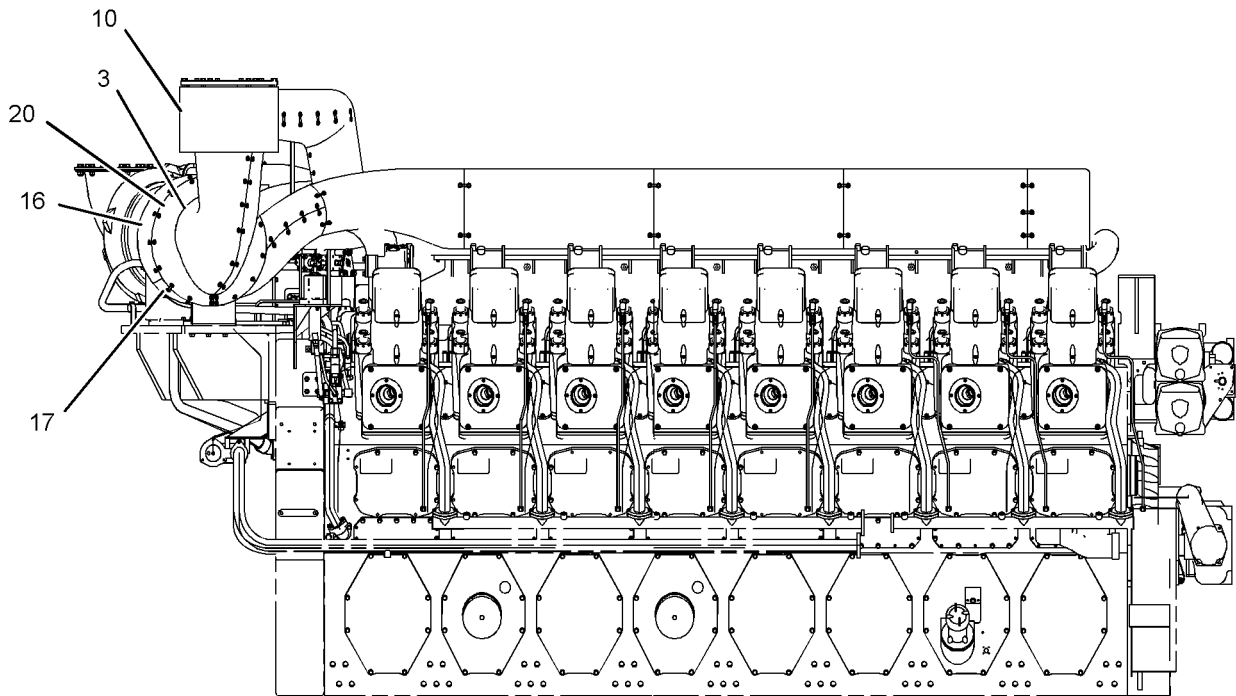
GRAPHIC #1

g01060658

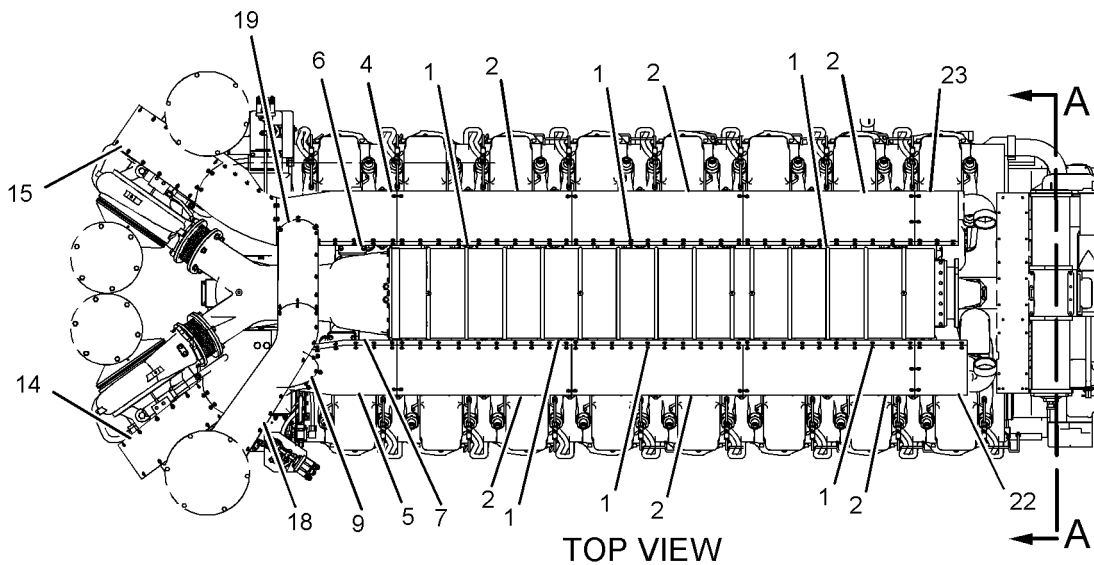
AIR INLET AND EXHAUST SYSTEM

228 - 8982 SHIELD GP-MANIFOLD (contd.)

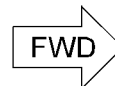
i02070815



RIGHT SIDE VIEW



TOP VIEW



GRAPHIC #2

<END>

g01060659

AIR INLET AND EXHAUST SYSTEM

4P-6746 TURBOCHARGER GP (CHG -04)

SMCS-1052, 1053

i01923129

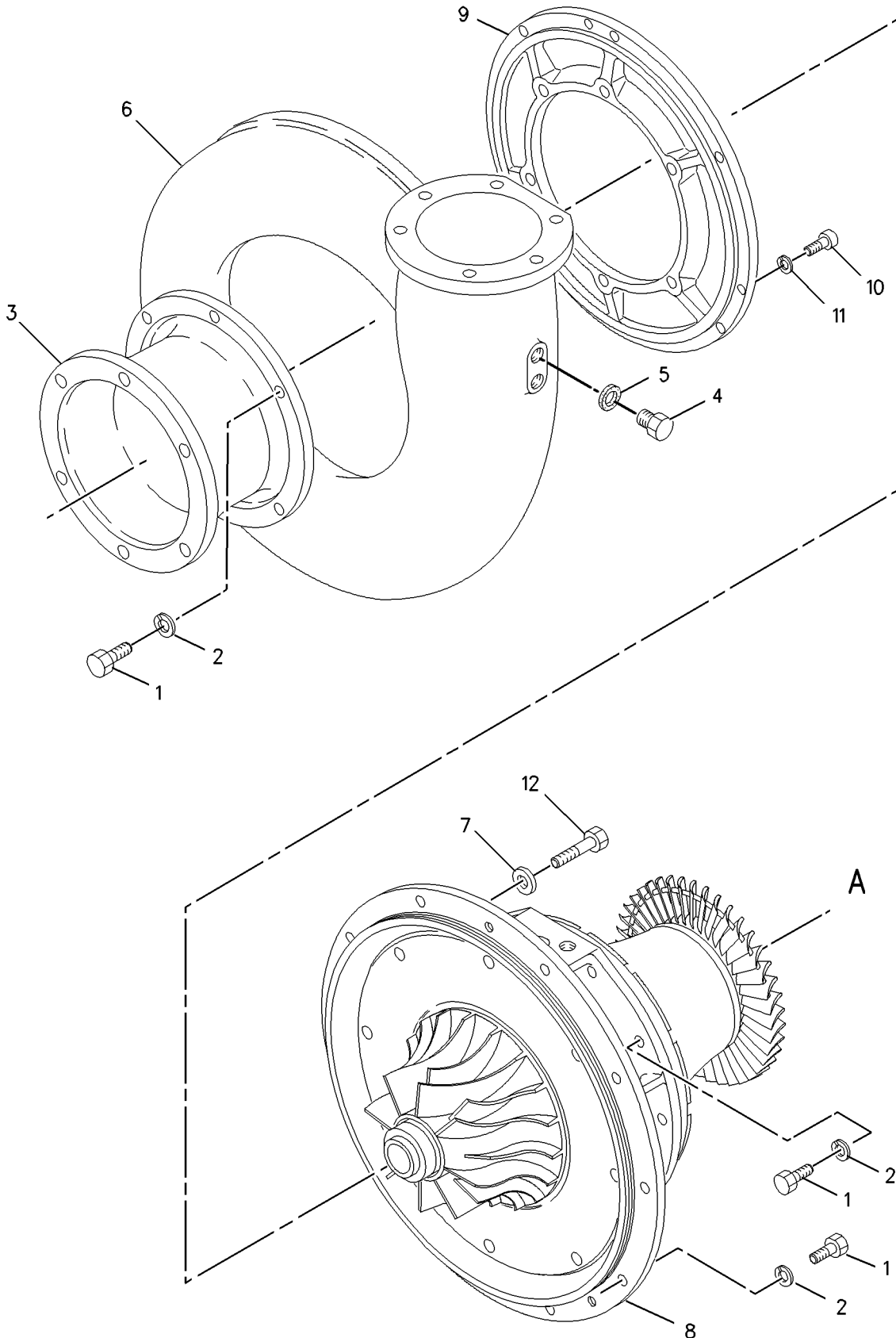
| NOTE | REF NO | GRAPHIC REF | PART NUMBER | QTY | PART NAME | | | | | | SEE PAGE |
|------|--------|-------------|-----------------|-----|--|---|---|---|---|-------------------|----------|
| | | | | | 1 | 2 | 3 | 4 | 5 | 6 (PRODUCT LEVEL) | |
| CM | 1 | 1 | 6V-3668 | 39 | BOLT (M12X1.75X30-MM) | | | | | | |
| C | 2 | 1 | 3B-4508 | 39 | LOCKWASHER | | | | | | |
| | 3 | 1 | 7W-5857 | 1 | INSERT | | | | | | |
| | 4 | 1 | 4W-9029 | 2 | PLUG | | | | | | |
| | 5 | 1 | 4W-9027 | 2 | GASKET | | | | | | |
| | 6 | 1 | 130-1860 | 1 | HOUSING-COMPRESSOR | | | | | | |
| C | 7 | 1 | 4W-9025 | 6 | WASHER-SPRING | | | | | | |
| | 8 | 1 | 116-2808 | 1 | CARTRIDGE GP-TURBOCHARGER | | | | | | 381 |
| Y | 9 | 1 | 4P-6077 | 1 | DIFFUSER | | | | | | |
| | 10 | 1 | 8T-1158 | 3 | BOLT-SOCKET HEAD (M8X1.25X20-MM) | | | | | | |
| M | 11 | 1 | 3B-4505 | 3 | LOCKWASHER | | | | | | |
| | 12 | 1 | 6V-5230 | 6 | BOLT (M10X1.5X60-MM) | | | | | | |
| M | 13 | 2 | 6B-6863 | 1 | PIN-SPRING | | | | | | |
| | 14 | 2 | 4W-8571 | 12 | PLATE-LOCK (5-MM THK) | | | | | | |
| | 15 | 2 | 131-3708 | 1 | HOUSING | | | | | | |
| C | 16 | 2 | 4W-8607 | 1 | COVER | | | | | | |
| | 17 | 2 | 4W-8606 | 1 | GASKET | | | | | | |
| M | 18 | 2 | 6V-3668 | 40 | BOLT (M12X1.75X30-MM) | | | | | | |
| | 19 | 2 | 4W-8605 | 2 | GASKET | | | | | | |
| | 20 | 2 | 4W-8608 | 2 | COVER | | | | | | |
| | 21 | 2 | 7E-7093 | 2 | GASKET | | | | | | |
| | 22 | 2 | 4W-9533 | 2 | COVER | | | | | | |
| | 23 | 2 | 3B-4508 | 28 | LOCKWASHER | | | | | | |
| | 24 | 2 | 0S-1595 | 4 | BOLT (1/2-13X1.25-IN) | | | | | | |
| | 25 | 2 | 4W-8568 | 4 | SEGMENT | | | | | | |
| | 26 | 2 | 4W-9036 | 2 | SUPPORT | | | | | | |
| | 27 | 2 | 6V-3823 | 4 | BOLT (M12X1.75X60-MM) | | | | | | |
| M | 28 | 2 | 9Y-0778 | 1 | NOZZLE | | | | | | |
| M | 29 | 2 | 6V-8675 | 8 | BOLT (M12X1.75X35-MM) | | | | | | |
| M | 30 | 2 | 8C-8581 | 20 | BOLT-HIGH TEMPERATURE (M10X1.5X30-MM) | | | | | | |
| | 31 | 2 | 4W-8566 | 20 | PLATE-LOCK (1-MM THK) | | | | | | |
| C | 32 | 2 | 4W-9037 | 1 | COVER-RING | | | | | | |
| | 33 | 2 | 4P-0309 | 1 | HOUSING AS-INLET | | | | | | |
| C | 34 | 2 | 4P-0300 | 1 | FLANGE-GAS INLET | | | | | | |
| | 35 | 2 | 7E-9688 | 2 | CLAMP-SEGMENT | | | | | | |
| C | 36 | 2 | 7E-9689 | 4 | KEY | | | | | | |
| | 37 | 2 | 7E-9690 | 1 | PIN-SPRING | | | | | | |
| M | 38 | 2 | 9X-8275 | 4 | BOLT-SOCKET HEAD (M6X1X10-MM) | | | | | | |
| M | 39 | 2 | 100-6777 | 24 | BOLT-HIGH TEMPERATURE (M10X1.5X25-MM) | | | | | | |
| | 40 | 2 | 7E-9699 | 12 | RETAINER-BOLT | | | | | | |
| | | | | | AVAILABLE REPAIR KIT(S) : | | | | | | |
| Y | | | 4W-0686 | 1 | KIT-TURBOCHARGER REPAIR | | | | | | 725 |
| | | | | | (KIT INCLUDES GASKET, SEAL-O-RINGS AND SEAL KIT-TURBO) | | | | | | |

C- CHANGE FROM PREVIOUS TYPE
M- METRIC PART
Y- SEPARATE ILLUSTRATION

AIR INLET AND EXHAUST SYSTEM

4P-6746 TURBOCHARGER GP (contd.)

i01923129



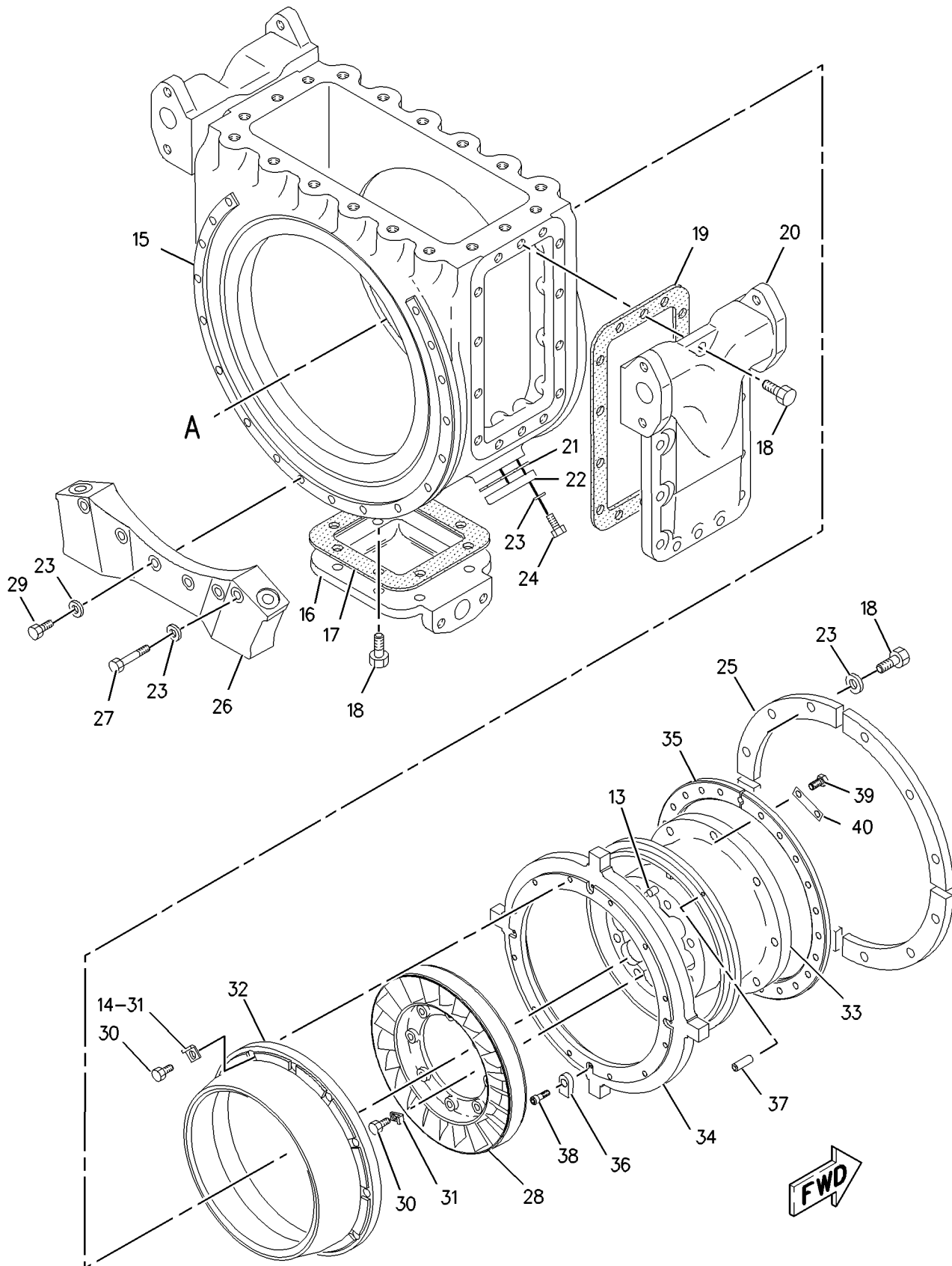
GRAPHIC #1

g00779224

AIR INLET AND EXHAUST SYSTEM

4P-6746 TURBOCHARGER GP (contd.)

i01923129



GRAPHIC #2

<END>

g01000825

AIR INLET AND EXHAUST SYSTEM

106-9709 TURBOCHARGER GP (CHG -04)

SMCS-1052, 1053

i01677181

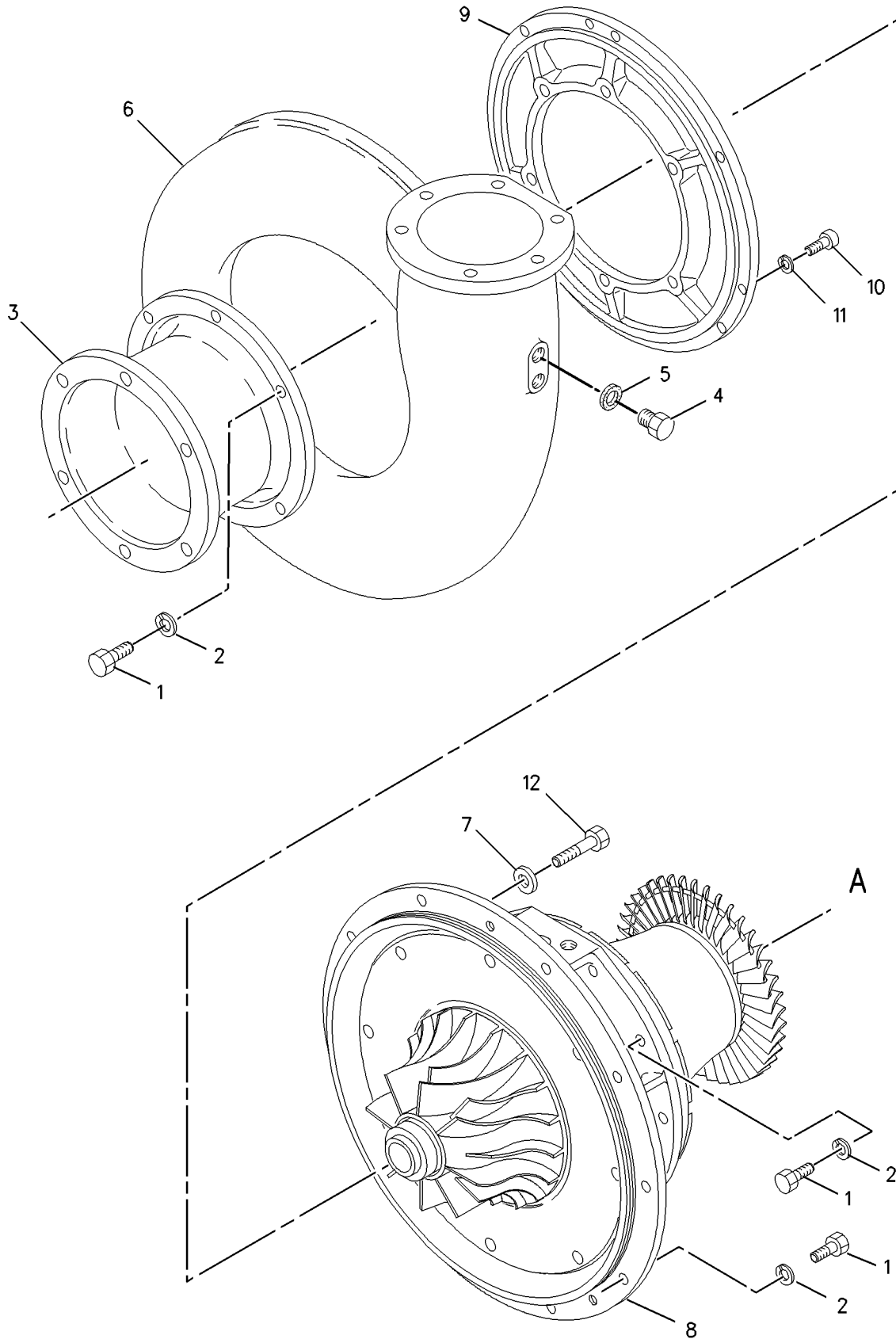
| NOTE | REF NO | GRAPHIC REF | PART NUMBER | QTY | PART NAME | | | | | | SEE PAGE |
|------|---------|-------------|-------------|---------|--|-------------------------------|---|---|---|-------------------|----------|
| | | | | | 1 | 2 | 3 | 4 | 5 | 6 (PRODUCT LEVEL) | |
| CM | 1 | 1 | 6V-3668 | 39 | BOLT (M12X1.75X30-MM) | | | | | | |
| C | 2 | 1 | 3B-4508 | 39 | LOCKWASHER | | | | | | |
| | 3 | 1 | 7W-5857 | 1 | INSERT | | | | | | |
| | 4 | 1 | 4W-9029 | 2 | PLUG | | | | | | |
| | 5 | 1 | 4W-9027 | 2 | GASKET | | | | | | |
| | 6 | 1 | 130-1860 | 1 | HOUSING-COMPRESSOR | | | | | | |
| C | 7 | 1 | 4W-9025 | 6 | WASHER-SPRING | | | | | | |
| | 8 | 1 | 116-2808 | 1 | CARTRIDGE GP-TURBOCHARGER | | | | | | 381 |
| Y | 9 | 1 | 4P-6077 | 1 | DIFFUSER | | | | | | 389 |
| M | 10 | 1 | 8T-1158 | 3 | BOLT-SOCKET HEAD (M8X1.25X20-MM) | | | | | | |
| | 11 | 1 | 3B-4505 | 3 | LOCKWASHER | | | | | | |
| M | 12 | 1 | 6V-5230 | 6 | BOLT (M10X1.5X60-MM) | | | | | | |
| | 13 | 2 | 6B-6863 | 1 | PIN-SPRING | | | | | | |
| | 14 | 2 | 4W-8571 | 12 | PLATE-LOCK (5-MM THK) | | | | | | |
| C | 15 | 2 | 131-3708 | 1 | HOUSING | | | | | | |
| | 16 | 2 | 4W-8607 | 1 | COVER | | | | | | |
| | 17 | 2 | 4W-8606 | 1 | GASKET | | | | | | |
| M | 18 | 2 | 6V-3668 | 40 | BOLT (M12X1.75X30-MM) | | | | | | |
| | 19 | 2 | 4W-8605 | 2 | GASKET | | | | | | |
| | 20 | 2 | 4W-8608 | 2 | COVER | | | | | | |
| | 21 | 2 | 7E-7093 | 2 | GASKET | | | | | | |
| | 22 | 2 | 4W-9533 | 2 | COVER | | | | | | |
| | 23 | 2 | 3B-4508 | 28 | LOCKWASHER | | | | | | |
| | 24 | 2 | 0S-1595 | 4 | BOLT (1/2-13X1.25-IN) | | | | | | |
| | 25 | 2 | 4W-8568 | 4 | SEGMENT | | | | | | |
| | 26 | 2 | 4W-9036 | 2 | SUPPORT | | | | | | |
| | 27 | 2 | 6V-3823 | 4 | BOLT (M12X1.75X60-MM) | | | | | | |
| M | 28 | 2 | 4P-4111 | 1 | NOZZLE | | | | | | |
| M | 29 | 2 | 6V-8675 | 8 | BOLT (M12X1.75X35-MM) | | | | | | |
| M | 30 | 2 | 8C-8581 | 20 | BOLT-HIGH TEMPERATURE (M10X1.5X30-MM) | | | | | | |
| | 31 | 2 | 4W-8566 | 20 | PLATE-LOCK (1-MM THK) | | | | | | |
| | 32 | 2 | 4W-9037 | 1 | COVER-RING | | | | | | |
| | 33 | 2 | 4P-0309 | 1 | HOUSING AS-INLET | | | | | | |
| | 34 | 2 | 4P-0300 | 1 | FLANGE-GAS INLET | | | | | | |
| | 35 | 2 | 7E-9688 | 2 | CLAMP-SEGMENT | | | | | | |
| | 36 | 2 | 7E-9689 | 4 | KEY | | | | | | |
| | 37 | 2 | 7E-9690 | 1 | PIN-SPRING | | | | | | |
| | M | 38 | 2 | 9X-8275 | 4 | BOLT-SOCKET HEAD (M6X1X10-MM) | | | | | |
| M | 39 | 2 | 100-6777 | 24 | BOLT-HIGH TEMPERATURE (M10X1.5X25-MM) | | | | | | |
| | 40 | 2 | 7E-9699 | 12 | RETAINER-BOLT | | | | | | |
| | | | | | AVAILABLE REPAIR KIT(S) : | | | | | | |
| Y | 4W-0686 | | | 1 | KIT-TURBOCHARGER REPAIR | | | | | | 725 |
| | | | | | (KIT INCLUDES GASKET, SEAL-O-RINGS AND SEAL KIT-TURBO) | | | | | | |

C- CHANGE FROM PREVIOUS TYPE
M- METRIC PART
Y- SEPARATE ILLUSTRATION

AIR INLET AND EXHAUST SYSTEM

106-9709 TURBOCHARGER GP (contd.)

i01677181



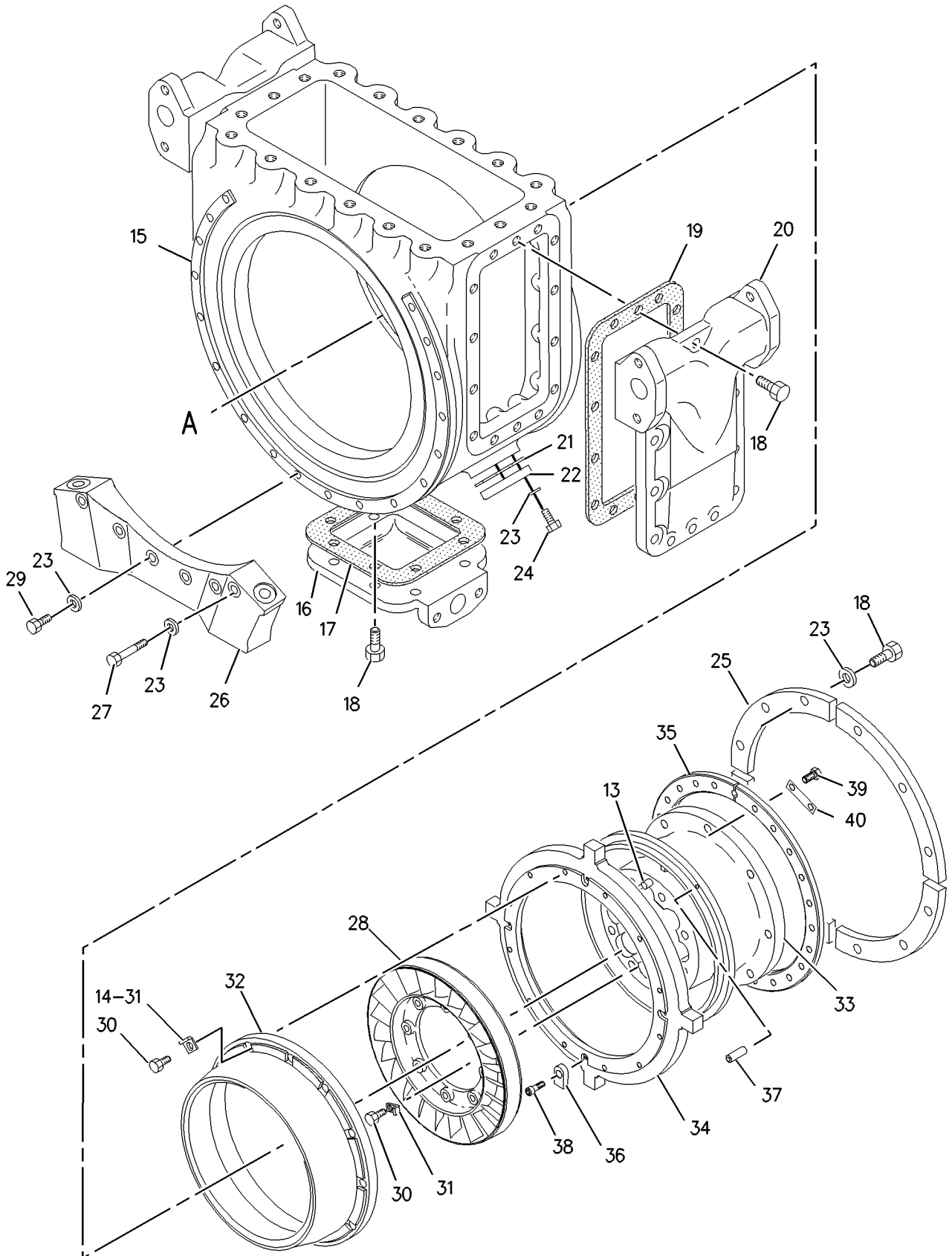
GRAPHIC #1

g00777920

AIR INLET AND EXHAUST SYSTEM

106-9709 TURBOCHARGER GP (contd.)

i01677181



GRAPHIC #2

<END>

g0077921

AIR INLET AND EXHAUST SYSTEM

111-5720 TURBOCHARGER GP (CHG -03)

SMCS-1052, 1053

i01678740

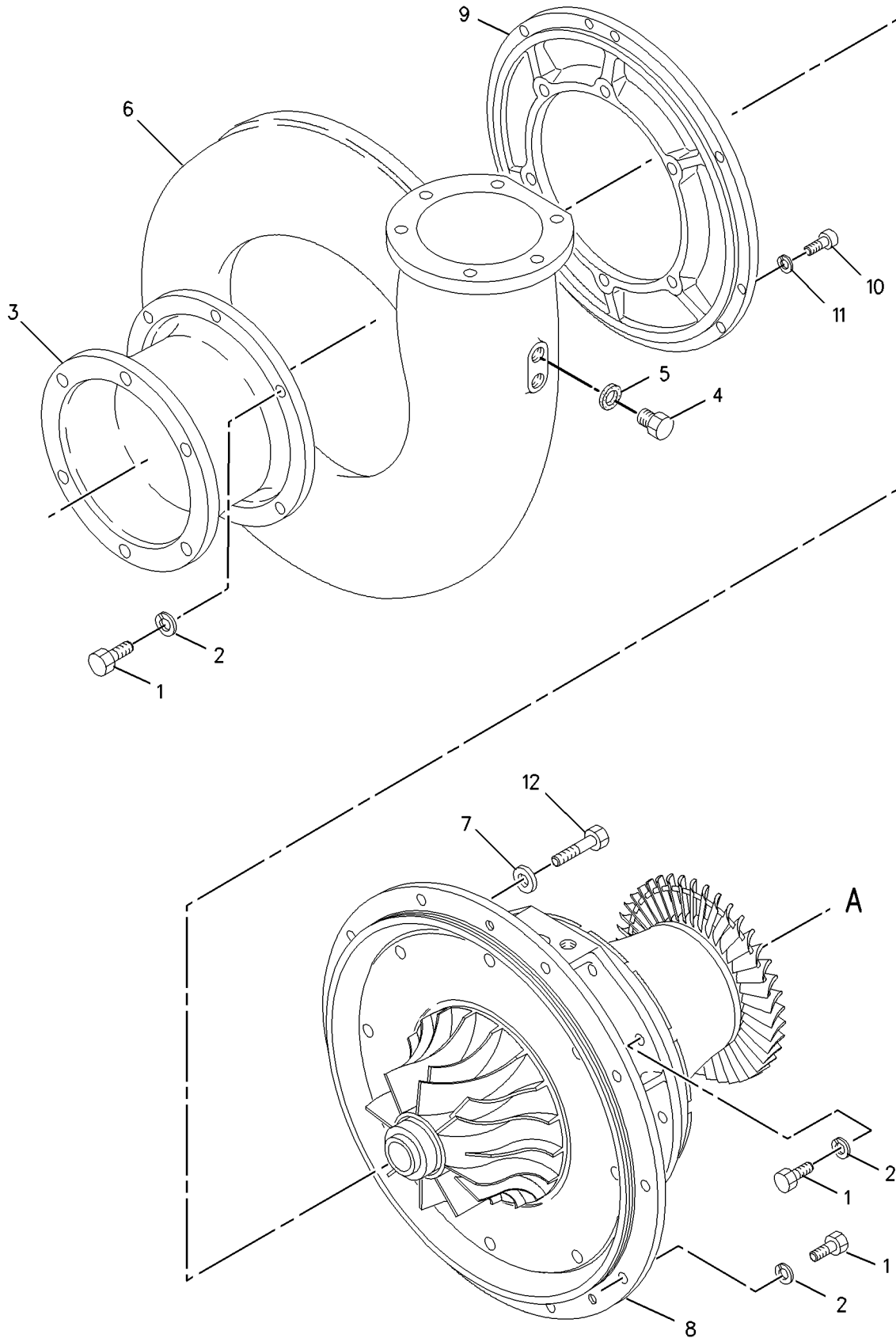
| NOTE | REF NO | GRAPHIC REF | PART NUMBER | QTY | PART NAME | | | | | | SEE PAGE |
|------|--------|-------------|-------------|-----|---|---|---|---|---|-------------------|----------|
| | | | | | 1 | 2 | 3 | 4 | 5 | 6 (PRODUCT LEVEL) | |
| CM | 1 | 1 | 6V-3668 | 39 | BOLT (M12X1.75X30-MM) | | | | | | |
| C | 2 | 1 | 3B-4508 | 39 | LOCKWASHER | | | | | | |
| | 3 | 1 | 7W-0338 | 1 | INSERT | | | | | | |
| | 4 | 1 | 4W-9029 | 2 | PLUG | | | | | | |
| | 5 | 1 | 4W-9027 | 2 | GASKET | | | | | | |
| | 6 | 1 | 130-1860 | 1 | HOUSING-COMPRESSOR | | | | | | |
| C | 7 | 1 | 4W-9025 | 6 | WASHER-SPRING | | | | | | |
| | 8 | 1 | 116-2820 | 1 | CARTRIDGE GP-TURBOCHARGER | | | | | | 383 |
| Y | 9 | 1 | 111-5813 | 1 | DIFFUSER | | | | | | |
| | 10 | 1 | 8T-1158 | 3 | BOLT-SOCKET HEAD (M8X1.25X20-MM) | | | | | | |
| M | 11 | 1 | 3B-4505 | 3 | LOCKWASHER | | | | | | |
| | 12 | 1 | 6V-5230 | 6 | BOLT (M10X1.5X60-MM) | | | | | | |
| M | 13 | 2 | 6B-6863 | 1 | PIN-SPRING | | | | | | |
| | 14 | 2 | 4W-8571 | 12 | PLATE-LOCK (5-MM THK) | | | | | | |
| | 15 | 2 | 131-3708 | 1 | HOUSING | | | | | | |
| C | 16 | 2 | 4W-8607 | 1 | COVER | | | | | | |
| | 17 | 2 | 4W-8606 | 1 | GASKET | | | | | | |
| | 18 | 2 | 6V-3668 | 40 | BOLT (M12X1.75X30-MM) | | | | | | |
| M | 19 | 2 | 4W-8605 | 2 | GASKET | | | | | | |
| | 20 | 2 | 4W-8608 | 2 | COVER | | | | | | |
| | 21 | 2 | 7E-7093 | 2 | GASKET | | | | | | |
| | 22 | 2 | 4W-9533 | 2 | COVER | | | | | | |
| | 23 | 2 | 3B-4508 | 28 | LOCKWASHER | | | | | | |
| | 24 | 2 | 0S-1595 | 4 | BOLT (1/2-13X1.25-IN) | | | | | | |
| | 25 | 2 | 4W-8568 | 4 | SEGMENT | | | | | | |
| | 26 | 2 | 4W-9036 | 2 | SUPPORT | | | | | | |
| | 27 | 2 | 6V-3823 | 4 | BOLT (M12X1.75X60-MM) | | | | | | |
| | 28 | 2 | 9Y-0778 | 1 | NOZZLE | | | | | | |
| M | 29 | 2 | 6V-8675 | 8 | BOLT (M12X1.75X35-MM) | | | | | | |
| M | 30 | 2 | 8C-8581 | 20 | BOLT-HIGH TEMPERATURE (M10X1.5X30-MM) | | | | | | |
| | 31 | 2 | 4W-8566 | 20 | PLATE-LOCK (1-MM THK) | | | | | | |
| C | 32 | 2 | 4W-9037 | 1 | COVER-RING | | | | | | |
| | 33 | 2 | 4P-0309 | 1 | HOUSING AS-INLET | | | | | | |
| | 34 | 2 | 4P-0300 | 1 | FLANGE-GAS INLET | | | | | | |
| | 35 | 2 | 7E-9688 | 2 | CLAMP-SEGMENT | | | | | | |
| | 36 | 2 | 7E-9689 | 4 | KEY | | | | | | |
| | 37 | 2 | 7E-9690 | 1 | PIN-SPRING | | | | | | |
| | 38 | 2 | 9X-8275 | 4 | BOLT-SOCKET HEAD (M6X1X10-MM) | | | | | | |
| M | 39 | 2 | 100-6777 | 24 | BOLT-HIGH TEMPERATURE (M10X1.5X25-MM) | | | | | | |
| | 40 | 2 | 7E-9699 | 12 | RETAINER-BOLT | | | | | | |
| | | | | | AVAILABLE REPAIR KIT(S) : | | | | | | |
| Y | | | 4W-0686 | 1 | KIT-TURBOCHARGER REPAIR (INCLUDES GASKET, SEAL O-RINGS AND SEAL KIT TURBO) | | | | | | 725 |

C- CHANGE FROM PREVIOUS TYPE
M- METRIC PART
Y- SEPARATE ILLUSTRATION

AIR INLET AND EXHAUST SYSTEM

111-5720 TURBOCHARGER GP (contd.)

i01678740



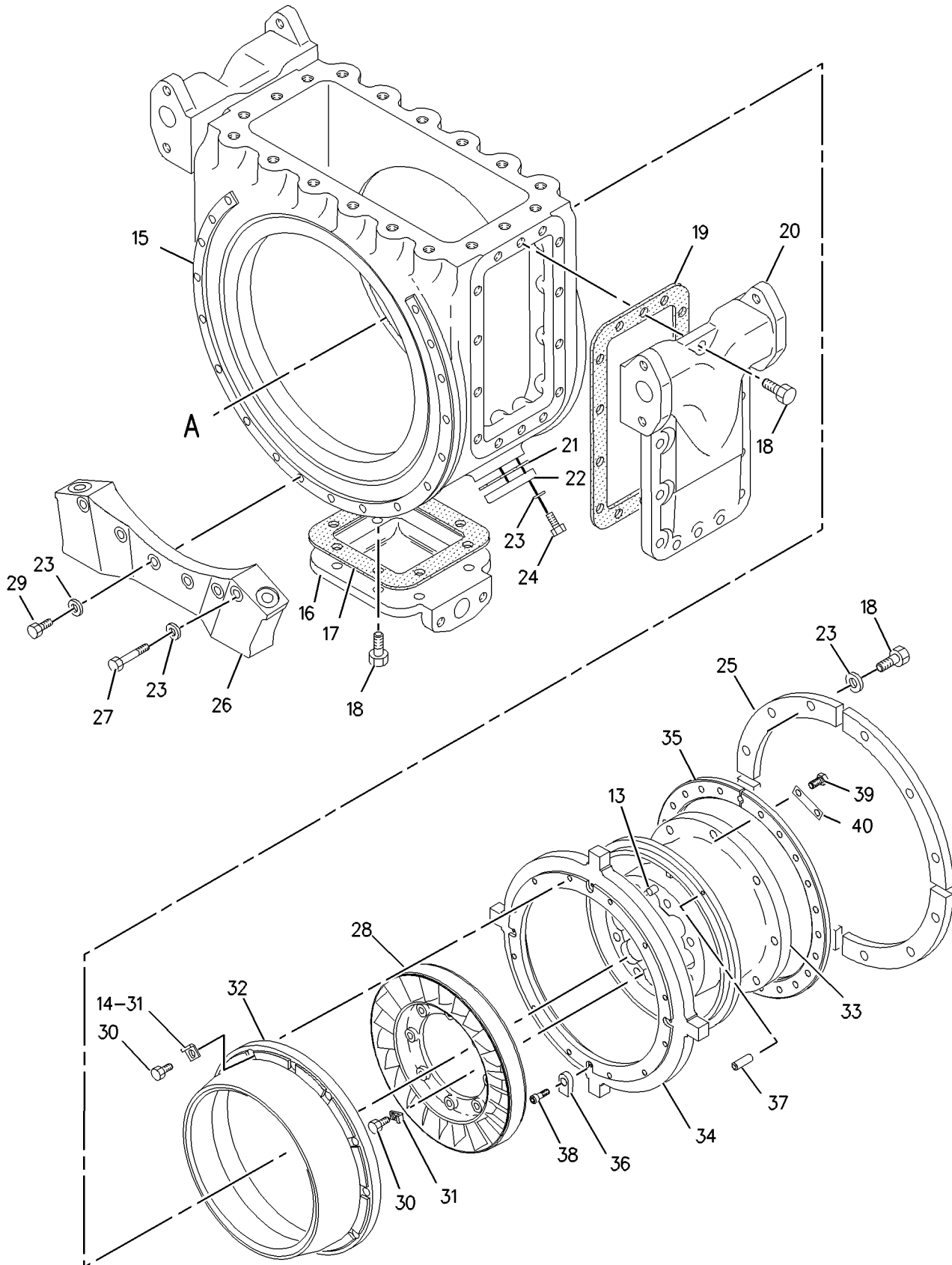
GRAPHIC #1

g00778032

AIR INLET AND EXHAUST SYSTEM

111-5720 TURBOCHARGER GP (contd.)

i01678740



GRAPHIC #2

<END>

g00778033

AIR INLET AND EXHAUST SYSTEM

228-7328 TURBOCHARGER GP (CHG -00 THRU -03)

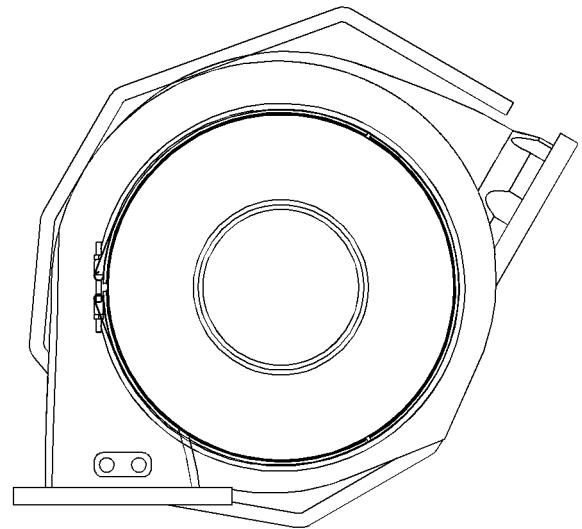
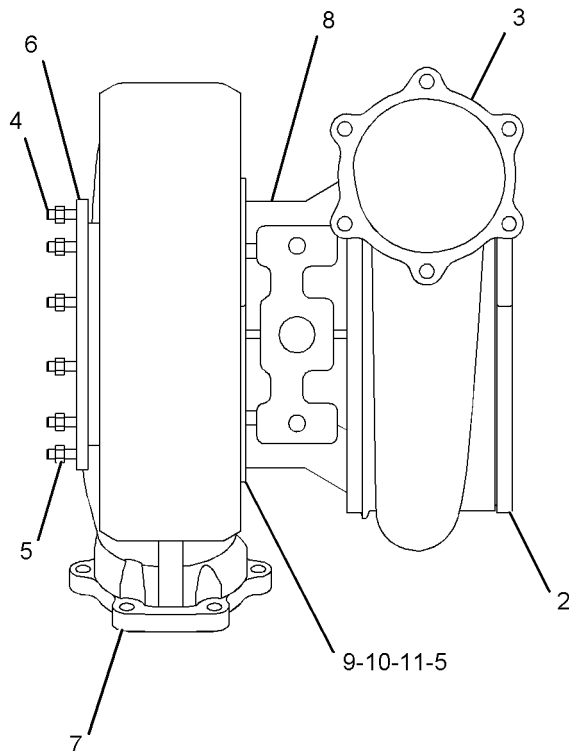
FOR USE WITH INDUSTRIAL ENGINES. CANNOT BE USED WITH VTC254 TURBOCHARGER

SMCS-1052, 1053

i02246351

| NOTE | REF NO | GRAPHIC REF | PART NUMBER | QTY | PART NAME | | | | | | SEE PAGE |
|------|--------|-------------|-------------|-----|--|---|---|---|---|-------------------|----------|
| | | | | | 1 | 2 | 3 | 4 | 5 | 6 (PRODUCT LEVEL) | |
| | 2 | 1 | 176-3611 | 1 | CLAMP-BAND | | | | | | |
| | 3 | 1 | 230-0933 | 1 | HOUSING-COMPRESSOR | | | | | | |
| | 4 | 1 | 178-1797 | 12 | STUD | | | | | | |
| | 5 | 1 | 178-1798 | 12 | NUT (M12X19-THD) | | | | | | |
| | 6 | 1 | 230-0939 | 1 | INSERT | | | | | | |
| | 7 | 1 | 211-3212 | 1 | HOUSING-TURBINE | | | | | | |
| | 8 | 1 | 211-3215 | 1 | HOUSING-BEARING | | | | | | |
| | 9 | 1 | 176-3609 | 1 | KIT-SEAL (BEARING) | | | | | | |
| | 10 | 1 | 176-3610 | 1 | (INCLUDES SEAL-O-RING, BOLT, AND RING-PISTON) | | | | | | |
| | | | | | KIT-BEARING | | | | | | |
| | | | | | (INCLUDES BOLT, BEARING-JOURNAL, RING-THRUST, CLIP, BEARING-THRUST, AND BEARING-AUXILIARY) | | | | | | |
| | 11 | 1 | 207-6111 | 12 | STUD | | | | | | |
| F | | 1 | 178-1790 | 3 | CLAMP | | | | | | |
| F | | 1 | 178-1791 | 18 | BOLT (M12X1.75X35-MM) | | | | | | |
| F | | 1 | 178-1799 | 5 | BOLT (M12X32.5-MM) | | | | | | |
| F | | 1 | 178-1800 | 7 | WASHER (14X29X3-MM THK) | | | | | | |
| F | | 1 | 178-1801 | 2 | BOLT (M12X1.75X42.5-MM) | | | | | | |
| F | | 1 | 207-6106 | 1 | KIT-TURBOCHARGER SEAL | | | | | | |
| | | | | | (INCLUDES BOLT, SEAL-O-RINGS, AND GASKETS) | | | | | | |
| F | | 1 | 207-6109 | 4 | CLIP | | | | | | |
| F | | 1 | 207-6110 | 12 | WASHER (12.5X21X2.7-MM THK) | | | | | | |
| F | | 1 | 230-0932 | 1 | CARTIDGE GP-TURBOCHARGER | | | | | | |
| F | | 1 | 230-0936 | 1 | INSERT | | | | | | |
| F | | 1 | 230-0937 | 1 | DIFFUSER | | | | | | |
| F | | 1 | 230-0938 | 1 | RING-NOZZLE | | | | | | |

F - NOT SHOWN



GRAPHIC #1

<END>

g01064470

AIR INLET AND EXHAUST SYSTEM

259-8435 TURBOCHARGER GP (CHG -00 THRU -02)

SMCS-1052, 1053

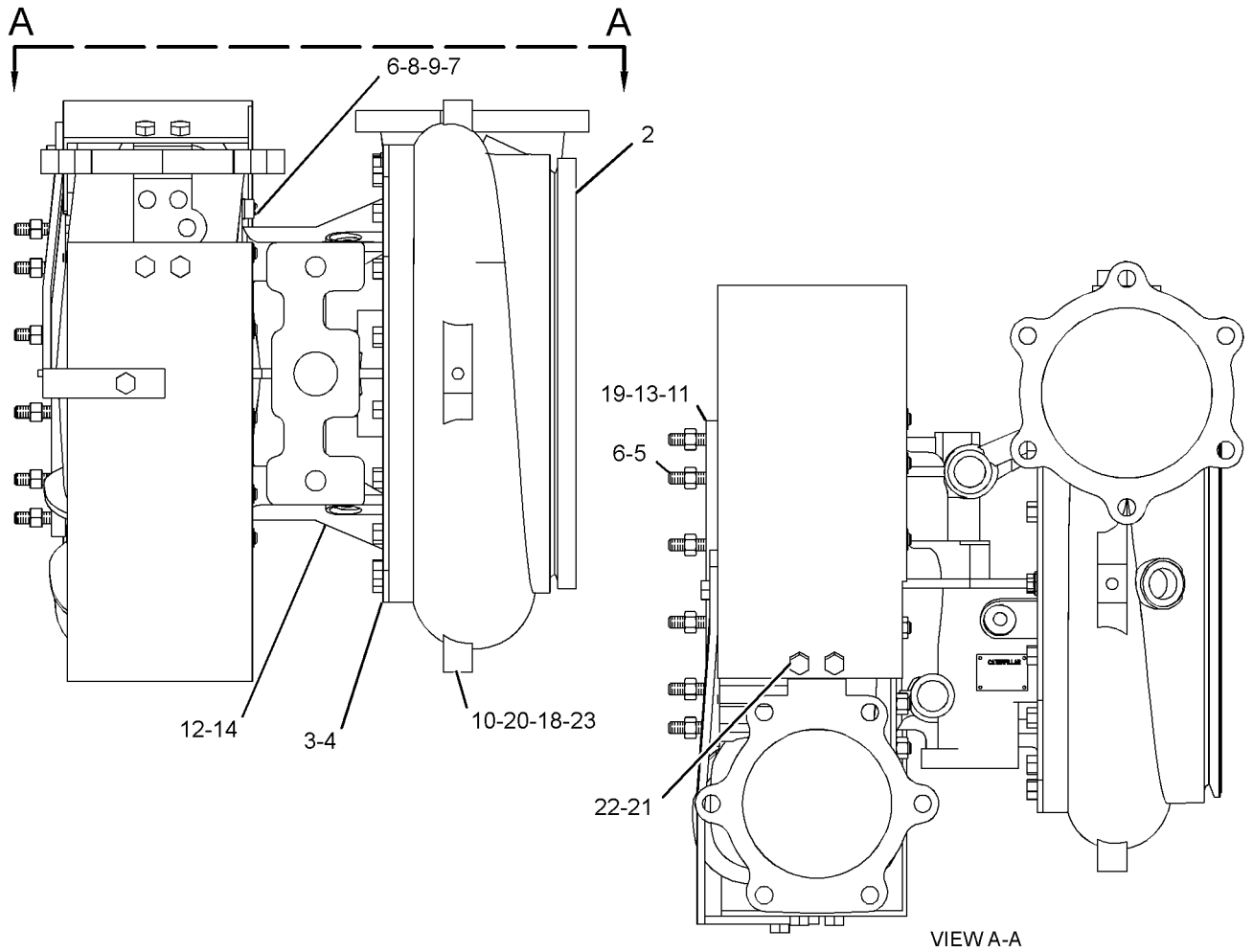
i02488523

| NOTE | REF NO | GRAPHIC REF | PART NUMBER | QTY | PART NAME | | | | | | SEE PAGE |
|------|--------|-------------|-------------|-----|--|---|---|---|---|-------------------|----------|
| | | | | | 1 | 2 | 3 | 4 | 5 | 6 (PRODUCT LEVEL) | |
| | 2 | 1 | 176-3611 | 1 | CLAMP-BAND | | | | | | |
| | 3 | 1 | 178-1790 | 3 | CLAMP | | | | | | |
| | 4 | 1 | 178-1791 | 18 | BOLT (M12X1.75X35-MM) | | | | | | |
| | 5 | 1 | 178-1797 | 12 | STUD | | | | | | |
| | 6 | 1 | 178-1798 | 24 | NUT (M12X19-THD) | | | | | | |
| | 7 | 1 | 207-6109 | 4 | CLIP | | | | | | |
| | 8 | 1 | 207-6110 | 12 | WASHER (12.5X21X2.7-MM THK) | | | | | | |
| | 9 | 1 | 207-6111 | 12 | STUD | | | | | | |
| | 10 | 1 | 230-0933 | 1 | HOUSING-COMPRESSOR | | | | | | |
| | 11 | 1 | 230-0936 | 1 | INSERT (TURBINE) | | | | | | |
| | 12 | 1 | 262-7116 | 1 | HOUSING-BEARING | | | | | | |
| | 13 | 1 | 262-7117 | 1 | HOUSING (TURBINE) | | | | | | |
| | 14 | 1 | 273-2105 | 1 | CARTRIDGE GP-TURBOCHARGER | | | | | | |
| | 18 | 1 | 230-0937 | 1 | DIFFUSER | | | | | | |
| | 19 | 1 | 230-0938 | 1 | RING-NOZZLE | | | | | | |
| | 20 | 1 | 230-0939 | 1 | INSERT | | | | | | |
| | 21 | 1 | 178-1799 | 5 | BOLT (M12X32.5-MM) | | | | | | |
| | 22 | 1 | 178-1800 | 7 | WASHER (14X29X3-MM THK) | | | | | | |
| | 23 | 1 | 178-1801 | 2 | BOLT (M12X1.75X42.5-MM) | | | | | | |
| | | | | | AVAILABLE REPAIR KIT(S) : | | | | | | |
| | | | 207-6106 | 1 | KIT-TURBOCHARGER SEAL (INCLUDES BOLTS, O-RINGS, AND GASKETS) | | | | | | |
| | | | 176-3609 | 1 | KIT-SEAL (BEARING) (TURBOCHARGER) (INCLUDES PISTON RING, O-RING, AND BOLT) | | | | | | |
| | | | 176-3610 | 1 | KIT-BEARING (TURBOCHARGER) (INCLUDES BEARINGS, BOLTS, CLIPS, AND THRUST-RING) | | | | | | |

AIR INLET AND EXHAUST SYSTEM

259-8435 TURBOCHARGER GP (contd.)

i02488523



GRAPHIC #1

<END>

VIEW A-A

g01242812

FUEL SYSTEM

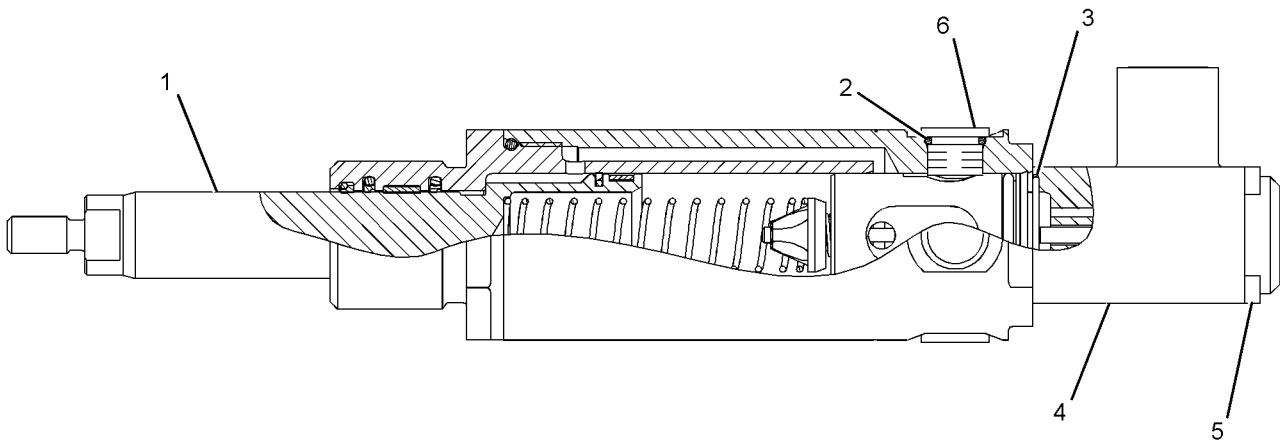
196 - 9528 ACTUATOR GP - ELECTRONIC (CHG -00 THRU -02) PART OF 196-9529 ACTUATOR GP - ELECTRONIC

SMCS-1716

i02758352

| NOTE | REF NO | GRAPHIC REF | PART NUMBER | QTY | PART NAME | | | | | | SEE PAGE |
|------|--------|-------------|-------------|-----|---------------------------------|---|---|---|---|-------------------|----------|
| | | | | | 1 | 2 | 3 | 4 | 5 | 6 (PRODUCT LEVEL) | |
| | 1 | 1 | 211-8177 | 1 | PISTON AS | | | | | | |
| | 2 | 1 | 6V-5049 | 4 | SEAL-O-RING | | | | | | |
| | 3 | 1 | 033-6032 | 1 | SEAL-O-RING | | | | | | |
| | 4 | 1 | 101-9528 | 1 | SOLENOID AS (GOVERNOR ACTUATOR) | | | | | | |
| | | 1 | 033-6032 | 1 | SEAL-O-RING | | | | | | |
| M | 5 | 1 | 129-3174 | 4 | BOLT-SOCKET HEAD (M4X0.7X60-MM) | | | | | | |
| | 6 | 1 | 9S-8004 | 2 | PLUG-O-RING | | | | | | |

M-METRIC PART



GRAPHIC #1

<END>

g01300381

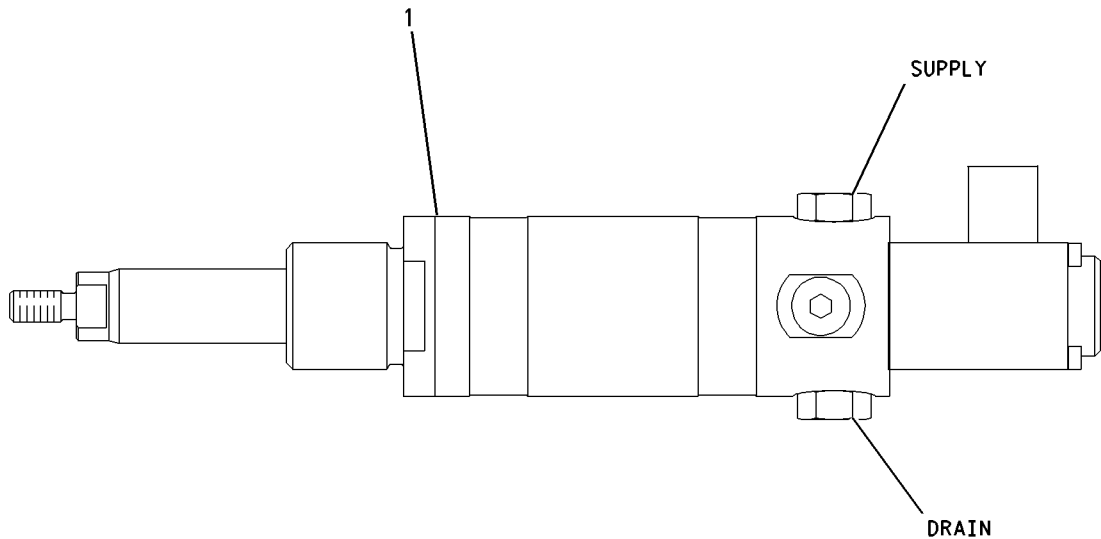
FUEL SYSTEM

196-9529 ACTUATOR GP - ELECTRONIC (CHG -00, -00D1 THRU -02) PART OF 210-5735 BYPASS GP-EXHAUST, 156-0268, 156-5322, 211-9944 CONTROL GP-FUEL, 147-5090, 210-5736 LINES GP-AIR

SMCS-1716

i01550306

| NOTE | REF NO | GRAPHIC REF | PART NUMBER | QTY | PART NAME | | | | | | SEE PAGE |
|-------------------------|--------|-------------|-------------|-----|------------------------|---|---|---|---|-------------------|----------|
| | | | | | 1 | 2 | 3 | 4 | 5 | 6 (PRODUCT LEVEL) | |
| Y | 1 | 1 | 196-9528 | 1 | ACTUATOR GP-ELECTRONIC | | | | | | 470 |
| Y-SEPARATE ILLUSTRATION | | | | | | | | | | | |



GRAPHIC #1

<END>

g00806064

FUEL SYSTEM

211-8175 ACTUATOR GP-ELECTRONIC (CHG -00, -01)

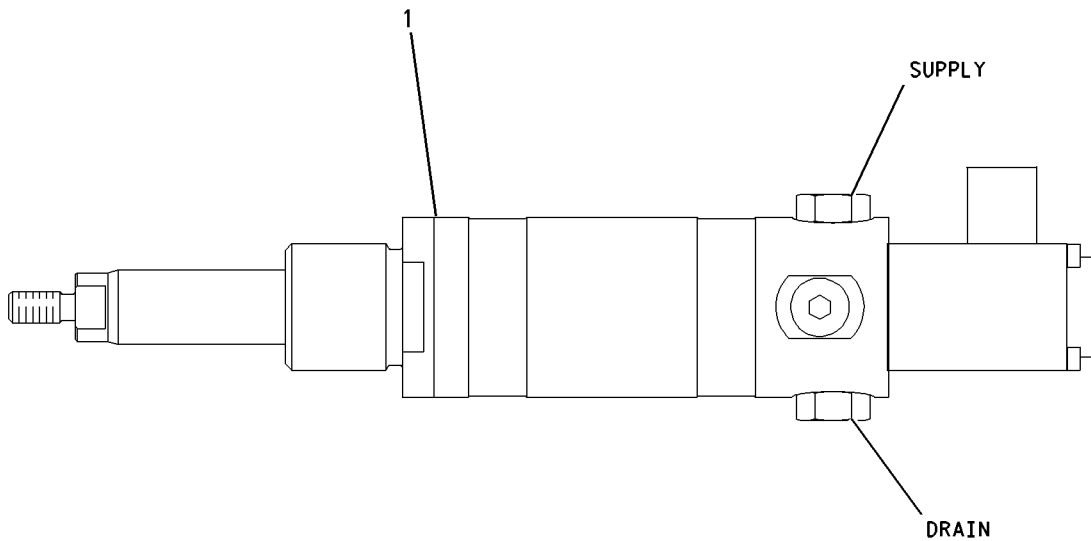
ELECTROHYDRAULIC

PART OF 206-6539, 210-5735 BYPASS GP-EXHAUST, 156-0268, 156-5322, 211-9944
CONTROL GP-FUEL, 147-5090, 206-6540, 210-5736, 229-5497 LINES GP-AIR

SMCS-1716

i01814188

| NOTE | REF NO | GRAPHIC REF | PART NUMBER | QTY | PART NAME | | | | | | SEE PAGE |
|-------------------------|--------|-------------|-------------|-----|------------------------|---|---|---|---|-------------------|----------|
| | | | | | 1 | 2 | 3 | 4 | 5 | 6 (PRODUCT LEVEL) | |
| Y | 1 | 1 | 211-8176 | 1 | ACTUATOR GP-ELECTRONIC | | | | | | 473 |
| Y-SEPARATE ILLUSTRATION | | | | | | | | | | | |



GRAPHIC #1

<END>

g00806064

FUEL SYSTEM

211-8176 ACTUATOR GP-ELECTRONIC (CHG -00, -01)

ELECTROHYDRAULIC

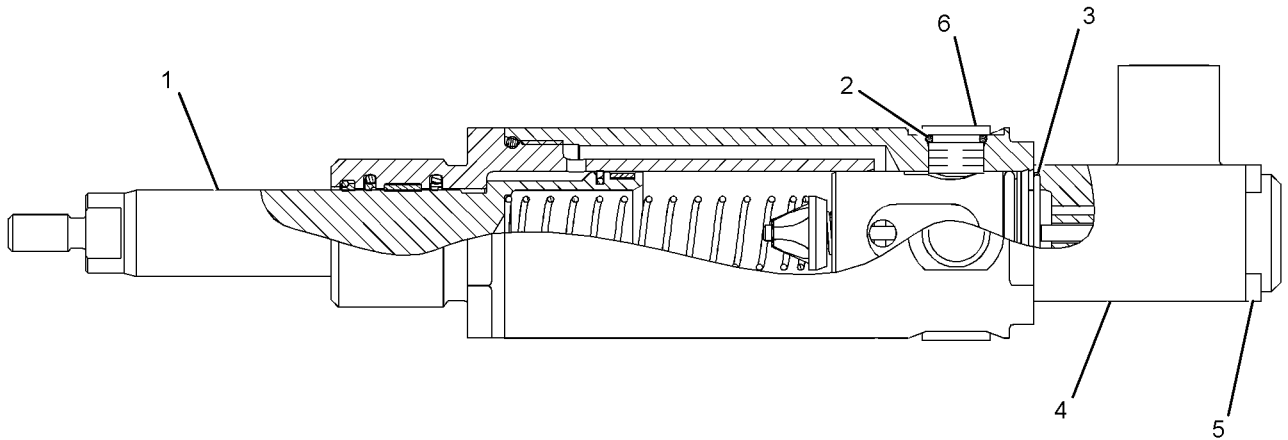
PART OF 211-8175 ACTUATOR GP-ELECTRONIC

SMCS-1716

i02597808

| NOTE | REF NO | GRAPHIC REF | PART NUMBER | QTY | PART NAME | | | | | | SEE PAGE |
|------|--------|-------------|-------------|-----|---------------------------------|---|---|---|---|-------------------|----------|
| | | | | | 1 | 2 | 3 | 4 | 5 | 6 (PRODUCT LEVEL) | |
| | 1 | 1 | 211-8177 | 1 | PISTON AS | | | | | | |
| | 2 | 1 | 6V-5049 | 4 | SEAL-O-RING | | | | | | |
| | 3 | 1 | 033-6032 | 1 | SEAL-O-RING | | | | | | |
| | 4 | 1 | 101-9528 | 1 | SOLENOID AS | | | | | | |
| | | 1 | 033-6032 | 1 | SEAL-O-RING | | | | | | |
| M | 5 | 1 | 129-3174 | 4 | BOLT-SOCKET HEAD (M4X0.7X60-MM) | | | | | | |
| | 6 | 1 | 9S-8004 | 2 | PLUG-O-RING | | | | | | |

M-METRIC PART



GRAPHIC #1

<END>

g01300381

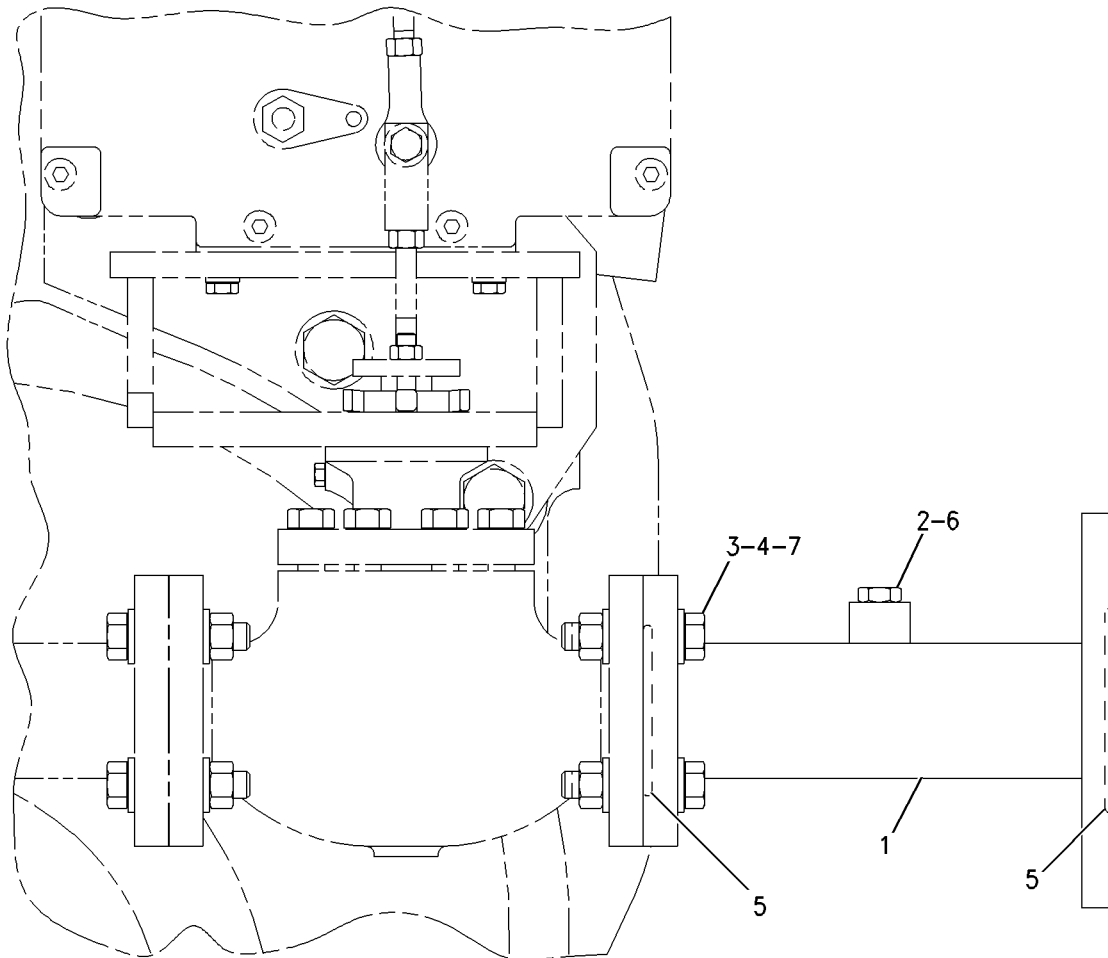
FUEL SYSTEM

124-2169 CONNECTION GP-GAS INLET (CHG -00 THRU -02, -02D1)

SMCS-1274

i01498999

| NOTE | REF NO | GRAPHIC REF | PART NUMBER | QTY | PART NAME | | | | | | SEE PAGE |
|------|--------|-------------|-------------|-----|--------------------------------|---|---|---|---|---|----------|
| | | | | | 1 | 2 | 3 | 4 | 5 | 6 | |
| | 1 | 1 | 185-8651 | 1 | TUBE AS | | | | | | |
| | 2 | 1 | 3J-1907 | 1 | SEAL-O-RING | | | | | | |
| | 3 | 1 | 4K-0367 | 4 | NUT-FULL (5/8-11-THD) | | | | | | |
| | 4 | 1 | 5P-8247 | 8 | WASHER-HARD (17X32X3.5-MM THK) | | | | | | |
| | 5 | 1 | 6V-8002 | 2 | SEAL-O-RING | | | | | | |
| | 6 | 1 | 9S-4191 | 1 | PLUG-O-RING | | | | | | |
| | 7 | 1 | 9X-8883 | 4 | BOLT (5/8-11X2.75-IN) | | | | | | |



REAR VIEW

GRAPHIC #1

<END>

g00778378

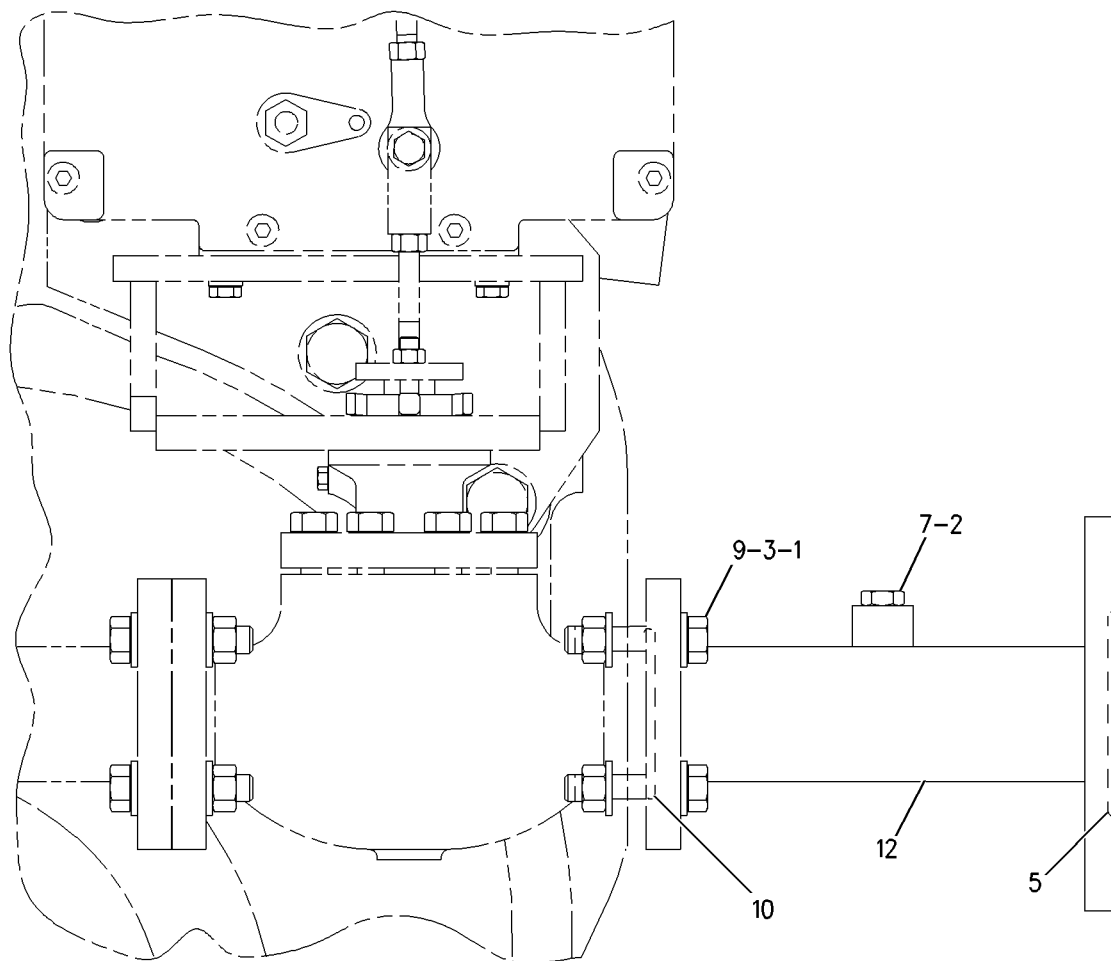
FUEL SYSTEM

207-7728 CONNECTION GP-GAS INLET (CHG -00, -00D1, 205-7307-02D1) FOR USE WITH 156-0268-PAGE 478

SMCS-1274

i01590782

| NOTE | REF NO | GRAPHIC REF | PART NUMBER | QTY | PART NAME | | | | | | SEE PAGE |
|------|--------|-------------|-------------|-----|----------------------------------|---|---|---|---|-------------------|----------|
| | | | | | 1 | 2 | 3 | 4 | 5 | 6 (PRODUCT LEVEL) | |
| | 1 | 1 | 1F-7958 | 4 | NUT-FULL (1/2-13-THD) | | | | | | |
| | 2 | 1 | 3J-1907 | 1 | SEAL-O-RING | | | | | | |
| | 3 | 1 | 5P-8245 | 8 | WASHER-HARD (13.5X25.5X3-MM THK) | | | | | | |
| | 5 | 1 | 6V-8002 | 1 | SEAL-O-RING | | | | | | |
| | 7 | 1 | 9S-4191 | 1 | PLUG-O-RING | | | | | | |
| | 9 | 1 | 9X-8873 | 4 | BOLT (1/2-13X2.25-IN) | | | | | | |
| | 10 | 1 | 033-6031 | 1 | SEAL-O-RING | | | | | | |
| | 12 | 1 | 124-2206 | 1 | TUBE AS | | | | | | |



REAR VIEW

GRAPHIC #1

<END>

g00824929

FUEL SYSTEM

202-4869 CONTROL AS-GOVERNOR-LOAD SHARE (CHG -00)
0-VOLT TO 5-VOLT

SMCS-1264

i01483524

| NOTE | PART NUMBER | QTY | PART NAME | | | | | | SEE PAGE |
|------|-------------|-----|---------------------|---|---|---|---|-------------------|----------|
| | | | 1 | 2 | 3 | 4 | 5 | 6 (PRODUCT LEVEL) | |
| | | | (NO SERVICED PARTS) | | | | | | |
| | | | <END> | | | | | | |

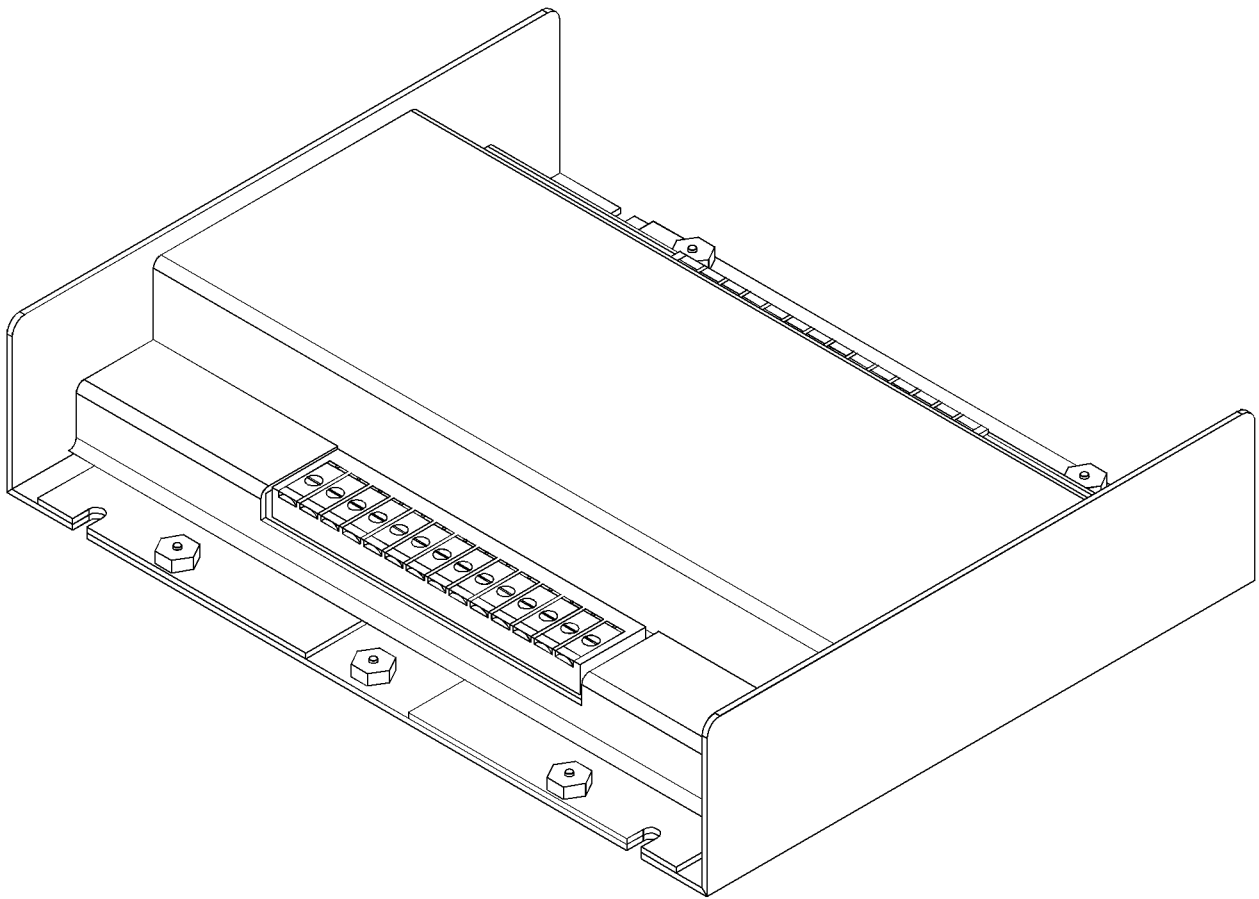
FUEL SYSTEM

309-1583 CONTROL AS-GOVERNOR-LOAD SHARE (CHG -00, -01)

SMCS-1264

i02775402

| NOTE | REF NO | GRAPHIC REF | PART NUMBER | QTY | PART NAME | | | | | | SEE PAGE |
|---------------------|--------|-------------|-------------|-----|-----------|---|---|---|---|-------------------|----------|
| | | | | | 1 | 2 | 3 | 4 | 5 | 6 (PRODUCT LEVEL) | |
| (NO SERVICED PARTS) | | | | | | | | | | | |



GRAPHIC #1

<END>

g01388304

FUEL SYSTEM

156-0268 CONTROL GP-FUEL (CHG -05 THRU -07D1) GAS

SMCS - 1265

i02419949

| NOTE | REF NO | GRAPHIC REF | PART NUMBER | QTY | PART NAME | | | | | | SEE PAGE |
|------|--------|-------------|-------------|-----|--|---|---|---|---|-------------------|----------|
| | | | | | 1 | 2 | 3 | 4 | 5 | 6 (PRODUCT LEVEL) | |
| | 1 | 1 | 1S-3584 | 2 | NUT-FULL (3/8-24 LH-THD) | | | | | | |
| | 2 | 1 | 1W-3557 | 1 | GASKET | | | | | | |
| | 3 | 1 | 3S-2713 | 2 | NUT-FULL (3/8-24-THD) | | | | | | |
| | 4 | 1 | 4D-8532 | 1 | LEVER | | | | | | |
| | 5 | 1 | 4E-2250 | 1 | HOUSING | | | | | | |
| | 6 | 1 | 4P-0391 | 1 | ROD | | | | | | |
| | 7 | 1 | 5H-2532 | 2 | KEY-WOODRUFF | | | | | | |
| | 8 | 1 | 5L-3291 | 2 | BEARING AS-BALL | | | | | | |
| | 9 | 1 | 6D-3025 | 2 | BALL BEARING | | | | | | |
| | 10 | 1 | 7E-1630 | 1 | GASKET | | | | | | |
| | 11 | 1 | 8C-5607 | 6 | MOUNT-ISOLATION | | | | | | |
| | 12 | 1 | 8C-5608 | 3 | SPACER (6.5X9.5X25.4-MM THK) | | | | | | |
| | 13 | 1 | 8C-6971 | 1 | ROD END | | | | | | |
| | 14 | 1 | 8C-7315 | 1 | ROD END | | | | | | |
| | 15 | 1 | 8C-7321 | 2 | ROD END | | | | | | |
| | 16 | 1 | 8H-3390 | 1 | NUT-FULL (1-1/2-12-THD) | | | | | | |
| | 17 | 1 | 9U-3300 | 3 | SPACER (7X25X50-MM THK) | | | | | | |
| | 18 | 1 | 115-7768 | 1 | LEVER | | | | | | |
| | 19 | 1 | 118-6662 | 1 | BRACKET AS | | | | | | |
| | 20 | 1 | 118-6663 | 1 | BRACKET AS | | | | | | |
| | 21 | 1 | 118-6664 | 1 | BRACKET AS | | | | | | |
| | 22 | 1 | 118-6665 | 1 | SHAFT-FUEL | | | | | | |
| | 23 | 1 | 125-7861 | 1 | SEAL | | | | | | |
| | 24 | 1 | 127-1573 | 1 | SHAFT | | | | | | |
| J | 25 | 1 | 128-1204 | 1 | VALVE GP-CONTROL-GAS | | | | | | |
| | 26 | 1 | 128-1205 | 1 | TUBE AS | | | | | | |
| Y | 27 | 1 | 176-3572 | 1 | COUPLING GP-SHAFT | | | | | | 495 |
| C | 28 | 1 | 176-3583 | 2 | GUARD | | | | | | |
| C | 29 | 1 | 176-3587 | 2 | CLEVIS | | | | | | |
| C | 30 | 1 | 193-7879 | 1 | BOOT | | | | | | |
| CYR | 31 | 1 | 196-9529 | 1 | ACTUATOR GP-ELECTRONIC | | | | | | 471 |
| | 32 | 1 | 033-6031 | 1 | SEAL-O-RING | | | | | | |
| | 33 | 1 | 0S-1571 | 3 | BOLT (3/8-16X1.75-IN) | | | | | | |
| | 34 | 1 | 0S-1588 | 12 | BOLT (3/8-16X1.25-IN) | | | | | | |
| | 35 | 1 | 0S-1590 | 6 | BOLT (3/8-16X2-IN) | | | | | | |
| | 36 | 1 | 0S-1591 | 4 | BOLT (3/8-16X1.5-IN) | | | | | | |
| | 37 | 1 | 1F-7958 | 4 | NUT-FULL (1/2-13-THD) | | | | | | |
| | 38 | 1 | 2H-3429 | 1 | RING-RETAINING | | | | | | |
| | 39 | 1 | 2L-6726 | 1 | RING-RETAINING | | | | | | |
| C | 40 | 1 | 3V-3308 | 34 | WASHER-HARD (10.2X20.5X2.5-MM THK) | | | | | | |
| | 41 | 1 | 5P-8245 | 8 | WASHER-HARD (13.5X25.5X3-MM THK) | | | | | | |
| | 42 | 1 | 5P-8248 | 4 | WASHER-HARD (20X36.5X3.5-MM THK) | | | | | | |
| M | 43 | 1 | 6V-3940 | 4 | BOLT (M8X1.25X25-MM) | | | | | | |
| | 44 | 1 | 6V-8002 | 1 | SEAL-O-RING | | | | | | |
| | 45 | 1 | 8F-6302 | 3 | BOLT (1/4-20X3.75-IN) | | | | | | |
| | 46 | 1 | 8M-2337 | 6 | WASHER (7.2X24.5X3-MM THK) | | | | | | |
| | 47 | 1 | 8M-9024 | 2 | WASHER-HARD (10.2X22.5X5-MM THK) | | | | | | |
| | 48 | 1 | 9M-1974 | 4 | WASHER-HARD (8.8X16X2-MM THK) | | | | | | |
| | 49 | 1 | 9S-8752 | 13 | NUT-FULL (3/8-16-THD) | | | | | | |
| | 50 | 1 | 9X-8873 | 4 | BOLT (1/2-13X2.25-IN) | | | | | | |
| | 51 | 1 | 9X-8887 | 4 | BOLT (3/4-10X3-IN) | | | | | | |
| | | | | | AVAILABLE REPAIR KIT(S) : | | | | | | |
| J | | | 4P-6945 | 1 | KIT-VALVE REPAIR (INCLUDES INSTRUCTION SHEET, WASHER, SPRING PACKING, RING PACKING, PACKING SET AND WIPER) | | | | | | |

FUEL SYSTEM

156-0268 CONTROL GP - FUEL (contd.)

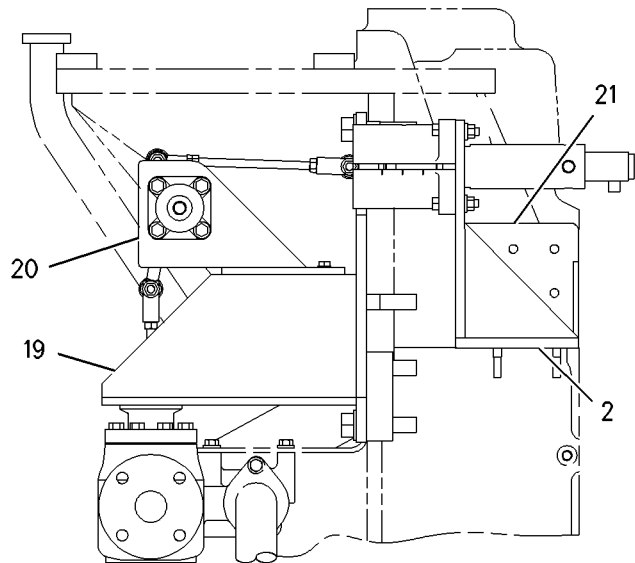
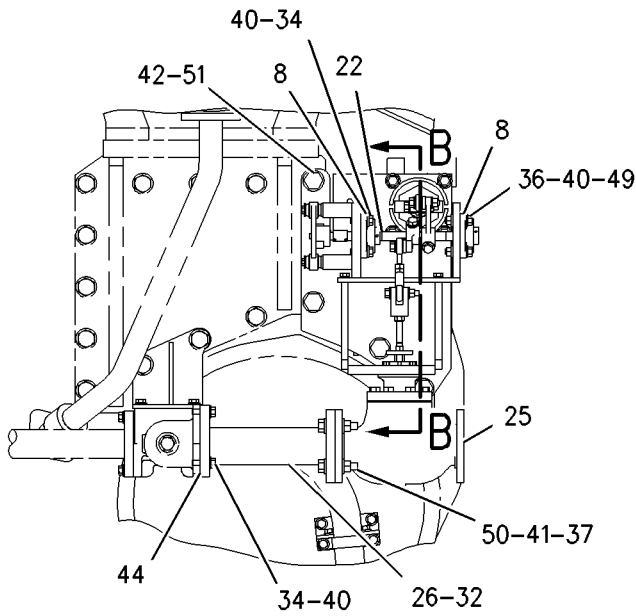
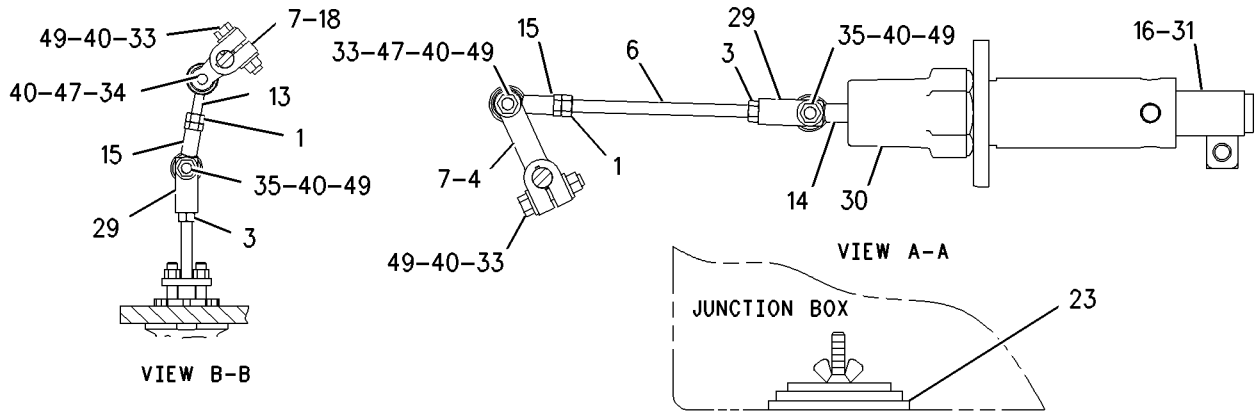
i02419949

| NOTE | REF NO | GRAPHIC REF | PART NUMBER | QTY | PART NAME | | | | | | SEE PAGE |
|--|--------|-------------|-------------|-----|---|---|---|---|---|-------------------|----------|
| | | | | | 1 | 2 | 3 | 4 | 5 | 6 (PRODUCT LEVEL) | |
| J | | | 4P-6542 | 1 | KIT-VALVE GASKET (INCLUDES BONNET-GASKET, SHIM-GASKET, SPIRAL WOUND-GASKET AND SEAT RING-GASKET) | | | | | | |
| J | | | 4P-6543 | 1 | KIT-VALVE SEAL (INCLUDES RETAINER-DISK, SEAT-DISK, DISK, RING-SEAL AND RING-BACKUP) | | | | | | |
| C - CHANGE FROM PREVIOUS TYPE J - KITS MARKED J SERVICES PART MARKED J M - METRIC PART R - REMFG PART MAY BE AVAILABLE Y - SEPARATE ILLUSTRATION | | | | | | | | | | | |

FUEL SYSTEM

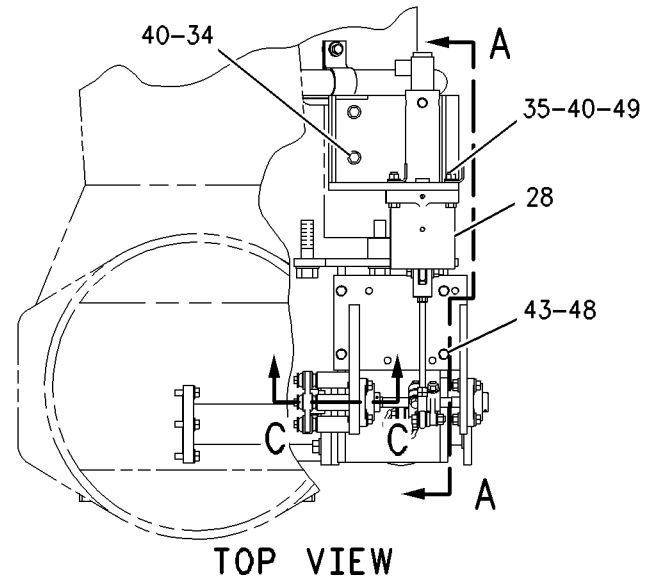
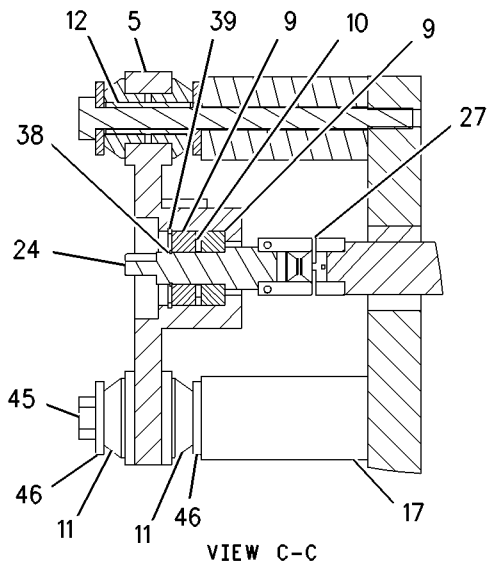
156-0268 CONTROL GP - FUEL (contd.)

i02419949



REAR VIEW

RIGHT SIDE VIEW



VIEW C-C

TOP VIEW

GRAPHIC #1

<END>

g00857133

FUEL SYSTEM

156-0268 CONTROL GP - FUEL (CHG -07, -07D2, -08, -08D1, -08D2) GAS

SMCS - 1265

i02527939

| NOTE | REF NO | GRAPHIC REF | PART NUMBER | QTY | PART NAME | | | | | | SEE PAGE |
|------|--------|-------------|-------------|-----|--|---|---|---|---|-------------------|----------|
| | | | | | 1 | 2 | 3 | 4 | 5 | 6 (PRODUCT LEVEL) | |
| | 1 | 1 | 1S-3584 | 2 | NUT-FULL (3/8-24 LH-THD) | | | | | | |
| | 2 | 1 | 1W-3557 | 1 | GASKET | | | | | | |
| | 3 | 1 | 3S-2713 | 2 | NUT-FULL (3/8-24-THD) | | | | | | |
| | 4 | 1 | 4D-8532 | 1 | LEVER | | | | | | |
| | 5 | 1 | 4E-2250 | 1 | HOUSING | | | | | | |
| | 6 | 1 | 4P-0391 | 1 | ROD | | | | | | |
| | 7 | 1 | 5H-2532 | 2 | KEY-WOODRUFF | | | | | | |
| | 8 | 1 | 5L-3291 | 2 | BEARING AS-BALL | | | | | | |
| | 9 | 1 | 6D-3025 | 2 | BALL BEARING | | | | | | |
| | 10 | 1 | 7E-1630 | 1 | GASKET | | | | | | |
| | 11 | 1 | 8C-5607 | 6 | MOUNT-ISOLATION | | | | | | |
| | 12 | 1 | 8C-5608 | 3 | SPACER (6.5X9.5X25.4-MM THK) | | | | | | |
| | 13 | 1 | 8C-6971 | 1 | ROD END | | | | | | |
| | 14 | 1 | 8C-7315 | 1 | ROD END | | | | | | |
| | 15 | 1 | 8C-7321 | 2 | ROD END | | | | | | |
| | 16 | 1 | 8H-3390 | 1 | NUT-FULL (1-1/2-12-THD) | | | | | | |
| | 17 | 1 | 9U-3300 | 3 | SPACER (7X25X50-MM THK) | | | | | | |
| | 18 | 1 | 115-7768 | 1 | LEVER | | | | | | |
| | 19 | 1 | 118-6662 | 1 | BRACKET AS | | | | | | |
| | 20 | 1 | 118-6663 | 1 | BRACKET AS | | | | | | |
| | 21 | 1 | 118-6664 | 1 | BRACKET AS | | | | | | |
| | 22 | 1 | 118-6665 | 1 | SHAFT-FUEL | | | | | | |
| | 23 | 1 | 125-7861 | 1 | SEAL | | | | | | |
| | 24 | 1 | 127-1573 | 1 | SHAFT | | | | | | |
| J | 25 | 1 | 128-1204 | 1 | VALVE GP-CONTROL-GAS | | | | | | |
| | 26 | 1 | 128-1205 | 1 | TUBE AS | | | | | | |
| Y | 27 | 1 | 176-3572 | 1 | COUPLING GP-SHAFT | | | | | | 495 |
| | 28 | 1 | 176-3583 | 2 | GUARD | | | | | | |
| | 29 | 1 | 176-3587 | 2 | CLEVIS | | | | | | |
| | 30 | 1 | 193-7879 | 1 | BOOT | | | | | | |
| CYR | 31 | 1 | 211-8175 | 1 | ACTUATOR GP-ELECTRONIC | | | | | | 472 |
| | 32 | 1 | 033-6031 | 1 | SEAL-O-RING | | | | | | |
| | 33 | 1 | 0S-1571 | 3 | BOLT (3/8-16X1.75-IN) | | | | | | |
| | 34 | 1 | 0S-1588 | 12 | BOLT (3/8-16X1.25-IN) | | | | | | |
| | 35 | 1 | 0S-1590 | 2 | BOLT (3/8-16X2-IN) | | | | | | |
| | 36 | 1 | 0S-1591 | 4 | BOLT (3/8-16X1.5-IN) | | | | | | |
| | 37 | 1 | 1F-7958 | 4 | NUT-FULL (1/2-13-THD) | | | | | | |
| | 38 | 1 | 2H-3429 | 1 | RING-RETAINING | | | | | | |
| | 39 | 1 | 2L-6726 | 1 | RING-RETAINING | | | | | | |
| C | 40 | 1 | 3V-3308 | 34 | WASHER-HARD (10.2X20.5X2.5-MM THK) | | | | | | |
| | 41 | 1 | 5P-8245 | 8 | WASHER-HARD (13.5X25.5X3-MM THK) | | | | | | |
| | 42 | 1 | 5P-8248 | 4 | WASHER-HARD (20X36.5X3.5-MM THK) | | | | | | |
| M | 43 | 1 | 6V-3940 | 4 | BOLT (M8X1.25X25-MM) | | | | | | |
| | 44 | 1 | 6V-8002 | 1 | SEAL-O-RING | | | | | | |
| | 45 | 1 | 8F-6302 | 3 | BOLT (1/4-20X3.75-IN) | | | | | | |
| | 46 | 1 | 8M-2337 | 6 | WASHER (7.2X24.5X3-MM THK) | | | | | | |
| | 47 | 1 | 8M-9024 | 2 | WASHER-HARD (10.2X22.5X5-MM THK) | | | | | | |
| | 48 | 1 | 9M-1974 | 4 | WASHER-HARD (8.8X16X2-MM THK) | | | | | | |
| | 49 | 1 | 9S-8752 | 13 | NUT-FULL (3/8-16-THD) | | | | | | |
| | 50 | 1 | 9X-8873 | 4 | BOLT (1/2-13X2.25-IN) | | | | | | |
| | 51 | 1 | 9X-8887 | 4 | BOLT (3/4-10X3-IN) | | | | | | |
| | 52 | 1 | 0L-1143 | 4 | BOLT (3/8-16X2.5-IN) | | | | | | |
| | | | | | AVAILABLE REPAIR KIT(S) : | | | | | | |
| J | | | 4P-6945 | 1 | KIT-VALVE REPAIR (INCLUDES INSTRUCTION SHEET, WASHER, SPRING AND RING PACKING, PACKING SET AND WIPER) | | | | | | |

FUEL SYSTEM

156-0268 CONTROL GP - FUEL (contd.)

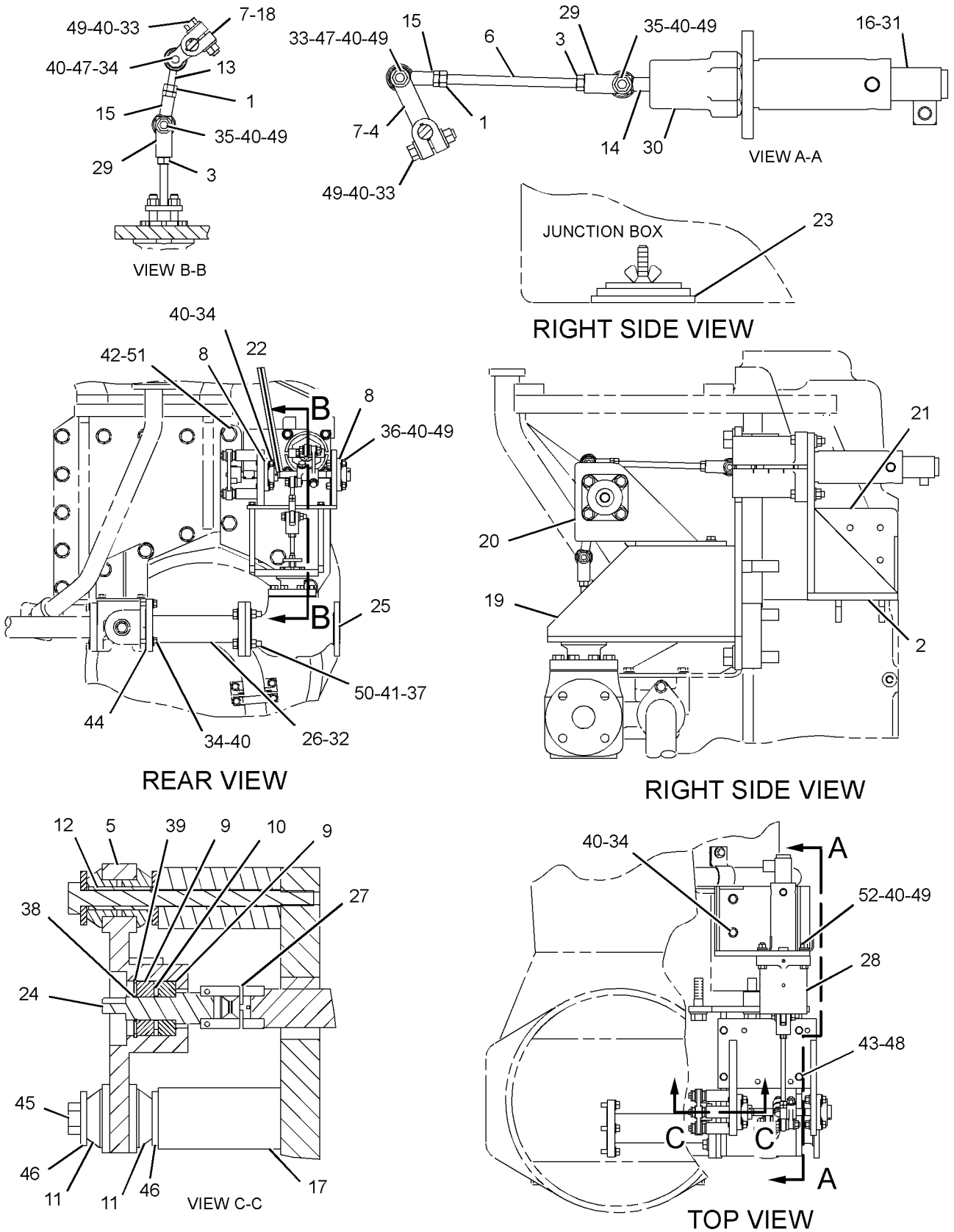
i02527939

| NOTE | REF NO | GRAPHIC REF | PART NUMBER | QTY | PART NAME | | | | | | SEE PAGE |
|---|--------|-------------|-------------|-----|---|---|---|---|---|-------------------|----------|
| | | | | | 1 | 2 | 3 | 4 | 5 | 6 (PRODUCT LEVEL) | |
| J | | | 4P-6542 | 1 | KIT-VALVE GASKET (INCLUDES BONNET-GASKET, SHIM-GASKET, SPIRAL WOUND-GASKET AND SEAT RING-GASKET) | | | | | | |
| J | | | 4P-6543 | 1 | KIT-VALVE SEAL (INCLUDES RETAINER-DISK, SEAT-DISK, DISK, RING-SEAL AND RING-BACKUP) | | | | | | |
| C- CHANGE FROM PREVIOUS TYPE J- KITS MARKED J SERVICES PART MARKED J M- METRIC PART R- REMFG PART MAY BE AVAILABLE Y- SEPARATE ILLUSTRATION | | | | | | | | | | | |

FUEL SYSTEM

156-0268 CONTROL GP - FUEL (contd.)

i02527939



GRAPHIC #1

<END>

g01264790

FUEL SYSTEM

156-0268 CONTROL GP - FUEL (CHG -09, -10) GAS

SMCS - 1265

i02527867

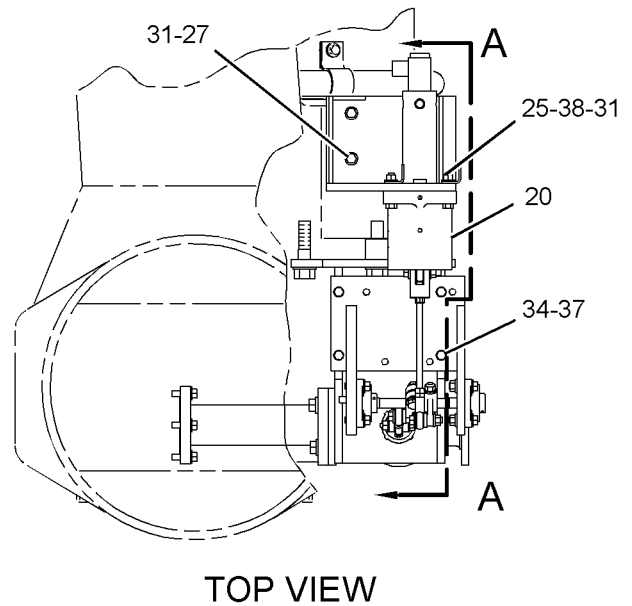
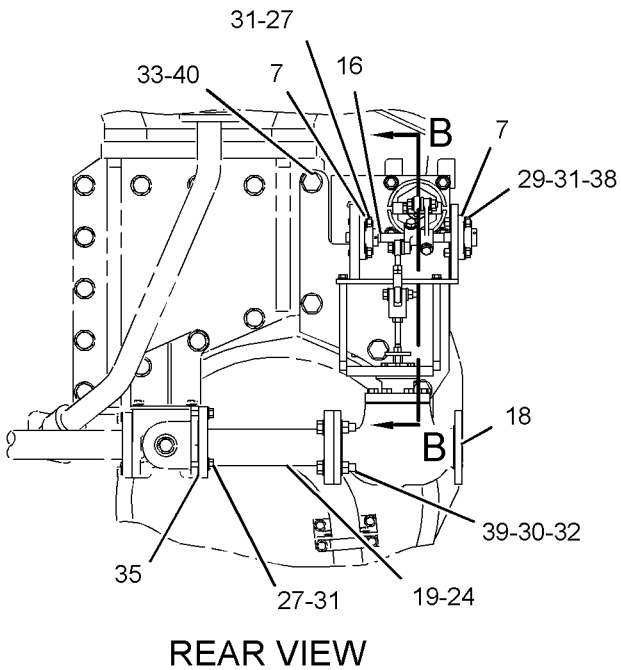
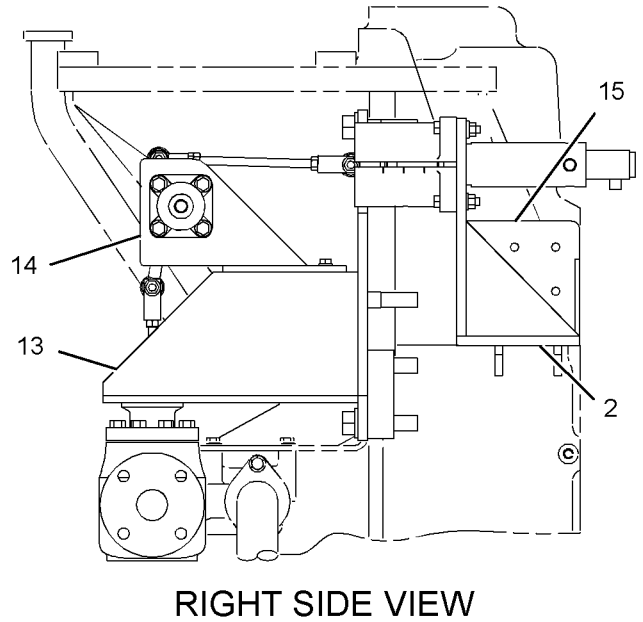
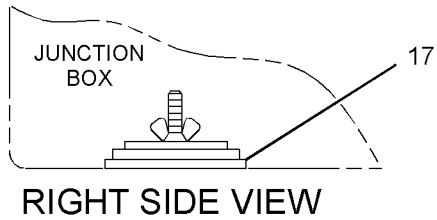
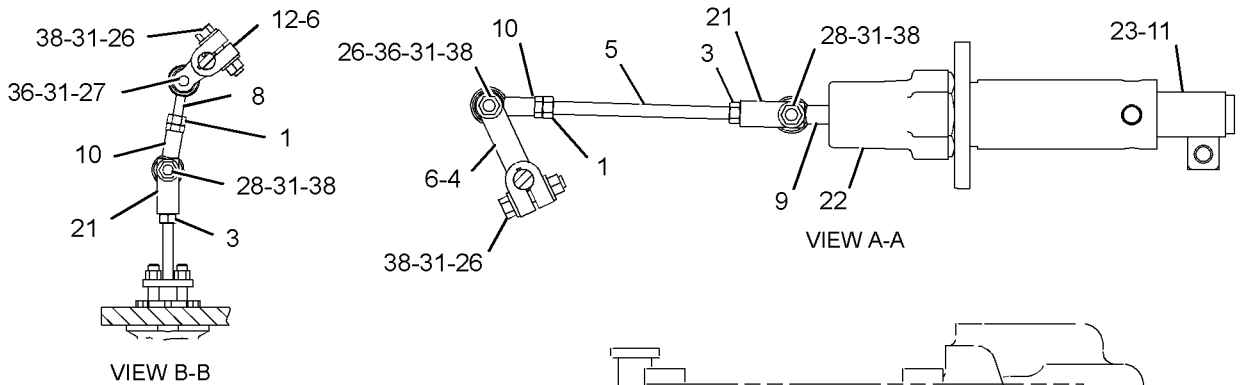
| NOTE | REF NO | GRAPHIC REF | PART NUMBER | QTY | PART NAME | | | | | | SEE PAGE |
|---------------------------|--------|-------------|-------------|-----|--|---|---|---|---|-------------------|----------|
| | | | | | 1 | 2 | 3 | 4 | 5 | 6 (PRODUCT LEVEL) | |
| | 1 | 1 | 1S-3584 | 2 | NUT-FULL (3/8-24 LH-THD) | | | | | | |
| | 2 | 1 | 1W-3557 | 1 | GASKET | | | | | | |
| | 3 | 1 | 3S-2713 | 2 | NUT-FULL (3/8-24-THD) | | | | | | |
| | 4 | 1 | 4D-8532 | 1 | LEVER | | | | | | |
| | 5 | 1 | 4P-0391 | 1 | ROD | | | | | | |
| | 6 | 1 | 5H-2532 | 2 | KEY-WOODRUFF | | | | | | |
| | 7 | 1 | 5L-3291 | 2 | BEARING AS-BALL | | | | | | |
| | 8 | 1 | 8C-6971 | 1 | ROD END | | | | | | |
| | 9 | 1 | 8C-7315 | 1 | ROD END | | | | | | |
| | 10 | 1 | 8C-7321 | 2 | ROD END | | | | | | |
| | 11 | 1 | 8H-3390 | 1 | NUT-FULL (1-1/2-12-THD) | | | | | | |
| | 12 | 1 | 115-7768 | 1 | LEVER | | | | | | |
| | 13 | 1 | 118-6662 | 1 | BRACKET AS | | | | | | |
| | 14 | 1 | 118-6663 | 1 | BRACKET AS | | | | | | |
| | 15 | 1 | 118-6664 | 1 | BRACKET AS | | | | | | |
| | 16 | 1 | 118-6665 | 1 | SHAFT-FUEL | | | | | | |
| | 17 | 1 | 125-7861 | 1 | SEAL | | | | | | |
| J | 18 | 1 | 128-1204 | 1 | VALVE GP-CONTROL-GAS | | | | | | |
| | 19 | 1 | 128-1205 | 1 | TUBE AS | | | | | | |
| | 20 | 1 | 176-3583 | 2 | GUARD | | | | | | |
| | 21 | 1 | 176-3587 | 2 | CLEVIS | | | | | | |
| | 22 | 1 | 193-7879 | 1 | BOOT | | | | | | |
| CYR | 23 | 1 | 211-8175 | 1 | ACTUATOR GP-ELECTRONIC | | | | | | 472 |
| | 24 | 1 | 033-6031 | 1 | SEAL-O-RING | | | | | | |
| | 25 | 1 | 0L-1143 | 4 | BOLT (3/8-16X2.5-IN) | | | | | | |
| | 26 | 1 | 0S-1571 | 3 | BOLT (3/8-16X1.75-IN) | | | | | | |
| | 27 | 1 | 0S-1588 | 12 | BOLT (3/8-16X1.25-IN) | | | | | | |
| | 28 | 1 | 0S-1590 | 2 | BOLT (3/8-16X2-IN) | | | | | | |
| | 29 | 1 | 0S-1591 | 4 | BOLT (3/8-16X1.5-IN) | | | | | | |
| | 30 | 1 | 1F-7958 | 4 | NUT-FULL (1/2-13-THD) | | | | | | |
| C | 31 | 1 | 3V-3308 | 34 | WASHER-HARD (10.2X20.5X2.5-MM THK) | | | | | | |
| | 32 | 1 | 5P-8245 | 8 | WASHER-HARD (13.5X25.5X3-MM THK) | | | | | | |
| | 33 | 1 | 5P-8248 | 4 | WASHER-HARD (20X36.5X3.5-MM THK) | | | | | | |
| M | 34 | 1 | 6V-3940 | 4 | BOLT (M8X1.25X25-MM) | | | | | | |
| | 35 | 1 | 6V-8002 | 1 | SEAL-O-RING | | | | | | |
| | 36 | 1 | 8M-9024 | 2 | WASHER-HARD (10.2X22.5X5-MM THK) | | | | | | |
| | 37 | 1 | 9M-1974 | 4 | WASHER-HARD (8.8X16X2-MM THK) | | | | | | |
| | 38 | 1 | 9S-8752 | 13 | NUT-FULL (3/8-16-THD) | | | | | | |
| | 39 | 1 | 9X-8873 | 4 | BOLT (1/2-13X2.25-IN) | | | | | | |
| | 40 | 1 | 9X-8887 | 4 | BOLT (3/4-10X3-IN) | | | | | | |
| AVAILABLE REPAIR KIT(S) : | | | | | | | | | | | |
| J | | | 4P-6945 | 1 | KIT-VALVE REPAIR (INCLUDES INSTRUCTION SHEET, WASHER, SPRING AND RING PACKING, PACKING SET AND WIPER) | | | | | | |
| J | | | 4P-6542 | 1 | KIT-VALVE GASKET (INCLUDES BONNET-GASKET, SHIM-GASKET, SPIRAL WOUND-GASKET AND SEAT RING-GASKET) | | | | | | |
| J | | | 4P-6543 | 1 | KIT-VALVE SEAL (INCLUDES RETAINER-DISK, SEAT-DISK, DISK, RING-SEAL AND RING-BACKUP) | | | | | | |

C - CHANGE FROM PREVIOUS TYPE
 J - KITS MARKED J SERVICES PART MARKED J
 M - METRIC PART
 R - REMFG PART MAY BE AVAILABLE
 Y - SEPARATE ILLUSTRATION

FUEL SYSTEM

156-0268 CONTROL GP - FUEL (contd.)

i02527867



GRAPHIC #1

<END>

g01264744

FUEL SYSTEM

156-5322 CONTROL GP - FUEL (CHG -05, -06D1) GAS - LOW BTU

SMCS - 1265

i01678069

| NOTE | REF NO | GRAPHIC REF | PART NUMBER | QTY | PART NAME | | | | | | SEE PAGE |
|---------------------------|--------|-------------|-------------|-----|--|---|---|---|---|-------------------|----------|
| | | | | | 1 | 2 | 3 | 4 | 5 | 6 (PRODUCT LEVEL) | |
| | 1 | 1 | 1S-3584 | 2 | NUT-FULL (3/8-24 LH-THD) | | | | | | |
| | 2 | 1 | 1W-3557 | 1 | GASKET | | | | | | |
| | 3 | 1 | 3S-2713 | 1 | NUT-FULL (3/8-24-THD) | | | | | | |
| | 4 | 1 | 4E-2250 | 1 | HOUSING | | | | | | |
| | 5 | 1 | 4P-0391 | 1 | ROD | | | | | | |
| | 6 | 1 | 5H-2532 | 2 | KEY-WOODRUFF | | | | | | |
| | 7 | 1 | 5L-3291 | 2 | BEARING AS-BALL | | | | | | |
| | 8 | 1 | 6D-3025 | 2 | BALL BEARING | | | | | | |
| | 9 | 1 | 6I-2520 | 2 | LEVER | | | | | | |
| | 10 | 1 | 7E-1630 | 1 | GASKET | | | | | | |
| | 11 | 1 | 7X-3374 | 1 | NUT-FULL (1/2-20-THD) | | | | | | |
| | 12 | 1 | 8C-5607 | 6 | MOUNT-ISOLATION | | | | | | |
| | 13 | 1 | 8C-5608 | 3 | SPACER (6.5X9.5X25.4-MM THK) | | | | | | |
| | 14 | 1 | 8C-6971 | 1 | ROD END | | | | | | |
| | 15 | 1 | 8C-7315 | 1 | ROD END | | | | | | |
| | 16 | 1 | 8C-7321 | 2 | ROD END | | | | | | |
| | 17 | 1 | 8H-3390 | 1 | NUT-FULL (1-1/2-12-THD) | | | | | | |
| | 18 | 1 | 9U-3300 | 3 | SPACER (7X25X50-MM THK) | | | | | | |
| | 19 | 1 | 118-6663 | 1 | BRACKET AS | | | | | | |
| | 20 | 1 | 118-6664 | 1 | BRACKET AS | | | | | | |
| | 21 | 1 | 119-7944 | 1 | TUBE AS | | | | | | |
| | 22 | 1 | 127-1573 | 1 | SHAFT | | | | | | |
| | 23 | 1 | 156-0269 | 1 | CLEVIS | | | | | | |
| J | 24 | 1 | 156-0270 | 1 | VALVE GP-GAS CONTROL | | | | | | |
| | 25 | 1 | 156-5320 | 1 | BRACKET AS | | | | | | |
| | 26 | 1 | 156-5321 | 1 | SHAFT-FUEL | | | | | | |
| Y | 27 | 1 | 176-3572 | 1 | COUPLING GP-SHAFT | | | | | | 495 |
| C | 28 | 1 | 176-3583 | 2 | GUARD | | | | | | |
| C | 29 | 1 | 176-3587 | 1 | CLEVIS | | | | | | |
| C | 30 | 1 | 193-7879 | 1 | BOOT | | | | | | |
| CYR | 31 | 1 | 196-9529 | 1 | ACTUATOR GP-ELECTRONIC | | | | | | 471 |
| | 32 | 1 | 0S-1571 | 4 | BOLT (3/8-16X1.75-IN) | | | | | | |
| | 33 | 1 | 0S-1588 | 13 | BOLT (3/8-16X1.25-IN) | | | | | | |
| | 34 | 1 | 0S-1590 | 6 | BOLT (3/8-16X2-IN) | | | | | | |
| | 35 | 1 | 0S-1591 | 4 | BOLT (3/8-16X1.5-IN) | | | | | | |
| | 36 | 1 | 2H-3429 | 1 | RING-RETAINING | | | | | | |
| | 37 | 1 | 2L-6726 | 1 | RING-RETAINING | | | | | | |
| C | 38 | 1 | 3V-3308 | 39 | WASHER-HARD (10.2X20.5X2.5-MM THK) | | | | | | |
| | 39 | 1 | 4K-0367 | 8 | NUT-FULL (5/8-11-THD) | | | | | | |
| | 40 | 1 | 5P-8247 | 16 | WASHER-HARD (17X32X3.5-MM THK) | | | | | | |
| | 41 | 1 | 5P-8248 | 4 | WASHER-HARD (20X36.5X3.5-MM THK) | | | | | | |
| M | 42 | 1 | 6V-3940 | 2 | BOLT (M8X1.25X25-MM) | | | | | | |
| | 43 | 1 | 6V-8002 | 2 | SEAL-O-RING | | | | | | |
| | 44 | 1 | 8F-6302 | 3 | BOLT (1/4-20X3.75-IN) | | | | | | |
| | 45 | 1 | 8M-2337 | 6 | WASHER (7.2X24.5X3-MM THK) | | | | | | |
| | 46 | 1 | 8M-9024 | 2 | WASHER-HARD (10.2X22.5X5-MM THK) | | | | | | |
| | 47 | 1 | 9M-1974 | 2 | WASHER-HARD (8.8X16X2-MM THK) | | | | | | |
| | 48 | 1 | 9S-8752 | 16 | NUT-FULL (3/8-16-THD) | | | | | | |
| | 49 | 1 | 9X-8883 | 8 | BOLT (5/8-11X2.75-IN) | | | | | | |
| | 50 | 1 | 9X-8887 | 4 | BOLT (3/4-10X3-IN) | | | | | | |
| AVAILABLE REPAIR KIT(S) : | | | | | | | | | | | |
| J | | | 119-8266 | 1 | KIT-VALVE GASKET | | | | | | |
| J | | | 119-8267 | 1 | KIT-VALVE SEAL | | | | | | |
| | | | | | (INCLUDES RETAINER-DISK, SEAT-DISK, DISK, RING-SEAL & RING-BACKUP) | | | | | | |
| J | | | 119-8268 | 1 | KIT-VALVE REPAIR | | | | | | |

FUEL SYSTEM

156-5322 CONTROL GP-FUEL (contd.)

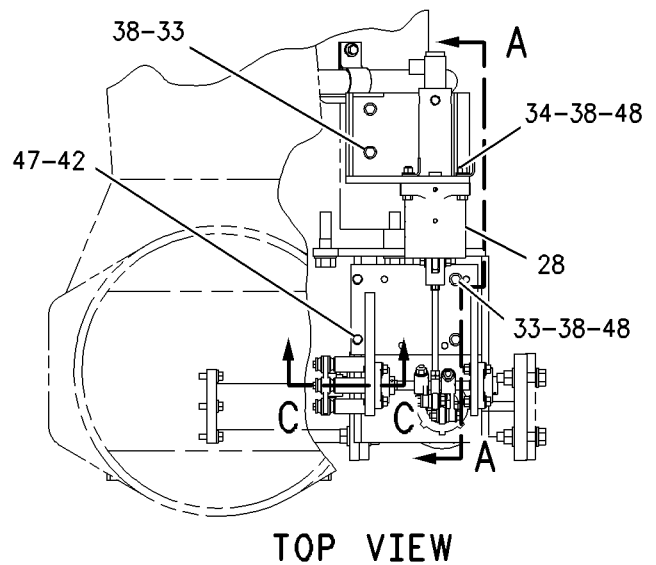
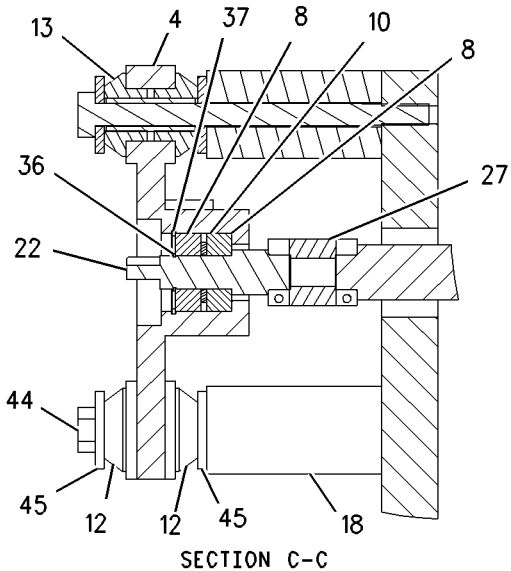
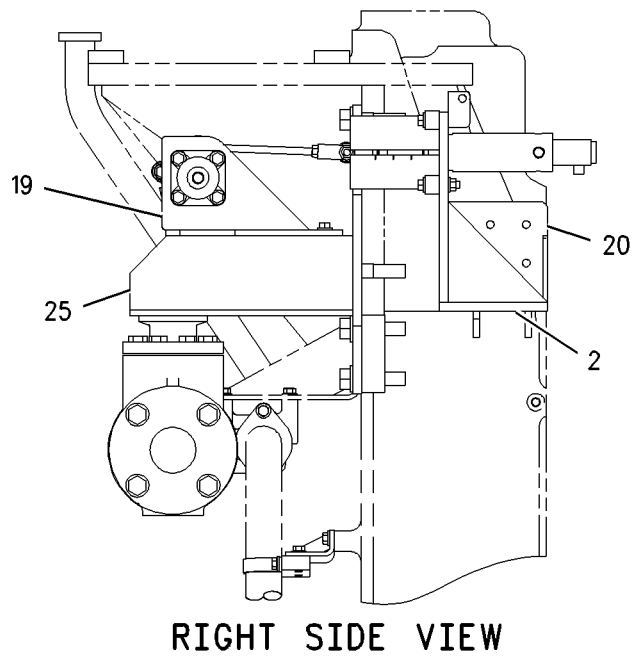
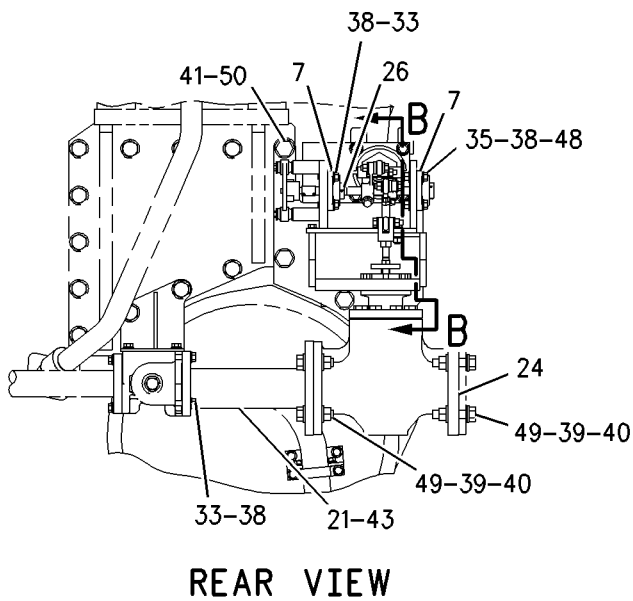
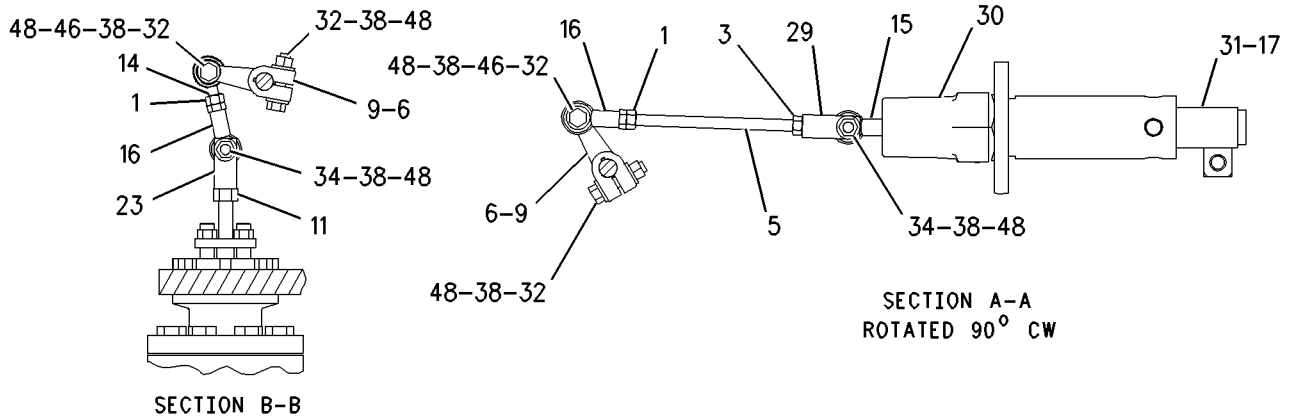
i01678069

C- CHANGE FROM PREVIOUS TYPE
J- KITS MARKED J AVAILABLE FOR PART MARKED J
M- METRIC PART
R- REMFG PART MAY BE AVAILABLE
Y- SEPARATE ILLUSTRATION

FUEL SYSTEM

156-5322 CONTROL GP - FUEL (contd.)

i01678069



GRAPHIC #1

<END>

g00783143

FUEL SYSTEM

156-5322 CONTROL GP - FUEL (CHG -06, -07, -07D1, -08, -08D1, -09) GAS - LOW BTU

SMCS - 1265

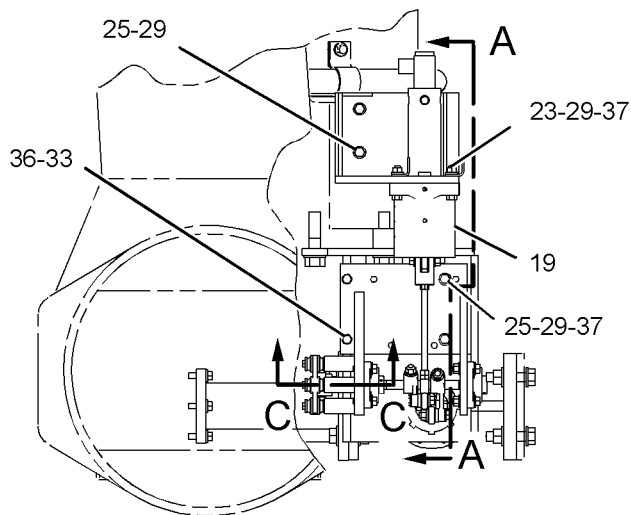
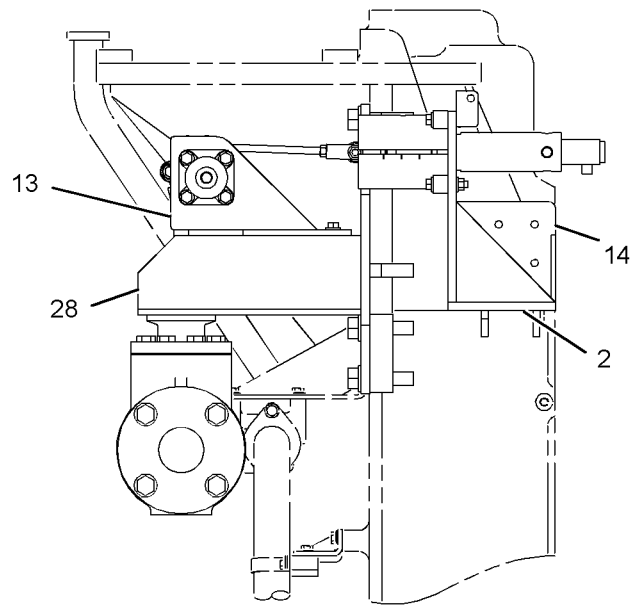
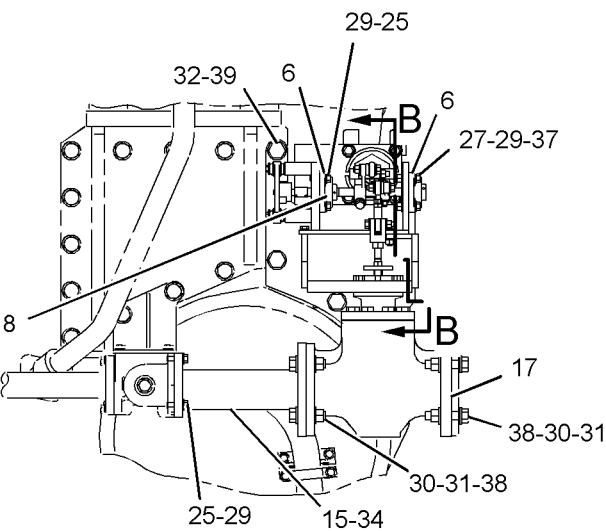
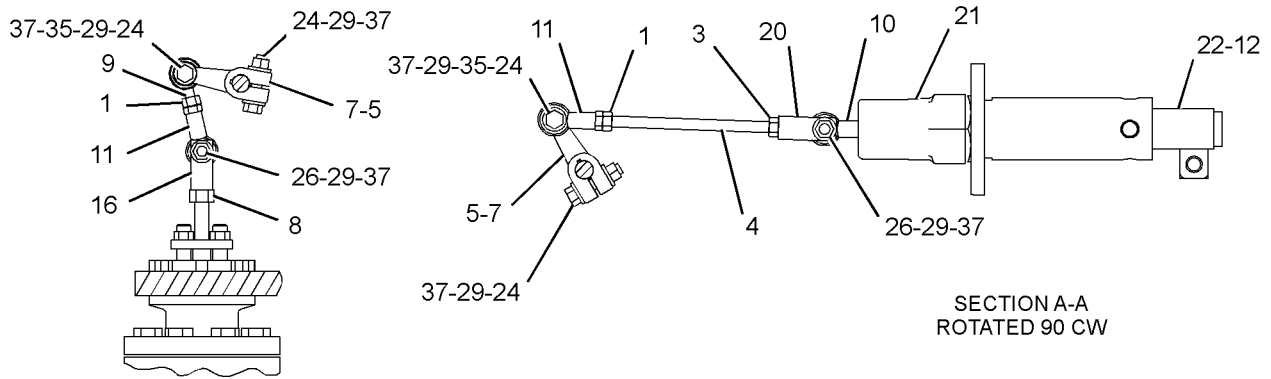
i02482461

| NOTE | REF NO | GRAPHIC REF | PART NUMBER | QTY | PART NAME | | | | | | SEE PAGE |
|--|--------|-------------|-------------|-----|---|---|---|---|---|-------------------|----------|
| | | | | | 1 | 2 | 3 | 4 | 5 | 6 (PRODUCT LEVEL) | |
| | 1 | 1 | 1S-3584 | 2 | NUT-FULL (3/8-24 LH-THD) | | | | | | |
| | 2 | 1 | 1W-3557 | 1 | GASKET | | | | | | |
| | 3 | 1 | 3S-2713 | 1 | NUT-FULL (3/8-24-THD) | | | | | | |
| | 4 | 1 | 4P-0391 | 1 | ROD | | | | | | |
| | 5 | 1 | 5H-2532 | 2 | KEY-WOODRUFF | | | | | | |
| | 6 | 1 | 5L-3291 | 2 | BEARING AS-BALL | | | | | | |
| | 7 | 1 | 6I-2520 | 2 | LEVER | | | | | | |
| | 8 | 1 | 7X-3374 | 1 | NUT-FULL (1/2-20-THD) | | | | | | |
| | 9 | 1 | 8C-6971 | 1 | ROD END | | | | | | |
| | 10 | 1 | 8C-7315 | 1 | ROD END | | | | | | |
| | 11 | 1 | 8C-7321 | 2 | ROD END | | | | | | |
| | 12 | 1 | 8H-3390 | 1 | NUT-FULL (1-1/2-12-THD) | | | | | | |
| | 13 | 1 | 118-6663 | 1 | BRACKET AS | | | | | | |
| | 14 | 1 | 118-6664 | 1 | BRACKET AS | | | | | | |
| | 15 | 1 | 119-7944 | 1 | TUBE AS | | | | | | |
| | 16 | 1 | 156-0269 | 1 | CLEVIS | | | | | | |
| J | 17 | 1 | 156-0270 | 1 | VALVE GP-GAS CONTROL | | | | | | |
| | 18 | 1 | 156-5321 | 1 | SHAFT-FUEL | | | | | | |
| | 19 | 1 | 176-3583 | 2 | GUARD | | | | | | |
| | 20 | 1 | 176-3587 | 1 | CLEVIS | | | | | | |
| | 21 | 1 | 193-7879 | 1 | BOOT | | | | | | |
| CYR | 22 | 1 | 211-8175 | 1 | ACTUATOR GP-ELECTRONIC | | | | | | 472 |
| | 23 | 1 | 0L-1143 | 4 | BOLT (3/8-16X2.5-IN) | | | | | | |
| | 24 | 1 | 0S-1571 | 4 | BOLT (3/8-16X1.75-IN) | | | | | | |
| | 25 | 1 | 0S-1588 | 13 | BOLT (3/8-16X1.25-IN) | | | | | | |
| | 26 | 1 | 0S-1590 | 2 | BOLT (3/8-16X2-IN) | | | | | | |
| | 27 | 1 | 0S-1591 | 4 | BOLT (3/8-16X1.5-IN) | | | | | | |
| | 28 | 1 | 156-5320 | 1 | BRACKET AS | | | | | | |
| | 29 | 1 | 3V-3308 | 39 | WASHER-HARD (10.2X20.5X2.5-MM THK) | | | | | | |
| | 30 | 1 | 4K-0367 | 8 | NUT-FULL (5/8-11-THD) | | | | | | |
| | 31 | 1 | 5P-8247 | 16 | WASHER-HARD (17X32X3.5-MM THK) | | | | | | |
| | 32 | 1 | 5P-8248 | 4 | WASHER-HARD (20X36.5X3.5-MM THK) | | | | | | |
| M | 33 | 1 | 6V-3940 | 2 | BOLT (M8X1.25X25-MM) | | | | | | |
| | 34 | 1 | 6V-8002 | 2 | SEAL-O-RING | | | | | | |
| | 35 | 1 | 8M-9024 | 2 | WASHER-HARD (10.2X22.5X5-MM THK) | | | | | | |
| | 36 | 1 | 9M-1974 | 2 | WASHER-HARD (8.8X16X2-MM THK) | | | | | | |
| | 37 | 1 | 9S-8752 | 16 | NUT-FULL (3/8-16-THD) | | | | | | |
| | 38 | 1 | 9X-8883 | 8 | BOLT (5/8-11X2.75-IN) | | | | | | |
| | 39 | 1 | 9X-8887 | 4 | BOLT (3/4-10X3-IN) | | | | | | |
| | | | | | AVAILABLE REPAIR KIT(S) : | | | | | | |
| J | | | 119-8266 | 1 | KIT-VALVE GASKET (INCLUDES GASKET SET) | | | | | | |
| J | | | 119-8267 | 1 | KIT-VALVE SEAL (INCLUDES RETAINER-DISK, SEAT-DISK, DISK, RING-SEAL & RING-BACKUP) | | | | | | |
| J | | | 119-8268 | 1 | KIT-VALVE REPAIR | | | | | | |
| C - CHANGE FROM PREVIOUS TYPE J - KITS MARKED J SERVICES PART MARKED J M - METRIC PART R - REMFG PART MAY BE AVAILABLE Y - SEPARATE ILLUSTRATION | | | | | | | | | | | |

FUEL SYSTEM

156-5322 CONTROL GP-FUEL (contd.)

i02482461



GRAPHIC #1

<END>

g01240097

FUEL SYSTEM

211 - 9944 CONTROL GP - FUEL (CHG -00)

SMCS - 1265

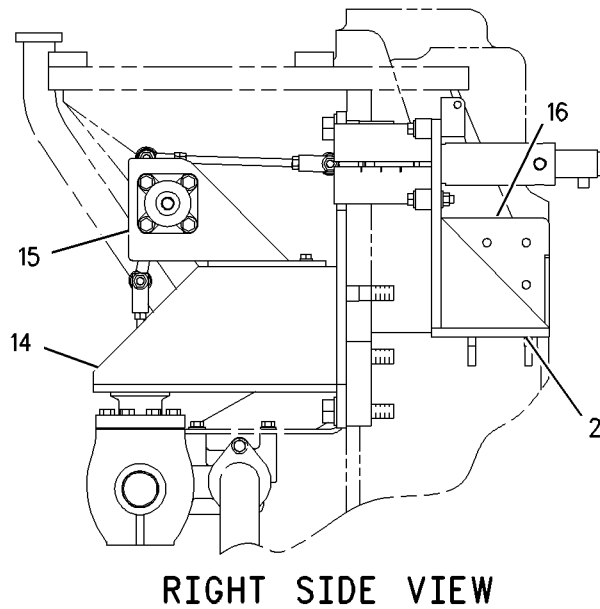
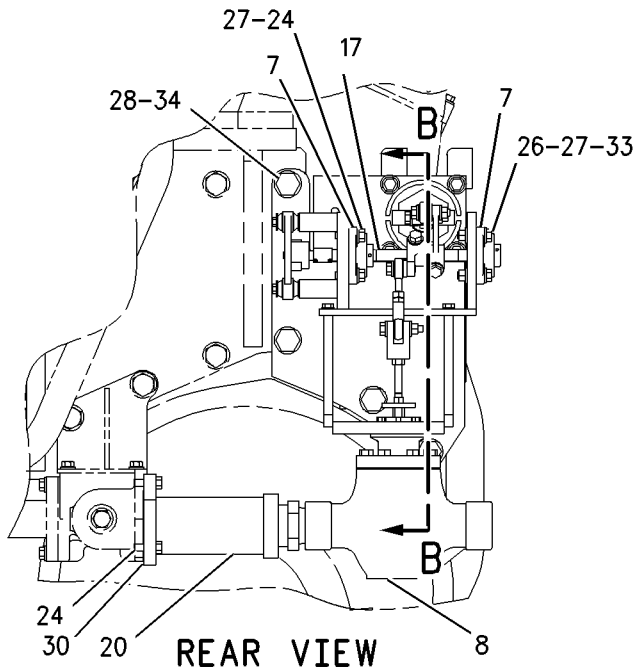
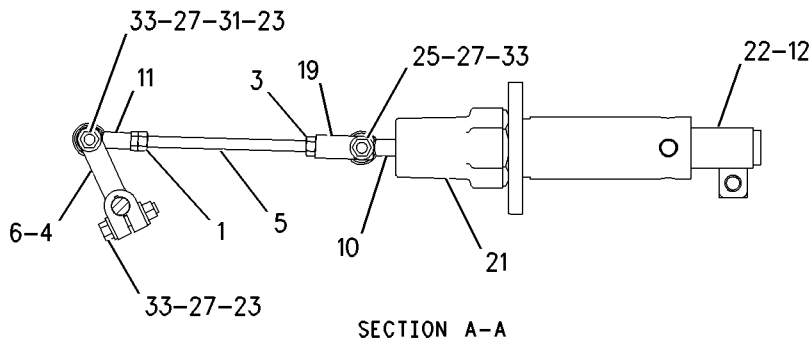
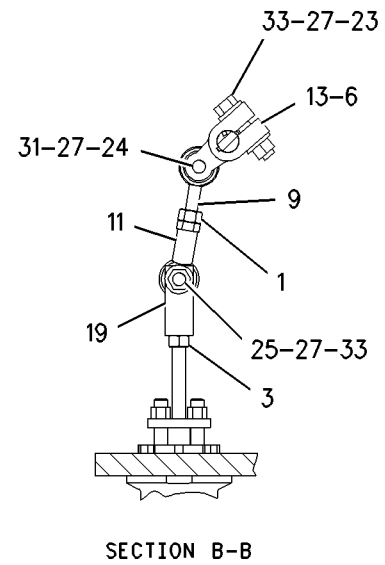
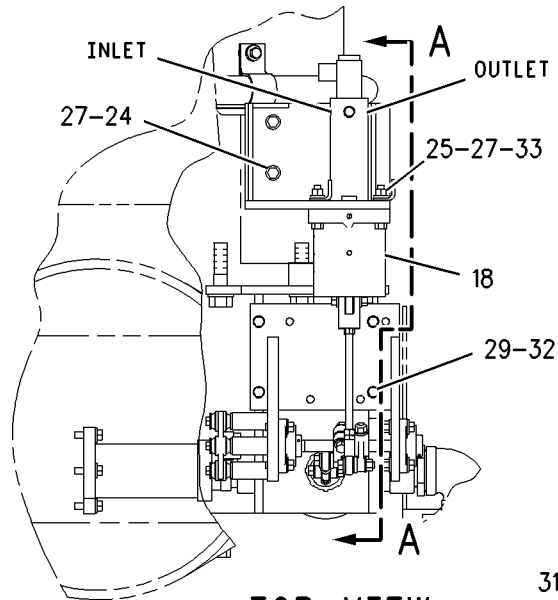
i02030159

| NOTE | REF NO | GRAPHIC REF | PART NUMBER | QTY | PART NAME | | | | | | SEE PAGE |
|--|--------|-------------|-----------------|-----|--|---|---|---|---|-------------------|----------|
| | | | | | 1 | 2 | 3 | 4 | 5 | 6 (PRODUCT LEVEL) | |
| | 1 | 1 | 1S-3584 | 2 | NUT-FULL (3/8-24 LH-THD) | | | | | | |
| | 2 | 1 | 1W-3557 | 1 | GASKET | | | | | | |
| | 3 | 1 | 3S-2713 | 2 | NUT-FULL (3/8-24-THD) | | | | | | |
| | 4 | 1 | 4D-8532 | 1 | LEVER | | | | | | |
| | 5 | 1 | 4P-0391 | 1 | ROD | | | | | | |
| | 6 | 1 | 5H-2532 | 2 | KEY-WOODRUFF | | | | | | |
| | 7 | 1 | 5L-3291 | 2 | BEARING AS-BALL | | | | | | |
| J | 8 | 1 | 7E-8253 | 1 | VALVE GP-CONTROL (GAS) | | | | | | |
| | 9 | 1 | 8C-6971 | 1 | ROD END | | | | | | |
| | 10 | 1 | 8C-7315 | 1 | ROD END | | | | | | |
| | 11 | 1 | 8C-7321 | 2 | ROD END | | | | | | |
| | 12 | 1 | 8H-3390 | 1 | NUT-FULL (1-1/2-12-THD) | | | | | | |
| | 13 | 1 | 115-7768 | 1 | LEVER | | | | | | |
| | 14 | 1 | 118-6662 | 1 | BRACKET AS | | | | | | |
| | 15 | 1 | 118-6663 | 1 | BRACKET AS | | | | | | |
| | 16 | 1 | 118-6664 | 1 | BRACKET AS | | | | | | |
| | 17 | 1 | 118-6665 | 1 | SHAFT-FUEL | | | | | | |
| | 18 | 1 | 176-3583 | 2 | GUARD | | | | | | |
| | 19 | 1 | 176-3587 | 2 | CLEVIS | | | | | | |
| | 20 | 1 | 176-3588 | 1 | TUBE | | | | | | |
| | 21 | 1 | 193-7879 | 1 | BOOT | | | | | | |
| YR | 22 | 1 | 196-9529 | 1 | ACTUATOR GP-ELECTRONIC | | | | | | 471 |
| | 23 | 1 | 0S-1571 | 3 | BOLT (3/8-16X1.75-IN) | | | | | | |
| | 24 | 1 | 0S-1588 | 12 | BOLT (3/8-16X1.25-IN) | | | | | | |
| | 25 | 1 | 0S-1590 | 6 | BOLT (3/8-16X2-IN) | | | | | | |
| | 26 | 1 | 0S-1591 | 4 | BOLT (3/8-16X1.5-IN) | | | | | | |
| | 27 | 1 | 3V-3308 | 31 | WASHER-HARD (10.2X20.5X2.5-MM THK) | | | | | | |
| | 28 | 1 | 5P-8248 | 4 | WASHER-HARD (20X36.5X3.5-MM THK) | | | | | | |
| M | 29 | 1 | 6V-3940 | 4 | BOLT (M8X1.25X25-MM) | | | | | | |
| | 30 | 1 | 6V-8002 | 1 | SEAL-O-RING | | | | | | |
| | 31 | 1 | 8M-9024 | 2 | WASHER-HARD (10.2X22.5X5-MM THK) | | | | | | |
| | 32 | 1 | 9M-1974 | 4 | WASHER-HARD (8.8X16X2-MM THK) | | | | | | |
| | 33 | 1 | 9S-8752 | 13 | NUT-FULL (3/8-16-THD) | | | | | | |
| | 34 | 1 | 9X-8887 | 4 | BOLT (3/4-10X3-IN) | | | | | | |
| | | | | | AVAILABLE REPAIR KIT(S) : | | | | | | |
| J | | | 4P-6542 | 1 | KIT-VALVE GASKET (KIT INCLUDES GASKET-BONNET, GASKET-SHIM, GASKET-SPIRAL MOUND AND GASKET-SEAT RING) | | | | | | |
| J | | | 4P-6543 | 1 | KIT-VALVE SEAL (KIT INCLUDES RINGS, DISK, DISK SEAT & DISK RETAINER) | | | | | | |
| J | | | 4P-6945 | 1 | KIT-VALVE REPAIR (KIT INCLUDES INSTRUCTION SHEET, WASHER, SPRING, WIPER & PACKING RINGS) | | | | | | |
| J - KITS MARKED J AVAILABLE FOR PART MARKED J M - METRIC PART R - REMFG PART MAY BE AVAILABLE Y - SEPARATE ILLUSTRATION | | | | | | | | | | | |

FUEL SYSTEM

211-9944 CONTROL GP - FUEL (contd.)

i02030159



GRAPHIC #1

<END>

g00825862

FUEL SYSTEM

211-9944 CONTROL GP-FUEL (CHG -01 THRU -10)

SMCS-1265

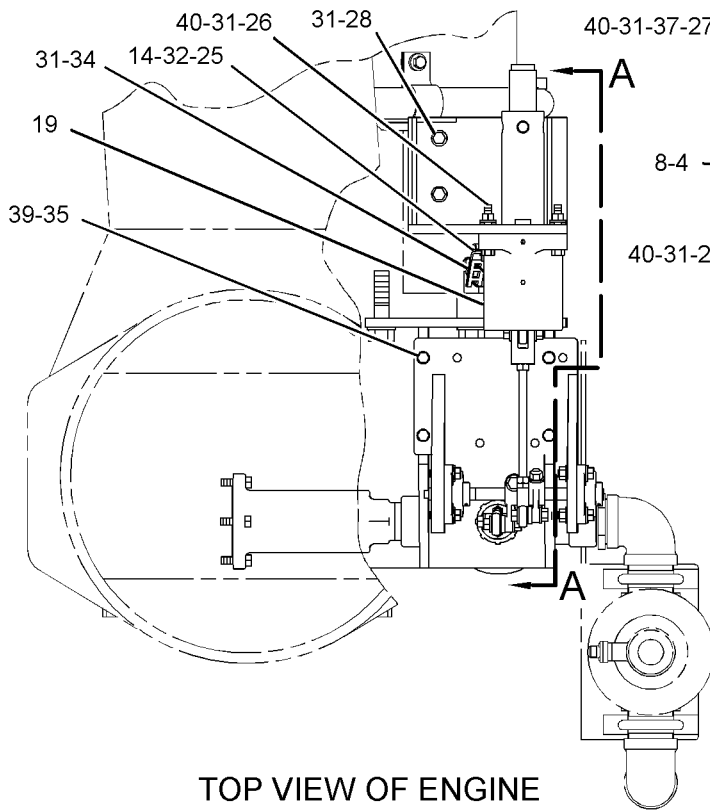
i02763659

| NOTE | REF NO | GRAPHIC REF | PART NUMBER | QTY | PART NAME | | | | | | SEE PAGE |
|---|--------|-------------|-------------|-----|--|---|---|---|---|-------------------|----------|
| | | | | | 1 | 2 | 3 | 4 | 5 | 6 (PRODUCT LEVEL) | |
| | 1 | 1 | 1S-3584 | 1 | NUT-FULL (3/8-24 LH-THD) | | | | | | |
| | 2 | 1 | 1W-3557 | 1 | GASKET | | | | | | |
| | 3 | 1 | 3S-2713 | 2 | NUT-FULL (3/8-24-THD) | | | | | | |
| | 4 | 1 | 4D-8532 | 1 | LEVER | | | | | | |
| | 5 | 1 | 4K-2877 | 1 | STUD | | | | | | |
| | 6 | 1 | 4P-0391 | 1 | ROD | | | | | | |
| | 7 | 1 | 4P-0394 | 1 | LEVER | | | | | | |
| | 8 | 1 | 5H-2532 | 2 | KEY-WOODRUFF | | | | | | |
| | 9 | 1 | 5L-3291 | 2 | BEARING AS-BALL | | | | | | |
| J | 10 | 1 | 7E-8253 | 1 | VALVE GP-CONTROL (GAS) | | | | | | |
| | 11 | 1 | 8C-7315 | 3 | ROD END | | | | | | |
| | 12 | 1 | 8C-7321 | 1 | ROD END | | | | | | |
| | 13 | 1 | 8H-3390 | 1 | NUT-FULL (1-1/2-12-THD) | | | | | | |
| | 14 | 1 | 9X-6772 | 1 | STRAP-CABLE | | | | | | |
| | 15 | 1 | 116-0118 | 1 | CLIP | | | | | | |
| | 16 | 1 | 118-6662 | 1 | BRACKET AS | | | | | | |
| | 17 | 1 | 118-6663 | 1 | BRACKET AS | | | | | | |
| | 18 | 1 | 118-6664 | 1 | BRACKET AS | | | | | | |
| | 19 | 1 | 176-3583 | 2 | GUARD | | | | | | |
| | 20 | 1 | 176-3587 | 2 | CLEVIS | | | | | | |
| | 21 | 1 | 176-3588 | 1 | TUBE | | | | | | |
| | 22 | 1 | 193-7879 | 1 | BOOT | | | | | | |
| YR | 23 | 1 | 211-8175 | 1 | ACTUATOR GP-ELECTRONIC | | | | | | 472 |
| | 24 | 1 | 294-0980 | 1 | SHAFT-FUEL | | | | | | |
| | 25 | 1 | 0L-1143 | 1 | BOLT (3/8-16X2.5-IN) | | | | | | |
| | 26 | 1 | 0L-2070 | 3 | BOLT (3/8-16X2.25-IN) | | | | | | |
| | 27 | 1 | 0S-1571 | 6 | BOLT (3/8-16X1.75-IN) | | | | | | |
| | 28 | 1 | 0S-1588 | 11 | BOLT (3/8-16X1.25-IN) | | | | | | |
| | 29 | 1 | 0S-1591 | 4 | BOLT (3/8-16X1.5-IN) | | | | | | |
| | 30 | 1 | 1A-2029 | 1 | BOLT (3/8-16X1.125-IN) | | | | | | |
| | 31 | 1 | 3V-3308 | 35 | WASHER-HARD (10.2X20.5X2.5-MM THK) | | | | | | |
| | 32 | 1 | 4P-8134 | 1 | CLIP | | | | | | |
| | 33 | 1 | 5P-8248 | 4 | WASHER-HARD (20X36.5X3.5-MM THK) | | | | | | |
| | 34 | 1 | 6K-8179 | 1 | CLIP | | | | | | |
| M | 35 | 1 | 6V-3940 | 4 | BOLT (M8X1.25X25-MM) | | | | | | |
| | 36 | 1 | 6V-8002 | 1 | SEAL-O-RING | | | | | | |
| | 37 | 1 | 8M-9024 | 2 | WASHER-HARD (10.2X22.5X5-MM THK) | | | | | | |
| | 38 | 1 | 9L-7712 | 2 | NUT (3/8-24-THD) | | | | | | |
| | 39 | 1 | 9M-1974 | 4 | WASHER-HARD (8.8X16X2-MM THK) | | | | | | |
| | 40 | 1 | 9S-8752 | 15 | NUT-FULL (3/8-16-THD) | | | | | | |
| | 41 | 1 | 9X-8887 | 4 | BOLT (3/4-10X3-IN) | | | | | | |
| | | | | | AVAILABLE REPAIR KIT(S) : | | | | | | |
| J | | | 4P-6542 | | KIT-VALVE GASKET (INCLUDES GASKET-BONNET, GASKET-SHIM, GASKET-SPIRAL WOUND AND GASKET-SEAT RING) | | | | | | |
| J | | | 4P-6543 | | KIT-VALVE SEAL (INCLUDES RINGS, DISK, DISK SEAT & RETAINER DISK) | | | | | | |
| J | | | 4P-6945 | | KIT-VALVE REPAIR (INCLUDES INSTRUCTION SHEET, WASHER, SPRING, WIPER & PACKING RINGS) | | | | | | |
| J-KITS MARKED J AVAILABLE FOR PART MARKED J M-METRIC PART R-REMG PART MAY BE AVAILABLE Y-SEPARATE ILLUSTRATION | | | | | | | | | | | |

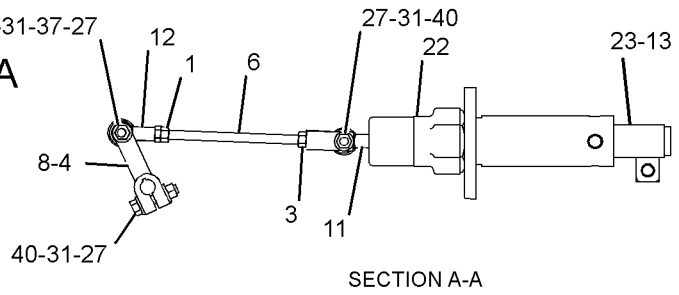
FUEL SYSTEM

211-9944 CONTROL GP - FUEL (contd.)

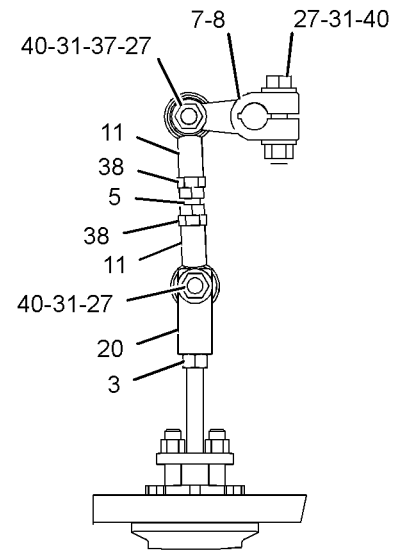
i02763659



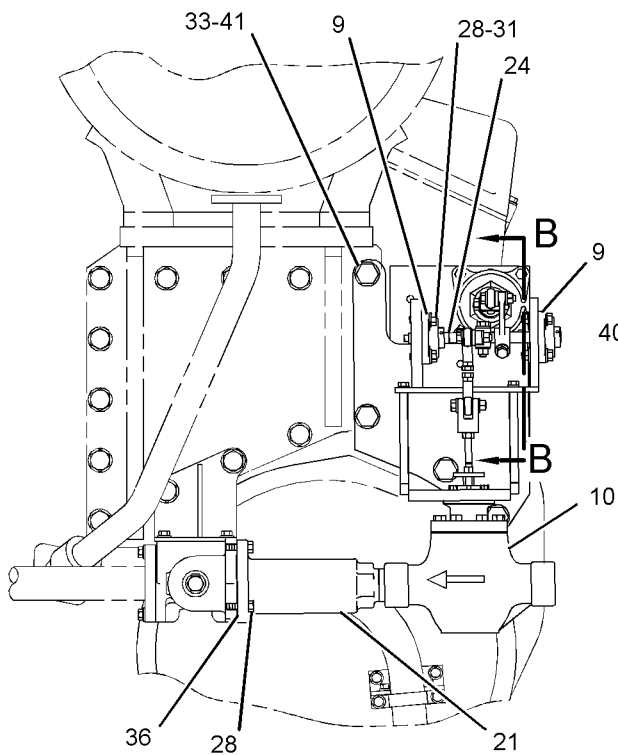
TOP VIEW OF ENGINE



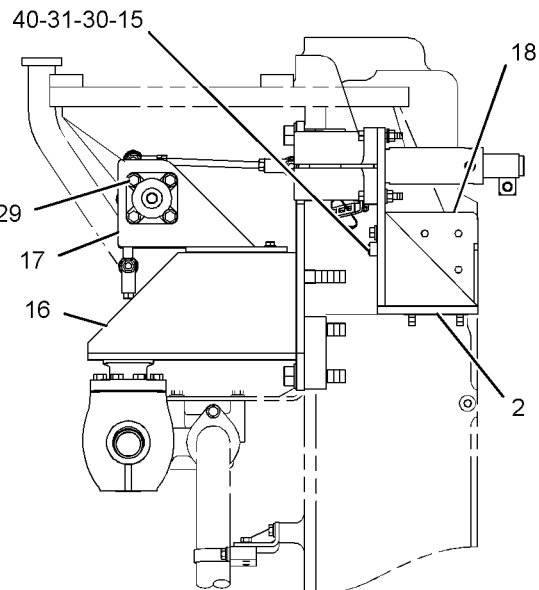
SECTION A-A



SECTION B-B



REAR VIEW OF ENGINE



RIGHT SIDE VIEW OF ENGINE

GRAPHIC #1

<END>

g01384556

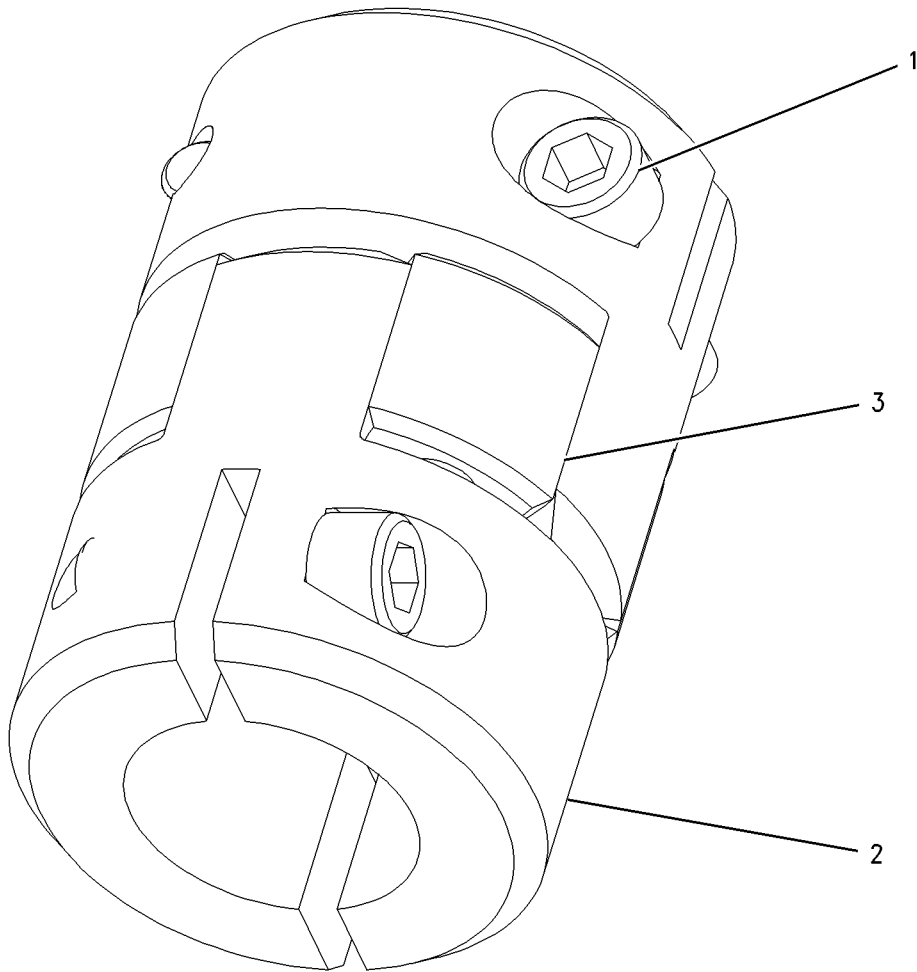
FUEL SYSTEM

176-3572 COUPLING GP-SHAFT (CHG -01, -02) PART OF 156-0268, 156-5322 CONTROL GP-FUEL, 147-5090 LINES GP-AIR

SMCS-1716

i02419959

| NOTE | REF NO | GRAPHIC REF | PART NUMBER | QTY | PART NAME | | | | | | SEE PAGE |
|------|--------|-------------|-------------|-----|------------------------------------|---|---|---|---|-------------------|----------|
| | | | | | 1 | 2 | 3 | 4 | 5 | 6 (PRODUCT LEVEL) | |
| | 1 | 1 | 200-0968 | 2 | BOLT-SOCKET HEAD (M2.5X0.45X10-MM) | | | | | | |
| | 2 | 1 | 200-1978 | 2 | HUB-COUPLING | | | | | | |
| | 3 | 1 | 176-3571 | 1 | SPIDER (SHAFT COUPLING) | | | | | | |



GRAPHIC #1

<END>

g00768774

FUEL SYSTEM

4P-4718 FILTER GP-FUEL (CHG -00, -01)

SMCS-1261

i02015171

| NOTE | PART NUMBER | QTY | PART NAME | SEE PAGE |
|------|-------------|-----|-----------------------------|----------|
| | | | 1 2 3 4 5 6 (PRODUCT LEVEL) | |
| | 4P-4721 | 1 | FILTER ELEMENT-FUEL (GAS) | |

<END>

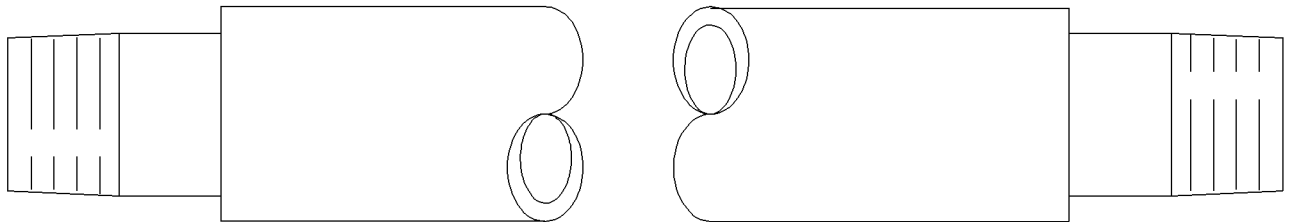
FUEL SYSTEM

4P - 3672 HOSE AS - FUEL (CHG -00, -01) FLEXIBLE FUEL CONNECTION

SMCS - 1274

i01421357

| NOTE | REF NO | GRAPHIC REF | PART NUMBER | QTY | PART NAME | | | | | | SEE PAGE |
|---------------------|--------|-------------|-------------|-----|-----------|---|---|---|---|-------------------|----------|
| | | | | | 1 | 2 | 3 | 4 | 5 | 6 (PRODUCT LEVEL) | |
| (NO SERVICED PARTS) | | | | | | | | | | | |



GRAPHIC #1

<END>

g00745629

FUEL SYSTEM

150-5490 LINES GP - GAS (CHG -00 THRU -07)

SMCS-1274

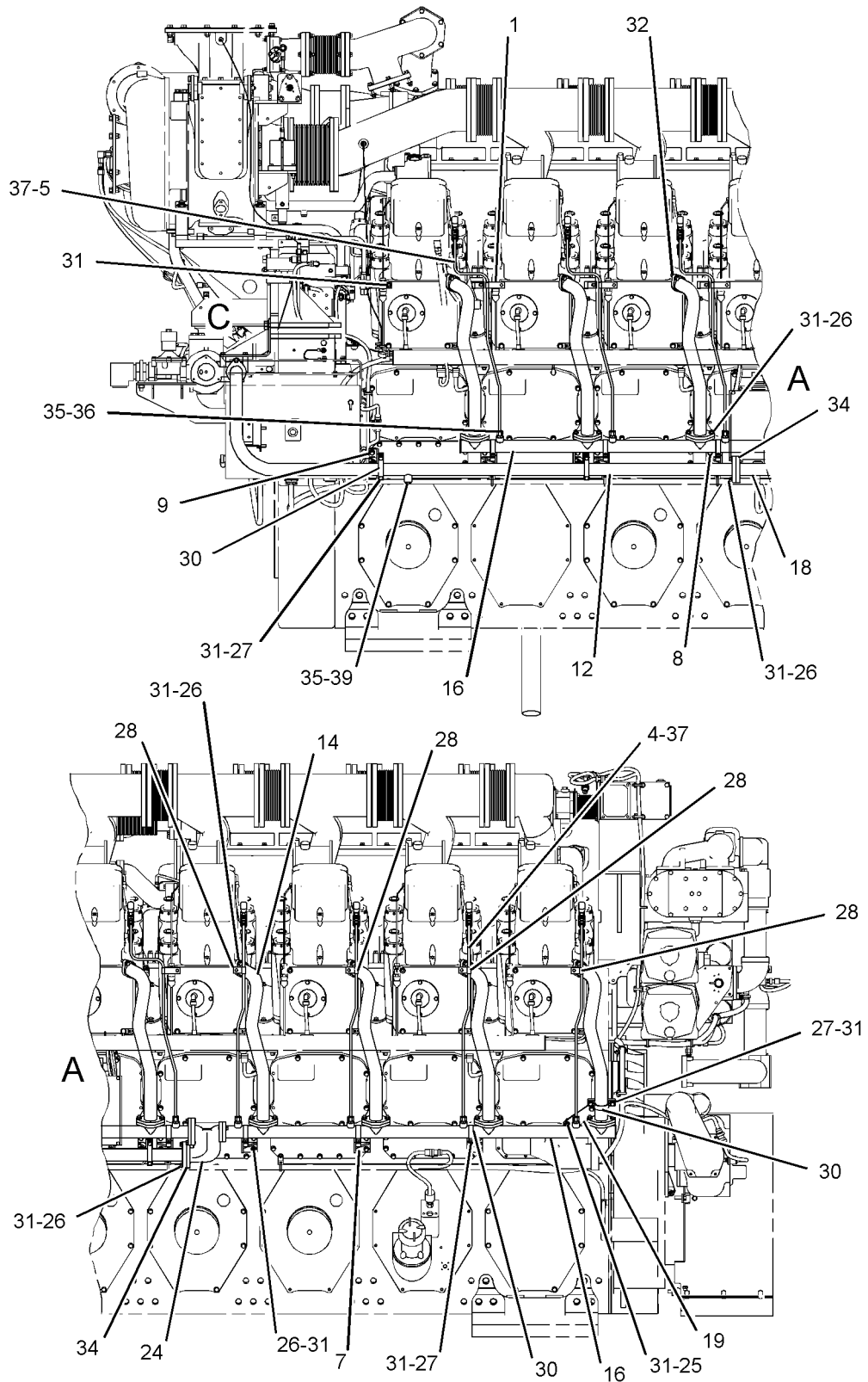
i02366600

| NOTE | REF NO | GRAPHIC REF | PART NUMBER | QTY | PART NAME | | | | | | SEE PAGE |
|------|--------|-------------|-------------|-----|------------------------------------|---|---|---|---|-------------------|----------|
| | | | | | 1 | 2 | 3 | 4 | 5 | 6 (PRODUCT LEVEL) | |
| | 1 | 1,2 | 2Y-3812 | 8 | CLIP | | | | | | |
| | 2 | 3 | 5D-1972 | 2 | BOLT (3/4-10X11.75-IN) | | | | | | |
| | 3 | 2 | 6I-2404 | 1 | TUBE AS | | | | | | |
| | 4 | 1,2 | 6I-2405 | 7 | TUBE AS | | | | | | |
| | 5 | 1,2 | 6I-2406 | 8 | TUBE AS | | | | | | |
| | 6 | 3 | 7E-2874 | 1 | BRACKET AS | | | | | | |
| | 7 | 1,2 | 7E-2876 | 5 | BRACKET AS | | | | | | |
| | 8 | 1,2 | 7E-2877 | 9 | BRACKET AS | | | | | | |
| | 9 | 1,2 | 7E-2878 | 6 | BRACKET AS | | | | | | |
| | 10 | 3 | 7E-2880 | 1 | BRACKET AS | | | | | | |
| | 11 | 2 | 7E-2882 | 1 | TUBE AS-LH | | | | | | |
| | 12 | 1 | 7E-2883 | 1 | TUBE AS-RH | | | | | | |
| | 13 | 2 | 7E-2886 | 1 | TUBE AS | | | | | | |
| | 14 | 1,2 | 7E-2887 | 15 | TUBE AS | | | | | | |
| | 15 | 2 | 7E-7224 | 1 | MANIFOLD AS | | | | | | |
| | 16 | 1,2 | 7E-7225 | 3 | MANIFOLD AS | | | | | | |
| | 17 | 3 | 7E-7226 | 1 | PLATE | | | | | | |
| | 18 | 1,2 | 7E-7227 | 2 | TUBE AS | | | | | | |
| | 19 | 1 | 7E-8167 | 1 | BRACKET AS | | | | | | |
| | 20 | 3 | 8C-6868 | 32 | CONNECTOR | | | | | | |
| | 21 | 3 | 105-4046 | 16 | TUBE AS | | | | | | |
| | 22 | 3 | 118-2735 | 16 | VALVE-NEEDLE | | | | | | |
| | 23 | 3 | 162-8185 | 1 | ELBOW | | | | | | |
| | 24 | 1,2 | 162-8186 | 2 | ELBOW | | | | | | |
| | 25 | 1 | 0S-1571 | 2 | BOLT (3/8-16X1.75-IN) | | | | | | |
| | 26 | 1,2,3 | 0S-1588 | 124 | BOLT (3/8-16X1.25-IN) | | | | | | |
| | 27 | 1,2,3 | 0S-1594 | 50 | BOLT (3/8-16X1-IN) | | | | | | |
| | 28 | 1,2 | 124-9633 | 8 | CLIP | | | | | | |
| | 29 | 1,2 | 1A-2029 | 2 | BOLT (3/8-16X1.125-IN) | | | | | | |
| | 30 | 3 | 1M-1462 | 22 | CLIP | | | | | | |
| | 31 | 1,2,3 | 3V-3308 | 186 | WASHER-HARD (10.2X20.5X2.5-MM THK) | | | | | | |
| | 32 | 1,2,3 | 5P-8211 | 16 | SEAL-O-RING | | | | | | |
| | 33 | 1,2 | 5P-8248 | 2 | WASHER-HARD (20X36.5X3.5-MM THK) | | | | | | |
| | 34 | 3 | 6J-2244 | 42 | SEAL-O-RING | | | | | | |
| | 35 | 1,2,3 | 6V-5049 | 34 | SEAL-O-RING | | | | | | |
| | 36 | 1,2,3 | 6V-8636 | 16 | CONNECTOR | | | | | | |
| | 37 | 1,2 | 8L-2779 | 64 | SEAL-O-RING | | | | | | |
| | 38 | 1,2 | 8T-0075 | 16 | CONNECTOR | | | | | | |
| | 39 | 3 | 9S-4191 | 2 | PLUG-O-RING | | | | | | |

FUEL SYSTEM

150-5490 LINES GP-GAS (contd.)

i02366600



REFER TO ALL ILLUSTRATIONS OF THIS GROUP FOR AUXILIARY VIEWS

RIGHT SIDE VIEW

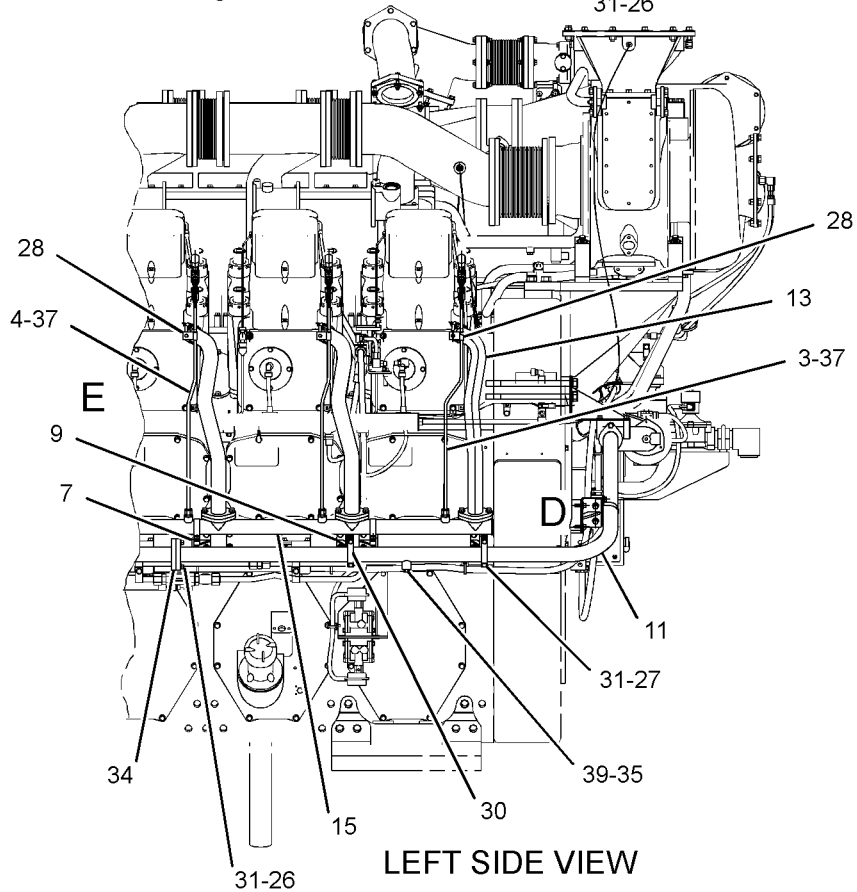
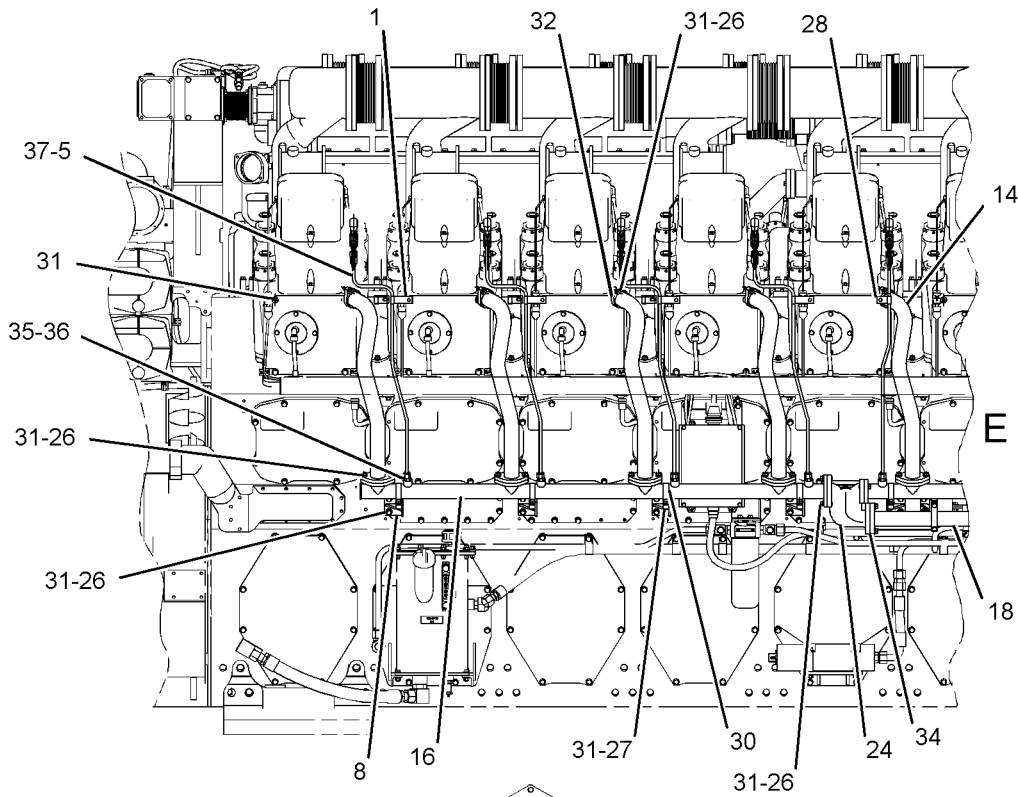
GRAPHIC #1

g01176748

FUEL SYSTEM

150-5490 LINES GP-GAS (contd.)

i02366600



LEFT SIDE VIEW

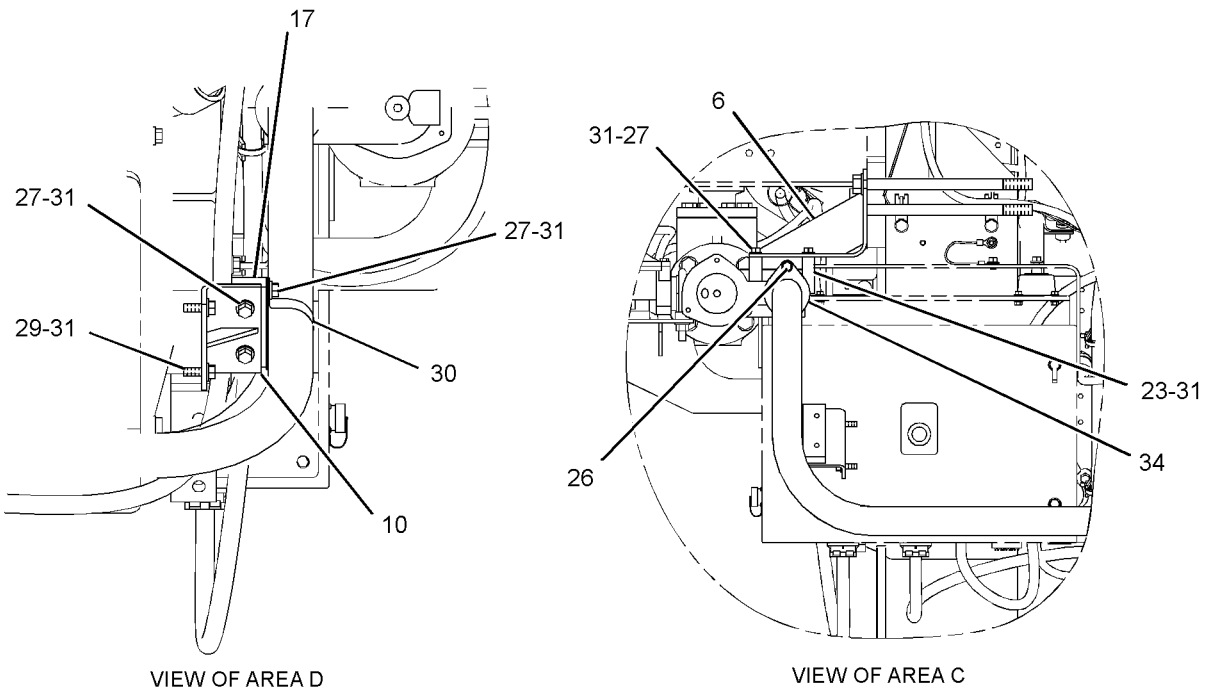
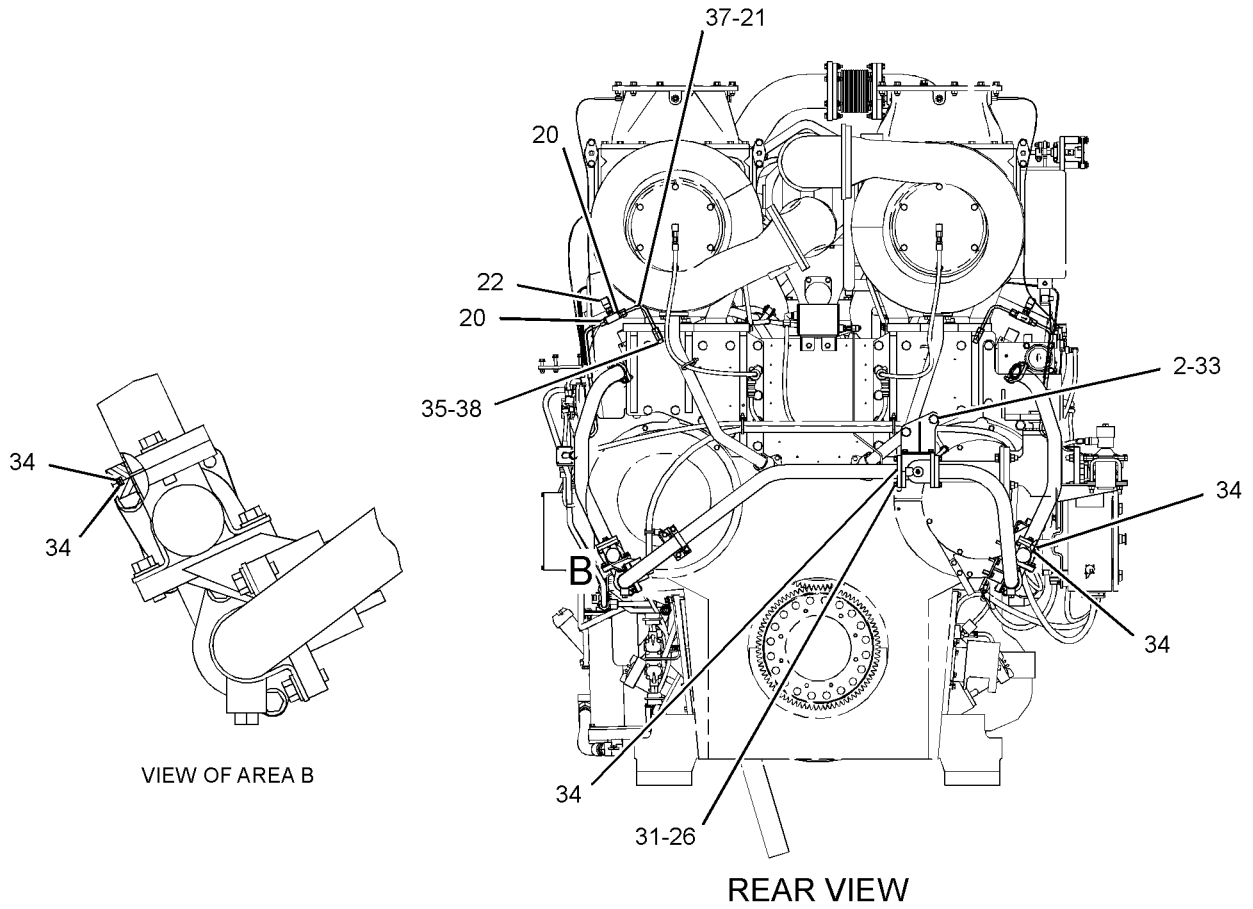
GRAPHIC #2

g01178093

FUEL SYSTEM

150-5490 LINES GP-GAS (contd.)

i02366600



GRAPHIC #3

<END>

g01180245

FUEL SYSTEM

161-0025 LINES GP - GAS (CHG -00 THRU -04, -04D1)
LOW BTU

SMCS - 1274

i02348585

| NOTE | REF NO | GRAPHIC REF | PART NUMBER | QTY | PART NAME | | | | | | SEE PAGE |
|------|--------|-------------|-------------|-----|------------------------------------|---|---|---|---|-------------------|----------|
| | | | | | 1 | 2 | 3 | 4 | 5 | 6 (PRODUCT LEVEL) | |
| | 1 | 1 | 1M-1462 | 16 | CLIP | | | | | | |
| | 2 | 2 | 2N-1117 | 1 | CLIP | | | | | | |
| | 3 | 1 | 2Y-3812 | 8 | CLIP | | | | | | |
| | 4 | 2 | 5D-1972 | 2 | BOLT (3/4-10X11.75-IN) | | | | | | |
| | 5 | 1 | 6I-2404 | 1 | TUBE AS | | | | | | |
| | 6 | 1 | 6I-2405 | 7 | TUBE AS | | | | | | |
| | 7 | 1 | 6I-2406 | 8 | TUBE AS | | | | | | |
| | 8 | 2 | 7E-2874 | 1 | BRACKET AS | | | | | | |
| | 9 | 1 | 7E-2886 | 1 | TUBE AS | | | | | | |
| | 10 | 1 | 7E-2887 | 15 | TUBE AS | | | | | | |
| | 11 | 1 | 7E-8167 | 1 | BRACKET AS | | | | | | |
| | 12 | 2 | 8C-6868 | 32 | CONNECTOR | | | | | | |
| | 13 | 2 | 105-4046 | 16 | TUBE AS | | | | | | |
| Y | 14 | 2 | 110-8358 | 16 | VALVE-NEEDLE | | | | | | 518 |
| | 15 | 1 | 158-4198 | 5 | BRACKET AS | | | | | | |
| | 16 | 1 | 158-4199 | 9 | BRACKET AS | | | | | | |
| | 17 | 2 | 160-1613 | 1 | ELBOW | | | | | | |
| | 18 | 1 | 160-4273 | 4 | ELBOW | | | | | | |
| | 19 | 1 | 160-8729 | 1 | TUBE AS | | | | | | |
| | 20 | 1 | 160-8730 | 1 | TUBE AS | | | | | | |
| | 21 | 1 | 160-8731 | 2 | TUBE AS | | | | | | |
| | 22 | 1 | 160-9864 | 1 | ELBOW | | | | | | |
| | 23 | 1 | 161-0028 | 4 | MANIFOLD AS | | | | | | |
| | 24 | 1 | 161-0029 | 1 | MANIFOLD AS | | | | | | |
| | 25 | 1 | 161-0030 | 3 | MANIFOLD AS | | | | | | |
| | 26 | 1 | 161-2670 | 2 | TUBE AS | | | | | | |
| | 27 | 1 | 161-2671 | 2 | TUBE AS | | | | | | |
| | 28 | 1 | 161-7551 | 4 | BRACKET AS | | | | | | |
| | 29 | 1 | 161-7552 | 2 | BRACKET AS | | | | | | |
| | 31 | 2 | 161-8203 | 1 | PLATE | | | | | | |
| | 32 | 2 | 161-8385 | 1 | BRACKET AS | | | | | | |
| | 33 | 1 | 161-9209 | 1 | BRACKET AS | | | | | | |
| | 34 | 1 | 161-9831 | 1 | BRACKET AS | | | | | | |
| | 35 | 2 | 0S-0509 | 2 | BOLT (3/8-16X0.75-IN) | | | | | | |
| | 36 | 1 | 0S-1571 | 6 | BOLT (3/8-16X1.75-IN) | | | | | | |
| | 37 | 1,2 | 0S-1588 | 136 | BOLT (3/8-16X1.25-IN) | | | | | | |
| | 38 | 1 | 0S-1591 | 18 | BOLT (3/8-16X1.5-IN) | | | | | | |
| | 39 | 1,2 | 0S-1594 | 54 | BOLT (3/8-16X1-IN) | | | | | | |
| | 40 | 1 | 124-9633 | 2 | CLIP | | | | | | |
| | 41 | 1,2 | 3B-1915 | 27 | BOLT (3/8-16X1.375-IN) | | | | | | |
| | 42 | 1,2 | 3V-3308 | 248 | WASHER-HARD (10.2X20.5X2.5-MM THK) | | | | | | |
| | 43 | 1 | 5P-8211 | 16 | SEAL-O-RING | | | | | | |
| | 44 | 2 | 5P-8248 | 2 | WASHER-HARD (20X36.5X3.5-MM THK) | | | | | | |
| | 45 | 1,2 | 6J-2244 | 40 | SEAL-O-RING | | | | | | |
| | 46 | 1,2 | 6V-5049 | 34 | SEAL-O-RING | | | | | | |
| | 47 | 1,2 | 6V-8001 | 16 | SEAL-O-RING | | | | | | |
| | 48 | 1 | 6V-8636 | 16 | CONNECTOR | | | | | | |
| | 49 | 1,2 | 8L-2779 | 64 | SEAL-O-RING | | | | | | |
| | 50 | 2 | 8T-0075 | 16 | CONNECTOR | | | | | | |
| | 51 | 1 | 9L-9132 | 20 | WASHER (10.2X25.5X2.5-MM THK) | | | | | | |
| | 52 | 1 | 9S-4191 | 2 | PLUG-O-RING | | | | | | |
| | 53 | 1 | 9S-8752 | 15 | NUT-FULL (3/8-16-THD) | | | | | | |
| | 54 | 1 | 9X-2646 | 7 | CLIP (SLOT) | | | | | | |
| | 55 | 1 | 9X-2647 | 7 | CLIP (TAB) | | | | | | |
| Y | 56 | 2 | 133-1883 | 15 | ORIFICE | | | | | | 509 |
| Y | 57 | 1 | 166-7988 | 1 | ORIFICE | | | | | | 510 |
| | 58 | 2 | 171-5696 | 2 | ORIFICE | | | | | | |

FUEL SYSTEM

161-0025 LINES GP - GAS (contd.)

i02348585

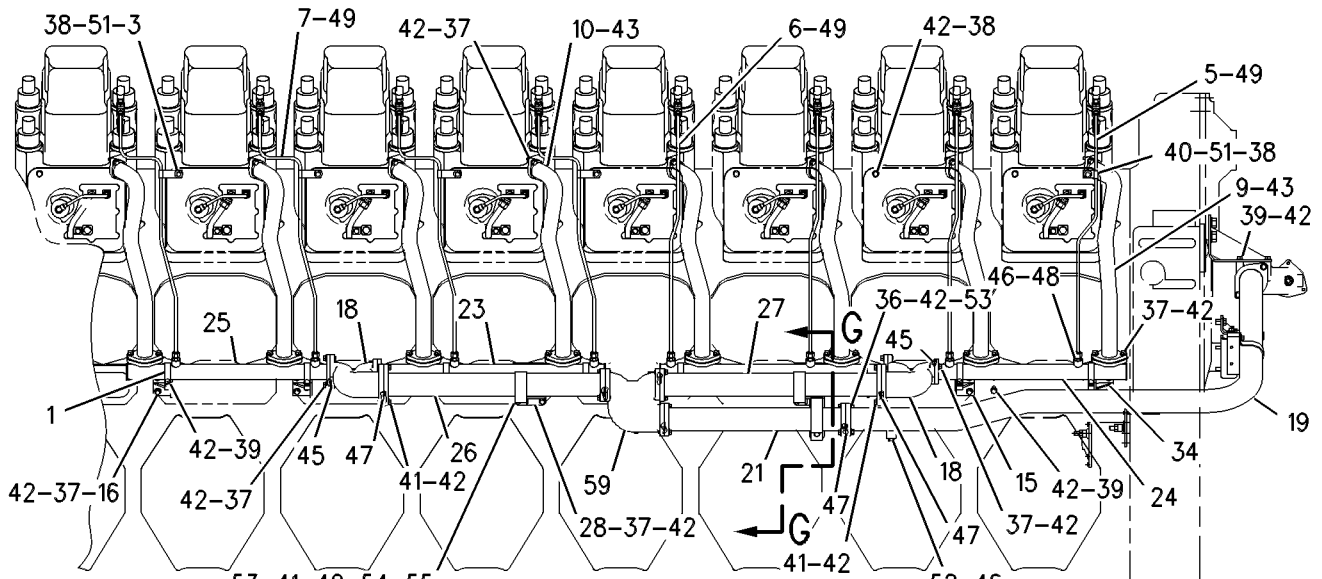
| NOTE | REF NO | GRAPHIC REF | PART NUMBER | QTY | PART NAME | | | | | | SEE PAGE |
|------|--------|-------------|-------------|-----|-----------|---|---|---|---|-------------------|----------|
| | | | | | 1 | 2 | 3 | 4 | 5 | 6 (PRODUCT LEVEL) | |
| | 59 | 1 | 171-5735 | 1 | ELBOW | | | | | | |

Y - SEPARATE ILLUSTRATION

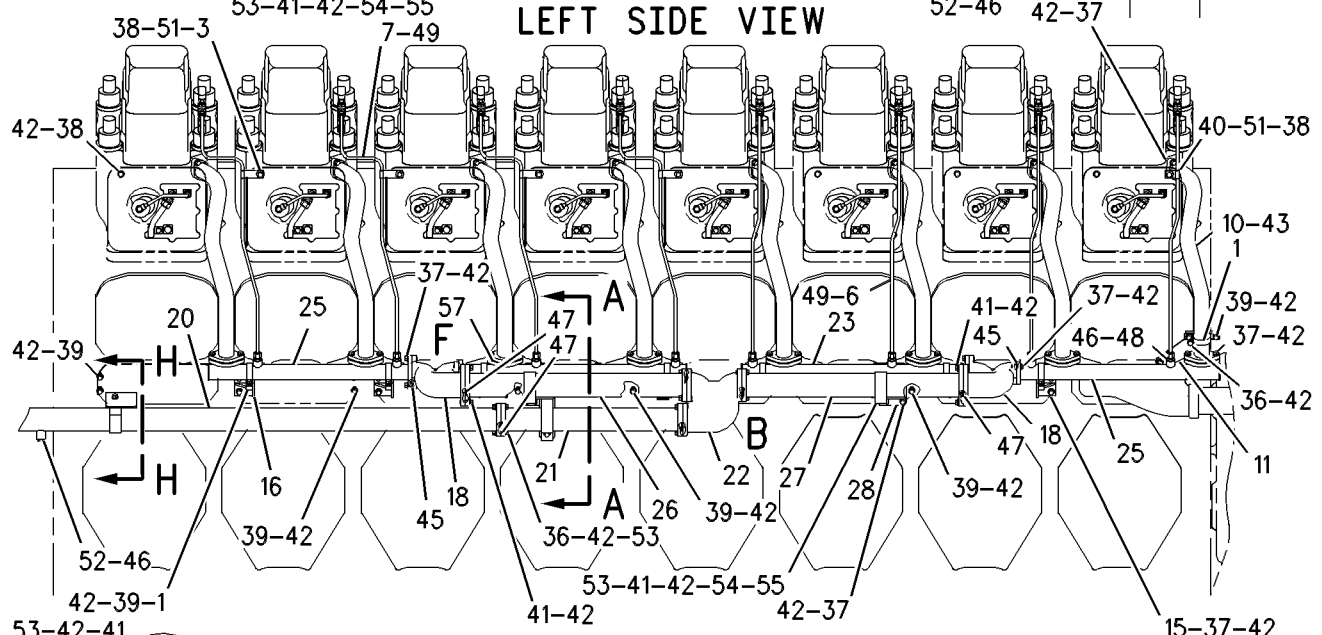
FUEL SYSTEM

161-0025 LINES GP-GAS (contd.)

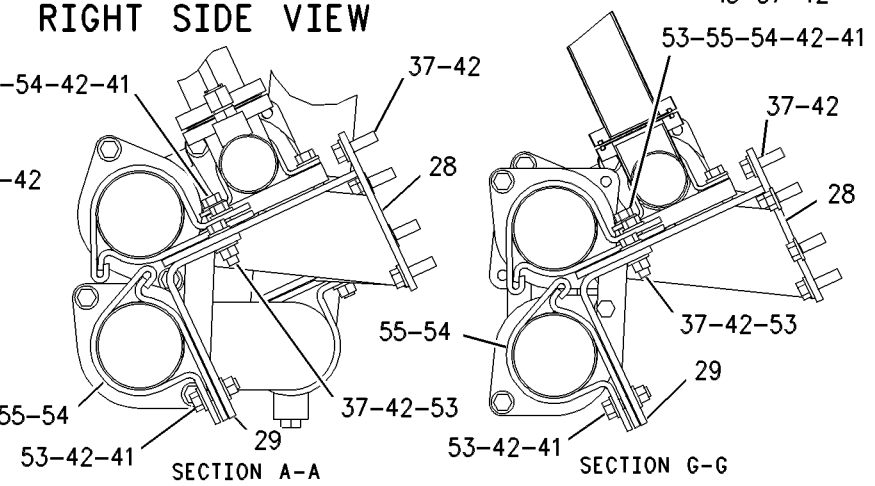
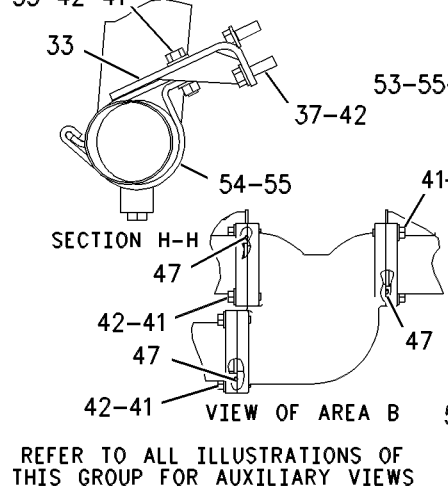
i02348585



LEFT SIDE VIEW



RIGHT SIDE VIEW

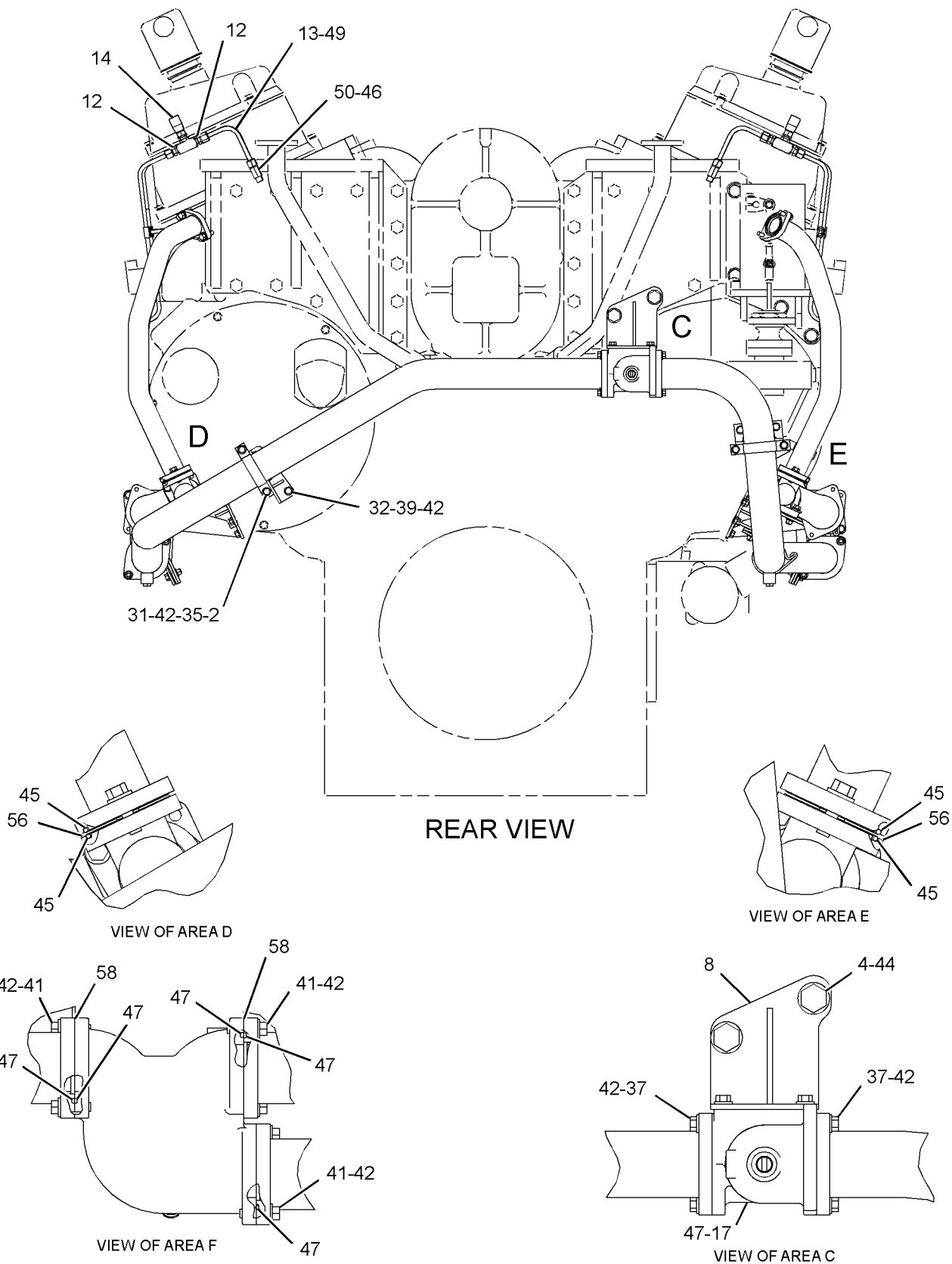


REFER TO ALL ILLUSTRATIONS OF THIS GROUP FOR AUXILIARY VIEWS

FUEL SYSTEM

161-0025 LINES GP-GAS (contd.)

i02348585



GRAPHIC #2

<END>

g01174049

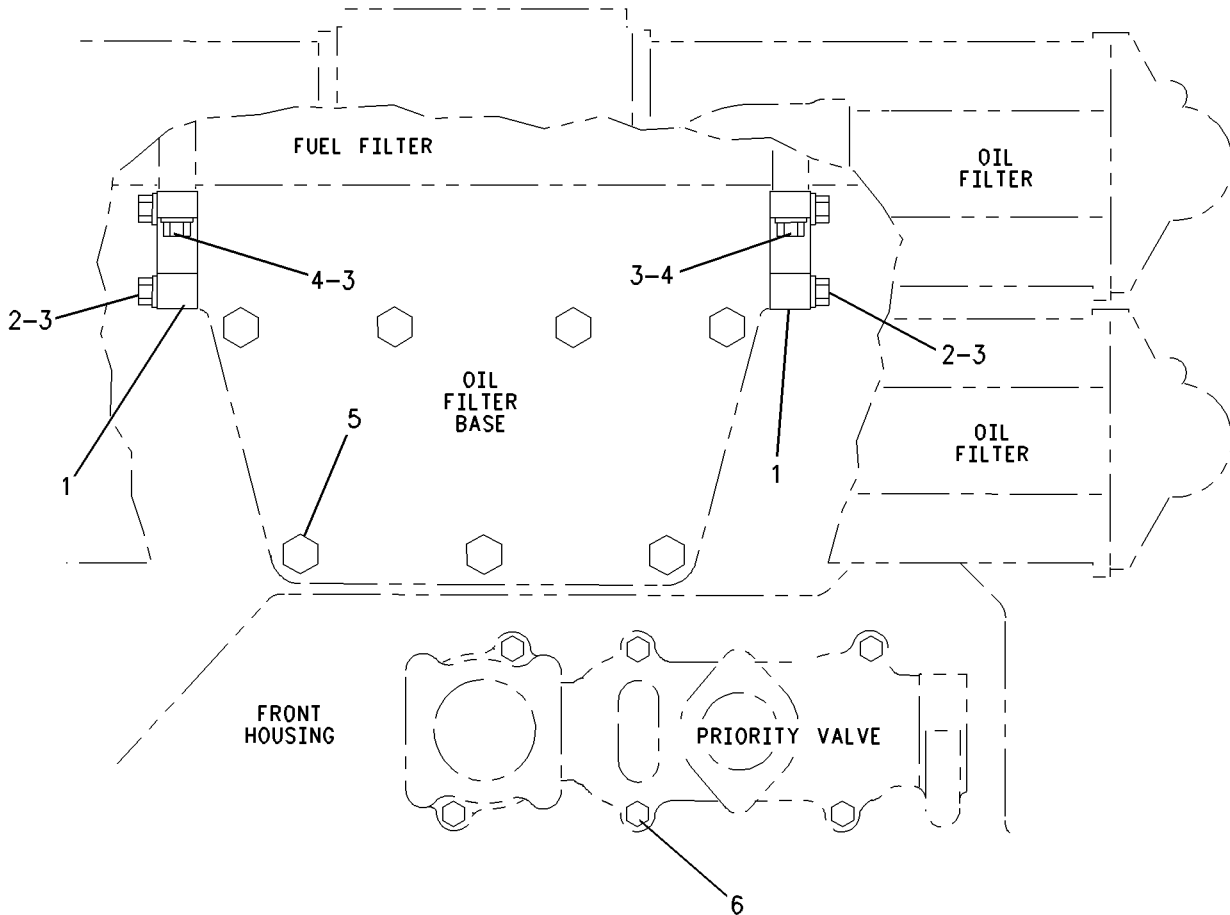
FUEL SYSTEM

4W-0012 MOUNTING GP-FUEL FILTER (CHG -00 THRU -02) FRONT STRUCTURE

SMCS-1262

i01552720

| NOTE | REF NO | GRAPHIC REF | PART NUMBER | QTY | PART NAME | | | | | | SEE PAGE |
|------|--------|-------------|-------------|-----|----------------------------------|---|---|---|---|-------------------|----------|
| | | | | | 1 | 2 | 3 | 4 | 5 | 6 (PRODUCT LEVEL) | |
| | 1 | 1 | 4W-8556 | 2 | SUPPORT | | | | | | |
| | 2 | 1 | 2B-0947 | 6 | BOLT (1/2-13X2.25-IN) | | | | | | |
| | 3 | 1 | 5P-8245 | 10 | WASHER-HARD (13.5X25.5X3-MM THK) | | | | | | |
| | 4 | 1 | 0S-1587 | 4 | BOLT (1/2-13X1.75-IN) | | | | | | |
| | 5 | 1 | 1A-8063 | 7 | BOLT (3/4-10X2.5-IN) | | | | | | |
| | 6 | 1 | 2H-6488 | 6 | BOLT (1/2-13X5-IN) | | | | | | |



GRAPHIC #1

<END>

g00696227

FUEL SYSTEM

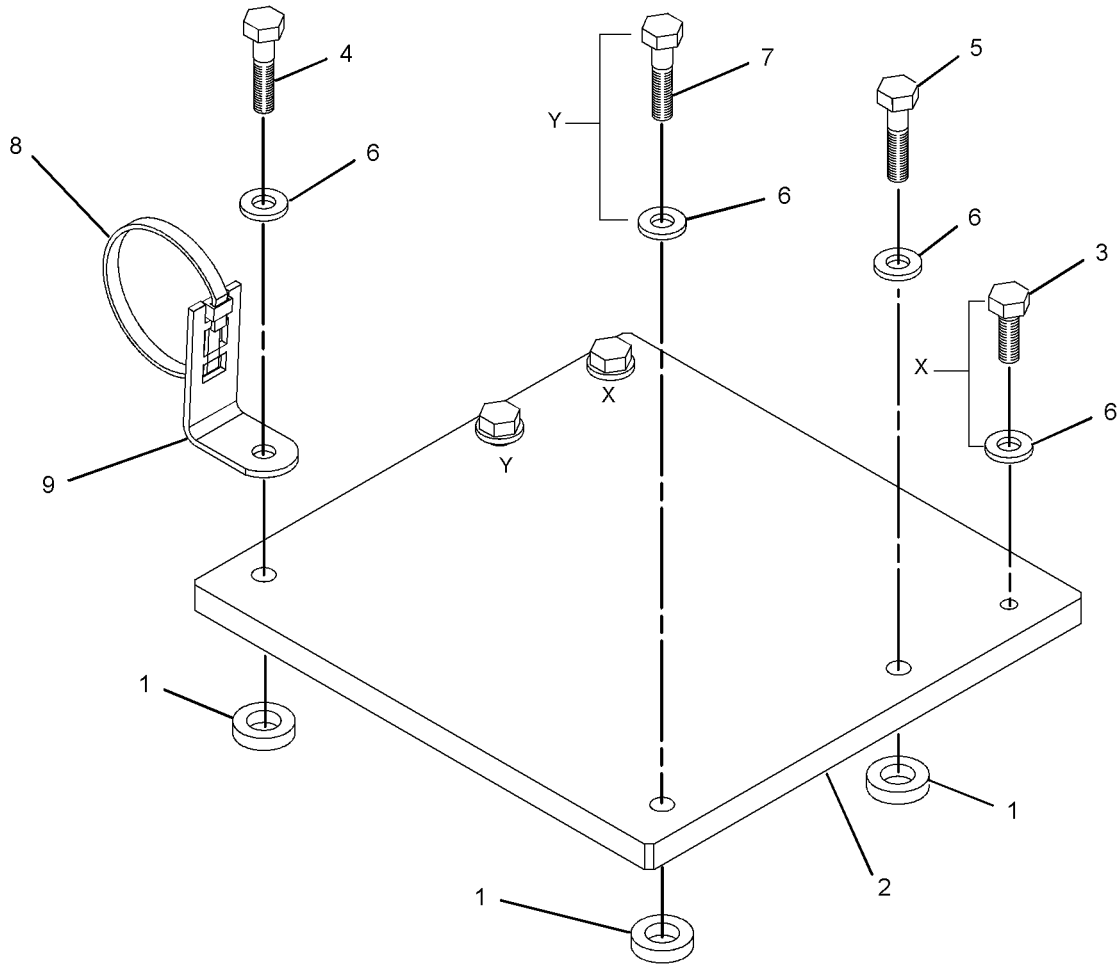
255-8184 MOUNTING GP-GAS PRESS MODULE (CHG -00 THRU -03)

SMCS-1740

i02325507

| NOTE | REF NO | GRAPHIC REF | PART NUMBER | QTY | PART NAME | | | | | | SEE PAGE |
|------|--------|-------------|-------------|-----|---------------------------------|---|---|---|---|-------------------|----------|
| | | | | | 1 | 2 | 3 | 4 | 5 | 6 (PRODUCT LEVEL) | |
| | 1 | 1 | 7G-1239 | 4 | SPACER (10.5X19X4.5-MM THK) | | | | | | |
| | 2 | 1 | 255-8183 | 1 | PLATE | | | | | | |
| | 3 | 1 | 4M-5281 | 2 | BOLT (1/4-20X0.75-IN) | | | | | | |
| | 4 | 1 | 6D-2928 | 1 | BOLT (1/4-20X1.125-IN) | | | | | | |
| | 5 | 1 | 7X-2501 | 2 | BOLT (1/4-20X1.25-IN) | | | | | | |
| | 6 | 1 | 8T-4205 | 6 | WASHER-HARD (7.2X14.5X2-MM THK) | | | | | | |
| | 7 | 1 | 8T-8908 | 1 | BOLT (1/4-20X1-IN) | | | | | | |
| B | 8 | 1 | 9X-6772 | 1 | STRAP-CABLE | | | | | | |
| B | 9 | 1 | 156-6175 | 1 | CLIP | | | | | | |

B-USE AS REQUIRED



GRAPHIC #1

<END>

g01123579

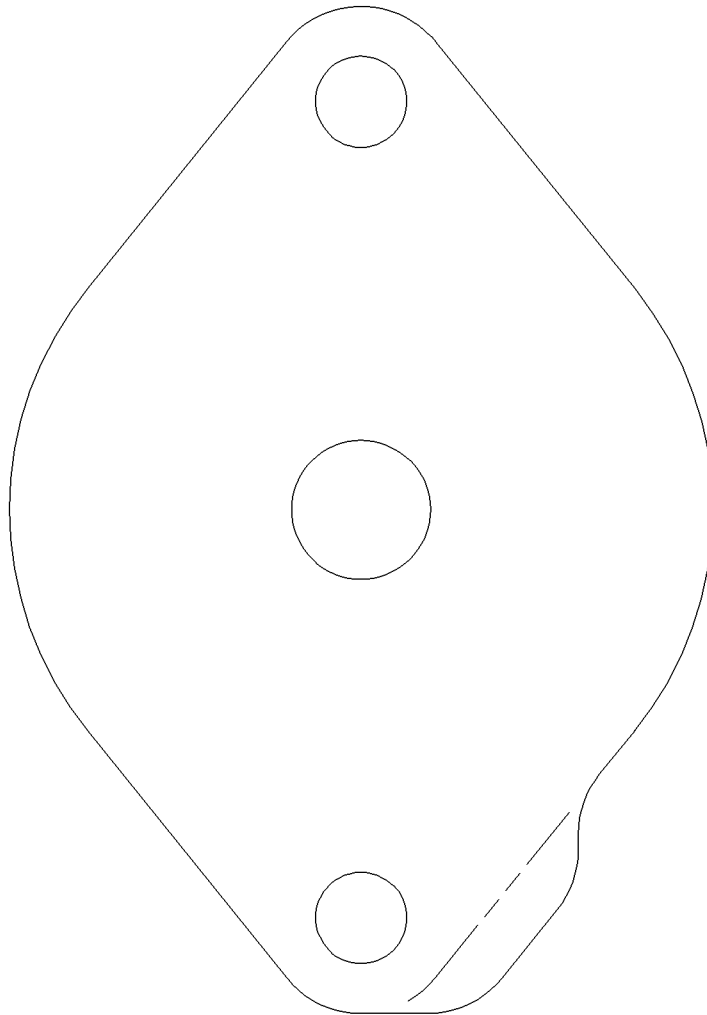
FUEL SYSTEM

122-2083 ORIFICE (CHG -00, -01)

SMCS-1274

i01289650

| NOTE | REF NO | GRAPHIC REF | PART NUMBER | QTY | PART NAME | SEE PAGE |
|---------------------|--------|-------------|-------------|-----|-----------------------------|----------|
| | | | | | 1 2 3 4 5 6 (PRODUCT LEVEL) | |
| (NO SERVICED PARTS) | | | | | | |



GRAPHIC #1

<END>

g00683609

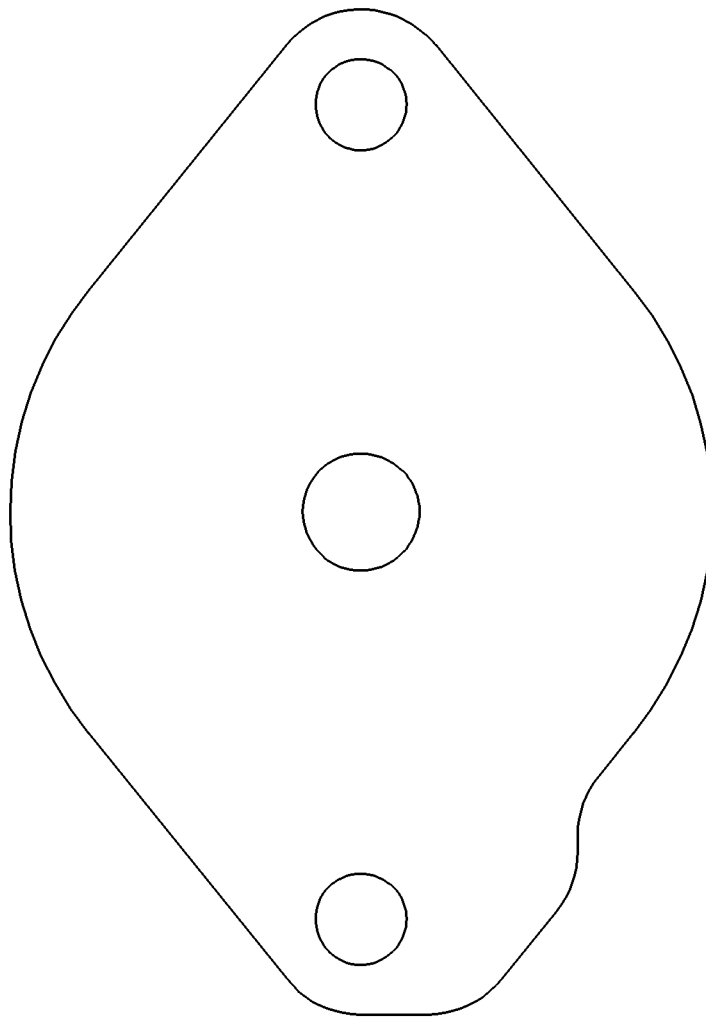
FUEL SYSTEM

133 - 1883 ORIFICE (CHG -00) PART OF 161-0025 LINES GP-GAS

SMCS - 1274

i01380033

| NOTE | REF NO | GRAPHIC REF | PART NUMBER | QTY | PART NAME | | | | | | SEE PAGE |
|---------------------|--------|-------------|-------------|-----|-----------|---|---|---|---|-------------------|----------|
| | | | | | 1 | 2 | 3 | 4 | 5 | 6 (PRODUCT LEVEL) | |
| (NO SERVICED PARTS) | | | | | | | | | | | |



GRAPHIC #1

<END>

g00729568

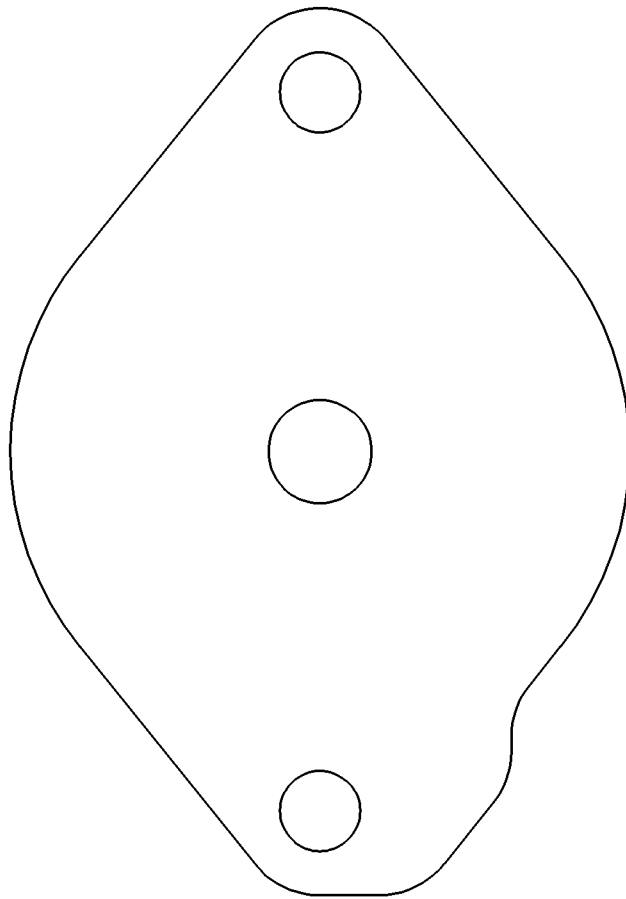
FUEL SYSTEM

166-7988 ORIFICE (CHG -00)
PART OF 161-0025 LINES GP-GAS

SMCS-1274

i01380146

| NOTE | REF NO | GRAPHIC REF | PART NUMBER | QTY | PART NAME | SEE PAGE |
|---------------------|--------|-------------|-------------|-----|-----------------------------|----------|
| | | | | | 1 2 3 4 5 6 (PRODUCT LEVEL) | |
| (NO SERVICED PARTS) | | | | | | |



GRAPHIC #1

<END>

g00730006

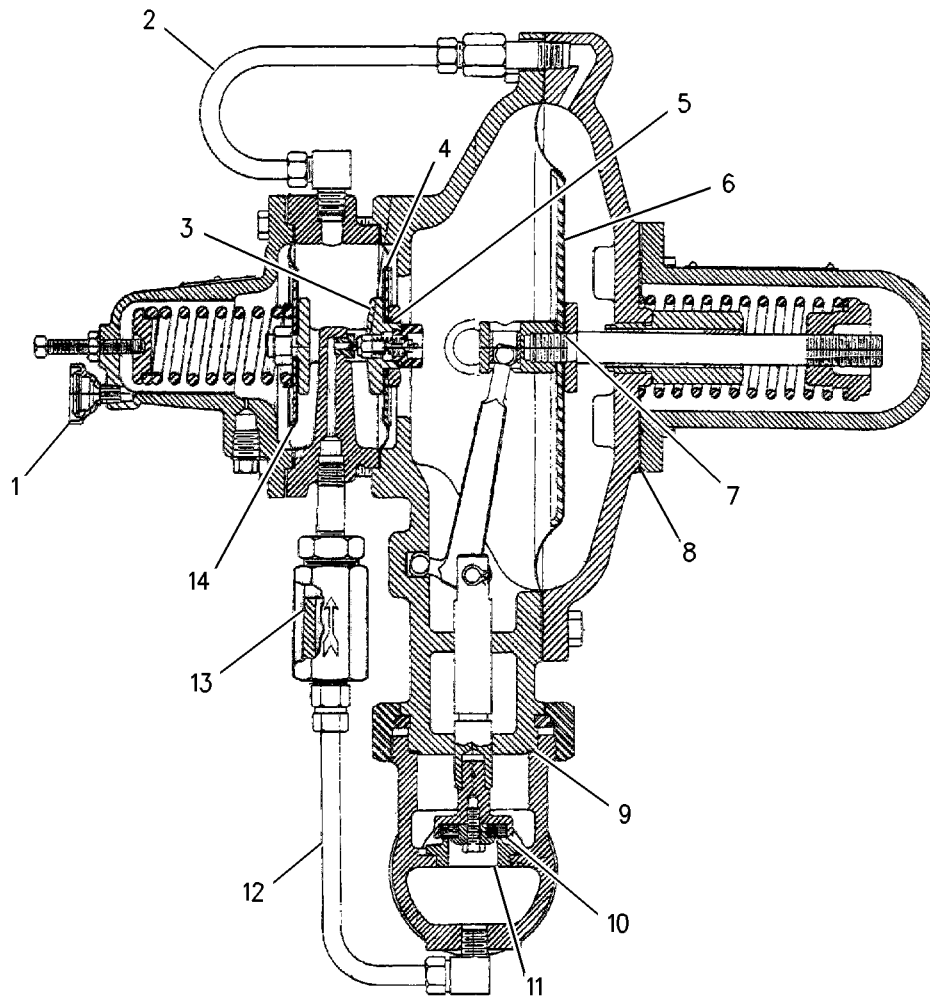
FUEL SYSTEM

4P-2124 REGULATOR GP - GAS PRESSURE (CHG -00, -01)

SMCS-1270

i01502271

| NOTE | REF NO | GRAPHIC REF | PART NUMBER | QTY | PART NAME | | | | | | SEE PAGE |
|------|--------|-------------|-------------|-----|-------------------------|---|---|---|---|-------------------|----------|
| | | | | | 1 | 2 | 3 | 4 | 5 | 6 (PRODUCT LEVEL) | |
| | 1 | 1 | 4P-2210 | 1 | VENT AS-REGULATOR | | | | | | |
| | 2 | 1 | 4P-2211 | 1 | TUBE (PILOT SUPPLY) | | | | | | |
| | 3 | 1 | 4P-2212 | 1 | DISC AS-RELAY | | | | | | |
| | 4 | 1 | 4P-2213 | 1 | DIAPHRAGM (UPPER RELAY) | | | | | | |
| | 5 | 1 | 4P-2214 | 1 | SEAL-O-RING | | | | | | |
| | 6 | 1 | 4P-2215 | 1 | DIAPHRAGM | | | | | | |
| | 7 | 1 | 4P-2216 | 1 | GASKET | | | | | | |
| | 8 | 1 | 4P-2217 | 1 | GASKET | | | | | | |
| | 9 | 1 | 4P-2218 | 1 | GASKET | | | | | | |
| | 10 | 1 | 4P-2219 | 1 | DISC | | | | | | |
| | | 1 | 6I-1950 | 1 | RETAINER | | | | | | |
| | 11 | 1 | 4P-2220 | 1 | RING-SEAT | | | | | | |
| | 12 | 1 | 4P-2221 | 1 | TUBE-LEADING | | | | | | |
| | 13 | 1 | 4P-2222 | 1 | FILTER ELEMENT (GAS) | | | | | | |
| | 14 | 1 | 4P-2223 | 1 | DIAPHRAGM (LOWER RELAY) | | | | | | |



GRAPHIC #1

<END>

g00780476

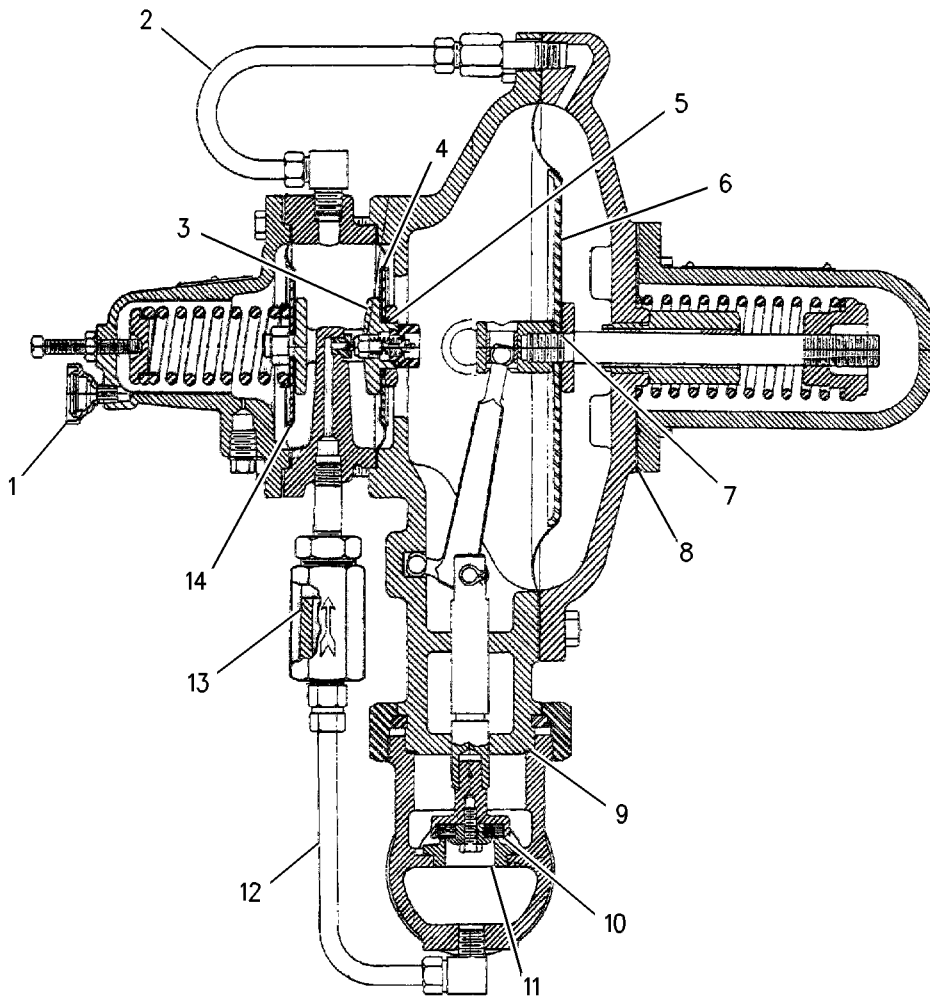
FUEL SYSTEM

6I-1946 REGULATOR GP-GAS PRESSURE (CHG -00)

SMCS-1270

i02030156

| NOTE | REF NO | GRAPHIC REF | PART NUMBER | QTY | PART NAME | | | | | | SEE PAGE |
|------|--------|-------------|-------------|-----|-------------------------|---|---|---|---|-------------------|----------|
| | | | | | 1 | 2 | 3 | 4 | 5 | 6 (PRODUCT LEVEL) | |
| | 1 | 1 | 4P-2210 | 1 | VENT AS-REGULATOR | | | | | | |
| | 2 | 1 | 4P-2211 | 1 | TUBE (PILOT SUPPLY) | | | | | | |
| | 3 | 1 | 4P-2212 | 1 | DISC AS-RELAY | | | | | | |
| | 4 | 1 | 4P-2213 | 1 | DIAPHRAGM (UPPER RELAY) | | | | | | |
| | 5 | 1 | 4P-2214 | 1 | SEAL-O-RING | | | | | | |
| | 6 | 1 | 4P-2215 | 1 | DIAPHRAGM | | | | | | |
| | 7 | 1 | 4P-2216 | 1 | GASKET | | | | | | |
| | 8 | 1 | 4P-2217 | 1 | GASKET | | | | | | |
| | 9 | 1 | 4P-2218 | 1 | GASKET | | | | | | |
| | 10 | 1 | 6I-1948 | 1 | SEAL | | | | | | |
| | | 1 | 6I-1949 | 1 | RETAINER | | | | | | |
| | 11 | 1 | 6I-1947 | 1 | RING-SEAT | | | | | | |
| | 12 | 1 | 4P-2221 | 1 | TUBE-LEADING | | | | | | |
| | 13 | 1 | 4P-2222 | 1 | FILTER ELEMENT (GAS) | | | | | | |
| | 14 | 1 | 4P-2223 | 1 | DIAPHRAGM (LOWER RELAY) | | | | | | |



GRAPHIC #1

<END>

g00780526

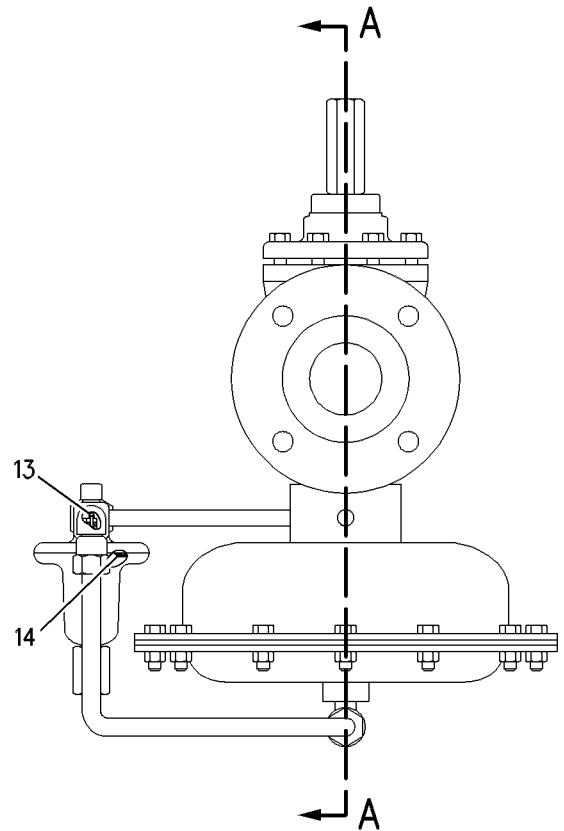
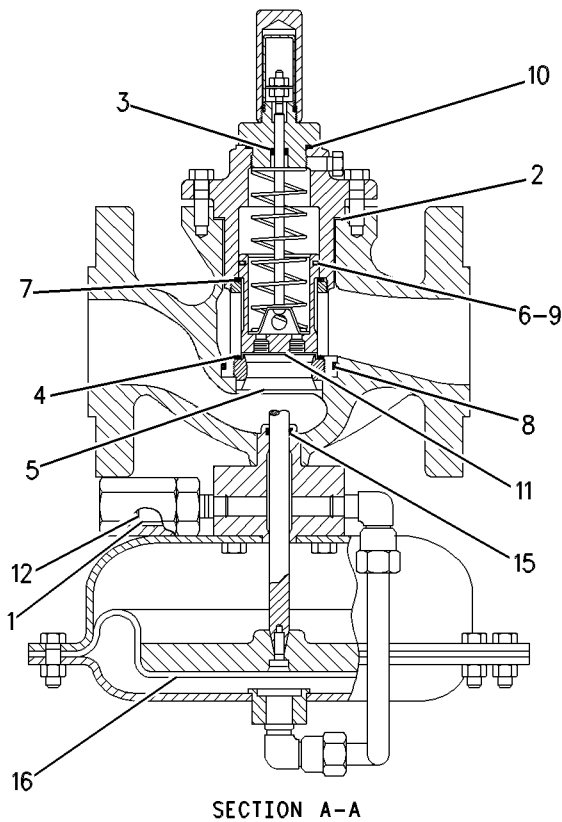
FUEL SYSTEM

140-1763 REGULATOR GP - GAS PRESSURE (CHG -00)

SMCS - 1270

i00131096

| NOTE | REF NO | GRAPHIC REF | PART NUMBER | QTY | PART NAME | | | | | | SEE PAGE |
|------|--------|-------------|-------------|-----|----------------------|---|---|---|---|-------------------|----------|
| | | | | | 1 | 2 | 3 | 4 | 5 | 6 (PRODUCT LEVEL) | |
| | 1 | 1 | 4P-2222 | 1 | FILTER ELEMENT (GAS) | | | | | | |
| | 2 | 1 | 140-2288 | 1 | GASKET | | | | | | |
| | 3 | 1 | 140-2289 | 1 | SEAL-O-RING | | | | | | |
| | 4 | 1 | 140-2290 | 1 | SEAL-O-RING | | | | | | |
| | 5 | 1 | 140-2291 | 1 | RING-SEAT | | | | | | |
| | 6 | 1 | 140-2292 | 1 | RING-PISTON | | | | | | |
| | 7 | 1 | 140-2293 | 1 | SEAL-O-RING | | | | | | |
| | 8 | 1 | 140-2294 | 1 | SEAL-O-RING | | | | | | |
| | 9 | 1 | 140-2295 | 1 | SEAL-O-RING | | | | | | |
| | 10 | 1 | 140-2296 | 1 | SEAL-O-RING | | | | | | |
| | 11 | 1 | 140-2297 | 1 | PLUG-VALVE | | | | | | |
| | 12 | 1 | 140-2299 | 1 | GASKET | | | | | | |
| | 13 | 1 | 140-2300 | 1 | PLUG-VALVE | | | | | | |
| | 14 | 1 | 140-2301 | 1 | DIAPHRAGM | | | | | | |
| | 15 | 1 | 140-2302 | 2 | SEAL-O-RING | | | | | | |
| | 16 | 1 | 140-2303 | 1 | DIAPHRAGM | | | | | | |



GRAPHIC #1

<END>

g00110407

FUEL SYSTEM

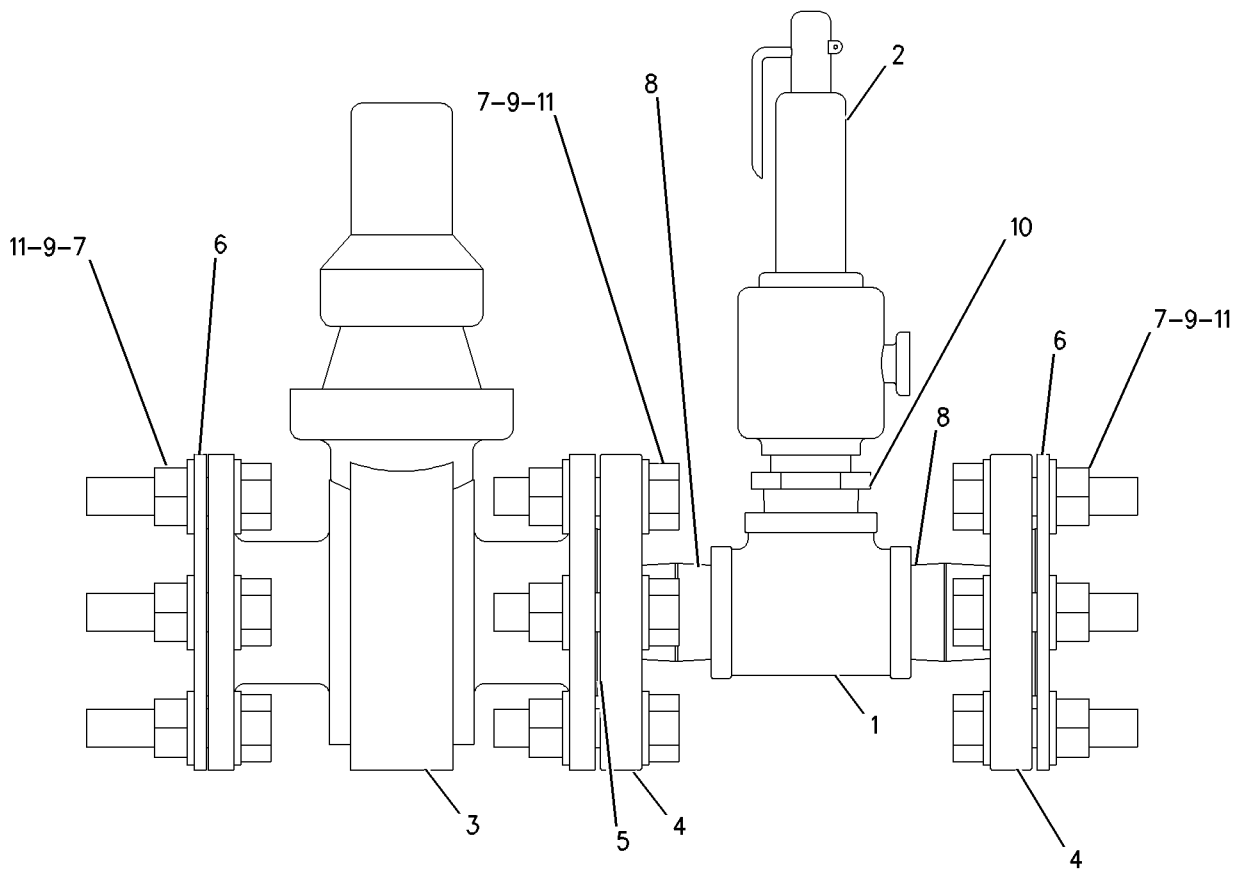
184-6954 REGULATOR GP-GAS PRESSURE (CHG -01)

SMCS-1270

i02410051

| NOTE | REF NO | GRAPHIC REF | PART NUMBER | QTY | PART NAME | | | | | | SEE PAGE |
|------|--------|-------------|-------------|-----|----------------------------------|---|---|---|---|-------------------|----------|
| | | | | | 1 | 2 | 3 | 4 | 5 | 6 (PRODUCT LEVEL) | |
| | 1 | 1 | 1L-2782 | 1 | TEE-PIPE | | | | | | |
| | 2 | 1 | 165-7807 | 1 | VALVE AS-RELIEF (AIR) | | | | | | |
| | 3 | 1 | 183-9642 | 1 | REGULATOR AS | | | | | | |
| C | 4 | 1 | 184-6955 | 2 | FLANGE | | | | | | |
| C | 5 | 1 | 184-6956 | 3 | GASKET | | | | | | |
| C | 6 | 1 | 188-7004 | 2 | COVER | | | | | | |
| C | 7 | 1 | 2J-3506 | 12 | NUT-FULL (3/4-10-THD) | | | | | | |
| C | 8 | 1 | 5B-7661 | 2 | FITTING | | | | | | |
| C | 9 | 1 | 5P-8248 | 24 | WASHER-HARD (20X36.5X3.5-MM THK) | | | | | | |
| | 10 | 1 | 6F-7732 | 1 | BUSHING-REDUCER | | | | | | |
| C | 11 | 1 | 9X-8887 | 12 | BOLT (3/4-10X3-IN) | | | | | | |

C- CHANGE FROM PREVIOUS TYPE



GRAPHIC #1

<END>

g00739769

FUEL SYSTEM

117-3196 TANK & MTG GP-HYDRAULIC (CHG -00 THRU -03) FOR USE WITH HYDRAULIC ACTUATOR SYSTEM

SMCS-5056

i02491955

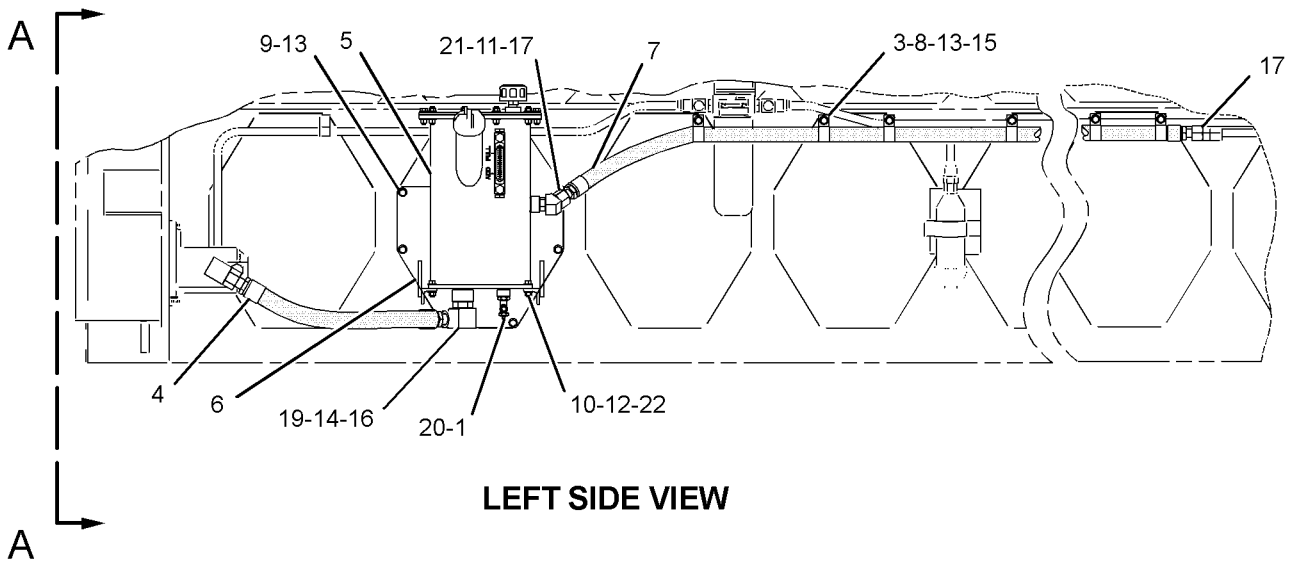
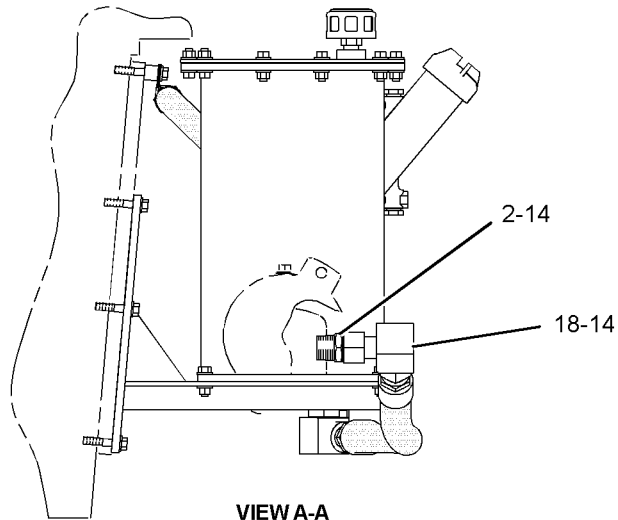
| NOTE | REF NO | GRAPHIC REF | PART NUMBER | QTY | PART NAME | | | | | | SEE PAGE |
|------|--------|-------------|-------------|-----|--------------------------------------|---|---|---|---|-------------------|----------|
| | | | | | 1 | 2 | 3 | 4 | 5 | 6 (PRODUCT LEVEL) | |
| | 1 | 1 | 6V-7238 | 1 | VALVE-SHUTOFF (HYDRAULIC TANK DRAIN) | | | | | | |
| | 2 | 1 | 8C-6875 | 1 | CONNECTOR | | | | | | |
| | 3 | 1 | 9C-5344 | 6 | SPACER (10.5X20X18-MM THK) | | | | | | |
| I | 4 | 1 | 117-3197 | 1 | HOSE AS | | | | | | |
| Y | 5 | 1 | 143-4770 | 1 | TANK GP-HYDRAULIC | | | | | | 517 |
| | 6 | 1 | 143-4773 | 1 | BRACKET AS | | | | | | |
| I | 7 | 1 | 156-1770 | 1 | HOSE AS | | | | | | |
| | 8 | 1 | 0L-2070 | 6 | BOLT (3/8-16X2.25-IN) | | | | | | |
| | 9 | 1 | 0S-1571 | 6 | BOLT (3/8-16X1.75-IN) | | | | | | |
| | 10 | 1 | 0S-1588 | 4 | BOLT (3/8-16X1.25-IN) | | | | | | |
| | 11 | 1 | 2M-9780 | 1 | SEAL-O-RING | | | | | | |
| | 12 | 1 | 3V-2431 | 8 | WASHER (10.2X16X2-MM THK) | | | | | | |
| | 13 | 1 | 3V-3308 | 12 | WASHER-HARD (10.2X20.5X2.5-MM THK) | | | | | | |
| | 14 | 1 | 5K-9090 | 3 | SEAL-O-RING | | | | | | |
| | 15 | 1 | 5P-7854 | 6 | CLIP | | | | | | |
| | 16 | 1 | 6V-9008 | 1 | ELBOW | | | | | | |
| | 17 | 1 | 6V-9746 | 2 | SEAL-O-RING | | | | | | |
| | 18 | 1 | 6V-9854 | 1 | ELBOW | | | | | | |
| | 19 | 1 | 7M-8485 | 1 | SEAL-O-RING | | | | | | |
| | 20 | 1 | 8L-2786 | 1 | SEAL-O-RING | | | | | | |
| | 21 | 1 | 8T-5389 | 1 | ELBOW | | | | | | |
| | 22 | 1 | 9S-8752 | 4 | NUT-FULL (3/8-16-THD) | | | | | | |

I - REFER TO HYDRAULIC INFORMATION SYSTEM
Y - SEPARATE ILLUSTRATION

FUEL SYSTEM

117-3196 TANK & MTG GP-HYDRAULIC (contd.)

i02491955



GRAPHIC #1

<END>

g01246162

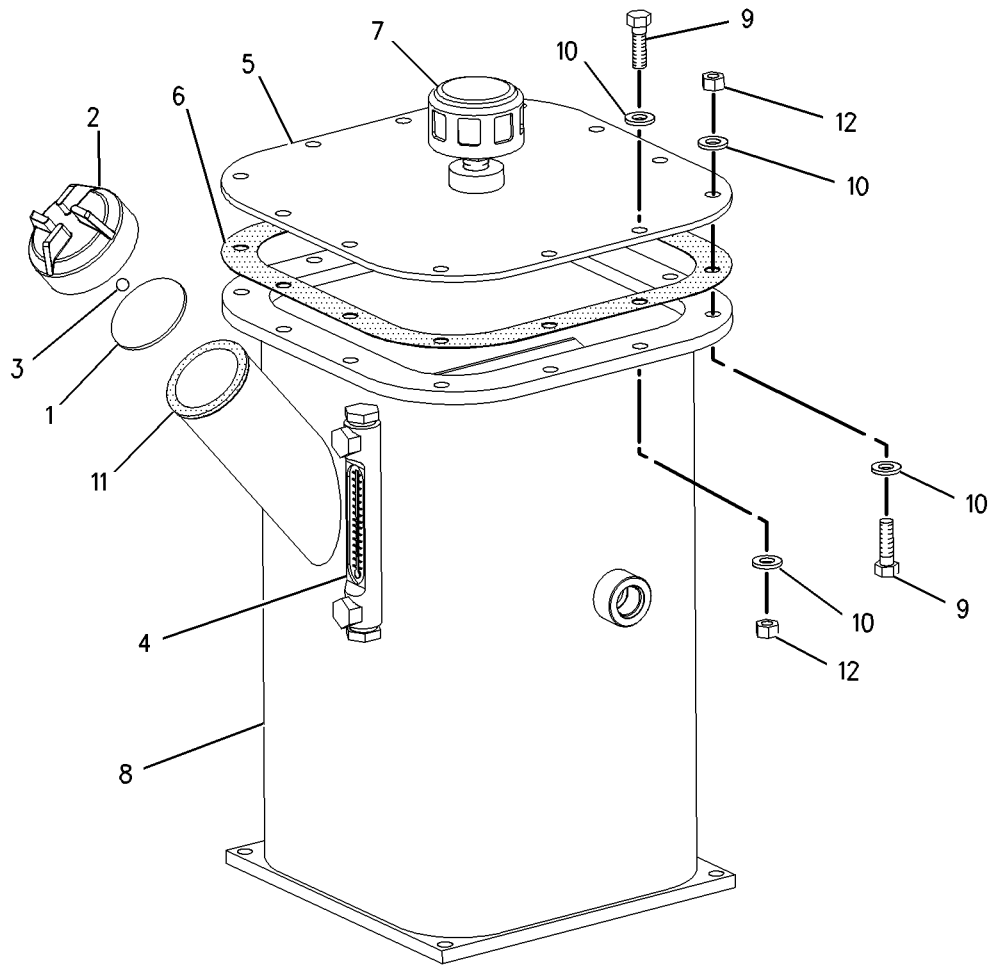
FUEL SYSTEM

143-4770 TANK GP-HYDRAULIC (CHG -00 THRU -04) PART OF 117-3196 TANK & MTG GP-HYDRAULIC

SMCS-5056

i02030163

| NOTE | REF NO | GRAPHIC REF | PART NUMBER | QTY | PART NAME | | | | | | SEE PAGE |
|------|--------|-------------|-------------|-----|-----------------------------|---|---|---|---|-------------------|----------|
| | | | | | 1 | 2 | 3 | 4 | 5 | 6 (PRODUCT LEVEL) | |
| | 1 | 1 | 2D-4202 | 1 | PLATE | | | | | | |
| | 2 | 1 | 7H-1447 | 1 | CAP-FILLER (HYDRAULIC TANK) | | | | | | |
| | 3 | 1 | 8T-2275 | 1 | BALL | | | | | | |
| | 4 | 1 | 125-3896 | 1 | THERMOMETER | | | | | | |
| | 5 | 1 | 143-4772 | 1 | COVER AS | | | | | | |
| | 6 | 1 | 143-4774 | 1 | GASKET | | | | | | |
| | 7 | 1 | 143-4880 | 1 | BREATHER (HYDRAULIC TANK) | | | | | | |
| | 8 | 1 | 176-3584 | 1 | TANK AS-HYDRAULIC | | | | | | |
| | 9 | 1 | OS-1588 | 12 | BOLT (3/8-16X1.25-IN) | | | | | | |
| | 10 | 1 | 3V-2431 | 24 | WASHER (10.2X16X2-MM THK) | | | | | | |
| | 11 | 1 | 9H-6454 | 1 | GASKET | | | | | | |
| | 12 | 1 | 9S-8752 | 12 | NUT-FULL (3/8-16-THD) | | | | | | |



GRAPHIC #1

<END>

g00752774

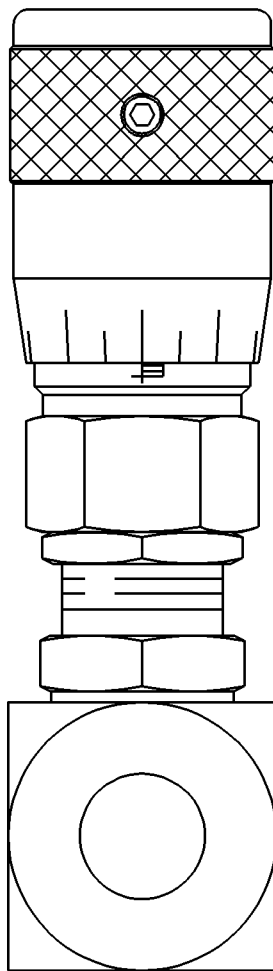
FUEL SYSTEM

110-8358 VALVE - NEEDLE (CHG -01, -02) PART OF 161-0025 LINES GP-GAS

SMCS-1274

i01379870

| NOTE | REF NO | GRAPHIC REF | PART NUMBER | QTY | PART NAME | SEE PAGE |
|---------------------|--------|-------------|-------------|-----|-----------------------------|----------|
| | | | | | 1 2 3 4 5 6 (PRODUCT LEVEL) | |
| (NO SERVICED PARTS) | | | | | | |



GRAPHIC #1

<END>

g00728750

FUEL SYSTEM

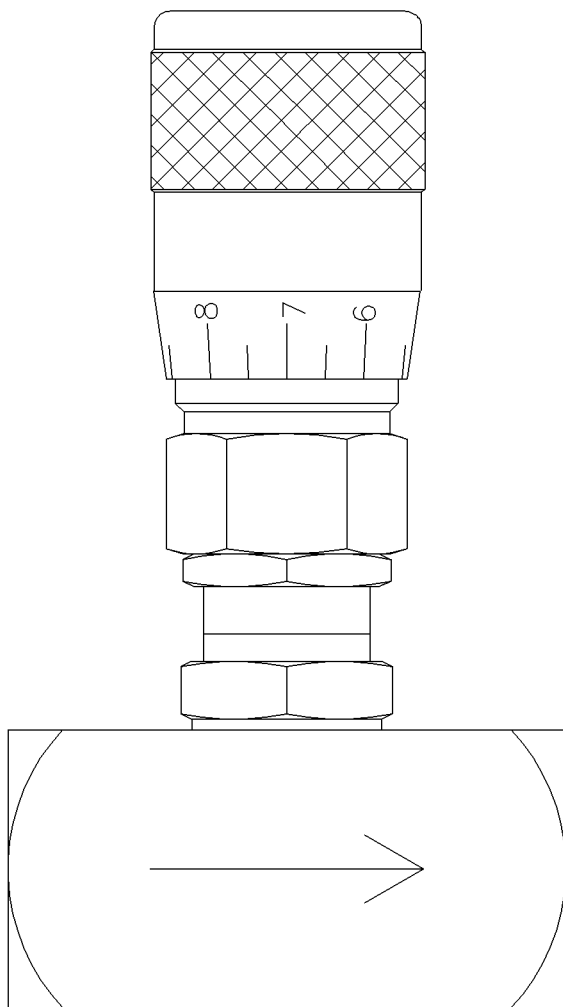
134-5129 VALVE-NEEDLE (CHG -00 THRU -02)

SMCS-1274

i01564513

| NOTE | REF NO | GRAPHIC REF | PART NUMBER | QTY | PART NAME | | | | | | SEE PAGE |
|------|--------|-------------|-------------|-----|-----------|---|---|---|---|-------------------|----------|
| | | | | | 1 | 2 | 3 | 4 | 5 | 6 (PRODUCT LEVEL) | |

(NO SERVICED PARTS)



GRAPHIC #1

<END>

g00815047

ELECTRICAL AND STARTING SYSTEM

6N-9294 ALTERNATOR GP - CHARGING*R (CHG -16, -17, -17D1, -17D2) 24-VOLT, 35-AMPERE

SMCS - 1405

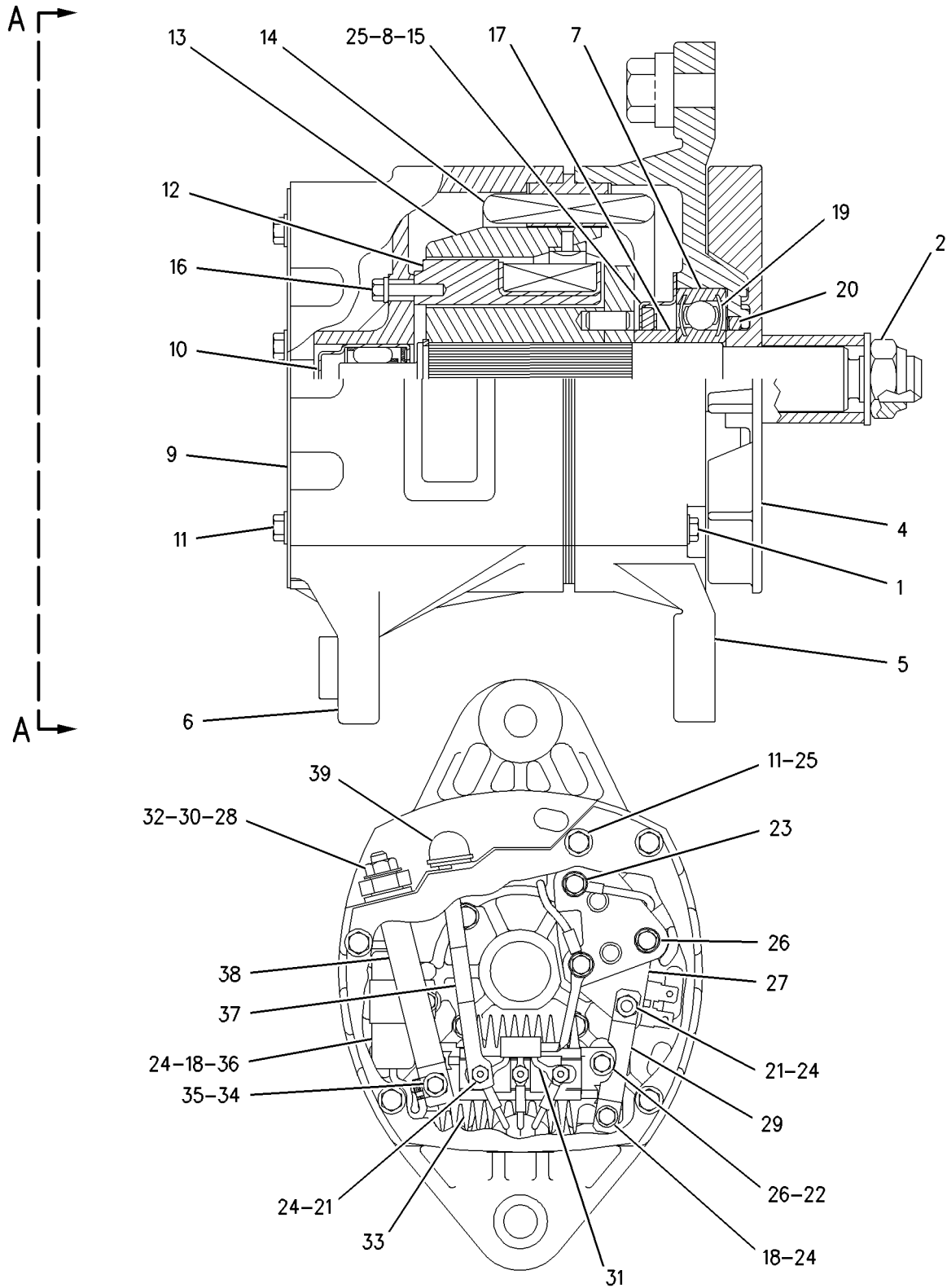
i03167896

| NOTE | REF NO | GRAPHIC REF | PART NUMBER | QTY | PART NAME | | | | | | SEE PAGE |
|------|--------|-------------|-------------|-----|--|---|---|---|---|-------------------|----------|
| | | | | | 1 | 2 | 3 | 4 | 5 | 6 (PRODUCT LEVEL) | |
| | 1 | 1 | 7N-9024 | 4 | BOLT (M10X24X63.5-MM) | | | | | | |
| | 2 | 1 | 187-2034 | 1 | NUT-FLANGE (5/8-18-THD) | | | | | | |
| | 4 | 1 | 3E-5454 | 1 | FAN-ALTERNATOR (11-BLADE) | | | | | | |
| | 5 | 1 | 7N-7810 | 1 | FRAME AS-DRIVE END | | | | | | |
| | 6 | 1 | 7N-7805 | 1 | HOUSING | | | | | | |
| | 7 | 1 | 6V-2202 | 1 | BALL BEARING | | | | | | |
| | 8 | 1 | 9S-2437 | 3 | SCREW-TAPPING (10-24X19.05-MM) | | | | | | |
| | 9 | 1 | 7N-7809 | 1 | PLATE | | | | | | |
| | 10 | 1 | 5P-6920 | 1 | BEARING-ROLLER | | | | | | |
| | 11 | 1 | 030-9612 | 5 | SCREW-FORMING (10-24X0.5-IN) | | | | | | |
| | 12 | 1 | 7N-7806 | 1 | COIL AS-FIELD | | | | | | |
| | 13 | 1 | 7N-7800 | 1 | ROTOR AS | | | | | | |
| | 14 | 1 | 7N-7804 | 1 | STATOR AS | | | | | | |
| | 15 | 1 | 9L-2137 | 1 | RETAINER AS | | | | | | |
| | 16 | 1 | 7X-3353 | 4 | SCREW-HEX HEAD (10X24X19.05-MM) | | | | | | |
| | 17 | 1 | 7N-7795 | 1 | COLLAR | | | | | | |
| | 18 | 1 | 9S-2544 | 2 | SCREW-HEX HEAD (8-32X11.13-MM) | | | | | | |
| | 19 | 1 | 9L-2140 | 1 | PLATE | | | | | | |
| | 20 | 1 | 9L-2139 | 1 | WASHER-FELT (1.31X1.68X0.125-IN THK) | | | | | | |
| | 21 | 1 | 6V-8377 | 4 | NUT (8-32 THD) | | | | | | |
| | 22 | 1 | 8T-0328 | 6 | WASHER-HARD (5.5X10X1-MM THK) | | | | | | |
| | 23 | 1 | 6N-1872 | 2 | SCREW AS (8-32X1.25-IN) | | | | | | |
| | 24 | 1 | 9B-7233 | 6 | LOCKWASHER | | | | | | |
| | 25 | 1 | 8F-1434 | 4 | LOCKWASHER | | | | | | |
| | 26 | 1 | 7N-9023 | 2 | SCREW AS (8-32X26.9-MM) | | | | | | |
| | 27 | 1 | 3T-6354 | 1 | REGULATOR AS-VOLTAGE (24-VOLT) (ALTERNATOR) | | | | | | |
| | 28 | 1 | 1H-3244 | 1 | LOCKWASHER | | | | | | |
| | 29 | 1 | 7N-7811 | 1 | CONNECTOR | | | | | | |
| | 30 | 1 | 6V-8187 | 1 | NUT (1/4-28-THD) | | | | | | |
| | 31 | 1 | 112-9119 | 1 | DIODE AS-ALTERNATOR | | | | | | |
| | 32 | 1 | 8T-4205 | 1 | WASHER-HARD (7.2X14.5X2-MM THK) | | | | | | |
| | 33 | 1 | 206-4202 | 1 | RECTIFIER AS | | | | | | |
| | 34 | 1 | 7N-9021 | 1 | SCREW AS (8-32X1.34-IN) | | | | | | |
| | 35 | 1 | 7N-7796 | 1 | BUSHING-TERMINAL | | | | | | |
| | 36 | 1 | 7N-7802 | 1 | CAPACITOR AS | | | | | | |
| | 37 | 1 | 7N-7801 | 1 | CONNECTOR | | | | | | |
| | 38 | 1 | 7N-7798 | 1 | CONNECTOR | | | | | | |
| | 39 | 1 | 9L-6770 | 1 | CAP-DUST | | | | | | |
| | | | | | AVAILABLE REPAIR KIT(S) : | | | | | | |
| | | | 7N-7807 | 1 | KIT-OUTPUT TERMINAL (ALTERNATOR) (INCLUDES INSULATOR, SCREW, WASHERS, LOCKWASHER, NUT & ADAPTER) | | | | | | |
| | | | 7N-7808 | 1 | KIT-RELAY TERMINAL (ALTERNATOR) (INCLUDES STUD, BUSHINGS, WASHERS & NUT AS) | | | | | | |

ELECTRICAL AND STARTING SYSTEM

6N-9294 ALTERNATOR GP - CHARGING (contd.)

i03167896



VIEW A-A

<END>

GRAPHIC #1

g00810638

ELECTRICAL AND STARTING SYSTEM

200-8277 ALTERNATOR GP-CHARGING*R (CHG -00, -00D1, -01) 24-VOLT, 100-AMPERE

SMCS-1405

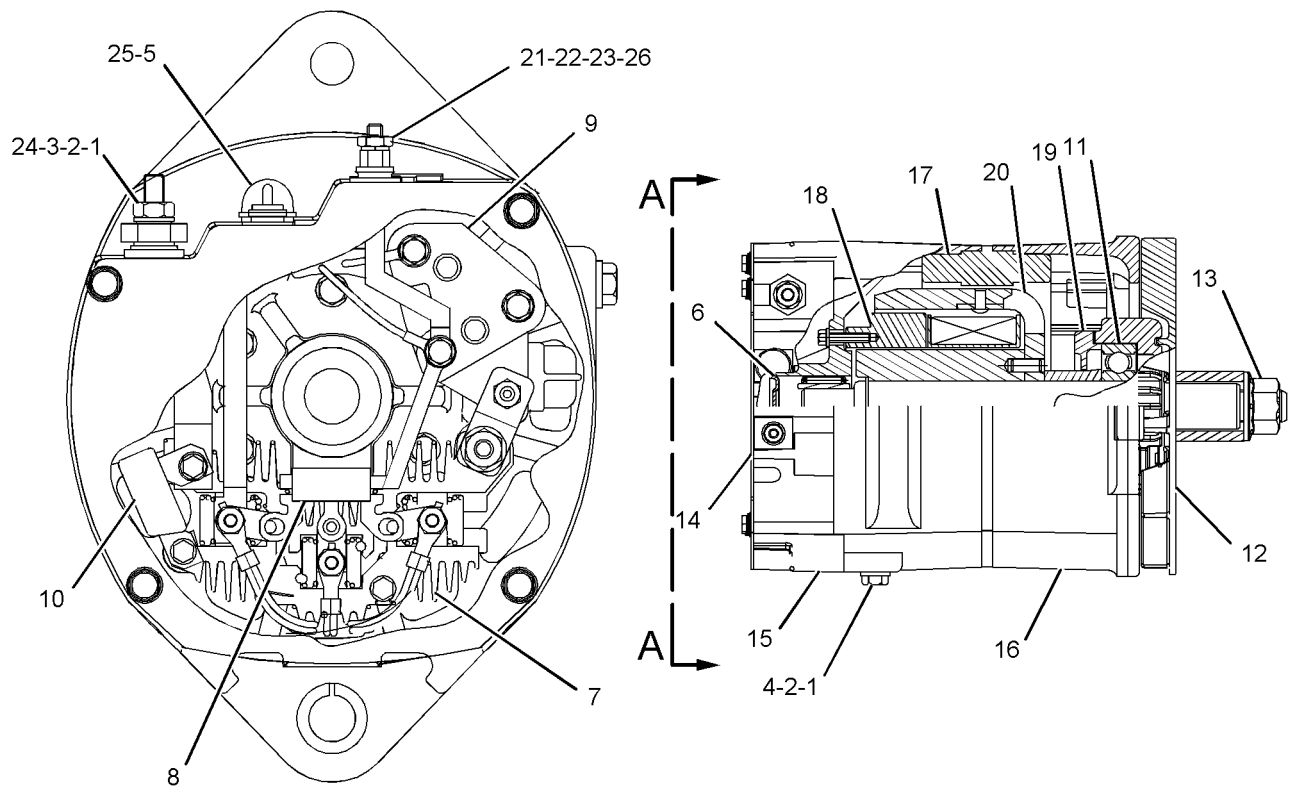
i02437801

| NOTE | REF NO | GRAPHIC REF | PART NUMBER | QTY | PART NAME | | | | | | SEE PAGE |
|------|--------|-------------|-----------------|-----|--|---|---|---|---|-------------------|----------|
| | | | | | 1 | 2 | 3 | 4 | 5 | 6 (PRODUCT LEVEL) | |
| | 1 | 1 | 8T-4205 | 2 | WASHER-HARD (7.2X14.5X2-MM THK) | | | | | | |
| | 2 | 1 | 1H-3244 | 2 | LOCKWASHER | | | | | | |
| | 3 | 1 | 6V-8187 | 1 | NUT (1/4-28-THD) | | | | | | |
| | 4 | 1 | 5S-7349 | 1 | BOLT (1/4-20X0.5-IN) | | | | | | |
| | 5 | 1 | 9L-6770 | 1 | CAP-DUST | | | | | | |
| | 6 | 1 | 231-6133 | 1 | KIT-BEARING (ALTERNATOR) (INCLUDES BEARING AS AND RACE) | | | | | | |
| | 7 | 1 | 231-6134 | 1 | KIT-RECTIFIER (ALTERNATOR) (INCLUDES ADAPTER, CONNECTOR, INSULATION, RECTIFIER, SCREWS AND WASHERS) | | | | | | |
| | 8 | 1 | 202-2708 | 1 | DIODE AS | | | | | | |
| | 9 | 1 | 3T-6354 | 1 | REGULATOR AS-VOLTAGE (24-VOLT) (ALTERNATOR) | | | | | | |
| | 10 | 1 | 229-8906 | 1 | CAPACITOR AS | | | | | | |
| | 11 | 1 | 202-9897 | 1 | BEARING-SPECIAL BALL | | | | | | |
| | 12 | 1 | 100-6531 | 1 | FAN-ALTERNATOR (11-BLADE) | | | | | | |
| | 13 | 1 | 187-2034 | 1 | NUT-FLANGE (5/8-18-THD) | | | | | | |
| | 14 | 1 | 202-2783 | 1 | PLATE | | | | | | |
| | 15 | 1 | 202-2699 | 1 | HOUSING AS | | | | | | |
| | 16 | 1 | 202-2700 | 1 | FRAME | | | | | | |
| | 17 | 1 | 202-2707 | 1 | STATOR AS-ALTERNATOR | | | | | | |
| | 18 | 1 | 202-2703 | 1 | COIL AS | | | | | | |
| | 19 | 1 | 9S-2390 | 1 | RETAINER | | | | | | |
| | 20 | 1 | 9S-2302 | 1 | ROTOR AS | | | | | | |
| | 21 | 1 | 4B-2047 | 1 | NUT (10-24-THD) | | | | | | |
| | 22 | 1 | 8T-0328 | 1 | WASHER-HARD (5.5X10X1-MM THK) | | | | | | |
| | 23 | 1 | 8F-1434 | 1 | LOCKWASHER | | | | | | |
| | 24 | 1 | 202-2784 | 1 | KIT-ALTERNATOR TERMINAL (INCLUDES NUT, LOCKWASHERS, WASHERS, INSULATORS, SCREW, CONNECTOR, ADAPTER) | | | | | | |
| | 25 | 1 | 202-2785 | 1 | KIT-ALTERNATOR TERMINAL (INCLUDES STUD, BUSHINGS, WASHERS, CONNECTOR, NUT) | | | | | | |
| | 26 | 1 | 202-2786 | 1 | KIT-ALTERNATOR TERMINAL (INCLUDES NUTS, LOCKWASHER, BUSHINGS, WASHERS, CONNECTOR, STUD) | | | | | | |
| | | | | | AVAILABLE REPAIR KIT(S): | | | | | | |
| | | | 202-2787 | 1 | KIT-HARDWARE (ALTERNATOR) (INCLUDES NUTS, PLUG, SCREWS, LOCKWASHER, CONNECTOR, BOLTS, COLLAR, BOOT) | | | | | | |

ELECTRICAL AND STARTING SYSTEM

200-8277 ALTERNATOR GP - CHARGING (contd.)

i02437801



VIEW A-A

GRAPHIC #1

<END>

g01083124

ELECTRICAL AND STARTING SYSTEM

257-8836 BOX AS - CONTROL (CHG -00 THRU -02) PART OF 257-5889 PANEL GP-CONTROL

SMCS-4460, 7426

i02191013

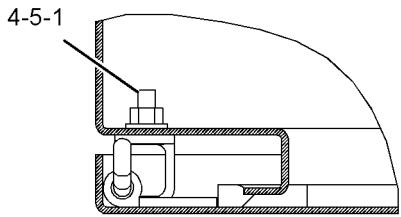
| NOTE | REF NO | GRAPHIC REF | PART NUMBER | QTY | PART NAME | | | | | | SEE PAGE |
|------|--------|-------------|-----------------|-----|--------------------|---|---|---|---|-------------------|----------|
| | | | | | 1 | 2 | 3 | 4 | 5 | 6 (PRODUCT LEVEL) | |
| M | 1 | 1 | 6R-7943 | 4 | SCREW (M5X15.5-MM) | | | | | | |
| | 2 | 1 | 151-1315 | 2 | LATCH AS | | | | | | |
| | 3 | 1 | 153-3723 | 2 | HINGE AS | | | | | | |
| | | | | | (EACH INCLUDES) | | | | | | |
| | | 1 | 8T-5447 | 1 | RING-RETAINING | | | | | | |
| | 4 | 1 | 154-9294 | | SEAL (FASTENER) | | | | | | |
| M | 5 | 1 | 5C-2874 | 4 | NUT (M5X0.8-THD) | | | | | | |
| | 6 | 1 | 7T-1099 | 14 | LINK | | | | | | |
| BD | 7 | 1 | 6V-1392 | | SEAL | | | | | | |

B - USE AS REQUIRED
D - ORDER BY THE METER
M - METRIC PART

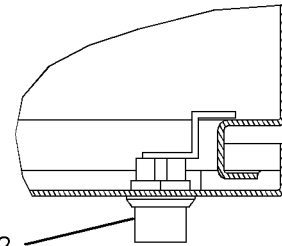
ELECTRICAL AND STARTING SYSTEM

257-8836 BOX AS-CONTROL (contd.)

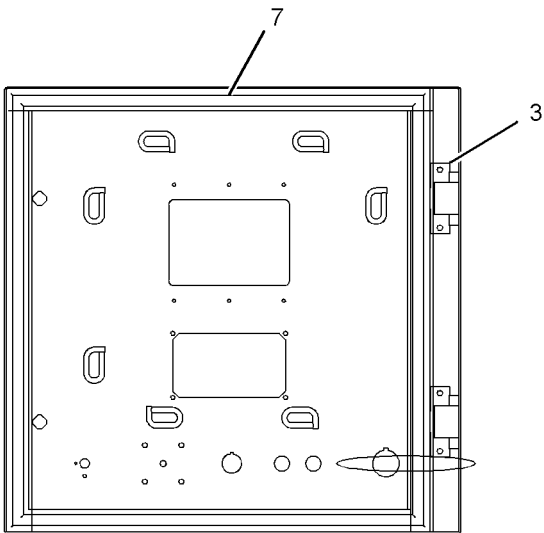
i02191013



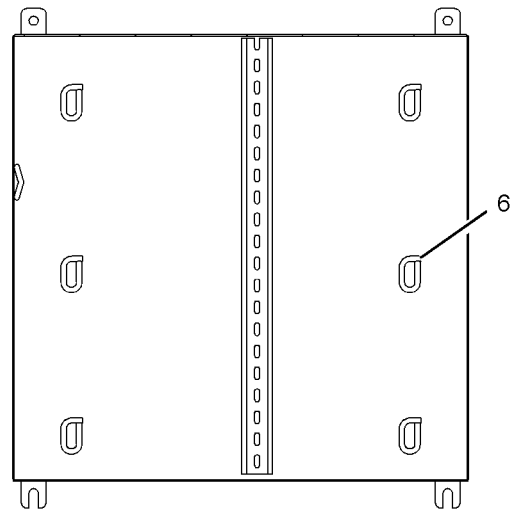
SECTION A-A



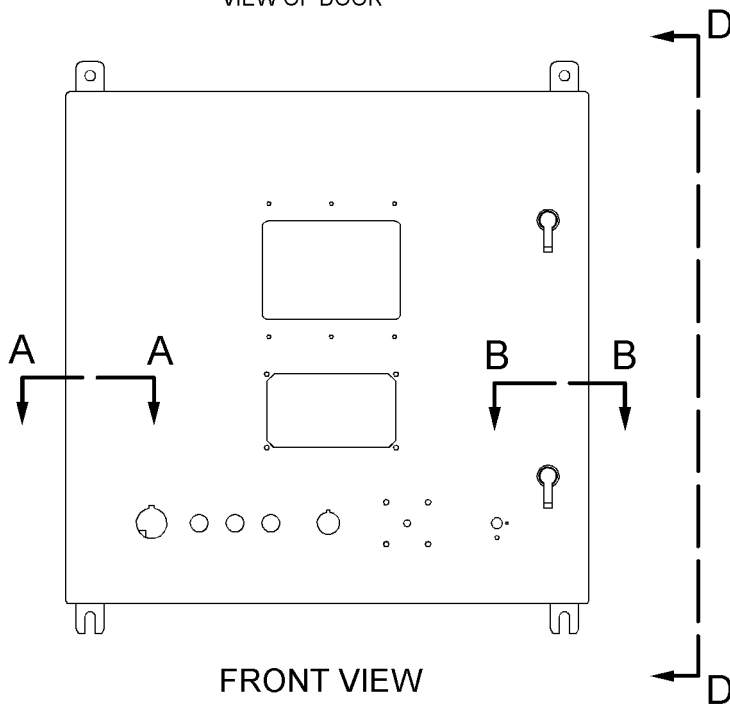
SECTION B-B



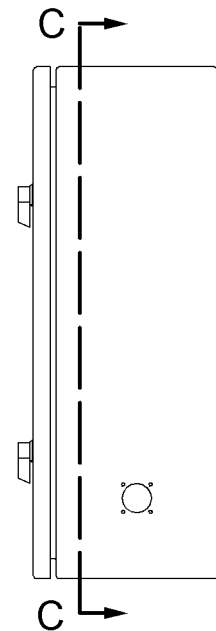
VIEW OF DOOR



SECTION C-C



FRONT VIEW



VIEW D-D

GRAPHIC #1

<END>

g01107226

ELECTRICAL AND STARTING SYSTEM

197-0064 BOX AS-JUNCTION (CHG -00 THRU -03) PART OF 195-6244 BOX GP-CONTROL PANEL

SMCS-7426

i02528442

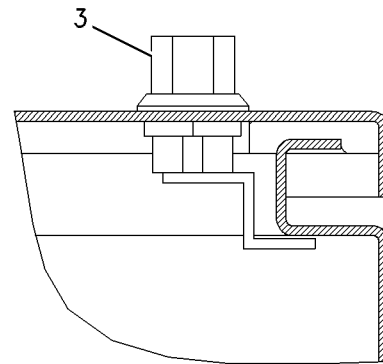
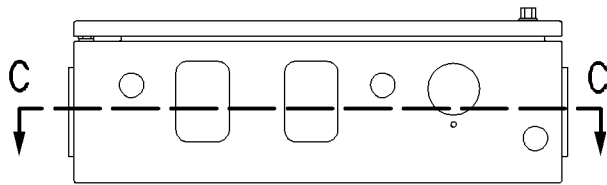
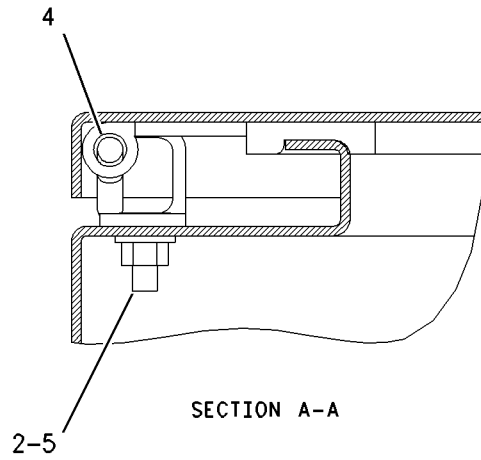
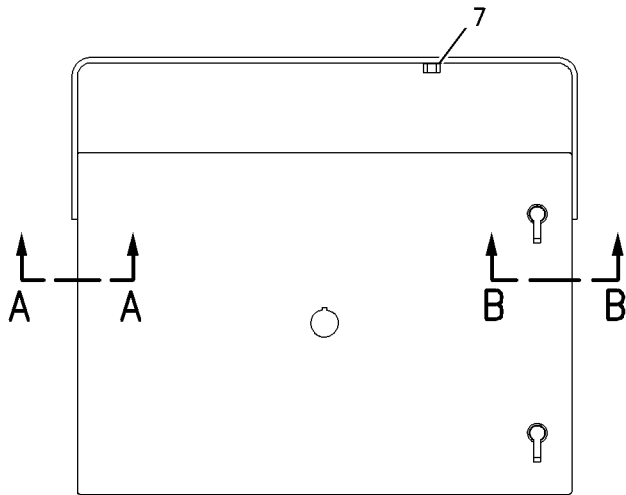
| NOTE | REF NO | GRAPHIC REF | PART NUMBER | QTY | PART NAME | | | | | | SEE PAGE |
|------|--------|-------------|-----------------|-----|-----------------------|---|---|---|---|-------------------|----------|
| | | | | | 1 | 2 | 3 | 4 | 5 | 6 (PRODUCT LEVEL) | |
| D | 1 | 1 | 6V-1392 | | SEAL (0.1-M) | | | | | | |
| M | 2 | 1 | 6R-7943 | 4 | SCREW (M5X15.5-MM) | | | | | | |
| | 3 | 1 | 151-1315 | 2 | LATCH AS | | | | | | |
| | 4 | 1 | 153-3723 | 2 | HINGE AS | | | | | | |
| | | | | | (EACH INCLUDES) | | | | | | |
| | | 1 | 8T-5447 | 1 | RING-RETAINING | | | | | | |
| M | 5 | 1 | 5C-2874 | 4 | NUT (M5X0.8-THD) | | | | | | |
| | 6 | 1 | 7T-1099 | 2 | LINK | | | | | | |
| | 7 | 1 | 1F-0750 | 1 | NUT-WELD (3/8-16-THD) | | | | | | |

D- ORDER BY THE METER
M- METRIC PART

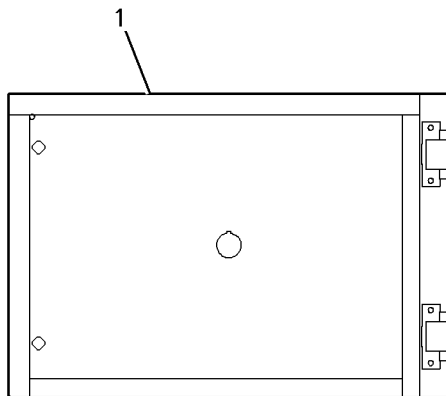
ELECTRICAL AND STARTING SYSTEM

197-0064 BOX AS-JUNCTION (contd.)

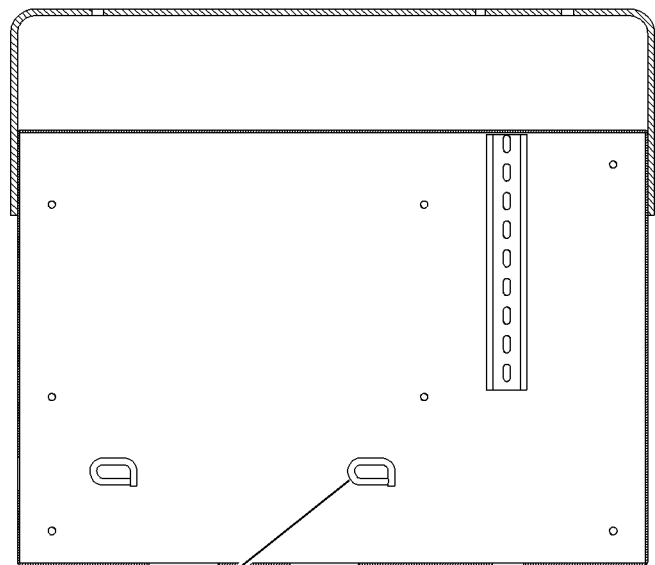
i02528442



SECTION B-B



VIEW OF DOOR



SECTION C-C

GRAPHIC #1

<END>

g01265046

ELECTRICAL AND STARTING SYSTEM

228-6559 CABLE AS-COMMUNICATION (CHG -00) FOR USE WITH 276-0785-PAGE 545

SMCS-7556

i02525035

| NOTE | PART NUMBER | QTY | PART NAME | | | | | | SEE PAGE |
|-------|-------------|-----|---------------------|---|---|---|---|-------------------|----------|
| | | | 1 | 2 | 3 | 4 | 5 | 6 (PRODUCT LEVEL) | |
| | | | (NO SERVICED PARTS) | | | | | | |
| <END> | | | | | | | | | |

256-7511 CONTROL GP-COMMUNICATION-PL1000T (CHG -00 THRU -04, 235-9720-00 THRU 235-9720-03, 258-4550-01, 279-6664-00) PART OF 320-9980 INSTALLATION GP-COMMUNICATION FOR USE WITH 270-1732-PAGE 545

SMCS-7606, 7610, 7620

i02417371

| NOTE | PART NUMBER | QTY | PART NAME | | | | | | SEE PAGE |
|-------|-------------|-----|---------------------|---|---|---|---|-------------------|----------|
| | | | 1 | 2 | 3 | 4 | 5 | 6 (PRODUCT LEVEL) | |
| | | | (NO SERVICED PARTS) | | | | | | |
| <END> | | | | | | | | | |

256-7512 CONTROL GP-COMMUNICATION-PL1000E (CHG -00 THRU -04, 256-6806-00, 258-4548-00, 258-4548-01) PART OF 320-9979 INSTALLATION GP-COMMUNICATION

SMCS-7606, 7610, 7620

i02375334

| NOTE | PART NUMBER | QTY | PART NAME | | | | | | SEE PAGE |
|-------|-------------|-----|---------------------|---|---|---|---|-------------------|----------|
| | | | 1 | 2 | 3 | 4 | 5 | 6 (PRODUCT LEVEL) | |
| | | | (NO SERVICED PARTS) | | | | | | |
| <END> | | | | | | | | | |

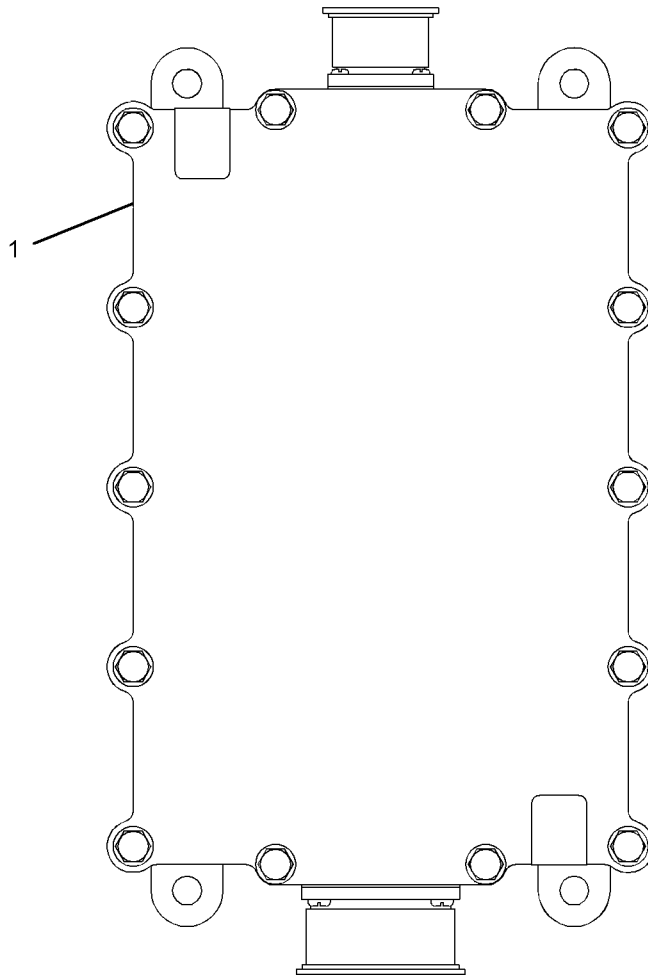
ELECTRICAL AND STARTING SYSTEM

242-8988 CONTROL GP-ELECTRONIC- INTEGRATED COMBUSTION SENSING (CHG -00) PART OF 206-5459 SENSOR GP-COMBUSTION

SMCS-1917, 1924

i02380445

| NOTE | REF NO | GRAPHIC REF | PART NUMBER | QTY | PART NAME | | | | | | SEE PAGE |
|------|--------|-------------|-------------|-----|--|---|---|---|---|-------------------|----------|
| | | | | | 1 | 2 | 3 | 4 | 5 | 6 (PRODUCT LEVEL) | |
| | 1 | 1 | 158-6051 | 1 | CONTROL AS-ELECTRONIC (INTEGRATED COMBUSTION SENSING) | | | | | | |



GRAPHIC #1

<END>

g01188598

ELECTRICAL AND STARTING SYSTEM

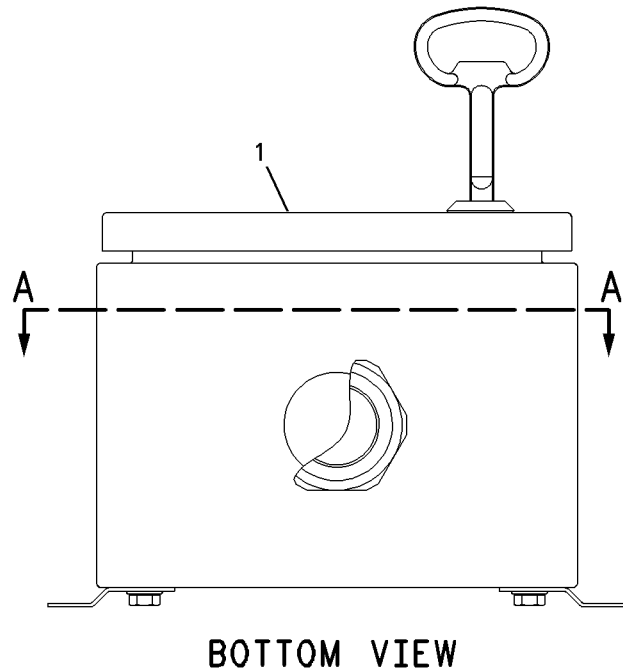
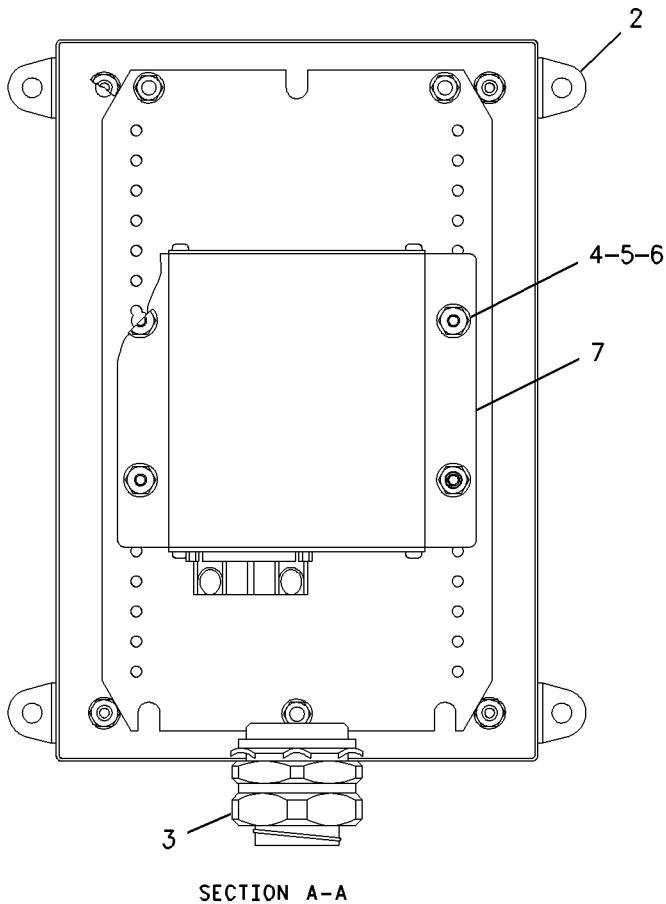
216-8697 CONTROL GP - ENG RATINGS ELEK (CHG -00)

SMCS - 1902

i02424664

| NOTE | REF NO | GRAPHIC REF | PART NUMBER | QTY | PART NAME | | | | | | SEE PAGE |
|------|--------|-------------|-------------|-----|---|---|---|---|---|-------------------|----------|
| | | | | | 1 | 2 | 3 | 4 | 5 | 6 (PRODUCT LEVEL) | |
| | 1 | 1 | 131-3911 | 1 | JUNCTION BOX | | | | | | |
| | | 1 | 120-9850 | 1 | BOX | | | | | | |
| | 2 | 1 | 121-0124 | 4 | BRACKET AS | | | | | | |
| | 3 | 1 | 5N-7501 | 1 | CONNECTOR | | | | | | |
| | 4 | 1 | 1H-3337 | 4 | BOLT (1/4-20X0.875-IN) | | | | | | |
| | 5 | 1 | 9T-4017 | 8 | SEAL | | | | | | |
| | 6 | 1 | 9S-8750 | 4 | NUT-FULL (1/4-20-THD) | | | | | | |
| Y | 7 | 1 | 188-3081 | 1 | MODULE GP-SYSTEM COMMUNICATION (CUSTOMER) | | | | | | 696 |

Y-SEPARATE ILLUSTRATION



GRAPHIC #1

<END>

g00730787

ELECTRICAL AND STARTING SYSTEM

210-0176 CONTROL GP-ENGINE ELECTRONIC (CHG -00, -01)

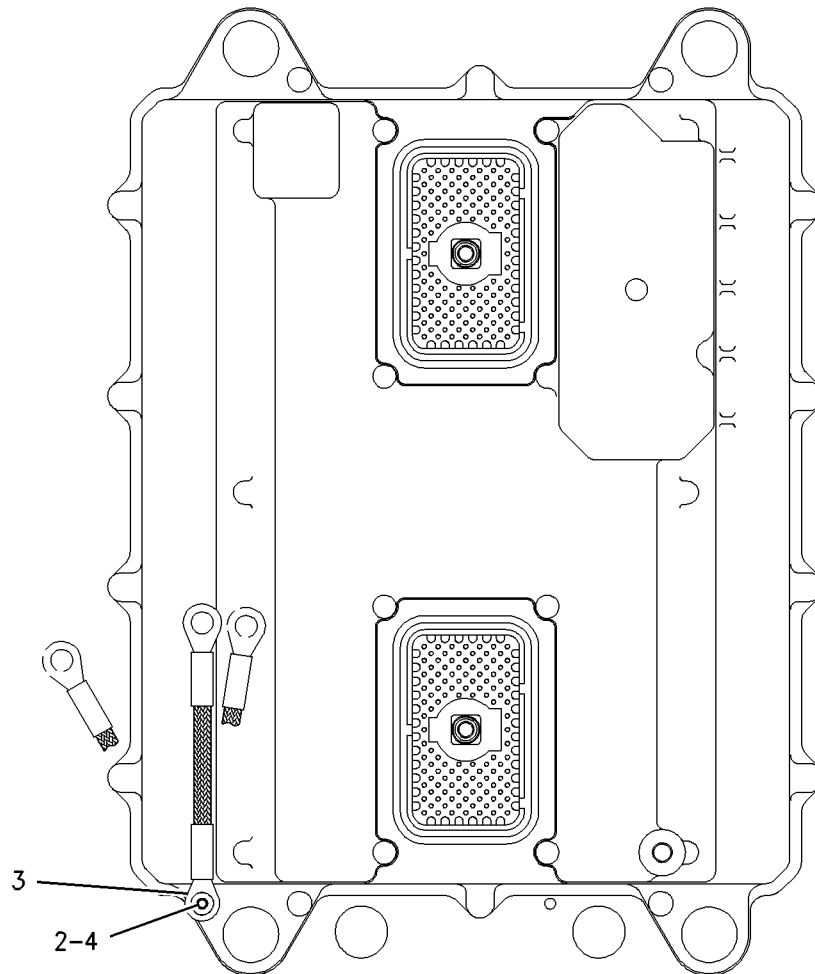
GAS

PART OF 195-6244 BOX GP-CONTROL PANEL

SMCS-1901

i01598415

| NOTE | REF NO | GRAPHIC REF | PART NUMBER | QTY | PART NAME | | | | | | SEE PAGE |
|------|--------|-------------|-------------|-----|----------------------------------|---|---|---|---|-------------------|----------|
| | | | | | 1 | 2 | 3 | 4 | 5 | 6 (PRODUCT LEVEL) | |
| | 2 | 1 | 184-2472 | 1 | SCREW-PAN HEAD (NO 8-32X9.52-MM) | | | | | | |
| | 3 | 1 | 7X-6315 | 1 | STRAP AS-GROUND | | | | | | |
| | 4 | 1 | 134-4126 | 1 | WASHER (4.52X8.28X0.76-MM THK) | | | | | | |



GRAPHIC #1

<END>

g00839997

ELECTRICAL AND STARTING SYSTEM

210-9470 CONTROL GP-ENGINE ELECTRONIC (CHG -01, -02)

GAS

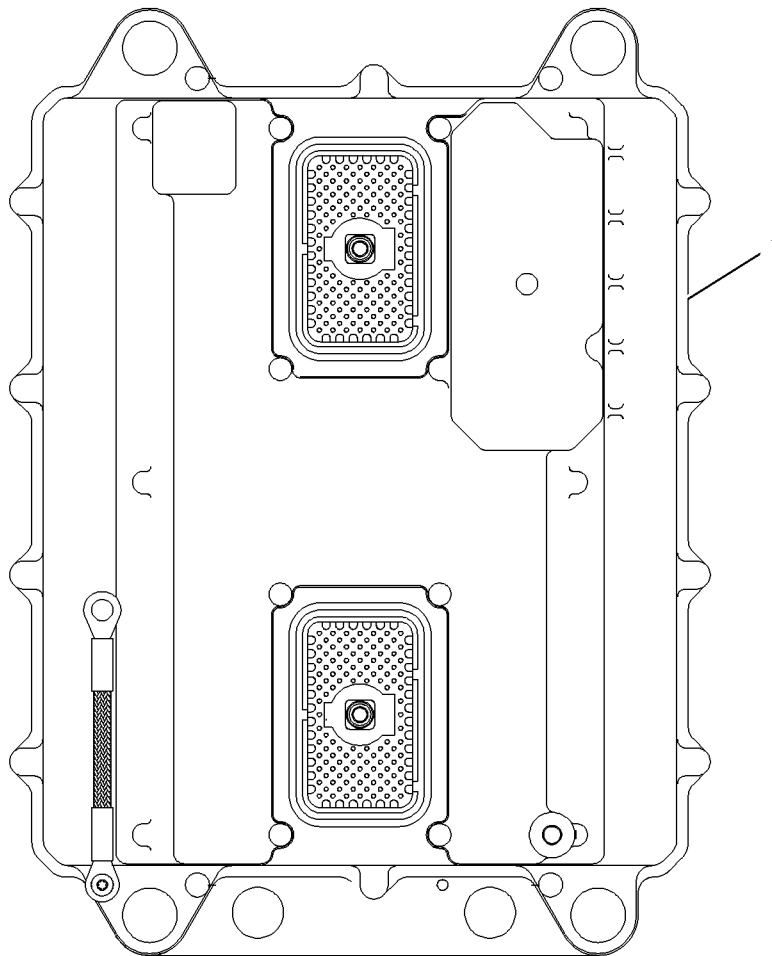
PART OF 195-6244 BOX GP-CONTROL PANEL

SMCS-1901

i01874048

| NOTE | REF NO | GRAPHIC REF | PART NUMBER | QTY | PART NAME | | | | | | SEE PAGE |
|------|--------|-------------|-------------|-----|-------------------------|---|---|---|---|-------------------|----------|
| | | | | | 1 | 2 | 3 | 4 | 5 | 6 (PRODUCT LEVEL) | |
| Y | 1 | 1 | 211-5228 | 1 | CONTROL GP-UNPROGRAMMED | | | | | | 540 |

Y-SEPARATE ILLUSTRATION



FRONT VIEW

GRAPHIC #1

<END>

g00959928

ELECTRICAL AND STARTING SYSTEM

210-9470 CONTROL GP-ENGINE ELECTRONIC (CHG -03 THRU -05)

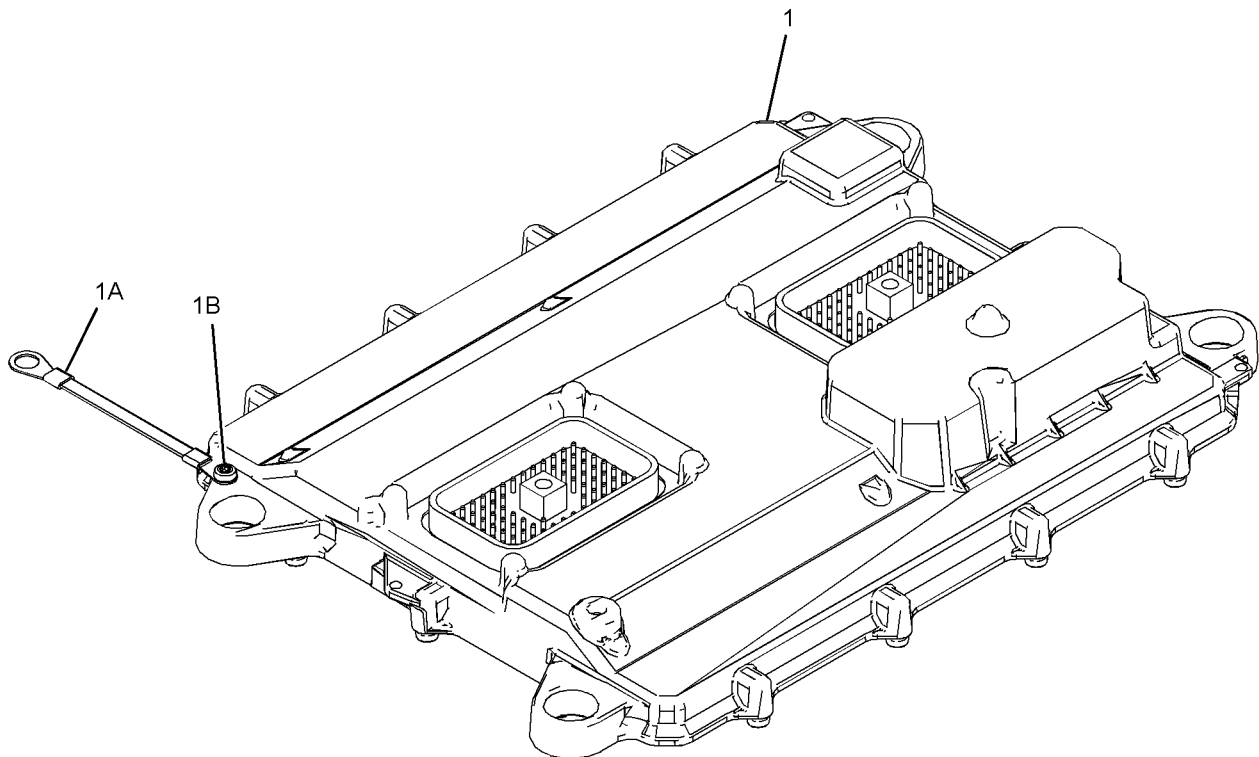
GAS

PART OF 195-6244 BOX GP-CONTROL PANEL

SMCS-1901

i03199870

| NOTE | REF NO | GRAPHIC REF | PART NUMBER | QTY | PART NAME | | | | | | SEE PAGE |
|------|--------|-------------|-----------------|-----|----------------------------------|---|---|---|---|-------------------|----------|
| | | | | | 1 | 2 | 3 | 4 | 5 | 6 (PRODUCT LEVEL) | |
| | 1 | 1 | 322-3615 | 1 | CONTROL GP-ELECTRONIC | | | | | | |
| | 1A | 1 | 7X-6315 | 1 | STRAP AS-GROUND | | | | | | |
| | 1B | 1 | 184-2472 | 1 | SCREW-PAN HEAD (NO 8-32X9.52-MM) | | | | | | |



GRAPHIC #1

<END>

g01632213

ELECTRICAL AND STARTING SYSTEM

162-7289 CONTROL GP - GAS PRESSURE (CHG -00, -01)

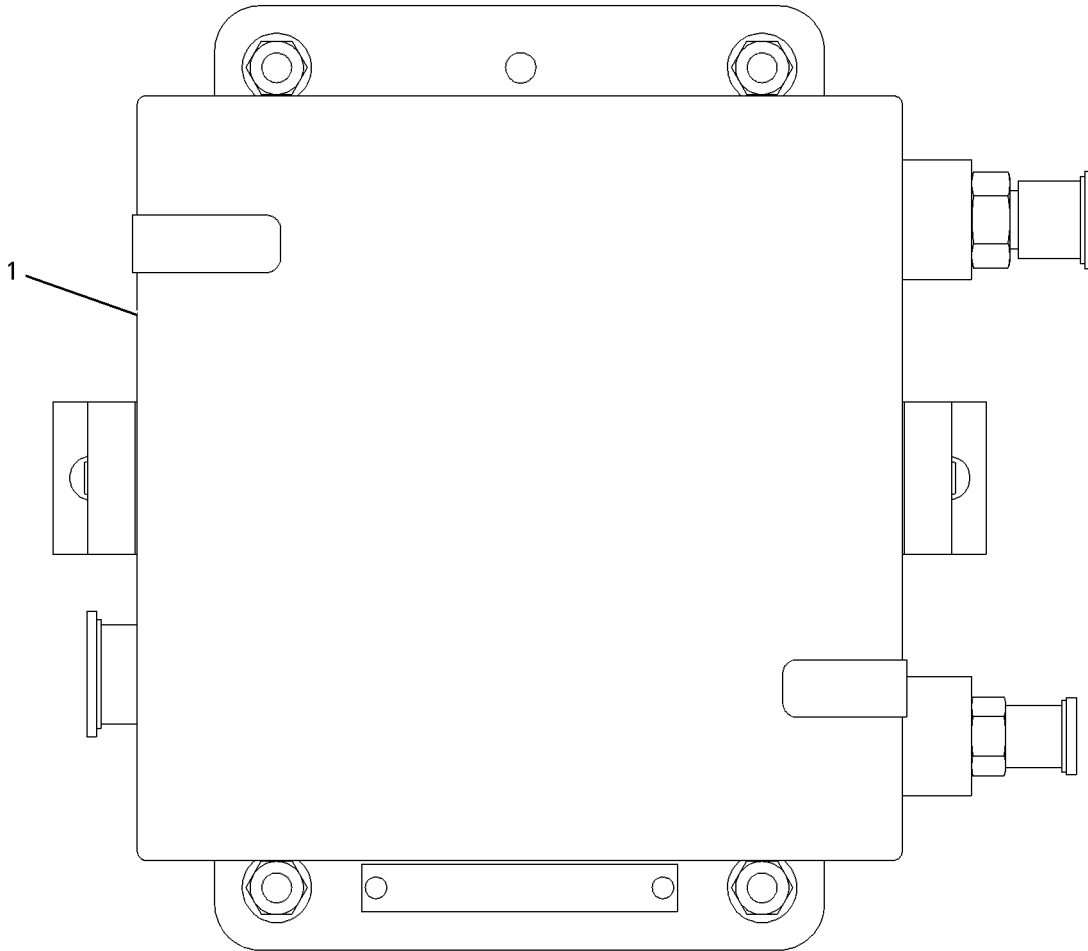
GAS HIGH PRESSURE MODULE
PART OF 206-5461 WIRING GP - ENGINE

SMCS-1901

i01017102

| NOTE | REF NO | GRAPHIC REF | PART NUMBER | QTY | PART NAME | | | | | | SEE PAGE |
|------|--------|-------------|-------------|-----|---------------------------|---|---|---|---|-------------------|----------|
| | | | | | 1 | 2 | 3 | 4 | 5 | 6 (PRODUCT LEVEL) | |
| Y | 1 | 1 | 162-7290 | 1 | CONTROL GP - GAS PRESSURE | | | | | | 536 |

Y - SEPARATE ILLUSTRATION



GRAPHIC #1

<END>

g00528473

ELECTRICAL AND STARTING SYSTEM

162-7289 CONTROL GP-GAS PRESSURE (CHG -02 THRU -05)

GAS HIGH PRESSURE MODULE

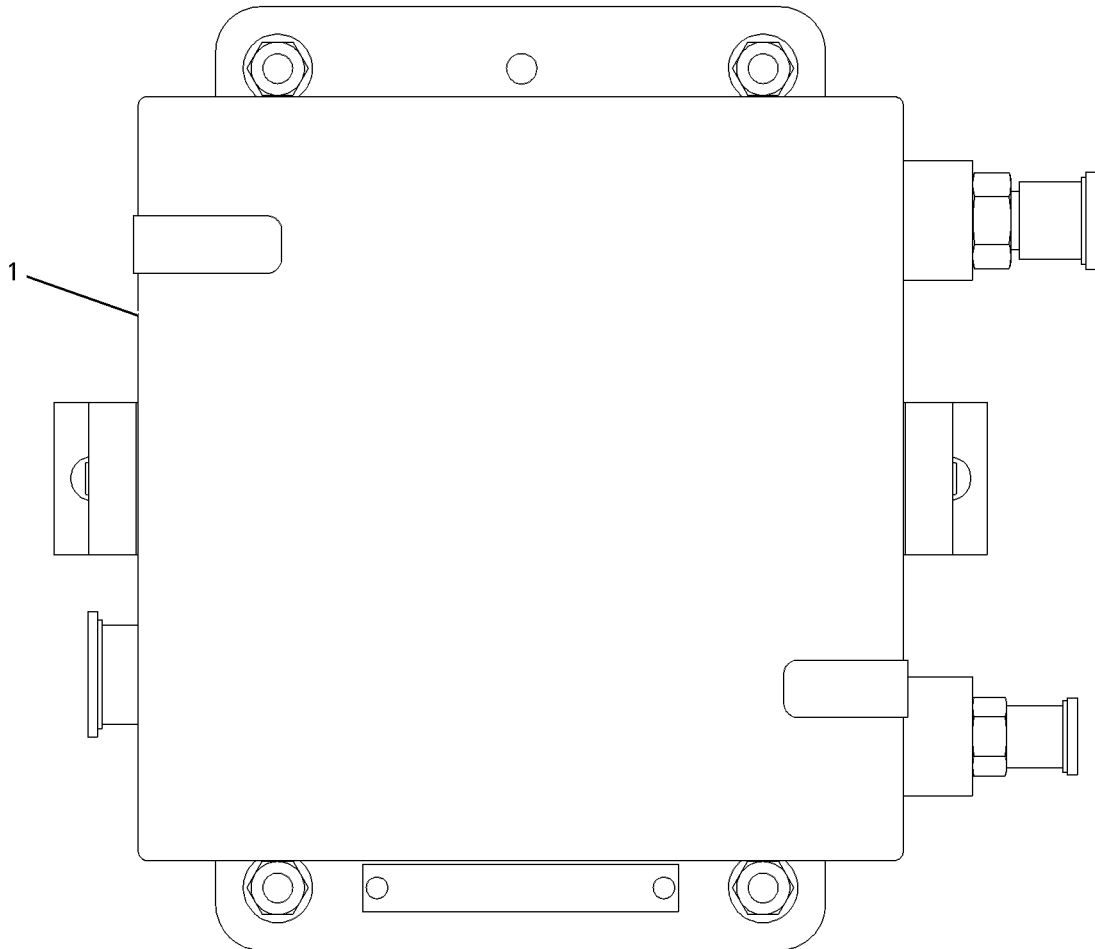
PART OF 206-5461, 228-8984 WIRING GP-ENGINE

SMCS-1901

i01740412

| NOTE | REF NO | GRAPHIC REF | PART NUMBER | QTY | PART NAME | | | | | | SEE PAGE |
|------|--------|-------------|-------------|-----|-------------------------|---|---|---|---|-------------------|----------|
| | | | | | 1 | 2 | 3 | 4 | 5 | 6 (PRODUCT LEVEL) | |
| CY | 1 | 1 | 211-6713 | 1 | CONTROL GP-GAS PRESSURE | | | | | | 539 |

C - CHANGE FROM PREVIOUS TYPE
Y - SEPARATE ILLUSTRATION



GRAPHIC #1

<END>

g00528473

ELECTRICAL AND STARTING SYSTEM

162-7290 CONTROL GP-GAS PRESSURE (CHG -00 THRU -02)

GAS HIGH PRESSURE MODULE

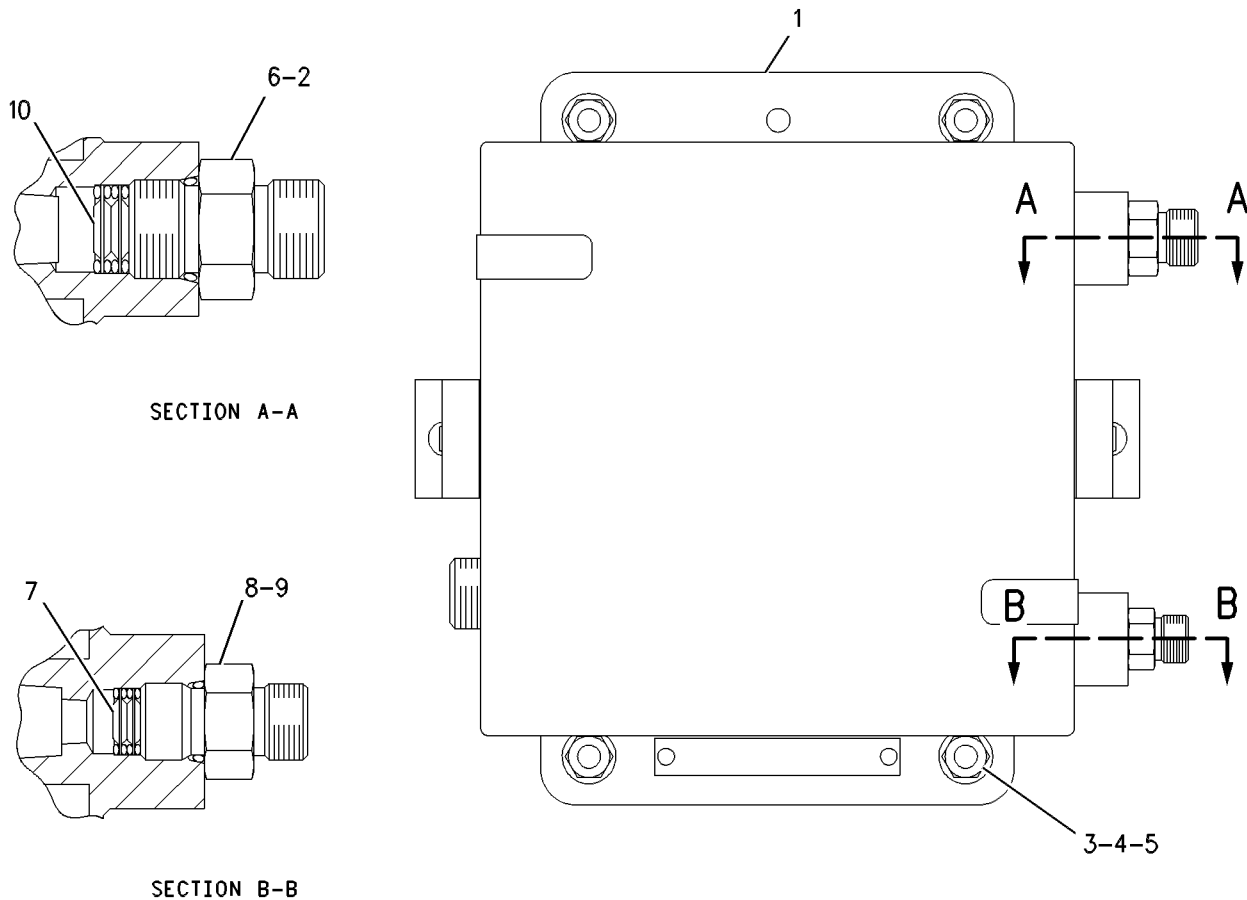
PART OF 162-7289 CONTROL GP-GAS PRESSURE

SMCS-1901

i01592919

| NOTE | REF NO | GRAPHIC REF | PART NUMBER | QTY | PART NAME | | | | | | SEE PAGE |
|------|--------|-------------|-------------|-----|------------------------------|---|---|---|---|-------------------|----------|
| | | | | | 1 | 2 | 3 | 4 | 5 | 6 (PRODUCT LEVEL) | |
| Y | 1 | 1 | 162-7292 | 1 | CONTROL GP-GAS PRESSURE | | | | | | 537 |
| | 2 | 1 | 3J-1907 | 1 | SEAL-O-RING | | | | | | |
| | 3 | 1 | 6V-8185 | 4 | NUT (1/4-20-THD) | | | | | | |
| | 4 | 1 | 4B-4674 | 4 | WASHER (6.4X14.5X1.6-MM THK) | | | | | | |
| | 5 | 1 | 3N-1968 | 4 | MOUNT-FLEXIBLE | | | | | | |
| | 6 | 1 | 2R-6806 | 1 | CONNECTOR-O-RING | | | | | | |
| | 7 | 1 | 9N-1756 | 4 | SEAL-O-RING | | | | | | |
| | 8 | 1 | 3J-7352 | 1 | CONNECTOR | | | | | | |
| | 9 | 1 | 3J-7354 | 1 | SEAL-O-RING | | | | | | |
| | 10 | 1 | 8L-2779 | 4 | SEAL-O-RING | | | | | | |

Y-SEPARATE ILLUSTRATION



GRAPHIC #1

<END>

g00527994

ELECTRICAL AND STARTING SYSTEM

162-7292 CONTROL GP-GAS PRESSURE (CHG -00 THRU -02)

GAS HIGH PRESSURE MODULE

PART OF 162-7290, 211-6713 CONTROL GP-GAS PRESSURE

SMCS-1901

i02380809

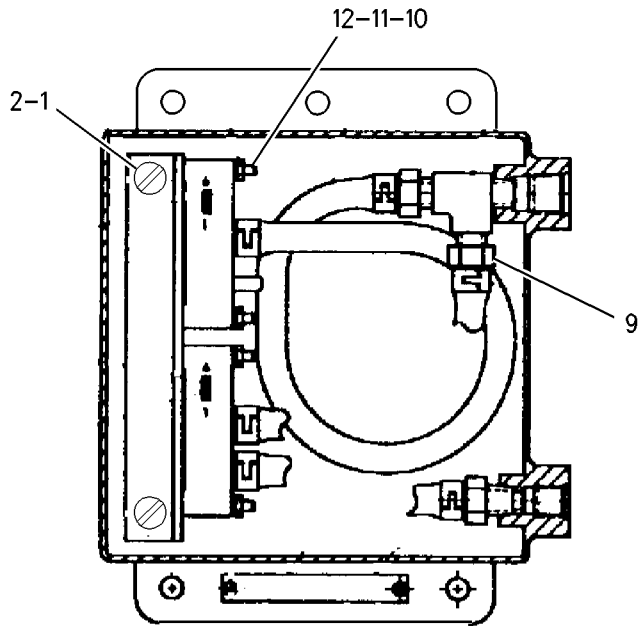
| NOTE | REF NO | GRAPHIC REF | PART NUMBER | QTY | PART NAME | | | | | | SEE PAGE |
|------|--------|-------------|----------------|-----|---|---|---|---|---|-------------------|----------|
| | | | | | 1 | 2 | 3 | 4 | 5 | 6 (PRODUCT LEVEL) | |
| | 1 | 1 | 4B-1237 | 9 | SCREW-MACHINE (10-32X12.7-MM) | | | | | | |
| | 2 | 1 | 8C-7507 | 6 | LOCKWASHER | | | | | | |
| | 3 | 1 | 4B-4274 | 2 | WASHER (5.5X13X1.2-MM THK) | | | | | | |
| | 4 | 1 | 8F-1434 | 2 | LOCKWASHER | | | | | | |
| | 5 | 1 | 4P-4251 | 1 | GASKET | | | | | | |
| | 6 | 1 | 5S-4246 | 1 | LOCKWASHER | | | | | | |
| | 7 | 1 | 6B-4540 | 1 | NUT (4-40-THD) | | | | | | |
| | 8 | 1 | 3N-3691 | 1 | TERMINAL | | | | | | |
| | 9 | 1 | 8T-3993 | 6 | CLAMP-HOSE | | | | | | |
| | 10 | 1 | 4B-2041 | 4 | NUT (6-32-THD) | | | | | | |
| | 11 | 1 | 4B-5324 | 4 | WASHER (3.9X9.6X1.2-MM THK) | | | | | | |
| | 12 | 1 | 3L-8187 | 4 | LOCKWASHER | | | | | | |
| E | 13 | 1 | 8T-6342 | | TUBE-HEAT SHRINK (3.2-MM DIA) (27-CM) | | | | | | |
| | 14 | 1 | 7T-4577 | 18 | PIN-CONNECTOR | | | | | | |
| D | 15 | 1 | 6V-2689 | | TUBE-HEAT SHRINK (6.35-MM DIA) (0.1-M) | | | | | | |
| D | 16 | 1 | 5P-5623 | | WIRE-ELECTRICAL (16-GA, BLACK) (0.3-M) | | | | | | |
| | 17 | 1 | 2L-8076 | 3 | TERMINAL (14-GA TO 16-GA, NO. 10 SCREW) | | | | | | |

D - ORDER BY THE METER
E - ORDER BY THE CENTIMETER

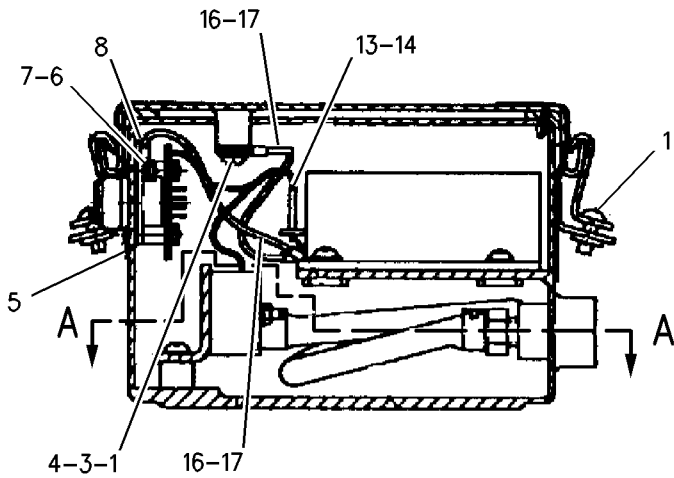
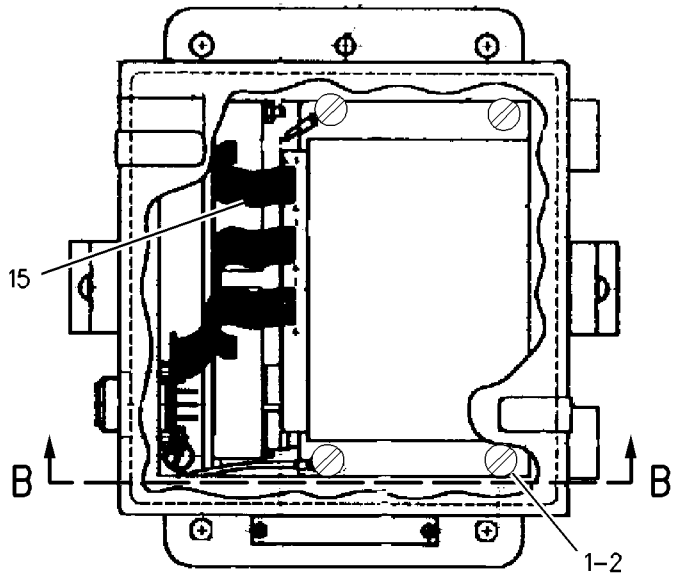
ELECTRICAL AND STARTING SYSTEM

162-7292 CONTROL GP-GAS PRESSURE (contd.)

i02380809



SECTION A-A



SECTION B-B

GRAPHIC #1

<END>

g00643649

ELECTRICAL AND STARTING SYSTEM

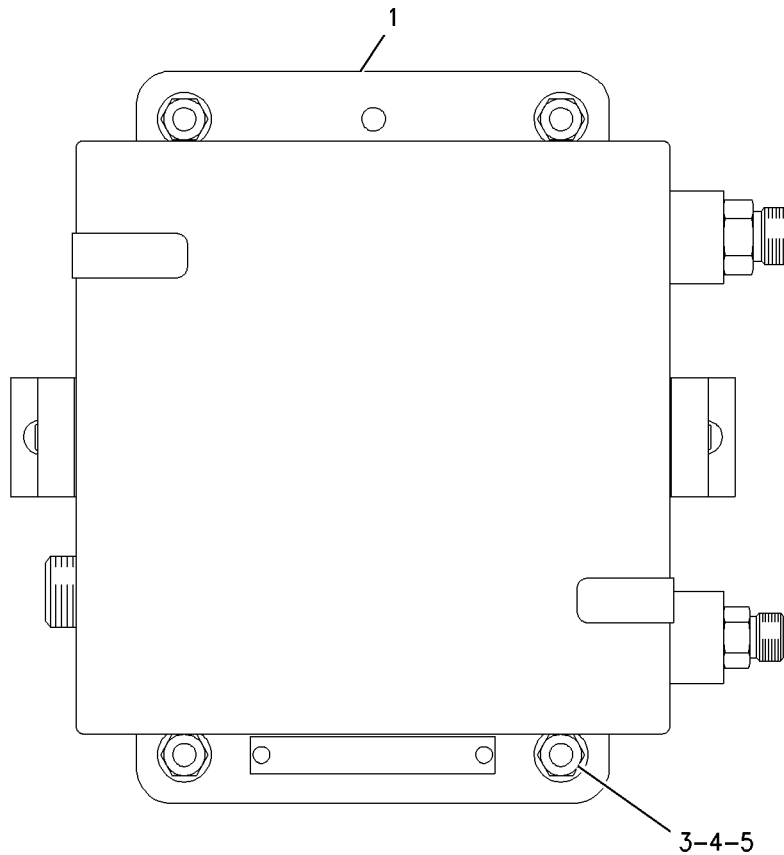
211-6713 CONTROL GP-GAS PRESSURE (CHG -00 THRU -02) PART OF 162-7289 CONTROL GP-GAS PRESSURE

SMCS-1901

i02374382

| NOTE | REF NO | GRAPHIC REF | PART NUMBER | QTY | PART NAME | | | | | | SEE PAGE |
|------|--------|-------------|-------------|-----|------------------------------|---|---|---|---|-------------------|----------|
| | | | | | 1 | 2 | 3 | 4 | 5 | 6 (PRODUCT LEVEL) | |
| Y | 1 | 1 | 162-7292 | 1 | CONTROL GP-GAS PRESSURE | | | | | | 537 |
| | 3 | 1 | 6V-8185 | 4 | NUT (1/4-20-THD) | | | | | | |
| | 4 | 1 | 4B-4674 | 4 | WASHER (6.4X14.5X1.6-MM THK) | | | | | | |
| | 5 | 1 | 3N-1968 | 4 | MOUNT-FLEXIBLE | | | | | | |

Y-SEPARATE ILLUSTRATION



GRAPHIC #1

<END>

g00891717

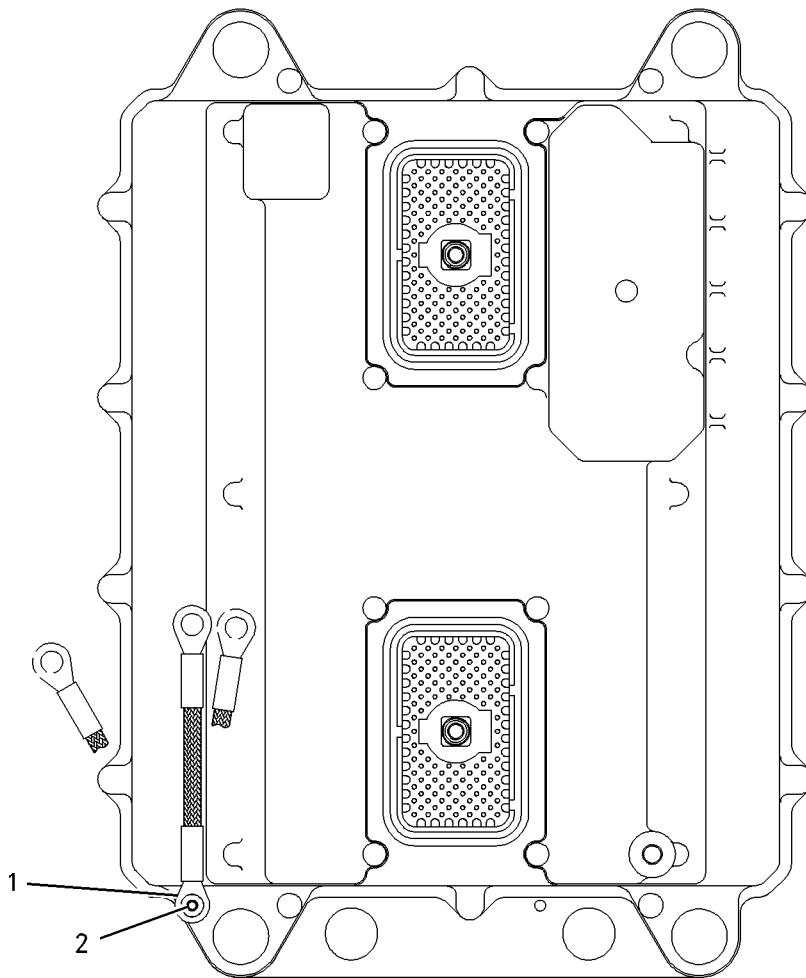
ELECTRICAL AND STARTING SYSTEM

211-5228 CONTROL GP - UNPROGRAMMED (CHG -00 THRU -03) PART OF 210-9470 CONTROL GP-ENGINE ELECTRONIC

SMCS-7610

i01857883

| NOTE | REF NO | GRAPHIC REF | PART NUMBER | QTY | PART NAME | | | | | | SEE PAGE |
|------|--------|-------------|-------------|-----|----------------------------------|---|---|---|---|-------------------|----------|
| | | | | | 1 | 2 | 3 | 4 | 5 | 6 (PRODUCT LEVEL) | |
| | 1 | 1 | 7X-6315 | 1 | STRAP AS-GROUND | | | | | | |
| | 2 | 1 | 184-2472 | 1 | SCREW-PAN HEAD (NO 8-32X9.52-MM) | | | | | | |



GRAPHIC #1

<END>

g00948724

ELECTRICAL AND STARTING SYSTEM

255-8937 CONTROL GP - UNPROGRAMMED (CHG -00 THRU -03)

SMCS-7610

i02434034

| NOTE | PART NUMBER | QTY | PART NAME | | | | | | SEE PAGE |
|------|-------------|-----|---------------------|---|---|---|---|-------------------|----------|
| | | | 1 | 2 | 3 | 4 | 5 | 6 (PRODUCT LEVEL) | |
| | | | (NO SERVICED PARTS) | | | | | | |
| | | | <END> | | | | | | |

ELECTRICAL AND STARTING SYSTEM

266-2501 CONVERSION GP-WIRING-ADVISOR (CHG -00, -01)

FOR USE WITH ADEM II TO ADEM III CONVERSION, G3600, 266-0269 DISPLAY GP-MONITOR,
G3500, 266-0270 DISPLAY GP-MONITOR

SMCS-1408

i03169744

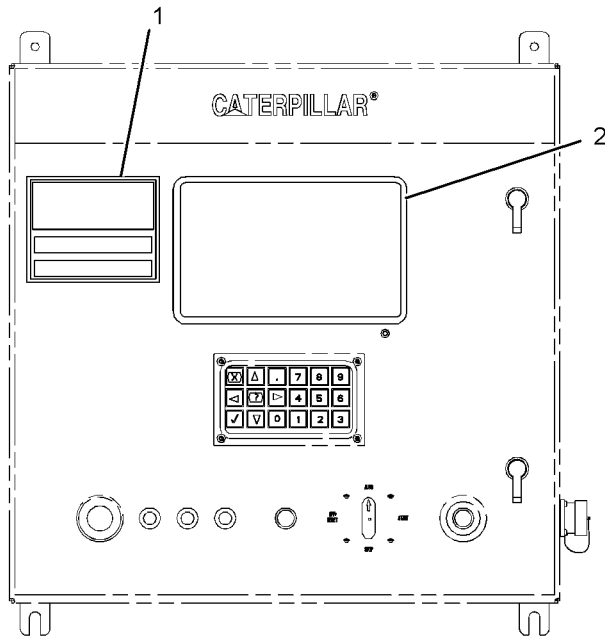
| NOTE | REF NO | GRAPHIC REF | PART NUMBER | QTY | PART NAME | | | | | | SEE PAGE |
|------|--------|-------------|-----------------|-----|--|---|---|---|---|-------------------|----------|
| | | | | | 1 | 2 | 3 | 4 | 5 | 6 (PRODUCT LEVEL) | |
| | 1 | 1 | 230-0975 | 1 | PLATE-WARNING (ELECTRICAL SHOCK) | | | | | | |
| | 2 | 1 | 248-5563 | 1 | GASKET | | | | | | |
| | 3 | 1 | 260-0405 | 2 | BRACKET AS | | | | | | |
| | 4 | 1 | 260-0406 | 4 | BOLT (1/4-20X1.5-IN) | | | | | | |
| | 5 | 1 | 260-0407 | 4 | CAP | | | | | | |
| | 6 | 1 | 260-0864 | 1 | HARNESS AS-MONITOR (ADVISOR) | | | | | | |
| | | 1 | 186-3736 | 6 | SOCKET-CONNECTOR (16-GA TO 18-GA) | | | | | | |
| | | 1 | 8T-8737 | 67 | PLUG-SEAL | | | | | | |
| | | 1 | 147-1444 | 1 | PLUG AS-CONNECTOR (70-PIN) | | | | | | |
| | | 1 | 159-9322 | 1 | SEAL-O-RING | | | | | | |
| | | 1 | 155-2260 | 2 | KIT-CONNECTING PLUG (3-PIN) | | | | | | |
| | | | | | (EACH INCLUDES PLUG ASSEMBLY AND WEDGES) | | | | | | |
| M | 7 | 1 | 8T-0639 | 4 | BOLT (M6X1X12-MM) | | | | | | |
| | 8 | 1 | 9X-8256 | 4 | WASHER (6.6X12X2-MM THK) | | | | | | |
| B | 9 | 1 | 3S-2093 | 10 | STRAP-CABLE | | | | | | |

B- USE AS REQUIRED
M- METRIC PART

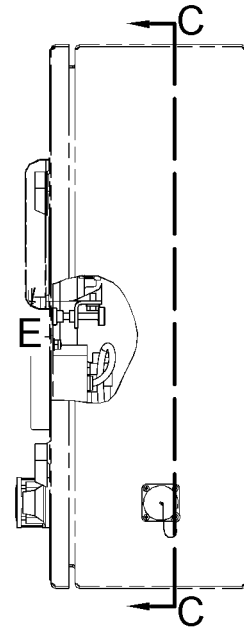
ELECTRICAL AND STARTING SYSTEM

266-2501 CONVERSION GP-WIRING (contd.)

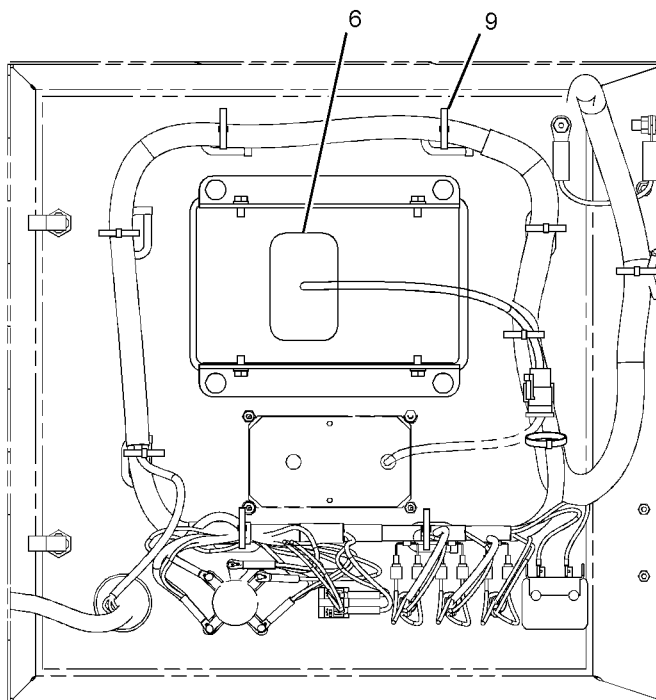
i03169744



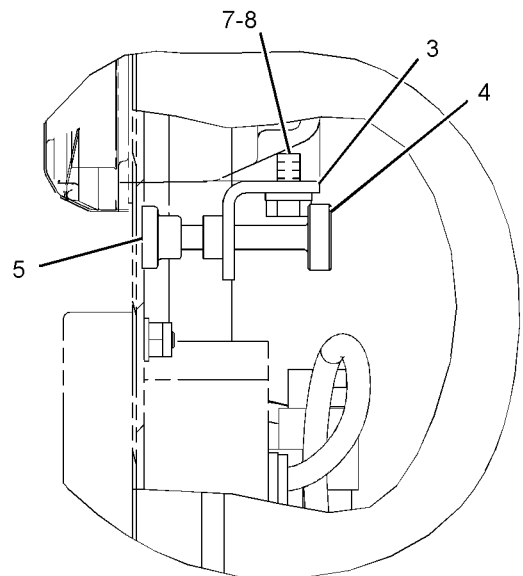
FRONT VIEW



LEFT SIDE VIEW



SECTION C-C



VIEW OF AREA E

GRAPHIC #1

<END>

g01165646

ELECTRICAL AND STARTING SYSTEM

206 - 6543 HARNESS AS (CHG -00, -01)

SMCS - 1408

i01614231

| NOTE | PART NUMBER | QTY | PART NAME | | | | | | SEE PAGE |
|------|-------------|-----|-------------------|---|---|---|---|-------------------|----------|
| | | | 1 | 2 | 3 | 4 | 5 | 6 (PRODUCT LEVEL) | |
| | 9X-4187 | 1 | PLUG AS-CONNECTOR | | | | | | |

<END>

206 - 6544 HARNESS AS-INTERCONNECT (CHG -00, -01)

SMCS - 1408

i02030167

| NOTE | PART NUMBER | QTY | PART NAME | | | | | | SEE PAGE |
|------|-------------|-----|-------------------------------------|---|---|---|---|-------------------|----------|
| | | | 1 | 2 | 3 | 4 | 5 | 6 (PRODUCT LEVEL) | |
| | 9X-4187 | 1 | PLUG AS-CONNECTOR | | | | | | |
| | 213-4749 | 1 | ADAPTER (CONDUIT) | | | | | | |
| E | 8T-6342 | | TUBE-HEAT SHRINK (3.2-MM DIA) (8CM) | | | | | | |

E - ORDER BY THE CENTIMETER

<END>

258 - 6989 HARNESS AS-CONTROL (CHG -00)

DATA LINK

PART OF 257-5889 PANEL GP-CONTROL

SMCS - 1408

i02395814

| NOTE | PART NUMBER | QTY | PART NAME | | | | | | SEE PAGE |
|------|-------------|-----|--|---|---|---|---|-------------------|----------|
| | | | 1 | 2 | 3 | 4 | 5 | 6 (PRODUCT LEVEL) | |
| E | 153-2707 | | CABLE-ELECTRICAL (19-GA) (47-CM) | | | | | | |
| | 109-3038 | 2 | END-WIRE (16-GA) | | | | | | |
| | 110-8714 | 5 | END-WIRE (18-GA) | | | | | | |
| | 9D-5421 | 1 | RECEPTACLE AS-CONNECTOR (10-PIN) | | | | | | |
| | 3S-2093 | 7 | STRAP-CABLE | | | | | | |
| D | 5P-6009 | | TUBE-HEAT SHRINK (9.52-MM DIA) (0.1-M) | | | | | | |
| E | 8T-6342 | | TUBE-HEAT SHRINK (3.2-MM DIA) (14-CM) | | | | | | |

D - ORDER BY THE METER

E - ORDER BY THE CENTIMETER

<END>

ELECTRICAL AND STARTING SYSTEM

270-1732 HARNESS AS-CONTROL-PL1000T (CHG -00)

PART OF 320-9980 INSTALLATION GP-COMMUNICATION

FOR USE WITH 256-7511-PAGE 528

SMCS-1408

i02417749

| NOTE | PART NUMBER | QTY | PART NAME | | | | | | SEE PAGE |
|---------------------------|-------------|-----|--|---|---|---|---|-------------------|----------|
| | | | 1 | 2 | 3 | 4 | 5 | 6 (PRODUCT LEVEL) | |
| | 126-1774 | 1 | COVER-CONNECTOR | | | | | | |
| | 155-2270 | 4 | KIT-CONNECTING PLUG (2-PIN) (EACH INCLUDES PLUG AS AND WEDGE) | | | | | | |
| | 102-8804 | 1 | KIT-RECEPTACLE (4-PIN) (INCLUDES RECEPTACLE AS AND WEDGE) | | | | | | |
| | 257-2719 | 1 | PLUG AS | | | | | | |
| | 160-7690 | 1 | PLUG AS-CONNECTOR (70-PIN) | | | | | | |
| | 159-9322 | 1 | SEAL-O-RING | | | | | | |
| | 8T-8735 | 1 | PLUG-CONNECTOR | | | | | | |
| | 7K-1181 | 1 | STRAP-CABLE | | | | | | |
| | 9X-6772 | 2 | STRAP-CABLE | | | | | | |
| | 218-4935 | 2 | SUPPRESSOR-ARC | | | | | | |
| E | 119-3662 | | TUBE-HEAT SHRINK (10.85-MM DIA) (20-CM) | | | | | | |
| E | 125-7874 | | TUBE-HEAT SHRINK (5.72-MM DIA) (5-CM) | | | | | | |
| | 3E-3377 | 1 | WEDGE-RECEPTACLE LOCK (4-PIN) | | | | | | |
| E-ORDER BY THE CENTIMETER | | | | | | | | | |
| <END> | | | | | | | | | |

276-0785 HARNESS AS-CONTROL-PL1000E (CHG -00)

PART OF 320-9979 INSTALLATION GP-COMMUNICATION

SMCS-1408

i02384488

| NOTE | PART NUMBER | QTY | PART NAME | | | | | | SEE PAGE |
|---------------------------|-------------|-----|--|---|---|---|---|-------------------|----------|
| | | | 1 | 2 | 3 | 4 | 5 | 6 (PRODUCT LEVEL) | |
| | 8C-6354 | 1 | CAP-RECEPTACLE | | | | | | |
| | 126-1774 | 1 | COVER-CONNECTOR | | | | | | |
| | 155-2270 | 2 | KIT-CONNECTING PLUG (2-PIN) (EACH INCLUDES PLUG ASSEMBLY AND WEDGE) | | | | | | |
| | 102-8804 | 1 | KIT-RECEPTACLE (4-PIN) (INCLUDES RECEPTACLE ASSEMBLY AND WEDGE) | | | | | | |
| | 171-5349 | 1 | STRAP-MARKER | | | | | | |
| | 186-3735 | 7 | PIN-CONNECTOR (16-GA TO 18-GA) | | | | | | |
| | 257-2719 | 1 | PLUG AS | | | | | | |
| | 160-7690 | 1 | PLUG AS-CONNECTOR (70-PIN) | | | | | | |
| | 159-9322 | 1 | SEAL-O-RING | | | | | | |
| | 8T-8735 | 1 | PLUG-CONNECTOR | | | | | | |
| | 8T-8737 | 65 | PLUG-SEAL | | | | | | |
| | 9W-1951 | 1 | RECEPTACLE-CONNECTOR (9-PIN) | | | | | | |
| | 186-3736 | 10 | SOCKET-CONNECTOR (16-GA TO 18-GA) | | | | | | |
| | 9X-3402 | 14 | SOCKET-CONNECTOR (16-GA TO 18-GA) | | | | | | |
| | 126-1768 | 14 | SOCKET-CONNECTOR (14-GA) | | | | | | |
| | 7K-1181 | 1 | STRAP-CABLE | | | | | | |
| | 9X-6772 | 2 | STRAP-CABLE | | | | | | |
| | 218-4935 | 2 | SUPPRESSOR-ARC | | | | | | |
| E | 119-3662 | | TUBE-HEAT SHRINK (10.85-MM DIA) (20-CM) | | | | | | |
| E | 125-7875 | | TUBE-HEAT SHRINK (7.44-MM DIA) (5-CM) | | | | | | |
| E-ORDER BY THE CENTIMETER | | | | | | | | | |
| <END> | | | | | | | | | |

ELECTRICAL AND STARTING SYSTEM

257-8837 HARNESS AS-MONITOR (CHG -00 THRU -02) PART OF 257-5889 PANEL GP-CONTROL

SMCS-7490

i02723949

| NOTE | PART NUMBER | QTY | PART NAME | | | | | | SEE PAGE |
|------|-------------|-----|--|---|---|---|---|-------------------|----------|
| | | | 1 | 2 | 3 | 4 | 5 | 6 (PRODUCT LEVEL) | |
| | 109-3038 | 7 | END-WIRE (16-GA) | | | | | | |
| | 110-8714 | 20 | END-WIRE (18-GA) | | | | | | |
| | 155-2260 | 3 | KIT-CONNECTING PLUG (3-PIN) (EACH KIT INCLUDES PLUG ASSEMBLY AND WEDGE) | | | | | | |
| | 147-1444 | 1 | PLUG AS-CONNECTOR (70-PIN) | | | | | | |
| | 159-9322 | 1 | SEAL-O-RING | | | | | | |
| | 8T-8737 | 62 | PLUG-SEAL | | | | | | |
| | 122-9457 | 1 | POTENTIOMETER (ENGINE SPEED) | | | | | | |
| | 186-3736 | 11 | SOCKET-CONNECTOR (16-GA TO 18-GA) | | | | | | |
| | 9X-6772 | 19 | STRAP-CABLE | | | | | | |
| | 7N-7221 | 6 | TERMINAL (18-GA TO 22-GA) | | | | | | |
| | 5P-5618 | 6 | TERMINAL-BLADE (10-GA TO 12-GA) | | | | | | |
| | 5P-1475 | 4 | TERMINAL-BLADE (14-GA TO 16-GA, NO. 8 SCREW) | | | | | | |
| D | 5P-6009 | | TUBE-HEAT SHRINK (9.52-MM DIA) (0.1-M) | | | | | | |
| E | 8T-6342 | | TUBE-HEAT SHRINK (3.2-MM DIA) (21-CM) | | | | | | |
| E | 119-3662 | | TUBE-HEAT SHRINK (10.85-MM DIA) (7-CM) | | | | | | |
| E | 125-7875 | | TUBE-HEAT SHRINK (7.44-MM DIA) (10-CM) | | | | | | |
| E | 121-0199 | | WRAP-SPIRAL (3/8-IN OD) (56-CM) | | | | | | |
| E | 121-0200 | | WRAP-SPIRAL (3/4-IN OD) (82-CM) | | | | | | |

D-ORDER BY THE METER
E-ORDER BY THE CENTIMETER

<END>

207-5399 HARNESS AS-PANEL (CHG -00 THRU -02) PART OF 195-6244 BOX GP-CONTROL PANEL

SMCS-1408, 7451

i01590749

| NOTE | PART NUMBER | QTY | PART NAME | | | | | | SEE PAGE |
|------|-------------|-----|----------------------------------|---|---|---|---|-------------------|----------|
| | | | 1 | 2 | 3 | 4 | 5 | 6 (PRODUCT LEVEL) | |
| | 147-1443 | 1 | PLUG AS-CONNECTOR (70-PIN) | | | | | | |
| | 159-9322 | 1 | SEAL-O-RING | | | | | | |
| | 160-7689 | 1 | PLUG AS-CONNECTOR (70-PIN) | | | | | | |
| | 159-9322 | 1 | SEAL-O-RING | | | | | | |
| | 160-7690 | 1 | PLUG AS-CONNECTOR (70-PIN) | | | | | | |
| | 159-9322 | 1 | SEAL-O-RING | | | | | | |
| | 9D-5421 | 1 | RECEPTACLE AS-CONNECTOR (10-PIN) | | | | | | |

<END>

205-3584 HARNESS AS-WIRING (CHG -00, -01) CUSTOMER CONNECT

SMCS-1408

i01614178

| NOTE | PART NUMBER | QTY | PART NAME | | | | | | SEE PAGE |
|------|-------------|-----|-------------------|---|---|---|---|-------------------|----------|
| | | | 1 | 2 | 3 | 4 | 5 | 6 (PRODUCT LEVEL) | |
| | 9X-4187 | 1 | PLUG AS-CONNECTOR | | | | | | |

<END>

ELECTRICAL AND STARTING SYSTEM

296-2872 HEATER GP-COOLANT & ENGINE OIL (CHG -00)

SMCS-1333, 1383

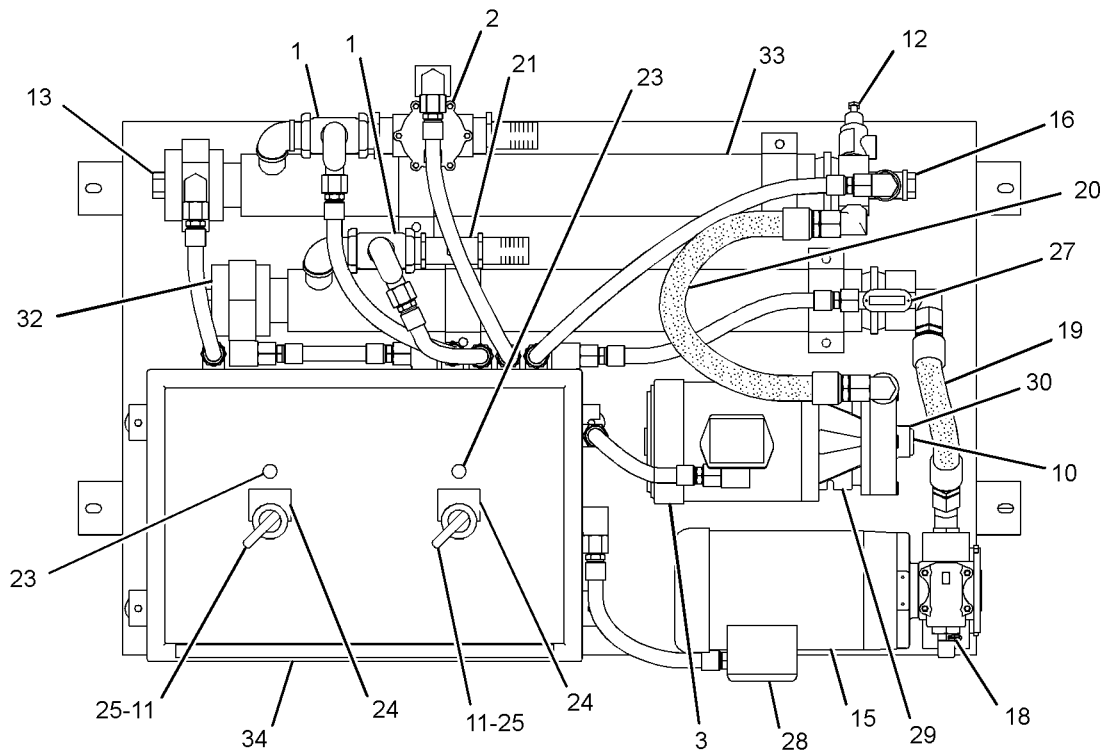
i02839763

| NOTE | REF NO | GRAPHIC REF | PART NUMBER | QTY | PART NAME | | | | | | SEE PAGE |
|------|--------|-------------|-------------|-----|---|---|---|---|---|-------------------|----------|
| | | | | | 1 | 2 | 3 | 4 | 5 | 6 (PRODUCT LEVEL) | |
| | 1 | 1 | 4P-5135 | 2 | SWITCH AS-FLOW | | | | | | |
| | 2 | 1 | 4P-5136 | 1 | VALVE-SOLENOID | | | | | | |
| | 3 | 1 | 4P-5138 | 1 | MOTOR AS-PUMP | | | | | | |
| | 4 | 1 | 4P-5143 | 1 | SWITCH-MOTOR (PROTECTION) | | | | | | |
| | 5 | 1 | 4P-5144 | 2 | RELAY-TIME DELAY | | | | | | |
| | 6 | 1 | 4P-5145 | 1 | RELAY (24-VOLT) | | | | | | |
| | 7 | 1 | 4P-5147 | 1 | FUSE (2-AMPERE) | | | | | | |
| | 8 | 1 | 4P-5148 | 3 | CONTACTOR (MAGNETIC, 30-AMPERE) | | | | | | |
| | 9 | 1 | 4P-5149 | 1 | CONTACTOR (MAGNETIC, 60-AMPERE) | | | | | | |
| | 10 | 1 | 4P-5152 | 1 | KIT-PUMP SEAL | | | | | | |
| | 11 | 1 | 111-2100 | 2 | SWITCH AS | | | | | | |
| | 12 | 1 | 111-2102 | 1 | VALVE-PRESSURE RELIEF | | | | | | |
| | 13 | 1 | 118-1300 | 1 | THERMOSTAT (HIGH LIMIT) | | | | | | |
| | 14 | 1 | 150-0401 | 1 | FUSE (1-AMPERE) | | | | | | |
| | 15 | 1 | 173-3854 | 1 | MOTOR AS (PUMP) | | | | | | |
| | 16 | 1 | 187-4191 | 1 | THERMOSTAT (ON, OFF TEMP 100/120-DEG F) | | | | | | |
| | 17 | 1 | 197-2033 | 1 | PUMP AS-OIL (ENGINE OIL) | | | | | | |
| | 18 | 1 | 197-2034 | 1 | SEAL | | | | | | |
| | 19 | 1 | 197-2037 | 1 | HOSE AS | | | | | | |
| | 20 | 1 | 197-2038 | 1 | HOSE AS | | | | | | |
| | 21 | 1 | 197-2039 | 1 | VALVE (CHECK) | | | | | | |
| | 22 | 1 | 197-2044 | 2 | FUSE (2-AMPERE) | | | | | | |
| | 23 | 1 | 197-2045 | 2 | LIGHT (PILOT) | | | | | | |
| | 24 | 1 | 197-2046 | 2 | PLATE | | | | | | |
| | 25 | 1 | 197-2047 | 2 | BLOCK-CONTACT | | | | | | |
| | 26 | 1 | 198-3196 | 1 | SWITCH-MOTOR | | | | | | |
| | 27 | 1 | 217-0165 | 1 | THERMOSTAT (ON, OFF TEMP 120/140-DEG F) | | | | | | |
| | 28 | 1 | 217-0437 | 1 | PUMP-OIL | | | | | | |
| | 29 | 1 | 217-0718 | 1 | PUMP-COOLANT | | | | | | |
| | 30 | 1 | 300-1305 | 1 | PUMP AS-COOLANT | | | | | | |
| | 31 | 1 | 300-1309 | 1 | TRANSFORMER | | | | | | |
| | 32 | 1 | 300-1311 | 1 | ELEMENT AS-ENGINE OIL HEATER | | | | | | |
| | 33 | 1 | 300-1312 | 1 | ELEMENT AS-JACKET WATER HEATER | | | | | | |
| | 34 | 1 | 300-1314 | 1 | PANEL | | | | | | |
| | 35 | 1 | 300-1316 | 3 | FUSE (40-AMPERE) | | | | | | |
| | 36 | 1 | 300-1317 | 3 | FUSE (20-AMPERE) | | | | | | |

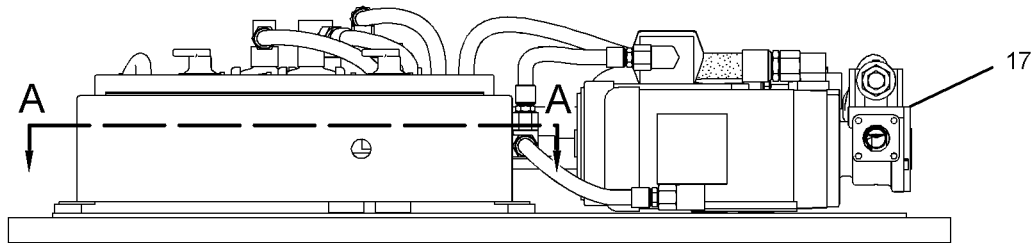
ELECTRICAL AND STARTING SYSTEM

296 - 2872 HEATER GP - COOLANT & ENGINE OIL (contd.)

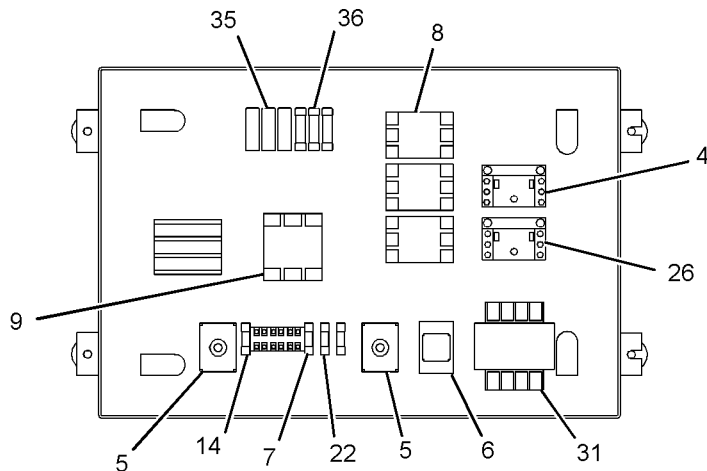
i02839763



TOP VIEW



FRONT VIEW



SECTION A-A

<END>

GRAPHIC #1

g01414220

ELECTRICAL AND STARTING SYSTEM

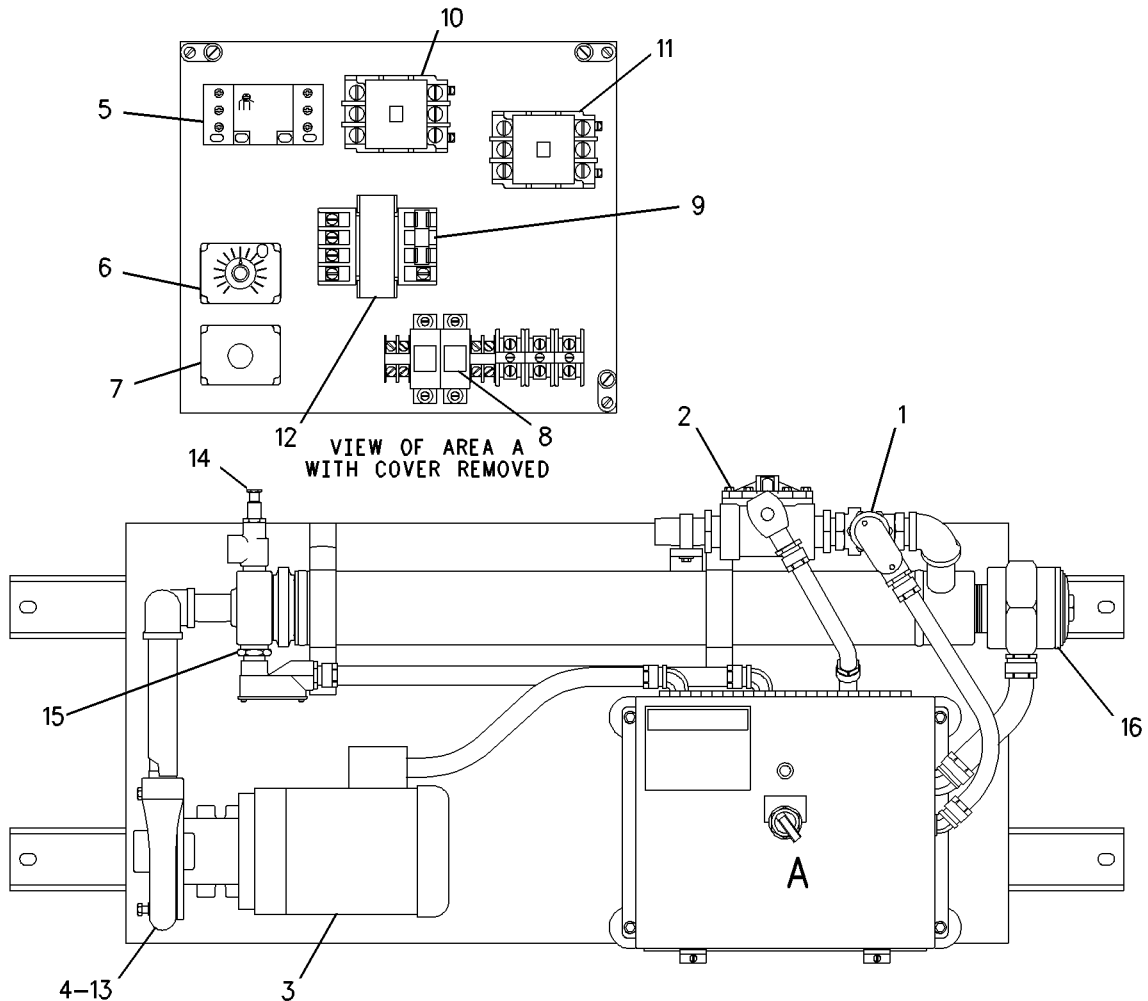
171-6117 HEATER GP - JACKET WATER (CHG -00 THRU -02) 460 VOLTS, 60 HZ, 30 KW

SMCS-1383

i02431793

| NOTE | REF NO | GRAPHIC REF | PART NUMBER | QTY | PART NAME | | | | | | SEE PAGE |
|------|--------|-------------|-------------|-----|---|---|---|---|---|-------------------|----------|
| | | | | | 1 | 2 | 3 | 4 | 5 | 6 (PRODUCT LEVEL) | |
| | 1 | 1 | 4P-5135 | 1 | SWITCH AS-FLOW | | | | | | |
| | 2 | 1 | 4P-5136 | 1 | VALVE-SOLENOID | | | | | | |
| | 3 | 1 | 4P-5139 | 1 | MOTOR AS-PUMP | | | | | | |
| J | 4 | 1 | 4P-5140 | 1 | PUMP AS-COOLANT | | | | | | |
| | 5 | 1 | 4P-5143 | 1 | SWITCH-MOTOR | | | | | | |
| | 6 | 1 | 4P-5144 | 1 | RELAY-TIME DELAY | | | | | | |
| | 7 | 1 | 4P-5145 | 1 | RELAY (24-VOLT) | | | | | | |
| | 8 | 1 | 4P-5146 | 2 | FUSE (3-AMPERE) | | | | | | |
| | 9 | 1 | 4P-5147 | 1 | FUSE (2-AMPERE) | | | | | | |
| | 10 | 1 | 4P-5148 | 1 | CONTACTOR (MAGNETIC, 30-AMPERE) | | | | | | |
| | 11 | 1 | 4P-5149 | 1 | CONTACTOR (MAGNETIC, 60-AMPERE) | | | | | | |
| | 12 | 1 | 4P-5151 | 1 | TRANSFORMER | | | | | | |
| J | 13 | 1 | 4P-5152 | 1 | KIT-PUMP SEAL | | | | | | |
| | 14 | 1 | 111-2102 | 1 | VALVE-PRESSURE RELIEF | | | | | | |
| | 15 | 1 | 187-4191 | 1 | THERMOSTAT (ON, OFF TEMP 100/120-DEG F) | | | | | | |
| | 16 | 1 | 187-4199 | 1 | ELEMENT AS (JACKET WATER HEATER) | | | | | | |

J - KIT MARKED J SERVICES PART MARKED J



GRAPHIC #1

<END>

g00720349

ELECTRICAL AND STARTING SYSTEM

171-6118 HEATER GP-JACKET WATER (CHG -00, -01)
380 VOLTS, 50 HZ, 30 KW

SMCS-1383

i02431796

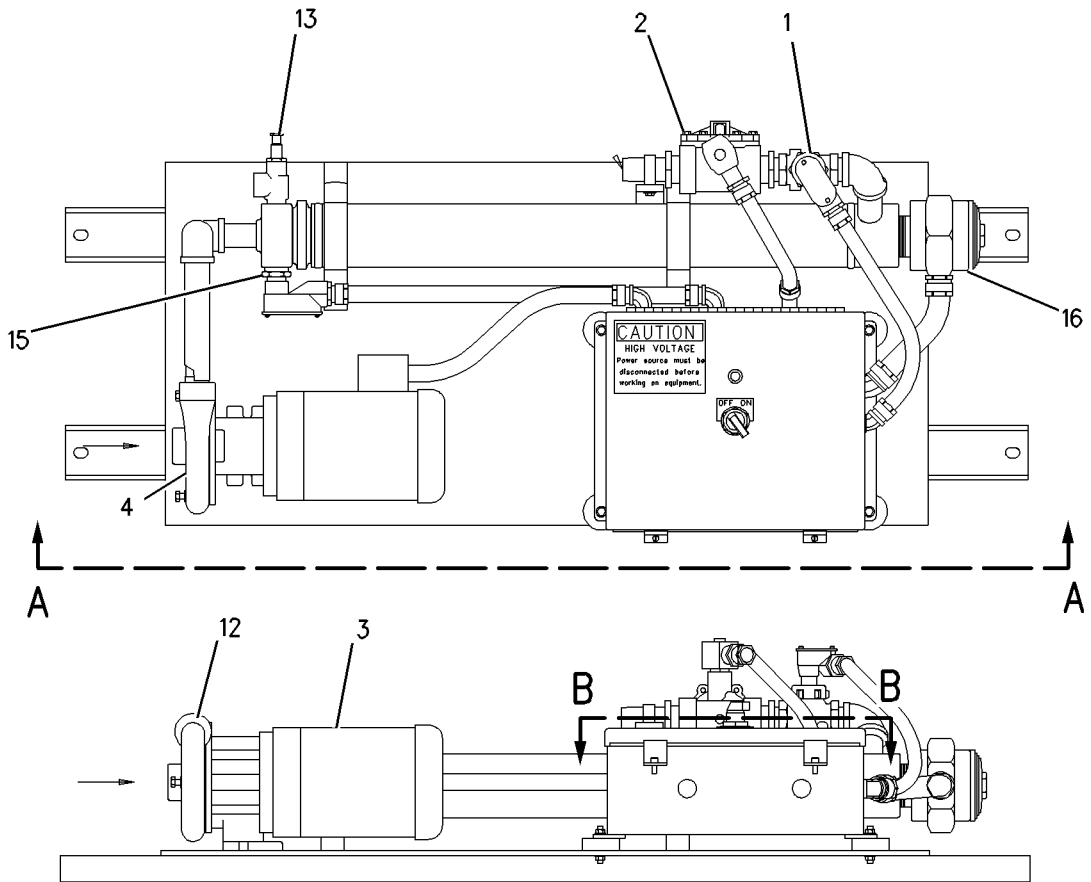
| NOTE | REF NO | GRAPHIC REF | PART NUMBER | QTY | PART NAME | | | | | | SEE PAGE |
|------|--------|-------------|-----------------|-----|---|---|---|---|---|-------------------|----------|
| | | | | | 1 | 2 | 3 | 4 | 5 | 6 (PRODUCT LEVEL) | |
| | 1 | 1 | 4P-5135 | 1 | SWITCH AS-FLOW (ENGINE COOLANT) | | | | | | |
| | 2 | 1 | 4P-5136 | 1 | VALVE-SOLENOID | | | | | | |
| | 3 | 1 | 4P-5138 | 1 | MOTOR AS-PUMP | | | | | | |
| J | 4 | 1 | 4P-5140 | 1 | PUMP AS-COOLANT | | | | | | |
| | 5 | 1 | 4P-5144 | 1 | RELAY-TIME DELAY | | | | | | |
| | 6 | 1 | 4P-5145 | 1 | RELAY (24-VOLT) | | | | | | |
| | 7 | 1 | 4P-5146 | 2 | FUSE (3-AMPERE) | | | | | | |
| | 8 | 1 | 4P-5147 | 1 | FUSE (2-AMPERE) | | | | | | |
| | 9 | 1 | 4P-5148 | 1 | CONTACTOR (MAGNETIC, 30-AMPERE) | | | | | | |
| | 10 | 1 | 4P-5149 | 1 | CONTACTOR (MAGNETIC, 60-AMPERE) | | | | | | |
| | 11 | 1 | 4P-5150 | 1 | TRANSFORMER | | | | | | |
| J | 12 | 1 | 4P-5152 | 1 | KIT-PUMP SEAL | | | | | | |
| | 13 | 1 | 111-2102 | 1 | VALVE-PRESSURE RELIEF | | | | | | |
| | 14 | 1 | 116-6167 | 1 | SWITCH-MOTOR | | | | | | |
| | 15 | 1 | 187-4191 | 1 | THERMOSTAT (ON, OFF TEMP 100/120-DEG F) | | | | | | |
| | 16 | 1 | 187-4200 | 1 | ELEMENT AS-JACKET WATER HEATER | | | | | | |

J - KIT MARKED J SERVICES PART MARKED J

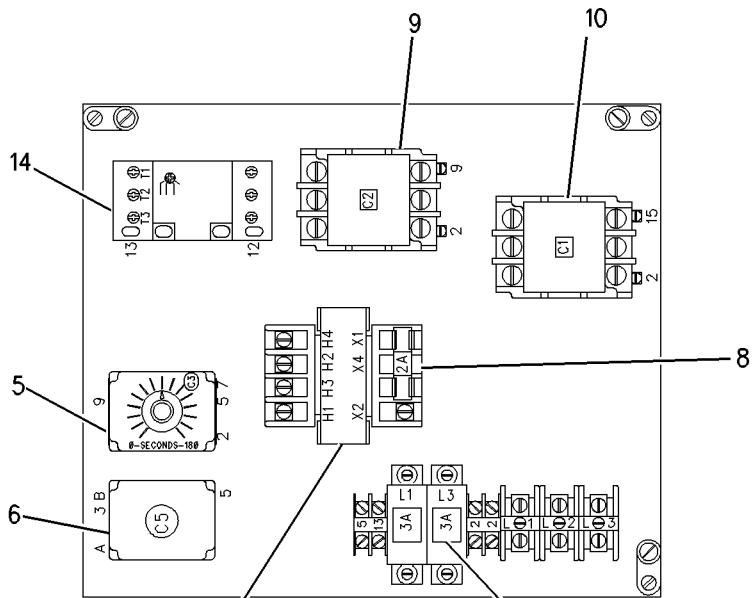
ELECTRICAL AND STARTING SYSTEM

171-6118 HEATER GP-JACKET WATER (contd.)

i02431796



VIEW A-A



VIEW B-B

GRAPHIC #1

<END>

g00720400

ELECTRICAL AND STARTING SYSTEM

173-3011 HEATER GP - JACKET WATER (CHG -00 THRU -03) 400 VOLTS, 50 HZ, 33 KW

SMCS - 1383

i02431792

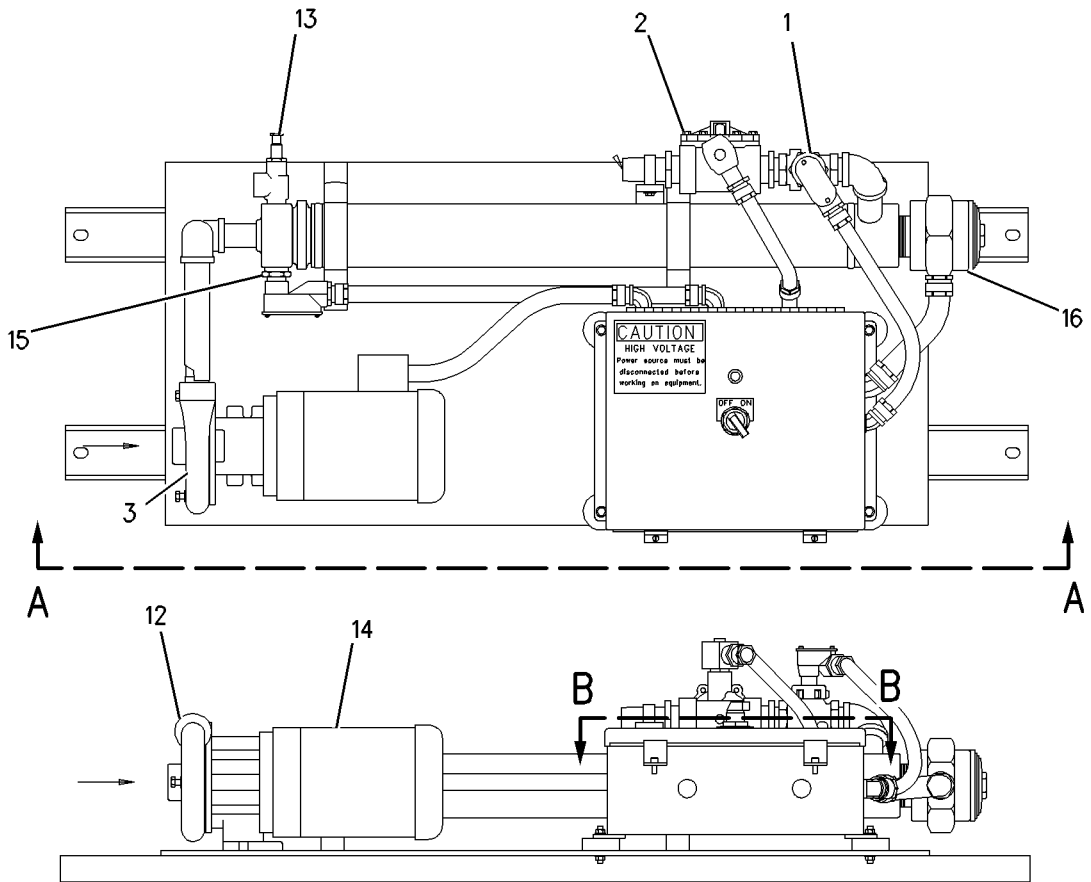
| NOTE | REF NO | GRAPHIC REF | PART NUMBER | QTY | PART NAME | | | | | | SEE PAGE |
|------|--------|-------------|-----------------|-----|---|---|---|---|---|-------------------|----------|
| | | | | | 1 | 2 | 3 | 4 | 5 | 6 (PRODUCT LEVEL) | |
| | 1 | 1 | 4P-5135 | 1 | SWITCH AS-FLOW | | | | | | |
| | 2 | 1 | 4P-5136 | 1 | VALVE-SOLENOID | | | | | | |
| J | 3 | 1 | 4P-5140 | 1 | PUMP AS-COOLANT | | | | | | |
| | 4 | 1 | 4P-5143 | 1 | SWITCH-MOTOR | | | | | | |
| | 5 | 1 | 4P-5144 | 1 | RELAY-TIME DELAY | | | | | | |
| | 6 | 1 | 4P-5145 | 1 | RELAY (24-VOLT) | | | | | | |
| | 7 | 1 | 4P-5146 | 2 | FUSE (3-AMPERE) | | | | | | |
| | 8 | 1 | 4P-5147 | 1 | FUSE (2-AMPERE) | | | | | | |
| | 9 | 1 | 4P-5148 | 1 | CONTACTOR (MAGNETIC, 30-AMPERE) | | | | | | |
| | 10 | 1 | 4P-5149 | 1 | CONTACTOR (MAGNETIC, 60-AMPERE) | | | | | | |
| | 11 | 1 | 4P-5150 | 1 | TRANSFORMER | | | | | | |
| J | 12 | 1 | 4P-5152 | 1 | KIT-PUMP SEAL (WATER PUMP) | | | | | | |
| | 13 | 1 | 111-2102 | 1 | VALVE-PRESSURE RELIEF | | | | | | |
| | 14 | 1 | 161-6496 | 1 | MOTOR AS-PUMP | | | | | | |
| | 15 | 1 | 187-4191 | 1 | THERMOSTAT (ON, OFF TEMP 100/120-DEG F) | | | | | | |
| | 16 | 1 | 217-0443 | 1 | ELEMENT AS-JACKET WATER HEATER | | | | | | |

J - KIT MARKED J SERVICES PART MARKED J

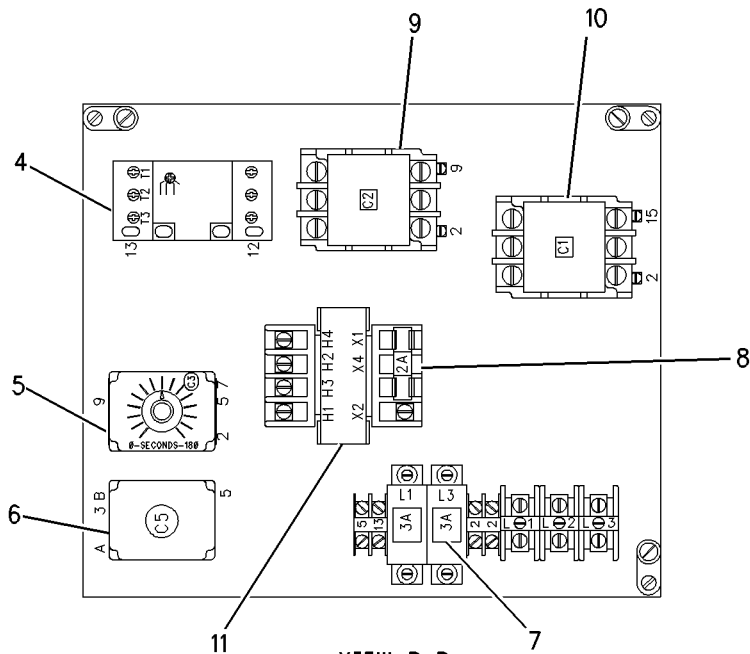
ELECTRICAL AND STARTING SYSTEM

173-3011 HEATER GP - JACKET WATER (contd.)

i02431792



VIEW A-A



VIEW B-B

GRAPHIC #1

<END>

g00720437

ELECTRICAL AND STARTING SYSTEM

262-4835 HEATER GP - JACKET WATER (CHG -00 THRU -02)
FOR USE WITH 480-VOLT, 3-PHASE, 60-HERTZ, 30-KILOWATT HEATER

SMCS - 1383

i02358938

| NOTE | PART NUMBER | QTY | PART NAME | | | | | | SEE PAGE |
|----------------------------|-------------|-----|------------------------|---|---|---|---|-------------------|----------|
| | | | 1 | 2 | 3 | 4 | 5 | 6 (PRODUCT LEVEL) | |
| J | 131-1429 | | CABLE (16-GA) (150-DM) | | | | | | |
| J - ORDER BY THE DECIMETER | | | | | | | | | |

<END>

ELECTRICAL AND STARTING SYSTEM

206-5460 IGNITION GP-GAS ENGINE (CHG -00 THRU -04, 150-2050-02)

SMCS-1550

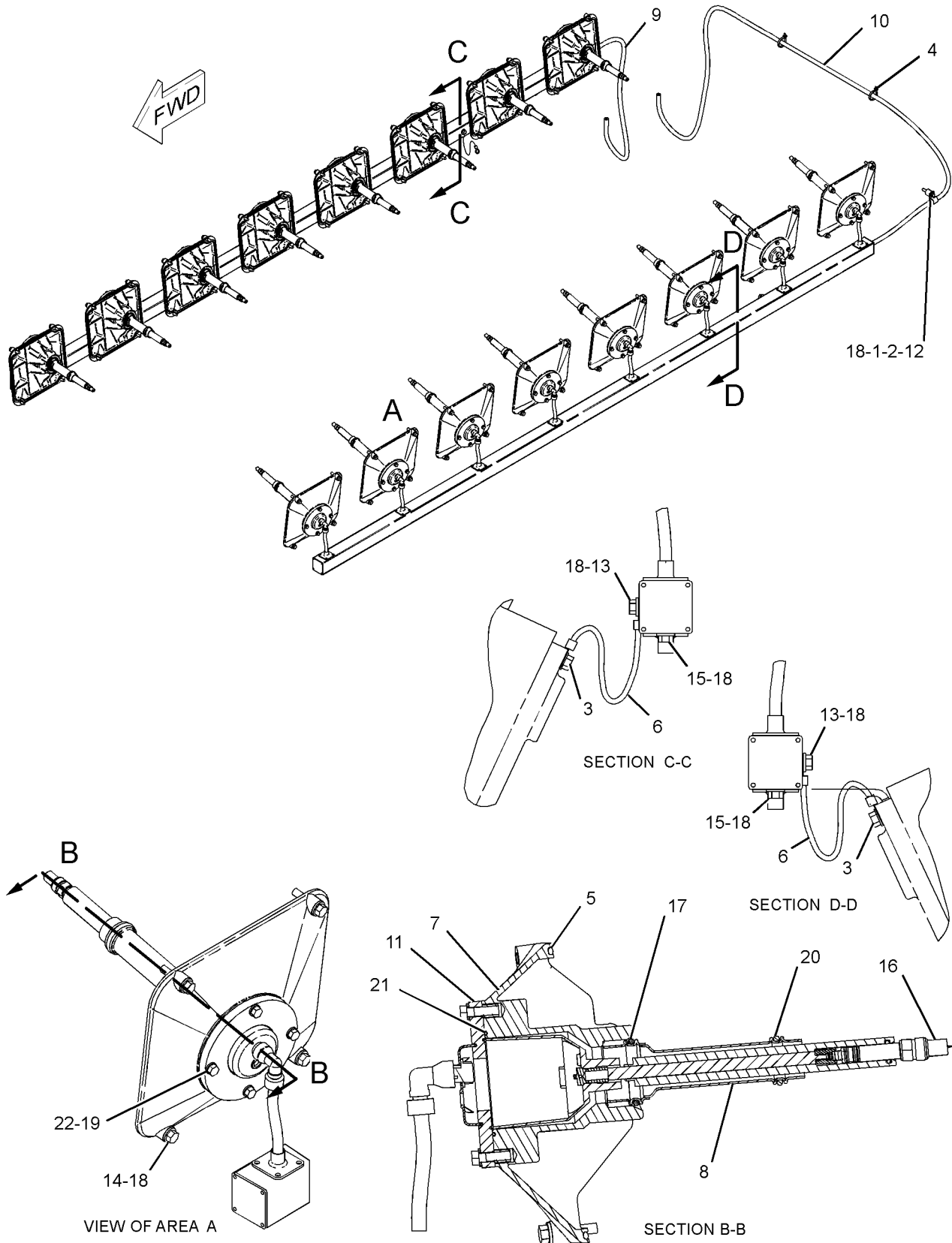
i02622883

| NOTE | REF NO | GRAPHIC REF | PART NUMBER | QTY | PART NAME | | | | | | SEE PAGE |
|------|--------|-------------|-------------|-----|------------------------------------|---|---|---|---|-------------------|----------|
| | | | | | 1 | 2 | 3 | 4 | 5 | 6 (PRODUCT LEVEL) | |
| | 1 | 1 | 1B-4971 | 1 | SPACER (0.406X1X1-IN THK) | | | | | | |
| | 2 | 1 | 3S-8665 | 1 | CLIP | | | | | | |
| | 3 | 1 | 4D-1326 | 4 | LOCKWASHER | | | | | | |
| | 4 | 1 | 9X-6772 | 2 | STRAP-CABLE | | | | | | |
| | 5 | 1 | 9X-7688 | 16 | SEAL-O-RING | | | | | | |
| | 6 | 1 | 127-0594 | 2 | WIRE AS-GROUND | | | | | | |
| | 7 | 1 | 145-8634 | 16 | COVER (LIFTER GUIDE) | | | | | | |
| | 8 | 1 | 166-3796 | 16 | TUBE AS | | | | | | |
| | 9 | 1 | 198-2938 | 1 | HARNESS AS-WIRING (IGNITION, RH) | | | | | | |
| | | 1 | 4G-2544 | 8 | CONNECTOR-PLUG | | | | | | |
| | | 1 | 186-3736 | 16 | SOCKET-CONNECTOR (16-GA TO 18-GA) | | | | | | |
| | | 1 | 9X-4813 | 4 | RECEPTACLE AS-CONNECTOR (3-PIN) | | | | | | |
| | | 1 | 9X-4814 | 1 | RECEPTACLE AS-CONNECTOR (6-PIN) | | | | | | |
| | | 1 | 207-4554 | 8 | CONDUIT AS | | | | | | |
| | | 1 | 207-4556 | 1 | CONDUIT AS | | | | | | |
| 10 | | 1 | 198-2941 | 1 | HARNESS AS-WIRING (IGNITION, LH) | | | | | | |
| | | 1 | 4G-2544 | 8 | CONNECTOR-PLUG | | | | | | |
| | | 1 | 186-3736 | 16 | SOCKET-CONNECTOR (16-GA TO 18-GA) | | | | | | |
| | | 1 | 9X-4813 | 4 | RECEPTACLE AS-CONNECTOR (3-PIN) | | | | | | |
| | | 1 | 9X-4814 | 1 | RECEPTACLE AS-CONNECTOR (6-PIN) | | | | | | |
| | | 1 | 207-4554 | 8 | CONDUIT AS | | | | | | |
| | | 1 | 207-4555 | 1 | CONDUIT AS | | | | | | |
| 11 | | 1 | 232-6351 | 16 | TRANSFORMER GP | | | | | | |
| | | | | | (EACH INCLUDES) | | | | | | |
| | | 1 | 150-2050 | 1 | EXTENSION AS | | | | | | |
| | | 1 | 122-0355 | 1 | TERMINAL AS | | | | | | |
| | | 1 | 125-1372 | 1 | SEAL-O-RING | | | | | | |
| 12 | | 1 | 0L-2070 | 1 | BOLT (3/8-16X2.25-IN) | | | | | | |
| 13 | | 1 | 0S-0509 | 2 | BOLT (3/8-16X0.75-IN) | | | | | | |
| 14 | | 1 | 0S-1571 | 63 | BOLT (3/8-16X1.75-IN) | | | | | | |
| 15 | | 1 | 0S-1594 | 14 | BOLT (3/8-16X1-IN) | | | | | | |
| 16 | | 1 | 194-8518 | 16 | SPARK PLUG (IGNITION) | | | | | | |
| | | | | | (EACH INCLUDES) | | | | | | |
| | | 1 | 9Y-6792 | 1 | GASKET-SPARK PLUG | | | | | | |
| 17 | | 1 | 3P-0650 | 16 | SEAL-O-RING | | | | | | |
| 18 | | 1 | 3V-3308 | 80 | WASHER-HARD (10.2X20.5X2.5-MM THK) | | | | | | |
| 19 | | 1 | 4B-3388 | 64 | BOLT (5/16-18X1.125-IN) | | | | | | |
| 20 | | 1 | 6V-3830 | 16 | SEAL-O-RING | | | | | | |
| 21 | | 1 | 6V-3834 | 16 | SEAL-O-RING | | | | | | |
| 22 | | 1 | 9M-1974 | 64 | WASHER-HARD (8.8X16X2-MM THK) | | | | | | |

ELECTRICAL AND STARTING SYSTEM

206-5460 IGNITION GP-GAS ENGINE (contd.)

i02622883



GRAPHIC #1

<END>

g01167718

ELECTRICAL AND STARTING SYSTEM

206-5460 IGNITION GP-GAS ENGINE (CHG -05)

SMCS-1550

i02622843

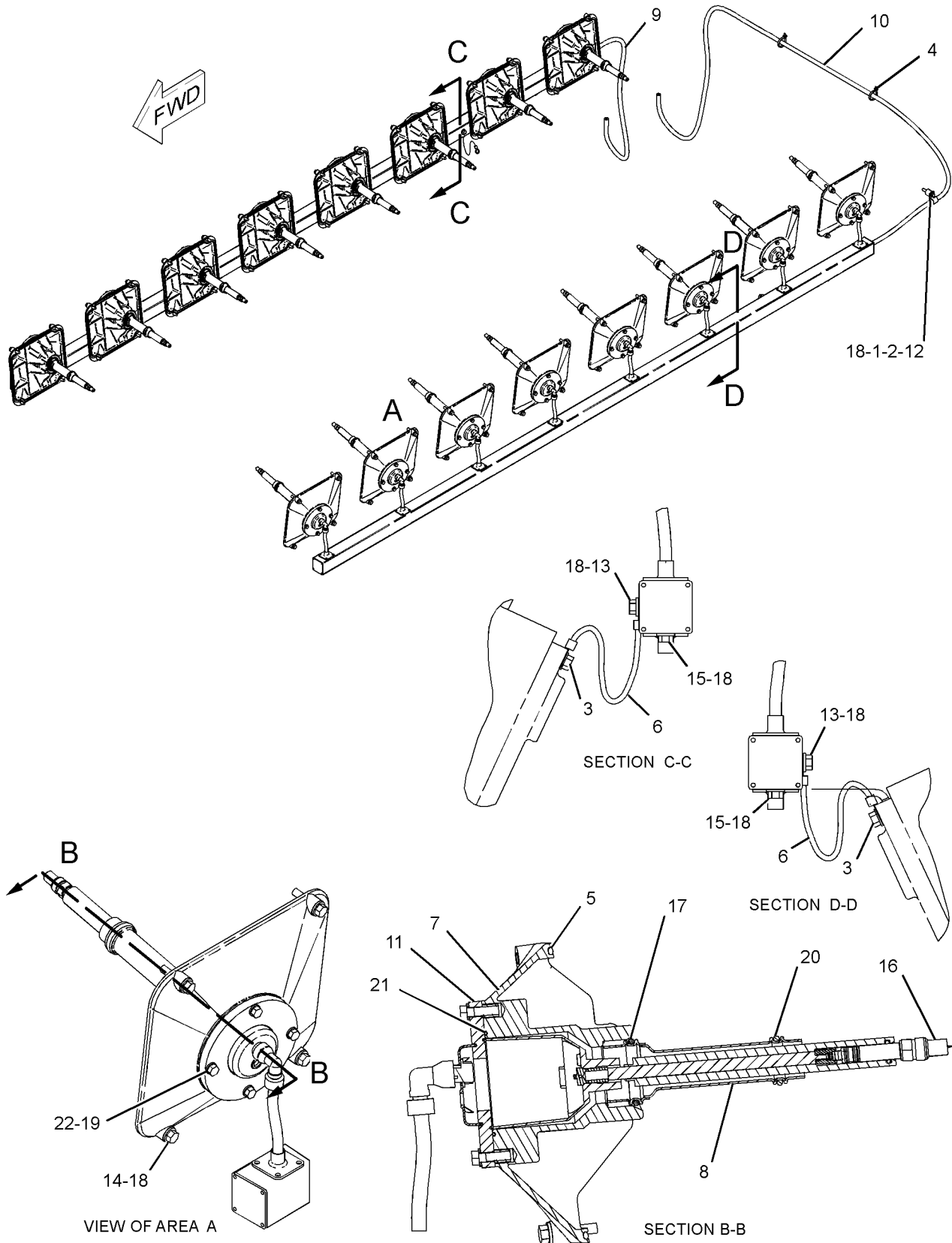
| NOTE | REF NO | GRAPHIC REF | PART NUMBER | QTY | PART NAME | | | | | | SEE PAGE |
|------|--------|-------------|-------------|-----|---|---|---|---|---|-------------------|----------|
| | | | | | 1 | 2 | 3 | 4 | 5 | 6 (PRODUCT LEVEL) | |
| | 1 | 1 | 1B-4971 | 1 | SPACER (0.406X1X1-IN THK) | | | | | | |
| | 2 | 1 | 3S-8665 | 1 | CLIP | | | | | | |
| | 3 | 1 | 4D-1326 | 4 | LOCKWASHER | | | | | | |
| | 4 | 1 | 9X-6772 | 2 | STRAP-CABLE | | | | | | |
| | 5 | 1 | 9X-7688 | 16 | SEAL-O-RING | | | | | | |
| | 6 | 1 | 127-0594 | 2 | WIRE AS-GROUND | | | | | | |
| | 7 | 1 | 145-8634 | 16 | COVER (LIFTER GUIDE) | | | | | | |
| | 8 | 1 | 166-3796 | 16 | TUBE AS | | | | | | |
| | 9 | 1 | 198-2938 | 1 | HARNESS AS-WIRING (IGNITION, RH) | | | | | | |
| | | 1 | 4G-2544 | 8 | CONNECTOR-PLUG | | | | | | |
| | | 1 | 186-3736 | 16 | SOCKET-CONNECTOR (16-GA TO 18-GA) | | | | | | |
| | | 1 | 9X-4813 | 4 | RECEPTACLE AS-CONNECTOR (3-PIN) | | | | | | |
| | | 1 | 9X-4814 | 1 | RECEPTACLE AS-CONNECTOR (6-PIN) | | | | | | |
| | | 1 | 207-4554 | 8 | CONDUIT AS | | | | | | |
| | | 1 | 207-4556 | 1 | CONDUIT AS | | | | | | |
| | 10 | 1 | 198-2941 | 1 | HARNESS AS-WIRING (IGNITION, LH) | | | | | | |
| | | 1 | 4G-2544 | 8 | CONNECTOR-PLUG | | | | | | |
| | | 1 | 186-3736 | 16 | SOCKET-CONNECTOR (16-GA TO 18-GA) | | | | | | |
| | | 1 | 9X-4813 | 4 | RECEPTACLE AS-CONNECTOR (3-PIN) | | | | | | |
| | | 1 | 9X-4814 | 1 | RECEPTACLE AS-CONNECTOR (6-PIN) | | | | | | |
| | | 1 | 207-4554 | 8 | CONDUIT AS | | | | | | |
| | | 1 | 207-4555 | 1 | CONDUIT AS | | | | | | |
| C | 11 | 1 | 283-5269 | 16 | TRANSFORMER GP-POTENTIAL (EACH INCLUDES) | | | | | | |
| | | 1 | 283-5271 | 1 | EXTENSION AS | | | | | | |
| | | 1 | 125-1372 | 1 | SEAL-O-RING | | | | | | |
| | 12 | 1 | 0L-2070 | 1 | BOLT (3/8-16X2.25-IN) | | | | | | |
| | 13 | 1 | 0S-0509 | 2 | BOLT (3/8-16X0.75-IN) | | | | | | |
| | 14 | 1 | 0S-1571 | 63 | BOLT (3/8-16X1.75-IN) | | | | | | |
| | 15 | 1 | 0S-1594 | 14 | BOLT (3/8-16X1-IN) | | | | | | |
| | 16 | 1 | 194-8518 | 16 | SPARK PLUG (IGNITION) (EACH INCLUDES) | | | | | | |
| | | 1 | 9Y-6792 | 1 | GASKET-SPARK PLUG | | | | | | |
| | 17 | 1 | 3P-0650 | 16 | SEAL-O-RING | | | | | | |
| | 18 | 1 | 3V-3308 | 80 | WASHER-HARD (10.2X20.5X2.5-MM THK) | | | | | | |
| | 19 | 1 | 4B-3388 | 64 | BOLT (5/16-18X1.125-IN) | | | | | | |
| | 20 | 1 | 6V-3830 | 16 | SEAL-O-RING | | | | | | |
| | 21 | 1 | 6V-3834 | 16 | SEAL-O-RING | | | | | | |
| | 22 | 1 | 9M-1974 | 64 | WASHER-HARD (8.8X16X2-MM THK) | | | | | | |

C- CHANGE FROM PREVIOUS TYPE

ELECTRICAL AND STARTING SYSTEM

206-5460 IGNITION GP-GAS ENGINE (contd.)

i02622843



GRAPHIC #1

<END>

g01167718

ELECTRICAL AND STARTING SYSTEM

206-5460 IGNITION GP-GAS ENGINE (CHG -06)

SMCS-1550

i02985110

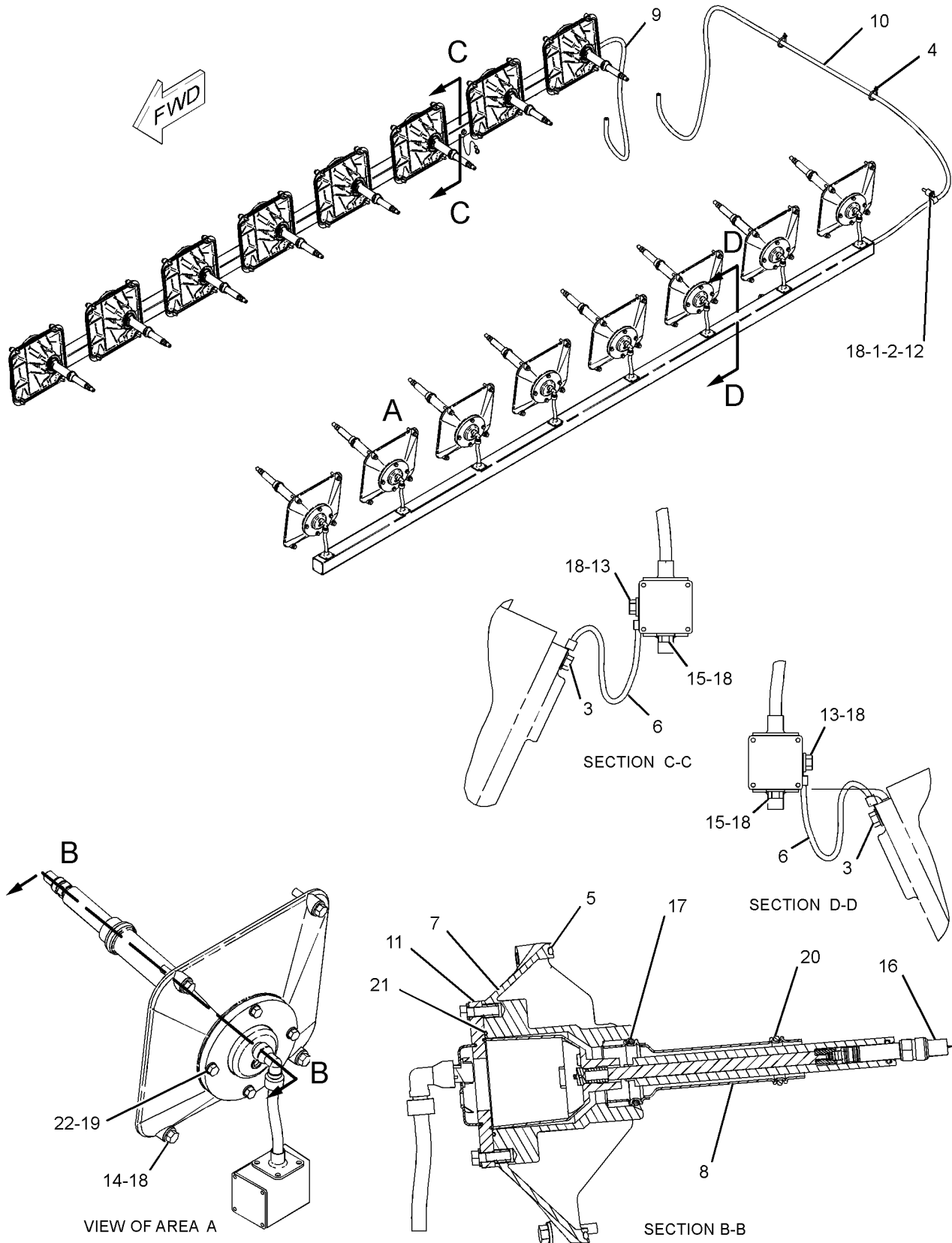
| NOTE | REF NO | GRAPHIC REF | PART NUMBER | QTY | PART NAME | | | | | | SEE PAGE |
|------|--------|-------------|-------------|-----|------------------------------------|---|---|---|---|-------------------|----------|
| | | | | | 1 | 2 | 3 | 4 | 5 | 6 (PRODUCT LEVEL) | |
| | 1 | 1 | 1B-4971 | 1 | SPACER (0.406X1X1-IN THK) | | | | | | |
| | 2 | 1 | 3S-8665 | 1 | CLIP | | | | | | |
| | 3 | 1 | 4D-1326 | 4 | LOCKWASHER | | | | | | |
| | 4 | 1 | 9X-6772 | 2 | STRAP-CABLE | | | | | | |
| | 5 | 1 | 9X-7688 | 16 | SEAL-O-RING | | | | | | |
| | 6 | 1 | 127-0594 | 2 | WIRE AS-GROUND | | | | | | |
| | 7 | 1 | 145-8634 | 16 | COVER (LIFTER GUIDE) | | | | | | |
| | 8 | 1 | 166-3796 | 16 | TUBE AS | | | | | | |
| | 9 | 1 | 198-2938 | 1 | HARNESS AS-WIRING (IGNITION, RH) | | | | | | |
| | | 1 | 4G-2544 | 8 | CONNECTOR-PLUG | | | | | | |
| | | 1 | 186-3736 | 16 | SOCKET-CONNECTOR (16-GA TO 18-GA) | | | | | | |
| | | 1 | 9X-4813 | 4 | RECEPTACLE AS-CONNECTOR (3-PIN) | | | | | | |
| | | 1 | 9X-4814 | 1 | RECEPTACLE AS-CONNECTOR (6-PIN) | | | | | | |
| | | 1 | 207-4554 | 8 | CONDUIT AS | | | | | | |
| | | 1 | 207-4556 | 1 | CONDUIT AS | | | | | | |
| | 10 | 1 | 198-2941 | 1 | HARNESS AS-WIRING (IGNITION, LH) | | | | | | |
| | | 1 | 4G-2544 | 8 | CONNECTOR-PLUG | | | | | | |
| | | 1 | 186-3736 | 16 | SOCKET-CONNECTOR (16-GA TO 18-GA) | | | | | | |
| | | 1 | 9X-4813 | 4 | RECEPTACLE AS-CONNECTOR (3-PIN) | | | | | | |
| | | 1 | 9X-4814 | 1 | RECEPTACLE AS-CONNECTOR (6-PIN) | | | | | | |
| | | 1 | 207-4554 | 8 | CONDUIT AS | | | | | | |
| | | 1 | 207-4555 | 1 | CONDUIT AS | | | | | | |
| CY | 11 | 1 | 310-3180 | 16 | TRANSFORMER GP-POTENTIAL | | | | | | 634 |
| | 12 | 1 | 0L-2070 | 1 | BOLT (3/8-16X2.25-IN) | | | | | | |
| | 13 | 1 | 0S-0509 | 2 | BOLT (3/8-16X0.75-IN) | | | | | | |
| | 14 | 1 | 0S-1571 | 63 | BOLT (3/8-16X1.75-IN) | | | | | | |
| | 15 | 1 | 0S-1594 | 14 | BOLT (3/8-16X1-IN) | | | | | | |
| C | 16 | 1 | 194-6420 | 16 | PLUG | | | | | | |
| | | | | | (EACH INCLUDES) | | | | | | |
| | | 1 | 194-8518 | 1 | SPARK PLUG | | | | | | |
| | | 1 | 9Y-6792 | 1 | GASKET-SPARK PLUG | | | | | | |
| | 17 | 1 | 3P-0650 | 16 | SEAL-O-RING | | | | | | |
| | 18 | 1 | 3V-3308 | 80 | WASHER-HARD (10.2X20.5X2.5-MM THK) | | | | | | |
| | 19 | 1 | 4B-3388 | 64 | BOLT (5/16-18X1.125-IN) | | | | | | |
| | 20 | 1 | 6V-3830 | 16 | SEAL-O-RING | | | | | | |
| | 21 | 1 | 6V-3834 | 16 | SEAL-O-RING | | | | | | |
| | 22 | 1 | 9M-1974 | 64 | WASHER-HARD (8.8X16X2-MM THK) | | | | | | |

C- CHANGE FROM PREVIOUS TYPE
Y- SEPARATE ILLUSTRATION

ELECTRICAL AND STARTING SYSTEM

206-5460 IGNITION GP-GAS ENGINE (contd.)

i02985110



GRAPHIC #1

<END>

g01167718

ELECTRICAL AND STARTING SYSTEM

231-4152 IGNITION GP-GAS ENGINE (CHG -00, -01) FOR USE WITH ENGINES CONFIGURED FOR BIO-GAS APPLICATIONS TYPE 1

SMCS-1550

i02623364

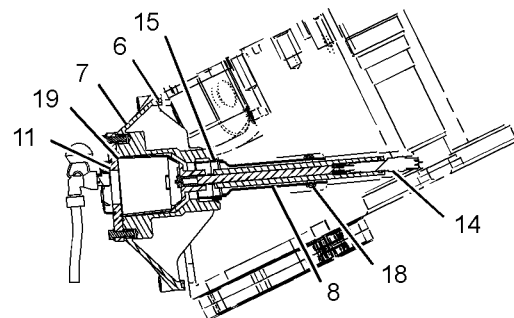
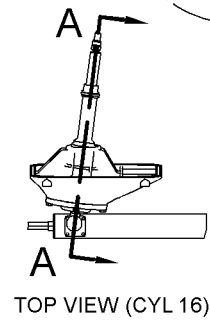
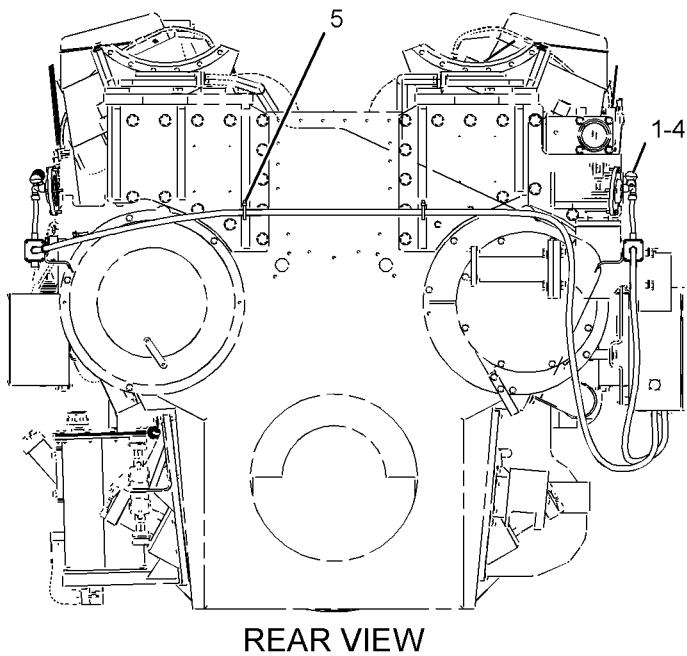
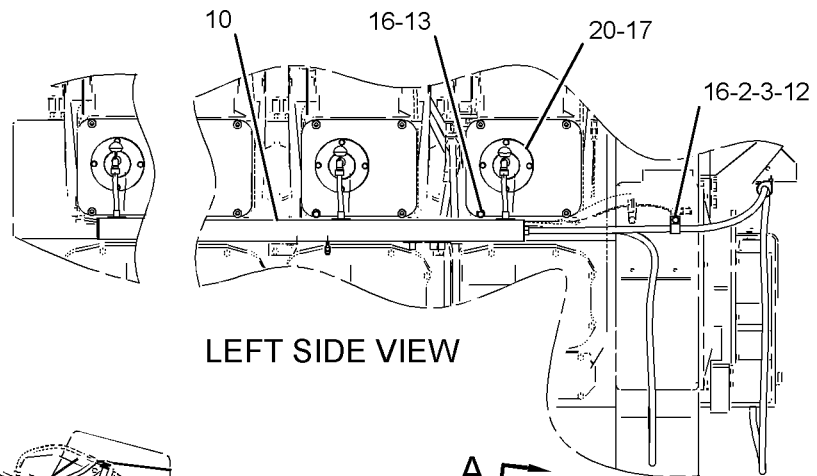
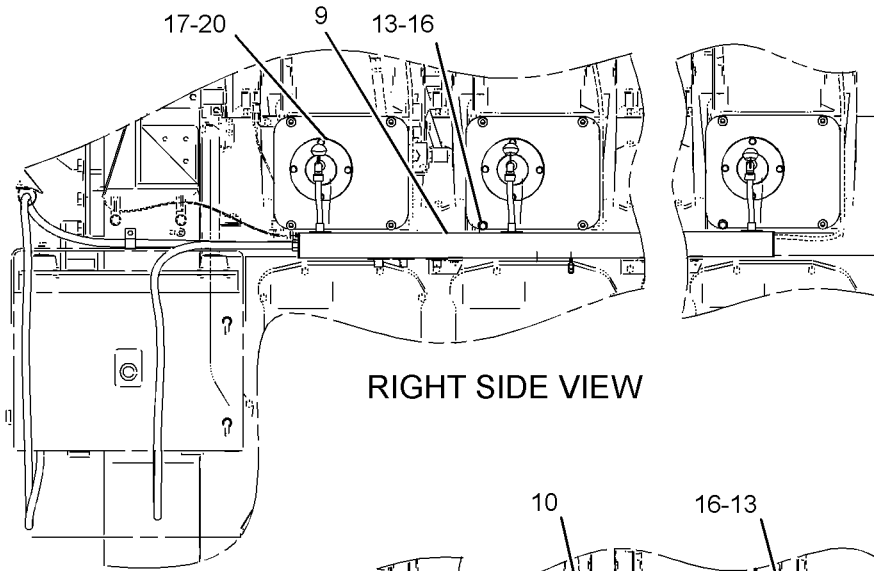
| NOTE | REF NO | GRAPHIC REF | PART NUMBER | QTY | PART NAME | | | | | | SEE PAGE | |
|------|--------|-------------|-------------|------------------------------------|----------------------------------|-----------------------------------|---|---|---|-------------------|----------|--|
| | | | | | 1 | 2 | 3 | 4 | 5 | 6 (PRODUCT LEVEL) | | |
| D | 1 | 1 | 5P-6025 | | LOCKWIRE (1.6-M) | | | | | | | |
| | 2 | 1 | 1B-4971 | 1 | SPACER (0.406X1X1-IN THK) | | | | | | | |
| | 3 | 1 | 3S-8665 | 1 | CLIP | | | | | | | |
| | 4 | 1 | 8S-8158 | 16 | SEAL-WIRE | | | | | | | |
| | 5 | 1 | 9X-6772 | 2 | STRAP-CABLE | | | | | | | |
| | 6 | 1 | 9X-7688 | 16 | SEAL-O-RING | | | | | | | |
| | 7 | 1 | 145-8634 | 16 | COVER (LIFTER GUIDE) | | | | | | | |
| | 8 | 1 | 166-3796 | 16 | TUBE AS | | | | | | | |
| | 9 | 1 | 198-2938 | 1 | HARNESS AS-WIRING (IGNITION, RH) | | | | | | | |
| | | | 1 | 4G-2544 | 8 | CONNECTOR-PLUG | | | | | | |
| | | | 1 | 186-3736 | 16 | SOCKET-CONNECTOR (16-GA TO 18-GA) | | | | | | |
| | | | 1 | 9X-4813 | 4 | RECEPTACLE AS-CONNECTOR (3-PIN) | | | | | | |
| | | | 1 | 9X-4814 | 1 | RECEPTACLE AS-CONNECTOR (6-PIN) | | | | | | |
| | | | 1 | 207-4554 | 8 | CONDUIT AS | | | | | | |
| | | | 1 | 207-4556 | 1 | CONDUIT AS | | | | | | |
| | 10 | 1 | 198-2941 | 1 | HARNESS AS-WIRING (IGNITION, LH) | | | | | | | |
| | | | 1 | 4G-2544 | 8 | CONNECTOR-PLUG | | | | | | |
| | | | 1 | 186-3736 | 16 | SOCKET-CONNECTOR (16-GA TO 18-GA) | | | | | | |
| | | | 1 | 9X-4813 | 4 | RECEPTACLE AS-CONNECTOR (3-PIN) | | | | | | |
| | | | 1 | 9X-4814 | 1 | RECEPTACLE AS-CONNECTOR (6-PIN) | | | | | | |
| | | 1 | 207-4554 | 8 | CONDUIT AS | | | | | | | |
| | | 1 | 207-4556 | 1 | CONDUIT AS | | | | | | | |
| 11 | 1 | 232-6351 | 16 | TRANSFORMER GP | | | | | | | | |
| | | | | | (EACH INCLUDES) | | | | | | | |
| | | 1 | 150-2050 | 1 | EXTENSION AS | | | | | | | |
| | | 1 | 122-0355 | 1 | TERMINAL AS | | | | | | | |
| | | 1 | 125-1372 | 1 | SEAL-O-RING | | | | | | | |
| 12 | 1 | 0L-2070 | 1 | BOLT (3/8-16X2.25-IN) | | | | | | | | |
| 13 | 1 | 0S-1591 | 12 | BOLT (3/8-16X1.5-IN) | | | | | | | | |
| 14 | 1 | 243-4291 | 16 | SPARK PLUG (IGNITION) | | | | | | | | |
| | | | | | (EACH INCLUDES) | | | | | | | |
| | | 1 | 9Y-6792 | 16 | GASKET-SPARK PLUG | | | | | | | |
| 15 | 1 | 3P-0650 | 16 | SEAL-O-RING | | | | | | | | |
| 16 | 1 | 3V-3308 | 13 | WASHER-HARD (10.2X20.5X2.5-MM THK) | | | | | | | | |
| 17 | 1 | 4B-3388 | 64 | BOLT (5/16-18X1.125-IN) | | | | | | | | |
| 18 | 1 | 6V-3830 | 16 | SEAL-O-RING | | | | | | | | |
| 19 | 1 | 6V-3834 | 16 | SEAL-O-RING | | | | | | | | |
| 20 | 1 | 9M-1974 | 64 | WASHER-HARD (8.8X16X2-MM THK) | | | | | | | | |

D-ORDER BY THE METER

ELECTRICAL AND STARTING SYSTEM

231-4152 IGNITION GP-GAS ENGINE (contd.)

i02623364



GRAPHIC #1

<END>

g01168463

ELECTRICAL AND STARTING SYSTEM

231-4152 IGNITION GP-GAS ENGINE (CHG -02, -03) FOR USE WITH ENGINES CONFIGURED FOR BIO-GAS APPLICATIONS TYPE 2

SMCS-1550

i02953418

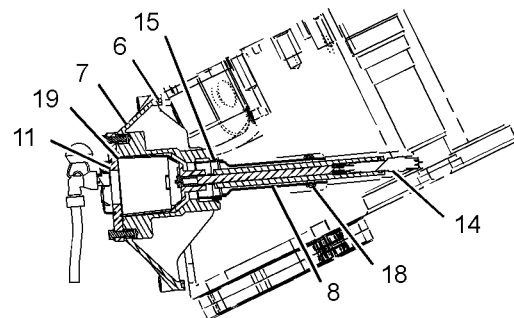
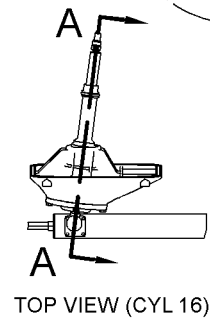
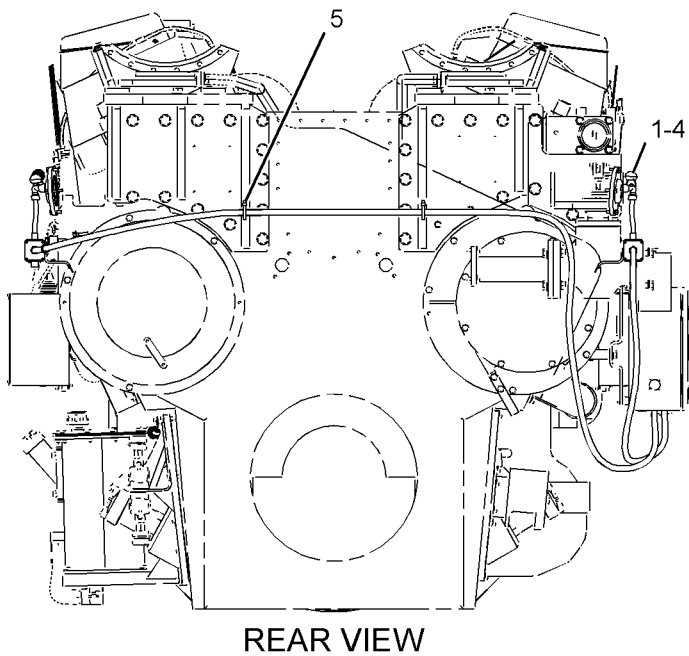
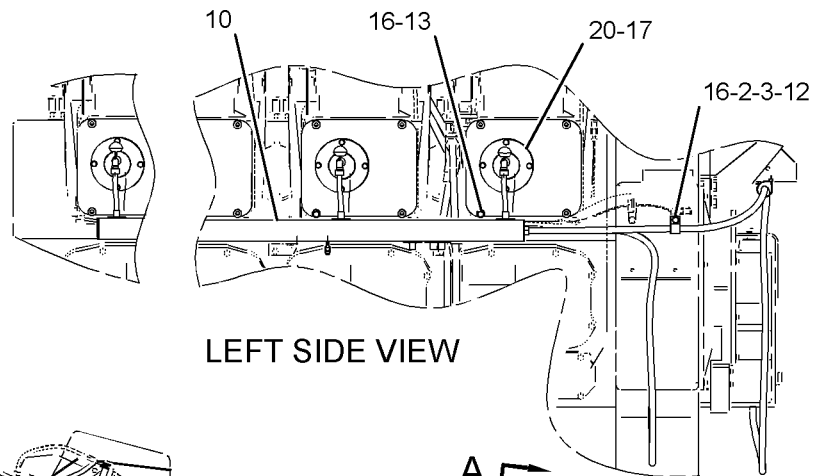
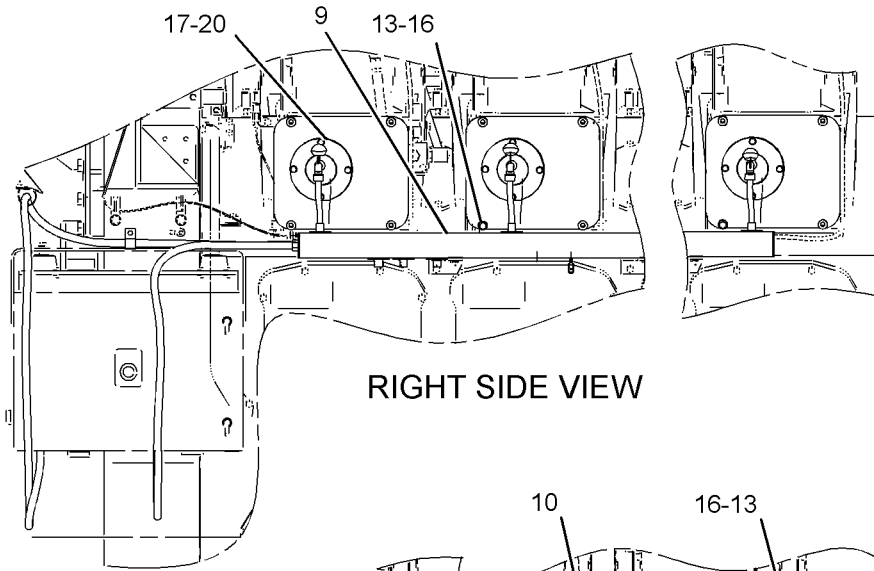
| NOTE | REF NO | GRAPHIC REF | PART NUMBER | QTY | PART NAME | | | | | | SEE PAGE | |
|------|--------|-------------|-------------|-------------------------------|------------------------------------|-----------------------------------|---|---|---|-------------------|----------|--|
| | | | | | 1 | 2 | 3 | 4 | 5 | 6 (PRODUCT LEVEL) | | |
| D | 1 | 1 | 5P-6025 | | LOCKWIRE (1.6-M) | | | | | | | |
| | 2 | 1 | 1B-4971 | 1 | SPACER (0.406X1X1-IN THK) | | | | | | | |
| | 3 | 1 | 3S-8665 | 1 | CLIP | | | | | | | |
| | 4 | 1 | 8S-8158 | 16 | SEAL-WIRE | | | | | | | |
| | 5 | 1 | 9X-6772 | 2 | STRAP-CABLE | | | | | | | |
| | 6 | 1 | 9X-7688 | 16 | SEAL-O-RING | | | | | | | |
| | 7 | 1 | 145-8634 | 16 | COVER (LIFTER GUIDE) | | | | | | | |
| | 8 | 1 | 166-3796 | 16 | TUBE AS | | | | | | | |
| | 9 | 1 | 198-2938 | 1 | HARNESS AS-WIRING (IGNITION, RH) | | | | | | | |
| | | | 1 | 186-3736 | 16 | SOCKET-CONNECTOR (16-GA TO 18-GA) | | | | | | |
| | | | 1 | 4G-2544 | 8 | CONNECTOR-PLUG | | | | | | |
| | | | 1 | 9X-4813 | 4 | RECEPTACLE AS-CONNECTOR (3-PIN) | | | | | | |
| | | | 1 | 9X-4814 | 1 | RECEPTACLE AS-CONNECTOR (6-PIN) | | | | | | |
| | | | 1 | 207-4554 | 8 | CONDUIT AS | | | | | | |
| | | | 1 | 207-4556 | 1 | CONDUIT AS | | | | | | |
| | 10 | 1 | 198-2941 | 1 | HARNESS AS-WIRING (IGNITION, LH) | | | | | | | |
| | | | 1 | 186-3736 | 16 | SOCKET-CONNECTOR (16-GA TO 18-GA) | | | | | | |
| | | | 1 | 4G-2544 | 8 | CONNECTOR-PLUG | | | | | | |
| | | | 1 | 9X-4813 | 4 | RECEPTACLE AS-CONNECTOR (3-PIN) | | | | | | |
| | | | 1 | 9X-4814 | 1 | RECEPTACLE AS-CONNECTOR (6-PIN) | | | | | | |
| | | 1 | 207-4554 | 8 | CONDUIT AS | | | | | | | |
| | | 1 | 207-4556 | 1 | CONDUIT AS | | | | | | | |
| CY | 11 | 1 | 310-3180 | 16 | TRANSFORMER GP-POTENTIAL | | | | | | 634 | |
| | 12 | 1 | 0L-2070 | 1 | BOLT (3/8-16X2.25-IN) | | | | | | | |
| | 13 | 1 | 0S-1591 | 12 | BOLT (3/8-16X1.5-IN) | | | | | | | |
| | 14 | 1 | 243-4291 | 16 | SPARK PLUG (IGNITION) | | | | | | | |
| | | | | | (EACH INCLUDES) | | | | | | | |
| | | | 1 | 9Y-6792 | 1 | GASKET-SPARK PLUG | | | | | | |
| | 15 | 1 | 3P-0650 | 16 | SEAL-O-RING | | | | | | | |
| | 16 | 1 | 3V-3308 | 13 | WASHER-HARD (10.2X20.5X2.5-MM THK) | | | | | | | |
| | 17 | 1 | 4B-3388 | 64 | BOLT (5/16-18X1.125-IN) | | | | | | | |
| | 18 | 1 | 6V-3830 | 16 | SEAL-O-RING | | | | | | | |
| 19 | 1 | 6V-3834 | 16 | SEAL-O-RING | | | | | | | | |
| 20 | 1 | 9M-1974 | 64 | WASHER-HARD (8.8X16X2-MM THK) | | | | | | | | |

C- CHANGE FROM PREVIOUS TYPE
D- ORDER BY THE METER
Y- SEPARATE ILLUSTRATION

ELECTRICAL AND STARTING SYSTEM

231-4152 IGNITION GP-GAS ENGINE (contd.)

i02953418



GRAPHIC #1

<END>

g01168463

ELECTRICAL AND STARTING SYSTEM

320-9979 INSTALLATION GP-COMMUNICATION (CHG -00, -01) FOR USE WITH CUSTOMER MOUNTED PL1000E COMMUNICATION MODULE

SMCS-1408, 1901, 1902, 7610, 7620

i02918748

| NOTE | PART NUMBER | QTY | PART NAME | | | | | | SEE PAGE |
|-------------------------|-------------|-----|------------------------------------|---|---|---|---|-------------------|----------|
| | | | 1 | 2 | 3 | 4 | 5 | 6 (PRODUCT LEVEL) | |
| Y | 256-7512 | 1 | CONTROL GP-COMMUNICATION (PL1000E) | | | | | | 528 |
| Y | 276-0785 | 1 | HARNESS AS-CONTROL (PL1000E) | | | | | | 545 |
| | 228-6559 | 1 | CABLE AS-COMMUNICATION (RJ45) | | | | | | |
| | 3E-9865 | 4 | LOCKNUT (1/4-20-THD) | | | | | | |
| | 9X-9896 | 4 | MOUNT (ISOLATION) | | | | | | |
| | 8C-5608 | 4 | SPACER (6.5X9.5X25.4-MM THK) | | | | | | |
| | 3S-2093 | 10 | STRAP-CABLE | | | | | | |
| | 8L-8413 | 10 | STRAP-CABLE | | | | | | |
| | 9X-6772 | 4 | STRAP-CABLE | | | | | | |
| | 9X-6165 | 4 | WASHER (6.5X22X2.5-MM THK) | | | | | | |
| Y-SEPARATE ILLUSTRATION | | | | | | | | | |

<END>

320-9980 INSTALLATION GP-COMMUNICATION (CHG -00) FOR USE WITH CUSTOMER MOUNTED PL1000T COMMUNICATION MODULE

SMCS-1408, 1901, 1902, 7610, 7620

i03022261

| NOTE | PART NUMBER | QTY | PART NAME | | | | | | SEE PAGE |
|-------------------------|-------------|-----|------------------------------------|---|---|---|---|-------------------|----------|
| | | | 1 | 2 | 3 | 4 | 5 | 6 (PRODUCT LEVEL) | |
| Y | 256-7511 | 1 | CONTROL GP-COMMUNICATION (PL1000T) | | | | | | 528 |
| Y | 270-1732 | 1 | HARNESS AS-CONTROL (PL1000T) | | | | | | 545 |
| | 3E-9865 | 4 | LOCKNUT (1/4-20-THD) | | | | | | |
| | 9X-9896 | 4 | MOUNT (ISOLATION) | | | | | | |
| | 8C-5608 | 4 | SPACER (6.5X9.5X25.4-MM THK) | | | | | | |
| | 3S-2093 | 10 | STRAP-CABLE | | | | | | |
| | 8L-8413 | 10 | STRAP-CABLE | | | | | | |
| | 9X-6772 | 4 | STRAP-CABLE | | | | | | |
| | 9X-6165 | 4 | WASHER (6.5X22X2.5-MM THK) | | | | | | |
| Y-SEPARATE ILLUSTRATION | | | | | | | | | |

<END>

ELECTRICAL AND STARTING SYSTEM

142-2745 LINES GP-AIR STARTING

(CHG -00 THRU -03, -03D1 THRU -05, -05D1)

AIR CONTROL, MAIN. LH

SMCS-1451

i02358924

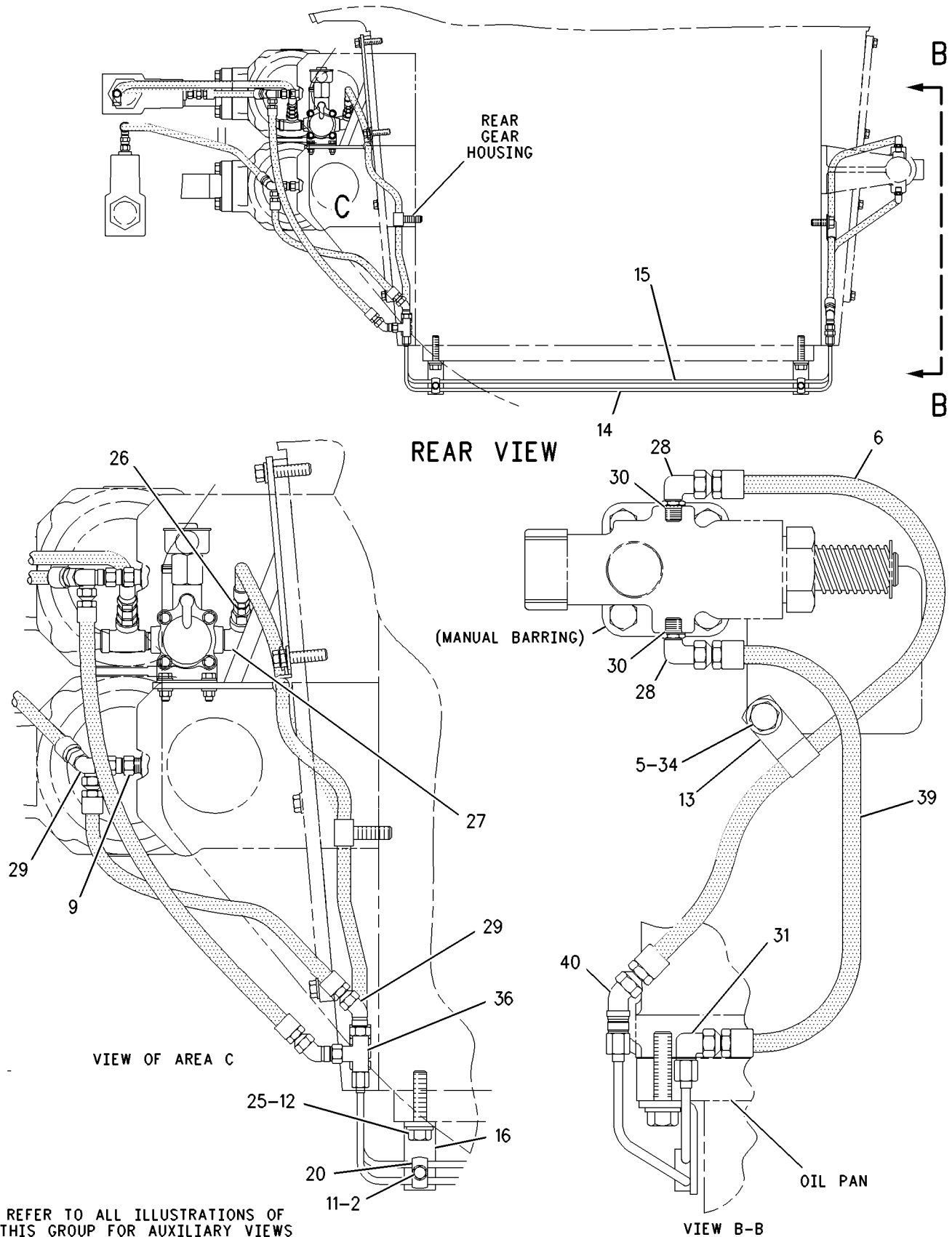
| NOTE | REF NO | GRAPHIC REF | PART NUMBER | QTY | PART NAME | | | | | | SEE PAGE |
|------|--------|-------------|-------------|-----|------------------------------------|---|---|---|---|-------------------|----------|
| | | | | | 1 | 2 | 3 | 4 | 5 | 6 (PRODUCT LEVEL) | |
| | 1 | 2 | 0S-1571 | 2 | BOLT (3/8-16X1.75-IN) | | | | | | |
| | 2 | 1 | 0S-1615 | 2 | BOLT (1/4-20X0.75-IN) | | | | | | |
| | 3 | 2 | 2D-7325 | 1 | TEE-PIPE | | | | | | |
| | 4 | 2 | 3J-7355 | 1 | UNION-FLARED | | | | | | |
| | 5 | 1,2 | 3V-3308 | 4 | WASHER-HARD (10.2X20.5X2.5-MM THK) | | | | | | |
| I | 6 | 1,2 | 3V-6153 | 2 | HOSE AS | | | | | | |
| | 7 | 2 | 0S-1591 | 1 | BOLT (3/8-16X1.5-IN) | | | | | | |
| | 8 | 2 | 4F-7957 | 4 | BOLT (1/4-20X0.875-IN) | | | | | | |
| | 9 | 1,2 | 4S-6399 | 7 | CONNECTOR | | | | | | |
| I | 10 | 2 | 2V-5956 | 1 | HOSE AS | | | | | | |
| | 11 | 1,2 | 5P-0537 | 10 | WASHER-HARD (7.2X14.5X2-MM THK) | | | | | | |
| | 12 | 1,2 | 5P-8245 | 3 | WASHER-HARD (13.5X25.5X3-MM THK) | | | | | | |
| | 13 | 1,2 | 6D-3479 | 2 | CLIP | | | | | | |
| | 14 | 1 | 7C-0370 | 1 | TUBE AS | | | | | | |
| | 15 | 1 | 7C-0371 | 1 | TUBE AS | | | | | | |
| | 16 | 1 | 7C-0372 | 2 | BRACKET | | | | | | |
| | 17 | 2 | 7K-9197 | 3 | ELBOW | | | | | | |
| I | 18 | 2 | 7V-0916 | 2 | HOSE AS | | | | | | |
| | 19 | 2 | 8L-6005 | 1 | TEE-PIPE | | | | | | |
| | 20 | 1 | 8N-8471 | 2 | CLAMP-TUBE | | | | | | |
| | 21 | 2 | 8T-6767 | 1 | PLUG-PIPE | | | | | | |
| | 22 | 2 | 9S-8750 | 4 | NUT-FULL (1/4-20-THD) | | | | | | |
| | 23 | 2 | 0S-1587 | 1 | BOLT (1/2-13X1.75-IN) | | | | | | |
| | 24 | 2 | 9X-7206 | 1 | VALVE-SOLENOID (24-VOLT) | | | | | | |
| | 25 | 1 | 9X-8873 | 2 | BOLT (1/2-13X2.25-IN) | | | | | | |
| | 26 | 1,2 | 001-6449 | 2 | CONNECTOR | | | | | | |
| | 27 | 1 | 003-2143 | 1 | ELBOW | | | | | | |
| | 28 | 1 | 030-7946 | 2 | ELBOW | | | | | | |
| | 29 | 1,2 | 030-7961 | 4 | ELBOW | | | | | | |
| | 30 | 1 | 061-7538 | 2 | SEAL-O-RING | | | | | | |
| | 31 | 1 | 067-6495 | 1 | ELBOW-FLARED | | | | | | |
| | 32 | 2 | 142-2868 | 1 | BRACKET AS | | | | | | |
| I | 33 | 2 | 3N-7281 | 1 | HOSE AS | | | | | | |
| | 34 | 1 | 0S-1594 | 1 | BOLT (3/8-16X1-IN) | | | | | | |
| I | 35 | 2 | 5T-4374 | 1 | HOSE AS | | | | | | |
| | 36 | 1 | 005-5421 | 1 | TEE-UNION | | | | | | |
| | 37 | 2 | 5K-3294 | 1 | CLIP | | | | | | |
| | 38 | 2 | 8T-6758 | 1 | PLUG-PIPE | | | | | | |
| I | 39 | 1 | 6N-8659 | 1 | HOSE AS | | | | | | |
| | 40 | 1 | 7K-6462 | 1 | ELBOW | | | | | | |

I- REFER TO HYDRAULIC INFORMATION SYSTEM

ELECTRICAL AND STARTING SYSTEM

142-2745 LINES GP-AIR STARTING (contd.)

i02358924



REFER TO ALL ILLUSTRATIONS OF THIS GROUP FOR AUXILIARY VIEWS

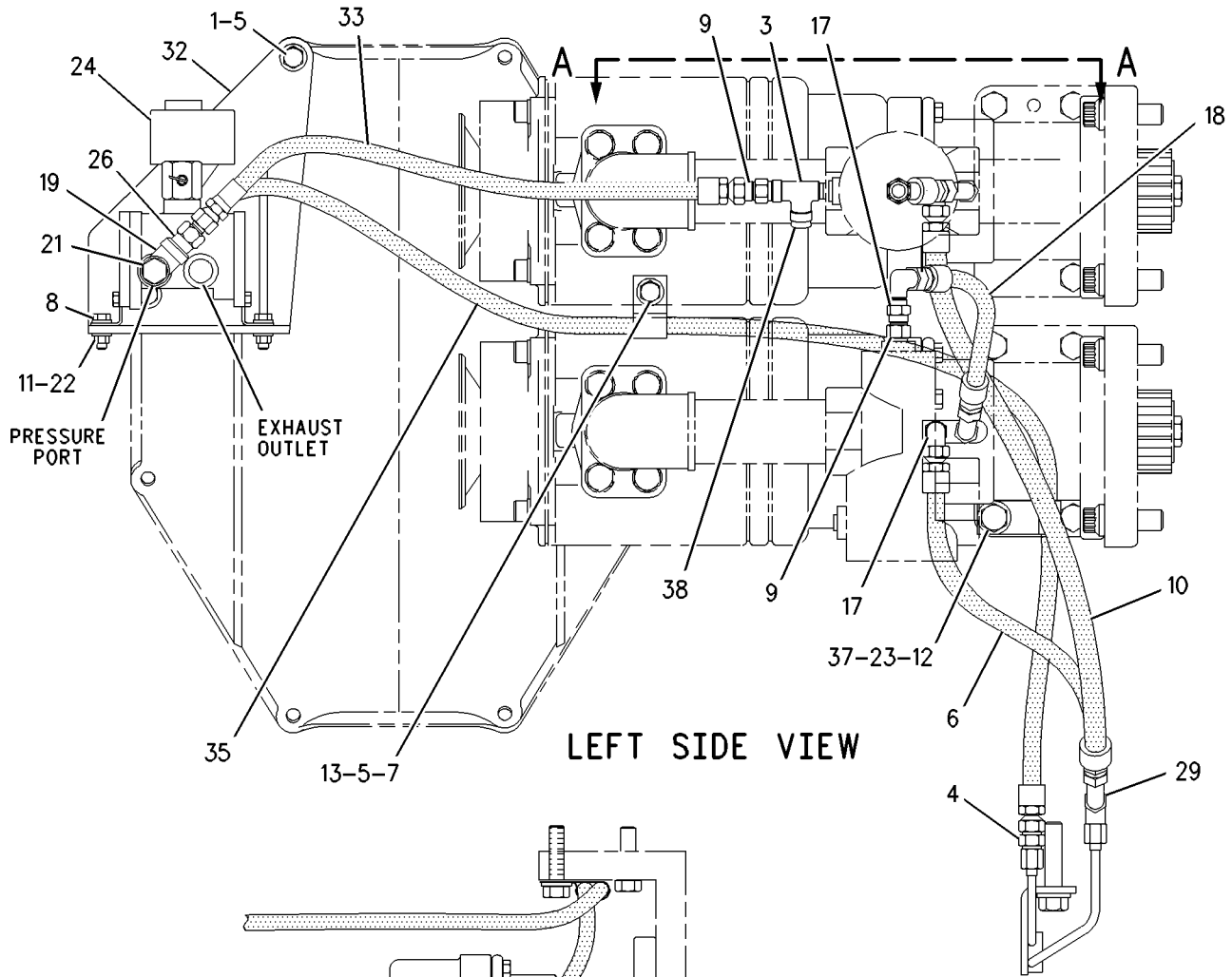
GRAPHIC #1

g00920442

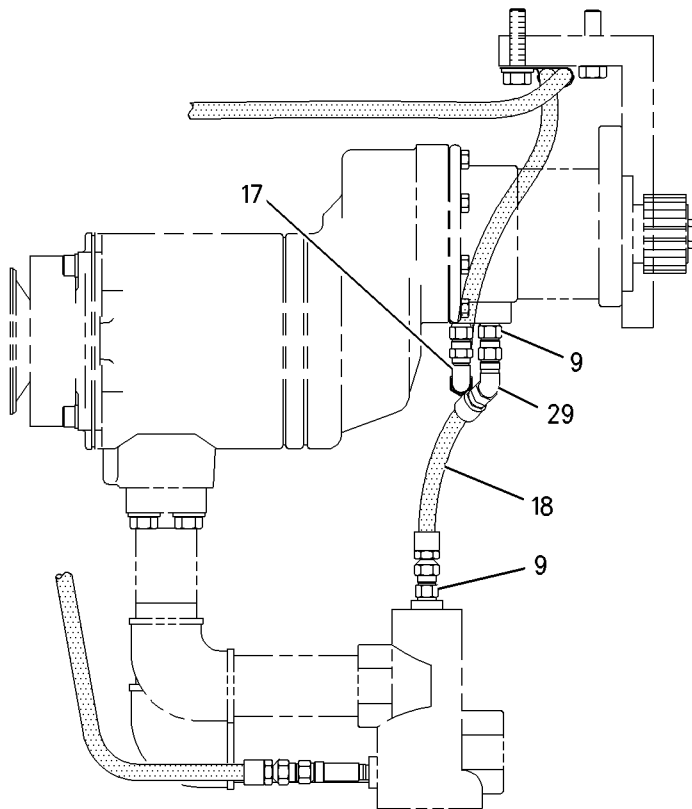
ELECTRICAL AND STARTING SYSTEM

142-2745 LINES GP-AIR STARTING (contd.)

i02358924



LEFT SIDE VIEW



VIEW A-A

REFER TO ALL ILLUSTRATIONS OF THIS GROUP FOR AUXILIARY VIEWS

ELECTRICAL AND STARTING SYSTEM

149-3992 LINES GP-AIR STARTING (CHG -00) VANE STARTERS

SMCS-1451

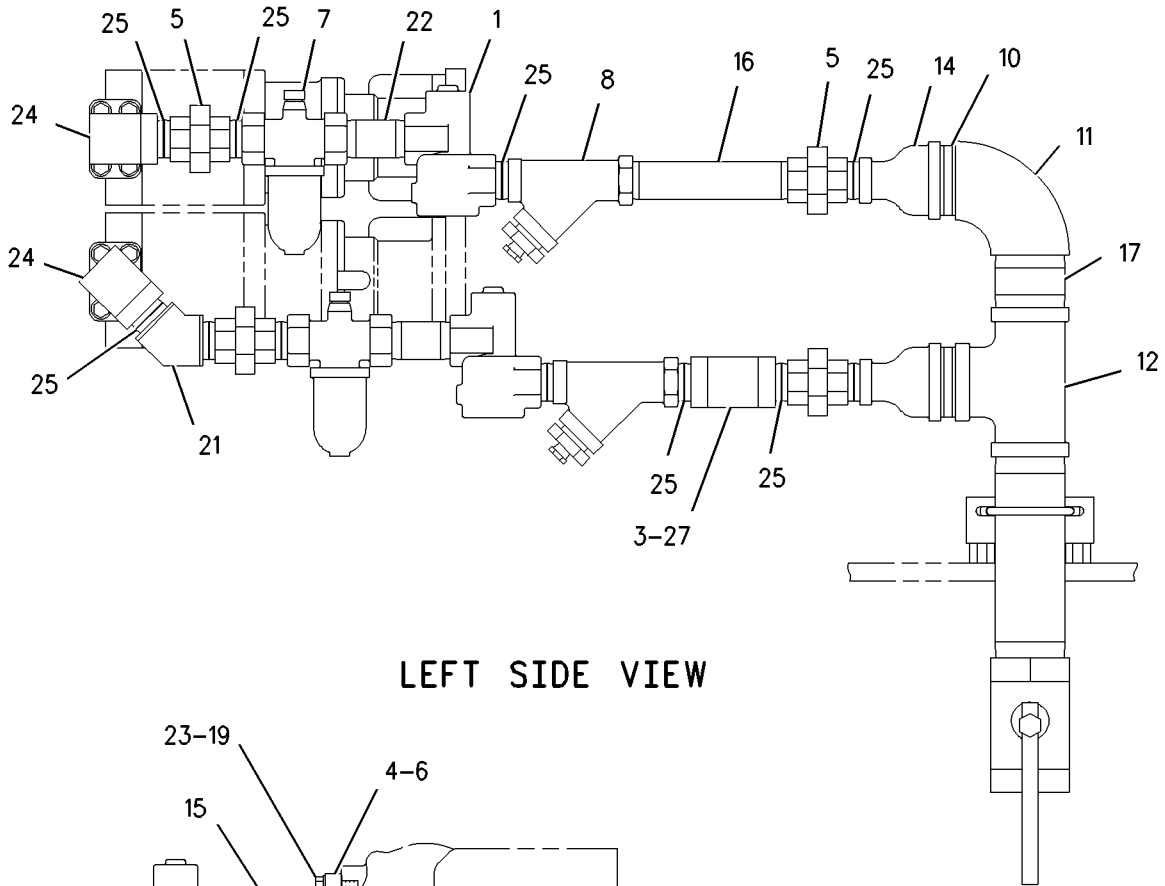
i01679751

| NOTE | REF NO | GRAPHIC REF | PART NUMBER | QTY | PART NAME | | | | | | SEE PAGE |
|---|--------|-------------|-------------|-----------------------|---------------------------------------|---|---|---|---|-------------------|----------|
| | | | | | 1 | 2 | 3 | 4 | 5 | 6 (PRODUCT LEVEL) | |
| J | 1 | 1 | 4N-3411 | 2 | VALVE GP-RELAY | | | | | | |
| | 2 | 1 | 5H-0255 | 2 | BOSS | | | | | | |
| | 3 | 1 | 6F-7701 | 1 | TEE-PIPE | | | | | | |
| | 4 | 1 | 8N-8451 | 2 | GASKET | | | | | | |
| | 5 | 1 | 109-9866 | 4 | UNION | | | | | | |
| | 6 | 1 | 110-5282 | 2 | FLANGE | | | | | | |
| Y | 7 | 1 | 119-6284 | 2 | LUBRICATOR GP-AIR MOTOR | | | | | | 600 |
| | 8 | 1 | 131-1459 | 2 | STRAINER GP-AIR LINES | | | | | | |
| | | 1 | 131-1460 | 1 | SCREEN | | | | | | |
| | 9 | 1 | 140-0366 | 1 | VALVE | | | | | | |
| | 10 | 1 | 140-5978 | 2 | FITTING | | | | | | |
| | 11 | 1 | 140-5979 | 1 | ELBOW | | | | | | |
| | 12 | 1 | 140-5980 | 1 | TEE-PIPE | | | | | | |
| | 13 | 1 | 142-2872 | 1 | BRACKET | | | | | | |
| | 14 | 1 | 143-0419 | 2 | COUPLING | | | | | | |
| | 15 | 1 | 149-3995 | 2 | NIPPLE-PIPE | | | | | | |
| | 16 | 1 | 149-3996 | 1 | NIPPLE-PIPE | | | | | | |
| | 17 | 1 | 149-3997 | 1 | NIPPLE-PIPE | | | | | | |
| | 18 | 1 | 149-4009 | 1 | NIPPLE-PIPE | | | | | | |
| | 19 | 1 | 0S-1587 | 8 | BOLT (1/2-13X1.75-IN) | | | | | | |
| | 20 | 1 | 2D-0032 | 1 | U-BOLT | | | | | | |
| | 21 | 1 | 2L-2813 | 1 | ELBOW | | | | | | |
| | 22 | 1 | 3L-1258 | 2 | NIPPLE-PIPE | | | | | | |
| | 23 | 1 | 5P-8245 | 10 | WASHER-HARD (13.5X25.5X3-MM THK) | | | | | | |
| | 24 | 1 | 6F-8856 | 2 | ELBOW | | | | | | |
| | 25 | 1 | 6F-8858 | 11 | FITTING | | | | | | |
| | 26 | 1 | 6H-1717 | 2 | BOLT (1/2-13X1.125-IN) | | | | | | |
| | 27 | 1 | 7B-9665 | 1 | PLUG | | | | | | |
| | 28 | 1 | 9L-9132 | 2 | WASHER (10.2X25.5X2.5-MM THK) | | | | | | |
| 29 | 1 | 9S-8752 | 2 | NUT-FULL (3/8-16-THD) | | | | | | | |
| | | | | | AVAILABLE REPAIR KIT(S) : | | | | | | |
| J | | | 7C-5105 | 1 | KIT-VALVE SEAL (AIR STARTING) | | | | | | |
| | | | | | (INCLUDES SEALS, RETAINER AND BUMPER) | | | | | | |
| J-REPAIR KIT(S) MARKED J AVAILABLE FOR PART(S) MARKED J | | | | | | | | | | | |
| Y-SEPARATE ILLUSTRATION | | | | | | | | | | | |

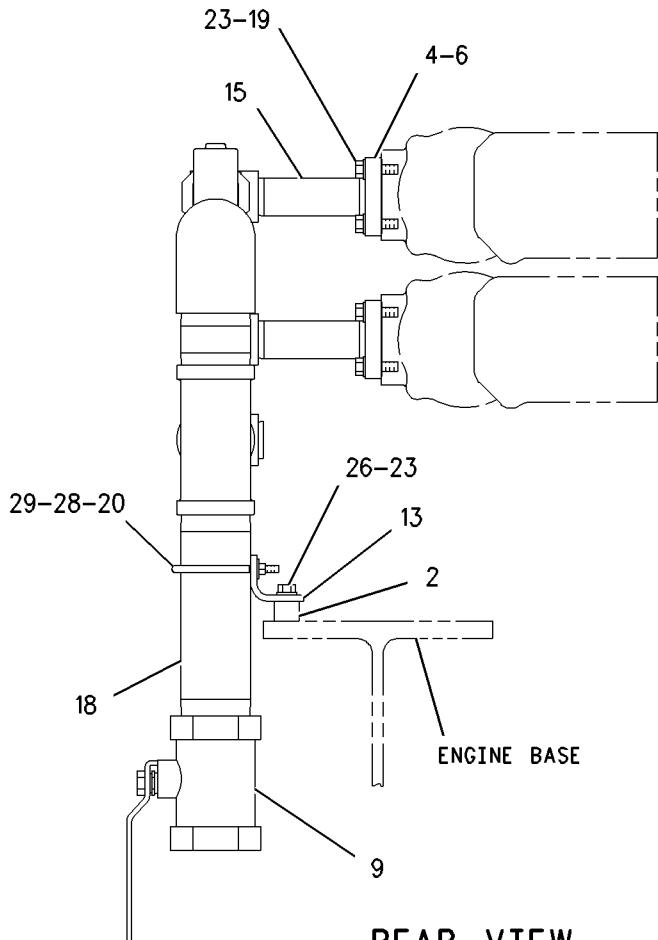
ELECTRICAL AND STARTING SYSTEM

149-3992 LINES GP-AIR STARTING (contd.)

i01679751



LEFT SIDE VIEW



REAR VIEW

GRAPHIC #1

<END>

g00779587

ELECTRICAL AND STARTING SYSTEM

149-3994 LINES GP-AIR STARTING (CHG -02 THRU -04) TURBINE STARTERS

SMCS-1451

i02420522

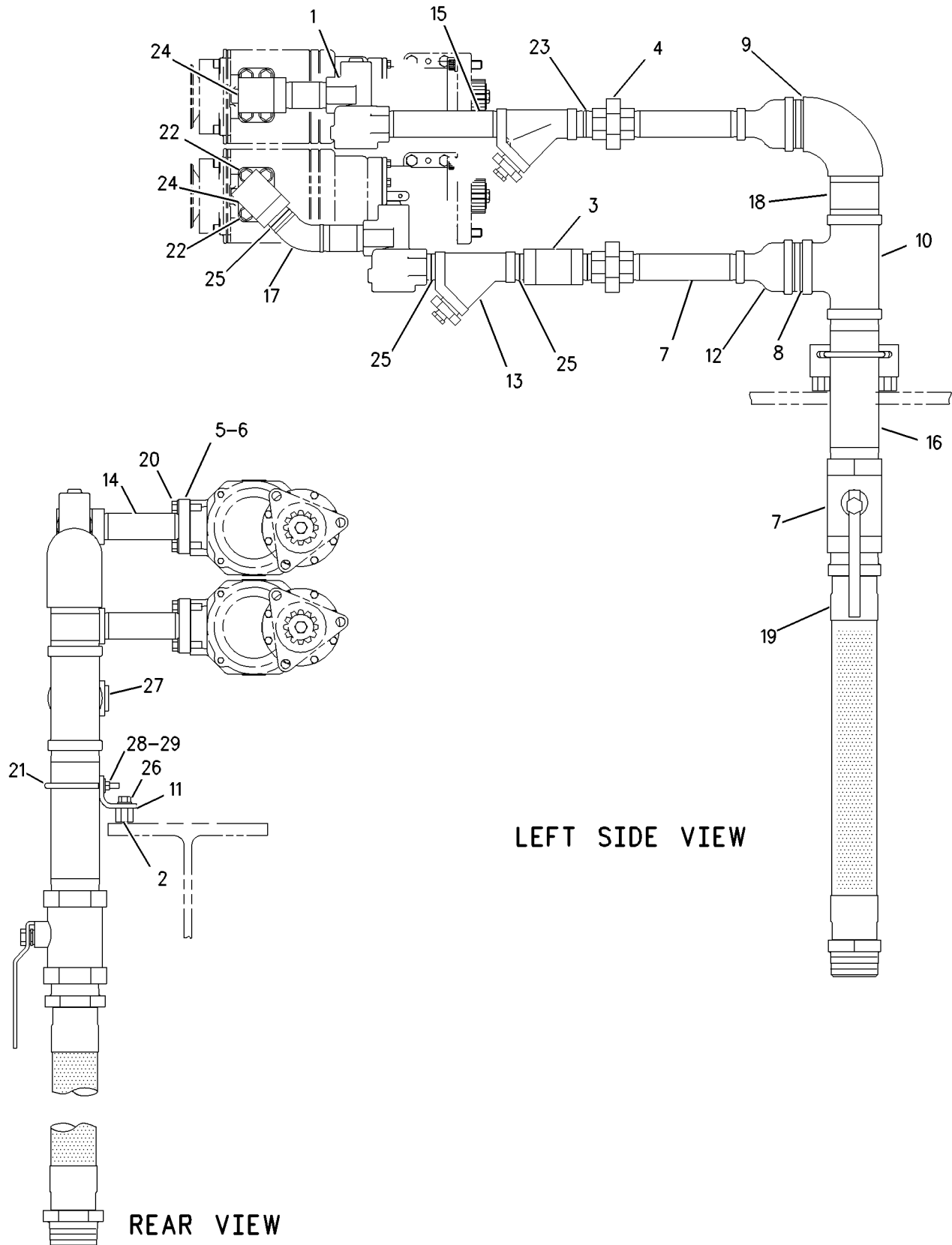
| NOTE | REF NO | GRAPHIC REF | PART NUMBER | QTY | PART NAME | | | | | | SEE PAGE |
|------|--------|-------------|-------------|----------|--|-----------------------|---|---|---|-------------------|----------|
| | | | | | 1 | 2 | 3 | 4 | 5 | 6 (PRODUCT LEVEL) | |
| J | 1 | 1 | 4N-3411 | 2 | VALVE GP-RELAY | | | | | | |
| | 2 | 1 | 5H-0255 | 2 | BOSS | | | | | | |
| | 3 | 1 | 6F-7701 | 1 | TEE-PIPE | | | | | | |
| C | 4 | 1 | 6V-8252 | 2 | UNION-PIPE | | | | | | |
| | 5 | 1 | 8N-8451 | 2 | GASKET | | | | | | |
| | 6 | 1 | 110-5282 | 2 | FLANGE | | | | | | |
| | 7 | 1 | 140-0366 | 1 | VALVE | | | | | | |
| | 8 | 1 | 140-5978 | 2 | FITTING | | | | | | |
| | 9 | 1 | 140-5979 | 1 | ELBOW | | | | | | |
| | 10 | 1 | 140-5980 | 1 | TEE-PIPE | | | | | | |
| | 11 | 1 | 142-2872 | 1 | BRACKET | | | | | | |
| | 12 | 1 | 143-0419 | 2 | COUPLING | | | | | | |
| | Y | 13 | 1 | 146-5215 | 2 | STRAINER GP-AIR LINES | | | | | |
| 14 | | 1 | 149-3995 | 2 | NIPPLE-PIPE | | | | | | |
| C | 15 | 1 | 149-3996 | 3 | NIPPLE-PIPE | | | | | | |
| | 16 | 1 | 149-4009 | 1 | NIPPLE-PIPE | | | | | | |
| C | 17 | 1 | 160-7086 | 1 | ELBOW | | | | | | |
| C | 18 | 1 | 162-7255 | 1 | FITTING-PIPE | | | | | | |
| C | 19 | 1 | 162-7604 | 1 | HOSE AS | | | | | | |
| | 20 | 1 | 0S-1587 | 8 | BOLT (1/2-13X1.75-IN) | | | | | | |
| | 21 | 1 | 2D-0032 | 1 | U-BOLT | | | | | | |
| | 22 | 1 | 5P-8245 | 10 | WASHER-HARD (13.5X25.5X3-MM THK) | | | | | | |
| C | 23 | 1 | 6F-6045 | 1 | NIPPLE-PIPE | | | | | | |
| | 24 | 1 | 6F-8856 | 2 | ELBOW | | | | | | |
| C | 25 | 1 | 6F-8858 | 6 | FITTING | | | | | | |
| | 26 | 1 | 6H-1717 | 2 | BOLT (1/2-13X1.125-IN) | | | | | | |
| | 27 | 1 | 7B-9665 | 1 | PLUG | | | | | | |
| | 28 | 1 | 9L-9132 | 2 | WASHER (10.2X25.5X2.5-MM THK) | | | | | | |
| | 29 | 1 | 9S-8752 | 2 | NUT-FULL (3/8-16-THD) | | | | | | |
| | | | | | AVAILABLE REPAIR KIT(S): | | | | | | |
| J | | | 7C-5105 | 1 | KIT-VALVE SEAL (AIR STARTING) (INCLUDES BUMPER, RETAINER AMD SEALS) | | | | | | |

C - CHANGE FROM PREVIOUS TYPE
 J - KIT MARKED J SERVICES PARTS MARKED J
 Y - SEPARATE ILLUSTRATION

ELECTRICAL AND STARTING SYSTEM

149-3994 LINES GP-AIR STARTING (contd.)

i02420522



LEFT SIDE VIEW

REAR VIEW

ELECTRICAL AND STARTING SYSTEM

149-3999 LINES GP-AIR STARTING (CHG -00 THRU -05) 24VDC. STARTING MOTOR CONTROL

SMCS-1451

i02358927

| NOTE | REF NO | GRAPHIC REF | PART NUMBER | QTY | PART NAME | | | | | | SEE PAGE |
|------|--------|-------------|-------------|-----|------------------------------------|---|---|---|---|-------------------|----------|
| | | | | | 1 | 2 | 3 | 4 | 5 | 6 (PRODUCT LEVEL) | |
| B | 1 | 1 | 3S-2093 | 2 | STRAP-CABLE | | | | | | |
| | 2 | 1 | 2D-7325 | 1 | TEE-PIPE | | | | | | |
| I | 3 | 1 | 2V-5956 | 3 | HOSE AS | | | | | | |
| | 4 | 1 | 3J-7355 | 1 | UNION-FLARED | | | | | | |
| I | 5 | 1 | 3V-6153 | 2 | HOSE AS | | | | | | |
| | 6 | 1 | 4D-6988 | 2 | CLIP | | | | | | |
| I | 7 | 1 | 5T-5760 | 1 | HOSE AS | | | | | | |
| I | 8 | 1 | 6N-8659 | 1 | HOSE AS | | | | | | |
| | 9 | 1 | 7C-0370 | 1 | TUBE AS | | | | | | |
| | 10 | 1 | 7C-0371 | 1 | TUBE AS | | | | | | |
| | 11 | 1 | 7C-0372 | 2 | BRACKET | | | | | | |
| | 12 | 1 | 8L-6005 | 1 | TEE-PIPE | | | | | | |
| | 13 | 1 | 8N-8471 | 2 | CLAMP-TUBE | | | | | | |
| I | 14 | 1 | 8P-4955 | 1 | HOSE AS | | | | | | |
| | 15 | 1 | 9X-7206 | 1 | VALVE-SOLENOID (24-VOLT) | | | | | | |
| | 16 | 1 | 003-2143 | 1 | ELBOW | | | | | | |
| | 17 | 1 | 005-5421 | 1 | TEE-UNION | | | | | | |
| | 18 | 1 | 142-2868 | 1 | BRACKET AS | | | | | | |
| | 19 | 1 | 001-6449 | 2 | CONNECTOR | | | | | | |
| | 20 | 1 | 030-7946 | 2 | ELBOW | | | | | | |
| | 21 | 1 | 030-7961 | 4 | ELBOW | | | | | | |
| | 22 | 1 | 061-7538 | 2 | SEAL-O-RING | | | | | | |
| | 23 | 1 | 067-6495 | 1 | ELBOW-FLARED | | | | | | |
| | 24 | 1 | 0S-1571 | 2 | BOLT (3/8-16X1.75-IN) | | | | | | |
| | 25 | 1 | 0S-1587 | 2 | BOLT (1/2-13X1.75-IN) | | | | | | |
| | 26 | 1 | 0S-1594 | 1 | BOLT (3/8-16X1-IN) | | | | | | |
| | 27 | 1 | 0S-1615 | 2 | BOLT (1/4-20X0.75-IN) | | | | | | |
| | 28 | 1 | 3V-3308 | 3 | WASHER-HARD (10.2X20.5X2.5-MM THK) | | | | | | |
| | 29 | 1 | 4F-7957 | 4 | BOLT (1/4-20X0.875-IN) | | | | | | |
| | 30 | 1 | 4S-6399 | 6 | CONNECTOR | | | | | | |
| | 31 | 1 | 5P-0537 | 10 | WASHER-HARD (7.2X14.5X2-MM THK) | | | | | | |
| | 32 | 1 | 5P-8245 | 4 | WASHER-HARD (13.5X25.5X3-MM THK) | | | | | | |
| | 33 | 1 | 6D-3479 | 1 | CLIP | | | | | | |
| | 34 | 1 | 6K-1972 | 1 | ELBOW-FLARED | | | | | | |
| | 35 | 1 | 7K-6462 | 1 | ELBOW | | | | | | |
| | 36 | 1 | 7K-9197 | 4 | ELBOW | | | | | | |
| | 37 | 1 | 8T-6767 | 1 | PLUG-PIPE | | | | | | |
| | 38 | 1 | 9S-8750 | 4 | NUT-FULL (1/4-20-THD) | | | | | | |
| | 39 | 1 | 9X-8873 | 2 | BOLT (1/2-13X2.25-IN) | | | | | | |

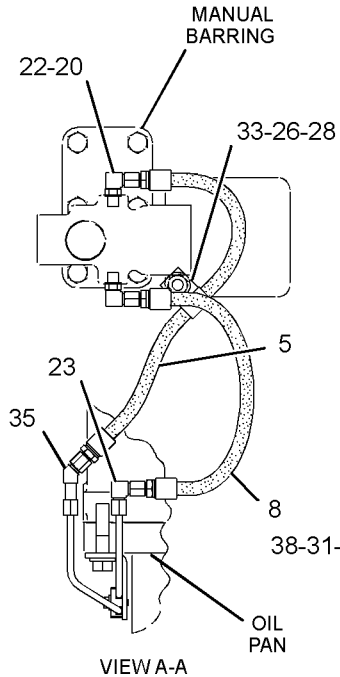
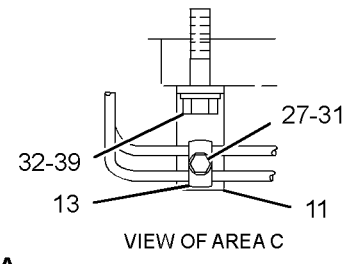
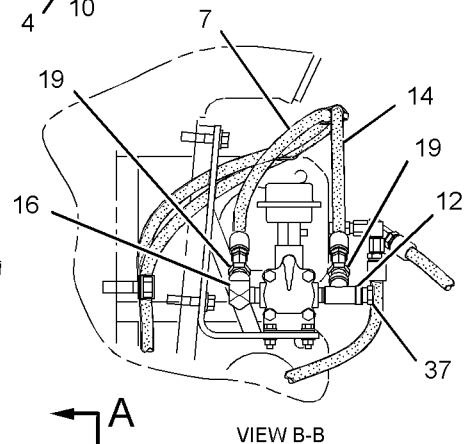
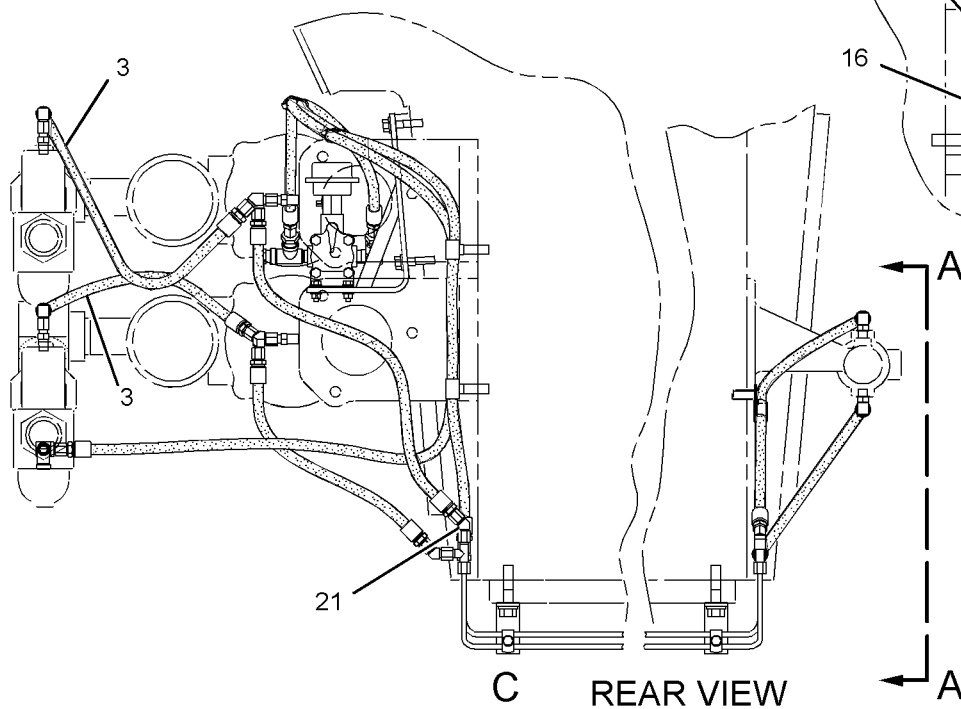
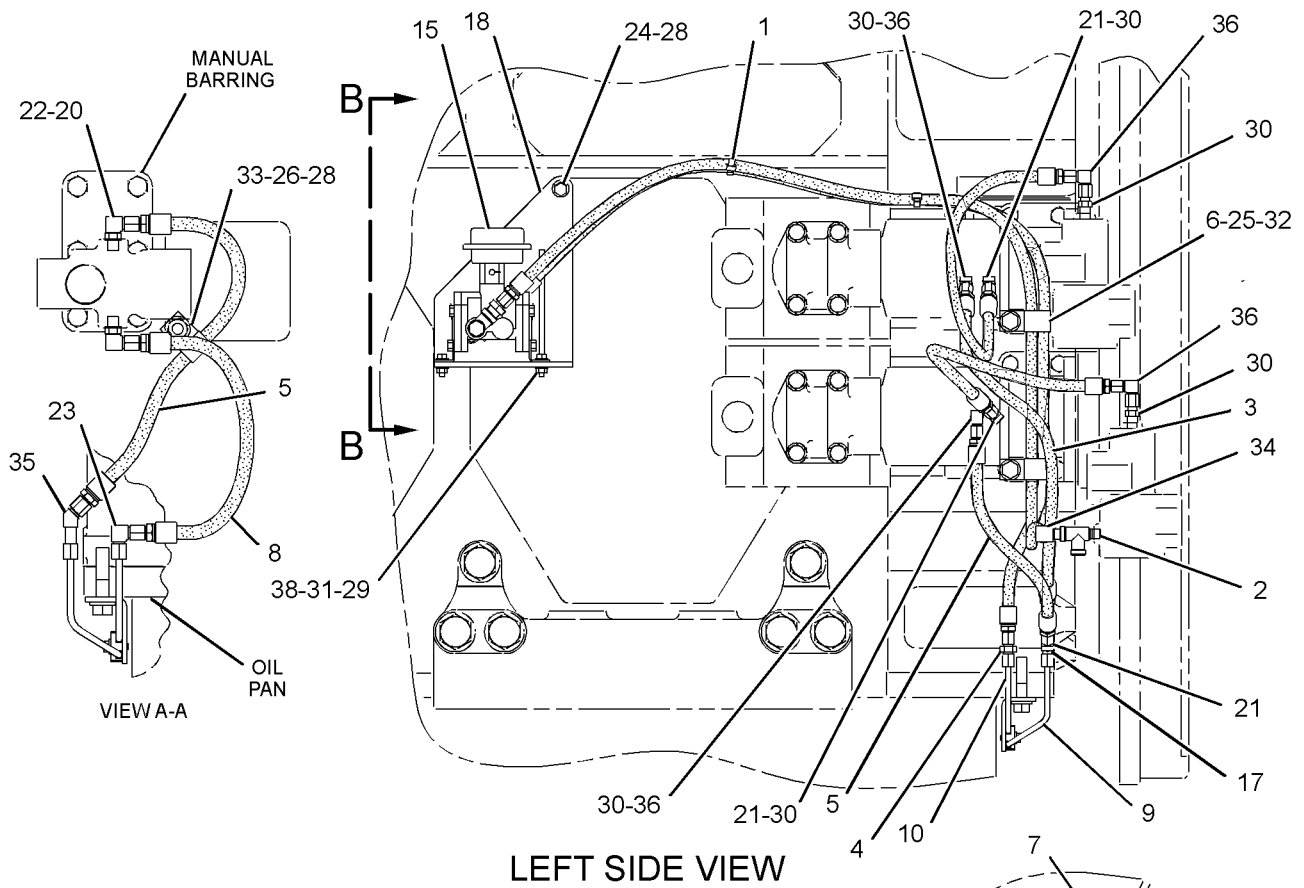
B- USE AS REQUIRED

I- REFER TO HYDRAULIC INFORMATION SYSTEM

ELECTRICAL AND STARTING SYSTEM

149-3999 LINES GP-AIR STARTING (contd.)

i02358927



GRAPHIC #1

<END>

g01178674

ELECTRICAL AND STARTING SYSTEM

200 - 6007 LINES GP - AIR STARTING (CHG -01 THRU -04)

VANE STARTERS

FOR USE WITH GAS VEE ENGINES PACKAGED WITH A MODULAR BASE

SMCS - 1451

i02361086

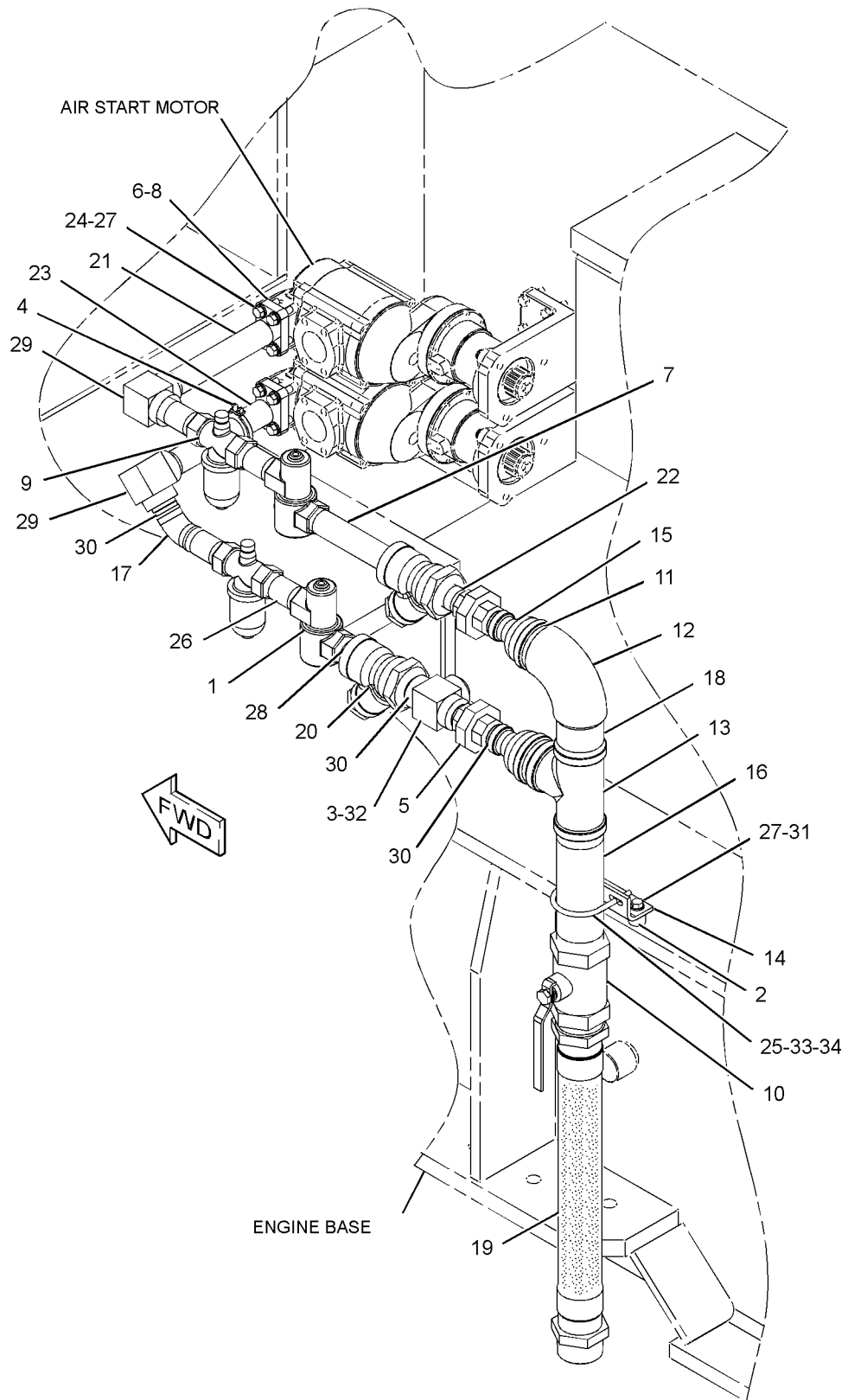
| NOTE | REF NO | GRAPHIC REF | PART NUMBER | QTY | PART NAME | | | | | | SEE PAGE | |
|------|--------|-------------|-------------|----------|--|-----------------------|---|---|---|-------------------|----------|--|
| | | | | | 1 | 2 | 3 | 4 | 5 | 6 (PRODUCT LEVEL) | | |
| J | 1 | 1 | 4N-3411 | 2 | VALVE GP-RELAY | | | | | | | |
| | 2 | 1 | 5H-0255 | 2 | BOSS | | | | | | | |
| | 3 | 1 | 6F-7701 | 1 | TEE-PIPE | | | | | | | |
| | 4 | 1 | 6L-7028 | 1 | JOINT AS | | | | | | | |
| | | | 1 | 9X-7535 | 2 | SEAL | | | | | | |
| | 5 | 1 | 6V-8252 | 2 | UNION-PIPE | | | | | | | |
| | 6 | 1 | 8N-8451 | 2 | GASKET | | | | | | | |
| | 7 | 1 | 9F-9747 | 1 | FITTING (1-1/2 STD PIPE-THD) | | | | | | | |
| | 8 | 1 | 110-5282 | 2 | FLANGE | | | | | | | |
| Y | 9 | 1 | 119-6284 | 2 | LUBRICATOR GP-AIR MOTOR | | | | | | 600 | |
| | 10 | 1 | 140-0366 | 1 | VALVE | | | | | | | |
| | 11 | 1 | 140-5978 | 2 | FITTING | | | | | | | |
| | 12 | 1 | 140-5979 | 1 | ELBOW | | | | | | | |
| | 13 | 1 | 140-5980 | 1 | TEE-PIPE | | | | | | | |
| | 14 | 1 | 142-2872 | 1 | BRACKET | | | | | | | |
| | 15 | 1 | 143-0419 | 2 | COUPLING | | | | | | | |
| | 16 | 1 | 149-4009 | 1 | NIPPLE-PIPE | | | | | | | |
| | 17 | 1 | 160-7086 | 1 | ELBOW | | | | | | | |
| | 18 | 1 | 162-7255 | 1 | FITTING-PIPE | | | | | | | |
| | | 19 | 1 | 162-7604 | 1 | HOSE AS | | | | | | |
| Y | 20 | 1 | 146-5215 | 2 | STRAINER GP-AIR LINES | | | | | | 630 | |
| | 21 | 1 | 229-5976 | 1 | FITTING | | | | | | | |
| | 22 | 1 | 229-9325 | 1 | FITTING-PIPE | | | | | | | |
| | 23 | 1 | 233-2207 | 2 | FITTING | | | | | | | |
| | 24 | 1 | 0S-1587 | 8 | BOLT (1/2-13X1.75-IN) | | | | | | | |
| | 25 | 1 | 2D-0032 | 1 | U-BOLT | | | | | | | |
| | 26 | 1 | 3L-1258 | 4 | NIPPLE-PIPE | | | | | | | |
| | 27 | 1 | 5P-8245 | 10 | WASHER-HARD (13.5X25.5X3-MM THK) | | | | | | | |
| | 28 | 1 | 6F-6045 | 1 | NIPPLE-PIPE | | | | | | | |
| | 29 | 1 | 6F-8856 | 2 | ELBOW | | | | | | | |
| | 30 | 1 | 6F-8858 | 5 | FITTING | | | | | | | |
| | 31 | 1 | 6H-1717 | 2 | BOLT (1/2-13X1.125-IN) | | | | | | | |
| | 32 | 1 | 8T-6760 | 1 | PLUG-PIPE | | | | | | | |
| | 33 | 1 | 9L-9132 | 2 | WASHER (10.2X25.5X2.5-MM THK) | | | | | | | |
| | | 34 | 1 | 9S-8752 | 2 | NUT-FULL (3/8-16-THD) | | | | | | |
| J | | | 7C-5105 | | AVAILABLE REPAIR KIT(S): | | | | | | | |
| | | | | | KIT-VALVE SEAL (AIR STARTING) (KIT INCLUDES SEALS, RETAINER AND BUMPER) | | | | | | | |

J - KIT MARKED J SERVICES PART MARKED J
Y - SEPARATE ILLUSTRATION

ELECTRICAL AND STARTING SYSTEM

200-6007 LINES GP-AIR STARTING (contd.)

i02361086



GRAPHIC #1

<END>

g01179799

ELECTRICAL AND STARTING SYSTEM

202 - 7640 LINES GP - AIR STARTING (CHG -00 THRU -03)

SMCS - 1451

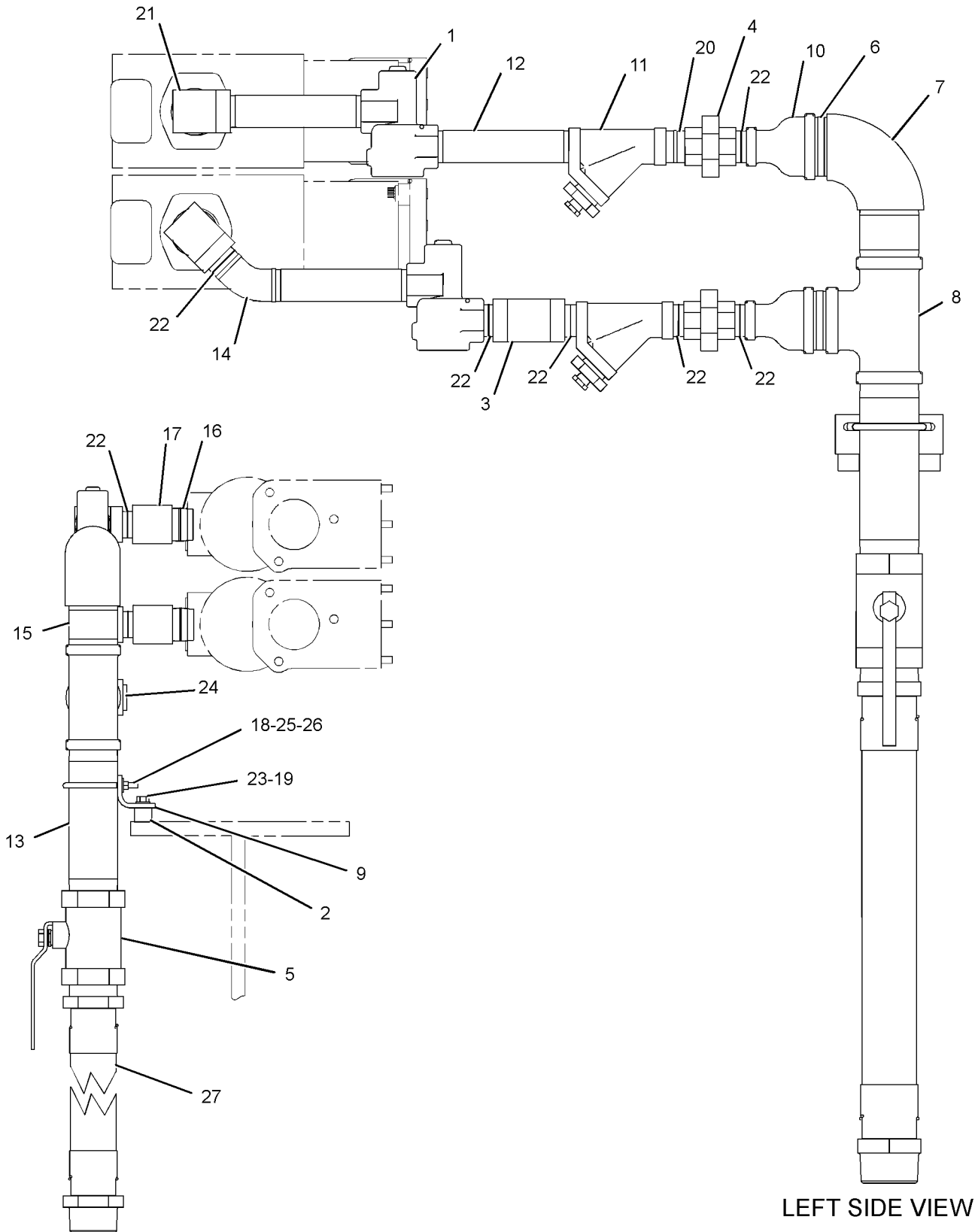
i02428385

| NOTE | REF NO | GRAPHIC REF | PART NUMBER | QTY | PART NAME | | | | | | SEE PAGE |
|--|---------|-------------|-------------|-------------------------------|---------------------------------------|---|---|---|---|-------------------|----------|
| | | | | | 1 | 2 | 3 | 4 | 5 | 6 (PRODUCT LEVEL) | |
| J | 1 | 1 | 4N-3411 | 2 | VALVE GP-RELAY | | | | | | |
| | 2 | 1 | 5H-0255 | 2 | BOSS | | | | | | |
| | 3 | 1 | 6F-7701 | 1 | TEE-PIPE | | | | | | |
| | 4 | 1 | 6V-8252 | 2 | UNION-PIPE | | | | | | |
| | 5 | 1 | 140-0366 | 1 | VALVE | | | | | | |
| | 6 | 1 | 140-5978 | 2 | FITTING | | | | | | |
| | 7 | 1 | 140-5979 | 1 | ELBOW | | | | | | |
| | 8 | 1 | 140-5980 | 1 | TEE-PIPE | | | | | | |
| | 9 | 1 | 142-2872 | 1 | BRACKET | | | | | | |
| | 10 | 1 | 143-0419 | 2 | COUPLING | | | | | | |
| Y | 11 | 1 | 146-5215 | 2 | STRAINER GP-AIR LINES | | | | | | 630 |
| | 12 | 1 | 149-3996 | 3 | NIPPLE-PIPE | | | | | | |
| | 13 | 1 | 149-4009 | 1 | NIPPLE-PIPE | | | | | | |
| | 14 | 1 | 160-7086 | 1 | ELBOW | | | | | | |
| | 15 | 1 | 162-7255 | 1 | FITTING-PIPE | | | | | | |
| | 16 | 1 | 246-1245 | 2 | FITTING | | | | | | |
| | 17 | 1 | 246-1587 | 2 | REDUCER | | | | | | |
| | 18 | 1 | 2D-0032 | 1 | U-BOLT | | | | | | |
| | 19 | 1 | 5P-8245 | 2 | WASHER-HARD (13.5X25.5X3-MM THK) | | | | | | |
| | 20 | 1 | 6F-6045 | 1 | NIPPLE-PIPE | | | | | | |
| | 21 | 1 | 6F-8856 | 2 | ELBOW | | | | | | |
| | 22 | 1 | 6F-8858 | 8 | FITTING | | | | | | |
| | 23 | 1 | 6H-1717 | 2 | BOLT (1/2-13X1.125-IN) | | | | | | |
| | 24 | 1 | 7B-9665 | 1 | PLUG | | | | | | |
| | 25 | 1 | 9L-9132 | 2 | WASHER (10.2X25.5X2.5-MM THK) | | | | | | |
| | 26 | 1 | 9S-8752 | 2 | NUT-FULL (3/8-16-THD) | | | | | | |
| | 27 | 1 | 162-7604 | 1 | HOSE AS | | | | | | |
| | | | | | AVAILABLE REPAIR KIT(S) : | | | | | | |
| J | 7C-5105 | | | KIT-VALVE SEAL (AIR STARTING) | | | | | | | |
| | | | | | (INCLUDES BUMPER, RETAINER AND SEALS) | | | | | | |
| J - KIT MARKED J SERVICES PART MARKED J Y - SEPARATE ILLUSTRATION | | | | | | | | | | | |

ELECTRICAL AND STARTING SYSTEM

202-7640 LINES GP-AIR STARTING (contd.)

i02428385



REAR VIEW

LEFT SIDE VIEW

GRAPHIC #1

<END>

g01213739

ELECTRICAL AND STARTING SYSTEM

217-3856 LINES GP-AIR STARTING (CHG -00, -00D1 THRU -02, -02D1) 24-VDC

SMCS-1451

i02358935

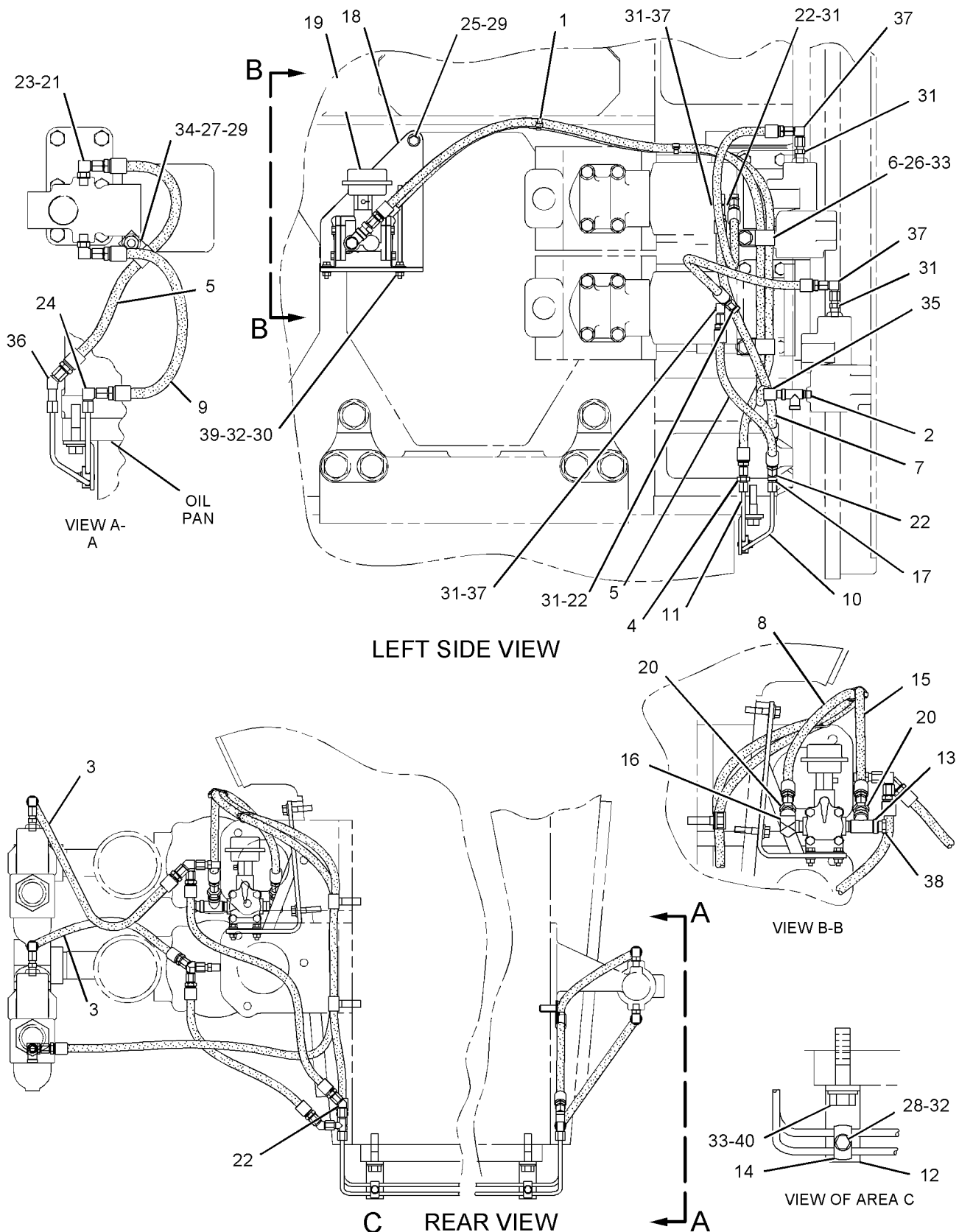
| NOTE | REF NO | GRAPHIC REF | PART NUMBER | QTY | PART NAME | | | | | | SEE PAGE |
|------|--------|-------------|-----------------|-----|------------------------------------|---|---|---|---|-------------------|----------|
| | | | | | 1 | 2 | 3 | 4 | 5 | 6 (PRODUCT LEVEL) | |
| | 1 | 1 | 3S-2093 | 2 | STRAP-CABLE | | | | | | |
| | 2 | 1 | 2D-7325 | 1 | TEE-PIPE | | | | | | |
| I | 3 | 1 | 2V-5956 | 2 | HOSE AS | | | | | | |
| | 4 | 1 | 3J-7355 | 1 | UNION-FLARED | | | | | | |
| I | 5 | 1 | 3V-6153 | 2 | HOSE AS | | | | | | |
| | 6 | 1 | 4D-6988 | 2 | CLIP | | | | | | |
| I | 7 | 1 | 192-3220 | 1 | HOSE AS | | | | | | |
| I | 8 | 1 | 5T-5760 | 1 | HOSE AS | | | | | | |
| I | 9 | 1 | 6N-8659 | 1 | HOSE AS | | | | | | |
| | 10 | 1 | 7C-0370 | 1 | TUBE AS | | | | | | |
| | 11 | 1 | 7C-0371 | 1 | TUBE AS | | | | | | |
| | 12 | 1 | 7C-0372 | 2 | BRACKET | | | | | | |
| | 13 | 1 | 8L-6005 | 1 | TEE-PIPE | | | | | | |
| | 14 | 1 | 8N-8471 | 2 | CLAMP-TUBE | | | | | | |
| I | 15 | 1 | 143-7230 | 1 | HOSE AS | | | | | | |
| | 16 | 1 | 003-2143 | 1 | ELBOW | | | | | | |
| | 17 | 1 | 005-5421 | 1 | TEE-UNION | | | | | | |
| | 18 | 1 | 142-2868 | 1 | BRACKET AS | | | | | | |
| Y | 19 | 1 | <i>164-0717</i> | 1 | VALVE GP-SOLENOID | | | | | | 644 |
| | 20 | 1 | 001-6449 | 2 | CONNECTOR | | | | | | |
| | 21 | 1 | 030-7946 | 2 | ELBOW | | | | | | |
| | 22 | 1 | 030-7961 | 4 | ELBOW | | | | | | |
| | 23 | 1 | 061-7538 | 2 | SEAL-O-RING | | | | | | |
| | 24 | 1 | 067-6495 | 1 | ELBOW-FLARED | | | | | | |
| | 25 | 1 | 0S-1571 | 2 | BOLT (3/8-16X1.75-IN) | | | | | | |
| | 26 | 1 | 0S-1587 | 2 | BOLT (1/2-13X1.75-IN) | | | | | | |
| | 27 | 1 | 0S-1594 | 1 | BOLT (3/8-16X1-IN) | | | | | | |
| | 28 | 1 | 0S-1615 | 2 | BOLT (1/4-20X0.75-IN) | | | | | | |
| | 29 | 1 | 3V-3308 | 3 | WASHER-HARD (10.2X20.5X2.5-MM THK) | | | | | | |
| | 30 | 1 | 4F-7957 | 4 | BOLT (1/4-20X0.875-IN) | | | | | | |
| | 31 | 1 | 4S-6399 | 6 | CONNECTOR | | | | | | |
| | 32 | 1 | 5P-0537 | 10 | WASHER-HARD (7.2X14.5X2-MM THK) | | | | | | |
| | 33 | 1 | 5P-8245 | 4 | WASHER-HARD (13.5X25.5X3-MM THK) | | | | | | |
| | 34 | 1 | 6D-3479 | 1 | CLIP | | | | | | |
| | 35 | 1 | 6K-1972 | 1 | ELBOW-FLARED | | | | | | |
| | 36 | 1 | 7K-6462 | 1 | ELBOW | | | | | | |
| | 37 | 1 | 7K-9197 | 4 | ELBOW | | | | | | |
| | 38 | 1 | 8T-6767 | 1 | PLUG-PIPE | | | | | | |
| | 39 | 1 | 9S-8750 | 4 | NUT-FULL (1/4-20-THD) | | | | | | |
| | 40 | 1 | 9X-8873 | 2 | BOLT (1/2-13X2.25-IN) | | | | | | |

I- REFER TO HYDRAULIC INFORMATION SYSTEM
Y- SEPARATE ILLUSTRATION

ELECTRICAL AND STARTING SYSTEM

217-3856 LINES GP-AIR STARTING (contd.)

i02358935



GRAPHIC #1

<END>

g01119623

ELECTRICAL AND STARTING SYSTEM

220-8288 LINES GP-AIR STARTING (CHG -00, -01)

SMCS-1451

i02091195

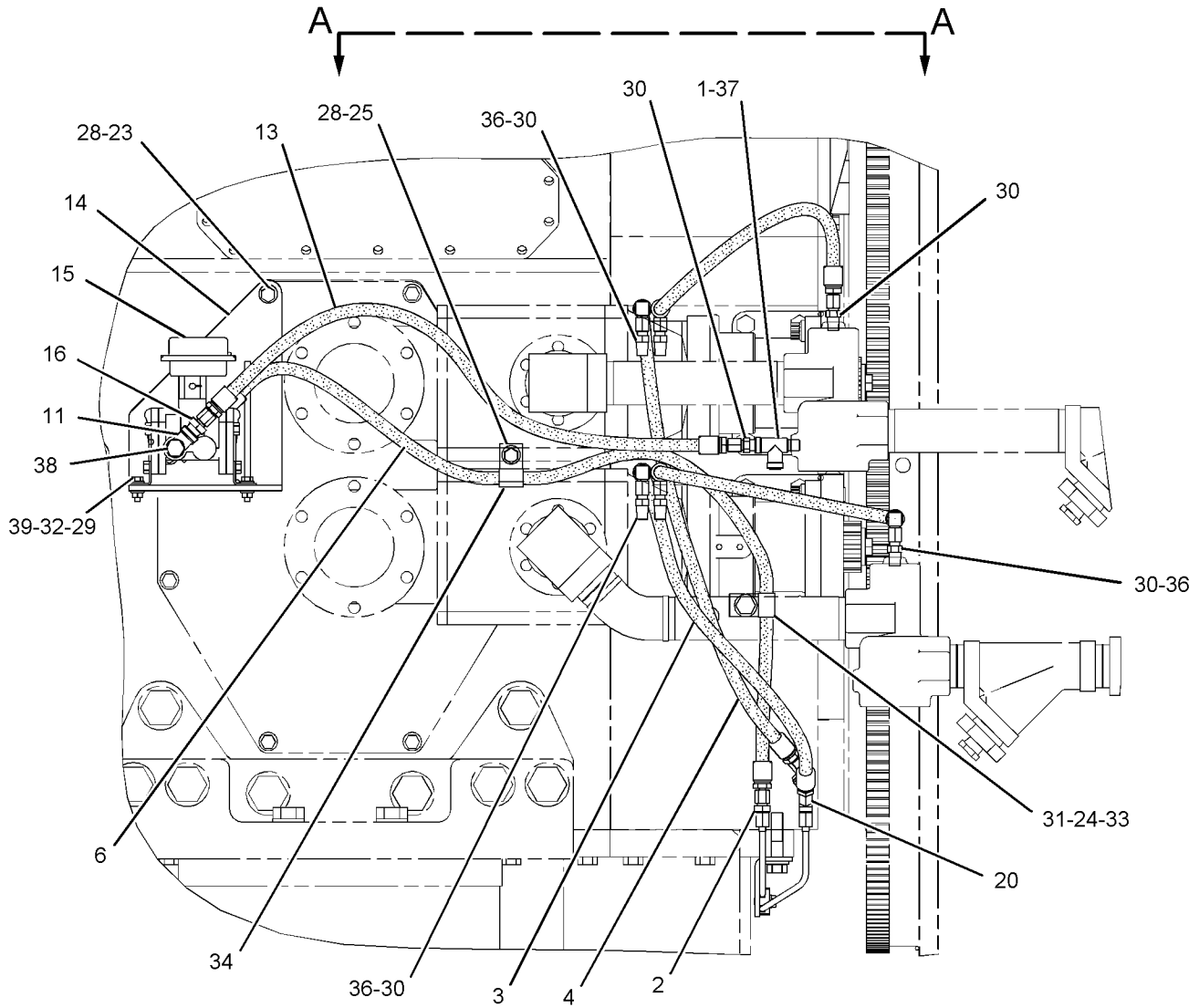
| NOTE | REF NO | GRAPHIC REF | PART NUMBER | QTY | PART NAME | | | | | | SEE PAGE |
|------|--------|-------------|-------------|-----|------------------------------------|---|---|---|---|-------------------|----------|
| | | | | | 1 | 2 | 3 | 4 | 5 | 6 (PRODUCT LEVEL) | |
| | 1 | 1 | 2D-7325 | 1 | TEE-PIPE | | | | | | |
| | 2 | 1 | 3J-7355 | 1 | UNION-FLARED | | | | | | |
| I | 3 | 1,2 | 3V-6153 | 2 | HOSE AS | | | | | | |
| I | 4 | 1 | 4W-4905 | 1 | HOSE AS | | | | | | |
| I | 5 | 1 | 5T-4373 | 2 | HOSE AS | | | | | | |
| I | 6 | 1 | 5T-4374 | 1 | HOSE AS | | | | | | |
| I | 7 | 2 | 6N-8659 | 1 | HOSE AS | | | | | | |
| | 8 | 2 | 7C-0370 | 1 | TUBE AS | | | | | | |
| | 9 | 2 | 7C-0371 | 1 | TUBE AS | | | | | | |
| | 10 | 2 | 7C-0372 | 2 | BRACKET | | | | | | |
| | 11 | 1 | 8L-6005 | 1 | TEE-PIPE | | | | | | |
| | 12 | 2 | 8N-8471 | 2 | CLAMP-TUBE | | | | | | |
| I | 13 | 1 | 030-3284 | 1 | HOSE AS | | | | | | |
| | 14 | 1 | 142-2868 | 1 | BRACKET AS | | | | | | |
| Y | 15 | 1 | 164-0717 | 1 | VALVE GP-SOLENOID | | | | | | 644 |
| | 16 | 1,2 | 001-6449 | 2 | CONNECTOR | | | | | | |
| | 17 | 2 | 003-2143 | 1 | ELBOW | | | | | | |
| | 18 | 2 | 005-5421 | 1 | TEE-UNION | | | | | | |
| | 19 | 2 | 030-7946 | 2 | ELBOW | | | | | | |
| | 20 | 1,2 | 030-7961 | 2 | ELBOW | | | | | | |
| | 21 | 2 | 061-7538 | 2 | SEAL-O-RING | | | | | | |
| | 22 | 2 | 067-6495 | 1 | ELBOW-FLARED | | | | | | |
| | 23 | 1 | 0S-1571 | 2 | BOLT (3/8-16X1.75-IN) | | | | | | |
| | 24 | 1 | 0S-1587 | 1 | BOLT (1/2-13X1.75-IN) | | | | | | |
| | 25 | 1 | 0S-1591 | 1 | BOLT (3/8-16X1.5-IN) | | | | | | |
| | 26 | 2 | 0S-1594 | 1 | BOLT (3/8-16X1-IN) | | | | | | |
| | 27 | 2 | 0S-1615 | 2 | BOLT (1/4-20X0.75-IN) | | | | | | |
| | 28 | 1,2 | 3V-3308 | 4 | WASHER-HARD (10.2X20.5X2.5-MM THK) | | | | | | |
| | 29 | 1 | 4F-7957 | 4 | BOLT (1/4-20X0.875-IN) | | | | | | |
| | 30 | 1 | 4S-6399 | 7 | CONNECTOR | | | | | | |
| | 31 | 1 | 5K-3294 | 1 | CLIP | | | | | | |
| | 32 | 1,2 | 5P-0537 | 10 | WASHER-HARD (7.2X14.5X2-MM THK) | | | | | | |
| | 33 | 1,2 | 5P-8245 | 3 | WASHER-HARD (13.5X25.5X3-MM THK) | | | | | | |
| | 34 | 1,2 | 6D-3479 | 2 | CLIP | | | | | | |
| | 35 | 2 | 7K-6462 | 1 | ELBOW | | | | | | |
| | 36 | 1 | 7K-9197 | 5 | ELBOW | | | | | | |
| | 37 | 1 | 8T-6758 | 1 | PLUG-PIPE | | | | | | |
| | 38 | 1 | 8T-6767 | 1 | PLUG-PIPE | | | | | | |
| | 39 | 1 | 9S-8750 | 4 | NUT-FULL (1/4-20-THD) | | | | | | |
| | 40 | 2 | 9X-8873 | 2 | BOLT (1/2-13X2.25-IN) | | | | | | |

I- REFER TO HYDRAULIC INFORMATION SYSTEM
Y- SEPARATE ILLUSTRATION

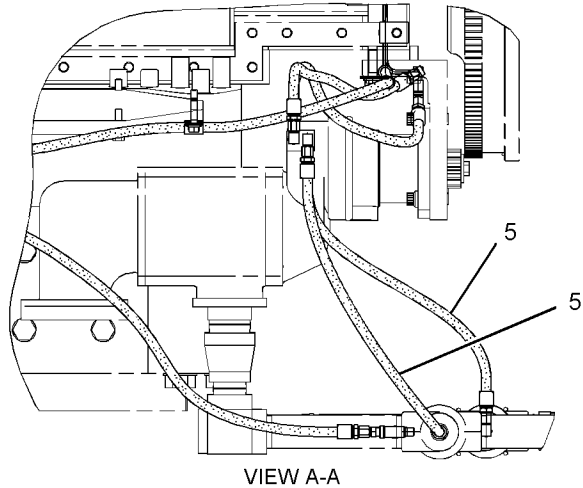
ELECTRICAL AND STARTING SYSTEM

220-8288 LINES GP-AIR STARTING (contd.)

i02091195



LEFT SIDE VIEW



VIEW A-A

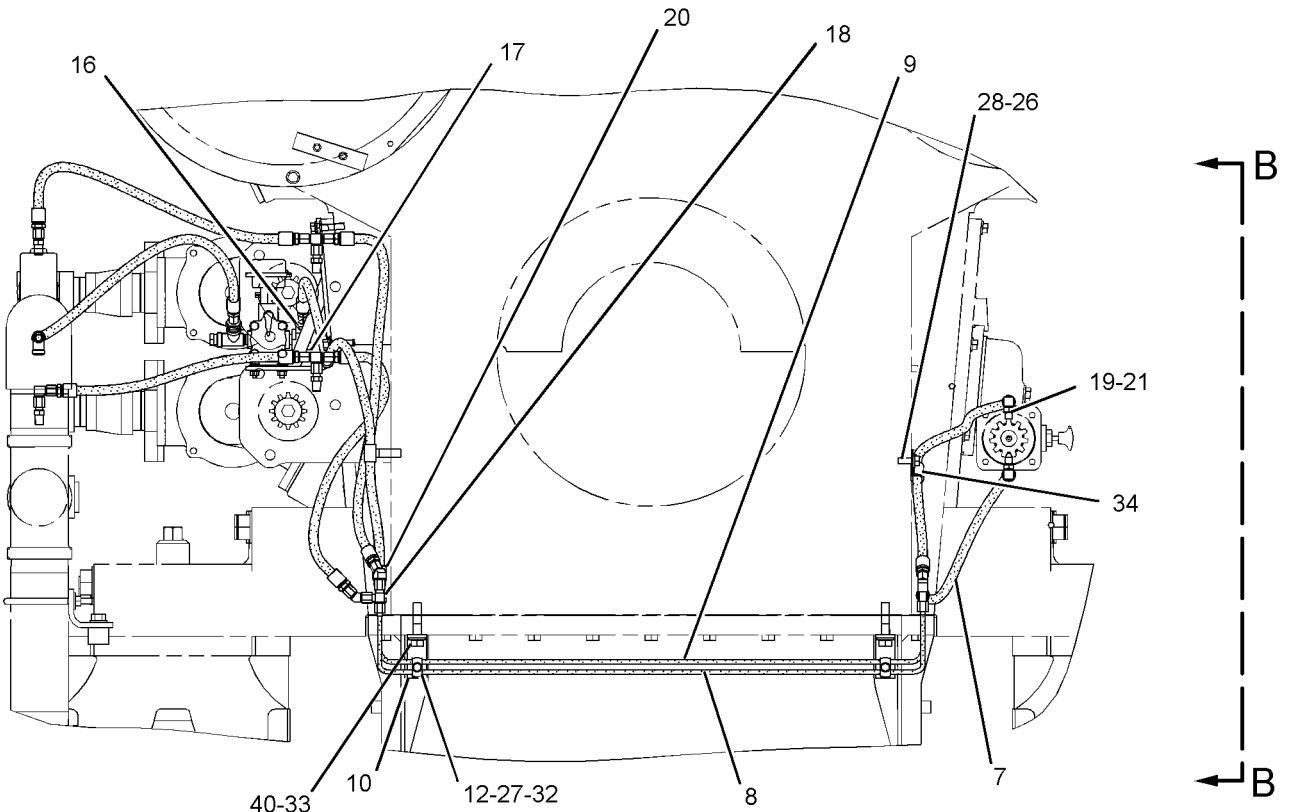
GRAPHIC #1

g01066530

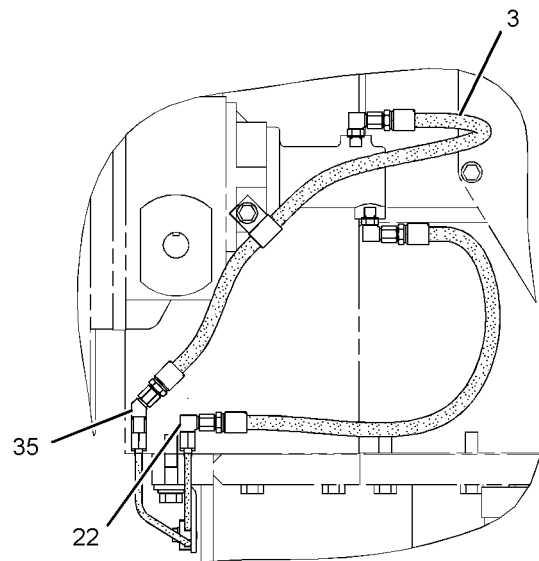
ELECTRICAL AND STARTING SYSTEM

220-8288 LINES GP-AIR STARTING (contd.)

i02091195



REAR VIEW



VIEW B-B

GRAPHIC #2

<END>

g01066531

ELECTRICAL AND STARTING SYSTEM

220-8288 LINES GP-AIR STARTING (CHG -02)

SMCS-1451

i02195579

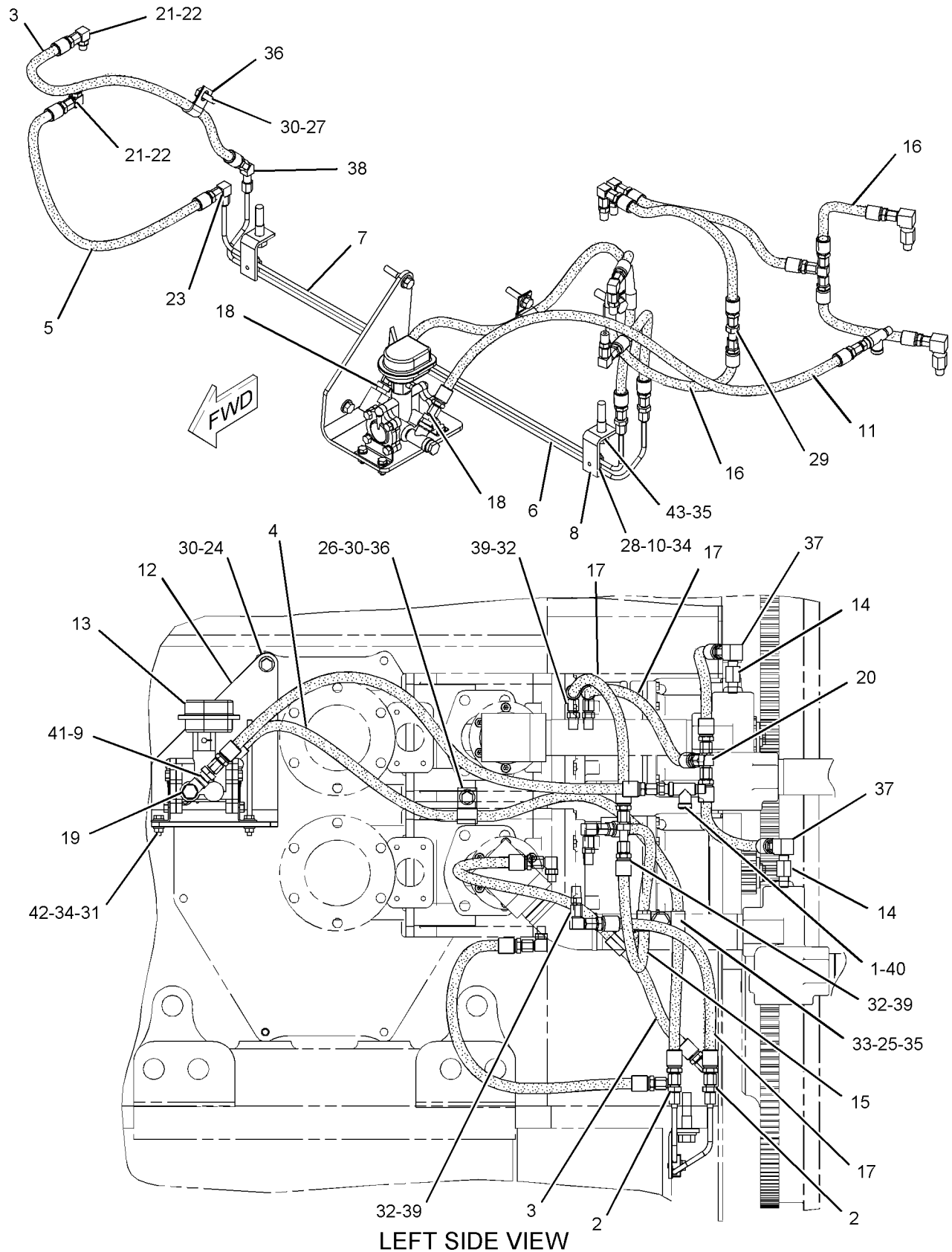
| NOTE | REF NO | GRAPHIC REF | PART NUMBER | QTY | PART NAME | | | | | | SEE PAGE |
|------|--------|-------------|-------------|-----|------------------------------------|---|---|---|---|-------------------|----------|
| | | | | | 1 | 2 | 3 | 4 | 5 | 6 (PRODUCT LEVEL) | |
| | | 1 | 2D-7325 | 1 | TEE-PIPE | | | | | | |
| C | 2 | 1 | 3J-7355 | 2 | UNION-FLARED | | | | | | |
| CI | 3 | 1 | 3V-6153 | 2 | HOSE AS | | | | | | |
| I | 4 | 1 | 5T-4374 | 1 | HOSE AS | | | | | | |
| I | 5 | 1 | 6N-8659 | 1 | HOSE AS | | | | | | |
| | 6 | 1 | 7C-0370 | 1 | TUBE AS | | | | | | |
| | 7 | 1 | 7C-0371 | 1 | TUBE AS | | | | | | |
| | 8 | 1 | 7C-0372 | 2 | BRACKET | | | | | | |
| | 9 | 1 | 8L-6005 | 1 | TEE-PIPE | | | | | | |
| | 10 | 1 | 8N-8471 | 2 | CLAMP-TUBE | | | | | | |
| I | 11 | 1 | 030-3284 | 1 | HOSE AS | | | | | | |
| | 12 | 1 | 142-2868 | 1 | BRACKET AS | | | | | | |
| Y | 13 | 1 | 164-0717 | 1 | VALVE GP-SOLENOID | | | | | | 644 |
| C | 14 | 1 | 254-3773 | 2 | FITTING | | | | | | |
| CI | 15 | 1 | 256-3857 | 1 | HOSE AS | | | | | | |
| CI | 16 | 1 | 256-3858 | 2 | HOSE AS | | | | | | |
| CI | 17 | 1 | 256-3859 | 3 | HOSE AS | | | | | | |
| | 18 | 1 | 001-6449 | 2 | CONNECTOR | | | | | | |
| | 19 | 1 | 003-2143 | 1 | ELBOW | | | | | | |
| | 20 | 1 | 005-5421 | 1 | TEE-UNION | | | | | | |
| | 21 | 1 | 030-7946 | 2 | ELBOW | | | | | | |
| | 22 | 1 | 061-7538 | 2 | SEAL-O-RING | | | | | | |
| | 23 | 1 | 067-6495 | 1 | ELBOW-FLARED | | | | | | |
| | 24 | 1 | 0S-1571 | 2 | BOLT (3/8-16X1.75-IN) | | | | | | |
| | 25 | 1 | 0S-1587 | 1 | BOLT (1/2-13X1.75-IN) | | | | | | |
| | 26 | 1 | 0S-1591 | 1 | BOLT (3/8-16X1.5-IN) | | | | | | |
| | 27 | 1 | 0S-1594 | 1 | BOLT (3/8-16X1-IN) | | | | | | |
| | 28 | 1 | 0S-1615 | 2 | BOLT (1/4-20X0.75-IN) | | | | | | |
| C | 29 | 1 | 2P-1276 | 1 | UNION-FLARED | | | | | | |
| | 30 | 1 | 3V-3308 | 4 | WASHER-HARD (10.2X20.5X2.5-MM THK) | | | | | | |
| | 31 | 1 | 4F-7957 | 4 | BOLT (1/4-20X0.875-IN) | | | | | | |
| C | 32 | 1 | 4S-6399 | 5 | CONNECTOR | | | | | | |
| C | 33 | 1 | 5K-3294 | 2 | CLIP | | | | | | |
| | 34 | 1 | 5P-0537 | 10 | WASHER-HARD (7.2X14.5X2-MM THK) | | | | | | |
| | 35 | 1 | 5P-8245 | 3 | WASHER-HARD (13.5X25.5X3-MM THK) | | | | | | |
| | 36 | 1 | 6D-3479 | 2 | CLIP | | | | | | |
| C | 37 | 1 | 6K-1972 | 2 | ELBOW-FLARED | | | | | | |
| | 38 | 1 | 7K-6462 | 1 | ELBOW | | | | | | |
| C | 39 | 1 | 7K-9197 | 4 | ELBOW | | | | | | |
| | 40 | 1 | 8T-6758 | 1 | PLUG-PIPE | | | | | | |
| | 41 | 1 | 8T-6767 | 1 | PLUG-PIPE | | | | | | |
| | 42 | 1 | 9S-8750 | 4 | NUT-FULL (1/4-20-THD) | | | | | | |
| | 43 | 1 | 9X-8873 | 2 | BOLT (1/2-13X2.25-IN) | | | | | | |

C- CHANGE FROM PREVIOUS TYPE
 I- REFER TO HYDRAULIC INFORMATION SYSTEM
 Y- SEPARATE ILLUSTRATION

ELECTRICAL AND STARTING SYSTEM

220-8288 LINES GP-AIR STARTING (contd.)

i02195579



GRAPHIC #1

<END>

g01117471

ELECTRICAL AND STARTING SYSTEM

233-2208 LINES GP-AIR STARTING (CHG -00) TURBINE STARTERS

SMCS-1451

i02419657

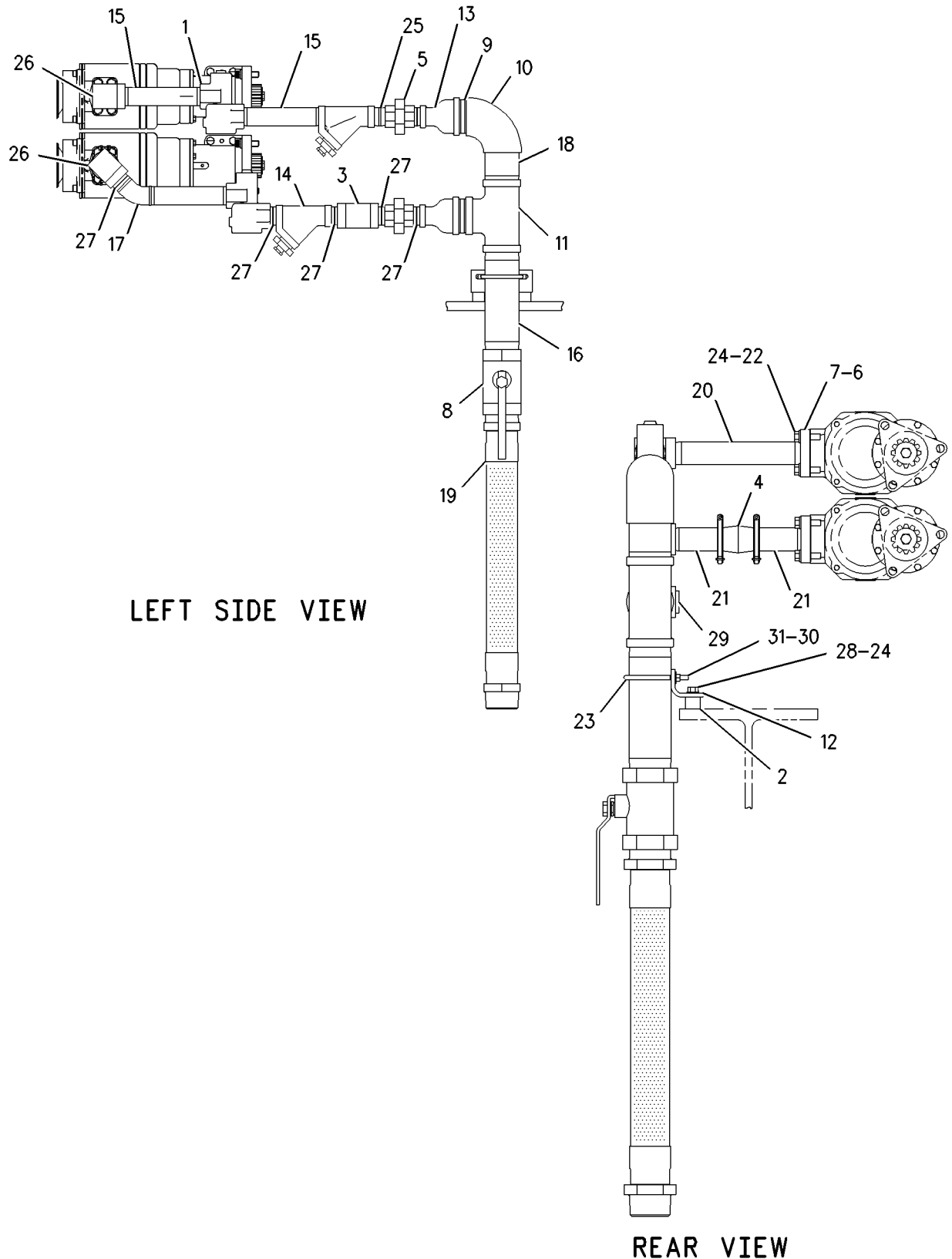
| NOTE | REF NO | GRAPHIC REF | PART NUMBER | QTY | PART NAME | | | | | | SEE PAGE |
|------|--------|-------------|-------------|-----|--|---|---|---|---|-------------------|----------|
| | | | | | 1 | 2 | 3 | 4 | 5 | 6 (PRODUCT LEVEL) | |
| J | 1 | 1 | 4N-3411 | 2 | VALVE GP-RELAY | | | | | | |
| | 2 | 1 | 5H-0255 | 2 | BOSS | | | | | | |
| | 3 | 1 | 6F-7701 | 1 | TEE-PIPE | | | | | | |
| | 4 | 1 | 6L-7028 | 1 | JOINT AS | | | | | | |
| | | 1 | 9X-7535 | 2 | SEAL | | | | | | |
| | 5 | 1 | 6V-8252 | 2 | UNION-PIPE | | | | | | |
| | 6 | 1 | 8N-8451 | 2 | GASKET | | | | | | |
| | 7 | 1 | 110-5282 | 2 | FLANGE | | | | | | |
| | 8 | 1 | 140-0366 | 1 | VALVE | | | | | | |
| | 9 | 1 | 140-5978 | 2 | FITTING | | | | | | |
| | 10 | 1 | 140-5979 | 1 | ELBOW | | | | | | |
| | 11 | 1 | 140-5980 | 1 | TEE-PIPE | | | | | | |
| | 12 | 1 | 142-2872 | 1 | BRACKET | | | | | | |
| Y | 13 | 1 | 143-0419 | 2 | COUPLING | | | | | | |
| | 14 | 1 | 146-5215 | 2 | STRAINER GP-AIR LINES | | | | | | 630 |
| | 15 | 1 | 149-3996 | 3 | NIPPLE-PIPE | | | | | | |
| | 16 | 1 | 149-4009 | 1 | NIPPLE-PIPE | | | | | | |
| | 17 | 1 | 160-7086 | 1 | ELBOW | | | | | | |
| | 18 | 1 | 162-7255 | 1 | FITTING-PIPE | | | | | | |
| | 19 | 1 | 162-7604 | 1 | HOSE AS | | | | | | |
| | 20 | 1 | 229-5976 | 1 | FITTING | | | | | | |
| | 21 | 1 | 233-2207 | 2 | FITTING | | | | | | |
| | 22 | 1 | 0S-1587 | 8 | BOLT (1/2-13X1.75-IN) | | | | | | |
| | 23 | 1 | 2D-0032 | 1 | U-BOLT | | | | | | |
| | 24 | 1 | 5P-8245 | 10 | WASHER-HARD (13.5X25.5X3-MM THK) | | | | | | |
| | 25 | 1 | 6F-6045 | 1 | NIPPLE-PIPE | | | | | | |
| | 26 | 1 | 6F-8856 | 2 | ELBOW | | | | | | |
| | 27 | 1 | 6F-8858 | 6 | FITTING | | | | | | |
| | 28 | 1 | 6H-1717 | 2 | BOLT (1/2-13X1.125-IN) | | | | | | |
| | 29 | 1 | 7B-9665 | 1 | PLUG | | | | | | |
| | 30 | 1 | 9L-9132 | 2 | WASHER (10.2X25.5X2.5-MM THK) | | | | | | |
| | 31 | 1 | 9S-8752 | 2 | NUT-FULL (3/8-16-THD) | | | | | | |
| | | | | | AVAILABLE REPAIR KIT(S) : | | | | | | |
| J | | | 7C-5105 | 1 | KIT-VALVE SEAL (AIR STARTING) (INCLUDES BUMPER, RETAINER AND SEALS) | | | | | | |

J-KIT MARKED J SERVICES PART MARKED J
Y-SEPARATE ILLUSTRATION

ELECTRICAL AND STARTING SYSTEM

233-2208 LINES GP-AIR STARTING (contd.)

i02419657



LEFT SIDE VIEW

REAR VIEW

GRAPHIC #1

<END>

g00974657

ELECTRICAL AND STARTING SYSTEM

280-0463 LINES GP-AIR STARTING (CHG -00 THRU -03)

SMCS-1451

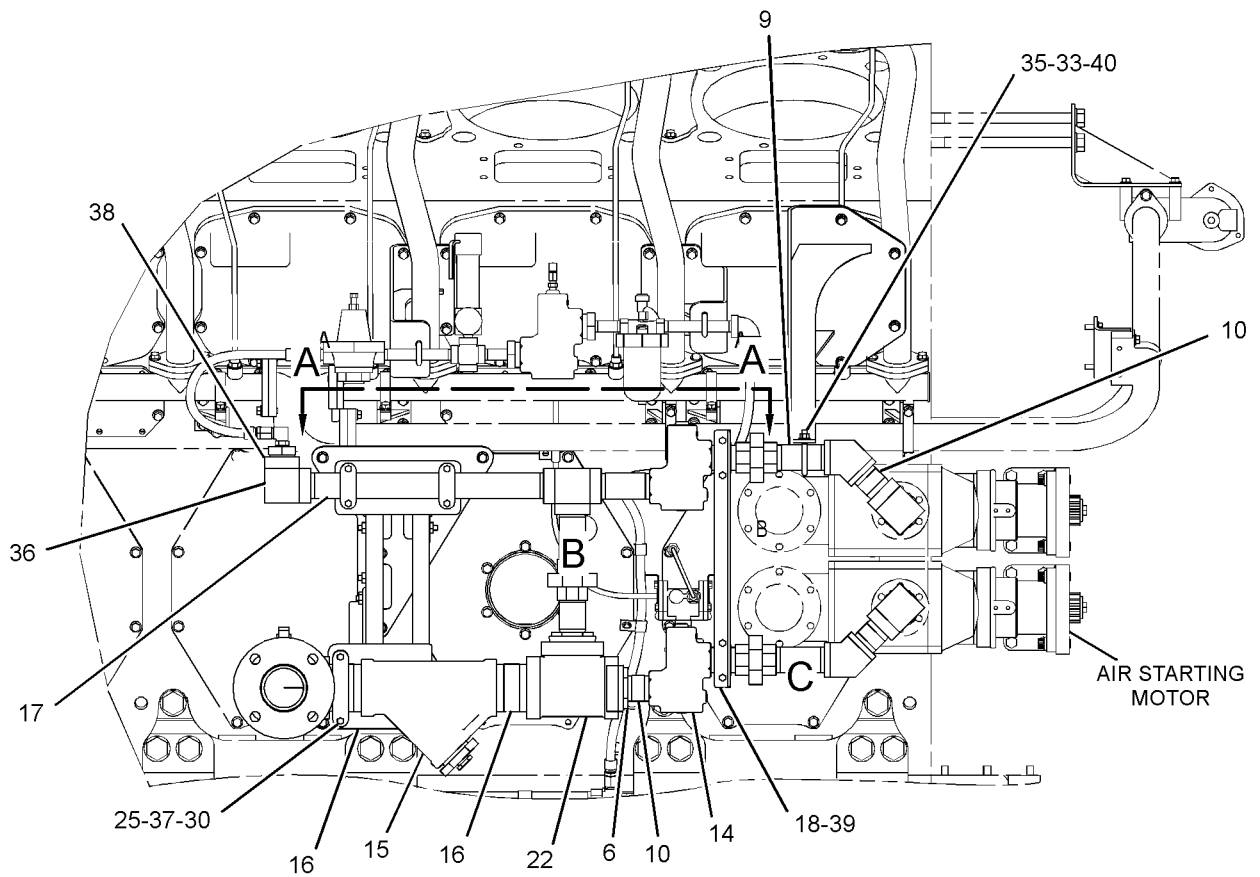
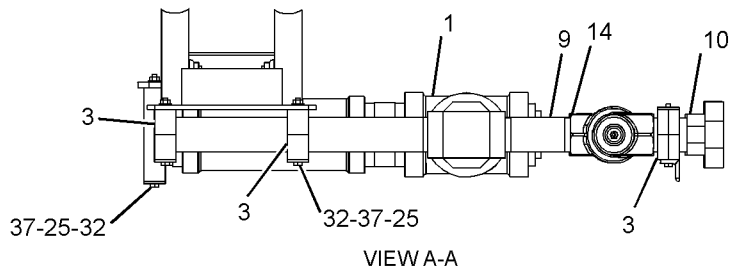
i03005668

| NOTE | REF NO | GRAPHIC REF | PART NUMBER | QTY | PART NAME | | | | | | SEE PAGE |
|------|--------|-------------|-------------|-----|------------------------------------|---|---|---|---|-------------------|----------|
| | | | | | 1 | 2 | 3 | 4 | 5 | 6 (PRODUCT LEVEL) | |
| | 1 | 1 | 6F-7701 | 1 | TEE-PIPE | | | | | | |
| | 2 | 1 | 6V-8252 | 3 | UNION-PIPE | | | | | | |
| | 3 | 1 | 106-5620 | 4 | CLAMP-PIPE | | | | | | |
| | 4 | 2 | 126-4118 | 2 | NIPPLE-PIPE | | | | | | |
| | 5 | 2 | 140-0366 | 1 | VALVE | | | | | | |
| | 6 | 1 | 140-9462 | 2 | BUSHING-REDUCING | | | | | | |
| | 7 | 2 | 173-9427 | 1 | CLAMP-PIPE | | | | | | |
| | 8 | 1 | 279-4499 | 1 | FITTING | | | | | | |
| | 9 | 1 | 279-4500 | 4 | FITTING | | | | | | |
| | 10 | 1 | 279-4504 | 5 | FITTING | | | | | | |
| | 11 | 2 | 280-0467 | 1 | BRACKET AS | | | | | | |
| | 12 | 2 | 280-0469 | 1 | BRACKET AS | | | | | | |
| | 13 | 2 | 280-0470 | 1 | BRACKET AS | | | | | | |
| | | 2 | 8T-5912 | 4 | NUT-WELD (3/8-16-THD) | | | | | | |
| | 14 | 1 | 302-2199 | 2 | VALVE-RELAY | | | | | | |
| | | | | | (EACH INCLUDES) | | | | | | |
| | | 1 | 7C-5105 | 1 | KIT-VALVE SEAL (AIR STARTING) | | | | | | |
| | 15 | 1 | 315-5724 | 1 | STRAINER GP-AIR LINES | | | | | | |
| | | 1 | 315-6036 | 1 | SCREEN | | | | | | |
| | 16 | 1,2 | 315-8399 | 4 | FITTING | | | | | | |
| | 17 | 1 | 315-8412 | 1 | FITTING | | | | | | |
| | 18 | 1 | 315-9742 | 1 | ANGLE | | | | | | |
| | 19 | 2 | 317-6445 | 1 | BRACKET AS | | | | | | |
| | | 2 | 8T-5912 | 5 | NUT-WELD (3/8-16-THD) | | | | | | |
| | 20 | 2 | 317-6510 | 1 | FLANGE | | | | | | |
| | 21 | 2 | 319-6195 | 1 | ELBOW | | | | | | |
| | 22 | 1 | 319-6196 | 1 | TEE | | | | | | |
| | 23 | 2 | 091-0081 | 5 | SPACER (10.5X20X10-MM THK) | | | | | | |
| | 24 | 1 | 160-7086 | 2 | ELBOW | | | | | | |
| | 25 | 1 | 200-8790 | 6 | WASHER-HARD (7.2X17.5X2-MM THK) | | | | | | |
| | 26 | 2 | 0L-2070 | 5 | BOLT (3/8-16X2.25-IN) | | | | | | |
| | 27 | 2 | 0S-1571 | 4 | BOLT (3/8-16X1.75-IN) | | | | | | |
| | 28 | 2 | 0S-1588 | 5 | BOLT (3/8-16X1.25-IN) | | | | | | |
| | 29 | 2 | 0S-1594 | 2 | BOLT (3/8-16X1-IN) | | | | | | |
| | 30 | 1 | 1B-2718 | 2 | BOLT (1/4-20X6-IN) | | | | | | |
| | 31 | 2 | 3B-1915 | 1 | BOLT (3/8-16X1.375-IN) | | | | | | |
| | 32 | 1 | 3B-8695 | 4 | BOLT (1/4-20X3.5-IN) | | | | | | |
| | 33 | 1,2 | 3V-3308 | 19 | WASHER-HARD (10.2X20.5X2.5-MM THK) | | | | | | |
| | 34 | 2 | 5B-7660 | 2 | BUSHING-REDUCER | | | | | | |
| | 35 | 1 | 5L-2534 | 1 | U-BOLT | | | | | | |
| | 36 | 1 | 6F-8856 | 3 | ELBOW | | | | | | |
| | 37 | 1 | 6V-8185 | 6 | NUT (1/4-20-THD) | | | | | | |
| | 38 | 1 | 7B-9665 | 1 | PLUG | | | | | | |
| | 39 | 1 | 7X-0267 | 4 | BOLT (1/4-20X3.25-IN) | | | | | | |
| | 40 | 1 | 9S-8752 | 2 | NUT-FULL (3/8-16-THD) | | | | | | |

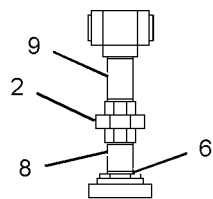
ELECTRICAL AND STARTING SYSTEM

280-0463 LINES GP-AIR STARTING (contd.)

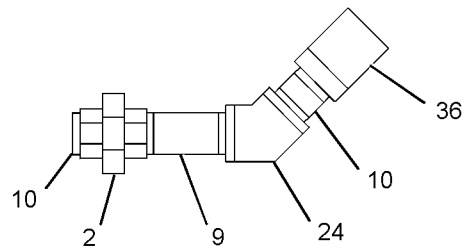
i03005668



LEFT SIDE VIEW OF ENGINE



VIEW OF AREA B



VIEW OF AREA C

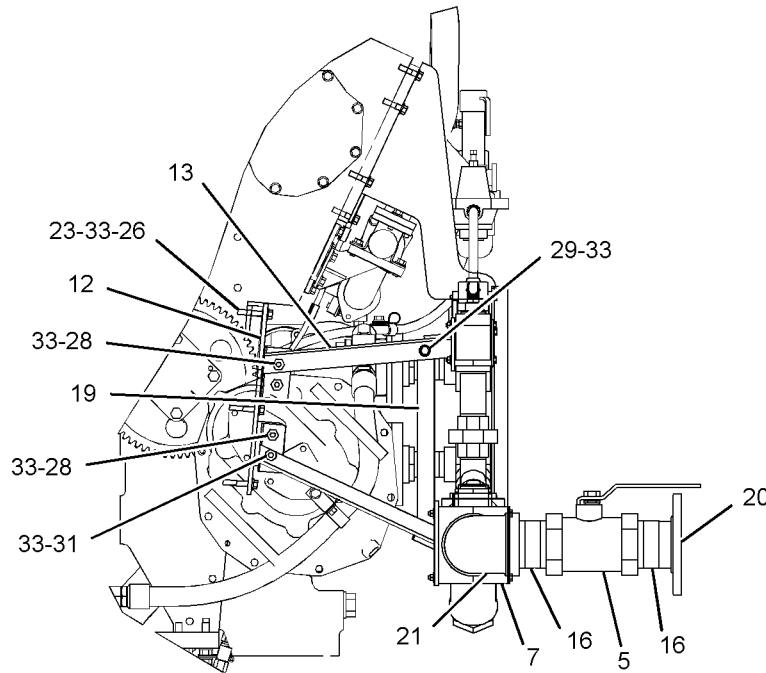
GRAPHIC #1

g01524607

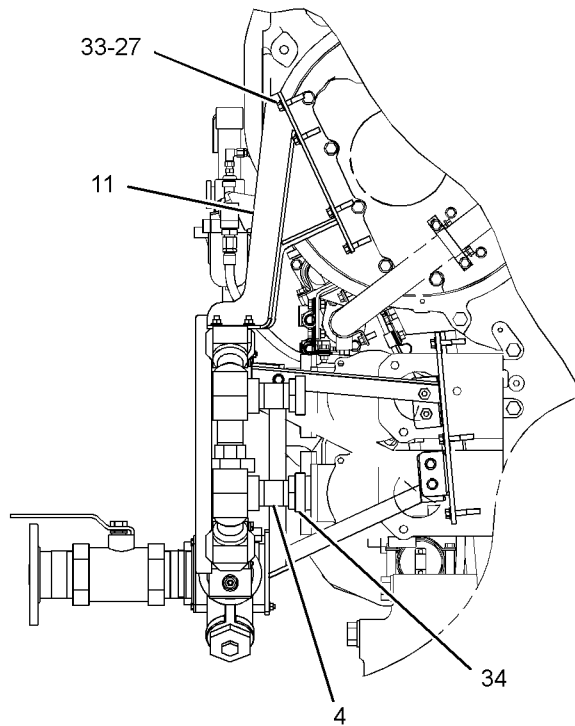
ELECTRICAL AND STARTING SYSTEM

280-0463 LINES GP-AIR STARTING (contd.)

i03005668



FRONT VIEW OF ENGINE



REAR VIEW OF ENGINE

GRAPHIC #2

<END>

g01524610

ELECTRICAL AND STARTING SYSTEM

280-0464 LINES GP-AIR STARTING (CHG -00, -01)

SMCS-1451

i03005679

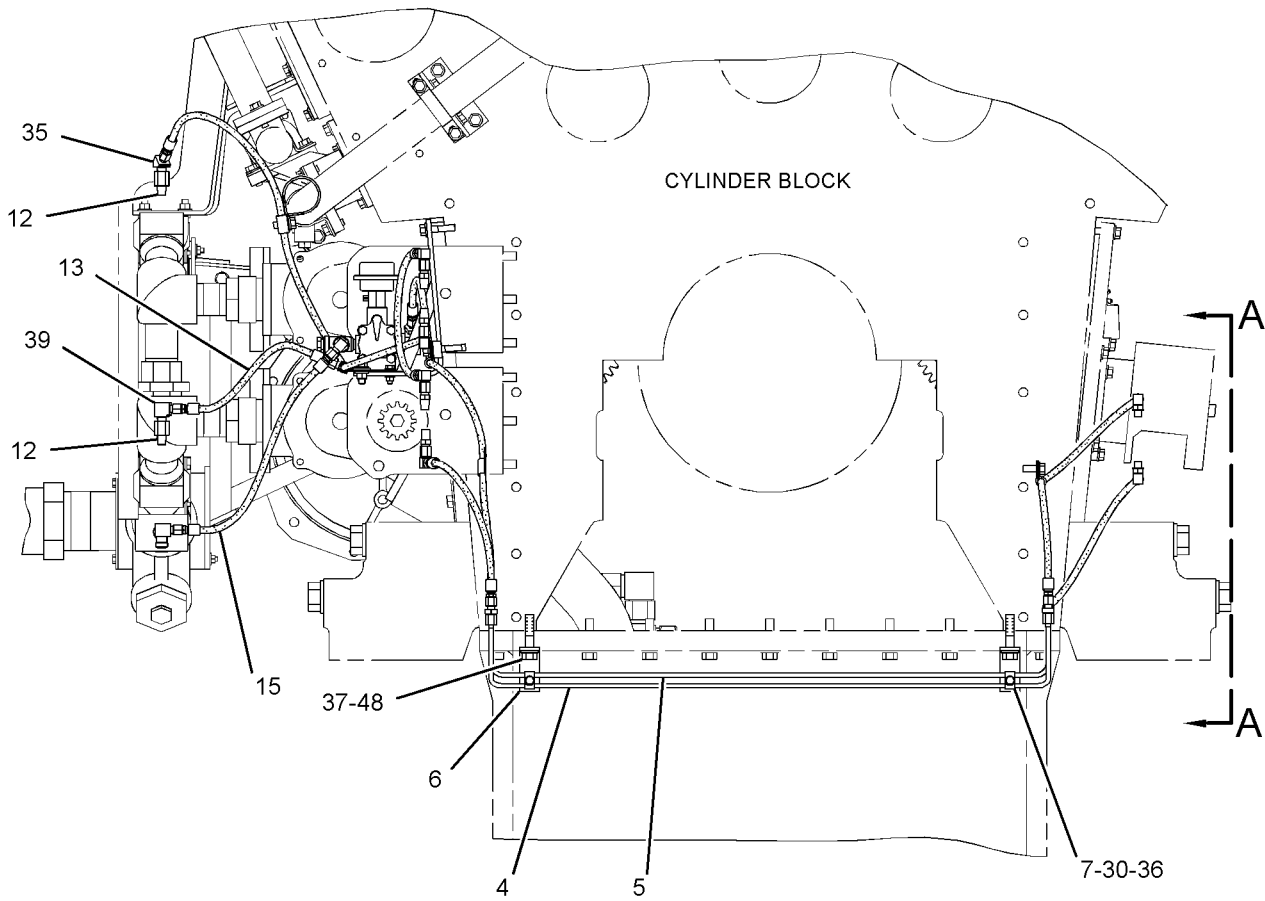
| NOTE | REF NO | GRAPHIC REF | PART NUMBER | QTY | PART NAME | | | | | | SEE PAGE |
|------|--------|-------------|-------------|-----|------------------------------------|---|---|---|---|-------------------|----------|
| | | | | | 1 | 2 | 3 | 4 | 5 | 6 (PRODUCT LEVEL) | |
| | 1 | 2 | 2D-7325 | 1 | TEE-PIPE | | | | | | |
| | 2 | 1,2 | 3J-7355 | 3 | UNION-FLARED | | | | | | |
| | 3 | 2 | 4S-5719 | 1 | SPACER (10.31X25X12.7-MM THK) | | | | | | |
| | 4 | 1 | 7C-0370 | 1 | TUBE AS | | | | | | |
| | 5 | 1 | 7C-0371 | 1 | TUBE AS | | | | | | |
| | 6 | 1 | 7C-0372 | 2 | BRACKET | | | | | | |
| | 7 | 1 | 7E-9452 | 4 | DAMPER-FUEL LINE | | | | | | |
| | 8 | 2 | 8L-6005 | 1 | TEE-PIPE | | | | | | |
| | 9 | 2 | 142-2868 | 1 | BRACKET AS | | | | | | |
| Y | 10 | 2 | 164-0717 | 1 | VALVE GP-SOLENOID | | | | | | 644 |
| | 11 | 1 | 253-0282 | 1 | HOSE AS | | | | | | |
| | 12 | 1 | 254-3773 | 2 | FITTING | | | | | | |
| | 13 | 1 | 278-0619 | 1 | HOSE AS | | | | | | |
| | 14 | 2 | 278-0620 | 1 | HOSE AS | | | | | | |
| | 15 | 1,2 | 278-0621 | 2 | HOSE AS | | | | | | |
| | 16 | 2 | 278-0623 | 1 | HOSE AS | | | | | | |
| | 17 | 1 | 278-0624 | 1 | HOSE AS | | | | | | |
| | 18 | 2 | 278-0629 | 1 | HOSE AS | | | | | | |
| | 19 | 2 | 291-2904 | 1 | PLATE | | | | | | |
| | 20 | 2 | 314-3329 | 1 | HOSE AS | | | | | | |
| | 21 | 2 | 001-6449 | 2 | CONNECTOR | | | | | | |
| | 22 | 2 | 003-2143 | 1 | ELBOW | | | | | | |
| | 23 | 2 | 005-5421 | 1 | TEE-UNION | | | | | | |
| | 24 | 1 | 030-7946 | 2 | ELBOW | | | | | | |
| | 25 | 1 | 061-7538 | 2 | SEAL-O-RING | | | | | | |
| | 26 | 1 | 067-6495 | 1 | ELBOW-FLARED | | | | | | |
| | 27 | 2 | 0S-1571 | 2 | BOLT (3/8-16X1.75-IN) | | | | | | |
| | 28 | 2 | 0S-1590 | 1 | BOLT (3/8-16X2-IN) | | | | | | |
| | 29 | 1,2 | 0S-1594 | 3 | BOLT (3/8-16X1-IN) | | | | | | |
| | 30 | 1 | 0S-1615 | 2 | BOLT (1/4-20X0.75-IN) | | | | | | |
| | 31 | 2 | 0S-1616 | 1 | BOLT (1/4-20X1-IN) | | | | | | |
| | 32 | 1,2 | 3V-3308 | 8 | WASHER-HARD (10.2X20.5X2.5-MM THK) | | | | | | |
| | 33 | 2 | 4F-7957 | 3 | BOLT (1/4-20X0.875-IN) | | | | | | |
| | 34 | 2 | 4S-6399 | 4 | CONNECTOR | | | | | | |
| | 35 | 1 | 5J-7303 | 3 | ELBOW | | | | | | |
| | 36 | 1,2 | 5P-0537 | 10 | WASHER-HARD (7.2X14.5X2-MM THK) | | | | | | |
| | 37 | 1 | 5P-8245 | 2 | WASHER-HARD (13.5X25.5X3-MM THK) | | | | | | |
| | 38 | 1,2 | 5P-9297 | 4 | CLIP | | | | | | |
| | 39 | 1,2 | 6K-1972 | 2 | ELBOW-FLARED | | | | | | |
| | 40 | 2 | 6V-2235 | 1 | CLIP | | | | | | |
| | 41 | 2 | 6V-3265 | 2 | CLIP | | | | | | |
| | 42 | 2 | 7K-9197 | 5 | ELBOW | | | | | | |
| | 43 | 2 | 7M-3882 | 1 | CLIP | | | | | | |
| | 44 | 2 | 8T-6758 | 1 | PLUG-PIPE | | | | | | |
| | 45 | 2 | 8T-6767 | 1 | PLUG-PIPE | | | | | | |
| | 46 | 2 | 9S-8750 | 4 | NUT-FULL (1/4-20-THD) | | | | | | |
| | 47 | 2 | 9S-8752 | 2 | NUT-FULL (3/8-16-THD) | | | | | | |
| | 48 | 1 | 9X-8873 | 2 | BOLT (1/2-13X2.25-IN) | | | | | | |

Y-SEPARATE ILLUSTRATION

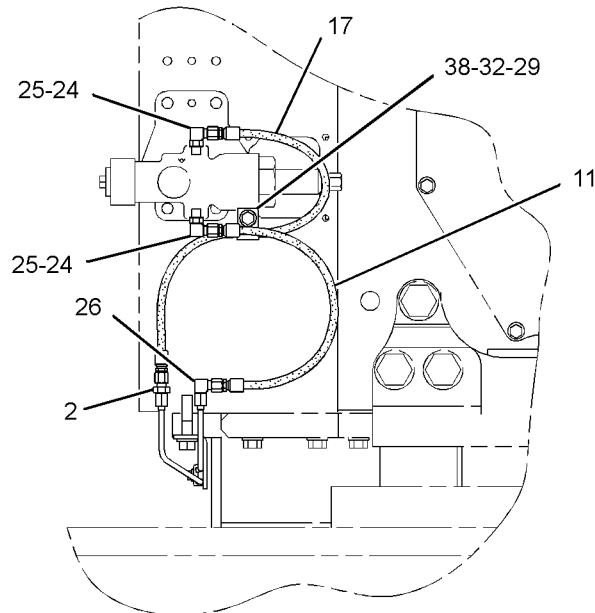
ELECTRICAL AND STARTING SYSTEM

280-0464 LINES GP-AIR STARTING (contd.)

i03005679



REAR VIEW OF ENGINE



VIEW A-A

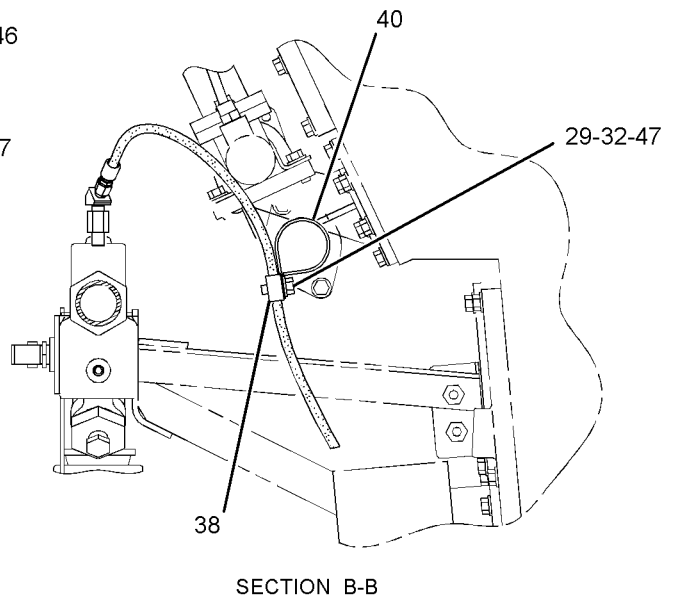
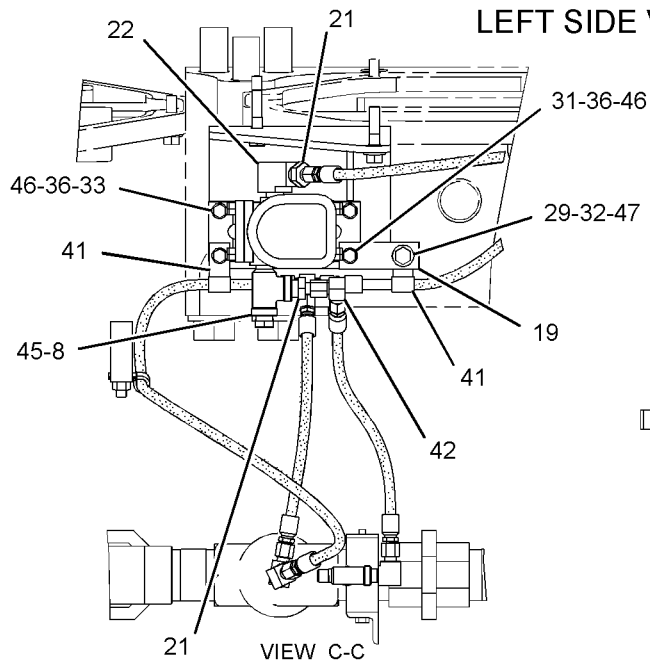
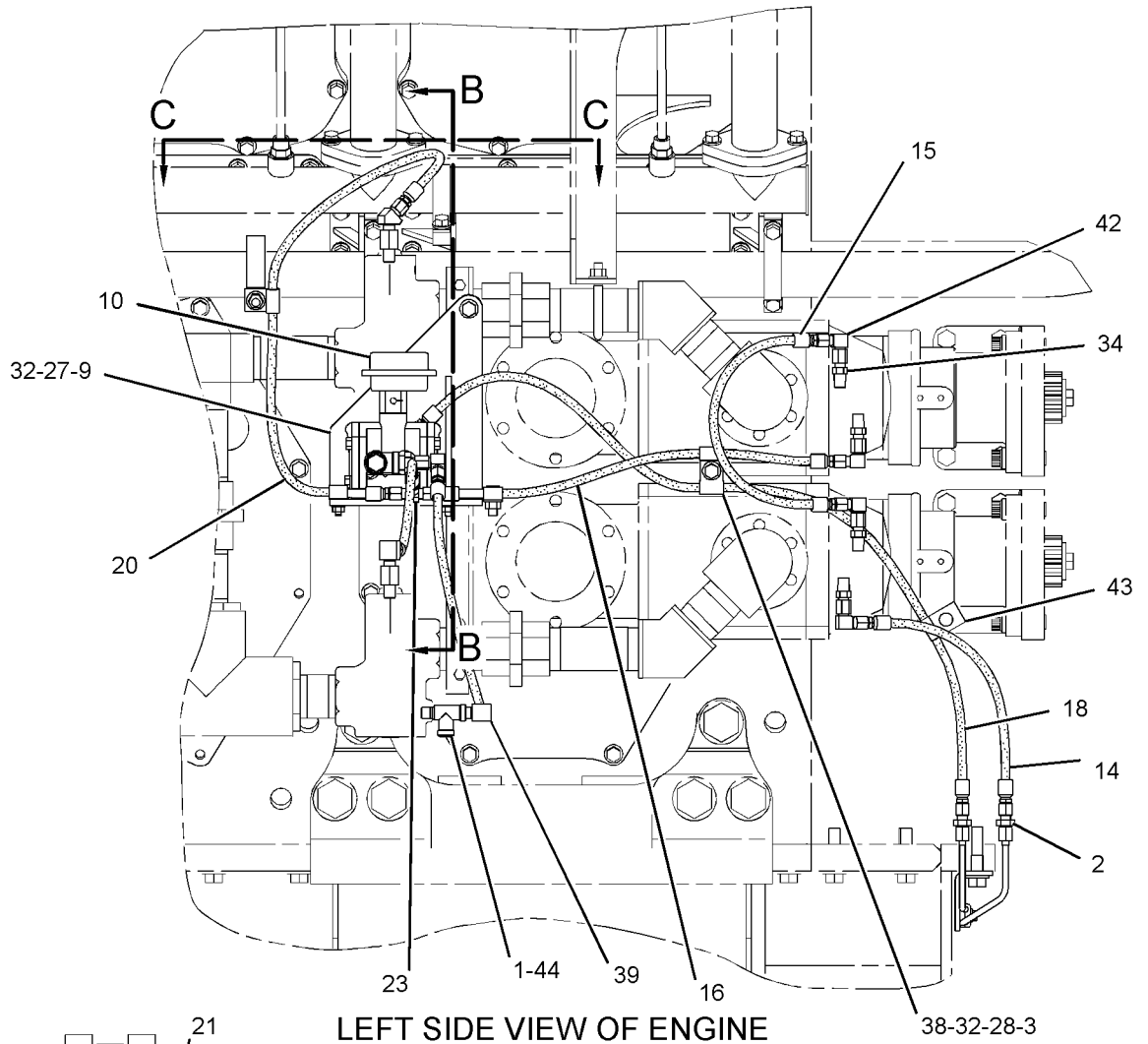
GRAPHIC #1

g01524366

ELECTRICAL AND STARTING SYSTEM

280-0464 LINES GP-AIR STARTING (contd.)

i03005679



GRAPHIC #2

<END>

g01524392

ELECTRICAL AND STARTING SYSTEM

207-8269 LINES GP - JACKET WATER HEATER

(CHG -00, -01, 208-2422-01, 208-2423-02, 208-2424-02)

FOR USE WITH MODULAR BASE, PARALLEL 2-STAGE

SMCS - 1383

i02435017

| NOTE | REF NO | GRAPHIC REF | PART NUMBER | QTY | PART NAME | | | | | | SEE PAGE |
|------|--------|-------------|-------------|-----|---|---|---|---|---|-------------------|----------|
| | | | | | 1 | 2 | 3 | 4 | 5 | 6 (PRODUCT LEVEL) | |
| | 1 | 1 | 0S-0509 | 3 | BOLT (3/8-16X0.75-IN) | | | | | | |
| | 2 | 1 | 3B-7749 | 2 | NIPPLE-PIPE | | | | | | |
| | 3 | 1 | 4R-8658 | 2 | VALVE AS-MANUAL | | | | | | |
| | 4 | 1 | 5L-3785 | 4 | NIPPLE-PIPE | | | | | | |
| | 5 | 1 | 5R-7326 | 1 | BUSHING-REDUCER | | | | | | |
| | 6 | 1 | 6K-3457 | 2 | CONNECTOR | | | | | | |
| | 7 | 1 | 7D-7233 | 3 | CLIP | | | | | | |
| | 8 | 1 | 8B-9579 | 1 | TEE-PIPE | | | | | | |
| | 9 | 1 | 106-5617 | 6 | CLAMP | | | | | | |
| | 10 | 1 | 113-9377 | 1 | VALVE | | | | | | |
| | 11 | 1 | 128-6953 | 4 | CLAMP-PIPE | | | | | | |
| | 12 | 1 | 137-5242 | 1 | BRACKET | | | | | | |
| I | 13 | 1 | 139-2476 | 1 | HOSE AS | | | | | | |
| | 14 | 1 | 147-0586 | 1 | VALVE | | | | | | |
| | 15 | 1 | 149-5210 | 1 | TEE-PIPE | | | | | | |
| | 16 | 1 | 149-5211 | 4 | ELBOW | | | | | | |
| | 17 | 1 | 205-3670 | 1 | BRACKET | | | | | | |
| | 18 | 1 | 208-2422 | 1 | KIT-HOSE (JACKET WATER HEATER) (INCLUDES COUPLINGS AND HOSE) | | | | | | |
| | 19 | 1 | 208-2423 | 1 | KIT-HOSE (JACKET WATER HEATER) (INCLUDES COUPLINGS AND HOSE) | | | | | | |
| | 20 | 1 | 208-2424 | 1 | KIT-HOSE (JACKET WATER HEATER) (INCLUDES COUPLINGS AND HOSE) | | | | | | |
| | 21 | 1 | 208-2425 | 1 | KIT-HOSE (JACKET WATER HEATER) (INCLUDES COUPLINGS AND HOSE) | | | | | | |
| | 22 | 1 | 219-4637 | 1 | COUPLING | | | | | | |
| | 23 | 1 | 009-4440 | 2 | CONNECTOR | | | | | | |
| | 24 | 1 | 061-9593 | 1 | BUSHING-REDUCER | | | | | | |
| | 25 | 1 | 0S-1591 | 2 | BOLT (3/8-16X1.5-IN) | | | | | | |
| | 26 | 1 | 1F-3605 | 1 | BUSHING-REDUCER | | | | | | |
| | 27 | 1 | 2B-0858 | 2 | PLUG-PIPE | | | | | | |
| | 28 | 1 | 2L-0042 | 1 | BUSHING-REDUCER | | | | | | |
| | 29 | 1 | 3B-1915 | 1 | BOLT (3/8-16X1.375-IN) | | | | | | |
| | 30 | 1 | 3B-6499 | 5 | ELBOW | | | | | | |
| | 31 | 1 | 3B-7744 | 2 | FITTING (CLOSE) | | | | | | |
| | 32 | 1 | 3N-3893 | 1 | ELBOW-FLARED | | | | | | |
| | 33 | 1 | 3V-3308 | 6 | WASHER-HARD (10.2X20.5X2.5-MM THK) | | | | | | |
| E | 34 | 1 | 138-7751 | | PIPE (205CM) | | | | | | |

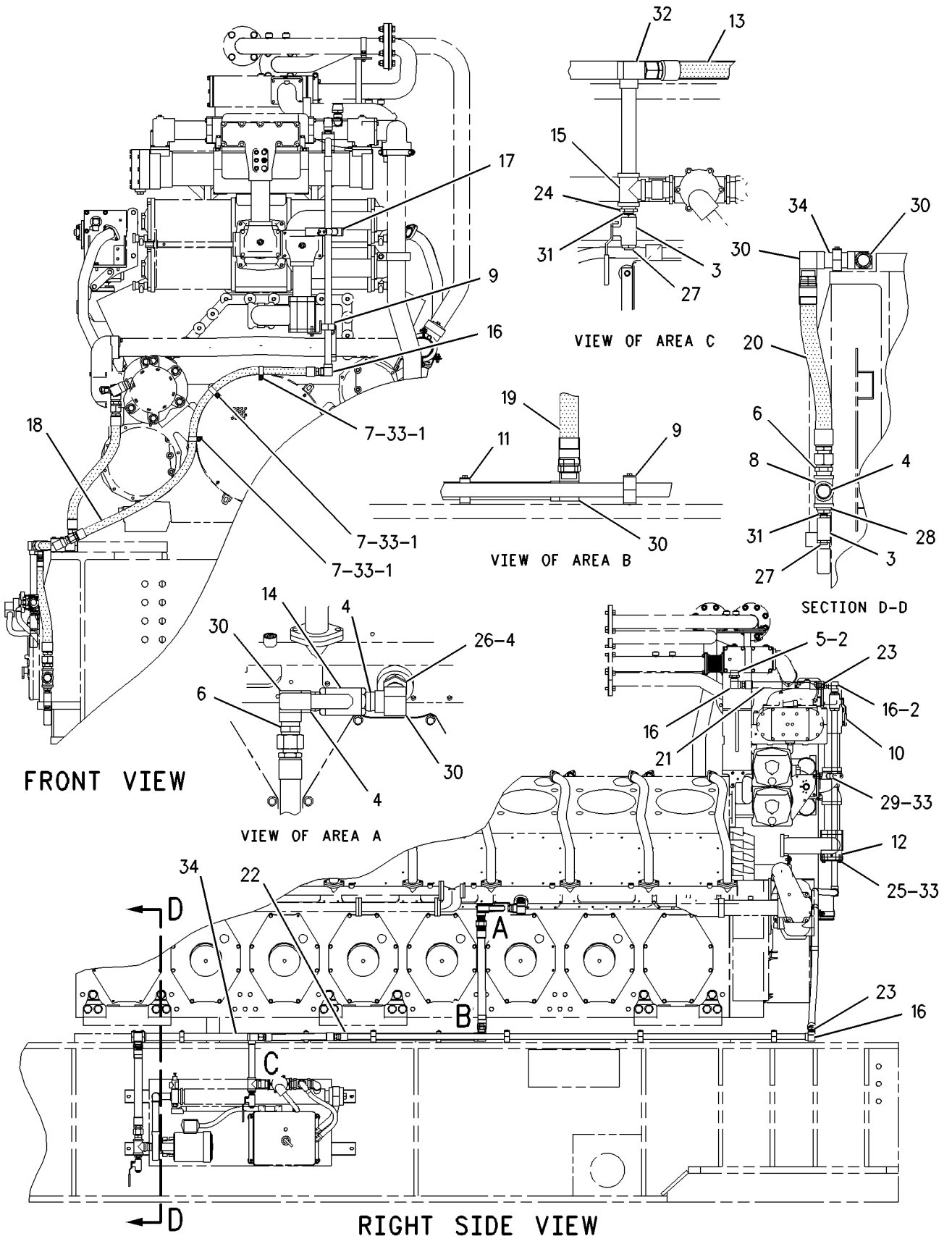
E - ORDER BY THE CENTIMETER

I - REFER TO HYDRAULIC INFORMATION SYSTEM

ELECTRICAL AND STARTING SYSTEM

207-8269 LINES GP-JACKET WATER HEATER (contd.)

i02435017



GRAPHIC #1

<END>

g00925614

ELECTRICAL AND STARTING SYSTEM

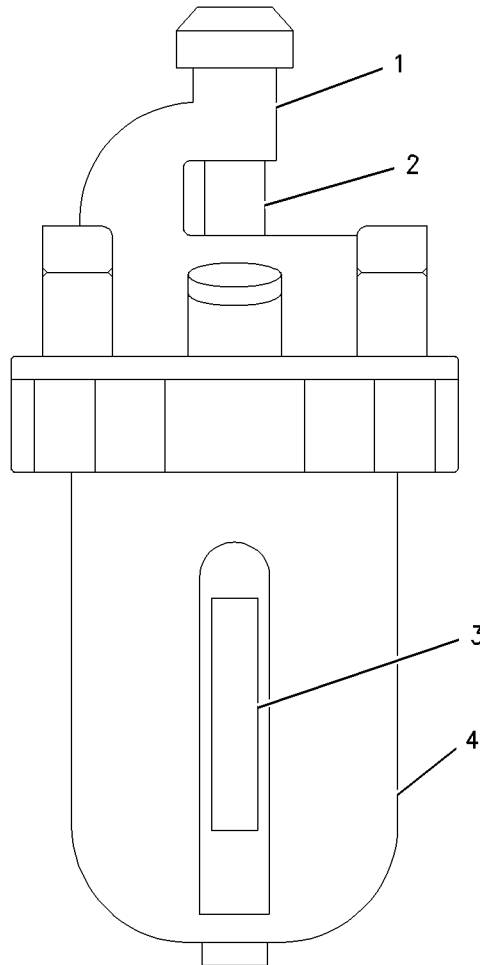
7W-0522 LUBRICATOR GP-AIR MOTOR (CHG -02, -03) PART OF 119-7536, 216-8696 LINES GP-AIR

SMCS-1451

i02240509

| NOTE | REF NO | GRAPHIC REF | PART NUMBER | QTY | PART NAME | | | | | | SEE PAGE |
|------|--------|-------------|-------------|-----|---------------------------------------|---|---|---|---|-------------------|----------|
| | | | | | 1 | 2 | 3 | 4 | 5 | 6 (PRODUCT LEVEL) | |
| C | 1 | 1 | 158-6245 | 1 | VALVE-NEEDLE | | | | | | |
| C | 2 | 1 | 158-6247 | 1 | TUBE-GLASS | | | | | | |
| C | 3 | 1 | 158-6246 | 1 | GAUGE-SIGHT (LUBRICANT) (FLUID LEVEL) | | | | | | |
| C | 4 | 1 | 158-6248 | 1 | BOWL | | | | | | |

C- CHANGE FROM PREVIOUS TYPE



GRAPHIC #1

<END>

g00726267

ELECTRICAL AND STARTING SYSTEM

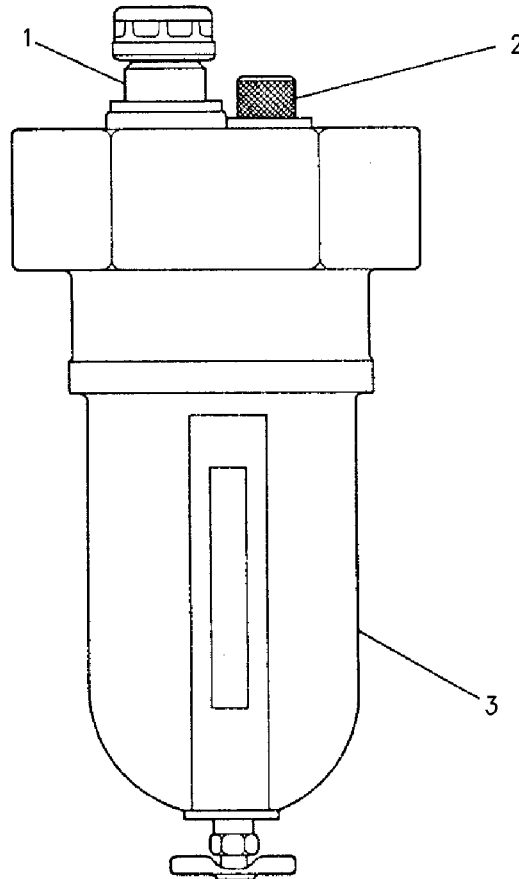
7W-0522 LUBRICATOR GP-AIR MOTOR (CHG -00, -01)

PART OF 280-0465 LINES GP-AIR

SMCS-1451

i01375634

| NOTE | REF NO | GRAPHIC REF | PART NUMBER | QTY | PART NAME | | | | | | SEE PAGE |
|------|--------|-------------|-------------|-----|---------------------------|---|---|---|---|-------------------|----------|
| | | | | | 1 | 2 | 3 | 4 | 5 | 6 (PRODUCT LEVEL) | |
| | 1 | 1 | 7W-0537 | 1 | DOME AS | | | | | | |
| | 2 | 1 | 7W-0524 | 1 | PLUG AS-FILL | | | | | | |
| | 3 | 1 | 7W-0515 | 1 | BOWL AS | | | | | | |
| | | | | | AVAILABLE REPAIR KIT(S) : | | | | | | |
| | | | 7W-0539 | 1 | KIT-SEAL | | | | | | |



GRAPHIC #1

<END>

g00727128

ELECTRICAL AND STARTING SYSTEM

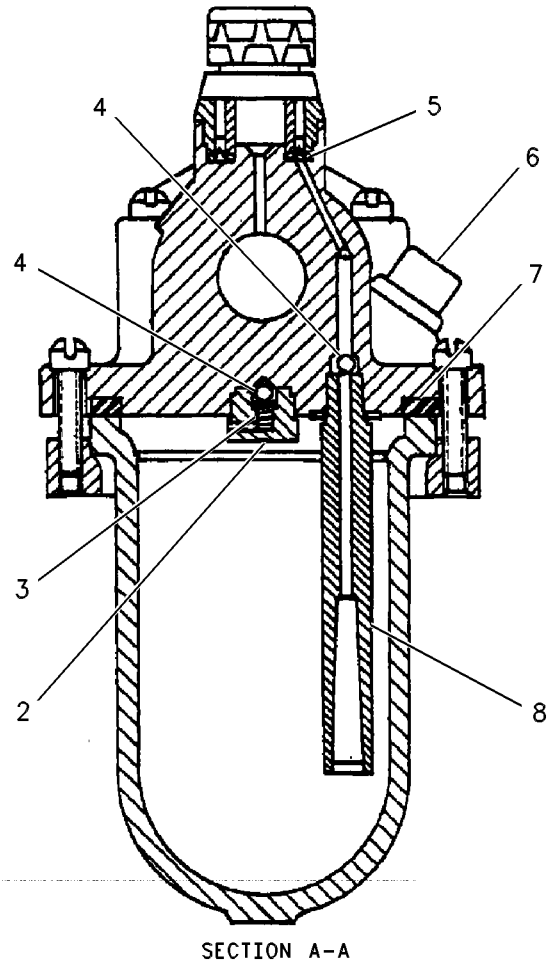
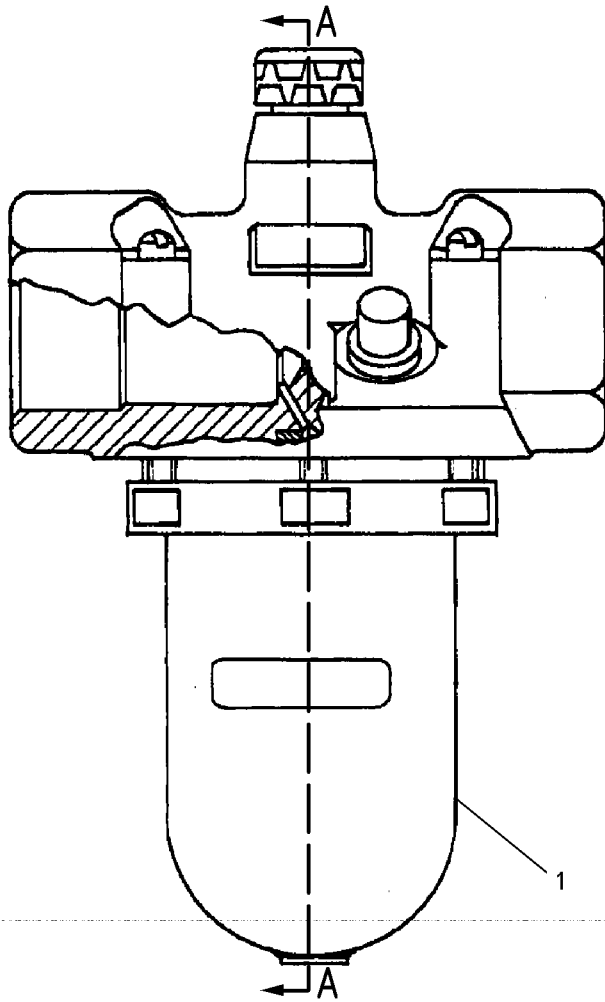
119-6282 LUBRICATOR GP-AIR MOTOR (CHG -00)

PART OF 119-6284 LUBRICATOR GP-AIR MOTOR
FIELD REPLACEMENT ORDER 119-6284-PAGE 600

SMCS-1451

i01889307

| NOTE | REF NO | GRAPHIC REF | PART NUMBER | QTY | PART NAME | | | | | | SEE PAGE |
|------|--------|-------------|-------------|-----|-------------|---|---|---|---|-------------------|----------|
| | | | | | 1 | 2 | 3 | 4 | 5 | 6 (PRODUCT LEVEL) | |
| | 1 | 1 | 6N-2192 | 1 | BOWL | | | | | | |
| | 2 | 1 | 6N-2191 | 1 | SEAT | | | | | | |
| | 3 | 1 | 6N-2190 | 1 | SPRING | | | | | | |
| | 4 | 1 | 6N-2188 | 2 | BALL | | | | | | |
| | 5 | 1 | 7C-4429 | 1 | SEAL | | | | | | |
| | 6 | 1 | 6N-2185 | 2 | PLUG-FILLER | | | | | | |
| | 7 | 1 | 6N-2184 | 1 | GASKET | | | | | | |
| | 8 | 1 | 6N-2193 | 1 | TUBE-SIPHON | | | | | | |



GRAPHIC #1

<END>

g00103878

ELECTRICAL AND STARTING SYSTEM

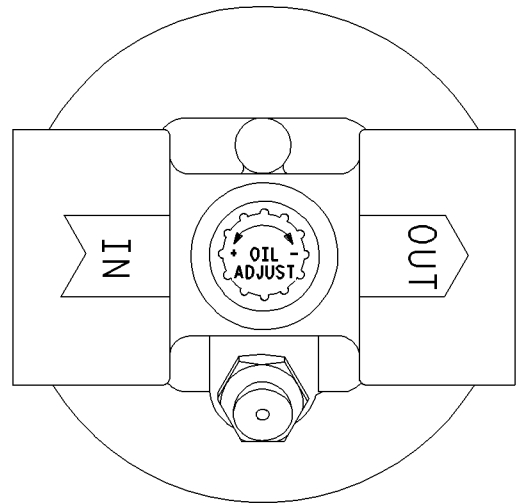
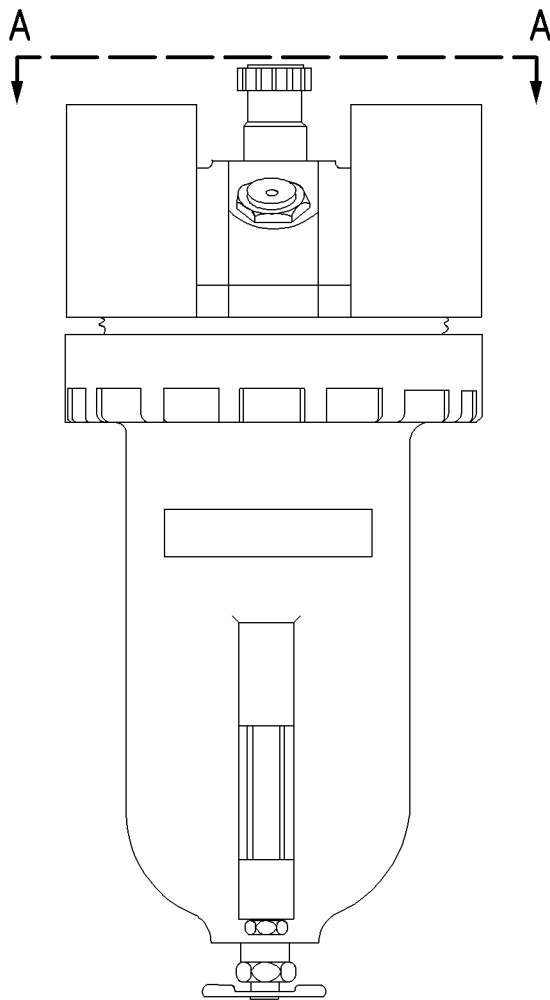
119-6283 LUBRICATOR GP-AIR MOTOR (CHG -00)

PART OF 119-6284 LUBRICATOR GP-AIR MOTOR
FIELD REPLACEMENT ORDER 119-6284-PAGE 600

SMCS-1451

i01491135

| NOTE | REF NO | GRAPHIC REF | PART NUMBER | QTY | PART NAME | | | | | | SEE PAGE |
|---------------------|--------|-------------|-------------|-----|-----------|---|---|---|---|-------------------|----------|
| | | | | | 1 | 2 | 3 | 4 | 5 | 6 (PRODUCT LEVEL) | |
| (NO SERVICED PARTS) | | | | | | | | | | | |



VIEW A-A

GRAPHIC #1

<END>

g00774411

ELECTRICAL AND STARTING SYSTEM

119-6284 LUBRICATOR GP-AIR MOTOR (CHG -00 THRU -02)

PART OF 149-3992, 200-6007 LINES GP-AIR STARTING
FIELD REPLACEMENT FOR 119-6282-PAGE 598: FOR 119-6283-PAGE 599

SMCS-1451

i01168549

| NOTE | PART NUMBER | QTY | PART NAME | | | | | | SEE PAGE |
|-------------------------|-------------|-----|-------------------------|---|---|---|---|-------------------|----------|
| | | | 1 | 2 | 3 | 4 | 5 | 6 (PRODUCT LEVEL) | |
| Y | 119-6282 | 1 | LUBRICATOR GP-AIR MOTOR | | | | | | 598 |
| | | | -OR- | | | | | | |
| Y | 119-6283 | 1 | LUBRICATOR GP-AIR MOTOR | | | | | | 599 |
| Y-SEPARATE ILLUSTRATION | | | | | | | | | |

<END>

132-6834 MOTOR STARTER (CHG -00, -01) 24VOLTS, 460VAC. FULL VOLTAGE STARTER - 3 PHASE, 3 POLE

SMCS-1426

i01929215

| NOTE | PART NUMBER | QTY | PART NAME | | | | | | SEE PAGE |
|------|-------------|-----|---------------------|---|---|---|---|-------------------|----------|
| | | | 1 | 2 | 3 | 4 | 5 | 6 (PRODUCT LEVEL) | |
| | | | (NO SERVICED PARTS) | | | | | | |

<END>

ELECTRICAL AND STARTING SYSTEM

206-5459 SENSOR GP-COMBUSTION (CHG -00 THRU -06, 194-6862-01,
194-6863-01, 194-6864-01, 194-6865-01, 194-6866-01, 194-6867-01, 194-6868-01, 194-6869-01,
198-0112-01)

SMCS - 1563

i02657786

| NOTE | REF NO | GRAPHIC REF | PART NUMBER | QTY | PART NAME | | | | | | SEE PAGE |
|------|--------|-------------|-------------|-----|---|---|---|---|---|-------------------|----------|
| | | | | | 1 | 2 | 3 | 4 | 5 | 6 (PRODUCT LEVEL) | |
| | 1 | 2 | 4S-5719 | 4 | SPACER (10.31X25X12.7-MM THK) | | | | | | |
| | 2 | 1 | 7G-1239 | 1 | SPACER (10.5X19X4.5-MM THK) | | | | | | |
| | 3 | 2 | 7H-3937 | 2 | LOCKWASHER | | | | | | |
| | 4 | 1 | 7W-6333 | 1 | SPACER (10.5X20X10.7-MM THK) | | | | | | |
| | 5 | 1 | 8L-8413 | 6 | STRAP-CABLE | | | | | | |
| | 6 | 1 | 9X-3495 | 16 | CLIP AS | | | | | | |
| | 7 | 1,2 | 9X-6772 | 91 | STRAP-CABLE | | | | | | |
| | 8 | 1 | 116-0118 | 3 | CLIP | | | | | | |
| Y | 9 | 1 | 116-2649 | 4 | SENSOR GP-TEMPERATURE (THERMOCOUPLE) | | | | | | 611 |
| | 10 | 2 | 127-0594 | 2 | WIRE AS-GROUND | | | | | | |
| | 11 | 1 | 128-8831 | 1 | BRACKET | | | | | | |
| | 12 | 2 | 136-4605 | 16 | EXTENSION AS | | | | | | |
| | | | | | (EACH INCLUDES) | | | | | | |
| | | 2 | 226-4813 | 1 | KIT-FASTENER | | | | | | |
| | | | | | (INCLUDES SPRINGS AND CLIPS) | | | | | | |
| Y | 13 | 2 | 242-8988 | 2 | CONTROL GP-ELECTRONIC (INTEGRATED COMBUSTION SENSING) | | | | | | 529 |
| | 14 | 2 | 141-6380 | 8 | MOUNT-FLEXIBLE | | | | | | |
| Y | 15 | 1 | 152-0807 | 16 | SENSOR GP-TEMPERATURE (THERMOCOUPLE) | | | | | | 613 |
| | 16 | 2 | 159-3219 | 16 | SENSOR-COMBUSTION | | | | | | |
| | 17 | 1,2 | 188-4926 | 16 | CONNECTOR AS | | | | | | |
| | 18 | 1,2 | 192-4329 | 14 | BRACKET | | | | | | |
| | 19 | 2 | 195-6059 | 1 | HARNESS AS-SENSOR (THERMOCOUPLE, RH) | | | | | | |
| | | 2 | 176-2943 | 2 | KIT-CONNECTING PLUG (2-PIN) | | | | | | |
| | | | | | EACH KIT INCLUDES PLUG AS AND WEDGE | | | | | | |
| | | 2 | 155-2261 | 1 | WEDGE-PLUG LOCK (2-PIN) | | | | | | |
| | 20 | 2 | 195-6060 | 1 | HARNESS AS-SENSOR (THERMOCOUPLE, LH) (TOP CENTER) | | | | | | |
| | | 2 | 176-2943 | 2 | KIT-CONNECTING PLUG (2-PIN) | | | | | | |
| | | | | | EACH KIT INCLUDES PLUG AS AND WEDGE | | | | | | |
| | | 2 | 155-2261 | 1 | WEDGE-PLUG LOCK (2-PIN) | | | | | | |
| | 21 | 2 | 198-0112 | 2 | BRACKET AS | | | | | | |
| | | | | | (EACH INCLUDES) | | | | | | |
| | | 2 | 4K-9097 | 2 | NUT-WELD (5/16-18-THD) | | | | | | |
| | 22 | 2 | 198-0113 | 2 | BRACKET AS | | | | | | |
| | | | | | (EACH INCLUDES) | | | | | | |
| | | 2 | 9F-6445 | 4 | NUT-WELD (1/4-20-THD) | | | | | | |
| | 23 | 2 | 198-0114 | 2 | PLATE | | | | | | |
| | 24 | 1 | 271-5584 | 32 | CLIP | | | | | | |
| | 25 | 1 | 277-4756 | 2 | HARNESS AS-SENSOR (COMBUSTION) | | | | | | |
| | | | | | (EACH INCLUDES) | | | | | | |
| | | 1 | 4G-2544 | 1 | CONNECTOR-PLUG | | | | | | |
| | | 1 | 189-3769 | 1 | SEAL-O-RING | | | | | | |
| | 26 | 1 | 277-4758 | 2 | HARNESS AS-SENSOR (COMBUSTION) | | | | | | |
| | | | | | (EACH INCLUDES) | | | | | | |
| | | 1 | 4G-2544 | 1 | CONNECTOR-PLUG | | | | | | |
| | | 1 | 189-3769 | 1 | SEAL-O-RING | | | | | | |
| | 27 | 1 | 277-4759 | 2 | HARNESS AS-SENSOR (COMBUSTION) | | | | | | |
| | | | | | (EACH INCLUDES) | | | | | | |
| | | 1 | 4G-2544 | 1 | CONNECTOR-PLUG | | | | | | |
| | | 1 | 189-3769 | 1 | SEAL-O-RING | | | | | | |
| | 28 | 1 | 277-4760 | 2 | HARNESS AS-SENSOR (COMBUSTION) | | | | | | |
| | | | | | (EACH INCLUDES) | | | | | | |
| | | 1 | 4G-2544 | 1 | CONNECTOR-PLUG | | | | | | |
| | | 1 | 189-3769 | 1 | SEAL-O-RING | | | | | | |

ELECTRICAL AND STARTING SYSTEM

206-5459 SENSOR GP-COMBUSTION (contd.)

i02657786

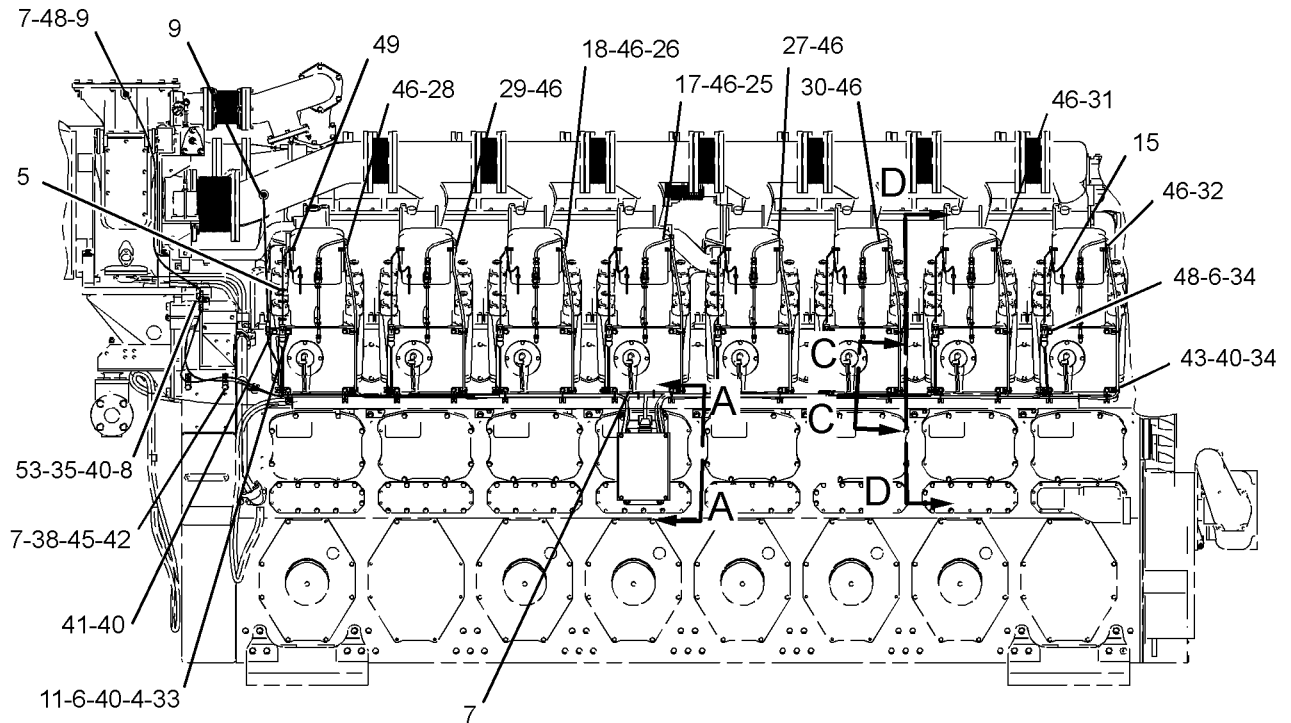
| NOTE | REF NO | GRAPHIC REF | PART NUMBER | QTY | PART NAME | | | | | | SEE PAGE |
|------|--------|-------------|-------------|-----|------------------------------------|---|---|---|---|-------------------|----------|
| | | | | | 1 | 2 | 3 | 4 | 5 | 6 (PRODUCT LEVEL) | |
| | 29 | 1 | 277-4761 | 2 | HARNESS AS-SENSOR (COMBUSTION) | | | | | | |
| | | | | | (EACH INCLUDES) | | | | | | |
| | | 1 | 4G-2544 | 1 | CONNECTOR-PLUG | | | | | | |
| | | 1 | 189-3769 | 1 | SEAL-O-RING | | | | | | |
| | 30 | 1 | 277-4762 | 2 | HARNESS AS-SENSOR (COMBUSTION) | | | | | | |
| | | | | | (EACH INCLUDES) | | | | | | |
| | | 1 | 4G-2544 | 1 | CONNECTOR-PLUG | | | | | | |
| | | 1 | 189-3769 | 1 | SEAL-O-RING | | | | | | |
| | 31 | 1 | 277-4763 | 2 | HARNESS AS-SENSOR (COMBUSTION) | | | | | | |
| | | | | | (EACH INCLUDES) | | | | | | |
| | | 1 | 4G-2544 | 1 | CONNECTOR-PLUG | | | | | | |
| | | 1 | 189-3769 | 1 | SEAL-O-RING | | | | | | |
| | 32 | 1 | 277-4764 | 2 | HARNESS AS-SENSOR (COMBUSTION) | | | | | | |
| | | | | | (EACH INCLUDES) | | | | | | |
| | | 1 | 4G-2544 | 1 | CONNECTOR-PLUG | | | | | | |
| | | 1 | 189-3769 | 1 | SEAL-O-RING | | | | | | |
| | 33 | 1,2 | 0L-2070 | 5 | BOLT (3/8-16X2.25-IN) | | | | | | |
| | 34 | 1,2 | 0S-1571 | 67 | BOLT (3/8-16X1.75-IN) | | | | | | |
| | 35 | 1,2 | 0S-1594 | 16 | BOLT (3/8-16X1-IN) | | | | | | |
| | 36 | 2 | 0S-1615 | 8 | BOLT (1/4-20X0.75-IN) | | | | | | |
| | 37 | 2 | 0S-1617 | 4 | BOLT (5/16-18X0.75-IN) | | | | | | |
| | 38 | 1 | 0S-1620 | 2 | BOLT (1/2-13X0.75-IN) | | | | | | |
| | 39 | 2 | 125-5356 | 32 | DISC-INSULATOR | | | | | | |
| | 40 | 1,2 | 3V-3308 | 90 | WASHER-HARD (10.2X20.5X2.5-MM THK) | | | | | | |
| | 41 | 1 | 4F-4879 | 1 | BOLT (3/8-16X0.5-IN) | | | | | | |
| | 42 | 1 | 4P-7428 | 2 | CLIP | | | | | | |
| | 43 | 1 | 4P-7581 | 17 | CLIP | | | | | | |
| | 44 | 2 | 5P-0537 | 8 | WASHER-HARD (7.2X14.5X2-MM THK) | | | | | | |
| | 45 | 1 | 5P-8245 | 2 | WASHER-HARD (13.5X25.5X3-MM THK) | | | | | | |
| | 46 | 1 | 5P-9297 | 16 | CLIP | | | | | | |
| | 47 | 2 | 5S-0003 | 16 | NUT (5/16-18-THD) | | | | | | |
| | 48 | 1 | 6B-5072 | 2 | BUSHING-REDUCING | | | | | | |
| | 49 | 1 | 6V-2686 | 16 | CLIP | | | | | | |
| | 50 | 2 | 6V-5050 | 16 | SEAL-O-RING | | | | | | |
| | 51 | 2 | 9L-9132 | 14 | WASHER (10.2X25.5X2.5-MM THK) | | | | | | |
| | 52 | 2 | 9M-1974 | 20 | WASHER-HARD (8.8X16X2-MM THK) | | | | | | |
| | 53 | 1 | 9S-8752 | 1 | NUT-FULL (3/8-16-THD) | | | | | | |
| | 54 | 2 | 4D-1326 | 2 | LOCKWASHER | | | | | | |

Y-SEPARATE ILLUSTRATION

ELECTRICAL AND STARTING SYSTEM

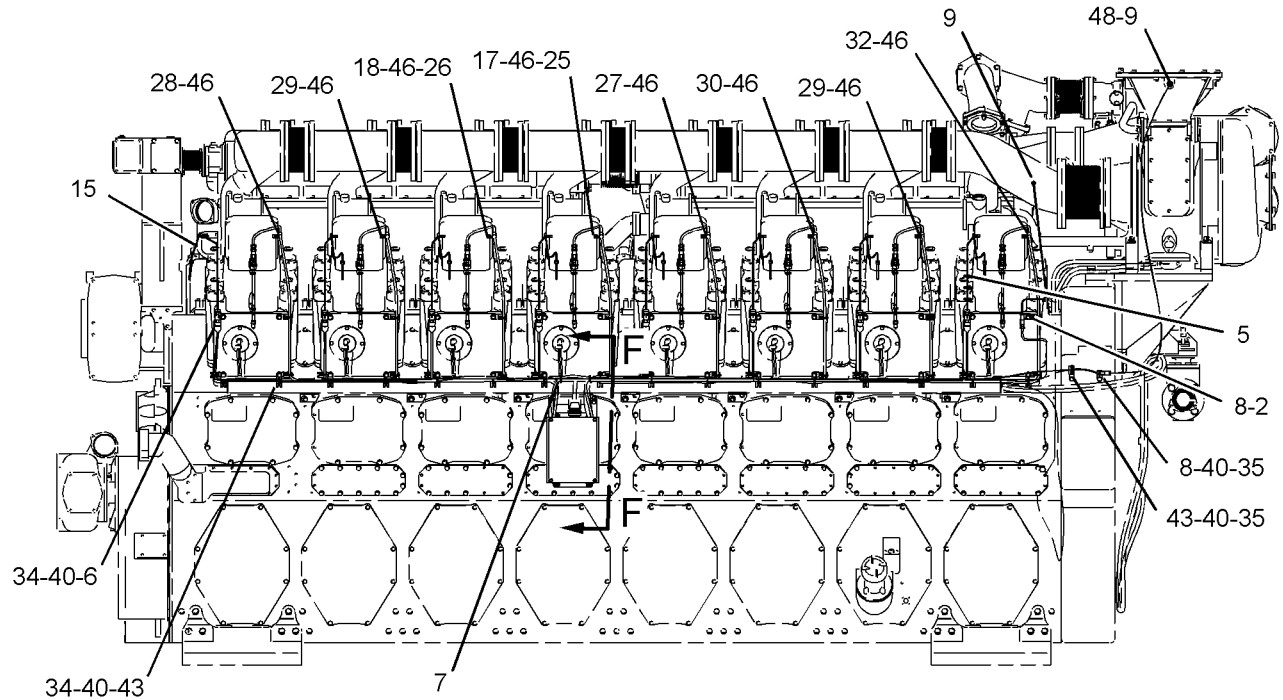
206-5459 SENSOR GP-COMBUSTION (contd.)

i02657786



RIGHT SIDE VIEW

REFER TO ALL ILLUSTRATIONS OF THIS GROUP OF AUXILIARY VIEWS



LEFT SIDE VIEW

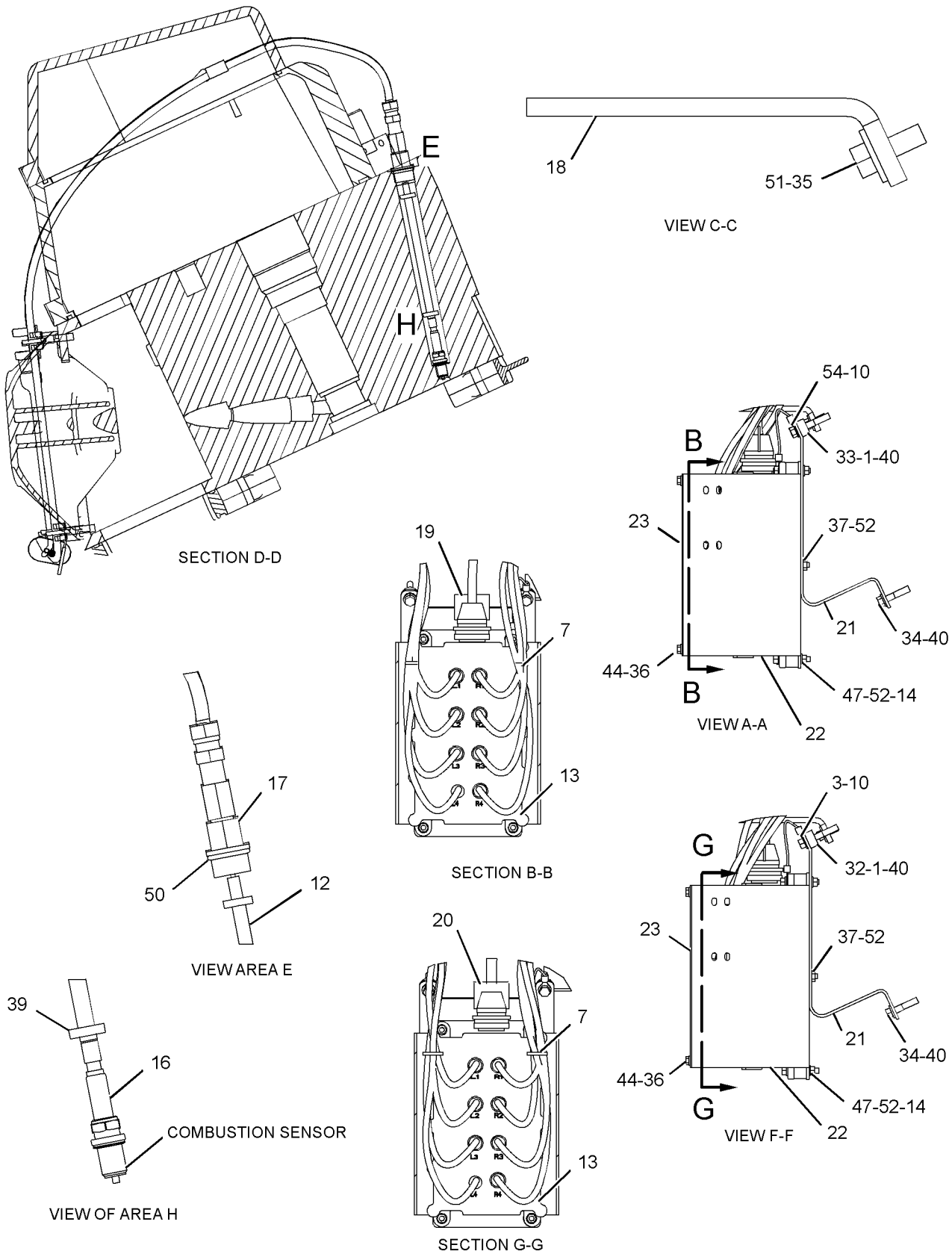
GRAPHIC #1

g01201266

ELECTRICAL AND STARTING SYSTEM

206-5459 SENSOR GP-COMBUSTION (contd.)

i02657786



GRAPHIC #2

<END>

g01338752

ELECTRICAL AND STARTING SYSTEM

206-5459 SENSOR GP-COMBUSTION (CHG -07, -08)

SMCS-1563

i02781624

| NOTE | REF NO | GRAPHIC REF | PART NUMBER | QTY | PART NAME | | | | | | SEE PAGE |
|------|--------|-------------|-------------|-----|--|---|---|---|---|-------------------|----------|
| | | | | | 1 | 2 | 3 | 4 | 5 | 6 (PRODUCT LEVEL) | |
| C | 1 | 1 | 3S-2093 | 5 | STRAP-CABLE | | | | | | |
| | 2 | 2 | 4D-1326 | 2 | LOCKWASHER | | | | | | |
| | 3 | 2 | 4S-5719 | 4 | SPACER (10.31X25X12.7-MM THK) | | | | | | |
| C | 4 | 1 | 5N-2126 | 2 | ADAPTER (THERMOCOUPLE) | | | | | | |
| | 5 | 1 | 7G-1239 | 1 | SPACER (10.5X19X4.5-MM THK) | | | | | | |
| | 6 | 2 | 7H-3937 | 2 | LOCKWASHER | | | | | | |
| | 7 | 1 | 7W-6333 | 1 | SPACER (10.5X20X10.7-MM THK) | | | | | | |
| | 8 | 1 | 9X-3495 | 16 | CLIP AS | | | | | | |
| | 9 | 1,2 | 9X-6772 | 91 | STRAP-CABLE | | | | | | |
| | 10 | 1 | 116-0118 | 3 | CLIP | | | | | | |
| | 11 | 2 | 127-0594 | 2 | WIRE AS-GROUND | | | | | | |
| | 12 | 1 | 128-8831 | 1 | BRACKET | | | | | | |
| | 13 | 2 | 136-4605 | 16 | EXTENSION AS | | | | | | |
| | | | | | (EACH INCLUDES) | | | | | | |
| | | 2 | 226-4813 | 1 | KIT-FASTENER | | | | | | |
| | | | | | (INCLUDES SPRINGS AND CLIPS) | | | | | | |
| Y | 14 | 2 | 242-8988 | 2 | CONTROL GP-ELECTRONIC (INTEGRATED COMBUSTION SENSING) | | | | | | 529 |
| | 15 | 2 | 141-6380 | 8 | MOUNT-FLEXIBLE | | | | | | |
| Y | 16 | 1 | 152-0807 | 16 | SENSOR GP-TEMPERATURE (THERMOCOUPLE) | | | | | | 613 |
| | 17 | 2 | 159-3219 | 16 | SENSOR-COMBUSTION | | | | | | |
| | 18 | 2 | 188-4926 | 16 | CONNECTOR AS | | | | | | |
| | 19 | 2 | 192-4329 | 14 | BRACKET | | | | | | |
| | 20 | 2 | 195-6059 | 1 | HARNESS AS-SENSOR (THERMOCOUPLE, RH) | | | | | | |
| | | 2 | 176-2943 | 2 | KIT-CONNECTING PLUG (2-PIN) | | | | | | |
| | | | | | EACH KIT INCLUDES PLUG AS AND WEDGE | | | | | | |
| | | 2 | 155-2261 | 1 | WEDGE-PLUG LOCK (2-PIN) | | | | | | |
| | 21 | 2 | 195-6060 | 1 | HARNESS AS-SENSOR (THERMOCOUPLE, LH) (TOP CENTER) | | | | | | |
| | | 2 | 176-2943 | 2 | KIT-CONNECTING PLUG (2-PIN) | | | | | | |
| | | | | | EACH KIT INCLUDES PLUG AS AND WEDGE | | | | | | |
| | | 2 | 155-2261 | 1 | WEDGE-PLUG LOCK (2-PIN) | | | | | | |
| | 22 | 2 | 198-0112 | 2 | BRACKET AS | | | | | | |
| | | | | | (EACH INCLUDES) | | | | | | |
| | | 2 | 4K-9097 | 2 | NUT-WELD (5/16-18-THD) | | | | | | |
| | 23 | 2 | 198-0113 | 2 | BRACKET AS | | | | | | |
| | | | | | (EACH INCLUDES) | | | | | | |
| | | 2 | 9F-6445 | 4 | NUT-WELD (1/4-20-THD) | | | | | | |
| | 24 | 2 | 198-0114 | 2 | PLATE | | | | | | |
| | 25 | 1 | 271-5584 | 32 | CLIP | | | | | | |
| | 26 | 1 | 277-4756 | 2 | HARNESS AS-SENSOR (COMBUSTION) | | | | | | |
| | | | | | (EACH INCLUDES) | | | | | | |
| | | 1 | 4G-2544 | 1 | CONNECTOR-PLUG | | | | | | |
| | | 1 | 189-3769 | 1 | SEAL-O-RING | | | | | | |
| | 27 | 1 | 277-4758 | 2 | HARNESS AS-SENSOR (COMBUSTION) | | | | | | |
| | | | | | (EACH INCLUDES) | | | | | | |
| | | 1 | 4G-2544 | 1 | CONNECTOR-PLUG | | | | | | |
| | | 1 | 189-3769 | 1 | SEAL-O-RING | | | | | | |
| | 28 | 1 | 277-4759 | 2 | HARNESS AS-SENSOR (COMBUSTION) | | | | | | |
| | | | | | (EACH INCLUDES) | | | | | | |
| | | 1 | 4G-2544 | 1 | CONNECTOR-PLUG | | | | | | |
| | | 1 | 189-3769 | 1 | SEAL-O-RING | | | | | | |
| | 29 | 1 | 277-4760 | 2 | HARNESS AS-SENSOR (COMBUSTION) | | | | | | |
| | | | | | (EACH INCLUDES) | | | | | | |
| | | 1 | 4G-2544 | 1 | CONNECTOR-PLUG | | | | | | |
| | | 1 | 189-3769 | 1 | SEAL-O-RING | | | | | | |
| | 30 | 1 | 277-4761 | 2 | HARNESS AS-SENSOR (COMBUSTION) | | | | | | |
| | | | | | (EACH INCLUDES) | | | | | | |

ELECTRICAL AND STARTING SYSTEM

206-5459 SENSOR GP-COMBUSTION (contd.)

i02781624

| NOTE | REF NO | GRAPHIC REF | PART NUMBER | QTY | PART NAME | | | | | | SEE PAGE |
|------|--------|-------------|-------------|-----|---|---|---|---|---|-------------------|----------|
| | | | | | 1 | 2 | 3 | 4 | 5 | 6 (PRODUCT LEVEL) | |
| | | 1 | 4G-2544 | 1 | CONNECTOR-PLUG | | | | | | |
| | | 1 | 189-3769 | 1 | SEAL-O-RING | | | | | | |
| | 31 | 1 | 277-4762 | 2 | HARNESS AS-SENSOR (COMBUSTION) | | | | | | |
| | | | | | (EACH INCLUDES) | | | | | | |
| | | 1 | 4G-2544 | 1 | CONNECTOR-PLUG | | | | | | |
| | | 1 | 189-3769 | 1 | SEAL-O-RING | | | | | | |
| | 32 | 1 | 277-4763 | 2 | HARNESS AS-SENSOR (COMBUSTION) | | | | | | |
| | | | | | (EACH INCLUDES) | | | | | | |
| | | 1 | 4G-2544 | 1 | CONNECTOR-PLUG | | | | | | |
| | | 1 | 189-3769 | 1 | SEAL-O-RING | | | | | | |
| | 33 | 1 | 277-4764 | 2 | HARNESS AS-SENSOR (COMBUSTION) | | | | | | |
| | | | | | (EACH INCLUDES) | | | | | | |
| | | 1 | 4G-2544 | 1 | CONNECTOR-PLUG | | | | | | |
| | | 1 | 189-3769 | 1 | SEAL-O-RING | | | | | | |
| CY | 34 | 1 | 310-4795 | 2 | SENSOR GP-TEMPERATURE (TURBOCHARGER OUTLET) | | | | | | 614 |
| CY | 35 | 1 | 310-4796 | 2 | SENSOR GP-TEMPERATURE (TURBOCHARGER INLET) | | | | | | 615 |
| | 36 | 1,2 | 0L-2070 | 5 | BOLT (3/8-16X2.25-IN) | | | | | | |
| | 37 | 1,2 | 0S-1571 | 67 | BOLT (3/8-16X1.75-IN) | | | | | | |
| C | 38 | 1 | 0S-1588 | 1 | BOLT (3/8-16X1.25-IN) | | | | | | |
| | 39 | 1,2 | 0S-1594 | 16 | BOLT (3/8-16X1-IN) | | | | | | |
| | 40 | 2 | 0S-1615 | 8 | BOLT (1/4-20X0.75-IN) | | | | | | |
| | 41 | 2 | 0S-1617 | 4 | BOLT (5/16-18X0.75-IN) | | | | | | |
| | 42 | 1 | 0S-1620 | 2 | BOLT (1/2-13X0.75-IN) | | | | | | |
| | 43 | 2 | 125-5356 | 32 | DISC-INSULATOR | | | | | | |
| | 44 | 1,2 | 3V-3308 | 90 | WASHER-HARD (10.2X20.5X2.5-MM THK) | | | | | | |
| | 45 | 1 | 4F-4879 | 1 | BOLT (3/8-16X0.5-IN) | | | | | | |
| | 46 | 1 | 4P-7428 | 2 | CLIP | | | | | | |
| C | 47 | 1 | 4P-7581 | 18 | CLIP | | | | | | |
| C | 48 | 1 | 4P-8134 | 2 | CLIP | | | | | | |
| C | 49 | 1 | 5M-2894 | 2 | WASHER-HARD (10.2X18.5X2.5-MM THK) | | | | | | |
| | 50 | 2 | 5P-0537 | 8 | WASHER-HARD (7.2X14.5X2-MM THK) | | | | | | |
| | 51 | 1 | 5P-8245 | 2 | WASHER-HARD (13.5X25.5X3-MM THK) | | | | | | |
| | 52 | 1 | 5P-9297 | 16 | CLIP | | | | | | |
| | 53 | 2 | 5S-0003 | 16 | NUT (5/16-18-THD) | | | | | | |
| | 54 | 1 | 6B-5072 | 2 | BUSHING-REDUCING | | | | | | |
| | 55 | 1 | 6V-2686 | 16 | CLIP | | | | | | |
| | 56 | 2 | 6V-5050 | 16 | SEAL-O-RING | | | | | | |
| | 57 | 2 | 9L-9132 | 14 | WASHER (10.2X25.5X2.5-MM THK) | | | | | | |
| | 58 | 2 | 9M-1974 | 20 | WASHER-HARD (8.8X16X2-MM THK) | | | | | | |
| | 59 | 1 | 9S-8752 | 1 | NUT-FULL (3/8-16-THD) | | | | | | |
| BC | 60 | 1 | 3S-2093 | 6 | STRAP-CABLE | | | | | | |

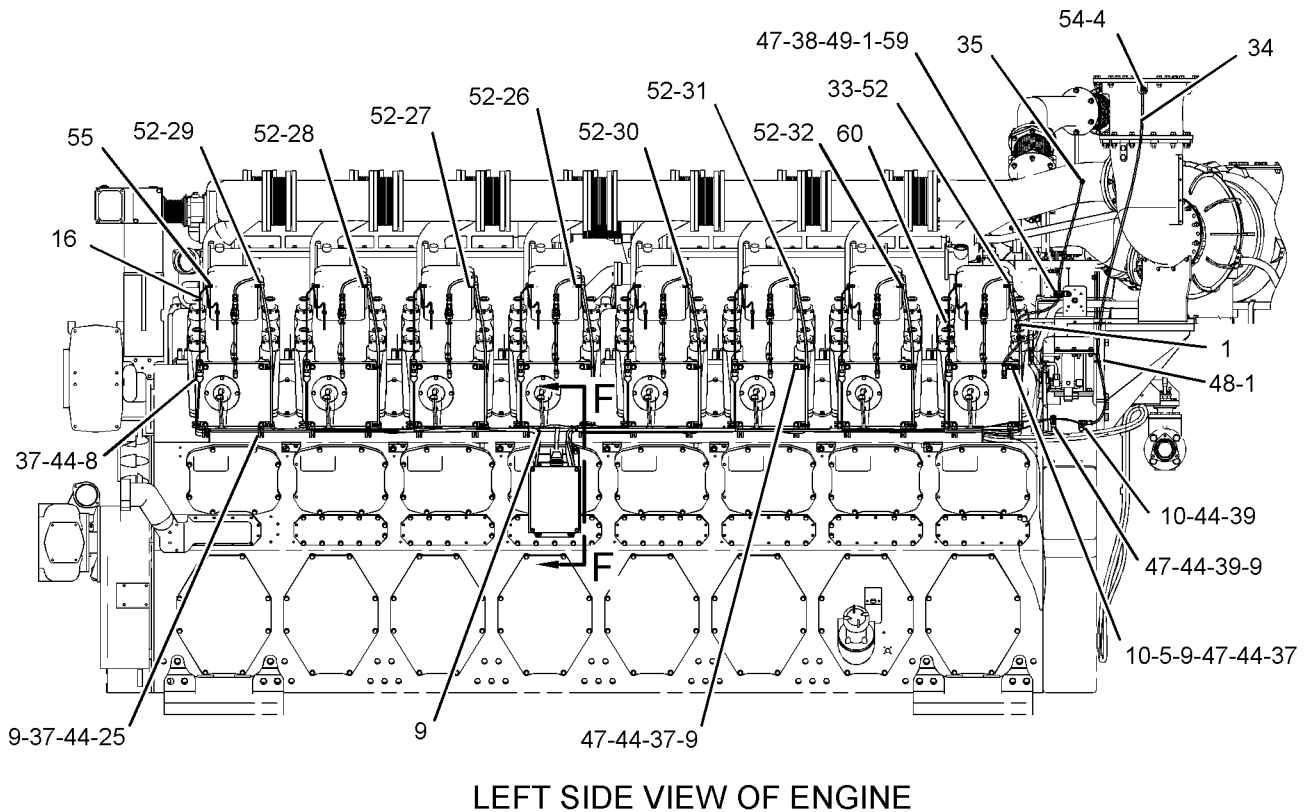
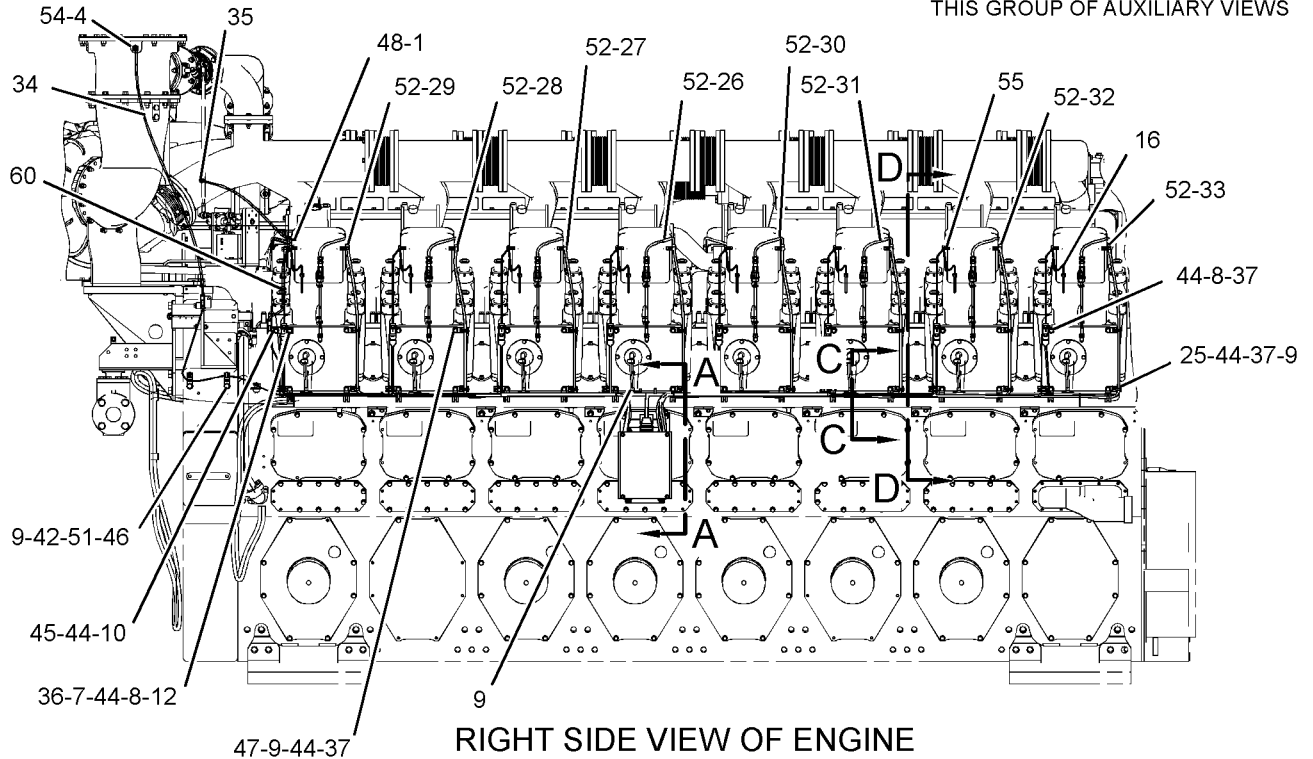
B- USE AS REQUIRED
 C- CHANGE FROM PREVIOUS TYPE
 Y- SEPARATE ILLUSTRATION

ELECTRICAL AND STARTING SYSTEM

206-5459 SENSOR GP-COMBUSTION (contd.)

i02781624

REFER TO ALL ILLUSTRATIONS OF THIS GROUP OF AUXILIARY VIEWS



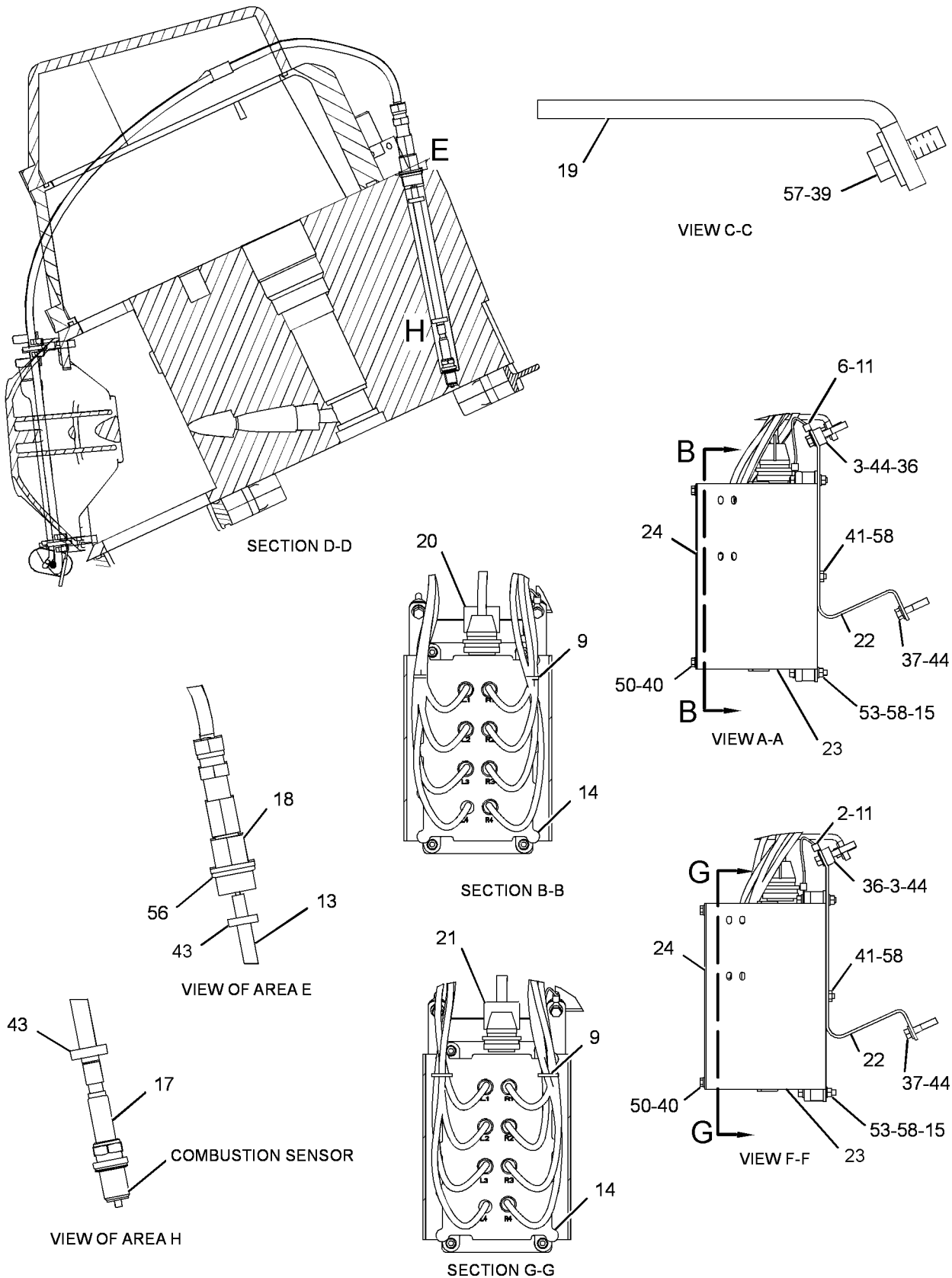
GRAPHIC #1

g01402944

ELECTRICAL AND STARTING SYSTEM

206-5459 SENSOR GP-COMBUSTION (contd.)

i02781624



GRAPHIC #2

<END>

g01408095

ELECTRICAL AND STARTING SYSTEM

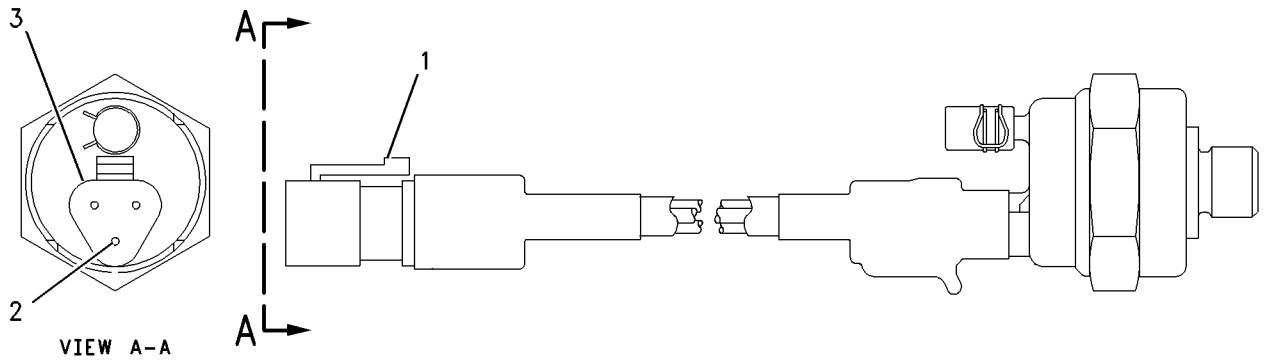
207-6859 SENSOR GP-PRESSURE (CHG -00 THRU -02)

PART OF 206-5461, 228-8984 WIRING GP-ENGINE

SMCS-1718, 1916, 1917, 1923, 1924, 1925

i02318842

| NOTE | REF NO | GRAPHIC REF | PART NUMBER | QTY | PART NAME | | | | | | SEE PAGE |
|------|--------|-------------|-------------|-----|---|---|---|---|---|-------------------|----------|
| | | | | | 1 | 2 | 3 | 4 | 5 | 6 (PRODUCT LEVEL) | |
| | 1 | 1 | 174-0503 | 1 | KIT-CONNECTING PLUG (3-PIN) | | | | | | |
| | | | | | (KIT INCLUDES PLUG ASSEMBLY AND WEDGES) | | | | | | |
| | 2 | 1 | 186-3736 | 3 | SOCKET-CONNECTOR (16-GA TO 18-GA) | | | | | | |
| | 3 | 1 | 155-2260 | 1 | KIT-CONNECTING PLUG (3-PIN) | | | | | | |
| | | | | | (KIT INCLUDES PLUG ASSEMBLY AND WEDGES) | | | | | | |



GRAPHIC #1

<END>

g00884318

ELECTRICAL AND STARTING SYSTEM

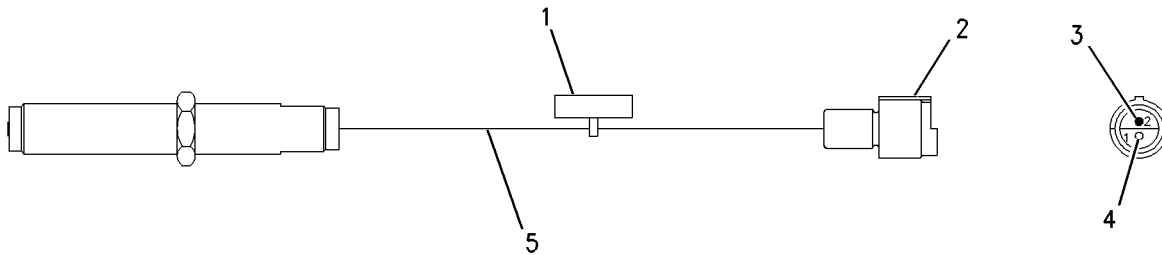
7C-1897 SENSOR GP - SPEED-ENGINE (CHG -00 THRU -04) PART OF 134-8347 HOUSING GP - FRONT

SMCS-1907

i02369261

| NOTE | REF NO | GRAPHIC REF | PART NUMBER | QTY | PART NAME | | | | | | SEE PAGE |
|------|--------|-------------|-------------|-----|-------------------------------------|---|---|---|---|-------------------|----------|
| | | | | | 1 | 2 | 3 | 4 | 5 | 6 (PRODUCT LEVEL) | |
| | 1 | 1 | 171-5349 | 1 | STRAP-MARKER | | | | | | |
| | 2 | 1 | 7N-9738 | 1 | HOUSING-RECEPTACLE (14-GA TO 18-GA) | | | | | | |
| | 3 | 1 | 7N-7780 | 1 | PIN-CONNECTOR (14-GA TO 18-GA) | | | | | | |
| | 4 | 1 | 7N-7779 | 1 | SOCKET-CONNECTOR (14-GA TO 18-GA) | | | | | | |
| E | 5 | 1 | 9X-1386 | | SLEEVE (14-CM) | | | | | | |

E - ORDER BY THE CENTIMETER



GRAPHIC #1

<END>

g00845691

ELECTRICAL AND STARTING SYSTEM

116-2649 SENSOR GP - TEMPERATURE (CHG -00 THRU -02)

THERMOCOUPLE

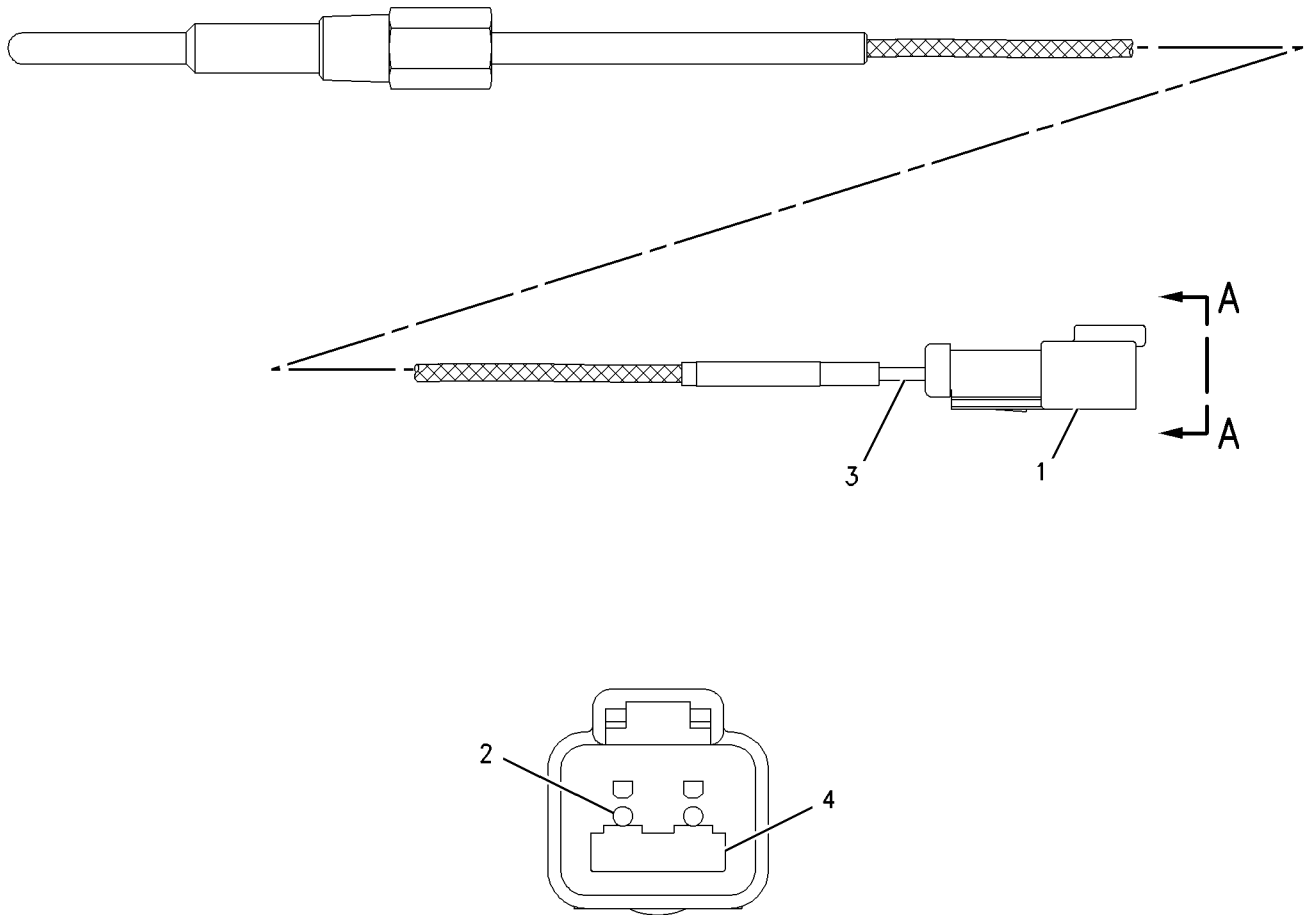
PART OF 206-5459 SENSOR GP - COMBUSTION

SMCS-1906, 1919, 1921, 1922, 1928, 1929

i02389084

| NOTE | REF NO | GRAPHIC REF | PART NUMBER | QTY | PART NAME | | | | | | SEE PAGE |
|------|--------|-------------|-------------|-----|---|---|---|---|---|-------------------|----------|
| | | | | | 1 | 2 | 3 | 4 | 5 | 6 (PRODUCT LEVEL) | |
| | 1 | 1 | 102-8802 | 1 | KIT-RECEPTACLE (2-PIN) | | | | | | |
| | | | | | (KIT INCLUDES RECEPTACLE AS. AND WEDGE) | | | | | | |
| | 2 | 1 | 8T-8729 | 2 | PIN-CONNECTOR | | | | | | |
| E | 3 | 1 | 8T-6342 | | TUBE-HEAT SHRINK (3.2-MM DIA) (10-CM) | | | | | | |
| | 4 | 1 | 3E-3365 | 1 | WEDGE-RECEPTACLE LOCK (2-PIN) | | | | | | |

E - ORDER BY THE CENTIMETER



SECTION A-A

<END>

GRAPHIC #1

g00730811

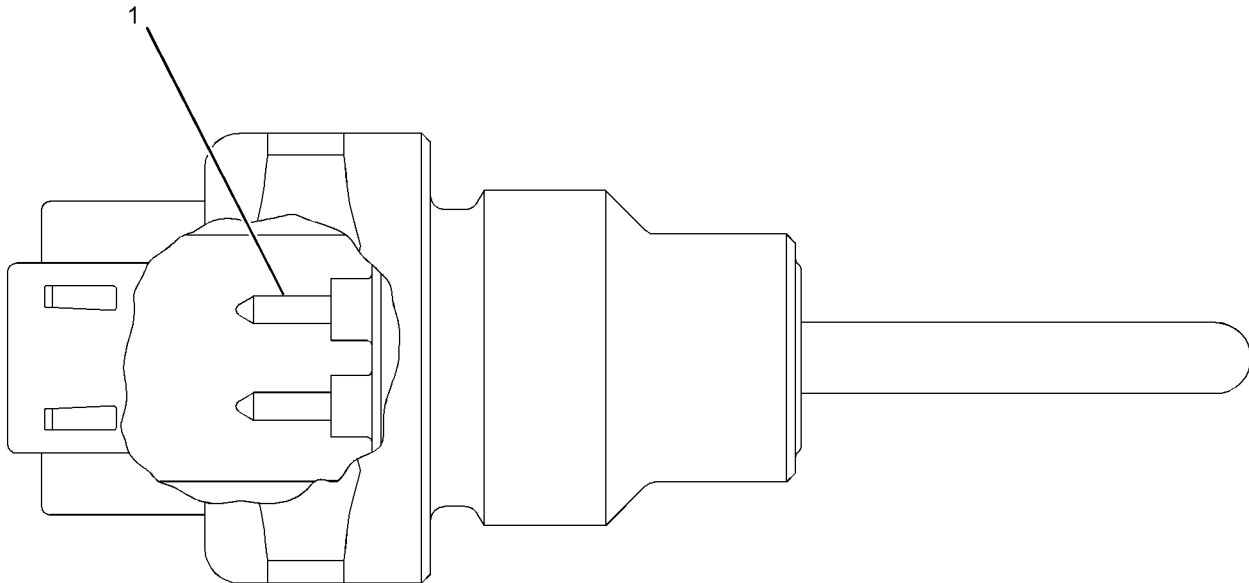
ELECTRICAL AND STARTING SYSTEM

130-9811 SENSOR GP-TEMPERATURE (CHG -00 THRU -06) PART OF 206-5461, 228-8984 WIRING GP-ENGINE

SMCS-1906, 1919, 1921, 1922, 1928, 1929

i02939798

| NOTE | REF NO | GRAPHIC REF | PART NUMBER | QTY | PART NAME | | | | | | SEE PAGE |
|------|--------|-------------|-------------|-----|-----------|---|---|---|---|-------------------|----------|
| | | | | | 1 | 2 | 3 | 4 | 5 | 6 (PRODUCT LEVEL) | |
| | 1 | 1 | 137-6645 | 1 | PAD | | | | | | |



GRAPHIC #1

<END>

g01457428

ELECTRICAL AND STARTING SYSTEM

152-0807 SENSOR GP - TEMPERATURE-THERMOCOUPLE

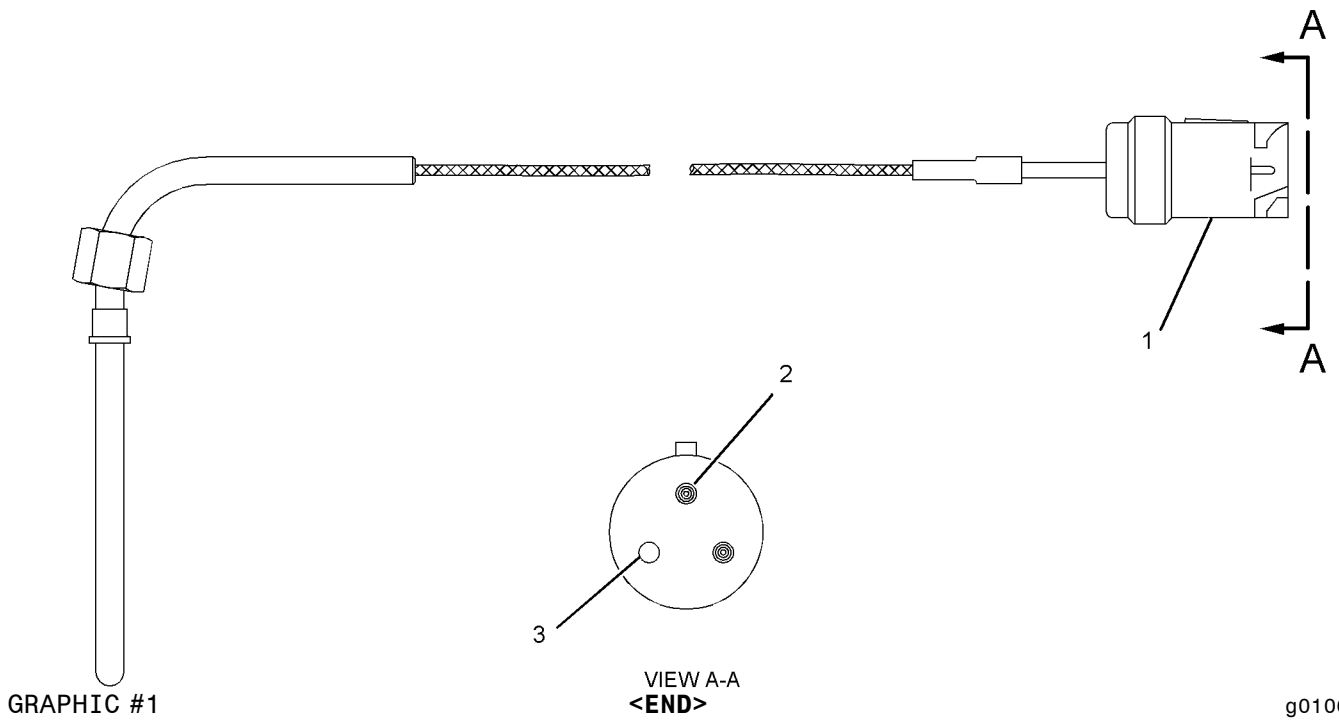
(CHG -00 THRU -04)

PART OF 206-5459 SENSOR GP-COMBUSTION

SMCS-1906, 1919, 1921, 1922, 1928, 1929

i02085906

| NOTE | REF NO | GRAPHIC REF | PART NUMBER | QTY | PART NAME | | | | | | SEE PAGE |
|------|--------|-------------|-------------|-----|--------------------------------|---|---|---|---|-------------------|----------|
| | | | | | 1 | 2 | 3 | 4 | 5 | 6 (PRODUCT LEVEL) | |
| | 1 | 1 | 8T-8732 | 1 | RECEPTACLE (3-PIN) | | | | | | |
| | 2 | 1 | 186-3735 | 2 | PIN-CONNECTOR (16-GA TO 18-GA) | | | | | | |
| | 3 | 1 | 8T-8737 | 1 | PLUG-SEAL | | | | | | |



ELECTRICAL AND STARTING SYSTEM

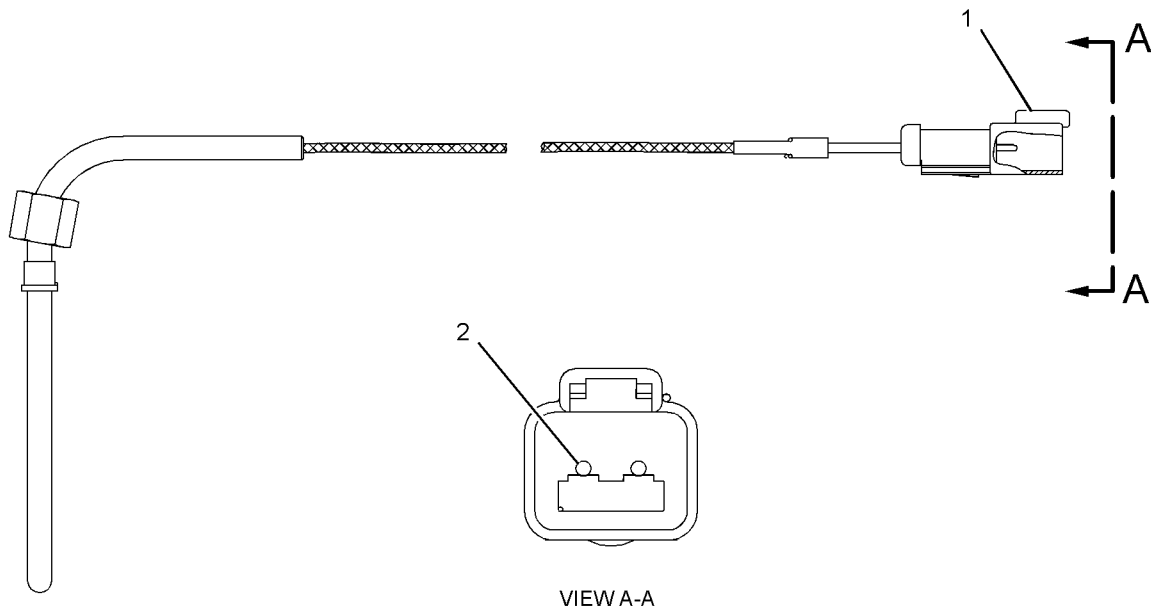
310-4795 SENSOR GP-TEMPERATURE (CHG -00)

PART OF 206-5459 SENSOR GP-COMBUSTION

SMCS-1906, 1919, 1921, 1922, 1928, 1929

i02781563

| NOTE | REF NO | GRAPHIC REF | PART NUMBER | QTY | PART NAME | | | | | | SEE PAGE |
|------|--------|-------------|-------------|-----|------------------------------------|---|---|---|---|-------------------|----------|
| | | | | | 1 | 2 | 3 | 4 | 5 | 6 (PRODUCT LEVEL) | |
| | 1 | 1 | 102-8802 | 1 | KIT-RECEPTACLE (2-PIN) | | | | | | |
| | | | | | (INCLUDES RECEPTACLE AS AND WEDGE) | | | | | | |
| | 2 | 1 | 186-3735 | 2 | PIN-CONNECTOR (16-GA TO 18-GA) | | | | | | |



GRAPHIC #1

<END>

g01391251

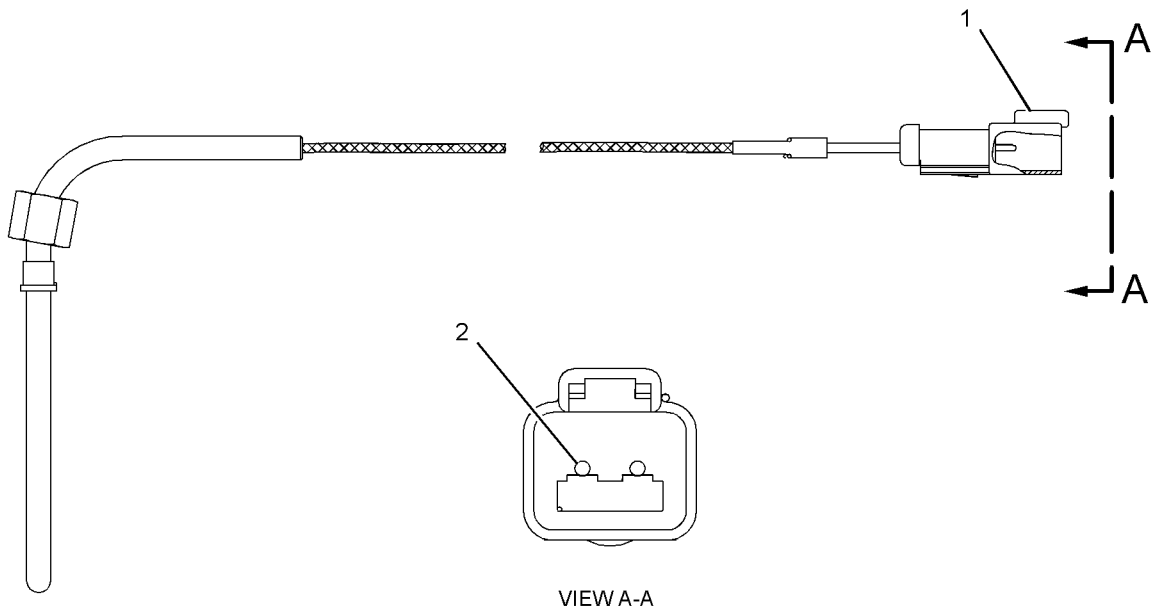
ELECTRICAL AND STARTING SYSTEM

310-4796 SENSOR GP - TEMPERATURE (CHG -00, -01) PART OF 206-5459 SENSOR GP-COMBUSTION

SMCS-1906, 1919, 1921, 1922, 1928, 1929

i02781483

| NOTE | REF NO | GRAPHIC REF | PART NUMBER | QTY | PART NAME | | | | | | SEE PAGE |
|------|--------|-------------|-------------|-----|--|---|---|---|---|-------------------|----------|
| | | | | | 1 | 2 | 3 | 4 | 5 | 6 (PRODUCT LEVEL) | |
| | 1 | 1 | 102-8802 | 1 | KIT-RECEPTACLE (2-PIN) (INCLUDES RECEPTACLE AS AND WEDGE) | | | | | | |
| | 2 | 1 | 186-3735 | 2 | PIN-CONNECTOR (16-GA TO 18-GA) | | | | | | |



GRAPHIC #1

<END>

g01390850

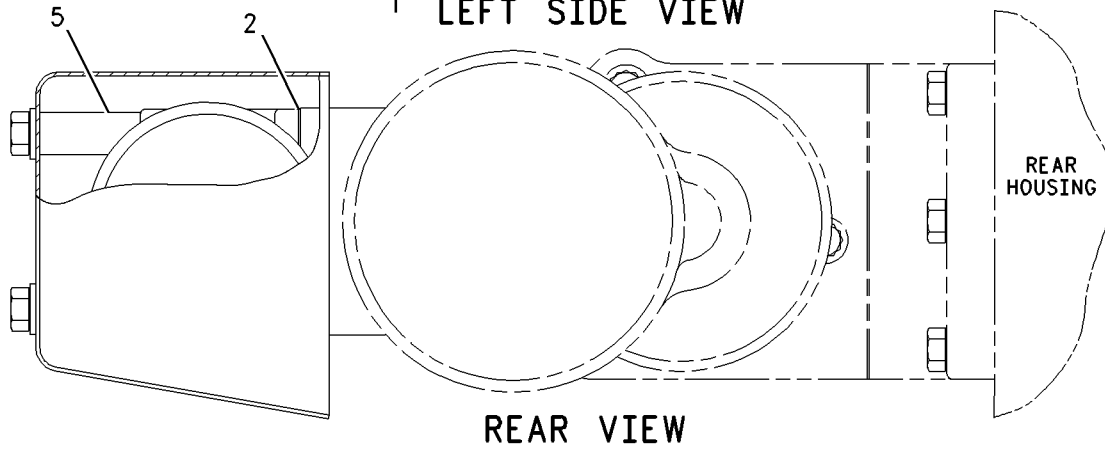
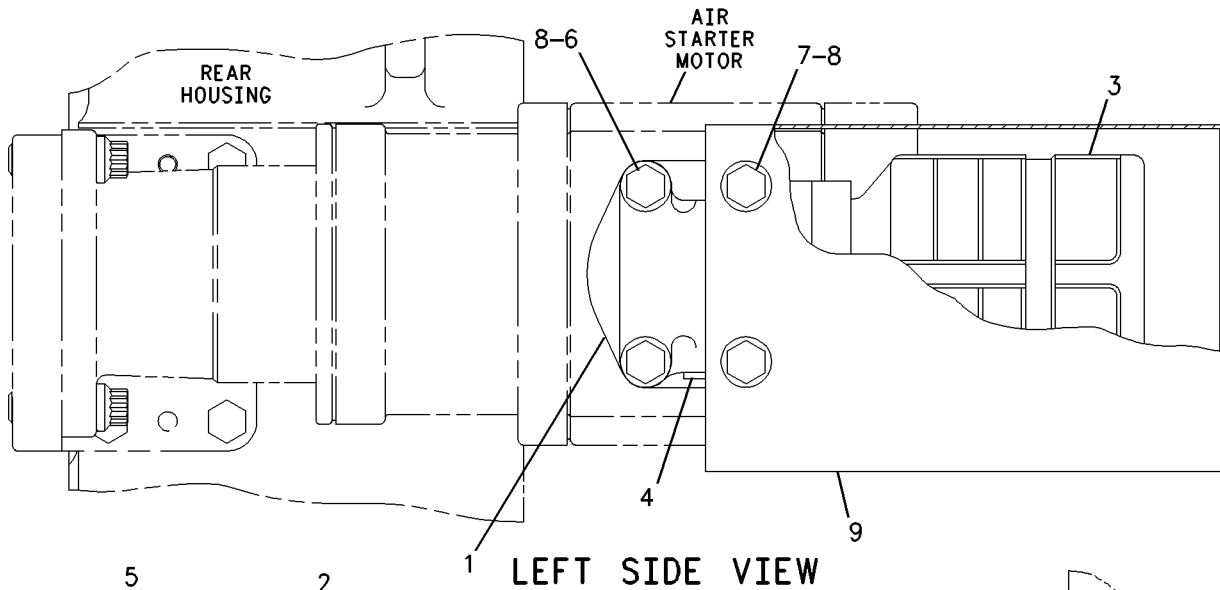
ELECTRICAL AND STARTING SYSTEM

116-3767 SILENCER GP-AIR STARTING (CHG -00 THRU -03) CANNOT BE USED WITH TURBINE STARTERS

SMCS-1468

i01437246

| NOTE | REF NO | GRAPHIC REF | PART NUMBER | QTY | PART NAME | | | | | | SEE PAGE |
|------|--------|-------------|-------------|-----|----------------------------------|---|---|---|---|-------------------|----------|
| | | | | | 1 | 2 | 3 | 4 | 5 | 6 (PRODUCT LEVEL) | |
| | 1 | 1 | 8N-8447 | 1 | ELBOW | | | | | | |
| | 2 | 1 | 8N-8452 | 1 | GASKET | | | | | | |
| | 3 | 1 | 8N-8488 | 1 | SILENCER-AIR STARTING | | | | | | |
| | 4 | 1 | 8T-6762 | 1 | PLUG-PIPE | | | | | | |
| | 5 | 1 | 8S-5107 | 2 | SPACER (0.622X0.84X2-IN THK) | | | | | | |
| | 6 | 1 | 9X-8875 | 2 | BOLT (1/2-13X3.5-IN) | | | | | | |
| | 7 | 1 | 2A-1531 | 2 | BOLT (1/2-13X6.5-IN) | | | | | | |
| | 8 | 1 | 5P-8245 | 4 | WASHER-HARD (13.5X25.5X3-MM THK) | | | | | | |
| | 9 | 1 | 190-0399 | 1 | DEFLECTOR AS | | | | | | |



GRAPHIC #1

<END>

g00752627

ELECTRICAL AND STARTING SYSTEM

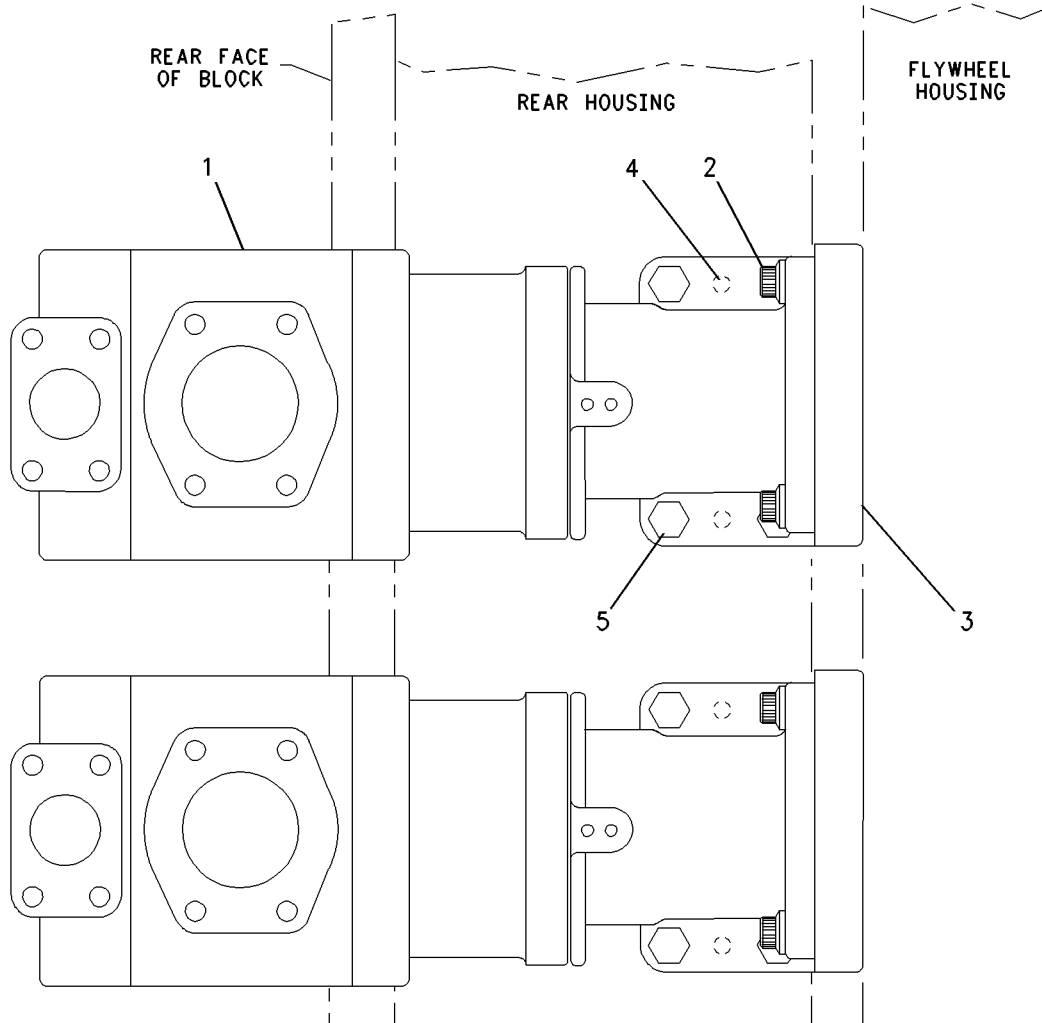
7W-0014 STARTING MOTOR GP-AIR (CHG -00 THRU -02, -02D1)

SMCS-1451

i02337572

| NOTE | REF NO | GRAPHIC REF | PART NUMBER | QTY | PART NAME | | | | | | SEE PAGE |
|------|--------|-------------|----------------|-----|-------------------------------------|---|---|---|---|-------------------|----------|
| | | | | | 1 | 2 | 3 | 4 | 5 | 6 (PRODUCT LEVEL) | |
| YR | 1 | 1 | 7W-0016 | 2 | STARTING MOTOR GP-AIR | | | | | | 618 |
| | 2 | 1 | 8S-2332 | 6 | BOLT-12 POINT HEAD (5/8-11X1.75-IN) | | | | | | |
| | 3 | 1 | 4W-6273 | 2 | SUPPORT AS-MOTOR (EACH INCLUDES) | | | | | | |
| | 4 | 1 | 6V-3538 | 2 | DOWEL | | | | | | |
| | 5 | 1 | 0S-1587 | 12 | BOLT (1/2-13X1.75-IN) | | | | | | |

R-REMFG PART MAY BE AVAILABLE
Y-SEPARATE ILLUSTRATION



GRAPHIC #1

<END>

g00768332

ELECTRICAL AND STARTING SYSTEM

7W-0016 STARTING MOTOR GP-AIR*R (CHG -00) PART OF 7W-0014 STARTING MOTOR GP-AIR

SMCS-1451

i02369262

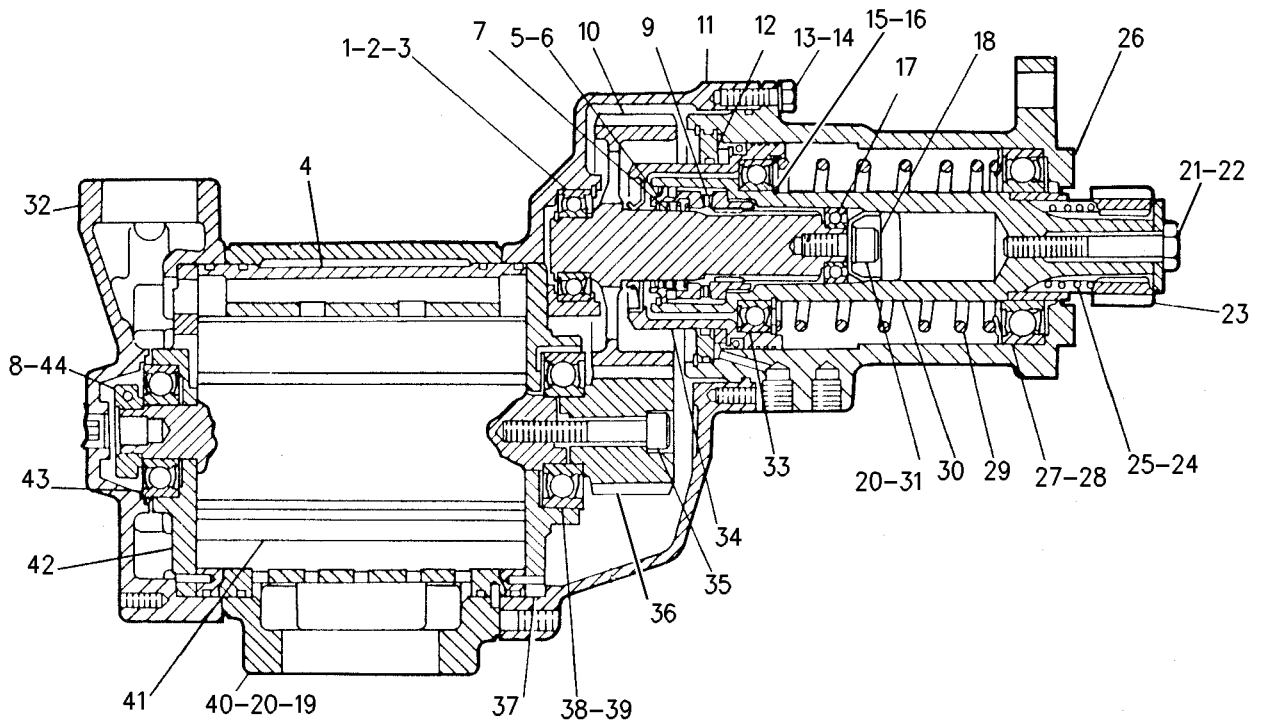
| NOTE | REF NO | GRAPHIC REF | PART NUMBER | QTY | PART NAME | | | | | | SEE PAGE |
|------|--------|-------------|-------------|-----|---|---|---|---|---|-------------------|----------|
| | | | | | 1 | 2 | 3 | 4 | 5 | 6 (PRODUCT LEVEL) | |
| | 1 | 1 | 6V-3916 | 1 | BALL BEARING | | | | | | |
| | 2 | 1 | 1L-8497 | 1 | RING-SNAP (SMALL) | | | | | | |
| | 3 | 1 | 6J-7855 | 1 | RING-LOCK (LARGE) | | | | | | |
| | 4 | 1 | 5N-8383 | 1 | CYLINDER | | | | | | |
| | 5 | 1 | 5N-8375 | 1 | CUP-SPRING | | | | | | |
| | 6 | 1 | 6V-3935 | 1 | RING-RETAINING | | | | | | |
| | 7 | 1 | 5N-8381 | 1 | SPRING-CLUTCH | | | | | | |
| M | 8 | 1 | 6V-3937 | 1 | BOLT (M5X0.8X20-MM) | | | | | | |
| | 9 | 1 | 5N-9574 | 1 | JAW AS-CLUTCH (DRIVEN) | | | | | | |
| | 10 | 1 | 2W-6084 | 1 | GEAR AS-DRIVE (38/24-TEETH) | | | | | | |
| | 11 | 1 | 5N-8387 | 1 | CASE-GEAR | | | | | | |
| | 12 | 1 | 5N-8424 | 1 | BULKHEAD | | | | | | |
| M | 13 | 1 | 6V-3940 | 8 | BOLT (M8X1.25X25-MM) | | | | | | |
| | 14 | 1 | 3B-4505 | 8 | LOCKWASHER | | | | | | |
| | 15 | 1 | 3J-7719 | 1 | RING-RETAINING (INNER) | | | | | | |
| | 16 | 1 | 6V-3971 | 1 | RING-RETAINING (OUTER) | | | | | | |
| | 17 | 1 | 7F-8671 | 1 | BALL BEARING | | | | | | |
| | 18 | 1 | 5N-8428 | 1 | WASHER-GEAR (10.1X34X15.5-MM THK) | | | | | | |
| M | 19 | 1 | 5N-8427 | 4 | BOLT-MOTOR (M10X1.5X180-MM) | | | | | | |
| | 20 | 1 | 6V-3959 | 5 | LOCKWASHER | | | | | | |
| M | 21 | 1 | 5N-8403 | 1 | SCREW-PINION (M12X1.25X70-MM) | | | | | | |
| | 22 | 1 | 5N-8425 | 1 | WASHER (12.2X41.5X4.5-MM THK) | | | | | | |
| | 23 | 1 | 7W-1650 | 1 | PINION-DRIVE (11-TEETH) | | | | | | |
| | 24 | 1 | 5N-8374 | 1 | SLEEVE-SPRING | | | | | | |
| | 25 | 1 | 5N-8380 | 1 | SPRING-PINION | | | | | | |
| | 26 | 1 | 2W-6082 | 1 | KIT-DRIVE (AIR STARTING MOTOR) (INCLUDES HOUSING, O-RING, BEARING, SEAL AND VENT) | | | | | | |
| | 27 | 1 | 8B-7624 | 1 | BALL BEARING | | | | | | |
| | 28 | 1 | 5N-8379 | 1 | SEAT-SPRING | | | | | | |
| | 29 | 1 | 5N-8372 | 1 | SPRING-RETURN | | | | | | |
| | 30 | 1 | 5N-8384 | 1 | SHAFT-DRIVE | | | | | | |
| M | 31 | 1 | 6V-3938 | 1 | BOLT (M10X1.5X20-MM) | | | | | | |
| | 32 | 1 | 5N-8363 | 1 | COVER AS | | | | | | |
| | | 1 | 4D-3118 | 3 | PLUG-PIPE | | | | | | |
| | 33 | 1 | 5N-8377 | 1 | BEARING-DRIVE SHAFT | | | | | | |
| | 34 | 1 | 5N-8373 | 1 | PISTON | | | | | | |
| M | 35 | 1 | 6V-3939 | 1 | BOLT (M12X1.75X60-MM) | | | | | | |
| | 36 | 1 | 7W-1649 | 1 | PINION-ROTOR (15-TEETH) | | | | | | |
| | 37 | 1 | 5N-8365 | 1 | PLATE-FRONT END | | | | | | |
| | 38 | 1 | 6V-1394 | 1 | BALL BEARING | | | | | | |
| | 39 | 1 | 039-4317 | 2 | WASHER-SPRING | | | | | | |
| | 40 | 1 | 5N-8364 | 1 | HOUSING-MOTOR | | | | | | |
| | 41 | 1 | 7W-4154 | 1 | ROTOR | | | | | | |
| | 42 | 1 | 5N-8367 | 1 | PLATE-REAR END | | | | | | |
| | 43 | 1 | 5P-9514 | 1 | BALL BEARING | | | | | | |
| | 44 | 1 | 5N-8378 | 1 | NUT-ROTOR CLAMP (M5X0.8-THD) | | | | | | |
| | | | | | AVAILABLE REPAIR KIT(S) : | | | | | | |
| | | | 5N-8390 | 1 | KIT-SEAL & VANE (AIR STARTING MOTOR) (INCLUDES END PLATE ALIGNMENT PIN, CYLINDER ALIGNMENT PIN, O-RINGS, VANE, SEALS AND RETAINER) | | | | | | |

M-METRIC PART

ELECTRICAL AND STARTING SYSTEM

7W-0016 STARTING MOTOR GP-AIR (contd.)

i02369262



GRAPHIC #1

<END>

g00811200

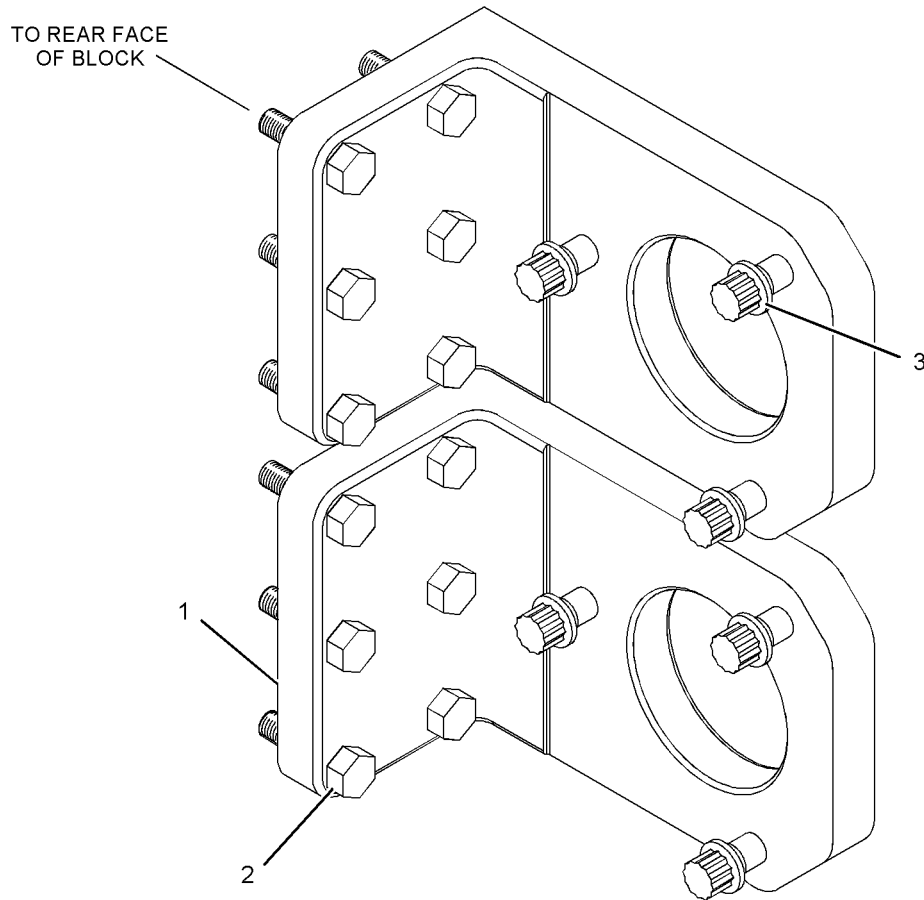
ELECTRICAL AND STARTING SYSTEM

153-5037 STARTING MOTOR GP - AIR (CHG -04)

SMCS-1451

i02115465

| NOTE | REF NO | GRAPHIC REF | PART NUMBER | QTY | PART NAME | | | | | | SEE PAGE |
|------|--------|-------------|----------------|-----|-------------------------------------|---|---|---|---|-------------------|----------|
| | | | | | 1 | 2 | 3 | 4 | 5 | 6 (PRODUCT LEVEL) | |
| | 1 | 1 | 4W-6273 | 2 | SUPPORT AS-MOTOR | | | | | | |
| | | 1 | 6V-3538 | 2 | DOWEL | | | | | | |
| 2 | | 1 | 0S-1587 | 12 | BOLT (1/2-13X1.75-IN) | | | | | | |
| 3 | | 1 | 8S-2332 | 6 | BOLT-12 POINT HEAD (5/8-11X1.75-IN) | | | | | | |



GRAPHIC #1

<END>

g01078428

ELECTRICAL AND STARTING SYSTEM

154-4578 STARTING MOTOR GP-AIR-BASIC (CHG -00 THRU -02) PART OF 155-4424 STARTING MOTOR GP-AIR

SMCS-1451

i02434775

| NOTE | PART NUMBER | QTY | PART NAME | | | | | | SEE PAGE |
|--------------------|-------------|-----|--|---|---|---|---|-------------------|----------|
| | | | 1 | 2 | 3 | 4 | 5 | 6 (PRODUCT LEVEL) | |
| | 164-2030 | 1 | KIT-GEAR (TURBINE AIR STARTER) | | | | | | |
| | 129-2251 | 1 | KIT-SEAL (TURBINE AIR STARTER) | | | | | | |
| | | | (KIT INCLUDES BEARING, RETAINER, O-RINGS AND SEAT) | | | | | | |
| | 164-2031 | 1 | KIT-SEAL (TURBINE AIR STARTER) | | | | | | |
| | 240-8429 | 1 | STARTING MOTOR GP-AIR (TURBINE) | | | | | | |
| <END> | | | | | | | | | |

154-4580 STARTING MOTOR GP-AIR (CHG -00 THRU -03) PART OF 155-4425 STARTING MOTOR GP-AIR

SMCS-1451

i02434776

| NOTE | PART NUMBER | QTY | PART NAME | | | | | | SEE PAGE |
|--------------------|-------------|-----|--|---|---|---|---|-------------------|----------|
| | | | 1 | 2 | 3 | 4 | 5 | 6 (PRODUCT LEVEL) | |
| | 164-2030 | 1 | KIT-GEAR (TURBINE AIR STARTER) | | | | | | |
| | 129-2251 | 1 | KIT-SEAL (TURBINE AIR STARTER) | | | | | | |
| | | | (KIT INCLUDES BEARING, RETAINER, O-RINGS AND SEAT) | | | | | | |
| | 164-2031 | 1 | KIT-SEAL (TURBINE AIR STARTER) | | | | | | |
| | 240-8429 | 1 | STARTING MOTOR GP-AIR (TURBINE) | | | | | | |
| <END> | | | | | | | | | |

ELECTRICAL AND STARTING SYSTEM

155-4424 STARTING MOTOR GP-AIR-TURBINE

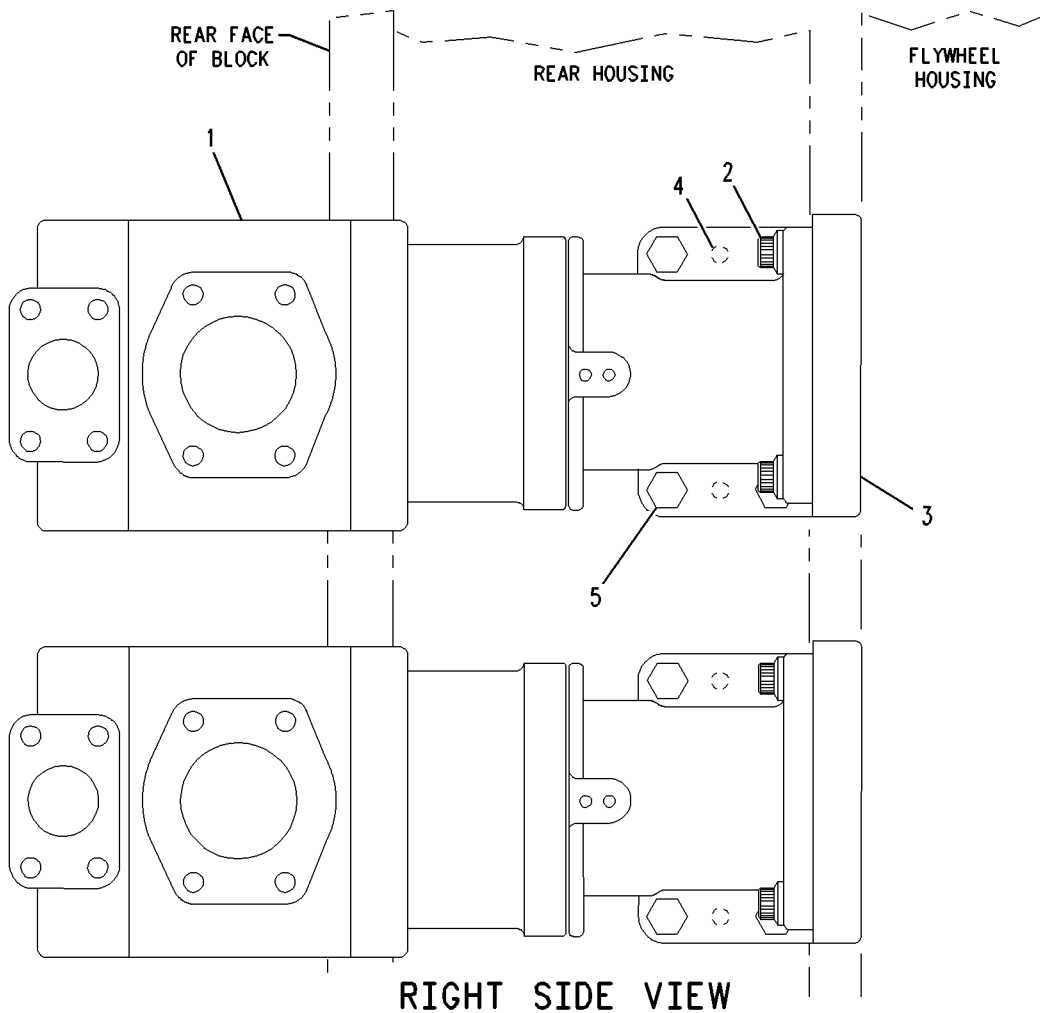
(CHG -00, -00D1 THRU -03, -03D1)

SMCS-1451

i01602021

| NOTE | REF NO | GRAPHIC REF | PART NUMBER | QTY | PART NAME | | | | | | SEE PAGE |
|------|--------|-------------|-------------|-----|-------------------------------------|---|---|---|---|-------------------|----------|
| | | | | | 1 | 2 | 3 | 4 | 5 | 6 (PRODUCT LEVEL) | |
| Y | 1 | 1 | 154-4578 | 2 | STARTING MOTOR GP-AIR | | | | | | 621 |
| | 2 | 1 | 8S-2332 | 6 | BOLT-12 POINT HEAD (5/8-11X1.75 IN) | | | | | | |
| | 3 | 1 | 4W-6273 | 2 | SUPPORT AS-MOTOR | | | | | | |
| | | | | | (EACH INCLUDES) | | | | | | |
| | 4 | 1 | 6V-3538 | 2 | DOWEL | | | | | | |
| | 5 | 1 | 0S-1587 | 12 | BOLT (1/2-13X1.75 IN) | | | | | | |

Y-SEPARATE ILLUSTRATION



GRAPHIC #1

<END>

g00791786

ELECTRICAL AND STARTING SYSTEM

155-4425 STARTING MOTOR GP-AIR-TURBINE

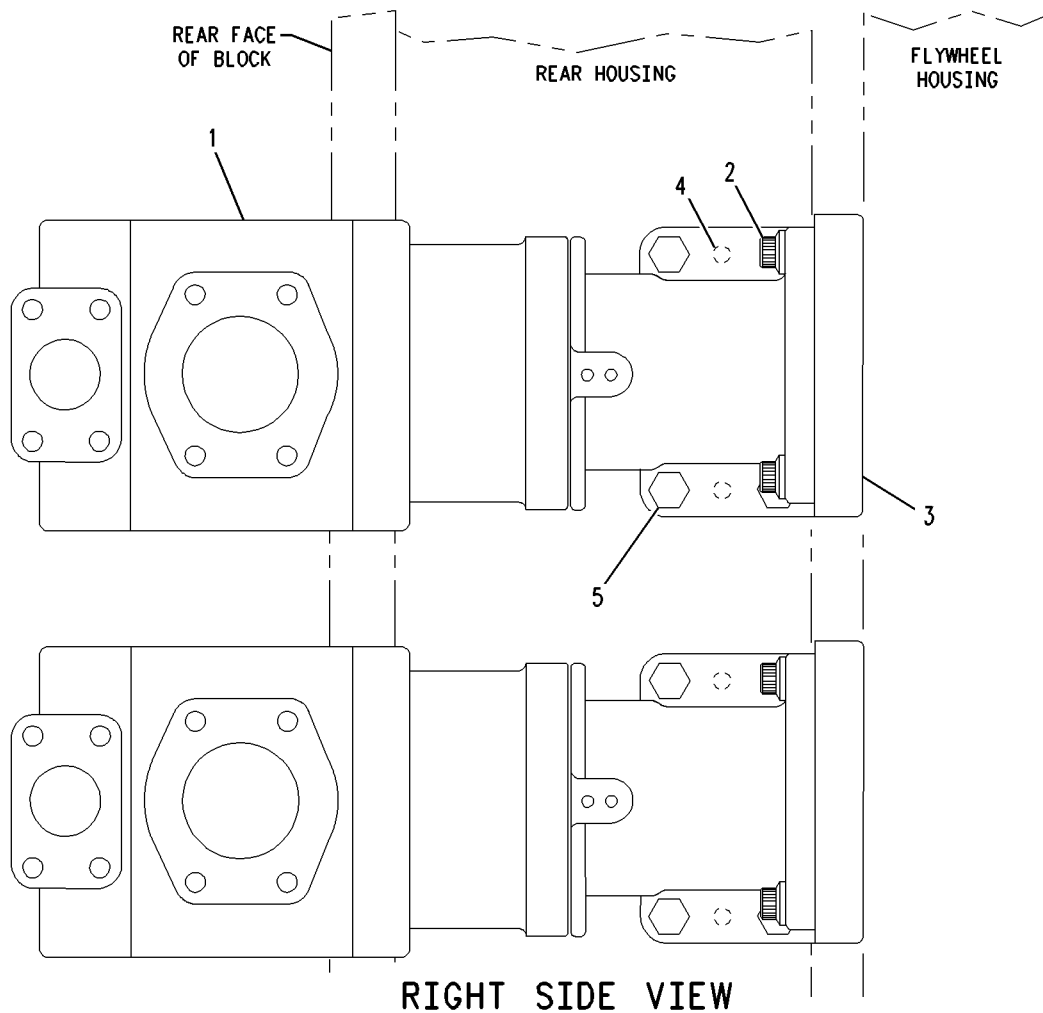
(CHG -00, -00D1 THRU -03, -03D1)

SMCS-1451

i02357817

| NOTE | REF NO | GRAPHIC REF | PART NUMBER | QTY | PART NAME | | | | | | SEE PAGE |
|------|--------|-------------|-------------|-----|-------------------------------------|---|---|---|---|-------------------|----------|
| | | | | | 1 | 2 | 3 | 4 | 5 | 6 (PRODUCT LEVEL) | |
| Y | 1 | 1 | 154-4580 | 2 | STARTING MOTOR GP-AIR | | | | | | 621 |
| | 2 | 1 | 8S-2332 | 6 | BOLT-12 POINT HEAD (5/8-11X1.75-IN) | | | | | | |
| | 3 | 1 | 4W-6273 | 2 | SUPPORT AS-MOTOR | | | | | | |
| | | | | | (EACH INCLUDES) | | | | | | |
| | 4 | 1 | 6V-3538 | 2 | DOWEL | | | | | | |
| | 5 | 1 | 0S-1587 | 12 | BOLT (1/2-13X1.75-IN) | | | | | | |

Y-SEPARATE ILLUSTRATION



GRAPHIC #1

<END>

g00791792

ELECTRICAL AND STARTING SYSTEM

202-7866 STARTING MOTOR GP - AIR (CHG -02, -04 THRU -06) PART OF 202-7867 STARTING MOTOR GP - AIR

SMCS - 1451

i02394945

| NOTE | PART NUMBER | QTY | PART NAME | | | | | | SEE PAGE |
|--------------------|-------------|-----|--|---|---|---|---|-------------------|----------|
| | | | 1 | 2 | 3 | 4 | 5 | 6 (PRODUCT LEVEL) | |
| | 254-7215 | 1 | ELBOW AS - EXHAUST | | | | | | |
| | 246-1239 | 1 | KIT - REBUILD (AIR STARTING MOTOR) (INCLUDES BEARINGS, GREASE, O-RINGS, SPACER SEALS, RETAINER RINGS AND OVERHAUL KITS) | | | | | | |
| | 246-1240 | 1 | KIT - REPAIR (AIR STARTING MOTOR) (INCLUDES INSTRUCTIONS, LABEL, FITTING, VALVE AND VALVE KIT) | | | | | | |
| | 246-1237 | 1 | KIT - TURBINE WHEEL (AIR STARTING MOTOR) (INCLUDES ROTORS, SCREW AND WASHER) | | | | | | |
| | 246-1238 | 1 | PINION-DRIVE (12-TEETH) | | | | | | |
| <END> | | | | | | | | | |

ELECTRICAL AND STARTING SYSTEM

202-7867 STARTING MOTOR GP-AIR (CHG -01, -02)

SMCS-1451

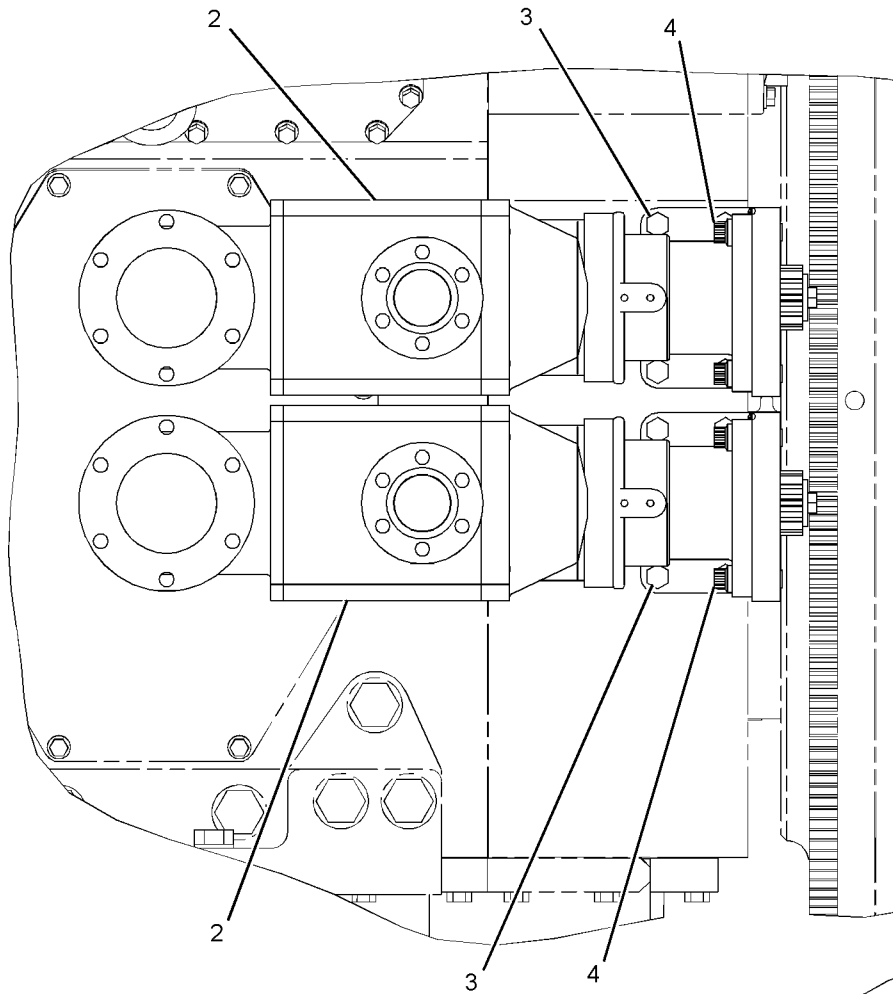
i02193923

| NOTE | REF NO | GRAPHIC REF | PART NUMBER | QTY | PART NAME | SEE PAGE |
|-------------------------|--------|-------------|-----------------|-----|-------------------------------------|----------|
| | | | | | 1 2 3 4 5 6 (PRODUCT LEVEL) | |
| | 1 | 1 | 4W-6273 | 2 | SUPPORT AS-MOTOR (EACH INCLUDES) | |
| | | 1 | 6V-3538 | 2 | DOWEL | |
| Y | 2 | 1 | 202-7866 | 2 | STARTING MOTOR GP-AIR | 624 |
| | 3 | 1 | 0S-1587 | 12 | BOLT (1/2-13X1.75-IN) | |
| | 4 | 1 | 8S-2332 | 6 | BOLT-12 POINT HEAD (5/8-11X1.75-IN) | |
| Y-SEPARATE ILLUSTRATION | | | | | | |

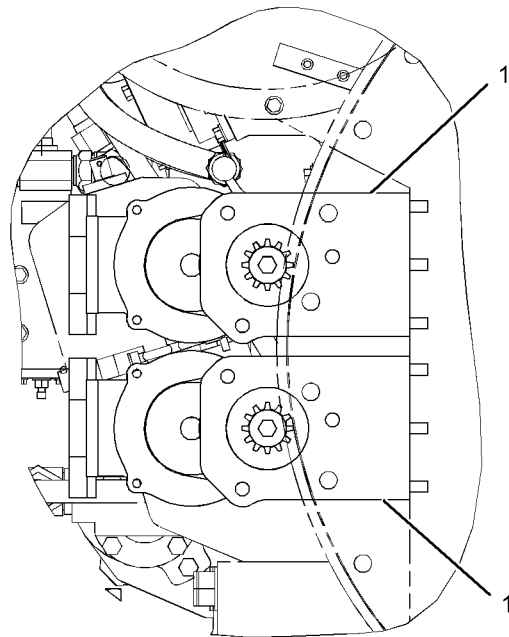
ELECTRICAL AND STARTING SYSTEM

202-7867 STARTING MOTOR GP-AIR (contd.)

i02193923



LEFT SIDE VIEW



REAR VIEW

GRAPHIC #1

<END>

g01108003

ELECTRICAL AND STARTING SYSTEM

254-7002 STARTING MOTOR GP-AIR-LOW PRESSURE (CHG -00) PART OF 254-7003 STARTING MOTOR GP-AIR

SMCS-1451

i02419972

| NOTE | PART NUMBER | QTY | PART NAME 1 2 3 4 5 6 (PRODUCT LEVEL) | SEE PAGE |
|--------------------|-------------|-----|---|-------------|
| | 254-7215 | 1 | ELBOW AS-EXHAUST | |
| | 246-1239 | 1 | KIT-REBUILD (AIR STARTING MOTOR) (INCLUDES BEARINGS, GREASE, O-RINGS, RETAINING RING, SEALS, SCREWS, SPACER-LIP SEAL, AND WASHERS) | |
| | 246-1240 | 1 | KIT-REPAIR (AIR STARTING MOTOR) (INCLUDES FITTING-FILTER, VALVE AND WARNING LABEL) | |
| | 246-1237 | 1 | KIT-TURBINE WHEEL (AIR STARTING MOTOR) (INCLUDES ROTORS, SCREW, AND WASHER) | |
| | 246-1238 | 1 | PINION-DRIVE (12-TEETH) | |
| <END> | | | | |

ELECTRICAL AND STARTING SYSTEM

254-7003 STARTING MOTOR GP-AIR-LOW PRESSURE (CHG -00, -01, -01D1)

SMCS-1451

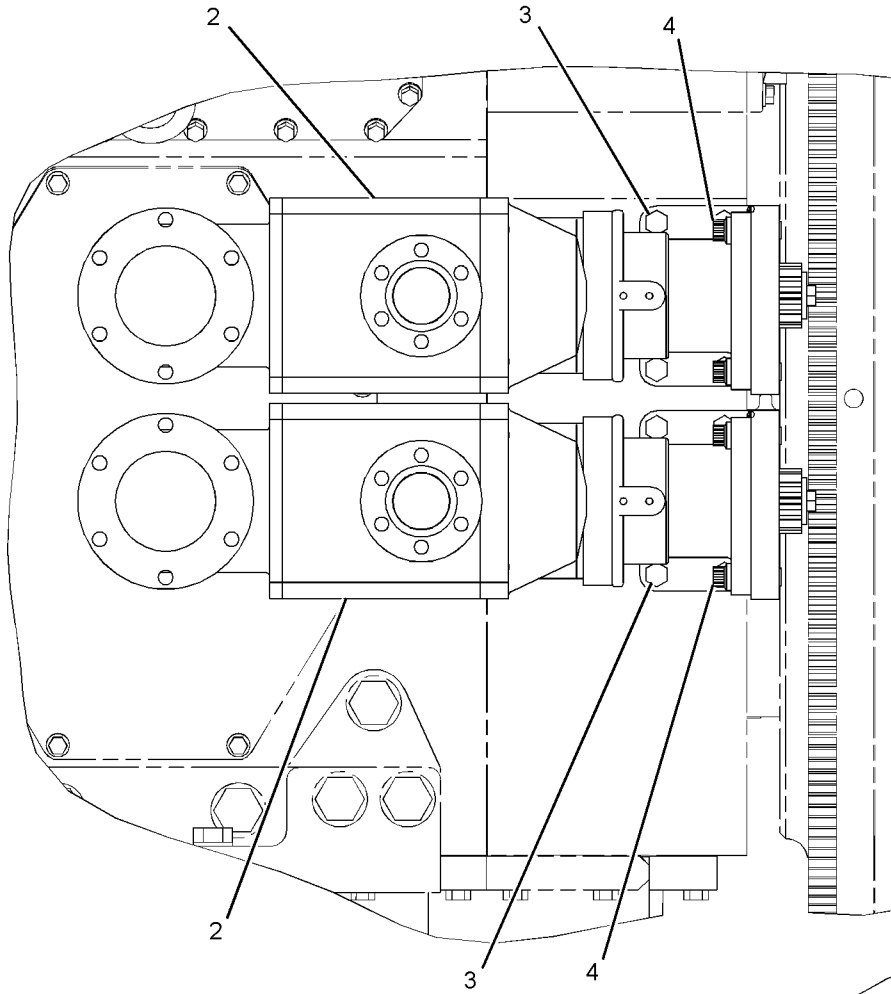
i02195331

| NOTE | REF NO | GRAPHIC REF | PART NUMBER | QTY | PART NAME | | | | | | SEE PAGE |
|-------------------------|--------|-------------|-----------------|-----|-------------------------------------|---|---|---|---|-------------------|----------|
| | | | | | 1 | 2 | 3 | 4 | 5 | 6 (PRODUCT LEVEL) | |
| | 1 | 1 | 4W-6273 | 2 | SUPPORT AS-MOTOR | | | | | | |
| | | | | | (EACH INCLUDES) | | | | | | |
| | | 1 | 6V-3538 | 2 | DOWEL | | | | | | |
| Y | 2 | 1 | 254-7002 | 2 | STARTING MOTOR GP-AIR | | | | | | 627 |
| | 3 | 1 | 0S-1587 | 12 | BOLT (1/2-13X1.75-IN) | | | | | | |
| | 4 | 1 | 8S-2332 | 6 | BOLT-12 POINT HEAD (5/8-11X1.75-IN) | | | | | | |
| Y-SEPARATE ILLUSTRATION | | | | | | | | | | | |

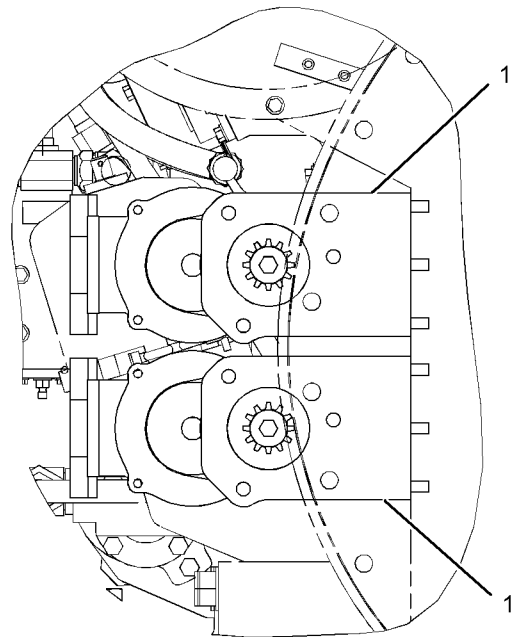
ELECTRICAL AND STARTING SYSTEM

254-7003 STARTING MOTOR GP-AIR (contd.)

i02195331



LEFT SIDE VIEW



REAR VIEW

GRAPHIC #1

<END>

g01108003

ELECTRICAL AND STARTING SYSTEM

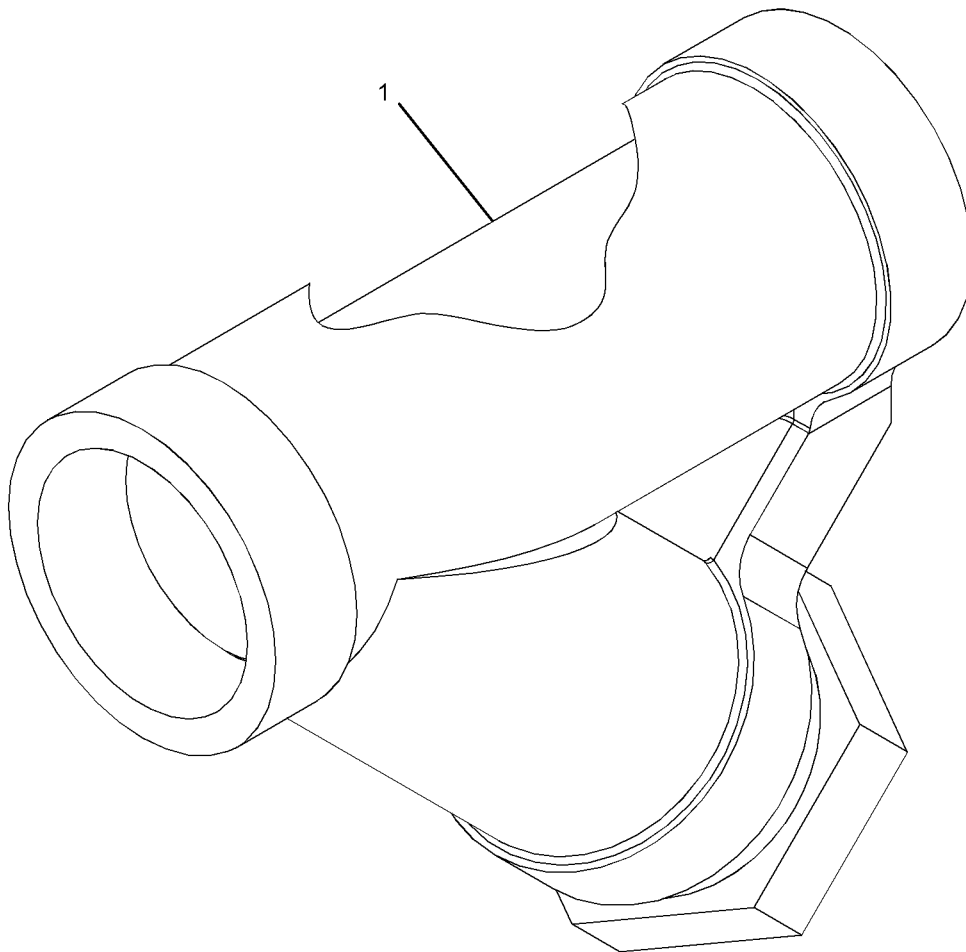
146-5215 STRAINER GP-AIR LINES (CHG -00, -01)

PART OF 149-3994, 200-6007, 202-7640, 233-2208 LINES GP-AIR STARTING

SMCS-1451

i02797990

| NOTE | REF NO | GRAPHIC REF | PART NUMBER | QTY | PART NAME | | | | | | SEE PAGE |
|------|--------|-------------|-------------|-----|--|---|---|---|---|-------------------|----------|
| | | | | | 1 | 2 | 3 | 4 | 5 | 6 (PRODUCT LEVEL) | |
| | 1 | 1 | 146-5216 | 1 | SCREEN-STRAINER (STARTING MOTOR AIR LINES) | | | | | | |



GRAPHIC #1

<END>

g01398706

ELECTRICAL AND STARTING SYSTEM

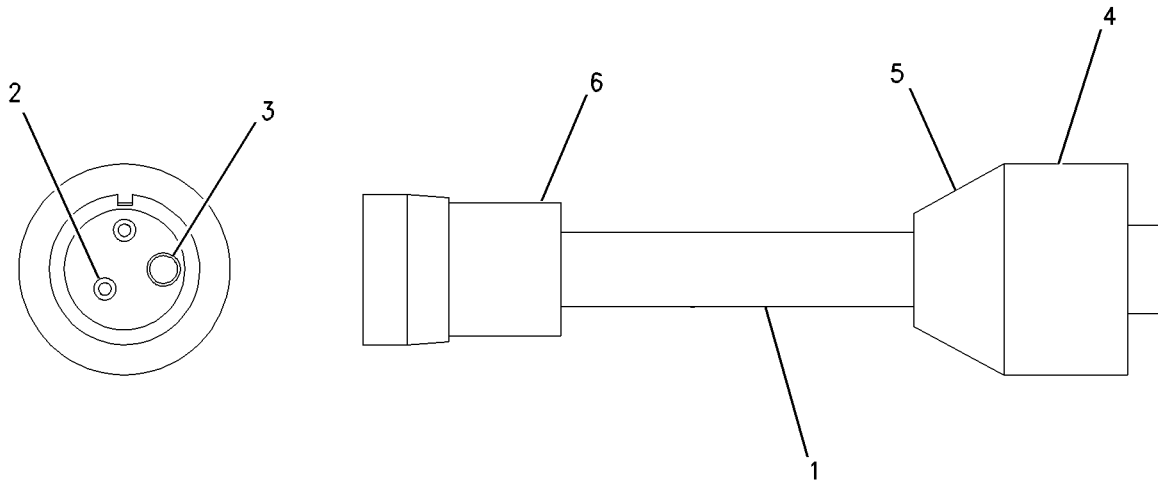
211-3504 SWITCH AS-PRESSURE (CHG -00, -01) PART OF 206-5461, 228-8984 WIRING GP-ENGINE

SMCS-7400

i02394946

| NOTE | REF NO | GRAPHIC REF | PART NUMBER | QTY | PART NAME | | | | | | SEE PAGE |
|------|--------|-------------|-----------------|-----|-----------------------------------|---|---|---|---|-------------------|----------|
| | | | | | 1 | 2 | 3 | 4 | 5 | 6 (PRODUCT LEVEL) | |
| E | 1 | 1 | 9X-1813 | | SLEEVE (8-CM) | | | | | | |
| | 2 | 1 | 186-3736 | 2 | SOCKET-CONNECTOR (16-GA TO 18-GA) | | | | | | |
| | 3 | 1 | 8T-8737 | 1 | PLUG-SEAL | | | | | | |
| | 4 | 1 | 162-6209 | 1 | COVER | | | | | | |
| | 5 | 1 | 202-2569 | 1 | SWITCH AS (PRESSURE) | | | | | | |
| | 6 | 1 | 8T-8731 | 1 | PLUG-CONNECTOR (3-PIN) | | | | | | |

E - ORDER BY THE CENTIMETER



GRAPHIC #1

<END>

g00880214

ELECTRICAL AND STARTING SYSTEM

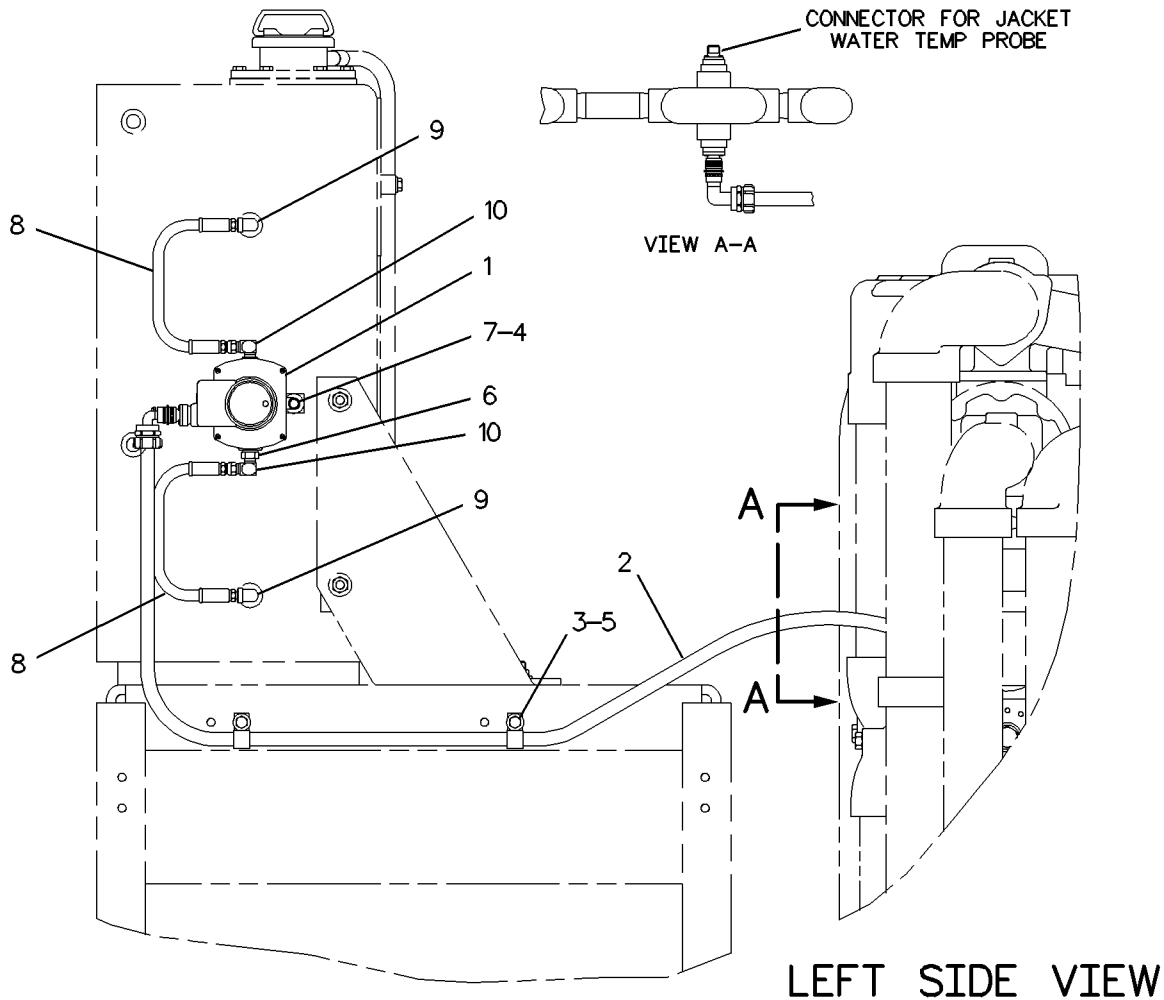
7E-1793 SWITCH GP - LIQUID LEVEL (CHG -00 THRU -02)

SMCS-7422

i02434771

| NOTE | REF NO | GRAPHIC REF | PART NUMBER | QTY | PART NAME | | | | | | SEE PAGE |
|------|--------|-------------|-------------|-----|------------------------------------|---|---|---|---|-------------------|----------|
| | | | | | 1 | 2 | 3 | 4 | 5 | 6 (PRODUCT LEVEL) | |
| | 1 | 1 | 7E-1794 | 1 | SWITCH AS (WATER LEVEL) | | | | | | |
| | | 1 | 2N-9768 | 1 | SWITCH-LIQUID LEVEL | | | | | | |
| | | 1 | 9Y-6993 | 1 | ADAPTER | | | | | | |
| | | 1 | 033-4926 | 4 | SCREW-MACHINE (4-40X0.25-IN) | | | | | | |
| | 2 | 1 | 125-3778 | 1 | HARNESS AS-SWITCH (WATER LEVEL) | | | | | | |
| | | 1 | 4G-2544 | 1 | CONNECTOR-PLUG | | | | | | |
| | 3 | 1 | 5P-9085 | 6 | CLIP | | | | | | |
| | | 1 | 9S-8752 | 7 | NUT-FULL (3/8-16-THD) | | | | | | |
| | | 1 | 0S-1594 | 7 | BOLT (3/8-16X1-IN) | | | | | | |
| | 4 | 1 | 7E-7731 | 2 | MOUNT | | | | | | |
| | 5 | 1 | 3V-3308 | 14 | WASHER-HARD (10.2X20.5X2.5-MM THK) | | | | | | |
| | 6 | 1 | 6B-5072 | 1 | BUSHING-REDUCING | | | | | | |
| | 7 | 1 | 5P-0537 | 2 | WASHER-HARD (7.2X14.5X2-MM THK) | | | | | | |
| | | 1 | 2A-0762 | 2 | BOLT (1/4-20X0.625-IN) | | | | | | |
| I | 8 | 1 | 3N-4622 | 2 | HOSE AS | | | | | | |
| | 9 | 1 | 6V-4245 | 2 | ELBOW | | | | | | |
| | 10 | 1 | 4R-8605 | 2 | ELBOW | | | | | | |

I-REFER TO HYDRAULIC INFORMATION SYSTEM



GRAPHIC #1

<END>

g00065014

ELECTRICAL AND STARTING SYSTEM

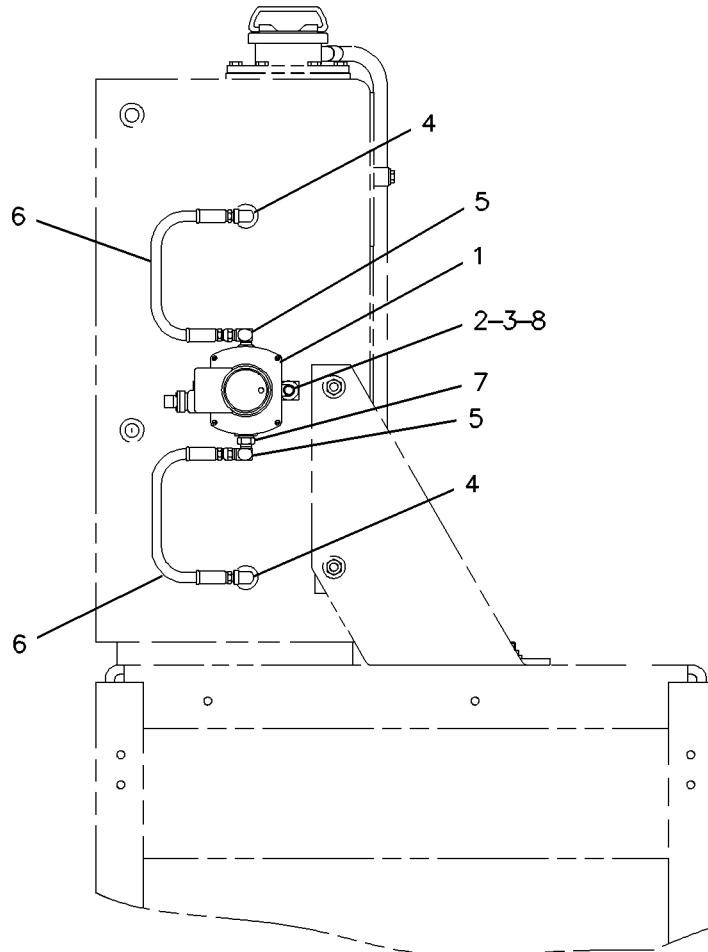
218-0769 SWITCH GP - LIQUID LEVEL (CHG -00) FOR USE WITH ENGINES WITH JACKET WATER SYSTEM EXPANSION TANK

SMCS-7422

i01708694

| NOTE | REF NO | GRAPHIC REF | PART NUMBER | QTY | PART NAME | | | | | | SEE PAGE |
|------|--------|-------------|-------------|-----|---------------------------------|---|---|---|---|-------------------|----------|
| | | | | | 1 | 2 | 3 | 4 | 5 | 6 (PRODUCT LEVEL) | |
| | 1 | 1 | 7E-1794 | 1 | SWITCH AS | | | | | | |
| | | 1 | 2N-9768 | 1 | SWITCH-LIQUID LEVEL | | | | | | |
| | | 1 | 9Y-6993 | 1 | ADAPTER | | | | | | |
| | | 1 | 033-4926 | 4 | SCREW-MACHINE (4-40X0.25-IN) | | | | | | |
| | 2 | 1 | 5P-0537 | 2 | WASHER-HARD (7.2X14.5X2-MM THK) | | | | | | |
| | 3 | 1 | 2A-0762 | 2 | BOLT (1/4-20X0.625-IN) | | | | | | |
| | 4 | 1 | 6V-4245 | 2 | ELBOW | | | | | | |
| | 5 | 1 | 4R-8605 | 2 | ELBOW | | | | | | |
| I | 6 | 1 | 3N-4622 | 2 | HOSE AS | | | | | | |
| | 7 | 1 | 6B-5072 | 1 | BUSHING-REDUCING | | | | | | |
| | 8 | 1 | 7E-7731 | 2 | MOUNT | | | | | | |

I-REFER TO HYDRAULIC INFORMATION SYSTEM



LEFT SIDE VIEW

GRAPHIC #1

<END>

g00879517

ELECTRICAL AND STARTING SYSTEM

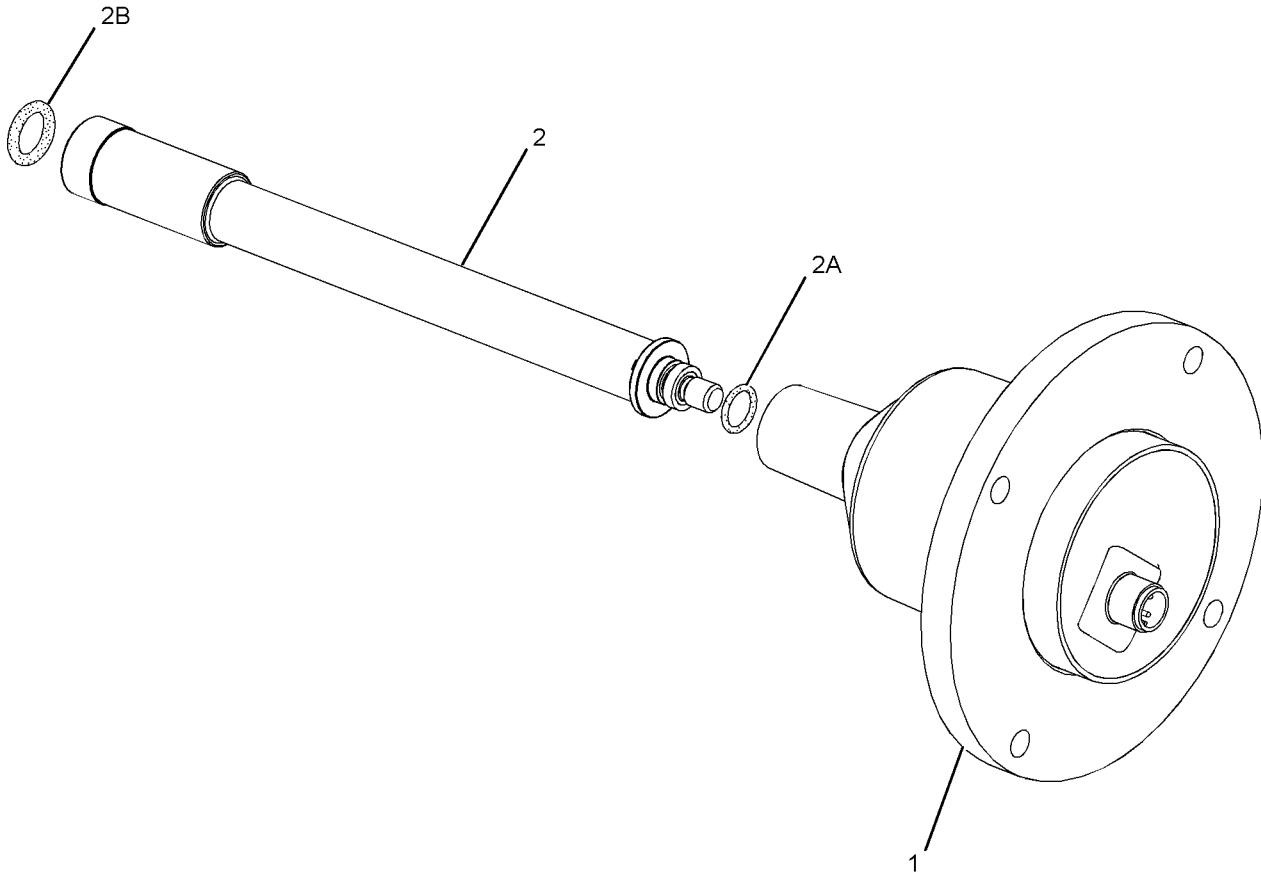
310-3180 TRANSFORMER GP - POTENTIAL (CHG -01)

PART OF 206-5460, 231-4152 IGNITION GP-GAS ENGINE

SMCS - 1409

i02946698

| NOTE | REF NO | GRAPHIC REF | PART NUMBER | QTY | PART NAME | | | | | | SEE PAGE |
|------|--------|-------------|-----------------|-----|----------------|---|---|---|---|-------------------|----------|
| | | | | | 1 | 2 | 3 | 4 | 5 | 6 (PRODUCT LEVEL) | |
| | 1 | 1 | 283-5270 | 1 | TRANSFORMER AS | | | | | | |
| | 2 | 1 | 308-1380 | 1 | EXTENSION AS | | | | | | |
| | 2A | 1 | 214-7568 | 1 | SEAL-O-RING | | | | | | |
| | 2B | 1 | 125-1372 | 1 | SEAL-O-RING | | | | | | |



GRAPHIC #1

<END>

g01461508

ELECTRICAL AND STARTING SYSTEM

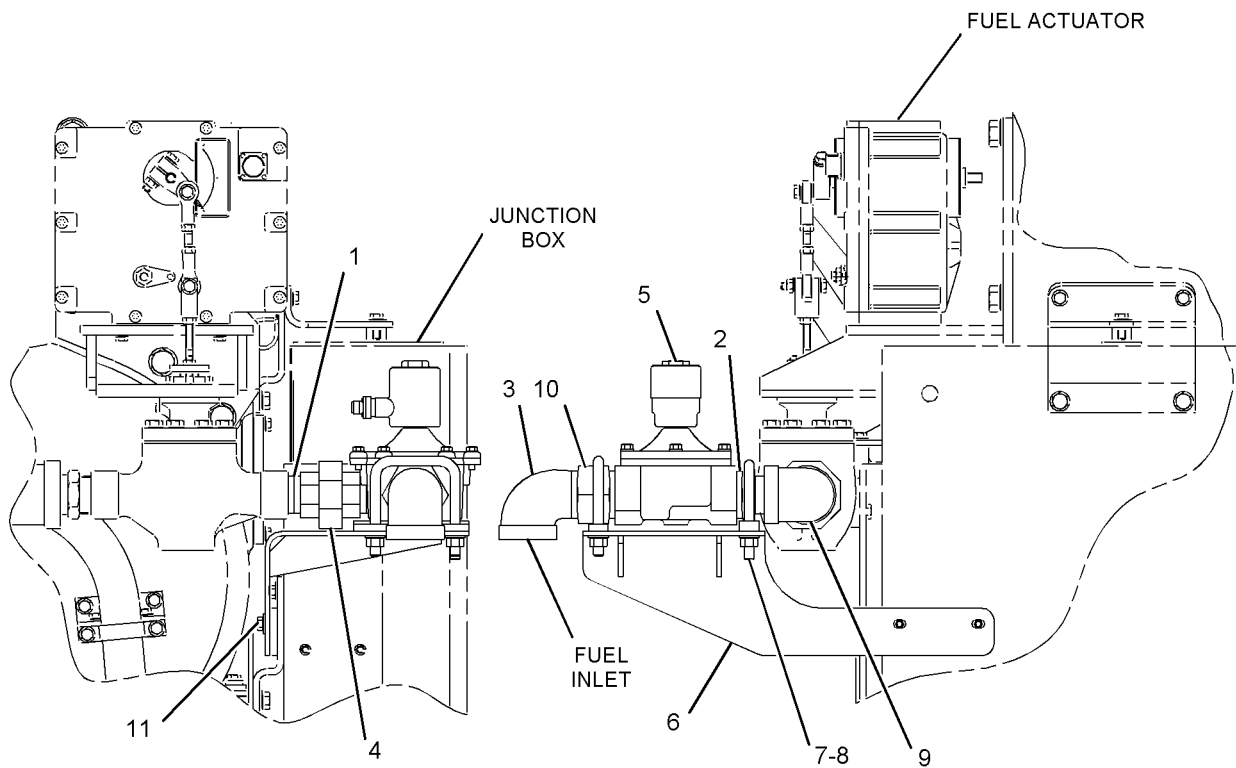
4P-3760 VALVE GP - SOLENOID (CHG -01 THRU -07) GAS SHUTOFF

SMCS-5479

i02093807

| NOTE | REF NO | GRAPHIC REF | PART NUMBER | QTY | PART NAME | | | | | | SEE PAGE |
|------|--------|-------------|-------------|-----|----------------------------------|---|---|---|---|-------------------|----------|
| | | | | | 1 | 2 | 3 | 4 | 5 | 6 (PRODUCT LEVEL) | |
| | 1 | 1 | 6F-8858 | 2 | FITTING | | | | | | |
| | 2 | 1 | 3E-2315 | 1 | ADAPTER-PIPE | | | | | | |
| | 3 | 1 | 7B-7138 | 1 | ELBOW | | | | | | |
| | 4 | 1 | 109-9866 | 1 | UNION | | | | | | |
| Y | 5 | 1 | 9Y-6992 | 1 | VALVE GP-SOLENOID | | | | | | 636 |
| | 6 | 1 | 4P-4709 | 1 | BRACKET AS | | | | | | |
| | 7 | 1 | 107-8480 | 2 | U-BOLT | | | | | | |
| | 8 | 1 | 5P-8245 | 4 | WASHER-HARD (13.5X25.5X3-MM THK) | | | | | | |
| | | 1 | 1F-7958 | 4 | NUT-FULL (1/2-13-THD) | | | | | | |
| | 9 | 1 | 6F-8856 | 1 | ELBOW | | | | | | |
| | 10 | 1 | 9D-9658 | 1 | ADAPTER | | | | | | |
| | 11 | 1 | 0S-1594 | 2 | BOLT (3/8-16X1-IN) | | | | | | |
| | | 1 | 9L-9132 | 2 | WASHER (10.2X25.5X2.5-MM THK) | | | | | | |

Y-SEPARATE ILLUSTRATION



REAR VIEW

RIGHT SIDE VIEW

GRAPHIC #1

<END>

g01067578

ELECTRICAL AND STARTING SYSTEM

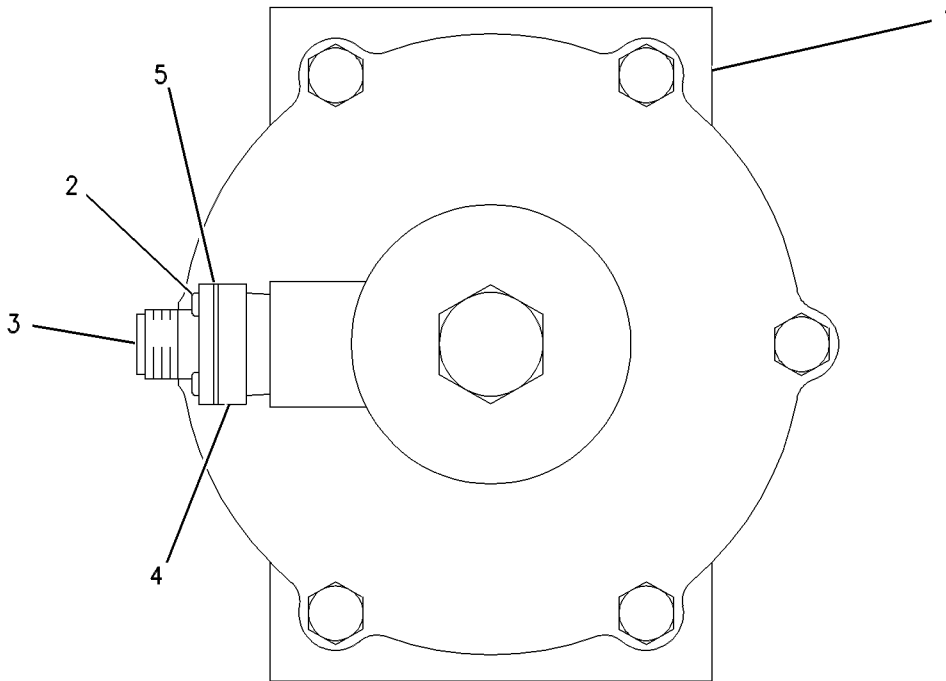
9Y-6992 VALVE GP-SOLENOID-GAS SHUTOFF (CHG -03 THRU -05) PART OF 4P-3760 VALVE GP-SOLENOID

SMCS-5479

i02897961

| NOTE | REF NO | GRAPHIC REF | PART NUMBER | QTY | PART NAME | | | | | | SEE PAGE |
|------|--------|-------------|-------------|-----|---------------------------------|---|---|---|---|-------------------|----------|
| | | | | | 1 | 2 | 3 | 4 | 5 | 6 (PRODUCT LEVEL) | |
| Y | 1 | 1 | 103-0692 | 1 | VALVE GP-SOLENOID (GAS SHUTOFF) | | | | | | 637 |
| | 2 | 1 | 9X-8917 | 4 | SCREW-MACHINE (4-40X9.52-MM) | | | | | | |
| | 3 | 1 | 9X-3406 | 1 | RECEPTACLE AS | | | | | | |
| | 4 | 1 | 9Y-6993 | 1 | ADAPTER | | | | | | |
| | 5 | 1 | 4P-9477 | 1 | GASKET | | | | | | |

Y-SEPARATE ILLUSTRATION



GRAPHIC #1

<END>

g00562912

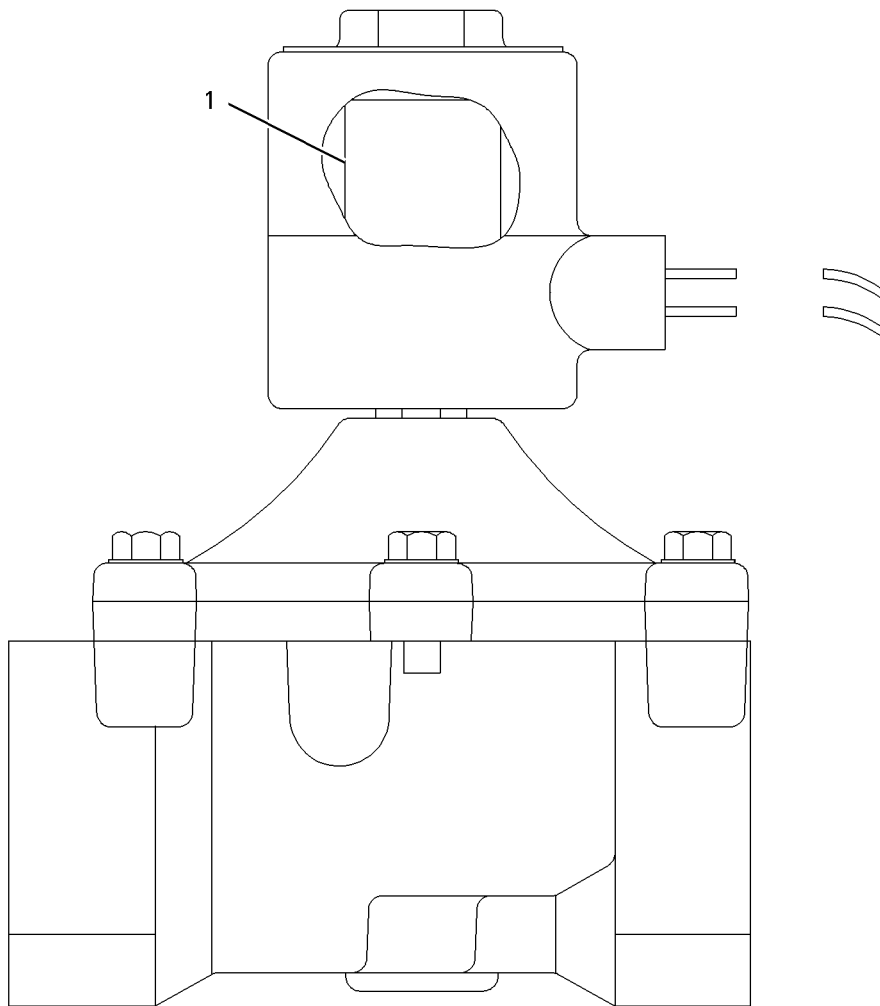
ELECTRICAL AND STARTING SYSTEM

103-0692 VALVE GP-SOLENOID-GAS SHUTOFF (CHG -00 THRU -07)
24-VOLT
PART OF 9Y-6992 VALVE GP-SOLENOID

SMCS-5479

i02897963

| NOTE | REF NO | GRAPHIC REF | PART NUMBER | QTY | PART NAME | | | | | | SEE PAGE |
|------|--------|-------------|-------------|-----|-----------|---|---|---|---|-------------------|----------|
| | | | | | 1 | 2 | 3 | 4 | 5 | 6 (PRODUCT LEVEL) | |
| | 1 | 1 | 7X-1678 | 1 | COIL AS | | | | | | |



GRAPHIC #1

<END>

g00730432

ELECTRICAL AND STARTING SYSTEM

119-4715 VALVE GP - SOLENOID (CHG -01 THRU -03, -03D1, -04, -04D1) GAS SHUTOFF - LOW BTU

SMCS-5479

i02463173

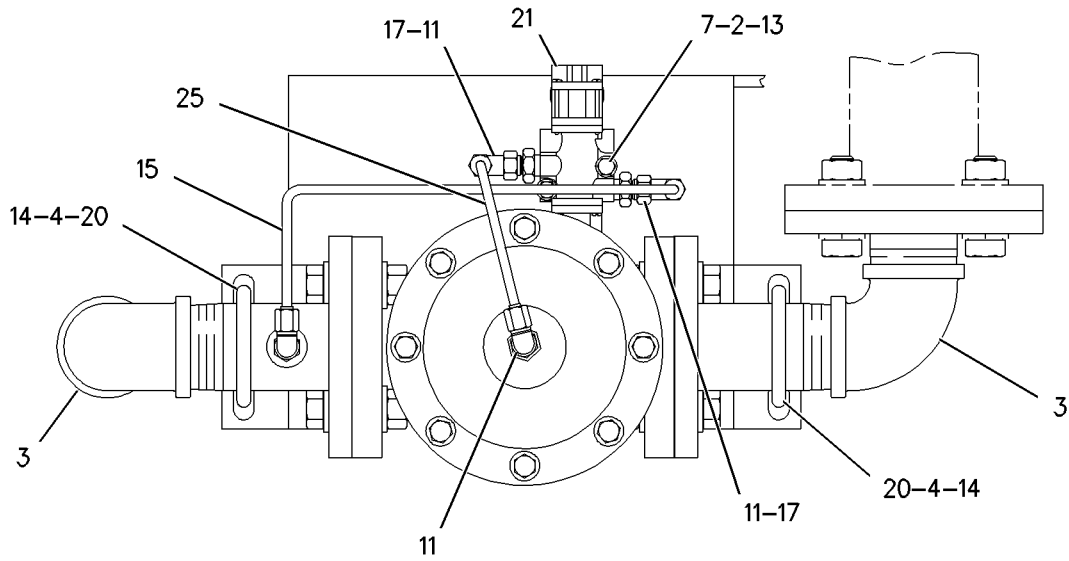
| NOTE | REF NO | GRAPHIC REF | PART NUMBER | QTY | PART NAME | | | | | | SEE PAGE |
|------|--------|-------------|-----------------|-----|---------------------------------|---|---|---|---|-------------------|----------|
| | | | | | 1 | 2 | 3 | 4 | 5 | 6 (PRODUCT LEVEL) | |
| | 1 | 1 | 0S-1594 | 2 | BOLT (3/8-16X1-IN) | | | | | | |
| C | 2 | 1 | 1B-2713 | 2 | BOLT (1/4-20X1.75-IN) | | | | | | |
| C | 3 | 1 | 3B-6500 | 2 | ELBOW | | | | | | |
| C | 4 | 1 | 8M-7145 | 4 | WASHER (10.2X28.5X5-MM THK) | | | | | | |
| | 5 | 1 | 4K-0367 | 8 | NUT-FULL (5/8-11-THD) | | | | | | |
| C | 6 | 1 | 4S-6399 | 1 | CONNECTOR | | | | | | |
| C | 7 | 1 | 5P-0537 | 2 | WASHER-HARD (7.2X14.5X2-MM THK) | | | | | | |
| | 8 | 1 | 5P-8247 | 16 | WASHER-HARD (17X32X3.5-MM THK) | | | | | | |
| | 9 | 1 | 5R-9705 | 2 | GASKET | | | | | | |
| | 10 | 1 | 6V-8002 | 1 | SEAL-O-RING | | | | | | |
| C | 11 | 1 | 7K-9197 | 4 | ELBOW | | | | | | |
| | 12 | 1 | 9L-9132 | 2 | WASHER (10.2X25.5X2.5-MM THK) | | | | | | |
| C | 13 | 1 | 9S-8750 | 2 | NUT-FULL (1/4-20-THD) | | | | | | |
| C | 14 | 1 | 9S-8752 | 4 | NUT-FULL (3/8-16-THD) | | | | | | |
| | 15 | 1 | 129-6657 | 1 | TUBE AS | | | | | | |
| | 16 | 1 | 9X-8883 | 8 | BOLT (5/8-11X2.75-IN) | | | | | | |
| C | 17 | 1 | 001-6449 | 3 | CONNECTOR | | | | | | |
| | 18 | 1 | 104-5693 | 1 | ADAPTER AS | | | | | | |
| C | 19 | 1 | 122-8699 | 1 | BRACKET AS | | | | | | |
| C | 20 | 1 | 122-9096 | 2 | U-BOLT | | | | | | |
| CY | 21 | 1 | 123-0825 | 1 | VALVE GP-SOLENOID | | | | | | 642 |
| | 22 | 1 | 129-2588 | 1 | VALVE-SHUTOFF (GAS) | | | | | | |
| | 23 | 1 | 129-4036 | 1 | ADAPTER AS | | | | | | |
| | 24 | 1 | 129-4037 | 1 | ADAPTER AS | | | | | | |
| | 25 | 1 | 129-6656 | 1 | TUBE AS | | | | | | |

C - CHANGE FROM PREVIOUS TYPE
Y - SEPARATE ILLUSTRATION

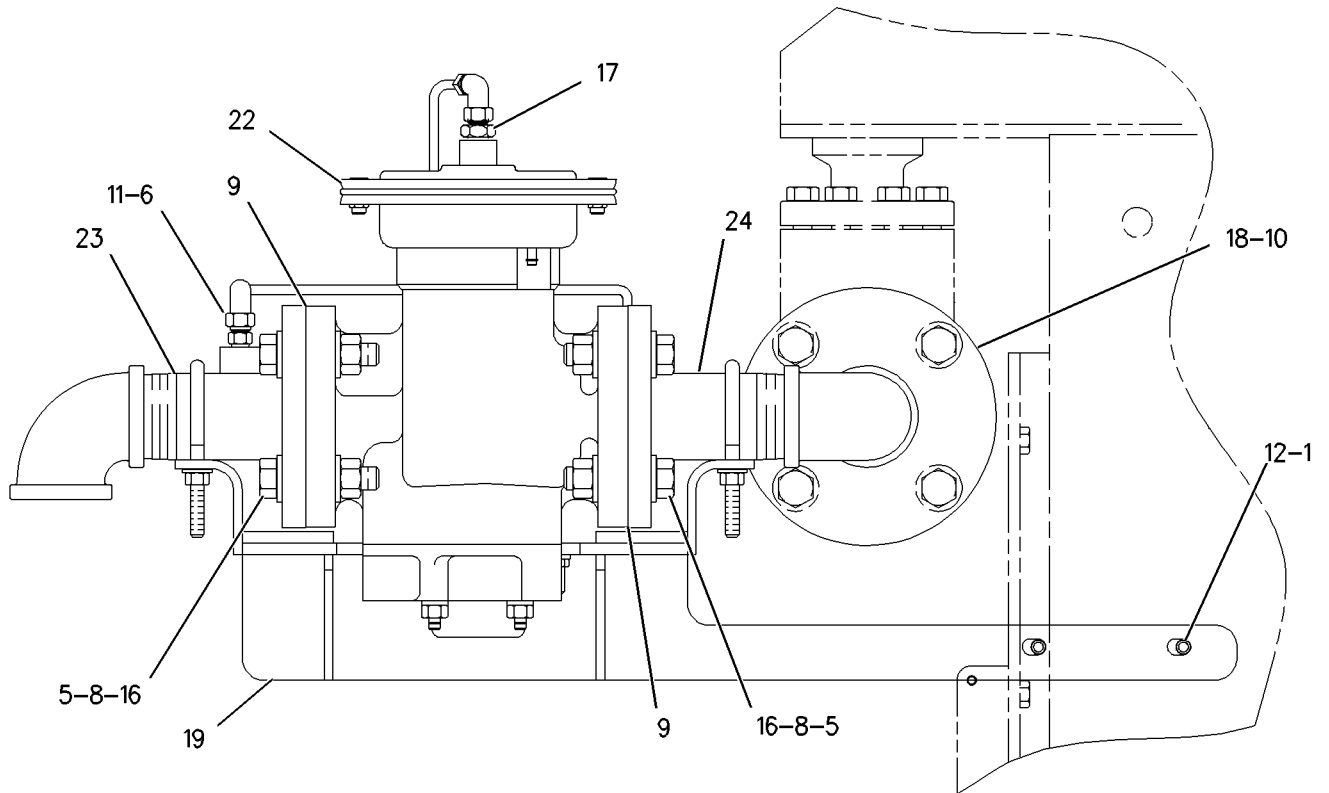
ELECTRICAL AND STARTING SYSTEM

119-4715 VALVE GP-SOLENOID (contd.)

i02463173



TOP VIEW



RIGHT SIDE VIEW

GRAPHIC #1

<END>

g00790099

ELECTRICAL AND STARTING SYSTEM

119-4715 VALVE GP-SOLENOID (CHG -05) GAS SHUTOFF - LOW BTU

SMCS-5479

i02897231

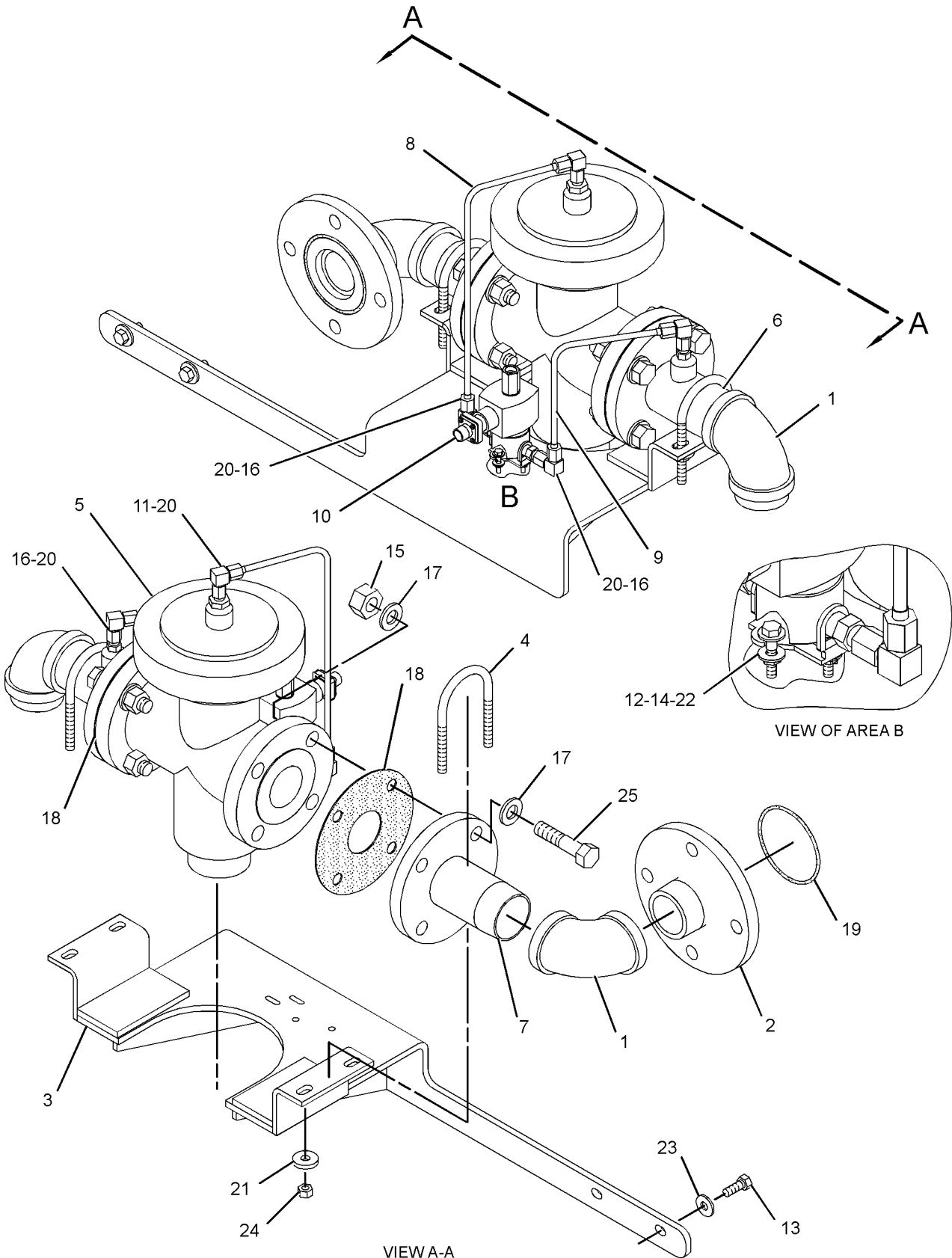
| NOTE | REF NO | GRAPHIC REF | PART NUMBER | QTY | PART NAME | | | | | | SEE PAGE |
|------|--------|-------------|-----------------|-----|--------------------------------|---|---|---|---|-------------------|----------|
| | | | | | 1 | 2 | 3 | 4 | 5 | 6 (PRODUCT LEVEL) | |
| | 1 | 1 | 3B-6500 | 2 | ELBOW | | | | | | |
| | 2 | 1 | 104-5693 | 1 | ADAPTER AS | | | | | | |
| | 3 | 1 | 122-8699 | 1 | BRACKET AS | | | | | | |
| | 4 | 1 | 122-9096 | 2 | U-BOLT | | | | | | |
| | 5 | 1 | 129-2588 | 1 | VALVE-SHUTOFF | | | | | | |
| | 6 | 1 | 129-4036 | 1 | ADAPTER AS | | | | | | |
| | 7 | 1 | 129-4037 | 1 | ADAPTER AS | | | | | | |
| | 8 | 1 | 129-6656 | 1 | TUBE AS | | | | | | |
| | 9 | 1 | 129-6657 | 1 | TUBE AS | | | | | | |
| CY | 10 | 1 | 315-2997 | 1 | VALVE GP-SOLENOID | | | | | | 645 |
| C | 11 | 1 | 001-6449 | 1 | CONNECTOR | | | | | | |
| CM | 12 | 1 | 260-6692 | 2 | NUT (M5X0.8-THD) | | | | | | |
| | 13 | 1 | 0S-1594 | 2 | BOLT (3/8-16X1-IN) | | | | | | |
| C | 14 | 1 | 4B-4274 | 4 | WASHER (5.5X13X1.2-MM THK) | | | | | | |
| | 15 | 1 | 4K-0367 | 8 | NUT-FULL (5/8-11-THD) | | | | | | |
| C | 16 | 1 | 4S-6399 | 3 | CONNECTOR | | | | | | |
| | 17 | 1 | 5P-8247 | 16 | WASHER-HARD (17X32X3.5-MM THK) | | | | | | |
| | 18 | 1 | 5R-9705 | 2 | GASKET | | | | | | |
| | 19 | 1 | 6V-8002 | 1 | SEAL-O-RING | | | | | | |
| | 20 | 1 | 7K-9197 | 4 | ELBOW | | | | | | |
| | 21 | 1 | 8M-7145 | 4 | WASHER (10.2X28.5X5-MM THK) | | | | | | |
| CM | 22 | 1 | 8T-0326 | 2 | BOLT (M5X0.8X25-MM) | | | | | | |
| | 23 | 1 | 9L-9132 | 2 | WASHER (10.2X25.5X2.5-MM THK) | | | | | | |
| | 24 | 1 | 9S-8752 | 4 | NUT-FULL (3/8-16-THD) | | | | | | |
| | 25 | 1 | 9X-8883 | 8 | BOLT (5/8-11X2.75-IN) | | | | | | |

C- CHANGE FROM PREVIOUS TYPE
M- METRIC PART
Y- SEPARATE ILLUSTRATION

ELECTRICAL AND STARTING SYSTEM

119-4715 VALVE GP-SOLENOID (contd.)

i02897231



GRAPHIC #1

VIEW A-A
<END>

g01452620

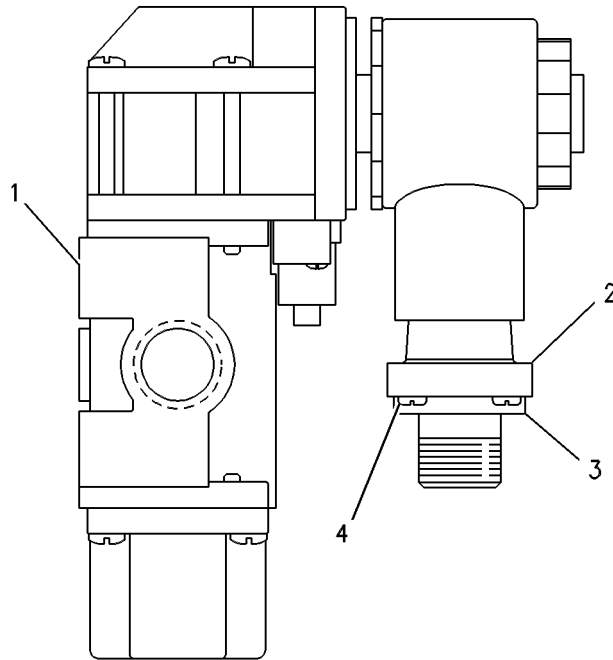
ELECTRICAL AND STARTING SYSTEM

123-0825 VALVE GP-SOLENOID (CHG -00, -01) PART OF 119-4715 VALVE GP-SOLENOID

SMCS-5479

i00093766

| NOTE | REF NO | GRAPHIC REF | PART NUMBER | QTY | PART NAME | | | | | | SEE PAGE |
|------|--------|-------------|-------------|-----|-------------------|---|---|---|---|-------------------|----------|
| | | | | | 1 | 2 | 3 | 4 | 5 | 6 (PRODUCT LEVEL) | |
| | 1 | 1 | 122-8697 | 1 | VALVE GP-SOLENOID | | | | | | |
| | 2 | 1 | 9Y-6993 | 1 | ADAPTER | | | | | | |
| | 3 | 1 | 9X-3406 | 1 | RECEPTACLE AS | | | | | | |
| | 4 | 1 | 033-4926 | 4 | SCREW-MACHINE | | | | | | |



GRAPHIC #1

<END>

g00066416

ELECTRICAL AND STARTING SYSTEM

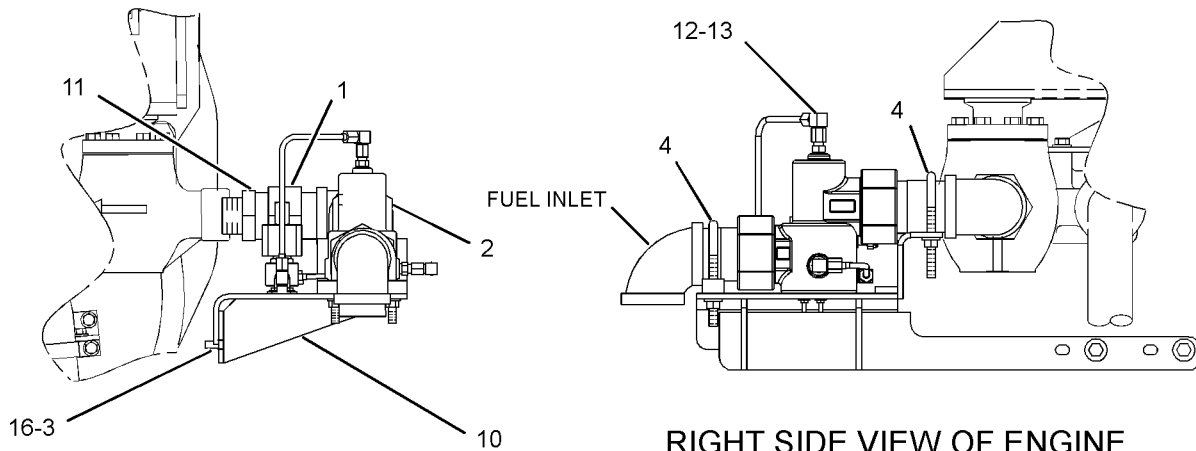
124-0432 VALVE GP - SOLENOID (CHG -00, -01, -01D1, -02) GAS SHUTOFF - CSA APPROVED

SMCS-5479

i02897297

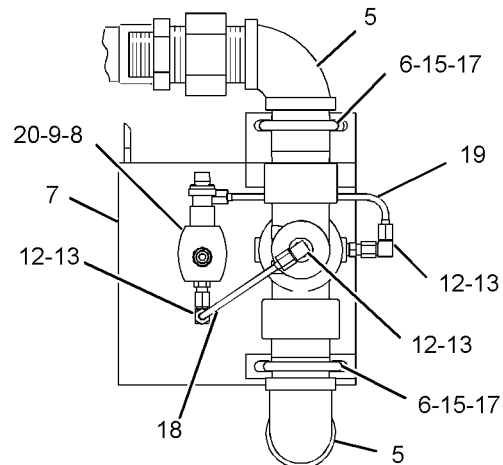
| NOTE | REF NO | GRAPHIC REF | PART NUMBER | QTY | PART NAME | | | | | | SEE PAGE |
|------|--------|-------------|-----------------|-----|--------------------------------------|---|---|---|---|-------------------|----------|
| | | | | | 1 | 2 | 3 | 4 | 5 | 6 (PRODUCT LEVEL) | |
| | 1 | 1 | 3E-2315 | 1 | ADAPTER - PIPE | | | | | | |
| | 2 | 1 | 122-8698 | 1 | VALVE AS - SHUTOFF | | | | | | |
| | 3 | 1 | 0S-1594 | 2 | BOLT (3/8-16X1-IN) | | | | | | |
| | 4 | 1 | 3B-7286 | 2 | NIPPLE - PIPE | | | | | | |
| | 5 | 1 | 3B-6500 | 2 | ELBOW | | | | | | |
| | 6 | 1 | 122-9096 | 2 | U - BOLT | | | | | | |
| Y | 7 | 1 | 315-2997 | 1 | VALVE GP - SOLENOID | | | | | | 645 |
| | 8 | 1 | 4B-4274 | 4 | WASHER (5.5X13X1.2-MM THK) | | | | | | |
| M | 9 | 1 | 8T-0326 | 2 | BOLT (M5X0.8X25-MM) | | | | | | |
| | 10 | 1 | 124-0434 | 1 | BRACKET AS | | | | | | |
| | 11 | 1 | 9D-9658 | 1 | ADAPTER | | | | | | |
| | 12 | 1 | 4S-6399 | 4 | CONNECTOR | | | | | | |
| | 13 | 1 | 7K-9197 | 4 | ELBOW | | | | | | |
| | 15 | 1 | 3V-3308 | 4 | WASHER - HARD (10.2X20.5X2.5-MM THK) | | | | | | |
| | 16 | 1 | 9L-9132 | 2 | WASHER (10.2X25.5X2.5-MM THK) | | | | | | |
| | 17 | 1 | 9S-8752 | 4 | NUT - FULL (3/8-16-THD) | | | | | | |
| | 18 | 1 | 122-8700 | 1 | TUBE AS | | | | | | |
| | 19 | 1 | 122-8701 | 1 | TUBE AS | | | | | | |
| M | 20 | 1 | 260-6692 | 2 | NUT (M5X0.8-THD) | | | | | | |

M - METRIC PART
Y - SEPARATE ILLUSTRATION



REAR VIEW OF ENGINE

RIGHT SIDE VIEW OF ENGINE



TOP VIEW OF ENGINE

GRAPHIC #1

<END>

g01452632

ELECTRICAL AND STARTING SYSTEM

164-0717 VALVE GP-SOLENOID (CHG -00 THRU -02)

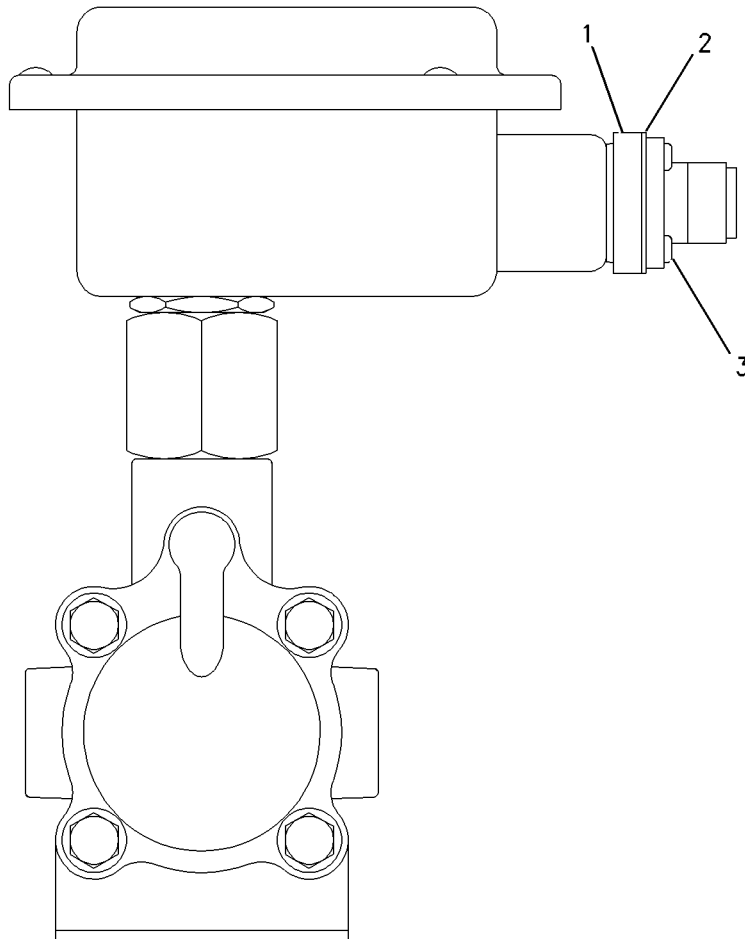
24 VDC

PART OF 216-8695, 216-8696, 280-0465 LINES GP-AIR, 217-3856, 220-8288, 280-0464
LINES GP-AIR STARTING

SMCS-5479

i02193913

| NOTE | REF NO | GRAPHIC REF | PART NUMBER | QTY | PART NAME | | | | | | SEE PAGE |
|------|--------|-------------|-------------|-----|------------------------------|---|---|---|---|-------------------|----------|
| | | | | | 1 | 2 | 3 | 4 | 5 | 6 (PRODUCT LEVEL) | |
| | 1 | 1 | 9Y-6993 | 1 | ADAPTER | | | | | | |
| | 2 | 1 | 4P-9477 | 1 | GASKET | | | | | | |
| | 3 | 1 | 9X-8917 | 4 | SCREW-MACHINE (4-40X9.52-MM) | | | | | | |



GRAPHIC #1

<END>

g00861068

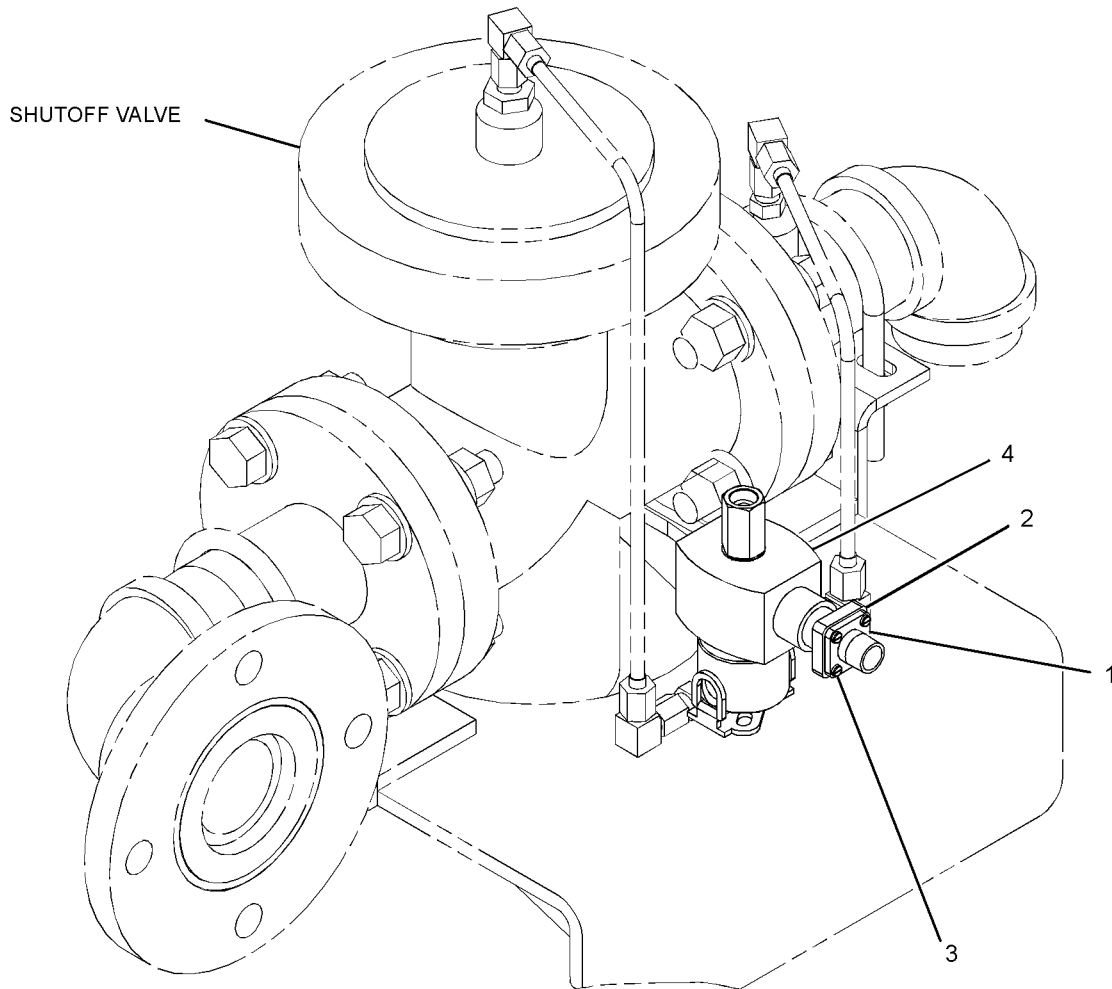
ELECTRICAL AND STARTING SYSTEM

315-2997 VALVE GP-SOLENOID (CHG -00) PART OF 119-4715, 124-0432 VALVE GP-SOLENOID

SMCS-5479

i02897251

| NOTE | REF NO | GRAPHIC REF | PART NUMBER | QTY | PART NAME | | | | | | SEE PAGE |
|------|--------|-------------|-----------------|-----|------------------------------|---|---|---|---|-------------------|----------|
| | | | | | 1 | 2 | 3 | 4 | 5 | 6 (PRODUCT LEVEL) | |
| | 1 | 1 | 9X-3406 | 1 | RECEPTACLE AS | | | | | | |
| | 2 | 1 | 9Y-6993 | 1 | ADAPTER | | | | | | |
| | 3 | 1 | 033-4926 | 4 | SCREW-MACHINE (4-40X0.25-IN) | | | | | | |
| | 4 | 1 | 313-9090 | 1 | VALVE GP-SOLENOID | | | | | | |



GRAPHIC #1

<END>

g01452583

ELECTRICAL AND STARTING SYSTEM

207-3814 WIRE AS-PRODUCT LINK, SPLICE (CHG -00)

SMCS - 1408

i02417225

| NOTE | PART NUMBER | QTY | PART NAME | | | | | | SEE PAGE |
|------|-------------|-----|---------------------|---|---|---|---|-------------------|----------|
| | | | 1 | 2 | 3 | 4 | 5 | 6 (PRODUCT LEVEL) | |
| | | | (NO SERVICED PARTS) | | | | | | |
| | | | <END> | | | | | | |

ELECTRICAL AND STARTING SYSTEM

206-5461 WIRING GP - ENGINE

(CHG -00 THRU -04, -07, -08, 195-2431-00 THRU 195-2431-02)

SMCS-1000, 1408

i02512583

| NOTE | REF NO | GRAPHIC REF | PART NUMBER | QTY | PART NAME | | | | | | SEE PAGE |
|------|--------|-------------|-------------|-----|--|---|---|---|---|-------------------|----------|
| | | | | | 1 | 2 | 3 | 4 | 5 | 6 (PRODUCT LEVEL) | |
| | 1 | 2 | 3P-0764 | 1 | PLUG | | | | | | |
| | 2 | 4 | 3S-2093 | 2 | STRAP - CABLE | | | | | | |
| | 3 | 2 | 4N-5756 | 1 | BRACKET | | | | | | |
| | 4 | 4 | 5L-3233 | 2 | FITTING | | | | | | |
| | 5 | 2 | 5P-3501 | 1 | ADAPTER | | | | | | |
| | 6 | 4 | 7K-1181 | 2 | STRAP - CABLE | | | | | | |
| | 7 | 3 | 8T-3285 | 1 | ADAPTER | | | | | | |
| | 8 | 1,2,3,4 | 9X-3495 | 10 | CLIP AS | | | | | | |
| | 9 | 1,2,3,4 | 9X-6772 | 42 | STRAP - CABLE | | | | | | |
| | 10 | 3 | 091-0081 | 1 | SPACER (10.5X20X10-MM THK) | | | | | | |
| | 11 | 1 | 100-7870 | 1 | ADAPTER-O-RING | | | | | | |
| | 12 | 2 | 110-1168 | 1 | SWITCH AS-PRESSURE (JACKET WATER INLET) | | | | | | |
| | | 2 | 186-3736 | 3 | SOCKET - CONNECTOR (16-GA TO 18-GA) | | | | | | |
| | | 2 | 8T-8731 | 1 | PLUG-CONNECTOR (3-PIN) | | | | | | |
| BE | | 2 | 9X-1813 | | SLEEVE | | | | | | |
| | 13 | 1,2 | 116-0118 | 2 | CLIP | | | | | | |
| | 14 | 1 | 130-8299 | 1 | SENSOR GP-TEMPERATURE (OIL) | | | | | | |
| | | 1 | 186-3735 | 3 | PIN-CONNECTOR (16-GA TO 18-GA) | | | | | | |
| | | 1 | 8T-8732 | 1 | RECEPTACLE (3-PIN) | | | | | | |
| BE | | 1 | 9X-1813 | | SLEEVE | | | | | | |
| | 14A | 2 | 130-8299 | 1 | SENSOR GP-TEMPERATURE (MANIFOLD AIR) | | | | | | |
| | | 2 | 186-3735 | 3 | PIN-CONNECTOR (16-GA TO 18-GA) | | | | | | |
| | | 2 | 8T-8732 | 1 | RECEPTACLE (3-PIN) | | | | | | |
| BE | | 2 | 9X-1813 | | SLEEVE | | | | | | |
| | 14B | 4 | 130-8299 | 1 | SENSOR GP-TEMPERATURE (FUEL) | | | | | | |
| | | 4 | 186-3735 | 3 | PIN-CONNECTOR (16-GA TO 18-GA) | | | | | | |
| | | 4 | 8T-8732 | 1 | RECEPTACLE (3-PIN) | | | | | | |
| BE | | 4 | 9X-1813 | | SLEEVE | | | | | | |
| Y | 15 | 3 | 130-9811 | 1 | SENSOR GP-TEMPERATURE (JACKET WATER) | | | | | | 612 |
| | 16 | 1 | 140-9669 | 1 | SWITCH AS-PRESSURE (GOVERNOR OIL) | | | | | | |
| | | 1 | 8T-8730 | 3 | SOCKET - CONNECTOR (16-GA TO 18-GA) | | | | | | |
| | | 1 | 8T-8731 | 1 | PLUG-CONNECTOR (3-PIN) | | | | | | |
| BE | | 1 | 9X-1813 | | SLEEVE | | | | | | |
| | 17 | 3 | 149-5150 | 1 | SENSOR GP-PRESSURE (JACKET WATER OUTLET) | | | | | | |
| | | 3 | 186-3736 | 3 | SOCKET - CONNECTOR (16-GA TO 18-GA) | | | | | | |
| | | 3 | 8T-8731 | 1 | PLUG-CONNECTOR (3-PIN) | | | | | | |
| BE | | 3 | 9X-1813 | | SLEEVE | | | | | | |
| | 18 | 2 | 152-1959 | 1 | SWITCH AS-PRESSURE (PRELUBRICATION) | | | | | | |
| | | 2 | 186-3735 | 2 | PIN-CONNECTOR (16-GA TO 18-GA) | | | | | | |
| | | 2 | 8T-8732 | 1 | RECEPTACLE (3-PIN) | | | | | | |
| | | 2 | 9G-3695 | 1 | PLUG | | | | | | |
| | 19 | 3 | 156-5220 | 1 | TUBE AS | | | | | | |
| | 20 | 3 | 156-5222 | 1 | TUBE AS | | | | | | |
| | 21 | 1 | 163-8523 | 1 | SENSOR GP-PRESSURE (FILTERED OIL) | | | | | | |
| | | 1 | 8T-8731 | 1 | PLUG-CONNECTOR (3-PIN) | | | | | | |
| BE | | 1 | 9X-1813 | | SLEEVE | | | | | | |
| | | 1 | 194-5226 | 3 | WIRE AS-HARNESS (16-GA TO 18-GA) | | | | | | |
| | 21A | 1 | 163-8523 | 1 | SENSOR GP-PRESSURE (UNFILTERED OIL) | | | | | | |
| | | 1 | 8T-8731 | 1 | PLUG-CONNECTOR (3-PIN) | | | | | | |
| BE | | 1 | 9X-1813 | | SLEEVE | | | | | | |
| | | 1 | 194-5226 | 3 | WIRE AS-HARNESS (16-GA TO 18-GA) | | | | | | |
| | 22 | 3 | 170-3528 | 1 | ADAPTER | | | | | | |
| I | 23 | 4 | 174-7009 | 2 | HOSE AS | | | | | | |
| | 24 | 3 | 191-8305 | 1 | SENSOR GP-SPEED (ENGINE TIMING) | | | | | | |
| | 25 | 2 | 195-2431 | 8 | SENSOR GP-DETONATION | | | | | | |
| | | | | | (EACH INCLUDES) | | | | | | |
| | | 2 | 186-3736 | 3 | SOCKET - CONNECTOR (16-GA TO 18-GA) | | | | | | |

ELECTRICAL AND STARTING SYSTEM

206-5461 WIRING GP-ENGINE (contd.)

i02512583

| NOTE | REF NO | GRAPHIC REF | PART NUMBER | QTY | PART NAME | | | | | | SEE PAGE |
|------|--------|-------------|-------------|-----|---|---|---|---|---|-------------------|----------|
| | | | | | 1 | 2 | 3 | 4 | 5 | 6 (PRODUCT LEVEL) | |
| | | 2 | 8T-8731 | 1 | PLUG-CONNECTOR (3-PIN) | | | | | | |
| BE | | 2 | 9X-1813 | | SLEEVE | | | | | | |
| | 26 | 2 | 195-6056 | 1 | HARNESS AS-WIRING (RH) | | | | | | |
| | | 2 | 102-8803 | 1 | KIT-RECEPTACLE (3-PIN) | | | | | | |
| | | | | | (INCLUDES RECEPTACLE AS AND WEDGE) | | | | | | |
| | | 2 | 102-8804 | 1 | KIT-RECEPTACLE (4-PIN) | | | | | | |
| | | | | | (INCLUDES RECEPTACLE AS AND WEDGE) | | | | | | |
| | | 2 | 4P-3857 | 2 | PLUG AS-CONNECTOR | | | | | | |
| | | 2 | 6D-5234 | 1 | RECEPTACLE AS | | | | | | |
| | | 2 | 155-2271 | 1 | KIT-CONNECTING PLUG (4-PIN) | | | | | | |
| | | | | | (INCLUDES PLUG AS AND WEDGE) | | | | | | |
| | | 2 | 160-7690 | 1 | PLUG AS-CONNECTOR (70-PIN) | | | | | | |
| | | 2 | 176-2943 | 1 | KIT-CONNECTING PLUG (2-PIN) | | | | | | |
| | | | | | (INCLUDES PLUG AS AND WEDGE) | | | | | | |
| | 27 | 2 | 195-6058 | 1 | HARNESS AS-WIRING (LH) | | | | | | |
| | | 2 | 4P-3857 | 4 | PLUG AS-CONNECTOR | | | | | | |
| | | 2 | 6D-5234 | 1 | RECEPTACLE AS | | | | | | |
| | | 2 | 8T-9605 | 1 | PLUG AS-CONNECTOR (6-PIN) | | | | | | |
| | | 2 | 147-1443 | 1 | PLUG AS-CONNECTOR (70-PIN) | | | | | | |
| | | 2 | 176-2943 | 1 | KIT-CONNECTING PLUG (2-PIN) | | | | | | |
| | | | | | (INCLUDES PLUG AS AND WEDGE) | | | | | | |
| Y | 28 | 2 | 207-6859 | 1 | SENSOR GP-PRESSURE (CRANKCASE) | | | | | | 609 |
| Y | 29 | 4 | 211-3504 | 2 | SWITCH AS-PRESSURE (INLET AIR RESTRICTION, RH, LH) | | | | | | 631 |
| | 30 | 3 | 102-1594 | 1 | BRACKET AS | | | | | | |
| Y | 31 | 3 | 162-7289 | 1 | CONTROL GP-GAS PRESSURE | | | | | | 534 |
| | 32 | 3 | 030-8188 | 1 | CONNECTOR | | | | | | |
| | 33 | 1,2,4 | 0S-0509 | 6 | BOLT (3/8-16X0.75-IN) | | | | | | |
| | 34 | 3 | 0S-1571 | 2 | BOLT (3/8-16X1.75-IN) | | | | | | |
| | 35 | 1 | 0S-1588 | 2 | BOLT (3/8-16X1.25-IN) | | | | | | |
| | 36 | 4 | 0S-1591 | 1 | BOLT (3/8-16X1.5-IN) | | | | | | |
| | 37 | 1,4 | 0S-1594 | 4 | BOLT (3/8-16X1-IN) | | | | | | |
| | 38 | 3 | 0S-1616 | 4 | BOLT (1/4-20X1-IN) | | | | | | |
| | 39 | 3 | 0S-1617 | 1 | BOLT (5/16-18X0.75-IN) | | | | | | |
| | 40 | 4 | 0S-1620 | 2 | BOLT (1/2-13X0.75-IN) | | | | | | |
| | 41 | 3 | 117-1385 | 1 | SEAL-O-RING | | | | | | |
| | 42 | 2 | 132-5789 | 1 | CLIP | | | | | | |
| | 43 | 3 | 2P-1314 | 1 | CONNECTOR | | | | | | |
| | 44 | 3 | 3J-7354 | 1 | SEAL-O-RING | | | | | | |
| | 45 | 1,3 | 3K-0360 | 3 | SEAL-O-RING | | | | | | |
| | 46 | 1,2,3,4 | 3V-3308 | 20 | WASHER-HARD (10.2X20.5X2.5-MM THK) | | | | | | |
| | 47 | 1,2,4 | 4P-7428 | 8 | CLIP | | | | | | |
| | 48 | 1,2,3,4 | 4P-7581 | 26 | CLIP | | | | | | |
| | 49 | 1,2,3,4 | 4P-8134 | 13 | CLIP | | | | | | |
| | 50 | 1 | 5B-9603 | 1 | BOLT (3/8-16X5-IN) | | | | | | |
| | 51 | 4 | 5D-9231 | 2 | CONNECTOR | | | | | | |
| | 52 | 3 | 5N-2840 | 1 | CLIP | | | | | | |
| | 53 | 3 | 5P-0537 | 8 | WASHER-HARD (7.2X14.5X2-MM THK) | | | | | | |
| | 54 | 1,4 | 5P-8245 | 4 | WASHER-HARD (13.5X25.5X3-MM THK) | | | | | | |
| | 55 | 2 | 5P-9297 | 4 | CLIP | | | | | | |
| | 56 | 3 | 6K-9194 | 1 | ELBOW-FLARED | | | | | | |
| | 57 | 2 | 6V-4589 | 1 | SEAL-O-RING | | | | | | |
| | 58 | 1,2 | 6V-5048 | 3 | SEAL-O-RING | | | | | | |
| | 59 | 1,2,3,4 | 6V-5049 | 10 | SEAL-O-RING | | | | | | |
| | 60 | 1,3 | 6V-8647 | 2 | CONNECTOR | | | | | | |
| | 61 | 1 | 6V-9872 | 1 | CONNECTOR | | | | | | |
| | 62 | 4 | 7J-4026 | 2 | ELBOW | | | | | | |
| | 63 | 3 | 7K-9197 | 1 | ELBOW | | | | | | |
| | 64 | 1 | 8L-2779 | 1 | SEAL-O-RING | | | | | | |
| | 65 | 2,3,4 | 8L-2786 | 3 | SEAL-O-RING | | | | | | |

ELECTRICAL AND STARTING SYSTEM

206-5461 WIRING GP-ENGINE (contd.)

i02512583

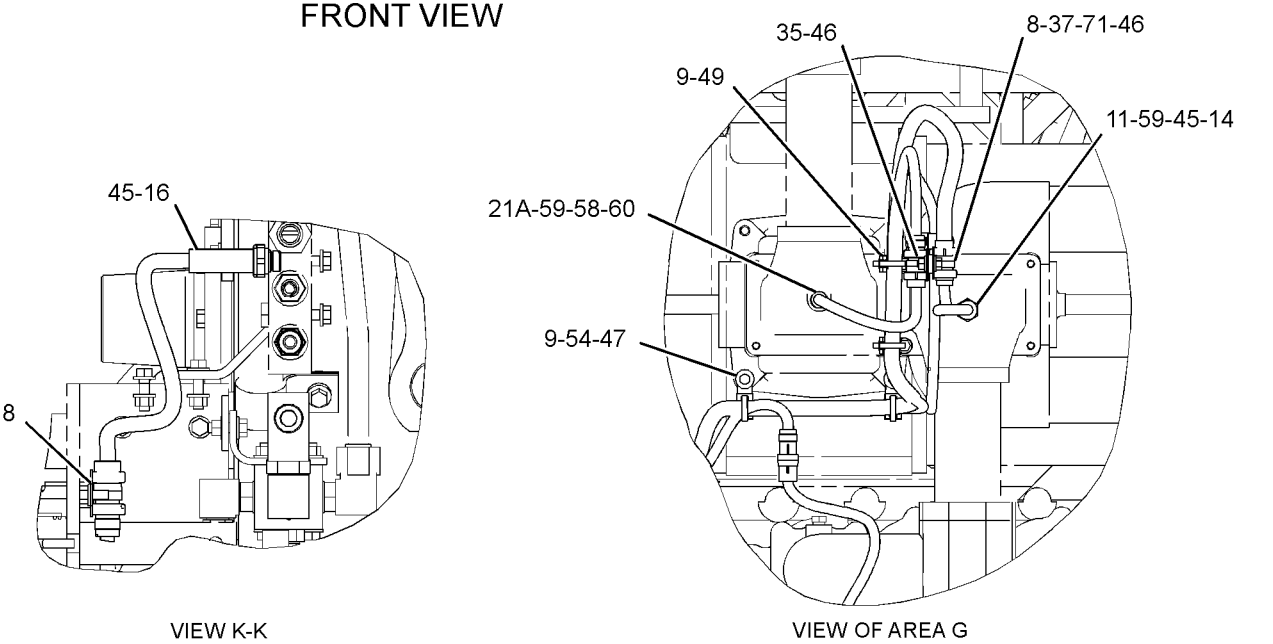
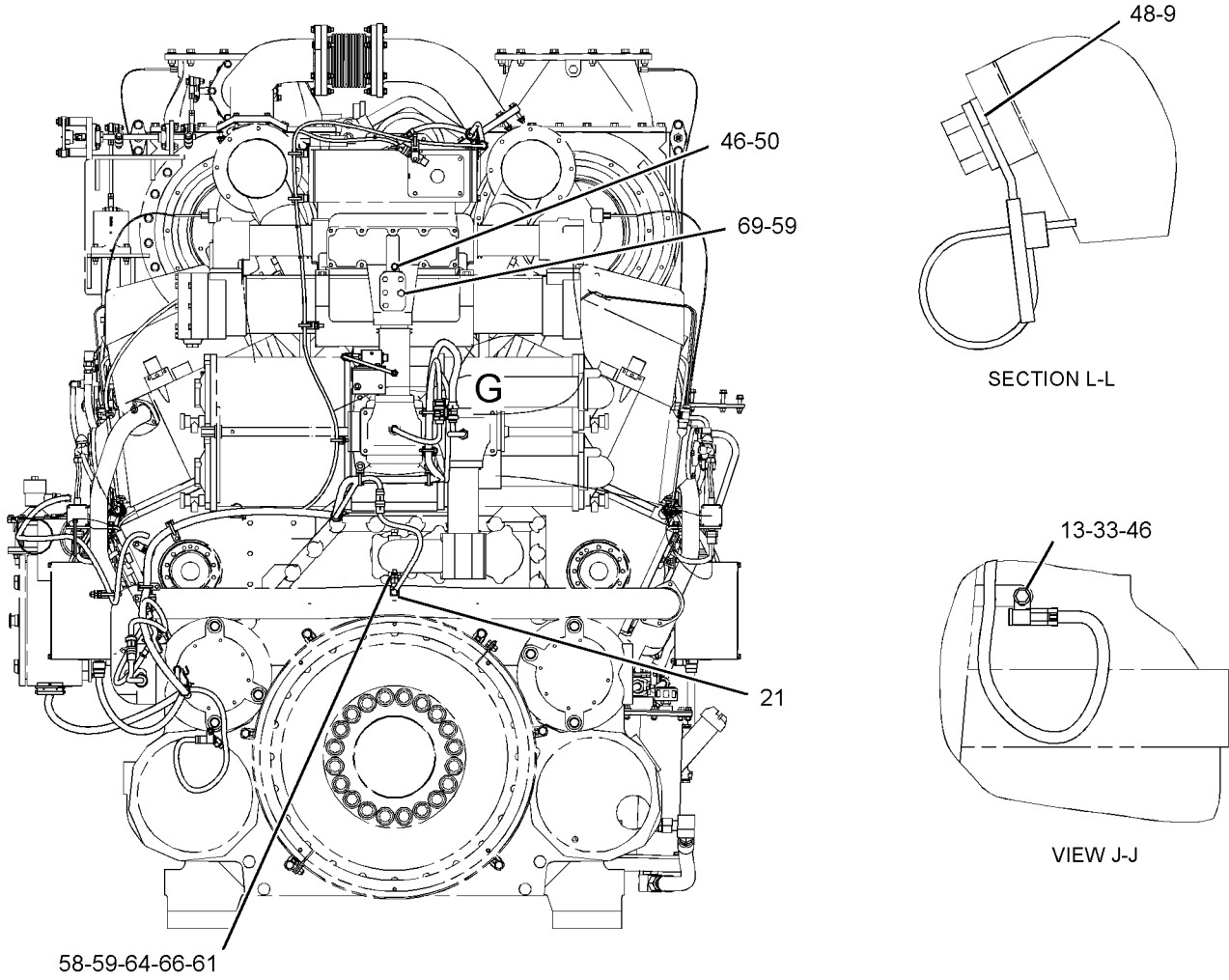
| NOTE | REF NO | GRAPHIC REF | PART NUMBER | QTY | PART NAME | SEE PAGE |
|------|--------|-------------|----------------|-----|-------------------------------|----------|
| | | | | | 1 2 3 4 5 6 (PRODUCT LEVEL) | |
| | 66 | 1 | 8T-0788 | 1 | ELBOW | |
| | 67 | 2 | 8T-2353 | 1 | ADAPTER | |
| | 68 | 3 | 9M-1974 | 1 | WASHER-HARD (8.8X16X2-MM THK) | |
| | 69 | 1 | 9S-4191 | 1 | PLUG-O-RING | |
| | 70 | 3 | 9S-8750 | 4 | NUT-FULL (1/4-20-THD) | |
| | 71 | 1,4 | 9S-8752 | 2 | NUT-FULL (3/8-16-THD) | |

B-USE AS REQUIRED
 E-ORDER BY THE CENTIMETER
 I-REFER TO HYDRAULIC INFORMATION SYSTEM
 Y-SEPARATE ILLUSTRATION

ELECTRICAL AND STARTING SYSTEM

206-5461 WIRING GP-ENGINE (contd.)

i02512583



GRAPHIC #1

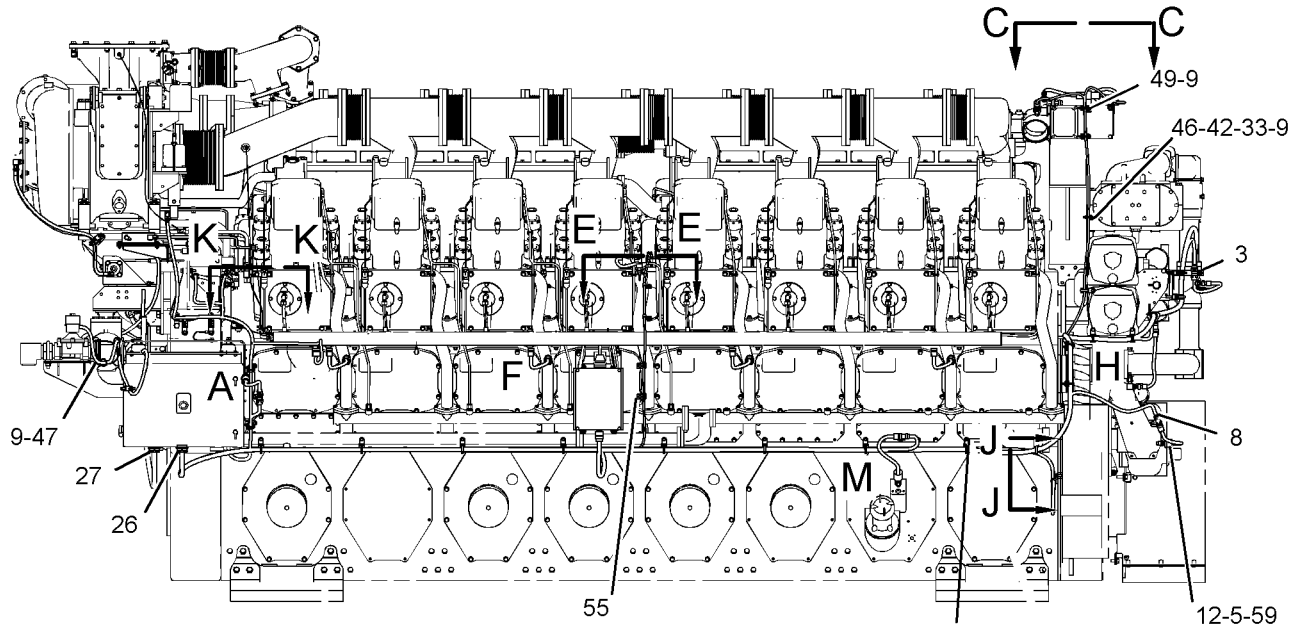
g01248244

ELECTRICAL AND STARTING SYSTEM

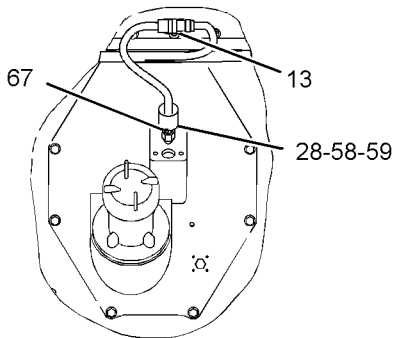
206-5461 WIRING GP-ENGINE (contd.)

i02512583

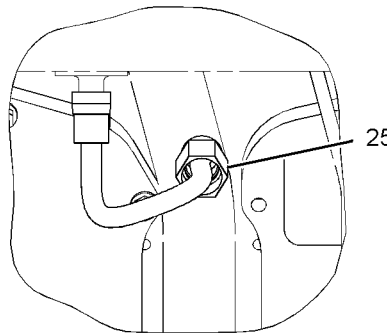
REFER TO ALL ILLUSTRATIONS OF THIS GROUP FOR AUXILIARY VIEWS



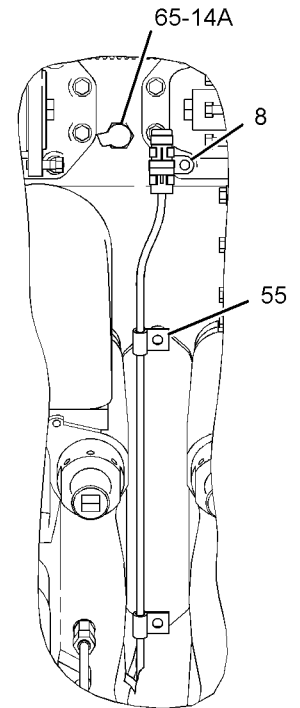
RIGHT SIDE VIEW



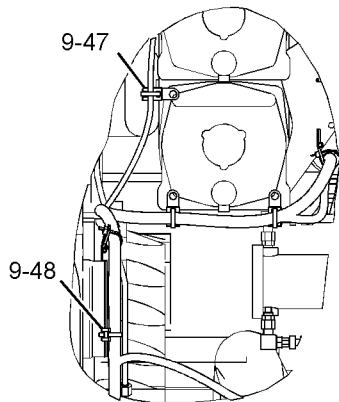
VIEW OF AREA M



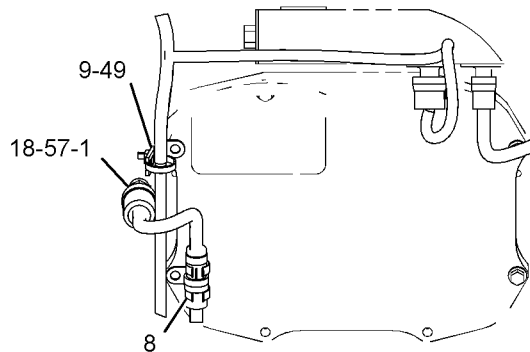
VIEW OF AREA F



VIEW E-E



VIEW OF AREA H



VIEW OF AREA A

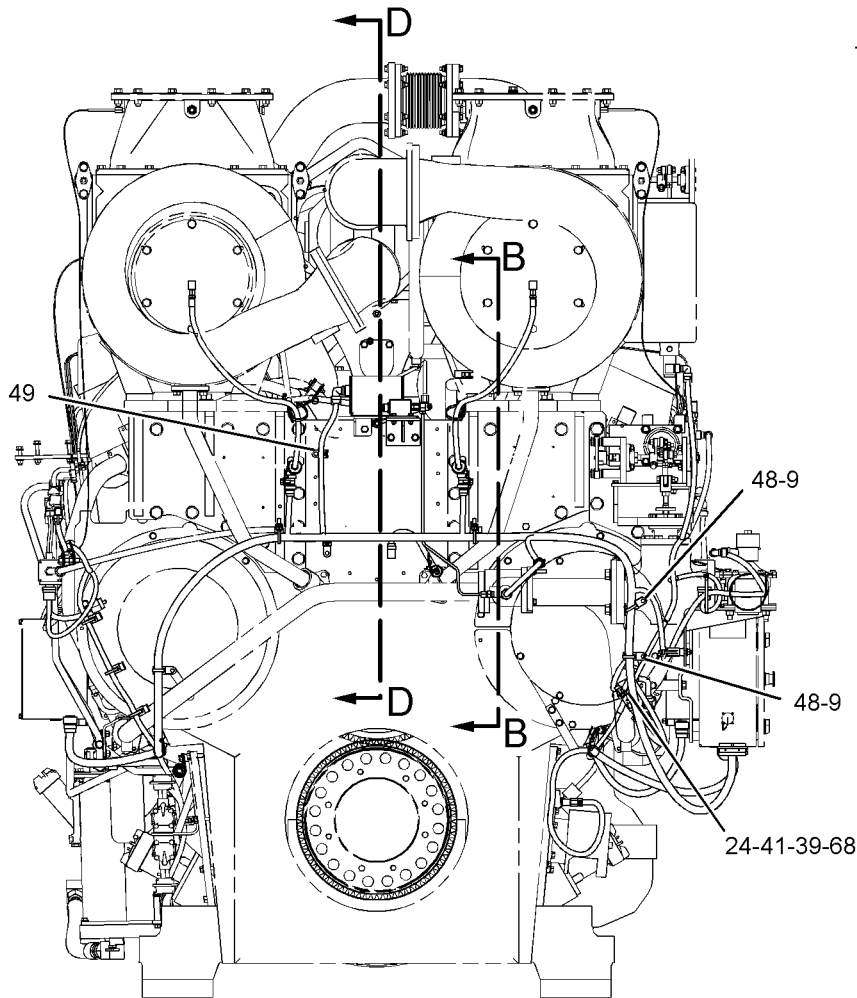
GRAPHIC #2

g01248251

ELECTRICAL AND STARTING SYSTEM

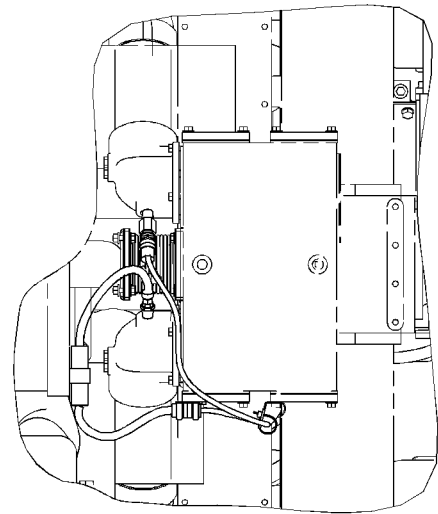
206-5461 WIRING GP-ENGINE (contd.)

i02512583

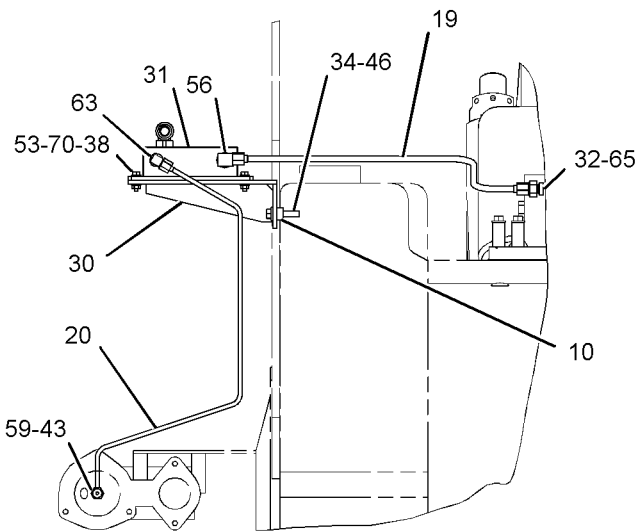


REAR VIEW

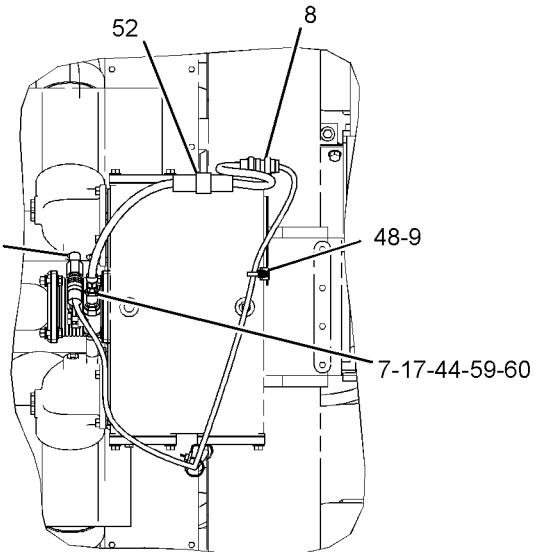
REFER TO ALL ILLUSTRATIONS OF THIS GROUP FOR AUXILIARY VIEWS



VIEW C-C
(FROM JACKET WATER REGULATORS RATED BELOW 110°C)



VIEW B-B



VIEW C-C
(FROM JACKET WATER REGULATORS RATED AT OR ABOVE 110°C)

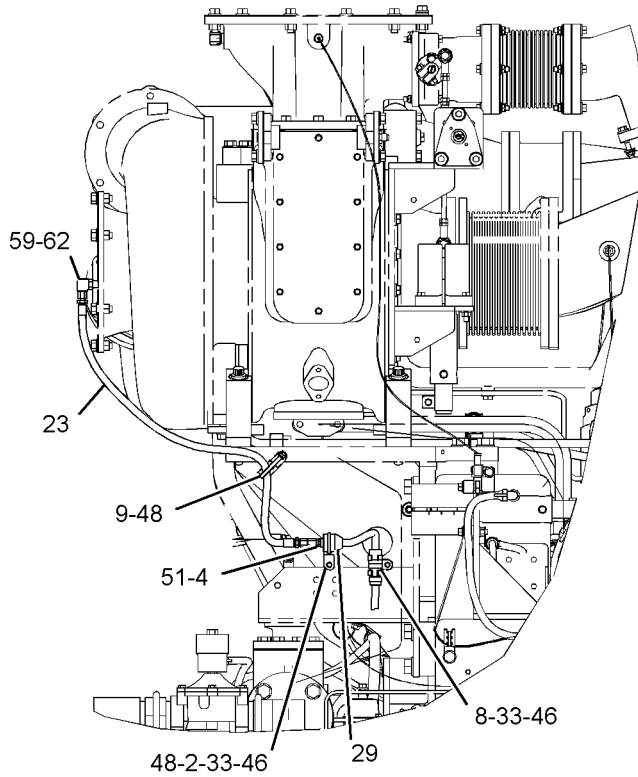
GRAPHIC #3

g01256082

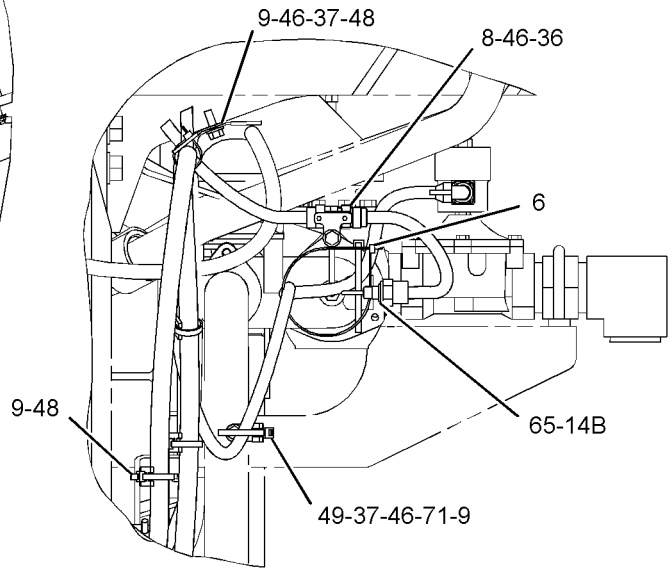
ELECTRICAL AND STARTING SYSTEM

206-5461 WIRING GP-ENGINE (contd.)

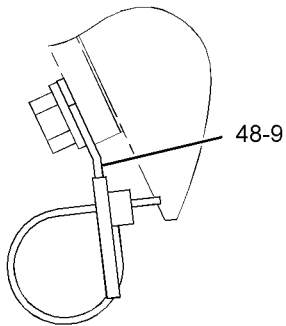
i02512583



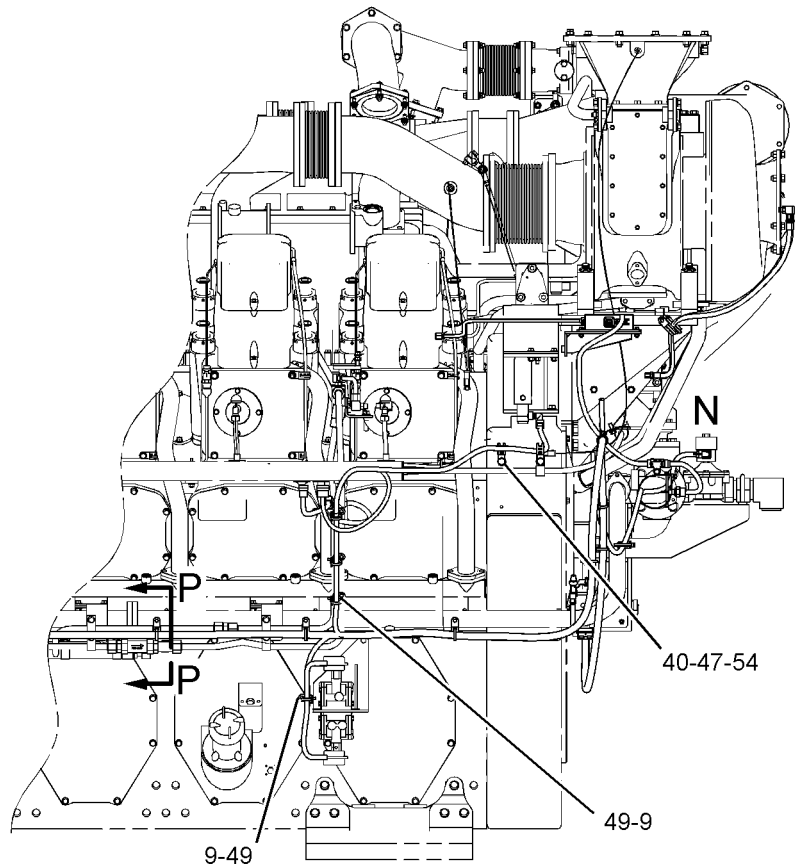
VIEW D-D



VIEW OF AREA N



VIEW P-P



LEFT SIDE VIEW

GRAPHIC #4

<END>

g01141602

ELECTRICAL AND STARTING SYSTEM

206-5461 WIRING GP-ENGINE (CHG -09)

SMCS-1000, 1408

i02610687

| NOTE | REF NO | GRAPHIC REF | PART NUMBER | QTY | PART NAME | | | | | | SEE PAGE |
|------|--------|-------------|-------------|-----|--|---|---|---|---|-------------------|----------|
| | | | | | 1 | 2 | 3 | 4 | 5 | 6 (PRODUCT LEVEL) | |
| | 1 | 2 | 3P-0764 | 1 | PLUG | | | | | | |
| | 2 | 4 | 3S-2093 | 2 | STRAP-CABLE | | | | | | |
| | 3 | 2 | 4N-5756 | 1 | BRACKET | | | | | | |
| | 4 | 4 | 5L-3233 | 2 | FITTING | | | | | | |
| | 5 | 2 | 5P-3501 | 1 | ADAPTER | | | | | | |
| | 6 | 4 | 7K-1181 | 2 | STRAP-CABLE | | | | | | |
| | 7 | 3 | 8T-3285 | 1 | ADAPTER | | | | | | |
| | 8 | 1,2,3,4 | 9X-3495 | 10 | CLIP AS | | | | | | |
| C | 9 | 1,2,3,4 | 9X-6772 | 41 | STRAP-CABLE | | | | | | |
| | 10 | 3 | 091-0081 | 1 | SPACER (10.5X20X10-MM THK) | | | | | | |
| | 11 | 1 | 100-7870 | 1 | ADAPTER-O-RING | | | | | | |
| | 12 | 2 | 110-1168 | 1 | SWITCH AS-PRESSURE (JACKET WATER INLET) | | | | | | |
| | | 2 | 186-3736 | 3 | SOCKET-CONNECTOR (16-GA TO 18-GA) | | | | | | |
| | | 2 | 8T-8731 | 1 | PLUG-CONNECTOR (3-PIN) | | | | | | |
| BE | | 2 | 9X-1813 | | SLEEVE | | | | | | |
| | 13 | 1,2 | 116-0118 | 2 | CLIP | | | | | | |
| | 14 | 1 | 130-8299 | 1 | SENSOR GP-TEMPERATURE (OIL) | | | | | | |
| | | 1 | 186-3735 | 3 | PIN-CONNECTOR (16-GA TO 18-GA) | | | | | | |
| | | 1 | 8T-8732 | 1 | RECEPTACLE (3-PIN) | | | | | | |
| BE | | 1 | 9X-1813 | | SLEEVE | | | | | | |
| | 14A | 2 | 130-8299 | 1 | SENSOR GP-TEMPERATURE (MANIFOLD AIR) | | | | | | |
| | | 2 | 186-3735 | 3 | PIN-CONNECTOR (16-GA TO 18-GA) | | | | | | |
| | | 2 | 8T-8732 | 1 | RECEPTACLE (3-PIN) | | | | | | |
| BE | | 2 | 9X-1813 | | SLEEVE | | | | | | |
| | 14B | 4 | 130-8299 | 1 | SENSOR GP-TEMPERATURE (FUEL) | | | | | | |
| | | 4 | 186-3735 | 3 | PIN-CONNECTOR (16-GA TO 18-GA) | | | | | | |
| | | 4 | 8T-8732 | 1 | RECEPTACLE (3-PIN) | | | | | | |
| BE | | 4 | 9X-1813 | | SLEEVE | | | | | | |
| Y | 15 | 3 | 130-9811 | 1 | SENSOR GP-TEMPERATURE (JACKET WATER) | | | | | | 612 |
| | 16 | 1 | 140-9669 | 1 | SWITCH AS-PRESSURE (GOVERNOR OIL) | | | | | | |
| | | 1 | 8T-8730 | 3 | SOCKET-CONNECTOR (16-GA TO 18-GA) | | | | | | |
| | | 1 | 8T-8731 | 1 | PLUG-CONNECTOR (3-PIN) | | | | | | |
| BE | | 1 | 9X-1813 | | SLEEVE | | | | | | |
| C | 17 | 3 | 276-6793 | 1 | SENSOR GP-PRESSURE (JACKET WATER OUTLET) | | | | | | |
| | 18 | 2 | 152-1959 | 1 | SWITCH AS-PRESSURE (PRELUBRICATION) | | | | | | |
| | | 2 | 186-3735 | 2 | PIN-CONNECTOR (16-GA TO 18-GA) | | | | | | |
| | | 2 | 8T-8732 | 1 | RECEPTACLE (3-PIN) | | | | | | |
| | | 2 | 9G-3695 | 1 | PLUG | | | | | | |
| | 19 | 3 | 156-5220 | 1 | TUBE AS | | | | | | |
| | 20 | 3 | 156-5222 | 1 | TUBE AS | | | | | | |
| | 21 | 1 | 163-8523 | 1 | SENSOR GP-PRESSURE (FILTERED OIL) | | | | | | |
| | | 1 | 8T-8731 | 1 | PLUG-CONNECTOR (3-PIN) | | | | | | |
| BE | | 1 | 9X-1813 | | SLEEVE | | | | | | |
| | | 1 | 194-5226 | 3 | WIRE AS-HARNESS (16-GA TO 18-GA) | | | | | | |
| | 21A | 1 | 163-8523 | 1 | SENSOR GP-PRESSURE (UNFILTERED OIL) | | | | | | |
| | | 1 | 8T-8731 | 1 | PLUG-CONNECTOR (3-PIN) | | | | | | |
| BE | | 1 | 9X-1813 | | SLEEVE | | | | | | |
| | | 1 | 194-5226 | 3 | WIRE AS-HARNESS (16-GA TO 18-GA) | | | | | | |
| | 22 | 3 | 170-3528 | 1 | ADAPTER | | | | | | |
| I | 23 | 4 | 174-7009 | 2 | HOSE AS | | | | | | |
| | 24 | 3 | 191-8305 | 1 | SENSOR GP-SPEED (ENGINE TIMING) | | | | | | |
| | 25 | 2 | 195-2431 | 8 | SENSOR GP-DETONATION | | | | | | |
| | | | | | (EACH INCLUDES) | | | | | | |
| | | 2 | 186-3736 | 3 | SOCKET-CONNECTOR (16-GA TO 18-GA) | | | | | | |
| | | 2 | 8T-8731 | 1 | PLUG-CONNECTOR (3-PIN) | | | | | | |
| BE | | 2 | 9X-1813 | | SLEEVE | | | | | | |
| | 26 | 2 | 195-6056 | 1 | HARNESS AS-WIRING (RH) | | | | | | |

ELECTRICAL AND STARTING SYSTEM

206-5461 WIRING GP-ENGINE (contd.)

i02610687

| NOTE | REF NO | GRAPHIC REF | PART NUMBER | QTY | PART NAME | | | | | | SEE PAGE | |
|------|--------|-------------|-------------|----------|--|------------------------------------|---|---|---|-------------------|----------|--|
| | | | | | 1 | 2 | 3 | 4 | 5 | 6 (PRODUCT LEVEL) | | |
| | | 2 | 102-8803 | 1 | KIT-RECEPTACLE (3-PIN) (INCLUDES RECEPTACLE AS AND WEDGE) | | | | | | | |
| | | 2 | 102-8804 | 1 | KIT-RECEPTACLE (4-PIN) (INCLUDES RECEPTACLE AS AND WEDGE) | | | | | | | |
| | | 2 | 4P-3857 | 2 | PLUG AS-CONNECTOR | | | | | | | |
| | | 2 | 6D-5234 | 1 | RECEPTACLE AS | | | | | | | |
| | | 2 | 155-2271 | 1 | KIT-CONNECTING PLUG (4-PIN) (INCLUDES PLUG AS AND WEDGE) | | | | | | | |
| | | 2 | 160-7690 | 1 | PLUG AS-CONNECTOR (70-PIN) | | | | | | | |
| | | 2 | 176-2943 | 1 | KIT-CONNECTING PLUG (2-PIN) (INCLUDES PLUG AS AND WEDGE) | | | | | | | |
| | 27 | 2 | 195-6058 | 1 | HARNESS AS-WIRING (LH) | | | | | | | |
| | | 2 | 4P-3857 | 4 | PLUG AS-CONNECTOR | | | | | | | |
| | | 2 | 6D-5234 | 1 | RECEPTACLE AS | | | | | | | |
| | | 2 | 8T-9605 | 1 | PLUG AS-CONNECTOR (6-PIN) | | | | | | | |
| | | 2 | 147-1443 | 1 | PLUG AS-CONNECTOR (70-PIN) | | | | | | | |
| | | 2 | 176-2943 | 1 | KIT-CONNECTING PLUG (2-PIN) (INCLUDES PLUG AS AND WEDGE) | | | | | | | |
| Y | 28 | 2 | 207-6859 | 1 | SENSOR GP-PRESSURE (CRANKCASE) | | | | | | 609 | |
| Y | 29 | 4 | 211-3504 | 2 | SWITCH AS-PRESSURE (INLET AIR RESTRICTION, RH, LH) | | | | | | 631 | |
| | | 30 | 3 | 102-1594 | 1 | BRACKET AS | | | | | | |
| Y | 31 | 3 | 162-7289 | 1 | CONTROL GP-GAS PRESSURE | | | | | | 534 | |
| | | 32 | 3 | 030-8188 | 1 | CONNECTOR | | | | | | |
| | | 33 | 1,2,4 | 0S-0509 | 6 | BOLT (3/8-16X0.75-IN) | | | | | | |
| | | 34 | 3 | 0S-1571 | 2 | BOLT (3/8-16X1.75-IN) | | | | | | |
| | | 35 | 1 | 0S-1588 | 2 | BOLT (3/8-16X1.25-IN) | | | | | | |
| | | 36 | 4 | 0S-1591 | 1 | BOLT (3/8-16X1.5-IN) | | | | | | |
| | | 37 | 1,4 | 0S-1594 | 4 | BOLT (3/8-16X1-IN) | | | | | | |
| | | 38 | 3 | 0S-1616 | 4 | BOLT (1/4-20X1-IN) | | | | | | |
| | | 39 | 3 | 0S-1617 | 1 | BOLT (5/16-18X0.75-IN) | | | | | | |
| | | 40 | 4 | 0S-1620 | 2 | BOLT (1/2-13X0.75-IN) | | | | | | |
| | | 41 | 3 | 117-1385 | 1 | SEAL-O-RING | | | | | | |
| | | 42 | 2 | 132-5789 | 1 | CLIP | | | | | | |
| | | 43 | 3 | 2P-1314 | 1 | CONNECTOR | | | | | | |
| | | 44 | 3 | 3J-7354 | 1 | SEAL-O-RING | | | | | | |
| | | 45 | 1,3 | 3K-0360 | 3 | SEAL-O-RING | | | | | | |
| | | 46 | 1,2,3,4 | 3V-3308 | 20 | WASHER-HARD (10.2X20.5X2.5-MM THK) | | | | | | |
| | | 47 | 1,2,4 | 4P-7428 | 8 | CLIP | | | | | | |
| C | | 48 | 1,2,3,4 | 4P-7581 | 25 | CLIP | | | | | | |
| | | 49 | 1,2,3,4 | 4P-8134 | 13 | CLIP | | | | | | |
| | | 50 | 1 | 5B-9603 | 1 | BOLT (3/8-16X5-IN) | | | | | | |
| | | 51 | 4 | 5D-9231 | 2 | CONNECTOR | | | | | | |
| | | 52 | 3 | 5N-2840 | 1 | CLIP | | | | | | |
| | | 53 | 3 | 5P-0537 | 8 | WASHER-HARD (7.2X14.5X2-MM THK) | | | | | | |
| | | 54 | 1,4 | 5P-8245 | 4 | WASHER-HARD (13.5X25.5X3-MM THK) | | | | | | |
| | | 55 | 2 | 5P-9297 | 4 | CLIP | | | | | | |
| | | 56 | 3 | 6K-9194 | 1 | ELBOW-FLARED | | | | | | |
| | | 57 | 2 | 6V-4589 | 1 | SEAL-O-RING | | | | | | |
| | | 58 | 1,2 | 6V-5048 | 3 | SEAL-O-RING | | | | | | |
| | | 59 | 1,2,3,4 | 6V-5049 | 10 | SEAL-O-RING | | | | | | |
| | | 60 | 1,3 | 6V-8647 | 2 | CONNECTOR | | | | | | |
| | | 61 | 1 | 6V-9872 | 1 | CONNECTOR | | | | | | |
| | | 62 | 4 | 7J-4026 | 2 | ELBOW | | | | | | |
| | | 63 | 3 | 7K-9197 | 1 | ELBOW | | | | | | |
| | | 64 | 1 | 8L-2779 | 1 | SEAL-O-RING | | | | | | |
| | | 65 | 2,3,4 | 8L-2786 | 3 | SEAL-O-RING | | | | | | |
| | | 66 | 1 | 8T-0788 | 1 | ELBOW | | | | | | |
| | | 67 | 2 | 8T-2353 | 1 | ADAPTER | | | | | | |
| | | 68 | 3 | 9M-1974 | 1 | WASHER-HARD (8.8X16X2-MM THK) | | | | | | |

ELECTRICAL AND STARTING SYSTEM

206-5461 WIRING GP-ENGINE (contd.)

i02610687

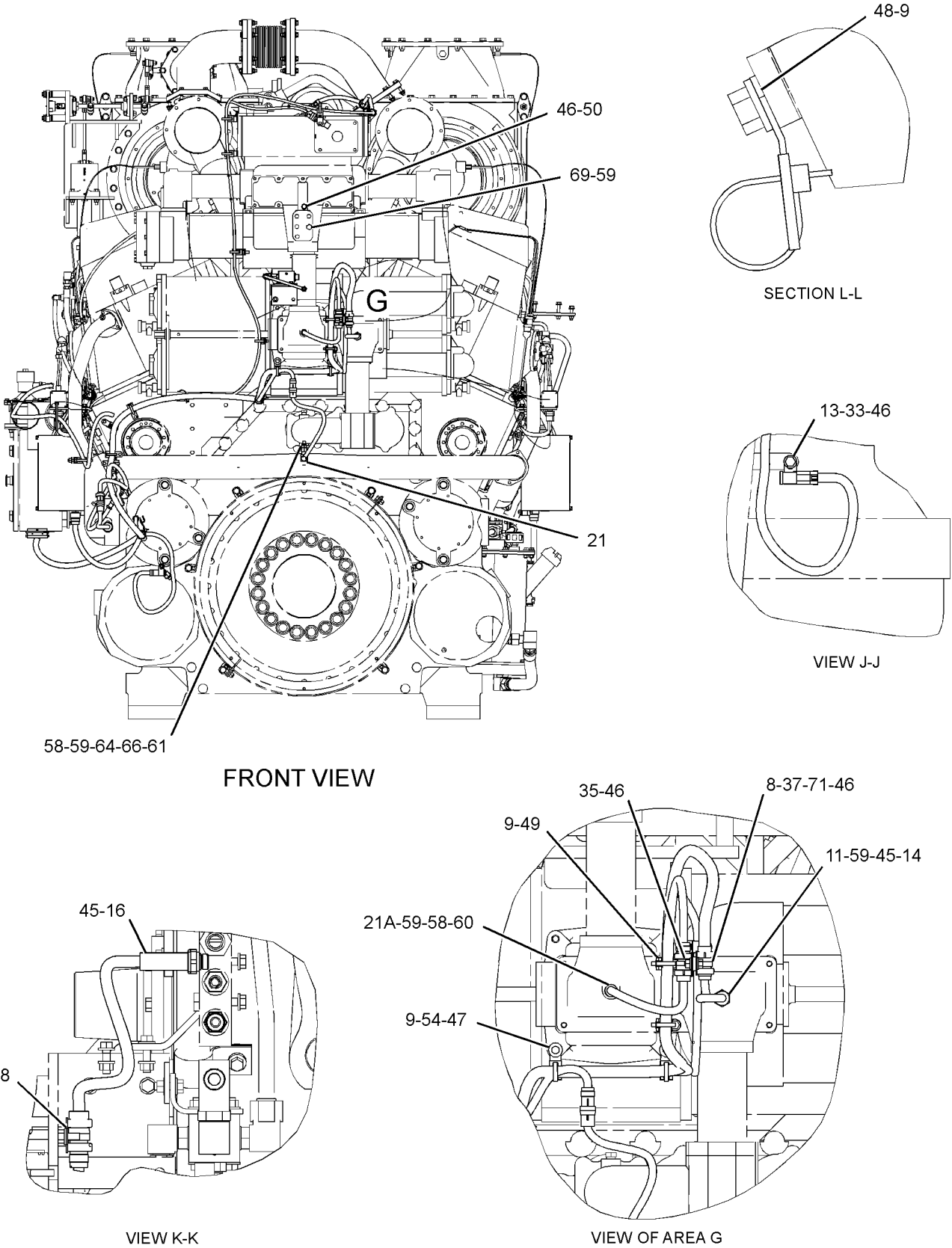
| NOTE | REF NO | GRAPHIC REF | PART NUMBER | QTY | PART NAME | | | | | | SEE PAGE |
|------|--------|-------------|-----------------|-----|-----------------------------------|---|---|---|---|-------------------|----------|
| | | | | | 1 | 2 | 3 | 4 | 5 | 6 (PRODUCT LEVEL) | |
| | 69 | 1 | 9S-4191 | 1 | PLUG-O-RING | | | | | | |
| | 70 | 3 | 9S-8750 | 4 | NUT-FULL (1/4-20-THD) | | | | | | |
| | 71 | 1,4 | 9S-8752 | 2 | NUT-FULL (3/8-16-THD) | | | | | | |
| C | 72 | 3 | 290-4619 | 1 | BUFFER GP-SENSOR | | | | | | |
| | | 3 | 186-3736 | 3 | SOCKET-CONNECTOR (16-GA TO 18-GA) | | | | | | |
| | | 3 | 8T-8731 | 1 | PLUG-CONNECTOR (3-PIN) | | | | | | |
| E | | 3 | 9X-1813 | | SLEEVE (24-CM) | | | | | | |

B - USE AS REQUIRED
 C - CHANGE FROM PREVIOUS TYPE
 E - ORDER BY THE CENTIMETER
 I - REFER TO HYDRAULIC INFORMATION SYSTEM
 Y - SEPARATE ILLUSTRATION

ELECTRICAL AND STARTING SYSTEM

206-5461 WIRING GP-ENGINE (contd.)

i02610687



GRAPHIC #1

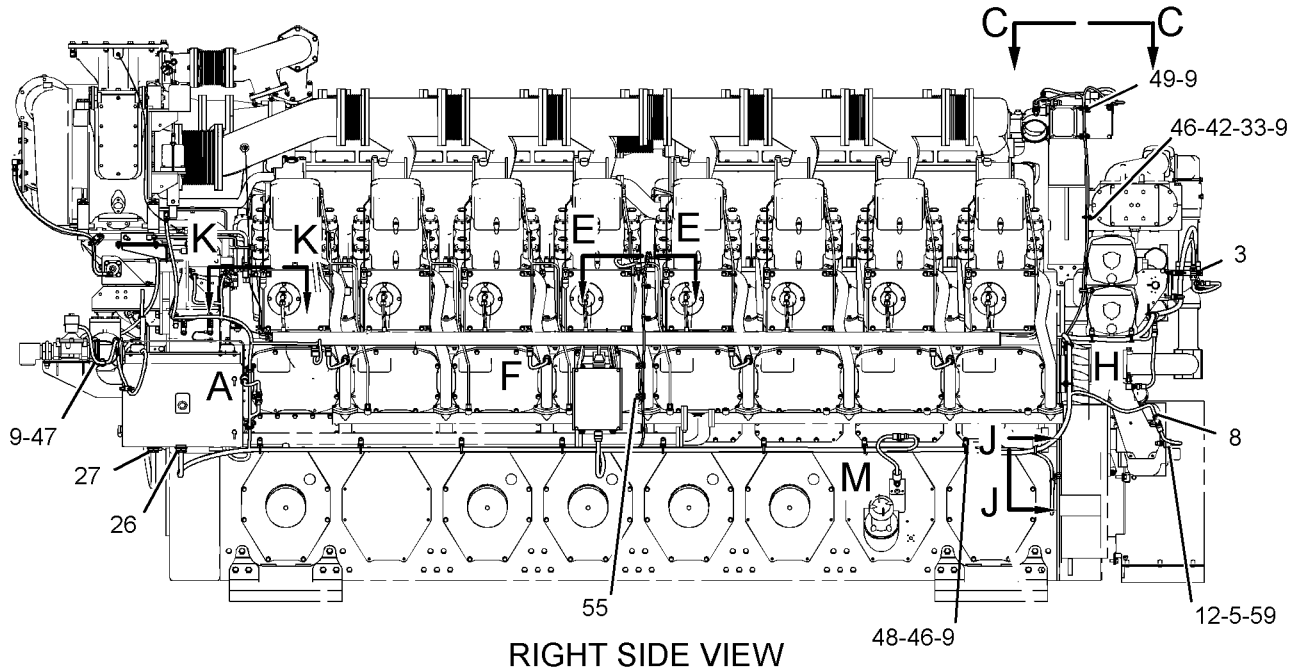
g01248244

ELECTRICAL AND STARTING SYSTEM

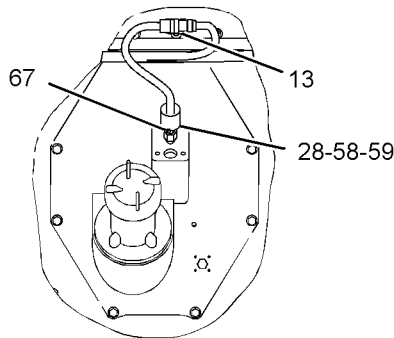
206-5461 WIRING GP-ENGINE (contd.)

i02610687

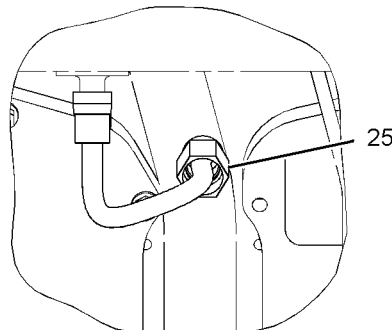
REFER TO ALL ILLUSTRATIONS OF THIS GROUP FOR AUXILIARY VIEWS



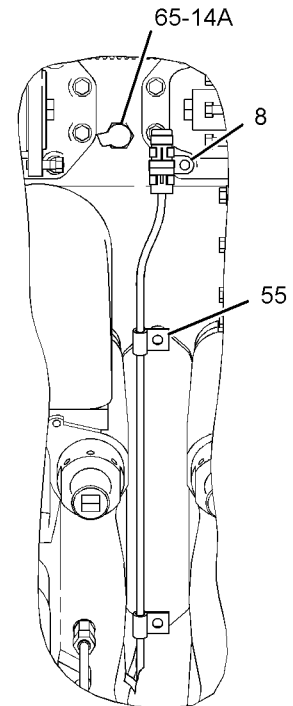
RIGHT SIDE VIEW



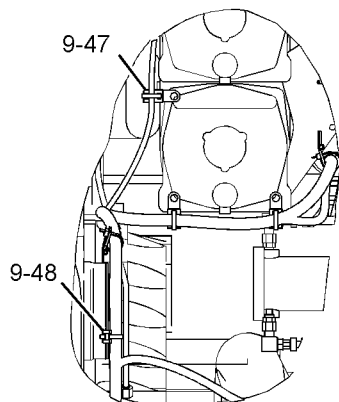
VIEW OF AREA M



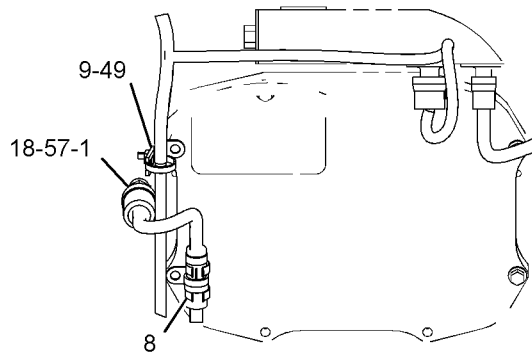
VIEW OF AREA F



VIEW E-E



VIEW OF AREA H



VIEW OF AREA A

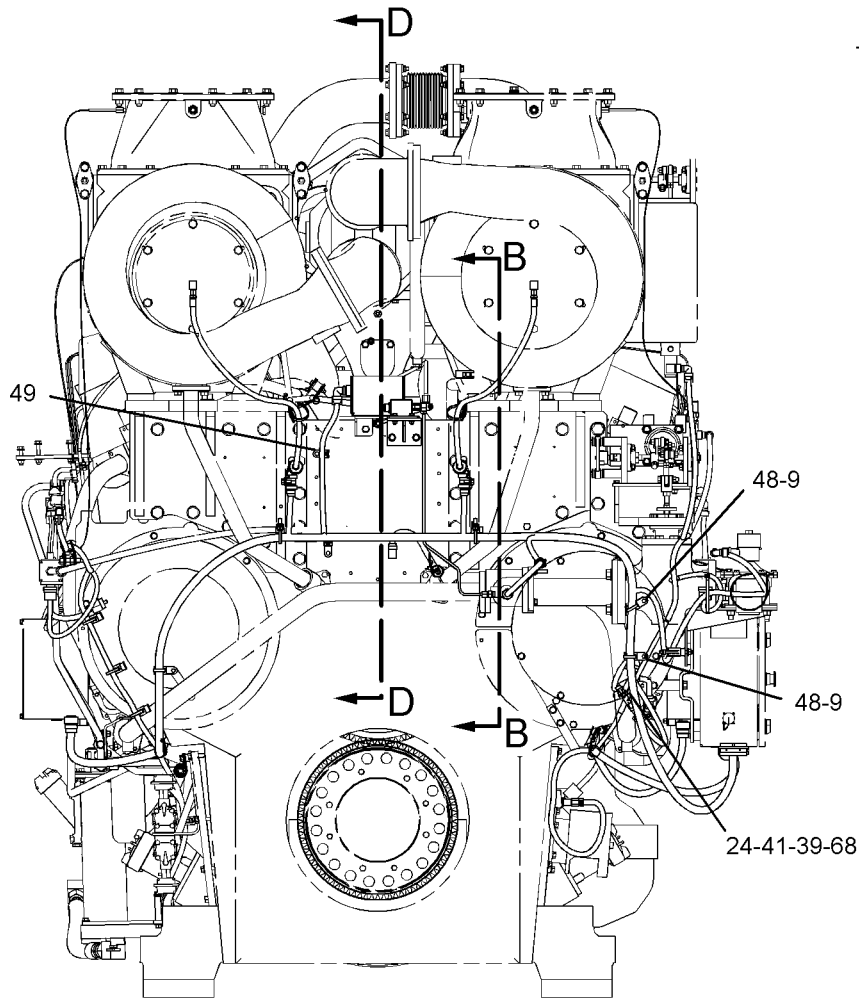
GRAPHIC #2

g01248251

ELECTRICAL AND STARTING SYSTEM

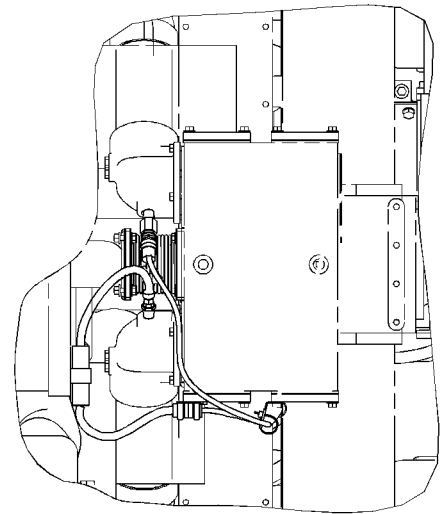
206-5461 WIRING GP-ENGINE (contd.)

i02610687

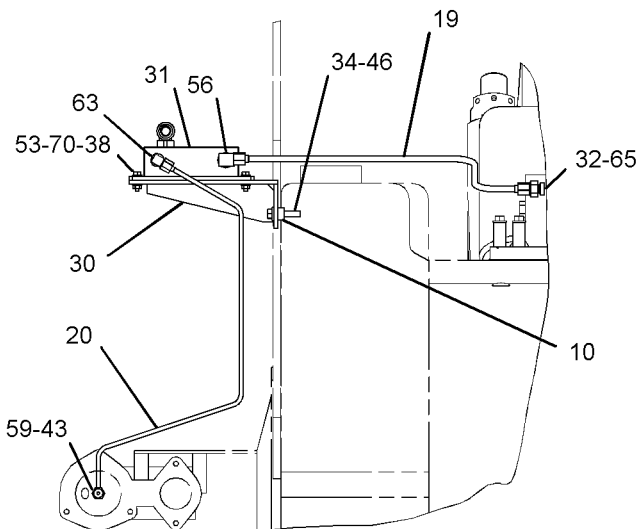


REAR VIEW

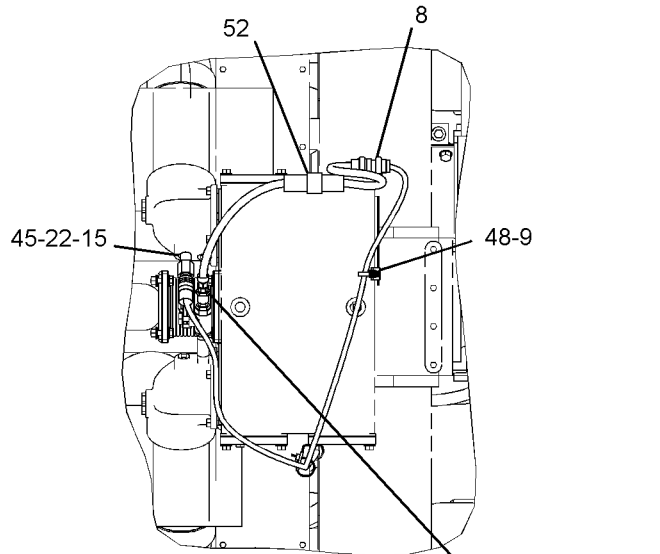
REFER TO ALL ILLUSTRATIONS OF THIS GROUP FOR AUXILIARY VIEWS



VIEW C-C
(FROM JACKET WATER REGULATORS RATED BELOW 110°C)



VIEW B-B



VIEW C-C
(FROM JACKET WATER REGULATORS RATED AT OR ABOVE 110°C)

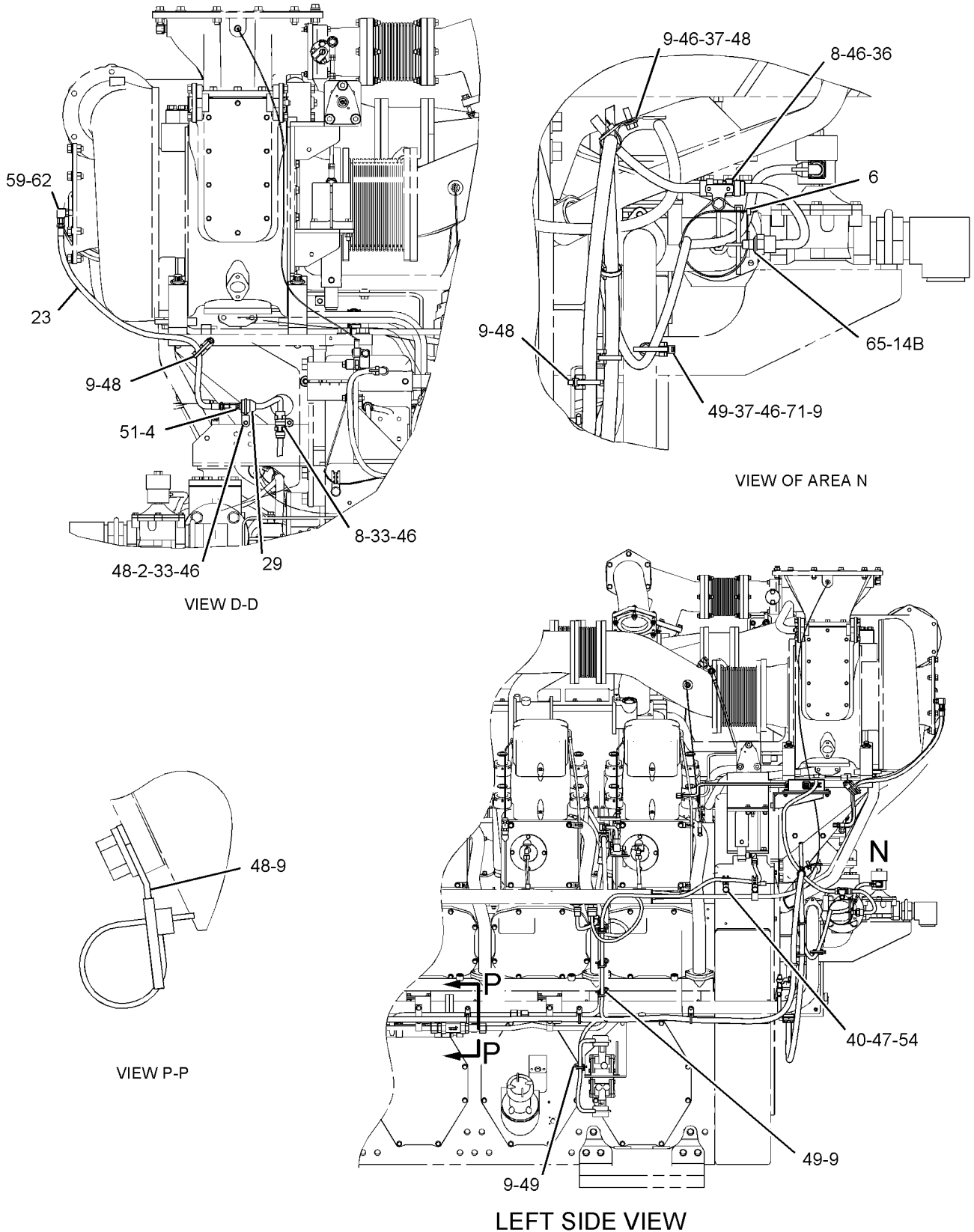
GRAPHIC #3

g01310520

ELECTRICAL AND STARTING SYSTEM

206-5461 WIRING GP-ENGINE (contd.)

i02610687



GRAPHIC #4

<END>

g01141602

ELECTRICAL AND STARTING SYSTEM

228-8984 WIRING GP-ENGINE (CHG -00 THRU -03, -06)

SMCS-1000, 1408

i02446446

| NOTE | REF NO | GRAPHIC REF | PART NUMBER | QTY | PART NAME | | | | | | SEE PAGE |
|------|--------|-------------|-------------|-----|--|---|---|---|---|-------------------|----------|
| | | | | | 1 | 2 | 3 | 4 | 5 | 6 (PRODUCT LEVEL) | |
| | 1 | 5 | 3P-0764 | 1 | PLUG | | | | | | |
| | 2 | 5 | 3S-2093 | 2 | STRAP-CABLE | | | | | | |
| | 3 | 2 | 4N-5756 | 1 | BRACKET | | | | | | |
| | 4 | 5 | 5L-3233 | 2 | FITTING | | | | | | |
| | 5 | 2 | 5P-3501 | 1 | ADAPTER | | | | | | |
| I | 6 | 5 | 5T-4375 | 2 | HOSE AS | | | | | | |
| | 7 | 5 | 8T-3285 | 1 | ADAPTER | | | | | | |
| | 8 | 1,2,4,5 | 9X-3495 | 10 | CLIP AS | | | | | | |
| | 9 | 1,2,3,4,5 | 9X-6772 | 43 | STRAP-CABLE | | | | | | |
| | 10 | 1 | 100-7870 | 1 | ADAPTER-O-RING | | | | | | |
| | 11 | 5 | 102-1594 | 1 | BRACKET AS | | | | | | |
| | 12 | 2 | 110-1168 | 1 | SWITCH AS-PRESSURE (JACKET WATER INLET) | | | | | | |
| | | 2 | 186-3736 | 3 | SOCKET-CONNECTOR (16-GA TO 18-GA) | | | | | | |
| | | 2 | 8T-8731 | 1 | PLUG-CONNECTOR (3-PIN) | | | | | | |
| BE | | 2 | 9X-1813 | | SLEEVE | | | | | | |
| | 13 | 2 | 116-0118 | 2 | CLIP | | | | | | |
| | 14 | 1 | 130-8299 | 1 | SENSOR GP-TEMPERATURE (OIL) | | | | | | |
| | | 1 | 186-3735 | 3 | PIN-CONNECTOR (16-GA TO 18-GA) | | | | | | |
| | | 1 | 8T-8732 | 1 | RECEPTACLE (3-PIN) | | | | | | |
| BE | | 1 | 9X-1813 | | SLEEVE | | | | | | |
| | 14A | 5 | 130-8299 | 1 | SENSOR GP-TEMPERATURE (MANIFOLD AIR) | | | | | | |
| | | 5 | 186-3735 | 3 | PIN-CONNECTOR (16-GA TO 18-GA) | | | | | | |
| | | 5 | 8T-8732 | 1 | RECEPTACLE (3-PIN) | | | | | | |
| BE | | 5 | 9X-1813 | | SLEEVE | | | | | | |
| | 14B | 4 | 130-8299 | 1 | SENSOR GP-TEMPERATURE (FUEL) | | | | | | |
| | | 4 | 186-3735 | 3 | PIN-CONNECTOR (16-GA TO 18-GA) | | | | | | |
| | | 4 | 8T-8732 | 1 | RECEPTACLE (3-PIN) | | | | | | |
| BE | | 4 | 9X-1813 | | SLEEVE | | | | | | |
| Y | 15 | 5 | 130-9811 | 1 | SENSOR GP-TEMPERATURE (JACKET WATER) | | | | | | 612 |
| | 16 | 2 | 140-9669 | 1 | SWITCH AS-PRESSURE (GOVERNOR OIL) | | | | | | |
| | | 2 | 8T-8730 | 3 | SOCKET-CONNECTOR (16-GA TO 18-GA) | | | | | | |
| | | 2 | 8T-8731 | 1 | PLUG-CONNECTOR (3-PIN) | | | | | | |
| BE | | 2 | 9X-1813 | | SLEEVE | | | | | | |
| | 17 | 5 | 149-5150 | 1 | SENSOR GP-PRESSURE (JACKET WATER OUTLET) | | | | | | |
| | | 5 | 186-3736 | 3 | SOCKET-CONNECTOR (16-GA TO 18-GA) | | | | | | |
| | | 5 | 8T-8731 | 1 | PLUG-CONNECTOR (3-PIN) | | | | | | |
| BE | | 5 | 9X-1813 | | SLEEVE | | | | | | |
| | 18 | 5 | 152-1959 | 1 | SWITCH AS-PRESSURE (PRELUBRICATION) | | | | | | |
| | | 5 | 186-3735 | 2 | PIN-CONNECTOR (16-GA TO 18-GA) | | | | | | |
| | | 5 | 8T-8732 | 1 | RECEPTACLE (3-PIN) | | | | | | |
| | | 5 | 9G-3695 | 1 | PLUG | | | | | | |
| | 19 | 5 | 156-5222 | 1 | TUBE AS | | | | | | |
| Y | 20 | 5 | 162-7289 | 1 | CONTROL GP-GAS PRESSURE | | | | | | 534 |
| | 21 | 1 | 163-8523 | 1 | SENSOR GP-PRESSURE (FILTERED OIL) | | | | | | |
| | | 1 | 8T-8731 | 1 | PLUG-CONNECTOR (3-PIN) | | | | | | |
| BE | | 1 | 9X-1813 | | SLEEVE | | | | | | |
| | | 1 | 194-5226 | 3 | WIRE AS-HARNESS (16-GA TO 18-GA) | | | | | | |
| | 21A | 1 | 163-8523 | 1 | SENSOR GP-PRESSURE (UNFILTERED OIL) | | | | | | |
| | | 1 | 8T-8731 | 1 | PLUG-CONNECTOR (3-PIN) | | | | | | |
| BE | | 1 | 9X-1813 | | SLEEVE | | | | | | |
| | | 1 | 194-5226 | 3 | WIRE AS-HARNESS (16-GA TO 18-GA) | | | | | | |
| | 22 | 5 | 170-3528 | 1 | ADAPTER | | | | | | |
| | 23 | 3 | 191-8305 | 1 | SENSOR GP-SPEED (TIMING) | | | | | | |
| | 24 | 5 | 195-2431 | 8 | SENSOR GP-DETONATION | | | | | | |
| | | | | | (EACH INCLUDES) | | | | | | |
| | | 5 | 186-3736 | 3 | SOCKET-CONNECTOR (16-GA TO 18-GA) | | | | | | |
| | | 5 | 8T-8731 | 1 | PLUG-CONNECTOR (3-PIN) | | | | | | |

ELECTRICAL AND STARTING SYSTEM

228-8984 WIRING GP-ENGINE (contd.)

i02446446

| NOTE | REF NO | GRAPHIC REF | PART NUMBER | QTY | PART NAME | | | | | | SEE PAGE |
|------|--------|-------------|-------------|-----|---|---|---|---|---|-------------------|----------|
| | | | | | 1 | 2 | 3 | 4 | 5 | 6 (PRODUCT LEVEL) | |
| BE | | 5 | 9X-1813 | | SLEEVE | | | | | | |
| | 25 | 2 | 195-6056 | 1 | HARNESS AS-WIRING (RIGHT SIDE) | | | | | | |
| | | 2 | 102-8803 | 1 | KIT-RECEPTACLE (3-PIN) | | | | | | |
| | | | | | INCLUDES RECEPTACLE AS AND WEDGE | | | | | | |
| | | 2 | 102-8804 | 1 | KIT-RECEPTACLE (4-PIN) | | | | | | |
| | | | | | INCLUDES RECEPTACLE AS AND WEDGE | | | | | | |
| | | 2 | 4P-3857 | 2 | PLUG AS-CONNECTOR | | | | | | |
| | | 2 | 6D-5234 | 1 | RECEPTACLE AS | | | | | | |
| | | 2 | 155-2272 | 1 | PLUG AS-CONNECTOR (4-PIN) | | | | | | |
| | | 2 | 155-2271 | 1 | KIT-CONNECTING PLUG (4-PIN) | | | | | | |
| | | 2 | 160-7690 | 1 | PLUG AS-CONNECTOR (70-PIN) | | | | | | |
| | | 2 | 159-9322 | 1 | SEAL-O-RING | | | | | | |
| | | 2 | 176-2942 | 1 | PLUG AS-CONNECTOR (2-PIN) | | | | | | |
| | | 2 | 176-2943 | 1 | KIT-CONNECTING PLUG (2-PIN) | | | | | | |
| | | | | | INCLUDES PLUG AS AND WEDGE | | | | | | |
| | 26 | 5 | 200-1919 | 1 | TUBE AS | | | | | | |
| | 27 | 5 | 201-0624 | 2 | ADAPTER | | | | | | |
| Y | 28 | 2 | 207-6859 | 1 | SENSOR GP-PRESSURE (CRANKCASE) | | | | | | 609 |
| Y | 29 | 5 | 211-3504 | 2 | SWITCH AS-PRESSURE (INLET AIR RESTRICTION, RH, LH) | | | | | | 631 |
| | 30 | 2 | 195-6058 | 1 | HARNESS AS-WIRING (LEFT SIDE) | | | | | | |
| | | 2 | 4P-3857 | 4 | PLUG AS-CONNECTOR | | | | | | |
| | | 2 | 6D-5234 | 1 | RECEPTACLE AS | | | | | | |
| | | 2 | 8T-9605 | 1 | PLUG AS-CONNECTOR (6-PIN) | | | | | | |
| | | 2 | 147-1443 | 1 | PLUG AS-CONNECTOR (70-PIN) | | | | | | |
| | | 2 | 159-9322 | 1 | SEAL-O-RING | | | | | | |
| | | 2 | 176-2942 | 1 | PLUG AS-CONNECTOR (2-PIN) | | | | | | |
| | 31 | 5 | 030-8188 | 1 | CONNECTOR | | | | | | |
| | 32 | 2,5 | 0S-0509 | 6 | BOLT (3/8-16X0.75-IN) | | | | | | |
| | 33 | 5 | 0S-1571 | 2 | BOLT (3/8-16X1.75-IN) | | | | | | |
| | 34 | 1 | 0S-1588 | 2 | BOLT (3/8-16X1.25-IN) | | | | | | |
| | 35 | 4 | 0S-1591 | 1 | BOLT (3/8-16X1.5-IN) | | | | | | |
| | 36 | 1,4 | 0S-1594 | 3 | BOLT (3/8-16X1-IN) | | | | | | |
| | 37 | 3 | 0S-1617 | 1 | BOLT (5/16-18X0.75-IN) | | | | | | |
| | 38 | 4 | 0S-1620 | 2 | BOLT (1/2-13X0.75-IN) | | | | | | |
| | 39 | 3 | 117-1385 | 1 | SEAL-O-RING | | | | | | |
| | 40 | 5 | 2N-8037 | 2 | ELBOW | | | | | | |
| | 41 | 5 | 2P-1314 | 1 | CONNECTOR | | | | | | |
| | 42 | 5 | 3J-7354 | 1 | SEAL-O-RING | | | | | | |
| | 43 | 1,2,5 | 3K-0360 | 3 | SEAL-O-RING | | | | | | |
| | 44 | 1,2,4,5 | 3V-3308 | 17 | WASHER-HARD (10.2X20.5X2.5-MM THK) | | | | | | |
| | 45 | 1,2,4 | 4P-7428 | 7 | CLIP | | | | | | |
| | 46 | 2,3,4,5 | 4P-7581 | 26 | CLIP | | | | | | |
| | 47 | 1,2,3,4,5 | 4P-8134 | 12 | CLIP | | | | | | |
| | 48 | 5 | 5D-9231 | 2 | CONNECTOR | | | | | | |
| | 49 | 5 | 5N-2840 | 1 | CLIP | | | | | | |
| | 50 | 5 | 5P-5008 | 2 | REDUCER | | | | | | |
| | 51 | 1,4 | 5P-8245 | 4 | WASHER-HARD (13.5X25.5X3-MM THK) | | | | | | |
| | 52 | 2,5 | 5P-9297 | 4 | CLIP | | | | | | |
| | 53 | 5 | 6K-9194 | 1 | ELBOW-FLARED | | | | | | |
| | 54 | 5 | 6V-4589 | 1 | SEAL-O-RING | | | | | | |
| | 55 | 1,2 | 6V-5048 | 3 | SEAL-O-RING | | | | | | |
| | 56 | 1,2,5 | 6V-5049 | 7 | SEAL-O-RING | | | | | | |
| | 57 | 1,5 | 6V-8647 | 2 | CONNECTOR | | | | | | |
| | 58 | 1 | 6V-9872 | 1 | CONNECTOR | | | | | | |
| | 59 | 5 | 7K-9197 | 1 | ELBOW | | | | | | |
| | 60 | 1 | 8L-2779 | 1 | SEAL-O-RING | | | | | | |
| | 61 | 4,5 | 8L-2786 | 3 | SEAL-O-RING | | | | | | |
| | 62 | 1 | 8T-0788 | 1 | ELBOW | | | | | | |

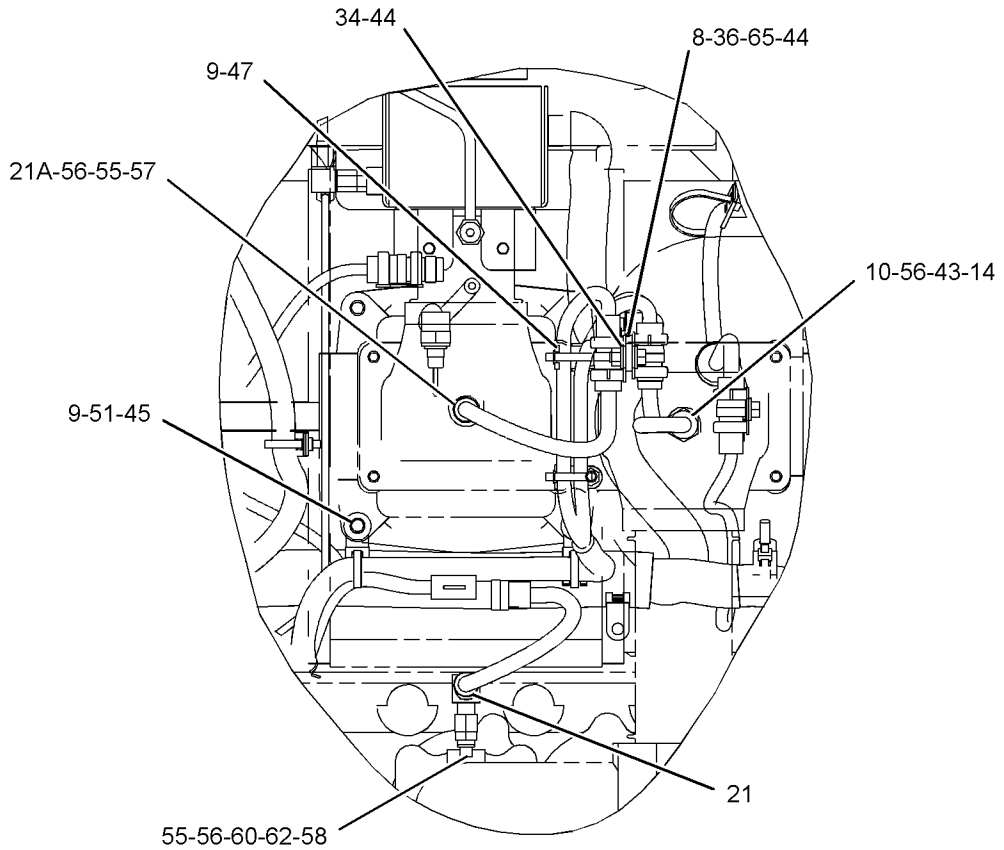
ELECTRICAL AND STARTING SYSTEM

228-8984 WIRING GP-ENGINE (contd.)

i02446446

| NOTE | REF NO | GRAPHIC REF | PART NUMBER | QTY | PART NAME | | | | | | SEE PAGE |
|------|--------|-------------|-----------------|-----|-------------------------------|---|---|---|---|-------------------|----------|
| | | | | | 1 | 2 | 3 | 4 | 5 | 6 (PRODUCT LEVEL) | |
| | 63 | 2 | 8T-2353 | 1 | ADAPTER | | | | | | |
| | 64 | 3 | 9M-1974 | 1 | WASHER-HARD (8.8X16X2-MM THK) | | | | | | |
| | 65 | 1 | 9S-8752 | 1 | NUT-FULL (3/8-16-THD) | | | | | | |
| | 66 | 2 | 132-5789 | 1 | CLIP | | | | | | |

B-USE AS REQUIRED
 E-ORDER BY THE CENTIMETER
 I-REFER TO HYDRAULIC INFORMATION SYSTEM
 Y-SEPARATE ILLUSTRATION



FRONT VIEW

REFER TO ALL ILLUSTRATIONS OF THIS GROUP FOR AUXILIARY VIEWS

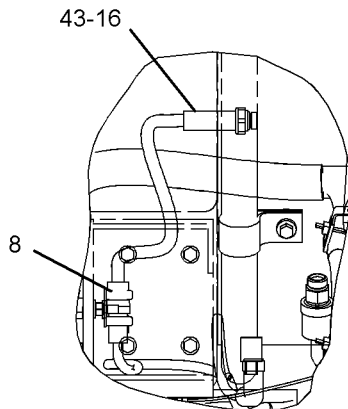
GRAPHIC #1

g01015865

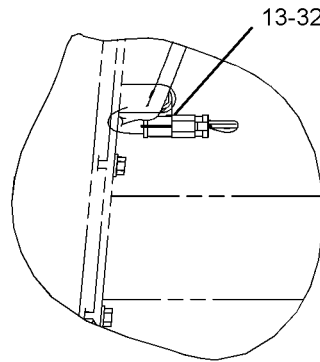
ELECTRICAL AND STARTING SYSTEM

228-8984 WIRING GP-ENGINE (contd.)

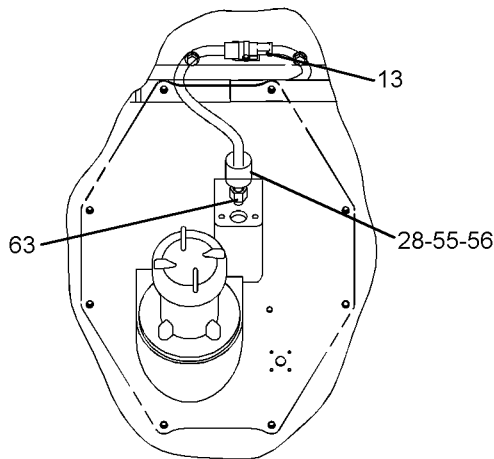
i02446446



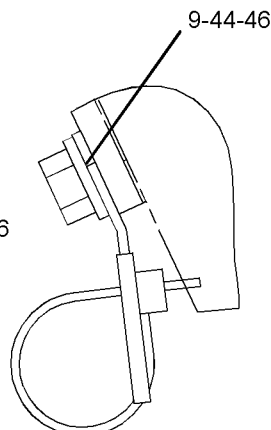
VIEW K-K



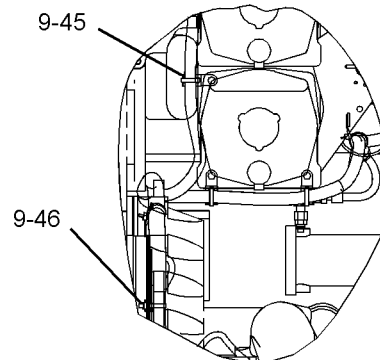
VIEW J-J



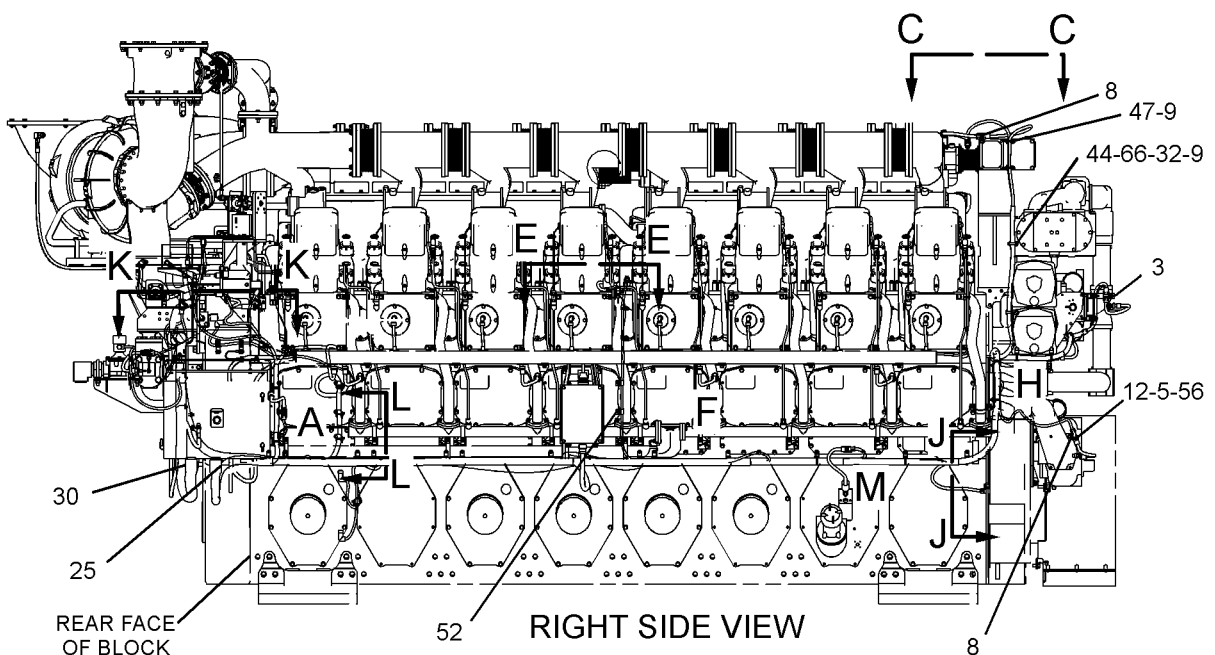
VIEW OF AREA M



VIEW L-L



VIEW OF AREA H



REAR FACE OF BLOCK

RIGHT SIDE VIEW

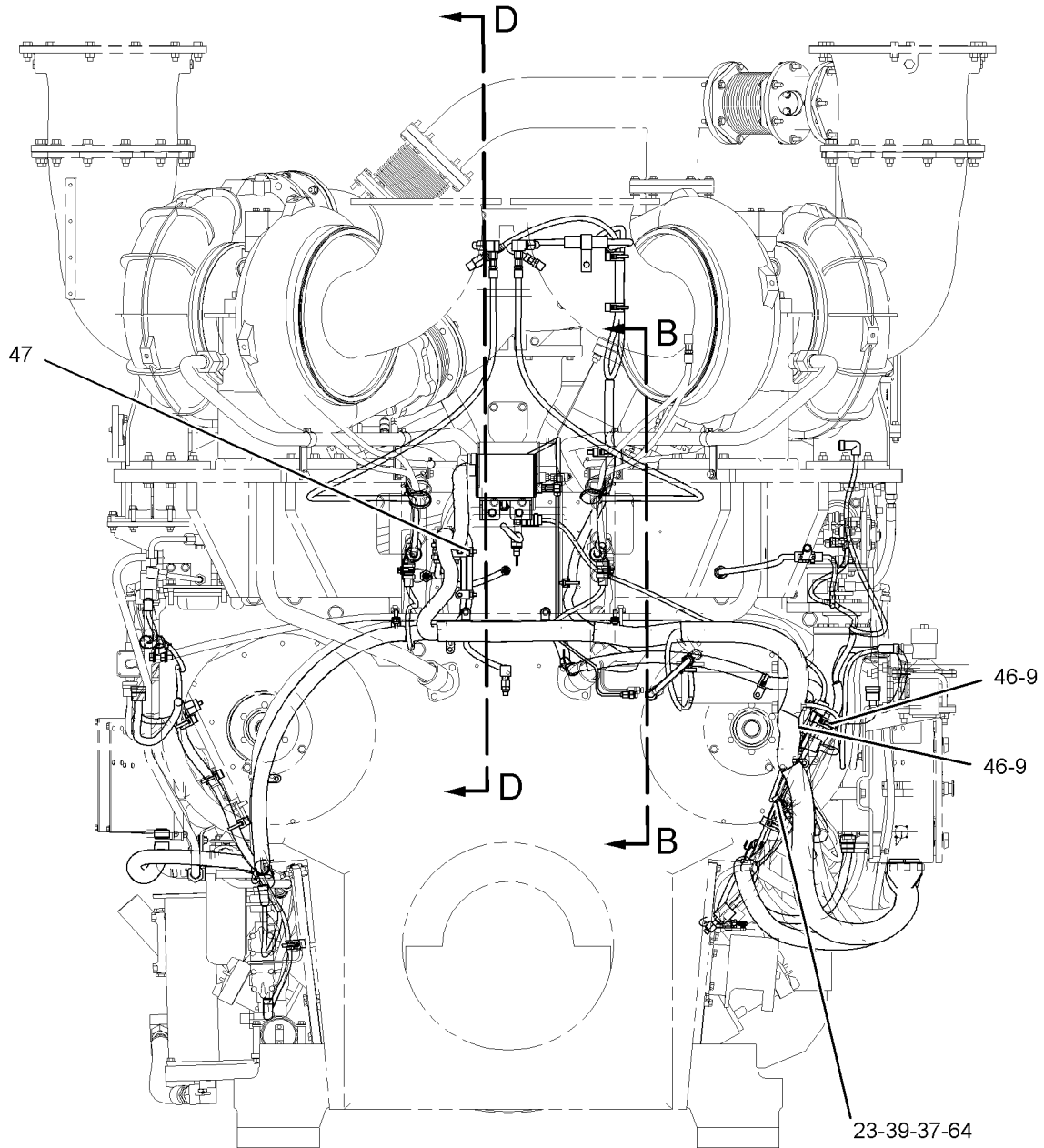
GRAPHIC #2

g01160152

ELECTRICAL AND STARTING SYSTEM

228-8984 WIRING GP-ENGINE (contd.)

i02446446



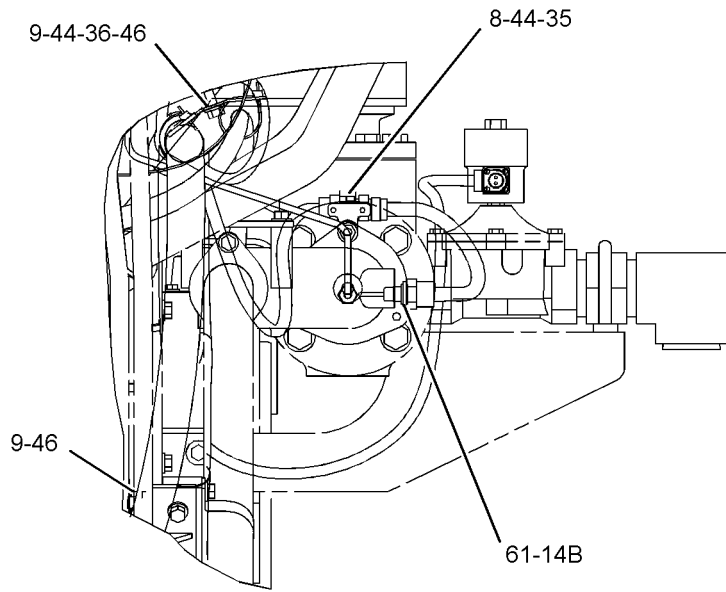
GRAPHIC #3

g01016647

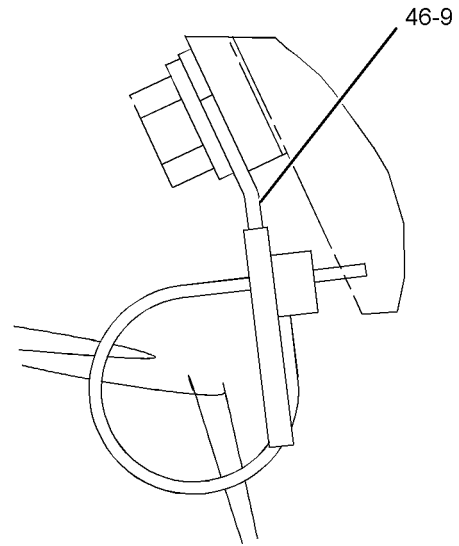
ELECTRICAL AND STARTING SYSTEM

228-8984 WIRING GP-ENGINE (contd.)

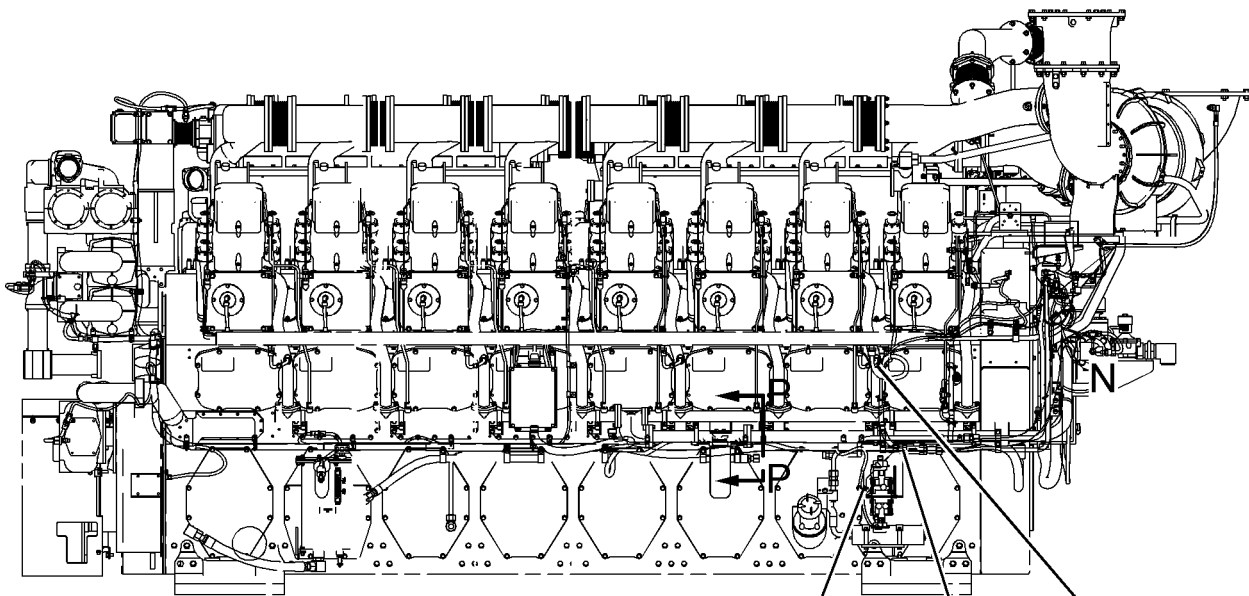
i02446446



VIEW OF AREA N



VIEW P-P



LEFT SIDE VIEW

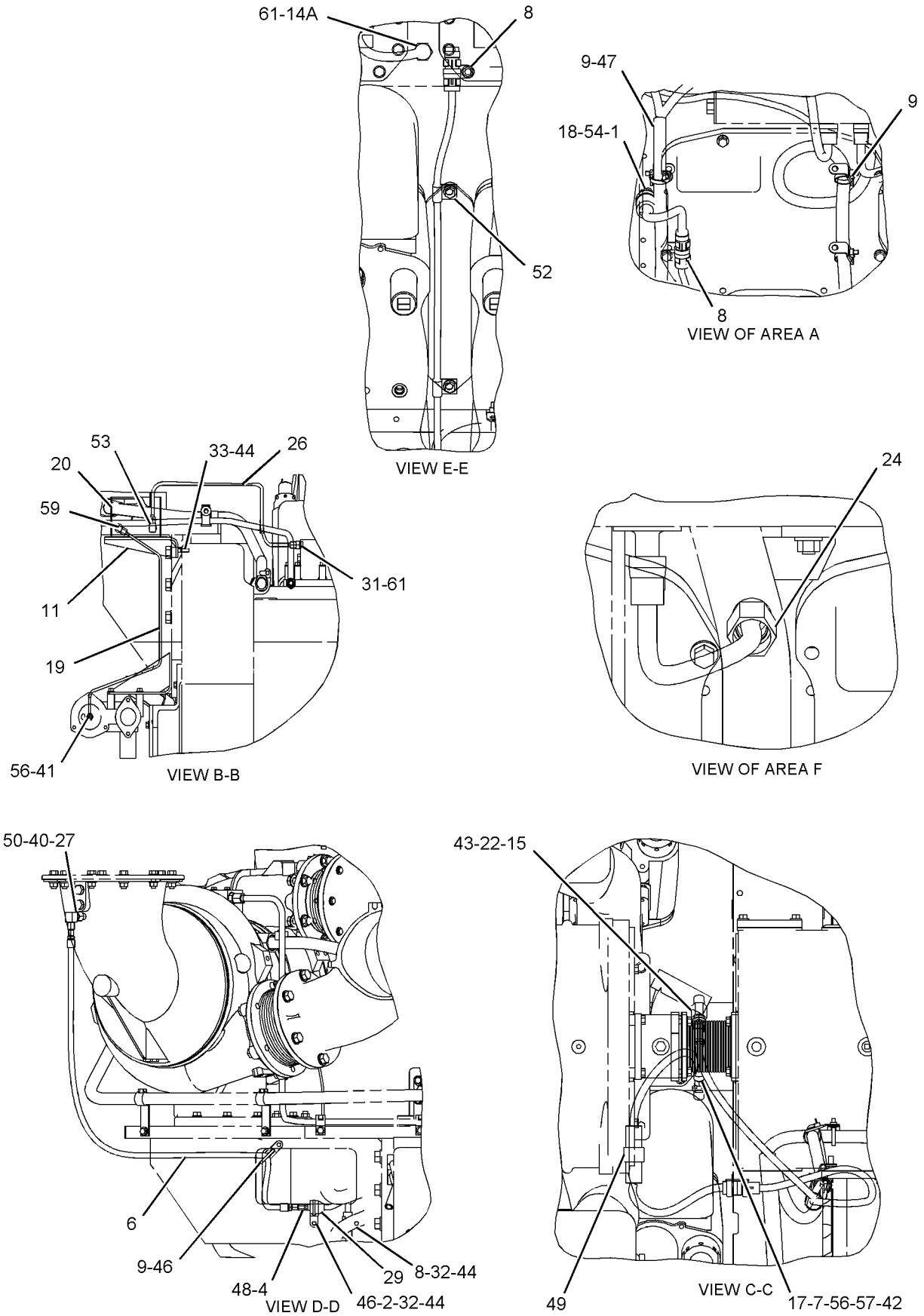
GRAPHIC #4

g01016718

ELECTRICAL AND STARTING SYSTEM

228-8984 WIRING GP-ENGINE (contd.)

i02446446



GRAPHIC #5

<END>

g01016719

ELECTRICAL AND STARTING SYSTEM

228-8984 WIRING GP-ENGINE (CHG -08)

SMCS-1000, 1408

i02828670

| NOTE | REF NO | GRAPHIC REF | PART NUMBER | QTY | PART NAME | | | | | | SEE PAGE |
|------|--------|-------------|-------------|-----|--|---|---|---|---|-------------------|----------|
| | | | | | 1 | 2 | 3 | 4 | 5 | 6 (PRODUCT LEVEL) | |
| | 1 | 5 | 3P-0764 | 1 | PLUG | | | | | | |
| | 2 | 5 | 3S-2093 | 2 | STRAP-CABLE | | | | | | |
| | 3 | 4 | 4N-5756 | 1 | BRACKET | | | | | | |
| | 4 | 5 | 5L-3233 | 2 | FITTING | | | | | | |
| | 5 | 2 | 5P-3501 | 1 | ADAPTER | | | | | | |
| I | 6 | 5 | 5T-4375 | 2 | HOSE AS | | | | | | |
| | 7 | 5 | 8T-3285 | 1 | ADAPTER | | | | | | |
| | 8 | 4,5,1,2 | 9X-3495 | 10 | CLIP AS | | | | | | |
| | 9 | 3,4,5,1,2 | 9X-6772 | 43 | STRAP-CABLE | | | | | | |
| | 10 | 1 | 100-7870 | 1 | ADAPTER-O-RING | | | | | | |
| | 11 | 5 | 102-1594 | 1 | BRACKET AS | | | | | | |
| | 12 | 2 | 110-1168 | 1 | SWITCH AS-PRESSURE (JACKET WATER INLET) | | | | | | |
| | | 2 | 186-3736 | 3 | SOCKET-CONNECTOR (16-GA TO 18-GA) | | | | | | |
| | | 2 | 8T-8731 | 1 | PLUG-CONNECTOR (3-PIN) | | | | | | |
| BE | | 2 | 9X-1813 | | SLEEVE | | | | | | |
| | 13 | 2 | 116-0118 | 2 | CLIP | | | | | | |
| | 14 | 1 | 130-8299 | 1 | SENSOR GP-TEMPERATURE (OIL) | | | | | | |
| | | 1 | 186-3735 | 3 | PIN-CONNECTOR (16-GA TO 18-GA) | | | | | | |
| | | 1 | 8T-8732 | 1 | RECEPTACLE (3-PIN) | | | | | | |
| BE | | 1 | 9X-1813 | | SLEEVE | | | | | | |
| | 14A | 5 | 130-8299 | 1 | SENSOR GP-TEMPERATURE (MANIFOLD AIR) | | | | | | |
| | | 5 | 186-3735 | 3 | PIN-CONNECTOR (16-GA TO 18-GA) | | | | | | |
| | | 5 | 8T-8732 | 1 | RECEPTACLE (3-PIN) | | | | | | |
| BE | | 5 | 9X-1813 | | SLEEVE | | | | | | |
| | 14B | 4 | 130-8299 | 1 | SENSOR GP-TEMPERATURE (FUEL) | | | | | | |
| | | 4 | 186-3735 | 3 | PIN-CONNECTOR (16-GA TO 18-GA) | | | | | | |
| | | 4 | 8T-8732 | 1 | RECEPTACLE (3-PIN) | | | | | | |
| BE | | 4 | 9X-1813 | | SLEEVE | | | | | | |
| Y | 15 | 5 | 130-9811 | 1 | SENSOR GP-TEMPERATURE (JACKET WATER) | | | | | | 612 |
| | 16 | 2 | 140-9669 | 1 | SWITCH AS-PRESSURE (GOVERNOR OIL) | | | | | | |
| | | 2 | 8T-8730 | 3 | SOCKET-CONNECTOR (16-GA TO 18-GA) | | | | | | |
| | | 2 | 8T-8731 | 1 | PLUG-CONNECTOR (3-PIN) | | | | | | |
| BE | | 2 | 9X-1813 | | SLEEVE | | | | | | |
| C | 17 | 5 | 276-6793 | 1 | SENSOR GP-PRESSURE (JACKET WATER OUTLET) | | | | | | |
| | 18 | 5 | 152-1959 | 1 | SWITCH AS-PRESSURE (PRELUBRICATION) | | | | | | |
| | | 5 | 186-3735 | 2 | PIN-CONNECTOR (16-GA TO 18-GA) | | | | | | |
| | | 5 | 8T-8732 | 1 | RECEPTACLE (3-PIN) | | | | | | |
| | | 5 | 9G-3695 | 1 | PLUG | | | | | | |
| | 19 | 5 | 156-5222 | 1 | TUBE AS | | | | | | |
| Y | 20 | 5 | 162-7289 | 1 | CONTROL GP-GAS PRESSURE | | | | | | 534 |
| | 21 | 1 | 163-8523 | 1 | SENSOR GP-PRESSURE (FILTERED OIL) | | | | | | |
| | | 1 | 8T-8731 | 1 | PLUG-CONNECTOR (3-PIN) | | | | | | |
| BE | | 1 | 9X-1813 | | SLEEVE | | | | | | |
| | | 1 | 194-5226 | 3 | WIRE AS-HARNESS (16-GA TO 18-GA) | | | | | | |
| | 21A | 1 | 163-8523 | 1 | SENSOR GP-PRESSURE (UNFILTERED OIL) | | | | | | |
| | | 1 | 8T-8731 | 1 | PLUG-CONNECTOR (3-PIN) | | | | | | |
| BE | | 1 | 9X-1813 | | SLEEVE | | | | | | |
| | | 1 | 194-5226 | 3 | WIRE AS-HARNESS (16-GA TO 18-GA) | | | | | | |
| | 22 | 5 | 170-3528 | 1 | ADAPTER | | | | | | |
| | 23 | 3 | 191-8305 | 1 | SENSOR GP-SPEED (TIMING) | | | | | | |
| | 24 | 5 | 195-2431 | 8 | SENSOR GP-DETONATION | | | | | | |
| | | | | | (EACH INCLUDES) | | | | | | |
| | | 5 | 186-3736 | 3 | SOCKET-CONNECTOR (16-GA TO 18-GA) | | | | | | |
| | | 5 | 8T-8731 | 1 | PLUG-CONNECTOR (3-PIN) | | | | | | |
| BE | | 5 | 9X-1813 | | SLEEVE | | | | | | |
| | 25 | 2 | 195-6056 | 1 | HARNESS AS-WIRING (RIGHT SIDE) | | | | | | |

ELECTRICAL AND STARTING SYSTEM

228-8984 WIRING GP-ENGINE (contd.)

i02828670

| NOTE | REF NO | GRAPHIC REF | PART NUMBER | QTY | PART NAME | | | | | | SEE PAGE |
|------|--------|---------------|-------------|-----|---|---|---|---|---|-------------------|----------|
| | | | | | 1 | 2 | 3 | 4 | 5 | 6 (PRODUCT LEVEL) | |
| | | 2 | 102-8803 | 1 | KIT-RECEPTACLE (3-PIN) | | | | | | |
| | | | | | INCLUDES RECEPTACLE AS AND WEDGE | | | | | | |
| | | 2 | 102-8804 | 1 | KIT-RECEPTACLE (4-PIN) | | | | | | |
| | | | | | INCLUDES RECEPTACLE AS AND WEDGE | | | | | | |
| | | 2 | 4P-3857 | 2 | PLUG AS-CONNECTOR | | | | | | |
| | | 2 | 6D-5234 | 1 | RECEPTACLE AS | | | | | | |
| | | 2 | 155-2272 | 1 | PLUG AS-CONNECTOR (4-PIN) | | | | | | |
| | | 2 | 155-2271 | 1 | KIT-CONNECTING PLUG (4-PIN) | | | | | | |
| | | 2 | 160-7690 | 1 | PLUG AS-CONNECTOR (70-PIN) | | | | | | |
| | | 2 | 159-9322 | 1 | SEAL-O-RING | | | | | | |
| | | 2 | 176-2942 | 1 | PLUG AS-CONNECTOR (2-PIN) | | | | | | |
| | | 2 | 176-2943 | 1 | KIT-CONNECTING PLUG (2-PIN) | | | | | | |
| | | | | | INCLUDES PLUG AS AND WEDGE | | | | | | |
| | 26 | 5 | 200-1919 | 1 | TUBE AS | | | | | | |
| | 27 | 5 | 201-0624 | 2 | ADAPTER | | | | | | |
| Y | 28 | 2 | 207-6859 | 1 | SENSOR GP-PRESSURE (CRANKCASE) | | | | | | 609 |
| Y | 29 | 5 | 211-3504 | 2 | SWITCH AS-PRESSURE (INLET AIR RESTRICTION, RH, LH) | | | | | | 631 |
| | 30 | 2 | 195-6058 | 1 | HARNESS AS-WIRING (LEFT SIDE) | | | | | | |
| | | 2 | 4P-3857 | 4 | PLUG AS-CONNECTOR | | | | | | |
| | | 2 | 6D-5234 | 1 | RECEPTACLE AS | | | | | | |
| | | 2 | 8T-9605 | 1 | PLUG AS-CONNECTOR (6-PIN) | | | | | | |
| | | 2 | 147-1443 | 1 | PLUG AS-CONNECTOR (70-PIN) | | | | | | |
| | | 2 | 159-9322 | 1 | SEAL-O-RING | | | | | | |
| | | 2 | 176-2942 | 1 | PLUG AS-CONNECTOR (2-PIN) | | | | | | |
| | 31 | 5 | 030-8188 | 1 | CONNECTOR | | | | | | |
| | 32 | 5,2 | 0S-0509 | 6 | BOLT (3/8-16X0.75-IN) | | | | | | |
| | 33 | 5 | 0S-1571 | 2 | BOLT (3/8-16X1.75-IN) | | | | | | |
| | 34 | 1 | 0S-1588 | 2 | BOLT (3/8-16X1.25-IN) | | | | | | |
| | 35 | 4 | 0S-1591 | 1 | BOLT (3/8-16X1.5-IN) | | | | | | |
| | 36 | 4,1 | 0S-1594 | 3 | BOLT (3/8-16X1-IN) | | | | | | |
| | 37 | 3 | 0S-1617 | 1 | BOLT (5/16-18X0.75-IN) | | | | | | |
| | 38 | 4 | 0S-1620 | 2 | BOLT (1/2-13X0.75-IN) | | | | | | |
| | 39 | 3 | 117-1385 | 1 | SEAL-O-RING | | | | | | |
| | 40 | 5 | 2N-8037 | 2 | ELBOW | | | | | | |
| | 41 | 5 | 2P-1314 | 1 | CONNECTOR | | | | | | |
| | 42 | 5 | 3J-7354 | 1 | SEAL-O-RING | | | | | | |
| | 43 | 5,1,2 | 3K-0360 | 3 | SEAL-O-RING | | | | | | |
| | 44 | 4,5,1,2 | 3V-3308 | 17 | WASHER-HARD (10.2X20.5X2.5-MM THK) | | | | | | |
| | 45 | 4,1,2 | 4P-7428 | 7 | CLIP | | | | | | |
| | 46 | 3,4,5,2 | 4P-7581 | 26 | CLIP | | | | | | |
| | 47 | 3,4,5, 1,2 | 4P-8134 | 12 | CLIP | | | | | | |
| | 48 | 5 | 5D-9231 | 2 | CONNECTOR | | | | | | |
| | 49 | 5 | 5N-2840 | 1 | CLIP | | | | | | |
| | 50 | 5 | 5P-5008 | 2 | REDUCER | | | | | | |
| | 51 | 4,1 | 5P-8245 | 4 | WASHER-HARD (13.5X25.5X3-MM THK) | | | | | | |
| | 52 | 5,2 | 5P-9297 | 4 | CLIP | | | | | | |
| | 53 | 5 | 6K-9194 | 1 | ELBOW-FLARED | | | | | | |
| | 54 | 5 | 6V-4589 | 1 | SEAL-O-RING | | | | | | |
| | 55 | 1,2 | 6V-5048 | 3 | SEAL-O-RING | | | | | | |
| | 56 | 5,1,2 | 6V-5049 | 7 | SEAL-O-RING | | | | | | |
| | 57 | 5,1 | 6V-8647 | 2 | CONNECTOR | | | | | | |
| | 58 | 1 | 6V-9872 | 1 | CONNECTOR | | | | | | |
| | 59 | 5 | 7K-9197 | 1 | ELBOW | | | | | | |
| | 60 | 1 | 8L-2779 | 1 | SEAL-O-RING | | | | | | |
| | 61 | 4,5 | 8L-2786 | 3 | SEAL-O-RING | | | | | | |
| | 62 | 1 | 8T-0788 | 1 | ELBOW | | | | | | |
| | 63 | 2 | 8T-2353 | 1 | ADAPTER | | | | | | |
| | 64 | 3 | 9M-1974 | 1 | WASHER-HARD (8.8X16X2-MM THK) | | | | | | |

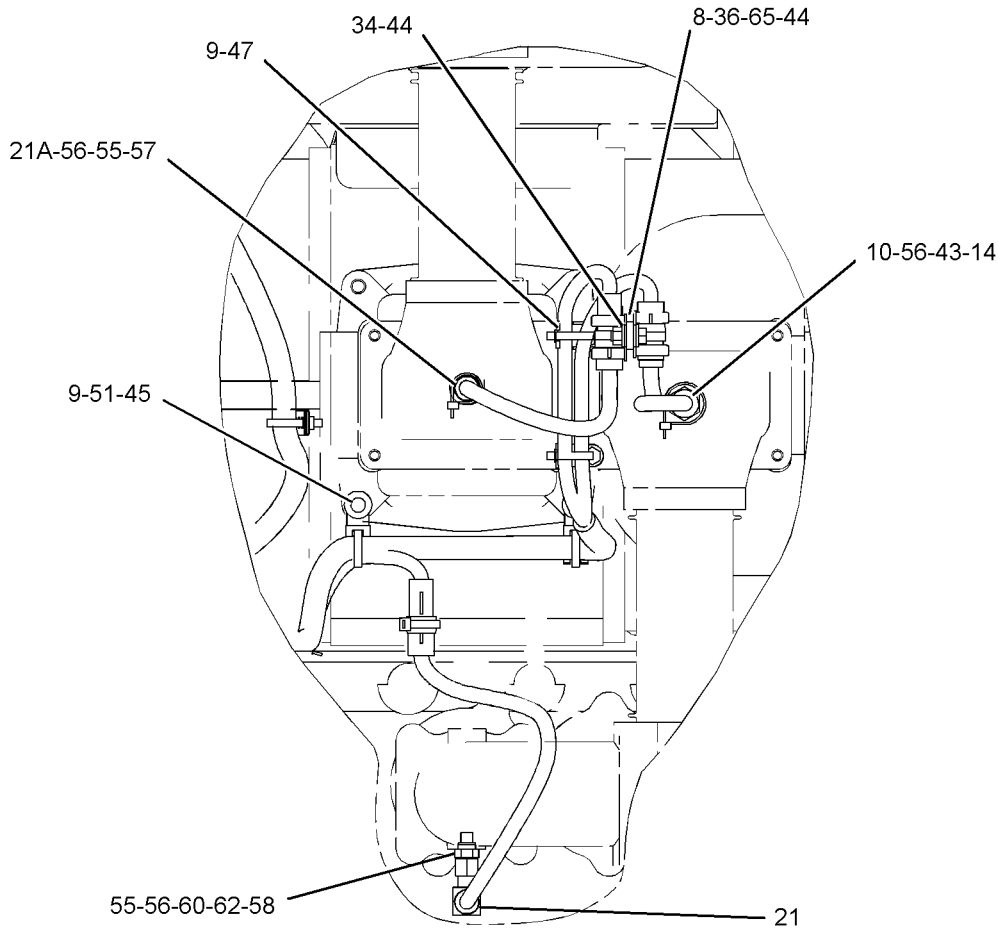
ELECTRICAL AND STARTING SYSTEM

228-8984 WIRING GP-ENGINE (contd.)

i02828670

| NOTE | REF NO | GRAPHIC REF | PART NUMBER | QTY | PART NAME | | | | | | SEE PAGE |
|------|--------|-------------|-----------------|-----|-----------------------|---|---|---|---|-------------------|----------|
| | | | | | 1 | 2 | 3 | 4 | 5 | 6 (PRODUCT LEVEL) | |
| | 65 | 1 | 9S-8752 | 1 | NUT-FULL (3/8-16-THD) | | | | | | |
| | 66 | 2 | 132-5789 | 1 | CLIP | | | | | | |
| C | 67 | 5 | 290-4619 | 1 | BUFFER GP-SENSOR | | | | | | |

B - USE AS REQUIRED
 C - CHANGE FROM PREVIOUS TYPE
 E - ORDER BY THE CENTIMETER
 I - REFER TO HYDRAULIC INFORMATION SYSTEM
 Y - SEPARATE ILLUSTRATION



REFER TO ALL ILLUSTRATIONS OF THIS GROUP FOR AUXILIARY VIEWS

FRONT VIEW OF ENGINE

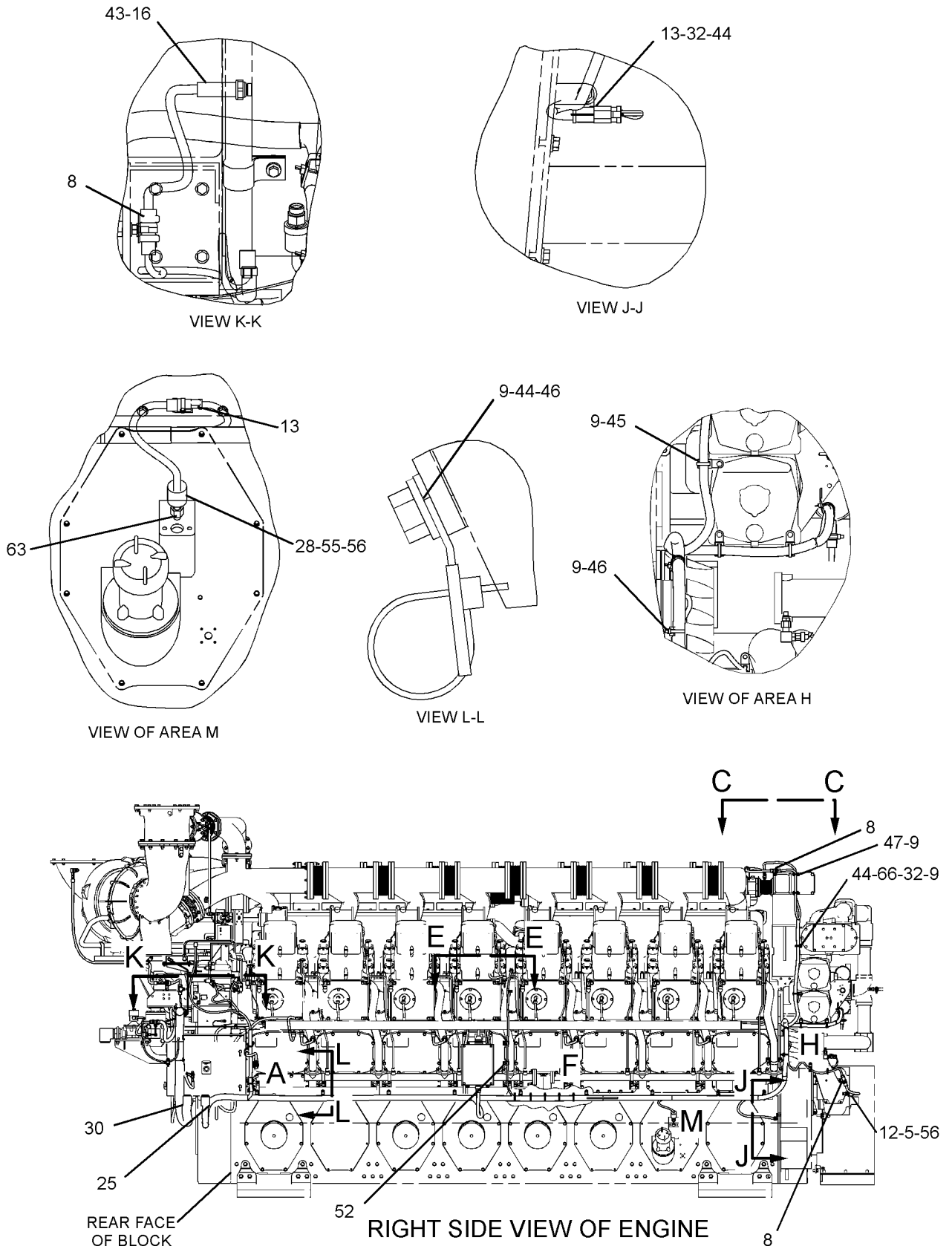
GRAPHIC #1

g01411669

ELECTRICAL AND STARTING SYSTEM

228-8984 WIRING GP-ENGINE (contd.)

i02828670



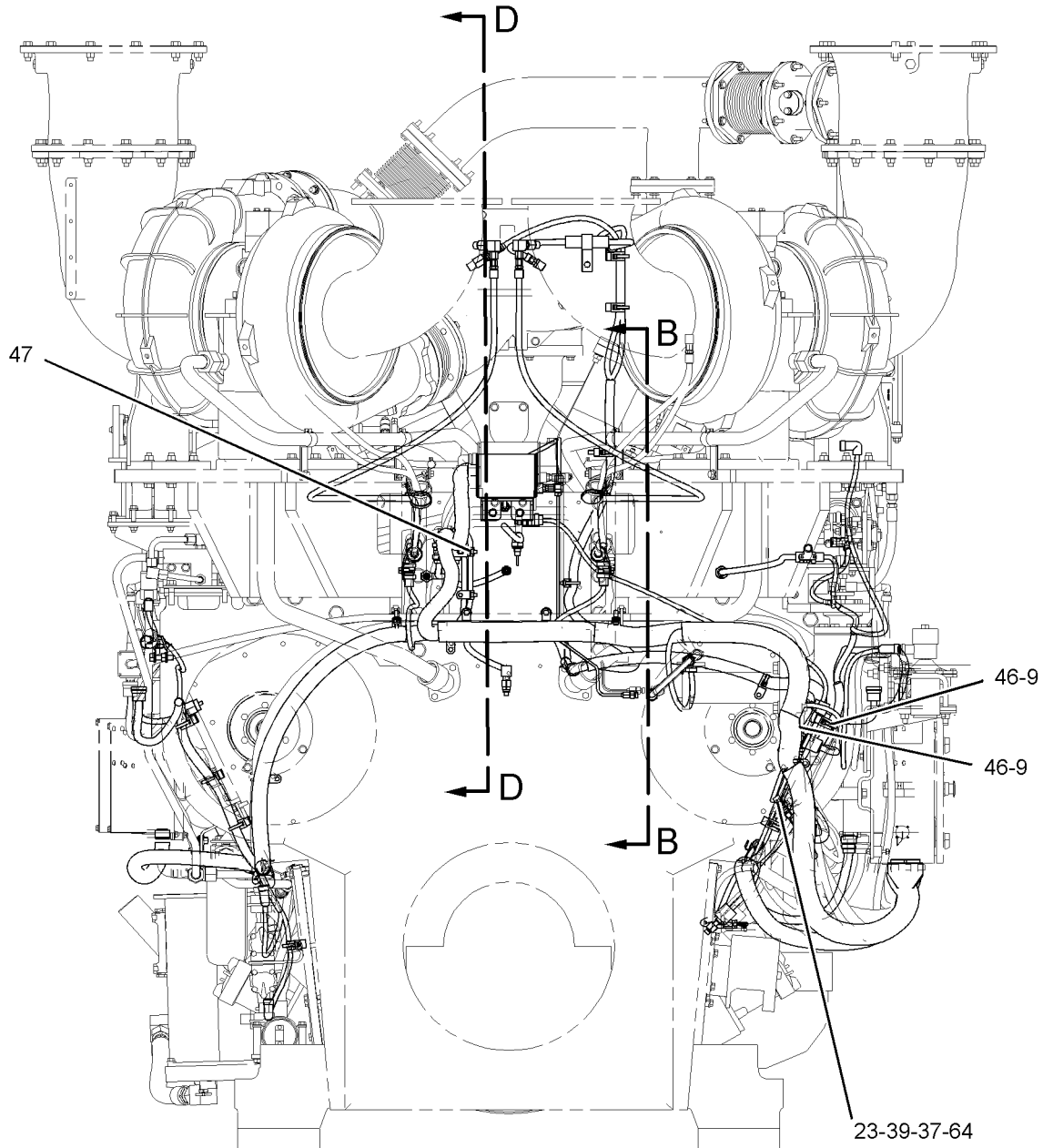
GRAPHIC #2

g01411670

ELECTRICAL AND STARTING SYSTEM

228-8984 WIRING GP-ENGINE (contd.)

i02828670



REAR VIEW OF ENGINE

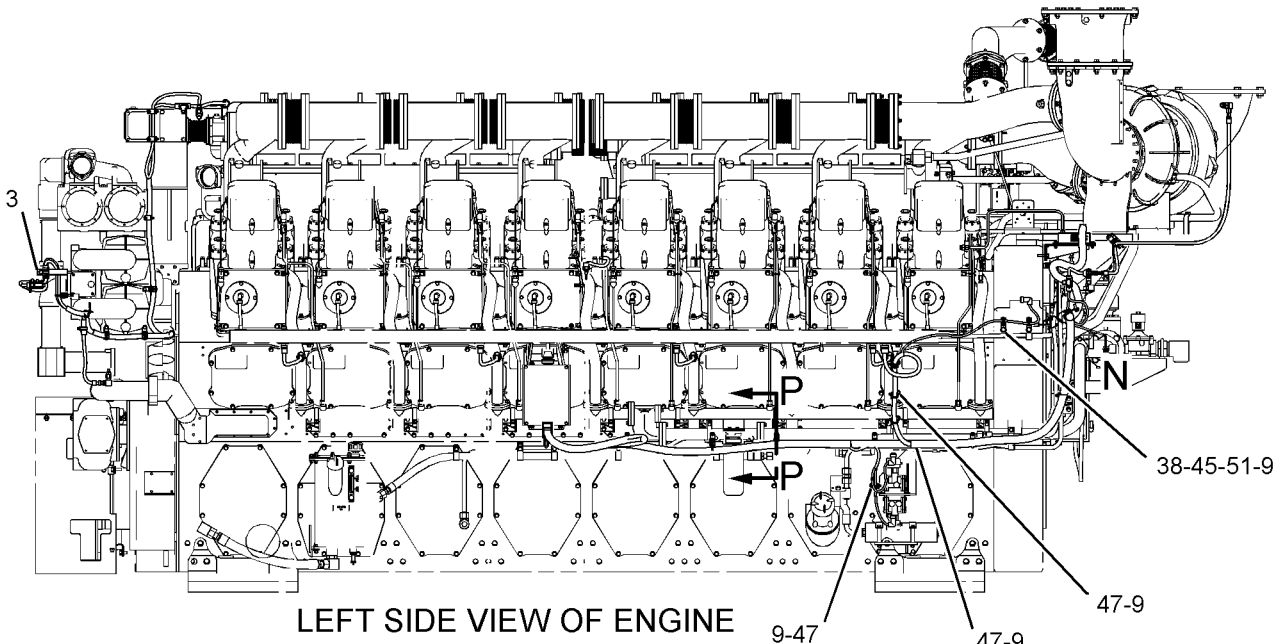
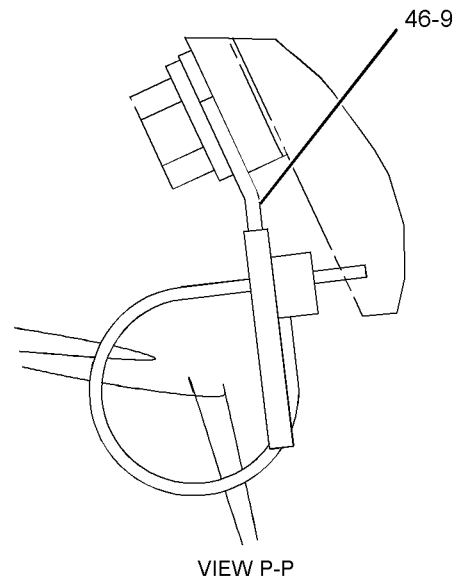
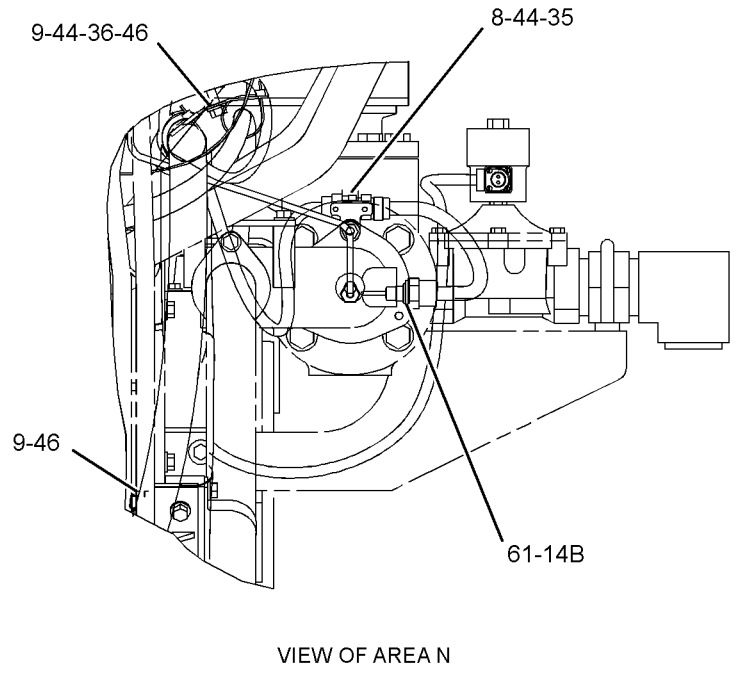
GRAPHIC #3

g01411672

ELECTRICAL AND STARTING SYSTEM

228 - 8984 WIRING GP - ENGINE (contd.)

i02828670



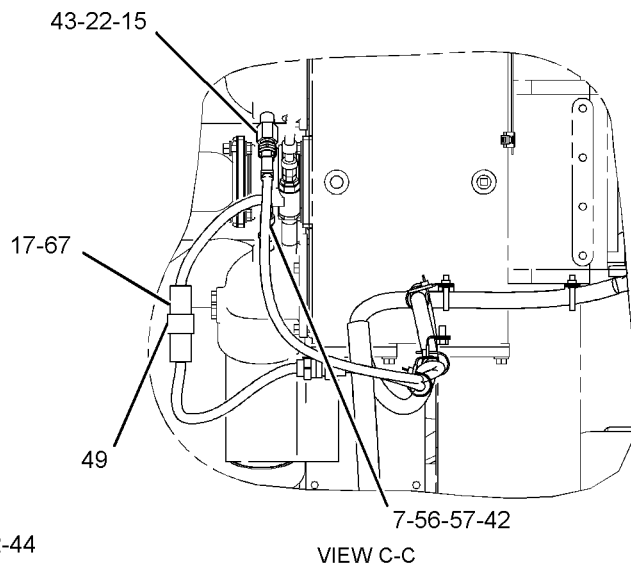
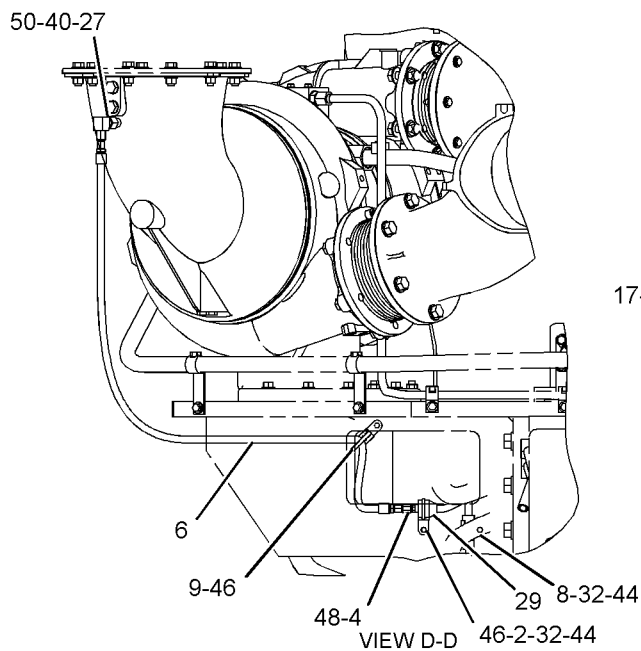
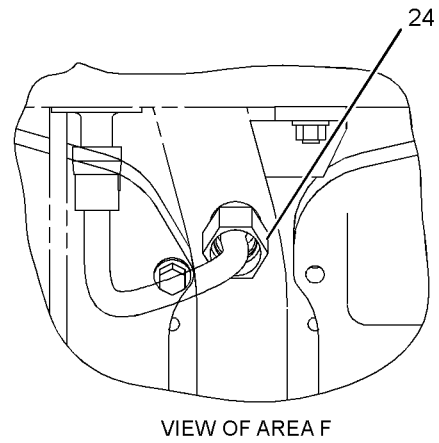
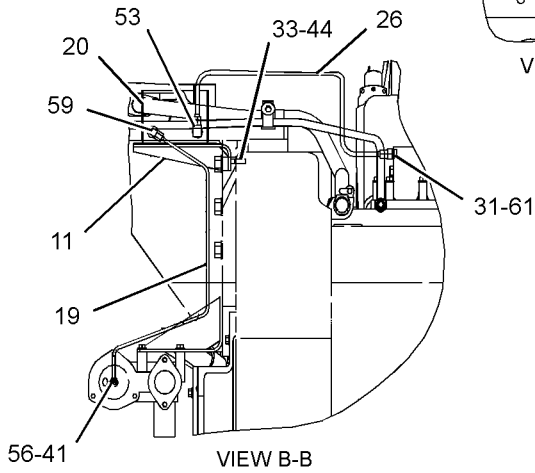
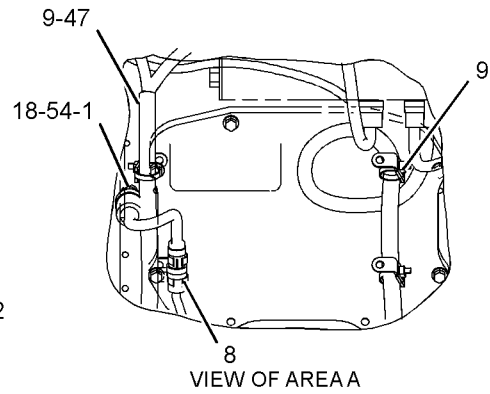
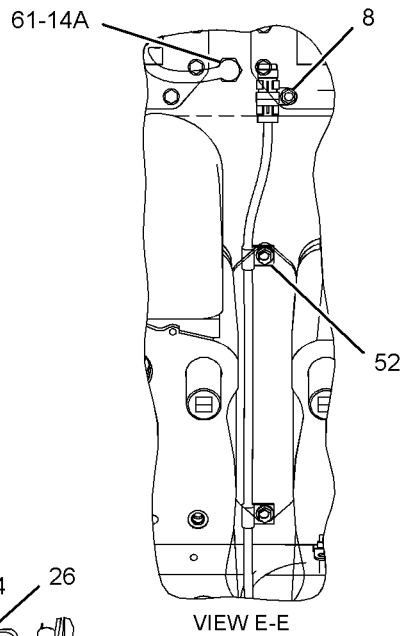
GRAPHIC #4

g01411673

ELECTRICAL AND STARTING SYSTEM

228-8984 WIRING GP-ENGINE (contd.)

i02828670



GRAPHIC #5

<END>

g01411674

OPERATOR STATION

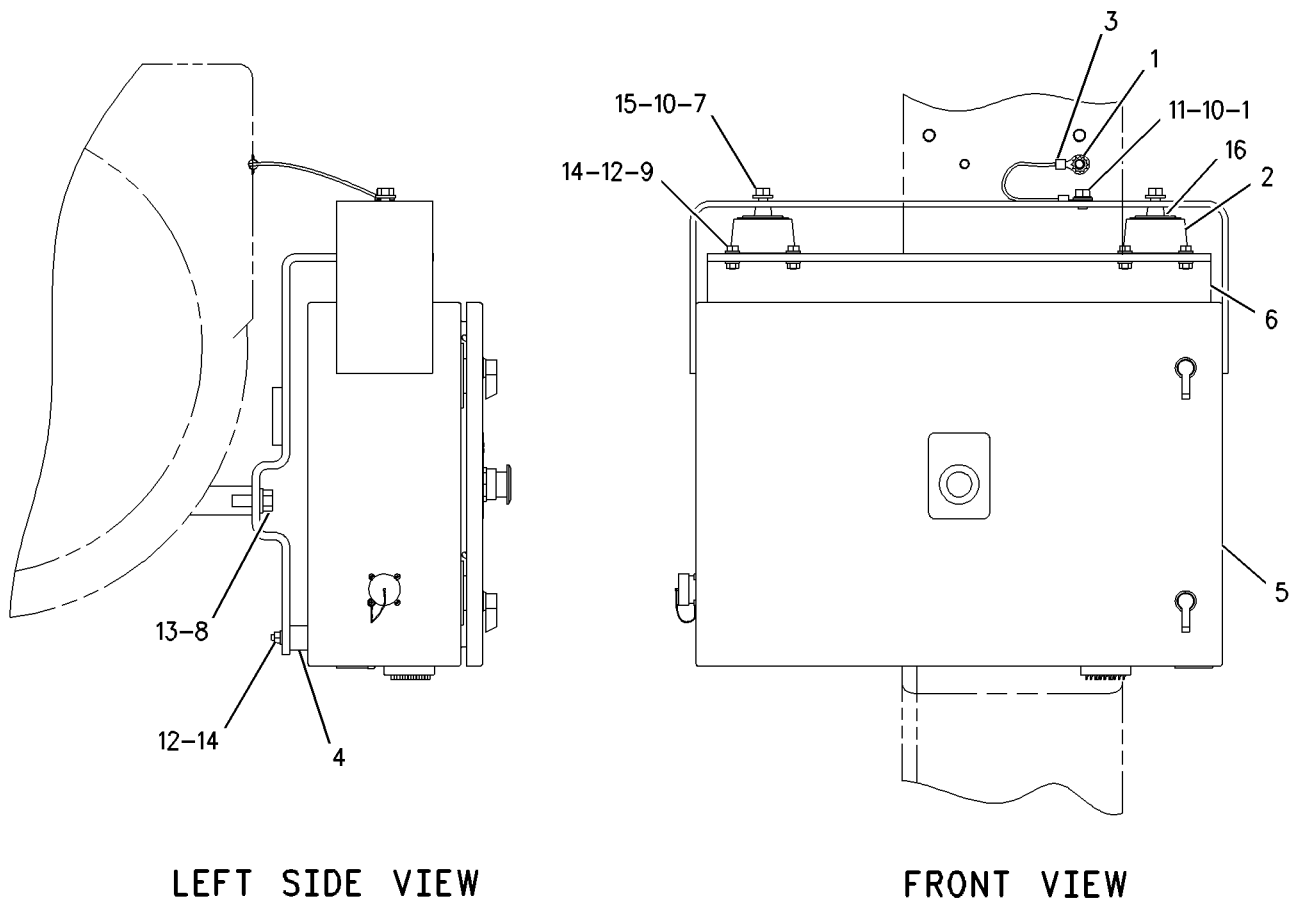
195-6243 BOX GP-CONTROL PANEL (CHG -00, -01)

SMCS-4490, 7451

i02061218

| NOTE | REF NO | GRAPHIC REF | PART NUMBER | QTY | PART NAME | | | | | | SEE PAGE |
|------|--------|-------------|-------------|-----|------------------------------------|---|---|---|---|-------------------|----------|
| | | | | | 1 | 2 | 3 | 4 | 5 | 6 (PRODUCT LEVEL) | |
| | 1 | 1 | 4D-1326 | 2 | LOCKWASHER | | | | | | |
| | 2 | 1 | 9Y-9480 | 2 | MOUNT-FLEXIBLE | | | | | | |
| | 3 | 1 | 127-0594 | 1 | WIRE AS-GROUND | | | | | | |
| | 4 | 1 | 167-9430 | 2 | ISOLATOR | | | | | | |
| Y | 5 | 1 | 195-6244 | 1 | BOX GP-CONTROL PANEL | | | | | | 676 |
| | 6 | 1 | 196-9484 | 1 | BRACKET AS | | | | | | |
| | 7 | 1 | 0L-2070 | 2 | BOLT (3/8-16X2.25-IN) | | | | | | |
| | 8 | 1 | 0S-1595 | 2 | BOLT (1/2-13X1.25-IN) | | | | | | |
| | 9 | 1 | 0S-1615 | 8 | BOLT (1/4-20X0.75-IN) | | | | | | |
| | 10 | 1 | 3V-3308 | 3 | WASHER-HARD (10.2X20.5X2.5-MM THK) | | | | | | |
| | 11 | 1 | 0S-0509 | 1 | BOLT (3/8-16X0.75-IN) | | | | | | |
| | 12 | 1 | 5P-0537 | 20 | WASHER-HARD (7.2X14.5X2-MM THK) | | | | | | |
| | 13 | 1 | 5P-8245 | 2 | WASHER-HARD (13.5X25.5X3-MM THK) | | | | | | |
| | 14 | 1 | 9S-8750 | 12 | NUT-FULL (1/4-20 THD) | | | | | | |
| | 15 | 1 | 9S-8752 | 2 | NUT-FULL (3/8-16-THD) | | | | | | |
| | 16 | 1 | 9Y-9481 | 4 | WASHER (9.9X47.8X1.5-MM THK) | | | | | | |

Y-SEPARATE ILLUSTRATION



LEFT SIDE VIEW

FRONT VIEW

GRAPHIC #1

<END>

g00838206

OPERATOR STATION

195-6244 BOX GP-CONTROL PANEL (CHG -00 THRU -03) PART OF 195-6243 BOX GP-CONTROL PANEL

SMCS-4490, 7451

i02434777

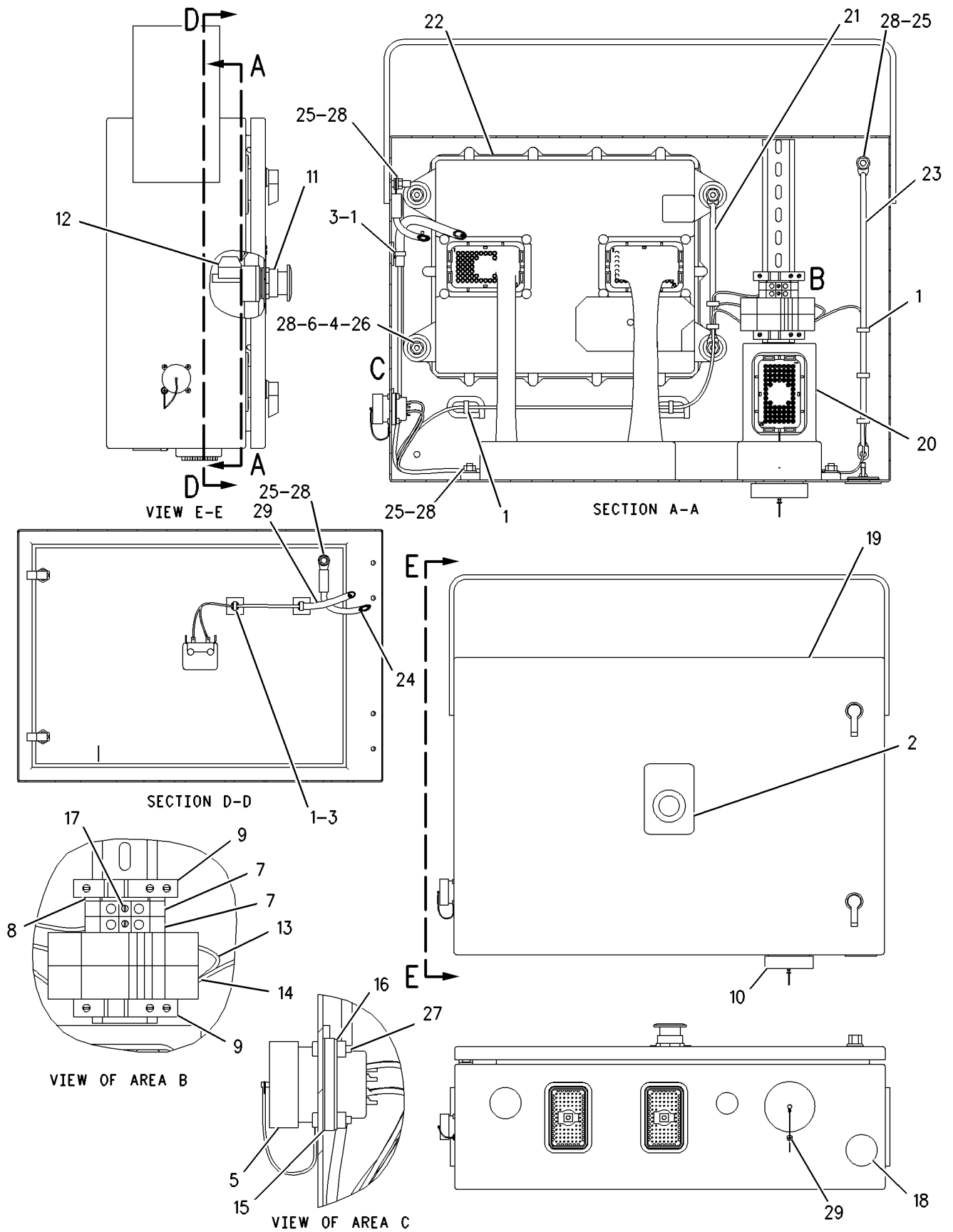
| NOTE | REF NO | GRAPHIC REF | PART NUMBER | QTY | PART NAME | | | | | | SEE PAGE |
|------|--------|-------------|-----------------|-----|--|---|---|---|---|-------------------|----------|
| | | | | | 1 | 2 | 3 | 4 | 5 | 6 (PRODUCT LEVEL) | |
| | 1 | 1 | 1S-9593 | 11 | STRAP-CABLE | | | | | | |
| | 2 | 1 | 2W-6090 | 1 | PLATE-IDENTIFICATION (EMERGENCY STOP) | | | | | | |
| | 3 | 1 | 3E-0105 | 4 | MOUNT | | | | | | |
| | 4 | 1 | 6I-1418 | 4 | SPACER (8.2X12.7X28.7-MM THK) | | | | | | |
| | 5 | 1 | 7R-3029 | 1 | CAP-DUST | | | | | | |
| | 6 | 1 | 8T-9655 | 8 | MOUNT-ISOLATION | | | | | | |
| | 7 | 1 | 9X-9614 | 2 | TERMINAL (SINGLE) | | | | | | |
| | 8 | 1 | 9X-9616 | 1 | COVER-END | | | | | | |
| | 9 | 1 | 9X-9675 | 2 | BRACKET-END | | | | | | |
| | 10 | 1 | 105-9161 | 1 | CAP-DUST | | | | | | |
| | 11 | 1 | 109-6507 | 1 | SWITCH AS-PUSH BUTTON (EMERGENCY STOP) | | | | | | |
| | 12 | 1 | 111-1324 | 1 | BLOCK-CONTACT | | | | | | |
| | 13 | 1 | 114-1143 | 1 | CIRCUIT BREAKER AS (16-AMPERE) | | | | | | |
| | 14 | 1 | 125-8019 | 1 | CIRCUIT BREAKER AS (6-AMPERE) | | | | | | |
| | 15 | 1 | 131-4888 | 1 | GASKET | | | | | | |
| | 16 | 1 | 132-8487 | 1 | NUT-RING | | | | | | |
| | 17 | 1 | 174-8737 | 1 | BAR-FIXED BRIDGE | | | | | | |
| | 18 | 1 | 183-3192 | 1 | SEAL AS (CONDUIT HOLE) | | | | | | |
| Y | 19 | 1 | 197-0064 | 1 | BOX AS-JUNCTION | | | | | | 526 |
| Y | 20 | 1 | 207-5399 | 1 | HARNESS AS-PANEL | | | | | | 546 |
| | 21 | 1 | 207-5403 | 1 | BAR-MOUNTING | | | | | | |
| Y | 22 | 1 | 210-0176 | 1 | CONTROL GP-ENGINE ELECTRONIC | | | | | | 531 |
| | 23 | 1 | 210-3936 | 1 | BAR-MOUNTING | | | | | | |
| | 24 | 1 | 221-2498 | 1 | WIRE AS | | | | | | |
| | 25 | 1 | 5P-0537 | 11 | WASHER-HARD (7.2X14.5X2-MM THK) | | | | | | |
| | 26 | 1 | 5P-4115 | 4 | WASHER-HARD (7.2X19X2-MM THK) | | | | | | |
| | 27 | 1 | 8C-8560 | 4 | SCREW-LOCK (4-40X0.5-IN) | | | | | | |
| | 28 | 1 | 9S-8750 | 11 | NUT-FULL (1/4-20-THD) | | | | | | |
| | 29 | 1 | 9X-6258 | 1 | SCREW-MACHINE (6-32X0.5-IN) | | | | | | |
| E | 30 | 1 | 121-0199 | | WRAP-SPIRAL (3/8-IN OD) (40-CM) | | | | | | |

E-ORDER BY THE CENTIMETER
Y-SEPARATE ILLUSTRATION

OPERATOR STATION

195-6244 BOX GP-CONTROL PANEL (contd.)

i02434777



GRAPHIC #1

<END>

g00925053

OPERATOR STATION

195-6244 BOX GP-CONTROL PANEL (CHG -04) PART OF 195-6243 BOX GP-CONTROL PANEL

SMCS-4490, 7451

i02434778

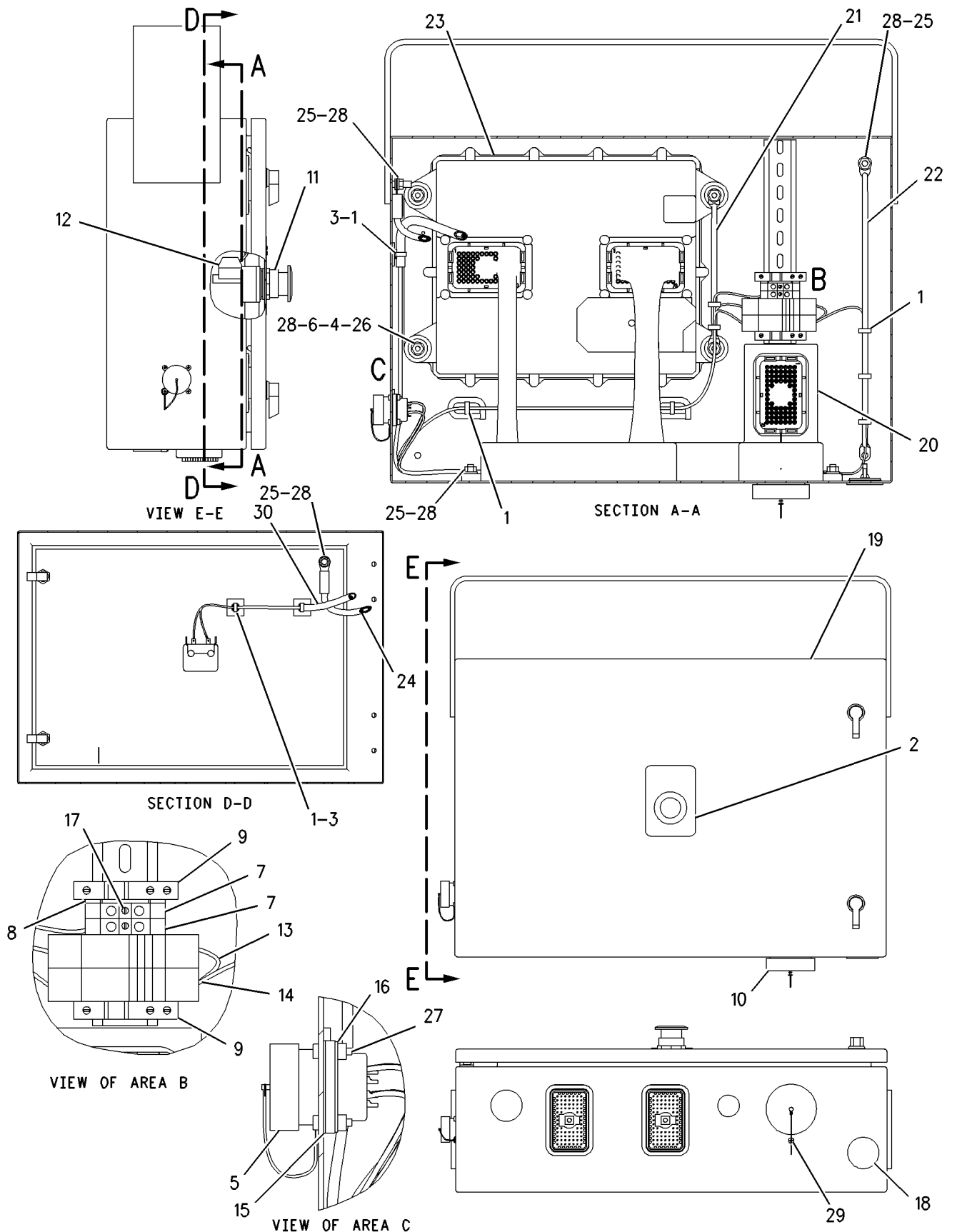
| NOTE | REF NO | GRAPHIC REF | PART NUMBER | QTY | PART NAME | | | | | | SEE PAGE |
|------|--------|-------------|-------------|-----|--|---|---|---|---|-------------------|----------|
| | | | | | 1 | 2 | 3 | 4 | 5 | 6 (PRODUCT LEVEL) | |
| | 1 | 1 | 1S-9593 | 11 | STRAP-CABLE | | | | | | |
| | 2 | 1 | 2W-6090 | 1 | PLATE-IDENTIFICATION (EMERGENCY STOP) | | | | | | |
| | 3 | 1 | 3E-0105 | 4 | MOUNT | | | | | | |
| | 4 | 1 | 6I-1418 | 4 | SPACER (8.2X12.7X28.7-MM THK) | | | | | | |
| | 5 | 1 | 7R-3029 | 1 | CAP-DUST | | | | | | |
| | 6 | 1 | 8T-9655 | 8 | MOUNT-ISOLATION | | | | | | |
| | 7 | 1 | 9X-9614 | 2 | TERMINAL (SINGLE) | | | | | | |
| | 8 | 1 | 9X-9616 | 1 | COVER-END | | | | | | |
| | 9 | 1 | 9X-9675 | 2 | BRACKET-END | | | | | | |
| | 10 | 1 | 105-9161 | 1 | CAP-DUST | | | | | | |
| | 11 | 1 | 109-6507 | 1 | SWITCH AS-PUSH BUTTON (EMERGENCY STOP) | | | | | | |
| | 12 | 1 | 111-1324 | 1 | BLOCK-CONTACT | | | | | | |
| | 13 | 1 | 114-1143 | 1 | CIRCUIT BREAKER AS (16-AMPERE) | | | | | | |
| | 14 | 1 | 125-8019 | 1 | CIRCUIT BREAKER AS (6-AMPERE) | | | | | | |
| | 15 | 1 | 131-4888 | 1 | GASKET | | | | | | |
| | 16 | 1 | 132-8487 | 1 | NUT-RING | | | | | | |
| | 17 | 1 | 174-8737 | 1 | BAR-FIXED BRIDGE | | | | | | |
| | 18 | 1 | 183-3192 | 1 | SEAL AS (CONDUIT HOLE) | | | | | | |
| Y | 19 | 1 | 197-0064 | 1 | BOX AS-JUNCTION | | | | | | 526 |
| Y | 20 | 1 | 207-5399 | 1 | HARNESS AS-PANEL | | | | | | 546 |
| | 21 | 1 | 207-5403 | 1 | BAR-MOUNTING | | | | | | |
| | 22 | 1 | 210-3936 | 1 | BAR-MOUNTING | | | | | | |
| CY | 23 | 1 | 210-9470 | 1 | CONTROL GP-ENGINE ELECTRONIC | | | | | | 532 |
| | 24 | 1 | 221-2498 | 1 | WIRE AS | | | | | | |
| | 25 | 1 | 5P-0537 | 11 | WASHER-HARD (7.2X14.5X2-MM THK) | | | | | | |
| | 26 | 1 | 5P-4115 | 4 | WASHER-HARD (7.2X19X2-MM THK) | | | | | | |
| | 27 | 1 | 8C-8560 | 4 | SCREW-LOCK (4-40X0.5-IN) | | | | | | |
| | 28 | 1 | 9S-8750 | 11 | NUT-FULL (1/4-20-THD) | | | | | | |
| | 29 | 1 | 9X-6258 | 1 | SCREW-MACHINE (6-32X0.5-IN) | | | | | | |
| E | 30 | 1 | 121-0199 | | WRAP-SPIRAL (3/8-IN OD) (40-CM) | | | | | | |

C- CHANGE FROM PREVIOUS TYPE
E- ORDER BY THE CENTIMETER
Y- SEPARATE ILLUSTRATION

OPERATOR STATION

195-6244 BOX GP-CONTROL PANEL (contd.)

i02434778



GRAPHIC #1

<END>

g00954492

OPERATOR STATION

195-6244 BOX GP-CONTROL PANEL (CHG -05) PART OF 305-3378 BOX GP-CONTROL PANEL

SMCS-4490, 7451

i02394942

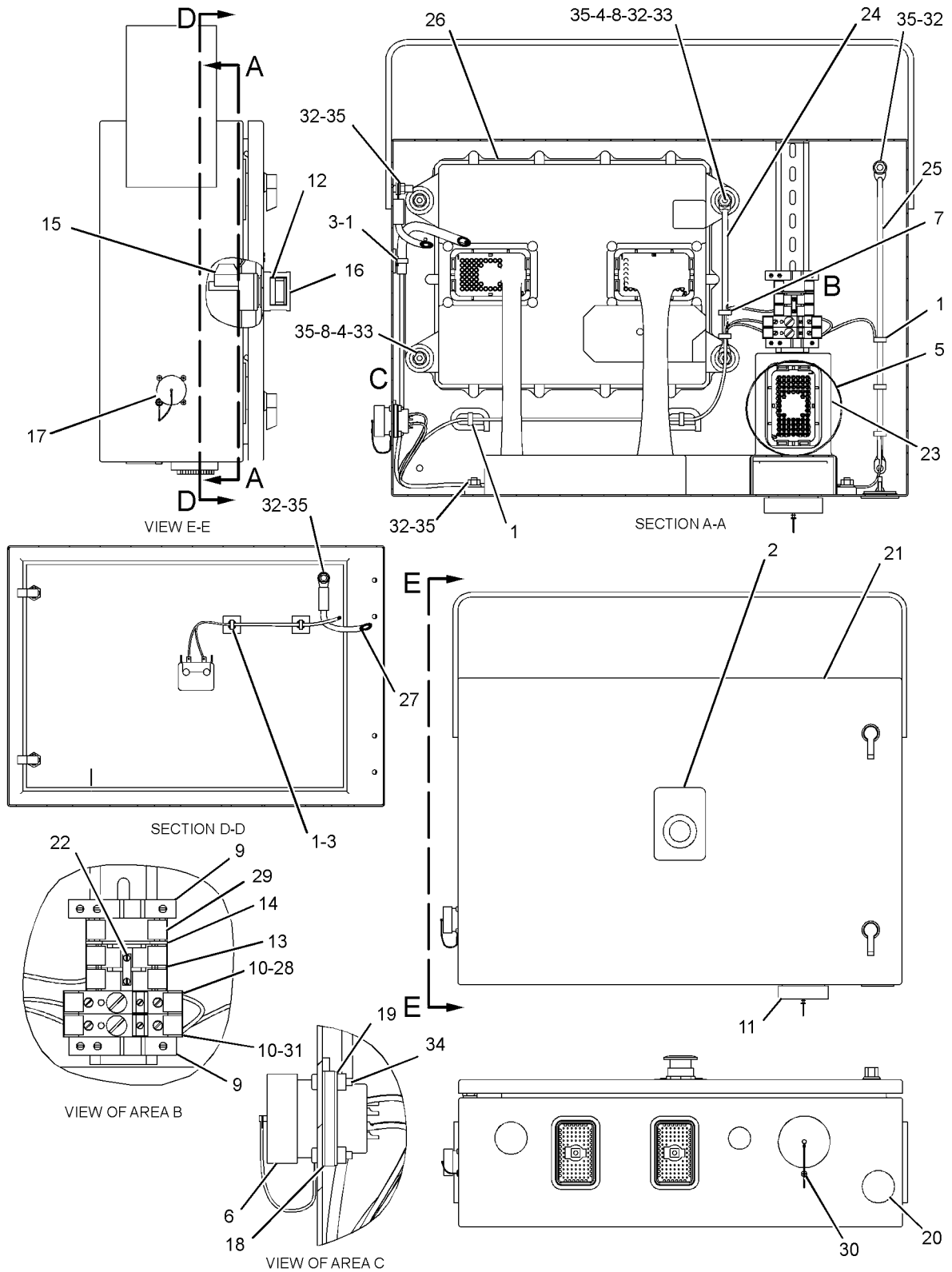
| NOTE | REF NO | GRAPHIC REF | PART NUMBER | QTY | PART NAME | | | | | | SEE PAGE |
|------|--------|-------------|-----------------|-----|--|---|---|---|---|-------------------|----------|
| | | | | | 1 | 2 | 3 | 4 | 5 | 6 (PRODUCT LEVEL) | |
| | 1 | 1 | 1S-9593 | 11 | STRAP-CABLE | | | | | | |
| | 2 | 1 | 2W-6090 | 1 | PLATE-IDENTIFICATION (EMERGENCY STOP) | | | | | | |
| | 3 | 1 | 3E-0105 | 4 | MOUNT | | | | | | |
| | 4 | 1 | 6I-1418 | 4 | SPACER (8.2X12.7X28.7-MM THK) | | | | | | |
| | 5 | 1 | 7K-1181 | 1 | STRAP-CABLE | | | | | | |
| | 6 | 1 | 7R-3029 | 1 | CAP-DUST | | | | | | |
| | 7 | 1 | 8L-8413 | 2 | STRAP-CABLE | | | | | | |
| | 8 | 1 | 8T-9655 | 8 | MOUNT-ISOLATION | | | | | | |
| | 9 | 1 | 9X-9675 | 2 | BRACKET-END | | | | | | |
| | 10 | 1 | 105-7543 | 2 | BLOCK-FUSE | | | | | | |
| | 11 | 1 | 105-9161 | 1 | CAP-DUST | | | | | | |
| | 12 | 1 | 109-6507 | 1 | SWITCH AS-PUSH BUTTON (EMERGENCY STOP) | | | | | | |
| | 13 | 1 | 110-3890 | 2 | TERMINAL | | | | | | |
| | 14 | 1 | 110-3891 | 1 | COVER-END | | | | | | |
| | 15 | 1 | 111-1324 | 1 | BLOCK-CONTACT | | | | | | |
| | 16 | 1 | 124-3176 | 1 | COVER | | | | | | |
| | 17 | 1 | 131-2639 | 1 | WASHER (3.2X9X0.5-MM THK) | | | | | | |
| | 18 | 1 | 131-4888 | 1 | GASKET | | | | | | |
| | 19 | 1 | 132-8487 | 1 | NUT-RING | | | | | | |
| | 20 | 1 | 183-3192 | 1 | SEAL AS (CONDUIT HOLE) | | | | | | |
| Y | 21 | 1 | 197-0064 | 1 | BOX AS-JUNCTION | | | | | | 526 |
| | 22 | 1 | 197-6949 | 1 | STRIP-CONTACT | | | | | | |
| Y | 23 | 1 | 207-5399 | 1 | HARNESS AS-PANEL | | | | | | 546 |
| | 24 | 1 | 207-5403 | 1 | BAR-MOUNTING | | | | | | |
| | 25 | 1 | 210-3936 | 1 | BAR-MOUNTING | | | | | | |
| Y | 26 | 1 | <i>210-9470</i> | 1 | CONTROL GP-ENGINE ELECTRONIC | | | | | | 532 |
| | 27 | 1 | 221-2498 | 1 | WIRE AS | | | | | | |
| | 28 | 1 | 233-8091 | 1 | FUSE (6-AMPERE) | | | | | | |
| | 29 | 1 | 235-4861 | 1 | TERMINAL-GROUND | | | | | | |
| | 30 | 1 | 9X-6258 | 1 | SCREW-MACHINE (6-32X0.5-IN) | | | | | | |
| | 31 | 1 | 036-5774 | 1 | FUSE (15-AMPERE) | | | | | | |
| | 32 | 1 | 5P-0537 | 11 | WASHER-HARD (7.2X14.5X2-MM THK) | | | | | | |
| | 33 | 1 | 5P-4115 | 4 | WASHER-HARD (7.2X19X2-MM THK) | | | | | | |
| | 34 | 1 | 8C-8560 | 4 | SCREW-LOCK (4-40X0.5-IN) | | | | | | |
| | 35 | 1 | 9S-8750 | 11 | NUT-FULL (1/4-20-THD) | | | | | | |

Y-SEPARATE ILLUSTRATION

OPERATOR STATION

195-6244 BOX GP-CONTROL PANEL (contd.)

i02394942



GRAPHIC #1

<END>

g01195973

OPERATOR STATION

204-6687 BOX GP-CONTROL PANEL (CHG -00, -01) PART OF 204-6689 BOX GP-CONTROL PANEL

SMCS-4490, 7451

i02140162

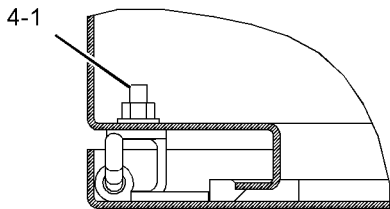
| NOTE | REF NO | GRAPHIC REF | PART NUMBER | QTY | PART NAME | | | | | | SEE PAGE |
|------|--------|-------------|-----------------|-----|--------------------|---|---|---|---|-------------------|----------|
| | | | | | 1 | 2 | 3 | 4 | 5 | 6 (PRODUCT LEVEL) | |
| M | 1 | 1 | 6R-7943 | 4 | SCREW (M5X15.5-MM) | | | | | | |
| | 2 | 1 | 151-1315 | 2 | LATCH AS | | | | | | |
| | 3 | 1 | 153-3723 | 2 | HINGE AS | | | | | | |
| | | | | | (EACH INCLUDES) | | | | | | |
| | | 1 | 8T-5447 | 1 | RING-RETAINING | | | | | | |
| M | 4 | 1 | 5C-2874 | 4 | NUT (M5X0.8-THD) | | | | | | |
| | 5 | 1 | 7T-1099 | 14 | LINK | | | | | | |
| D | 6 | 1 | 6V-1392 | | SEAL (1.9-M) | | | | | | |

D- ORDER BY THE METER
M- METRIC PART

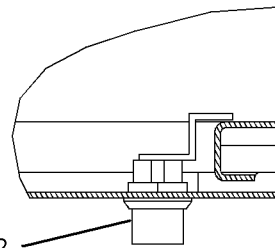
OPERATOR STATION

204-6687 BOX GP-CONTROL PANEL (contd.)

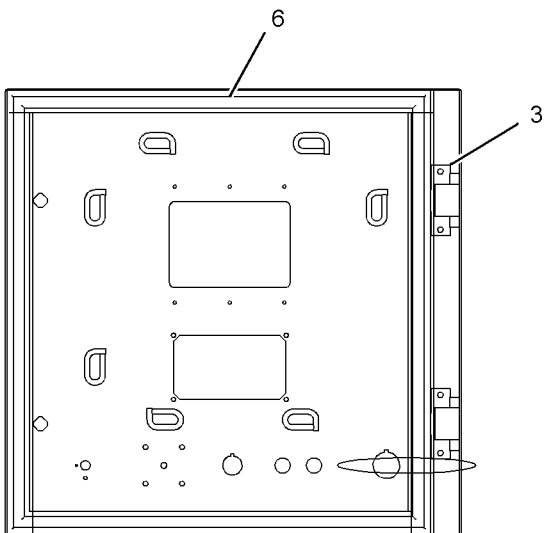
i02140162



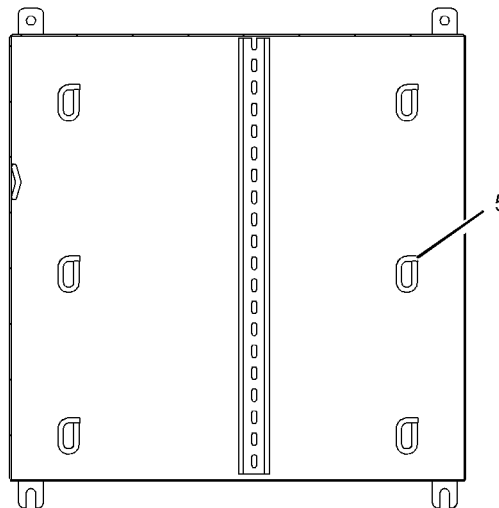
SECTION A-A



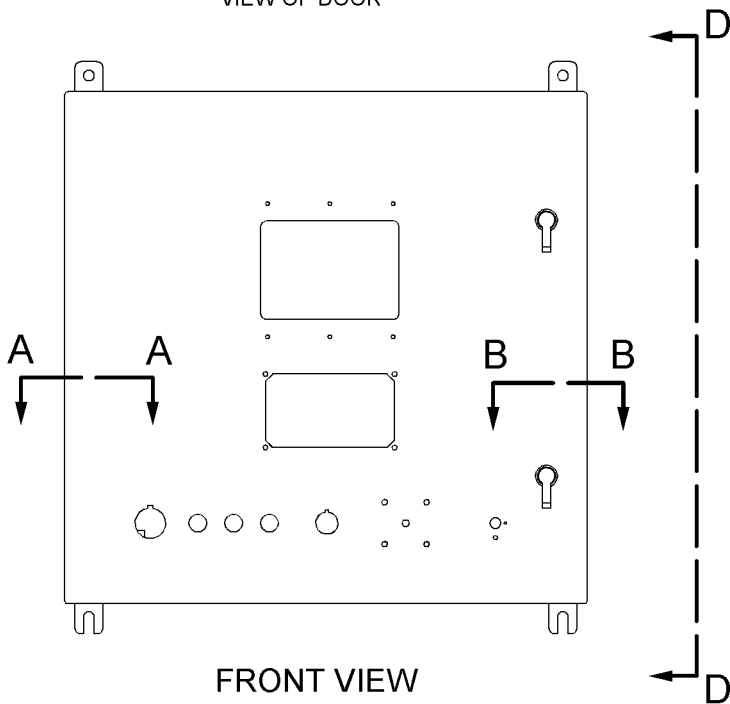
SECTION B-B



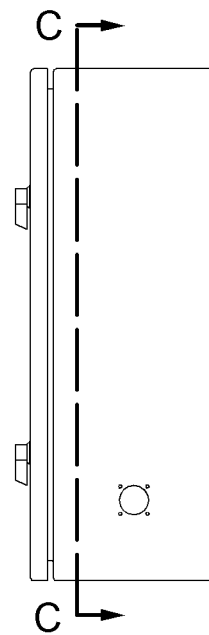
VIEW OF DOOR



SECTION C-C



FRONT VIEW



VIEW D-D

GRAPHIC #1

<END>

g01086698

OPERATOR STATION

204-6689 BOX GP-CONTROL PANEL (CHG -00)

FOR USE WITH ADEMIII CONTROLLER. CANNOT BE USED WITH ESS CONTROLLER

SMCS-4490, 7451

i02437803

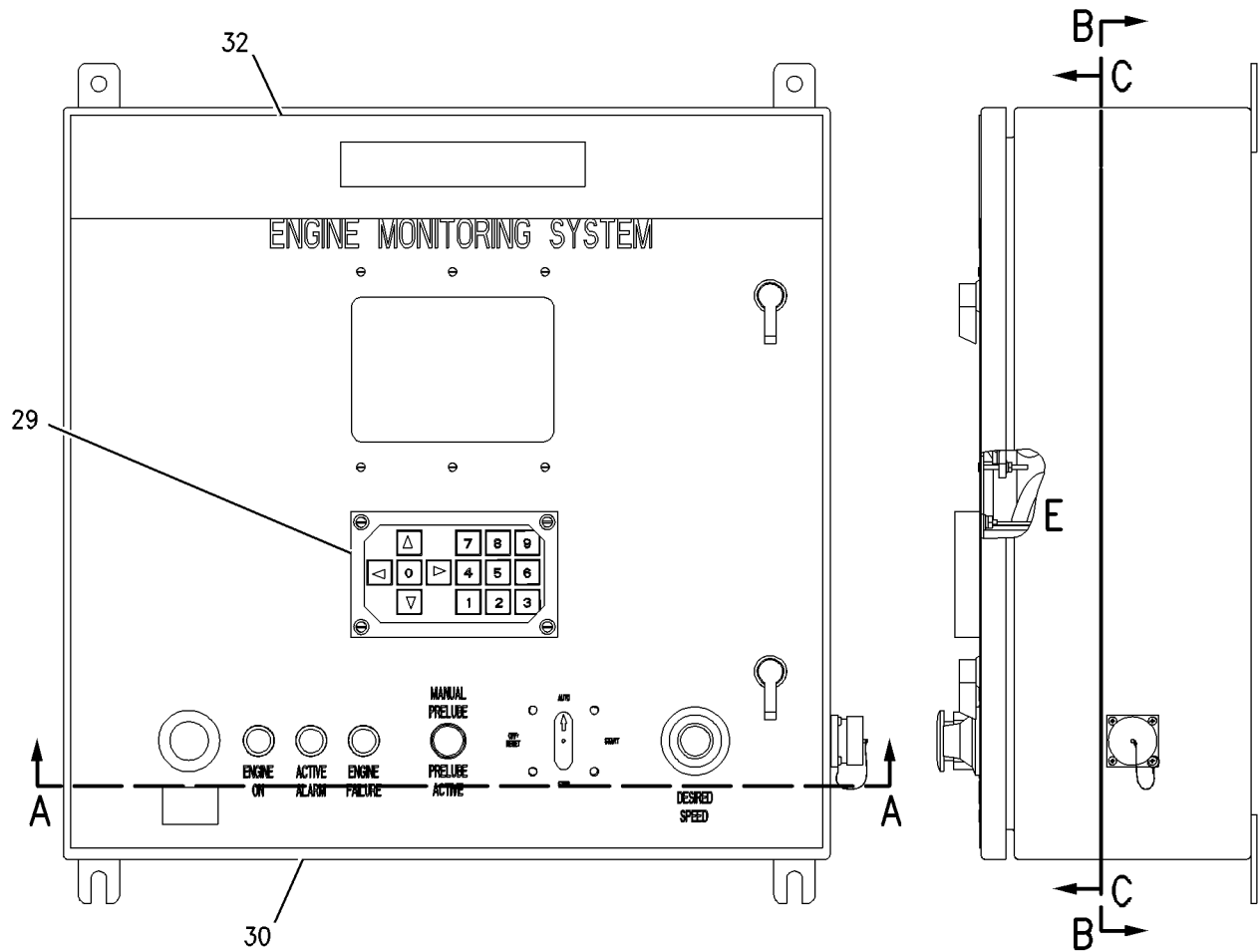
| NOTE | REF NO | GRAPHIC REF | PART NUMBER | QTY | PART NAME | | | | | | SEE PAGE |
|------|--------|-------------|-------------|-----|--|---|---|---|---|-------------------|----------|
| | | | | | 1 | 2 | 3 | 4 | 5 | 6 (PRODUCT LEVEL) | |
| | 1 | 1 | 2V-7088 | 1 | LENS-RED (ENGINE FAILURE) | | | | | | |
| | 2 | 1 | 3E-1813 | 1 | SWITCH AS-PUSH BUTTON (LIGHTED) (PRELUBRICATION) | | | | | | |
| | | 1 | 3E-1814 | 1 | LAMP (24-VOLT) (24-VOLT) | | | | | | |
| | 3 | 1 | 3E-2149 | 1 | SWITCH-ROTARY (ENGINE CONTROL) | | | | | | |
| | 4 | 2 | 3S-2093 | 8 | STRAP-CABLE | | | | | | |
| | 5 | 1 | 7C-4910 | 1 | SEAL | | | | | | |
| | 6 | 2 | 7D-6922 | 4 | LOCKNUT (6-32-THD) | | | | | | |
| | 7 | 1 | 7E-0860 | 1 | DIAL-CONCENTRIC (SPEED CONTROL) | | | | | | |
| | 8 | 2 | 7R-3029 | 1 | CAP-DUST | | | | | | |
| | 9 | 2 | 8L-8413 | 4 | STRAP-CABLE | | | | | | |
| | 10 | 2 | 9X-9614 | 3 | TERMINAL (SINGLE) | | | | | | |
| | 11 | 2 | 9X-9616 | 2 | COVER-END | | | | | | |
| | 12 | 2 | 9X-9675 | 2 | BRACKET-END | | | | | | |
| | 13 | 1 | 109-6507 | 1 | SWITCH AS-PUSH BUTTON (EMERGENCY STOP) | | | | | | |
| | 14 | 1 | 111-1324 | 1 | BLOCK-CONTACT | | | | | | |
| | 15 | 2 | 115-1322 | 55 | TERMINAL (DOUBLE) | | | | | | |
| | 16 | 2 | 115-2538 | 13 | COVER-END | | | | | | |
| | 17 | 1 | 116-5270 | 1 | LAMP (24-VOLT) (RED) | | | | | | |
| | 18 | 2 | 131-2639 | 6 | WASHER (3.2X9X0.5-MM THK) | | | | | | |
| | 19 | 1 | 131-4888 | 1 | GASKET | | | | | | |
| | 20 | 2 | 132-8487 | 1 | NUT-RING | | | | | | |
| | 21 | 1 | 153-5040 | 1 | LAMP-INDICATOR (24-VOLT) | | | | | | |
| | 22 | 1 | 153-5042 | 1 | LAMP-INDICATOR (24-VOLT) | | | | | | |
| | 23 | 1 | 156-0518 | 3 | SOCKET AS (EACH INCLUDES) | | | | | | |
| | | 1 | 6V-8367 | 1 | LOCKWASHER | | | | | | |
| | | 1 | 6V-8382 | 1 | NUT-HEX (11/16-27-THD) | | | | | | |
| | 24 | 1 | 156-0519 | 1 | LENS-AMBER (ALARM) | | | | | | |
| | 25 | 1 | 156-0520 | 1 | LENS-GREEN (ENGINE ON) | | | | | | |
| Y | 26 | 2 | 168-5274 | 1 | MODULE GP-DISPLAY | | | | | | 693 |
| | 27 | 2 | 174-8737 | 1 | BAR-FIXED BRIDGE | | | | | | |
| | 28 | 2 | 197-2691 | 1 | STRIP-CONTACT | | | | | | |
| Y | 29 | 1 | 200-6198 | 1 | MODULE GP-KEYPAD | | | | | | 694 |
| Y | 30 | 1 | 204-6687 | 1 | BOX GP-CONTROL PANEL | | | | | | 682 |
| | 31 | 2 | 207-2391 | 1 | HARNES AS-PANEL (CONTROL) | | | | | | |
| | | 2 | 9D-5421 | 1 | RECEPTACLE AS-CONNECTOR (10-PIN) | | | | | | |
| | | 2 | 155-2255 | 1 | KIT-CONNECTING PLUG (12-PIN) (KIT INCLUDES PLUG AS AND WEDGE) | | | | | | |
| | | 2 | 155-2258 | 1 | WEDGE-PLUG LOCK (12-PIN) | | | | | | |
| | 32 | 1 | 208-1028 | 1 | FILM (CONTROL PANEL) | | | | | | |
| | 33 | 1 | 208-3697 | 1 | GASKET | | | | | | |
| | 34 | 2 | 208-6049 | 1 | TAG | | | | | | |
| | 35 | 2 | 030-8838 | 4 | SCREW (6-32X1-IN) | | | | | | |
| | 36 | 2 | 033-5929 | 6 | SCREW (4-40X1.25-IN) | | | | | | |
| | 37 | 2 | 142-2928 | 6 | LOCKNUT (4-40-THD) | | | | | | |
| | 38 | 2 | 4B-5324 | 4 | WASHER (3.9X9.6X1.2-MM THK) | | | | | | |
| | 39 | 2 | 8C-8560 | 4 | SCREW-LOCK (4-40X0.5-IN) | | | | | | |

Y-SEPARATE ILLUSTRATION

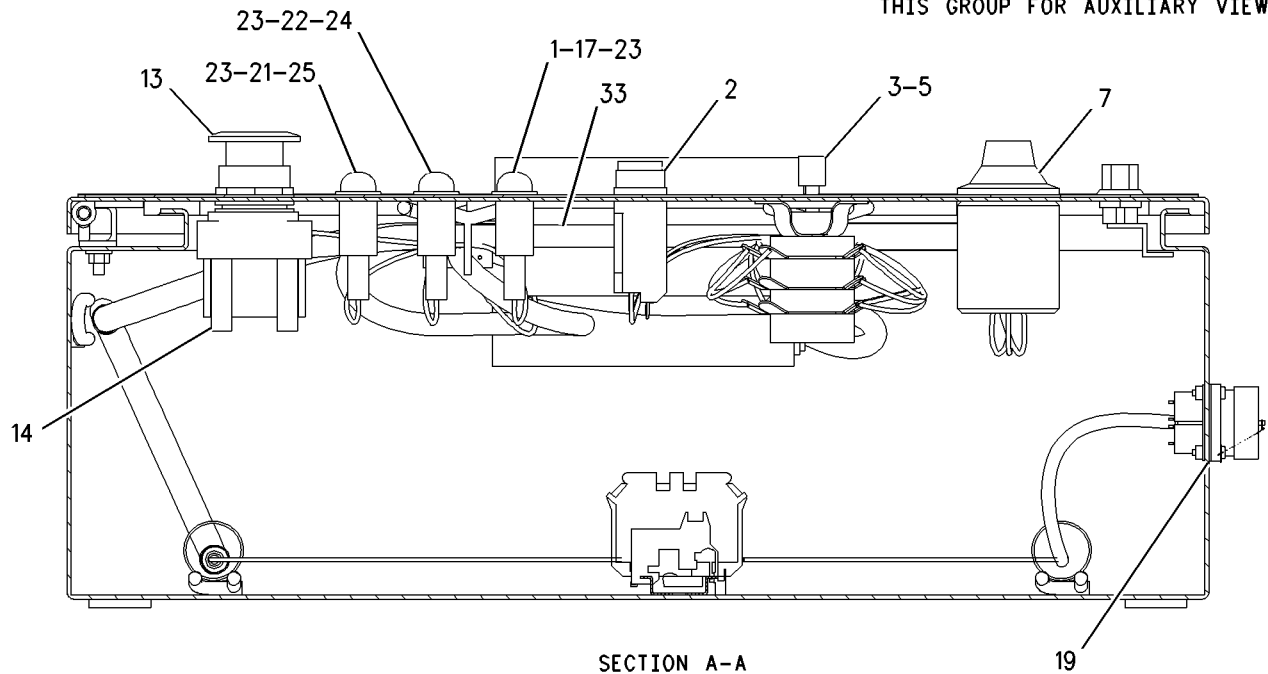
OPERATOR STATION

204-6689 BOX GP-CONTROL PANEL (contd.)

i02437803



REFER TO ALL ILLUSTRATIONS OF THIS GROUP FOR AUXILIARY VIEWS



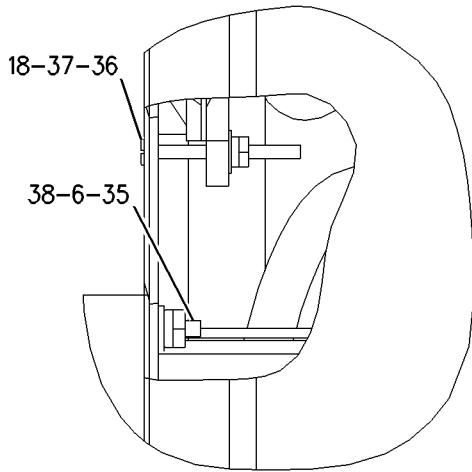
GRAPHIC #1

g00851065

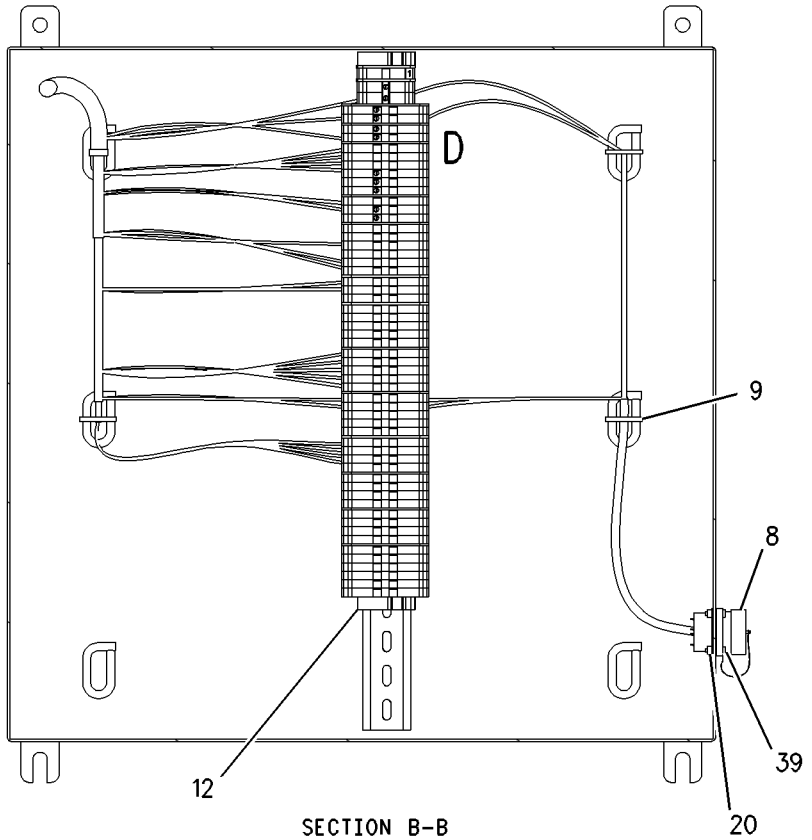
OPERATOR STATION

204-6689 BOX GP-CONTROL PANEL (contd.)

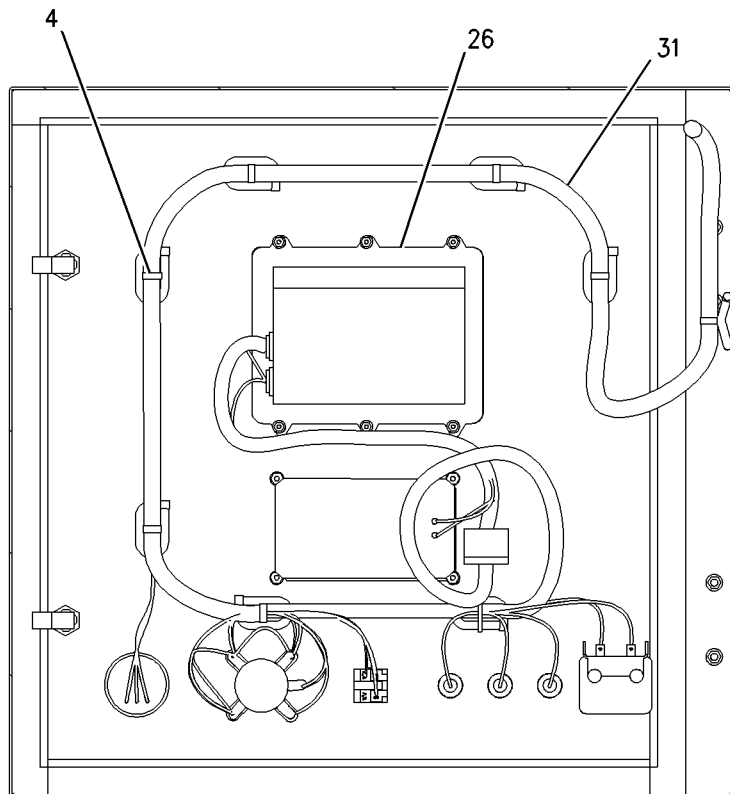
i02437803



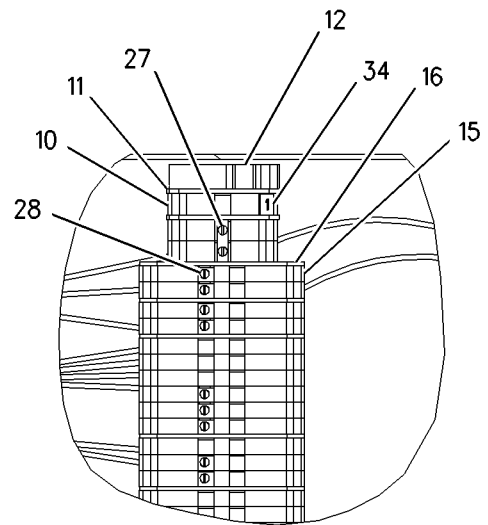
VIEW OF AREA E



SECTION B-B



SECTION C-C



VIEW OF AREA D

GRAPHIC #2

<END>

g00851001

OPERATOR STATION

204-6689 BOX GP-CONTROL PANEL (CHG -01 THRU -03) FOR USE WITH ADEMIII CONTROLLER. CANNOT BE USED WITH ESS CONTROLLER

SMCS-4490, 7451

i02416804

| NOTE | REF NO | GRAPHIC REF | PART NUMBER | QTY | PART NAME | | | | | | SEE PAGE |
|------|--------|-------------|-------------|-----|--|---|---|---|---|-------------------|----------|
| | | | | | 1 | 2 | 3 | 4 | 5 | 6 (PRODUCT LEVEL) | |
| | 1 | 1 | 2V-7088 | 1 | LENS-RED (ENGINE FAILURE) | | | | | | |
| | 2 | 1 | 3E-1813 | 1 | SWITCH AS-PUSH BUTTON (LIGHTED) (PRELUBRICATION) | | | | | | |
| | | 1 | 3E-1814 | 1 | LAMP (24-VOLT) (24-VOLT) | | | | | | |
| | 3 | 2 | 3S-2093 | 8 | STRAP-CABLE | | | | | | |
| | 4 | 1 | 7C-4910 | 1 | SEAL | | | | | | |
| | 5 | 1 | 7E-0860 | 1 | DIAL-CONCENTRIC | | | | | | |
| | 6 | 2 | 7R-3029 | 1 | CAP-DUST | | | | | | |
| | 7 | 2 | 8L-8413 | 4 | STRAP-CABLE | | | | | | |
| | 8 | 2 | 9X-9675 | 2 | BRACKET-END | | | | | | |
| | 9 | 2 | 100-8254 | 6 | BOLT-SOCKET HEAD (6-32X1-IN) | | | | | | |
| | 10 | 1 | 109-6507 | 1 | SWITCH AS-PUSH BUTTON (EMERGENCY STOP) | | | | | | |
| | 11 | 2 | 110-3890 | 3 | TERMINAL | | | | | | |
| | 12 | 2 | 110-3891 | 2 | COVER-END | | | | | | |
| | 13 | 1 | 111-1324 | 1 | BLOCK-CONTACT | | | | | | |
| | 14 | 2 | 115-1322 | 55 | TERMINAL (DOUBLE) | | | | | | |
| | 15 | 2 | 115-2538 | 13 | COVER-END | | | | | | |
| | 16 | 1 | 116-5270 | 1 | LAMP (24-VOLT) (RED) | | | | | | |
| | 17 | 1 | 124-3176 | 1 | COVER | | | | | | |
| | 18 | 1 | 131-2639 | 1 | WASHER (3.2X9X0.5-MM THK) | | | | | | |
| | 19 | 1 | 131-4888 | 1 | GASKET | | | | | | |
| | 20 | 2 | 132-8487 | 1 | NUT-RING | | | | | | |
| | 21 | 1 | 153-5040 | 1 | LAMP-INDICATOR (24-VOLT) | | | | | | |
| | 22 | 1 | 153-5042 | 1 | LAMP-INDICATOR (24-VOLT) | | | | | | |
| | 23 | 1 | 156-0518 | 3 | SOCKET AS (EACH INCLUDES) | | | | | | |
| | | 1 | 6V-8367 | 1 | LOCKWASHER | | | | | | |
| | | 1 | 6V-8382 | 1 | NUT-HEX (11/16-27-THD) | | | | | | |
| | 24 | 1 | 156-0519 | 1 | LENS-AMBER (ALARM) | | | | | | |
| | 25 | 1 | 156-0520 | 1 | LENS-GREEN (ENGINE ON) | | | | | | |
| Y | 26 | 2 | 168-5274 | 1 | MODULE GP-DISPLAY | | | | | | 693 |
| | 27 | 2 | 197-2691 | 1 | STRIP-CONTACT | | | | | | |
| | 28 | 2 | 197-6949 | 1 | STRIP-CONTACT | | | | | | |
| Y | 29 | 1 | 200-6198 | 1 | MODULE GP-KEYPAD | | | | | | 694 |
| Y | 30 | 1 | 204-6687 | 1 | BOX GP-CONTROL PANEL | | | | | | 682 |
| | 31 | 2 | 207-2391 | 1 | HARNES AS-PANEL (CONTROL) | | | | | | |
| | | 2 | 9D-5421 | 1 | RECEPTACLE AS-CONNECTOR (10-PIN) | | | | | | |
| | | 2 | 155-2255 | 1 | KIT-CONNECTING PLUG (12-PIN) (KIT INCLUDES PLUG AS AND WEDGE) | | | | | | |
| | 32 | 1 | 208-1028 | 1 | FILM (CONTROL PANEL) | | | | | | |
| | 33 | 2 | 208-3697 | 1 | GASKET | | | | | | |
| | 34 | 2 | 208-6049 | 1 | TAG | | | | | | |
| | 35 | 1 | 221-2304 | 1 | SWITCH AS-ROTARY (ENGINE CONTROL) | | | | | | |
| C | 36 | 2 | 221-2498 | 1 | WIRE AS | | | | | | |
| | 37 | 2 | 235-4861 | 1 | TERMINAL-GROUND | | | | | | |
| | 38 | 2 | 4B-4863 | 4 | WASHER (4.7X11X1.2-MM THK) | | | | | | |
| | 39 | 2 | 4B-5324 | 6 | WASHER (3.9X9.6X1.2-MM THK) | | | | | | |
| C | 40 | 2 | 5P-0537 | 4 | WASHER-HARD (7.2X14.5X2-MM THK) | | | | | | |
| | 41 | 2 | 6D-5801 | 4 | LOCKNUT (8-32-THD) | | | | | | |
| C | 42 | 2 | 7D-6922 | 6 | LOCKNUT (6-32-THD) | | | | | | |
| | 43 | 2 | 8C-8560 | 4 | SCREW-LOCK (4-40X0.5-IN) | | | | | | |
| | 44 | 2 | 9S-8750 | 2 | NUT-FULL (1/4-20-THD) | | | | | | |

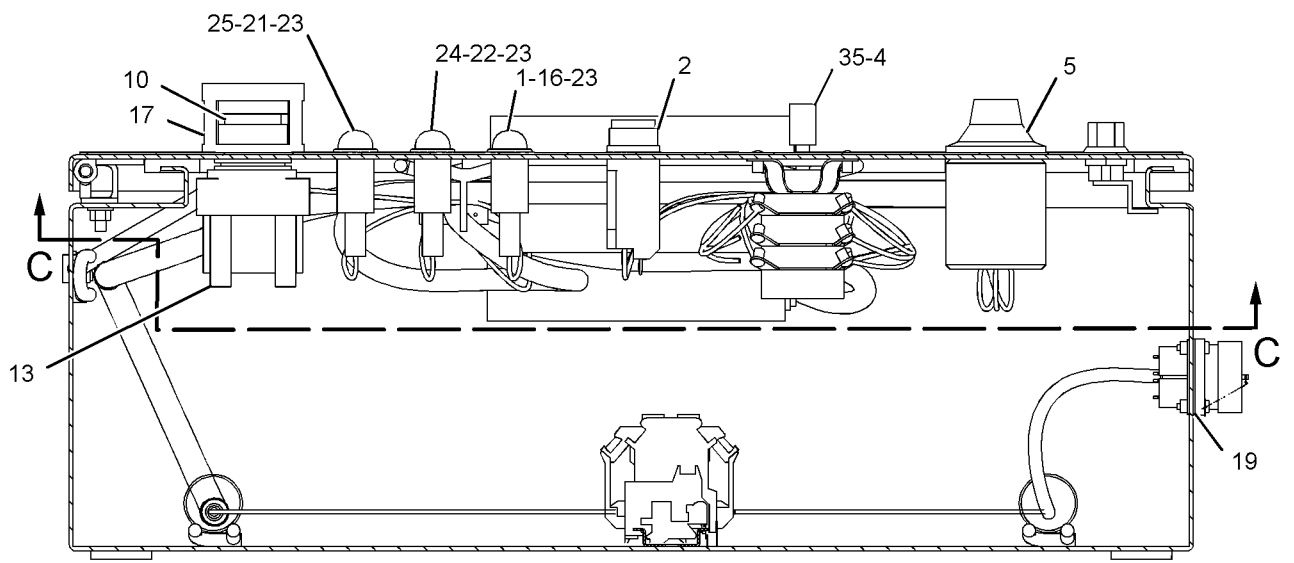
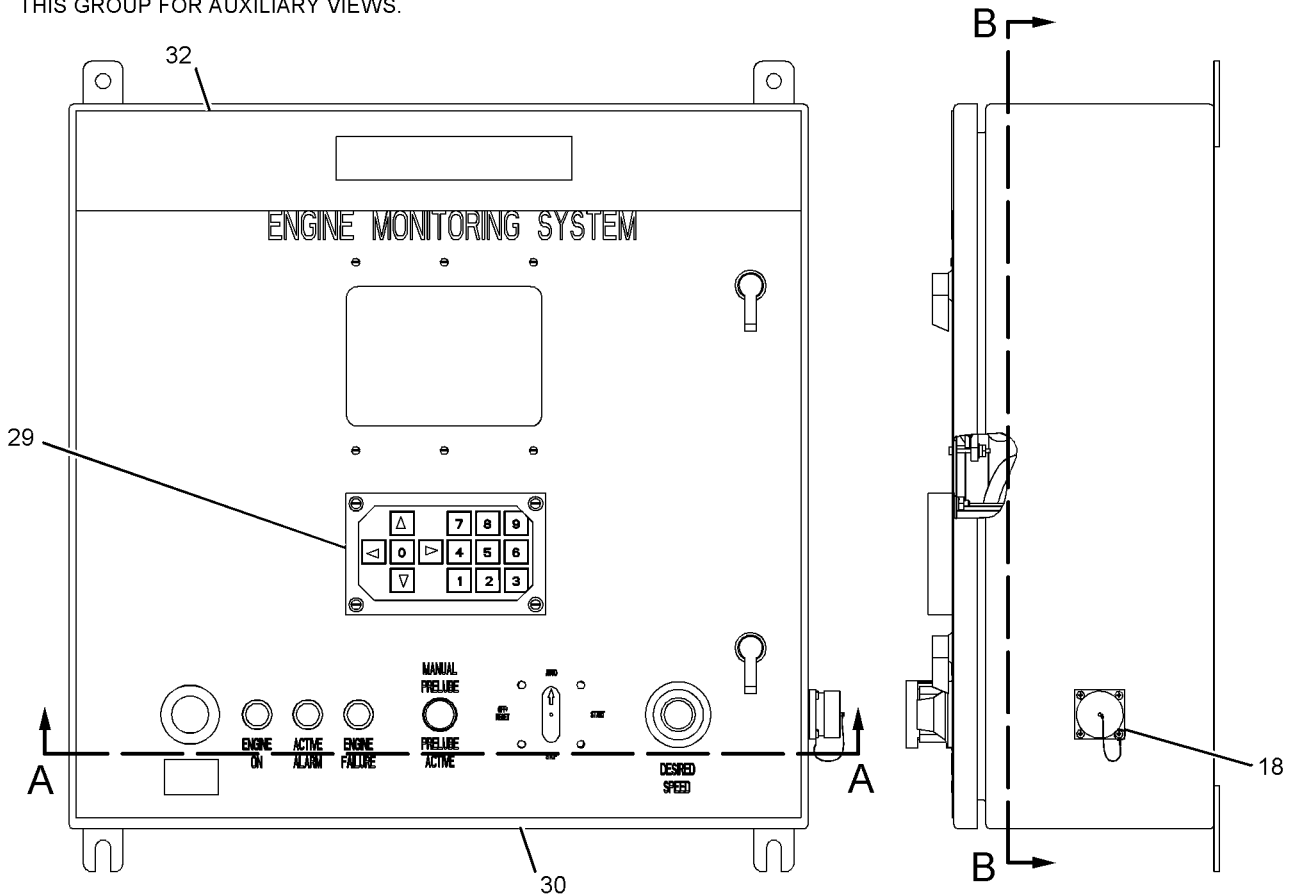
C- CHANGE FROM PREVIOUS TYPE
Y- SEPARATE ILLUSTRATION

OPERATOR STATION

204-6689 BOX GP-CONTROL PANEL (contd.)

i02416804

REFER TO ALL ILLUSTRATIONS OF THIS GROUP FOR AUXILIARY VIEWS.



GRAPHIC #1

SECTION A-A

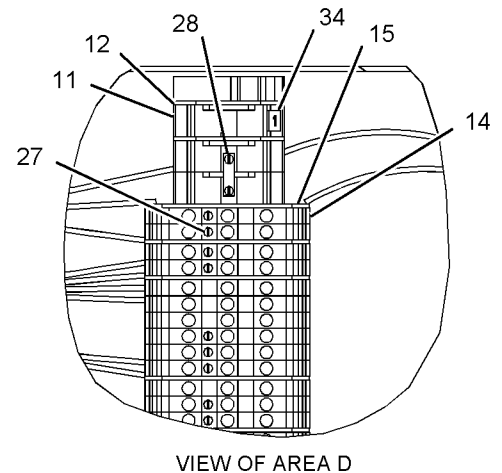
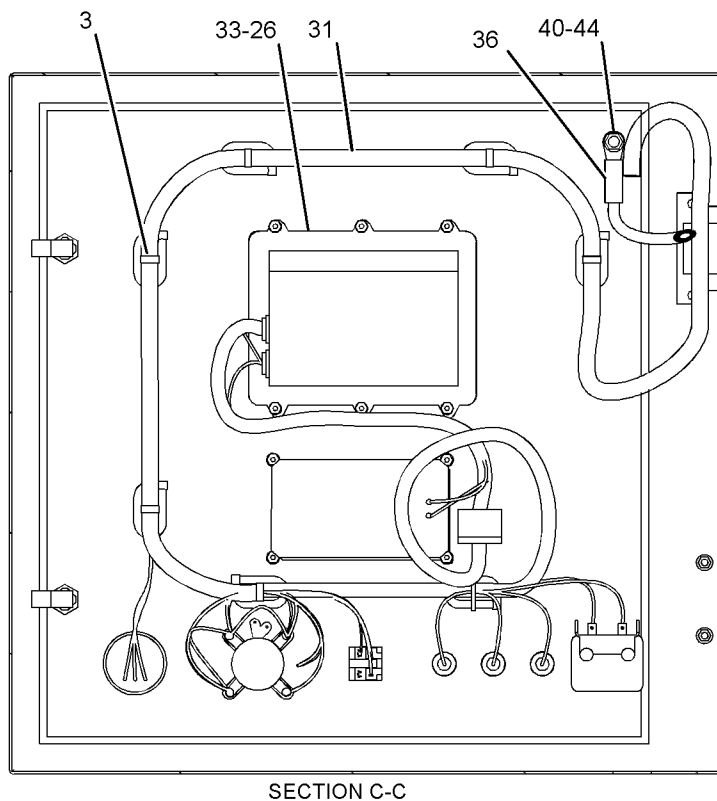
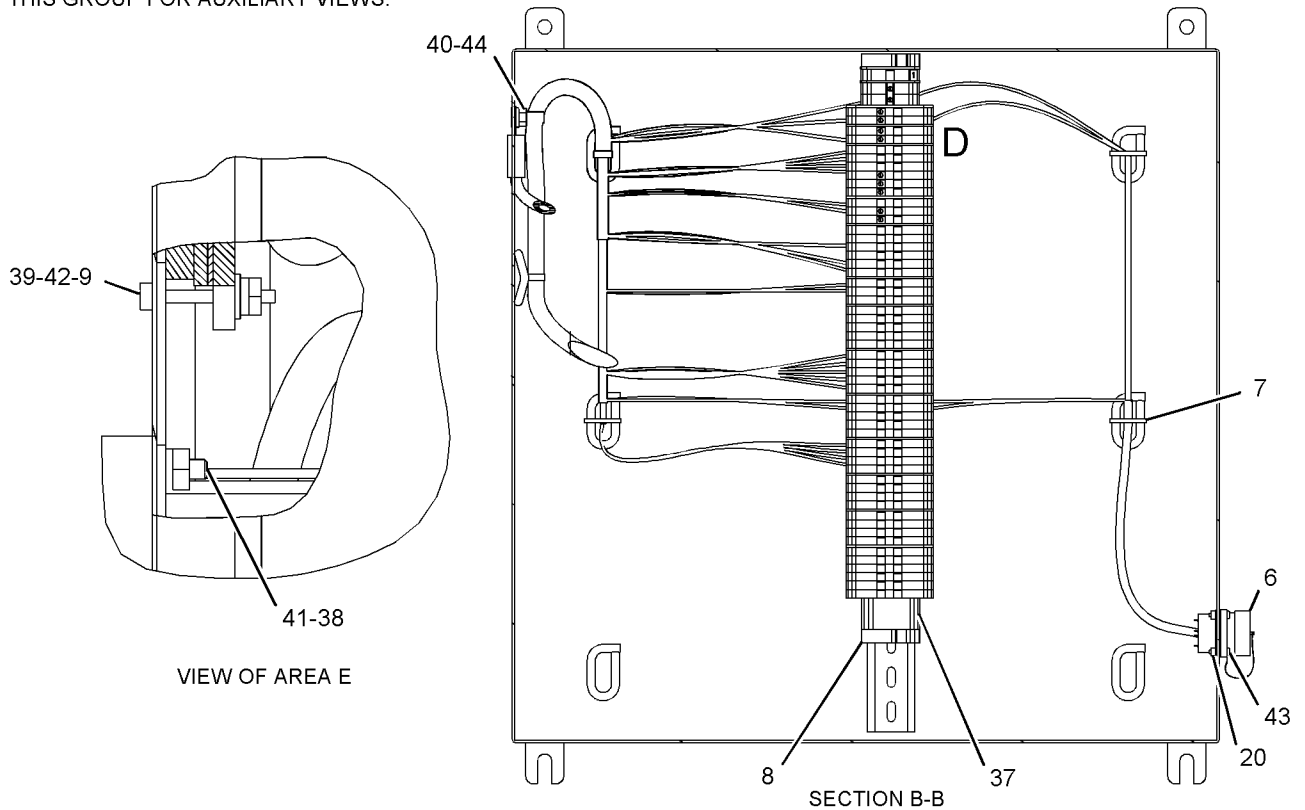
g01059353

OPERATOR STATION

204-6689 BOX GP-CONTROL PANEL (contd.)

i02416804

REFER TO ALL ILLUSTRATIONS OF THIS GROUP FOR AUXILIARY VIEWS.



GRAPHIC #2

<END>

g01059354

OPERATOR STATION

305 - 3378 BOX GP - CONTROL PANEL (CHG -00)

SMCS-4490, 7451

i02833906

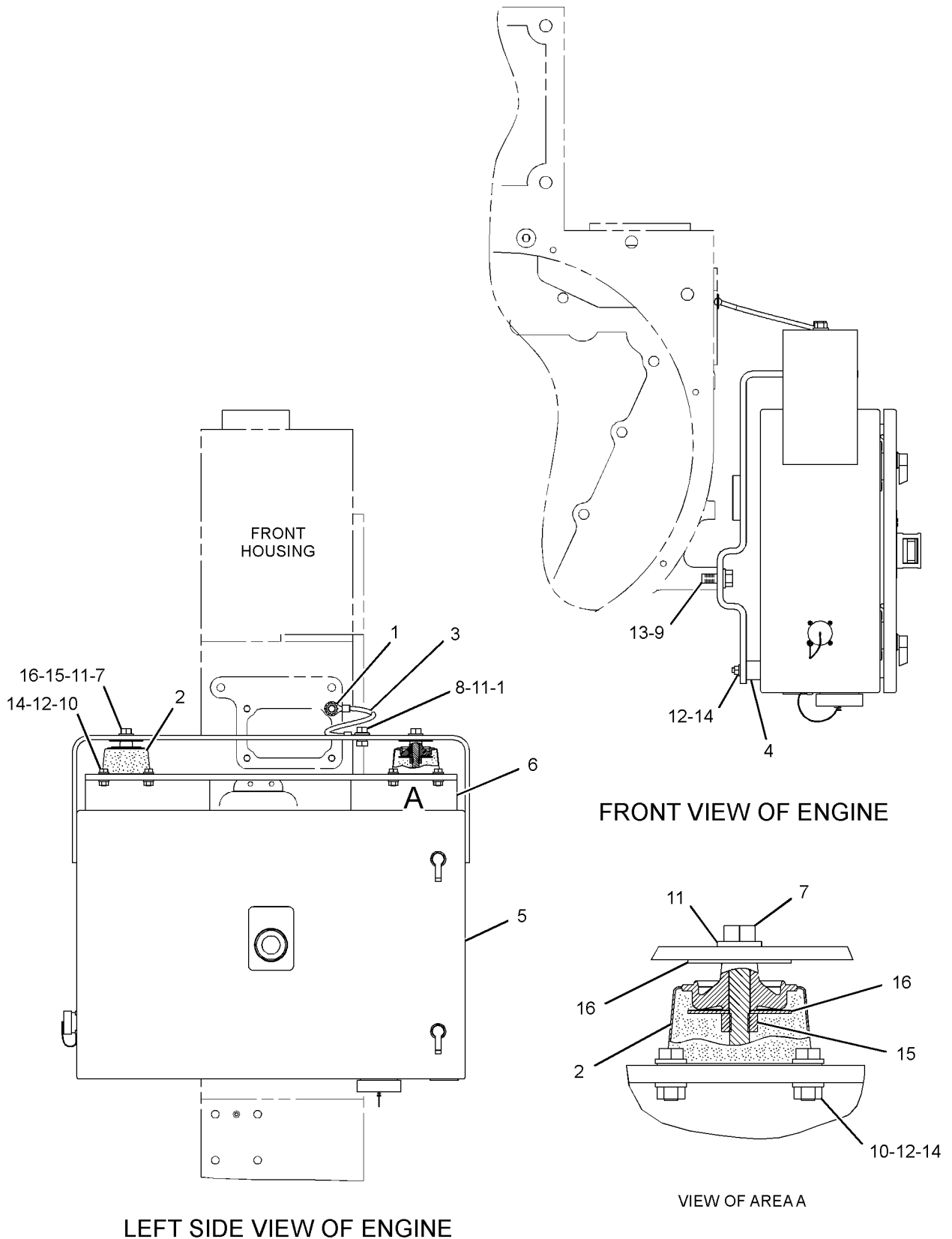
| NOTE | REF NO | GRAPHIC REF | PART NUMBER | QTY | PART NAME | | | | | | SEE PAGE |
|------|--------|-------------|-------------|-----|------------------------------------|---|---|---|---|-------------------|----------|
| | | | | | 1 | 2 | 3 | 4 | 5 | 6 (PRODUCT LEVEL) | |
| | 1 | 1 | 4D-1326 | 2 | LOCKWASHER | | | | | | |
| | 2 | 1 | 9Y-9480 | 2 | MOUNT-FLEXIBLE | | | | | | |
| | 3 | 1 | 127-0594 | 1 | WIRE AS-GROUND | | | | | | |
| | | 1 | 5P-6006 | 1 | TUBE-HEAT SHRINK (9.52-MM DIA) | | | | | | |
| | | 1 | 5P-5689 | 1 | WIRE (08-GA, BLACK) | | | | | | |
| | | 1 | 2L-8060 | 1 | TERMINAL (8-GA, 3/8-IN SCREW) | | | | | | |
| | 4 | 1 | 167-9430 | 2 | ISOLATOR | | | | | | |
| Y | 5 | 1 | 195-6244 | 1 | BOX GP-CONTROL PANEL | | | | | | 676 |
| | 6 | 1 | 284-9079 | 1 | BRACKET AS | | | | | | |
| | 7 | 1 | 0L-2070 | 2 | BOLT (3/8-16X2.25-IN) | | | | | | |
| | 8 | 1 | 0S-0509 | 1 | BOLT (3/8-16X0.75-IN) | | | | | | |
| | 9 | 1 | 0S-1595 | 2 | BOLT (1/2-13X1.25-IN) | | | | | | |
| | 10 | 1 | 0S-1615 | 8 | BOLT (1/4-20X0.75-IN) | | | | | | |
| | 11 | 1 | 3V-3308 | 3 | WASHER-HARD (10.2X20.5X2.5-MM THK) | | | | | | |
| | 12 | 1 | 5P-0537 | 20 | WASHER-HARD (7.2X14.5X2-MM THK) | | | | | | |
| | 13 | 1 | 5P-8245 | 2 | WASHER-HARD (13.5X25.5X3-MM THK) | | | | | | |
| | 14 | 1 | 9S-8750 | 12 | NUT-FULL (1/4-20-THD) | | | | | | |
| | 15 | 1 | 9S-8752 | 2 | NUT-FULL (3/8-16-THD) | | | | | | |
| | 16 | 1 | 9Y-9481 | 4 | WASHER (9.9X47.8X1.5-MM THK) | | | | | | |

Y-SEPARATE ILLUSTRATION

OPERATOR STATION

305 - 3378 BOX GP - CONTROL PANEL (contd.)

i02833906



GRAPHIC #1

<END>

g01414430

OPERATOR STATION

257-3196 DISPLAY GP-MONITOR-ADVISOR (CHG -00 THRU -02)

SMCS-7490

i02360713

| NOTE | PART NUMBER | QTY | PART NAME | | | | | | SEE PAGE |
|------|-------------|-----|------------------------------|---|---|---|---|-------------------|----------|
| | | | 1 | 2 | 3 | 4 | 5 | 6 (PRODUCT LEVEL) | |
| | 266-0269 | 1 | DISPLAY GP-MONITOR (ADVISOR) | | | | | | |

<END>

266-0269 DISPLAY GP-MONITOR (CHG -00 THRU -08) FIELD REPLACEMENT FOR 168-5274-PAGE 693. FOR USE WITH 266-2501 CONVERSION GP-WIRING

SMCS-7490

i02897303

| NOTE | PART NUMBER | QTY | PART NAME | | | | | | SEE PAGE |
|------|-------------|-----|---------------------|---|---|---|---|-------------------|----------|
| | | | 1 | 2 | 3 | 4 | 5 | 6 (PRODUCT LEVEL) | |
| | | | (NO SERVICED PARTS) | | | | | | |

<END>

266-0270 DISPLAY GP-MONITOR (CHG -00 THRU -06) PART OF 204-6689 BOX GP-CONTROL PANEL FIELD REPLACEMENT FOR 168-5274-PAGE 693. FOR USE WITH 266-2501 CONVERSION GP-WIRING

SMCS-7490

i03069819

| NOTE | PART NUMBER | QTY | PART NAME | | | | | | SEE PAGE |
|------|-------------|-----|-----------------------|---|---|---|---|-------------------|----------|
| | | | 1 | 2 | 3 | 4 | 5 | 6 (PRODUCT LEVEL) | |
| | 284-8908 | 1 | CONTROL GP-ELECTRONIC | | | | | | |

<END>

OPERATOR STATION

168-5274 MODULE GP-DISPLAY-MIDS (CHG -00 THRU -11)

PART OF 204-6689 BOX GP-CONTROL PANEL

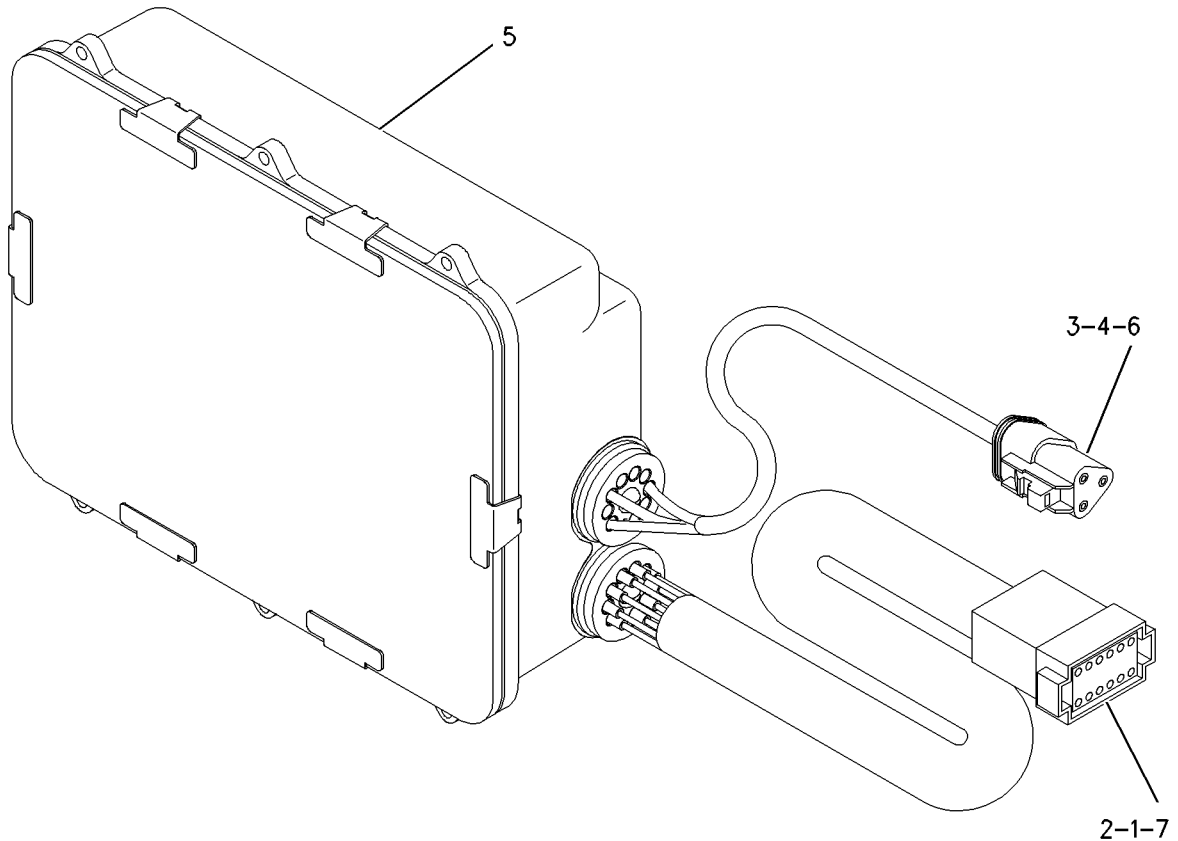
FIELD REPLACEMENT ORDER 266-0269-PAGE 692, 266-0270-PAGE 692

SMCS-7490

i02437402

| NOTE | REF NO | GRAPHIC REF | PART NUMBER | QTY | PART NAME | | | | | | SEE PAGE |
|------|--------|-------------|-----------------|-----|-----------------------------------|---|---|---|---|-------------------|----------|
| | | | | | 1 | 2 | 3 | 4 | 5 | 6 (PRODUCT LEVEL) | |
| | 1 | 1 | 3E-5180 | 1 | WEDGE-RECEPTACLE LOCK (12-PIN) | | | | | | |
| | 2 | 1 | 186-3735 | 12 | PIN-CONNECTOR (16-GA TO 18-GA) | | | | | | |
| | 3 | 1 | 186-3736 | 3 | SOCKET-CONNECTOR (16-GA TO 18-GA) | | | | | | |
| | 4 | 1 | 155-2276 | 1 | WEDGE-PLUG LOCK (3-PIN) | | | | | | |
| Z | 5 | 1 | | 1 | CONTROL AS-ELECTRONIC | | | | | | |
| | 6 | 1 | 155-2260 | 1 | KIT-CONNECTING PLUG (3-PIN) | | | | | | |
| | | | | | INCLUDES PLUG AS AND WEDGE | | | | | | |
| | 7 | 1 | 102-8801 | 1 | KIT-RECEPTACLE (12-PIN) | | | | | | |
| | | | | | INCLUDES RECEPTACLE AS AND WEDGE | | | | | | |

Z-NOT SERVICED SEPARATELY



GRAPHIC #1

<END>

g00760413

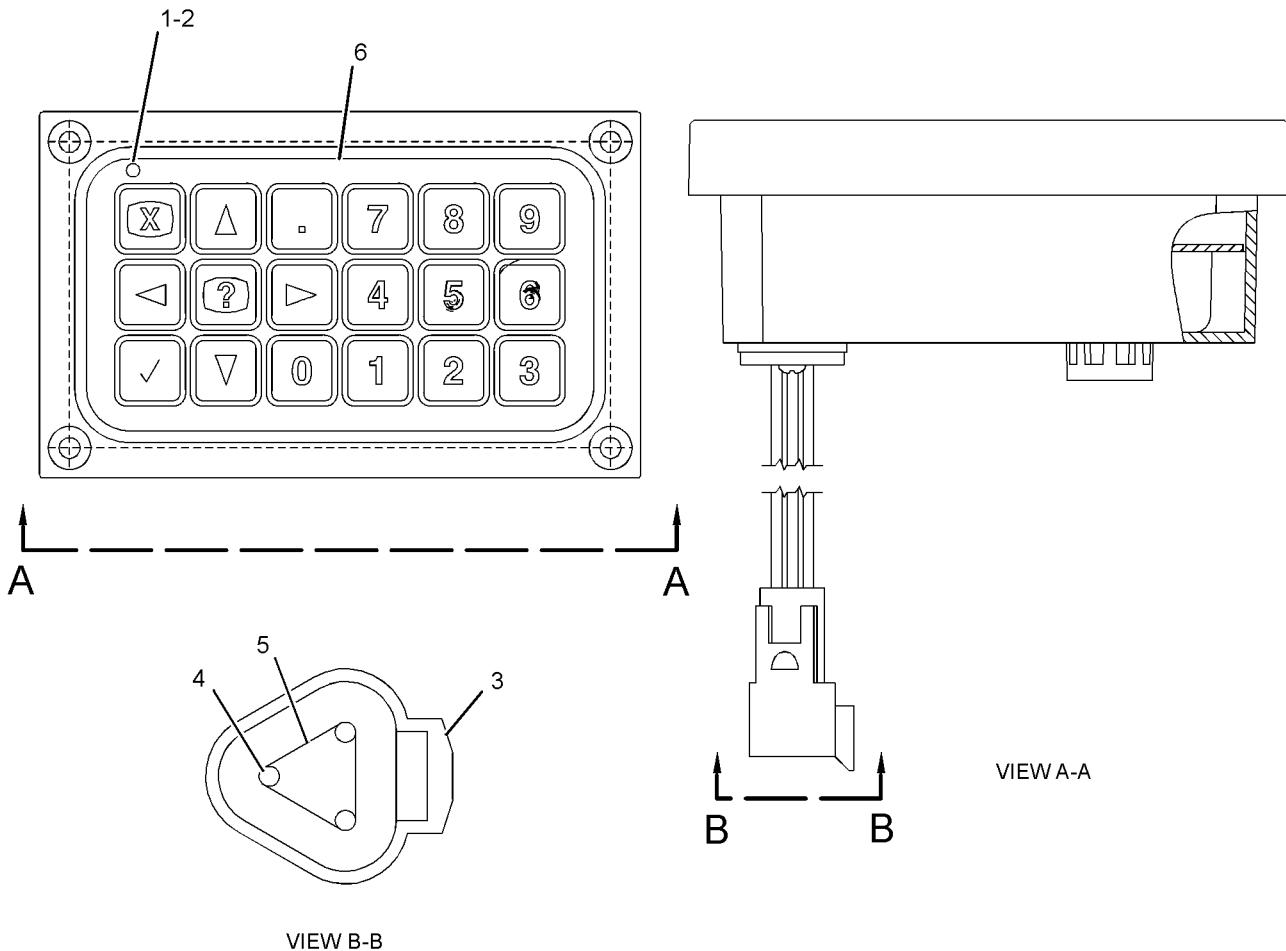
OPERATOR STATION

200-6198 MODULE GP-KEYPAD (CHG -00 THRU -02) PART OF 204-6689 BOX GP-CONTROL PANEL

SMCS-7490

i02690681

| NOTE | REF NO | GRAPHIC REF | PART NUMBER | QTY | PART NAME | | | | | | SEE PAGE |
|------|--------|-------------|-----------------|-----|---|---|---|---|---|-------------------|----------|
| | | | | | 1 | 2 | 3 | 4 | 5 | 6 (PRODUCT LEVEL) | |
| | 1 | 1 | 4B-1218 | 1 | SCREW-MACHINE (6-32X0.25-IN) | | | | | | |
| | 2 | 1 | 4B-2041 | 1 | NUT (6-32-THD) | | | | | | |
| | 3 | 1 | 102-8803 | 1 | KIT-RECEPTACLE (3-PIN) (INCLUDES RECEPTACLE AND WEDGE) | | | | | | |
| | 4 | 1 | 186-3735 | 3 | PIN-CONNECTOR (16-GA TO 18-GA) | | | | | | |
| | 5 | 1 | 3E-3371 | 1 | WEDGE-RECEPTACLE LOCK (3-PIN) | | | | | | |
| | 6 | 1 | 205-0821 | 1 | FILM-KEYPAD | | | | | | |



GRAPHIC #1

<END>

g01351537

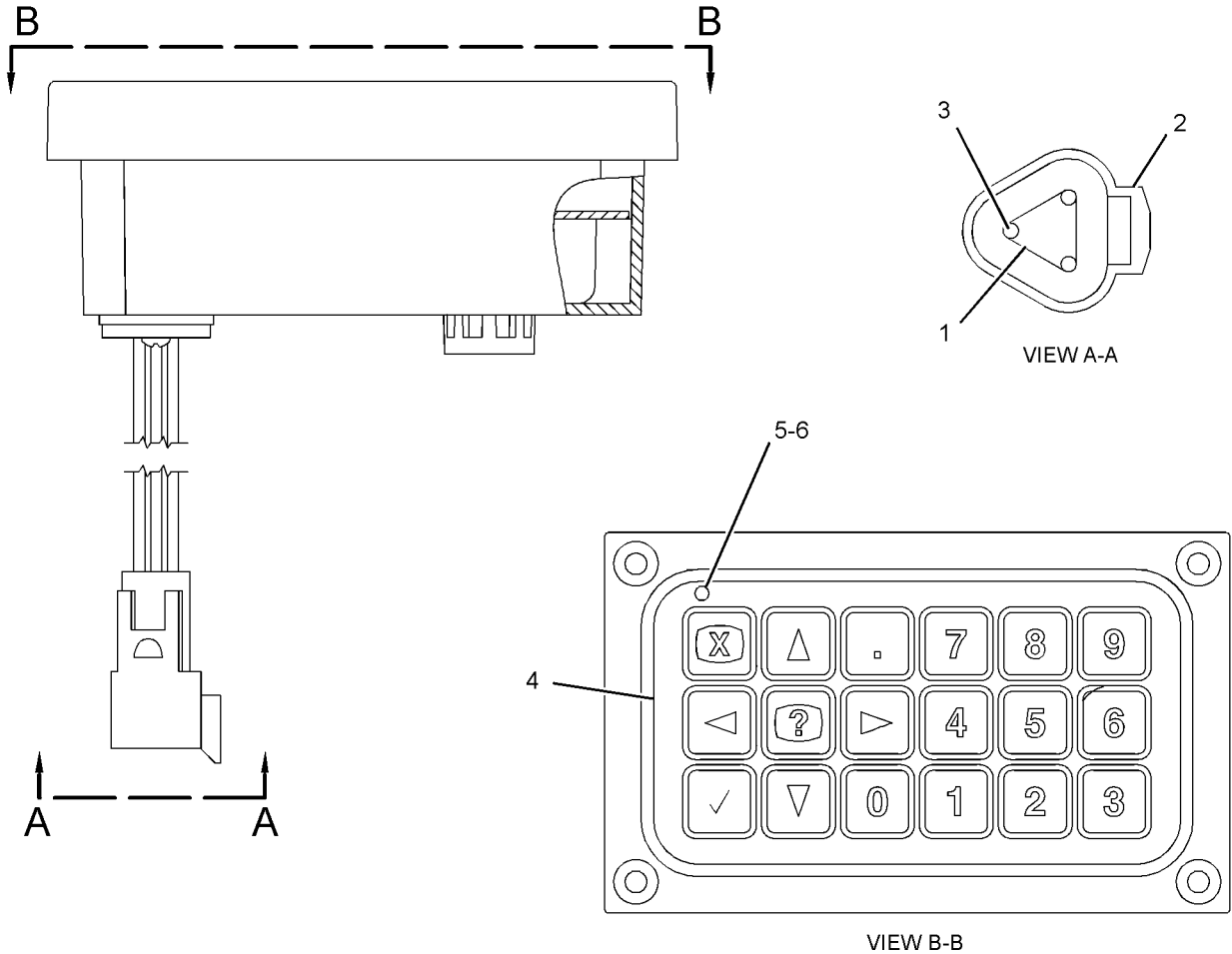
OPERATOR STATION

297 - 1405 MODULE GP-KEYPAD (CHG -00 THRU -02) PART OF 257-5889 PANEL GP-CONTROL

SMCS-7490

i02683060

| NOTE | REF NO | GRAPHIC REF | PART NUMBER | QTY | PART NAME | | | | | | SEE PAGE |
|------|--------|-------------|-----------------|-----|--|---|---|---|---|-------------------|----------|
| | | | | | 1 | 2 | 3 | 4 | 5 | 6 (PRODUCT LEVEL) | |
| | 1 | 1 | 3E-3371 | 1 | WEDGE-RECEPTACLE LOCK (3-PIN) | | | | | | |
| | 2 | 1 | 102-8803 | 1 | KIT-RECEPTACLE (3-PIN) (INCLUDES RECEPTACLE AS AND WEDGE) | | | | | | |
| | 3 | 1 | 186-3735 | 3 | PIN-CONNECTOR (16-GA TO 18-GA) | | | | | | |
| | 4 | 1 | 205-0821 | 1 | FILM-KEYPAD | | | | | | |
| | 5 | 1 | 4B-1218 | 1 | SCREW-MACHINE (6-32X0.25-IN) | | | | | | |
| | 6 | 1 | 4B-2041 | 1 | NUT (6-32-THD) | | | | | | |



GRAPHIC #1

<END>

g01349789

OPERATOR STATION

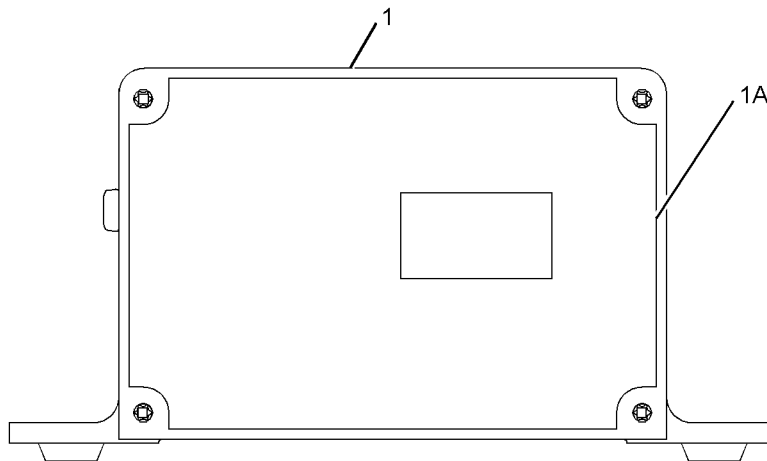
188-3081 MODULE GP-SYSTEM COMMUNICATION-CUSTOMER (CHG -00)

PART OF 216-8697 CONTROL GP-ENG RATINGS ELEK

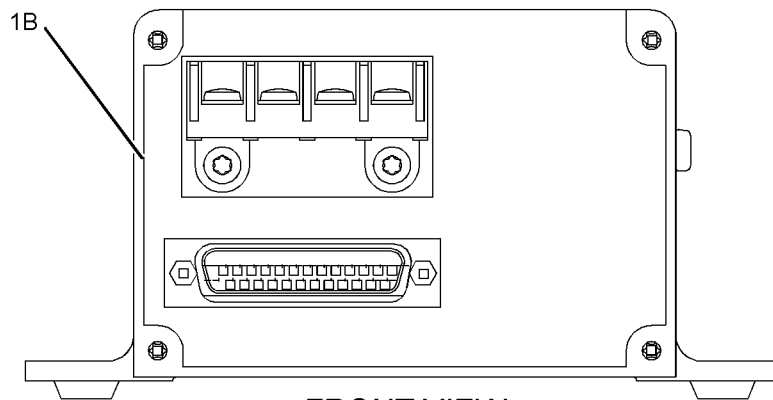
SMCS-1926

i02394592

| NOTE | REF NO | GRAPHIC REF | PART NUMBER | QTY | PART NAME | | | | | | SEE PAGE |
|------|--------|-------------|-------------|-----|---|---|---|---|---|-------------------|----------|
| | | | | | 1 | 2 | 3 | 4 | 5 | 6 (PRODUCT LEVEL) | |
| | 1 | 1 | 188-3080 | 1 | MODULE GP-SYSTEM COMMUNICATION (CUSTOMER) | | | | | | |
| | 1A | 1 | 109-5737 | 1 | FILM-DISPLAY (COMMUNICATION MODULE) | | | | | | |
| | 1B | 1 | 109-5738 | 1 | FILM-INTERFACE (COMMUNICATION MODULE) | | | | | | |
| | 1C | 2 | 101-1785 | 1 | BATTERY (LITHIUM) (3-VOLT) | | | | | | |
| | 1D | 2 | 8L-8413 | 1 | STRAP-CABLE | | | | | | |



REAR VIEW



FRONT VIEW

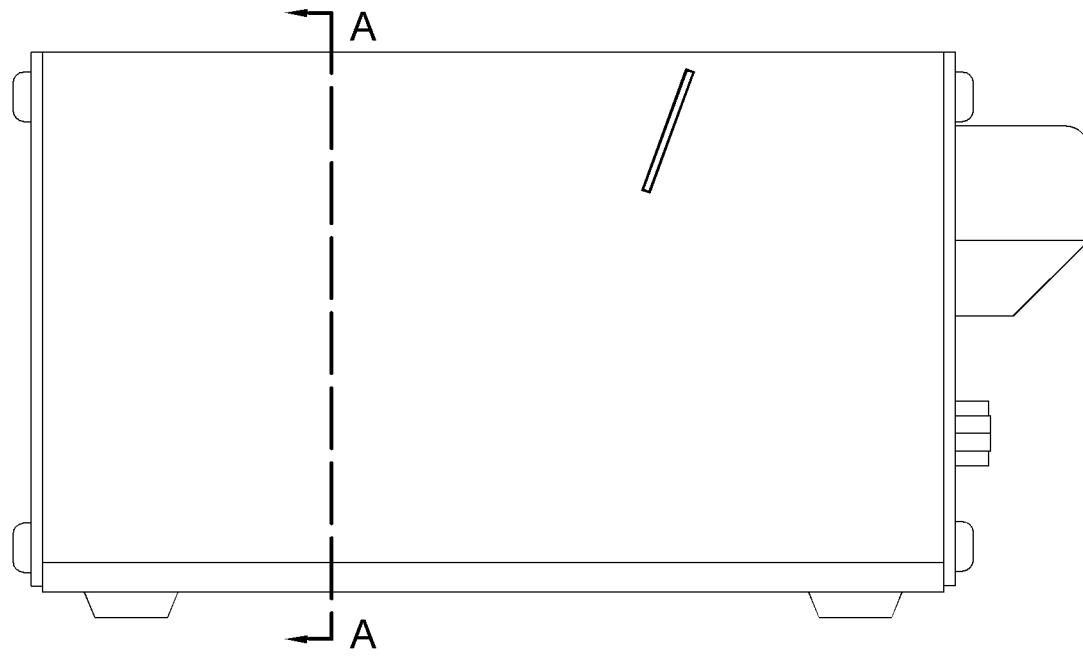
GRAPHIC #1

g01192993

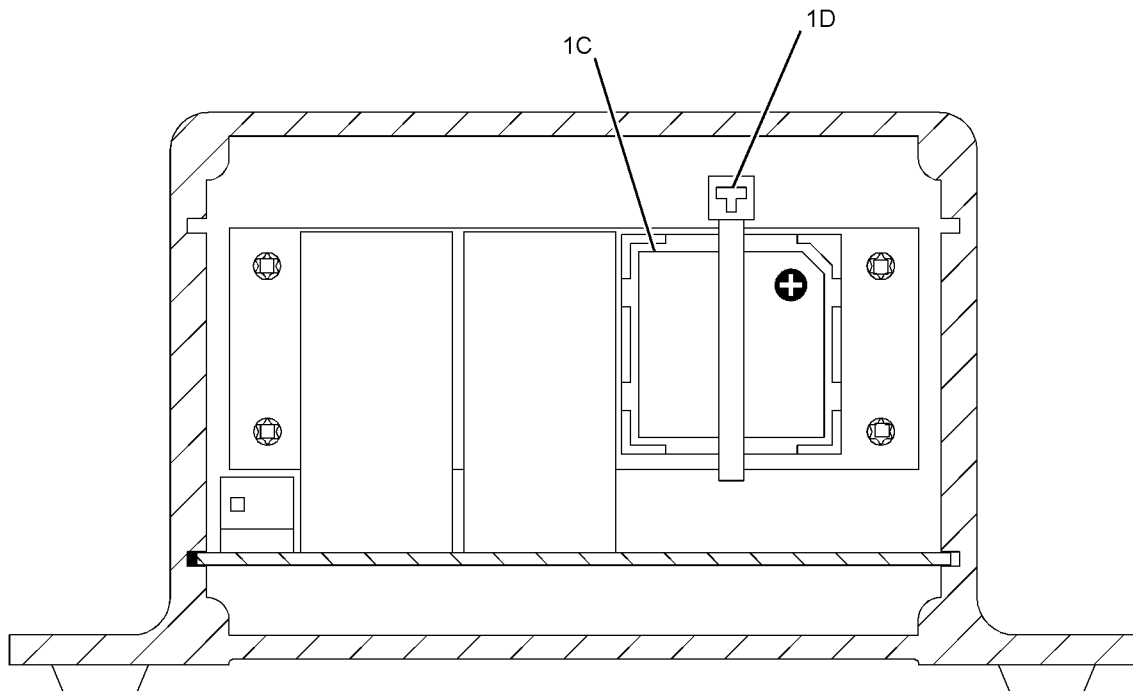
OPERATOR STATION

188-3081 MODULE GP-SYSTEM COMMUNICATION (contd.)

i02394592



LEFT SIDE VIEW



SECTION A-A

GRAPHIC #2

<END>

g01193026

OPERATOR STATION

257-5889 PANEL GP-CONTROL (CHG -00, -01) DISPLAY

SMCS-4490, 7451

i02693351

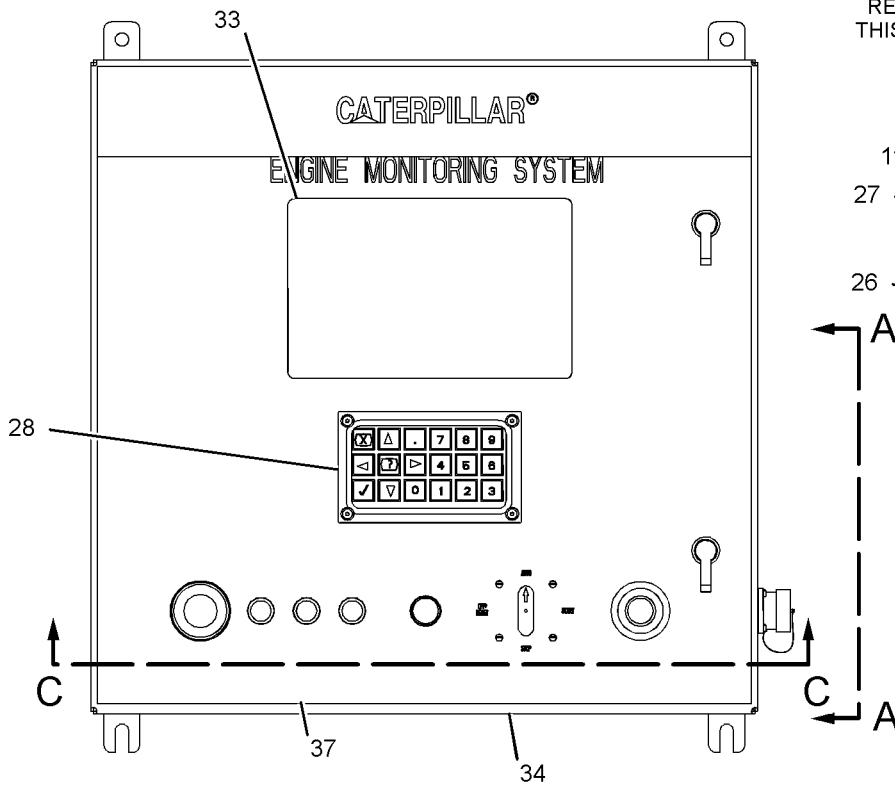
| NOTE | REF NO | GRAPHIC REF | PART NUMBER | QTY | PART NAME | | | | | | SEE PAGE |
|------|--------|-------------|-------------|-----|---|---|---|---|---|-------------------|----------|
| | | | | | 1 | 2 | 3 | 4 | 5 | 6 (PRODUCT LEVEL) | |
| | 1 | 2 | 2V-7088 | 1 | LENS-RED (ENGINE FAILURE) | | | | | | |
| | 2 | 2 | 3E-1813 | 1 | SWITCH AS-PUSH BUTTON (LIGHTED) (PRELUBRICATION) | | | | | | |
| | | 2 | 3E-1814 | 1 | LAMP (24-VOLT) | | | | | | |
| | 3 | 2 | 3S-2093 | 8 | STRAP-CABLE | | | | | | |
| | 5 | 2 | 7C-4910 | 1 | SEAL | | | | | | |
| | 6 | 2 | 7E-0860 | 1 | DIAL-CONCENTRIC | | | | | | |
| | 7 | 2 | 7R-3029 | 1 | CAP-DUST | | | | | | |
| | 8 | 2 | 8L-8413 | 4 | STRAP-CABLE | | | | | | |
| | 9 | 1 | 9X-9675 | 2 | BRACKET-END | | | | | | |
| | 10 | 2 | 109-6507 | 1 | SWITCH AS-PUSH BUTTON (EMERGENCY STOP) | | | | | | |
| | 11 | 1 | 110-3890 | 3 | TERMINAL | | | | | | |
| | 12 | 1 | 110-3891 | 2 | COVER-END | | | | | | |
| | 13 | 2 | 111-1324 | 1 | BLOCK-CONTACT | | | | | | |
| | 14 | 1 | 115-1322 | 55 | TERMINAL (DOUBLE) | | | | | | |
| | 15 | 1 | 115-2538 | 13 | COVER-END | | | | | | |
| | 16 | 2 | 116-5270 | 1 | LAMP (24-VOLT) (RED) | | | | | | |
| | 17 | 2 | 124-3176 | 1 | COVER | | | | | | |
| | 18 | 1 | 131-2639 | 1 | WASHER (3.2X9X0.5-MM THK) | | | | | | |
| | 19 | 2 | 131-4888 | 1 | GASKET | | | | | | |
| | 20 | 2 | 132-8487 | 1 | NUT-RING | | | | | | |
| | 21 | 2 | 153-5040 | 1 | LAMP-INDICATOR (24-VOLT) | | | | | | |
| | 22 | 2 | 153-5042 | 1 | LAMP-INDICATOR (24-VOLT) | | | | | | |
| | 23 | 2 | 156-0518 | 3 | SOCKET AS (EACH INCLUDES) | | | | | | |
| | | 2 | 6V-8367 | 1 | LOCKWASHER | | | | | | |
| | | 2 | 6V-8382 | 1 | NUT-HEX (11/16-27-THD) | | | | | | |
| | 24 | 2 | 156-0519 | 1 | LENS-AMBER (ALARM) | | | | | | |
| | 25 | 2 | 156-0520 | 1 | LENS-GREEN (ENGINE ON) | | | | | | |
| | 26 | 1 | 197-2691 | 1 | STRIP-CONTACT | | | | | | |
| | 27 | 1 | 197-6949 | 1 | STRIP-CONTACT | | | | | | |
| Y | 28 | 1 | 297-1405 | 1 | MODULE GP-KEYPAD | | | | | | 695 |
| | 29 | 1 | 208-6049 | 1 | TAG | | | | | | |
| | 30 | 2 | 221-2304 | 1 | SWITCH AS-ROTARY (ENGINE CONTROL) | | | | | | |
| | 31 | 2 | 221-2498 | 1 | WIRE AS | | | | | | |
| | 32 | 1 | 235-4861 | 1 | TERMINAL-GROUND | | | | | | |
| | 33 | 1 | 248-5563 | 1 | GASKET | | | | | | |
| Y | 34 | 1 | 257-8836 | 1 | BOX AS-CONTROL | | | | | | 524 |
| Y | 35 | 2 | 257-8837 | 1 | HARNESS AS-MONITOR (ADVISOR) | | | | | | 546 |
| | 37 | 1 | 258-6988 | 1 | FILM-CONTROL PANEL | | | | | | |
| Y | 38 | 2 | 258-6989 | 1 | HARNESS AS-CONTROL (DATA LINK) | | | | | | 544 |
| | 39 | 1 | 259-5812 | 2 | MOUNTING GP-CONTROL (ENGINE MONITORING SYSTEM) (EACH INCLUDES) | | | | | | |
| | 39A | 1 | 260-0405 | 1 | BRACKET AS | | | | | | |
| | 39B | 1 | 260-0406 | 2 | BOLT (1/4-20X1.5-IN) | | | | | | |
| | 39C | 1 | 260-0407 | 2 | CAP | | | | | | |
| | 40 | 1 | 4B-4863 | 4 | WASHER (4.7X11X1.2-MM THK) | | | | | | |
| | 41 | 2 | 5P-0537 | 4 | WASHER-HARD (7.2X14.5X2-MM THK) | | | | | | |
| | 42 | 1 | 6D-5801 | 4 | LOCKNUT (8-32-THD) | | | | | | |
| | 43 | 2 | 8C-8560 | 4 | SCREW-LOCK (4-40X0.5-IN) | | | | | | |
| M | 44 | 1 | 8T-0639 | 4 | BOLT (M6X1X12-MM) | | | | | | |
| | 45 | 2 | 9S-8750 | 2 | NUT-FULL (1/4-20-THD) | | | | | | |
| | 46 | 1 | 9X-8256 | 4 | WASHER (6.6X12X2-MM THK) | | | | | | |

M-METRIC PART
Y-SEPARATE ILLUSTRATION

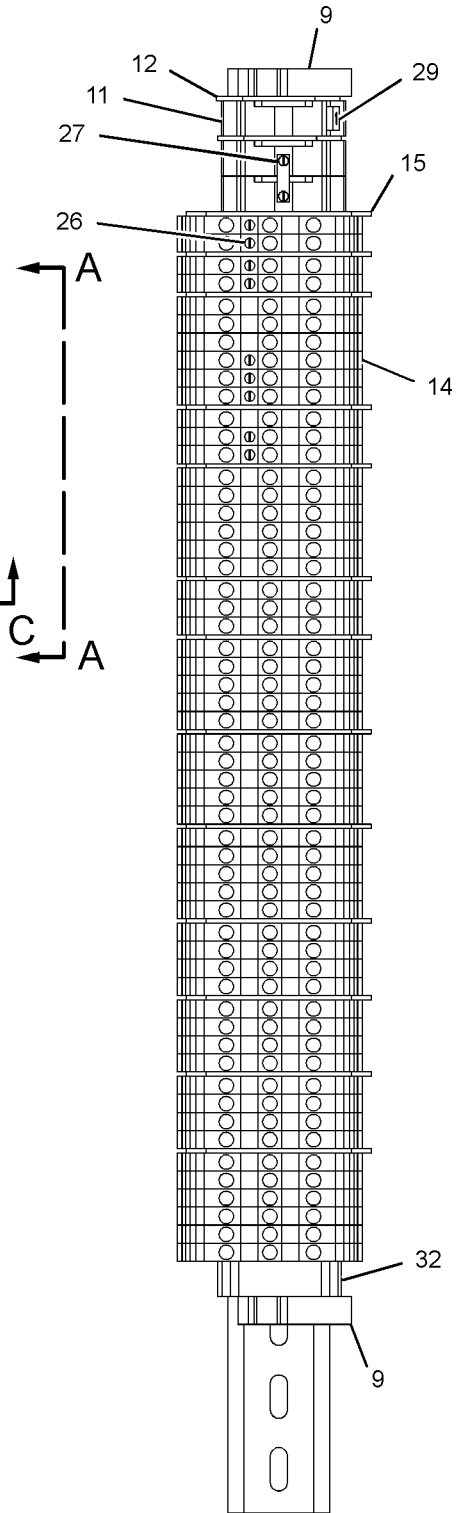
OPERATOR STATION

257-5889 PANEL GP-CONTROL (contd.)

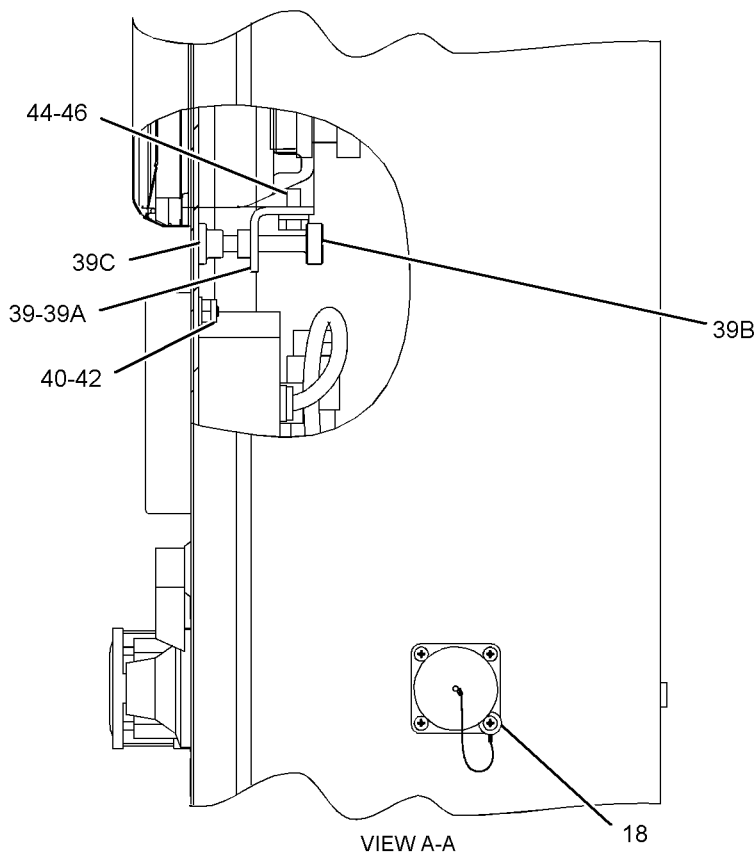
i02693351



REFER TO ALL ILLUSTRATIONS OF THIS GROUP FOR AUXILIARY VIEWS.



SECTION B-B



VIEW A-A

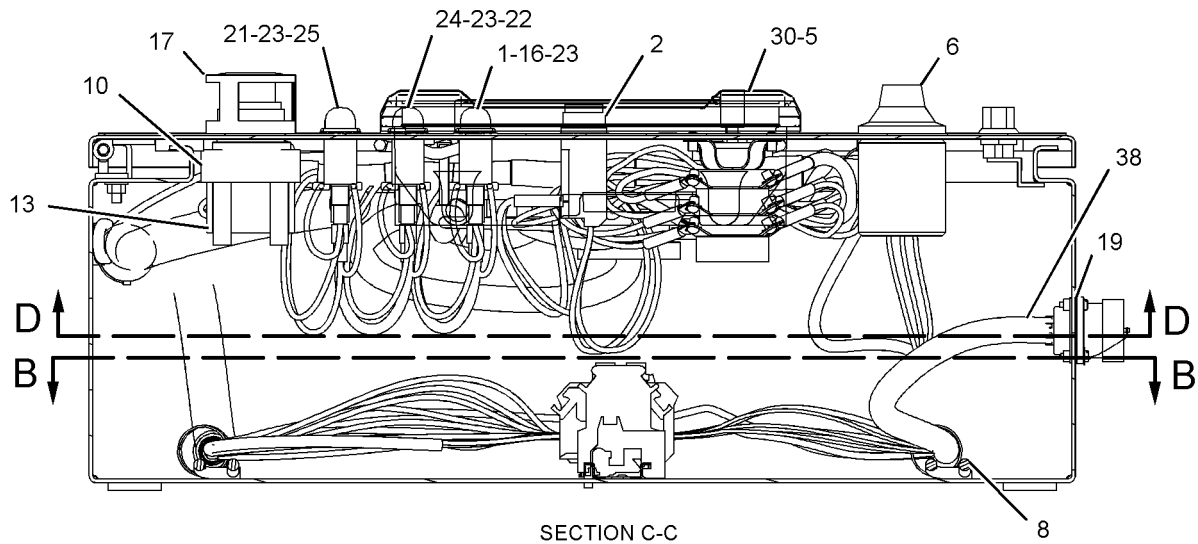
GRAPHIC #1

g01182766

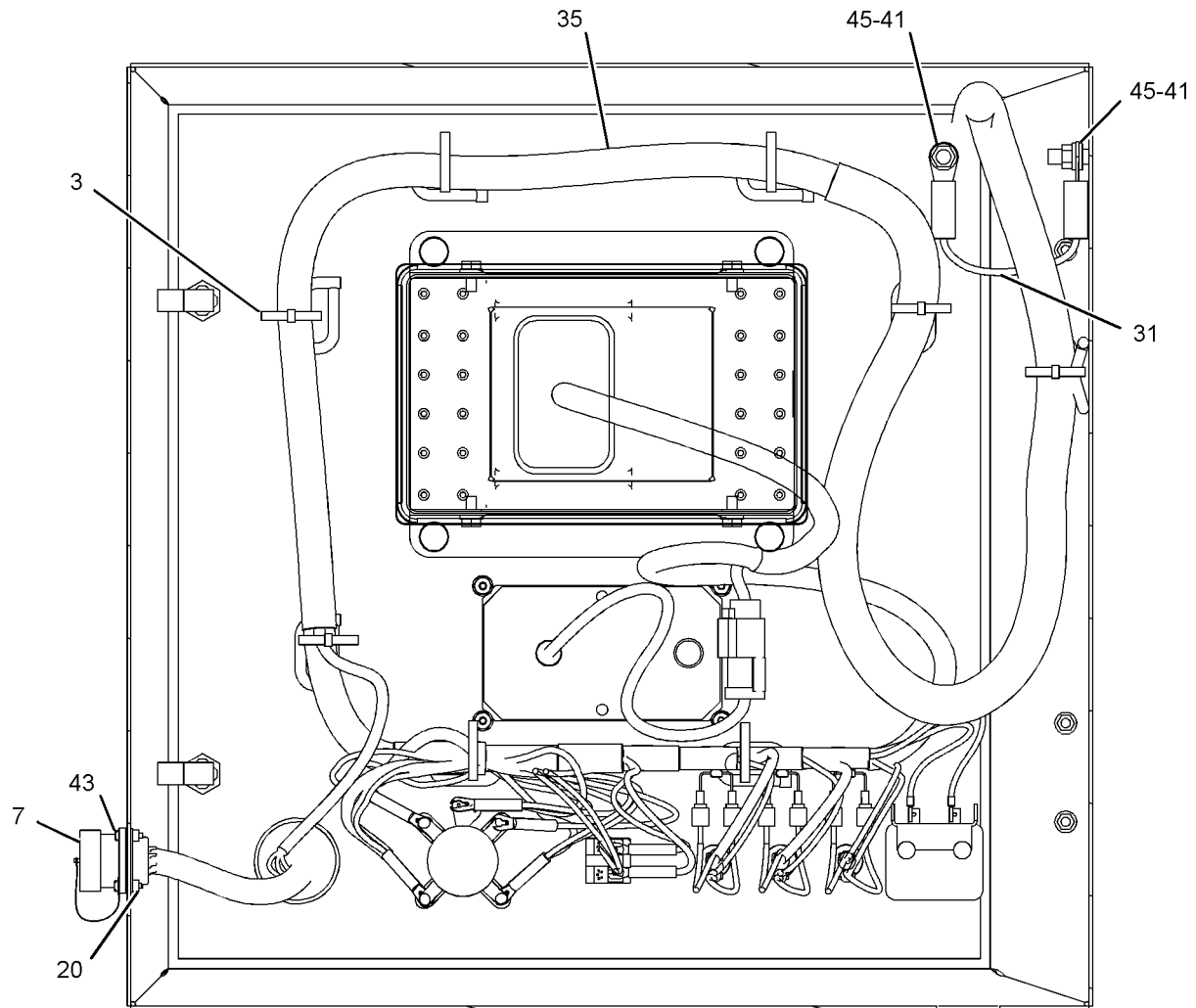
OPERATOR STATION

257-5889 PANEL GP-CONTROL (contd.)

i02693351



SECTION C-C



SECTION D-D

GRAPHIC #2

<END>

g01107314

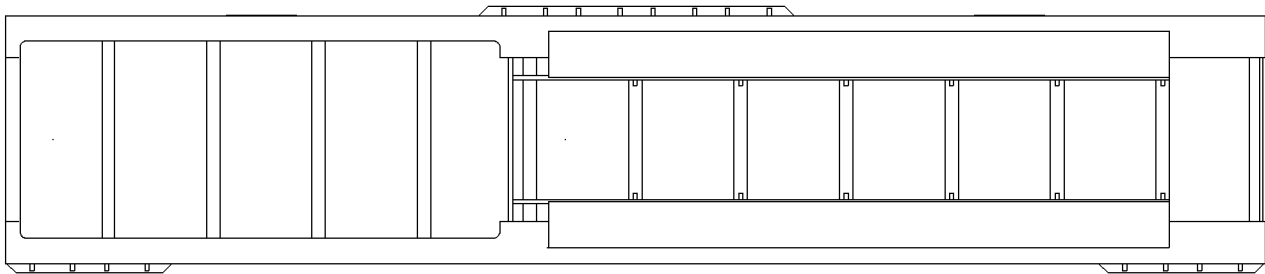
ENCLOSURES, GUARDS AND BASES

7W-7990 BASE AS (CHG -00, -01, -01D1) TWO BEARING GENERATOR

SMCS-7060

i01564519

| NOTE | REF NO | GRAPHIC REF | PART NUMBER | QTY | PART NAME | | | | | | SEE PAGE |
|---------------------|--------|-------------|-------------|-----|-----------|---|---|---|---|-------------------|----------|
| | | | | | 1 | 2 | 3 | 4 | 5 | 6 (PRODUCT LEVEL) | |
| (NO SERVICED PARTS) | | | | | | | | | | | |



TOP VIEW

GRAPHIC #1

<END>

g00815148

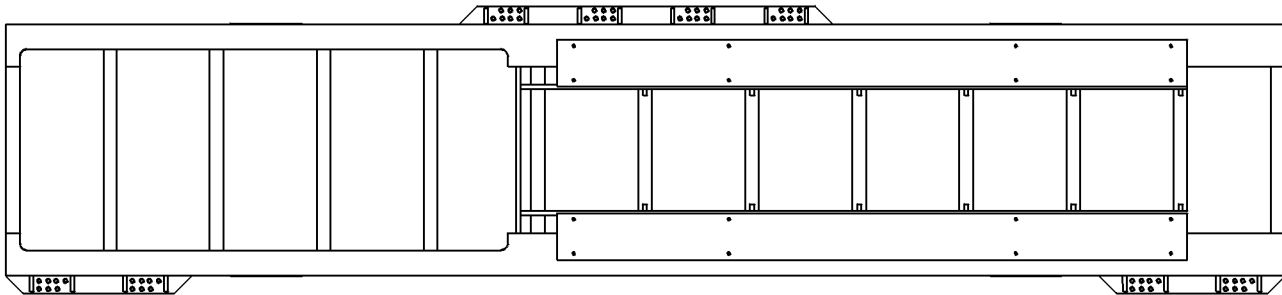
ENCLOSURES, GUARDS AND BASES

109-3474 BASE AS (CHG -00 THRU -02)

SMCS-7060

i01107241

| NOTE | REF NO | GRAPHIC REF | PART NUMBER | QTY | PART NAME | | | | | | SEE PAGE |
|---------------------|--------|-------------|-------------|-----|-----------|---|---|---|---|-------------------|----------|
| | | | | | 1 | 2 | 3 | 4 | 5 | 6 (PRODUCT LEVEL) | |
| (NO SERVICED PARTS) | | | | | | | | | | | |



TOP VIEW

GRAPHIC #1

<END>

g00065758

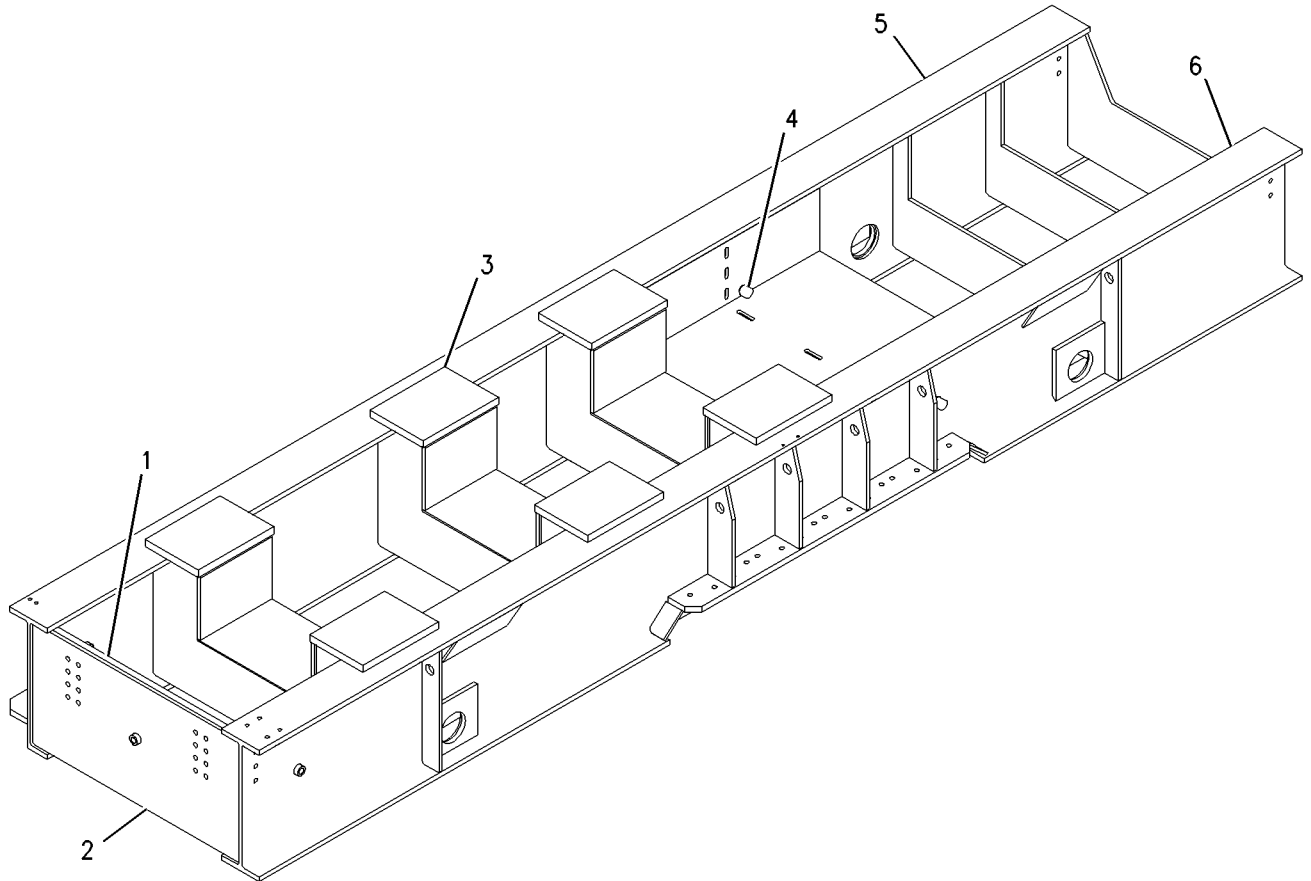
ENCLOSURES, GUARDS AND BASES

188 - 6016 BASE AS (CHG -01, -02)

SMCS - 7060

i02357781

| NOTE | REF NO | GRAPHIC REF | PART NUMBER | QTY | PART NAME | | | | | | SEE PAGE |
|------|--------|-------------|-------------|-----|----------------------------------|---|---|---|---|-------------------|----------|
| | | | | | 1 | 2 | 3 | 4 | 5 | 6 (PRODUCT LEVEL) | |
| | 1 | 1 | 171-7982 | 1 | CHANNEL | | | | | | |
| | 2 | 1 | 175-1397 | 1 | PLATE | | | | | | |
| | 3 | 1 | 175-1402 | 3 | SUPPORT AS | | | | | | |
| | 4 | 1 | 8F-7800 | 4 | CAP-PIPE | | | | | | |
| | 5 | 1 | 191-4033 | 1 | BEAM AS | | | | | | |
| | | 1 | 3K-5068 | 4 | DOWEL | | | | | | |
| | | 1 | 3V-0409 | 8 | SPACER (0.423X0.675X1.25-IN THK) | | | | | | |
| 6 | 1 | 1 | 191-4034 | 1 | BEAM AS | | | | | | |
| | | 1 | 3V-0409 | 8 | SPACER (0.423X0.675X1.25-IN THK) | | | | | | |



GRAPHIC #1

<END>

g00886891

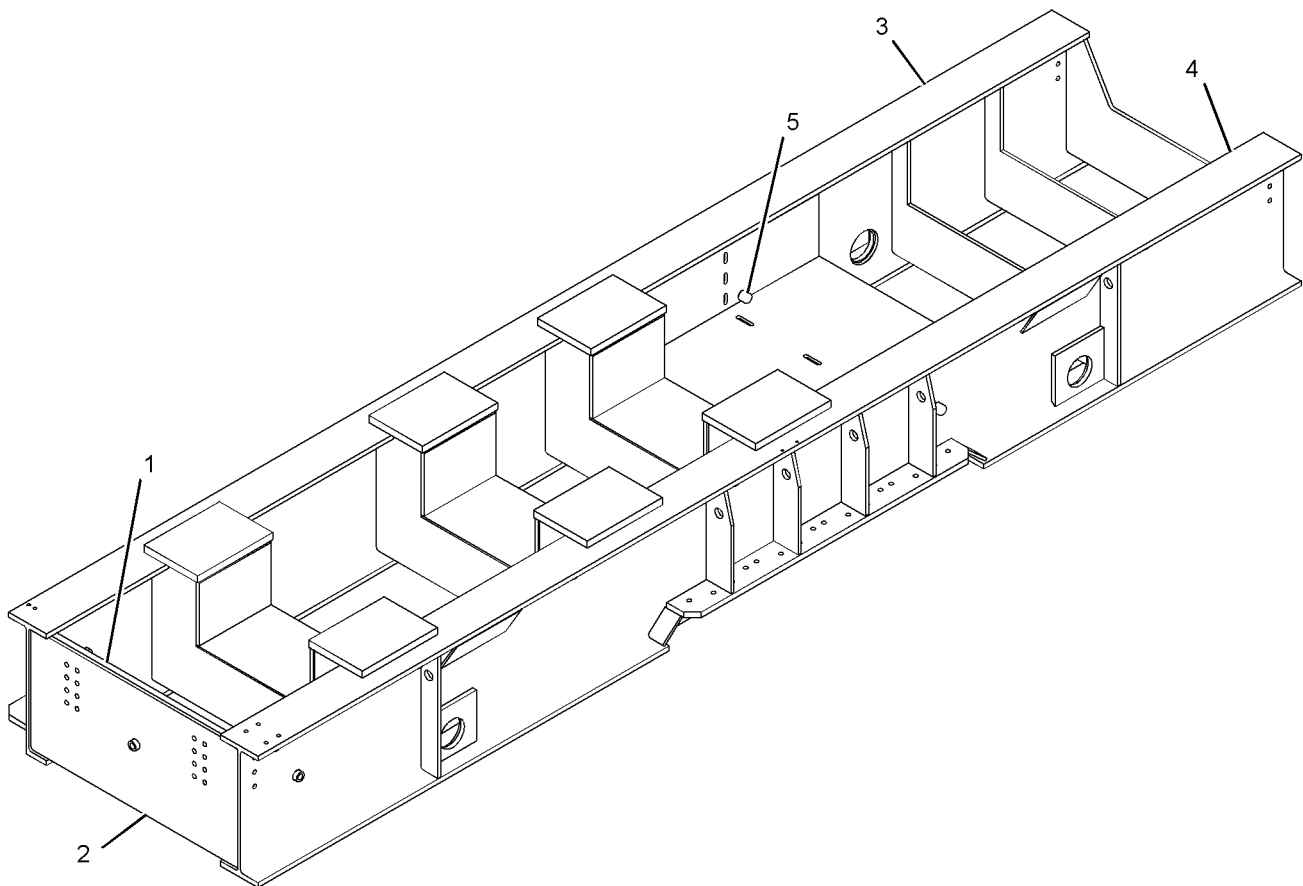
ENCLOSURES, GUARDS AND BASES

225 - 3216 BASE AS (CHG -00, -01)

SMCS - 7060

i02189126

| NOTE | REF NO | GRAPHIC REF | PART NUMBER | QTY | PART NAME | | | | | | SEE PAGE |
|------|--------|-------------|-------------|-----|----------------------------------|---|---|---|---|-------------------|----------|
| | | | | | 1 | 2 | 3 | 4 | 5 | 6 (PRODUCT LEVEL) | |
| | 1 | 1 | 171-7982 | 1 | CHANNEL | | | | | | |
| | 2 | 1 | 175-1397 | 1 | PLATE | | | | | | |
| | 3 | 1 | 225-3215 | 1 | BEAM AS | | | | | | |
| | | 1 | 3K-5068 | 4 | DOWEL | | | | | | |
| | | 1 | 3V-0409 | 8 | SPACER (0.423X0.675X1.25-IN THK) | | | | | | |
| 4 | | 1 | 225-3214 | 1 | BEAM AS | | | | | | |
| | | 1 | 3V-0409 | 8 | SPACER (0.423X0.675X1.25-IN THK) | | | | | | |
| 5 | | 1 | 8F-7800 | 4 | CAP-PIPE | | | | | | |



GRAPHIC #1

<END>

g01106734

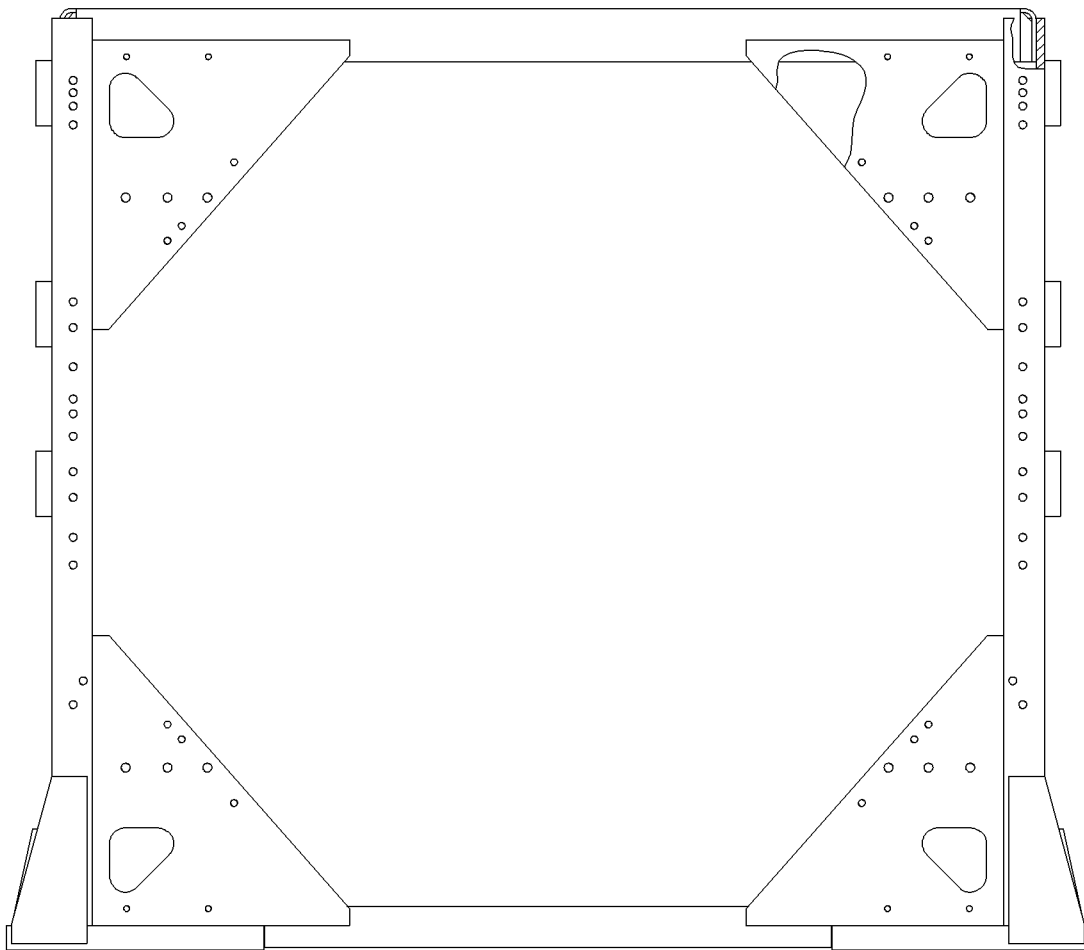
ENCLOSURES, GUARDS AND BASES

123-8546 MODULE AS-ACCESSORY (CHG -03 THRU -07)

SMCS-7263, 7274

i01604340

| NOTE | REF NO | GRAPHIC REF | PART NUMBER | QTY | PART NAME | | | | | | SEE PAGE |
|---------------------|--------|-------------|-------------|-----|-----------|---|---|---|---|-------------------|----------|
| | | | | | 1 | 2 | 3 | 4 | 5 | 6 (PRODUCT LEVEL) | |
| (NO SERVICED PARTS) | | | | | | | | | | | |



GRAPHIC #1

<END>

g00830764

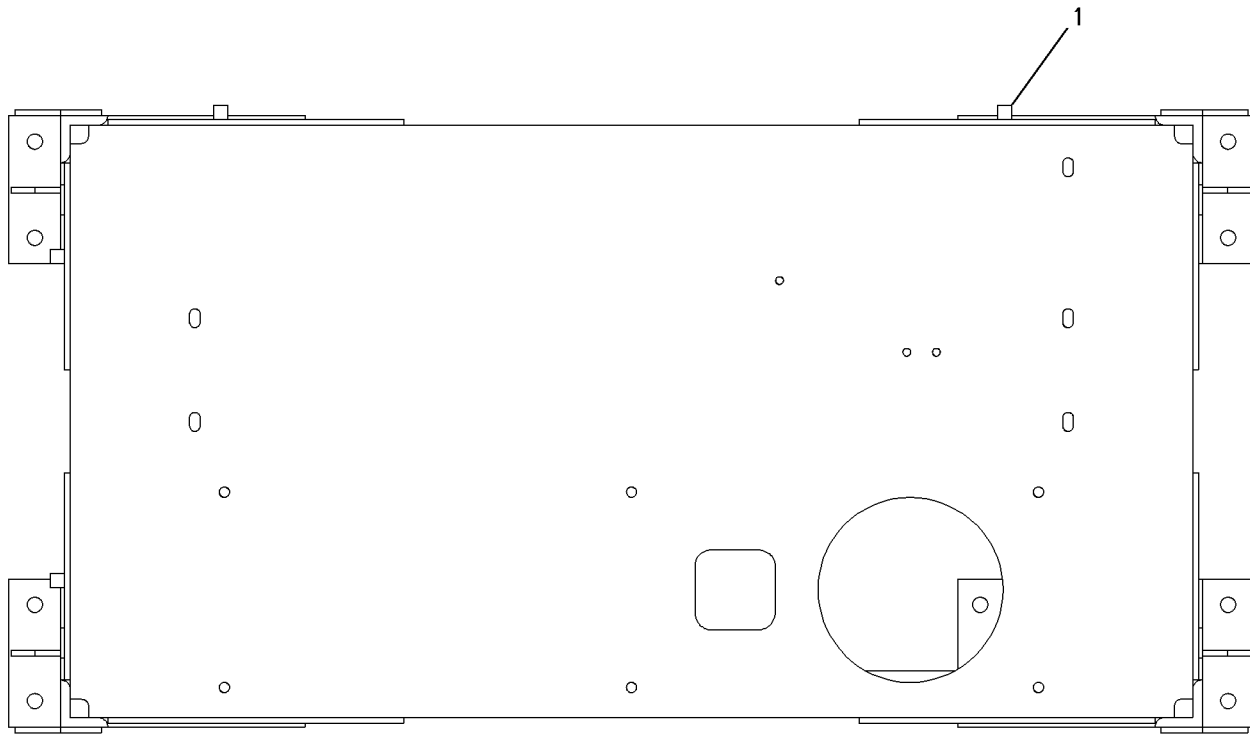
ENCLOSURES, GUARDS AND BASES

196-3752 MODULE AS-ACCESSORY (CHG -00 THRU -03)

SMCS-7263, 7274

i02387832

| NOTE | REF NO | GRAPHIC REF | PART NUMBER | QTY | PART NAME | | | | | | SEE PAGE |
|------|--------|-------------|-------------|-----|-------------------|---|---|---|---|-------------------|----------|
| | | | | | 1 | 2 | 3 | 4 | 5 | 6 (PRODUCT LEVEL) | |
| | 1 | 1 | 8F-9836 | 4 | BOSS (3/8-16-THD) | | | | | | |



GRAPHIC #1

<END>

g00818505

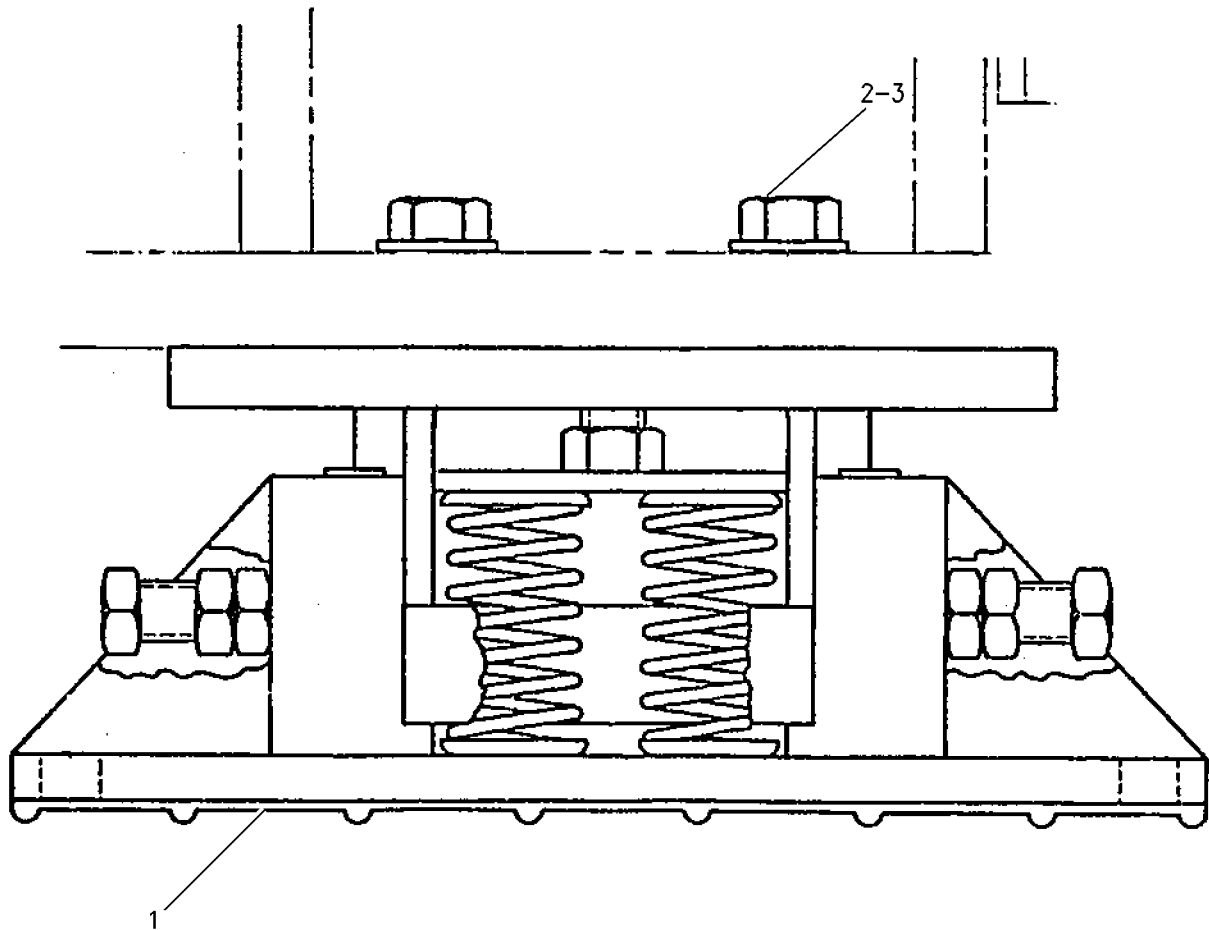
ENCLOSURES, GUARDS AND BASES

7C-0533 MOUNTING GP-GENERATOR BASE (CHG -00 THRU -02)

SMCS-7060

i02357899

| NOTE | REF NO | GRAPHIC REF | PART NUMBER | QTY | PART NAME | | | | | | SEE PAGE |
|------|--------|-------------|-------------|-----|--------------------------------|---|---|---|---|-------------------|----------|
| | | | | | 1 | 2 | 3 | 4 | 5 | 6 (PRODUCT LEVEL) | |
| | 1 | 1 | 3N-8574 | 1 | MOUNTING GP-VIBRATION ISOLATOR | | | | | | |
| | 2 | 1 | 9S-1363 | 2 | BOLT (1-8X2.75-IN) | | | | | | |
| | 3 | 1 | 5P-8250 | 2 | WASHER (28X49X5-MM THK) | | | | | | |



GRAPHIC #1

<END>

g00730248

ENCLOSURES, GUARDS AND BASES

7C - 6537 MOUNTING GP - GENERATOR BASE (CHG -00, -01)

SMCS - 7060

i02357893

| NOTE | PART NUMBER | QTY | PART NAME | SEE PAGE |
|------|-------------|-----|-----------------------------|-------------|
| | | | 1 2 3 4 5 6 (PRODUCT LEVEL) | |
| | 9S - 1363 | 10 | BOLT (1 - 8X2.75 - IN) | |
| | 7C - 6538 | 1 | ISOLATOR | |
| | 5P - 8250 | 10 | WASHER (28X49X5 - MM THK) | |

<END>

ENCLOSURES, GUARDS AND BASES

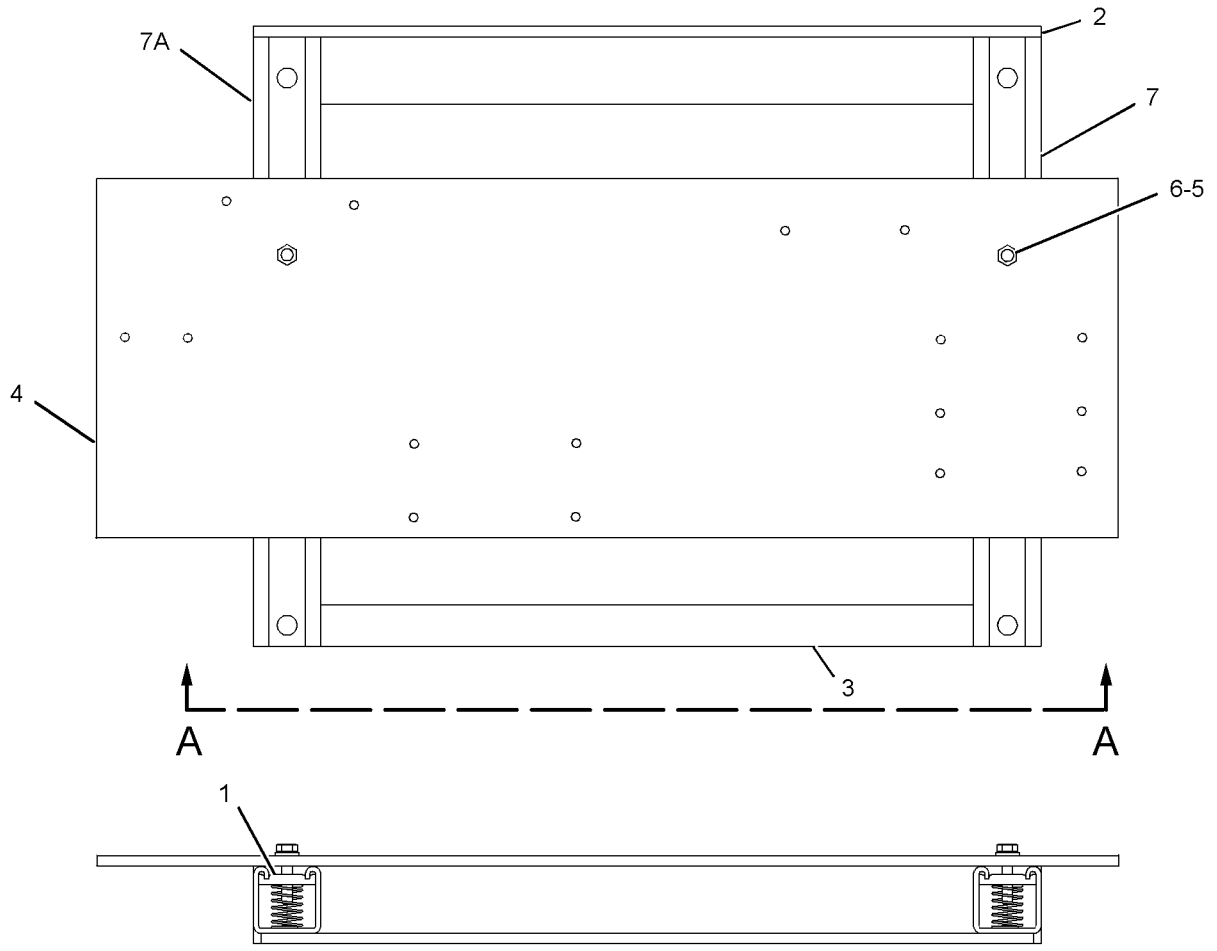
118-9608 SUPPORT GP-ACCESSORY MODULE (CHG -00 THRU -03) PART OF 122-4261 REGULATOR GP-OIL LEVEL

SMCS-7263, 7274

i02444499

| NOTE | REF NO | GRAPHIC REF | PART NUMBER | QTY | PART NAME | | | | | | SEE PAGE |
|------|--------|-------------|-------------|-----|---------------------------------|---|---|---|---|-------------------|----------|
| | | | | | 1 | 2 | 3 | 4 | 5 | 6 (PRODUCT LEVEL) | |
| | 1 | 1 | 119-1569 | 2 | NUT-SPRING | | | | | | |
| | 2 | 1 | 132-6253 | 1 | PLATE AS | | | | | | |
| | 3 | 1 | 132-6254 | 1 | PLATE | | | | | | |
| | 4 | 1 | 165-5523 | 1 | PLATE | | | | | | |
| | 5 | 1 | 5P-0537 | 2 | WASHER-HARD (7.2X14.5X2-MM THK) | | | | | | |
| | 6 | 1 | 7B-2742 | 2 | BOLT (1/4-20X1.25-IN) | | | | | | |
| E | 7 | 1 | 141-1220 | | CHANNEL (37.4-CM) | | | | | | |
| E | 7A | 1 | 141-1220 | | CHANNEL (37.4-CM) | | | | | | |

E-ORDER BY THE CENTIMETER



VIEW A-A

GRAPHIC #1

<END>

g01221360

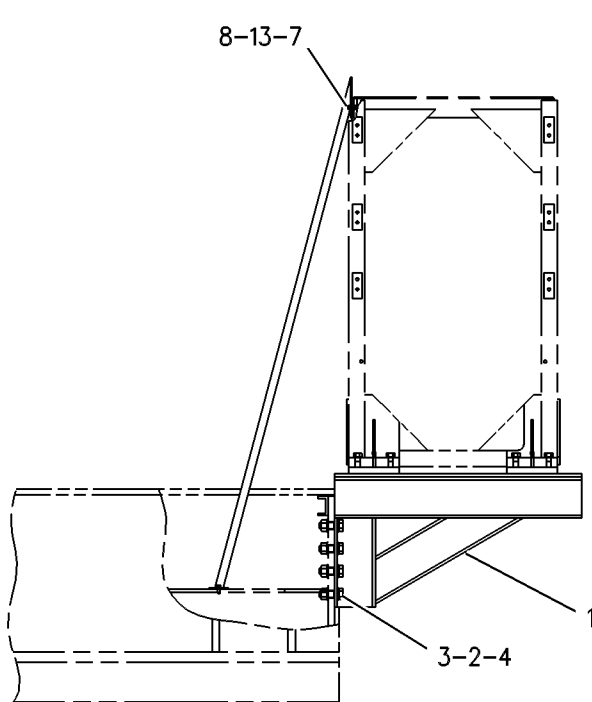
ENCLOSURES, GUARDS AND BASES

124-2446 SUPPORT GP-ACCESSORY MODULE (CHG -00, -01)

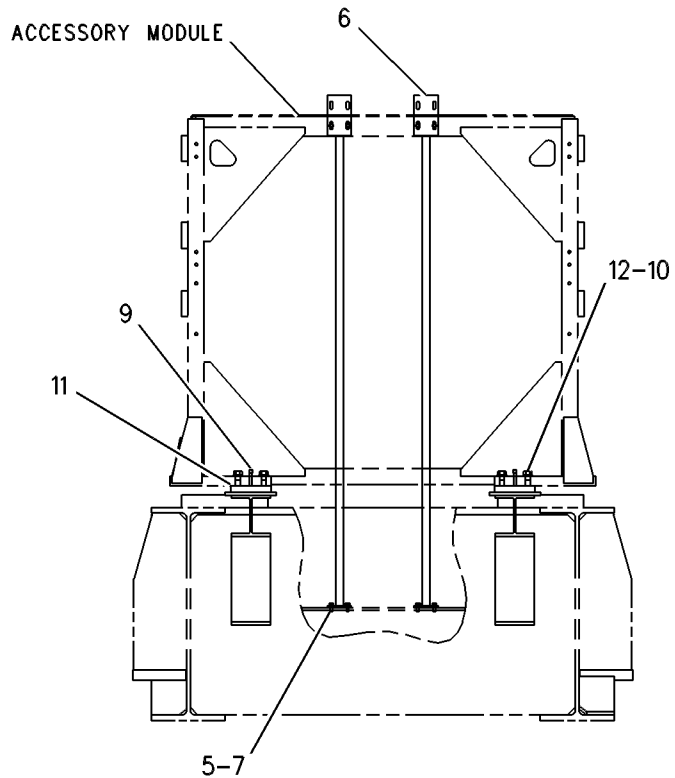
SMCS-7263, 7274

i02357861

| NOTE | REF NO | GRAPHIC REF | PART NUMBER | QTY | PART NAME | | | | | | SEE PAGE |
|------|--------|-------------|-------------|-----|------------------------------------|---|---|---|---|-------------------|----------|
| | | | | | 1 | 2 | 3 | 4 | 5 | 6 (PRODUCT LEVEL) | |
| | 1 | 1 | 124-0530 | 2 | BRACKET AS | | | | | | |
| | 2 | 1 | 1D-4709 | 16 | BOLT (1-8X3-IN) | | | | | | |
| | 3 | 1 | 5P-8250 | 32 | WASHER (28X49X5-MM THK) | | | | | | |
| | 4 | 1 | 2J-3507 | 16 | NUT-FULL (1-8-THD) | | | | | | |
| | 5 | 1 | 0S-1594 | 4 | BOLT (3/8-16X1-IN) | | | | | | |
| | 6 | 1 | 124-1384 | 2 | BRACE | | | | | | |
| | 7 | 1 | 3V-3308 | 12 | WASHER-HARD (10.2X20.5X2.5-MM THK) | | | | | | |
| | 8 | 1 | 9S-8752 | 4 | NUT-FULL (3/8-16-THD) | | | | | | |
| | 9 | 1 | 2H-3888 | 4 | SETSCREW-SQUARE HEAD (1/2-13 THD) | | | | | | |
| | 10 | 1 | 5P-8248 | 16 | WASHER-HARD (20X36.5X3.5-MM THK) | | | | | | |
| | 11 | 1 | 124-1382 | 4 | PLATE | | | | | | |
| | 12 | 1 | 1A-8063 | 16 | BOLT (3/4-10X2.5-IN) | | | | | | |
| | 13 | 1 | 0S-1588 | 4 | BOLT (3/8-16X1.25-IN) | | | | | | |
| | 14 | 1 | 124-2640 | 2 | STRAP | | | | | | |



RIGHT SIDE VIEW



FRONT VIEW

GRAPHIC #1

<END>

g00066470

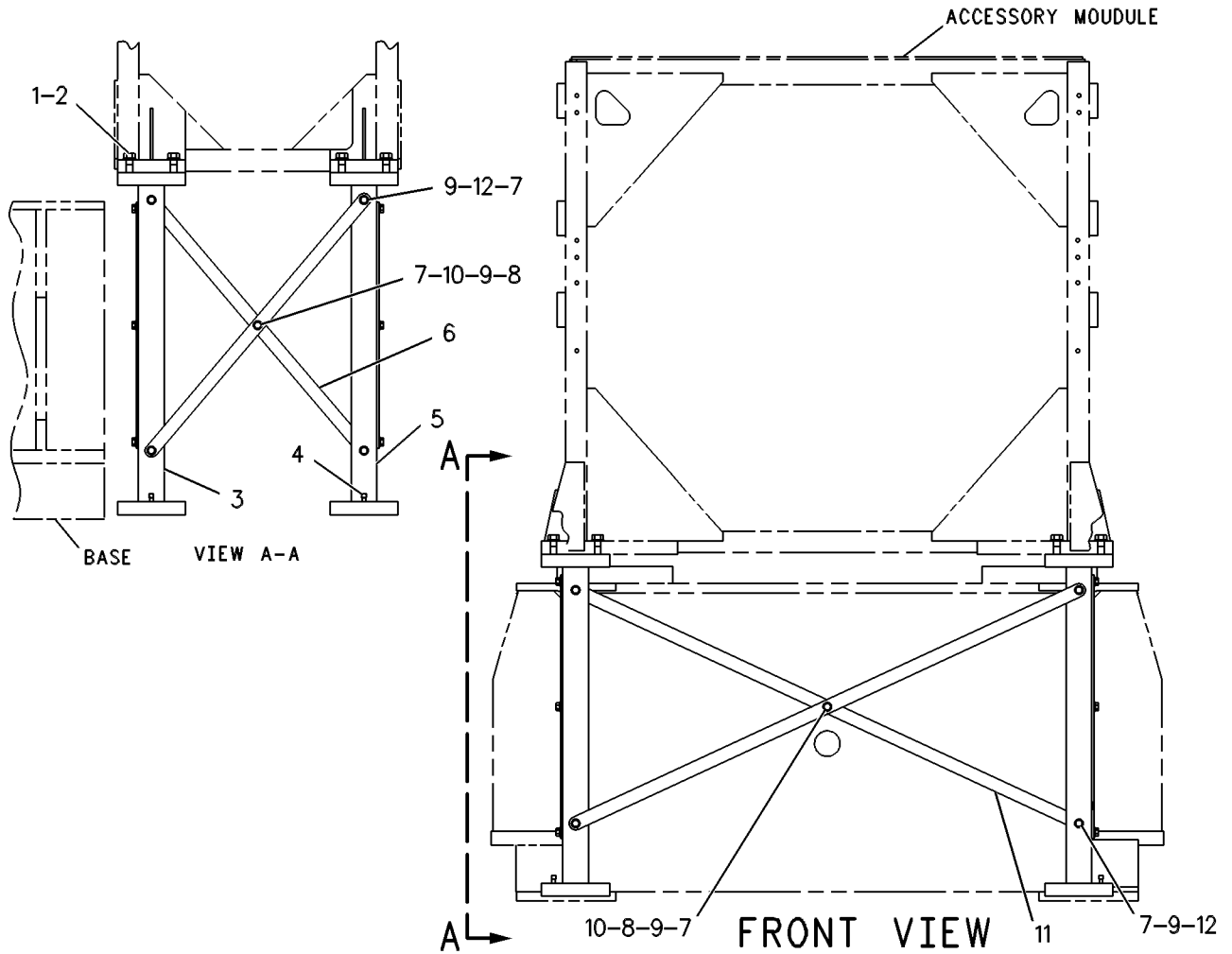
ENCLOSURES, GUARDS AND BASES

124-2448 SUPPORT GP-ACCESSORY MODULE (CHG -00)

SMCS-7263, 7274

i01671952

| NOTE | REF NO | GRAPHIC REF | PART NUMBER | QTY | PART NAME | | | | | | SEE PAGE |
|------|--------|-------------|-------------|-----|----------------------------------|---|---|---|---|-------------------|----------|
| | | | | | 1 | 2 | 3 | 4 | 5 | 6 (PRODUCT LEVEL) | |
| | 1 | 1 | 1A-8063 | 16 | BOLT (3/4-10X2.5-IN) | | | | | | |
| | 2 | 1 | 5P-8248 | 16 | WASHER-HARD (20X36.5X3.5-MM THK) | | | | | | |
| | 3 | 1 | 124-0526 | 2 | SUPPORT AS | | | | | | |
| | 4 | 1 | 4B-3584 | 4 | SCREW (1/2-13X1.5-IN) | | | | | | |
| | 5 | 1 | 124-0527 | 2 | SUPPORT AS | | | | | | |
| | 6 | 1 | 124-0532 | 4 | PLATE | | | | | | |
| | 7 | 1 | 5P-8245 | 40 | WASHER-HARD (13.5X25.5X3-MM THK) | | | | | | |
| | 8 | 1 | 4S-5719 | 4 | SPACER (10.31X25X12.7-MM THK) | | | | | | |
| | 9 | 1 | 1F-7958 | 20 | NUT-FULL (1/2-13-THD) | | | | | | |
| | 10 | 1 | 9S-1366 | 4 | BOLT (1/2-13X2.5-IN) | | | | | | |
| | 11 | 1 | 124-0531 | 4 | PLATE | | | | | | |
| | 12 | 1 | 0S-1587 | 16 | BOLT (1/2-13X1.75-IN) | | | | | | |



GRAPHIC #1

<END>

g00066534

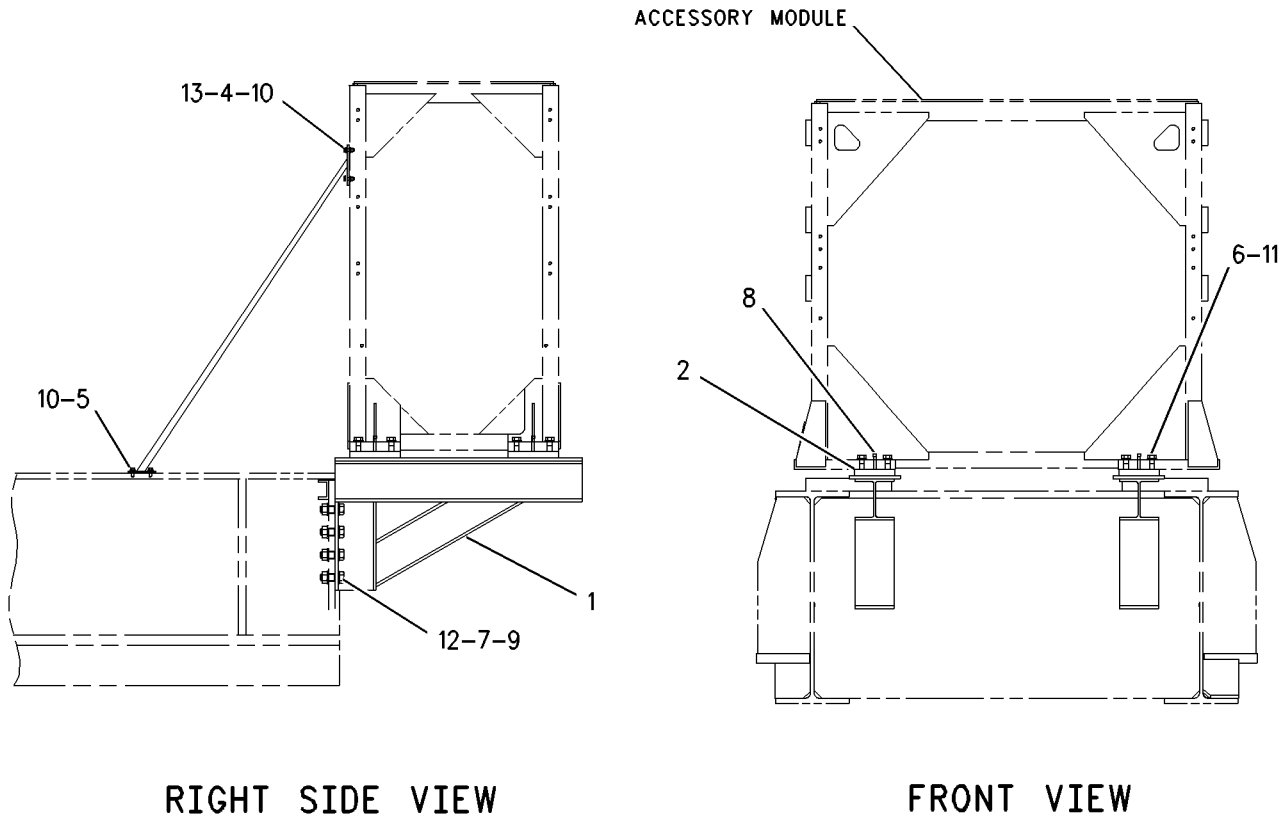
ENCLOSURES, GUARDS AND BASES

214-5179 SUPPORT GP-ACCESSORY MODULE (CHG -00)

SMCS-7263, 7274

i02357768

| NOTE | REF NO | GRAPHIC REF | PART NUMBER | QTY | PART NAME | | | | | | SEE PAGE |
|------|--------|-------------|-------------|-----|------------------------------------|---|---|---|---|-------------------|----------|
| | | | | | 1 | 2 | 3 | 4 | 5 | 6 (PRODUCT LEVEL) | |
| | 1 | 1 | 124-0530 | 2 | BRACKET AS | | | | | | |
| | 2 | 1 | 124-1382 | 4 | PLATE | | | | | | |
| | 3 | 1 | 214-5539 | 2 | BRACE | | | | | | |
| | 4 | 1 | 0S-1591 | 4 | BOLT (3/8-16X1.5-IN) | | | | | | |
| | 5 | 1 | 0S-1594 | 4 | BOLT (3/8-16X1-IN) | | | | | | |
| | 6 | 1 | 1A-8063 | 16 | BOLT (3/4-10X2.5-IN) | | | | | | |
| | 7 | 1 | 1D-4709 | 16 | BOLT (1-8X3-IN) | | | | | | |
| | 8 | 1 | 2H-3888 | 4 | SETSCREW-SQUARE HEAD (1/2-13 THD) | | | | | | |
| | 9 | 1 | 2J-3507 | 16 | NUT-FULL (1-8-THD) | | | | | | |
| | 10 | 1 | 3V-3308 | 12 | WASHER-HARD (10.2X20.5X2.5-MM THK) | | | | | | |
| | 11 | 1 | 5P-8248 | 16 | WASHER-HARD (20X36.5X3.5-MM THK) | | | | | | |
| | 12 | 1 | 5P-8250 | 32 | WASHER (28X49X5-MM THK) | | | | | | |
| | 13 | 1 | 9S-8752 | 4 | NUT-FULL (3/8-16-THD) | | | | | | |



GRAPHIC #1

<END>

g00880308

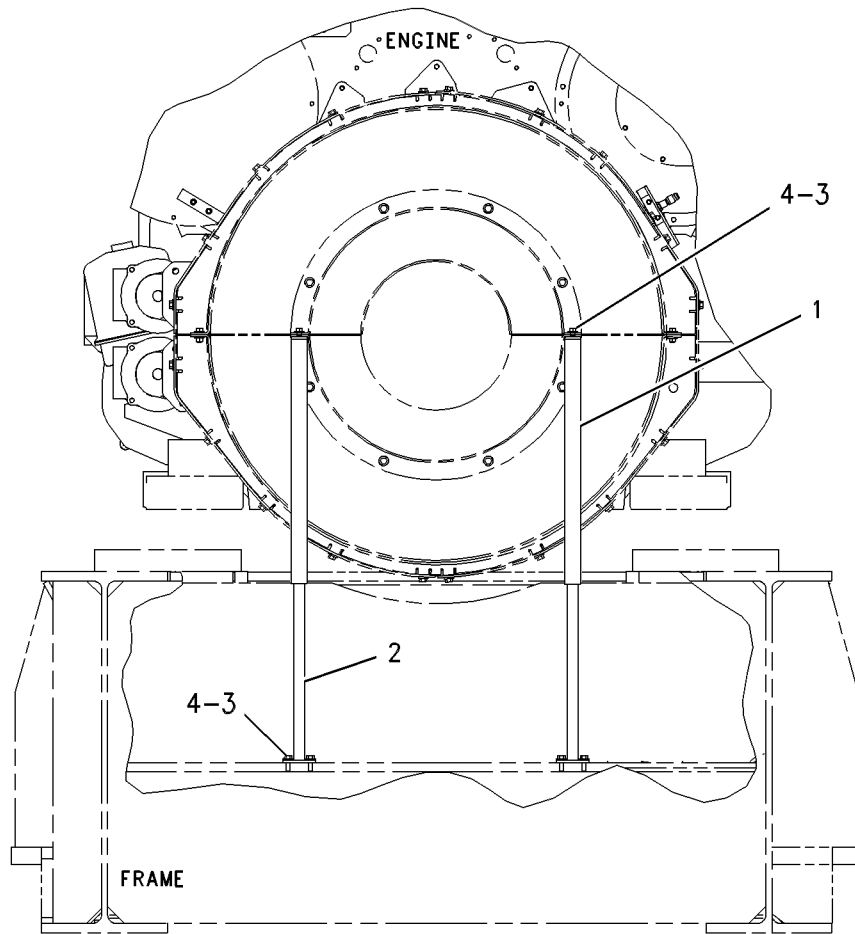
ENCLOSURES, GUARDS AND BASES

174-9798 SUPPORT GP-COUPLING GUARD (CHG -00, -00D1, -00D2, -01)

SMCS-7153

i02344201

| NOTE | REF NO | GRAPHIC REF | PART NUMBER | QTY | PART NAME | | | | | | SEE PAGE |
|------|--------|-------------|-------------|-----|----------------------------------|---|---|---|---|-------------------|----------|
| | | | | | 1 | 2 | 3 | 4 | 5 | 6 (PRODUCT LEVEL) | |
| | 1 | 1 | 174-8976 | 2 | LEG AS | | | | | | |
| | | | | | (EACH INCLUDES) | | | | | | |
| | | 1 | 1F-0750 | 1 | NUT-WELD (3/8-16-THD) | | | | | | |
| | 2 | 1 | 174-9012 | 2 | LEG AS | | | | | | |
| | | | | | (EACH INCLUDES) | | | | | | |
| | | 1 | 1F-0750 | 1 | NUT-WELD (3/8-16-THD) | | | | | | |
| | 3 | 1 | 1A-2029 | 6 | BOLT (3/8-16X1.125-IN) | | | | | | |
| | 4 | 1 | 5P-1075 | 6 | WASHER-HARD (10.2X22.5X3-MM THK) | | | | | | |



GRAPHIC #1

<END>

g00582416

GENERATORS

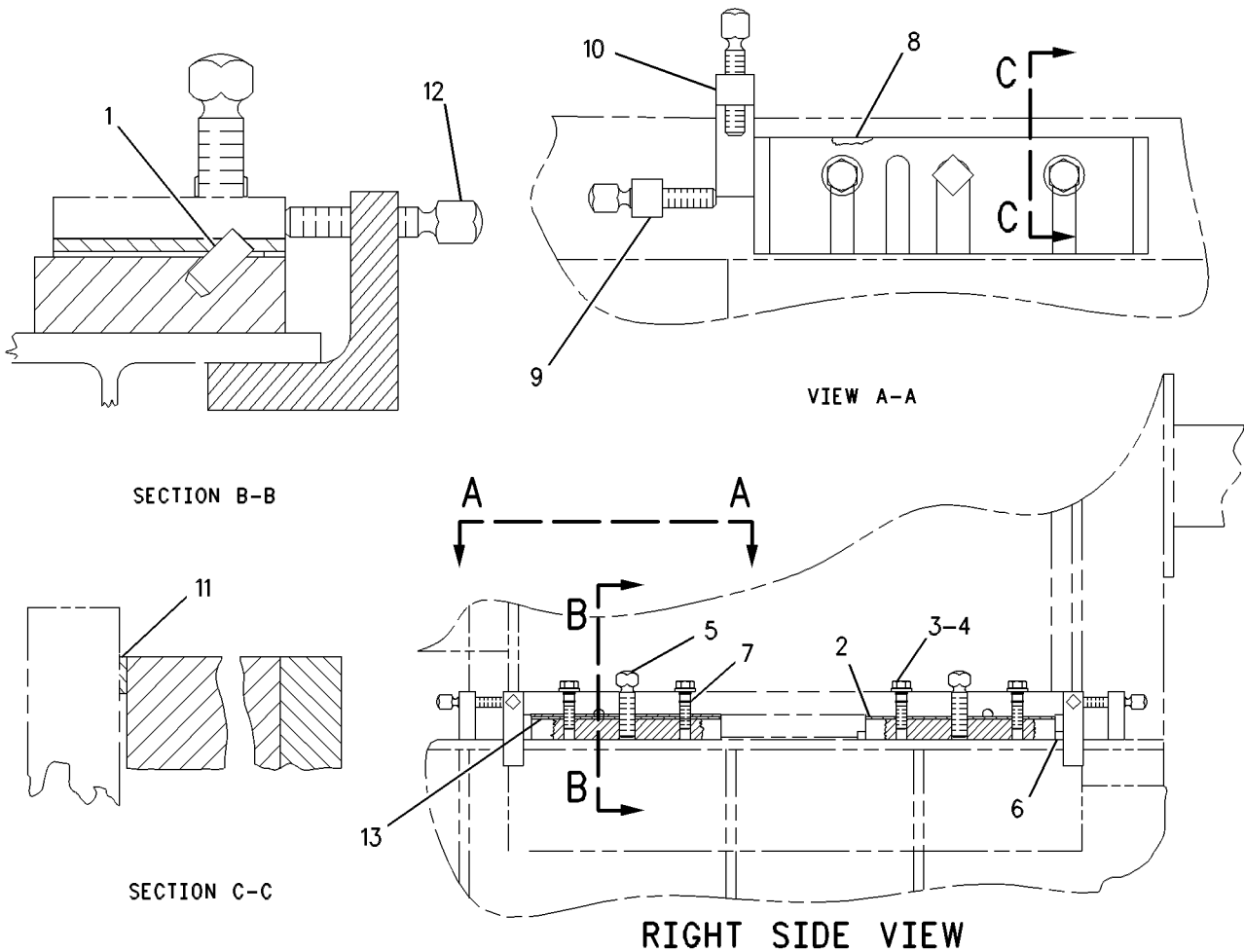
123-3784 MOUNTING GP - GENERATOR (CHG -00, -01)

SMCS-4450, 7060

i02418657

| NOTE | REF NO | GRAPHIC REF | PART NUMBER | QTY | PART NAME | | | | | | SEE PAGE |
|------|--------|-------------|-------------|-----|------------------------------------|---|---|---|---|-------------------|----------|
| | | | | | 1 | 2 | 3 | 4 | 5 | 6 (PRODUCT LEVEL) | |
| | 1 | 1 | 2W-2988 | 2 | DOWEL | | | | | | |
| B | 2 | 1 | 4W-7593 | 4 | SHIM PACK (INCLUDES 36-SHIMS) | | | | | | |
| | 3 | 1 | 1F-7464 | 8 | BOLT (1-14X4-IN) | | | | | | |
| | 4 | 1 | 5D-4661 | 8 | WASHER-HARD (28X52.5X8-MM THK) | | | | | | |
| | 5 | 1 | 8T-3850 | 4 | SETSCREW (1-1/2-12X5-IN) | | | | | | |
| B | 6 | 1 | 9G-1520 | 4 | BLOCK | | | | | | |
| | 7 | 1 | 8M-4446 | 16 | SEAL-O-RING | | | | | | |
| | 8 | 1 | 7W-5770 | 4 | PLATE | | | | | | |
| | 9 | 1 | 7W-5898 | 4 | LUG-ALIGNING | | | | | | |
| | 10 | 1 | 7W-5771 | 4 | BRACKET | | | | | | |
| B | 11 | 1 | 5R-4911 | 4 | STRIP | | | | | | |
| | 12 | 1 | 6V-5136 | 8 | SETSCREW-SQUARE HEAD (1-14X127-MM) | | | | | | |
| B | 13 | 1 | 146-2556 | 4 | PLATE | | | | | | |

B- USE AS REQUIRED



GRAPHIC #1

<END>

g00353081

GENERATORS

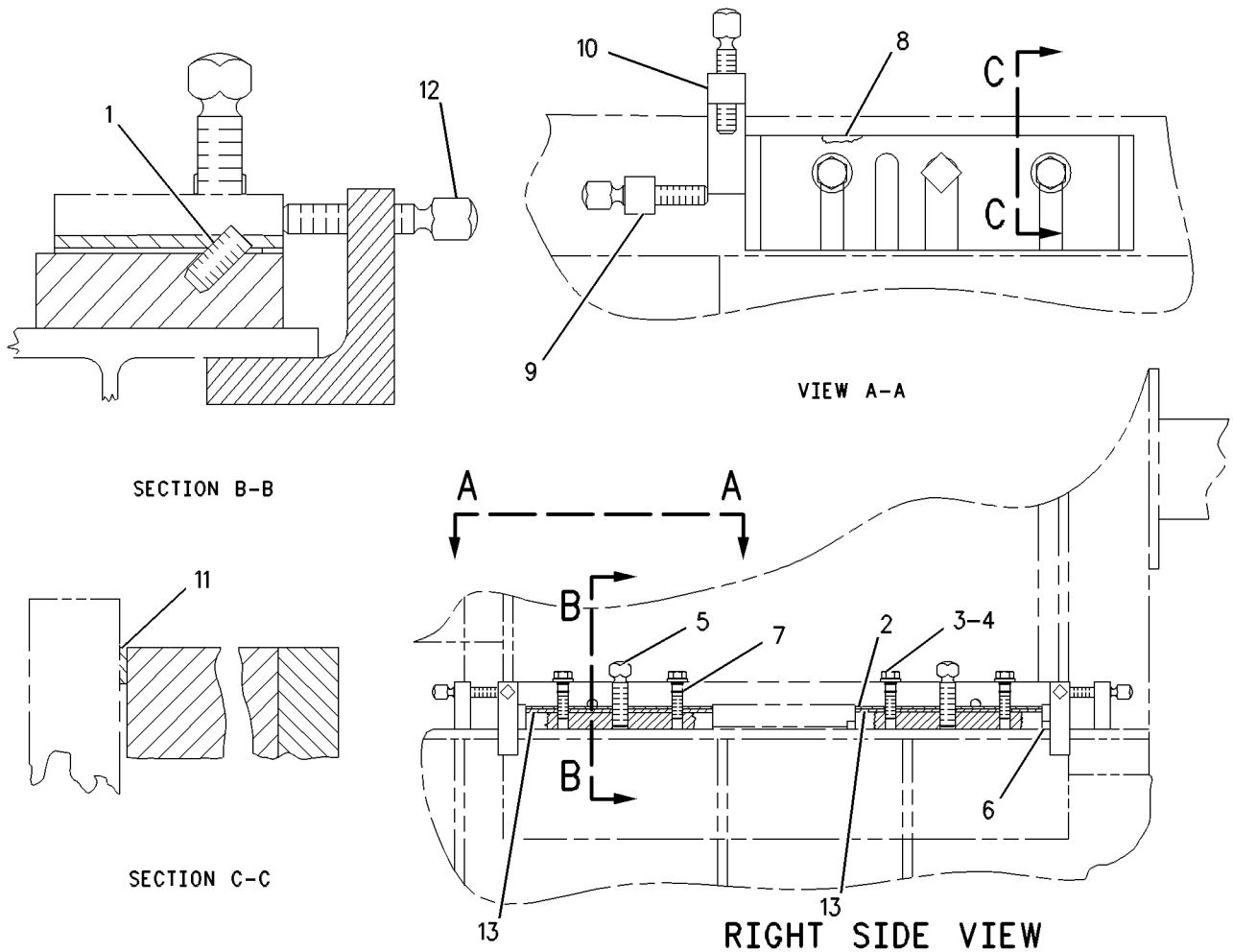
123-9787 MOUNTING GP - GENERATOR (CHG -00, -01)

SMCS-4450, 7060

i02345221

| NOTE | REF NO | GRAPHIC REF | PART NUMBER | QTY | PART NAME | | | | | | SEE PAGE |
|------|--------|-------------|-----------------|-----|------------------------------------|---|---|---|---|-------------------|----------|
| | | | | | 1 | 2 | 3 | 4 | 5 | 6 (PRODUCT LEVEL) | |
| | 1 | 1 | 2W-2988 | 2 | DOWEL | | | | | | |
| B | 2 | 1 | 4W-7593 | 4 | SHIM PACK (INCLUDES 36-SHIMS) | | | | | | |
| | 3 | 1 | 1F-7464 | 8 | BOLT (1-14X4-IN) | | | | | | |
| | 4 | 1 | 5D-4661 | 8 | WASHER-HARD (28X52.5X8-MM THK) | | | | | | |
| | 5 | 1 | 8T-3850 | 4 | SETSCREW (1-1/2-12X5-IN) | | | | | | |
| B | 6 | 1 | 9G-1520 | 4 | BLOCK | | | | | | |
| | 7 | 1 | 8M-4446 | 16 | SEAL-O-RING | | | | | | |
| | 8 | 1 | 7W-5770 | 4 | PLATE | | | | | | |
| | 9 | 1 | 7W-5898 | 4 | LUG-ALIGNING | | | | | | |
| | 10 | 1 | 7W-5771 | 4 | BRACKET | | | | | | |
| B | 11 | 1 | 5R-4911 | 4 | STRIP | | | | | | |
| | 12 | 1 | 6V-5136 | 8 | SETSCREW-SQUARE HEAD (1-14X127-MM) | | | | | | |
| B | 13 | 1 | 146-2556 | 4 | PLATE | | | | | | |

B- USE AS REQUIRED



GRAPHIC #1

<END>

g00278642

GENERATORS

233-0875 MOUNTING GP-GENERATOR (CHG -00) RIGHT DOWEL

SMCS-4450, 7060

i02357762

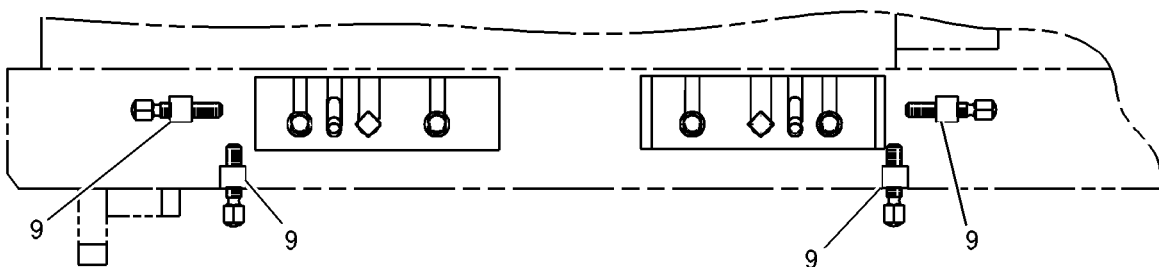
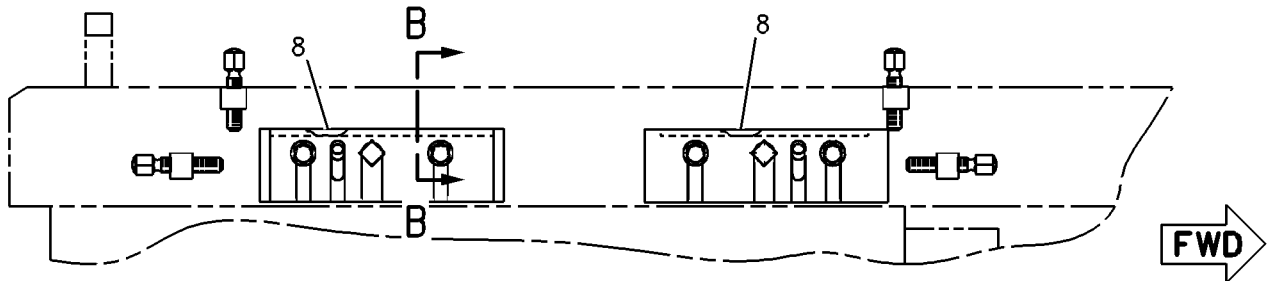
| NOTE | REF NO | GRAPHIC REF | PART NUMBER | QTY | PART NAME | | | | | | SEE PAGE |
|------|--------|-------------|-----------------|-----|------------------------------------|---|---|---|---|-------------------|----------|
| | | | | | 1 | 2 | 3 | 4 | 5 | 6 (PRODUCT LEVEL) | |
| | 1 | 1 | 2W-2988 | 2 | DOWEL | | | | | | |
| B | 2 | 1 | 4W-7593 | 4 | SHIM PACK (INCLUDES 36-SHIMS) | | | | | | |
| | 3 | 1 | 1F-7464 | 8 | BOLT (1-14X4-IN) | | | | | | |
| | 4 | 1 | 5D-4661 | 8 | WASHER-HARD (28X52.5X8-MM THK) | | | | | | |
| | 5 | 1 | 8T-3850 | 4 | SETSCREW (1-1/2-12X5-IN) | | | | | | |
| B | 6 | 1 | 9G-1520 | 4 | BLOCK | | | | | | |
| | 7 | 1 | 8M-4446 | 16 | SEAL-O-RING | | | | | | |
| | 8 | 1 | 7W-5770 | 4 | PLATE | | | | | | |
| | 9 | 1 | 7W-5898 | 8 | LUG-ALIGNING | | | | | | |
| B | 10 | 1 | 5R-4911 | 4 | STRIP | | | | | | |
| | 11 | 1 | 6V-5136 | 8 | SETSCREW-SQUARE HEAD (1-14X127-MM) | | | | | | |
| B | 12 | 1 | 146-2556 | 4 | PLATE | | | | | | |

B- USE AS REQUIRED

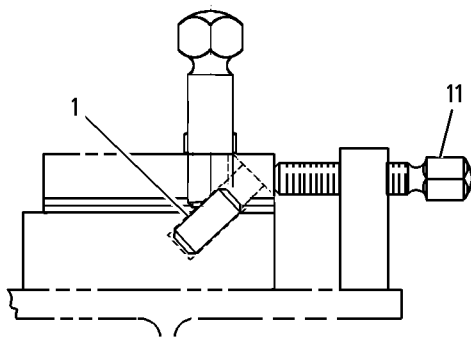
GENERATORS

233-0875 MOUNTING GP-GENERATOR (contd.)

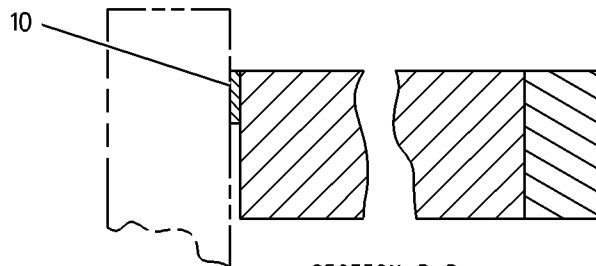
i02357762



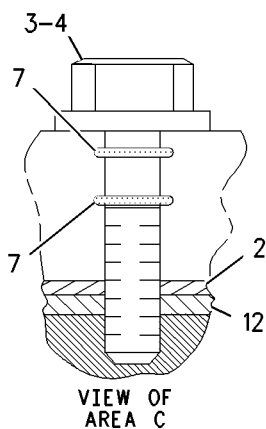
TOP VIEW



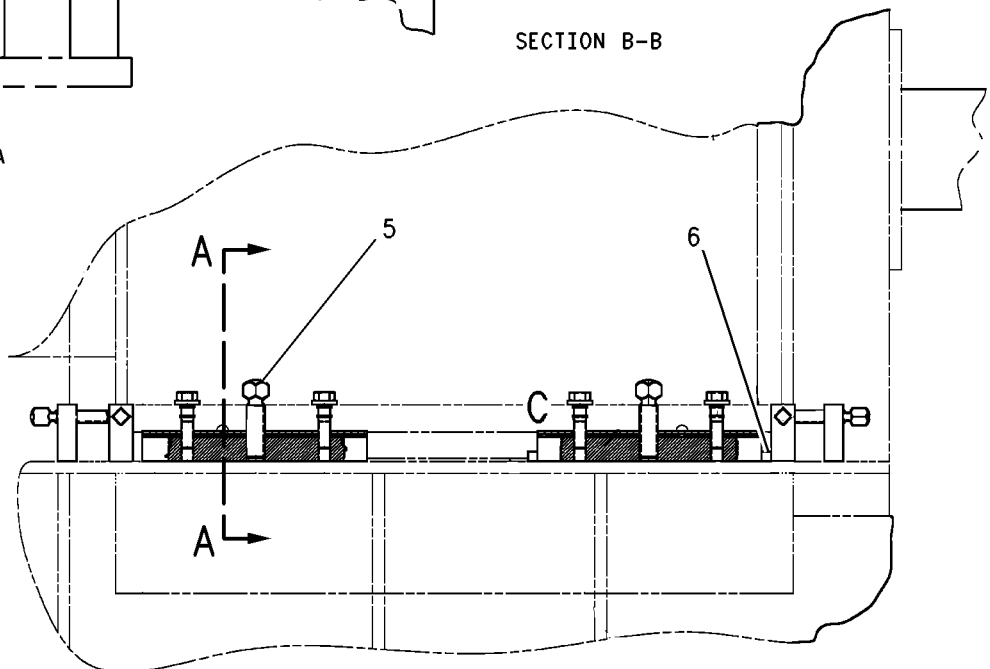
SECTION A-A



SECTION B-B



VIEW OF AREA C



RIGHT SIDE VIEW

GRAPHIC #1

<END>

g00998616

GENERATORS

233-0876 MOUNTING GP-GENERATOR (CHG -00) LEFT DOWEL

SMCS-4450, 7060

i02357761

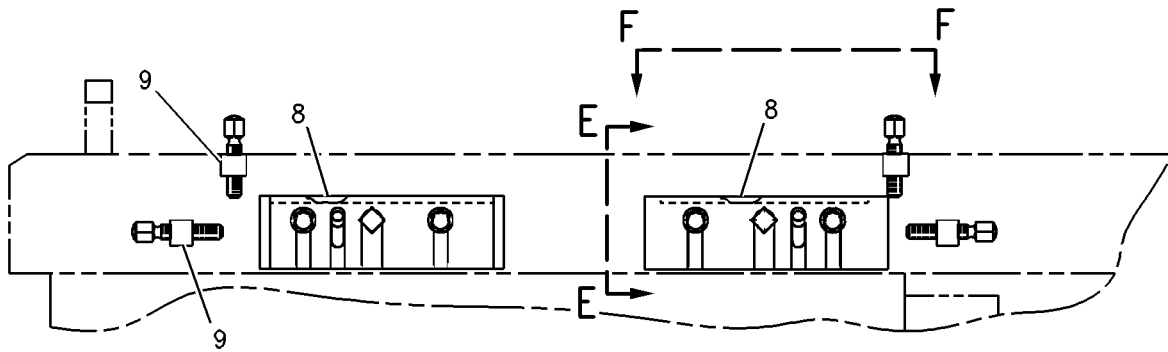
| NOTE | REF NO | GRAPHIC REF | PART NUMBER | QTY | PART NAME | | | | | | SEE PAGE |
|------|--------|-------------|-----------------|-----|------------------------------------|---|---|---|---|-------------------|----------|
| | | | | | 1 | 2 | 3 | 4 | 5 | 6 (PRODUCT LEVEL) | |
| | 1 | 1 | 2W-2988 | 2 | DOWEL | | | | | | |
| B | 2 | 1 | 4W-7593 | 4 | SHIM PACK (INCLUDES 36-SHIMS) | | | | | | |
| | 3 | 1 | 1F-7464 | 8 | BOLT (1-14X4-IN) | | | | | | |
| | 4 | 1 | 5D-4661 | 8 | WASHER-HARD (28X52.5X8-MM THK) | | | | | | |
| | 5 | 1 | 8T-3850 | 4 | SETSCREW (1-1/2-12X5-IN) | | | | | | |
| B | 6 | 1 | 9G-1520 | 4 | BLOCK | | | | | | |
| | 7 | 1 | 8M-4446 | 16 | SEAL-O-RING | | | | | | |
| | 8 | 1 | 7W-5770 | 4 | PLATE | | | | | | |
| | 9 | 1 | 7W-5898 | 8 | LUG-ALIGNING | | | | | | |
| B | 10 | 1 | 5R-4911 | 4 | STRIP | | | | | | |
| | 11 | 1 | 6V-5136 | 8 | SETSCREW-SQUARE HEAD (1-14X127-MM) | | | | | | |
| B | 12 | 1 | 146-2556 | 4 | PLATE | | | | | | |

B- USE AS REQUIRED

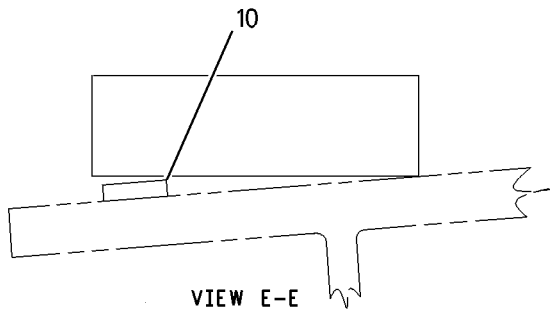
GENERATORS

233-0876 MOUNTING GP-GENERATOR (contd.)

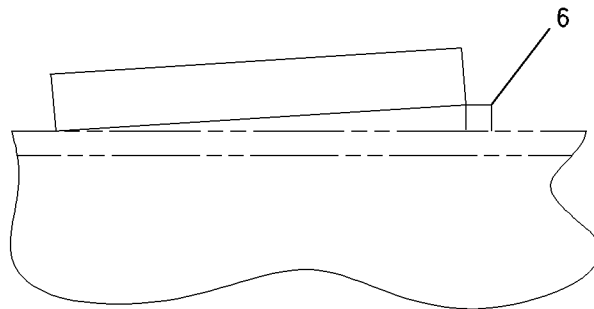
i02357761



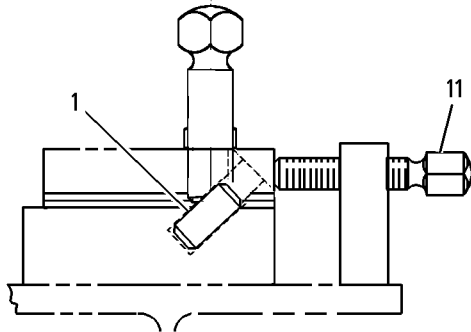
TOP VIEW



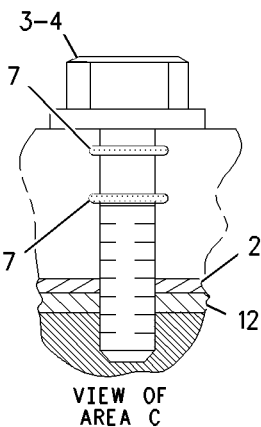
VIEW E-E



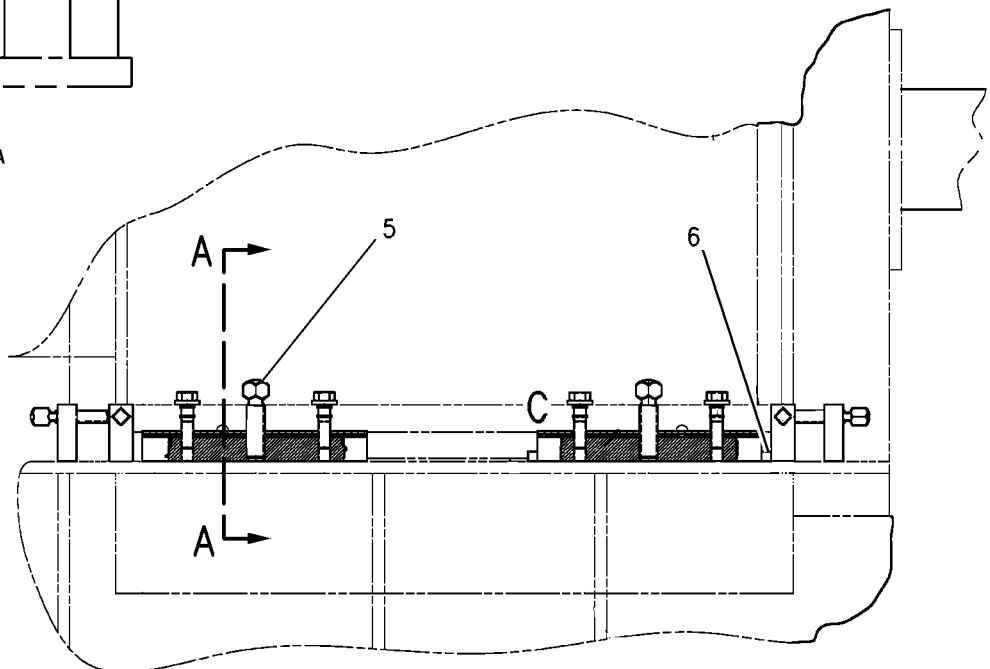
VIEW F-F



SECTION A-A



VIEW OF AREA C



RIGHT SIDE VIEW

GRAPHIC #1

<END>

g00999087

SERVICE EQUIPMENT AND SUPPLIES

6L - 4502 CHART - PLATE & FILM (CHG -540)

SMCS - 7557

i01896491

| NOTE | PART NUMBER | QTY | PART NAME 1 2 3 4 5 6 (PRODUCT LEVEL) | SEE PAGE |
|--------------------|----------------|-----------|---|-------------|
| | 7E-7852 | 6 | FILM (PICTOGRAPH) (PINCH POINT) INSTALL 2 ON SIDE OF AIR CHOKE ACTUATOR'S TOP COVER. ONE READABLE FROM LH SIDE OF ENGINE AND ONE READABLE FROM FRONT. | |
| | | | INSTALL 2 ON SIDE OF WASTE GATE ACTUATOR'S TOP COVER. ONE READABLE FROM LH SIDE OF ENGINE AND ONE READABLE FROM FRONT. | |
| | | | INSTALL 2 ON SIDE OF FUEL ACTUATOR'S TOP COVER. ONE READABLE FROM RH SIDE OF ENGINE AND ONE READABLE FROM REAR. | |
| | 3E-2098 | 1 | FILM-IDENTIFICATION (SI TIMING) INSTALL ON ELECTRONIC CONTROL BOX. | |
| | 9X-0379 | 1 | FILM-IDENTIFICATION (ENGINE CONTROL MODULE) INSTALL ON FRONT OF SI ENGINE CONTROL BOX. | |
| | 4P-6469 | 16 | FILM-NOTICE INSTALL ONE ON OUTBOARD FACE OF UPPER VALVE COVER ON EACH CYLINDER HEAD. | |
| | 7W-5890 | 1 | FILM-ROTATION (STANDARD ROTATION) INSTALL ON TOP OF FLYWHEEL HOUSING. | |
| | 1H-4950 | 2 | FILM-WARNING (CRANKCASE) INSTALL ONE ON UPPER PORTION OF 2ND CRANKSHAFT COVER FROM REAR OF ENGINE. INSTALL ONE ON 2ND LH CRANKCASE COVER FROM FRONT OF ENGINE. | |
| | 9L-6531 | 1 | PLATE - INFORMATION (ENGINE RATING) INSTALL BETWEEN 1ST AND 2ND RH REAR CRANKCASE COVERS. | |
| | 3N-3790 | 1 | PLATE - SERIAL NUMBER (ENGINE) INSTALL ON LH SIDE OF CYLINDER BLOCK BETWEEN REAR TWO CRANKCASE COVERS. | |
| | 4B-4158 | 2 | SCREW-DRIVE (3/16X0.25-IN) FOR USE WITH 3N3790. | |
| <END> | | | | |

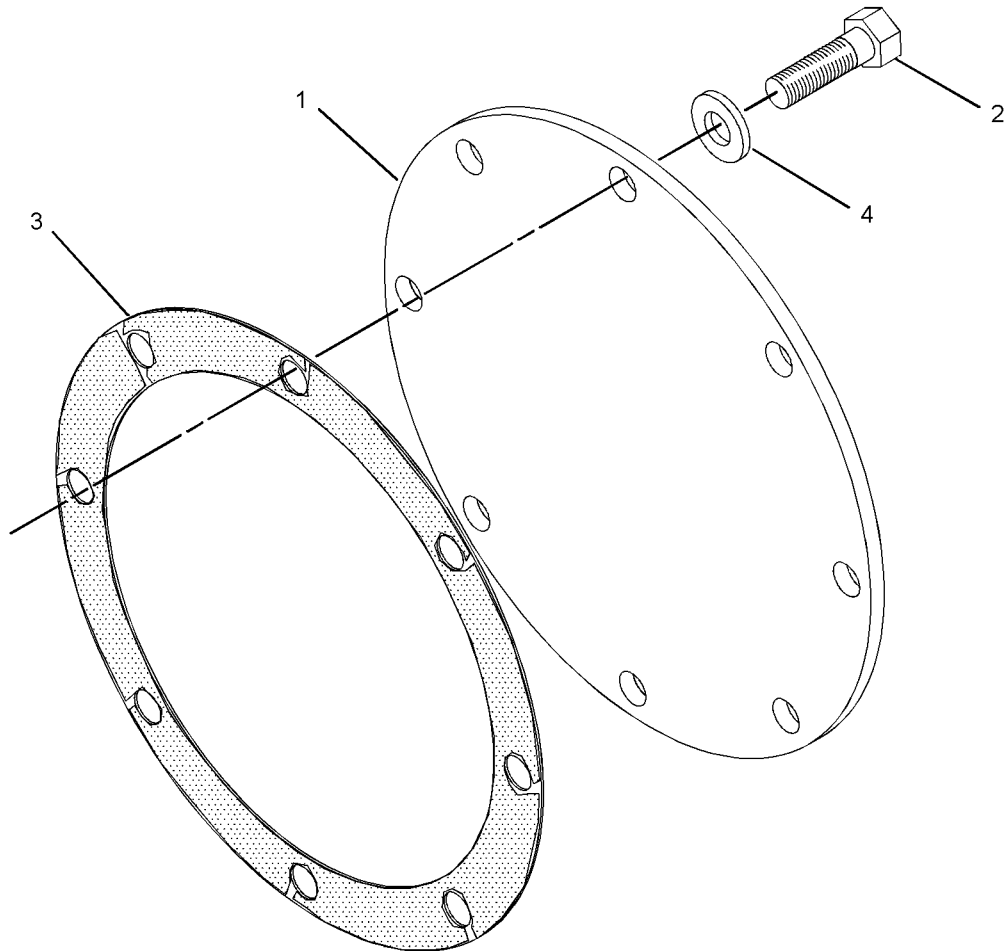
SERVICE EQUIPMENT AND SUPPLIES

259-0488 COVER GP-SHIPPING (CHG -00) FOR USE WITH ADAPTER FOR THE REGULATOR

SMCS-1000, 7500

i02459014

| NOTE | REF NO | GRAPHIC REF | PART NUMBER | QTY | PART NAME | | | | | | SEE PAGE |
|------|--------|-------------|-------------|-----|------------------------------------|---|---|---|---|-------------------|----------|
| | | | | | 1 | 2 | 3 | 4 | 5 | 6 (PRODUCT LEVEL) | |
| | 1 | 1 | 120-8146 | 1 | COVER (5-IN) | | | | | | |
| | 2 | 1 | 0L-1351 | 8 | BOLT (3/8-16X0.875-IN) | | | | | | |
| | 3 | 1 | 1S-5772 | 1 | GASKET | | | | | | |
| | 4 | 1 | 3V-3308 | 8 | WASHER-HARD (10.2X20.5X2.5-MM THK) | | | | | | |



GRAPHIC #1

<END>

g01227157

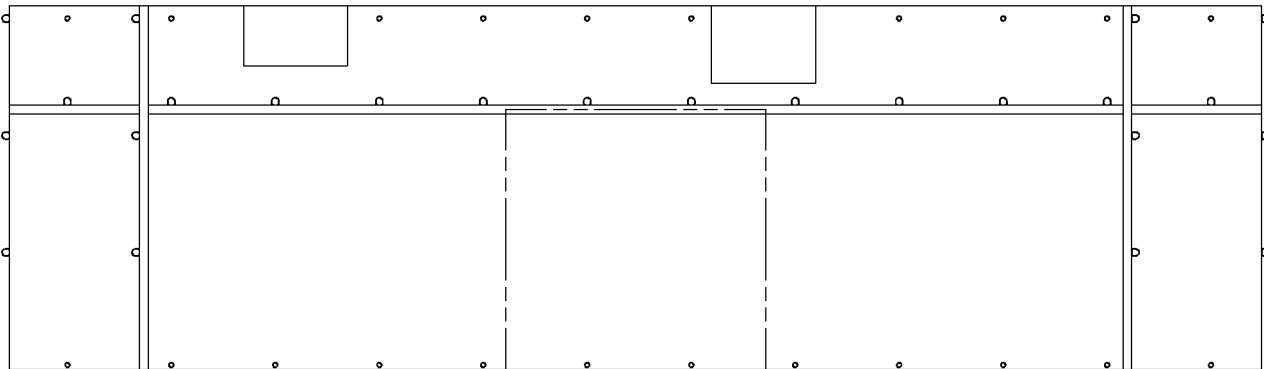
SERVICE EQUIPMENT AND SUPPLIES

134-5929 COVER-TARP-3616 (CHG -00, -01)

SMCS-1000, 4450

i01504382

| NOTE | REF NO | GRAPHIC REF | PART NUMBER | QTY | PART NAME | | | | | | SEE PAGE |
|---------------------|--------|-------------|-------------|-----|-----------|---|---|---|---|-------------------|----------|
| | | | | | 1 | 2 | 3 | 4 | 5 | 6 (PRODUCT LEVEL) | |
| (NO SERVICED PARTS) | | | | | | | | | | | |



FRONT VIEW

GRAPHIC #1

<END>

g00781686

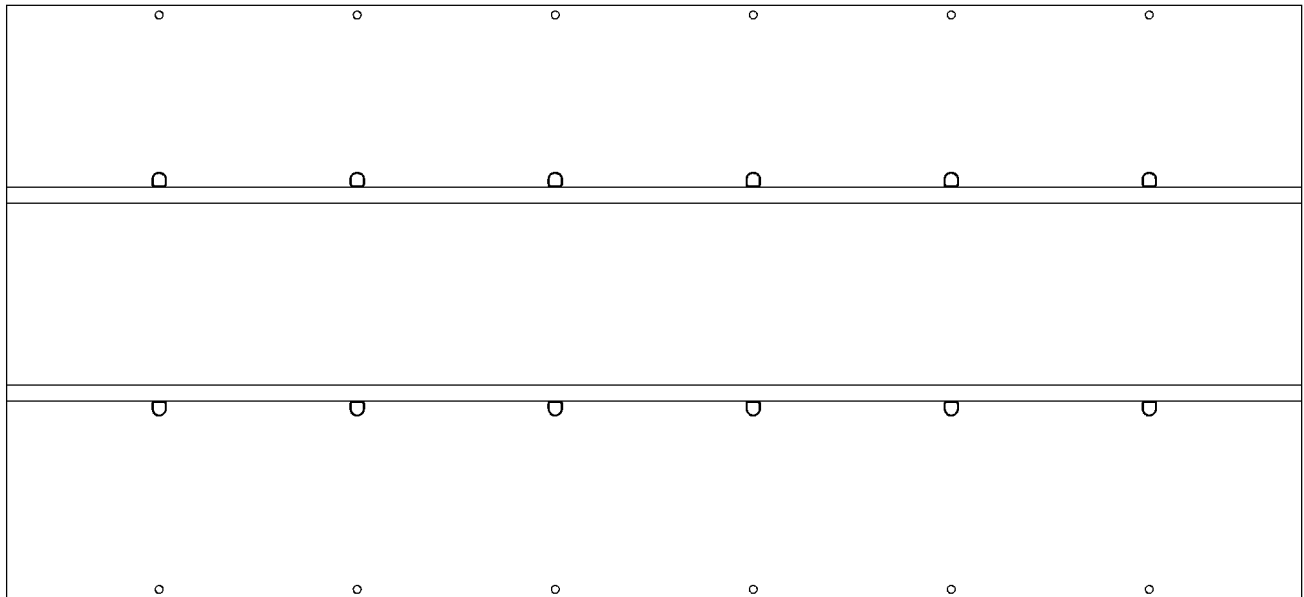
SERVICE EQUIPMENT AND SUPPLIES

134 - 6228 COVER - TARP (CHG -00, -01)
GENERATOR

SMCS - 1000, 4450

i01504402

| NOTE | REF NO | GRAPHIC REF | PART NUMBER | QTY | PART NAME | | | | | | SEE PAGE |
|---------------------|--------|-------------|-------------|-----|-----------|---|---|---|---|-------------------|----------|
| | | | | | 1 | 2 | 3 | 4 | 5 | 6 (PRODUCT LEVEL) | |
| (NO SERVICED PARTS) | | | | | | | | | | | |



GRAPHIC #1

<END>

g00781544

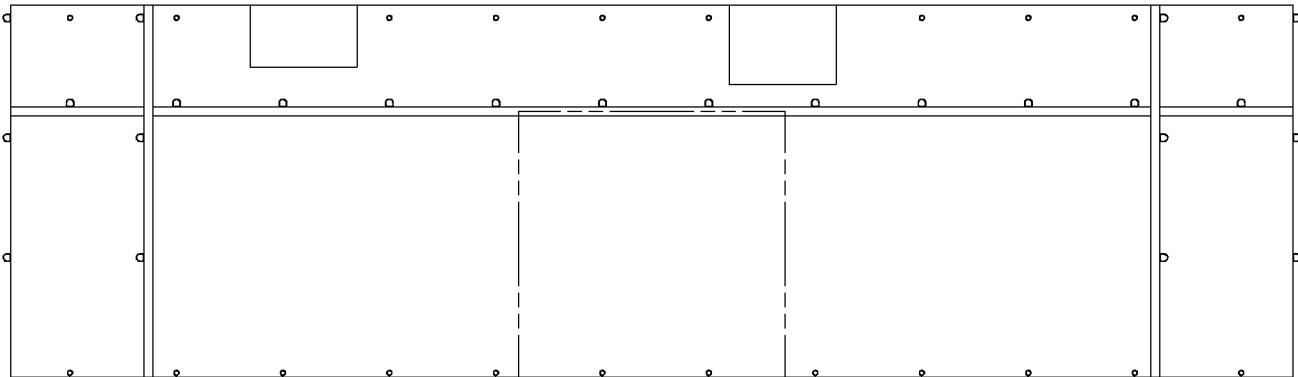
SERVICE EQUIPMENT AND SUPPLIES

249 - 5224 COVER - TARP (CHG -00)

SMCS - 1000, 4450

i02430356

| NOTE | REF NO | GRAPHIC REF | PART NUMBER | QTY | PART NAME | | | | | | SEE PAGE |
|---------------------|--------|-------------|-------------|-----|-----------|---|---|---|---|-------------------|----------|
| | | | | | 1 | 2 | 3 | 4 | 5 | 6 (PRODUCT LEVEL) | |
| (NO SERVICED PARTS) | | | | | | | | | | | |



FRONT VIEW

GRAPHIC #1

<END>

g00793573

SERVICE EQUIPMENT AND SUPPLIES

4W-0686 KIT - TURBOCHARGER REPAIR (CHG -00 THRU -02) PART OF 106-9709, 111-5720, 4P-6746 TURBOCHARGER GP

SMCS - 1052

i02339158

| NOTE | PART NUMBER | QTY | PART NAME | | | | | | SEE PAGE |
|---------------------------|-------------|-----|-------------------------|---|---|---|---|-------------------|----------|
| | | | 1 | 2 | 3 | 4 | 5 | 6 (PRODUCT LEVEL) | |
| | 1W-2577 | 1 | GASKET | | | | | | |
| Y | 9Y-0205 | 1 | KIT - TURBOCHARGER SEAL | | | | | | 725 |
| | 6J-2245 | 1 | SEAL - O-RING | | | | | | |
| | 4W-9033 | 1 | SEAL - O-RING | | | | | | |
| Y - SEPARATE ILLUSTRATION | | | | | | | | | |
| <END> | | | | | | | | | |

9Y-0205 KIT - TURBOCHARGER SEAL (CHG -01 THRU -03) PART OF 4W-0686 KIT - TURBOCHARGER REPAIR

SMCS - 1052

i02345481

| NOTE | PART NUMBER | QTY | PART NAME | | | | | | SEE PAGE |
|-----------------|-------------|-----|---|---|---|---|---|-------------------|----------|
| | | | 1 | 2 | 3 | 4 | 5 | 6 (PRODUCT LEVEL) | |
| | 7C-3348 | 1 | BEARING - THRUST | | | | | | |
| M | 156-2687 | 9 | BOLT - HIGH TEMPERATURE (M10X1.5X30-MM) | | | | | | |
| | 4W-8927 | 1 | BUSHING - TERMINAL | | | | | | |
| | 4W-8928 | 1 | BUSHING - TERMINAL | | | | | | |
| | 4W-8566 | 20 | PLATE - LOCK (1-MM THK) | | | | | | |
| | 4W-8572 | 3 | PLATE - LOCK (1-MM THK) | | | | | | |
| | 4W-8564 | 2 | RING - SEAL | | | | | | |
| | 4W-9031 | 1 | SEAL - O-RING | | | | | | |
| | 4W-9032 | 1 | SEAL - O-RING | | | | | | |
| M - METRIC PART | | | | | | | | | |
| <END> | | | | | | | | | |

MEMORANDA

PART NUMBER INDEX

| Part | Page | Part | Page | Part | Page | Part | Page |
|-------------------|------|-------------------|------|-------------------|------|-------------------|------|
| 0 | | | | | | | |
| OL-1143 | 29 | | 435 | | 515 | | 586 |
| | 52 | | 502 | | 555 | | 617 |
| | 54 | | 555 | | 557 | | 620 |
| | 165 | | 557 | | 559 | | 622 |
| | 166 | | 559 | | 566 | | 623 |
| | 193 | | 594 | | 573 | | 625 |
| | 195 | | 648 | | 579 | | 628 |
| | 199 | | 655 | | 581 | | 711 |
| | 203 | | 662 | | 584 | OS-1588 | 15 |
| | 238 | | 669 | | 588 | | 18 |
| | 239 | OS-1566 | 675 | | 591 | | 21 |
| | 279 | | 690 | | 602 | | 31 |
| | 281 | | 414 | | 606 | | 35 |
| | 283 | OS-1569 | 449 | | 648 | | 41 |
| | 310 | | 450 | | 655 | | 42 |
| | 481 | OS-1571 | 130 | | 662 | | 44 |
| | 484 | | 116 | | 669 | | 102 |
| | 489 | | 117 | OS-1573 | 287 | | 104 |
| | 493 | | 193 | OS-1585 | 2 | | 116 |
| OL-1351 | 127 | | 195 | | 4 | | 117 |
| | 131 | | 199 | | 120 | | 127 |
| | 241 | | 203 | | 121 | | 131 |
| | 243 | | 235 | | 122 | | 135 |
| | 300 | | 279 | | 123 | | 137 |
| | 308 | | 281 | | 127 | | 139 |
| | 319 | | 283 | | 131 | | 171 |
| | 721 | | 287 | | 165 | | 185 |
| OL-1352 | 41 | | 291 | | 166 | | 187 |
| | 42 | | 293 | | 185 | | 191 |
| | 195 | | 295 | | 187 | | 192 |
| | 199 | | 297 | | 193 | | 193 |
| OL-2070 | 193 | | 302 | | 203 | | 195 |
| | 195 | | 304 | | 342 | | 199 |
| | 199 | | 306 | | 343 | | 203 |
| | 203 | | 308 | | 352 | | 205 |
| | 291 | | 310 | OS-1587 | 135 | | 218 |
| | 293 | | 314 | | 137 | | 221 |
| | 295 | | 317 | | 139 | | 231 |
| | 297 | | 320 | | 141 | | 245 |
| | 306 | | 322 | | 142 | | 247 |
| | 357 | | 324 | | 185 | | 249 |
| | 359 | | 327 | | 187 | | 251 |
| | 402 | | 357 | | 304 | | 252 |
| | 406 | | 370 | | 306 | | 253 |
| | 410 | | 373 | | 312 | | 254 |
| | 426 | | 377 | | 342 | | 255 |
| | 493 | | 385 | | 343 | | 256 |
| | 515 | | 402 | | 349 | | 257 |
| | 555 | | 406 | | 402 | | 259 |
| | 557 | | 410 | | 406 | | 261 |
| | 559 | | 414 | | 410 | | 263 |
| | 561 | | 418 | | 414 | | 265 |
| | 563 | | 420 | | 418 | | 266 |
| | 588 | | 422 | | 420 | | 268 |
| | 602 | | 426 | | 422 | | 270 |
| | 606 | | 430 | | 426 | | 272 |
| | 675 | | 478 | | 506 | | 273 |
| | 690 | | 481 | | 566 | | 289 |
| OS-0509 | 185 | | 484 | | 569 | | 291 |
| | 314 | | 486 | | 571 | | 293 |
| | 349 | | 489 | | 573 | | 295 |
| | 400 | | 491 | | 575 | | 297 |
| | 424 | | 493 | | 579 | | 300 |
| | | | 498 | | 581 | | 304 |
| | | | 502 | | 584 | | 306 |

PART NUMBER INDEX

| Part | Page | Part | Page | Part | Page | Part | Page |
|-------------------|------|-------------------|------|-------------------|------|------|------|
| | 308 | | 236 | | 293 | | 127 |
| | 310 | | 246 | | 304 | | 129 |
| | 314 | | 300 | | 306 | | 131 |
| | 317 | | 308 | | 308 | | 185 |
| | 319 | | 317 | | 310 | | 191 |
| | 320 | | 357 | | 312 | | 193 |
| | 322 | | 359 | | 317 | | 195 |
| | 327 | | 370 | | 320 | | 199 |
| | 329 | | 373 | | 322 | | 203 |
| | 331 | | 377 | | 324 | | 205 |
| | 333 | | 402 | | 329 | | 207 |
| | 335 | | 406 | | 331 | | 209 |
| | 337 | | 410 | | 333 | | 211 |
| | 339 | | 414 | | 335 | | 214 |
| | 341 | | 418 | | 337 | | 223 |
| | 344 | | 420 | | 347 | | 228 |
| | 345 | | 426 | | 357 | | 230 |
| | 347 | | 478 | | 373 | | 231 |
| | 357 | | 481 | | 377 | | 233 |
| | 370 | | 484 | | 402 | | 236 |
| | 373 | | 486 | | 406 | | 239 |
| | 377 | | 489 | | 410 | | 242 |
| | 402 | | 491 | | 414 | | 246 |
| | 406 | | 591 | | 418 | | 247 |
| | 410 | OS-1591 | 31 | | 420 | | 249 |
| | 414 | | 33 | | 422 | | 251 |
| | 418 | | 35 | | 426 | | 252 |
| | 420 | | 44 | | 478 | | 253 |
| | 426 | | 93 | | 481 | | 254 |
| | 478 | | 111 | | 484 | | 255 |
| | 481 | | 113 | | 486 | | 256 |
| | 484 | | 127 | | 489 | | 257 |
| | 486 | | 149 | | 491 | | 259 |
| | 489 | | 185 | | 493 | | 261 |
| | 491 | | 187 | | 502 | | 263 |
| | 493 | | 192 | | 561 | | 265 |
| | 498 | | 193 | | 563 | | 266 |
| | 502 | | 195 | | 566 | | 268 |
| | 515 | | 199 | | 581 | | 270 |
| | 517 | | 203 | | 584 | | 272 |
| | 588 | | 221 | | 594 | | 273 |
| | 606 | | 223 | | 648 | | 279 |
| | 648 | | 227 | | 655 | | 281 |
| | 655 | | 234 | | 662 | | 283 |
| | 662 | | 239 | | 669 | | 286 |
| | 669 | | 247 | | 712 | | 287 |
| | 710 | | 249 | OS-1594 | 4 | | 289 |
| OS-1589 | 300 | | 251 | | 30 | | 291 |
| | 304 | | 252 | | 33 | | 293 |
| | 306 | | 255 | | 40 | | 295 |
| | 308 | | 256 | | 48 | | 297 |
| | 317 | | 257 | | 49 | | 300 |
| | 414 | | 259 | | 52 | | 302 |
| OS-1590 | 29 | | 261 | | 54 | | 304 |
| | 31 | | 263 | | 116 | | 306 |
| | 35 | | 266 | | 117 | | 308 |
| | 43 | | 268 | | 118 | | 310 |
| | 44 | | 270 | | 119 | | 314 |
| | 93 | | 273 | | 120 | | 317 |
| | 115 | | 279 | | 121 | | 319 |
| | 176 | | 281 | | 122 | | 320 |
| | 177 | | 283 | | 123 | | 322 |
| | 192 | | 287 | | 124 | | 324 |
| | 228 | | 289 | | 125 | | 327 |
| | 233 | | 291 | | 126 | | 329 |

PART NUMBER INDEX

| Part | Page | Part | Page | Part | Page | Part | Page |
|-------------------|------|-------------------|------|-------------------|------|-------------------|------|
| | 331 | | 458 | | 320 | | 104 |
| | 333 | | 461 | OT-0573 | 289 | | 135 |
| | 335 | | 464 | | 314 | | 137 |
| | 337 | | 675 | | 329 | | 139 |
| | 339 | | 690 | | 331 | | 289 |
| | 341 | OS-1615 | 422 | | 333 | | 304 |
| | 344 | | 566 | | 335 | | 329 |
| | 345 | | 573 | | 337 | | 331 |
| | 347 | | 579 | | 357 | | 333 |
| | 349 | | 581 | OV-0375 | 238 | | 335 |
| | 359 | | 584 | | 239 | | 337 |
| | 361 | | 591 | | | 1A-8063 | 111 |
| | 400 | | 602 | | | | 113 |
| | 402 | | 606 | 1 | | | 287 |
| | 406 | | 675 | | | | 304 |
| | 410 | | 690 | 1A-0168 | 135 | | 306 |
| | 414 | OS-1616 | 591 | | 137 | | 310 |
| | 418 | | 648 | | 139 | | 446 |
| | 420 | | 655 | | 141 | | 447 |
| | 422 | OS-1617 | 167 | | 142 | | 506 |
| | 424 | | 169 | 1A-1135 | 111 | | 710 |
| | 426 | | 218 | | 113 | | 711 |
| | 432 | | 602 | 1A-1460 | 102 | | 712 |
| | 498 | | 606 | | 104 | 1A-9579 | 360 |
| | 502 | | 648 | | 127 | | 402 |
| | 555 | | 655 | | 131 | | 406 |
| | 557 | | 662 | | 135 | | 410 |
| | 559 | | 669 | | 137 | | 414 |
| | 566 | OS-1618 | 205 | | 139 | | 418 |
| | 573 | | 221 | | 149 | | 420 |
| | 579 | OS-1619 | 324 | | 195 | | 426 |
| | 581 | OS-1620 | 602 | | 199 | 1B-2713 | 207 |
| | 584 | | 606 | | 354 | | 638 |
| | 588 | | 648 | | 402 | 1B-2718 | 588 |
| | 591 | | 655 | | 406 | 1B-4367 | 233 |
| | 602 | | 662 | | 410 | | 234 |
| | 606 | | 669 | | 418 | | 235 |
| | 632 | OS-1621 | 119 | | 420 | | 236 |
| | 635 | | 120 | | 426 | 1B-4971 | 116 |
| | 638 | | 121 | 1A-2029 | 94 | | 117 |
| | 640 | | 122 | | 96 | | 555 |
| | 643 | | 123 | | 118 | | 557 |
| | 648 | | 124 | | 127 | | 559 |
| | 655 | | 125 | | 129 | | 561 |
| | 662 | | 126 | | 131 | | 563 |
| | 669 | | 400 | | 185 | 1B-5357 | 393 |
| | 710 | | 424 | | 187 | | 394 |
| | 712 | OS-1624 | 443 | | 195 | | 395 |
| OS-1595 | 35 | | 444 | | 199 | | 396 |
| | 38 | OS-1625 | 130 | | 217 | | 445 |
| | 39 | OS-1626 | 230 | | 220 | 1B-7182 | 165 |
| | 44 | OT-0065 | 239 | | 221 | | 166 |
| | 110 | | 291 | | 223 | | 217 |
| | 179 | | 293 | | 493 | 1D-4540 | 205 |
| | 193 | | 295 | | 498 | 1D-4566 | 111 |
| | 203 | | 297 | | 713 | | 113 |
| | 207 | | 320 | 1A-2161 | 308 | | 238 |
| | 209 | | 322 | | 317 | | 239 |
| | 213 | | 327 | 1A-5183 | 195 | 1D-4601 | 91 |
| | 216 | | 402 | | 199 | | 171 |
| | 287 | | 406 | 1A-5822 | 211 | 1D-4623 | 339 |
| | 349 | | 410 | | 214 | 1D-4625 | 27 |
| | 356 | | 426 | | 310 | | 28 |
| | 373 | OT-0102 | 291 | | 434 | 1D-4706 | 102 |
| | 377 | | 295 | 1A-5964 | 102 | | 104 |

PART NUMBER INDEX

| Part | Page | Part | Page | Part | Page | Part | Page |
|-------------------|------|-------------------|------|-------------------|------|-------------------|------|
| | 135 | 1N-3134 | 205 | | 306 | | 89 |
| | 137 | 1N-3828 | 110 | | 310 | | 90 |
| | 139 | 1N-3834 | 110 | | 312 | 1W-1752 | 71 |
| 1D-4709 | 710 | 1N-3842 | 110 | | 347 | | 72 |
| | 712 | 1N-4622 | 193 | | 721 | | 73 |
| 1F-0750 | 118 | | 203 | 1S-9593 | 676 | | 74 |
| | 124 | 1N-5998 | 149 | | 678 | | 75 |
| | 125 | 1P-2841 | 398 | | 680 | | 77 |
| | 126 | | 432 | 1T-0689 | 217 | | 78 |
| | 526 | 1P-5274 | 205 | | 221 | | 79 |
| | 713 | 1P-7346 | 4 | 1W-0098 | 23 | | 82 |
| 1F-3605 | 594 | 1S-1638 | 157 | | 24 | | 84 |
| 1F-6762 | 111 | | 158 | 1W-0104 | 129 | | 85 |
| | 113 | 1S-3584 | 370 | 1W-0105 | 52 | | 87 |
| 1F-7464 | 714 | | 373 | | 54 | | 89 |
| | 715 | | 377 | 1W-0121 | 50 | | 90 |
| | 716 | | 402 | | 51 | 1W-1754 | 71 |
| | 718 | | 406 | 1W-0122 | 50 | | 72 |
| 1F-7958 | 135 | | 410 | | 51 | | 73 |
| | 137 | | 414 | 1W-0123 | 50 | | 74 |
| | 139 | | 418 | | 51 | | 75 |
| | 141 | | 420 | 1W-0605 | 133 | | 77 |
| | 142 | | 426 | | 167 | | 78 |
| | 304 | | 478 | | 169 | | 82 |
| | 306 | | 481 | 1W-0790 | ▶110 | | 84 |
| | 312 | | 484 | 1W-0791 | ▶91 | | 87 |
| | 349 | | 486 | 1W-0798 | ▶185 | | 89 |
| | 351 | | 489 | 1W-0804 | ▶225 | 1W-1756 | 133 |
| | 353 | | 491 | 1W-0809 | ▶238 | 1W-1760 | 174 |
| | 354 | | 493 | 1W-0843 | 29 | | 175 |
| | 355 | 1S-4589 | 135 | 1W-0864 | ▶92 | 1W-1960 | 52 |
| | 370 | | 137 | 1W-0887 | ▶239 | | 54 |
| | 403 | | 141 | 1W-0899 | ▶217 | 1W-2057 | 213 |
| | 407 | 1S-5772 | 228 | 1W-0904 | ▶48 | | 216 |
| | 410 | | 229 | 1W-0909 | ▶149 | 1W-2058 | 213 |
| | 414 | | 233 | 1W-0920 | ▶119 | | 216 |
| | 418 | | 236 | 1W-1174 | 48 | 1W-2059 | 211 |
| | 420 | | 241 | | 49 | | 214 |
| | 426 | | 244 | 1W-1415 | 191 | 1W-2240 | 225 |
| | 447 | | 245 | 1W-1748 | 71 | 1W-2242 | 225 |
| | 475 | | 246 | | 72 | 1W-2243 | 225 |
| | 478 | | 247 | | 73 | 1W-2244 | 193 |
| | 481 | | 249 | | 74 | | 203 |
| | 484 | | 251 | | 75 | 1W-2334 | 29 |
| | 635 | | 252 | | 77 | | 30 |
| | 711 | | 253 | | 78 | 1W-2361 | 67 |
| 1G-8878 | 189 | | 254 | | 79 | | 68 |
| 1H-2815 | 98 | | 255 | | 82 | | 69 |
| | 99 | | 256 | | 84 | | 70 |
| 1H-3244 | 520 | | 257 | | 85 | | 76 |
| | 522 | | 259 | | 87 | | 80 |
| 1H-3337 | 530 | | 261 | | 89 | | 81 |
| 1H-4950 | 720 | | 263 | | 90 | 1W-2362 | 67 |
| 1H-5959 | 218 | | 265 | 1W-1749 | 71 | | 68 |
| 1J-8668 | 414 | | 266 | | 72 | | 69 |
| 1K-9740 | 185 | | 268 | | 73 | | 70 |
| 1L-2782 | 514 | | 270 | | 74 | | 76 |
| 1L-8497 | 618 | | 272 | | 75 | | 80 |
| 1M-0644 | 225 | | 273 | | 77 | | 81 |
| 1M-1462 | 314 | | 286 | | 78 | 1W-2473 | 133 |
| | 498 | | 291 | | 79 | 1W-2577 | 207 |
| | 502 | | 293 | | 82 | | 209 |
| 1M-3847 | 287 | | 295 | | 84 | | 725 |
| 1M-4584 | 352 | | 297 | | 85 | 1W-2823 | 171 |
| | 353 | | 304 | | 87 | 1W-2824 | 171 |

PART NUMBER INDEX

| Part | Page | Part | Page | Part | Page | Part | Page |
|-------------------|------|-------------------|------|-------------------|------|-------------------|------|
| 1W-2828 | 339 | 1W-8409 | 167 | 2H-3888 | 710 | | 436 |
| | 341 | | 169 | | 712 | | 438 |
| | 344 | 1W-8410 | 167 | 2H-6488 | 506 | | 440 |
| | 345 | | 169 | 2J-3506 | 139 | 2N-3350 | 67 |
| 1W-2834 | 31 | 1W-8444 | 167 | | 142 | | 68 |
| | 35 | | 169 | | 230 | | 69 |
| | 44 | 1W-8563 | 93 | | 241 | | 70 |
| 1W-3377 | 38 | 1W-8565 | 93 | | 304 | | 76 |
| 1W-3382 | ▶40 | 1W-8811 | 33 | | 306 | | 80 |
| 1W-3389 | 165 | 1W-9217 | 93 | | 310 | | 81 |
| | 166 | 1W-9823 | 352 | | 514 | 2N-7520 | 218 |
| 1W-3390 | 165 | | 353 | 2J-3507 | 710 | 2N-7521 | 218 |
| | 166 | | 390 | | 712 | 2N-7522 | 218 |
| 1W-3557 | 478 | 1W-9874 | ▶356 | 2K-4973 | 185 | 2N-8037 | 662 |
| | 481 | 1Y-0412 | 400 | 2L-0042 | 594 | | 669 |
| | 484 | | 424 | 2L-2813 | 180 | 2N-9768 | 223 |
| | 486 | 1Y-3541 | 399 | | 182 | | 632 |
| | 489 | | | | 569 | | 633 |
| | 491 | | | 2L-6726 | 403 | 2P-1276 | 584 |
| | 493 | | | | 407 | 2P-1314 | 648 |
| 1W-3785 | 239 | | | | 478 | | 655 |
| | 291 | 2A-0762 | 632 | | 481 | | 662 |
| | 293 | | 633 | | 486 | | 669 |
| | 295 | 2A-1531 | 106 | 2L-8060 | 690 | 2R-6806 | 174 |
| | 297 | | 616 | 2L-8076 | 537 | | 175 |
| | 320 | 2A-4429 | 167 | 2M-0849 | 434 | | 536 |
| | 322 | | 169 | 2M-6471 | 57 | 2S-4446 | 295 |
| | 327 | 2A-4639 | 131 | | 58 | | 297 |
| 1W-3891 | 238 | | 229 | | 60 | | 327 |
| 1W-3958 | 185 | 2B-0858 | 234 | | 63 | 2V-5956 | 422 |
| | 187 | | 236 | | 66 | | 566 |
| 1W-3979 | 193 | | 364 | | 247 | | 573 |
| | 203 | | 594 | | 249 | | 579 |
| | 279 | 2B-0947 | 506 | | 251 | 2V-7088 | 684 |
| | 281 | 2B-2694 | 220 | | 252 | | 687 |
| | 283 | 2B-2695 | 193 | | 253 | | 698 |
| 1W-4059 | 193 | | 203 | | 254 | 2W-0439 | 356 |
| | 203 | 2B-7947 | 2 | | 257 | | 373 |
| | 317 | 2D-0032 | 569 | | 259 | | 377 |
| 1W-4067 | 239 | | 571 | | 261 | 2W-0546 | 48 |
| | 291 | | 575 | | 263 | | 49 |
| | 293 | | 577 | | 265 | 2W-0644 | ▶398 |
| | 295 | | 586 | | 266 | 2W-1675 | 398 |
| | 297 | 2D-4202 | 517 | | 268 | | 434 |
| | 320 | 2D-6642 | 167 | | 270 | 2W-2678 | ▶227 |
| | 322 | | 169 | | 272 | 2W-2680 | ▶445 |
| | 327 | 2D-7325 | 422 | | 273 | 2W-2681 | ▶393 |
| 1W-4072 | 314 | | 566 | | 347 | 2W-2682 | ▶395 |
| 1W-4099 | 314 | | 573 | 2M-9780 | 195 | 2W-2742 | ▶37 |
| 1W-4307 | 193 | | 579 | | 199 | 2W-2972 | 37 |
| | 203 | | 581 | | 354 | 2W-2988 | 144 |
| 1W-4776 | 217 | | 584 | | 515 | | 145 |
| | ▶218 | | 591 | 2N-0475 | 289 | | 714 |
| 1W-5200 | 238 | 2D-9155 | 432 | | 329 | | 715 |
| | 239 | 2G-5664 | 225 | | 331 | | 716 |
| 1W-6492 | 192 | 2H-3088 | 185 | | 333 | | 718 |
| 1W-6702 | 149 | 2H-3429 | 403 | | 335 | 2W-3015 | ▶286 |
| 1W-7020 | 287 | | 407 | | 337 | 2W-3031 | 393 |
| | 324 | | 478 | 2N-1117 | 308 | 2W-3584 | 31 |
| 1W-7117 | 41 | | 481 | | 317 | | 35 |
| | 42 | | 486 | | 502 | | 44 |
| | 52 | 2H-3745 | 108 | 2N-2766 | 369 | 2W-3789 | 357 |
| | 54 | 2H-3756 | 127 | | 370 | 2W-3790 | 207 |
| 1W-8260 | 48 | | 130 | | 373 | 2W-3793 | 287 |
| | 49 | | 131 | | 377 | | 324 |

2

PART NUMBER INDEX

| Part | Page | Part | Page | Part | Page | Part | Page |
|-------------------|------|-------------------|------|-------------------|------|-------------------|------|
| 2W-3794 | 357 | | 273 | | 464 | 3F-7674 | 37 |
| 2W-3842 | 119 | | 286 | | 618 | 3G-4138 | 349 |
| 2W-4025 | 287 | | 310 | 3B-4507 | 381 | 3G-7382 | 110 |
| 2W-4026 | 287 | | 347 | | 383 | 3H-3433 | 205 |
| 2W-4027 | 357 | 2W-5115 | 360 | 3B-4508 | 458 | 3H-5939 | 349 |
| 2W-4031 | 357 | 2W-5790 | 349 | | 461 | 3H-6622 | 289 |
| 2W-4032 | 287 | 2W-6082 | 618 | | 464 | | 329 |
| | 324 | 2W-6083 | 218 | 3B-6492 | 181 | | 331 |
| 2W-4054 | 357 | 2W-6084 | 618 | 3B-6499 | 594 | | 333 |
| 2W-4246 | 360 | 2W-6090 | 676 | 3B-6500 | 638 | | 335 |
| 2W-4367 | 356 | | 678 | | 640 | | 337 |
| | 373 | | 680 | | 643 | 3H-7654 | 370 |
| | 377 | 2W-6317 | 193 | 3B-6552 | 397 | 3J-1907 | 2 |
| 2W-4555 | 289 | | 203 | 3B-7272 | 173 | | 195 |
| | 329 | 2W-6318 | 279 | | 329 | | 199 |
| | 331 | | 281 | | 333 | | 474 |
| | 333 | | 283 | | 337 | | 475 |
| | 335 | 2W-6862 | 185 | | 400 | | 536 |
| | 337 | | 187 | | 424 | 3J-7352 | 193 |
| 2W-4766 | 357 | 2W-7121 | 227 | 3B-7286 | 643 | | 203 |
| | 402 | | 234 | 3B-7725 | 361 | | 536 |
| | 406 | | 246 | | 363 | 3J-7354 | 57 |
| | 410 | 2W-7755 | 396 | | 364 | | 58 |
| | 414 | 2W-7756 | ▶396 | | 368 | | 60 |
| | 418 | 2W-7886 | 395 | 3B-7744 | 594 | | 63 |
| | 420 | 2W-7889 | ▶394 | 3B-7745 | 278 | | 66 |
| | 426 | 2W-8216 | 193 | 3B-7749 | 594 | | 231 |
| 2W-4769 | 357 | | 203 | 3B-7866 | 400 | | 536 |
| 2W-5022 | 289 | 2W-9281 | 351 | 3B-8489 | 2 | | 648 |
| | 329 | 2Y-3812 | 498 | | 4 | | 655 |
| | 331 | | 502 | 3B-8695 | 588 | | 662 |
| | 333 | | | 3D-0472 | 353 | | 669 |
| | 335 | | | 3D-2824 | 195 | 3J-7355 | 422 |
| | 337 | | | | 199 | | 566 |
| 2W-5023 | 289 | | | 3D-4022 | 400 | | 573 |
| | 329 | 3B-0645 | 57 | | 424 | | 579 |
| | 331 | | 58 | 3E-0105 | 676 | | 581 |
| | 333 | | 60 | | 678 | | 584 |
| | 335 | | 63 | | 680 | | 591 |
| | 337 | | 66 | 3E-1813 | 684 | 3J-7719 | 618 |
| 2W-5031 | 289 | 3B-1915 | 15 | | 687 | 3K-0360 | 195 |
| | 329 | | 18 | | 698 | | 199 |
| | 331 | | 21 | 3E-1814 | 684 | | 430 |
| | 333 | | 41 | | 687 | | 435 |
| | 335 | | 111 | | 698 | | 648 |
| | 337 | | 113 | 3E-2098 | 720 | | 655 |
| 2W-5032 | 289 | | 223 | 3E-2149 | 684 | | 662 |
| | 329 | | 241 | 3E-2315 | 635 | | 669 |
| | 331 | | 244 | | 643 | 3K-5068 | 703 |
| | 333 | | 304 | 3E-2331 | 392 | | 704 |
| | 335 | | 306 | 3E-3365 | 611 | 3L-1258 | 569 |
| | 337 | | 308 | 3E-3371 | 694 | | 575 |
| 2W-5036 | 247 | | 317 | | 695 | 3L-7824 | 287 |
| | 249 | | 359 | 3E-3377 | 545 | 3L-8187 | 537 |
| | 251 | | 370 | 3E-4084 | 180 | 3L-8993 | 98 |
| | 252 | | 502 | | 181 | | 99 |
| | 255 | | 588 | | 182 | | 100 |
| | 256 | | 594 | | 183 | 3N-1283 | 218 |
| | 257 | 3B-2968 | 341 | | 184 | 3N-1284 | 218 |
| | 259 | | 344 | 3E-5180 | 693 | 3N-1285 | 218 |
| | 261 | | 345 | 3E-5454 | 520 | 3N-1287 | 218 |
| | 263 | 3B-4504 | 381 | 3E-6751 | 357 | 3N-1308 | 185 |
| | 266 | | 383 | 3E-7430 | 304 | 3N-1341 | 349 |
| | 268 | 3B-4505 | 458 | | 306 | 3N-1968 | 536 |
| | 270 | | 461 | 3E-9865 | 565 | | 539 |

3

PART NUMBER INDEX

| Part | Page | Part | Page | Part | Page | Part | Page |
|-------------------|------|-------------------|------|------|------|------|------|
| 3N-3691 | 537 | | 698 | | 33 | | 287 |
| 3N-3790 | 720 | 3S-2713 | 27 | | 35 | | 289 |
| 3N-3893 | 594 | | 28 | | 40 | | 291 |
| 3N-4622 | 632 | | 167 | | 41 | | 293 |
| | 633 | | 169 | | 42 | | 295 |
| 3N-7281 | 422 | | 370 | | 43 | | 297 |
| | 566 | | 373 | | 44 | | 300 |
| 3N-8574 | 707 | | 377 | | 48 | | 302 |
| 3N-8591 | 37 | | 402 | | 49 | | 304 |
| 3P-0647 | 157 | | 406 | | 52 | | 306 |
| | 158 | | 410 | | 54 | | 308 |
| | 160 | | 414 | | 93 | | 310 |
| | 162 | | 418 | | 100 | | 312 |
| | 163 | | 420 | | 102 | | 314 |
| 3P-0649 | 207 | | 426 | | 104 | | 317 |
| | 209 | | 478 | | 111 | | 319 |
| 3P-0650 | 555 | | 481 | | 113 | | 320 |
| | 557 | | 484 | | 115 | | 322 |
| | 559 | | 486 | | 119 | | 324 |
| | 561 | | 489 | | 120 | | 327 |
| | 563 | | 491 | | 121 | | 329 |
| 3P-0651 | 52 | | 493 | | 122 | | 331 |
| | 54 | 3S-7079 | 50 | | 123 | | 333 |
| 3P-0654 | 279 | | 51 | | 127 | | 335 |
| 3P-0655 | 130 | 3S-8665 | 555 | | 129 | | 337 |
| | 193 | | 557 | | 131 | | 339 |
| | 203 | | 559 | | 135 | | 341 |
| | 279 | | 561 | | 137 | | 344 |
| | 281 | | 563 | | 139 | | 345 |
| | 283 | 3S-9643 | 247 | | 157 | | 349 |
| | 357 | | 249 | | 158 | | 357 |
| 3P-0656 | 52 | | 251 | | 171 | | 359 |
| | 54 | | 252 | | 176 | | 361 |
| | 193 | | 253 | | 177 | | 370 |
| | 203 | | 254 | | 185 | | 373 |
| 3P-0657 | 357 | | 255 | | 187 | | 377 |
| 3P-0658 | 192 | | 256 | | 191 | | 385 |
| 3P-0764 | 647 | | 257 | | 192 | | 403 |
| | 654 | | 259 | | 193 | | 407 |
| | 661 | | 261 | | 195 | | 410 |
| | 668 | | 263 | | 199 | | 414 |
| 3P-1156 | 211 | | 265 | | 203 | | 418 |
| | 214 | | 266 | | 205 | | 420 |
| 3R-5387 | 430 | | 268 | | 207 | | 422 |
| 3R-6789 | 205 | | 270 | | 211 | | 424 |
| | 221 | | 272 | | 214 | | 426 |
| 3S-1349 | 27 | | 273 | | 221 | | 430 |
| | 28 | | 279 | | 225 | | 432 |
| | 91 | | 281 | | 227 | | 478 |
| | 108 | | 283 | | 228 | | 481 |
| | 109 | | 347 | | 229 | | 484 |
| 3S-2093 | 223 | 3T-6354 | 520 | | 231 | | 486 |
| | 542 | | 522 | | 241 | | 489 |
| | 544 | 3V-0409 | 703 | | 242 | | 491 |
| | 565 | | 704 | | 243 | | 493 |
| | 573 | 3V-2431 | 94 | | 244 | | 498 |
| | 579 | | 96 | | 245 | | 502 |
| | 605 | | 515 | | 246 | | 515 |
| | 606 | | 517 | | 249 | | 555 |
| | 647 | 3V-3308 | 15 | | 255 | | 557 |
| | 654 | | 27 | | 256 | | 559 |
| | 661 | | 28 | | 261 | | 561 |
| | 668 | | 29 | | 279 | | 563 |
| | 684 | | 30 | | 281 | | 566 |
| | 687 | | 31 | | 283 | | 573 |

PART NUMBER INDEX

| Part | Page | Part | Page | Part | Page | Part | Page |
|-------------------|------|-------------------|------|-------------------|------|-------------------|------|
| | 579 | 4D-1326 | 555 | 4J-9448 | 207 | | 486 |
| | 581 | | 557 | 4K-0367 | 135 | | 489 |
| | 584 | | 559 | | 137 | | 491 |
| | 588 | | 602 | | 141 | | 493 |
| | 591 | | 605 | | 233 | 4P-0394 | 370 |
| | 594 | | 675 | | 234 | | 373 |
| | 602 | | 690 | | 235 | | 377 |
| | 606 | 4D-1577 | 41 | | 236 | | 402 |
| | 632 | 4D-3118 | 618 | | 300 | | 406 |
| | 643 | 4D-6988 | 573 | | 302 | | 410 |
| | 648 | | 579 | | 308 | | 414 |
| | 655 | 4D-8532 | 478 | | 314 | | 418 |
| | 662 | | 481 | | 317 | | 420 |
| | 669 | | 484 | | 474 | | 426 |
| | 675 | | 491 | | 486 | | 493 |
| | 690 | | 493 | | 489 | 4P-0419 | 436 |
| | 710 | 4E-2250 | 402 | | 638 | | 438 |
| | 712 | | 406 | | 640 | | 440 |
| | 721 | | 478 | 4K-0684 | 50 | 4P-2124 | ▶511 |
| 3V-6153 | 422 | | 481 | | 51 | 4P-2210 | 511 |
| | 566 | | 486 | 4K-2877 | 493 | | 512 |
| | 573 | 4E-9277 | 199 | 4K-5175 | 2 | 4P-2211 | 511 |
| | 579 | 4F-2753 | 370 | 4K-9097 | 601 | | 512 |
| | 581 | | 373 | | 605 | 4P-2212 | 511 |
| | 584 | | 377 | 4L-8606 | 291 | | 512 |
| 3W-2647 | 370 | 4F-4585 | 41 | | 295 | 4P-2213 | 511 |
| 3Y-7829 | 400 | 4F-4873 | 239 | | 320 | | 512 |
| | 424 | | 291 | 4M-5281 | 507 | 4P-2214 | 511 |
| | | | 293 | 4M-6953 | 27 | | 512 |
| | | | 295 | | 28 | 4P-2215 | 511 |
| | | | 297 | 4N-3311 | 349 | | 512 |
| | | | 320 | 4N-3411 | 569 | 4P-2216 | 511 |
| 4B-1218 | 694 | | 322 | | 571 | | 512 |
| | 695 | | 327 | | 575 | 4P-2217 | 511 |
| 4B-1237 | 537 | 4F-4879 | 602 | | 577 | | 512 |
| 4B-2041 | 537 | | 606 | | 586 | 4P-2218 | 511 |
| | 694 | 4F-6024 | 158 | 4N-5756 | 647 | | 512 |
| | 695 | | 162 | | 654 | 4P-2219 | 511 |
| 4B-2047 | 522 | | 163 | | 661 | 4P-2220 | 511 |
| 4B-3140 | 52 | 4F-7957 | 185 | | 668 | 4P-2221 | 511 |
| | 54 | | 422 | 4P-0294 | 111 | | 512 |
| 4B-3388 | 2 | | 566 | | 113 | 4P-2222 | 511 |
| | 359 | | 573 | 4P-0300 | 458 | | 512 |
| | 555 | | 579 | | 461 | | 513 |
| | 557 | | 581 | | 464 | 4P-2223 | 511 |
| | 559 | | 584 | 4P-0304 | 349 | | 512 |
| | 561 | | 591 | 4P-0306 | 349 | 4P-2268 | ▶97 |
| | 563 | 4G-2544 | 555 | 4P-0307 | 381 | 4P-2349 | 349 |
| 4B-3584 | 711 | | 557 | | 383 | 4P-2351 | ▶129 |
| 4B-4043 | 300 | | 559 | 4P-0309 | 458 | | 130 |
| | 317 | | 561 | | 461 | 4P-2352 | 349 |
| 4B-4158 | 720 | | 563 | | 464 | 4P-2854 | 71 |
| 4B-4274 | 537 | | 601 | 4P-0335 | 127 | | 72 |
| | 640 | | 602 | | 131 | | 73 |
| | 643 | | 605 | 4P-0336 | 127 | | 74 |
| 4B-4674 | 536 | | 606 | 4P-0340 | 127 | | 75 |
| | 539 | | 632 | | 131 | | 77 |
| 4B-4863 | 687 | 4H-3001 | 118 | 4P-0372 | 381 | | 78 |
| | 698 | 4J-0523 | 324 | | 383 | | 79 |
| 4B-5324 | 537 | 4J-4382 | 356 | 4P-0388 | 127 | | 82 |
| | 684 | 4J-5477 | 223 | 4P-0391 | 373 | | 84 |
| | 687 | 4J-5977 | 27 | | 377 | | 85 |
| 4B-9808 | 2 | | 28 | | 478 | | 87 |
| 4D-0449 | 94 | 4J-7945 | 446 | | 481 | | 89 |
| | 96 | | 447 | | 484 | | 90 |

4

PART NUMBER INDEX

| Part | Page | Part | Page | Part | Page | Part | Page |
|-------------------|------|-------------------|------|-------------------|------|-------------------|------|
| 4P-3046 | 436 | 4P-5151 | 549 | | 669 | | 341 |
| | 438 | 4P-5152 | 547 | 4P-7959 | ▶207 | | 344 |
| | 440 | | 549 | 4P-8034 | ▶2 | | 345 |
| 4P-3052 | 27 | | 550 | 4P-8035 | 2 | 4W-0361 | ▶291 |
| | 28 | | 552 | 4P-8036 | 2 | | ▶293 |
| 4P-3672 | ▶497 | 4P-5238 | ▶172 | 4P-8038 | 2 | 4W-0365 | ▶38 |
| 4P-3749 | 242 | 4P-5304 | 31 | 4P-8040 | 2 | 4W-0379 | 185 |
| 4P-3760 | ▶635 | | 35 | 4P-8134 | 414 | 4W-0674 | ▶211 |
| 4P-3857 | 648 | | 44 | | 493 | | 213 |
| | 655 | 4P-5905 | ▶237 | | 606 | 4W-0675 | ▶213 |
| | 662 | 4P-5906 | ▶237 | | 648 | 4W-0686 | 458 |
| | 669 | 4P-5907 | ▶237 | | 655 | | 461 |
| 4P-4111 | 461 | 4P-6077 | ▶389 | | 662 | | 464 |
| 4P-4127 | 91 | | 458 | | 669 | | ▶725 |
| 4P-4251 | 537 | | 461 | 4P-8958 | 150 | 4W-1162 | 192 |
| 4P-4667 | ▶247 | 4P-6125 | 23 | | 151 | 4W-1164 | 193 |
| 4P-4709 | 635 | | 24 | | 152 | | 203 |
| 4P-4718 | ▶496 | 4P-6469 | 720 | | 153 | 4W-1596 | 339 |
| 4P-4721 | 496 | 4P-6542 | 479 | | 154 | 4W-2100 | 400 |
| 4P-4791 | 436 | | 482 | 4P-9058 | ▶289 | | 424 |
| | 438 | | 484 | 4P-9168 | 185 | | 430 |
| 4P-4792 | 436 | | 491 | | 187 | 4W-2138 | 205 |
| | 438 | | 493 | 4P-9169 | 185 | 4W-2139 | 205 |
| 4P-5135 | 547 | 4P-6543 | 479 | | 187 | 4W-2463 | ▶295 |
| | 549 | | 482 | 4P-9174 | 185 | | ▶297 |
| | 550 | | 484 | 4P-9185 | 185 | 4W-2535 | 192 |
| | 552 | | 491 | 4P-9218 | 185 | 4W-3027 | 176 |
| 4P-5136 | 547 | | 493 | 4P-9224 | 300 | | 177 |
| | 549 | 4P-6746 | ▶458 | | 308 | 4W-3034 | 176 |
| | 550 | 4P-6814 | 195 | | 317 | | 177 |
| | 552 | | 199 | | 319 | 4W-3471 | ▶399 |
| 4P-5138 | 547 | 4P-6945 | 478 | 4P-9477 | 636 | 4W-3618 | ▶351 |
| | 550 | | 481 | | 644 | 4W-3637 | 351 |
| 4P-5139 | 549 | | 484 | 4P-9513 | 35 | | 352 |
| 4P-5140 | 549 | | 491 | | 44 | | 353 |
| | 550 | | 493 | 4R-8605 | 632 | | 354 |
| | 552 | 4P-6963 | ▶124 | | 633 | | 361 |
| 4P-5143 | 547 | 4P-6964 | 124 | 4R-8658 | 594 | | 363 |
| | 549 | 4P-6965 | 124 | 4S-1936 | 400 | | 364 |
| | 552 | 4P-6967 | 124 | 4S-5719 | 279 | | 368 |
| 4P-5144 | 547 | | 126 | | 281 | 4W-3996 | 211 |
| | 549 | 4P-6973 | 118 | | 283 | | 214 |
| | 550 | 4P-6974 | 118 | | 304 | 4W-3997 | 211 |
| | 552 | 4P-6979 | 178 | | 591 | | 214 |
| 4P-5145 | 547 | 4P-6996 | 124 | | 601 | 4W-3998 | 211 |
| | 549 | | 125 | | 605 | | 214 |
| | 550 | | 126 | | 711 | 4W-4100 | 130 |
| | 552 | 4P-7408 | ▶287 | 4S-6399 | 400 | 4W-4555 | 192 |
| 4P-5146 | 549 | 4P-7409 | 287 | | 422 | 4W-4905 | 581 |
| | 550 | 4P-7413 | 373 | | 424 | 4W-5120 | 351 |
| | 552 | | 377 | | 430 | 4W-5405 | 238 |
| 4P-5147 | 547 | 4P-7414 | 373 | | 566 | 4W-5441 | 71 |
| | 549 | | 377 | | 573 | | 72 |
| | 550 | 4P-7428 | 139 | | 579 | | 73 |
| | 552 | | 602 | | 581 | | 74 |
| 4P-5148 | 547 | | 606 | | 584 | | 75 |
| | 549 | | 648 | | 591 | | 77 |
| | 550 | | 655 | | 638 | | 78 |
| | 552 | | 662 | | 640 | | 79 |
| 4P-5149 | 547 | | 669 | | 643 | | 82 |
| | 549 | 4P-7581 | 602 | 4T-4027 | 4 | | 84 |
| | 550 | | 606 | 4V-9643 | 221 | | 85 |
| | 552 | | 648 | 4W-0012 | ▶506 | | 87 |
| 4P-5150 | 550 | | 655 | 4W-0091 | 207 | | 89 |
| | 552 | | 662 | 4W-0234 | 339 | | 90 |

PART NUMBER INDEX

| Part | Page | Part | Page | Part | Page | Part | Page |
|-------------------|------|-------------------|------|-------------------|------|-------------------|------|
| 4W-5442 | 57 | | 234 | 4W-9027 | 458 | | 682 |
| | 58 | | 241 | | 461 | 5D-1026 | 349 |
| | 60 | | 243 | | 464 | 5D-1972 | 498 |
| | 63 | | 246 | 4W-9028 | 390 | | 502 |
| | 66 | | 304 | 4W-9029 | 458 | 5D-4661 | 143 |
| 4W-6273 | 617 | | 306 | | 461 | | 144 |
| | 620 | | 310 | | 464 | | 145 |
| | 622 | 4W-7952 | 349 | 4W-9030 | 381 | | 146 |
| | 623 | 4W-7953 | 349 | | 383 | | 714 |
| | 625 | 4W-7954 | 349 | 4W-9031 | 381 | | 715 |
| | 628 | 4W-7961 | 381 | | 383 | | 716 |
| 4W-6277 | 54 | | 383 | | 725 | | 718 |
| | 147 | 4W-8010 | 48 | 4W-9032 | 381 | 5D-5957 | 165 |
| 4W-6637 | 40 | | 49 | | 383 | | 166 |
| | 127 | 4W-8071 | ▶228 | | 725 | 5D-9231 | 648 |
| | 131 | 4W-8344 | 23 | 4W-9033 | 381 | | 655 |
| 4W-6638 | 40 | | 24 | | 383 | | 662 |
| | 127 | 4W-8556 | 506 | | 725 | | 669 |
| | 131 | 4W-8561 | 381 | 4W-9036 | 458 | 5H-0255 | 400 |
| 4W-6862 | 211 | | 383 | | 461 | | 424 |
| 4W-7323 | 207 | 4W-8564 | 381 | | 464 | | 569 |
| | 209 | | 383 | 4W-9037 | 458 | | 571 |
| 4W-7392 | 402 | | 725 | | 461 | | 575 |
| | 406 | 4W-8566 | 458 | | 464 | | 577 |
| | 410 | | 461 | 4W-9050 | ▶229 | | 586 |
| | 418 | | 464 | 4W-9293 | 381 | 5H-1504 | 172 |
| | 420 | | 725 | | 383 | 5H-2532 | 370 |
| | 426 | 4W-8568 | 458 | 4W-9504 | 310 | | 373 |
| 4W-7483 | 130 | | 461 | 4W-9510 | 357 | | 377 |
| | 193 | | 464 | 4W-9533 | 458 | | 402 |
| | 203 | 4W-8571 | 458 | | 461 | | 406 |
| 4W-7484 | 130 | | 461 | | 464 | | 410 |
| 4W-7485 | 193 | | 464 | 4W-9549 | 4 | | 414 |
| | 203 | 4W-8572 | 381 | 4W-9551 | 4 | | 418 |
| 4W-7486 | 193 | | 383 | 4W-9653 | 127 | | 420 |
| | 203 | | 725 | | 131 | | 426 |
| 4W-7487 | 193 | 4W-8573 | 381 | 4W-9686 | 124 | | 478 |
| | 203 | | 383 | | 125 | | 481 |
| 4W-7488 | 193 | 4W-8605 | 458 | | 126 | | 484 |
| | 203 | | 461 | 4W-9690 | 124 | | 486 |
| 4W-7489 | 193 | | 464 | | 125 | | 489 |
| | 203 | 4W-8606 | 458 | | 126 | | 491 |
| 4W-7490 | 193 | | 461 | 4W-9774 | 205 | | 493 |
| | 203 | | 464 | 4W-9775 | 149 | 5H-8848 | 176 |
| 4W-7515 | 402 | 4W-8607 | 458 | | | | 177 |
| | 406 | | 461 | | | 5H-9573 | 2 |
| | 410 | | 464 | | | | 4 |
| | 418 | 4W-8608 | 458 | | | 5J-7303 | 591 |
| | 420 | | 461 | 5B-4855 | 400 | 5K-2294 | 185 |
| | 426 | | 464 | | 424 | 5K-3294 | 422 |
| 4W-7516 | 402 | 4W-8683 | 381 | 5B-7660 | 588 | | 566 |
| | 406 | | 383 | 5B-7661 | 180 | | 581 |
| | 410 | 4W-8775 | 193 | | 182 | | 584 |
| | 418 | | 203 | | 183 | 5K-5552 | 357 |
| | 420 | 4W-8926 | 381 | | 184 | | 359 |
| | 426 | | 383 | | 514 | 5K-9090 | 515 |
| 4W-7555 | 357 | 4W-8927 | 381 | 5B-9603 | 174 | 5K-9660 | 195 |
| 4W-7557 | 357 | | 383 | | 175 | | 199 |
| 4W-7593 | 714 | | 725 | | 279 | | 349 |
| | 715 | 4W-8928 | 381 | | 281 | | 432 |
| | 716 | | 383 | | 283 | 5L-1091 | 2 |
| | 718 | | 725 | | 648 | | 4 |
| 4W-7748 | 310 | 4W-9025 | 458 | | 655 | 5L-2534 | 100 |
| 4W-7749 | 227 | | 461 | 5C-2874 | 524 | | 588 |
| | 230 | | 464 | | 526 | 5L-3233 | 397 |

PART NUMBER INDEX

| Part | Page | Part | Page | Part | Page | Part | Page |
|-------------------|------|-------------------|------|-------------------|------|-------------------|------|
| | 647 | 5N-8384 | 618 | | 209 | 5P-8228 | 435 |
| | 654 | 5N-8387 | 618 | 5P-3501 | 647 | 5P-8245 | 2 |
| | 661 | 5N-8390 | 618 | | 654 | | 6 |
| | 668 | 5N-8403 | 618 | | 661 | | 35 |
| 5L-3291 | 370 | 5N-8424 | 618 | | 668 | | 39 |
| | 373 | 5N-8425 | 618 | 5P-4115 | 676 | | 44 |
| | 377 | 5N-8427 | 618 | | 678 | | 102 |
| | 402 | 5N-8428 | 618 | | 680 | | 104 |
| | 406 | 5N-8617 | 361 | 5P-4868 | 176 | | 119 |
| | 410 | 5N-9574 | 618 | | 177 | | 120 |
| | 414 | 5P-0537 | 163 | 5P-4889 | 157 | | 121 |
| | 418 | | 185 | | 158 | | 122 |
| | 420 | | 223 | | 160 | | 123 |
| | 426 | | 422 | | 162 | | 124 |
| | 478 | | 566 | | 163 | | 125 |
| | 481 | | 573 | | 211 | | 126 |
| | 484 | | 579 | | 214 | | 127 |
| | 486 | | 581 | 5P-4900 | 435 | | 131 |
| | 489 | | 584 | 5P-5007 | 432 | | 135 |
| | 491 | | 591 | 5P-5008 | 662 | | 137 |
| | 493 | | 602 | | 669 | | 139 |
| 5L-3785 | 594 | | 606 | 5P-5618 | 546 | | 141 |
| 5L-4398 | 351 | | 632 | 5P-5623 | 537 | | 142 |
| 5M-1198 | 293 | | 633 | 5P-5689 | 690 | | 149 |
| | 297 | | 638 | 5P-5846 | 207 | | 185 |
| | 322 | | 648 | | 209 | | 187 |
| | 327 | | 655 | 5P-6006 | 690 | | 195 |
| 5M-2894 | 223 | | 675 | 5P-6009 | 544 | | 199 |
| | 233 | | 676 | | 546 | | 207 |
| | 234 | | 678 | 5P-6025 | 561 | | 209 |
| | 236 | | 680 | | 563 | | 221 |
| | 359 | | 687 | 5P-6399 | 432 | | 238 |
| | 403 | | 690 | 5P-6920 | 520 | | 287 |
| | 407 | | 698 | 5P-7701 | 133 | | 304 |
| | 410 | | 709 | | 156 | | 306 |
| | 426 | 5P-0597 | 176 | | 192 | | 310 |
| | 435 | | 177 | | 205 | | 312 |
| | 606 | | 180 | | 207 | | 342 |
| 5M-6214 | 211 | | 181 | | 209 | | 343 |
| | 214 | | 182 | 5P-7813 | 127 | | 351 |
| | 218 | | 183 | | 131 | | 352 |
| 5N-2126 | 605 | | 184 | | 211 | | 353 |
| 5N-2840 | 648 | 5P-1075 | 118 | | 214 | | 354 |
| | 655 | | 124 | | 339 | | 355 |
| | 662 | | 125 | | 341 | | 373 |
| | 669 | | 126 | | 344 | | 377 |
| 5N-5646 | 400 | | 149 | | 345 | | 385 |
| | 424 | | 209 | 5P-7815 | 157 | | 390 |
| 5N-6668 | 218 | | 324 | | 158 | | 393 |
| 5N-7501 | 530 | | 400 | | 160 | | 394 |
| 5N-7776 | 218 | | 713 | | 162 | | 395 |
| 5N-8363 | 618 | 5P-1076 | 106 | 5P-7816 | 97 | | 396 |
| 5N-8364 | 618 | | 192 | | 98 | | 398 |
| 5N-8365 | 618 | | 349 | | 99 | | 400 |
| 5N-8367 | 618 | | 400 | | 100 | | 403 |
| 5N-8372 | 618 | | 447 | | 101 | | 407 |
| 5N-8373 | 618 | 5P-1442 | 349 | | 149 | | 410 |
| 5N-8374 | 618 | 5P-1475 | 546 | 5P-7818 | 130 | | 414 |
| 5N-8375 | 618 | 5P-2424 | 107 | | 185 | | 418 |
| 5N-8377 | 618 | 5P-2428 | 144 | | 193 | | 420 |
| 5N-8378 | 618 | | 145 | | 203 | | 422 |
| 5N-8379 | 618 | 5P-2566 | 387 | 5P-7854 | 515 | | 424 |
| 5N-8380 | 618 | 5P-2755 | 373 | 5P-8211 | 498 | | 426 |
| 5N-8381 | 618 | | 377 | | 502 | | 432 |
| 5N-8383 | 618 | 5P-3456 | 4 | 5P-8215 | 2 | | 434 |

PART NUMBER INDEX

| Part | Page | Part | Page | Part | Page | Part | Page |
|-------------------|------|-------------------|------|-------------------|------|-------------------|------|
| | 436 | | 306 | | 410 | | 575 |
| | 438 | | 310 | | 414 | | 577 |
| | 440 | | 446 | | 418 | | 586 |
| | 445 | | 447 | | 420 | 6F-7701 | 569 |
| | 447 | | 478 | | 426 | | 571 |
| | 475 | | 481 | | 602 | | 575 |
| | 478 | | 484 | | 606 | | 577 |
| | 481 | | 486 | 5S-2403 | 385 | | 586 |
| | 484 | | 489 | 5S-2586 | 2 | | 588 |
| | 506 | | 491 | 5S-4246 | 537 | 6F-7732 | 514 |
| | 566 | | 493 | 5S-7349 | 522 | 6F-8856 | 569 |
| | 569 | | 498 | 5S-9134 | 110 | | 571 |
| | 571 | | 502 | | 193 | | 575 |
| | 573 | | 514 | | 203 | | 577 |
| | 575 | | 710 | | 279 | | 586 |
| | 577 | | 711 | | 281 | | 588 |
| | 579 | | 712 | | 283 | | 635 |
| | 581 | 5P-8250 | 54 | 5T-4373 | 581 | 6F-8857 | 99 |
| | 584 | | 108 | 5T-4374 | 422 | | 100 |
| | 586 | | 147 | | 566 | 6F-8858 | 569 |
| | 591 | | 707 | | 581 | | 571 |
| | 602 | | 708 | | 584 | | 575 |
| | 606 | | 710 | 5T-4375 | 661 | | 577 |
| | 616 | | 712 | | 668 | | 586 |
| | 635 | 5P-8429 | 192 | 5T-5760 | 573 | | 635 |
| | 648 | 5P-8839 | 91 | | 579 | 6G-9870 | 400 |
| | 655 | 5P-8861 | 149 | | | | 424 |
| | 662 | | 192 | | | 6H-1717 | 569 |
| | 669 | 5P-8872 | 193 | | | | 571 |
| | 675 | | 203 | | | | 575 |
| | 690 | 5P-9085 | 118 | 6B-1628 | 385 | | 577 |
| | 711 | | 632 | 6B-3685 | 99 | | 586 |
| 5P-8247 | 127 | 5P-9130 | ▶275 | | 100 | 6H-6109 | 4 |
| | 131 | | 312 | 6B-4540 | 537 | 6I-0578 | 167 |
| | 135 | 5P-9287 | 207 | 6B-5072 | 602 | | 169 |
| | 137 | 5P-9297 | 430 | | 606 | 6I-0733 | 402 |
| | 139 | | 591 | | 632 | | 406 |
| | 141 | | 602 | | 633 | | 410 |
| | 233 | | 606 | 6B-6863 | 458 | | 414 |
| | 234 | | 648 | | 461 | | 418 |
| | 235 | | 655 | | 464 | | 420 |
| | 236 | | 662 | 6D-2928 | 223 | | 426 |
| | 300 | | 669 | | 507 | 6I-1418 | 676 |
| | 302 | 5P-9514 | 618 | 6D-3025 | 402 | | 678 |
| | 304 | 5P-9757 | 209 | | 406 | | 680 |
| | 306 | 5P-9960 | 370 | | 478 | 6I-1641 | 402 |
| | 308 | | 373 | | 481 | | 406 |
| | 314 | | 377 | | 486 | | 410 |
| | 317 | 5R-4911 | 714 | 6D-3479 | 400 | | 414 |
| | 414 | | 715 | | 422 | | 418 |
| | 443 | | 716 | | 424 | | 420 |
| | 444 | | 718 | | 566 | | 426 |
| | 449 | 5R-7326 | 594 | | 573 | 6I-1642 | 402 |
| | 450 | 5R-9705 | 638 | | 579 | | 406 |
| | 474 | | 640 | | 581 | | 410 |
| | 486 | 5R-9779 | 300 | | 584 | | 414 |
| | 489 | | 308 | 6D-3910 | 218 | | 418 |
| | 638 | | 317 | 6D-5234 | 648 | | 420 |
| | 640 | 5S-0003 | 193 | | 655 | | 426 |
| 5P-8248 | 139 | | 203 | | 662 | 6I-1643 | 402 |
| | 142 | | 217 | | 669 | | 406 |
| | 230 | | 220 | 6D-5801 | 687 | | 410 |
| | 241 | | 221 | | 698 | | 414 |
| | 287 | | 403 | 6F-2172 | 218 | | 418 |
| | 304 | | 407 | 6F-6045 | 571 | | 420 |

6

PART NUMBER INDEX

| Part | Page | Part | Page | Part | Page | Part | Page |
|-------------------|------|-------------------|------|-------------------|------|-------------------|------|
| | 426 | | 322 | 6V-3250 | 239 | 6V-3630 | 369 |
| 6I-1644 | 402 | | 648 | | 242 | | 436 |
| | 406 | | 655 | | 287 | | 438 |
| | 410 | | 662 | | 289 | | 440 |
| | 414 | | 669 | | 291 | 6V-3668 | 385 |
| | 418 | 6L-4502 | ▶720 | | 293 | | 458 |
| | 420 | 6L-7028 | 575 | | 295 | | 461 |
| | 426 | | 586 | | 297 | | 464 |
| 6I-1645 | 414 | 6L-7817 | 287 | | 302 | 6V-3683 | 185 |
| | 418 | | 324 | | 314 | 6V-3823 | 458 |
| | 420 | 6L-9849 | 349 | | 320 | | 461 |
| 6I-1944 | 118 | 6M-5652 | 324 | | 322 | | 464 |
| 6I-1946 | ▶512 | 6N-1872 | 520 | | 327 | 6V-3830 | 555 |
| 6I-1947 | 512 | 6N-2184 | 598 | | 329 | | 557 |
| 6I-1948 | 512 | 6N-2185 | 598 | | 331 | | 559 |
| 6I-1949 | 512 | 6N-2188 | 598 | | 333 | | 561 |
| 6I-1950 | 511 | 6N-2190 | 598 | | 335 | | 563 |
| 6I-2075 | ▶108 | 6N-2191 | 598 | | 337 | 6V-3832 | 447 |
| 6I-2076 | 108 | 6N-2192 | 598 | | 357 | 6V-3833 | 35 |
| 6I-2313 | 167 | 6N-2193 | 598 | 6V-3265 | 591 | | 44 |
| | 169 | 6N-3792 | 176 | 6V-3349 | 185 | | 130 |
| 6I-2404 | 498 | | 177 | | 187 | | 193 |
| | 502 | 6N-8659 | 422 | 6V-3536 | 93 | | 203 |
| 6I-2405 | 498 | | 566 | 6V-3537 | 48 | 6V-3834 | 555 |
| | 502 | | 573 | | 49 | | 557 |
| 6I-2406 | 498 | | 579 | 6V-3538 | 2 | | 559 |
| | 502 | | 581 | | 4 | | 561 |
| 6I-2489 | 174 | | 584 | | 7 | | 563 |
| | 175 | 6N-9294 | ▶520 | | 9 | 6V-3835 | 225 |
| 6I-2491 | 174 | 6R-7943 | 524 | | 11 | 6V-3908 | 357 |
| | 175 | | 526 | | 13 | 6V-3916 | 618 |
| 6I-2520 | 486 | | 682 | | 50 | 6V-3935 | 618 |
| | 489 | 6V-0973 | 129 | | 51 | 6V-3937 | 618 |
| 6I-4545 | 31 | | 185 | | 52 | 6V-3938 | 618 |
| | 35 | 6V-1179 | 157 | | 54 | 6V-3939 | 618 |
| | 44 | | 158 | | 71 | 6V-3940 | 478 |
| 6I-4952 | 249 | | 160 | | 72 | | 481 |
| | 251 | | 162 | | 73 | | 484 |
| | 256 | | 163 | | 74 | | 486 |
| 6I-4953 | 247 | 6V-1392 | 524 | | 75 | | 489 |
| | 259 | | 526 | | 77 | | 491 |
| 6J-2244 | 157 | | 682 | | 78 | | 493 |
| | 158 | 6V-1394 | 618 | | 79 | | 618 |
| | 160 | 6V-1454 | 291 | | 82 | 6V-3955 | 52 |
| | 162 | | 293 | | 84 | | 54 |
| | 163 | | 295 | | 85 | | 127 |
| | 498 | | 297 | | 87 | | 130 |
| | 502 | | 314 | | 89 | | 131 |
| 6J-2245 | 207 | | 320 | | 90 | 6V-3959 | 618 |
| | 725 | | 322 | | 213 | 6V-3964 | 165 |
| 6J-7855 | 618 | | 327 | | 216 | | 166 |
| 6K-1972 | 573 | 6V-1585 | 287 | | 617 | 6V-3968 | 192 |
| | 579 | | 324 | | 620 | | 193 |
| | 584 | 6V-1903 | 324 | | 622 | | 203 |
| | 591 | 6V-1904 | 31 | | 623 | 6V-3971 | 618 |
| 6K-3457 | 594 | | 35 | | 625 | 6V-3980 | 185 |
| 6K-4934 | 207 | | 44 | | 628 | 6V-4245 | 632 |
| 6K-4935 | 207 | 6V-1943 | 370 | 6V-3539 | 52 | | 633 |
| 6K-4938 | 207 | | 373 | | 54 | 6V-4314 | 31 |
| 6K-4939 | 207 | | 377 | 6V-3602 | 43 | | 35 |
| 6K-6307 | 385 | 6V-2202 | 520 | | 50 | | 44 |
| 6K-8179 | 493 | 6V-2235 | 591 | | 176 | | 67 |
| 6K-9194 | 291 | 6V-2686 | 602 | | 177 | | 68 |
| | 293 | | 606 | 6V-3603 | 211 | | 69 |
| | 320 | 6V-2689 | 537 | | 214 | | 70 |

PART NUMBER INDEX

| Part | Page | Part | Page | Part | Page | Part | Page |
|-------------------|------|-------------------|------|-------------------|------|-------------------|------|
| | 76 | | 131 | | 331 | | 263 |
| | 80 | | 135 | | 333 | | 266 |
| | 81 | | 137 | | 335 | | 268 |
| 6V-4356 | 279 | | 139 | | 337 | | 270 |
| | 281 | | 174 | | 339 | | 273 |
| | 283 | | 175 | | 341 | | 286 |
| | 289 | | 193 | | 344 | | 289 |
| | 314 | | 203 | | 345 | | 310 |
| | 329 | | 211 | 6V-5065 | 289 | | 329 |
| | 331 | | 214 | | 324 | | 331 |
| | 333 | | 225 | | 329 | | 333 |
| | 335 | | 279 | | 331 | | 335 |
| | 337 | | 281 | | 333 | | 337 |
| 6V-4357 | 279 | | 283 | | 335 | | 347 |
| | 281 | | 351 | | 337 | 6V-5141 | 185 |
| | 283 | | 352 | 6V-5066 | 242 | | 187 |
| | 289 | | 353 | | 289 | 6V-5230 | 458 |
| | 314 | | 390 | | 291 | | 461 |
| | 329 | | 403 | | 293 | | 464 |
| | 331 | | 407 | | 295 | 6V-5504 | 300 |
| | 333 | | 410 | | 297 | | 308 |
| | 335 | | 414 | | 302 | | 314 |
| | 337 | | 418 | | 314 | | 317 |
| 6V-4368 | 157 | | 420 | | 320 | | 319 |
| | 158 | | 426 | | 322 | 6V-5605 | 108 |
| | 160 | | 470 | | 327 | | 109 |
| | 162 | | 473 | | 329 | 6V-5625 | 174 |
| | 163 | | 498 | | 331 | | 175 |
| 6V-4516 | 400 | | 502 | | 333 | 6V-6753 | 370 |
| | 424 | | 648 | | 335 | | 373 |
| | 430 | | 655 | | 337 | | 377 |
| 6V-4589 | 48 | | 662 | 6V-5095 | 403 | 6V-6758 | 207 |
| | 49 | | 669 | | 407 | | 398 |
| | 52 | 6V-5050 | 602 | | 410 | | 432 |
| | 54 | | 606 | | 418 | | 434 |
| | 207 | 6V-5051 | 357 | | 420 | 6V-6759 | 207 |
| | 209 | 6V-5052 | 110 | | 426 | | 398 |
| | 648 | 6V-5055 | 193 | 6V-5100 | 205 | | 432 |
| | 655 | | 203 | 6V-5101 | 193 | | 434 |
| | 662 | | 279 | | 203 | 6V-6809 | 289 |
| | 669 | | 281 | | 279 | | 291 |
| 6V-4605 | 440 | | 283 | | 281 | | 293 |
| 6V-5019 | 167 | 6V-5058 | 93 | | 283 | | 295 |
| | 169 | | 110 | 6V-5102 | 403 | | 297 |
| 6V-5041 | 402 | | 111 | | 407 | | 314 |
| | 406 | | 113 | | 410 | | 329 |
| | 410 | 6V-5059 | 171 | | 418 | | 331 |
| | 414 | 6V-5060 | 41 | | 420 | | 333 |
| | 418 | | 42 | | 426 | | 335 |
| | 420 | | 102 | 6V-5136 | 714 | | 337 |
| | 426 | | 104 | | 715 | 6V-6869 | 174 |
| 6V-5048 | 193 | | 135 | | 716 | | 175 |
| | 203 | | 137 | | 718 | 6V-6920 | 91 |
| | 648 | | 139 | 6V-5137 | 143 | 6V-6963 | 185 |
| | 655 | 6V-5061 | 57 | | 144 | 6V-7238 | 185 |
| | 662 | | 58 | | 145 | | 187 |
| | 669 | | 60 | 6V-5139 | 247 | | 515 |
| 6V-5049 | 31 | | 63 | | 249 | 6V-7607 | 174 |
| | 35 | | 66 | | 251 | | 175 |
| | 44 | 6V-5063 | 238 | | 252 | 6V-7701 | 342 |
| | 93 | | 239 | | 255 | | 343 |
| | 102 | | 278 | | 256 | 6V-7702 | 38 |
| | 104 | | 289 | | 257 | | 179 |
| | 127 | | 314 | | 259 | | 213 |
| | 130 | | 329 | | 261 | | 216 |

PART NUMBER INDEX

| Part | Page | Part | Page | Part | Page | Part | Page |
|-------------------|------|-------------------|------|-------------------|------|-------------------|------|
| 6V-7991 | 94 | | 199 | | 573 | | 81 |
| | 96 | 6V-9004 | 196 | | 579 | 7C-4429 | 598 |
| 6V-8001 | 502 | | 200 | | 581 | 7C-4910 | 684 |
| 6V-8002 | 474 | 6V-9007 | 196 | | 584 | | 687 |
| | 475 | | 200 | | 591 | | 698 |
| | 478 | 6V-9008 | 515 | 7C-0400 | ▶67 | 7C-5044 | 50 |
| | 481 | 6V-9182 | 196 | | ▶68 | 7C-5105 | 430 |
| | 484 | | 200 | | ▶69 | | 569 |
| | 486 | 6V-9331 | ▶276 | | ▶70 | | 571 |
| | 489 | 6V-9336 | 276 | 7C-0403 | ▶43 | | 575 |
| | 491 | | 310 | 7C-0412 | ▶15 | | 577 |
| | 493 | 6V-9607 | 209 | 7C-0417 | ▶174 | | 586 |
| | 638 | 6V-9608 | 127 | 7C-0418 | ▶133 | | 588 |
| | 640 | | 131 | | 174 | 7C-5273 | 143 |
| 6V-8185 | 536 | 6V-9746 | 196 | | 175 | | 144 |
| | 539 | | 200 | 7C-0419 | ▶167 | 7C-5616 | 217 |
| | 588 | | 223 | | 174 | | 221 |
| 6V-8187 | 520 | | 515 | 7C-0444 | ▶150 | 7C-6021 | 279 |
| | 522 | 6V-9832 | 195 | | ▶151 | | 281 |
| 6V-8188 | 387 | | 199 | 7C-0533 | ▶707 | | 283 |
| 6V-8190 | 6 | 6V-9854 | 515 | 7C-1124 | 185 | 7C-6329 | 111 |
| 6V-8237 | 25 | 6V-9872 | 648 | 7C-1128 | 185 | | 113 |
| | 26 | | 655 | 7C-1412 | 150 | 7C-6537 | ▶708 |
| 6V-8251 | 99 | | 662 | | 151 | 7C-6538 | 708 |
| | 100 | | 669 | | 152 | 7C-7347 | ▶135 |
| 6V-8252 | 571 | 6V-9873 | 196 | | 153 | | ▶137 |
| | 575 | | 200 | | 154 | | ▶139 |
| | 577 | 6W-7451 | 173 | 7C-1413 | 150 | 7C-7480 | 289 |
| | 586 | | 329 | | 151 | | 329 |
| | 588 | | 333 | | 152 | | 331 |
| 6V-8367 | 684 | | 337 | | 153 | | 333 |
| | 687 | | | | 154 | | 335 |
| | 698 | | | 7C-1897 | 130 | | 337 |
| 6V-8377 | 520 | | | | ▶610 | 7C-7481 | 247 |
| 6V-8382 | 684 | | | 7C-2115 | 93 | | 249 |
| | 687 | 7B-1597 | 291 | 7C-2121 | 93 | | 251 |
| | 698 | | 295 | 7C-2123 | 92 | | 252 |
| 6V-8398 | 195 | | 320 | | ▶93 | | 256 |
| | 199 | 7B-2742 | 709 | 7C-2176 | 312 | | 259 |
| 6V-8629 | 195 | 7B-7138 | 635 | 7C-2322 | 193 | | 261 |
| | 199 | 7B-8167 | 163 | | 203 | | 266 |
| 6V-8636 | 498 | 7B-8363 | 54 | 7C-2359 | 167 | | 268 |
| | 502 | | 147 | 7C-2885 | 124 | | 270 |
| 6V-8637 | 195 | 7B-9665 | 569 | | 126 | | 347 |
| | 199 | | 571 | 7C-2951 | 400 | 7C-7784 | 247 |
| 6V-8638 | 195 | | 577 | | 424 | | 249 |
| | 199 | | 586 | 7C-3347 | ▶226 | | 251 |
| 6V-8640 | 195 | | 588 | 7C-3348 | 381 | | 252 |
| | 199 | 7C-0109 | 357 | | 383 | | 255 |
| 6V-8647 | 648 | 7C-0370 | 422 | | 725 | | 256 |
| | 655 | | 566 | 7C-3945 | 185 | | 257 |
| | 662 | | 573 | | 187 | | 259 |
| | 669 | | 579 | 7C-4057 | 287 | | 261 |
| 6V-8675 | 373 | | 581 | 7C-4158 | 287 | | 263 |
| | 377 | | 584 | 7C-4298 | 57 | | 266 |
| | 458 | | 591 | | 58 | | 268 |
| | 461 | 7C-0371 | 422 | | 60 | | 270 |
| | 464 | | 566 | | 63 | | 273 |
| 6V-8721 | 196 | | 573 | | 66 | | 347 |
| | 199 | | 579 | 7C-4299 | 67 | 7C-7785 | ▶249 |
| 6V-8733 | 196 | | 581 | | 68 | | ▶251 |
| | 199 | | 584 | | 69 | 7C-7807 | 2 |
| 6V-8735 | 436 | | 591 | | 70 | 7C-7886 | 150 |
| | 440 | 7C-0372 | 422 | | 76 | | 151 |
| 6V-8784 | 196 | | 566 | | 80 | | 152 |

7

PART NUMBER INDEX

| Part | Page | Part | Page | Part | Page | Part | Page |
|-------------------|------|-------------------|------|-------------------|------|-------------------|------|
| | 153 | 7E-0769 | 31 | 7E-4365 | 342 | 7E-7158 | 7 |
| | 154 | | 35 | | 343 | | 9 |
| 7C-7950 | ▶134 | | 44 | 7E-4444 | 97 | | 11 |
| 7C-7976 | 48 | 7E-0860 | 684 | | 98 | | 13 |
| 7C-8431 | ▶176 | | 687 | | 99 | 7E-7159 | 7 |
| 7C-8454 | 402 | | 698 | | 100 | | 9 |
| | 406 | 7E-0930 | 185 | | 101 | | 11 |
| | 410 | 7E-0932 | 185 | | 180 | | 13 |
| | 414 | 7E-1036 | 174 | | 181 | 7E-7160 | 7 |
| | 418 | | 175 | | 182 | | 9 |
| | 420 | 7E-1292 | 42 | | 183 | | 11 |
| | 426 | 7E-1325 | ▶436 | | 184 | | 13 |
| 7C-8538 | ▶214 | 7E-1424 | 289 | 7E-4841 | 135 | 7E-7161 | 7 |
| | 216 | | 329 | 7E-5482 | 291 | | 9 |
| 7C-8539 | ▶216 | | 331 | | 293 | | 11 |
| 7C-8635 | 253 | | 333 | | 295 | | 13 |
| | 254 | | 335 | | 297 | 7E-7167 | 9 |
| | 255 | | 337 | 7E-5485 | 102 | | 11 |
| | 257 | 7E-1614 | 94 | | 104 | 7E-7191 | 111 |
| | 263 | 7E-1630 | 157 | | 135 | | 113 |
| | 265 | | 158 | | 137 | 7E-7196 | 111 |
| | 272 | | 160 | | 139 | | 113 |
| | 273 | | 162 | 7E-5489 | ▶94 | 7E-7202 | 167 |
| 7C-8899 | 214 | | 163 | | 95 | | 169 |
| 7C-8976 | 214 | | 402 | 7E-6211 | 357 | 7E-7209 | 291 |
| 7C-8978 | 214 | | 406 | 7E-6218 | 135 | | 293 |
| 7C-9333 | 231 | | 478 | | 137 | | 295 |
| 7C-9589 | 187 | | 481 | | 139 | | 297 |
| 7C-9590 | 187 | | 486 | | 141 | | 314 |
| 7C-9591 | ▶187 | 7E-1659 | 31 | | 142 | | 320 |
| 7C-9688 | 94 | | 35 | 7E-6219 | 135 | | 322 |
| | 96 | | 44 | | 137 | | 327 |
| 7C-9689 | 94 | | ▶178 | | 139 | 7E-7224 | 498 |
| | 96 | 7E-1660 | 178 | | 141 | 7E-7225 | 498 |
| 7D-1649 | 160 | 7E-1661 | 178 | | 142 | 7E-7226 | 498 |
| | 162 | 7E-1793 | ▶632 | 7E-6482 | 116 | 7E-7227 | 498 |
| | 163 | 7E-1794 | 632 | | 117 | 7E-7731 | 632 |
| 7D-6922 | 684 | | 633 | 7E-6483 | ▶116 | | 633 |
| | 687 | 7E-2382 | 357 | 7E-6553 | 402 | 7E-7852 | 720 |
| 7D-7233 | 205 | 7E-2874 | 498 | | 406 | 7E-8167 | 498 |
| | 594 | | 502 | | 420 | | 502 |
| 7D-9766 | 135 | 7E-2876 | 498 | 7E-7061 | 7 | 7E-8175 | 339 |
| | 137 | 7E-2877 | 498 | | 13 | | 341 |
| | 139 | 7E-2878 | 498 | 7E-7064 | 7 | | 344 |
| | 141 | 7E-2880 | 498 | | 9 | | 345 |
| | 142 | 7E-2882 | 498 | | 11 | 7E-8179 | ▶339 |
| 7E-0596 | 289 | 7E-2883 | 498 | | 13 | | ▶341 |
| | 329 | 7E-2886 | 498 | 7E-7066 | 211 | | 342 |
| | 331 | | 502 | | 214 | 7E-8181 | ▶342 |
| | 333 | 7E-2887 | 498 | 7E-7074 | 167 | | ▶343 |
| | 335 | | 502 | 7E-7093 | 458 | 7E-8215 | 150 |
| | 337 | 7E-3150 | ▶278 | | 461 | | 151 |
| 7E-0701 | 369 | 7E-3162 | 349 | | 464 | | 152 |
| | 370 | 7E-3173 | 339 | 7E-7153 | 7 | | 153 |
| | 373 | | 341 | | 9 | | 154 |
| | 377 | | 344 | | 11 | 7E-8253 | 491 |
| 7E-0728 | 33 | | 345 | | 13 | | 493 |
| 7E-0729 | 127 | 7E-3175 | 339 | 7E-7154 | 7 | 7E-9452 | 591 |
| | 131 | 7E-3200 | 289 | | 9 | 7E-9610 | ▶171 |
| 7E-0733 | 43 | 7E-4353 | 339 | | 11 | 7E-9638 | 111 |
| 7E-0734 | 176 | 7E-4354 | 339 | | 13 | | 113 |
| | 177 | 7E-4356 | 339 | 7E-7155 | 7 | 7E-9688 | 458 |
| 7E-0768 | 31 | | 341 | | 9 | | 461 |
| | 35 | | 344 | | 11 | | 464 |
| | 44 | | 345 | | 13 | 7E-9689 | 458 |

PART NUMBER INDEX

| Part | Page | Part | Page | Part | Page | Part | Page |
|-------------------|------|-------------------|------|-------------------|------|-------------------|------|
| | 461 | 7L-6443 | 369 | 7N-7796 | 520 | | 21 |
| | 464 | | 370 | 7N-7798 | 520 | 7W-1632 | 46 |
| 7E-9690 | 458 | | 373 | 7N-7800 | 520 | | 47 |
| | 461 | | 377 | 7N-7801 | 520 | | 48 |
| | 464 | | 436 | 7N-7802 | 520 | | 49 |
| 7E-9692 | 111 | | 438 | 7N-7804 | 520 | 7W-1649 | 618 |
| | 113 | | 440 | 7N-7805 | 520 | 7W-1650 | 618 |
| 7E-9699 | 458 | 7L-6580 | 287 | 7N-7806 | 520 | 7W-1771 | 144 |
| | 461 | | 324 | 7N-7807 | 520 | | 145 |
| | 464 | 7L-6748 | 400 | 7N-7808 | 520 | 7W-1831 | 400 |
| 7F-3425 | 239 | | 424 | 7N-7809 | 520 | | 424 |
| | 289 | 7L-8255 | 314 | 7N-7810 | 520 | 7W-1934 | 149 |
| | 314 | 7L-8256 | 304 | 7N-7811 | 520 | 7W-2018 | 291 |
| | 329 | | 306 | 7N-9021 | 520 | | 293 |
| | 331 | 7L-9061 | 167 | 7N-9023 | 520 | | 295 |
| | 333 | | 169 | 7N-9024 | 520 | | 297 |
| | 335 | 7M-3882 | 591 | 7N-9044 | 193 | | 320 |
| | 337 | 7M-6101 | 440 | | 203 | | 322 |
| 7F-4283 | 143 | 7M-7875 | 25 | | 279 | | 327 |
| | 144 | | 26 | | 281 | 7W-2026 | 291 |
| | 145 | 7M-8485 | 163 | | 283 | | 293 |
| | 146 | | 196 | 7N-9738 | 610 | | 295 |
| 7F-8671 | 618 | | 200 | 7R-3029 | 676 | | 297 |
| 7G-1239 | 507 | | 221 | | 678 | 7W-2028 | 320 |
| | 601 | | 515 | | 680 | | 322 |
| | 605 | 7M-9544 | 400 | | 684 | | 327 |
| 7H-1447 | 517 | | 424 | | 687 | 7W-2029 | 238 |
| 7H-3171 | 211 | 7N-1903 | 167 | | 698 | | 239 |
| | 214 | | 169 | 7S-8420 | 291 | 7W-2152 | 289 |
| 7H-3937 | 601 | 7N-1904 | 167 | | 293 | | 329 |
| | 605 | | 169 | | 295 | | 331 |
| | | | 169 | | 297 | | 333 |
| 7J-0728 | 221 | 7N-2043 | 94 | | 297 | | 333 |
| 7J-0729 | 221 | | 129 | 7T-1099 | 524 | | 335 |
| 7J-4026 | 648 | | 163 | | 526 | | 337 |
| | 655 | 7N-2328 | 52 | | 682 | 7W-2401 | 211 |
| | 545 | | 54 | 7T-4577 | 537 | 7W-2455 | 211 |
| | 647 | | 147 | 7V-0916 | 422 | 7W-2457 | 283 |
| | 654 | 7N-2597 | 135 | | 566 | 7W-2459 | 185 |
| | 680 | | 137 | 7W-0014 | ▶617 | | 187 |
| 7K-3215 | 287 | | 139 | 7W-0016 | 617 | | 279 |
| | 324 | | 141 | | ▶618 | | 281 |
| | 422 | | 142 | 7W-0193 | 4 | | 283 |
| 7K-6462 | 566 | 7N-5352 | 357 | 7W-0194 | 4 | 7W-2467 | 185 |
| | 573 | 7N-5683 | 211 | 7W-0195 | 2 | 7W-2689 | 39 |
| | 579 | | 214 | | 4 | 7W-2690 | 39 |
| | 581 | 7N-7009 | 228 | 7W-0196 | 2 | 7W-2750 | 185 |
| | 584 | | 229 | | 4 | 7W-2819 | 400 |
| 7K-6699 | 287 | | 233 | 7W-0338 | 464 | | 424 |
| 7K-9197 | 400 | | 235 | 7W-0341 | 383 | 7W-2970 | 185 |
| | 422 | | 236 | 7W-0515 | 597 | | 283 |
| | 424 | | 246 | 7W-0522 | 400 | 7W-3269 | 228 |
| | 430 | | 249 | | 424 | | 231 |
| | 566 | | 255 | | 430 | | 233 |
| | 573 | | 256 | | ▶596 | | 291 |
| | 579 | | 261 | | ▶597 | | 293 |
| | 581 | | 304 | 7W-0524 | 597 | | 295 |
| | 584 | 7N-7221 | 546 | 7W-0537 | 597 | | 297 |
| | 591 | 7N-7688 | 287 | 7W-0539 | 597 | | 300 |
| | 638 | | 291 | 7W-0592 | 15 | | 304 |
| | 640 | | 293 | | 18 | | 306 |
| | 643 | | 320 | | 21 | | 308 |
| | 648 | | 322 | 7W-0805 | 33 | | 314 |
| | 655 | 7N-7779 | 610 | | 359 | | 317 |
| | 662 | 7N-7780 | 610 | 7W-0855 | 15 | | 319 |
| | 669 | 7N-7795 | 520 | | 18 | | 320 |

PART NUMBER INDEX

| Part | Page | Part | Page | Part | Page | Part | Page |
|-------------------|------|-------------------|------|-------------------|------|-------------------|------|
| | 322 | | 259 | | 297 | | 329 |
| | 327 | | 261 | | 320 | | 331 |
| 7W-3270 | 289 | | 263 | | 322 | | 333 |
| | 329 | | 265 | | 327 | | 335 |
| | 331 | | 266 | 7W-5528 | 357 | | 337 |
| | 333 | | 268 | 7W-5718 | 167 | 7W-6851 | 289 |
| | 335 | | 270 | 7W-5720 | 167 | | 314 |
| | 337 | | 272 | | 169 | | 329 |
| 7W-3271 | 300 | | 273 | 7W-5722 | 174 | | 331 |
| | 308 | | 347 | | 175 | | 333 |
| | 317 | 7W-4116 | 247 | 7W-5725 | 167 | | 335 |
| | 319 | | 249 | | 169 | | 337 |
| 7W-3272 | 310 | | 251 | 7W-5770 | 714 | 7W-6885 | 35 |
| 7W-3275 | 289 | | 252 | | 715 | | 44 |
| | 329 | | 253 | | 716 | 7W-6945 | 291 |
| | 331 | | 254 | | 718 | | 293 |
| | 333 | | 255 | 7W-5771 | 714 | | 295 |
| | 335 | | 256 | | 715 | | 297 |
| | 337 | | 257 | 7W-5841 | 289 | 7W-6946 | 291 |
| 7W-3688 | 247 | | 259 | | 329 | | 293 |
| | 249 | | 261 | | 331 | | 320 |
| | 251 | | 263 | | 333 | | 322 |
| | 252 | | 265 | | 335 | 7W-6947 | 289 |
| | 253 | | 266 | | 337 | | 329 |
| | 254 | | 268 | 7W-5842 | 289 | | 331 |
| | 255 | | 270 | | 329 | | 333 |
| | 256 | | 272 | | 331 | | 335 |
| | 257 | | 273 | | 333 | | 337 |
| | 259 | | 347 | | 335 | 7W-6948 | 239 |
| | 261 | 7W-4154 | 618 | | 337 | 7W-6949 | 291 |
| | 263 | 7W-4261 | 287 | 7W-5845 | 291 | | 293 |
| | 265 | | 324 | | 293 | | 295 |
| | 266 | 7W-4262 | 287 | | 320 | | 297 |
| | 268 | | 324 | | 322 | | 320 |
| | 270 | 7W-4916 | ▶352 | 7W-5846 | 239 | | 322 |
| | 272 | | ▶353 | 7W-5857 | 458 | | 327 |
| | 273 | 7W-5033 | 111 | | 461 | 7W-6950 | 291 |
| | 347 | | 113 | 7W-5890 | 720 | | 293 |
| 7W-3709 | 228 | 7W-5034 | 111 | 7W-5898 | 714 | | 295 |
| | 233 | | 113 | | 715 | | 297 |
| | 236 | 7W-5042 | 446 | | 716 | | 320 |
| | 304 | 7W-5043 | 446 | | 718 | | 322 |
| | 306 | 7W-5214 | ▶39 | 7W-6092 | 300 | | 327 |
| | 310 | 7W-5273 | 287 | | 308 | 7W-6963 | 291 |
| 7W-3881 | 279 | 7W-5278 | 287 | | 317 | | 295 |
| | 281 | 7W-5280 | 207 | | 319 | | 320 |
| | 283 | 7W-5282 | 207 | 7W-6093 | 239 | 7W-6964 | 291 |
| 7W-3882 | 193 | 7W-5415 | 381 | 7W-6333 | 357 | | 293 |
| | 203 | 7W-5487 | 291 | | 601 | | 320 |
| | 279 | | 293 | | 605 | | 322 |
| | 281 | | 295 | 7W-6340 | 402 | 7W-6998 | 300 |
| | 283 | | 297 | | 406 | | 317 |
| 7W-3883 | 279 | | 320 | | 410 | | 319 |
| 7W-3884 | 279 | | 322 | | 414 | 7W-7096 | 120 |
| 7W-3933 | 287 | | 327 | | 418 | | 121 |
| | 324 | 7W-5526 | 291 | | 420 | 7W-7625 | 418 |
| 7W-4111 | 247 | | 293 | | 426 | | 420 |
| | 249 | | 295 | 7W-6492 | 349 | 7W-7629 | 418 |
| | 251 | | 297 | 7W-6582 | ▶120 | | 420 |
| | 252 | | 320 | 7W-6600 | 281 | 7W-7687 | 111 |
| | 253 | | 322 | | 283 | | 113 |
| | 254 | | 327 | 7W-6601 | 281 | 7W-7825 | 225 |
| | 255 | 7W-5527 | 291 | | 283 | 7W-7833 | 193 |
| | 256 | | 293 | 7W-6849 | 289 | | 203 |
| | 257 | | 295 | | 314 | 7W-7990 | ▶701 |

PART NUMBER INDEX

| Part | Page | Part | Page | Part | Page | Part | Page |
|-------------------|------|-------------------|------|-------------------|------|-------------------|------|
| 7W-8462 | 286 | | 489 | | 406 | | 175 |
| 7W-8463 | 247 | 7X-4789 | 185 | | 410 | 8D-8734 | 304 |
| | 249 | 7X-6315 | 531 | | 414 | | 306 |
| | 251 | | 533 | | 418 | 8D-9512 | 27 |
| | 252 | | 540 | | 420 | | 28 |
| | 255 | | | | 426 | 8D-9671 | 400 |
| | 256 | | | | 478 | | 424 |
| | 257 | 8 | | | 481 | 8F-1434 | 520 |
| | 259 | | | | 484 | | 522 |
| | 261 | 8B-2026 | 357 | | 486 | | 537 |
| | 263 | | 359 | | 489 | 8F-5093 | 124 |
| | 266 | 8B-3308 | 400 | | 491 | | 125 |
| | 268 | | 424 | | 493 | | 126 |
| | 270 | 8B-7624 | 618 | 8C-7321 | 370 | 8F-6302 | 403 |
| | 273 | 8B-7997 | 414 | | 373 | | 407 |
| | 286 | 8B-8817 | 430 | | 377 | | 478 |
| | 310 | 8B-9579 | 594 | | 402 | | 481 |
| | 347 | 8B-9725 | 434 | | 406 | | 486 |
| 7W-8464 | 247 | 8C-0569 | 195 | | 410 | 8F-7800 | 703 |
| | 249 | | 199 | | 414 | | 704 |
| | 251 | 8C-0604 | 385 | | 418 | 8F-9836 | 706 |
| | 252 | 8C-0624 | 163 | | 420 | 8H-3390 | 370 |
| | 255 | 8C-3103 | 127 | | 426 | | 373 |
| | 256 | | 131 | | 478 | | 377 |
| | 257 | 8C-3991 | 97 | | 481 | | 402 |
| | 259 | | 98 | | 484 | | 406 |
| | 261 | | 99 | | 486 | | 410 |
| | 263 | | 100 | | 489 | | 414 |
| | 266 | | 101 | | 491 | | 418 |
| | 268 | 8C-5053 | 195 | | 493 | | 420 |
| | 270 | | 199 | 8C-7507 | 537 | | 426 |
| | 273 | 8C-5230 | 67 | 8C-8491 | 369 | | 478 |
| | 286 | | 68 | | 370 | | 481 |
| | 347 | | 69 | | 373 | | 484 |
| 7W-8465 | 310 | | 70 | | 377 | | 486 |
| 7W-8486 | 144 | | 76 | | 436 | | 489 |
| 7W-8487 | 143 | | 80 | | 438 | | 491 |
| | 144 | | 81 | | 440 | | 493 |
| 7W-8575 | 174 | 8C-5607 | 402 | 8C-8560 | 676 | 8J-4351 | 167 |
| | 175 | | 406 | | 678 | | 169 |
| 7W-8580 | 133 | | 478 | | 680 | 8K-2090 | 157 |
| 7W-8895 | 43 | | 481 | | 684 | | 158 |
| | 176 | | 486 | | 687 | 8L-2779 | 498 |
| | 177 | 8C-5608 | 402 | | 698 | | 502 |
| 7W-9115 | 373 | | 406 | 8C-8581 | 381 | | 536 |
| | 377 | | 478 | | 383 | | 648 |
| 7W-9135 | 124 | | 481 | | 458 | | 655 |
| | 125 | | 486 | | 461 | | 662 |
| | 126 | | 565 | | 464 | | 669 |
| 7W-9152 | 176 | 8C-6354 | 545 | 8C-8589 | 370 | 8L-2786 | 52 |
| | 177 | 8C-6867 | 223 | 8C-8763 | 369 | | 54 |
| 7W-9191 | 373 | 8C-6868 | 498 | | 436 | | 130 |
| | 377 | | 502 | | 438 | | 185 |
| 7W-9423 | 225 | 8C-6874 | 223 | | 440 | | 187 |
| 7W-9424 | 193 | 8C-6875 | 515 | 8C-9023 | 67 | | 238 |
| | 203 | 8C-6971 | 370 | | 68 | | 357 |
| 7W-9425 | 225 | | 478 | | 69 | | 359 |
| 7W-9813 | 308 | | 481 | | 70 | | 515 |
| 7X-0267 | 588 | | 484 | | 76 | | 648 |
| 7X-0405 | 6 | | 486 | | 80 | | 655 |
| 7X-1678 | 637 | | 489 | | 81 | | 662 |
| 7X-2501 | 507 | | 491 | 8D-0648 | 160 | | 669 |
| 7X-3153 | 92 | 8C-7315 | 373 | | 162 | 8L-3441 | 174 |
| 7X-3353 | 520 | | 377 | | 163 | | 175 |
| 7X-3374 | 486 | | 402 | 8D-7941 | 174 | 8L-3471 | ▶277 |

PART NUMBER INDEX

| Part | Page | Part | Page | Part | Page | Part | Page |
|-------------------|------|-------------------|------|-------------------|------|-------------------|------|
| 8L-5423 | 306 | | 333 | 8T-0273 | 388 | | 546 |
| 8L-6005 | 422 | | 335 | 8T-0315 | 385 | | 611 |
| | 566 | | 337 | 8T-0326 | 640 | 8T-6451 | 196 |
| | 573 | 8N-3640 | 289 | | 643 | | 200 |
| | 579 | | 314 | 8T-0328 | 520 | 8T-6757 | 133 |
| | 581 | | 329 | | 522 | 8T-6758 | 289 |
| | 584 | | 331 | 8T-0639 | 542 | | 314 |
| | 591 | | 333 | | 698 | | 329 |
| 8L-8413 | 414 | | 335 | 8T-0788 | 649 | | 331 |
| | 565 | | 337 | | 655 | | 333 |
| | 601 | 8N-6984 | 261 | | 662 | | 335 |
| | 680 | 8N-8447 | 616 | | 669 | | 337 |
| | 684 | 8N-8451 | 569 | 8T-1158 | 458 | | 422 |
| | 687 | | 571 | | 461 | | 566 |
| | 696 | | 575 | | 464 | | 581 |
| | 698 | | 586 | 8T-1159 | 381 | | 584 |
| 8M-0755 | 435 | 8N-8452 | 616 | | 383 | | 591 |
| 8M-2295 | 370 | 8N-8471 | 422 | 8T-1160 | 381 | 8T-6759 | 57 |
| | 373 | | 566 | | 383 | | 58 |
| | 377 | | 573 | 8T-1586 | 310 | | 60 |
| 8M-2337 | 403 | | 579 | 8T-1885 | 191 | | 63 |
| | 407 | | 581 | | 196 | | 66 |
| | 478 | | 584 | 8T-1886 | 191 | | 133 |
| | 481 | 8N-8488 | 616 | | 196 | 8T-6760 | 98 |
| | 486 | 8N-9071 | 287 | 8T-1919 | 239 | | 180 |
| 8M-4446 | 143 | | 291 | | 291 | | 181 |
| | 144 | | 293 | | 293 | | 182 |
| | 145 | | 320 | | 320 | | 183 |
| | 146 | | 322 | | 322 | | 184 |
| | 714 | 8N-9072 | 287 | 8T-2275 | 517 | | 312 |
| | 715 | | 291 | 8T-2353 | 649 | | 314 |
| | 716 | | 293 | | 655 | | 575 |
| | 718 | | 320 | | 663 | 8T-6761 | 304 |
| 8M-7145 | 638 | | 322 | | 669 | | 306 |
| | 640 | 8P-4955 | 573 | 8T-2602 | 324 | 8T-6762 | 230 |
| 8M-9024 | 217 | 8S-2332 | 617 | 8T-2603 | 324 | | 233 |
| | 220 | | 620 | 8T-2903 | 291 | | 235 |
| | 221 | | 622 | | 293 | | 255 |
| | 287 | | 623 | | 295 | | 256 |
| | 300 | | 625 | | 297 | | 257 |
| | 324 | | 628 | 8T-2967 | 310 | | 259 |
| | 370 | 8S-4714 | 37 | 8T-3282 | 447 | | 263 |
| | 373 | 8S-4757 | 54 | 8T-3285 | 647 | | 266 |
| | 377 | | 147 | | 654 | | 268 |
| | 403 | 8S-5107 | 616 | | 661 | | 270 |
| | 407 | 8S-5383 | 135 | | 668 | | 273 |
| | 411 | | 137 | 8T-3850 | 714 | | 279 |
| | 414 | | 141 | | 715 | | 281 |
| | 418 | 8S-8158 | 561 | | 716 | | 283 |
| | 420 | | 563 | | 718 | | 287 |
| | 426 | 8S-9089 | 192 | 8T-3993 | 537 | | 289 |
| | 478 | | 238 | 8T-4205 | 507 | | 291 |
| | 481 | | 239 | | 520 | | 293 |
| | 484 | 8S-9191 | 238 | | 522 | | 295 |
| | 486 | | 239 | 8T-4896 | 388 | | 297 |
| | 489 | | 279 | 8T-4984 | 35 | | 300 |
| | 491 | | 281 | | 44 | | 304 |
| | 493 | | 283 | 8T-5361 | 6 | | 306 |
| 8N-0394 | 287 | 8T-0075 | 498 | 8T-5389 | 515 | | 308 |
| | 324 | | 502 | 8T-5447 | 524 | | 310 |
| 8N-0453 | 185 | 8T-0098 | 33 | | 526 | | 312 |
| 8N-3639 | 289 | 8T-0105 | 446 | | 682 | | 314 |
| | 314 | 8T-0267 | 381 | 8T-5912 | 588 | | 317 |
| | 329 | | 383 | 8T-6342 | 537 | | 319 |
| | 331 | 8T-0271 | 388 | | 544 | | 320 |

PART NUMBER INDEX

| Part | Page | Part | Page | Part | Page | Part | Page |
|-------------------|------|-------------------|------|-------------------|------|-------------------|------|
| | 322 | | 680 | | 602 | 9S-4182 | 57 |
| | 324 | 8Y-4023 | 27 | | 606 | | 58 |
| | 327 | | 28 | | 635 | | 60 |
| | 329 | | | | 638 | | 63 |
| | 331 | | | | 640 | | 66 |
| | 333 | 9 | | | 643 | | 231 |
| | 335 | | | 9M-0387 | 94 | 9S-4183 | 238 |
| | 337 | 9B-4202 | 278 | 9M-1974 | 2 | | 239 |
| | 347 | 9B-7233 | 520 | | 193 | | 289 |
| | 400 | 9C-5344 | 195 | | 203 | | 314 |
| | 424 | | 199 | | 209 | | 329 |
| | 616 | | 312 | | 220 | | 331 |
| 8T-6764 | 165 | | 515 | | 359 | | 333 |
| | 166 | 9D-4439 | 124 | | 478 | | 335 |
| 8T-6765 | 231 | | 125 | | 481 | | 337 |
| | 300 | | 126 | | 484 | 9S-4185 | 130 |
| | 308 | 9D-5421 | 544 | | 486 | | 196 |
| | 317 | | 546 | | 489 | | 200 |
| | 319 | | 684 | | 491 | | 238 |
| | 349 | | 687 | | 493 | | 357 |
| 8T-6766 | 357 | 9D-9658 | 635 | | 555 | | 359 |
| 8T-6767 | 422 | | 643 | | 557 | 9S-4190 | 354 |
| | 566 | 9F-2247 | 94 | | 559 | 9S-4191 | 2 |
| | 573 | | 167 | | 561 | | 31 |
| | 579 | | 169 | | 563 | | 35 |
| | 581 | 9F-6445 | 601 | | 602 | | 44 |
| | 584 | | 605 | | 606 | | 102 |
| | 591 | 9F-9747 | 575 | | 649 | | 104 |
| 8T-6876 | 196 | 9G-1520 | 714 | | 655 | | 135 |
| | 200 | | 715 | | 663 | | 137 |
| 8T-7926 | 385 | | 716 | | 669 | | 139 |
| 8T-8729 | 611 | | 718 | 9M-4584 | 207 | | 193 |
| 8T-8730 | 647 | 9G-3695 | 647 | | 209 | | 196 |
| | 654 | | 654 | 9M-5590 | 157 | | 200 |
| | 661 | | 661 | | 158 | | 203 |
| | 668 | | 668 | | 160 | | 225 |
| 8T-8731 | 631 | 9G-9150 | 129 | | 162 | | 239 |
| | 647 | 9H-2367 | 205 | | 163 | | 242 |
| | 648 | 9H-6454 | 517 | | 287 | | 279 |
| | 654 | 9L-0672 | 205 | | 291 | | 281 |
| | 656 | 9L-2137 | 520 | | 293 | | 283 |
| | 661 | 9L-2139 | 520 | | 320 | | 287 |
| | 668 | 9L-2140 | 520 | | 322 | | 289 |
| 8T-8732 | 613 | 9L-6531 | 720 | 9M-6522 | 399 | | 291 |
| | 647 | 9L-6770 | 520 | | 400 | | 293 |
| | 654 | | 522 | | 424 | | 295 |
| | 661 | 9L-7712 | 493 | 9M-8729 | 400 | | 297 |
| | 668 | 9L-9132 | 116 | | 424 | | 302 |
| 8T-8735 | 545 | | 117 | | 430 | | 314 |
| 8T-8737 | 542 | | 279 | 9N-1756 | 536 | | 320 |
| | 545 | | 281 | 9R-1004 | 209 | | 322 |
| | 546 | | 283 | 9R-1005 | 209 | | 327 |
| | 613 | | 289 | 9S-0176 | 207 | | 329 |
| | 631 | | 314 | | 209 | | 331 |
| 8T-8883 | 43 | | 329 | 9S-1302 | 2 | | 333 |
| | 176 | | 331 | 9S-1328 | 4 | | 335 |
| | 177 | | 333 | 9S-1363 | 707 | | 337 |
| 8T-8908 | 507 | | 335 | | 708 | | 351 |
| 8T-9047 | 50 | | 337 | 9S-1364 | 213 | | 352 |
| 8T-9605 | 648 | | 502 | | 216 | | 353 |
| | 655 | | 569 | 9S-1366 | 711 | | 357 |
| | 662 | | 571 | 9S-2302 | 522 | | 390 |
| | 669 | | 575 | 9S-2390 | 522 | | 403 |
| 8T-9655 | 676 | | 577 | 9S-2437 | 520 | | 407 |
| | 678 | | 586 | 9S-2544 | 520 | | 411 |

PART NUMBER INDEX

| Part | Page | Part | Page | Part | Page | Part | Page |
|-------------------|------|-------------------|------|-------------------|------|-------------------|------|
| | 414 | | 678 | | 403 | | 181 |
| | 418 | | 680 | | 407 | 9X-2503 | 221 |
| | 420 | | 687 | | 411 | 9X-2604 | 278 |
| | 427 | | 690 | | 415 | 9X-2646 | 300 |
| | 474 | | 698 | | 418 | | 308 |
| | 475 | 9S-8752 | 35 | | 420 | | 317 |
| | 498 | | 44 | | 424 | | 502 |
| | 502 | | 100 | | 427 | 9X-2647 | 300 |
| | 649 | | 118 | | 430 | | 308 |
| | 656 | | 124 | | 432 | | 317 |
| 9S-6130 | 289 | | 125 | | 478 | | 502 |
| | 329 | | 126 | | 481 | 9X-3402 | 545 |
| | 331 | | 131 | | 484 | 9X-3406 | 636 |
| | 333 | | 149 | | 486 | | 642 |
| | 335 | | 185 | | 489 | | 645 |
| | 337 | | 196 | | 491 | 9X-3495 | 601 |
| 9S-8002 | 57 | | 200 | | 493 | | 605 |
| | 58 | | 205 | | 502 | | 647 |
| | 60 | | 221 | | 515 | | 654 |
| | 63 | | 223 | | 517 | | 661 |
| | 66 | | 228 | | 569 | | 668 |
| 9S-8004 | 93 | | 233 | | 571 | 9X-3978 | 167 |
| | 127 | | 236 | | 575 | | 169 |
| | 130 | | 241 | | 577 | 9X-4187 | 544 |
| | 131 | | 244 | | 586 | | 546 |
| | 211 | | 247 | | 588 | 9X-4813 | 555 |
| | 214 | | 249 | | 591 | | 557 |
| | 470 | | 251 | | 602 | | 559 |
| | 473 | | 252 | | 606 | | 561 |
| 9S-8005 | 52 | | 255 | | 632 | | 563 |
| | 54 | | 256 | | 638 | 9X-4814 | 555 |
| | 130 | | 257 | | 640 | | 557 |
| | 359 | | 259 | | 643 | | 559 |
| 9S-8006 | 52 | | 261 | | 649 | | 561 |
| | 54 | | 263 | | 656 | | 563 |
| 9S-8007 | 127 | | 266 | | 663 | 9X-6003 | 134 |
| | 131 | | 268 | | 670 | 9X-6165 | 565 |
| | 211 | | 270 | | 675 | 9X-6258 | 676 |
| | 214 | | 273 | | 690 | | 678 |
| | 339 | | 279 | | 710 | | 680 |
| | 341 | | 281 | | 712 | 9X-6260 | 94 |
| | 344 | | 283 | 9S-8893 | 91 | 9X-6380 | 7 |
| | 345 | | 291 | 9S-9334 | 156 | | 9 |
| 9S-8008 | 339 | | 293 | | 163 | | 11 |
| | 341 | | 295 | | 192 | | 13 |
| | 344 | | 297 | 9S-9979 | 178 | 9X-6621 | 157 |
| | 345 | | 300 | 9T-4017 | 530 | | 158 |
| 9S-8009 | 324 | | 302 | 9U-3300 | 402 | 9X-6772 | 139 |
| 9S-8748 | 2 | | 304 | | 406 | | 493 |
| | 4 | | 306 | | 478 | | 507 |
| 9S-8750 | 207 | | 308 | | 481 | | 545 |
| | 223 | | 310 | | 486 | | 546 |
| | 422 | | 312 | 9W-1951 | 545 | | 555 |
| | 530 | | 314 | 9W-7783 | 96 | | 557 |
| | 566 | | 317 | 9X-0379 | 720 | | 559 |
| | 573 | | 320 | 9X-1386 | 610 | | 561 |
| | 579 | | 322 | 9X-1813 | 631 | | 563 |
| | 581 | | 327 | | 647 | | 565 |
| | 584 | | 347 | | 648 | | 601 |
| | 591 | | 361 | | 654 | | 605 |
| | 638 | | 370 | | 656 | | 647 |
| | 649 | | 373 | | 661 | | 654 |
| | 656 | | 377 | | 662 | | 661 |
| | 675 | | 385 | | 668 | | 668 |
| | 676 | | 400 | 9X-2360 | 180 | 9X-7206 | 400 |

PART NUMBER INDEX

| Part | Page | Part | Page | Part | Page | Part | Page |
|-------------------|------|-------------------|------|--------------------|------|--------------------|------|
| | 566 | | 491 | | 561 | 004-7270 | 221 |
| | 573 | | 493 | | 563 | 004-7626 | 432 |
| 9X-7258 | 94 | | 514 | 9Y-6874 | 31 | 005-5421 | 422 |
| 9X-7535 | 575 | 9X-8888 | 241 | | 35 | | 566 |
| | 586 | 9X-8917 | 636 | | 44 | | 573 |
| 9X-7536 | 277 | | 644 | 9Y-6992 | 635 | | 579 |
| 9X-7540 | 275 | 9X-9614 | 676 | | ▶636 | | 581 |
| | 312 | | 678 | 9Y-6993 | 632 | | 584 |
| 9X-7688 | 555 | | 684 | | 633 | | 591 |
| | 557 | 9X-9616 | 676 | | 636 | 005-8615 | 385 |
| | 559 | | 678 | | 642 | 009-4440 | 594 |
| | 561 | | 684 | | 644 | 030-3284 | 581 |
| | 563 | 9X-9675 | 676 | | 645 | | 584 |
| 9X-8256 | 542 | | 678 | 9Y-8220 | 35 | 030-7935 | 205 |
| | 698 | | 680 | | 44 | 030-7946 | 193 |
| 9X-8275 | 458 | | 684 | | ▶397 | | 203 |
| | 461 | | 687 | 9Y-8829 | 35 | | 422 |
| | 464 | | 698 | | 44 | | 566 |
| 9X-8873 | 207 | 9X-9896 | 565 | | ▶360 | | 573 |
| | 221 | 9Y-0205 | ▶725 | 9Y-8830 | 360 | | 579 |
| | 355 | 9Y-0539 | 4 | 9Y-8869 | 397 | | 581 |
| | 393 | 9Y-0589 | 122 | 9Y-9333 | 124 | | 584 |
| | 394 | | 123 | | 125 | | 591 |
| | 395 | 9Y-0778 | 458 | | 126 | 030-7947 | 291 |
| | 396 | | 464 | 9Y-9480 | 675 | | 293 |
| | 422 | 9Y-1373 | 239 | | 690 | | 295 |
| | 445 | | 291 | 9Y-9481 | 675 | | 297 |
| | 447 | | 293 | | 690 | | 320 |
| | 475 | | 320 | 9Y-9842 | 279 | | 322 |
| | 478 | | 322 | | 281 | | 327 |
| | 481 | 9Y-1528 | ▶349 | | 283 | 030-7951 | 205 |
| | 484 | 9Y-1539 | 111 | 9Y-9924 | 31 | 030-7960 | 205 |
| | 566 | | 113 | | 35 | 030-7961 | 400 |
| | 573 | 9Y-1614 | ▶121 | | 44 | | 422 |
| | 579 | 9Y-1615 | 121 | 9Y-9926 | ▶191 | | 566 |
| | 581 | | 122 | 9Y-9996 | 35 | | 573 |
| | 584 | 9Y-1850 | 119 | | 44 | | 579 |
| | 591 | 9Y-1851 | ▶115 | | | | 581 |
| 9X-8874 | 207 | 9Y-1854 | 120 | | | 030-7964 | 399 |
| | 398 | | 123 | | | 030-8188 | 648 |
| | 432 | 9Y-2750 | 93 | | | | 655 |
| | 447 | 9Y-2997 | 93 | 001-6449 | 400 | | 662 |
| 9X-8875 | 616 | 9Y-3297 | 217 | | 422 | | 669 |
| 9X-8880 | 135 | 9Y-3299 | 205 | | 424 | 030-8538 | 390 |
| | 137 | 9Y-3300 | ▶205 | | 430 | 030-8838 | 684 |
| | 139 | 9Y-3303 | ▶192 | | 566 | 030-9612 | 520 |
| | 141 | 9Y-3305 | 192 | | 573 | 031-5085 | 402 |
| | 142 | 9Y-3306 | 192 | | 579 | | 406 |
| 9X-8882 | 300 | 9Y-3307 | 192 | | 581 | | 410 |
| | 302 | 9Y-3308 | 149 | | 584 | | 414 |
| | 308 | 9Y-4252 | ▶4 | | 591 | | 418 |
| | 314 | 9Y-4254 | 4 | | 638 | | 420 |
| | 317 | 9Y-4709 | 2 | | 640 | | 426 |
| 9X-8883 | 474 | 9Y-4732 | 279 | 001-7004 | 385 | 031-5744 | 205 |
| | 486 | | 281 | 001-9440 | 432 | 032-1768 | 402 |
| | 489 | | 283 | 002-6453 | 400 | | 406 |
| | 638 | 9Y-4871 | 191 | | 424 | | 410 |
| | 640 | 9Y-5535 | 115 | 003-2143 | 385 | | 414 |
| 9X-8885 | 172 | 9Y-5950 | ▶122 | | 422 | | 418 |
| 9X-8887 | 310 | 9Y-6181 | 92 | | 566 | | 420 |
| | 478 | 9Y-6182 | ▶109 | | 573 | | 426 |
| | 481 | 9Y-6183 | 109 | | 579 | 033-4926 | 632 |
| | 484 | 9Y-6792 | 555 | | 581 | | 633 |
| | 486 | | 557 | | 584 | | 642 |
| | 489 | | 559 | | 591 | | 645 |

0

PART NUMBER INDEX

| Part | Page | Part | Page | Part | Page | Part | Page |
|----------|------|----------|------|----------|------|----------|------|
| 033-5929 | 684 | | 668 | 105-3184 | ▶127 | 110-3761 | 236 |
| 033-6031 | 475 | 100-8254 | 687 | 105-4046 | 498 | 110-3890 | 680 |
| | 478 | 100-9979 | ▶169 | | 502 | | 687 |
| | 481 | | 175 | 105-7543 | 680 | | 698 |
| | 484 | 100-9980 | 169 | 105-9161 | 676 | 110-3891 | 680 |
| 033-6032 | 470 | 101-1785 | 696 | | 678 | | 687 |
| | 473 | 101-8189 | 54 | | 680 | | 698 |
| 035-2017 | 223 | | 134 | 105-9741 | 362 | 110-5282 | 569 |
| 036-5774 | 680 | 101-9528 | 470 | | 365 | | 571 |
| 038-7444 | 418 | | 473 | | 366 | | 575 |
| | 420 | 102-1594 | 648 | | 367 | | 586 |
| 039-4317 | 618 | | 655 | 106-2033 | 171 | 110-5469 | ▶157 |
| 039-9895 | 373 | | 661 | 106-5617 | 594 | 110-8314 | 370 |
| | 377 | | 668 | 106-5620 | 98 | | 373 |
| 053-5065 | 102 | 102-1694 | 370 | | 99 | | 377 |
| | 104 | | 373 | | 588 | 110-8358 | 502 |
| | 135 | | 377 | 106-9709 | ▶461 | | ▶518 |
| | 137 | 102-3457 | 370 | 107-4862 | 308 | 110-8714 | 544 |
| | 139 | | 373 | | 317 | | 546 |
| 061-7538 | 422 | | 377 | 107-8480 | 635 | 111-1324 | 676 |
| | 566 | 102-3718 | ▶252 | 108-5603 | 167 | | 678 |
| | 573 | 102-4112 | 91 | | 169 | | 680 |
| | 579 | 102-4157 | 157 | 108-6169 | 291 | | 684 |
| | 581 | | 158 | | 293 | | 687 |
| | 584 | | 160 | | 295 | | 698 |
| | 591 | | 162 | | 297 | 111-2100 | 547 |
| 061-8248 | 399 | 102-6309 | 370 | 108-8235 | 133 | 111-2102 | 547 |
| | 400 | | 373 | 109-2327 | 265 | | 549 |
| | 424 | | 377 | | 266 | | 550 |
| 061-9455 | 167 | 102-6311 | 370 | 109-3038 | 544 | | 552 |
| | 169 | | 373 | | 546 | 111-2556 | 300 |
| 061-9593 | 594 | | 377 | 109-3474 | ▶702 | | 302 |
| 067-2551 | 432 | 102-7613 | 91 | 109-4842 | ▶190 | | 308 |
| | 435 | | ▶95 | 109-5737 | 696 | | 314 |
| 067-6495 | 422 | 102-7614 | 95 | 109-5738 | 696 | | 317 |
| | 566 | | ▶96 | 109-6507 | 676 | 111-5720 | ▶464 |
| | 573 | 102-8801 | 693 | | 678 | 111-5813 | 464 |
| | 579 | 102-8802 | 611 | | 680 | 111-5819 | 395 |
| | 581 | | 614 | | 684 | 111-5822 | 393 |
| | 584 | | 615 | | 687 | | 396 |
| | 591 | 102-8803 | 648 | | 698 | 112-5416 | ▶253 |
| 067-9921 | 205 | | 655 | 109-9717 | ▶143 | 112-9119 | 520 |
| 068-6074 | 207 | | 662 | 109-9866 | 569 | 113-5768 | ▶254 |
| | 209 | | 669 | | 635 | 113-9377 | 594 |
| 089-7988 | 447 | | 694 | 110-0096 | 279 | 114-1143 | 676 |
| 091-0081 | 588 | | 695 | | 281 | | 678 |
| | 647 | 102-8804 | 545 | | 283 | 114-4301 | 67 |
| | 654 | | 648 | | 291 | | 68 |
| 098-5800 | 392 | | 655 | | 293 | | 69 |
| | | | 662 | | 295 | | 70 |
| | | | 669 | | 297 | | 76 |
| | | 103-0692 | 636 | | 302 | | 80 |
| | | | ▶637 | | 314 | | 81 |
| 100-4996 | 167 | 104-4493 | ▶18 | | 320 | 114-4302 | 67 |
| | 169 | 104-4836 | ▶152 | | 322 | | 68 |
| 100-6531 | 522 | | ▶153 | | 327 | | 69 |
| 100-6772 | 381 | | ▶154 | 110-0097 | 291 | | 70 |
| | 383 | 104-4837 | ▶175 | | 293 | | 76 |
| 100-6777 | 458 | 104-5693 | 638 | | 295 | | 80 |
| | 461 | | 640 | | 297 | | 81 |
| | 464 | 105-1861 | 424 | 110-1168 | 647 | 115-1322 | 684 |
| 100-7749 | 312 | 105-3176 | ▶279 | | 654 | | 687 |
| 100-7870 | 647 | 105-3177 | ▶281 | | 661 | | 698 |
| | 654 | 105-3180 | ▶390 | | 668 | 115-2367 | 167 |
| | 661 | 105-3182 | ▶193 | 110-3753 | ▶230 | 115-2368 | 169 |

1

PART NUMBER INDEX

| Part | Page | Part | Page | Part | Page | Part | Page |
|--------------------|------|--------------------|------|--------------------|------|--------------------|------|
| 115-2538 | 684 | | 420 | | 600 | | 289 |
| | 687 | | 426 | 119-6283 | ▶599 | | 314 |
| | 698 | 118-4728 | 430 | | 600 | | 329 |
| 115-7768 | 478 | | 435 | 119-6284 | 569 | | 331 |
| | 481 | 118-4736 | 373 | | 575 | | 333 |
| | 484 | | 377 | | ▶600 | | 335 |
| | 491 | 118-6662 | 478 | 119-7536 | ▶400 | | 337 |
| 116-0118 | 493 | | 481 | 119-7861 | 35 | 121-4506 | 1 |
| | 601 | | 484 | | 44 | | 172 |
| | 605 | | 491 | 119-7944 | 486 | 121-6750 | 195 |
| | 647 | | 493 | | 489 | | 199 |
| | 654 | 118-6663 | 478 | 119-8266 | 486 | 122-0355 | 555 |
| | 661 | | 481 | | 489 | | 561 |
| | 668 | | 484 | 119-8267 | 486 | 122-1148 | 279 |
| 116-2480 | 127 | | 486 | | 489 | | 281 |
| | 131 | | 489 | 119-8268 | 486 | | 283 |
| 116-2649 | 601 | | 491 | | 489 | | 291 |
| | ▶611 | | 493 | 120-0214 | ▶177 | | 293 |
| 116-2808 | ▶381 | 118-6664 | 478 | 120-0415 | ▶255 | | 295 |
| | 458 | | 481 | 120-0416 | ▶304 | | 297 |
| | 461 | | 484 | 120-0417 | ▶306 | | 302 |
| 116-2809 | 381 | | 486 | 120-5862 | 223 | | 314 |
| | 383 | | 489 | 120-5863 | 223 | | 320 |
| 116-2820 | ▶383 | | 491 | 120-5864 | 223 | | 322 |
| | 464 | | 493 | 120-5865 | 223 | | 327 |
| 116-3767 | ▶616 | 118-6665 | 478 | 120-5866 | 223 | 122-2083 | ▶508 |
| 116-5270 | 684 | | 481 | 120-6843 | 221 | 122-3360 | 402 |
| | 687 | | 484 | | 385 | | 406 |
| | 698 | | 491 | 120-6844 | 385 | | 410 |
| 116-6064 | 310 | 118-7536 | 391 | 120-6845 | 385 | 122-4261 | ▶223 |
| 116-6065 | 310 | 118-8086 | 339 | 120-7518 | 304 | 122-6875 | 182 |
| 116-6167 | 550 | | 341 | | 306 | | 183 |
| 116-6965 | ▶165 | 118-8706 | 339 | 120-7519 | 306 | 122-6908 | 184 |
| | ▶166 | | 341 | 120-7521 | 304 | 122-8673 | 231 |
| 116-8535 | 351 | | 344 | | 306 | 122-8697 | 642 |
| | 352 | 118-9605 | 223 | 120-7522 | ▶256 | 122-8698 | 643 |
| | 353 | 118-9608 | 223 | 120-8145 | ▶241 | 122-8699 | 638 |
| | 354 | | ▶709 | 120-8146 | 241 | | 640 |
| | 361 | 119-0164 | 118 | | 244 | 122-8700 | 643 |
| | 363 | 119-0165 | 118 | | 245 | 122-8701 | 643 |
| | 364 | 119-0746 | 370 | | 246 | 122-9096 | 638 |
| | 368 | | 373 | | 721 | | 640 |
| 116-8654 | 310 | | 377 | 120-8147 | 241 | | 643 |
| 117-1385 | 648 | 119-0805 | ▶118 | | 243 | 122-9457 | 546 |
| | 655 | 119-0953 | 302 | | 246 | 122-9578 | 167 |
| | 662 | 119-1569 | 709 | 120-8288 | 306 | | 169 |
| | 669 | 119-3662 | 545 | 120-8882 | 304 | 123-0149 | 310 |
| 117-3196 | ▶515 | | 546 | | 306 | 123-0825 | 638 |
| 117-3197 | 515 | 119-4715 | ▶638 | 120-9330 | 52 | | ▶642 |
| 117-5170 | 324 | | ▶640 | | 54 | 123-3784 | ▶714 |
| 118-0275 | 107 | 119-5005 | ▶300 | 120-9453 | 252 | 123-3789 | 223 |
| 118-1300 | 547 | 119-5007 | ▶302 | | 253 | 123-3854 | 359 |
| 118-2735 | 498 | 119-5012 | 300 | | 279 | 123-3855 | 359 |
| 118-3842 | 402 | 119-5927 | 370 | | 281 | 123-3856 | 402 |
| | 406 | | 373 | | 283 | | 406 |
| | 410 | | 377 | 120-9850 | 530 | | 410 |
| | 414 | 119-5929 | 370 | 121-0124 | 530 | | 426 |
| | 418 | | 373 | 121-0199 | 546 | 123-5717 | 373 |
| | 420 | | 377 | | 676 | 123-6256 | 357 |
| | 426 | 119-5930 | 373 | | 678 | 123-6265 | 179 |
| 118-3843 | 402 | | 377 | 121-0200 | 546 | 123-6266 | ▶179 |
| | 406 | 119-5931 | 370 | 121-3096 | 111 | | 223 |
| | 410 | | 373 | | 113 | 123-6328 | 357 |
| | 414 | | 377 | 121-3874 | 33 | 123-8275 | 312 |
| | 418 | 119-6282 | ▶598 | | 231 | 123-8276 | 312 |

PART NUMBER INDEX

| Part | Page | Part | Page | Part | Page | Part | Page |
|--------------------|------|--------------------|------|--------------------|------|--------------------|------|
| 123-8546 | ▶705 | 125-7875 | 545 | | 605 | 130-8299 | 647 |
| 123-8775 | ▶144 | | 546 | 129-2251 | 621 | | 654 |
| 123-9017 | 312 | 125-8019 | 676 | 129-2588 | 638 | | 661 |
| 123-9018 | 312 | | 678 | | 640 | | 668 |
| 123-9019 | 312 | 126-1082 | 289 | 129-3174 | 470 | 130-9811 | ▶612 |
| 123-9787 | ▶715 | | 314 | | 473 | | 647 |
| 124-0432 | ▶643 | | 329 | 129-4036 | 638 | | 654 |
| 124-0434 | 643 | | 331 | | 640 | | 661 |
| 124-0526 | 711 | | 333 | 129-4037 | 638 | | 668 |
| 124-0527 | 711 | | 335 | | 640 | 131-0525 | ▶359 |
| 124-0530 | 710 | | 337 | 129-4054 | 48 | 131-0528 | ▶369 |
| | 712 | 126-1768 | 545 | | 49 | 131-0529 | ▶308 |
| 124-0531 | 711 | 126-1774 | 545 | 129-4859 | 167 | 131-1429 | 554 |
| 124-0532 | 711 | 126-2367 | 310 | | 169 | 131-1459 | 569 |
| 124-1382 | 710 | 126-4118 | 588 | 129-6656 | 638 | 131-1460 | 569 |
| | 712 | 126-4229 | 193 | | 640 | 131-2639 | 680 |
| 124-1384 | 710 | | 203 | 129-6657 | 638 | | 684 |
| 124-1836 | 50 | 127-0594 | 555 | | 640 | | 687 |
| | 51 | | 557 | 129-8228 | 352 | | 698 |
| | ▶474 | | 559 | | 353 | 131-3708 | 458 |
| 124-2169 | 475 | | 601 | 129-8598 | 352 | | 461 |
| 124-2206 | ▶710 | | 605 | | 353 | | 464 |
| 124-2446 | ▶711 | | 675 | 130-0073 | 381 | 131-3911 | 530 |
| 124-2448 | 710 | | 690 | | 383 | 131-4888 | 676 |
| 124-2640 | 680 | 127-1038 | ▶145 | 130-0247 | 223 | | 678 |
| 124-3176 | 687 | 127-1039 | ▶146 | 130-0248 | 223 | | 680 |
| | 698 | 127-1040 | 145 | 130-1288 | 357 | | 684 |
| 124-4383 | 436 | 127-1041 | 145 | | 359 | | 687 |
| | 438 | | 146 | 130-1860 | 458 | | 698 |
| | 440 | 127-1042 | 145 | | 461 | 132-3256 | 223 |
| 124-6333 | 291 | | 146 | | 464 | 132-5777 | 125 |
| | 293 | 127-1119 | ▶147 | 130-2642 | 304 | 132-5778 | 125 |
| | 295 | 127-1573 | 402 | 130-5194 | 102 | 132-5779 | 125 |
| | 297 | | 406 | | 104 | 132-5780 | 125 |
| | 314 | | 478 | | 135 | 132-5782 | ▶125 |
| | 320 | | 481 | | 137 | 132-5789 | 648 |
| | 322 | | 486 | | 139 | | 655 |
| | 327 | 127-1916 | 48 | 130-5195 | 102 | | 663 |
| 124-8584 | ▶257 | 127-1921 | 48 | | 104 | | 670 |
| 124-9633 | 498 | 127-4870 | 312 | | 135 | 132-6253 | 709 |
| | 502 | 127-5153 | 220 | | 137 | 132-6254 | 709 |
| 124-9765 | 402 | 127-5154 | 370 | | 139 | 132-6834 | ▶600 |
| | 406 | 127-5685 | 220 | 130-5199 | 102 | 132-8292 | 451 |
| | 410 | 127-5686 | 220 | | 104 | | 453 |
| | 426 | 127-5687 | ▶220 | | 135 | | 456 |
| 124-9766 | 402 | 127-8177 | 359 | | 137 | 132-8294 | 451 |
| | 406 | 127-8179 | 357 | | 139 | 132-8298 | 451 |
| | 410 | 128-1204 | 478 | 130-5478 | 111 | | 453 |
| | 426 | | 481 | | 113 | | 456 |
| 125-1372 | 555 | | 484 | 130-5479 | 111 | 132-8299 | 451 |
| | 557 | 128-1205 | 478 | | 113 | | 453 |
| | 561 | | 481 | 130-6243 | 304 | 132-8300 | 451 |
| | 634 | | 484 | 130-6245 | 306 | | 453 |
| 125-3778 | 632 | 128-2817 | 308 | 130-6246 | 306 | 132-8487 | 676 |
| 125-3805 | ▶158 | | 317 | 130-6247 | 304 | | 678 |
| 125-3848 | 158 | 128-2818 | 308 | 130-6248 | 304 | | 680 |
| | 162 | | 317 | 130-6259 | 390 | | 684 |
| | 163 | 128-2820 | 300 | 130-6482 | 304 | | 687 |
| 125-3896 | 517 | | 308 | 130-7921 | 102 | | 698 |
| 125-5356 | 602 | | 317 | | 104 | 132-9322 | ▶361 |
| | 606 | 128-2840 | 308 | | 135 | 132-9323 | 361 |
| 125-7861 | 478 | | 317 | | 137 | | ▶362 |
| | 481 | 128-2904 | ▶446 | | 139 | 132-9324 | 361 |
| | 484 | 128-6953 | 594 | 130-8130 | 359 | | ▶448 |
| 125-7874 | 545 | 128-8831 | 601 | | ▶388 | 132-9327 | ▶363 |

PART NUMBER INDEX

| Part | Page | Part | Page | Part | Page | Part | Page |
|----------|------|----------|------|----------|------|----------|------|
| 132-9328 | ▶364 | | 605 | 140-6683 | 349 | 143-4129 | ▶11 |
| 132-9331 | 363 | 136-7055 | 99 | 140-8485 | 234 | | 18 |
| | ▶365 | | 100 | 140-9462 | 588 | 143-4130 | ▶13 |
| 132-9332 | 364 | 136-7730 | 369 | 140-9669 | 647 | | 18 |
| | ▶366 | | 436 | | 654 | 143-4770 | 515 |
| 133-1883 | 502 | | 438 | | 661 | | ▶517 |
| | ▶509 | | 440 | | 668 | 143-4772 | 517 |
| 133-4671 | ▶123 | 136-8557 | 99 | 140-9704 | 317 | 143-4773 | 515 |
| 133-6584 | ▶1 | | 100 | 140-9707 | 317 | 143-4774 | 517 |
| 133-7389 | 385 | 137-0135 | 49 | 140-9711 | 314 | 143-4880 | 517 |
| 133-7467 | 310 | 137-0257 | 193 | 140-9741 | 314 | 143-6219 | 48 |
| 133-7468 | 310 | | 203 | 140-9743 | 314 | 143-6221 | 48 |
| 133-7470 | 310 | 137-4857 | 392 | 140-9744 | 314 | 143-6222 | 48 |
| 133-7471 | 310 | 137-5242 | 594 | 141-1220 | 709 | 143-6224 | 48 |
| 133-7473 | 310 | 137-6645 | 612 | 141-1696 | 314 | 143-7090 | 233 |
| 133-7476 | 310 | 138-3331 | 451 | 141-1697 | 314 | | 235 |
| 133-7478 | 310 | | 453 | 141-3291 | ▶317 | | 236 |
| 133-7479 | 310 | | 456 | 141-6380 | 601 | 143-7230 | 579 |
| 133-7482 | 310 | 138-6144 | ▶189 | | 605 | 144-0605 | 370 |
| 133-7483 | 310 | | 195 | 141-6626 | 369 | 144-0615 | 354 |
| 133-7486 | 312 | | 199 | 141-6627 | 369 | 144-0620 | 354 |
| 133-7489 | ▶310 | 138-6158 | 195 | 141-6628 | 369 | 144-0621 | 370 |
| 133-7490 | ▶312 | | 199 | 141-6629 | 369 | 145-0039 | 402 |
| 133-8501 | 370 | 138-7751 | 594 | 141-7116 | 137 | | 406 |
| | 373 | 139-2476 | 594 | | 139 | | 410 |
| | 377 | 140-0366 | 569 | | 141 | | 414 |
| | 205 | | 571 | | 142 | | 418 |
| 133-9637 | 205 | | 575 | 141-7959 | ▶367 | | 420 |
| 134-4126 | 531 | | 577 | | 368 | | 426 |
| 134-5129 | ▶519 | | 586 | 141-9885 | 373 | 145-0040 | 402 |
| 134-5641 | 369 | | 588 | | 377 | | 406 |
| | 436 | 140-1015 | ▶314 | 142-1341 | ▶259 | | 410 |
| | 438 | 140-1763 | ▶513 | 142-2745 | ▶566 | | 414 |
| 134-5643 | 436 | 140-2288 | 513 | 142-2868 | 422 | | 418 |
| | 438 | 140-2289 | 513 | | 566 | | 420 |
| | 440 | 140-2290 | 513 | | 573 | | 426 |
| 134-5929 | ▶722 | 140-2291 | 513 | | 579 | 145-0041 | 402 |
| 134-5958 | 341 | 140-2292 | 513 | | 581 | | 406 |
| | 344 | 140-2293 | 513 | | 584 | | 410 |
| | 345 | 140-2294 | 513 | | 591 | | 414 |
| 134-6228 | ▶723 | 140-2295 | 513 | 142-2872 | 569 | | 418 |
| 134-7955 | 402 | 140-2296 | 513 | | 571 | | 420 |
| | 406 | 140-2297 | 513 | | 575 | | 426 |
| | 410 | 140-2299 | 513 | | 577 | 145-0042 | 453 |
| | 426 | 140-2300 | 513 | | 586 | 145-1271 | 241 |
| 134-8347 | ▶130 | 140-2301 | 513 | 142-2928 | 684 | 145-1273 | 241 |
| 134-9441 | 402 | 140-2302 | 513 | 142-9675 | 255 | 145-5660 | ▶391 |
| | 406 | 140-2303 | 513 | 143-0419 | 569 | 145-5661 | ▶354 |
| | 410 | 140-5866 | 100 | | 571 | 145-8634 | 555 |
| | 426 | 140-5978 | 569 | | 575 | | 557 |
| 135-3181 | ▶449 | | 571 | | 577 | | 559 |
| 135-3182 | 449 | | 575 | | 586 | | 561 |
| 135-6950 | 357 | | 577 | 143-2878 | 67 | | 563 |
| 135-8123 | 451 | | 586 | | 68 | 146-2556 | 714 |
| 135-8124 | 451 | 140-5979 | 569 | | 69 | | 715 |
| | 453 | | 571 | | 70 | | 716 |
| 135-8127 | 451 | | 575 | | 76 | | 718 |
| 135-8128 | 451 | | 577 | | 80 | 146-4297 | 41 |
| | 453 | | 586 | | 81 | | 42 |
| 135-8138 | ▶451 | 140-5980 | 569 | 143-4120 | ▶7 | 146-5215 | 571 |
| 136-1894 | 443 | | 571 | | 15 | | 575 |
| 136-1895 | ▶443 | | 575 | | 21 | | 577 |
| 136-4185 | 436 | | 577 | 143-4121 | ▶9 | | 586 |
| | 438 | | 586 | | 15 | | ▶630 |
| | 440 | 140-6262 | 444 | | 21 | 146-5216 | 630 |
| 136-4605 | 601 | | | | | | |

PART NUMBER INDEX

| Part | Page | Part | Page | Part | Page | Part | Page |
|--------------------|------|--------------------|------|--------------------|------|--------------------|------|
| 146-8381 | 370 | | 199 | | 347 | 155-2260 | 542 |
| 147-0076 | ▶27 | 148-7634 | 359 | 151-4918 | 167 | | 546 |
| 147-0083 | ▶25 | 148-7635 | 195 | | 169 | | 609 |
| | 27 | | 199 | 152-0189 | 25 | | 693 |
| 147-0586 | 594 | 149-0560 | ▶111 | | 26 | 155-2261 | 601 |
| 147-1443 | 546 | 149-0562 | 111 | 152-0191 | 25 | | 605 |
| | 648 | | 113 | | 26 | 155-2270 | 545 |
| | 655 | 149-0563 | 111 | 152-0192 | 25 | 155-2271 | 648 |
| | 662 | | 113 | | 26 | | 655 |
| | 669 | 149-0564 | 52 | 152-0196 | 25 | | 662 |
| 147-1444 | 542 | | 54 | | 26 | | 669 |
| | 546 | 149-0565 | 52 | 152-0807 | 601 | 155-2272 | 662 |
| 147-5090 | ▶402 | | 54 | | 605 | | 669 |
| | ▶406 | 149-0588 | 72 | | ▶613 | 155-2276 | 693 |
| | ▶410 | 149-2846 | ▶453 | 152-1504 | 357 | 155-4424 | ▶622 |
| 147-5092 | 402 | 149-3992 | ▶569 | 152-1959 | 647 | 155-4425 | ▶623 |
| | 406 | 149-3994 | ▶571 | | 654 | 155-6576 | ▶148 |
| | 410 | 149-3995 | 569 | | 661 | | 149 |
| | 426 | | 571 | | 668 | 155-7319 | 430 |
| 148-7142 | 57 | 149-3996 | 569 | 153-0446 | 289 | 156-0268 | ▶478 |
| 148-7143 | 57 | | 571 | | 314 | | ▶481 |
| 148-7144 | 57 | | 577 | | 329 | | ▶484 |
| 148-7605 | 195 | | 586 | | 331 | 156-0269 | 486 |
| | 199 | 149-3997 | 569 | | 333 | | 489 |
| 148-7607 | 195 | 149-3999 | ▶573 | | 335 | 156-0270 | 486 |
| | 199 | 149-4009 | 569 | | 337 | | 489 |
| 148-7608 | 195 | | 571 | 153-2707 | 544 | 156-0518 | 684 |
| | 199 | | 575 | 153-2957 | ▶50 | | 687 |
| 148-7609 | 195 | | 577 | | 52 | | 698 |
| | 199 | | 586 | 153-2959 | ▶52 | 156-0519 | 684 |
| 148-7611 | 195 | 149-5150 | 647 | 153-2961 | ▶33 | | 687 |
| | 199 | | 661 | 153-3723 | 524 | | 698 |
| 148-7612 | 195 | 149-5210 | 594 | | 526 | 156-0520 | 684 |
| | 199 | 149-5211 | 594 | | 682 | | 687 |
| 148-7613 | 195 | 149-5916 | ▶98 | 153-3931 | 133 | | 698 |
| | 199 | 150-0320 | ▶28 | 153-3932 | 133 | 156-1770 | 515 |
| 148-7614 | 195 | 150-0326 | ▶26 | 153-5037 | ▶620 | 156-2687 | 725 |
| 148-7615 | 195 | | 28 | 153-5040 | 684 | 156-2758 | 453 |
| 148-7616 | 195 | 150-0401 | 547 | | 687 | 156-2760 | 453 |
| | 199 | 150-2050 | 555 | | 698 | 156-2760 | 304 |
| 148-7617 | 195 | | 561 | 153-5042 | 684 | 156-3694 | 359 |
| | 199 | 150-3811 | 300 | | 687 | 156-4313 | 385 |
| 148-7618 | 195 | 150-4911 | 9 | | 698 | 156-5201 | 385 |
| | 199 | | 11 | 153-5102 | 98 | 156-5220 | 647 |
| 148-7619 | 195 | 150-5490 | ▶498 | | 99 | | 654 |
| | 199 | 150-6798 | ▶31 | 153-6765 | 308 | 156-5222 | 647 |
| 148-7620 | 195 | 150-8521 | 241 | 153-7002 | 79 | | 654 |
| | 199 | 150-9552 | 102 | | 85 | | 661 |
| 148-7621 | 195 | | 104 | | 90 | 156-5320 | 668 |
| | 199 | | 135 | 153-9138 | 129 | | 486 |
| 148-7622 | 195 | | 137 | 154-2417 | 71 | 156-5321 | 489 |
| | 199 | | 139 | | 74 | | 489 |
| 148-7623 | 195 | 151-1315 | 524 | | 77 | 156-5322 | ▶486 |
| | 199 | | 526 | | 84 | | ▶489 |
| 148-7625 | 195 | | 682 | 154-2709 | 106 | 156-6175 | 507 |
| | 199 | 151-2115 | 392 | 154-4578 | ▶621 | 156-8390 | 314 |
| 148-7626 | 195 | 151-3001 | 255 | | 622 | 156-9570 | 241 |
| | 199 | | 256 | 154-4580 | ▶621 | 157-1429 | 304 |
| 148-7627 | 195 | | 257 | | 623 | 157-1431 | 306 |
| | 199 | | 259 | 154-7272 | 385 | 158-4198 | 502 |
| 148-7628 | 195 | | 263 | 154-8716 | 106 | 158-4199 | 502 |
| | 199 | | 266 | 154-9294 | 524 | 158-6051 | 529 |
| 148-7630 | 195 | | 268 | 155-2255 | 684 | 158-6245 | 596 |
| | 199 | | 270 | | 687 | 158-6246 | 596 |
| 148-7631 | 195 | | 273 | 155-2258 | 684 | 158-6247 | 596 |

PART NUMBER INDEX

| Part | Page | Part | Page | Part | Page | Part | Page |
|--------------------|------|--------------------|------|--------------------|------|--------------------|------|
| 158-6248 | 596 | 161-7551 | 502 | | ▶693 | 174-9012 | 713 |
| 159-1112 | ▶385 | 161-7552 | 502 | 168-9913 | 400 | 174-9798 | ▶713 |
| 159-1528 | ▶357 | 161-8203 | 502 | | 424 | 175-1397 | 703 |
| 159-3219 | 601 | 161-8385 | 502 | 169-8676 | 185 | | 704 |
| | 605 | 161-9209 | 502 | 170-3528 | 647 | 175-1402 | 703 |
| 159-4641 | ▶41 | 161-9831 | 502 | | 654 | 175-6344 | 71 |
| 159-7187 | 41 | 162-6209 | 631 | | 661 | | 72 |
| 159-8551 | 453 | 162-7255 | 571 | | 668 | | 73 |
| 159-9262 | 314 | | 575 | 170-6504 | 388 | | 74 |
| 159-9322 | 542 | | 577 | 170-6505 | 388 | | 75 |
| | 545 | | 586 | 170-6678 | 339 | | 77 |
| | 546 | 162-7289 | ▶534 | 170-7740 | ▶57 | | 78 |
| | 662 | | ▶535 | | 71 | | 79 |
| | 669 | | 648 | | 72 | | 82 |
| 159-9408 | ▶106 | | 655 | | 73 | | 84 |
| 160-0413 | 385 | | 661 | 171-3992 | 57 | | 85 |
| 160-1572 | 207 | | 668 | | 58 | | 87 |
| 160-1573 | 207 | 162-7290 | 534 | | 60 | | 89 |
| 160-1613 | 502 | | ▶536 | | 62 | | 90 |
| 160-4273 | 502 | 162-7292 | 536 | | 65 | 176-1548 | ▶29 |
| 160-7086 | 571 | | ▶537 | 171-3993 | 57 | 176-2942 | 662 |
| | 575 | | 539 | | 58 | | 669 |
| | 577 | 162-7604 | 571 | | 60 | 176-2943 | 601 |
| | 586 | | 575 | | 62 | | 605 |
| | 588 | | 577 | | 65 | | 648 |
| 160-7689 | 546 | | 586 | 171-3994 | 67 | | 655 |
| 160-7690 | 545 | 162-8185 | 498 | | ▶71 | | 662 |
| | 546 | 162-8186 | 498 | 171-3995 | 67 | | 669 |
| | 648 | 163-8523 | 647 | | ▶72 | 176-3209 | 9 |
| | 655 | | 654 | 171-5349 | 545 | 176-3213 | 7 |
| | 662 | | 661 | | 610 | 176-3571 | 495 |
| | 669 | | 668 | 171-5696 | 502 | 176-3572 | 402 |
| 160-8173 | 1 | 163-8762 | ▶368 | 171-5735 | 503 | | 406 |
| | 91 | 164-0717 | 422 | 171-6117 | ▶549 | | 478 |
| | 171 | | 424 | 171-6118 | ▶550 | | 481 |
| | 172 | | 430 | 171-7982 | 703 | | 486 |
| 160-8729 | 502 | | 435 | | 704 | | ▶495 |
| 160-8730 | 502 | | 579 | 173-2724 | 25 | 176-3583 | 370 |
| 160-8731 | 502 | | 581 | 173-2725 | 25 | | 373 |
| 160-9786 | 304 | | 584 | 173-2728 | 26 | | 377 |
| | 306 | | 591 | 173-2729 | 26 | | 402 |
| 160-9864 | 502 | | ▶644 | 173-3011 | ▶552 | | 406 |
| 161-0025 | ▶502 | 164-2030 | 621 | 173-3712 | 209 | | 410 |
| 161-0028 | 502 | 164-2031 | 621 | 173-3854 | 547 | | 414 |
| 161-0029 | 502 | 164-5818 | ▶231 | 173-4373 | 25 | | 418 |
| 161-0030 | 502 | 164-7680 | ▶44 | | 26 | | 420 |
| 161-0083 | 185 | 164-7681 | ▶35 | 173-7476 | 373 | | 426 |
| | 187 | 165-5523 | 709 | 173-7477 | 373 | | 478 |
| 161-0197 | 314 | 165-7805 | 400 | 173-7663 | 163 | | 481 |
| 161-1196 | 451 | | 424 | 173-7681 | 158 | | 484 |
| | 453 | | 430 | 173-9427 | 588 | | 486 |
| 161-1198 | 451 | 165-7807 | 514 | 174-0130 | 158 | | 489 |
| 161-1199 | 451 | 166-3796 | 555 | 174-0503 | 609 | | 491 |
| 161-1201 | 410 | | 557 | 174-3504 | 257 | | 493 |
| | 414 | | 559 | | 272 | 176-3584 | 517 |
| | 418 | | 561 | 174-4479 | 209 | 176-3586 | 195 |
| | 426 | | 563 | 174-6584 | 254 | | 199 |
| 161-1203 | 453 | 166-7988 | 502 | | 261 | 176-3587 | 370 |
| 161-1204 | 453 | | ▶510 | | 263 | | 373 |
| 161-2670 | 502 | 167-2117 | 319 | 174-7009 | 647 | | 377 |
| 161-2671 | 502 | 167-9430 | 675 | | 654 | | 402 |
| 161-6023 | ▶450 | | 690 | 174-8737 | 676 | | 406 |
| 161-6026 | 450 | 168-5027 | ▶319 | | 678 | | 410 |
| 161-6496 | 552 | 168-5274 | 684 | | 684 | | 414 |
| 161-7057 | ▶444 | | 687 | 174-8976 | 713 | | 418 |

PART NUMBER INDEX

| Part | Page | Part | Page | Part | Page | Part | Page |
|--------------------|------|--------------------|------|--------------------|------|--------------------|------|
| | 420 | 183-9642 | 514 | 187-6613 | 157 | | 377 |
| | 426 | 184-1613 | 370 | 187-6615 | 158 | | 402 |
| | 478 | 184-2472 | 531 | 188-0449 | 341 | | 406 |
| | 481 | | 533 | | 344 | | 410 |
| | 484 | | 540 | | 345 | | 414 |
| | 486 | 184-5290 | 370 | 188-0450 | 341 | | 418 |
| | 489 | 184-6375 | 370 | | 344 | | 420 |
| | 491 | 184-6376 | 447 | | 345 | | 426 |
| | 493 | 184-6377 | 447 | 188-1026 | 324 | | 478 |
| 176-3588 | 491 | 184-6379 | 414 | 188-1027 | 324 | | 481 |
| | 493 | 184-6380 | 370 | 188-3080 | 696 | | 484 |
| 176-3592 | 195 | 184-6954 | ►514 | 188-3081 | 530 | | 486 |
| 176-3593 | 436 | 184-6955 | 514 | | ►696 | | 489 |
| | 438 | 184-6956 | 514 | 188-4926 | 601 | | 491 |
| | 440 | 184-6957 | 165 | | 605 | | 493 |
| 176-3594 | 436 | 184-6959 | 165 | 188-6016 | ►703 | 194-0629 | 133 |
| | 438 | 185-1103 | 73 | 188-7004 | 514 | 194-3250 | 67 |
| | 440 | | 75 | 189-2499 | 46 | | ►73 |
| 176-3595 | 436 | | 78 | | 47 | 194-4098 | 13 |
| | 438 | | 79 | | 49 | 194-4099 | 11 |
| | 440 | | 82 | 189-2500 | ►49 | 194-5226 | 647 |
| 176-3597 | 436 | | 85 | 189-3769 | 601 | | 654 |
| | 438 | | 89 | | 602 | | 661 |
| | 440 | | 90 | | 605 | | 668 |
| 176-3609 | 467 | 185-8651 | 474 | | 606 | 194-6420 | 559 |
| | 468 | 186-0136 | 49 | 189-4583 | 71 | 194-7750 | 209 |
| 176-3610 | 467 | 186-0144 | 49 | | 72 | 194-7751 | 209 |
| | 468 | 186-0145 | 49 | | 73 | 194-7752 | 209 |
| 176-3611 | 467 | 186-3735 | 545 | | 74 | 194-7753 | 209 |
| | 468 | | 613 | | 75 | 194-8110 | 440 |
| 177-7760 | 15 | | 614 | | 77 | 194-8517 | ►99 |
| | 18 | | 615 | | 78 | | ►100 |
| | 21 | | 647 | | 79 | 194-8518 | 555 |
| 178-1790 | 467 | | 654 | | 82 | | 557 |
| | 468 | | 661 | | 84 | | 559 |
| 178-1791 | 467 | | 668 | | 85 | 195-0886 | ►21 |
| | 468 | | 693 | | 87 | 195-2431 | 647 |
| 178-1797 | 467 | | 694 | | 89 | | 654 |
| | 468 | | 695 | | 90 | | 661 |
| 178-1798 | 467 | 186-3736 | 542 | 189-5178 | 102 | | 668 |
| | 468 | | 545 | | 135 | 195-3470 | 6 |
| 178-1799 | 467 | | 546 | 190-0399 | 616 | 195-3910 | ►447 |
| | 468 | | 555 | 190-2462 | 171 | 195-3914 | ►209 |
| 178-1800 | 467 | | 557 | 190-2463 | 171 | 195-3916 | ►324 |
| | 468 | | 559 | 190-6465 | 110 | 195-5250 | ►242 |
| 178-1801 | 467 | | 561 | 191-0957 | 447 | 195-5915 | ►30 |
| | 468 | | 563 | 191-1037 | 221 | 195-5917 | ►23 |
| 179-1502 | 185 | | 609 | 191-4033 | 703 | | 150 |
| | 187 | | 631 | 191-4034 | 703 | | 152 |
| 179-3576 | 49 | | 647 | 191-8305 | 647 | | 153 |
| 180-3864 | 110 | | 654 | | 654 | 195-6056 | 648 |
| 180-3865 | 110 | | 656 | | 661 | | 654 |
| 180-3990 | 456 | | 661 | | 668 | | 662 |
| 180-6981 | 2 | | 668 | 192-0736 | ►320 | | 668 |
| 180-6982 | 2 | | 693 | | ►322 | 195-6058 | 648 |
| 180-8408 | 414 | 187-0450 | 52 | 192-3220 | 579 | | 655 |
| 180-8409 | 440 | | 54 | 192-4329 | 601 | | 662 |
| 180-8410 | 440 | 187-2034 | 520 | | 605 | | 669 |
| 183-3192 | 676 | | 522 | 192-7870 | 150 | 195-6059 | 601 |
| | 678 | 187-4191 | 547 | | 151 | | 605 |
| | 680 | | 549 | | 152 | 195-6060 | 601 |
| 183-6684 | 221 | | 550 | | 153 | | 605 |
| 183-6780 | 221 | | 552 | 193-2188 | ►261 | 195-6243 | ►675 |
| 183-6807 | 221 | 187-4199 | 549 | 193-7879 | 370 | 195-6244 | 675 |
| 183-7232 | 414 | 187-4200 | 550 | | 373 | | ►676 |

PART NUMBER INDEX

| Part | Page | Part | Page | Part | Page | Part | Page |
|--------------------|------|--------------------|------|--------------------|------|--------------------|------|
| | ▶678 | | 563 | 203-4617 | ▶181 | 207-1402 | ▶235 |
| | ▶680 | 198-2941 | 555 | 203-9566 | 58 | 207-1409 | ▶236 |
| | 690 | | 557 | | 60 | 207-2391 | 684 |
| 195-8110 | ▶6 | | 559 | | 62 | | 687 |
| 196-0413 | 304 | | 561 | | 65 | 207-3814 | ▶646 |
| | 306 | | 563 | 203-9567 | 58 | 207-4554 | 555 |
| 196-0430 | ▶263 | 198-3196 | 547 | | 60 | | 557 |
| 196-0431 | 273 | 199-4315 | 447 | | 62 | | 559 |
| 196-0434 | ▶265 | 199-8958 | 456 | | 65 | | 561 |
| 196-3752 | ▶706 | 199-8959 | 456 | 203-9569 | 58 | | 563 |
| 196-4209 | ▶266 | 199-8960 | 456 | | 60 | 207-4555 | 555 |
| 196-4647 | 324 | 199-8961 | 456 | | 62 | | 557 |
| 196-4648 | 324 | 199-8962 | 456 | | 65 | | 559 |
| 196-4649 | 324 | 199-8964 | 456 | 204-3440 | 385 | 207-4556 | 555 |
| 196-4650 | 324 | 199-8966 | 456 | 204-4385 | 167 | | 557 |
| 196-4651 | 324 | 199-8967 | 456 | | 169 | | 559 |
| 196-4652 | 324 | 199-8969 | 131 | 204-5314 | 456 | | 561 |
| 196-4653 | ▶131 | | | 204-5315 | 456 | | 563 |
| 196-9484 | 675 | | | 204-5316 | 456 | 207-4977 | 456 |
| 196-9528 | ▶470 | | | 204-5317 | 456 | 207-4978 | 456 |
| | 471 | | | 204-5861 | 456 | 207-5399 | ▶546 |
| 196-9529 | 373 | 200-0968 | 495 | 204-5862 | 456 | | 676 |
| | 402 | 200-1919 | 662 | 204-6117 | 153 | | 678 |
| | 418 | | 669 | 204-6687 | ▶682 | | 680 |
| | ▶471 | 200-1978 | 495 | | 684 | 207-5403 | 676 |
| | 478 | 200-2788 | 370 | | 687 | | 678 |
| | 486 | 200-2789 | 370 | 204-6689 | ▶684 | | 680 |
| | 491 | 200-6007 | ▶575 | | ▶687 | 207-6106 | 467 |
| 197-0064 | ▶526 | 200-6198 | 684 | 204-6707 | 268 | | 468 |
| | 676 | | 687 | 204-6708 | 270 | 207-6109 | 467 |
| | 678 | | ▶694 | 204-6725 | ▶268 | | 468 |
| | 680 | 200-8277 | ▶522 | 204-7168 | ▶246 | 207-6110 | 467 |
| 197-2033 | 547 | 200-8790 | 588 | 205-0640 | 23 | | 468 |
| 197-2034 | 547 | 201-0624 | 662 | | 24 | 207-6111 | 467 |
| 197-2037 | 547 | | 669 | 205-0821 | 694 | | 468 |
| 197-2038 | 547 | 201-3610 | 238 | | 695 | 207-6859 | ▶609 |
| 197-2039 | 547 | | 239 | 205-3584 | ▶546 | | 648 |
| 197-2044 | 547 | 201-4898 | 451 | 205-3670 | 594 | | 655 |
| 197-2045 | 547 | 201-5388 | 152 | 206-0406 | 436 | | 662 |
| 197-2046 | 547 | | ▶155 | | 438 | | 669 |
| 197-2047 | 547 | 201-5389 | 155 | | 440 | 207-7728 | ▶475 |
| 197-2691 | 684 | 201-5390 | 155 | 206-2594 | ▶182 | 207-8269 | ▶594 |
| | 687 | 202-2569 | 631 | 206-2595 | ▶183 | 208-0323 | ▶126 |
| | 698 | 202-2624 | 355 | | ▶184 | 208-0327 | 341 |
| 197-4185 | 440 | 202-2633 | 355 | 206-4202 | 520 | | 344 |
| 197-5899 | ▶233 | 202-2699 | 522 | 206-5459 | ▶601 | | 345 |
| 197-6202 | ▶234 | 202-2700 | 522 | | ▶605 | 208-0328 | 126 |
| 197-6949 | 680 | 202-2703 | 522 | 206-5460 | ▶555 | 208-0330 | 126 |
| | 687 | 202-2707 | 522 | | ▶557 | 208-1007 | 341 |
| | 698 | 202-2708 | 522 | | ▶559 | | 344 |
| 197-6980 | 157 | 202-2783 | 522 | 206-5461 | ▶647 | | 345 |
| 197-6999 | 167 | 202-2784 | 522 | | ▶654 | 208-1028 | 684 |
| | 169 | 202-2785 | 522 | 206-6539 | ▶370 | | 687 |
| 197-7100 | 234 | 202-2786 | 522 | 206-6540 | ▶414 | 208-2422 | 594 |
| 197-8120 | 414 | 202-2787 | 522 | 206-6543 | ▶544 | 208-2423 | 594 |
| 198-0112 | 601 | 202-3110 | 355 | 206-6544 | ▶544 | 208-2424 | 594 |
| | 605 | 202-3156 | 355 | 206-6569 | 414 | 208-2425 | 594 |
| 198-0113 | 601 | 202-3227 | ▶355 | | 418 | 208-2425 | 684 |
| | 605 | 202-4869 | ▶476 | | 420 | 208-3697 | 687 |
| 198-0114 | 601 | 202-7640 | ▶577 | | 426 | 208-6049 | 684 |
| | 605 | 202-7866 | ▶624 | 206-6583 | 30 | | 687 |
| 198-2938 | 555 | | 625 | 206-7468 | 41 | | 698 |
| | 557 | 202-7867 | ▶625 | | 42 | 208-9471 | 394 |
| | 559 | 202-9897 | 522 | 206-9804 | ▶327 | 208-9649 | 157 |
| | 561 | 203-4616 | ▶180 | 207-1331 | 445 | | 158 |

2

PART NUMBER INDEX

| Part | Page | Part | Page | Part | Page | Part | Page |
|----------|------|----------|------|----------|------|----------|------|
| 209-0962 | 167 | 214-7568 | 634 | 222-4709 | 369 | 232-6351 | 555 |
| | 169 | 215-3891 | ▶270 | | 436 | | 561 |
| 210-0176 | ▶531 | 215-3892 | ▶272 | | 438 | 233-0853 | 185 |
| | 676 | 216-8695 | ▶422 | 222-4715 | 357 | 233-0875 | ▶716 |
| 210-3936 | 676 | 216-8696 | ▶424 | 222-4718 | 369 | 233-0876 | ▶718 |
| | 678 | 216-8697 | ▶530 | | 370 | 233-2207 | 575 |
| | 680 | 217-0165 | 547 | | 377 | | 586 |
| 210-5735 | ▶373 | 217-0437 | 547 | 225-3214 | 704 | 233-2208 | ▶586 |
| | ▶377 | 217-0443 | 552 | 225-3215 | 704 | 233-6514 | ▶141 |
| 210-5736 | ▶418 | 217-0718 | 547 | 225-3216 | ▶704 | | ▶142 |
| | ▶420 | 217-3856 | ▶579 | 225-3769 | 370 | 233-6515 | ▶102 |
| 210-5737 | ▶195 | 217-6692 | 176 | | 377 | | ▶104 |
| 210-9470 | ▶532 | | 177 | 225-3770 | 370 | 233-8091 | 680 |
| | ▶533 | 217-6884 | 293 | | 377 | 235-2484 | 104 |
| | 678 | | 297 | 225-4256 | 349 | | 137 |
| | 680 | | 322 | 225-8811 | 35 | | 139 |
| 211-3212 | 467 | | 327 | 226-1926 | ▶101 | 235-4861 | 680 |
| 211-3215 | 467 | 218-0660 | 54 | 226-4813 | 601 | | 687 |
| 211-3504 | ▶631 | 218-0769 | ▶633 | | 605 | | 698 |
| | 648 | 218-1915 | 157 | 227-2902 | 154 | 236-8812 | 172 |
| | 655 | | 158 | 228-3634 | 300 | 240-4641 | 150 |
| | 662 | 218-2235 | ▶273 | | 308 | 240-8429 | 621 |
| | 669 | 218-3893 | ▶160 | | 317 | 242-1930 | 62 |
| 211-5228 | 532 | 218-3894 | 160 | 228-6559 | ▶528 | 242-8988 | ▶529 |
| | ▶540 | 218-3902 | ▶162 | | 565 | | 601 |
| 211-5941 | 117 | 218-3905 | 162 | 228-7328 | ▶467 | | 605 |
| 211-6713 | 535 | 218-3907 | ▶163 | 228-8982 | ▶456 | 243-4291 | 561 |
| | ▶539 | 218-3908 | 163 | 228-8983 | ▶440 | | 563 |
| 211-8175 | 370 | 218-4822 | 131 | 228-8984 | ▶661 | 246-1237 | 624 |
| | 377 | 218-4935 | 545 | | ▶668 | | 627 |
| | 406 | 219-2953 | 60 | 228-8986 | ▶199 | 246-1238 | 624 |
| | 410 | 219-2954 | ▶60 | 229-5497 | ▶426 | | 627 |
| | 414 | | 77 | 229-5976 | 575 | 246-1239 | 624 |
| | 420 | | 78 | | 586 | | 627 |
| | 426 | | 79 | 229-8567 | 58 | 246-1240 | 624 |
| | ▶472 | 219-2955 | 69 | | 60 | | 627 |
| | 481 | | ▶77 | | 63 | 246-1245 | 577 |
| | 484 | 219-2956 | 69 | | 66 | 246-1587 | 577 |
| | 489 | | 70 | 229-8570 | 58 | 246-6159 | ▶329 |
| | 493 | | ▶78 | | 60 | | ▶331 |
| 211-8176 | 472 | 219-2957 | ▶79 | | 63 | 247-3796 | 238 |
| | ▶473 | | 80 | | 66 | | 239 |
| 211-8177 | 470 | 219-2960 | ▶80 | 229-8571 | 58 | | 293 |
| | 473 | | ▶81 | | 60 | | 297 |
| 211-9944 | ▶491 | 219-4637 | 594 | | 63 | | 322 |
| | ▶493 | 219-6908 | 160 | | 66 | | 327 |
| 212-3743 | 230 | | 162 | 229-8906 | 522 | 247-3837 | 430 |
| 213-4749 | 544 | | 163 | 229-9325 | 575 | 248-2372 | 451 |
| 213-6790 | ▶438 | 219-7009 | 162 | 230-0932 | 467 | | 453 |
| 213-6791 | 369 | | 163 | 230-0933 | 467 | | 456 |
| 213-6956 | 58 | 220-5590 | 456 | | 468 | 248-2373 | 451 |
| 213-6958 | ▶58 | 220-8288 | ▶581 | 230-0936 | 467 | | 453 |
| | 74 | | ▶584 | | 468 | | 456 |
| | 75 | 221-0058 | 157 | 230-0937 | 467 | 248-5563 | 542 |
| 213-6962 | 68 | | 158 | | 468 | | 698 |
| | ▶74 | 221-2304 | 687 | 230-0938 | 467 | 249-0375 | 387 |
| 213-6964 | 68 | | 698 | | 468 | 249-0377 | 387 |
| | ▶75 | 221-2498 | 676 | 230-0939 | 467 | 249-0422 | 387 |
| | ▶76 | | 678 | | 468 | 249-0477 | ▶387 |
| 213-6967 | ▶76 | | 680 | 230-0975 | 542 | 249-5224 | ▶724 |
| 214-5179 | ▶712 | | 687 | 231-4152 | ▶561 | 250-0463 | ▶333 |
| 214-5539 | 712 | | 698 | | ▶563 | | ▶335 |
| 214-6044 | 54 | | | 231-6133 | 522 | 250-0826 | 100 |
| 214-6059 | ▶51 | 222-4708 | 300 | 231-6134 | 522 | 250-0827 | 100 |
| | 54 | | 308 | 232-1779 | 355 | 250-9212 | 430 |
| 214-6060 | ▶54 | | 319 | | | | |

PART NUMBER INDEX

| Part | Page | Part | Page | Part | Page | Part | Page |
|----------|------|----------|------|----------|------|----------|------|
| 251-9565 | 6 | 258-6989 | ▶544 | | 605 | | 117 |
| 252-2176 | ▶203 | | 698 | 277-4760 | 601 | 288-6618 | 166 |
| 252-6464 | 139 | 258-8007 | 391 | | 605 | 288-7181 | ▶434 |
| | 142 | | ▶392 | 277-4761 | 602 | 289-9979 | ▶113 |
| 252-6498 | 139 | 259-0488 | ▶721 | | 605 | 290-2038 | 151 |
| | 142 | 259-0489 | ▶243 | 277-4762 | 602 | | 154 |
| 253-0282 | 591 | 259-0490 | ▶244 | | 606 | 290-2039 | 151 |
| 253-0857 | 160 | 259-4600 | 185 | 277-4763 | 602 | 290-2040 | 154 |
| | 162 | | 187 | | 606 | 290-2041 | 151 |
| | 163 | | 193 | 277-4764 | 602 | 290-2042 | 154 |
| 253-0858 | 160 | | 203 | | 606 | 290-4619 | 656 |
| | 162 | | 281 | 278-0535 | 116 | | 670 |
| | 163 | | 283 | 278-0618 | 432 | 290-9753 | 166 |
| 253-0859 | 160 | 259-5812 | 698 | 278-0619 | 591 | 291-2904 | 591 |
| | 162 | 259-8295 | ▶245 | 278-0620 | 591 | 292-5982 | 344 |
| | 163 | 259-8435 | ▶468 | 278-0621 | 591 | | 345 |
| 253-8894 | 41 | 260-0405 | 542 | 278-0623 | 591 | 292-8198 | 174 |
| 254-3773 | 584 | | 698 | 278-0624 | 591 | | 175 |
| | 591 | 260-0406 | 542 | 278-0629 | 591 | 293-3564 | ▶42 |
| 254-7002 | ▶627 | | 698 | 278-0633 | 432 | 294-0980 | 493 |
| | 628 | 260-0407 | 542 | 278-0637 | 430 | 294-9052 | 349 |
| 254-7003 | ▶628 | | 698 | 278-1085 | 185 | 296-2872 | ▶547 |
| 254-7215 | 624 | 260-0864 | 542 | | 187 | 297-1405 | ▶695 |
| | 627 | 260-6692 | 640 | 279-4499 | 588 | | 698 |
| 255-0024 | ▶62 | | 643 | 279-4500 | 588 | | |
| | 63 | 262-4835 | ▶554 | 279-4504 | 588 | | |
| 255-0025 | ▶63 | 262-4931 | ▶283 | 280-0463 | ▶588 | | |
| | 84 | 262-7116 | 468 | 280-0464 | ▶591 | | |
| | 85 | 262-7117 | 468 | 280-0465 | ▶430 | 300-1305 | 547 |
| 255-0026 | ▶82 | 262-7162 | 154 | 280-0466 | 221 | 300-1309 | 547 |
| 255-0027 | ▶84 | 262-7163 | 154 | 280-0467 | 588 | 300-1311 | 547 |
| 255-0028 | 76 | 263-1853 | ▶24 | 280-0468 | 430 | 300-1312 | 547 |
| | ▶85 | | 151 | 280-0469 | 588 | 300-1314 | 547 |
| 255-0029 | ▶65 | | 154 | 280-0470 | 588 | 300-1316 | 547 |
| | 66 | 264-1991 | 304 | 280-3429 | 221 | 300-1317 | 547 |
| 255-0030 | ▶66 | | 306 | 280-8793 | 432 | 302-2199 | 430 |
| | 82 | 266-0269 | ▶692 | 280-8794 | 221 | | 588 |
| | 87 | 266-0270 | ▶692 | 280-8795 | 221 | 303-9450 | 440 |
| | 89 | 266-2501 | ▶542 | 280-8797 | 221 | 304-4948 | 343 |
| | 90 | 266-9376 | ▶337 | 281-4163 | ▶221 | | ▶344 |
| 255-0031 | 70 | 267-4736 | 414 | 281-4243 | ▶432 | | ▶345 |
| | ▶87 | 268-5727 | 117 | 281-5855 | 221 | 305-3378 | ▶690 |
| 255-0032 | ▶89 | 269-8401 | ▶173 | 281-5888 | 221 | 305-6395 | ▶241 |
| 255-0033 | 81 | 270-1732 | ▶545 | 281-5890 | 221 | 305-6397 | ▶241 |
| | ▶90 | | 565 | 281-5892 | 221 | 308-1380 | 634 |
| 255-8183 | 507 | 271-5584 | 601 | 281-5893 | 221 | 309-1583 | ▶477 |
| 255-8184 | ▶507 | | 605 | 281-5894 | 221 | 310-3180 | 559 |
| 255-8937 | ▶541 | 272-5886 | 58 | 283-5269 | 557 | | 563 |
| 256-1270 | ▶6 | | 60 | 283-5270 | 634 | | ▶634 |
| 256-3857 | 584 | | 62 | 283-5271 | 557 | 310-4795 | 606 |
| 256-3858 | 584 | | 65 | 283-7776 | 347 | | ▶614 |
| 256-3859 | 584 | 273-2105 | 468 | 284-5208 | 127 | 310-4796 | 606 |
| 256-7511 | ▶528 | 275-4011 | 160 | | 131 | | ▶615 |
| | 565 | | 162 | 284-8908 | 692 | 313-3621 | ▶347 |
| 256-7512 | ▶528 | | 163 | 284-8909 | 113 | 313-7161 | 430 |
| | 565 | 275-7728 | ▶117 | 284-8910 | 107 | 313-9090 | 645 |
| 257-2719 | 545 | 276-0785 | ▶545 | 284-9079 | 690 | 314-3277 | 430 |
| 257-3196 | ▶692 | | 565 | 284-9082 | ▶107 | 314-3329 | 591 |
| 257-5889 | ▶698 | 276-6793 | 654 | 287-7867 | ▶156 | 314-9525 | 430 |
| 257-8836 | ▶524 | | 668 | 288-4408 | 127 | 315-2997 | 640 |
| | 698 | 277-4756 | 601 | | 131 | | 643 |
| 257-8837 | ▶546 | | 605 | 288-4409 | 127 | | ▶645 |
| | 698 | 277-4758 | 601 | | 131 | 315-5724 | 588 |
| 258-5631 | 6 | | 605 | 288-4608 | 166 | 315-6036 | 588 |
| 258-6988 | 698 | 277-4759 | 601 | 288-6174 | 116 | 315-8399 | 588 |

PART NUMBER INDEX

| Part | Page | Part | Page | Part | Page | Part | Page |
|--------------------|------|------|------|------|------|------|------|
| 315-8412 | 588 | | | | | | |
| 315-9742 | 588 | | | | | | |
| 315-9825 | 430 | | | | | | |
| | 435 | | | | | | |
| 317-6445 | 588 | | | | | | |
| 317-6510 | 588 | | | | | | |
| 319-6192 | 430 | | | | | | |
| 319-6193 | 430 | | | | | | |
| 319-6195 | 588 | | | | | | |
| 319-6196 | 588 | | | | | | |
| 319-9074 | 87 | | | | | | |
| 320-9979 | ▶565 | | | | | | |
| 320-9980 | ▶565 | | | | | | |
| 322-3615 | 533 | | | | | | |
| 324-3909 | 435 | | | | | | |
| 324-3910 | 435 | | | | | | |
| 324-6847 | ▶435 | | | | | | |
| 325-8465 | ▶46 | | | | | | |
| 325-8466 | ▶47 | | | | | | |

