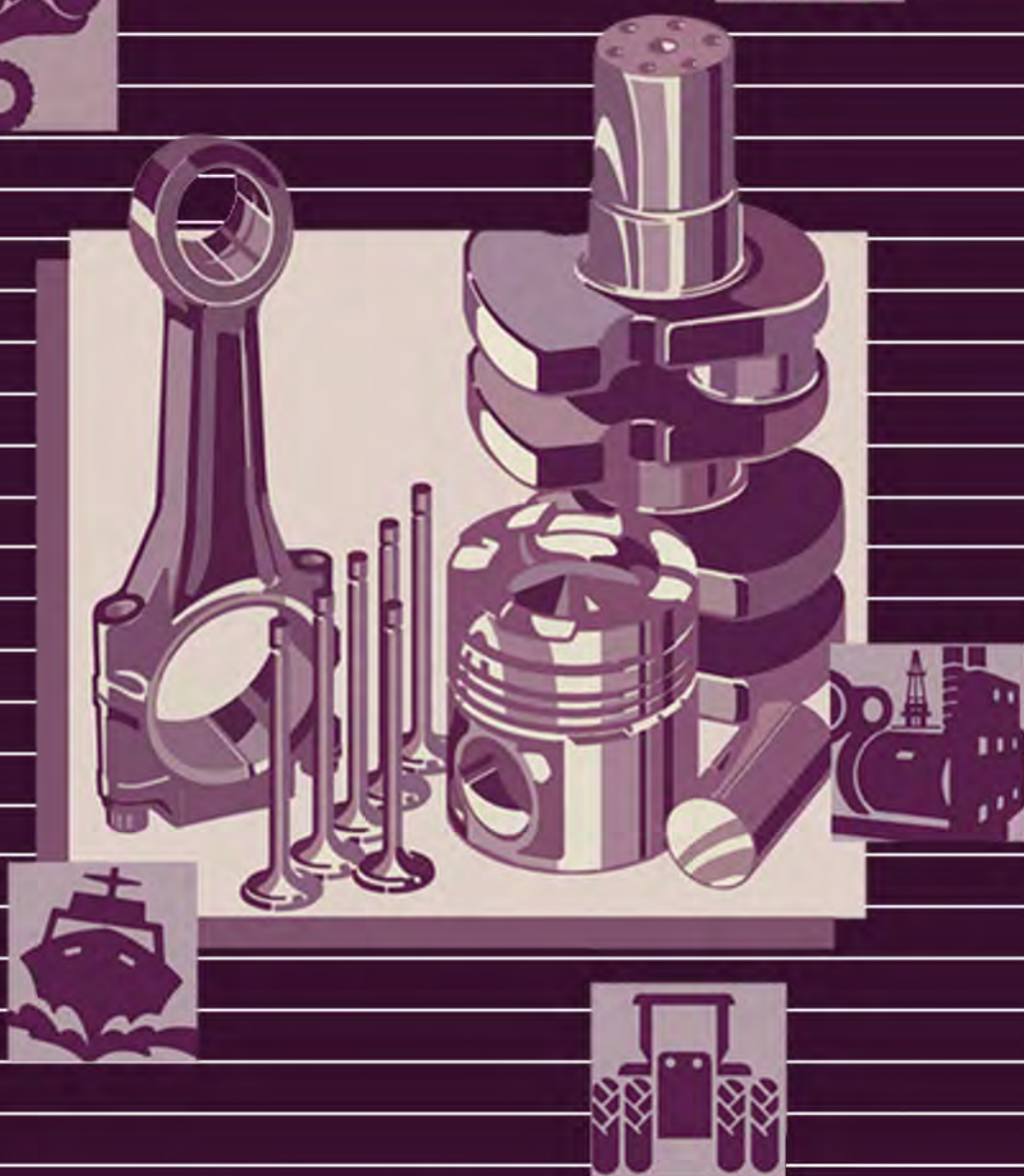




# KTA38-G4 零件图册

## KTA38-G4 Parts Catalog

零件号 Part No. 4061345 Rev04



重庆康明斯发动机有限公司  
CHONGQING CUMMINS ENGINE COMPANY Ltd.

## 使用说明

此图册以直观的形式显现出了发动机的易损零件和一般零件，为用户选购零部件的指导性资料。

随着发动机的不断改进，图册零件号和实际零件号可能不一致，请用户在选购零件时提供以下信息：

1. 发动机铭牌或合格证上的机型和生产指令号(SO 号)以及发动机的出厂序号。
2. 写明图册中的图册零件号(最好注明页次)。

我公司可根据用户提供的以上资料，查到对应的实际零件号。

用户在使用此图册过程中，如有问题，可随时向我公司提出，我公司会做出最快的答复。

## Instruction

This catalog is very easy to find what kinds of engine parts to be ordered and replaced, it's a guideline for customers to order the parts who wants.

With improvements on the engines were producing, the parts number in this catalog may be different from that in present production.

The following information will be supplied when ordering the part(s):

1. Engine model and shop order (SO) on the nameplate of the engine or the certificate and the series number of engines.
2. The exact part number in the catalog (It's better to put down the page number in the catalog).

We can find out the present part number upon your correct information, then we'll take prompt action to resolve your problem.

If there any problem when customer uses it, please contact our company and we'll reply in time.

# 产 品 识 别 资 料

## Product Identification Information

零件识别应参照铭牌

Date Plates Should be referred for parts identification

### 1. 发动机铭牌

#### ENGINE DATA PLATE

③	Engine No.	S.O. No.				①
	Model	Ref. No.				
②	Advertised	Engine Cert	C.I.D.	Family	C.P.L.	④
	Conf. No.	Indent.				
	Date of mfg.	Warranty start date				
<b>Manufactured by Cummins Engine Co.</b>						

①工厂指令号

shop order number

②机型特征

Model designation

③发动机序号

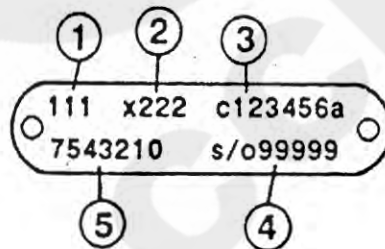
Engine serial number

④性能控制件清单

Control parts List

### 2. 燃油泵铭牌

#### FUEL PUMP DATA PLATE



①性能控制件清单号

Control parts list number

②标定代号

Calibration code

③序号

Serial number

④最高级别编号

Top level number

⑤燃油泵总成号

Fuel pump assembly number

## 目 录 TABLE OF CONTENTS

标题	TITLE	页次Page
空气滤清器	AIR CLEANER	1
附件驱动盖	ACCESSORY DRIVE COVER	3
气缸体	CYLINDER BLOCK	5,7
主轴瓦组件	MAIN BEARING	9
凸轮轴中间齿轮安装	CAMSHAFT GEAR MTG	11
摇臂室及盖	ROCKER LEVER COVER	13
喷油器安装	INJECTOR MTG	15
凸轮从动件	CAM FOLLOWING HOUSING	17
机油泵	LUB OIL PUMP	19
机油冷却器	LUBRICATING OIL COOLER	21
水泵	WATER PUMP	23,25
增压器供油软管	TURBO OIL SUPPLY HOSE	27
装运支架	BRACKET SHIPPING	28
发动机盘车机构	ENGINE BARRING DRIVE	29
燃油歧管	FUEL TUBING	31,33
曲轴总成	CRANKSHAFT	35
空气阻力指示器	INDICTOR RESTRICTIOIN	37
减振器	VIBRATION DAMPER	38
油压报警开关	LOW OIL PRESSURE SWITCH	39
水温报警开关	COOLANT TEMP SWTCH	40
充电机安装	ALTERNATOR MOUNTING	41
充电发电机	ALTERNATOR	43
发动机前支承	FRONT ENGINE SUPPORT	44
磁力开关安装	MAGNETIC SWITCH	45
风扇轮毂总成	FAN HUB	47,49
前齿轮室盖安装	FRONT GEAR HOUSING & COVER MTG	51
前齿轮室盖	FRONT GEAR COVER	52
燃油滤清器	FUEL FILTER	54
燃滤器管路	FUEL FILTER PLUMBING	55
飞轮壳	HOUSING FLYWHEEL	56
电磁传感器	MAGNETIC PICKUP	58
燃油泵	SUPPORT FUEL PUMP	59
远程电子调速器	CONTROL GOVERNOR	60
燃油泵辅助驱动	DRIVE ACCESSORY	62
燃油脉冲减震器	DAMPER FUEL PUMP & MTG	64
燃油连接块	FUEL BLOCK	65
燃油管	FUEL TUBING	67
燃油切断阀	VALVE SHUTOFF	69

# 目 录 TABLE OF CONTENTS

标题	TITLE	页次Page
飞轮	FLYWHEEL	71
液压泵驱动	HYDAULIC PUMP DRIVE	72
风扇水箱	FA & HEAT EXCHANGER	73
进气管	INTAKE MANIFOLD	75,77
机油滤清器	LUBRICATING OIL FILTER	79
输油接头	CONNECTION OIL TRANSFER	81
机油尺及曲轴箱通风器	LIPSTICK FILL BREATHER	83,85
油位指示器孔堵塞	SIGHT GLASS PLUGS	87
油管管塞	SIGHT GLASS LOK	88
机油旁通滤清器	LUB OIL FILTER	89
机油旁通滤清器管	LUB OIL FILTER HOSE	91
机油盘	OIL PAN	93
机油吸油管	TUB OIL SUCTION	95
活塞和连杆	PISTON AND CONN ROD	97
气缸盖	CYLINDER HEAD	99
气缸盖安装	CYLINDER HEAD MOUNTING	101
摇臂室	ROCKER HOUSING	103
凸轮轴	CAMSHAFT AN GEAR	104
喷油器	INJECTOR	105
挺杆	TAPPET HYD VAR TIMING	107
机油控制阀	VALVE OIL CONTROL	109
输油管	MANIFOLD OIL	111
机油控制阀安装	MTG OIL CONTROL VALVE	113
输油连接管	CONNECTION OIL TRANSFER	115
水室盖	COVER WATER HEADER	117
中冷器芯	AFTERCOOLER	118
中冷器管路	PLUMBING AFTERCOOLER	119
增压器	TURBOCHARGER	121
附件驱动皮带轮	ACCESSORY DRIVE PULLY	123
起动机马达	STARTING MOTOR	124
起动机孔盖	COVER STARTER HOLE	125
水滤器	WATER FILTER ASSY	127
进水管接头	CONNECTION WATER INLET	129
输水管	TUBE WATER TRANSFER LB	131
出水管连接	WATER OUTLET CONNECTION	133
排气管	MANIFOLD EXHAUST	135
排气接头	CONNECTION EXHAUST	137

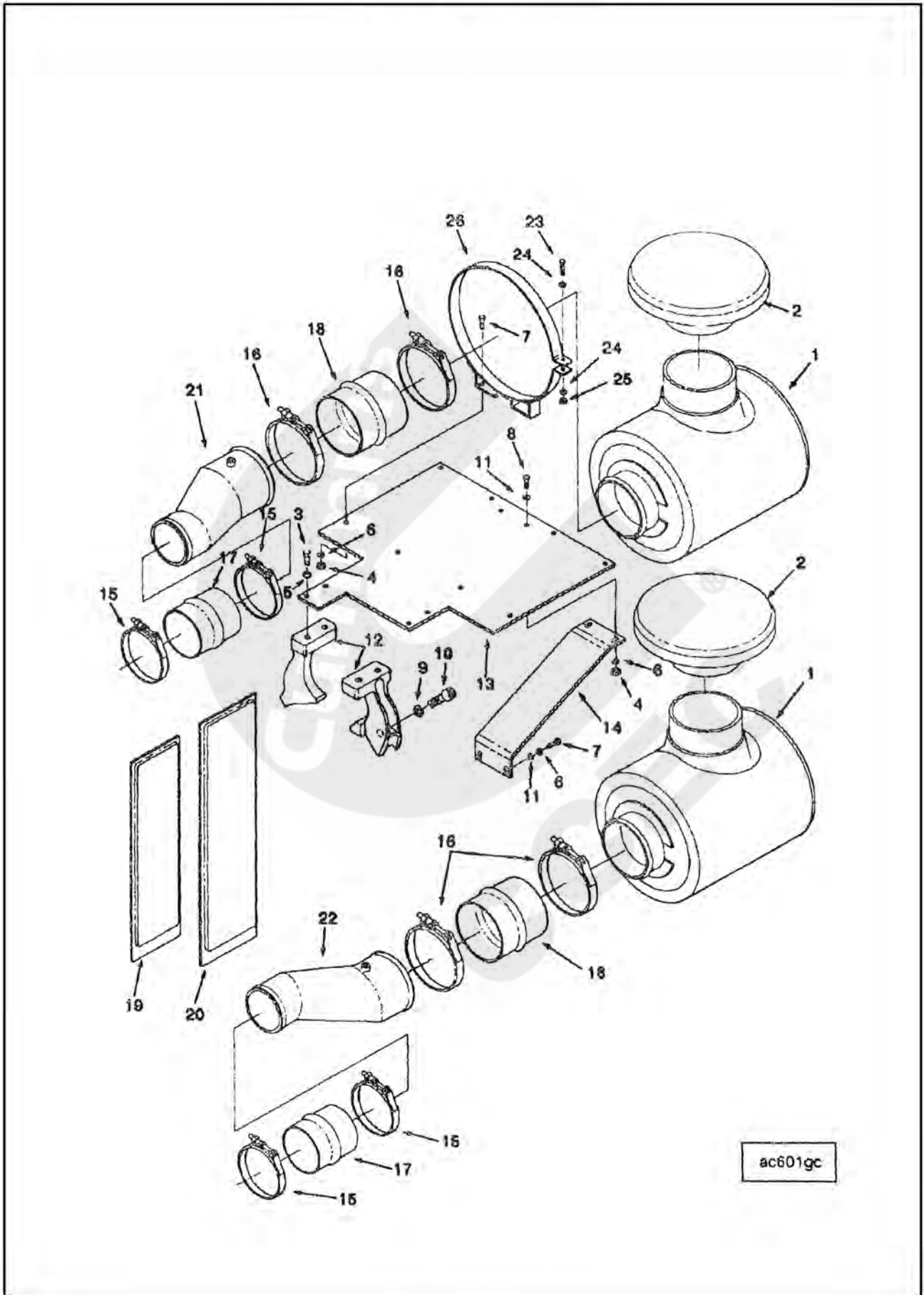


表-1

## 空气滤清器 Air Cleaner

AC 6047

级别 LV	零件号 Part Number	图上标号 Ref No	零件名称 Part Name		数量 Req	备注 Remarks
			中文	英文		
02	3017002	1	空气滤清器	CLEANER, AIR	2	
02	3017003	2	空滤器帽	CAP, AIR CLEANER	2	
02	3626596		空滤器支架安装	MTG, AIR CLEANER BRACKET	1	
03	103009	7	六角螺栓	SCREW, HEXAGON HEAD CAP	2	
03	185804	8	六角螺栓	SCREW, HEXAGON HEAD CAP	2	
03	205059	9	平垫圈	WASHER, CYLINDER	2	
03	206028	10	内六角螺栓	SCREW, SOCKET HEAD	2	
03	3000082	11	平垫圈	WASHER, PLAIN	4	
03	3051793	12	支承	SUPPORT, TURBOCHARGER	2	
03	3179714	13	支架	BRACKET, AIR CLEANER	1	
03	3179715	14	支架	SUPPORT, AIR CLEANER	1	
03	S 145	3	六角螺栓	SCREW, HEXAGON HEAD	4	
03	S 217	4	六角厚螺母	NUT, HEAVY HEXAGON	2	
03	S 608	5	弹簧垫圈	WASHER, LOCK	4	
03	S 610	6	弹簧垫圈	WASHER, LOCK	4	
02	3626597		空滤器进气管	CONNECTION, AIR CLEANER	1	
03	125741	15	抱箍	CLAMP, T BOLT	4	
03	140314	16	抱箍	CLAMP, T BOLT	4	
03	3008465		管塞	PLUG, PIPE	2	
03	3014244	17	凸缘软管	HOSE, HUMP	2	
03	3030792	18	直橡胶接管	HOSE, HUMP	2	
03	3179690	19	隔热罩	SHIELD, HEAT	2	
03	3179691	20	隔热罩	SHIELD, HEAT	2	
03	3179716	21	进气管	TUBE, AIR INLET	1	
03	3179720	22	进气管	TUBE, AIR INLET	1	
02	3626598		空滤器安装	MTG, AIR CLEANER	1	
03	103009	7	六角螺栓	SCREW, HEXAGON HEAD CAP	8	
03	109558	25	自锁螺母	NUT, LOCK	4	
03	197221	26	空滤器箍带	STRAP, AIR. CLEANER	4	
03	S 111	23	六角螺栓	SCREW, HEXAGON HEAD	4	
03	S 217	4	六角厚螺母	NUT, HEAVY HEXAGON	8	
03	S 610	6	弹簧垫圈	WASHER, LOCK	8	
03	S 626	24	平垫圈	WASHER, PLAIN	8	



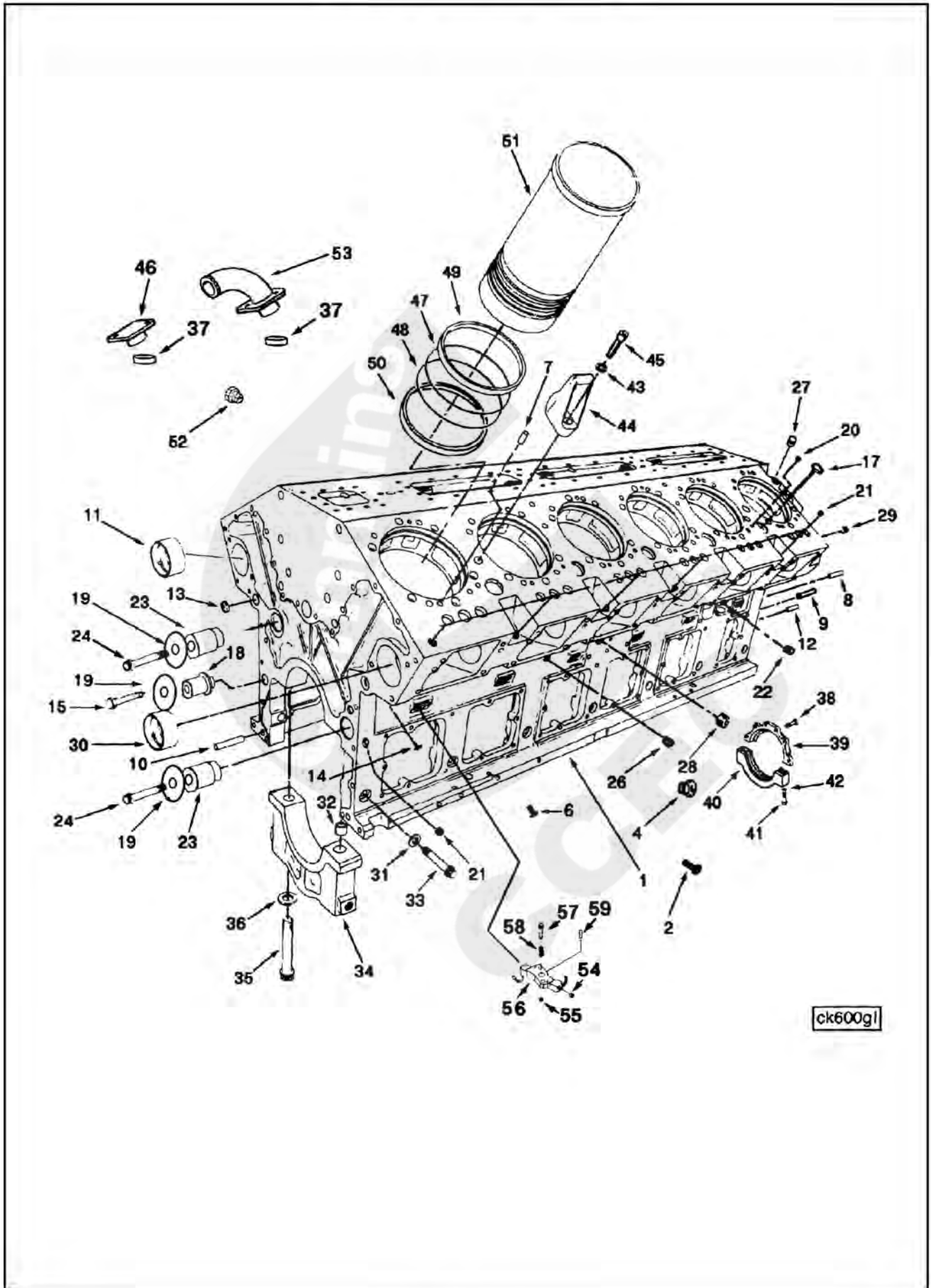
va600ge

级别 LV	零件号 Part Number	图上标号 Ref No	零件名称 Part Name		数量 Req	备注 Remarks
			中文	英文		
02	3026274		正时齿轮室盖塞子20	PLUG, GEAR COVER	1	



NOTES





级别 LV	零件号 Part Number	图上标号 Ref No	零件名称 Part Name		数量 Req	备注 Remarks
			中文	英文		
02	3178974		缸体	BLOCK, CYLINDER	1	
03	206224	17	碗型塞	PLUG, EXPANSION	15	
03	206742	20	碗形塞	PLUG, EXPANSION	12	
03	3008466	26	管塞	PLUG, PIPE	3	
03	3008469	27	管塞	PLUG, PIPE	1	
03	3010595	6	带垫螺栓	SCREW, CAPTIVE WAS	12	
03	3013786	29	管塞	PLUG, PIPE	1	
03	3095295	52	接头	UNION, MALE	1	
04	3627695		O型圈	SEAL, O RING	1	
04	3627699		阳性接头	CONNECTOR, MALE	1	
03	3165826	14	放水开关	DRAINCOCK	4	
03	3177556	37	矩形密封圈	SEAL, RECTANGULAR RING	6	
03	3177638		缸体	BLOCK, CYLINDER	1	
04	139990	31	平垫圈	WASHER, PLAIN	14	
04	205230	30	衬套	BUSHING	2	
04	205584	33	十二角螺栓	SCREW, TWELVE POINT CAP	14	
04	206587	34	主轴承盖	CAP, MAIN BEARING	5	
04	206588	34	主轴承盖	CAP, MAIN BEARING	2	
04	3044578	35	主轴螺栓	SCREW, HEXAGON HEAD CAP	14	
04	3025485	36	平垫圈	WASHER, PLAIN	14	
04	3176857	32	定位环	DOWEL, PIN	7	
04	3175805	11	衬套	BUSHING	24	
04	3176649	21	定位堵头	BUSHING	12	
04	3178802	1	缸体	BLOCK, CYLINDER	1	
03	3178464	46	盖板	PLATE, COVER	2	
03	3178466	53	接头	CONNECTION, WATER TRANSFE	4	
03	3178947	2	螺栓	SCREW, HEXAGON HEAD CAP	12	
03	3179664		活塞冷却阀	VALVE, PISTON COOLING	6	
04	3176552		密封圈	AEAL, TAMPER PROOF	2	
04	69204	D 55	矩形密封圈	RING, RETAINING	1	
04	3630068	56	活塞冷却阀体	BODY, PISTON COOLING	1	
04	3058423	57	活塞冷却阀柱塞	PLUNGER, OIL COOLING	1	
04	3058424	58	压缩弹簧	SPRING, COMPRESSION	1	
04	3179000	59	定位销	DOWEL, PIN	2	
03	3629168	54	碗型塞	PLUG, EXPANSION	8	
02	MP 5474		中间齿轮安装	GEAR, IDLER MTG	1	
03	130083		止推轴承	BEARING, THRUST	2	
03	3177443	15	六角螺栓	SCREW, HEX FLANGE HEAD CA	1	
03	3178450	18	中间齿轮轴	SHAFT, IDLER	1	

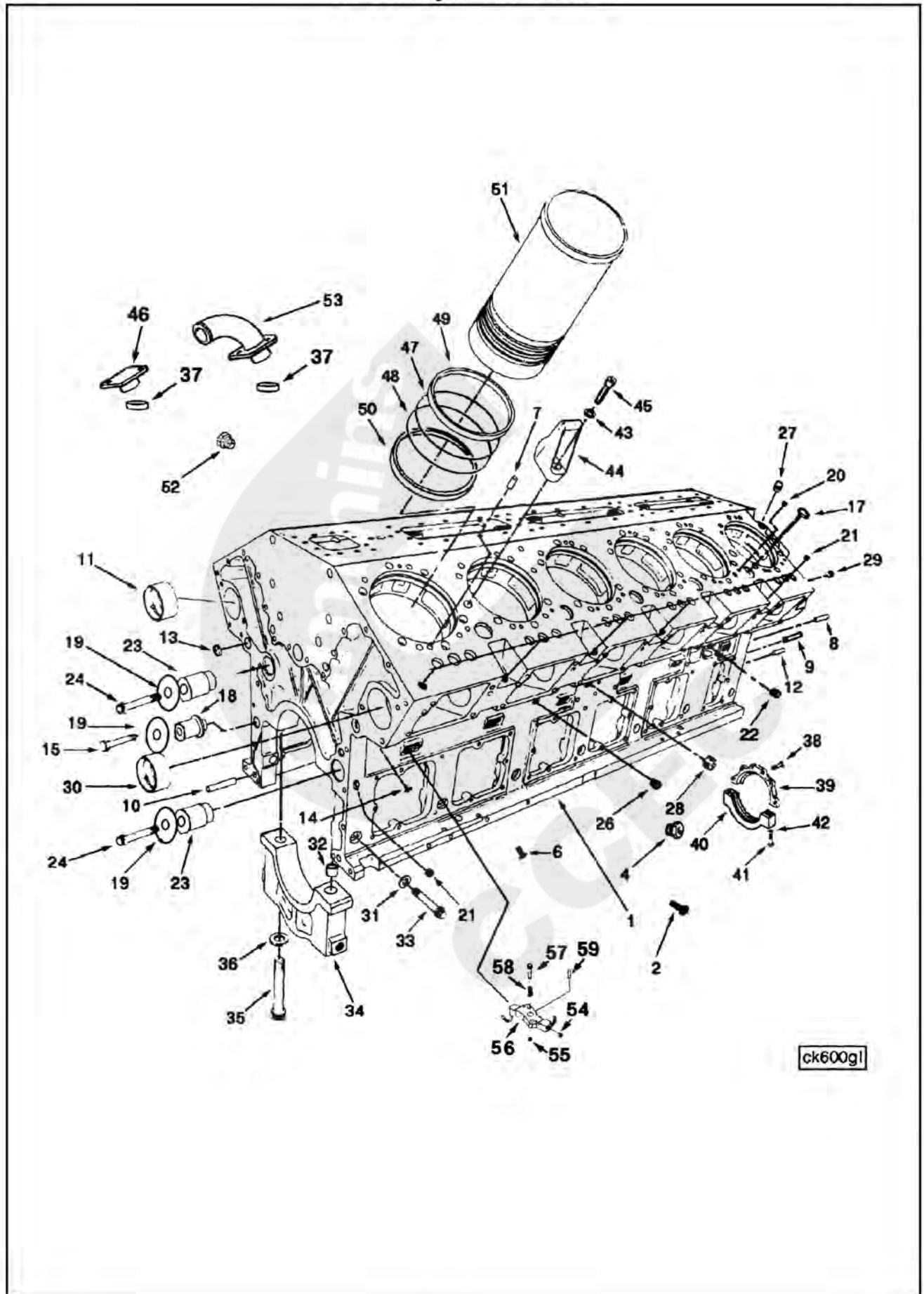


表-3-2

## 汽缸体 Cylinder Block

BP 6042

级别 LV	零件号 Part Number	图上标号 Ref No	零件名称 Part Name		数量 Req	备注 Remarks
			中文	英文		
03	3178457	19	平垫圈	WASHER, PLAIN	1	
02	3006089		气缸套	LINER, CYLINDER	12	
03	3011076	47	O型密封圈	SEAL, D RING	1	
03	3011884	50	缸套座圈	INSERT, LINER	1	
03	3014668	48	O型密封圈	SEAL, D RING	1	
03	3022157	51	气缸套	LINER, CYLINDER	1	
03	3081489	49	缝隙密封圈	SEAL, OIL	1	
02	3011512		凸轮轴中间齿轮安装	GEAR, CAM IDLER MTG	2	
03	130083		止推轴承	BEARING, THRUST	2	
03	3033853	23	中间齿轮轴	SHAFT, IDLER	1	
03	3177945	24	六角螺栓	SCREW, HEX FLANGE HEAD CA	1	
03	3178457	19	平垫圈	WASHER, PLAIN	1	
02	AR11441		起吊支架	BRACKET, LIFTING	4	
03	205059	43	平垫圈	WASHER, CYLINDER	1	
03	205684	44	起吊支架	BRACKET, LIFTING	1	
03	206028	45	内六角螺栓	SCREW, SOCKET HEAD	1	
02	3034627		曲轴止推片安装	RETAINER, THRUST MTG	1	
03	106069	38	六角螺栓	SCREW, HEXAGON HEAD	6	
03	3000138	39	轴承支座	SUPPORT, BEARING	1	
03	S 610		弹簧垫圈	WASHER, LOCK	6	
02	3175281	40	轴承座	SUPPORT, REARING	1	
02	S 105	41	六角螺栓	SCREW, HEXAGON HEAD	2	
02	S 604	42	弹簧垫圈	WASHER, LOCK	2	
02	68445	7	槽销	PIN, GROVE	24	

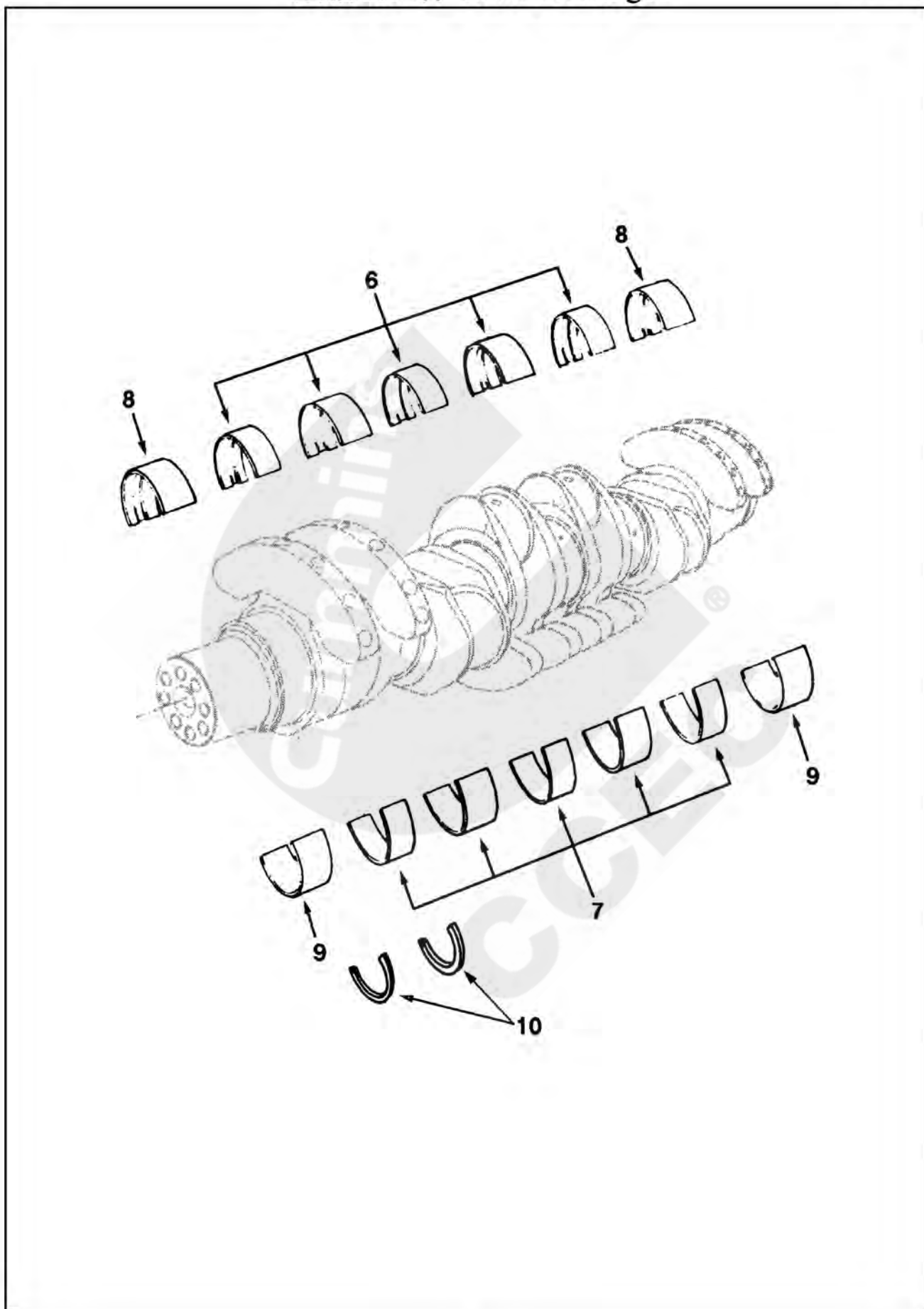
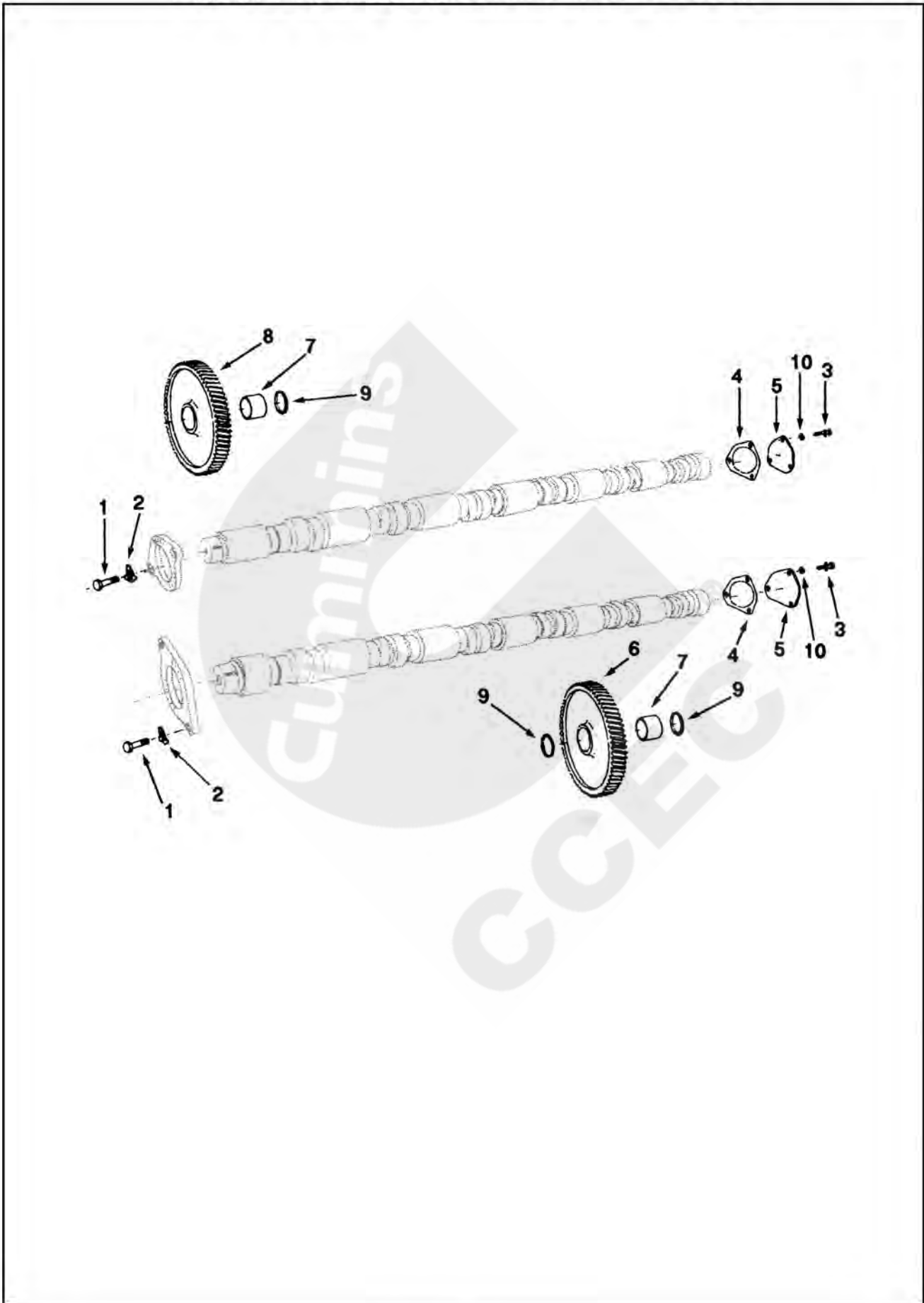


表-4

### 主轴瓦组件 Main Bearings

BP 6042

级别 LV	零件号 Part Number	图上标号 Ref No	零件名称 Part Name		数量 Req	备注 Remarks
			中文	英文		
02	AR45264		主轴瓦组件	SHELL, MAIN BEARING	1	
03	3000139	10	止推轴承	BEARING, THRUST	2	
03	3014054		主轴承组	BEARING, MAIN	1	
04	206580	6	主轴承	BEARING, MAIN	5	
04	206590	7	主轴承	BEARING, MAIN	5	
04	206600	8	主轴承	BEARING, MAIN	2	
04	206610	9	主轴承	BEARING, MAIN	2	
03	3175281		轴承座	SUPPORT, BEARING	1	
03	S 105		六角螺栓	SCREW, HEXAGON HEAD CAP	2	
03	S 604		弹簧垫圈	WASHER, LOCK	2	





级别 LV	零件号 Part Number	图上标号 Ref No	零件名称 Part Name		数量 Req	备注 Remarks
			中文	英文		
02	3004681		凸轮轴中间齿轮总成	EAR, IDLER ASSY	1	
03	3004592	6	凸轮轴中间齿轮	GEAR, LDLER	1	
03	3004686	7	轴承	BUSHING	1	
02	130083	9	止推轴承	EAR, IDLER ASSY	4	
02	3004683		凸轮轴中间齿轮总成	GEAR, IDLER	1	
03	3004596	8	凸轮轴中间齿轮	GEAR, LDLER	1	
03	3004686	7	轴承	BUSHING	1	
02	MP 4970		凸轮轴安装	CAMSHAFT, MTG	2	
03	68908	2	螺栓锁紧片	LOCK PLANE CAPSCREW	2	
03	S 112	1	螺栓	SCREW, HEXAGON HEAD CAP	2	
02	207373	5	凸轮轴端盖	COVER, CAMSHAFT	2	
02	MP 4981		凸轮轴盖安装	COVER CAMSHAFT MTG	2	
03	3014766	3	带垫螺栓	SCREW, CAPTIVE WASHER CAP	3	
03	3040722	4	凸轮轴盖衬垫	GASKET, CAMSHAFT COVER	1	

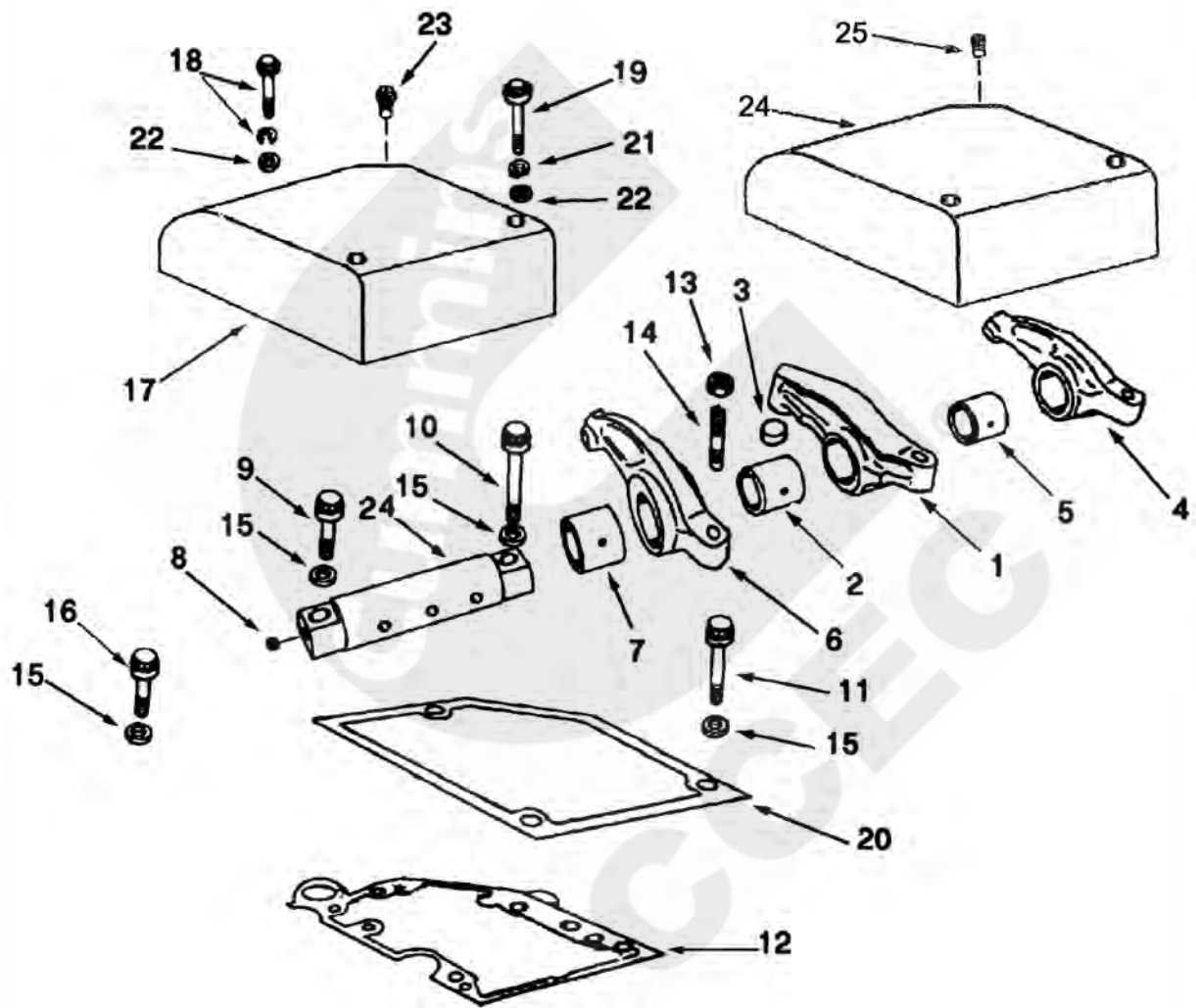
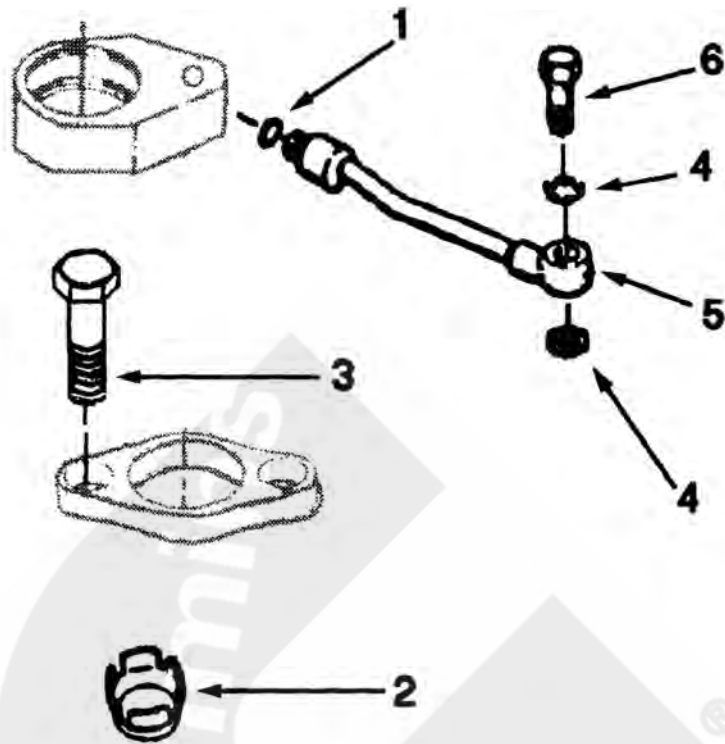


表-6

## 摇臂室及盖 Rocker Lever Cover

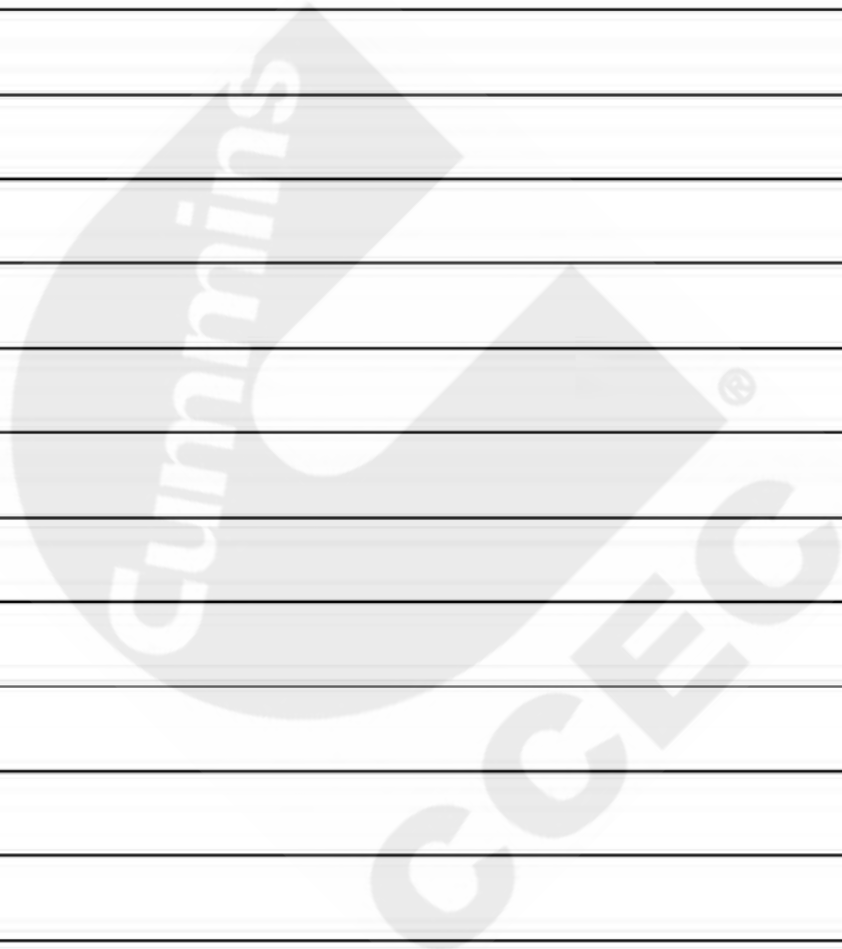
BP 6042

级别 LV	零件号 Part Number	图上标号 Ref No	零件名称 Part Name		数量 Req	备注 Remarks
			中文	英文		
02	3010388	17	摇臂室盖	COVER, ROCKER LEVER	11	
02	3039006		摇臂室盖	COVER, ROCKER LEVE	1	
03	3008465	25	管塞	PLUG, PIPE	1	
03	3038938	24	摇臂室盖	COVER, ROCKER LEVER	1	
02	MP 5479		摇臂室安装	HOUSING, ROCKER ARM MTG	12	
03	108602	11	六角螺栓	SCREW, HEXAGON HEAD	5	
03	205128	15	平垫圈	WASHER PLAIN	6	
03	3630839	12	摇臂室衬垫	GASKET, RKR LEVER HOUSING	1	
03	S 125	16	六角螺栓	SCREW, HEXAGON HEAD CAP	1	
02	3010248		摇臂室盖安装	COVER, VALVE MTG	12	
03	3012474	18	带垫螺栓	SCREW, CAPTIVE WAS	1	
03	3629140	20	摇臂室盖衬垫	GASKET, ROCKER LEVER COVE	1	
03	S 169	19	六角螺栓	SCREW, HEXAGON HEAD CAP	2	A
03	S 602	22	平垫圈	WASHER, PLAIN	2	
03	S 604	21	弹簧垫圈	WASHER, LOCK	2	
02	3176363		摇臂总成	ASSY, ROCKER LEVER	12	
03	168306	14	开槽调节螺栓	SCREW, SLOTTED SET	3	
03	205128	15	平垫圈	WASHER PLAIN	2	
03	205393	9	十二角螺栓	SCREW, TWELVE POINT CAP	1	
03	205394	10	十二角螺栓	SCREW, TWELVE POINT CAP	1	
03	3053476	4	摇臂	LEVER, ROCKER	1	
04	207344	5	衬套	BUSHING	1	
04	208084		铆钉	RIVET	1	
04	(3418857)		摇臂	LEVER, ROCKER	1	
03	3053478	1	喷油摇臂	LEVER, ROCKER	1	
04	194037	3	摇臂凹头	SOCKET LEVER ROCKER	1	
04	208084		铆钉	RIVET	1	
04	207226	2	衬套	BUSHING	1	
04	(3418858)		摇臂	LEVER, ROCKER	1	
03	3053479	6	摇臂	LEVER, ROCKER	1	
04	207344	7	衬套	BUSHING	1	
04	(3418859)		摇臂	LEVER, ROCKER	1	
03	S 212	13	六角螺母	NUT, REGULAR HEXAGON	3	
02	3176772		摇臂轴	SHAFT, ROCKER LEVER	12	
03	203933	8	碗形塞	PLUG, EXPANSION	1	
03	3049164	26	摇臂轴	SHAFT, ROCKER LEVER	1	



级别 LV	零件号 Part Number	图上标号 Ref No	零件名称 Part Name		数量 Req	备注 Remarks
			中文	英文		
02	3039306		喷油嘴安装	INJECTOR, MTG	12	
03	131026	1	O型密封圈	SEAL, O RING	1	
03	207244	2	喷油器密封环	RING, INJECTOR SE	1	
03	3023095	4	垫圈	WASHER, SEALING	2	
03	3070962	3	六角螺栓	SCREW, HEXAGON HEAD CAP	2	
03	3179021	6	螺栓	SCREW, BANJO CONNECTOR	1	
03	3629341	5	输油管接头	CONNECTION, OIL TRANSFER	1	

NOTES



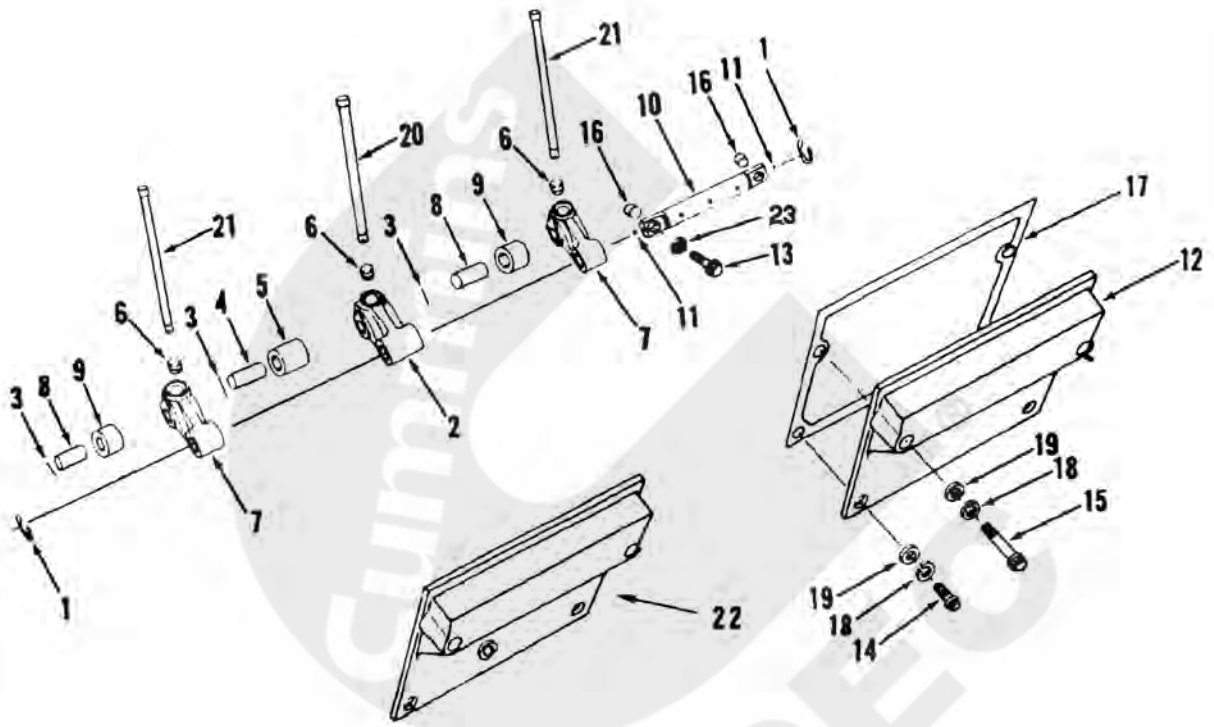


表-8

## 凸轮从动件 Cam Follower Housing

BP 6042

级别 LV	零件号 Part Number		图上标号 Ref No	零件名称 Part Name		数量 Req	备注 Remarks
				中文	英文		
02	3039163	B		凸轮从动件	LEVER, CAM FOLLOWER	12	
03	205068		4	喷油凸轮从动件滚轮销	PIN, CAM FOLLOWER	1	
03	205438		3	滚轮锁紧钢丝	LOCKWIRE, CAM ROL	1	
03	213559		6	凸轮轴从动件凹头	SOCKET, CAM FOLLOW	1	
03	3016825		5	凸轮从动件滚轮	ROLLER, CAM FOLLOWER	1	
03	3655377		2	喷油凸轮从动件分总成	LEVER, CAM FOLLOWER	1	
02	3039164	B		凸轮从动件	LEVER, CAM FOLLOWER	24	
03	205071		8	气门凸轮从动件滚轮销	PIN, CAM FOLLOWER	1	
03	205438		3	滚轮锁紧钢丝	LOCKWIRE, CAM ROL	1	
03	213559		6	凸轮轴从动件凹头	SOCKET, CAM FOLLOW	1	
03	3016826		9	凸轮从动件滚轮	ROLLER, CAM FOLLOWER	1	
03	3655378		7	气门凸轮从动件分总成	LEVER, CAM FOLLOW	1	
02	3019085			凸轮从动件盖安装	COVER, CAM FOLLOWER MTG	1	
03	3040721		17	凸轮从动件衬垫	GASKET, CAM FOL HOUSING	12	
03	S 103	D	14	六角螺栓	SCREW, HEXAGON HEAD CAP	22	
03	S 126		15	六角螺栓	SCREW, HEXAGON HEAD CAP	24	
03	S 602		19	平垫圈	WASHER, PLAIN	46	
03	S 604		18	弹簧垫圈	WASHER, PLAIN	46	
02	3628755		12	凸轮从动件盖	COVER CAMSHAFT	11	
02	3628756		22	凸轮从动件盖	COVER CAMSHAFT	1	
02	3017961		20	喷油推杆	ROD, PUSH	12	
02	205492		21	推杆20	ROD, PUSH	24	
02	205439		1	卡环	RING, RETAINING	24	
02	3058508			凸轮从动件安装	FOLLOWER, CAMSHAFT MTG	12	
03	127362		23	平垫圈	WASHER, PLAIN	2	
03	3002993		16	定位环	DOWEL, RING	2	
03	3177760		13	六角螺栓	SCREW, HEXAGON HEAD CAP	2	

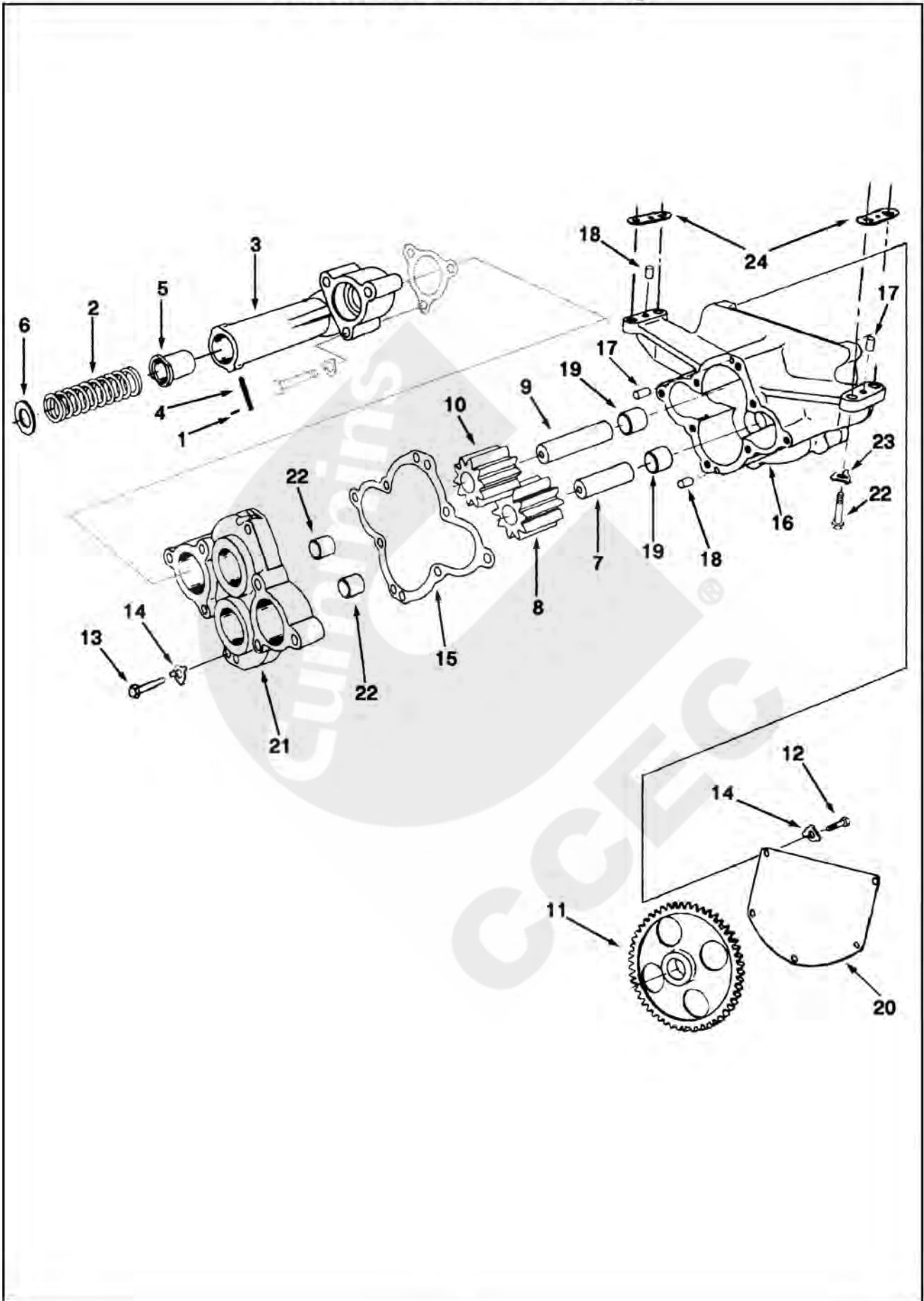


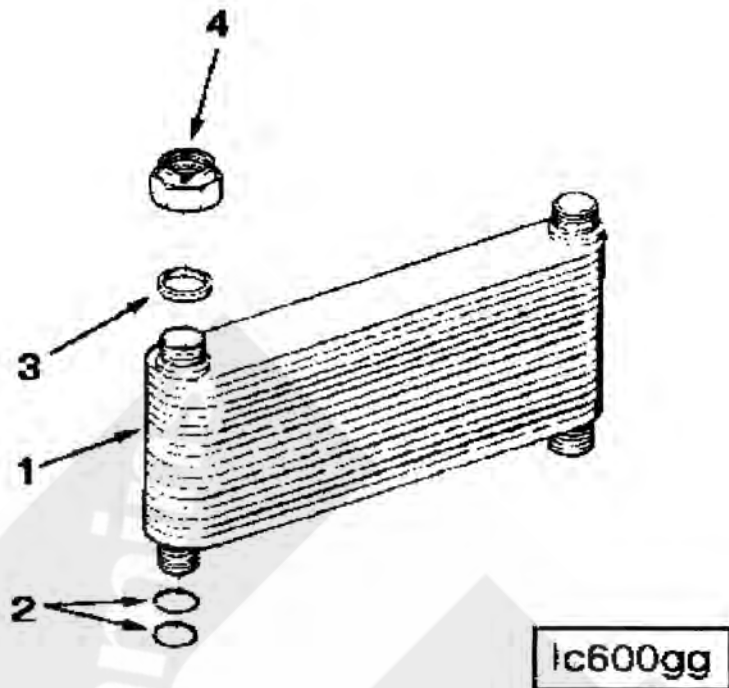


表-9

## 机油泵 Lubrication Oil Pump

BP 6042

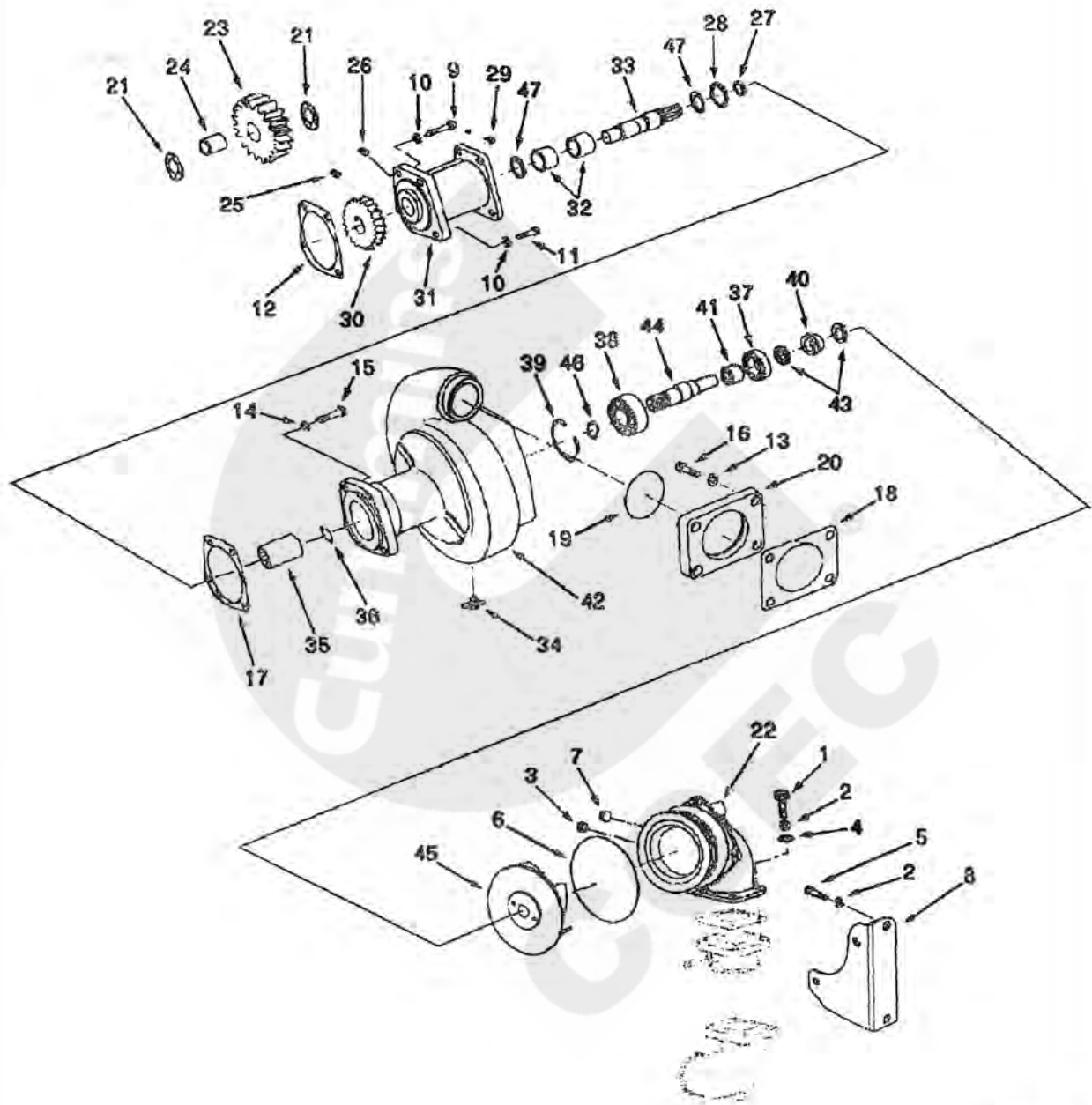
级别 LV	零件号 Part Number	图上标号 Ref No	零件名称 Part Name		数量 Req	备注 Remarks
			中文	英文		
02	AR11475		卸压伐	VALVE, PRESSURE RELIEF	1	
03	107695	1	滚轮销	PIN, ROLL	2	
03	205607	2	压力阀弹簧	SPRING, PRESSURE RELIEF	1	
03	3001718	3	压力阀壳	HOUSING, PRS RELIEF	1	
03	3001719	4	挡圈	PIN, RETAINING	1	
03	3021618	5	压力调节柱塞	PLUNGER, RRS REGULATOR	1	
03	3177093	6	平垫圈	WASHER, PLAIN	1	
02	AR12387		机油泵	PUMP, LUBRICATING OIL	1	
03	69519	17	定位销	DOWEL PIN	2	
03	107948	18	菱形定位销	SOWEL KIAMOND	2	
03	109319	14	锁片	LOCKPLATE	7	
03	205532	15	机油泵衬垫	GASKET LUB PUMP	1	
03	205538	16	机油泵壳体	BODY LUB OIL PUM	1	
04	(205536)		机油泵壳体	BODY LUB OIL PUM	1	
04	205548	19	衬套	BUSHING	2	
03	205546	20	机油泵盖	COVER LUB OIL PUMP	2	
03	205549	21	机油泵盖	COVER LUB OIL PUMP	1	
04	205548	19	衬套	BUSHING	2	
04	(206946)		机油泵盖	COVER LUB OIL PUMP	1	
03	206756	11	机油泵驱动齿轮	GAEAR LUB OIL PUM	1	
03	AR11461		机油泵轴和齿轮	SHAFT LUB OIL PUMP	2	
04	205545	7	机油泵从动轴	SHAFT LUB OIL PUMP	1	
04	205547	8	机油泵齿轮	GEAR LUB OIL PUMP	1	
03	AR12386		机油泵轴和齿轮	SHAFT LUB OIL PUMP	1	
04	205544	9	机油泵从动轴	SHAFT LUB OIL PUMP	1	
04	205547	10	机油泵齿轮	GEAR LUB OIL PUMP	1	
03	S 117	12	六角螺栓	SCREW HEXAGON HEAD CAP	5	
03	S 174 B	13	六角螺栓	SCREW HEXAGON HEAD CAP	2	
02	MP 5268		机油泵安装件	PUMP, LUB OIL MTG	1	
03	149134	23	锁紧片	PLATE, LOCK	4	
03	3026312	24	垫片	SHIM	2	
03	3026313	24	垫片	SHIM	2	
03	S 113	22	六角螺栓	SCREW, HEXAGON HEAD	4	



级别 LV	零件号 Part Number	图上标号 Ref No	零件名称 Part Name		数量 Req	备注 Remarks
			中文	英文		
02	3022892		机油冷却器	COOLER, LUBE OIL	3	
03	212161	2	O型圈	SEAL, O RING	4	
03	3002126	4	锁紧螺母	NUT, LOCK	2	
03	3627295	1	冷却器芯	CORE, COOLER	1	
03	3630969	3	冷却器衬垫	GASKET, COOLER	2	

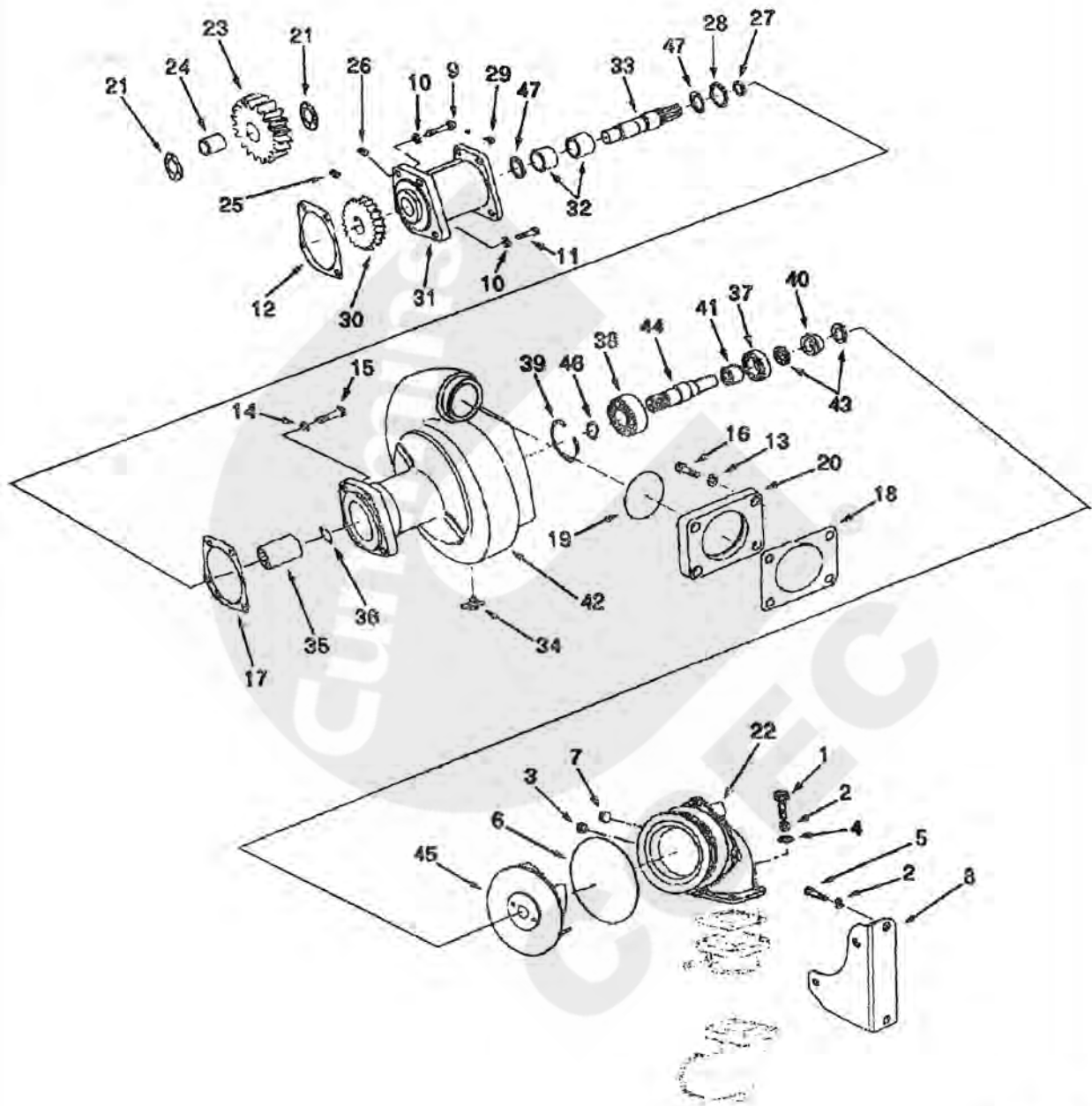
NOTES





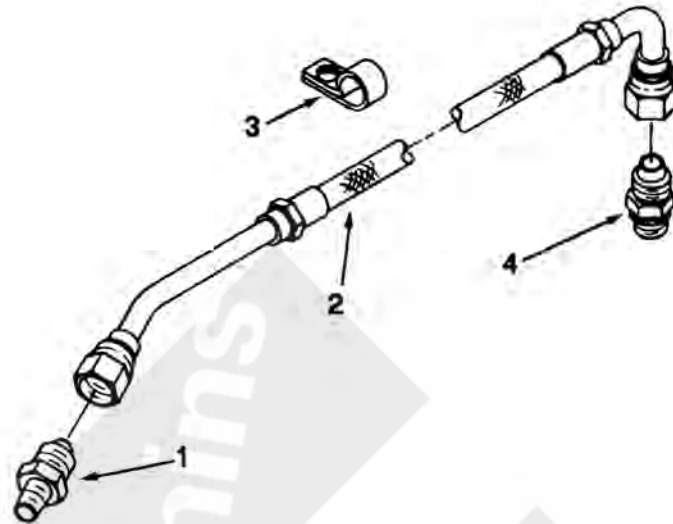
wp600gn

级别 LV	零件号 Part Number	图上标号 Ref No	零件名称 Part Name		数量 Req	备注 Remarks
			中文	英文		
02	3024194		水泵支座总成	SUPPORT, WATER PUM	1	
03	68193	25	管塞	PLUG, PIPE	1	
03	70295	26	管塞	PLUG, PIPE	1	
03	205166	27	挡圈	RING, RETAINING BE	1	
03	205168	28	夹子垫圈	WASHER, CLAMPING	1	
03	206742	29	碗形塞	PLUG, EXPANSION	1	
03	207251	30	水泵齿轮	GEAR, WATER PUMP	1	
03	3024195	31	水泵支架	SUPPORT, WATER PUMP	1	
04	205156	32	衬套	BUSHING	2	
04	(3175234)		水泵支座	SUPPORT, WATER PUMP	1	
03	3026556	47	止推轴承	BEARING, THRUST	2	
03	3030302	33	水泵轴	SHAFT, WATER PUMP	1	
02	3050445		水泵总成	PUMP, WATER	1	
03	3018898		花键套和卡环	COUPLING & SNAP RING	1	
04	206195	35	花键套	SLEEVE, SPLINECOUPLING	1	
04	206196	36	卡环	WIRE, SNAP	1	
03	3050443	42	水泵	PUMP, WATER	1	
04	3165998	34	放水开关	DRAINCOCK	1	
04	S 16054	37	滚珠轴承	BEARING, BALL	1	
04	S 16069	38	滚珠轴承	BEARING, BALL	1	
04	70183	39	挡圈	RING, RETAINING BE	1	
04	206198	40	油封	SEAL, OIL	1	
04	3030487	41	轴承隔套	SPACER, BEARING	1	
04	3030489	42	水泵体	BODY, WATER PUMP	1	
04	3089056	43	水封	SEAL, WAT PUMP	1	
04	3626952	44	水泵轴	SHAFT, WATER PUMP	1	
04	3050453	45	水泵叶轮	IMPELLER, WAT PUMP	1	
04	3175573	46	挡圈	RING, RETAINING BE	1	
02	MP 5274		水泵安装	PUMP, WATER MTG	1	
03	103009	15	六角螺栓	SCREW, HEXAGON HEAD CAP	4	
03	199919	16	十二角螺栓	SCREW, TWELVE POIN	4	
03	206193	17	水泵垫片	GASKET, WATER PUM	1	
03	206455	18	水泵衬垫	GASKET, WATER PUMP	1	
03	3007512	19	O型密封圈	SEAL, O RING	1	
03	3008494	20	接头	ADAPTER, O RING	1	
03	S 604	13	弹簧垫圈	WASHER, LOCK	4	
03	S 610	14	弹簧垫圈	WASHER, LOCK	4	



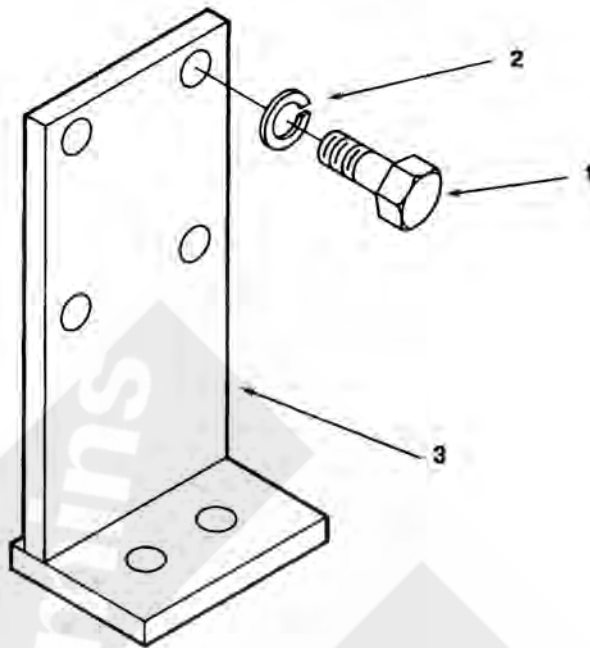
wp600gn

级别 LV	零件号 Part Number	图上标号 Ref No	零件名称 Part Name		数量 Req	备注 Remarks
			中文	英文		
02	MP 5273		水泵支架安装	SUPPORT, WATER PUMP MTG	1	
03	103009	11	六角螺栓	SCREW, HEXAGON HEAD CAP	1	
03	206416	12	水道衬垫	GASKET, SUPPORT	1	
03	S 162 A	9	六角螺栓	SCREW, HEXAGON HEAD CAP	3	
03	S 610	10	弹簧垫圈	WASHER, LOCK	4	
02	MP 5267		水管接头安装	CONNECTION, WATER PUMP	1	
03	108330	4	平垫圈	WASHER, PLAIN	4	
03	108707	5	六角螺栓	SCREW, HEXAGON HEAD	2	
03	206457	6	O型密封圈	SEAL, O RING	1	
03	3008468	7	管塞	PLUG, PIPE	1	
03	3175857	8	水泵支架	SUPPORT, WATER PUMP	1	
03	S 103 D	1	六角螺栓	SCREW, HEXAGON HEAD CAP	4	
03	S 604	2	弹簧垫圈	WASHER, LOCK	6	
03	S 907 A	3	管塞	PLUG, PIPE	1	
02	3004682		水泵齿轮	GEAR, IDLER ASSY	1	
03	3004686	24	轴承	BEARING	1	
03	3004593	23	水泵齿轮	GEAR, IDLER	1	
02	3045568	22	进水接头	CONNECTION, WATER INLET	1	
02	130083	21	止推轴承	BEARING, THRUST	2	

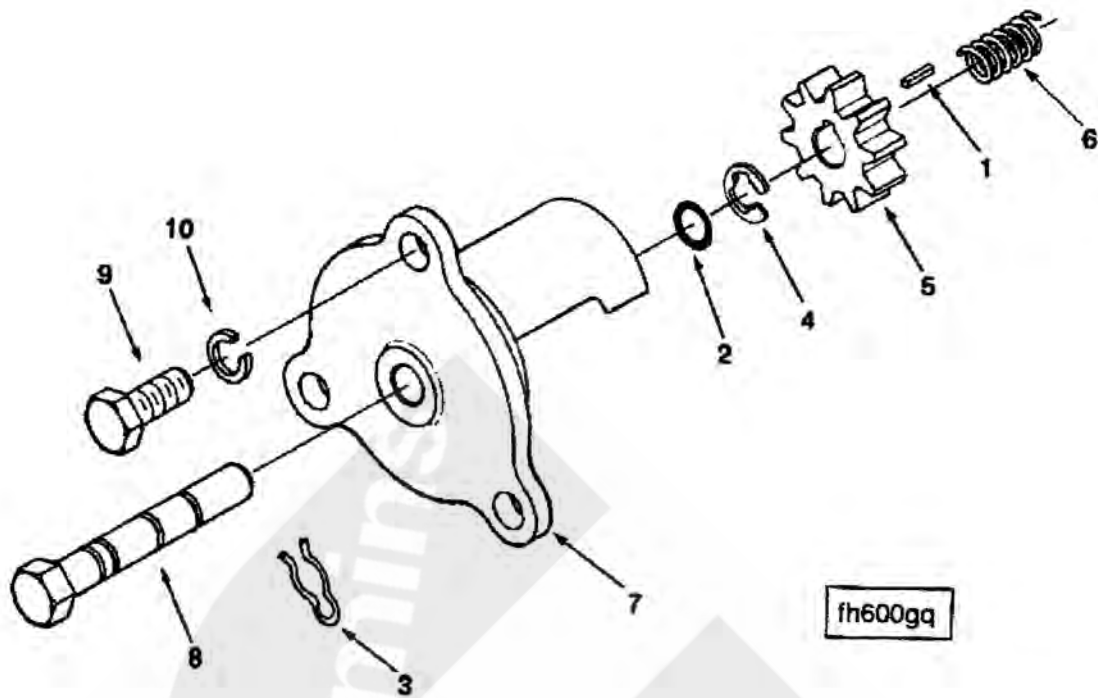


级别 LV	零件号 Part Number	图上标号 Ref No	零件名称 Part Name		数量 Req	备注 Remarks
			中文	英文		
02	3628534		增压器供油管接头	HOSE, TURBO OIL	2	
03	108722	3	夹箍	CLIP	2	
03	3627693	4	接头	UNION, MALE	1	
02	3628543		增压器供油软管	HOSE, TURBO SUPPLY	2	
03	3095293	1	阳性接头	UNION, MALE	1	
04	3627697		阳性管接头	UNION, MALE	1	
04	3922794		O型圈	SEAL, O RING	1	
03	3627704	2	软管	HOSE, FLEXIBLE	1	





级别 LV	零件号 Part Number	图上标号 Ref No	零件名称 Part Name		数量 Req	备注 Remarks
			中文	英文		
02	3175300		装运支架	BRACKET, SHIPPING	1	
03	3175861	3	装运支架	BRACKET, SHIPPING	2	
03	S 152 A	1	六角螺栓	SCREW, HEXAGON HEAD CAP	8	
03	S 611	2	弹簧垫圈	WASHER, LOCK	8	



级别 LV	零件号 Part Number	图上标号 Ref No	零件名称 Part Name		数量 Req	备注 Remarks
			中文	英文		
02	3201740		发动机盘车机构	DRIVE, ENGINE BARRING	1	
03	169834	3	夹子	CLIP	1	
03	206090	4	卡环	RING, RETAINING	1	
03	206091	5	盘车齿轮	GEAR, ENGINE BARRI	1	
03	206092	6	盘车弹簧	SPRING, BARRINGD	1	
03	206093	7	盘车机构壳体	HOUSING, ENGINE BA	1	
03	3201739	8	盘车轴	SHAFT, BARRING	1	
03	3913994	2	O型圈	SEAL, O RING	1	
03	S 306	10	半园键	KEY, PLAIN WOODRUFF	1	
02	3041271		盘车机构安装	MECHANISM, BARRING MTG	1	
03	S 116	9	六角螺栓	SCREW, HEXAGON HEAD CAP	3	
03	S 603	10	弹簧垫圈	WASHER, LOCK	3	

NOTES



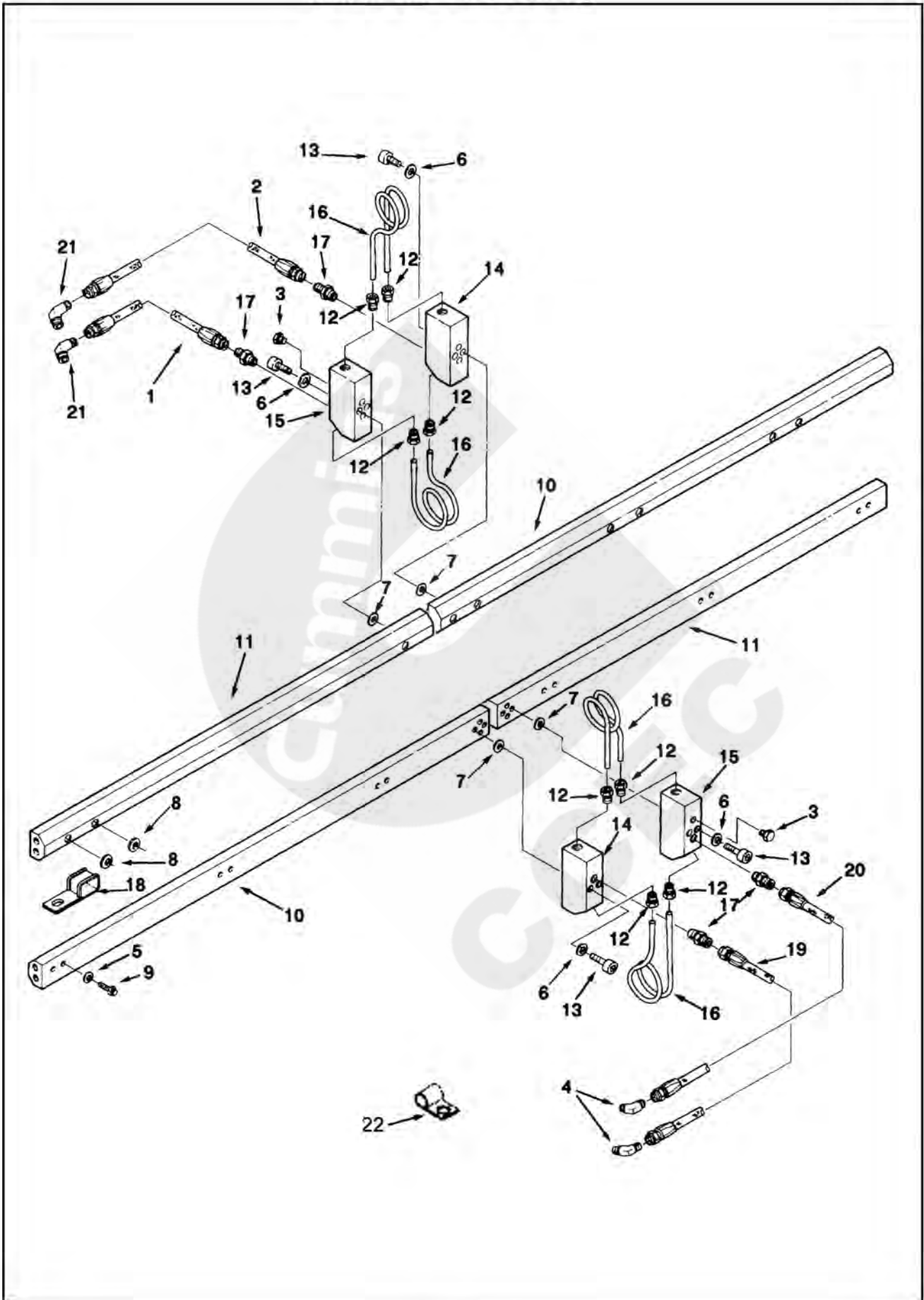
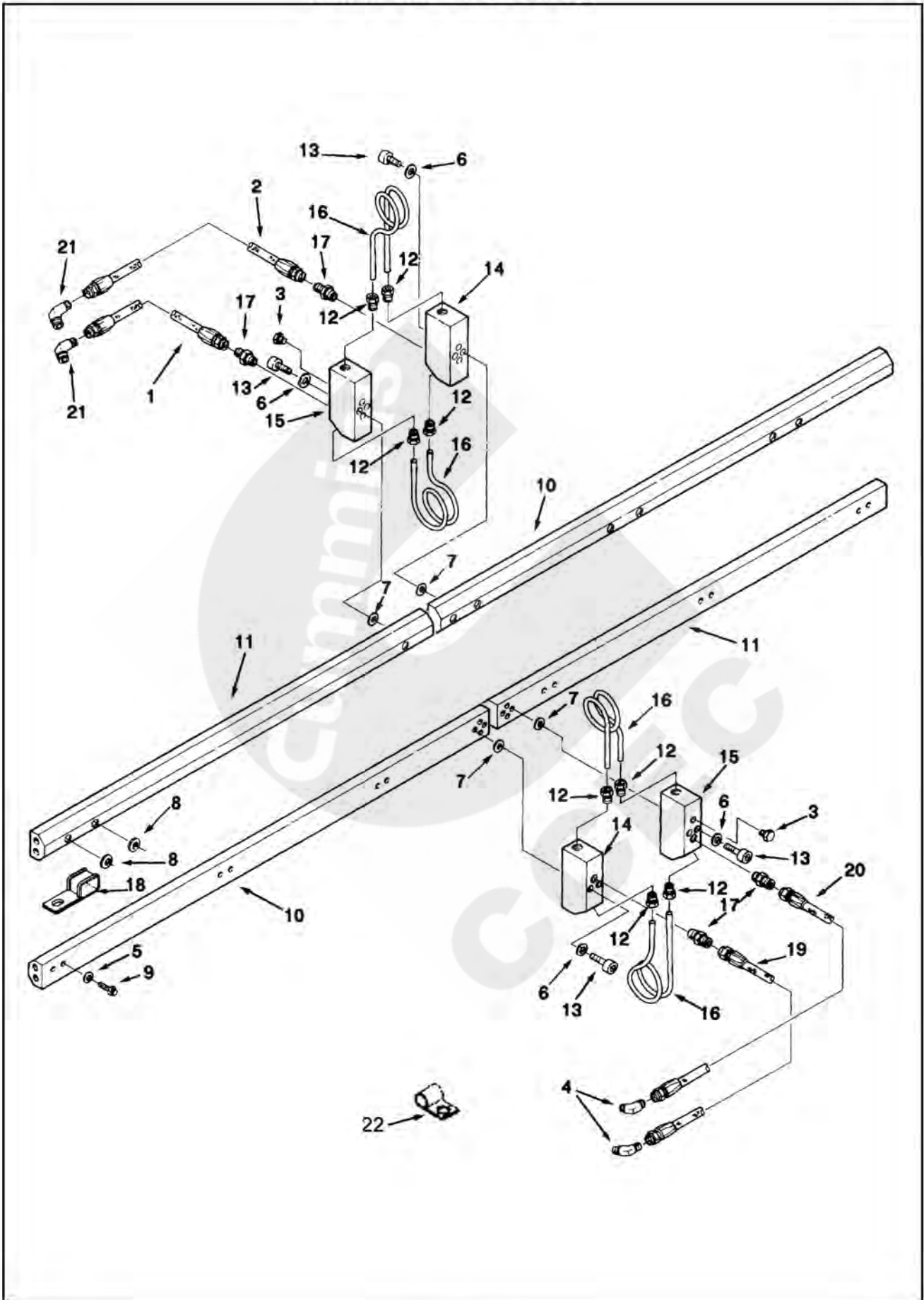


表-15-1

## 燃油歧管Fuel Tubing

BP 6042

级别 LV	零件号 Part Number	图上标号 Ref No	零件名称 Part Name		数量 Req	备注 Remarks
			中文	英文		
02	3175748		燃油管	MANIFOLD, FUEL	1	
03	3175454		燃油管(左侧)	MANIFOLD, FUEL L	1	
04	70295	3	管塞	PLUG, PIPE	1	
04	127018	5	平垫圈	WASHER, PLAIN	12	
04	127362	6	平垫圈	WASHER, PLAIN	2	
04	131026	7	O型密封圈	SEAL, O RING	4	
04	3001340	8	O型密封圈	SEAL, O RING	12	
04	3001811	9	十二角螺栓	SCREW, TWELVE POINT CAP	12	
04	3019581	10	燃油歧管	MANIFOLD, FUEL LH	1	
05	(3017243)		燃油歧管	MANIFOLD, FUEL	1	
05	S 965 E		管塞	PLUG, PIPE	4	
04	3019582	11	燃油歧管	MANIFOLD, FUEL RH	1	
05	(3017244)		燃油歧管	MANIFOLD, FUEL	1	
05	S 965 E		管塞	PLUG, PIPE	4	
04	3031404	12	油管接头	CONNECTOR, TUBE	4	
04	3175074	13	内六角螺栓	SCREW, SOCKET HEAD CAP	4	
04	3176708	14	燃油联接块	CONNECTION, FUEL BLOCK	1	
04	3176709	15	燃油联接块	CONNECTION, FUEL BLOCK	1	
04	3176710	16	燃油供油管	TUBE, FUEL SUPPLY	2	
04	3177366	17	管接头	CONNECTOR, MALE	2	
04	3633046		O型密封圈	SEAL, FRRULE	4	
04	AS 6019 SL	1	软管	HOSE, FLEXIBLE	1	
04	AS 6021 SL	2	软管	HOSE, FLEXIBLE	1	
03	3175456		燃油歧管(右侧)	MANIFOLD, FUEL R	1	
04	70295	3	管塞	PLUG, PIPE	2	
04	127018	5	平垫圈	WASHER, PLAIN	12	
04	127362	6	平垫圈	WASHER, PLAIN	2	
04	131026	7	O型密封圈	SEAL, O RING	4	
04	3001340	8	O型密封圈	SEAL, O RING	12	
04	3001811	9	十二角螺栓	SCREW, TWELVE POINT CAP	12	
04	3019581	10	燃油歧管	MANIFOLD, FUEL LH	1	
05	(3017243)		燃油歧管	MANIFOLD, FUEL	1	
05	S 965 E		管塞	PLUG, PIPE	4	
04	3019582	11	燃油歧管	MANIFOLD, FUEL RH	1	
05	(3017244)		燃油歧管	MANIFOLD, FUEL	1	
05	S 965 E		管塞	PLUG, PIPE	4	
04	3031404	12	油管接头	CONNECTOR, TUBE	4	
04	3175074	13	内六角螺栓	SCREW, SOCKET HEAD CAP	4	
04	3176708	14	燃油联接块	CONNECTION, FUEL BLOCK	1	
04	3176709	15	燃油联接块	CONNECTION, FUEL BLOCK	1	
04	3176710	16	燃油供油管	TUBE, FUEL SUPPLY	2	



级别 LV	零件号 Part Number	图上标号 Ref No	零件名称 Part Name		数量 Req	备注 Remarks
			中文	英文		
04	3177366	17	管接头	CONNECTOR, MALE	2	
04	3177368	21	接头	ELBOW, MALE ADAPTER	2	
04	3633046		O型密封圈	SEAL, FRRULE	4	
04	AS 6022 SL	19	软管	HOSE, FLEXIBLE	1	
04	AS 6024 SL	20	软管	HOSE, FLEXIBLE	1	
02	121229	4	接头20	ELBOW, MALE ADAPTER	2	
02	3177367	18	夹子20	CKAMP, RETAINING	4	

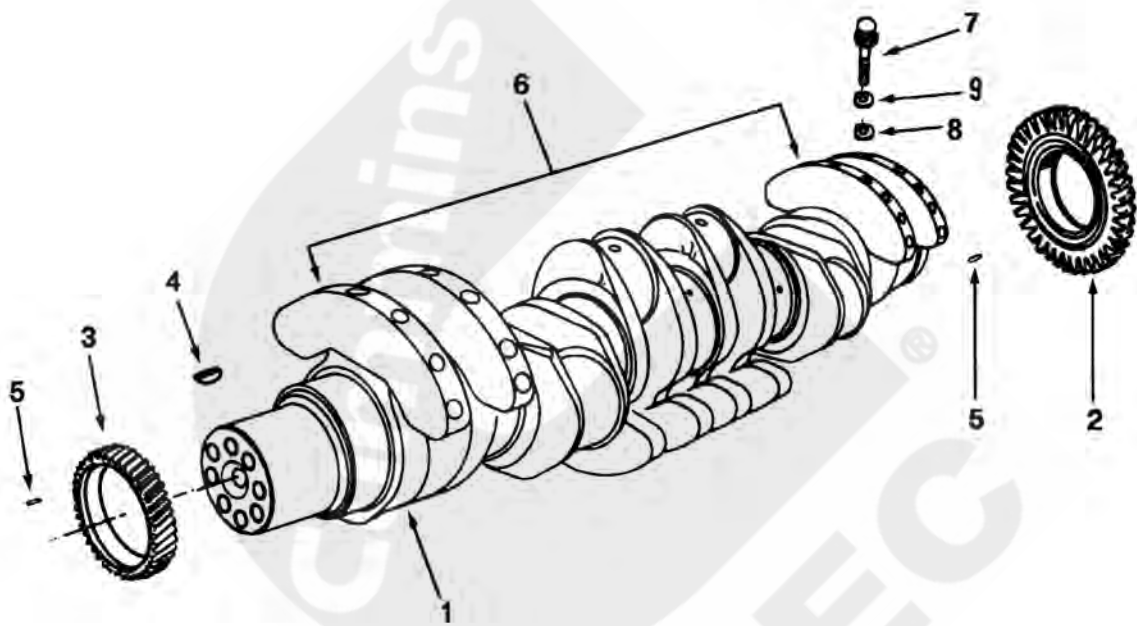




表-16

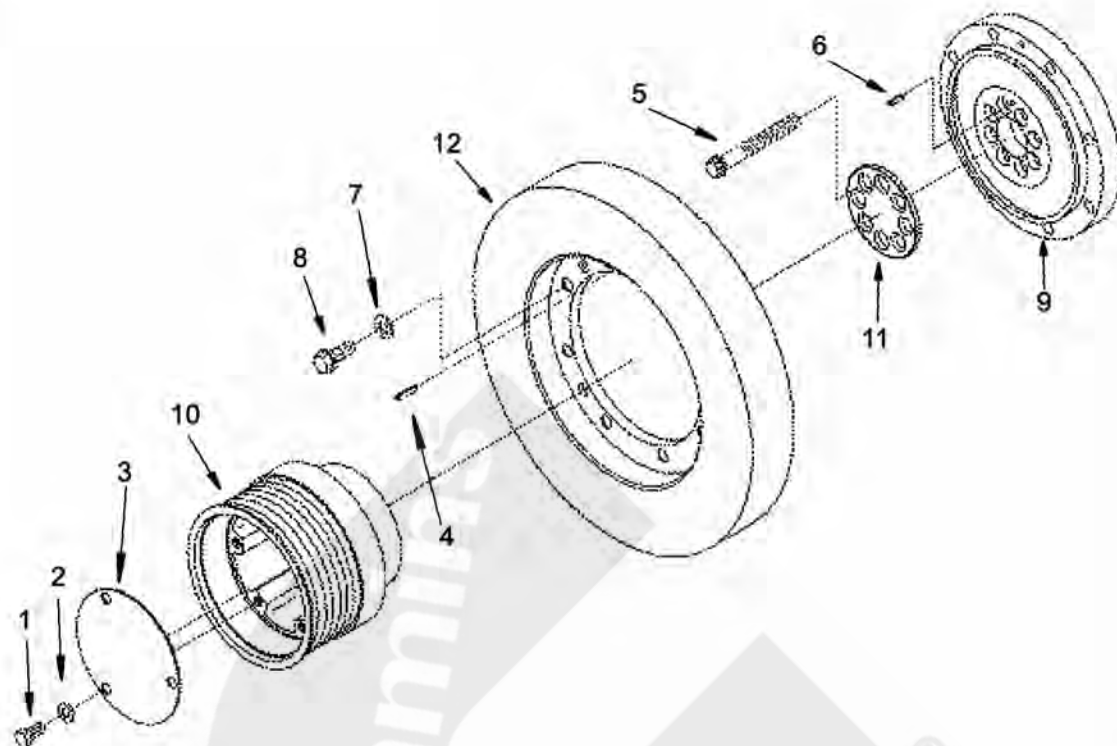
## 曲轴总成 Assy,Crankshaft

BP 6732

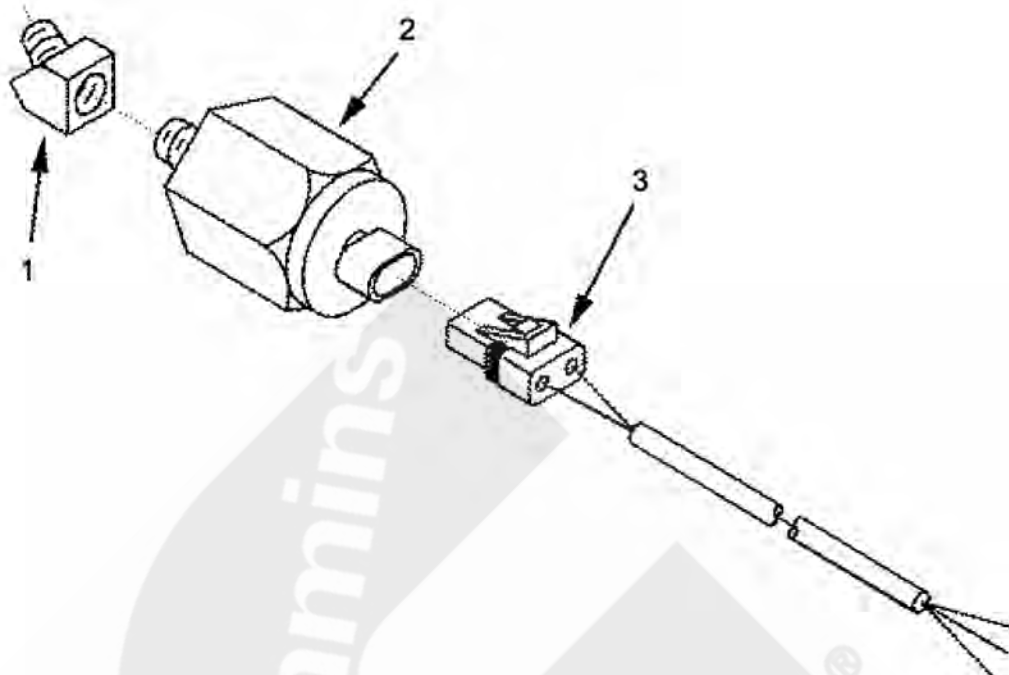
级别 LV	零件号 Part Number	图上标号 Ref No	零件名称 Part Name		数量 Req	备注 Remarks
			中文	英文		
02	3630157		曲轴总成	ASSY CRANKSHFT	1	
03	206904	4	半圆键	KEY WOODRUFF	1	
03	3628798	3	曲轴齿轮	GEAR CRANKSHAFT	1	
03	3175255	2	曲轴齿轮	GEAR CRANKSHAFT	1	
03	3630075	1	曲轴	CRANKSHAFT ENGINE	1	
04	205126	9	平垫圈	WASHER,PLAIN	16	
04	219153	7	连杆螺栓	BOLT CONNECTION ROD	16	
04	3176216	6	曲轴平衡块	WEIGHT CRANKSHAFT COUNT	8	
04	3176218	8	定位环	DOWEL RING	16	
04	3630072		曲轴毛坯	CRANKSHAFT ENGINE	1	



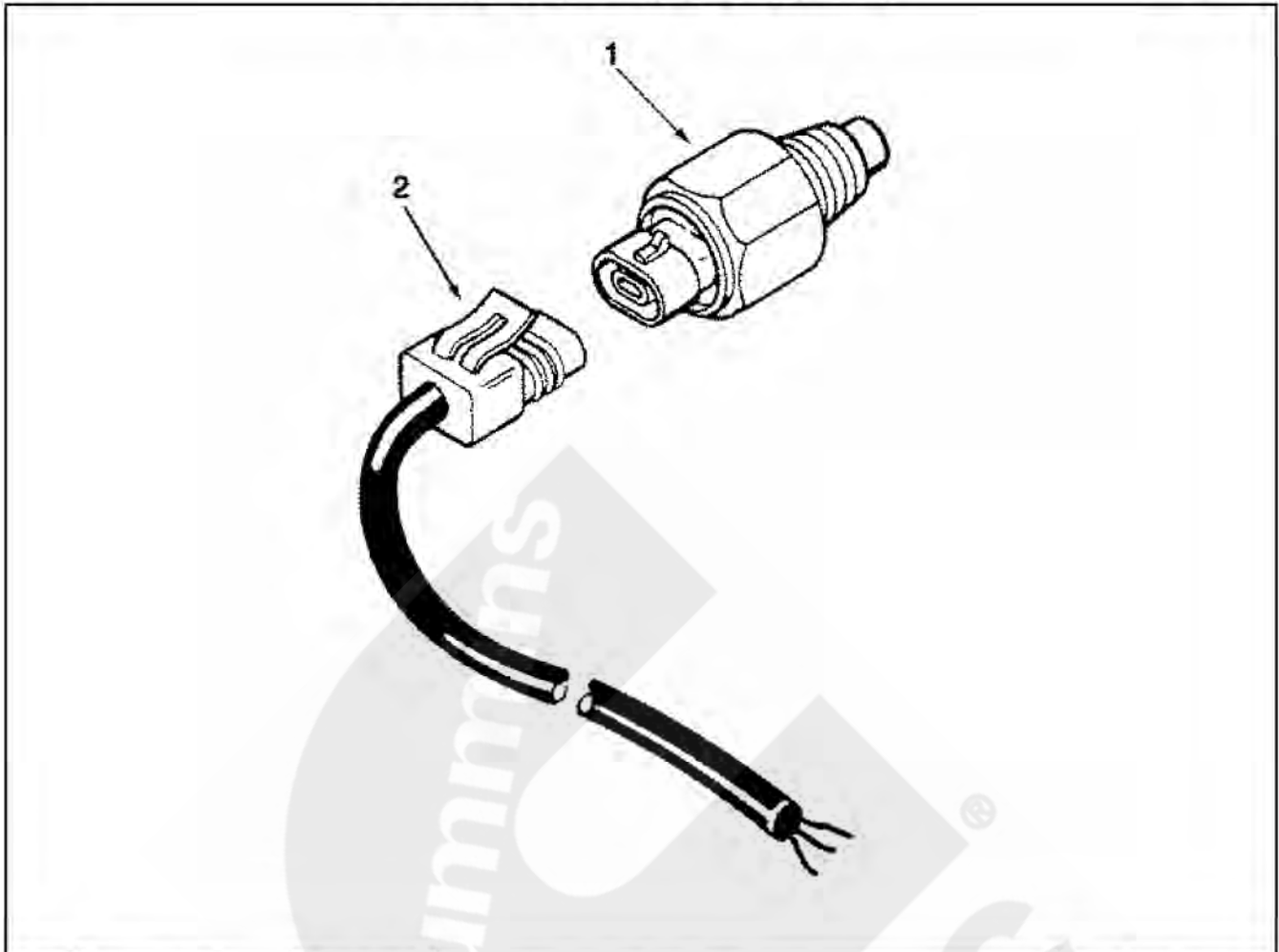
级别 LV	零件号 Part Number	图上标号 Ref No	零件名称 Part Name		数量 Req	备注 Remarks
			中文	英文		



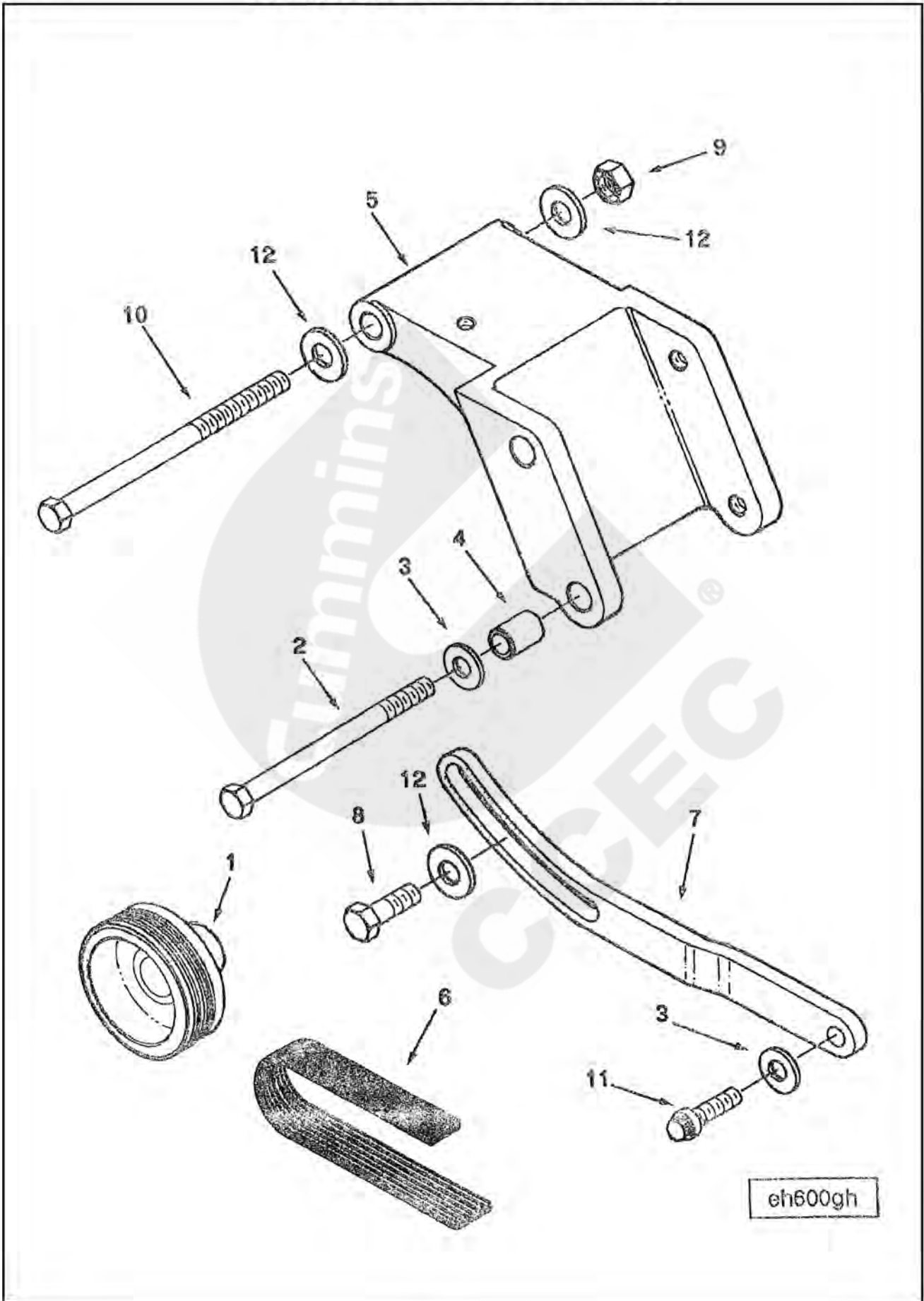
级别	零件号	图上标号	零件名称 Part Name		数量	备注
LV	Part Number	Ref No	中文	英文	Req	Remarks
02	3069778	10	曲轴皮带轮	PULLY, CRANKSHAFT	1	
02	3069781	11	曲轴隔套	SPACER, CRANKSHAFT	1	
02	3069776	9	曲轴连接盘	ADAPTER CRANKSHAFT	1	
02	3037920		曲轴连接盘安装	ADAPTER CRANK MTG	1	
03	3033629	4	圆柱销	PIN ROLL	1	
03	3036846	5	十二角螺栓	SCREW TWELVE POINT CAP	8	
02	3037922		减振器安装	DAMPER MTG	1	
03	131584	6	圆柱销	PIN ROLL	1	
03	3033626	7	平垫圈	WASHER PLAIN	8	
03	3034574	8	六角螺栓	SCREW, HEX HEAD CAP	8	
02	3418998	12	减振器	DAMPER VIBRATION	1	



级别 LV	零件号 Part Number	图上标号 Ref No	零件名称 Part Name		数量 Req	备注 Remarks
			中文	英文		
02	206668	1	弯接头	ELBOW, PLAIN STREET PIPE	1	
02	3408607	2	液压报警开关	SWITCH, PRESSURE	1	
02	3056356	3	报警器导线	HARNESS, WIRING	1	

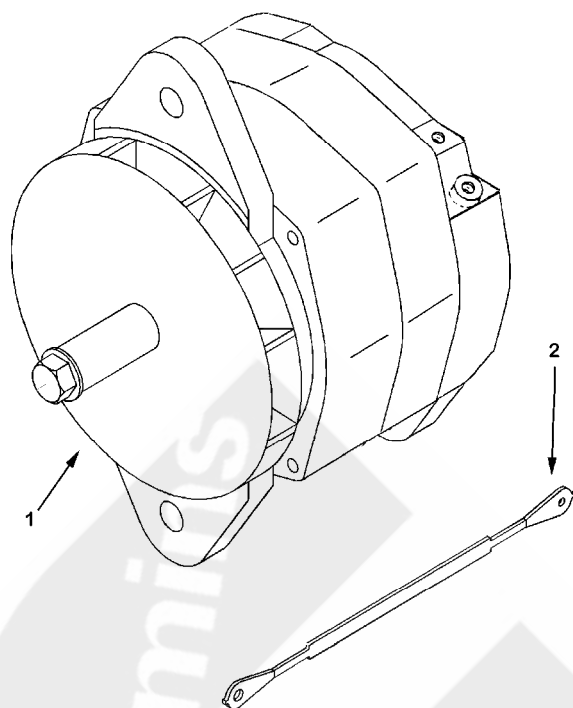


级别 LV	零件号 Part Number	图上标号 Ref No	零件名称 Part Name		数量 Req	备注 Remarks
			中文	英文		
02	3408627	1	水温报警开关	SWITCH TEMPERATURE	1	
02	3056356	2	报警器导线	HARNESS WIRING	1	



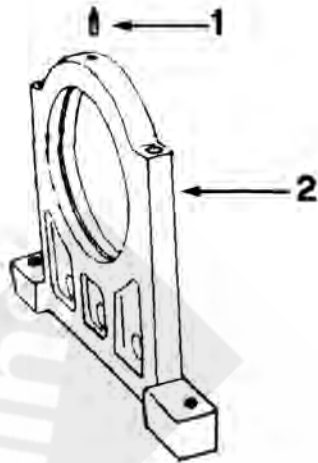
eh600gh

级别 LV	零件号 Part Number	图上标号 Ref No	零件名称 Part Name		数量 Req	备注 Remarks
			中文	英文		
02	3012631		交流发电机支架安装	BRCK, ALT MOUNT	1	
03	203760	3	平垫圈	WASHER, PLAIN	2	
03	207509	4	隔套	SLEEVE	2	
03	3003346	5	发电机支架	BRACKET, ALTERNATOR	1	
03	S 167 B	2	六角螺栓	SCREW, HEXAGON HEAD CAP	2	
02	3012632		交流发电机安装	MTG, ALTERNAT	1	
03	70897	9	锁紧螺母	NUT, LOCK	1	
03	158829	10	六角螺栓	SCREW, HEXAGON HEAD CAP	1	
03	203310	12	平垫圈	WASHER, PLAIN	3	
03	203760	3	平垫圈	WASHER, PLAIN	1	
03	206326	11	十二角螺栓	SCREW, TWELVE POINT CAP	1	
03	S 113	8	六角螺栓	SCREW, HEXAGON HEAD	2	
02	3014711	1	发电机皮带轮	PULLEY, ALTERNATOR	1	
02	3031485	6	多槽皮带	BELT, V RIBBED	1	
02	3419317	7	调节杆	LINK, ADJUSTING	1	

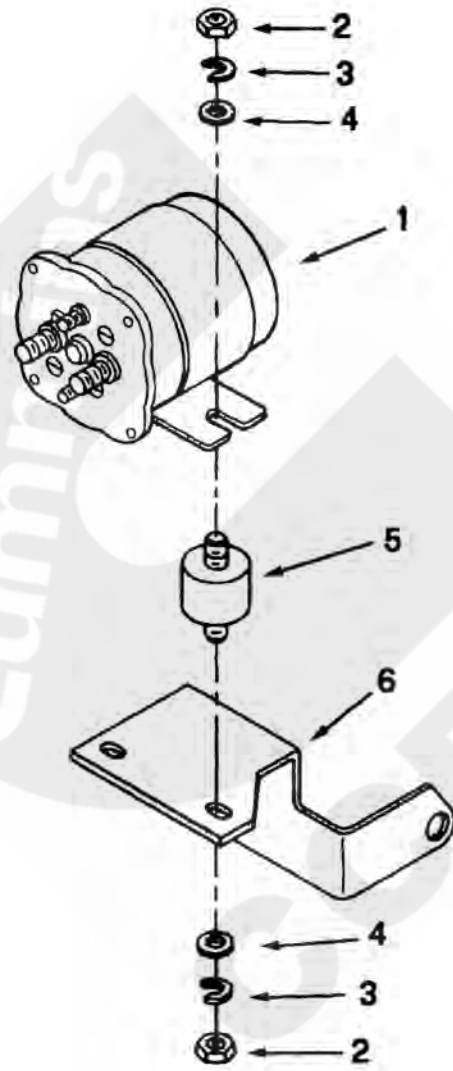


级别 LV	零件号 Part Number	图上标号 Ref No	零件名称 Part Name		数量 Req	备注 Remarks
			中文	英文		
02	3016627	1	充电机	ALTERNATOR	1	
02	3202162	2	地线	WIRE GROUND	1	

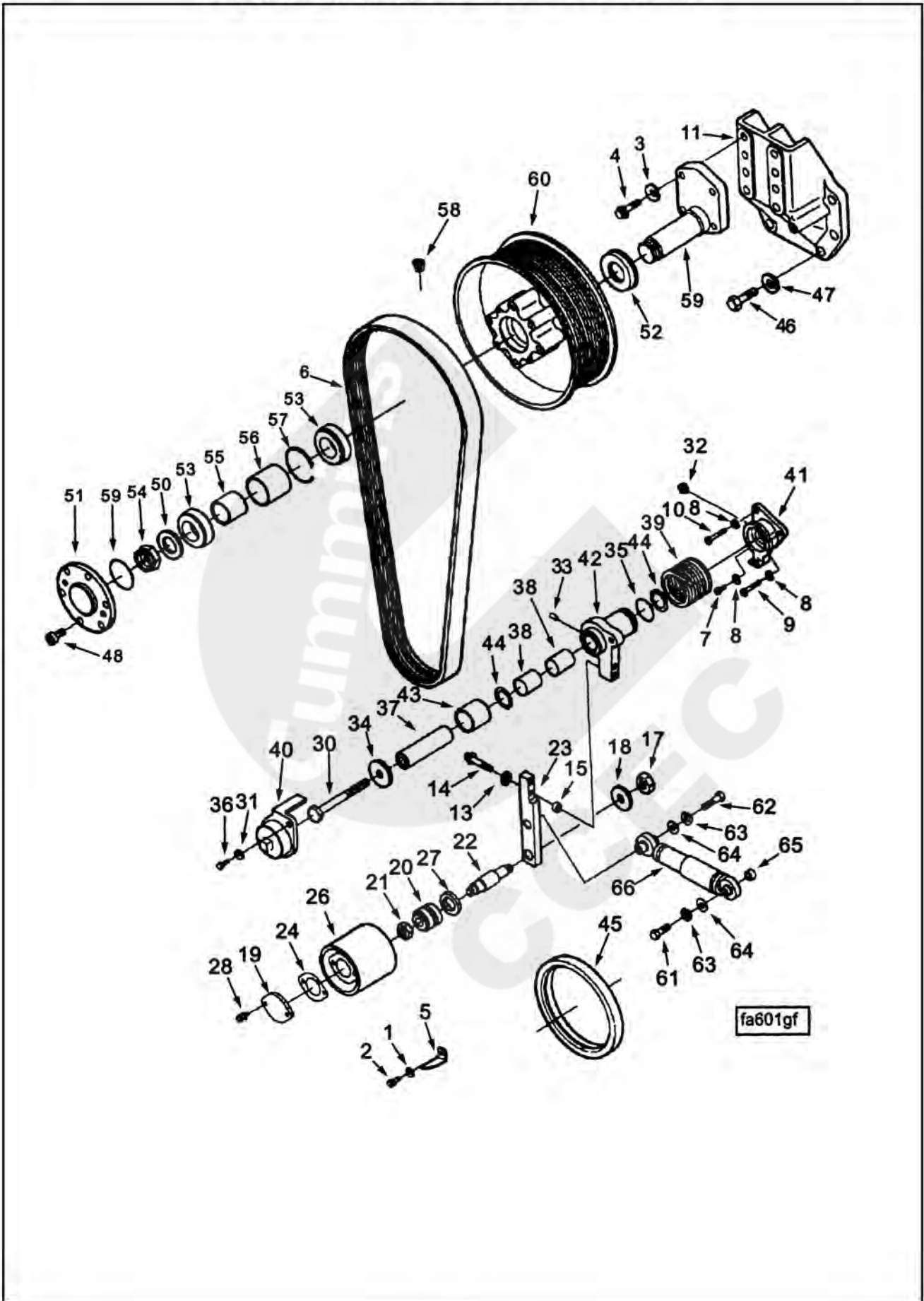




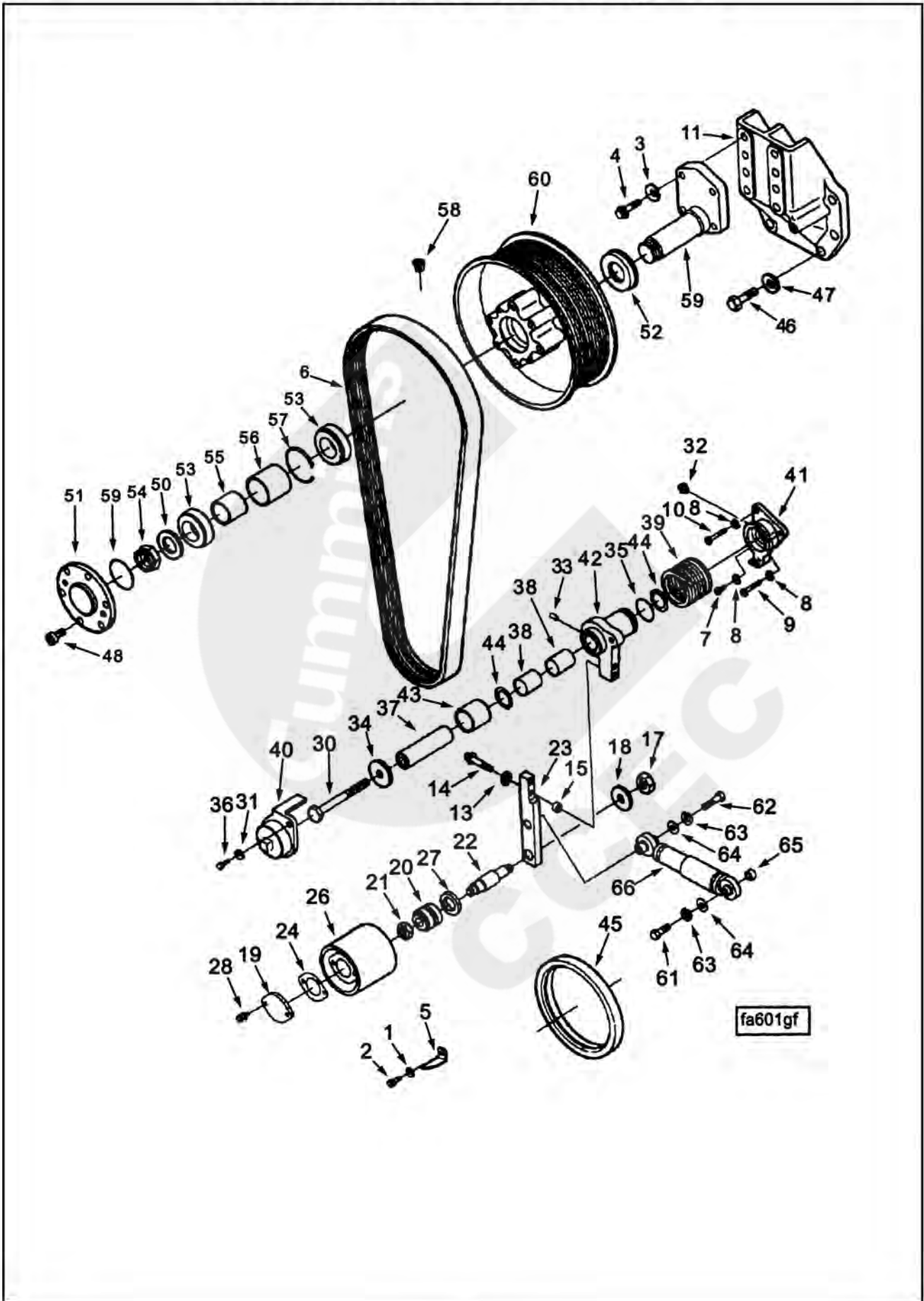
级别 LV	零件号 Part Number	图上标号 Ref No	零件名称 Part Name		数量 Req	备注 Remarks
			中文	英文		
02	3176012		前支承总成	ASSEMBLY, FRONT ENGINE SU	1	
03	3177178	1	发动机前支架	SUPPORT, FRONT ENGINE	1	
03	S 2268	2	黄油嘴	FITTING, GREASE	1	



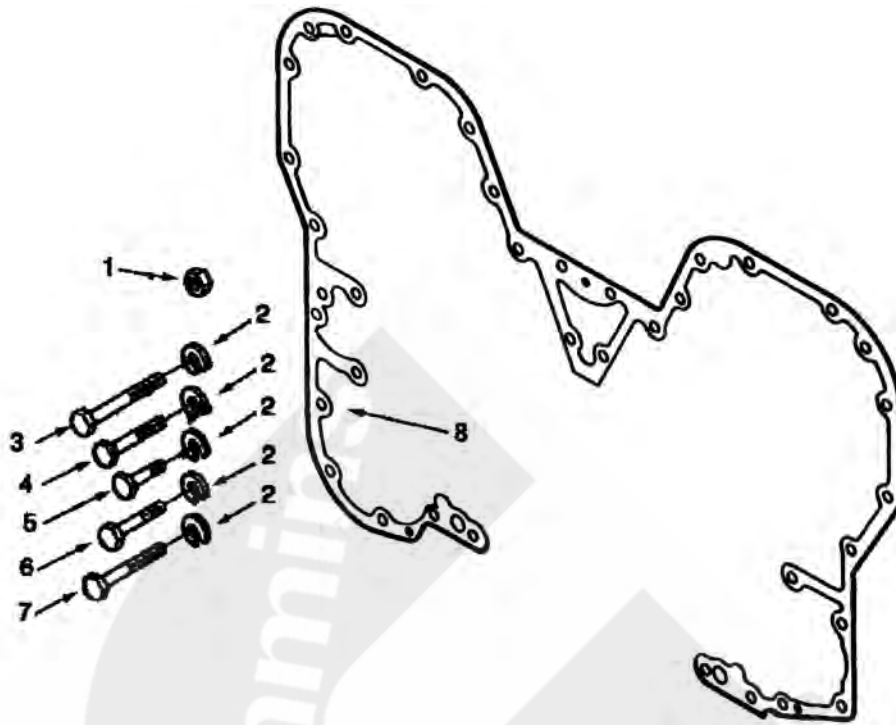
级别 LV	零件号 Part Number	图上标号 Ref No	零件名称 Part Name		数量 Req	备注 Remarks
			中文	英文		
02	3050692	1	电磁开关	SWITCH, MAGNETIC	1	
02	3052529		磁力开关安装件	SWITCH, MAGNETIC	1	
03	204493	5	减振垫	SCREW, HEXAGON HEAD	2	
03	3062483	6	安装支架	BRACKET, MAGNETIC	1	
03	S 224	2	六角厚螺母	NUT, HEAVY HEXAGON JAM	4	
03	S 600	3	弹簧垫圈	WASHER, LOCK	4	
03	S 631	4	平垫圈	WASHER, PLAIN	4	



级别 LV	零件号		图上标号 Ref No	零件名称 Part Name		数量 Req	备注 Remarks
	Part Number			中文	英文		
02	206526		5	正时指针	POINTER, TIMING	1	
02	3003341		6	风扇皮带	BELT V RIBBED	1	
02	3011528			惰轮安装	IDLER, ASSY & MTG	1	
03	103009		9	六角螺栓	SCREW, HEXAGON HEAD CAP	1	
03	3176465		10	六角螺栓	SCREW, HEXAGON HEAD CAP	2	
03	S 153		7	带垫螺栓	SCREW, HEXAGON HEAD CAP	1	
03	S 610		8	弹簧垫圈	WASHER, LOCK	4	
02	3011529			控制杆及安装	IDLER ASSY & MTG	1	
03	104857		65	隔套	SPACER, THROTTLE BRACKE	1	
03	3008018		66	阻尼器	ABSORBER, SCHOCK	1	
03	S 121	B	61	六角螺栓	SCREW, HEXAGON HEAD CAP	1	
03	S 162	A	62	六角螺栓	SCREW, HEXAGON HEAD CAP	1	
03	S 610		63	弹簧垫圈	WASHER, LOCK	2	
03	S 622		64	平垫圈	WASHER, PLAIN	2	
02	3012281		11	风扇支架	FAN SUPPLY	1	
02	3016344			风扇惰轮总成	FAN IDLER ASSEM	1	
03	3002993		15	定位环	DOWEL, RING	2	
03	3009480			惰轮	PULLEY, IDLER	1	
04	207603		19	接头盖	COVER, WATER CONN	1	
04	3003354		20	滚动轴承	BEARING, ROLLER	1	
05	3419363	A		调整垫	GASKET, ADJUST	1	
05	3419363	B		调整垫	GASKET, ADJUST	1	
05	3419363	C		调整垫	GASKET, ADJUST	1	
05	3655263			圆锥滚柱轴承	LEVER ROCKER	2	
05	3655421			内隔套	LEVER ROCKER	1	
05	3655422			保持环	LEVER ROCKER	1	
04	3004057		21	锁紧螺母	NUT, LOCK	1	
04	3009481		22	惰轮轴	SHAFT, IDLER	1	
04	3009482		23	支架	BRACKET, IDLER PULLEY	1	
04	3014449		24	法兰衬垫	GASKET, FLANGE	1	
04	3016766			皮带轮	PULLEY, IDLER	1	
05	3003353		27	油封	SEAL, OIL	1	
05	3009483		26	皮带轮	PULLEY, IDLER	1	
04	3021470		28	螺栓	SCREW, CAPTIVE WASHER CAP	2	
04	S 249		17	六角螺母	NUT, REGULAR HEXAGON JAM	1	
04	S 640		18	平垫圈	WASHER, PLAIN	1	
03	3177130			惰轮轮杆	LEVER, IDLER	1	
04	68171		33	园柱销	PIN, ROLL	2	
04	127454		34	平垫圈	WASHER, PLAIN	1	
04	145581		35	O型圈	SEAL, O RING	1	
04	185804		36	六角螺栓	SCREW, HEXAGON HEAD CAP	1	



级别 LV	零件号 Part Number	图上标号 Ref No	零件名称 Part Name		数量 Req	备注 Remarks
			中文	英文		
04	3009475	37	导向轴	SHAFT, PIVOT	1	
04	3009477	38	隔套	SLEEVE	2	
04	3019416	39	扭力弹簧	SPRING, TORSION	1	
04	3023499	40	盖子	CAP, IDLER LEVER	1	
04	3177125	41	支架	SUPPORT, PIVOT SHAFT	1	
04	3177127	42	惰轮杆	LEVER, IDLER	1	
04	3177128	43	耐磨套	SLEEVE, WEAR	1	
04	3177129	44	止推轴承	BEARING, THRUST	2	
04	S 110	30	六角螺栓	SCREW, HEXAGON HEAD	1	
04	S 610	31	弹簧垫圈	WASHER, LOCK	1	
04	S 2268	32	黄油嘴	FITTING, GREASE	1	
03	S 120		六角螺栓	SCREW, HEXAGON HEAD CAP	2	
03	S 604		弹簧垫圈	WASHER, LOCK	2	
02	3016787	45	油封	SEAL, OIL	1	
02	3017696		风扇支架安装	MTG FAN BRACKET	1	
03	S 174	46	六角螺栓	SCREW, HEXAGON HEAD CAP	6	
03	S 611	47	弹簧垫圈	WASHER, LOCK	6	
02	3031519		风扇轮毂总成	ASS, FAN HUB	1	
03	69771	48	内六角螺栓	SCREW, HEXAGON HEAD	2	
03	145586	49	O型圈	SEAL, O RING	1	
03	205168	50	夹子垫圈	WASHER, CLAMPING	1	
03	206507	51	风扇导向套	PILOT, FAN	1	
03	3031546		风扇轮毂	FAN HUB	1	
04	185747	52	油封	SEAL, OIL	1	
04	206505	53	轴承	BEARING	2	
04	206506	54	自锁螺母	NUT	1	
04	206518	55	隔套	SPACER	1	
04	206519	56	隔套	SPACER	1	
04	206520	57	卡环	RING, RETAINING	1	
04	3003319	60	风扇皮带轮	PULLEY	1	
04	3008465	58	管塞	PLUG, PIPE	2	
04	3031518	59	风扇轮毂轴	SHAFT FAN HUB	1	
02	MP 5266		指示器安装	POINTER, MTG	1	
03	206527	2	十二角螺栓	SCREW, TWELVE POINT	1	
03	S 605	1	弹簧垫圈	WASHER, LOCK	1	
02	MP 5281		风扇轮毂安装	MTG FAN HUB	1	
03	153581	4	十二角螺栓	SCREW TWELVE POINT CAP	4	
03	S 603	3	弹簧垫圈	WASHER, LOCK	4	



级别 LV	零件号 Part Number	图上标号 Ref No	零件名称 Part Name		数量 Req	备注 Remarks
			中文	英文		
02	3015275		前齿轮室盖安装	COVER, FRONT GEAR MTG	1	
03	102020	5	六角螺栓	SCREW, HEXAGON HEA	7	
03	108767	6	六角螺栓	SCREW, HEXAGON HEAD	3	
03	110266	7	六角螺栓	SCREW, HEXAGON HEAD CAP	8	
03	3177160	8	齿轮室盖衬垫	GASKET, GEAR COVER	1	
03	S 127	4	六角螺栓	SCREW, HEXAGON HEAD CAP	2	
03	S 610	2	弹簧垫圈	WASHER, LOCK	20	
02	3015278		发动机支架安装	MTG, ALTERNATOR BRACKET	1	
03	108767	4	六角螺栓	SCREW, HEXAGON HEAD	2	
03	S 610	2	弹簧垫圈	WASHER, LOCK	2	



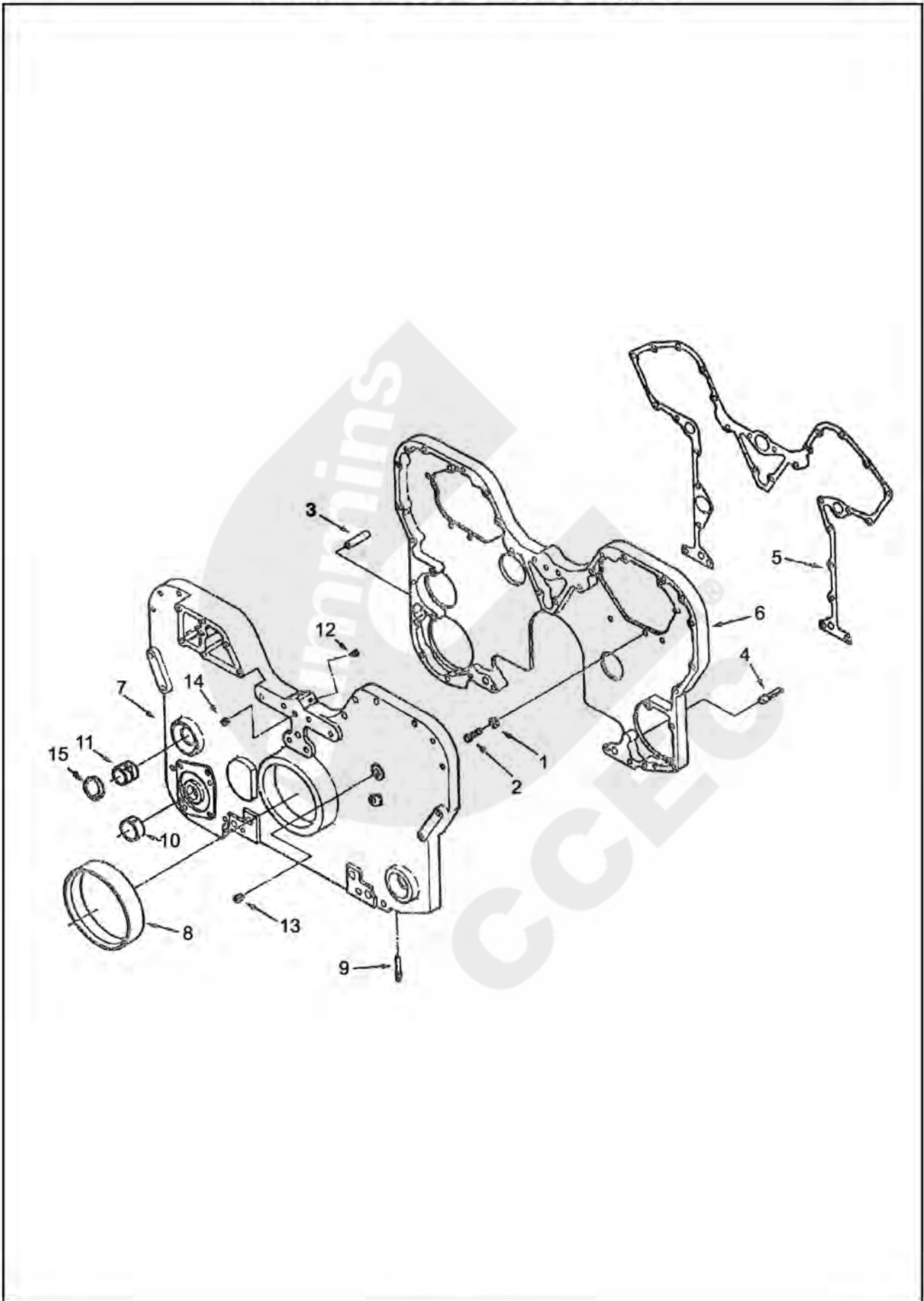
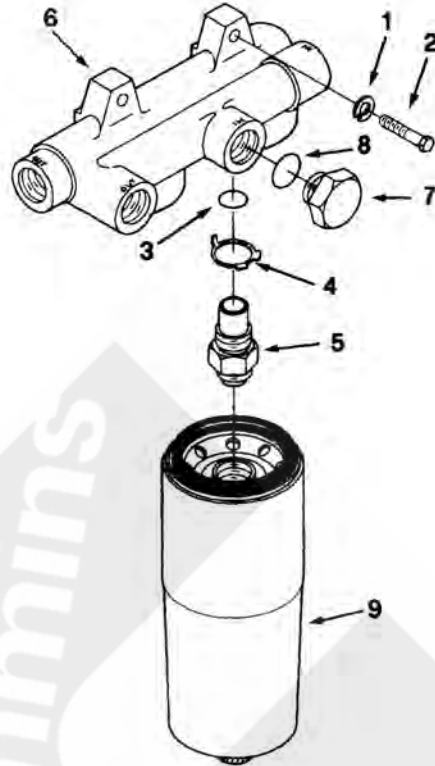


表-27

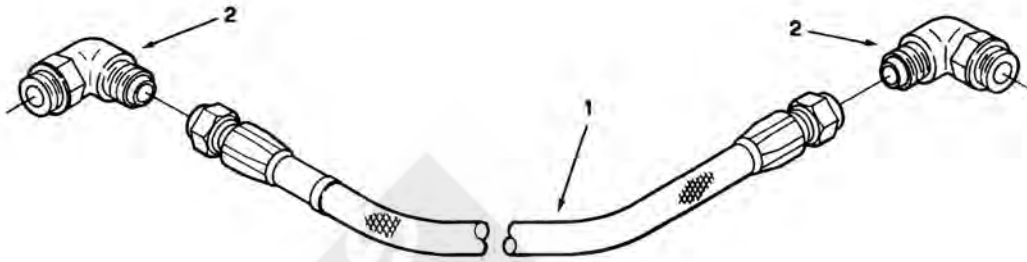
## 前齿轮室盖 Fornt Engine Support

FA6712

级别 LV	零件号 Part Number	图上标号 Ref No	零件名称 Part Name		数量 Req	备注 Remarks
			中文	英文		
02	3008429	6	齿轮室	HOUSING, GEAR	1	
02	3176373		齿轮室盖总成	MTG & COVER, GEAR	1	
03	3032849		齿轮室盖总成	COVER, GEAR	1	
04	132770	11	衬套	BUSHING	2	
04	205133	10	衬套	BUSHING	1	
04	205683	8	衬套	BUSHING	1	
04	3028862	7	齿轮室盖	COVER, GEAR	1	
03	3201700		齿轮室盖安装	GEAR COVER MOUNTING	1	
04	3002158		管塞	PLUG, PIPE	6	
04	3008466	12	管塞	PLUG, PIPE	2	
04	3008468		管塞	PLUG, PIPE	1	
04	3013786		管塞	PLUG, PIPE	1	
04	3628895	15	油封	SEAL, OIL	1	
02	MP 5271		前齿轮室安装	HOUSING, FRONT GEAR MTG	1	
03	103009	2	六角螺栓	SCREW, HEXAGON HEAD CAP	15	
03	138912	3	定位销	DOWEL, PIN	1	
03	3176618	4	菱形定位销	DOWEL, DIAMOND	1	
03	3178076	5	齿轮室衬垫	GASKET, GEAR HOUSING	1	
03	S 610	1	弹簧垫圈	WASHER, LOCK	15	



级别 LV	零件号 Part Number	图上标号 Ref No	零件名称 Part Name		数量 Req	备注 Remarks
			中文	英文		
02	3004920		燃滤器安装	FUEL FILTER MTG	1	
03	106069	2	六角螺栓	SCREW, HEXAGON HEAD	2	
03	S 610	1	弹簧垫圈	WASHER, LOCK	2	
02	3032630		燃油滤清器座	HEAD, FUEL FILTER	1	
03	145507	3	O型圈	SEAL, O RING	2	
03	3004272	4	锁紧片	LOCKPLATE	2	
03	3010635	5	燃油滤清器座接头	ADAPTER, FILTER HEAD	2	
03	3023200	6	燃油滤清器座	HEAD, FUEL FILTER	1	
03	3201583		螺塞	PLUG, THREADED	2	
04	3040911	7	螺塞	PLUG, THREADED	1	
04	3201585	8	O型密封圈	SEAL, O RING	1	
02	3313306	9	燃油滤清器芯	ELEMENT, FUEL FILTER	2	



级别 LV	零件号 Part Number	图上标号 Ref No	零件名称 Part Name		数量 Req	备注 Remarks
			中文	英文		
02	3175810	1	软管	HOSE, FLEXIBLE	1	
02	3032628	2	阳性弯接头	ELBOW, MALE UNION	2	

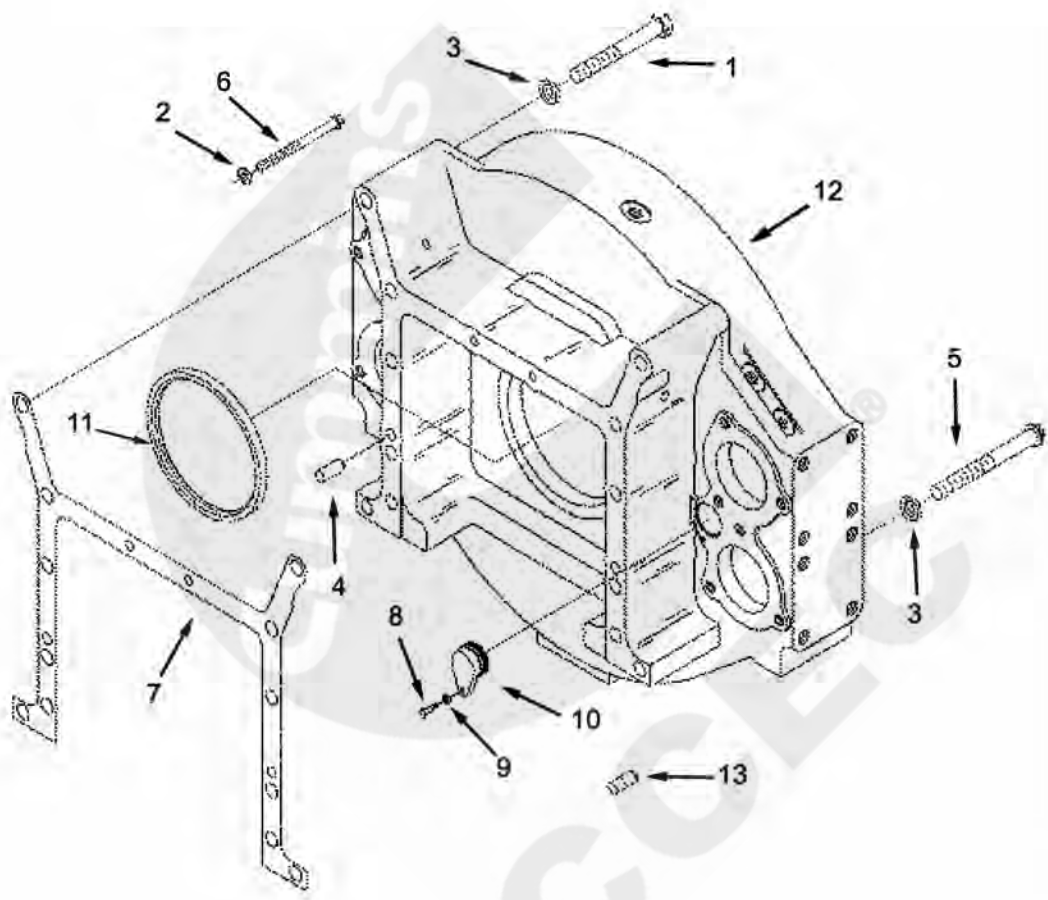
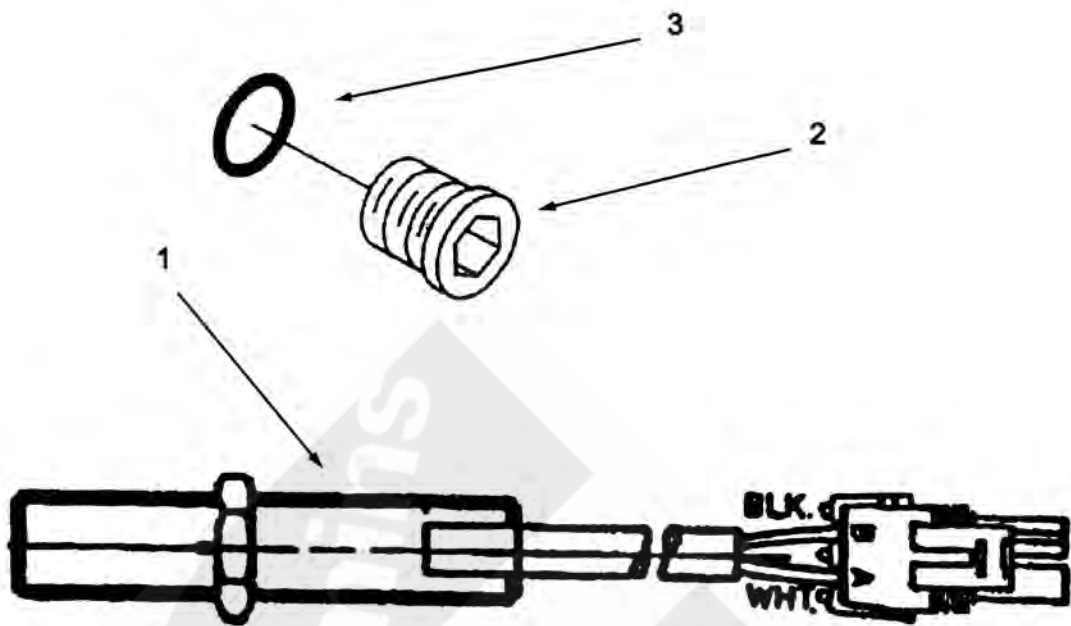


表-30

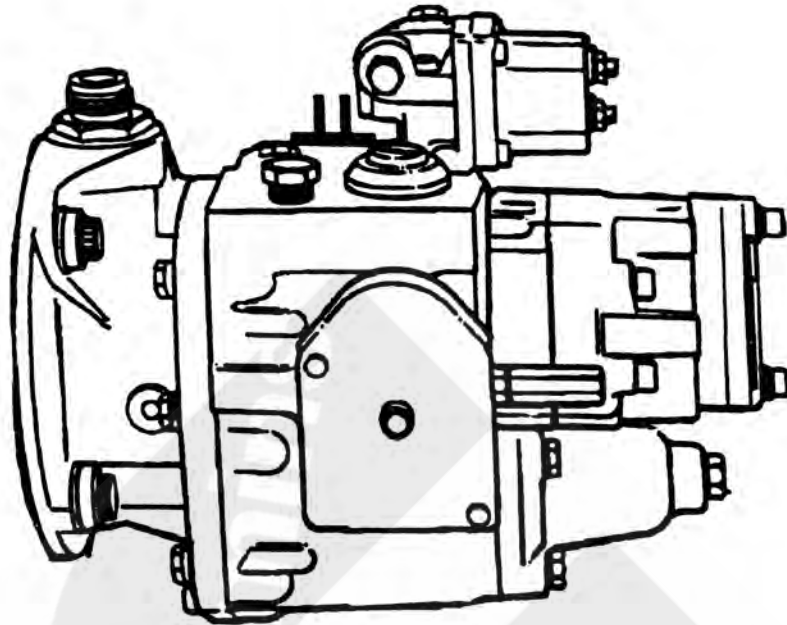
## 飞轮壳 Housing, Flywheel

FH 6024

级别 LV	零件号 Part Number	图上标号 Ref No	零件名称 Part Name		数量 Req	备注 Remarks
			中文	英文		
02	3177396		飞轮壳	HOUSING FLYWHEEL	1	
03	3010410	10	观察孔盖	COVER ACCESS HOLE	2	
03	3082142	11	后油封	SEAL OIL	1	
03	3176637	12	飞轮壳	HOUSING FLYWHEEL	1	
03	S 167 A	8	六角螺栓	SCREW HEXAGON HEAD CAP	2	
03	S 600	9	弹簧垫圈	WASHER LOCK	2	
02	3177397		飞轮壳安装	MTG FLYWHEEL HOUSING	1	
03	70662	4	定位销	DOWEL PIN	2	
03	205565	5	十二角螺栓	SREW	2	
03	3176465	6	六角螺栓	SCREW HEXAGON HEAD CAP	2	
03	3630874	7	衬垫	GASKET	1	
03	S 150 A	1	六角螺栓	SCREW HEXAGON HEAD CAP	10	
03	S 610	2	弹簧垫圈	WASHER LOCK	2	
03	S 611	3	弹簧垫圈	WASHER LOCK	12	

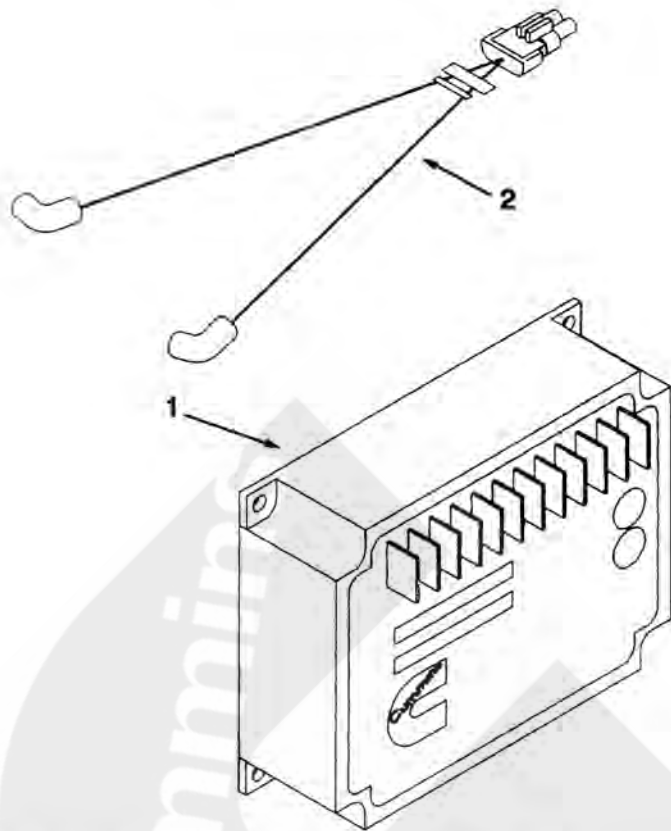


级别 LV	零件号 Part Number	图上标号 Ref No	零件名称 Part Name		数量 Req	备注 Remarks
			中文	英文		
02	3034572	1	电磁传感器	PICKUP, MAGNETIC	1	
02	3036634		调速器感应塞安装	PLUG, MAG PICKUP. LOCATION	1	
03	553856	3	衬垫	GASKET, DRAIN PLUG	1	
03	S 169 C	2	六角螺栓	SCREW, HEXAGON HEAD	1	



级别 LV	零件号 Part Number	图上标号 Ref No	零件名称 Part Name		数量 Req	备注 Remarks
			中文	英文		
02	3631871		燃油泵总成	FUEL PUMP TLN	1	





级别 LV	零件号 Part Number	图上标号 Ref No	零件名称 Part Name		数量 Req	备注 Remarks
			中文	英文		
02	3044196	1	远程电子调速器	CONTROL GOVERNOR	1	
02	3063683	2	导线 (EFC)	HARNESS, WIRING	1	

NOTES



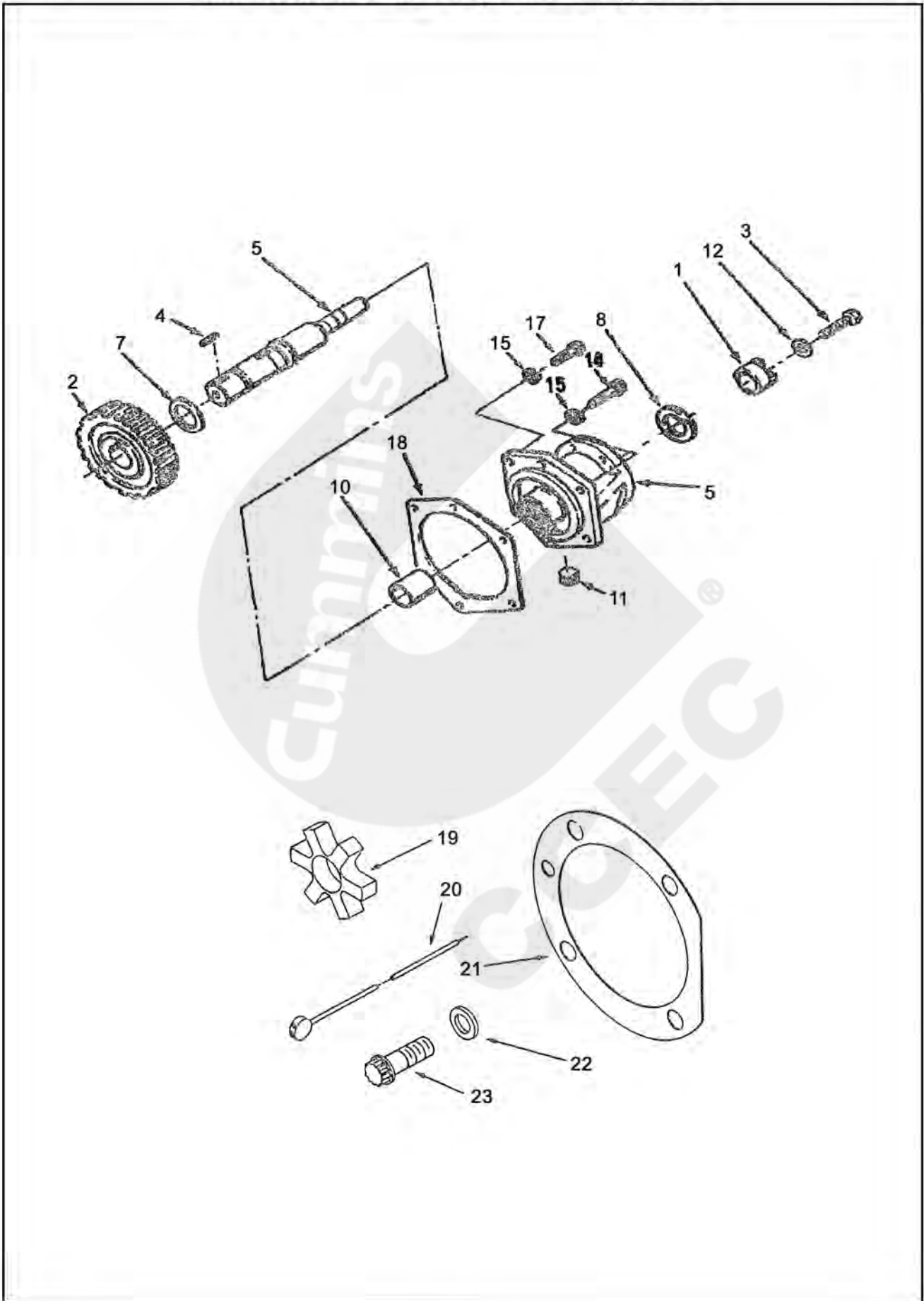
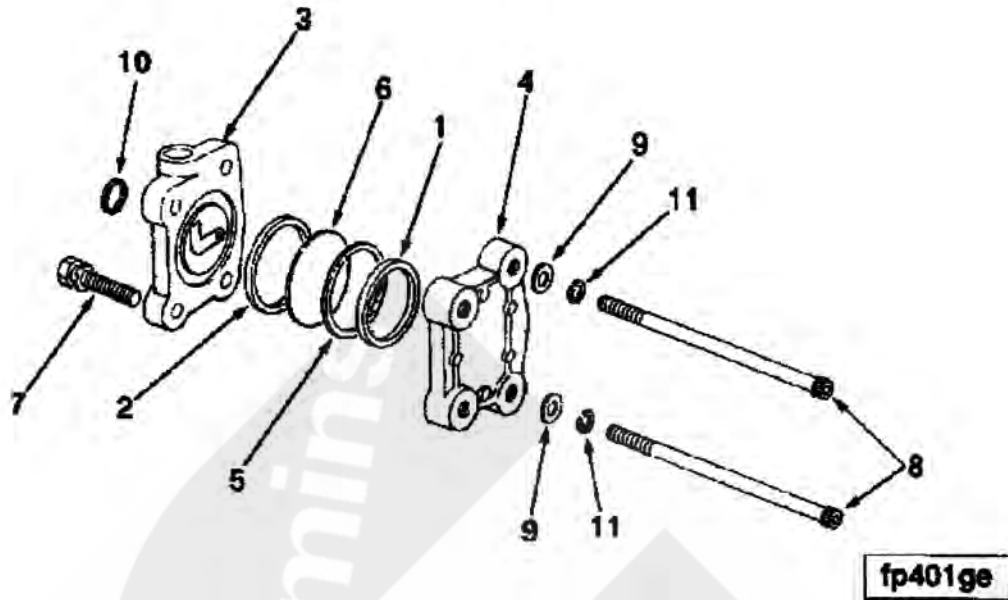


表-34

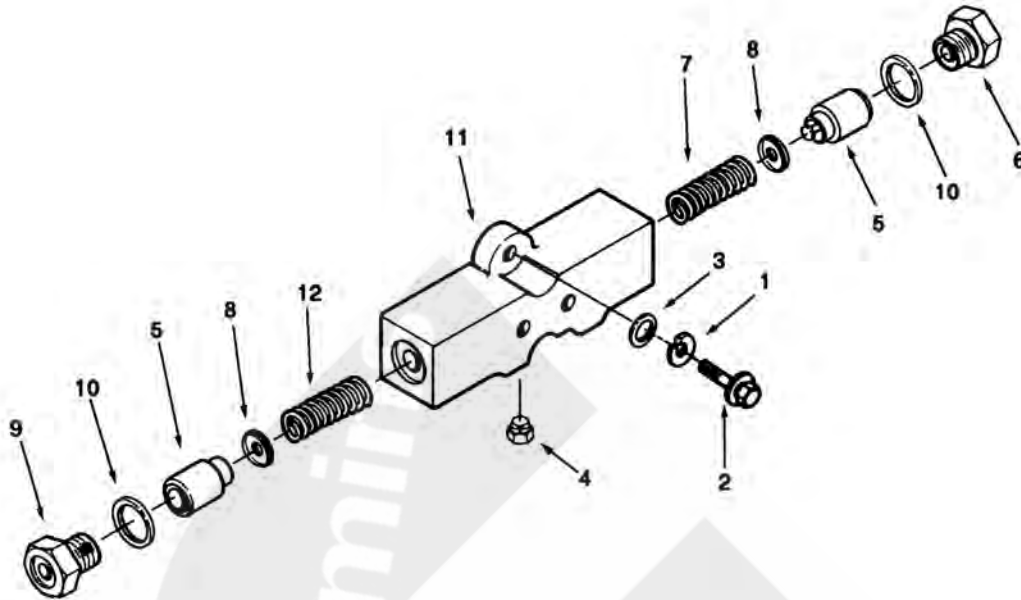
## 燃油泵辅助驱动Assy,Fuel Pump Drive

FP 6155

级别 LV	零件号 Part Number	图上标号 Ref No	零件名称 Part Name		数量 Req	备注 Remarks
			中文	英文		
02	3022725		辅助驱动	SUPPORT, FUEL PUMP	1	
03	129510	3	六角螺栓	SCREW, HEXAGON HEAD CAP	1	
03	158826	1	联轴节	COULPING, F P DRIVE HALF	1	
03	170664	12	平垫圈	WASHER, PLAIN	1	
03	206646	5	燃油泵驱动轴	SHAFT, FUEL PUMP DRIVE	1	
03	206664	13	隔套	SPACER, HOURMETER D GEAR	1	
03	207253	2	辅助传动齿轮	GEAR, ACCESSORY DRIVE	1	
03	3014103	6	挡圈	WASHER, PLAIN	1	
03	3026556		止推轴承	BEARING, THRUST	1	
03	3026557	7	止推轴承	BEARING, THRUST	1	
03	AR45047	9	支架及衬套	SUPPORT, FUEL PUMP	1	
04	116391	10	衬套	BUSHING	1	
04	(3176556)		附件驱动壳体	SUPPORT, FUEL PUMP	1	
04	S 965 E	11	管塞	PLUG, PIPE	1	
03	S 316	4	半园键	KEY, PLAIN WOODRUFF	2	
02	3176080		燃油泵安装	MTG, FUEL PUMP	1	
03	206326	23	十二角螺栓	SCREW, TWELVE POINT CAP	4	
03	3046200	19	爪式联轴节缓冲片	SPIDER, JAW COUPLING	1	
03	3069103	21	燃油泵衬垫	GASKET, FUEL PUMP	1	
03	3175027	22	平垫圈	WASHER, PLAIN	4	
03	S 610		弹簧垫圈	WASHER, LOCK	4	
02	3201567		燃油泵铅封件	SEAL, FUEL PUMP	1	
03	213769		钢球	PLUG, BALL	1	
03	3000446		油门盖板	COVER, FUEL CONTROL	1	
03	3003156	20	铅封20	SEAL, WIRE	2	
03	S 2286		自攻螺钉	SCREW, DRIVE	2	
02	MP 5288		辅助驱动安装件	DRIVE, ACCESSORY MTG	1	
03	103023	17	六角螺栓	SCREW, HEXAGON HEAD CAP	2	
03	3046852	18	辅助驱动支承衬垫	GASKET, ACC DRIVE SUPPORT	1	
03	S 162 A	14	六角螺栓	SCREW, HEXAGON HEAD CAP	4	
03	S 610	15	弹簧垫圈	WASHER, LOCK	6	



级别 LV	零件号 Part Number	图上标号 Ref No	零件名称 Part Name		数量 Req	备注 Remarks
			中文	英文		
02	AR12112		脉冲减震器及安装	DAMPER, FUEL PUMP & MTG.	1	
03	70704	9	垫圈	WASHER, PLAIN	2	
03	151900	10	矩形密封圈	SEAL, RECTANGULAR RING	1	
03	153346	8	内六角螺栓	SCREW, SOCKET HEAD CAP	2	
03	181466	11	弹簧垫圈	WASHER, LOCK	2	
03	BM76340		脉冲减震器	DAMPER, FUEL PUMP	1	
04	100099	1	矩形密封圈	SEAL, RECTANGULAR RING	1	
04	139988	2	矩形密封圈	SEAL, RECTANGULAR RING	1	
04	153336	3	脉冲减震器体	BPDU, FUEL PUMP DAMPER	1	
04	153338	4	脉冲减震器盖	COVER, FUEL PUMP DAMPER	1	
04	160514	5	平垫圈	WASJER, PLAIN	1	
04	202897	6	减震垫	DIAPHRAGM, DAMPER	1	
04	3017051	7	带垫六角螺栓	CA[SSCREW, CAPTIVE WASHER	1	



级别 LV	零件号 Part Number	图上标号 Ref No	零件名称 Part Name		数量 Req	备注 Remarks
			中文	英文		
02	3007065		燃油联接块安装	FUEL BLOCK MTG.	1	
03	191772	2	十二角螺栓	SCREW, TWELVE POINT	2	
03	3818885	3	O型密封圈	SEAL, O RING	2	
03	S 604	1	弹簧垫圈	WASHER, LOCK	2	
02	3177629		燃油块	CONNECTION FUEL BLOCK	1	
03	70295	4	管塞	PLUG, PIPE	2	
03	650826	5	燃油控制柱塞	PLUNGER, FUEL CONGTROL	2	
03	650827	6	阀座	SEAT, CHECK VALVE	1	
03	650829	7	压缩弹簧	SPRING, COMPRESSION	1	
03	651045	8	平垫圈	SEAL, GROMMET	2	
03	3177401	9	卡环	RATAINER, SEALING	1	
03	3177621	10	垫圈	WASHER , SEALING	2	
03	3178582	11	燃油块	CPMMECTION , FUEL BLOCK	1	
03	3277045	12	压缩弹簧	SPRING, COMPRESSION	1	

NOTES



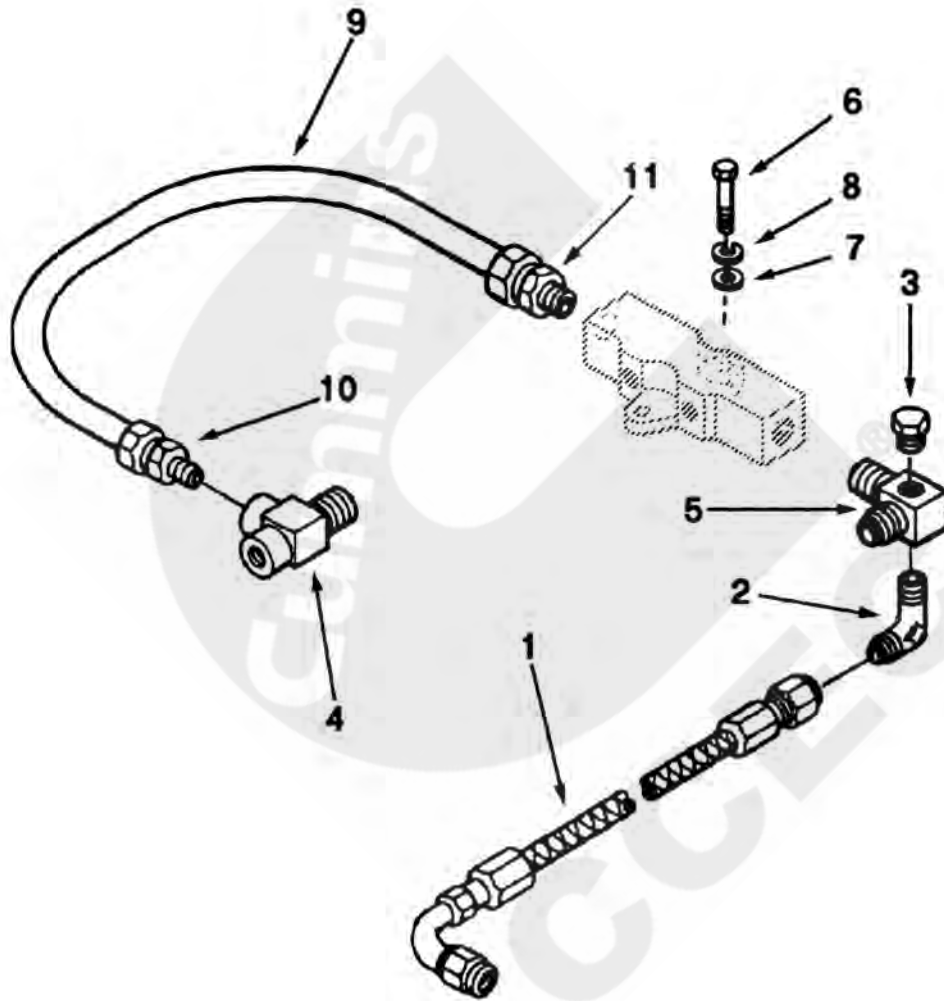




表 -37

## 燃油管 Fuel Tubin

FT60040

级别 LV	零件号 Part Number	图上标号 Ref No	零件名称 Part Name		数量 Req	备注 Remarks
			中文	英文		
02	68139		阳性弯管接头	BLBOW, MALE ADAPTE	1	
02	121229		接头	ELBOW, MALE ADAPTER	2	
02	3008465	3	管塞	PLUG, PIPE	4	
02	3175687	4	异径三通接头	TEE, STREET PIPE	1	
02	3175716	5	弯接头	ELBOW, MALE ADAPTER	1	
02	3178525	9	供油管	TUBE, FUEL SUPPLY	1	
02	3655143	10	管接头	CONNECTOR TUBE	1	
02	3655144	11	管接头	ADAPTER	1	
02	AS 4014 40SS	1	回油软管	HOSE, FLEXIBLE	1	
02	S 1047 B	12	管塞	PLUG, PIPE	1	
02	3176591		从动件盖安装	COVER, CAM FOLLOWER MTG	1	
03	S 103 D	6	六角螺栓	SCREW, HEXAGON HEAD CAP	2	
03	S 604	8	弹簧垫圈	WASHER, LOCK	2	
03	S 602	7	平垫圈	WASHER, PLAIN	2	

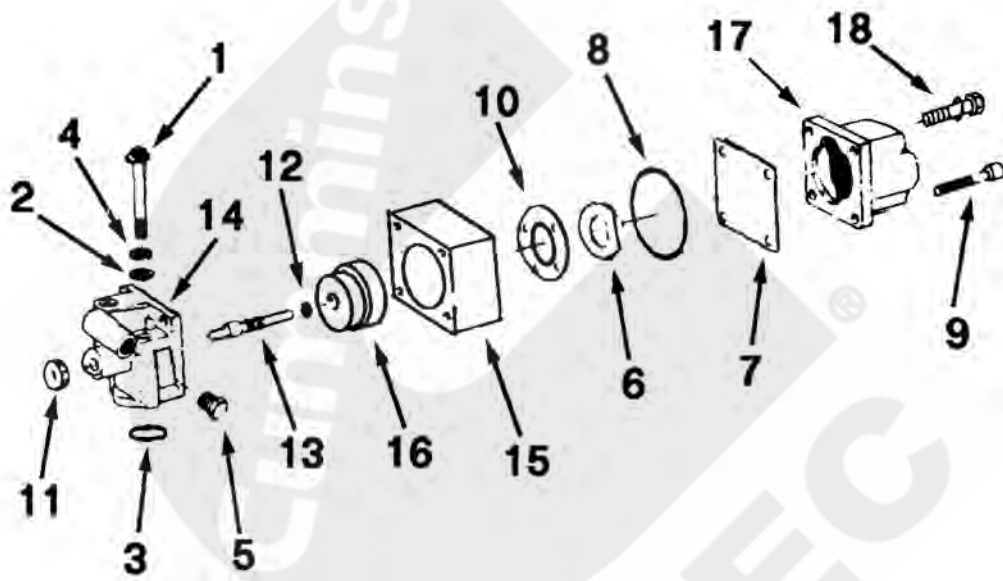
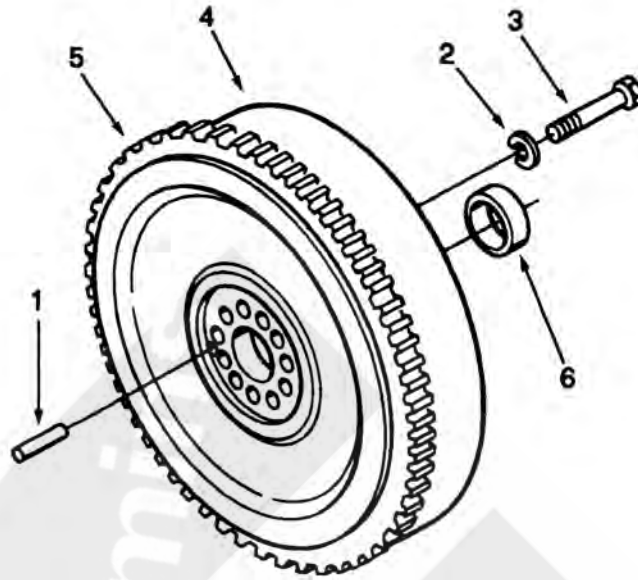


表-38

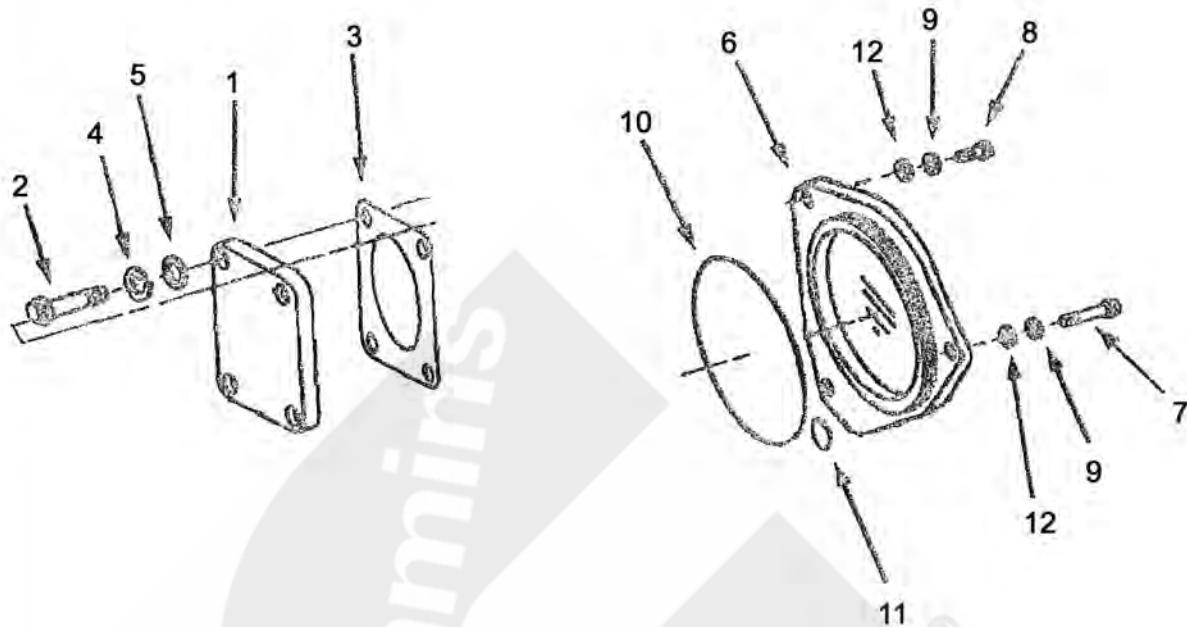
## 燃油切断阀 Valve Shutoff

FV 8036

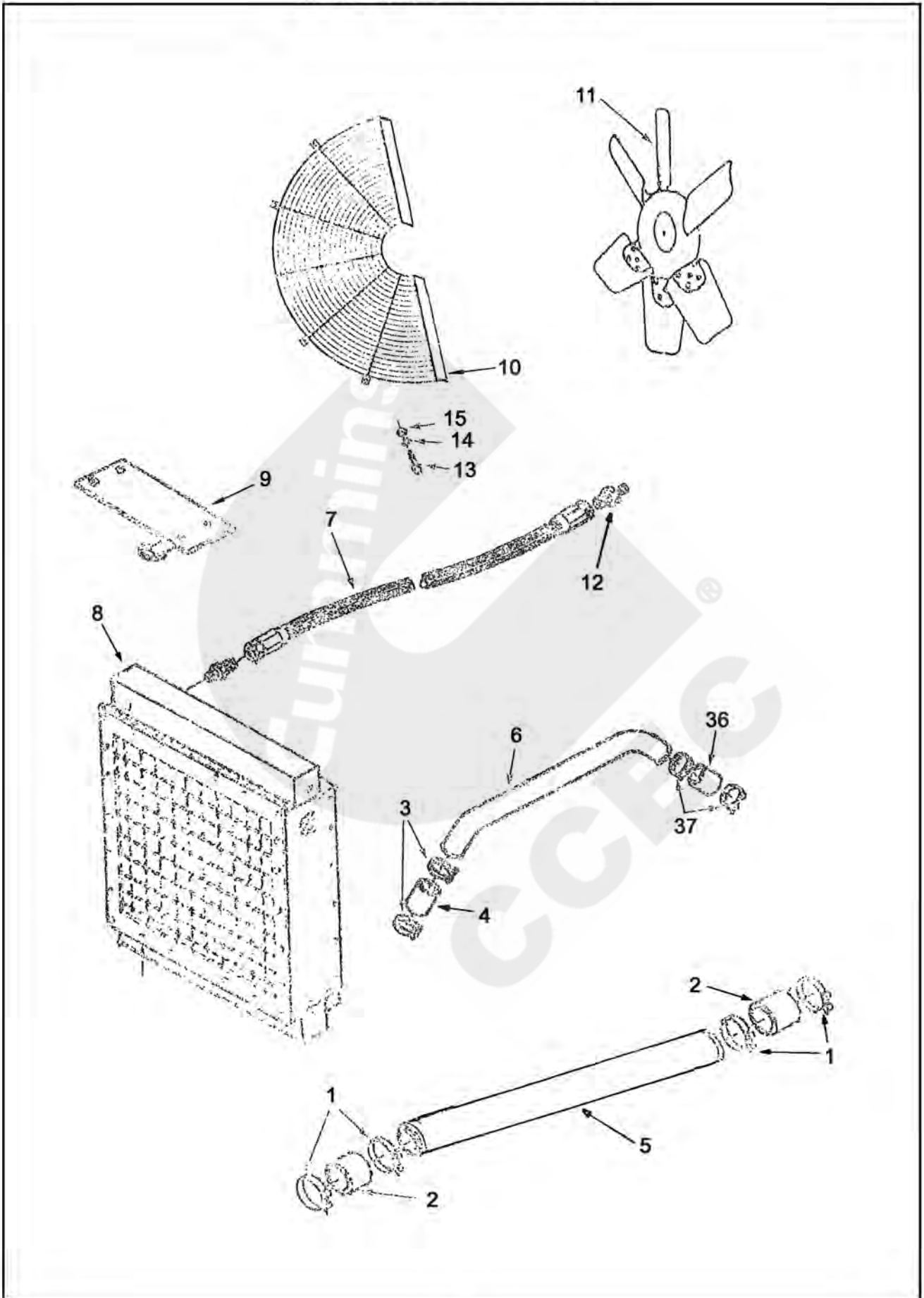
级别 LV	零件号 Part Number	图上标号 Ref No	零件名称 Part Name		数量 Req	备注 Remarks
			中文	英文		
02	3017993		切断阀	VALVE, SHUTOFF	1	
03	195265	5	管塞	PLGU, PIPE	1	
03	3053457		切断阀	VALVE, SHUTOFF	1	
04	129768	6	切断阀簧片	SPRING, VALVE	1	
04	129839	7	切断阀遮油片	SHIELD, SHUTOFF VALVE	1	
04	129888	8	矩型密封圈	SEAL, RECTANGULAR RING	2	
04	138764	9	内六角螺栓	SCREW, PAN HEAD CAP	1	
04	196057	10	阀盘	DISC, BALVE	1	
04	3013642		切断阀体	BODY, SHUTOFF BALVE	1	
05	129838	11	手轮	KNOB	1	
05	3279794	12	O型密封圈	SEAL, O RING	1	
05	3013036	13	切断阀轴	SHAFT, SHUTOFF VALVE	1	
05	3014010	14	切断阀体	BODY, SHUTOFF VALVE	1	
04	3034451	15	调节器壳	HOUSING, ACTUATOR	1	
04	3034452	16	调节器片	DISC, ACTUATOR	1	
04	3054609	17	电磁阀线圈	SOLENOID	1	
04	3065944	18	带垫六角螺栓	SCREW, CAPTIVE WASHER CAP	3	
02	MP 1356		电磁切断阀安装	MTG, FUEL SHUTOFF VALVE	1	
03	67684	2	平垫圈	WASHER, PLAIN	2	
03	154087	3	矩型密封圈	SEAL, RECTANGULAR RING	1	
03	181466	4	弹簧垫圈	WASHER, LOCK	2	
03	S 189 C	1	六角螺栓	SCREW, SOCKET HEAD CAP	2	



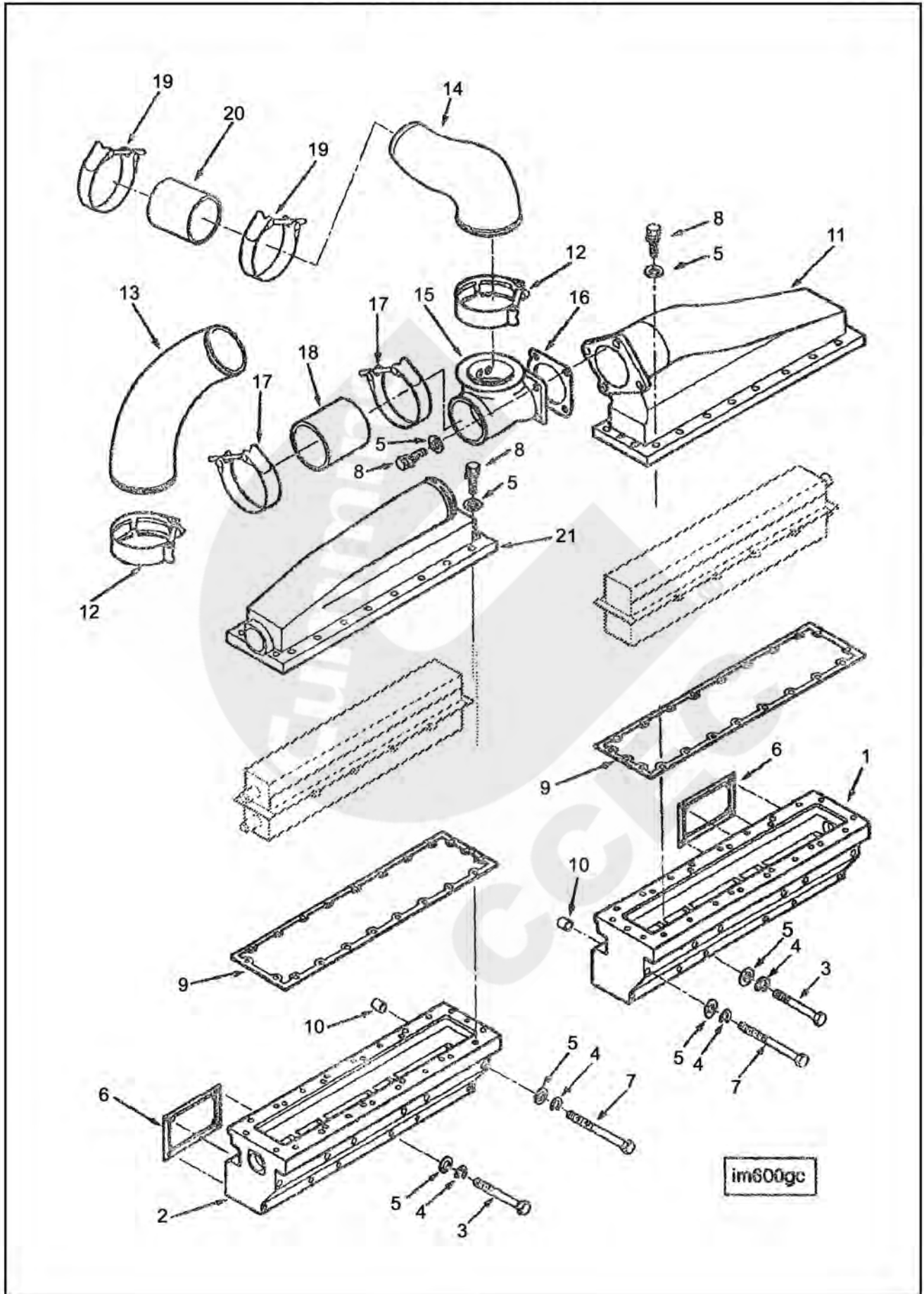
级别 LV	零件号 Part Number	图上标号 Ref No	零件名称 Part Name		数量 Req	备注 Remarks
			中文	英文		
02	3021394	4	飞轮	FLYWHEEL	1	
02	MP 5284		飞轮安装	FLYWHEEL, MTG	1	
03	131584	1	园柱销	PIN, ROLL	1	
03	205059	2	平垫圈	WASHER, CYLINDER	12	
03	3023536	3	六角螺栓	SCREW, HEXAGON HEAD CAP	12	



级别 LV	零件号 Part Number	图上标号 Ref No	零件名称 Part Name		数量 Req	备注 Remarks
			中文	英文		
02	206158	1	液压泵法兰盖	COVER, HDY PUMP FLANG	1	
02	206406	6	法兰	FLANGE	1	
02	MP 5275		后液压泵盖安装	COVER, REAR HYD HOLE MTG	1	
03	103023	8	六角螺栓	SCREW, HEXAGON HEAD CAP	1	
03	135783	9	弹簧垫圈	WASHER, LOCK	3	
03	145600	10	O型密封圈	SEAL, O RING	1	
03	3175027	12	平垫圈	WASHER, PLAIN	3	
03	3818885	11	O型密封圈	SEAL, O RING	1	
03	S 162 A	7	六角螺栓	SCREW, HEXAGON HEAD CAP	2	
02	MP 5276		法兰盖安装	FLANGE, BLIND PLUG MTG	1	
03	111445	4	弹簧垫圈	LCK, WSHR	4	
03	127571	5	平垫圈	WASHER, PLAIN	4	
03	206407	3	前盖衬垫	GASKET, FRONT HYD	1	
03	S 145	2	六角螺栓	SCREW, HEXAGON HEAD	4	

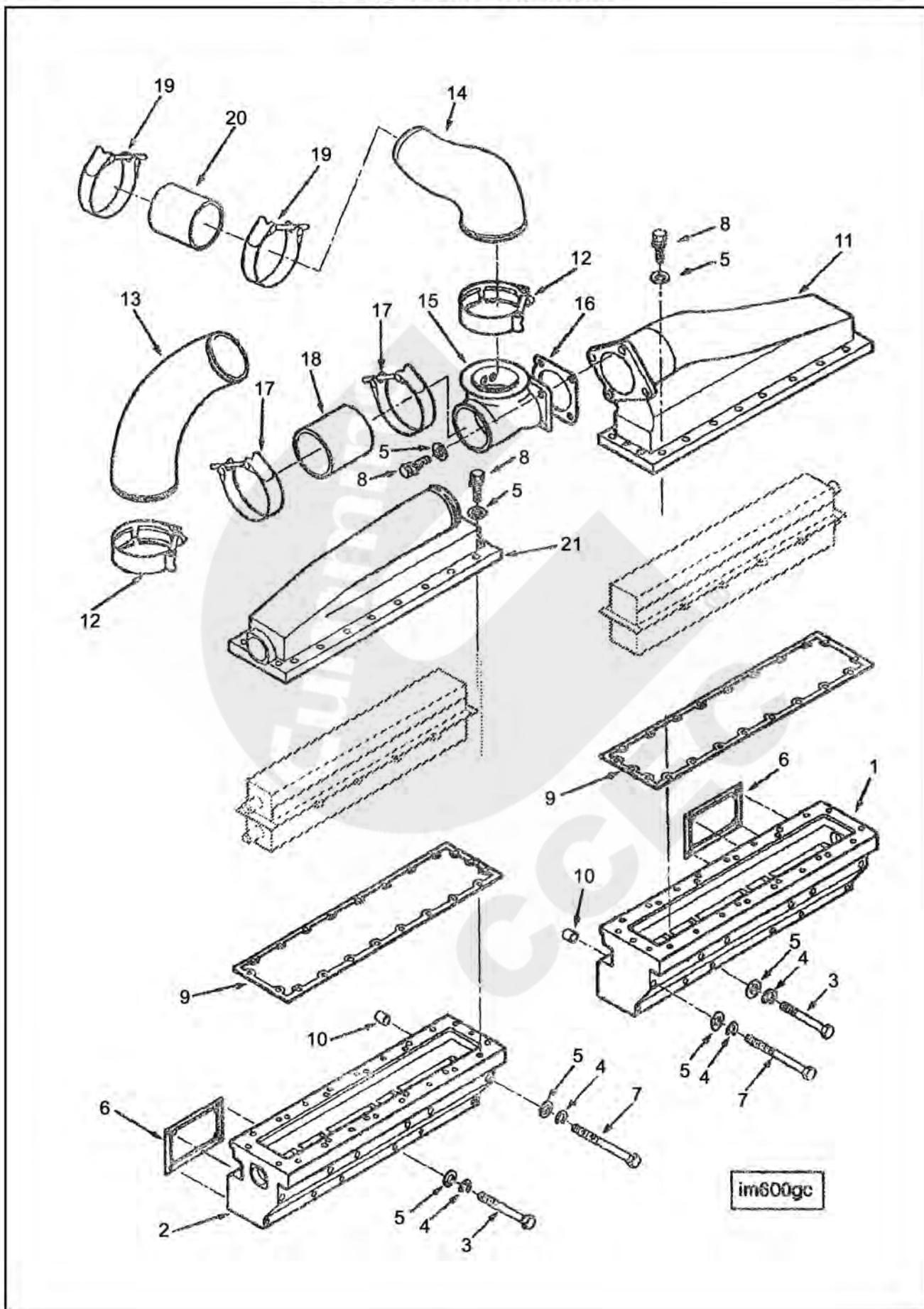


级别 LV	零件号 Part Number	图上标号 Ref No	零件名称 Part Name		数量 Req	备注 Remarks
			中文	英文		
02	3012154		水箱总成安装	RADIATOR & FAN ASSY MTG	1	
03	43828 B	3	软管夹箍	CLAMP HOSE		
03	102522	7	软管	HOSE, FLEXIBLE	1	
03	149274	2	软管	HOSE, FLEXIBLE	2	
03	3165838	1	夹箍	CLAMP HOSE	4	
03	3165997		放水开关	DRAIN COCK	1	
03	S 983		异径管衬套	BUSHING	1	
02	3012155		水箱总成安装	RADIATOR & FAN ASSY MTG	1	
03	43828 F	3	软管夹箍	CLAMP HOSE	4	
03	63223	4	软管	HOSE, FLEXIBLE	2	
02	3178699	11	风扇	FAN, ENGING	1	
02	4061009	8	散热器	HEAT EXCHANGIR	1	
02	4061011	5	进水管	TUBE WATER INLET	1	
02	4061012	6	出水管	TUBE WATER OUTET	2	
02	4061017	10	风扇防护罩	FAN, GUARD	1	
02	4061496		风扇防护罩安装	MTG, FAN GUARD	1	
03	3165917	13	六角螺栓	SCREW HEX HEAD CAP	8	
03	3165956	15	平垫圈	WASHER PLAIN	8	
03	3165975	14	弹簧垫圈	WASHER LOCK	8	

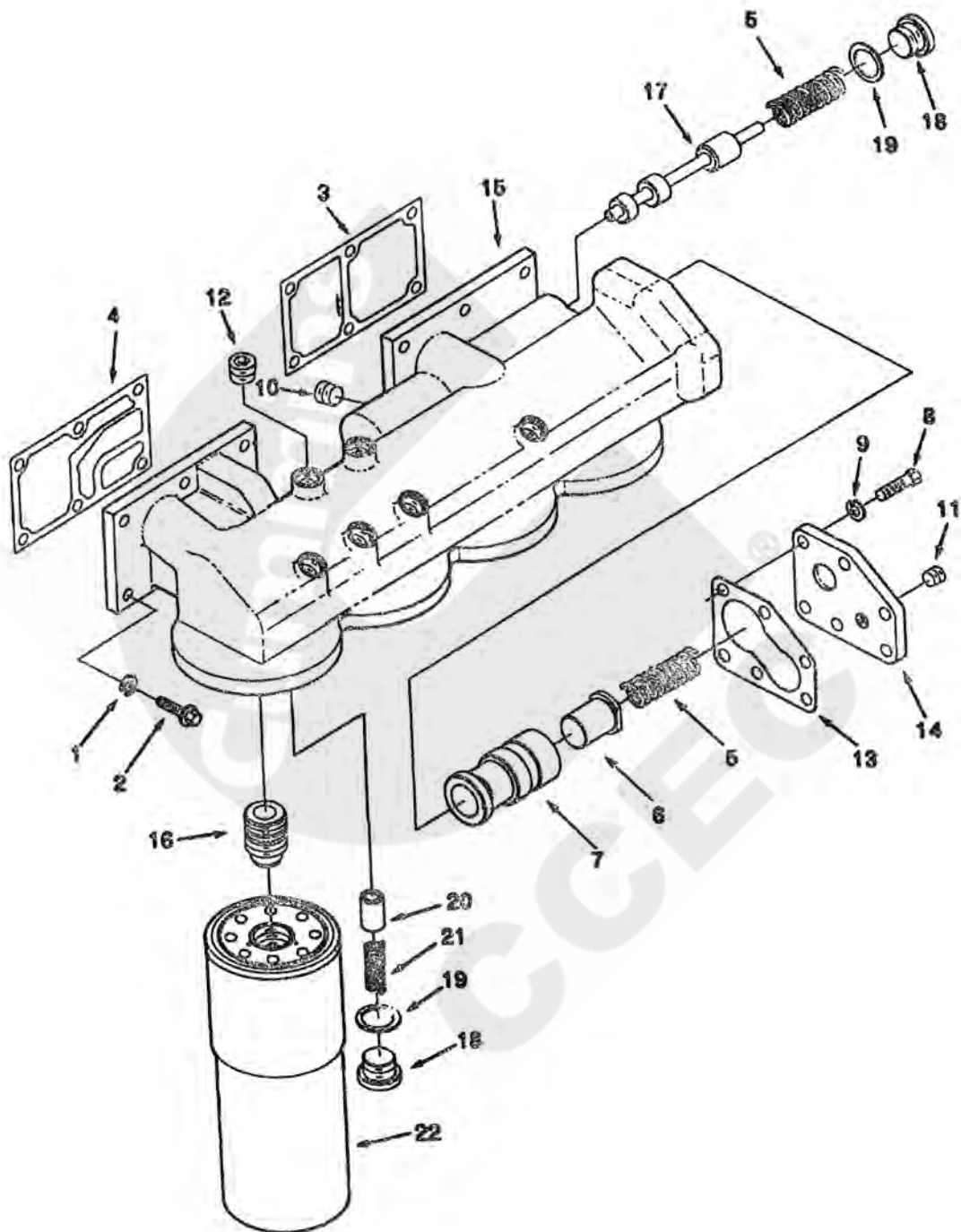




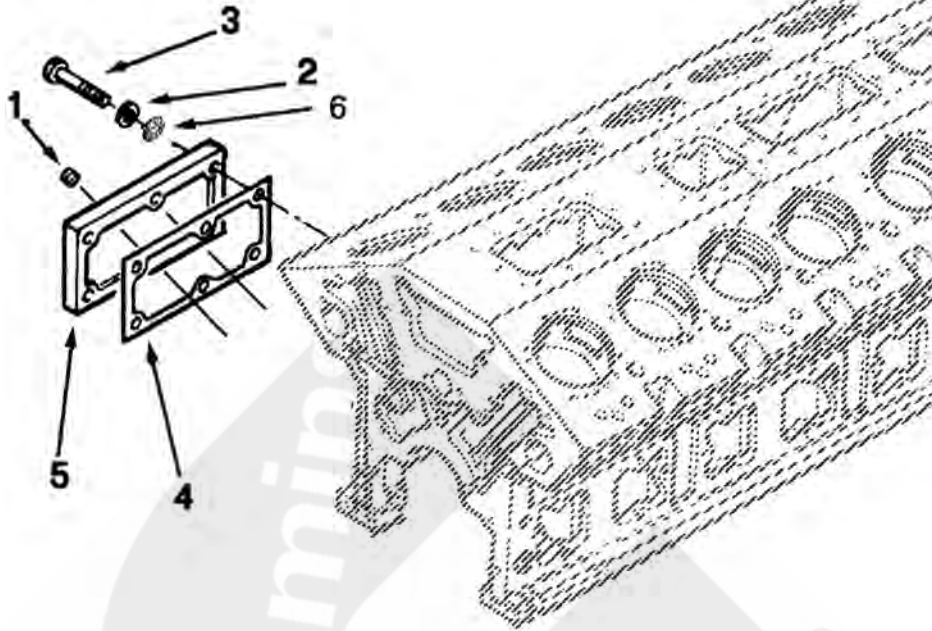
级别 LV	零件号 Part Number		图上标号 Ref No	零件名称 Part Name		数量 Req	备注 Remarks
				中文	英文		
02	3028905			进气管安装	INTAKE MANIFOLD MOUNTING	3	
03	206277		6	进气歧管衬垫	GASKET, AIR MANIFOLD	3	
03	3014304		10	矩形密封圈	SEAL, RECTANGULAR RING	6	
03	S 130	A	3	六角螺栓	SCREW, HEXAGON HEAD CAP	6	
03	S 141	C	7	六角螺栓	SCREW, HEXAGON HEAD CAP	6	
03	S 602		5	平垫圈	WASHER, PLAIN	12	
03	S 604		4	弹簧垫圈	WASHER, LOCK	12	
02	3028907			中冷器盖安装	COVER, AFTERCOOLER MTG	4	
03	3012473		8	带垫螺栓	SCREW, CAPTIVE WASHER CAP	21	
03	3026423		9	中冷器盖衬垫	GASKET, AFTERCOOLER COVER	1	
03	S 602		5	平垫圈	WASHER, PLAIN	21	
02	3028914			进气管安装	INTAKE MANIFOLD MOUNTING	1	
03	206277		6	进气歧管衬垫	GASKET, AIR MANIFOLD	3	
03	3014304		10	矩形密封圈	SEAL, RECTANGULAR RING	6	
03	S 130	A	3	六角螺栓	SCREW, HEXAGON HEAD CAP	6	
03	S 141	C	7	六角螺栓	SCREW, HEXAGON HEAD CAP	6	
03	S 602		5	平垫圈	WASHER, PLAIN	12	
03	S 604		4	弹簧垫圈	WASHER, LOCK	12	
02	3052110			进气管连接及安装	CONNECTION, AIR INTAKE	1	
03	3001067		12	抱箍	CLAMP, HOSE	2	
03	3012473		8	带垫螺栓	SCREW, CAPTIVE WASHER CAP	8	
03	3047660		13	空气跨越管	CONNECTION, AIR CROSSOVER	1	
03	3047661		14	空气跨越管	CONNECTION, AIR CROSSOVER	1	
03	3047665		16	衬垫	GASKET, CONNECTION	2	
03	3063810		17	抱箍	CLAMP, T BOLT	4	
03	3067371		18	软管	HOSE, PLAIN	2	
03	3630017			空气跨越管总成		2	
04	3037536			螺塞	PLUG, THREADED	1	
05	3037537			O型密封圈	SEAL, O RING	1	
05	3040813			螺塞	PLUG, THREADED	1	
04	3072040		15	空气跨越管	CONNECTION, AIR CROSSOVER	1	
03	S 602		5	平垫圈	WASHER, PLAIN	8	
02	3052111			增压器软管及抱箍	TURBO HOSE & CLAMP	2	
03	3063809		19	T型抱箍	CLAMP, T BOLT	2	
03	3067370		20	软管	HOSE	1	
02	3053201		21	中冷器盖	COVER, AFTERCOOLER	2	



级别 LV	零件号 Part Number	图上标号 Ref No	零件名称 Part Name		数量 Req	备注 Remarks
			中文	英文		
02	3626999	11	中冷器盖	COVER, AFTERCOOLER	2	
02	3630547		进气管总成	MANIFOLD, AIR INTAKE	2	
03	3037536		螺塞	PLUG, THREADED	2	
04	3037537		O型密封圈	SEAL, O RING	1	
04	3040813		螺塞	PLUG, THREADED	1	
03	3630264	1	进气管		1	
02	3630548		进气管总成	MANIFOLD, AIR INTAKE	2	
03	3037536		螺塞	PLUG, THREADED	2	
04	3037537		O型密封圈	SEAL, O RING	1	
04	3040813		螺塞	PLUG, THREADED	1	
03	3630266	2	进气管		1	



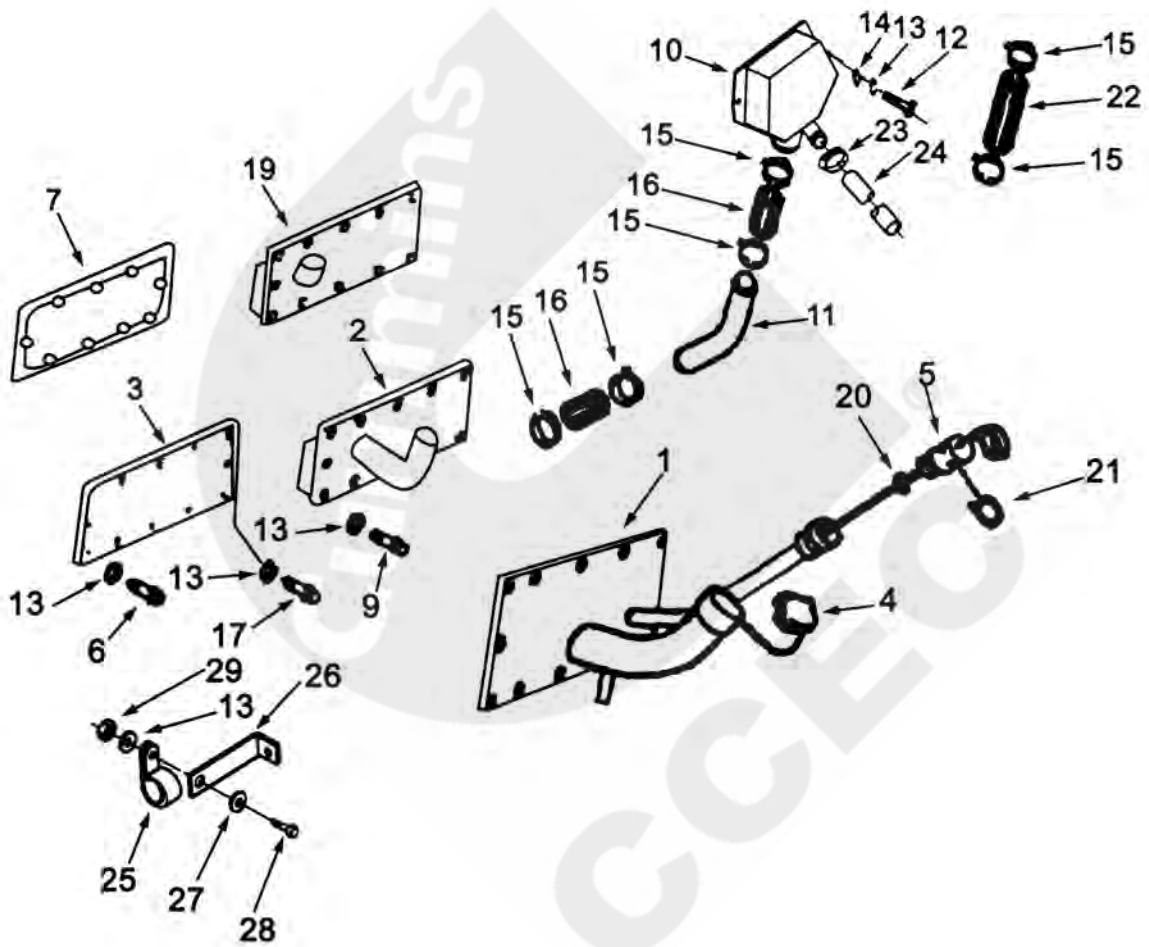
级别 LV	零件号 Part Number	图上标号 Ref No	零件名称 Part Name		数量 Req	备注 Remarks
			中文	英文		
02	3012565		机油滤清器座	LUB OIL, FILTER HEAD MTG	1	
03	191772	2	十二角螺栓	SCREW, TWELVE POINT	12	
03	3177108	4	滤清器座衬垫	GASKET, FILTER HEAD	1	
03	3629387	3	机油滤清器衬垫	GASKET, LUB OIL FILTER	1	
03	S 604	1	弹簧垫圈	WASHER, LOCK	12	
02	3655584		机油滤清器座总成	LUB, OIL FILTER	1	
03	3005610		机油滤旁通阀	VALVE, FILTER BYPASS	1	
04	205659	5	压缩弹簧	SPRING, COMPRESSIO	1	
04	3021618	6	压力调节柱塞	PLUNGER, PRS REGULATOR	1	
04	3028552	7	阀体	BODY, BYPASS VALVE	1	
03	3176105		调压阀	VALVE, PRESSURE REGULATOR	1	
04	205659	5	压缩弹簧	SPRING, COMPRESSIO	1	
04	3028888	17	压力调节柱塞	PLUNGER, PRS REGULATOR	1	
04	3176394	18	螺塞	PLUG, THREADED	1	
04	3176395	19	平垫圈	WASHER, PLAIN	1	
03	3177105	CE	活塞冷却喷嘴阀	VALVE, PISTON COOLING	1	
04	3176394	18	螺塞	PLUG, THREADED	1	
04	3176395	19	平垫圈	WASHER, PLAIN	1	
03	3178474		机油滤清座	HEAD, LUB OIL FILTER	1	
04	3008465	11	管塞	PLUG, PIPE	1	
04	3008466	12	管塞	PLUG, PIPE	8	
04	3177433	14	盖板	PLATE, COVER	1	
04	3178022	15	滤清器座	HEAD, FILTER	1	
04	3200308	16	接头	ADAPTER, FILTER HEAD	4	
04	3629141	13	机油滤清座盖板衬垫	GASKET, LUB OIL FIL COVER	1	
04	S 103	D	六角螺栓	SCREW, HEXAGON HEAD CAP	6	
04	S 604	9	弹簧垫圈	WASHER, LOCK	6	
02	3889310	22	机油滤清器芯总成	ELEMENT, LUB OIL FILTER	4	



级别 LV	零件号 Part Number	图上标号 Ref No	零件名称 Part Name		数量 Req	备注 Remarks
			中文	英文		
02	3012563		输油接头	CONNECTION, OIL TRANSFER	2	
03	127362	6	平垫圈	WASHER, PLAIN	6	
03	191772	3	十二角螺栓	SCREW, TWELVE POINT	6	
03	3008468	1	管塞	PLUG, PIPE	2	
03	3011651	4	机油输油接头衬垫	GASKET, LUB OIL J	1	
03	3026316	5	机油输油连接板	CONNECTION, OIL TRANSFER	1	
03	S 604	2	弹簧垫圈	WASHER, LOCK	6	

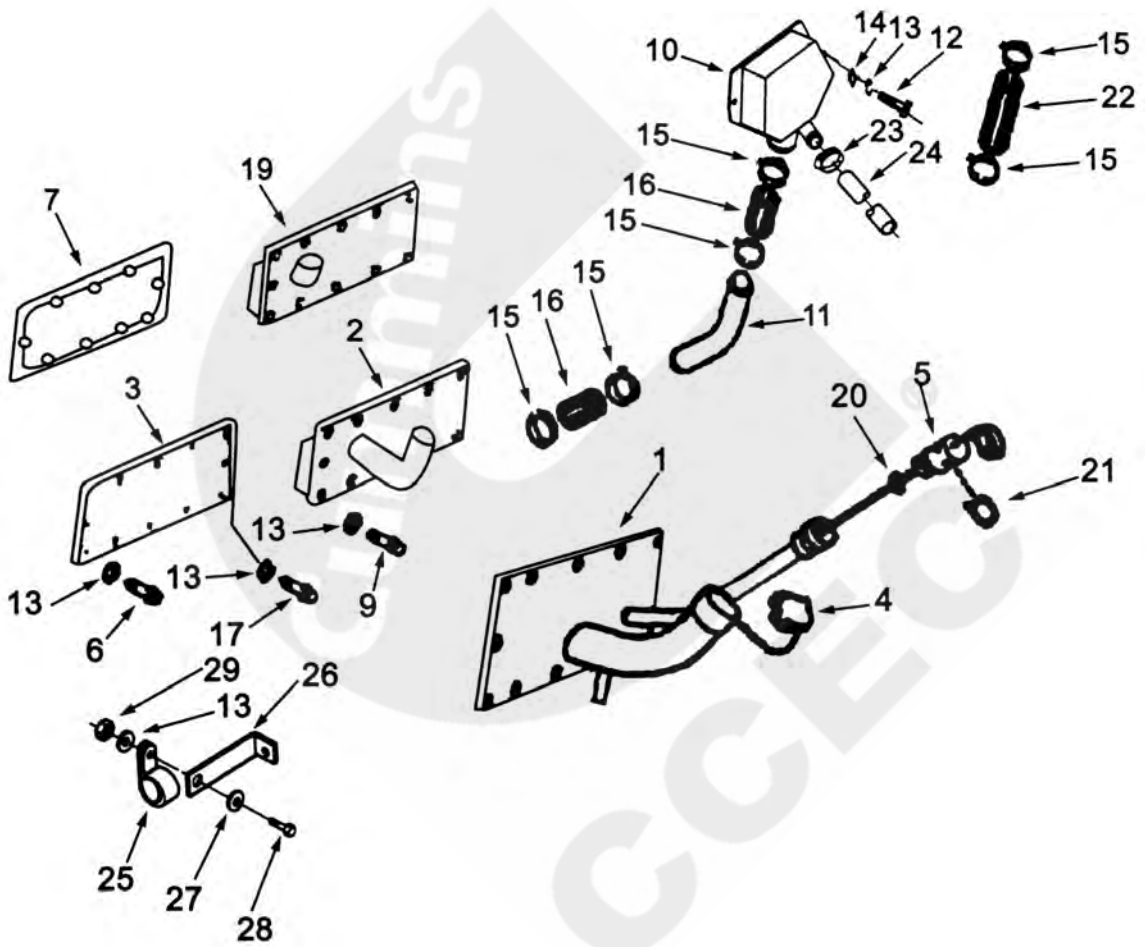
NOTES



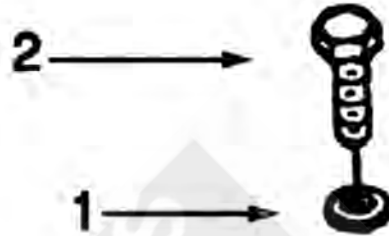




级别 LV	零件号 Part Number	图上标号 Ref No	零件名称 Part Name		数量 Req	备注 Remarks
			中文	英文		
02	108172	20	O型密封圈	SEAL, O RING	1	
02	3039438	5	机油尺	DIPSTICK	1	
02	3175855	3	手孔盖	COVER, HAND HOLE	4	
02	3418519	4	加机油口盖总成	CAP FILLER	1	
02	3031368		通风管及安装	HOSE, BREATHER VENT	1	
03	43828	A 23	软管卡箍	CLAMP, HOSE	2	
03	68138		阳性管接头	CONNECTOR, MALE	2	
03	68189	25	夹子	CLIP	2	
03	114307	26	软管支承	BRACE, TUBE	2	
03	3031367	24	普通软管	HOSE, PLAIN	2	
03	S 109	28	六角螺栓	SCREW, HEXAGON HEAD CAP	2	
03	S 223	29	六角厚螺母	NUT, HEAVY HEXAGON	2	
03	S 602	27	平垫圈	WASHER, PLAIN	4	
03	S 604	13	弹簧垫圈	WASHER, LOCK	2	
02	3040679		曲轴箱通风器	BREATHER, CRANKCASE	1	
03	3008465		管塞	PLUG, PIPE	1	
03	3039210	2	手孔盖	COVER, HAND HOLE	1	
03	3176607	10	曲轴箱通风器	BREATHER, CRANKCASE	1	
02	3040725		曲轴箱通风器	BREATHER, CRANKCASE	1	
03	3008465		管塞	PLUG, PIPE	1	
03	3039454	2	手孔盖	COVER, HAND HOLE	1	
03	3176607	10	曲轴箱通风器	BREATHER, CRANKCASE	1	
02	3175382		手孔盖支架安装	HAND HOLE COVER SUPT MTG	1	
03	205413	17	十二角螺栓	SCREW, TWELVE POINT CAP	2	
03	3175856	7	手孔盖衬垫	GASKET, HAND HOLE	1	
03	S 112	6	螺栓	SCREW, HEXAGON HEAD CAP	8	
03	S 604	13	弹簧垫圈	WASHER, LOCK	10	
02	3176069		通风器安装	BREATHER, MOUNTING	1	
03	43828	C 15	软管卡箍	CLAMP, HOSE	4	
03	3175856	7	手孔盖衬垫	GASKET, HAND HOLE	1	
03	3177020	22	软管	HOSE, PLAIN	1	
03	S 103	D 12	六角螺栓	SCREW, HEXAGON HEAD CAP	24	
03	S 604	13	弹簧垫圈	WASHER, LOCK	24	



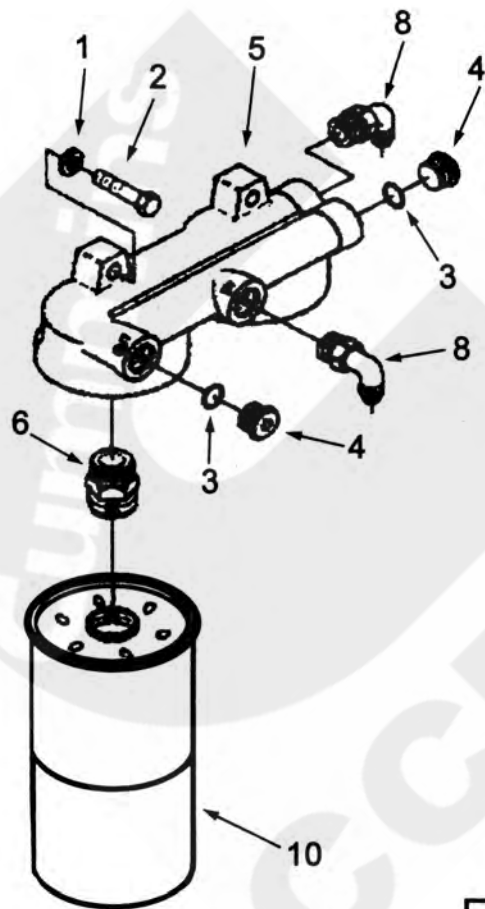
级别 LV	零件号 Part Number	图上标号 Ref No	零件名称 Part Name		数量 Req	备注 Remarks
			中文	英文		
02	3177211		通风器安装	BREATHER, MOUNTING	1	
03	43828 C	15	软管卡箍	CLAMP, HOSE	2	
03	205354	9	十二角螺栓	SCREW, TWELVE POINT CAP	12	
03	3175856	7	手孔盖衬垫	GASKET, HAND HOLE	1	
03	3177082	16	软管	HOSE, MOLDED	1	
03	S 604	13	弹簧垫圈	WASHER, LOCK	12	
02	MP 5264		手孔盖安装	COVER, HAND HOLE MTG	3	
03	205413	17	十二角螺栓	SCREW, TWELVE POINT CAP	2	
03	3175856	7	手孔盖衬垫	GASKET, HAND HOLE	1	
03	S 112	6	螺栓	SCREW, HEXAGON HEAD CAP	10	
03	S 604	13	弹簧垫圈	WASHER, LOCK	12	



级别 LV	零件号 Part Number	图上标号 Ref No	零件名称 Part Name		数量 Req	备注 Remarks
			中文	英文		
02	3066978		油位指示器孔堵塞	PLUGS, SIGHT GLASS	1	
03	3000204	1	铜垫圈	WASHER, COPPER	4	
03	S 181 C	2	六角螺栓	SCREW, HEXAGON HEAD CAP	4	

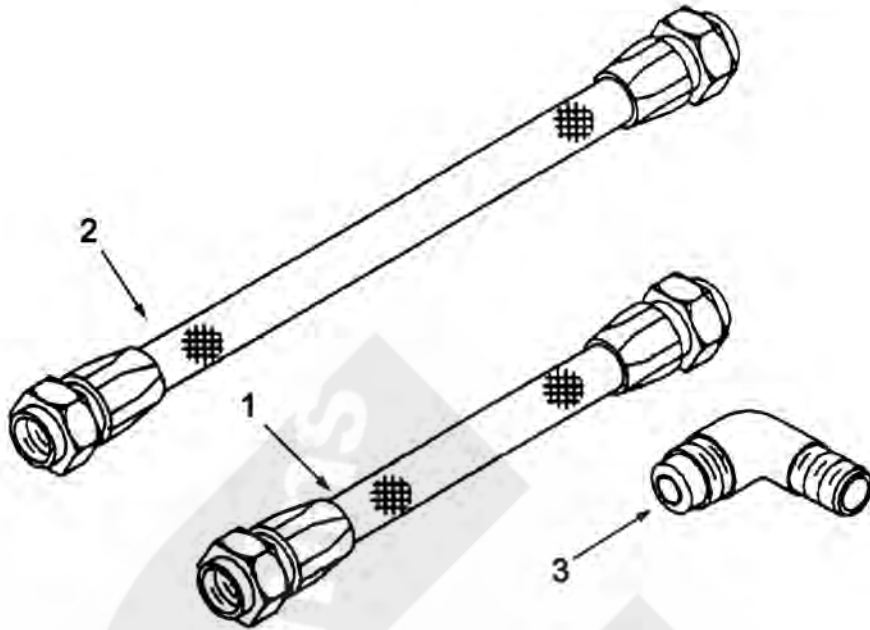


级别 LV	零件号 Part Number	图上标号 Ref No	零件名称 Part Name		数量 Req	备注 Remarks
			中文	英文		
02	3008465		管塞	PLUG, PIPE	2	



If601gg

级别 LV	零件号 Part Number	图上标号 Ref No	零件名称 Part Name		数量 Req	备注 Remarks
			中文	英文		
02	3176127		机油旁通滤清器座	HEAD, LUB OIL FILTER	1	
03	43696 A	3	O型密封圈	SEAL, O RING	2	
03	139473	4	堵塞	PLUG, O RING	2	
03	3033405	5	机油滤清器座	HEAD, LUB OIL FILTER	1	
03	3177198	8	阳性弯接头	ELBOW, MALE UNION	2	
02	3177597		旁通滤清器安装	BYPASS FILTER MTG	1	
03	106069	2	六角螺栓	SCREW, HEXAGON HEAD	2	
03	S 610	1	弹簧垫圈	WASHER, LOCK	2	
02	3889311	10	旁滤清器芯	ELEMENT, LUB OIL FILTER	2	

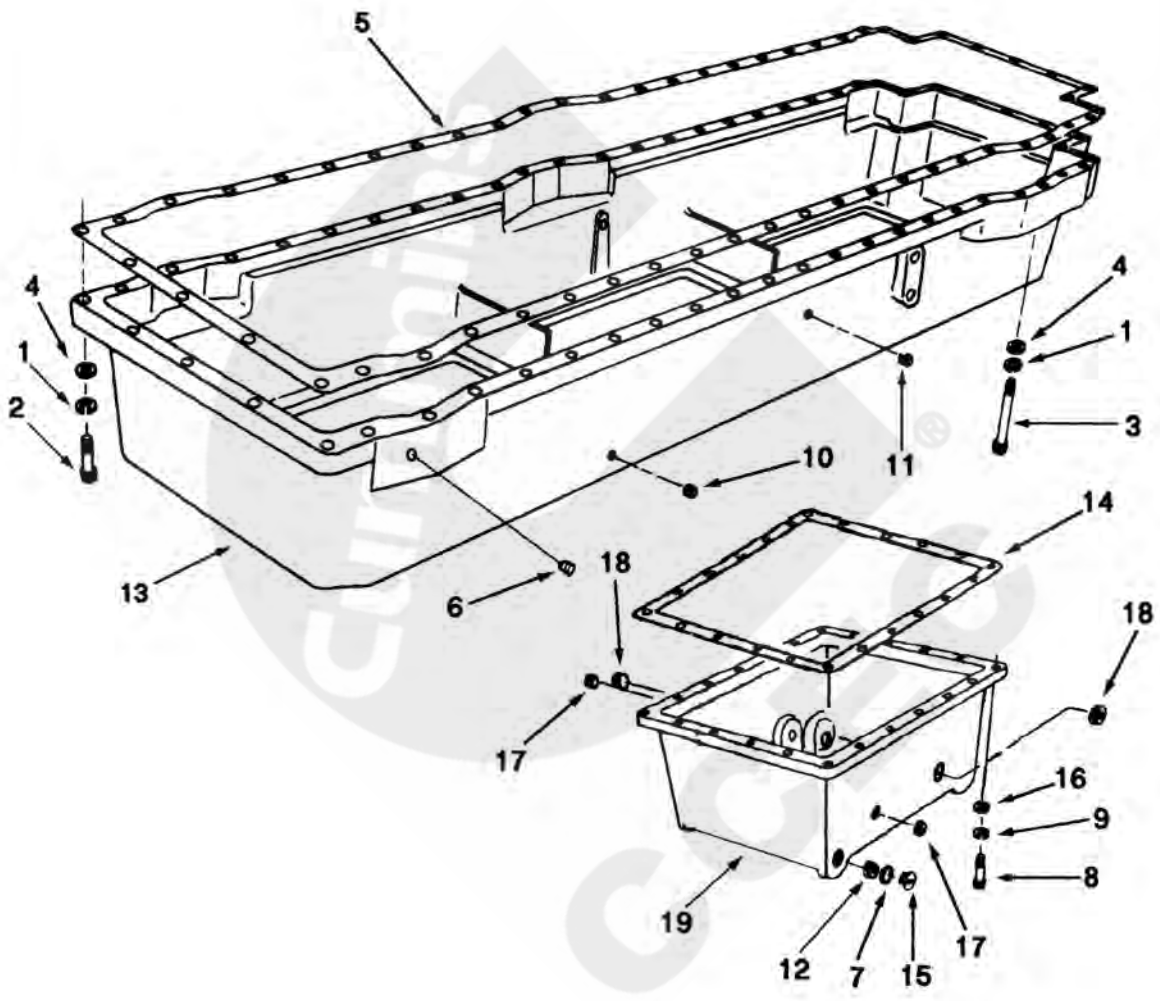


级别 LV	零件号 Part Number		图上标号 Ref No	零件名称 Part Name		数量 Req	备注 Remarks
				中文	英文		
02	AS 6015	SS	1	软管	HOSE, FLEXIBLE	1	
02	AS 6018	SS	2	柔性软管	HOSE, FLEXIBLE	1	
02	144378		3	阳性弯接头	ELBOW, MALE ADAPTER	2	

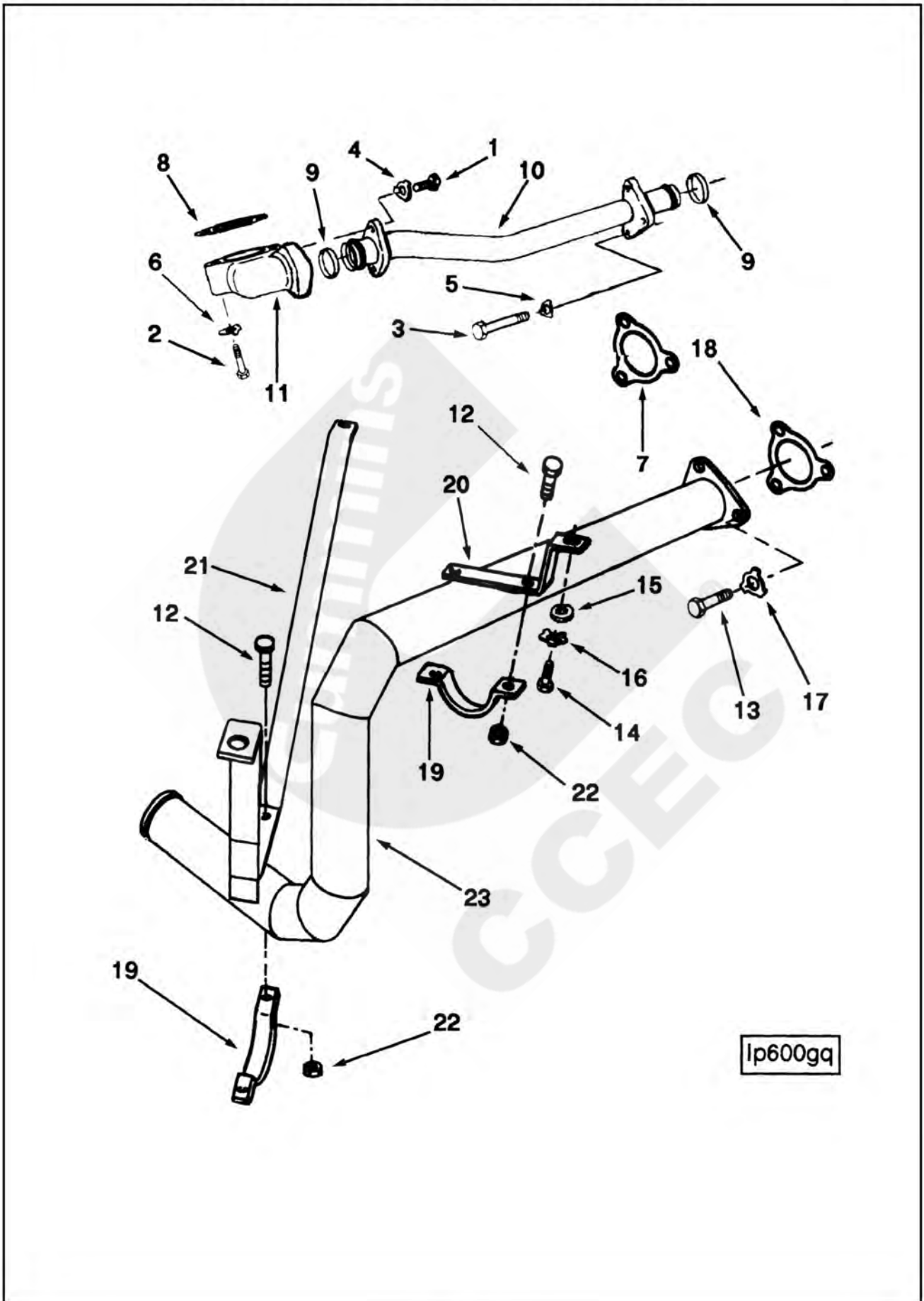


NOTES

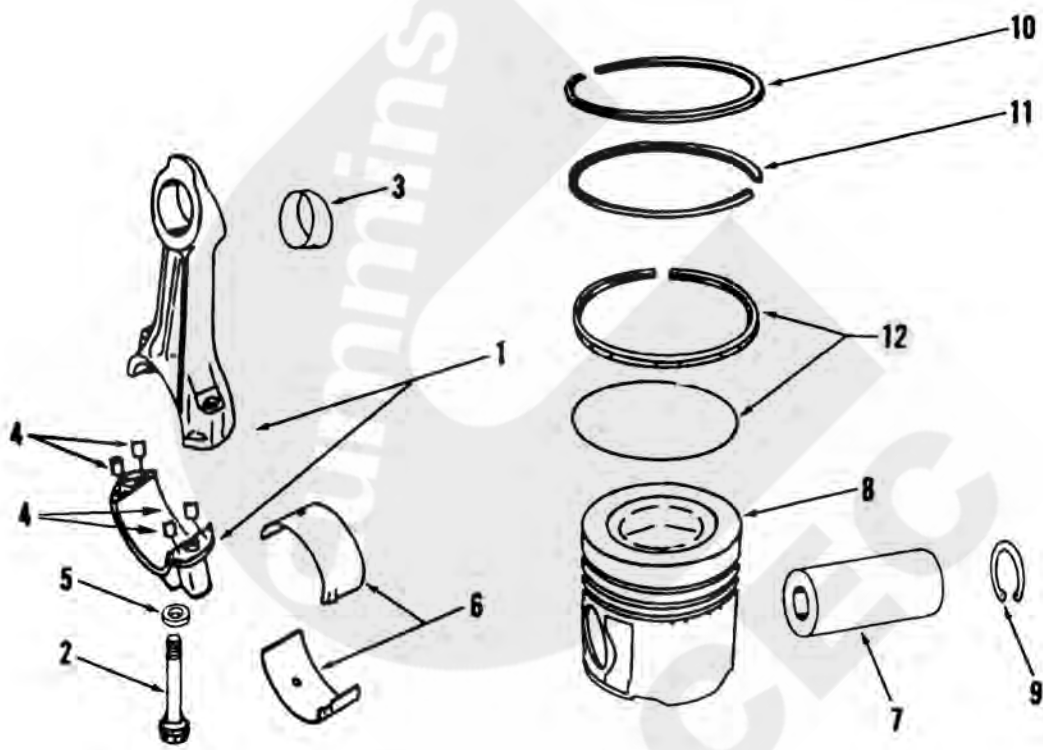




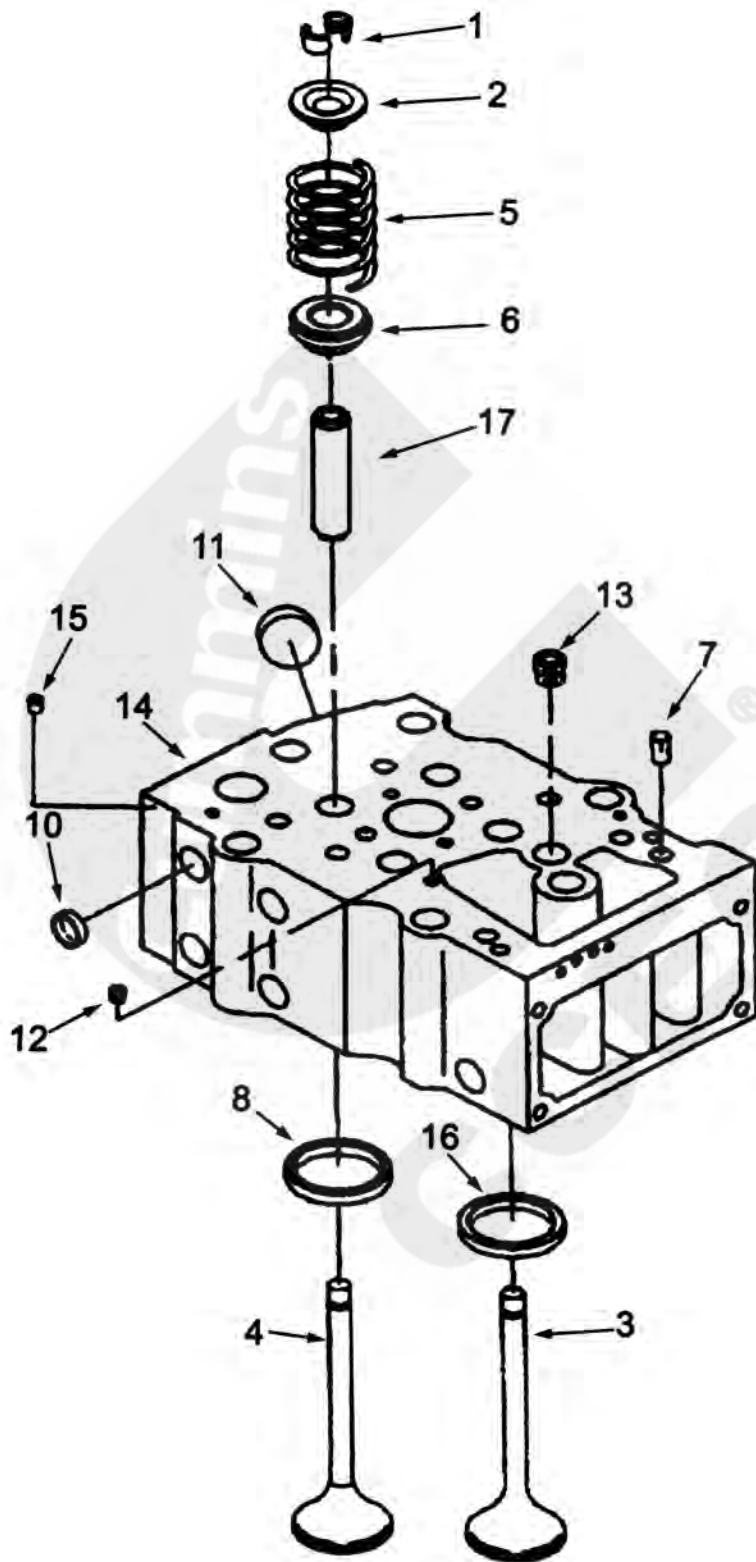
级别 LV	零件号 Part Number	图上标号 Ref No	零件名称 Part Name		数量 Req	备注 Remarks
			中文	英文		
02	3418905		机油盘联接体总成	PAN. OIL	1	
03	67946	7	平垫圈	WASHER, PLAIN	2	
03	106069	8	六角螺栓	SCREW, HEXAGON HEAD	22	
03	135783	9	弹簧垫圈	WASHER, LOCK	22	
03	3039252	13	机油盘联接体	ADAPTER, OIL PAN	1	
03	3043211	14	机油盘衬垫	GASKET, OIL PAN	1	
03	3055069	15	放油塞总成	PLUG, THREADED	2	
03	3175027	16	平垫圈	WASHER, PLAIN	22	
03	3418904		机油盘总成	PAN, OIL	1	
04	67946	7	平垫圈	WASHER, PLAIN	2	
04	206100	19	机油盘	PAN, OIL	1	
04	3008468	17	管塞	PLUG, PIPE	2	
04	3008470	18	管塞	PLUG, PIPE	4	
04	3055069	15	放油塞总成	PLUG, THREADED	2	
02	MP 5477		机油盘联接体安装	ADAPTER, OIL PAN MTG	1	
03	106069	2	六角螺栓	SCREW, HEXAGON HEAD	31	
03	108767	3	六角螺栓	SCREW, HEXAGON HEAD	29	
03	3000082	4	平垫圈	WASHER, PLAIN	60	
03	3043212	5	机油盘衬垫	GASKET, OIL PAN	1	
03	S 610	1	弹簧垫圈	WASHER, LOCK	60	



级别 LV	零件号 Part Number	图上标号 Ref No	零件名称 Part Name		数量 Req	备注 Remarks
			中文	英文		
02	AR12431		机油输油管	TUBE, OIL TRANSFER	1	
03	68908	4	螺栓锁紧片	LOCK PLANE CAPSCREW	2	
03	109319	5	锁片	LOCKPLATE	3	
03	151355	6	锁片	LOCKPLATE	2	
03	206177	7	卸压阀衬垫	GASKET, PRESSURE RELIEF	1	
03	3000632	8	机油接头衬垫	GASKET, CONNECTION	1	
03	3026393	9	O型密封圈	SEAL, O RING	2	
03	3026705	10	输油管	TUBE, LUB OIL TRANSFER	1	
03	3176713	11	接头	CONNECTION, OIL TRANSFER	1	
03	S 109	1	六角螺栓	SCREW, HEXAGON HEAD CAP	2	
03	S 121	2	六角螺栓	SCREW, HEXAGON HEAD CAP	2	B
03	S 197	3	六角螺栓	SCREW, HEXAGON HEAD CAP	3	
02	3175240		机油吸油管	TUBE, OIL SUCTION	1	
03	109319	17	锁片	LOCKPLATE	3	
03	206013	18	法兰衬垫	GASKET, SUCTION FLANGE	1	
03	3002350	19	管夹	CLAMP, TUBE	2	
03	3002351	20	吸油管支架	BRACKET, OIL SUCTION TUB	1	
03	3004318	21	油管支架	BRACKET, OIL TUBE	1	
03	3175239	22	螺母	NUT, LOCK	4	
03	3175658	23	吸油管	TUBE, LUB OIL SUCTION	1	
03	S 103	12	六角螺栓	SCREW, HEXAGON HEAD CAP	4	D
03	S 104	13	六角螺栓	SCREW, HEXAGON HEAD CAP	3	
03	S 112	14	螺栓	SCREW, HEXAGON HEAD CAP	3	
03	S 602	15	平垫圈	WASHER, PLAIN	3	
03	S 604	16	弹簧垫圈	WASHER, LOCK	3	

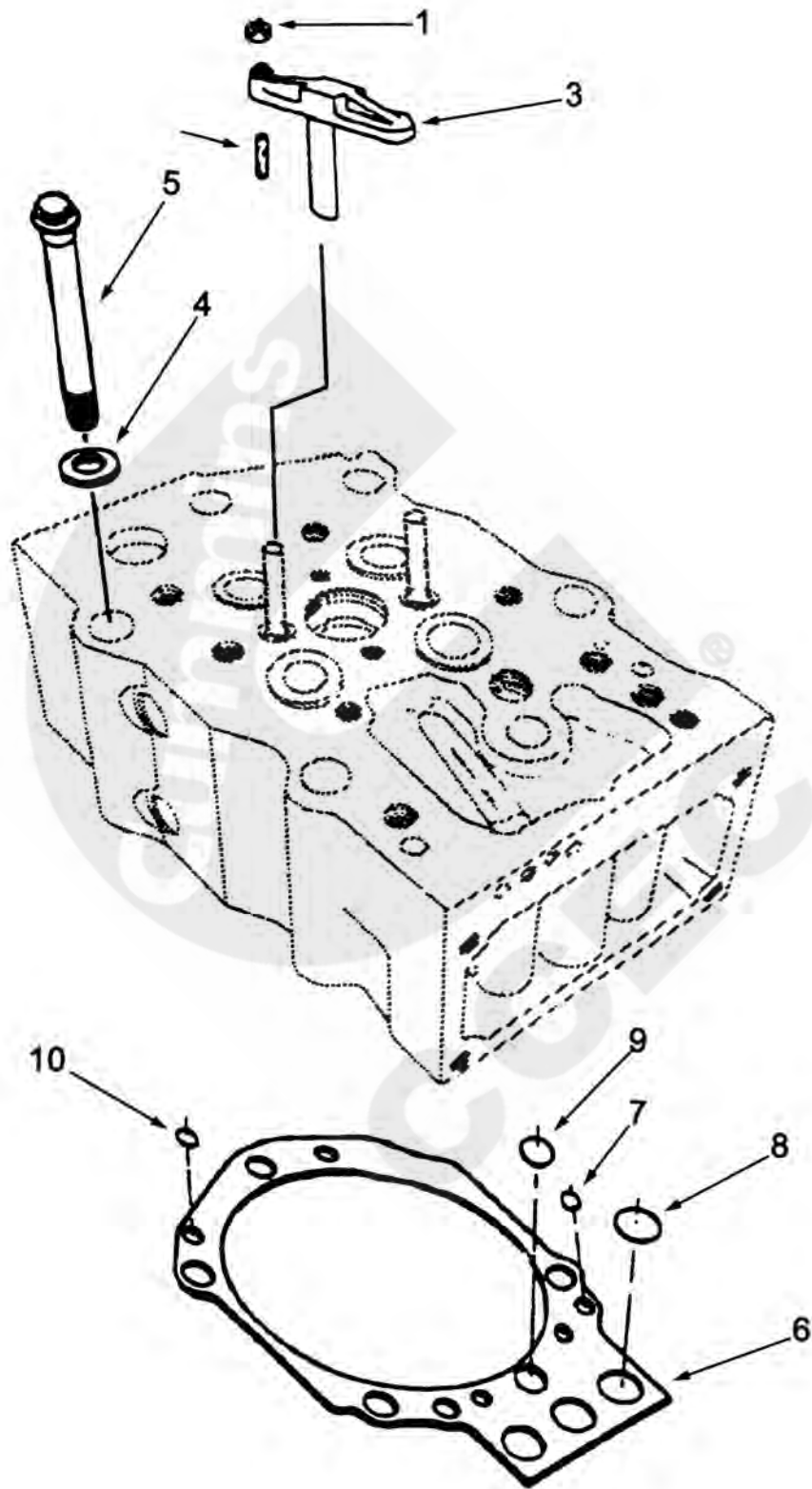


级别 LV	零件号 Part Number	图上标号 Ref No	零件名称 Part Name		数量 Req	备注 Remarks
			中文	英文		
02	3072473		活塞连杆	PISTON & CONN ROD	12	
03	3072472		连杆活塞总成	PISTON & CONN ROD	1	
04	205200	7	活塞销	PIN, PISTON	1	
04	205269	9	挡圈	RING, RETAININGT	2	
04	3096685	8	活塞	PISTON, ENGINE	1	
04	3070589	10	压缩环	RING, COMPRESSION PISTON	1	
04	3090450	12	油环	RING, OIL PISTON	1	
04	3090460	11	压缩环	RING, COMPRESSION PISTON	1	
04	3419120	1	连杆	ROD, ENGINE CONNEC	1	
05	69558	4	定位销	DOWEL, PIN	4	
05	205126	5	平垫圈	WASJER, PLAIN	2	
05	3013265	2	连杆螺栓	SCREW, CON RON CAP	2	
05	3043909	3	衬套	BUSHING	1	
05	(3811994)	1	连杆	ROD, ENGINE CONNEC	1	
03	3047390	6	连杆瓦	BEARING, CONNECTING ROD	2	

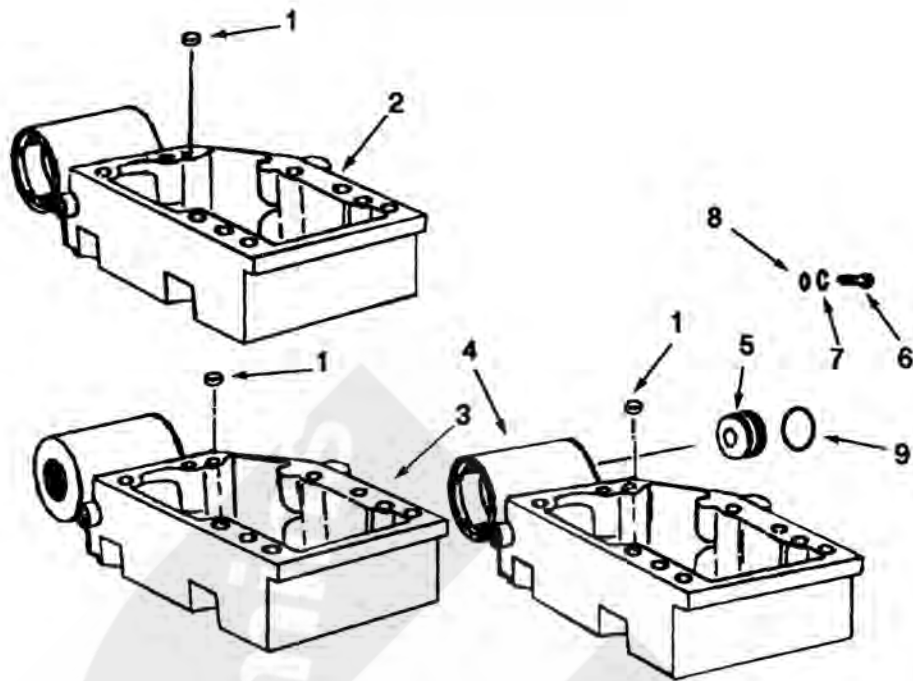




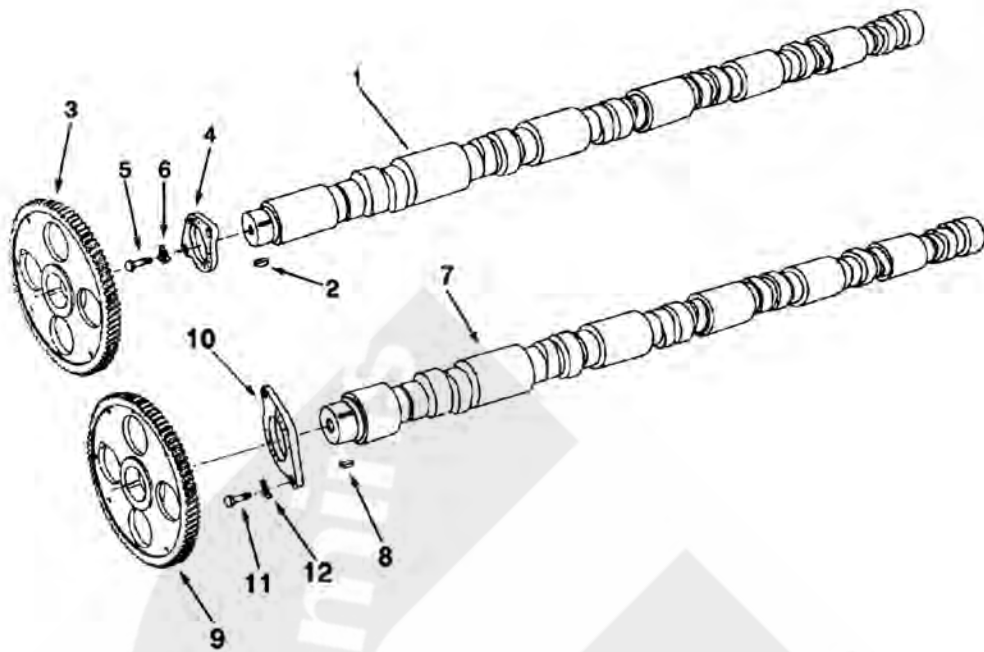
级别 LV	零件号 Part Number	图上标号 Ref No	零件名称 Part Name		数量 Req	备注 Remarks
			中文	英文		
02	3811985		气缸盖	HEAD, CYLINDER	12	
03	205091	1	气门锁夹	COLLET VALVE	8	
03	205094	2	气门弹簧上座	RETAINER VALVE SPRING	4	
03	3052820	3	进气门	VALVE INTAAKE	2	
03	3088389	4	排气门	VALVE EXHAUST	2	
03	3633840	5	气门弹簧	SPRING VALVE	4	
03	3081081	6	气门转子	ROTATOR VALVE	4	
03	3811981		缸盖	HEAD, CYLINDER	1	
04	68445	7	带槽圆柱销	PIN GRPPVE	2	
04	205093	8	排气门镶座	INSERT VALVE	2	
04	205169	9	丁字压板导杆	GUIDE VALVE GROSSHEAD	2	
04	3052819	16	气门座圈	INSERT VALVE	2	
04	3081065		汽缸盖	HEAD, CYLINDER	1	
05	67622	12	管塞	PLUG, PIPE	1	
05	203933	15	碗型塞	PLUG, EXPANSION	1	
05	205401	10	碗型塞	PLUG, EXPANSION	8	
05	206224	11	碗型塞	PLUG, EXPANSION	2	
05	3081064	14	汽缸盖	HEAD, CYLINDER	1	
05	S 915	A 13	管塞	PLUG, PIPE	1	
03	3202210	17	气门导管	GUIDE VALVE STEM	4	



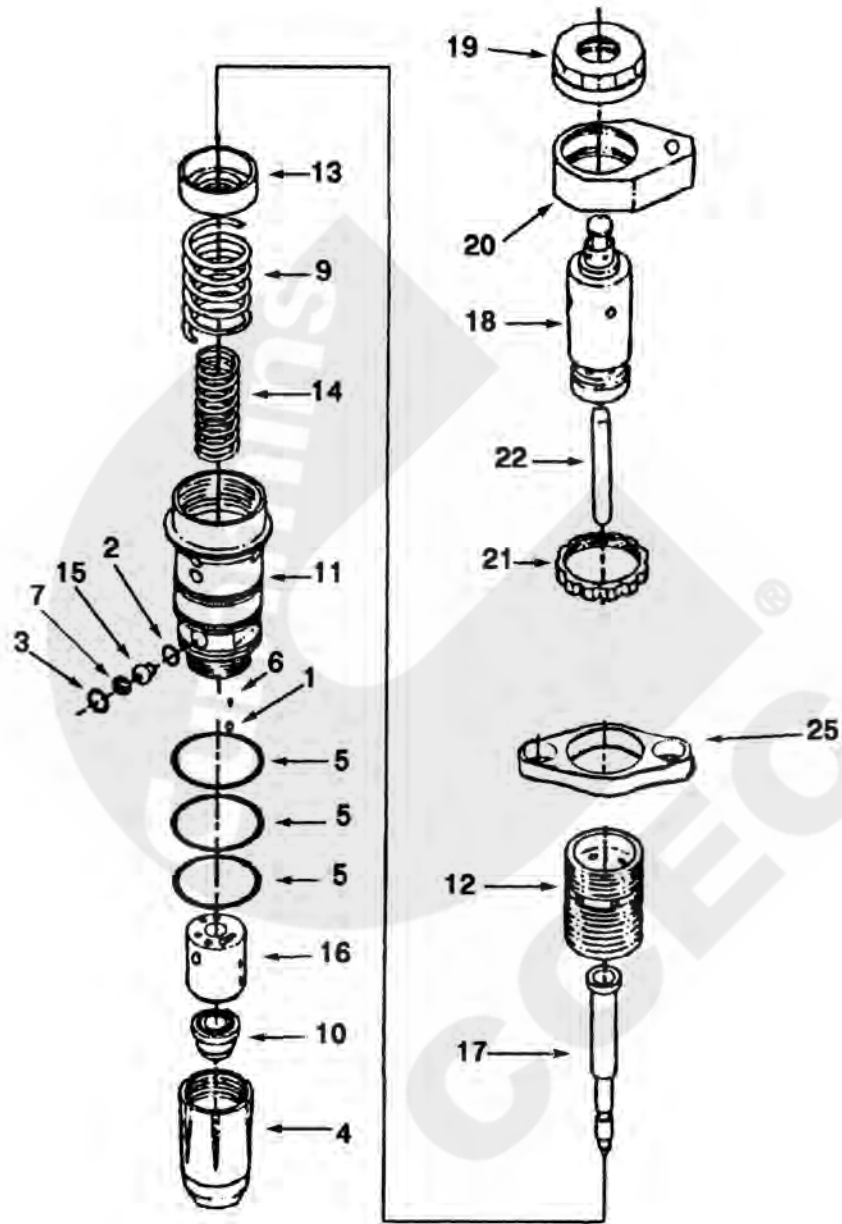
级别 LV	零件号 Part Number	图上标号 Ref No	零件名称 Part Name		数量 Req	备注 Remarks
			中文	英文		
02	3166289	6	汽缸垫	GASKET, CYLINDER H	12	
02	3086362	3	丁字压板	CROSSHEAD, VALVE	24	
02	3043088		汽缸盖安装	HEAD, CYLINDER MOUNTING	12	
03	205059	4	平垫圈	WASHER, CYLINDER	6	
03	3032633	5	十二角螺栓	SCREW, TWELVE POINT CAP	6	
02	3043087		丁字压板安装	CROSS, HEAD MTG	12	
03	203131	1	重型六角螺母	NUT, HEAVY HEXAGON	2	
03	3032697	2	丁字压板调节螺钉	SCREW, CROSSHEAD ADJUST	2	



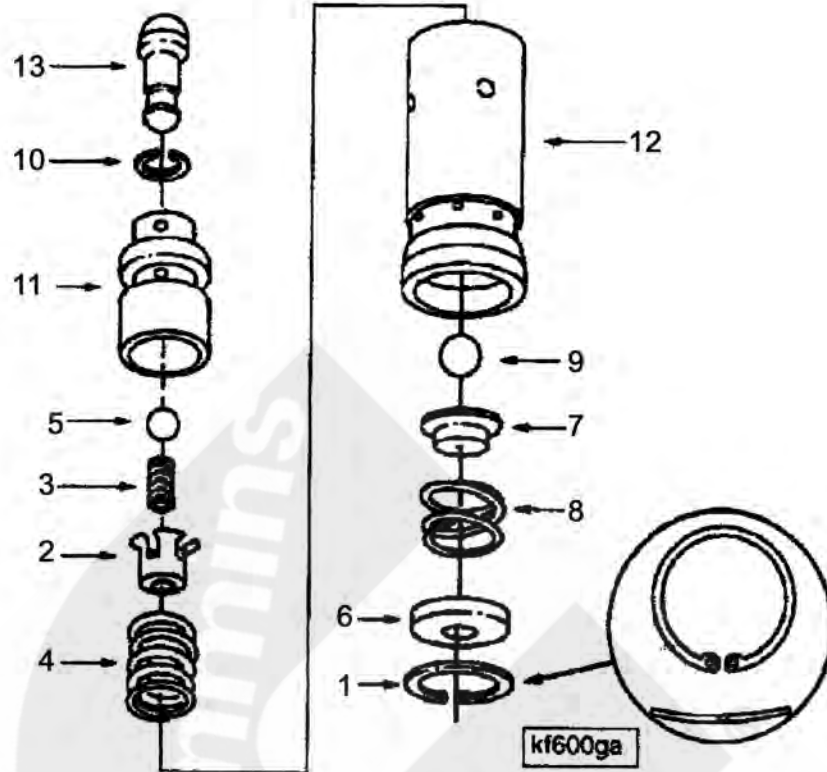
级别 LV	零件号 Part Number	图上标号 Ref No	零件名称 Part Name		数量 Req	备注 Remarks
			中文	英文		
02	3628776		摇臂室	ASSY, ROCKER LEVER HOUSIN	1	
03	205129	1	摇臂轴定位环	DOWEL, RING	1	
03	215921		接头	COUPLING, PLAIN HOSE	1	
03	3202199	3	摇臂室	HOUSING, ROCKER LEVER	1	
02	3039097		摇臂室	ASSY, ROCKER LEVER HOUSIN	10	
03	205129	1	摇臂轴定位环	DOWEL, RING	1	
03	3177713	2	摇臂室	HOUSING, ROCKER LEVER	1	
02	3176400		摇臂室总成	ASSY, ROCKER LEVER HOUSIN	1	
03	205129	1	摇臂轴定位环	DOWEL, RING	1	
03	215921		接头	COUPLING, PLAIN HOSE	1	
03	3629538	4	摇臂室	HOUSING, ROCKER LEVER	1	



级别 LV	零件号 Part Number	图上标号 Ref No	零件名称 Part Name		数量 Req	备注 Remarks
			中文	英文		
02	3074311		右凸轮轴	CAMSHAFT, R. B.	1	
03	206747	3	凸轮轴齿轮	GEAR, CAMSHAET	1	
03	3007971	4	凸轮轴止推轴承	BEARING, CAMSHAFT THRUST	1	
03	3062076	1	凸轮轴	CAMSHAFT	1	
03	S 302	5	半圆键	KEY, PLAIN WOODRUFF	1	
02	3074310		左凸轮轴	CAMSHAFT, L. B.	1	
03	207248	9	凸轮轴齿轮	GEAR, CAMSHAFT	1	
03	3007971	10	凸轮轴止推轴承	BEARING, CAMSHAFT THRUST	1	
03	3062077	7	凸轮轴	CAMSHAFT	1	
03	S 302	8	半圆键	KEY, PLAIN WOODRUFF	1	
02	MP 4970		凸轮轴安装	CAMSHAFT, MTG	2	
03	68908	6	螺栓锁紧片	LOCK PLANE CAPSCREW	2	
03	S 112	5	螺栓	SCREW, HEXAGON HEAD CAP	2	



级别 LV	零件号 Part Number	图上标号 Ref No	零件名称 Part Name		数量 Req	备注 Remarks
			中文	英文		
02	3076703		喷油器	INJECTOR	12	
03	167157	1	止回阀	BALL, CHECK	1	
03	173086	2	衬垫	GASKET, INJECTOR	1	
03	174299	3	卡簧	RETAINER, SCREEN	1	
03	3042430	4	喷油咀体	RETAINER, INJECTOR CUP	1	
03	193736	5	O型密封圈	SEAL, O RING	1	
03	203426	6	圆柱销	PIN, ROLL	2	
03	3008706	7	过滤网	SCREEN, FILTER	1	
03	3042427	9	压缩弹簧	SPRING, COMPRESSION	1	
03	3279720	10	喷油器油杯	CUP, INJECTOR	1	
03	3042425	11	喷油咀体	ADAPTER, INJECTOR	1	
03	3279821	12	喷油弹簧	SCREW, INJECTOR STOP	1	
03	3052218	13	喷油弹簧上座	SCREW, INJECTOR STOP	1	
03	3042428	14	压缩弹簧	SPRING, COMPRESSION	1	
03	(3045047)	15	堵塞	PLUG, INJECTOR ORIFICE	1	
03	3076126		柱塞副总成	BARREL & PLUNGER	1	
04	3053504	16	喷油器柱塞套筒	BARREL, INJECTOR	1	
04	3076124	17	喷油器柱塞	PLUNGER, INJECTOR	1	
03	3075381	18	喷油器挺杆	TAPPET, HYD VAR TIMING	1	
03	3068859	19	挺杆盖	CAP, TAPPET TOP STOP STOP	1	
03	3279850	20	螺母	NUT, TAPPET TOP STOP STOP	1	
03	3068860	21	锁紧螺母	NUT, LOCK	1	
03	3627984	22	喷油器连接杆	LINK, INJECTOR PLUNGER	1	
03	3003682	25	喷油器压板	CLAMP, IMJECTOR	1	

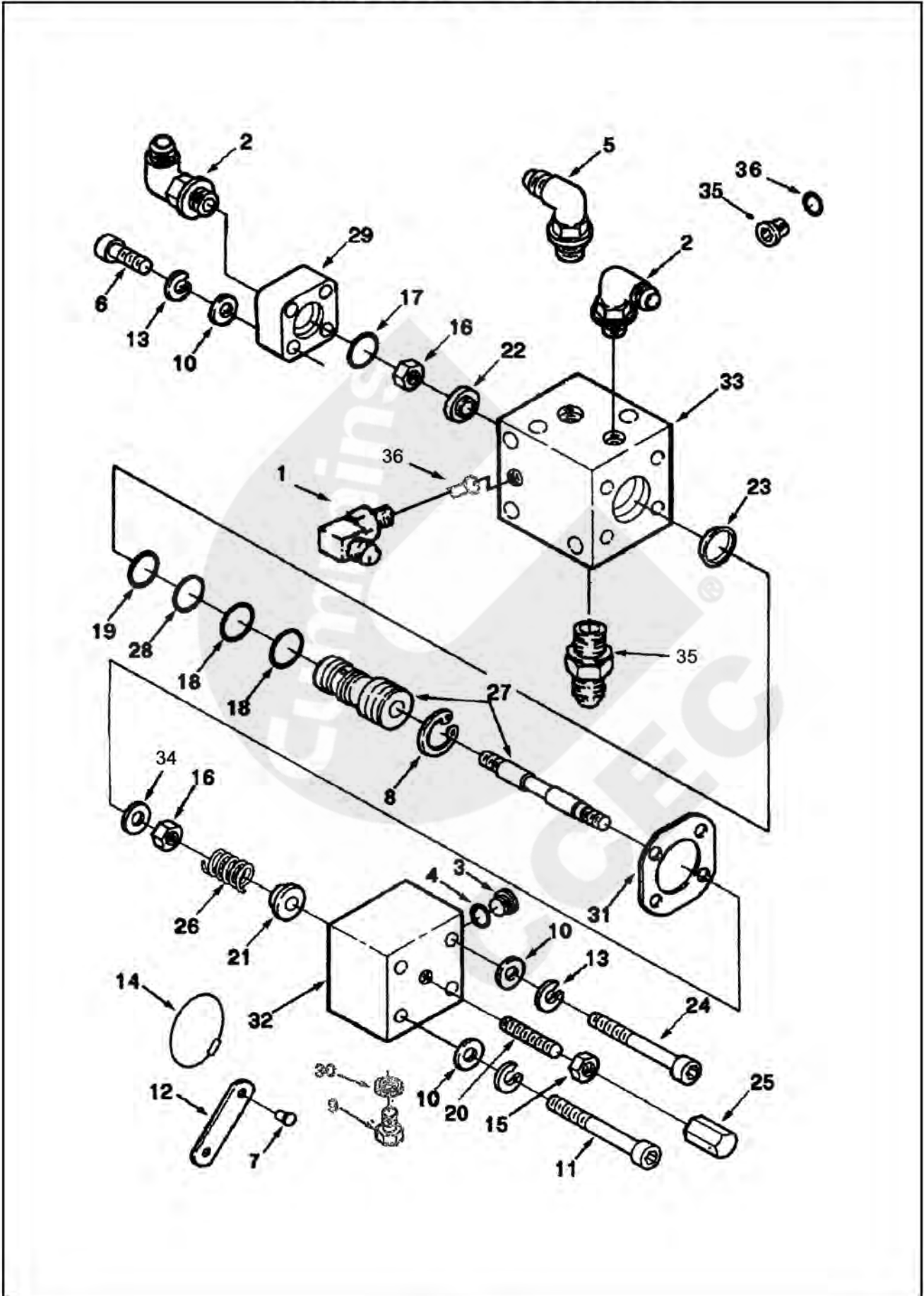


级别 LV	零件号 Part Number	图上标号 Ref No	零件名称 Part Name		数量 Req	备注 Remarks
			中文	英文		
02	3075381		挺杆	TAPPET , HYD VAR TIMING	12	
03	3027988	1	卡环	RING, RETAINING	1	
03	3076033	2	导向杯	GUIDE, BALL	1	
03	3027944	3	压缩弹簧	SPRING, COMPRESSTON	1	
03	3054852	4	喷油器弹簧	SPRING, COMPRESSTON	1	
03	(3027996)	5	止回球阀	BALL, CHECK	1	
03	3075384	6	衬垫	SOCKET, TAPPET	1	
03	3075385	7	弹簧导向座	GUIDE, SPRING	1	
03	3050345	8	压缩弹簧	SPRING, COMPRESSTON	1	
03	3062119	9	止回球阀	BALL, CHECK	1	
03	(3052231)	10	卡环	RETAINER, INJECTOR LINK	1	
03	(3053772)	11	挺杆柱塞	PLUNGER, TAPPET	1	
02	3075386	12	挺杆耐磨套	SLEEVE, TAPPET	1	
03	3052233	13	喷油器连接杆	LIND, INJECTOR PKUNGER	1	
03	3801688		STC散件	KIT, STC REPAIR	1	

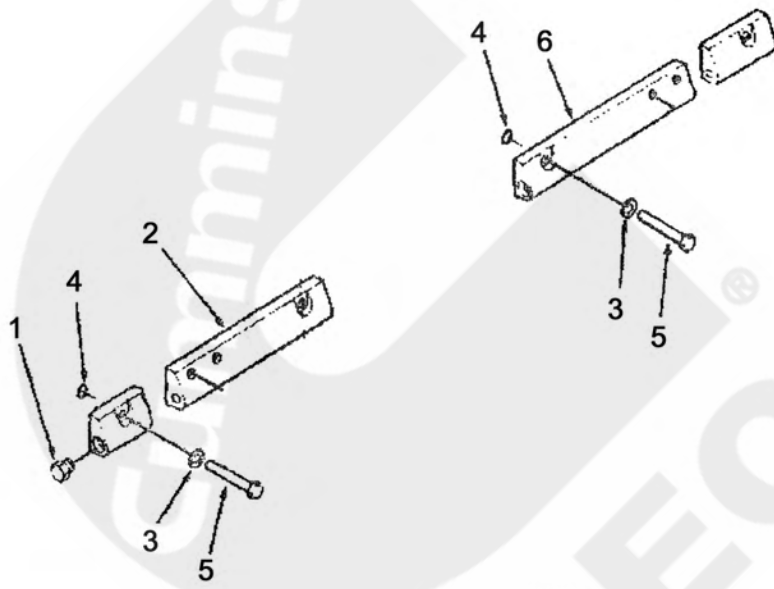


NOTES

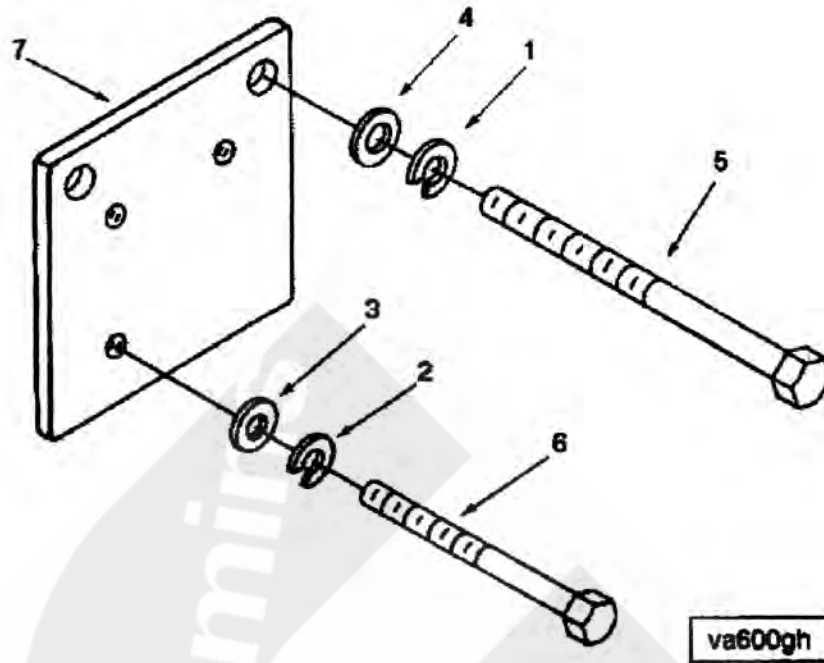




级别 LV	零件号 Part Number	图上标号 Ref No	零件名称 Part Name		数量 Req	备注 Remarks
			中文	英文		
02	3063022		机油控制阀	VALVE, OIL CONTROL	1	
03	3063023	1	单向阀	VALVE, CHECK	1	
03	3037662	2	阳性接头	ELBOW, MALE UNION	1	
03	3040814	3	螺塞	PLUG, THREADED	2	
03	3036666	4	O型密封圈	SEAL, O RING	1	
03	3061835	5	三通接头	TEE, MALE UNION	1	
03	3075637	6	内六角螺栓	SCREW, HEXAGON HEAD CAP	4	
03	S 2286	7	自攻螺钉	SCREW, DREIVE	2	
03	S 16240	8	矩形密封圈	RING, RETAINING	1	
03	70446	9	六角螺栓	SCREW, HEXAGON HEAD CAP	1	
03	70704	10	平垫圈	WASHER, PLAIN	8	
03	3073999	11	六角螺栓	SCREW, HEXAGON HEAD CAP	3	
03	105375	12	名牌	NAMEPLATE	1	
03	181466	13	弹簧垫圈	WASHER, LOCK	8	
03	3003156	14	密封圈	SEAL, WIRE	1	
03	3021639	15	螺母	NUT, SEALING	1	
03	3029301	16	锁紧螺母	NUT, LOCK	1	
03	3034408	17	O型密封圈	SEAL, O RING	1	
03	3042542	18	O型密封圈	SEAL, O RING	2	
03	3045986	19	O型密封圈	SEAL, O RING	2	
03	109919	20	螺栓	SCREW, SOCKET SET	1	
03	3049041	21	弹簧座	RETAINER, SPRING	1	
03	3073998	22	圆盘阀	DISC, VALVE	1	
03	3054411	23	弹簧圈	SPRING, LEAF	1	
03	3075638	24	六角螺栓	SCREW, HEXAGON HEAD CAP	1	
03	3055687	25	控制阀螺母	NUT, CONTROL VALVE	1	
03	3051069	26	压缩弹簧	SPRING, COMPRESSION	1	
03	3060605	27	柱塞总成	BARREL & PLUNGER	1	
03	3066914	28	O型密封圈	SEAL, O RING	1	
03	3069989	29	控制阀盖	COVER, OIL CONGTROL VALVE	1	
03	3069998	30	密封垫圈	WASHER, SEALING	1	
03	3070108	31	控制阀衬垫	GASKET, CONTROL VALVE	1	
03	3070124	32	控制阀盖	COVER, DIAPHRAGM	1	
03	3060606	33	控制阀体	BODY, OIL CONGTROL VALVE	1	
03	3070186	34	平垫圈	WASHER, PLAIN	1	
03	3063020	35	阳性接头	ELBOW, MALE UNION	1	
03	3044993	36	管塞	PLUG, INJECTOR ORIFICE	1	



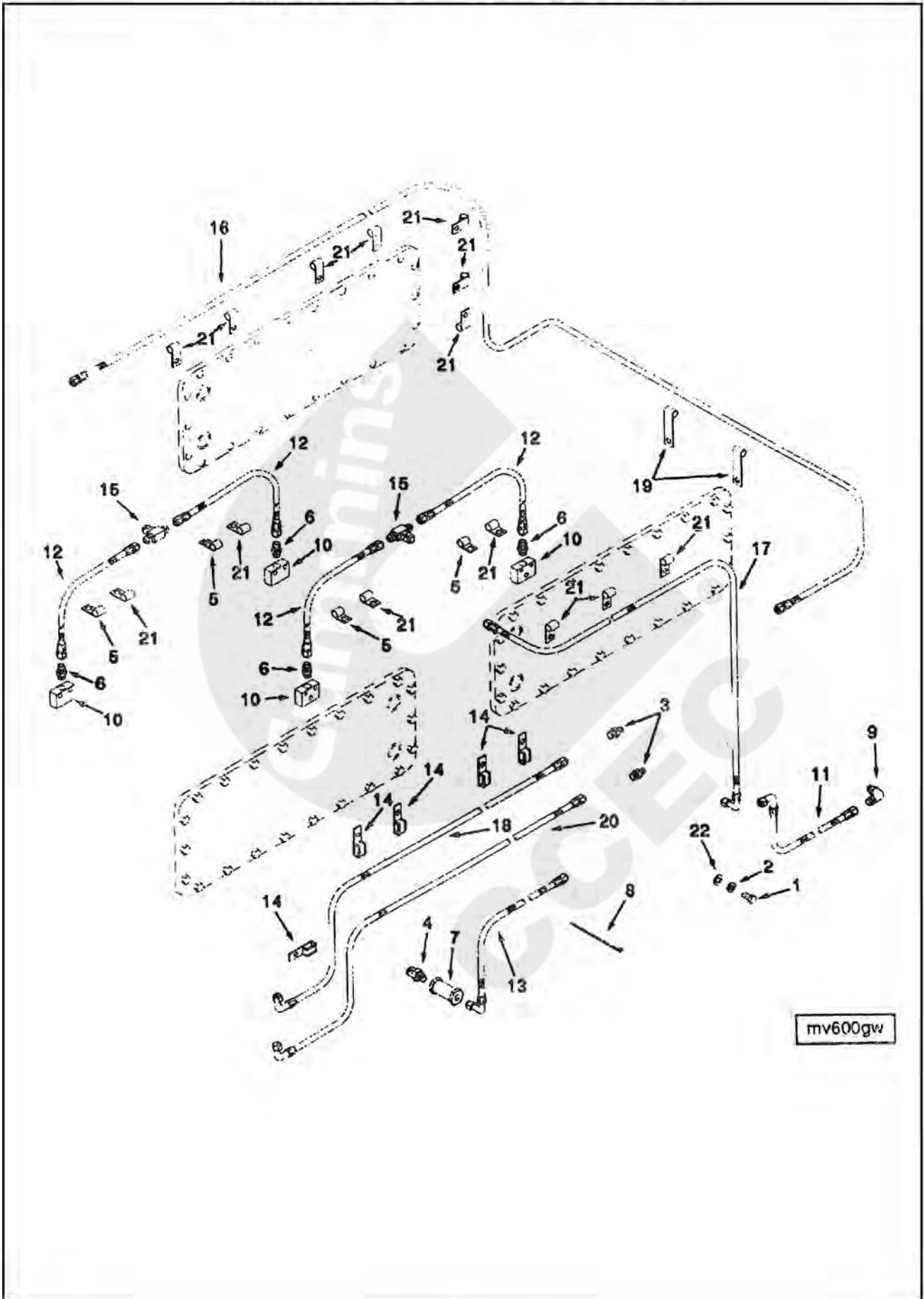
级别 LV	零件号 Part Number	图上标号 Ref No	零件名称 Part Name		数量 Req	备注 Remarks
			中文	英文		
02	3040149		输油管 (右) 及安装	MANIFOLD, OIL R B	1	
03	127018	3	平垫圈	WASHER, PLAIN	6	
03	3001811	5	十二角螺栓	SCREW, TWELVE POINT CAP	6	
03	3040147		输油管总成	MANIFOLD, OIL	1	
04	3023217	1	螺塞	PLUG, THREADED	2	
04	3084621	6	输油管	MANIFOLD, OIL	1	
03	3040148		输油管总成	MANIFOLD, OIL	1	
04	3023217	1	螺塞	PLUG, THREADED	2	
04	3084622	2	输油管	MANIFOLD, OIL	1	
03	3084539	4	O型圈	SEAL, O RING	6	
02	3040150		输油管 (左) 及安装	MANIFOLD, OIL L B	1	
03	127018	3	平垫圈	WASHER, PLAIN	6	
03	3001811	5	十二角螺栓	SCREW, TWELVE POINT CAP	6	
03	3040147		输油管总成	MANIFOLD, OIL	1	
04	3023217	1	螺塞	PLUG, THREADED	2	
04	3084621	6	输油管	MANIFOLD, OIL	1	
03	3040148		输油管总成	MANIFOLD, OIL	1	
04	3023217	1	螺塞	PLUG, THREADED	2	
04	3084622	2	输油管	MANIFOLD, OIL	1	
03	3084539	4	O型圈	SEAL, O RING	6	



级别 LV	零件号 Part Number	图上标号 Ref No	零件名称 Part Name		数量 Req	备注 Remarks
			中文	英文		
02	3178536		机油控制阀安装	MTG, OIL CONTROL VALVE	1	
03	63842	4	平垫圈	WASHER, PLAIN	2	
03	69621	5	六角螺栓	SCREW, HEXAGON HEAD	2	
03	137761	6	六角螺栓	SCREW, HEXAGON HEAD	3	
03	3178219	7	支架	BRACKET, VALVE	1	
03	S 604	1	弹簧垫圈	WASHER, LOCK	2	
03	S 605	2	弹簧垫圈	WASHER, LOCK	3	
03	S 626	3	平垫圈	WASHER, PLAIN	3	

NOTES

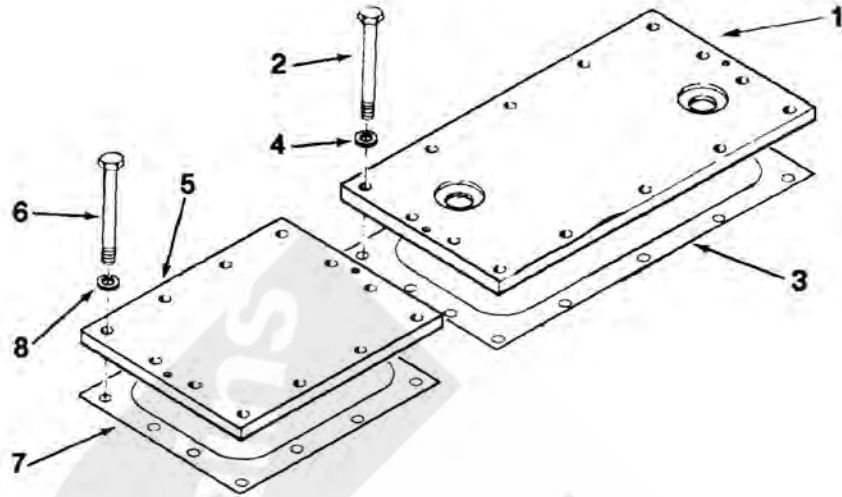




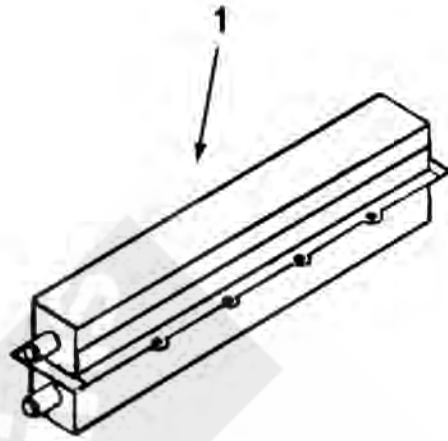
mv600gw



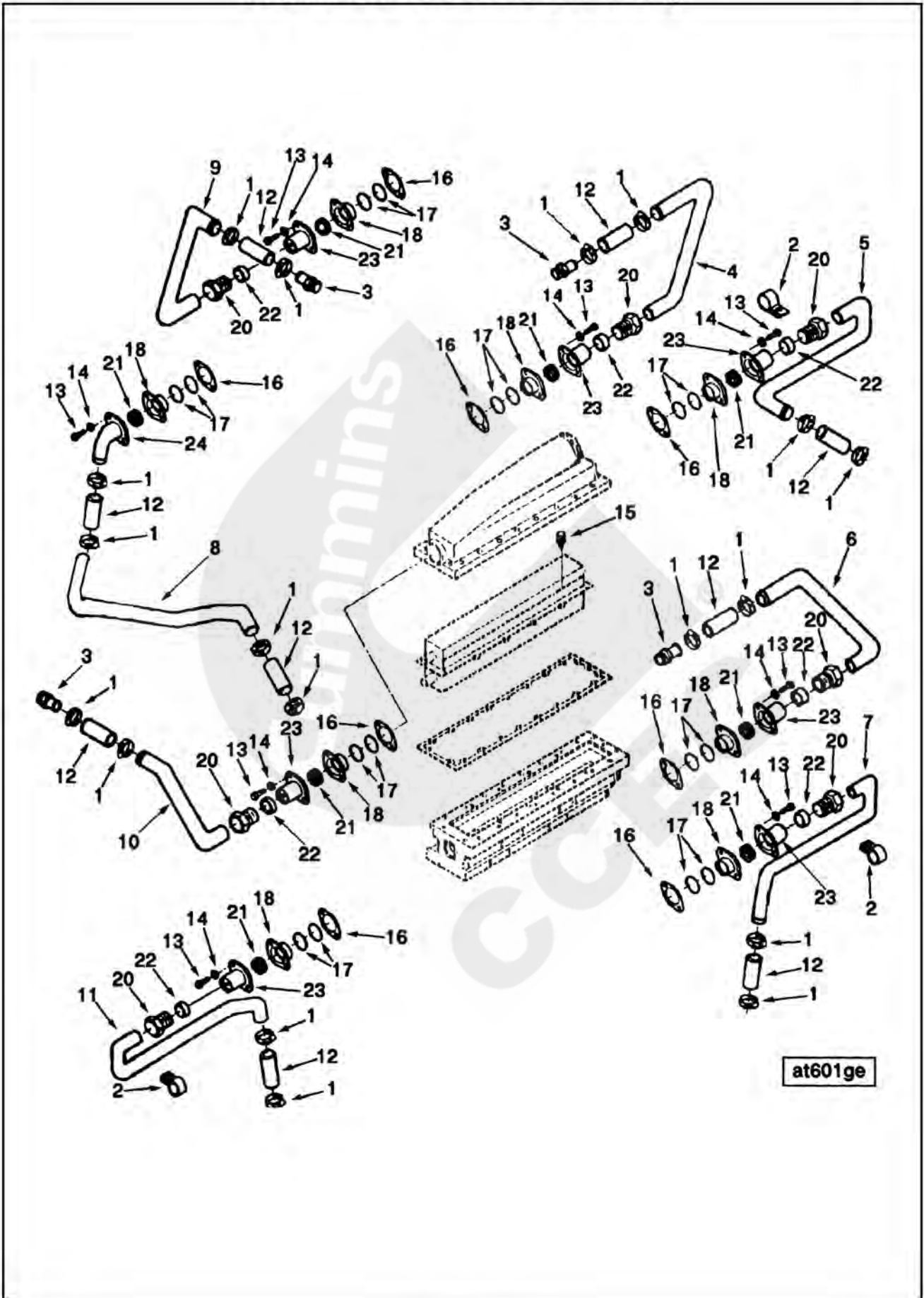
级别 LV	零件号 Part Number	图上标号 Ref No	零件名称 Part Name		数量 Req	备注 Remarks
			中文	英文		
02	3628535		输油连接管	CONNECTION OIL TRANSFER	1	
03	3627412	21	夹子	CLIP	13	
03	3627693		接头	UNION, MALE	4	
03	3627703	15	三通接头	TEE, MALE UNION	2	
03	3627707	12	软管	HOSE, FLEXIBLE	1	
03	3632025		软管	HOSE, FLEXIBLE	1	
03	S 118	1	六角螺栓	SCREW, HEXAGON HEAD CAP	5	
03	S 610	2	弹簧垫圈	WASHER, LOCK	5	
03	S 622	22	平垫圈	WASHER, PLAIN	5	
02	3628544		输油连接管	CONNECTION, OIL	1	
03	68138	3	阳性管接头	CONNECTOR, MALE	2	
03	3001340		O型密封圈	SEAL, O RING	8	
03	3018920	8	线夹	CLAMP, WIRE TIE	2	
03	3037662	9	阳性弯接头	ELBOW, MALE UNION	3	
03	3044286	10	供油接头	CONNECTION, OIL SUPPLY	4	
03	3084539		O型圈	SEAL, O RING	4	
03	3095651		接头	TEE, MALE UNION	1	
04	3046201		O型圈	SEAL, O RING	1	
04	3627695		O型圈	SEAL, O RING	2	
04	3627702	15	三通接头	TEE, MALE UNION	1	
03	3175318	11	软管	HOSE, FLEXIBLE	1	
03	3178257		内六角螺栓	SCREW, SOCKET HEAD CAP	8	
03	3178520	14	夹子	CLIP	2	
03	3627412	21	夹子	CLIP	5	
03	3627703		三通接头	TEE, MALE UNION	1	
03	3627707		软管	HOSE, FLEXIBLE	1	
03	3628422	20	软管	HOSE, FLEXIBLE	1	
03	3628522	4	阳性接头	UNION, MALE	1	
04	3627695		O型圈	SEAL, O RING	1	
04	3627698		阳性接头	UNION, MALE	1	
03	3628888	13	软管	HOSE, FLEXIBLE	1	
03	3630525	7	单向阀总成	CONNECTOR, MALE	1	
04	178079		单向阀	VALVE, CHECK	1	
04	3046201		O型圈	SEAL, O RING	1	
04	3063019		阳性接头	CONNECTOR, MALE	1	
03	3632206		软管	HOSE, FLEXIBLE	4	
03	AS 4034 SL		软管	HOSE, FLEXIBLE	1	
03	S 126		六角螺栓	SCREW, HEXAGON HEAD CAP	1	
03	S 602		平垫圈	WASHER, PLAIN	2	
03	S 604		弹簧垫圈	WASHER, LOCK	2	



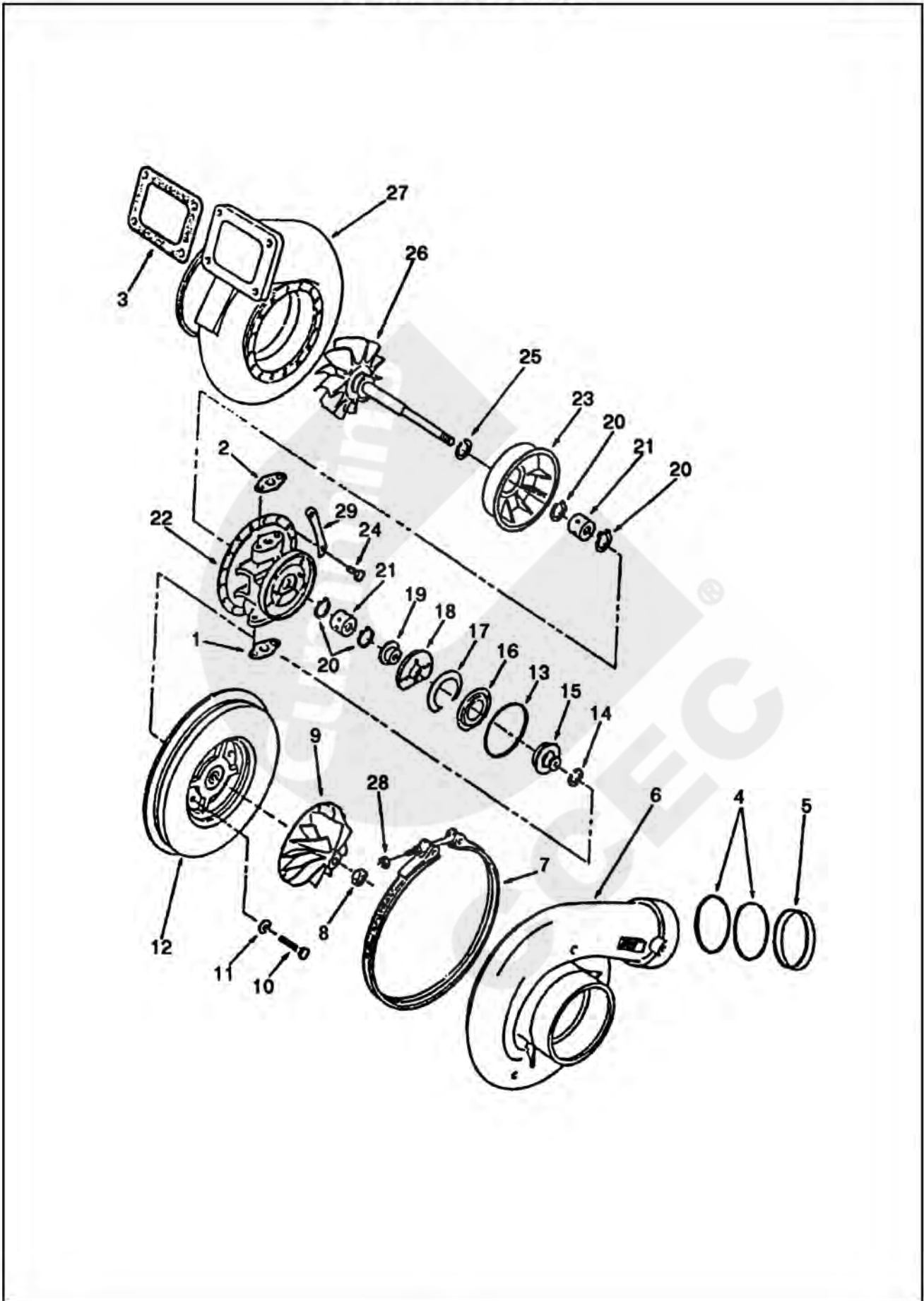
级别 LV	零件号 Part Number	图上标号 Ref No	零件名称 Part Name		数量 Req	备注 Remarks
			中文	英文		
02	3009322	1	水室盖	COVER, WATER HEADER	3	
02	3009321	5	水室盖	COVER, WATER HEADER	3	
02	3011416		机油冷却器盖安装	MTG, COVER, OIL COOLER	3	
03	3009324	3	水室盖衬垫	GASKET, WATER HEADER COVE	1	
03	S 103 D	2	六角螺栓	SCREW, HEXAGON HEAD CAP	14	
03	S 604	4	弹簧垫圈	WASHER, LOCK	14	
02	3011417		水室盖安装	MTG, COVER WTR HEADER	1	
03	3009323	7	水室盖衬垫	GASKET, WATER HEADER COVE	1	
03	S 103 D	6	六角螺栓	SCREW, HEXAGON HEAD CAP	12	
03	S 604	8	弹簧垫圈	WASHER, LOCK	12	



级别 LV	零件号 Part Number	图上标号 Ref No	零件名称 Part Name		数量 Req	备注 Remarks
			中文	英文		
02	3626715	1	中冷器芯	CORE, AFTERCOOLER	4	



级别 LV	零件号 Part Number	图上标号 Ref No	零件名称 Part Name		数量 Req	备注 Remarks
			中文	英文		
02	3177766		输水连接管总成	CONNECTION, WATER	1	
03	43828 A	1	软管卡箍	CLAMP, HOSE	18	
03	107460	2	夹子	CLIP	3	
03	215921	3	接头	COUPLING, PLAIN HOSE	2	
03	3177303	4	输水管	TUBE, WATER TRANSFER	1	
03	3177304	5	输水管	TUBE, WATER TRANSFER	1	
03	3177305	6	输水管	TUBE, WATER TRANSFER	1	
03	3177306	7	输水管	TUBE, WATER TRANSFER	1	
03	3177307	8	输水管	TUBE, WATER TRANSFER	1	
03	3177308	9	输水管	TUBE, WATER TRANSFER	1	
03	3178043	11	输水管	TUBE, WATER TRANSFER	1	
03	3178499		夹子	CLIP	1	
03	3627417	10	输水管	TUBE, WATER TRANSFER	1	
03	3818267	12	软管	HOSE, PLAIN	9	
02	3177767		中冷器安装	AFTERCOOLER MOUNTING	1	
03	3014766	15	带垫螺栓	SCREW, CAPTIVE WASHER CAP	8	
03	3026426	16	衬垫	GASKET, FLANGE	2	
03	3033915	17	O型密封圈	SEAL, O RING	4	
03	3177300	18	接头	CONNECTION, ADAPTER	2	
03	3177302		输水连接管	CONNECTION, WATER TRANSFER	1	
03	3177317	20	管接头	CONNECTOR, TUBE	1	
03	3177740	22	密封圈	SEAL, FERRULE	1	
03	3178290	23	输水连接管	CONNECTION, WATER TRANSFER	1	
03	3627449	21	矩形密封圈	SEAL, RECTANGULAR RING	2	
03	S 119	13	六角螺栓	SCREW, HEXAGON HEAD CAP	4	
03	S 605	14	弹簧垫圈	WASHER, LOCK	4	
03	S 626		平垫圈	WASHER, PLAIN	4	
02	3177769		中冷器安装	AFTERCOOLER MOUNTING	3	
03	3014766	15	带垫螺栓	SCREW, CAPTIVE WASHER CAP	8	
03	3026426	16	衬垫	GASKET, FLANGE	2	
03	3033915	17	O型密封圈	SEAL, O RING	4	
03	3177300	18	接头	CONNECTION, ADAPTER	2	
03	3177317	20	管接头	CONNECTOR, TUBE	2	
03	3177740	22	密封圈	SEAL, FERRULE	2	
03	3178290	23	输水连接管	CONNECTION, WATER TRANSFER	2	
03	3627449		矩形密封圈	SEAL, RECTANGULAR RING	2	
03	S 119	13	六角螺栓	SCREW, HEXAGON HEAD CAP	4	
03	S 605	14	弹簧垫圈	WASHER, LOCK	4	
03	S 626		平垫圈	WASHER, PLAIN	4	

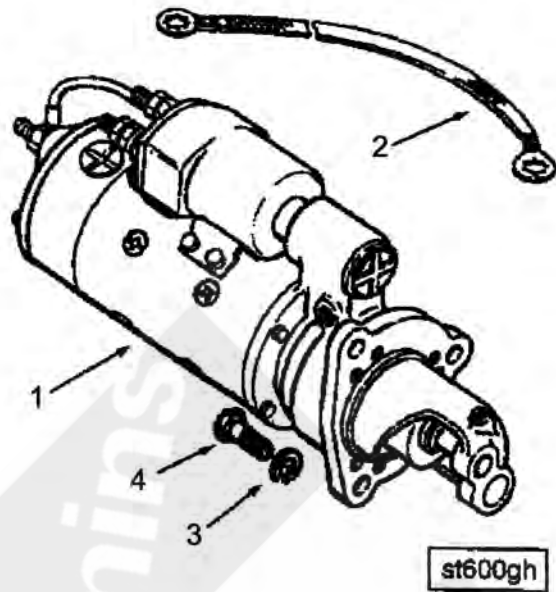


级别 LV	零件号 Part Number	图上标号 Ref No	零件名称 Part Name		数量 Req	备注 Remarks
			中文	英文		
02	3594097		增压器	TURBOCHARGER	1	总成装配
02	3594098		增压器	TURBOCHARGER	1	总成装配

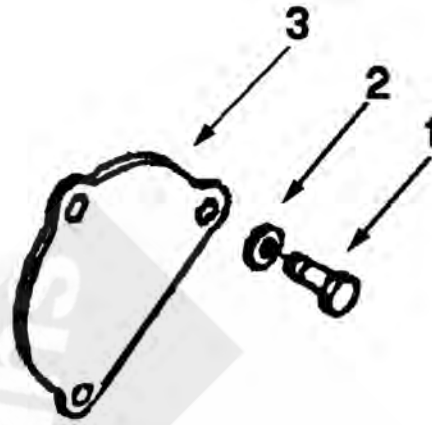


级别 LV	零件号 Part Number	图上标号 Ref No	零件名称 Part Name		数量 Req	备注 Remarks
			中文	英文		
02	3015546	1	附件驱动皮带轮	PULLEY, ACCESSORY DRIVE	1	





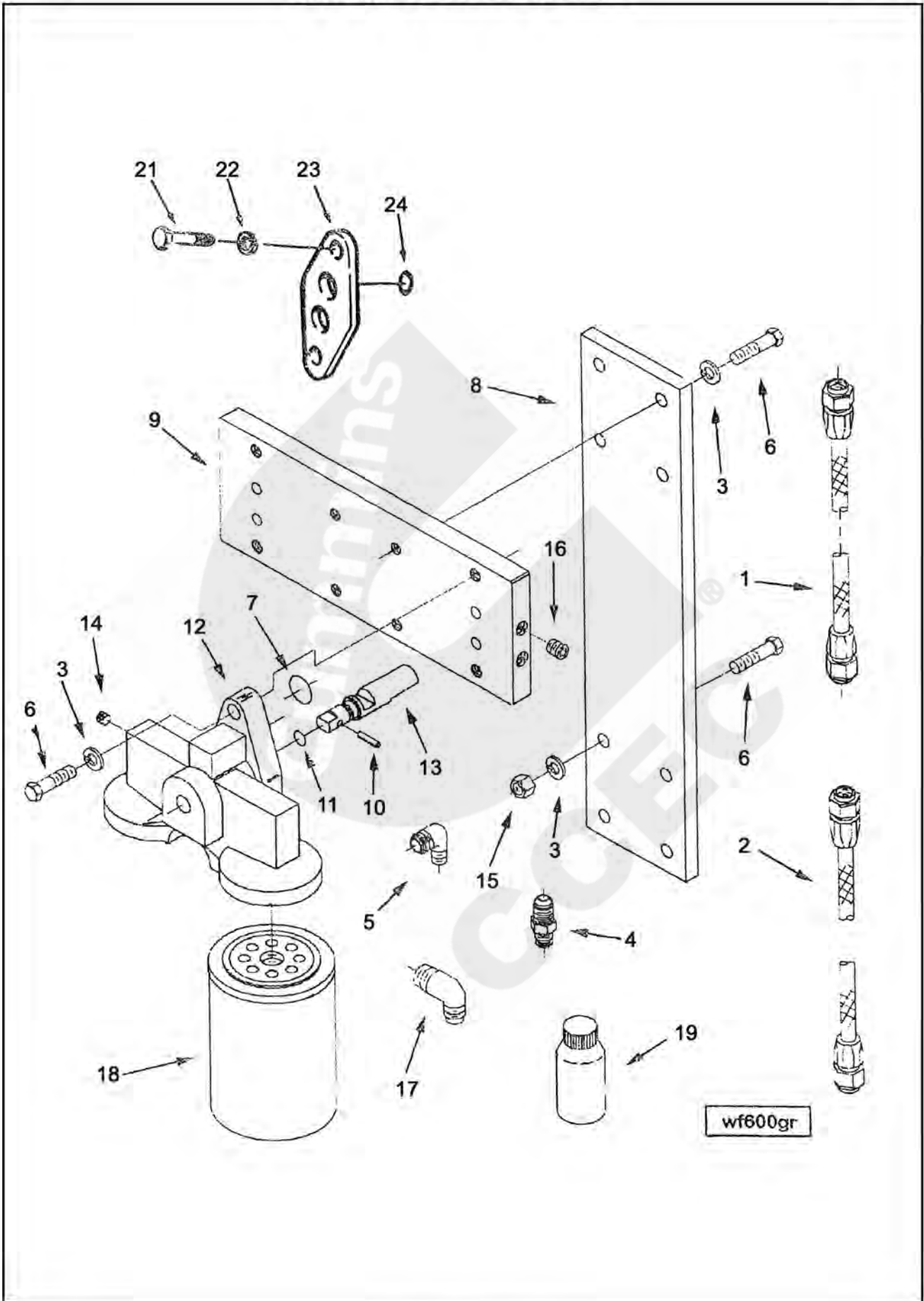
级别 LV	零件号 Part Number	图上标号 Ref No	零件名称 Part Name		数量 Req	备注 Remarks
			中文	英文		
02	3010125	1	起动马达	MOTOR, STARTING	2	
02	3018924	2	接地线	WIRE, GROUND	2	
02	3176063		起动马达安装	MOTOR, STARTING MTG	2	
03	158250	4	十二角螺栓	SCREW, TWELVE POINT	3	
03	S 603	3	弹簧垫圈	WASHER, LOCK	3	



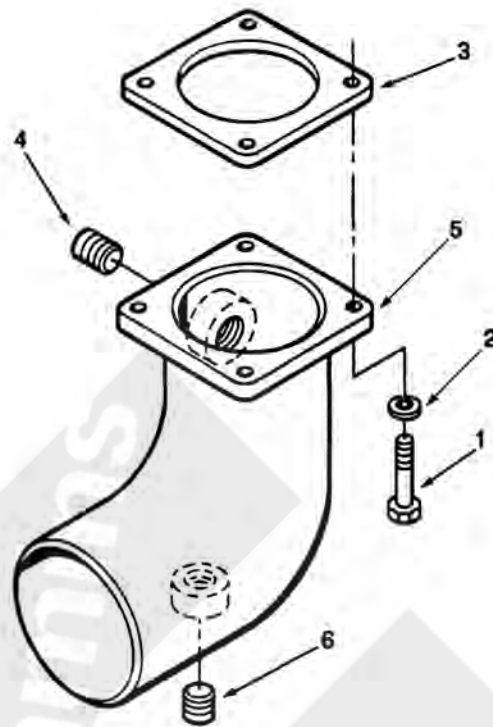
级别 LV	零件号 Part Number	图上标号 Ref No	零件名称 Part Name		数量 Req	备注 Remarks
			中文	英文		
02	MP 5044		起动机孔盖	COVER, STARTER HOLE	1	
03	62182	3	起动机发兰盖板	COVER, STARTER FIANGE	1	
03	S 181	1	六角螺栓	SCREW, HEXAGON HEAD CAP	3	
03	S 603	2	弹簧垫圈	WASHER, LOCK	3	

NOTES





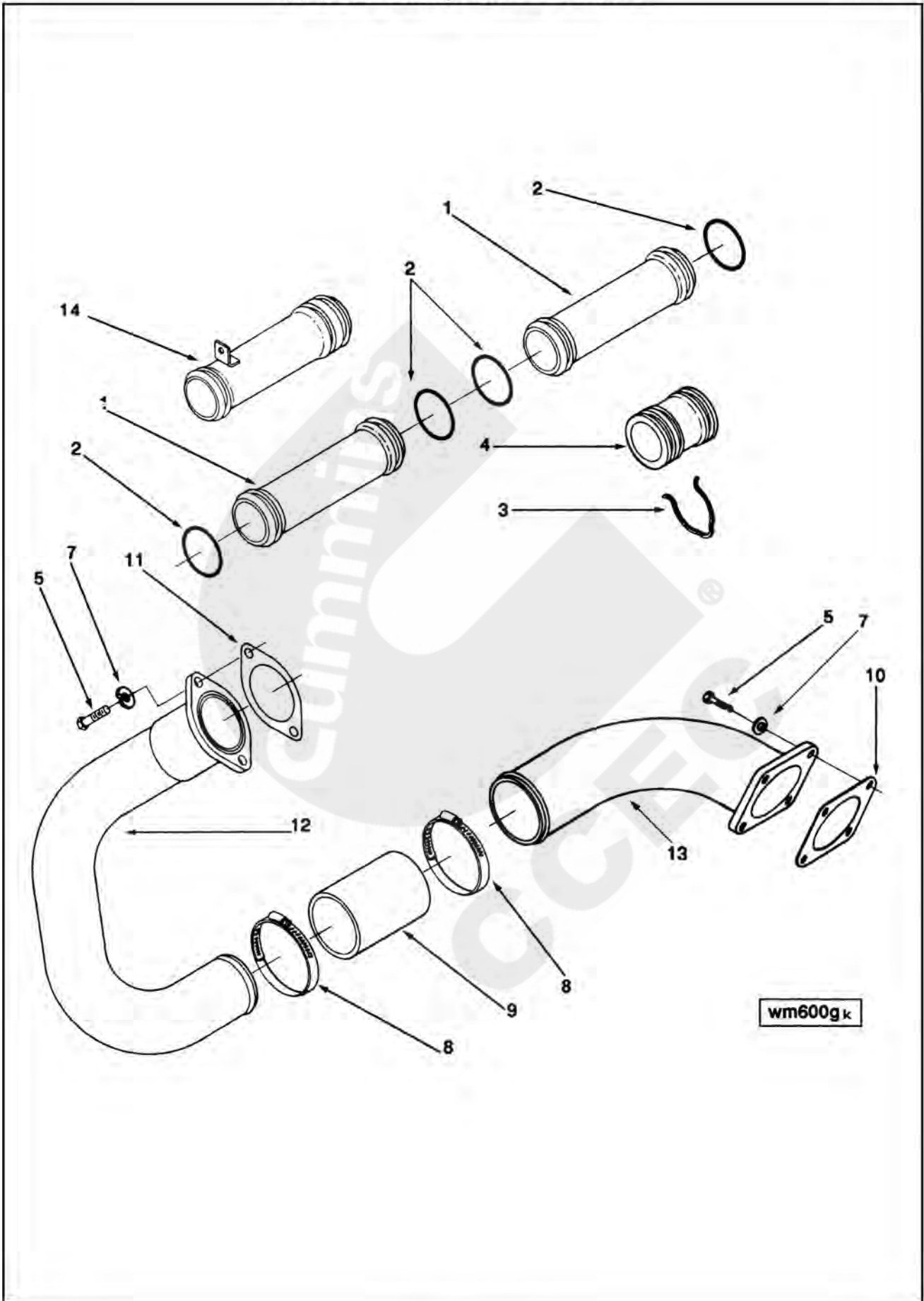
级别 LV	零件号		图上标号 Ref No	零件名称 Part Name		数量 Req	备注 Remarks
	Part Number			中文	英文		
02	3100308		18	水滤器	RESISTOR, CORROSION	4	
02	3318320		19	水滤器防腐剂	INHIBITOR, CORROSION	6	
02	3175457			水滤器总成	ASSY, CORROSION RESISTOR	1	
03	108707		6	六角螺栓	SCREW, HEXAGON HEAD	12	
03	144378		17	阳性弯接头	ELBOW, MALE ADAPTER	1	
03	145528		7	O型密封圈	SEAL, O RING	4	
03	3003470		8	水滤器板	BRACKET, CRN RESISTOR	1	
03	3004845		9	水滤器歧管	MANIFOLD, WATER	1	
03	3025460		16	管塞	PLUG, PIPE	2	
03	3175452			水滤器座总成	HEAD, WTR FILTER ASSY	2	
04	8306		10	园柱销	PIN, ROLL	1	
04	70415		11	O型圈	SEAL, O RING	1	
04	3025460		14	管塞	PLUG, PIPE	1	
04	3175453		12	水滤器座	HEAD, CORROSION RESISTOR	1	
04	3177040		13	切断阀轴	SHAFT, SHUTOFF VALVE	1	
03	AS 6012	SS	1	软管	HOSE, FLEXIBLE	1	
03	AS 6018	SS	2	柔性软管	HOSE, FLEXIBLE	1	
03	S 223		15	六角厚螺母	NUT, HEAVY HEXAGON	4	
03	S 604		3	弹簧垫圈	WASHER, LOCK	12	
03	S 910	B		管塞	PLUG, PIPE	2	
03	S 1039	A	4	阳性管接头	CONNECTOR, MALE	1	
03	S 1040	A	5	弯接头	ELBOW, MALE ADAPTER	2	
02	3012148			盖板	PLATE, COVER	2	
03	3003379		23	水滤器盖板	PLATE, COVER	1	
03	3818885		24	O型密封圈	SEAL, O RING	2	
03	S 105		21	六角螺栓	SCREW, HEXAGON HEAD CAP	2	
03	S 604		22	弹簧垫圈	WASHER, LOCK	2	



级别 LV	零件号 Part Number	图上标号 Ref No	零件名称 Part Name		数量 Req	备注 Remarks
			中文	英文		
02	207538	5	进水连接管	CONNECTION, WATER INLET	1	
02	MP 5494		水管接头安装	CONNECTION, WATER	1	
03	3008469	6	管塞	PLUG, PIPE	1	
03	3179035	3	水管接头衬垫	GASKET, WTR TRF CONNECTIO	1	
03	S 103 D	1	六角螺栓	SCREW, HEXAGON HEAD CAP	4	
03	S 604	2	弹簧垫圈	WASHER, LOCK	4	
02	S 907 A	4	管塞	PLUG, PIPE	1	

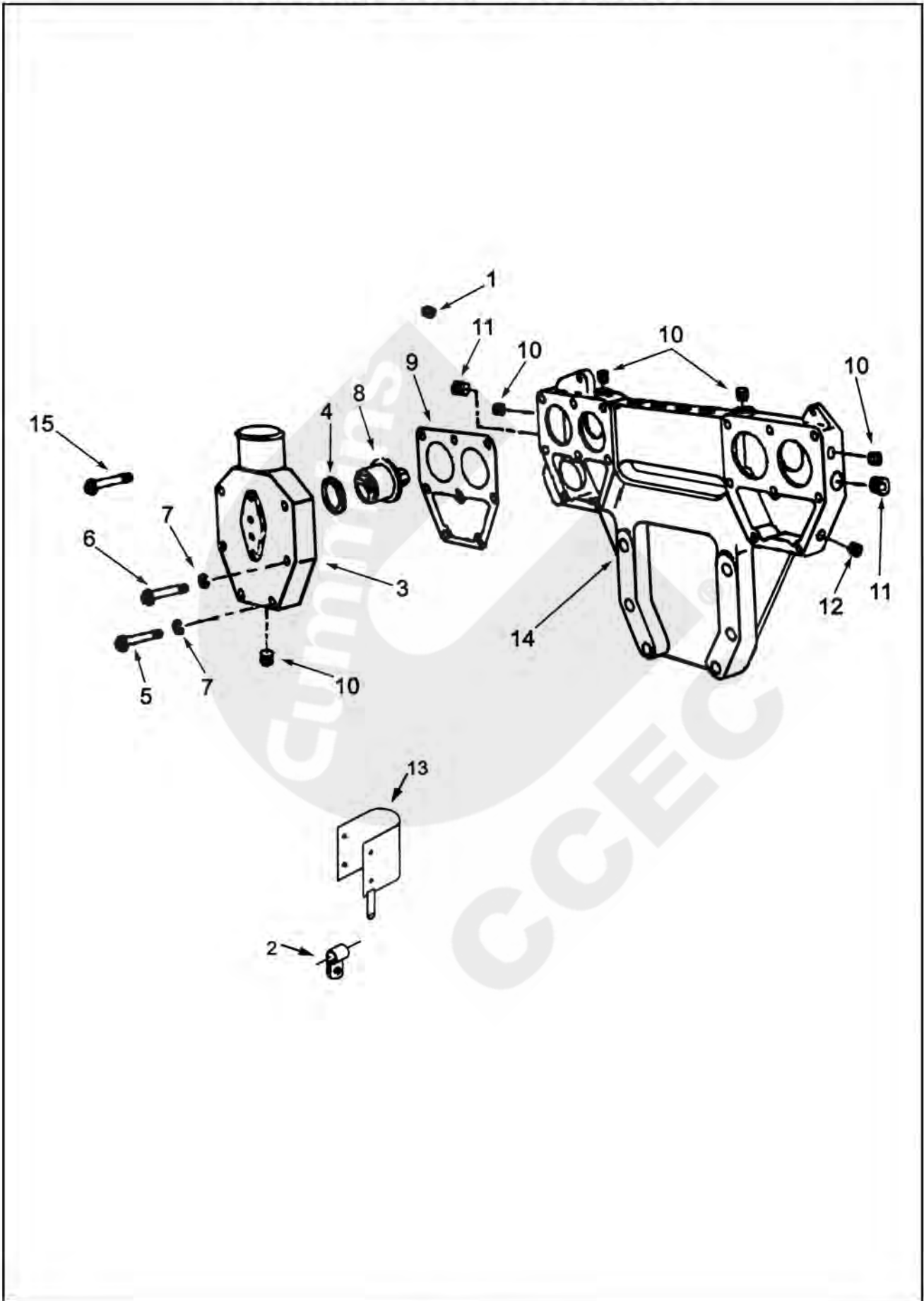
NOTES



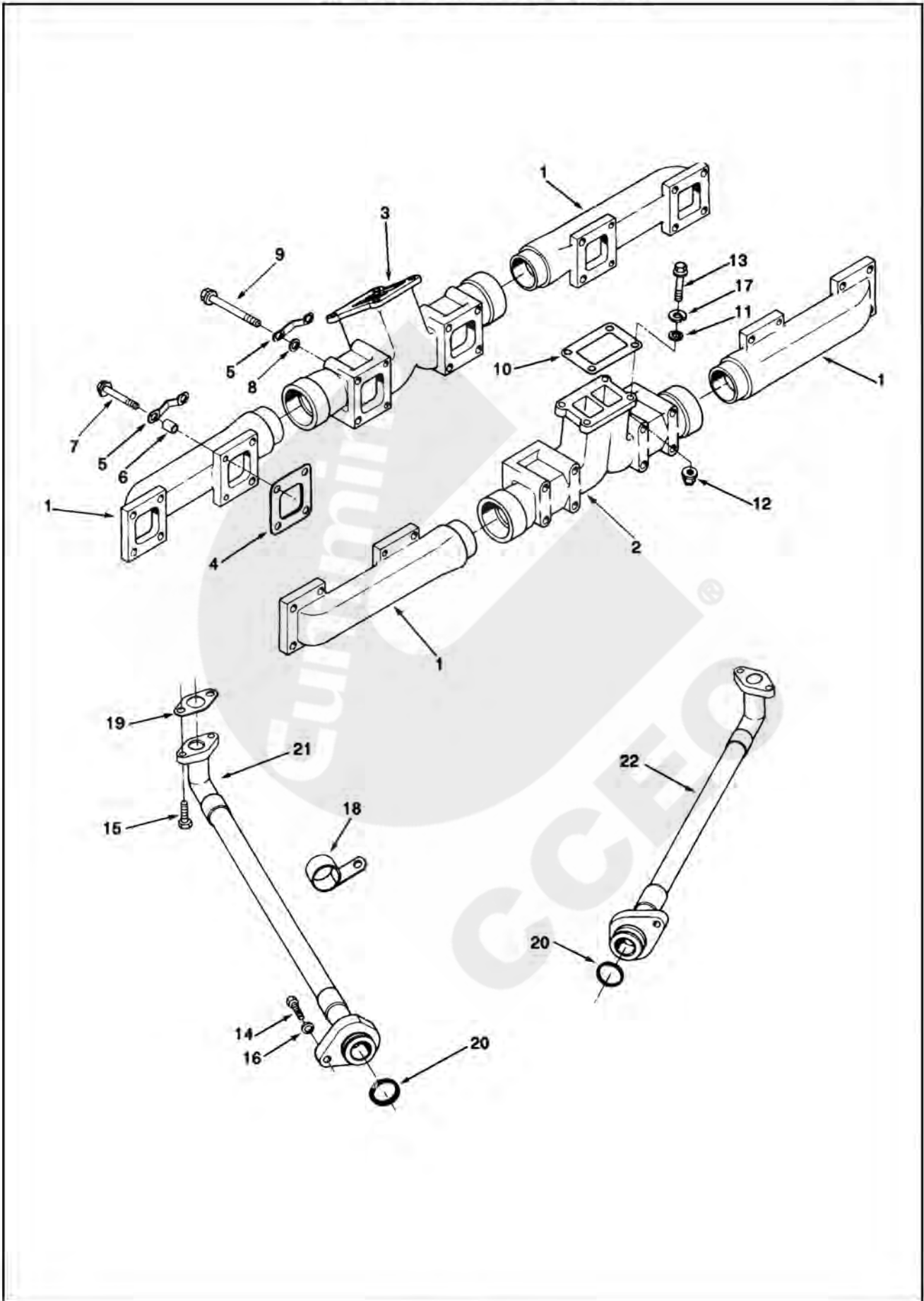




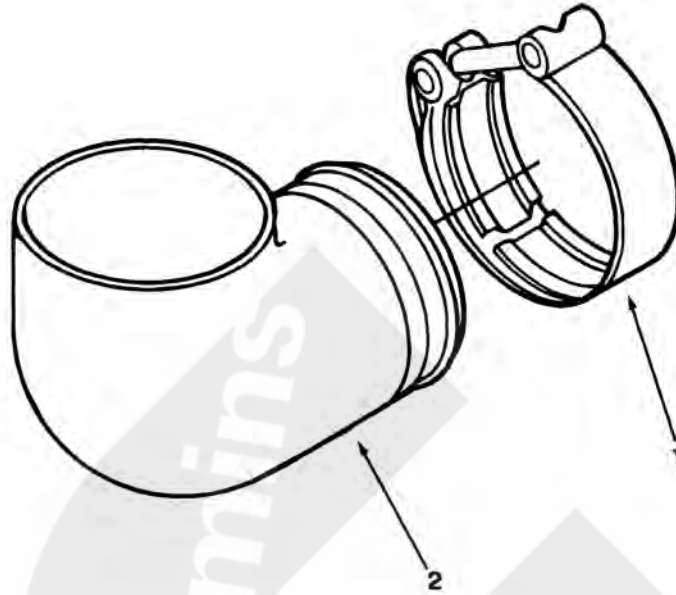
级别 LV	零件号 Part Number	图上标号 Ref No	零件名称 Part Name		数量 Req	备注 Remarks
			中文	英文		
02	3005118		输水管	TUBE, WTR TRANSFER LB	1	
03	205976	3	挡圈	RING, RETAINING	1	
03	3002956	4	输水管	TUBE, WTR TRANSFER LB	1	
03	3028291	2	O型密封圈	SEAL, O RING	2	
02	3028918		旁通水管	TUBE, WATER BYPASS	1	
03	60985	9	软管	HOSE, PLAIN	1	
03	140315	8	抱箍	CLAMP, T BOLT	2	
03	207515	11	衬垫	GASKET	1	
03	3050944	10	衬垫	GASKET, FLANGE	1	
03	3178319	12	旁通水管	TUBE, WATER BYPASS	1	
03	3178320	13	旁通水管	TUBE, WATER BYPASS	1	
03	S 103	D 5	六角螺栓	SCREW, HEXAGON HEAD CAP	6	
03	S 604	7	弹簧垫圈	WASHER, LOCK	6	
02	3040881		输水管	TUBE, WATER TRANSFER	1	
03	3028291	2	O型密封圈	SEAL, O RING	2	
03	3040710	14	输水管	TUBE, WATER TRANSFER	1	
02	AR12428		输水管	TUBE, WATER TRANSFER	10	
03	206709	1	输水管	TUBE, WATER TRANSFER	1	
03	3028291	2	O型密封圈	SEAL, O RING	2	



级别 LV	零件号 Part Number	图上标号 Ref No	零件名称 Part Name		数量 Req	备注 Remarks
			中文	英文		
02	3013786	1	管塞	PLUG, PIPE	1	
02	3047649		节温器壳及支架总成	HSG, THM & SPT ASSEMBLY	1	
03	3178326		节温器支架	SUPPORT, THM HOUSING	1	
04	3008466	11	管塞	PLUG, PIPE	2	
04	3008468	12	管塞	PLUG, PIPE	7	
04	3008469	10	管塞	PLUG, PIPE	4	
04	3627808	14	节温器支架	SUPPORT, THM HOUSING	1	
03	AR11506		节温器壳总成	HOUSING, THERMOSTAT	2	
04	206443	9	衬垫	GASKET, THERMOSTAT	1	
04	3008469	10	管塞	PLUG, PIPE	1	
04	3076489	8	节温器	THERMOSTAT	2	
04	AR11501		节温器壳分总成	HSG, THERMOSTAT	1	
05	3035844	3	节温器壳	HOUSING, THERMOSTAT	1	
05	3627961	4	密封圈	SEAL, THERMOSTAT	2	
04	S 141	5	螺栓	SCREW, HEXAGON HEAD	2	
04	S 163	6	六角螺栓	SCREW, HEXAGON HEAD CAP	4	
04	S 604	7	弹簧垫圈	WASHER, LOCK	6	



级别 LV	零件号 Part Number	图上标号 Ref No	零件名称 Part Name		数量 Req	备注 Remarks
			中文	英文		
02	3046320		排气管安装	MANIFOLD, EXHAUST MTG	4	
03	3037821	4	衬垫	GASKET, EXHAUST MANIFOLD	2	
03	3043912	5	锁紧板	LOCKPLATE	4	
03	3046286	6	安装隔套	SPACER, MOUNTING	8	
03	3066498	7	六角法兰头螺钉	SCREW, HEXAGON HEAD	8	
02	3046321		排气管安装	MANIFOLD, EXHAUST MTG	2	
03	3037821	4	衬垫	GASKET, EXHAUST MANIFOLD	2	
03	3043912	5	锁紧板	LOCKPLATE	4	
03	3066499	9	螺栓	SCREW, HEX FLANGE HEAD CA	8	
03	3627372	8	平垫圈	WASHER, PLAIN	8	
02	3056320		增压器安装	TURBOCHARGER, MOUNTING	2	
03	3171368	10	增压器衬垫	GASKET, TURBOCHAGER	1	
03	3176570	13	六角螺栓	SCREW, HEX FLANGE HEAD CA	4	
03	3626804	12	锁紧螺母	NUT, LOCK	4	
02	3177257		增压器回油管	HOSE, TURBO OIL DRAIN	1	
03	216187	20	O型密封圈	SEAL, O RING	1	
03	3628902	16	平垫圈	WASHER, PLAIN	1	
03	3629451	18	夹子	CLIP	1	
03	3630742	19	接头衬垫	GASKET, CONNECTION	1	
03	3632334	21	软管	HOSE, FLEXIBLE	1	
03	S 117	14	六角螺栓	SCREW, HEXAGON HEAD CAP	1	
03	S 172	B 15	六角头螺栓	SCREW, HEXAGON HEAD CAP	2	
03	S 604	17	弹簧垫圈	WASHER, LOCK	2	
02	3177258		增压器回油管	HOSE, TURBO OIL DRAIN	1	
03	216187	20	O型密封圈	SEAL, O RING	1	
03	3628902	16	平垫圈	WASHER, PLAIN	1	
03	3629451	18	夹子	CLIP	1	
03	3630742	19	接头衬垫	GASKET, CONNECTION	1	
03	3632339	22	软管	HOSE, FLEXIBLE	1	
03	S 117	14	六角螺栓	SCREW, HEXAGON HEAD CAP	1	
03	S 172	B 15	六角头螺栓	SCREW, HEXAGON HEAD CAP	2	
03	S 604	17	弹簧垫圈	WASHER, LOCK	2	
02	3629327		排气管总成	MANIFOLD, EXHAUST	1	
03	3630257	2	排气管	MANIFOLD, EXHAUST	1	
03	3630258	3	排气管	MANIFOLD, EXHAUST	1	
03	3630260	1	排气管	MANIFOLD, EXHAUST	2	
03	3630261	1	排气管	MANIFOLD, EXHAUST	2	



级别 LV	零件号 Part Number	图上标号 Ref No	零件名称 Part Name		数量 Req	备注 Remarks
			中文	英文		
02	201989	1	抱箍	CLAMP, V BAND	2	
02	3179979	2	排气接头	CONNECTION, EXHAUST OUTLE	2	

地 址：重庆市两江新区礼环南路100号  
电 话：400 810 5252（服务热线）  
400 889 9990（产品咨询）  
邮 编：401123

Add:No.100, Lihuan South Road, LiangJiang New Area,  
Chongqing  
Phone:400 810 5252 (Service Hotline)  
400 889 9990 (Product Consulting)  
P.C:401123

更多了解  
扫码关注



版权所有 Copyright

This Parts Catalog May Change Without Notice